

2003 HUMMER H1 PARTS CATALOG

Section 1 GENERAL INFORMATION

This catalog contains an illustrated list of service or replacement parts for the AM General Commercial HUMMER H1. The HUMMER H1 is equipped with a 6.5L turbocharged diesel engine and is offered in four body styles:

HMC4,	Model 83 — Four-door, four passenger hardtop truck (K-Series only)
HMCS,	Model 84 — Four-door, four passenger station wagon
HMCO,	Model 90 — Hard-door, four passenger, open top truck
XLC2,	Model 89 — Two-door, two passenger, enlarged cab truck (K-Series only)

This catalog is divided into 13 major sections in the sequence shown on the title page. Major sections are divided into smaller groups of parts, each with its own illustration. Immediately preceding this introduction is a complete listing of all illustrations in this catalog. The first page of each section also contains a listing of illustrations for that section.

Illustrated items are numerically keyed on the illustrations and described in the text on the following page. Figure numbers are located at the top of the description column.

Indented items in the parts listings indicate availability as a part of the preceding assembly. Indented parts with assigned part numbers can also be ordered separately.

Alphabetical and Numerical indexes are located at the end of the catalog (Section 14).

PARTS SERVICED BY AM GENERAL

AM General will service virtually all of the service or replacement parts for this vehicle except those which are more economical and/or more practical to procure locally. Items not covered may be standard hardware, fuses, lamp bulbs, sealants, lubricants, adhesives, and standard sizes and types of tubing, hoses, and electrical connectors and fittings. Items which are listed in this catalog, but are not serviced, are indicated by the legend "N/S" in the part number column.

ESSENTIAL TOOLS

All essential tools are covered in the companion service manual. Tools listed with a Kent-Moore part number can be obtained directly from Kent-Moore by calling 1-800-345-2233 or writing to:

Kent-Moore
28635 Mound Rd.
Warren, Michigan 48092

HOW TO LOCATE PARTS

When function, use, or location is known: Refer to the Table of Contents.

When part number is known: Refer to the Numerical Index.

When nomenclature is known: Refer to the Alphabetical Index.

HOW TO ORDER SERVICE PARTS

Order parts through the Dealer Communication System (DCS). Include the part number and quantity of each part.

If you encounter difficulty in ordering through the DCS, you may phone the CDCS Help Line at Strategic Business Systems at 201-327-8532 .

DAMAGED SHIPMENTS, SHORTAGES OR ERRORS

All shipments are properly packed and are in good order when delivered to the transportation company. Responsibility ends with such delivery. When a damaged shipment is received, a claim should be filed immediately against the carrier making delivery.

All claims for shortages or errors in packing must be made to the same address from which the parts were ordered. Claims must be made within ten (10) days after receiving shipment. All claims must be accompanied by the original packing slip, with proper notation of shortage or error, and signed by the responsible person in receiving department.

ABBREVIATIONS

ABS	Antilock Brake System	mm	Millimeter
AUX	Auxiliary	min.	Minimum
A/C	Air Conditioning	N/A	Not Available
A/R	As Required	NPN	No Part Number
baro.	Barometric	N/S	Not Serviced
CAD	Cadmium	N.Y.	New York
CW	Clockwise	O.D.	Outside Diameter
CCW	Counterclockwise	PCM	Powertrain Control Module
C.E.	Commutator End	PCV	Positive Crankcase Ventilation
cm	Centimeter	Phos	Phosphate
CTI	Central Tire Inflation	P/N	Part Number
CTIS	Central Tire Inflation System	P/S	Power Steering
D.C.	Direct Current	press.	Pressure
D.E.	Drive End	QTY	Quantity
Dia.	Diameter	R.F.	Right Front
DRA	Digital Ratio Adaptor	R.H.	Right-Hand
EPA	Environmental Protection Agency	R.R.	Right Rear
G.C.C.	Gulf Coast Countries	S.I.A.	Serviced in Assembly
Gr8	Grade 8	S.I.K.	Serviced in Kit
HMC4	Four-Door	S/N	Serial Number
HMCS	Station Wagon	S.P.D.T.	Single Pole Double Throw
HMCO (hard doors)	Open Vehicle	S.P.S.T.	Single Pole Single Throw
HMSB	Slant-Back	S.R.E.	Slip Ring End
hp	horsepower	STD	Standard
HVAC	Heating, Ventilating, Air Conditioning	TCM	Transmission Control Module
I.D.	Inside Diameter	TT4	Torque Trac 4
in.	inch	V	Volt
I/P	Instrument Panel	VIN	Vehicle Identification Number
L.F.	Left Front	VDC	Volt Direct Current
L.H.	Left-Hand	W/S	Windshield
L.R.	Left Rear	XLC2	Two-Door, Enlarged Cab
l.	Liter	ZN	Zinc
max.	Maximum		

SUGGESTIONS AND RECOMMENDATIONS

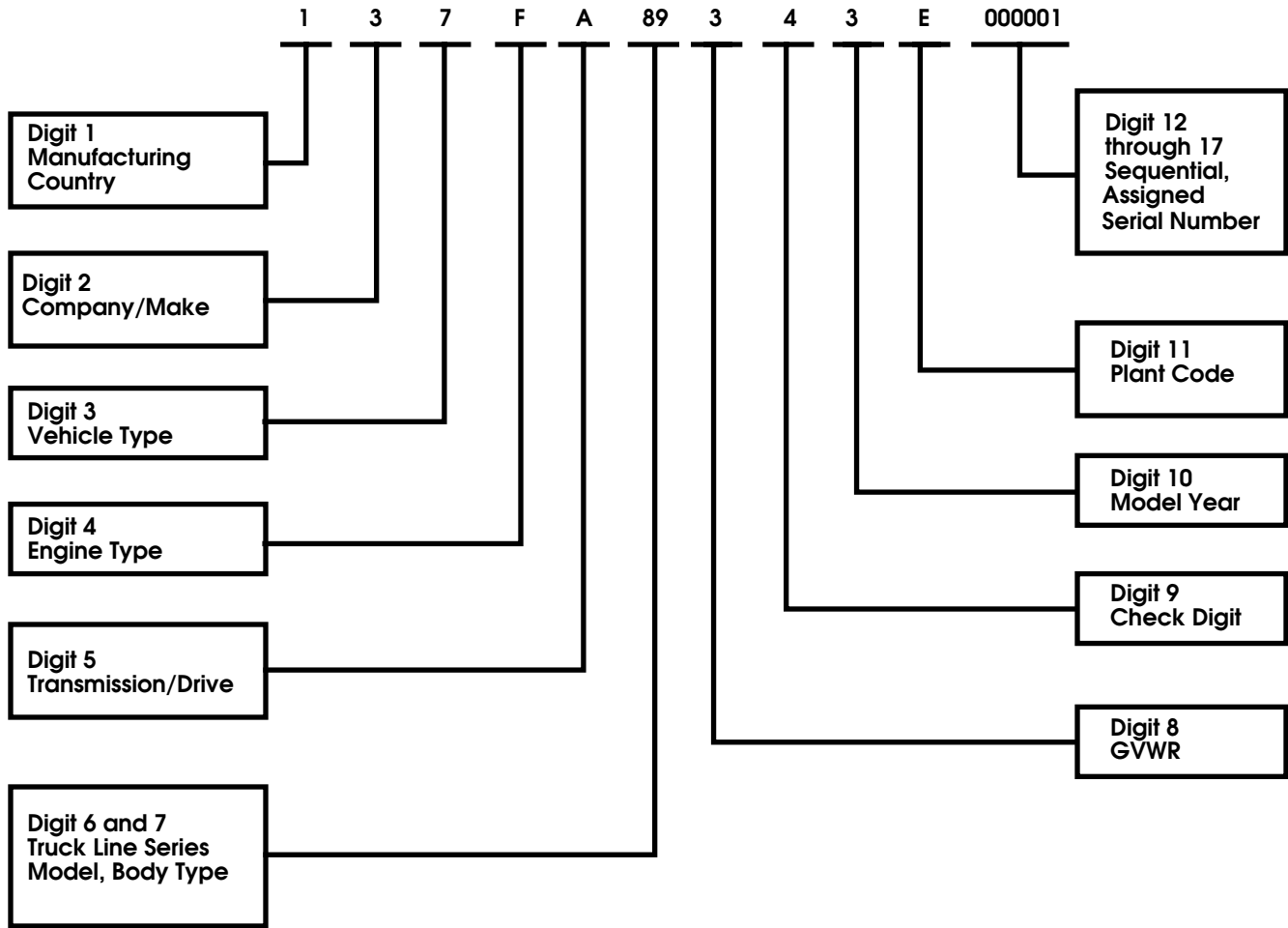
Recommendations for improving or correcting this catalog are encouraged. Forms are included at the back of this manual. Please forward corrections or recommendations directly to:

AM General LLC
Commercial Publications Department
408 S. Byrkit St.
Mishawaka, Indiana 46546-0728

To receive future revisions and updates to this manual, please send the publications form in the front of this manual to:

AM General LLC
Commercial Publications Department
408 S. Byrkit St.
Mishawaka, Indiana 46546-0728

VEHICLE IDENTIFICATION NUMBER DESCRIPTION



Vehicle Identification Number Decoding Chart

<u>Digit</u>	<u>Code</u>	<u>Code Definition</u>
1	1	United States
2	3	AM General LLC
3	7	Commercial Vehicles
4	F	6.5L Turbocharged Diesel, GEP, 8 cyl., 195 hp
5	A	4-Speed, Automatic/LHD

Vehicle Identification Number Decoding Chart (Continued)

<u>Digit</u>	<u>Code</u>	<u>Code Definition</u>		
6 & 7	83	1-1/4 ton	4-door	Truck, utility
	84	1-1/4 ton	Station wagon	Truck, utility
	89	1-1/4 ton	2-door enlarged cab	Truck, utility
	90	1-1/4 ton	Open body w/full hard doors	Truck, utility
8	Class 3	10,001 lb - 14,000 lb (4,541 kg - 6,356 kg)		
9	—	Check Digit		
10	3	2003		
11	E	Mishawaka, Indiana		
12-17	—	Sequential Serial Number		

2003 HUMMER H1 PARTS CATALOG

ENGINE 2-1

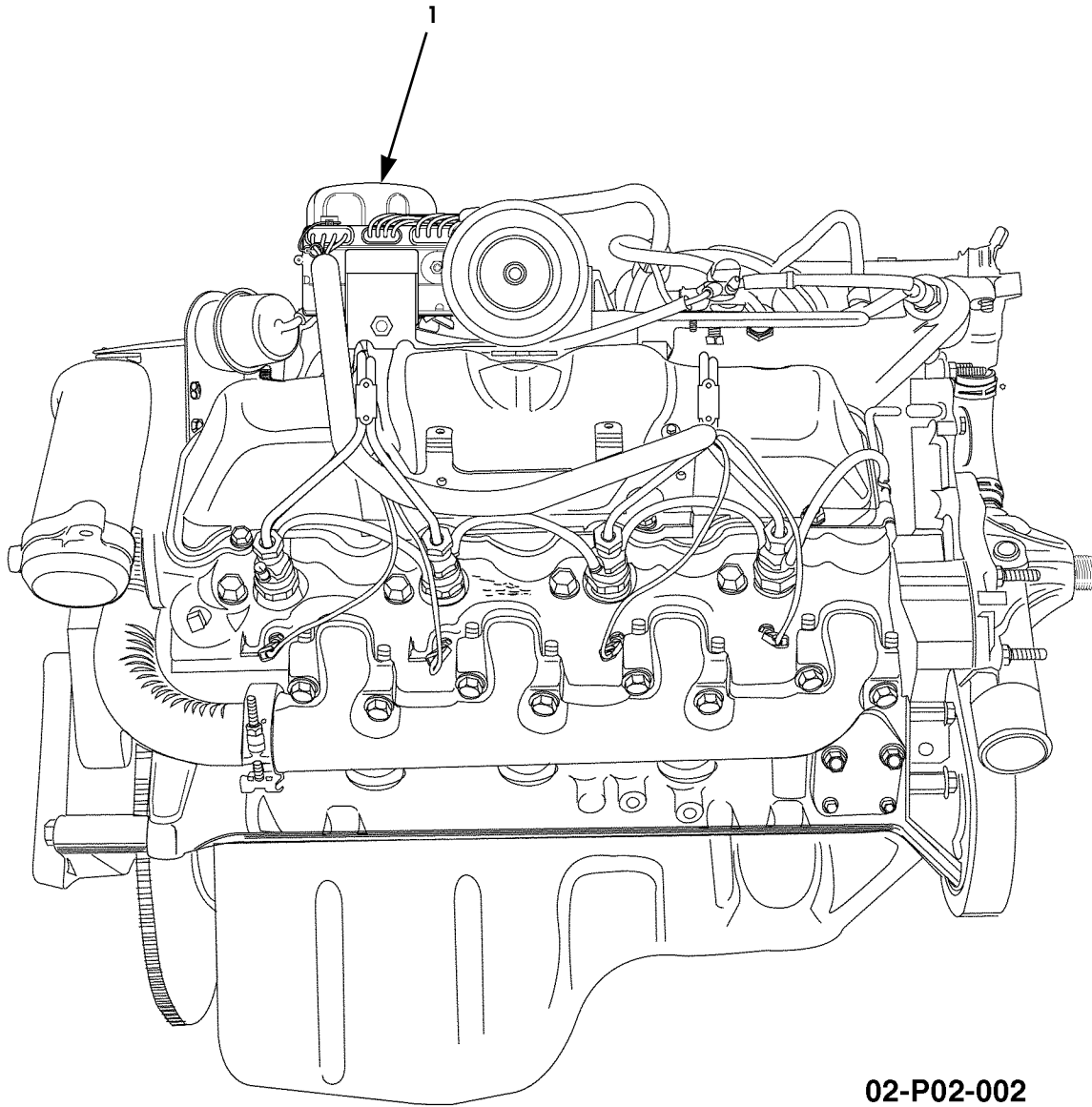
Section 2

ENGINE

TITLE	PAGE NUMBER
Air Intake Manifolds, Crankcase Depression Regulator Valve, and Mounting Hardware	2-20
Camshaft, Timing Chain, and Related Parts	2-12
Crankcase Cover Assembly and Rocker Cover	2-14
Crankshaft, Damper, Bearings, Pulley, and Flywheel	2-6
Cylinder Head and Block Components	2-4
Engine Assembly	2-2
Engine Oil Pan, Pump, and Filler Tube	2-16
Exhaust Manifold Heat Shield	2-32
Exhaust Manifolds	2-26
Mounting Brackets, Engine	2-28
Oil Dipstick and Tube Assembly, Engine	2-30
Oil Filter, Adapter, and Oil Line Fittings	2-18
Piston Assembly, Rod Assembly, and Ring Set	2-8
TurboCharger Assembly and Heat Shields	2-22
Vacuum Pump, Serpentine Belt and Accessory Drive Brackets and Pulleys	2-24
Valves, Guides, and Rocker Arm Assemblies	2-10

2003 HUMMER H1 PARTS CATALOG

2-2 ENGINE



02-P02-002

Figure 2-1. Engine Assembly.

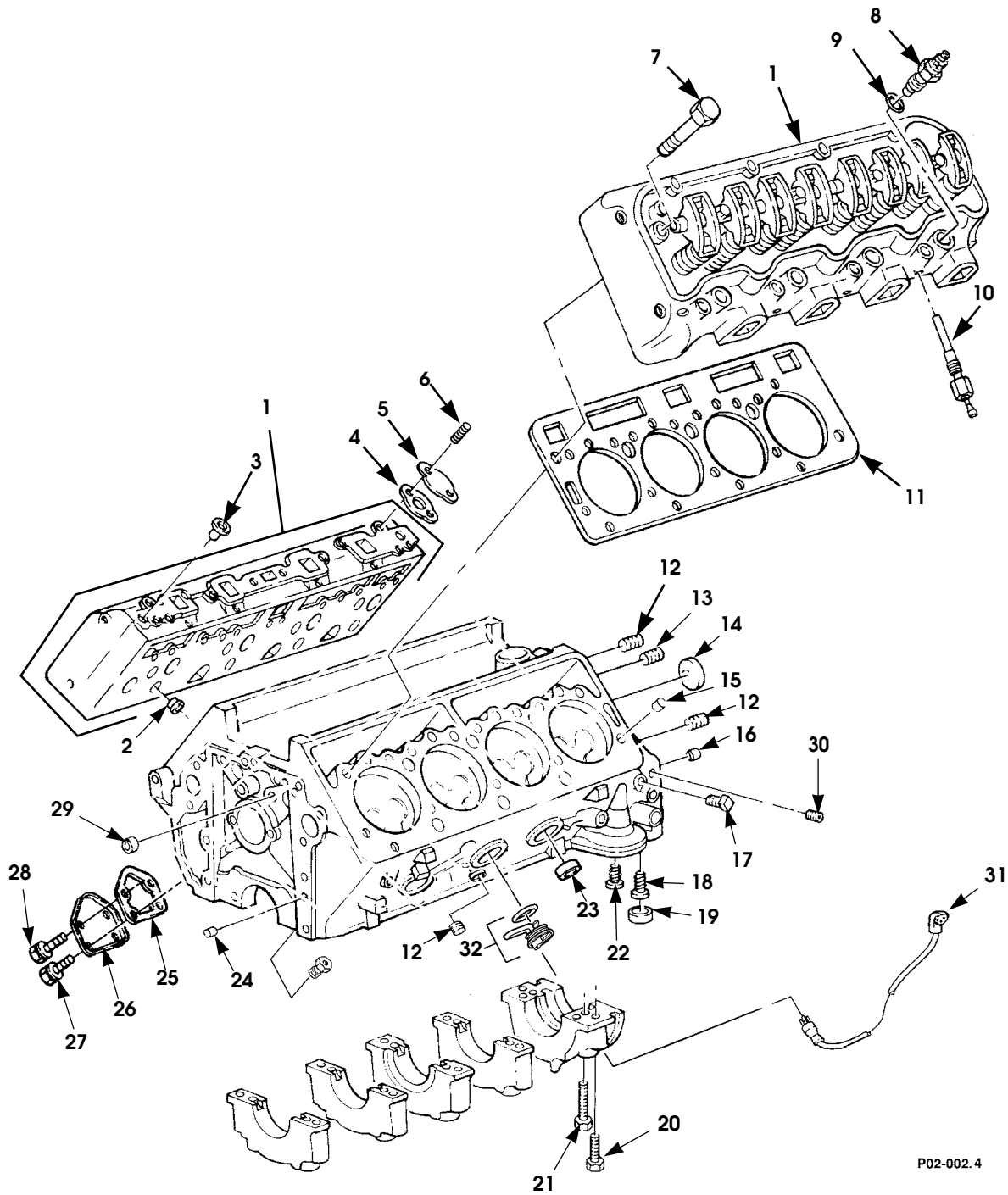
2003 HUMMER H1 PARTS CATALOG

ENGINE 2-3

ITEM	PART NUMBER	DESCRIPTION	QTY
		Figure 2-1. Engine Assembly.	
1	5744918	ENGINE, long block, 6.5 liter, new	1
1	6013993	ENGINE, complete, 6.5 liter, new	1

2003 HUMMER H1 PARTS CATALOG

2-4 ENGINE



P02-002.4

Figure 2-2. Cylinder Head and Block Components.

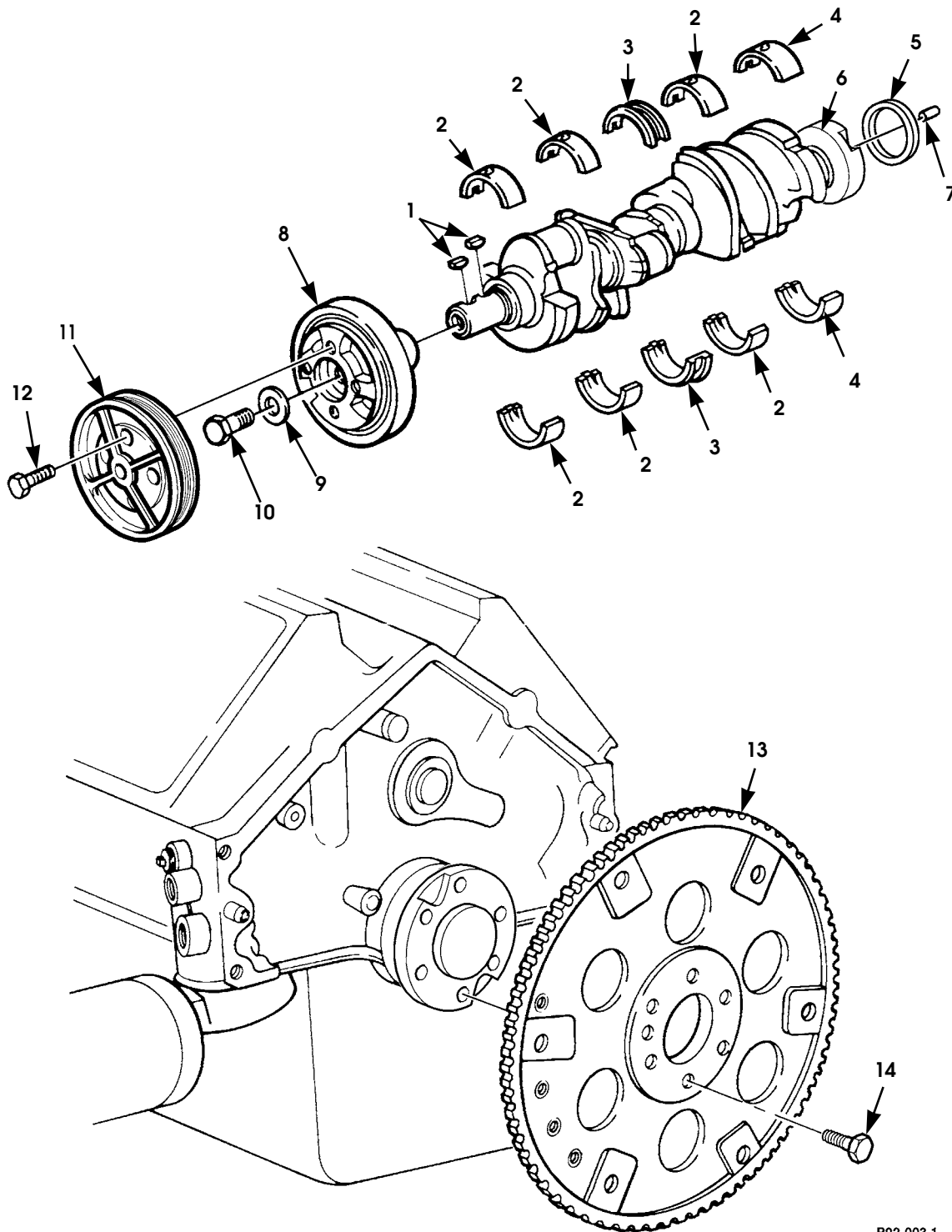
2003 HUMMER H1 PARTS CATALOG

ENGINE 2-5

ITEM	PART NUMBER	DESCRIPTION	QTY
		Figure 2-2. Cylinder Head and Block Components.	
1	5744649	CYLINDER HEAD	2
1	5745220	CYLINDER HEAD, remanufactured	2
2	5744650	•CHAMBER.	8
2	5744651	•CHAMBER, oversized.	8
3	5572842	PLUG, cylinder head	4
4	5742109	GASKET, thermostat housing	2
5	5740186	COVER, water jacket.	2
6	12339406-2	STUD, access cover	4
7	5740031	BOLT, cylinder head.	34
8	5743223	NOZZLE, fuel injection	8
9	5740058	GASKET, nozzle	8
10	5745281	GLOW PLUG, type 60G	8
11	5744449	GASKET, cylinder head, SEE NOTE 1	2
12	N/S	PLUG, pipe, 1/4 - 18", oil passage	5
13	N/S	PLUG, pipe, 3/8", oil gallery	1
14	5740272	PLUG, camshaft	1
15	5740268	SPACER, cylinder head	4
16	8134398	PIN, flywheel.	2
17	N/S	PLUG, pipe, 3/8", cylinder block	1
18	5743277	VALVE, regulating	1
19	5741043	PLUG, regulating valve, oil cooler	1
20	5740144	BOLT, bearing cap, outboard, front & rear	4
20	5744943	BOLT, bearing cap, outboard, middle.	6
21	5715343	BOLT, bearing cap, inboard, all	10
22	5743278	VALVE, safety	1
23	5740529	PLUG, expansion, freeze	6
24	5740145	PIN, block	2
25	5742650	GASKET, fuel pump cover.	1
26	5742657	COVER, fuel pump	1
27	N/S	SCREW, fuel pump cover, M6 x 1.0 x 16.	2
28	N/S	SCREW, fuel pump cover, 3/8 - 16 x 3/4".	2
29	5741150	PLUG, expansion	2
30	5598192	PLUG, cap	1
31	5939441	HEATER CORD, block.	1
32	5743279	IMMERSION HEATER.	1
		NOTE 1: PART OF GASKET SET P/N 5714842	

2003 HUMMER H1 PARTS CATALOG

2-6 ENGINE



P02-003.1

Figure 2-3. Crankshaft, Damper, Bearings, Pulley, and Flywheel.

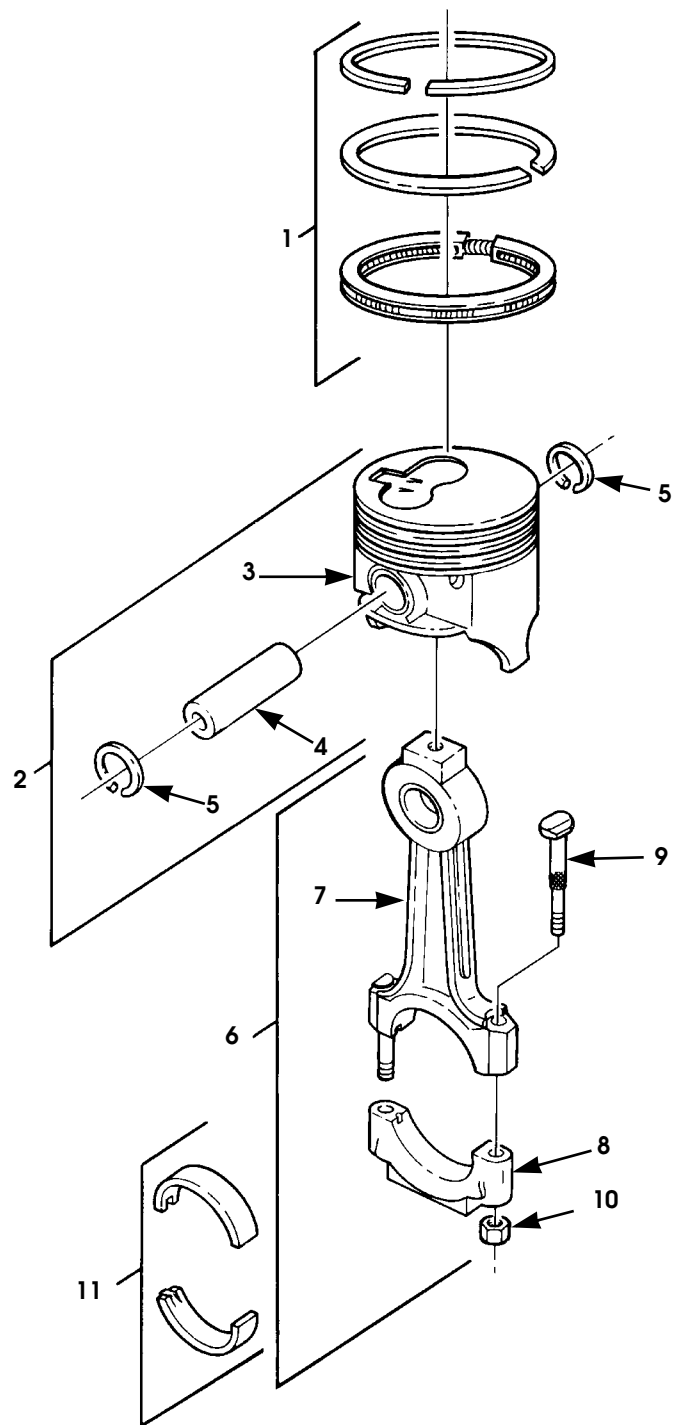
2003 HUMMER H1 PARTS CATALOG

ENGINE 2-7

ITEM	PART NUMBER	DESCRIPTION	QTY
		Figure 2-3. Crankshaft, Damper, Bearings, Pulley, and Flywheel.	
1	106751	KEY, camshaft.	2
2	5740240	BEARINGS, standard, #1, 2, 4.	3
2	5740241	BEARING, .013 mm undersized, #1, 2, 4	3
2	5740242	BEARING, .026 mm undersized, #1, 2, 4	3
3	5740201	BEARING, standard, #3	1
3	5740202	BEARING, .013 mm undersized, #3	1
3	5740203	BEARING, .026 mm undersized, #3	1
4	5740204	BEARING, standard, #5	1
4	5740205	BEARING, .013 mm undersized, #5	1
4	5740206	BEARING, .026 mm undersized, #5	1
5	5743226	PACKING, preformed, crankshaft, SEE NOTE 1	2
6	5743227	CRANKSHAFT, engine	1
7	5740261	PIN, flywheel.	1
8	5743228	DAMPER ASSEMBLY, crankshaft	1
9	5740147	WASHER, flat, torsional damper.	1
10	5740146	SCREW, torsional damper	1
11	6003069	PULLEY, crankshaft	1
12	N/S	BOLT, M10 - 1.5 x 65, crankshaft pulley	1
13	5740037	FLYWHEEL, engine	1
14	5740263	BOLT, flywheel.	6
NOTE 1: PART OF GASKET AND SEAL SET P/N 5743399			

2003 HUMMER H1 PARTS CATALOG

2-8 ENGINE



P02-004

Figure 2-4. Piston Assembly, Rod Assembly, and Ring Set.

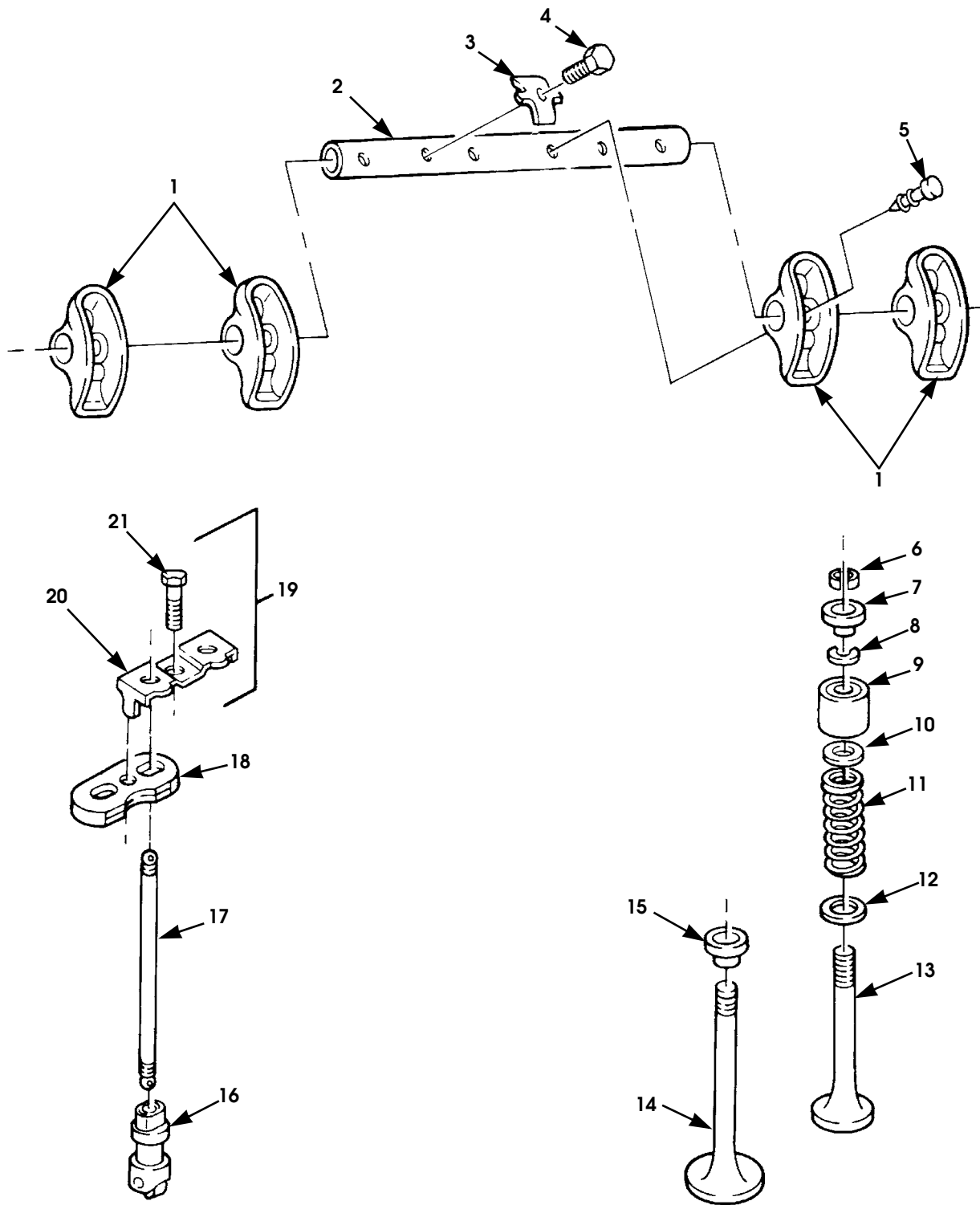
2003 HUMMER H1 PARTS CATALOG

ENGINE 2-9

ITEM	PART NUMBER	DESCRIPTION	QTY
		Figure 2-4. Piston Assembly, Rod Assembly, and Ring Set.	
1	5743280	RING SET, standard	8
1	5743281	RING SET, 0.5 mm oversized	8
2	5743282	PISTON ASSEMBLY, standard	8
2	5743799	PISTON ASSEMBLY, 0.5 mm oversized	8
3	N/S	•PISTON	8
4	N/S	•PISTON PIN	8
5	5740158	•RING, retaining.	16
6	5740038	CONNECTING ROD ASSEMBLY	8
7	N/S	•CONNECTING ROD.	8
8	N/S	•CAP, connecting rod.	8
9	5740155	•BOLT, connecting rod	16
10	5740156	•NUT, connecting rod	16
11	5740238	BEARING, connecting rod, standard.	8
11	5740239	BEARING, connecting rod, 0.026 mm undersized	8

2003 HUMMER H1 PARTS CATALOG

2-10 ENGINE



PO2-005

Figure 2-5. Valves, Guides, and Rocker Arm Assemblies.

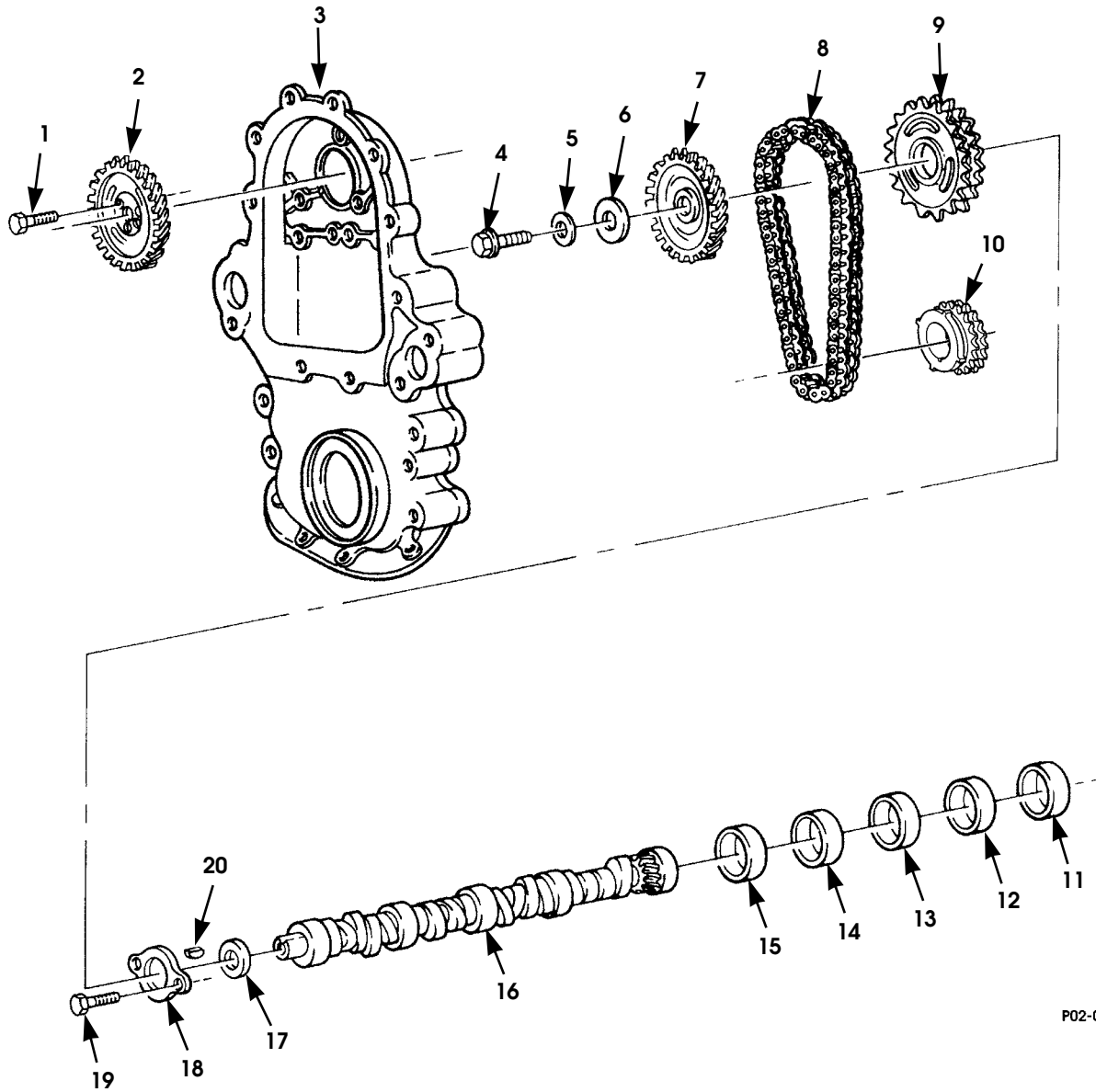
2003 HUMMER H1 PARTS CATALOG

ENGINE 2-11

ITEM	PART NUMBER	DESCRIPTION	QTY
		Figure 2-5. Valves, Guides, and Rocker Arm Assemblies.	
1	5740132	ROCKER ARM, valve	16
2	5740531	SHAFT, valve rocker arm	4
3	5741045	RETAINER, rocker arm shaft.	8
4	11508355	BOLT, rocker arm shaft.	8
5	5741046	RETAINER, rocker arm	16
6	5740270	LOCK, valve spring	32
7	5740180	ROTOR, engine poppet, exhaust valve.	8
8	5740266	SEAL INLET, valve stem, SEE NOTE 1	16
9	5740153	SPACER, sleeve.	16
10	5742095	SEAL, exhaust valve.	8
11	5740152	SPRING, valve.	16
12	5740130	WASHER, valve spring	16
13	5743283	VALVE, poppet, exhaust, standard	8
13	5743284	VALVE, poppet, exhaust, 0.089 mm oversized	8
14	5740041	VALVE, poppet, intake, standard	8
14	5740194	VALVE, poppet, intake, 0.089 mm oversized	8
14	5740195	VALVE, poppet, intake, 0.349 mm oversized	8
15	5740131	CAP, intake valve spring	8
16	5740043	TAPPET, hydraulic roller	16
17	5740040	PUSHROD, valve.	16
18	5740133	PLATE, guide.	8
19	5740134	CLAMP ASSEMBLY, guide	8
20	N/S	•CLAMP, guide.	8
21	N/S	•SCREW, flanged hex head, M8 -1.25 x 22	8
		 NOTE 1: PART OF 6.5L CYLINDER HEAD KIT 5714842	

2003 HUMMER H1 PARTS CATALOG

2-12 ENGINE



P02-006..

Figure 2-6. Camshaft, Timing Chain, and Related Parts.

2003 HUMMER H1 PARTS CATALOG

ENGINE 2-13

ITEM	PART NUMBER	DESCRIPTION	QTY
		Figure 2-6. Camshaft, Timing Chain, and Related Parts.	
1	5740184	SCREW, fuel injection pump driven gear	3
2	5740139	GEAR, fuel injection pump driven	1
3	5740182	COVER, crankcase front	1
4	11500893P2	BOLT, M12 - 1.75 x 45MM	1
5	5741151	WASHER, fuel injection pump drive gear	1
6	5740137	WASHER, fuel injection pump drive gear	1
7	5740140	GEAR, fuel injection pump drive	1
8	5740046	CHAIN, camshaft timing	1
9	5740044	SPROCKET WHEEL, camshaft	1
10	5743229	SPROCKET WHEEL, crankshaft	1
11	5740191	BEARING, camshaft, #5, orange	1
12	5740190	BEARING, camshaft, #4, green	1
13	5740189	BEARING, camshaft, #3, yellow	1
14	5740188	BEARING, camshaft, #2, pink	1
15	5740187	BEARING, camshaft, #1, plain	1
16	5740213	CAMSHAFT, engine	1
17	5740135	SPACER, camshaft sprocket	1
18	5740136	RETAINER, camshaft	1
19	N/S	SCREW, M8 - 1.25 x 16, thrust bearing	2
20	106751	KEY, camshaft.	1

2003 HUMMER H1 PARTS CATALOG

2-14 ENGINE

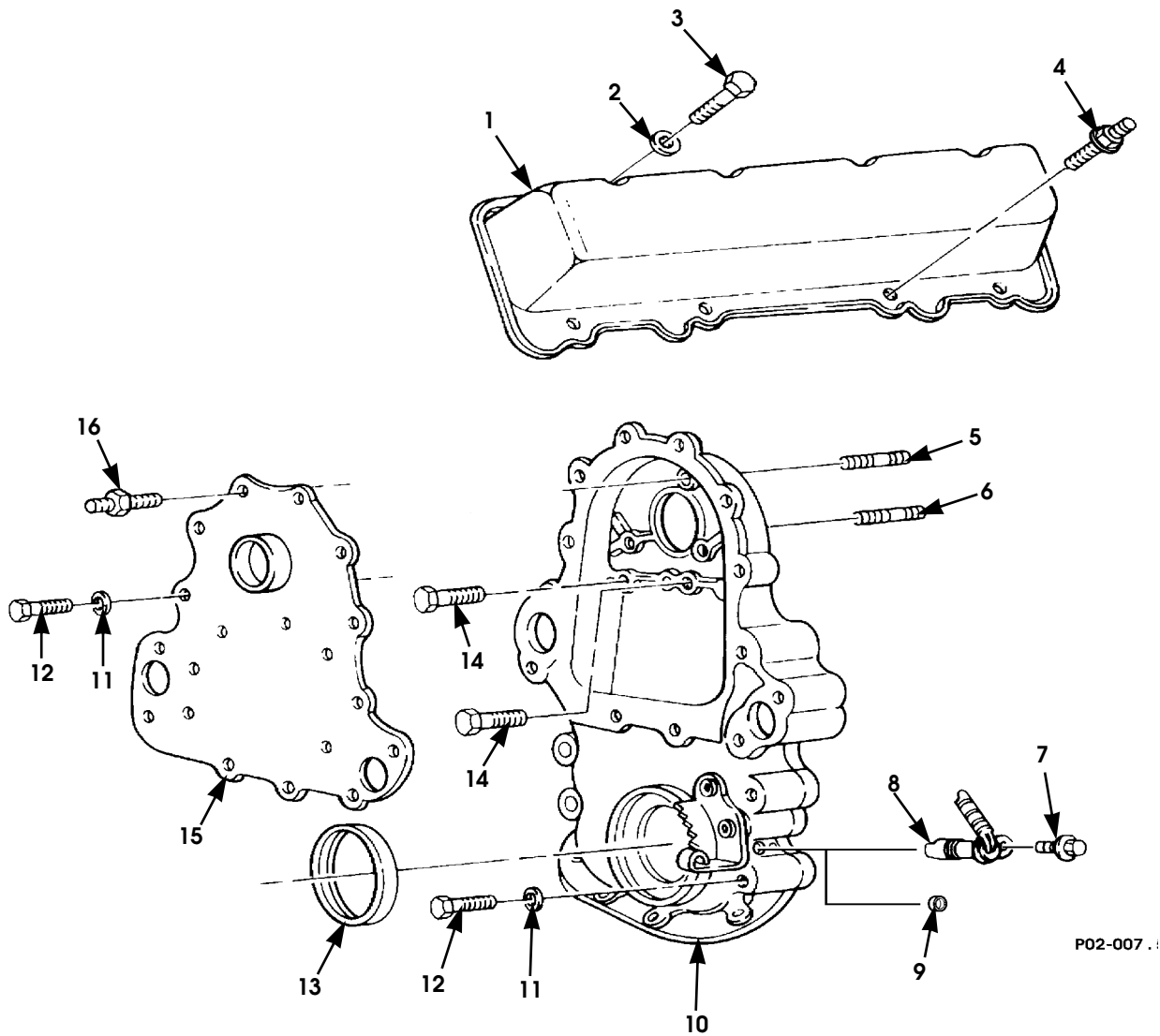


Figure 2-7. Crankcase Cover Assembly and Rocker Cover.

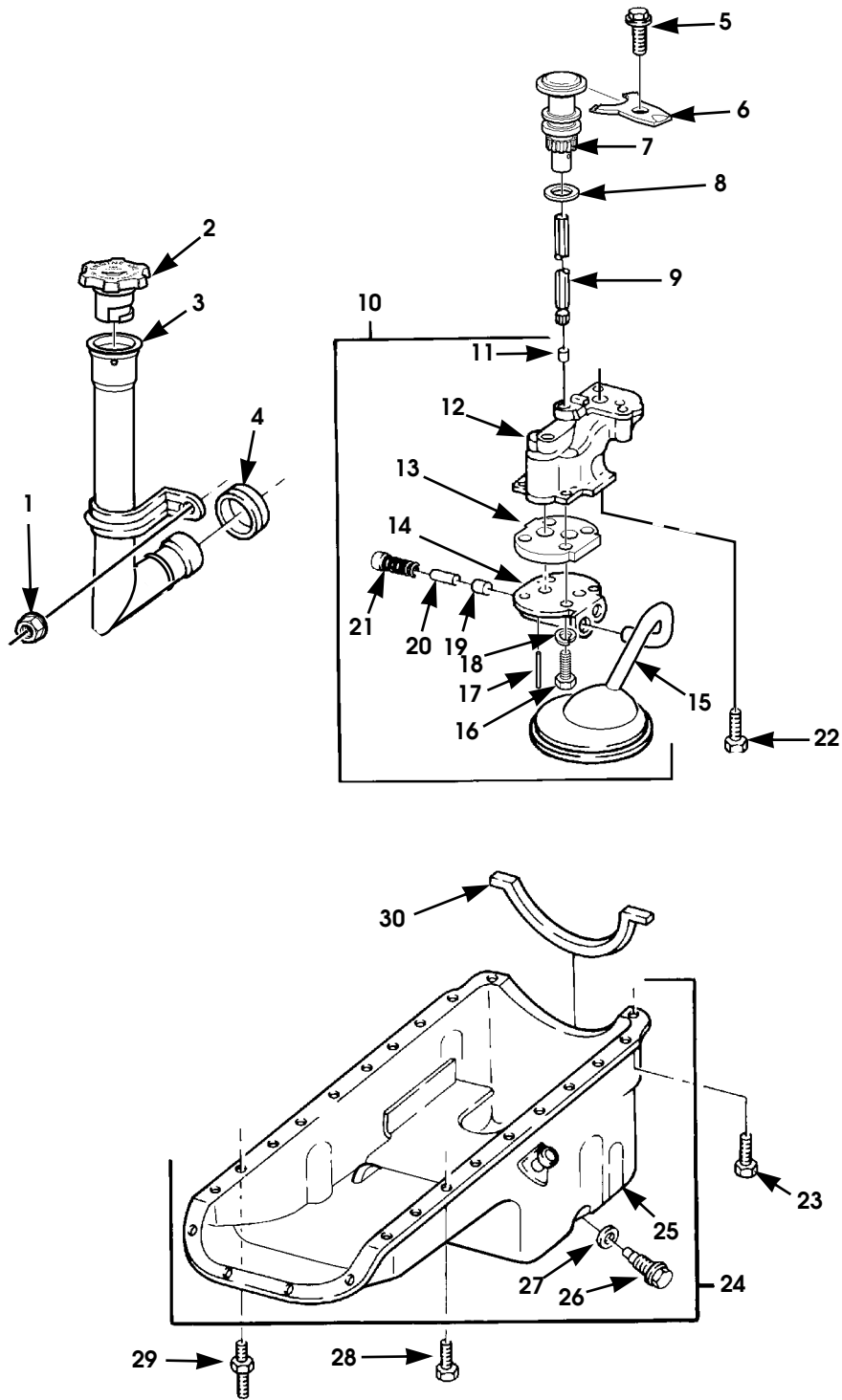
2003 HUMMER H1 PARTS CATALOG

ENGINE 2-15

ITEM	PART NUMBER	DESCRIPTION	QTY
		Figure 2-7. Crankcase Cover Assembly and Rocker Cover.	
1	5714138	COVER, rocker arm, R.H.	1
1	5740151	COVER, rocker arm, L.H.	1
2	5741153	WASHER, rocker arm cover.	4
3	11500914	BOLT, rocker arm cover.	4
4	5740039	STUD, rocker arm cover.	12
5	5740095	STUD, crankcase front cover and injection pump, upper	1
6	5742184	STUD, crankcase front cover and injection pump, lower	2
7	5744439	BOLT, crankshaft position sensor	1
8	5744911	SENSOR, crankshaft position.	1
9	5714537	PLUG, front cover.	1
10	5740182	COVER, crankcase front	1
11	9438083	WASHER, hard, crankcase front cover	4
12	N/S	BOLT, M10 - 1.5 x 55, Class 10.9, crankcase front cover	4
13	5742152	SEAL, crankcase front cover, SEE NOTE 1	1
14	5740181	BOLT, backing plate and front cover	2
15	5743232	BACKING PLATE, water pump	1
16	5740185	STUD, backing plate and front cover	2
NOTE 1: PART OF GASKET AND SEAL KIT 5743399			

2003 HUMMER H1 PARTS CATALOG

2-16 ENGINE



P02-008.4
(Modified)

Figure 2-8. Engine Oil Pan, Pump, and Filler Tube.

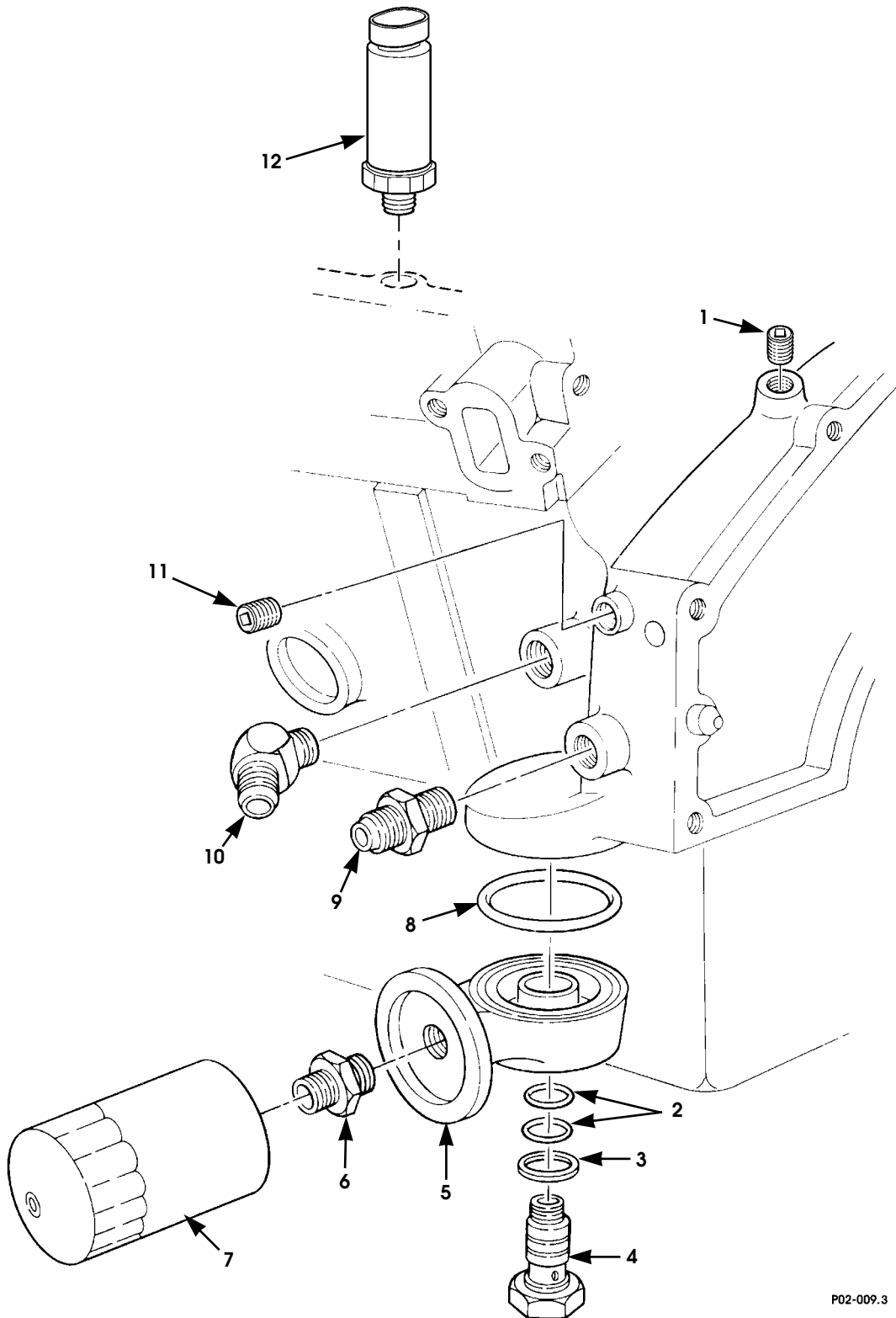
2003 HUMMER H1 PARTS CATALOG

ENGINE 2-17

ITEM	PART NUMBER	DESCRIPTION	QTY
		Figure 2-8. Engine Oil Pan, Pump, and Filler Tube.	
1	N/S	NUT, flanged, M8-1.25, oil filler neck	2
2	6009976	CAP, engine oil filler	1
3	6009975	FILLER NECK	1
4	5740161	GROMMET, oil filler tube	1
5	5740181	BOLT, oil pump drive	1
6	5740138	CLAMP, oil pump drive assembly	1
7	5714669	OIL PUMP DRIVE ASSEMBLY	1
8	5740051	GASKET, oil pump drive	1
9	5740148	SHAFT, oil pump	1
10	5744893	PUMP AND SCREEN, oil pick-up	1
11	5740542	•RETAINER, pump assembly	1
12	S.I.A.	•PUMP BODY, top	1
13	S.I.A.	•SPACER, engine oil pump	1
14	S.I.A.	•PUMP BODY, bottom	1
15	S.I.A.	•STRAINER, pump assembly	1
16	S.I.A.	•BOLT, oil pump cover	4
17	S.I.A.	•PIN, regulating valve spring stop	1
18	S.I.A.	•LOCKWASHER, oil pump cover	4
19	S.I.A.	•DISK, oil pressure regulating valve	1
20	S.I.A.	•VALVE, relief, oil pressure	1
21	S.I.A.	•SPRING, oil pressure regulating valve	1
22	N/S	SCREW, M11 - 1.5 x 66, oil pump assembly	1
23	5740085	BOLT, engine oil pan	2
24	5744663	OIL PAN ASSEMBLY, engine	1
25	N/S	•OIL PAN, engine	1
26	5744811	•PLUG, engine oil pan drain	1
27	5744812	•GASKET, 12mm, engine oil drain plug	1
28	N/S	SCREW, engine oil pan	20
29	5591286	STUD, engine oil pan	2
30	5743235	SEAL, engine oil pan, rear	1

2003 HUMMER H1 PARTS CATALOG

2-18 ENGINE



P02-009.3

Figure 2-9. Oil Filter, Adapter, and Oil Line Fittings.

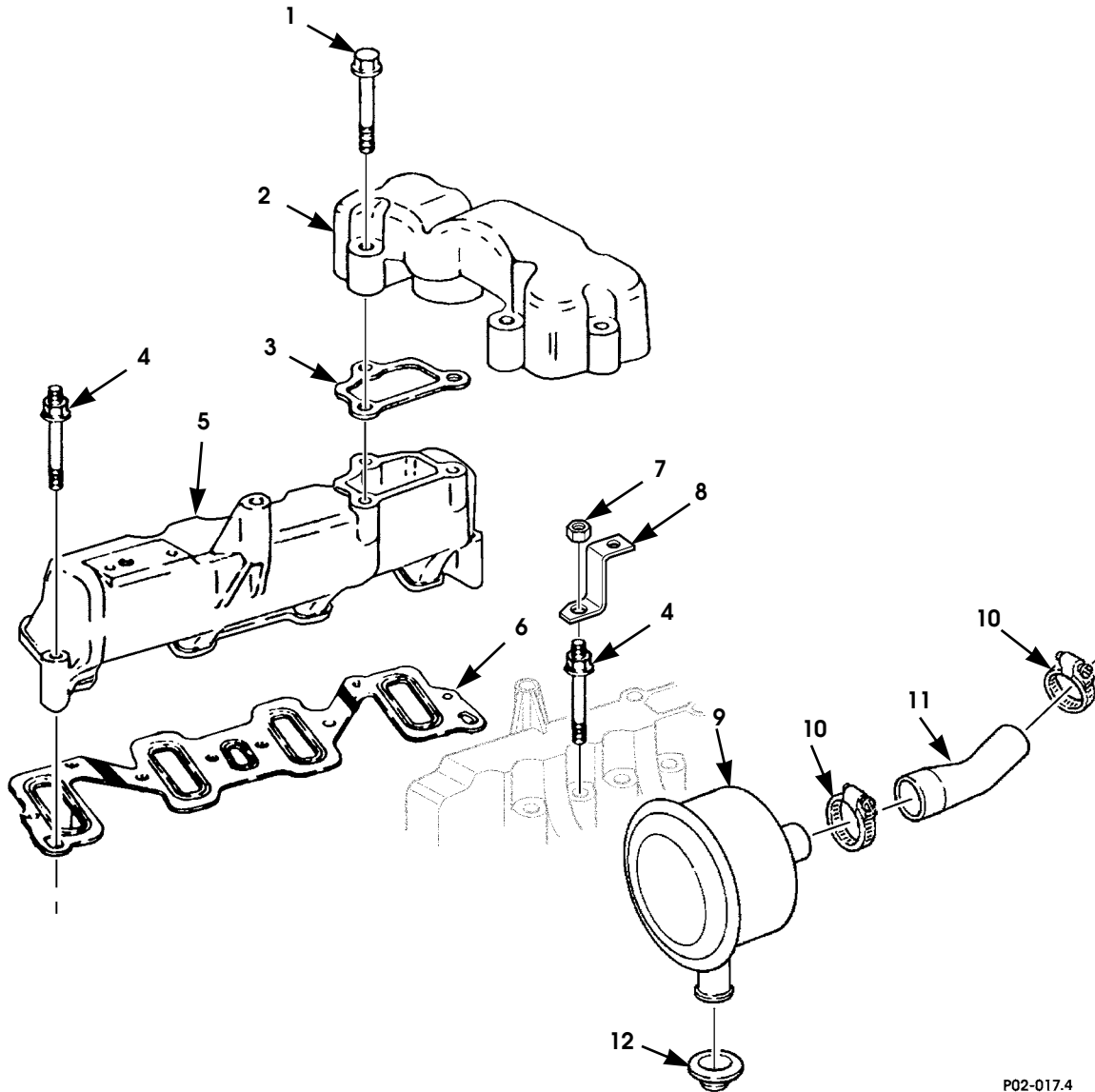
2003 HUMMER H1 PARTS CATALOG

ENGINE 2-19

ITEM	PART NUMBER	DESCRIPTION	QTY
		Figure 2-9. Oil Filter, Adapter, and Oil Line Fittings.	
1	N/S	PLUG, 1/4 - 18" NPT	1
2	MS28775-20	O-RING, oil filter adapter bolt	2
3	12339409	GASKET, oil filter bolt	1
4	12339410	BOLT, fluid passage	1
5	12338780	BRACKET, filter mount	1
6	12339405	CONNECTOR, oil filter	1
7	5715388	FILTER, engine oil	1
8	MS28775-236	O-RING, oil filter adapter	1
9	10-8-70102	STRAIGHT CONNECTOR, oil cooler inlet hose	1
10	10-8-70302	ELBOW, 45-degree, oil cooler outlet hose	1
11	N/S	PLUG, 3/8 - 18" NPT	1
12	5745120	SENSOR, oil pressure	1

2003 HUMMER H1 PARTS CATALOG

2-20 ENGINE



P02-017.4

Figure 2-10. Air Intake Manifolds, Crankcase Depression Regulator Valve, and Mounting Hardware.

2003 HUMMER H1 PARTS CATALOG

ENGINE 2-21

ITEM	PART NUMBER	DESCRIPTION	QTY
		Figure 2-10. Air Intake Manifolds, Crankcase Depression Regulator Valve, and Mounting Hardware.	
1	5744435	BOLT, center intake manifold	6
2	5744452	INTAKE MANIFOLD, center	1
3	5744448	GASKET, center intake manifold	2
4	5744459	STUD, intake manifold-to-head	16
5	5744453	INTAKE MANIFOLD, L.H.	1
5	5744454	INTAKE MANIFOLD, R.H.	1
6	5744451	GASKET, intake manifold-to-head	2
7	N/S	NUT, M10 - 1.5.	1
8	6010103B9	BRACKET, mounting, engine wire harness connection	1
9	5714132	VALVE, crankcase depression regulator	1
10	N/S	CLAMP, CDR vent hose, 1.50" - 0.62"	2
11	6007255	HOSE, CDR valve	1
12	5714133	GROMMET, CDR valve mount	1
13	6013671	LABEL, air conditioning caution (not illustrated)	1

2003 HUMMER H1 PARTS CATALOG

2-22 ENGINE

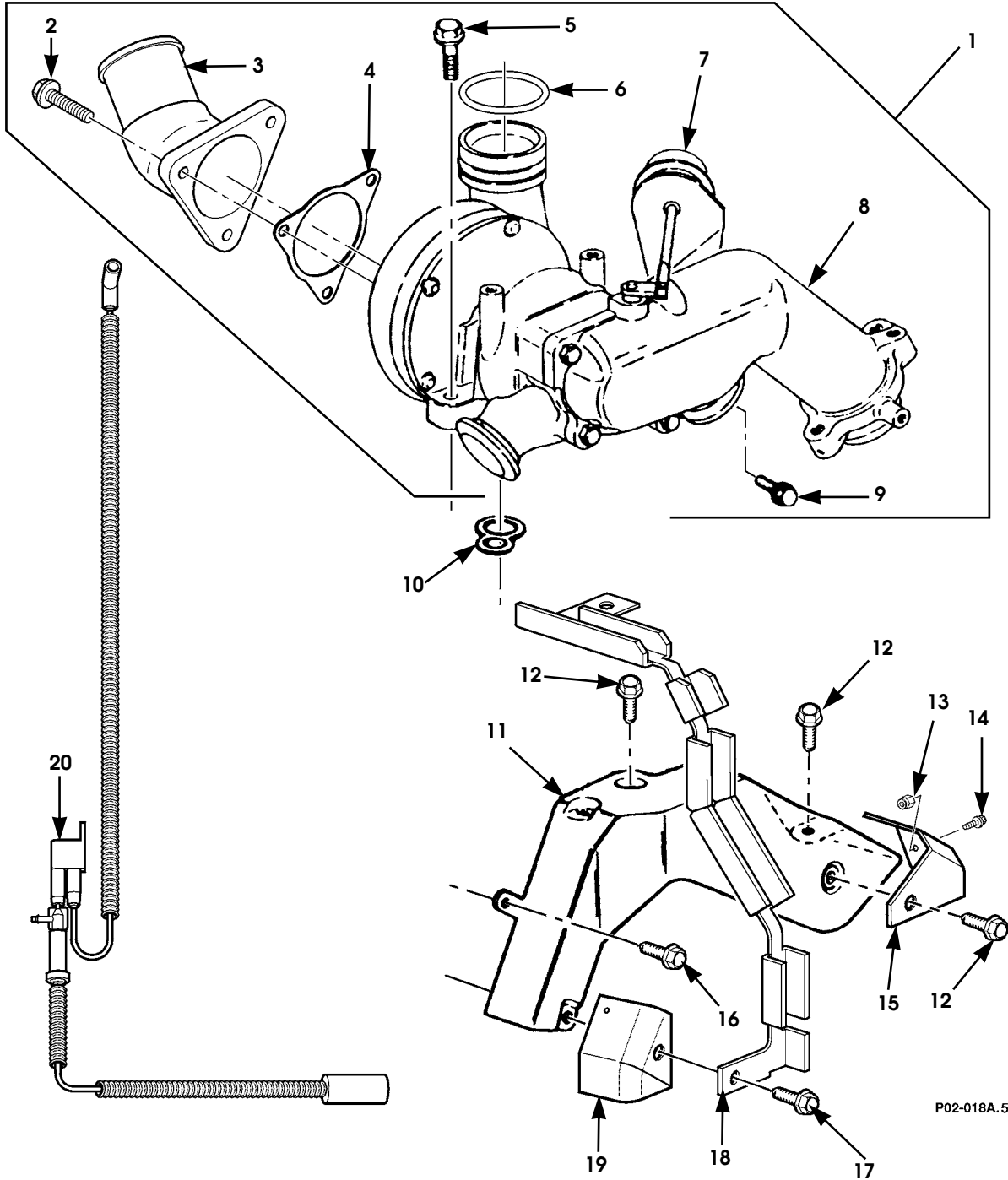


Figure 2-11. TurboCharger Assembly and Heat Shields.

2003 HUMMER H1 PARTS CATALOG

ENGINE 2-23

ITEM	PART NUMBER	DESCRIPTION	QTY
		Figure 2-11. TurboCharger Assembly and Heat Shields.	
1	5744470	TURBOCHARGER ASSEMBLY, SEE NOTE 1	1
1	5744929	TURBOCHARGER ASSEMBLY, remanufactured	1
2	S.I.A.	•CAPSCREW, M8 - 1.25 x 19	3
3	S.I.A.	•INLET ELBOW, turbocharger	1
4	5745515	•GASKET, turbocharger inlet elbow	1
5	S.I.A.	•BOLT, M10 - 1.5 x 40, turbo-to-block.	2
6	5745167	•O-RING, turbocharger air intake	1
7	5744654	•ACTUATOR, wastegate	1
8	S.I.A.	•CASTING, turbocharger body	1
9	S.I.A.	•BOLT, M8 - 1.25 x 20	1
10	5745123	SEAL, turbo-to-block	1
11	12550114	HEAT SHIELD, turbocharger.	1
12	N/S	BOLT, M8 - 1.25 x 14, heat shield.	4
13	N/S	LOCKNUT & LOCKWASHER ASSEMBLY, #6 - 32"	1
14	N/S	SCREW & LOCKWASHER ASSEMBLY, #6 - 32 x 1/2"	1
15	RCSK18089	HEAT SHIELD, R.H.	1
16	N/S	BOLT, M10 - 1.5 x 25, Class 9.8, heat shield	1
17	N/S	BOLT, M10 - 1.5 x 20, Class 10.9, heat shield	1
18	6010101B9	BRACKET, transmission harness	1
19	6007707	HEAT SHIELD, L.H.	1
20	5744652	VACUUM HARNESS BOOST CONTROL	1
		NOTE 1: FOR VEHICLES UNDER WARRANTY USE THE REMANUFACTURED TURBO ASSEMBLY, PART NUMBER 5744929.	

2003 HUMMER H1 PARTS CATALOG

2-24 ENGINE

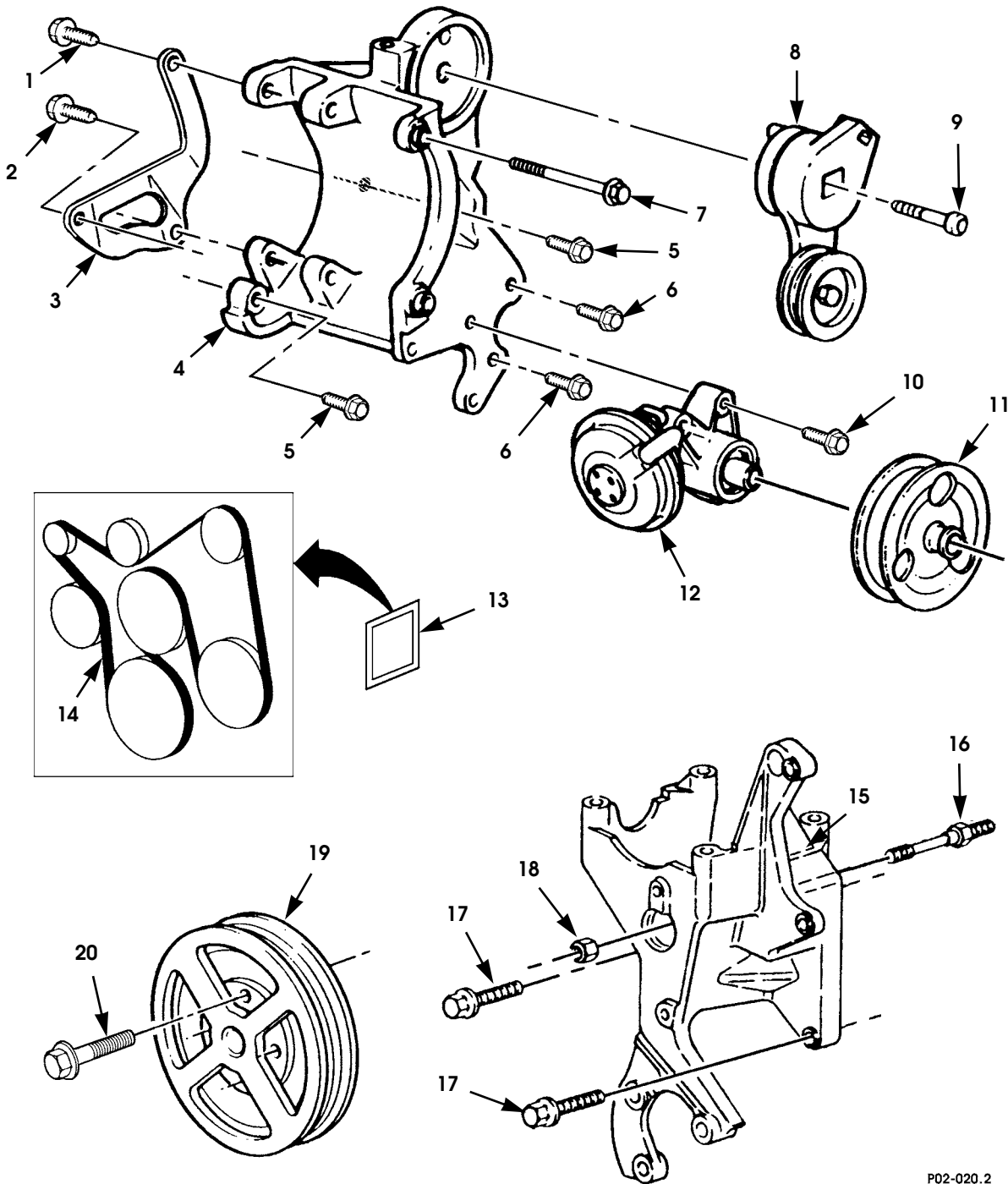


Figure 2-12. Vacuum Pump, Serpentine Belt and Accessory Drive Brackets and Pulleys.

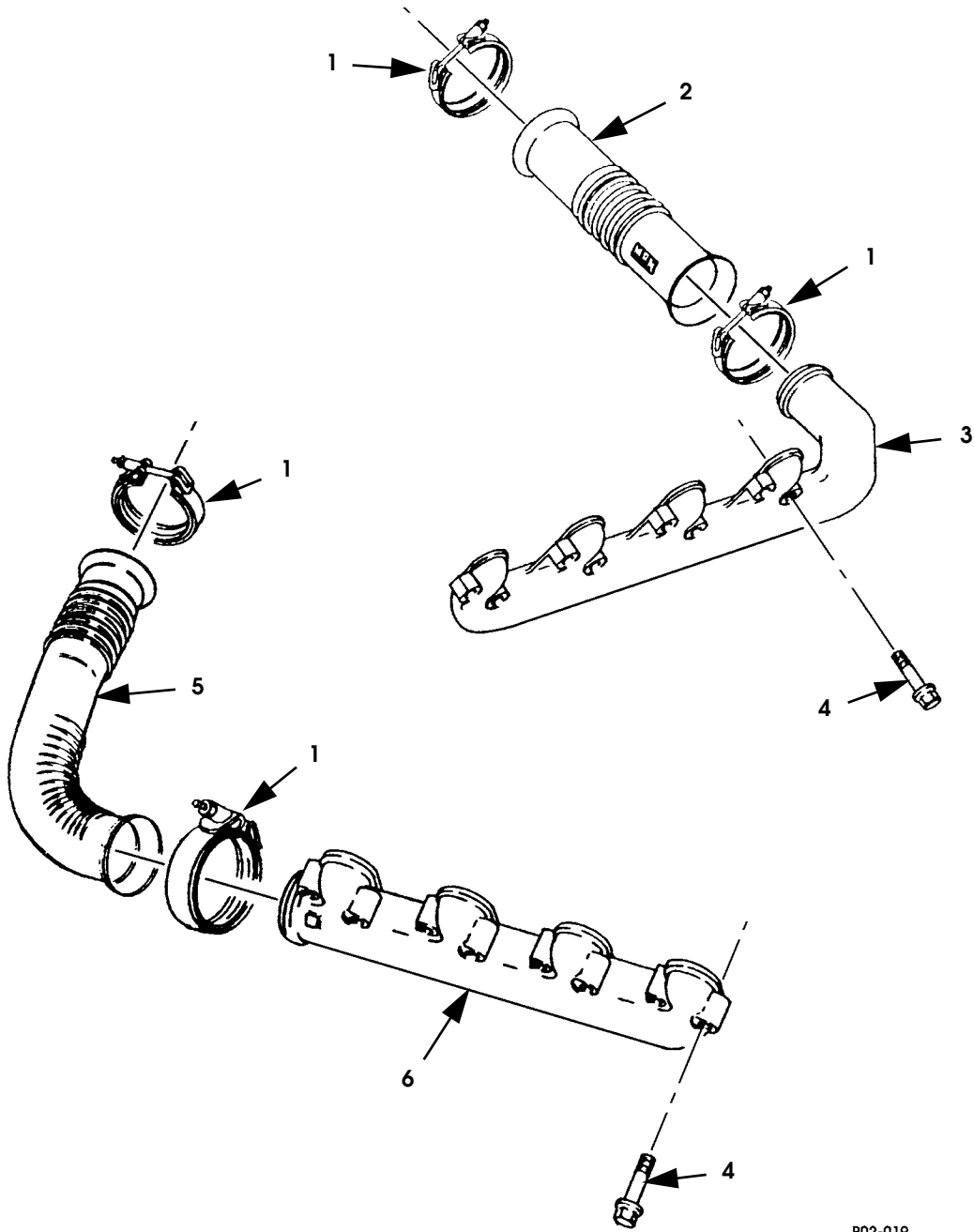
2003 HUMMER H1 PARTS CATALOG

ENGINE 2-25

ITEM	PART NUMBER	DESCRIPTION	QTY
		Figure 2-12. Vacuum Pump, Serpentine Belt and Accessory Drive Brackets and Pulleys.	
1	6003067	BOLT, brace	1
2	6006783	BOLT, brace	4
3	6006773	BRACE, rear generator bracket	1
4	6006775	BRACKET, generator-to-engine	1
5	11509036	BOLT, flanged, generator bracket	2
6	6006989	NUT, generator brace	2
7	6006777	BOLT, generator mounting	2
8	6003051	TENSIONER	1
9	6006802	BOLT, Torx head, tensioner.	1
10	11515758	BOLT, vacuum pump.	3
11	6006805	PULLEY, vacuum pump	1
12	6006803	VACUUM PUMP	1
13	6006813	LABEL, belt routing	1
14	6007453	BELT, serpentine	1
15	6006807	BRACKET, A/C, P/S	1
16	6006806	STUD, bracket.	1
17	6006808	BOLT, bracket	2
18	11501850	NUT, bracket	1
19	6003069	PULLEY, crankshaft	1
20	N/S	BOLT, M10 - 1.5 x 65	4

2003 HUMMER H1 PARTS CATALOG

2-26 ENGINE



P02-019

Figure 2-13. Exhaust Manifolds.

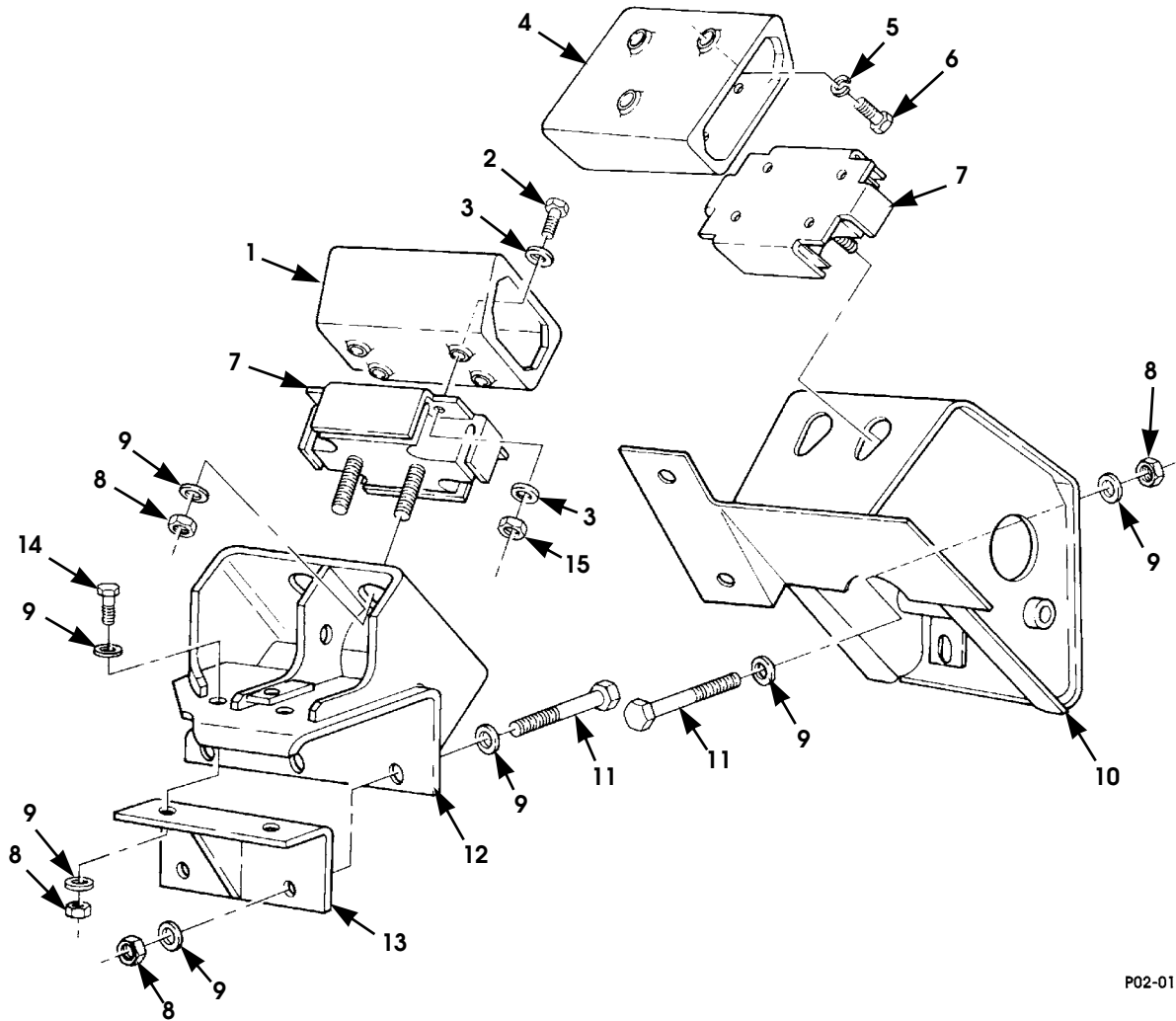
2003 HUMMER H1 PARTS CATALOG

ENGINE 2-27

ITEM	PART NUMBER	DESCRIPTION	QTY
		Figure 2-13. Exhaust Manifolds.	
1	5744438	CLAMP,exhaust manifold-to-turbo	4
2	5744464	EXHAUST PIPE, L.H.	1
3	5744445	EXHAUST MANIFOLD, L.H.	1
4	N/S	BOLT, M10-1.5 x 65	16
5	5744465	EXHAUST PIPE, R.H.	1
6	5744446	EXHAUST MANIFOLD, R.H.	1

2003 HUMMER H1 PARTS CATALOG

2-28 ENGINE



P02-012

Figure 2-14. Mounting Brackets, Engine.

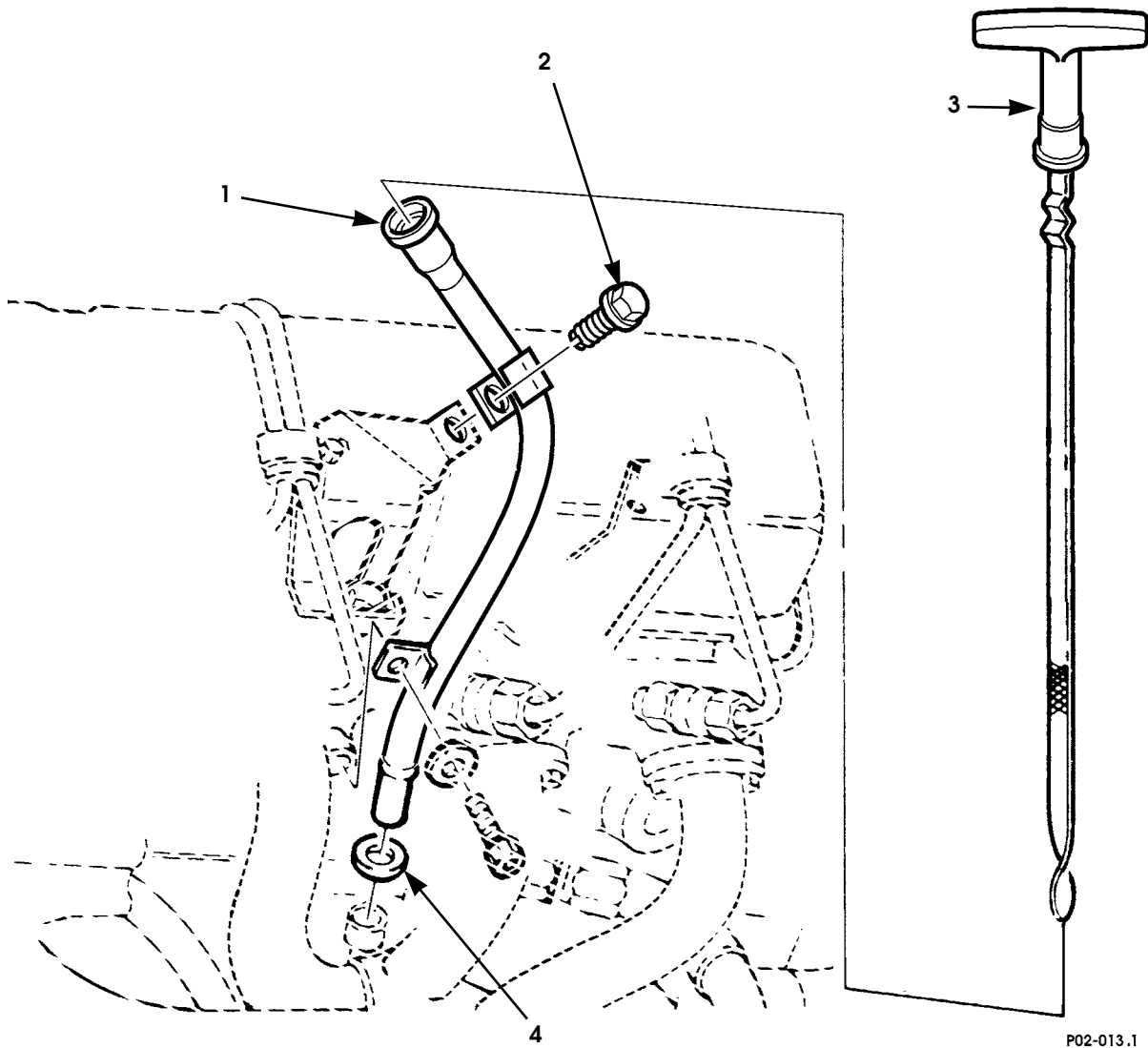
2003 HUMMER H1 PARTS CATALOG

ENGINE 2-29

ITEM	PART NUMBER	DESCRIPTION	QTY
		Figure 2-14. Mounting Brackets, Engine.	
1	12339133	BRACKET, engine block to insulator, R.H.	1
2	N/S	SCREW, 3/8 - 16 X 1 - 1/4", Gr8, insulator-to-engine mount	8
3	N/S	WASHER, flat, type B, hardened, 3/8", ZN	16
4	12339132	BRACKET, engine block to insulator, L.H.	1
5	N/S	LOCKWASHER, M10, engine mount	6
6	N/S	SCREW, M10 - 1.5 x 25, engine mount	6
7	12339179	MOUNT, resilient	2
8	N/S	LOCKNUT, 1/2 - 13", Gr8, CAD, engine mount	13
9	N/S	WASHER, flat, type B, hardened, 1/2"	22
10	12338205	BRACKET, frame to insulator, L.H.	1
11	N/S	SCREW, 1/2 - 13 x 4 - 1/2", Gr8, CAD, engine mount	7
12	12338183	BRACKET, frame to insulator, R.H.	1
13	12338163	BRACKET, engine mount, lower R.H.	1
14	N/S	SCREW, 1/2 - 13 x 1 - 1/4", Gr8, CAD, bracket-to-engine mount	2
15	N/S	LOCKNUT, 3/8 - 16", Gr8, insulator-to-engine mount	8

2003 HUMMER H1 PARTS CATALOG

2-30 ENGINE



P02-013.1

Figure 2-15. Oil Dipstick and Tube Assembly, Engine.

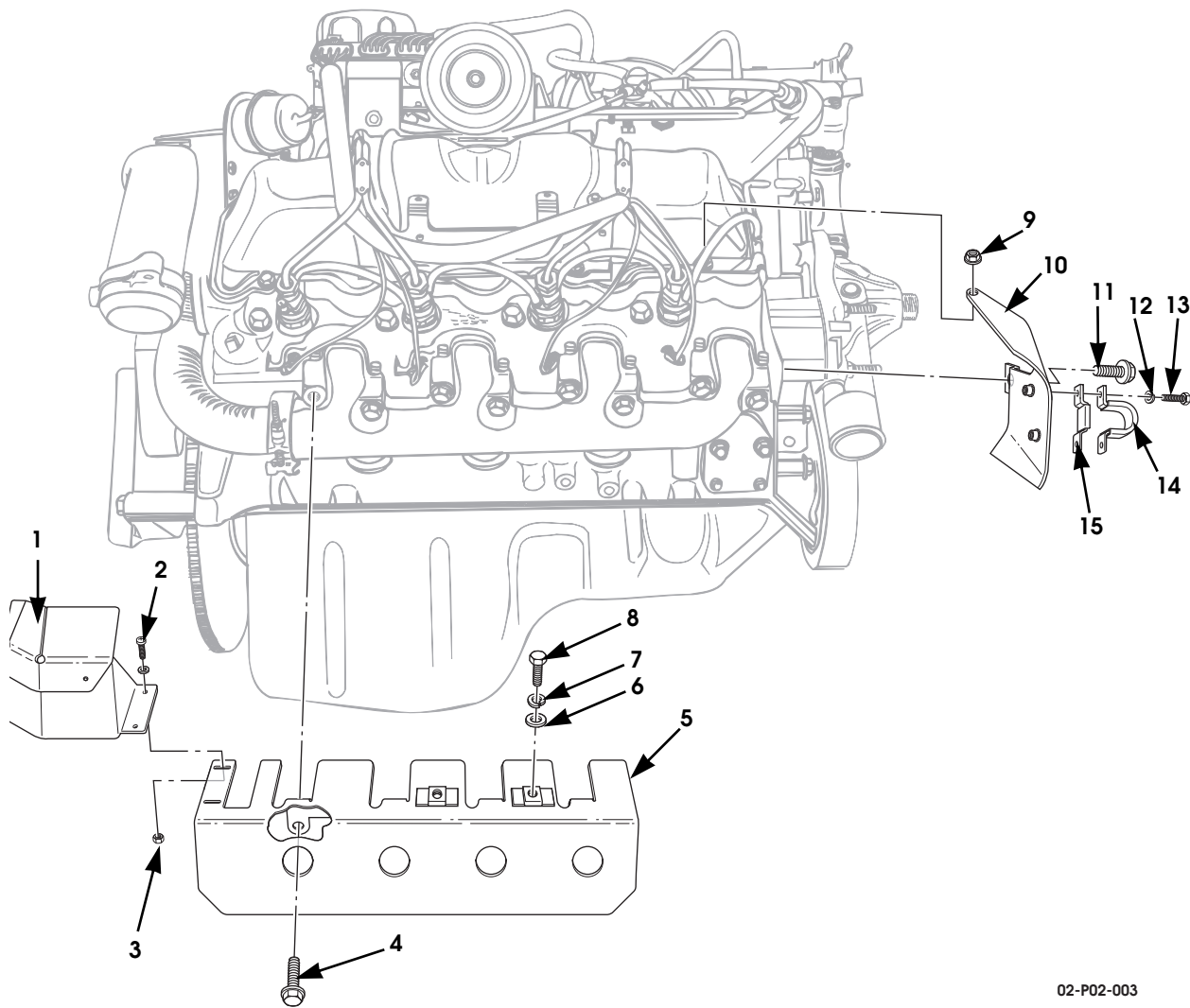
2003 HUMMER H1 PARTS CATALOG

ENGINE 2-31

ITEM	PART NUMBER	DESCRIPTION	QTY
		Figure 2-15. Oil Dipstick and Tube Assembly, Engine.	
1	6006825	TUBE ASSEMBLY, engine oil dipstick	1
2	5741162	SCREW, flange head, engine oil dipstick	1
3	6006824	DIPSTICK, engine oil level	1
4	274244	SEAL, O-RING, tube assembly,	1

2003 HUMMER H1 PARTS CATALOG

2-32 ENGINE



02-P02-003

Figure 2-16. Exhaust Manifold Heat Shield.

2003 HUMMER H1 PARTS CATALOG

ENGINE 2-33

ITEM	PART NUMBER	DESCRIPTION	QTY
		Figure 2-16. Exhaust Manifold Heat Shield.	
1	RCSK17221	HEAT SHIELD, rear	1
2	N/S	SCREW, phcr, #10 - 24 x 3/4"	2
3	N/S	NUT & LOCKWASHER ASSEMBLY, #10 - 24"	2
4	N/S	SCREW, flanged hex head, M10 - 1.5 x 65, class 10.9.	4
5	6011972	HEAT SHIELD, R.H.	1
6	MS27183-14	FLATWASHER, 3/8"	2
7	N/S	LOCKWASHER, 3/8"	2
8	MS90727-58	BOLT, 3/8 - 24 x 3/4"	2
9	N/S	NUT, flanged, M8 - 1.25	1
10	6007193	BRACKET, engine wiring harness	1
11	N/S	SCREW, flanged, M10 - 1.50 x 13	1
12	N/S	LOCKWASHER, 1/4"	2
13	N/S	BOLT, 1/4 - 20 x 1", Gr5.	2
14	12340663-1	CLAMP, cushioned.	1
15	12340664	CROSSBAR	1

2003 HUMMER H1 PARTS CATALOG

FUEL, EMISSIONS AND EXHAUST 3-1

Section 3

FUEL, EMISSIONS AND EXHAUST

TITLE	PAGE NUMBER
Accelerator Pedal Assembly	3-8
Air Cleaner, Air Horn, and Related Parts	3-10
Exhaust Pipes and Related Parts	3-28
Fuel Filler Pipe Assembly and Vent Lines, Main Fuel Tank	3-20
Fuel Filler, Auxiliary Fuel Tank	3-22
Fuel Filter Assembly and Mounting Hardware	3-26
Fuel Injection Pump and Fuel Intake Line	3-4
Fuel Injection Supply and Return Lines	3-6
Fuel Pump and Mounting Hardware	3-2
Fuel Supply and Return Lines	3-14
Fuel Tank (Auxiliary) Assembly and Mounting Hardware	3-18
Fuel Tank Vent Line, Filter, and Mounting Hardware	3-24
Main Fuel Tank Assembly and Mounting Straps	3-16

2003 HUMMER H1 PARTS CATALOG

3-2 FUEL, EMISSIONS AND EXHAUST

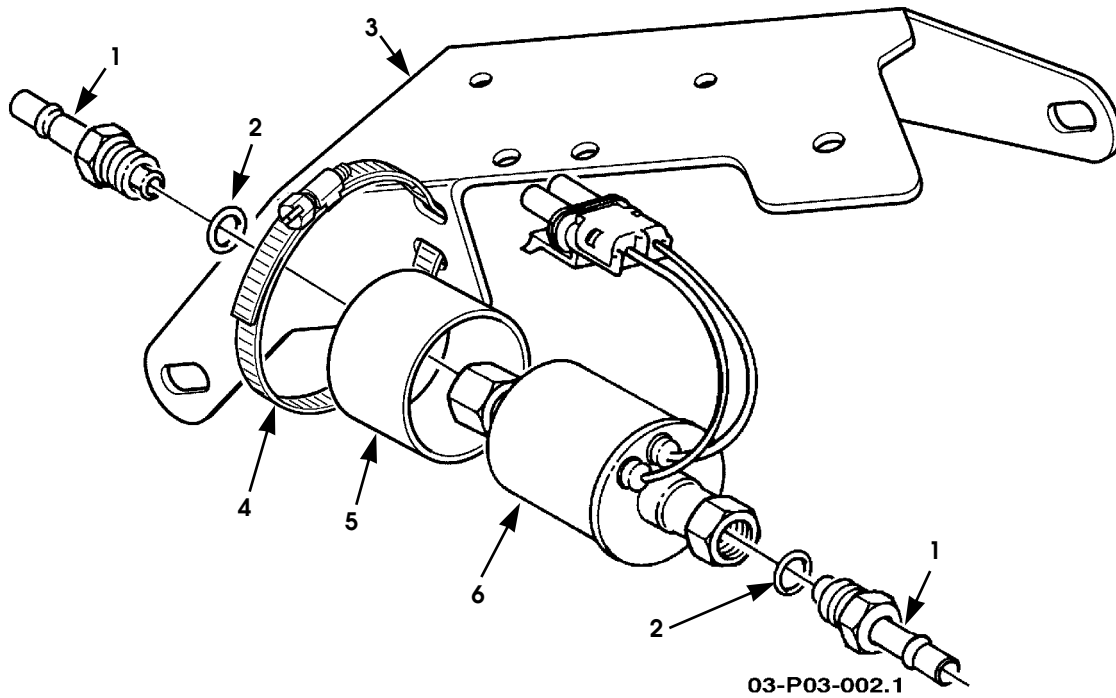


Figure 3-1. Fuel Pump and Mounting Hardware.

2003 HUMMER H1 PARTS CATALOG

FUEL, EMISSIONS AND EXHAUST 3-3

ITEM	PART NUMBER	DESCRIPTION	QTY
		Figure 3-1. Fuel Pump and Mounting Hardware.	
1	6011808	TUBE ASSEMBLY, fuel line adapter	2
2	12340395	SEAL, O-ring	2
3	N/S	BRACKET, fuel pump	1
4	N/S	CLAMP, hose, stainless, 1 - 5/16" - 2 - 1/4", fuel pump	1
5	6011812	SLEEVE, fuel pump	1
6	6010682	FUEL PUMP ASSEMBLY	1

2003 HUMMER H1 PARTS CATALOG

3-4 FUEL, EMISSIONS AND EXHAUST

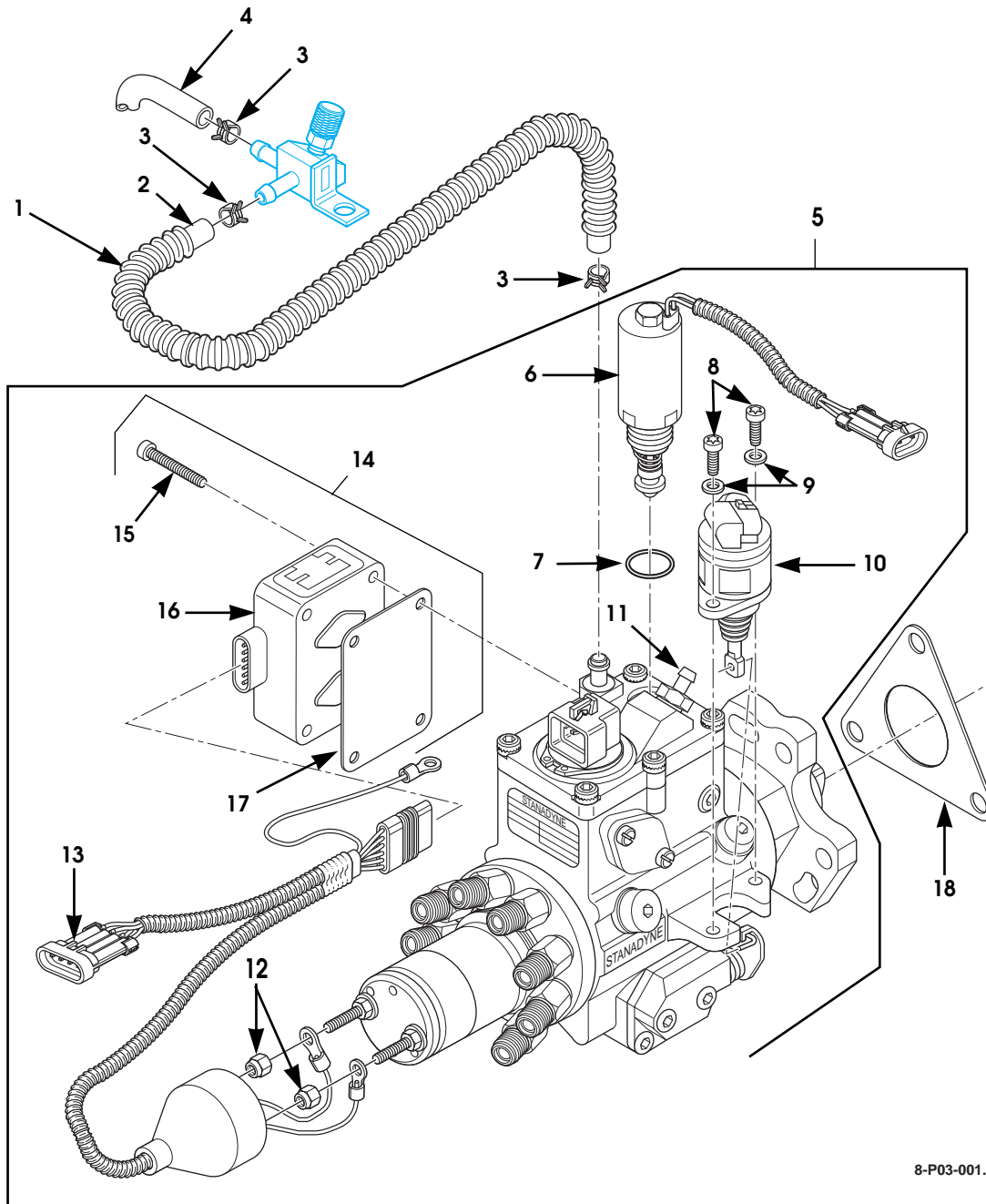


Figure 3-2. Fuel Injection Pump and Fuel Intake Line.

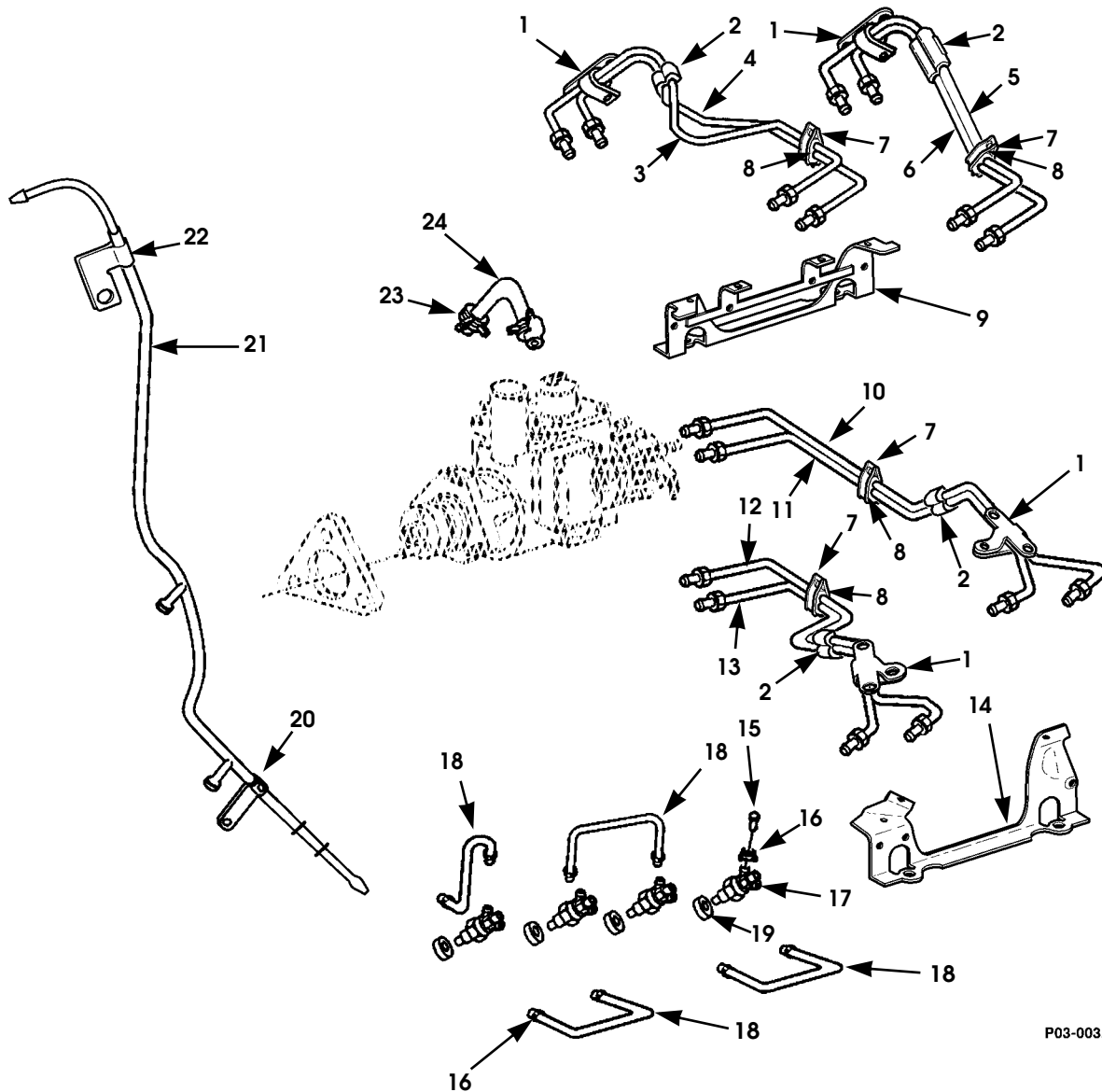
2003 HUMMER H1 PARTS CATALOG

FUEL, EMISSIONS AND EXHAUST 3-5

ITEM	PART NUMBER	DESCRIPTION	QTY
		Figure 3-2. Fuel Injection Pump and Fuel Intake Line.	
1	N/S	CONVOLUTED CONDUIT, 16 - 1/2" long, fuel pressure service port-to-fuel injection pump, SEE NOTE 1. . . .	1
2	N/S	HOSE, 1/4 x 22" long, fuel pressure service port-to-fuel injection pump, SEE NOTE 2.	1
3	N/S	CLAMP, constant tension, 1/2", fuel line	3
4	N/S	HOSE, 1/4 x 24" long, fuel filter-to-fuel pressure service port, SEE NOTE 2.	1
5	5745221	PUMP, fuel injection, 6.5L, SEE NOTE 4.	1
5	5745171	PUMP, fuel injection, 6.5L, remanufactured	1
6	5744937	•SOLENOID ASSEMBLY, engine shut-off (ESO).	1
7	S.I.A.	••O-RING, ESO solenoid.	1
8	N/S	•SCREW, mounting	2
9	N/S	•WASHER, flat.	2
10	5745012	•MOTOR ASSEMBLY, injection timing stepper (ITS)	1
11	5745014	•PRESSURE REGULATOR ASSEMBLY	1
12	N/S	•LOCKNUT, harness attaching	2
13	5745013	•WIRING HARNESS.	1
14	5745016	•KIT, PMD-heat transfer pad.	1
15	S.I.K.	••SCREW, mounting	4
16	5744959	••DRIVER, pump-mounted fuel solenoid (PMD)	1
17	5744962	••HEAT TRANSFER PAD	1
18	5740059	GASKET, fuel injector pump, SEE NOTE 3	1
		NOTE 1: CUT FROM SLIT CONVOLUTED CONDUIT 1" O.D. X 3/4" I.D. X 22" LONG, P/N 6010240	
		NOTE 2: MAKE FROM BULK HOSE P/N 5741068 1/4" X 25' ROLL	
		NOTE 3: PART OF ENGINE CYLINDER HEAD GASKET SET, P/N 5714842.	
		NOTE 4: FOR VEHICLES UNDER WARRANTY USE THE REMANUFACTURED PUMP, P/N 5745171.	

2003 HUMMER H1 PARTS CATALOG

3-6 FUEL, EMISSIONS AND EXHAUST



P03-003.1

Figure 3-3. Fuel Injection Supply and Return Lines.

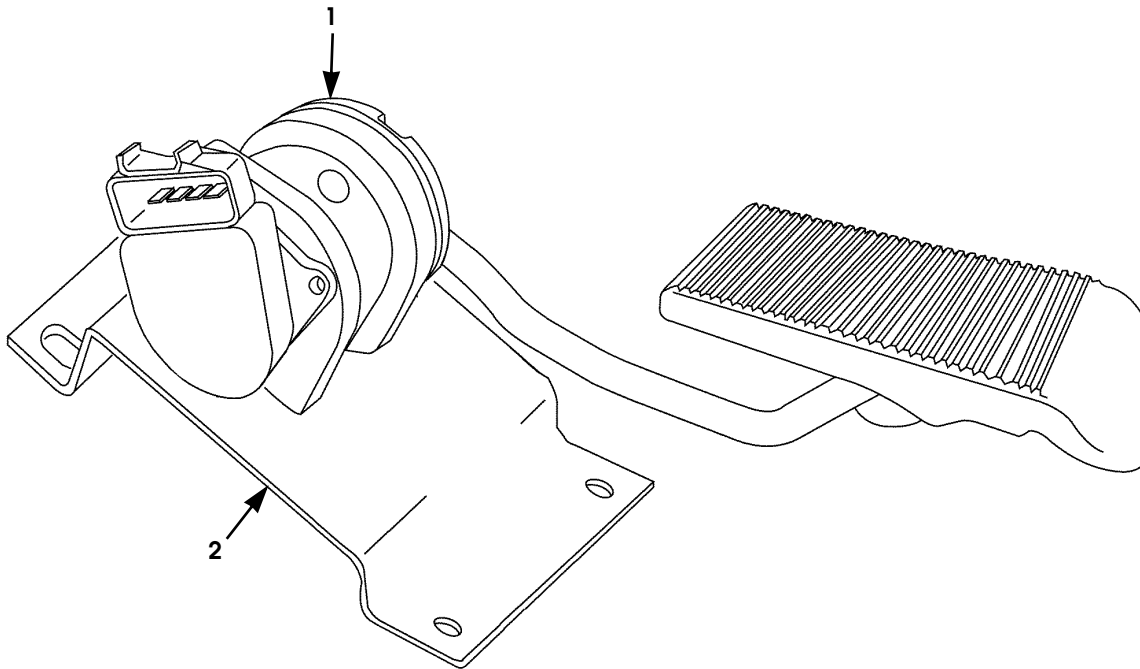
2003 HUMMER H1 PARTS CATALOG

FUEL, EMISSIONS AND EXHAUST 3-7

ITEM	PART NUMBER	DESCRIPTION	QTY
		Figure 3-3. Fuel Injection Supply and Return Lines.	
1	N/S	CLAMP, fuel injection tube	4
2	N/S	CLIP, one-piece plastic, fuel injection tube.	4
3	5744707	TUBE, pump to injector, #2 cylinder	1
4	5744709	TUBE, pump to injector, #4 cylinder	1
5	5744713	TUBE, pump to injector, #8 cylinder	1
6	5744711	TUBE, pump to injector, #6 cylinder	1
7	5740179	CLAMP, fuel injection tube	4
8	5740537	INSERT, fuel injection tube clamp	4
9	5742564	BRACKET, fuel injection lines, R.H.	1
10	5744712	TUBE, pump to injector, #7 cylinder	1
11	5744710	TUBE, pump to injector, #5 cylinder	1
12	5744708	TUBE, pump to injector, #3 cylinder	1
13	5744706	TUBE, pump to injector, #1 cylinder	1
14	5743288	BRACKET, fuel injection lines, L.H.	1
15	5740210	CAP, fuel injection nozzle	2
16	5741895	CLAMP, fuel drain tube	18
17	5743223	NOZZLE, fuel injection	8
18	5740211	HOSE, 7-inch, fuel drain,	8
19	5740058	GASKET, nozzle	8
20	5740171	CLAMP, fuel drain.	2
21	5745042	TUBE ASSEMBLY, fuel drain return	1
22	N/S	CLAMP, fuel return tube, L.H. side	1
23	N/S	CLAMP, fuel drain return hose	2
24	N/S	HOSE, 6-inch, fuel return, pump-to-return tube, SEE NOTE 1	1
		NOTE 1: MAKE FROM BULK HOSE P/N 5741163, 1/2" O.D. X 1/4" I.D. X 25' ROLL	

2003 HUMMER H1 PARTS CATALOG

3-8 FUEL, EMISSIONS AND EXHAUST



P03-026 .2

Figure 3-4. Accelerator Pedal Assembly.

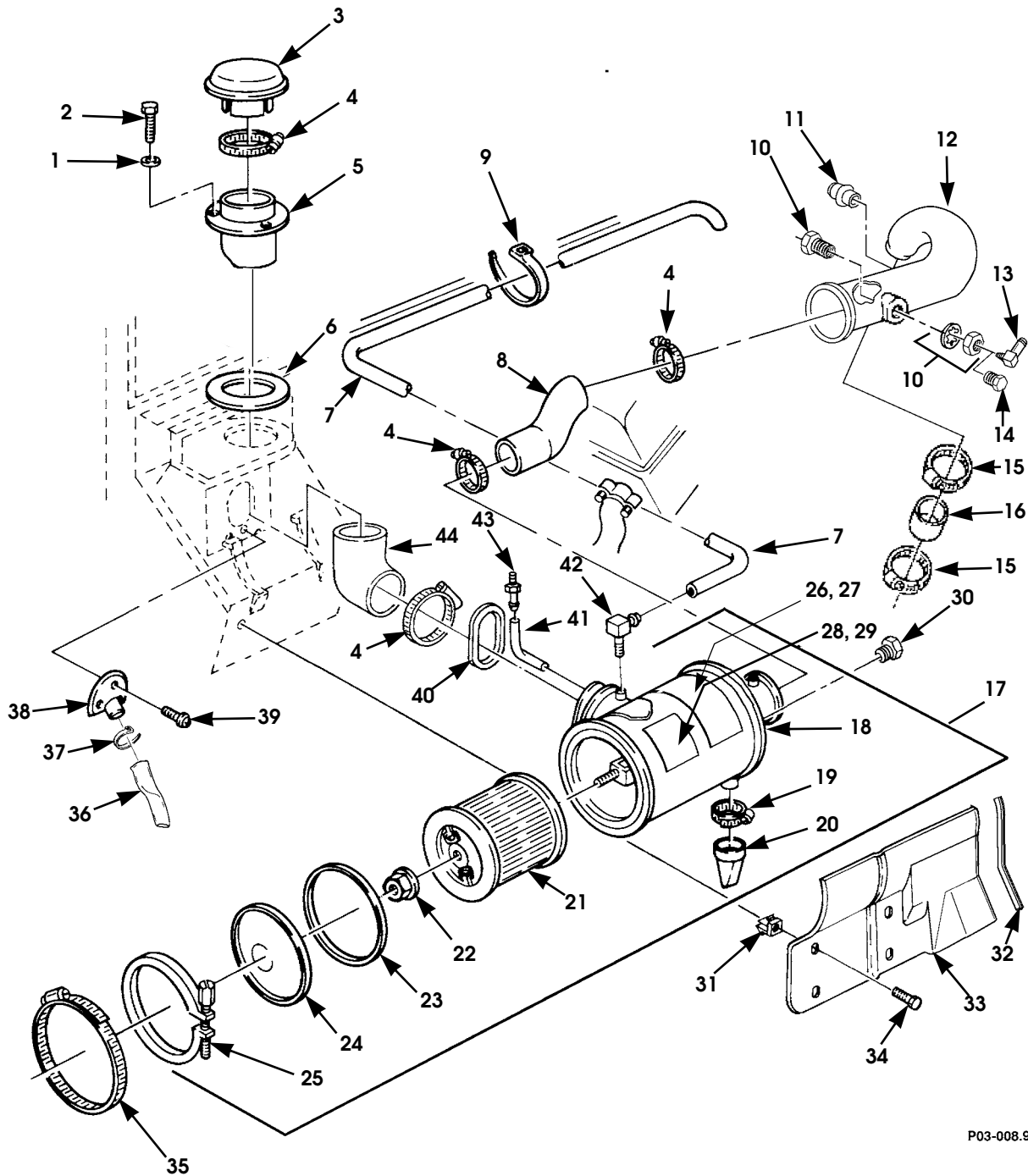
2003 HUMMER H1 PARTS CATALOG

FUEL, EMISSIONS AND EXHAUST 3-9

ITEM	PART NUMBER	DESCRIPTION	QTY
1	6007221	Figure 3-4. Accelerator Pedal Assembly. ACCELERATOR PEDAL ASSEMBLY	1
2	6007177	•BRACKET, accelerator mounting	1

2003 HUMMER H1 PARTS CATALOG

3-10 FUEL, EMISSIONS AND EXHAUST



P03-008.9

Figure 3-5. Air Cleaner, Air Horn, and Related Parts.

2003 HUMMER H1 PARTS CATALOG

FUEL, EMISSIONS AND EXHAUST 3-11

ITEM	PART NUMBER	DESCRIPTION	QTY
		Figure 3-5. Air Cleaner, Air Horn, and Related Parts.	
1	N/S	WASHER, flat, 1/4", CAD, air intake shield	3
2	N/S	SCREW, 1/4 - 20 x 7/16", Gr8, ZN, air intake shield.	3
3	12338377P	CAP, air intake	1
4	N/S	CLAMP, 5.0" - 2.0", air intake	4
5	6001738P	ADAPTER, air intake	1
6	6009745	GASKET, air intake housing	1
7	N/S	TUBE, 28-inch, air cleaner vent line, SEE NOTE 1	1
8	12338381	HOSE, induction	1
9	N/S	TIE WRAP, tube air cleaner	1
10	12339984	COUPLING ASSEMBLY, bulkhead	1
11	RCSK17735	CDR VALVE AND TUBE ASSEMBLY	1
12	6007701	AIR HORN INDUCTION SYSTEM	1
13	12339415	ELBOW, 90 deg, to hose, barbed (with CTIS only)	1
14	N/S	PLUG, pipe, hex head, 1/4" NPT (w/o CTIS only).	1
15	N/S	CLAMP, hose, 1" - 1 - 1/4"	2
16	RCSK17700	HOSE, turbo intake,	1
17	WA12339911	AIR CLEANER ASSEMBLY	1
18	S.I.A.	•BODY, air cleaner	1
19	N/S	•CLAMP, dust unloader.	1
20	12342873	•UNLOADER, dust	1
21	12342870	•FILTER ELEMENT, air cleaner	1
22	12342871	•NUT/LOCKWASHER, air cleaner	1
23	12342872	•GASKET, air cleaner cover	1
24	12342869	•COVER, air cleaner	1
25	12342874	•CLAMP, air cleaner	1
26	GEP18000052	LABEL, emission control, 2003	1
27	6010397	DECAL, clear protective film, 8 x 2 - 1/4"	1
28	6014053	LABEL, CARB MDV, 2003.	1
29	6001684	DECAL, clear protective film, 4 - 7/8 x 2 - 7/8"	1
30	N/S	PLUG, 1/8" brass, hex, air cleaner	1
31	12340922	GROMMET, air cleaner shield.	4
32	6009588	EDGE GUARD, air cleaner shield	1
33	6009455	SHIELD, air cleaner.	1
34	N/S	SCREW, tapping, #10 - 16 x 1/2", ZN, air cleaner shield.	4
35	111608950-28	CLAMP, 12.25/2, air cleaner	3
36	6009746	DRAIN HOSE	1
37	N/S	TIE WRAP	1
38	12338842	BRACKET, air intake drainage tube	1
39	N/S	SCREW, tapping, phcr, #8 - 18 x 3/8", drainage bracket.	3

2003 HUMMER H1 PARTS CATALOG

3-12 FUEL, EMISSIONS AND EXHAUST

ITEM	PART NUMBER	DESCRIPTION	QTY
		Figure 3-5. Air Cleaner, Air Horn, and Related Parts.	
40	6005110	GASKET, air cleaner intake	1
41	12340799	TUBE, vent line.	1
42	N/S	ELBOW, 3/8 NPT to 1/4", pipe to hose, vent line	1
43	12339978	CONNECTOR, vent line	1
44	6001737	ELBOW, air cleaner.	1
		NOTE 1: MAKE FROM BULK NYLON TUBE P/N 5741079, 3/16" X 250' ROLL	

2003 HUMMER H1 PARTS CATALOG

FUEL, EMISSIONS AND EXHAUST 3-15

ITEM	PART NUMBER	DESCRIPTION	QTY
		Figure 3-6. Fuel Supply and Return Lines.	
1	6013665	FUEL BUNDLE ASSEMBLY	1
1	6013666	FUEL BUNDLE ASSEMBLY, for fleet use with single tank . .	1
2	6005966	•VALVE ASSEMBLY, fuel tank selector, SEE NOTE 1	1
2	6011337	•TUBE AND BRACKET ASSEMBLY, SEE NOTE 2	1
3	S.I.A.	•BOLT, 1/4 - 20 x 3/4", Gr5, CAD	2
4	S.I.A.	•FUEL RETURN LINE	1
5	S.I.A.	•FUEL SUPPLY LINE	1
6	S.I.A.	•CLIP, fuel line connector, 3/8"	2
7	S.I.A.	•CLIP, fuel line connector, 5/16"	2
8	S.I.A.	•P-CLIP, 5/16", SEE NOTE 1	2
8	S.I.A.	•P-CLIP, 5/16", SEE NOTE 2	3
9	S.I.A.	•P-CLIP, 3/8"	2
10	S.I.A.	•BRACKET, tube mounting, fuel bundle	1
11	S.I.A.	•WASHER, flat, hard, 1/4", type B, ZN	2
12	S.I.A.	•LOCKNUT, 1/4 - 20", Gr8	2
13	S.I.A.	•BOLT, M8 x 1.25	2
14	S.I.A.	LOCK WASHER #8.	1
15	S.I.A.	•BRACKET ASSEMBLY, valve mounting	1
16	N/S	TIE WRAP	2
17	N/S	BOLT, 1/4 - 20 x 3/4", Gr5, CAD	1
18	N/S	P-CLIP, 3/8"	2
19	N/S	P-CLIP, 5/16"	2
20	N/S	SCREW, tapping, #10 - 32 x 5/8"	2
21	N/S	WASHER, flat, hard, 1/4", type B, ZN	1
22	N/S	LOCKNUT, 1/4 - 20", Gr8	1
23	6006763	TUBE ASSEMBLY, return, valve-to-auxiliary tank	1
24	N/S	S-CLIP	5
25	6006793	BRACKET, hold down, auxiliary fuel lines	1
26	N/S	CLIP, fuel line connector, 5/16"	3
27	6010682	FUEL PUMP ASSEMBLY SEE NOTE 3	1
28	N/S	CLIP, fuel line connector, 3/8"	3
29	6007724B9	BRACKET, auxiliary fuel line tubes	1
30	N/S	•BOLT, 1/4 - 20 x 3/4", Gr5, CAD	1
31	6006762	TUBE ASSEMBLY, supply, auxiliary tank-to-valve	1
32	6014436	FUEL SUPPLY LINE ASSEMBLY	1
33	6006896	FUEL RETURN LINE ASSEMBLY	1
34	5939876	TUBE, fuel supply.	1
35	5939877	TUBE, fuel return	1
36	12342949	TUBE ASSEMBLY, fuel supply	1
37	12342950	TUBE ASSEMBLY, fuel return	1
38	12338560-3	HOSE, fuel return	1
39	12338561-2	HOSE, fuel supply	1
		NOTE 1: FOR STANDARD VEHICLES WITH TWO TANKS.	
		NOTE 2: FOR FLEET VEHICLES WITH SINGLE FUEL TANK.	
		NOTE 3: FOR DETAILED FUEL PUMP ASM SEE PAGE 3-2.	

2003 HUMMER H1 PARTS CATALOG

3-16 FUEL, EMISSIONS AND EXHAUST

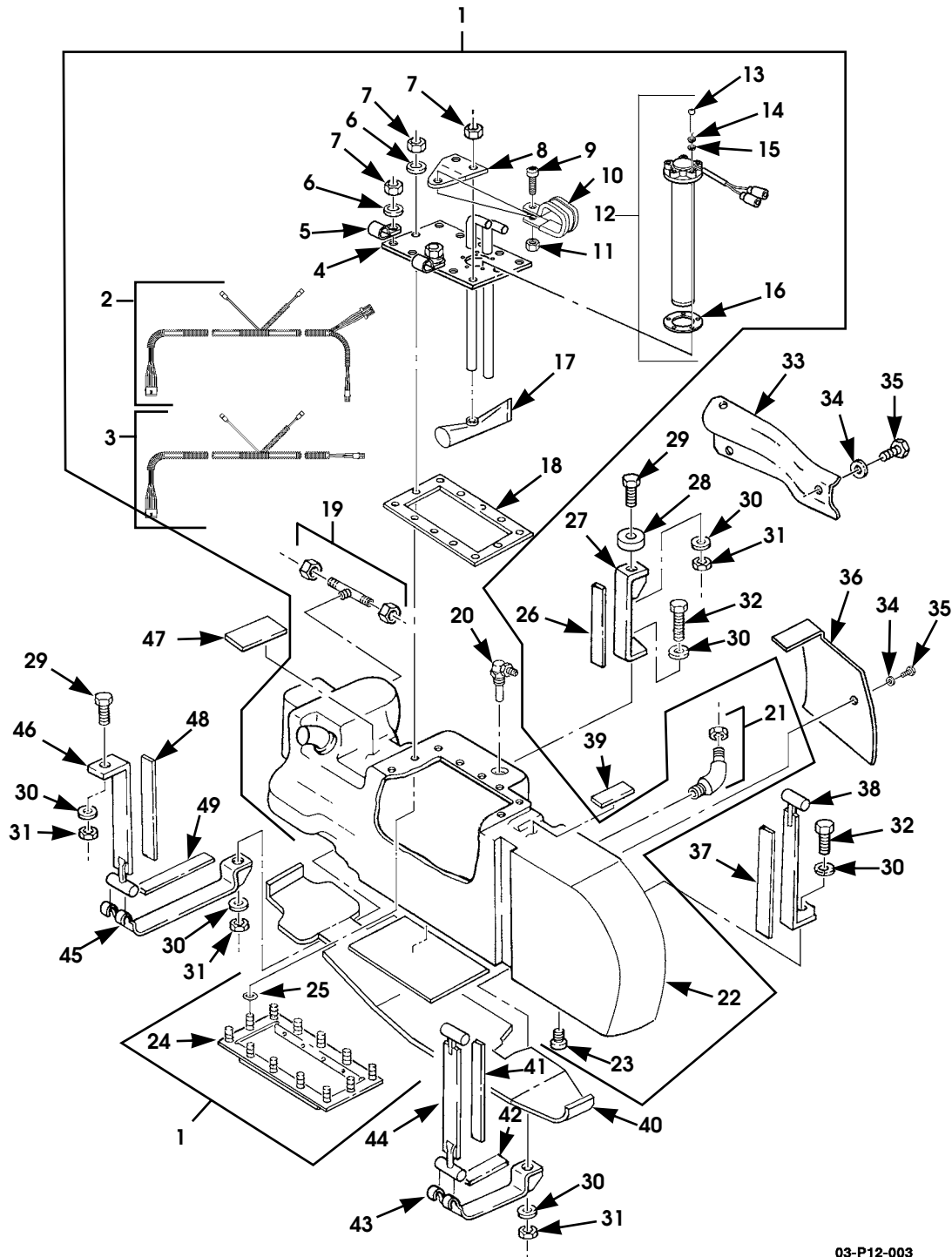


Figure 3-7. Main Fuel Tank Assembly and Mounting Straps.

2003 HUMMER H1 PARTS CATALOG

FUEL, EMISSIONS AND EXHAUST 3-17

ITEM	PART NUMBER	DESCRIPTION	QTY
		Figure 3-7. Main Fuel Tank Assembly and Mounting Straps.	
1	6013910	FUEL TANK ASSEMBLY, for vehicles w/aux tank, SEE NOTE 1.	1
2	6013658	•JUMPER ASSEMBLY, main tank w/aux tank	1
3	6013907	•JUMPER ASSEMBLY, tank for vehicles w/o aux tank.	1
4	6006979	•PLATE, fuel tank access	1
5	S.I.A.	•CLAMP, cushioned, 9/16", harness	2
6	S.I.A.	•WASHER, flat, hard, 1/4", ZN, fuel tank access plate	10
7	S.I.A.	•LOCKNUT, 1/4 - 20", Gr8, fuel tank access plate	12
8	6006737	•BRACKET, fuel line support	1
9	N/S	•SCREW, #10 - 32 x 5/8"	1
10	MS21333-82	•P-CLAMP, cushioned	1
11	N/S	•LOCKNUT, pt, #10 - 32"	1
12	6009942	•TRANSMITTER, tank fuel level	1
13	S.I.A.	••SCREW, #10 - 24 x 1 - 1/4", CAD, fuel level transmitter.	5
14	S.I.A.	••LOCKWASHER, #10, med, ZN, fuel level transmitter.	5
15	S.I.A.	••WASHER, flat, #10, fuel level transmitter.	5
16	5745031	••GASKET, fuel level transmitter	1
17	12338556	•FUEL STRAINER, fuel supply tube	1
18	6004924	•GASKET, fuel tank access plate	1
19	8-6-100425BA	•TEE, pipe to tube	1
20	6001342	•VALVE, rollover	1
21	8-6-100302BA	•ELBOW, pipe to tube	1
22	12460105	•FUEL TANK	1
23	12340000	•DRAIN PLUG, fuel	1
24	12460140	•RETAINER, access plate	1
25	12342933	•O-RING, fuel tank access	12
26	12460108-5	INSULATOR STRAP, inner, rear	1
27	12338568	STRAP, fuel tank, inner rear	1
28	12469055	SPACER, rubber coated	1
29	N/S	SCREW, 3/8 - 16 x 1", Gr8, CAD, fuel tank strap	2
30	N/S	WASHER, flat, 3/8", type B, fuel tank strap	6
31	N/S	NUT, 3/8 - 16", Gr8, CAD, fuel tank strap	4
32	N/S	BOLT, 3/8 - 16 x 2 - 1/2", Gr8, CAD	2
33	12460143	SHIELD	1
34	12341718	FLATWASHER .276 x 1.39 x .05.	4
35	N/S	SCREW, sl hd, 1/4 - 28 x 5/8", ZN	4
36	EC12460102B1	SHIELD, fuel tank	1
37	12460108-2	INSULATOR STRAP, inner front	1
38	12460103	STRAP, fuel tank, inner front	1
39	12338557-1	ANTI-SQUEAK, fuel tank, front	1
40	6006150B9	SHIELD, fuel tank	1
41	12460108-3	INSULATOR STRAP, outer, front	1
42	12460108-1	INSULATOR STRAP, bottom, front	1
43	12338571	STRAP, fuel tank, bottom front	1
44	EC12338573 2B1	STRAP, fuel tank, outer front	1
45	12338574	STRAP, fuel tank, bottom rear	1
46	6007695	STRAP, fuel tank, outer rear	1
47	12338557-2	ANTI-SQUEAK, fuel tank, rear	1
48	12460108-6	INSULATOR STRAP, outer, rear	1
49	12460108-4	INSULATOR STRAP, bottom, rear	1
		NOTE 1: FOR VEHICLES W/O AUX TANK, ORDER THIS ASSEMBLY AND JUMPER ASSY. P/N 6013907.	

2003 HUMMER H1 PARTS CATALOG

3-18 FUEL, EMISSIONS AND EXHAUST

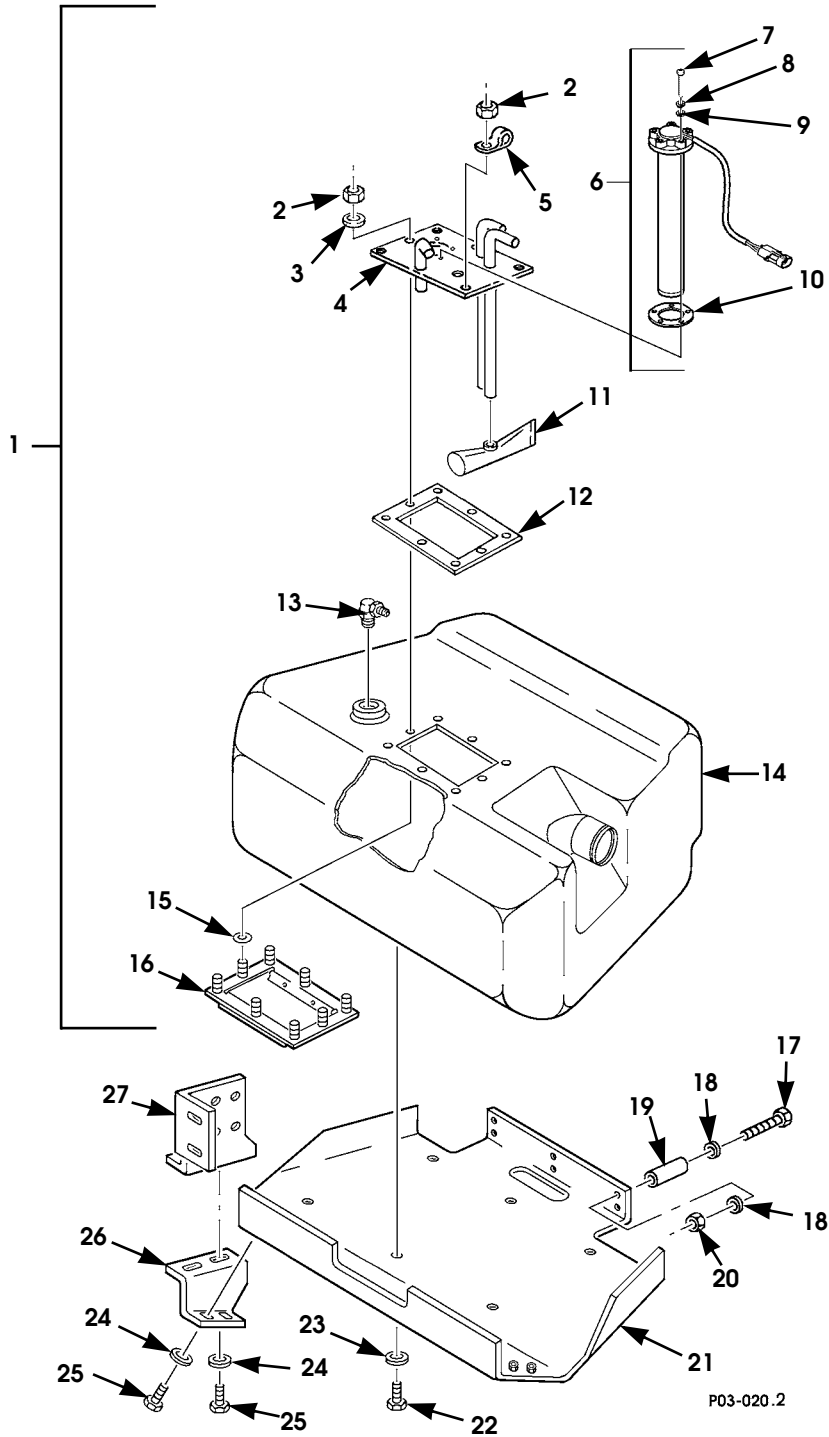


Figure 3-8. Fuel Tank (Auxiliary) Assembly and Mounting Hardware.

2003 HUMMER H1 PARTS CATALOG

FUEL, EMISSIONS AND EXHAUST 3-19

ITEM	PART NUMBER	DESCRIPTION	QTY
		Figure 3-8. Fuel Tank (Auxiliary) Assembly and Mounting Hardware.	
1	6010076	FUEL TANK ASSEMBLY,	1
2	N/S	• LOCKNUT, 1/4 - 20", Gr8	8
3	N/S	• WASHER, flat, hardened, 1/4", ZN.	8
4	6008193	• PLATE, fuel tank access	1
5	N/S	• CLAMP, cushioned, 3/8"	1
6	6009943	• TRANSMITTER, tank fuel level	1
7	S.I.A.	•• SCREW, #10 - 24 x 1 - 1/4", CAD, fuel level transmitter	5
8	S.I.A.	•• LOCKWASHER, med, #10, ZN, fuel level transmitter .	5
9	S.I.A.	•• WASHER, flat, #10, fuel level transmitter.	5
10	5745031	•• GASKET, fuel level transmitter	1
11	12338556	• FUEL STRAINER	1
12	6006704	• GASKET, tank access	1
13	6001342	• VALVE, rollover	1
14	6006648	• FUEL TANK, auxiliary	1
15	12342933	• O-RING, fuel tank access	8
16	6006698	• RETAINER, access plate	1
17	N/S	BOLT, 5/16 - 18 x 2 - 3/4", Gr8, CAD	6
18	N/S	WASHER, flat, hardened, 5/16", ZN.	12
19	5594342	SPACER	6
20	N/S	LOCKNUT, 5/16 - 18", Gr8.	6
21	6006687	SKID PLATE ASSEMBLY	1
22	N/S	BOLT, 1/4 - 28 x 5/8", CAD.	6
23	N/S	WASHER, flat, hardened, 1/4", ZN.	6
24	N/S	WASHER, flat, 3/8", type B	8
25	N/S	BOLT 3/8 - 16 x 1", Gr8, CAD.	8
26	6006797B9	BRACKET, skid plate mounting, R.H.	1
26	6006798B9	BRACKET, skid plate mounting, L.H.	1
27	6006741B5	BRACKET, rear bumper, L.H., inner	1
27	6006749B5	BRACKET, rear bumper, R.H., inner	1

2003 HUMMER H1 PARTS CATALOG

3-20 FUEL, EMISSIONS AND EXHAUST

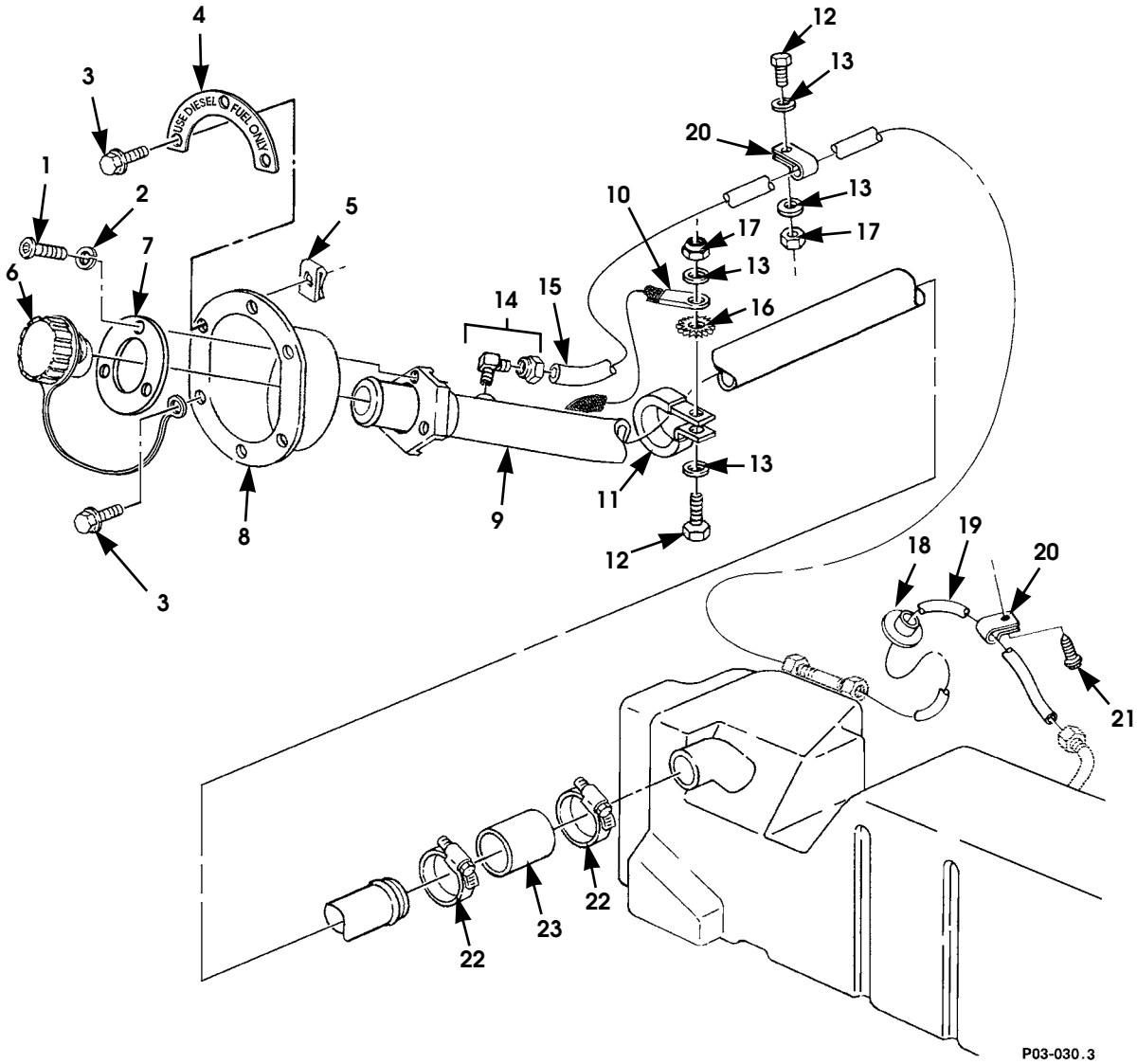


Figure 3-9. Fuel Filler Pipe Assembly and Vent Lines, Main Fuel Tank.

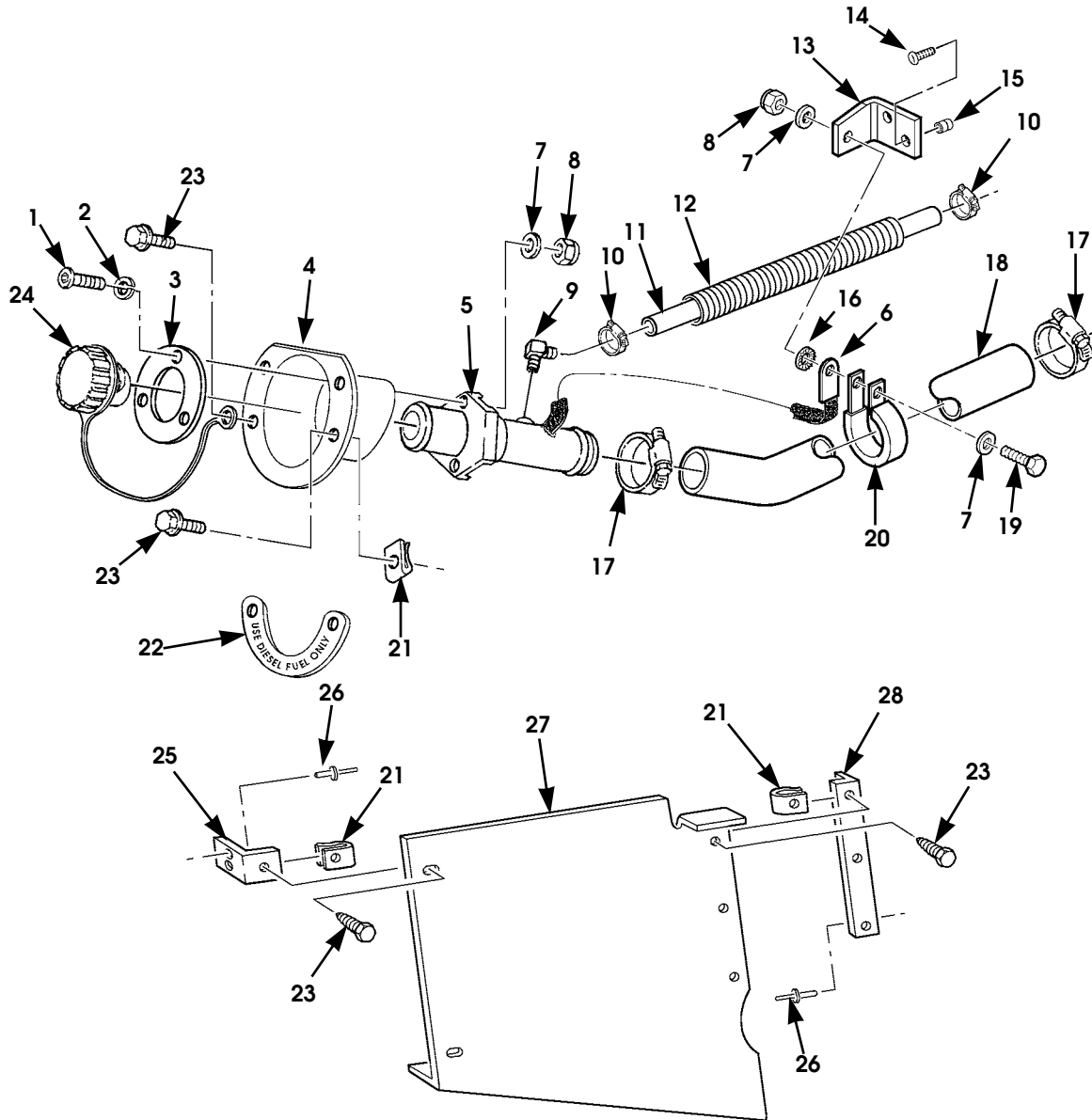
2003 HUMMER H1 PARTS CATALOG

FUEL, EMISSIONS AND EXHAUST 3-21

ITEM	PART NUMBER	DESCRIPTION	QTY
		Figure 3-9. Fuel Filler Pipe Assembly and Vent Lines, Main Fuel Tank.	
1	N/S	SCREW, socket head cap, 1/4 - 20 x 7/8", CAD	3
2	N/S	LOCKWASHER, med, 1/4", ZN	3
3	N/S	SCREW, tapping, flanged, #10 - 12 x 1", CAD	6
4	6007666	INSTRUCTION PLATE, fuel filler	1
4	6002652	INSTRUCTION PLATE, fuel filler, Canada	1
5	12339426	SPEEDNUT	6
6	6009796	CAP ASSEMBLY, fuel filler w/tether	1
7	6008148	REINFORCEMENT RING, main tank fuel filler	1
8	6008147	HOUSING, fuel filler opening.	1
9	6008088	FILLER NECK, fuel, main tank.	1
10	6005924	•STRAP, ground.	1
11	N/S	CLAMP, hose, dipped, 2"	1
12	N/S	SCREW, 1/4 - 20 x 3/4", Gr5, CAD	2
13	N/S	WASHER, flat, 1/4", hardened, ZN.	4
14	8-6-100202BA	ELBOW, pipe to tube, fuel tank vent tube.	1
15	N/S	TUBE, 44", fuel tank vent, SEE NOTE 1	1
16	N/S	LOCKWASHER, toothed, 1/4", ZN	1
17	N/S	LOCKNUT, 1/4 - 20", Gr8	2
18	12339892	BUSHING, fuel tank vent line.	1
19	N/S	TUBE, 27", fuel tank vent, SEE NOTE 1	1
20	N/S	CLAMP, filler pipe vent line 1/2" cushioned	2
21	N/S	SCREW, tapping, 1/4 - 14 x 1/2", ZN, fuel tank vent tube clamp.	1
22	N/S	CLAMP, 2.75" - 1.81", fuel filler hose	2
23	12338551-2	HOSE, fuel filler neck to tank.	1
		NOTE 1: MAKE FROM BULK TUBING P/N CPR104420-3	

2003 HUMMER H1 PARTS CATALOG

3-22 FUEL, EMISSIONS AND EXHAUST



P03-031.6

Figure 3-10. Fuel Filler, Auxiliary Fuel Tank.

2003 HUMMER H1 PARTS CATALOG

FUEL, EMISSIONS AND EXHAUST 3-23

ITEM	PART NUMBER	DESCRIPTION	QTY
		Figure 3-10. Fuel Filler, Auxiliary Fuel Tank.	
1	N/S	SCREW, socket head cap, 1/4 - 20 x 3/4", Gr8, CAD . .	3
2	N/S	LOCKWASHER, 1/4", ZN	3
3	6008105	REINFORCEMENT RING, fuel filler	1
4	6008104	HOUSING, auxiliary fuel filler	1
5	6008163	TUBE ASSEMBLY, auxiliary fuel filler	1
6	6005924	STRAP, ground.	1
7	N/S	WASHER, flat, hardened, 1/4", ZN.	5
8	N/S	LOCKNUT, 1/4 - 20", Gr8, CAD	4
9	N/S	ELBOW, 90 degree, barbed, 3/8"	2
10	N/S	CLAMP, hose, 1/2 to 1-1/4"	2
11	6008245	HOSE, vent, aux tank-to-filler neck.	1
12	6008246	CONDUIT, vent hose, aux tank	1
13	6006670B9	BRACKET, fuel filler hanger	1
14	N/S	LOCKBOLT, 1/4"	2
15	NAS1080R08	COLLAR	2
16	N/S	LOCKWASHER, external tooth, 1/4", ZN	1
17	N/S	CLAMP, hose, 1.81 to 2.75"	2
18	6008342	HOSE, filler neck-to-fuel tank	1
19	N/S	BOLT, 1/4 - 20 x 3/4", Gr5, CAD	1
20	6008253	P-CLAMP, hose	1
21	12339426	SPEEDNUT	5
22	6007731	INSTRUCTION PLATE, fuel filler, "USE DIESEL FUEL ONLY"	1
22	6007732	INSTRUCTION PLATE, fuel filler, "USE DIESEL FUEL ONLY"	1
		Canada	1
22	6007734	INSTRUCTION PLATE, fuel filler "DIESEL FUEL ONLY"	1
		Arabic	1
23	9420352	SCREW, tapping, flanged hex head, CAD	5
24	6009796	CAP ASSEMBLY, fuel filler, w/tether	1
25	6006715B9	BRACKET, shield mounting, outer	2
26	N/S	RIVET, blind, 3/16"	7
27	6006709	SHIELD, fuel filler tube	1
28	6006707P	BRACKET, shield mounting, inner	1

2003 HUMMER H1 PARTS CATALOG

3-24 FUEL, EMISSIONS AND EXHAUST

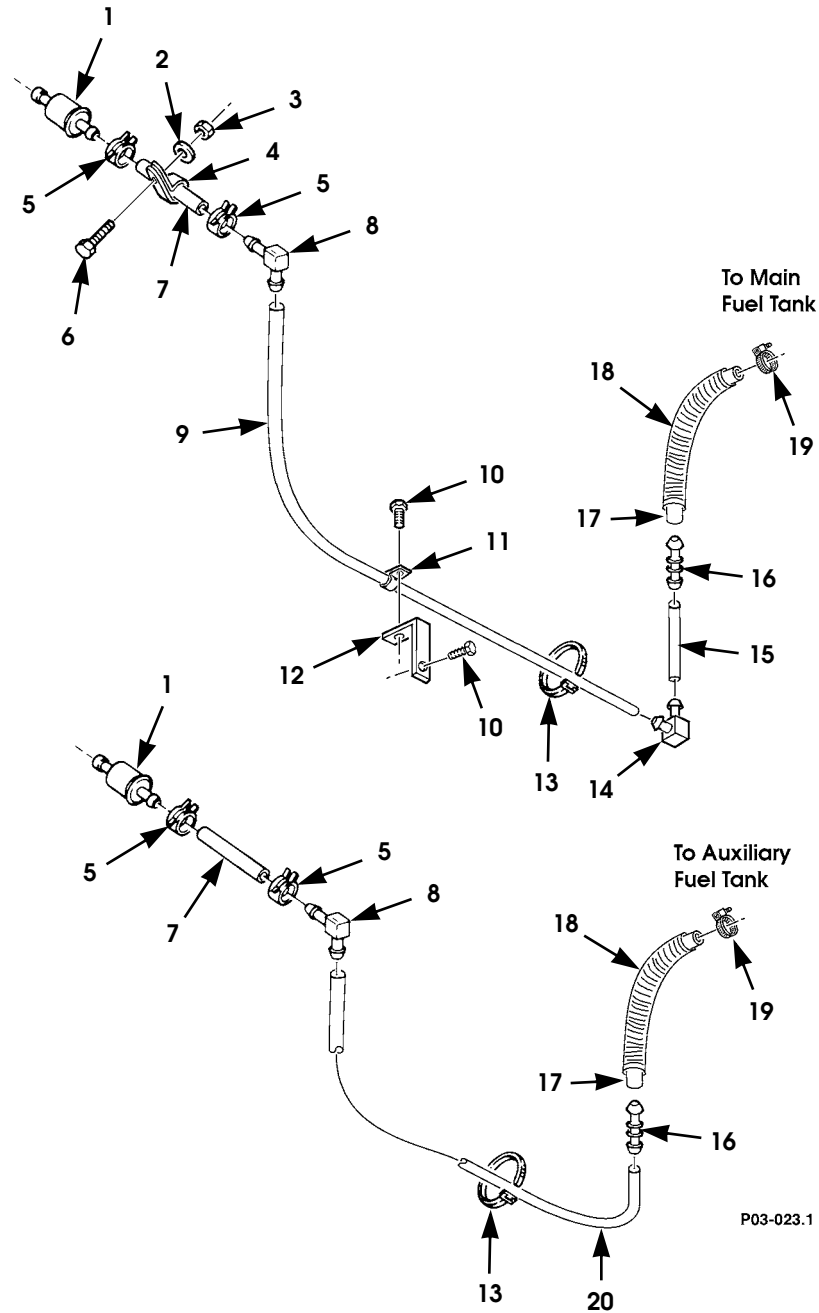


Figure 3-11. Fuel Tank Vent Line, Filter, and Mounting Hardware.

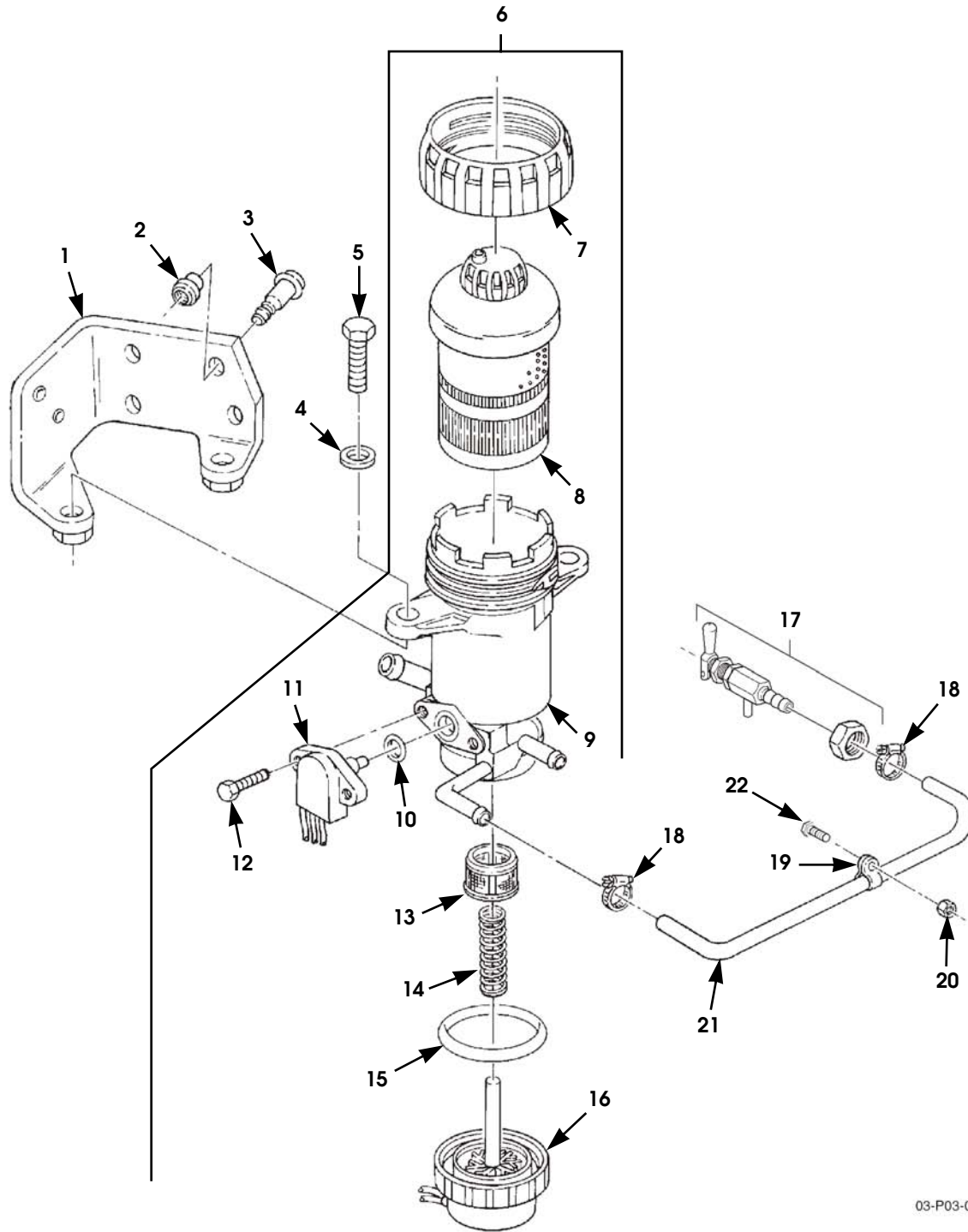
2003 HUMMER H1 PARTS CATALOG

FUEL, EMISSIONS AND EXHAUST 3-25

ITEM	PART NUMBER	DESCRIPTION	QTY
		Figure 3-11. Fuel Tank Vent Line, Filter, and Mounting Hardware.	
1	12339208	FILTER, fuel tank vent line	2
2	N/S	WASHER, flat, hardened, 1/4", ZN	1
3	N/S	LOCKNUT, 1/4", Gr8	1
4	N/S	CLAMP, cushioned, 3/4", vent line filter	1
5	WWC440-1/2	CLAMP, hose, 1/2", TY E, low press	2
6	N/S	SCREW, 1/4 - 20 x 5/8", Gr5, CAD, filter clamp	1
7	N/S	HOSE, 1/4" I.D. x 2.13", SEE NOTE 1	2
8	12339979-2	ELBOW, vent line	2
9	N/S	TUBE, 3/8" O.D. x 83", main fuel tank, SEE NOTE 2.	1
10	N/S	SCREW, tapping, 3/8 - 16 x 5/8", ZN	2
11	N/S	CLAMP, cushioned, 3/8", fuel tank vent tube	1
12	12338663	BRACKET, vent line tube mounting	1
13	MS3367-7	TIEDOWN STRAP, vent tube	6
14	6007133	TEE, barbed, 3/8"	1
15	N/S	TUBING, 7-inch, SEE NOTE 2	1
16	6007176	REDUCER, 5/16 x 1/4"	2
17	6006738	HOSE, rollover-to-fuel bundle	2
18	6006739	CONDUIT, vent tubing	2
19	N/S	CLAMP, hose	2
20	N/S	TUBING, 3/8" O.D. x 5/16" I.D. x 35 - 1/4", aux fuel tank, SEE NOTE 2.	1
		NOTE 1: MAKE FROM BULK HOSE P/N 5741210, 1/4" x 50' ROLL	
		NOTE 2: ORDER BULK TUBING BY THE FOOT, P/N CPR104420-2	

2003 HUMMER H1 PARTS CATALOG

3-26 FUEL, EMISSIONS AND EXHAUST



03-P03-004

Figure 3-12. Fuel Filter Assembly and Mounting Hardware.

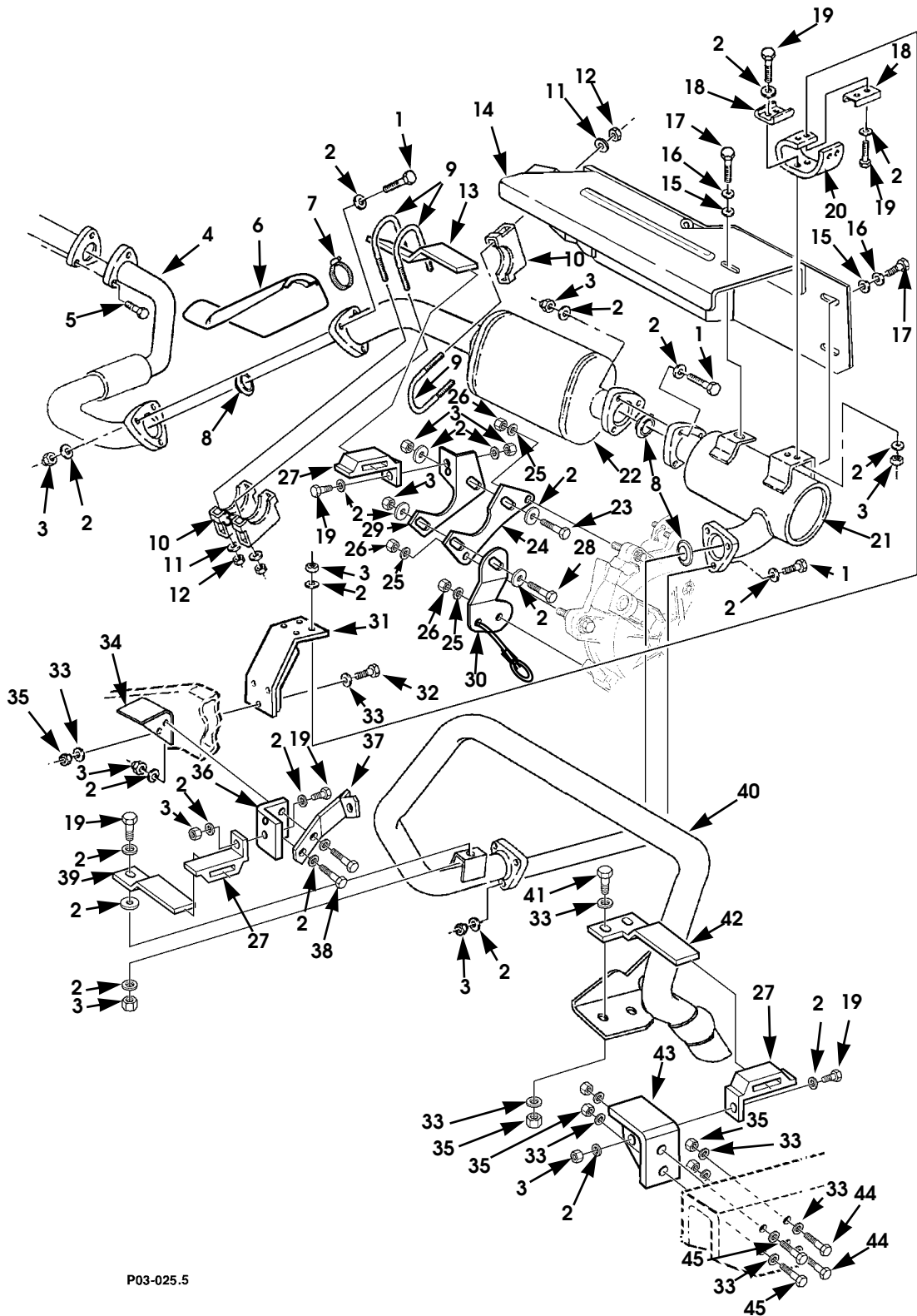
2003 HUMMER H1 PARTS CATALOG

FUEL, EMISSIONS AND EXHAUST 3-27

ITEM	PART NUMBER	DESCRIPTION	QTY
		Figure 3-12. Fuel Filter Assembly and Mounting Hardware.	
1	6010657B9	BRACKET ASSEMBLY, fuel filter and pump mounting . .	1
2	NAS1080R08	COLLAR	4
3	M23469/2-50805	LOCKBOLT	4
4	N/S	WASHER, flat, hard, 5/16", filter mounting, ZN	2
5	N/S	BOLT, 5/16 - 18 x 1 - 1/4", Gr8, CAD, filter mounting . . .	2
6	5939621	FUEL FILTER ASSEMBLY	1
7	5742599	•NUT ELEMENT	1
8	5742602	•ELEMENT ASSEMBLY	1
9	S.I.A.	•HEADER ASSEMBLY	1
10	5740660	•SEAL, O-ring	1
11	5742605	•SENSOR ASSEMBLY, water	1
12	5742577	•SCREW	2
13	5742604	•SCREEN	1
14	S.I.A.	•COIL, flow guide	1
15	5742600	•SEAL, O-ring	1
16	5742603	•HEATER ASSEMBLY	1
17	12446751	VALVE ASSEMBLY, fuel filter drain	1
18	N/S	CLAMP, drain hose, 5/16", stainless	2
19	N/S	CLAMP, drain hose, cushioned, 5/8"	1
20	N/S	LOCKNUT, 10-32, drain hose clamp	1
21	N/S	HOSE, fuel filter drain, 20", SEE NOTE 1	1
22	N/S	SCREW, #10-32 x 5/8" hex head	1
		NOTE 1: MAKE FROM BULK HOSE P/N 5741068, 1/4" x 25'	

2003 HUMMER H1 PARTS CATALOG

3-28 FUEL, EMISSIONS AND EXHAUST



P03-025.5

Figure 3-13. Exhaust Pipes and Related Parts.

2003 HUMMER H1 PARTS CATALOG

FUEL, EMISSIONS AND EXHAUST 3-29

ITEM	PART NUMBER	DESCRIPTION	QTY
		Figure 3-13. Exhaust Pipes and Related Parts.	
1	N/S	BOLT, 3/8 - 16 x 2 - 1/4", Gr5, CAD	9
2	N/S	WASHER, flat, type B, 3/8"	50
3	N/S	LOCKNUT, 3/8 - 16", Gr8	20
4	RCSK17079	PIPE ASSEMBLY, crossover	1
5	N/S	BOLT, M10 - 1.5 x 50, class 10.9, phos	3
6	6013322	SHIELD, exhaust	1
7	6005191	CLAMP, hose	2
8	12338339	GASKET	3
9	6010419	CLAMP ASSEMBLY, U-bolt	4
10	S.I.A.	•CLAMP END	4
11	S.I.A.	•WASHER	8
12	S.I.A.	•NUT	8
13	6009367	BRACKET, converter mounting, slide-bar type	1
14	RCSK18554	HEAT SHIELD ASSEMBLY	1
15	N/S	WASHER, flat, hardened, 1/4", ZN	3
16	N/S	LOCKWASHER, med, 1/4", ZN	3
17	N/S	BOLT, 1/4 - 20 x 3/4", Gr5	3
18	12338341	PLATE, reinforcement	3
19	N/S	BOLT, 3/8 - 16 x 1 - 1/4", Gr8, CAD	10
20	12338337	INSULATOR, exhaust	1
21	6008296	MUFFLER ASSEMBLY, ceramic	1
22	6008247	CATALYTIC CONVERTER ASSEMBLY	1
23	N/S	BOLT, 3/8 - 16 x 2", Gr5, CAD	1
24	12338347	BRACKET, exhaust	1
25	N/S	WASHER, flat, M10	10
26	N/S	LOCKNUT, M10 - 1.5, class 9.8, CAD	7
27	6009378	CUSHIONED LOOP ASSEMBLY	3
28	N/S	BOLT, 3/8 - 16 x 1 - 3/4", Gr5, CAD	1
29	6009372	BRACKET, exhaust, transfer case	1
30	12447180	CABLE ASSEMBLY, transfer case guide	1
31	EC12338221B1	BRACKET, muffler mounting	1
32	N/S	BOLT, 1/2 - 13 x 4 - 3/4", Gr8, CAD, L.H. ,body mount bracket	3
33	N/S	WASHER, flat, hardened, 1/2", type B	18
34	WA12342509B9	BRACKET ASSEMBLY, C-mount, L.H.	1
34	6008610	BRACKET, body mount, rear, C-mount, L.H., 12, 100-lb GVW	1

2003 HUMMER H1 PARTS CATALOG

3-30 FUEL, EMISSIONS AND EXHAUST

ITEM	PART NUMBER	DESCRIPTION	QTY
		Figure 3-13. Exhaust Pipes and Related Parts.(Cont'd)	
35	N/S	LOCKNUT, 1/2 - 13", Gr8, CAD	11
36	6009377	BRACKET, exhaust-to-frame	1
37	6007737	BRACKET ASSEMBLY, CTIS mounting	1
38	N/S	BOLT, 1/2 - 13 x 2", Gr5, CAD	2
39	6009368	BRACKET, front tailpipe, slide-bar type	1
40	6008565	EXHAUST PIPE ASSEMBLY	1
41	N/S	BOLT, 1/2 - 13 x 1 - 1/2", Gr8, CAD	2
42	6009369	BRACKET, rear tailpipe, slide-bar type	1
43	6009375	BRACKET, tailpipe-to-bumper	1
44	N/S	BOLT, 1/2 - 13 x 3", Gr8, CAD	2
45	N/S	BOLT, 1/2 - 13 x 3 - 1/4", Gr8, CAD	2

2003 HUMMER H1 PARTS CATALOG

COOLING SYSTEM 4-1

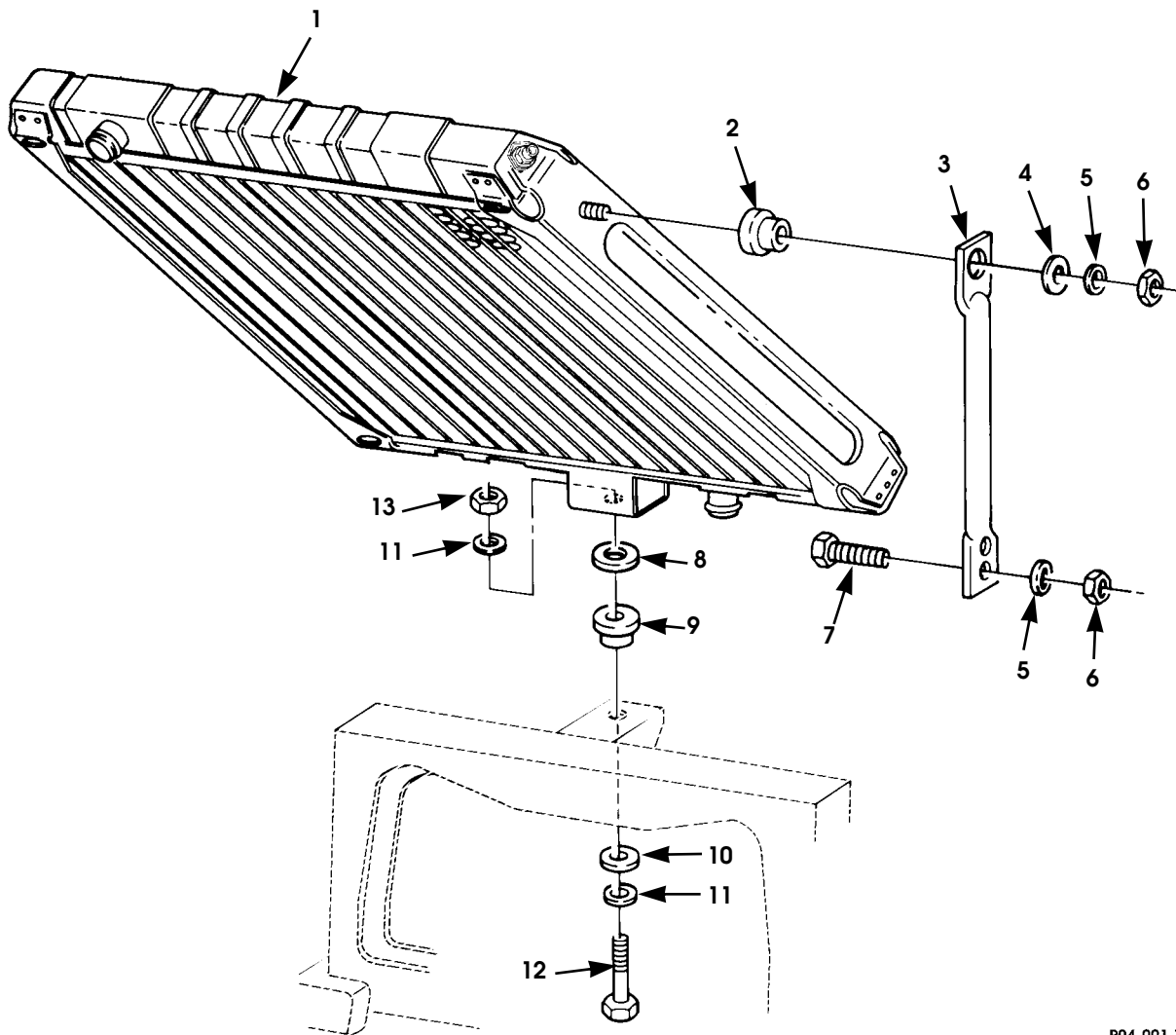
Section 4

COOLING SYSTEM

TITLE	PAGE NUMBER
Cooling Fan, Fan Clutch, Belt, and Pulleys	4-14
Oil Cooler (Engine and Transmission) and Engine Oil Cooler Lines	4-16
Radiator and Mounting Hardware	4-2
Radiator Hoses and Related Parts	4-8
Radiator Shroud and Related Parts	4-6
Surge Tank and Related Parts	4-4
Thermostat, Water Crossover, and Attaching Hardware	4-10
Water Pump and Attaching Hardware	4-12

2003 HUMMER H1 PARTS CATALOG

4-2 COOLING SYSTEM



P04-001.1

Figure 4-1. Radiator and Mounting Hardware.

2003 HUMMER H1 PARTS CATALOG

COOLING SYSTEM 4-3

ITEM	PART NUMBER	DESCRIPTION	QTY
		Figure 4-1. Radiator and Mounting Hardware.	
1	6007331	RADIATOR ASSEMBLY.	1
2	12338338	GROMMET, insulator, upper	2
3	12339165-1	SUPPORT, radiator, L.H.	1
3	12339165-2	SUPPORT, radiator, R.H.	1
4	N/S	WASHER, hardened, 3/8", ZN	2
5	N/S	WASHER, flat, hardened, 3/8", ZN.	6
6	N/S	LOCKNUT, 3/8 - 16", Gr8, CAD	6
7	N/S	BOLT, 3/8 - 16 x 1", Gr5, Phos.	4
8	12340263	WASHER, flat, hardened	1
9	12340264	MOUNT, insulator, lower.	1
10	N/S	WASHER, flat, hardened, 1/2"	1
11	N/S	WASHER, flat, hardened, 1/2", ZN.	2
12	N/S	BOLT, 1/2 - 13 x 2", Gr8, CAD.	1
13	N/S	LOCKNUT, 1/2 - 13", Gr8, CAD	1

2003 HUMMER H1 PARTS CATALOG

4-4 COOLING SYSTEM

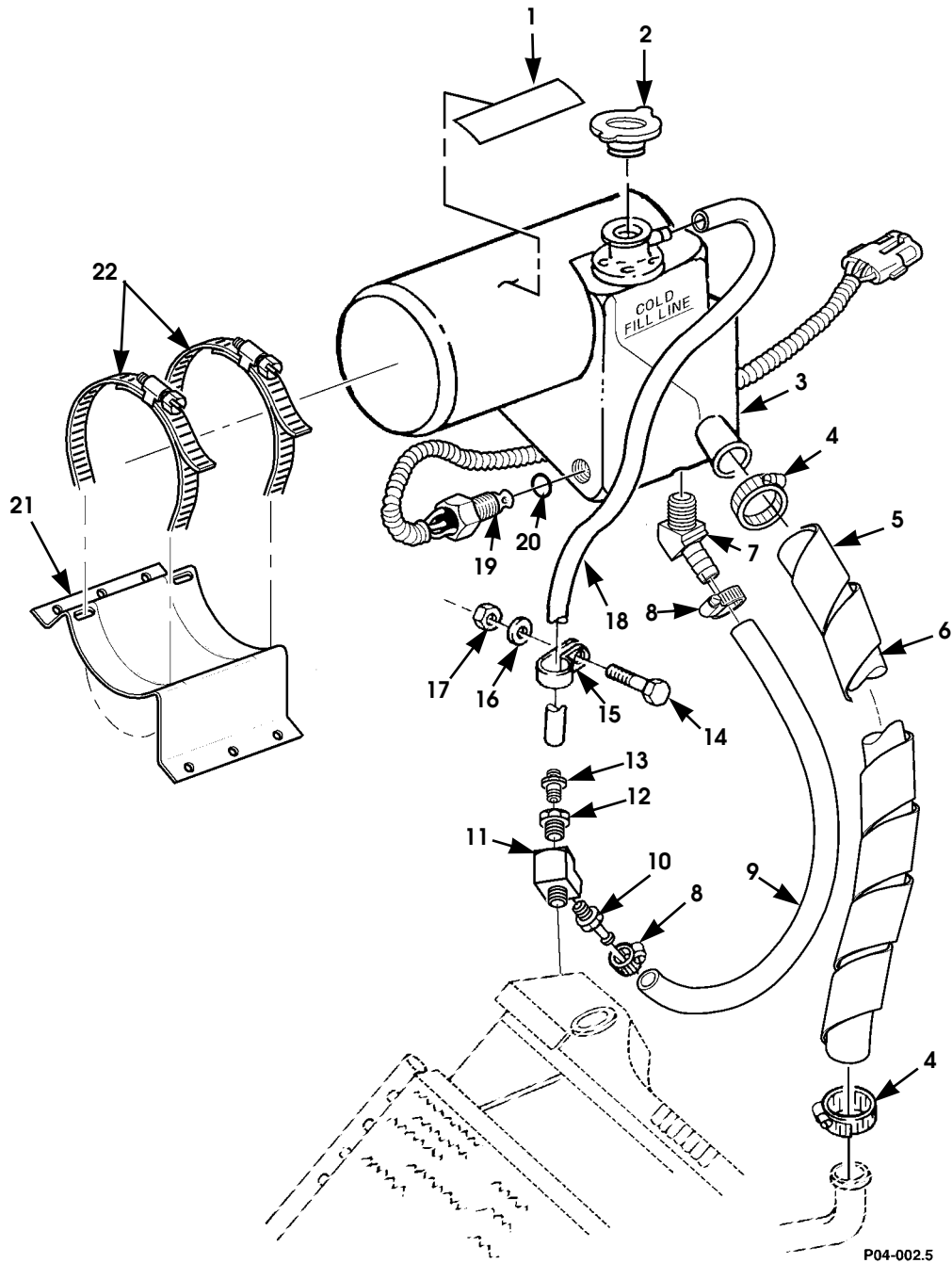


Figure 4-2. Surge Tank and Related Parts.

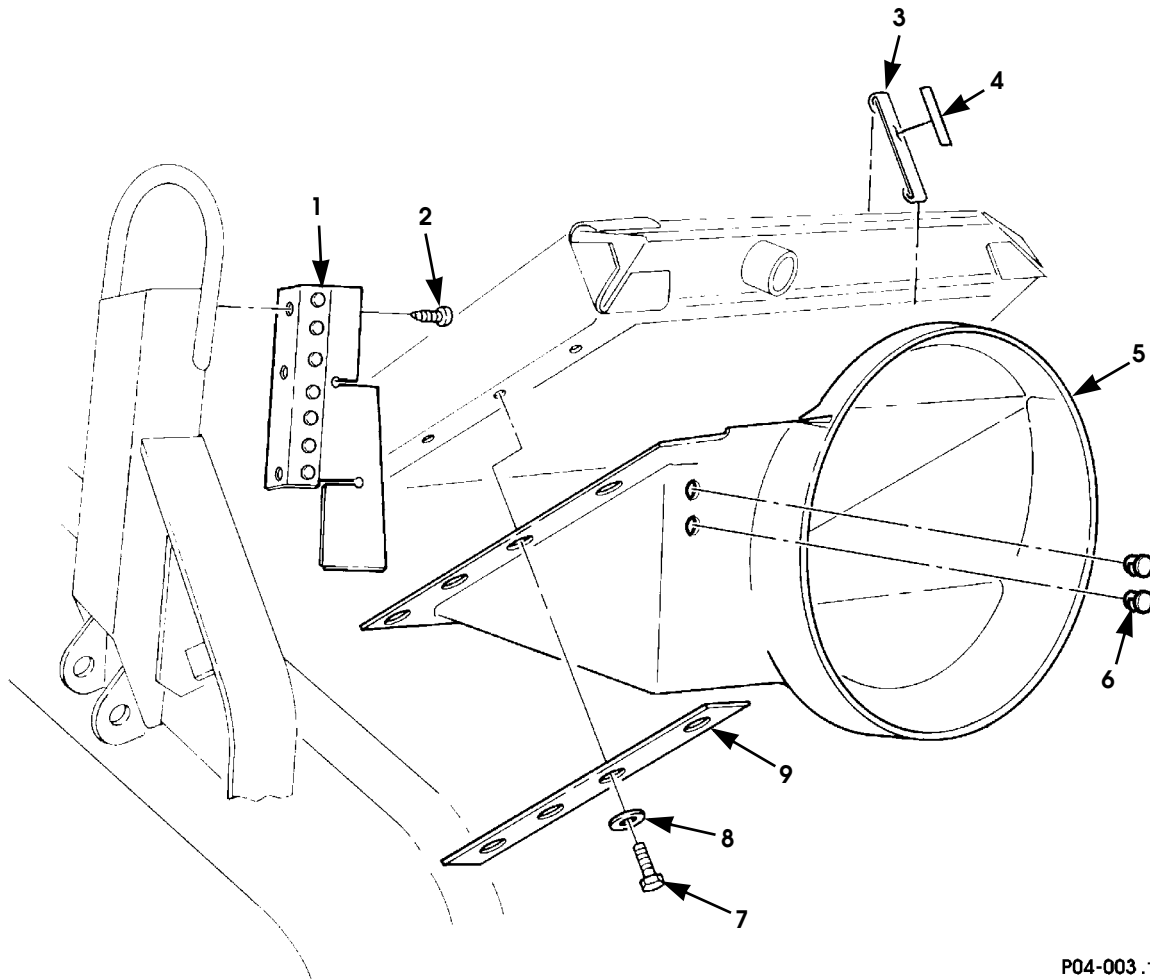
2003 HUMMER H1 PARTS CATALOG

COOLING SYSTEM 4-5

ITEM	PART NUMBER	DESCRIPTION	QTY
		Figure 4-2. Surge Tank and Related Parts.	
1	6012259	DECAL, surge tank, (English)	1
1	6012261	DECAL, surge tank, (French)	1
2	12339878	CAP, surge tank	1
3	6008582	TANK, surge	1
4	N/S	CLAMP, hose, .62" to 1.5", stainless	2
5	5742924	WRAP, spiral, tube, 5"	3
6	12340046	HOSE, lower radiator-to-surge tank	1
7	6009102	FITTING, 45° male connector	1
8	N/S	CLAMP, hose, 5/16", stainless	2
9	12339155-1	HOSE, surge tank to radiator	1
10	12339974	FITTING, surge tank line to radiator	1
11	44-4-13042B	TEE, 1/4 x 1/4 x 1/4"	1
12	5937262	BUSHING, 1/4 x 1/8"	1
13	6008770	BLEEDER ASSEMBLY	1
14	N/S	BOLT, 1/4 - 20 x 3/4", Gr8, CAD	1
15	N/S	CLAMP, surge tank overflow hose, cushioned, 1/2"	1
16	N/S	WASHER, flat, hard, 1/4", ZN	1
17	N/S	LOCKNUT, 1/4 - 20", Gr8	1
18	6004920	HOSE, surge tank overflow, 12"	1
19	6008600	SENSOR, low coolant.	1
20	6008584	SEAL, O-ring	1
21	12338713P	BRACKET, surge tank	1
22	N/S	CLAMP, 2.0 to 6.6", stainless.	2

2003 HUMMER H1 PARTS CATALOG

4-6 COOLING SYSTEM



P04-003 .1

Figure 4-3. Radiator Shroud and Related Parts.

2003 HUMMER H1 PARTS CATALOG

COOLING SYSTEM 4-7

ITEM	PART NUMBER	DESCRIPTION	QTY
		Figure 4-3. Radiator Shroud and Related Parts.	
1	WA12339166-1	SHIELD, shroud, airlift, L.H.	1
1	WA12339166-2	SHIELD, shroud, airlift, R.H.	1
2	N/S	SCREW, pan head tapping, 1/4 - 20 x 1/2", CAD	6
3	EC12339154-1B1	RETAINING STRAP, radiator	1
4	6012263	DECAL, fan warning, (English)	1
4	6012265	DECAL, fan warning (French).	1
5	6003497	SHROUD, radiator	1
6	12339361-6	PLUG, fan shroud holes	2
7	N/S	BOLT, 1/4 - 20 x 1", Gr5, CAD.	8
8	N/S	LOCKWASHER, med, 1/4", ZN	8
9	12339156	RETAINING STRAP, shroud-to-radiator.	2

2003 HUMMER H1 PARTS CATALOG

4-8 COOLING SYSTEM

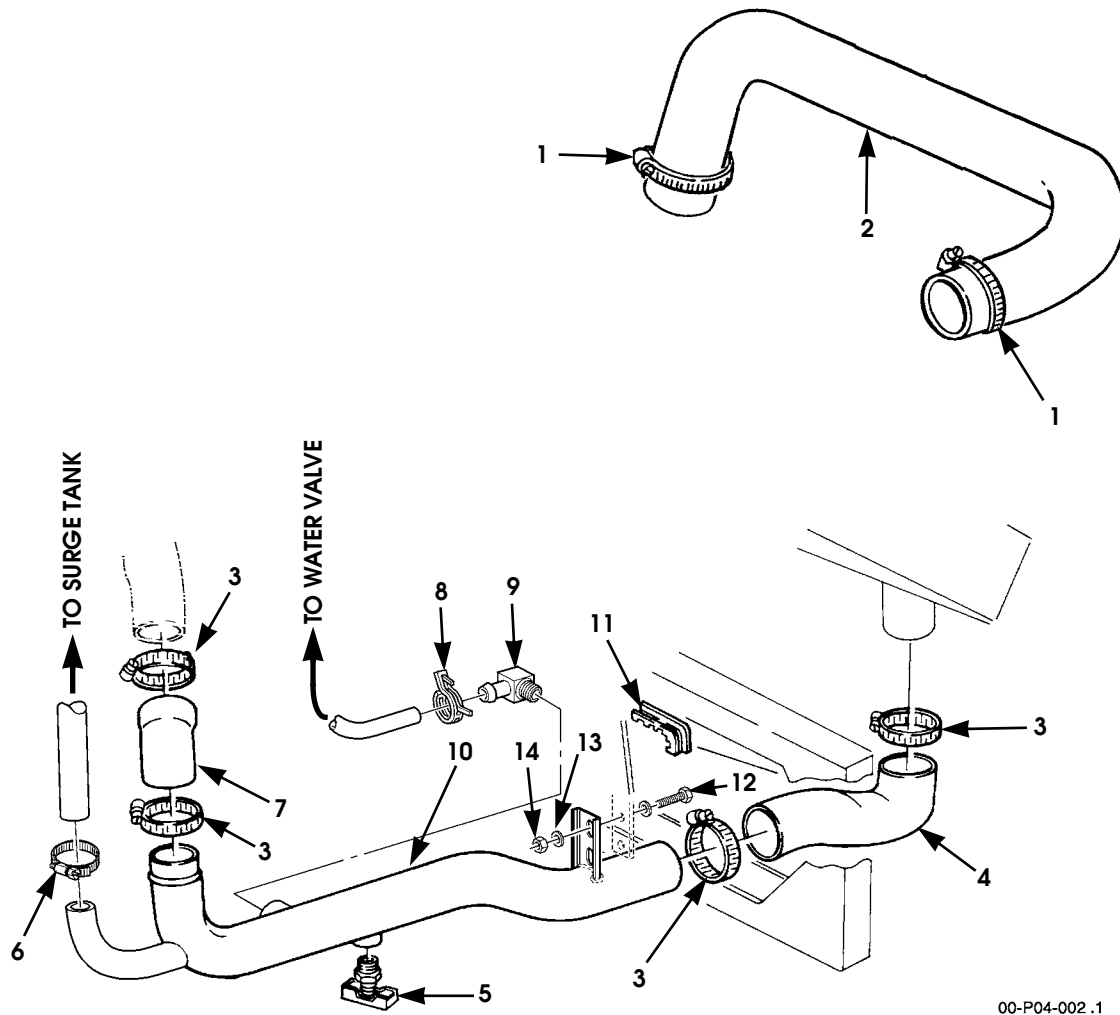


Figure 4-4. Radiator Hoses and Related Parts.

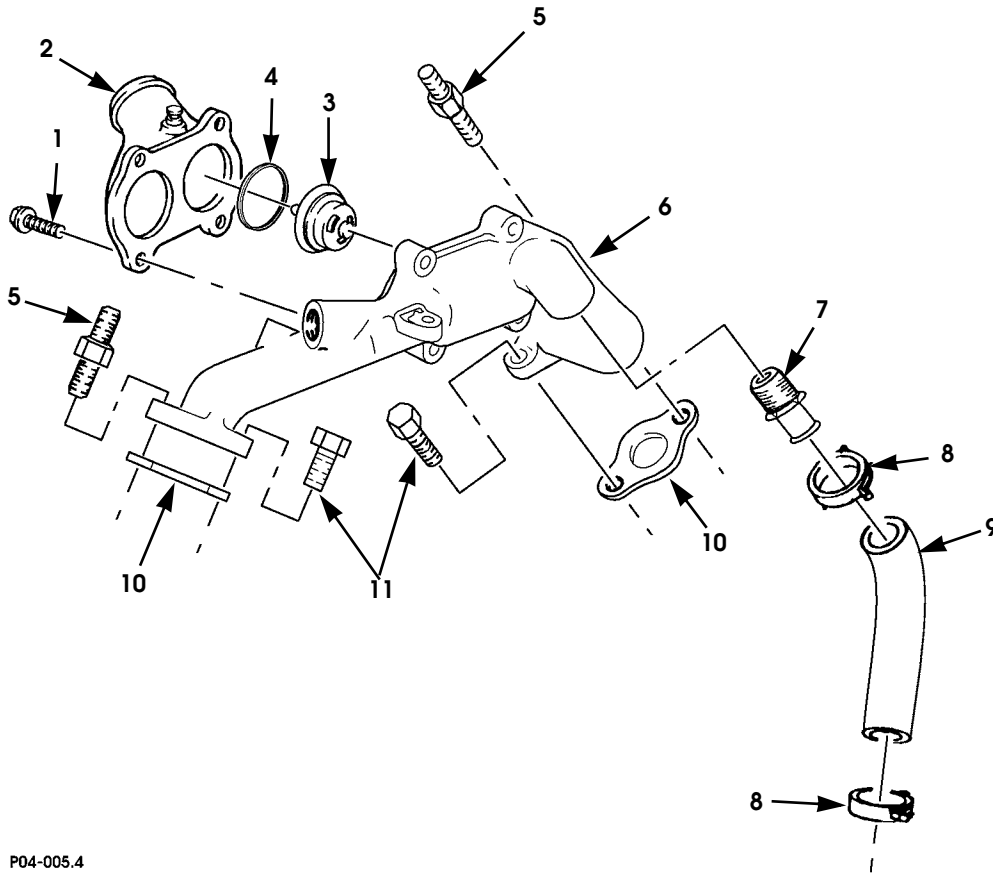
2003 HUMMER H1 PARTS CATALOG

COOLING SYSTEM 4-9

ITEM	PART NUMBER	DESCRIPTION	QTY
		Figure 4-4. Radiator Hoses and Related Parts.	
1	6013838	CLAMP, constant tension, hose, stainless, 1.56 to 2.5"	7
2	6007014	HOSE, radiator inlet	1
3	6013839	CLAMP, constant tension, hose, stainless, 1.81 to 2.75"	4
4	12339162	HOSE, lower radiator	1
5	MS35782-4	DRAINCOCK, lower radiator tube	1
6	N/S	CLAMP, hose, stainless, .62 to 1.5"	1
7	12339159	HOSE, lower radiator, rear	1
8	N/S	CLAMP, constant tension, 3/4"	1
9	10-8-430260	FITTING	1
10	6010165	TUBE, lower radiator.	1
11	12339902-12	EDGE PROTECTOR, 5.92"	1
12	N/S	BOLT, 1/4 - 20 x 3/4"	2
13	N/S	WASHER, flat, 1/4"	4
14	N/S	LOCKNUT, 1/4 - 20"	2

2003 HUMMER H1 PARTS CATALOG

4-10 COOLING SYSTEM



P04-005.4

Figure 4-5. Thermostat, Water Crossover, and Attaching Hardware.

2003 HUMMER H1 PARTS CATALOG

COOLING SYSTEM 4-11

ITEM	PART NUMBER	DESCRIPTION	QTY
		Figure 4-5. Thermostat, Water Crossover, and Attaching Hardware.	
1	5744434	BOLT, water outlet	4
2	5744473	OUTLET ASSEMBLY, water	1
3	5744463	THERMOSTAT.	2
4	5744462	•O-RING, enclosing, thermostat seal	2
5	5740052	STUD	2
6	5744461	HOUSING	1
7	5744479	CONNECTOR, thermal bypass hose	1
8	N/S	CLAMP, hose, 5/8 to 1-1/2", stainless	2
9	5744460	HOSE, thermostat bypass	1
10	5742109	GASKET, thermostat housing, SEE NOTE 1	2
11	5744432	BOLT, thermostat housing	2
		 NOTE 1: PART OF CYLINDER HEAD KIT 5714842	

2003 HUMMER H1 PARTS CATALOG

4-12 COOLING SYSTEM

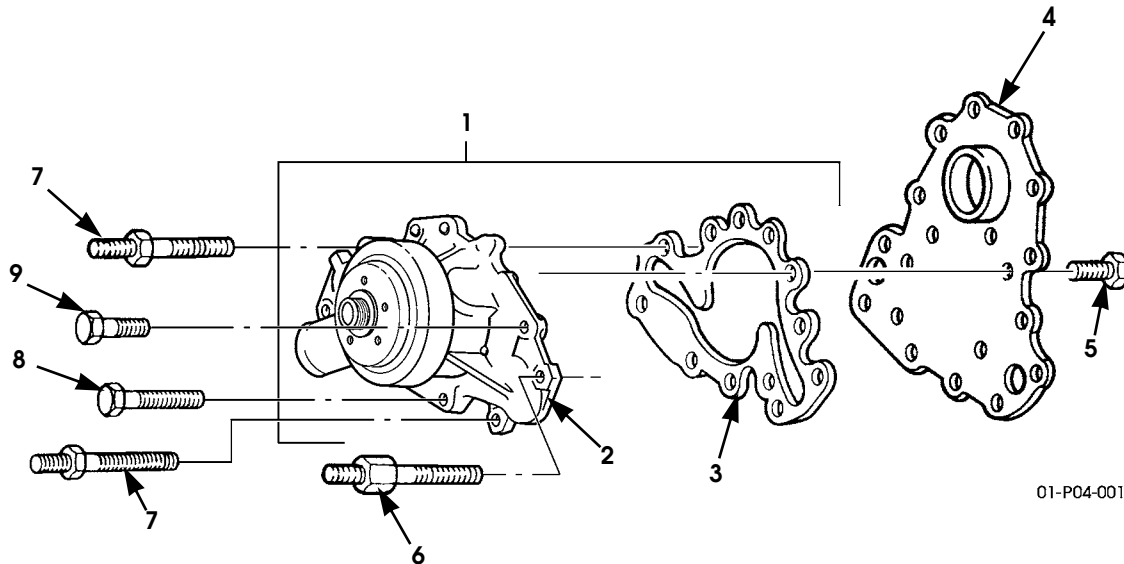


Figure 4-6. Water Pump and Attaching Hardware.

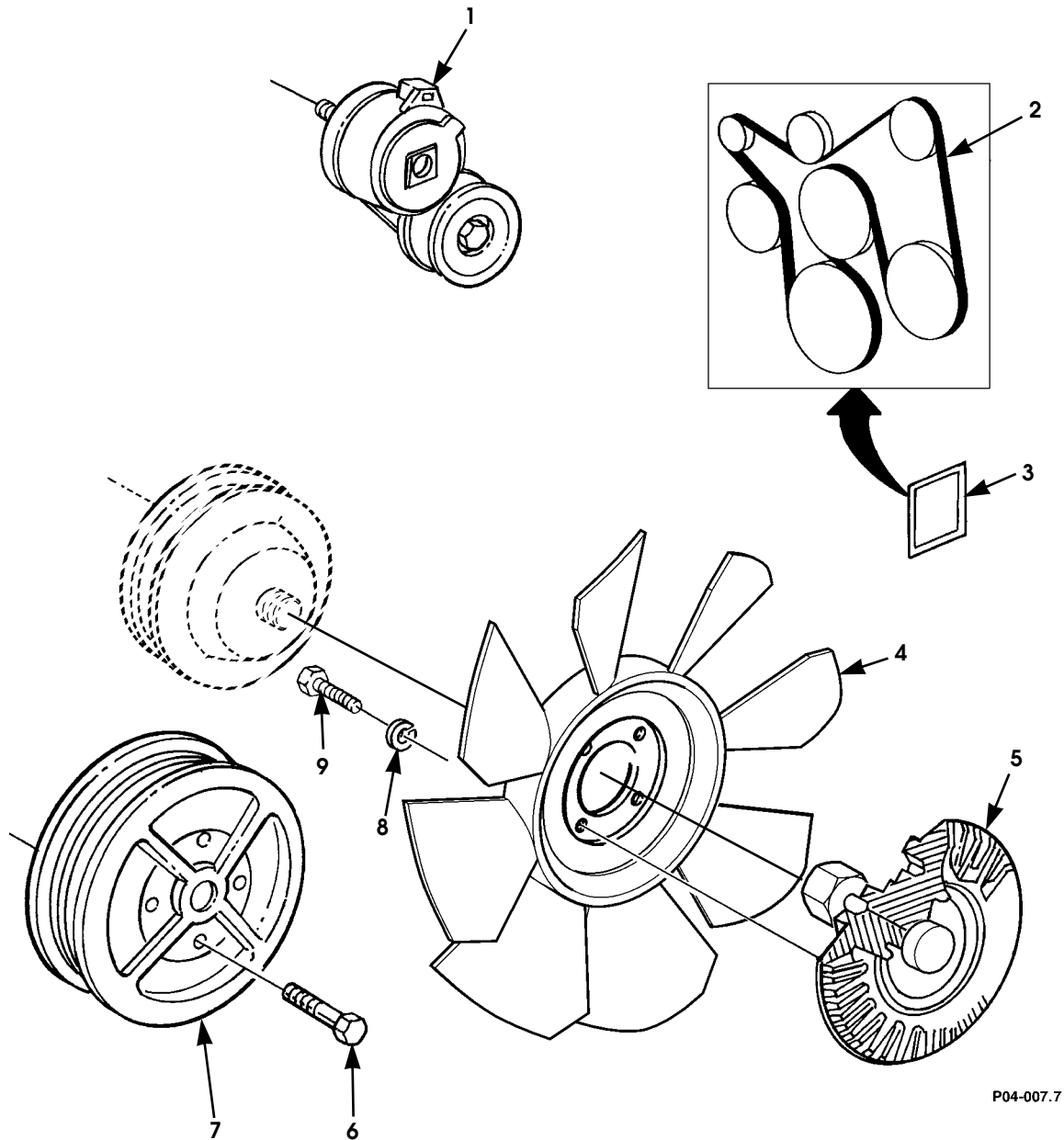
2003 HUMMER H1 PARTS CATALOG

COOLING SYSTEM 4-13

ITEM	PART NUMBER	DESCRIPTION	QTY
		Figure 4-6. Water Pump and Attaching Hardware.	
1	5745093	WATER PUMP ASSEMBLY	1
2	S.I.A.	•WATER PUMP BODY.	1
3	5714528	•GASKET, water pump, SEE NOTE 1	1
4	5743232	BACKING PLATE, water pump	1
5	N/S	BOLT, M8 - 1.25 x 16, Class10.9, CAD	6
6	5741140	STUD, water pump	1
7	5741166	STUD	3
8	N/S	BOLT, M10 - 1.5 x 80, water pump.	2
9	N/S	BOLT, M8 - 1.25 x 40, Class10.9, CAD	2
		 NOTE 1: PART OF ENGINE OVERHAUL KIT P/N 5743399	

2003 HUMMER H1 PARTS CATALOG

4-14 COOLING SYSTEM



P04-007.7

Figure 4-7. Cooling Fan, Fan Clutch, Belt, and Pulleys.

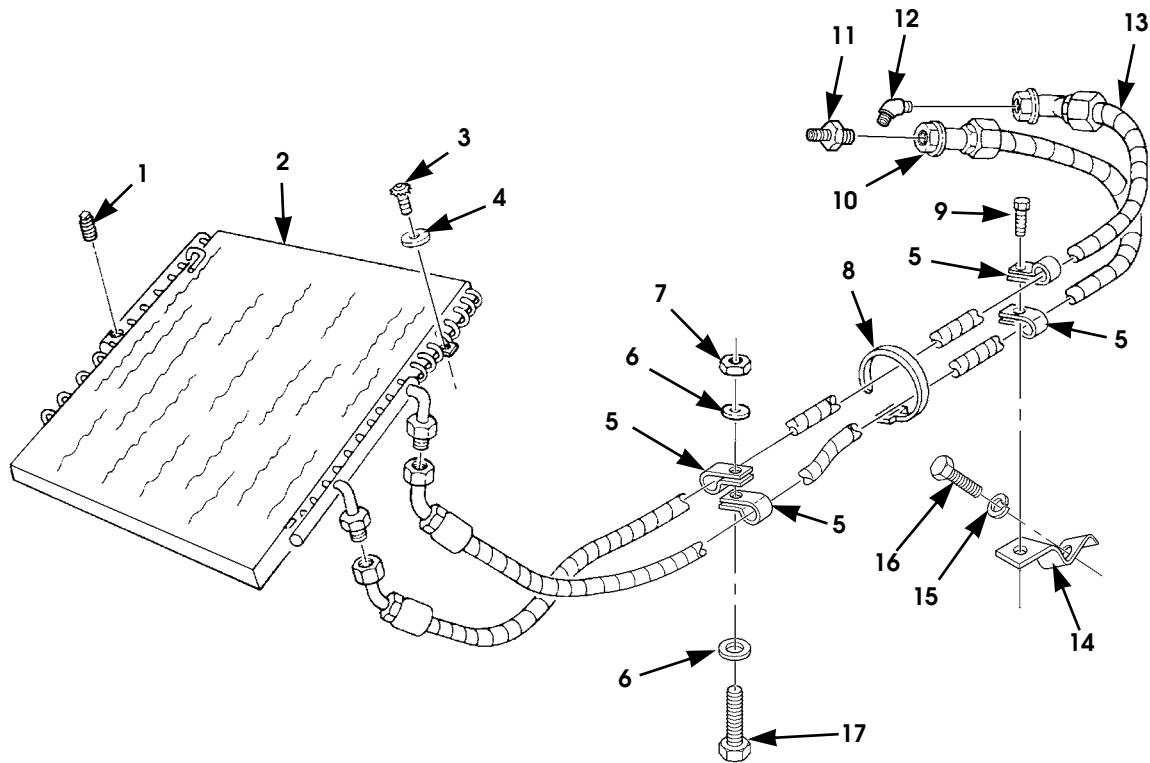
2003 HUMMER H1 PARTS CATALOG

COOLING SYSTEM 4-15

ITEM	PART NUMBER	DESCRIPTION	QTY
		Figure 4-7. Cooling Fan, Fan Clutch, Belt, and Pulleys.	
1	6003051	TENSIONER	1
2	6007453	BELT, serpentine	1
3	6006813	LABEL, belt routing	1
4	6009790	FAN, engine cooling,	1
5	6009991	CLUTCH ASSEMBLY, fan	1
6	N/S	BOLT, M10 - 1.5 x 65, class 9.8	4
7	6003069	PULLEY, crankshaft	1
8	N/S	LOCKWASHER, med, 5/16"	4
9	N/S	BOLT, 5/16 - 18 x 5/8", fan-to-clutch.	4

2003 HUMMER H1 PARTS CATALOG

4-16 COOLING SYSTEM



P04-008.2

Figure 4-8. Oil Cooler (Engine and Transmission) and Engine Oil Cooler Lines.

2003 HUMMER H1 PARTS CATALOG

COOLING SYSTEM 4-17

ITEM	PART NUMBER	DESCRIPTION	QTY
		Figure 4-8. Oil Cooler (Engine and Transmission) and Engine Oil Cooler Lines.	
1	MS49005-4	PLUG, pipe, oil cooler	2
2	12340185	COOLER, engine and transmission oil	1
3	5744143	BOLT, pan head, socket head, 5/16-18 x 2 - 1/2"	4
4	N/S	WASHER, flat, 5/16", CAD	4
5	12340571-2	CLAMP, closed, .937 phil PN SS	4
6	N/S	WASHER, flat, hardened, 1/4", ZN	2
7	N/S	LOCKNUT, 1/4 - 20", Gr8	1
8	MS3367-3-9	STRAP, tiedown, oil cooler hose	1
9	N/S	SCREW, tapping, 1/4 - 20 x 5/8", CAD, oil cooler hose clamp	1
10	EC12339411-2	HOSE, oil cooler inlet	1
11	10-8-70102	STRAIGHT CONNECTOR	1
12	10-8-070302	ELBOW, 45-degree	1
13	6007451	HOSE, oil cooler outlet	1
14	6010092B9	BRACKET, oil cooler hose clamp	1
15	N/S	LOCKWASHER, med, 3/8", ZN	1
16	N/S	SCREW, tapping, 3/8 - 16 x 3/4", ZN	1
17	N/S	SCREW, 1/4 - 20 x 3/4", Gr5, CAD	1

2003 HUMMER H1 PARTS CATALOG

TRANSMISSION/TRANSFER CASE 5-1

Section 5

TRANSMISSION/TRANSFER CASE

TITLE	PAGE NUMBER
Control Valve and Related Parts	5-14
Torque Converter	5-2
Transfer Case Assembly, Front Half	5-26
Transfer Case Assembly, Rear Half	5-28
Transfer Case Assembly	5-24
Transfer Case Oil Cooler Assembly	5-32
Transfer Case Shift Controls	5-36
Transfer Case Shift Mechanisms	5-34
Transmission and Transfer Case Control Assembly and Neutral Start Switch	5-5
Transmission External Wiring Harness	5-16
Transmission Filter and Sensors	5-12
Transmission Mounting Hardware, Fluid Dipstick, and Tube Assembly	5-10
Transmission Parking Lock System	5-18
Transmission Shifting Linkage	5-8
Transmission Vent Lines and Attaching Hardware	5-20
Transmission/Transfer Case Cooling Lines	5-22

2003 HUMMER H1 PARTS CATALOG

5-2 TRANSMISSION/TRANSFER CASE

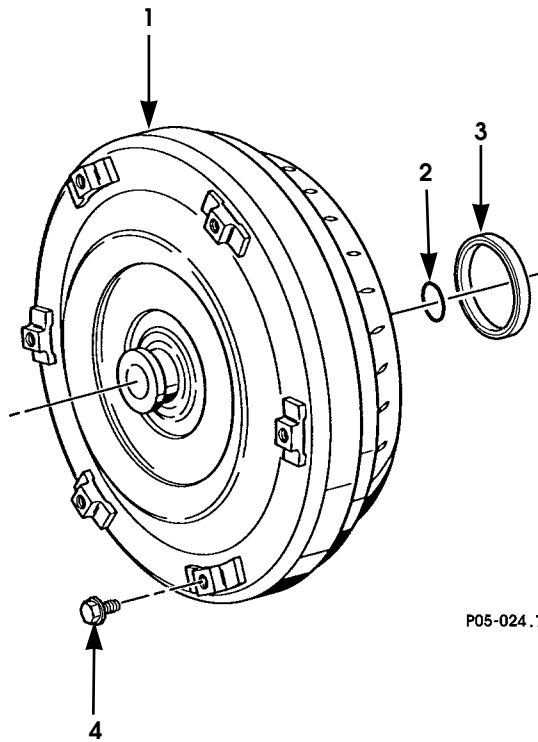


Figure 5-1. Torque Converter.

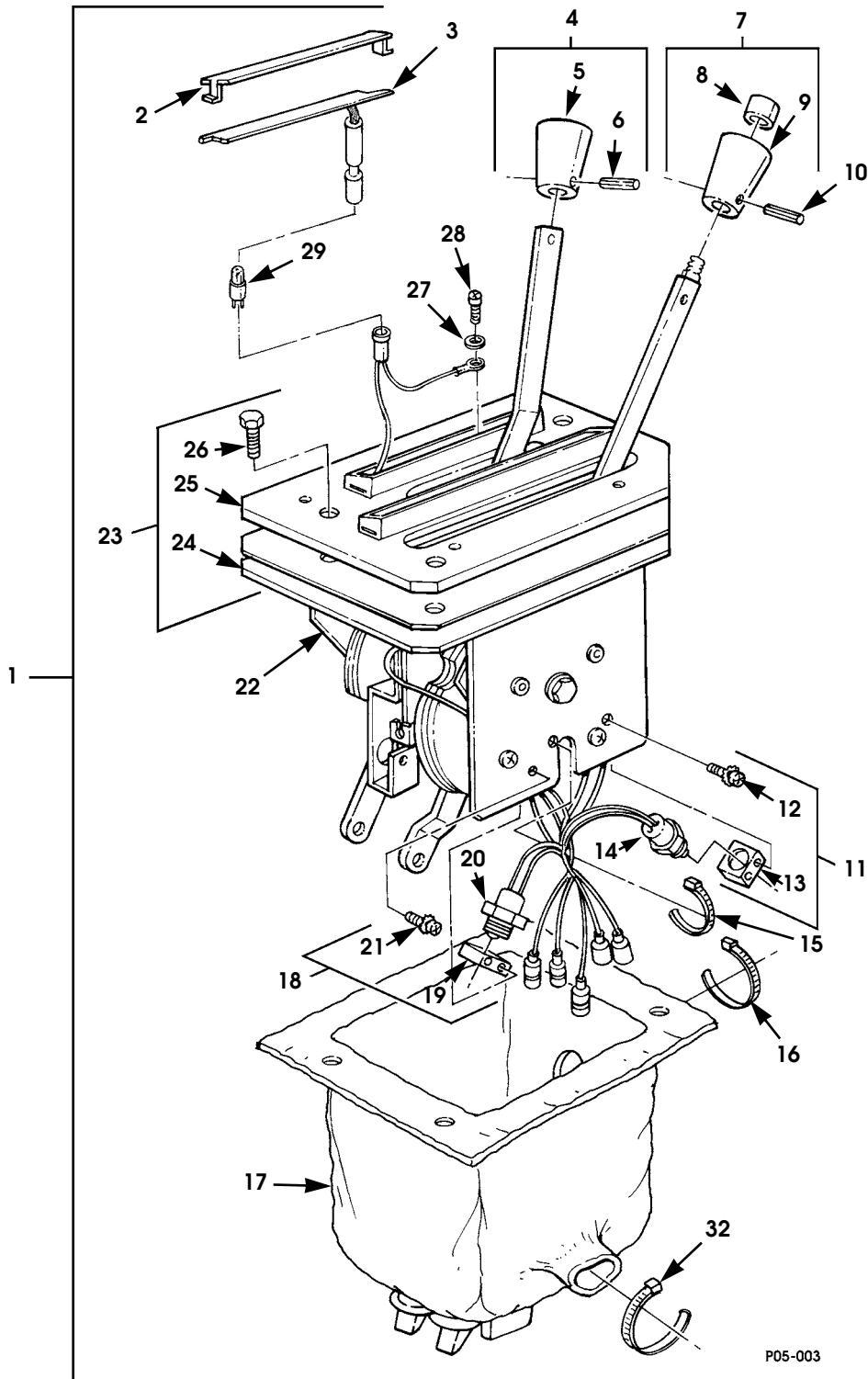
2003 HUMMER H1 PARTS CATALOG

TRANSMISSION/TRANSFER CASE 5-3

ITEM	PART NUMBER	DESCRIPTION	QTY
		Figure 5-1. Torque Converter.	
1	5716023	TORQUE CONVERTER, trans (remanufactured)	1
2	5714323	O-RING, turbine shaft front oil seal	1
3	5743361	SEAL, torque converter	1
4	N/S	SCREW, M10-1.5 x 15, converter to flywheel	6

2003 HUMMER H1 PARTS CATALOG

TRANSMISSION/TRANSFER CASE 5-5



P05-003

Figure 5-2. Transmission and Transfer Case Control Assembly and Neutral Start Switch.
(Sheet 1 of 2)

2003 HUMMER H1 PARTS CATALOG

5-6 TRANSMISSION/TRANSFER CASE

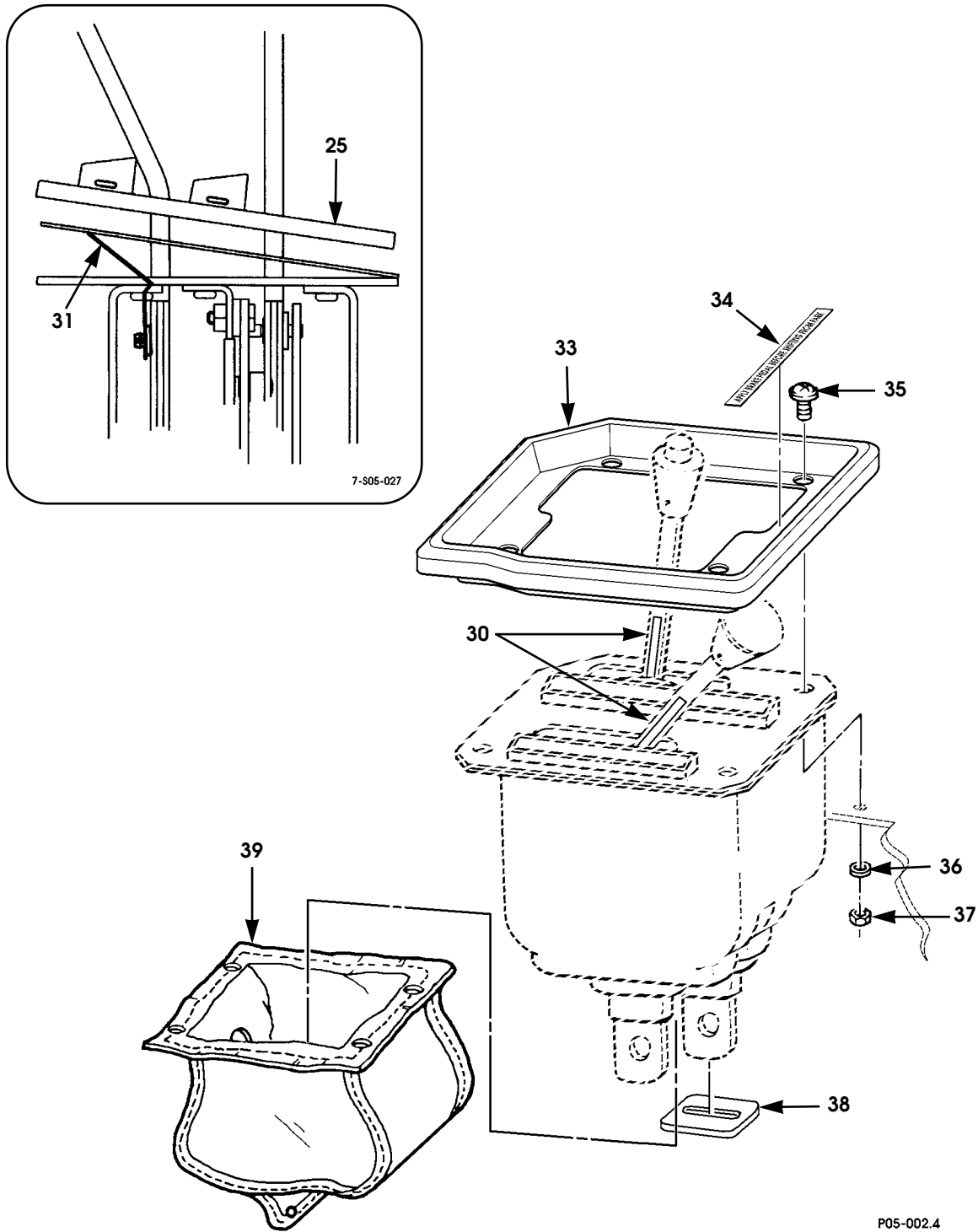


Figure 5-2. Transmission and Transfer Case Control Assembly and Neutral Start Switch.
(Sheet 2 of 2)

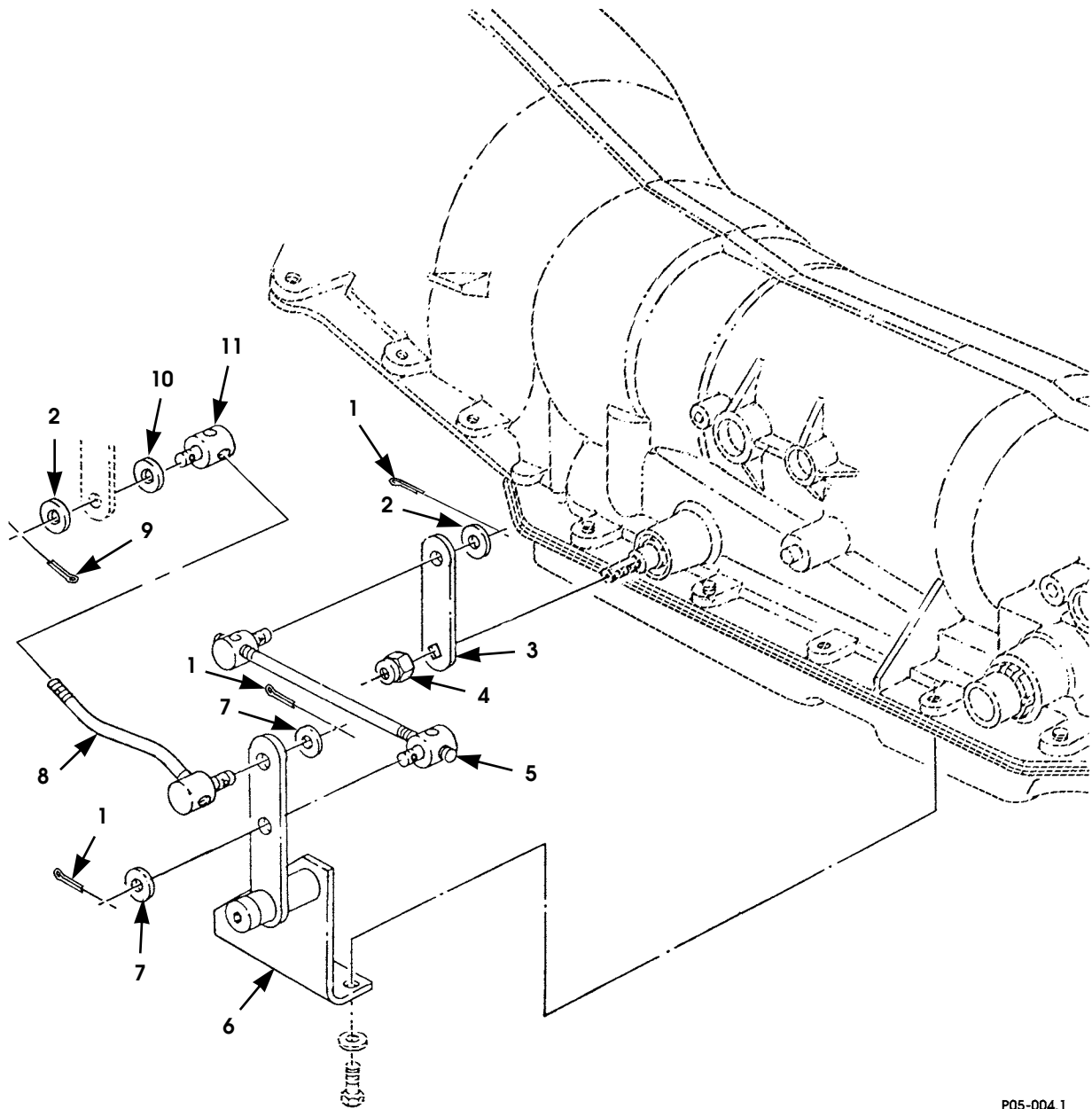
2003 HUMMER H1 PARTS CATALOG

TRANSMISSION/TRANSFER CASE 5-7

ITEM	PART NUMBER	DESCRIPTION	QTY
		Figure 5-2. Transmission and Transfer Case Control Assembly and Neutral Start Switch.	
1	6009799	CONTROL ASSEMBLY, transmission and transfer case .	1
2	5743154	•LENS, transmission	1
2	5743155	•LENS, transfer case	1
3	5744277	•FIBEROPTICS, transmission	1
3	5742980	•FIBEROPTICS, transfer case	1
4	5743156	•KNOB KIT, transfer case	1
5	S.I.K.	••KNOB, transfer shift	1
6	S.I.K.	••SPRING PIN.	1
7	5743157	•PUSH BUTTON KNOB KIT, transmission	1
8	S.I.K.	••RELEASE BUTTON, transmission handle	1
9	S.I.K.	••KNOB, transmission handle.	1
10	S.I.K.	••SPRING PIN.	1
11	5743158	•SWITCH ASSEMBLY, neutral	1
12	S.I.A.	••SCREW-ASSEMBLED WASHER	2
13	S.I.A.	••NUT, neutral switch	1
14	S.I.A.	••NEUTRAL SWITCH.	1
15	MS3367-4-2	•TIEDOWN STRAP, 2.72", red.	2
16	MS3367-7-0	•TIEDOWN STRAP, .192 x 10.2", black	1
17	6007499	•BOOT, shifter control	1
18	5743159	•SWITCH ASSEMBLY, reverse	1
19	S.I.A.	••NUT, reverse switch	1
20	S.I.A.	••REVERSE SWITCH	1
21	S.I.A.	••SCREW-ASSEMBLED WASHER	2
22	S.I.A.	•HOUSING	1
23	5743160	•COVER PLATE SEAL KIT	1
24	S.I.K.	••COVER SEAL.	1
25	S.I.K.	••COVER PLATE.	1
26	S.I.K.	••SCREW	4
27	N/S	•WASHER	1
28	N/S	•SCREW	1
29	5744879	•BULB, indicator.	1
30	5743742	•TAPE, indicator, transmission gear shift	2
31	6009798	•CLIP, anti-rattle,	1
32	MS3367-1-9	TIEDOWN STRAP	1
33	6007186	BEZEL, shift lever	1
34	6008037	DECAL, shift instruction (English)	1
34	6008038	DECAL, shift instruction (French)	1
34	6008039	DECAL, shift instruction (Arabic)	1
35	N/S	SCREW, cap, 1/4 - 20 x 7/8", Gr3, CAD, control assembly	3
36	N/S	WASHER, flat, hardened, 1/4", Type B, ZN, control assembly.	3
37	N/S	LOCKNUT, 1/4 - 20", Gr8, control assembly	3
38	12460507	BOOT PROTECTOR	2
39	6007457	COVER, shifter boot.	1

2003 HUMMER H1 PARTS CATALOG

5-8 TRANSMISSION/TRANSFER CASE



P05-004.1

Figure 5-3. Transmission Shifting Linkage.

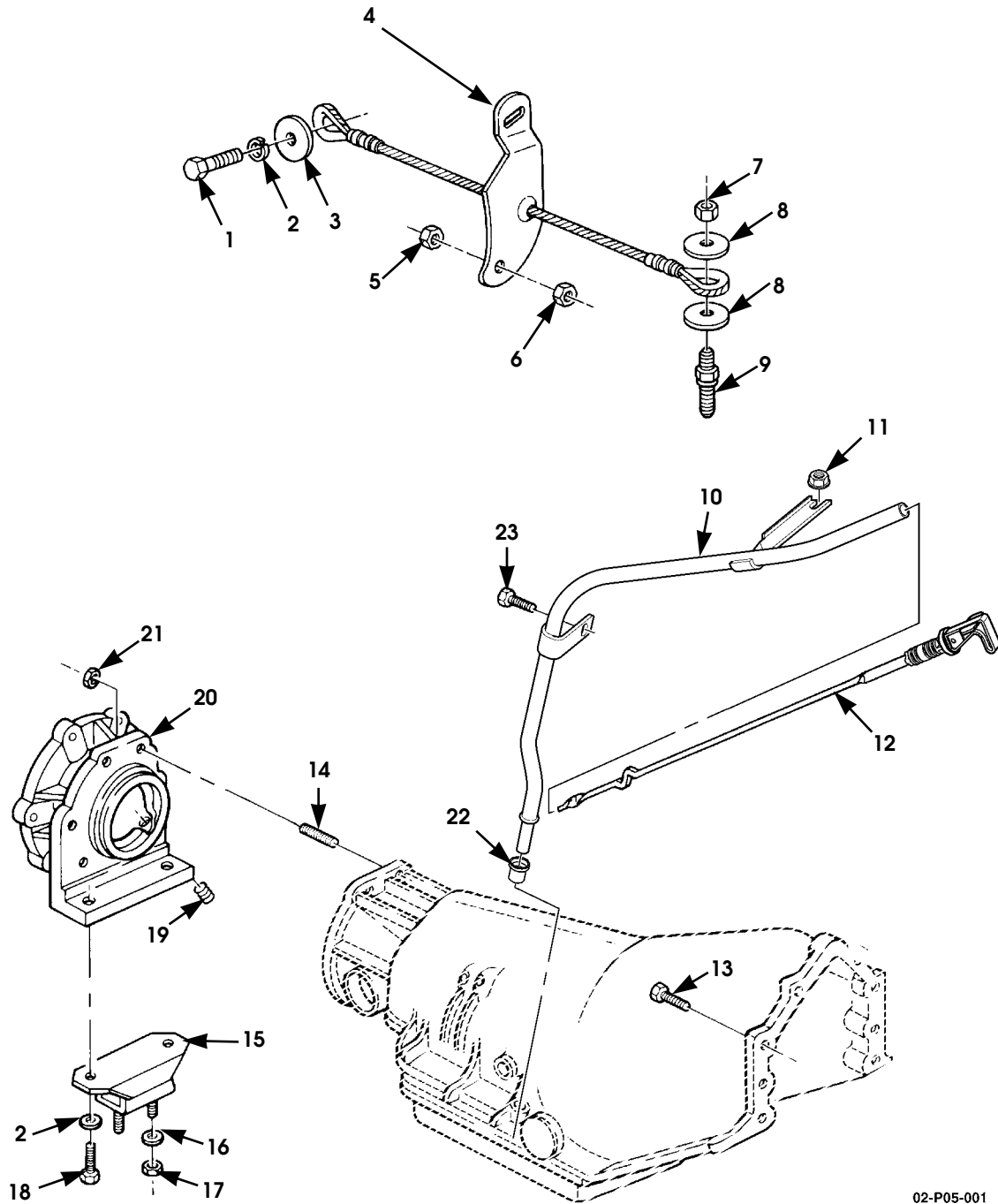
2003 HUMMER H1 PARTS CATALOG

TRANSMISSION/TRANSFER CASE 5-9

ITEM	PART NUMBER	DESCRIPTION	QTY
		Figure 5-3. Transmission Shifting Linkage.	
1	N/S	PIN, cotter, 3/32 X 3/4"	3
2	N/S	WASHER, flat, 3/8", CL2, CAD	2
3	12447176	LEVER, transmission shift arm	1
4	N/S	NUT, M10 - 1.5, Class 10.9, Phos.	1
5	12447178	ROD ASSEMBLY, bracket-to-transmission	1
6	12447182	BRACKET, transmission shift lever	1
7	N/S	WASHER, flat, 3/8", CAD	2
8	12460146	ROD, transmission to shifter.	1
9	N/S	PIN, cotter, 1/8 x 3/4"	2
10	N/S	WASHER, wave, 3/8", Type 2, ZN	1
11	12338442-2	TRUNNION, shift control, transmission.	1

2003 HUMMER H1 PARTS CATALOG

5-10 TRANSMISSION/TRANSFER CASE



02-P05-001

Figure 5-4. Transmission Mounting Hardware, Fluid Dipstick, and Tube Assembly.

2003 HUMMER H1 PARTS CATALOG

TRANSMISSION/TRANSFER CASE 5-11

ITEM	PART NUMBER	DESCRIPTION	QTY
		Figure 5-4. Transmission Mounting Hardware, Fluid Dipstick, and Tube Assembly.	
1	N/S	BOLT, 1/2 - 13 x 1 - 3/4", Gr.8, CAD, guide cable	1
2	N/S	LOCKWASHER, 1/2", ZN	2
3	N/S	WASHER, flat, type B, 9/16", ZN, guide cable	1
4	12447180	CABLE ASSEMBLY, transfer case guide	1
5	N/S	NUT, M10 - 1.5	1
6	11501033	LOCKNUT, p.t., transfer case guide cable	1
7	N/S	NUT, 7/16 - 14", Gr8, guide cable	1
8	12340058	WASHER, flat	1
9	12447177	STUD, special, T-case anchor cable, L.H. side only	1
10	6010347	TUBE, transmission oil dipstick	1
11	N/S	NUT, flanged, M10 - 1.50	1
12	12469145	DIPSTICK, transmission oil	1
13	6008021	BOLT, M10 -1.5 x 35, w/dri lock	6
14	12460065	STUD, transmission adapter	6
15	12339178	MOUNT, resilient, transmission, rear	1
16	N/S	WASHER, flat, type B, 3/8"	2
17	N/S	LOCKNUT, 3/8 - 16", Gr8	2
18	MS90725-110	SCREW, 1/2 - 13 x 1 - 1/8", Gr5, CAD	2
19	444689	DRAINPLUG, 1/8", NPT, transmission	1
20	12447175	ADAPTER, transmission	1
21	5934802	LOCKNUT, flanged, 3/8 - 24", w/wax	12
22	12447172	SEAL, dipstick tube	1
23	N/S	BOLT, flanged, M10 - 1.5 x 16, class 9.8, Phos.	1
	05573543	LOCTITE GASKET ELIMINATOR (not illustrated)	1

2003 HUMMER H1 PARTS CATALOG

5-12 TRANSMISSION/TRANSFER CASE

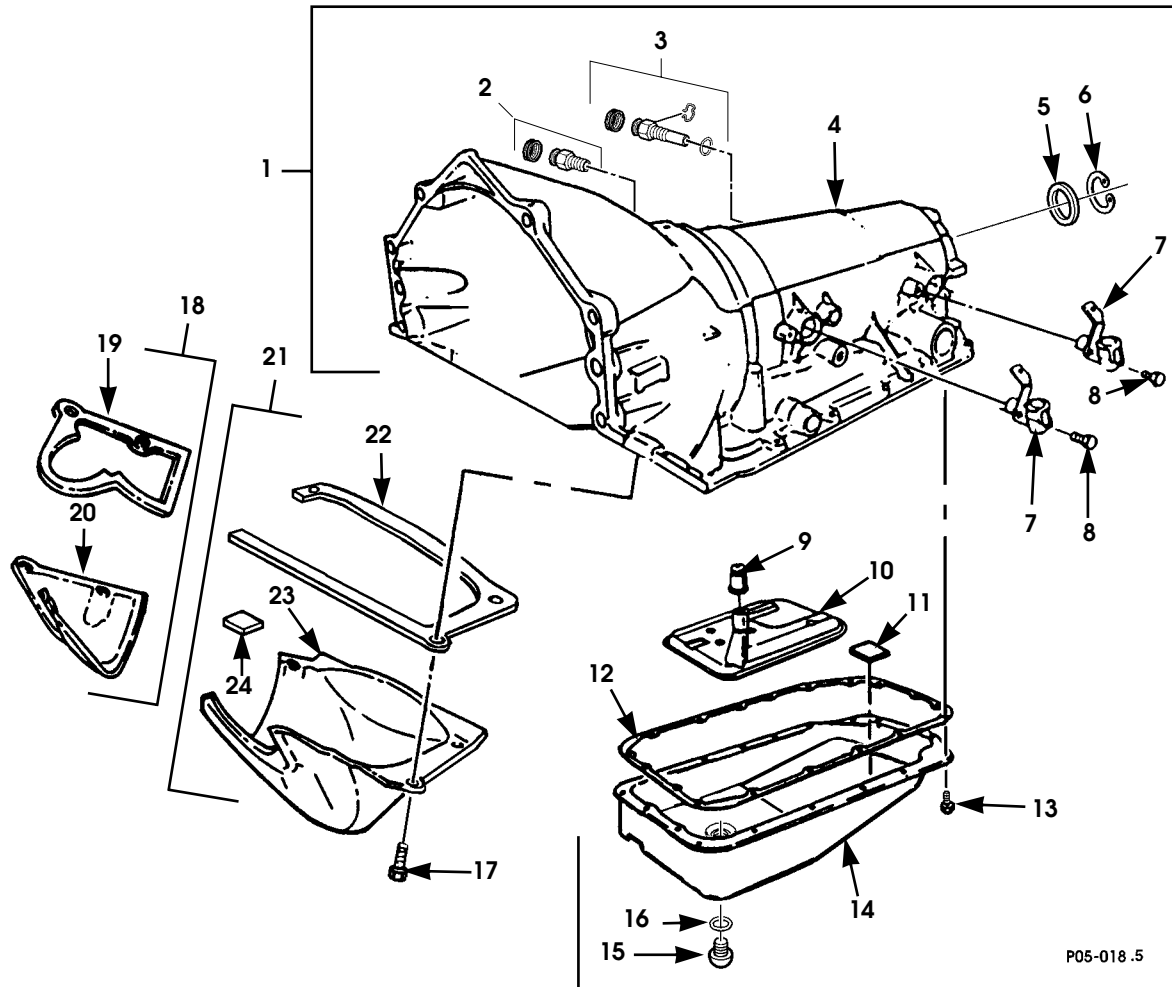


Figure 5-5. Transmission Filter and Sensors.

2003 HUMMER H1 PARTS CATALOG

TRANSMISSION/TRANSFER CASE 5-13

ITEM	PART NUMBER	DESCRIPTION	QTY
		Figure 5-5. Transmission Filter and Sensors.	
1	12469449-2	TRANSMISSION, w/torque converter, 4L80E, new SEE NOTE 1	1
1	5745364	TRANSMISSION, w/torque converter, 4L80E, remanufactured SEE NOTE 1	1
2	5714961	•FITTING, cooler pipe, front	1
3	5714967	•FITTING, cooler pipe, rear	1
4	S.I.A.	•CASE	1
5	5714333	•SEAL, output shaft	1
6	5714335	•RETAINING RING, output shaft seal	1
7	5743516	•SENSOR ASSEMBLY	2
8	11508805	•BOLT, speed sensor	2
9	5743312	•SEAL, filter neck	1
10	5714971	•KIT, filter assembly	1
11	5744092	•MAGNET, chip collector	1
12	5743310	•SEAL, transmission oil pan	1
13	S.I.A.	•BOLT, oil pan, M8 - 1.25 x 20, class 9.8	17
14	5714952	•OIL PAN ASSEMBLY	1
15	5714953	••DRAIN PLUG, transmission	1
16	5714963	•••O-RING, transmission drain plug	1
17	N/S	BOLT, flanged, M10 - 1.5 x 16, class 9.8, Phos.	6
18	12342107	COVER ASSEMBLY	1
19	12342105	•GASKET, cover assembly	1
20	EC12342107-1B1	•COVER ASSEMBLY	1
21	RCSK18343	COVER ASSEMBLY, transmission	1
22	12460095	•GASKET, torque converter cover	1
23	S.I.A.	•COVER, torque converter	1
24	S.I.A.	•TAB, torque converter cover	1
		NOTE 1: FOR VEHICLES UNDER WARRANTY USE THE REMANUFACTURED PART NO. 5745364.	

2003 HUMMER H1 PARTS CATALOG

5-14 TRANSMISSION/TRANSFER CASE

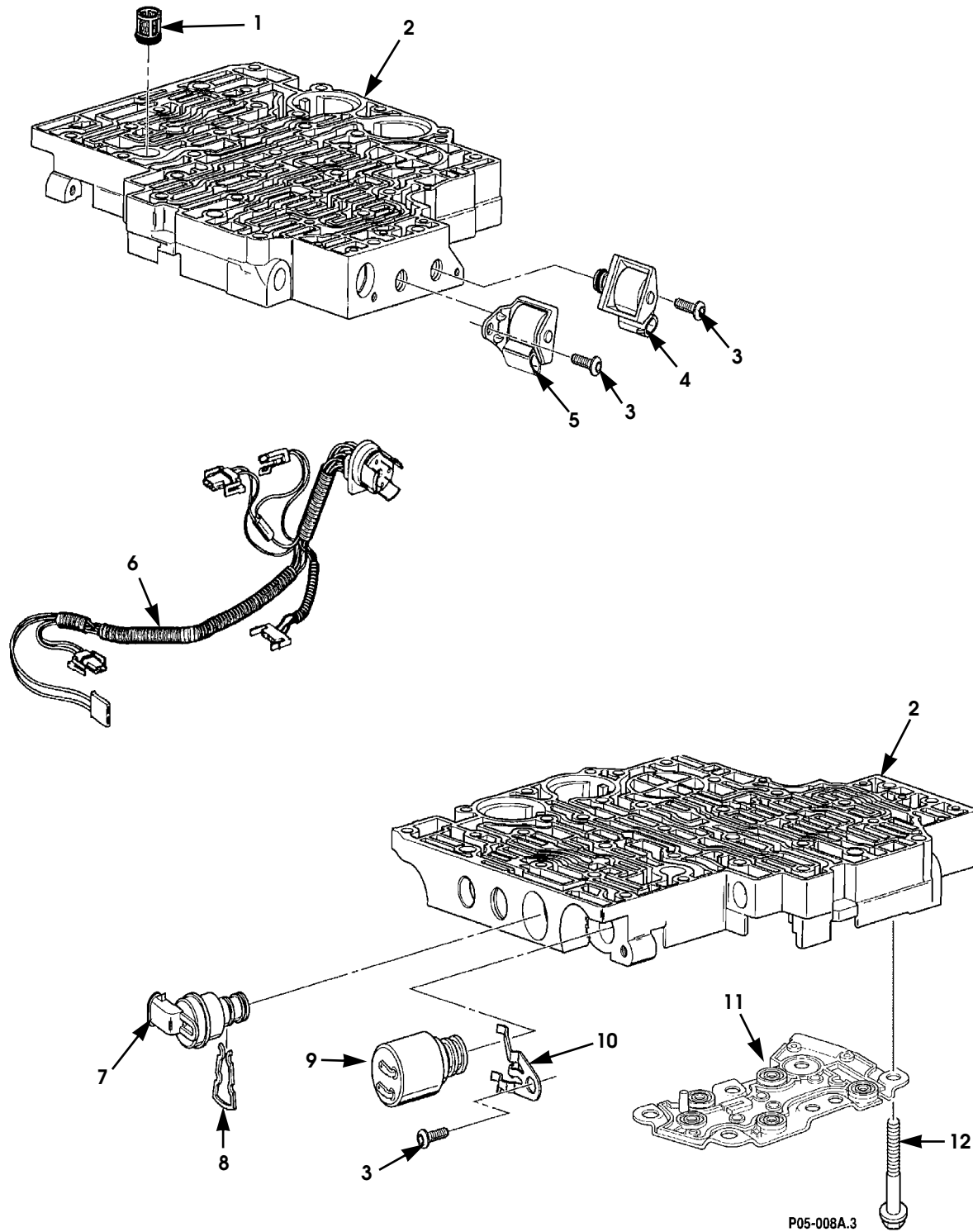


Figure 5-6. Control Valve and Related Parts.

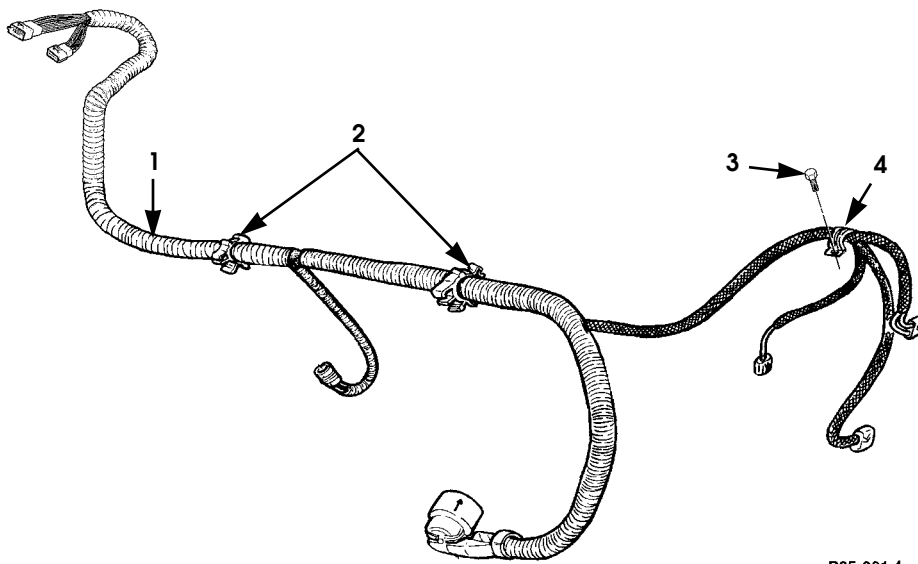
2003 HUMMER H1 PARTS CATALOG

TRANSMISSION/TRANSFER CASE 5-15

ITEM	PART NUMBER	DESCRIPTION	QTY
		Figure 5-6. Control Valve and Related Parts.	
1	5714355	SCREEN FILTER	1
2	N/S	VALVE BODY ASSEMBLY, control	1
3	5744115	SCREW, ph Torx.	3
4	5715668	SOLENOID, shift 2-3	1
5	5715667	SOLENOID, shift 1-2	1
6	5715037	WIRING HARNESS ASSEMBLY, transmission internal	1
7	5744093	SOLENOID ASSEMBLY, torque converter clutch	1
8	5744095	CLIP, solenoid valve	1
9	5714373	VALVE, pressure control solenoid	1
10	5714354	CLAMP, pressure control solenoid	1
11	5744098	SWITCH, fluid pressure, manual valve position.	1
12	5744085	BOLT, valve body	3

2003 HUMMER H1 PARTS CATALOG

5-16 TRANSMISSION/TRANSFER CASE



P05-021.4

Figure 5-7. Transmission External Wiring Harness.

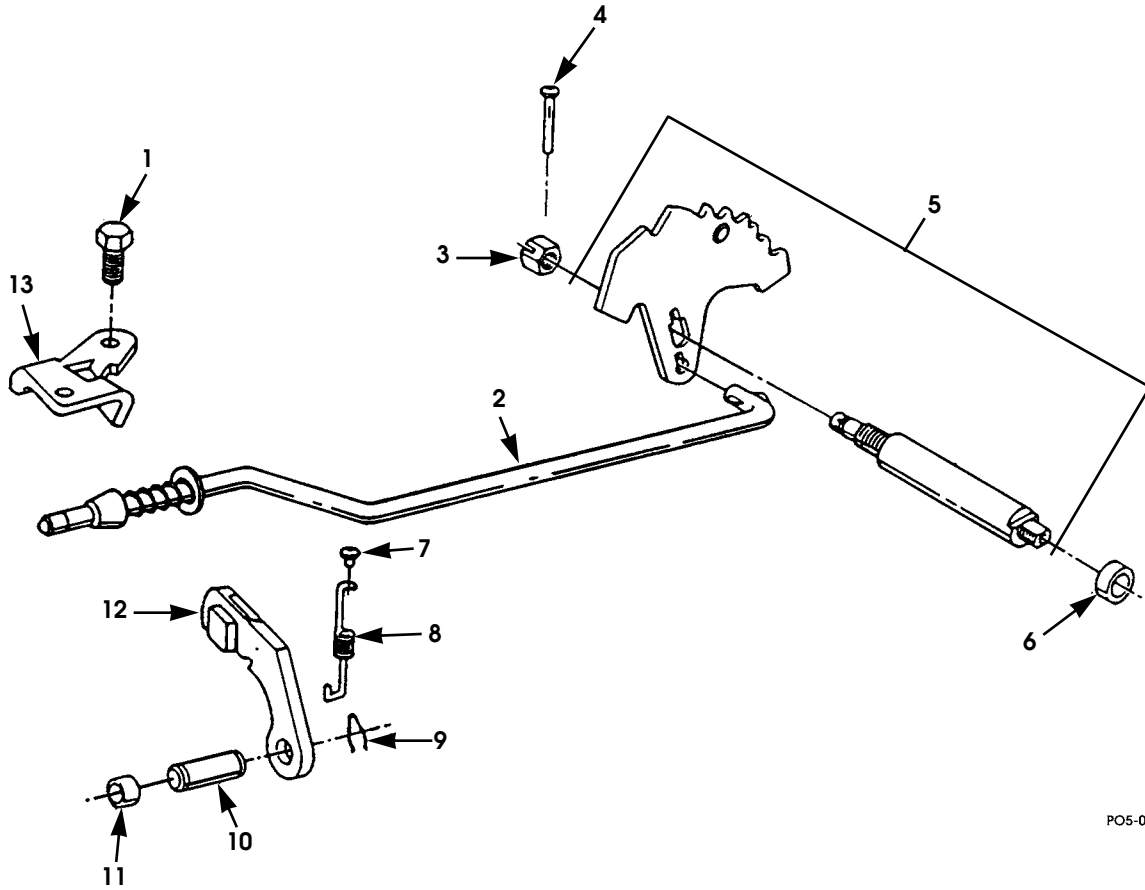
2003 HUMMER H1 PARTS CATALOG

TRANSMISSION/TRANSFER CASE 5-17

ITEM	PART NUMBER	DESCRIPTION	QTY
		Figure 5-7. Transmission External Wiring Harness.	
1	6010027	HARNESS ASSEMBLY, transmission	1
2	6003234	CLIP, convoluted tubing	2
3	N/S	BOLT, tapping, 3/8 - 16 x 3/4"	1
4	N/S	CLAMP, cushioned, 7/16" rubber	1

2003 HUMMER H1 PARTS CATALOG

5-18 TRANSMISSION/TRANSFER CASE



PO5-019

Figure 5-8. Transmission Parking Lock System.

2003 HUMMER H1 PARTS CATALOG

TRANSMISSION/TRANSFER CASE 5-19

ITEM	PART NUMBER	DESCRIPTION	QTY
		Figure 5-8. Transmission Parking Lock System.	
1	N/S	BOLT, M8 x 1.25 x 20, class 9.8	2
2	5744105	ACTUATOR ASSEMBLY	1
3	5744076	NUT, hex	1
4	5744122	PIN	1
5	5714375	LEVER AND SHAFT ASSEMBLY	1
6	5740322	SEAL ASSEMBLY	1
7	5744111	STUD	1
8	5744108	SPRING, retaining	1
9	148148	RETAINER, spring type	1
10	5742593	SHAFT, lock	1
11	5742589	PLUG, expansion	1
12	5714321	PAWL, parking lock	1
13	5744103	BRACKET, parking lock	1

2003 HUMMER H1 PARTS CATALOG

5-20 TRANSMISSION/TRANSFER CASE

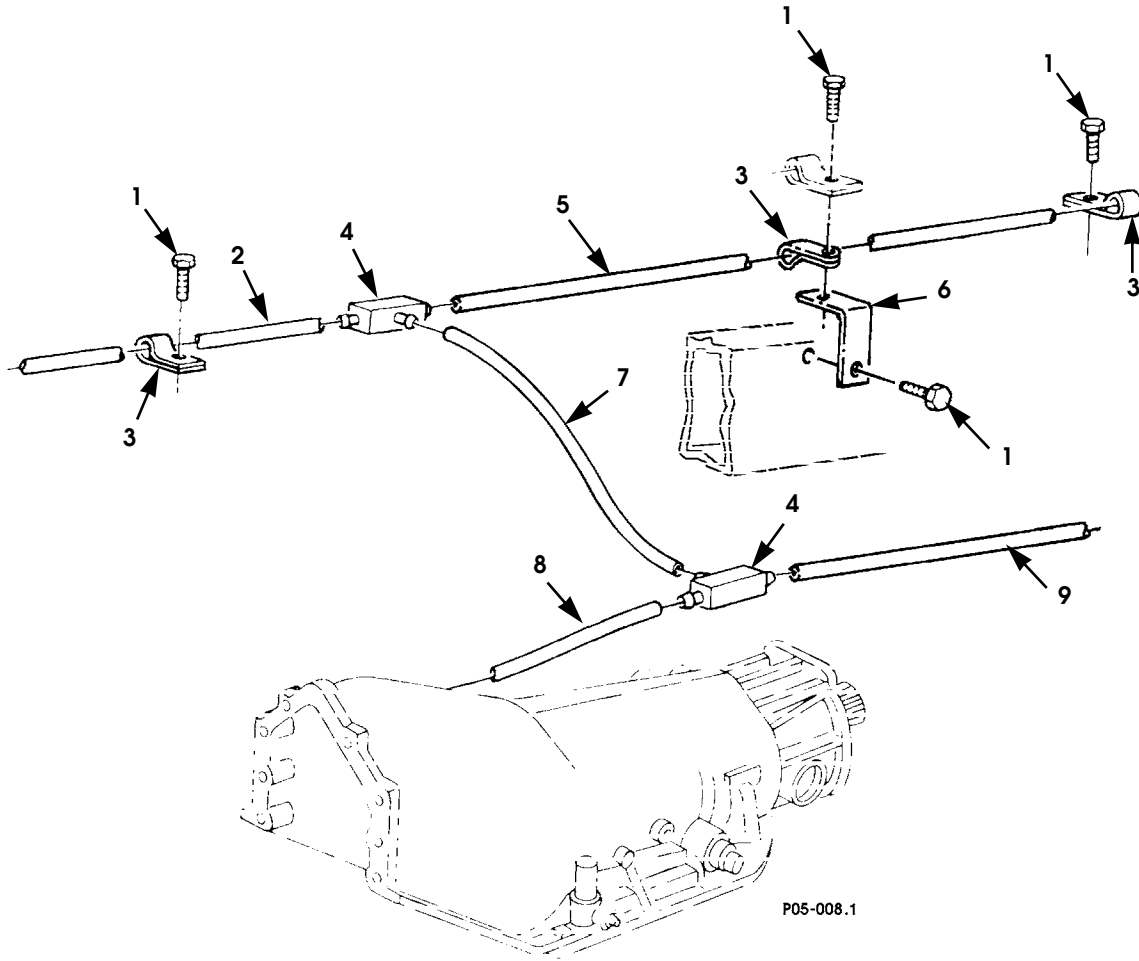


Figure 5-9. Transmission Vent Lines and Attaching Hardware.

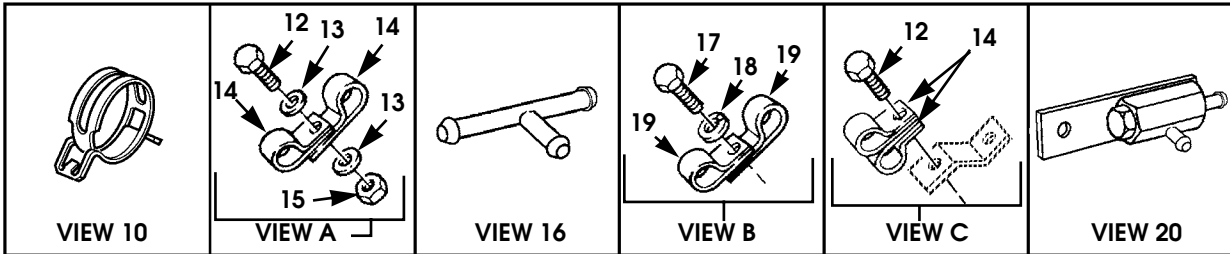
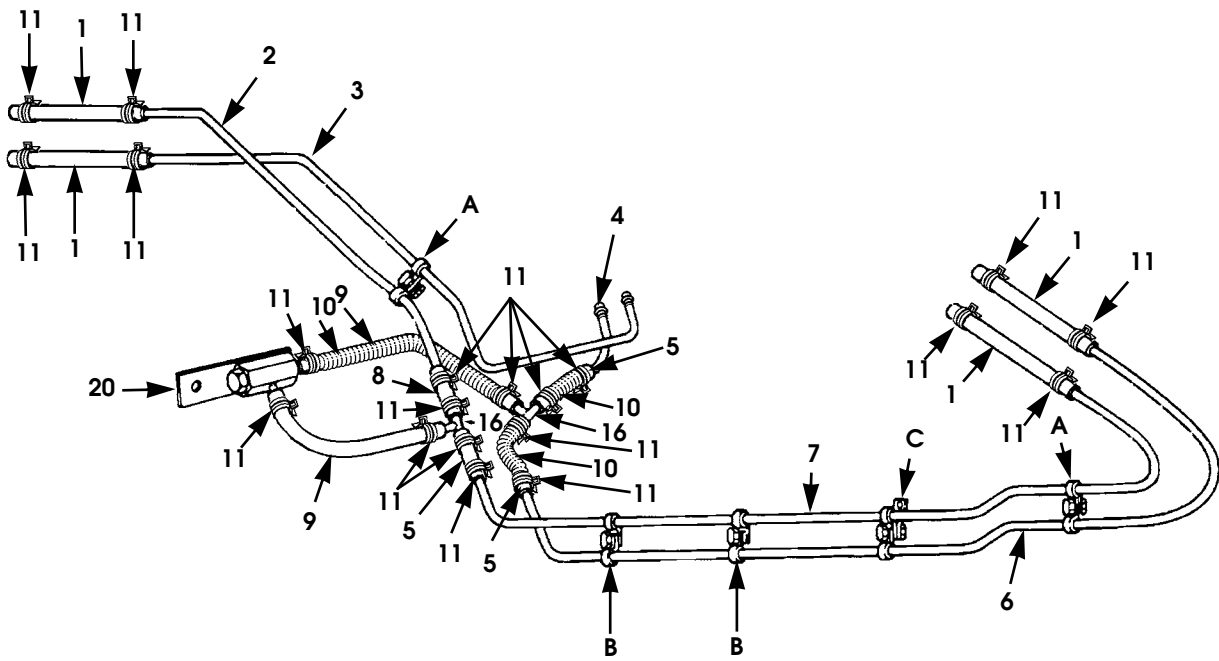
2003 HUMMER H1 PARTS CATALOG

TRANSMISSION/TRANSFER CASE 5-21

ITEM	PART NUMBER	DESCRIPTION	QTY
		Figure 5-9. Transmission Vent Lines and Attaching Hardware.	
1	N/S	SCREW, tapping, 3/8 - 16 x 5/8", ZN	4
2	N/S	VENT LINE TUBE, 41", SEE NOTE 1	1
3	N/S	CLAMP, transmission vent line, cushioned, 1/4"	3
4	12339973-1	TEE, union	2
5	N/S	VENT LINE TUBE, 64", SEE NOTE 1	1
6	12338663	BRACKET, vent line tube mounting	1
7	N/S	VENT LINE TUBE, 11", SEE NOTE 1	1
8	N/S	VENT LINE TUBE, 11", SEE NOTE 1	1
9	N/S	VENT LINE TUBE, 17", SEE NOTE 1	1
		NOTE 1: MAKE FROM BULK NYLON TUBE P/N 5741079 3/16" X 250' ROLL	

2003 HUMMER H1 PARTS CATALOG

5-22 TRANSMISSION/TRANSFER CASE



03-P05-001

Figure 5-10. Transmission/Transfer Case Cooling Lines.

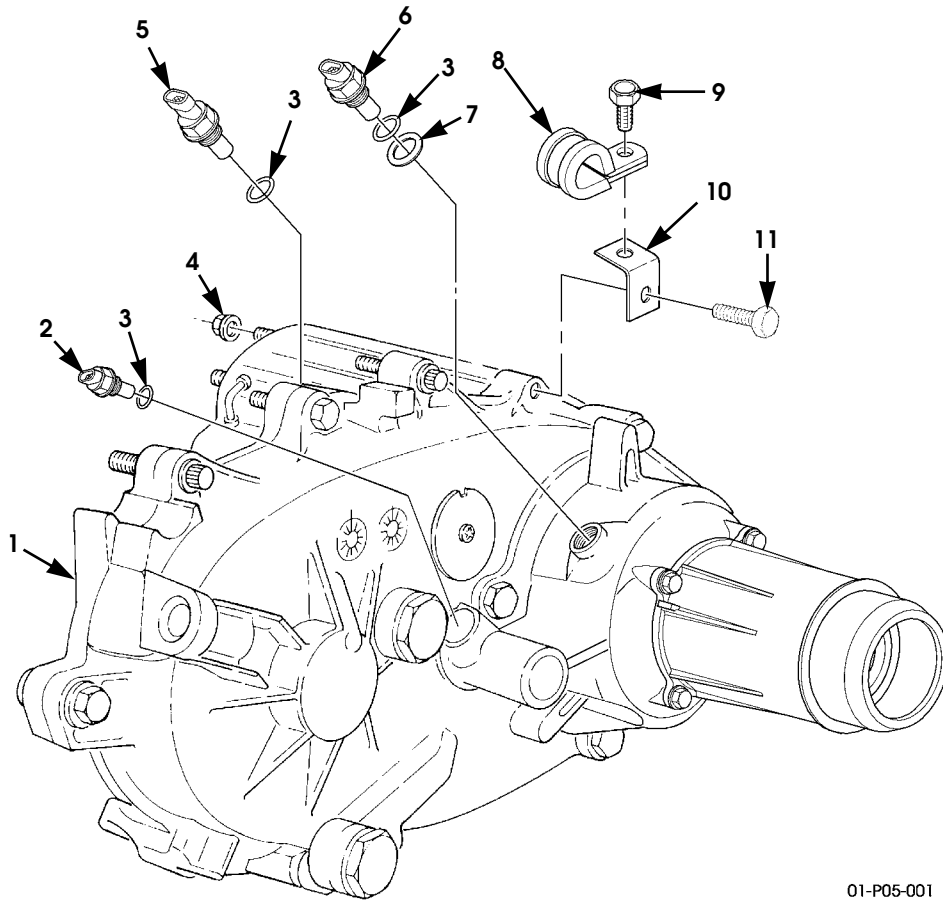
2003 HUMMER H1 PARTS CATALOG

TRANSMISSION/TRANSFER CASE 5-23

ITEM	PART NUMBER	DESCRIPTION	QTY
		Figure 5-10. Transmission/Transfer Case Cooling Lines.	
1	N/S	HOSE, 3", cooling lines, SEE NOTE 1	4
2	EC12338333	TUBE, transfer case to cooler, rear	1
3	EC12460493	TUBE, transfer case to transmission	1
4	EC12460492	TUBE, transmission to cooler, rear	1
5	N/S	HOSE, 4", transmission line to cooling line, SEE NOTE 1	3
6	EC12338335	TUBE, transmission to cooler, front	1
7	EC12338332	TUBE, transfer case to cooler, front	1
8	N/S	HOSE, 4", transfer case line to cooling line, SEE NOTE 1	1
9	N/S	HOSE, 10", tee-to-bypass valve, SEE NOTE 1	2
10	6014238	CONDUIT, convoluted, 6" piece, SEE NOTE 2	3
11	6008528	CLAMP, cooling lines, hose,	20
12	N/S	BOLT, flanged, 1/4 - 20 x 3/4", Gr5, CAD, cooling line clamps	2
13	N/S	WASHER, flat, 1/4", CAD	4
14	N/S	CLAMP, loop, cooling lines, 3/8"	4
15	N/S	LOCKNUT, 1/4 - 20", Gr8, cooling line clamp	2
16	12447077	TEE, bypass valve	2
17	N/S	SCREW, tapping, 3/8 - 16 x 3/4", ZN, cooling line clamp	2
18	N/S	LOCKWASHER, med, 3/8", ZN, cooling line clamp	2
19	N/S	CLAMP, cushioned, 3/8", cooling line	6
20	12447076	VALVE, bypass, transmission oil	1
		NOTE 1: MAKE FROM BULK HOSE P/N 5741209, 3/8" X 25' ROLL	
		NOTE 2: CAN CUT TO LENGTH FOR OTHER LOCATIONS ON TRANS COOLER LINES.	

2003 HUMMER H1 PARTS CATALOG

5-24 TRANSMISSION/TRANSFER CASE



01-P05-001

Figure 5-11. Transfer Case Assembly.

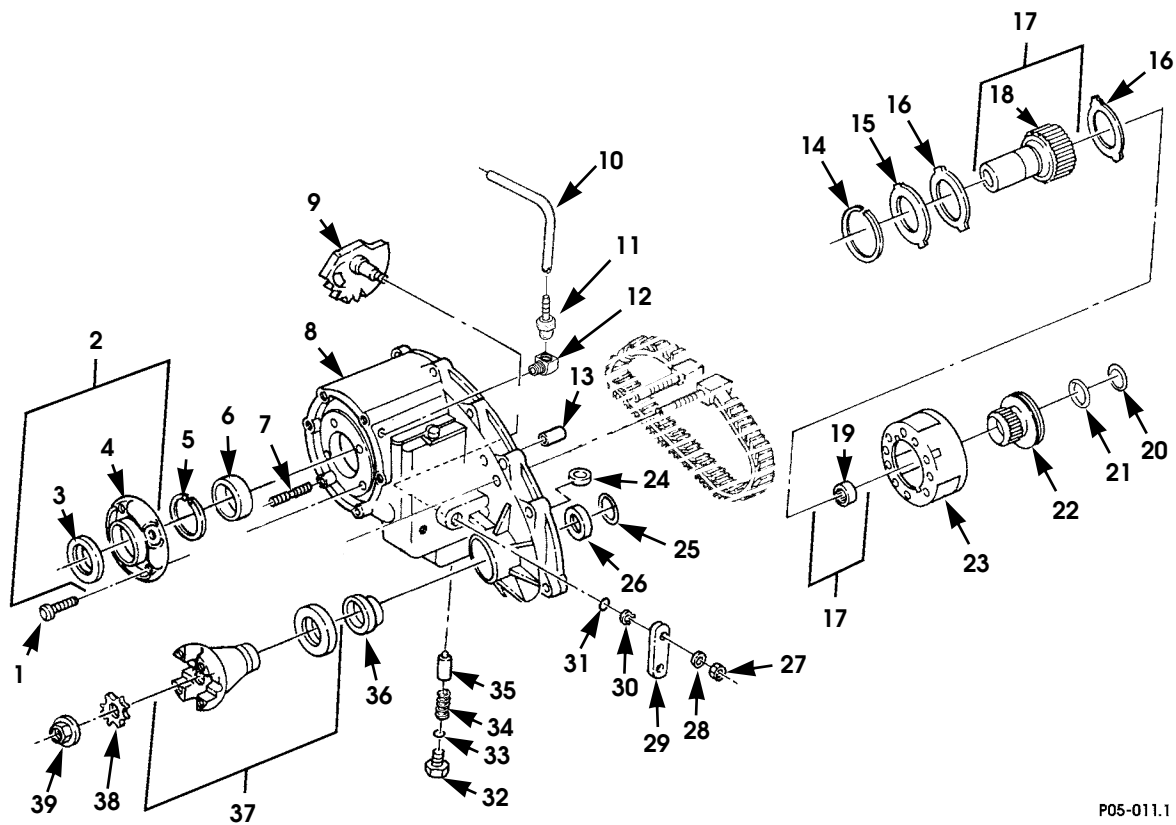
2003 HUMMER H1 PARTS CATALOG

TRANSMISSION/TRANSFER CASE 5-25

ITEM	PART NUMBER	DESCRIPTION	QTY
		Figure 5-11. Transfer Case Assembly.	
1	6011651	TRANSFER CASE ASSEMBLY SEE NOTE 1.	1
1	5745077	TRANSFER CASE ASSEMBLY, remanufactured	1
2	5938686	SWITCH, transfer lock, 12-volt	1
3	5938616	SEAL, O-ring	1
4	5934802	LOCKNUT, flanged, 3/8 - 24", w/wax	6
5	5743511	SWITCH, transfer case range	1
6	5743510	SWITCH, speed sensor	1
7	5745239	SHIM, speed sensor	A/R
8	N/S	P-CLAMP, cushioned, 7/16"	1
9	N/S	SCREW, tapping, 3/8-16 x 3/4"	1
10	5589115	BRACKET, transfer case	1
11	N/S	SCREW, M10 - 1.5 x 27, class 9.8, T-case housing.	1
NOTE 1: FOR VEHICLES UNDER WARRANTY USE THE REMANUFACTURED PART NO. 5745077			

2003 HUMMER H1 PARTS CATALOG

5-26 TRANSMISSION/TRANSFER CASE



P05-011.1

Figure 5-12. Transfer Case Assembly, Front Half.

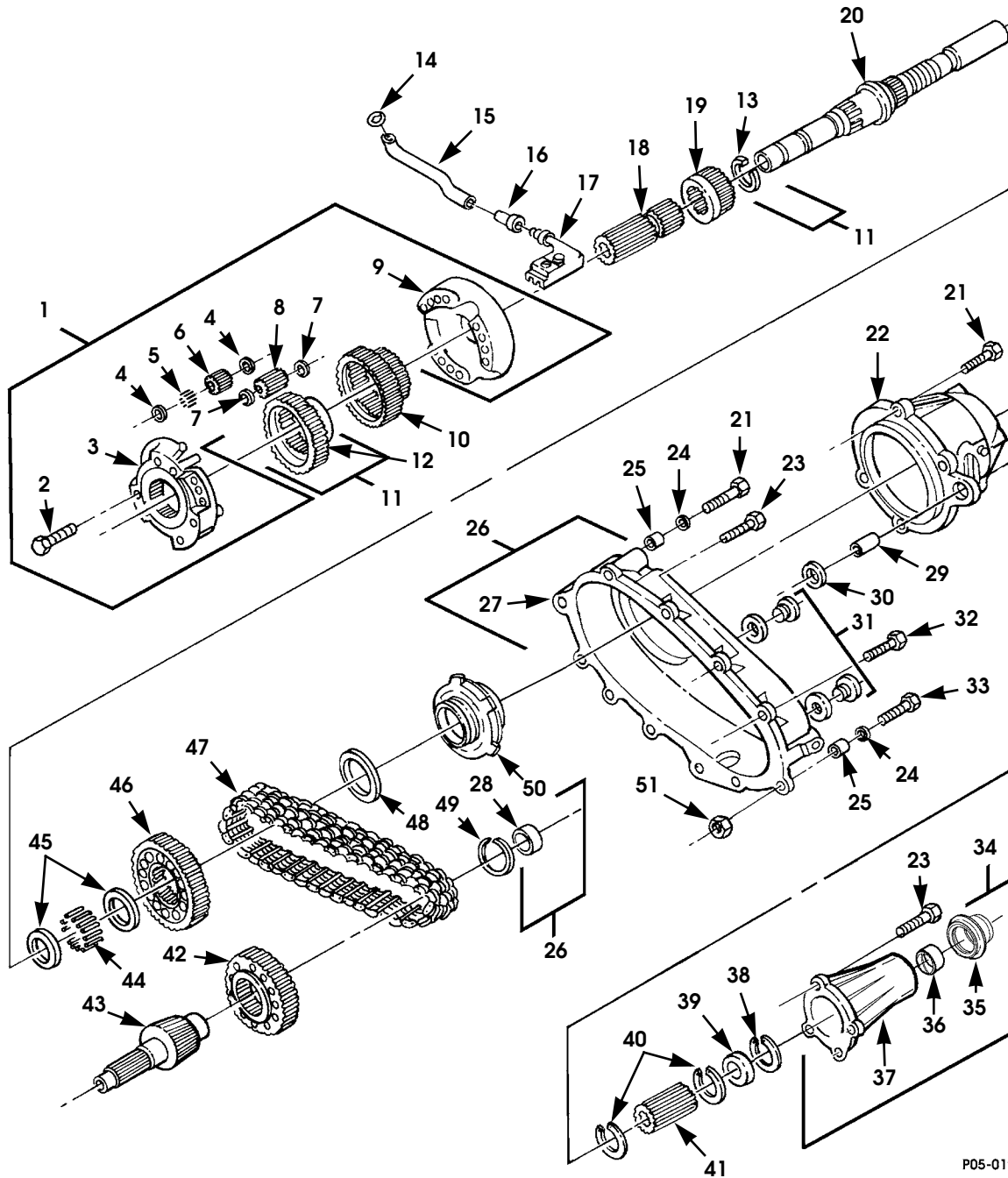
2003 HUMMER H1 PARTS CATALOG

TRANSMISSION/TRANSFER CASE 5-27

ITEM	PART NUMBER	DESCRIPTION	QTY
		Figure 5-12. Transfer Case Assembly, Front Half.	
1	5938626	RETAINER SCREW, input gear	4
2	5938625	RETAINER ASSEMBLY, input gear	1
3	5740017	•OIL SEAL, input gear	1
4	N/S	•RETAINER, input gear.	1
5	5938623	LOCKRING, input gear, ring, retaining	1
6	5714223	BEARING, transfer case	1
7	5740008	STUD, mounting, transfer case	6
8	5744429	TRANSFER CASE, front half	1
9	5743744	SECTOR, transfer case	1
10	N/S	TUBING, 17", SEE NOTE 1	1
11	12339978	CONNECTOR, male	1
12	5937392	ELBOW, street	1
13	5938610	BUSHING, rail.	1
14	5938624	LOCKING, input gear	1
15	5938622	RETAINING RING, input gear.	1
16	5715449	WASHER, thrust, input gear	2
17	5714226	INPUT GEAR ASSEMBLY	1
18	N/S	•GEAR, input	1
19	5938621	•BEARING, input gear	1
20	5938658	WASHER, transfer case, clutch shaft	1
21	5938659	RETAINING RING, transfer case	1
22	5714229	SLEEVE, transfer case, range.	1
23	5714225	PLANETARY ASSEMBLY	1
24	5740513	MAGNETIC CHIP COLLECTOR	1
25	5938608	RETAINING RING	1
26	5938607	BEARING, front output.	1
27	5741254	NUT, operating lever, selector level	1
28	N/S	WASHER, flat, hard, 3/8", type B, ZN, operating lever . .	1
29	5938683	OPERATING LEVER, transfer case	1
30	5740107	RETAINER, operating lever	1
31	5740012	SEAL, operating lever	1
32	5714808	SCREW, poppet spring	1
33	5938616	SEAL, O-ring, poppet spring	1
34	5938615	POPPET SPRING	1
35	5938614	PLUNGER, transfer case	1
36	5744909	OIL SEAL, front output	1
37	5744928	YOKE AND SLINGER, front output.	1
38	5740010	WASHER, yoke and slinger	1
39	5740011	NUT, yoke and slinger	1
		NOTE 1: MAKE FROM BULK NYLON TUBE P/N 5741079, 3/16" I.D. X 250'.	

2003 HUMMER H1 PARTS CATALOG

5-28 TRANSMISSION/TRANSFER CASE



P05-012.1

Figure 5-13. Transfer Case Assembly, Rear Half.

2003 HUMMER H1 PARTS CATALOG

TRANSMISSION/TRANSFER CASE 5-29

ITEM	PART NUMBER	DESCRIPTION	QTY
		Figure 5-13. Transfer Case Assembly, Rear Half.	
1	5715448	DIFFERENTIAL CARRIER ASSEMBLY	1
2	5938641	•SCREW, differential carrier	6
3	5743072	•CARRIER, front differential.	1
4	5938646	•WASHER, thrust	6
5	5938645	•NEEDLE BEARING	54
6	5744880	•PINION, narrow	3
7	5938647	•WASHER, thrust, pinion.	6
8	5938643	•PINION, wide	3
9	S.I.A.	•CARRIER, rear differential (comes with Item 3)	1
10	5938650	GEAR, sprocket carrier	1
11	5938655	GEAR assembly differential	1
12	N/S	•GEAR, differential	1
13	5938656	•RING, differential gear	1
14	5938669	O-RING, oil tube	1
15	5938668	OIL TUBE	1
16	5938667	CONNECTOR, transfer case	1
17	5938666	SCREEN, oil tube	1
18	5714228	SHAFT, intermediate clutch	1
19	5938660	SLEEVE, mode shift	1
20	5714291	MAIN SHAFT	1
21	5938670	SCREW, rear bearing retainer	6
22	5743747	RETAINER, rear bearing	1
23	5740508	BOLT, case, rear half	10
24	5740230	WASHER, flat	12
25	5740102	PIN, case alignment	2
26	5939258	CASE ASSEMBLY, rear half	1
27	N/S	•CASE, rear half	1
28	5740015	•BEARING, front output	1
29	5938665	DOWEL, alignment	1
30	5938610	BUSHING, rail	1
31	5745464	PLUG, transfer case drain	2
32	5741075	SCREW, case halves	2
33	5743855	SCREW, transfer case, flanged	1
34	5714232	EXTENSION ASSEMBLY	1
35	5743751	•SEAL, rear output	1
36	5743750	•BUSHING, extension	1
37	N/S	•EXTENSION, rear housing	1
38	5745110	RETAINING RING	1
39	5938607	BEARING, rear output	1

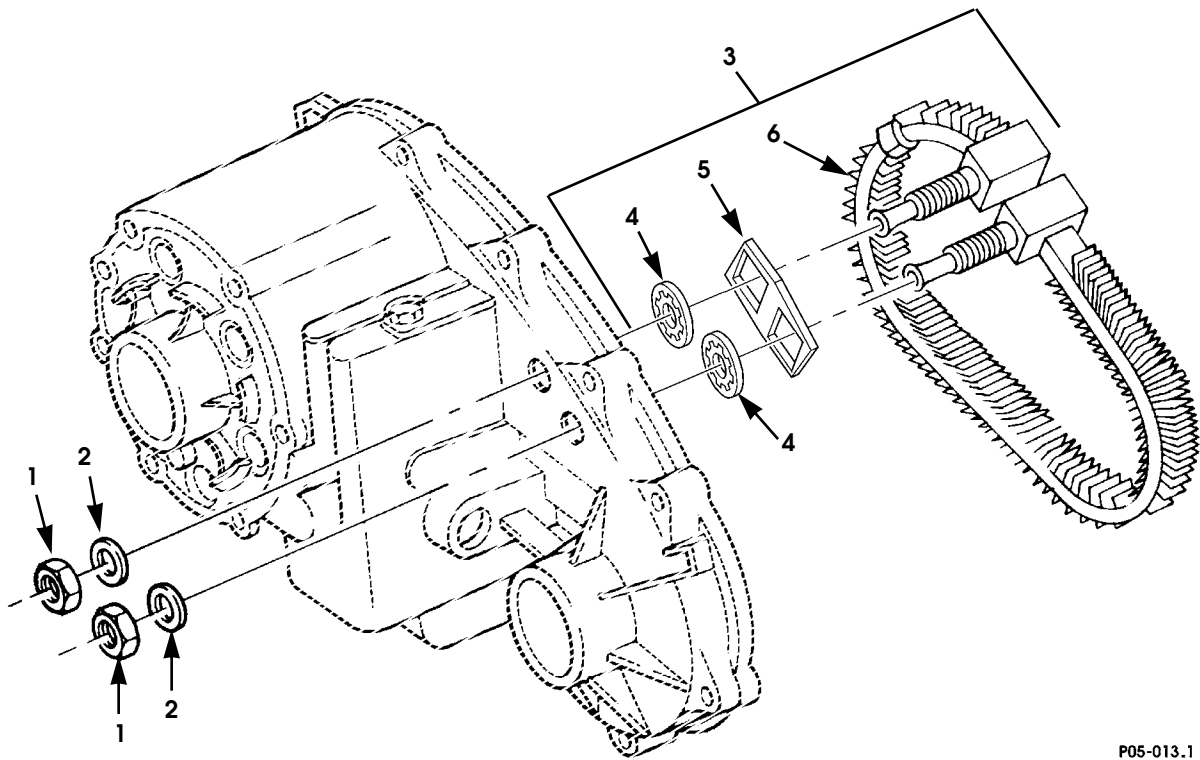
2003 HUMMER H1 PARTS CATALOG

5-30 TRANSMISSION/TRANSFER CASE

ITEM	PART NUMBER	DESCRIPTION	QTY
		Figure 5-13. Transfer Case Assembly, Rear Half. (Cont'd)	
40	5938673	RETAINING RING	2
41	5743512	TOE WHEEL	1
42	5938663	SPROCKET, drive	1
43	5938662	SHAFT, front output	1
44	5938654	BEARING, needle roller	53
45	5938653	SPACER, roller	2
46	5938651	SPROCKET, drive	1
47	5938664	CHAIN, drive	1
48	5938652	RETAINING RING, sprocket	1
49	5740101	RETAINING RING, sprocket	1
50	5938674	PUMP ASSEMBLY, gear rotor	1
51	11501033	LOCKNUT, p.t., transfer case guide cable	1

2003 HUMMER H1 PARTS CATALOG

5-32 TRANSMISSION/TRANSFER CASE



P05-013.1

Figure 5-14. Transfer Case Oil Cooler Assembly.

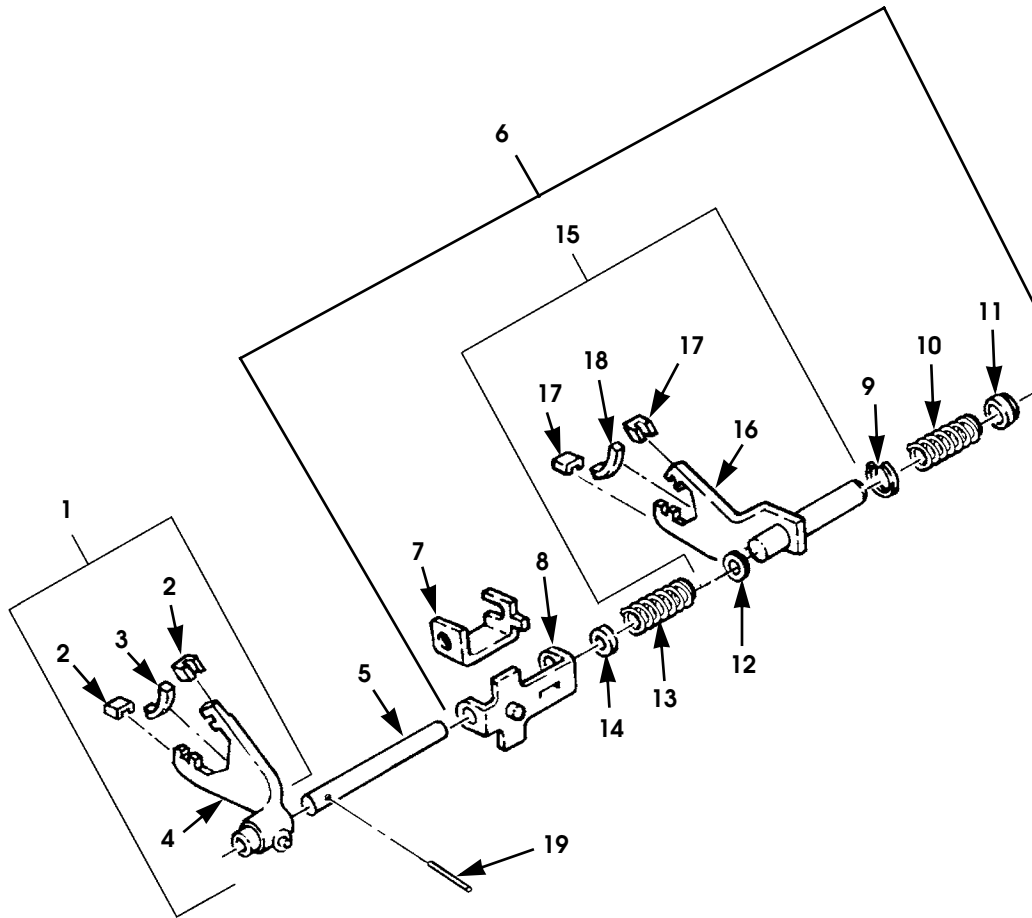
2003 HUMMER H1 PARTS CATALOG

TRANSMISSION/TRANSFER CASE 5-33

ITEM	PART NUMBER	DESCRIPTION	QTY
		Figure 5-14. Transfer Case Oil Cooler Assembly.	
1	N/S	NUT, slotted, 1/2 - 20", Gr5, ZN, oil cooler	2
2	5741061	WASHER, oil cooler.	2
3	6011652	COOLER CORE ASSEMBLY, oil, transfer case	1
4	5741062	•PACKING, preformed, oil cooler.	2
5	5745215	•BRACKET, T-case cooler support	1
6	N/S	•COOLER CORE, oil, transfer case.	1

2003 HUMMER H1 PARTS CATALOG

5-34 TRANSMISSION/TRANSFER CASE



P05-014

Figure 5-15. Transfer Case Shift Mechanisms.

2003 HUMMER H1 PARTS CATALOG

TRANSMISSION/TRANSFER CASE 5-35

ITEM	PART NUMBER	DESCRIPTION	QTY
		Figure 5-15. Transfer Case Shift Mechanisms.	
1	5938627	SHIFTER FORK, transfer case	1
2	5740114	•PAD, shifter fork	2
3	5740223	•PAD, shifter fork	1
4	S.I.A.	•SHIFTER FORK	1
5	5938648	RAIL, transfer shift	1
6	5714227	FORK AND BRACKET ASSEMBLY	1
7	5938635	•BRACKET, inner	1
8	5938636	•BRACKET, outer	1
9	5938632	•WASHER, thrust, spring, transfer shift	1
10	5938633	•SPRING, transfer shift	1
11	5938634	•BUSHING, transfer shift	1
12	5938630	•BUSHING, transfer shift	2
13	5938638	•SPRING, transfer	1
14	5938637	•CUP, transfer shift	1
15	5939261	•FORK ASSEMBLY, Mode	1
16	S.I.A.	••FORK, front mode	1
17	5740114	••PAD, shifter fork	2
18	5938631	••PAD, shifter fork	1
19	5938649	PIN, fork to rail	1

2003 HUMMER H1 PARTS CATALOG

5-36 TRANSMISSION/TRANSFER CASE

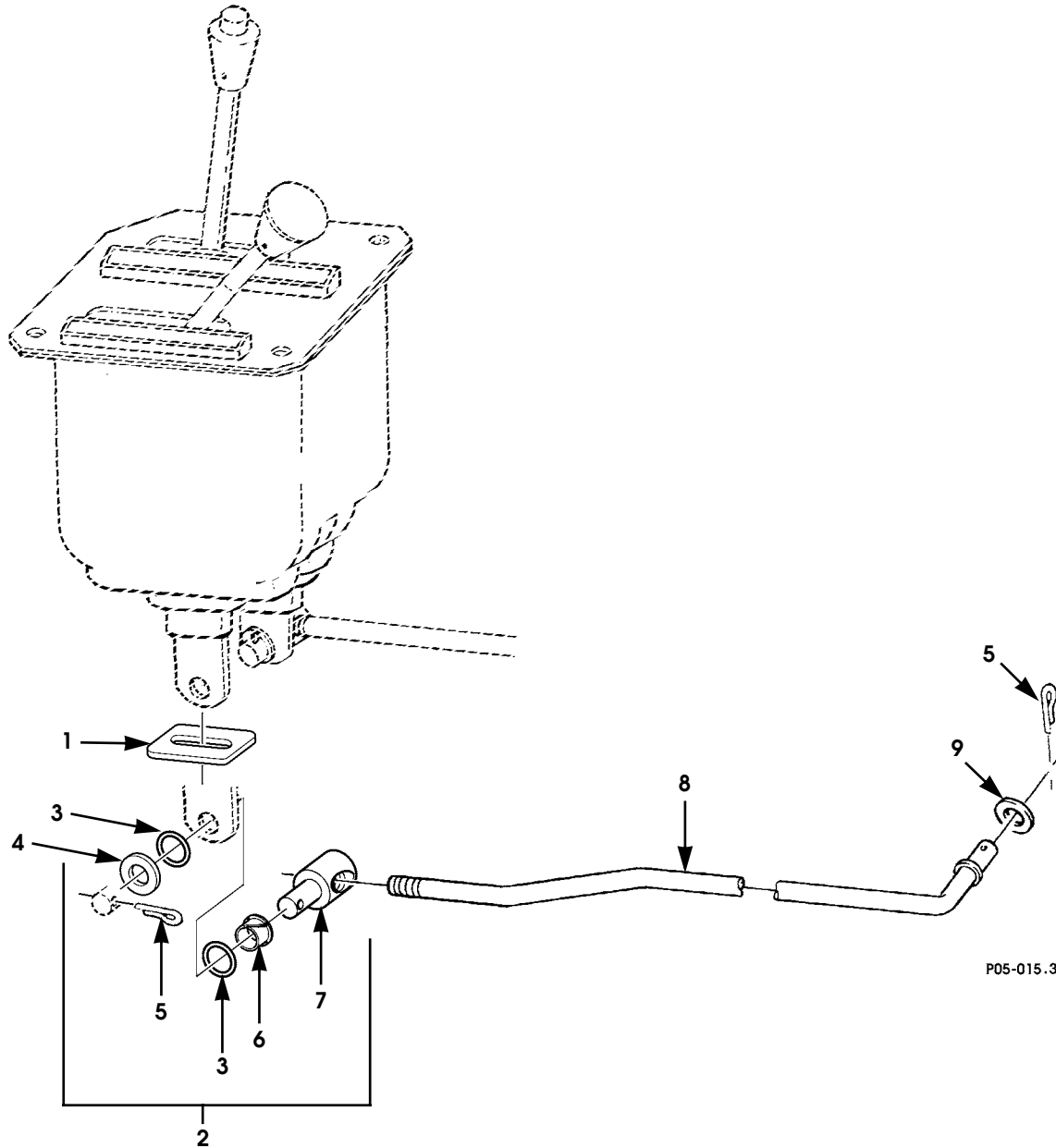


Figure 5-16. Transfer Case Shift Controls.

2003 HUMMER H1 PARTS CATALOG

TRANSMISSION/TRANSFER CASE 5-37

ITEM	PART NUMBER	DESCRIPTION	QTY
		Figure 5-16. Transfer Case Shift Controls.	
1	12460507	BOOT PROTECTOR	1
2	5745427	KIT, TRUNNION SHIFT CONTROL	1
3	274244	•SEAL, O-RING	2
4	120393	•WASHER, 5/16"	1
5	N/S	•COTTER PIN, 1/8" x 3/4"	2
6	6011932	•BUSHING SHIFT CONTROL	1
7	6011930	•TRUNNION SHIFT CONTROL, SEE NOTE 1	1
8	12460067	ROD, shift linkage.	1
9	N/S	WASHER, flat, 3/8", type B	1
		NOTE 1: TRUNNION PRODUCTION START VIN 194825 MODEL YEAR (01).	

2003 HUMMER H1 PARTS CATALOG

WHEELS AND TIRES/CENTRAL TIRE INFLATION SYSTEM 6-1

Section 6

WHEELS AND TIRES/CENTRAL TIRE INFLATION SYSTEM

TITLE	PAGE NUMBER
Central Tire Inflation System Routing	6-16
CTIS Control Panel and Electrical Harnesses	6-10
CTIS Tool Kits for 16.5" Steel Wheel and 17" Aluminum Wheel.	6-8
CTIS Valve Assembly and Compressor	6-12
Wheel, Tire and Runflat Assembly, 17", Two-piece Aluminum Wheel	6-6
Wheel, Tire and Runflat Assembly, 17", One-Piece Aluminum	6-4
Wheel, Tire, and Beadlock Assembly, Two-Piece Steel Rim	6-2

2003 HUMMER H1 PARTS CATALOG

6-2 WHEELS AND TIRES/CENTRAL TIRE INFLATION SYSTEM

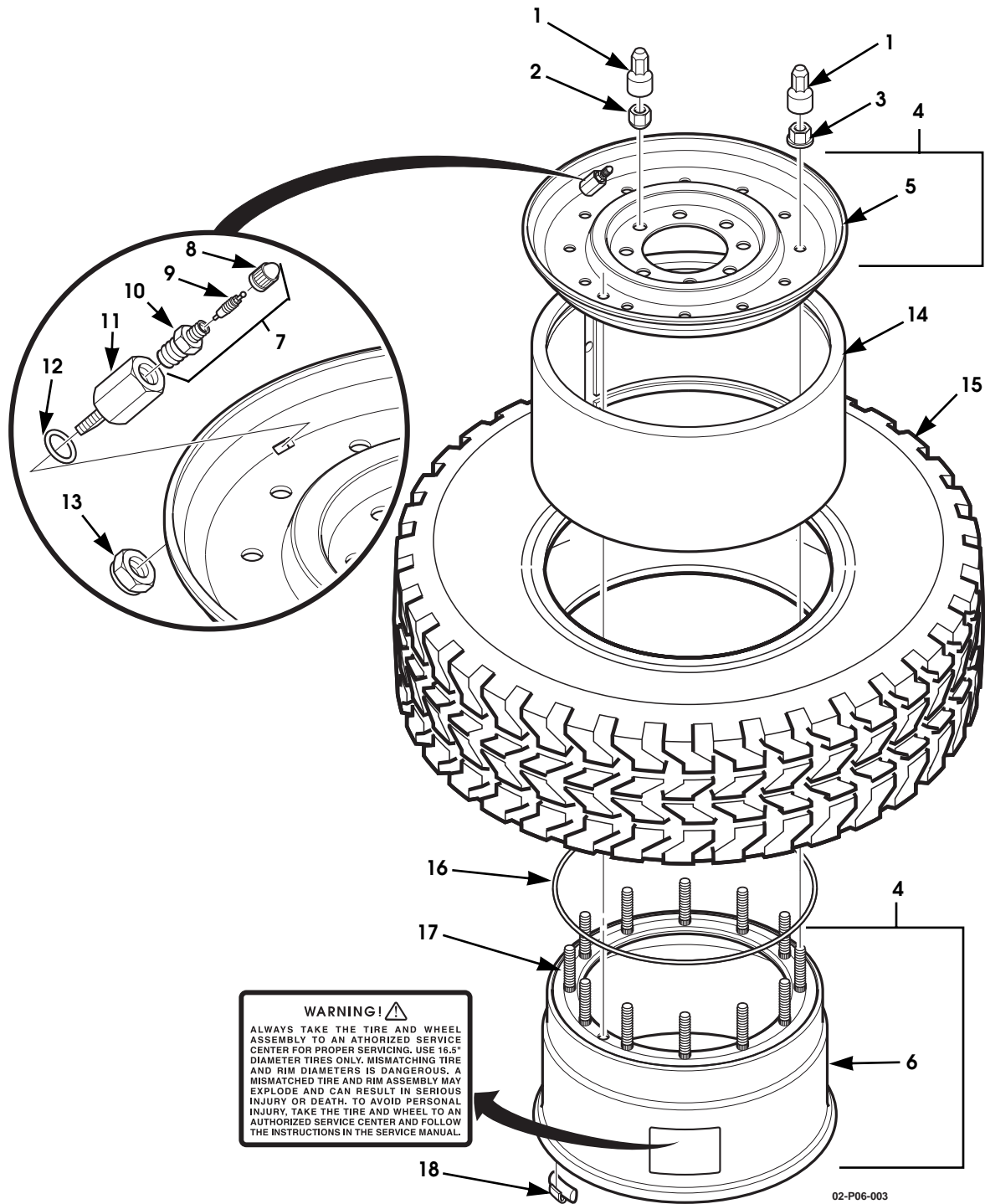


Figure 6-1. Wheel, Tire, and Beadlock Assembly, Two-Piece Steel Rim.

2003 HUMMER H1 PARTS CATALOG

WHEELS AND TIRES/CENTRAL TIRE INFLATION SYSTEM 6-3

ITEM	PART NUMBER	DESCRIPTION	QTY
		Figure 6-1. Wheel, Tire, and Beadlock Assembly, Two-Piece Steel Rim.	
1	6011148	WHEEL HALF-NUT/LUG NUT COVER (black)	80
2	EC12339403	LUG NUT	32
3	EC12339501	NUT, flanged, 1/2 - 20"	48
4	5745404	WHEEL ASSEMBLY, two-piece steel	1
5	S.I.A.	•RIM, outer	4
6	S.I.A.	•RIM, inner	4
7	12342634	TANK VALVE ASSEMBLY	4
8	N/S	•VALVE CAP	4
9	N/S	•CORE	4
10	N/S	•TANK VALVE	4
11	EC12342793	INSERT, valve hole	4
12	12342794	O-RING, valve stem	4
13	MS21245-8	NUT, 1/2 - 20"	4
14	5594465	BEADLOCK	4
15	12342644	TIRE, Radial MT, 37 x 12.5 R16.5"	4
16	12460338	O-RING, rim	4
17	EC12460179	BOLT	48
18	5744406	WHEEL WEIGHTS, pack of 10, 1 oz, clip-on	1
18	5744407	WHEEL WEIGHTS, pack of 10, 2 oz, clip-on	1
18	5744408	WHEEL WEIGHTS, pack of 10, 4 oz, clip-on	1
18	5744409	WHEEL WEIGHTS, pack of 10, 6 oz, clip-on	1
18	5593926	WHEEL WEIGHTS, set of 12, adhesive	1

2003 HUMMER H1 PARTS CATALOG

WHEELS AND TIRES/CENTRAL TIRE INFLATION SYSTEM 6-5

ITEM	PART NUMBER	DESCRIPTION	QTY
		Figure 6-2. Wheel, Tire and Runflat Assembly, 17", One-Piece Aluminum.	
1	6011260	LUG COVER ASSEMBLY, with CTIS	4
2	6011252	LUG COVER ASSEMBLY, w/o CTIS	4
3	6011548	•SCREW, center cover, aluminum wheel	8
4	6011281	•DISK, wheel lug cover, with CTIS, logo	4
5	6011282	•DISK, wheel lug cover, w/o CTIS, logo	4
6	6011280	COVER, wheel lug	4
7	6010977	TIRE, Wrangler, GSA, 37 x 12.5, R-17"	4
8	6011913	TIRE, MTR, 37 x 12.5, R-17"	4
9	6011266	RUNFLAT ASSEMBLY, 17" SEE NOTE 1.	4
10	S.I.A.	•RUNFLAT HALF	8
11	5745354	•RUNFLAT HARDWARE KIT, SEE NOTE 1	8
12	S.I.A.	••SCREW	8
13	S.I.A.	••WASHER	8
14	S.I.A.	••SQUARE NUT, RH thread	8
15	S.I.A.	••BRACKET, security	8
16	S.I.A.	••SCREW, N-12.	8
17	S.I.A.	••SQUARE NUT, LH thread	8
18	6011533	WHEEL, one-piece aluminum, 17"	4
19	6011283	TANK VALVE (used for non CTIS configuration, aluminum wheels)	4
20	N/S	•VALVE CAP	4
21	N/S	•CORE	4
22	N/S	•TANK VALVE	4
23	5745243	CTIS WHEEL TUBE ASSEMBLY	4
24	S.I.A.	•TUBE, wheel, CTIS	4
25	S.I.A.	•FITTING ASSEMBLY, CTIS wheel tube	4
26	S.I.A.	••CONNECTOR	4
27	S.I.A.	••FERRULE	4
28	S.I.A.	••TUBE NUT.	4
29	6005109	VALVE ASSEMBLY, quick disconnect.	4
30	S.I.A.	•VALVE CAP	4
31	S.I.A.	•TUBE NUT.	4
	5593926	WHEEL WEIGHTS, set of 12, adhesive (not illustrated) .	1
		NOTE 1: FOR RUNFLAT HARDWARE ONLY USE KIT, RUNFLAT, HARDWARE, P/N 5745354. INCLUDES ALL PARTS IN CALL OUTS 10-15, 2 KITS PER TIRE.	

2003 HUMMER H1 PARTS CATALOG

6-6 WHEELS AND TIRES/CENTRAL TIRE INFLATION SYSTEM

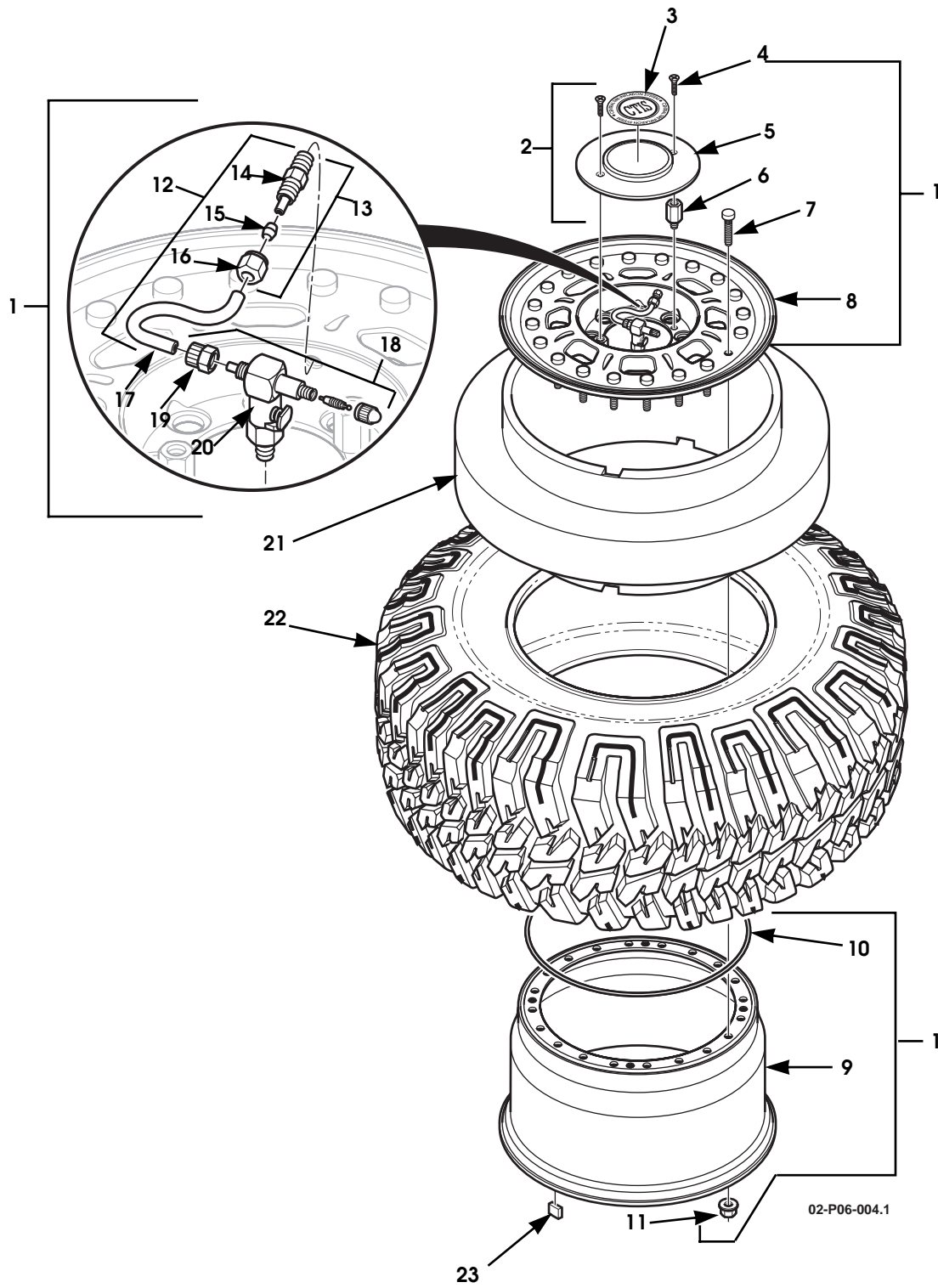


Figure 6-3. Wheel, Tire and Runflat Assembly, 17", Two-piece Aluminum Wheel.

2003 HUMMER H1 PARTS CATALOG

WHEELS AND TIRES/CENTRAL TIRE INFLATION SYSTEM 6-7

ITEM	PART NUMBER	DESCRIPTION	QTY
		Figure 6-3. Wheel, Tire and Runflat Assembly, 17", Two-piece Aluminum Wheel.	
1	5745495	WHEEL ASSEMBLY, 17" two-piece aluminum wheel. . .	4
2	6013284	•LUG COVER ASSEMBLY, W/CTIS	4
3	6013093	••DISK, wheel lug cover, with CTIS, logo.	4
4	6013067	••SCREW, wheel cover.	8
5	S.I.A.	••COVER, wheel lug.	4
6	6013038	••ADAPTER, lug cover mounting.	8
7	N/S	•STUD, w/stainless steel cap.	80
8	S.I.A.	•RIM, outer, 17", two-piece, diamond cut	4
9	S.I.A.	•RIM, inner, 17", two-piece, diamond cut.	4
10	6012731	•SEAL, O-RING, 17", two-piece	4
11	N/S	•LOCKNUT, flange head, 1/2-20" UNF, SAE, Gr8	80
12	5745243	•CTIS WHEEL TUBE ASSEMBLY	4
13	S.I.A.	••FITTING ASSEMBLY, CTIS wheel tube.	4
14	S.I.A.	•••CONNECTOR.	4
15	S.I.A.	•••FERRULE	4
16	S.I.A.	•••TUBE NUT	4
17	S.I.A.	•TUBE, wheel, CTIS.	4
18	6005109	•VALVE ASSEMBLY, quick disconnect.	4
19	S.I.A.	••TUBE NUT.	4
20	S.I.A.	••VALVE BODY.	4
21	6012748	RUN FLAT, one-piece, for (17", two-piece wheel).	4
22	6011913	TIRE, MTR, 37 x 12.5 R-17".	4
23	5593926	WHEEL WEIGHTS, set of 12, adhesive (not illustrated) .	1

2003 HUMMER H1 PARTS CATALOG

6-8 WHEELS AND TIRES/CENTRAL TIRE INFLATION SYSTEM

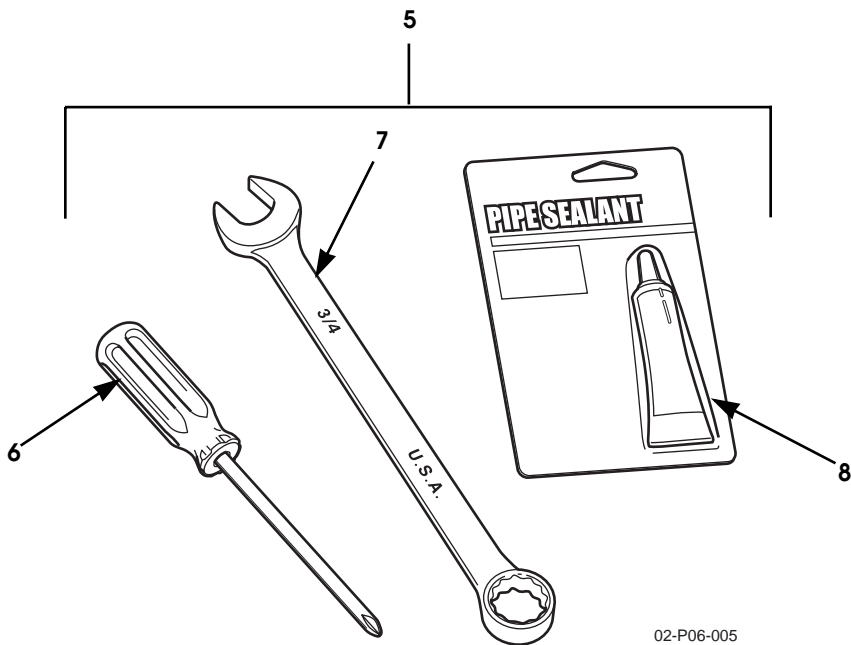
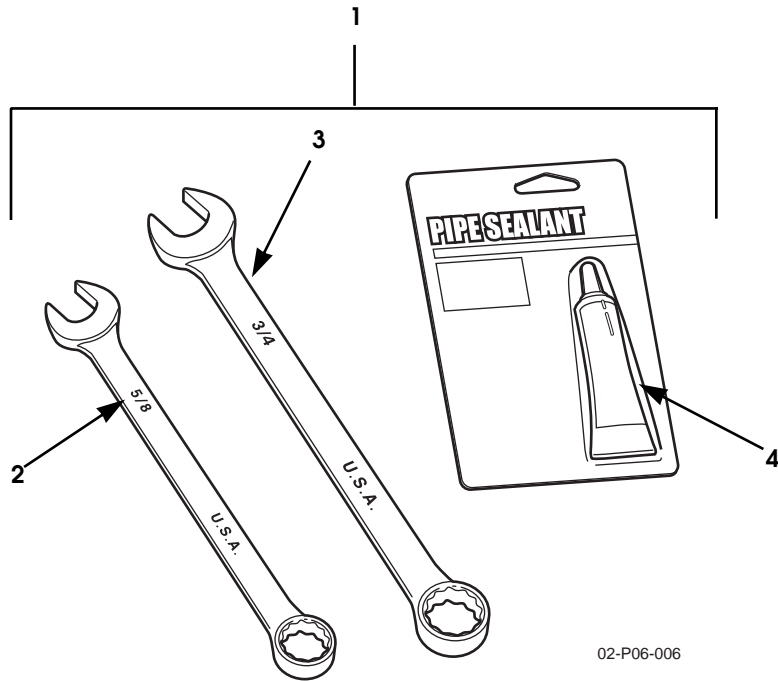


Figure 6-4. CTIS Tool Kits for 16.5" Steel Wheel and 17" Aluminum Wheel.

2003 HUMMER H1 PARTS CATALOG

WHEELS AND TIRES/CENTRAL TIRE INFLATION SYSTEM 6-9

ITEM	PART NUMBER	DESCRIPTION	QTY
		Figure 6-4. CTIS Tool Kits for 16.5" Steel Wheel and 17" Aluminum Wheel.	
1	5743069	KIT, CTIS tools, 16.5" steel wheel	1
2	6001967	•WRENCH, combo, 5/8"	1
3	6001968	•WRENCH, combo, 3/4"	1
4	6001959	•SEALANT, pipe, w/teflon	1
5	6012549	KIT, CTIS tools, 17" aluminum wheel.	1
7	6001968	•WRENCH, combo, 3/4"	1
6	11655777-12	•SCREWDRIVER, phillips.	1
8	6001959	•SEALANT, pipe, w/teflon	1

2003 HUMMER H1 PARTS CATALOG

6-10 WHEELS AND TIRES/CENTRAL TIRE INFLATION SYSTEM

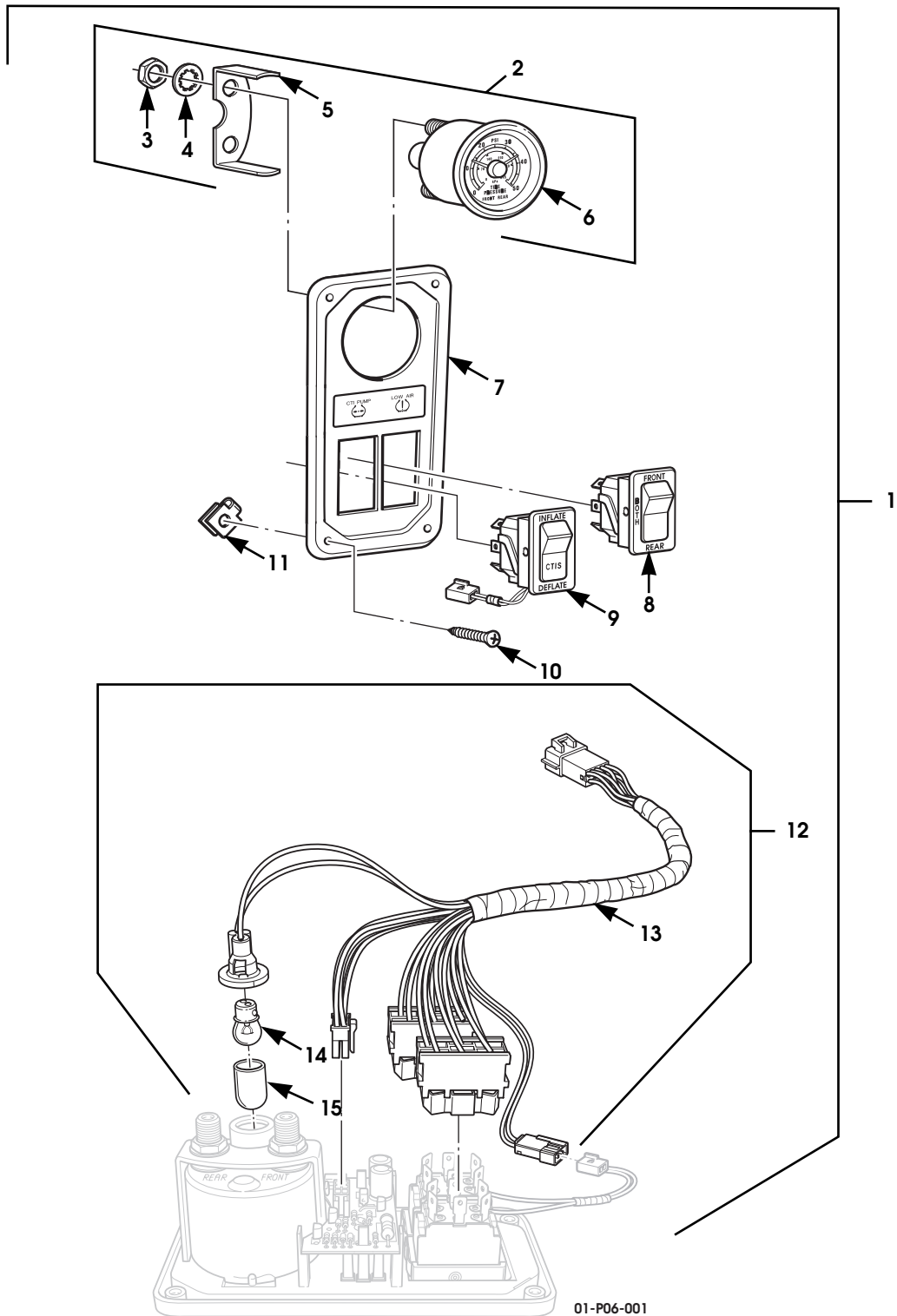


Figure 6-5. CTIS Control Panel and Electrical Harnesses.

2003 HUMMER H1 PARTS CATALOG

WHEELS AND TIRES/CENTRAL TIRE INFLATION SYSTEM 6-11

ITEM	PART NUMBER	DESCRIPTION	QTY
		Figure 6-5. CTIS Control Panel and Electrical Harnesses.	
1	6011764	MODULE ASSEMBLY AND HARNESS, CTIS tire pressure .	1
2	5745388	•GAUGE ASSEMBLY, CTIS tire pressure	1
3	S.I.A.	••NUT	2
4	S.I.A.	••LOCKWASHER	2
5	S.I.A.	••BRACKET, CTIS mounting.	1
6	S.I.A.	••GAUGE, CTIS tire pressure.	1
7	5745551	•PANEL, CTIS, black	1
8	6006604	•SWITCH, CTIS selector	1
9	6006603	•SWITCH, CTIS inflate/deflate.	1
10	5939651P2	•SCREW, #10 - 16 x 3/4", oval hd phil.	4
11	N/S	•SPEEDNUT, #10	4
12	6011637	•HARNESS ASSEMBLY, CTIS interior	1
13	S.I.A.	••HARNESS, CTIS	1
14	S.I.A.	••LAMP, trade, #1815.	1
15	S.I.A.	••LENS	1

2003 HUMMER H1 PARTS CATALOG

6-12 WHEELS AND TIRES/CENTRAL TIRE INFLATION SYSTEM

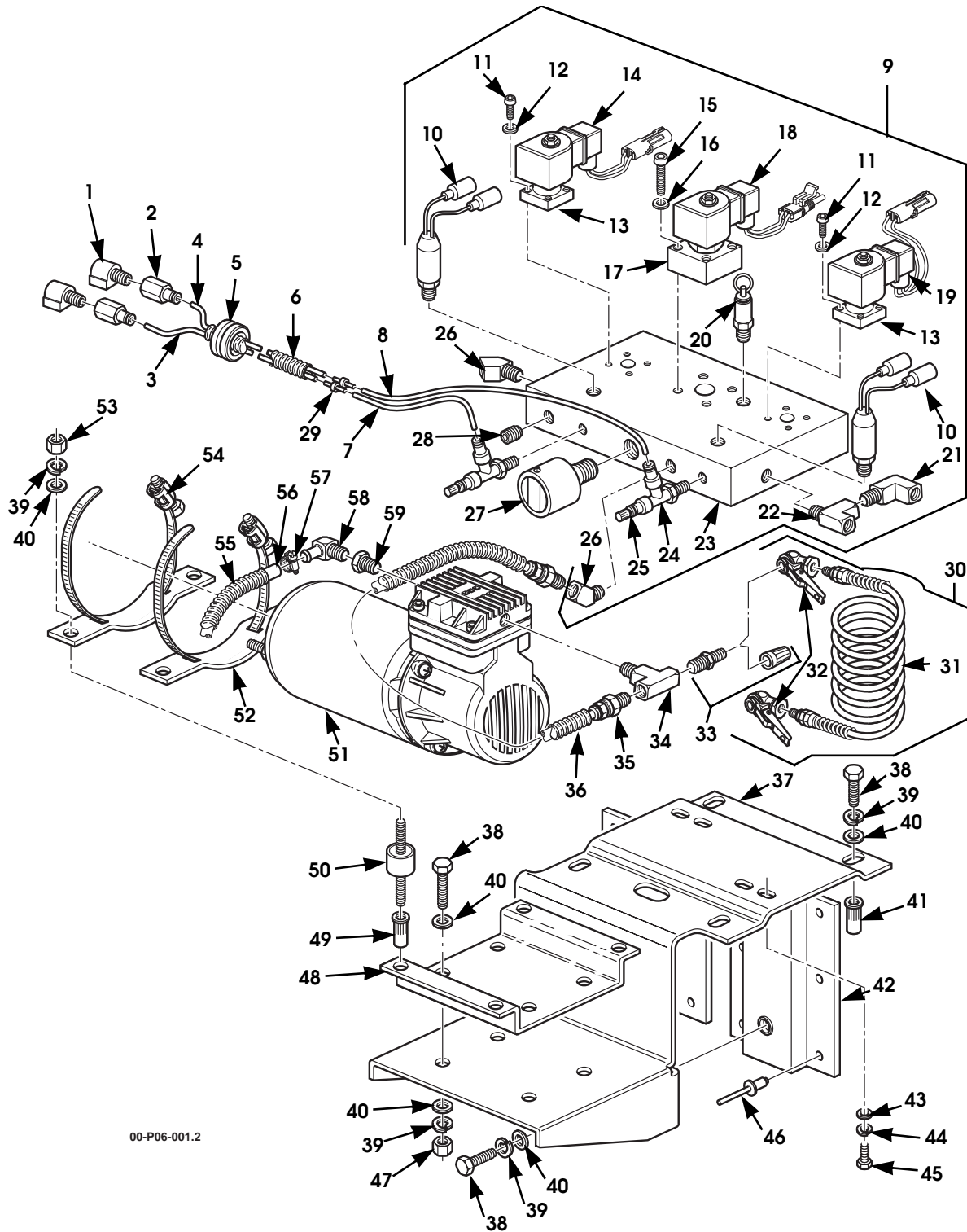


Figure 6-6. CTIS Valve Assembly and Compressor.

2003 HUMMER H1 PARTS CATALOG

WHEELS AND TIRES/CENTRAL TIRE INFLATION SYSTEM 6-13

ITEM	PART NUMBER	DESCRIPTION	QTY
		Figure 6-6. CTIS Valve Assembly and Compressor.	
1	5937392	ELBOW, street	2
2	6009491	CONNECTOR, female, 1/8"	2
3	N/S	TUBING, 1/8" O.D. x 24", (rear), SEE NOTE 1	1
4	N/S	TUBING, 1/8" O.D. x 24", (front), SEE NOTE 1	1
5	6000042	GROMMET	1
6	N/S	CONVOLUTED CONDUIT, non-slit, 3/8" O.D. x 1/4" I.D. x 6" long, CTIS dash gauge lines	1
7	N/S	TUBING, 1/8" O.D., 2", (rear), SEE NOTE 1	1
8	N/S	TUBING, 1/8" O.D., 4", (front), SEE NOTE 1	1
9	6012352	MANIFOLD ASSEMBLY, CTIS	1
10	6001036	•SWITCH, low pressure	2
11	N/S	•SCREW, inflate valve	8
12	N/S	•LOCKWASHER, #8	8
13	6008370	•VALVE, inflate	2
14	6010116	•COIL ASSEMBLY, rear, inflate	1
15	N/S	•SCREW, deflate valve	4
16	N/S	•LOCKWASHER, 1/4"	4
17	6008371	•VALVE, deflate	1
18	6010118	•COIL ASSEMBLY, deflate	1
19	6010115	•COIL ASSEMBLY, front, inflate	1
20	6008872	•VALVE, safety	1
21	6008377	•STREET ELBOW, 1/4", FPT	1
22	4-4-4-040424	TEE, 1/4", NPT	1
23	6008375	•MANIFOLD, CTIS	1
24	6008379	•TEE, swivel	2
25	6008380	•TUBE PLUG	2
26	4-4-140339	•ELBOW, 45-degrees	2
27	5935430	•DUST EXCLUDER	1
28	N/S	•PLUG, 1/4", FTP	1
29	6007670	ORIFICE, CTIS	2
30	6004415	HOSE ASSEMBLY, CTIS auxiliary air	1
31	6004416	•HOSE, auxiliary air	1
32	5745424	•CHUCK, clip-on	2
33	12342634	TANK VALVE ASSEMBLY	1
34	44-4-130424B	TEE, 1/4 x 1/4 x 1/4"	1
35	6009996	HOSE, stainless steel braided, compressor-to-CTIS manifold, w/fittings	1
36	N/S	CONVOLUTED CONDUIT, 16 - 1/2", slit, compressor-to-CTIS manifold, SEE NOTE 2	1
37	6010004B9	BRACKET ASSEMBLY, valve mounting	1

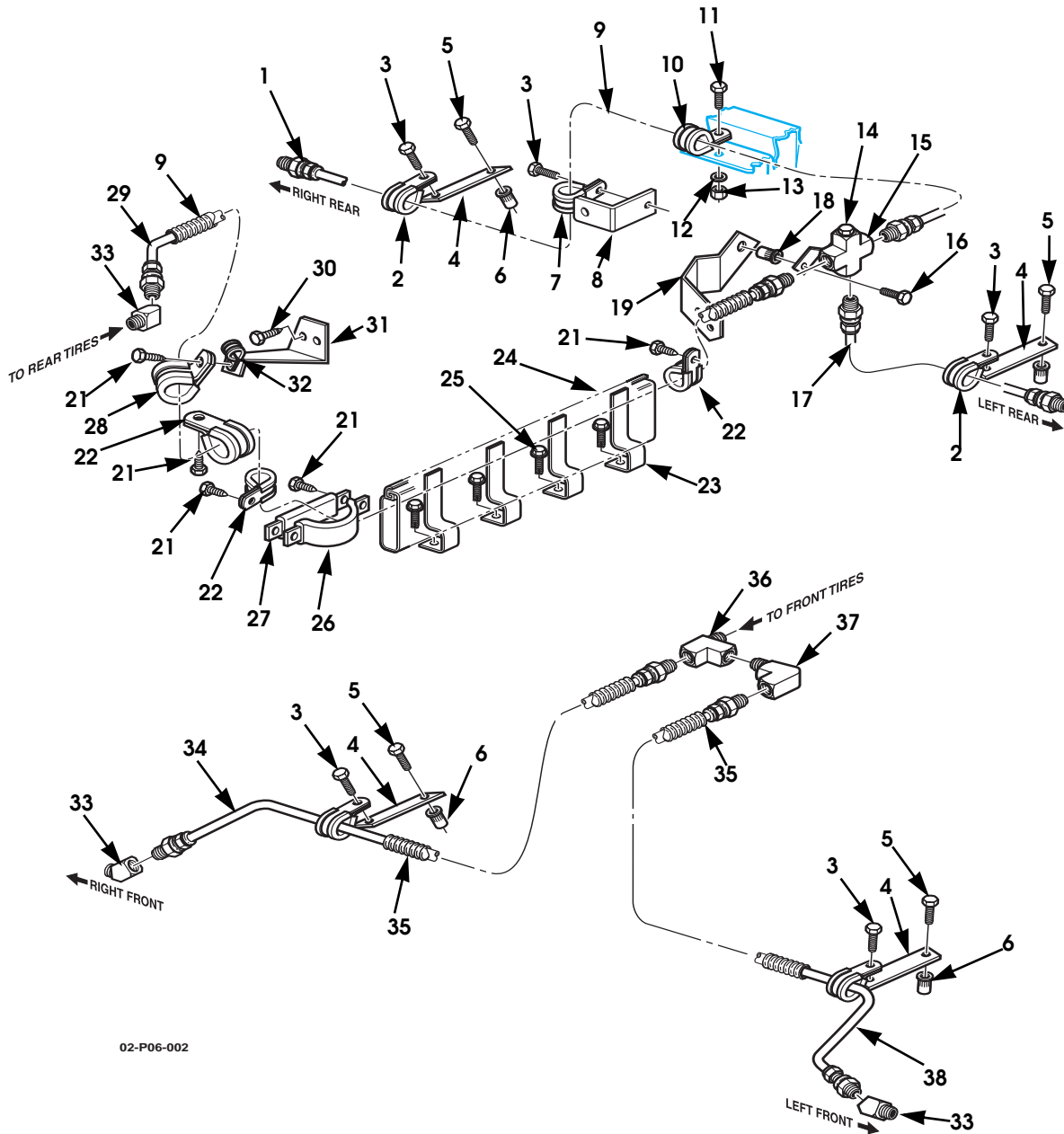
2003 HUMMER H1 PARTS CATALOG

6-14 WHEELS AND TIRES/CENTRAL TIRE INFLATION SYSTEM

ITEM	PART NUMBER	DESCRIPTION	QTY
		Figure 6-6. CTIS Valve Assembly and Compressor. (Cont'd)	
38	N/S	SCREW, 1/4 - 20 x 3/4"	10
39	N/S	LOCKWASHER, split-ring, 1/4"	10
40	N/S	WASHER, flat, 1/4"	14
41	N/S	NUT INSERT, 1/4 - 20"	4
42	6010094	BRACKET ASSEMBLY, compressor, side	2
43	N/S	WASHER, flat, #10	4
44	N/S	LOCKWASHER, med, #10	4
45	N/S	SCREW, #10 - 24 x 1/2"	4
46	N/S	RIVET	6
47	N/S	NUT, 1/4 - 20"	4
48	6009998B9	BRACKET ASSEMBLY, compressor lower	1
49	N/S	•NUT INSERT, 1/4 x 28"	4
50	12338607	ISOLATOR	4
51	5939999	COMPRESSOR, CTIS	1
52	6003902B2	BRACKET, compressor upper	2
53	N/S	NUT, 1/4 - 28", ZN	4
54	11608950-18	CLAMP, hose	2
55	N/S	CONVOLUTED CONDUIT, 21" long, non-slit air horn-to-compressor, SEE NOTE 3	1
56	6010341	HOSE, 21", air horn-to-compressor	1
57	11608950-1	CLAMP, hose	2
58	12339415	ELBOW, 90 degrees	2
59	6-4-140140	REDUCER, 3/8 NPT to 1/4" NPT	1
		NOTE 1: CUT FROM BULK TUBING P/N CPR104420-6, 1/ 8" OD X 50' LONG, BLACK.	
		NOTE 2: CUT FROM SLIT CONVOLUTED CONDUIT, P/N 6007306, 7/8" O.D. X 3/4" I.D. X 20" LONG.	
		NOTE 3: CUT FROM NON-SLIT CONVOLUTED CONDUIT, P/N 6007446, 7/8" O.D. X 3/4" I.D. X 38" LONG.	

2003 HUMMER H1 PARTS CATALOG

6-16 WHEELS AND TIRES/CENTRAL TIRE INFLATION SYSTEM



02-P06-002

Figure 6-7. Central Tire Inflation System Routing.

2003 HUMMER H1 PARTS CATALOG

WHEELS AND TIRES/CENTRAL TIRE INFLATION SYSTEM 6-17

ITEM	PART NUMBER	DESCRIPTION	QTY
		Figure 6-7. Central Tire Inflation System Routing.	
1	6005738	HOSE ASSEMBLY, rear cross strap asm to R.H. side	1
2	MS21333-121	CLAMP, cushioned, .3/8" DIA	4
3	N/S	SCREW, self tapping, 3/8 - 16 x 5/8"	5
4	5594462	BRACKET, tube support	4
5	N/S	SCREW, HX HD - 5/16 - 18 x 1" DIA.	4
6	12339998-12	PLUSNUT, 5/16 - 18"	4
7	MS21333-125	CLAMP, cushioned, 5/8"	1
8	5936232	BRACKET, standoff	1
9	6007672	HOSE CONDUIT, 19"	2
10	MS21333-102	CLAMP, cushioned, 1/2"	1
11	N/S	SCREW, HX HD 1/4 - 20 x 1"	2
12	N/S	WASHER, flat, .281" DIA	1
13	N/S	NUT 1/4"	1
14	127951	PLUG, HX HD 1/4", NPT	1
15	11669082	CROSS & STRAP ASSEMBLY	1
16	N/S	SCREW, HX HD 3/8 - 16 x 1 - 1/4"	2
17	6005739	HOSE ASSEMBLY, rear cross strap asm to L.H. side	2
18	N/S	NUT, 3/8"	2
19	6007461	BRACKET, CTIS.	1
20	6005737	HOSE ASSEMBLY, valve to rear cross & strap assembly	1
21	N/S	SCREW, tapping, 10 - 32 x 1/2"	5
22	MS21333-77	CLAMP, cushioned, 1"	2
23	6010106	BRACKET, support wire close out	4
24	6010104	CONDUIT, wiring, 48"	1
25	N/S	SCREW, 1/4 - 14 x 1/2" HWHT/S "AB"	4
26	12340665	CLAMP, strap assembly	1
27	S.I.A.	•CROSSBAR, clamp.	1
28	MS21333-78	CLAMP, cushioned, 1 - 1/4"	2
29	6005737	HOSE ASSEMBLY, valve to rear tee	1
30	N/S	SCREW	2
31	12339200	BRACKET, accelerator	1
32	MS21333-68	CLAMP, cushioned, .312" DIA	1
33	4-4-140339	ELBOW, 45 degrees	2
34	6012354	HOSE ASSEMBLY, manifold to front R.H.	1
35	6012356	HOSE CONDUIT, 60"	1
36	4-4-4-040424	TEE, 1/4", NPT	1
37	6008377	STREET ELBOW, 1/4", FPT.	1
38	6012353	HOSE ASSEMBLY, manifold to front L.H.	1

2003 HUMMER H1 PARTS CATALOG

BRAKES 7-1

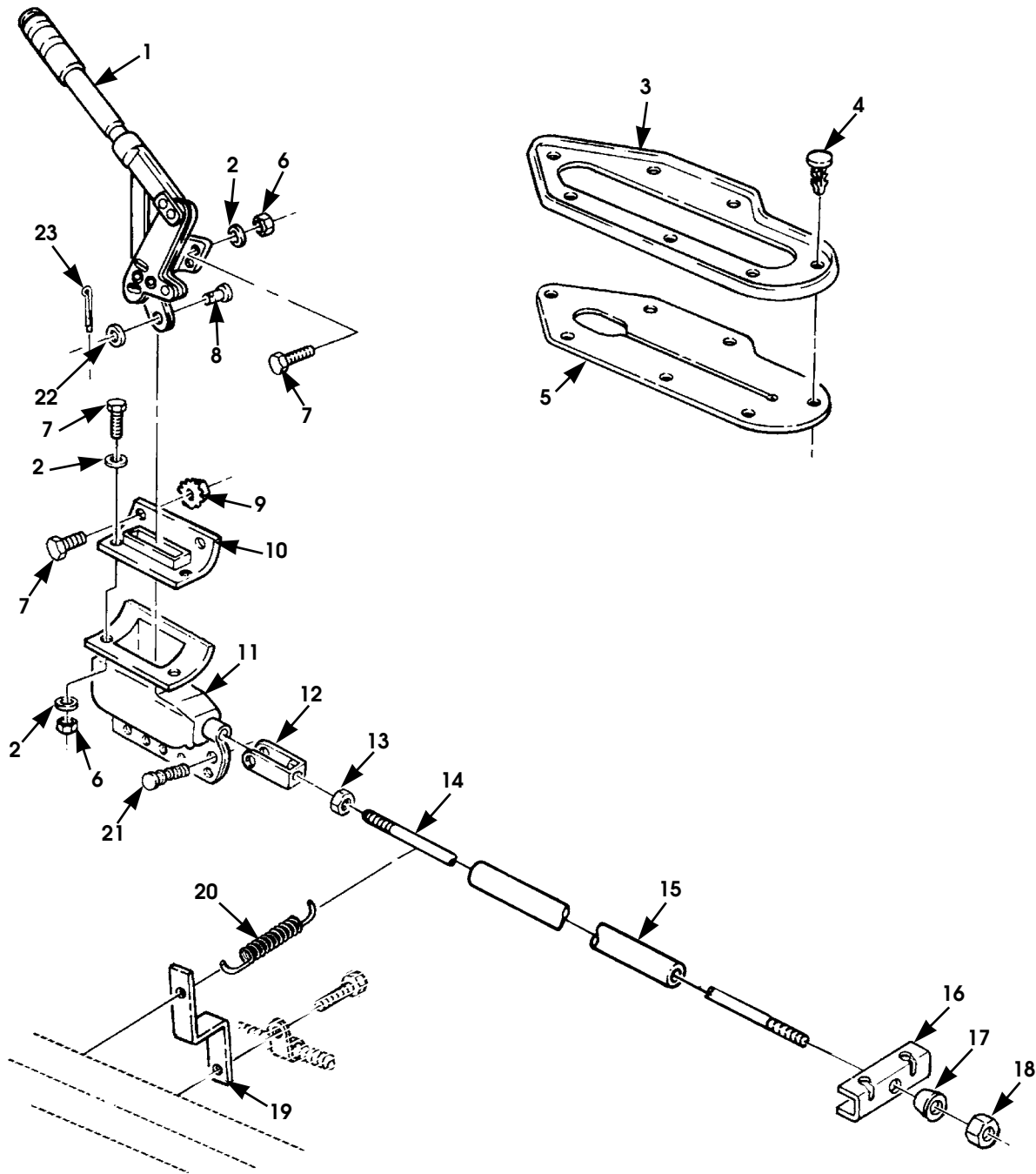
Section 7

BRAKES

TITLE	PAGE NUMBER
ABS Electronic Control Unit (ECU)	7-18
ABS Modulator	7-12
ABS Wheel Speed Sensor	7-16
Brake Lines	7-14
Front Service Brake Caliper Assembly and Rotor	7-8
Master Cylinder Assembly and Hydro-Boost Assembly	7-10
Parking Brake Cables and Mounting Hardware	7-4
Parking Brake Hand Lever and Rod	7-2
Rear Service and Parking Brake Caliper Assembly and Rotor	7-6
Service Brake Pedal Assembly	7-20

2003 HUMMER H1 PARTS CATALOG

7-2 BRAKES



P07-001.

Figure 7-1. Parking Brake Hand Lever and Rod.

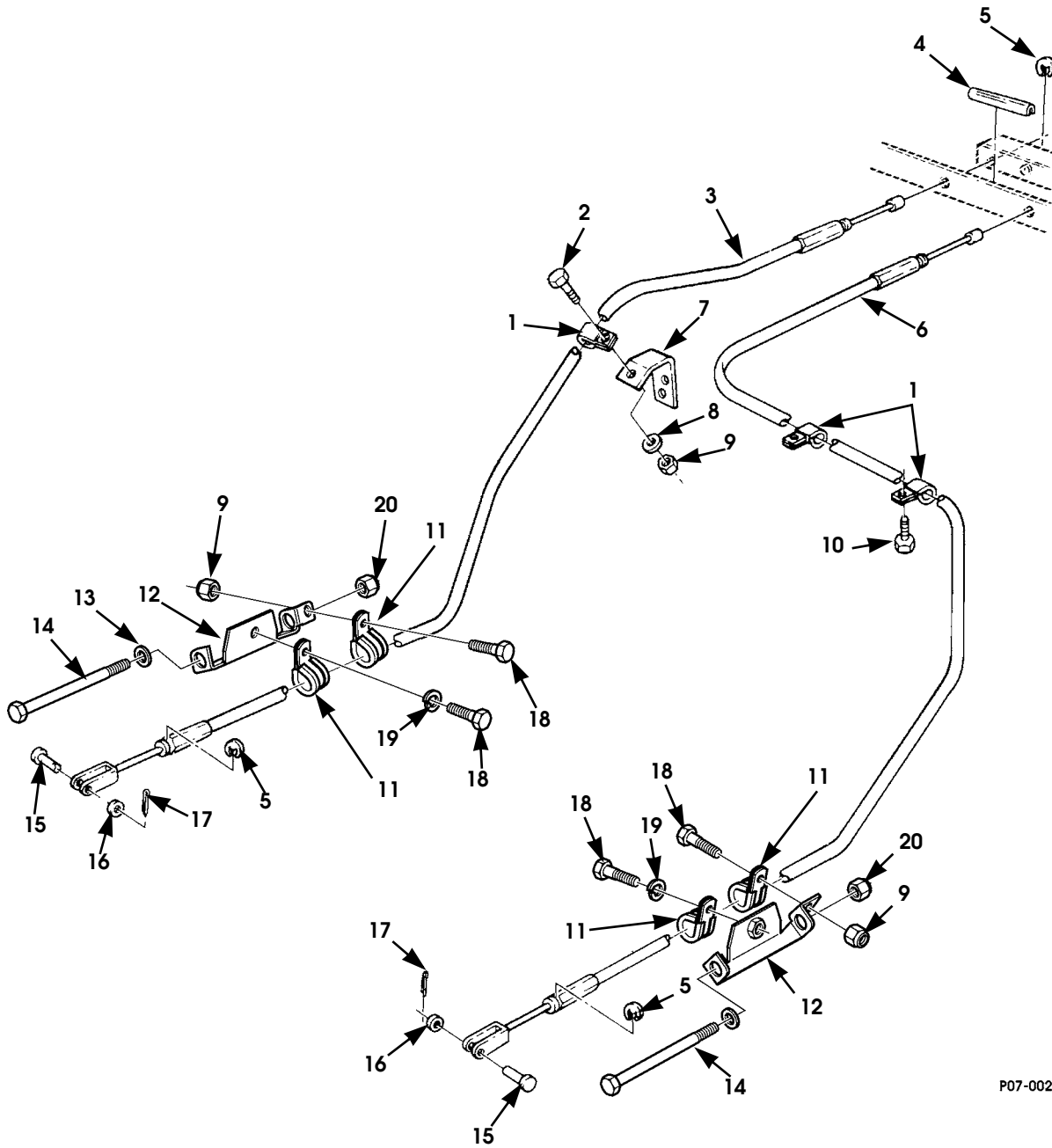
2003 HUMMER H1 PARTS CATALOG

BRAKES 7-3

ITEM	PART NUMBER	DESCRIPTION	QTY
		Figure 7-1. Parking Brake Hand Lever and Rod.	
1	WA12339218	LEVER, parking brake	1
2	N/S	WASHER, flat, 1/4", parking brake lever.	7
3	6000436	BEZEL, parking brake lever	1
4	6000441	FASTENER, parking brake bezel	7
5	6000440	BOOT, parking brake lever bezel	1
6	N/S	LOCKNUT, 1/4 - 20", parking brake lever.	5
7	N/S	BOLT, 1/4 - 20 x 1", parking brake.	6
8	138084	PIN, clevis, parking brake cable	1
9	N/S	LOCKNUT, 1/4 - 20", dust boot	2
10	12338295	BOOT, dust, upper parking brake.	1
11	5939484	BOOT, dust, lower parking brake	1
12	12338285	CLEVIS, rod end, front parking brake	1
13	N/S	NUT, 5/16 - 24", clevis rod	1
14	12341895	CLEVIS ROD, parking brake	1
15	6001224	SLEEVE, parking brake rod	1
16	EC12341902B1	BAR, brake cable equalizer	1
17	12341897	WASHER, parking brake clevis rod, conical	1
18	N/S	LOCKNUT, 5/16 - 24", parking brake clevis rod.	1
19	6002426B2	BRACKET, spring, retaining	1
20	12338866	SPRING, extension	1
21	5939457	CLIP, parking brake lower dust boot	6
22	N/S	WASHER, flat, 3/8", clevis pin	1
23	N/S	COTTER PIN, clevis pin	1

2003 HUMMER H1 PARTS CATALOG

7-4 BRAKES



P07-002.3

Figure 7-2. Parking Brake Cables and Mounting Hardware.

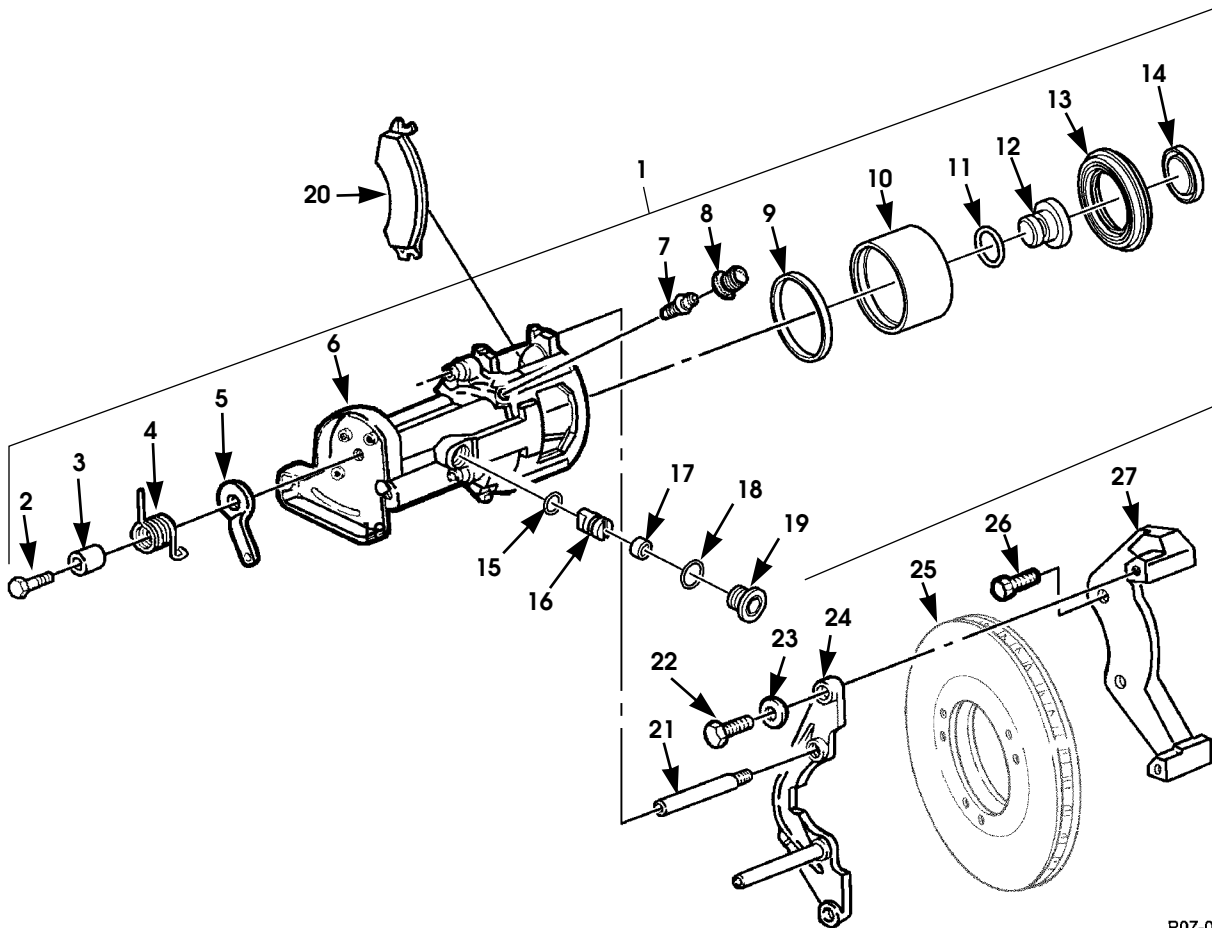
2003 HUMMER H1 PARTS CATALOG

BRAKES 7-5

ITEM	PART NUMBER	DESCRIPTION	QTY
		Figure 7-2. Parking Brake Cables and Mounting Hardware.	
1	N/S	CLAMP,parking brake cable,harness, rear	3
2	N/S	BOLT, 1/4 - 20 x 3/4", parking brake cable clamp. . . .	1
3	12341898-1	CABLE,parking brake,L.H.	1
4	12339902-11	PROTECTOR,edge,2"	1
5	MS16633-1050	RETAINING RING,parking brake cable, clip extension.	4
6	12341898-3	CABLE,parking brake,R.H.	1
7	12341906	BRACKET,parking brake cable	1
8	N/S	WASHER,flat,1/4",parking brake cable bracket	1
9	N/S	NUT,1/4 - 20",parking brake cable bracket	1
10	N/S	SCREW,tapping,#10 - 32 x 3/8"	2
11	N/S	CLAMP,parking brake cables,harness	4
12	12342965	BRACKET,parking brake cable,R.H.	1
12	12342966	BRACKET,parking brake cable,L.H.	1
13	N/S	WASHER,flat,1/4",parking brake cable brackets. . . .	6
14	N/S	BOLT,1/4-20 x 4 - 1/2",parking brake cable brackets	2
15	138084	PIN,clevis,parking brake cable	2
16	N/S	WASHER,flat,3/8",parking brake cables	2
17	N/S	COTTER PIN,parking brake cables	2
18	N/S	BOLT,1/4 - 20 x 5/8",parking brake cable clamps . . .	4
19	N/S	LOCKWASHER,1/4",parking brake cable clamps . . .	2
20	N/S	LOCKNUT,1/4 - 20",parking brake cable brackets. . .	4

2003 HUMMER H1 PARTS CATALOG

7-6 BRAKES



P07-003

Figure 7-3. Rear Service and Parking Brake Caliper Assembly and Rotor.

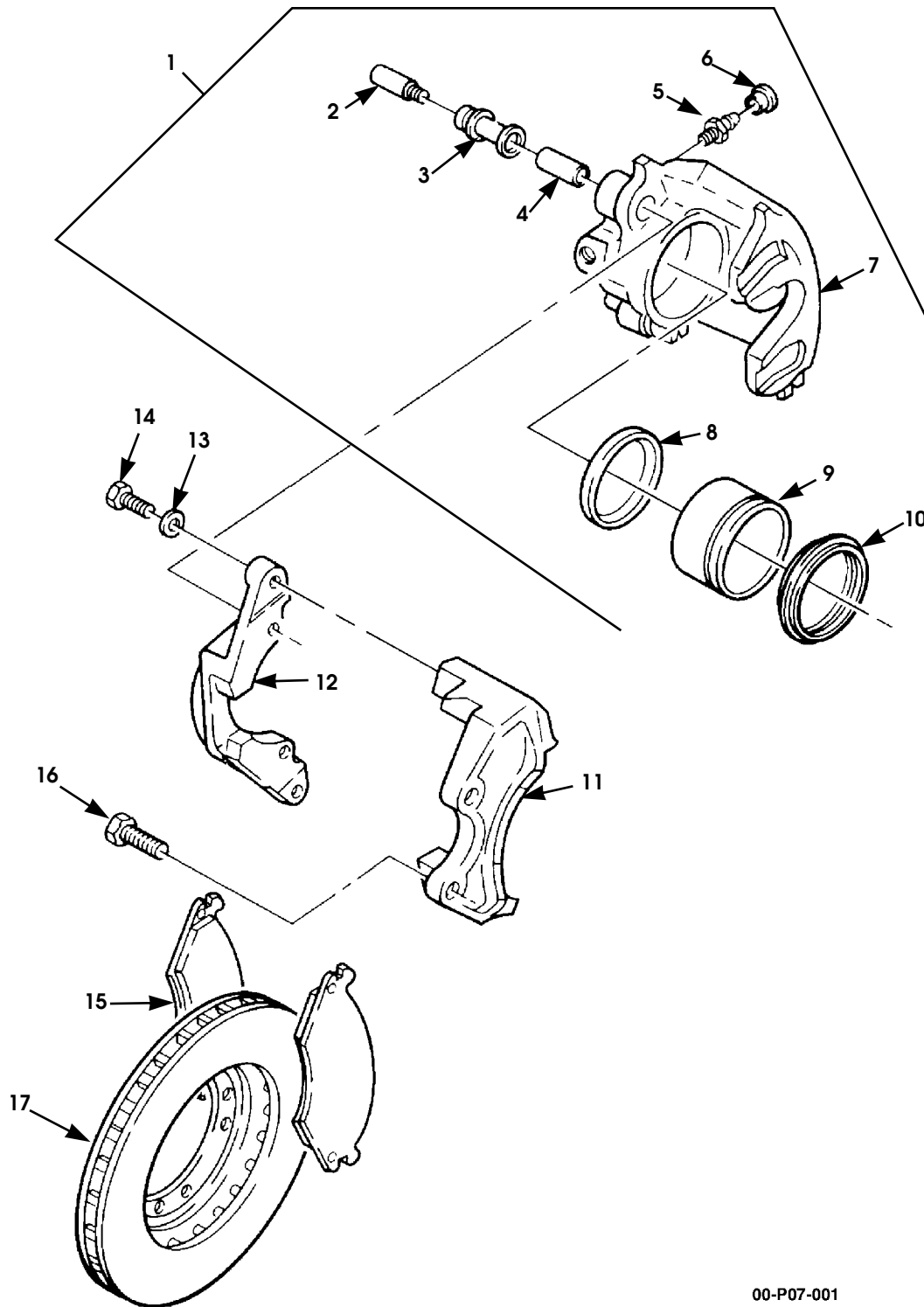
2003 HUMMER H1 PARTS CATALOG

BRAKES 7-7

ITEM	PART NUMBER	DESCRIPTION	QTY
		Figure 7-3. Rear Service and Parking Brake Caliper Assembly and Rotor.	
1	12342342	BRAKE CALIPER, R.H., rear	1
1	5745455	BRAKE CALIPER, R.H., rear (12" brakes only)	1
1	12342341	BRAKE CALIPER, L.H., rear.	1
1	5745456	BRAKE CALIPER, L.H., rear (12" brakes only)	1
1	5745290	BRAKE CALIPER, L.H., rear, reman, SEE NOTE 4	1
1	5745291	BRAKE CALIPER, R.H., rear, reman, SEE NOTE 4	1
2	5741889	•CAPSCREW	1
3	5741890	•CUP, spring.	1
4	5741995	•SPRING, parking brake, L.H.	1
4	5741994	•SPRING, parking brake, R.H.	1
5	5741750	•ARM, lever, L.H.	1
5	5741748	•ARM, lever, R.H.	1
6	S.I.A.	•HOUSING, rear brake caliper	1
7	5578802	•BLEEDER VALVE, caliper	1
8	5597172	•CAP, bleeder valve.	1
9	5578797	•SEAL, piston, SEE NOTE 1	1
10	5744404	•PISTON.	1
11	S.I.K.	•O-RING, thrust screw, SEE NOTE 2	1
12	S.I.A.	•CONICAL CLUTCH	1
13	5578800	•DUST BOOT, caliper, piston, SEE NOTE 1	1
14	S.I.K.	•DUST CAP, piston, SEE NOTE 2	1
15	S.I.K.	•O-RING, anti-rotation pin, SEE NOTE 2	1
16	S.I.A.	•GUIDE PIN	1
17	S.I.A.	•SPACER	1
18	S.I.K.	•O-RING, pin retaining plug, SEE NOTE 2	1
19	S.I.A.	•PLUG, allen head	1
20	S.I.K.	PAD, disc brake, SEE NOTE 3	2
20	S.I.K.	PAD, disc brake, SEE NOTE 3	2
21	12342339	PIN, caliper, locating	2
22	5584071	BOLT, hex head, Gr8.	2
23	5584072	WASHER, flat	2
24	5573090	YOKE, disc brake	1
25	12338387	ROTOR, disc brake	2
25	6002218	ROTOR, disc brake, (12" brakes only).	2
26	N/S	BOLT, 5/8 - 11 x 1 1/2", Gr8, adapter	4
27	5742123	ADAPTER	1
27	6002229	ADAPTER, R.H. front, L.H. rear (12" brakes only)	1
27	6002228	ADAPTER, L.H. front, R.H. rear (12" brakes only)	1
		NOTE 1: PART OF SERVICE BRAKE CALIPER BOOT AND SEAL KIT P/N 5579865. ONE (1) KIT HAS ENOUGH COMPONENTS FOR TWO (2) BRAKE CALIPERS.	
		NOTE 2: PART OF REAR CALIPER RESEAL KIT P/N 5744405. RESEAL KIT INCLUDES ACTUATOR SHAFT O-RING (NOT ILLUSTRATED).	
		NOTE 3: PART OF SERVICE BRAKE PAD KITS P/N 5745162 (FOR 10,300 LB. GVW VEHICLES) AND 5745182C (FOR 12,100 LB. GVW VEHICLES). KIT CONTAINS FOUR PADS TO SERVICE ONE AXLE.	
		NOTE 4: FOR PARTS UNDER WARRANTY USE THE REMANUFACTURED P/N 5745290, 5745291.	

2003 HUMMER H1 PARTS CATALOG

7-8 BRAKES



00-P07-001

Figure 7-4. Front Service Brake Caliper Assembly and Rotor.

2003 HUMMER H1 PARTS CATALOG

BRAKES 7-9

ITEM	PART NUMBER	DESCRIPTION	QTY
		Figure 7-4. Front Service Brake Caliper Assembly and Rotor.	
1	5572426	BRAKE CALIPER, L.H. front	1
1	5745454	BRAKE CALIPER, L.H. front (12" brakes only)	1
1	5572430	BRAKE CALIPER, R.H. front	1
1	5745452	BRAKE CALIPER, R.H. front (12" brakes only)	1
1	5745289	BRAKE CALIPER, L.H. front, reman, SEE NOTE 3.	1
1	5745288	BRAKE CALIPER, R.H. front, reman, SEE NOTE 3	1
2	12342339	•PIN, caliper, locating	2
3	5578806	•BUSHING, caliper	2
4	5578794	•SLEEVE, caliper.	2
5	5578802	•BLEEDER VALVE, caliper.	1
6	5597172	•CAP, bleeder valve	1
7	S.I.K.	•HOUSING, front brake caliper	1
8	5578797	•SEAL, piston, SEE NOTE 1	1
9	5578803	•PISTON, caliper.	1
10	5578800	•DUST BOOT, caliper, piston, SEE NOTE 1	1
11	5578809	ADAPTER, L.H. front.	1
11	5742123	ADAPTER, R.H. front	1
11	6002229	ADAPTER, R.H. front, L.H. rear (12" brakes only)	1
11	6002228	ADAPTER, L.H. front, R.H. rear (12" brakes only)	1
12	5573090	YOKE, disc brake	1
13	5584072	WASHER, flat, yoke to adapter	2
14	5584071	BOLT, hex head, Gr8, yoke to adapter	2
15	S.I.K.	PAD, disc brake, SEE NOTE 2	2
15	S.I.K.	PAD, disc brake, (12" brakes only), SEE NOTE 2	2
16	N/S	BOLT, 5/8 - 11 x 1 - 1/2", Gr8	4
17	12338387	ROTOR, disc brake.	2
17	6002218	ROTOR, disc brake (12" brakes only).	2
		NOTE 1: PART OF SERVICE BRAKE CALIPER BOOT AND SEAL KIT P/N 5579865. ONE (1) KIT HAS ENOUGH COMPONENTS FOR TWO (2) BRAKE CALIPERS.	
		NOTE 2: PART OF SERVICE BRAKE PAD KITS P/N 5745162 (FOR 10,300 LB. GVW, VEHICLES) AND 5745182C (FOR 12,100 LB. GVW VEHICLES). KIT CONTAINS FOUR PADS TO SERVICE ONE AXLE.	
		NOTE 3: FOR PARTS UNDER WARRANTY USE THE REMANUFACTURED P/N 5745288, 5745289.	

2003 HUMMER H1 PARTS CATALOG

7-10 BRAKES

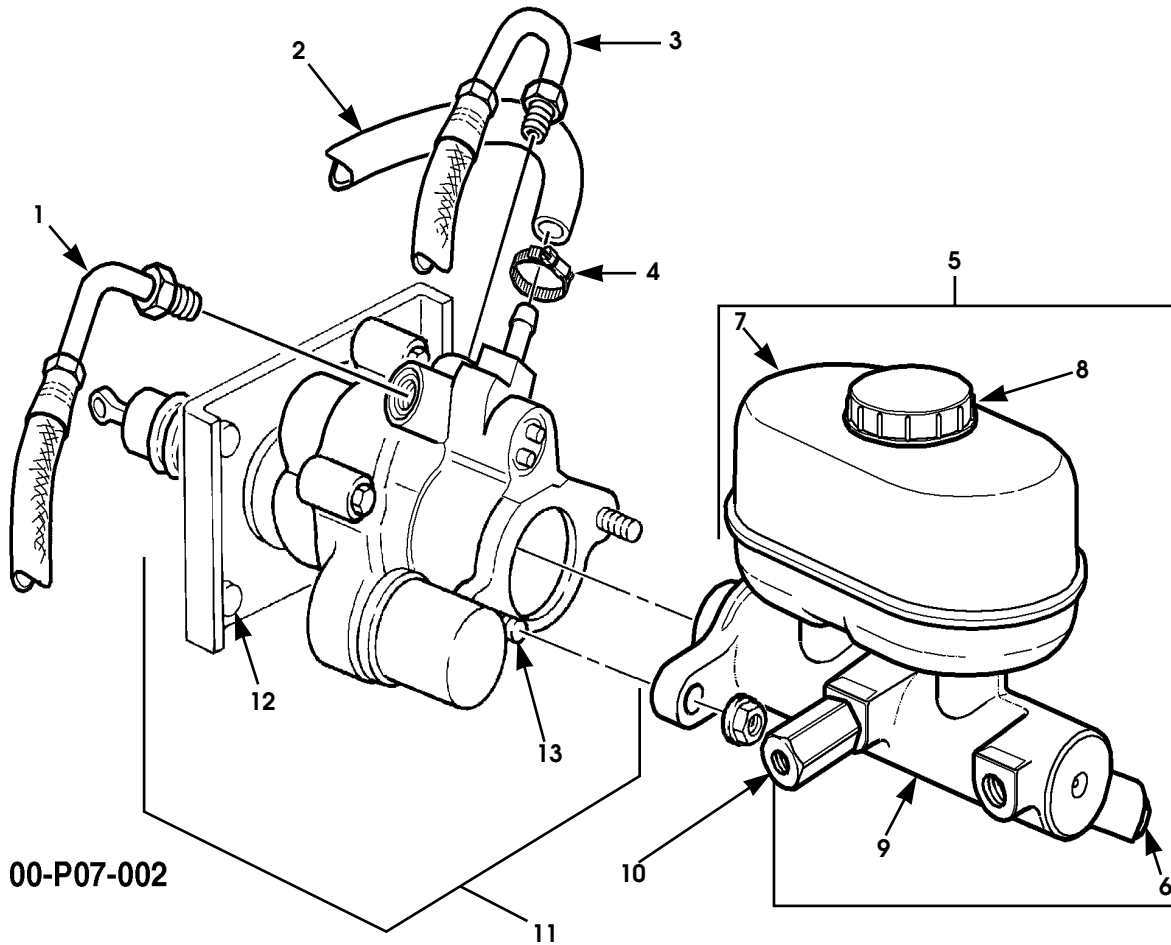


Figure 7-5. Master Cylinder Assembly and Hydro-Boost Assembly.

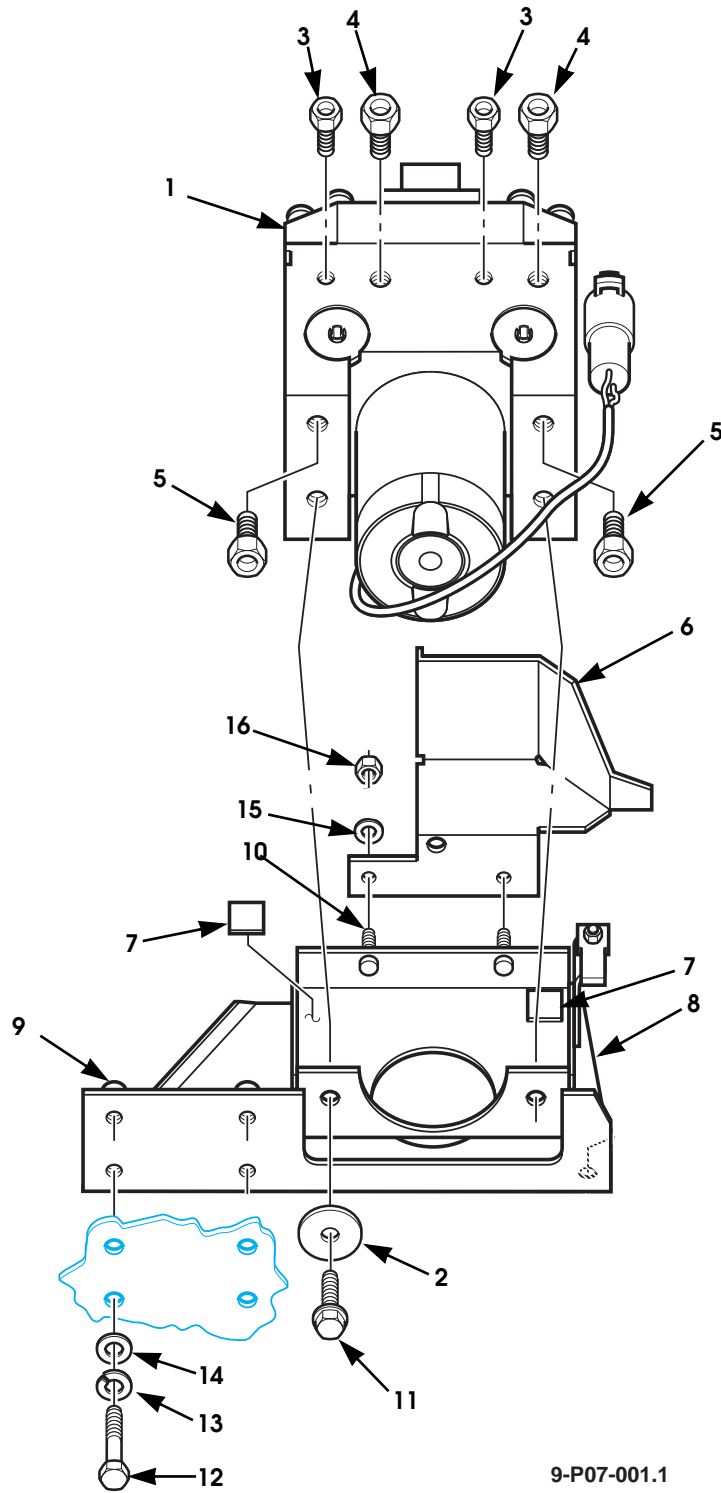
2003 HUMMER H1 PARTS CATALOG

BRAKES 7-11

ITEM	PART NUMBER	DESCRIPTION	QTY
		Figure 7-5. Master Cylinder Assembly and Hydro-Boost Assembly.	
1	6009990	HOSE ASSEMBLY, p/s pump-to-hydro-boost	1
2	N/S	HOSE, hydro-boost-to-p/s pump, SEE NOTE 1	1
3	6009989	HOSE ASSEMBLY, hydro-boost-to-steering gear	1
4	N/S	HOSE CLAMP, 5/8"	1
5	6012056	MASTER CYLINDER ASSEMBLY	1
6	6011955	• PLUG, master cylinder	1
7	S.I.A.	• RESERVOIR, master cylinder	1
8	S.I.A.	• COVER, master cylinder	1
9	S.I.A.	• MASTER CYLINDER	1
10	N/S	LOCKNUT, flanged, pt, 3/8 - 16"	2
11	6010096	HYDRO-BOOST ASSEMBLY	1
12	S.I.A.	• STUD, 3/8 - 16 x 1 - 1/2", hydro-boost-to-cowl	4
13	5745116	• STUD, 3/8 - 16 x 1 - 9/16", hydro-boost-to-m/c	2
	6010409	DECAL, master cylinder, GCC (not illustrated)	1
		NOTE 1: MAKE FROM BULK HOSE, P/N 5741209, 5/8" O.D. X 3/8" I.D. X 25'.	

2003 HUMMER H1 PARTS CATALOG

7-12 BRAKES



9-P07-001.1

Figure 7-6. ABS Modulator.

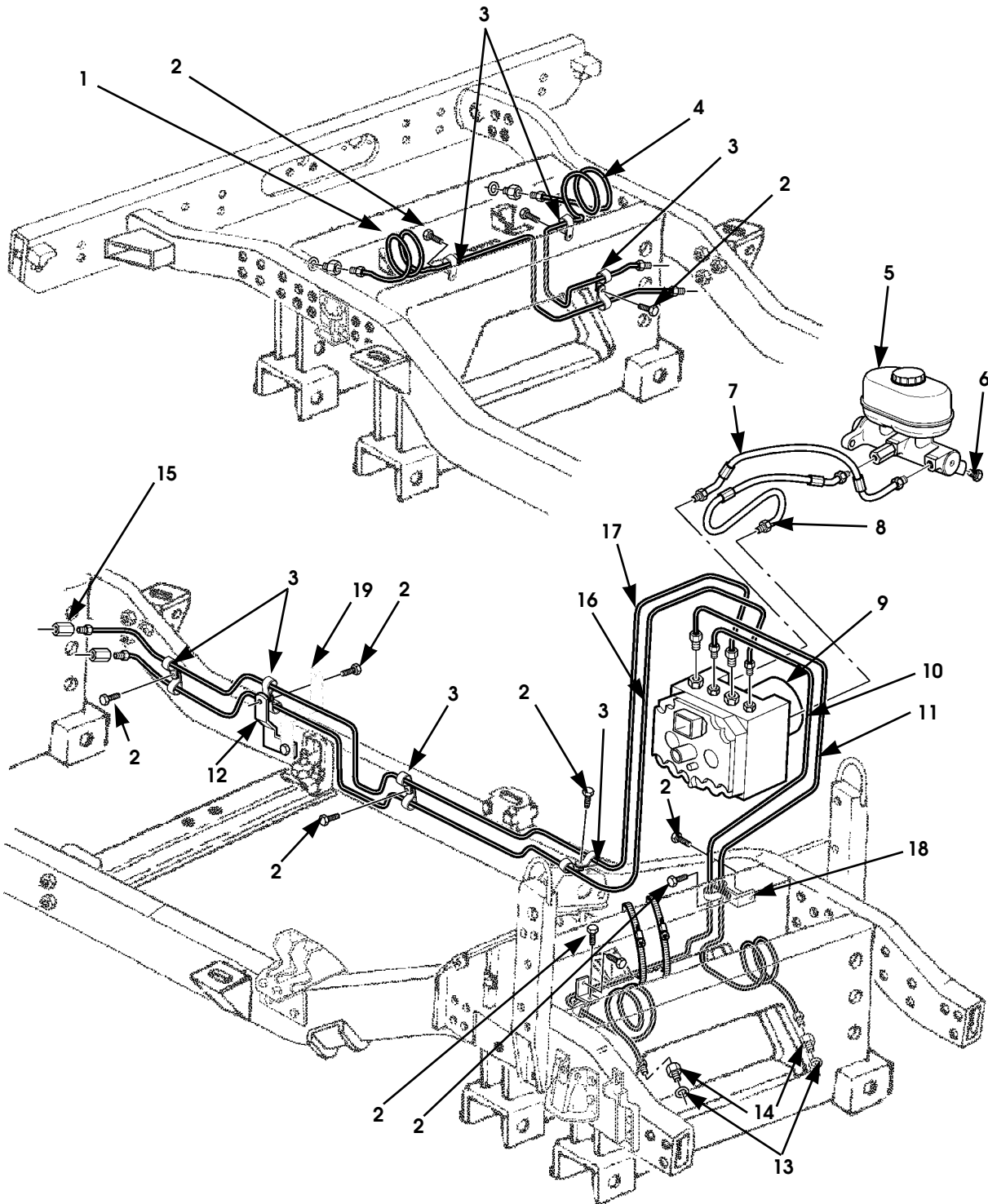
2003 HUMMER H1 PARTS CATALOG

BRAKES 7-13

ITEM	PART NUMBER	DESCRIPTION	QTY
		Figure 7-6. ABS Modulator.	
1	6010138	ABS MODULATOR ASSEMBLY, (wet)	1
2	S.I.A.	•WASHER, flat, 25mm O.D. x 6mm I.D.	2
3	6010824	ADAPTER, modulator to R.H. side	2
4	6010825	ADAPTER, modulator to L.H. side	2
5	6010823	ADAPTER, master cylinder to modulator.	2
6	6008984	SHIELD, ABS modulator	1
7	6011036	SPACER, modulator mounting	2
8	6008985B9	BRACKET ASSEMBLY, ABS modulator	1
9	S.I.A.	•NUT INSERT, 3/8 - 16"	4
10	S.I.A.	•STUD, 1/4 - 20 x 1"	4
11	N/S	BOLT, M5 - 0.8 x 13	2
12	N/S	BOLT, 3/8 - 16 x 1 - 1/4"	4
13	N/S	LOCKWASHER, 3/8"	4
14	N/S	WASHER, flat, 3/8"	4
15	N/S	WASHER, flat, 1/4"	2
16	N/S	LOCKNUT, pt, 1/4 - 20"	2

2003 HUMMER H1 PARTS CATALOG

7-14 BRAKES



00-P07-003

Figure 7-7. Brake Lines.

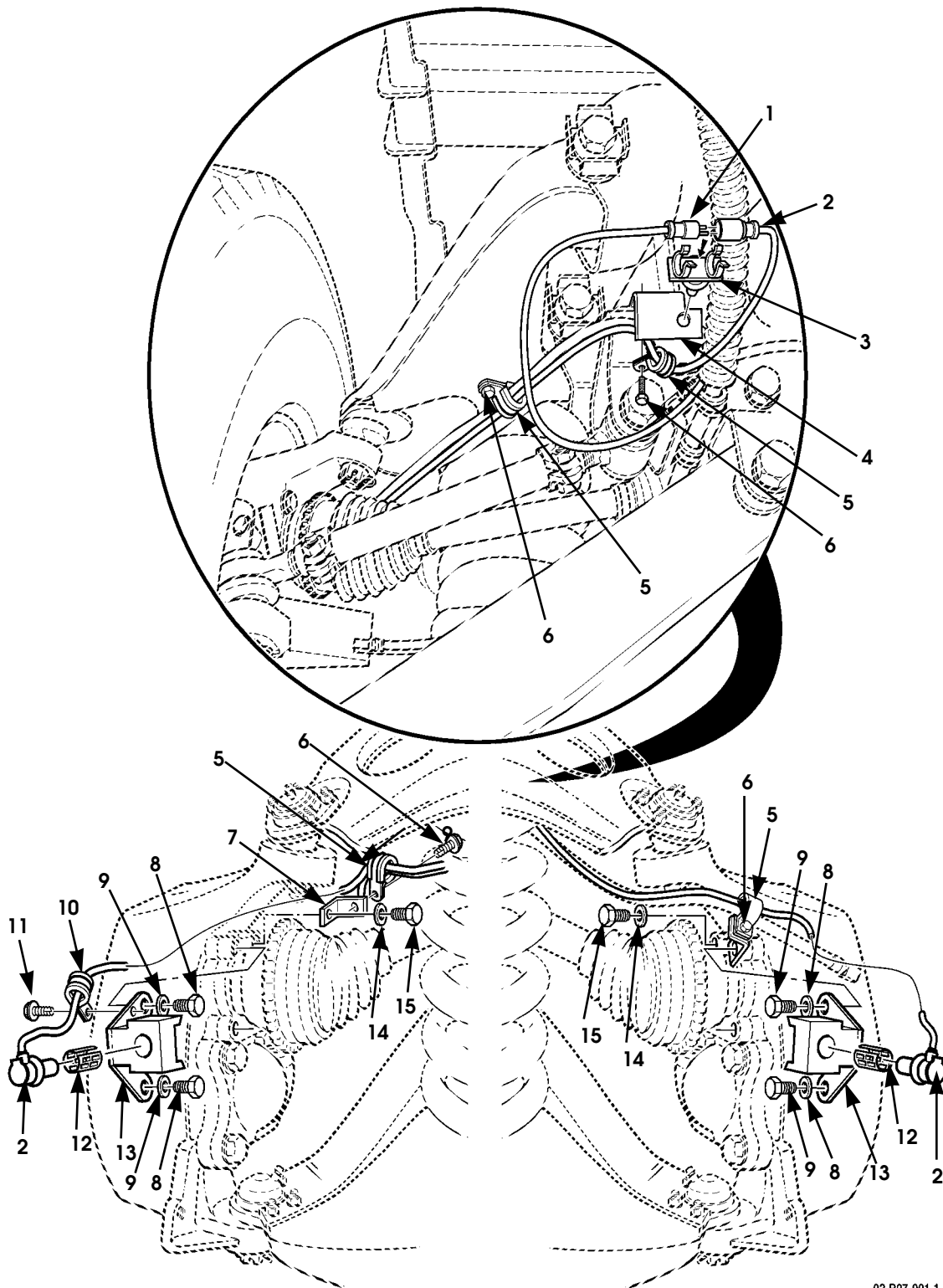
2003 HUMMER H1 PARTS CATALOG

BRAKES 7-15

ITEM	PART NUMBER	DESCRIPTION	QTY
		Figure 7-7. Brake Lines.	
1	6008928	BRAKE LINE, R.H. union-to-R.H. rear caliper, red	1
2	N/S	SCREW, tapping, 3/8 - 16 x 5/8"	11
3	N/S	P-CLAMP, 5/16" I.D.	15
4	6008926	BRAKE LINE, L.H. union-to-L.H. rear caliper, orange . . .	1
5	6012056	MASTER CYLINDER ASSEMBLY	1
6	6011955	• PLUG, master cylinder.	1
7	6011258	TUBE AND HOSE ASSEMBLY, primary, m/c-to-modulator	1
8	6011257	TUBE AND HOSE ASSEMBLY, secondary, m/c-to-modulator	1
9	6010138	ABS MODULATOR ASSEMBLY, (wet)	1
10	6008918	BRAKE LINE, modulator-to-L.H. front caliper, yellow . . .	1
11	6008920	BRAKE LINE, modulator-to-R.H. front caliper, green . . .	1
12	12447165	BRACKET, brake line mounting	1
13	12339204	WASHER, brake caliper	4
14	12339235	COUPLING, brake caliper	4
15	442393	UNION, brake line	2
16	6008924	BRAKE LINE, intermediate, modulator-to-R.H. union, red.	1
17	6008922	BRAKE LINE, intermediate, modulator-to-L.H. union, orange	1
18	12338301	BRACKET, brake line.	2
19	6002426B2	BRACKET, spring, retaining	1

2003 HUMMER H1 PARTS CATALOG

7-16 BRAKES



R.H. configuration shown

02-P07-001.1

Figure 7-8. ABS Wheel Speed Sensor.

2003 HUMMER H1 PARTS CATALOG

BRAKES 7-17

ITEM	PART NUMBER	DESCRIPTION	QTY
		Figure 7-8. ABS Wheel Speed Sensor.	
1	6010137	JUMPER HARNESS ASSEMBLY, right front wheel sensor	1
2	6008841	ABS WHEEL SPEED SENSOR	4
3	6010259	CLIP,speed sensor connection mount	4
4	6010677B9	BRACKET,speed sensor connection clip, rear only . . .	2
5	MS21333-125	CLAMP,cushioned, 5/8"	6
6	N/S	SCREW,tapping, 3/8 - 16 x 5/8"	6
7	5598208	BRACKET, 90-degree	4
8	N/S	SCREW, 3/8 - 16 x 1"	8
9	N/S	WASHER, flat, 3/8"	8
10	MS21333-67	P-CLAMP,cushioned, 1/4"	2
11	N/S	SCREW,tapping, #10 -32 x 1/2"	2
12	6008840	BUSHING, ABS wheel speed sensor mounting	4
13	6012521	HOUSING ASSEMBLY, ABS wheel speed sensor mounting	4
14	N/S	WASHER, flat, 3/8"	4
15	N/S	SCREW, 3/8 - 16 x 1"	4
16	6012587	BRACKET, vent tube and sensor wire shield L.H. (not illustrated)	2

2003 HUMMER H1 PARTS CATALOG

7-18 BRAKES

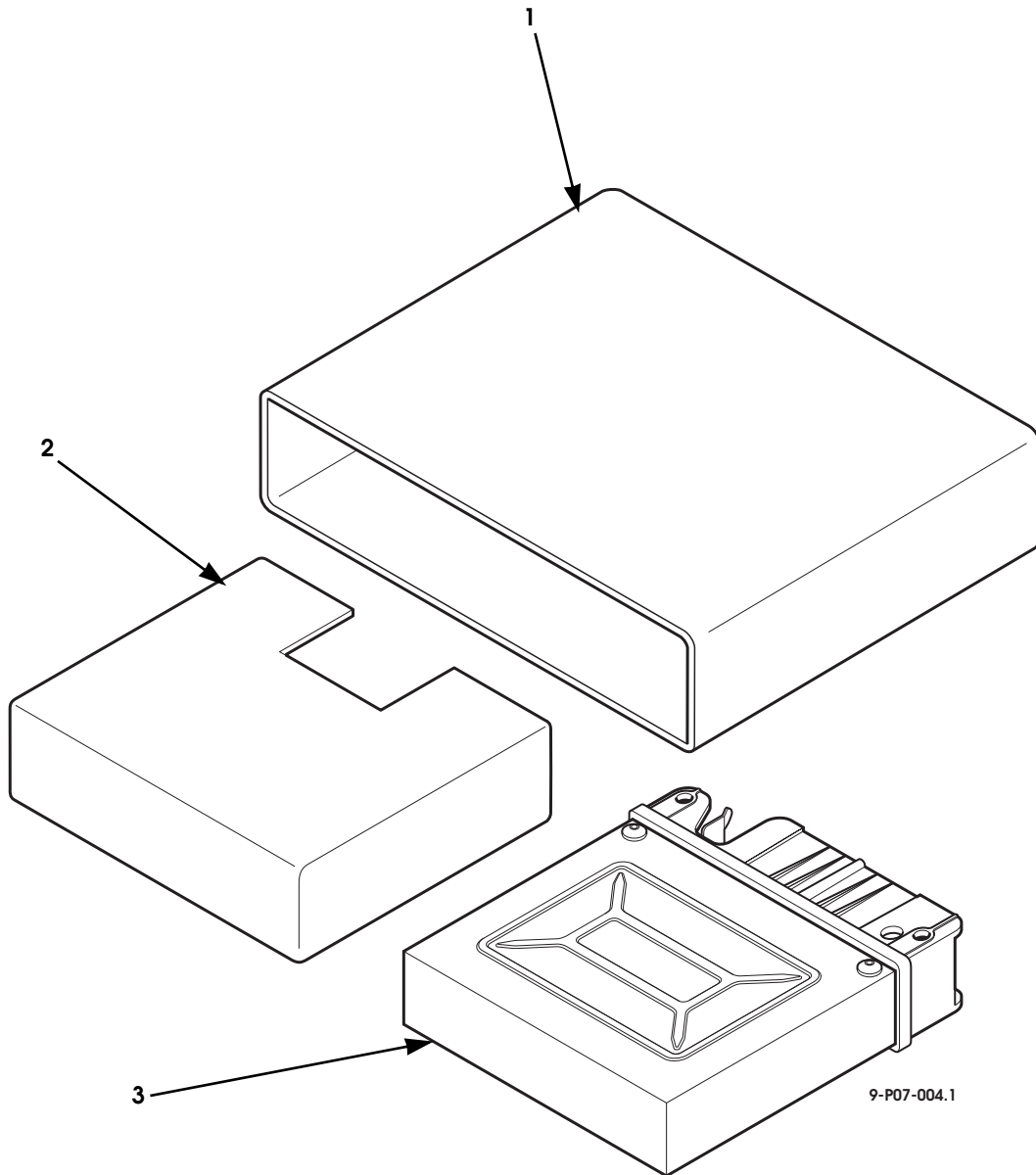


Figure 7-9. ABS Electronic Control Unit (ECU).

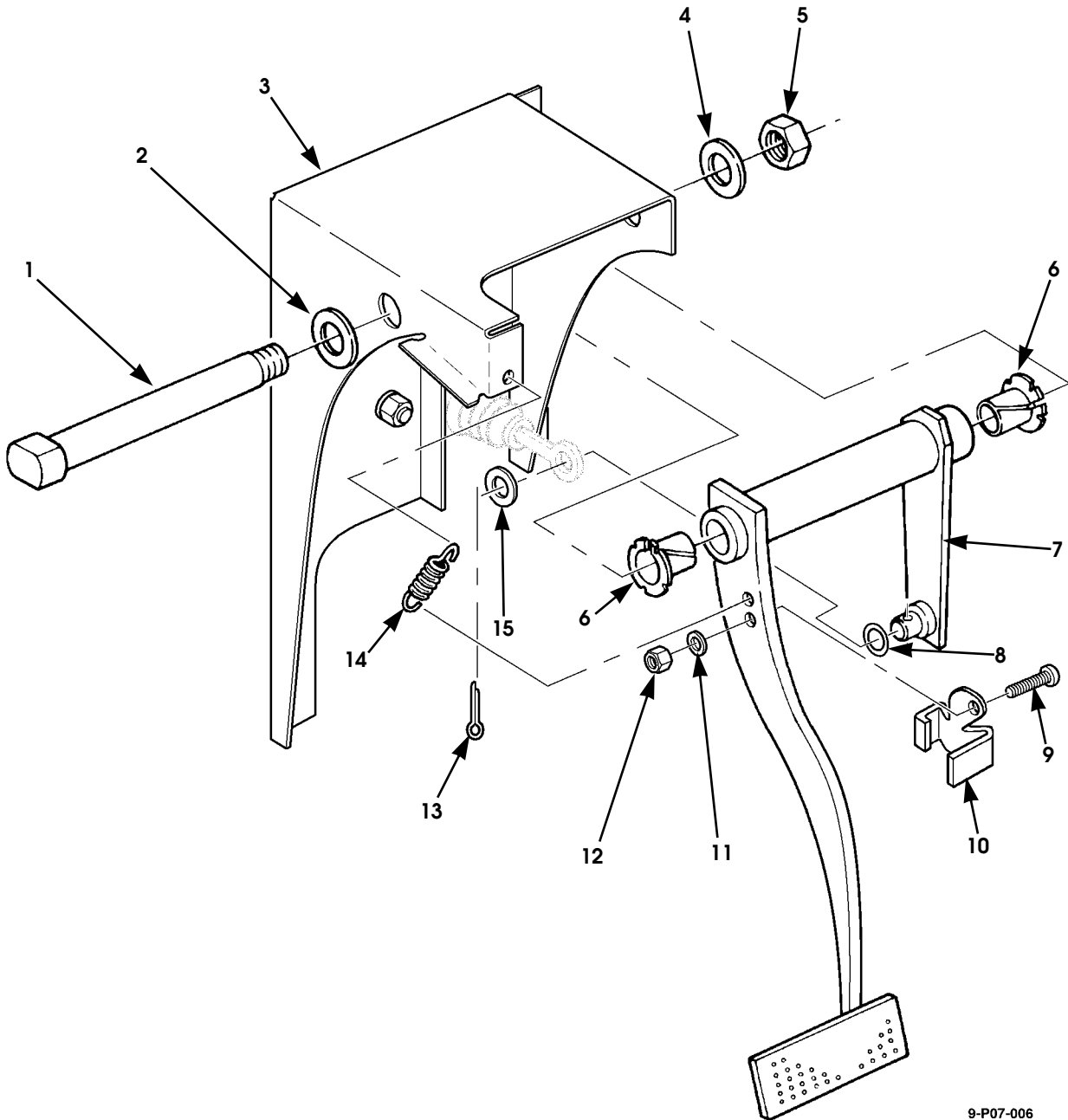
2003 HUMMER H1 PARTS CATALOG

BRAKES 7-19

ITEM	PART NUMBER	DESCRIPTION	QTY
		Figure 7-9. ABS Electronic Control Unit (ECU).	
1	6010398	HOUSING, ECU, upper	1
2	6010399	HOUSING, ECU, lower	1
3	6013557	ELECTRONIC CONTROL UNIT (ECU), ABS	1

2003 HUMMER H1 PARTS CATALOG

7-20 BRAKES



9-P07-006

Figure 7-10. Service Brake Pedal Assembly.

2003 HUMMER H1 PARTS CATALOG

BRAKES 7-21

ITEM	PART NUMBER	DESCRIPTION	QTY
		Figure 7-10. Service Brake Pedal Assembly.	
1	12339114	PIN, brake pedal	1
2	N/S	WASHER, flat, hardened, 3/4", type B, pin	1
3	12338732P	BRACKET, brake pedal mounting.	1
4	N/S	WASHER, flat, hardened, 9/16", type B, pin	1
5	N/S	LOCKNUT, 9/16 - 12", Gr8, CAD, pin	1
6	12339112-2	BEARING, pin	2
7	WA12338394B1	BRAKE PEDAL	1
8	12338124	WASHER, wave, 1/2", brake pedal to Hydro-Boost . . .	1
9	N/S	SCREW, #10 - 24 x 1", brake pedal striker	1
10	6003075	STRIKER, brake light switch	1
11	N/S	WASHER, flat, #10	1
12	N/S	LOCKNUT, #10 - 24"	1
13	N/S	COTTER PIN, 3/32 x 1". Phos, brake pedal to Hydro-Boost	1
14	12339183	SPRING, brake pedal return	1
15	N/S	WASHER, flat, 1/2", class 3, CAD, brake pedal to Hydro-Boost	1

2003 HUMMER H1 PARTS CATALOG

STEERING SYSTEM 8-1

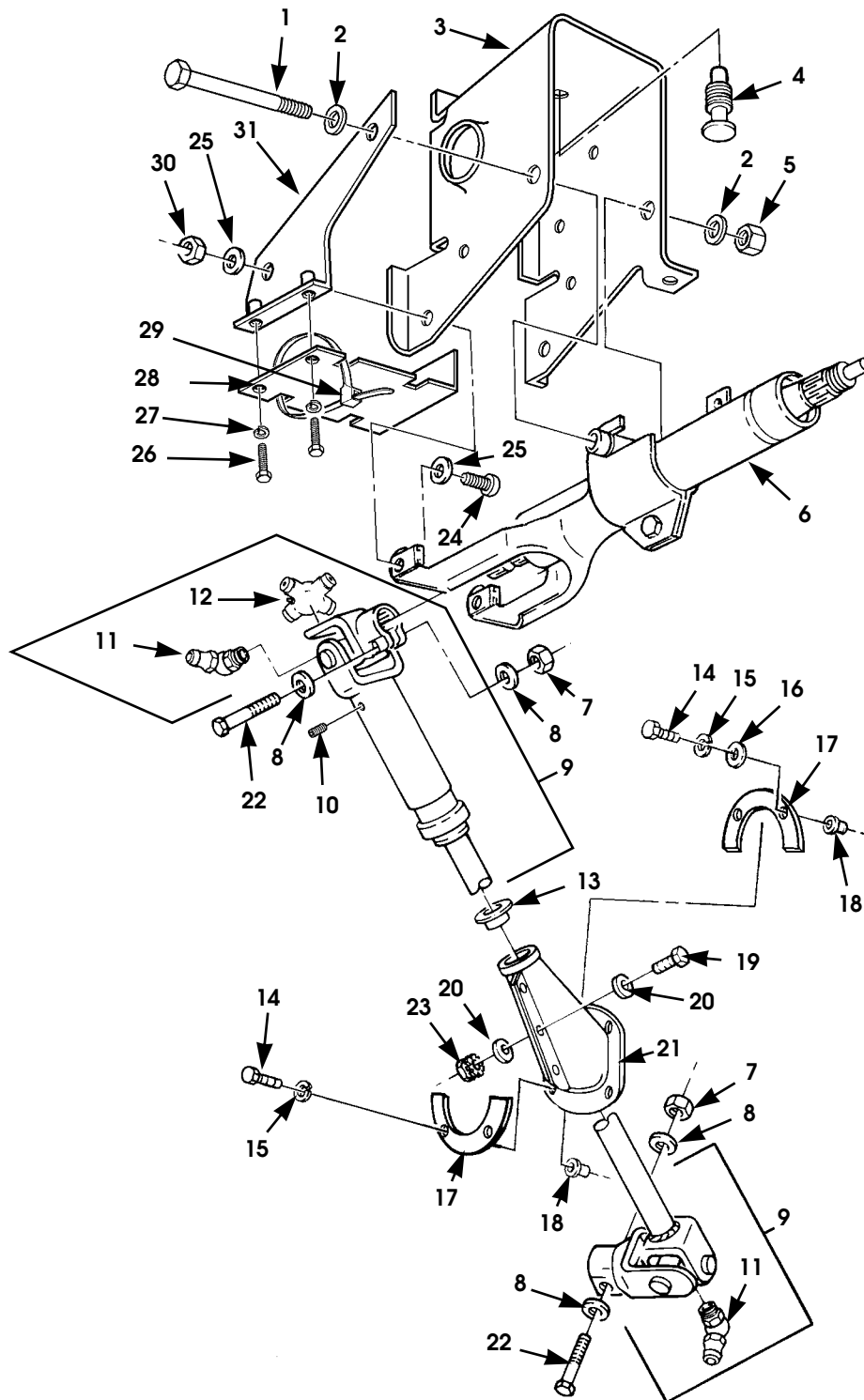
Section 8

STEERING SYSTEM

TITLE	PAGE NUMBER
Power Steering Gear and Mounting Hardware	8-10
Power Steering Gear Assembly	8-12
Power Steering Pump, Oil Cooler, and Hydro-Boost Lines and Fittings	8-20
Power Steering Pump, Pulley, Reservoir, and Mounting Hardware.	8-18
Power Steering Pump	8-16
Steering Column and Intermediate Shaft	8-2
Steering Column Lock and Switch Housing Assembly	8-6
Steering Column Trim and Turn Signal	8-4
Steering Linkage	8-8

2003 HUMMER H1 PARTS CATALOG

8-2 STEERING SYSTEM



P08-001.6

Figure 8-1. Steering Column and Intermediate Shaft.

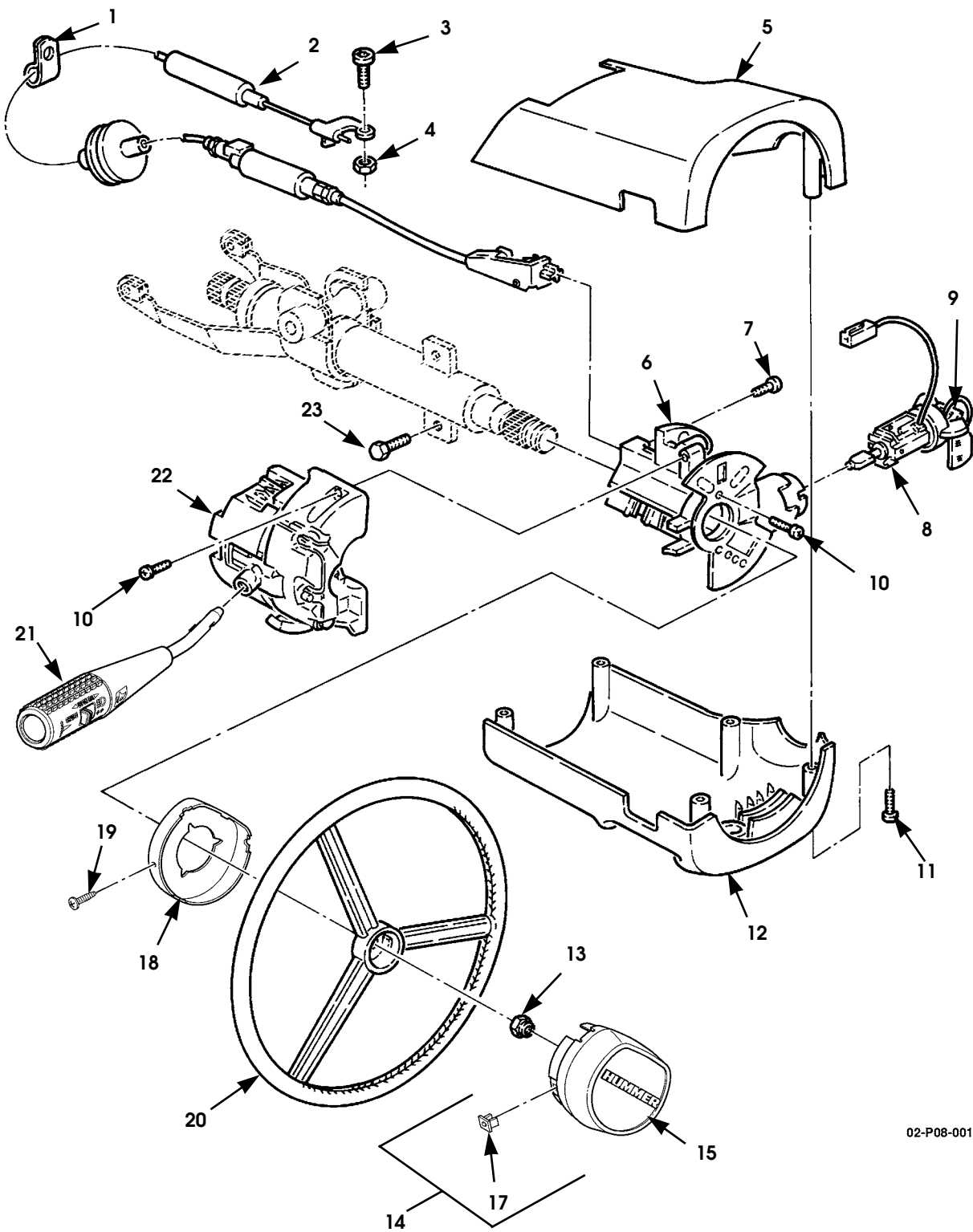
2003 HUMMER H1 PARTS CATALOG

STEERING SYSTEM 8-3

ITEM	PART NUMBER	DESCRIPTION	QTY
		Figure 8-1. Steering Column and Intermediate Shaft.	
1	N/S	BOLT, 3/8 - 16 x 5 - 1/2", Gr8, ZN, steering column	1
2	N/S	LOCKWASHER, flat, 3/8" type B, hard, steering column.	2
3	5939226	BRACKET, steering column mounting	1
4	12339402	DRIVE PIN, nylon.	1
5	N/S	LOCKNUT, 3/8 - 16", Gr8, steering column	1
6	5939076	STEERING COLUMN, upper.	1
7	N/S	NUT, 7/16 - 20", Gr8, steering column	2
8	N/S	WASHER, flat, 7/16", steering column	4
9	12339210-2	SHAFT, intermediate steering	1
10	N/S	SET SCREW, 1/4 - 28 x 1/4".	1
11	MS15003-4	•LUBRICATION FITTING, intermediate shaft.	2
12	5744602	•U-JOINT, intermediate shaft	2
13	12341894	NYLINER, interior steering shaft boot	1
14	N/S	BOLT, 1/4 - 20 x 1", Gr8, CAD, intermediate steering shaft	4
15	N/S	LOCKWASHER, 1/4", reinforcement.	4
16	N/S	WASHER, flat, 1/4", intermediate steering shaft	3
17	5939997B1	REINFORCEMENT, steering column seal	2
18	5937584	NUT INSERT	4
19	N/S	SCREW, #10 - 24 x 3/4", steering shaft boot	3
20	N/S	WASHER, flat, #10, steering shaft boot	6
21	12341893	BOOT, dust and moisture, steering shaft	1
22	N/S	BOLT, 7/16 - 20 x 2", Gr8, CAD, steering column	2
23	N/S	NUT, #10 - 24", steering shaft boot	3
24	N/S	SCREW, 5/16 - 18 x 3/4", ZN, steering column assembly	2
25	N/S	WASHER, flat, hard, 5/16"	4
26	N/S	BOLT, #10 - 24 x 1/2"	2
27	N/S	LOCKWASHER, #10.	2
28	6011875	SUPPORT, cross body harness.	1
29	N/S	TIE WRAP, 10 - 1/4"	2
30	N/S	LOCKNUT, 5/16 - 18", Gr8	2
31	6007699	BRACKET, cross body harness.	1

2003 HUMMER H1 PARTS CATALOG

8-4 STEERING SYSTEM



02-P08-001

Figure 8-2. Steering Column Trim and Turn Signal.

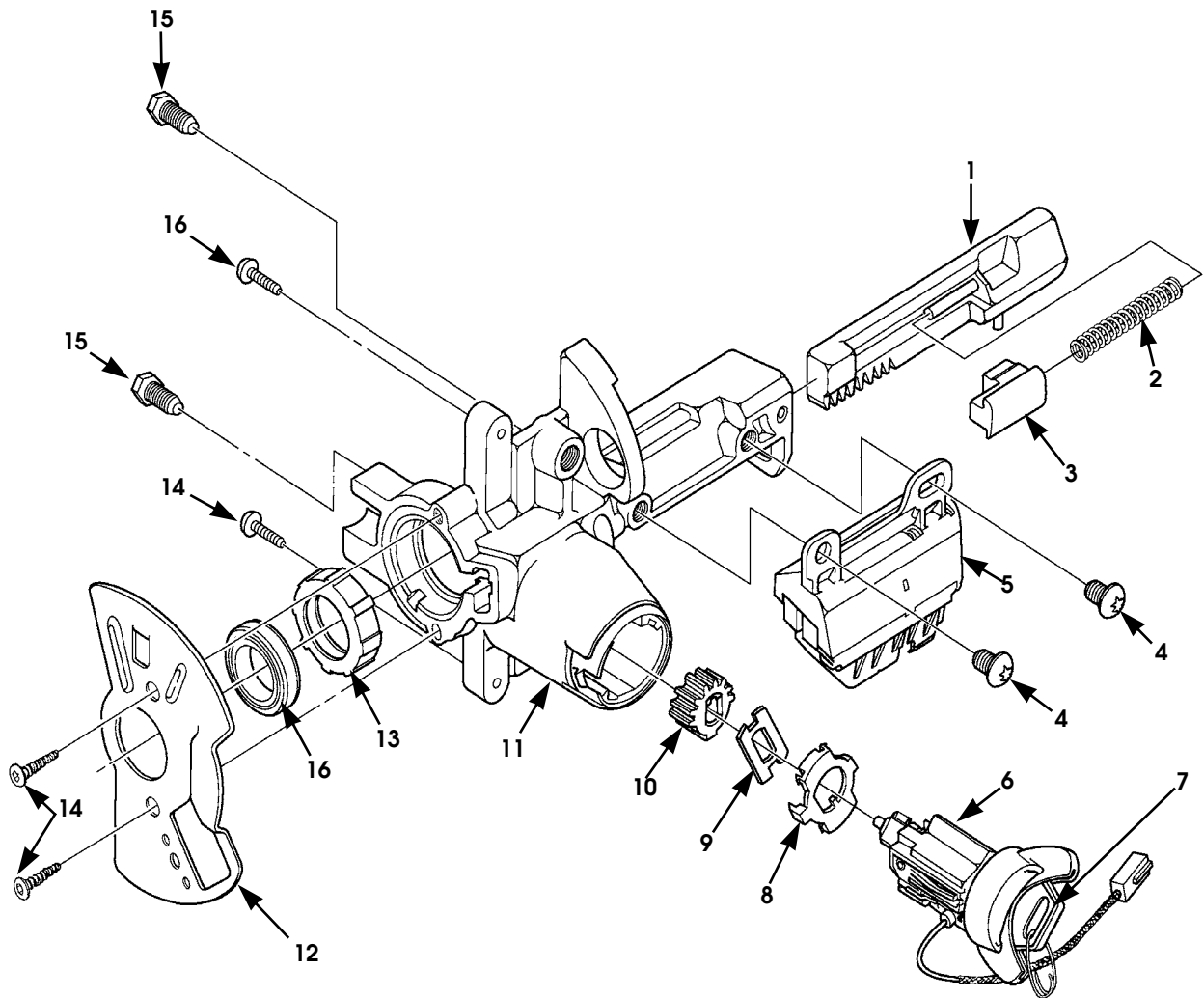
2003 HUMMER H1 PARTS CATALOG

STEERING SYSTEM 8-5

ITEM	PART NUMBER	DESCRIPTION	QTY
		Figure 8-2. Steering Column Trim and Turn Signal.	
1	N/S	CLAMP,cushioned,5/16"	1
2	6007700	CABLE,ignition interlock	1
3	N/S	SCREW,socket head cap,M6 - 1.0 x 16,class 10.9,ZN	1
4	N/S	LOCKNUT,M6 - 1.0,class 10.9	1
5	5939636	SHROUD,upper steering column.	1
6	5742768	HOUSING,lock and switch (See Figure 8-3)	1
7	N/S	SCREW,#8 - 32 x 1/2"	1
8	S.I.K.	LOCK CYLINDER AND KEY ASSEMBLY, Ignition,SEE NOTE 1	1
9	6013577	•KEY,H1 HUMMER,blank.	1
10	5742680	SCREW,steering column.	4
11	N/S	SCREW,tapping,phcr,#8 - 18 x 1 - 1/4", steering column shroud	5
12	5939635	SHROUD,lower steering column	1
13	7063812	NUT,steering wheel-to-column	1
14	6012326	STEERING WHEEL HUB ASM	1
15	S.I.A.	•COVER,steering wheel hub.	1
16	S.I.A.	••FILLER,steering wheel hub (not illustrated)	1
17	5939659	•GROMMET	3
18	6012207	ADAPTER,steering wheel hub cover.	1
19	6013221P2	SCREW,tapping #6-20 x 5/8"	3
20	5939373	STEERING WHEEL	1
21	6009707	TURN SIGNAL LEVER,w/o cruise control	1
21	6010416	TURN SIGNAL LEVER,cruise control	1
22	5745484	SWITCH ASSEMBLY,turn,emergency,horn,and dimmer	1
23	5742769	BOLT,steering column.	2
		 NOTE 1: ORDER LOCK CYLINDER KIT P/N 6012701. KIT INLCUDES H1 KEY,6013577.	

2003 HUMMER H1 PARTS CATALOG

8-6 STEERING SYSTEM



P08-008

Figure 8-3. Steering Column Lock and Switch Housing Assembly.

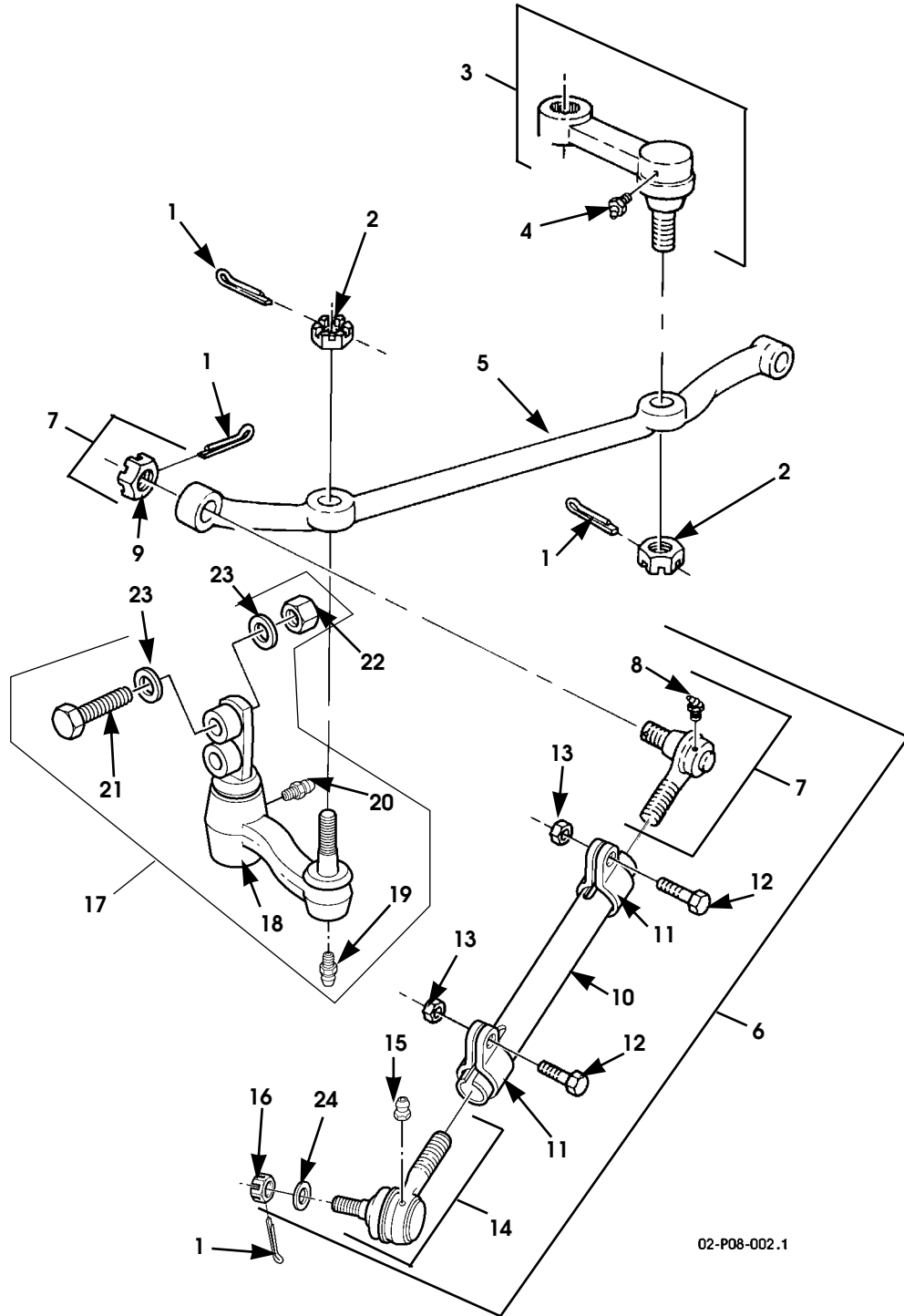
2003 HUMMER H1 PARTS CATALOG

STEERING SYSTEM 8-7

ITEM	PART NUMBER	DESCRIPTION	QTY
		Figure 8-3. Steering Column Lock and Switch Housing Assembly.	
1	5743340	ACTUATOR, column lock	1
2	5743337	SPRING, steering column lock	1
3	5743336	PAWL, steering column lock	1
4	N/S	SCREW, M6-1.0 x 16 soc. hd cap 10 cl10 zn	2
5	5743343	SWITCH ASSEMBLY, ignition	1
6	S.I.K.	LOCK CYLINDER AND KEY ASSEMBLY, ignition, SEE NOTE 1	1
7	6013577	•KEY, H1 HUMMER, blank.	1
8	5743341	RETAINER, column lock gear	1
9	5743338	FLAT BEARING, column lock	1
11	5743339	GEAR, steering column lock.	1
11	5743342	HOUSING, lock cylinder.	1
12	N/S	•PLATE, bearing retainer.	1
13	5743344	SLEEVE, upper bearing	1
14	5742680	SCREW, steering column	4
15	N/S	BOLT, M8 - 1.25 x 24	2
16	5744891	BEARING ASSEMBLY, upper steering column	1
		NOTE 1: ORDER LOCK CYLINDER KIT P/N 6012701. KIT INLCUDES H1 KEY, 6013577.	

2003 HUMMER H1 PARTS CATALOG

8-8 STEERING SYSTEM



02-P08-002.1

Figure 8-4. Steering Linkage.

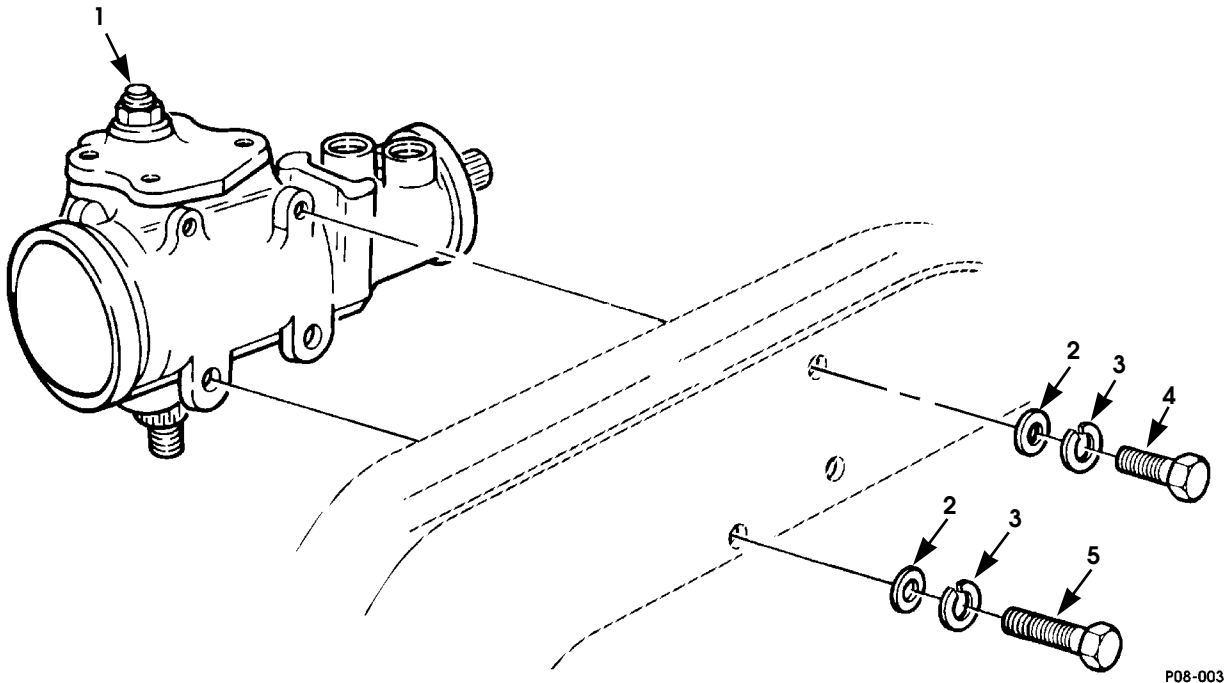
2003 HUMMER H1 PARTS CATALOG

STEERING SYSTEM 8-9

ITEM	PART NUMBER	DESCRIPTION	QTY
		Figure 8-4. Steering Linkage.	
1	N/S	COTTER PIN, 1/8 x 1 - 1/4", idler arm	6
2	MS35692-54	NUT, slotted.	2
3	6011300	ARM, steering.	1
4	MS15001-1	•FITTING, zerk, 1/4 - 28 x 3/16", steering arm	1
5	EC6003868B9	CENTER LINK, steering	1
6	6011889	TIE ROD ASSEMBLY, steering, left and right side	2
7	6011887	•TIE ROD END, steering, R.H. thread.	1
8	MS15001-3	••FITTING, zerk, 45 degree, 1/4 - 28 x 3/16", tie rod end	1
9	MS35692-54	••NUT, slotted, tie rod end	1
10	6011888	•SLEEVE ASSEMBLY.	1
11	N/S	••CLAMP, tie rod end	2
12	N/S	••BOLT, 7/16 - 14 x 1 - 3/4", Gr8, tie rod end clamp	2
13	N/S	••NUT, 7/16 - 14", Gr8, tie rod end clamp	2
14	6011886	•TIE ROD END, steering, L.H. thread.	1
15	MS15001-3	••FITTING, zerk, 45 degree, 1/4 - 28 x 3/16", tie rod end	1
16	MS35692-54	••NUT, slotted, tie rod end	1
17	5745558	IDLER ARM AND HARDWARE KIT.	1
18	S.I.K.	••IDLER ARM	1
19	MS15001-1	••FITTING, zerk, 1/4 - 28 x 3/16".	1
20	MS15001-3	••FITTING, zerk, 45 degrees, 1/4 - 28 x 3/16", idler arm	1
21	6013602	••BOLT, hex	2
22	6013603	••LOCKNUT	2
23	6013604	••WASHER, flat, type B, 7/16", idler arm	4
24	N/S	WASHER, flat, hardened, 5/8"	1

2003 HUMMER H1 PARTS CATALOG

8-10 STEERING SYSTEM



P08-003

Figure 8-5. Power Steering Gear and Mounting Hardware.

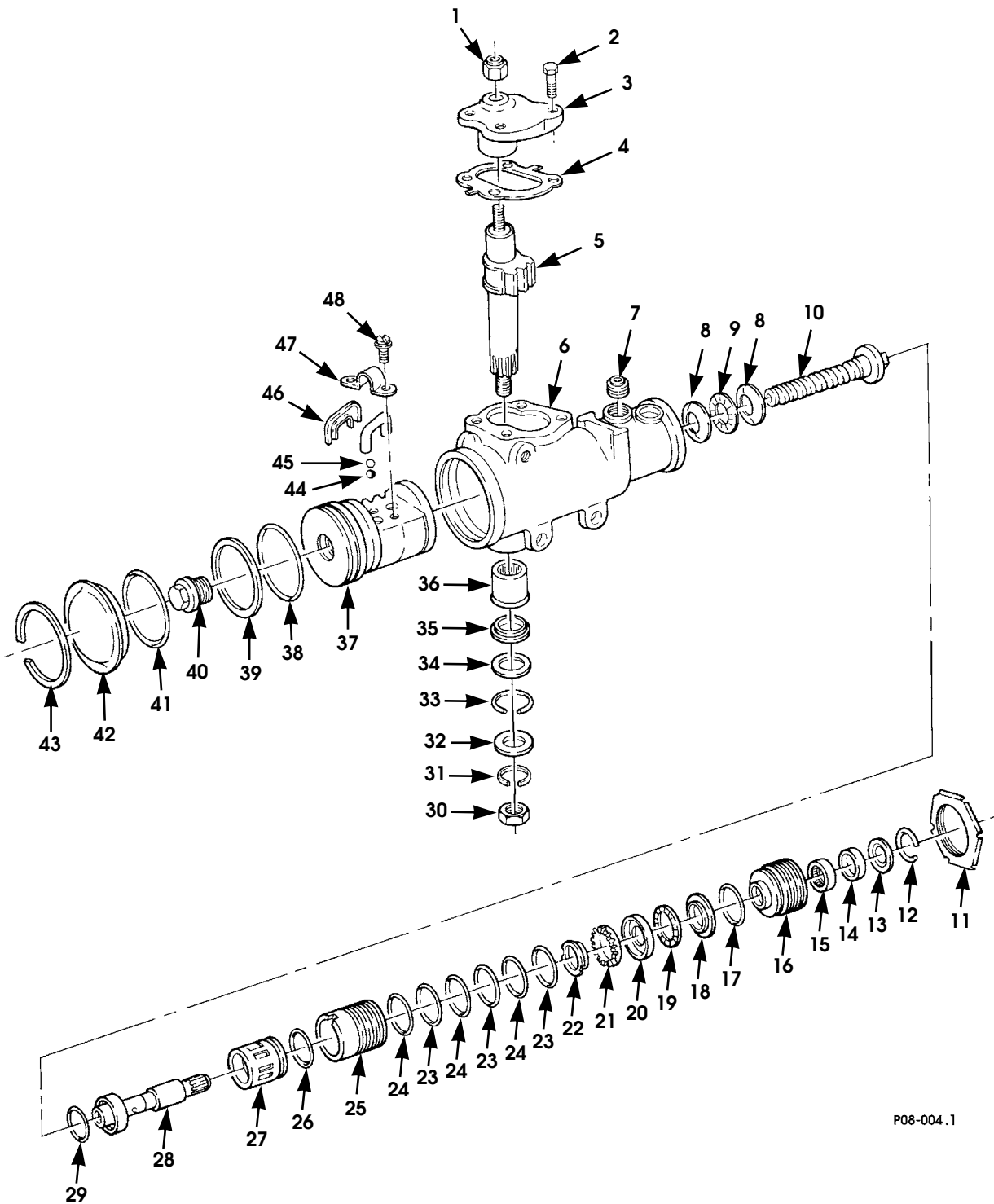
2003 HUMMER H1 PARTS CATALOG

STEERING SYSTEM 8-11

ITEM	PART NUMBER	DESCRIPTION	QTY
		Figure 8-5. Power Steering Gear and Mounting Hardware.	
1	12460232	STEERING GEAR, power.	1
2	N/S	WASHER, flat, hard, 7/16", type B, steering gear.	3
3	N/S	LOCKWASHER, heavy, 7/16", steering gear	3
4	N/S	BOLT, 7/16 - 14 x 4", Gr8, Phos, steering gear	1
5	N/S	BOLT, 7/16 - 14 x 5 - 1/4", Gr8, Phos, steering gear.	2

2003 HUMMER H1 PARTS CATALOG

8-12 STEERING SYSTEM



P08-004.1

Figure 8-6. Power Steering Gear Assembly.

2003 HUMMER H1 PARTS CATALOG

STEERING SYSTEM 8-13

ITEM	PART NUMBER	DESCRIPTION	QTY
		Figure 8-6. Power Steering Gear Assembly.	
1	5740444	NUT, lash adjuster, self-locking	1
2	5740445	BOLT, cover assembly, SEE NOTES 1, 2, 12, AND 13	4
3	S.I.K.	COVER ASSEMBLY, housing side, SEE NOTE 12.	1
4	5740447	GASKET, housing, cover assembly, SEE NOTES 1, 12, AND 13.	1
5	S.I.K.	GEARSHAFT spur, pitman shaft, SEE NOTE 13.	1
6	S.I.K.	HOUSING, steering gear, SEE NOTE 15.	1
7	S.I.K.	VALVE ASSEMBLY, steering gear check, SEE NOTES 3 AND 15.	1
8	S.I.K.	THRUST BEARING RACE, lower, SEE NOTE 4	2
9	S.I.K.	RETAINER AND ROLLER, SEE NOTE 4	1
10	S.I.K.	GEAR ASSEMBLY, worm, SEE NOTE 2.	1
11	5741145	NUT, adjuster plug	1
12	S.I.K.	RETAINING RING, SEE NOTES 5 AND 14	1
13	S.I.K.	SEAL, shaft, SEE NOTES 5 AND 14	1
14	5741704	SEAL, shaft, SEE NOTES 5 AND 14	1
15	5740483	BUSHING, sleeve, shaft, SEE NOTE 5	1
16	S.I.K.	PLUG, adjuster, shaft, SEE NOTE 5	1
17	5740485	PACKING, preformed, adjuster plug, SEE NOTES 5 AND 14.	1
18	S.I.K.	RACE, bearing, SEE NOTES 5 AND 6.	1
19	S.I.K.	RETAINER AND ROLLER, SEE NOTES 5 AND 6	1
20	S.I.K.	RACE, bearing, SEE NOTES 5 AND 6.	1
21	S.I.K.	SPACER, bearing, SEE NOTES 5 AND 6	1
22	S.I.K.	RETAINER, bearing adjuster plug, SEE NOTES 5 AND 6 .	1
23	S.I.K.	RING, seal, valve body, SEE NOTES 7 AND 16	3
24	S.I.K.	PACKING, preformed, valve body, SEE NOTES 7 AND 16.	3
25	S.I.K.	VALVE BODY, steering, SEE NOTE 16	1
26	S.I.K.	SEAL, valve spool, SEE NOTES 7 AND 16.	1
27	S.I.K.	VALVE SPOOL, direct, shaft, SEE NOTE 16.	1
28	S.I.K.	SHAFT, steering column, SEE NOTE 16	1
29	S.I.K.	RING, seal, shaft, SEE NOTES 7 AND 16.	1
30	940523	NUT, pitman shaft.	1
31	5550554	LOCKWASHER, pitman shaft.	1
32	S.I.K.	RING, retaining, pitman shaft, SEE NOTES 8 AND 15 . . .	1
33	S.I.K.	WASHER, seal, pitman shaft, SEE NOTES 8 AND 15	2
34	S.I.K.	SEAL, pitman shaft, SEE NOTES 8 AND 15.	1
35	5740451	SEAL, pitman shaft, SEE NOTES 8 AND 15.	1
36	5740453	BEARING, roller, pitman shaft, SEE NOTE 15	1

2003 HUMMER H1 PARTS CATALOG

8-14 STEERING SYSTEM

ITEM	PART NUMBER	DESCRIPTION	QTY
		Figure 8-6. Power Steering Gear Assembly. (Cont'd)	
37	S.I.K.	RACK, piston nut, SEE NOTE 2	1
38	S.I.K.	RING, seal, piston rack, SEE NOTES 2 AND 9	1
39	S.I.K.	GASKET, piston rack, SEE NOTES 2 AND 9	1
40	5740461	PLUG, piston rack, SEE NOTE 2	1
41	S.I.K.	PACKING, preformed, housing end plug, SEE NOTE 10	1
42	5740456	PLUG, housing end.	1
43	S.I.K.	RING, retaining, housing end plug, SEE NOTE 10.	1
44	S.I.K.	BALL, bearing, piston rack, SEE NOTES 2 AND 11.	12
45	S.I.K.	BALL, chrome, piston rack, SEE NOTES 2 AND 11.	12
46	5740468	GUIDE, ball, piston rack, SEE NOTE 2	2
47	5740467	STRAP, retaining, piston rack ball guide, SEE NOTE 2.	1
48	5740466	SCREW, retaining strap, SEE NOTE 2	2
49	S.I.K.	LUBRICANT, pitman shaft (not illustrated), SEE NOTE 8	1
		NOTE 1: PART OF SIDE COVER HOUSING SEAL KIT P/N 5740448.	
		NOTE 2: PART OF PISTON NUT RACK KIT P/N 5740462.	
		NOTE 3: PART OF STEERING KIT P/N 5741190.	
		NOTE 4: PART OF LOWER THRUST BEARING KIT P/N 5740476.	
		NOTE 5: PART OF ADJUSTER PLUG KIT P/N 5741703.	
		NOTE 6: PART OF UPPER THRUST BEARING KIT P/N 5742166.	
		NOTE 7: PART OF SEAL VALVE RING KIT P/N 5740499.	
		NOTE 8: PART OF PITMAN SHAFT SEAL KIT P/N 5715393.	
		NOTE 9: PART OF SEAL RACK PISTON KIT P/N 5740465.	
		NOTE 10: PART OF SEAL END PLUG KIT P/N 5740458.	
		NOTE 11: PART OF RECIRCULATING BALL KIT P/N 5740470.	
		NOTE 12: PART OF STEERING GEAR SIDE COVER KIT P/N 5741910.	
		NOTE 13: PART OF PITMAN SHAFT GEAR ASSEMBLY SERVICE KIT P/N 5742626.	
		NOTE 14: PART OF ADJUSTER PLUG SEAL KIT P/N 5741892.	
		NOTE 15: PART OF GEAR HOUSING ASSEMBLY SERVICE KIT P/N 5742627.	
		NOTE 16: PART OF STEERING GEAR VALVE ASSEMBLY KIT P/N 5742625.	

2003 HUMMER H1 PARTS CATALOG

8-16 STEERING SYSTEM

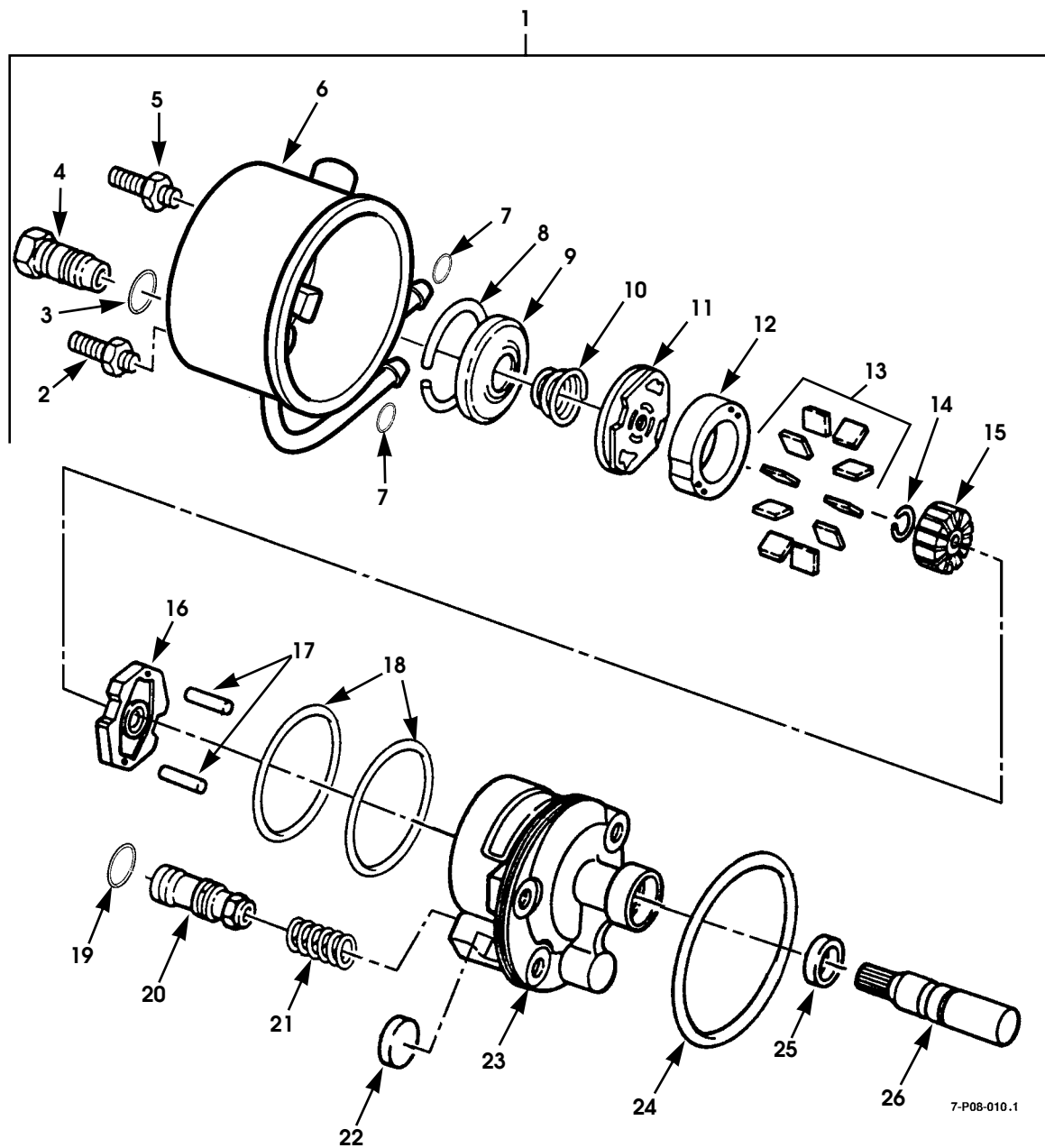


Figure 8-7. Power Steering Pump.

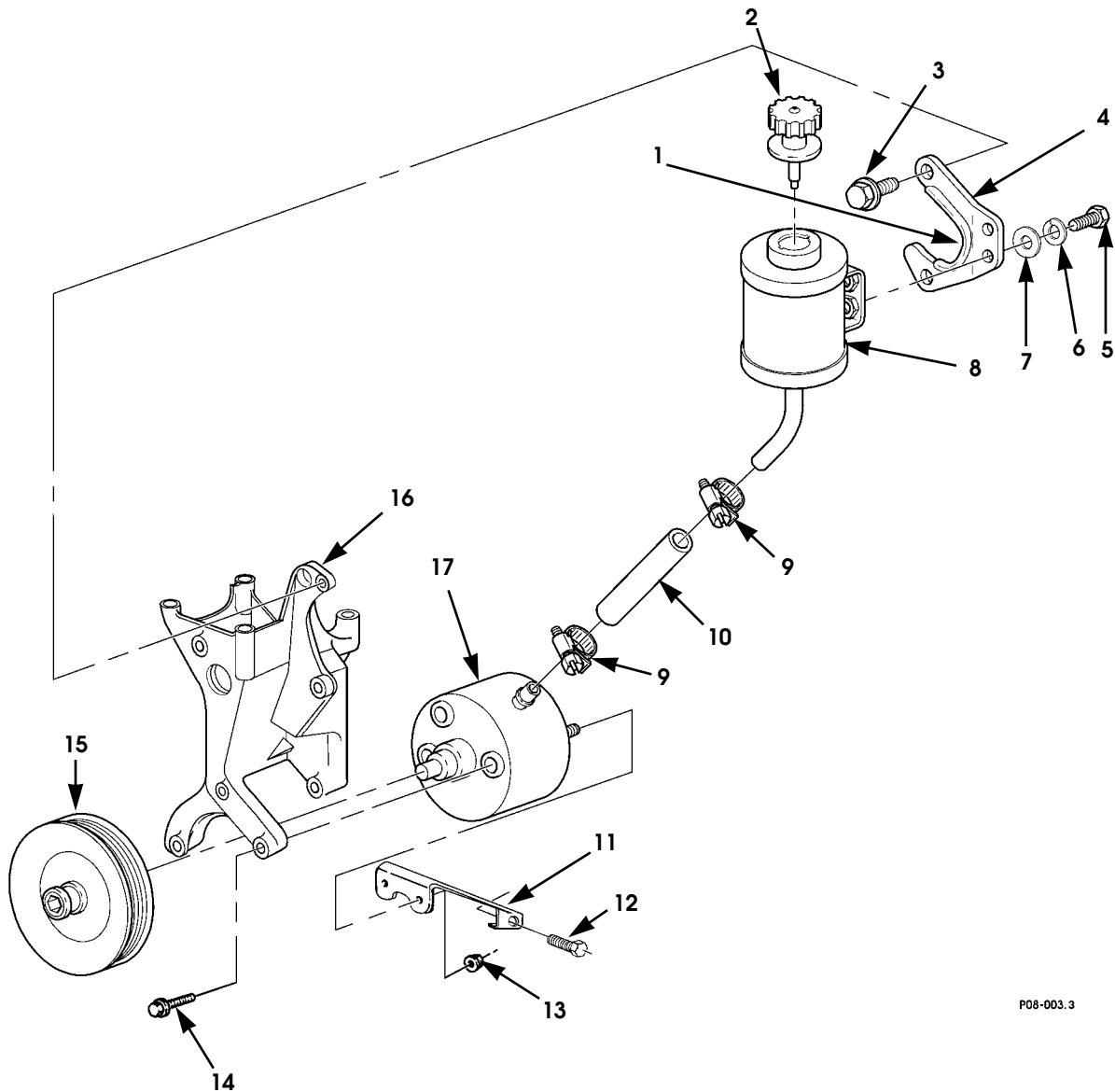
2003 HUMMER H1 PARTS CATALOG

STEERING SYSTEM 8-17

ITEM	PART NUMBER	DESCRIPTION	QTY
		Figure 8-7. Power Steering Pump.	
1	6003042	POWER STEERING PUMP ASSEMBLY	1
2	S.I.A.	•STUD, M10 - 1.5 x 15 x 14 with 6mm spacer	1
3	S.I.A.	•O-RING, SEE NOTE 1	1
4	S.I.A.	•FITTING	1
5	S.I.A.	•STUD, M10 - 1.5 x 15 x 17	1
6	S.I.K.	•HOUSING, power steering pump	1
7	S.I.A.	•O-RING, square cut, SEE NOTE 1	2
8	S.I.A.	•RING, retaining	1
9	S.I.A.	•END PLATE	1
10	S.I.A.	•SPRING, pressure plate	1
11	S.I.A.	•PRESSURE PLATE	1
12	S.I.A.	•PUMP RING	1
13	S.I.A.	•VANES	10
14	S.I.A.	•RING, retaining	1
15	S.I.A.	•ROTOR, power steering pump	1
16	S.I.A.	•PLATE, thrust	1
17	S.I.A.	•PIN, dowel	2
18	S.I.A.	•O-RING, SEE NOTE 1	2
19	S.I.A.	•O-RING, square cut, SEE NOTE 1	1
20	5741823	•VALVE, flow control	1
21	S.I.A.	•SPRING, valve	1
22	S.I.A.	•MAGNET, SEE NOTE 1	1
23	S.I.A.	•PUMP BODY, power steering	1
24	S.I.A.	•O-RING, SEE NOTE 1	1
25	S.I.A.	•SEAL, high temperature, SEE NOTE 1	1
26	S.I.A.	•DRIVESHAFT	1
		NOTE 1: PART OF POWER STEERING PUMP SEAL SERVICE KIT P/N 5740440.	

2003 HUMMER H1 PARTS CATALOG

8-18 STEERING SYSTEM



P08-003.3

Figure 8-8. Power Steering Pump, Pulley, Reservoir, and Mounting Hardware.

2003 HUMMER H1 PARTS CATALOG

STEERING SYSTEM 8-19

ITEM	PART NUMBER	DESCRIPTION	QTY
		Figure 8-8. Power Steering Pump, Pulley, Reservoir, and Mounting Hardware.	
1	12339902-12	EDGE PROTECTOR, 5 -1/2"	1
2	6002106	CAP,power steering reservoir.	1
3	N/S	BOLT,M10 - 1.5 x 25,flanged,bracket-to-engine.	2
4	6010662B9	BRACKET,power steering reservoir mounting.	1
5	N/S	BOLT,M8 - 1.25 x 25,mounting bracket-to-reservoir	2
6	N/S	LOCKWASHER,M8	2
7	N/S	WASHER,flat,M8	2
8	6010670	RESERVOIR,power steering	1
9	N/S	CLAMP,hose,worm gear,3/4 to 1 - 1/8"	2
10	N/S	HOSE,power steering reservoir-to-pump,7 - 3/4" SEE NOTE 1.	1
11	6006785	BRACE, rear,power steering pump	1
12	6006780	BOLT	1
13	11503643	NUT	2
14	N/S	BOLT,M10 - 1.5 x 35,class 9.8	3
15	6004158	PULLEY,power steering pump	1
16	6006807	BRACKET,A/C,P/S	1
17	6003042	POWER STEERING PUMP ASSEMBLY	1
		NOTE 1: CUT FROM P/S RESERVOIR HOSE, P/N 06003166, 1 - 1/16" O.D. X 3/4" I.D. X 9 - 1/2".	

2003 HUMMER H1 PARTS CATALOG

8-20 STEERING SYSTEM

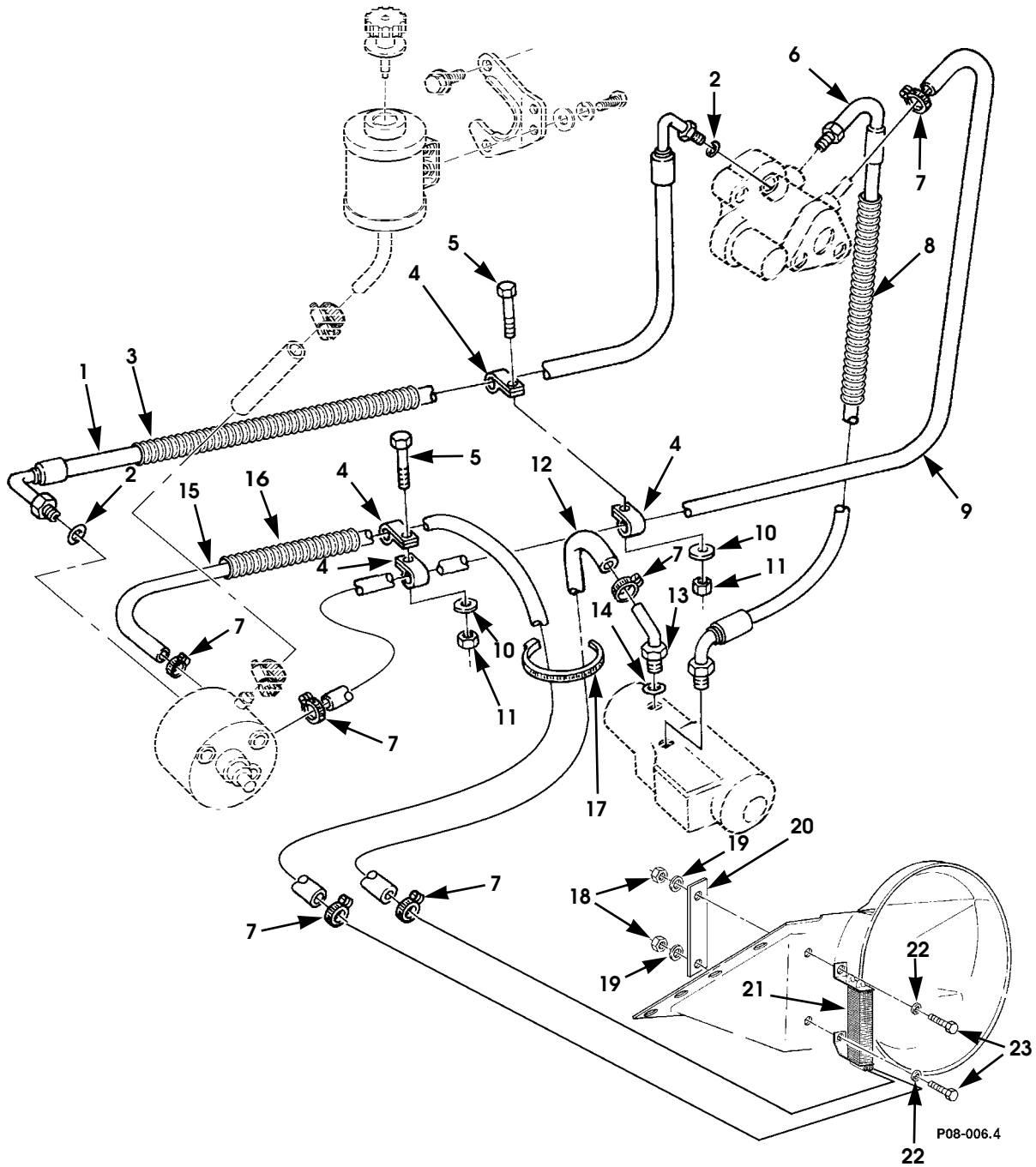


Figure 8-9. Power Steering Pump, Oil Cooler, and Hydro-Boost Lines and Fittings.

2003 HUMMER H1 PARTS CATALOG

STEERING SYSTEM 8-21

ITEM	PART NUMBER	DESCRIPTION	QTY
		Figure 8-9. Power Steering Pump, Oil Cooler, and Hydro-Boost Lines and Fittings.	
1	6009990	HOSE ASSEMBLY, p/s pump-to-Hydro-Boost	1
2	N/S	•SEAL, O-ring	2
3	N/S	CONVOLUTED CONDUIT, p/s pump-to-Hydro-Boost hose, 16", SEE NOTE 1	1
4	N/S	CLAMP, harness, rear 5/8" cushioned	4
5	N/S	SCREW, 1/4 - 20 x 3/4", Gr8 CAD	2
6	6009989	HOSE ASSEMBLY, Hydro-Boost-to-steering gear	1
7	N/S	CLAMP, hose.	6
8	N/S	CONVOLUTED CONDUIT, Hydro-Boost-to-steering gear hose, 12", SEE NOTE 1	1
9	N/S	HOSE, Hydro-Boost-to-p/s pump, 31", SEE NOTE 2	1
10	N/S	WASHER, flat, 1/4"	2
11	N/S	LOCKNUT, 1/4 - 20", Gr8	2
12	N/S	HOSE, steering gear-to-cooler, 9 - 1/4", SEE NOTE 2	1
13	12338593	TUBE ASSEMBLY.	1
14	12340395	SEAL, O-ring	1
15	N/S	HOSE, cooler-to-power steering pump, 20", SEE NOTE 2.	1
16	N/S	CONVOLUTED CONDUIT, cooler-to-p/s pump hose, 19 - 3/4", SEE NOTE 3	1
17	MS3367-2-0	TIEDOWN STRAP.	1
18	N/S	NUT, 5/16 - 18", Gr5	2
19	N/S	WASHER, flat, 5/16"	4
20	6007233	PLATE, backing, P/S cooler	1
21	6010082	OIL COOLER ASSEMBLY, P/S	1
22	N/S	LOCKWASHER, 5/16"	2
23	N/S	SCREW, 5/16 - 18 x 1", Gr5, CAD.	2
		NOTE 1: MAKE FROM SLIT CONVOLUTED CONDUIT, P/N 6010240, 1" O.D. X 3/4" I.D. X 22".	
		NOTE 2: MAKE FROM BULK HOSE, P/N 5741209, 5/8" O.D. X 3/8" I.D. X 25'.	
		NOTE 3: MAKE FROM NON-SLIT CONVOLUTED CON- DUIT, P/N 6007446, 7/8" O.D. X 3/4" I.D. X 38".	

2003 HUMMER H1 PARTS CATALOG

AXLES/SUSPENSION/FRAME 9-1

Section 9

AXLES/SUSPENSION/FRAME

TITLE	PAGE NUMBER
Airlift Brackets, Front Spring Seats, and Mounting Hardware	9-20
Axle Differential, Mounting Brackets, and Hardware	9-38
Axle Differential	9-40
Bumper, Front and Lifting Shackle (with Winch)	9-28
Bumper, Front and Lifting Shackle (without Winch)	9-26
Bumper, Rear and Lifting Shackle	9-30
Control Arms, Ball Joints, and Mounting Hardware	9-12
Frame Rails, Body Mount Brackets, and Transmission Crossmember	9-18
Front Suspension Crossmembers, Related Parts, and Mounting Hardware	9-6
Front Upper Control Arm Brackets, L.H.	9-22
Front Upper Control Arm Brackets, R.H.	9-24
Geared Hub (Knuckle) Assemblies	9-50
Halfshaft Assembly, Left and Right Side	9-34
Propeller Shafts	9-36
Rear Radius Rods	9-16
Rear Suspension Crossmembers, Related Parts, and Mounting Hardware	9-8
Shock Absorbers and Springs, Front and Rear	9-10
Stabilizer Bar and Connecting Links	9-14
Upper Control Arm Brackets, Spring Seats, Related Parts, and Mounting Hardware	9-32
Vent Lines, Front Axle and Geared Hub	9-46
Vent Lines, Rear Axle and Geared Hub	9-48

2003 HUMMER H1 PARTS CATALOG

9-2 AXLES/SUSPENSION/FRAME

PAGE	ITEM	PART NUMBER	DESCRIPTION	QTY
			Complete Frame Assembly (Illustrations on the pages indicated)	
		6010114B9	FRAME ASSEMBLY, complete (not illustrated)	1
		6012562B9	FRAME ASSEMBLY, complete (not illustrated)	1
Various		N/S	•BOLT, 1/2 - 13 x 1", Gr8, CAD	11
Various		N/S	•BOLT, 1/2 - 13 x 1 - 1/4", Gr8, CAD	17
Various		N/S	•BOLT, 1/2 - 13 x 1 - 1/2", Gr8, CAD	4
Various		N/S	•BOLT, 1/2 - 13 x 1 - 3/4", Gr8, CAD	1
Various		N/S	•BOLT, 1/2 - 13 x 2 - 3/4", Gr8, CAD	12
Various		N/S	•BOLT, 1/2 - 13 x 3", Gr8, CAD	10
Various		N/S	•BOLT, 1/2 - 13 x 3 - 1/4", Gr8, CAD	6
Various		N/S	•BOLT, 1/2 - 12 x 3 - 1/2", Gr8, CAD	9
Various		N/S	•BOLT, 1/2 - 13 x 3 - 3/4", Gr8, CAD	10
Various		N/S	•BOLT, 1/2 - 13 x 4 - 1/4", Gr8, CAD	32
Various		N/S	•BOLT, 1/2 - 13 x 4 - 1/2", Gr8, CAD	9
Various		N/S	•BOLT, 1/2 - 13 x 4 - 3/4", Gr8, CAD	3
Various		N/S	•BOLT, 3/4 - 10 x 3 - 1/4", Gr8, CAD	4
Various		N/S	•BOLT, 3/4 - 10 x 4 - 1/4", Gr8, CAD	16
Various		N/S	•BOLT, 3/4 - 10 x 4 - 1/2", Gr8, CAD	4
Various		N/S	•BOLT, 3/4 - 10 x 4 - 3/4", Gr8, CAD	8
Various		N/S	•BOLT, 5/8 - 11 x 3 - 1/4", Gr8, CAD	2
Various		N/S	•BOLT, 5/8 - 11 x 3 - 1/2", Gr8, CAD	4
9-26, 9-28, 9-30	13,15,12	6011153P2	•BOLT, 5/8 - 18 x 5 - 1/2" Gr8	2
Various		N/S	•BOLT, 9/16 - 12 x 1 - 1/2", Gr8, CAD	1
9-6, 26	9,7	12338165	•BRACE, front suspension	2
9-20, & 22	4,1	WB12342361B5	•BRACKET ASSEMBLY, air lift, L.H.	1
9-20, & 24	21,1	6003010B5	•BRACKET, air-lift, R.H.	1
9-38	12	12342801	•BRACKET, axle pinion mounting, front	1
9-38	12	EC12460286B1	•BRACKET ASSEMBLY, axle pinion mounting, front (12,100 only)	1
9-38	10	12341900	•BRACKET, axle pinion mounting, rear	1
9-6,9-8	12,16	12338146	•BRACKET, plate hanger, rear axle	4
9-6, 9-8	12,16	EC12460245B1	•BRACKET, plate hanger, rear axle (12,100 frame only) . . .	4
9-18	14	12338178B2	•BRACKET, body mount, front, R.H.	1
3-28, 9-18	34	WA12342509B9	•BRACKET ASSEMBLY, C-mount, L.H.	1
9-18	15	WA12342510B9	•BRACKET ASSEMBLY, C-mount, R.H.	1
2-28	10	12338205	•BRACKET, frame to insulator, L.H.	1
2-28	13	12338163	•BRACKET, engine mount, lower, R.H.	1
2-28	12	12338183	•BRACKET, frame to insulator, R.H.	1
9-38	3	12338150-1	•BRACKET, front differential, L.H.	1
9-38	6	12338150-2	•BRACKET, front differential, R.H.	1
9-26	8	WA123381991B5	•BRACKET ASSEMBLY, front bumper, L.H.	1
9-26	8	WA123381992B5	•BRACKET ASSEMBLY, front bumper, R.H.	1

2003 HUMMER H1 PARTS CATALOG

AXLES/SUSPENSION/FRAME 9-3

PAGE	ITEM	PART NUMBER	DESCRIPTION	QTY
			Complete Frame Assembly (Illustrations on the pages indicated)	
9-20, 22, & 24	9,17	N/S	•BRACKET ASSEMBLY, mounting, upr control arm, front . . .	2
9-32	17	N/S	•BRACKET ASSEMBLY, mounting, upr control arm, rear . . .	2
9-6	10	EC12338180B1	•BRACKET ASSEMBLY, radiator	1
9-38	6	12338151-1	•BRACKET, rear differential, L.H.	1
9-38	3	12338151-2	•BRACKET, rear differential, R.H.	1
3-18, 9-30	27,16	6006741B5	•BRACKET, rear bumper, L.H., inner	1
9-30	4	12446989B5	•BRACKET, rear bumper, L.H., outer	1
3-18, 9-30	27,16	6006749B5	•BRACKET, rear bumper, R.H., inner	1
9-30	4	12446990B5	•BRACKET, rear bumper, R.H., outer	1
9-8	7	EC12338197	•BRACKET ASSEMBLY, rear tie-down, forward.	2
9-8	1	EC12338181	•BRACKET ASSEMBLY, rear tie-down, rear.	2
9-18	9	EC12338185B9	•BRACKET ASSEMBLY, transmission.	2
9-20, 22, & 24	7,12,11	6009538B9	•BRACKET ASSEMBLY, upper control arm, front	4
9-32	4	6009539B9	•BRACKET ASSEMBLY, upper control arm, rear.	4
9-20	15	EC12338173	•BRACKET, front spring	1
9-6	7	12338149-1B1	•BRACKET, crossmember, front suspension, L.H., front.	1
9-6	16	12338155-1B1	•BRACKET, crossmember, front suspension, L.H., rear	1
9-6	7	12338149-2B1	•BRACKET, crossmember, front suspension, R.H., front.	1
9-6	16	12338155-2B1	•BRACKET, crossmember, front suspension, R.H., rear	1
3-28, 9-18	31,4	EC12338221B1	•BRACKET, muffler mounting	1
9-30	7	12342373B5	•BRACKET, rear bumper shackle.	2
9-8	22	12338148B1	•BRACKET, rear suspension, rear	2
9-8	13	12338224	•BRACKET, rear suspension, front.	2
9-6	5	12447051	•BRACKET, splash shield	2
9-20, & 24	1,6	12338159	•BRACKET, transmission cooling lines	1
9-20, & 46	16,20	EC12338170	•BRACKET, vent tube mounting	4
9-8, 32, & 48	9,10,13	EC12338172	•BRACKET, vent tube mounting	2
9-30	5	6009595B5	•BUMPER ASSEMBLY, rear	1
9-18	10	EC12447053B9	•CROSSMEMBER ASSEMBLY, transmission	1
9-6	11	12338230	•CROSSMEMBER, front suspension, front	1
9-6	11	EC12460283B1	•CROSSMEMBER, front suspension, front (12,100 frame only)	1
9-6	13	WB12338223	•CROSSMEMBER, front suspension, rear.	1
9-6	13	6012711	•CROSSMEMBER, front suspension, rear (12,100 frame only)	1
9-8	11	WA12338217	•CROSSMEMBER, rear suspension, front	1
9-8	11	6012712	•CROSSMEMBER, rear suspension, front (12,100 frame only)	1
9-8	21	WA12338222	•CROSSMEMBER, rear suspension, rear	1
9-8	21	6012713	•CROSSMEMBER, rear suspension, rear (12,100 frame only).	1
9-18	5	5745026B9	•FRAME RAIL, L.H.	1
9-18	1	12338247B9	•FRAME RAIL, R.H.	1

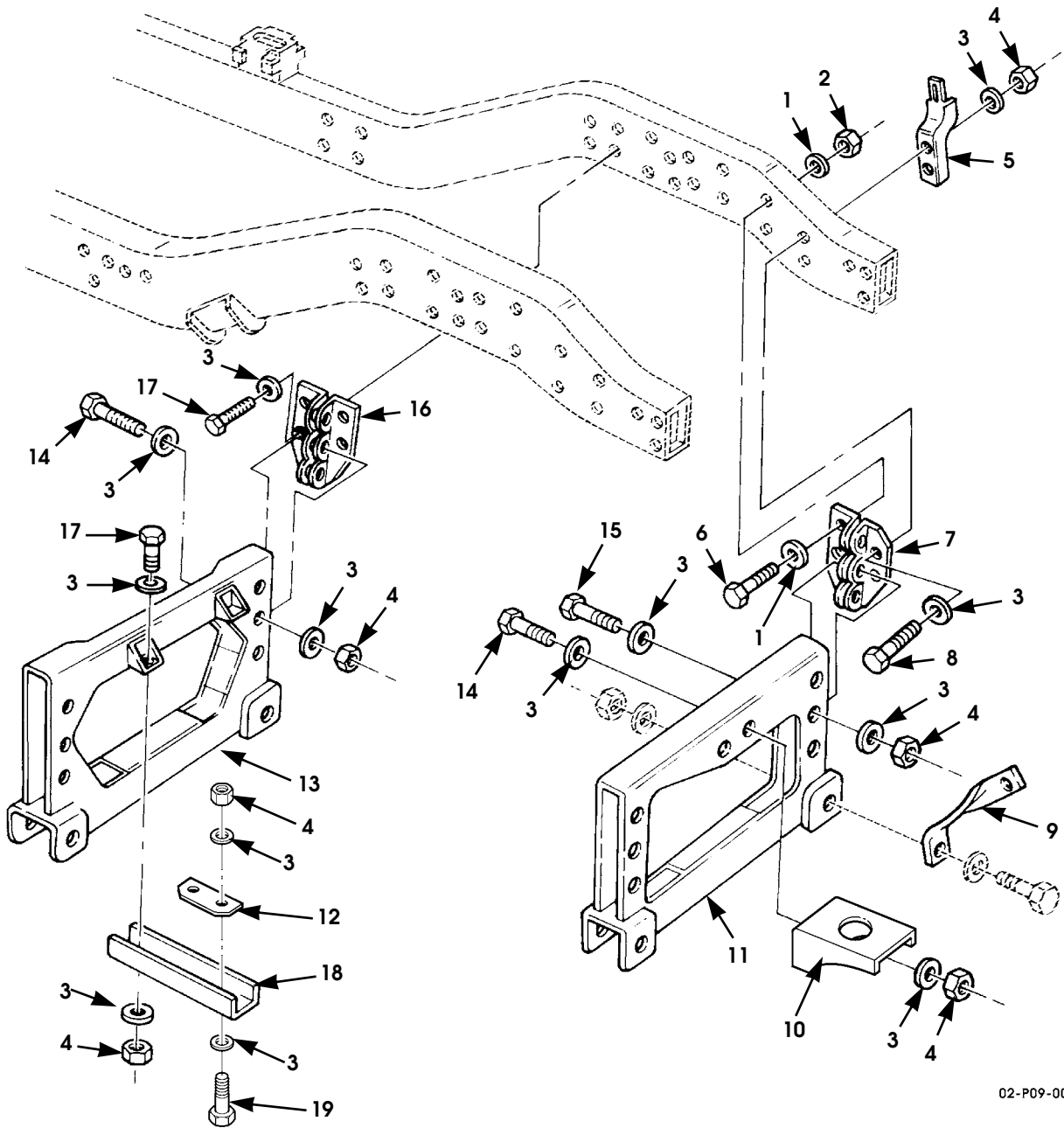
2003 HUMMER H1 PARTS CATALOG

9-4 AXLES/SUSPENSION/FRAME

PAGE	ITEM	PART NUMBER	DESCRIPTION	QTY
			Complete Frame Assembly (Illustrations on the pages indicated)	
Various		N/S	•LOCKNUT, 1/2 - 13", CAD	127
Various		N/S	•LOCKNUT, 3/4 - 10", CAD	32
Various		N/S	•LOCKNUT, 5/8 - 11", CAD	6
Various		N/S	•NUT, 1/4 - 20", Gr2, ZN	4
Various		N/S	•NUT, 9/16 - 12", Gr8	2
	29,31	272739P2	•NUT, w/washer, 5/8 - 18" Gr5	2
9-32	14	EC12338174B1	•PLATE, frame reinforcement	2
9-32	13	12338152	•REINFORCEMENT, frame	2
9-32	16	12338738	•SEAT, rear spring	2
9-30	11	EC12342354B5	•SHACKLE, lifting	2
9-20,22,24, & 32	13,13,10,8	12338226-1	•SHIM, upper control arm mounting bracket, 0.060"	A/R
9-20,22,24, & 32	13,13,10,8	12338226-2	•SHIM, upper control arm mounting bracket, 0.120"	A/R
9-30	3	EC12338164B1	•SPACER, mounting bracket, rear bumper	4
9-20,22,24, & 32	12,14,9,9	6009543	SPACER, upper control arm mounting bracket, 0.125"	A/R
9-20,22,24, & 32	12,14,9,9	6009573	SPACER, upper control arm mounting bracket, 0.250" A/R	
9-20	18	12338191-1	•SPRING SEAT, L.H., front	1
9-20	18	12338191-2	•SPRING SEAT, R.H., front	1
5-10, 9-18	9,17	12447177	•STUD, special, T-case anchor cable, L.H. side only	1
Various		N/S	•WASHER, flat, 1/2", ZN	245
Various		N/S	•WASHER, flat, 9/16", ZN	4
Various		N/S	•WASHER, flat, 5/8", ZN	12
Various		N/S	•WASHER, flat, 3/4", ZN	64
9-30	8	7716721	•WASHER, wave, 3/4", rear shackles	2
7-16	4	6010677B9	•BRACKET, speed sensor connection clip, rear only	2
9-7	1	EC12460253B1	•BRACKET, axle support, R.H. front (12,100 frame only)	1
9-7	1	EC12460254B1	•BRACKET, axle support, L.H. front (12,100 frame only)	1
9-9	1	EC12460237B1	•BRACKET, axle support, R.H. rear (12,100 frame only)	1
9-9	1	EC12460247B1	•BRACKET, axle support, L.H. rear (12,100 frame only)	1

2003 HUMMER H1 PARTS CATALOG

9-6 AXLES/SUSPENSION/FRAME



02-P09-002

Figure 9-1. Front Suspension Crossmembers, Related Parts, and Mounting Hardware.

2003 HUMMER H1 PARTS CATALOG

AXLES/SUSPENSION/FRAME 9-7

ITEM	PART NUMBER	DESCRIPTION	QTY
		Figure 9-1. Front Suspension Crossmembers, Related Parts, and Mounting Hardware.	
1	N/S	WASHER, flat, hard, 3/4", type B	8
2	N/S	LOCKNUT, 3/4 - 10", Gr8	4
3	N/S	WASHER, flat, hard, 1/2", type B	45
4	N/S	LOCKNUT, 1/2 - 13", Gr8	22
5	12447051	BRACKET, splash shield	2
6	N/S	BOLT, 3/4 - 10 x 4", Gr8, CAD.	4
7	12338149-1B1	BRACKET, crossmember, front suspension, L.H., front . .	1
7	12338149-2B1	BRACKET, crossmember, front suspension, R.H., front . .	1
8	N/S	BOLT, 1/2 - 13 x 3 - 1/4", Gr8, CAD	4
9	12338165B5	BRACE, front suspension	2
10	12338180	BRACKET, lower radiator mount	1
11	12338230	CROSSMEMBER, front suspension, front	1
11	EC12460283B1	CROSSMEMBER, front suspension, front (12,100 frame only)	1
12	12338146	BRACKET, plate hanger, , front axle	2
12	EC12460245B1	BRACKET, front axle, plate hanger (12,100 frame only)	2
13	WB12338223	CROSSMEMBER, front suspension, rear	1
13	6012711	CROSSMEMBER, front suspension, rear (12,100 frame only)	1
14	N/S	BOLT, 1/2 - 13 x 3", Gr8, CAD.	8
15	N/S	BOLT, 1/2 - 13 x 2 - 3/4", Gr8, CAD	6
16	12338155-1B1	BRACKET, crossmember, front suspension, L.H., rear . . .	1
16	12338155-2B1	BRACKET, crossmember, front suspension, R.H., rear . .	1
17	N/S	BOLT, 1/2 - 13 x 1", Gr8, CAD.	5
18	EC12460253B1	BRACKET, axle support, R.H. front (12,100 frame only) .	1
18	EC12460254B1	BRACKET, axle support, L.H. front (12,100 frame only) .	1
19	N/S	BOLT 1/2 -13 x 1 - 1/2" hex head cap screw	4

2003 HUMMER H1 PARTS CATALOG

9-8 AXLES/SUSPENSION/FRAME

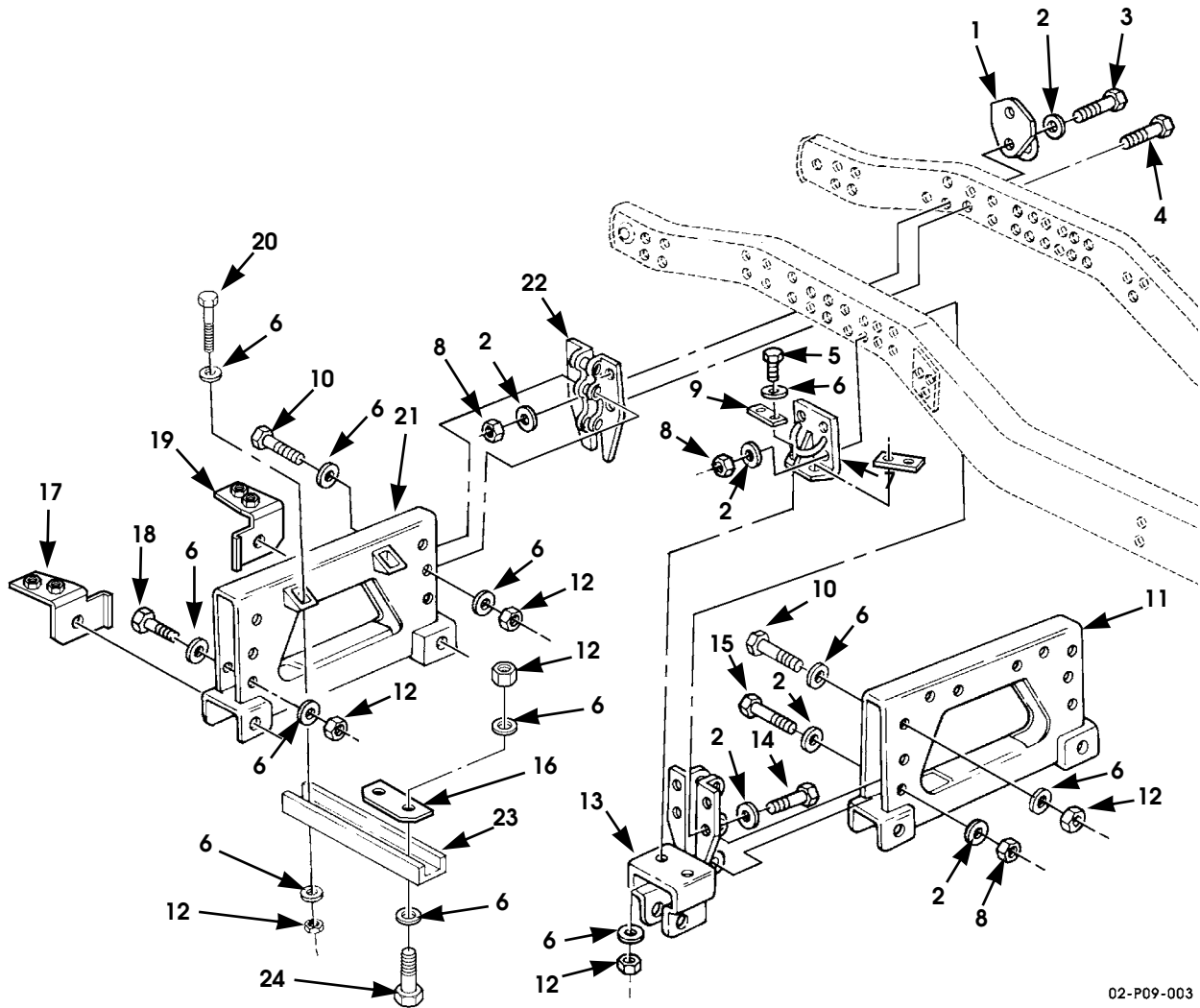


Figure 9-2. Rear Suspension Crossmembers, Related Parts, and Mounting Hardware.

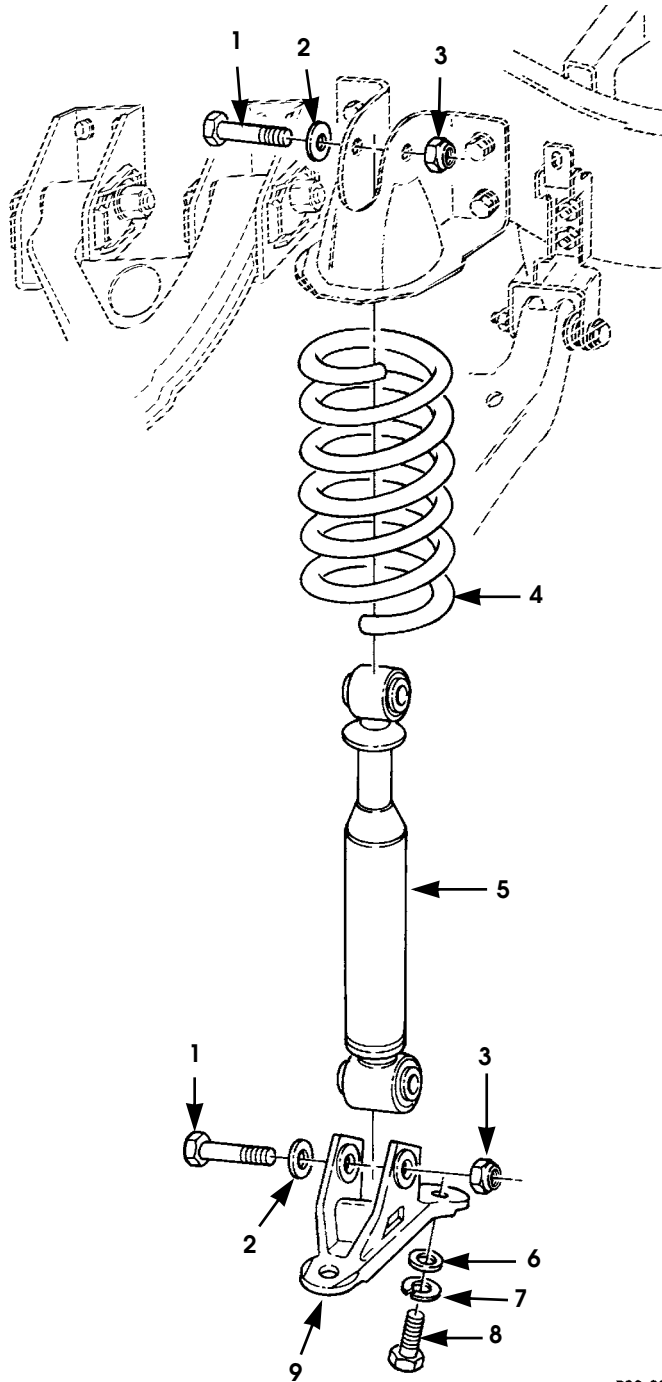
2003 HUMMER H1 PARTS CATALOG

AXLES/SUSPENSION/FRAME 9-9

ITEM	PART NUMBER	DESCRIPTION	QTY
		Figure 9-2. Rear Suspension Crossmembers, Related Parts, and Mounting Hardware.	
1	12338181	BRACKET, tie-down, frame assembly	2
2	N/S	WASHER, flat, hard, 3/4", type B	40
3	N/S	BOLT, 3/4 - 10 x 4 - 1/4", Gr8, CAD	8
4	N/S	BOLT, 3/4 - 10 x 4 - 3/4", Gr8, CAD	4
5	N/S	BOLT, 1/2 - 13 x 1 - 1/2", Gr8, CAD	4
6	N/S	WASHER, flat, hard, 1/2", type B	32
7	12338197	BRACKET, tie-down, frame assembly	2
7	6010677	BRACKET, (for frame asm 6010114 only)	2
8	N/S	LOCKNUT, 3/4 - 10", Gr8	20
9	12338172	BRACKET, vent line, tube mounting	2
10	N/S	BOLT, 1/2 - 13 x 2 - 3/4", Gr8, CAD	6
11	WA12338217	CROSSMEMBER, rear suspension, front	1
11	6012712	CROSSMEMBER, rear suspension, front (12,100 frame only)	1
12	N/S	LOCKNUT, 1/2 - 13", Gr8	18
13	12338224	BRACKET, rear suspension, front	2
14	N/S	BOLT, 3/4 - 10 x 4 - 1/2", Gr8, CAD	4
15	N/S	BOLT, 3/4 - 10 x 3 - 1/4", Gr8, CAD	4
16	12338146	BRACKET, plate hanger, rear axle	2
16	EC12460236B1	BRACKET, plate hanger, rear axle (12,100 frame only)	2
17	6007694	BRACKET ASSEMBLY, mounting, R.H., SEE NOTE 1	1
18	N/S	BOLT, 1/2 - 13 x 3", Gr8, CAD	2
19	6007693	BRACKET ASSEMBLY, mounting, L.H., SEE NOTE 1	1
20	N/S	BOLT, 1/2 - 13 x 1", Gr8, CAD	4
21	WA12338222	CROSSMEMBER, rear suspension, rear	1
21	6012713	CROSSMEMBER, rear suspension, rear (12,100 frame only)	1
22	12338148B1	BRACKET, rear suspension, rear	2
23	EC12460237B1	BRACKET, axle support, R.H. rear (12,100 frame only)	1
23	EC12460247B1	BRACKET, axle support, L.H rear (12,100 frame only) .	1
24	N/S	BOLT 1/2 -13 x 1 - 1/2", hex head cap screw	4
		NOTE 1: USED WITH TRAILER TOWING RECEIVER	

2003 HUMMER H1 PARTS CATALOG

9-10 AXLES/SUSPENSION/FRAME



P09-003.1

Figure 9-3. Shock Absorbers and Springs, Front and Rear.

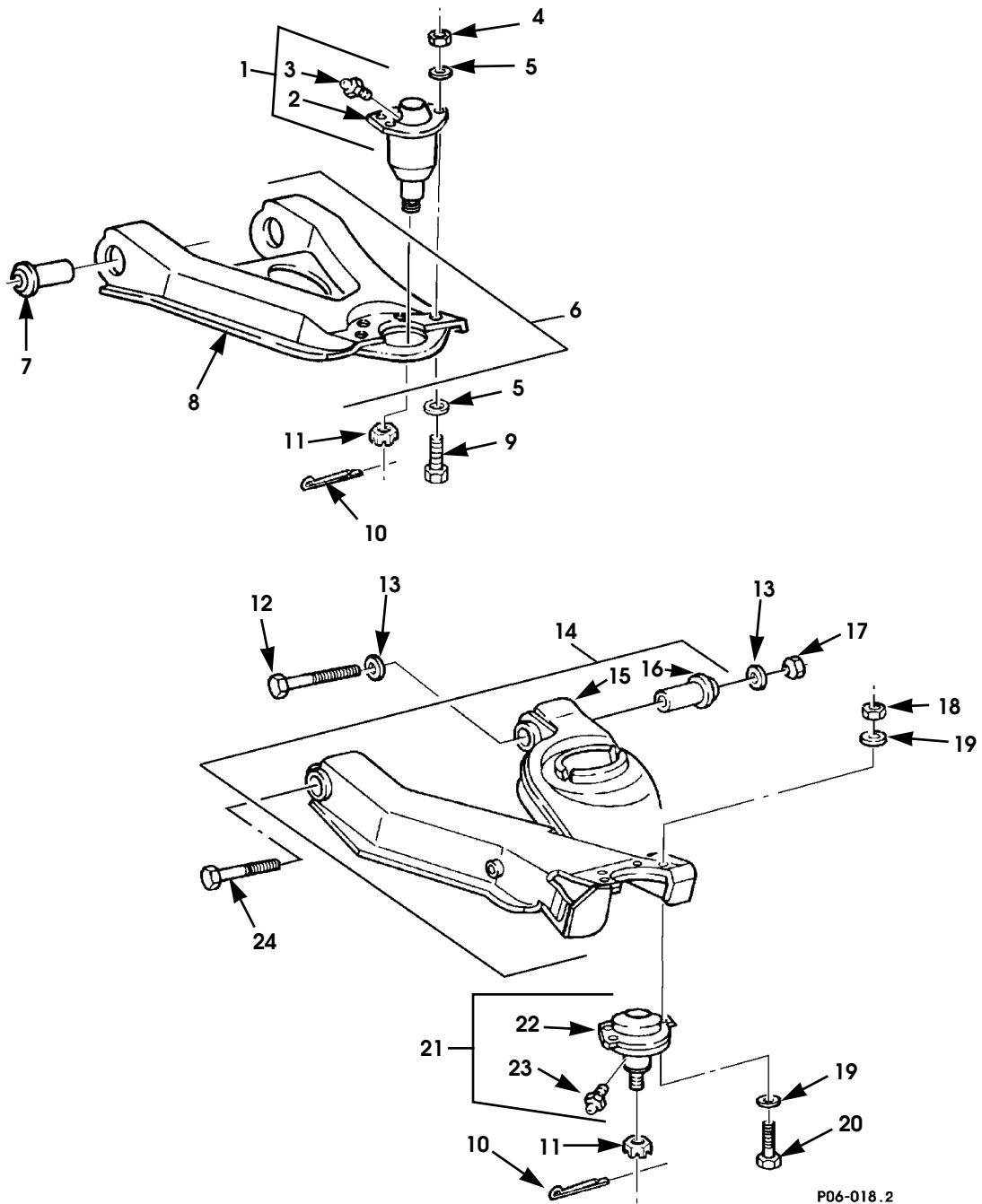
2003 HUMMER H1 PARTS CATALOG

AXLES/SUSPENSION/FRAME 9-11

ITEM	PART NUMBER	DESCRIPTION	QTY
		Figure 9-3. Shock Absorbers and Springs, Front and Rear.	
1	12339205	PIN, shock absorber	8
2	N/S	WASHER, flat, hard, 1", type B	8
3	12339206	LOCKNUT, shock absorber	8
4	12342616B9	SPRING, rear, variable rate, standard, (gray)	2
4	6011073	SPRING, rear, 3000 lbs/inch, heavy duty, (yellow & red) SEE NOTE 1	2
4	12338316-1B2	SPRING, front, 954 lbs/inch, standard, (yellow)	2
4	6005787B9	SPRING, front, 954 lbs/inch, extended height, SEE NOTE 2 (red), 83, 84, 90	2
4	6005786B9	SPRING, front, 1250 lbs/inch, heavy duty, (orange) SEE NOTE 3	2
4	6011072	SPRING, front, 1728 lbs/inch, heavy duty, (white) SEE NOTE 4	2
5	12340071	SHOCK ABSORBER, front	2
5	5937865	SHOCK ABSORBER, front, 12,100-lb GVW	2
5	12340072	SHOCK ABSORBER, rear	2
6	N/S	WASHER, flat, hard, 5/8"	8
7	N/S	LOCKWASHER, med, 5/8", ZN	8
8	N/S	BOLT, 5/8 - 11 x 2", Gr8, CAD.	8
9	12338315	BRACKET, shock absorber mount, lower control arm	4
		NOTE 1: USED ON 12,100-LB GVW VEHICLES.	
		NOTE 2: USED ON 10,300-LB GVW 2-DOOR VEHICLES WITH WINCH; AND ON VEHICLES (MODELS 83, 84, 90) WITHOUT WINCH OR HEAVY FRONT- END EQUIPMENT.	
		NOTE 3: USED ON 10,300-LB GVW 4-DOOR VEHICLES (MODELS 83, 84, 90) WITH WINCH.	
		NOTE 4: 12,100-LB GVW VEHICLES, FIRE TRUCKS, AND ON ALL VEHICLES EQUIPPED WITH A SNOW PLOW.	

2003 HUMMER H1 PARTS CATALOG

9-12 AXLES/SUSPENSION/FRAME



P06-018.2

Figure 9-4. Control Arms, Ball Joints, and Mounting Hardware.

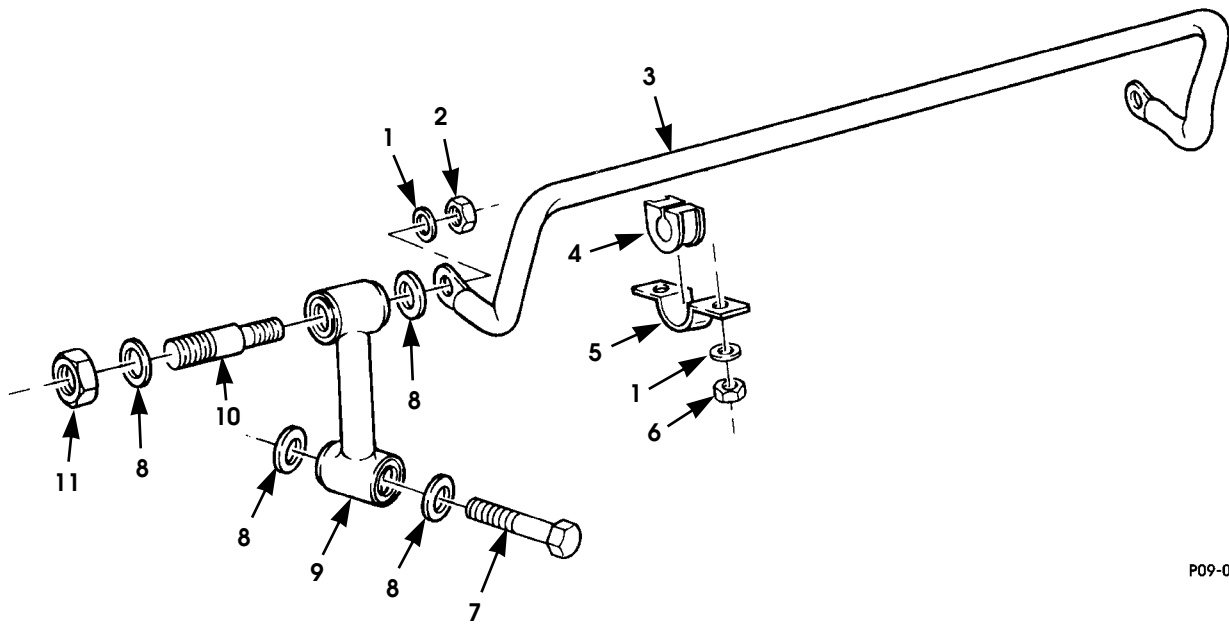
2003 HUMMER H1 PARTS CATALOG

AXLES/SUSPENSION/FRAME 9-13

ITEM	PART NUMBER	DESCRIPTION	QTY
		Figure 9-4. Control Arms, Ball Joints, and Mounting Hardware.	
1	6007755	BALL JOINT ASSEMBLY, upper	1
2	S.I.A.	•BALL JOINT, upper	1
3	9417901	•FITTING, upper ball joint	1
4	N/S	LOCKNUT, 3/4" - 10, Gr8	4
5	N/S	WASHER, flat, hard, 3/8," type B	8
6	12460167	CONTROL ARM ASSEMBLY, front L.H., upper	1
6	12460151	CONTROL ARM ASSEMBLY, front R.H., upper	1
6	RCSK17089-1B1	CONTROL ARM ASSEMBLY, rear L.H., upper.	1
6	RCSK17089-2B1	CONTROL ARM, ASSEMBLY rear R.H., upper,.	1
7	12338270	•BUSHING, control arm	2
8	S.I.A.	•CONTROL ARM, upper	1
9	12460159	BOLT, ball joint	4
10	N/S	COTTER PIN, ball joint, 1/8 x 1 - 1/4", CAD.	1
11	N/S	NUT, castle, 5/8 - 18", Gr8, CAD, ball joint	1
12	N/S	BOLT, 3/4 - 10 x 5", Gr8, CAD.	1
13	N/S	WASHER, flat, 3/4", type B, hard	1
14	6013199B1	CONTROL ARM, lower front, R.H.	1
14	6013200B1	CONTROL ARM, lower front, L.H.	1
14	6013199B1	CONTROL ARM, lower rear, L.H.	1
14	6013200B1	CONTROL ARM, lower rear, R.H.	1
15	S.I.A.	•CONTROL ARM, lower	1
16	S.I.A.	•BUSHING, control arm	2
17	N/S	LOCKNUT, 3/4 - 10"	4
18	N/S	LOCKNUT, 7/16", Gr8, CAD	4
19	N/S	WASHER, 7/16 - 14", type B, hard	8
20	N/S	BOLT, 7/16 - 14 x 1 - 1/2", Gr8, CAD, control arm mounting.	4
21	6006645	BALL JOINT ASSEMBLY, lower.	1
22	S.I.A.	•BALL JOINT, lower.	1
23	9417901	•FITTING, ball joint	1
24	N/S	BOLT, 3/4 - 10 x 3/4", Gr8, CAD	1

2003 HUMMER H1 PARTS CATALOG

9-14 AXLES/SUSPENSION/FRAME



P09-004

Figure 9-5. Stabilizer Bar and Connecting Links.

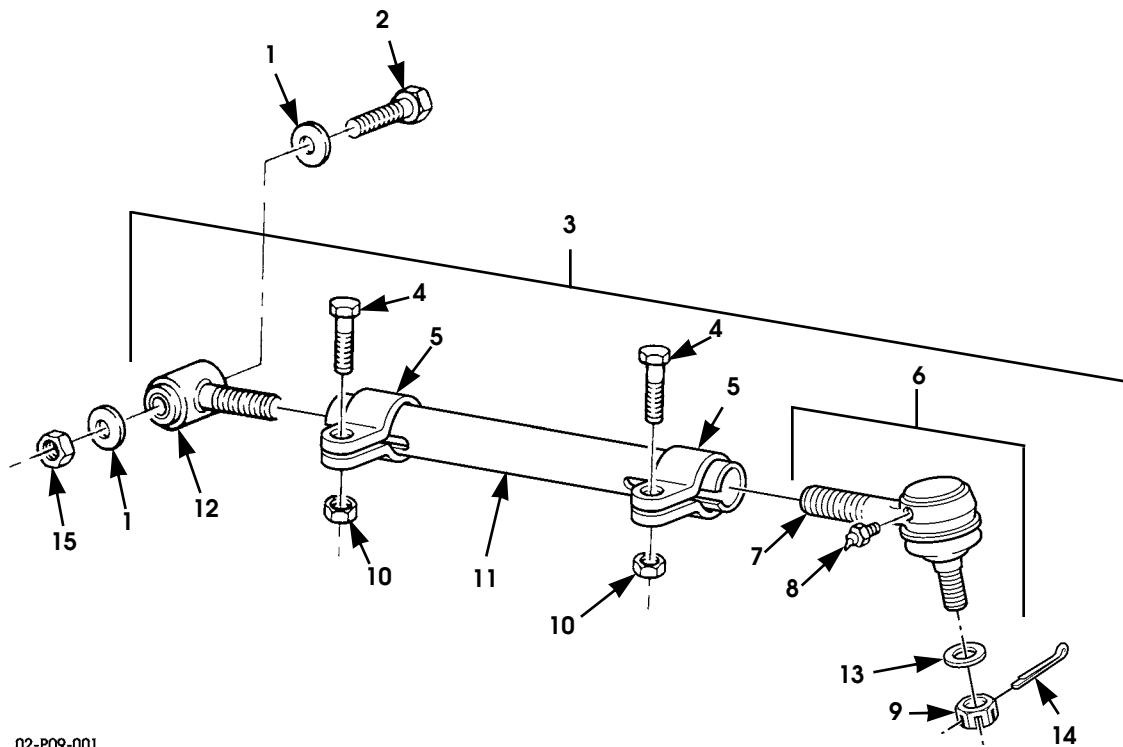
2003 HUMMER H1 PARTS CATALOG

AXLES/SUSPENSION/FRAME 9-15

ITEM	PART NUMBER	DESCRIPTION	QTY
		Figure 9-5. Stabilizer Bar and Connecting Links.	
1	N/S	WASHER, flat, hard, 1/2", type B	6
2	N/S	LOCKNUT, 1/2 - 20", Gr8, CAD	2
3	6004872	BAR, stabilizer	1
4	12338317	BUSHING, stabilizer bar	2
5	12338319	BRACKET, stabilizer bar	2
6	N/S	NUT, 7/16 - 14", Gr8, CAD	4
7	N/S	BOLT, 5/8 - 11 x 3", Gr8, CAD.	2
8	12338322	WASHER, flat, connecting link, stabilizer bar	8
9	12338323	CONNECTING LINK, stabilizer bar	2
10	12339207	PIN, stabilizer bar	2
11	N/S	LOCKNUT, 5/8 - 11", Gr8	2

2003 HUMMER H1 PARTS CATALOG

9-16 AXLES/SUSPENSION/FRAME



02-P09-001

Figure 9-6. Rear Radius Rods.

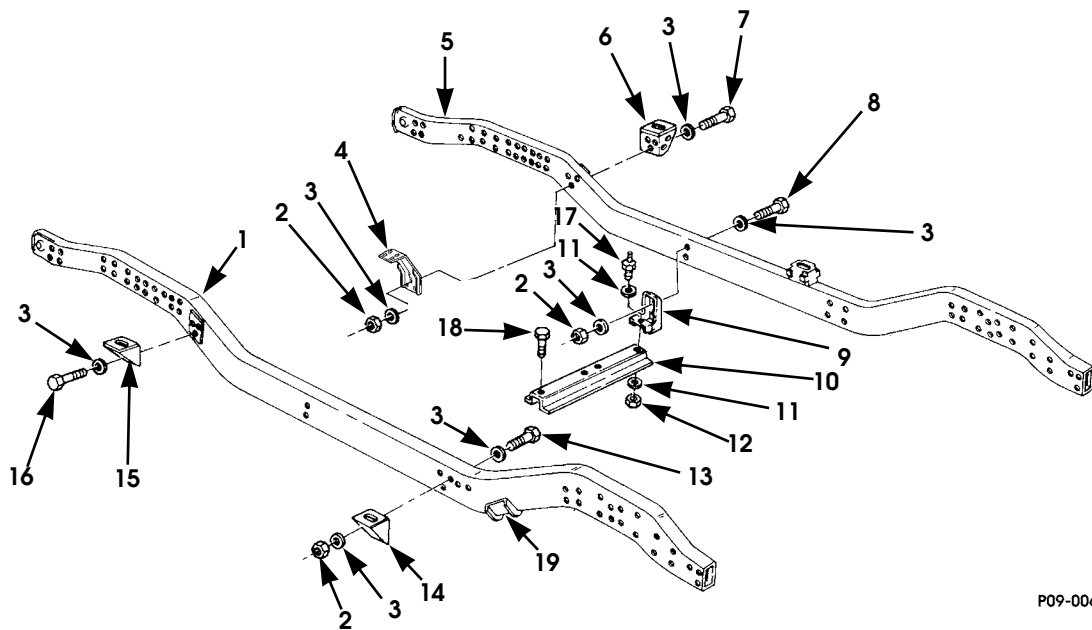
2003 HUMMER H1 PARTS CATALOG

AXLES/SUSPENSION/FRAME 9-17

ITEM	PART NUMBER	DESCRIPTION	QTY
		Figure 9-6. Rear Radius Rods.	
1	N/S	WASHER, flat, hard, 3/4", type B	4
2	N/S	BOLT, 3/4 - 10 x 4 - 3/4", Gr8, CAD	2
3	6011890	RADIUS ROD ASSEMBLY, rear suspension	2
4	N/S	•BOLT, 7/16 - 14 x 1 - 3/4", Gr8, CAD	2
5	N/S	•CLAMP, rod assembly, retaining	2
6	6011886	•TIE ROD END steering, L.H. thread	1
7	S.I.A.	••TIE ROD END, LH thread	1
8	MS15001-3	••FITTING, zerk, 45 degree, 1/4 - 28 x 3/16"	1
9	N/S	••NUT, 5/8 - 18", Gr8, CAD, castle	1
10	N/S	•NUT, 7/16 - 14", Gr8, CAD	2
11	6013098	•SLEEVE ASSEMBLY, rear radius rod	1
12	6013099	•BUSHING, radius rod	1
13	N/S	WASHER, 5/8", hard, type B.	2
14	N/S	COTTER PIN, 1/8 x 1 - 1/4", CAD	2
15	N/S	LOCKNUT, 3/4 - 10", Gr8	2

2003 HUMMER H1 PARTS CATALOG

9-18 AXLES/SUSPENSION/FRAME



P09-006.2

Figure 9-7. Frame Rails, Body Mount Brackets, and Transmission Crossmember.

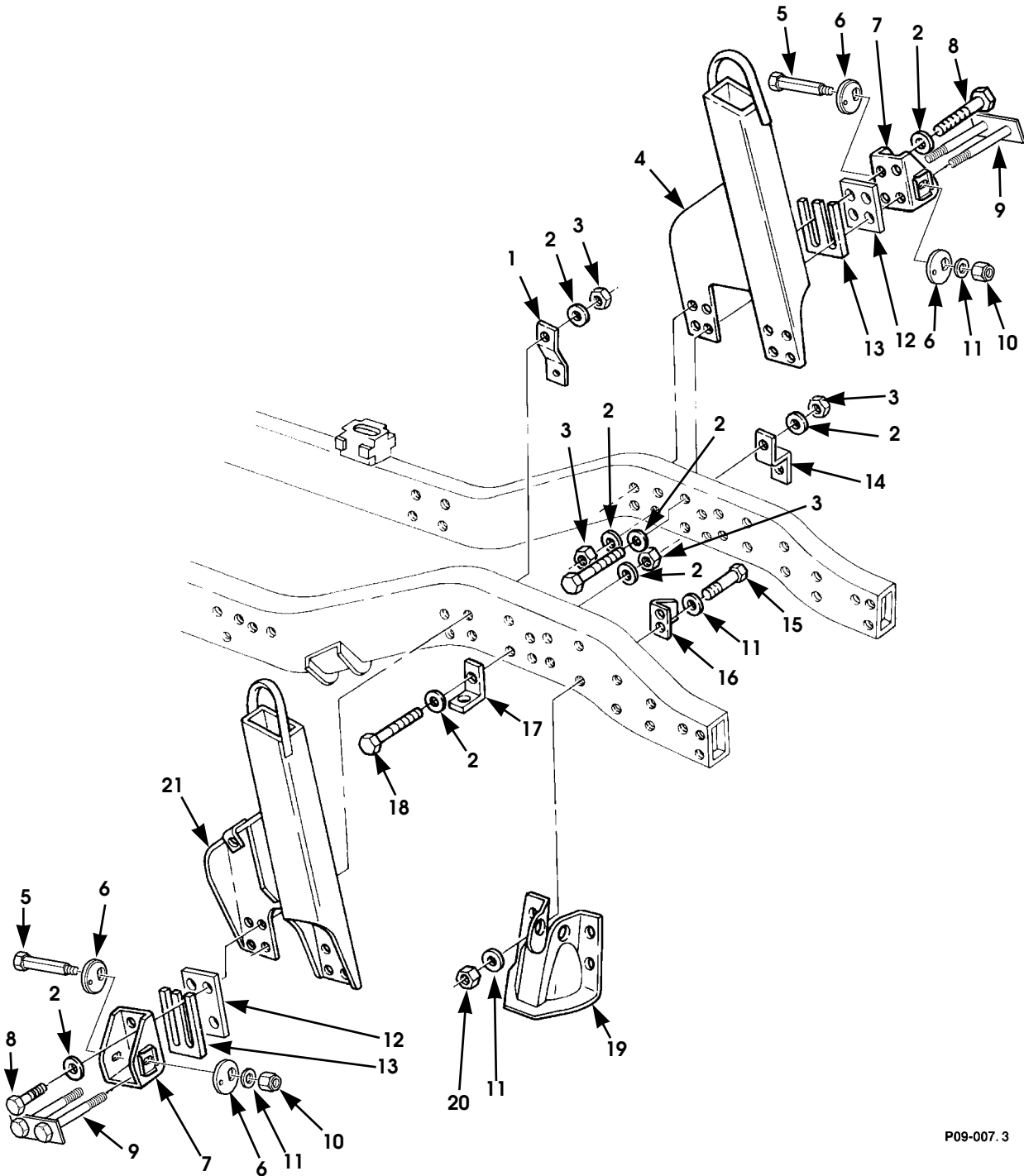
2003 HUMMER H1 PARTS CATALOG

AXLES/SUSPENSION/FRAME 9-19

ITEM	PART NUMBER	DESCRIPTION	QTY
		Figure 9-7. Frame Rails, Body Mount Brackets, and Transmission Crossmember.	
1	12338247B9	FRAME RAIL, R.H.	1
1	RCSK17438	FRAME RAIL, R.H., 12,100-lb GVW.	1
2	N/S	LOCKNUT, 1/2 - 13", Gr8	12
3	N/S	WASHER, flat, hard, 1/2", type B	27
4	EC12338221B1	BRACKET, muffler mounting	1
5	5745026B9	FRAME RAIL, L.H.	1
5	RCSK17439	FRAME RAIL, L.H., 12,100-lb GVW	1
6	WA12342509B9	BRACKET, body mount, rear, L.H., C-mount.	1
6	6008610	BRACKET, body mount, rear, L.H., C-mount, 12,100-lb GVW	1
7	N/S	BOLT, 1/2 - 13 x 4 - 3/4", Gr8, CAD, body mount brkt, L.H.	3
8	N/S	BOLT, 1/2 - 13 x 4 - 1/4", Gr8, CAD, transmission supt brkt	4
9	12338185B2	BRACKET, transmission support	2
10	EC12447053B9	CROSSMEMBER ASSEMBLY, transmission	1
11	N/S	WASHER, flat, hard, 9/16", type B	4
12	N/S	LOCKNUT, 9/16 - 12", Gr8	2
13	N/S	BOLT, 1/2 - 13 x 4 - 3/4", Gr8, CAD	5
14	12338178B2	BRACKET, body mount, front, R.H.	1
14	5937399	BRACKET, body mount, front, R.H., 12,100-lb GVW.	1
15	WA12342510B9	BRACKET, body mount, rear, R.H., C-mount.	1
15	5937961	BRACKET, body mount, rear, R.H., C-mount, 12,100-lb GVW	1
16	N/S	BOLT, 1/2 - 13 x 1 - 1/4", Gr8, CAD	3
17	12447177	STUD, special, T-case anchor cable, L.H. side only.	1
18	N/S	BOLT, 9/16 - 12 x 1 - 1/2", Gr8, ZN	1
19	S.I.A.	BRACKET, sway bar mounting	1

2003 HUMMER H1 PARTS CATALOG

9-20 AXLES/SUSPENSION/FRAME



P09-007.3

Figure 9-8. Airlift Brackets, Front Spring Seats, and Mounting Hardware.

2003 HUMMER H1 PARTS CATALOG

AXLES/SUSPENSION/FRAME 9-21

ITEM	PART NUMBER	DESCRIPTION	QTY
		Figure 9-8. Airlift Brackets, Front Spring Seats, and Mounting Hardware.	
1	12338159	BRACKET, cooling line support	1
2	N/S	WASHER, flat, hard, 1/2", type B	40
3	N/S	LOCKNUT, 1/2 - 13", Gr8	19
4	WB12342361B5	BRACKET ASSEMBLY, airlift, L.H.	1
5	6009807	BOLT, flat-sided, 3/4 - 10 x 5 - 1/4", control arm mounting	4
6	6009537	CAM, suspension alignment.	4
7	6009538B9	BRACKET ASSEMBLY, upper control arm, front.	4
8	N/S	BOLT, 1/2 - 13 x 4", Gr8, CAD, SEE NOTE 1	15
8	N/S	BOLT, 1/2 - 13 x 3 - 3/4", Gr8, CAD, SEE NOTE 2.	15
9	N/S	BRACKET ASSEMBLY, mounting, front, SEE NOTE 3	2
10	N/S	LOCKNUT, 3/4 - 10"	4
11	N/S	WASHER, flat, 3/4", type B	16
12	6009543	SPACER, upper control arm mounting bracket, 0.125"	A/R
12	6009573	SPACER, upper control arm mounting bracket, 0.250"	A/R
13	12338226-1	SHIM, upper control arm mounting bracket, 0.060" . .	A/R
13	12338226-2	SHIM, upper control arm mounting bracket, 0.120" . .	A/R
14	6010174	BRACKET, jumper mounting	1
15	N/S	BOLT, 3/4 - 10 x 4", Gr8, CAD.	8
16	12338173	BRACKET, coolant pipe support.	1
17	EC12338170	BRACKET, vent tube mounting	2
18	N/S	BOLT, 1/2 - 13 x 3 - 3/4", Gr8, CAD	4
19	12338191-1	SPRING SEAT, L.H., front	1
19	12338191-2	SPRING SEAT, R.H., front	1
20	N/S	LOCKNUT, 3/4 - 10, Gr8	8
21	6003010B5	BRACKET, air-lift, R.H.	1
<p>NOTE 1: USE WITH 0.240" SHIM PACK AND THICKER.</p> <p>NOTE 2: USE WITH SHIM PACK UP TO 0.180-INCH THICK.</p> <p>NOTE 3: USE TWO ITEM #8 BOLTS (USE THE SIZE THAT IS CONSISTENT WITH THE SHIM PACK/SPACER COMBINATION) AND TWO ITEM #2 WASHERS TO REPLACE THIS ASSEMBLY.</p>			

2003 HUMMER H1 PARTS CATALOG

9-22 AXLES/SUSPENSION/FRAME

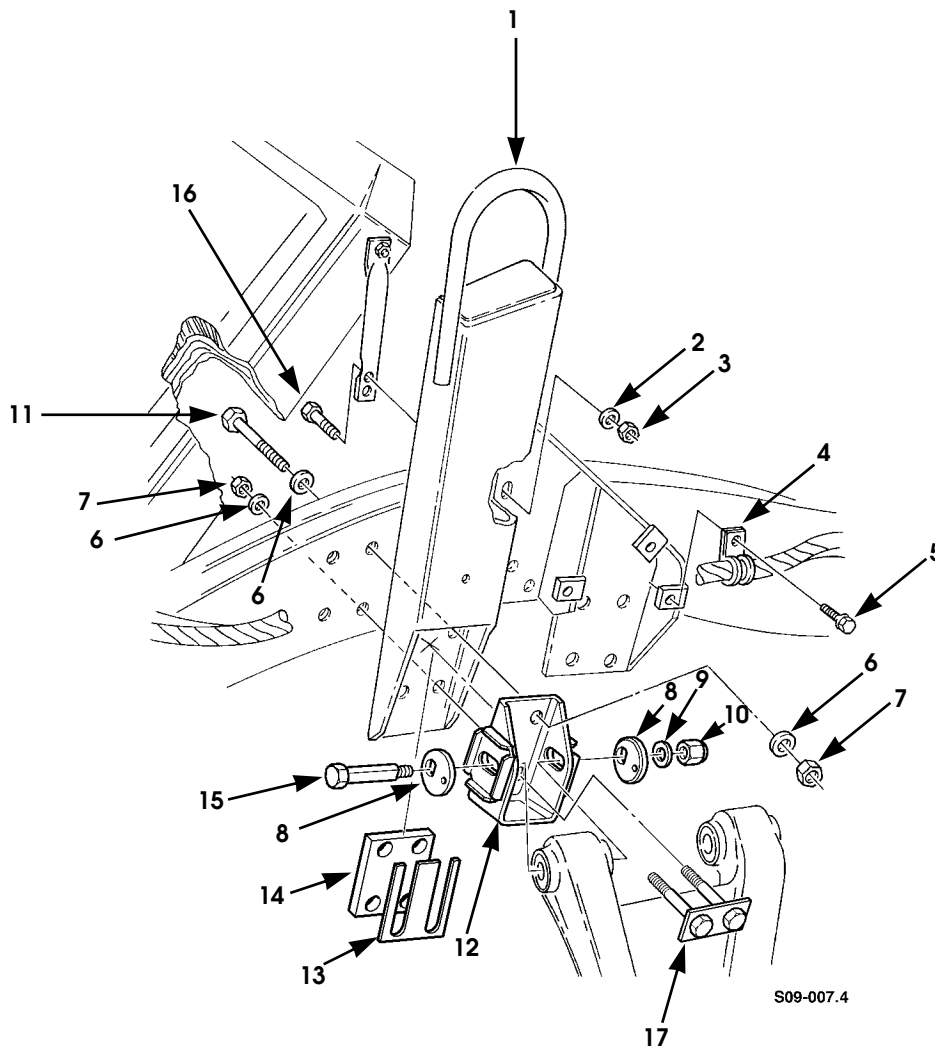


Figure 9-9. Front Upper Control Arm Brackets, L.H.

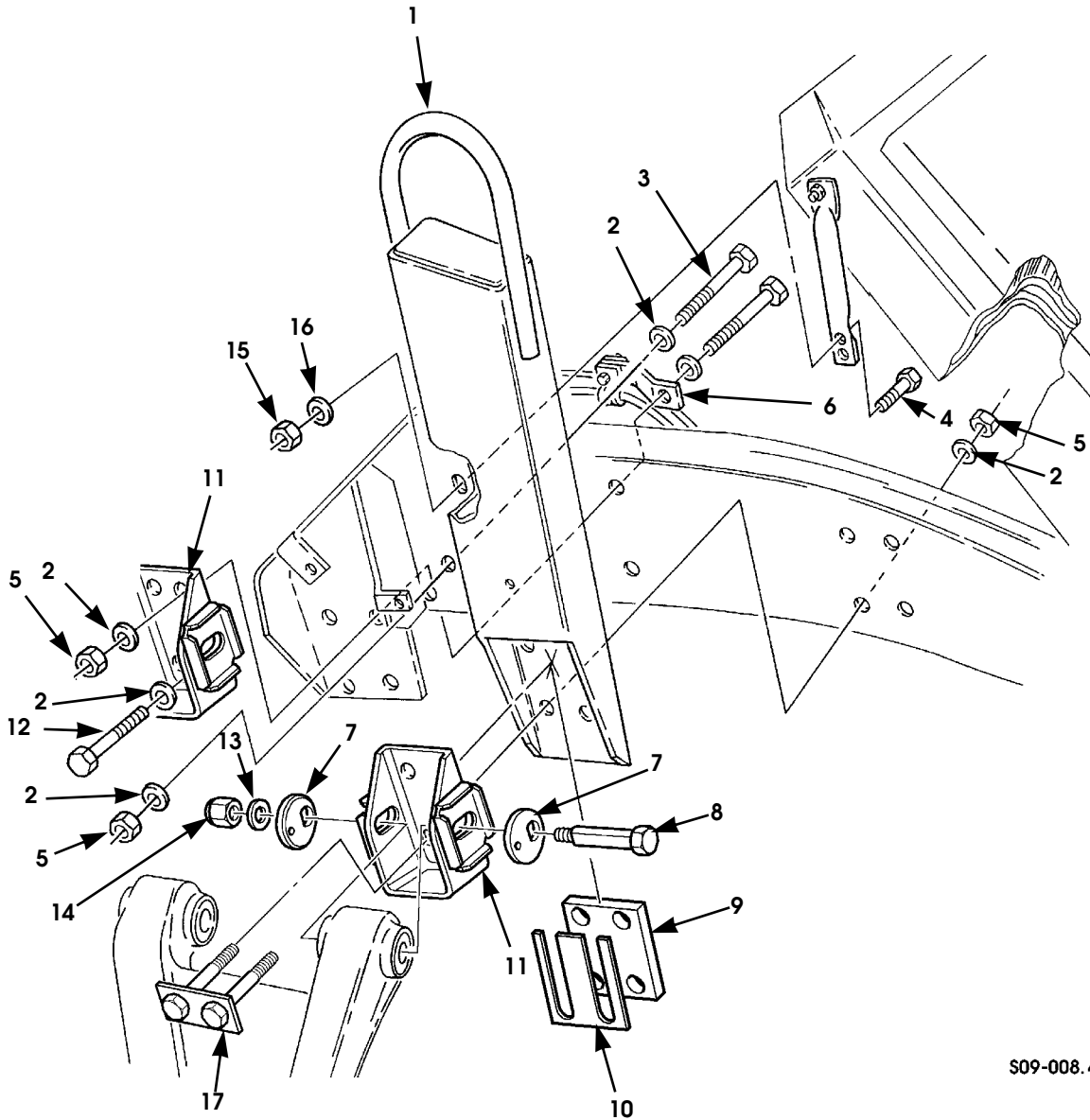
2003 HUMMER H1 PARTS CATALOG

AXLES/SUSPENSION/FRAME 9-23

ITEM	PART NUMBER	DESCRIPTION	QTY
		Figure 9-9. Front Upper Control Arm Brackets, L.H.	
1	WB12342361B5	BRACKET ASSEMBLY, air lift, L.H.	1
2	N/S	WASHER, flat, hardened, 3/8"	1
3	N/S	LOCKNUT, 3/8 - 16"	1
4	N/S	P-CLIP, cushioned, 1/2"	3
5	N/S	SCREW, tapping, 1/4 - 20 x 1/2"	3
6	N/S	WASHER, flat, hardened, 1/2"	6
7	N/S	LOCKNUT, 1/2 - 13"	8
8	6009537	CAM, suspension alignment.	4
9	N/S	WASHER, flat, hardened, 3/4"	2
10	N/S	LOCKNUT, 3/4 - 10"	2
11	N/S	BOLT, 1/2 - 13 x 3 - 3/4", Gr8, SEE NOTE 1	6
11	N/S	BOLT, 1/2 - 13 x 1 - 3/4", Gr8, SEE NOTE 2	6
12	6009538B9	BRACKET ASSEMBLY, upper control arm, front.	2
13	12338226-1	SHIM, upper control arm mounting bracket, 0.060" . .	A/R
13	12338226-2	SHIM, upper control arm mounting bracket, 0.120" . .	A/R
14	6009543	SPACER, upper control arm mounting bracket, 0.125" . .	A/R
14	6009573	SPACER, upper control arm mounting bracket, 0.250" . .	A/R
15	6009807	BOLT, flat-sided, 3/4 - 10 x 5 - 1/4", control arm mounting	2
16	N/S	BOLT, 3/8 - 16 x 1", Gr5, Phos.	1
17	N/S	BRACKET ASSEMBLY, mounting, front, SEE NOTE 3	1
		NOTE 1: USE WITH SHIM PACK/SPACER COMBINATION OF 0.250" OR THICKER.	
		NOTE 2: USE WITH SHIM PACK/SPACER COMBINATION OF UP TO 0.240" THICK.	
		NOTE 3: USE TWO ITEM #11 BOLTS (USE THE SIZE THAT IS CONSISTENT WITH THE SHIM PACK/SPACER COMBINATION) AND TWO ITEM #6 WASHERS TO REPLACE THIS ASSEMBLY.	

2003 HUMMER H1 PARTS CATALOG

9-24 AXLES/SUSPENSION/FRAME



S09-008.4

Figure 9-10. Front Upper Control Arm Brackets, R.H.

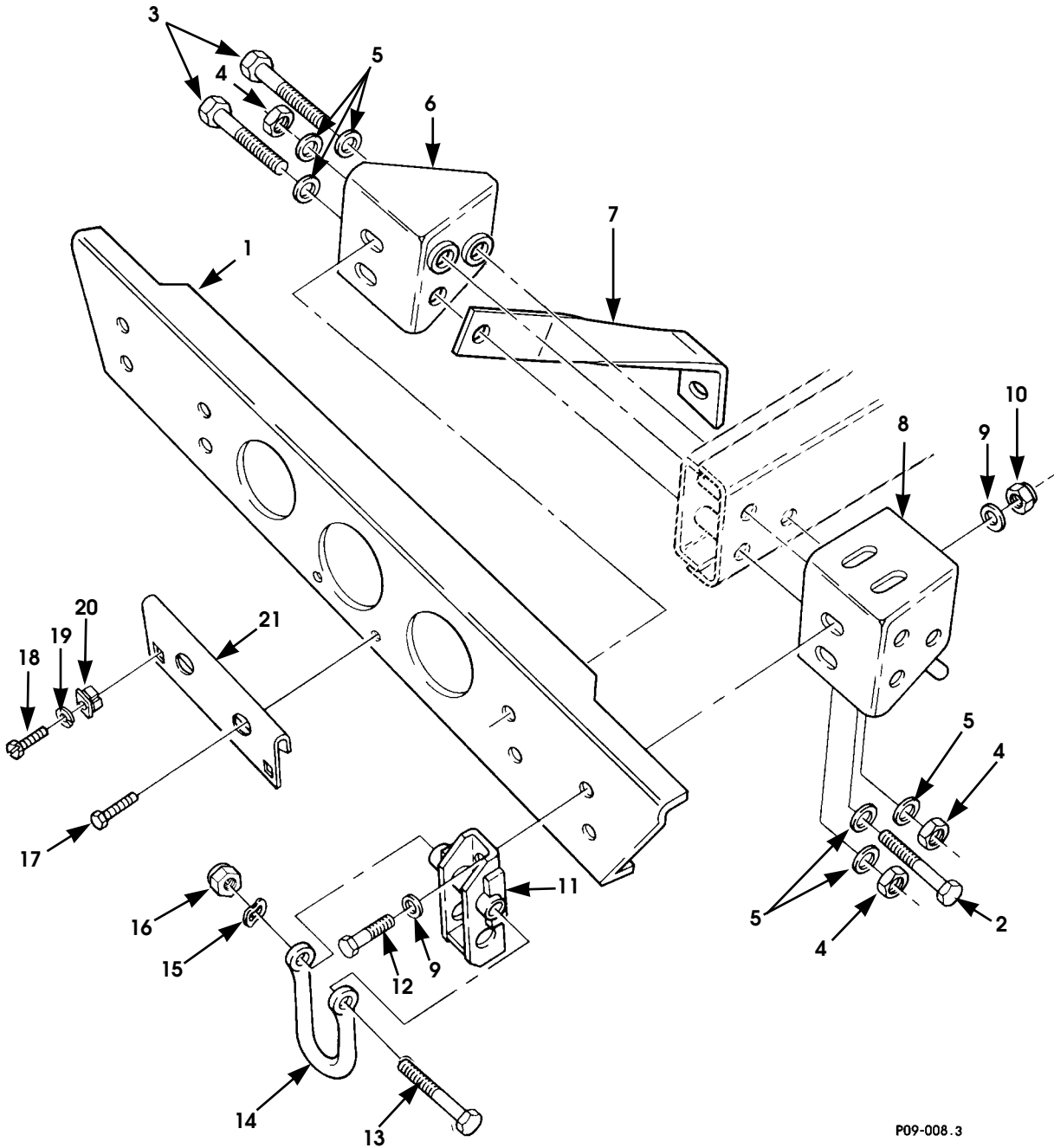
2003 HUMMER H1 PARTS CATALOG

AXLES/SUSPENSION/FRAME 9-25

ITEM	PART NUMBER	DESCRIPTION	QTY
		Figure 9-10. Front Upper Control Arm Brackets, R.H.	
1	6003010B5	BRACKET, air-lift, R.H.	1
2	N/S	WASHER, flat, hardened, 1/2", type B	16
3	N/S	BOLT, 1/2 - 13 x 4", Gr8, SEE NOTE 1	4
3	N/S	BOLT, 1/2 - 13 x 3 - 3/4", Gr8, SEE NOTE 2	4
4	N/S	BOLT, 3/8 - 16 x 1", Gr5.	1
5	N/S	LOCKNUT, 1/2 - 13", Gr 8	8
6	12338159	BRACKET, vent line	1
7	6009537	CAM, suspension alignment.	4
8	6009807	BOLT, flat-sided, 3/4 - 10 x 5 - 1/4", control arm mounting	2
9	6009543	SPACER, upper control arm mounting bracket, 0.125"	A/R
9	6009573	SPACER, upper control arm mounting bracket, 0.250"	A/R
10	12338226-1	SHIM, upper control arm mounting bracket, 0.060"	A/R
10	12338226-2	SHIM, upper control arm mounting bracket, 0.120"	A/R
11	6009538B9	BRACKET ASSEMBLY, upper control arm, front.	2
12	N/S	BOLT, 1/2 - 13 x 3 - 3/4", Gr8, SEE NOTE 1	6
12	N/S	BOLT, 1/2 - 13 x 1 - 3/4", Gr8, SEE NOTE 2	6
13	N/S	WASHER, flat, hardened, 3/4", type B	2
14	9422307	LOCKNUT, 3/4 - 10"	2
15	N/S	LOCKNUT, 3/8 - 16", Gr5	1
16	N/S	WASHER, flat, hardened, 3/8", type B	1
17	N/S	BRACKET ASSEMBLY, mounting, front, SEE NOTE 3	1
		NOTE 1: USE WITH SHIM PACK/SPACER COMBINATION OF 0.250" OR THICKER.	
		NOTE 2: USE WITH SHIM PACK/SPACER COMBINATION OF UP TO 0.240" THICK.	
		NOTE 3: USE TWO ITEM #12 BOLTS (USE THE SIZE THAT IS CONSISTENT WITH THE SHIM PACK/SPACER COMBINATION) AND TWO ITEM #2 WASHERS TO REPLACE THIS ASSEMBLY.	

2003 HUMMER H1 PARTS CATALOG

9-26 AXLES/SUSPENSION/FRAME



P09-008.3

Figure 9-11. Bumper, Front and Lifting Shackle (without Winch).

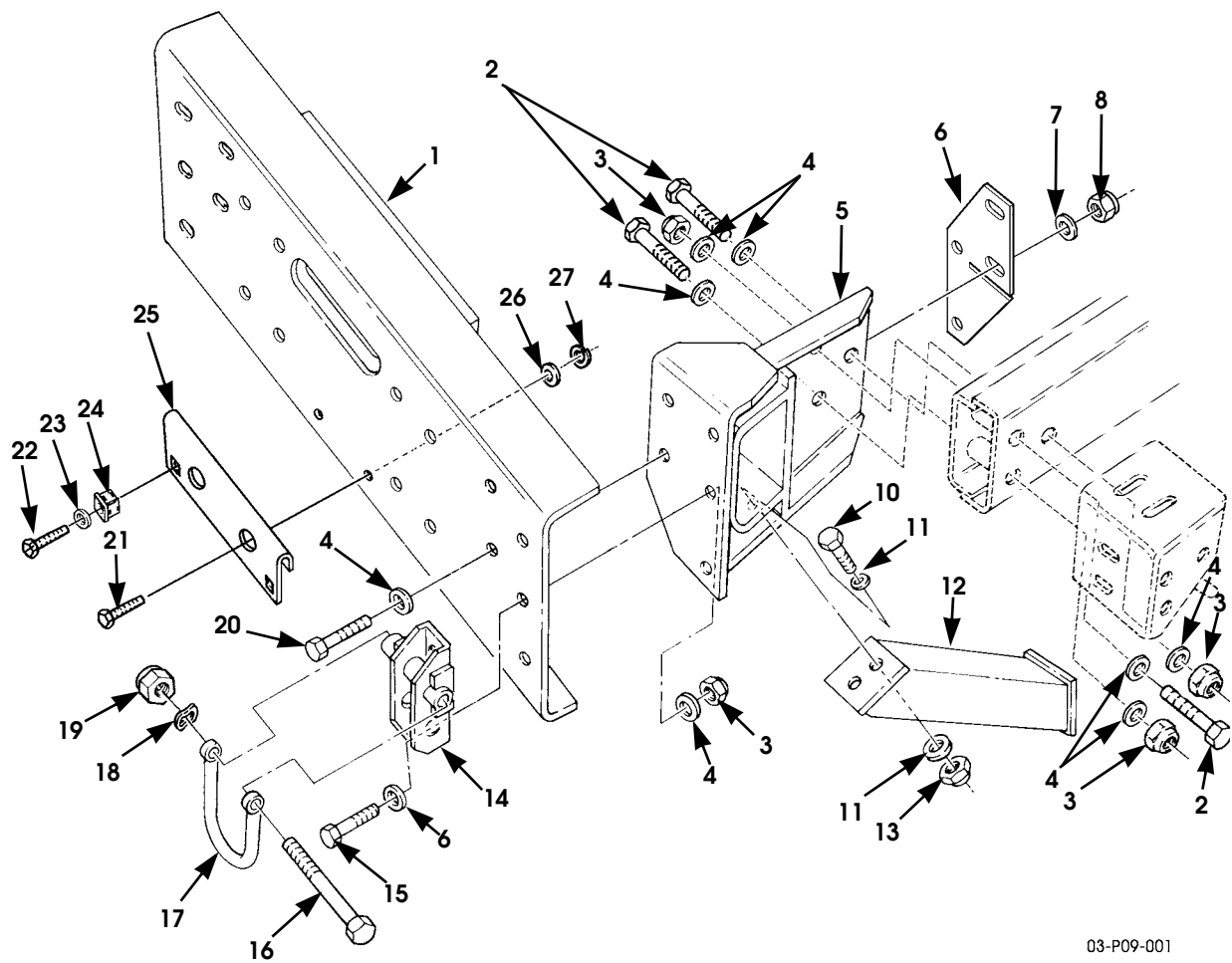
2003 HUMMER H1 PARTS CATALOG

AXLES/SUSPENSION/FRAME 9-27

ITEM	PART NUMBER	DESCRIPTION	QTY
		Figure 9-11. Bumper, Front and Lifting Shackle (without Winch).	
1	5935800B5	BUMPER, front.	1
2	N/S	BOLT, 5/8 - 11 x 3 - 1/4", Gr8, CAD	2
3	N/S	BOLT, 5/8 - 11 x 3 - 1/2", Gr8, CAD	4
4	N/S	NUT, 5/8 - 11", Gr8, CAD	6
5	N/S	WASHER, flat, hard, 5/8", type B	12
6	6001552B5	BRACKET ASSEMBLY, tow hook support, L.H., w/o winch SEE NOTE 1	1
6	6001553B5	BRACKET ASSEMBLY, tow hook support, R.H., w/o winch SEE NOTE 1	1
7	12338165	BRACE, front suspension	2
8	WA12338199-1	BRACKET ASSEMBLY, front bumper, L.H.	2
8	WA12338199-2	BRACKET ASSEMBLY, front bumper, R.H.	2
9	N/S	WASHER, flat, hard, 1/2", type B	8
10	N/S	LOCKNUT, 1/2 - 13", Gr8	4
11	12342404B5	BRACKET, towing	2
12	N/S	BOLT, 1/2 - 13 x 1 - 3/4", Gr8, CAD	4
13	6011153P2	•BOLT, 5/8 - 18 x 5 5 - 1/2" Gr8	2
14	EC12342354B5	SHACKLE, lifting	2
15	7716721	WASHER, wave, 3/4", rear shackles	2
16	272739P2	NUT, w/washer, 5/8 - 18", Gr5	2
17	N/S	SCREW, 1/4 - 20 x 5/8", CAD	2
18	N/S	SCREW, 1/4 - 28 x 5/8", ZN, license plate mounting . . .	2
19	N/S	LOCKWASHER, 1/4", med, ZN	4
20	5939483	GROMMET, square head, license plate bracket	2
21	5939482B5	BRACKET, front license plate mounting	1
		NOTE 1: FOR USE ONLY WITH BRUSHGUARD AND NO WINCH.	

2003 HUMMER H1 PARTS CATALOG

9-28 AXLES/SUSPENSION/FRAME



03-P09-001

Figure 9-12. Bumper, Front and Lifting Shackle (with Winch).

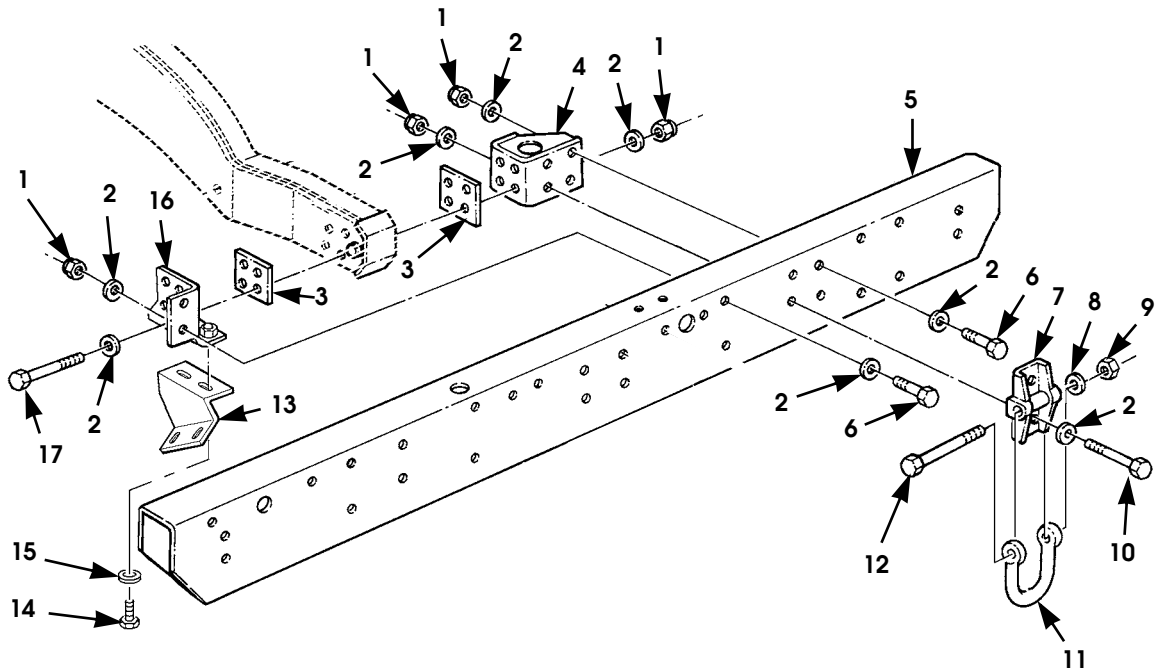
2003 HUMMER H1 PARTS CATALOG

AXLES/SUSPENSION/FRAME 9-29

ITEM	PART NUMBER	DESCRIPTION	QTY
		Figure 9-12. Bumper, Front and Lifting Shackle (with Winch).	
1	6014209B5	BUMPER, front, with winch.	1
2	N/S	BOLT, 5/8 - 11 x 3 - 3/4", Gr8, CAD.	6
3	N/S	LOCKNUT, 5/8 - 11", Gr8	6
4	N/S	WASHER, flat, hardened, 5/8", type B	12
5	12342388B5	FRAME EXTENSION, front bumper, R.H.	1
5	6014153B5	FRAME EXTENSION, front bumper, L.H.	1
6	6014216	BRACKET ASSEMBLY, bumper, L.H.	1
6	6014219	BRACKET ASSEMBLY, bumper, R.H.	1
7	S.I.K.	WASHER, flat, hard, 1/2", type B	13
8	S.I.K.	LOCKNUT, 1/2 - 13", front bumper	8
9	S.I.K.	WASHER, flat, 3/8", brace assembly.	8
10	S.I.K.	BOLT, 3/8 - 16 x 1", brace assembly.	4
11	12342389	BRACE ASSEMBLY, L.H.	1
11	12342390	BRACE ASSEMBLY, R.H.	1
12	S.I.K.	NUT, 3/8 - 16", brace assembly	4
13	12342404B5	BRACKET, towing	2
14	N/S	BOLT, 1/2 - 13 x 1 - 3/4", Gr8, CAD	8
15	6011153P2	•BOLT, 5/8 - 18 x 5 - 1/2" Gr8	2
16	EC12342354B9	SHACKLE, lifting	2
17	7716721	WASHER, wave, 3/4", rear shackles	2
18	272739P2	NUT, w/washer, 5/8 - 18", Gr5	2
19	S.I.K.	BOLT, 1/2 - 13 x 1 - 1/4", frame extension	2
20	N/S	BOLT, 1/4 - 20 x 3/4", CAD	2
21	N/S	BOLT, 1/4 - 28 x 5/8", ZN.	2
22	N/S	LOCKWASHER, med, 1/4", ZN	2
23	5939483	GROMMET, square head, license plate bracket	2
24	5939482B5	BRACKET, front license plate mounting.	1
25	N/S	WASHER, flat, 1/4"	2
26	N/S	NUT, lockwasher, 1/4-20.	2

2003 HUMMER H1 PARTS CATALOG

9-30 AXLES/SUSPENSION/FRAME



P09-010.2

Figure 9-13. Bumper, Rear and Lifting Shackle.

2003 HUMMER H1 PARTS CATALOG

AXLES/SUSPENSION/FRAME 9-31

ITEM	PART NUMBER	DESCRIPTION	QTY
		Figure 9-13. Bumper, Rear and Lifting Shackle.	
1	N/S	LOCKNUT, 1/2 - 13", Gr8, rear bumper.	20
2	N/S	WASHER, flat, hard, 1/2", type B, rear bumper	42
3	EC12338164B1	SPACER, mounting bracket, rear bumper.	4
4	12446989B5	BRACKET, rear bumper, L.H., outer	1
4	12446990B5	BRACKET, rear bumper, R.H., outer.	1
5	6009595B5	BUMPER ASSEMBLY, rear	1
6	N/S	BOLT, 1/2 - 13 x 3 - 1/2", Gr8, CAD, rear bumper	8
7	12342373B5	BRACKET, rear bumper shackle	2
8	7716721	WASHER, wave, 3/4", rear shackles	2
9	272739P2	NUT, w/washer, 5/8 - 18", Gr5	2
10	5743671	BOLT, rear bumper	4
11	EC12342354B5	SHACKLE, lifting	2
12	6011153P2	•BOLT, 5/8 - 18 x 5 - 1/2" Gr8	2
13	6006797B9	BRACKET, skid plate mounting, L.H.	1
13	6006798B9	BRACKET, skid plate mounting, R.H.	1
14	N/S	BOLT, 3/8 - 16 x 1", Gr8, CAD.	4
15	N/S	WASHER, flat, 3/8", type B	4
16	6006741B5	BRACKET, rear bumper, L.H., inner	1
16	6006749B5	BRACKET, rear bumper, R.H., inner	1
17	N/S	BOLT, 1/2 - 13 x 4 - 1/4", Gr8, CAD	8

2003 HUMMER H1 PARTS CATALOG

9-32 AXLES/SUSPENSION/FRAME

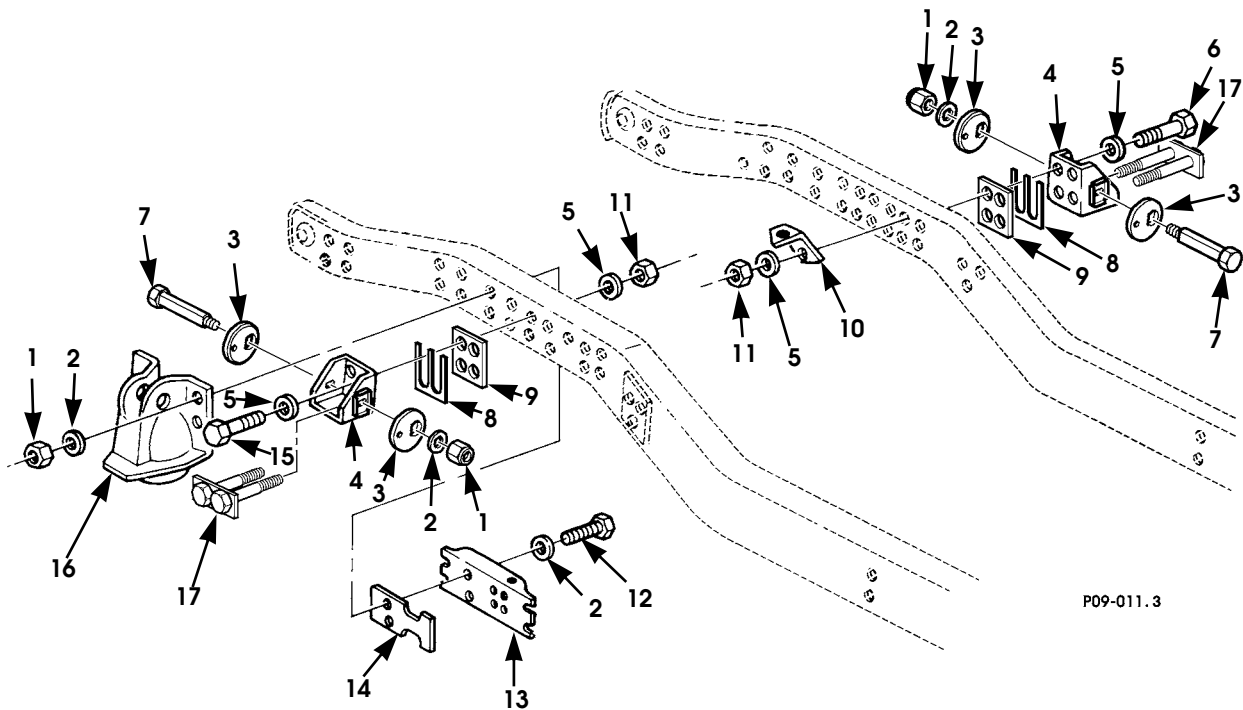


Figure 9-14. Upper Control Arm Brackets, Spring Seats, Related Parts, and Mounting Hardware.

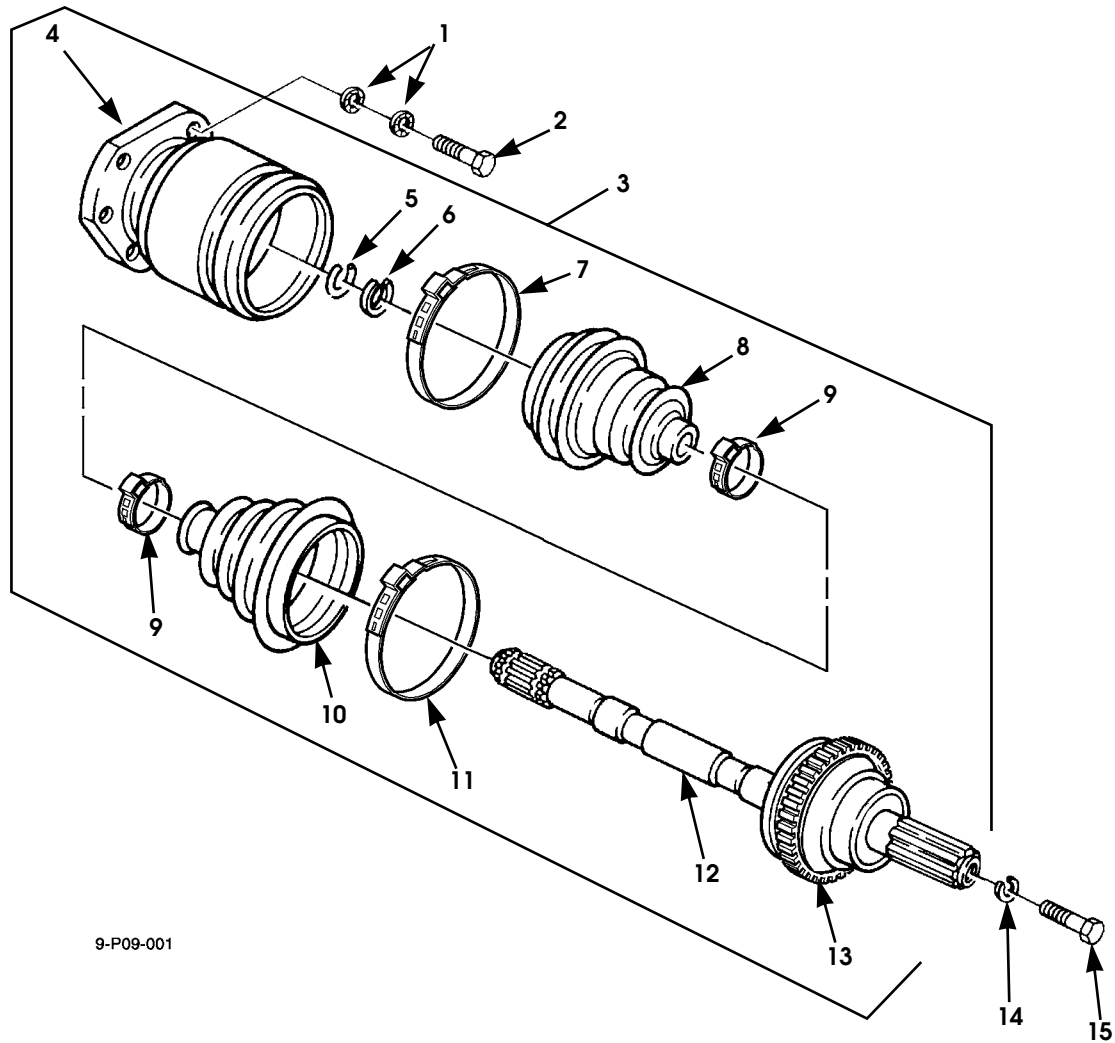
2003 HUMMER H1 PARTS CATALOG

AXLES/SUSPENSION/FRAME 9-33

ITEM	PART NUMBER	DESCRIPTION	QTY
		Figure 9-14. Upper Control Arm Brackets, Spring Seats, Related Parts, and Mounting Hardware.	
1	N/S	LOCKNUT, 3/4 - 10", Gr8, CAD	12
2	N/S	WASHER, flat, hardened, 3/4", type B	20
3	6009537	CAM, suspension alignment.	8
4	6009539B9	BRACKET ASSEMBLY, upper control arm, rear	4
5	N/S	WASHER, flat, hardened, 1/2", type B	32
6	N/S	BOLT, 1/2 - 13 x 4 - 1/4", Gr8, CAD, SEE NOTE 1.	12
6	N/S	BOLT, 1/2 - 13 x 4", Gr8, CAD, SEE NOTE 2.	12
7	6009807	BOLT, flat-sided, 3/4 - 10 x 5 - 1/4", control arm mounting	4
8	12338226-1	SHIM, upper control arm mounting bracket, 0.060"	A/R
8	12338226-2	SHIM, upper control arm mounting bracket, 0.120"	A/R
9	6009543	SPACER, upper control arm mounting bracket, 0.125"	A/R
9	6009573	SPACER, upper control arm mounting bracket, 0.250"	A/R
10	12338172	BRACKET, vent line	1
11	N/S	LOCKNUT, 1/2 - 13", Gr8, CAD	16
12	N/S	BOLT, 3/4 - 10 x 4 - 3/4", Gr8, CAD	8
13	12338152	REINFORCEMENT, frame	2
14	EC12338174B1	PLATE, frame reinforcement.	2
15	N/S	BOLT, 1/2 - 13 x 4 - 1/2", Gr8, CAD, SEE NOTE 1.	8
15	N/S	BOLT, 1/2 - 13 x 4 - 1/4", Gr8, CAD, SEE NOTE 2.	8
16	12338738	SEAT, rear spring	2
17	N/S	BRACKET ASSEMBLY, mounting, rear, SEE NOTE 3.	2
		NOTE 1: USE WITH SHIM PACK/SPACER COMBINATION OF 0.250" OR THICKER.	
		NOTE 2: USE WITH SHIM PACK/SPACER COMBINATION OF UP TO 0.240" THICK.	
		NOTE 3: USE TWO ITEM #15 BOLTS (USE THE SIZE THAT IS CONSISTENT WITH THE SHIM PACK/SPACER COMBINATION) AND TWO ITEM #5 WASHERS TO REPLACE THIS ASSEMBLY.	

2003 HUMMER H1 PARTS CATALOG

9-34 AXLES/SUSPENSION/FRAME



9-P09-001

Figure 9-15. Halfshaft Assembly, Left and Right Side.

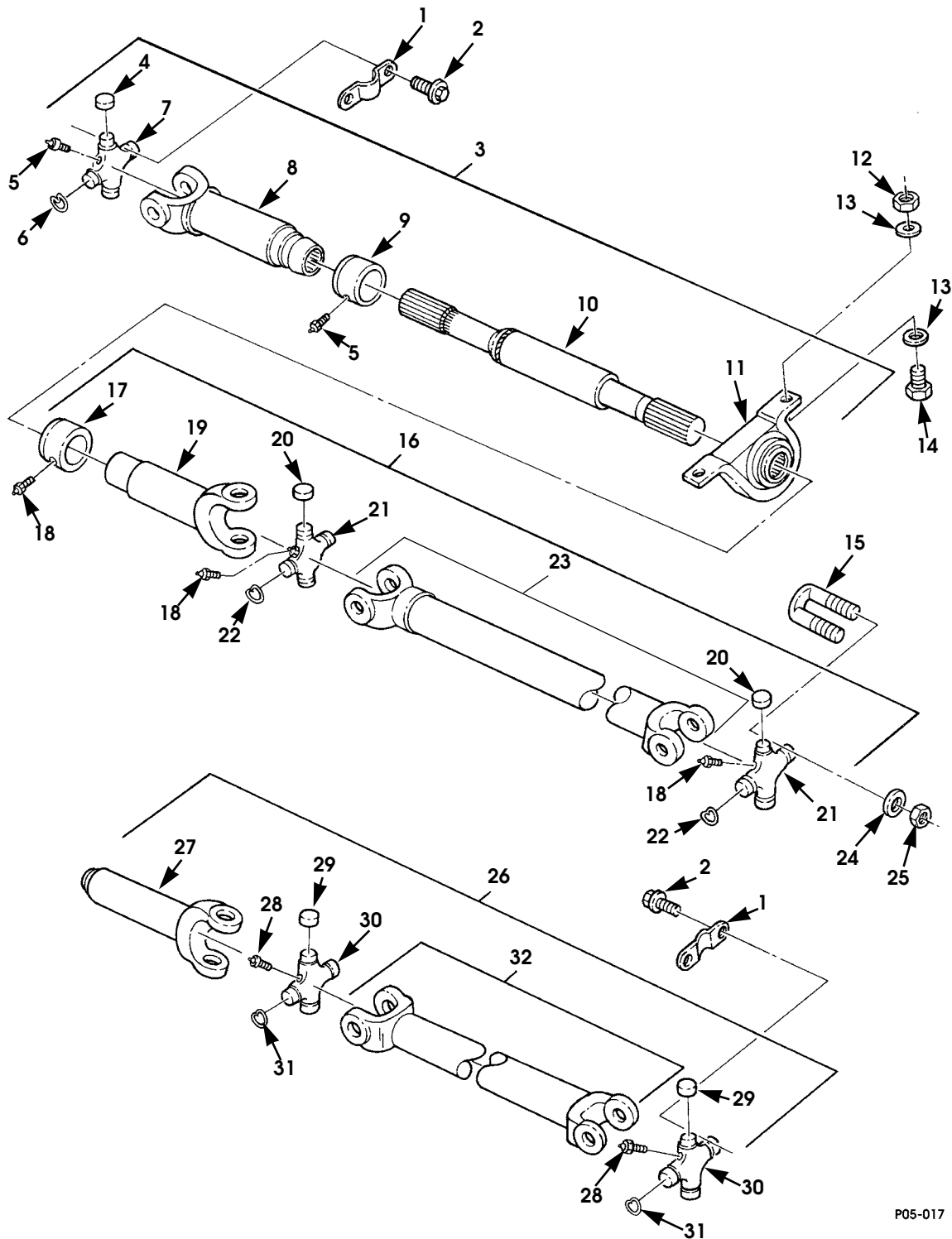
2003 HUMMER H1 PARTS CATALOG

AXLES/SUSPENSION/FRAME 9-35

ITEM	PART NUMBER	DESCRIPTION	QTY
		Figure 9-15. Halfshaft Assembly, Left and Right Side.	
1	6008029	LOCKWASHER, M10, camlock, SEE NOTE 1	12
2	6008021	BOLT, M10 -1.5 x 35, w/dri lock, SEE NOTE 1	6
3	6011466	HALFSHAFT ASSEMBLY, rear, L.H. and R.H.	2
3	6011469	HALFSHAFT ASSEMBLY, rear, L.H. and R.H., 12,100-lb GVW.	2
3	6011464	HALFSHAFT ASSEMBLY, front, R.H.,	1
3	6011467	HALFSHAFT ASSEMBLY, front, R.H., 12,100-lb GVW	1
3	6011465	HALFSHAFT ASSEMBLY, front, L.H.,	1
3	6011468	HALFSHAFT ASSEMBLY, front, L.H., 12,100-lb GVW.	1
4	S.I.A.	•HOUSING, halfshaft, at axle.	1
5	S.I.A.	•RETAINING RING, shaft.	2
6	S.I.A.	•SPACER RING, halfshaft	2
7	5744413	•CLAMP, plunge boot, SEE NOTES 2 AND 3	1
7	5744623	•CLAMP, plunge boot, SEE NOTE 4	1
8	S.I.A.	•BOOT, joint assembly, inner, SEE NOTE 3	1
8	S.I.A.	•BOOT, joint assembly, inner, 12,100-lb GVW, SEE NOTE 4.	1
9	5744414	•CLAMP, boot, inner, plunge and fixed joint assemblies, SEE NOTES 2 AND 3	2
9	5744621	•CLAMP, boot, inner, plunge and fixed joint assemblies, 12,100-lb GVW, SEE NOTE 4.	2
10	S.I.A.	•BOOT, fixed joint assembly, SEE NOTE 2	1
10	S.I.A.	•BOOT, fixed joint assembly, 12,100-lb GVW, SEE NOTE 4	1
11	5744415	•CLAMP, boot, race, joint assembly, SEE NOTE 2	1
11	5744622	•CLAMP, boot, race, joint assembly, 12,100-lb GVW, SEE NOTE 4	1
12	S.I.A.	•SHAFT, halfshaft, front, L.H.	1
12	S.I.A.	•SHAFT, halfshaft, front, R.H.	1
12	S.I.A.	•SHAFT, halfshaft, rear, L.H. and R.H.	1
13	6009900	TONE RING, Standard.	1
13	6009901	TONE RING, 12,100 GVW	1
14	N/S	LOCKWASHER, med, 3/8", Phos	1
15	N/S	SCREW, 3/8 -16 x 1 - 1/4", cap, Gr8, CAD.	1
	5742070	GREASE, 3oz. package (not illustrated)	A/R
		NOTE 1: QUANTITIES SHOWN ARE PER HALFSHAFT.	
		NOTE 2: PART OF FIXED JOINT BOOT PARTS KIT P/N 57K0275.	
		NOTE 3: PART OF PLUNGE JOINT BOOT PARTS KIT P/N 57K0274.	
		NOTE 4: PART OF BOOT PARTS KIT P/N 57K3515C. BOOT KIT CONTAINS 2 IDENTICAL BOOTS AND 4 CLAMPS.	

2003 HUMMER H1 PARTS CATALOG

9-36 AXLES/SUSPENSION/FRAME



P05-017

Figure 9-16. Propeller Shafts.

2003 HUMMER H1 PARTS CATALOG

AXLES/SUSPENSION/FRAME 9-37

ITEM	PART NUMBER	DESCRIPTION	QTY
		Figure 9-16. Propeller Shafts.	
1	12339301	STRAP,cross assembly,bearing	4
1	5937636	STRAP,cross assembly,bearing, 12,100-lb GVW	2
2	12339049	SCREW,cross assembly,	8
2	5937637	SCREW,cross assembly, 12,100-lb GVW.	4
3	6008596	PROPSHAFT,collapsing,front	1
4	S.I.K.	•BEARING RACE,SEE NOTE 1	4
5	MS15001-1	•FITTING,zerk, 1/4 - 28 x 3/16"	2
6	S.I.K.	•RING,SEE NOTE 1	2
7	S.I.K.	•CROSS ASSEMBLY,SEE NOTE 1	1
8	S.I.A.	•YOKE,universal	1
9	5740723	•DUST CAP	1
10	S.I.A.	•PROPELLER SHAFT,front	1
11	5741082	•BEARING,center	1
12	N/S	NUT,7/16 - 14",Gr8,CAD	2
13	N/S	WASHER,flat,7/16",type B,hard	4
14	N/S	SCREW,7/16 - 14 x 1",Gr8,CAD	2
15	EC12339050	U-BOLT.	2
16	12447114	DRIVE SHAFT,front	1
17	5740723	•DUST CAP	1
18	MS15001-1	•FITTING,zerk, 1/4 - 28 x 3/16"	3
19	5937482	•YOKE,universal	1
20	S.I.K.	•BEARING RACE,SEE NOTE 1	8
21	S.I.K.	•CROSS ASSEMBLY,SEE NOTE 1	2
22	S.I.K.	•RING,SEE NOTE 1	6
23	S.I.A.	•PROPELLER SHAFT,front middle	1
24	N/S	LOCKWASHER,med,5/16",CAD	4
25	N/S	NUT,5/16 - 24",Gr8	4
26	12447113	PROPSHAFT,rear	1
26	RCSK17057	PROPSHAFT,rear, 12,100-lb GVW	1
27	5743957	•SLIP YOKE,universal joint	1
28	MS15001-1	•FITTING,zerk, 1/4 - 28 x 3/16"	2
29	S.I.K.	•BEARING RACE,SEE NOTE 2	8
30	S.I.K.	•CROSS ASSEMBLY,SEE NOTE 2	2
31	S.I.K.	•RING,SEE NOTE 1	6
32	S.I.A.	•PROPELLER SHAFT,rear	1
		NOTE 1: USE JOURNAL AND BEARING KIT P/N 5595706. 10,300 GVW.	
		NOTE 2: USE JOURNAL AND BEARING KIT 12,100 GVW REAR P/N 5714519 12,100 REAR U-JOINTS.	

2003 HUMMER H1 PARTS CATALOG

9-38 AXLES/SUSPENSION/FRAME

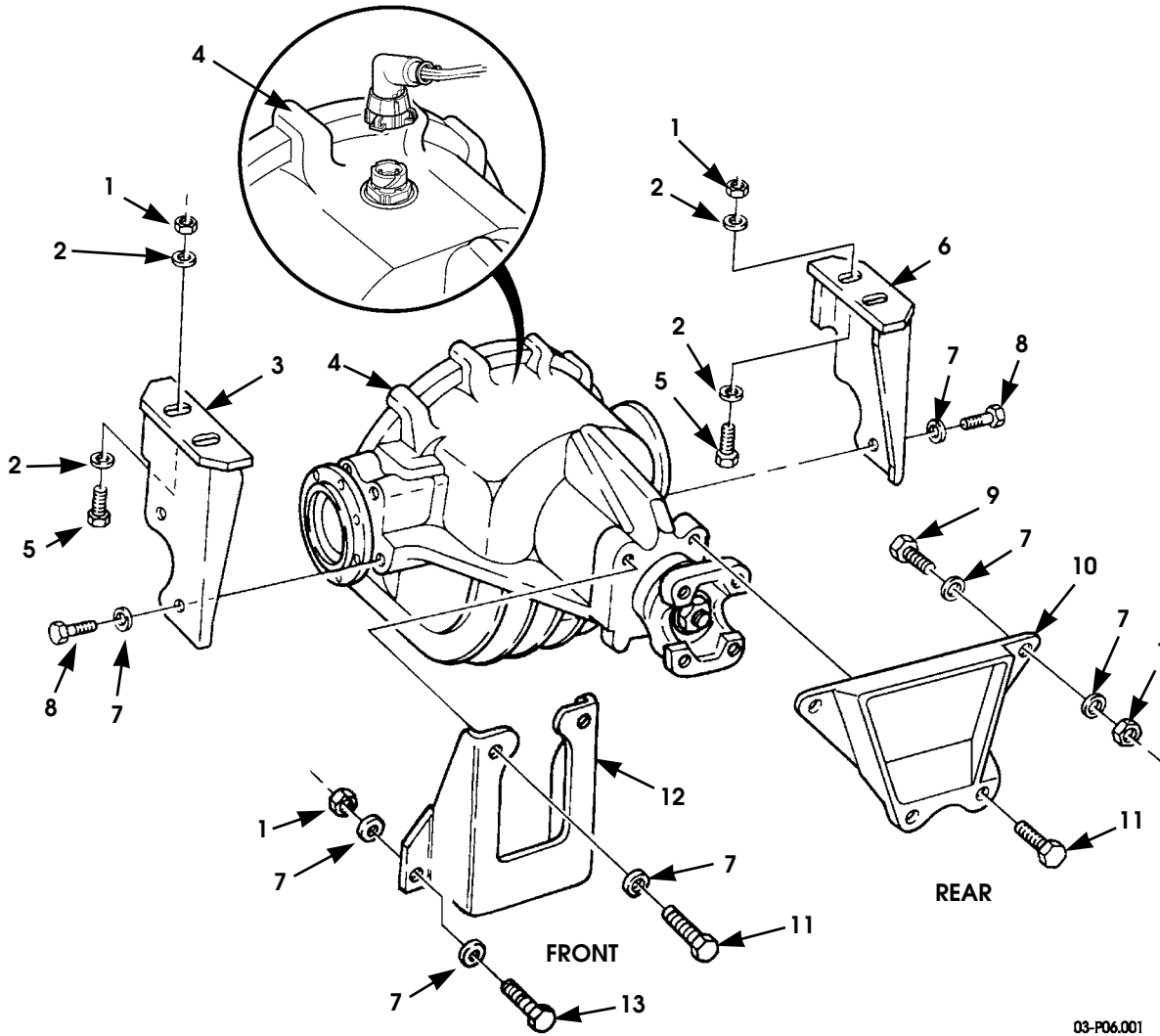


Figure 9-17. Axle Differential, Mounting Brackets, and Hardware.

2003 HUMMER H1 PARTS CATALOG

AXLES/SUSPENSION/FRAME 9-39

ITEM	PART NUMBER	DESCRIPTION	QTY
		Figure 9-17. Axle Differential, Mounting Brackets, and Hardware.	
1	N/S	LOCKNUT, 1/2 - 13", Gr8	2
2	N/S	WASHER, flat, hard, 1/2", type B	4
3	12338150-1	BRACKET, front differential, L.H. SEE NOTE 1	1
3	12338151-2	BRACKET, rear differential, R.H. SEE NOTE 1	1
3	12338150-7B1	BRACKET, front differential, L.H., 12,100-lb GVW SEE NOTE 1	1
3	12338151-6B1	BRACKET, rear differential, R.H., 12,100-lb GVW SEE NOTE 1	1
4	6011934	AXLE ASM, front or rear, 2.56:1 ratio W/2.3 TBR	2
4	6011935	AXLE ASM, front, 3.08:1 ratio, 12,100-lb GVW W/2.3 TBR.	1
4	6011936	AXLE ASM, rear, 3.08:1 ratio, 12,100-lb GVW W/2.3 TBR.	1
4	6013891	AXLE ASM, rear, 2.56:1 ratio, W/E-Locker	1
4	6013892	AXLE ASM, rear, 3.08:1 ratio, 12,00-lb GVW, W/E-Locker.	1
5	N/S	SCREW, 1/2 - 13 x 1 - 1/4", Gr8, CAD	2
5	N/S	SCREW, 1/2 - 13 x 1 - 1/2", Gr8, CAD, 12,100-lb GVW	4
6	12338150-2	BRACKET, front differential, R.H. SEE NOTE 1.	1
6	12338151-1	BRACKET, rear differential, L.H. SEE NOTE 1	1
6	12338150-6B1	BRACKET, front differential, R.H., 12,100-lb GVW SEE NOTE 1	1
6	12338151-7B1	BRACKET, rear differential, L.H., 12,100-lb GVW SEE NOTE 1	1
7	N/S	WASHER, flat, hard, 5/8", type B	8
8	N/S	SCREW, lock, 5/8 - 11 x 1 - 1/4", Gr8, Phos	2
9	N/S	SCREW, 1/2 - 13 x 3 - 1/4", Gr8, CAD	2
10	12341900	BRACKET, axle pinion mounting, rear.	1
11	N/S	BOLT, 5/8 - 11 x 1 - 1/2", HHCS, Gr8	2
12	12342801	BRACKET, axle pinion mounting, front	1
12	EC12460286B1	•BRACKET ASSEMBLY, axle pinion mnt., front (12,100-lb GVW)	1
13	N/S	SCREW, 1/2 - 13 x 1", Gr8, CAD.	2
NOTE 1: "K" SERIES VEHICLES ARE AVAILABLE WITH BOTH STANDARD AND 12,100 BRACKETS FRONT/REAR DIFFERENTIAL. 12,100 GVW IS STANDARD ON "K" SEREIES AND 10,300 IS OPTIONAL			

2003 HUMMER H1 PARTS CATALOG

9-40 AXLES/SUSPENSION/FRAME

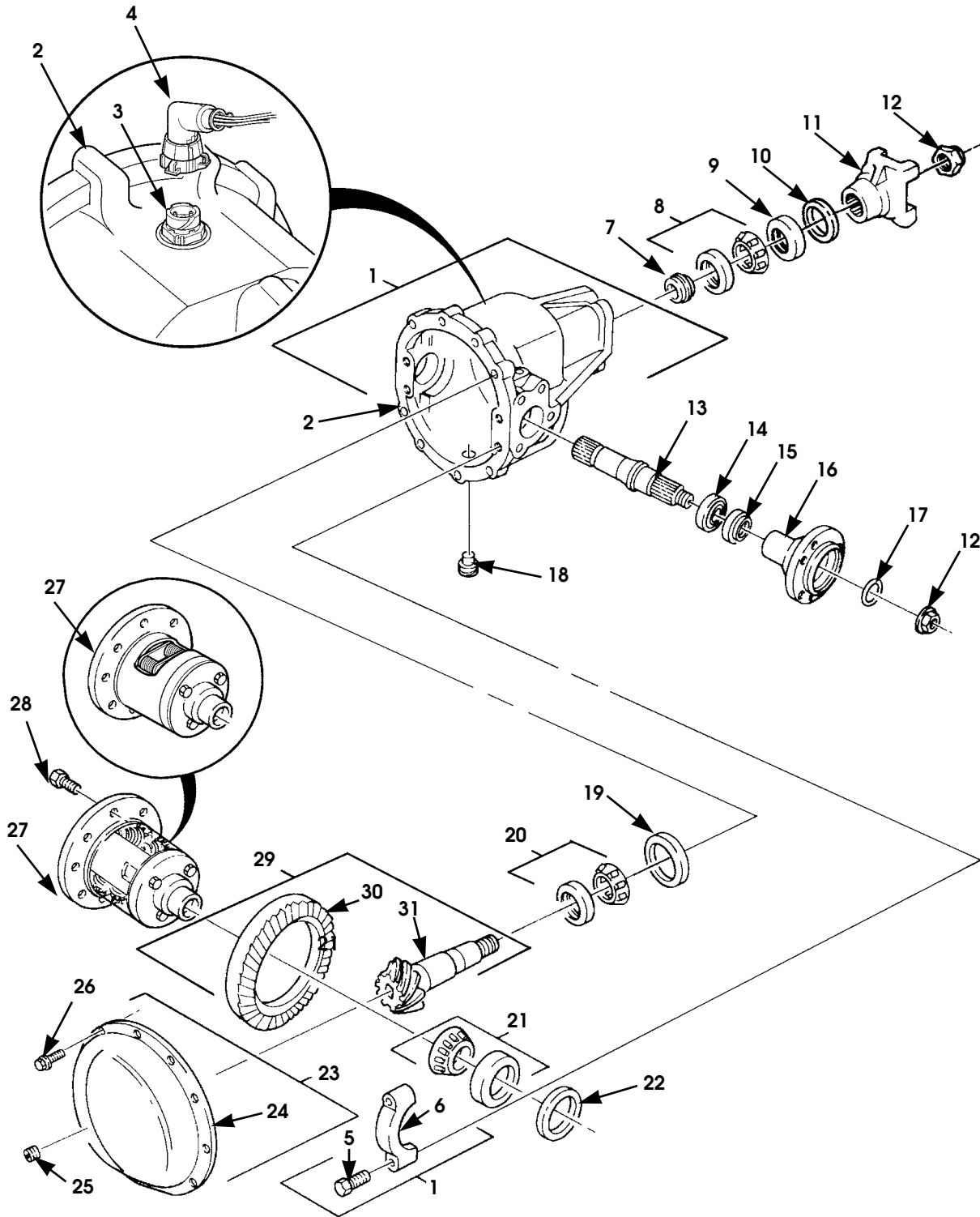


Figure 9-18. Axle Differential.

03-P06-002

2003 HUMMER H1 PARTS CATALOG

AXLES/SUSPENSION/FRAME 9-41

ITEM	PART NUMBER	DESCRIPTION	QTY
		Figure 9-18. Axle Differential.	
1	5579424	HOUSING ASSEMBLY, mechanical, axle differential . . .	1
2	S.I.A.	•HOUSING, axle differential	1
2	6013930	HOUSING, axle differential, E-Locker	1
3	6013929	•HOUSING, axle differential, E-Locker, connector SEE SECTION 12 FOR HARNSS ASSEMBLY	1
4	N/S	CONNECTOR, 4-way, endbell - 90 degree	1
5	5595662	•BOLT, 1/2 -13 x 2 - 5/16", bearing cap	4
6	S.I.A.	•CAP, bearing	2
7	5579450	SPACER, axle pinion	1
8	5583610	BEARING, axle pinion	1
9	5579448	SEAL, axle pinion	1
10	5598183	SLINGER, axle	2
11	5597328	YOKE, differential pinion	2
11	5937525	YOKE, differential pinion, rear, 12,100-lb GVW	1
12	5579442	LOCKNUT, axle shaft	3
13	6010942	SHAFT, axle output	2
14	5579988	BEARING, output shaft	2
15	6009472	SEAL, output shaft	2
16	5593817	FLANGE, output shaft	2
17	5939517	SEAL, star washer, output shaft	2
18	5593148	MAGNETIC PLUG, differential housing drain	1
19	5579445-79	SPACER, axle pinion bearing, 0.0835-0.0845-inch, SEE NOTE 1	1
19	5579445-78	SPACER, axle pinion bearing, 0.0846-0.0856-inch, SEE NOTE 1	1
19	5579445-77	SPACER, axle pinion bearing, 0.0857-0.0867-inch, SEE NOTE 1	1
19	5579445-76	SPACER, axle pinion bearing, 0.0868-0.0878-inch, SEE NOTE 1	1
19	5579445-75	SPACER, axle pinion bearing, 0.0879-0.0889-inch, SEE NOTE 1	1
19	5579445-74	SPACER, axle pinion bearing, 0.0890-0.0900-inch, SEE NOTE 1	1
19	5579445-73	SPACER, axle pinion bearing, 0.0901-0.0911-inch, SEE NOTE 1	1
19	5579445-72	SPACER, axle pinion bearing, 0.0912-0.0922-inch, SEE NOTE 1	1
19	5579445-71	SPACER, axle pinion bearing, 0.0923-0.0933-inch, SEE NOTE 1	1

2003 HUMMER H1 PARTS CATALOG

9-42 AXLES/SUSPENSION/FRAME

ITEM	PART NUMBER	DESCRIPTION	QTY
		Figure 9-18. Axle Differential. (Cont'd)	
19	5579445-70	SPACER, axle pinion bearing, 0.0934-0.0944-inch, SEE NOTE 1	1
19	5579445-69	SPACER, axle pinion bearing, 0.0945-0.0955-inch, SEE NOTE 1	1
19	5579445-68	SPACER, axle pinion bearing, 0.0956-0.0966-inch, SEE NOTE 1	1
19	5579445-67	SPACER, axle pinion bearing, 0.0967-0.0977-inch, SEE NOTE 1	1
19	5579445-66	SPACER, axle pinion bearing, 0.0978-0.0988-inch, SEE NOTE 1	1
19	5579445-65	SPACER, axle pinion bearing, 0.0989-0.0999-inch, SEE NOTE 1	1
19	5579445-64	SPACER, axle pinion bearing, 0.1000-0.1010-inch, SEE NOTE 1	1
19	5579445-63	SPACER, axle pinion bearing, 0.1011-0.1021-inch, SEE NOTE 1	1
19	5579445-62	SPACER, axle pinion bearing, 0.1022-0.1032-inch, SEE NOTE 1	1
19	5579445-61	SPACER, axle pinion bearing, 0.1033-0.1043-inch, SEE NOTE 1	1
19	5579445-60	SPACER, axle pinion bearing, 0.1044-0.1054-inch, SEE NOTE 1	1
19	5579445-59	SPACER, axle pinion bearing, 0.1055-0.1065-inch, SEE NOTE 1	1
19	5579445-58	SPACER, axle pinion bearing, 0.1066-0.1076-inch, SEE NOTE 1	1
19	5579445-57	SPACER, axle pinion bearing, 0.1077-0.1087-inch, SEE NOTE 1	1
19	5579445-56	SPACER, axle pinion bearing, 0.1088-0.1098-inch, SEE NOTE 1	1
19	5579445-55	SPACER, axle pinion bearing, 0.1099-0.1109-inch, SEE NOTE 1	1
19	5579445-54	SPACER, axle pinion bearing, 0.1110-0.1120-inch, SEE NOTE 1	1
20	5583609	BEARING, axle pinion	1
21	5583611	ROLLER BEARING, output shaft	2
22	5579453-44	SPACER, differential bearing, 0.0745-0.0755-inch, SEE NOTE 2	1
22	5579453-45	SPACER, differential bearing, 0.0756-0.0766-inch, SEE NOTE 2	1

2003 HUMMER H1 PARTS CATALOG

AXLES/SUSPENSION/FRAME 9-43

ITEM	PART NUMBER	DESCRIPTION	QTY
		Figure 9-18. Axle Differential. (Cont'd)	
22	5579453-46	SPACER, differential bearing, 0.0767-0.0777-inch, SEE NOTE 2.	1
22	5579453-47	SPACER, differential bearing, 0.0778-0.0788-inch, SEE NOTE 2.	1
22	5579453-48	SPACER, differential bearing, 0.0789-0.0799-inch, SEE NOTE 2.	1
22	5579453-49	SPACER, differential bearing, 0.0800-0.0810-inch, SEE NOTE 2.	1
22	5579453-50	SPACER, differential bearing, 0.0811-0.0821-inch, SEE NOTE 2.	1
22	5579453-51	SPACER, differential bearing, 0.0822-0.0832-inch, SEE NOTE 2.	1
22	5579453-52	SPACER, differential bearing, 0.0833-0.0843-inch, SEE NOTE 2.	1
22	5579453-53	SPACER, differential bearing, 0.0844-0.0854-inch, SEE NOTE 2.	1
22	5579453-54	SPACER, differential bearing, 0.0855-0.0865-inch, SEE NOTE 2.	1
22	5579453-55	SPACER, differential bearing, 0.0866-0.0876-inch, SEE NOTE 2.	1
22	5579453-56	SPACER, differential bearing, 0.0877-0.0887-inch, SEE NOTE 2.	1
22	5579453-57	SPACER, differential bearing, 0.0888-0.0898-inch, SEE NOTE 2.	1
22	5579453-58	SPACER, differential bearing, 0.0899-0.0909-inch, SEE NOTE 2.	1
22	5579453-59	SPACER, differential bearing, 0.0910-0.0920-inch, SEE NOTE 2.	1
22	5579453-60	SPACER, differential bearing, 0.0921-0.0931-inch, SEE NOTE 2.	1
22	5579453-61	SPACER, differential bearing, 0.0932-0.0942-inch, SEE NOTE 2.	1
22	5579453-62	SPACER, differential bearing, 0.0943-0.0953-inch, SEE NOTE 2.	1
22	5579453-63	SPACER, differential bearing, 0.0954-0.0964-inch, SEE NOTE 2.	1
22	5579453-64	SPACER, differential bearing, 0.0965-0.0975-inch, SEE NOTE 2.	1
22	5579453-65	SPACER, differential bearing, 0.0976-0.0986-inch, SEE NOTE 2.	1
22	5579453-66	SPACER, differential bearing, 0.0987-0.0997-inch, SEE NOTE 2.	1

2003 HUMMER H1 PARTS CATALOG

9-44 AXLES/SUSPENSION/FRAME

ITEM	PART NUMBER	DESCRIPTION	QTY
		Figure 9-18. Axle Differential. (Cont'd)	
22	5579453-67	SPACER, differential bearing, 0.0998-0.1008-inch, SEE NOTE 2	1
22	5579453-68	SPACER, differential bearing, 0.1009-0.1020-inch, SEE NOTE 2	1
22	5579453-69	SPACER, differential bearing, 0.1020-0.1030-inch, SEE NOTE 2	1
22	5579453-70	SPACER, differential bearing, 0.1031-0.1041-inch, SEE NOTE 2	1
22	5579453-71	SPACER, differential bearing, 0.1042-0.1052-inch, SEE NOTE 2	1
22	5579453-72	SPACER, differential bearing, 0.1053-0.1063-inch, SEE NOTE 2	1
22	5579453-73	SPACER, differential bearing, 0.1064-0.1074-inch, SEE NOTE 2	1
22	5579453-74	SPACER, differential bearing, 0.1075-0.1085-inch, SEE NOTE 2	1
22	5579453-75	SPACER, differential bearing, 0.1086-0.1096-inch, SEE NOTE 2	1
22	5579453-76	SPACER, differential bearing, 0.1097-0.1107-inch, SEE NOTE 2	1
22	5579453-77	SPACER, differential bearing, 0.1108-0.1118-inch, SEE NOTE 2	1
22	5579453-78	SPACER, differential bearing, 0.1119-0.1129-inch, SEE NOTE 2	1
22	5579453-79	SPACER, differential bearing, 0.1130-0.1140-inch, SEE NOTE 2	1
22	5579453-80	SPACER, differential bearing, 0.1141-0.1151-inch, SEE NOTE 2	1
22	5579453-81	SPACER, differential bearing, 0.1152-0.1162-inch, SEE NOTE 2	1
22	5579453-82	SPACER, differential bearing, 0.1163-0.1173-inch, SEE NOTE 2	1
22	5579453-83	SPACER, differential bearing, 0.1174-0.1184-inch, SEE NOTE 2	1
23	5582303	COVER ASSEMBLY, differential axle	1
23	6013931	COVER ASSEMBLY, differential axle, E locker	1
24	S.I.A.	•COVER, differential axle	1
25	5597050	•PLUG, 1/2 - 14", differential cover	1
26	5579438	•SCREW, differential cover	12
27	6011975	DIFFERENTIAL, axle, standard, front and rear.	1
27	6013928	DIFFERENTIAL, axle, E-Locker, rear	1
28	5579439	SCREW, differential	8
29	5579501	GEAR SET, ring and pinion, 2.56:1 ratio	1
29	RCSK17306	GEAR SET, ring and pinion, 3.08:1 ratio	1
30	S.I.A.	•RING, gear and pinion	1
31	S.I.A.	•PINION	1

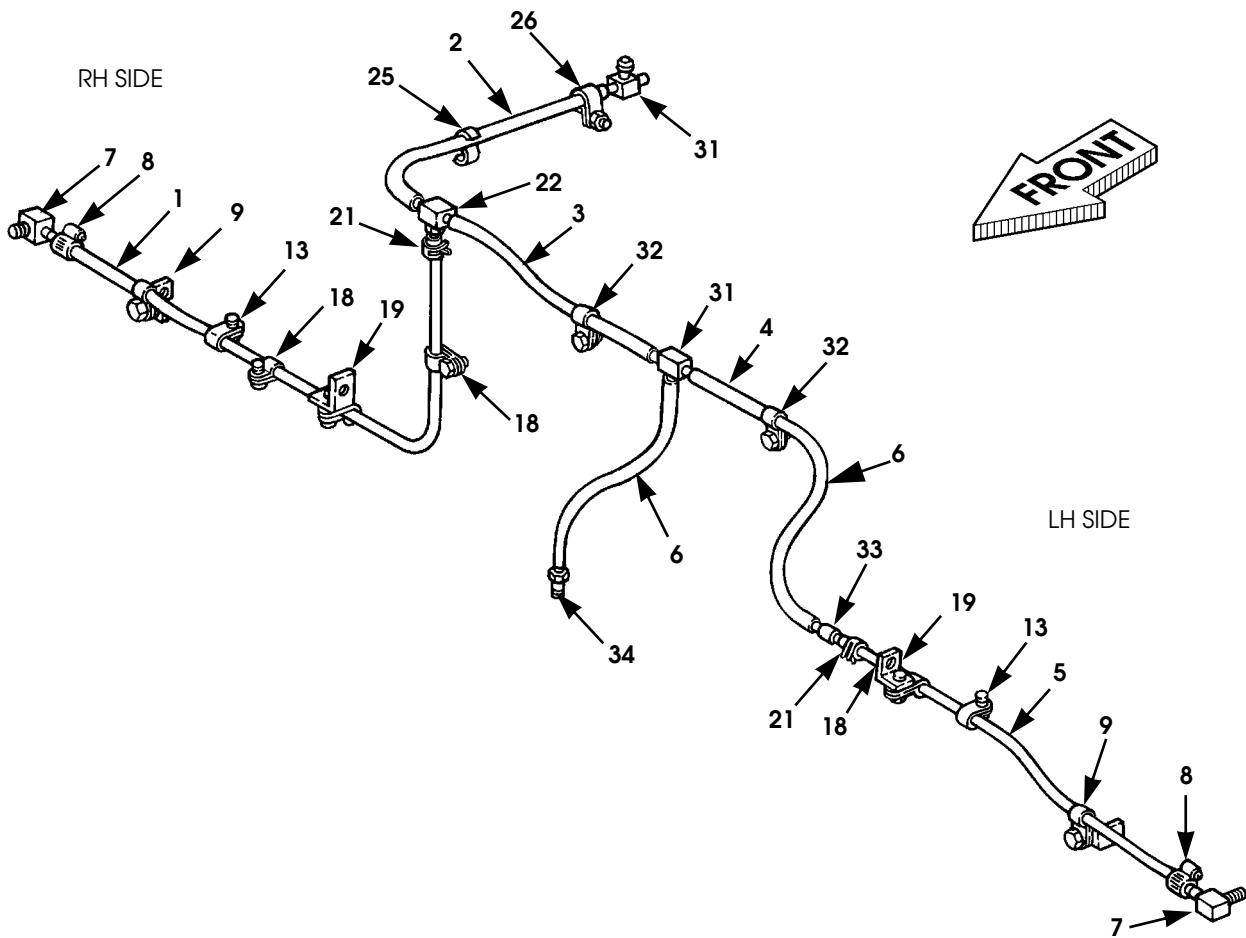
2003 HUMMER H1 PARTS CATALOG

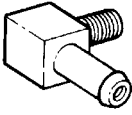

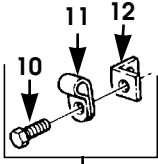
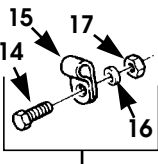
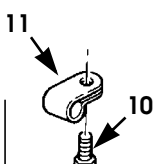
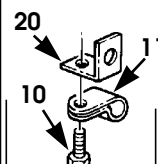

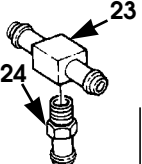

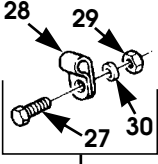
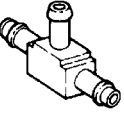
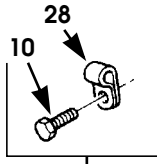
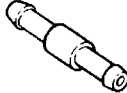

AXLES/SUSPENSION/FRAME 9-45

ITEM	PART NUMBER	DESCRIPTION	QTY
1	5745569	<p>Figure 9-18. Axle Differential. (Cont'd)</p> <p>GEAR LUBRICANT, w/friction modifier, 2Qt. bottle</p> <p>NOTE 1: PART OF AXLE PINION BEARING SHIM KIT P/N 5579445. KIT CONTAINS SPACERS P/N 5579445-54 THROUGH P/N 5579445-79.</p> <p>NOTE 2: PART OF DIFFERENTIAL BEARING SHIM KIT P/N 5579453. KIT CONTAINS SPACERS P/N 5579453-44 THROUGH P/N 5579453-83.</p>	1

2003 HUMMER H1 PARTS CATALOG

9-46 AXLES/SUSPENSION/FRAME



 VIEW 7	 VIEW 8	 VIEW 9	 VIEW 13	 VIEW 18	 VIEW 19	 VIEW 21
 VIEW 22	 VIEW 25	 VIEW 26	 VIEW 31	 VIEW 32	 VIEW 33	 VIEW 34

P06-005

Figure 9-19. Vent Lines, Front Axle and Geared Hub.

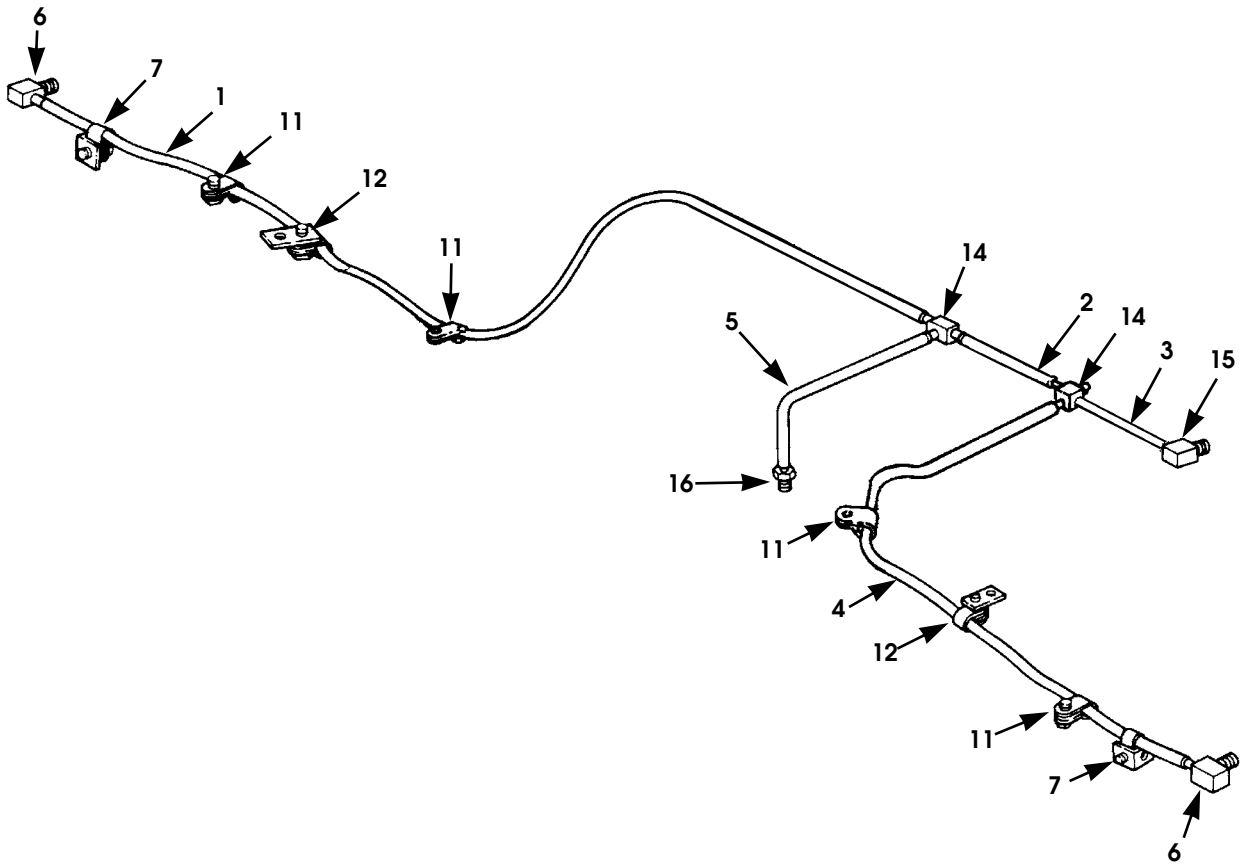
2003 HUMMER H1 PARTS CATALOG


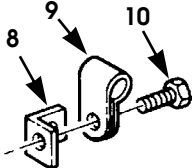
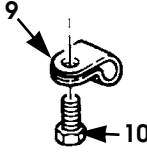
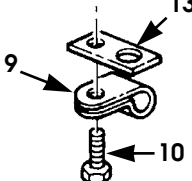
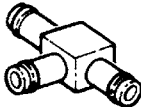
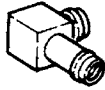

AXLES/SUSPENSION/FRAME 9-47

ITEM	PART NUMBER	DESCRIPTION	QTY
		Figure 9-19. Vent Lines, Front Axle and Geared Hub.	
1	NPN	HOSE, 32", geared hub vent line, R.H., SEE NOTE 1. . . .	1
2	NPN	TUBE, 20", differential and geared hub vent line, SEE NOTE 2.	1
3	NPN	TUBE, 14", differential and geared hub vent line, SEE NOTE 2.	1
4	NPN	TUBE, 12", differential and geared hub vent line, SEE NOTE 2.	1
5	NPN	HOSE, 25", geared hub vent line, L.H., SEE NOTE 1. . . .	1
6	NPN	TUBE, 8", differential vent line, SEE NOTE 2.	2
7	6006440	ELBOW, male, geared hub vent line, 90 degree	2
8	12339884	CLAMP, screw type	2
9	NPN	CLAMP ASSEMBLY	2
10	N/S	•SCREW, tapping, 3/8 - 16 x 5/8", ZN.	1
11	N/S	•CLAMP, cushioned, 5/8"	1
12	5598208	•BRACKET, vent line.	1
13	NPN	CLAMP ASSEMBLY	2
14	N/S	•SCREW, 1/4 - 20 x 3/4", Gr5, CAD.	1
15	12340571-2	CLAMP, closed, .937 phil PN SS	1
16	N/S	•WASHER, flat, 1/4", CAD	1
17	N/S	•LOCKNUT, 1/4 - 20", Gr8	1
18	NPN	CLAMP ASSEMBLY	2
19	NPN	BRACKET ASSEMBLY	2
20	12338170	•BRACKET, vent line.	1
21	WWC440-1/2	CLAMP, hose, 1/2", TY E, low press	2
22	NPN	ADAPTER ASSEMBLY.	1
23	12339969	•TEE, vent line.	1
24	12340331	•ADAPTER, vent line	1
25	12339890	S-CLIP, vent line.	1
26	NPN	CLAMP ASSEMBLY	1
27	N/S	•BOLT, 5/16 - 18 x 1", Gr5, CAD.	1
28	N/S	•CLAMP, cushioned, 1/4"	1
29	N/S	•WASHER, flat, 5/16", CAD	1
30	N/S	•LOCKNUT, 5/16 - 18", Gr8	1
31	12339973-1	TEE, union	2
32	NPN	CLAMP ASSEMBLY	2
33	12339972	UNION, vent line.	1
34	12339978	CONNECTOR, differential vent line	1
	6005755	TAPE, heat, vent line, 3/4" (not illustrated)	A/R
		NOTE 1: MAKE FROM BULK HOSE P/N 5741210.	
		NOTE 2: MAKE FROM BULK NYLON TUBE P/N 5741079.	

2003 HUMMER H1 PARTS CATALOG

9-48 AXLES/SUSPENSION/FRAME



 VIEW 6	 VIEW 7	 VIEW 11	 VIEW 12
 VIEW 14	 VIEW 15	 VIEW 16	

P06-008.1

Figure 9-20. Vent Lines, Rear Axle and Geared Hub.

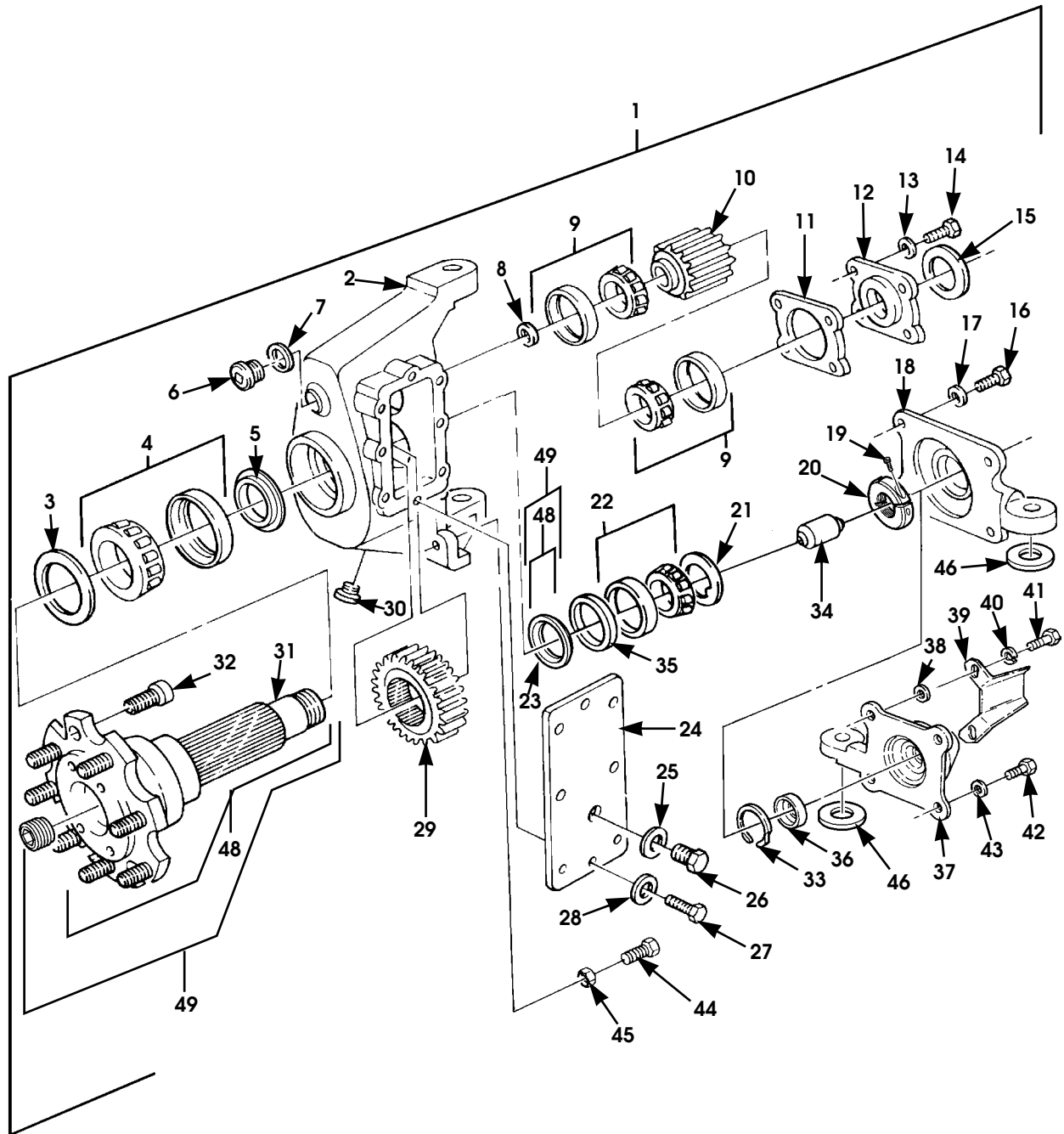
2003 HUMMER H1 PARTS CATALOG

AXLES/SUSPENSION/FRAME 9-49

ITEM	PART NUMBER	DESCRIPTION	QTY
		Figure 9-20. Vent Lines, Rear Axle and Geared Hub.	
1	NPN	TUBE, 42", geared hub vent line, L.H., SEE NOTE 1	1
2	NPN	TUBE, 7", differential and geared hub vent line, SEE NOTE 1	1
3	NPN	TUBE, 5", SEE NOTE 1	1
4	NPN	TUBE, 35 - 1/2", geared hub vent line, R.H., SEE NOTE 1	1
5	NPN	TUBE, 10", differential vent line, SEE NOTE 1	1
6	2339964-1	ELBOW, male, geared hub vent lines, 90 degree	2
7	NPN	BRACKET ASSEMBLY	2
8	5598208	•BRACKET, vent line	1
9	N/S	•CLAMP, cushioned, 1/4"	1
10	N/S	•SCREW, tapping, 3/8 - 16 x 5/8", ZN	1
11	NPN	CLAMP ASSEMBLY	4
12	NPN	PLATE ASSEMBLY	2
13	12338172	•BRACKET, geared hub, vent line	2
14	12339973-1	TEE, union	2
15	12339979-1	ELBOW, 90 degree	1
16	12339978	CONNECTOR, vent line	1
	6005755	TAPE, heat, vent line, 3/4" (not illustrated)	A/R
		 NOTE 1: MAKE FROM BULK NYLON TUBE P/N 5741079.	

2003 HUMMER H1 PARTS CATALOG

9-50 AXLES/SUSPENSION/FRAME



P06-006.4

Figure 9-21. Geared Hub (Knuckle) Assemblies.

2003 HUMMER H1 PARTS CATALOG

AXLES/SUSPENSION/FRAME 9-51

ITEM	PART NUMBER	DESCRIPTION	QTY
		Figure 9-21. Geared Hub (Knuckle) Assemblies.	
1	6014366	GEARED HUB ASSY., noise-reduced, R.H. front, (CTIS) SEE NOTE 2.	1
1	6014367	GEARED HUB ASSY., noise-reduced, L.H. front, (CTIS) SEE NOTE 1.	1
1	6014370	GEARED HUB ASSY., 12,100-lb GVW, R.H. front, (CTIS) (For Fleet Use Only), SEE NOTE 2, 6	1
1	6014371	GEARED HUB ASSY., 12,100-lb GVW, L.H. front, (CTIS) (For Fleet Use Only), SEE NOTE 1, 6	1
2	S.I.A.	• KNUCKLE HOUSING	1
3	5579060	• OUTPUT SEAL, geared hub	1
4	MS19081-86	• BEARING, outer spindle	1
5	5573989	• SPACER, outer spindle	1
6	5595214	• PLUG, upper access	1
7	5573688	• WASHER, upper access plug	1
8	5568223	• WASHER, halfshaft	1
8	6009454	• WASHER, halfshaft, 12,100-lb GVW	1
9	5568226	• BEARING, upper gear	2
10	6007115	• GEAR, upper	1
10	6009453	• GEAR, upper, 12,100-lb GVW	1
11	5573692	• SHIM, gasket, 0.005-inch	A/R
12	5574002	• RETAINER, upper gear	1
13	N/S	• WASHER, flat, upper gear retainer, 3/8", ZN	4
14	N/S	• BOLT, 3/8 - 16 x 1", Gr8, CAD.	4
15	5745324	• KIT, input seal, geared hub	1
16	N/S	• BOLT, 1/2 - 13 x 1 - 1/4", w/o CTIS, Gr8, CAD	4
17	N/S	• WASHER, flat, 1/2", w/o CTIS, ZN	4
18	6005121	• COVER, steering arm, CTIS, front L.H. and rear R.H.	2
19	6001757	• LOCKSCREW, clampnut	1
20	6001735	• CLAMPNUT, bearing to steering arm cover	1
21	5573684	• WASHER, spindle	1
22	5568227	• BEARING, inner.	1
23	S.I.K.	• SPACER, inner bearing, w/ CTIS, SEE NOTE 5	1
23	S.I.K.	• SPACER, inner bearing, w/o CTIS, SEE NOTE 5	1
24	5574924	• ACCESS COVER, case side	1
25	5573687	• WASHER, fill plug, nylon	1
26	5573690	• FILL PLUG, access cover	1
27	5593348	• BOLT, side cover.	8
28	S.I.A.	• WASHER, flat, 5/16", CAD	8

2003 HUMMER H1 PARTS CATALOG

9-52 AXLES/SUSPENSION/FRAME

ITEM	PART NUMBER	DESCRIPTION	QTY
		Figure 9-21. Geared Hub (Knuckle) Assemblies. (Cont'd)	
29	6007114	•GEAR, lower, output	1
29	6009452	•GEAR, lower, output 12,100-lb GVW	1
30	5593656	•MAGNETIC PLUG, lower pipe	1
31	S.I.K.	SPINDLE, SEE NOTE 4, 5.	1
32	5568211	•BOLT, spindle.	8
33	5594472	•RETAINER, hub	1
34	5594531	•EXTENSION, spindle	1
35	6001784	•SPACER, bearing, w/ CTIS or 12,100-lb GVW	1
36	6005193	•SEAL, spindle.	1
37	6005120	•COVER, steering arm, CTIS, front R.H., rear L.H.,	2
38	5599210	•WASHER, flat, hardened, shield.	2
39	5598234	•SHIELD, CTIS tube, rear.	4
40	S.I.A.	•LOCKWASHER, med, 1/2", CAD	2
41	S.I.A.	•BOLT, 1/2-13 x 1 - 3/8", Gr 5.	2
42	S.I.A.	•BOLT, 1/2 - 13 x 1 - 1/4", Gr8	4
43	S.I.A.	•WASHER, hard, 1/2", type B.	4
44	N/S	BOLT, 1/2 - 13 x 1 - 1/2", Gr8, CAD	2
45	N/S	NUT, 1/2 - 13", Gr5, ZN	2
46	N/S	WASHER, flat, hardened, 5/8"	4
47	6012521	HOUSING ASSEMBLY, ABS wheel speed sensor mounting (not illustrated), SEE NOTE 3.	4
48	5715295C	KIT, spindle, w/CTIS, SEE NOTE 5.	1
	5715160	•SPINDLE.	1
	6009350	•SPACER, inner bearing, w/ CTIS	1
49	5745293	KIT, spindle, w/o CTIS, SEE NOTE 5	1
	5715160	•SPINDLE.	1
	6009400	•SPACER, inner bearing, w/O CTIS.	1
	G00444654	•PIPE PLUG	1
		NOTE 1: L.H. FRONT AND R.H. REAR ARE THE SAME EXCEPT FOR THE PLACEMENT OF ABS SENSOR MOUNTING BRACKETS AND CTIS HOSE PRO- TECTOR BRACKETS.	
		NOTE 2: R.H. FRONT AND L.H. REAR ARE THE SAME EXCEPT FOR THE PLACEMENT OF ABS SENSOR MOUNTING BRACKETS AND CTIS HOSE PRO- TECTOR BRACKETS.	
		NOTE 3: HOUSING ASSEMBLY ABS SENSOR MNT. BRACKET IS PICTURED IN SECTION 7.	
		NOTE 4: SPINDLE, 5715160 ALSO USED ON 12,000-LB GVW	

2003 HUMMER H1 PARTS CATALOG

AXLES/SUSPENSION/FRAME 9-53

ITEM	PART NUMBER	DESCRIPTION	QTY
		<p>Figure 9-21. Geared Hub (Knuckle) Assemblies. (Cont'd)</p> <p>NOTE 5: SPINDLE AND INNER BEARING ARE REPAIR PARTS IN SPINDLE REPAIR KITS. 5715295, KIT, W/ CTIS, 5745293, KIT, W/O CTIS</p> <p>NOTE 6: FOR FLEET USE ONLY</p>	

2003 HUMMER H1 PARTS CATALOG

BODY 10-1

Section 10

BODY

TITLE	PAGE NUMBER
B- and C-Bars, Models 83,84 and 90	10-74
B-Bar, Two-Passenger Enlarged Cab, Model 89	10-72
Body Assembly Components, L.H.	10-8
Body Assembly Components, R.H.	10-10
Body Assembly	10-6
Body Mounting Components	10-4
Door Assembly Front	10-54
Door Assembly, Rear, Models 83, 84, and 90	10-58
Door Striker Assemblies, Front and Rear	10-16
Emblems, HUMMER Front and Rear	10-120
Emblems, HUMMER Side (H1 and K-Series).	10-122
Engine Cover, Console Cover, and Related Parts	10-50
Fixed Door, Footwell Cover, and Related Parts, Two-Passenger Enlarged Cab, Model 89	10-82
Floor Padding, Front and Rear	10-100
Four-Door Soft Top Kit, Basic, Model 90	10-94
Headliner, Rear Trim, and Carpet, Station Wagon, Model 84	10-114
Headliner, Roof Trim, Front and Rear Side Trim, Grab Handles, and Mounting Hardware (Delco Monsoon Stereo System)	10-108
Headliner, Roof Trim, Front and Rear Side Trim, Grab Handles, and Mounting Hardware (Delco Standard Stereo System)	10-104
Hood Assembly and Mounting Hardware	10-18
Hood Assembly, Grille, and Related Parts	10-22
Hood Release	10-24
Inner Kick Panels and Miscellaneous Trim Panels	10-116
Instrument Panel Assembly, Dash Trim, Crash Pad, and Mounting Hardware	10-98
Interior Tunnel Padding, Carpet, and Hardboard	10-102
Kit, Brushguard, Heavy Duty, Frontal Coverage	10-118
Mirrors (Inside) Mounting Hardware	10-32
Monsoon Trim Pieces, Model 90	10-112
Outer Kick Panels Interior Trim	10-64
Panel Assembly Door Trim	10-84
Removable Load Barrier, Station Wagon, Model 84	10-96
Roof and Mounting Hardware, Four-Passenger Hardtop, Model 83	10-68
Roof and Mounting Hardware, Station Wagon, Model 84	10-70
Roof and Mounting Hardware, Two-Passenger Enlarged Cab, Model 89	10-66
Seat Belts, Front and Rear	10-46
Seats, Driver and Passenger	10-42
Soft Top Support Structure, Model 90	10-88
Splash Shield (Left Hand) and Hood Prop Rod	10-26
Splash Shield (Right Hand Upper) and Seals	10-28
Splash Shield, Right Hand Lower	10-30
Station Wagon Cargo Doors, Power Door Lock	10-80

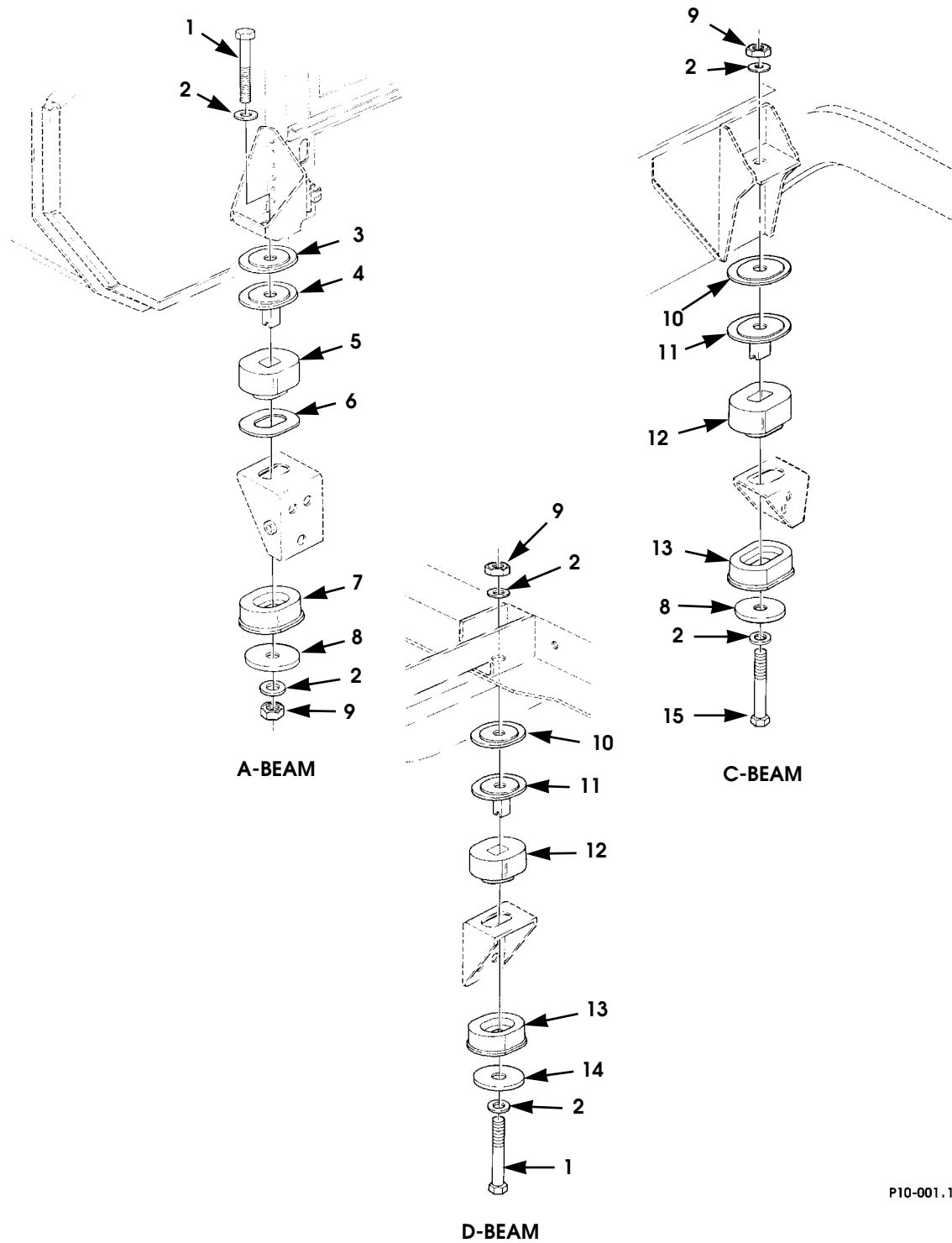
2003 HUMMER H1 PARTS CATALOG

10-2 BODY

TITLE	PAGE NUMBER
Station Wagon Rear Doors, Model 84	10-76
Sun Visor	10-34
Support Structure, Soft Top, Model 90	10-92
Tailgate Assembly and Related Parts	10-62
Weathershield, Doors	10-86
Window Assembly, Rear	10-40
Windshield Assembly.	10-36
Windshield Washer Reservoir Mounting Support and Left Cowl Cover	10-14

2003 HUMMER H1 PARTS CATALOG

10-4 BODY



P10-001.1

Figure 10-1. Body Mounting Components.

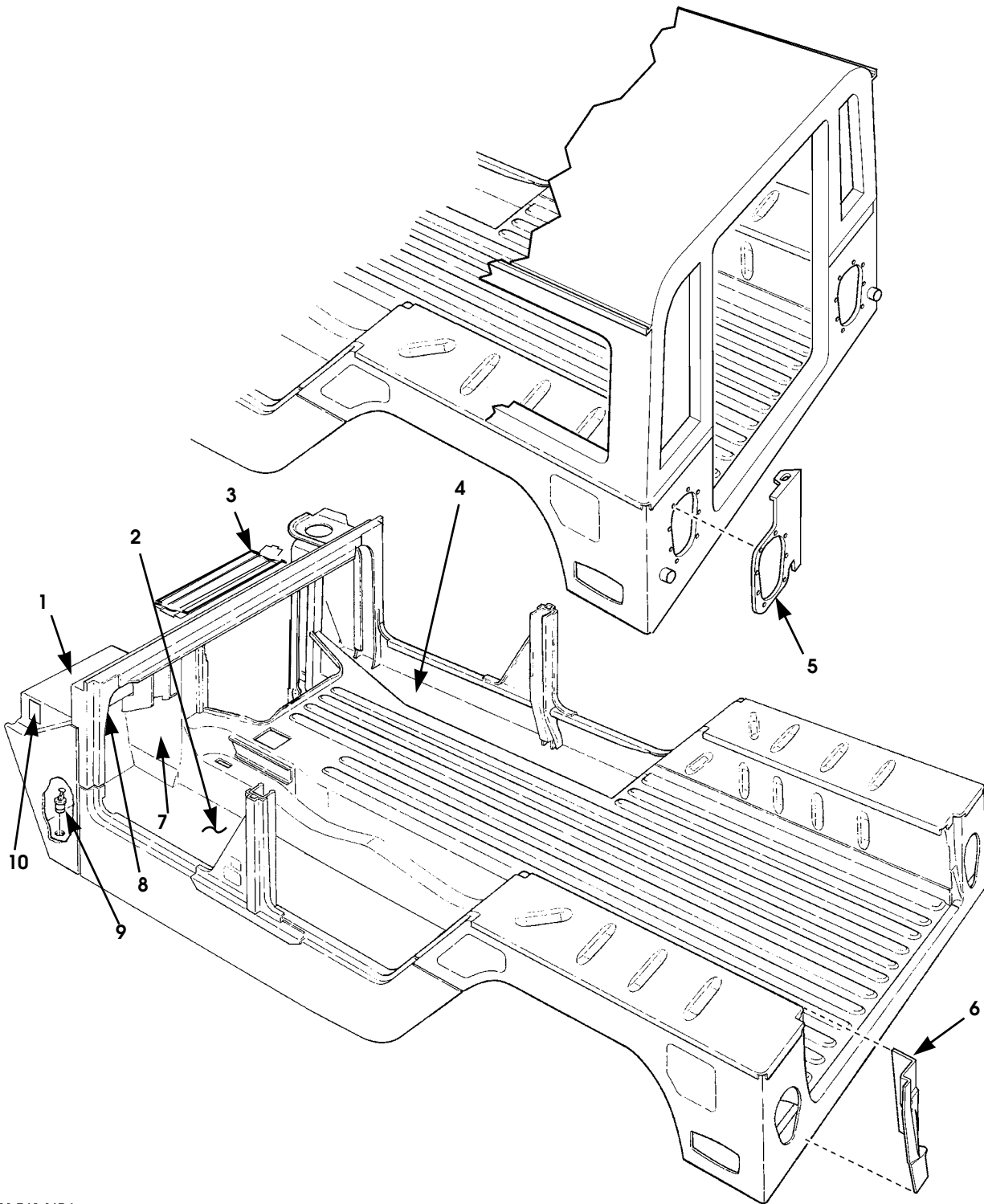
2003 HUMMER H1 PARTS CATALOG

BODY 10-5

ITEM	PART NUMBER	DESCRIPTION	QTY
		Figure 10-1. Body Mounting Components.	
1	N/S	BOLT, L.H., 5/8 - 11 x 4 - 1/4", Gr8, A-beam body mount	1
1	N/S	BOLT, R.H., 5/8 - 11 x 4 - 3/4", Gr8, A-beam body mount.	1
1	N/S	BOLT, 5/8 - 11 x 5", Gr8, D-beam body mount	2
2	N/S	WASHER, flat, hardened, 5/8", ZN.	12
3	12469090-2	SPACER, body mount, "A"	2
4	12339249-1	SLEEVE ASSEMBLY, body cushion	2
5	12339244-1	CUSHION ASSEMBLY, body, upper	2
6	6011129	GASKET, body mount, "A"	2
7	12339247-1	CUSHION ASSEMBLY, body, lower	2
8	12339248-2	SPACER, mount, R.H.	2
9	12339248-3	SPACER, mount, L.H.	2
9	N/S	LOCKNUT, 5/8 - 11", Gr8	6
10	12469090-1	SPACER, body mount, "C"	4
11	12339249-2	SLEEVE ASSEMBLY, body cushion	4
12	12339244-3	CUSHION ASSEMBLY, body, upper	4
13	12339247-3	CUSHION ASSEMBLY, body, lower	4
14	12339248-1	SPACER, body mount	2
15	N/S	BOLT, 5/8 - 11 x 5", Gr8, C-beam body mount, L.H. . . .	1
15	N/S	BOLT, 5/8 - 11 x 4 - 3/4", Gr8, C-beam body mount, R.H..	1

2003 HUMMER H1 PARTS CATALOG

10-6 BODY



02-P10-015.1

Figure 10-2. Body Assembly.

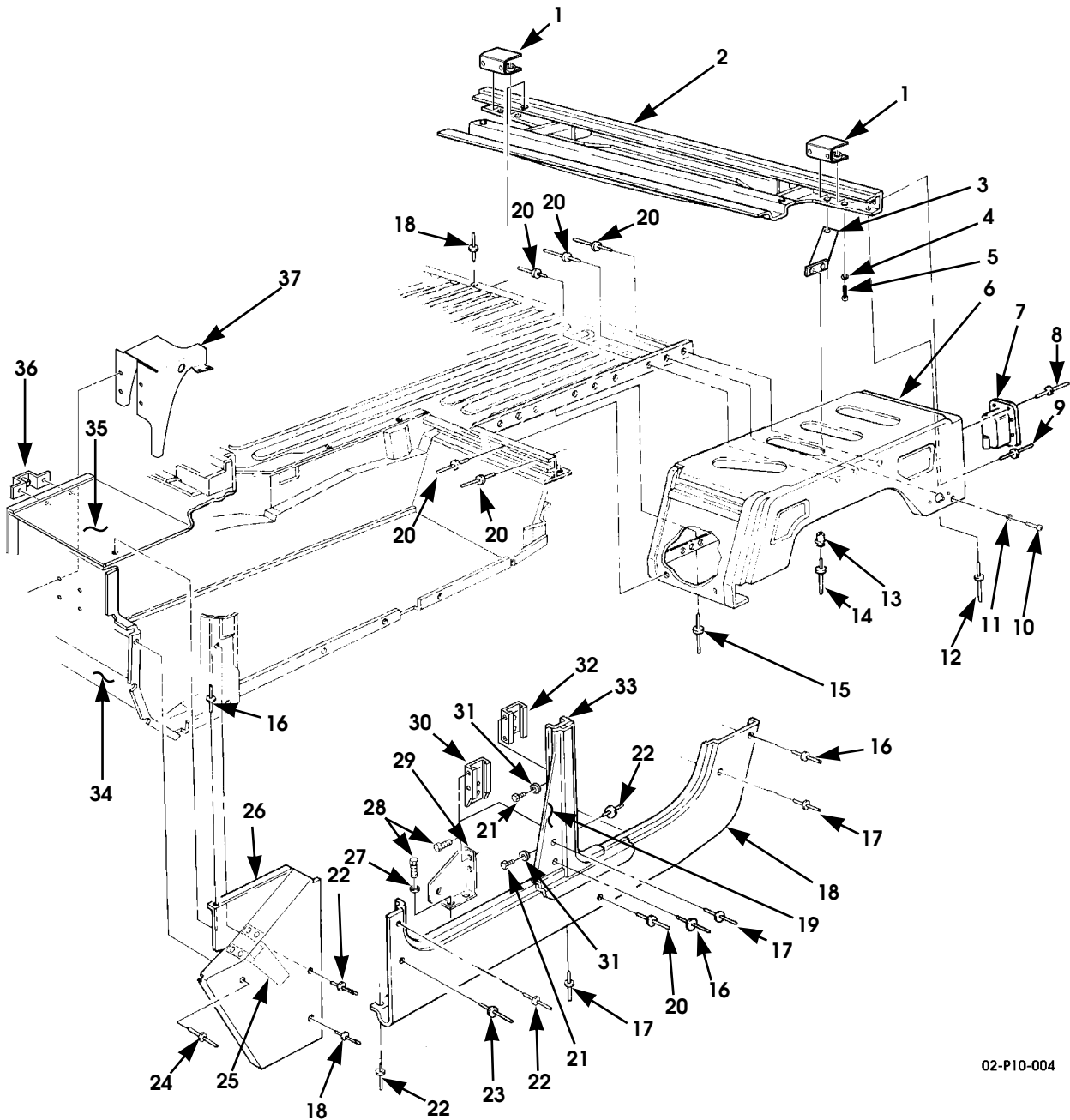
2003 HUMMER H1 PARTS CATALOG

BODY 10-7

ITEM	PART NUMBER	DESCRIPTION	QTY
		Figure 10-2. Body Assembly.	
1	6012407P	BODY ASSEMBLY, basic riveted	1
2	6003490P	PANEL, footwell, L.H.	1
3	6010376P	CLOSEOUT PANEL, A-beam	1
4	6003535P	PANEL, footwell, R.H.	1
5	6005440P	CLOSEOUT PANEL, wheelhouse, rear, R.H.	1
		84	
5	6005439P	CLOSEOUT PANEL, wheelhouse, rear, L.H.	1
		84	
6	12339992-2P	FILLER, wheelhouse, L.H.	1
7	12339992-1P	FILLER, wheelhouse, R.H.	1
8	12338732P	BRACKET, brake pedal mounting.	1
9	5939808	DRAIN PLUG, floor	2
10	6013488	LAMINATE, 3 x 5 x 1/16"	2
11	6014069	CLIP, E-Locker (not pictured)	1

2003 HUMMER H1 PARTS CATALOG

10-8 BODY



02-P10-004

Figure 10-3. Body Assembly Components, L.H.

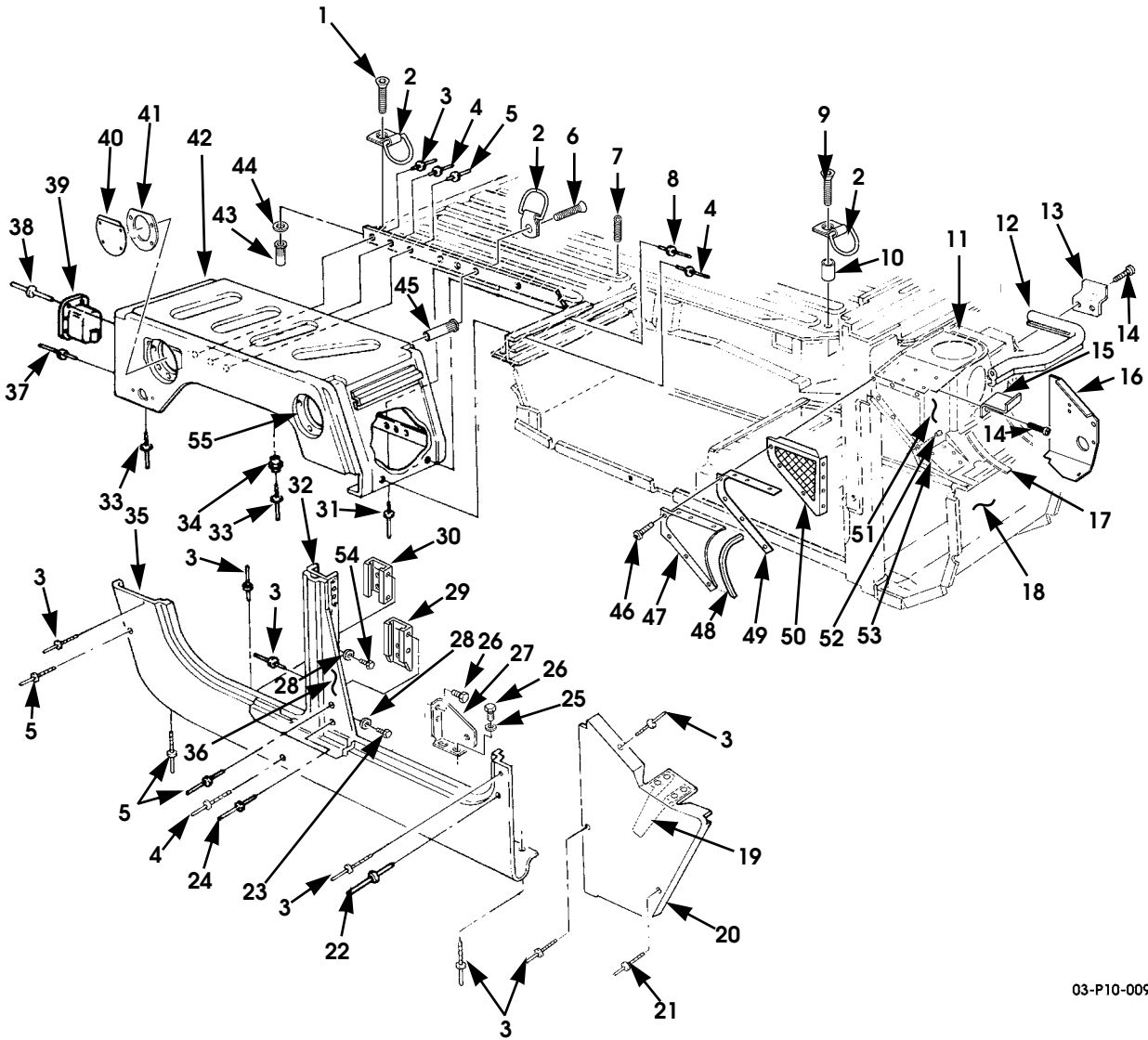
2003 HUMMER H1 PARTS CATALOG

BODY 10-9

ITEM	PART NUMBER	DESCRIPTION	QTY
		Figure 10-3. Body Assembly Components, L.H.	
1	12339008B1	HARNES COVER, D-beam	2
2	WA12446928P	D-BEAM ASSEMBLY	1
3	6007460B9	BRACE, L.H. wheelhouse	1
4	N/S	LOCKWASHER, 1/4"	4
5	N/S	BOLT, 1/4 - 20 x 1", Gr5.	4
6	6012332P	WHEELHOUSE, outer, ASM, L.H.	1
7	5938940	BRACKET, taillight housing	1
8	6006452P1	RIVET, taillight housing	8
9	N/S	RIVET, fender assembly, 3/16 dia. - 1/2"	36
10	N/S	RIVET, side panel, 3/16 dia. - 1/4"	52
11	N/S	BOLT, #10 - 24 x 3/4"	2
12	N/S	WASHER, flat, #10	2
13	N/S	RIVET, fender assembly, 3/16 dia. - 7/16"	17
14	NAS1080R06	COLLAR, grooved, fender assembly	2
15	N/S	RIVET, fender assembly, 3/16 dia. x 1/4 - 3/8"	2
16	N/S	RIVET, 3/16 dia. - 5/16", fender assembly	32
17	N/S	RIVET, side panel, 3/16 dia. - 5/16"	3
18	N/S	RIVET, fender panel, 3/16 dia. - 1/4"	21
19	WA12339698-1P	BODY SIDE ASSEMBLY, panel, L.H.	1
20	123400093P	•RABBET ASSEMBLY, B-pillar, L.H.	1
21	MS90725-33	BOLT, 5/16 - 18 x 7/8", Gr5, CAD	4
22	N/S	RIVET, body assembly, 3/16 dia. - 3/16"	101
23	N/S	RIVET, side panel, 3/16 dia. - 3/16"	7
24	N/S	RIVET, cowl panel, 3/16 dia. - 1/8"	21
25	6001256P	BRACKET ASSEMBLY, hood latch	1
26	5939202P	PANEL, cowl, L.H. outer.	1
27	N/S	WASHER, flat, 1/4", CAD, seat belt mount	2
28	N/S	BOLT, 1/4 - 20 x 5/8", CAD, seat belt mount	4
29	12339988-1P	MOUNTING BRACKET, seat belt, L.H., front	1
30	6004811B9	BRACKET, lower, L.H., B-pillar	1
31	N/S	WASHER, flat, 5/16", CAD	4
32	WA12342372	BRACKET, upper, L.H., B-pillar.	1
33	6003456P	REINFORCEMENT, B-pillar, L.H.	1
34	6007204P	PANEL, cowl front, L.H.	1
35	6010007P	PANEL, cowl top, L.H.	1
36	6005498B9	BRACKET, heated windshield fuse mounting	1
37	12338732P	BRACKET, brake pedal mounting.	1

2003 HUMMER H1 PARTS CATALOG

10-10 BODY



03-P10-009

Figure 10-4. Body Assembly Components, R.H.

2003 HUMMER H1 PARTS CATALOG

BODY 10-11

ITEM	PART NUMBER	DESCRIPTION	QTY
		Figure 10-4. Body Assembly Components, R.H.	
1	MS24667-77P2	SCREW, countersunk, 1/2 -13 x 1 - 3/4", CAD, D-ring, cargo area, rear edge 83, 84, 89, 90	3
2	6005425	D-RING TIEDOWN. 83, 84, 89, 90	11
2	6005425	D-RING TIEDOWN. 91	8
3	N/S	RIVET, body assembly, 3/16 dia. x 3/16"	130
4	N/S	RIVET, body assembly, 3/16 dia. x 9/16"	57
5	N/S	RIVET, body assembly, 3/16 dia. x 1/4"	21
6	MS24667-76P2	SCREW, countersunk, 1/2 -13 x 1 - 1/2", CAD, D-ring, cargo area, center, no carpet 83, 89, 90, 84	4
7	N/S	SCREW, headless 1/2 - 13 x 1 - 1/4. 83, 84, 90,	4
7	N/S	SCREW, headless 1/2 - 13 x 1 - 1/4. 89	4 8
8	N/S	RIVET, fender assembly, 3/16 dia. x 7/16"	17
9	MS24667-78P2	SCREW, countersunk, 1/2 -13 x 2", CAD, D-ring, 83, 84, 90	4
9	MS24667-74P2	SCREW, countersunk, 1/2 -13 x 1", CAD, D-ring, 89	4
10	6006718	SPACER	4
11	6003137P	TOP PANEL ASSEMBLY, air intake chamber	1
12	12338832-1	SEAL, body assembly, air box	1
13	12338814B1	BRACKET, seal, air box	1
14	N/S	SCREW, tapping, #10 - 16 x 1/2", ZN, seal bracket	4
15	12340869	BRACKET, seal, front, air box	1
16	6009311P	PANEL, COWL SIDE, R.H., inner	1
17	12338712P	SUPPORT, air cleaner.	2
18	6009318P	PANEL, cowl front, R.H..	1
19	6001256P	BRACKET ASSEMBLY, hood latch.	1
20	6003135P	COWL PANEL, R.H.	1
21	N/S	RIVET, cowl panel, 3/16 dia. x 1/8".	5
22	N/S	RIVET, side panel, 3/16 dia. x 3/16"	3
23	N/S	BOLT, 5/16 - 8 x 7/8", Gr8, CAD	4
24	N/S	RIVET, side panel, 3/16 dia. x 5/16"	7
25	MS27183-21	WASHER, seat belt mount	2
26	N/S	SCREW, 1/4 - 20 x 5/8", CAD, seat belt mount	4
27	12339988-2B9	BRACKET, seat belt, front R.H.	1
28	N/S	WASHER, flat, 5/16", CAD	4

2003 HUMMER H1 PARTS CATALOG

10-12 BODY

ITEM	PART NUMBER	DESCRIPTION	QTY
		Figure 10-4. Body Assembly Components, R.H. (Cont'd)	
29	6004836B9	BRACKET, lower, R.H., B-pillar.	1
30	WA12342372	BRACKET, upper, R.H., B-pillar	1
31	N/S	RIVET, fender assembly, 3/16 x 5/8"	16
32	6003457P	REINFORCEMENT, B-pillar, R.H.	1
33	N/S	RIVET, fender assembly, 3/16 x 3/16"	2
34	N/S	COLLAR, grooved, fender assembly, 3/16"	2
35	WA12339698-2P	BODY SIDE ASSEMBLY, panel, R.H.	1
36	12340009-4P	•RABBET ASSEMBLY, B-pillar, R.H.	1
37	N/S	RIVET, fender assembly, 3/16 x 1/2"	18
38	6006452	RIVET, taillight housing	8
39	5938940	BRACKET, taillight housing	1
40	6007237P	COVER, auxiliary tank filler hole, SEE NOTE 1	1
41	6007247	GASKET, auxiliary tank filler hole cover, SEE NOTE 1	1
42	6012331P	WHEELHOUSE, outer, ASM, R.H.	1
43	6007708	NUT, 1/2 x 13, spiral lock	3
44	G2436165	WASHER, flat	3
45	6012185	NUT INSERT, closed end, 1/2 - 13"	3
46	6008857	SCREW	7
47	6008703P	SCOOP, air intake	1
48	N/S	EDGE GUARD, 9 - 1/2", air intake scoop, SEE NOTE 2	1
49	6009176	GASKET, air intake	1
50	6008699P	PANEL, air intake	1
51	6003409P	PANEL, air intake support	1
52	5939334	NUT INSERT, #10 - 24"	7
53	6009313	PANEL, cowl top, R.H.	1
54	MS90725-33	BOLT, 5/16-18 x 7/8" Gr5, CAD.	4
55	6011343	PANEL, c/o filler, main tank.	1
		NOTE 1: FOR USE ON FLEET VEHICLES WITHOUT AUXILIARY FUEL TANK.	
		NOTE 1: CUT TO 9 - 1/2" LENGTH FROM 24" EDGE GUARD 5745010.	

2003 HUMMER H1 PARTS CATALOG

10-14 BODY

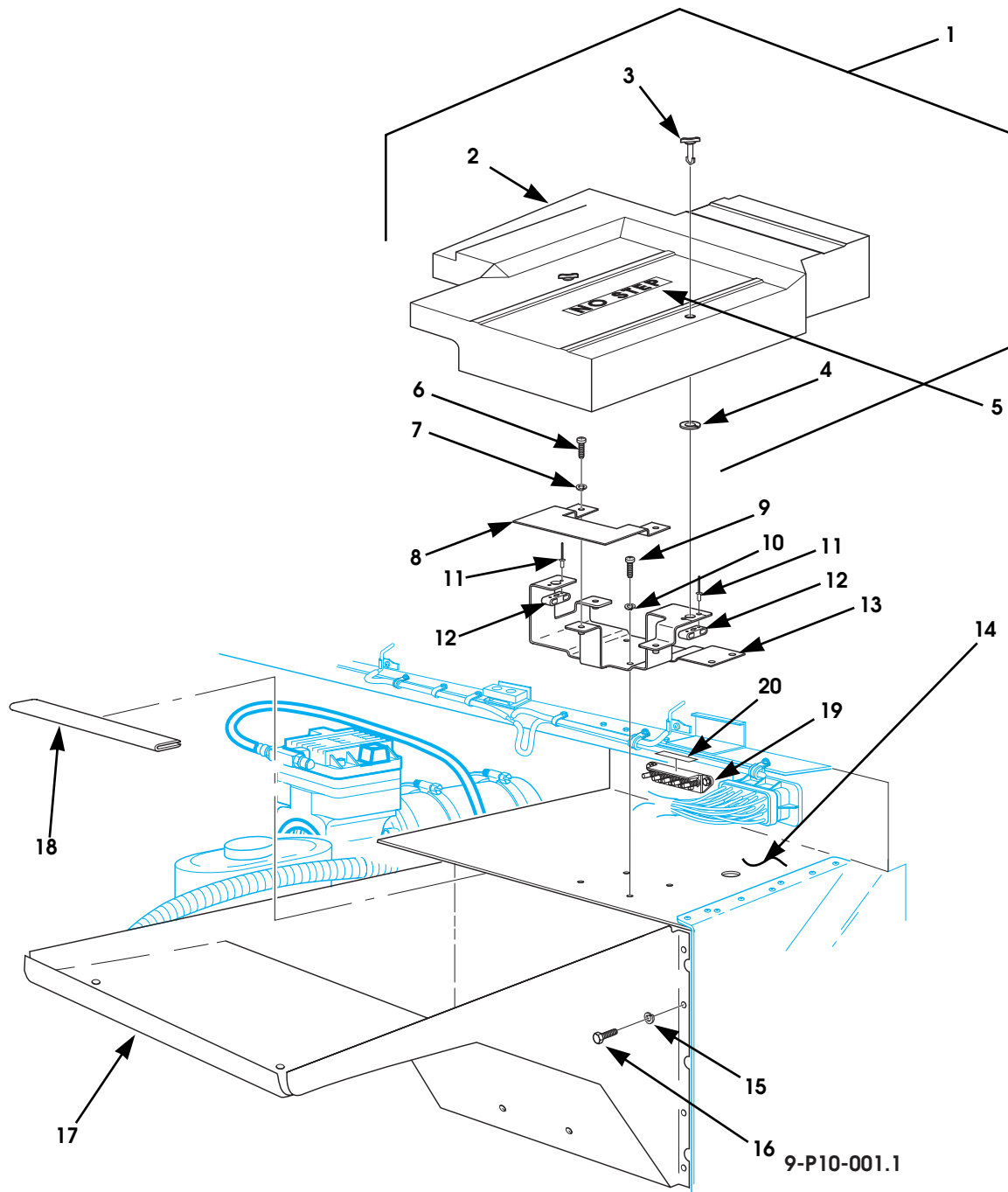


Figure 10-5. Windshield Washer Reservoir Mounting Support and Left Cowl Cover.

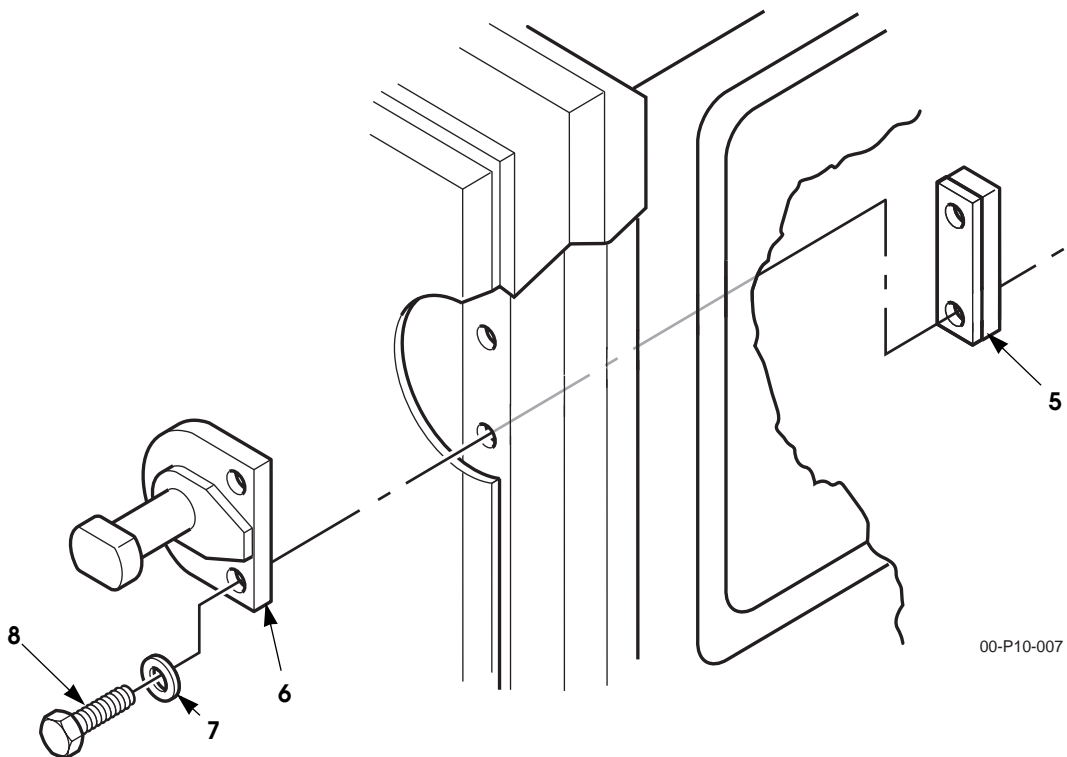
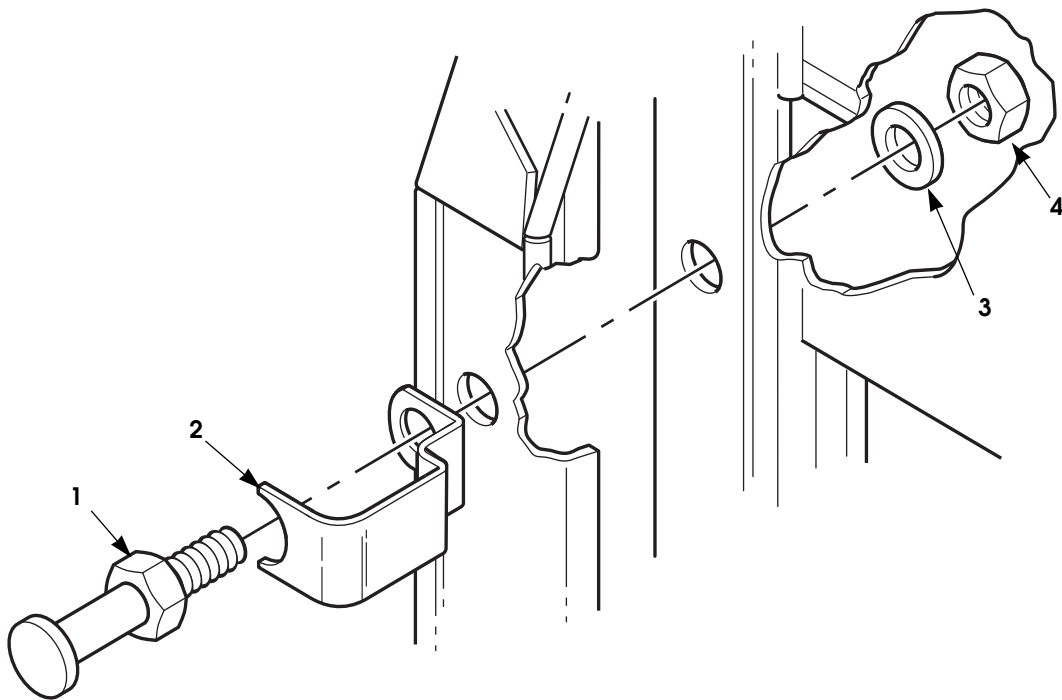
2003 HUMMER H1 PARTS CATALOG

BODY 10-15

ITEM	PART NUMBER	DESCRIPTION	QTY
		Figure 10-5. Windshield Washer Reservoir Mounting Support and Left Cowl Cover.	
1	6010019L	COVER ASSEMBLY, L.H. cowl components	1
2	S.I.A.	•COVER, L.H. cowl components	1
3	6010326	•STUD, L.H. cowl cover fastening	2
4	6010327	•RETAINER, L.H. cowl cover fastening stud	2
5	12339055	DECAL, "NO STEP"	1
6	N/S	SCREW, #10 - 24 x 3/4"	3
7	N/S	LOCKWASHER, #10.	3
8	6010324B9	RETAINER, ABS ECU housing	1
9	N/S	BOLT, phcr, #10 - 24 x 5/8"	4
10	N/S	LOCKWASHER, #10.	4
11	M24243/1-A404	RIVET, blind	2
12	6010264	RECEPTACLE, stud	2
13	6010217	BRACKET ASSEMBLY, distribution box mounting	1
14	6010007P	PANEL, cowl top, L.H.	1
15	N/S	LOCKWASHER, 5/16"	7
16	N/S	BOLT, 5/16 - 18 x 1"	7
17	6010149B9	BRACKET, windshield washer reservoir mounting.	2
18	6012237	EDGE GUARD, 17"	1
19	6007329	JUNCTION BLOCK	1
20	6010648	DECAL, "12V" (Arabic)	1
20	6010455	DECAL, "12V"/BATTERY POWER	1
		NOTE 1: SEE PAGE FOR WINDSHIELD WASHER RESER- VOIR, P/N 6010284.	

2003 HUMMER H1 PARTS CATALOG

10-16 BODY



00-P10-007

Figure 10-6. Door Striker Assemblies, Front and Rear.

2003 HUMMER H1 PARTS CATALOG

BODY 10-17

ITEM	PART NUMBER	DESCRIPTION	QTY
		Figure 10-6. Door Striker Assemblies, Front and Rear.	
1	6000392P2	STRIKER, door, front 83,84,90,	2
1	6004539P2	STRIKER, door, front 89	2
2	6006438	GUARD, striker	2
3	6001200P2	WASHER	2
4	N/S	LOCKNUT, 1/2 - 20", Gr8	2
5	6003485	PLATE BACKING, rear.	2
6	5939655P2	STRIKER, door, rear	2
7	9424257P2	LOCKWASHER	4
8	N/S	BOLT, 1/4 - 20 x 1 - 1/4", Gr8, CAD	4

2003 HUMMER H1 PARTS CATALOG

BODY 10-19

ITEM	PART NUMBER	DESCRIPTION	QTY
		Figure 10-7. Hood Assembly and Mounting Hardware.	
1	6012285	HOOD, engine compartment, SEE NOTE 1	1
2	EC12338901	•REINFORCEMENT, headlight can	2
3	N/S	WASHER, flat, 1/4", CAD	8
4	N/S	LOCKWASHER, med, 1/4", ZN, retainer bracket	8
5	N/S	BOLT, 1/4 - 20 x 1 - 1/2", Gr8, CAD, retainer bracket	2
6	N/S	BOLT, 1/4 - 20 x 3/4", Gr5, CAD, retainer bracket, L.H.	6
7	12338882P3	PLATE, center hood stop, tapping	1
8	6002012	BUMPER, center hood	1
9	12339433	WASHER, hood stop center	2
10	N/S	BOLT, 1/4 - 20 x 1", Gr8, CAD, hood stop	4
11	N/S	RIVET, 3/16 x 3/16 x 1/2", hood retainer bracket	4
12	12339355-2	RIVET, hood retainer bracket	4
13	5939715	BRACKET, hood retainer, "A" beam	2
14	12338883B4	PLATE, hood latch	2
15	12338908B4	BRACKET, hood latch, side	2
16	N/S	BOLT, 1/4 - 20 x 1 - 1/8", Gr8, hood latch bracket	10
17	N/S	BOLT, 1/4 - 20 x 7/8", Gr8, hood latch bracket	6
18	12338909B4	LATCH ASSEMBLY, hood	2
19	MS24665-134	•COTTER PIN, hood latch	2
20	12338886P3	•ROLLER, hood latch	2
21	12338889	•STRAP, hood latch	1
22	12338880B4	•BASE, hood latch	1
23	9419982	•PIN, hood latch, spring hood	1
24	12338894P3	•PIN, hood latch	1
25	12338891B4	•LATCH, hood release	1
26	N/S	BOLT, hood latch, 1/4 - 20 x 1 - 1/8", Gr5, CAD	4
27	N/S	WASHER, flat, hard, 1/4", type B, ZN	4
28	12338896	STOP, hood side	2
29	12339433P2	WASHER, hood side stop	4
30	N/S	LOCKWASHER, med, 1/4", ZN, center	4
31	N/S	BOLT, 1/4 - 20 x 1 - 5/8", Gr5, hood stop	4
32	12338905P3	BRACKET, hood latch stop	2
33	N/S	WASHER, flat, hard, 1/4, ZN, hood latch	10
34	N/S	LOCKNUT, 1/4 - 20", Gr8	5
35	5939716B2	BRACKET, hood retainer, L.H.	1
36	5939805B2	SPACER, retainer bracket	2
37	5939717B2	BRACKET, hood retainer, R.H.	1
38	5939718B2	SPACER, retainer bracket	1
39	N/S	NUT, 7/16 - 14", Gr8, CAD, lower hood hinge	4
40	12338879P3	SPACER, lower hinge	2
41	12338900B5	HINGE HALF, lower hood	2
42	N/S	WASHER, flat, hardened, 7/16", ZN, lower hinge	4

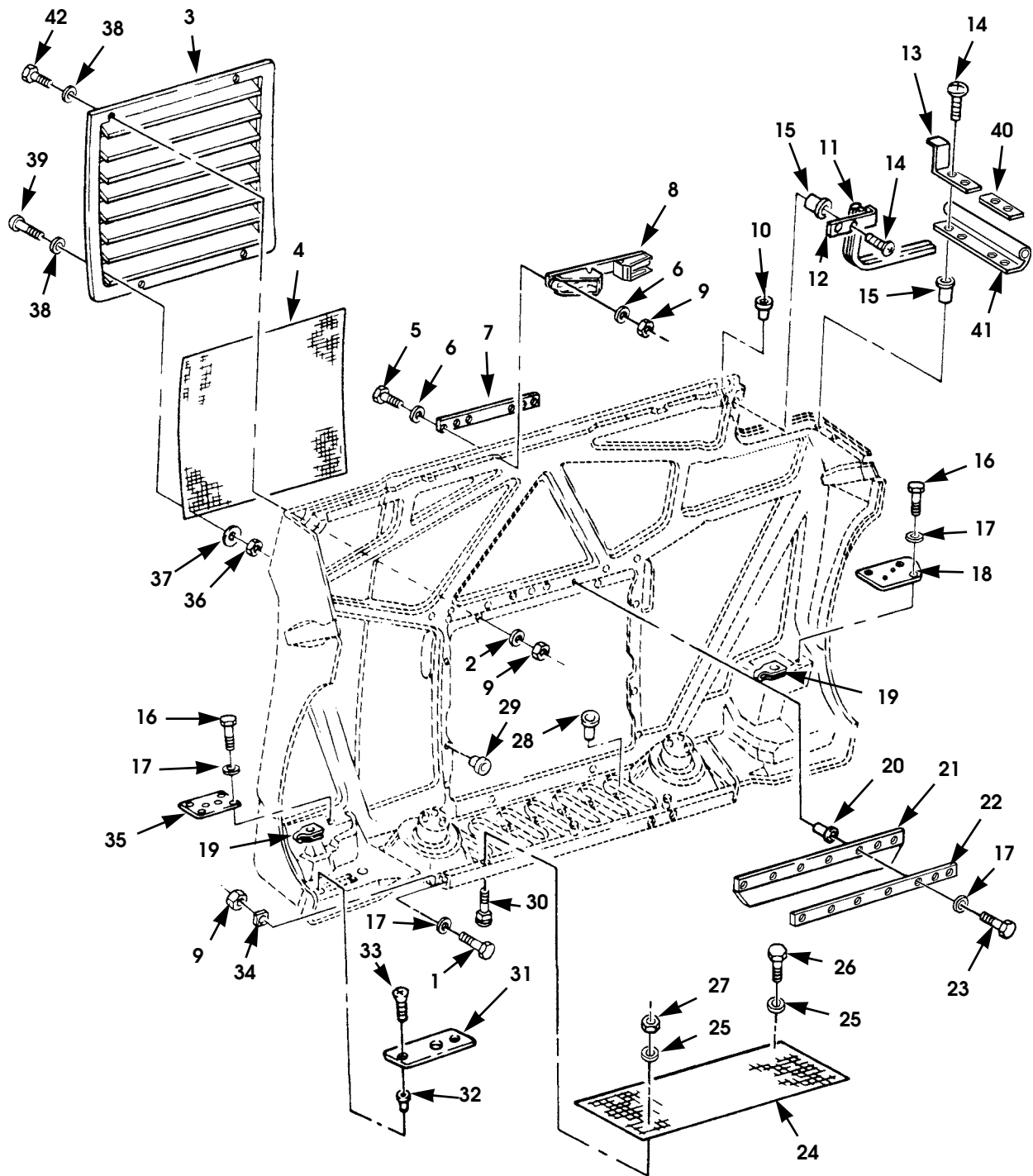
2003 HUMMER H1 PARTS CATALOG

10-20 BODY

ITEM	PART NUMBER	DESCRIPTION	QTY
		Figure 10-7. Hood Assembly and Mounting Hardware. (Cont'd)	
43	N/S	BOLT, 7/16 - 14 x 2", Gr8, CAD, lower hinge	4
44	N/S	BOLT, 3/8 - 16 x 2", Gr5, CAD	4
45	N/S	COTTER PIN, hood hinge, 3/32 x 1/2" CAD	4
46	N/S	WASHER, flat, hardened, 3/8", type B, lower hood hinge pin	4
47	6003871	NAME PLATE, "HUMMER"	1
48	12338897B5	HINGE HALF, upper hood	2
49	12338893	PIN, hood hinge halves	2
50	12339306	PLATE, upper hood hinge	2
51	6007365B5	SPACER, hinge-to-hood.	2
52	12338649P	BRACKET, hood center stop	1
53	6014221	EMBLEM, TORQ TRAC 4 - ELocker	1
53	6014222	EMBLEM, TORQ TRAC 4	1
		 NOTE 1: P/N 6012285 HOOD, ENGINE COMPARTMENT INCLUDES P/N 12338897B5 AS PART OF ITS ASSEMBLY.	

2003 HUMMER H1 PARTS CATALOG

10-22 BODY



P10-007

Figure 10-8. Hood Assembly, Grille, and Related Parts.

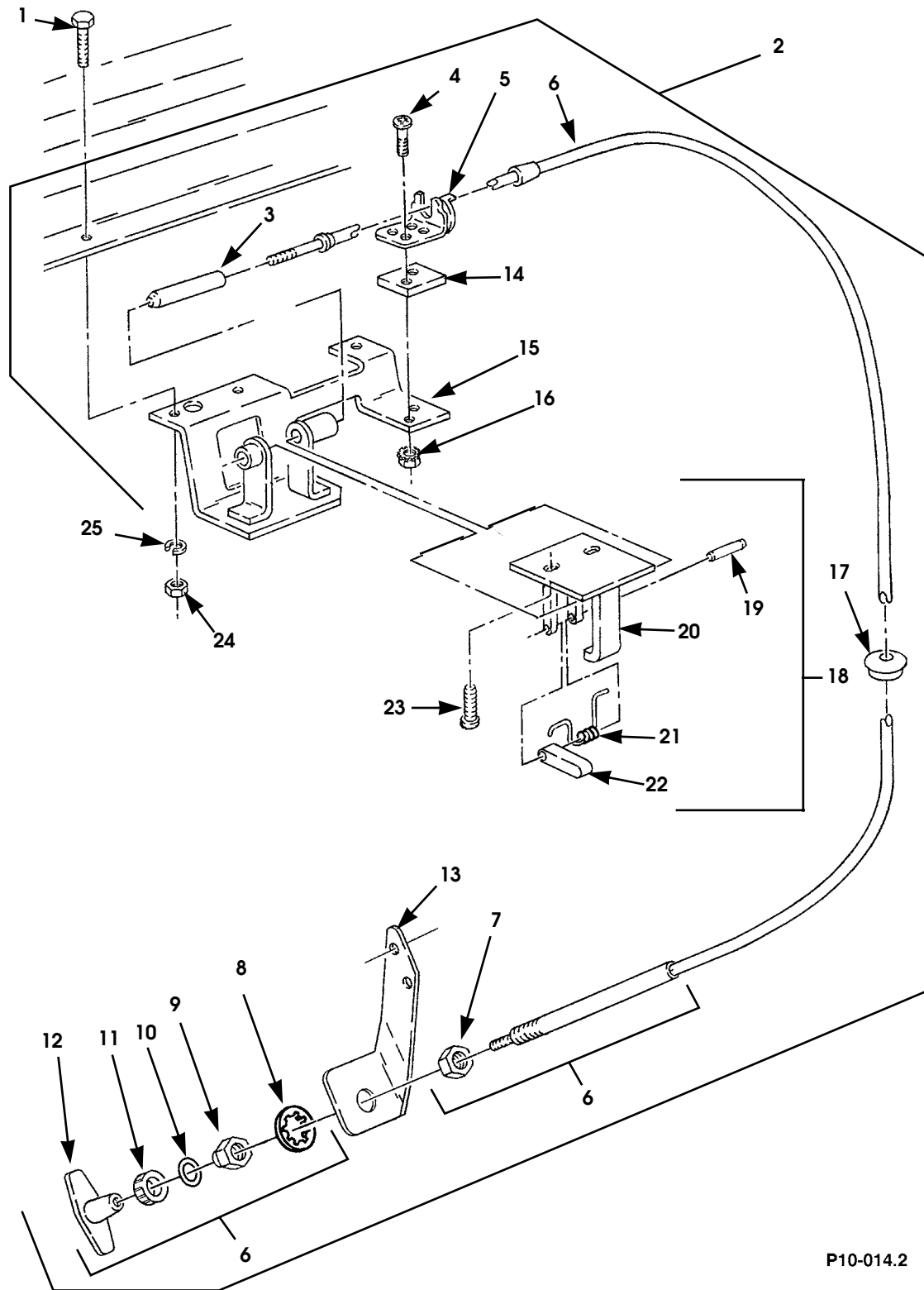
2003 HUMMER H1 PARTS CATALOG

BODY 10-23

ITEM	PART NUMBER	DESCRIPTION	QTY
		Figure 10-8. Hood Assembly, Grille, and Related Parts.	
1	N/S	BOLT, buttonhead, 1/4 - 20 x 1", Gr8	6
2	N/S	WASHER, flat, 1/4", CAD, hood grille	12
3	6007257	GRILLE, hood	1
4	6011077	SCREEN, hood grille, top	1
5	N/S	BOLT, 1/4 - 20 x 1 - 1/8", Gr8, CAD, hood stop guide . .	6
6	N/S	WASHER, flat, hardened, 1/4", ZN, hood stop guide . .	12
7	12338903P3	PLATE, hood stop guide	1
8	6007349	BRACKET, hood stop guide	1
9	N/S	LOCKNUT, 1/4 - 20", Gr8, hood stop guide and crossbar	12
10	M5501/7F4	PLUG, inner hood assembly	4
11	6002673	SEAL, hood	1
12	6001745	RETAINER, seal	1
13	6001746	RETAINER, seal	1
14	160057	SCREW	4
15	12339397-1	WELLNUT	4
16	N/S	BOLT, 1/4 - 20 x 3/4", Gr5, CAD, composite light cover	7
17	N/S	WASHER, flat, 1/4", CAD	16
18	EC12338884B1	COVER, composite light, R.H.	1
19	12339425	SPEED NUT, composite light cover	7
20	12339397-4	WELLNUT, hood seal.	9
21	WA12338911	SEAL, center hood.	1
22	12338885P3	RETAINER, hood seal	1
23	N/S	BOLT, 1/4 - 20 x 1", Gr5, CAD, hood seal retainer	9
24	6011078	GUARD, hood and grille, front	1
25	N/S	WASHER, flat, hardened, 3/8", type B, front hood screen .	6
26	N/S	SCREW, 5/16 - 18 x 1", Gr5, CAD.	3
27	N/S	NUT, 5/16 - 18", Gr8, CAD, front hood screen	3
28	12339397-5	WELLNUT, front hood screen.	3
29	12338887-2	PLUG, hood assembly, tapered, grille	6
30	12339434P2	BOLT, carriage	3
31	5935690	PANEL, inner hood, access	2
32	12339998-1	PLUSNUT, inner hood panel	4
33	N/S	SCREW, phcr, #10 - 32 x 1/2", inner hood panel	4
34	12338892	PLATE, hood crossbar, spacer.	2
35	EC12338906B1	COVER, composite light, L.H.	1
36	N/S	LOCKNUT, hood grille screen, #10 - 24" Gr 8 CAD	6
37	12339432P2	WASHER, hood grille screen	12
38	N/S	WASHER, flat, hood grille screen, #10 S.A.E. CAD	6
39	N/S	SCREW, hood grille screen, #10-24 x 7/8" ph mach. . .	6
40	6005171	RETAINER, hood seal	1
41	6005170	SEAL, hood, rear, R.H.	1
42	6006178	SCREW, buttonhead, 1/4 - 20 x 1"	6

2003 HUMMER H1 PARTS CATALOG

10-24 BODY



P10-014.2

Figure 10-9. Hood Release.

2003 HUMMER H1 PARTS CATALOG

BODY 10-25

ITEM	PART NUMBER	DESCRIPTION	QTY
		Figure 10-9. Hood Release.	
1	N/S	BOLT, 1/4 - 20 x 1 - 1/4", Gr5, CAD	3
2	5743863	KIT, hood lock.	1
3	6005383	• LOCKPIN, hood latch	1
4	S.I.K.	• SCREW, phcr, #8 - 32 x 3/4"	4
5	6005401	• BRACKET, cable clamp	1
6	6005389	• CABLE ASSEMBLY	1
7	S.I.A.	• NUT	1
8	S.I.A.	• LOCKWASHER	1
9	S.I.A.	• LOCKNUT	1
10	6006128	• O-RING	1
11	S.I.A.	• SPACER	1
12	S.I.A.	• T-HANDLE	1
13	6005390	• BRACKET, cable mounting	1
14	6005388	• SPACER, cable mounting clamp	1
15	6005395	• BRACKET ASSEMBLY	1
16	N/S	• NUT AND LOCKWASHER ASSEMBLY, #8 - 32", keps	2
17	12338999	• GROMMET	1
18	6005536	• LATCH ASSEMBLY, hood	1
19	6005613	• PIN	1
20	S.I.A.	• LATCH	1
21	6005386	• SPRING, lock arm	1
22	6005385	• ARM LOCK	1
23	N/S	SCREW, tapping, 1/4 - 28 x 1 - 1/4", HHCS, Gr8, ZN, CBLT	2
24	N/S	NUT, 1/4 - 20", ZN	3
25	N/S	LOCKWASHER, med, 1/4", ZN	5

2003 HUMMER H1 PARTS CATALOG

10-26 BODY

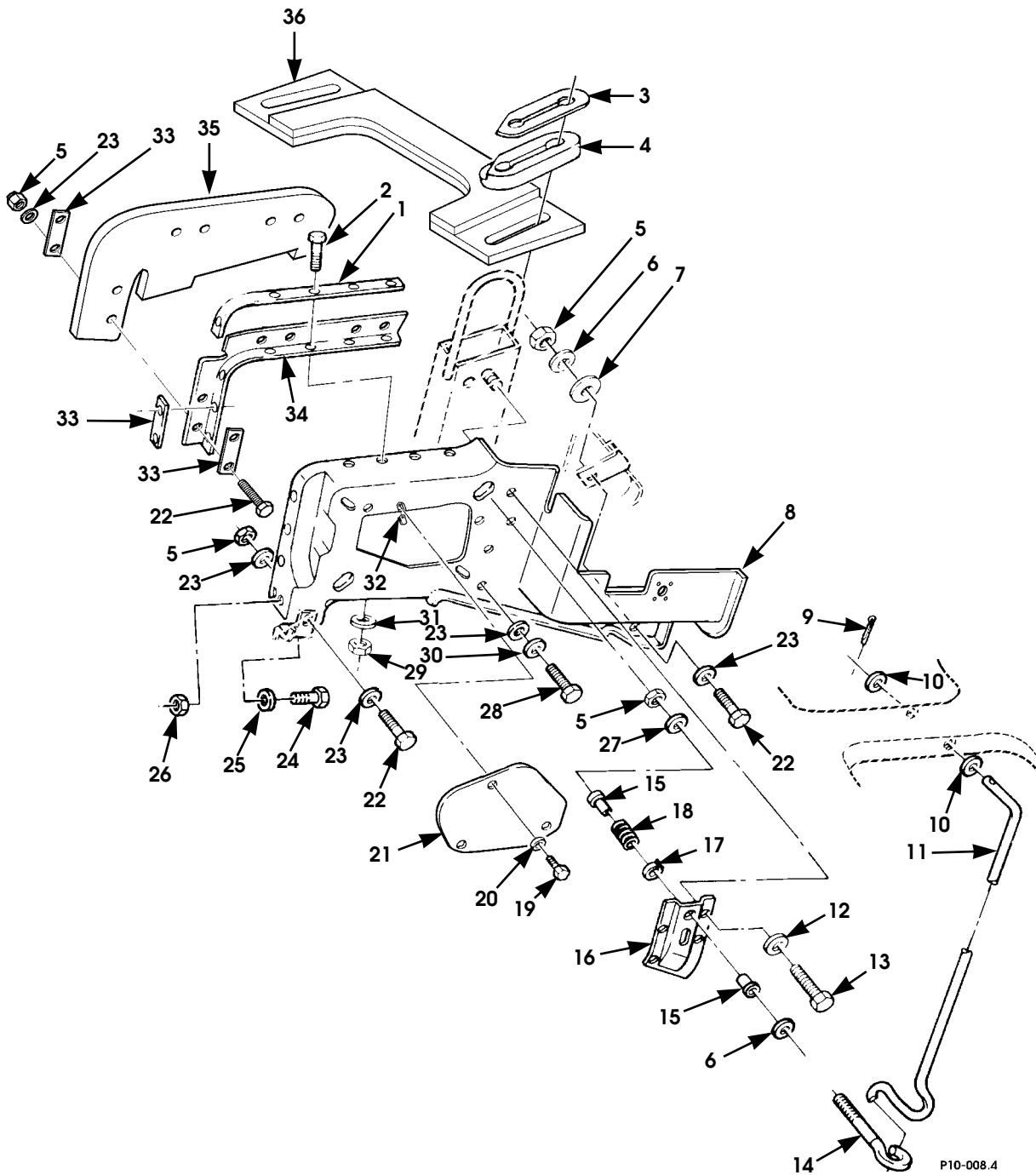


Figure 10-10. Splash Shield (Left Hand) and Hood Prop Rod.

2003 HUMMER H1 PARTS CATALOG

BODY 10-27

ITEM	PART NUMBER	DESCRIPTION	QTY
		Figure 10-10. Splash Shield (Left Hand) and Hood Prop Rod.	
1	12338630P3	RETAINER, splash shield seal	1
2	N/S	SCREW, #10 - 24 x 3/4"	7
3	6008043	COVER PLATE, air-lift bracket seal	1
4	12342357	SEAL, airlift bracket, L.H.	1
5	N/S	LOCKNUT, 5/16 - 18", Gr8, prop rod eyebolt	3
6	N/S	WASHER, flat, hardened, 5/16", ZN, prop rod eyebolt	2
7	9421128	WASHER, flat, 3/8 x 1. - 1/8 x 5/8"	1
8	6010083B1	SPLASH SHIELD, L.H.	1
9	N/S	COTTER PIN, 3/32 x 3/4", prop rod	1
10	N/S	WASHER, flat, hardened, 3/8"	3
11	12338915	ROD, hood prop	1
12	N/S	LOCKWASHER, med, 1/4", ZN, prop rod bracket	4
13	N/S	SCREW, tapping, 1/4 - 28 x 1"	4
14	12339435	EYEBOLT, hood prop rod	1
15	12338895	BUSHING, eye bolt	2
16	12338913	BRACKET, hood prop rod	1
17	MS16624-2066	RETAINING RING, prop rod bracket bushing	1
18	12338881P3	SPRING, prop rod eyebolt.	1
19	N/S	BOLT, #8 - 32 x 1"	3
20	N/S	WASHER, #8.	3
21	12446770-1B2	PLATE COVER.	1
22	N/S	BOLT, 5/16 - 18 x 1", Gr5, CAD.	2
23	N/S	WASHER, flat, 5/16", CAD	4
24	N/S	SCREW, 1/4 - 20 x 1 - 1/2", CAD	1
25	N/S	WASHER, flat, 1/4", CAD	1
26	N/S	LOCKNUT, 1/4 - 20"	1
27	N/S	WASHER, flat, 5/16", CAD	1
28	N/S	SCREW, tapping, 5/16 - 18 x 1"	1
29	N/S	LOCKNUT, #10 - 24", Gr8, CAD	7
30	N/S	LOCKWASHER, med, 5/16", ZN	1
31	N/S	WASHER, flat, #10, CAD	7
32	N/S	SPRING NUT, #8 - 32"	3
33	12338634-1P3	RETAINER, splash shield seal, L.H.	7
34	6007395	SEAL, splash shield, hood, L.H..	1
35	6007251	SEAL, splash shield-to-hood	1
36	6007250	SEAL, radiator-to-hood	1

2003 HUMMER H1 PARTS CATALOG

10-28 BODY

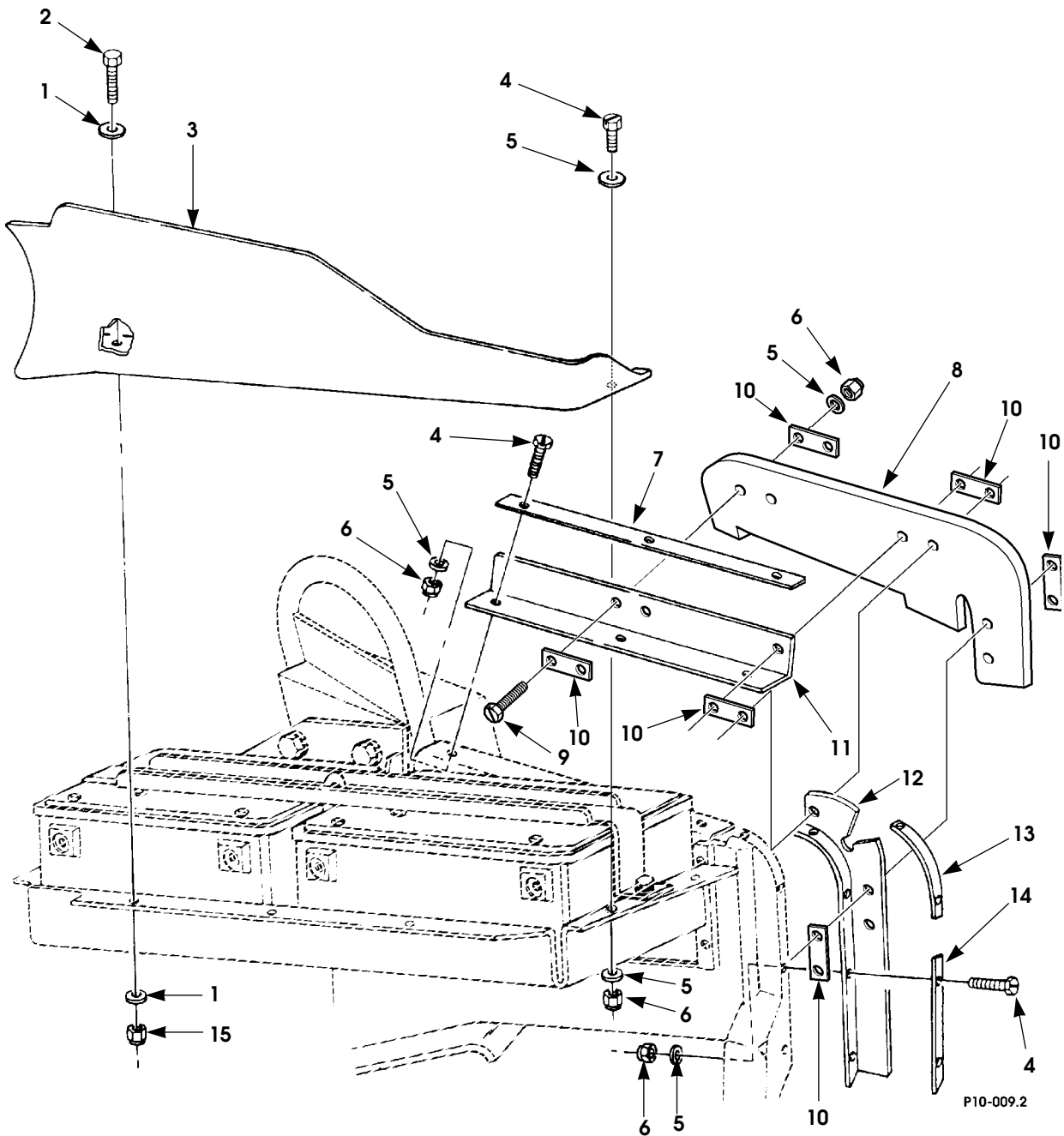


Figure 10-11. Splash Shield (Right Hand Upper) and Seals.

2003 HUMMER H1 PARTS CATALOG

BODY 10-29

ITEM	PART NUMBER	DESCRIPTION	QTY
		Figure 10-11. Splash Shield (Right Hand Upper) and Seals.	
1	N/S	WASHER, flat, 5/16", CAD	3
2	N/S	BOLT, 5/16 - 18 x 1", Gr5, CAD	3
3	6007249	SPLASH SHIELD, upper, R.H.	1
4	N/S	BOLT, #10 - 24 x 3/4", CAD	8
5	N/S	WASHER, flat, #10, CAD	14
6	N/S	LOCKNUT, #10 - 24", Gr8, CAD	14
7	6002924	RETAINER, hood seal, top	1
8	6007251	SEAL, splash shield-to-hood	1
9	N/S	BOLT, #10 - 24 x 1", CAD	6
10	12338634-1	RETAINER, splash shield	6
11	6002914	SEAL, battery tray-to-hood, top	1
12	6002915	SEAL, battery tray-to-hood, front	1
13	6002925	RETAINER, hood seal, front	1
14	12338634-2P3	RETAINER, seal	1
15	N/S	LOCKNUT, 5/16 - 18", Gr8, CAD	5

2003 HUMMER H1 PARTS CATALOG

10-30 BODY

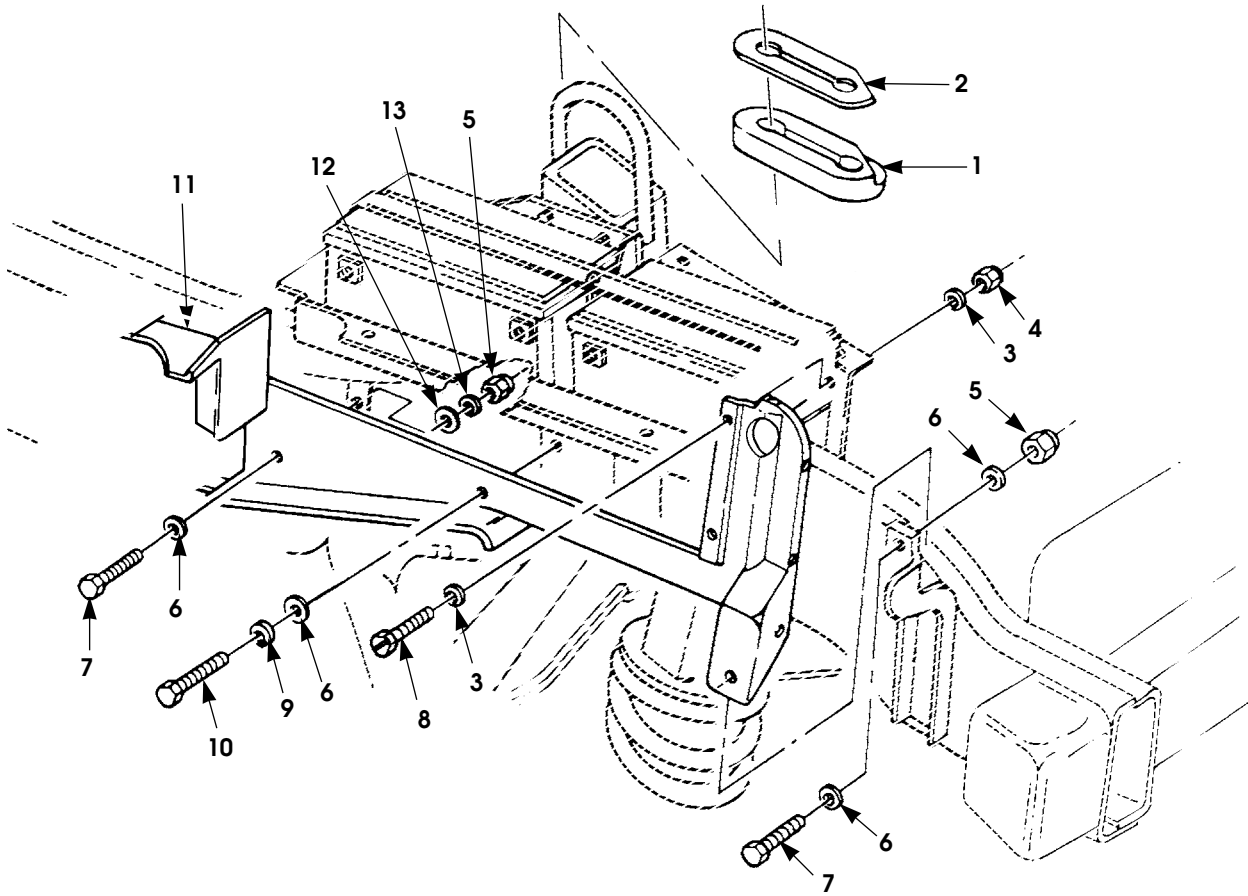


Figure 10-12. Splash Shield, Right Hand Lower.

2003 HUMMER H1 PARTS CATALOG

BODY 10-31

ITEM	PART NUMBER	DESCRIPTION	QTY
		Figure 10-12. Splash Shield, Right Hand Lower.	
1	12342358	SEAL, airlift bracket, R.H.	1
2	6008043	COVER PLATE, air-lift bracket seal	1
3	N/S	WASHER, flat, #10, CAD	4
4	N/S	LOCKNUT, #10 - 24", Gr8, CAD	2
5	N/S	LOCKNUT, 5/16 - 18", Gr8, CAD	5
6	N/S	WASHER, flat, 5/16", CAD	5
7	N/S	BOLT, 5/16 - 18 x 1", Gr5, CAD	6
8	N/S	SCREW, #10 - 24 x 3/4"	2
9	N/S	LOCKWASHER, med, 5/16", ZN	1
10	N/S	SCREW, tapping, 5/16 - 18 x 1", type C, ZN	1
11	6009388	SPLASH SHIELD, lower, R.H.	1
12	9421128	WASHER, flat, 3/8 x 1 - 1/8 x 5/8"	1
13	N/S	WASHER, flat, hardened, 5/16", "B", ZN	1

2003 HUMMER H1 PARTS CATALOG

10-32 BODY

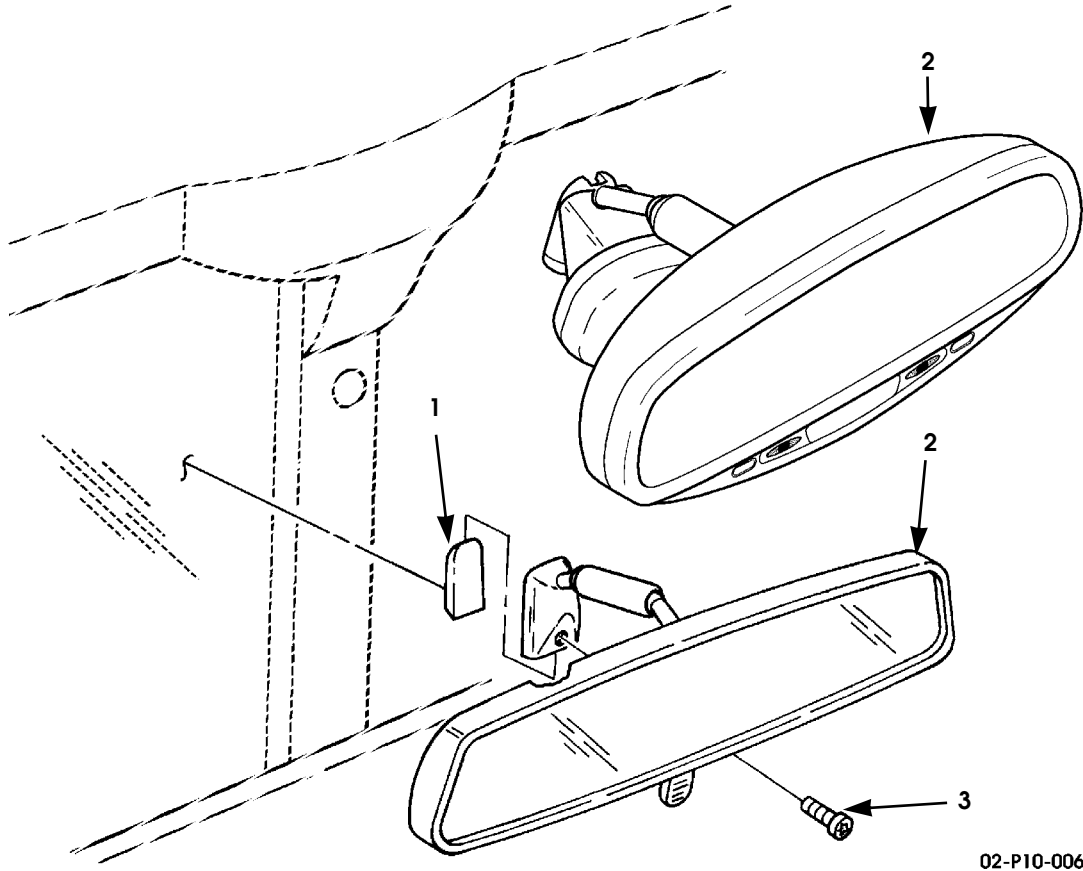


Figure 10-13. Mirrors (Inside) Mounting Hardware.

2003 HUMMER H1 PARTS CATALOG

BODY 10-33

ITEM	PART NUMBER	DESCRIPTION	QTY
		Figure 10-13. Mirrors (Inside) Mounting Hardware.	
1	5939643	SUPPORT, rearview mirror	1
2	5939074	MIRROR ASSEMBLY, rearview, standard	1
2	6013100	MIRROR ASSEMBLY, rearview, deluxe, w/compass	1
3	S.I.A.	•SCREW, mirror mounting	1
	6007374	HARNESS ASSEMBLY, outside temperature sensor (not illustrated)	1
	6011019	SENSOR, outside temperature (not illustrated).	1
	6011324	HARNESS, rear view mirror (not illustrated)	1

2003 HUMMER H1 PARTS CATALOG

10-34 BODY

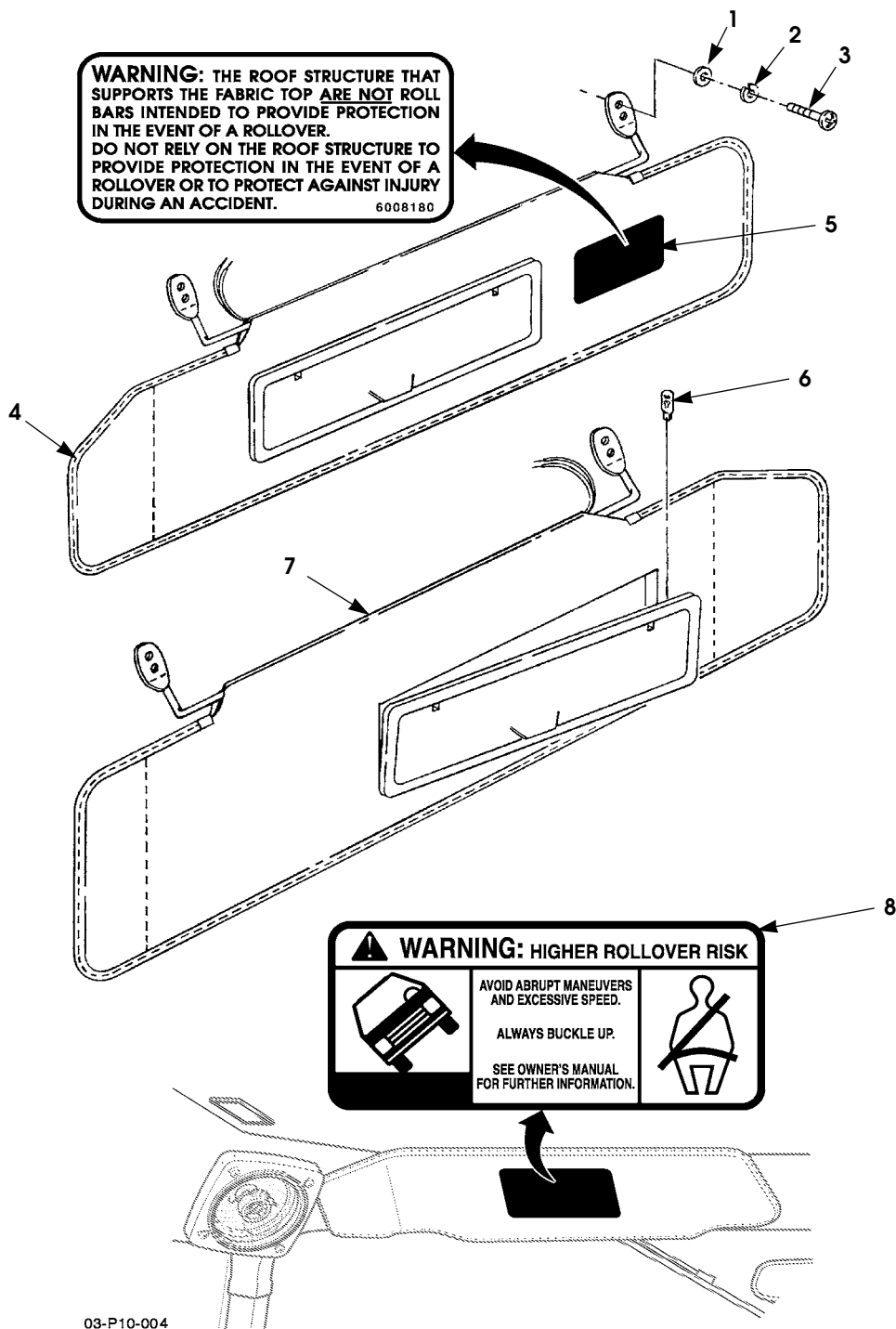


Figure 10-14. Sun Visor.

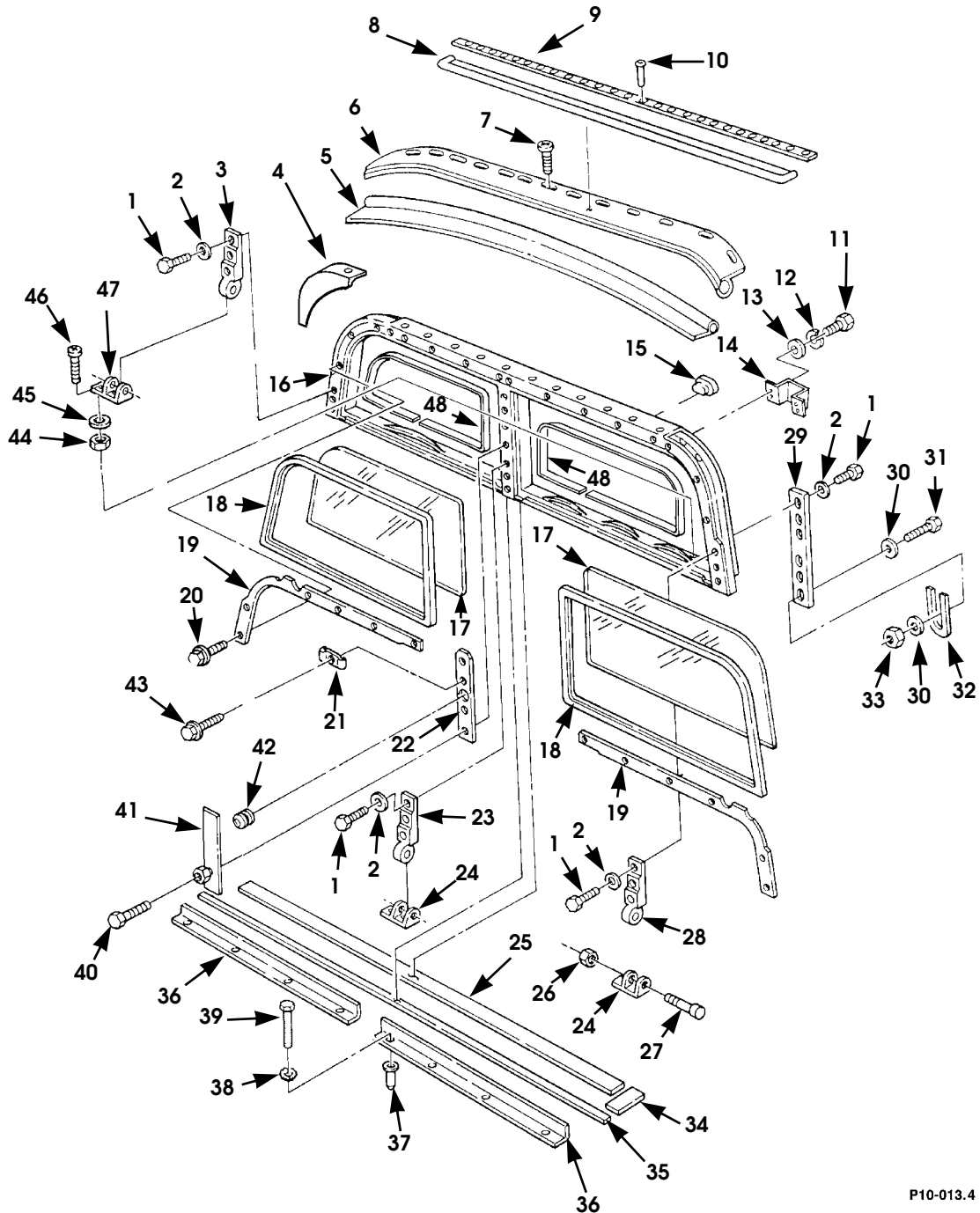
2003 HUMMER H1 PARTS CATALOG

BODY 10-35

ITEM	PART NUMBER	DESCRIPTION	QTY
		Figure 10-14. Sun Visor.	
.1	N/S	WASHER, flat, #10	8
2	N/S	LOCKWASHER, #10	8
3	N/S	SCREW, pan head, #10 - 24 x 3/4"	8
4	6009813G	SUN VISOR, R.H., standard trim, gray	1
4	6009815G	SUN VISOR, R.H., deluxe, gray, w/lighted vanity mirror . 83, 84, 89	11
5	6008180	LABEL, roof structure(english) SEE NOTE 1	1
6	N/S	BULB (trade #73) 83, 84, 89	2
7	6009812G	SUN VISOR, L.H., standard trim, gray	1
7	6009814G	SUN VISOR, L.H., deluxe, gray, w/lighted vanity mirror . 83, 84, 89	1
8	6012536	LABEL, rollover, (english/french)	1
NOTE 1: LOCATED ON OPPOSITE SIDE OF VISOR.			

2003 HUMMER H1 PARTS CATALOG

10-36 BODY



P10-013.4

Figure 10-15. Windshield Assembly.

2003 HUMMER H1 PARTS CATALOG

BODY 10-37

ITEM	PART NUMBER	DESCRIPTION	QTY
		Figure 10-15. Windshield Assembly.	
1	N/S	BOLT, 5/16 - 18 x 1 - 1/8", Gr8	15
2	N/S	WASHER, flat, hardened, type B, 5/16"	15
3	12338841-2G1	HINGE, R.H.	1
4	6009700P	CORNER CAP, L.H. 90	1
4	6009701P	CORNER CAP, R.H. 90	1
5	6009733	SEAL, windshield frame, upper	1
		90	
6	6009732P	FORMER ASSEMBLY	1
		90	
7	N/S	SCREW, pan head tapping, #10 - 24 x 1/2"	11
		90	
8	5939991	SEAL	1
		83, 84, 89	
9	12338818P	RETAINER	1
		83, 84, 89	
10	N/S	RIVET, blind, M1/8 x .251 x .312	27
		83, 84, 89	
11	N/S	SCREW, pan head, #10 - 24 x 3/4"	16
12	N/S	LOCKWASHER, med, #10, ZN.	16
13	N/S	WASHER, flat, #10, CAD	16
14	6000814B2	BRACKET, visor mounting.	4
15	12338829	COVER	2
16	6012525	FRAME, windshield glass	1
		89, 83, 84	
16	6012538	FRAME, windshield glass	1
		90	
17	6003519	GLASS, tinted, R.H.	1
17	6011900	GLASS, heated windshield, R.H.,	1
17	6008795	GLASS, heated, non-tinted windshield, R.H. (Australia)	1
17	6003520	GLASS, tinted, L.H.	1
17	6008794	GLASS, heated, non-tinted, windshield, L.H. (Australia)	1
17	6011899	GLASS, heated windshield, L.H.	1
18	12338941	WEATHERSTRIP	2
19	12338852P	RETAINER, windshield, upper.	2
20	N/S	SCREW, tapping, #10 - 32 x 5/8"	12
21	5935689	WIRE RETAINER	1

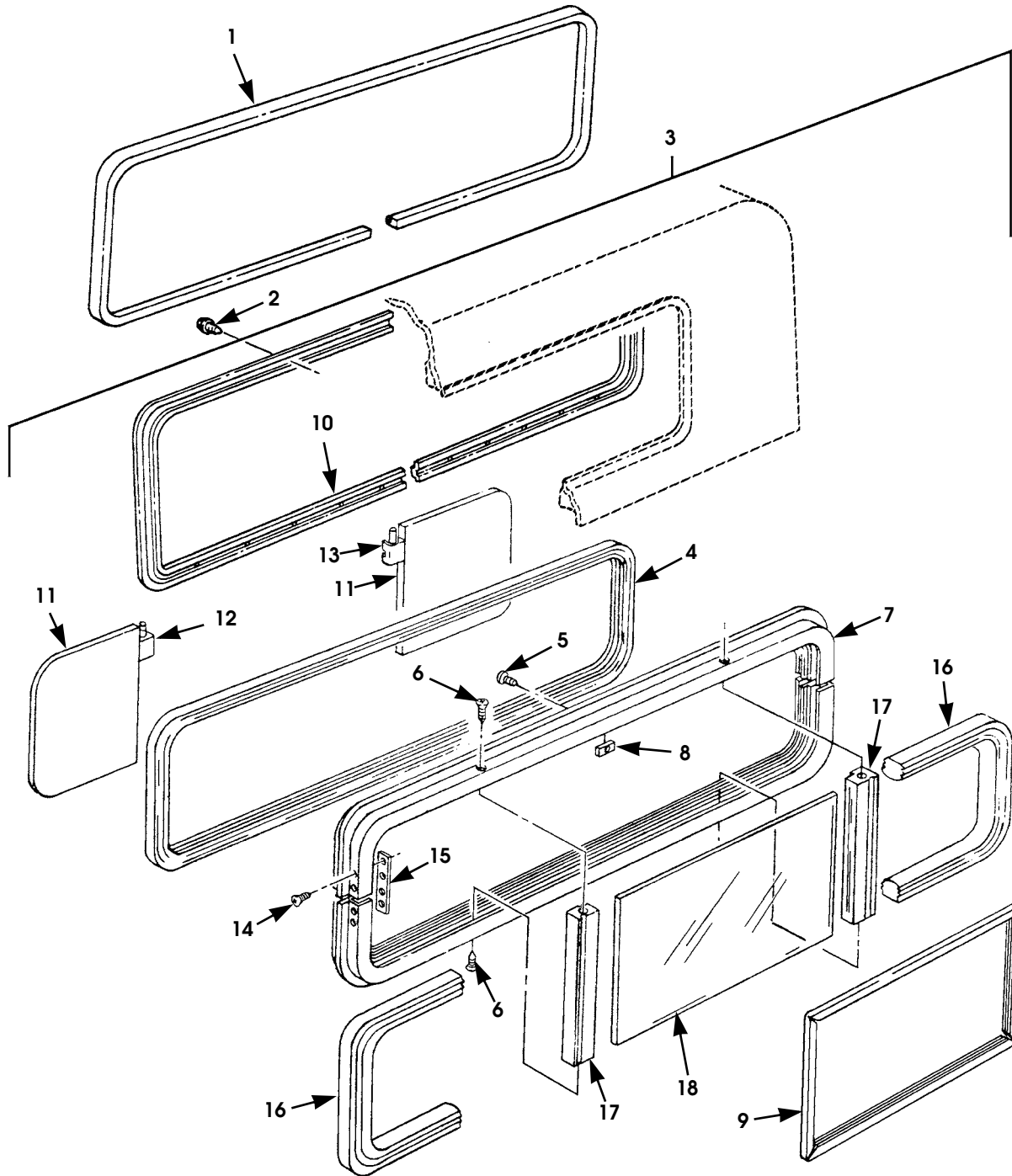
2003 HUMMER H1 PARTS CATALOG

10-38 BODY

ITEM	PART NUMBER	DESCRIPTION	QTY
		Figure 10-15. Windshield Assembly. (Cont'd)	
22	5935710P	RETAINER, windshield center.	1
23	12338835	HINGE, middle	1
24	12338822-1P	HINGE, lower.	2
25	6001115	SEAL, 8'	1
26	N/S	LOCKNUT, 3/8 - 16", Gr8.	3
27	N/S	BOLT, 3/8 - 16 x 2", Gr5.	3
28	12338841-1G1	HINGE, L.H.	1
29	5939340	BRACKET, rear	2
30	N/S	WASHER, flat, hard, type B, 5/16"	6
31	N/S	BOLT, 5/16 - 18 x 1 - 1/4", Gr8	6
32	12338806	SHIM, 2 places	A/R
33	N/S	LOCKNUT, 5/16 - 18", Gr8.	3
34	5939686	SEAL, lower windshield, L.H.	1
34	5939687	SEAL, lower windshield, R.H.	1
35	5939685	SEAL.	1
36	12447029P	RETAINER, windshield, lower	2
37	5939334	NUT INSERT, #10 - 24"	8
38	N/S	LOCKWASHER, med, #10, ZN	8
39	N/S	BOLT, #10 - 24 x 3/4"	8
40	N/S	SCREW, tapping, #10 - 32 x 7/8"	2
41	5935687P	COVER ASSEMBLY, wire	1
42	5935699	GROMMET, W/S center pillar.	1
43	5939530P2	SCREW, tapping	1
44	N/S	NUT, 5/16 - 18", Gr5	6
45	9424258	LOCKWASHER.	6
46	N/S	SCREW, fillister head, 5/16 - 18 x 1 - 1/4"	6
47	12338822-2P	HINGE, lower, R.H.	1
48	6005792	TAPE FOAM, butyl, (30' roll), SEE NOTE 1	1
		NOTE 1: CUT TO LENGTH APPROXIMATELY 110" PER WINDSHIELD PANE.	

2003 HUMMER H1 PARTS CATALOG

10-40 BODY



P10-014a

Figure 10-16. Window Assembly, Rear.

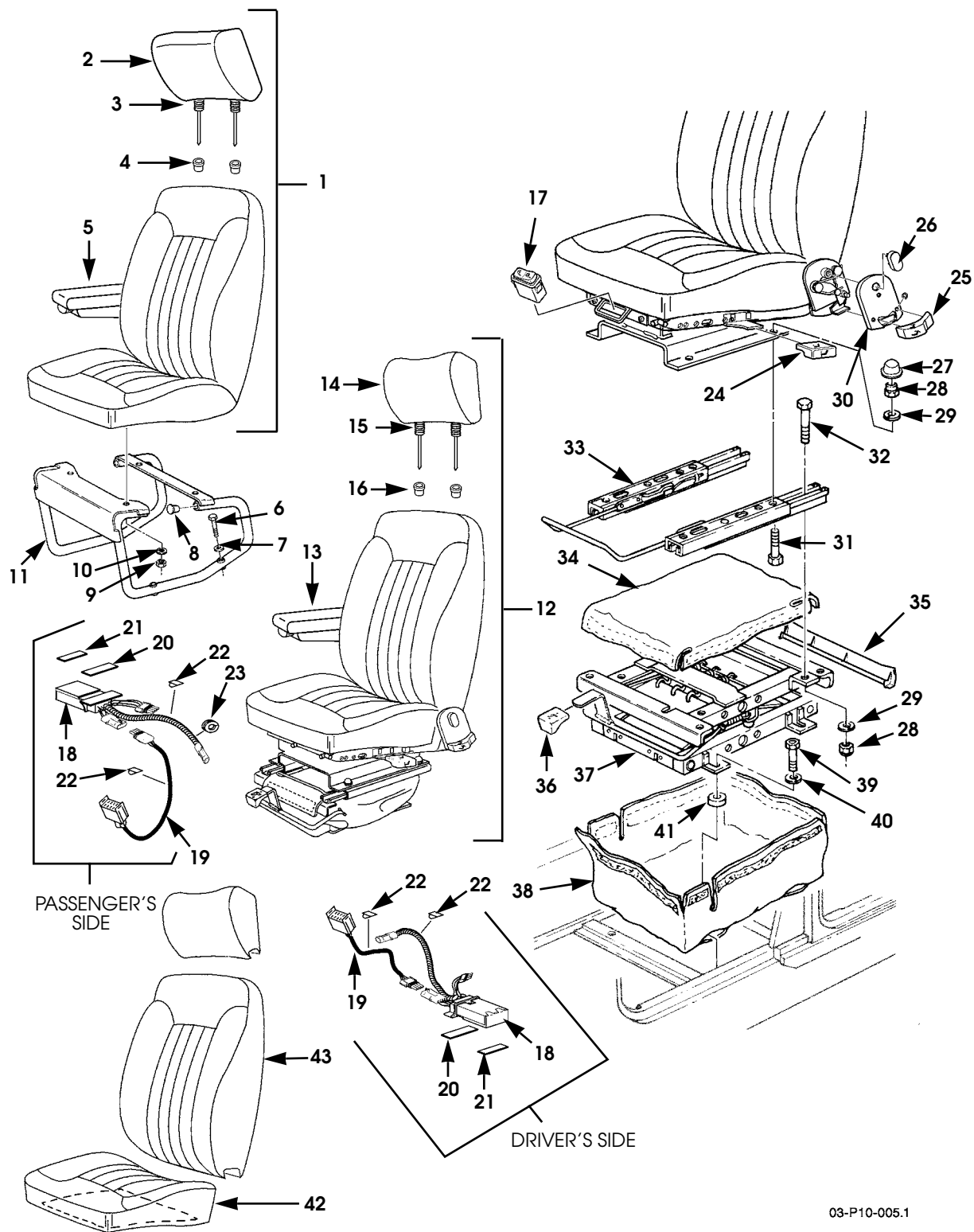
2003 HUMMER H1 PARTS CATALOG

BODY 10-41

ITEM	PART NUMBER	DESCRIPTION	QTY
		Figure 10-16. Window Assembly, Rear.	
1	5745369	SEAL, outer, rear window, SEE NOTE1	1
2	N/S	SCREW, self tapping, #8 - 18 x 1/2"	24
3	6003517	REAR WINDOW ASSEMBLY, sliding, tinted.	1
3	6005304	REAR WINDOW ASSEMBLY, sliding, with defroster	1
4	S.I.A.	•INNER FRAME	1
5	S.I.A.	•SCREW, rear window travel stop	2
6	S.I.A.	•SCREW, rear window side post mounting.	4
7	S.I.A.	•INTERMEDIATE FRAME, rear window	1
8	S.I.A.	•TRAVEL STOP, rear window	2
9	S.I.A.	•SEAL, outer, rear window	1
10	5744496	•CLAMP RING, rear window.	1
11	S.I.A.	•GLASS, sliding rear window, tinted.	2
12	5744504	•LOCK, rear window left hand	1
13	5744505	•LOCK, rear window right hand	1
14	5744500	•SCREW, rear window frame	4
15	5744501	•TIE BAR, rear window frame	1
16	5744506	•FILLER, window frame, 90"	2
17	5744503	•CENTER POST, rear window	2
18	S.I.A.	•GLASS, fixed center section, tinted	1
18	S.I.A.	•GLASS, fixed center, w/defroster, tinted	1
19	6005233	HARNES, rear window defrost, sliding 83, 89, (not illustrated)	1
		NOTE 1: CUT TO 13' LENGTH FROM 1,000 FT. BULK SEAL, PN 6000366.	

2003 HUMMER H1 PARTS CATALOG

10-42 BODY



03-P10-005.1

Figure 10-17. Seats, Driver and Passenger.

2003 HUMMER H1 PARTS CATALOG

BODY 10-43

ITEM	PART NUMBER	DESCRIPTION	QTY
		Figure 10-17. Seats, Driver and Passenger.	
1	6014401	REAR PASSENGER SEAT ASSEMBLY, w/armrest, L.H., gray 84, 90,	1
1	6014402	REAR PASSENGER SEAT ASSEMBLY, w/armrest, R.H., gray 84, 90	1
1	6013901	REAR PASSENGER SEAT ASSEMBLY, w/armrest, L.H., gray leather 84, 90	1
1	6013902	REAR PASSENGER SEAT ASSEMBLY, w/armrest, R.H., gray leather 84, 90	1
1	6014404	REAR PASSENGER SEAT ASSEMBLY, w/o armrest, black cloth (K-series only)	2
1	6014403	REAR PASSENGER SEAT ASSEMBLY, w/o armrest, black vinyl (K-series only)	2
2	5745509	•HEADREST ASSEMBLY, gray,	2
2	5745510	•HEADREST ASSEMBLY, black cloth	2
2	5745511	•HEADREST ASSEMBLY, black vinyl,	2
2	5745589	•HEADREST ASSEMBLY, gray leather,	2
3	5744839	••BOOT, headrest, seat bar post	2
4	5744826	•FERRULE, headrest post	2
5	5745381	•ARMREST ASSEMBLY, L.H., rear, gray	1
5	5745588	•ARMREST ASSEMBLY, L.H., rear, gray leather	1
5	5745382	•ARMREST ASSEMBLY, R.H., rear, gray	1
5	5745586	•ARMREST ASSEMBLY, R.H., rear, gray leather	1
6	N/S	BOLT, 5/16 - 18 x 1 - 3/4", Gr5, rear passenger seat support	4
7	N/S	WASHER, flat, hardened, 5/16", rear passenger seat support.	4
8	12339361-5	PLUG, plastic, rear passenger seat	4
9	N/S	LOCKNUT, 5/16 - 18", Gr8, rear passenger seat support.	4
10	N/S	WASHER, flat, hardened, 5/16", rear passenger seat support.	4
11	5939508B2	REAR PASSENGER SEAT STANCHION ASSEMBLY	1
12	6014262	DRIVER SEAT ASSEMBLY, w/armrest, gray 84, 90	1
12	6014263	PASSENGER SEAT ASSEMBLY, w/armrest, gray 84, 90	1
12	6014264	DRIVER SEAT ASSEMBLY, w/o armrest, black cloth (K-series only)	1
12	6014265	PASSENGER SEAT ASSEMBLY, w/o armrest, black cloth (K-series only)	1
12	6014266	DRIVER SEAT ASSEMBLY, w/o armrest, black vinyl (K-series only)	1

2003 HUMMER H1 PARTS CATALOG

10-44 BODY

ITEM	PART NUMBER	DESCRIPTION	QTY
		Figure 10-17. Seats, Driver and Passenger. (Cont'd)	
12	6014267	PASSENGER SEAT ASSEMBLY, w/o armrest, black vinyl (K-series only)	1
12	6013899	DRIVER SEAT ASSEMBLY, w/armrest, gray leather, heated 84, 90	1
12	6013900	PASSENGER SEAT ASSEMBLY, w/armrest, gray leather, heated.	1
13	5745227	•ARMREST ASSEMBLY, driver's, gray	1
13	5745587	•ARMREST ASSEMBLY, driver's, gray leather.	1
13	5745229	•ARMREST ASSEMBLY, passenger front, gray	1
13	5745586	•ARMREST ASSEMBLY, passenger front, gray leather	1
14	5745597	•HEADREST ASSEMBLY, front, gray	2
14	5745598	•HEADREST ASSEMBLY, front, black cloth	2
14	5745599	•HEADREST ASSEMBLY, front, black vinyl.	2
14	5745590	•HEADREST ASSEMBLY, front, gray leather	2
15	5744839	••BOOT, headrest, seat bar post	2
16	5744826	••FERRULE, headrest post.	2
17	5745584	•SWITCH, seat heater temperature control SEE NOTE 2	2
18	5745607	•MODULE, seat heater control box, black SEE NOT 2	2
19	5745612	•HARNES, seat heater switch SEE NOTE 2.	2
20	N/S	•VELCRO SET, 1" x 4"	2
21	N/S	•PAD, cotton strip, adhesive back, 1" x 3" SEE NOTE 2	2
22	N/S	•CLIP, one-piece plastic w/adhesive back SEE NOTE 2	4
23	N/S	•GROMMET	1
24	5745418	•KNOB, control, seat tilt, driver's seat.	1
25	5745419	•KNOB, control, seatback recline, L.H.	1
25	5745420	•KNOB, control, seatback recline, R.H.	1
26	5744818	••CAP, plastic.	2
27	6002698	•PROTECTIVE CAP	4
28	N/S	•LOCKNUT, 5/16 - 18", Gr8	8
29	N/S	•WASHER, flat, hardened, type B, 5/16"	8
30	5745603	•COVER, driver's side, reclining seat, black	1
30	5745604	•COVER, passenger's side, reclining seat, black	1
31	N/S	•BOLT, socket head, M8 x 16 - GR 8.8	8
32	N/S	•BOLT, Socket head, M8 x 20 - GR 8.8	4
33	5745505	•SLIDE SET, driver seat	1
34	5744833	•COVER, height adjuster, gray	2
34	5745508	•COVER, height adjuster, black cloth	2
34	5744160	•COVER, height adjuster, black vinyl.	2
34	5745595	•COVER, height adjuster, gray vinyl SEE NOTE 2.	2
35	5744597	•COVER, frame, black	1
36	5744824	•CONTROL KNOB, seat	1
37	5745506	•HEIGHT ADJUSTER.	1
38	5744835	•BAG, height adjuster, gray	1
38	5745507	•BAG, height adjuster, black cloth.	1

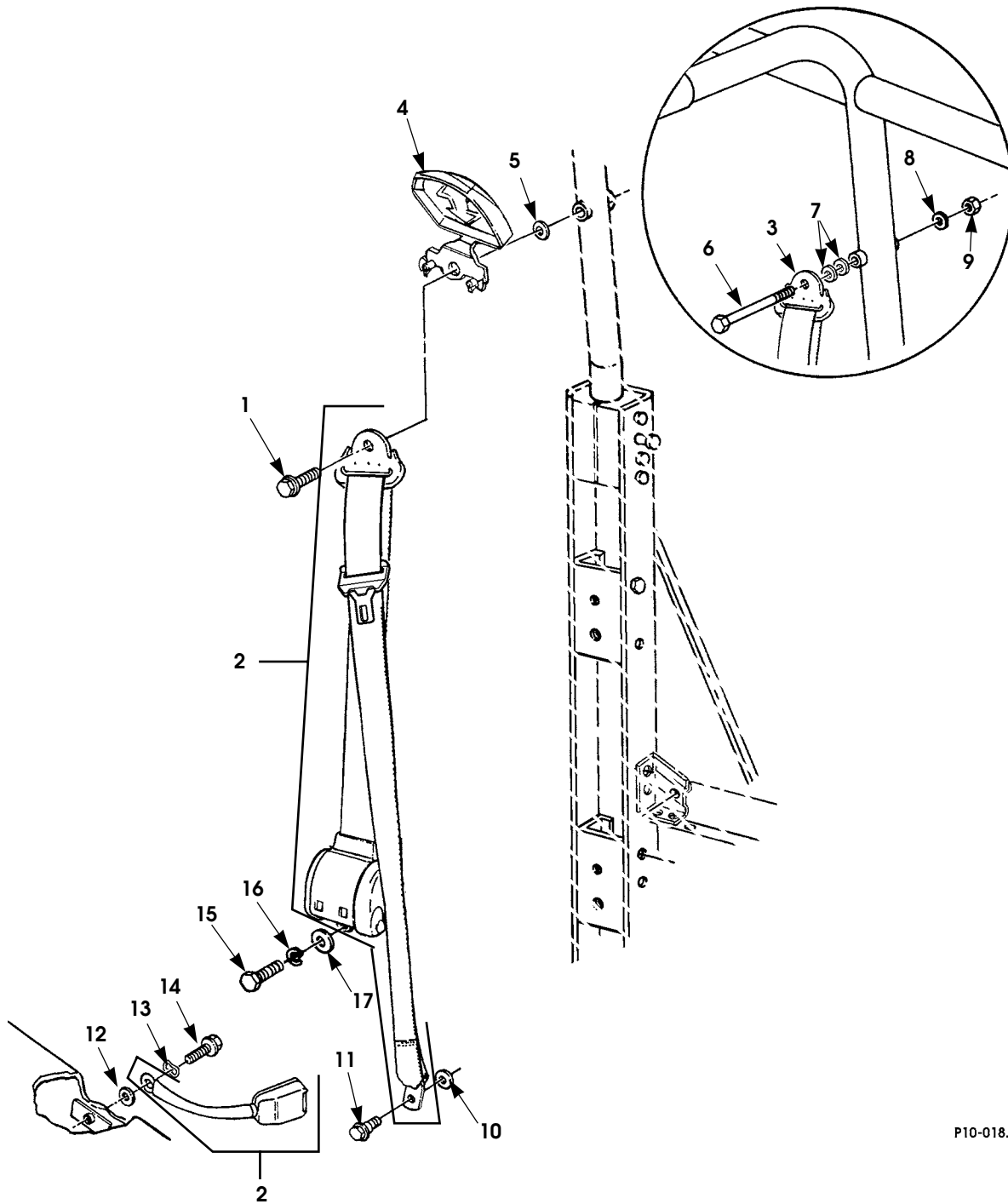
2003 HUMMER H1 PARTS CATALOG

BODY 10-45

ITEM	PART NUMBER	DESCRIPTION	QTY
		Figure 10-17. Seats, Driver and Passenger. (Cont'd.)	
38	5744161	•BAG, height adjuster, black vinyl	1
38	5745596	•BAG, height adjuster, gray vinyl SEE NOTE 2	1
39	N/S	•BOLT, 5/16 - 18 x 3/4", sock	8
40	N/S	•LOCKWASHER, med, 5/16", ZN	12
41	12343055	•SPACER, seat base	4
42	5745233	•UPHOLSTERY, seat, front, gray (cushion not included)	2
42	5745237	•UPHOLSTERY, seat, rear, gray (cushion not included)	2
42	5745387	•UPHOLSTERY, seat, front and rear, black cloth (cushion not included)	2
42	5744749	•UPHOLSTERY, seat front and rear, black vinyl (cushion not included)	2
42	5745591	•UPHOLSTERY, seat, front, gray leather (cushion not included)	2
42	5745592	•UPHOLSTERY, seat, rear, gray leather (cushion not included)	2
42	5745231	•UPHOLSTERY, seatback, front, gray (cushion not included)	2
43	5745600	•UPHOLSTERY, seatback, rear, gray (cushion not included)	2
43	5745386	•UPHOLSTERY, seatback, front, black cloth (cushion not included)	2
43	5745601	•UPHOLSTERY, seatback, rear, black cloth (cushion not included)	2
43	5744752	•UPHOLSTERY, seatback, front, black vinyl (cushion not included)	2
43	5745602	•UPHOLSTERY, seatback, rear, black vinyl (cushion not included)	2
43	5745593	•UPHOLSTERY, seatback, front, gray leather (cushion not included)	2
43	5745594	•UPHOLSTERY, seatback, rear, gray leather (cushion not included)	2
	5745491	•RECLINER MECHANISM, driver's seat (not illustrated)	1
	5745492	•RECLINER MECHANISM, passenger's seat (not illustrated) SEE NOTE 1	1
	5744800	•CLIP, upholstery retaining, front (not illustrated)	AR
	5745585	•CLIP, upholstery retaining, rear (not illustrated)	AR
	6012308	•HARNESS ASSEMBLY, heated seats (not illustrated) SEE SECTION 12	1
		NOTE 1: PASSENGER'S SEAT RECLINER MECHANISM WILL ONLY OPERATE ON VEHICLE MODEL YEARS 2001 THRU CURRENT.	
		NOTE 2: FOR LEATHER SEAT OPTION ONLY.	

2003 HUMMER H1 PARTS CATALOG

10-46 BODY

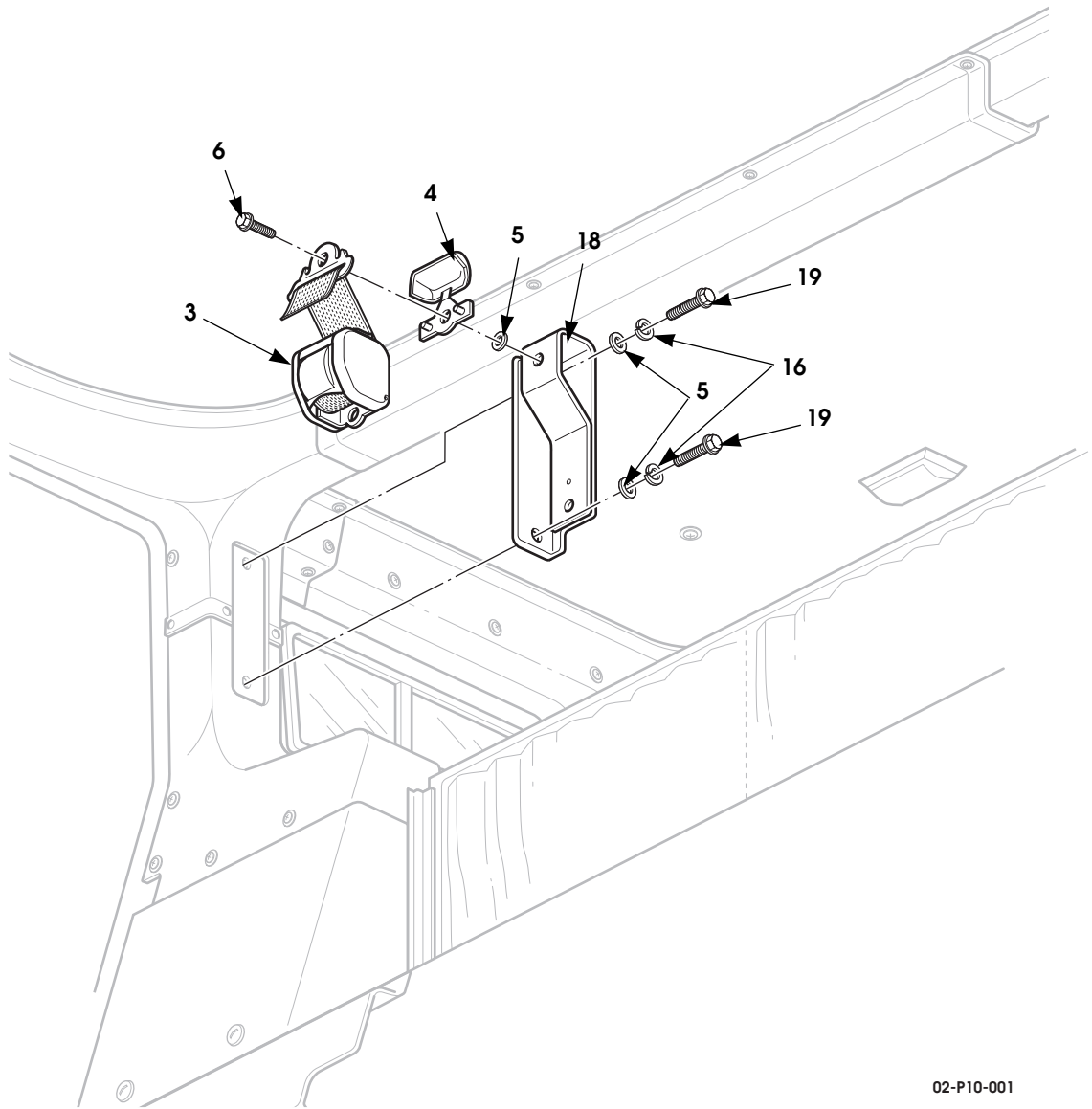


P10-018.3

Figure 10-18. Seat Belts, Front and Rear.
(Sheet 1 of 2)

2003 HUMMER H1 PARTS CATALOG

BODY 10-47



02-P10-001

Figure 10-18. Seat Belts, Front and Rear
(Sheet 2 of 2)

2003 HUMMER H1 PARTS CATALOG

10-48 BODY

ITEM	PART NUMBER	DESCRIPTION	QTY
		Figure 10-18. Seat Belts, Front and Rear.	
1	6004980P2	BOLT, front seat belt anchor 89	2
1	6004162P2	BOLT, seat belt anchor 83, 84, 90	2
2	5745560C	KIT, front seat belt, L.H.	1
2	5745561	KIT, front seat belt, R.H.	1
3	5745562	KIT, rear seat belt	2
4	6004161	•COVER, webbing guide 89, 90	2
4	6004161	•COVER, webbing guide 83, 84	4
5	N/S	WASHER, flat, hardened, type B, 7/16" 89	2
5	12341856P2	WASHER. 83, 84	4
6	12340259-4P2	BOLT, front seat belt 90	2
6	N/S	BOLT, 7/16 - 20 x 1 - 1/4", rear seat belt 90	2
7	N/S	WASHER, flat, hardened, type B, 7/16", front and rear seat belt. 90	8
8	N/S	WASHER, flat, hardened, type B, 7/16", front seat belt. 90	2
9	N/S	LOCKNUT, 7/16 - 20", Gr8, CAD, front seat belt 90	2
10	12340058P2	WASHER, flat 89, 90	2
10	12340058P2	WASHER, flat 83, 84	4
11	12340259-6P2	BOLT. 89, 90	2
11	12340259-6P2	BOLT. 83, 84	4
12	12340058P2	WASHER, flat 89, 90	2
12	12340058P2	WASHER, flat 83, 84	8
13	12338124	WAVE WASHER 89, 90	2
	6013971	SEAT BELT, extension assembly	1

2003 HUMMER H1 PARTS CATALOG

BODY 10-49

ITEM	PART NUMBER	DESCRIPTION	QTY
		Figure 10-18. Seat Belts, Front and Rear. (Cont'd)	
14	12340259-2P2	BOLT 89, 90, 83, 84	4
15	12340259-9P2	BOLT, front seat belt 89	2
15	12340259-9P2	BOLT, rear seat belt 83, 84	4
16	N/S	LOCKWASHER, med, 7/16", ZN, rear seat belt. 83, 84	2
17	N/S	WASHER, hardened, type B, 7/16" 89, 90	2
17	N/S	WASHER, hardened, type B, 7/16" 83, 84	4
18	6012208	BRACKET, retractor assembly, L.H.	1
18	6012209	BRACKET, retractor assembly, R.H.	1
19	453719	BOLT, 7/16 - 20 x 1 - 1/4"	4

2003 HUMMER H1 PARTS CATALOG

10-50 BODY

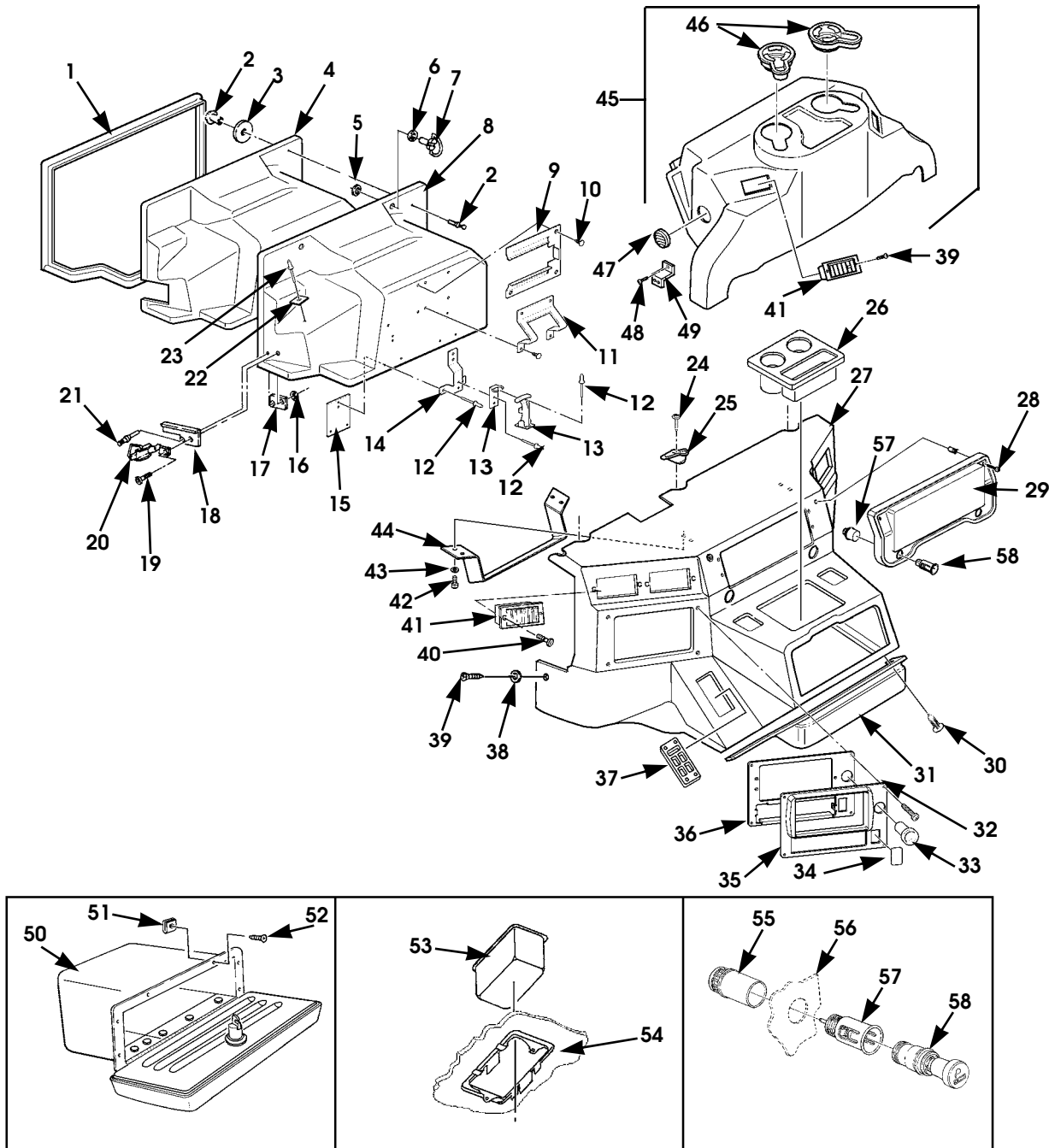


Figure 10-19. Engine Cover, Console Cover, and Related Parts.

2003 HUMMER H1 PARTS CATALOG

BODY 10-51

ITEM	PART NUMBER	DESCRIPTION	QTY
		Figure 10-19. Engine Cover, Console Cover, and Related Parts.	
1	RCSK17796	SEAL ASSEMBLY, engine cover	1
2	12339737	RIVET ASSEMBLY, 2-piece, 3/16", aluminum (12339737 includes one of each piece)	6
3	12341718	FLATWASHER .276 x 1.39 x .05 (insulation retainer).	6
4	6006786	INSULATION, engine cover	1
5	12341011	RING RETAINER, .75 x .438 x .040.	2
6	2436164	WASHER, 7/16" Fw Ty B Hrdnd Cad	2
7	12339738-1	RING STUD, 1118 Stl Ht Dt	2
8	6014055	ENGINE COVER	1
9	6014497	BRACKET, ELocker, differential, module	1
10	6001038	TRIM BUTTON	8
11	6010085	BRACKET, engine harness	1
12	M7885/2-6-4	RIVET, blind, 3/16"	20
13	12338946	LATCH AND KEEPER ASSEMBLY, SEE NOTE 1	1
14	RCSK17413	BRACKET, engine cover.	2
15	RCSK17639	BACKER PLATE, for latch and keeper assembly	2
16	MS51943-33	NUT LOCK, 5/16 - 18"	2
17	EC12338943B1	BACKER PLATE, for latch assembly.	2
18	EC12338952-1B1	GUIDE PLATE, engine cover L.H.	1
18	EC12338952-2B1	GUIDE PLATE, engine cover R.H.	1
19	12339428	BOLT, shoulder	2
20	12338950	LATCH ASSEMBLY, engine cover, rear.	2
21	M7885/3-6-4	RIVET, flush.	2
22	6007928	MOUNTING CABLE TIE	2
23	M24243/5-A404	RIVET, blind, 1/8" dia.	2
24	6002686G	TRIM SCREW, oval phil teks fin, #8 - 18 x 1", gray.	3
25	6010765G	GROMMET, trim, mounting, gray	7
26	6008031	CUP HOLDER	1
27	6013711	FRONT CONSOLE ASSEMBLY, gray	1
28	MS35207-267P2	SCREW, oval head	1
29	6013722	COVER, CD changer opening (when no changer is installed).	1
30	6001038G	TRIM BUTTON, gray	4
31	6011119	CLOSE OUT PANEL, front console, rear	1
32	5939651P2	SCREW, 10 -16 x 3/4", oval hd phil	14
33	6007236	POWER POINT	1
34	6005533	PANEL, blank.	1
35	6013716	BEZEL, HVAC controller, w/radio	1
36	6013788	RETAINER, radio/HVAC	1

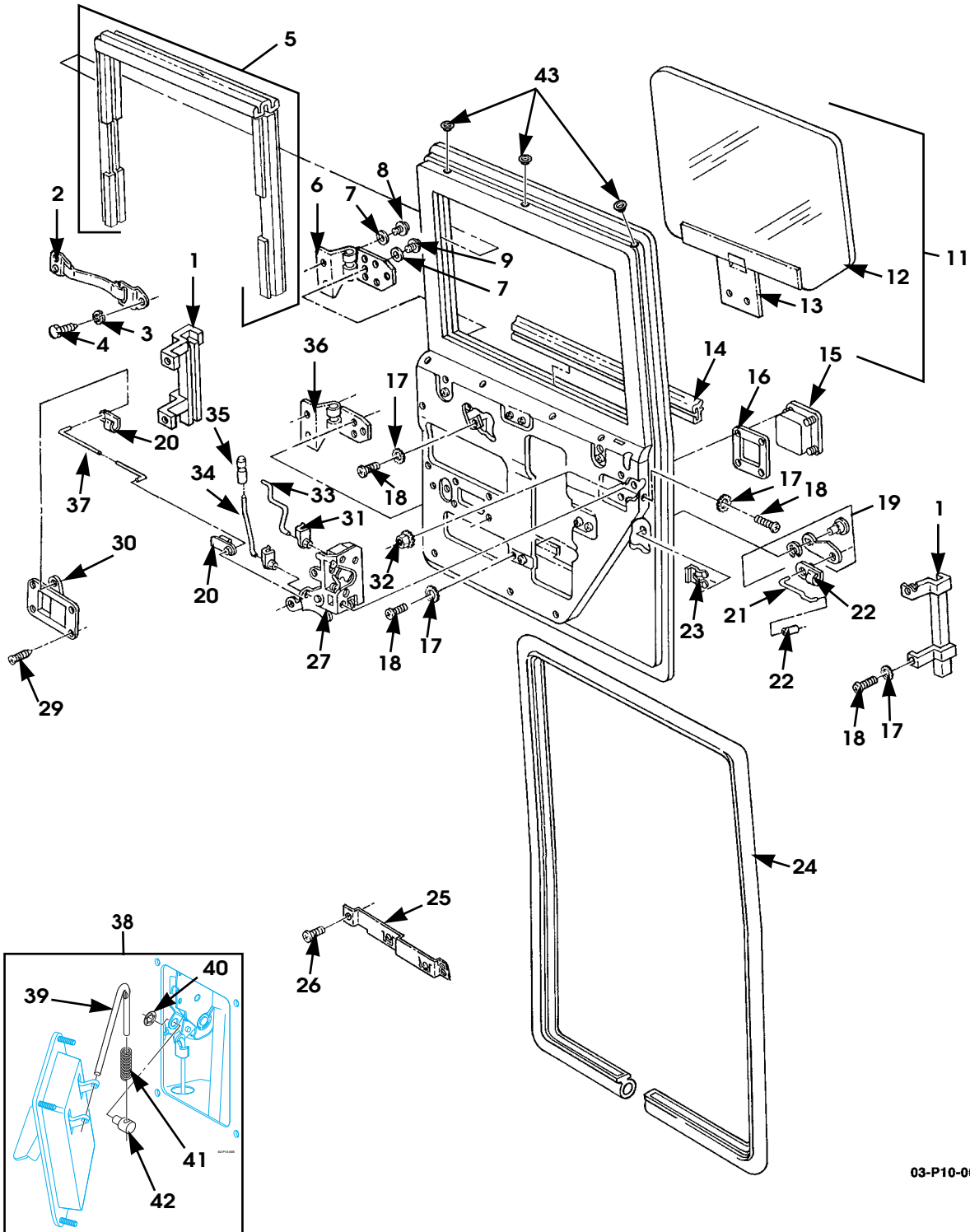
2003 HUMMER H1 PARTS CATALOG

10-52 BODY

ITEM	PART NUMBER	DESCRIPTION	QTY
		Figure 10-19. Engine Cover, Console Cover, and Related Parts. (Cont'd)	
37	6008727	PLATE, power window switches only 89	1
37	6011331	PLATE, power window with heated windshield 89	1
37	6008729	PLATE, power window, w/o heated windshield 83, 84, 90	1
37	6011332	PLATE, power window, with heated windshield switches 83, 84, 90	1
37	6011333	PLATE, heated windshield switch only 89	1
37	6008742	PLATE, closeout 89	1
38	121641P2	WASHER	2
39	157401P2	SCREW, oval head, 1/4 - 20 x 3/4"	2
40	N/S	SCREW, #6 - 32 x 3/4" , (two per louver)	10
41	5744793	LOUVER, rectangular, w/o adapter	3
42	N/S	SCREW, phcr, #10 - 32 x 3/4"	4
43	N/S	WASHER, flat, #10, bracket, CD changer	4
44	6013723	BRACKET, support, CD changer.	1
45	6010973G	CONSOLE ASSEMBLY, rear, standard, gray	1
45	6011049G	CONSOLE ASSEMBLY, rear, with rear seat audio, gray (not illustrated)	1
46	6010976	•CUP HOLDER ASSEMBLY, rear	2
47	5743504	LOUVER, circular, side vent.	3
48	N/S	TRIM SCREW, #8 - 18 x 1"	1
49	6004817B9	SUPPORT, rear console	1
50	6007061	GLOVEBOX	1
51	6001894	J-NUT	14
52	N/S	SCREW, #10 - 16 x 3/4"	14
53	6007110	ASHTRAY	2
54	S.I.A.	•MOUNTING BRACKET, ashtray	2
55	5939557	CLAMP, shell, lighter	2
56	6001208	BEZEL, lighter	2
57	5939559	SOCKET, cigar lighter	2
58	5939897	CIGAR LIGHTER, knob and element	2
		NOTE 1: LATCH AND KEEPER ASSEMBLY, P/N 12338946 INCLUDES TWO OF EACH.	

2003 HUMMER H1 PARTS CATALOG

10-54 BODY



03-P10-001

Figure 10-20. Door Assembly Front.

2003 HUMMER H1 PARTS CATALOG

BODY 10-55

ITEM	PART NUMBER	DESCRIPTION	QTY
		Figure 10-20. Door Assembly Front.	
1	5938919	CHANNEL ASSEMBLY, front door glass, lower front, L.H. .	1
1	5938920	CHANNEL ASSEMBLY, front door glass, lower front, R.H..	1
1	6000056	CHANNEL ASSEMBLY, front door glass, lower rear, L.H. . .	1
1	6000057	CHANNEL ASSEMBLY, front door glass, lower rear, R.H. . .	1
2	6004975G	STRAP ASSEMBLY, door stop, front	1
3	N/S	WASHER, flat, hardened, type B, 1/4"	1
4	N/S	BOLT, 1/4 - 20 x 1", Gr8, CAD	4
5	6014159	KIT, 1 pc. window seal	1
5	6012387	•SEAL ASSEMBLY, side door, window	4
5	S.I.K.	•SEAL, window channel, front	2
5	S.I.K.	•SEAL, window channel, rear	2
5	S.I.K.	•SEAL, window channel, top	4
5	5745369	•D-SEAL, side door, window, SEE NOTE 5.	4
5	6014161	•SEAL, butyl adhesive tape, SEE NOTE 4	1
6	6003620	DOOR HINGE ASSEMBLY, upper front, L.H.	1
6	6003621	DOOR HINGE ASSEMBLY, upper front, R.H.	1
7	5939634P2	WASHER, flat, hinge mounting	12
8	5939223P2	BOLT	3
9	5939423P2	BOLT	3
10	6012398	DOOR ASSEMBLY, front, L.H.	1
10	6003641P	DOOR ASSEMBLY, front, R.H.	1
11	5744554	GLASS AND LIFT CHANNEL, tinted glass, L.H., front, R.H., Rear	1
12	6003516	•GLASS, tinted.	1
13	6001887	•LIFT CHANNEL	1
11	5744555	GLASS AND LIFT CHANNEL, tinted glass, R.H., front, L.H., rear	1
12	6003516	•GLASS, tinted.	1
13	6001887	•LIFT CHANNEL	1
14	6011776	SEAL, belt line.	2
15	6002874	HANDLE ASSEMBLY, exterior door.	1
16	6000248	GASKET, exterior door handle	1
17	N/S	LOCKWASHER, external tooth, 1/4"	13
18	N/S	SCREW, phcr, M6 - 1 x 13.	13
19	6012701	LOCK CYLINDER KIT.	1
19	S.I.K.	•LOCK CYLINDER, L.H., SEE NOTE 1	1
19	S.I.K.	•LOCK CYLINDER, R.H., SEE NOTE 1	1
19	6013577	•KEY, H1 HUMMER, blank (not illustrated)	1
20	5939037	CLIP, rod end	3
21	5938964	ROD, key cylinder-to-latch, L.H.	1
21	5939714	ROD, key cylinder-to-latch, R.H.	1
22	6002905	SLEEVE, latch rod.	1
23	5939371	CLIP, key cylinder, retaining	1

2003 HUMMER H1 PARTS CATALOG

10-56 BODY

ITEM	PART NUMBER	DESCRIPTION	QTY
		Figure 10-20. Door Assembly Front.	
24	6006447	SEAL, door, black foam, 120"	1
25	6004422	BRACKET ASSEMBLY, front door, armrest mounting, L.H.	1
25	6004434	BRACKET ASSEMBLY, front door, armrest mounting, R.H.	1
26	N/S	SCREW, ph, 1/4 - 20 x 1 - 3/4"	1
27	5938960	LATCH ASSEMBLY, L.H.	1
27	5938961	LATCH ASSEMBLY, R.H.	1
28	6002870	WINDOW REGULATOR, power, L.H. (not illustrated) . .	1
28	6002871	WINDOW REGULATOR, power, R.H. (not illustrated) . .	1
29	9425422P2	SCREW, tapping, #10 - 16 x 7/8"	4
30	6000249	HANDLE ASSEMBLY, door interior, L.H.	2
30	6000250	HANDLE ASSEMBLY, door interior, R.H.	2
31	12340002	CLIP, rod, handle end, R.H.	2
31	12340003	CLIP, rod, handle end, L.H.	2
32	N/S	NUT AND LOCKWASHER, keps #10 - 24"	4
33	6000064	ROD, exterior handle-to-latch, front	2
34	5938965	ROD, lock pin-to-latch, L.H.	1
34	5938966	ROD, lock pin-to-latch, R.H.	1
35	6009112	KNOB, door lock.	1
36	5938962P	HINGE ASSEMBLY, door, L.H.	1
36	5938963P	HINGE ASSEMBLY, door, R.H.	1
37	6011276	ROD, interior handle-to-latch, front	2
38	5745514	KIT, door latch limiter SEE NOTE 2	1
39	6011276	•ROD, interior handle-to-latch, front	2
40	11502853	•PUSH NUT	2
41	6013372	•SPRING, door latch	2
42	6011277	•COUPLING, door latch	2
43	6001700	PLUG, door	3
	5744322	SEAL, body, 50' roll (not illustated	1
	6001623	WATERSHIELD, L.H., front door SEE NOTE 3	1
	6001624	WATERSHIELD, R.H., front door SEE NOTE 3	1
		NOTE 1: ORDER LOCK CYLINDERS KIT P/N 6012701. KIT INLCUDES H1 KEY, 6013577.	
		NOTE 2: KIT DOOR LATCH LIMITER 5745514 CONTAINS ENOUGH PARTS FOR TWO DOORS.	
		NOTE 3: FOR DETAIL OF RGULATOR ASSEMBLY AND OTHER RELATED PARTS SEE SECTION 12	
		NOTE 4: 6014161 IS A 100' ROLL, REQUIRES 17" PER SEAL.	
		NOTE 5: 5745369 IS 13' LONG, REQUIRES 24" PER SEAL.	

2003 HUMMER H1 PARTS CATALOG

10-58 BODY

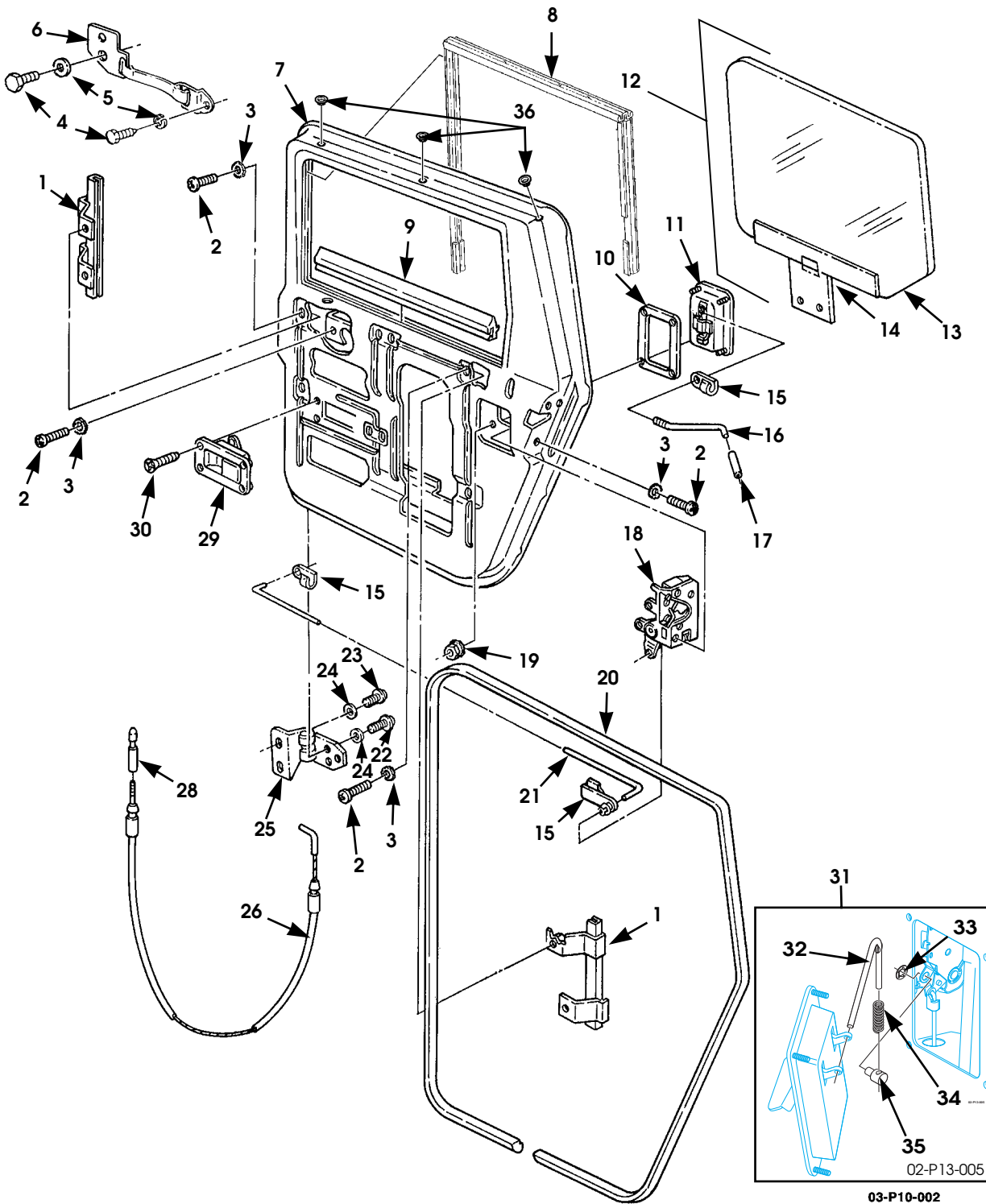


Figure 10-21. Door Assembly, Rear,
Models 83, 84, and 90.

2003 HUMMER H1 PARTS CATALOG

BODY 10-59

ITEM	PART NUMBER	DESCRIPTION	QTY
		Figure 10-21. Door Assembly, Rear, Models 83, 84, and 90.	
1	5938921	CHANNEL ASSEMBLY, front door glass, lower rear, L.H. .	1
1	5938922	CHANNEL ASSEMBLY, front door glass, lower rear, R.H. .	1
1	6000058	CHANNEL ASSEMBLY, rear door glass, lower rear, L.H. . .	1
1	6000087	CHANNEL ASSEMBLY, rear door glass, lower rear, R.H. . .	1
2	N/S	SCREW, ph, M6 - 1 x 13	10
3	N/S	LOCKWASHER, ext tooth, 1/4"	13
4	N/S	BOLT, 1/4 - 20 x 1", Gr8, CAD	4
5	N/S	WASHER, flat, hardened, type B, 1/4"	4
6	6004971	STRAP ASSEMBLY, door stop, rear, L.H.	1
6	6004972	STRAP ASSEMBLY, door stop, rear, R.H.	1
7	6000071P	DOOR ASSEMBLY, rear, L.H.	1
7	6000072P	DOOR ASSEMBLY, rear, R.H.	1
8	6014159	KIT, 1pc. window seal	1
8	6012387	•SEAL ASSEMBLY, side door, window.	4
8	S.I.K.	••SEAL, window channel, front	2
8	S.I.K.	••SEAL, window channel, rear	2
8	S.I.K.	••SEAL, window channel, top	4
8	5745369	•D-SEAL, side door, window, SEE NOTE 4	4
8	6014161	•SEAL, butyl adhesive tape, SEE NOTE 3.	1
9	6011776	SEAL, belt line	2
10	6000248	GASKET, exterior door handle	1
11	6002874	HANDLE ASSEMBLY, exterior door	1
12	5744555	GLASS AND LIFT CHANNEL, tinted glass, R.H., front, L.H., rear.	1
13	6003516	•GLASS, tinted	1
14	6001887	•LIFT CHANNEL.	1
12	5745128	GLASS AND LIFT CHANNEL, privacy glass, L.H., rear	1
13	6010780	•GLASS, privacy	1
14	6001887	•LIFT CHANNEL.	1
12	5744554	GLASS AND LIFT CHANNEL, tinted glass, L.H., front, R.H., Rear.	1
13	6003516	•GLASS, tinted	1
14	6001887	•LIFT CHANNEL.	1
12	5745129	GLASS AND LIFT CHANNEL, privacy glass, R.H., rear	1
13	6010780	•GLASS, privacy	1
14	6001887	•LIFT CHANNEL.	1
15	5939037	CLIP, rod end	3
16	6011276	ROD, exterior handle-to-latch, rear	2
17	6002906	SLEEVE, latch rod	1
18	5938960	LATCH ASSEMBLY, L.H.	1
18	5938961	LATCH ASSEMBLY, R.H.	1
19	N/S	NUT AND LOCKWASHER, keps, #10 - 24", ZN	4

2003 HUMMER H1 PARTS CATALOG

10-60 BODY

ITEM	PART NUMBER	DESCRIPTION	QTY
		Figure 10-21. Door Assembly, Rear, Models 83, 84, and 90. (Cont'd)	
20	6006447	SEAL, door, black foam, 120"	1
21	6000061	ROD, interior handle-to-latch, rear	1
22	5939423P2	BOLT.	6
23	5939223P2	BOLT.	4
24	5939634P2	WASHER, flat, hinge mounting	10
25	5938962P	HINGE ASSEMBLY, door, L.H.	2
25	5938963P	HINGE ASSEMBLY, door, R.H.	2
26	5938896	DOOR LOCK CABLE ASSEMBLY.	1
27	6002870	WINDOW REGULATOR, power, L.H. SEE NOTE 2	1
27	6002871	WINDOW REGULATOR, power, R.H. SEE NOTE 2.	1
28	6009112	KNOB, door lock.	1
29	6000249	HANDLE ASSEMBLY, door interior, L.H.	1
29	6000250	HANDLE ASSEMBLY, door interior, R.H.	1
30	9425422P2	SCREW, tapping, 10 - 16 x 7/8"	4
31	5745514	KIT, door latch limiter SEE NOTE 1	1
32	6011276	•ROD, interior handle-to-latch, front	2
33	11502853	•PUSH NUT	2
34	6013372	•SPRING, door latch	2
35	6011277	•COUPLING, door latch	2
36	6001700	PLUG, door	3
	6001625	WATERSHIELD, L.H., rear door (not illustrated)	1
	6001626	WATERSHIELD, R.H., rear door (not illustrated)	1
		NOTE 1: KIT DOOR LATCH LIMITER 5745514 CONTAINS ENOUGH PARTS FOR TWO DOORS.	
		NOTE 2: FOR DETAIL OF REGULATOR ASSEMBLY AND OTHER RELATED PARTS SEE SECTION 12.	
		NOTE 3: 6014161 IS A 100' ROLL, REQUIRES 17" PER SEAL.	
		NOTE 4: 5745369 IS 13' LONG, REQUIRES 24" PER SEAL.	

2003 HUMMER H1 PARTS CATALOG

10-62 BODY

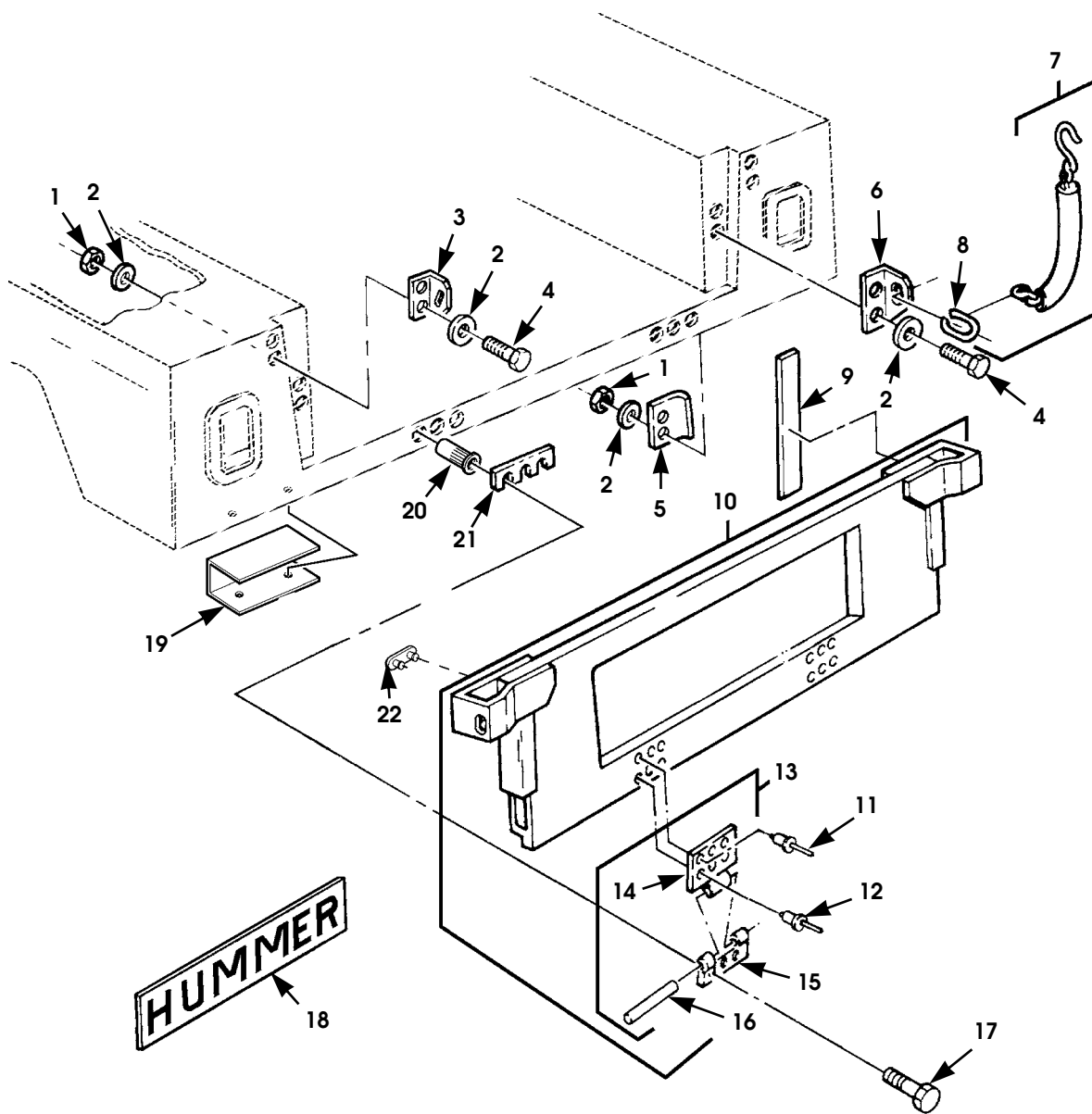


Figure 10-22. Tailgate Assembly and Related Parts.

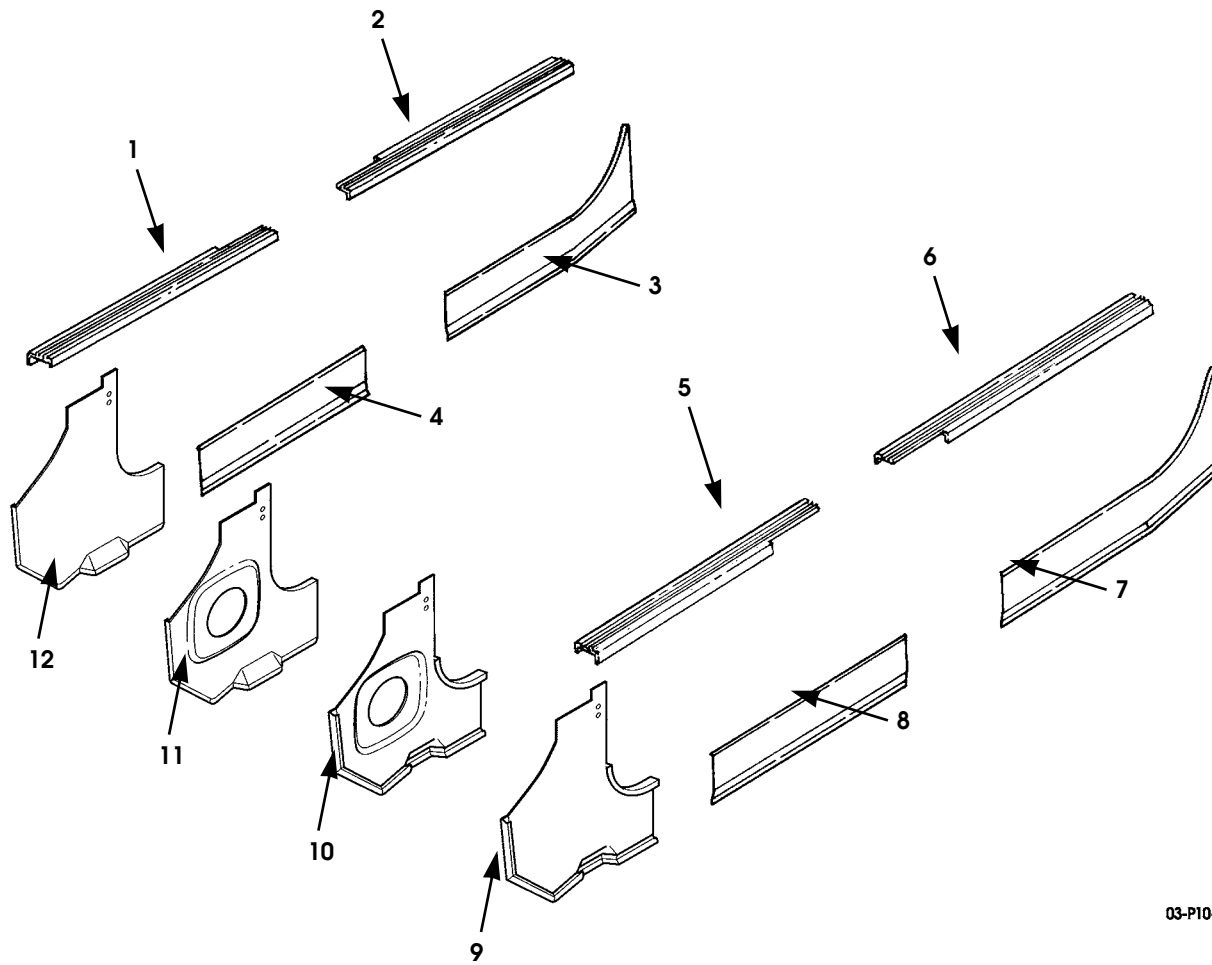
2003 HUMMER H1 PARTS CATALOG

BODY 10-63

ITEM	PART NUMBER	DESCRIPTION	QTY
		Figure 10-22. Tailgate Assembly and Related Parts.	
1	N/S	LOCKNUT, 5/16 - 18", Gr8, latch and bracket.	8
2	N/S	WASHER, flat, hardened, type B, 5/16", latch and bracket	16
3	12338974-2P	LATCH, tailgate chain, R.H.	1
3	12338974-1P	LATCH, tailgate chain, L.H.	1
4	N/S	BOLT, 5/16 - 18 X 1 - 1/8", Gr5, latch and bracket	8
5	12338977B1	REINFORCEMENT, tailgate chain mount	2
6	12338975-1P	BRACKET, chain mount, L.H.	1
6	12338975-2P	BRACKET, chain mount, R.H.	1
7	12339227-1P3	COVER AND CHAIN (links and end hook), tailgate, L.H.	1
7	12339227-2P3	COVER AND CHAIN (links and end hook), tailgate, R.H.	1
8	12339223P3	•CONNECTOR, tailgate chain	2
9	12339228-9	SEAL, cargo box-to-tailgate	2
		83	
10	WA12338981P	TAILGATE ASSEMBLY.	1
11	12340354-2	•RIVET, blind, upper	6
12	12340354-1	•RIVET, blind, lower	6
13	12339985P	•HINGE ASSEMBLY	2
14	12339945	••HINGE, tailgate, upper	1
15	12339999	••HINGE, tailgate, lower	1
16	12339663	••PIN, tailgate hinge	1
17	N/S	BOLT, 3/8 - 16 x 1 - 1/2", Gr5, lower hinge	6
18	6002989	DECAL, "HUMMER", black	1
18	5744923	DECAL, "HUMMER", chrome	1
18	6002990	DECAL, "HUMMER", gold	1
18	5744674	DECAL, "HUMMER", silver	1
18	5744673	DECAL, "HUMMER", white	1
19	12339008B1	HARNESS COVER, D-beam	2
20	N/S	NUT INSERT, 3/8 - 16"	6
21	12340045	SHIM, tailgate hinge	A/R
22	12339961-2	GROMMET, tailgate	2

2003 HUMMER H1 PARTS CATALOG

10-64 BODY



03-P10

Figure 10-23. Outer Kick Panels Interior Trim.

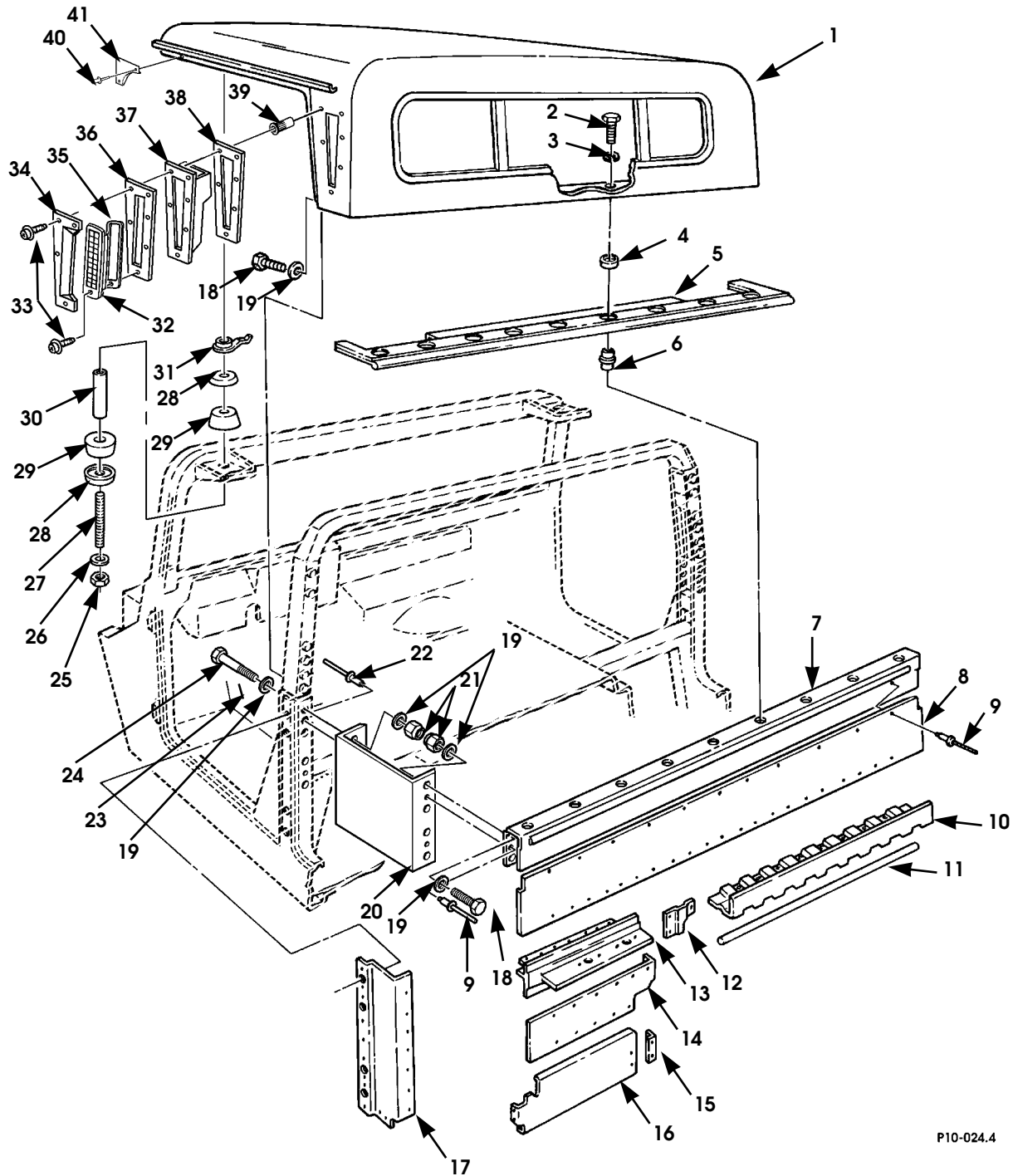
2003 HUMMER H1 PARTS CATALOG

BODY 10-65

ITEM	PART NUMBER	DESCRIPTION	QTY
		Figure 10-23. Outer Kick Panels Interior Trim.	
1	6000770	SCUFF PLATE ASSEMBLY, front, R.H.	1
2	6000772	SCUFF PLATE ASSEMBLY, rear, R.H. 83, 84, 90	1
3	6014195	PANEL, outer rear, R.H. gray. 83, 84, 90	1
4	6014194	PANEL, outer center, R.H., gray.	1
5	6000769	SCUFF PLATE ASSEMBLY, front, L.H.	1
6	6000771	SCUFF PLATE ASSEMBLY, rear, L.H. 83, 84, 90	1
7	6014199	PANEL, outer rear, L.H. gray. 83, 84, 90	1
8	6014198	PANEL, outer center, L.H., gray.	1
9	6014197	PANEL, outer front, L.H., gray. 83, 84, 89	1
10	6014200	PANEL, outer front, L.H., gray. 90	1
11	6014196	PANEL, outer front, R.H., gray. 90	1
12	6014193	PANEL, outer front, R.H., gray. 83, 84, 89	1

2003 HUMMER H1 PARTS CATALOG

10-66 BODY



P10-024.4

Figure 10-24. Roof and Mounting Hardware, Two-Passenger Enlarged Cab, Model 89.

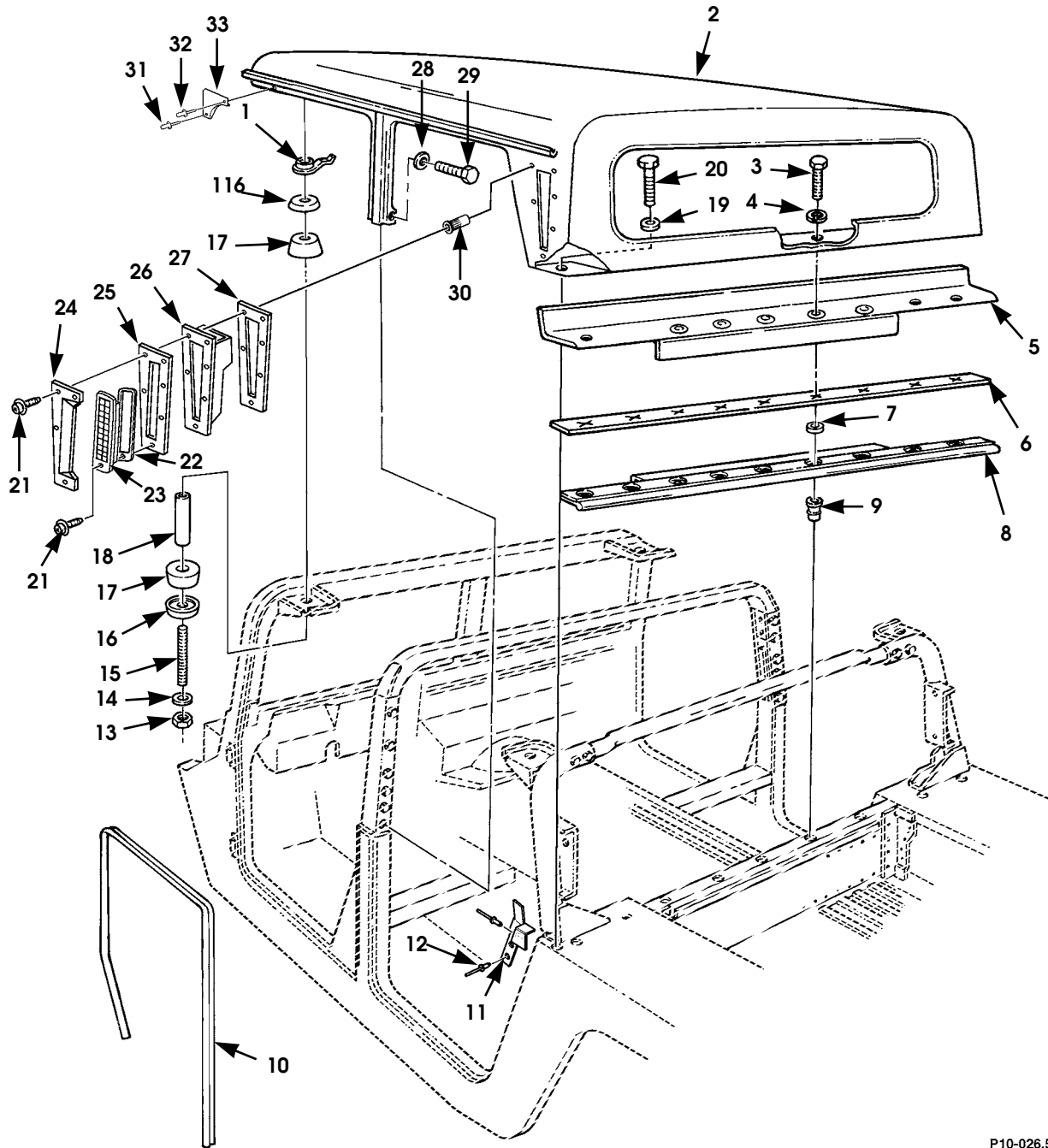
2003 HUMMER H1 PARTS CATALOG

BODY 10-67

ITEM	PART NUMBER	DESCRIPTION	QTY
		Figure 10-24. Roof and Mounting Hardware, Two-Passenger Enlarged Cab, Model 89.	
1	6009323P	ROOF ASSEMBLY	1
2	N/S	BOLT, 1/4 - 20 x 1", Gr8, CAD.	9
3	N/S	WASHER, med, 1/4", ZN	9
4	5939596	SPACER, belt line, rear seal	11
5	6004529	SEAL, belt line, rear	1
6	5937810	NUT INSERT	11
7	5938736	RAIL, upper rear	1
8	6004535P	PANEL, lower back.	1
9	12339355-1	RIVET, blind, huck, 3/16"	128
10	5938744	BRACKET, back panel support, center	1
11	5939988	SEAL, cargo floor/back panel	1
12	5938749	PANEL, L.H.	1
12	5938760	PANEL, R.H.	1
13	6004521P	SUPPORT, footwell cover, L.H.	1
13	6004522P	SUPPORT, footwell cover, R.H.	1
14	6004502P	PANEL, footwell, upper, L.H.	1
14	6004503P	PANEL, footwell, upper, R.H.	1
15	5938745	BRACKET, closeout panel mounting	2
16	6004515P	PANEL, footwell, lower, L.H.	1
16	6004516P	PANEL, footwell, lower, R.H.	1
17	6004517P	PANEL, lower back, outer, L.H.	1
17	6004518P	PANEL, lower back, outer, R.H.	1
18	N/S	BOLT, 5/16 - 18 x 1 - 1/8", Gr8, CAD	4
19	N/S	WASHER, flat, hardened, type B, 5/16"	20
20	6004534	BRACKET, B-pillar-to-upper rear rail	2
21	N/S	LOCKNUT, 5/16 - 18", Gr8	10
22	N/S	RIVET, counter sunk, blind, 3/16"	4
23	6010009P	PANEL, cowl, inner, L.H.	1
24	N/S	BOLT, 5/16 - 18 x 4 - 3/4", Gr8, CAD	6
25	N/S	LOCKNUT, 3/8 - 16", Gr8	2
26	N/S	WASHER, flat, hardened, type B, 3/8"	2
27	12339559	STUD, roof mount	2
28	EC12339561B1	PLATE, snubber	4
29	12339571	MOUNT, roof	4
30	12338186-52	SPACER, rear mount	2
31	12339563	PLATE, roof mount	2
32	6008778	EXHAUSTER, vent, L.H.	1
32	6008779	EXHAUSTER, vent, R.H.	1
33	N/S	SCREW, #8 - 32 x 1/2"	14
34	6008855P	LOUVER, ventilation, L.H.	1
34	6008856P	LOUVER, ventilation, R.H.	1
35	6009175	GASKET, exhauster, L.H.	1
35	6009376	GASKET, exhauster, R.H.	1
36	6008853P	PLATE, exhauster mounting	2
37	6008849	DUCT, ventilation, L.H.	1
37	6008850	DUCT, ventilation, R.H.	1
38	6008851	GASKET, ventilator	2
39	6003638	NUT INSERT, #8 - 32"	12
40	N/S	RIVET, pop, 1/8"	4
41	6000242	FILLER, corner closeout, roof asm-to-w/s frame	2

2003 HUMMER H1 PARTS CATALOG

10-68 BODY



P10-026.5

Figure 10-25. Roof and Mounting Hardware, Four-Passenger Hardtop, Model 83.

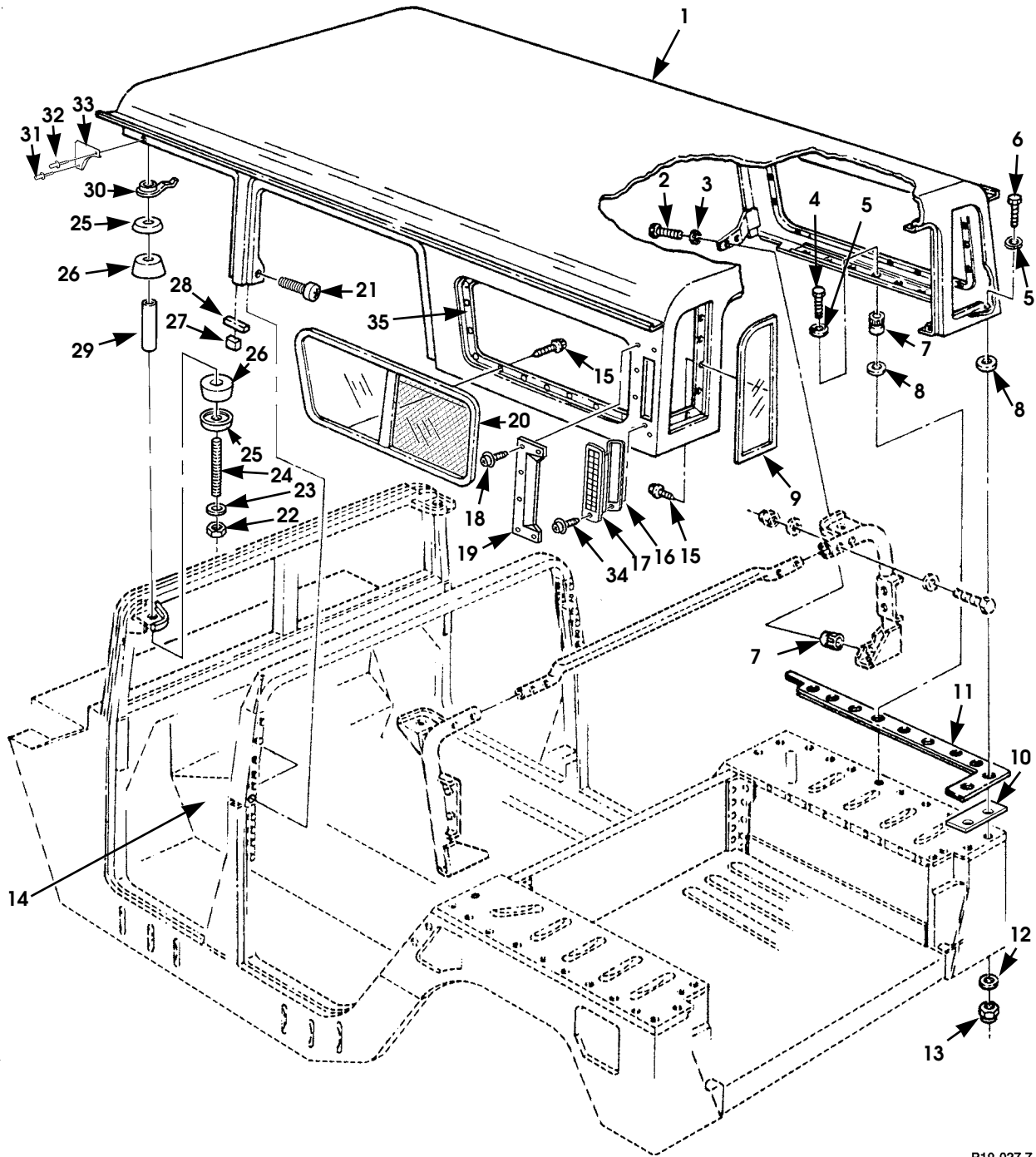
2003 HUMMER H1 PARTS CATALOG

BODY 10-69

ITEM	PART NUMBER	DESCRIPTION	QTY
		Figure 10-25. Roof and Mounting Hardware, Four-Passenger Hard-top, Model 83.	
1	12339563	PLATE, roof mount.	4
2	6009137P	ROOF ASSEMBLY.	1
3	N/S	BOLT, 1/4 - 20 x 1", Gr8, CAD.	9
4	N/S	WASHER, med, 1/4", ZN.	9
5	6003844B2	MOUNTING BRACKET, tonneau extrusion.	1
6	6003848	SEAL, bracket, tonneau cover.	1
7	5939596	SPACER, belt line, rear seal.	9
8	6000778	SEAL, belt line, rear.	1
9	6007452	NUT INSERT, #8 - 32".	9
10	N/S	SEAL, body, black rubber, 10-foot, SEE NOTE 1.	1
11	6005456B9	PANEL, filler, rear, L.H..	1
11	6005457B9	PANEL, filler, rear, R.H..	1
12	N/S	RIVET, counter sunk, blind, 3/16".	4
13	N/S	LOCKNUT, 3/8 - 16", Gr8.	4
14	N/S	WASHER, flat, hardened, type B, 3/8".	4
15	12339559	STUD, roof mount.	4
16	EC12339561B1	PLATE, snubber.	8
17	12339571	MOUNT, roof.	8
18	12338186-52	SPACER, rear mount.	4
19	N/S	WASHER, flat, 1/4", CAD.	4
20	N/S	BOLT, 1/4 - 20 x 3/4", Gr5, CAD.	4
21	N/S	SCREW, #8-32 x 1/2".	14
22	6009175	GASKET, exhauster, L.H..	1
22	6009376	GASKET, exhauster, R.H..	1
23	6008778	EXHAUSTER, vent, L.H..	1
23	6008779	EXHAUSTER, vent, R.H..	1
24	6008855P	LOUVER, ventilation, L.H..	1
24	6008856P	LOUVER, ventilation, R.H..	1
25	6008853P	PLATE, exhauster mounting.	2
26	6008849	DUCT, ventilation, L.H..	1
26	6008850	DUCT, ventilation, R.H..	1
27	6008851	GASKET, ventilator.	2
28	N/S	WASHER, flat, 5/16".	8
29	N/S	SCREW, phcr, 5/16 - 18 x 5/8".	4
30	6003638	NUT INSERT, #8 - 32".	14
31	N/S	RIVET, pop, 1/8", grip .126 - .187.	8
32	N/S	RIVET, pop, 1/8", grip .063 - .125.	6
33	6000242	FILLER, corner closeout, roof asm-to-w/s frame.	2
		NOTE 1: CUT TO LENGTH FROM 50' BULK ROLL OF BODY SEAL P/N 5744322.	

2003 HUMMER H1 PARTS CATALOG

10-70 BODY



P10-027.7

Figure 10-26. Roof and Mounting Hardware, Station Wagon, Model 84.

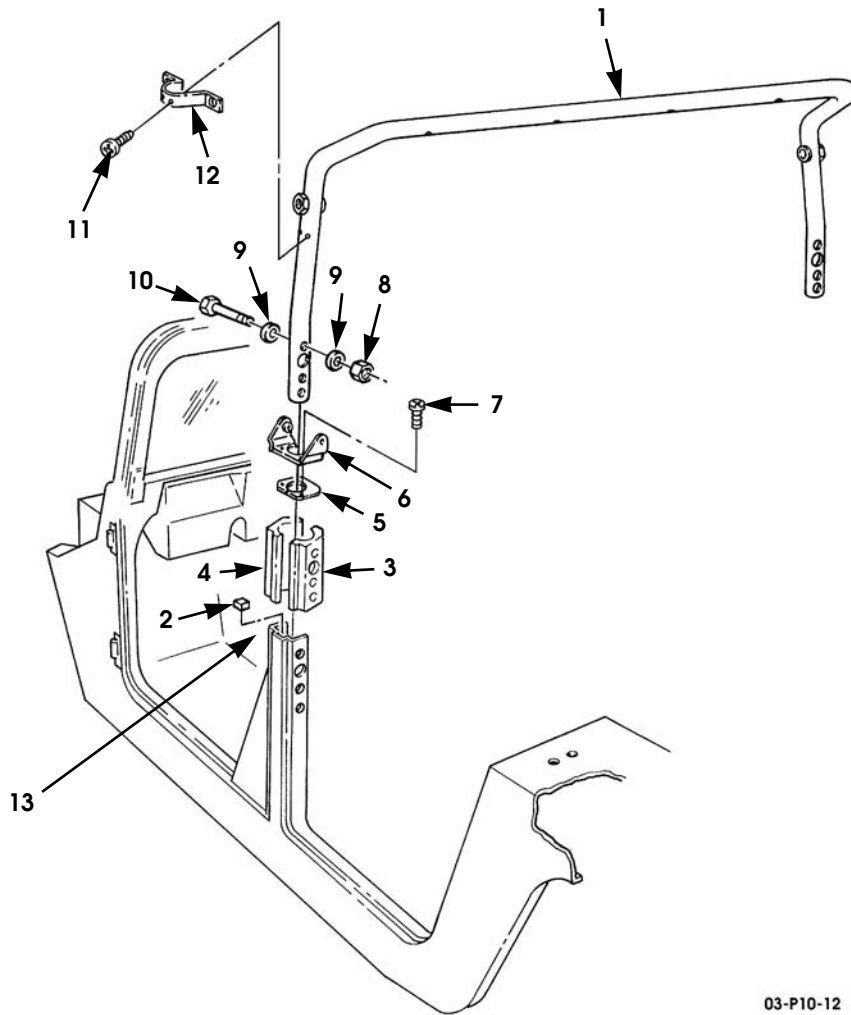
2003 HUMMER H1 PARTS CATALOG

BODY 10-71

ITEM	PART NUMBER	DESCRIPTION	QTY
		Figure 10-26. Roof and Mounting Hardware, Station Wagon, Model 84.	
1	6009138P	ROOF ASSEMBLY	1
2	N/S	BOLT, 1/4 - 20 x 3/4", Gr5	4
3	N/S	WASHER, flat, 1/4", CAD	4
4	N/S	BOLT, 1/4 - 20 x 1", Gr8, CAD	14
5	N/S	LOCKWASHER, med, 1/4"	24
6	N/S	BOLT, 1/4 - 20 x 1 - 1/4", Gr8, CAD	10
7	5937810	NUT INSERT	18
8	5939596	SPACER, belt line, rear seal	24
9	6010776	OPERA WINDOW ASSEMBLY, privacy, L.H.	1
9	6010777	OPERA WINDOW ASSEMBLY, privacy, R.H.	1
9	6003523	OPERA WINDOW ASSEMBLY, tinted, L.H.	1
9	6003524	OPERA WINDOW ASSEMBLY, tinted, R.H.	1
10	6013451	SEAL, station wagon, rear.	1
11	6014442	SEAL, side, L.H., roof-to-wheel well	1
11	6014443	SEAL, side, R.H., roof-to-wheel well	1
12	9414920	WASHER, flat, 1/4"	10
13	N/S	LOCKNUT, 1/4 - 20", Gr8	10
14	6010009P	PANEL, cowl, inner, L.H.	1
15	N/S	SCREW, #8 - 18 x 1/2"	72
16	6009175	GASKET, exhauster, L.H.	1
16	6009376	GASKET, exhauster, R.H.	1
17	6008778	EXHAUSTER, vent, L.H.	1
17	6008779	EXHAUSTER, vent, R.H.	1
18	6008857	SCREW	12
19	6008764P	COVER, vent exhauster.	2
20	6010774	WINDOW AND SCREEN ASSEMBLY, side, privacy, L.H.	1
20	6010775	WINDOW AND SCREEN ASSEMBLY, side, privacy, R.H.	1
20	6003521	WINDOW AND SCREEN ASSEMBLY, side, tinted, L.H.	1
20	6003522	WINDOW AND SCREEN ASSEMBLY, side, tinted, R.H.	1
21	N/S	SCREW, phcr, 5/16 - 18 x 5/8"	4
22	N/S	LOCKNUT, 3/8 - 16", Gr8	4
23	N/S	WASHER, flat, 3/8", type B	4
24	12339559	STUD, roof mount	4
25	EC12339561B1	PLATE, snubber	8
26	12339571	MOUNT, roof	8
27	6000240	SEAL, B-pillar, lower.	2
28	6000241	SEAL, B-pillar	2
29	12338186-52	SPACER, roof mount.	4
30	12339563	PLATE, roof mount	4
31	N/S	RIVET, pop, 1/8", grip .126 - .187	8
32	N/S	RIVET, pop, 1/8", grip .063 - .125	6
33	6000242	FILLER, corner closeout, roof assembly-to-w/s frame.	2
34	N/S	SCREW, #8-32 x 1/2"	2
35	6001242	SEAL, window SEE NOTE 1	2
		NOTE 1: SEAL, WINDOW, P/N 6001242 CUT FROM 50' ROLL.	

2003 HUMMER H1 PARTS CATALOG

10-72 BODY



03-P10-12

Figure 10-27. B-Bar, Two-Passenger Enlarged Cab, Model 89.

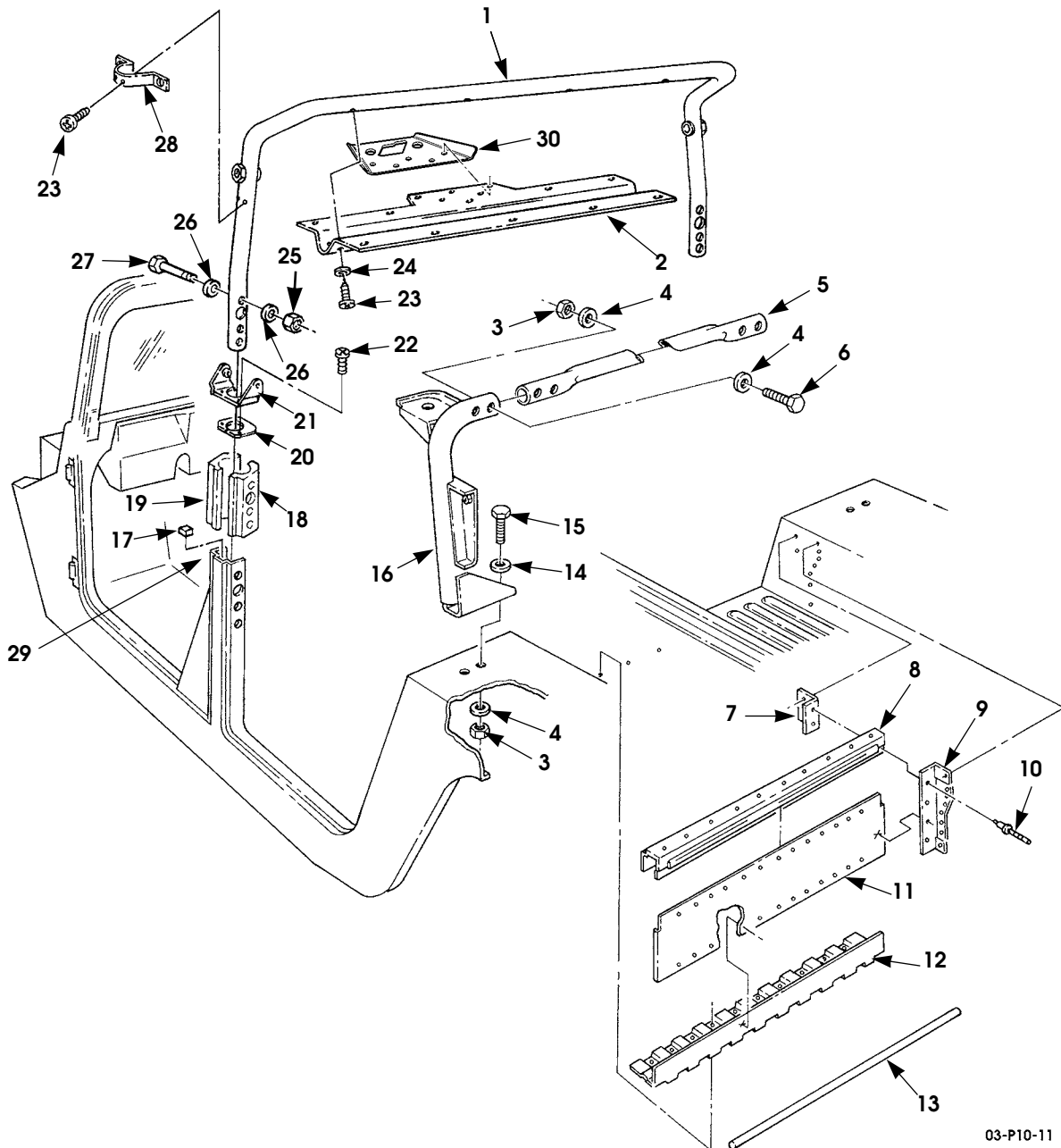
2003 HUMMER H1 PARTS CATALOG

BODY 10-73

ITEM	PART NUMBER	DESCRIPTION	QTY
		Figure 10-27. B-Bar, Two-Passenger Enlarged Cab, Model 89.	
1	6004532	B-BAR ASSEMBLY	1
2	6000240	SEAL, B-pillar	2
3	6005458	CONNECTION BLOCK, L.H. front/R.H. rear	2
4	6005459	CONNECTION BLOCK, R.H. front/L.H. rear	2
5	6005156	SEAL, B-pillar	2
6	6004541	BRACKET, B-pillar cover mounting	2
7	N/S	SCREW, tapping, phcr, #10 - 32 x 3/4"	4
8	N/S	LOCKNUT, 5/16 - 24", Gr8	6
9	N/S	WASHER, flat, 5/16"	12
10	N/S	BOLT, B-pillar, 5/16 - 24 x 4 - 1/4", Gr8	6
11	N/S	SCREW, #10 - 32 x 5/8"	12
12	6005145	BRACKET, trim mounting	2
13	6010009P	PANEL, cowl, inner, L.H.	1

2003 HUMMER H1 PARTS CATALOG

10-74 BODY



03-P10-11

Figure 10-28. B- and C-Bars, Models 83,84 and 90.

2003 HUMMER H1 PARTS CATALOG

BODY 10-75

ITEM	PART NUMBER	DESCRIPTION	QTY
		Figure 10-28. B- and C-Bars, Models 83,84 and 90.	
1	6004532	B-BAR ASSEMBLY	1
2	6009460	SUPPORT, headliner	1
3	N/S	LOCKNUT, 5/16 - 24", Gr8	8
4	N/S	WASHER, flat, hardened, type B, 3/8"	12
5	5937106	C-PILLAR, intermediate	1
6	N/S	BOLT, 3/8 - 16 x 3", Gr8, CAD	4
7	5938792P	ANGLE, rail-to-wheelhouse, L.H.	
		90, 83	1
7	5939304	ANGLE, rail-to-wheelhouse, R.H.	
		90, 83	1
8	5938790	RAIL ASSEMBLY, upper rear	
		90, 83	1
9	5938787	BRACKET, lower back panel, L.H.	
		90, 83	1
9	5938788	BRACKET, lower back panel, R.H.	
		90, 83	1
10	12339355-1	RIVET, blind, huck, 3/16"	
		90, 83	75
11	5938775	PANEL, lower back	
		90, 83	2
12	5938789	BRACKET, cargo floor	
		90, 83	1
13	5939988	SEAL, cargo floor/back panel	
		90, 83	1
14	N/S	WASHER, flat, 3/8"	4
15	N/S	BOLT, 3/8 - 16 x 1 - 1/2", Gr8, CAD	4
16	5938814B9	C-PILLAR ASSEMBLY, L.H.	1
16	5938815B9	C-PILLAR ASSEMBLY, R.H.	1
17	6000240	SEAL, B-pillar	2
18	12340090-1	CONNECTION BLOCK, rear	2
19	12340090-2	CONNECTION BLOCK, forward	2
20	6005156	SEAL, B-pillar	2
21	6004541	BRACKET, B-pillar cover mounting	2
22	N/S	SCREW, tapping, phcr, #10 - 32 x 3/4"	4
23	N/S	SCREW, 10# - 32 x 5/8"	12
24	N/S	WASHER, flat, type B, #10, ZN	10
25	N/S	NUT, 5/16 - 24", Gr8	6
26	N/S	WASHER, flat, 5/16"	12
27	N/S	BOLT, 5/16 - 24 x 4 - 1/4", Gr8, B-pillar	6
28	6005145	BRACKET, trim mounting	2
29	6010009P	PANEL, cowl, inner, L.H.	1
30	6002967B2	BRACKET, dome light	1

2003 HUMMER H1 PARTS CATALOG

10-76 BODY

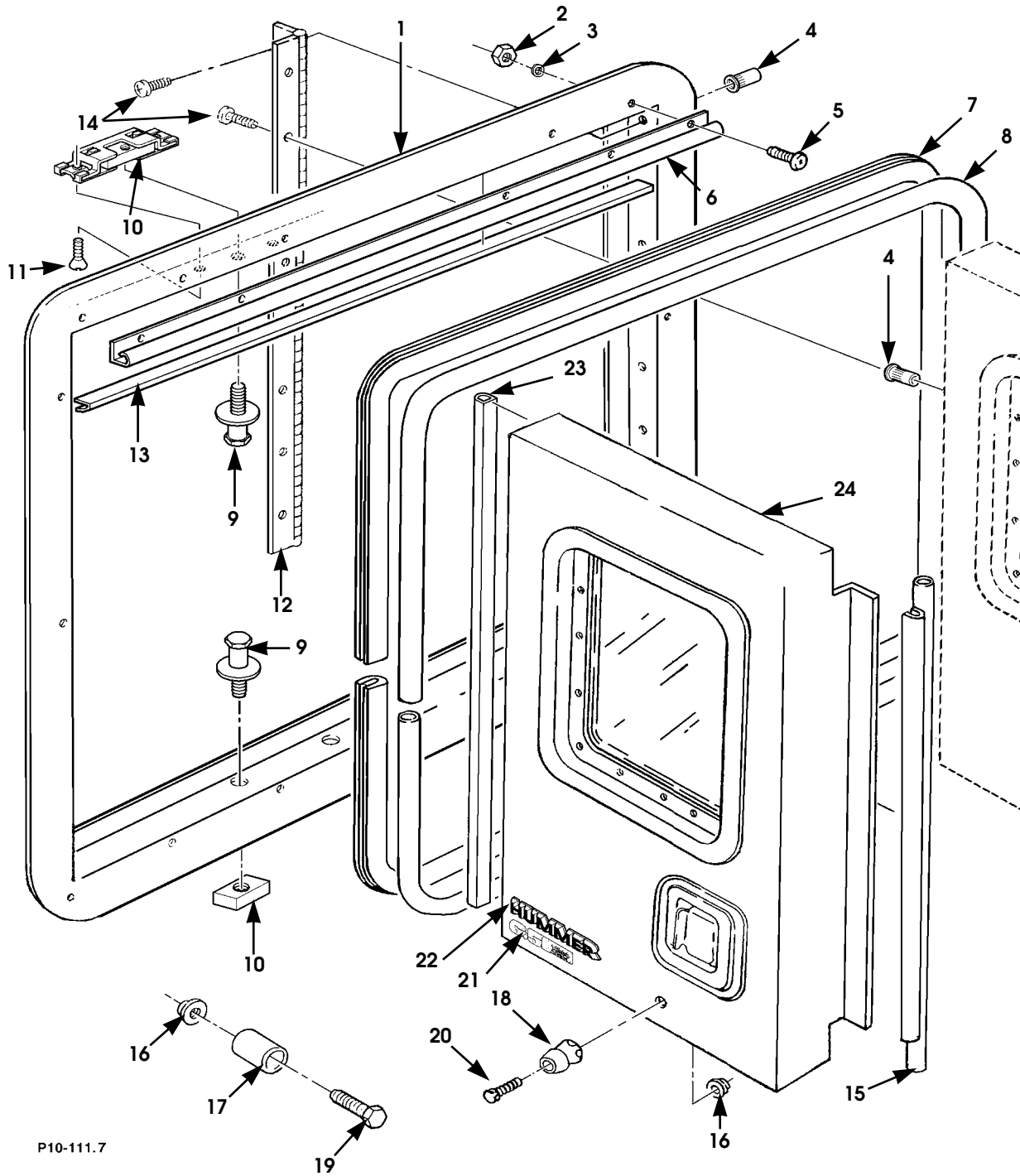
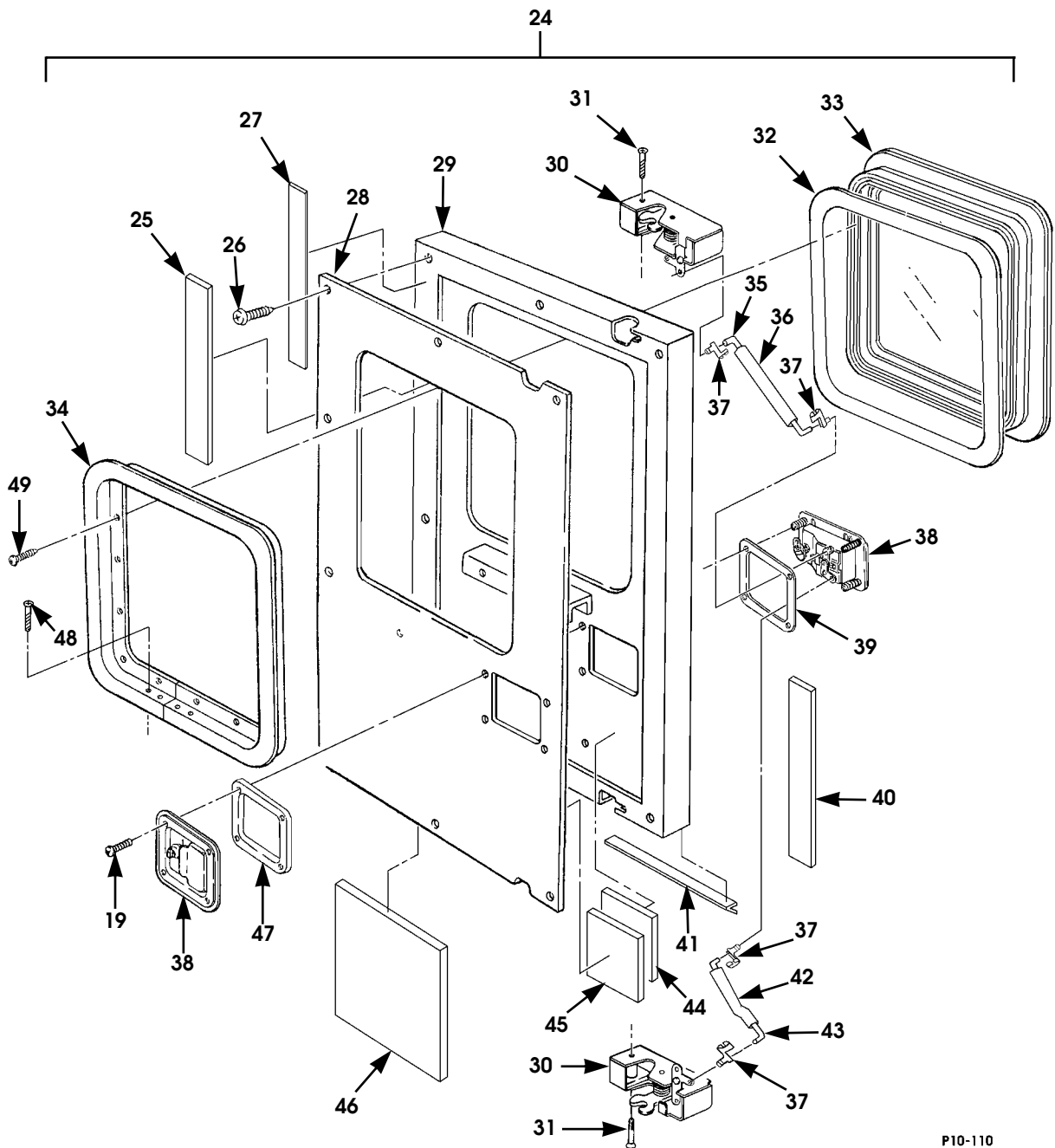


Figure 10-29. Station Wagon Rear Doors, Model 84.
(Sheet 1 of 2).

2003 HUMMER H1 PARTS CATALOG

BODY 10-77



P10-110

Figure 10-29. Station Wagon Rear Doors, Model 84
(Sheet 2 of 2).

2003 HUMMER H1 PARTS CATALOG

10-78 BODY

ITEM	PART NUMBER	DESCRIPTION	QTY
Figure 10-29.			
Station Wagon Rear Doors, Model 84.			
1	6008355P	FRAME ASSEMBLY, rear doors	1
2	N/S	NUT, 1/4 - 20", ZN	17
3	N/S	LOCKWASHER, med, 1/4", ZN	17
4	5937842	NUT INSERT	30
5	N/S	SCREW, torx, buttonhead, 1/4 - 20 x 1 - 1/4"	17
6	6005773P	DRIP RAIL	1
7	5744343	EDGE SEAL, vertical doors, SEE NOTE 1	1
8	5744344	DOOR SEAL, vertical door, SEE NOTE 2	1
9	6006828	STRIKER, bottom	2
9	6005629	STRIKER, top	2
10	6005630	CAGE NUT ASSEMBLY, top striker	2
10	6006840	PLATE NUT, bottom striker	2
11	N/S	SCREW, flathead, 1/4 - 20 x 1/2"	8
12	6005639	HINGE, rear door, L.H.	1
12	6008343	HINGE, rear door, R.H.	1
13	6009486	V-SEAL, 48", rear door top, SEE NOTE 3	1
14	N/S	SCREW, torx, buttonhead, 1/4 - 20 x 1"	32
15	6005772	SEAL, left door, center	1
16	5937584	NUT INSERT	4
17	6005656	DOOR HOLD-OPEN ASSEMBLY	2
18	S.I.A.	•BALL PLUG, door hold-open assembly.	2
19	N/S	SCREW, 1/4 - 20 x 1"	10
20	N/S	SCREW, fillister head, socket head, 1/4 - 20 x 1 - 1/2", door hold-open assembly	2
21	6008595	EMBLEM "6.5L TURBO DIESEL"	1
22	6003871	NAMEPLATE, "HUMMER"	1
23	5744344	DOOR SEAL, vertical door, SEE NOTE 7	1
24	6008358P	DOOR ASSEMBLY, R.H.	1
24	6005939P	DOOR ASSEMBLY, L.H.	1
25	6006433	•INSULATION, upper, vertical door	1
26	6006283	SCREW, #10 - 32 x 5/8", truss head	16
27	5744346	•SEAL, door panel frame, SEE NOTE 4.	1
28	6005668P	•DOOR PANEL, interior, R.H.	1
28	6005669P	•DOOR PANEL, interior, L.H.	1
29	6008357P	•DOOR ASSEMBLY, cargo, R.H.	1
29	6005665P	•DOOR ASSEMBLY, cargo, L.H.	1
30	6005627	•LATCH ASSEMBLY, rotary, upper L.H., lower R.H.	1
30	6005628	•LATCH ASSEMBLY, rotary, upper R.H., lower L.H.	1
31	N/S	•SCREW, flathead, 1/4 - 20 x 1 - 1/2", CAD	6
32	6005932	•SEAL, window assembly, rear doors	1
33	6005634	•WINDOW, rear doors, tinted glass, SEE NOTE 5	1
33	6010778	•WINDOW, rear doors, privacy glass, SEE NOTE 5	2
34	S.I.A.	••OUTER FRAME, rear doors	1
35	6005769	•ROD, upper, latch	1

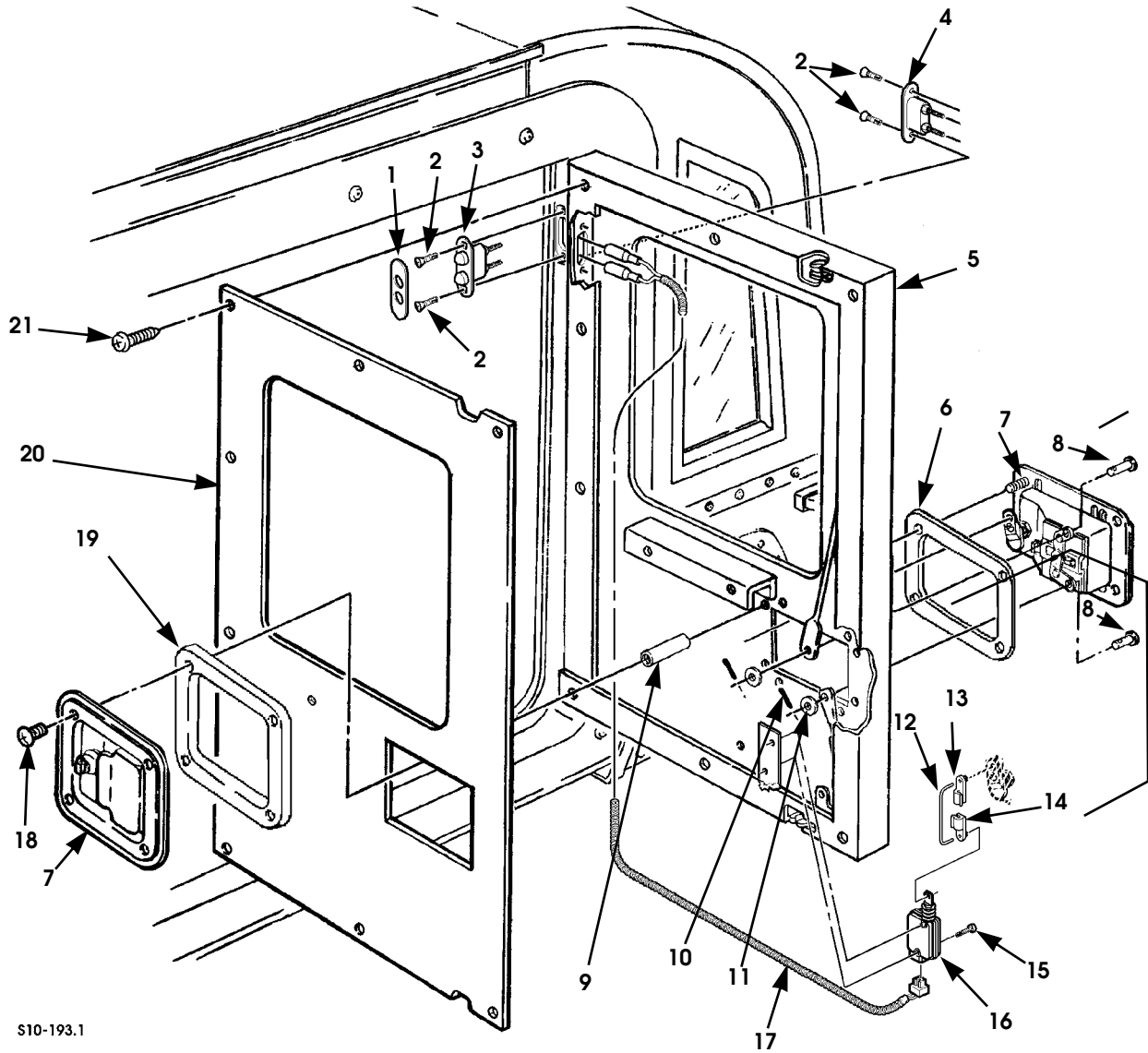
2003 HUMMER H1 PARTS CATALOG

BODY 10-79

ITEM	PART NUMBER	DESCRIPTION	QTY
		Figure 10-29. Station Wagon Rear Doors, Model 84.	
36	6006435	•SLEEVE, upper lock rod	1
37	6000747	•ROD CLIP, interior handle	4
38	6005632	•HANDLE ASSEMBLY, exterior, L.H.	1
38	6009572	HANDLE ASSY., back-to-back, interior/exterior SEE NOTE 8	1
39	6000248	•GASKET, exterior door handle	1
40	6006272	•INSULATION, 18 x 1 - 1/2 x 3/4"	1
40	6006273	•INSULATION, 18 x 1 - 1/2 x 1/2"	1
41	6006434	•V-SEAL, vertical door sill, 23 - 1/2"	2
42	6006282	•SLEEVE, lower lock rod	1
43	6005770	•ROD, lower latch, L.H.	1
43	6005657	•ROD, lower latch, R.H.	1
44	6006274	•INSULATION, 1 - 1/2 x 1 - 1/2 x 3/4"	1
45	6006275	•INSULATION, 1 - 1/2 x 1 - 1/2 x 1/2"	1
46	6006432	•INSULATION, lower, vertical door	1
47	6005633	•SPACER, interior handle	1
48	S.I.A.	•SCREW, #8 - 18 x 1/2", TEKS	4
49	S.I.A.	•SCREW, #8 - 18 x 3/4", TEKS	12
		NOTE 1: ORDER BY FOOT FROM BULK SEAL, VERTICAL DOORS, P/N 6006218, 500' ROLL, 14' REQUIRED PER VEHICLE.	
		NOTE 2: ORDER BY FOOT FROM BULK SEAL, VERTICAL DOORS, P/N 6006219, 500' ROLL, 14' REQUIRED PER VEHICLE.	
		NOTE 3: ORDER BY FOOT FROM BULK V-SEAL, VERTICAL DOOR SILL, P/N 6009706, 500-FT ROLL, 4' 7-1/2" FEET REQUIRED PER VEHICLE.	
		NOTE 4: ORDER BY FOOT FROM BULK SEAL, DOOR PANEL-TO-DOOR FRAME, P/N 6006217, 150' ROLL, 4' 6" FEET REQUIRED PER VEHICLE.	
		NOTE 5: TINTED GLASS REAR DOOR WINDOW P/N 6005634 IS STANDARD; PRIVACY GLASS REAR DOOR WINDOW P/N 6010778 IS OPTIONAL.	
		NOTE 6: KIT DOOR LATCH LIMITER 5745514 CONTAINS ENOUGH PARTS FOR TWO DOORS.	
		NOTE 7: SEAL, VERTICAL DOOR, P/N 5744344 IS CUT FROM BULK MATERIAL ROLL P/N 6006219	
		NOTE 8: LOCK CYLINDER COMES WITH HANDLE ASSY.	

2003 HUMMER H1 PARTS CATALOG

10-80 BODY



S10-193.1

Figure 10-30. Station Wagon Cargo Doors, Power Door Lock.

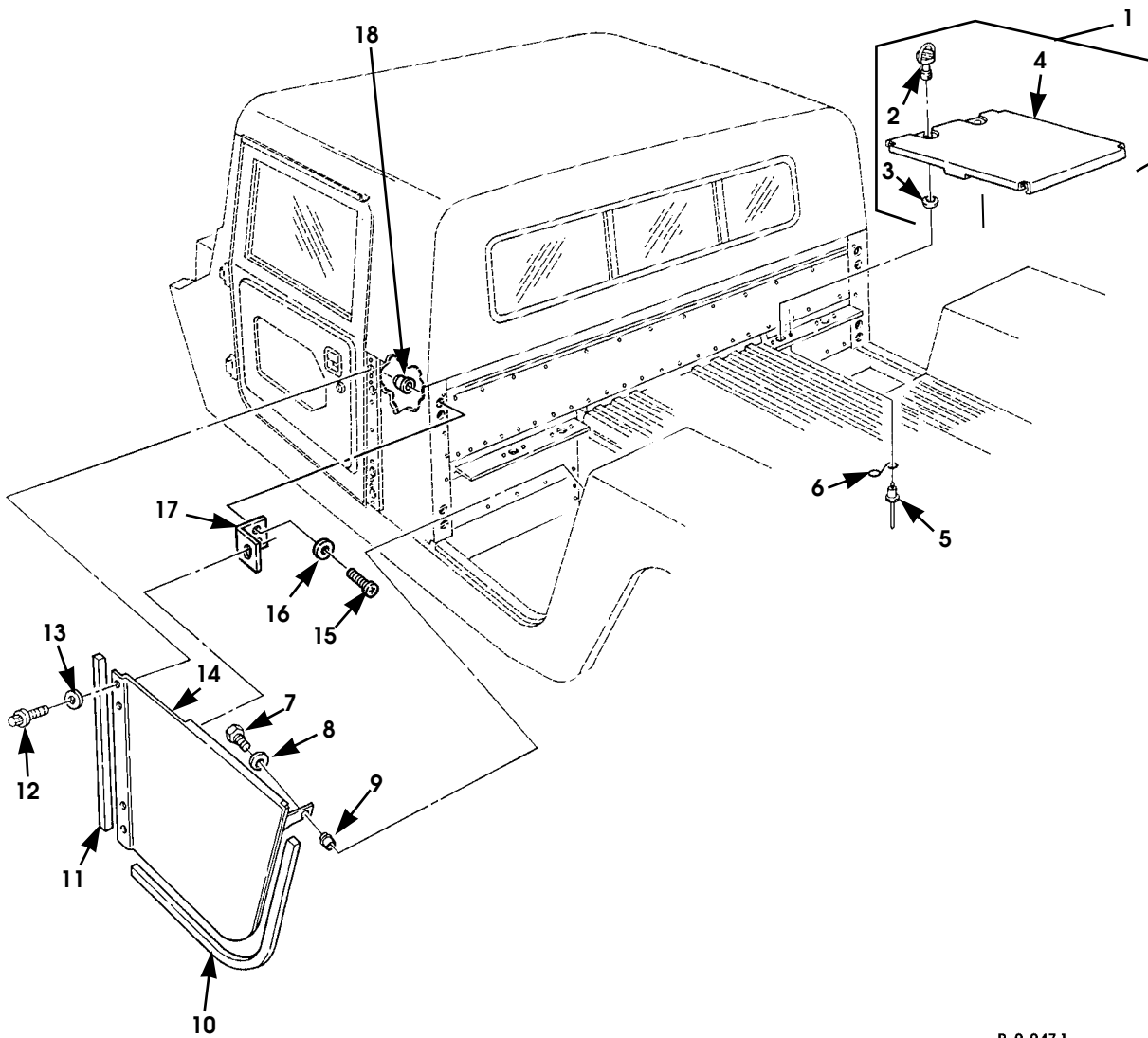
2003 HUMMER H1 PARTS CATALOG

BODY 10-81

ITEM	PART NUMBER	DESCRIPTION	QTY
		Figure 10-30. Station Wagon Cargo Doors, Power Door Lock.	
1	6008581	SEAL, door lock switch	1
2	N/S	SCREW, flat head, #6 - 32 x 5/8"	4
3	6008348	CONTACTS, power door lock, jamb-side	1
4	6008347	CONTACTS, power door lock, door-side	1
5	6008357P	DOOR ASSEMBLY, cargo, R.H.	1
6	6000248	GASKET, exterior door handle	1
7	6009572	HANDLE ASSY., back-to-back, interior/exterior SEE NOTE 1	1
8	S.I.A.	CONNECTING PIN	2
9	S.I.A.	SPACER	4
10	S.I.A.	COTTER PIN.	2
11	S.I.A.	WASHER, flat, 3/16"	2
12	6008346	ROD, power lock	1
13	6000747	ROD CLIP, interior handle	5
14	5939037	CLIP, rod end	1
15	6006283	SCREW, #10 - 32 x 5/8", truss head.	1
16	6003590	ACTUATOR, power door lock	1
17	6008553	HARNESS, power door lock, cargo door	1
18	N/S	SCREW, phcr, 1/4 - 20 x 1"	4
19	6005633	SPACER, interior handle.	1
20	6005668P	DOOR PANEL, interior, R.H.	1
21	6006283	SCREW, #10 - 32 x 5/8", truss head.	8
22	6009165	MODULE, power lock, vertical door (not illustrated) . .	1
23	6010117	HARNESS ASSEMBLY, rear door jumper (not illustrated)	1
		 NOTE 1: LOCK CYLINDER COMES WITH HANDLE ASSY.	

2003 HUMMER H1 PARTS CATALOG

10-82 BODY



P 0-047.1

*Figure 10-31. Fixed Door, Footwell Cover, and Related Parts,
Two-Passenger Enlarged Cab, Model 89.*

2003 HUMMER H1 PARTS CATALOG

BODY 10-83

ITEM	PART NUMBER	DESCRIPTION	QTY
		Figure 10-31. Fixed Door, Footwell Cover, and Related Parts, Two-Passenger Enlarged Cab, Model 89.	
1	6004513P	COVER ASSEMBLY, footwell	2
2	12339738-3	•STUD, ring head	2
3	12341011	•RING RETAINER, .75 x .438 x .040.	2
4	S.I.A.	•COVER, footwell	2
5	M24243/1A405	RIVET	8
6	12338823	RECEPTACLE, spring	4
7	N/S	BOLT, 1/4 - 20 x 5/8", Gr5, CAD	2
8	N/S	WASHER, flat, 1/4", CAD	2
9	5937584	NUT INSERT	2
10	12339419-2	SEAL, fixed door, 22"	2
11	12339419-1	SEAL, fixed door, 50"	2
12	5939423P2	BOLT	8
13	5939634P2	WASHER, flat, hinge mounting	8
14	6004506P	DOOR ASSEMBLY, L.H. , fixed	1
14	6004507P	DOOR ASSEMBLY, R.H. , fixed	1
15	N/S	SCREW, #10 - 24 x 7/8"	8
16	N/S	WASHER, flat, #10, CAD	8
17	6005528	BRACKET, fixed door	4
18	6001566	NUT, insert, #10 - 24"	8

2003 HUMMER H1 PARTS CATALOG

10-84 BODY

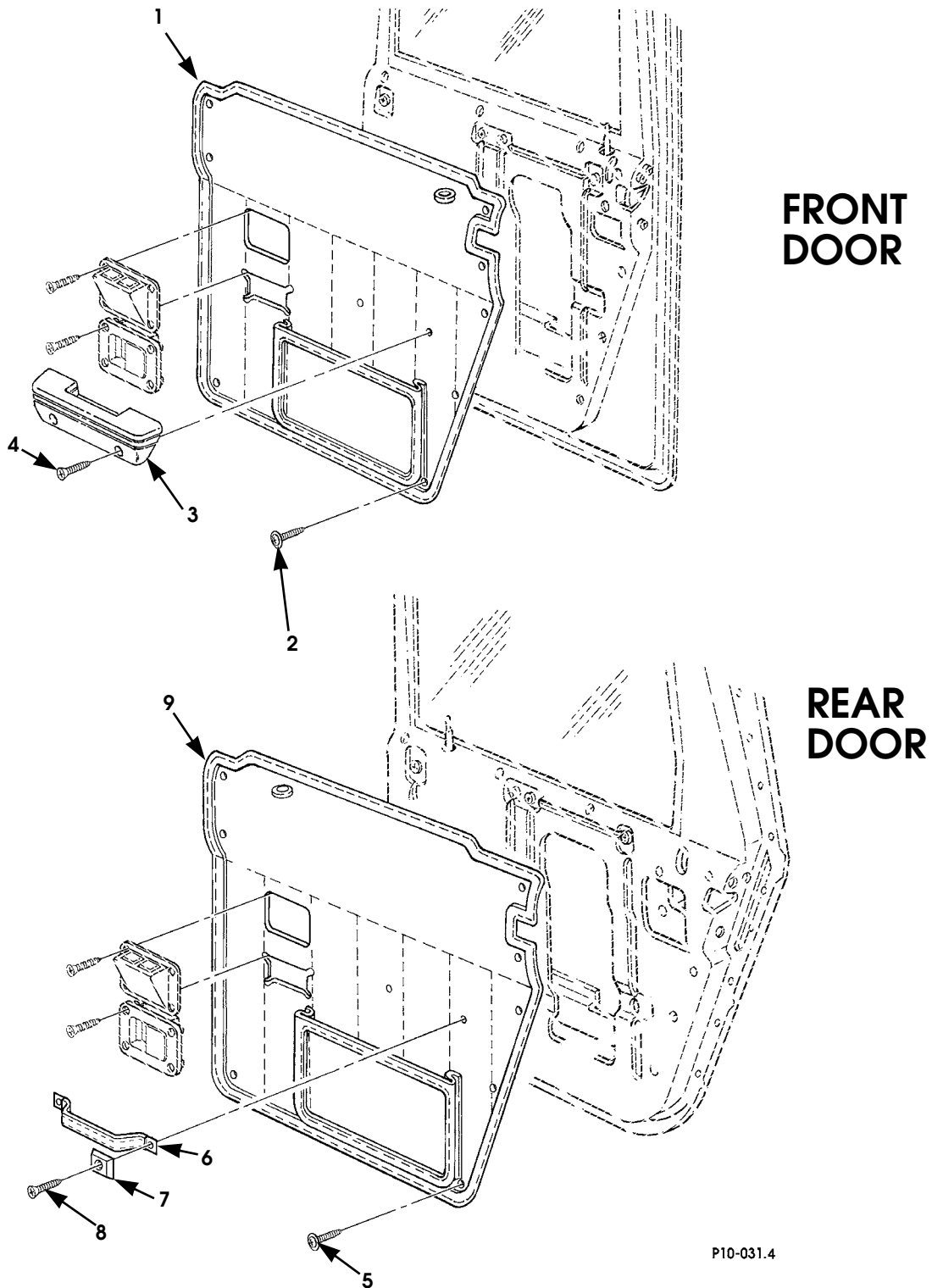


Figure 10-32. Panel Assembly Door Trim.

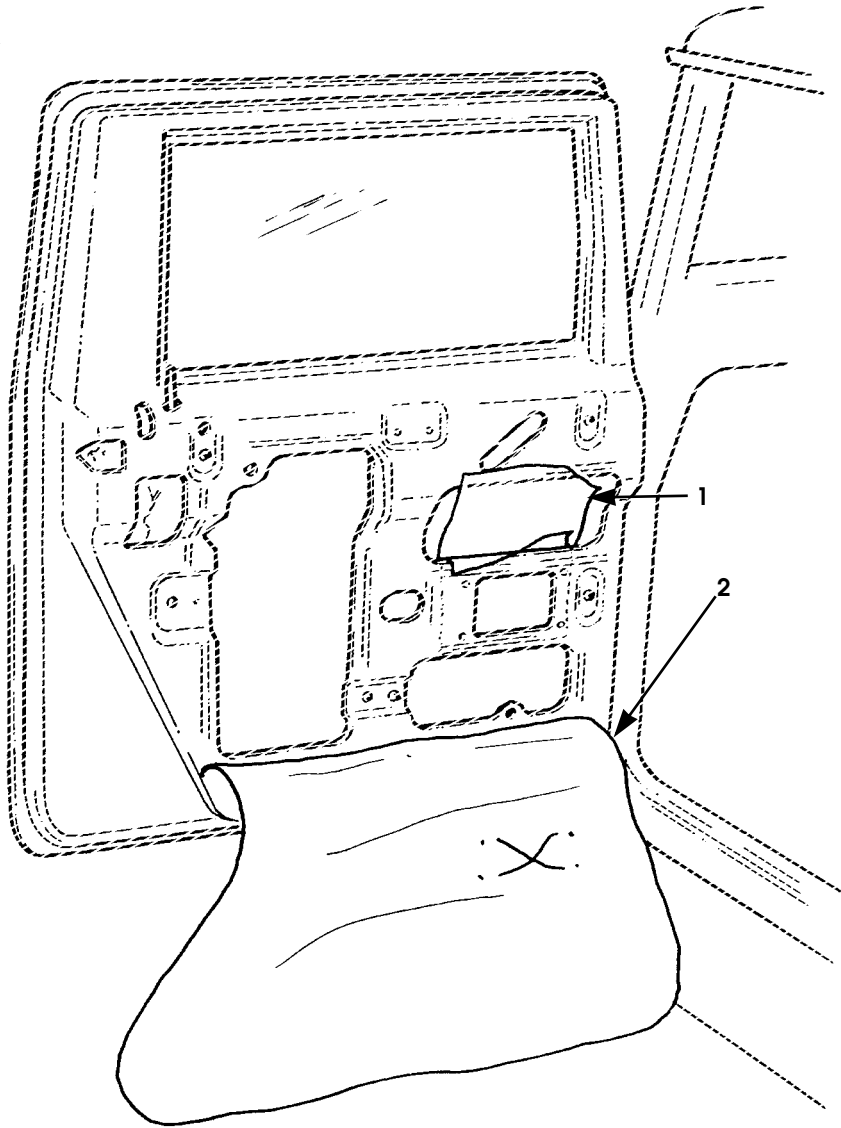
2003 HUMMER H1 PARTS CATALOG

BODY 10-85

ITEM	PART NUMBER	DESCRIPTION	QTY
		Figure 10-32. Panel Assembly Door Trim.	
1	6004462G	PANEL ASSEMBLY, L.H., deluxe front door trim, gray . . .	1
1	6004463G	PANEL ASSEMBLY, R.H., deluxe front door trim, gray . . .	1
2	6000243G	SCREW/WASHER ASSEMBLY, gray, front door panel	16
3	6011393G	ARMREST ASSEMBLY, front, gray	2
4	N/S	SCREW, phcr, 1/4 - 20 x 1 - 3/4"	4
5	6000243G	SCREW/WASHER ASSEMBLY, rear door panel, gray. . . . 83, 84, 90	16
6	6001013G	PULL HANDLE ASSEMBLY, rear door, gray 83, 84, 90	2
7	6000400	CAP ASSEMBLY, rear door pull handle screw 83, 84, 90	4
8	N/S	SCREW, oval head, #8 - 32 x 1", rear door pull handle 83, 84, 90	4
9	6002462G	PANEL ASSEMBLY, L.H., deluxe rear door trim, gray . . . 83, 84, 90	1
9	6002464G	PANEL ASSEMBLY, R.H., deluxe rear door trim, gray . . . 83, 84, 90	1

2003 HUMMER H1 PARTS CATALOG

10-86 BODY



P12-053

Figure 10-33. Weathershield, Doors.

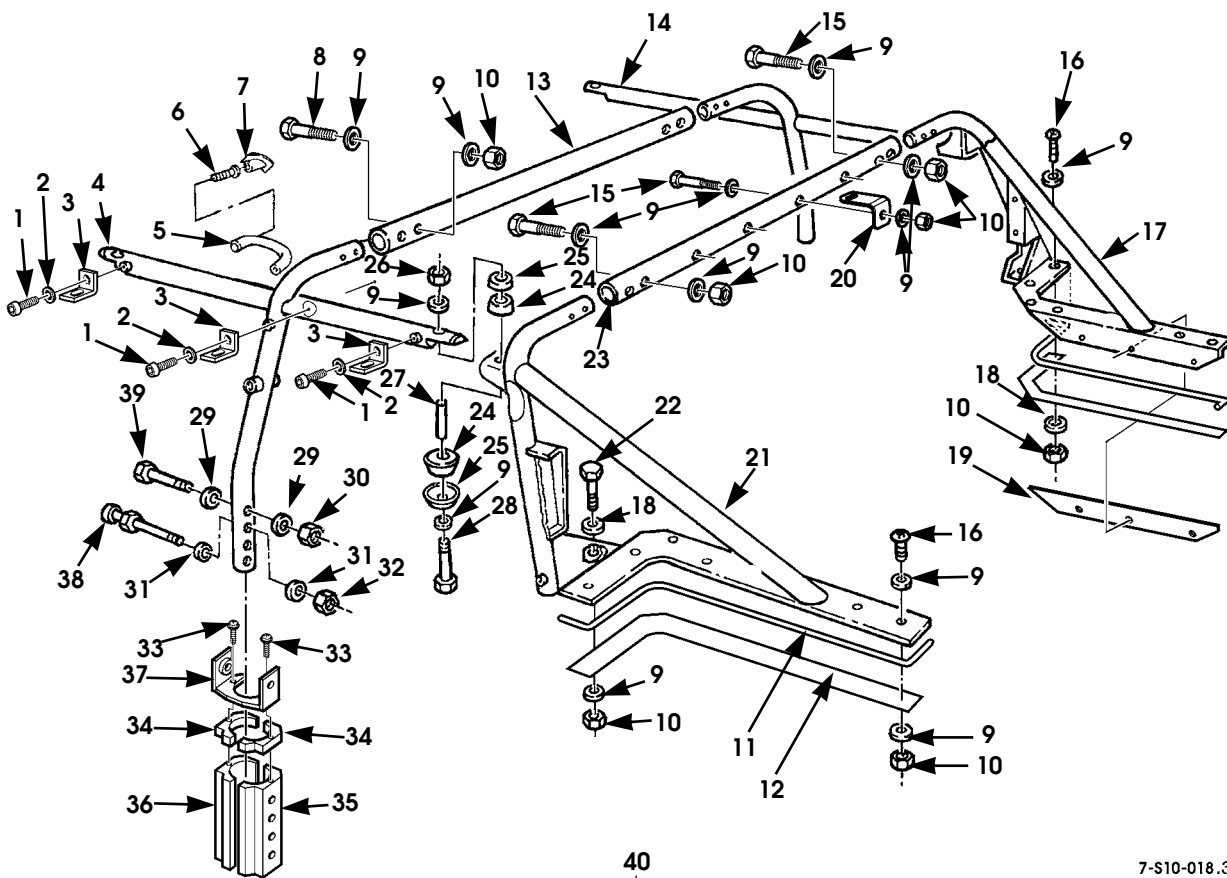
2003 HUMMER H1 PARTS CATALOG

BODY 10-87

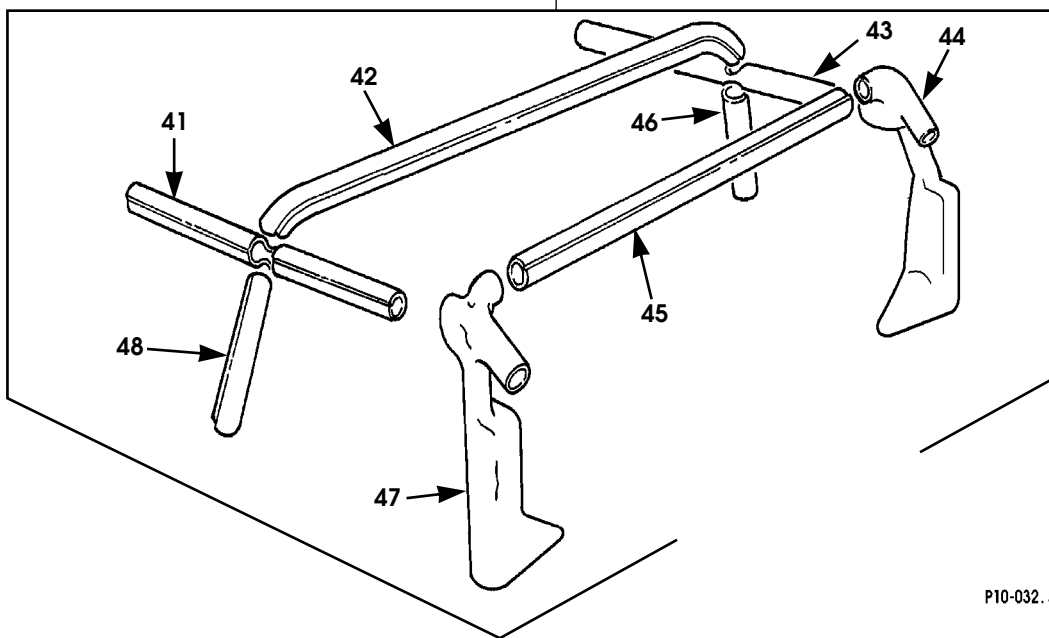
ITEM	PART NUMBER	DESCRIPTION	QTY
		Figure 10-33. Weathershield, Doors.	
1	6001694	WATERSHIELD, door latch 89	2
1	6001694	WATERSHIELD, door latch 83, 84, 90	4
2	6001623	WATERSHIELD, L.H., front door	1
2	6001624	WATERSHIELD, R.H., front door	1
2	6001625	WATERSHIELD, L.H., rear door 83, 84, 90	1
2	6001626	WATERSHIELD, R.H., rear door 83, 84, 90	1

2003 HUMMER H1 PARTS CATALOG

10-88 BODY



7-S10-018.3

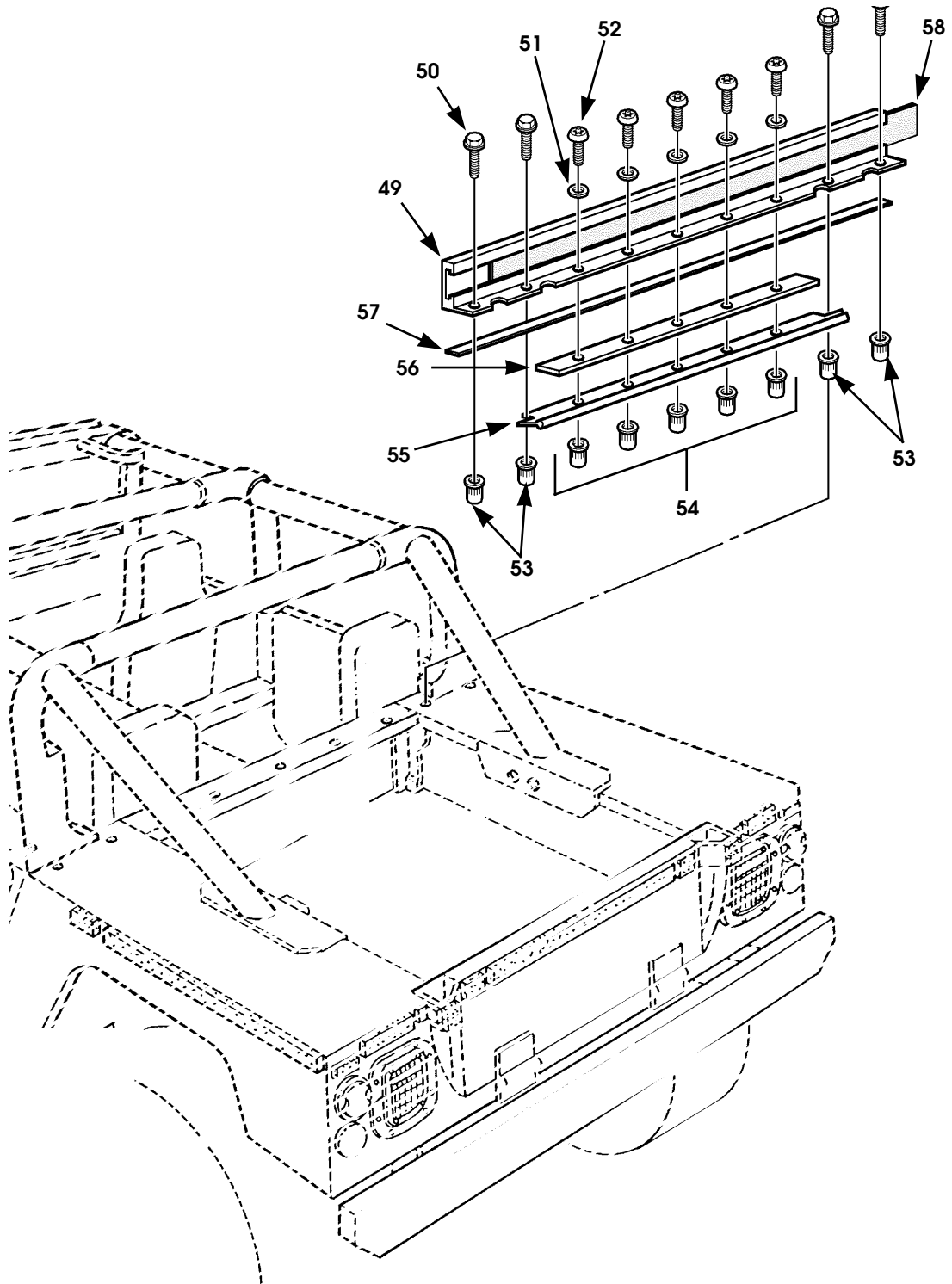


P10-032.5

Figure 10-34. Soft Top Support Structure, Model 90.
(Sheet 1 of 2).

2003 HUMMER H1 PARTS CATALOG

BODY 10-89



P10-114

Figure 10-34. Soft Top Support Structure, Model 90
(Sheet 2 of 2).

2003 HUMMER H1 PARTS CATALOG

10-90 BODY

ITEM	PART NUMBER	DESCRIPTION	QTY
		Figure 10-34. Soft Top Support Structure, Model 90.	
1	6009752	BOLT, hex socket, flanged, 1/4-20 x 3/4"	6
2	N/S	WASHER, flat, #10	6
3	6009705	STANDOFF BRACKET, H-rail.	6
4	6009560	SUPPORT ASSEMBLY, soft top, side, L.H.	1
5	5939469G	GRAB HANDLE, gray	4
6	N/S	SCREW, phcr, 1/4 - 20 x 3/4", CAD	8
7	6000027G	PLUG, grab handle, gray.	8
8	N/S	SCREW, 3/8 - 16 x 2 - 3/4", Gr8, CAD	4
9	N/S	WASHER, flat, 3/8", type B, hard	66
10	N/S	LOCKNUT, 3/8 - 16", Gr8.	32
11	6005792	TAPE, foam core, Butyl, 14', SEE NOTE 2	1
12	12339376-3	TAPE, rail, 36" per side	2
13	6009493	SUPPORT BAR, center.	1
14	6009561	SUPPORT ASSEMBLY, soft top, side, R.H.	1
15	N/S	BOLT, 3/8 - 16 x 3 - 1/4", Gr 8, CAD	8
16	N/S	SCREW, 3/8 - 16 x 1"	20
17	6009563	SUPPORT ASSEMBLY, C-pillar, rear, R.H.	1
18	12340880	WASHER, flat, 7/16 x 1 - 3/16"	8
19	6000119B2	SPACER, C-pillar support assembly, side	6
20	6009736	BRACKET, tensioning strap.	5
21	6009562	SUPPORT ASSEMBLY, C-pillar, rear, L.H.	1
22	N/S	BOLT, 3/8 - 16 x 1 - 1/2", Gr8, CAD	4
23	6009727	SUPPORT BAR, center.	1
24	12339571	MOUNT, roof, SEE NOTE 1	8
25	12339561	PLATE, snubber, SEE NOTE 1	8
26	N/S	LOCKNUT, low profile, 3/8 - 16", SEE NOTE 1.	4
27	12338186-52	SPACER, C-pillar mount, SEE NOTE 1	4
28	N/S	BOLT, 3/8 - 16 x 3 - 1/2", Gr8, CAD, SEE NOTE).	4
29	12339724	WASHER, flat, hardened	12
30	N/S	LOCKNUT, 5/16 - 24", Gr8.	6
31	N/S	WASHER, flat, hard, 1/2", type B	4
32	N/S	LOCKNUT, 1/2 - 20", Gr8.	2
33	N/S	SCREW, tapping, phcr, #10 - 32 x 7/8"	4
34	6005156	SEAL, B-pillar	4

2003 HUMMER H1 PARTS CATALOG

BODY 10-91

ITEM	PART NUMBER	DESCRIPTION	QTY
		Figure 10-34. Soft Top Support Structure, Model 90. (Cont'd)	
35	6005459	CONNECTION BLOCK, R.H. front/L.H. rear	2
36	6005458	CONNECTION BLOCK, L.H. front/R.H. rear	2
37	6004541	BRACKET, B-pillar cover mounting	2
38	6000392P2	STRIKER, door, front	2
39	N/S	BOLT, 5/16 - 24 x 4 - 1/4"	6
40	6009724	BOLSTER COVER KIT, black	1
41	S.I.K.	•COVER, horizontal rail, L.H., black	1
42	S.I.K.	•COVER, B-pillar, center, black.	1
43	S.I.K.	•COVER, horizontal rail, R.H., black	1
44	S.I.K.	•COVER, C-pillar, vertical, R.H., black	1
45	S.I.K.	•COVER, C-pillar, center, black.	1
46	S.I.K.	•COVER, B-pillar, vertical, R.H., black.	1
47	S.I.K.	•COVER, C-pillar, vertical, L.H., black.	1
48	S.I.K.	•COVER, B-pillar, vertical, L.H., black	1
49	6001658	EXTRUSION, rear curtain tonneau	1
50	6000114P2	TRIM SCREW, 8-18 x 1/2", tan	4
51	S.I.K.	LOCKWASHER, split, 1/4", black	5
52	N/S	BOLT, buttonhead torx, 1/4 - 20 x 1"	5
53	5937584	NUT INSERT	4
54	5937842	NUT INSERT	5
55	6008387	SEAL, rear, roof-to-bulkhead.	1
56	6003416	SPACER, bulkhead, J-rail	1
57	6001276	SEAL, outer window frame	1
58	5745080	VELCRO STRIP, rear tonneau curtain.	1
		NOTE 1: QUANTITIES INCLUDE A-PILLAR ROOF MOUNTING HARDWARE ALSO.	
		NOTE 2: CUT 5' OF TAPE P/N 6005792 FOR THE TOP STRIP ABOVE BULKHEAD; CUT 8' 1/2" OF TAPE P/N 6005792 FOR THE BOTTOM STRIP ABOVE BULKHEAD.	

2003 HUMMER H1 PARTS CATALOG

10-92 BODY

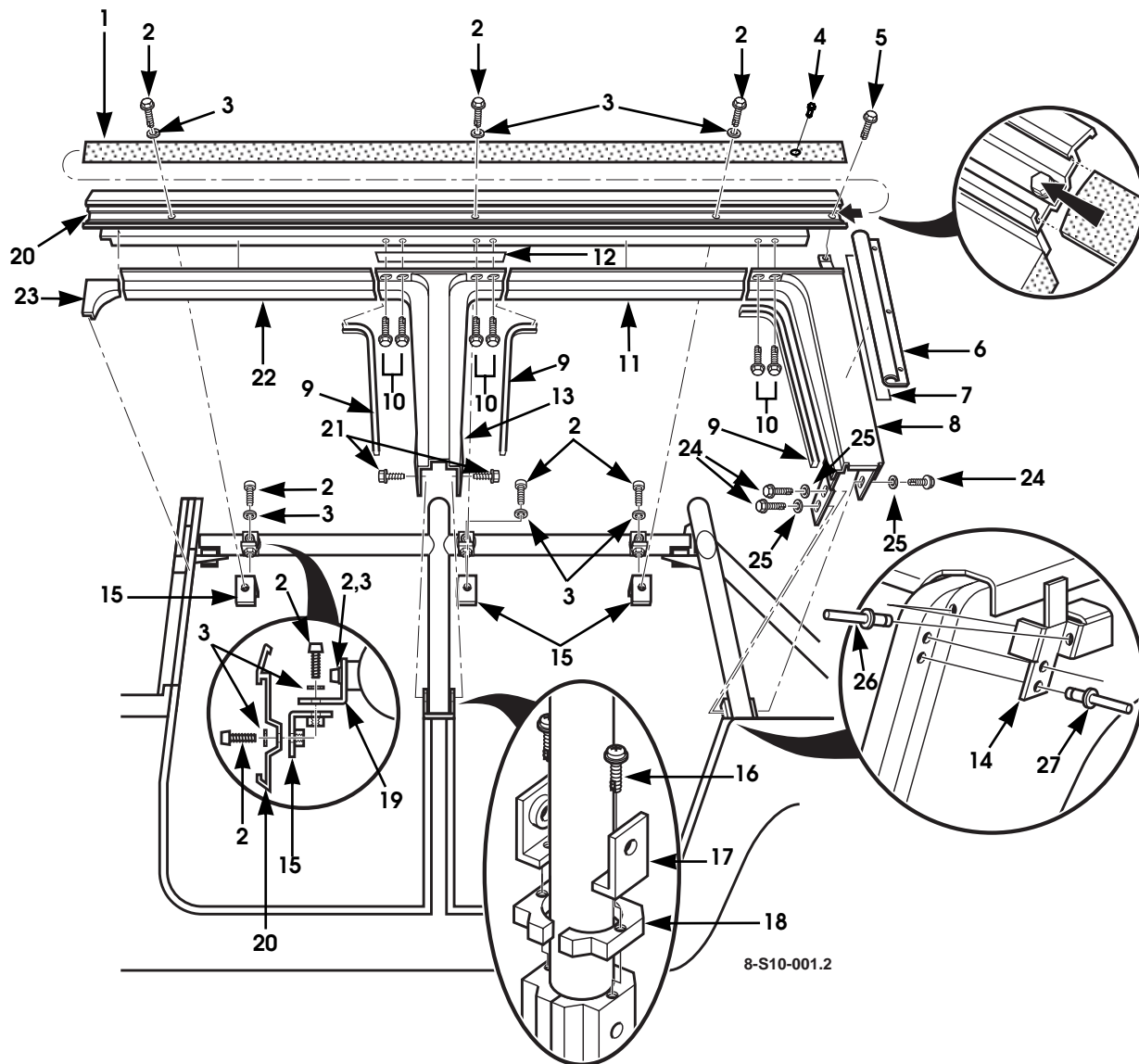


Figure 10-35. Support Structure, Soft Top, Model 90.

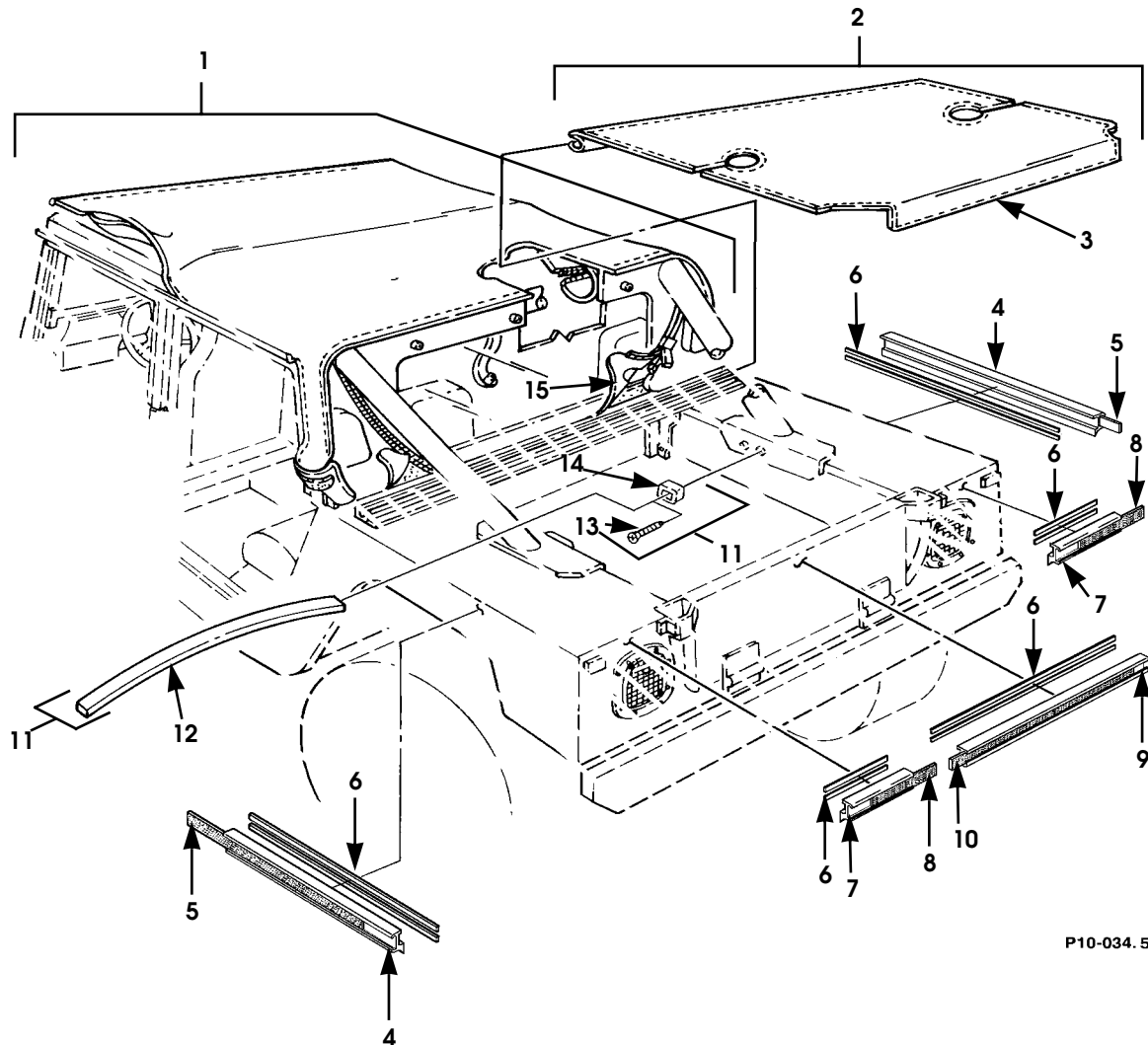
2003 HUMMER H1 PARTS CATALOG

BODY 10-93

ITEM	PART NUMBER	DESCRIPTION	QTY
		Figure 10-35. Support Structure, Soft Top, Model 90.	
1	6009801	VELCRO STRIP, hook part, L.H.	1
1	6009802	VELCRO STRIP, hook part, R.H.	1
2	6009752	BOLT, hex socket, flanged, 1/4-20 x 3/4"	24
3	N/S	WASHER, flat, 1/4"	24
4	N/S	SCREW, tapping, #8 - 32 x 3/8"	2
5	N/S	SCREW, tapping, 1/4 - 20 x 1/2"	2
6	6009710	EXTRUSION, C-pillar cover retainer, L.H.	1
6	6009726	EXTRUSION, C-pillar cover retainer, R.H.	1
7	6009857	FOAM TAPE, extrusion-to-C-pillar cover.	2
8	6009740	C-PILLAR COVER ASSEMBLY, L.H.	1
8	6009741	C-PILLAR COVER ASSEMBLY, R.H.	1
9	N/S	EDGE GUARD, 18", B-pillar, front and rear, and C-pillar, front, SEE NOTE 1	6
10	N/S	SCREW, tapping, phcr, #8 - 32 x 3/8"	12
11	6009789	FILLER PANEL, plastic, B-pillar-to-C-pillar.	2
12	NPN	SEALING TAPE, B-pillar cover-to-H-rail, 10" SEE NOTE 2.	2
13	6009585	B-PILLAR COVER.	2
14	6005456B9	PANEL, filler, rear, L.H.	1
14	6005457B9	PANEL, filler, rear, R.H.	1
15	6009738	BRACKET, H-rail	6
16	N/S	SCREW, tapping, #10 - 24 x 7/8"	4
17	6004541	BRACKET, B-pillar cover mounting	2
18	6005156	SEAL, B-pillar	4
19	6009705	STANDOFF BRACKET, H-rail	6
20	6009703	H-RAIL, L.H.	1
20	6009704	H-RAIL, R.H.	1
21	N/S	BOLT, 5/16-18 x 5/8"	4
22	6009788	FILLER PANEL, plastic, windshield-to-B-pillar.	2
23	6009735	CLOSEOUT PANEL, roof-to-windshield	2
24	N/S	BOLT, 1/4 - 20 x 3/4", C-pillar.	6
25	N/S	LOCKWASHER, 1/4", C-pillar.	6
26	N/S	RIVET, countersunk, 1/8"	2
27	N/S	RIVET, 1/8"	4
		NOTE 1: CUT FROM 24" EDGE GUARD 5745010.	
		NOTE 2: CUT TO LENGTH FROM BULK SEALING TAPE, P/N 6006217, 150' ROLL.	

2003 HUMMER H1 PARTS CATALOG

10-94 BODY



P10-034.5

Figure 10-36. Four-Door Soft Top Kit, Basic, Model 90.

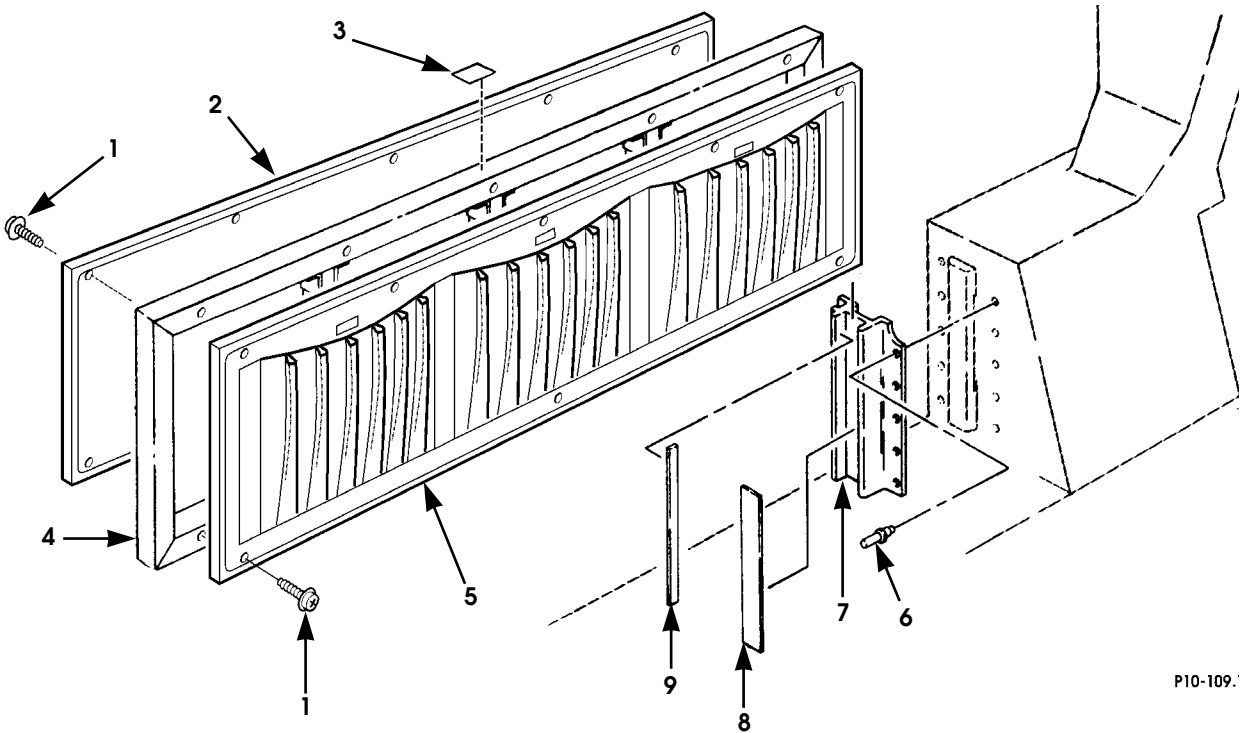
2003 HUMMER H1 PARTS CATALOG

BODY 10-95

ITEM	PART NUMBER	DESCRIPTION	QTY
		Figure 10-36. Four-Door Soft Top Kit, Basic, Model 90.	
1	6009721	TOP ASSEMBLY, tan.	1
1	6009720	TOP ASSEMBLY, black.	1
2	6009723	COVER ASSEMBLY, tonneau, tan.	1
2	6009722	COVER ASSEMBLY, tonneau, black.	1
3	6001648	•COVER, tonneau, tan.	1
3	6004212	•COVER, tonneau, black.	1
4	6001670	•EXTRUSION, 41" 83, 90	2
5	5745081	•VELCRO STRIP, 41" 83, 90	2
6	N/S	•ADHESIVE TAPE, double sided, cut to length.	10
7	6001671	•EXTRUSION, 9" 83, 90	2
8	5745083	•VELCRO STRIP, 9" 83, 90	2
9	6001669	•EXTRUSION, 43" 83, 90	1
10	5745082	•VELCRO STRIP, 43" 83, 90	1
11	5744425	•BOW KIT, tonneau, H/T. 83, 90	1
12	S.I.K.	•BOW, wooden. 90	1
13	S.I.K.	•SCREW, #10 - 32 x 3/8" 90	4
14	S.I.K.	•BRACKET, tonneau cover bow. 90	2
15	5745360	•REAR WINDOW CURTAIN, black.	1
15	5745359	•REAR WINDOW CURTAIN, tan.	1

2003 HUMMER H1 PARTS CATALOG

10-96 BODY



P10-109.

Figure 10-37. Removable Load Barrier, Station Wagon, Model 84.

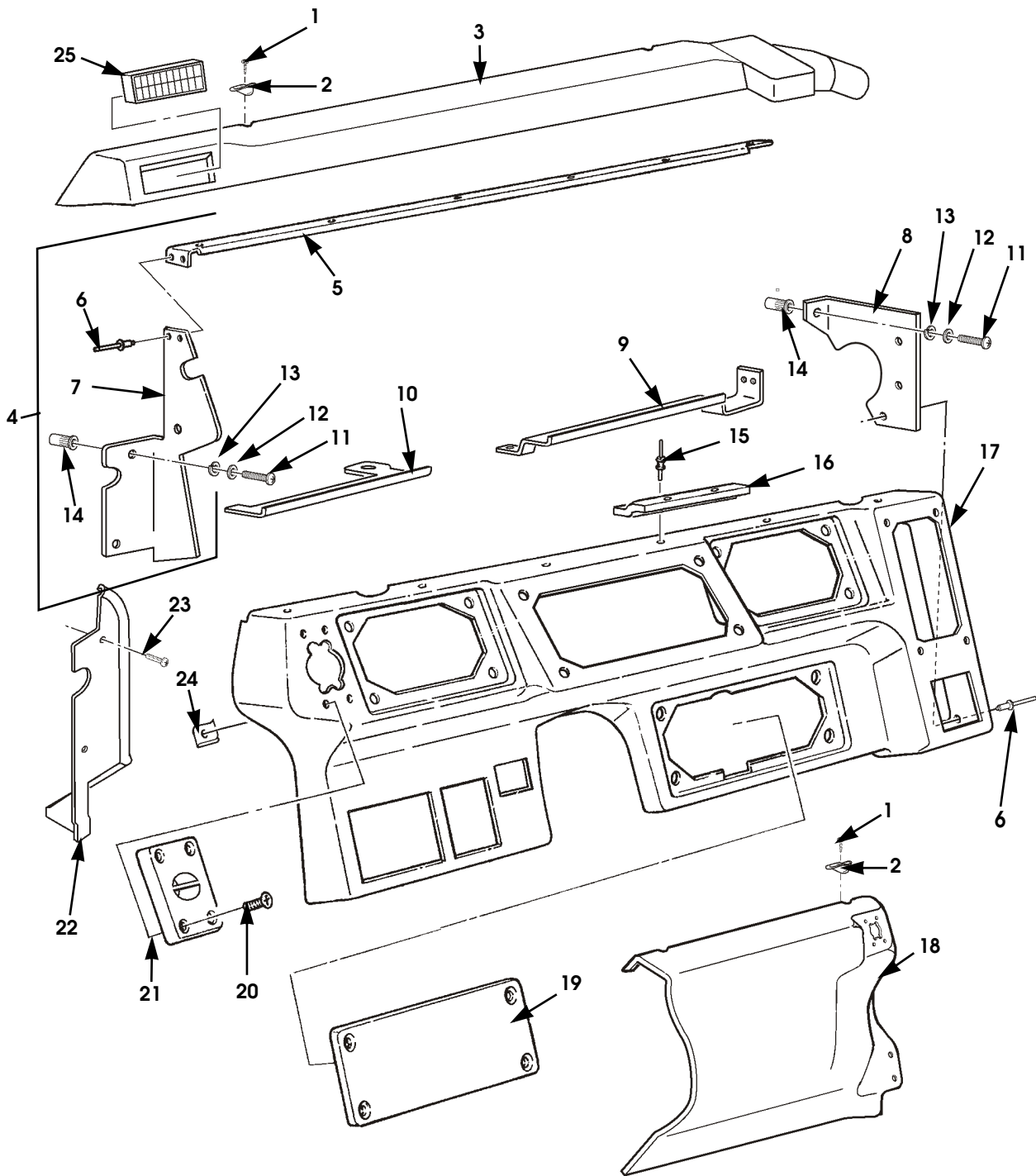
2003 HUMMER H1 PARTS CATALOG

BODY 10-97

ITEM	PART NUMBER	DESCRIPTION	QTY
		Figure 10-37. Removable Load Barrier, Station Wagon, Model 84.	
1	6002686G	TRIM SCREW, oval phil teks fin, #8 -18 x 1", gray	18
2	6002998G	CARPET, bulkhead gray	1
3	6004009	DECAL, load barrier warning	1
4	6002978	FRAME ASSEMBLY, load barrier	1
5	6006609G	POCKET ASM., load barrier, gray	1
6	12339355-1	RIVET, blind, huck, 3/16"	20
7	6003014	BRACKET, L.H., load bar	1
7	6003020	BRACKET, R.H., load bar	1
8	6003015	BUMPER STRIP, center	1
9	6007112	BUMPER STRIP, side	4

2003 HUMMER H1 PARTS CATALOG

10-98 BODY



03-P10-014

Figure 10-38. Instrument Panel Assembly, Dash Trim, Crash Pad, and Mounting Hardware.

2003 HUMMER H1 PARTS CATALOG

BODY 10-99

ITEM	PART NUMBER	DESCRIPTION	QTY
		Figure 10-38. Instrument Panel Assembly, Dash Trim, Crash Pad, and Mounting Hardware.	
1	N/S	SCREW AND WASHER ASSY., #10 x 32-7/8" OHCR CAN	2
2	6010765G	GROMMET, trim, mounting, gray	4
3	6007054G	CRASH PAD, L.H., deluxe, gray	1
4	6007064	BRACKET ASSEMBLY, instrument panel mounting	1
5	6007335	•BRACKET, instrument panel support, upper	1
6	12339355-1	•RIVET, blind, huck, 3/16"	2
7	6006974	•BRACKET, instrument panel support, L.H.	1
8	6014405	BRACKET, instrument panel support, R.H.	1
9	5939272P	BRACKET, instrument panel support, lower	1
10	6007416	BRACKET, instrument panel support, lower, L.H.	1
11	MS35206-284	SCREW	3
12	2436161	WASHER, 1/4", flat	3
13	MS35338-44	LOCK WASHER	3
14	5937584	NUT INSERT	3
15	N/S	RIVET, blind, 3/16"	4
16	6007192	BRACKET, instrument panel crash pad mounting	2
17	6011487	PANEL, instrument	1
18	6010886G	CRASH PAD, R.H., gray.	1
19	5939270	PANEL, gauge, lower, blank	1
20	156770	SCREW, oval head	4
21	6003558	NOZZLE, defroster, side window	1
22	6006289	PANEL, closeout, instrument panel	1
23	6002686G	TRIM SCREW, oval phil teks fin, #8 - 18 x 1", gray,	2
24	12341352	SPEED NUT, J-type, #8 - 32", defroster mounting	4
25	6007156	LOUVER, crash pad	1

2003 HUMMER H1 PARTS CATALOG

10-100 BODY

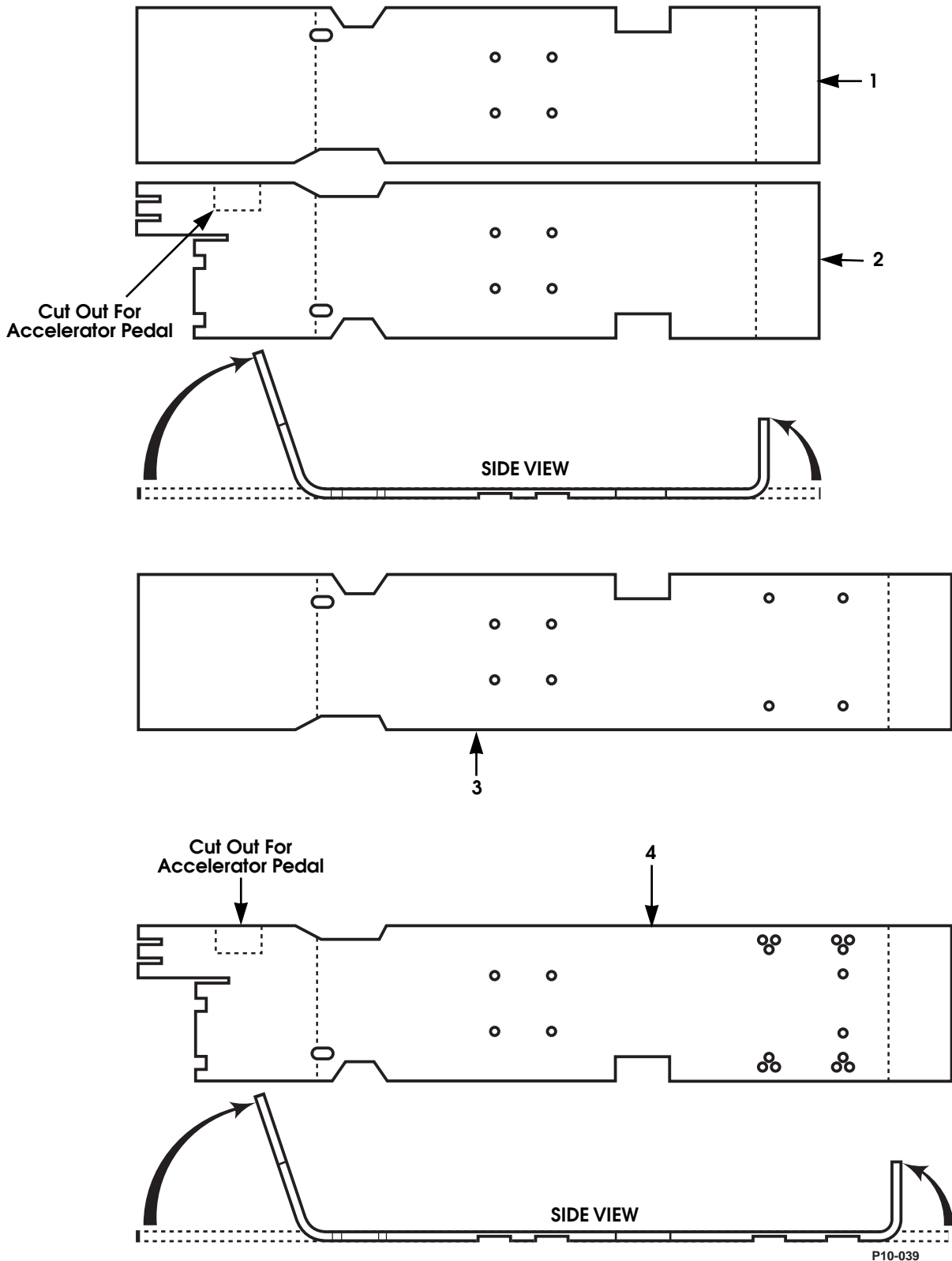


Figure 10-39. Floor Padding, Front and Rear.

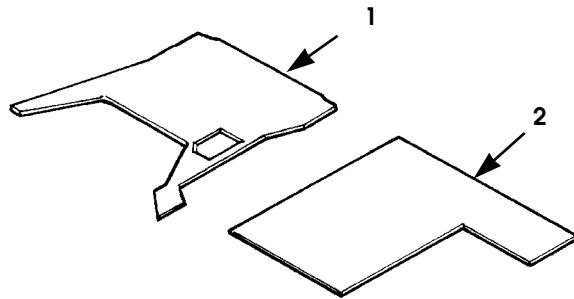
2003 HUMMER H1 PARTS CATALOG

BODY 10-101

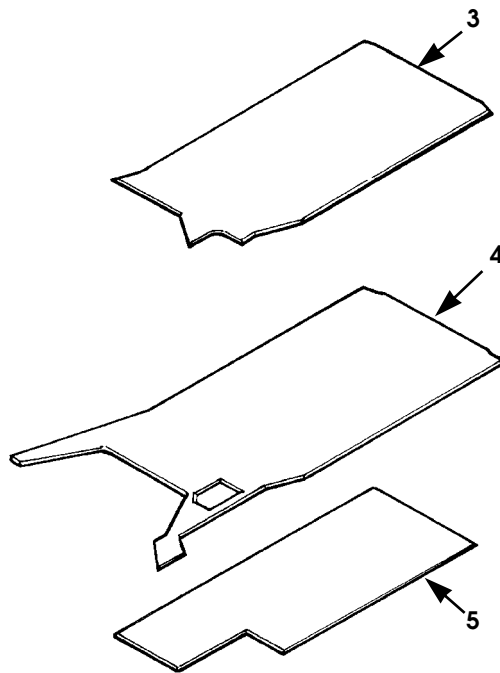
ITEM	PART NUMBER	DESCRIPTION	QTY
		Figure 10-39. Floor Padding, Front and Rear.	
1	6012193G	PAD ASSEMBLY, R.H., gray 89	1
2	6012191G	PAD ASSEMBLY, L.H., gray 89	1
3	6012192G	PAD ASSEMBLY, R.H., gray 83, 84, 90	1
4	6012190G	PAD ASSEMBLY, L.H., gray 83, 84, 90	1

2003 HUMMER H1 PARTS CATALOG

10-102 BODY



TWO-DOOR CAB



FOUR-DOOR CAB

P10-040.4

Figure 10-40. Interior Tunnel Padding, Carpet, and Hardboard.

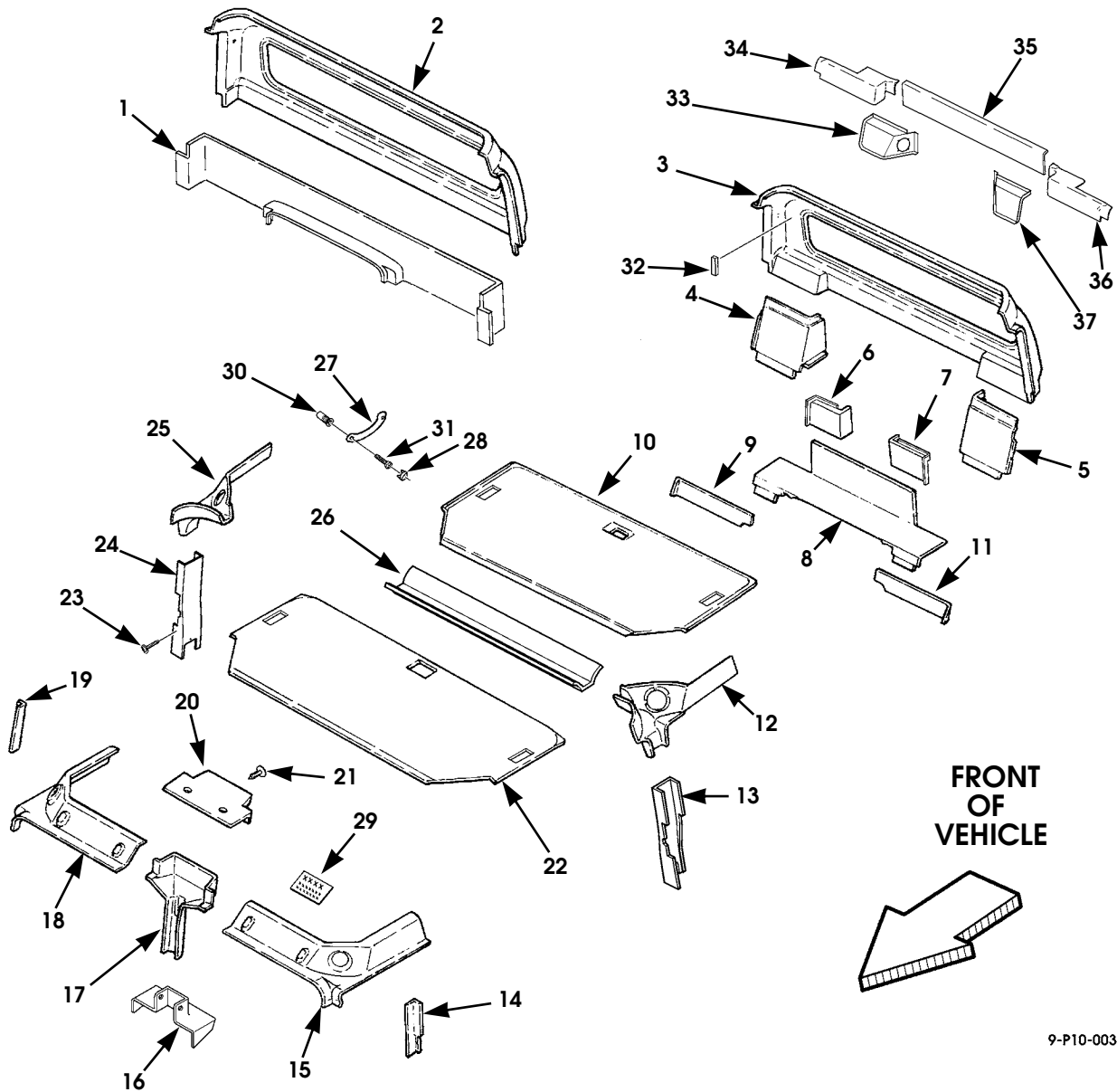
2003 HUMMER H1 PARTS CATALOG

BODY 10-103

ITEM	PART NUMBER	DESCRIPTION	QTY
		Figure 10-40. Interior Tunnel Padding, Carpet, and Hardboard.	
1	6007220G	PAD ASSEMBLY, tunnel top, gray 89	1
2	6004566	HARDBOARD, tunnel top 89	1
3	6005239G	CARPET, tunnel top, deluxe, gray 83, 84, 90	1
3	6005240G	CARPET, tunnel top, deluxe w/aux seat, gray 84	1
4	6007184G	PAD ASSEMBLY, tunnel top, gray 83, 90	1
4	6007185G	PAD ASSEMBLY, tunnel top, gray 84	1
5	6005229	HARDBOARD, tunnel top 83, 90	1
5	6005230	HARDBOARD, tunnel top 84	1

2003 HUMMER H1 PARTS CATALOG

10-104 BODY



9-P10-003

Figure 10-41. Headliner, Roof Trim, Front and Rear Side Trim, Grab Handles, and Mounting Hardware (Delco Standard Stereo System).

2003 HUMMER H1 PARTS CATALOG

BODY 10-105

ITEM	PART NUMBER	DESCRIPTION	QTY
		Figure 10-41. Headliner, Roof Trim, Front and Rear Side Trim, Grab Handles, and Mounting Hardware (Delco Standard Stereo System).	
1	6004545G	PANEL, rear, lower, gray 89	1
2	6004546G	PANEL ASSEMBLY, rear, gray 89	1
3	6012222G	PANEL ASSEMBLY TRIM, rear, gray 83	1
4	6014183	PANEL, wheelhouse, upper, R.H., gray 83	1
4	6014259	PANEL, wheelhouse, upper, R.H., gray 84	1
5	6014182	PANEL, wheelhouse, upper, L.H., gray 83	1
5	6014258	PANEL, wheelhouse, upper, L.H., gray 84	1
6	6000186G	PANEL, amp cover, R.H., gray 83	1
7	6000185G	PANEL, amp cover, L.H., gray 83	1
8	6005125G	PANEL, rear lower, center, gray 83, 90	1
9	6014185	PANEL, wheelhouse, lower, R.H., gray 83, 90	1
9	6014257	PANEL, wheelhouse, lower, R.H., gray 84	1
10	6008643G	HEADLINER, rear, gray 83	1
10	6008647G	HEADLINER, rear, gray 84	1
11	6014184	PANEL, wheelhouse, lower, L.H., gray 83, 90	1
11	6014256	PANEL, wheelhouse, lower, L.H., gray 84	1
12	6009125G	PANEL ASSEMBLY TRIM, L.H., B-pillar, upper, gray 83, 84	1
13	6005989G	PANEL ASSEMBLY TRIM, L.H., B-pillar, center, gray 83, 84	1
14	5939313G	PANEL ASSEMBLY TRIM, L.H., A-pillar, gray 83, 84, 89	1
15	6009123G	PANEL ASSEMBLY TRIM, L.H., front, upper, gray 83, 84, 89	1
16	6010265G	PANEL, trim, lower, windshield divider bar, gray	1
17	6010025G	PANEL ASSEMBLY TRIM, wiper motor, gray 83, 84, 89	1

2003 HUMMER H1 PARTS CATALOG

10-106 BODY

ITEM	PART NUMBER	DESCRIPTION	QTY
		Figure 10-41. Headliner, Roof Trim, Front and Rear Side Trim, Grab Handles, and Mounting Hardware (Delco Standard Stereo System).	
17	6010159G	PANEL ASSEMBLY TRIM, wiper motor, gray 90	1
18	6009124G	PANEL ASSEMBLY TRIM, R.H., front, upper, gray 83, 84, 89	1
19	5939314G	PANEL ASSEMBLY TRIM, R.H., A-pillar, gray 83, 84	1
20	6001025G	PANEL TRIM, upper wiper motor, gray 90	1
21	6001038G	TRIM BUTTON, gray 90	4
22	6009326G	HEADLINER, front, gray 89	1
22	6009133G	HEADLINER, front, gray 83, 84	1
23	6000114G	TRIM SCREW, 8-18 x 1/2", gray 83, 84	8
24	6005990G	PANEL ASSEMBLY TRIM, R.H., B-pillar, center, gray 83, 84	1
25	6009126G	PANEL ASSEMBLY TRIM, R.H., B-pillar, upper, gray 83, 84	1
26	6005150G	PANEL ASSEMBLY TRIM, B-bar cover, gray 83, 84	1
27	5939469G	GRAB HANDLE, gray 83, 84, 90	4
27	5939469G	GRAB HANDLE, gray 89	2
28	6000027G	PLUG, grab handle, gray 83, 84	8
28	6000027G	PLUG, grab handle, gray 89	4
29	6008183	DECAL, handling warning	1
30	N/S	NUT INSERT, 1/4 - 20" 83, 84, 90	8
30	N/S	NUT INSERT, 1/4 - 20" 89	4
31	N/S	BOLT, phcr, 1/4 - 20 x 3/4" 83, 84, 90	8
31	N/S	BOLT, phcr, 1/4 - 20 x 3/4" 89	4
32	6001007	SPACER, foam rubber, rear window trim 83, 89	12
33	6009128G	PANEL, speaker, R.H., gray 90	1
34	6009766G	PANEL, wheelhouse, upper, R.H., gray 90	1

2003 HUMMER H1 PARTS CATALOG

BODY 10-107

ITEM	PART NUMBER	DESCRIPTION	QTY
		Figure 10-41. Headliner, Roof Trim, Front and Rear Side Trim, Grab Handles, and Mounting Hardware (Delco Standard Stereo System). (Cont'd)	
35	6001032G	PANEL ASSEMBLY, rear, gray. 90	1
36	6009765G	PANEL, wheelhouse, upper, L.H., gray 90	1
37	6009127G	PANEL, speaker, L.H., gray 90	1

2003 HUMMER H1 PARTS CATALOG

10-108 BODY

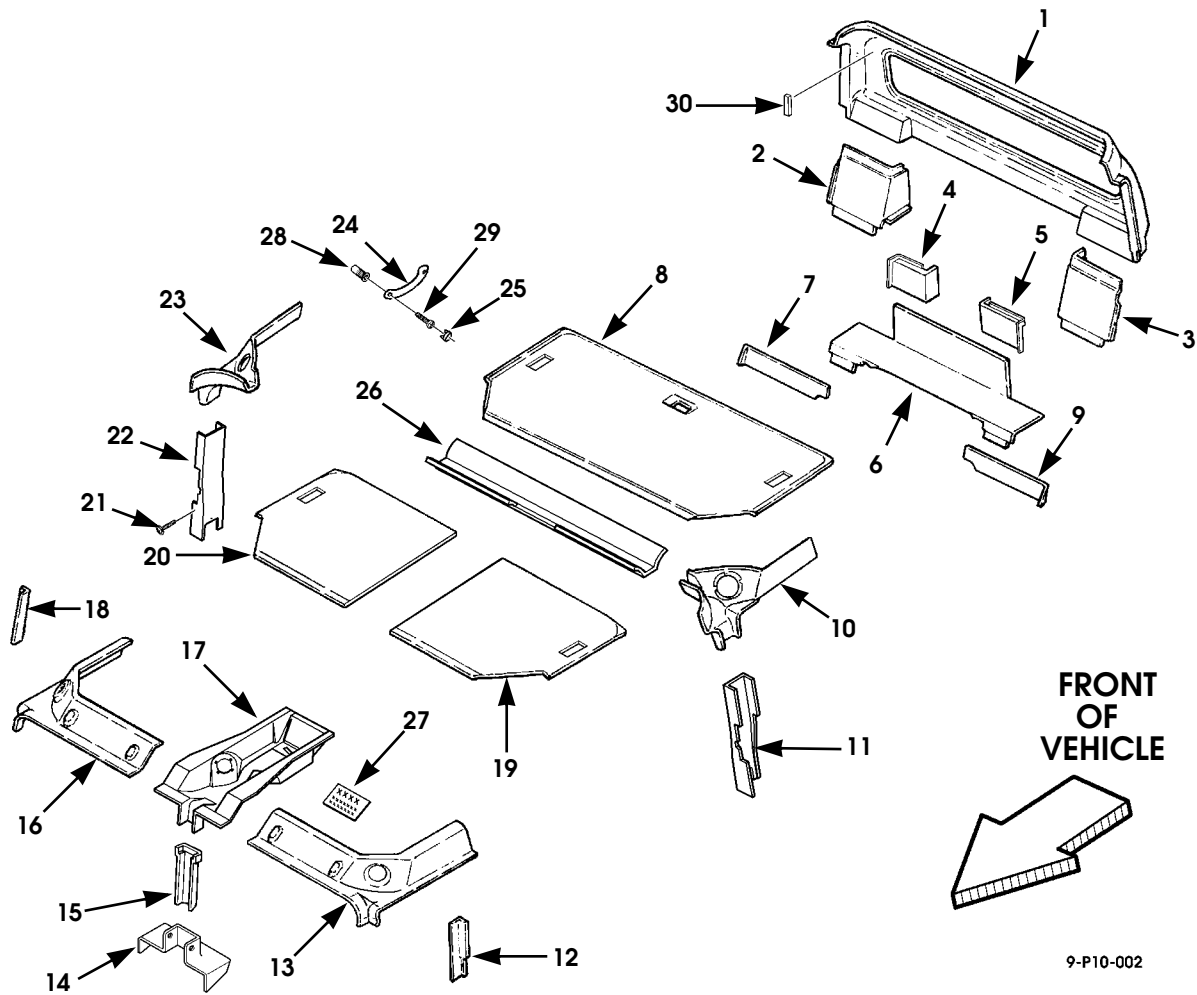


Figure 10-42. Headliner, Roof Trim, Front and Rear Side Trim, Grab Handles, and Mounting Hardware (Delco Monsoon Stereo System).

2003 HUMMER H1 PARTS CATALOG

BODY 10-109

ITEM	PART NUMBER	DESCRIPTION	QTY
		Figure 10-42. Headliner, Roof Trim, Front and Rear Side Trim, Grab Handles, and Mounting Hardware (Delco Monsoon Stereo System).	
1	601222G	PANEL ASSEMBLY TRIM, rear, gray 83	1
2	6014183	PANEL, wheelhouse, upper, R.H., gray 83	1
2	6014259	PANEL, wheelhouse, upper, R.H., gray 84	1
3	6014182	PANEL, wheelhouse, upper, L.H., gray 83	1
3	6014258	PANEL, wheelhouse, upper, L.H., gray 84	1
4	6000186G	PANEL, amp cover, R.H., gray 83	1
5	6000185G	PANEL, amp cover, L.H., gray 83	1
6	6005125G	PANEL, rear lower, center, gray 83	1
7	6014185	PANEL, wheelhouse, lower, R.H., gray 83, 90	1
7	6014257	PANEL, wheelhouse, lower, R.H., gray 84	1
8	6008643G	HEADLINER, rear, gray 83	1
8	6008647G	HEADLINER, rear, gray 84	1
9	6014184	PANEL, wheelhouse, lower, L.H., gray 83	1
9	6014256	PANEL, wheelhouse, lower, L.H., gray 84	1
10	6009125G	PANEL ASSEMBLY TRIM, L.H., B-pillar, upper, gray 83, 84	1
11	6005989G	PANEL ASSEMBLY TRIM, L.H., B-pillar, center, gray 83, 84	1
12	5939313G	PANEL ASSEMBLY TRIM, L.H., A-pillar, gray 83, 84	1
13	6009123G	PANEL ASSEMBLY TRIM, L.H., front, upper, gray 83, 84	1
14	6010941G	PANEL, trim, gray, w/o heated w/s	1
14	6010265G	PANEL, trim, lower, windshield divider bar w/ heated w/s, gray	1

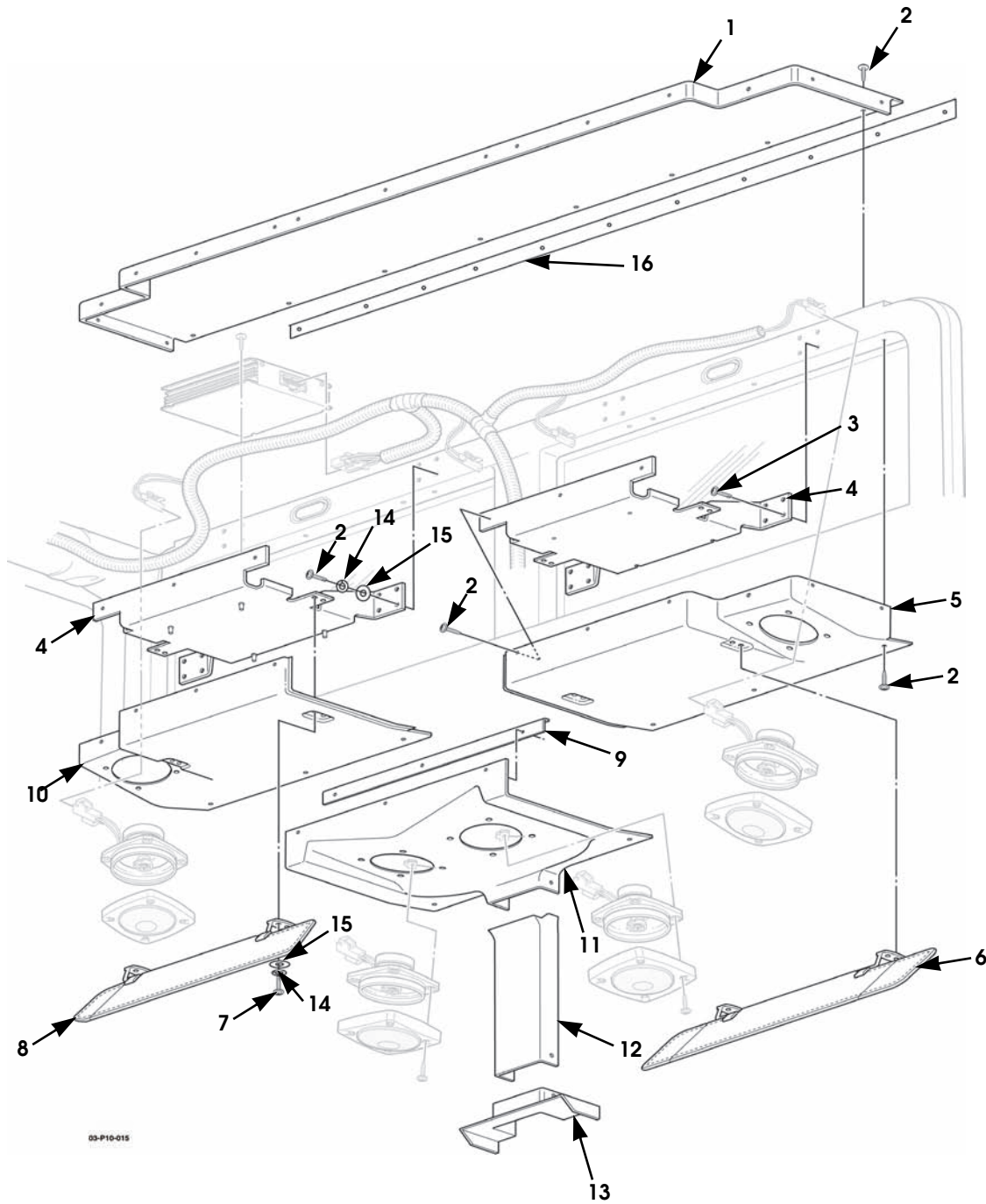
2003 HUMMER H1 PARTS CATALOG

10-110 BODY

ITEM	PART NUMBER	DESCRIPTION	QTY
		Figure 10-42. Headliner, Roof Trim, Front and Rear Side Trim, Grab Handles, and Mounting Hardware (Delco Monsoon Stereo System).	
15	6010162G	COVER, windshield divider bar, gray 83, 84	1
16	6009124G	PANEL ASSEMBLY TRIM, R.H., front, upper, gray 83, 84	1
17	6010161G	OVERHEAD CONSOLE, gray 83, 84	1
18	5939314G	PANEL ASSEMBLY TRIM, R.H., A-pillar, gray 83, 84	1
19	6009131G	HEADLINER, front, left, gray 83, 84	1
20	6009132G	HEADLINER, front, right, gray 83, 84	1
21	6000114G	TRIM SCREW, 8-18 x 1/2", gray 83, 84	8
22	6005990G	PANEL ASSEMBLY TRIM, R.H., B-pillar, center, gray 83, 84	1
23	6009126G	PANEL ASSEMBLY TRIM, R.H., B-pillar, upper, gray 83, 84	1
24	5939469G	GRAB HANDLE, gray 83, 84, 89, 90	4
25	6000027G	PLUG, grab handle, gray 83, 84	8
26	6008881G	COVER, B-bar, gray 83, 84	1
27	6008183	DECAL, handling warning	1
28	N/S	NUT INSERT, 1/4 - 20"	8
29	N/S	BOLT, phcr, 1/4 - 20 x 3/4"	8
30	6001007	SPACER, foam rubber, rear window trim 83, 89	12

2003 HUMMER H1 PARTS CATALOG

10-112 BODY



03-P10-015

Figure 10-43. Monsoon Trim Pieces, Model 90.

2003 HUMMER H1 PARTS CATALOG

BODY 10-113

ITEM	PART NUMBER	DESCRIPTION	QTY
		Figure 10-43. Monsoon Trim Pieces, Model 90.	
1	6011525	TOP COVER, overhead console	1
2	6000243	SCREW/WASHER ASSEMBLY,	33
3	N/S	•SCREW, 10 - 24 x 3/4", pan head, phillips.	16
4	6011524	MOUNTING BRACKET, overhead console	2
5	6011528	TRIM PANEL, overhead, lower R.H.	1
6	6011865	VISOR, deluxe, R.H., black.	1
7	MS35206-266	SCREW, phcr.	8
8	6011864	VISOR, deluxe, L.H., black	1
9	6011919	REINFORCEMENT, center trim panel	1
10	6011527	TRIM PANEL, overhead, lower, L.H.	1
11	6011531	TRIM PANEL, center windshield.	1
12	6011867	TRIM PANEL, windshield	1
13	6011866	PANEL, divider bar trim	1
13	6012887	PANEL, divider bar trim, (Monsoon radio, non-heated windshield)	1
14	N/S	WASHER, lock	24
15	N/S	WASHER, flat	24
16	6011526	GASKET - TRIM PANEL, windshield top	1

2003 HUMMER H1 PARTS CATALOG

10-114 BODY

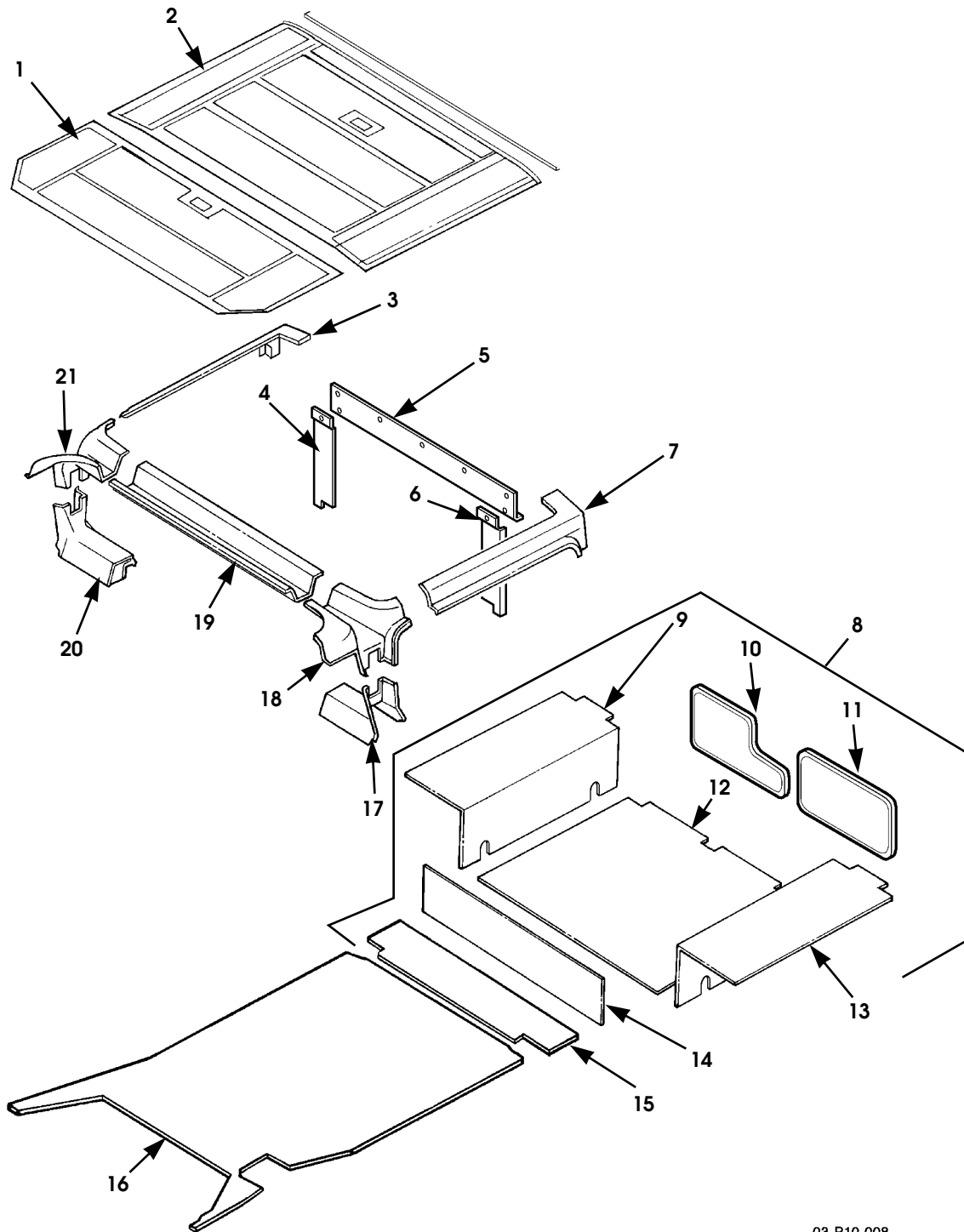


Figure 10-44. Headliner, Rear Trim, and Carpet, Station Wagon, Model 84.

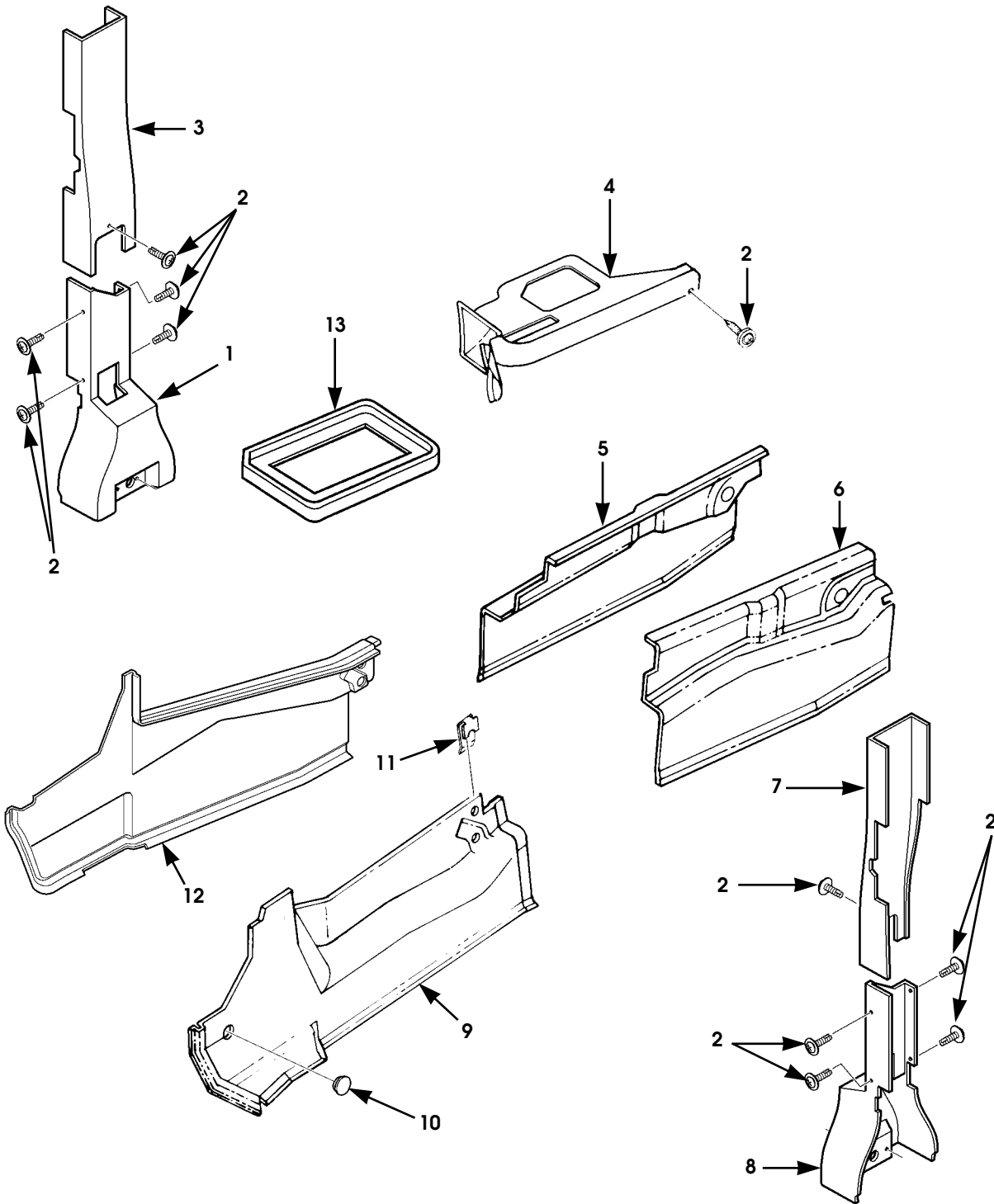
2003 HUMMER H1 PARTS CATALOG

BODY 10-115

ITEM	PART NUMBER	DESCRIPTION	QTY
		Figure 10-44. Headliner, Rear Trim, and Carpet, Station Wagon, Model 84.	
1	6008647G	HEADLINER, center, gray	1
2	6008645G	HEADLINER, rear, gray	1
3	6008835G	PANEL, upper rear, R.H., gray	1
4	6008578	PANEL, black trim, cargo door, R.H.	1
5	6008579	PANEL, black trim, cargo door, upper	1
6	6008577	PANEL, black trim, cargo door, L.H.	1
7	6008834G	PANEL, upper rear, L.H., gray.	1
8	6014205	CARPET ASSEMBLY, cargo floor, gray	1
9	6013031	CARPET, wheelhouse, R.H., gray	1
10	6006152G	CARPET, cargo door, R.H., gray	1
11	6006151G	CARPET, cargo door, L.H., gray	1
12	6014205	CARPET, cargo floor, gray	1
13	6013032	CARPET, wheelhouse, L.H., gray	1
14	6002998G	CARPET, bulkhead, gray	1
15	6002988G	CARPET ASSEMBLY, tunnel, center, gray	1
16	6007185G	PAD ASSEMBLY, tunnel top, gray	1
17	6012227G	PANEL, C-pillar, lower, L.H., gray	1
18	6012229G	PANEL, C-pillar, upper, L.H., gray	1
19	6001078G	PANEL, C-pillar, center, gray	1
20	6012228G	PANEL, C-pillar, lower, R.H., gray	1
21	6012230G	PANEL, C-pillar, upper, R.H., gray	1

2003 HUMMER H1 PARTS CATALOG

10-116 BODY



P10-042.4

Figure 10-45. Inner Kick Panels and Miscellaneous Trim Panels.

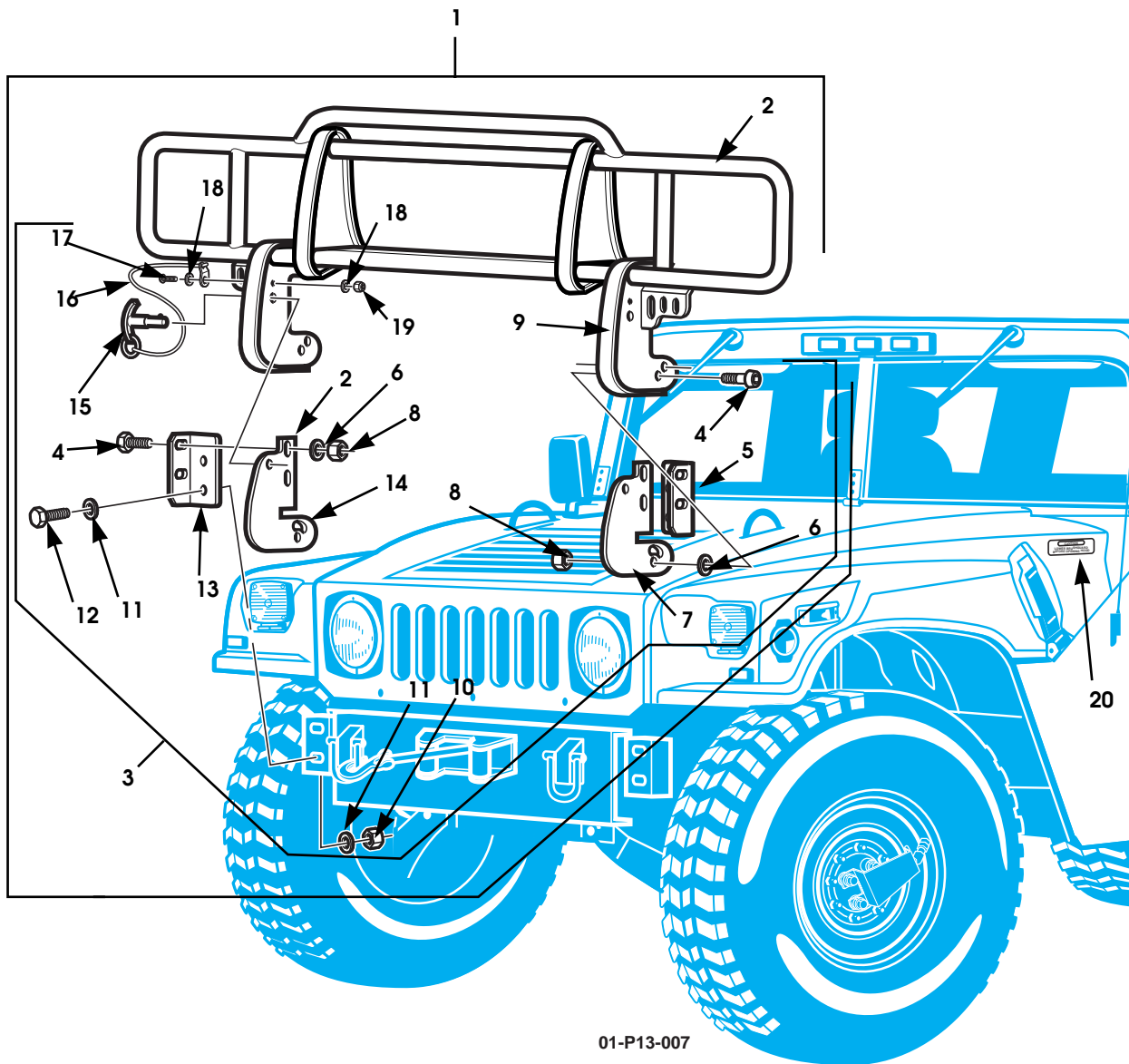
2003 HUMMER H1 PARTS CATALOG

BODY 10-117

ITEM	PART NUMBER	DESCRIPTION	QTY
		Figure 10-45. Inner Kick Panels and Miscellaneous Trim Panels.	
1	6005190G	PANEL, B-pillar, lower, R.H., gray 89	1
1	6004869G	PANEL, B pillar, lower, R.H. gray 83, 84, 90	1
2	6002686G	TRIM SCREW, oval phil teks fin, #8 - 18 x 1", gray,	A/R
3	6009784G	PANEL, B-pillar, center trim, R.H., gray 90	1
4	6007187G	PANEL, shift and parking brake, gray 83, 84, 89, 90	1
5	6014190	PANEL, kick, inner rear, R.H., gray 89	1
5	6014191	PANEL, kick, inner rear, R.H., gray 83, 84, 90	1
6	6014186	PANEL, kick, inner rear, L.H., gray 89	1
6	6014187	PANEL, kick, inner rear, L.H., gray 83, 84, 90	1
7	6009783G	PANEL, B-pillar, center trim, L.H., gray 90	1
8	6004868G	PANEL, B pillar, lower, L.H. gray 83, 84, 90	1
8	6005189G	PANEL, B-pillar, lower L.H. gray 89	1
9	6005542G	PANEL, kick, inner front, L.H. gray 89	1
9	6014188	PANEL, kick, inner front, L.H. gray 83, 84, 90	1
10	6007190	PLUG, kick panel	1
11	6000391	SPEEDNUT	56
12	6014189	PANEL, inner front, R.H., gray 83, 84, 90	1
12	6014192	PANEL, inner front, R.H., gray 89	1
13	6007186	BEZEL, shift lever	1

2003 HUMMER H1 PARTS CATALOG

10-118 BODY



01-P13-007

Figure 10-46. Kit, Brushguard, Heavy Duty, Frontal Coverage.

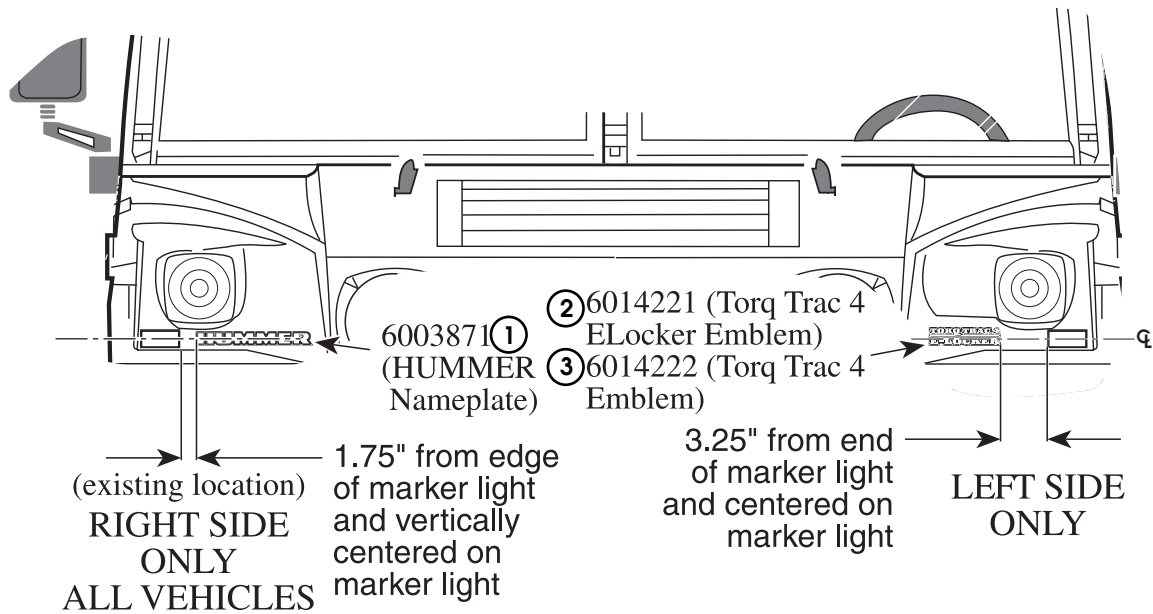
2003 HUMMER H1 PARTS CATALOG

BODY 10-119

ITEM	PART NUMBER	DESCRIPTION	QTY
		Figure 10-46. Kit, Brushguard, Heavy Duty, Frontal Coverage.	
1	5745211	KIT, heavy duty frontal-coverage brushguard	
2	S.I.K.	•BRUSHGUARD, frontal coverage	1
3	6013942	•KIT, mounting hardware, SEE NOTE 1	1
4	S.I.K.	••BOLT, shoulder, 1/2 x 5/8"	4
5	S.I.K.	••BRACKET, RR, L.H.	2
6	S.I.K.	••WASHER, nylon, 1/2"	4
7	S.I.K.	••BRACKET, L.H.	2
8	S.I.K.	••NUT, flanged, 3/8 - 16"	4
9	5745409	••GUARD, rubber	4
10	S.I.K.	••NUT, 1/2"	4
11	S.I.K.	••WASHER, 1/2"	8
12	S.I.K.	••BOLT, 1/2 x 2"	4
13	S.I.K.	••BRACKET, RR, R.H.	2
14	S.I.K.	••BRACKET, R.H.	2
15	5745405	••LOCK PIN	2
16	5745406	••LANYARD, with stainless steel tab, 6"	2
17	S.I.K.	••BOLT, button head, 1/4 - 20 x 3/4"	2
18	S.I.K.	••WASHER, nylon, 1/4"	4
19	S.I.K.	••LOCKNUT, 1/4"	2
20	5939266	DECAL, brushguard caution, English, SEE NOTE 2.	1
20	6002679	DECAL, brushguard caution, French, SEE NOTE 2.	1
20	6002019	DECAL, brushguard caution, Arabic, SEE NOTE 2.	1
		NOTE 1: MOUNTING HARDWARE INCLUDES; FRONT BARS, BRACKETS, AND HARDWARE.	
		NOTE 2: IF THE VEHICLE WAS NOT PREVIOUSLY EQUIPPED WITH A BRUSHGUARD A CAUTION DECAL WILL NEED TO BE ORDERED IN THE APPROPRIATE LANGUAGE FOR AREA OF USE. DECALS DO NOT COME WITH THE BRUSHGUARD KIT.	

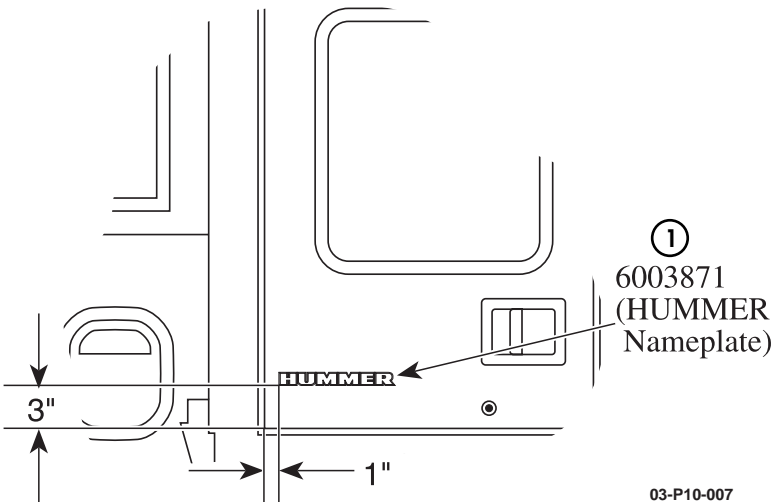
2003 HUMMER H1 PARTS CATALOG

10-120 BODY

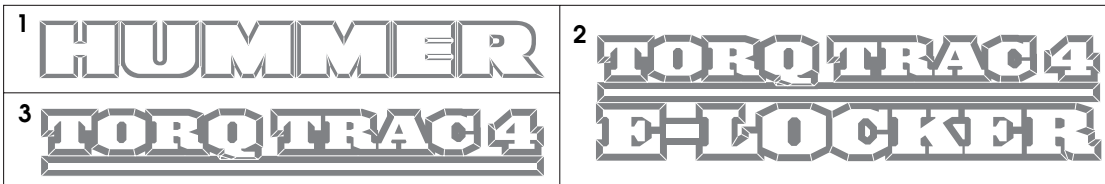


WAGON REAR DOOR

Left bottom corner of HUMMER located 3" above and 1" to right of bottom left corner of left rear door.



03-P10-007



03-P10-006.1

Figure 10-47. Emblems, HUMMER Front and Rear.

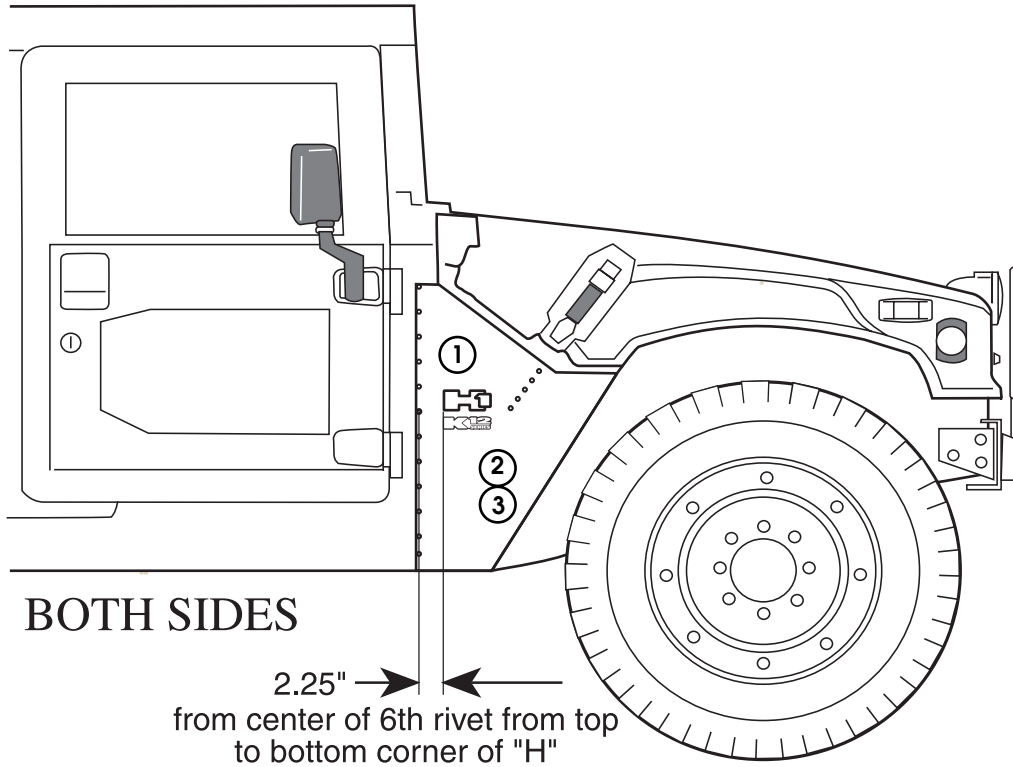
2003 HUMMER H1 PARTS CATALOG

BODY 10-121

ITEM	PART NUMBER	DESCRIPTION	QTY
		<p>Figure 10-47. Emblems, HUMMER Front and Rear.</p>	
1	6003871	NAMEPLATE, "HUMMER", SEE NOTE 1	2
2	6014221	EMBLEM, TORQ TRAC 4 - ELocker.	1
3	6014222	EMBLEM, TORQ TRAC 4	1
		<p>NOTE 1: THE HUMMER NAMEPLATE IS USED ON THE FRONT HOOD AND REAR LEFT DOOR OF STATION WAGON. ON THE SOFT TOP AND FLEET VEHICLES IT IS ONLY USED ON THE FRONT HOOD.</p>	

2003 HUMMER H1 PARTS CATALOG

10-122 BODY



K12 or K10 Centered
.375 Inch below H1

02-P10-011

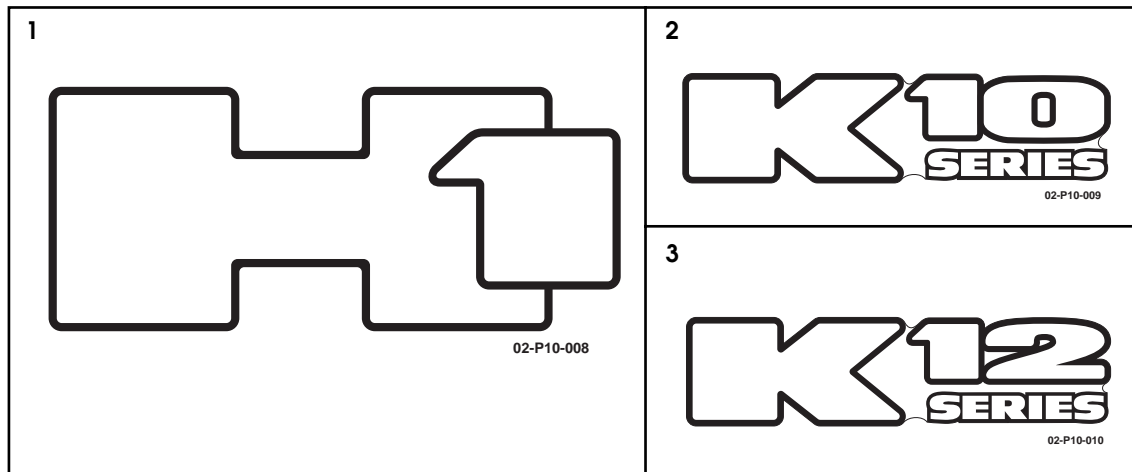


Figure 10-48. Emblems, HUMMER Side (H1 and K-Series).

2003 HUMMER H1 PARTS CATALOG

BODY 10-123

ITEM	PART NUMBER	DESCRIPTION	QTY
		<p>Figure 10-48. Emblems, HUMMER Side (H1 and K-Series).</p>	
1	6012582	"H1" LOGO EMBLEM, SEE NOTE 1	2
2	6013341	"K10 SERIES" LOGO DECAL, SEE NOTE 2	2
3	6013342	"K12 SERIES" LOGO DECAL, SEE NOTE 3	2
		<p>NOTE 1: "H1" LOGO EMBLEM IS USED ON BOTH COMMERCIAL AND FLEET VEHICLES.</p> <p>NOTE 2: "K10 SERIES" LOGO DECAL IS USED ONLY ON 10,300 AND GVW TRUCKS.</p> <p>NOTE 3: "K12 SERIES" LOGO DECAL IS USED ONLY ON 12,100 FRAME TRUCKS.</p>	

2003 HUMMER H1 PARTS CATALOG

HEATING/VENTILATION/AIR CONDITIONING 11-1

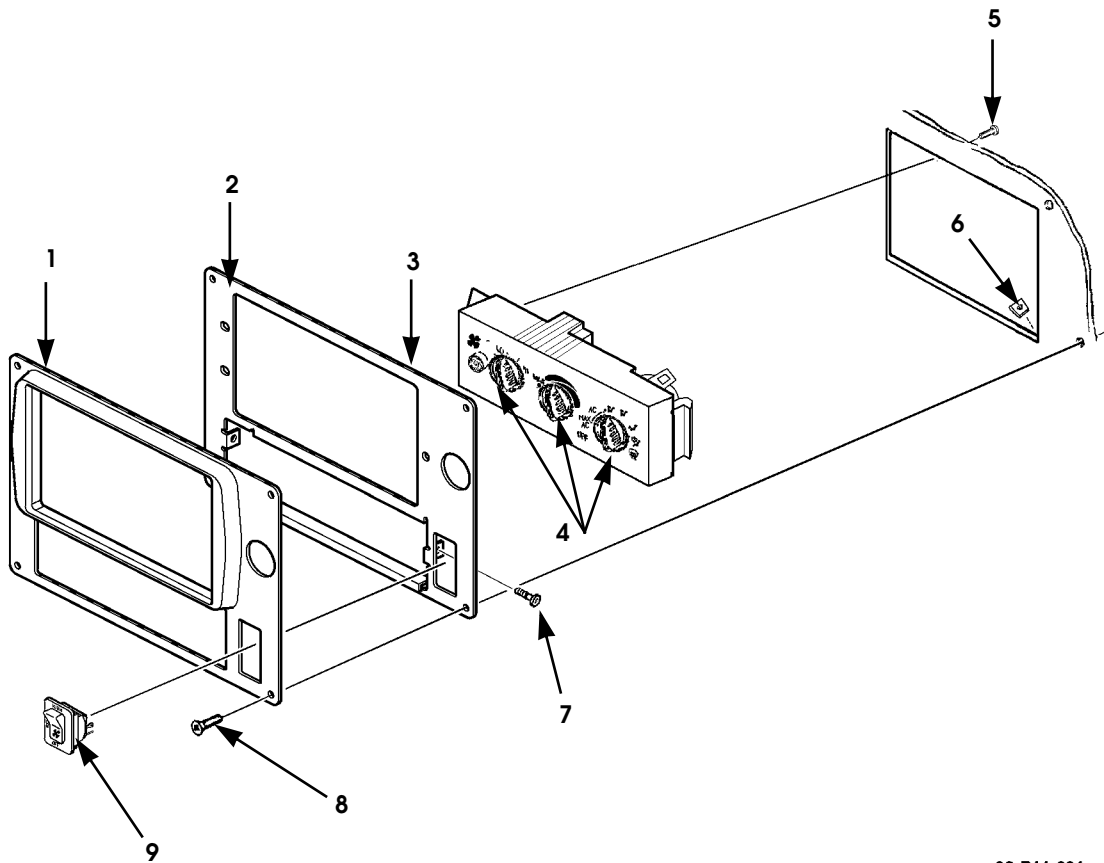
Section 11

HEATING/VENTILATION/AIR CONDITIONING

TITLE	PAGE NUMBER
A/C Compressor and Mounting Hardware	11-4
A/C-Heat Vacuum and Temperature Door Motors	11-12
Auxiliary A/C-Heat Hoses	11-30
Auxiliary A/C-Heat	11-26
Auxiliary HVAC Unit	11-28
Climate Control Panel	11-2
Closeout Panel, Driver's	11-20
Closeout Panel, Passenger's	11-22
Condenser, Receiver/Dryer, and A/C Hoses	11-6
Console Assembly, Rear Center	11-32
Main A/C-Heat Case Halves and Blower Motor	11-14
Main A/C-Heat Evaporator and Heater Core Assemblies	11-16
Main A/C-Heat Unit	11-10
Plenum and Related Parts	11-18
Water Control Valve and Heater Hoses	11-8
Wiring Harnesses, A/C-Heat	11-24

2003 HUMMER H1 PARTS CATALOG

11-2 HEATING/VENTILATION/AIR CONDITIONING



03-P11-001

Figure 11-1. Climate Control Panel.

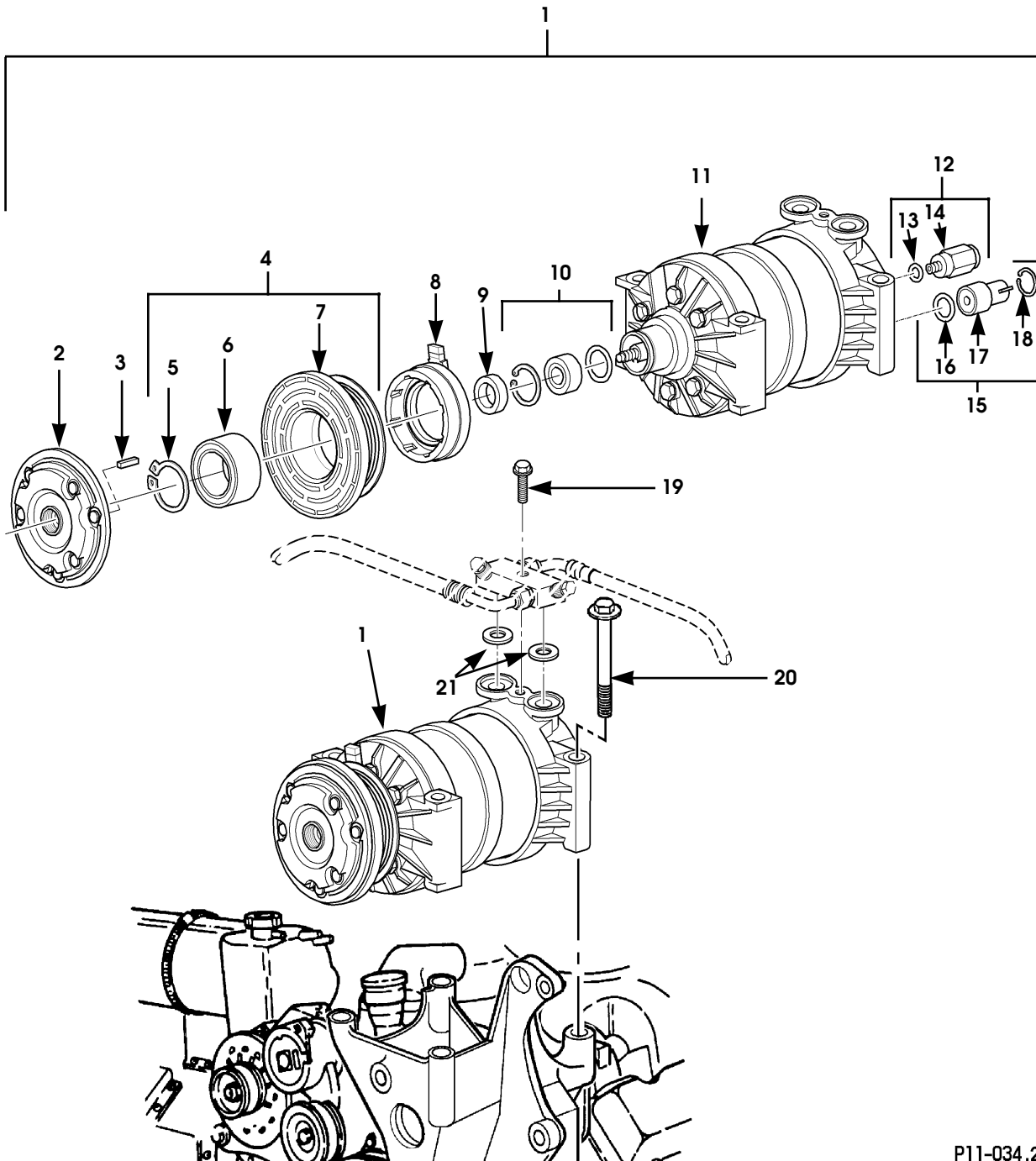
2003 HUMMER H1 PARTS CATALOG

HEATING/VENTILATION/AIR CONDITIONING 11-3

ITEM	PART NUMBER	DESCRIPTION	QTY
		Figure 11-1. Climate Control Panel.	
1	6013716	BEZEL, HVAC controller, w/radio	1
2	6013788	RETAINER, HVAC controller/radio	1
3	6011450	PANEL, control, HVAC w/rear window defogger	1
3	6011451	PANEL, control, HVAC, w/o rear defogger	1
4	5744922	•KNOB, control panel	3
5	N/S	SCREW, tapping, phcr, #8 - 32 x 5/8"	1
6	12341352	SPEED NUT, J-type, #8 - 32", climate control panel	4
7	N/S	SCREW, trim, tapping, #8 x 1/2"	1
8	5939651P2	SCREW, #10 - 16 x 3/4", oval hd phil.	4
9	5743502	SWITCH, two-speed rocker, aux. heat - A/C	1

2003 HUMMER H1 PARTS CATALOG

11-4 HEATING/VENTILATION/AIR CONDITIONING



P11-034.2

Figure 11-2. A/C Compressor and Mounting Hardware.

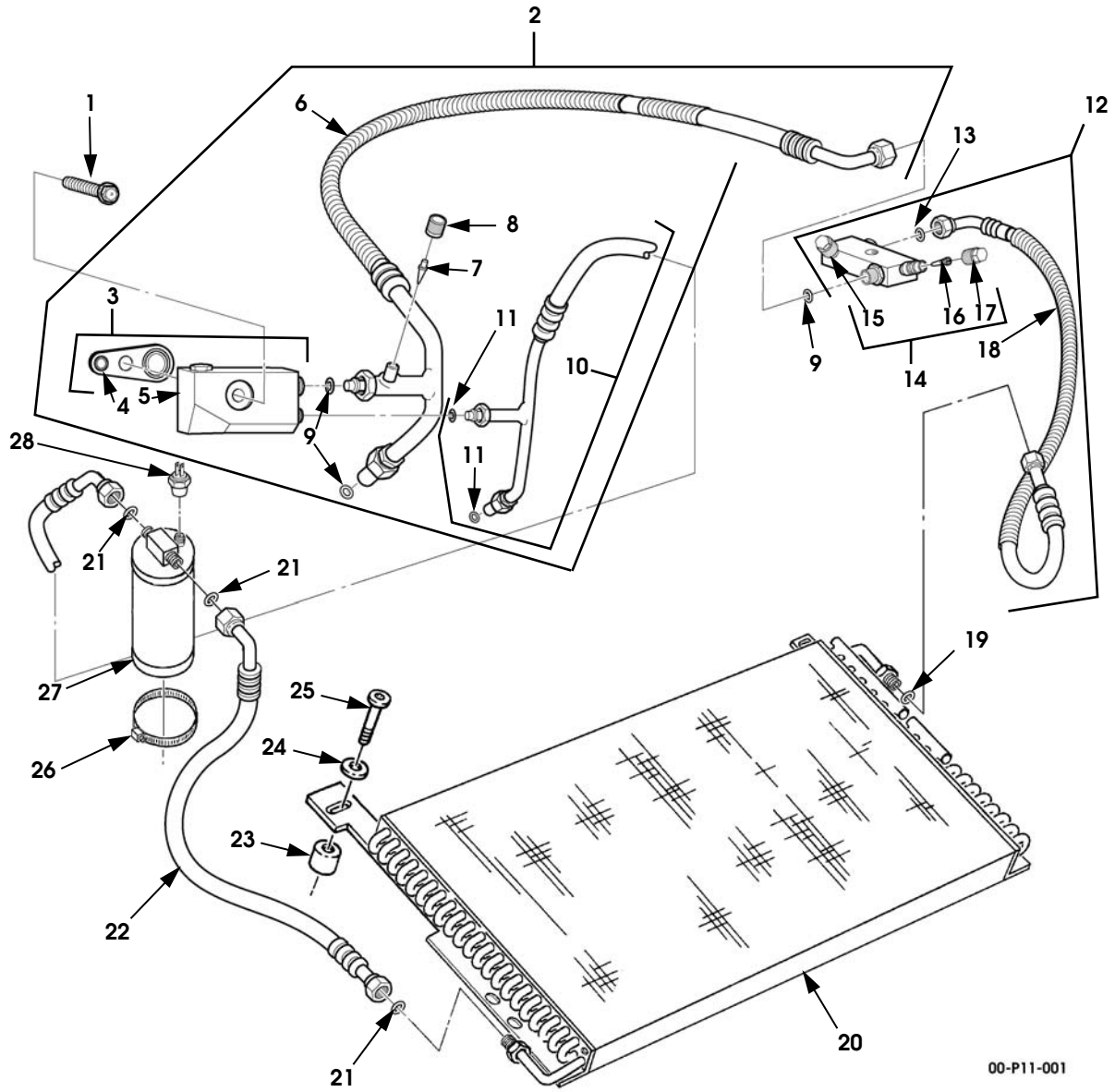
2003 HUMMER H1 PARTS CATALOG

HEATING/VENTILATION/AIR CONDITIONING 11-5

ITEM	PART NUMBER	DESCRIPTION	QTY
		Figure 11-2. A/C Compressor and Mounting Hardware.	
1	6009795	COMPRESSOR ASSEMBLY, A/C	1
2	5744520	•CLUTCH DRIVE	1
3	5743077	•KEY, clutch drive	1
4	5744198	•PULLEY AND BEARING ASSEMBLY	1
5	5743075	••RETAINING RING	1
6	5743078	••BEARING, pulley	1
7	S.I.A.	••PULLEY	1
8	5744509	•COIL AND HOUSING ASSEMBLY	1
9	S.I.A.	•FELT WASHER	1
10	5743073	•SEAL KIT, lipseal	1
11	S.I.A.	•COMPRESSOR	1
12	5745118	•VALVE ASSEMBLY, pressure relief	1
13	S.I.A.	••O-RING	1
14	S.I.A.	••VALVE, pressure relief	1
15	5744865	•CUT-OFF SWITCH ASSEMBLY	1
16	S.I.A.	••O-RING	1
17	S.I.A.	••CUT-OFF SWITCH	1
18	S.I.A.	••RETAINER, snapping	1
19	6011914	BOLT	1
20	N/S	BOLT, M10 - 1.5 x 95, class 10.9	4
21	6003079	WASHER, sealing, 5/8"	2
	5743547	OIL, PAG, 12 oz (not illustrated)	1

2003 HUMMER H1 PARTS CATALOG

11-6 HEATING/VENTILATION/AIR CONDITIONING



00-P11-001

Figure 11-3. Condenser, Receiver/Dryer, and A/C Hoses.

2003 HUMMER H1 PARTS CATALOG

HEATING/VENTILATION/AIR CONDITIONING 11-7

ITEM	PART NUMBER	DESCRIPTION	QTY
		Figure 11-3. Condenser, Receiver/Dryer, and A/C Hoses.	
1	N/S	CAPSCREW, M8 - 1.25 x 35	1
2	6011085	HOSE ASSEMBLY, A/C compressor-to-receiver/dryer . .	1
3	6011086	•BLOCK ASSEMBLY, manifold expansion	1
4	5744825	•GASKET, block-to-expansion valve	1
5	S.I.A.	•BLOCK, A/C manifold expansion	1
6	6011087	•HOSE ASSEMBLY, A/C compressor-to-expansion valve	1
7	5743824	•VALVE, schrader, small port	1
8	5744902	•CAP, black, schrader valve	1
9	6006175	•O-RING, #10, R-134A	1
10	6011088	•HOSE, A/C manifold-to-receiver/dryer	1
11	6006173	•O-RING, #6, R-134A	1
12	6011089	HOSE ASSEMBLY, A/C discharge	1
13	6006174	•O-RING, #8, R-134A	1
14	6011090	•BLOCK ASSEMBLY, A/C	1
15	5744843	•CAP, schrader valve, high side, red	1
16	5744373	•VALVE, schrader, large port	2
17	5744844	•CAP, schrader valve, low side, blue	1
18	6011091	•HOSE ASSEMBLY, A/C compressor-to-condenser . . .	1
19	6006174	O-RING, #8, R-134A	1
20	5744769	CONDENSER, A/C	1
21	6006173	O-RING, #6, R-134A	3
22	6008225	HOSE, #6, A/C condenser-to-receiver/dryer	1
23	5743412	SPACER, A/C condenser	4
24	N/S	WASHER, 5/16", flat	4
25	5744143	SCREW, socket head	4
26	5744142	CLAMP, 2 - 1/2", dryer	2
27	5743473	RECEIVER/DRYER, A/C	1
28	5743472	SWITCH, low pressure cut-out	1

2003 HUMMER H1 PARTS CATALOG

11-8 HEATING/VENTILATION/AIR CONDITIONING

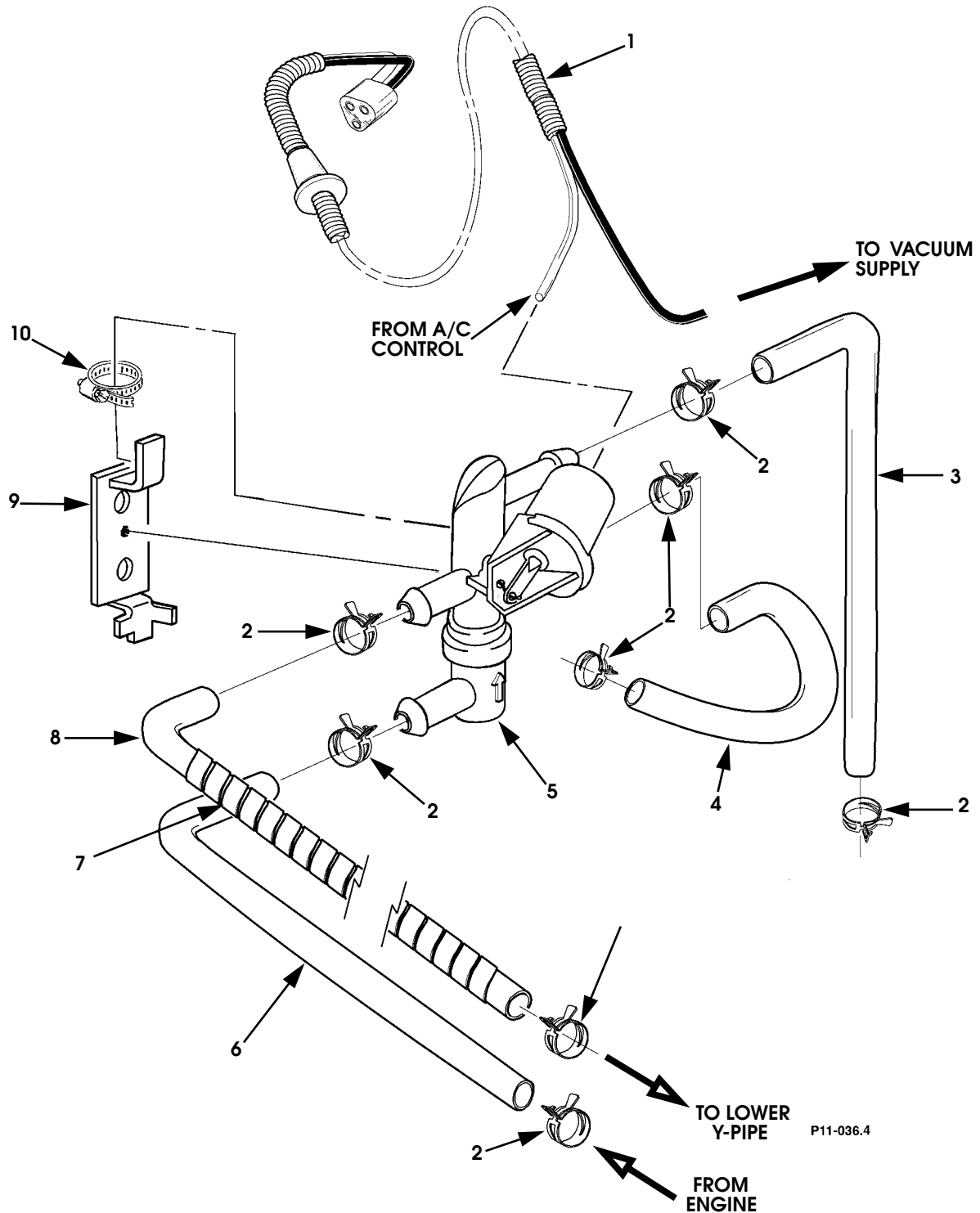


Figure 11-4. Water Control Valve and Heater Hoses.

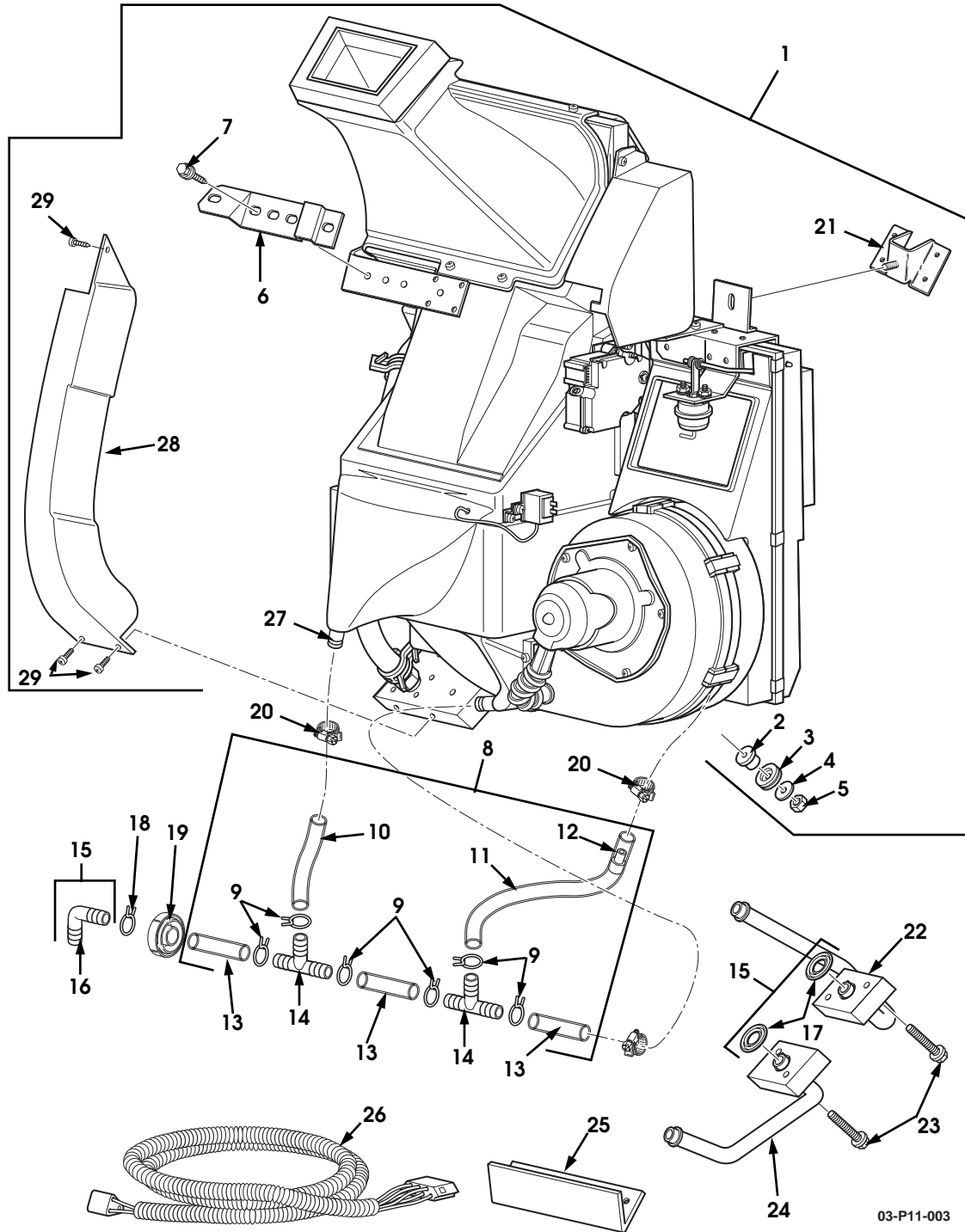
2003 HUMMER H1 PARTS CATALOG

HEATING/VENTILATION/AIR CONDITIONING 11-9

ITEM	PART NUMBER	DESCRIPTION	QTY
		Figure 11-4. Water Control Valve and Heater Hoses.	
1	5744794	VACUUM HARNESS, water valve	1
2	5743508	CLAMP, hose, 24mm, constant tension	8
3	6006271	HOSE, heater, molded, 90-degrees, 5/8 x 27" SEE NOTE 1.....	1
4	6006268	HOSE, heater, molded, 270-degrees,	1
5	5744563	VALVE, water control.....	1
6	6006271	HOSE, heater, molded, 90-degrees, SEE NOTE 1.....	1
7	6004436	SPIRAL CHAFE GUARD.....	1
8	6006270	HOSE, heater, to lower y-pipe	1
9	6007368B9	BRACKET, water valve mounting	1
10	N/S	CLAMP, #10 - #11	1
		 NOTE 1: CUT TO REQUIRED LENGTH.	

2003 HUMMER H1 PARTS CATALOG

11-10 HEATING/VENTILATION/AIR CONDITIONING



03-P11-003

Figure 11-5. Main A/C-Heat Unit.

2003 HUMMER H1 PARTS CATALOG

HEATING/VENTILATION/AIR CONDITIONING 11-11

ITEM	PART NUMBER	DESCRIPTION	QTY
		Figure 11-5. Main A/C-Heat Unit.	
1	6013683	HVAC ASSEMBLY, main unit	1
2	5744785	•BUSHING, mounting plate sealing	2
3	S.I.A.	•GROMMET, firewall	2
4	S.I.A.	•WASHER, .275" I.D., fender	2
5	5743303	•NUT, 1/4 - 20", keps, ZN	2
6	S.I.A.	•BRACKET, inboard mounting	1
7	S.I.A.	•BOLT, 1/4 - 20 x 7/8", w/hex washer.	2
8	6010854	DRAIN HOSE KIT	1
9	S.I.K.	•CLAMP, constant tension, 1/2", drain	6
10	S.I.K.	•TUBE, drain, intermediate, short	1
11	S.I.K.	•TUBE ASSEMBLY, drain, intermediate, long.	1
12	S.I.A.	••FLOW RESTRICTOR.	1
13	S.I.K.	•TUBE, drain, 1/2"	3
14	N/S	•TEE-FITTING, 1/2"	2
15	6010855	ACCESSORY KIT, main HVAC unit	1
16	S.I.K.	•ELBOW, 90-degree, 1/2", drain tube	1
17	5744774	•GASKET, heater hose adapter	2
	S.I.K.	•HARDWARE BAG, additional (not illustrated)	1
18	N/S	CLAMP, constant tension, 1/2", drain.	1
19	6000946	GROMMET, cowl drain hose.	1
20	N/S	CLAMP, worm gear type, 1/2", drain	3
21	6009440B9	BRACKET, HVAC mounting, upper, SEE NOTE 1	1
22	5744808	TUBE, heater, upper	1
23	N/S	BOLT, flanged, 1/4 - 20 x 1 - 1/4"	4
24	5744809	TUBE, heater, lower.	1
25	6009384B9	BRACKET, HVAC mounting, lower, SEE NOTE 1	1
26	5744792	HARNES, control, vacuum.	1
27	5745370	KIT, nipple repair (not illustrated)	1
28	5745580	COVER, heater core hoses.	1
29	N/S	SCREW, #8 - 32 x 1/2" pan head, phillips	A/R
		NOTE 1: PART OF BODY, NOT PART OF HVAC UNIT.	

2003 HUMMER H1 PARTS CATALOG

11-12 HEATING/VENTILATION/AIR CONDITIONING

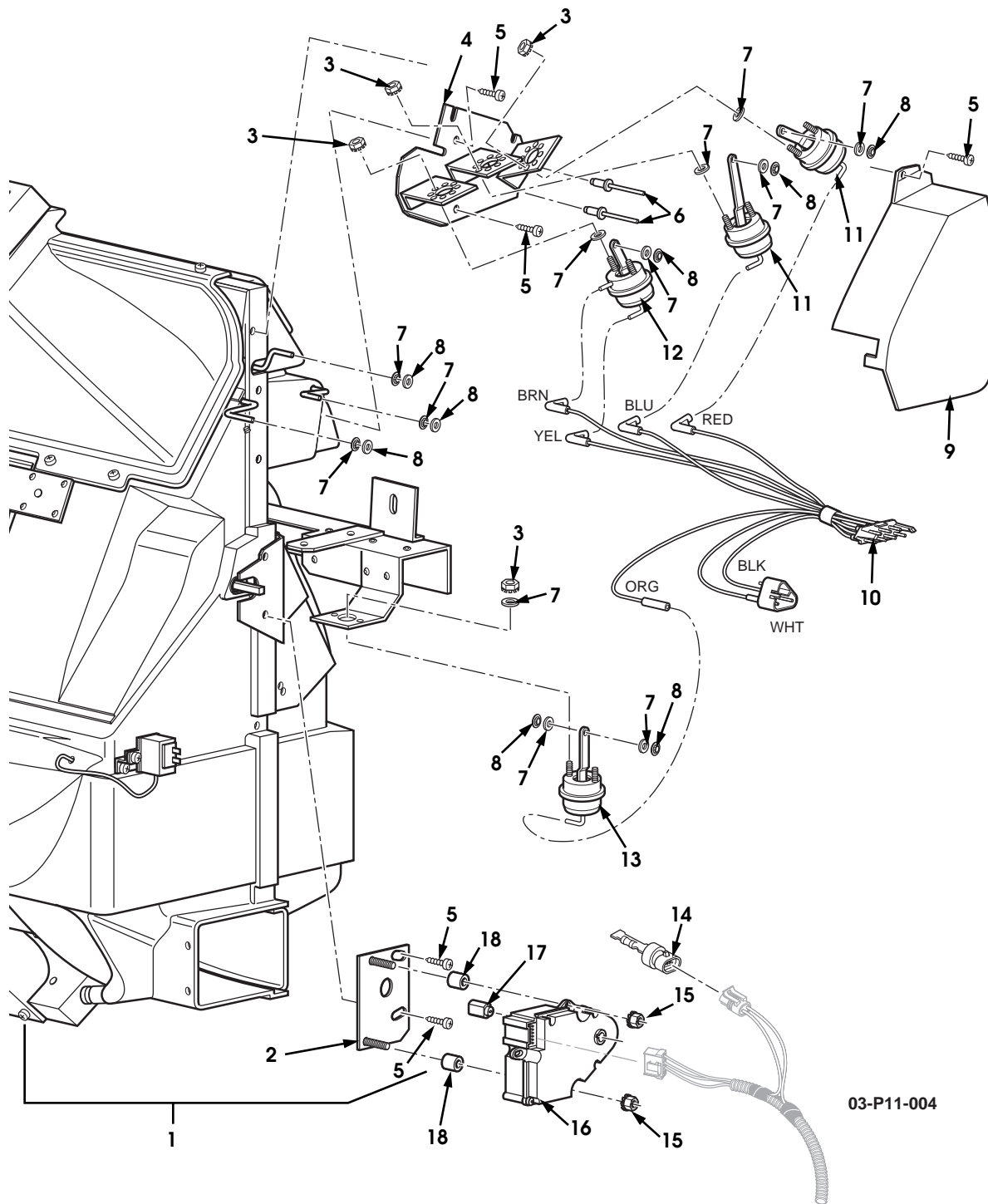


Figure 11-6. A/C-Heat Vacuum and Temperature Door Motors.

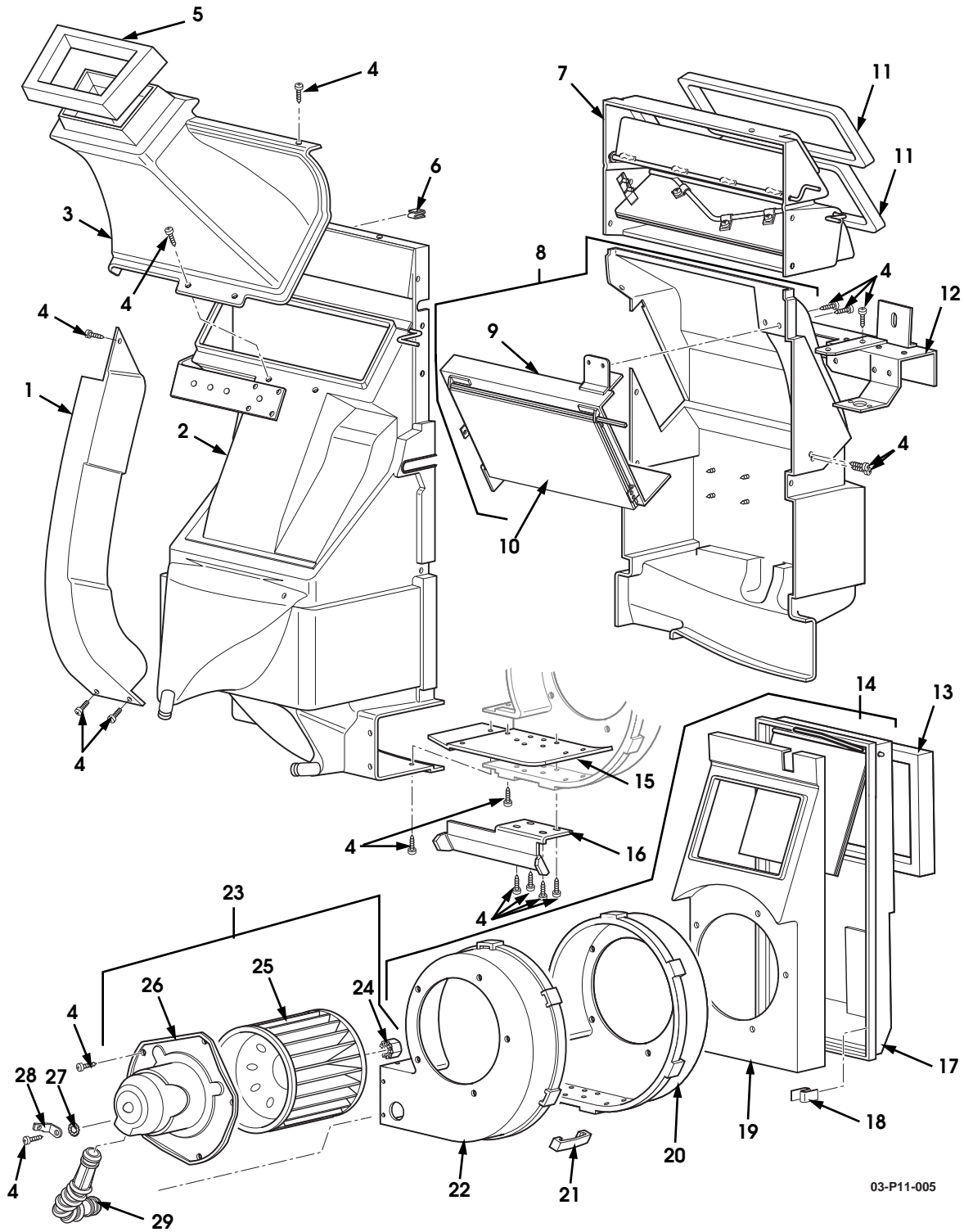
2003 HUMMER H1 PARTS CATALOG

HEATING/VENTILATION/AIR CONDITIONING 11-13

ITEM	PART NUMBER	DESCRIPTION	QTY
		Figure 11-6. A/C-Heat Vacuum and Temperature Door Motors.	
1	6013683	HVAC ASSEMBLY, main unit	1
2	S.I.A.	•BRACKET, motor, temperature door.	1
3	N/S	NUT, keps 10 - 24", ZN, SEE NOTE 1	10
4	5745570	MOUNTING PLATE, vacuum motor.	1
5	N/S	SCREW, phcr, #8 - 32 x 1/2"	5
6	N/S	RIVET	2
7	N/S	WASHER, 5mm, flat, silver/zinc DIN125A, SEE NOTE 2	16
8	5743459	PUSH NUT, 3/16", SEE NOTE 1.	10
9	5745571	COVER, vacuum motor	1
10	5745572	HARNESS, vacuum evaporator	1
11	5744761	MOTOR, vacuum	2
12	5744763	MOTOR, vacuum	1
13	5744762	MOTOR, vacuum	3
14	6010396	RESISTOR MODULE, temperature door	1
15	5744983	NUT, #10 - 32", keps	3
16	5744764	MOTOR, temperature door	1
17	5745573	BUSHING, mode motor, temperature door.	1
18	N/S	SPACER, 1/2", nylon	2
		 NOTE 1: TWO PER ITEM NUMBERS 11, 12, AND 13. NOTE 2: FOUR PER ITEM NUMBERS 11, 12, AND 13	

2003 HUMMER H1 PARTS CATALOG

11-14 HEATING/VENTILATION/AIR CONDITIONING



03-P11-005

Figure 11-7. Main A/C-Heat Case Halves and Blower Motor.

2003 HUMMER H1 PARTS CATALOG

HEATING/VENTILATION/AIR CONDITIONING 11-15

ITEM	PART NUMBER	DESCRIPTION	QTY
		Figure 11-7. Main A/C-Heat Case Halves and Blower Motor.	
1	5745580	COVER, heater core hoses	1
2	5745575	CASE, evaporator bottom assembly	1
3	5745574	TRANSITION ASSEMBLY	1
4	N/S	SCREW, #8 - 32 x 1/2" pan head, phillips	A/R
5	N/S	SEAL, foam	4
6	5743478	S-CLIP, blower housing	6
7	5745576	CASE, heater/defroster top assembly	1
8	5745577	CASE, evaporator top assembly	1
9	S.I.A.	•BRACKET, temperature door	1
10	S.I.A.	•DOOR, temperature	1
11	N/S	SEAL, foam	2
12	N/S	BRACKET, mounting, air intake housing assembly	1
13	N/S	•SEAL, foam	1
14	5745578	BLOWER BOX AIR INTAKE ASSEMBLY	1
15	N/S	•BRACKET, inner blower housing	1
16	N/S	•BRACKET, mounting, blower motor	1
17	S.I.A.	•HOUSING, upper air intake	1
18	5743478	•S-CLIP	5
19	S.I.A.	•HOUSING, lower air intake	1
20	S.I.A.	•BLOWER HOUSING, bottom	1
21	S.I.A.	•CLIP, blower housing	5
22	S.I.A.	•BLOWER HOUSING, top	1
23	5744766	BLOWER MOTOR ASSEMBLY	1
24	S.I.A.	NUT	1
25	5745117	•WHEEL, blower motor	1
26	S.I.A.	•BLOWER MOTOR, main HVAC unit	1
27	N/S	WASHER, double tooth star	1
28	5743526	CLIP, ground connection	1
29	5743484	TUBE, motor cooling	1

2003 HUMMER H1 PARTS CATALOG

11-16 HEATING/VENTILATION/AIR CONDITIONING

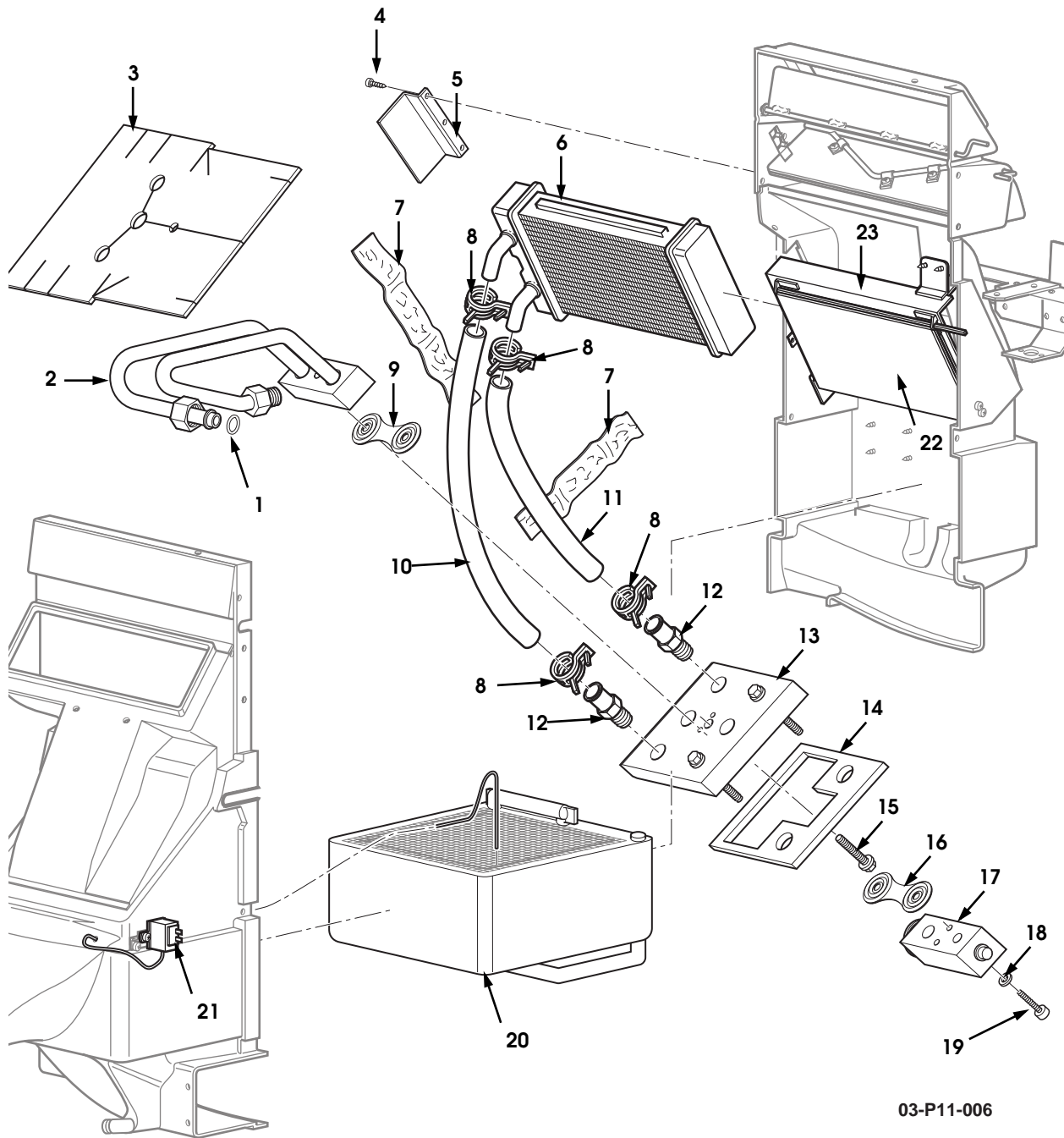


Figure 11-8. Main A/C-Heat Evaporator and Heater Core Assemblies.

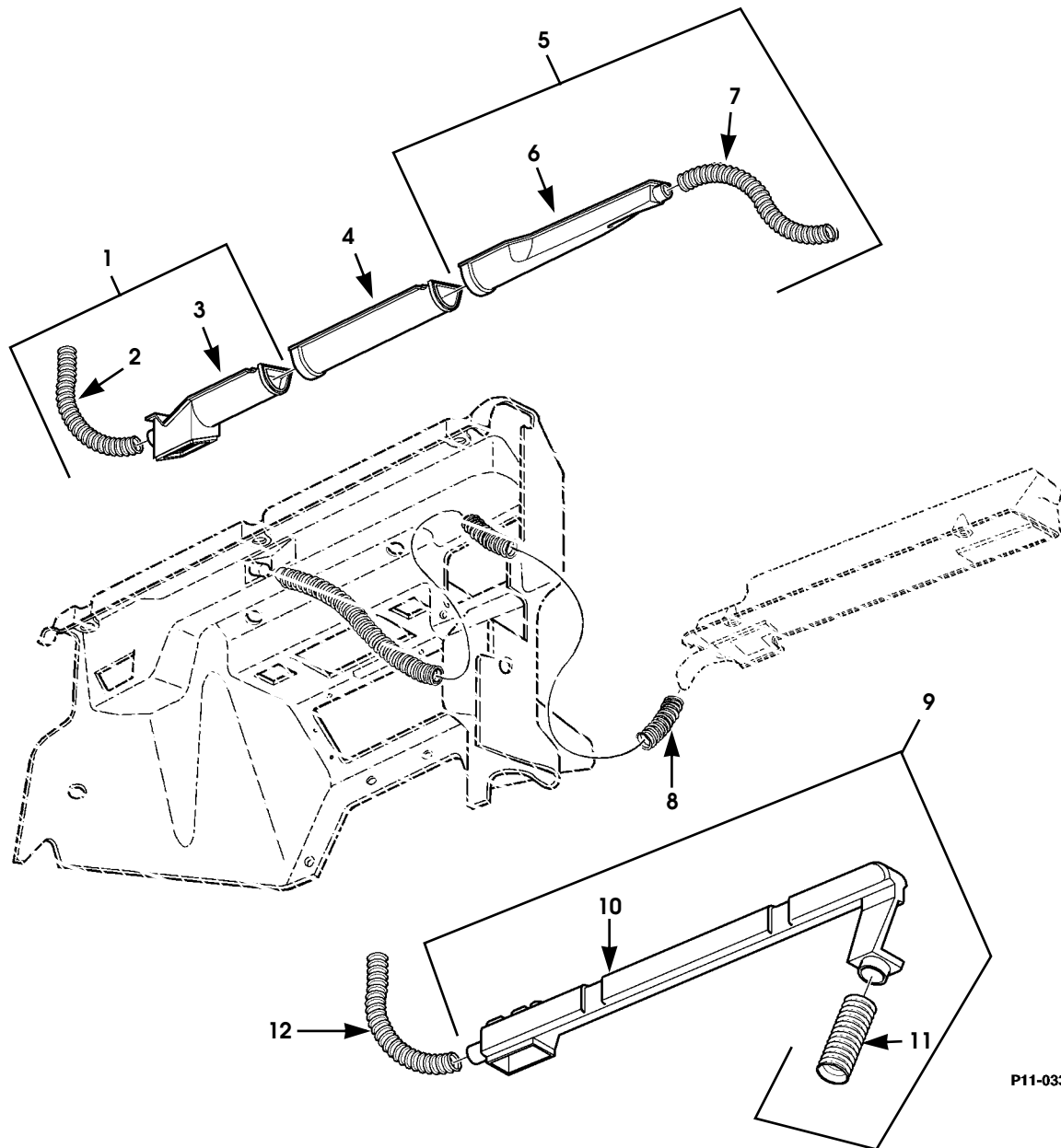
2003 HUMMER H1 PARTS CATALOG

HEATING/VENTILATION/AIR CONDITIONING 11-17

ITEM	PART NUMBER	DESCRIPTION	QTY
		Figure 11-8. Main A/C-Heat Evaporator and Heater Core Assemblies.	
1	6006174	O-RING, #8, R-134A	1
2	5745579	MANIFOLD FITTING	1
3	5744904	INSULATION, sealing plate	1
4	N/S	SCREW, phcr, #8 - 32 x 1/2"	6
5	N/S	BRACKET, heater cap, part of upper case assembly .	1
6	5745568	HEATER CORE.	1
7	5743167	TAPE, sealant, 12"	2
8	5743508	CLAMP, 24mm, constant tension	4
9	5744775	GASKET, expansion valve to block SEE NOTE 1.	11
10	5745582	HEATER HOSE, nomex, heater core, 5/8 x 17"	1
11	5745583	HEATER HOSE, nomex, heater core, 5/8 x 10"	1
12	N/S	FITTING, sealing plate, footwell opening	1
13	N/S	SEALING PLATE, footwell opening	1
14	5744780	MOUNTING PLATE, insulation/seal	1
15	N/S	BOLT, socket head, 1/4 - 20"	2
16	5744775	GASKET, expansion valve to block	1
17	5744770	VALVE, expansion	1
18	N/S	WASHER, 1/4"	1
19	5744767	BOLT, torx head, expansion valve mounting	2
20	5744768	EVAPORATOR COIL ASSEMBLY	1
21	5744760	THERMOSTAT, 34-39 degrees.	1
22	S.I.A.	•DOOR, temperature SEE NOTE 2	1
23	S.I.A.	•BRACKET, temperature door SEE NOTE 2	1
		NOTE 1: CUT APART TO ACCOMMODATE BOLT.	
		NOTE 2: BRACKET AND DOOR ARE PART OF ASSEMBLY 5745577, CASE, EVAPORATOR TOP ASSEMBLY	

2003 HUMMER H1 PARTS CATALOG

11-18 HEATING/VENTILATION/AIR CONDITIONING



P11-033.3

Figure 11-9. Plenum and Related Parts.

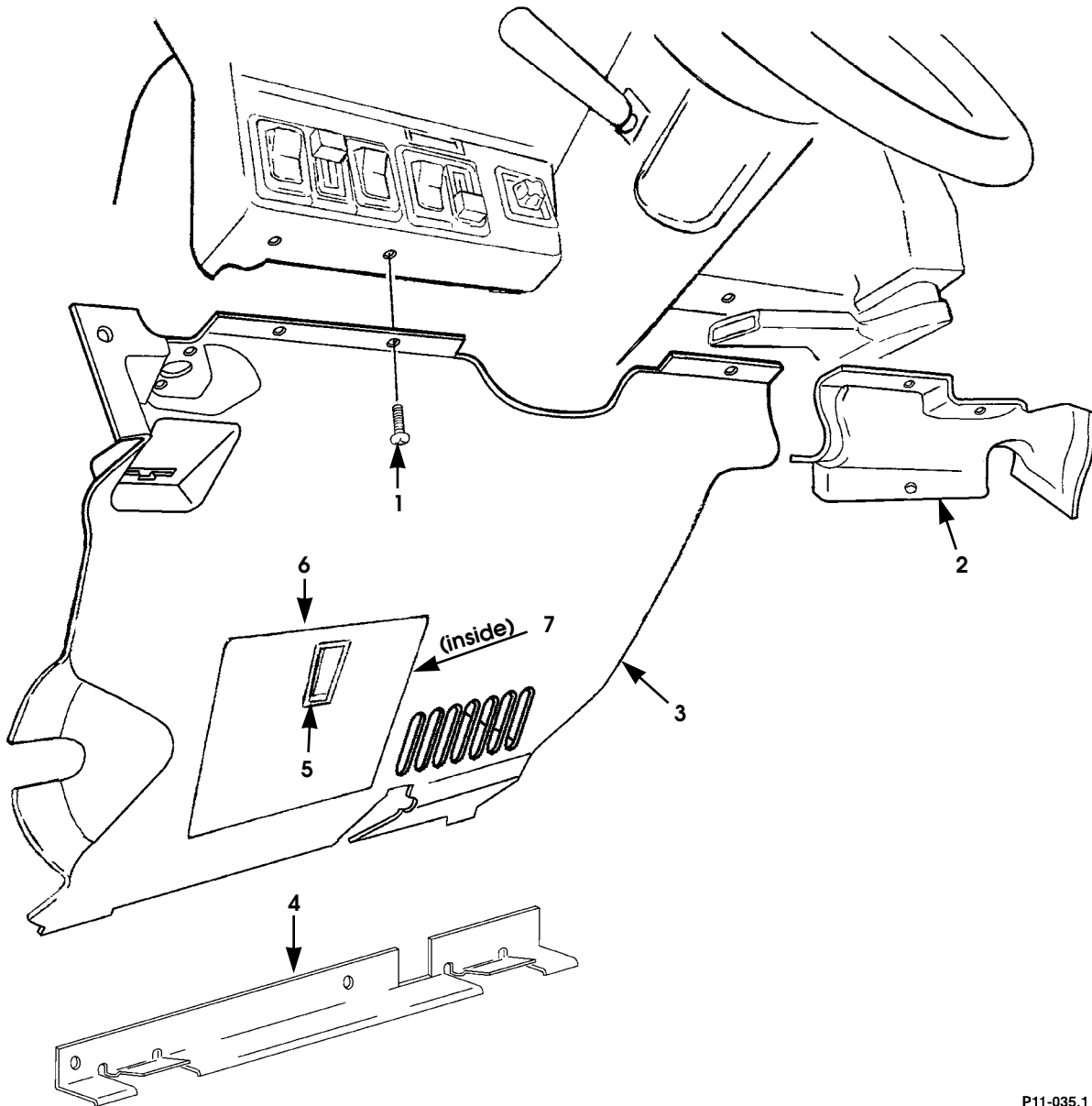
2003 HUMMER H1 PARTS CATALOG

HEATING/VENTILATION/AIR CONDITIONING 11-19

ITEM	PART NUMBER	DESCRIPTION	QTY
		Figure 11-9. Plenum and Related Parts.	
1	6014287	DUCT ASSEMBLY, passenger side	1
2	5744258	•HOSE, 3/4" I.D. x 18", demist, SEE NOTE 1	1
3	S.I.A.	•DUCT, passenger side	1
4	6014286	DUCT, center	1
5	6014285	DUCT ASSEMBLY, driver's side	1
6	S.I.A.	•DUCT, driver's side	1
7	5744258	•HOSE, 3/4" I.D. x 18", demist, SEE NOTE 1	1
8	N/S	HOSE, 1 - 1/2" I.D. x 19", driver's side dash pad, SEE NOTE 2.	1
9	6014288	DUCT ASSEMBLY, driver's and front passenger's footwell	1
10	S.I.A.	•DUCT, driver's and passenger's footwells	1
11	S.I.A.	•HOSE, 2 - 1/2" I.D. x 6", driver's footwell, SEE NOTE 3 .	1
12	N/S	HOSE, 2" I.D. x 28", front passenger's footwell, SEE NOTE 4	1
		NOTE 1: CUT FROM BULK HOSE P/N 5743540.	
		NOTE 2: CUT FROM BULK HOSE P/N 5743541, OR CUT FROM HOSE, P/N 5743588.	
		NOTE 3: CUT FROM BULK HOSE P/N 5743023.	
		NOTE 4: PART OF DASH KIT P/N 6009548, OR CUT FROM BULK HOSE P/N 5743542.	

2003 HUMMER H1 PARTS CATALOG

11-20 HEATING/VENTILATION/AIR CONDITIONING



P11-035.1

Figure 11-10. Closeout Panel, Driver's.

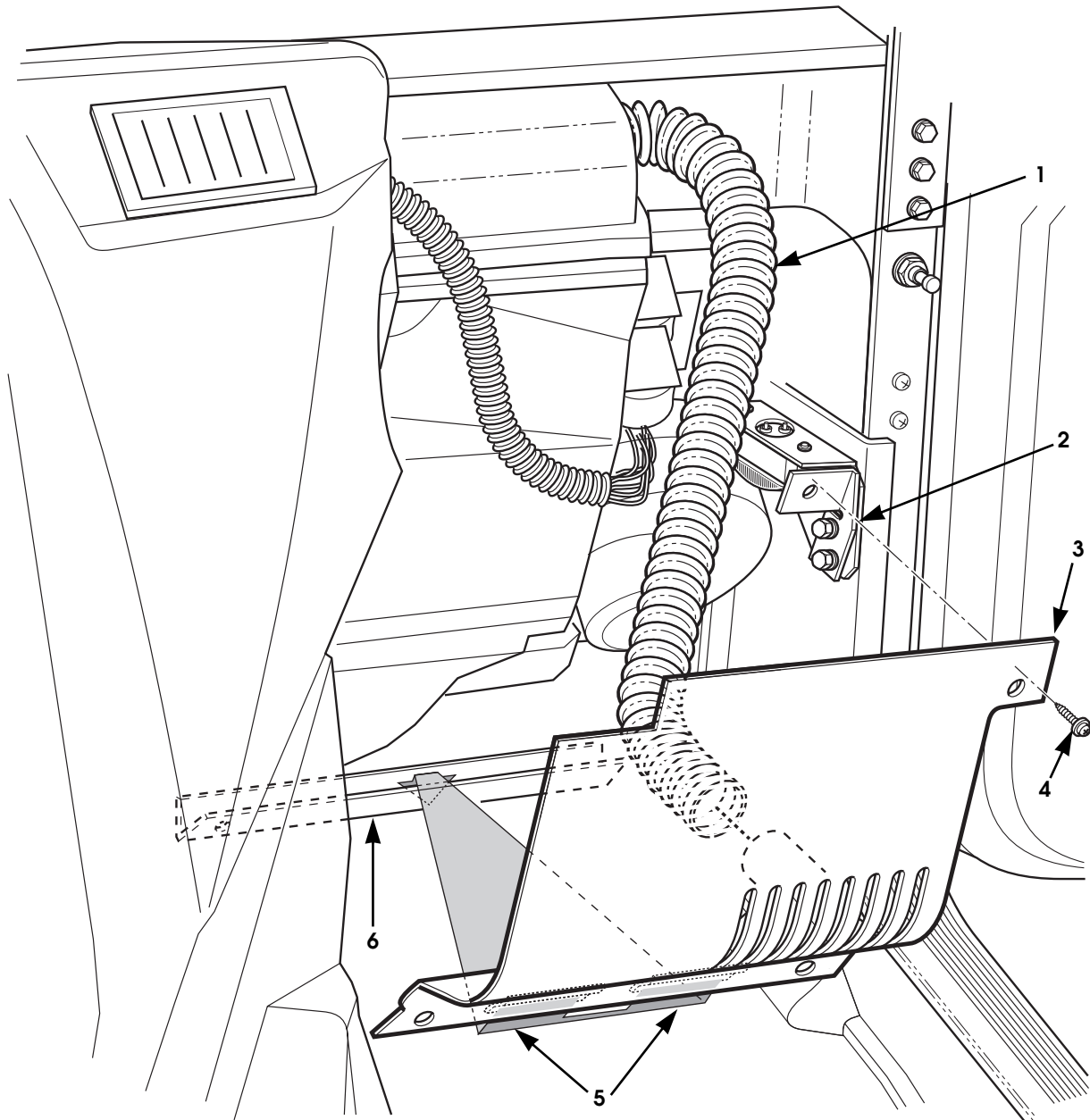
2003 HUMMER H1 PARTS CATALOG

HEATING/VENTILATION/AIR CONDITIONING 11-21

ITEM	PART NUMBER	DESCRIPTION	QTY
		Figure 11-10. Closeout Panel, Driver's.	
1	6000243P2	SCREW AND WASHER ASSEMBLY, #8, gray	10
2	6006970	COVER, instrument panel harness.	1
3	6008757	PANEL, closeout	1
4	6005497	•BRACKET, closeout panel	1
5	6007240	•LATCH, closeout panel door	1
6	6006973	•DOOR, closeout panel	1
7	6014361	DECAL ASSEMBLY, fuse box	1
8	6010694	COVER, DLC test connector (not illustrated)	1

2003 HUMMER H1 PARTS CATALOG

11-22 HEATING/VENTILATION/AIR CONDITIONING



7-S11-074

Figure 11-11. Closeout Panel, Passenger's.

2003 HUMMER H1 PARTS CATALOG

HEATING/VENTILATION/AIR CONDITIONING 11-23

ITEM	PART NUMBER	DESCRIPTION	QTY
		Figure 11-11. Closeout Panel, Passenger's.	
1	N/S	FLEXIBLE DUCT, 2" ID x 42", to passenger's foot vent, SEE NOTE 1.....	1
2	6009524B9	BRACKET, upper closeout panel	1
3	6009520	PASSENGER'S CLOSEOUT PANEL	1
4	6000243P2	SCREW/WASHER ASSEMBLY, black	1
5	6007191	BRACKET, crash pad mounting	2
6	6009525B9	BRACKET, lower closeout panel mounting	1
		 NOTE 1: CUT FROM BULK HOSE P/N 5743542.	

2003 HUMMER H1 PARTS CATALOG

11-24 HEATING/VENTILATION/AIR CONDITIONING

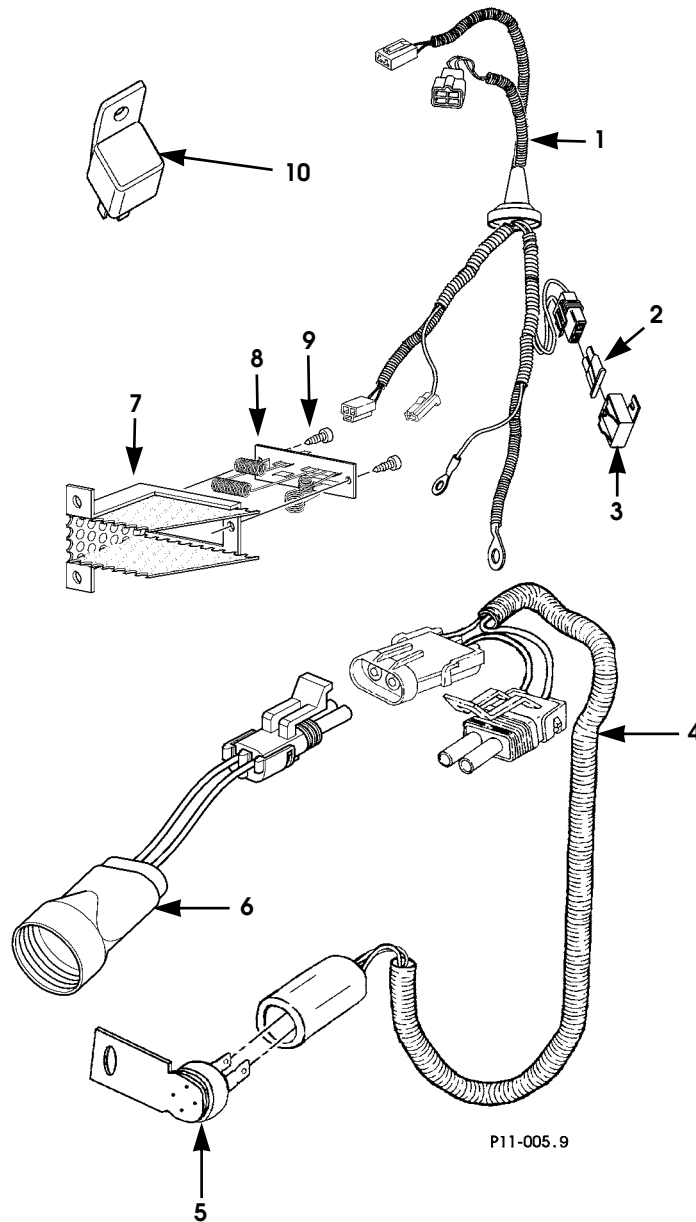


Figure 11-12. Wiring Harnesses, A/C-Heat.

2003 HUMMER H1 PARTS CATALOG

HEATING/VENTILATION/AIR CONDITIONING 11-25

ITEM	PART NUMBER	DESCRIPTION	QTY
		Figure 11-12. Wiring Harnesses, A/C-Heat.	
1	6009304	HARNESS ASSEMBLY, engine compartment	1
2	5939408	•FUSE, 30-amp	1
3	6000023	•COVER, 30-amp fuse	1
4	5743468	HARNESS, ambient temperature switch	1
5	5743469	•SWITCH, ambient temperature	1
6	5743767	JUMPER, low pressure switch	1
7	6009439B9	BRACKET, blower resistor mounting	1
8	6009438	RESISTOR, HVAC blower.	1
9	N/S	SCREW, tapping, #10 - 24 x 1/4"	2
10	6008655	RELAY, 12V, hi cap- SPTD W/B SEE NOTE 1	1
		 NOTE 1: RELAY PLUGS INTO CROSS BODY HARNESS.	

2003 HUMMER H1 PARTS CATALOG

11-26 HEATING/VENTILATION/AIR CONDITIONING

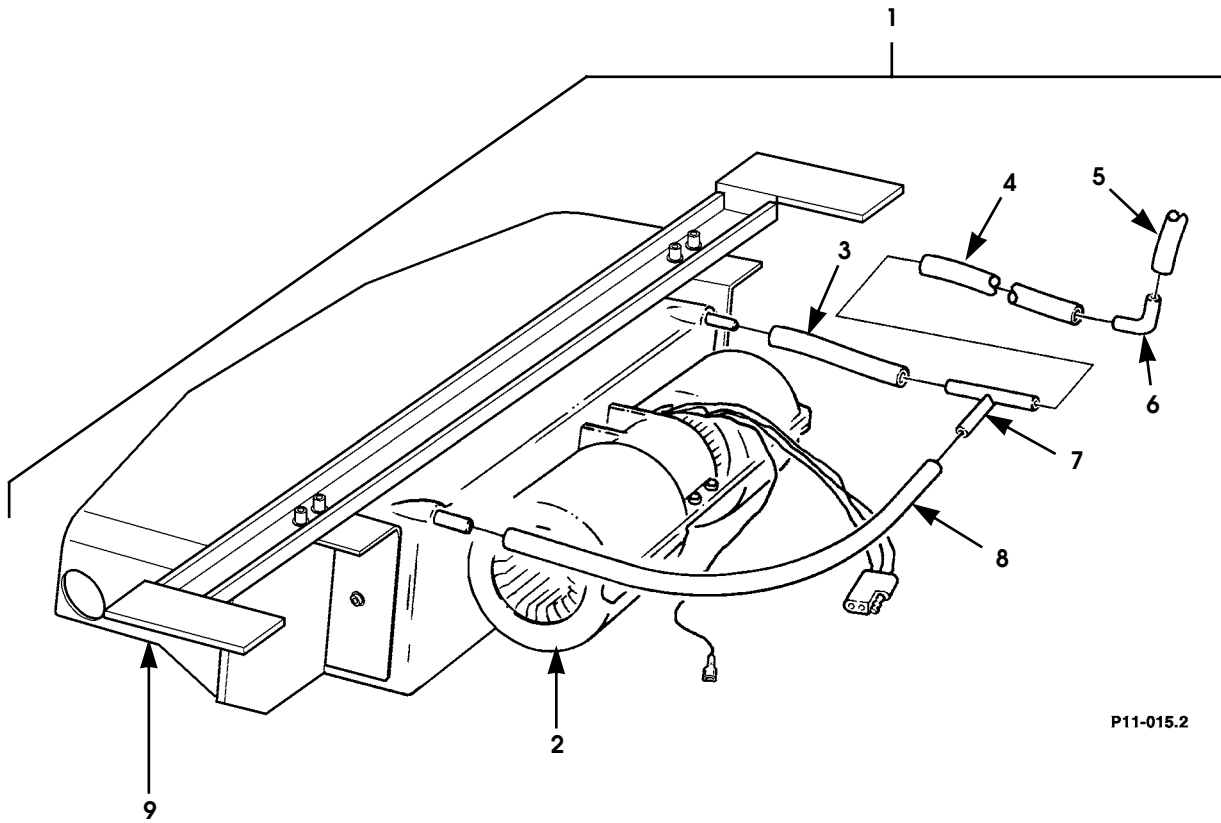


Figure 11-13. Auxiliary A/C-Heat.

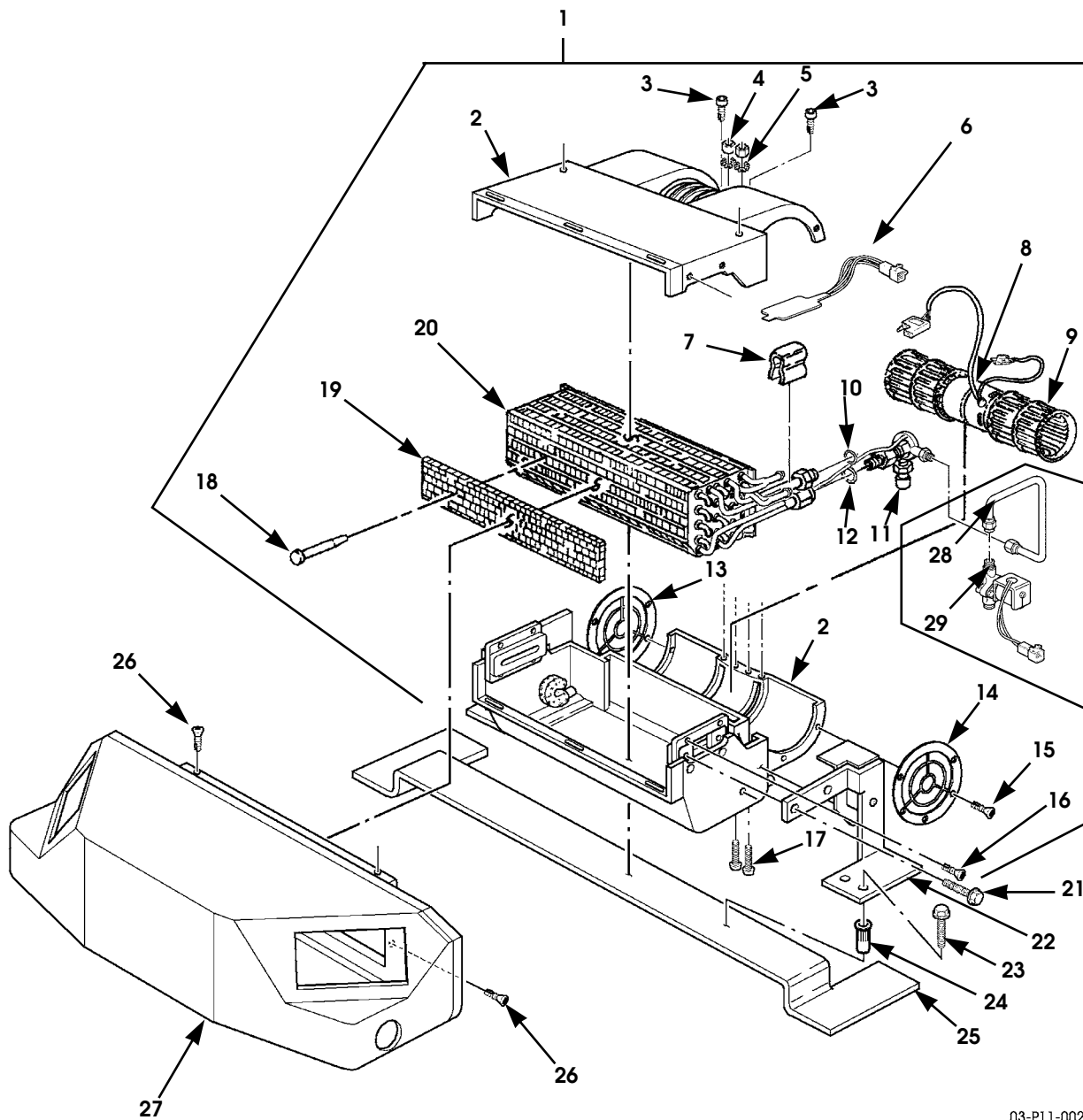
2003 HUMMER H1 PARTS CATALOG

HEATING/VENTILATION/AIR CONDITIONING 11-27

ITEM	PART NUMBER	DESCRIPTION	QTY
		Figure 11-13. Auxiliary A/C-Heat.	
1	6013684	KIT, auxiliary A/C-Heat	1
2	5744788	AUXILIARY A/C-HEAT POWER HEAD ASSEMBLY	1
3	5743582	••HOSE, drain, 3/8" x 5", SEE NOTE 1	1
4	5743586	••HOSE, drain, 3/8" x 13", SEE NOTE 1	1
5	5743587	••HOSE, drain 3/8" x 15", SEE NOTE 1	1
6	5743170	••ELBOW, drain hose, 3/8"	1
7	5743171	••TEE, drain, 3/8"	1
8	5743583	••HOSE, drain, 3/8" x 17", SEE NOTE 1	1
9	5744765	•PLENUM, auxiliary HVAC	1
NOTE 1: CUT FROM HOSE 3/8" X 4', P/N 5743169, OR FROM BULK HOSE 3/8" X 50', P/N 5743584.			

2003 HUMMER H1 PARTS CATALOG

11-28 HEATING/VENTILATION/AIR CONDITIONING



03-P11-002

Figure 11-14. Auxiliary HVAC Unit.

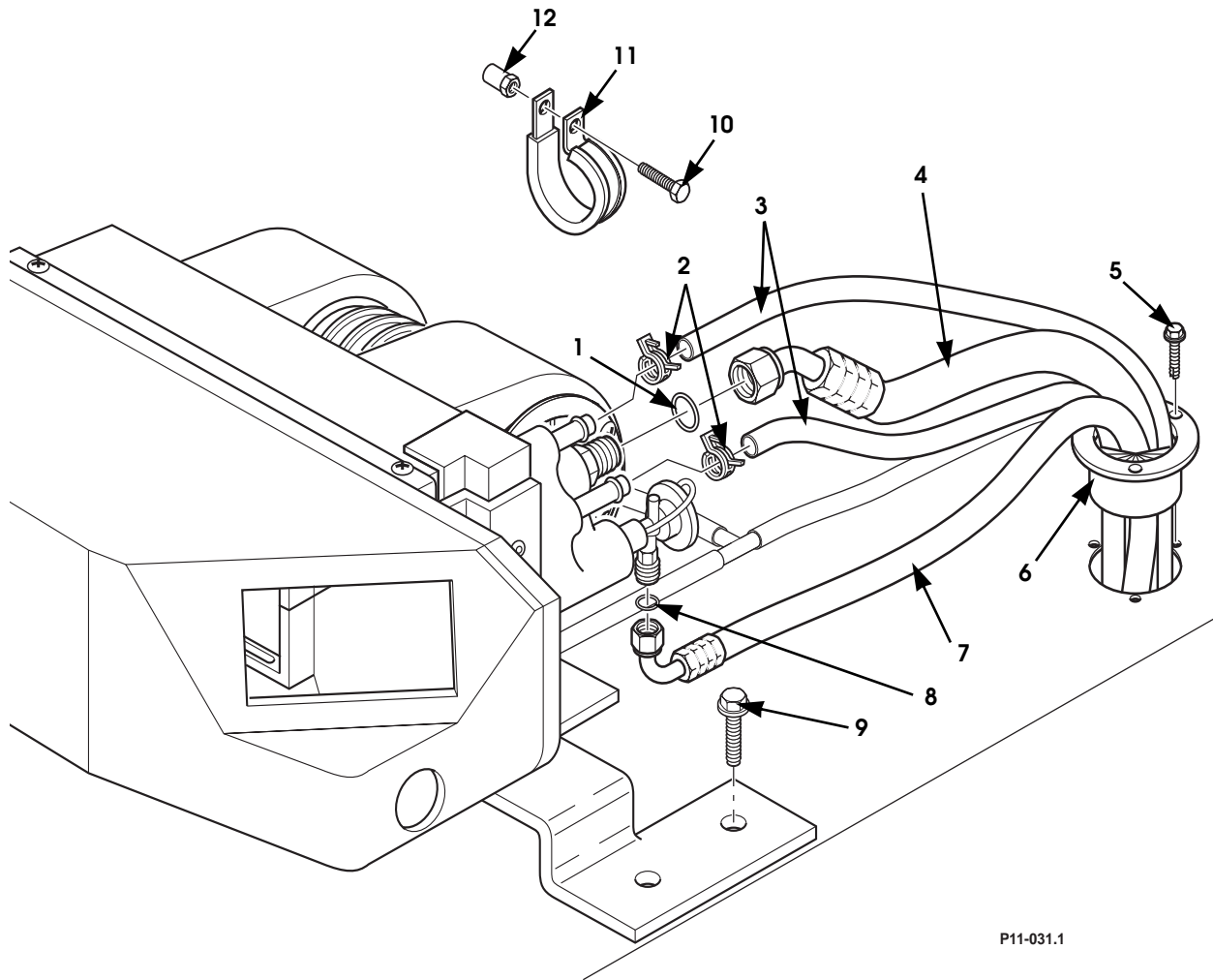
2003 HUMMER H1 PARTS CATALOG

HEATING/VENTILATION/AIR CONDITIONING 11-29

ITEM	PART NUMBER	DESCRIPTION	QTY
		Figure 11-14. Auxiliary HVAC Unit.	
1	5744788	AUXILIARY A/C-HEAT POWER HEAD ASSEMBLY	1
2	5745033	•CASE, top and bottom	1
3	S.I.A.	•SCREW, tapping, #10 - 16 x 5/8"	2
4	S.I.A.	•NUT	2
5	S.I.A.	•LOCKWASHER, external tooth	2
6	6013592	CIRCUIT BOARD ASSEMBLY, HVAC control	1
7	5743453	•CLAMP, bulb	1
8	5743497	•MOTOR, blower	1
9	5743498	•WHEEL, blower	1
10	6006175	•O-RING, #10, R-134A	1
11	5743496	•VALVE, expansion, auxiliary HVAC, R134A.	1
12	6006174	•O-RING, #8, R-134A	1
13	S.I.A.	•END GUARD, auxiliary blower wheel, L.H.	1
14	S.I.A.	•END GUARD, auxiliary blower wheel, R.H.	1
15	S.I.A.	•SCREW, countersunk, #6 - 18 x 1/2"	8
16	S.I.A.	•SCREW, tapping, countersunk, #6 - 18 x 1/2"	4
17	S.I.A.	•BOLT, #10 - 24 x 3/4"	2
18	5744196	•PIN, insulation	3
19	5744195	•SCREEN, coil	1
20	5744894	•COIL, evaporator and heater	1
21	5744236	SCREW, 1/4 - 20 x 1/2"	2
22	N/S	BRACKET, left, aux. A/C mounting, SEE NOTE 1	1
22	N/S	BRACKET, right, aux. A/C mounting, SEE NOTE 1	1
23	N/S	SCREW, 1/4 - 20 x 1/2"	8
24	N/S	NUT INSERT, 1/4 - 20"	4
25	5743534	BRACKET, aux. A/C mounting	1
26	N/S	SCREW, tapping, #6 - 32 x 3/8", plenum-to-powerhead	4
27	5744765	PLENUM, auxiliary HVAC	1
28	N/S	CONNECTING LINE, solinoid valve	1
29	5745581	SOLINOID VALVE, w/plug, aux unit	1
		NOTE 1: MOUNTING BRACKETS COME WITH AUXILIARY HVAC KIT, 6009414.	

2003 HUMMER H1 PARTS CATALOG

11-30 HEATING/VENTILATION/AIR CONDITIONING



P11-031.1

Figure 11-15. Auxiliary A/C-Heat Hoses.

2003 HUMMER H1 PARTS CATALOG

HEATING/VENTILATION/AIR CONDITIONING 11-31

ITEM	PART NUMBER	DESCRIPTION	QTY
		Figure 11-15. Auxiliary A/C-Heat Hoses.	
1	6006175	O-RING, #10, R-134A	1
2	5743508	CLAMP, hose	2
3	5744152	HOSE, heater, 4' - 2" x 5/8", SEE NOTE 1	1
4	6009772	HOSE, #10, suction, low pressure	1
5	5743187	SCREW, tapping, flanged, #10 - 16 x 3/4"	3
6	5743166	GROMMET, 3"	1
7	6009301	HOSE, #6 liquid, high pressure	1
8	6006173	O-RING, #6, R-134A	1
9	N/S	SCREW, tapping, phcr, #8 - 20 x 1/2"	4
10	N/S	BOLT, 1/4 - 20 x 1/2", Gr5, ZN	1
11	N/S	P-CLAMP, 2 1/2", SEE NOTE 2	2
12	N/S	LOCKNUT, keps, 1/4 - 20", ZN	1
	5743167	TAPE, sealant, 12" (not illustrated)	AR
		NOTE 1: HEATER HOSE, P/N 5744152, COMES IN A 12' 6" LENGTH THAT IS TO BE CUT TO MAKE TWO 4' 2" HOSES FOR BOTH THE INLET AND OUTLET OF THE AUXILIARY A/C-HEAT UNIT OR CAN BE MADE FROM BULK HOSE 50', P/N 5740929.	
		NOTE 2: THIS CLAMP SECURES THE HEATER AND A/C HOSES, AFTER THEY PASS THROUGH THE GROMMET, TO THE INBOARD SIDE OF THE R.H. FRAME RAIL.	

2003 HUMMER H1 PARTS CATALOG

11-32 HEATING/VENTILATION/AIR CONDITIONING

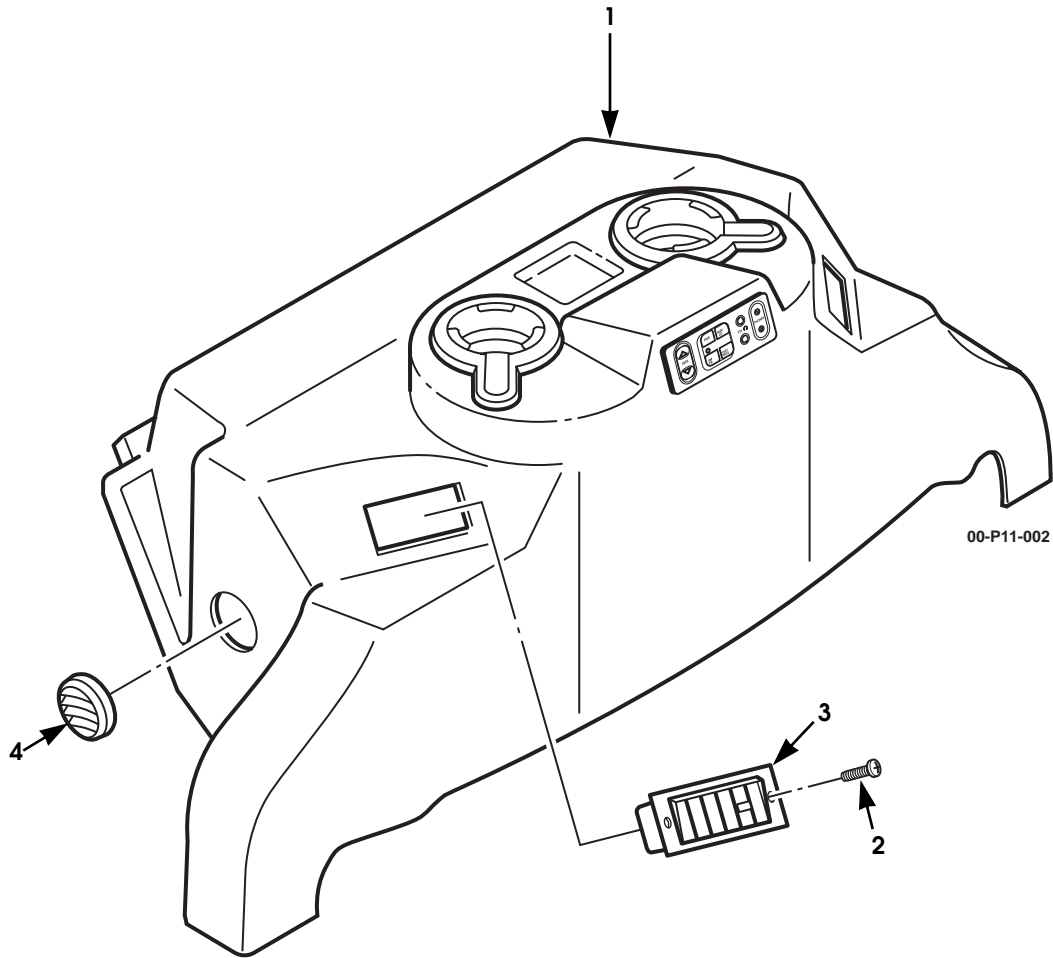


Figure 11-16. Console Assembly, Rear Center.

2003 HUMMER H1 PARTS CATALOG

HEATING/VENTILATION/AIR CONDITIONING 11-33

ITEM	PART NUMBER	DESCRIPTION	QTY
		Figure 11-16. Console Assembly, Rear Center.	
1	6010973G	CONSOLE ASSEMBLY, rear, standard, gray.	1
1	6011049G	CONSOLE ASSEMBLY, rear, with rear seat audio, gray .	1
2	N/S	SCREW, #6 - 32 x 3/4"	4
3	5744793	LOUVER, rectangular, w/o adapter, SEE NOTE 1	2
4	5743504	LOUVER, circular, side vent	3
		 NOTE 1: PART OF DASH KIT, P/N 6009548.	

2003 HUMMER H1 PARTS CATALOG

ELECTRICAL 12-1

Section 12

ELECTRICAL

TITLE	PAGE NUMBER
124-AMP Alternator Assembly	12-12
Audio, Rear Console	12-70
Batteries, Cables, And Mounting Hardware	12-4
Console Harness Assembly	12-94
Cross Body Harness.	12-128
CTIS Interior Harness Assembly.	12-106
Daytime Running Light Jumper and Harness	12-68
Delco Monsoon Stereo System Harness, Hard Top, Models 83 & 84	12-60
Delco Standard Stereo Harness Two-Speaker, Two-Door, Model 89	12-56
Delco Standard Stereo Harness, Four-Speaker, Hard Top, Models 83 & 84	12-58
Door Harness Assembly, Front	12-80
Dual Horns	12-44
Engine Harness Assembly, GM.	12-138
Engine Harness Assembly.	12-92
Exterior Fuse Box Power Cable	12-114
Fuse Boxes, Internal & External	12-86
Glow Plug Power Cable Assembly	12-110
Glowplug Harnesses, Left and Right	12-140
Harness Assembly, Cowl Top	12-133
Harness Assembly, Heated Seats.	12-126
Harness Assembly, Monsoon, Soft-Top.	12-64
Harness Assembly, Station Wagon Rear Door Jumper (R.H. Side)	12-136
Headlight Assembly and Running Lights	12-30
Heated Power Exterior Mirrors	12-82
Heated Windshield	12-20
Hood Wiring Harness.	12-47
Identification Lamp Assembly Jumper.	12-54
Instrument Panel Cluster	12-22
Instrument Panel Harness.	12-118
Interior Ground Cable Assembly.	12-112
Jumper Harness Assembly, Main Fuel Tank W/Aux Tank	12-122
Jumper Harness Assembly, Main Tank, w/o Aux Tank	12-124
Jumper Harness, Locking Differential	12-98
Light Assembly, Clearance Marker and Side Marker Light.	12-32
Lights (Courtesy), Underhood Light, and Door Jamb Switch.	12-38
Lights, Interior Dome	12-34
Miscellaneous Electrical Items.	12-144
Monsoon System, Soft-Top	12-66
PCM and Digital Ratio Adapter	12-142
Power Door Locks	12-72

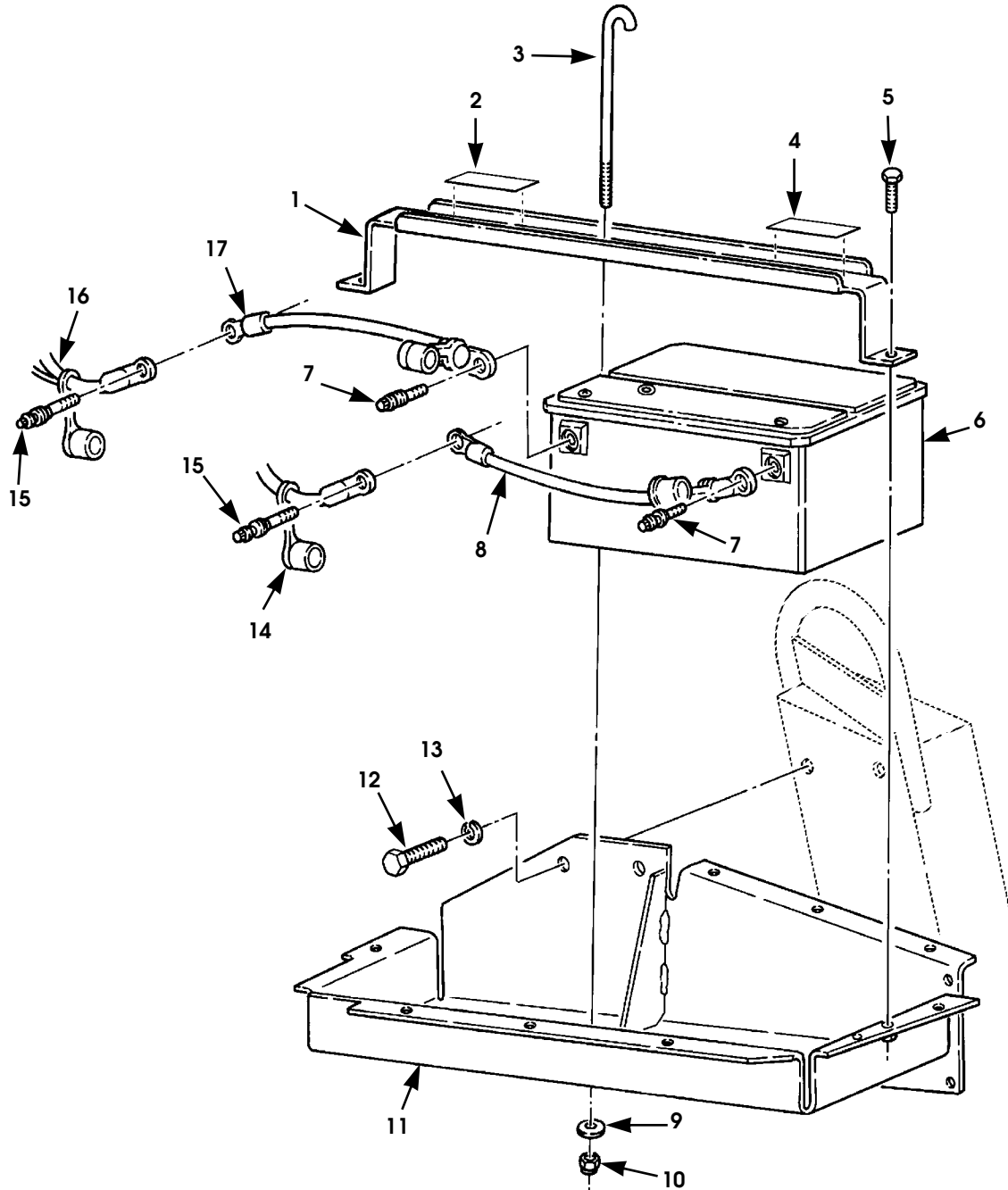
2003 HUMMER H1 PARTS CATALOG

12-2 ELECTRICAL

TITLE	PAGE NUMBER
Power Mirror Jumper Harness Assembly, Heated	12-84
Power Mirror Switch Harness Assembly	12-116
Power Window	12-88
Roof Wiring Harness Assembly, Four-Door, Model 83	12-102
Roof Wiring Harness Assembly, Station Wagon, Model 84.	12-104
Roof Wiring Harness Assembly, Two-Door, Model 89	12-100
Roof Wiring Harness, Open Top	12-50
Sensors, Sending Units, and Switches	12-14
Standard Stereo Harness, Four-Speaker, Open Top, Model 90	12-62
Starter Motor And Mounting Hardware	12-6
Starter Motor Assembly	12-8
Stereo, Speakers, and Mounting Hardware, Standard and Monsoon (Delco)	12-40
Trailer Towing Wiring	12-52
Transmission Harness Assembly	12-96
Turn Signal Light and Mounting Hardware, Front	12-26
Turn Signal Light/Taillight, License Plate Bracket, and Mounting Hardware, Rear	12-28
Underbody Harness, Rear.	12-120
Wheel Sensor Jumper Harness Assembly, Right Front	12-108
Windshield Wiper Motor, Wiper Assembly, and Washer Bottle	12-16

2003 HUMMER H1 PARTS CATALOG

12-4 ELECTRICAL



P12-001

Figure 12-1. Batteries, Cables, And Mounting Hardware.

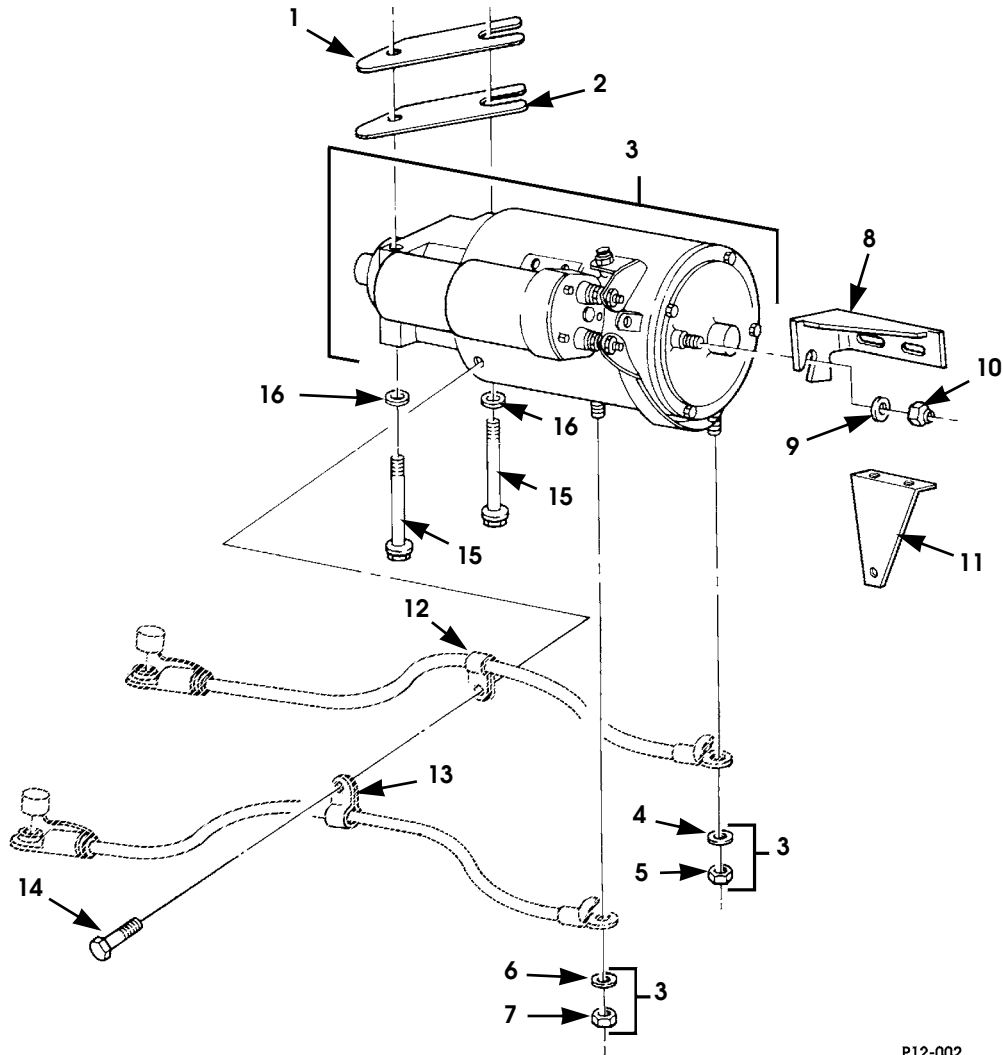
2003 HUMMER H1 PARTS CATALOG

ELECTRICAL 12-5

ITEM	PART NUMBER	DESCRIPTION	QTY
		Figure 12-1. Batteries, Cables, And Mounting Hardware.	
1	6002911B9	BRACKET, battery hold-down	1
2	6006813	LABEL, belt routing	1
3	6002912	J-BOLT, 5/16 - 18 x 8", ZN, battery hold-down	1
4	6003864	LABEL, battery warning, english	1
4	6004096	LABEL, battery warning, french	1
4	6004178	LABEL, battery warning, spanish	1
4	6004179	LABEL, battery warning, arabic	1
5	N/S	BOLT, 5/16 - 18 x 3/4", Gr8, ZN, battery hold-down.	2
6	5937120	BATTERY, 12-volt	2
7	6003471	BOLT, battery, side terminal, 5/8"	2
8	6003128	CABLE, black, negative	1
9	12340058	WASHER, flat	1
10	N/S	NUT, 5/16 - 18", Gr8, CAD	1
11	6002907B9	BATTERY TRAY	1
12	N/S	BOLT, 3/8 - 16 x 1", Gr8, CAD.	2
13	N/S	LOCKWASHER, med, 3/8", ZN	2
14	6009471	CABLE, starter, negative	1
15	5744361	BOLT, battery, side terminal, 1"	2
16	6009470	CABLE, starter, positive	1
17	6003129	CABLE, red, positive	1

2003 HUMMER H1 PARTS CATALOG

12-6 ELECTRICAL



P12-002

Figure 12-2. Starter Motor And Mounting Hardware.

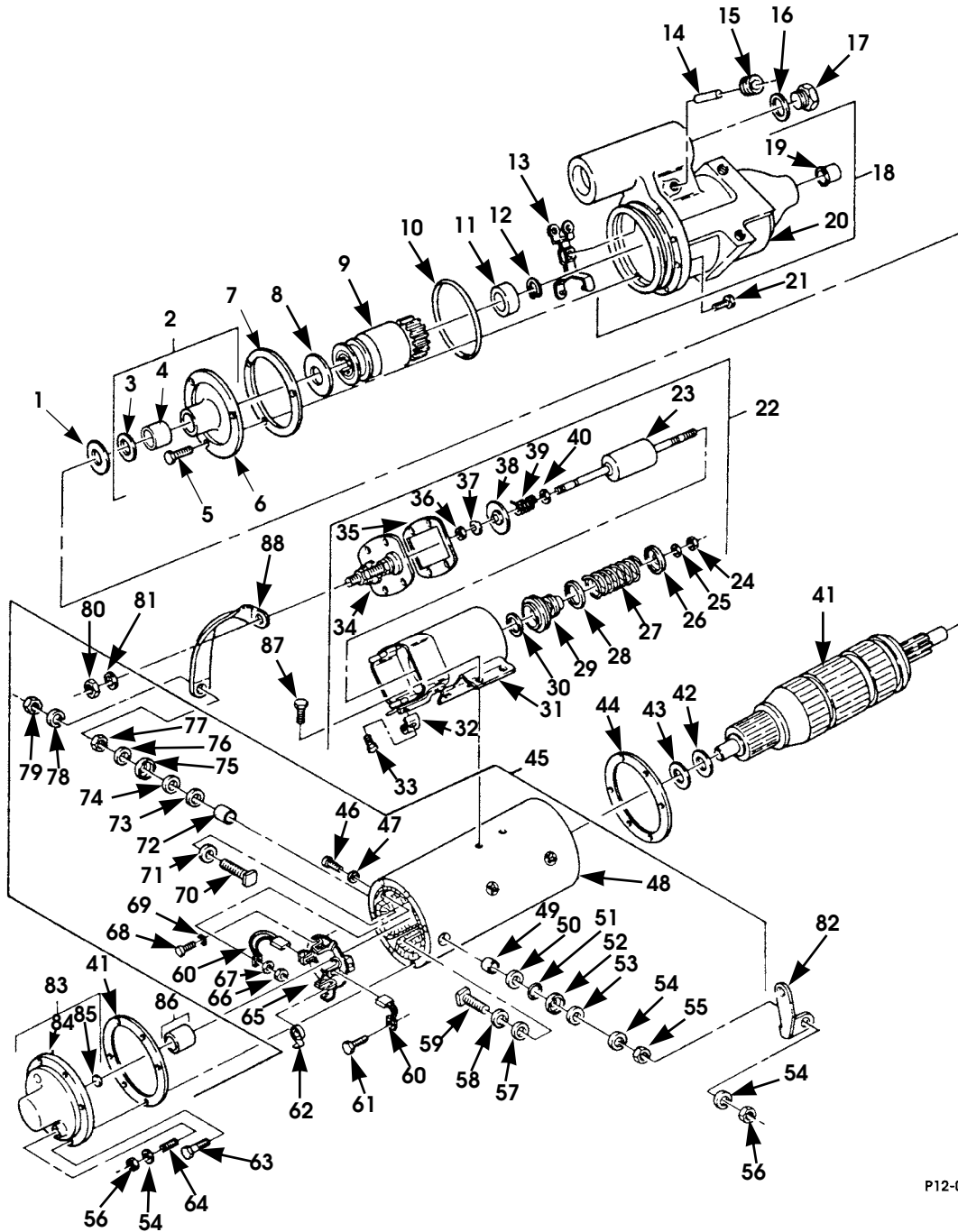
2003 HUMMER H1 PARTS CATALOG

ELECTRICAL 12-7

ITEM	PART NUMBER	DESCRIPTION	QTY
		Figure 12-2. Starter Motor And Mounting Hardware.	
1	12338789-2	SHIM	A/R
2	12338789-1	SHIM	A/R
3	5937124	STARTER MOTOR ASSEMBLY	1
3	5744719	STARTER MOTOR ASSEMBLY, remanufactured	1
4	S.I.A.	• LOCKWASHER, 1/2" med, ZN	1
5	S.I.A.	• NUT, 1/2" Gr5, CAD	1
6	S.I.A.	• LOCKWASHER, 3/8" med, ZN	1
7	S.I.A.	• NUT, 3/8-16" Gr5, CAD	1
8	EC12469281B1	BRACKET, starter motor	1
9	N/S	WASHER, bracket 3/8", Hard Type B, Flat ZN	1
10	N/S	LOCKNUT, bracket, 3/8-16", Gr8	1
11	12339333B1	BRACKET, starter cable	1
12	N/S	CLAMP, positive cable 3/4", cushioned	1
13	N/S	CLAMP, ground cable 7/8", cushioned	1
14	12340844	SCREW, cable clamps	1
15	12339413	BOLT, starter	2
16	12341856	WASHER, starter	2
NOTE 1: FOR VEHICLES UNDER WARRANTY USE THE REMANUFACTURED P/N 5744719.			

2003 HUMMER H1 PARTS CATALOG

12-8 ELECTRICAL



P12-003

Figure 12-3. Starter Motor Assembly.

2003 HUMMER H1 PARTS CATALOG

ELECTRICAL 12-9

ITEM	PART NUMBER	DESCRIPTION	QTY
		Figure 12-3. Starter Motor Assembly.	
1	S.I.K.	WASHER, flat, SEE NOTE 1	1
2	5741114	BEARING ASSEMBLY, intermediate	1
3	5929739	•SEAL	1
4	5929738	•BEARING, ABS, bronze	1
5	S.I.A.	•SCREW, SEE NOTE 2	3
6	S.I.A.	•HOUSING, intermediate bearing assembly	1
7	S.I.K.	GASKET, SEE NOTE 3	1
8	S.I.K.	SPACER, starter clutch, SEE NOTE 1	1
9	5740926	CLUTCH, starter	1
10	5929752	O-RING, pinion housing	1
11	S.I.K.	PINION STOP, SEE NOTE 4	1
12	S.I.K.	SNAP RING, SEE NOTE 4	1
13	5929764	YOKE ASSEMBLY	1
14	S.I.K.	PIN, SEE NOTE 5	2
15	S.I.K.	PLUG, SEE NOTE 5	1
16	S.I.K.	GASKET, SEE NOTE 5	1
17	S.I.K.	PLUG, SEE NOTE 5	1
18	5742921	HOUSING ASSEMBLY, pinion	1
19	5741174	•BEARING, bronze	1
20	S.I.A.	•HOUSING	1
21	S.I.K.	SCREW, SEE NOTE 6	7
22	5742738	SOLENOID SWITCH ASSEMBLY	1
23	5742922	•CORE ASSEMBLY, moving	1
24	S.I.A.	•NUT, SEE NOTE 5	1
25	S.I.A.	•SNAP RING, SEE NOTE 7	1
26	S.I.A.	•RETAINER, SEE NOTE 7	1
27	S.I.A.	•SPRING, SEE NOTE 7	1
28	S.I.A.	•RETAINER, SEE NOTE 7	1
29	5929759	•BOOT, moving core, SEE NOTE 7	1
30	S.I.A.	•WASHER, SEE NOTE 7	1
31	S.I.A.	•HOUSING, solenoid	1
32	5741916	•LOCKWASHER, solenoid	1
33	N/S	•MACHINE SCREW	1
34	5740968	•COVER AND CONTACT STUD ASSEMBLY	1
35	S.I.A.	•GASKET, SEE NOTE 8	1
36	S.I.A.	•NUT, SEE NOTE 9	1
37	S.I.A.	•WASHER, SEE NOTE 9	1
38	S.I.A.	•CONTACT, SEE NOTE 9	1
39	S.I.A.	•SPRING, SEE NOTE 9	1

2003 HUMMER H1 PARTS CATALOG

12-10 ELECTRICAL

ITEM	PART NUMBER	DESCRIPTION	QTY
		Figure 12-3. Starter Motor Assembly. (Cont'd.)	
40	S.I.A.	•WASHER, SEE NOTE 9	1
41	5742918	ARMATURE ASSEMBLY	1
42	S.I.K.	THRUST WASHER, SEE NOTE 1	1
43	S.I.K.	THRUST WASHER, SEE NOTE 1	8
44	S.I.K.	GASKET, SEE NOTE 10	2
45	5742920	FRAME AND FIELD ASSEMBLY	1
46	N/S	•SCREW	2
47	5741118	•WASHER	2
48	S.I.A.	•HOUSING, frame and field assembly	1
49	S.I.A.	•BUSHING, SEE NOTE 11	1
50	S.I.A.	•WASHER, neoprene, SEE NOTE 11	1
51	S.I.A.	•WASHER, insulating, SEE NOTE 11	1
52	S.I.A.	•WASHER, cap, SEE NOTE 11	1
53	S.I.A.	•WASHER, plain, SEE NOTE 11	1
54	S.I.A.	•LOCKWASHER, SEE NOTE 11	4
55	S.I.A.	•NUT, SEE NOTE 11	1
56	S.I.A.	•NUT, SEE NOTE 11	4
57	S.I.A.	•WASHER, insulating, SEE NOTE 11	1
58	S.I.A.	•WASHER, plain, SEE NOTE 11	1
59	S.I.A.	•STUD, terminal, SEE NOTE 11	1
60	5740960	•BRUSH SET	1
61	N/S	•SCREW	2
62	5740961	•SPRING SET, brush	1
63	S.I.A.	•SCREW, SEE NOTE 6	4
64	S.I.A.	•STUD, terminal, SEE NOTE 11	1
65	5741666	•PLATE ASSEMBLY, brush	1
66	N/S	•NUT	2
67	5741107	•LOCKWASHER	2
68	N/S	•SCREW	3
69	5741169	•SEAL PACKAGE, brush plate mounting	1
70	S.I.A.	•STUD, terminal, SEE NOTE 11	1
71	S.I.A.	•WASHER, insulating, SEE NOTE 11	1
72	S.I.A.	•BUSHING, insulating, SEE NOTE 11	1
73	S.I.A.	•WASHER, neoprene, SEE NOTE 11	1
74	S.I.A.	•WASHER, insulating, SEE NOTE 11	1
75	S.I.A.	•WASHER, cap, SEE NOTE 11	1
76	S.I.A.	•WASHER, plain, SEE NOTE 11	1
77	S.I.A.	•NUT, SEE NOTE 11	1
78	S.I.A.	•LOCKWASHER, SEE NOTE 11	2

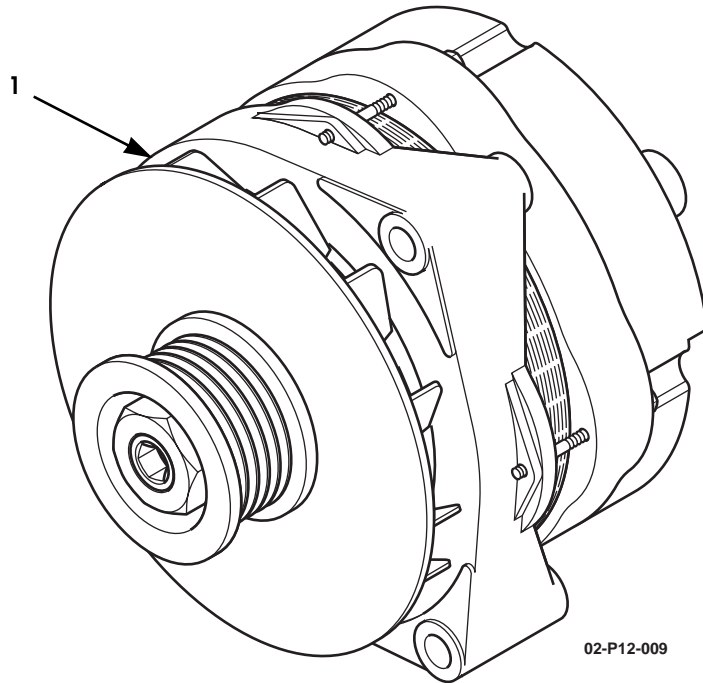
2003 HUMMER H1 PARTS CATALOG

ELECTRICAL 12-11

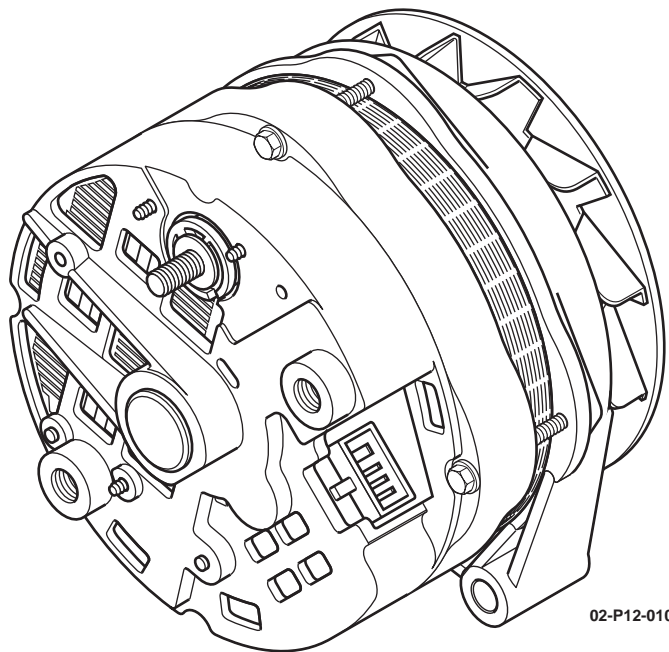
ITEM	PART NUMBER	DESCRIPTION	QTY
		Figure 12-3. Starter Motor Assembly. (Cont'd.)	
79	S.I.A.	•NUT, SEE NOTE 11	3
80	N/S	•NUT	2
81	N/S	•WASHER	2
82	5741120	CONNECTOR, switch	1
83	5742919	HEAD ASSEMBLY, commutator end	1
84	S.I.A.	•HEAD, commutator end	1
85	S.I.A.	•OIL RETAINER, felt, SEE NOTE 2	1
86	S.I.A.	•BEARING, bronze, SEE NOTE 2	1
87	5741117	CONNECTOR, switch	1
88	S.I.K.	SCREW, solenoid , SEE NOTE 6	4
		NOTE 1: PART OF BEARING AND RETAINER KIT (THRUST WASHER PACKAGE), P/N 5741171.	
		NOTE 2: PART OF BEARING AND OIL RETAINER KIT, P/N 5741167.	
		NOTE 3: PART OF GASKET KIT, INTERMEDIATE BEARING P/N 5740964.	
		NOTE 4: PART OF PINION STOP AND LOCK RING KIT, P/N 5741173.	
		NOTE 5: PART OF YOKE ADJUSTING PARTS KIT P/N 5929744.	
		NOTE 6: PART OF MOUNTING SCREW KIT, P/N 5740922.	
		NOTE 7: PART OF STARTER RELAY KIT (CORE YOKE END PARTS PACKAGE), P/N 5929758.	
		NOTE 8: PART OF GASKET SWITCH KIT, P/N 5929755.	
		NOTE 9: PART OF CORE CONTACT KIT, P/N 5929757.	
		NOTE 10: PART OF GASKET KIT (GASKET PACKAGE, C.E. AND D.E. HEAD), P/N 5741168.	
		NOTE 11: PART OF TERMINAL STUD KIT, P/N 5740963.	

2003 HUMMER H1 PARTS CATALOG

12-12 ELECTRICAL



Front View



Rear View

Figure 12-4. 124-AMP Alternator Assembly.

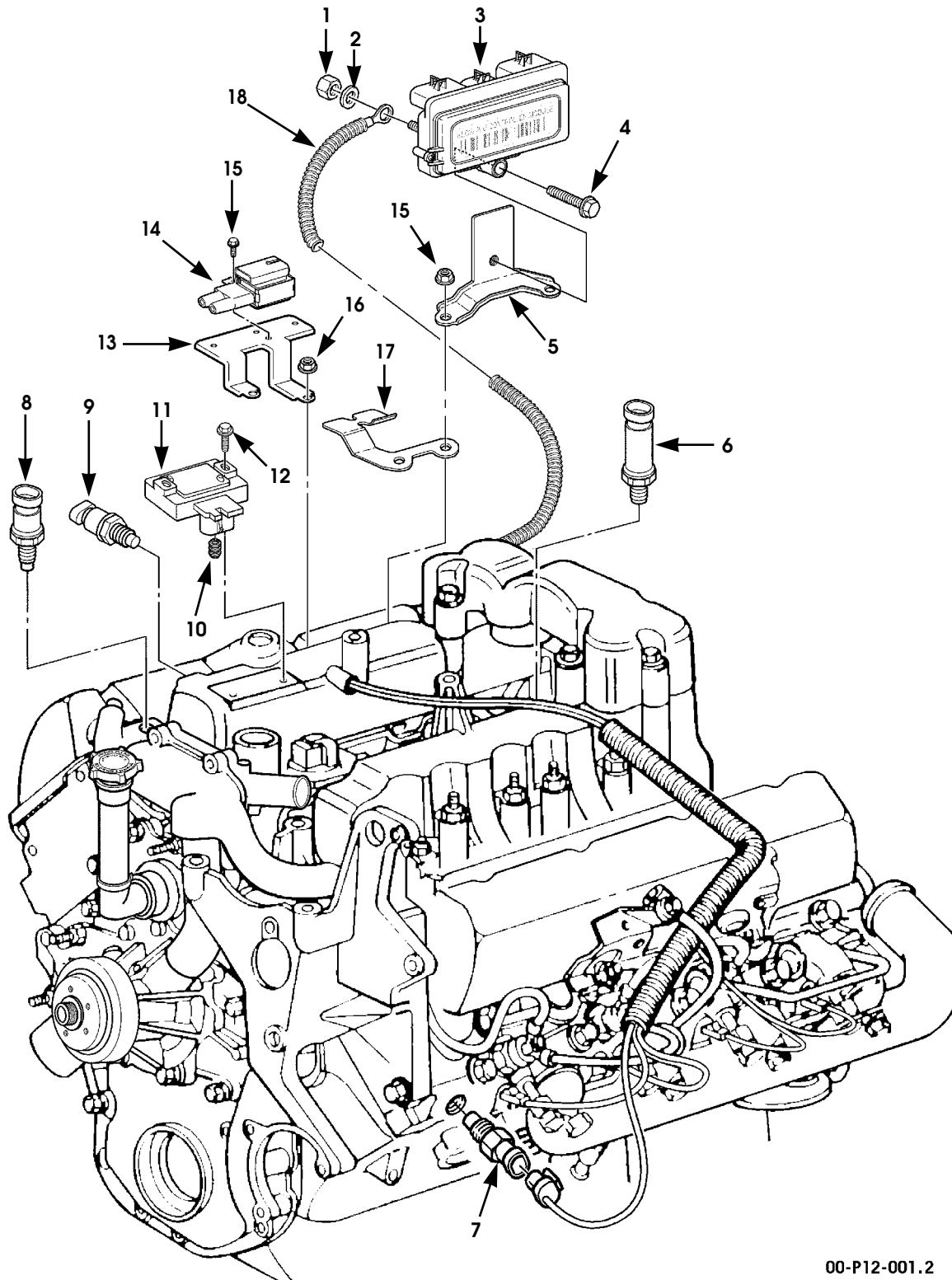
2003 HUMMER H1 PARTS CATALOG

ELECTRICAL 12-13

ITEM	PART NUMBER	DESCRIPTION	QTY
1	6012512	<p>Figure 12-4. 124-AMP Alternator Assembly.</p> <p>ALTERNATOR ASSEMBLY, 124-Amp, SEE NOTE 1</p> <p>NOTE 1: REMANUFACTURED ALTERNATOR ASSEMBLY IS NOT AVAILABLE AS OF 8/24/01.</p>	1

2003 HUMMER H1 PARTS CATALOG

12-14 ELECTRICAL



00-P12-001.2

Figure 12-5. Sensors, Sending Units, and Switches.

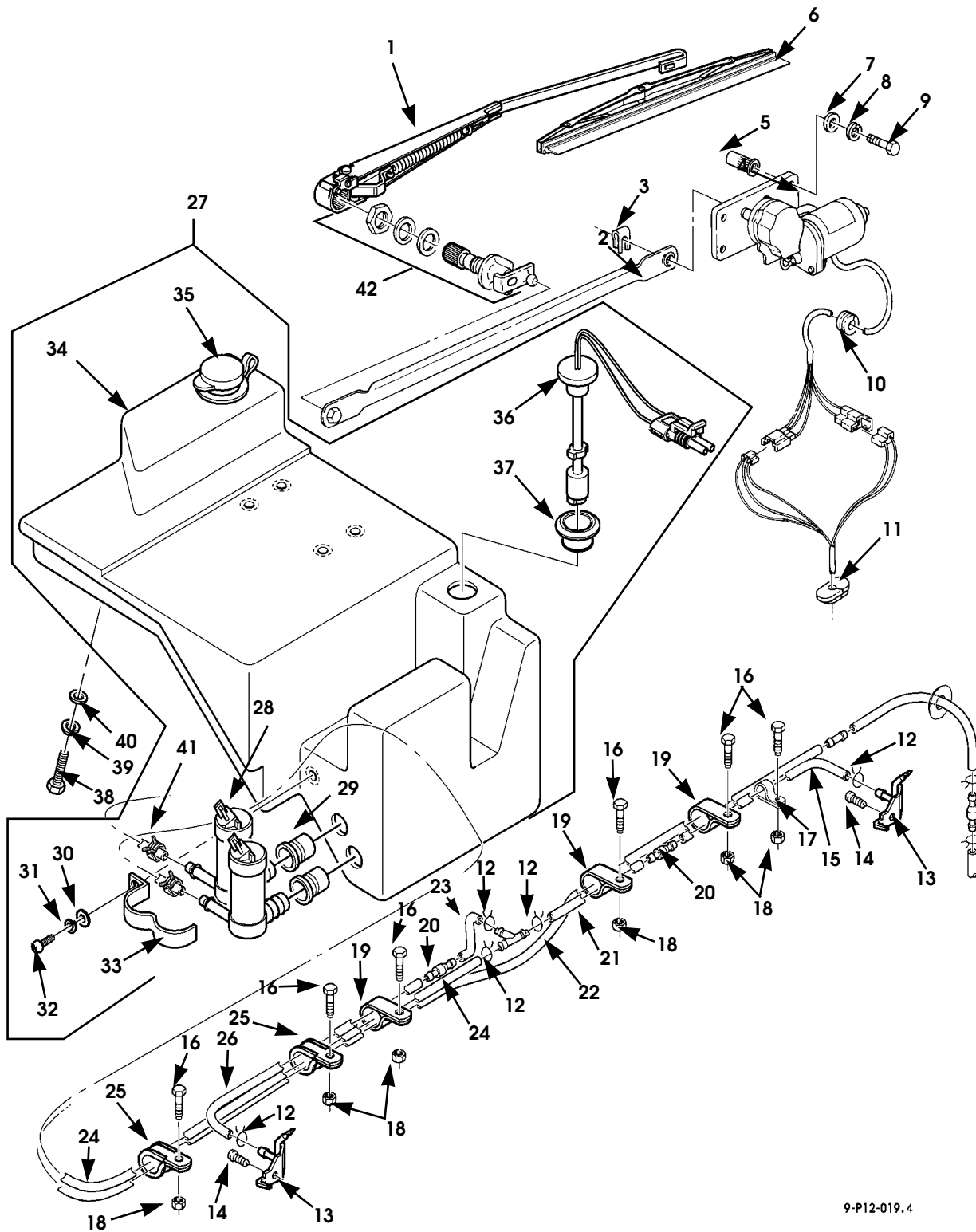
2003 HUMMER H1 PARTS CATALOG

ELECTRICAL 12-15

ITEM	PART NUMBER	DESCRIPTION	QTY
		Figure 12-5. Sensors, Sending Units, and Switches.	
1	N/S	NUT, flanged, 5/16-18"	1
2	N/S	WASHER, flat, M10	1
3	5745246	GLOWPLUG CONTROLLER	1
4	N/S	BOLT, flanged, 5/16-18 x 1 - 1/4"	1
5	N/S	BRACKET, glowplug controller	1
6	5745120	SENSOR, oil pressure	1
7	5744032	SENDER, temperature gauge	1
8	5744030	SENSOR, coolant temperature	1
9	5744430	SENSOR, air intake temperature	1
10	5744468	SEAL, pressure sensor	1
11	5745121	SENSOR, turbo pressure	1
12	5744467	BOLT, pressure sensor	2
13	5744442	BRACKET, solenoid valve mounting	1
14	5745247	SOLENOID VALVE, boost control	1
15	5744472	BOLT, solenoid valve	1
16	N/S	NUT, hex flange, M10 - 1.5	4
17	N/S	BRACKET	1
18	6010339	CABLE ASSEMBLY, glow plug power, controller to starter	1
	5745302	HARNESS GLOW PLUG, left side (not illustrated)	1
	5745303	HARNESS GLOW PLUG, right side (not illustrated)	1

2003 HUMMER H1 PARTS CATALOG

12-16 ELECTRICAL



9-P12-019.4

Figure 12-6. Windshield Wiper Motor, Wiper Assembly, and Washer Bottle.

2003 HUMMER H1 PARTS CATALOG

ELECTRICAL 12-17

ITEM	PART NUMBER	DESCRIPTION	QTY
		Figure 12-6. Windshield Wiper Motor, Wiper Assembly, and Washer Bottle.	
1	6012641	WIPER ARM ASSEMBLY, pivot assembly, less blade . . .	2
2	12338831	CONNECTING ARM, pivot assembly	2
3	12339427	RETAINER.	1
4	5938822B2	WIPER MOTOR ASSEMBLY, windshield	1
5	N/S	NUT INSERT, 1/4 - 20"	3
6	6012642	BLADE, wiper arm assembly	2
7	N/S	WASHER, flat, 1/4", CAD, wiper motor	3
8	N/S	LOCKWASHER, med, 1/4", ZN, wiper motor.	3
9	N/S	SCREW, 1/4 - 20 x 3/4", Gr5, CAD, wiper motor.	3
10	MS35489-41S	GROMMET, w/s wiper motor lead	1
11	12339340	GROMMET, w/s wiper motor harness	1
12	WWC440-3/8	CLAMP, w/s washer hose	7
13	6006600	NOZZLE, windshield washer	2
14	N/S	SCREW, phcr, tapping, #8 - 32 x 5/8", CAD, nozzle	2
15	N/S	HOSE, R.H., 13", check valve-to-nozzle, SEE NOTE 3	1
16	N/S	SCREW, slotted hex head, #10 - 24 x 3/4", CAD	6
17	N/S	P-CLIP, 3/8", windshield washer hose	1
18	N/S	LOCKNUT, #10 - 24", CAD, w/s washer hose p-clip	4
19	N/S	P-CLIP, 7/8", windshield washer hose	3
20	6005960	CHECK VALVE, windshield washer hose, SEE NOTE 2	2
21	N/S	HOSE, R.H., 13", tee-to-check valve, SEE NOTE 3	1
22	6010625	TEE, windshield washer hose	1
23	N/S	HOSE, L.H., 3", tee-to-check valve, SEE NOTE 3.	1
24	6010626	HOSE, w/s washer pump-to-tee.	1
25	N/S	P-CLIP, 5/8", windshield washer hose.	2
26	N/S	HOSE, L.H., 13", check valve-to-nozzle, SEE NOTE 3	1
27	6010005	RESERVOIR AND PUMP ASSEMBLY, windshield washer 83, 84, 89, 90	1
28	6010252	•PUMP, windshield washer. 83, 84, 89, 90	1
29	S.I.A.	•SEAL, windshield washer pump 83, 84, 89, 90	1
30	S.I.A.	•WASHER, flat, #10	2
31	S.I.A.	•LOCKWASHER, #10	2
32	S.I.A.	•SCREW, phcr #10 - 24 x 1/2"	2
33	6010970	•RETAINER, windshield washer pump	1
34	6010284	•RESERVOIR, windshield washer	1
35	S.I.A.	•CAP, windshield washer reservoir.	1
36	6010250	•SWITCH ASSEMBLY, low level w/s washer fluid.	1
37	S.I.A.	•SEAL, windshield washer low level switch.	1
38	N/S	SCREW, 1/4-20 x 3/4"	4
39	N/S	LOCKWASHER, 1/4"	4

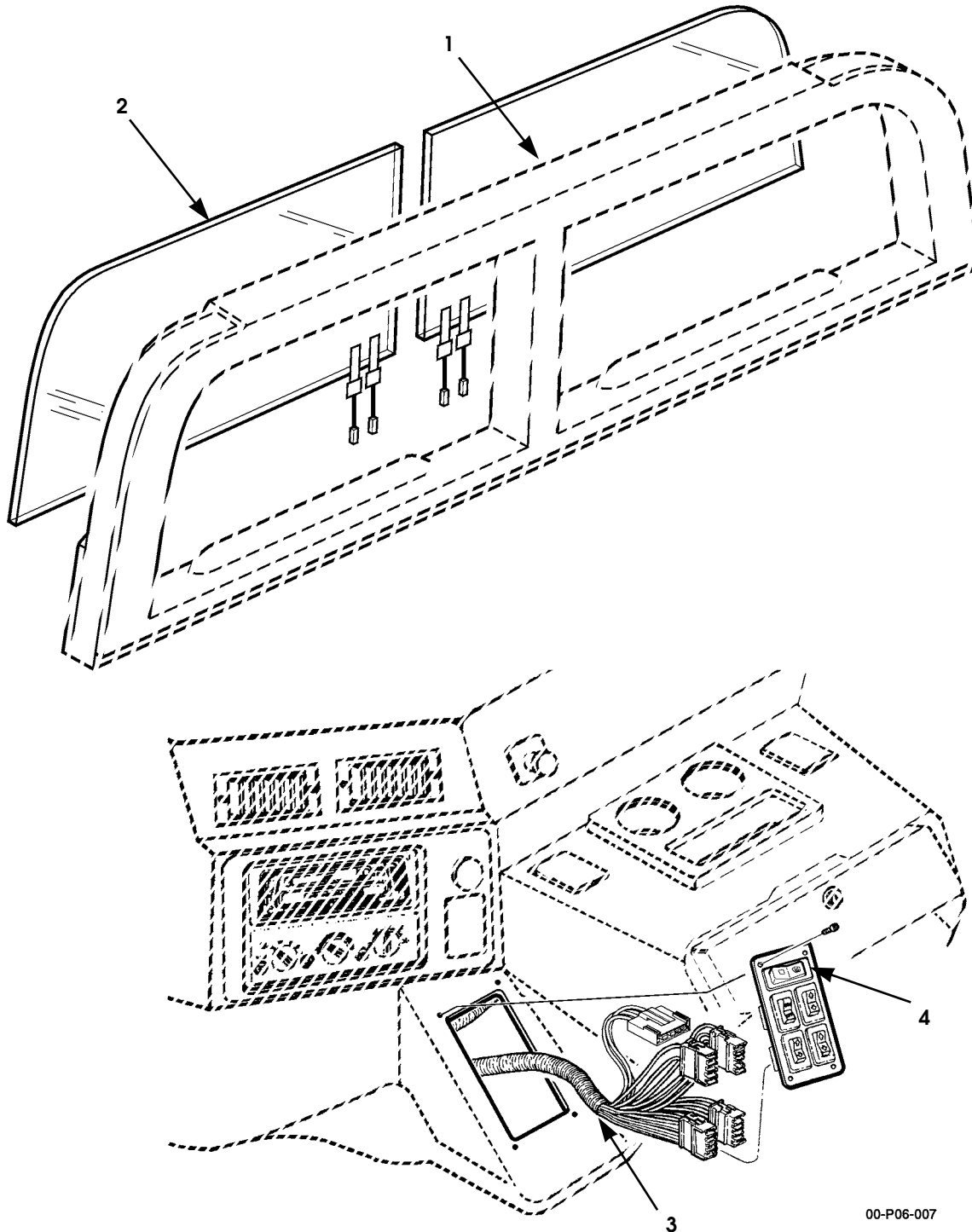
2003 HUMMER H1 PARTS CATALOG

12-18 ELECTRICAL

ITEM	PART NUMBER	DESCRIPTION	QTY
		Figure 12-6. Windshield Wiper Motor, Wiper Assembly, and Washer Bottle.	
40	N/S	WASHER, flat, 1/4"	4
41	WWC440-1/2	CLAMP, hose, 1/2", TY E, low press.	2
42	12340660	PIVOT ASSEMBLY, windshield wiper motor	2
		NOTE 1: CUT TO LENGTH FROM 50' ROLL BULK HOSE, P/N 5741211.	
		NOTE 2: CHECK VALVES P/NS 6005960 AND 6010771 ARE INTERCHANGEABLE AS REPLACEMENT PARTS.	
		NOTE 3: MAKE FROM BULK HOSE P/N 5741211.	

2003 HUMMER H1 PARTS CATALOG

12-20 ELECTRICAL



00-P06-007

Figure 12-7. Heated Windshield.

2003 HUMMER H1 PARTS CATALOG

ELECTRICAL 12-21

ITEM	PART NUMBER	DESCRIPTION	QTY
		Figure 12-7. Heated Windshield.	
1	6011900	GLASS, heated windshield, R.H.	1
2	6011899	GLASS, heated windshield, L.H.	1
3	6010029	HARNES ASSEMBLY, console	1
4	6011330	SWITCH AND TIMER ASSEMBLY, heated windshield ...	1

2003 HUMMER H1 PARTS CATALOG

12-22 ELECTRICAL

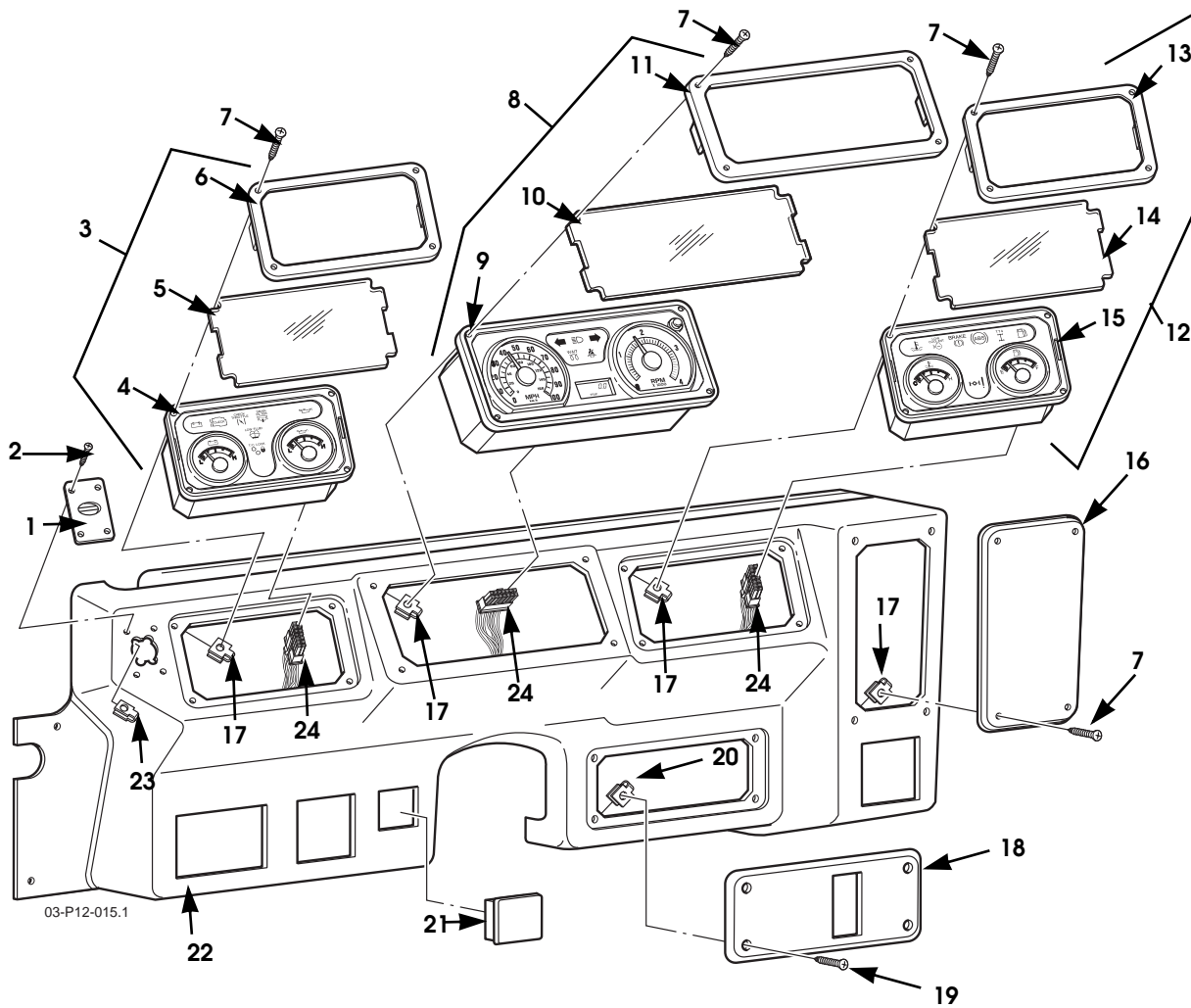


Figure 12-9. Instrument Panel Cluster.
(Sheet 1 of 2).

2003 HUMMER H1 PARTS CATALOG

ELECTRICAL 12-23

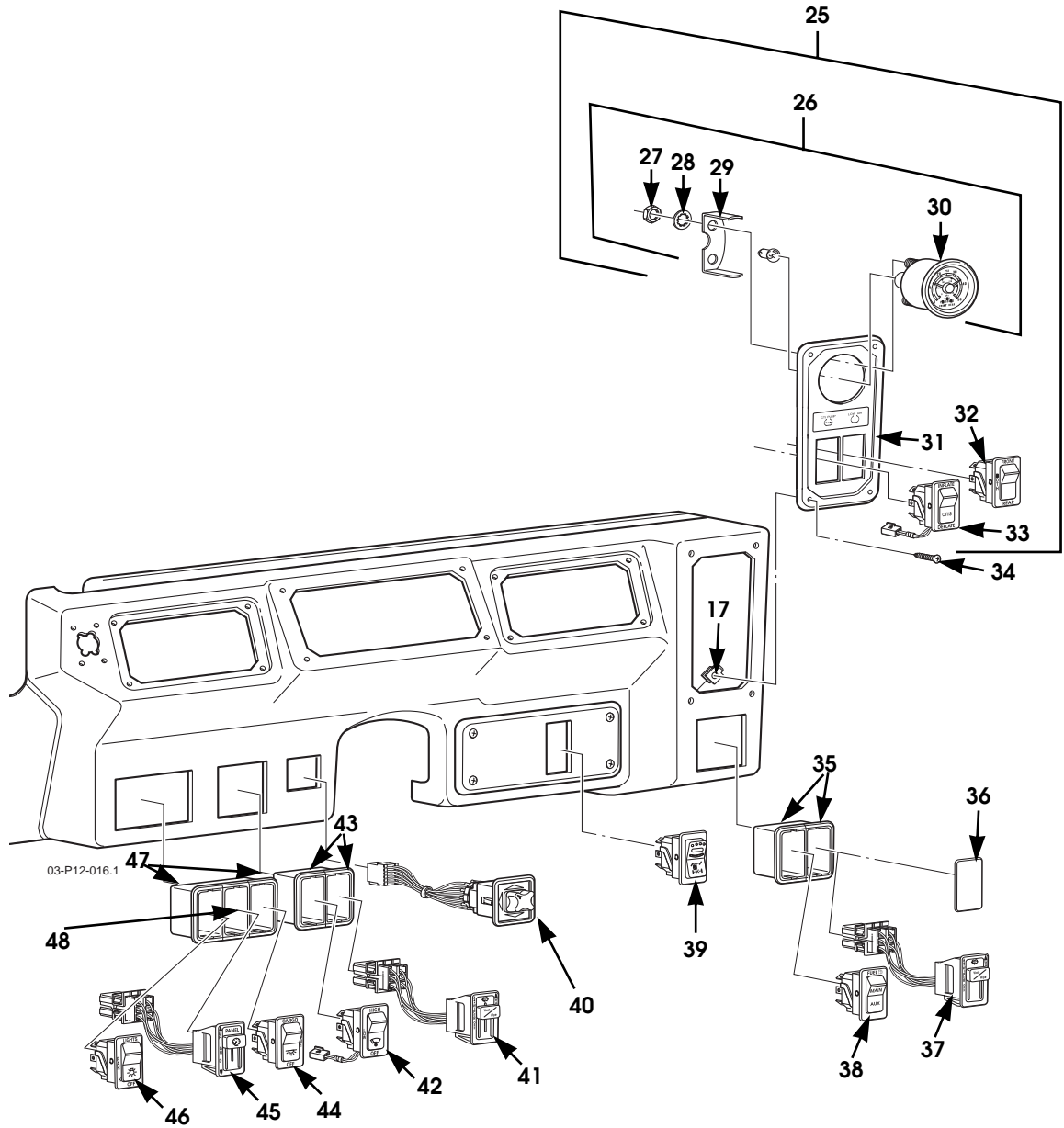


Figure 12-9. Instrument Panel Cluster
(Sheet 2 of 2)

2003 HUMMER H1 PARTS CATALOG

12-24 ELECTRICAL

ITEM	PART NUMBER	DESCRIPTION	QTY
		Figure 12-9. Instrument Panel Cluster.	
1	6003558	NOZZLE, defroster, side window	1
2	N/S	SCREW, #8 - 32 x 1/2", ZN.	4
3	6011984	MODULE ASSEMBLY, volt/oil	1
4	S.I.A.	•MODULE, volt/oil	1
5	5745391	•LENS.	1
6	5745392	•BEZEL	1
7	N/S	SCREW, phcr, #8 - 32 x 3/4"	16
8	5745609	KIT, MODULE ASSEMBLY, speedometer/tach, SEE NOTE 1	
8	5745610	KIT, MODULE ASSEMBLY, speedometer/tach, SEE NOTE 2	
8	5745611	KIT, MODULE ASSEMBLY, speedometer/tach, SEE NOTE 3	
9	S.I.K.	•MODULE, speedometer/tach	1
10	5745389	•LENS.	1
11	5745390	•BEZEL	1
	S.I.A.	•DECAL, odometer, (not pictured)	1
	S.I.A.	•DECAL, clear protective film (not pictured)	1
12	6013879	MODULE ASSEMBLY, fuel/temperature gauges	1
13	5745392	•BEZEL	1
14	5745391	•LENS.	1
15	S.I.A.	•MODULE, fuel/temperature gauges	1
16	6011765	PANEL, blank	1
17	6011568	SPEED NUT, J-type, #8.	16
18	5939270	PANEL, gauge, lower, blank (not illustrated)	1
18	6013880	PANEL, gauge, lower, E LOCKER	1
19	N/S	SCREW, #10-16 x 3/4" oval hd phil	4
20	6000302	SPEED NUT, J-type, #10.	4
21	6007199	PLUG, instrument panel.	1
22	6011487	PANEL, instrument.	1
23	12341352	SPEED NUT, J-type, #8 - 32"	4
24	6013882	HARNESS ASSEMBLY, instrument panel.	1
25	6011764	MODULE ASSEMBLY AND HARNESS, CTIS tire pressure	1
26	5745388	•GAUGE ASSEMBLY, CTIS tire pressure	1
27	S.I.A.	••NUT	2
28	S.I.A.	••LOCKWASHER	2
29	S.I.A.	••MOUNTING BRACKET, CTIS panel.	1
30	S.I.A.	••GAUGE, CTIS tire pressure.	1

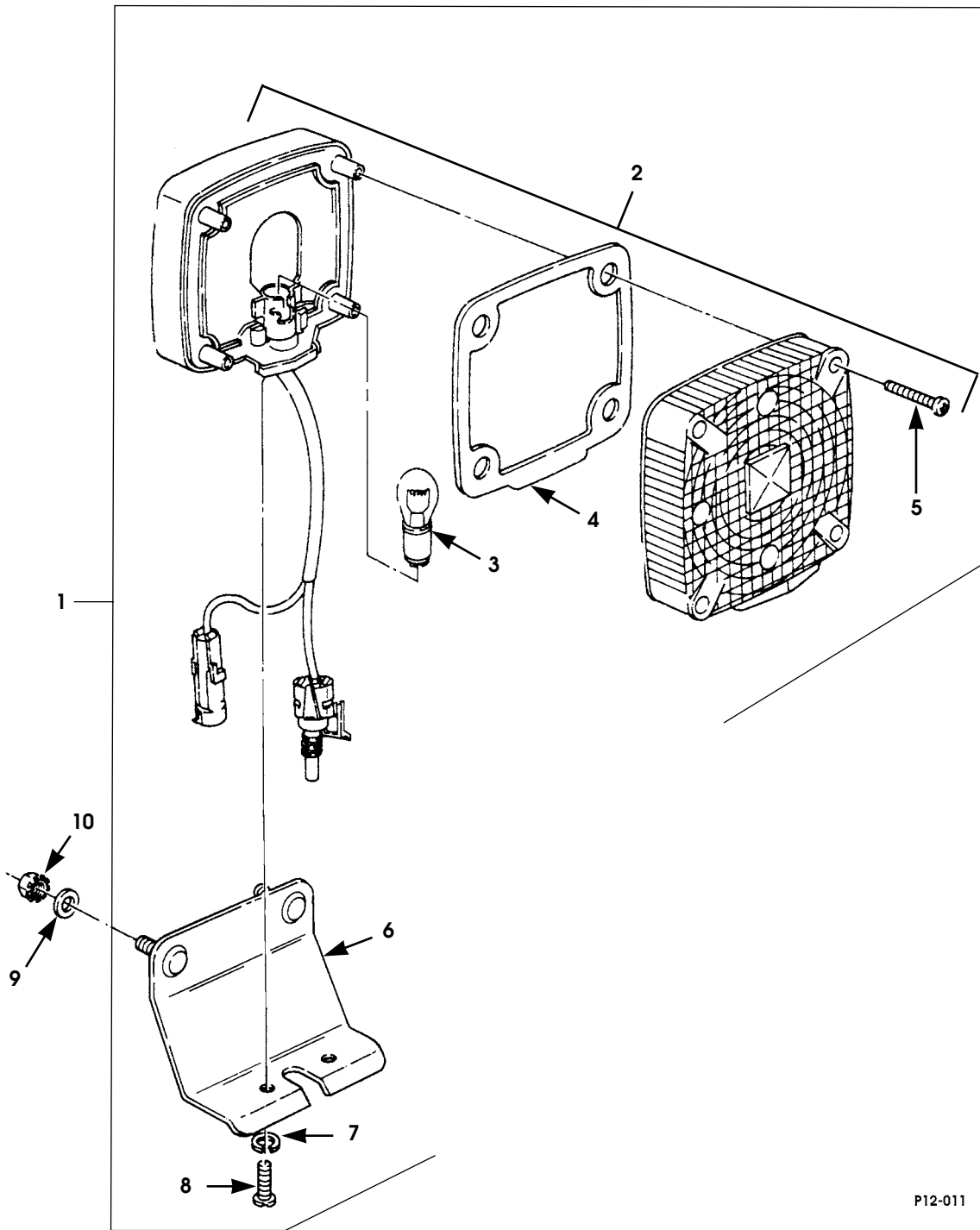
2003 HUMMER H1 PARTS CATALOG

ELECTRICAL 12-25

ITEM	PART NUMBER	DESCRIPTION	QTY
		Figure 12-9. Instrument Panel Cluster. (Cont'd.)	
31	5745551	•PANEL, CTIS, black	1
32	6006604	•SWITCH, CTIS selector	1
33	6006603	•SWITCH, CTIS inflate/deflate.	1
34	MS35206-247P2	SCREW	4
35	6010666	BEZEL END	2
36	6010667	PANEL, blank.	1
37	6010860	SWITCH, wiper/washer	1
38	6010143	SWITCH, fuel tank, main/auxillary.	1
39	6013881	SWITCH, E LOCKER.	1
40	6010091	SWITCH, remote mirror	1
41	6010141	SWITCH, wiper/washer	1
42	5939550	SWITCH, wiper	1
43	5939042	BEZEL, switch bank, end	2
44	5939549	SWITCH, dome lamp 83, 84, 89	1
44	6000895	SWITCH, dome lamp 90	1
45	6010145	MODULE, panel light dimmer.	1
46	5939547	SWITCH, head lamp	1
47	5939042	BEZEL, switch bank, end	2
48	5939043	BEZEL, center, switch bank	1
		NOTE 1: ENGLISH/METRIC. INCLUDES DECAL.	
		NOTE 2: METRIC/ENGLISH. INCLUDES DECAL.	
		NOTE 3: METRIC/AUSTRALIAN. INCLUDE DECAL.	

2003 HUMMER H1 PARTS CATALOG

12-26 ELECTRICAL



P12-011

Figure 12-10. Turn Signal Light and Mounting Hardware, Front.

2003 HUMMER H1 PARTS CATALOG

ELECTRICAL 12-27

ITEM	PART NUMBER	DESCRIPTION	QTY
		Figure 12-10. Turn Signal Light and Mounting Hardware, Front.	
1	5939092	LAMP ASSEMBLY, turn signal	2
2	5939420	•LAMP, turn signal, amber	2
3	S.I.A.	•• BULB (trade #1157).	2
4	S.I.A.	••GASKET	1
5	S.I.A.	••SCREW	4
6	5939093B9	•BRACKET, front turn signal lamp	2
7	S.I.A.	•LOCKWASHER, spring, med, 1/4", ZN	4
8	S.I.A.	•BOLT, 1/4 - 20 x 1/2", Gr5.	4
9	N/S	WASHER, flat, 5/16" (.344"), CAD	4
10	N/S	NUT AND LOCKWASHER ASSEMBLY, 5/16 - 18", Gr5, keps	4

2003 HUMMER H1 PARTS CATALOG

12-28 ELECTRICAL

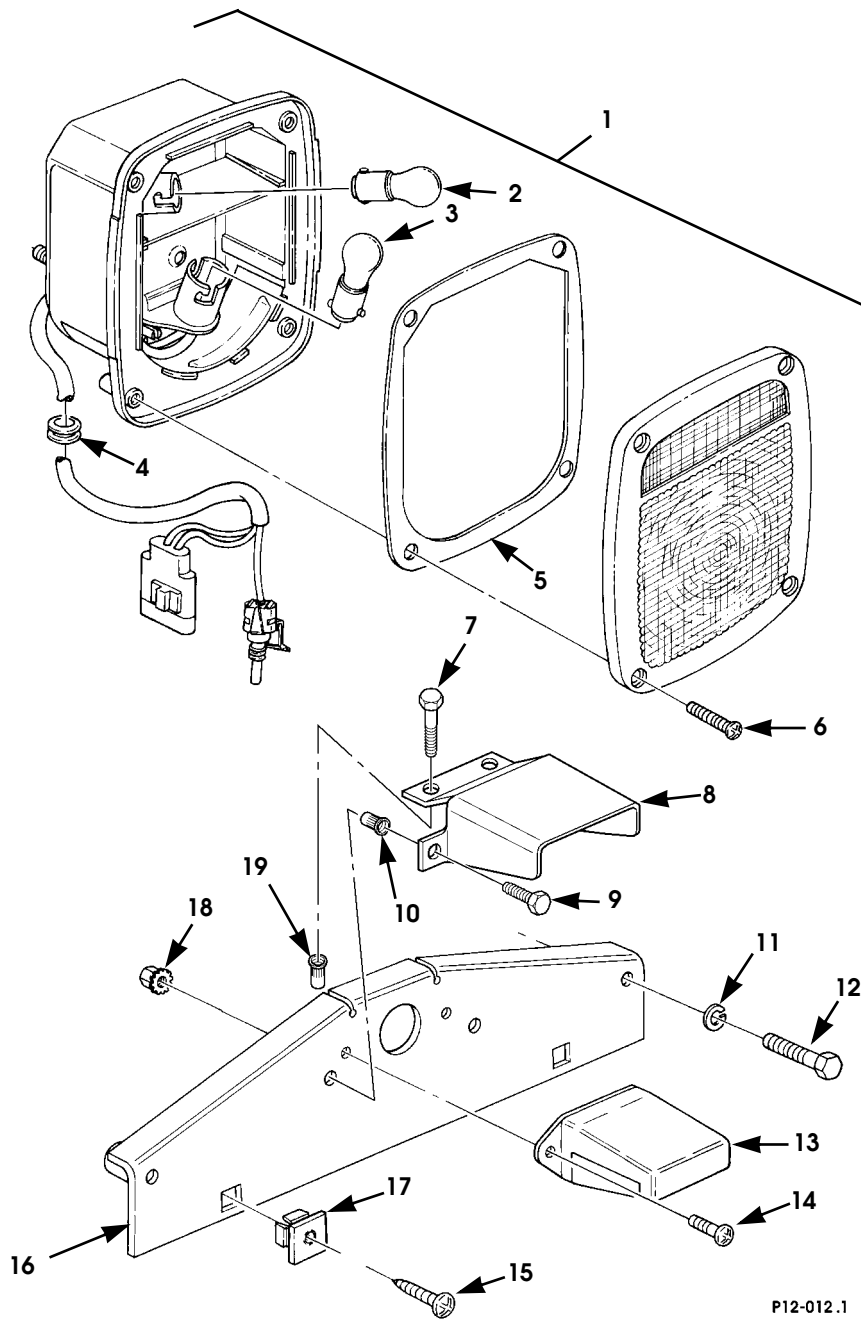


Figure 12-11. Turn Signal Light/Taillight, License Plate Bracket, and Mounting Hardware, Rear.

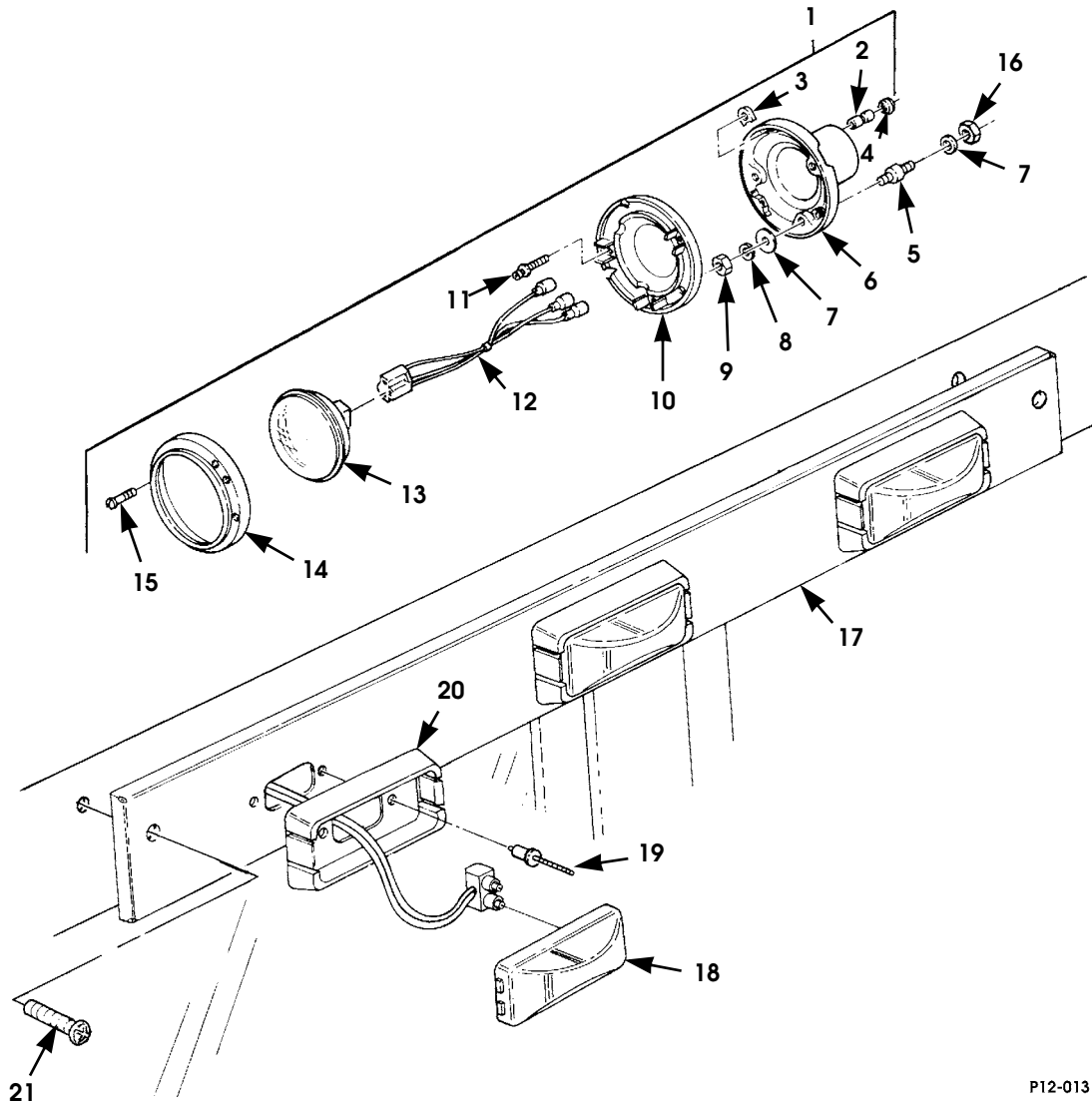
2003 HUMMER H1 PARTS CATALOG

ELECTRICAL 12-29

ITEM	PART NUMBER	DESCRIPTION	QTY
		Figure 12-11. Turn Signal Light/Taillight, License Plate Bracket, and Mounting Hardware, Rear.	
1	5939089	TAILLIGHT ASSEMBLY	2
2	N/S	•BULB, backup (trade #1156).	1
3	N/S	•BULB, stop, turn, taillight (trade #1157)	1
4	MS35489-41	•GROMMET, hole, 3/8 x 1 - 1/4"	1
5	S.I.A.	•GASKET	1
6	S.I.A.	•SCREW	4
7	N/S	SCREW, 1/4 - 20 x 1 - 1/4", protective bracket, from top	2
8	6009594	PROTECTIVE BRACKET, license plate lamp shield	1
9	N/S	SCREW, 1/4 - 20 x 5/8", protective bracket, from rear .	2
10	N/S	NUT INSERT, 1/4 - 20", grip range .080 - .165	2
11	N/S	LOCKWASHER, 1/4"	2
12	N/S	SCREW, tapping, 1/4 - 20 x 1 - 1/4", ZN	2
13	5937030	LAMP ASSEMBLY, license plate	1
14	N/S	SCREW, phcr, #8 - 32 x 1/2", ZN	2
15	N/S	SCREW, 1/4 - 28 x 5/8", ZN	2
16	6009592B9	BRACKET ASSEMBLY, license plate mount	1
17	5939483	GROMMET, square head, license plate bracket	2
18	N/S	NUT AND LOCKWASHER ASSEMBLY, keps, #8 - 32"	2
19	N/S	NUT INSERT, 1/4 - 20", grip range .080 - .260	2

2003 HUMMER H1 PARTS CATALOG

12-30 ELECTRICAL



P12-013

Figure 12-12. Headlight Assembly and Running Lights.

2003 HUMMER H1 PARTS CATALOG

ELECTRICAL 12-31

ITEM	PART NUMBER	DESCRIPTION	QTY
		Figure 12-12. Headlight Assembly and Running Lights.	
1	5938841	HEADLIGHT ASSEMBLY	2
2	8741492	•CONNECTOR, headlight	3
3	8741435	•NUT	2
4	8741442	•GROMMET	3
5	12338607	•ISOLATOR	3
6	5928841	•HEADLAMP HOUSING	1
7	9414920	•WASHER, flat, 1/4"	9
8	N/S	•LOCKWASHER, med, 1/4", ZN	3
9	N/S	•NUT, 1/4 - 28", Gr5, CAD	3
10	8741447	•HEADLAMP MOUNT ASSEMBLY	1
11	7538146	•SCREW, head lamp	2
12	5935897	•HARNES ASSEMBLY, jumper	1
13	5938842	•LAMP, halogen	1
14	8741446	•RETAINING RING	1
15	8741437P2	•SCREW, headlight bezel	3
16	N/S	LOCKNUT, w/washer, keps, 1/4 - 28", ZN, headlight assembly	6
17	5937037	BRACKET ASSEMBLY	1
18	5937027	LAMP, yellow	5
19	M24243/5-A404	RIVET, blind, 1/8" dia.	10
20	5937024	BEZEL, lamp assembly mounting	5
21	N/S	SCREW, phcr, 1/4 - 20 x 1 - 1/4", CAD	2

2003 HUMMER H1 PARTS CATALOG

12-32 ELECTRICAL

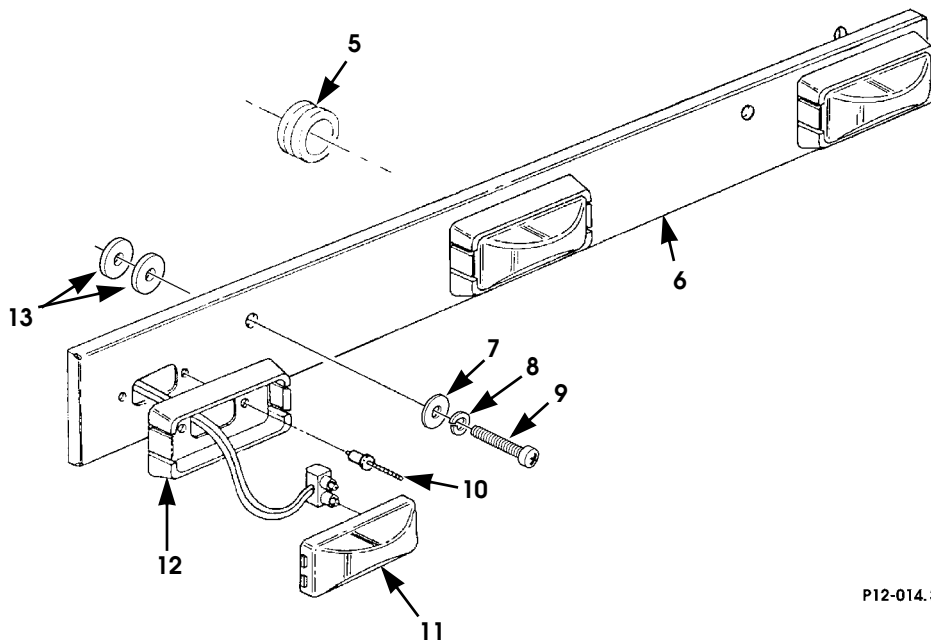
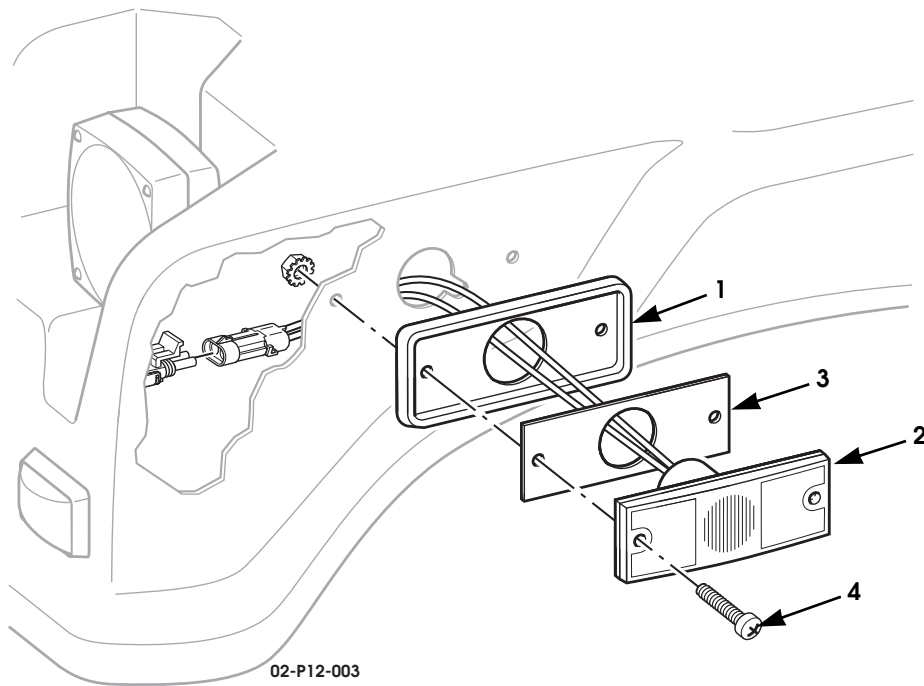


Figure 12-13. Light Assembly, Clearance Marker and Side Marker Light.

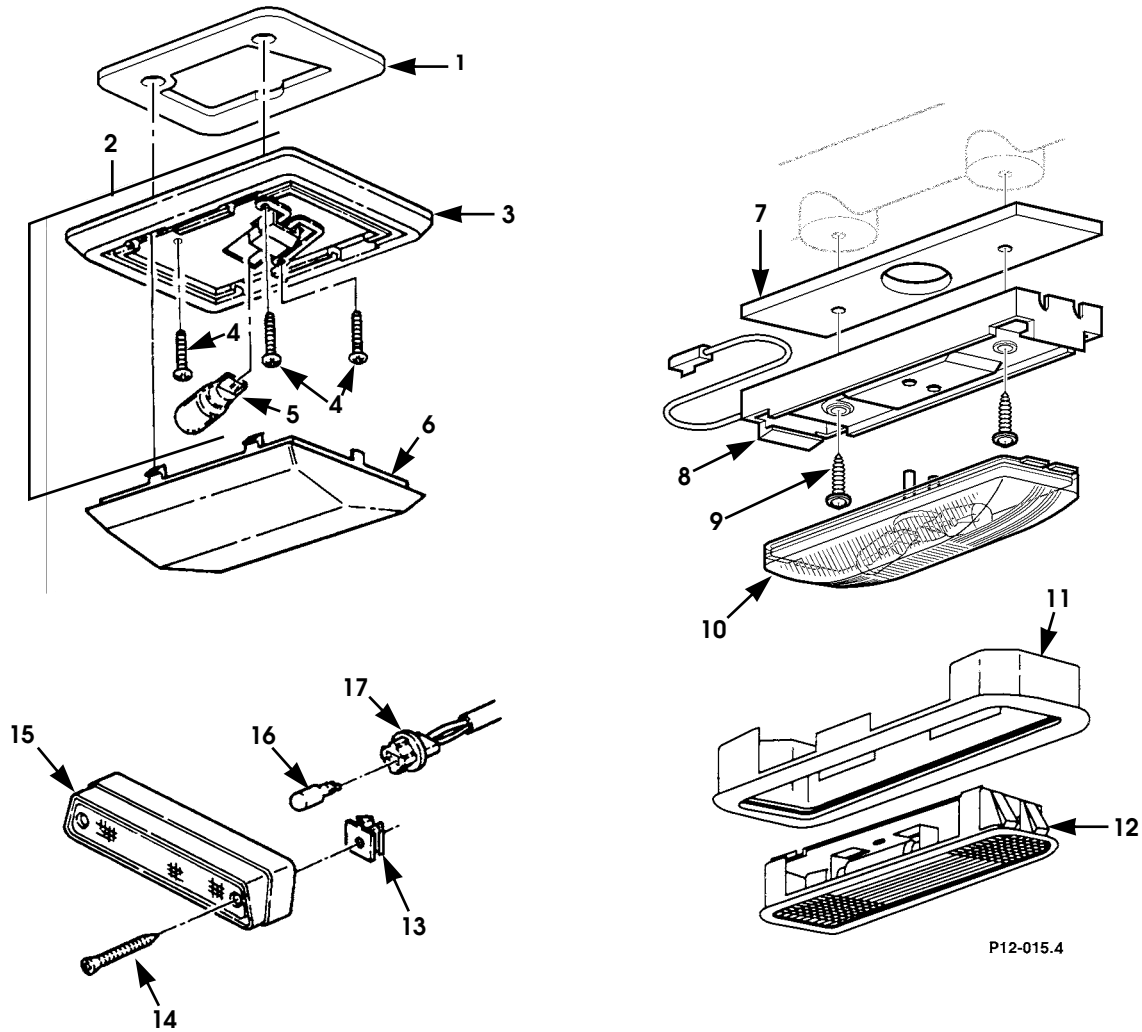
2003 HUMMER H1 PARTS CATALOG

ELECTRICAL 12-33

ITEM	PART NUMBER	DESCRIPTION	QTY
		Figure 12-13. Light Assembly, Clearance Marker and Side Marker Light.	
1	6013030	BEZEL, lamp, marker, front, rear	4
2	6012297	LAMP, marker, front, amber	2
2	6012298	LAMP, marker, rear, red	2
3	S.I.A.	•GASKET, lamp, marker, front, rear	4
4	MS35206-267P2	SCREW, lamp, marker	8
5	6006453	GROMMET 83, 89, 90	1
5	6006827	GROMMET 84	1
6	6007362P	BRACKET ASSEMBLY, rear	1
7	N/S	WASHER, flat, 1/4"	2
8	N/S	LOCKWASHER, 1/4"	2
9	N/S	SCREW, phcr, 1/4 - 20 x 1 - 3/4", CAD	2
10	M24243/5-A404	RIVET	10
11	5937026	LAMP ASSEMBLY, red	5
12	5937024	BEZEL, lamp assembly mounting	5
13	12339433P2	FLAT WASHER	4

2003 HUMMER H1 PARTS CATALOG

12-34 ELECTRICAL



P12-015.4

Figure 12-14. Lights, Interior Dome.

2003 HUMMER H1 PARTS CATALOG

ELECTRICAL 12-35

ITEM	PART NUMBER	DESCRIPTION	QTY
		Figure 12-14. Lights, Interior Dome.	
1	6003013	GASKET, dome light, overhead console, SEE NOTE 1 . . . 83, 84	1
2	5939057	DOMELAMP ASSEMBLY, standard 89	1
2	5939057	DOMELAMP ASSEMBLY, standard 83	2
2	5939057	DOMELAMP ASSEMBLY, standard 84	3
3	S.I.A.	BASE, dome light 89	1
3	S.I.A.	BASE, dome light 83	2
3	S.I.A.	BASE, dome light 84	3
4	S.I.A.	•SCREW 89	3
4	S.I.A.	•SCREW 83	6
4	S.I.A.	•SCREW 84	9
5	S.I.A.	•LAMP (trade #912) 89	1
5	S.I.A.	•LAMP (trade #912) 83	2
5	S.I.A.	•LAMP (trade #912) 84	3
6	5939652	LENS, dome lamp 89	1
6	5939652	LENS, dome lamp 83	2
6	5939652	LENS, dome lamp 84	3
7	6009494	SUPPORT, dome lamp 90	1
8	6009496	BASE, dome light 90	1
9	N/S	SCREW, tapping, #8 - 32 x 3/4" 90	2
10	6009495	DOMELAMP lens, 90	1

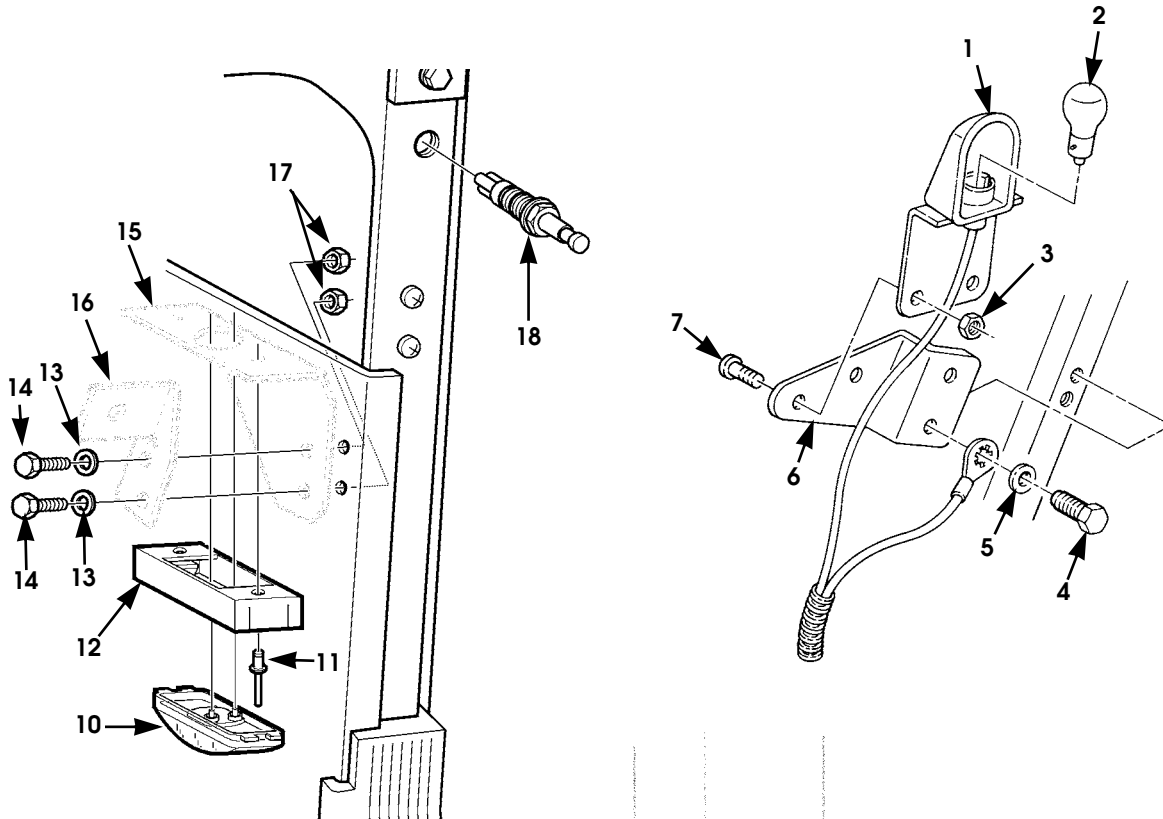
2003 HUMMER H1 PARTS CATALOG

12-36 ELECTRICAL

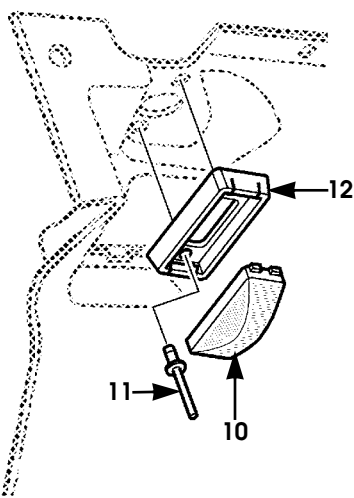
ITEM	PART NUMBER	DESCRIPTION	QTY
		Figure 12-14. Lights, Interior Dome. (Cont'd.)	
11	6004087	BEZEL, map light 89	2
11	6004087	BEZEL, map light 83, 84	4
12	6004088	LIGHT, assembly, map 89	2
12	6004088	LIGHT, assembly, map 83, 84	4
13	5939659	GROMMET 83, 89	2
14	S.I.A.	SCREW, tapping, #8 - 32 x 1 - 1/2" 83, 89	2
15	6000894	CARGO LAMP ASSEMBLY 83, 89	1
16	S.I.A.	LAMP (trade #912) 83, 89	1
17	6000893	WIRING AND SOCKET ASSEMBLY 83, 89	1
		NOTE 1: FOR USE ON VEHICLES WITH DELUXE RADIO.	

2003 HUMMER H1 PARTS CATALOG

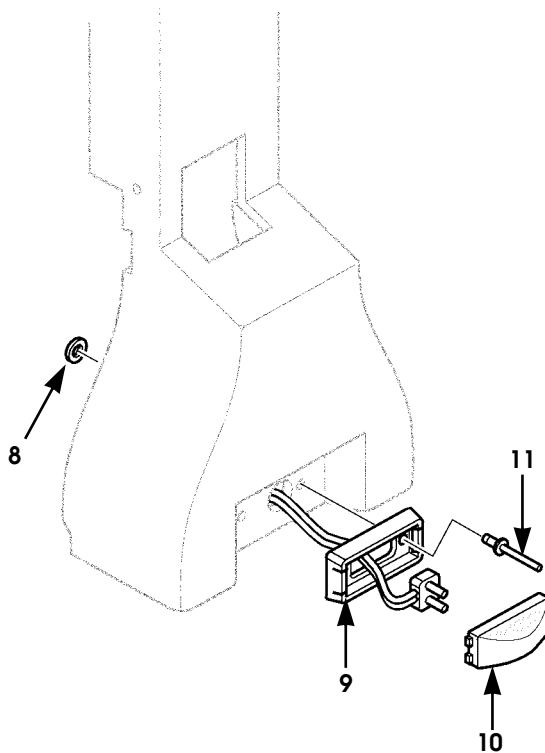
12-38 ELECTRICAL



PASSENGER'S SIDE



DRIVER'S SIDE



P12-016.2

Figure 12-15. Lights (Courtesy), Underhood Light, and Door Jamb Switch.

2003 HUMMER H1 PARTS CATALOG

ELECTRICAL 12-39

ITEM	PART NUMBER	DESCRIPTION	QTY
		Figure 12-15. Lights (Courtesy), Underhood Light, and Door Jamb Switch.	
1	5939456	LAMP ASSEMBLY, underhood	1
2	N/S	BULB (trade #93)	1
3	271169	NUT, #10 - 32", underhood lamp bracket	2
4	N/S	SCREW, tapping, #10 - 32 x 5/8"	2
5	MS27183-8	WASHER	2
6	5939819	BRACKET, underhood lamp	1
7	N/S	SCREW, #10 - 32 x 1/2", underhood lamp bracket.	2
8	MS27183-8	WASHER	2
9	5937024	BEZEL, lamp assembly mounting	1
10	5939309	LAMP ASSEMBLY	1
11	N/S	RIVET, 1/8" dia., blind.	2
12	5937024	BEZEL, lamp assembly mounting	1
13	N/S	WASHER, flat, hardened, 1/4", type B	2
14	N/S	BOLT, 1/4 - 20 x 1 - 1/2", Gr8, CAD	2
15	6000093B9	BRACKET, courtesy lamp mounting.	1
16	6009524B9	BRACKET, upper, closeout panel	1
17	N/S	WELDNUT, 1/4 - 20", Gr8, CAD	2
18	5939088	SWITCH ASSEMBLY, door jamb	4
		83, 90	
18	5939088	SWITCH ASSEMBLY, door jamb	2
		89	
18	5939088	SWITCH ASSEMBLY, door jamb	5
		84	

2003 HUMMER H1 PARTS CATALOG

12-40 ELECTRICAL

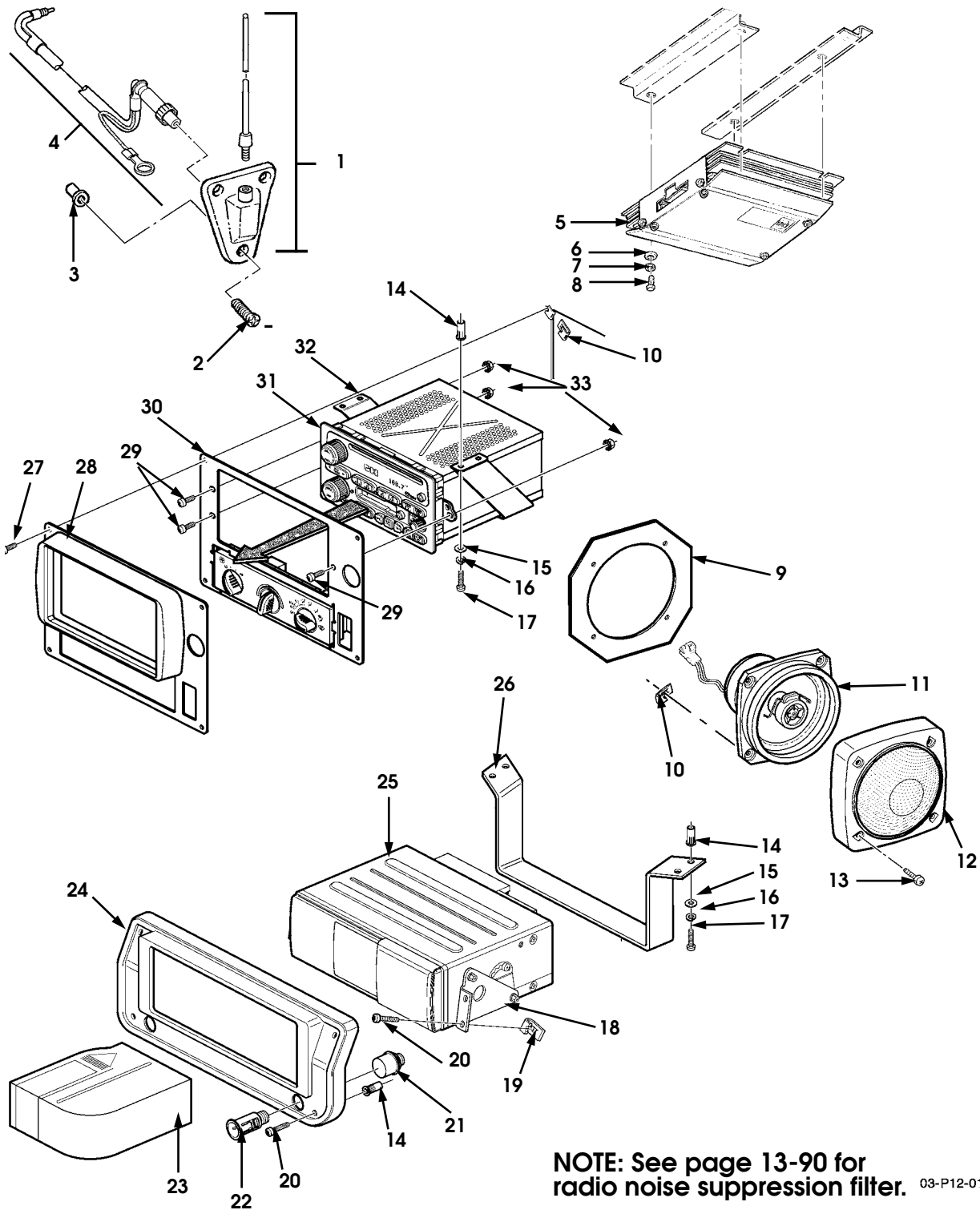
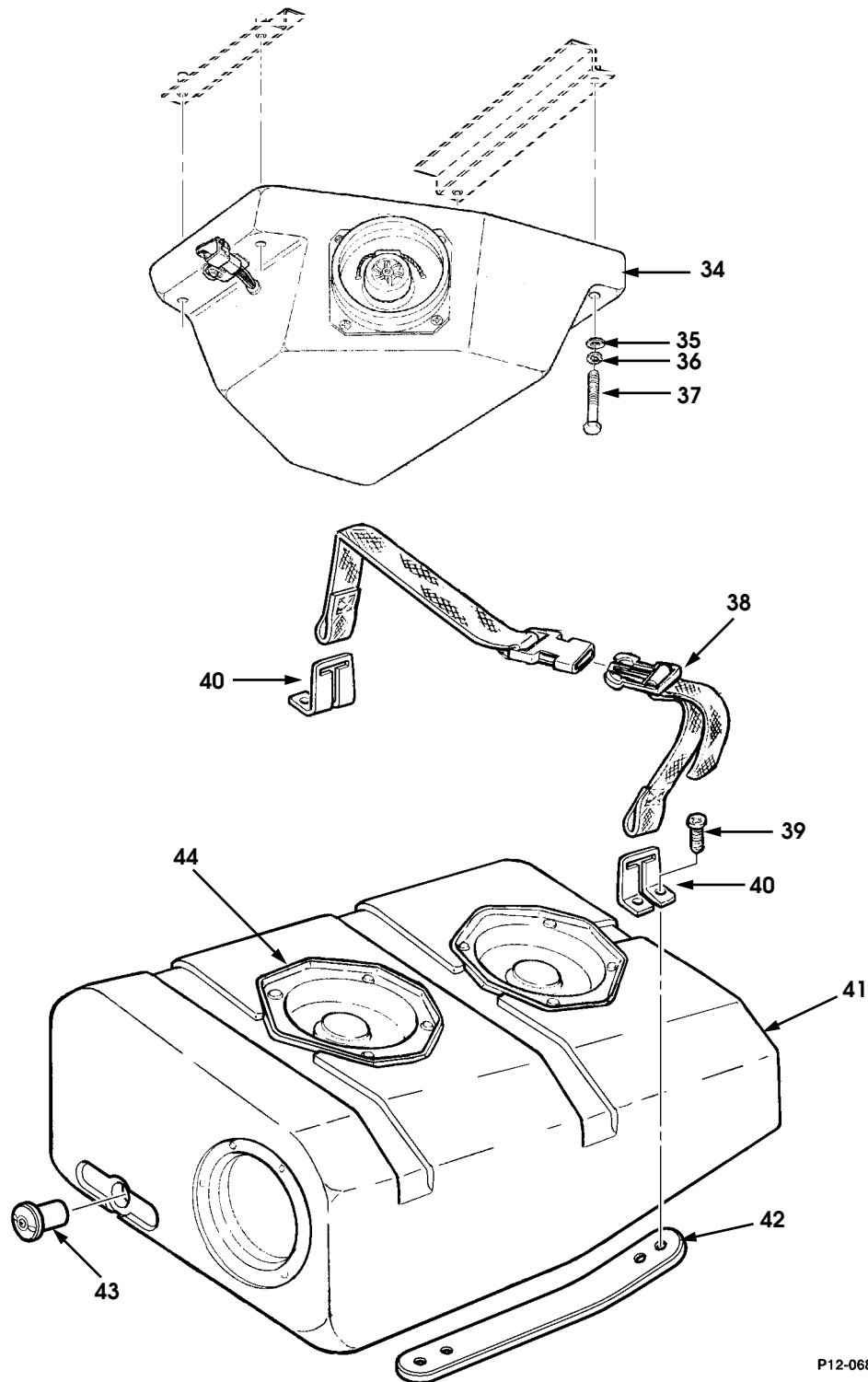


Figure 12-16. Stereo, Speakers, and Mounting Hardware, Standard and Monsoon (Delco).
(Sheet 1 of 2)

2003 HUMMER H1 PARTS CATALOG

ELECTRICAL 12-41



P12-068 .1

Figure 12-16. Stereo, Speakers, and Mounting Hardware, Standard and Monsoon.
(Sheet 2 of 2)

2003 HUMMER H1 PARTS CATALOG

12-42 ELECTRICAL

ITEM	PART NUMBER	DESCRIPTION	QTY
		Figure 12-16. Stereo, Speakers, and Mounting Hardware, Standard and Monsoon (Delco).	
1	6009394	ANTENNA AND BASE ASSEMBLY	1
2	N/S	SCREW, phcr #8 - 32 x 1/2", ZN, radio antenna base	3
3	6000337	NUT INSERT	1
4	6014283	CABLE ASSEMBLY, antenna-to-radio	1
5	6010850	AMPLIFIER, Monsoon 83, 84, 90	1
6	N/S	WASHER, flat, #10, amplifier	4
7	N/S	WASHER, lock, #10, med, ZN, amplifier	4
8	MS51849-76	BOLT	1
9	6009187	BACKING PLATE, speaker 90	2
10	12341352	J-CLIP (four for each speaker)	4
11	6009152	SPEAKER ASSEMBLY, 5-1/2" standard system. 83, 84, 89, 90	4
11	6009152	SPEAKER ASSEMBLY, 5-1/2", Monsoon system 83, 84	6
12	6009153	SPEAKER GRILL, standard 83, 84, 89, 90	4
12	6009154	SPEAKER GRILL, Monsoon 83, 84	6
13	159701P2	SCREW, phcr, #8 - 32 x 1 - 1/4", CAD (four for each speaker grill)	4
14	12339998-14	PLUS NUT, #10-32.	8
15		LOCK WASHER, #10	8
16	N/S	WASHER, flat, #10	4
17	N/S	SCREW, phcr, #10 - 32 x 3/4"	8
18	6013791	BRACKET, CD changer, R.H.,	1
18	6013790	BRACKET, CD changer, L.H.,	1
19	6001894	SPEED NUT, "j" type	1
20	N/S	SCREW, #10 - 16 x 7/8"	4
21	5939557	CLAMP SHELL, lighter	2
22	5939559	SOCKET, cigar lighter	2
23	5745565	MAGAZINE, 12-CD,	1
24	6013721	BEZEL, CD changer,	1
25	6013771	CD CHANGER, 12 Disc.	1
26	6013723	BRACKET, CD changer.	1
27	N/S	SCREW, #10 - 16 X 3/4"	4
28	6013716	BEZEL, radio/HVAC	1

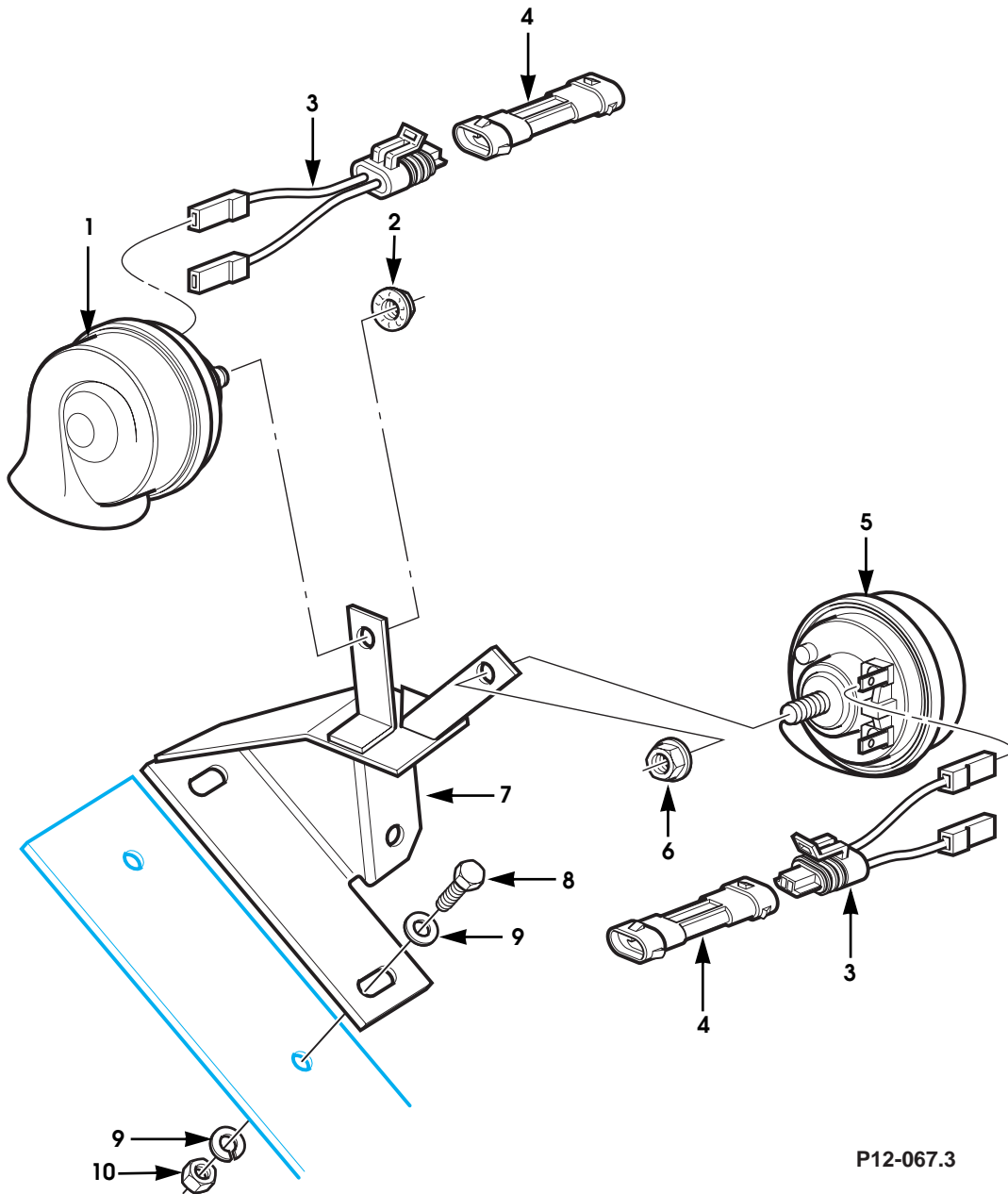
2003 HUMMER H1 PARTS CATALOG

ELECTRICAL 12-43

ITEM	PART NUMBER	DESCRIPTION	QTY
		Figure 12-16. Stereo, Speakers, and Mounting Hardware, Standard and Monsoon (Delco).	
29	N/S	SCREW, 1/4 - 20 x 5/8", phil.	3
30	6013788	RETAINER, radio/HVAC	1
31	6013719	RADIO HEAD UNIT, standard.	1
31	6013720	RADIO HEAD UNIT, dual play back, Monsoon	1
		83, 84, 90	
32	6013789	BRACKET, radio support	1
33	N/S	KEPS NUT, 1/4 - 20", Gr 2	3
34	6009135	OVERHEAD CONSOLE SPEAKER ENCLOSURE, Monsoon	
		83, 84	1
35	N/S	WASHER, flat, #10, overhead console speaker	
		enclosure	4
36	N/S	WASHER, lock, #10, med, ZN, overhead console speaker	4
37	N/S	BOLT, 2 - 20 x 1/4"	4
38	6009173	STRAP, subwoofer, Monsoon	2
		83, 84	
39	N/S	SCREW, phcr, #10 - 24 x 3/4"	8
40	6009172	BRACKET, subwoofer, Monsoon	4
		83, 84	
41	6009151	SUBWOOFER, Monsoon	1
		83, 84	
42	6009803	PANEL, closeout, subwoofer mounting	1
		83, 84	
43	12340000	DRAIN PLUG, subwoofer, Monsoon	1
		83, 84	
44	5744822	•SPEAKER, 6" subwoofer.	2
		83, 84	

2003 HUMMER H1 PARTS CATALOG

12-44 ELECTRICAL



P12-067.3

Figure 12-17. Dual Horns.

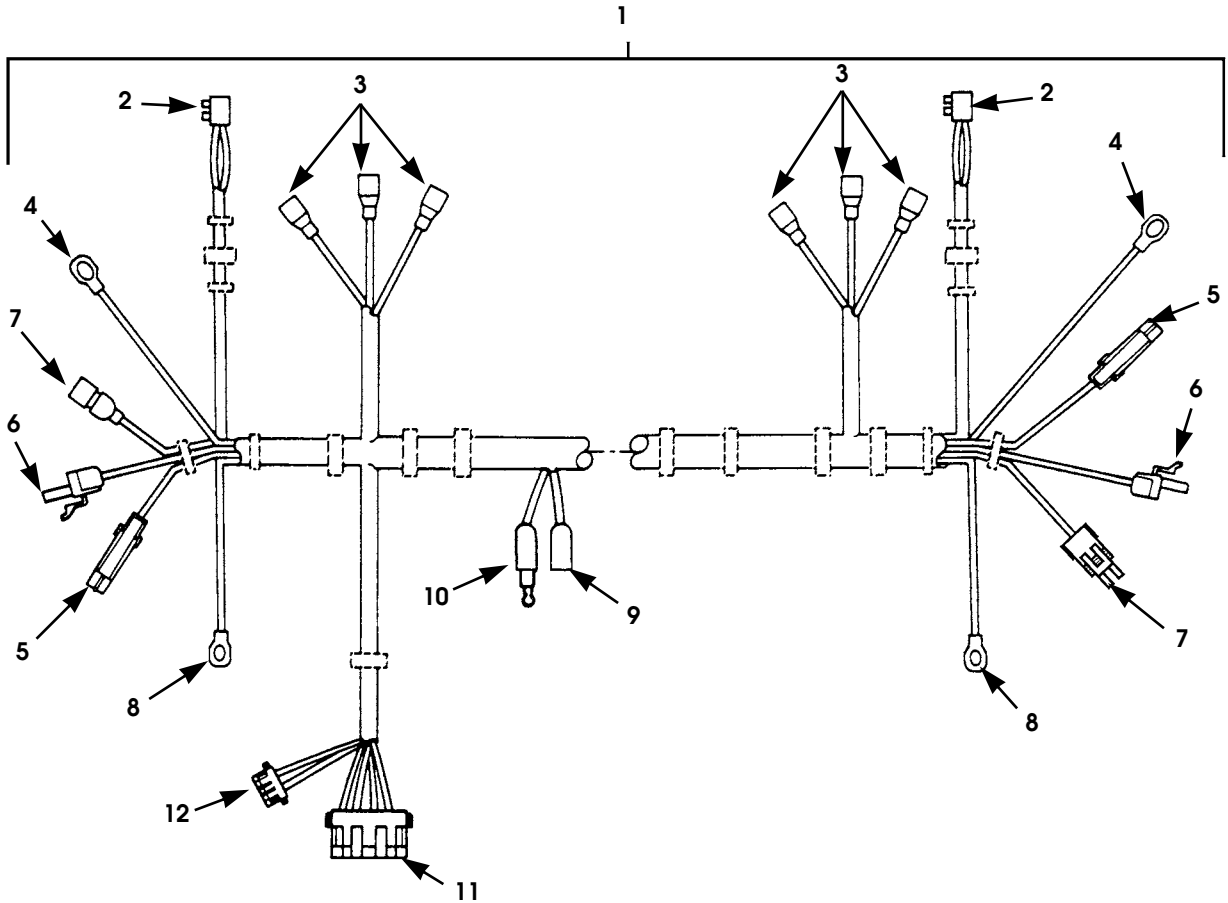
2003 HUMMER H1 PARTS CATALOG


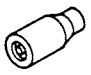

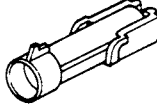
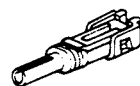
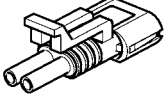



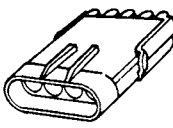
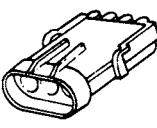
ELECTRICAL 12-45

ITEM	PART NUMBER	DESCRIPTION	QTY
		Figure 12-17. Dual Horns.	
1	6010950	HORN, 400 Hz	1
2	S.I.A.	•LOCKNUT	1
3	6010952	JUMPER, horn	2
4	6010951	ADAPTER, female-to-female.	2
5	6010949	HORN, 500 Hz	1
6	S.I.A.	•LOCKNUT	1
7	6007345	BRACKET ASSEMBLY, horn/cruise actuator mounting	1
8	N/S	BOLT, 1/4 - 20 x 3/4", Gr5, CAD	2
9	N/S	WASHER, flat, hard, 1/4", type B	4
10	N/S	LOCKNUT, 1/4 - 20", Gr8	2

2003 HUMMER H1 PARTS CATALOG

ELECTRICAL 12-47



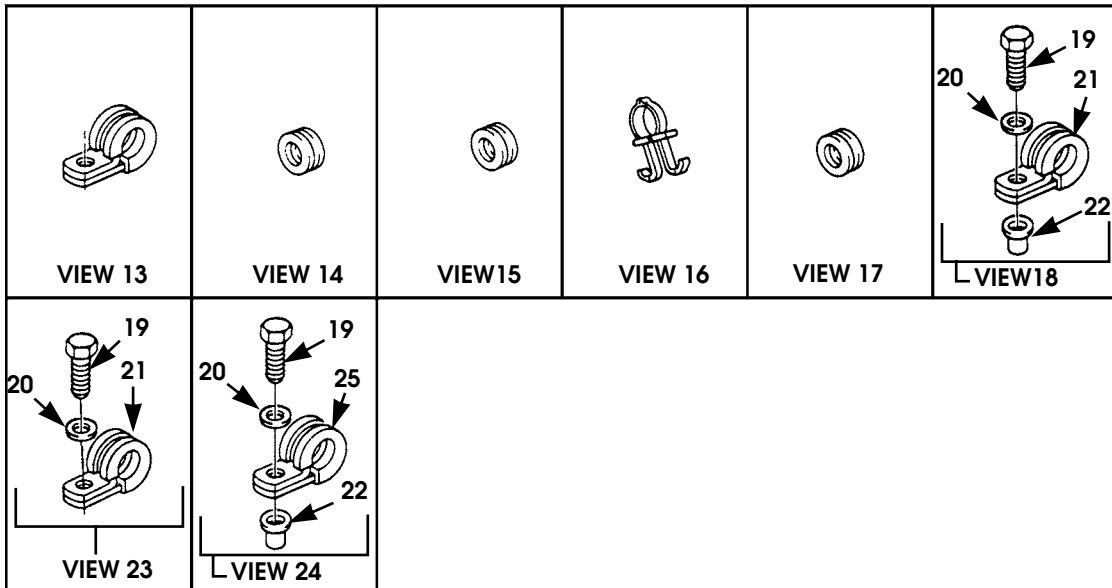
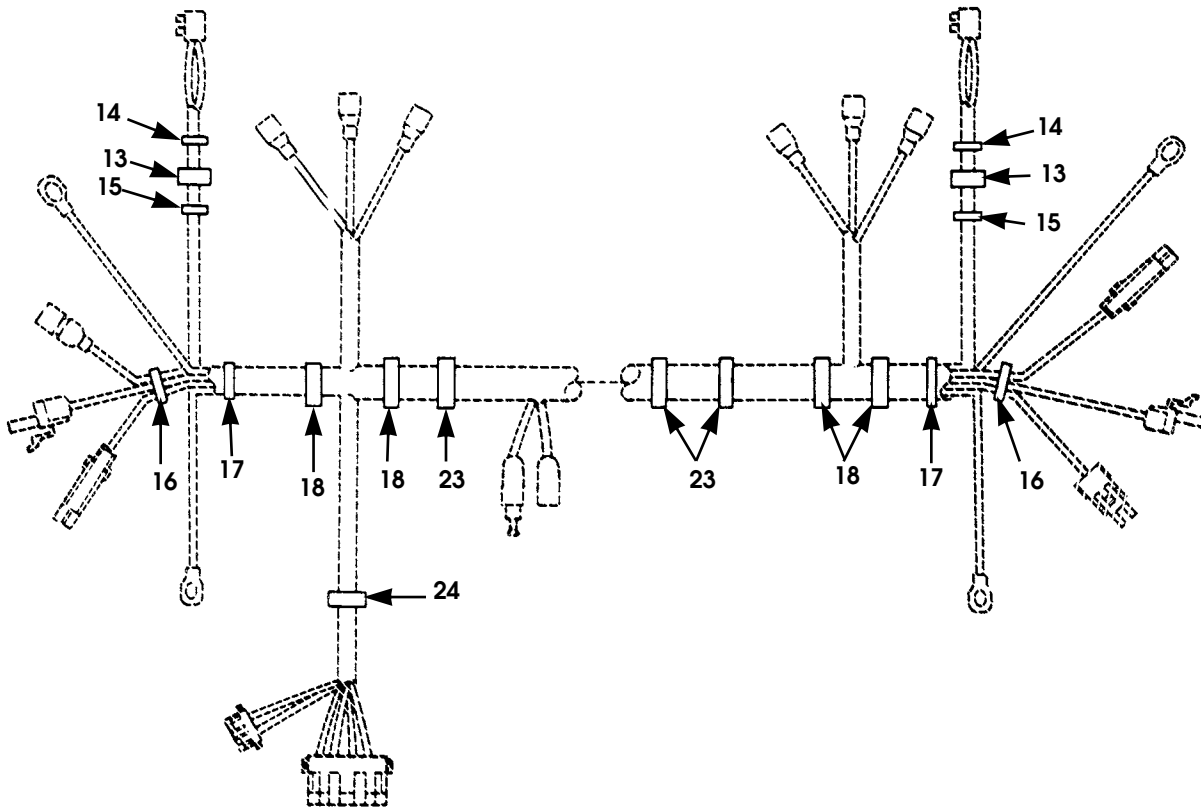
					
VIEW 2	VIEW 3	VIEW 4	VIEW 5	VIEW 6	VIEW 7
					
VIEW 8	VIEW 9	VIEW 10	VIEW 11	VIEW 12	

02-P12-004

Figure 12-18. Hood Wiring Harness.
(Sheet 1 of 2).

2003 HUMMER H1 PARTS CATALOG

12-48 ELECTRICAL



02-P12-005

Figure 12-18. Hood Wiring Harness
(Sheet 2 of 2).

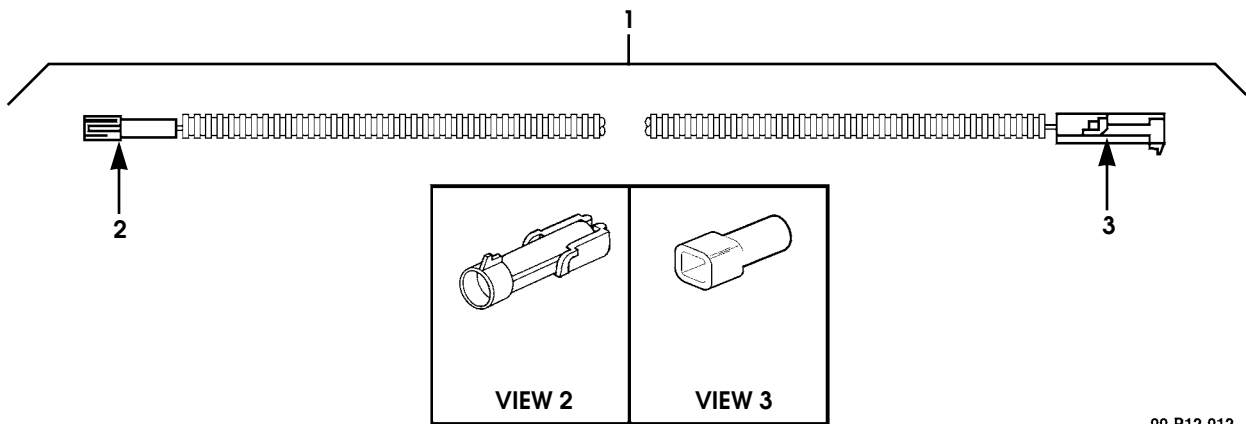
2003 HUMMER H1 PARTS CATALOG

ELECTRICAL 12-49

ITEM	PART NUMBER	DESCRIPTION	QTY
		Figure 12-18. Hood Wiring Harness.	
1	6012288	HOOD WIRING HARNESS	1
2	5937021	•CONNECTOR, clearance lamps	2
3	MS27142-2	•CONNECTOR PLUG, left and right head lamp.	6
4	N/S	•TERMINAL LUG, parking lamp ground.	2
5	5939236	•CONNECTOR PLUG, turn signal lamp	2
6	5939237	•CONNECTOR PLUG, park light	2
7	6003280	•CONNECTOR PLUG, marker lamp	2
8	N/S	•TERMINAL LUG, marker lamp ground	2
9	N/S	•CONNECTOR PLUG, under hood lamp.	1
10	N/S	•CONNECTOR, under hood lamp.	1
11	5995732	•CONNECTOR PLUG, to body harness	1
12	5939582	•CONNECTOR PLUG, under hood lamp.	1
13	MS21333-99	CLAMP, wiring harness, 1/4"	2
14	MS35489-10S	GROMMET, wiring harness	2
15	MS35489-39S	GROMMET, wiring harness	2
16	12340573	CLIP, harness mounting	2
17	MS35489-48S	GROMMET, wiring harness	2
18	N/S	CLAMP ASSEMBLY, 1/2", w/wellnut.	3
19	N/S	•SCREW, harness clamps, 1/4 - 20 x 7/8", Gr5, CAD, SEE NOTE 1	6
20	N/S	•WASHER, harness clamps 1/4" CAD, SAE flat, SEE NOTE 1	6
21	N/S	•CLAMP, wiring harness 1/2" cushioned, SEE NOTE 2	4
22	12339397-4	•WELLNUT, wiring harness, SEE NOTE 3	5
23	N/S	CLAMP, 1/2", w/o wellnut	2
24	N/S	CLAMP, 3/8"	1
25	N/S	•CLAMP, wiring harness, 3/8", cushioned	1
		NOTE 1: USE ONE PER ITEMS 18, 23, & 24.	
		NOTE 2: USE ONE PER ITEMS 18 & 23.	
		NOTE 3: USE ONE PER ITEMS 18 & 24.	

2003 HUMMER H1 PARTS CATALOG

12-50 ELECTRICAL



00-P12-012

Figure 12-19. Roof Wiring Harness, Open Top.

2003 HUMMER H1 PARTS CATALOG

ELECTRICAL 12-51

ITEM	PART NUMBER	DESCRIPTION	QTY
		Figure 12-19. Roof Wiring Harness, Open Top.	
1	6010672	JUMPER HARNESS ASSEMBLY, dome lamp, open body	1
2	6004020	•CONNECTOR, jumper harness to dome lamp	1
3	5939237	•CONNECTOR, jumper harness to roof wiring harness	1

2003 HUMMER H1 PARTS CATALOG

12-52 ELECTRICAL

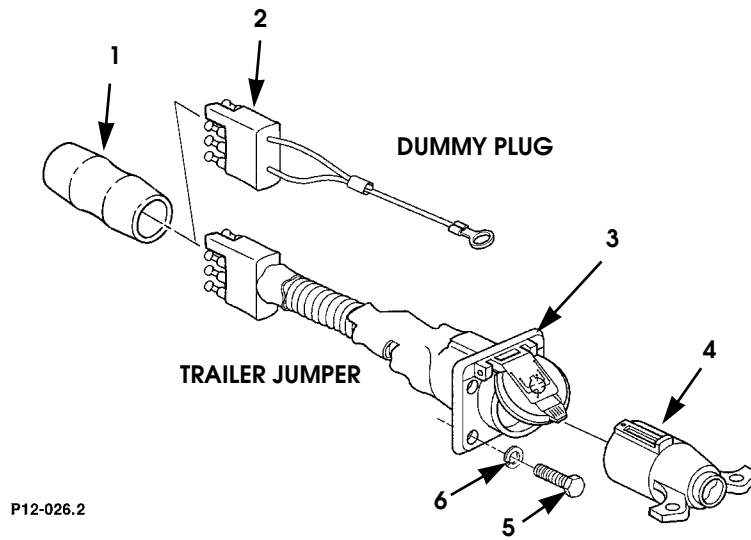


Figure 12-20. Trailer Towing Wiring.

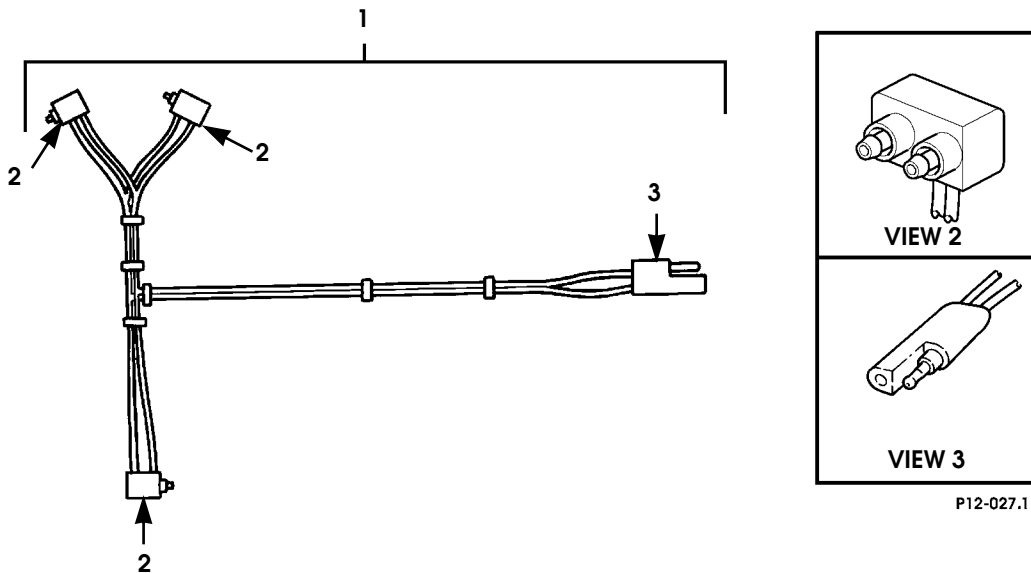
2003 HUMMER H1 PARTS CATALOG

ELECTRICAL 12-53

ITEM	PART NUMBER	DESCRIPTION	QTY
		Figure 12-20. Trailer Towing Wiring.	
1	6002920	SHRINK TUBING	1
2	5937211	PLUG, dummy, trailer jumper harness, with tether	1
3	6008780	TRAILER JUMPER HARNESS ASSEMBLY	1
4	6008827	HARNESS ASSEMBLY, trailer plug	1
5	N/S	SCREW, mach, 1/4 - 20 x 1", Gr8, CAD	4
6	N/S	LOCKWASHER, med, 1/4", ZN	4

2003 HUMMER H1 PARTS CATALOG

12-54 ELECTRICAL



P12-027.1

Figure 12-21. Identification Lamp Assembly Jumper.

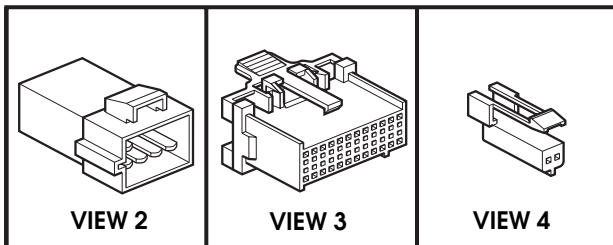
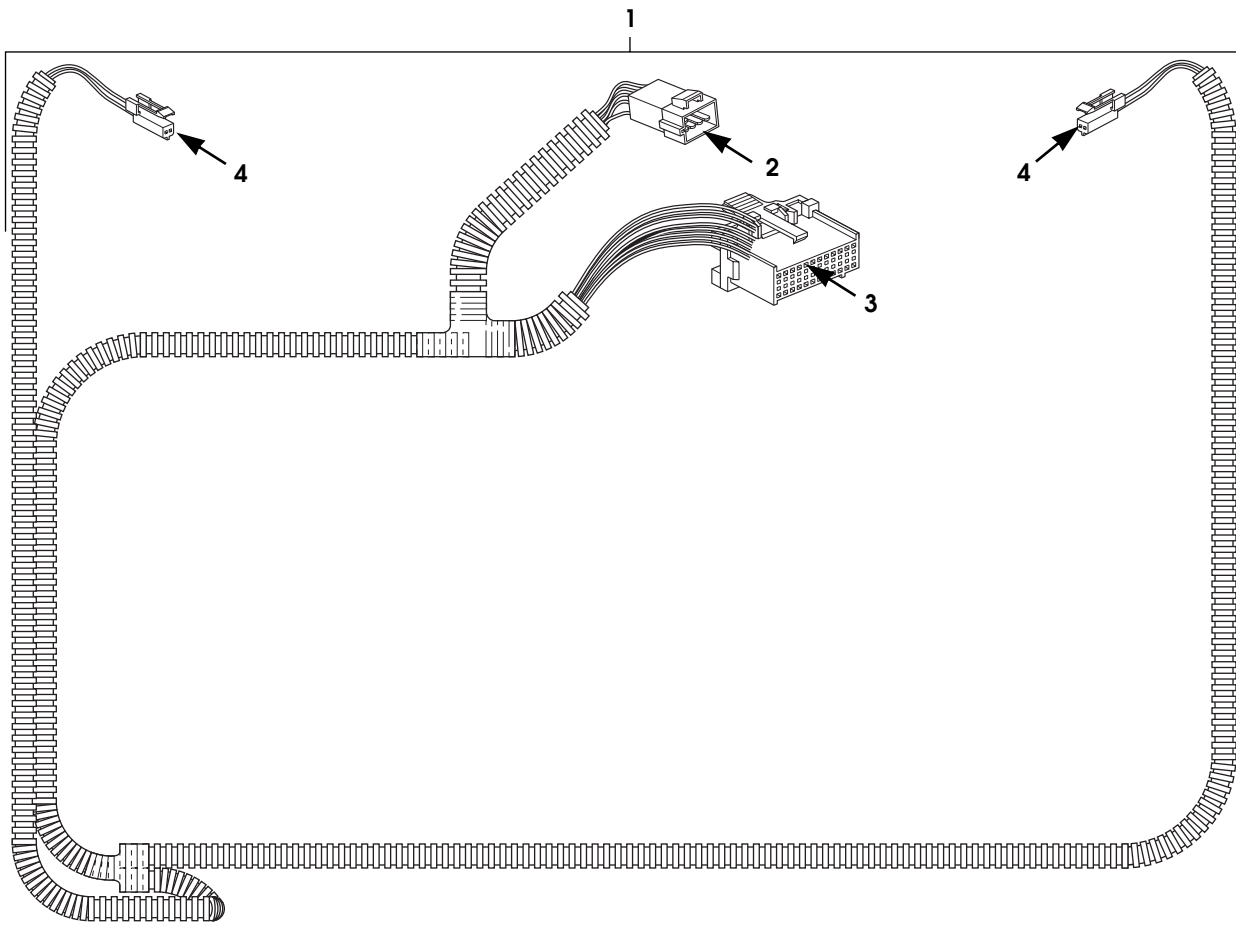
2003 HUMMER H1 PARTS CATALOG

ELECTRICAL 12-55

ITEM	PART NUMBER	DESCRIPTION	QTY
		Figure 12-21. Identification Lamp Assembly Jumper.	
1	5936493	IDENTIFICATION LAMP JUMPER HARNESS, front	1
1	6000082	IDENTIFICATION LAMP JUMPER HARNESS, rear	1
2	5937039	•CONNECTOR, lamp.	3
3	N/S	•INSULATOR, mold on	1

2003 HUMMER H1 PARTS CATALOG

12-56 ELECTRICAL



03-P12-003

Figure 12-22. Delco Standard Stereo Harness Two-Speaker, Two-Door, Model 89.

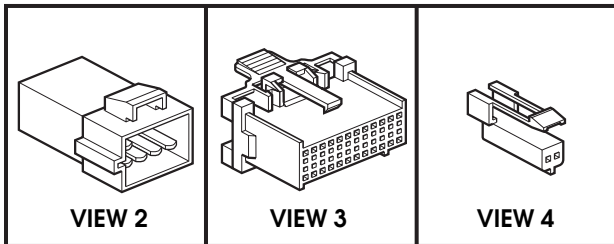
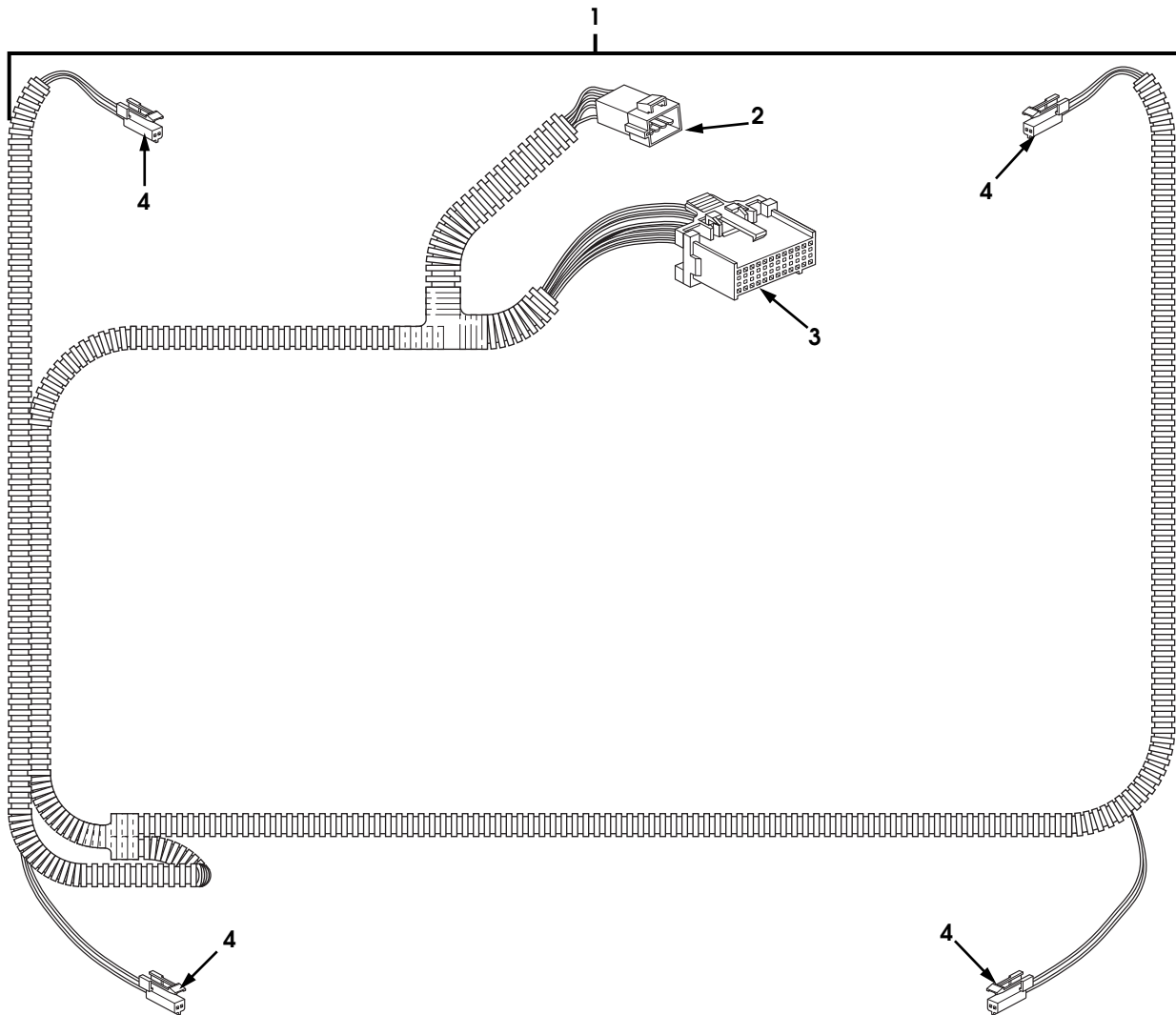
2003 HUMMER H1 PARTS CATALOG

ELECTRICAL 12-57

ITEM	PART NUMBER	DESCRIPTION	QTY
		Figure 12-22. Delco Standard Stereo Harness Two-Speaker, Two-Door, Model 89.	
1	6013983	HARNESS ASSEMBLY, Delco standard stereo, two-speaker	1
2	6008670	•CONNECTOR, 8-way, to cross-body harness	1
3	6013986	•CONNECTOR, 24-way, radio	1
4	6009363	•CONNECTOR, 2-way, speaker	2

2003 HUMMER H1 PARTS CATALOG

12-58 ELECTRICAL



03-P12-001

Figure 12-23. Delco Standard Stereo Harness, Four-Speaker, Hard Top, Models 83 & 84.

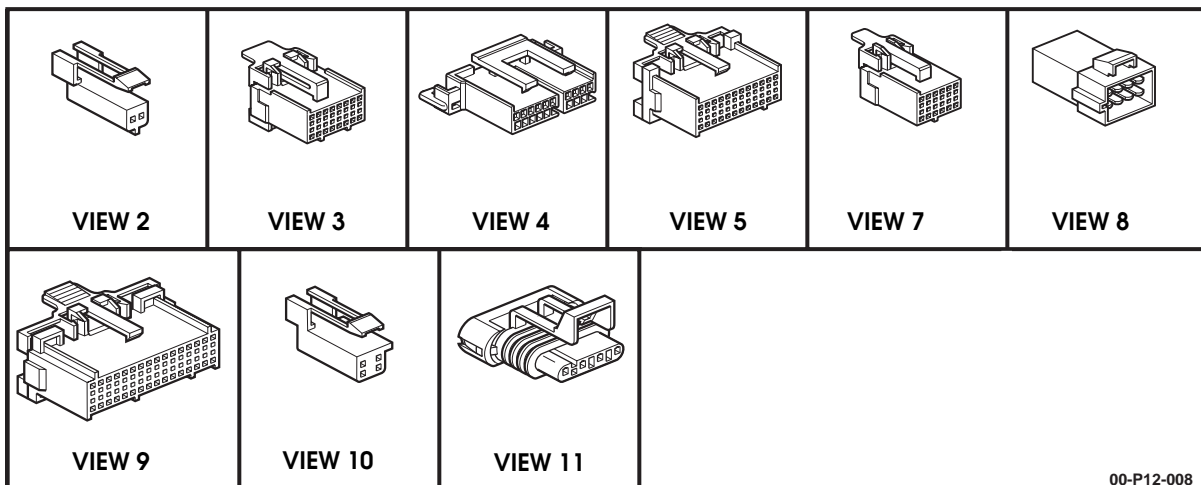
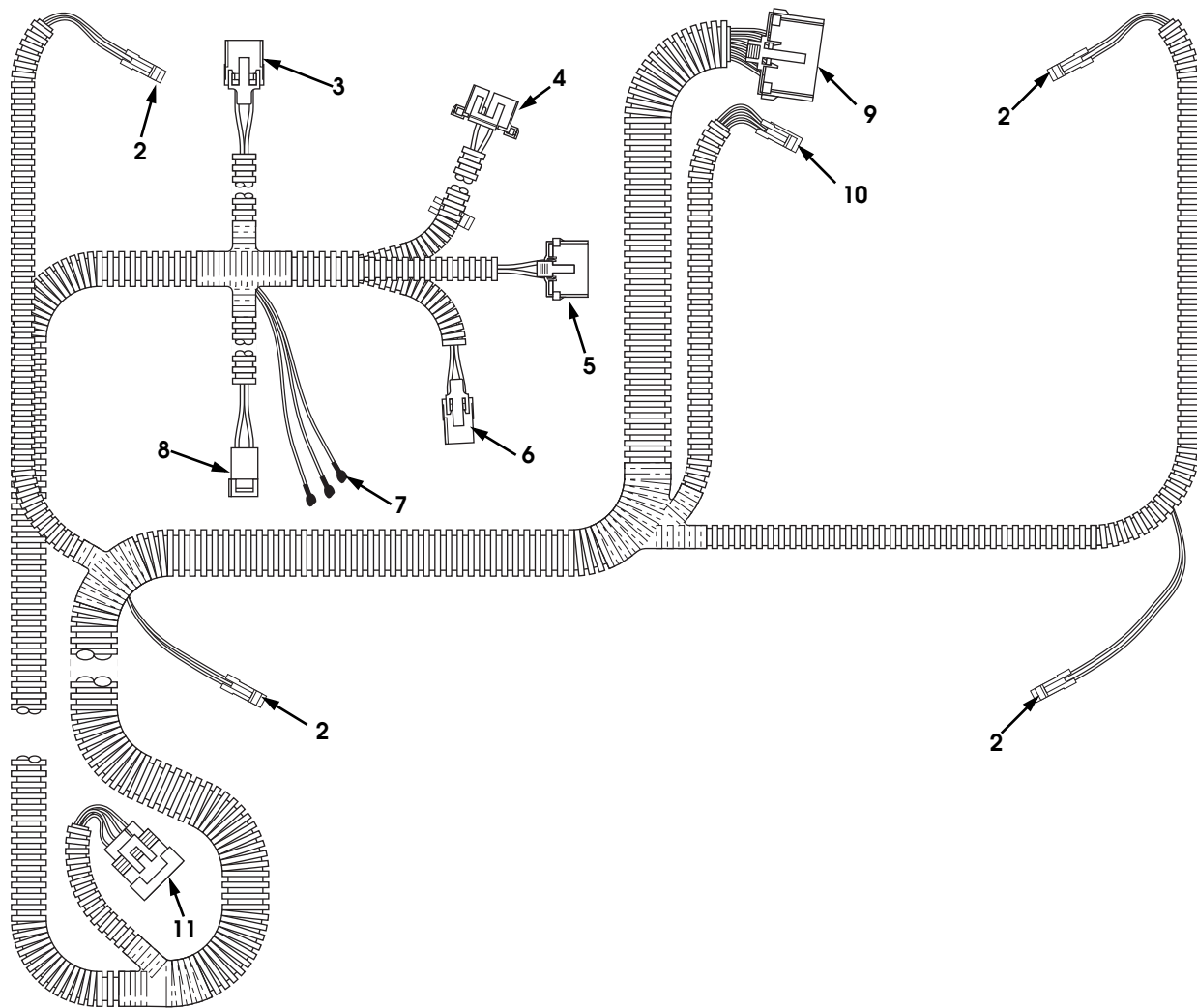
2003 HUMMER H1 PARTS CATALOG

ELECTRICAL 12-59

ITEM	PART NUMBER	DESCRIPTION	QTY
		Figure 12-23. Delco Standard Stereo Harness, Four-Speaker, Hard Top, Models 83 & 84.	
1	6013984	HARNESS ASSEMBLY, Delco standard stereo, four-speaker, hard top	1
2	6008670	•CONNECTOR, 8-way, to cross-body harness	1
3	6013986	•CONNECTOR, 24-way, to radio	1
4	6009363	•CONNECTOR, 2-way, to speaker	4

2003 HUMMER H1 PARTS CATALOG

12-60 ELECTRICAL



00-P12-008

Figure 12-24. Delco Monsoon Stereo System Harness, Hard Top, Models 83 & 84.

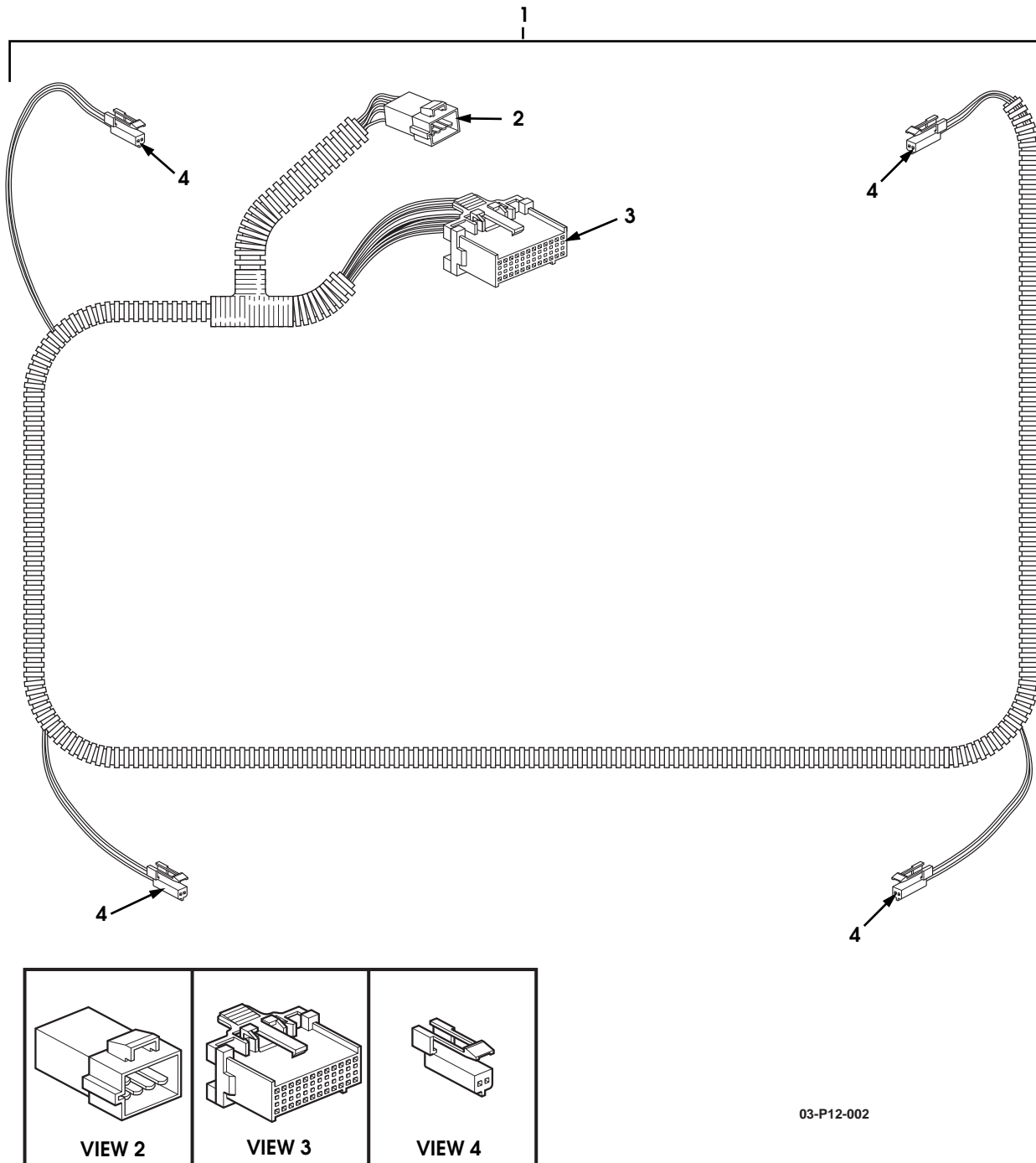
2003 HUMMER H1 PARTS CATALOG

ELECTRICAL 12-61

ITEM	PART NUMBER	DESCRIPTION	QTY
		Figure 12-24. Delco Monsoon Stereo System Harness, Hard Top, Models 83 & 84.	
1	6013980	HARNESS ASSEMBLY, Delco Monsoon stereo	1
2	6009363	•CONNECTOR, 2-way, speaker	4
3	6011042	•CONNECTOR, 16-way, to cross-body harness	1
4	6009361	•CONNECTOR, 10-way, radio	1
5	6013986	•CONNECTOR, 24-way, radio	1
6	N/S	CONNECTOR, 12-way	1
7	N/S	•CELL PHONE MUTE.	1
8	6008670	•CONNECTOR, 8-way,	1
9	6004450	•CONNECTOR, 32-way,	1
10	5939598	•CONNECTOR, 4-way, sub-woofer	1
11	6009362	•CONNECTOR, 4-way	1

2003 HUMMER H1 PARTS CATALOG

12-62 ELECTRICAL



03-P12-002

Figure 12-25. Standard Stereo Harness, Four-Speaker, Open Top, Model 90.

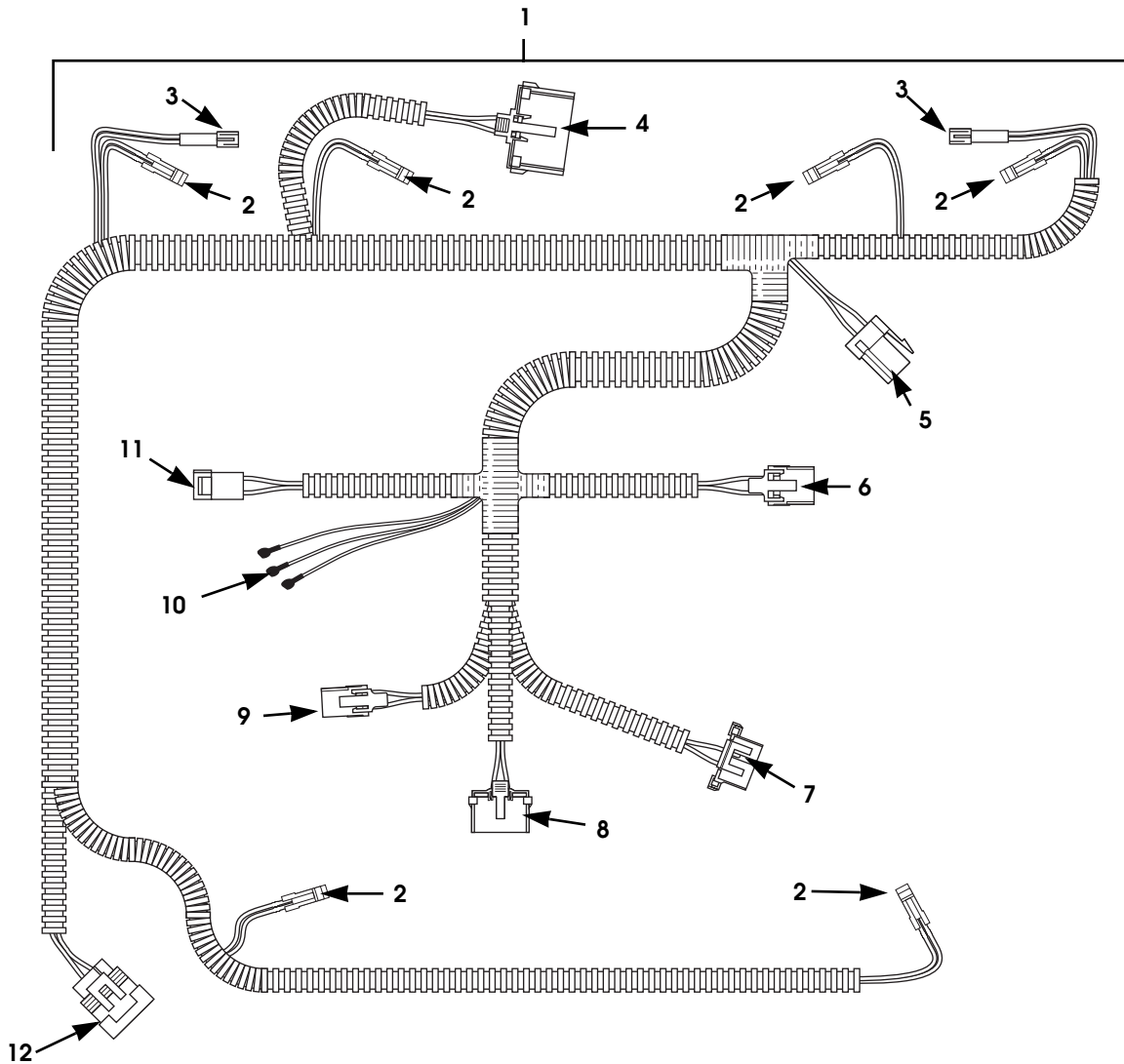
2003 HUMMER H1 PARTS CATALOG

ELECTRICAL 12-63

ITEM	PART NUMBER	DESCRIPTION	QTY
		Figure 12-25. Standard Stereo Harness, Four-Speaker, Open Top, Model 90.	
1	6013982	HARNESS ASSEMBLY, Delco standard stereo four-speaker, open top	1
2	6008670	•CONNECTOR, 8-way, to cross-body harness	1
3	6013986	•CONNECTOR, 24-way, radio	1
4	6009363	•CONNECTOR, 2-way, speaker	4

2003 HUMMER H1 PARTS CATALOG

12-64 ELECTRICAL



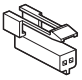
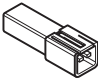
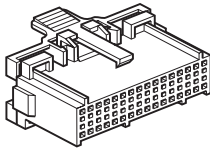
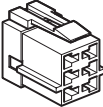
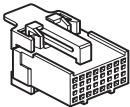
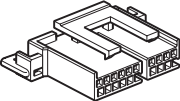
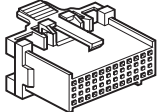
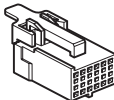
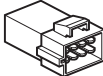
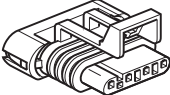
 VIEW 2	 VIEW 3	 VIEW 4	 VIEW 5	 VIEW 6	 VIEW 7
 VIEW 8	 VIEW 9	 VIEW 11	 VIEW 12	<p>03-P12-004</p>	

Figure 12-27. Harness Assembly, Monsoon, Soft-Top.

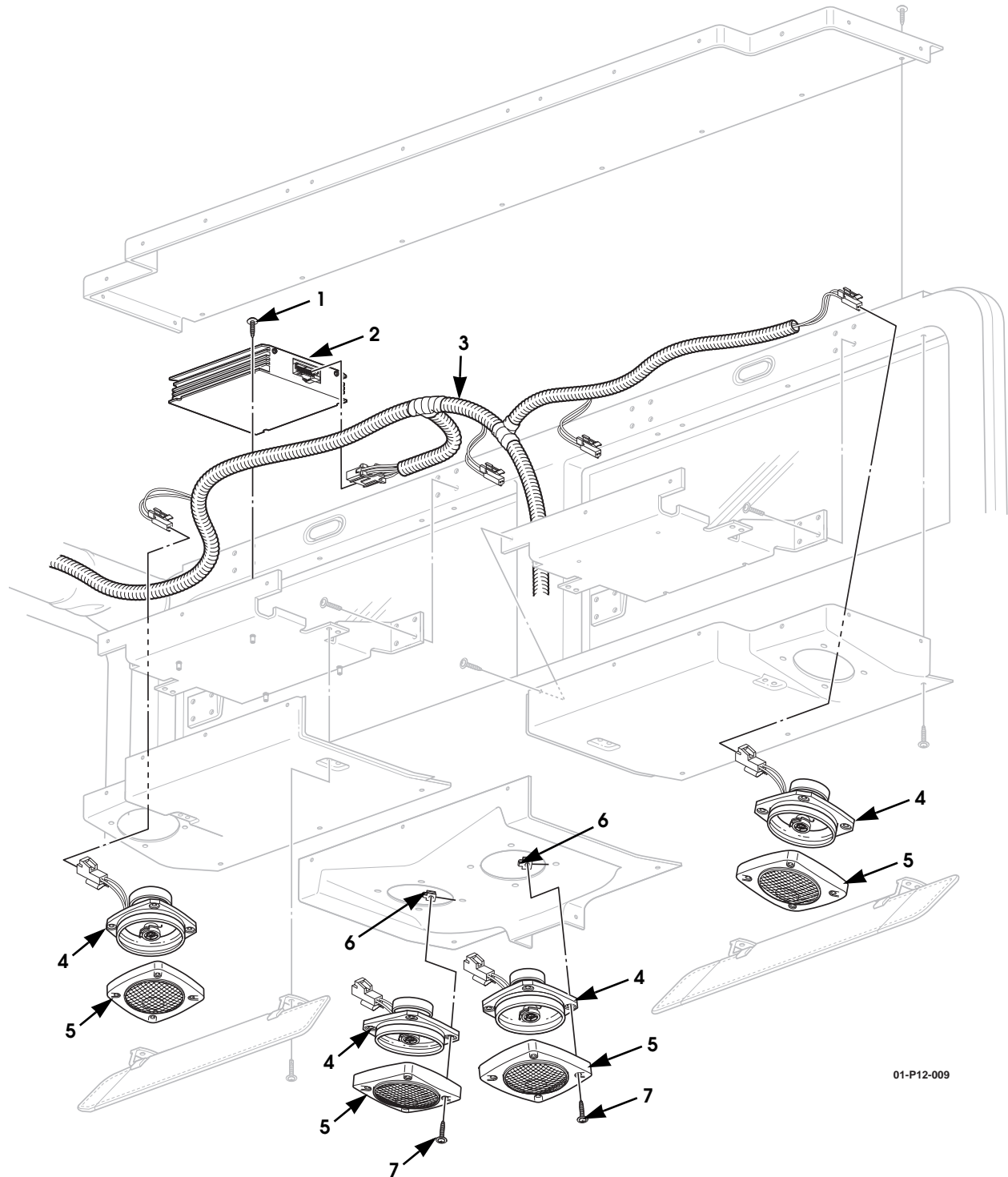
2003 HUMMER H1 PARTS CATALOG

ELECTRICAL 12-65

ITEM	PART NUMBER	DESCRIPTION	QTY
		Figure 12-27. Harness Assembly, Monsoon, Soft-Top.	
1	6013979	HARNESS ASSEMBLY, soft-top, Monsoon.	1
2	6009363	•CONNECTOR, 2-way, speaker	6
3	6003816	•CONNECTOR, 2-way, vanity mirror.	2
4	6004450	•CONNECTOR, 32-way, amplifier.	1
5	6007029	•CONNECTOR, 6-way, cross body harness.	1
6	6011042	•CONNECTOR, 16-way, rear seat audio	1
7	6009361	•CONNECTOR, 10-way, to CD-changer	1
8	6013986	•CONNECTOR, 24-way, to radio	1
9	N/S	•CONNECTOR, 12-way, to radio	1
10	N/S	•HEAT SHRINK.	1
11	6008670	•CONNECTOR, 8-way, to console harness	1
12	6009362	•CONNECTOR, 4-way, to sub woofer	1

2003 HUMMER H1 PARTS CATALOG

12-66 ELECTRICAL



01-P12-009

Figure 12-28. Monsoon System, Soft-Top.

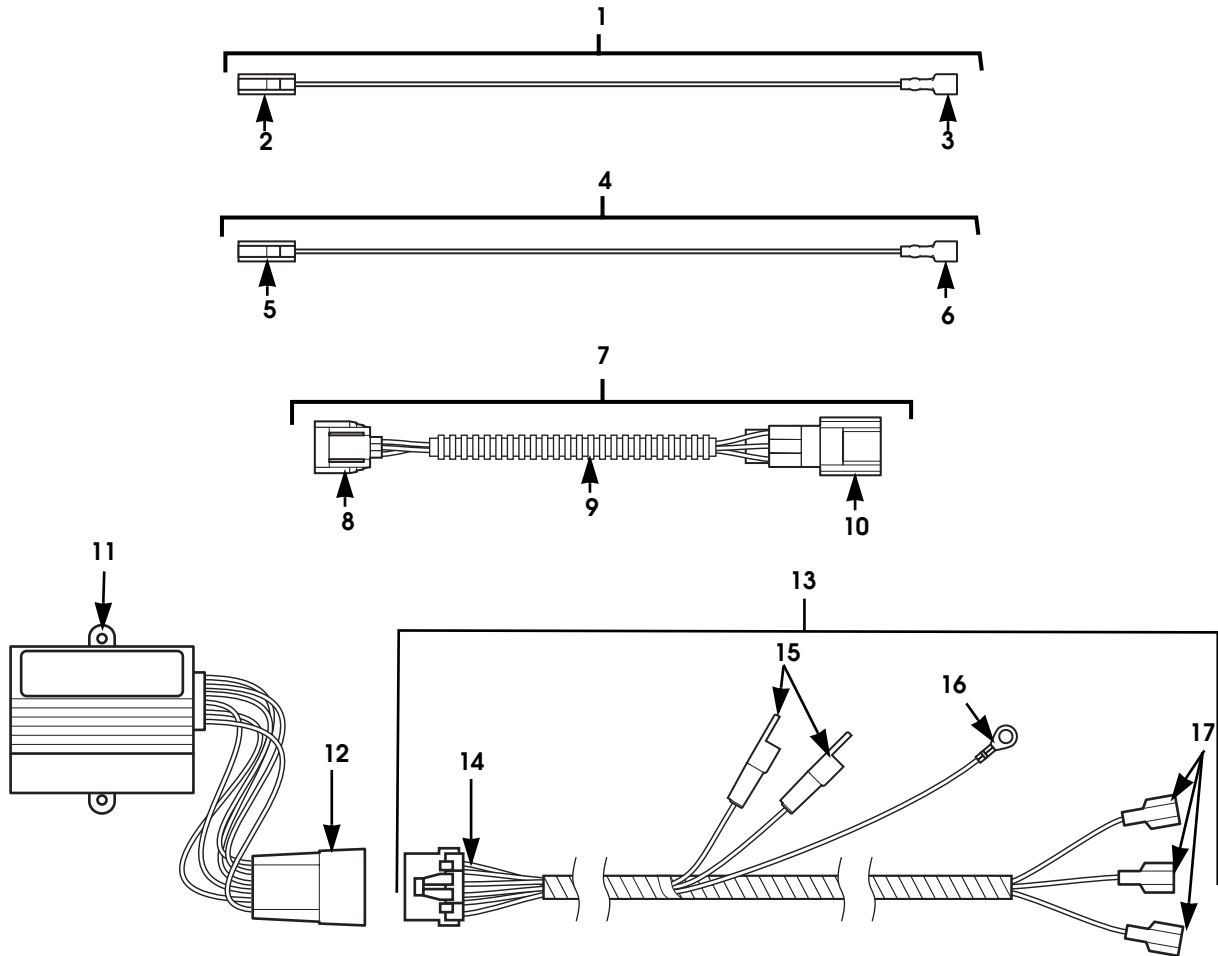
2003 HUMMER H1 PARTS CATALOG

ELECTRICAL 12-67

ITEM	PART NUMBER	DESCRIPTION	QTY
		Figure 12-28. Monsoon System, Soft-Top.	
1	N/S	SCREW, hex-head, machine screw, #10 - 24 x 3/4" . . .	4
2	6010850	AMPLIFIER, Monsoon	1
3	6013979	HARNESS ASSEMBLY, soft-top, Monsoon.	1
4	6009152	SPEAKER ASSEMBLY, 5-1/2"	4
5	6009154	SPEAKER GILL, Monsoon	4
6	12341352	SPEED NUT, J-type, #8 - 32"	16
7	159701P2	SCREW, phcr, #8 - 32 x 1 - 1/4", CAD (four for each speaker grill	16

2003 HUMMER H1 PARTS CATALOG

12-68 ELECTRICAL



VIEW 2	VIEW 3	VIEW 5	VIEW 6	VIEW 8	VIEW 10
VIEW 12	VIEW 14	VIEW 15	VIEW 16	VIEW 17	

00-P12-009

Figure 12-29. Daytime Running Light Jumper and Harness.

2003 HUMMER H1 PARTS CATALOG

ELECTRICAL 12-69

ITEM	PART NUMBER	DESCRIPTION	QTY
		Figure 12-29. Daytime Running Light Jumper and Harness.	
1	6010839	JUMPER ASSEMBLY, daytime running light, (Canada only), yellow	1
2	5903092	•INSULATOR, connector	1
3	S.I.A.	•CONNECTOR	1
4	6010837	JUMPER ASSEMBLY, ignition, DLR & GCC, white	1
5	5903092	•INSULATOR, connector	1
6	S.I.A.	•CONNECTOR	1
7	6010841	JUMPER ASSEMBLY, brake fluid level, DRL	1
8	S.I.A.	•CONNECTOR, 3-way, to master cylinder.	1
9	S.I.A.	•DIODE (in heat-shrinking tubing).	1
10	S.I.A.	•CONNECTOR, 3-way	1
11	6002625	MODULE ASSEMBLY, daytime running light	1
12	S.I.A.	•CONNECTOR	1
13	6002626	HARNESS, module, daytime running light (Canada only)	1
14	6002769	•CONNECTOR, 8-way	1
15	6002767	•CONNECTOR	2
16	S.I.A.	•TERMINAL RING	1
17	6002829	•CONNECTOR	3

2003 HUMMER H1 PARTS CATALOG

12-70 ELECTRICAL

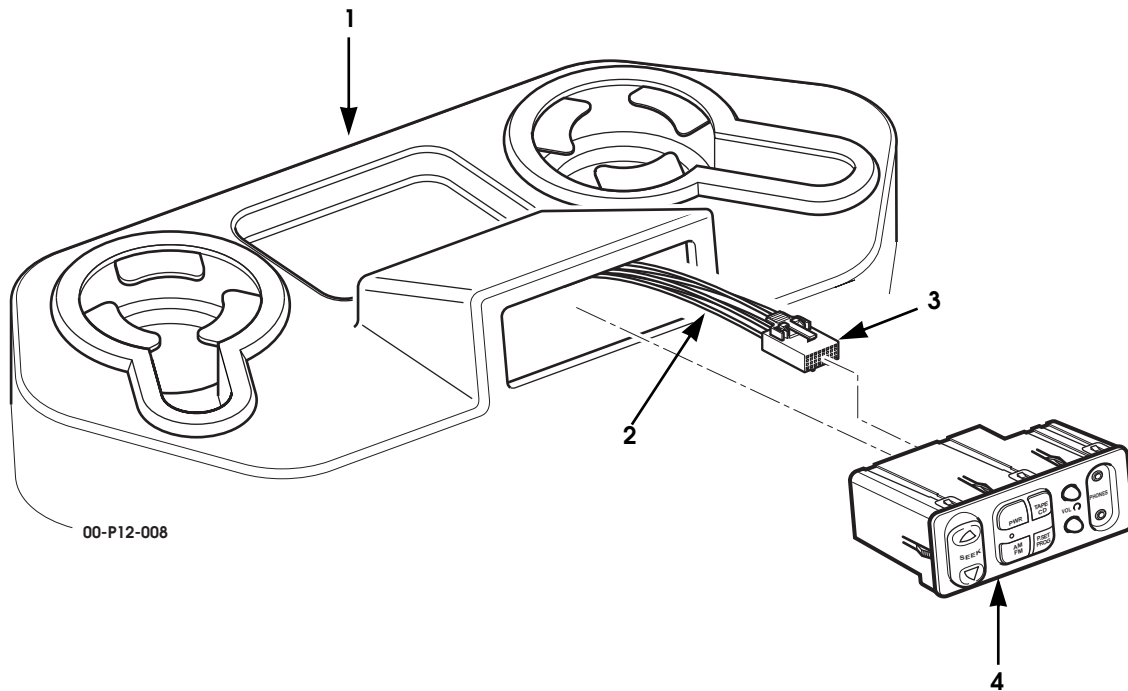


Figure 12-30. Audio, Rear Console.

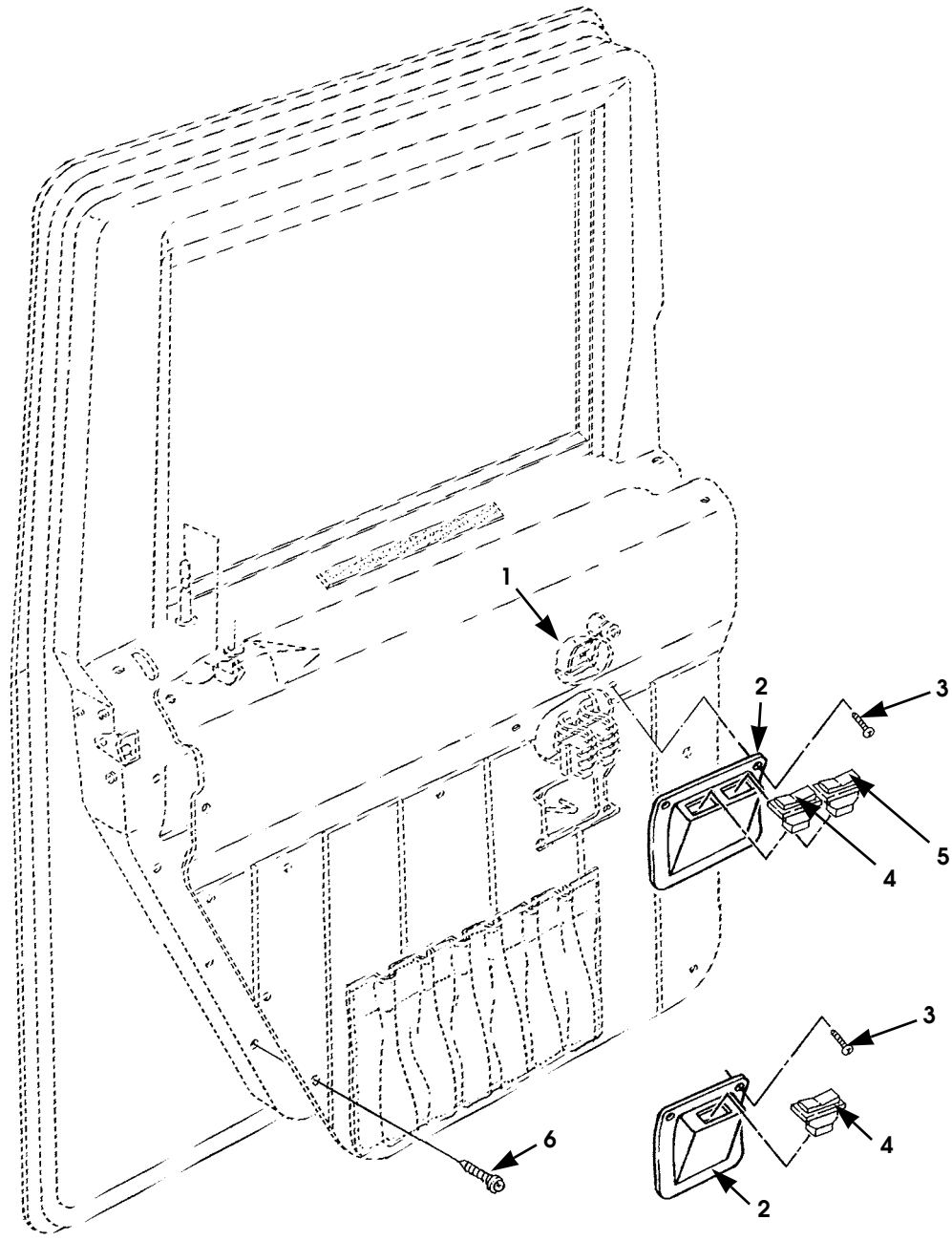
2003 HUMMER H1 PARTS CATALOG

ELECTRICAL 12-71

ITEM	PART NUMBER	DESCRIPTION	QTY
		Figure 12-30. Audio, Rear Console.	
1	6011049G	CONSOLE ASSEMBLY, rear, with rear seat audio, gray .	1
2	6011015	HARNESS ASSEMBLY, Delco Monsoon stereo	1
3	N/S	CONNECTOR, 16-way	1
4	6011039	REAR SEAT AUDIO MODULE	1

2003 HUMMER H1 PARTS CATALOG

ELECTRICAL 12-72

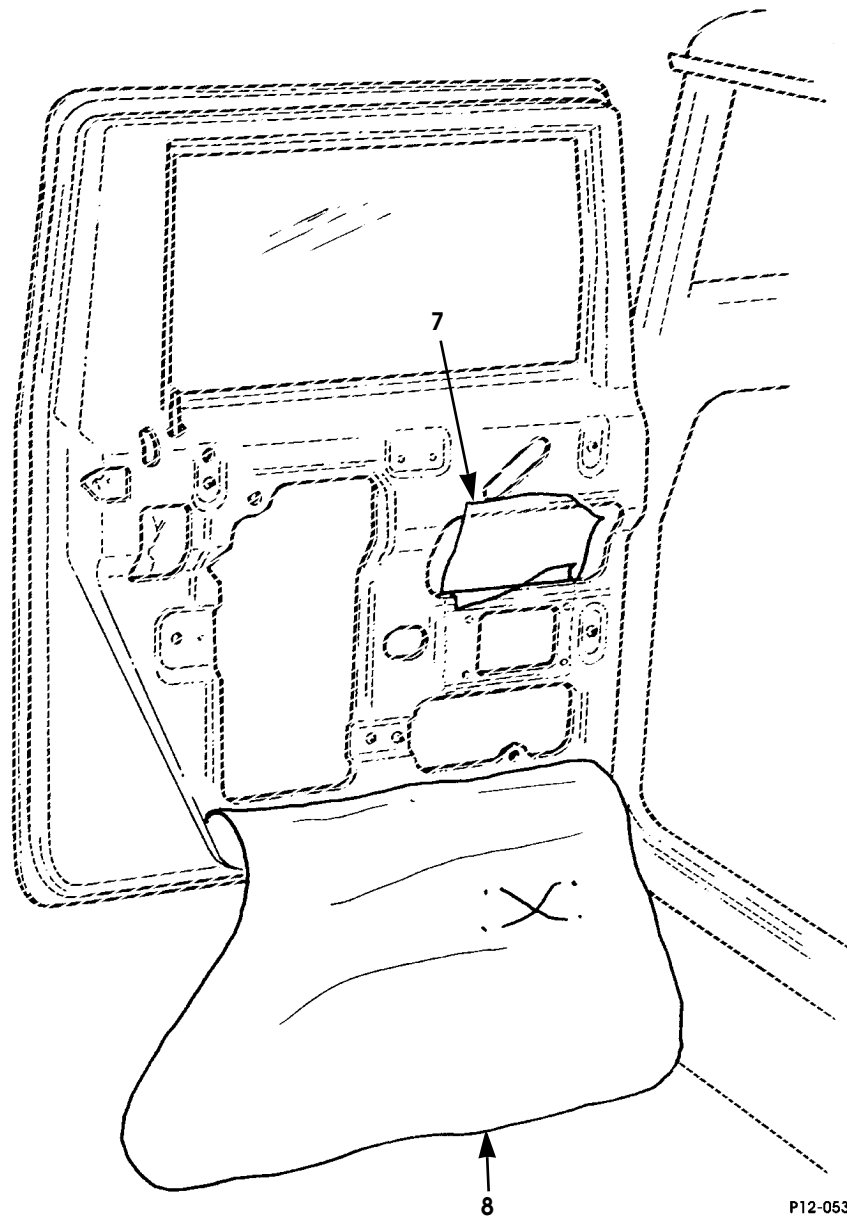


P12-052.1

Figure 12-31. Power Door Locks.
(Sheet 1 of 6).

2003 HUMMER H1 PARTS CATALOG

ELECTRICAL 12-73

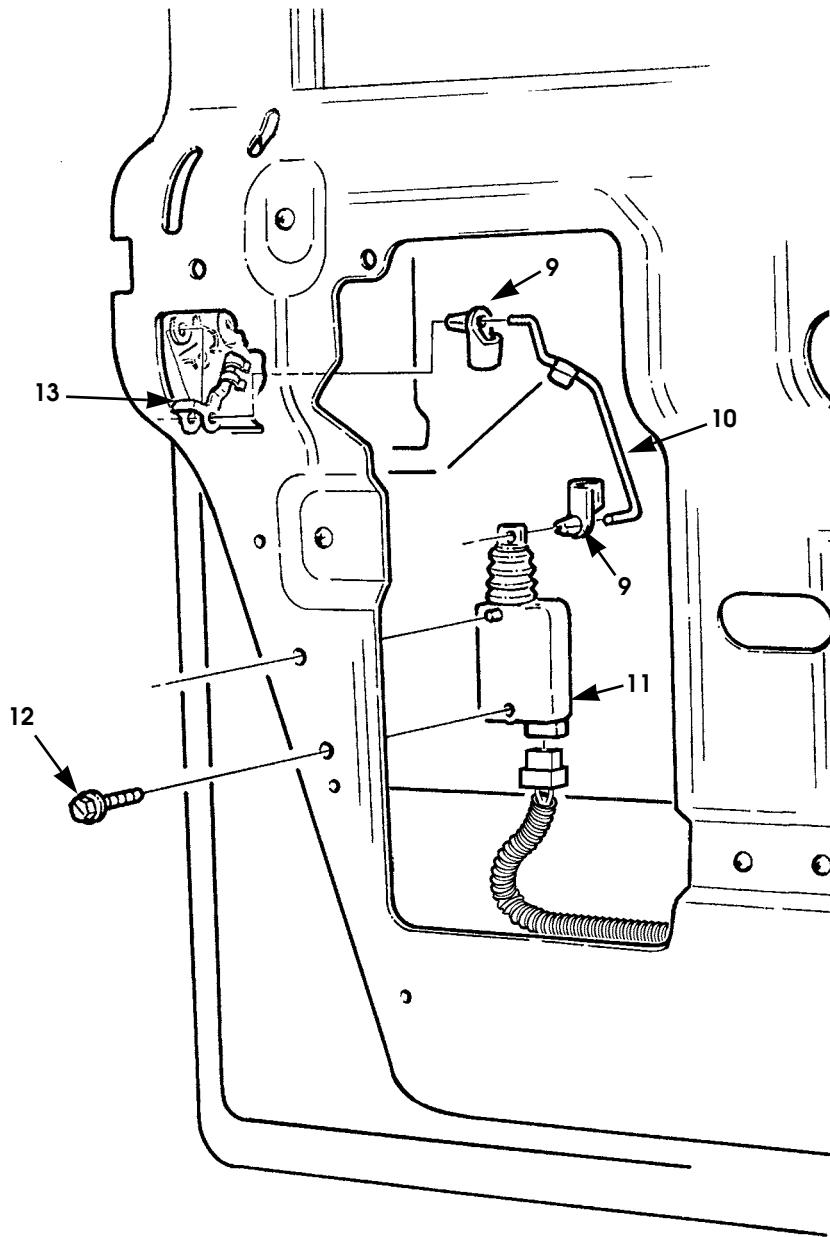


P12-053

Figure 12-31. Power Door Locks.
(Sheet 2 of 6).

2003 HUMMER H1 PARTS CATALOG

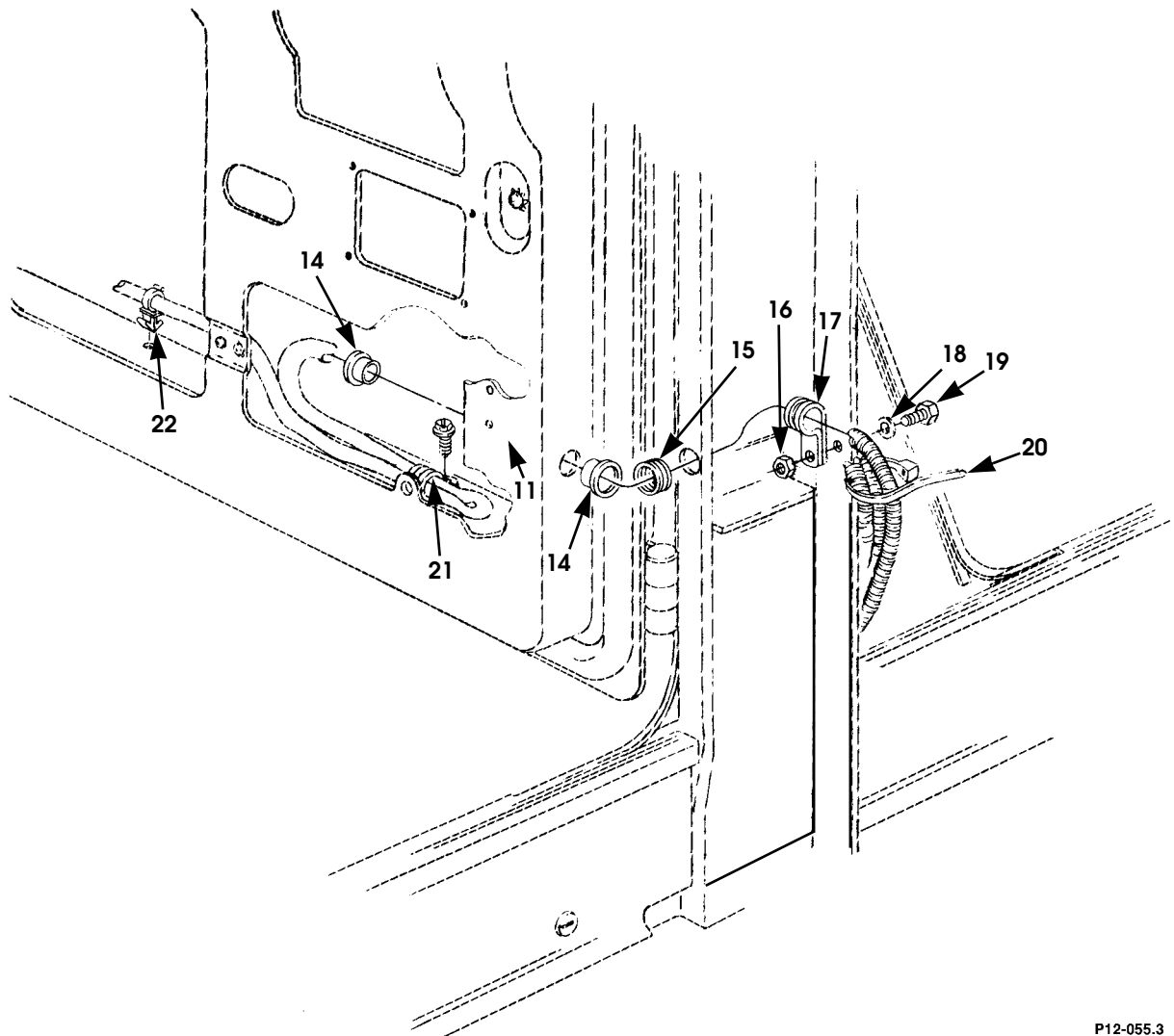
12-74 ELECTRICAL



P12-055.1

*Figure 12-31. Power Door Locks.
(Sheet 3 of 6).*

REAR DOOR



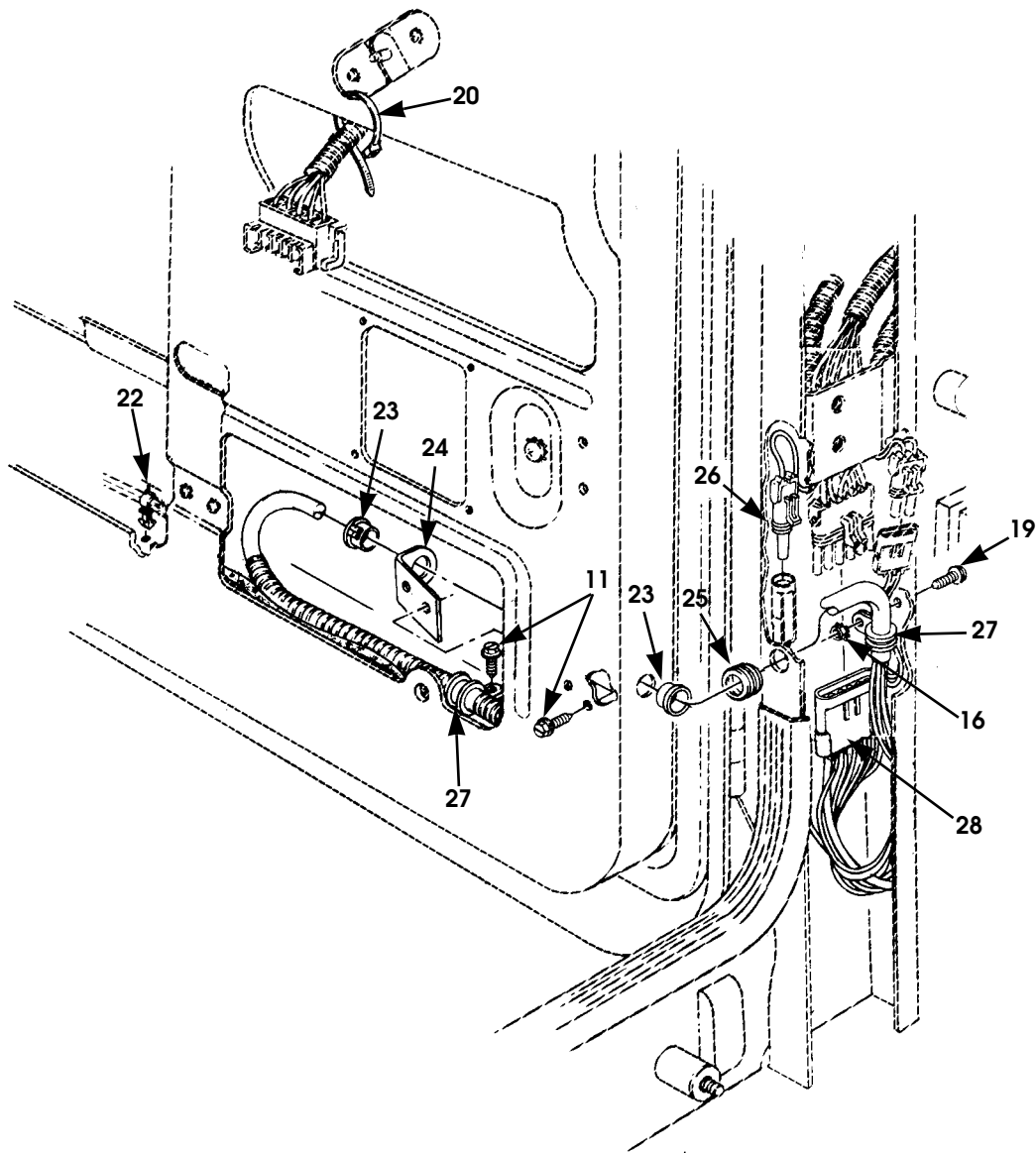
P12-055.3

Figure 12-31. Power Door Locks.
(Sheet 4 of 6).

2003 HUMMER H1 PARTS CATALOG

12-76 ELECTRICAL

FRONT DOOR



P12-056.2

Figure 12-31. Power Door Locks.
(Sheet 5 of 6).

2003 HUMMER H1 PARTS CATALOG

ELECTRICAL 12-77

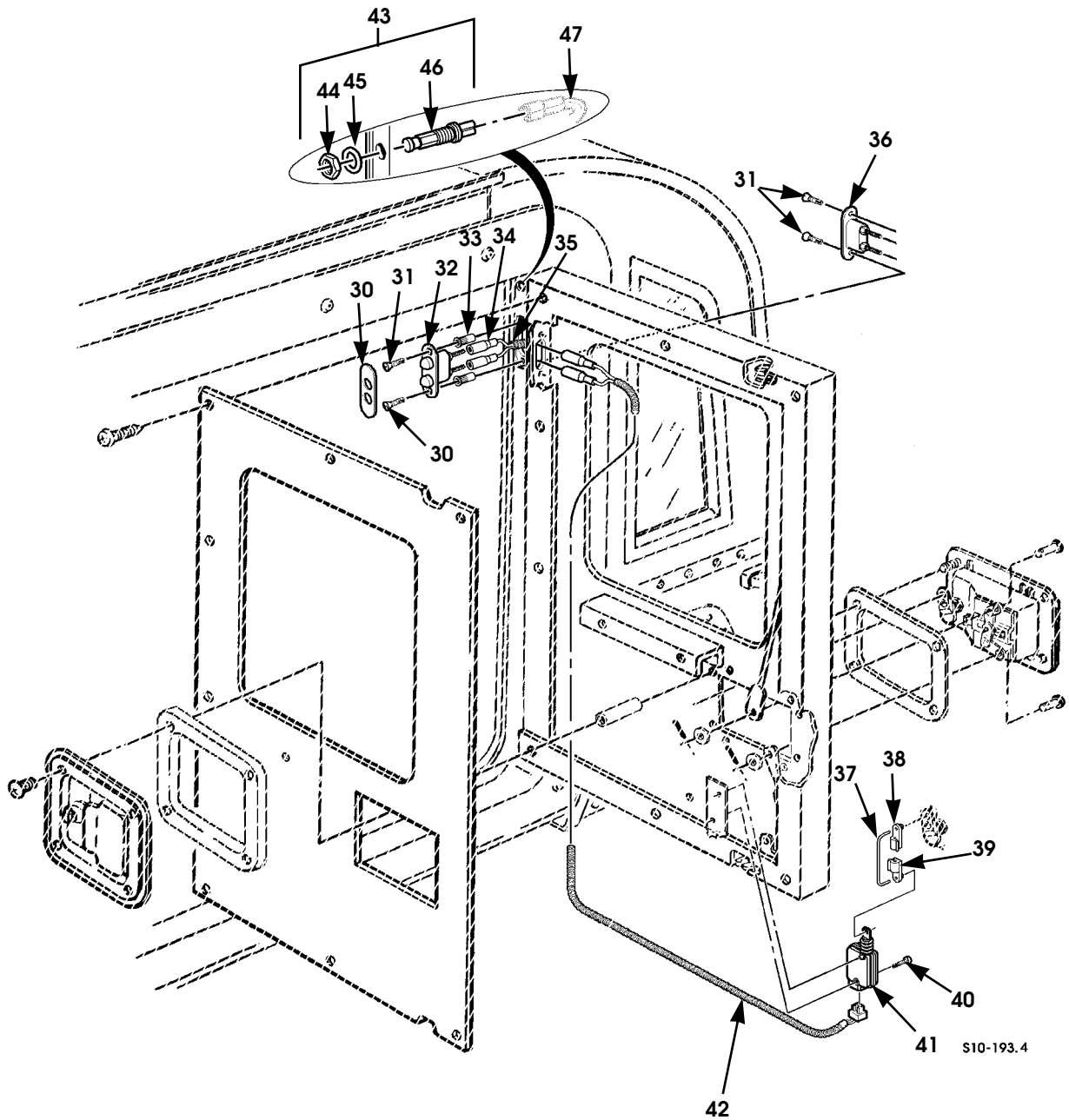


Figure 12-31. Power Door Locks.
(Sheet 6 of 6).

2003 HUMMER H1 PARTS CATALOG

12-78 ELECTRICAL

ITEM	PART NUMBER	DESCRIPTION	QTY	
			2-Dr	4-Dr
		Figure 12-31. Power Door Locks.		
1	6003025	J-NUT, flat type	4	4
2	6003023	BEZEL, door switch (single)	2	2
2	6003024	BEZEL, door switch (dual)	2	2
3	N/S	SCREW, phcr, tapping, #8 - 18 x 1/2"	4	4
4	6002016	SWITCH, power door lock	2	2
5	6004185	SWITCH, power window	2	4
6	N/S	SCREW & WASHER ASSEMBLY, trim, #8 - 18 x 1"	2	2
7	6001694	WATERSHIELD, door latch	2	4
8	6001623	WATERSHIELD, L.H., front door	1	1
8	6001624	WATERSHIELD, R.H., front door	1	1
9	5939037	CLIP, rod end	4	8
10	6001831	ACTUATOR ROD, front, L.H.	1	1
10	6001832	ACTUATOR ROD, front, R.H.	1	1
10	6001833	ACTUATOR ROD, rear, L.H.		1
		83, 84, 90		
10	6001834	ACTUATOR ROD, rear, R.H.		1
		83, 84, 90		
11	6003590	ACTUATOR, power door lock	2	4
12	N/S	SCREW, truss head, tapping, #8 - 18 x 5/8"	8	16
13	6011276	ROD, exterior handle-to-latch	1	2
14	6001892	BUSHING, snap		4
		83, 84, 90		
15	6002437	GROMMET, rubber, B-pillar.		2
		83, 84, 90		
16	N/S	LOCKNUT, nylon insert, #10 - 32"	2	4
17	N/S	CLAMP, cushioned, 5/16"		2
		83, 84, 90		
18	N/S	WASHER, flat, #10		2
19	N/S	SCREW, #10 - 32 x 3/4", ZN	2	4
20	MS3367-1	TIEDOWN STRAP	3	7
21	N/S	CLAMP, cushioned, 5/8"		2
22	6002466	RETAINER, wire	2	4
23	6001893	BUSHING, snap	4	8
24	6001840	BRACKET, front, L.H.	1	1
24	6001841	BRACKET, front, R.H.	1	1
24	6001842	BRACKET, rear, L.H.		1
24	6001843	BRACKET, rear, R.H.	1	1

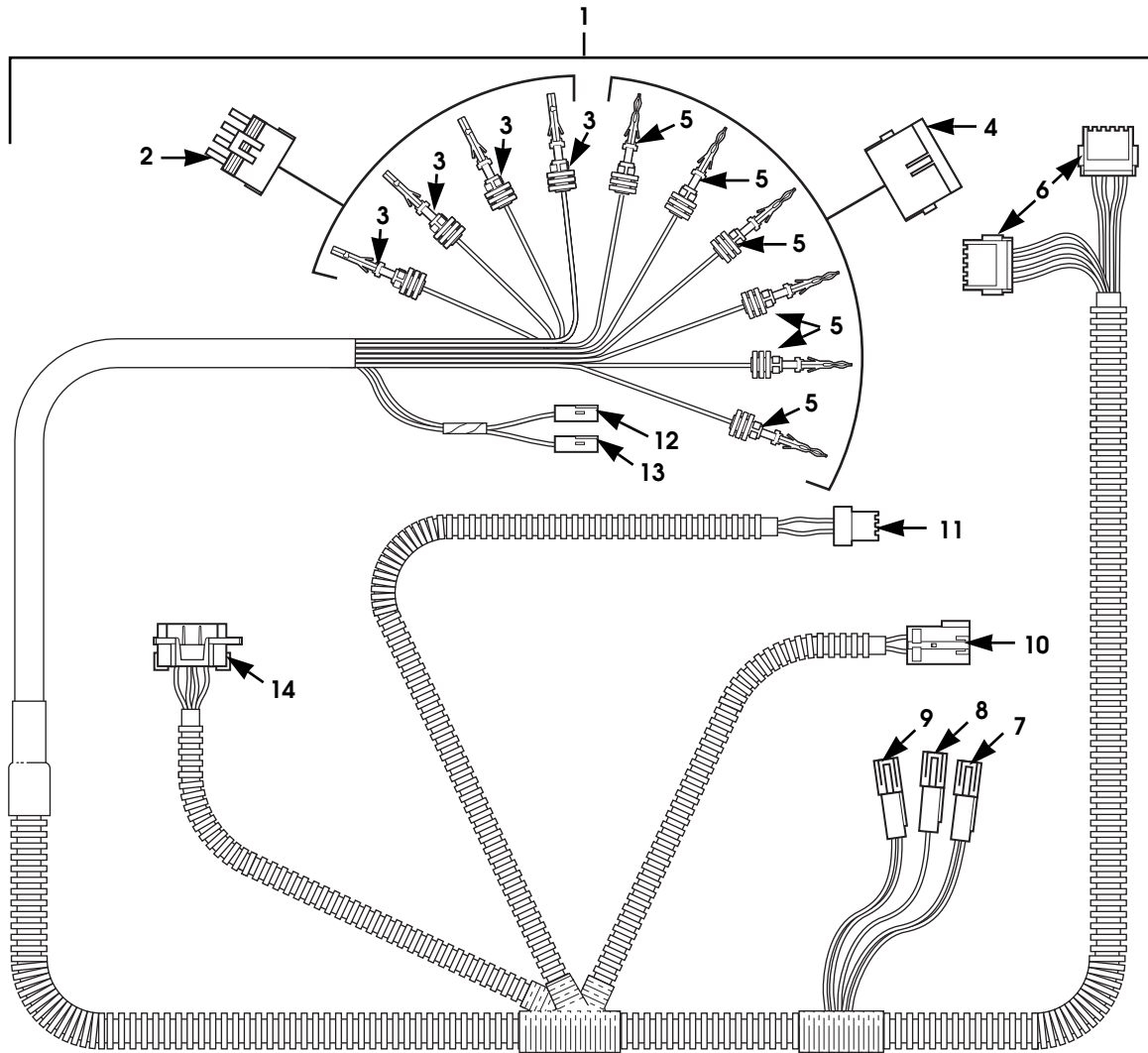
2003 HUMMER H1 PARTS CATALOG

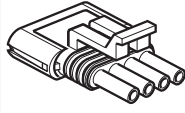
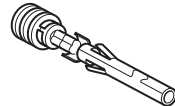
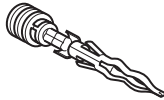
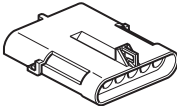
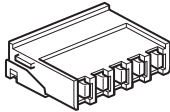
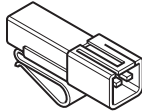
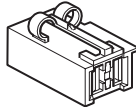
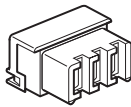
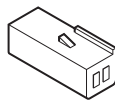
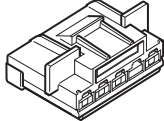
ELECTRICAL 12-79

ITEM	PART NUMBER	DESCRIPTION	QTY	
			2-Dr	4-Dr
		Figure 12-31. Power Door Locks. (Cont'd.)		
25	MS35489-16	GROMMET, rubber, A-pillar	2	2
26	N/S	PLUG, connector, male	2	2
27	N/S	CLAMP, cushioned, 7/16"	2	2
28	5995713	CONNECTOR, 6-way	2	2
29	N/S	CLAMP, cushioned, 11/16"	2	2
30	6008581	SEAL, door lock switch		1
31	N/S	SCREW, flat head, #6 - 32 x 5/8"		4
32	6008348	CONTACTS, power door lock, jamb-side		1
33	6003611	NUT INSERT, 6/32", closed end threaded		4
34	6009730	TERMINAL, female, to rear vertical door contacts.		2
35	6010117	HARNESS ASSEMBLY, rear door jumper		1
36	6008347	CONTACTS, power door lock, door-side		1
37	6008346	ROD, power lock		1
38	6000747	ROD CLIP, interior handle		5
39	5939037	CLIP, rod end		1
40	6006283	SCREW, #10 - 32 x 5/8", truss head		1
41	6003590	ACTUATOR, power door lock		1
42	6008553	HARNESS, power door lock, cargo door		1
43	5939088	SWITCH ASSEMBLY, door jamb		1
44	S.I.A.	•NUT		1
45	S.I.A.	•WASHER		1
46	S.I.A.	•SWITCH, door jamb		1
47	6010032	HARNESS ASSEMBLY, roof wiring		
		84		1

2003 HUMMER H1 PARTS CATALOG

12-80 ELECTRICAL



					
VIEW 2	VIEW 3	VIEW 5	VIEW 4	VIEW 6	VIEW 7, 8, 9
					
VIEW 10	VIEW 11	VIEW 12, 13	VIEW 14		

02-P12-007

Figure 12-32. Door Harness Assembly, Front.

2003 HUMMER H1 PARTS CATALOG

ELECTRICAL 12-81

ITEM	PART NUMBER	DESCRIPTION	QTY
		Figure 12-32. Door Harness Assembly, Front.	
1	6010865	HARNESS ASSEMBLY, front door, R.H.	1
1	6012311	HARNESS ASSEMBLY, front door, L.H.	1
2	5995715	•CONNECTOR, 4-way, cross body, SEE NOTE 1	1
3	6003941	••TERMINAL	4
4	5995713	•CONNECTOR, 6-way, cross body, SEE NOTE 2	1
5	6003942	••TERMINAL	6
6	6002930	•CONNECTOR, 5-way	2
7	6000135	•CONNECTOR, 2-way, power mirror jumper harness.	1
8	6010870	•CONNECTOR, 2-way, power mirror jumper harness.	1
9	6003816	•CONNECTOR, 2-way, power mirror jumper harness.	1
10	6002932	•CONNECTOR, 2-way, window regulator motor	1
11	6003236	•CONNECTOR, 3-way, actuator.	1
12	6010415	•CONNECTOR, 4-way, mirror body harness	1
13	6003815	•CONNECTOR, 2-way, mirror body harness	1
14	6012318	•CONNECTOR, express down window	1
		NOTE 1: THIS CONNECTOR DOES NOT COME WITH THE DOOR HARNESS. THE DOOR HARNESS ENDS WITH FOUR TERMINALS TO FIT THROUGH HOLES IN THE DOOR AND THEN INTO THIS CONNECTOR.	
		NOTE 2: THIS CONNECTOR DOES NOT COME WITH THE DOOR HARNESS. THE DOOR HARNESS ENDS WITH SIX TERMINALS TO FIT THROUGH HOLES IN THE DOOR AND THEN INTO THIS CONNECTOR.	

2003 HUMMER H1 PARTS CATALOG

12-82 ELECTRICAL

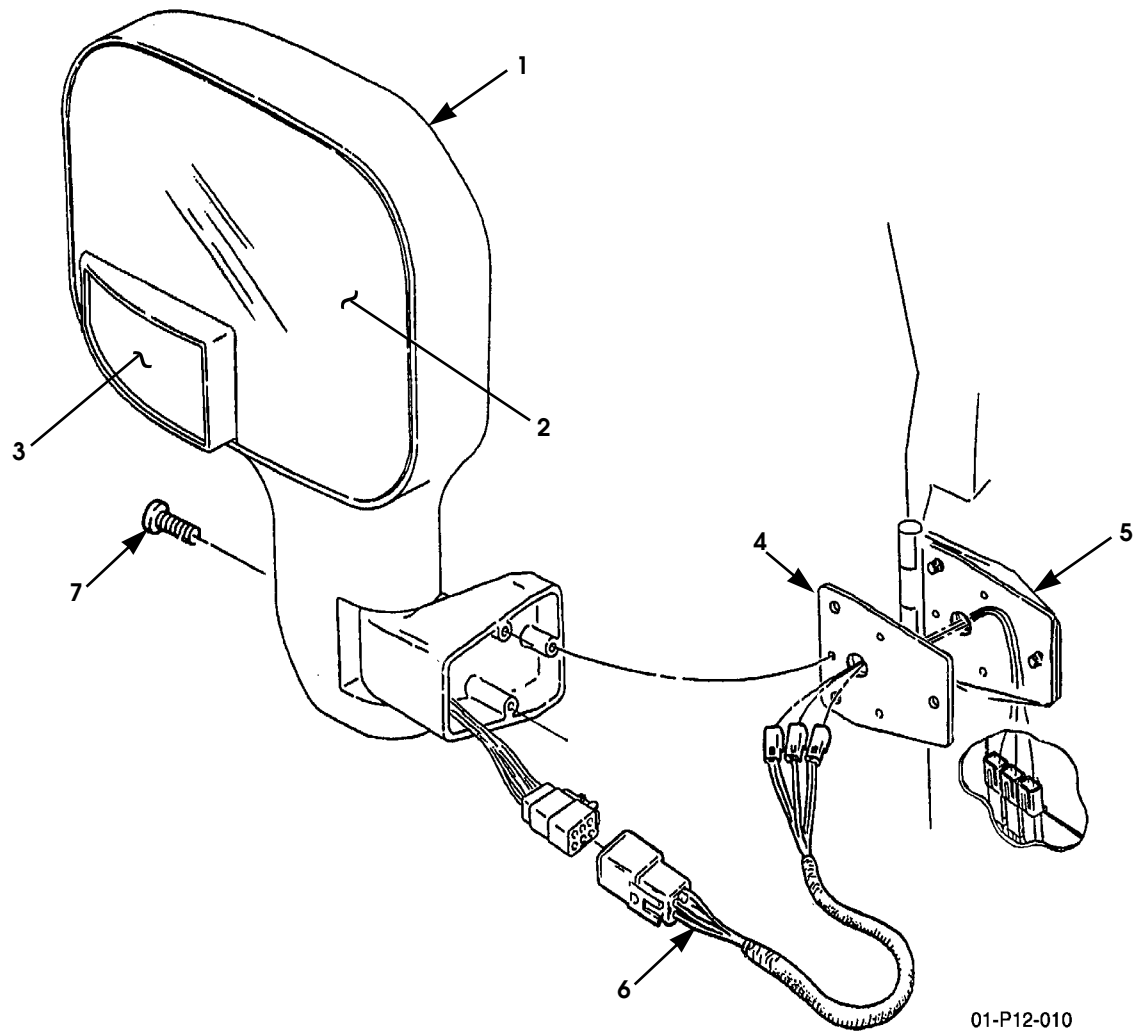


Figure 12-33. Heated Power Exterior Mirrors.

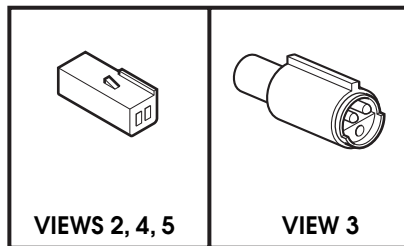
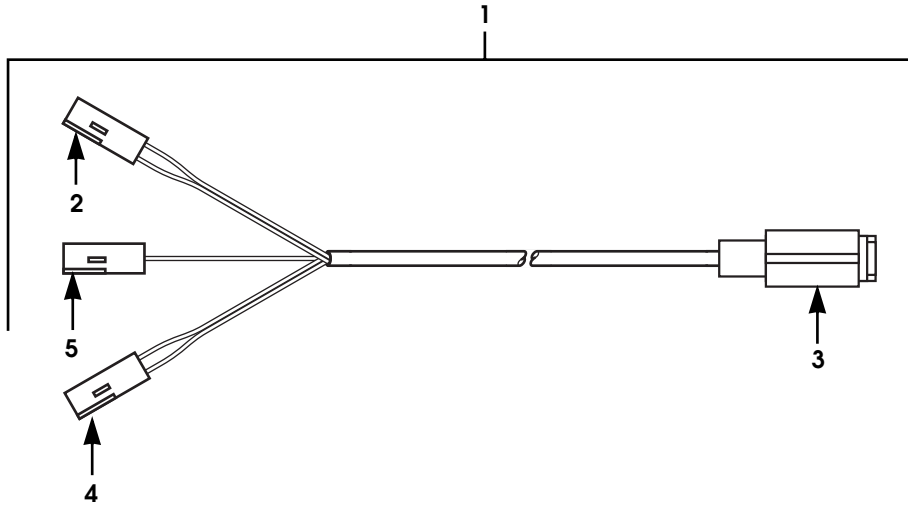
2003 HUMMER H1 PARTS CATALOG

ELECTRICAL 12-83

ITEM	PART NUMBER	DESCRIPTION	QTY
		Figure 12-33. Heated Power Exterior Mirrors.	
1	6012315	MIRROR, heated power, exterior, L.H. SEE NOTE 1	1
1	6012316	MIRROR, heated power, exterior, R.H. SEE NOTE 1	1
2	5745421	•GLASS, replacement, exterior power mirror, L.H.	1
2	5745422	•GLASS, replacement, exterior power mirror, R.H.	1
3	5745425	•GLASS, replacement, convex mirror, L.H.	1
3	5745426	•GLASS, replacement, convex mirror, R.H.	1
4	6003449	GASKET, heated power mirror	1
5	6003618	PLATE, mirror mounting	1
6	6010863	JUMPER HARNESS ASSEMBLY, heated power mirrors	1
7	N/S	SCREW, flat head, 1/4 - 20 x 3/4", ZN	6
	6010864	HARNESS ASM, LF door, heated, power mirrors	1
	6010865	HARNESS ASM, RF door, heated, power mirrors	1
	5745423	MIRROR, power, exterior, kit (model yr. 94-00)	1
		NOTE 1: NOTE: IF USED ON PRE 2001 (94-00) TRUCKS, THE HEATED FUNCTION WILL NOT WORK.	

2003 HUMMER H1 PARTS CATALOG

12-84 ELECTRICAL



01-P12-005

Figure 12-34. Power Mirror Jumper Harness Assembly, Heated.

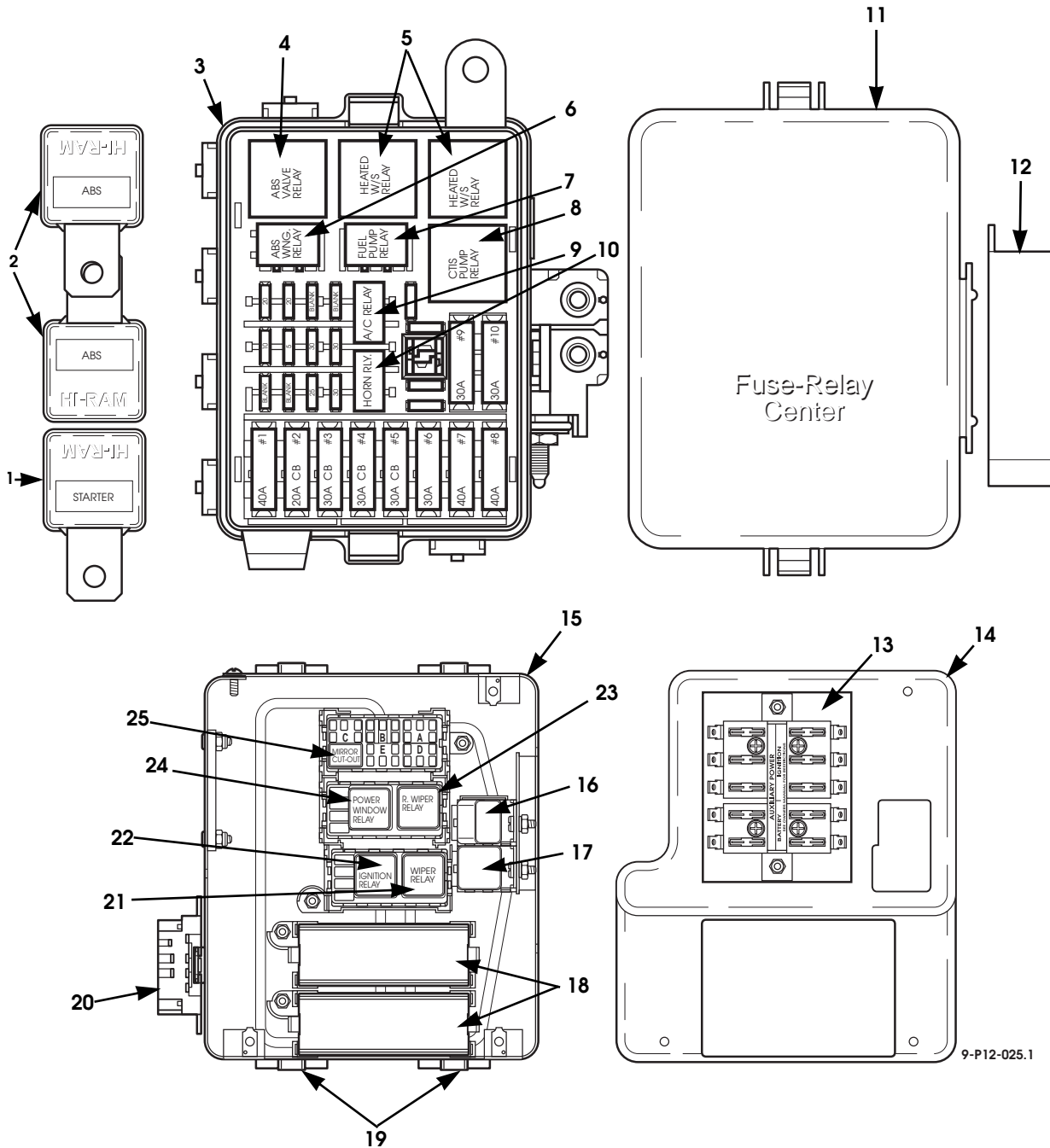
2003 HUMMER H1 PARTS CATALOG

ELECTRICAL 12-85

ITEM	PART NUMBER	DESCRIPTION	QTY
		Figure 12-34. Power Mirror Jumper Harness Assembly, Heated.	
1	6010863	JUMPER HARNESS ASSEMBLY, heated power mirrors . .	1
2	6003815	•CONNECTOR, 2-way, door harness	1
3	6011594	•CONNECTOR, 6-way, mirror harness	1
4	6003071	•CONNECTOR, 2-way, door harness	1
5	6010872	•CONNECTOR, 2-way, door harness	1

2003 HUMMER H1 PARTS CATALOG

12-86 ELECTRICAL



9-P12-025.1

Figure 12-35. Fuse Boxes, Internal & External.

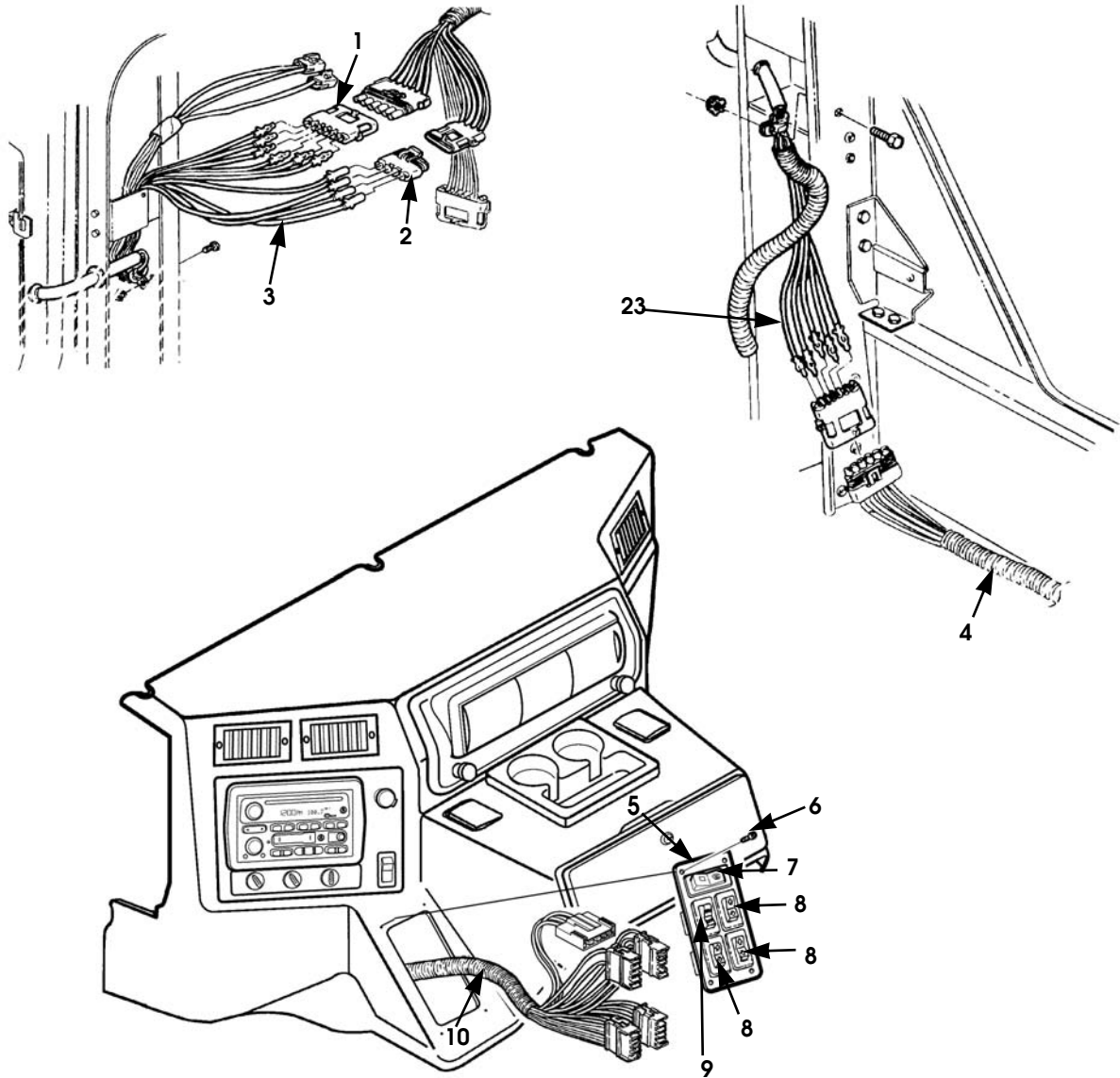
2003 HUMMER H1 PARTS CATALOG

ELECTRICAL 12-87

ITEM	PART NUMBER	DESCRIPTION	QTY
		Figure 12-35. Fuse Boxes, Internal & External.	
1	6010234	RELAY, 80-amp, starter	1
2	6010234	RELAY, 80-amp, ABS	2
3	N/S	FUSE BOX BASE, external	1
4	6010442	RELAY, mini, ABS valve	1
5	6010442	RELAY, heated windshield	2
6	6010285	RELAY, micro (280 series), ABS warning	1
7	6010285	RELAY, micro (280 series), fuel pump	1
8	6010442	RELAY, mini, CTIS	1
9	6010285	RELAY, micro (280 series), A/C clutch	1
10	6010285	RELAY, micro, (280 series), horn	1
11	6010288	COVER, external fuse box	1
12	6010255	COVER, external power studs	1
13	6010403	FUSE PANEL, auxiliary	1
14	6010127	FUSE BOX COVER, internal	1
15	6010140B9	FUSE BOX BASE, internal	1
16	5939581	ALARM, CTIS, low pressure	1
17	6010136	FLASHER, turn signal and hazard	1
18	5939722	COVER, fuse box	2
19	5939908P	BRACKET ASSEMBLY, interior fuse box mounting	2
20	6004890	CHIME MODULE	1
21	6010442	RELAY, mini, windshield wiper	1
22	6010442	RELAY, mini, ignition	1
23	6010442	RELAY, mini, rear wiper	1
24	6010442	RELAY, mini, power windows	1
25	6010285	RELAY, micro, (280 series), power mirror cut-out	1

2003 HUMMER H1 PARTS CATALOG

ELECTRICAL 12-88

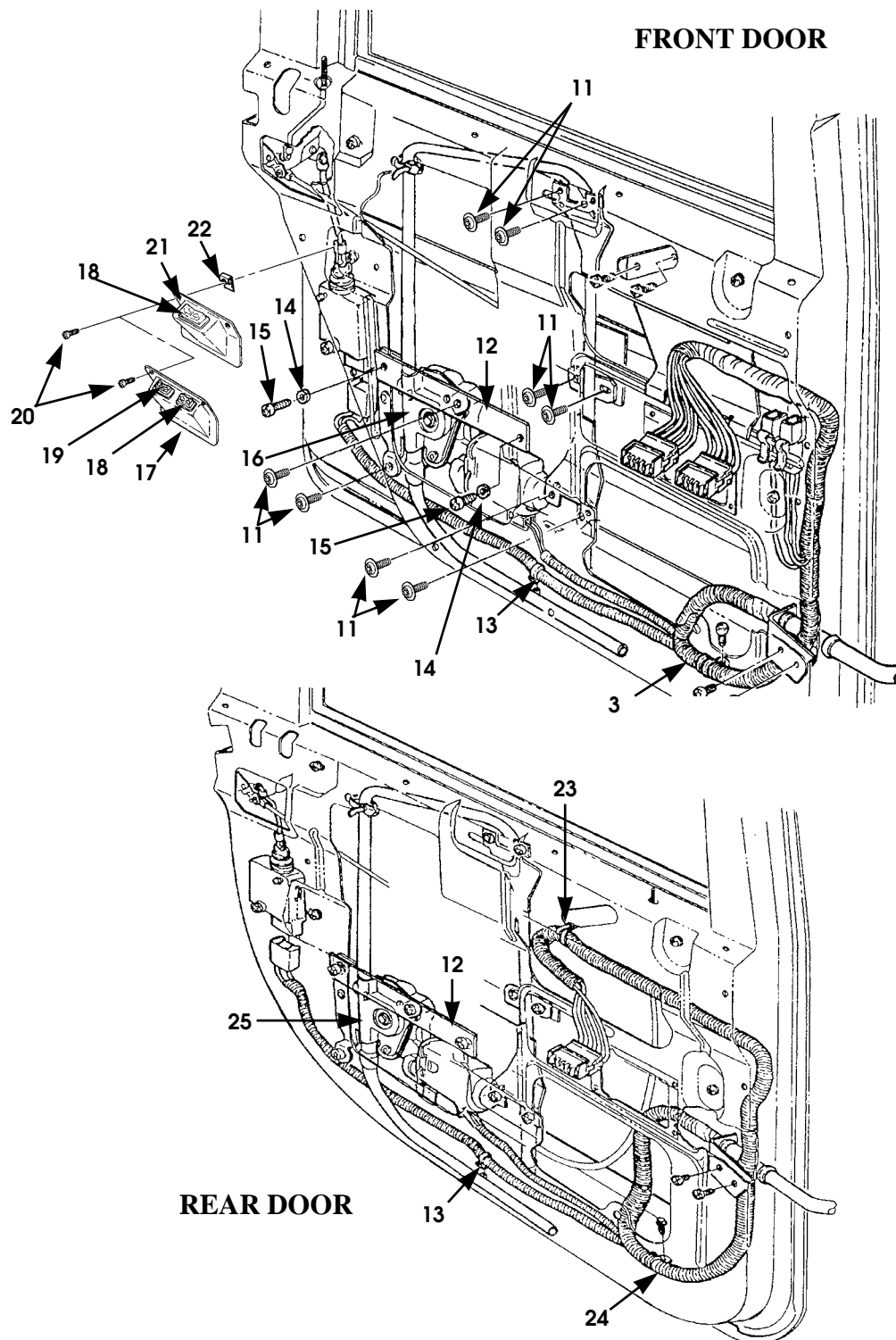


03-P12-018

Figure 12-36. Power Window
(Sheet 1 of 3).

2003 HUMMER H1 PARTS CATALOG

ELECTRICAL 12-89



6-P12-022.1

Figure 12-36. Power Window
(Sheet 2 of 3).

2003 HUMMER H1 PARTS CATALOG

12-90 ELECTRICAL

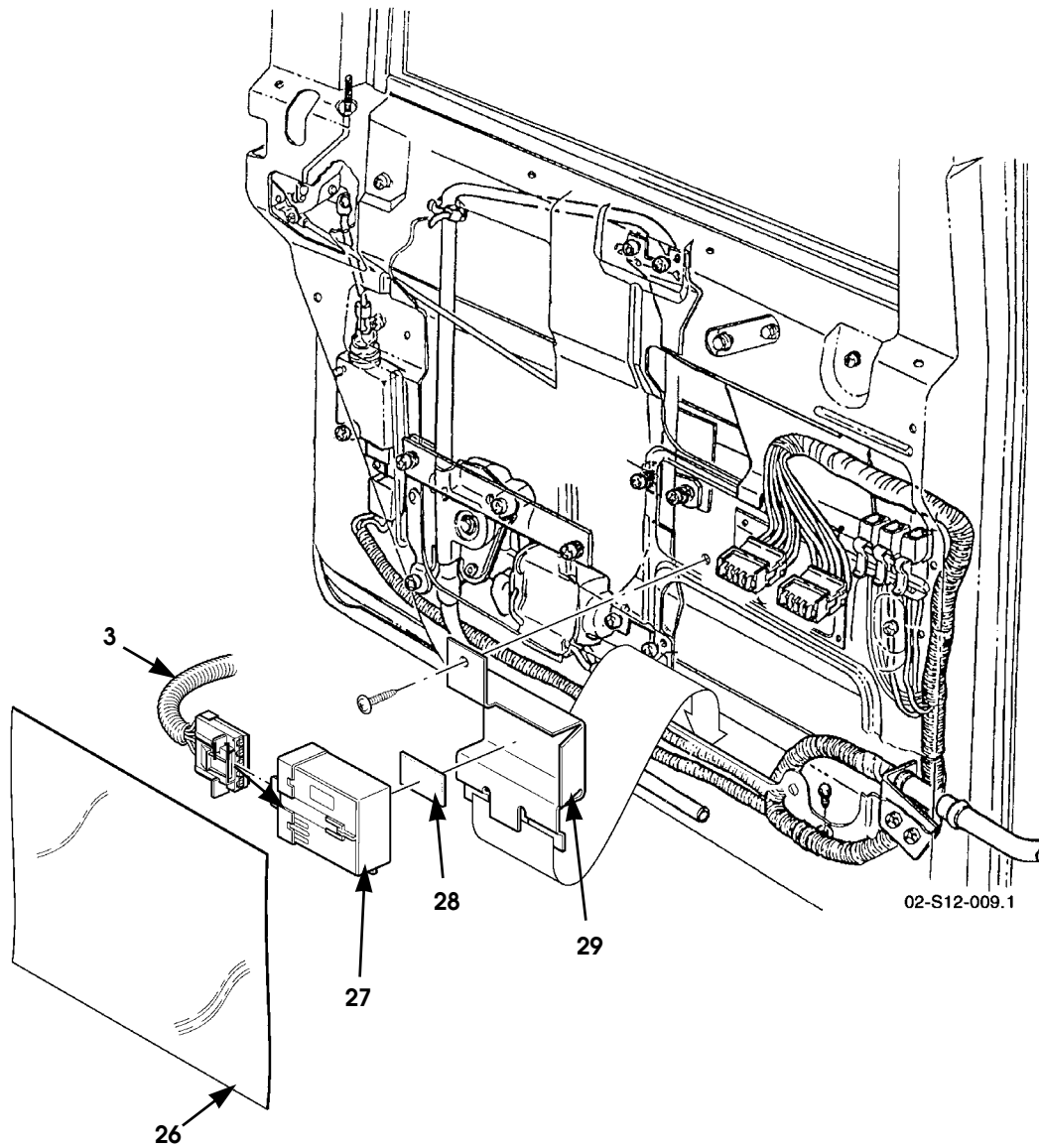


Figure 12-36. Power Window.
(Sheet 3 of 3).

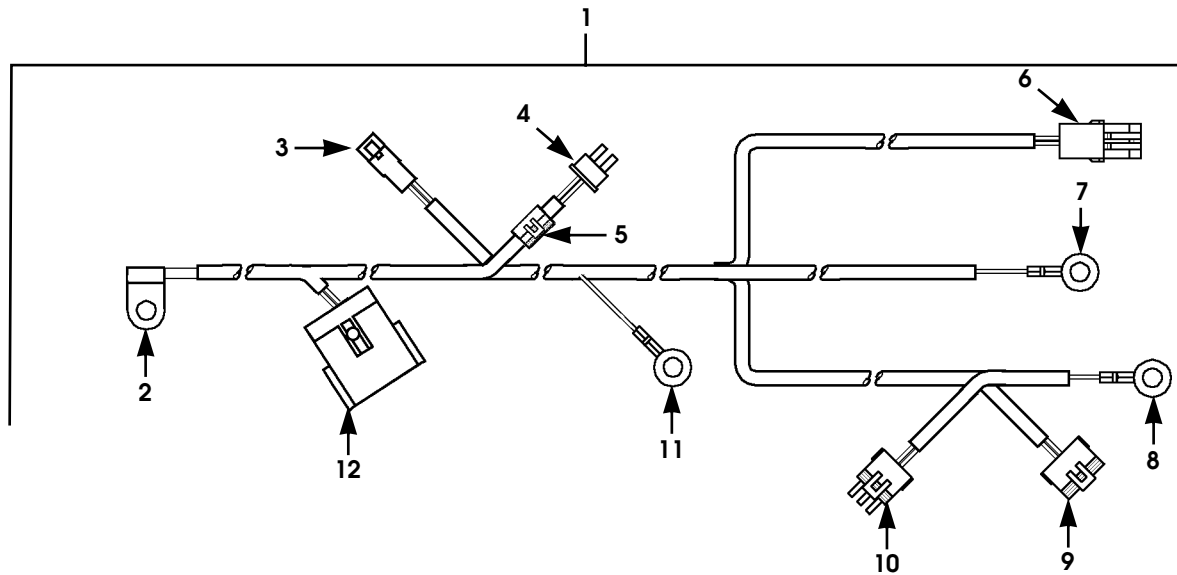
2003 HUMMER H1 PARTS CATALOG


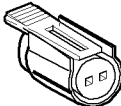
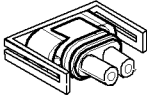
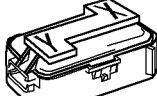
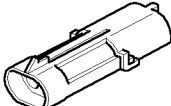
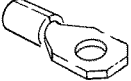
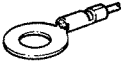
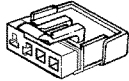
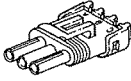

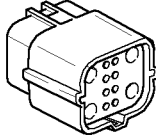
ELECTRICAL 12-91

ITEM	PART NUMBER	DESCRIPTION	QTY
		Figure 12-36. Power Window.	
1	5995713	CONNECTOR, 6-way	2
2	5995715	CONNECTOR, 4-way	2
3	6012311	HARNESS ASSEMBLY, front door, L.H.	1
3	6010865	HARNESS ASSEMBLY, front door, R.H.	1
4	6010035	HARNESS ASSEMBLY, power windows and locks, SEE NOTE 1	2
5	6008742	PLATE, closeout	1
5	6008728	PLATE, power window, w/o heated windshield 89	1
5	6008729	PLATE, power window, w/o heated windshield 83, 84, 90	1
5	6011333	PLATE, heated windshield, w/o power windows, 83, 84, 89, 90.	1
5	6011331	PLATE, power window with heated windshield 89	1
5	6011332	PLATE, power window with heated windshield switches 83, 84, 90	1
6	5939651P2	•SCREW, #10 - 16 x 3/4", oval hd phil.	4
7	6011330	SWITCH AND TIMER ASSEMBLY, heated windshield . . .	1
8	6004185	SWITCH, power window 89	1
8	6004185	SWITCH, power window 83, 84, 90	3
9	6010756	SWITCH, power window lock	1
10	6010029	HARNESS ASSEMBLY, console	1
11	6003484	SCREW, torx head, M6 - 1 x 11	8
12	6002866	BRACKET, window	4
13	6002466	RETAINER, wire	4
14	N/S	LOCKWASHER, #8.	2
15	N/S	SCREW, #8 - 32 x 3/4", ZN	2
16	6002870	WINDOW REGULATOR, power, L.H.	2
17	6003024	BEZEL, door switch (dual)	2
18	6002016	SWITCH, power door lock	2
19	6004185	SWITCH, power window	2
20	N/S	SCREW, #8 - 32 x 1/2", CAD.	2
21	6003023	BEZEL, door switch (single)	2
22	6003025	J-NUT, flat type	4
23	MS3367-1	TIEDOWN STRAP	22
24	6003592	HARNESS, rear door	2
25	6002871	WINDOW REGULATOR, power, R.H.	2
	6003916	CAP, door plug (not illustrated)	4
26	6001694	WATERSHIELD, express down window	1
27	6012309	MODULE, express down window	1
28	N/S	VELCRO, mounting, express down window module . .	1
29	6012310	BRACKET, module, express down window	1
		NOTE 1: WAGON MODELS USE PART NUMBER 6010035 FOR LEFT HAND SIDE AND 6010117 FOR RIGHT HAND SIDE.	

2003 HUMMER H1 PARTS CATALOG

12-92 ELECTRICAL



 VIEW 2	 VIEW 3	 VIEW 4	 VIEW 5	 VIEW 6	 VIEW 7
 VIEW 8	 VIEW 9	 VIEW 10	 VIEW 11	 VIEW 12	

9-P12-003

Figure 12-37. Engine Harness Assembly.

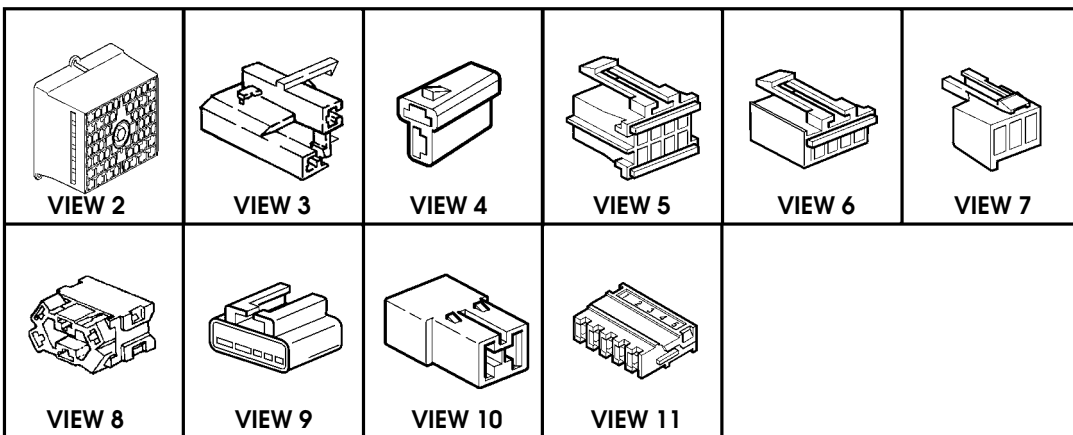
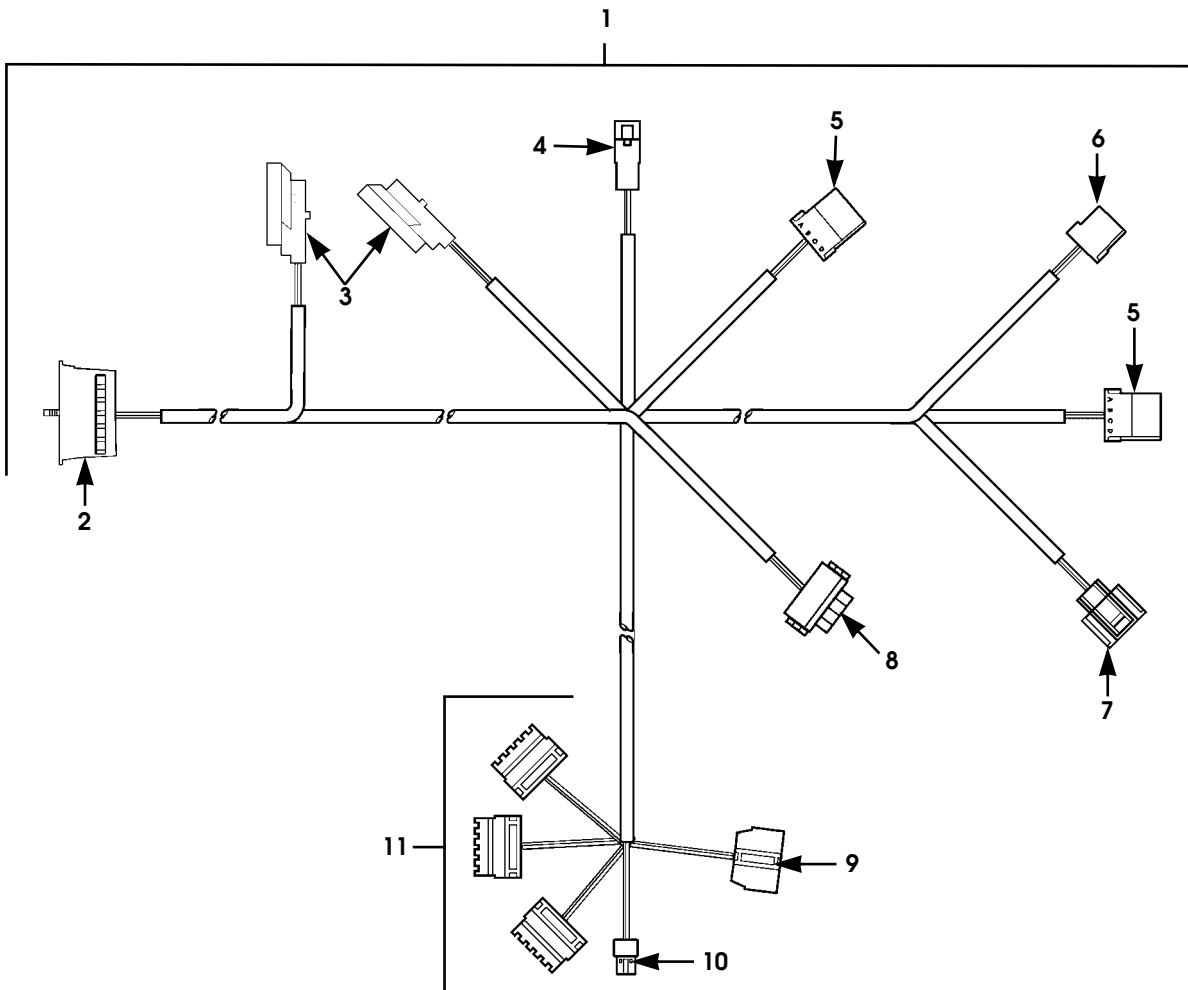
2003 HUMMER H1 PARTS CATALOG

ELECTRICAL 12-93

ITEM	PART NUMBER	DESCRIPTION	QTY
		Figure 12-37. Engine Harness Assembly.	
1	6010026	HARNESS ASSEMBLY, engine	1
2	S.I.A.	• POSITIVE POWER STUD	1
3	S.I.A.	• CONNECTOR, A/C high pressure cut-out switch	1
4	S.I.A.	• CONNECTOR, A/C compressor	1
5	S.I.A.	• DIODE, A/C compressor	1
6	5939099	• CONNECTOR, A/C low pressure switch	1
7	S.I.A.	• TERMINAL RING, starter solenoid	1
8	S.I.A.	• TERMINAL RING, alternator	1
9	5937091	• CONNECTOR, alternator	1
10	5937082	• CONNECTOR, low coolant sensor	1
11	S.I.A.	• TERMINAL RING, ground	1
12	S.I.A.	• CONNECTOR, cowl harness	1

2003 HUMMER H1 PARTS CATALOG

12-94 ELECTRICAL



9-P12-005.1

Figure 12-38. Console Harness Assembly.

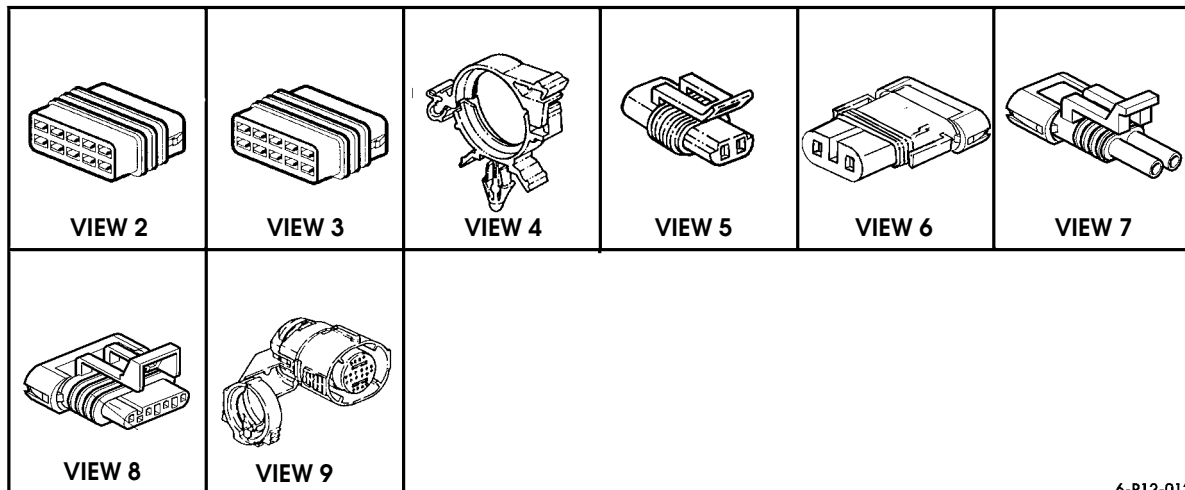
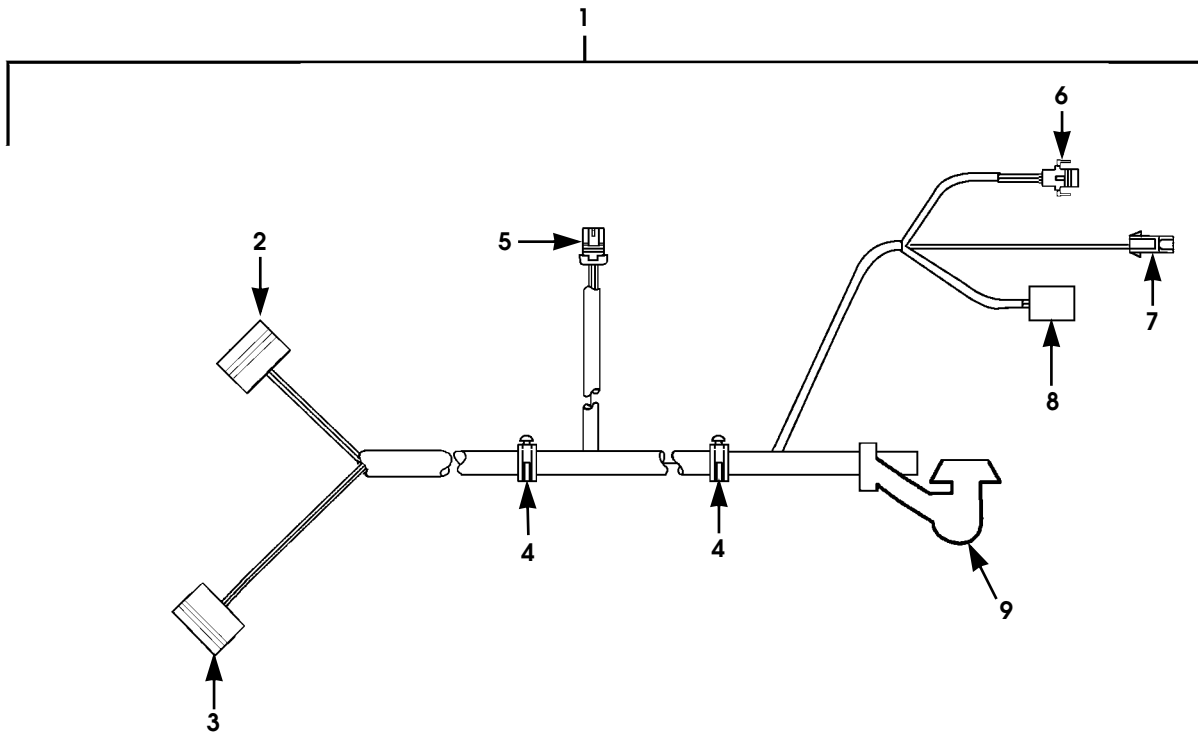
2003 HUMMER H1 PARTS CATALOG

ELECTRICAL 12-95

ITEM	PART NUMBER	DESCRIPTION	QTY
		Figure 12-38. Console Harness Assembly.	
1	6010029	HARNESS ASSEMBLY, console	1
2	6010112	•CONNECTOR, console, 56 way, to crossbody harness	1
3	5939641	•CONNECTOR, cigar lighter.	2
4	5903116	•CONNECTOR, auxiliary power outlet	1
5	6002769	•CONNECTOR, main HVAC and audio harness	2
6	6009408	•CONNECTOR, HVAC rear window defroster	1
7	6009403	•CONNECTOR, HVAC blower.	1
8	5939891	•CONNECTOR, 6-way, rear blower switch	1
9	6005201	•CONNECTOR, heated windshield timer switch	1
10	6010757	•CONNECTOR, window lock switch	1
11	6002930	•CONNECTOR, 5-way, power windows.	3

2003 HUMMER H1 PARTS CATALOG

12-96 ELECTRICAL



6-P12-012

Figure 12-39. Transmission Harness Assembly.

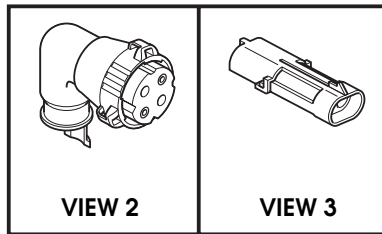
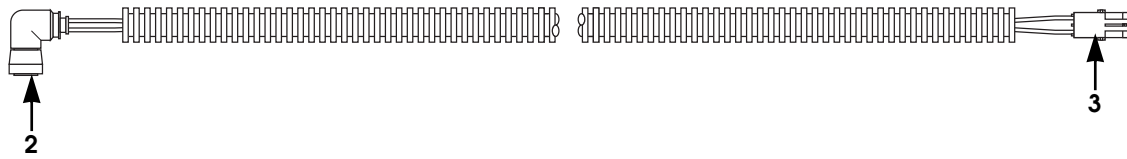
2003 HUMMER H1 PARTS CATALOG

ELECTRICAL 12-97

ITEM	PART NUMBER	DESCRIPTION	QTY
		Figure 12-39. Transmission Harness Assembly.	
1	6010027	HARNESS ASSEMBLY, transmission	1
2	6006958	•CONNECTOR, 10-way, cowl harness	1
3	S.I.A.	•CONNECTOR, cowl harness	1
4	5903019	•CLIP, conduit.	2
5	6003235	•CONNECTOR, 2-way, transmission input speed sensor	1
6	6005118	•CONNECTOR, vehicle speed sensor	1
7	S.I.A.	•CONNECTOR, transfer case lock switch	1
8	6004449	•CONNECTOR, 3-way, transfer range switch.	1
9	S.I.A.	•CONNECTOR, transmission	1
	6010101B9	BRACKET, transmission harness support (not illustrated)	1

2003 HUMMER H1 PARTS CATALOG

12-98 ELECTRICAL



03-P12-011

Figure 12-40. Jumper Harness, Locking Differential.

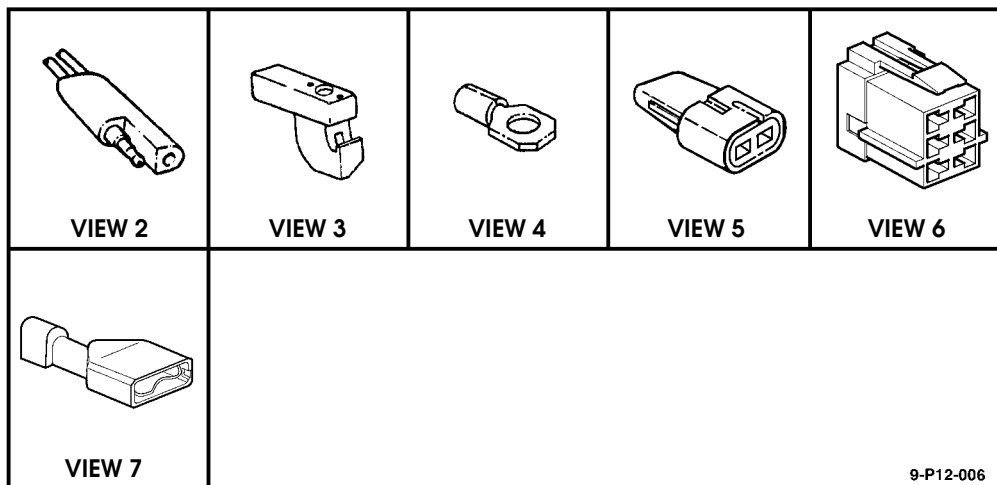
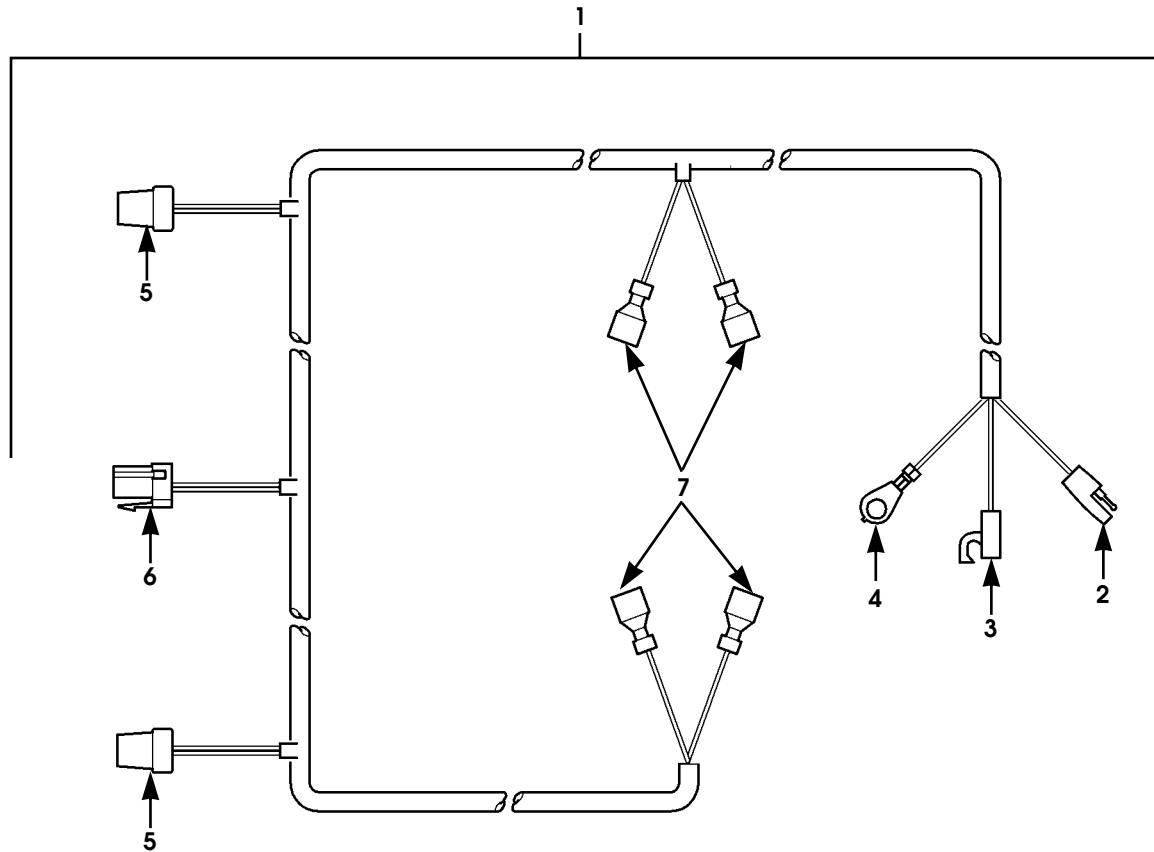
2003 HUMMER H1 PARTS CATALOG

ELECTRICAL 12-99

ITEM	PART NUMBER	DESCRIPTION	QTY
		Figure 12-40. Jumper Harness, Locking Differential.	
1	6013921	JUMPER HARNESS LOCKING DIFFERENTIAL	1
2	S.I.A.	•CONNECTOR, 4-way, endbell - 90 degree	1
3	5939099	•CONNECTOR, 2-way	1
4	6014069	CLIP, E-Locker (not illustrated).	1

2003 HUMMER H1 PARTS CATALOG

12-100 ELECTRICAL



9-P12-006

Figure 12-41. Roof Wiring Harness Assembly, Two-Door, Model 89.

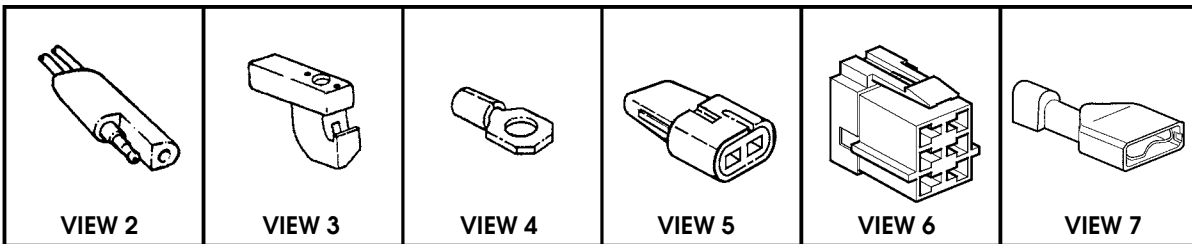
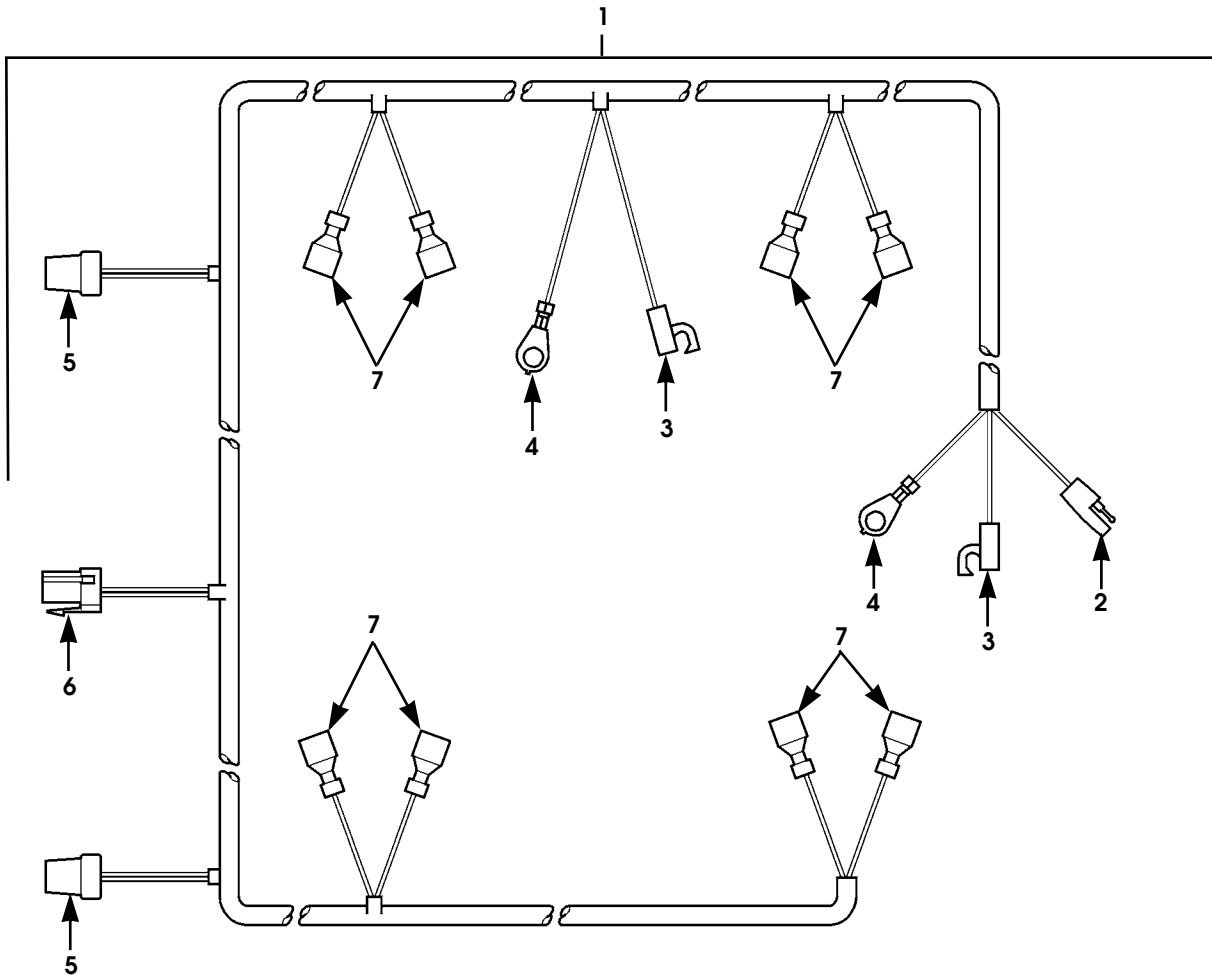
2003 HUMMER H1 PARTS CATALOG

ELECTRICAL 12-101

ITEM	PART NUMBER	DESCRIPTION	QTY
		Figure 12-41. Roof Wiring Harness Assembly, Two-Door, Model 89.	
1	6010030	HARNESS ASSEMBLY, roof wiring, two-door 89	1
2	6000972	•CONNECTOR, cargo light	1
3	5939096	•CONNECTOR, dome lamp	1
4	S.I.A.	•TERMINAL RING, dome lamp	1
5	S.I.A.	•CONNECTOR, visor light	2
6	S.I.A.	•CONNECTOR, cross body harness	1
7	S.I.A.	•TERMINAL, crimp-on spade, female	4

2003 HUMMER H1 PARTS CATALOG

12-102 ELECTRICAL



9-P12-008

Figure 12-42. Roof Wiring Harness Assembly, Four-Door, Model 83.

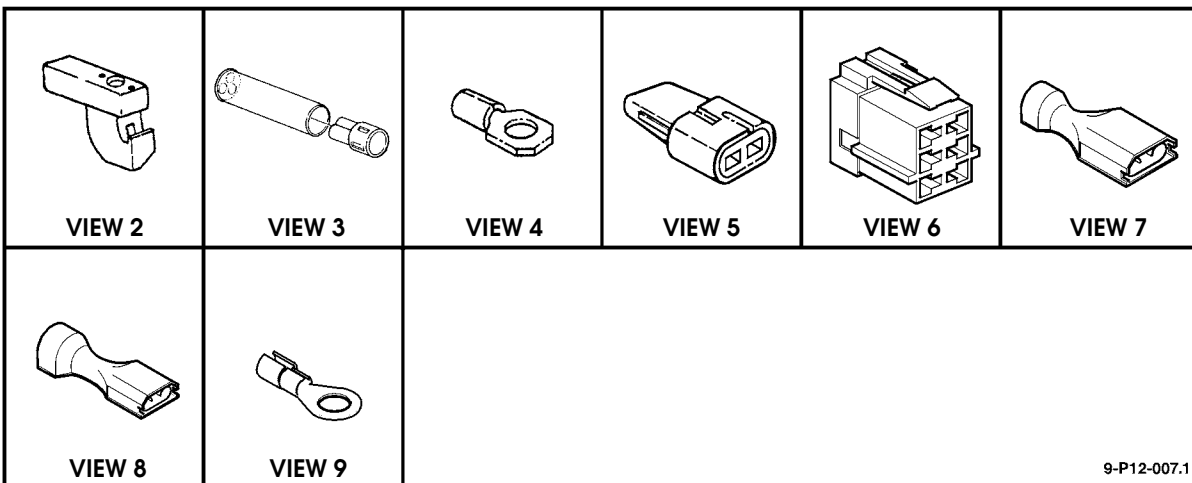
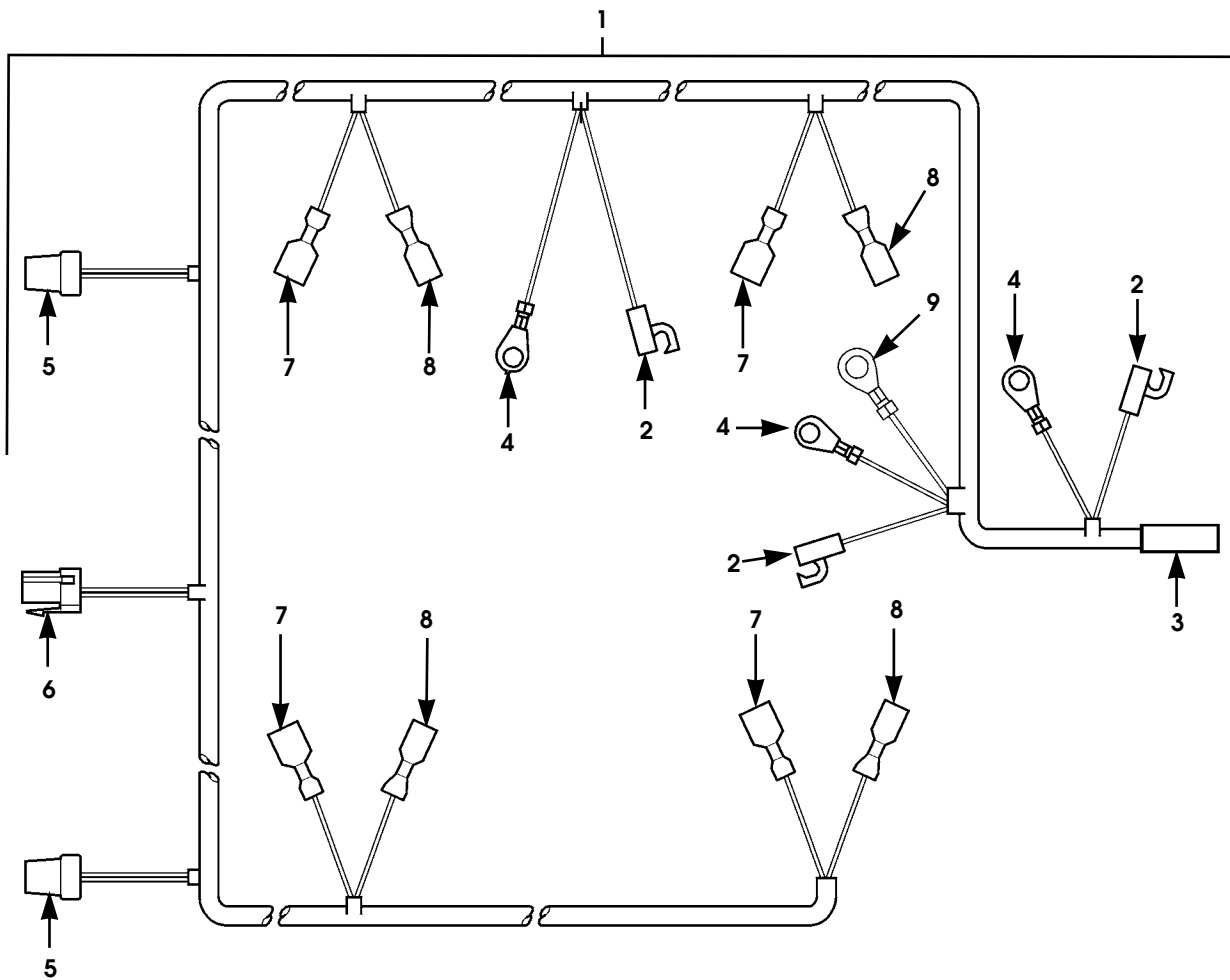
2003 HUMMER H1 PARTS CATALOG

ELECTRICAL 12-103

ITEM	PART NUMBER	DESCRIPTION	QTY
		Figure 12-42. Roof Wiring Harness Assembly, Four-Door, Model 83.	
1	6010031	HARNESS ASSEMBLY, roof wiring, four-door 83	1
2	6000972	•CONNECTOR, cargo light	1
3	5939096	•CONNECTOR, dome lamp	1
4	S.I.A.	•TERMINAL RING, dome lamp	1
5	S.I.A.	•CONNECTOR, visor light	2
6	S.I.A.	•CONNECTOR, cross body harness	1
7	S.I.A.	•TERMINAL, crimp-on spade, female	4

2003 HUMMER H1 PARTS CATALOG

12-104 ELECTRICAL



9-P12-007.1

Figure 12-43. Roof Wiring Harness Assembly, Station Wagon, Model 84.

2003 HUMMER H1 PARTS CATALOG

ELECTRICAL 12-105

ITEM	PART NUMBER	DESCRIPTION	QTY
		Figure 12-43. Roof Wiring Harness Assembly, Station Wagon, Model 84.	
1	6010032	HARNESS ASSEMBLY, roof wiring 84	1
2	5939096	•CONNECTOR, dome lamp	1
3	5939085	•CONNECTOR, rear door cargo lamp switch	1
4	S.I.A.	•RING TERMINAL, dome light	1
5	S.I.A.	•CONNECTOR, visor light	2
6	S.I.A.	•CONNECTOR, cross body harness.	1
7	S.I.A.	•TERMINAL, crimp-on spade, female	4
8	S.I.A.	•TERMINAL, crimp-on spade, female	4
9	S.I.A.	•RING TERMINAL, rear dome lamp	1

2003 HUMMER H1 PARTS CATALOG

12-106 ELECTRICAL

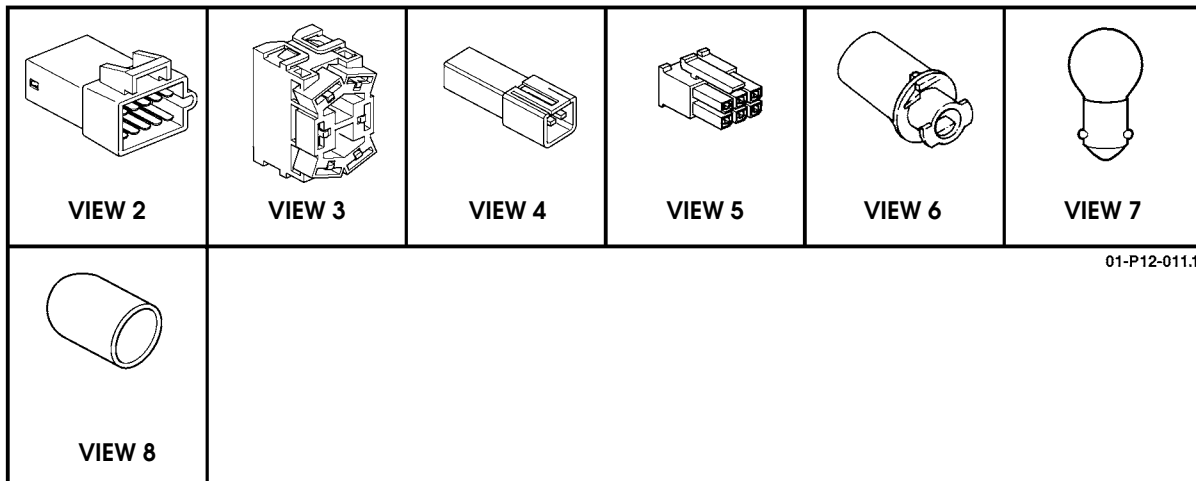
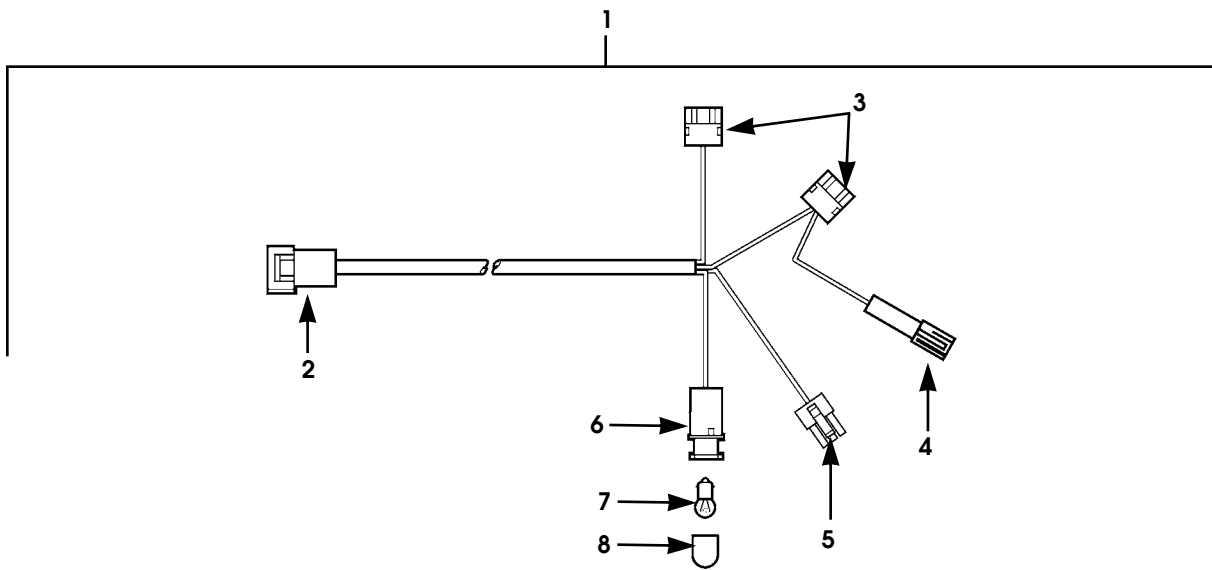


Figure 12-44. CTIS Interior Harness Assembly.

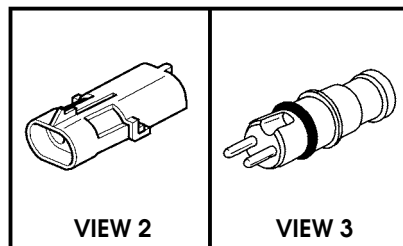
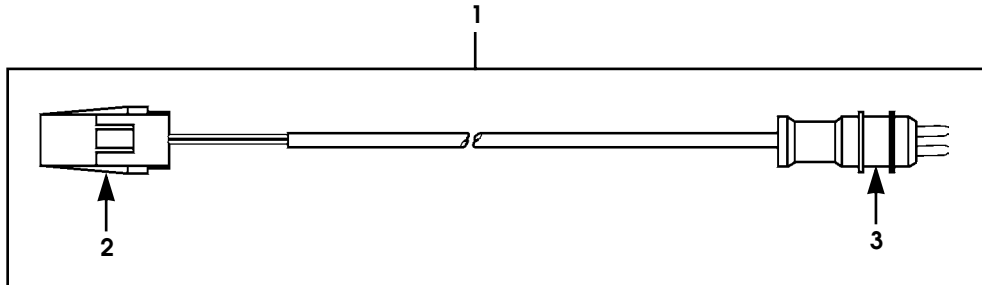
2003 HUMMER H1 PARTS CATALOG

ELECTRICAL 12-107

ITEM	PART NUMBER	DESCRIPTION	QTY
		Figure 12-44. CTIS Interior Harness Assembly.	
1	6011637	HARNESS ASSEMBLY, CTIS interior	1
2	S.I.A.	•CONNECTOR, instrument panel harness	1
3	5939898	•CONNECTOR, 6-way, compressor switch	2
4	6000135	•CONNECTOR, 2-way, switch illumination	1
5	6011649	•CONNECTOR, 6-way CTIS warning indicators.	1
6	S.I.A.	•LAMP SOCKET, CTIS gauge.	1
7	S.I.A.	•BULB, #1815	1
8	S.I.A.	•BULB COVER, (filter), green.	1

2003 HUMMER H1 PARTS CATALOG

12-108 ELECTRICAL



9-P12-010

Figure 12-45. Wheel Sensor Jumper Harness Assembly, Right Front.

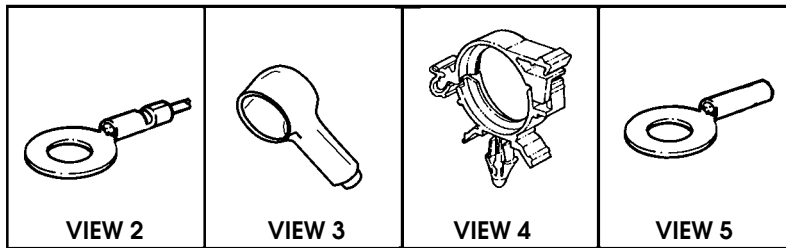
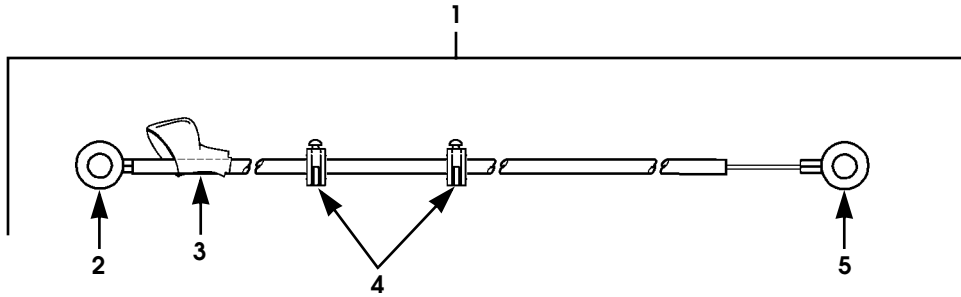
2003 HUMMER H1 PARTS CATALOG

ELECTRICAL 12-109

ITEM	PART NUMBER	DESCRIPTION	QTY
		Figure 12-45. Wheel Sensor Jumper Harness Assembly, Right Front.	
1	6010137	JUMPER HARNESS ASSEMBLY, right front wheel sensor.	1
2	N/S	•CONNECTOR, underbody harness	1
3	N/S	•CONNECTOR, wheel sensor, right front	1

2003 HUMMER H1 PARTS CATALOG

12-110 ELECTRICAL



9-P12-013

Figure 12-46. Glow Plug Power Cable Assembly.

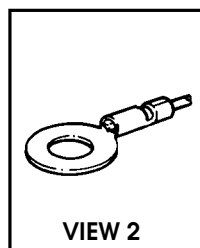
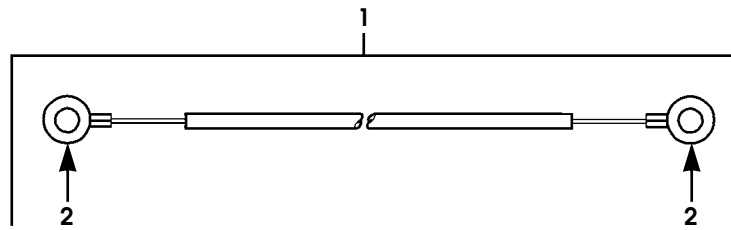
2003 HUMMER H1 PARTS CATALOG

ELECTRICAL 12-111

ITEM	PART NUMBER	DESCRIPTION	QTY
		Figure 12-46. Glow Plug Power Cable Assembly.	
1	6010339	CABLE ASSEMBLY, glow plug power.	1
2	S.I.A.	•RING TERMINAL, glow plug controller	1
3	S.I.A.	•BOOT, terminal.	1
4	5903019	•CLIP, conduit.	2
5	S.I.A.	•RING TERMINAL, starter	1

2003 HUMMER H1 PARTS CATALOG

12-112 ELECTRICAL



9-P12-012

Figure 12-47. Interior Ground Cable Assembly.

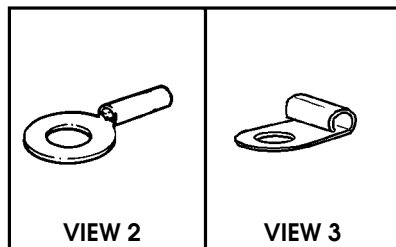
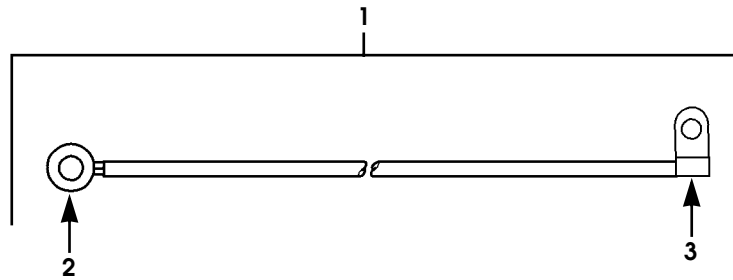
2003 HUMMER H1 PARTS CATALOG

ELECTRICAL 12-113

ITEM	PART NUMBER	DESCRIPTION	QTY
1	6010377	Figure 12-47. Interior Ground Cable Assembly. CABLE ASSEMBLY, interior ground.	1
2	N/S	•RING TERMINAL, ground	2

2003 HUMMER H1 PARTS CATALOG

12-114 ELECTRICAL



9-P12-011

Figure 12-48. Exterior Fuse Box Power Cable.

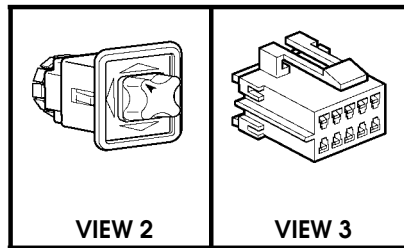
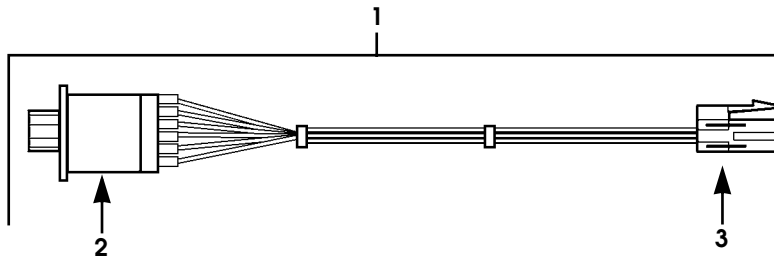
2003 HUMMER H1 PARTS CATALOG

ELECTRICAL 12-115

ITEM	PART NUMBER	DESCRIPTION	QTY
		Figure 12-48. Exterior Fuse Box Power Cable.	
1	6010349	CABLE, power, exterior fuse box.	1
2	S.I.A.	•RING TERMINAL	1
3	S.I.A.	•FLAG TERMINAL	1

2003 HUMMER H1 PARTS CATALOG

12-116 ELECTRICAL



9-P12-015

Figure 12-49. Power Mirror Switch Harness Assembly.

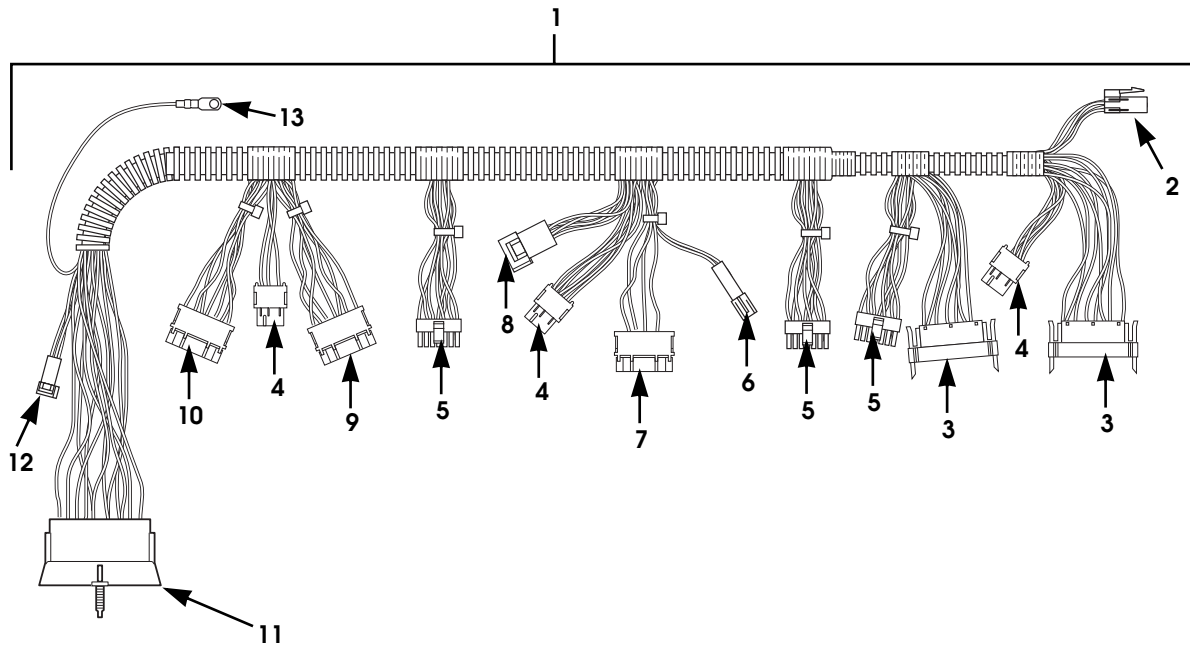
2003 HUMMER H1 PARTS CATALOG

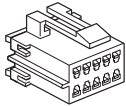
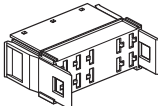
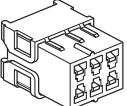
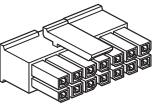
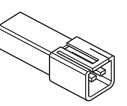
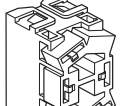
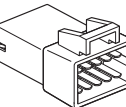
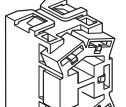
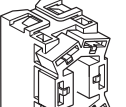
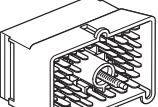
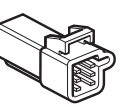
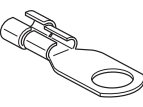
ELECTRICAL 12-117

ITEM	PART NUMBER	DESCRIPTION	QTY
		Figure 12-49. Power Mirror Switch Harness Assembly.	
1	6010091	HARNESS ASSEMBLY, power mirror, w/switch	1
2	6003849	•SWITCH, power mirror	1
3	6003227	•CONNECTOR, 10-way, instrumentation harness.	1

2003 HUMMER H1 PARTS CATALOG

12-118 ELECTRICAL



					
VIEW 2	VIEW 3	VIEW 4	VIEW 5	VIEW 6	VIEW 7
					
VIEW 8	VIEW 9	VIEW 10	VIEW 11	VIEW 12	VIEW 13

03-P12-005

Figure 12-50. Instrument Panel Harness.

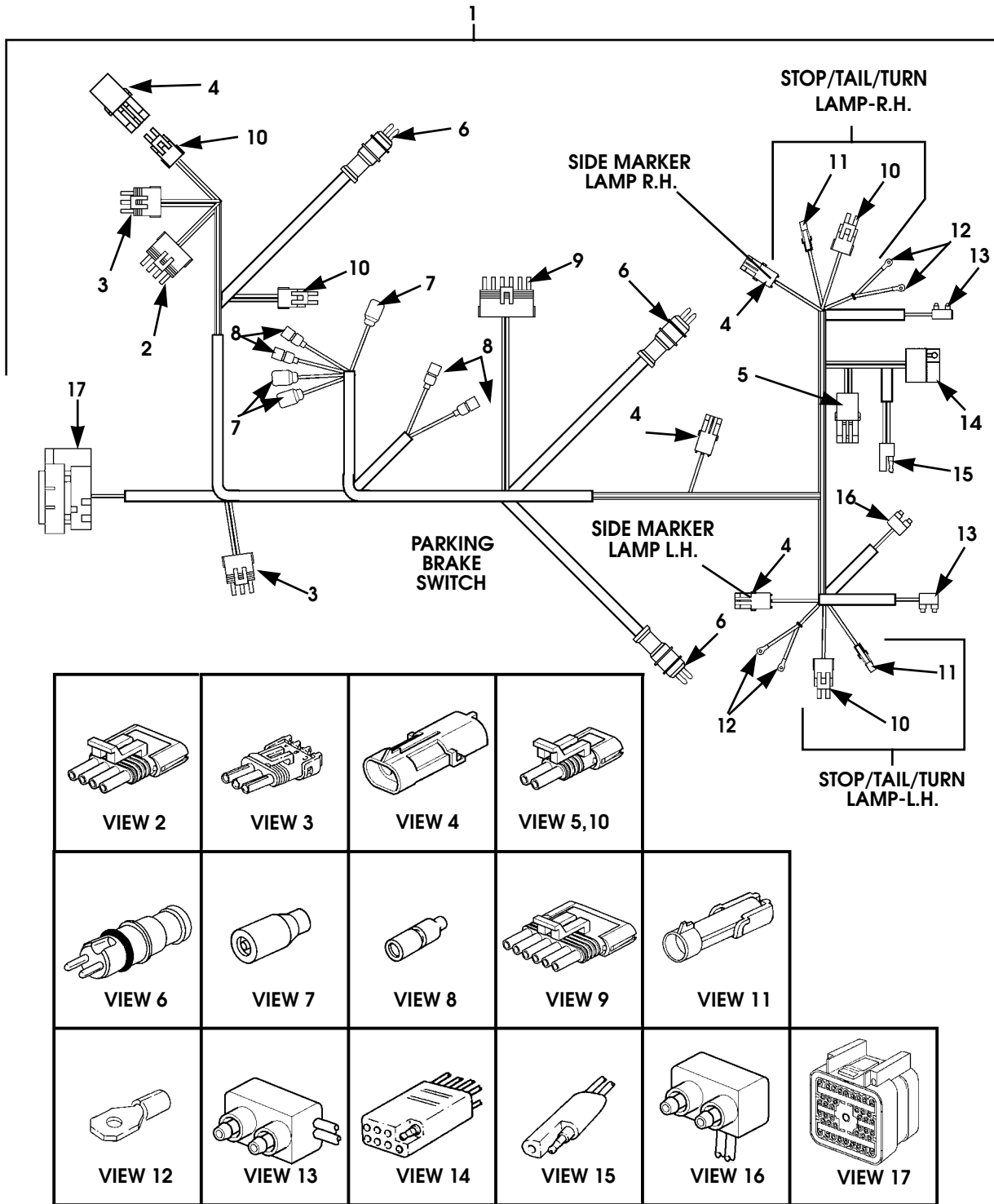
2003 HUMMER H1 PARTS CATALOG

ELECTRICAL 12-119

ITEM	PART NUMBER	DESCRIPTION	QTY
		Figure 12-50. Instrument Panel Harness.	
1	6013882	HARNESS ASSEMBLY, instrument panel.	1
2	6003227	•CONNECTOR, 10-way, CTIS harness.	1
3	6010230	•CONNECTOR, 10-way, fuel tank selector switch, rear axle differential lock switch	2
4	6010228	•CONNECTOR, 6-way, rear wiper switch, intermittent wiper/washer switch, panel lamp dimmer	3
5	6011648	•CONNECTOR, 14-way, water temp, fuel gauges, speedometer/tachometer, voltmeter/ oil pressure gauges	3
6	6000135	•CONNECTOR, 2-way, wiper switch illumination.	1
7	5939891	•CONNECTOR, 5-way, wiper switch	1
8	6003256	•CONNECTOR, 10-way, power mirror switch	1
9	5939900	•CONNECTOR, 5-way dome lamp switch	1
10	5939898	•CONNECTOR, 6-way, light switch.	1
11	6010112	•CONNECTOR, 56-way, cross body harness	1
12	5939157	•CONNECTOR, 6-way, to cross body harness	1
13	6011650	•RING TERMINAL, ground	1

2003 HUMMER H1 PARTS CATALOG

12-120 ELECTRICAL



03-P12-006

Figure 12-51. Underbody Harness, Rear.

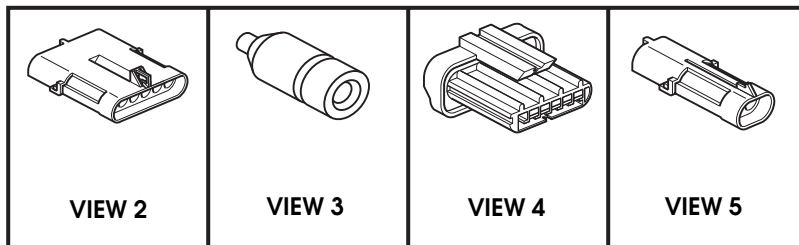
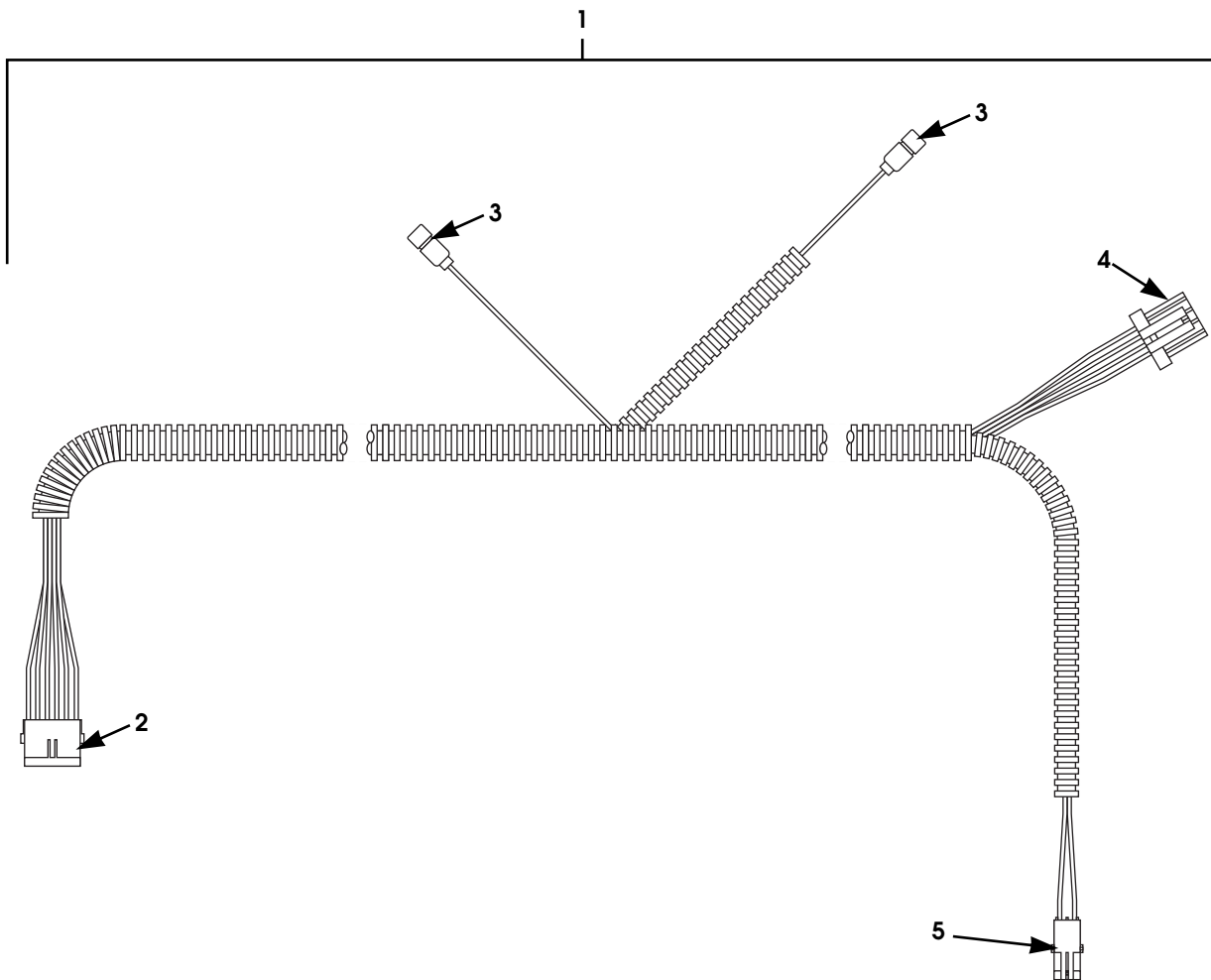
2003 HUMMER H1 PARTS CATALOG

ELECTRICAL 12-121

ITEM	PART NUMBER	DESCRIPTION	QTY
		Figure 12-51. Underbody Harness, Rear.	
1	6013992	HARNESS ASSEMBLY, underbody, rear	1
2	5995715	•CONNECTOR, 4-way	1
3	5937082	•CONNECTOR, 3-way	2
4	5939099	•CONNECTOR, ambient temperature	1
5	6005581	•CONNECTOR, 2-way gray	1
5	S.I.A.	•CONNECTOR, 2-way, black	1
6	S.I.A.	•CABLE ASSEMBLY, wheel sensor, left front	1
6	S.I.A.	•CABLE ASSEMBLY, wheel sensor, right rear.	1
6	S.I.A.	•CABLE ASSEMBLY, wheel sensor, left rear.	1
7	MS27142-2	•CONNECTOR	3
8	MS27144-3	•CONNECTOR	2
9	S.I.A.	•CONNECTOR, main fuel tank.	1
10	6003280	•CONNECTOR	2
11	5939237	•CONNECTOR PLUG.	2
12	S.I.A.	•RING TERMINAL	4
13	5937021	•CONNECTOR, molded	2
14	5937038	•CONNECTOR, mold-on, trailer connection	1
15	S.I.A.	•CONNECTOR, mold-on, rear identification lights.	1
16	5937039	•CONNECTOR, mold-on.	1
17	S.I.A.	•CONNECTOR, cowl harness.	1

2003 HUMMER H1 PARTS CATALOG

12-122 ELECTRICAL



03-P12-010

Figure 12-52. Jumper Harness Assembly, Main Fuel Tank W/Aux Tank.

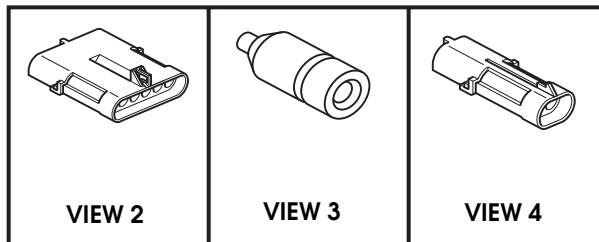
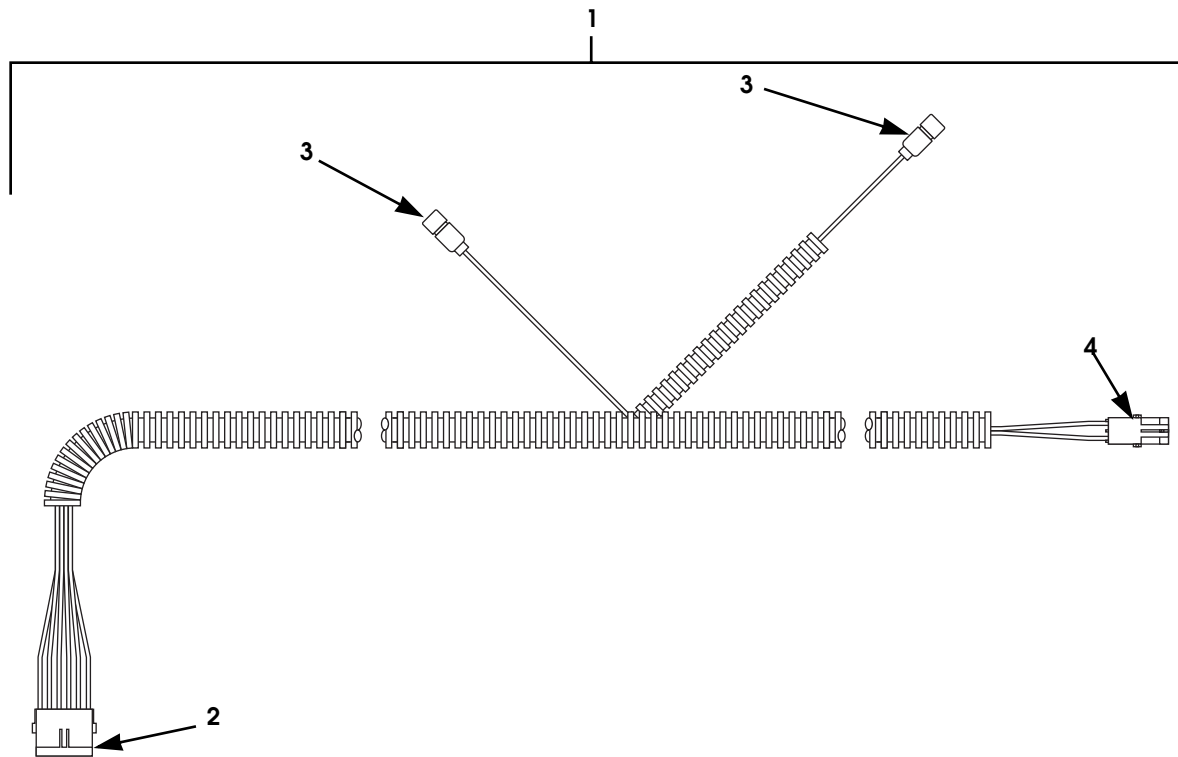
2003 HUMMER H1 PARTS CATALOG

ELECTRICAL 12-123

ITEM	PART NUMBER	DESCRIPTION	QTY
		Figure 12-52. Jumper Harness Assembly, Main Fuel Tank W/Aux Tank.	
1	6013658	JUMPER HARNESS ASSEMBLY, main fuel tank w/aux tank	1
2	N/S	•CONNECTOR 6-way, to body harness.	1
3	MS27144-2	•CONNECTOR, to fuel level transmitter	2
4	N/S	•CONNECTOR, to fuel tank selector valve.	1
5	5939099	•CONNECTOR, to fuel pump	1

2003 HUMMER H1 PARTS CATALOG

12-124 ELECTRICAL



03-P12-010

Figure 12-53. Jumper Harness Assembly, Main Tank, w/o Aux Tank.

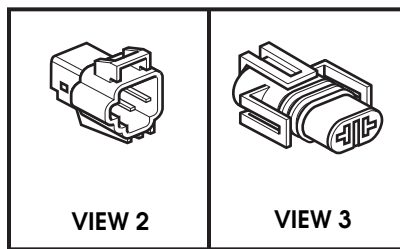
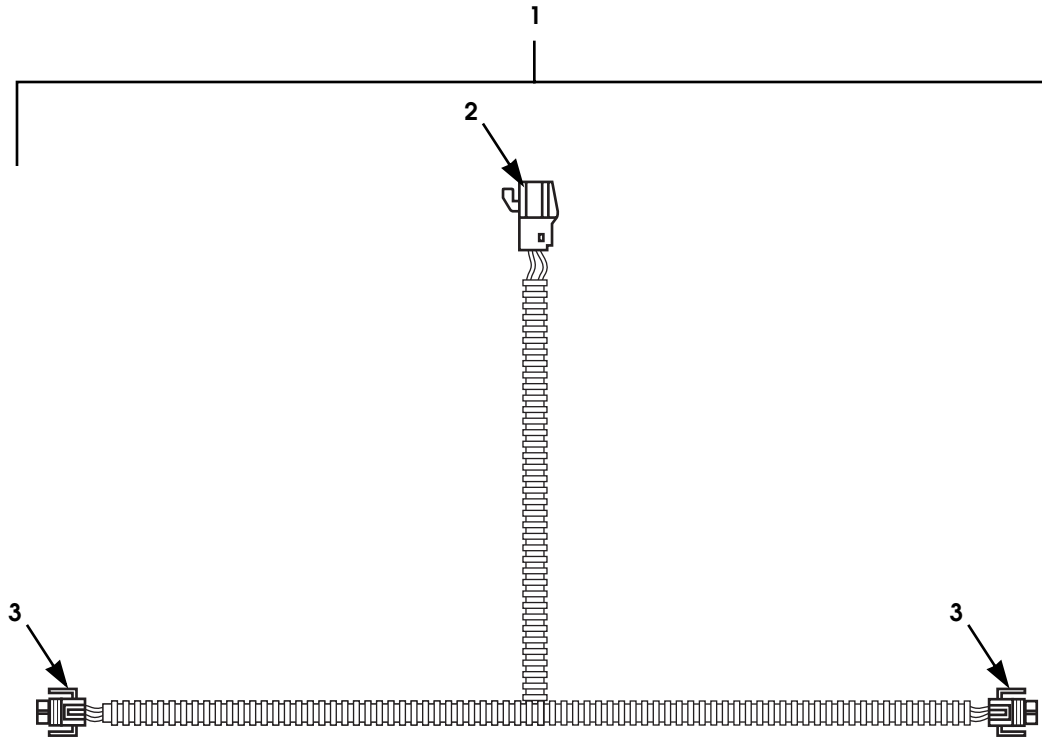
2003 HUMMER H1 PARTS CATALOG

ELECTRICAL 12-125

ITEM	PART NUMBER	DESCRIPTION	QTY
		Figure 12-53. Jumper Harness Assembly, Main Tank, w/o Aux Tank.	
1	6013907	JUMPER HARNESS ASSEMBLY, main fuel tank w/o aux tank	1
2	N/S	•CONNECTOR 6-way, to body harness.	1
3	MS27144-2	•CONNECTOR, to fuel level transmitter	2
4	5939099	•CONNECTOR, to fuel pump	1

2003 HUMMER H1 PARTS CATALOG

12-126 ELECTRICAL



03-P12-017

Figure 12-54. Harness Assembly, Heated Seats.

2003 HUMMER H1 PARTS CATALOG

ELECTRICAL 12-127

ITEM	PART NUMBER	DESCRIPTION	QTY
		Figure 12-54. Harness Assembly, Heated Seats.	
1	6012308	HARNESS ASSEMBLY, heated seats	1
2	S.I.A.	CONNECTOR, to crossbody harness	1
3	6005118	CONNECTOR, to seat heater	2

2003 HUMMER H1 PARTS CATALOG

12-128 ELECTRICAL

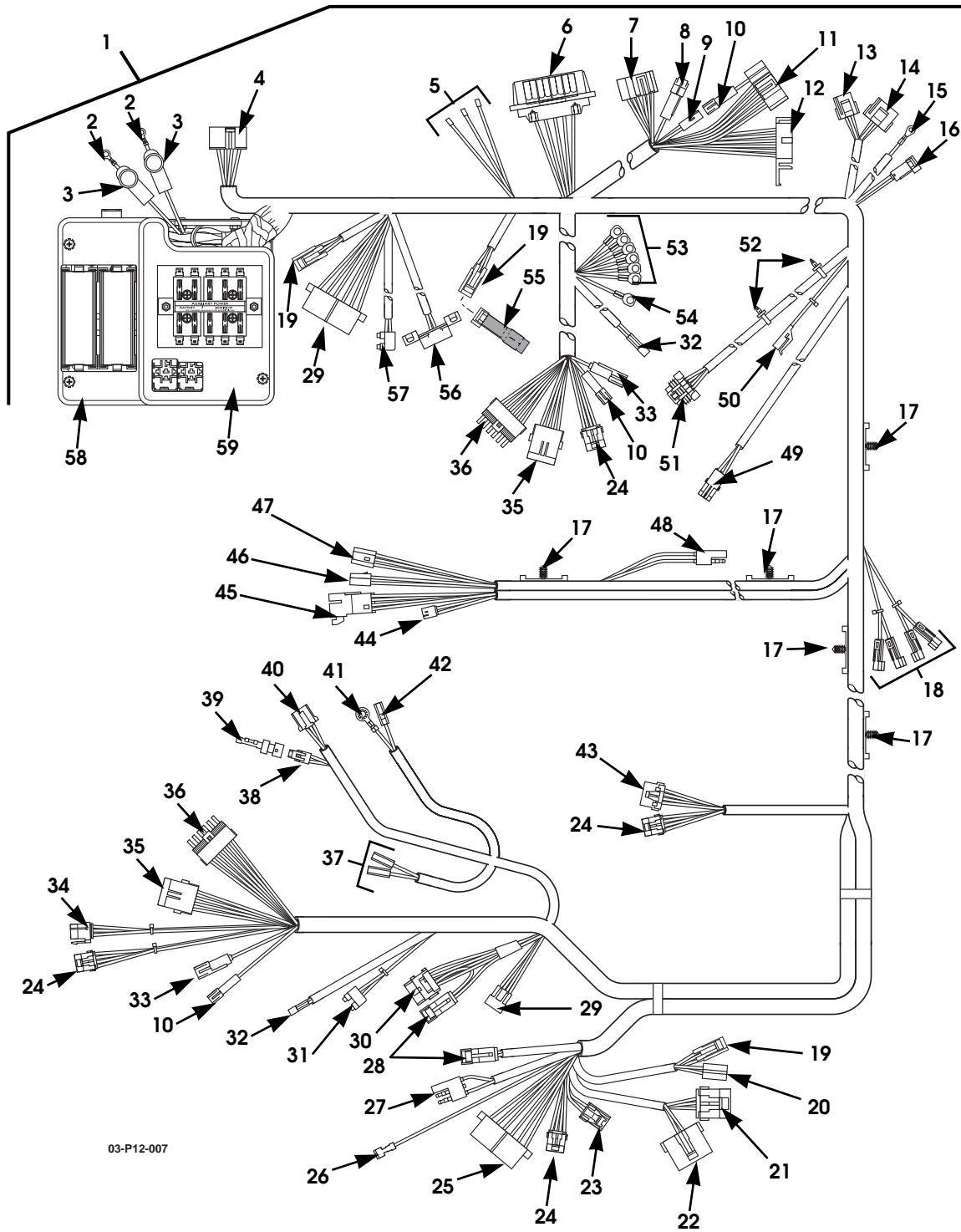
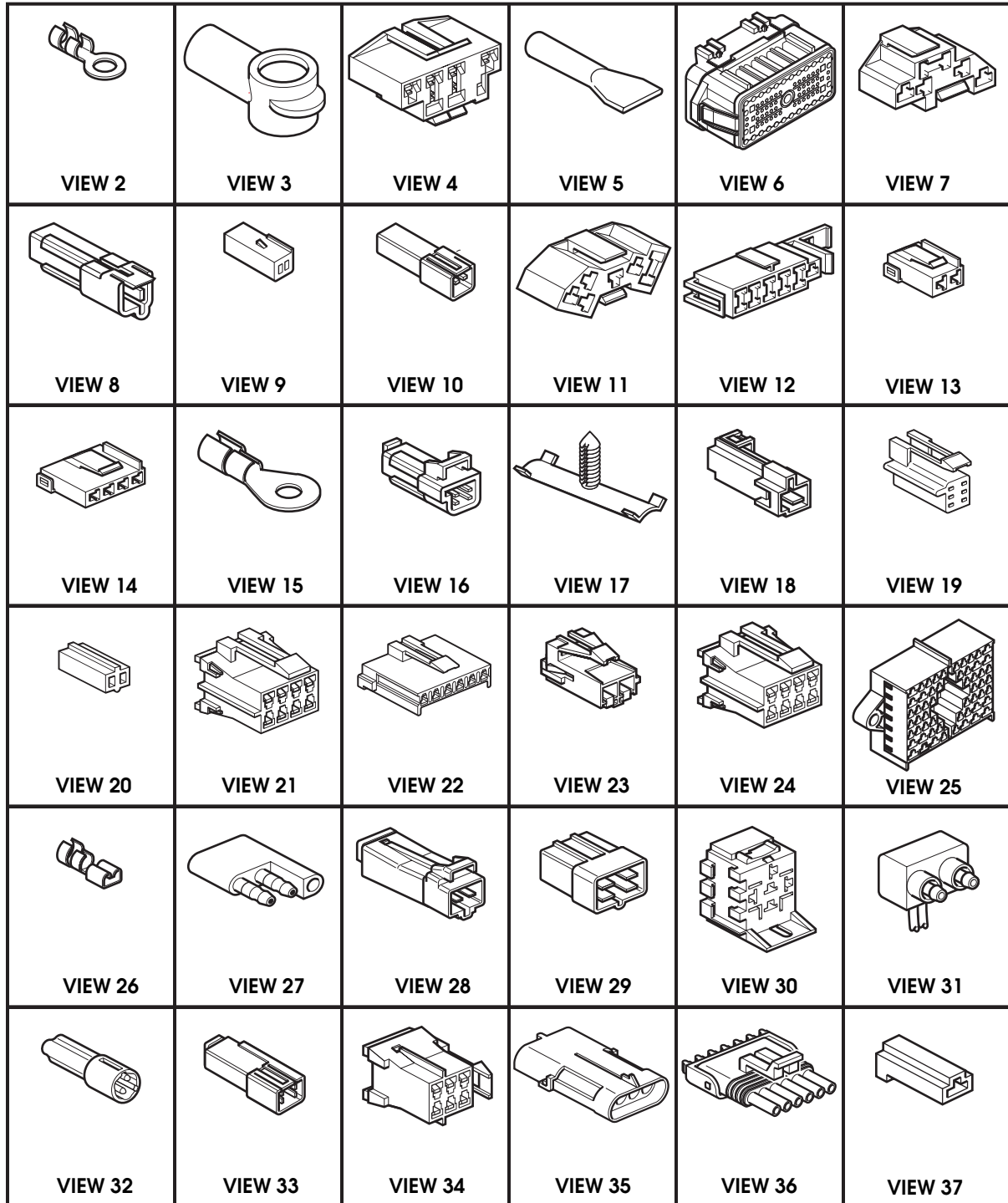


Figure 12-55. Cross Body Harness.
(Sheet 1 of 3).

2003 HUMMER H1 PARTS CATALOG

ELECTRICAL 12-129

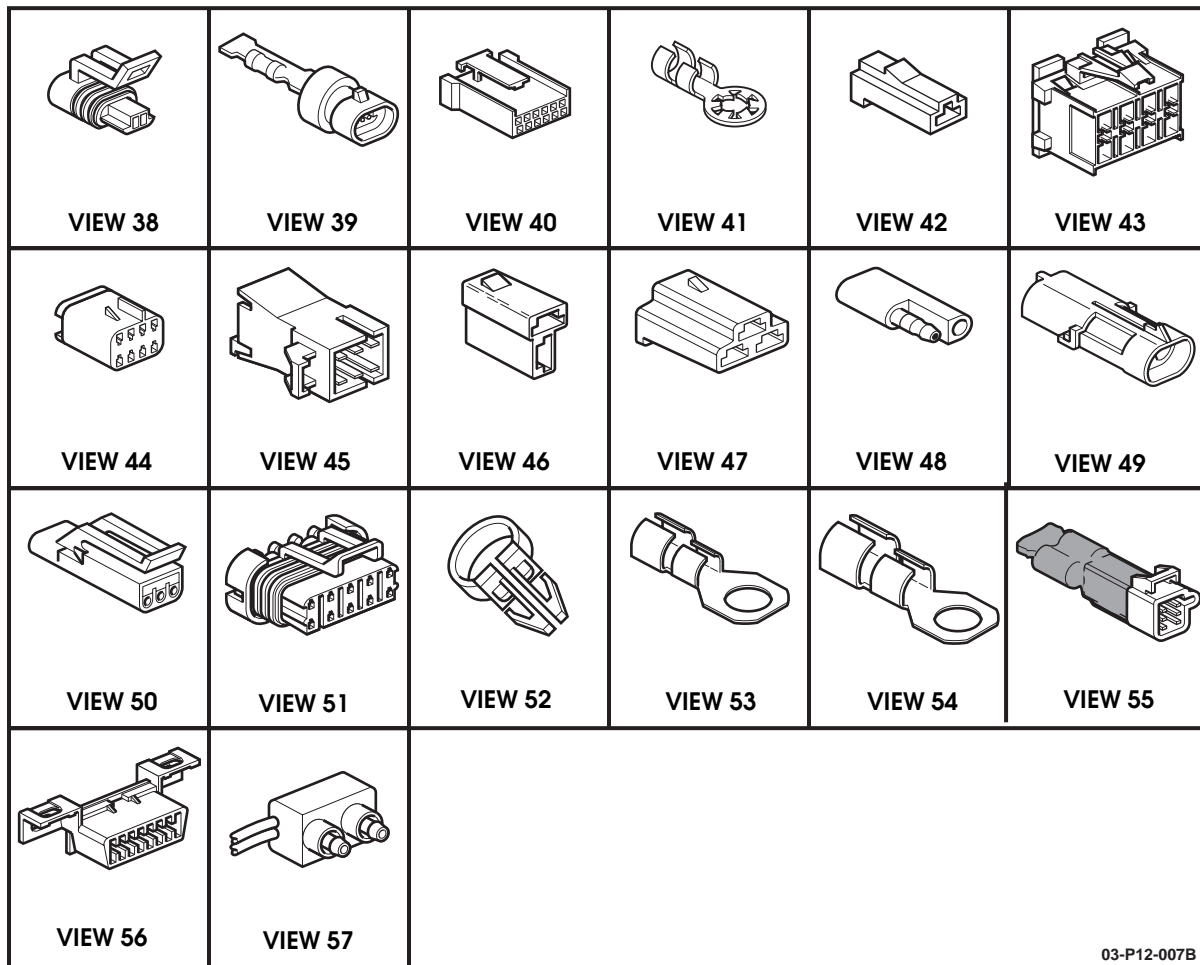


03-P12-007A

Figure 12-55. Cross Body Harness.
(Sheet 2 of 3).

2003 HUMMER H1 PARTS CATALOG

12-130 ELECTRICAL



03-P12-007B

Figure 12-55. Cross Body Harness.
(Sheet 3 of 3).

2003 HUMMER H1 PARTS CATALOG

ELECTRICAL 12-131

ITEM	PART NUMBER	DESCRIPTION	QTY
		Figure 12-55. Cross Body Harness.	
1	6014044	CROSS BODY HARNESS ASSEMBLY	1
2	S.I.A.	•EYELET, terminal	2
3	S.I.A.	•BOOT, red	2
4	S.I.A.	•CONNECTOR, male	1
5	S.I.A.	•TRAILER LEADS, unterminated	3
6	S.I.A.	•CONNECTOR, 76-way	1
7	6000134	•SLEEVE CONNECTOR	1
8	6000141	•SLEEVE CONNECTOR, 1-way	1
9	S.I.A.	•CONNECTOR	1
10	S.I.A.	•CONNECTOR	3
11	6000142	•SLEEVE CONNECTOR, 7-way	1
12	6000143	•SLEEVE CONNECTOR, ignition	1
13	6003221	•CONNECTOR, 2-way	1
14	S.I.A.	•CONNECTOR, 4-way	1
15	5903147	•TERMINAL RING	1
16	S.I.A.	•SECONDARY LOCK	1
17	S.I.A.	•CLIP	5
18	S.I.A.	•CONNECTOR, 1-way	4
19	5939155	•CONNECTOR, 6-way	1
20	5937089	•CONNECTOR, 2-way	1
21	S.I.A.	•CONNECTOR, 6-way	1
22	S.I.A.	•CONNECTOR, 6-way	1
23	S.I.A.	•CONNECTOR, 2-way	1
24	6002769	•CONNECTOR	3
25	S.I.A.	•CONNECTOR, 56-way	2
26	S.I.A.	•TERMINAL, amp	1
27	S.I.A.	•CONNECTOR	1
28	S.I.A.	•CONNECTOR	2
29	S.I.A.	•CONNECTOR	1
30	S.I.A.	•CONNECTOR, relay	1
31	5937039	•CONNECTOR	1
32	5939085	•CONNECTOR, 3-way	2
33	S.I.A.	•CONNECTOR	2
34	S.I.A.	•CONNECTOR, 6-way	1
35	5995732	•CONNECTOR PLUG, seal green	2
36	5995714	•CONNECTOR, 6-way	2
37	S.I.A.	•CONNECTOR, 1-way	3
38	6003235	•CONNECTOR, 2-way	1
39	S.I.A.	•RESISTOR MODULE	1
40	S.I.A.	•CONNECTOR	1

2003 HUMMER H1 PARTS CATALOG

12-132 ELECTRICAL

ITEM	PART NUMBER	DESCRIPTION	QTY
		Figure 12-55. Cross Body Harness. (Cont'd.)	
41	S.I.A.	•TERMINAL RING	1
42	S.I.A.	•INSULATOR	1
43	S.I.A.	•CONNECTOR, 8-way	1
44	6007226	•CONNECTOR, 8-way	1
45	6010129	•CONNECTOR, 6-way	1
46	5936490	•CONNECTOR, 2-way	1
47	5962328	•CONNECTOR, 3-way	1
48	S.I.A.	•INSULATOR AND SOCKET	1
49	5939099	•CONNECTOR, 2-way	1
50	6000150	•CONNECTOR	1
51	6006958	•CONNECTOR, 10-way	1
52	S.I.A.	•CLIP, wire harness	2
53	S.I.A.	•TERMINAL RING (M-8 stud)	6
54	S.I.A.	•TERMINAL RING	1
55	5745473	•DIODE ASSEMBLY	1
56	6003224	•CONNECTOR, 15-way	1
57	5937021	•CONNECTOR, molded	1
58	6010127	•FUSE BOX COVER, internal	1
59	6010140B9	•FUSE BOX BASE, internal	1

2003 HUMMER H1 PARTS CATALOG

ELECTRICAL 12-133

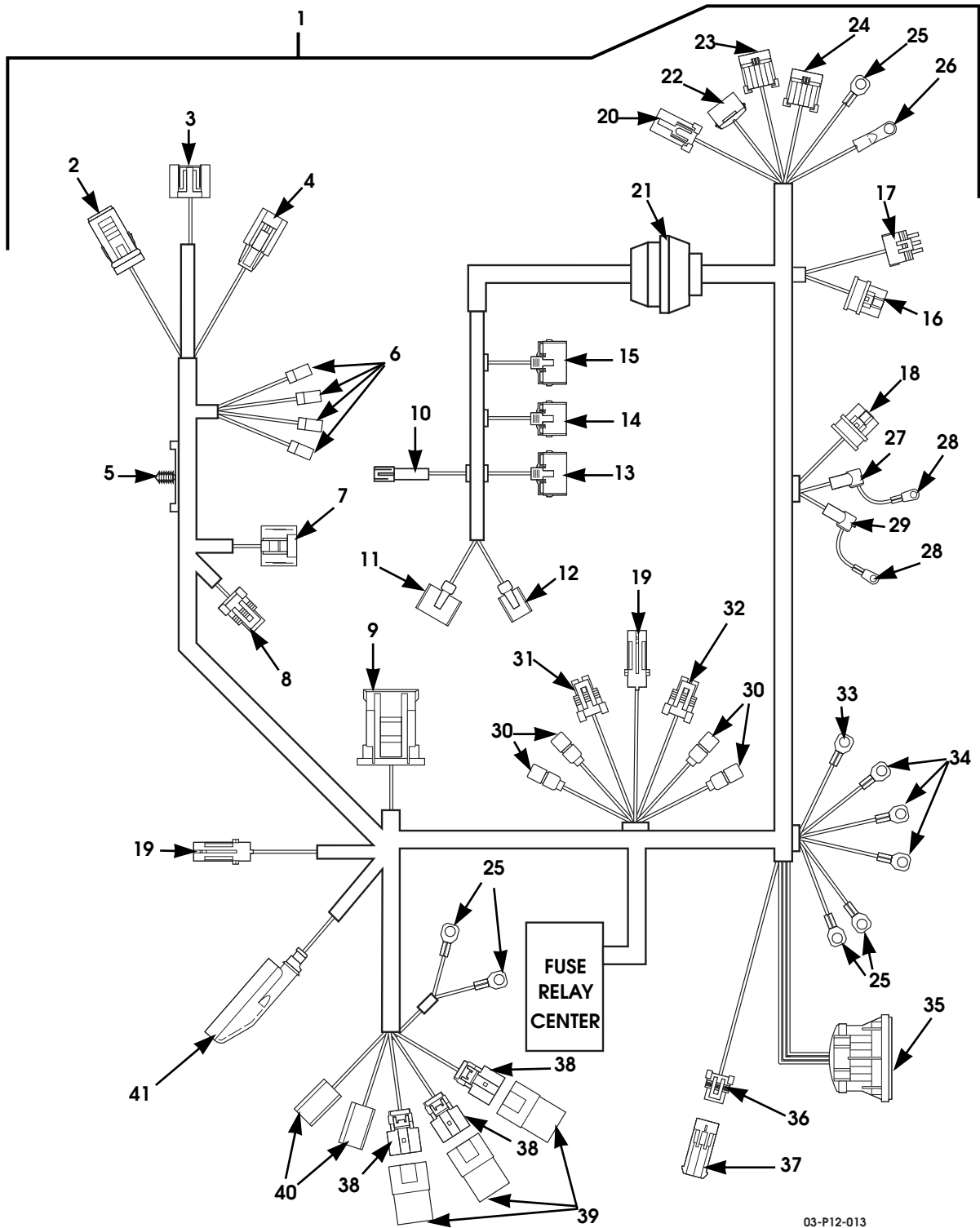
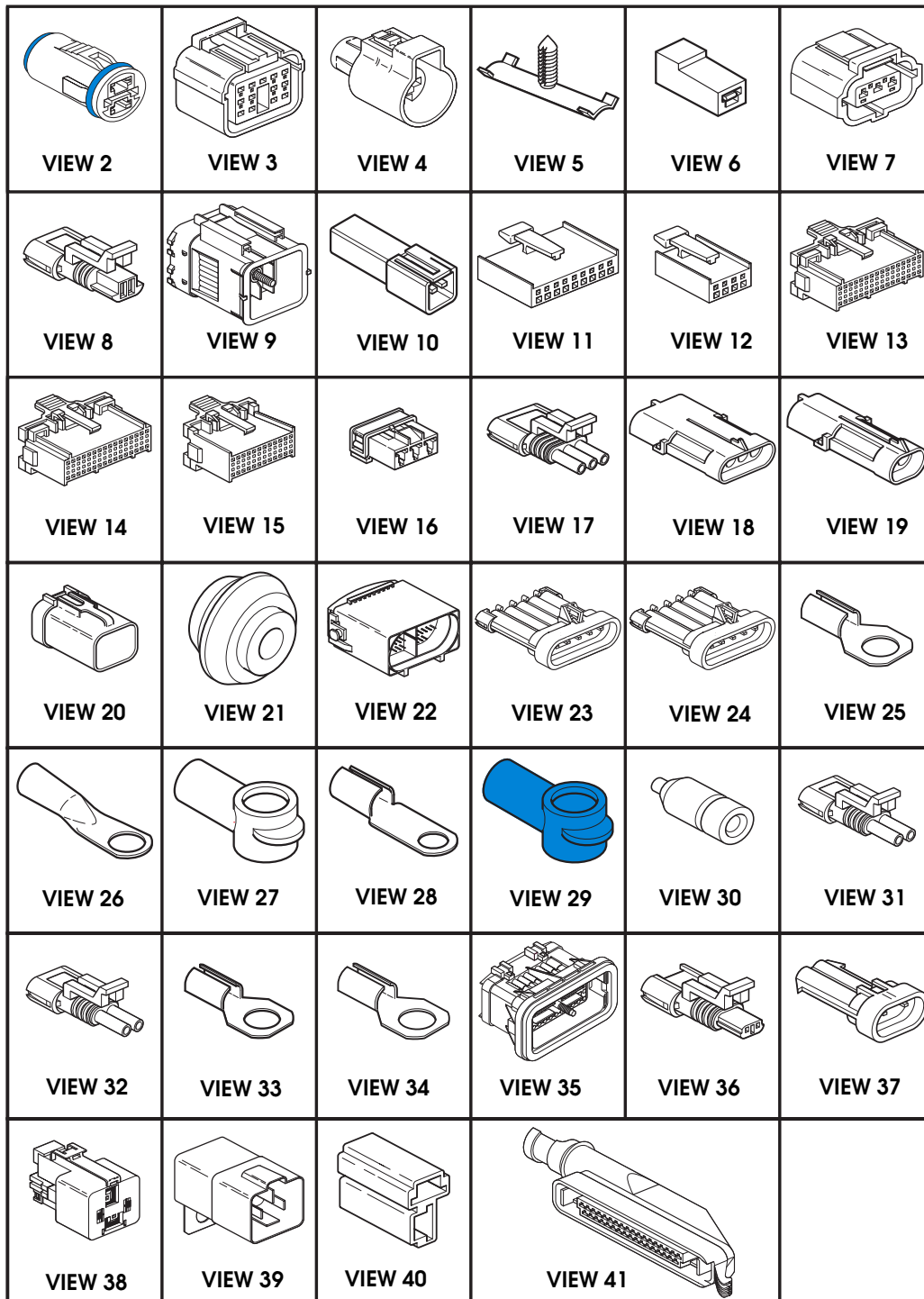


Figure 12-56. Harness Assembly, Cowl Top.
(Sheet 1 of 2).

2003 HUMMER H1 PARTS CATALOG

12-134 ELECTRICAL



03-P12-013A

Figure 12-56. Harness Assembly Cowl Top.
(Sheet 2 of 2).

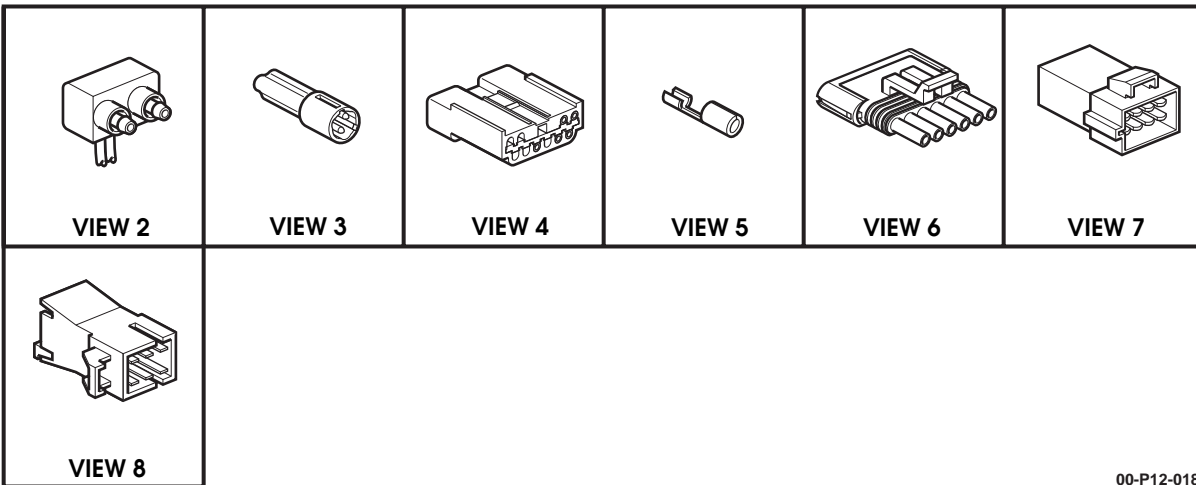
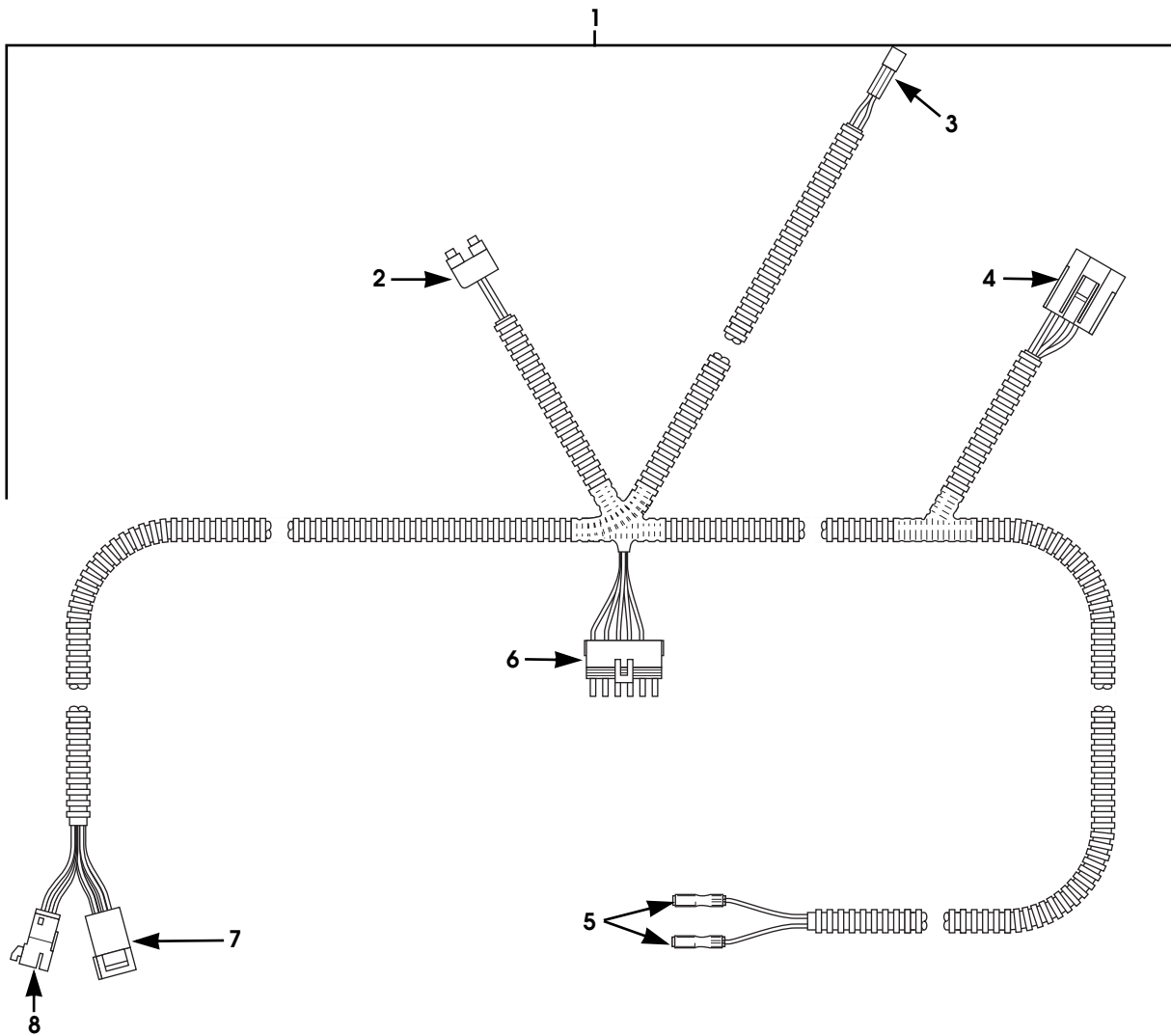
2003 HUMMER H1 PARTS CATALOG

ELECTRICAL 12-135

ITEM	PART NUMBER	DESCRIPTION	QTY
		Figure 12-56. Harness Assembly, Cowl Top.	
1	6014001	HARNESS ASSEMBLY, COWL TOP	1
2	S.I.A.	•CONNECTOR, 2-way, to nodulator pump.	1
3	S.I.A.	•CONNECTOR, 13-way, to modulator unit	1
4	S.I.A.	•CONNECTOR, ABS, ground.	1
5	S.I.A.	•RETAINER CLIP	1
6	6011047	•CONNECTOR, to horns	3
7	S.I.A.	•CONNECTOR, 3-way, brake fluid level sensor	1
8	S.I.A.	•CONNECTOR, 2-way, trouble light (optional)	1
9	S.I.A.	•CONNECTOR, 42-way, to under body harness.	1
10	S.I.A.	•CONNECTOR, 2-way, to cross body harness	1
10	6014002	•TERMINAL	4
11	S.I.A.	•CONNECTOR, 9-way, to digital ratio adaptor	1
12	6004843	•CONNECTOR, 4-way, to digital ratio adaptor	1
13	6006953	•CONNECTOR, 32-way	1
14	6006956	•CONNECTOR, 24-way	1
15	6006955	•CONNECTOR, 32-way	1
16	5937060	•CONNECTOR, 3-way, to fuel filter.	1
17	5937082	•CONNECTOR, 3-way, to fuel filter.	1
18	5939582	•CONNECTOR, 3-way, to under body harness.	1
19	5939099	•CONNECTOR, 2-way, to deflate solenoid	3
20	S.I.A.	•CONNECTOR, 12-way, to engine harness.	1
21	S.I.A.	•GROMMET, mold-on	1
22	S.I.A.	•CONNECTOR, 40-way, to engine harness.	1
23	S.I.A.	•CONNECTOR, 10-way, to transmission.	1
24	S.I.A.	•CONNECTOR, 10-way, to transmission.	1
25	S.I.A.	•RING TERMINAL, to engine ground	5
26	S.I.A.	•RING TERMINAL, to engine ground	1
27	S.I.A.	•RUBBER BOOT, red, to CTIS pump.	1
28	S.I.A.	•CTIS EYELET, to CTIS pump.	2
29	S.I.A.	•RUBBER BOOT, black, to CTIS pump.	1
30	MS27144-2	•CONNECTOR, front/rear, low pressure switch.	4
31	S.I.A.	•CONNECTOR, 2-way, front inflate solenoid.	1
32	S.I.A.	•CONNECTOR, 2-way, rear inflate solenoid	1
33	S.I.A.	•RING TERMINAL, (16 GA), fusible link	1
34	S.I.A.	•RING TERMINAL, (10 GA), "A" pillar power bus bar	3
35	S.I.A.	•CONNECTOR, 76-way	1
36	6008195	•CONNECTOR, 2-way, to hour meter	1
37	6008196	•CONNECTOR, 2-way, to hour meter	1
38	S.I.A.	•CONNECTOR, 4-way, abs pump relay, starter relay.	3
39	6010234	•RELAY, 80-amp, ABS pump relay	3
40	S.I.A.	•CONNECTOR, 2-way, to upper washer pump	2
41	S.I.A.	•CONNECTOR KIT, to ABS ECU	1

2003 HUMMER H1 PARTS CATALOG

12-136 ELECTRICAL



00-P12-018

Figure 12-57. Harness Assembly, Station Wagon Rear Door Jumper (R.H. Side).

2003 HUMMER H1 PARTS CATALOG

ELECTRICAL 12-137

ITEM	PART NUMBER	DESCRIPTION	QTY
		Figure 12-57. Harness Assembly, Station Wagon Rear Door Jumper (R.H. Side).	
1	6010117	HARNESS ASSEMBLY, rear door jumper	1
2	5937039	•CONNECTOR, 2-way mold-on, to rear courtesy light	1
3	5939085	•CONNECTOR, 3-way, to rear door jamb switch	1
4	6009107	•CONNECTOR, 10-way, to rear door lock module . . .	1
5	6009730	•TERMINAL, female, to rear vertical door contacts. . .	2
6	5995714	•CONNECTOR, 6-way, to rear door window and locks harness	1
7	6008670	•CONNECTOR, 8-way, to cross-body harness	1
8	6010129	•CONNECTOR, 6-way, to cross-body harness	1
	6009165	MODULE, rear door lock (not illustrated)	1

2003 HUMMER H1 PARTS CATALOG

12-138 ELECTRICAL

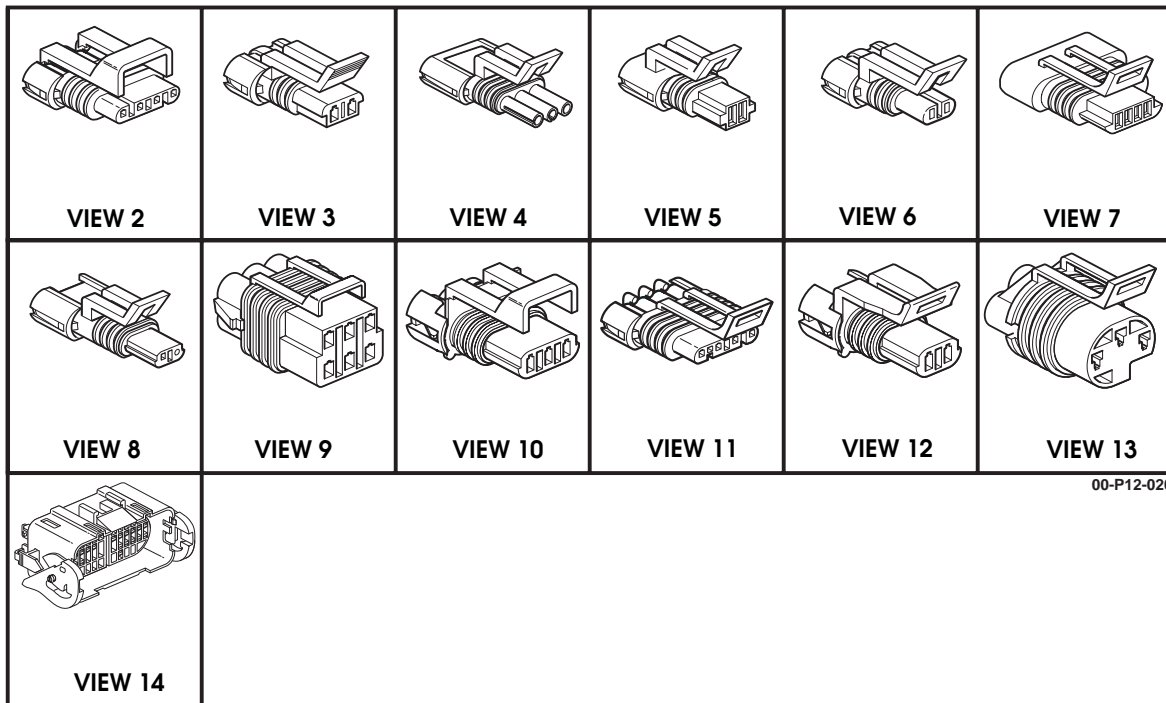
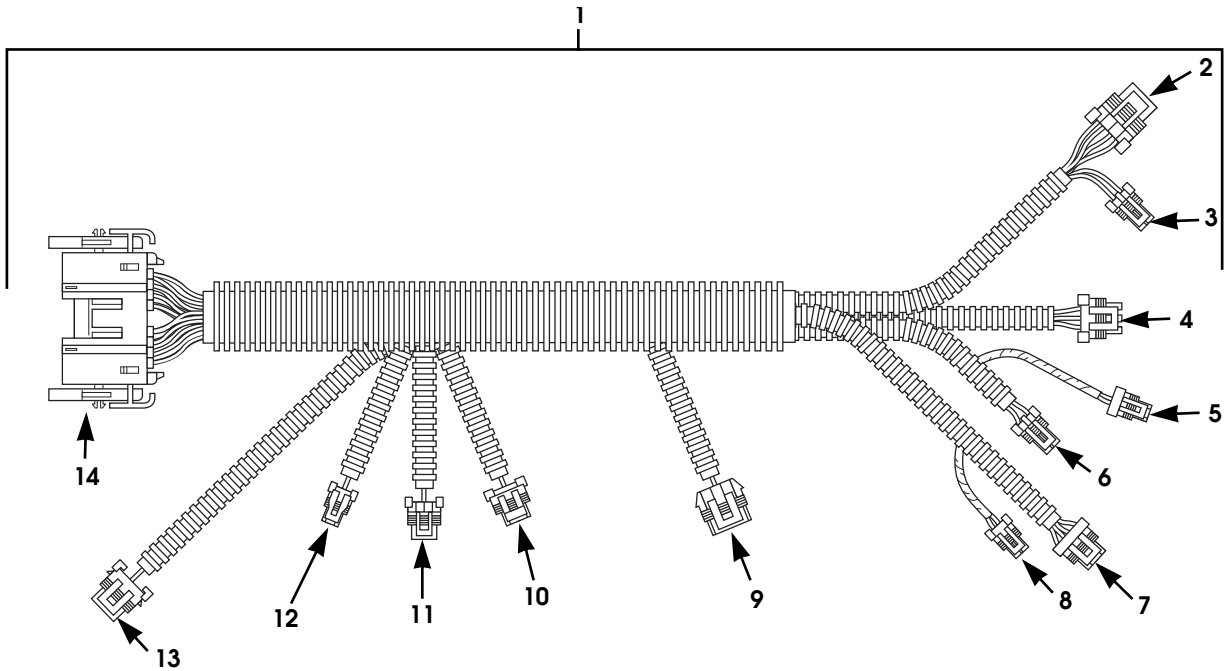


Figure 12-58. Engine Harness Assembly, GM.

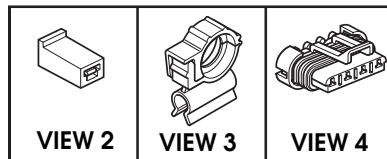
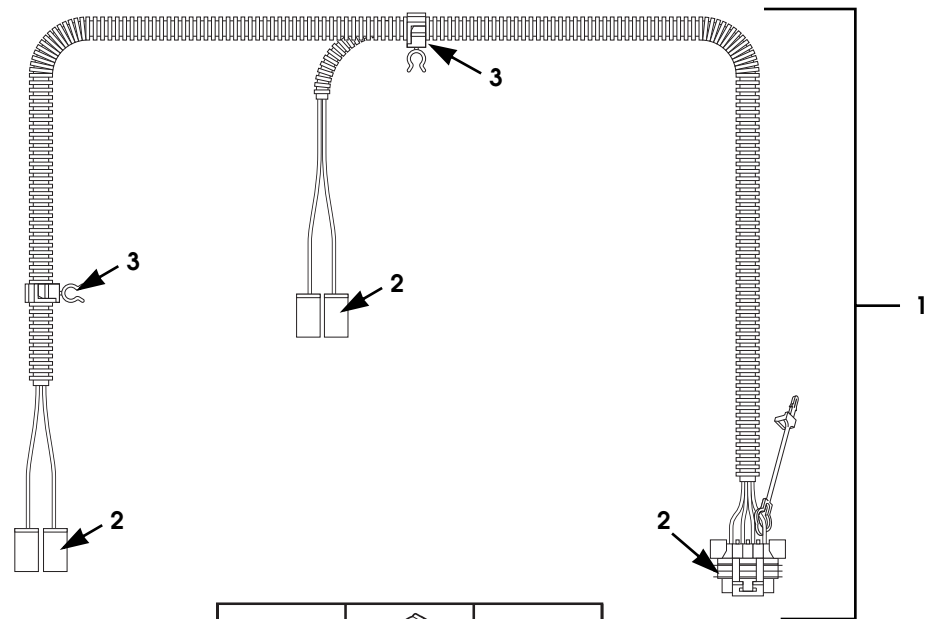
2003 HUMMER H1 PARTS CATALOG

ELECTRICAL 12-139

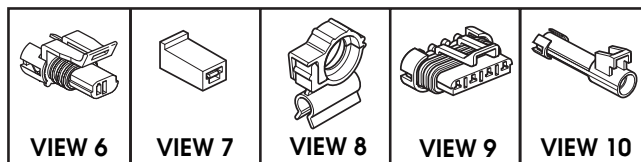
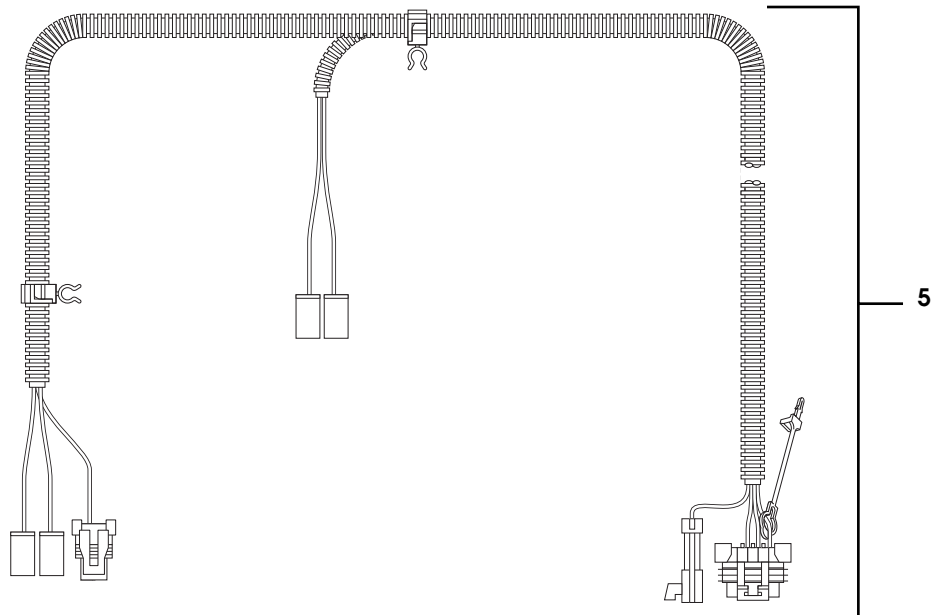
ITEM	PART NUMBER	DESCRIPTION	QTY
		Figure 12-58. Engine Harness Assembly, GM.	
1	5745363	HARNESS ASSEMBLY, engine, SEE NOTE 1	1
2	S.I.A.	•CONNECTOR, 4-way	1
3	S.I.A.	•CONNECTOR, 2-way	1
4	S.I.A.	•CONNECTOR, 3-way	1
5	S.I.A.	•CONNECTOR, 2-way	1
6	S.I.A.	•CONNECTOR, 2-way	1
7	S.I.A.	•CONNECTOR, 4-way	1
8	S.I.A.	•CONNECTOR, 2-way	1
9	S.I.A.	•CONNECTOR, 6-way	1
10	S.I.A.	•CONNECTOR, 3-way	1
11	S.I.A.	•CONNECTOR, 4-way	1
12	S.I.A.	•CONNECTOR, 2-way	1
13	S.I.A.	•CONNECTOR, 3-way	1
14	S.I.A.	•CONNECTOR, 40-way	1
		NOTE 1: ENGINE HARNESS ASSEMBLY P/N 5745363 COMES WITH ENGINE.	

2003 HUMMER H1 PARTS CATALOG

12-140 ELECTRICAL



02-P12-011



02-P12-012

Figure 12-59. Glowplug Harnesses, Left and Right.

2003 HUMMER H1 PARTS CATALOG

ELECTRICAL 12-141

ITEM	PART NUMBER	DESCRIPTION	QTY
		Figure 12-59. Glowplug Harnesses, Left and Right.	
1	5745303	HARNESS GLOW PLUG, right side	1
2	S.I.A.	•CONNECTOR, glowplug	4
3	S.I.A.	•HARNESS, guide clip	2
4	S.I.A.	•CONNECTOR, glowplug controller	1
5	5745302	HARNESS GLOW PLUG left side	1
6	S.I.A.	•CONNECTOR, water coolant sensor	1
7	S.I.A.	•CONNECTOR, glowplug	4
8	S.I.A.	•HARNESS, guide clip	2
9	S.I.A.	•CONNECTOR, glowplug controller	1
10	S.I.A.	•CONNECTOR	1

2003 HUMMER H1 PARTS CATALOG

12-142 ELECTRICAL

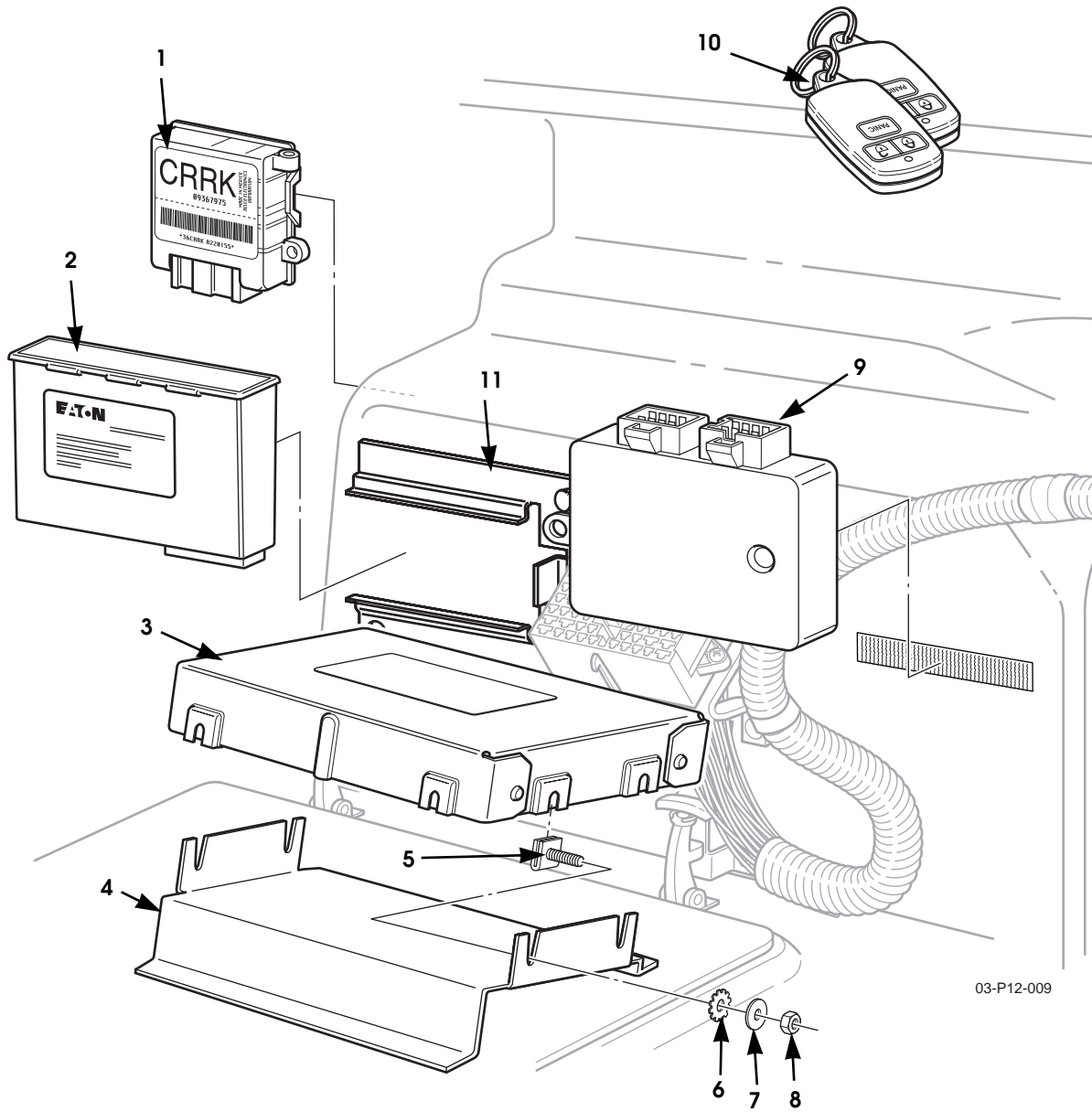


Figure 12-60. PCM and Digital Ratio Adapter.

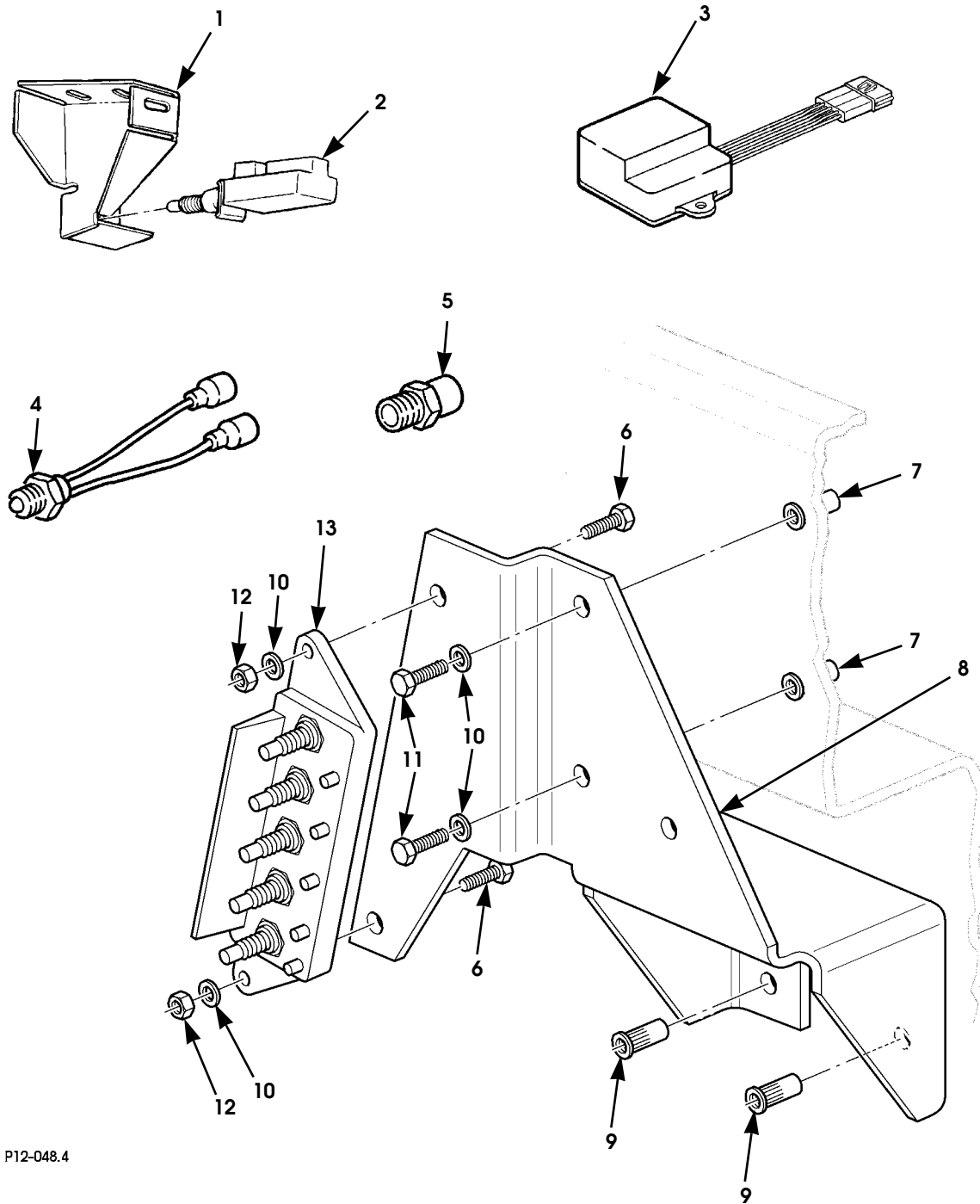
2003 HUMMER H1 PARTS CATALOG

ELECTRICAL 12-143

ITEM	PART NUMBER	DESCRIPTION	QTY
		Figure 12-60. PCM and Digital Ratio Adapter.	
1	6009716	ADAPTER, digital ratio, 2.56:1 axle ratio	1
1	6009717	ADAPTER, digital ratio, 3.08:1 axle ratio	1
2	6013960	MODULE, E LOCKER, controller.	1
3	6012204	MODULE, powertrain control, domestic	1
4	6010432B9	BRACKET, PCM mounting	1
5	6003831	CLIP AND STUD ASSEMBLY.	4
6	MS45904-60	LOCKWASHER, external-tooth	4
7	9416128	WASHER, flat	4
8	B18245B05	NUT	4
9	6012317	MODULE, receiver, keyless entry	1
10	6010410	TRANSMITTER, remote entry, three button	2
11	6014054	E-LOCKER, bracket	1

2003 HUMMER H1 PARTS CATALOG

12-144 ELECTRICAL



P12-048.4

Figure 12-61. Miscellaneous Electrical Items.

2003 HUMMER H1 PARTS CATALOG

ELECTRICAL 12-145

ITEM	PART NUMBER	DESCRIPTION	QTY
		Figure 12-61. Miscellaneous Electrical Items.	
1	6002810	BRACKET, brake light switch	1
2	6002811	SWITCH, brake light/ cruise.	1
3	6002625	MODULE ASSEMBLY, daytime running light (Canada Only)	1
4	12356704	SWITCH, parking brake	1
5	5938686	SWITCH, transfer lock, 12 volt	1
6	N/S	SCREW, 1/4 - 20 x 3/4"	2
7	5937842	NUT INSERT	3
8	6010328	BRACKET ASSEMBLY, junction block & connector mounting.	1
9	5939712	•NUT INSERT	2
10	N/S	FLAT WASHER, 1/4"	5
11	N/S	BOLT, 1/4 - 20 x 5/8"	3
12	N/S	NUT, 1/4 - 20"	2
13	6007329	JUNCTION BLOCK	1

2003 HUMMER H1 PARTS CATALOG

ACCESSORIES 13-1

Section 13 ACCESSORIES

TITLE	PAGE NUMBER
Air Filter Restriction Gauge Kit	13-78
Auxiliary Air Hose Kit	13-62
Bedliner Kit	13-140
Bike Rack Kit	13-134
Brushguard Kit and Mounting Hardware	13-18
Brushguard Kit, Heavy Duty Accessory Frontal-Coverage	13-20
Brushguard Kit, Heavy Duty Accessory Wrap-Around	13-22
Bumper (Front with Brushguard and without Winch) Cover Kit, Polished or Brushed Stainless Steel	13-124
Bumper (Front with Winch) Cover Kit, Polished or Brushed Stainless Steel	13-122
Bumper (Rear) Cover, Polished or Brushed Stainless Steel	13-126
Cargo Area Liner, Station Wagon	13-70
CD Changer and Remote Control	13-106
Dash Trim Appliqué Kit, 1993 - 2003	13-108
Defroster, Rear	13-64
Door Handle and Bezel Covers, Polished and Brushed Stainless Steel	13-138
Driveline Protection and Mounting Hardware	13-34
Driveline Protection Skid Plates	13-36
Dual Oil Filter Kit	13-116
Dual-Ball Adjustable Hitch Assembly	13-14
Electric Seat Heater Kit	13-110
Floor Mats	13-72
Grille (Front) Cover, Polished or Brushed Stainless Steel	13-130
Grille (Upper) Cover, Polished or Brushed Stainless Steel	13-128
Hourmeter Kit	13-86
Kit, Center Tunnel Rack	13-146
Leather Upholstery	13-76
Light Bar Kit	13-148
Lug Nut and Stud Cover, Chrome Plated Plastic	13-54
Off-Road Accessory Kit, 4-Door Hard Top and 4-Door Soft Top, Models 83 and 90	13-114
Off-Road Accessory Kit, Station Wagon, Model 84	13-112
Off-Road Light Kit	13-96
Pintle Receiver Hitch	13-16
Pioneer Tool Kit	13-28
Quartz Halogen Accessory Lights	13-98
Radio Noise Suppression Filter Kit	13-88
Reel Lamp Kit	13-100
Reflective Triangle Warning Device, Jack Assembly, and Mounting Hardware	13-24
Remote Entry Kits	13-52
Rocker Panel Guard Accessory Kit	13-38
Roof Rack Kit, Aluminum, Round Tube	13-144
Roof Rack Kit, Side Load	13-136
Running Board Kit	13-58

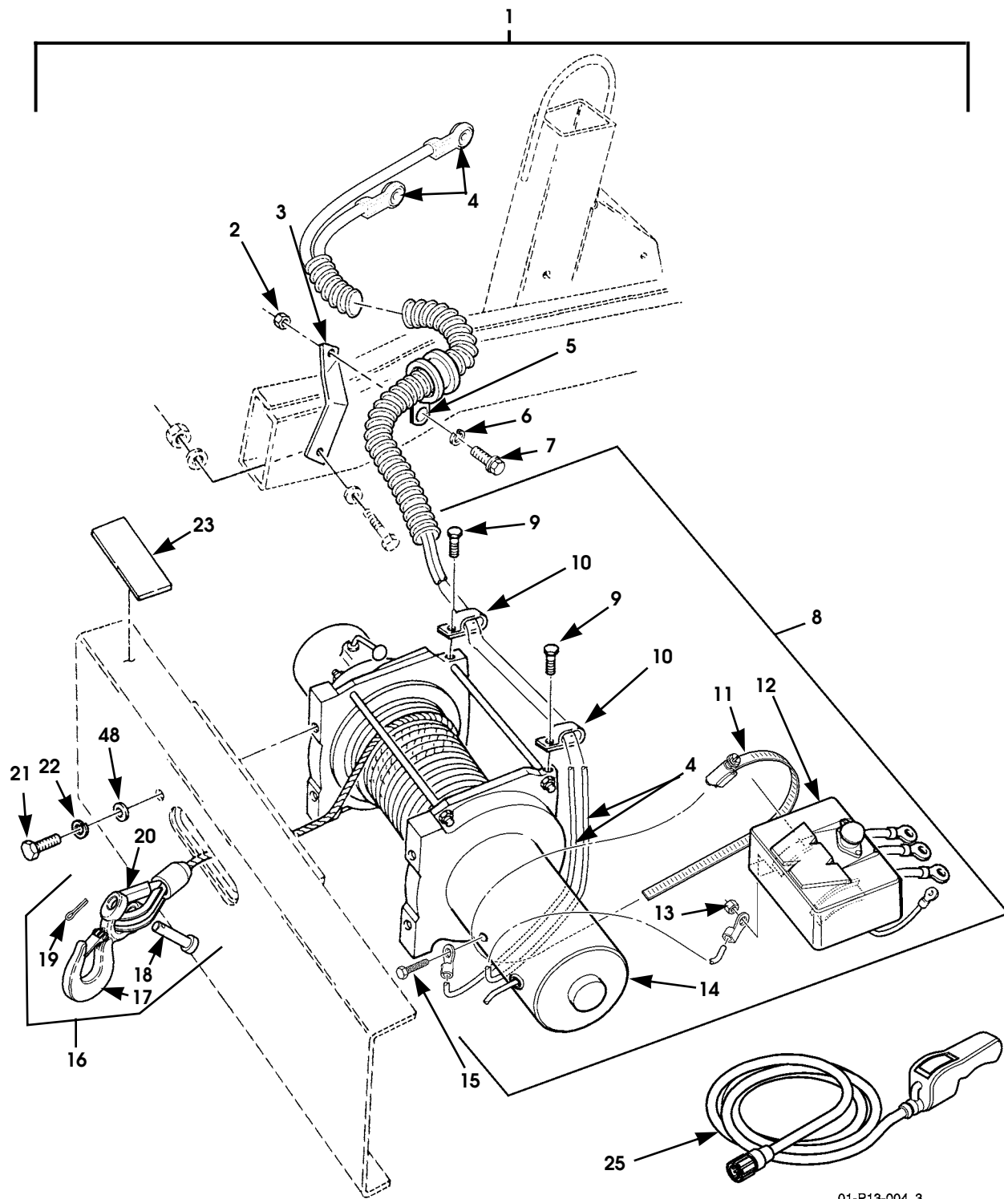
2003 HUMMER H1 PARTS CATALOG

13-2 ACCESSORIES

TITLE	PAGE NUMBER
Seat Covers	13-74
Seat, Auxiliary	13-66
Side Step Bar Kit	13-60
Ski Rack Kit	13-142
Skid Plate Cover, Polished Stainless Steel	13-132
Slant-Back (Soft) Kit (Four-Door Soft Top)	13-90
Soft Square Back Kit, Model 90	13-92
Spare Tire Carrier Kit, Swing-Away	13-30
Spare Tire Carrier, Bed-Mounted	13-32
Tire (Tubeless) Repair Kit, External	13-82
Tire (Tubeless) Repair Kit	13-84
Tire Chains	13-120
Tire Repair Accessory Kit, External	13-118
Tonneau Cover 4-Door Hardtop	13-68
Trailer Towing Kit	13-12
Traveler's Survival Kit	13-80
Universal Roof Mounting Rack Kit	13-56
Utility Step	13-26
Wheel and Tire Assembly, SpaceSaver Spare	13-42
Wheel Cover Kit, Stainless Steel	13-102
Wheel Well Flare Kit	13-40
Wheel, Tire, and Beadlock Assembly, 16.5" Two-Piece Steel Rim	13-44
Wheel, Tire, and Runflat Assembly, 16.5" One-Piece Aluminum Rim (Optional)	13-46
Wheel, Tire, and Runflat Assembly, 17", One-Piece Aluminum Rim (Optional)	13-48
Wheel, Tire, and Runflat Assembly, 17", Two-Piece Aluminum Rim, (Optional)	13-50
Winch Accessory Kit	13-10
Winch Assembly, Mounting Hardware, and Related Parts (Winch Kit)	13-3
Winch Assembly	13-8
Winch Roller Fairlead	13-94

2003 HUMMER H1 PARTS CATALOG

ACCESSORIES 13-3

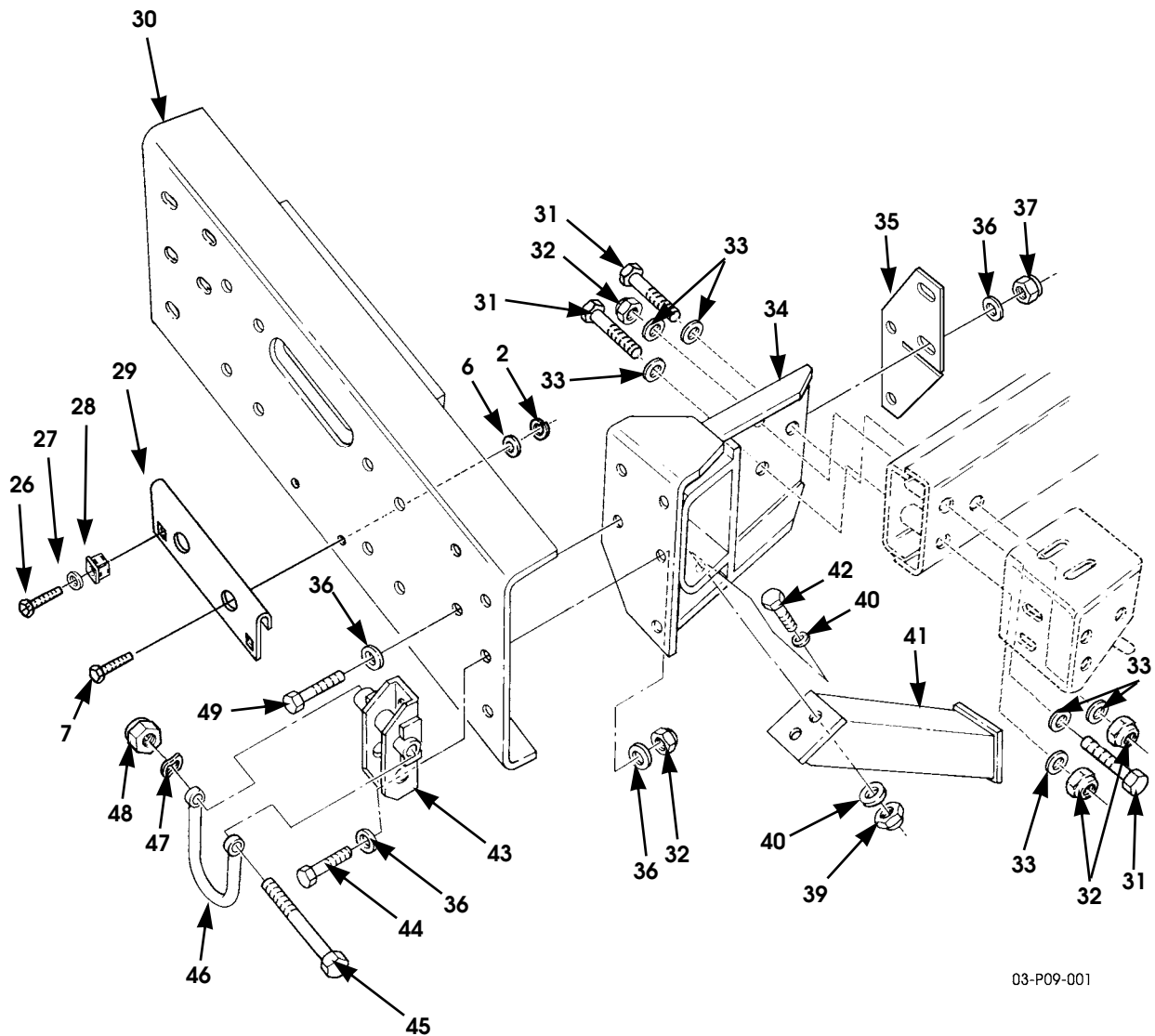


01-P13-004.3

Figure 13-1. Winch Assembly, Mounting Hardware, and Related Parts (Winch Kit).
(Sheet 1 of 2).

2003 HUMMER H1 PARTS CATALOG

13-4 ACCESSORIES



03-P09-001

Figure 13-1. Winch Assembly, Mounting Hardware, and Related Parts (Winch Kit).
(Sheet 2 of 2).

2003 HUMMER H1 PARTS CATALOG

ACCESSORIES 13-5

ITEM	PART NUMBER	DESCRIPTION	QTY
		Figure 13-1. Winch Assembly, Mounting Hardware, and Related Parts (Winch Kit)..	
1	5745286	KIT, winch, 12V, 12,000-lb capacity, SEE NOTES 1 and 2.	1
2	S.I.K.	•NUT, lockwasher, 1/4 - 20", Gr8.	3
3	12338481	•BRACKET, clamp	1
4	5744290	•POWER CABLE ASSEMBLY, winch-to-battery 64 - 1/2"	1
5	7385182	•CLAMP, positive and ground cables.	1
6	S.I.K.	•FLATWASHER, med, 1/4", ZN, clamp.	3
7	S.I.K.	•SCREW, 1/4 - 20 x 3/4", ZN, clamp	3
8	6011149	•WINCH ASSEMBLY	1
9	S.I.A.	••SCREW, clamp	2
10	MS21334-28	••CLAMP, positive and ground cables.	2
11	5741028	••CLAMP, winch motor-to-cover assembly	2
12	5745269	••CONTROL PACK ASSEMBLY	1
13	S.I.A.	••NUT, winch cable-to-motor stud	1
14	S.I.A.	••WINCH	1
15	S.I.A.	••SCREW, winch cable-to-motor	1
16	5744739	•HOOK ASSEMBLY	1
17	S.I.A.	••HOOK, winch	1
18	S.I.A.	••CLEVIS PIN, winch hook	1
19	S.I.A.	••COTTER PIN, 1/8 x 1 - 1/4".	1
20	5742974	•WIRE ROPE, 7/16" Dia x 75'	1
21	5741152	•BOLT, M12 - 1.75 x 45mm.	4
22	11500208	•LOCKWASHER, M12	4
23	6012255	•DECAL, winch, (English).	1
23	6012257	•DECAL, winch, (French)	1
24	5745267	•REMOTE CONTROLLER, winch	1
25	N/S	BOLT, 1/4 - 28 x 5/8", ZN.	2
26	N/S	LOCKWASHER, med, 1/4", ZN	2
27	5939483	GROMMET, square head, license plate bracket	2
28	5939482B5	BRACKET, front license plate mounting.	1
29	6014209B5	•BUMPER, front.	1
30	N/S	BOLT, 5/8 - 11 x 3 - 3/4", Gr8, CAD.	6
31	N/S	LOCKNUT, 5/8 - 11", Gr8	6
32	N/S	WASHER, flat, hardened, 5/8", type B	12
33	12342388B5	FRAME EXTENSION, front bumper, R.H., SEE NOTE 3	1
33	12342387B5	FRAME EXTENSION, front bumper, L.H., SEE NOTE 3	1
34	6014216	BRACKET ASSEMBLY, bumper, L.H.	1
34	6014219	BRACKET ASSEMBLY, bumper, R.H.	1
35	S.I.K.	WASHER, flat, hard, 1/2", type B, SEE NOTE 3	13
36	S.I.K.	LOCKNUT, 1/2 - 13", front bumper, SEE NOTE 3	8

2003 HUMMER H1 PARTS CATALOG

13-6 ACCESSORIES

ITEM	PART NUMBER	DESCRIPTION	QTY
		Figure 13-1. Winch Assembly, Mounting Hardware, and Related Parts (Winch Kit).	
37	S.I.K.	NUT, 3/8 - 16", brace assembly, SEE NOTE 3	4
38	S.I.K.	WASHER, flat, 3/8", brace assembly, SEE NOTE 3	8
39	12342389B5	BRACE ASSEMBLY, L.H., SEE NOTE 3	1
39	12342390B5	BRACE ASSEMBLY, R.H., SEE NOTE 3	1
40	S.I.K.	BOLT, 3/8 - 16 x 1", brace assembly, SEE NOTE 3	4
41	12342404B5	BRACKET, towing	2
42	N/S	BOLT, 1/2 - 13 x 1 - 3/4", Gr8, CAD	8
43	6011153P2	•BOLT, 5/8 - 18 x 5 - 1/2" Gr8.	2
44	EC12342354B9	SHACKLE, lifting.	2
45	7716721	WASHER, wave, 3/4", rear shackles	2
46	272739P2	NUT, w/washer, 5/8 - 18", Gr5	2
47	S.I.K.	BOLT, 1/2 - 13 x 1 - 1/4", frame extention, SEE NOTE 3	2
48	N/S	WASHER, flat .531 x 1" x .134	4
		NOTE 1: MUST ALSO ORDER SKID PLATE, P/N 5935669, FOR VEHICLES WITH UNDERBODY PROTECTION.	
		NOTE 2: TO KEEP VEHICLE WARRANTY IN EFFECT, UPGRADED HEAVY DUTY FRONT SPRINGS MUST BE USED ON VEHICLES EQUIPPED WITH WINCH. SEE SERVICE INFORMATION BULLETIN 98-13-06.	
		NOTE 3: PART OF WINCH KIT P/N 5745286.	

2003 HUMMER H1 PARTS CATALOG

13-8 ACCESSORIES

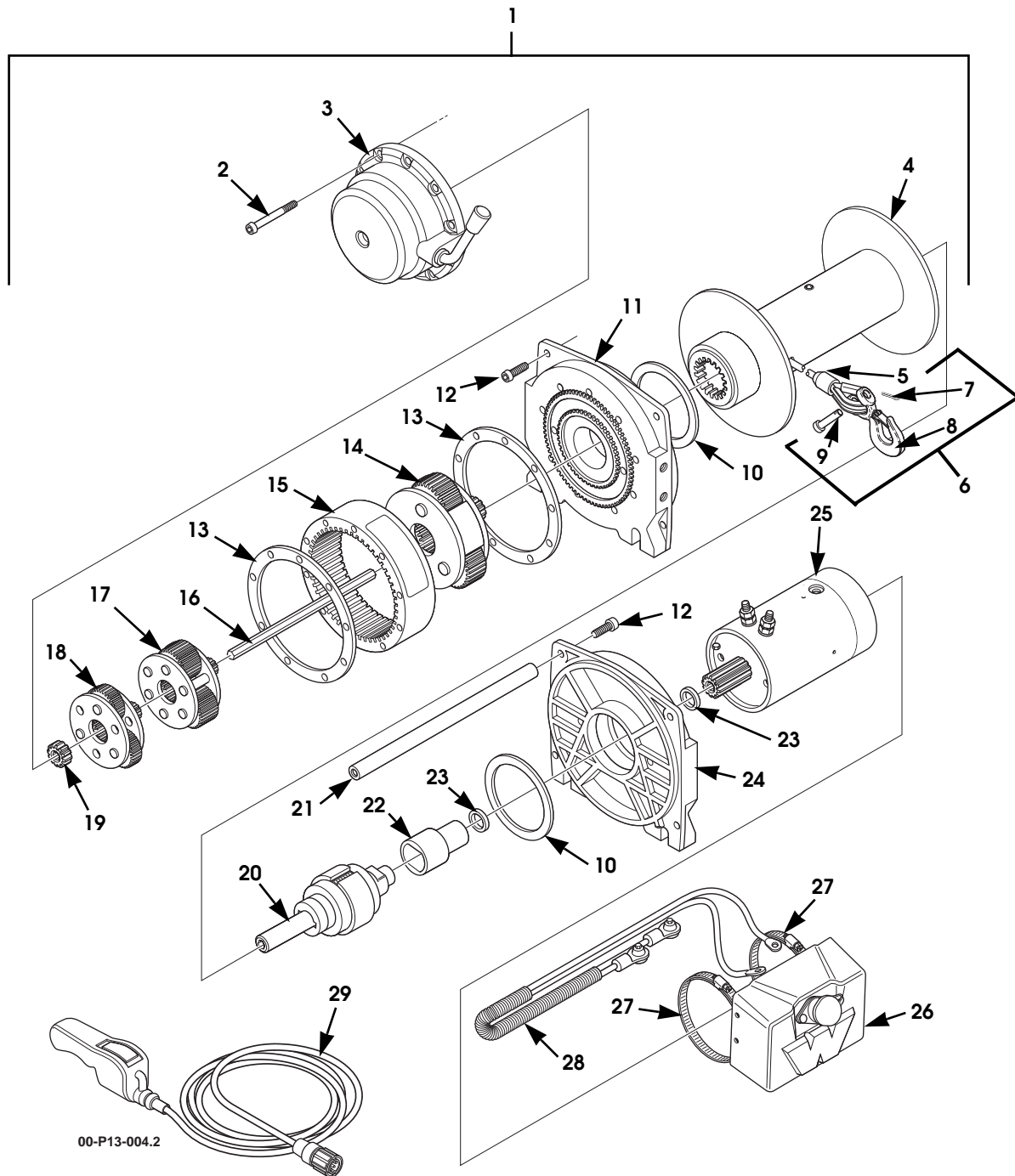


Figure 13-2. Winch Assembly.

2003 HUMMER H1 PARTS CATALOG

ACCESSORIES 13-9

ITEM	PART NUMBER	DESCRIPTION	QTY
		Figure 13-2. Winch Assembly.	
1	6011149	WINCH ASSEMBLY	1
2	5742884	•CAPSCREW, allen head, 1/4 - 20 x 3"	10
3	5745266	•GEAR HOUSING ASSEMBLY	1
4	5745261	•DRUM ASSEMBLY	1
5	5742974	•WIRE ROPE, 7/16" Dia. x 75'	1
6	5744739	•HOOK CABLE ASSEMBLY	1
7	S.I.A.	••COTTER PIN, 1/8 - 1 - 1/4"	1
8	S.I.A.	••HOOK, winch	1
9	S.I.A.	••CLEVIS PIN, winch hook	1
10	5714481	•THRUST WASHER	2
11	5745262	•DRUM SUPPORT, gear end	1
12	5745259	•CAPSCREW, allenhead, 3/8 - 16 x 1"	6
13	5745263	•GASKET	2
14	5714484	•CARRIER ASSEMBLY, stage 3	1
15	5745264	•RING GEAR, output stage	1
16	5714498	•DRIVE SHAFT	1
17	5745265	•CARRIER GEAR, stage 2	1
18	5742886	•CARRIER GEAR, stage 1	1
19	5742888	•SUN GEAR	1
20	5714499	•BRAKE ASSEMBLY	1
21	5745260	•TIE ROD	3
22	5714478	•BRAKE DRIVER	1
23	5742882	•SPACER	2
24	5745258	•DRUM SUPPORT, motor end	1
25	5745257	•MOTOR ASSEMBLY, winch	1
26	5745269	•CONTROL PACK ASSEMBLY	1
27	5741028	•CLAMP	2
28	5745268	•CABLE ASSEMBLY, battery	1
29	5745267	•REMOTE CONTROLLER, winch	1

2003 HUMMER H1 PARTS CATALOG

13-10 ACCESSORIES

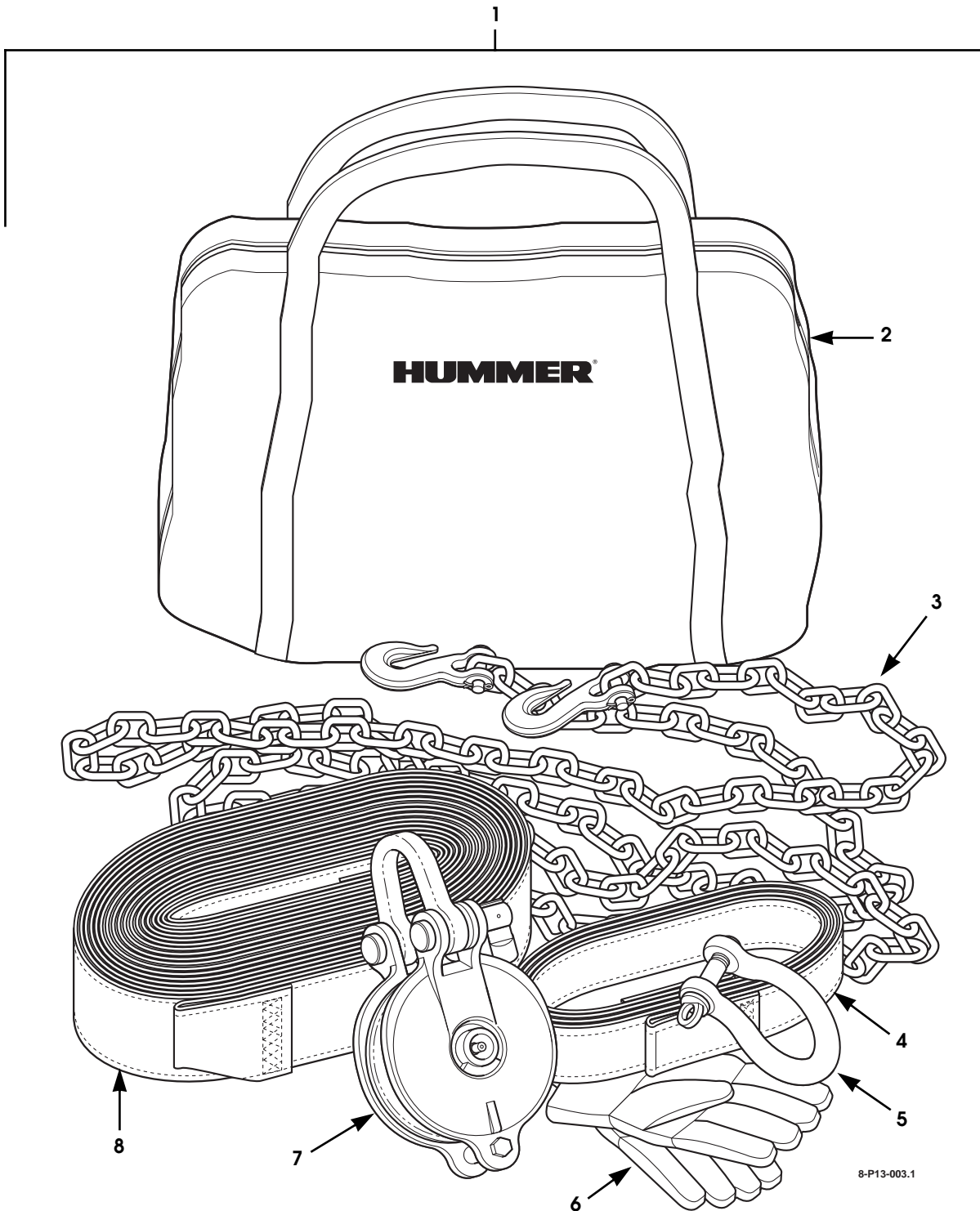


Figure 13-3. Winch Accessory Kit.

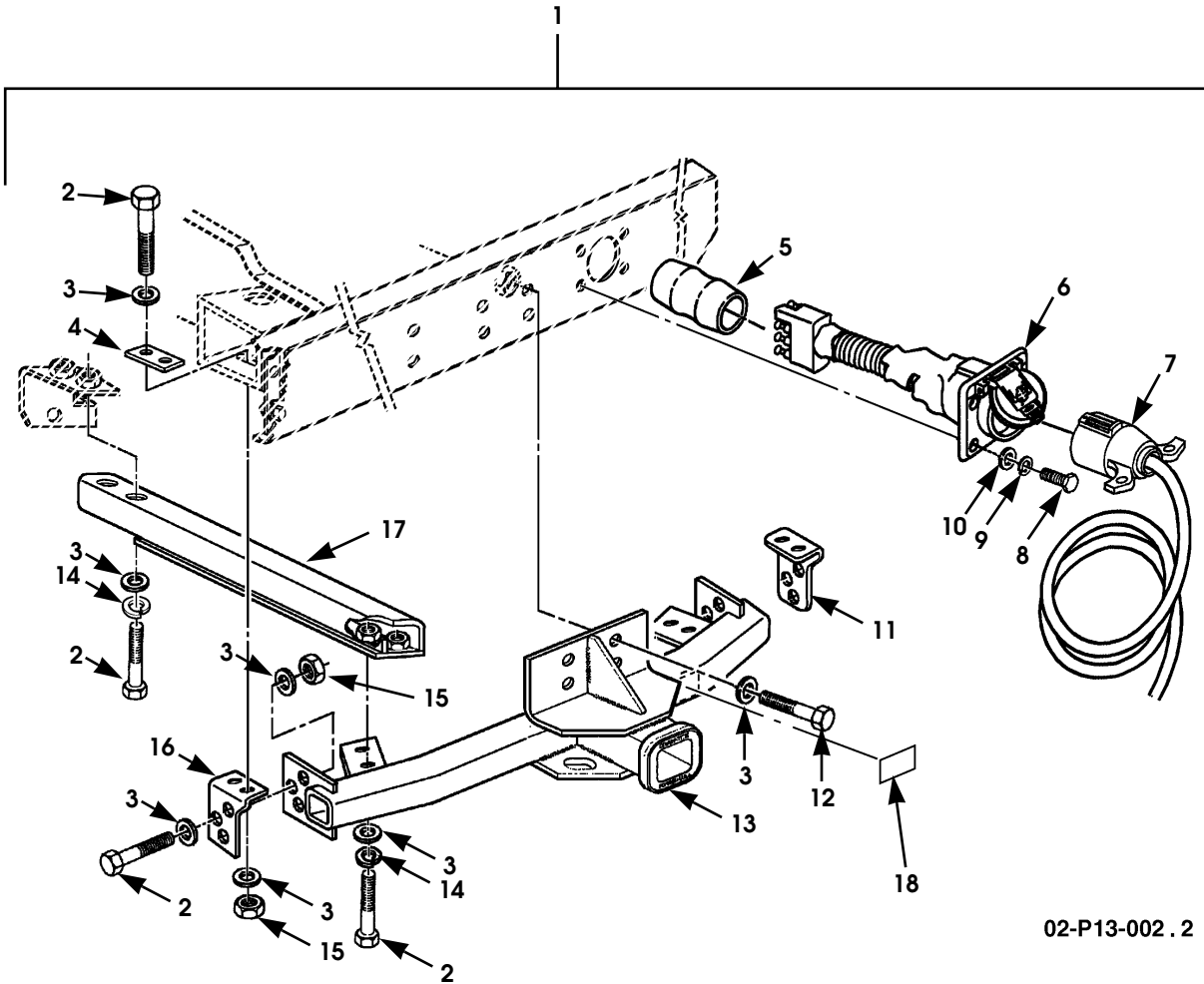
2003 HUMMER H1 PARTS CATALOG

ACCESSORIES 13-11

ITEM	PART NUMBER	DESCRIPTION	QTY
		Figure 13-3. Winch Accessory Kit.	
1	5745019	KIT, winch accessory	1
2	S.I.K.	•BAG, camouflage	1
3	S.I.K.	•CHAIN	1
4	S.I.K.	•TRUNK PROTECTOR, 2"	1
5	S.I.K.	•SHACKLE, 3/4"	1
6	S.I.K.	•GLOVES	1 pair
7	S.I.K.	•SNATCH BLOCK	1
8	5744881	•STRAP, vehicle recovery, 20' x 3"	1

2003 HUMMER H1 PARTS CATALOG

13-12 ACCESSORIES



02-P13-002 . 2

Figure 13-4. Trailer Towing Kit.

2003 HUMMER H1 PARTS CATALOG

ACCESSORIES 13-13

ITEM	PART NUMBER	DESCRIPTION	QTY
		Figure 13-4. Trailer Towing Kit.	
1	5745114	KIT, trailer towing	1
2	MS90728-113	•BOLT, receiver mounting, 1/2 - 13 x 1 - 1/2"	18
3	2436165	•FLAT WASHER, 1/2", Gr8.	32
4	6006928	•MOUNTING BLOCK, trailer hitch receiver	2
5	5745416	•TUBE, shrinkable, 3 - 1/2"	1
6	6008780	•TRAILER JUMPER HARNESS ASSEMBLY	1
7	6008827	•HARNESS ASSEMBLY, trailer plug	1
8	MS35206-265	•SCREW, 10 - 24 x 3/4", pan head, phillips.	4
9	MS35338-43	•LOCK WASHER, #10	4
10	MS51412-2	•FLAT WASHER, #10	4
11	6007931	•MOUNTING BRACKET, trailer hitch receiver, R.H.	1
12	MS90728-111	•BOLT, 1/2 - 13 x 1 - 1/4", Gr8	4
13	6008114B5	•RECEIVER, trailer hitch.	1
14	131101	•LOCK WASHER, 1/2", zinc.	8
15	MS51943-39	•NUT, 1/2 - 13", Gr8.	10
16	6007905	•MOUNTING BRACKET, trailer hitch receiver, L.H.	1
17	6007688B5	•BRACE, trailer hitch receiver, L.H.	1
	6007689B5	•BRACE, trailer hitch receiver, R.H. (not illustrated) . . .	1
18	6008116	LABEL, load rating	1

2003 HUMMER H1 PARTS CATALOG

13-14 ACCESSORIES

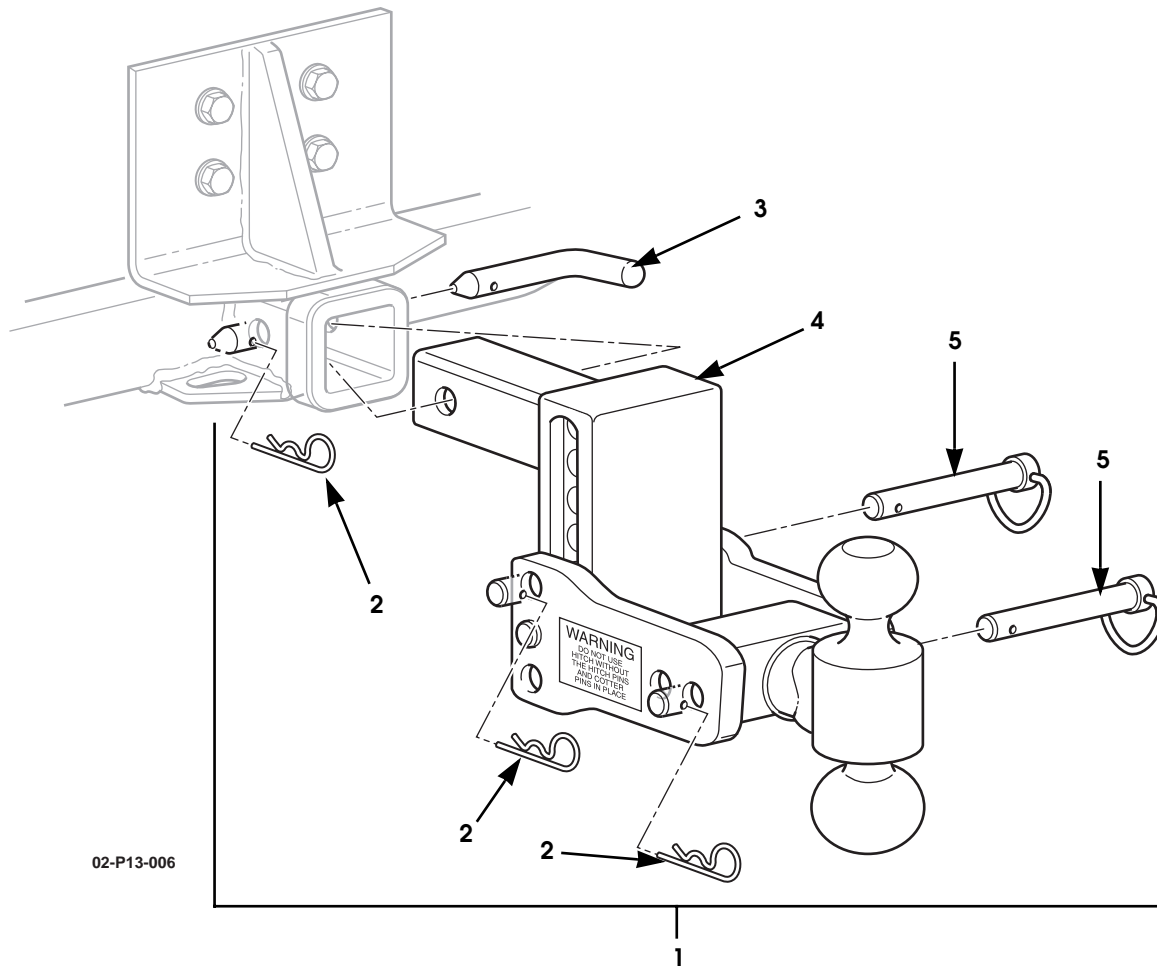


Figure 13-5. Dual-Ball Adjustable Hitch Assembly.

2003 HUMMER H1 PARTS CATALOG

ACCESSORIES 13-15

ITEM	PART NUMBER	DESCRIPTION	QTY
		Figure 13-5. Dual-Ball Adjustable Hitch Assembly.	
1	5745493	TOW BALL ASSEMBLY, black	1
1	5745494	TOW BALL ASSEMBLY, chrome	1
2	S.I.K.	•PIN,retainer	3
3	S.I.K.	•PIN,anchor	1
4	S.I.K.	•BALL SET	1
5	S.I.K.	•PIN.	2

2003 HUMMER H1 PARTS CATALOG

13-16 ACCESSORIES

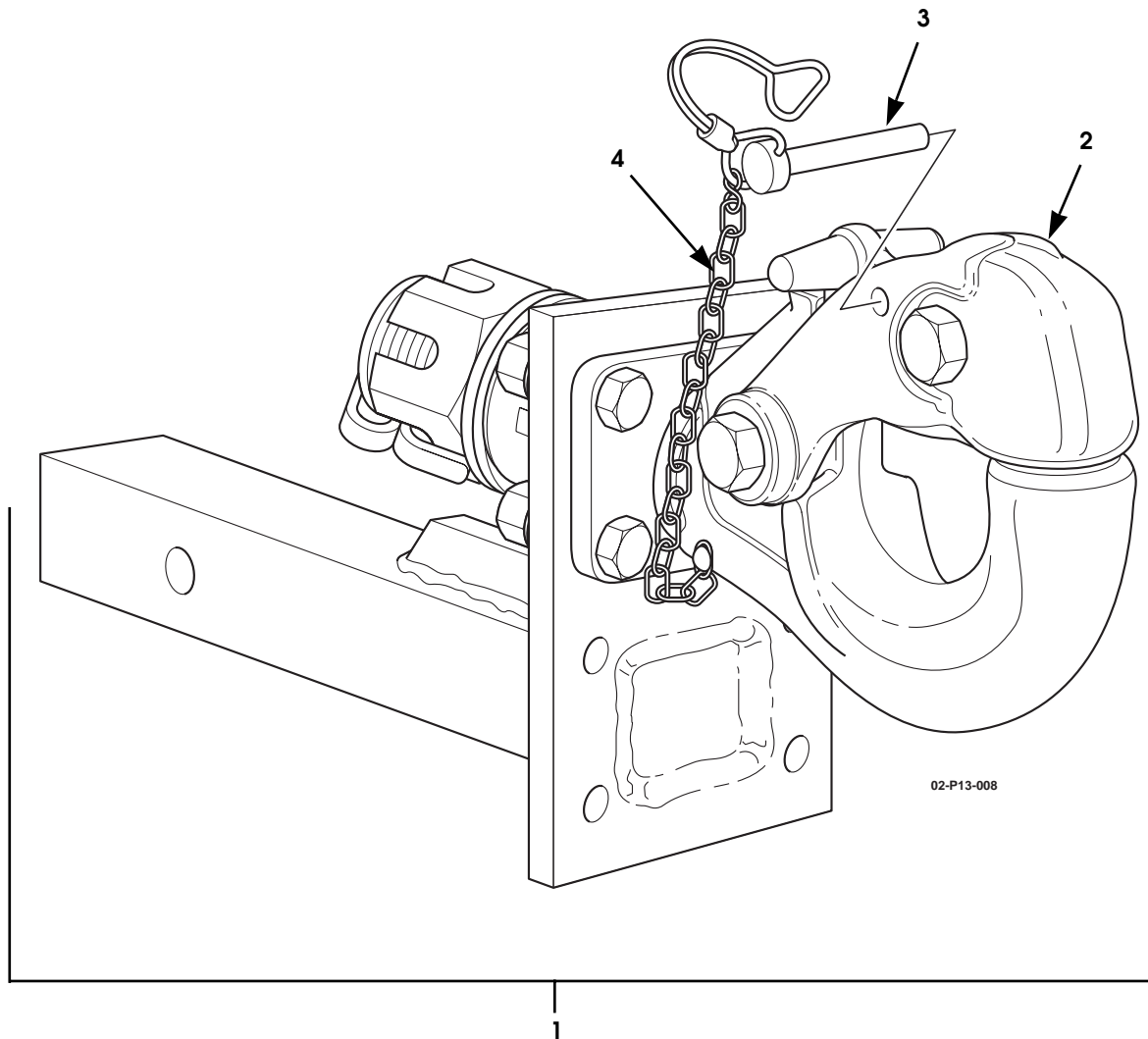


Figure 13-6. Pintle Receiver Hitch.

2003 HUMMER H1 PARTS CATALOG

ACCESSORIES 13-17

ITEM	PART NUMBER	DESCRIPTION	QTY
		Figure 13-6. Pintle Receiver Hitch.	
1	5745472	HITCH ASSEMBLY, receiver, pintle	1
2	S.I.K.	HITCH, receiver, pintle	1
3	S.I.K.	•PIN.	1
4	S.I.K.	SAFETY CHAIN	1

2003 HUMMER H1 PARTS CATALOG

13-18 ACCESSORIES

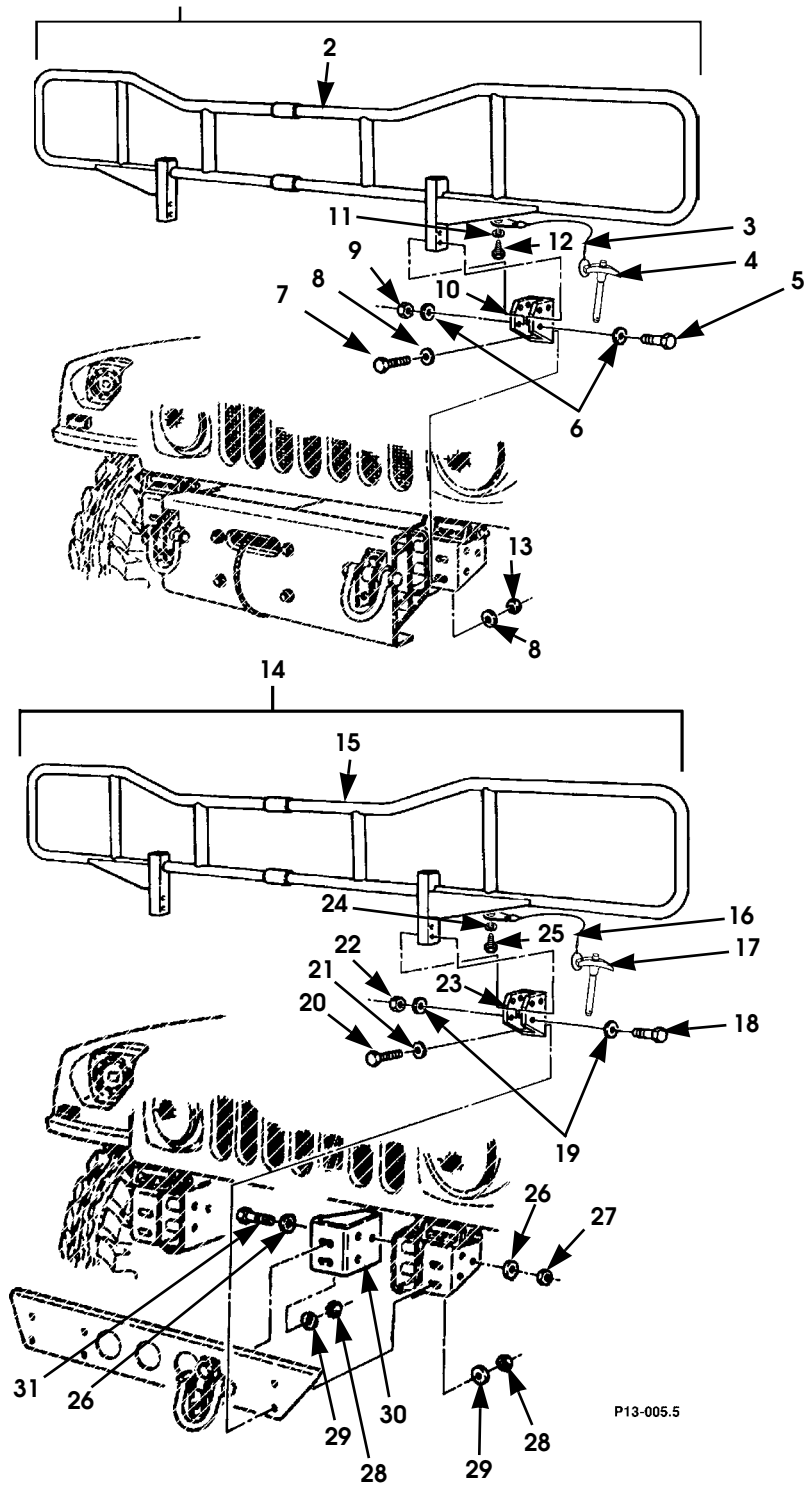


Figure 13-7. Brushguard Kit and Mounting Hardware.

2003 HUMMER H1 PARTS CATALOG

ACCESSORIES 13-19

ITEM	PART NUMBER	DESCRIPTION	QTY
		Figure 13-7. Brushguard Kit and Mounting Hardware.	
1	6000999	KIT, brushguard, vehicle w/winch	1
2	6000862	•BRUSHGUARD ASSEMBLY, w/winch	1
3	5935839	•LANYARD	2
4	6007230	•PIN, quick release	2
5	S.I.K.	•SCREW, 5/8 - 11 x 3 - 3/4", Gr8, CAD, bracket mounting .	2
6	S.I.K.	•WASHER, flat, hard, 5/8", Type B, bracket mounting .	16
7	S.I.K.	•BOLT, 1/2 - 13 x 1 - 3/4", Gr8, CAD, bracket mounting .	4
8	S.I.K.	•WASHER, flat, hardened, 1/2", type B, bracket mounting	8
9	S.I.K.	•LOCKNUT, 5/8 - 11", bracket mounting, w/ winch . . .	8
10	6000864B1	•BRACKET, brushguard support	2
11	S.I.K.	•WASHER, 1/4"	2
12	S.I.K.	•SCREW, tapping, 1/4 - 14 x 1/2"	2
13	S.I.K.	•LOCKNUT, 1/2 - 13", Gr8, CAD, bracket mounting . . .	4
	5939266	•DECAL, brushguard caution, English (not illustrated)	1
14	6001000	KIT, brushguard, vehicle w/o winch.	1
15	6000862	•BRUSHGUARD ASSEMBLY, w/o winch	1
16	5935839	•LANYARD	2
17	6007230	•PIN, quick release	2
18	S.I.K.	•SCREW, 5/8 - 11 x 3 - 3/4", Gr8, CAD, bracket mounting .	2
19	S.I.K.	•WASHER, flat, hard, 5/8", type B, bracket mounting .	16
20	S.I.K.	•BOLT, 1/2 - 13 x 1 - 3/4", Gr8, CAD, bracket mounting .	4
21	S.I.K.	•WASHER, flat, hard, 1/2", type B, bracket mounting .	8
22	S.I.K.	•LOCKNUT, 5/8 - 11", bracket mounting, w/o winch . . .	2
23	6000864B1	•BRACKET, brushguard support	2
24	S.I.K.	•WASHER, 1/4"	2
25	S.I.K.	•SCREW, tapping, 1/4 - 14 x 1/2"	2
26	S.I.K.	•WASHER, flat, 5/8", type B, bracket mounting, w/o winch	16
27	S.I.K.	•LOCKNUT, 5/8 - 11", Gr8, CAD, w/o winch	8
28	S.I.K.	•LOCKNUT, 1/2 - 13", Gr8, CAD, bracket mounting . . .	4
29	S.I.K.	•WASHER, flat, hard, 1/2", type B, bracket mounting .	8
30	6001552B5	•BRACKET ASSEMBLY, tow hook support, L.H., w/o winch SEE NOTE 1	1
30	6001553B5	•BRACKET ASSEMBLY, tow hook support, R.H., w/o winch SEE NOTE 1	1
31	S.I.K.	•SCREW, 5/8 - 11 x 3 - 3/4", Gr8, CAD, bracket mounting w/o winch	8
		NOTE 1: FOR USE ONLY WITH BRUSHGUARD AND NO WINCH.	

2003 HUMMER H1 PARTS CATALOG

13-20 ACCESSORIES

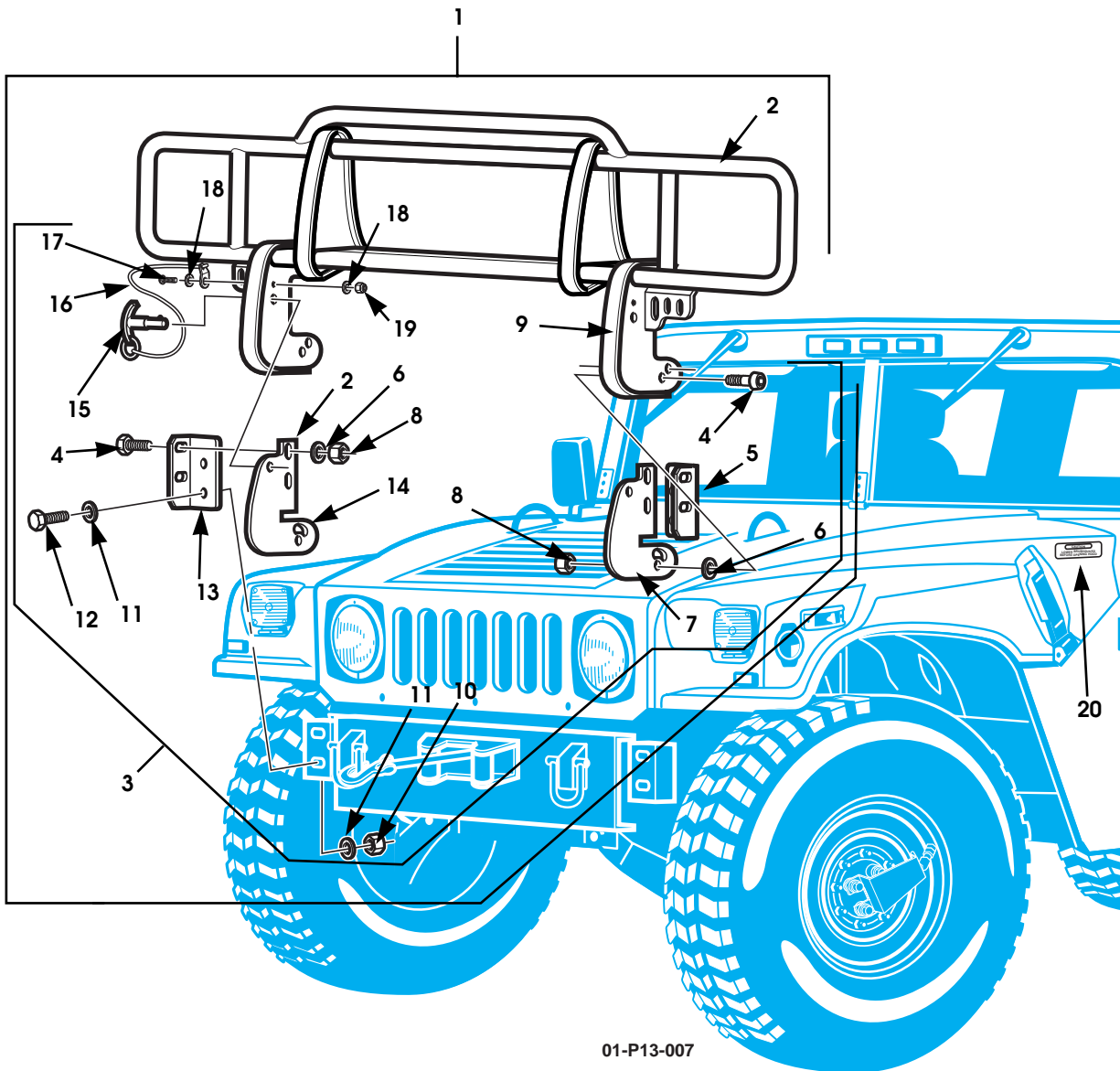


Figure 13-8. Brushguard Kit, Heavy Duty Accessory Frontal-Coverage.

2003 HUMMER H1 PARTS CATALOG

ACCESSORIES 13-21

ITEM	PART NUMBER	DESCRIPTION	QTY
		Figure 13-8. Brushguard Kit, Heavy Duty Accessory Frontal-Coverage.	
1	5745211	KIT, heavy duty frontal-coverage brushguard	
2	S.I.K.	•BRUSHGUARD, frontal coverage	1
3	6013942	•KIT, mounting hardware, SEE NOTE 1	1
4	S.I.K.	••BOLT, shoulder, 1/2 x 5/8"	4
5	S.I.K.	••BRACKET, RR, L.H.	2
6	S.I.K.	••WASHER, nylon, 1/2"	4
7	S.I.K.	••BRACKET, L.H.	2
8	S.I.K.	••NUT, flanged, 3/8 - 16"	4
9	5745409	••GUARD, rubber	4
10	S.I.K.	••NUT, 1/2"	4
11	S.I.K.	••WASHER, 1/2"	8
12	S.I.K.	••BOLT, 1/2 x 2"	4
13	S.I.K.	••BRACKET, RR, R.H.	2
14	S.I.K.	••BRACKET, R.H.	2
15	5745405	••LOCK PIN	2
16	5745406	••LANYARD, with stainless steel tab, 6"	2
17	S.I.K.	••BOLT, button head, 1/4 - 20 x 3/4"	2
18	S.I.K.	••WASHER, nylon, 1/4"	4
19	S.I.K.	••LOCKNUT, 1/4"	2
20	5939266	DECAL, brushguard caution, English, SEE NOTE 2.	1
20	6002679	DECAL, brushguard caution, French, SEE NOTE 2.	1
20	6002019	DECAL, brushguard caution, Arabic, SEE NOTE 2.	1
<p>NOTE 1: MOUNTING HARDWARE INCLUDES; FRONT BARS, BRACKETS, AND HARDWARE.</p> <p>NOTE 2: IF THE VEHICLE WAS NOT PREVIOUSLY EQUIPPED WITH A BRUSHGUARD A CAUTION DECAL WILL NEED TO BE ORDERED IN THE APPROPRIATE LANGUAGE FOR AREA OF USE. DECALS DO NOT COME WITH THE BRUSHGUARD KIT.</p>			

2003 HUMMER H1 PARTS CATALOG

13-22 ACCESSORIES

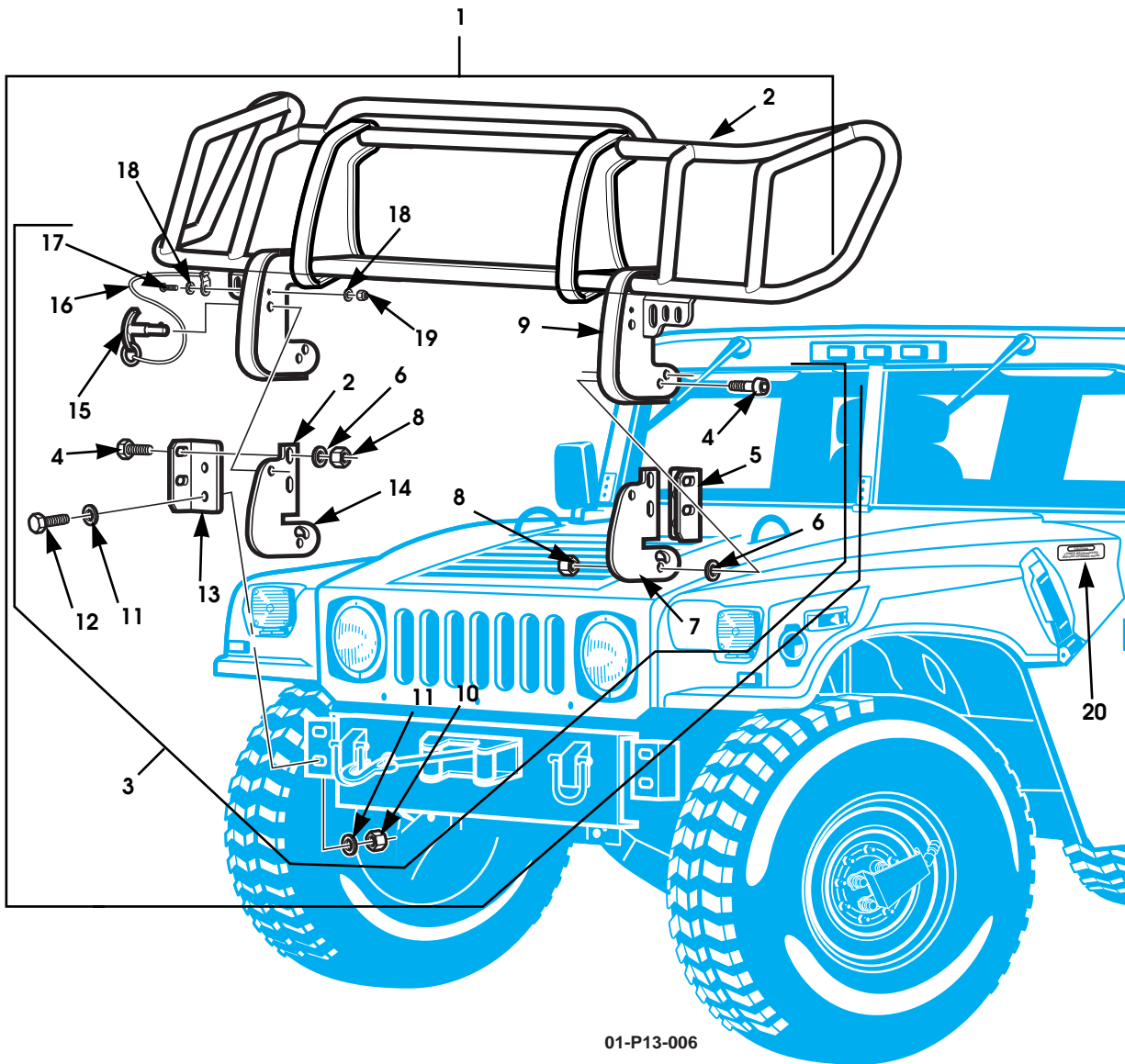


Figure 13-9. Brushguard Kit, Heavy Duty Accessory Wrap-Around.

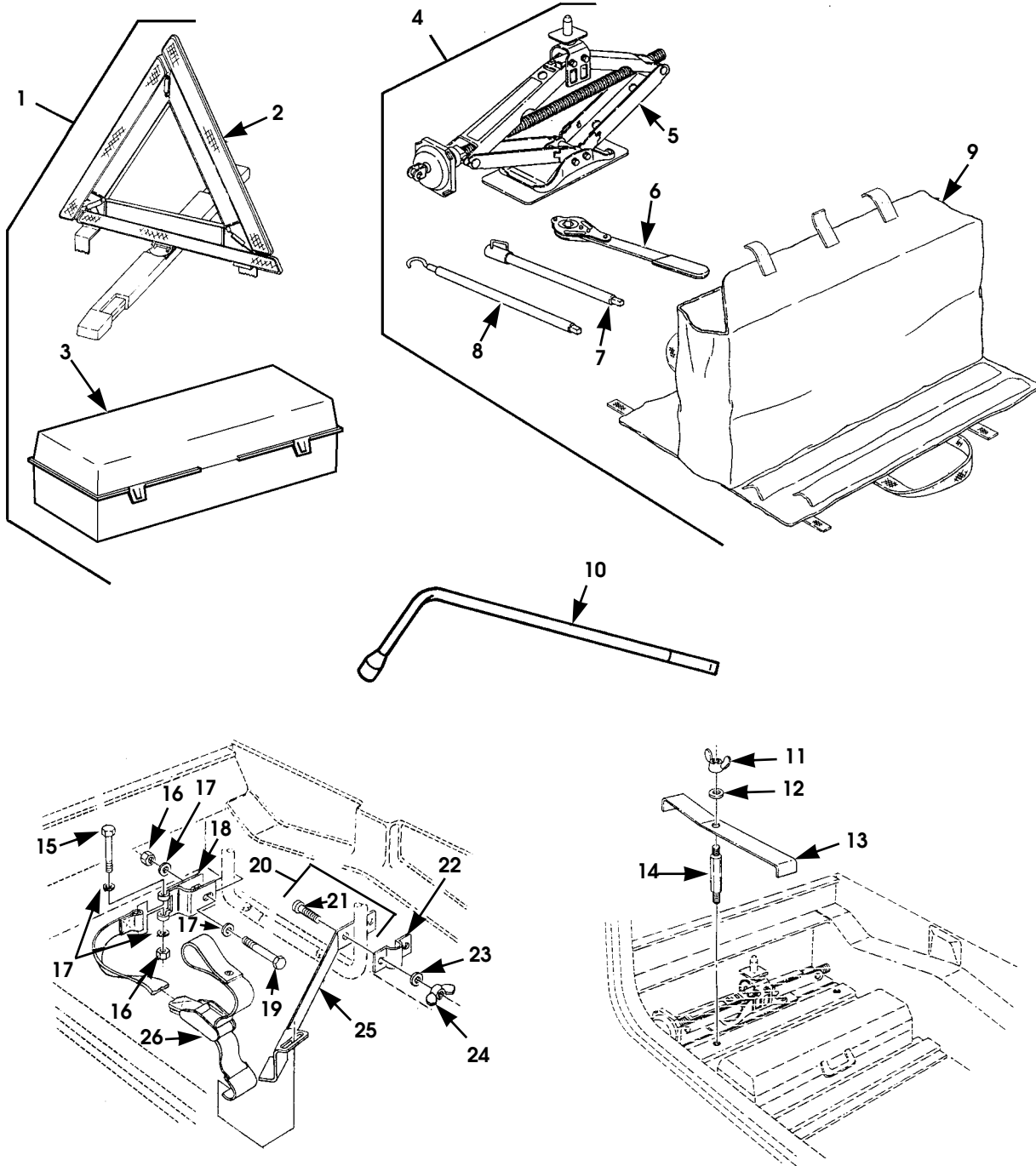
2003 HUMMER H1 PARTS CATALOG

ACCESSORIES 13-23

ITEM	PART NUMBER	DESCRIPTION	QTY
		Figure 13-9. Brushguard Kit, Heavy Duty Accessory Wrap-Around.	
1	5745532	KIT, heavy duty frontal-coverage brushguard, wrap-around	
2	S.I.K.	•BRUSHGUARD, wrap-around coverage,	1
3	6013942	•KIT, mounting hardware, SEE NOTE 1	1
4	S.I.K.	••BOLT, shoulder, 1/2 x 5/8"	4
5	S.I.K.	••BRACKET, RR, L.H.	2
6	S.I.K.	••WASHER, nylon, 1/2"	4
7	S.I.K.	••BRACKET, L.H.	2
8	S.I.K.	••NUT, flanged, 3/8 - 16"	4
9	5745409	••GUARD, rubber	4
10	S.I.K.	••NUT, 1/2"	4
11	S.I.K.	••WASHER, 1/2"	8
12	S.I.K.	••BOLT, 1/2 x 2"	4
13	S.I.K.	••BRACKET, RR, R.H.	2
14	S.I.K.	••BRACKET, R.H.	2
15	5745405	••LOCK PIN	2
16	5745406	••LANYARD, with stainless steel tab, 6"	2
17	S.I.K.	••BOLT, button head, 1/4 - 20 x 3/4"	2
18	S.I.K.	••WASHER, nylon, 1/4"	4
19	S.I.K.	••LOCKNUT, 1/4"	2
20	5939266	DECAL, brushguard caution, English, SEE NOTE 2.	1
20	6002679	DECAL, brushguard caution, French, SEE NOTE 2.	1
20	6002019	DECAL, brushguard caution, Arabic, SEE NOTE 2.	1
		NOTE 1: MOUNTING HARDWARE INCLUDES; FRONT BARS, BRACKETS, AND HARDWARE.	
		NOTE 2: IF THE VEHICLE WAS NOT PREVIOUSLY EQUIPPED WITH A BRUSHGUARD A CAUTION DECAL WILL NEED TO BE ORDERED IN THE APPROPRIATE LANGUAGE FOR AREA OF USE. DECALS DO NOT COME WITH THE BRUSHGUARD KIT.	

2003 HUMMER H1 PARTS CATALOG

13-24 ACCESSORIES



P13-006.1

Figure 13-10. Reflective Triangle Warning Device, Jack Assembly, and Mounting Hardware.

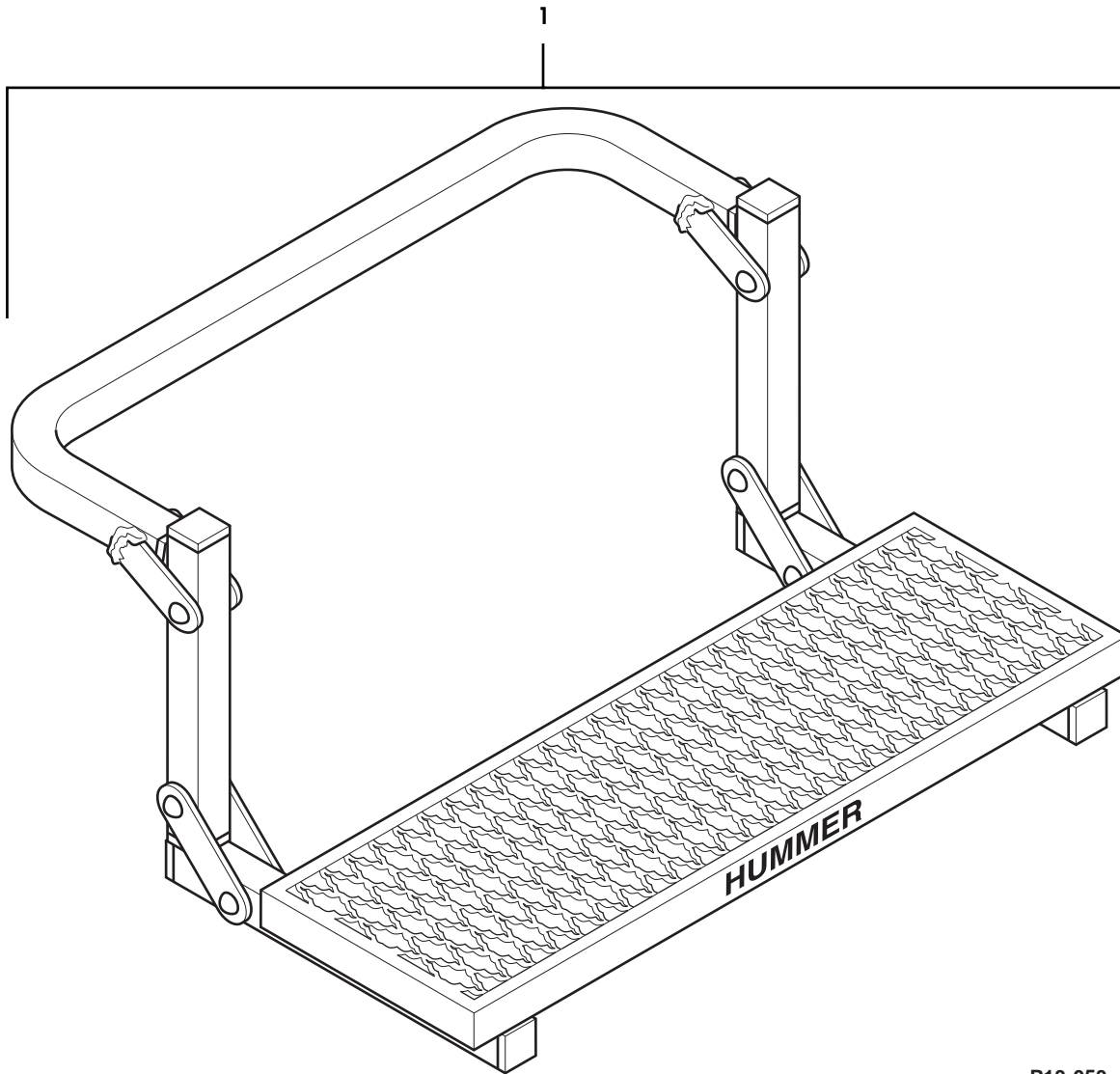
2003 HUMMER H1 PARTS CATALOG

ACCESSORIES 13-25

ITEM	PART NUMBER	DESCRIPTION	QTY
		Figure 13-10. Reflective Triangle Warning Device, Jack Assembly, and Mounting Hardware.	
1	11669000	KIT, Folding Reflective Triangle Warning Device.	1
2	S.I.K.	•WARNING TRIANGLE	3
3	S.I.K.	•STORAGE CONTAINER.	1
4	5939822	JACK AND BAG ASSEMBLY, scissor	1
5	S.I.K.	•JACK, tire	1
6	S.I.K.	•CRANK RATCHET	1
7	S.I.K.	•CRANK EXTENSION	1
8	S.I.K.	•CRANK	1
9	6002031	•BAG, jack/tool	1
10	14009303	WRENCH, wheel lug	1
10	5745304	WRENCH, wheel lug, for aluminum wheels.	1
11	N/S	WING NUT, 5/16 - 18", Steel.	2
		89	
12	N/S	WASHER, flat, 5/16", Type B, ZN	2
		89	
13	6009332B2	BRACKET, jack hold-down.	2
		89	
14	6000161	STUD, jack hold-down	2
		89	
15	N/S	BOLT, 1/4 - 20 x 2", Gr5, CAD.	1
		83, 84, 90	
16	N/S	NUT, 1/4 - 20", Gr8, ZN	2
		83, 84, 90	
17	N/S	WASHER, flat, hard, 1/4", type B, ZN	4
		83, 84, 90	
18	6000268B2	BRACKET ASSEMBLY, strap	1
		83, 84, 90	
19	N/S	BOLT, 1/4 - 20 x 1 - 1/2", Gr5, ZN.	1
		83, 84, 90	
20	6000265B2	BRACKET ASSEMBLY, jack hold-down.	1
		83, 84, 90	
21	12339734-4	•STUD, jack hold-down bracket.	2
22	6000270B2	•BRACKET, clamping.	1
		83, 84, 90	
23	N/S	•WASHER, flat, #10, type B, ZN	2
		83, 84, 90	
24	N/S	•WING NUT, #10 - 24", steel	2
		83, 84, 90	
25	N/S	•BRACKET, retaining	1
26	6000273	STRAP ASSEMBLY	1
		83, 84, 90	

2003 HUMMER H1 PARTS CATALOG

13-26 ACCESSORIES



P13-053

Figure 13-11. Utility Step.

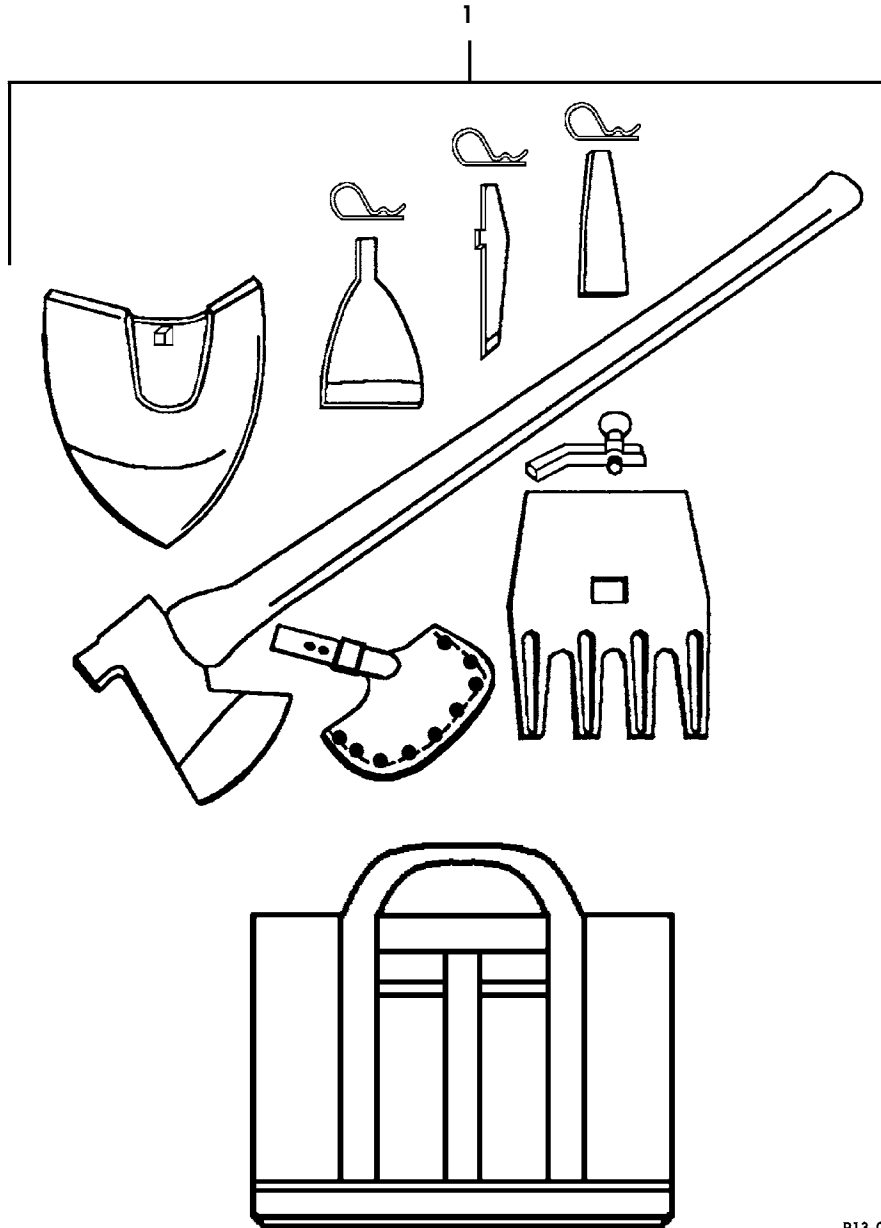
2003 HUMMER H1 PARTS CATALOG

ACCESSORIES 13-27

ITEM	PART NUMBER	DESCRIPTION	QTY
		Figure 13-11. Utility Step.	
1	5745613	STEP ASSEMBLY, utility, without bag.	1
1	5744641	STEP ASSEMBLY, utility, with bag.	1

2003 HUMMER H1 PARTS CATALOG

13-28 ACCESSORIES



P13-038

Figure 13-12. Pioneer Tool Kit.

2003 HUMMER H1 PARTS CATALOG

ACCESSORIES 13-29

ITEM	PART NUMBER	DESCRIPTION	QTY
1	6004898	Figure 13-12. Pioneer Tool Kit. KIT, pioneer tool	1

2003 HUMMER H1 PARTS CATALOG

13-30 ACCESSORIES

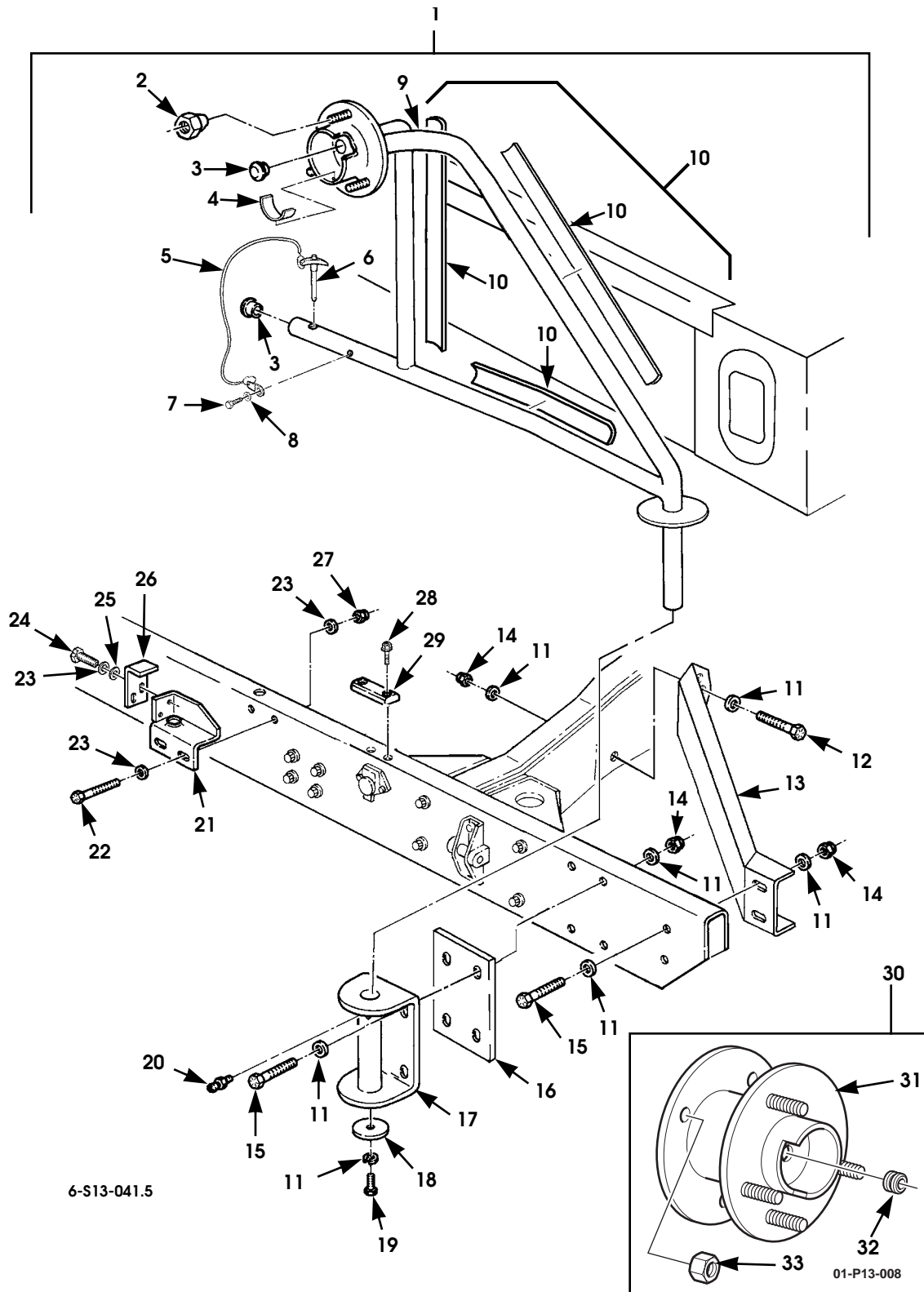


Figure 13-13. Spare Tire Carrier Kit, Swing-Away.

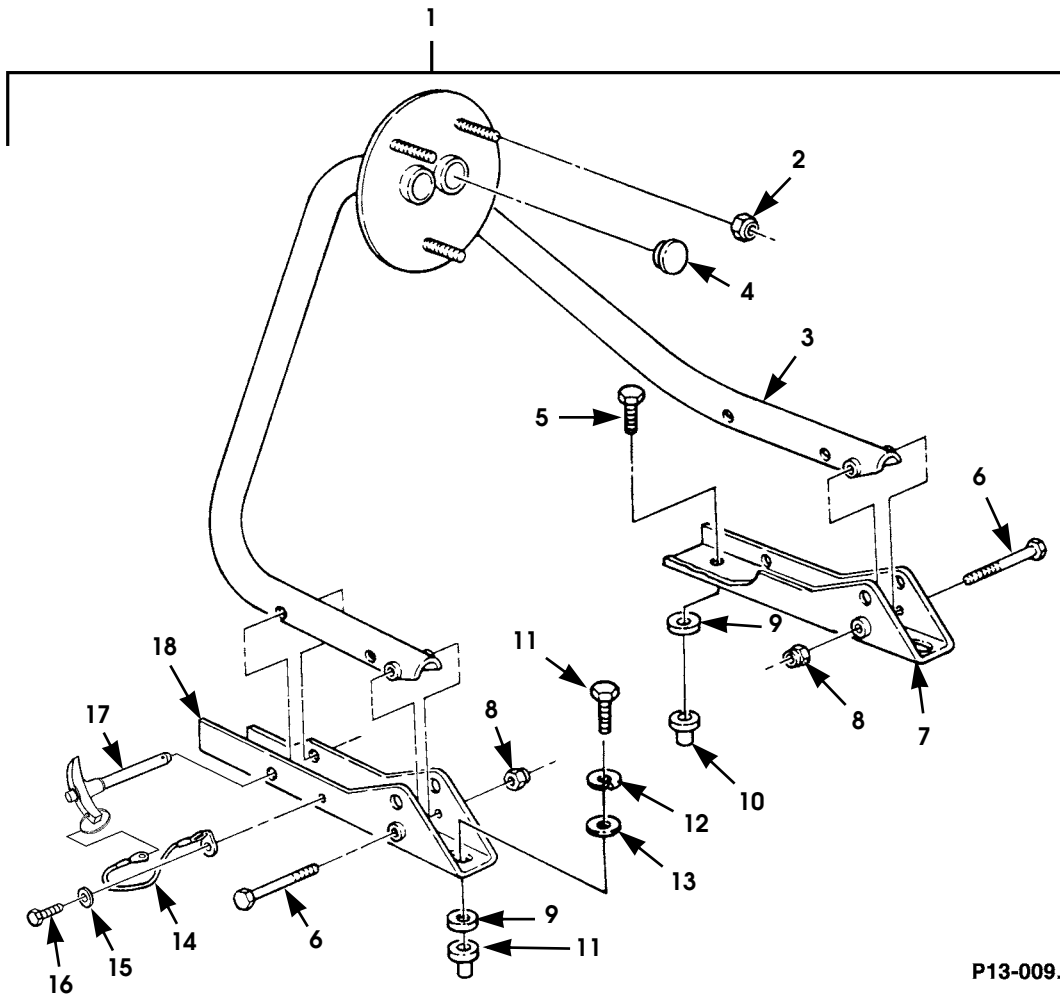
2003 HUMMER H1 PARTS CATALOG

ACCESSORIES 13-31

ITEM	PART NUMBER	DESCRIPTION	QTY
		Figure 13-13. Spare Tire Carrier Kit, Swing-Away.	
1	5744642	KIT, swing-away spare tire carrier SEE NOTE 1	1
2	6007340P2	•LUG NUT, flanged, 9/16 - 18"	3
3	5935349	•PLUG, hole, 1/4 - 20 x 7/8"	3
4	6004008	•DECAL, spare tire warning	1
5	5935839	•LANYARD	1
6	6007230	•PIN, quick release	1
7	S.I.K.	•SCREW, tapping, 1/4 - 14 x 5/8", Phos.	1
8	S.I.K.	•WASHER, flat, 1/4"	1
9	6007764B9	•FRAME, swing-away spare tire	1
10	5744553	•SWING-AWAY CUSHION, 44", SEE NOTE 2	1
11	S.I.K.	•WASHER, flat, hard, 1/2", type B	14
12	S.I.K.	•BOLT, 1/2 - 13 x 3 - 3/4", Gr8, CAD	1
13	12339186	•BRACE, bumper, R.H.	1
14	S.I.K.	•LOCKNUT, 1/2 - 13"	7
15	S.I.K.	•BOLT 1/2 - 13 x 3", Gr8, CAD	6
16	6002620	•SPACER.	1
17	6011123B9	•BRACKET, spare tire mounting	1
18	5935291B9	•PLATE, tube retainer	1
19	S.I.K.	•BOLT, 5/16 - 18 x 1", Gr5, CAD	1
20	S.I.K.	•FITTING, lubrication	1
21	6008049B2	•BRACKET, tire carrier stop	1
22	S.I.K.	•BOLT, 5/16 - 18 x 3", Gr8, CAD	2
23	S.I.K.	•WASHER, flat, 5/16"	6
24	S.I.K.	•BOLT, 5/16 - 18 x 3/4", Gr8, ZN	2
25	S.I.K.	•LOCKWASHER, med, 5/16"	3
26	6008056B2	•BRACKET, carrier, hold down	1
27	S.I.K.	•LOCKNUT, 5/16 - 18", Gr8	2
28	S.I.K.	•SCREW, 1/4 - 20 x 7/8", ZN	2
29	5935281	•BLOCK, guide	1
30	5745478	KIT, ADAPTOR ASSEMBLY, aluminum wheel	1
31	6012635	•MOUNTING ADAPTER ASSEMBLY	1
32	S.I.K.	•GROMMET	1
33	S.I.K.	•LUG NUT.	4
34	S.I.K.	•DECAL, caution, english and french (not illustrated)	1
		NOTE 1: KIT, SWING-AWAY SPARE TIRE CARRIER IS DESIGNED FOR THE STEEL WHEEL ONLY. FOR THE ALUMINUM WHEEL ADD THE ALUMINUM WHEEL ADAPTER. WHEN ORDERING.	
		NOTE 2: CUT INTO THREE PIECES: TWO OF 15", ONE OF 14".	

2003 HUMMER H1 PARTS CATALOG

13-32 ACCESSORIES



P13-009.2

Figure 13-14. Spare Tire Carrier, Bed-Mounted.

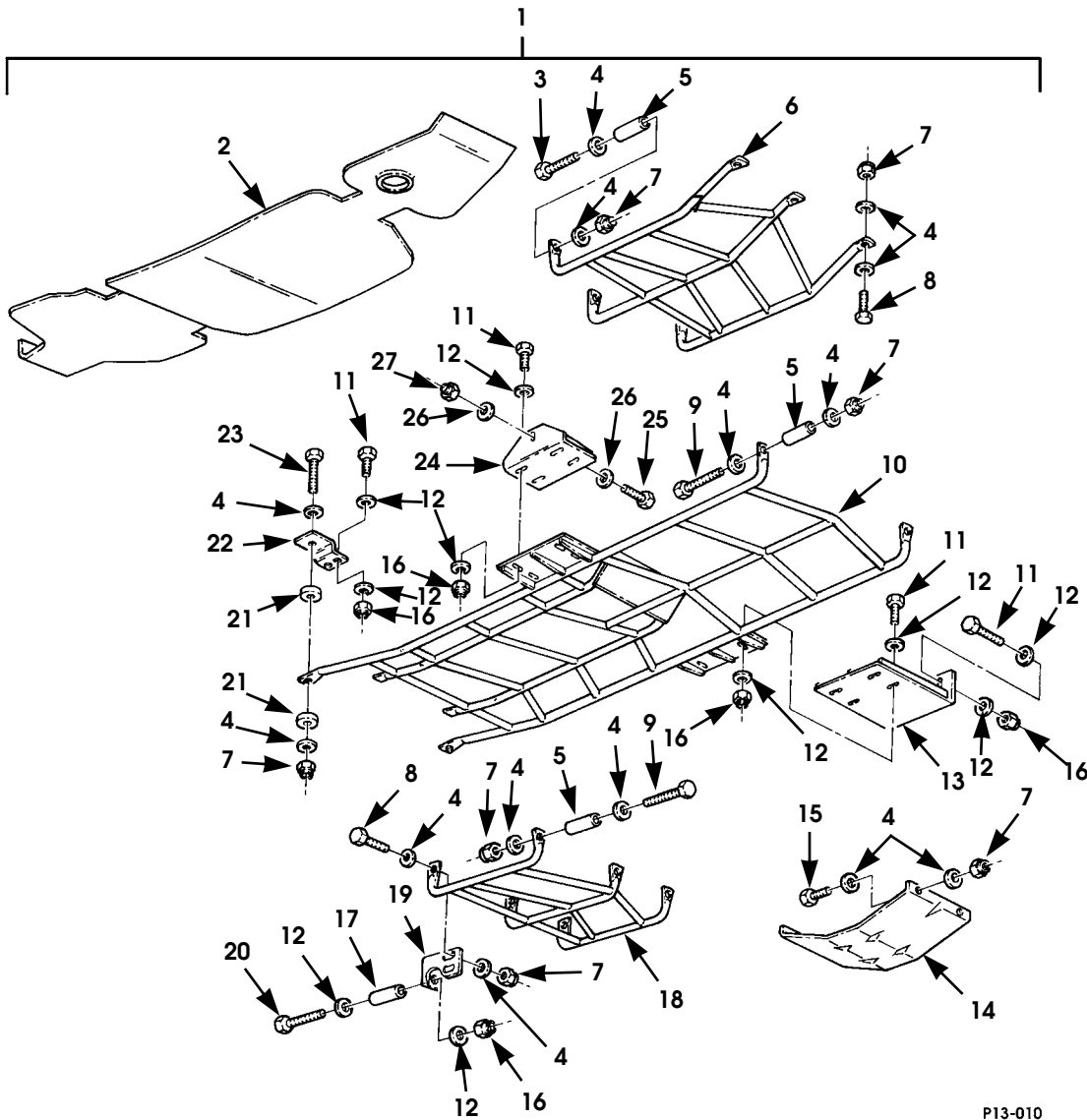
2003 HUMMER H1 PARTS CATALOG

ACCESSORIES 13-33

ITEM	PART NUMBER	DESCRIPTION	QTY
		Figure 13-14. Spare Tire Carrier, Bed-Mounted.	
1	5742944	KIT, bed-mounted spare tire carrier SEE NOTE 1 82, 83, 89	1
2	6007340P2	•LUG NUT, flanged, 9/16 - 18"	3
3	6008230B3	•SPARE TIRE FRAME ASSEMBLY	1
4	5935349	••PLUG, hole, 1/4 - 20 x 7/8"	2
5	MS24667-54P2	•SCREW, countersunk, socket head	4
6	S.I.K.	•BOLT, 1/2 - 13 x 3 - 1/2", Gr5, Phos.	2
7	6000931	•MOUNTING BRACKET, R.H.	1
8	S.I.K.	•NUT, 1/2 - 13", Gr8, CAD	2
9	6000942B2	•SPACER	6
10	5935428	•NUT INSERT	5
11	S.I.K.	•SCREW, 3/8 - 16 x 1 - 3/4", Gr5, CAD	2
12	S.I.K.	•LOCKWASHER, med, 3/8", Phos	2
13	S.I.K.	•WASHER, flat, 3/8", type B	2
14	5935839	•LANYARD	2
15	S.I.K.	•WASHER, flat, 1/4"	2
16	S.I.K.	•SCREW, tapping, 1/4 - 14 x 1/2", Phos	2
17	6007230	•PIN, quick release	2
18	6000930B3	•MOUNTING BRACKET, L.H.	1

2003 HUMMER H1 PARTS CATALOG

13-34 ACCESSORIES



P13-010

Figure 13-15. Driveline Protection and Mounting Hardware.

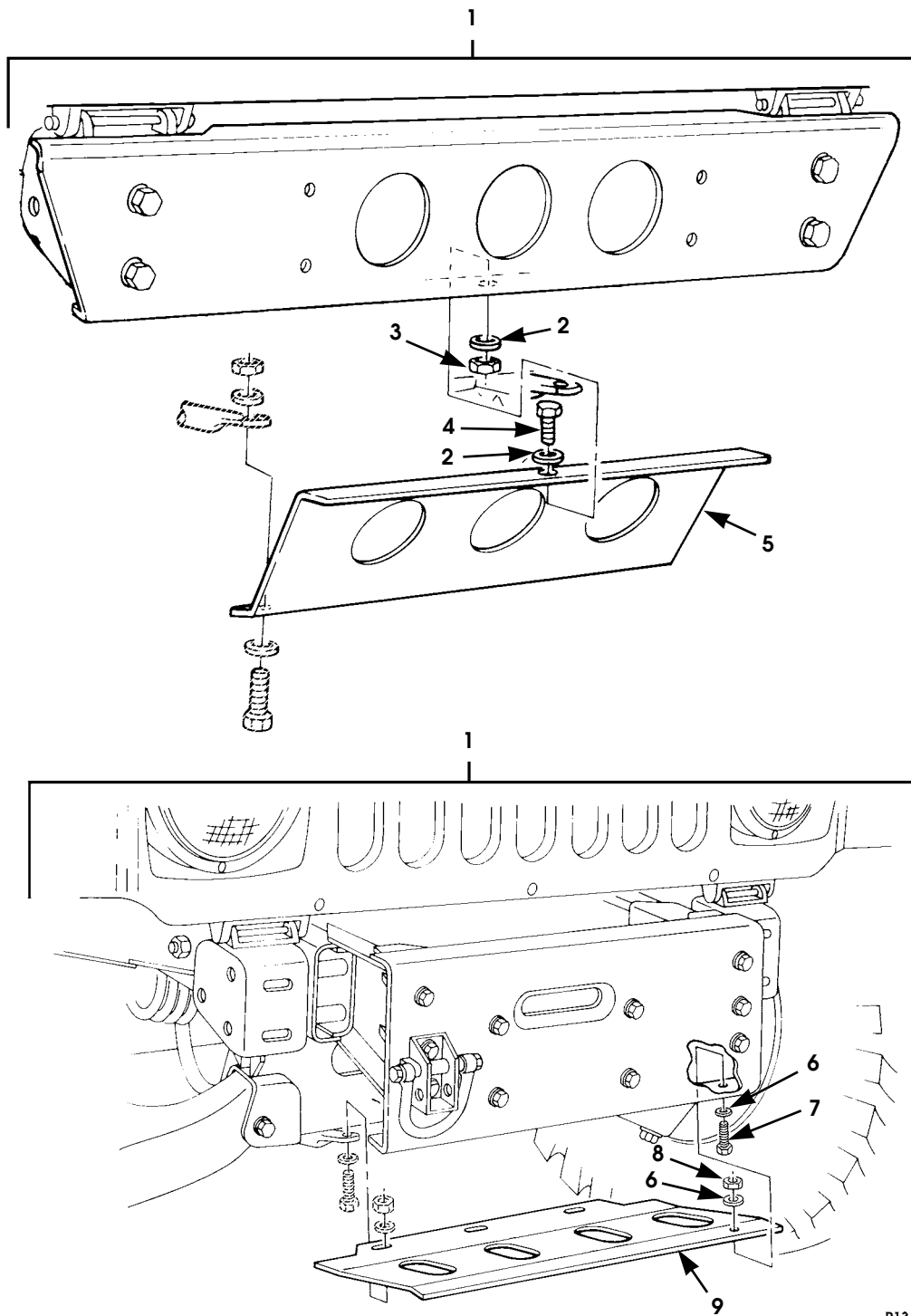
2003 HUMMER H1 PARTS CATALOG

ACCESSORIES 13-35

ITEM	PART NUMBER	DESCRIPTION	QTY
		Figure 13-15. Driveline Protection and Mounting Hardware.	
1	5744299	KIT, underbody protection, vehicle w/o winch	1
1	5744281	KIT, underbody protection, vehicle w/winch, SEE NOTE 1.	1
2	6006150B9	•SHIELD, fuel tank	1
3	S.I.K.	•BOLT, 3/8 - 16 x 3 - 1/4", Gr8, Phos	5
4	S.I.K.	•WASHER, flat, 3/8", type B (use w/ kit P/N 5744299) . .	40
4	S.I.K.	•WASHER, flat, 3/8", type B (use w/ kit P/N 5744281) .	30
5	5594341	•SPACER, front	3
6	5593490	•DRIVE LINE PROTECTION, front	1
6	6009094	DRIVE LINE PROTECTION, front (12,100 GVW only). . . .	1
7	S.I.K.	•LOCKNUT, 3/8 - 16", Gr8 (use w/ kit P/N 5744299) . . .	20
7	S.I.K.	•LOCKNUT, 3/8 - 16", Gr8 (use w/ kit P/N 5744281). . .	14
8	S.I.K.	•SCREW, cap, 3/8 - 16 x 1 - 1/8", Gr8, CAD.	7
9	S.I.K.	•BOLT, 3/8 - 16 x 3 - 1/4", Gr8, Phos	3
10	12447143	•DRIVE LINE PROTECTION, intermediate.	1
11	S.I.K.	•BOLT, 5/16 - 18 x 1", Gr8, CAD.	12
12	S.I.K.	•WASHER, flat, 5/16", hardened, type B, ZN	36
13	12447146	•BRACKET ASSEMBLY, shield mounting, L.H..	1
14	12447151	•SHIELD, transfer case	1
15	S.I.K.	•BOLT, 3/8 - 16 x 1", Gr8, CAD.	2
16	S.I.K.	•LOCKNUT, 5/16 - 18", Gr8	18
17	5594342	•SPACER, underbody protection, rear	9
18	5593492	•DRIVE LINE PROTECTION, rear.	1
18	6009095	DRIVE LINE PROTECTION, rear (12,100 GVW only)	1
19	12447145	•BRACKET, tube rear mounting	3
20	S.I.K.	•BOLT, 5/16 - 18 x 3", Gr8, ZN	6
21	5593497	•WASHER, laminated fiber, 3/8".	4
22	12447148	•BRACKET, tube support transmission	2
23	S.I.K.	•BOLT, 3/8 - 16 x 1 - 1/2", Gr8, CAD	2
24	5593495	•BRACKET ASSEMBLY, shield mounting, R.H.	1
25	S.I.K.	•BOLT, 1/2 - 13 x 3 - 3/4", Gr8, CAD	2
26	S.I.K.	•WASHER, flat, hardened, 1/2".	4
27	S.I.K.	•LOCKNUT, 1/2 - 13"	2
		NOTE 1: FOR SKID PLATE INFORMATION, REFER TO DRIVELINE PROTECTION SKID PLATES ON NEXT PAGE.	

2003 HUMMER H1 PARTS CATALOG

13-36 ACCESSORIES



P13-011

Figure 13-16. Driveline Protection Skid Plates.

2003 HUMMER H1 PARTS CATALOG

ACCESSORIES 13-37

ITEM	PART NUMBER	DESCRIPTION	QTY
		Figure 13-16. Driveline Protection Skid Plates.	
1	5744299	KIT, underbody protection, vehicle w/o winch	1
1	5744281	KIT, underbody protection, vehicle w/ winch.	1
2	S.I.K.	•WASHER, flat, 3/8", type B, w/o winch	8
3	S.I.K.	•LOCKNUT, 3/8-16", Gr8, w/o winch	4
4	S.I.K.	•BOLT, 3/8-16 x 1", Gr8, Phos, w/o winch.	4
5	5935943	•SKID PLATE w/o winch.	1
6	S.I.K.	•WASHER, flat, 3/8", type B, w/winch	6
7	S.I.K.	•BOLT, 3/8 - 16 x 1", w/winch, Gr8, CAD	3
8	S.I.K.	•LOCKNUT, 3/8 - 16", Gr8, w/winch	3
9	5935669	•SKID PLATE, w/winch	1

2003 HUMMER H1 PARTS CATALOG

13-38 ACCESSORIES

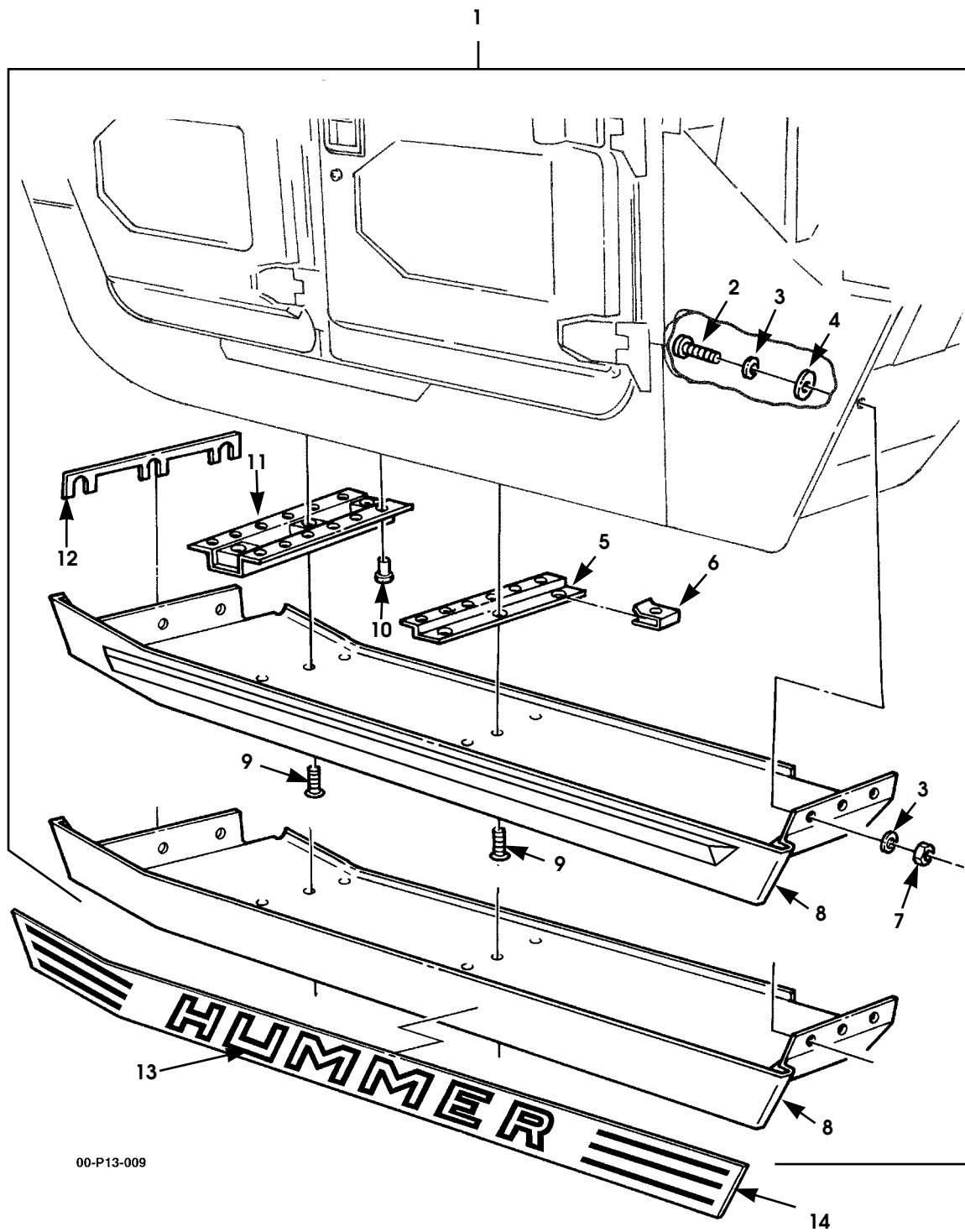


Figure 13-17. Rocker Panel Guard Accessory Kit.

2003 HUMMER H1 PARTS CATALOG

ACCESSORIES 13-39

ITEM	PART NUMBER	DESCRIPTION	QTY
		Figure 13-17. Rocker Panel Guard Accessory Kit.	
1	5745331	KIT, rocker panel protection (steel, w/reinforcements)	1
1	5745332	KIT, rocker panel protection (aluminum)	1
1	5742908	KIT, rocker panel protection (steel)	1
2	S.I.K.	•CAPSCREW, hex head, 3/8 - 16 x 1 - 1/4" , GR 8	12
3	S.I.K.	•WASHER, flat, 3/8"	24
4	6001595	•GASKET, foam washer	12
5	6001241	•BRACKET, mounting.	2
6	6001283	•J-NUT, "U" type, 3/8 - 16"	9
7	S.I.K.	•LOCKNUT, 3/8 - 16" , Gr8	12
8	5745169	•PANEL, underbody skid, L.H. (steel), w/welded side reinforcements, SEE NOTE 1	1
8	5745170	•PANEL, underbody skid, R.H. (steel), w/welded side reinforcements, SEE NOTE 1	1
8	6005165B5	•PANEL, underbody skid, L.H. (aluminum), SEE NOTE 2	1
8	6005166B5	•PANEL, underbody skid, R.H. (aluminum), SEE NOTE 2	1
8	6003614P	•PANEL, underbody skid, L.H. (steel), SEE NOTE 3	1
8	6003615P	•PANEL, underbody skid, R.H. (steel), SEE NOTE 3	1
9	S.I.K.	•SCREW, socket, 3/8 - 16 x 1" , flat-head, ZN, w/nylon	12
10	S.I.K.	•RIVET, 3/16" dia., blind, aluminum	48
11	6001275	•BRACKET, skid plate mounting	3
12	6001278	•SHIM, skid plate	6
13	5744675	DECAL, "HUMMER", black, SEE NOTE 4.	1
13	6004296	DECAL, "HUMMER", gold, SEE NOTE 4	1
13	6004295	DECAL, "HUMMER", silver, SEE NOTE 4	1
13	6004294	DECAL, "HUMMER", white, SEE NOTE 4.	1
13	5744882	DECAL, "HUMMER", chrome, SEE NOTE 4.	1
14	5745140	KIT, rocker panel protection cover, polished stainless steel.	1
14	5745198	KIT, rocker panel protection cover, brushed stainless steel.	1
		NOTE 1: PART OF KIT P/N 5745331.	
		NOTE 2: PART OF KIT P/N 5745332.	
		NOTE 3: PART OF KIT P/N 5742908.	
		NOTE 4: NOT INCLUDED IN KIT - ORDER SEPARATELY (SHIPPED IN PAIRS ONLY).	

2003 HUMMER H1 PARTS CATALOG

13-40 ACCESSORIES

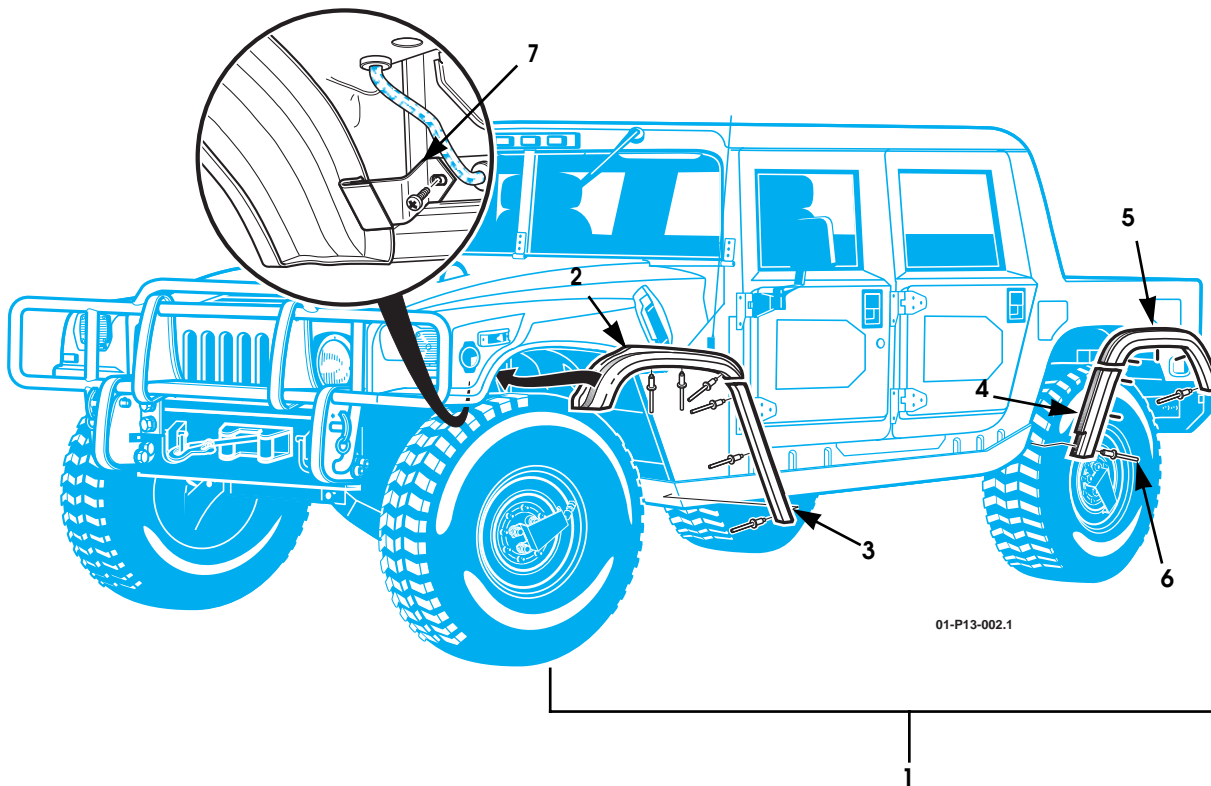


Figure 13-18. Wheel Well Flare Kit.

2003 HUMMER H1 PARTS CATALOG

ACCESSORIES 13-41

ITEM	PART NUMBER	DESCRIPTION	QTY
		Figure 13-18. Wheel Well Flare Kit.	
1	5745440	KIT, wheel well flare SEE NOTE 1	1
2	5745431	•FLARE, driver's side top, front	1
3	5745432	•FLARE, driver's side bottom, front.	1
4	5745436	•FLARE, driver's side bottom, rear	1
5	5745435	•FLARE, driver's side top, rear.	1
6	S.I.K.	•RIVET, 3/6" large-flange	40
7	5745543	•BRACKET, mounting, front fender flares	2
8	5745433	•FLARE, passenger's side top, front (not illustrated) . .	1
9	5745434	•FLARE, passenger's side bottom, front (not illustrated)	1
10	5745437	•FLARE, passenger's side top, rear (not illustrated) . . .	1
11	5745438	•FLARE, passenger's side bottom, rear (not illustrated)	1
12	5745439	KIT, closeout, rear splash (not illustrated)	1
13	5745608	KIT, center rear, splash shield(not illustrated).	1
		NOTE 1: HARDWARE INCLUDED WITH THE WHEEL WELL FLARE KIT, 5745440.	

2003 HUMMER H1 PARTS CATALOG

13-42 ACCESSORIES

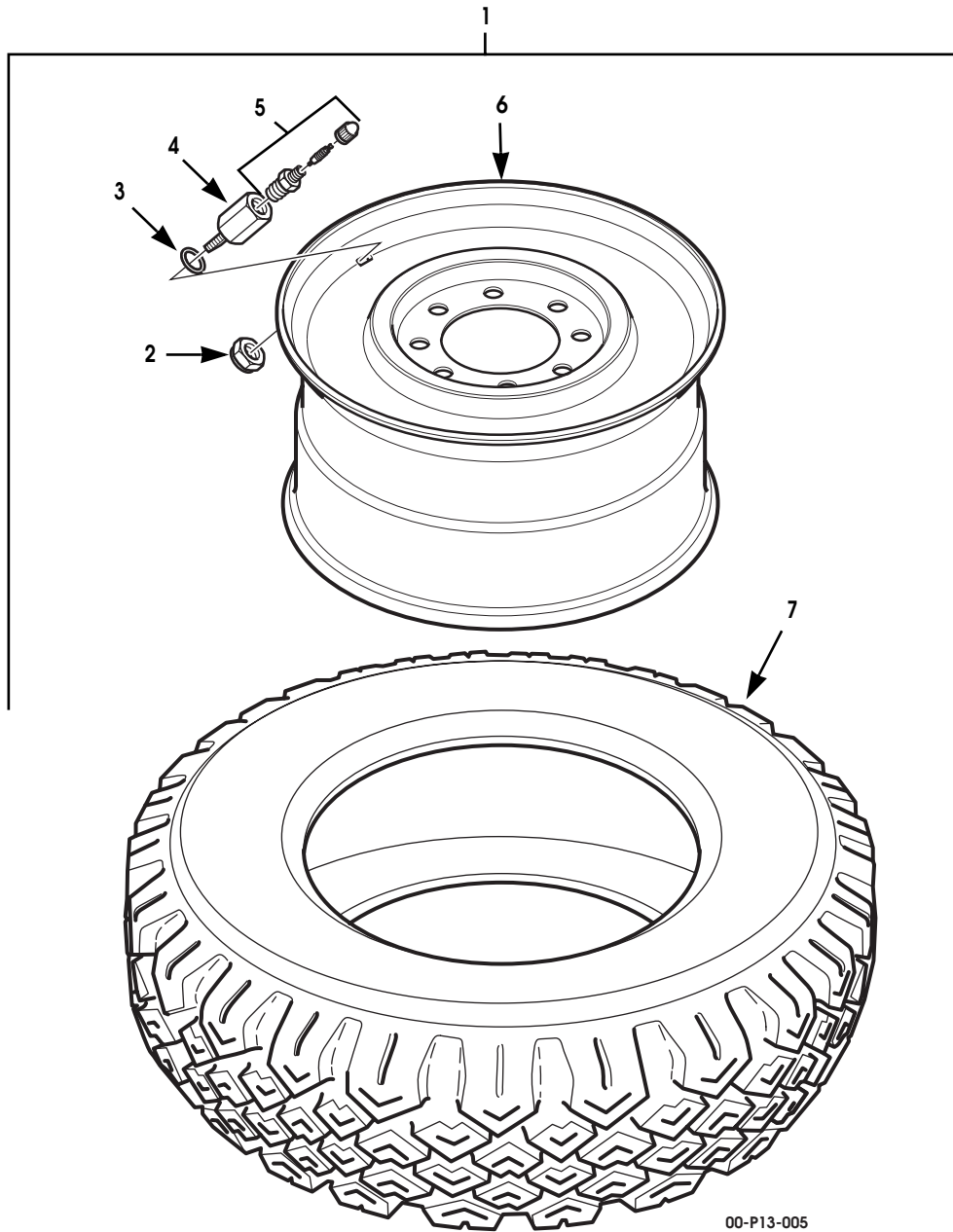


Figure 13-19. Wheel and Tire Assembly, SpaceSaver Spare.

2003 HUMMER H1 PARTS CATALOG

ACCESSORIES 13-43

ITEM	PART NUMBER	DESCRIPTION	QTY
		Figure 13-19. Wheel and Tire Assembly, SpaceSaver Spare.	
1	6008983B2	WHEEL ASSEMBLY, spacesaver	1
2	MS21245-8	•NUT, 1/2 - 20"	1
3	12342794	•O-RING, valve stem.	1
4	12342793	•INSERT, wheel assembly	1
5	12342634	•TANK VALVE ASSEMBLY	1
6	6005783P	•WHEEL, one-piece.	1
7	6008982	•TIRE, SpaceSaver, 9.50R16.5LT, load rating E.	1

2003 HUMMER H1 PARTS CATALOG

13-44 ACCESSORIES

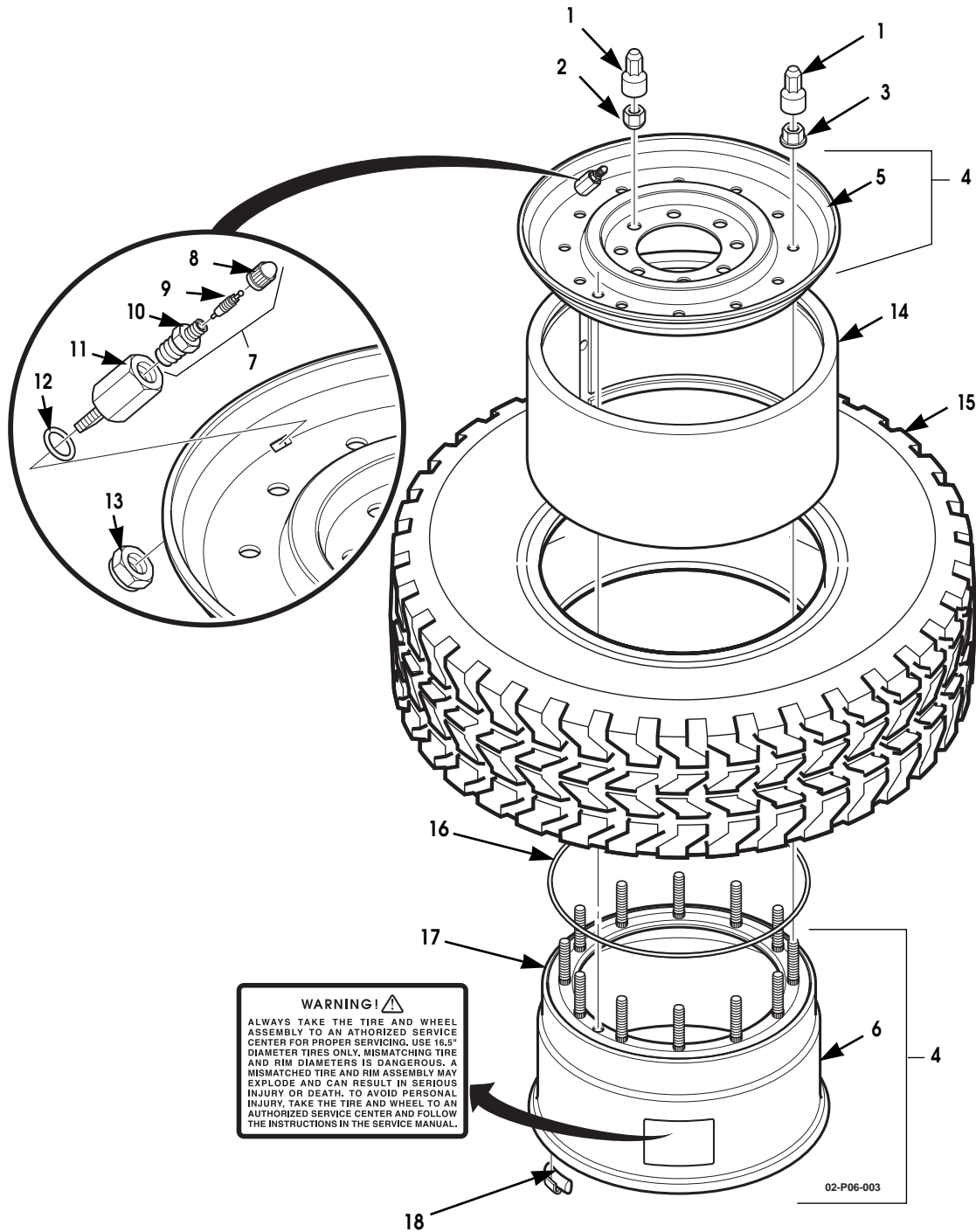


Figure 13-20. Wheel, Tire, and Beadlock Assembly, 16.5" Two-Piece Steel Rim.

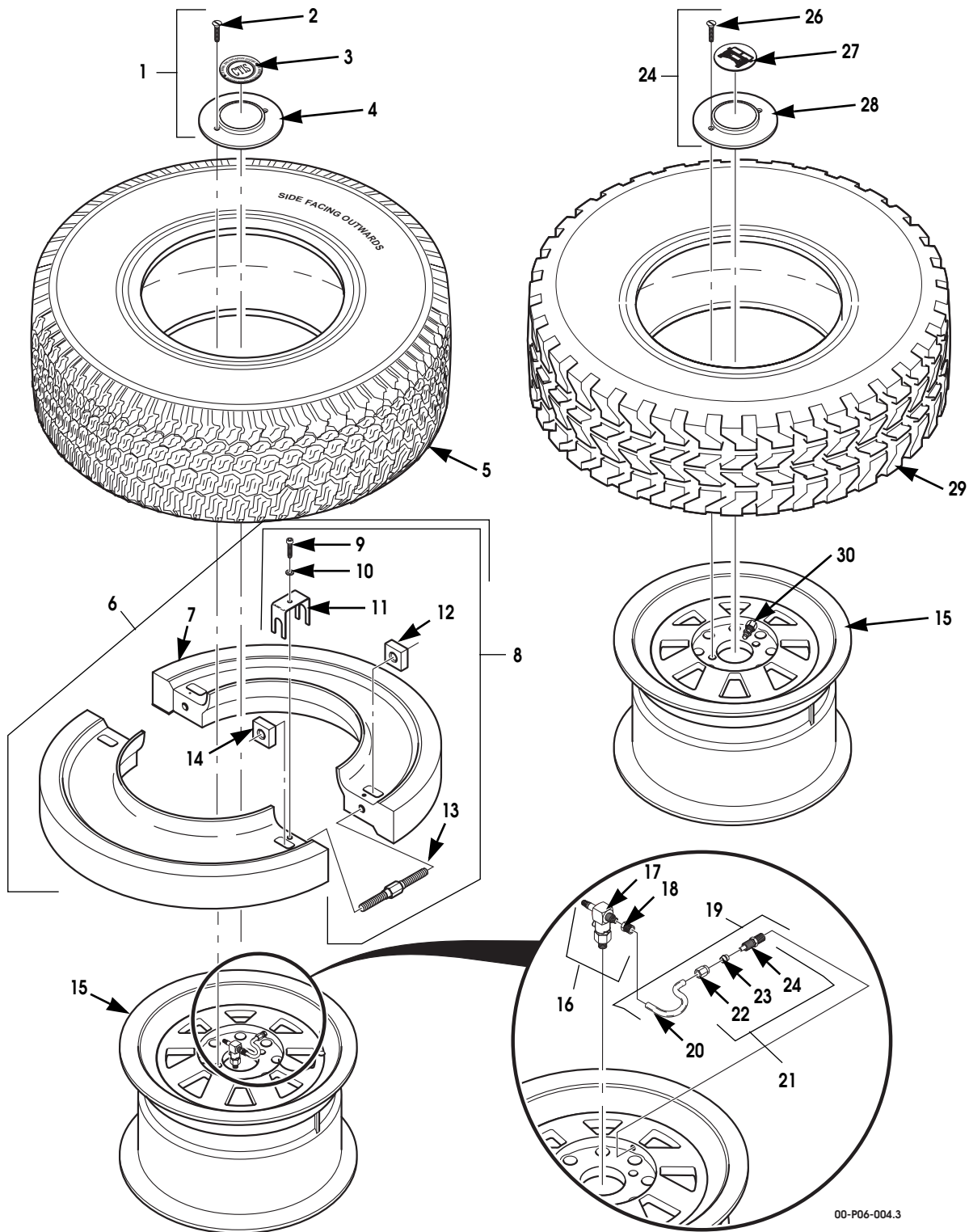
2003 HUMMER H1 PARTS CATALOG

ACCESSORIES 13-45

ITEM	PART NUMBER	DESCRIPTION	QTY
		Figure 13-20. Wheel, Tire, and Beadlock Assembly, 16.5" Two-Piece Steel Rim.	
1	6011148	WHEEL HALF-NUT/LUG NUT COVER (black)	80
2	EC12339403	LUG NUT	32
3	EC12339501	NUT, flanged, 1/2 - 20"	48
4	5745404	WHEEL ASSEMBLY, two-piece steel	1
5	S.I.A.	•RIM, outer	4
6	S.I.A.	•RIM, inner	4
7	12342634	TANK VALVE ASSEMBLY	4
8	N/S	•VALVE CAP	4
9	N/S	•CORE	4
10	N/S	•TANK VALVE	4
11	EC12342793	INSERT, valve hole	4
12	12342794	O-RING, valve stem	4
13	MS21245-8	NUT, 1/2 - 20"	4
14	5594465	BEADLOCK	4
15	12342644	TIRE, Radial MT, 37 x 12.5 R16.5	4
16	12460338	O-RING, rim.	4
17	EC12460179	BOLT	48
18	5744406	WHEEL WEIGHTS, pack of 10, 1 oz, clip-on.	1
18	5744407	WHEEL WEIGHTS, pack of 10, 2 oz, clip-on.	1
18	5744408	WHEEL WEIGHTS, pack of 10, 4 oz, clip-on.	1
18	5744409	WHEEL WEIGHTS, pack of 10, 6 oz, clip-on.	1
18	5593926	WHEEL WEIGHTS, set of 12, adhesive	1

2003 HUMMER H1 PARTS CATALOG

13-46 ACCESSORIES



00-P06-004.3

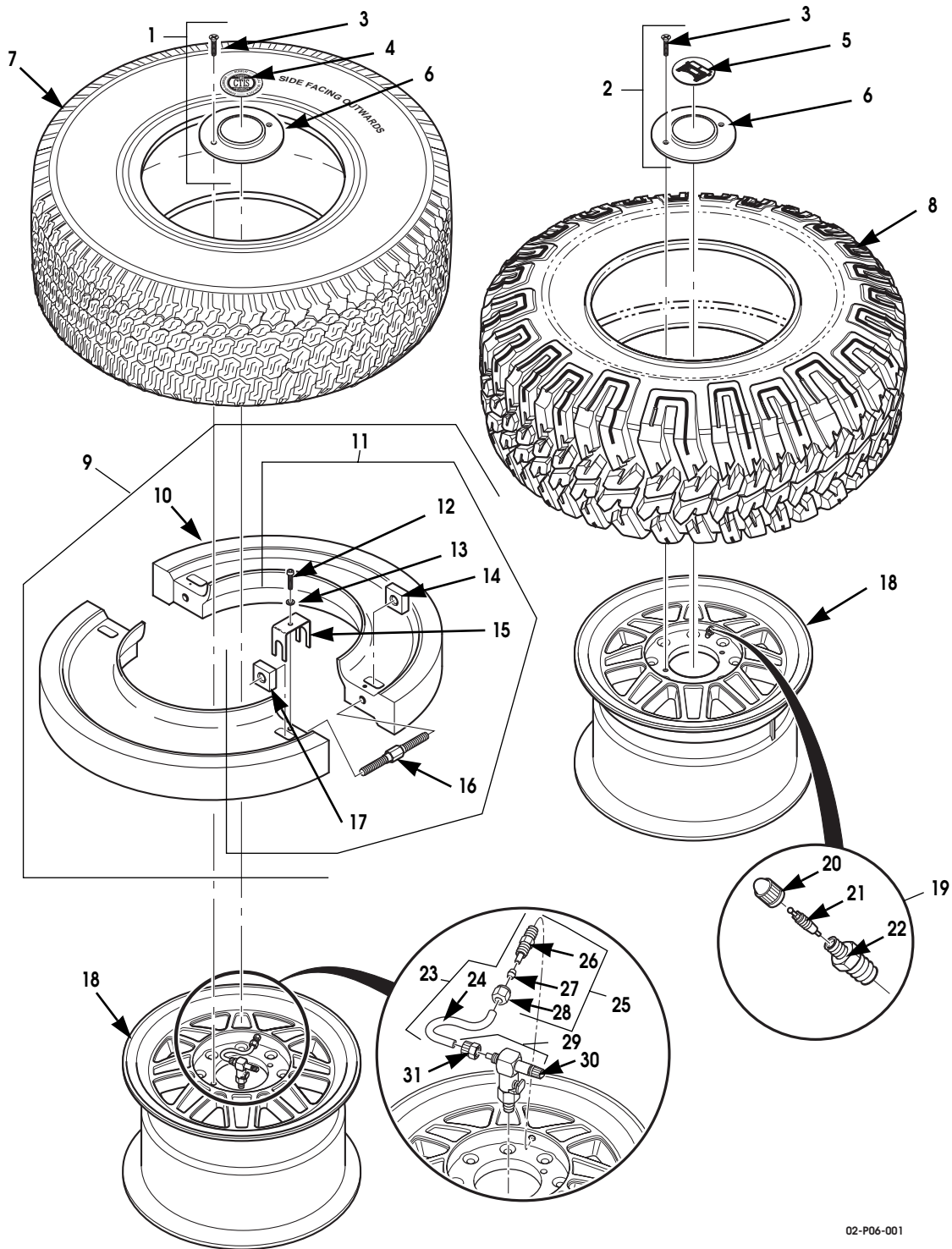
2003 HUMMER H1 PARTS CATALOG

ACCESSORIES 13-47

ITEM	PART NUMBER	DESCRIPTION	QTY
		Figure 13-21. Wheel, Tire, and Runflat Assembly, 16.5" One-Piece Aluminum Rim (Optional).	
1	6011260	LUG COVER ASSEMBLY, w/CTIS	4
2	6011548	•SCREW, center cover, aluminum wheel	8
3	6011281	•DISK, wheel lug cover, with CTIS.	4
4	6011280	•COVER, wheel lug.	4
5	6002923	TIRE, radial Wrangler, GSA, 37 x 12.50R 16.5"	4
6	6011266	RUNFLAT ASSEMBLY	4
7	S.I.A.	•RUNFLAT HALF	8
8	5745354	•RUNFLAT HARDWARE KIT SEE NOTE 1	8
9	S.I.A.	••SCREW	8
10	S.I.A.	••WASHER	8
11	S.I.A.	••BRACKET, security	8
12	S.I.A.	••SQUARE NUT, L.H. thread.	8
13	S.I.A.	••SCREW, N-12.	8
14	S.I.A.	••SQUARE NUT, R.H. thread	8
15	6011251	WHEEL, one-piece aluminum, 16.5"	4
16	6005109	VALVE ASSEMBLY, quick disconnect.	4
17	S.I.A.	•VALVE BODY.	4
18	S.I.A.	•TUBE NUT.	4
19	5745243	CTIS WHEEL TUBE ASSEMBLY	4
20	6011584	•TUBE, wheel, CTIS	4
21	6-4-100102	•FITTING ASSEMBLY, CTIS wheel tube	4
22	S.I.A.	••TUBE NUT.	4
23	S.I.A.	••FERRULE	4
24	S.I.A.	••CONNECTOR.	4
25	6011252	LUG COVER ASSEMBLY, w/o CTIS	4
26	6011548	•SCREW, center cover, aluminum wheel	4
27	6011282	•DISK, wheel lug cover, w/o CTIS.	4
28	6011280	•COVER, wheel lug.	4
29	12342644	TIRE, Radial MT, 37 x 12.5 R16.5	4
30	6011283	TANK VALVE	4
	5593926	WHEEL WEIGHTS, set of 12, adhesive (not illustrated) .	A/R
		NOTE 1: FOR RUNFLAT HARDWARE ONLY USE KIT, RUNFLAT, HARDWARE, P/N 5745354. INCLUDES ALL PARTS IN CALL OUTS 10-15, 2 KITS PER TIRE.	

2003 HUMMER H1 PARTS CATALOG

13-48 ACCESSORIES



02-P06-001

Figure 13-22. Wheel, Tire, and Runflat Assembly, 17", One-Piece Aluminum Rim (Optional).

2003 HUMMER H1 PARTS CATALOG

ACCESSORIES 13-49

ITEM	PART NUMBER	DESCRIPTION	QTY
		Figure 13-22. Wheel, Tire, and Runflat Assembly, 17", One-Piece Aluminum Rim (Optional).	
1	6011260	LUG COVER ASSEMBLY, with CTIS	4
2	6011252	LUG COVER ASSEMBLY, w/o CTIS	4
3	6011548	•SCREW, center cover, aluminum wheel	8
4	6011281	•DISK, wheel lug cover, with CTIS, logo	4
5	6011282	•DISK, wheel lug cover, w/o CTIS, logo	4
6	6011280	COVER, wheel lug	4
7	6010977	TIRE, Wrangler, GSA, 37 x 12.5 R-17"	4
8	6011913	TIRE, MTR, 37 x 12.5 R-17"	4
9	6011266	RUNFLAT ASSEMBLY, 17" SEE NOTE 1.	4
10	S.I.A.	•RUNFLAT HALF	8
11	5745354	•RUNFLAT HARDWARE KIT SEE NOTE 1	8
12	S.I.A.	••SCREW	8
13	S.I.A.	••WASHER	8
14	S.I.A.	••SQUARE NUT, RH thread	8
15	S.I.A.	••BRACKET, security	8
16	S.I.A.	••SCREW, N-12.	8
17	S.I.A.	••SQUARE NUT, LH thread	8
18	6011533	WHEEL, one-piece aluminum, 17"	4
19	12342634	TANK VALVE ASSEMBLY (used for non CTIS configuration)	4
20	N/S	•VALVE CAP	4
21	N/S	•CORE	4
22	N/S	•TANK VALVE	4
23	5745243	CTIS WHEEL TUBE ASSEMBLY	4
24	S.I.A.	•TUBE, wheel, CTIS	4
25	S.I.A.	•FITTING ASSEMBLY, CTIS wheel tube	4
26	S.I.A.	••CONNECTOR	4
27	S.I.A.	••FERRULE	4
28	S.I.A.	••TUBE NUT.	4
29	6005109	VALVE ASSEMBLY, quick disconnect.	4
30	S.I.A.	•VALVE CAP	4
31	S.I.A.	•TUBE NUT.	4
	5593926	WHEEL WEIGHTS, set of 12, adhesive (not illustrated) .	1
		NOTE 1: FOR RUNFLAT HARDWARE ONLY USE KIT, RUNFLAT, HARDWARE, P/N 5745354. INCLUDES ALL PARTS IN CALL OUTS 10-15, 2 KITS PER TIRE.	

2003 HUMMER H1 PARTS CATALOG

13-50 ACCESSORIES

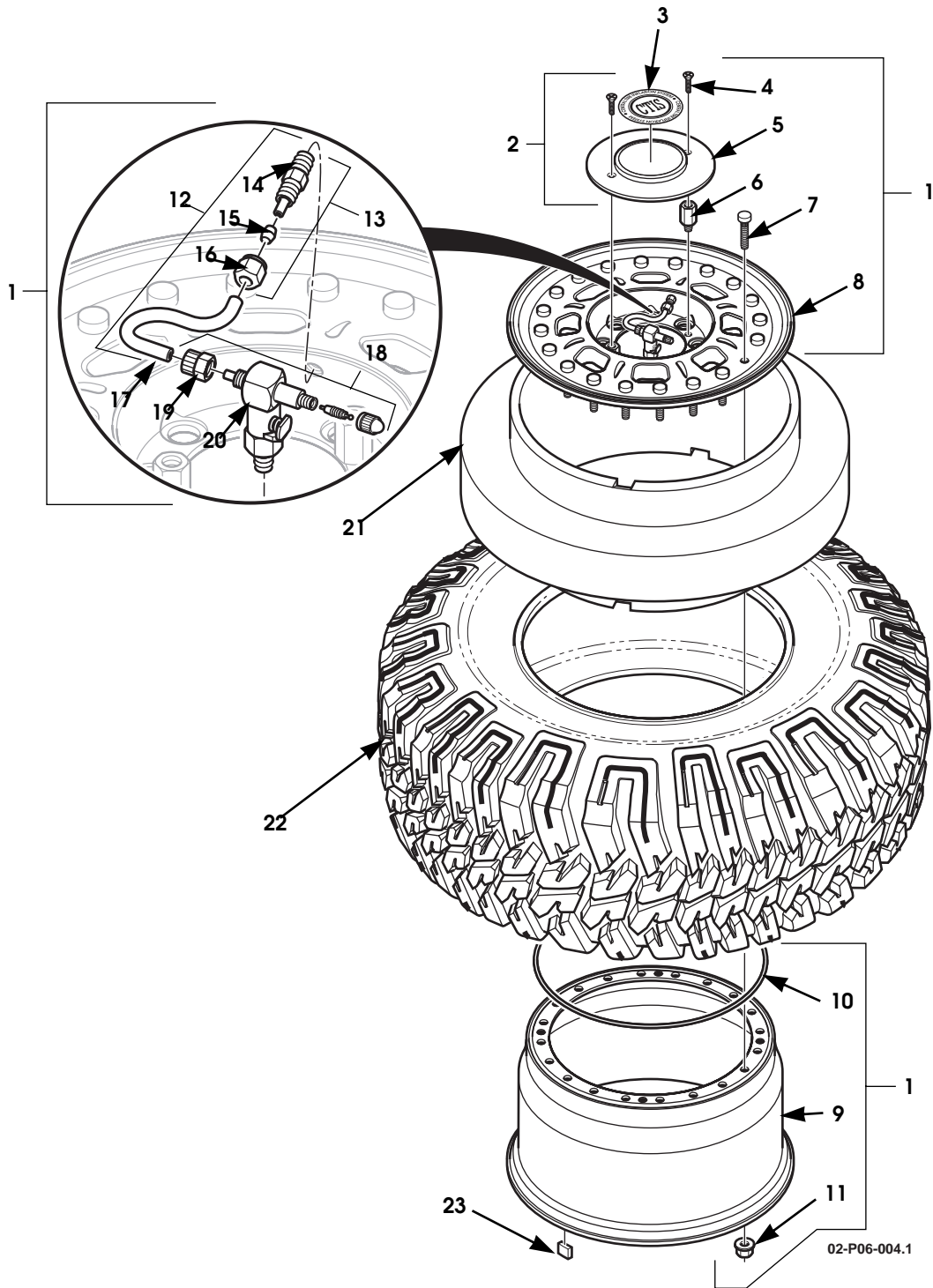


Figure 13-23. Wheel, Tire, and Runflat Assembly, 17", Two-Piece Aluminum Rim, (Optional).

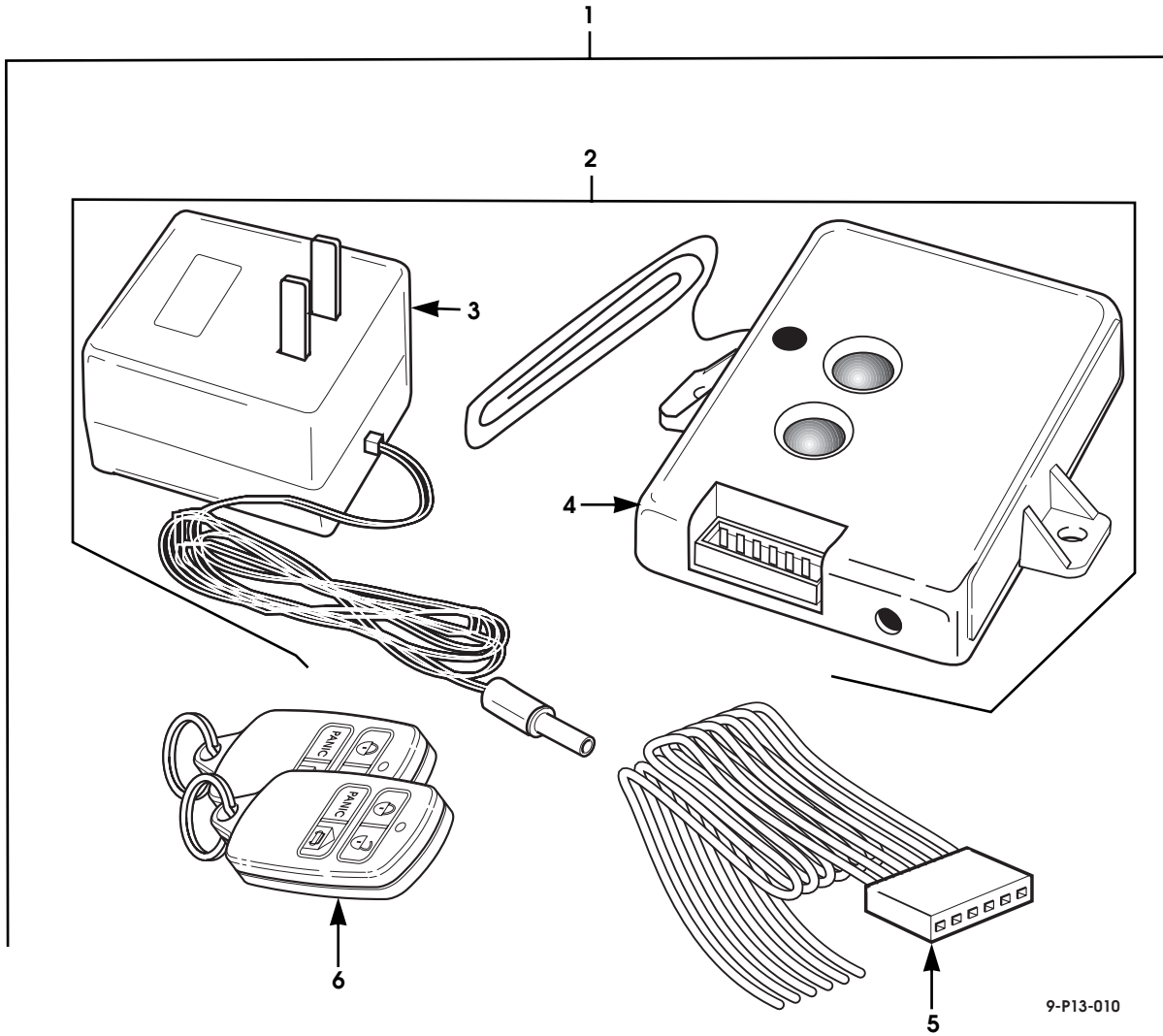
2003 HUMMER H1 PARTS CATALOG

ACCESSORIES 13-51

ITEM	PART NUMBER	DESCRIPTION	QTY
		Figure 13-23. Wheel, Tire, and Runflat Assembly, 17", Two-Piece Aluminum Rim, (Optional).	
1	5745495	WHEEL ASSEMBLY, 17" two-piece aluminum wheel . . .	4
2	6013284	•LUG COVER ASSEMBLY,W/CTIS	4
3	6013093	••DISK, wheel lug cover, with CTIS, logo.	4
4	6013067	••SCREW, wheel cover.	8
5	S.I.A.	••COVER, wheel lug.	4
6	6013038	••ADAPTER, lug cover mounting.	8
7	N/S	•STUD, w/stainless steel cap.	80
8	S.I.A.	•RIM, outer, 17", two-piece, diamond cut	4
9	S.I.A.	•RIM, inner, 17", two-piece, diamond cut.	4
10	6012731	•SEAL, O-RING, 17", two-piece	4
11	N/S	•LOCKNUT, flange head, 1/2 - 20" UNF,SAE,Gr8	80
12	5745243	•CTIS WHEEL TUBE ASSEMBLY	4
13	S.I.A.	••FITTING ASSEMBLY, CTIS wheel tube.	4
14	S.I.A.	•••CONNECTOR.	4
15	S.I.A.	•••FERRULE	4
16	S.I.A.	•••TUBE NUT	4
17	S.I.A.	••TUBE, wheel, CTIS	4
18	6005109	•VALVE ASSEMBLY, quick disconnect.	4
19	S.I.A.	••TUBE NUT.	4
20	S.I.A.	••VALVE BODY.	4
21	6012748	RUN FLAT, one-piece, for (17", two-piece wheel).	4
22	6011913	TIRE, MTR, 37 x 12.5 R-17".	4
23	5593926	WHEEL WEIGHTS, set of 12, adhesive (not illustrated)	1

2003 HUMMER H1 PARTS CATALOG

13-52 ACCESSORIES



9-P13-010

Figure 13-24. Remote Entry Kits.

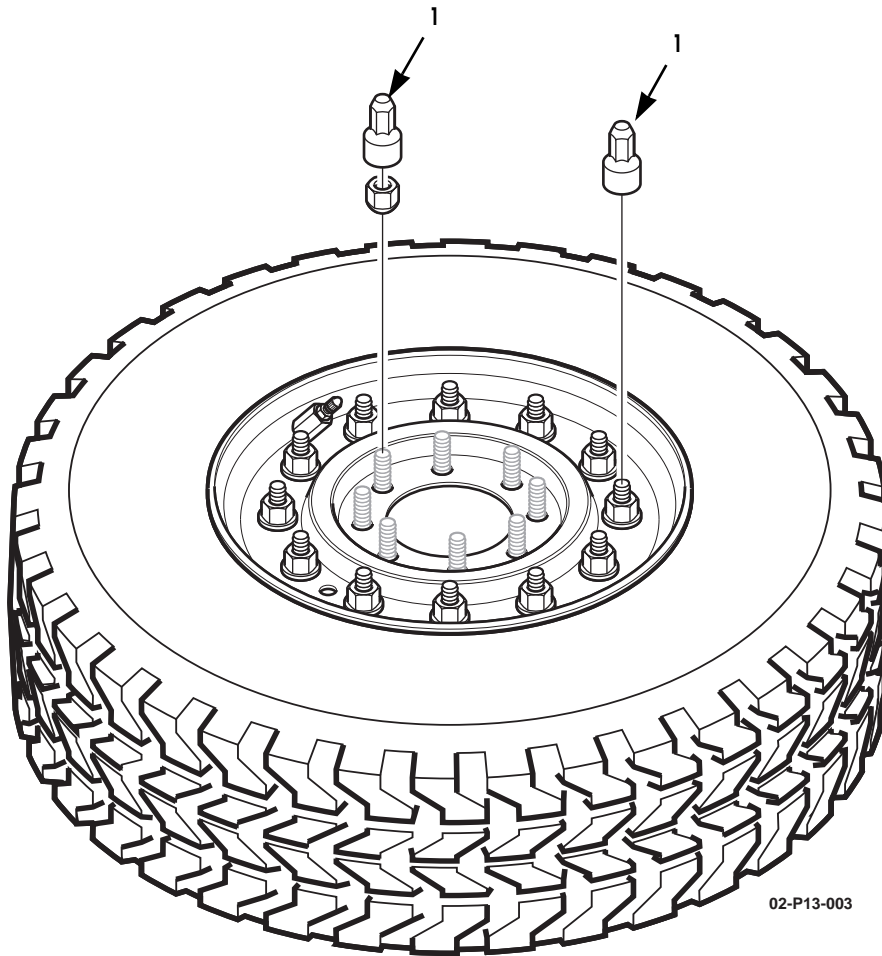
2003 HUMMER H1 PARTS CATALOG

ACCESSORIES 13-53

ITEM	PART NUMBER	DESCRIPTION	QTY
		Figure 13-24. Remote Entry Kits.	
1	5745076	KIT, remote entry, 4-button	1
2	6010413	•MODULE ASSEMBLY, receiver, garage door, 4-button	1
3	S.I.A.	••D.C. VOLTAGE CONVERTER, power supply	1
4	S.I.A.	••MODULE, receiver, garage door, 4-button	1
5	6010425	•HARNESS ASSEMBLY, garage door interface switch. .	1
6	6010411	•TRANSMITTER, 4-button	2

2003 HUMMER H1 PARTS CATALOG

13-54 ACCESSORIES



02-P13-003

Figure 13-25. Lug Nut and Stud Cover, Chrome Plated Plastic.

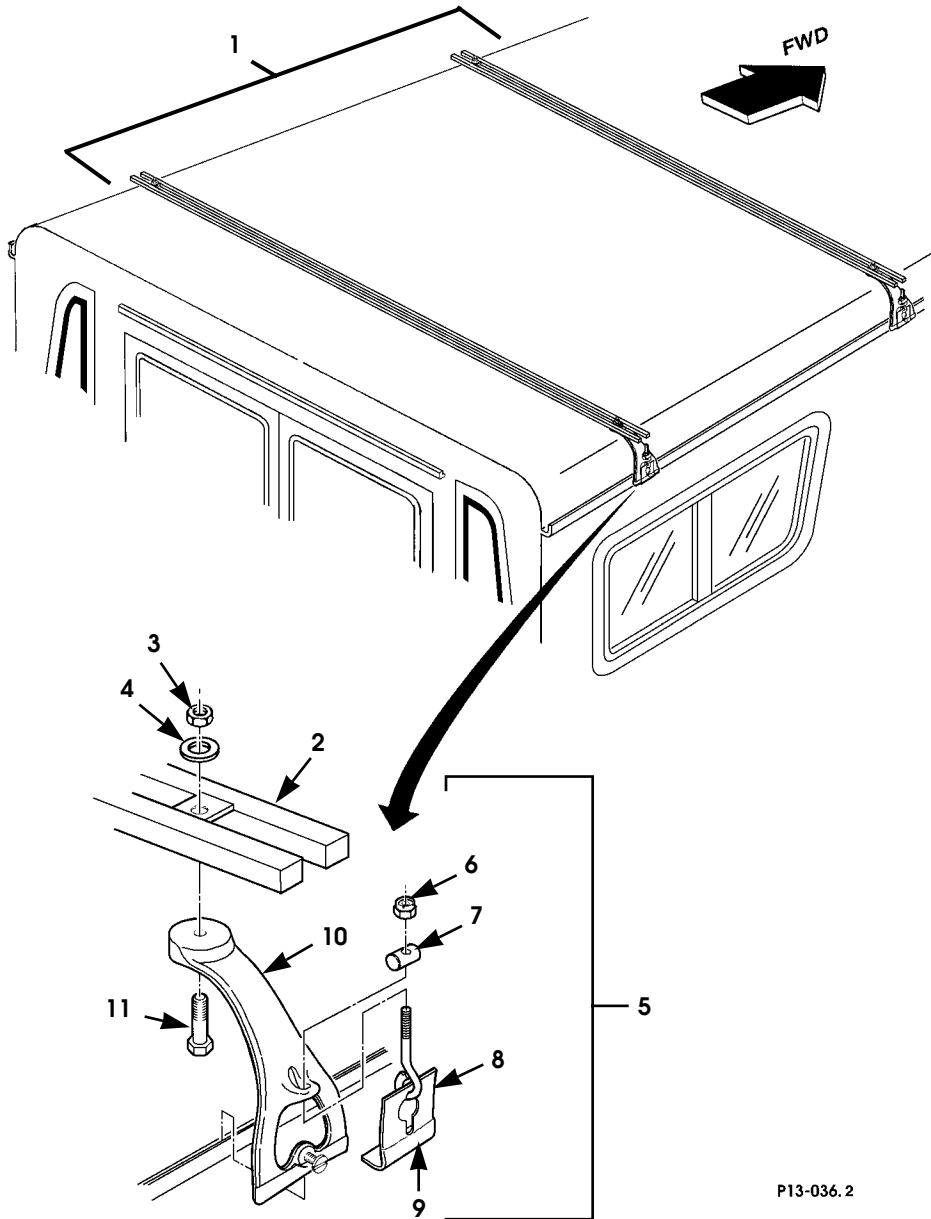
2003 HUMMER H1 PARTS CATALOG

ACCESSORIES 13-55

ITEM	PART NUMBER	DESCRIPTION	QTY
1	5745317	<p>Figure 13-25. Lug Nut and Stud Cover, Chrome Plated Plastic.</p> <p>COVER, chrome plated plastic, lug nut and stud</p>	80

2003 HUMMER H1 PARTS CATALOG

13-56 ACCESSORIES



P13-036.2

Figure 13-26. Universal Roof Mounting Rack Kit.

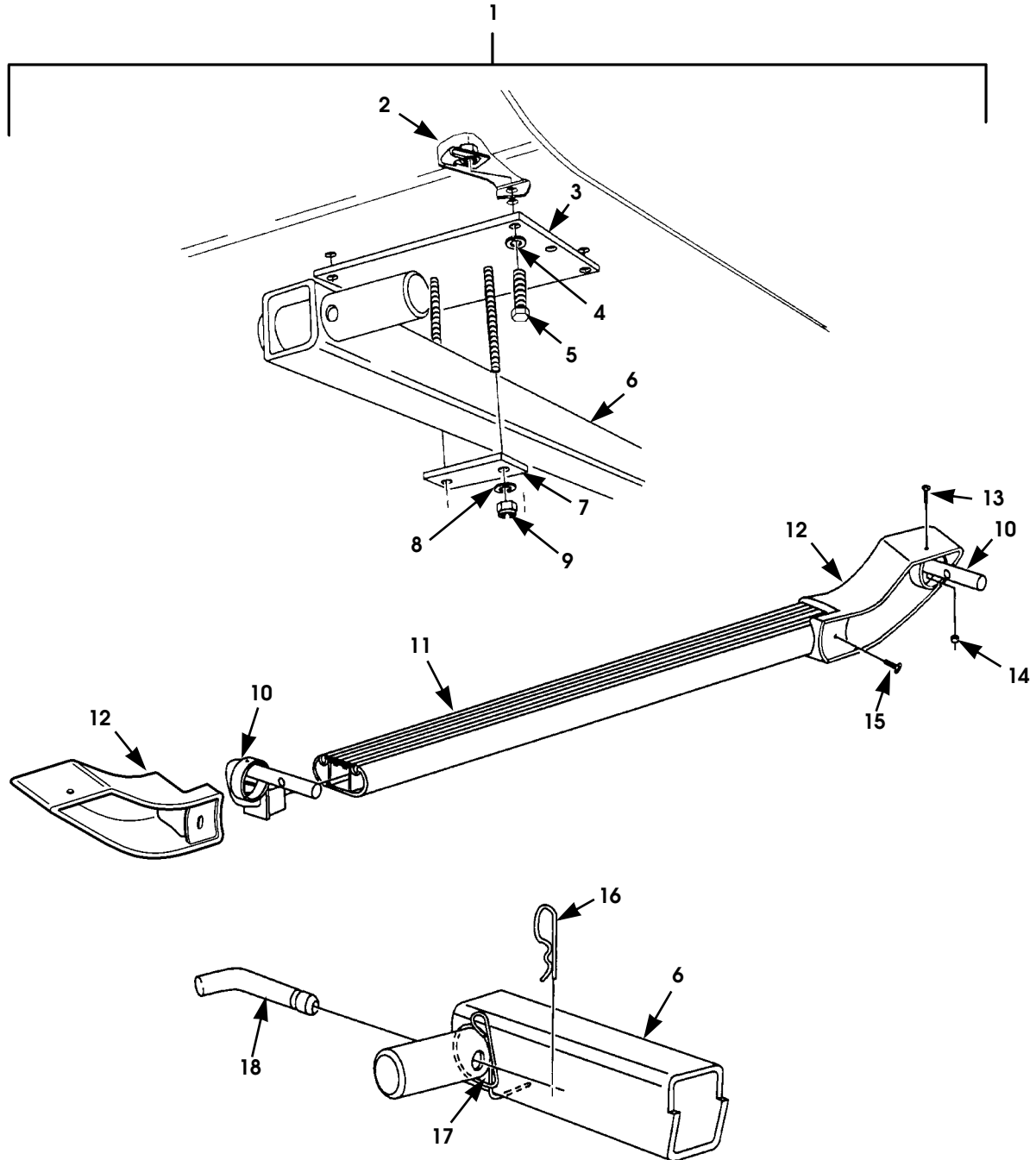
2003 HUMMER H1 PARTS CATALOG

ACCESSORIES 13-57

ITEM	PART NUMBER	DESCRIPTION	QTY
		Figure 13-26. Universal Roof Mounting Rack Kit.	
1	5744600	UNIVERSAL ROOF MOUNTING RACK KIT	1
2	5743258	•CROSSBAR	2
3	S.I.K.	•LOCKNUT, 3/8 - 16", nylon insert.	4
4	S.I.K.	•WASHER, flat, 3/8"	4
5	5743250	•CLAMP ASSEMBLY	4
6	S.I.K.	••LOCKNUT, 1/4 - 20", nylon insert.	4
7	5743254	••SPACER, round, clamp	4
8	5743253	••CLIP, clamp.	4
9	5743252	••BOOT, rubber, clamp.	4
10	5743251	••YOKE, clamp	4
11	5743269	•BOLT, 3/8 - 16 x 2", Gr5, Phos.	4

2003 HUMMER H1 PARTS CATALOG

13-58 ACCESSORIES



P13-037.1

Figure 13-27. Running Board Kit.

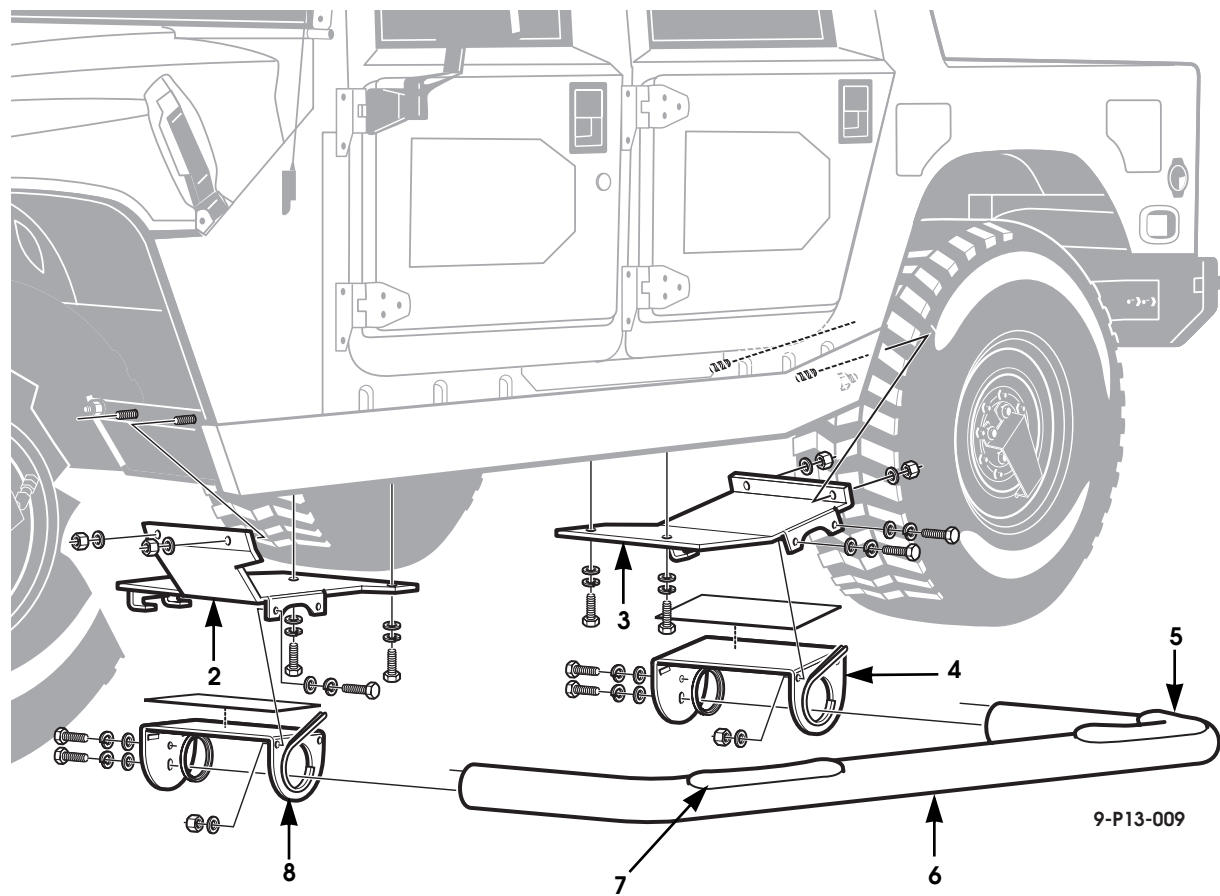
2003 HUMMER H1 PARTS CATALOG

ACCESSORIES 13-59

ITEM	PART NUMBER	DESCRIPTION	QTY
		Figure 13-27. Running Board Kit.	
1	5743446	KIT, running board	1
2	6001283	•J-NUT, "U" type, 3/8 - 16"	8
3	5743437	•MOUNTING bracket	4
4	S.I.K.	•LOCKWASHER, med, 3/8", Phos	12
5	S.I.K.	•BOLT, 3/8 - 16 x 1 - 1/4", Gr5, CAD	12
6	5743441	•RECEIVER	2
7	5743438	•PLATE, clamp	6
8	S.I.K.	•WASHER, flat, 3/8", Type B	8
9	S.I.K.	•LOCKNUT, 3/8 - 16", Gr5, ZN, nylon insert	8
10	5743439	•CURVED TUBE, with black plastic insert, lf, rr	2
10	5743440	•CURVED TUBE, with orange plastic insert, rf, lr	2
11	5743442	•RUNNING BOARD	2
12	5743443	•END CAP, lf, rr	2
12	5743444	•END CAP, rf, lr	2
13	S.I.K.	•SCREW, truss head, #10	8
14	S.I.K.	•LOCKNUT, #10 - 24", nylon insert	8
15	S.I.K.	•SCREW, tapping, slotted hex, flanged, 1/4 - 20 x 3/4"	4
16	5743436	•CLIP.	4
17	5743434	•CLIP, spring	4
18	5743435	•PIN.	4

2003 HUMMER H1 PARTS CATALOG

13-60 ACCESSORIES



Note: Left side of vehicle shown.

Figure 13-28. Side Step Bar Kit.

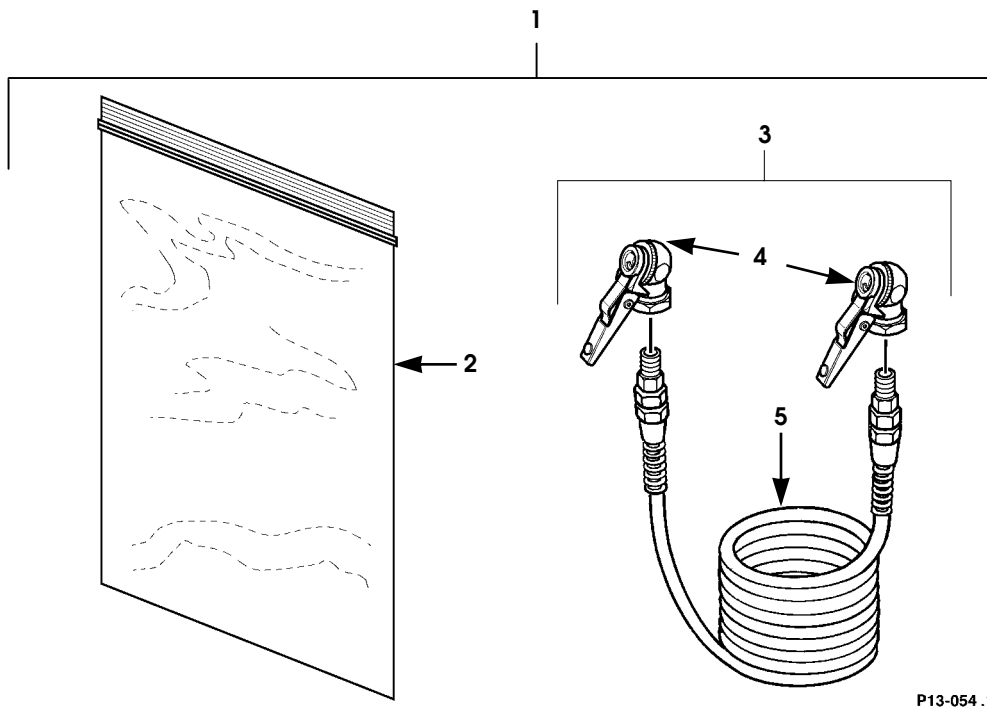
2003 HUMMER H1 PARTS CATALOG

ACCESSORIES 13-61

ITEM	PART NUMBER	DESCRIPTION	QTY
		Figure 13-28. Side Step Bar Kit.	
1	5745049	KIT, side step bars, black textured	1
1	5745050	KIT, side step bars, stainless steel	1
2	5745088	•BRACKET, support, left front	1
2	5745089	•BRACKET, support, right front	1
3	5745090	•BRACKET, support, left rear	1
3	5745091	•BRACKET, support, right rear	1
4	5745097	•BRACKET, tube, left rear	1
4	5745098	•BRACKET, tube, right rear	1
5	5745047	•PAD, left rear step	1
5	5745048	•PAD, right rear step	1
6	5745084	•SIDE BAR, with step pad, left, black textured, SEE NOTE 1	1
6	5745085	•SIDE BAR, with step pad, right, black textured SEE NOTE 1.	1
6	5745086	•SIDE BAR, with step pad, left, stainless steel, SEE NOTE 2	1
6	5745087	•SIDE BAR, with step pad, right, stainless steel, SEE NOTE 2	1
7	5745046	•PAD, front step	2
8	5745099	•BRACKET, tube, left and right front.	2
	S.I.K.	•HARDWARE PACKAGE	1
		NOTE 1: PART OF KIT 5745049 ONLY.	
		NOTE 2: PART OF KIT 5745050 ONLY.	

2003 HUMMER H1 PARTS CATALOG

13-62 ACCESSORIES



P13-054 .1

Figure 13-29. Auxiliary Air Hose Kit.

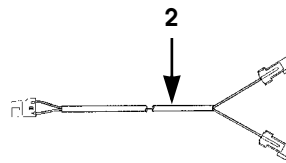
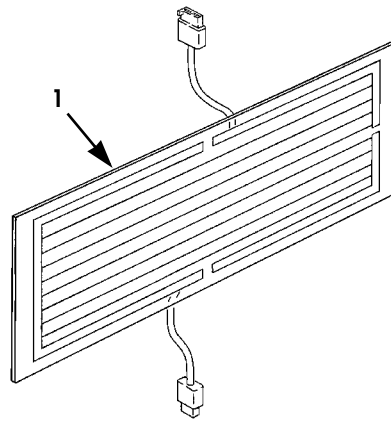
2003 HUMMER H1 PARTS CATALOG

ACCESSORIES 13-63

ITEM	PART NUMBER	DESCRIPTION	QTY
		Figure 13-29. Auxiliary Air Hose Kit.	
1	5743599	KIT, auxiliary air hose	1
2	5743709	•BAG, CTIS hose storage, 12 x 12" plastic.	1
3	6004415	•HOSE ASSEMBLY, CTIS auxiliary air	1
4	5745424	••CHUCK, clip-on	2
5	6004416	••HOSE, auxiliary air	1

2003 HUMMER H1 PARTS CATALOG

13-64 ACCESSORIES



P13-055.1

Figure 13-30. Defroster, Rear.

2003 HUMMER H1 PARTS CATALOG

ACCESSORIES 13-65

ITEM	PART NUMBER	DESCRIPTION	QTY
		Figure 13-30. Defroster, Rear.	
1	6005304	REAR WINDOW ASSEMBLY, sliding, with defroster 83, 89	1
2	6005233	HARNES, rear window defrost, sliding 83, 89	1

2003 HUMMER H1 PARTS CATALOG

13-66 ACCESSORIES

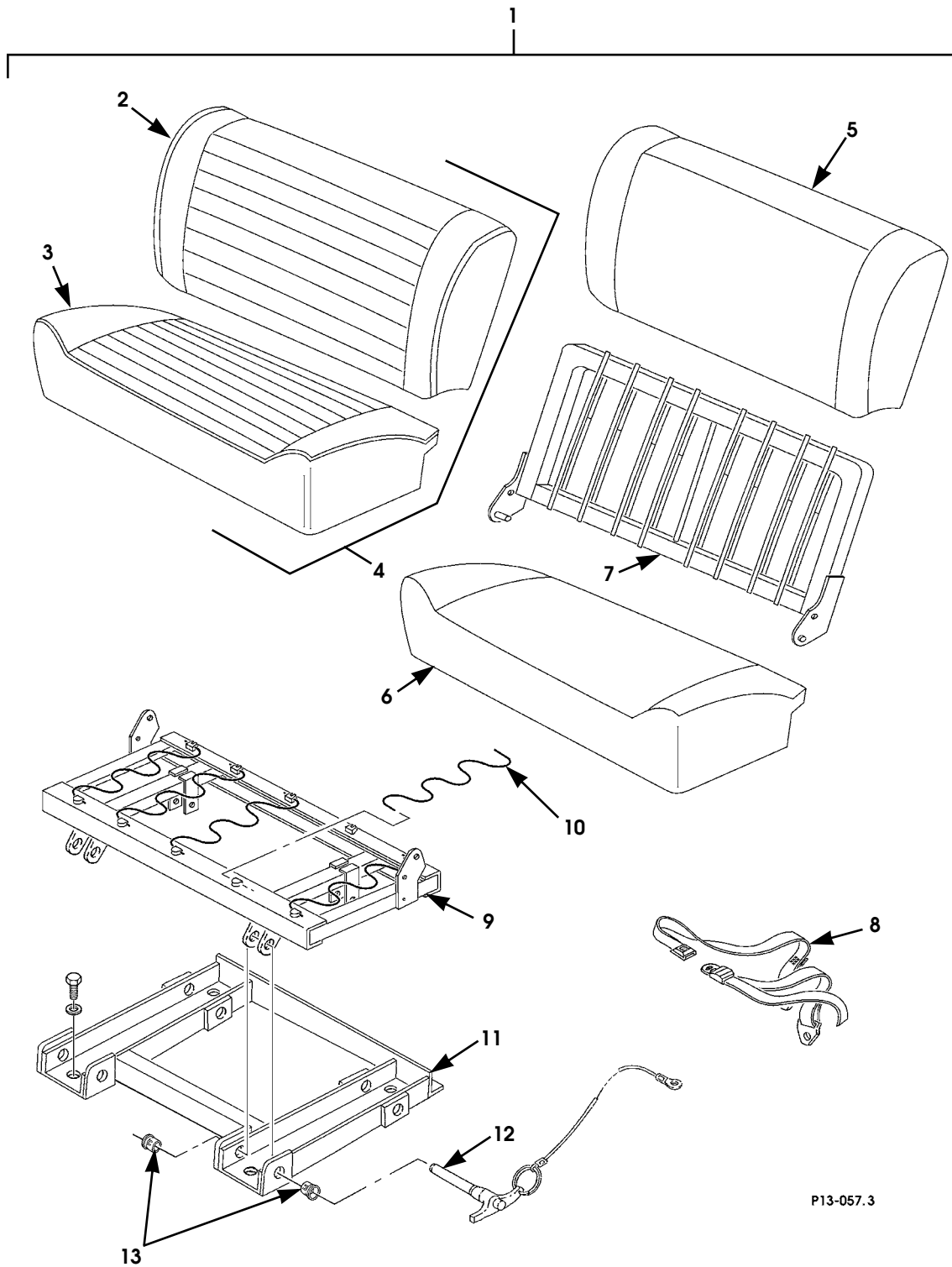


Figure 13-31. Seat, Auxiliary.

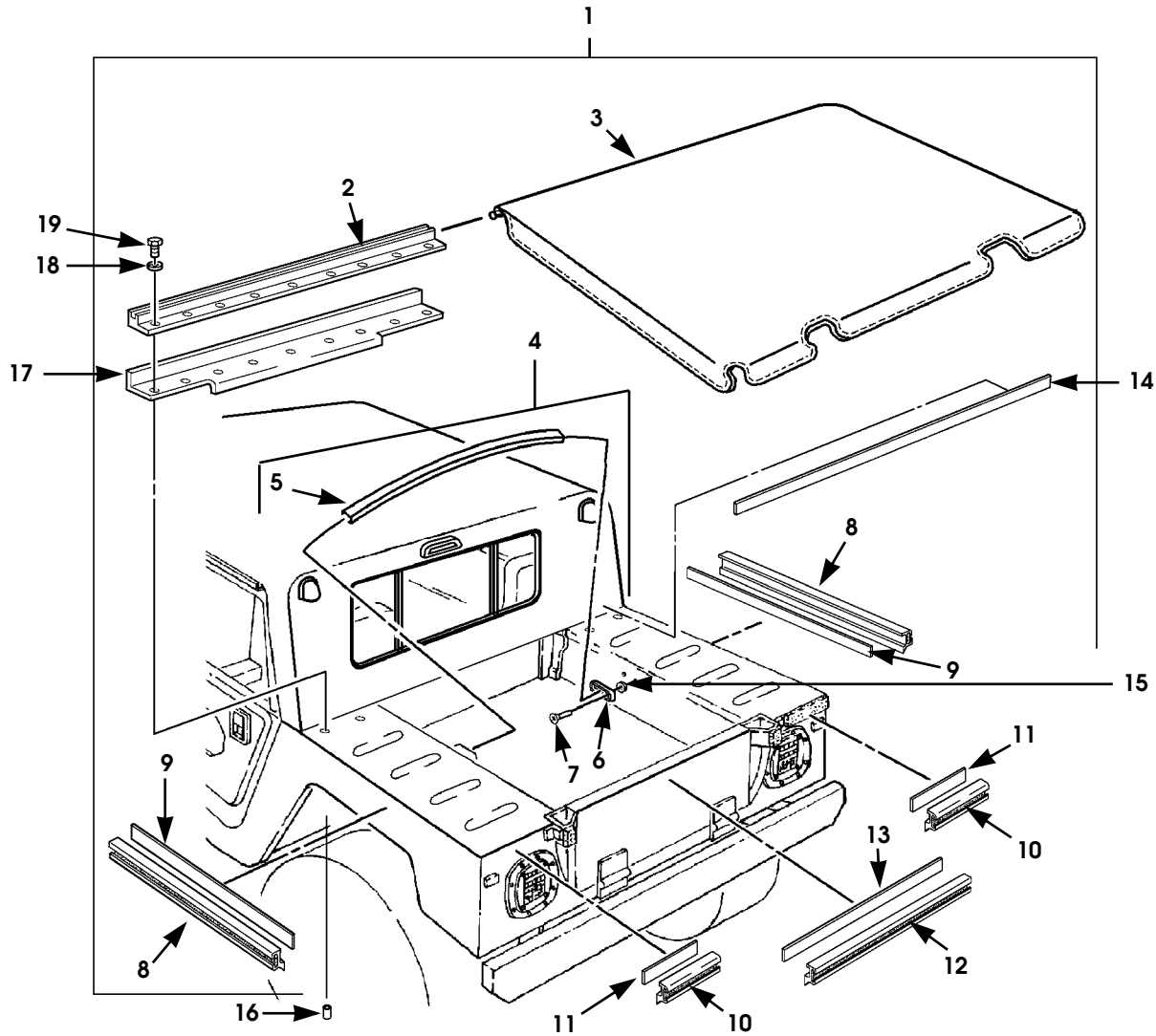
2003 HUMMER H1 PARTS CATALOG

ACCESSORIES 13-67

ITEM	PART NUMBER	DESCRIPTION	QTY
		Figure 13-31. Seat, Auxiliary.	
1	6011493	SEAT, auxiliary, tan	1
1	6011493G	SEAT, auxiliary, gray	1
1	6009015B	SEAT, auxiliary, black vinyl	1
2	5744858	•UPHOLSTERY, seat back, auxiliary seat, black.	1
3	5744857	•UPHOLSTERY, seat, auxiliary seat, black.	1
4	5745298	•UPHOLSTERY ASSEMBLY, seat & back, auxiliary seat, gray	1
4	5745297	•UPHOLSTERY ASSEMBLY, seat & back, auxiliary seat, tan	1
5	5744317	•FOAM, auxiliary seatback	1
6	5744318	•FOAM, auxiliary seat, cushion	1
7	5744314	•FRAME, auxiliary seatback, w/spring.	1
8	5744291	•SEAT BELT, auxiliary seat.	2
9	5744313	•FRAME, auxiliary seat w/spring	1
10	5744316	••SPRING, auxiliary seat susp.	5
11	5744315	•FRAME, auxiliary seat mount	1
12	5744292	••PIN AND LANYARD ASSEMBLY, auxiliary seat retainer	4
13	5744631	•BUSHING, auxiliary seat pin	8

2003 HUMMER H1 PARTS CATALOG

13-68 ACCESSORIES



P13-053

NOTE: ITEMS 14 THROUGH 19 ARE
NOT COMPONENTS OF ITEM 1.

Figure 13-32. Tonneau Cover 4-Door Hardtop.

2003 HUMMER H1 PARTS CATALOG

ACCESSORIES 13-69

ITEM	PART NUMBER	DESCRIPTION	QTY
		Figure 13-32. Tonneau Cover 4-Door Hardtop.	
1	6003663	KIT, tonneau cover, H/T, tan.	1
1	6004243	KIT, tonneau cover, H/T, black.	1
1	6004245	KIT, tonneau cover, H/T, white.	1
2	6003665	•EXTRUSION, tonneau cover	1
3	6003664	•COVER, tonneau, tan, H/T	1
3	6004244	•COVER, tonneau, black, H/T.	1
3	6004246	•COVER, tonneau, white, H/T.	1
4	5744425	•BOW KIT, tonneau, H/T.	1
5	S.I.K.	••BOW, tonneau cover	1
6	S.I.K.	••BRACKET, tonneau bow	2
7	S.I.K.	••SCREW, phcr, #10 - 32 x 3/4".	4
8	6001670	•EXTRUSION, 41"	2
9	5745081	••VELCRO STRIP, 41"	2
10	6001671	•EXTRUSION, 9"	2
11	5745083	••VELCRO STRIP, 9"	2
12	6001669	•EXTRUSION, 43"	1
13	5745082	••VELCRO STRIP, 43"	1
14	6003848	SEAL, bracket, tonneau cover	1
15	N/S	NUT INSERT, rubber, #10 - 32"	4
16	N/S	NUT INSERT, 1/4 - 20"	9
17	6003844B2	MOUNTING BRACKET, tonneau extrusion	1
18	N/S	LOCKWASHER, split, 1/4"	9
19	N/S	BOLT, 1/4 - 20 x 1", Gr8.	9

2003 HUMMER H1 PARTS CATALOG

13-70 ACCESSORIES

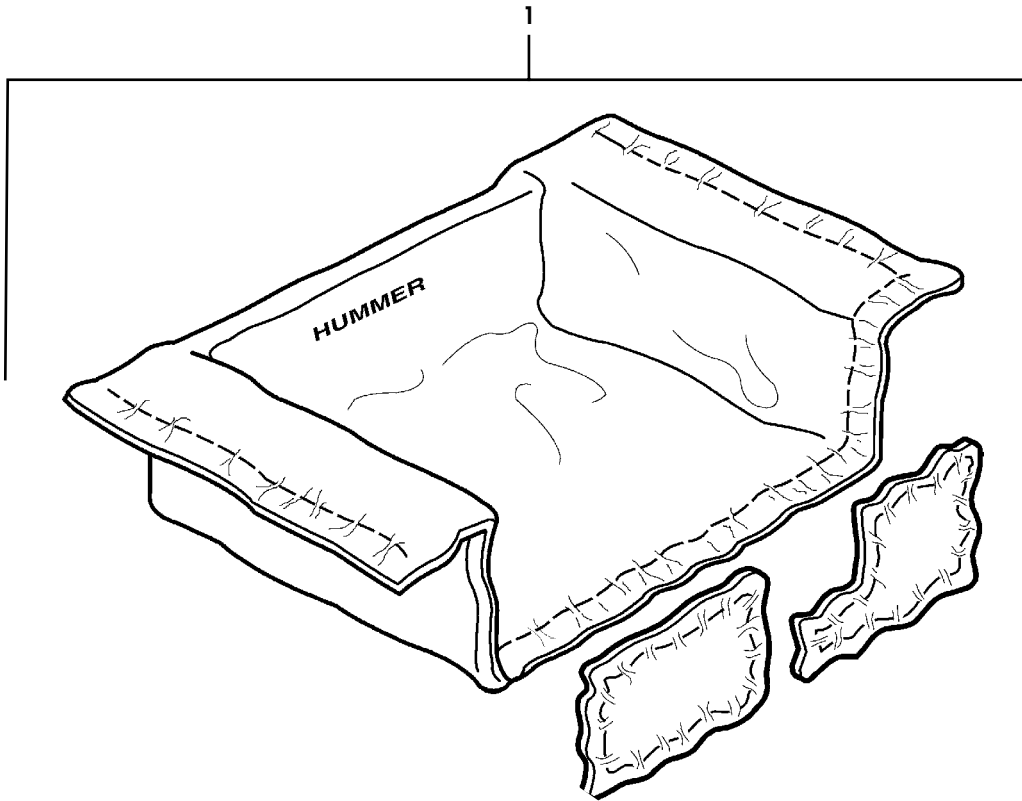


Figure 13-33. Cargo Area Liner, Station Wagon.

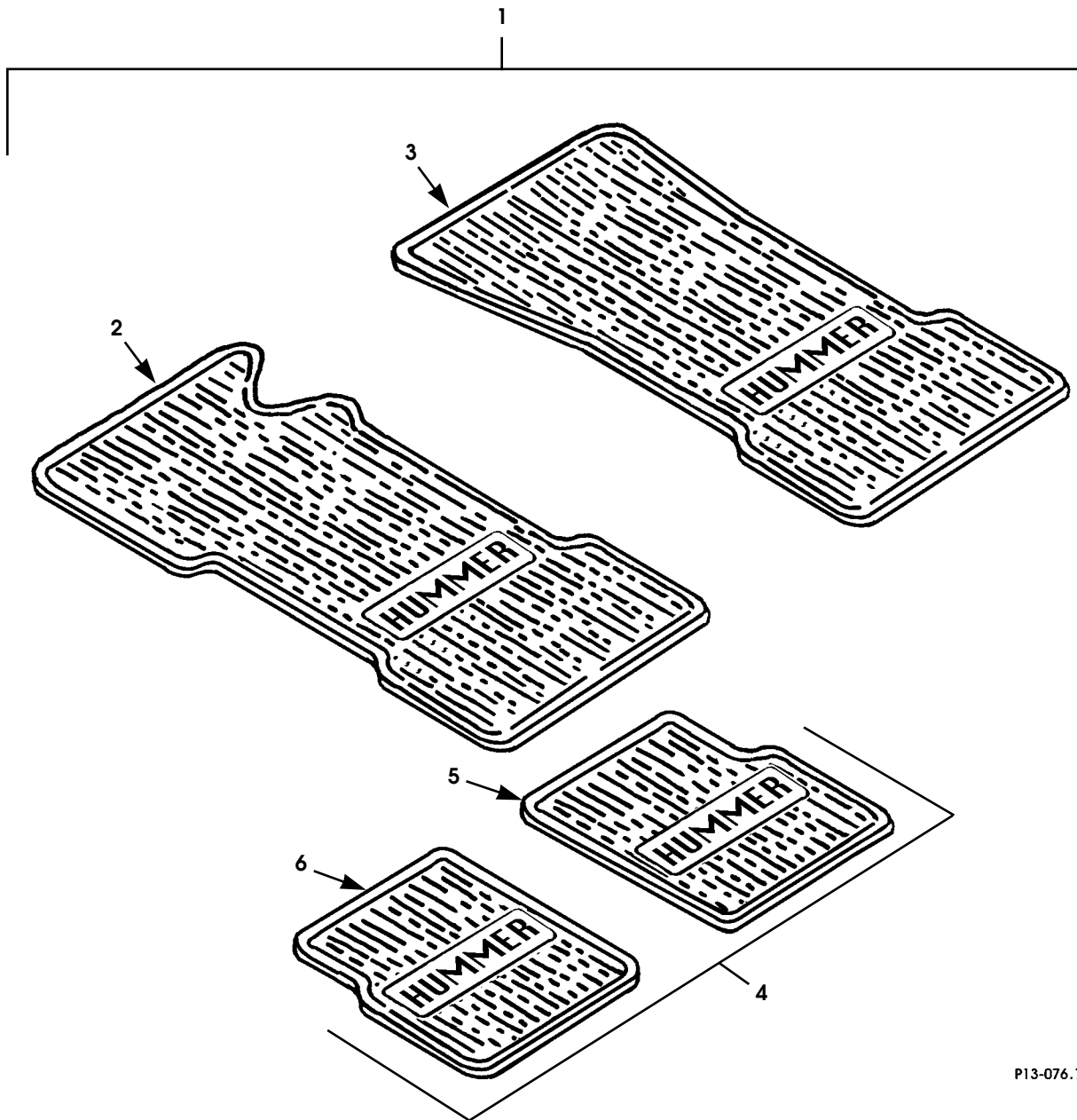
2003 HUMMER H1 PARTS CATALOG

ACCESSORIES 13-71

ITEM	PART NUMBER	DESCRIPTION	QTY
		Figure 13-33. Cargo Area Liner, Station Wagon.	
1	5745487	KIT, cargo liner and vertical doors, gray 84	1
1	5745486	KIT, cargo liner and vertical doors, tan 84	1

2003 HUMMER H1 PARTS CATALOG

13-72 ACCESSORIES



P13-076.1

Figure 13-34. Floor Mats.

2003 HUMMER H1 PARTS CATALOG

ACCESSORIES 13-73

ITEM	PART NUMBER	DESCRIPTION	QTY
		Figure 13-34. Floor Mats.	
1	5745036	KIT, floor mat, gray, front.	1
2	S.I.K.	•FLOOR MAT, L.H., front, gray	1
3	S.I.K.	•FLOOR MAT, R.H., front, gray	1
1	5745037	KIT, floor mat, brown, front.	1
2	S.I.K.	•FLOOR MAT, L.H., front, brown	1
3	S.I.K.	•FLOOR MAT, R.H., front, brown	1
4	5745038	KIT, floor mat, gray, rear	1
5	S.I.K.	•FLOOR MAT, L.H., rear, gray	1
6	S.I.K.	•FLOOR MAT, R.H., rear, gray	1
4	5745039	KIT, floor mat, brown, rear	1
5	S.I.K.	•FLOOR MAT, L.H. rear, brown.	1
6	S.I.K.	•FLOOR MAT, R.H. rear, brown	1

2003 HUMMER H1 PARTS CATALOG

13-74 ACCESSORIES

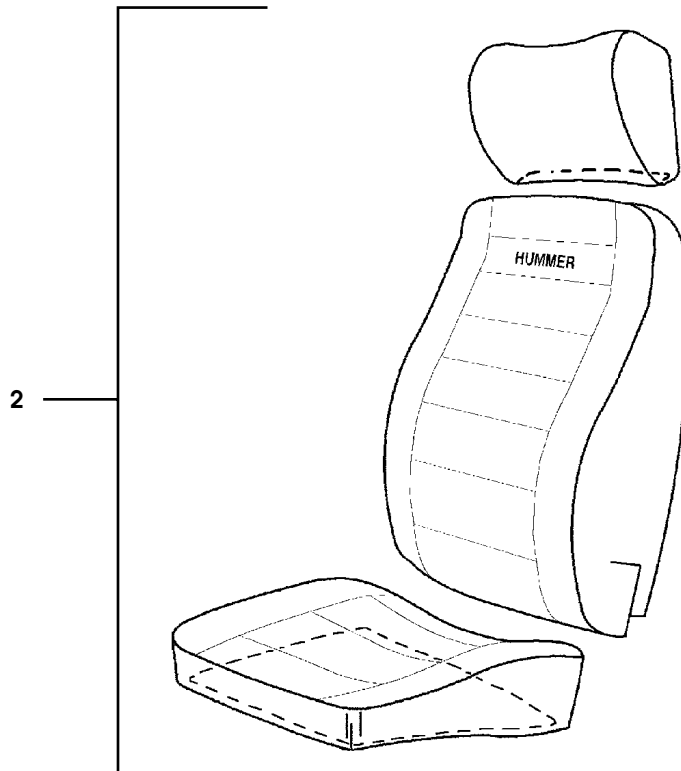
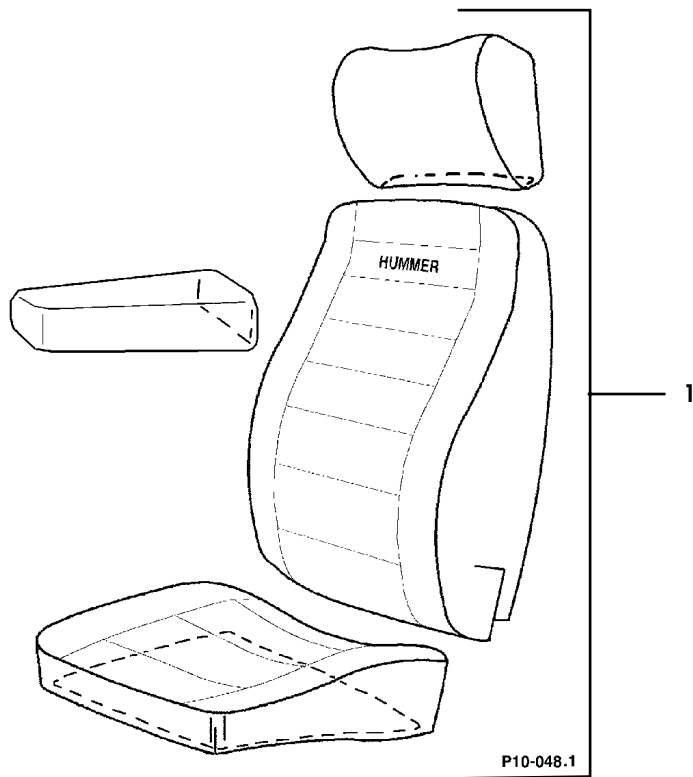


Figure 13-35. Seat Covers.

2003 HUMMER H1 PARTS CATALOG

ACCESSORIES 13-75

ITEM	PART NUMBER	DESCRIPTION	QTY
1	5745468	Figure 13-35. Seat Covers.	
	S.I.K.	KIT, protective seat cover, front, black	1
	S.I.K.	•PROTECTIVE COVER, cushion	1
	S.I.K.	•PROTECTIVE COVER, seat back	1
	S.I.K.	•PROTECTIVE COVER, headrest	1
2	5745469	KIT, protective seat cover, rear, black	1
	S.I.K.	•PROTECTIVE COVER, cushion	1
	S.I.K.	•PROTECTIVE COVER, seat back	1
	S.I.K.	•PROTECTIVE COVER, headrest	1
	5744579	STORAGE BAG, seat cover (not illustrated).	1

2003 HUMMER H1 PARTS CATALOG

13-76 ACCESSORIES

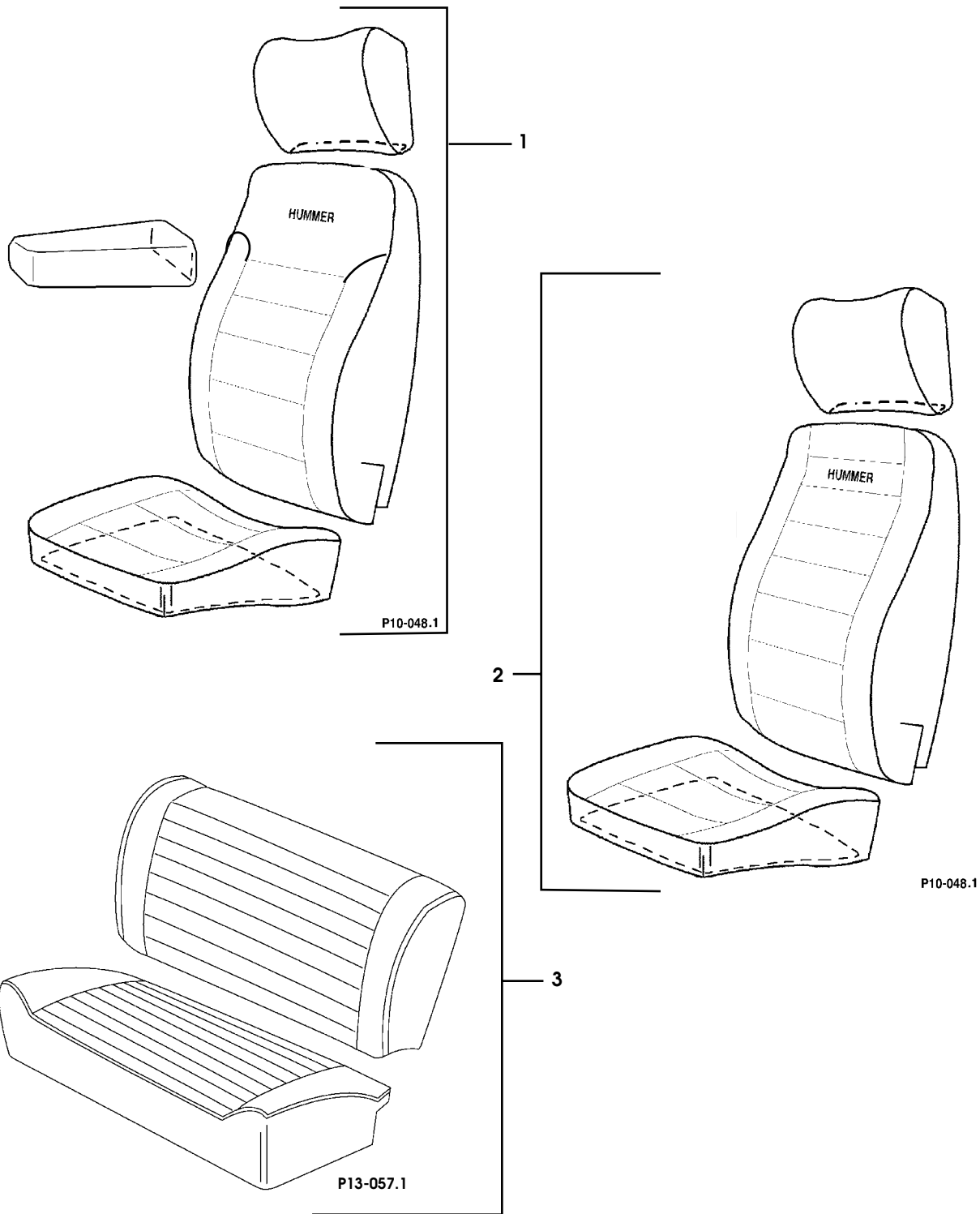


Figure 13-36. Leather Upholstery.

2003 HUMMER H1 PARTS CATALOG

ACCESSORIES 13-77

ITEM	PART NUMBER	DESCRIPTION	QTY
		Figure 13-36. Leather Upholstery.	
1	5744720	UPHOLSTERY, leather, R.H., front, tan.	1
1	5744721	UPHOLSTERY, leather, R.H., front, gray.	1
1	5744722	UPHOLSTERY, leather, L.H., front, tan.	1
1	5744723	UPHOLSTERY, leather, L.H., front, gray	1
2	5744724	UPHOLSTERY, leather, rear, tan	2
2	5744725	UPHOLSTERY, leather, rear, gray	2
3	5745022	UPHOLSTERY, leather, auxiliary seat, gray	1
	5745443	•KIT, leather, armrest cover, gray (not illustrated).	1
	5745444	•KIT, leather, armrest cover, gray (not illustrated).	1

2003 HUMMER H1 PARTS CATALOG

13-78 ACCESSORIES

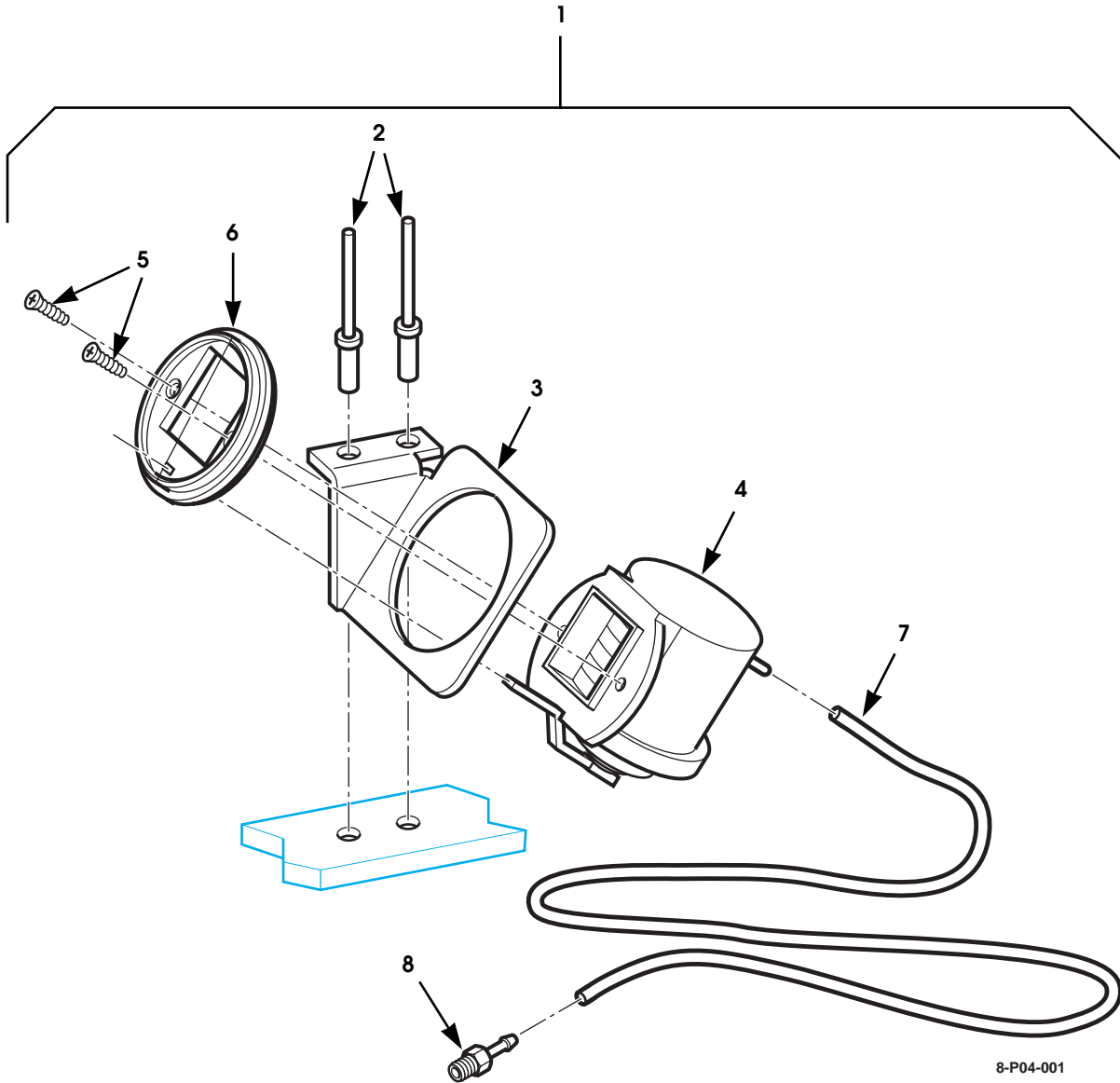


Figure 13-37. Air Filter Restriction Gauge Kit.

2003 HUMMER H1 PARTS CATALOG

ACCESSORIES 13-79

ITEM	PART NUMBER	DESCRIPTION	QTY
		Figure 13-37. Air Filter Restriction Gauge Kit.	
1	5744872	KIT, air filter restriction gauge	1
2	S.I.K.	•RIVET, 1/8 x 5/16"	2
3	6002004	•BRACKET, air filter restriction gauge mounting	1
4	6001933	•AIR FILTER RESTRICTION GAUGE	1
5	S.I.K.	••SCREW, air filter restriction gauge bezel	2
6	S.I.K.	••BEZEL, air filter restriction gauge	1
7	S.I.K.	•HOSE, 1/4" O.D. x 24"	1
8	12339978	•CONNECTOR	1

2003 HUMMER H1 PARTS CATALOG

13-80 ACCESSORIES

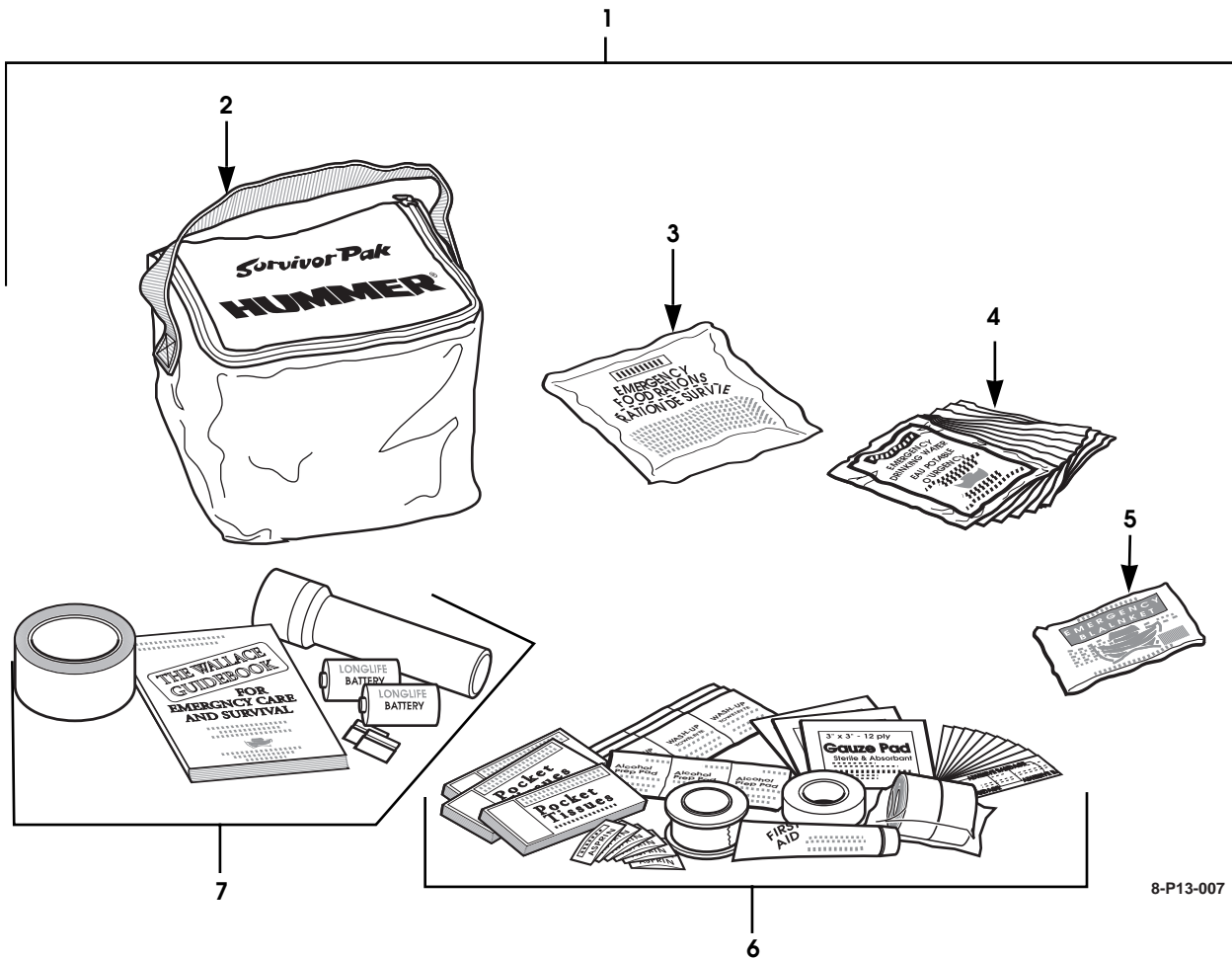


Figure 13-38. Traveler's Survival Kit.

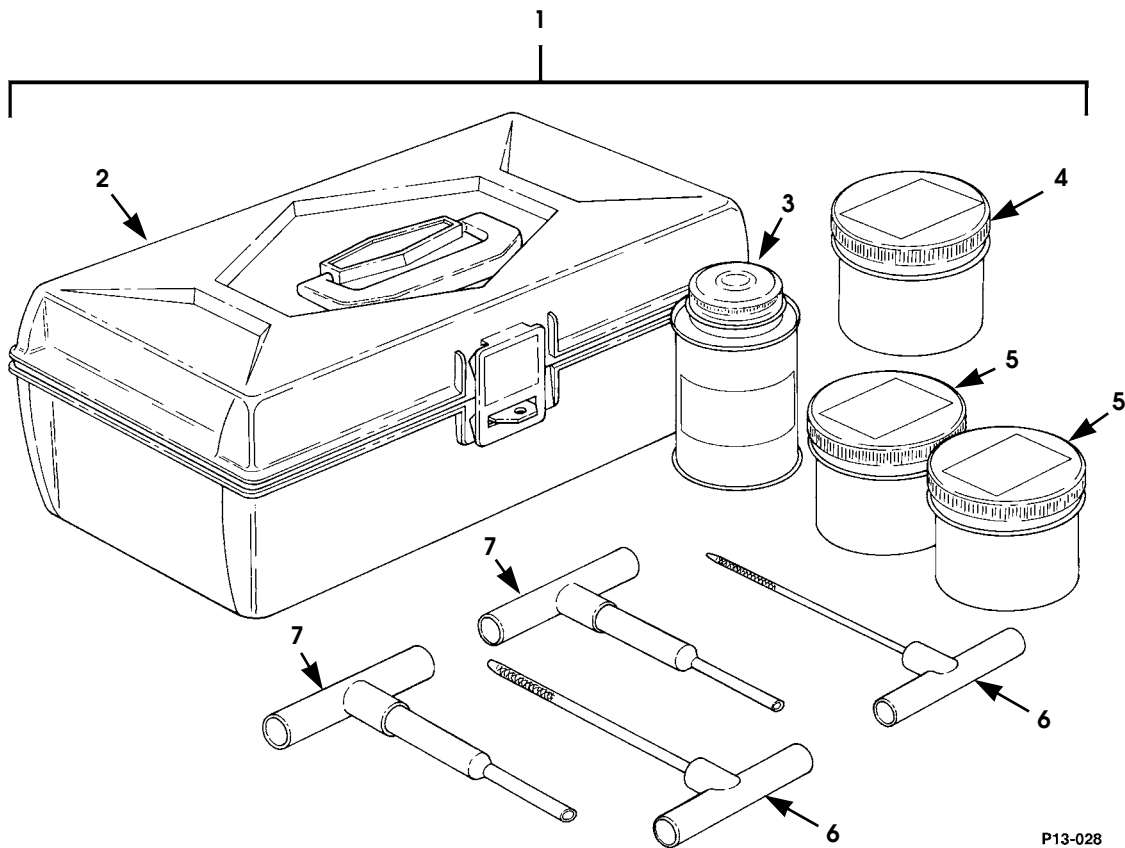
2003 HUMMER H1 PARTS CATALOG

ACCESSORIES 13-81

ITEM	PART NUMBER	DESCRIPTION	QTY
		Figure 13-38. Traveler's Survival Kit.	
1	5744903	KIT, traveler's survival	1
2	5744996	•BAG.	1
3	S.I.K.	•FOOD PACKET, 3-day supply	1
4	S.I.K.	•WATER PACKETS, 3-day supply	12
5	S.I.K.	•SPACE BLANKET	1
6	S.I.K.	•MEDICAL SUPPLIES PACKAGE	1
7	S.I.K.	•GENERAL SUPPLIES PACKAGE	1

2003 HUMMER H1 PARTS CATALOG

13-82 ACCESSORIES



P13-028

Figure 13-39. Tire (Tubeless) Repair Kit, External.

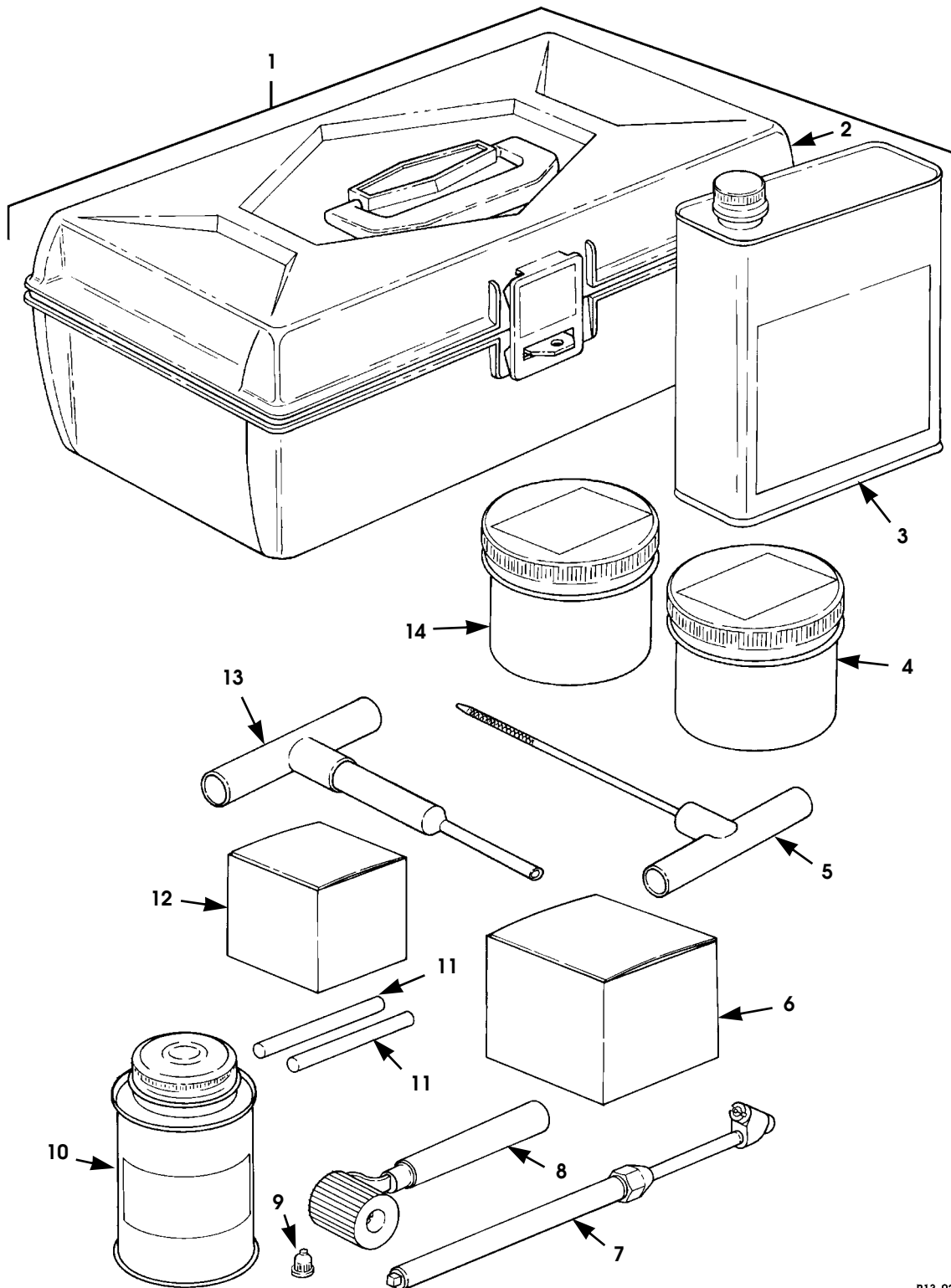
2003 HUMMER H1 PARTS CATALOG

ACCESSORIES 13-83

ITEM	PART NUMBER	DESCRIPTION	QTY
		Figure 13-39. Tire (Tubeless) Repair Kit, External.	
1	5710215	KIT, external tubeless tire repair	1
2	5742542	•TOOLBOX,	1
3	5742537	•FLUID, chemical vulcanizing (1/2 pint)	1
4	5742538	•PLUG, large tire	15
5	5742539	•PLUG, small tire	30
6	5742540	•RASP	2
7	5742541	•TOOL, plug insert	2

2003 HUMMER H1 PARTS CATALOG

13-84 ACCESSORIES



P13-029

Figure 13-40. Tire (Tubeless) Repair Kit.

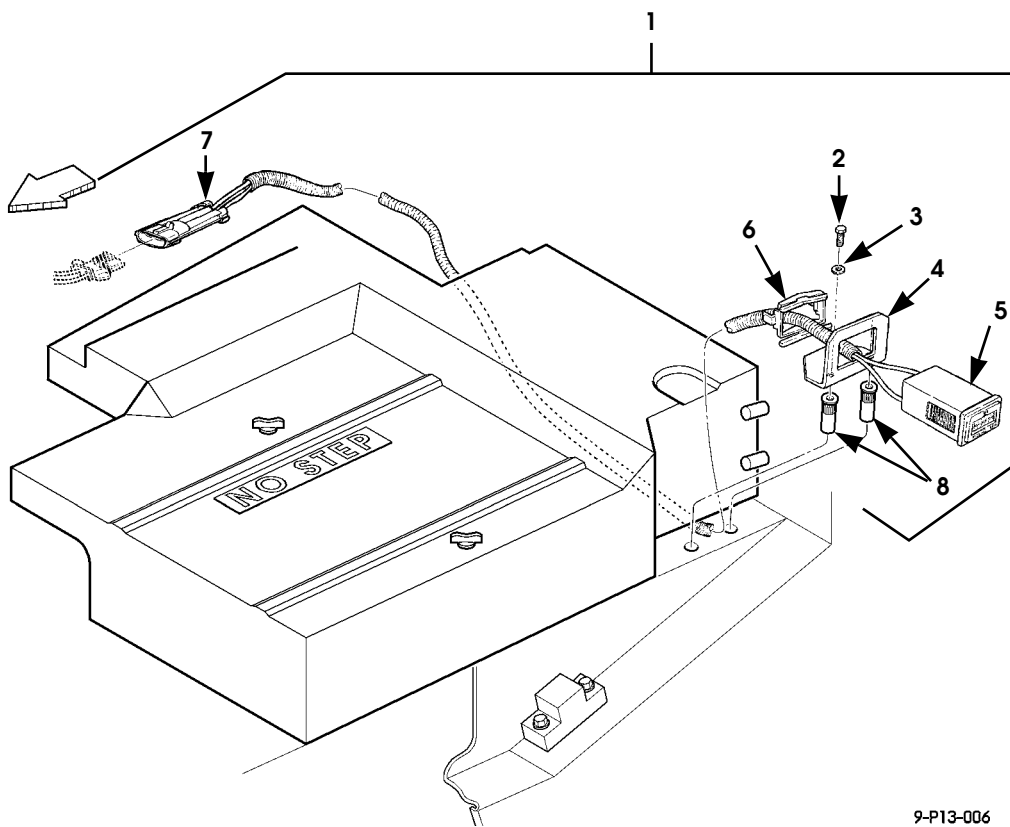
2003 HUMMER H1 PARTS CATALOG

ACCESSORIES 13-85

ITEM	PART NUMBER	DESCRIPTION	QTY
		Figure 13-40. Tire (Tubeless) Repair Kit.	
1	5710216	KIT, internal tubeless tire repair	1
2	5713347	•TOOLBOX	1
3	5713351	•CLEANER (32 ounce)	1
4	5742539	•PLUG, small tire	15
5	5742540	•RASP	1
6	5713341	•PATCH (R-20)	20
7	5714148	•GAUGE, tire pressure	1
8	5713340	•STITCHER, patch roll	1
9	5714149	•CAP, valve stem	20
10	5713343	•CEMENT (8 ounce)	2
11	5714147	•PENCIL, yellow chalk	2
12	5713339	•PATCH (R-12)	20
13	5712541	•TOOL, plug insert	1
14	5742538	•PLUG, large tire	15
	5713342	•SCRAPER (not illustrated)	1

2003 HUMMER H1 PARTS CATALOG

13-86 ACCESSORIES



9-P13-006

Figure 13-41. Hourmeter Kit.

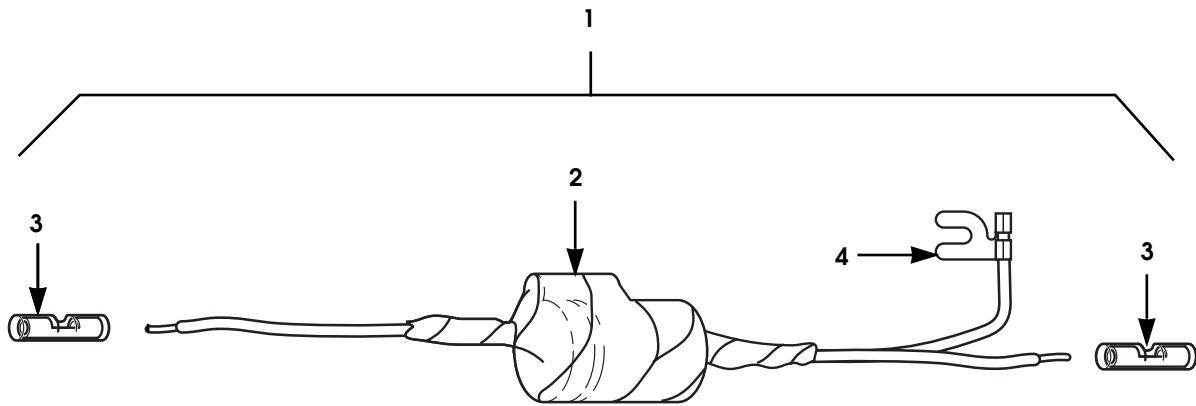
2003 HUMMER H1 PARTS CATALOG

ACCESSORIES 13-87

ITEM	PART NUMBER	DESCRIPTION	QTY
		Figure 13-41. Hourmeter Kit.	
1	5744869	KIT, hourmeter	1
2	S.I.K.	•BOLT, #10 - 24 x 5/8", hourmeter	2
3	S.I.K.	•WASHER, flat, #10	2
4	6008033	•BRACKET, hourmeter mounting	1
5	6008032	•HOURMETER ASSEMBLY	1
6	S.I.A.	••SPRING CLIP.	1
7	6008196	••CONNECTOR, female, hourmeter	1
8	S.I.K.	•NUT INSERT, #10 - 24"	2

2003 HUMMER H1 PARTS CATALOG

13-88 ACCESSORIES



8-P13-009

Figure 13-42. Radio Noise Suppression Filter Kit.

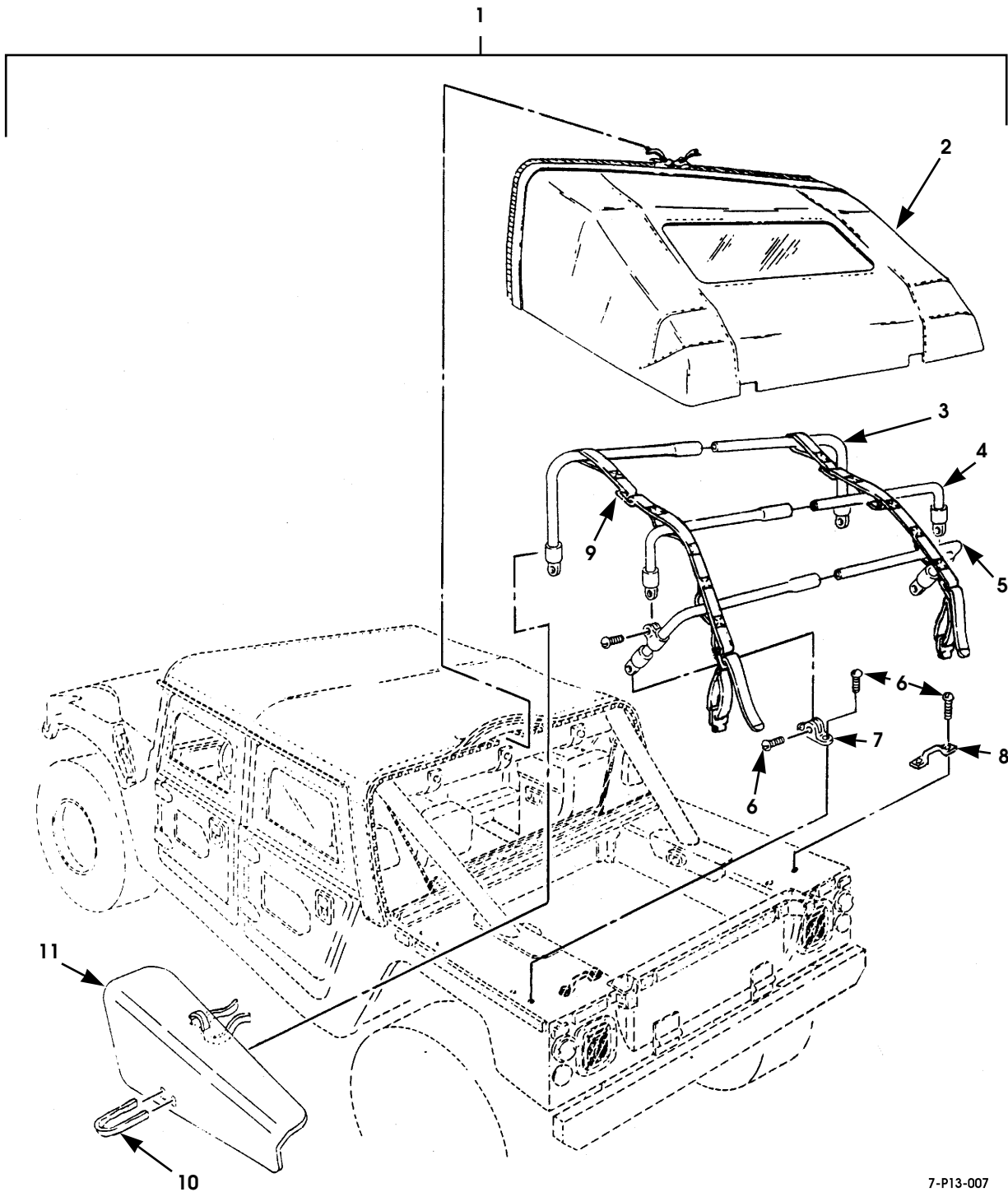
2003 HUMMER H1 PARTS CATALOG

ACCESSORIES 13-89

ITEM	PART NUMBER	DESCRIPTION	QTY
		Figure 13-42. Radio Noise Suppression Filter Kit.	
1	5744279	FILTER KIT, radio noise suppression	1
2	S.I.K.	•FILTER, radio noise suppression	1
3	S.I.K.	•CONNECTOR, butt.	2
4	S.I.K.	•F-TERMINAL.	1

2003 HUMMER H1 PARTS CATALOG

13-90 ACCESSORIES



*Figure 13-43. Slant-Back (Soft) Kit
(Four-Door Soft Top).*

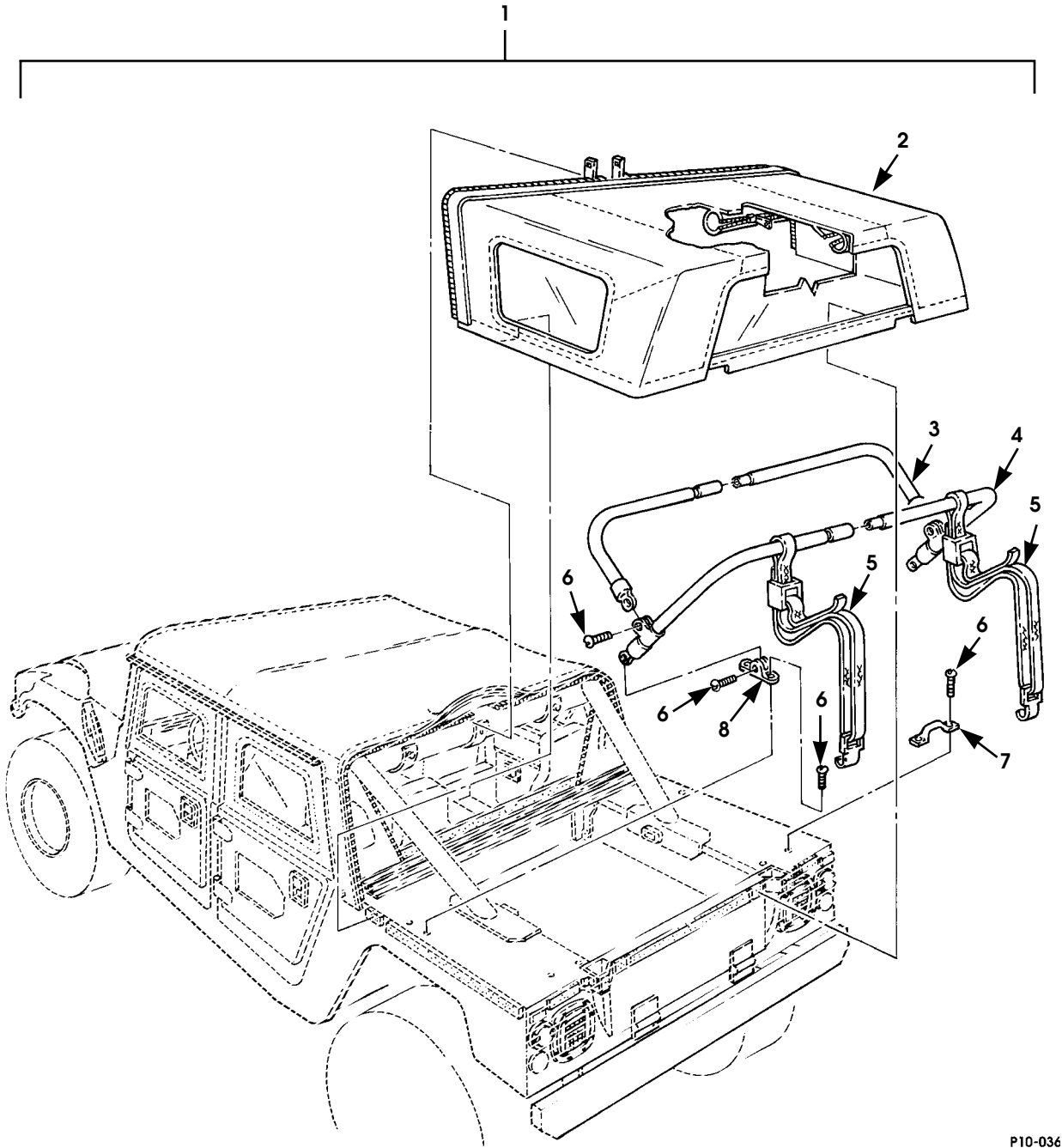
2003 HUMMER H1 PARTS CATALOG

ACCESSORIES 13-91

ITEM	PART NUMBER	DESCRIPTION	QTY
		Figure 13-43. Slant-Back (Soft) Kit (Four-Door Soft Top).	
1	5745292	KIT, soft top slant-back, tan.	1
		90	
1	5744851	KIT, soft top slant-back, black.	1
		90	
1	5744852	KIT, soft top slant-back, white.	1
		90	
2	6001747	•COVER ASSEMBLY, tan.	1
2	5744757	•COVER ASSEMBLY, black.	1
2	5744758	•COVER ASSEMBLY, white.	1
3	6001748	•BOW ASSEMBLY, front.	1
4	6001749	•BOW ASSEMBLY, middle.	1
5	6001750	•BOW ASSEMBLY, rear.	1
6	S.I.K.	•SCREW, #10 - 32 x 3/4"	16
7	6001717	•BRACKET, hinge.	4
8	6001719	•FOOTMAN LOOP.	2
9	5743708	•LOOP, extended webbing.	2
10	S.I.K.	•STRAP, velcro.	4
11	6002519	•FORMER, slant-back, L.H.	1
11	6002520	•FORMER, slant-back, R.H.	1

2003 HUMMER H1 PARTS CATALOG

13-92 ACCESSORIES



P10-036

Figure 13-44. Soft Square Back Kit, Model 90.

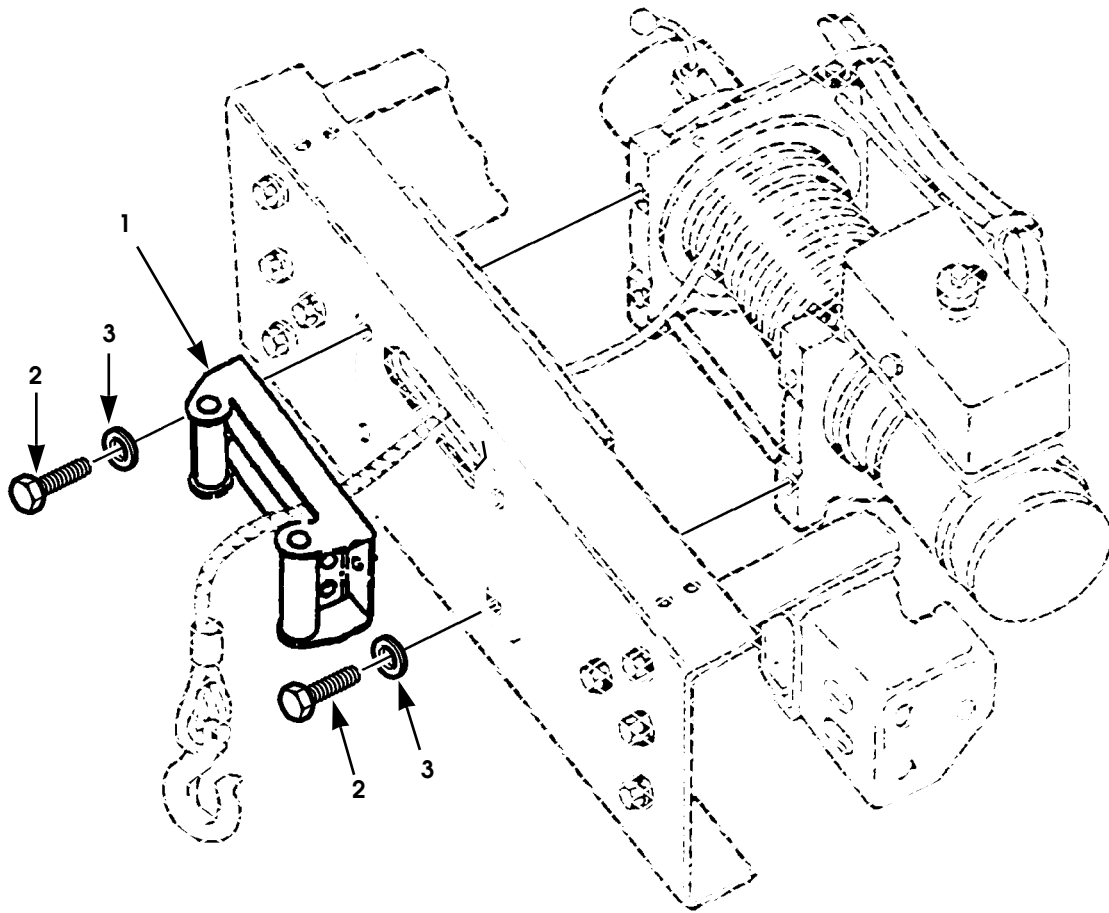
2003 HUMMER H1 PARTS CATALOG

ACCESSORIES 13-93

ITEM	PART NUMBER	DESCRIPTION	QTY
		Figure 13-44. Soft Square Back Kit, Model 90.	
1	5742960	KIT, soft top, tan	1
1	6004208	KIT, soft top, white	1
1	6004069	KIT, soft top, black	1
2	6001714	•COVER ASSEMBLY, soft top, tan	1
2	6004209	•COVER ASSEMBLY, soft top, white	1
2	6004070	•COVER ASSEMBLY, soft top, black	1
3	6001715	•BOW ASSEMBLY, front	1
4	6001716	•BOW ASSEMBLY, rear	1
5	6001718	•LOOP, extended webbing	2
6	S.I.A.	•SCREW, #10 - 32 x 3/4"	12
7	6001719	•FOOTMAN LOOP	2
8	6001717	•BRACKET, hinge	2
		NOTE : VELCRO STRIP FOR RETAINING THE BOTTOM EDGE IS NOT INCLUDED. SEE FIGURE 10-32 FOR THESE PARTS.	

2003 HUMMER H1 PARTS CATALOG

13-94 ACCESSORIES



7-S13-001.1

Figure 13-45. Winch Roller Fairlead.

2003 HUMMER H1 PARTS CATALOG

ACCESSORIES 13-95

ITEM	PART NUMBER	DESCRIPTION	QTY
		Figure 13-45. Winch Roller Fairlead.	
1	5744714	WINCH ROLLER FAIRLEAD, black	1
1	5744715	WINCH ROLLER FAIRLEAD, chrome	1
2	N/S	BOLT, M12 - 1.75 x 45mm	2
3	N/S	WASHER, flat, hard, M12	2

2003 HUMMER H1 PARTS CATALOG

13-96 ACCESSORIES

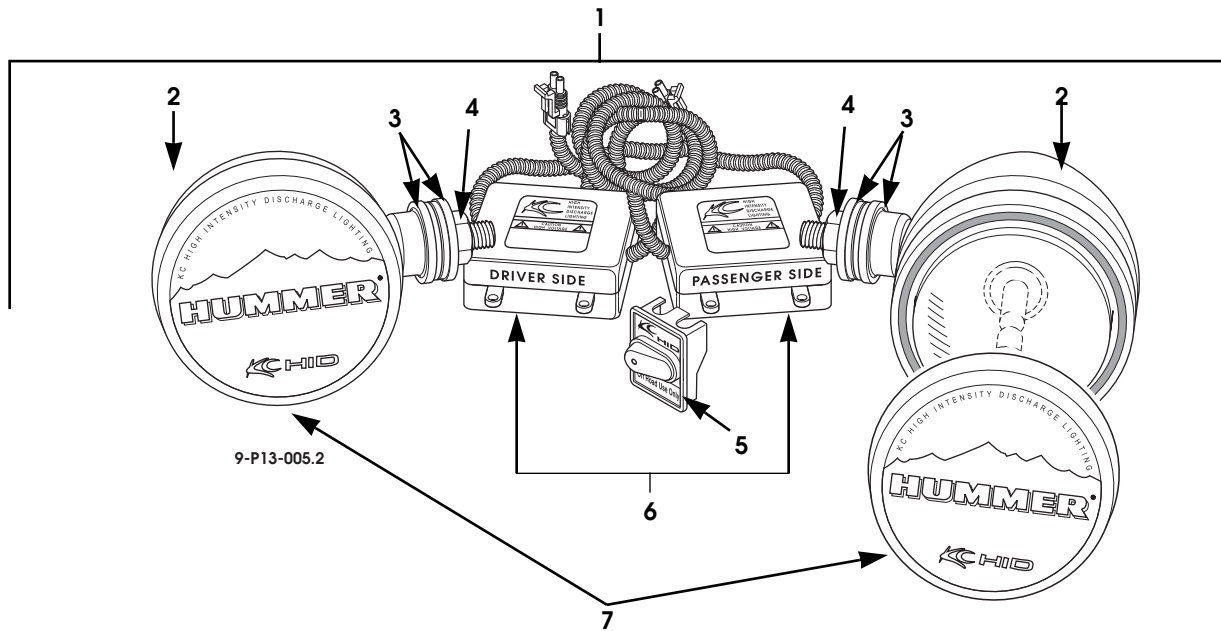


Figure 13-46. Off-Road Light Kit.

2003 HUMMER H1 PARTS CATALOG

ACCESSORIES 13-97

ITEM	PART NUMBER	DESCRIPTION	QTY
		Figure 13-46. Off-Road Light Kit.	
1	5745481	KIT, off-road light, black, standard (HID)	1
1	5745482	KIT, off-road light, stainless steel, standard (HID)	1
1	5745516	KIT, off-road light, black, spread beam (HID)	1
1	5745517	KIT, off-road light, stainless steel, spread beam (HID)	1
2	S.I.K.	•LAMP, high intensity discharge (HID), black	2
2	S.I.K.	•LAMP, high intensity discharge (HID), stainless steel.	2
3	S.I.K.	•WASHER, HID mounting.	4
4	S.I.K.	•NUT, HID mounting.	4
5	S.I.K.	•RELAY	1
6	S.I.K.	•BALLAST	2
7	5745006	•COVER, lamp, HID	2
	5745474	•SWITCH ASSEMBLY (not illustrated)	1
	S.I.K.	NUT (not illustrated)	1
	S.I.K.	LOCKWASHER (not illustrated)	1
	S.I.K.	BOLT (not illustrated)	1

2003 HUMMER H1 PARTS CATALOG

13-98 ACCESSORIES

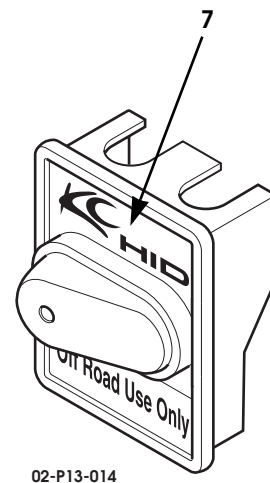
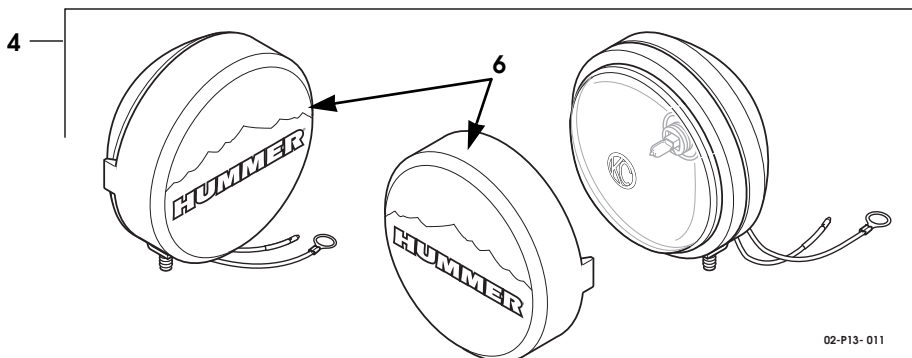
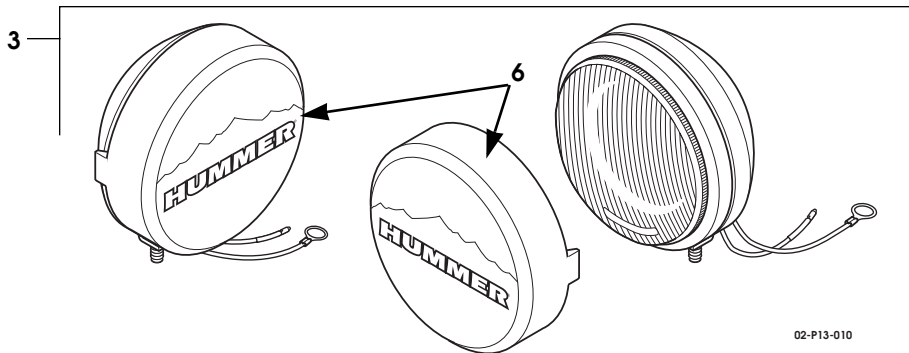
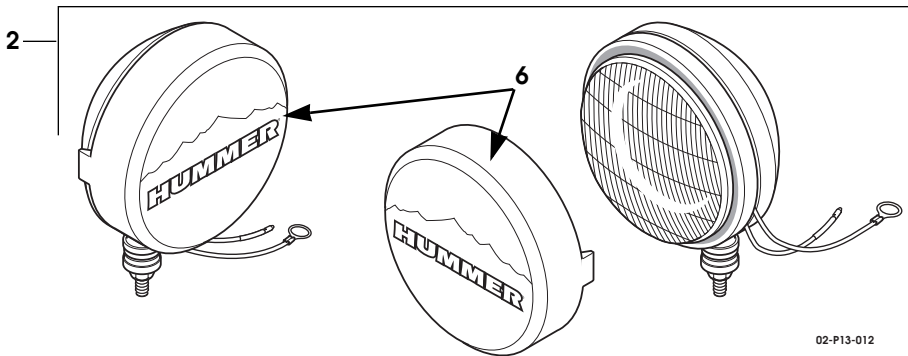
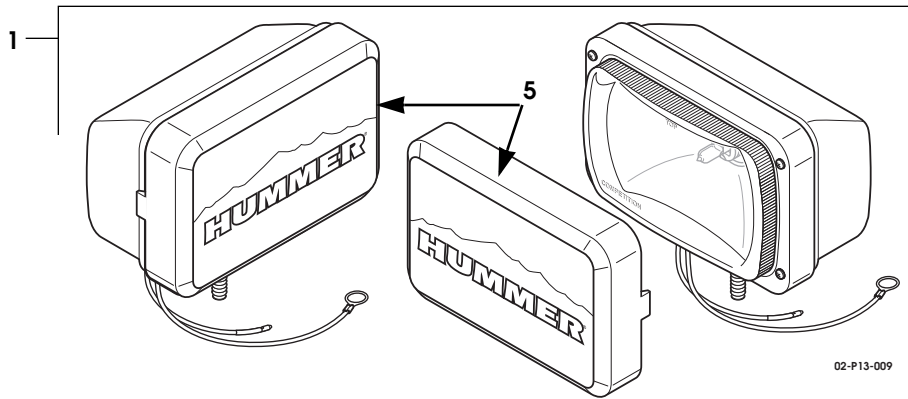


Figure 13-47. Quartz Halogen Accessory Lights.

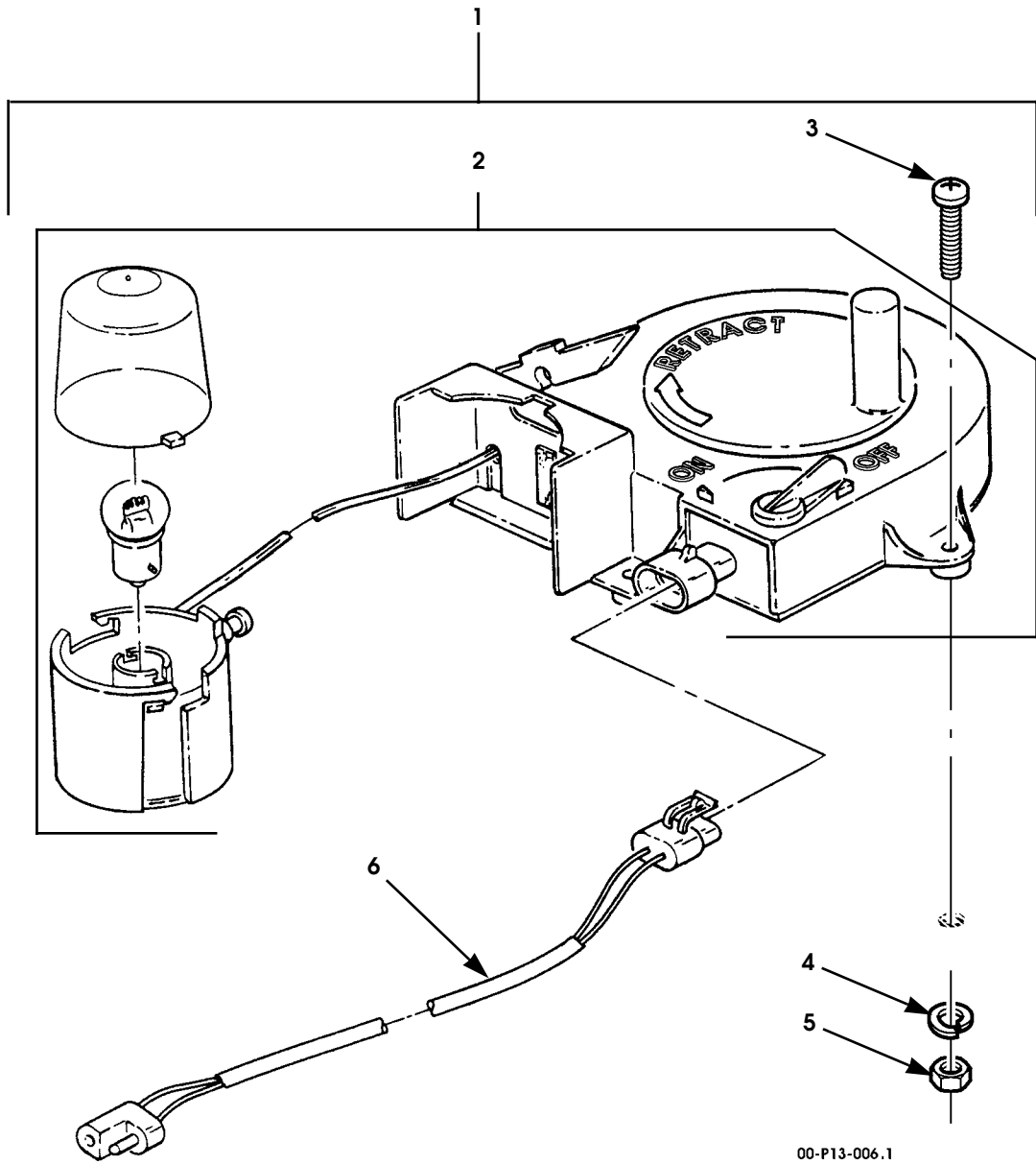
2003 HUMMER H1 PARTS CATALOG

ACCESSORIES 13-99

ITEM	PART NUMBER	DESCRIPTION	QTY
		Figure 13-47. Quartz Halogen Accessory Lights.	
1	5745518	KIT, quartz halogen accessory lights 6 x 9", long range, chrome finish, rectangular, 100 watt, (off-road use only)	1
1	5745519	KIT, quartz halogen accessory lights 6 x 9", long range, black finish, rectangular, 100 watt, (off-road use only) SEE NOTE 1, 3.	1
2	5745520	KIT, quartz halogen accessory lights "slim profile", long range, black finish, round, 130 watt, (off-road use only).	1
2	5745523	KIT, quartz halogen accessory lights "slim profile", long range, chrome finish, round, 130 watt, (off-road use only). SEE NOTE 2, 3	1
3	5745521	KIT, quartz halogen accessory lights "slim profile", black finish, round, 100 watt, driving light	1
3	5745524	KIT, quartz halogen accessory lights "slim profile", chrome finish, round, 100 watt, driving light SEE NOTE 2, 3	1
4	5745522	KIT, quartz halogen accessory lights "slim profile", black finish, round, 100 watt, fog light	1
4	5745525	KIT, quartz halogen accessory lights slim profile", chrome finish, round, 100 watt, fog light SEE NOTE 1, 3.	1
5	5745526	•COVER, quartz halogen accessory light, 6 x 9", (blue)	1
6	5745527	•COVER, quartz halogen accessory light, 6", (blue). .	1
7	5745474	•SWITCH ASSEMBLY	1
	S.I.K.	•HARDWARE ASSEMBLY (not illustrated)	1
		NOTE 1: KIT, QUARTZ, HALOGEN, ACCESSORY LIGHTS 6 X 9", INCLUDE 6X9 COVERS.	
		NOTE 2: KIT, QUARTZ, HALOGEN, ACCESSORY LIGHTS 6" ROUND 130 WATT OFF ROAD, 6" ROUND 100 WATT FOG, 6" ROUND 100 WATT DRIVING INCLUDE 6" ROUND COVERS.	
		NOTE 3: ALL KITS INCLUDE HARDWARE ASSEMBLY	

2003 HUMMER H1 PARTS CATALOG

13-100 ACCESSORIES



00-P13-006.1

Figure 13-48. Reel Lamp Kit.

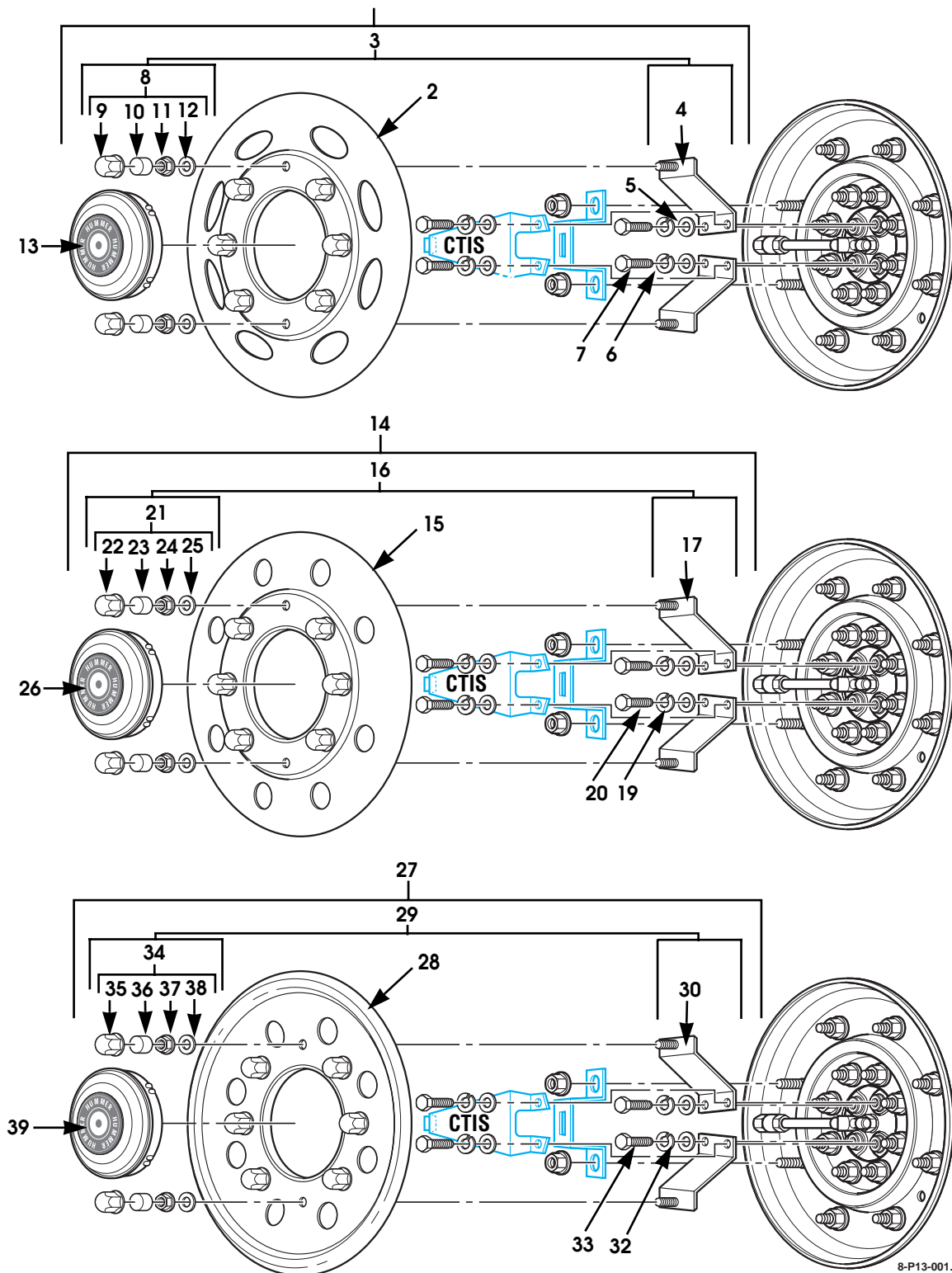
2003 HUMMER H1 PARTS CATALOG

ACCESSORIES 13-101

ITEM	PART NUMBER	DESCRIPTION	QTY
		Figure 13-48. Reel Lamp Kit.	
1	5745479	KIT, reel lamp	1
2	5939056	•LAMP, assembly	1
3	MS51849-79	•SCREW	3
4	ELMS51412-2	•WASHER	6
5	190254	•LOCK NUT	3
6	5745393	•HARNES ASSEMBLY, long	1
6	6000320	•HARNES ASSEMBLY, short	1

2003 HUMMER H1 PARTS CATALOG

13-102 ACCESSORIES



8-P13-001.3

Figure 13-49. Wheel Cover Kit, Stainless Steel.

2003 HUMMER H1 PARTS CATALOG

ACCESSORIES 13-103

ITEM	PART NUMBER	DESCRIPTION	QTY
		Figure 13-49. Wheel Cover Kit, Stainless Steel.	
1	5744658	KIT, stainless steel wheel cover with or without CTIS . . . SEE NOTE 1.	1
2	5744921	•WHEEL COVER, stainless steel.	4
3	5744920	•KIT, wheel cover mounting bracket.	1
4	S.I.K.	••BRACKET, wheel cover hub	2
5	S.I.K.	••WASHER, flat 7/16"	4
6	S.I.K.	••LOCKWASHER, 7/16"	4
7	S.I.K.	••BOLT, 7/16 - 14 x 3/4", wheel cover bracket.	4
8	5744919	••KIT, decorative lug nut	1
9	S.I.K.	•••CAP, stainless steel	8
10	S.I.K.	•••PLASTIC INSERT, threaded	8
11	S.I.K.	•••NUT AND LOCKWASHER ASSEMBLY, 1/4 - 20 x 1/2", keps	8
12	S.I.K.	•••WASHER, flat, 1/4"	8
13	5745100	•CAPS, center, stainless steel	4
14	5745053	KIT, stainless steel wheel cover with or without CTIS . . . SEE NOTE 2.	1
15	5745054	•WHEEL COVER, stainless steel.	4
16	5744920	•KIT, wheel cover mounting bracket.	1
17	S.I.K.	••BRACKET, wheel cover hub	2
18	S.I.K.	••WASHER, flat 7/16"	4
19	S.I.K.	••LOCKWASHER, 7/16"	4
20	S.I.K.	••BOLT, 7/16 - 14 x 3/4", wheel cover bracket.	4
21	5745055	••KIT, decorative lug nut	1
22	S.I.K.	•••CAP, stainless steel	8
23	S.I.K.	•••PLASTIC INSERT, threaded	8
24	S.I.K.	•••NUT AND LOCKWASHER ASSEMBLY, 1/4 - 20 x 1/2", keps	8
25	S.I.K.	•••WASHER, flat, 1/4"	8
26	5745100	•CAPS, center, stainless steel	4
27	5745328	KIT, recessed stainless steel wheel cover, with or without CTIS.	4
28	5745329	WHEEL COVER, recessed stainless steel	4
29	5745330	KIT, wheel cover mounting bracket	1
30	S.I.K.	••BRACKET, wheel cover hub	2
31	S.I.K.	••WASHER, flat 7/16"	4
32	S.I.K.	••LOCKWASHER, 7/16"	4
33	S.I.K.	••BOLT, 7/16 - 14 x 3/4", wheel cover bracket.	4
34	5744919	••KIT, decorative lug nut	1

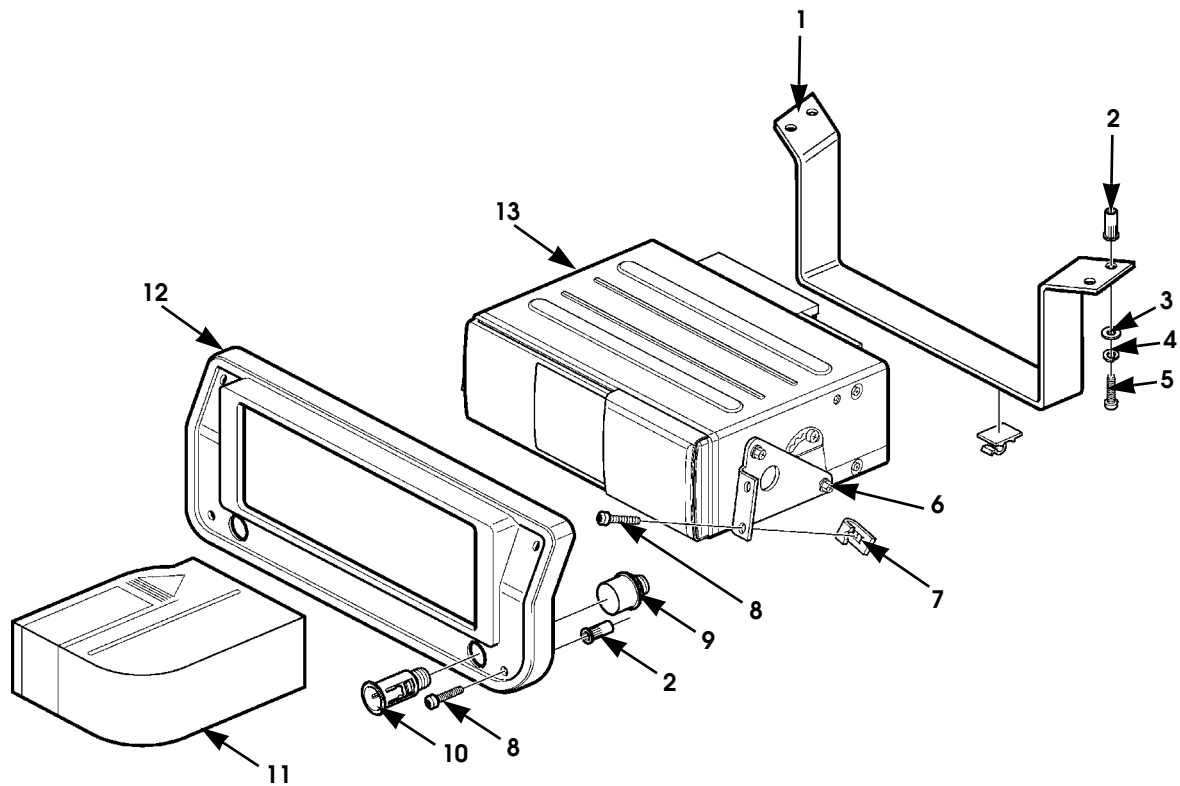
2003 HUMMER H1 PARTS CATALOG

13-104 ACCESSORIES

ITEM	PART NUMBER	DESCRIPTION	QTY
		Figure 13-49. Wheel Cover Kit, Stainless Steel. (Cont'd)	
35	S.I.K.	•••CAP, stainless steel	8
36	S.I.K.	•••PLASTIC INSERT, threaded.	8
37	S.I.K.	•••NUT AND LOCKWASHER ASSEMBLY, 1/4 - 20 x 1/2", keps	8
38	S.I.K.	•••WASHER, flat, 1/4"	8
39	5745100	•CAPS, center, stainless steel	4
		NOTE 1: INCLUDES FOUR EACH OF KITS 05744919 AND 5744920.	
		NOTE 2: INCLUDES FOUR EACH OF KITS 05745055 AND 5744920.	

2003 HUMMER H1 PARTS CATALOG

13-106 ACCESSORIES



03-12-019

Figure 13-50. CD Changer and Remote Control.

2003 HUMMER H1 PARTS CATALOG

ACCESSORIES 13-107

ITEM	PART NUMBER	DESCRIPTION	QTY
		Figure 13-50. CD Changer and Remote Control.	
1	6013723	BRACKET, CD changer	1
2	12339998-14	PLUS NUT, #10-32	8
3	N/S	LOCK WASHER, #10	8
4	N/S	WASHER, flat, #10	4
5	N/S	SCREW, phcr, #10 -32 x 3/4"	8
6	6013791	BRACKET, CD changer, R.H.,	1
6	6013790	BRACKET, CD changer, L.H.,	1
7	6001894	SPEED NUT, "j" type.	1
8	N/S	SCREW, #10 - 16 x 7/8"	4
9	5939557	CLAMP SHELL, lighter.	2
10	5939559	SOCKET, cigar lighter.	2
11	5745565	MAGAZINE, 12-CD,	1
12	6013721	BEZEL, CD changer,	1
13	6013771	CD CHANGER, 12 Disc	1
		 NOTE 1: PART OF THE DELCO SIX-DISC CD CHANGER KIT, P/N 5745336.	
		 NOTE 2: REUSE THE FASTENERS USED ON THE CD CHANGER HOLE COVER.	

2003 HUMMER H1 PARTS CATALOG

13-108 ACCESSORIES

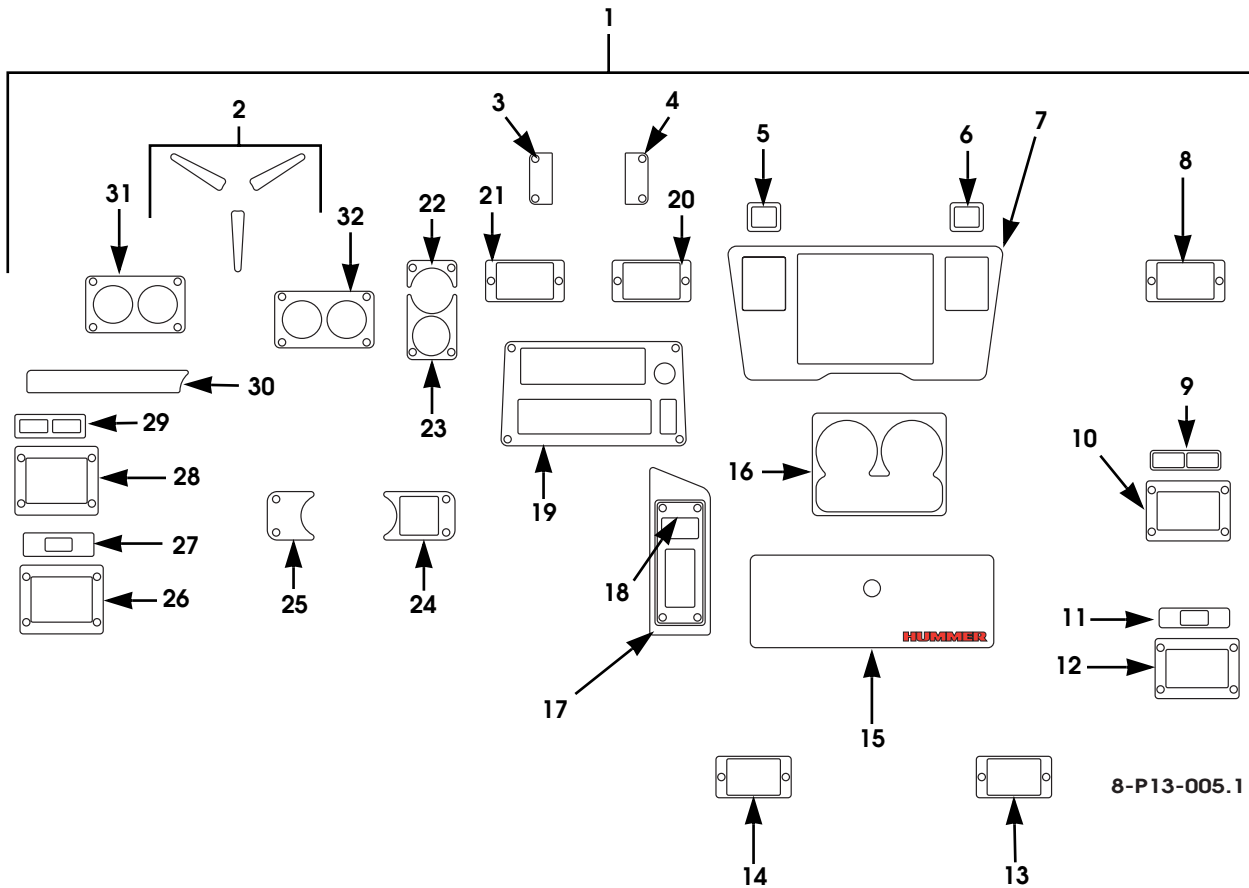


Figure 13-51. Dash Trim Appliqué Kit, 1993 - 2003.

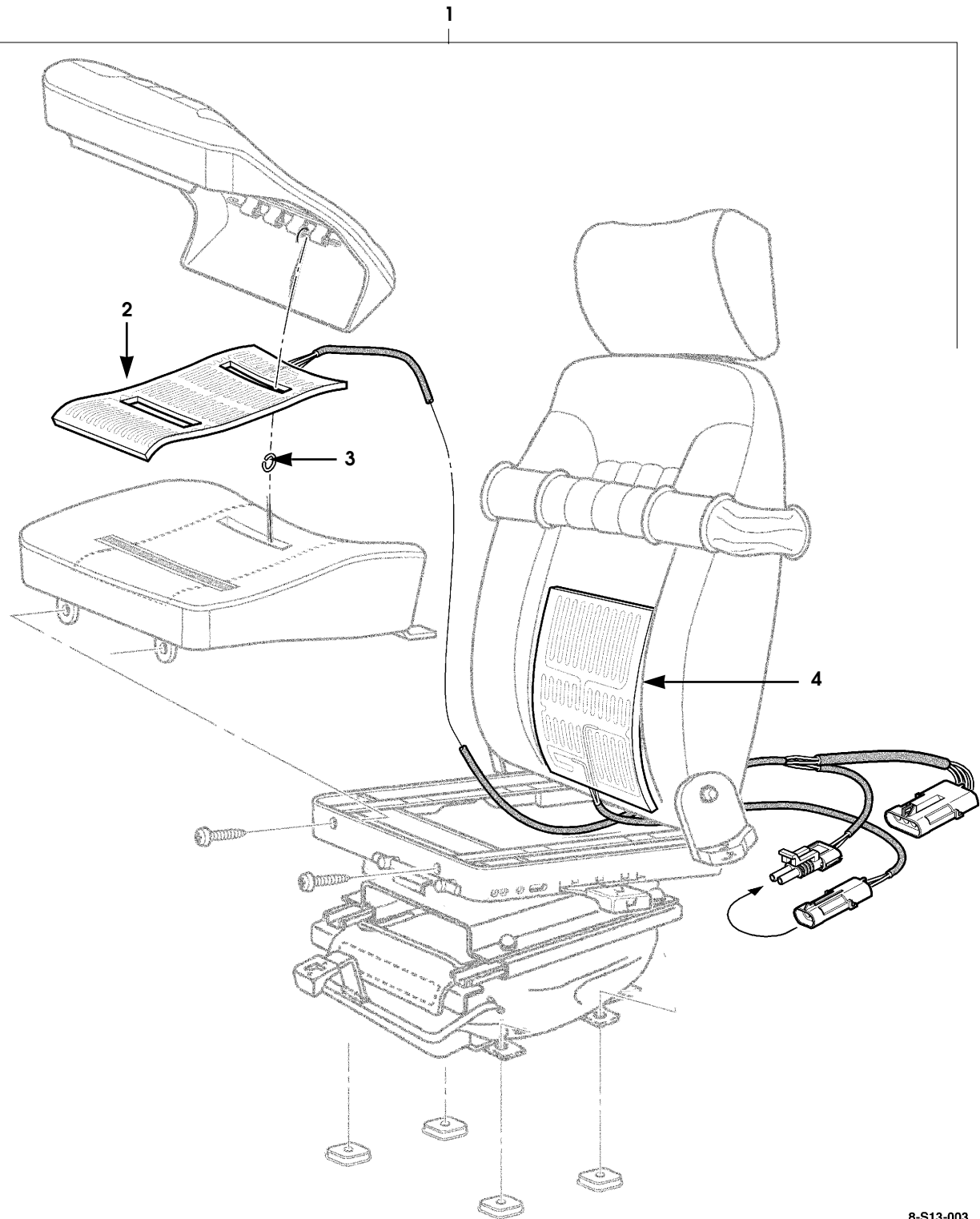
2003 HUMMER H1 PARTS CATALOG

ACCESSORIES 13-109

ITEM	PART NUMBER	DESCRIPTION	QTY
		Figure 13-51. Dash Trim Appliqué Kit, 1993 - 2003.	
1	5744905	KIT, rosewood dash trim appliqué panels, 93-00	1
1	5744906	KIT, carbon fiber dash trim appliqué panels, 93-00 . . .	1
1	5744907	KIT, carpathian elm burl dash trim appliqué panels, 93-00	1
1	5745465	KIT, rosewood dash trim appliqué panels, 01-03	
1	5745466	KIT, carpathian elm burl dash trim appliqué panels, 01-03	1
1	5745467	KIT, carbon fiber dash trim appliqué panels, 01-03	1
2	S.I.K.	•PANEL, steering wheel accent.	3
3	S.I.K.	•PANEL, left CD accent	1
4	S.I.K.	•PANEL, right CD accent	1
5	S.I.K.	•PANEL, left cigar lighter.	1
6	S.I.K.	•PANEL, right cigar lighter.	1
7	S.I.K.	•PANEL, center console	1
8	S.I.K.	•PANEL, passenger side vent	1
9	S.I.K.	•PANEL, passenger door switch.	1
10	S.I.K.	•PANEL, passenger door handle	1
11	S.I.K.	•PANEL, left rear door switch	1
12	S.I.K.	•PANEL, left rear door handle	1
13	S.I.K.	•PANEL, right rear vent	1
14	S.I.K.	•PANEL, left rear vent	1
15	S.I.K.	•PANEL, glove box cover	1
16	S.I.K.	•PANEL, cup holder trim	1
17	S.I.K.	•PANEL, window control surround	1
18	S.I.K.	•PANEL, power window control.	1
19	S.I.K.	•PANEL, radio/climate control.	1
20	S.I.K.	•PANEL, right center vent	1
21	S.I.K.	•PANEL, left center vent	1
22	S.I.K.	•PANEL, upper RPM gauge/clock.	1
23	S.I.K.	•PANEL, lower RPM gauge/clock	1
24	S.I.K.	•PANEL, right tire pressure control	1
25	S.I.K.	•PANEL, left tire pressure control	1
26	S.I.K.	•PANEL, right rear door handle	1
27	S.I.K.	•PANEL, right rear door switch	1
28	S.I.K.	•PANEL, driver door handle	1
29	S.I.K.	•PANEL, driver door switch	1
30	S.I.K.	•PANEL, light switch.	1
31	S.I.K.	•PANEL, left gauge cluster	1
32	S.I.K.	•PANEL, right gauge cluster.	1

2003 HUMMER H1 PARTS CATALOG

13-110 ACCESSORIES



8-S13-003

Figure 13-52. Electric Seat Heater Kit.

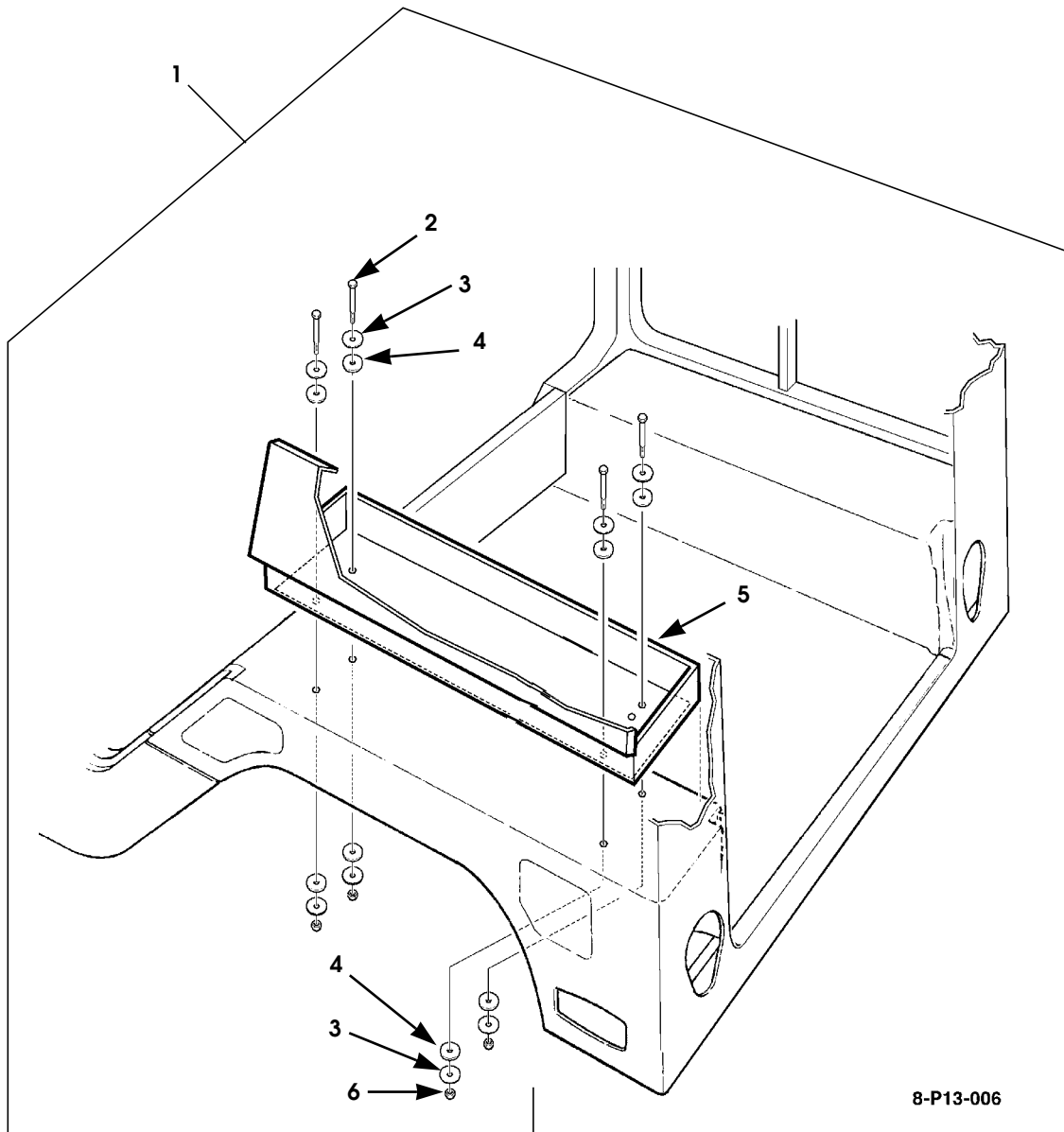
2003 HUMMER H1 PARTS CATALOG

ACCESSORIES 13-111

ITEM	PART NUMBER	DESCRIPTION	QTY
		Figure 13-52. Electric Seat Heater Kit.	
1	5744890	KIT, electric seat heater	1
2	5744927	•ELEMENT, heating, cushion	1
3	S.I.K.	•HOG RING	A/R
4	5744926	•ELEMENT, heating, back	1
	5744924	•SWITCH, seat heater (not illustrated)	1
	5744925	•MODULE, seat heater (not illustrated)	1

2003 HUMMER H1 PARTS CATALOG

13-112 ACCESSORIES



8-P13-006

Figure 13-53. Off-Road Accessory Kit, Station Wagon, Model 84.

2003 HUMMER H1 PARTS CATALOG

ACCESSORIES 13-113

ITEM	PART NUMBER	DESCRIPTION	QTY
		Figure 13-53. Off-Road Accessory Kit, Station Wagon, Model 84.	
1	5744704	KIT, off-road accessory 84	1
2	MS90728-13	•BOLT	4
3	5935291B9	•PLATE, tube retainer	8
4	6001595	•GASKET, foam washer	8
5	5744801	•TOOL BOX, off-road, large	1
6	S.I.K.	•LOCKNUT, 1/4 - 20", CAD	4
	5744881	•STRAP, vehicle recovery, 20' x 3" (not illustrated; see page 13-10)	1
	6004898	•KIT, pioneer tool (not illustrated; see page 13-28) . . .	1
	5744718	•OFF ROAD PARTS PACKAGE (not illustrated)	1
	S.I.K.	••TESTER, 12-volt circuit.	1
	S.I.K.	••GAUGE, tire pressure.	1
	S.I.K.	••CABLE SET, jumper.	1
	S.I.K.	••FIRST AID AND BURN KIT	1
	S.I.K.	••FLASHLIGHT, Mag-Life	1
	S.I.K.	••FIRE EXTINGUISHER, 2.5-lb	1
	S.I.K.	••PLIERS, 6 1/2" Channel-Lock	1
	S.I.K.	••FUSE ASSORTMENT.	1
	S.I.K.	••PLIERS, lineman's type	1

2003 HUMMER H1 PARTS CATALOG

13-114 ACCESSORIES

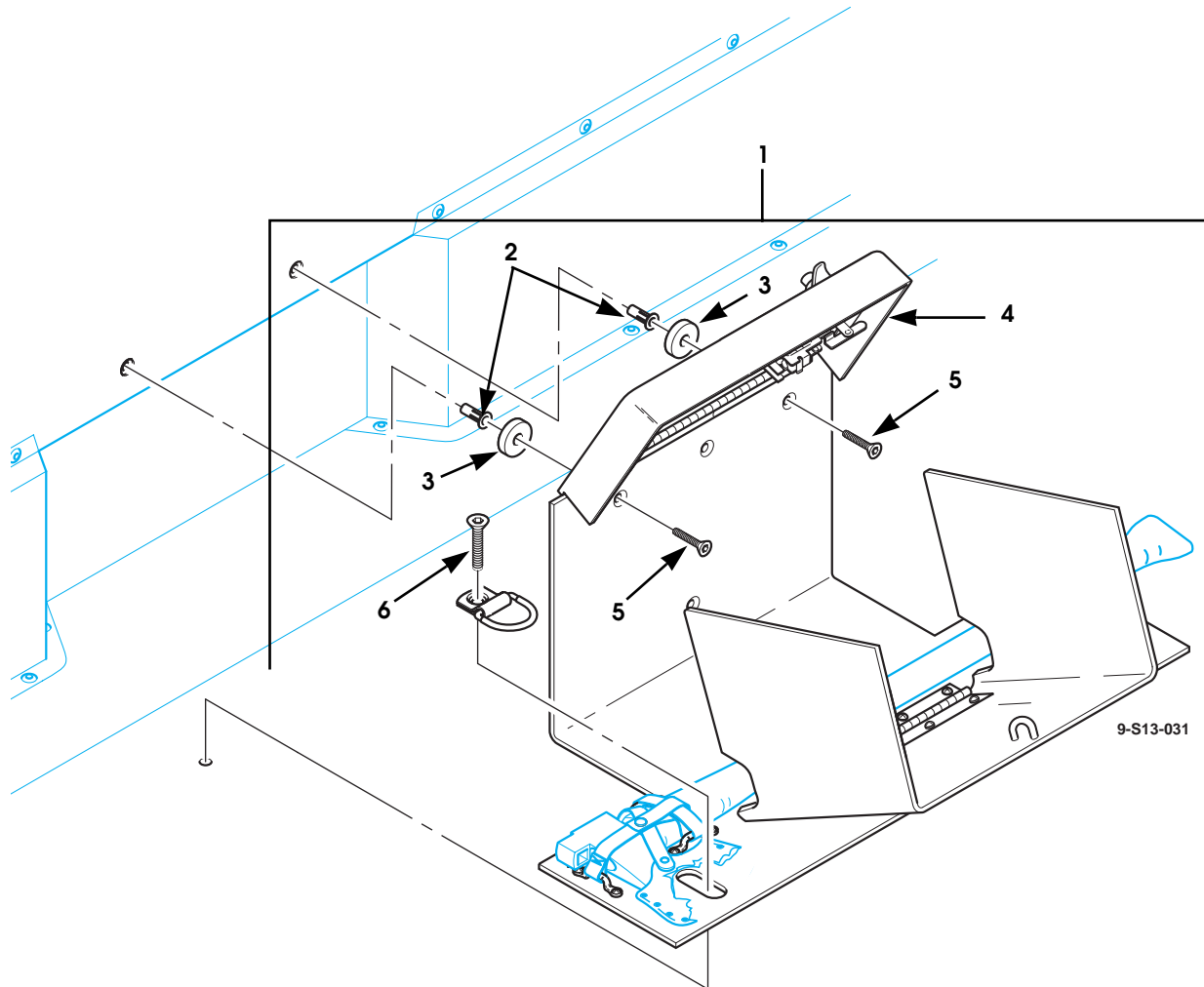


Figure 13-54. Off-Road Accessory Kit, 4-Door Hard Top and 4-Door Soft Top, Models 83 and 90.

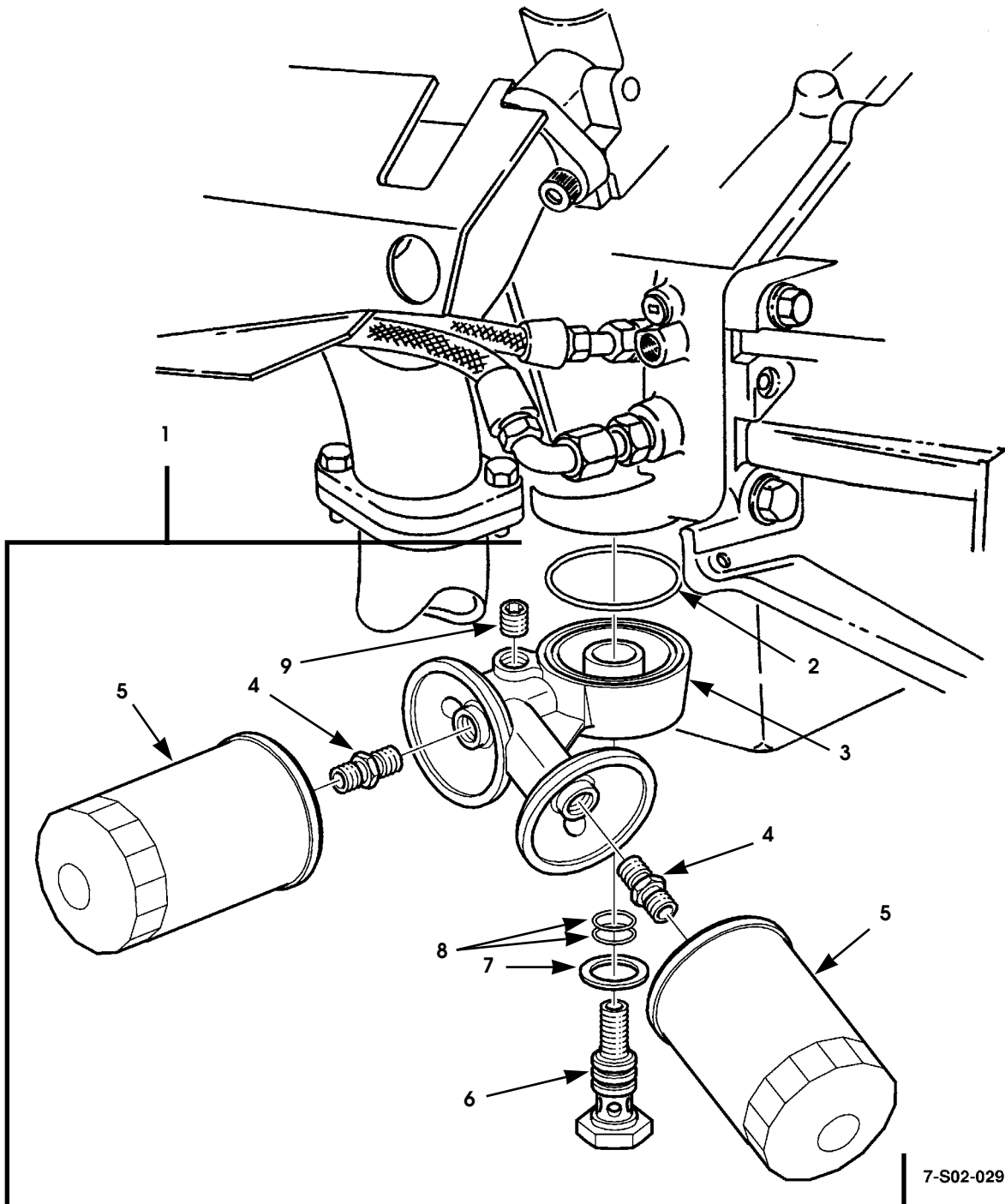
2003 HUMMER H1 PARTS CATALOG

ACCESSORIES 13-115

ITEM	PART NUMBER	DESCRIPTION	QTY
		Figure 13-54. Off-Road Accessory Kit, 4-Door Hard Top and 4-Door Soft Top, Models 83 and 90.	
1	5744705	KIT, off-road accessory 83, 89, 90	1
2	5935428	•NUT INSERT	2
3	6000942B2	•SPACER	2
4	5744738	•TOOL BOX, off road	1
5	S.I.K.	•SCREW, flathead, 3/8 - 16 x 1 - 3/4"	2
6	S.I.K.	•SCREW, flathead, 1/2 - 13 X 2 - 1/4"	2
	5744881	•STRAP, vehicle recovery, 20' x 3" (not illustrated here; see page 13-10)	1
	6004898	•KIT, pioneer tool (not illustrated here; see page 13-28)	1
	5744718	•OFF ROAD PARTS PACKAGE (not illustrated)	1
	S.I.K.	••TESTER, 12-volt circuit.	1
	S.I.K.	••GAUGE, tire pressure.	1
	S.I.K.	••CABLE SET, jumper.	1
	S.I.K.	••FIRST AID AND BURN KIT	1
	S.I.K.	••FLASHLIGHT, Mag-Lite	1
	S.I.K.	••FIRE EXTINGUISHER, 2.5-lb	1
	S.I.K.	••PLIERS, 6 - 1/2" Channel-Lock.	1
	S.I.K.	••FUSE ASSORTMENT.	1
	S.I.K.	••PLIERS, lineman's type	1

2003 HUMMER H1 PARTS CATALOG

13-116 ACCESSORIES



7-S02-029

Figure 13-55. Dual Oil Filter Kit.

2003 HUMMER H1 PARTS CATALOG

ACCESSORIES 13-117

ITEM	PART NUMBER	DESCRIPTION	QTY
		Figure 13-55. Dual Oil Filter Kit.	
1	5744867	DUAL OIL FILTER KIT	1
2	MS28775-236	•O-RING, oil filter adapter	1
3	5594912	•ADAPTER, dual oil filter	1
4	12339405	•CONNECTOR, oil filter, SEE NOTE 1	1
5	5715388	•FILTER, engine oil	2
6	12339410	•BOLT, oil filter.	1
7	12339409	•GASKET, oil filter bolt	1
8	MS28775-020	•O-RING	2
9	444698	•PIPE PLUG, 3/8 - 18"	1
		NOTE 1: ONLY ONE OIL FILTER CONNECTOR IS INCLUDED IN KIT. REUSE CONNECTOR ALREADY ON VEHICLE.	

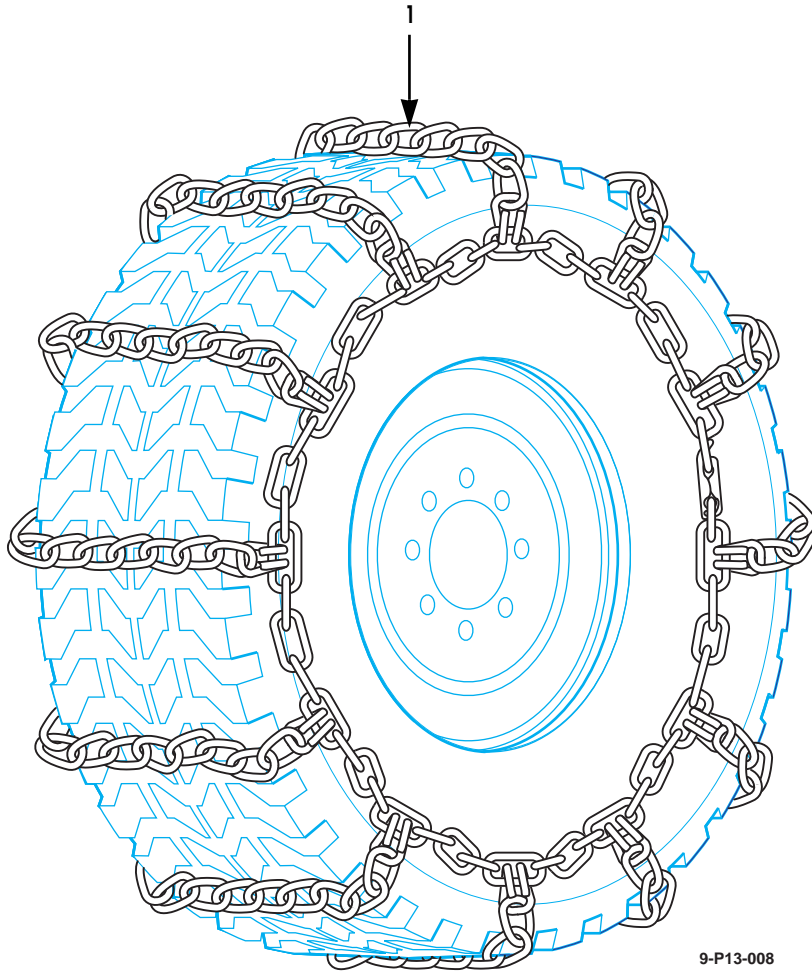
2003 HUMMER H1 PARTS CATALOG

ACCESSORIES 13-119

ITEM	PART NUMBER	DESCRIPTION	QTY
		Figure 13-56. Tire Repair Accessory Kit, External.	
1	5745015	KIT, external tire repair accessory	1
2	S.I.K.	•TOOLBOX	1
3	S.I.K.	•SAFETY SEAL, 1/4" dia. x 4" self-vulcanizing fiber bar.	30
4	S.I.K.	•REAMER, T-handle	1
5	S.I.K.	•SPECIAL LUBE, 4-oz plastic jar	1
6	S.I.K.	•NEEDLE, insertion, 0.18 dia	2
7	S.I.K.	•SAFETY SEAL INSERTION TOOL, T-handle	1
8	S.I.K.	•CUTTING BLADE	2
9	S.I.K.	•SET SCREW, 1/4 hex socket head.	2
10	S.I.K.	•HEX KEY WRENCH, 1/4".	1
	S.I.K.	•INSTRUCTION BOOKLET (not illustrated)	1

2003 HUMMER H1 PARTS CATALOG

13-120 ACCESSORIES



9-P13-008

Figure 13-57. Tire Chains.

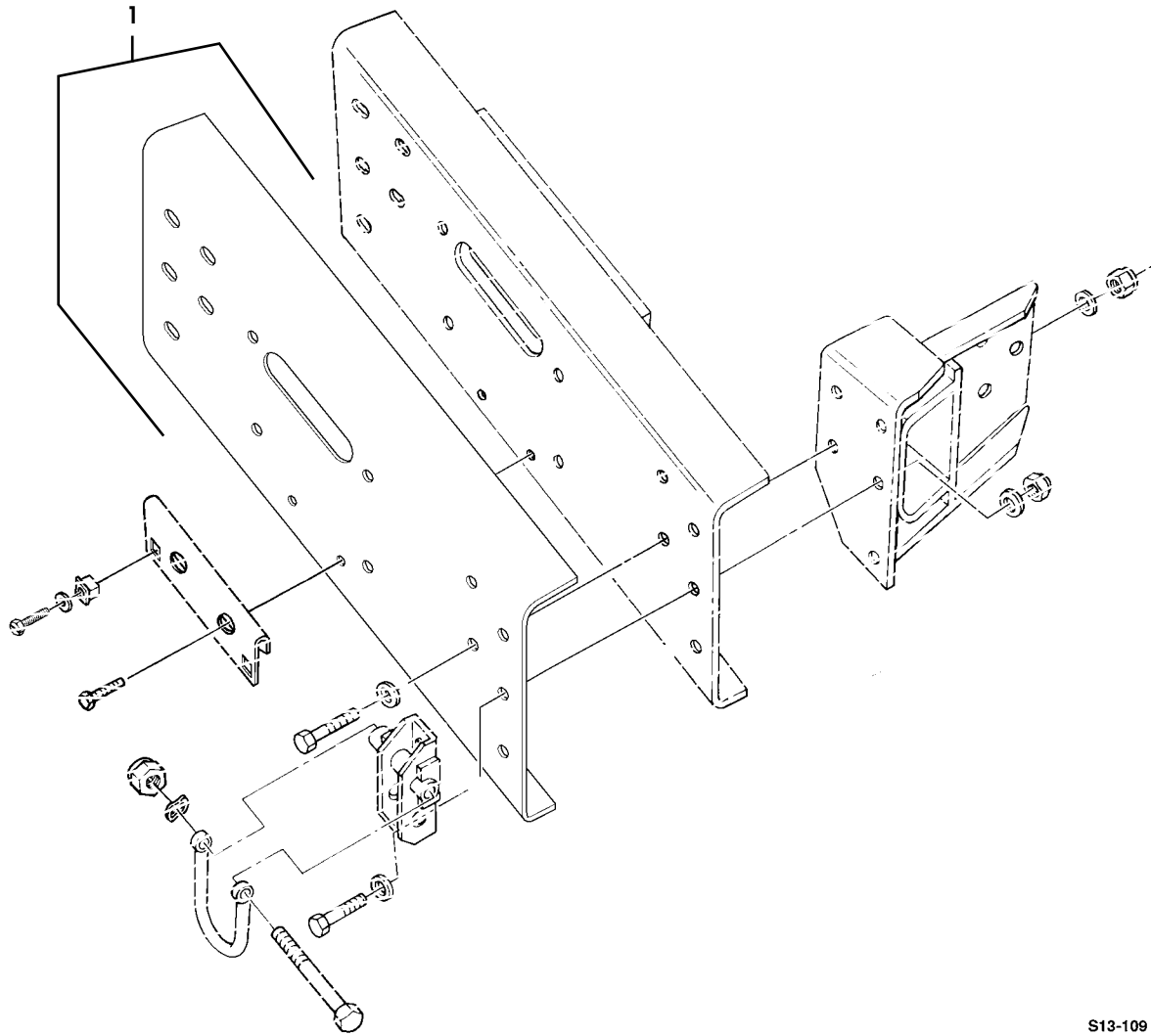
2003 HUMMER H1 PARTS CATALOG

ACCESSORIES 13-121

ITEM	PART NUMBER	DESCRIPTION	QTY
1	5569255	<p>Figure 13-57. Tire Chains.</p> <p>TIRE CHAINS, one pair, for one axle</p>	2

2003 HUMMER H1 PARTS CATALOG

13-122 ACCESSORIES



S13-109

Figure 13-58. Bumper (Front with Winch) Cover Kit, Polished or Brushed Stainless Steel.

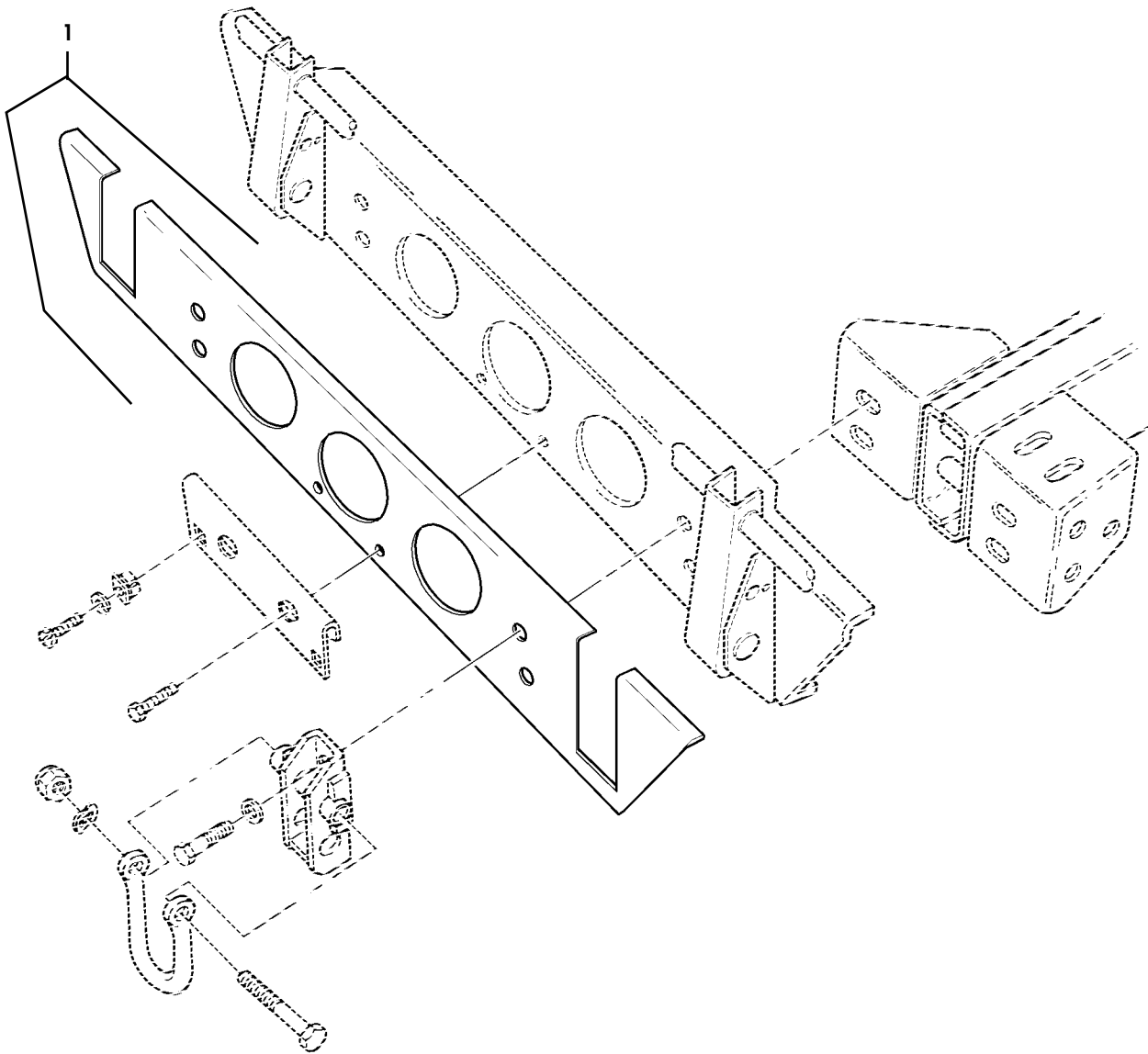
2003 HUMMER H1 PARTS CATALOG

ACCESSORIES 13-123

ITEM	PART NUMBER	DESCRIPTION	QTY
1	5745070	Figure 13-58. Bumper (Front with Winch) Cover Kit, Polished or Brushed Stainless Steel.	1
1	5745189	COVER, front bumper with winch, polished stainless steel	1
		COVER, front bumper with winch, brushed stainless steel	1

2003 HUMMER H1 PARTS CATALOG

13-124 ACCESSORIES



9-P13-013

Figure 13-59. Bumper (Front with Brushguard and without Winch) Cover Kit, Polished or Brushed Stainless Steel.

2003 HUMMER H1 PARTS CATALOG

ACCESSORIES 13-125

ITEM	PART NUMBER	DESCRIPTION	QTY
		Figure 13-59. Bumper (Front with Brushguard and without Winch) Cover Kit, Polished or Brushed Stainless Steel.	
1	5745079	COVER, front bumper with brushguard and without winch, polished stainless steel	1
1	5745192	COVER, front bumper with brushguard and without winch, brushed stainless steel	1

2003 HUMMER H1 PARTS CATALOG

13-126 ACCESSORIES

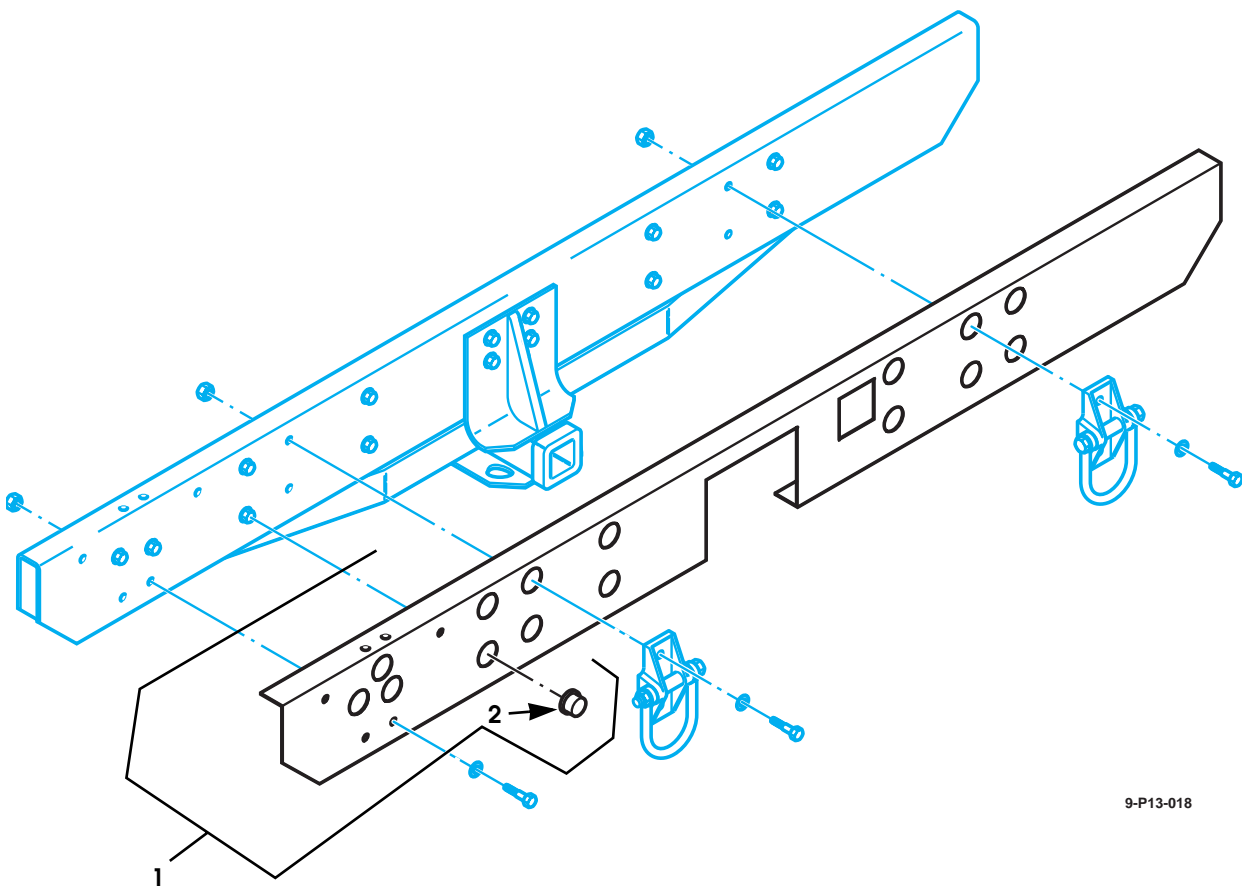


Figure 13-60. Bumper (Rear) Cover, Polished or Brushed Stainless Steel.

2003 HUMMER H1 PARTS CATALOG

ACCESSORIES 13-127

ITEM	PART NUMBER	DESCRIPTION	QTY
		Figure 13-60. Bumper (Rear) Cover, Polished or Brushed Stainless Steel.	
1	5745115	COVER, rear bumper, polished stainless steel	1
1	5745207	COVER, rear bumper, brushed stainless steel.	1
2	5745148	•COVER, bolt	8

2003 HUMMER H1 PARTS CATALOG

13-128 ACCESSORIES

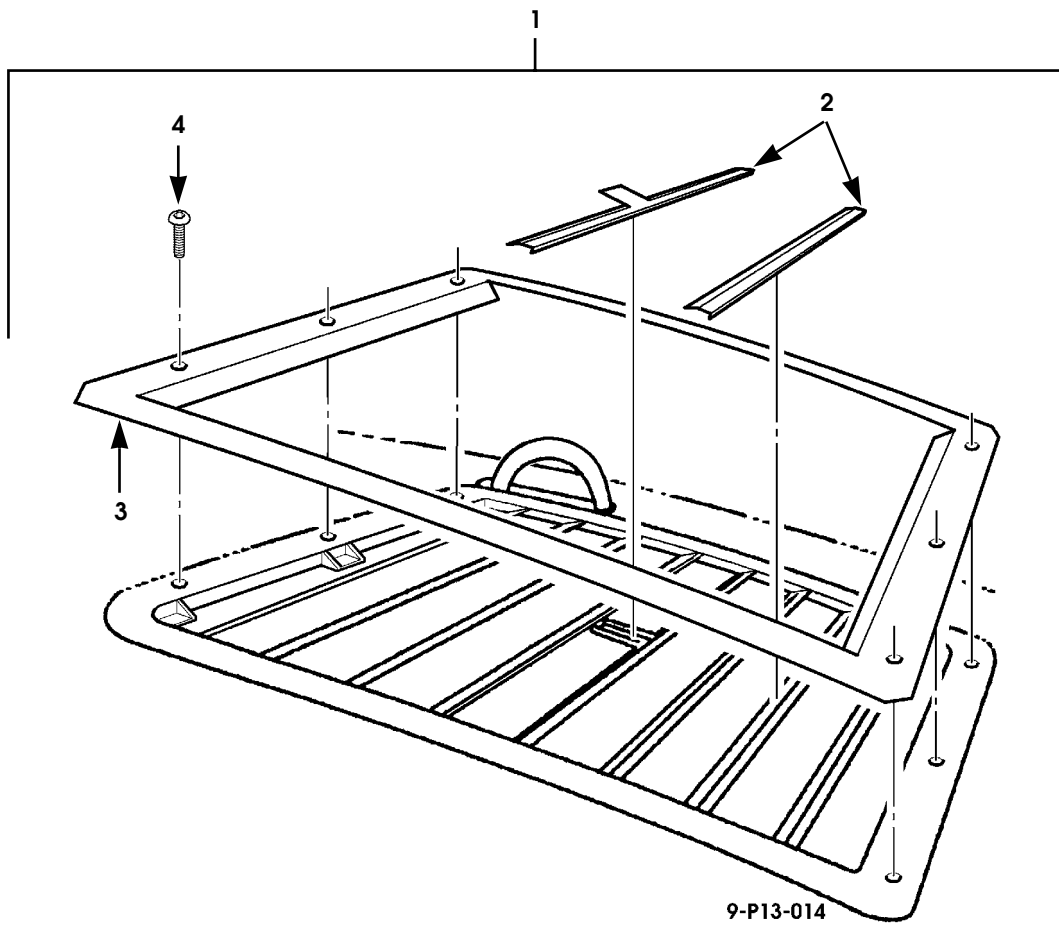


Figure 13-61. Grille (Upper) Cover, Polished or Brushed Stainless Steel.

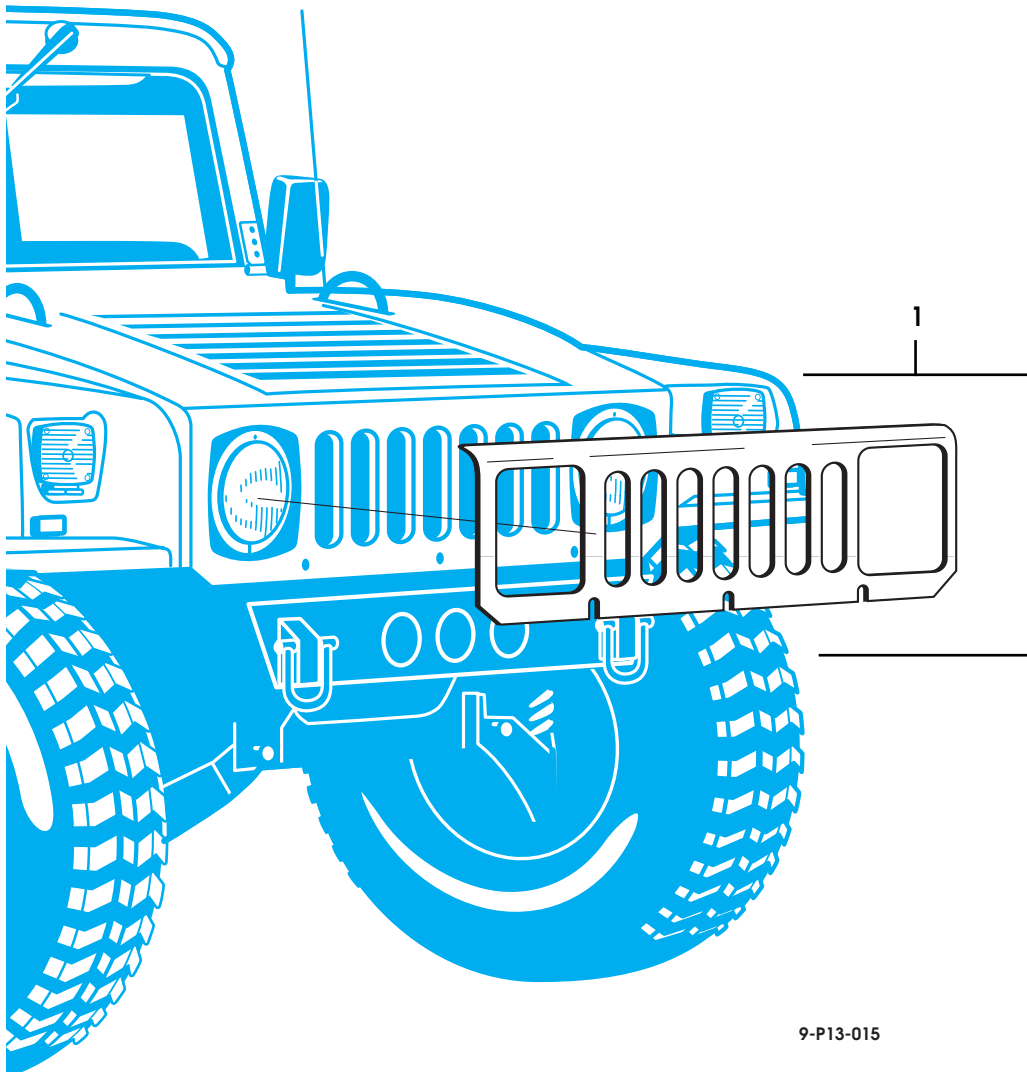
2003 HUMMER H1 PARTS CATALOG

ACCESSORIES 13-129

ITEM	PART NUMBER	DESCRIPTION	QTY
		Figure 13-61. Grille (Upper) Cover, Polished or Brushed Stainless Steel.	
1	5745020	COVER, grille, polished stainless steel.	1
2	S.I.K.	•GRILLE SLAT, polished stainless steel	8
3	S.I.K.	•GRILLE FRAME, polished stainless steel	1
4	S.I.K.	•SCREW, stainless steel	6
1	5745183	COVER, grille, brushed stainless steel.	1
2	S.I.K.	•GRILLE SLAT, brushed stainless steel.	8
3	S.I.K.	•GRILLE FRAME, brushed stainless steel	1
4	S.I.K.	•SCREW, stainless steel	6

2003 HUMMER H1 PARTS CATALOG

13-130 ACCESSORIES



9-P13-015

Figure 13-62. Grille (Front) Cover, Polished or Brushed Stainless Steel.

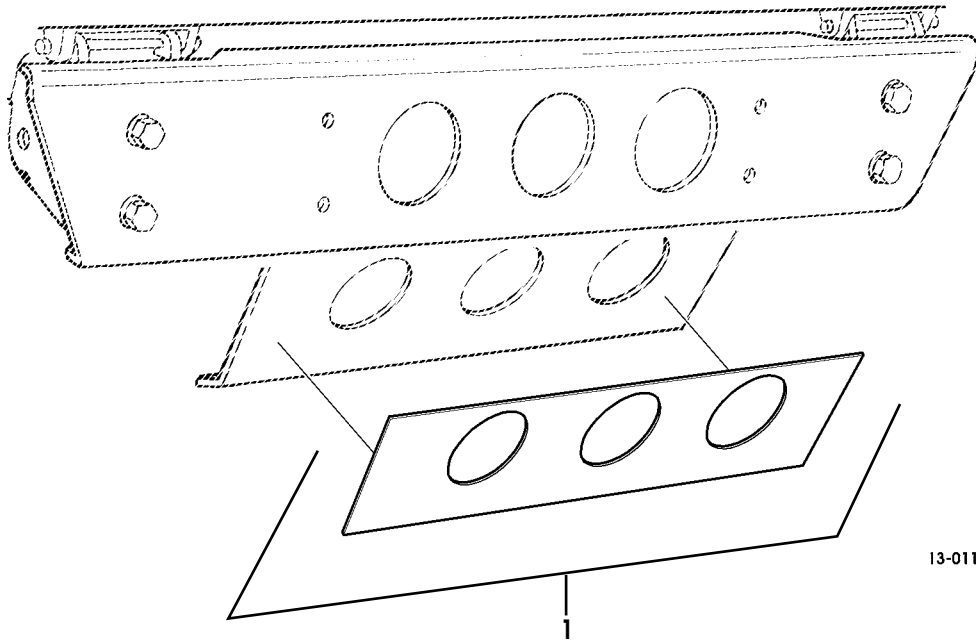
2003 HUMMER H1 PARTS CATALOG

ACCESSORIES 13-131

ITEM	PART NUMBER	DESCRIPTION	QTY
		Figure 13-62. Grille (Front) Cover, Polished or Brushed Stainless Steel.	
1	5745069	COVER, front grille, polished stainless steel	1
1	5745186	COVER, front grille, brushed stainless steel	1

2003 HUMMER H1 PARTS CATALOG

13-132 ACCESSORIES



13-011.1

Figure 13-63. Skid Plate Cover, Polished Stainless Steel.

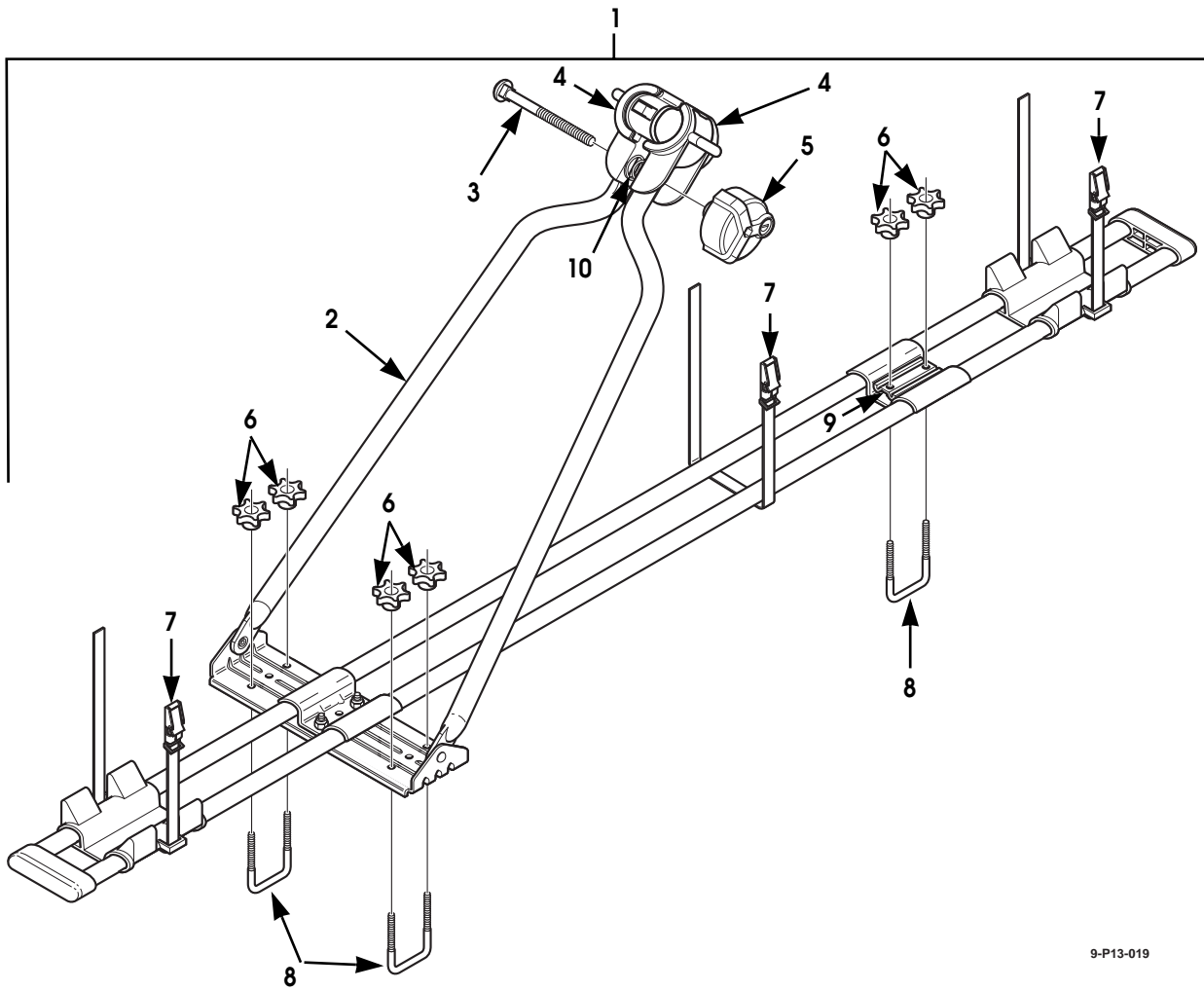
2003 HUMMER H1 PARTS CATALOG

ACCESSORIES 13-133

ITEM	PART NUMBER	DESCRIPTION	QTY
		Figure 13-63. Skid Plate Cover, Polished Stainless Steel.	
1	5745071	COVER, skid plate, polished stainless steel	1
1	5745195	COVER, skid plate, brushed stainless steel	1

2003 HUMMER H1 PARTS CATALOG

13-134 ACCESSORIES



9-P13-019

Figure 13-64. Bike Rack Kit.

2003 HUMMER H1 PARTS CATALOG

ACCESSORIES 13-135

ITEM	PART NUMBER	DESCRIPTION	QTY
		Figure 13-64. Bike Rack Kit.	
1	5745067	KIT, bike rack	1
2	5745065	•BIKE RACK	1
3	S.I.K.	••BOLT, carriage	1
4	S.I.K.	••TUBE CLAMP, half	2
5	S.I.K.	••LOCKING WHEEL	1
6	S.I.K.	••THUMB SCREW	6
7	S.I.K.	••STRAP	3
8	S.I.K.	••U-BOLT	3
9	S.I.K.	••PLATE, spacer	1
10	S.I.K.	••SPRING	1

2003 HUMMER H1 PARTS CATALOG

13-136 ACCESSORIES

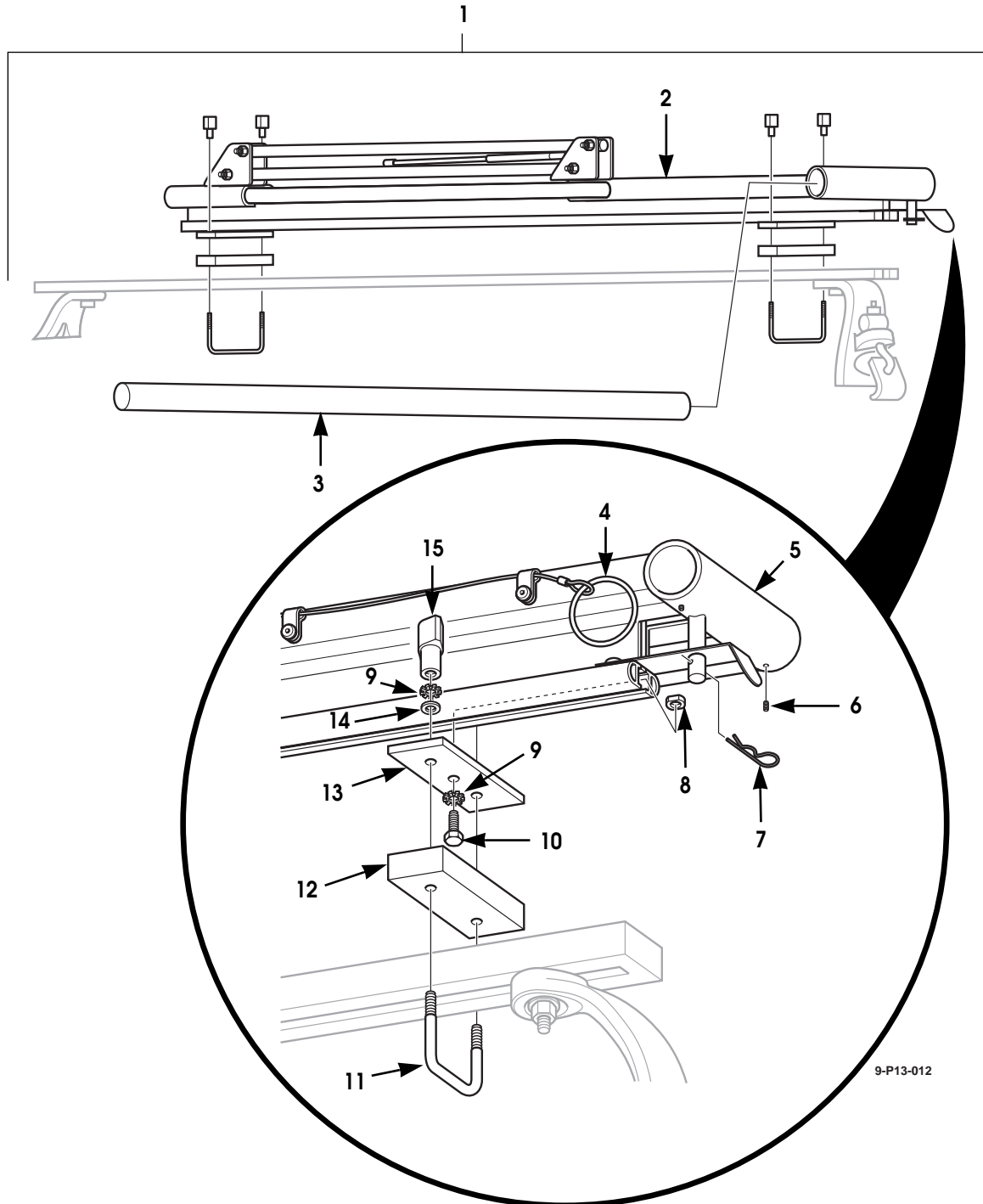


Figure 13-65. Roof Rack Kit, Side Load.

2003 HUMMER H1 PARTS CATALOG

ACCESSORIES 13-137

ITEM	PART NUMBER	DESCRIPTION	QTY
		Figure 13-65. Roof Rack Kit, Side Load.	
1	5745051	KIT, side load roof rack	1
2	S.I.K.	•ROOF RACK, half	2
3	S.I.K.	•BAR, handle	1
4	S.I.K.	•RING, quick release.	1
5	S.I.K.	•HOLDER, handle bar	2
6	S.I.K.	•SET SCREW	2
7	S.I.K.	•PIN, hitch	2
8	S.I.K.	•NUT	4
9	S.I.K.	•WASHER, lock	10
10	S.I.K.	•SCREW	4
11	S.I.K.	•U-BOLT	4
12	S.I.K.	•PAD, rubber	4
13	S.I.K.	•MOUNTING FOOT	4
14	S.I.K.	•WASHER, flat.	8
15	S.I.K.	•NUT, wing	8

2003 HUMMER H1 PARTS CATALOG

13-138 ACCESSORIES

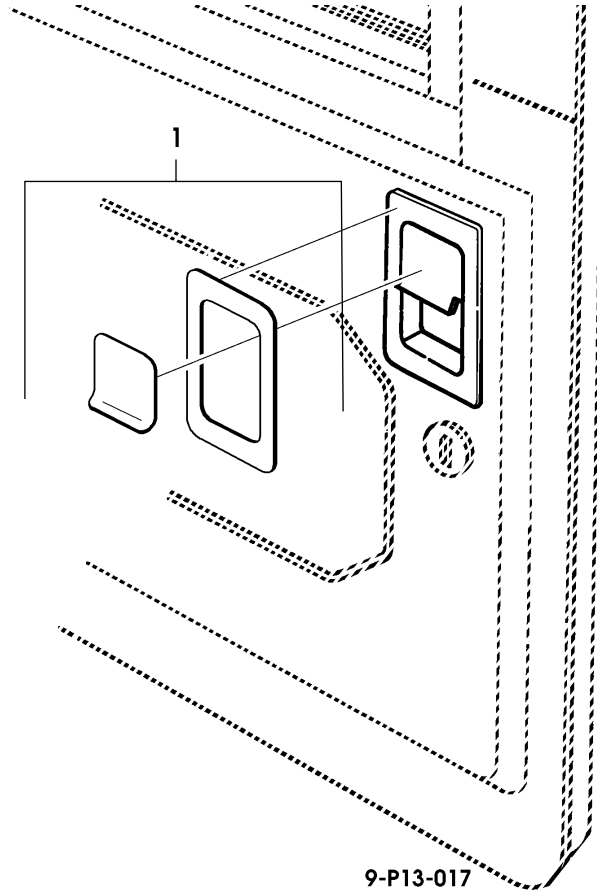


Figure 13-66. Door Handle and Bezel Covers, Polished and Brushed Stainless Steel.

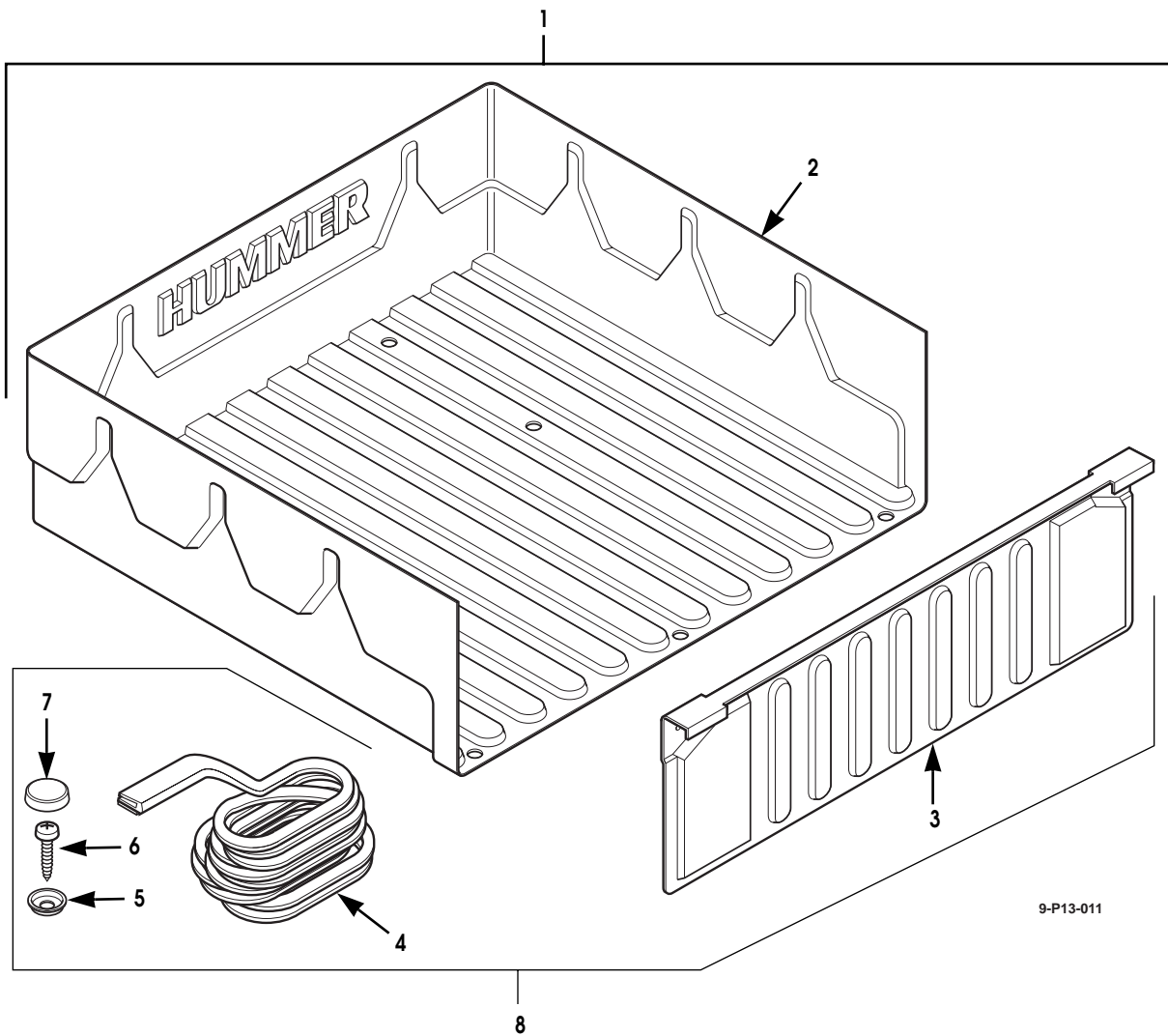
2003 HUMMER H1 PARTS CATALOG

ACCESSORIES 13-139

ITEM	PART NUMBER	DESCRIPTION	QTY
		Figure 13-66. Door Handle and Bezel Covers, Polished and Brushed Stainless Steel.	
1	5745102	COVERS, door handle and bezel (four-door), polished stainless steel 83, 89, 90	4
1	5745101	COVERS, door handle and bezel (six-door), polished stainless steel 84	4
1	5745201	COVERS, door handle and bezel (four-door), brushed stainless steel 83, 89, 90	6
1	5745204	COVERS, door handle and bezel (six-door), brushed stainless steel 84	6

2003 HUMMER H1 PARTS CATALOG

13-140 ACCESSORIES



9-P13-011

Figure 13-67. Bedliner Kit.

2003 HUMMER H1 PARTS CATALOG

ACCESSORIES 13-141

ITEM	PART NUMBER	DESCRIPTION	QTY
		Figure 13-67. Bedliner Kit.	
1	5745029	KIT, bedliner	1
2	S.I.K.	•BEDLINER	1
3	S.I.K.	•COVER, tailgate.	1
4	S.I.K.	•EDGE TRIM STRIP	4
5	S.I.K.	•WASHER, cap lock.	2
6	S.I.K.	•SCREW	2
7	S.I.K.	•COVER, cap lock.	2
8	5745564	KIT, tailgate cover and hardware	1

2003 HUMMER H1 PARTS CATALOG

13-142 ACCESSORIES

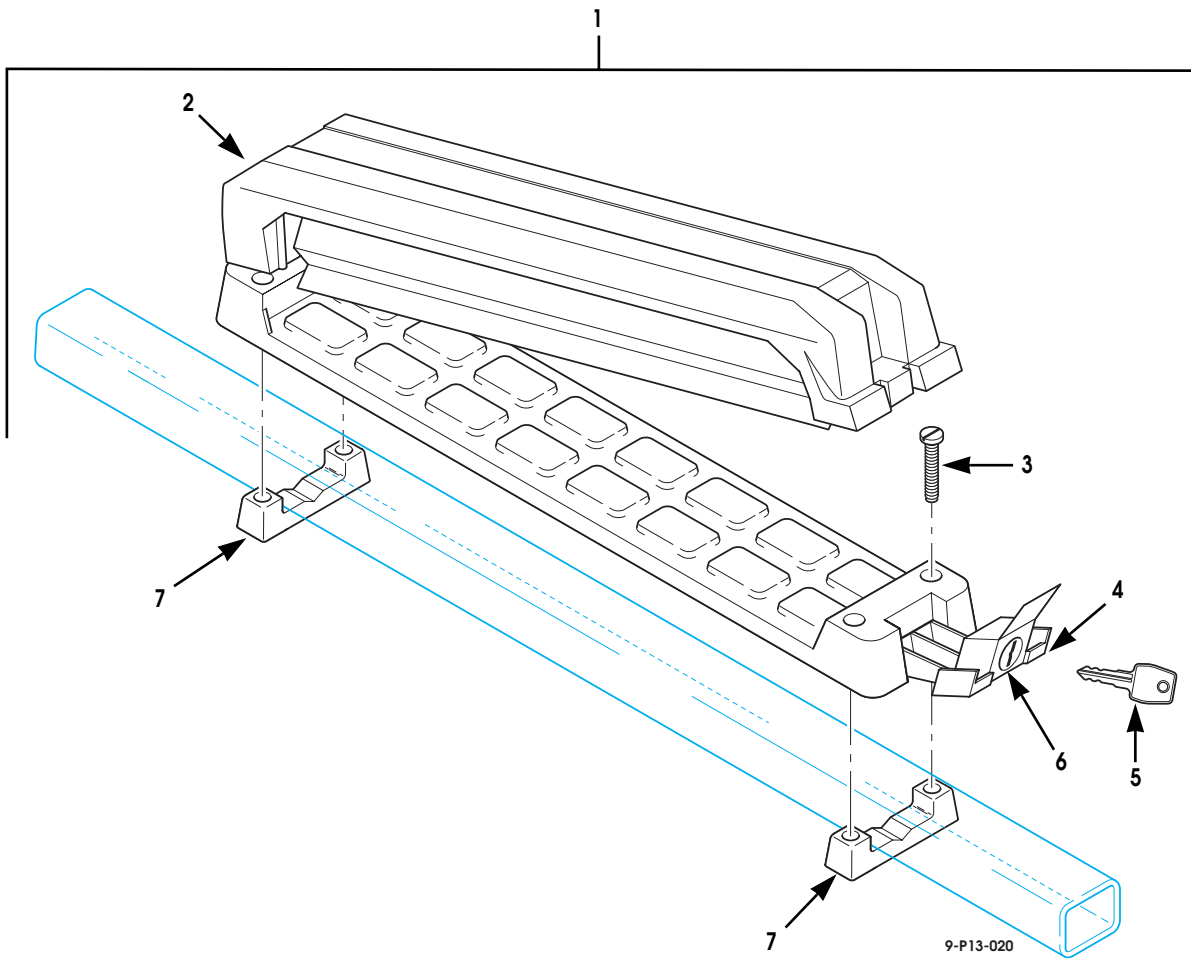


Figure 13-68. Ski Rack Kit.

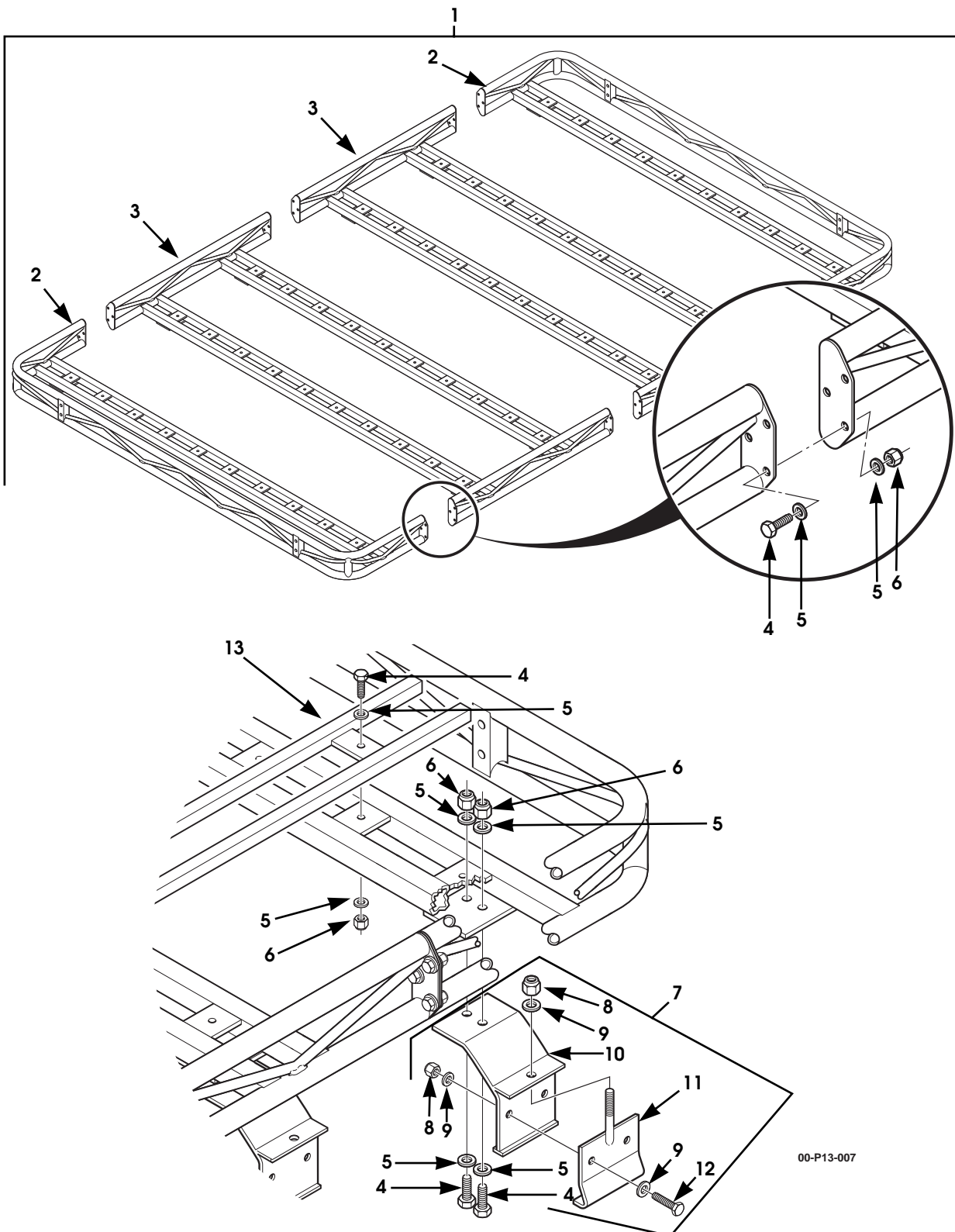
2003 HUMMER H1 PARTS CATALOG

ACCESSORIES 13-143

ITEM	PART NUMBER	DESCRIPTION	QTY
		Figure 13-68. Ski Rack Kit.	
1	5745154	KIT, ski rack	1
2	S.I.K.	•CARRIER, ski	4
3	S.I.K.	•SCREW, clamp	8
4	S.I.K.	•LATCH	2
5	S.I.K.	•KEY	1
6	S.I.K.	•LOCK	2
7	5745181	•CLAMP	4

2003 HUMMER H1 PARTS CATALOG

13-144 ACCESSORIES



00-P13-007

Figure 13-69. Roof Rack Kit, Aluminum, Round Tube.

2003 HUMMER H1 PARTS CATALOG

ACCESSORIES 13-145

ITEM	PART NUMBER	DESCRIPTION	QTY		
			3'	6'	9'
		Figure 13-69. Roof Rack Kit, Aluminum, Round Tube.			
1	5745305	KIT, 3' roof rack 89, 83, 84, 91	1		
1	5745306	KIT, 6' roof rack 83, 84, 91		1	
1	5745307	KIT, 9' roof rack 84			1
2	5745308	•RACK END ASSEMBLY	2	2	2
3	5745315	•RACK CENTER ASSEMBLY		1	2
4	S.I.K.	•BOLT, hex, 3/8 - 16", stainless.	34	68	102
5	S.I.K.	•WASHER, flat, 3/8 - 16", stainless.	68	136	204
6	S.I.K.	•LOCKNUT, nylon, 3/8 - 16", stainless.	34	68	102
7	5745314	•CLAMP ASSEMBLY	4	8	12
8	S.I.K.	••LOCKNUT, nylon, 3/8 - 16", stainless.	3	3	3
9	S.I.K.	••WASHER, flat, 3/8 - 16", stainless.	4	4	4
10	S.I.K.	••BRACKET.	1	1	1
11	S.I.K.	••"L" BRACKET	1	1	1
12	S.I.K.	••BOLT, hex, 3/8 - 16", stainless	2	2	2
13	5745310	•FLOOR RAIL ASSEMBLY, 3'	10		
13	5745311	•FLOOR RAIL ASSEMBLY, 6'		10	
13	5745312	•FLOOR RAIL ASSEMBLY, 9'			10
	5745313	•END CAP, floor rail (not illustrated)	40	40	40
	6011541	•LABEL, warning, 3' roof rack (not illustrated).	1		
	6011544	•LABEL, warning, 6' and 9' roof racks (not illustrated)		1	1
	S.I.K.	•TAPE, foam	1	1	1
	6011540	LABEL, warning, Arabic, 3' roof rack (not illustrated)	1		
	6011543	LABEL, warning, Arabic, 6' and 9' roof racks (not illustrated)		1	1
	6011539	LABEL, warning, English/French 3' roof rack (not illustrated)	1		
	6011542	LABEL, warning, English/French 6' and 9' roof racks (not illustrated)		1	1
	5745428	KIT, HARDWARE, 9' aluminum roof rack, SEE NOTE 2			1
		NOTE 1: NINE-FOOT ROOF RACK SHOWN.			
		NOTE 2: P/N 5745428 KIT, HARDWARE, 9', IS TO BE USED WITH ALL ROOF RACKS (3', 6' & 9').			

2003 HUMMER H1 PARTS CATALOG

13-146 ACCESSORIES

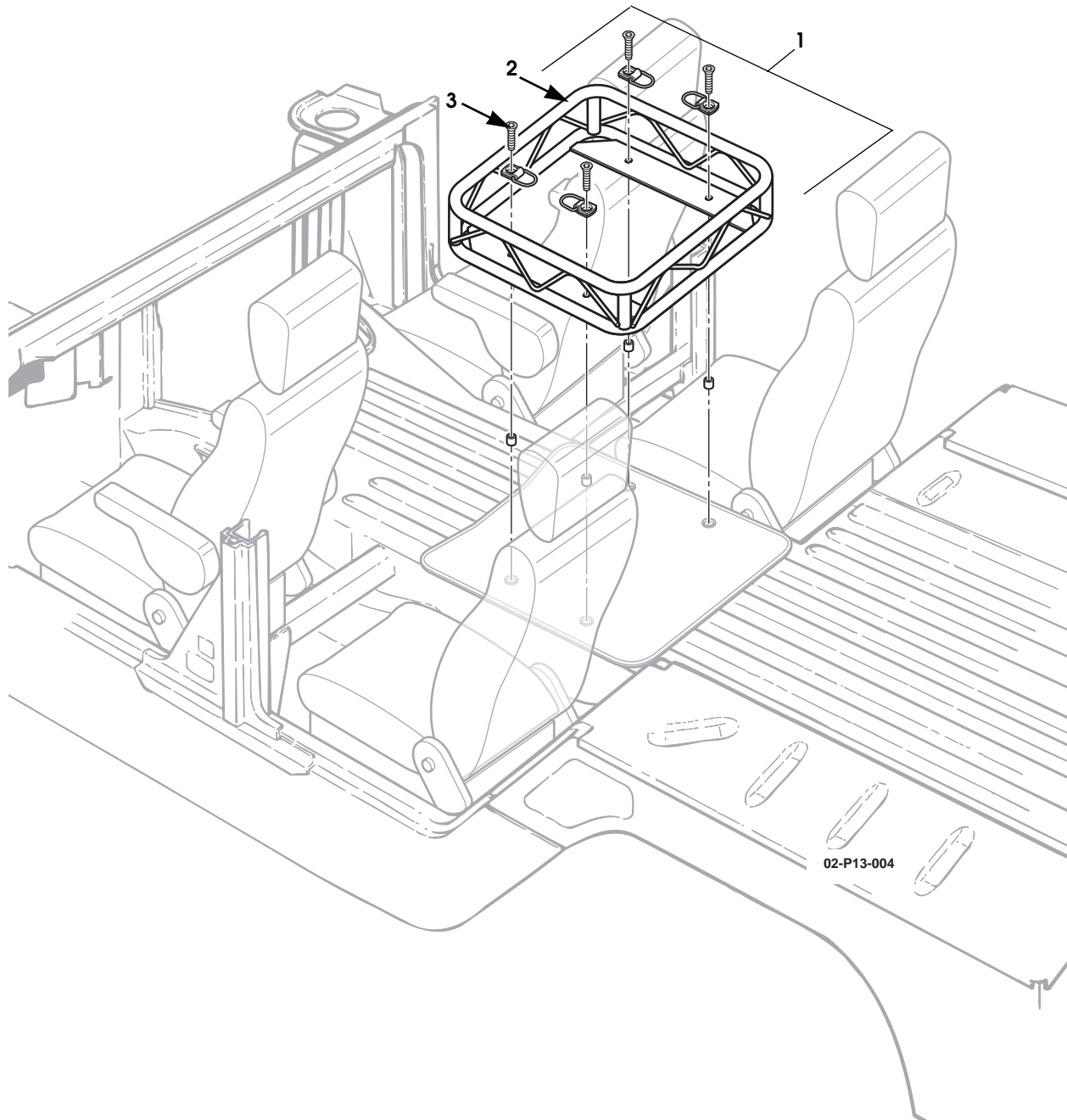


Figure 13-70. Kit, Center Tunnel Rack.

2003 HUMMER H1 PARTS CATALOG

ACCESSORIES 13-147

ITEM	PART NUMBER	DESCRIPTION	QTY
		Figure 13-70. Kit, Center Tunnel Rack.	
1	5745500	KIT, center tunnel rack.	1
2	S.I.K.	•RACK, center tunnel	1
3	MS24667-79	•CAP SCREW, socket head, flat, 1/2-13 x 2 - 1/4"	1
NOTE 1: CARGO TIE DOWN RING AND SPACER ARE PART OF THE TRUCK ASSEMBLY. THESE PARTS ARE NOT SUPPLIED IN KIT.			

2003 HUMMER H1 PARTS CATALOG

13-148 ACCESSORIES

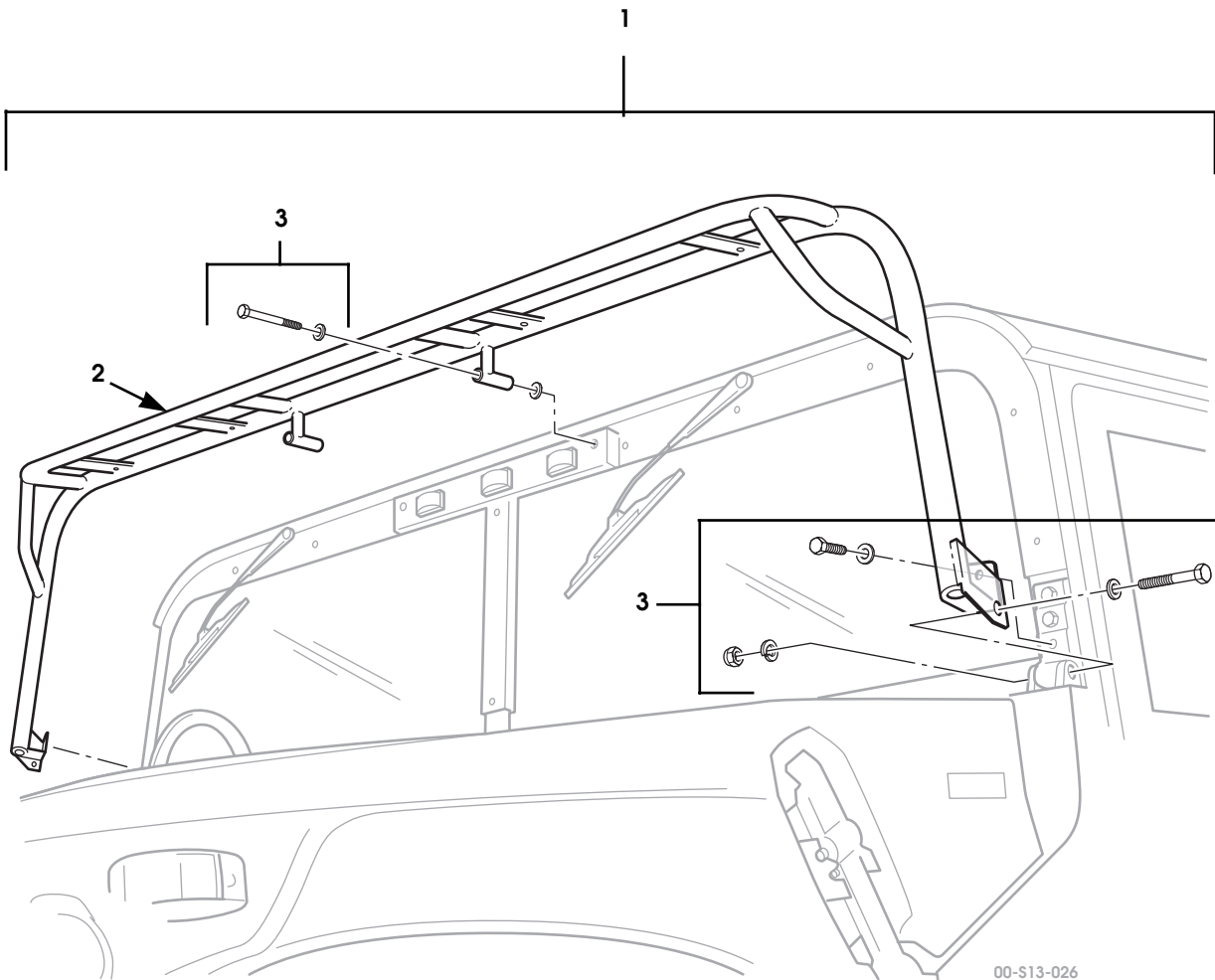


Figure 13-71. Light Bar Kit.

2003 HUMMER H1 PARTS CATALOG

ACCESSORIES 13-149

ITEM	PART NUMBER	DESCRIPTION	QTY
		Figure 13-71. Light Bar Kit.	
1	5745318	LIGHT BAR KIT	1
2	5745320	•LIGHT BAR, assembly	1
3	S.I.K.	•LIGHT BAR, hardware package	1
4	5745321	•LIGHT BAR, installation instructions (not illustrated) . .	1

2003 HUMMER H1 PARTS CATALOG

13-150 ACCESSORIES

ITEM	PART NUMBER	DESCRIPTION	QTY
		Bulk.	
1	5740928	HOSE, rubber, bulk, 1/2" O.D. x 1/4" I.D. x 100'	A/R
2	5740929	HOSE, rubber, bulk, 7/8" O.D. x 5/8" I.D. x 50'	A/R
3	5741064	HOSE, rubber, bulk, 1" O.D. x 11/16" I.D. x 50'	A/R
4	5741067	HOSE, nonmetallic, 5/8" O.D. x 3/8" I.D. x 25'	A/R
5	5741068	HOSE, nonmetallic, 1/2" O.D. x 1/4" I.D. x 25'	A/R
6	5741079	TUBE, nylon, bulk, 1/4" O.D. x 3/16" I.D. x 250'	A/R
7	5741163	HOSE, rubber, bulk, 1/2" O.D. x 1/4" I.D. x 25'	A/R
8	5741209	HOSE, rubber, bulk, 5/8" O.D. x 3/8" I.D. x 25'	A/R
9	5741210	HOSE, rubber, bulk, 1/2" O.D. x 1/4" I.D. x 50'	A/R
10	5741211	HOSE, rubber, bulk, 3/8" O.D. x 3/16" I.D. x 50'	A/R
11	5741214	EDGE PROTECTOR, 3/8 x 9/32" x 80'	A/R
12	5743023	HOSE, air duct, bulk, 2 - 1/2" I.D. x 18'	A/R
13	5743169	HOSE, plastic, drain, 1/2" O.D. x 3/8" I.D. x 4'	A/R
14	5743290	FOAM TAPE, w/strip, 1/4" x 35'	A/R
15	5743540	HOSE, air duct, bulk, 3/4" I.D. x 50'	A/R
16	5743541	HOSE, air duct, bulk, 1 - 1/2" I.D. x 25'	A/R
17	5743542	HOSE, air duct, bulk, 2" I.D. x 50'	A/R
18	5743584	HOSE, bulk, drain, 7/16" O.D. x 3/8" I.D. x 50'	A/R
19	5744138	SEAL, door trim, 12' roll	A/R
20	5744321	SEAL, door, 50' roll	A/R
21	5744322	SEAL, body, 50' roll	A/R
22	5745010	EDGE GUARD, 24"	A/R
23	5745107	VELCRO SET 1" x 50'	A/R
24	5937189	TAPE, PVC foam, 35' roll	A/R
25	6000366	SEAL, bulk, 1,000'	A/R
26	6000871	SEAL, door drip rail	A/R
27	6001808	SEAL, door trim, 250' roll	A/R
28	6006217	SEALING TAPE, bulk, 150' roll	A/R
29	6006218	EDGE SEAL, bulk, vertical doors, 500' roll	A/R
30	6006219	DOOR SEAL, bulk, vert, 500' roll	A/R
31	6007306	CONVOLUTED CONDUIT, slit, 7/8" O.D. x 3/4" I.D. x 20"	A/R
32	6007446	CONVOLUTED CONDUIT, non-slit, 7/8" O.D. x 3/4" I.D. x 38"	A/R
33	6008053	TAPE, Butyl foam core, bulk, 720' long roll	A/R
34	6009348	EDGE GUARD, bulk, 150' roll	A/R
35	6009706	V-SEAL, bulk, 500' roll	A/R
36	CPR104420-2	TUBING, nylon, 3/8" O.D.	A/R
37	CPR104420-3	TUBING, nylon, 1/2" O.D. x 3/8" I.D. , bulk.	A/R
38	CPR104420-6	TUBING, nylon, bulk, 1/8" O.D. x 50'	A/R
39	M13486/111	ELECTRICAL WIRE, 4 GAUGE	A/R
40	MA20722026	TUBING, nylon, 1/4" I.D.	A/R

2003 HUMMER H1 PARTS CATALOG

ACCESSORIES 13-151

ITEM	PART NUMBER	DESCRIPTION	YEAR
		Commercial Manuals.	
	5714134	OWNER'S MANUAL	1993
	5714154	OWNER'S MANUAL	1994
	5714158	OWNER'S MANUAL	1995
	5714158G	OWNER'S MANUAL, GASOLINE	1995
	5744368	OWNER'S MANUAL, CANADIAN SUPPLEMENT	1995
	5744369	OWNER'S MANUAL, G.C.C SUPPLEMENT	1995
	5744380	OWNER'S MANUAL	1996
	5744613	OWNER'S MANUAL	1997
	5744845	OWNER'S MANUAL	1998
	5744974	OWNER'S MANUAL	1999
	5745157	OWNER'S MANUAL	2000
	5745277	OWNER'S MANUAL	2001
	5745458	OWNER'S MANUAL	2002
	5745546	OWNER'S MANUAL	2003
	5744168	OWNER'S MANUAL KIT, SEE NOTE 1	1995
	5744676	OWNER'S MANUAL KIT, SEE NOTE 2	1997
	5744861	OWNER'S MANUAL KIT, SEE NOTE 3	1998
	5744973	OWNER'S MANUAL KIT, SEE NOTE 4	1999
	5745156	OWNER'S MANUAL KIT, SEE NOTE 5	2000
	5745276	OWNER'S MANUAL KIT, SEE NOTE 6	2001
	5745457	OWNER'S MANUAL KIT, SEE NOTE 7	2002
	5745547	OWNER'S MANUAL KIT, SEE NOTE 8	2003
	5744632	MAINTENANCE BOOKLET	1997
	5744692	MAINTENANCE BOOKLET (for all years except 1997) .	
	5745545	LABOR TIME GUIDE	2003
	5744618	POLICIES AND PROCEDURES MANUAL	1997-2003
	5743423	SPECIAL EQUIPMENT APPLICATION GUIDE	1993/1994
	5714162	SPECIAL EQUIPMENT APPLICATION GUIDE	1995
	5744522	SPECIAL EQUIPMENT APPLICATION GUIDE	1996
	5744617	SPECIAL EQUIPMENT APPLICATION GUIDE	1997/1998
	5745462	SPECIAL EQUIPMENT APPLICATION GUIDE	1999-2003
	5744644	VIDEO, OFF-ROAD DRIVING	1993-98
	5745035	VIDEO, OFF-ROAD DRIVING	1999
	5744619	VIDEO, 1-PIECE WHEEL	1996-1999

2003 HUMMER H1 PARTS CATALOG

13-152 ACCESSORIES

ITEM	PART NUMBER	DESCRIPTION	YEAR
		Commercial Manuals.	
	5745567	CD ROM, PARTS AND SERVICE MANUALS	1994
	5745044	CD ROM, PARTS AND SERVICE MANUALS	1995/1996
	5745045	CD ROM, PARTS AND SERVICE MANUALS	1997/1998
	5744978	CD ROM, PARTS AND SERVICE MANUALS	1999/2000
	5744979	CD ROM, PARTS AND SERVICE MANUALS	2001
	5745463	CD ROM, PARTS AND SERVICE MANUALS	2002
	5745544	CD ROM, PARTS AND SERVICE MANUALS	2003
		NOTE 1: KIT INCLUDES 5714158, 5714158G, AND A ZIP-PERED CASE.	
		NOTE 2: KIT INCLUDES 5744613, 5744632, AND A ZIP-PERED CASE.	
		NOTE 3: KIT INCLUDES 5744845, 5745417, AND A ZIP-PERED CASE.	
		NOTE 4: KIT INCLUDES 5744974, 5745417, AND A ZIP-PERED CASE.	
		NOTE 5: KIT INCLUDES 5745157, 5745417, AND A ZIP-PERED CASE.	
		NOTE 6: KIT INCLUDES 5745277, 5745417, AND A ZIP-PERED CASE.	
		NOTE 7: KIT INCLUDES 5745458, 5745417, AND A ZIP-PERED CASE.	
		NOTE 8: KIT INCLUDES 5745546, 5745417, AND A ZIP-PERED CASE.	

2003 HUMMER H1 PARTS CATALOG

ACCESSORIES 13-153

COLOR DESCRIPTION	AMG CODE	PPG CODE	NCP CODE	PPG PRIMER	AMG TOUCH UP 2 oz. bottle	AMG TOUCHUP 12 oz.spray
BLACK DIAMOND METALLIC	B30	DUHS-36241	N/A	DP50LF	N/A	N/A
BLACK GLOSS	B9	DCC-9000	N/A	DP50LF	5744182	5744181
BRIGHT WHITE	W14	DCC-4185	N/A	DP50LF	5744366	5744367
COMPETITION YELLOW	Y20	DFHS-4266	N/A	DP50LF	5744895	5744896
FIREHOUSE RED	R28	DUHS-4217	N/A	DP50LF	5745476T	5745475S
MESA DUSK CARMEL	C22	PPG-5228	N/A	DP50LF	5745060	5745061
METALLIC PEWTER	P33	PPG-5377	N/A	DP50LF	5745283	5745282
OCEAN BLUE METALLIC	L24	PPG-15650	N/A	DP50LF	5745367T	5745366S
SUMMIT SILVER	S31	DUHS-35911	N/A	DP50LF	N/A	N/A
TAN GLOSS	T11	DCC-101794	N5316A	DP50LF	5744184	5744183
WHITE GLOSS	W8	DCC-8378	N5611A	DP50LF	5744357	5744358
WOODLAND GREEN	G23	PPG-4976K	N/A	DP50LF	5745285	5745284

NOTE: All paints listed above can be used with PPG Top coat Enhancer Code DX73. Top coat Catalysts are as follows: PPG Code DU6, NCP Code N1433B. PPG Primer Catalyst is code DP402LF. All listed paints can use PPG reducer, Code DT870.

2003 SERVICE PARTS CATALOG

COMMERCIAL HUMMER H1

AM GENERAL LLC

408 South Byrkit Avenue
P.O. Box 728
Mishawaka, Indiana 46546-0728

AM General Number 5745548
Copyright ©2002
All Rights Reserved. Printed in U.S.A.

HUMMER® is a registered trademark of
General Motors Corporation.

TABLE OF CONTENTS

General Information	1
Engine	2
Fuel, Emissions and Exhaust	3
Cooling System	4
Transmission/Transfer Case	5
Wheels and Tires/ Central Tire Inflation System	6
Brake System	7
Steering System	8
Axles/Suspension/Frame	9
Body	10
Heating/Ventilation/ Air Conditioning (HVAC)	11
Electrical	12
Accessories	13
Index	14

2003 HUMMER H1 PARTS CATALOG

TABLE OF CONTENTS 1

TITLE	PAGE NUMBER
SECTION 1. GENERAL INFORMATION	
General Information	1-1
SECTION 2. ENGINE	
Air Intake Manifolds, Crankcase Depression Regulator Valve, and Mounting Hardware.	2-20
Camshaft, Timing Chain, and Related Parts	2-12
Crankcase Cover Assembly and Rocker Cover.	2-14
Crankshaft, Damper, Bearings, Pulley, and Flywheel	2-6
Cylinder Head and Block Components	2-4
Engine Assembly	2-2
Engine Oil Pan, Pump, and Filler Tube	2-16
Exhaust Manifold Heat Shield	2-32
Exhaust Manifolds	2-26
Mounting Brackets, Engine	2-28
Oil Dipstick and Tube Assembly, Engine.	2-30
Oil Filter, Adapter, and Oil Line Fittings	2-18
Piston Assembly, Rod Assembly, and Ring Set	2-8
TurboCharger Assembly and Heat Shields	2-22
Vacuum Pump, Serpentine Belt and Accessory Drive Brackets and Pulleys.	2-24
Valves, Guides, and Rocker Arm Assemblies	2-10
SECTION 3. FUEL, EMISSIONS AND EXHAUST	
Accelerator Pedal Assembly	3-8
Air Cleaner, Air Horn, and Related Parts	3-10
Exhaust Pipes and Related Parts	3-28
Fuel Filler Pipe Assembly and Vent Lines, Main Fuel Tank.	3-20
Fuel Filler, Auxiliary Fuel Tank	3-22
Fuel Filter Assembly and Mounting Hardware	3-26
Fuel Injection Pump and Fuel Intake Line	3-4
Fuel Injection Supply and Return Lines	3-6
Fuel Pump and Mounting Hardware	3-2
Fuel Supply and Return Lines	3-14
Fuel Tank (Auxiliary) Assembly and Mounting Hardware	3-18
Fuel Tank Vent Line, Filter, and Mounting Hardware	3-24
Main Fuel Tank Assembly and Mounting Straps	3-16

2003 HUMMER H1 PARTS CATALOG

2 TABLE OF CONTENTS

TITLE **PAGE NUMBER**

SECTION 4. COOLING SYSTEM

Cooling Fan, Fan Clutch, Belt, and Pulleys	4-14
Oil Cooler (Engine and Transmission) and Engine Oil Cooler Lines	4-16
Radiator and Mounting Hardware	4-2
Radiator Hoses and Related Parts	4-8
Radiator Shroud and Related Parts	4-6
Surge Tank and Related Parts	4-4
Thermostat, Water Crossover, and Attaching Hardware	4-10
Water Pump and Attaching Hardware	4-12

SECTION 5. TRANSMISSION/TRANSFER CASE/PROPELLER SHAFTS

Control Valve and Related Parts	5-14
Torque Converter	5-2
Transfer Case Assembly, Front Half	5-26
Transfer Case Assembly, Rear Half	5-28
Transfer Case Assembly	5-24
Transfer Case Oil Cooler Assembly	5-32
Transfer Case Shift Controls	5-36
Transfer Case Shift Mechanisms	5-34
Transmission and Transfer Case Control Assembly and Neutral Start Switch	5-5
Transmission External Wiring Harness	5-16
Transmission Filter and Sensors	5-12
Transmission Mounting Hardware, Fluid Dipstick, and Tube Assembly	5-10
Transmission Parking Lock System	5-18
Transmission Shifting Linkage	5-8
Transmission Vent Lines and Attaching Hardware	5-20
Transmission/Transfer Case Cooling Lines	5-22

SECTION 6. WHEELS AND TIRES/CENTRAL TIRE INFLATION SYSTEM

Central Tire Inflation System Routing	6-16
CTIS Control Panel and Electrical Harnesses	6-10
CTIS Tool Kits for 16.5" Steel Wheel and 17" Aluminum Wheel	6-8
CTIS Valve Assembly and Compressor	6-12
Wheel, Tire and Runflat Assembly, 17", Two-piece Aluminum Wheel	6-6
Wheel, Tire and Runflat Assembly, 17", One-Piece Aluminum	6-4
Wheel, Tire, and Beadlock Assembly, Two-Piece Steel Rim	6-2

2003 HUMMER H1 PARTS CATALOG

TABLE OF CONTENTS 3

TITLE **PAGE NUMBER**

SECTION 7. BRAKES

ABS Electronic Control Unit (ECU)	7-18
ABS Modulator	7-12
ABS Wheel Speed Sensor	7-16
Brake Lines	7-14
Front Service Brake Caliper Assembly and Rotor.	7-8
Master Cylinder Assembly and Hydro-Boost Assembly	7-10
Parking Brake Cables and Mounting Hardware	7-4
Parking Brake Hand Lever and Rod.	7-2
Rear Service and Parking Brake Caliper Assembly and Rotor	7-6
Service Brake Pedal Assembly	7-20

SECTION 8. STEERING SYSTEM

Power Steering Gear and Mounting Hardware	8-10
Power Steering Gear Assembly	8-12
Power Steering Pump, Oil Cooler, and Hydro-Boost Lines and Fittings.	8-20
Power Steering Pump, Pulley, Reservoir, and Mounting Hardware	8-18
Power Steering Pump	8-16
Steering Column and Intermediate Shaft.	8-2
Steering Column Lock and Switch Housing Assembly.	8-6
Steering Column Trim and Turn Signal	8-4
Steering Linkage	8-8

SECTION 9. AXLES/SUSPENSION/FRAME

Airlift Brackets, Front Spring Seats, and Mounting Hardware	9-20
Axle Differential, Mounting Brackets, and Hardware	9-38
Axle Differential	9-40
Bumper, Front and Lifting Shackle (with Winch)	9-28
Bumper, Front and Lifting Shackle (without Winch)	9-26
Bumper, Rear and Lifting Shackle	9-30
Control Arms, Ball Joints, and Mounting Hardware	9-12
Frame Rails, Body Mount Brackets, and Transmission Crossmember	9-18
Front Suspension Crossmembers, Related Parts, and Mounting Hardware.	9-6
Front Upper Control Arm Brackets, L.H.	9-22
Front Upper Control Arm Brackets, R.H.	9-24
Geared Hub (Knuckle) Assemblies	9-50
Halfshaft Assembly, Left and Right Side.	9-34
Propeller Shafts.	9-36
Rear Radius Rods	9-16
Rear Suspension Crossmembers, Related Parts, and Mounting Hardware.	9-8
Shock Absorbers and Springs, Front and Rear	9-10
Stabilizer Bar and Connecting Links.	9-14
Upper Control Arm Brackets, Spring Seats, Related Parts, and Mounting Hardware.	9-32
Vent Lines, Front Axle and Geared Hub	9-46
Vent Lines, Rear Axle and Geared Hub.	9-48

2003 HUMMER H1 PARTS CATALOG

4 TABLE OF CONTENTS

TITLE	PAGE NUMBER
SECTION 10. BODY	
B- and C-Bars, Models 83,84 and 90	10-74
B-Bar, Two-Passenger Enlarged Cab, Model 89	10-72
Body Assembly Components, L.H.	10-8
Body Assembly Components, R.H.	10-10
Body Assembly	10-6
Body Mounting Components	10-4
Door Assembly Front	10-54
Door Assembly, Rear, Models 83, 84, and 90	10-58
Door Striker Assemblies, Front and Rear.	10-16
Emblems, HUMMER Front and Rear	10-120
Emblems, HUMMER Side (H1 and K-Series)	10-122
Engine Cover, Console Cover, and Related Parts.	10-50
Fixed Door, Footwell Cover, and Related Parts, Two-Passenger Enlarged Cab, Model 89.	10-82
Floor Padding, Front and Rear	10-100
Four-Door Soft Top Kit, Basic, Model 90	10-94
Headliner, Rear Trim, and Carpet, Station Wagon, Model 84	10-114
Headliner, Roof Trim, Front and Rear Side Trim, Grab Handles, and Mounting Hardware (Delco Monsoon Stereo System)	10-108
Headliner, Roof Trim, Front and Rear Side Trim, Grab Handles, and Mounting Hardware (Delco Standard Stereo System)	10-104
Hood Assembly and Mounting Hardware.	10-18
Hood Assembly, Grille, and Related Parts	10-22
Hood Release	10-24
Inner Kick Panels and Miscellaneous Trim Panels	10-116
Instrument Panel Assembly, Dash Trim, Crash Pad, and Mounting Hardware	10-98
Interior Tunnel Padding, Carpet, and Hardboard.	10-102
Kit, Brushguard, Heavy Duty, Frontal Coverage.	10-118
Mirrors (Inside) Mounting Hardware.	10-32
Monsoon Trim Pieces, Model 90	10-112
Outer Kick Panels Interior Trim.	10-64
Panel Assembly Door Trim	10-84
Removable Load Barrier, Station Wagon, Model 84.	10-96
Roof and Mounting Hardware, Four-Passenger Hardtop, Model 83.	10-68
Roof and Mounting Hardware, Station Wagon, Model 84.	10-70
Roof and Mounting Hardware, Two-Passenger Enlarged Cab, Model 89	10-66
Seat Belts, Front and Rear	10-46
Seats, Driver and Passenger	10-42
Soft Top Support Structure, Model 90	10-88
Splash Shield (Left Hand) and Hood Prop Rod.	10-26
Splash Shield (Right Hand Upper) and Seals.	10-28
Splash Shield, Right Hand Lower.	10-30

2003 HUMMER H1 PARTS CATALOG

TABLE OF CONTENTS 5

TITLE	PAGE NUMBER
SECTION 10. BODY (CONT'D)	
Station Wagon Cargo Doors, Power Door Lock	10-80
Station Wagon Rear Doors, Model 84	10-76
Sun Visor	10-34
Support Structure, Soft Top, Model 90	10-92
Tailgate Assembly and Related Parts	10-62
Weathershield, Doors.	10-86
Window Assembly, Rear.	10-40
Windshield Assembly	10-36
Windshield Washer Reservoir Mounting Support and Left Cowl Cover.	10-14
SECTION 11. HEATING/VENTILATION/AIR CONDITIONING	
A/C Compressor and Mounting Hardware	11-4
A/C-Heat Vacuum and Temperature Door Motors	11-12
Auxiliary A/C-Heat Hoses	11-30
Auxiliary A/C-Heat	11-26
Auxiliary HVAC Unit	11-28
Climate Control Panel.	11-2
Closeout Panel, Driver's.	11-20
Closeout Panel, Passenger's.	11-22
Condenser, Receiver/Dryer, and A/C Hoses	11-6
Console Assembly, Rear Center	11-32
Main A/C-Heat Case Halves and Blower Motor	11-14
Main A/C-Heat Evaporator and Heater Core Assemblies	11-16
Main A/C-Heat Unit	11-10
Plenum and Related Parts	11-18
Water Control Valve and Heater Hoses.	11-8
Wiring Harnesses, A/C-Heat	11-24
SECTION 12. ELECTRICAL	
124-AMP Alternator Assembly	12-12
Audio, Rear Console	12-70
Batteries, Cables, And Mounting Hardware	12-4
Console Harness Assembly	12-94
Cross Body Harness	12-128
CTIS Interior Harness Assembly	12-106
Daytime Running Light Jumper and Harness	12-68
Delco Monsoon Stereo System Harness, Hard Top, Models 83 & 84.	12-60
Delco Standard Stereo Harness Two-Speaker, Two-Door, Model 89.	12-56
Delco Standard Stereo Harness, Four-Speaker, Hard Top, Models 83 & 84.	12-58
Door Harness Assembly, Front	12-80
Dual Horns.	12-44

2003 HUMMER H1 PARTS CATALOG

6 TABLE OF CONTENTS

TITLE PAGE NUMBER

SECTION 12. ELECTRICAL (CONT'D)

Engine Harness Assembly, GM.	12-138
Engine Harness Assembly	12-92
Exterior Fuse Box Power Cable	12-114
Fuse Boxes, Internal & External	12-86
Glow Plug Power Cable Assembly	12-110
Glowplug Harnesses, Left and Right.	12-140
Harness Assembly, Cowl Top	12-133
Harness Assembly, Heated Seats	12-126
Harness Assembly, Monsoon, Soft-Top	12-64
Harness Assembly, Station Wagon Rear Door Jumper (R.H. Side).	12-136
Headlight Assembly and Running Lights	12-30
Heated Power Exterior Mirrors	12-82
Heated Windshield.	12-20
Hood Wiring Harness	12-47
Identification Lamp Assembly Jumper	12-54
Instrument Panel Cluster	12-22
Instrument Panel Harness	12-118
Interior Ground Cable Assembly	12-112
Jumper Harness Assembly, Main Fuel Tank W/Aux Tank	12-122
Jumper Harness Assembly, Main Tank, w/o Aux Tank	12-124
Jumper Harness, Locking Differential	12-98
Light Assembly, Clearance Marker and Side Marker Light	12-32
Lights (Courtesy), Underhood Light, and Door Jamb Switch.	12-38
Lights, Interior Dome.	12-34
Miscellaneous Electrical Items	12-144
Monsoon System, Soft-Top.	12-66
PCM and Digital Ratio Adapter	12-142
Power Door Locks	12-72
Power Mirror Jumper Harness Assembly, Heated	12-84
Power Mirror Switch Harness Assembly	12-116
Power Window	12-88
Roof Wiring Harness Assembly, Four-Door, Model 83.	12-102
Roof Wiring Harness Assembly, Station Wagon, Model 84	12-104
Roof Wiring Harness Assembly, Two-Door, Model 89	12-100
Roof Wiring Harness, Open Top	12-50
Sensors, Sending Units, and Switches	12-14
Standard Stereo Harness, Four-Speaker, Open Top, Model 90	12-62
Starter Motor And Mounting Hardware	12-6
Starter Motor Assembly	12-8
Stereo, Speakers, and Mounting Hardware, Standard and Monsoon (Delco)	12-40
Trailer Towing Wiring	12-52
Transmission Harness Assembly	12-96

2003 HUMMER H1 PARTS CATALOG

TABLE OF CONTENTS 7

TITLE **PAGE NUMBER**

SECTION 12. ELECTRICAL (CONT'D)

Turn Signal Light and Mounting Hardware, Front	12-26
Turn Signal Light/Taillight, License Plate Bracket, and Mounting Hardware, Rear	12-28
Underbody Harness, Rear	12-120
Wheel Sensor Jumper Harness Assembly, Right Front.	12-108
Windshield Wiper Motor, Wiper Assembly, and Washer Bottle.	12-16

SECTION 13. ACCESSORIES

Air Filter Restriction Gauge Kit	13-78
Auxiliary Air Hose Kit.	13-62
Bedliner Kit	13-140
Bike Rack Kit	13-134
Brushguard Kit and Mounting Hardware	13-18
Brushguard Kit, Heavy Duty Accessory Frontal-Coverage	13-20
Brushguard Kit, Heavy Duty Accessory Wrap-Around	13-22
Bumper (Front with Brushguard and without Winch) Cover Kit, Polished or Brushed Stainless Steel.	13-124
Bumper (Front with Winch) Cover Kit, Polished or Brushed Stainless Steel	13-122
Bumper (Rear) Cover, Polished or Brushed Stainless Steel	13-126
Cargo Area Liner, Station Wagon.	13-70
CD Changer and Remote Control	13-106
Dash Trim Appliqué Kit, 1993 - 2003	13-108
Defroster, Rear	13-64
Door Handle and Bezel Covers, Polished and Brushed Stainless Steel	13-138
Driveline Protection and Mounting Hardware	13-34
Driveline Protection Skid Plates	13-36
Dual Oil Filter Kit	13-116
Dual-Ball Adjustable Hitch Assembly	13-14
Electric Seat Heater Kit	13-110
Floor Mats	13-72
Grille (Front) Cover, Polished or Brushed Stainless Steel.	13-130
Grille (Upper) Cover, Polished or Brushed Stainless Steel.	13-128
Hourmeter Kit	13-86
Kit, Center Tunnel Rack	13-146
Leather Upholstery.	13-76
Light Bar Kit	13-148
Lug Nut and Stud Cover, Chrome Plated Plastic	13-54
Off-Road Accessory Kit, 4-Door Hard Top and 4-Door Soft Top, Models 83 and 90	13-114
Off-Road Accessory Kit, Station Wagon, Model 84	13-112
Off-Road Light Kit	13-96
Pintle Receiver Hitch	13-16
Pioneer Tool Kit	13-28
Quartz Halogen Accessory Lights	13-98

2003 HUMMER H1 PARTS CATALOG

8 TABLE OF CONTENTS

TITLE	PAGE NUMBER
SECTION 13. ACCESSORIES (CONT'D)	
Radio Noise Suppression Filter Kit	13-88
Reel Lamp Kit	13-100
Reflective Triangle Warning Device, Jack Assembly, and Mounting Hardware	13-24
Remote Entry Kits	13-52
Rocker Panel Guard Accessory Kit.	13-38
Roof Rack Kit, Aluminum, Round Tube	13-144
Roof Rack Kit, Side Load	13-136
Running Board Kit	13-58
Seat Covers.	13-74
Seat, Auxiliary	13-66
Side Step Bar Kit	13-60
Ski Rack Kit.	13-142
Skid Plate Cover, Polished Stainless Steel	13-132
Slant-Back (Soft) Kit (Four-Door Soft Top)	13-90
Soft Square Back Kit, Model 90	13-92
Spare Tire Carrier Kit, Swing-Away	13-30
Spare Tire Carrier, Bed-Mounted.	13-32
Tire (Tubeless) Repair Kit, External	13-82
Tire (Tubeless) Repair Kit	13-84
Tire Chains	13-120
Tire Repair Accessory Kit, External	13-118
Tonneau Cover 4-Door Hardtop	13-68
Trailer Towing Kit	13-12
Traveler's Survival Kit.	13-80
Universal Roof Mounting Rack Kit.	13-56
Utility Step	13-26
Wheel and Tire Assembly, SpaceSaver Spare	13-42
Wheel Cover Kit, Stainless Steel.	13-102
Wheel Well Flare Kit	13-40
Wheel, Tire, and Beadlock Assembly, 16.5" Two-Piece Steel Rim.	13-44
Wheel, Tire, and Runflat Assembly, 16.5" One-Piece Aluminum Rim (Optional)	13-46
Wheel, Tire, and Runflat Assembly, 17", One-Piece Aluminum Rim (Optional)	13-48
Wheel, Tire, and Runflat Assembly, 17", Two-Piece Aluminum Rim, (Optional)	13-50
Winch Accessory Kit.	13-10
Winch Assembly, Mounting Hardware, and Related Parts (Winch Kit)	13-3
Winch Assembly	13-8
Winch Roller Fairlead	13-94