

2004 SERVICE PARTS CATALOG

COMMERCIAL HUMMER H1

AM GENERAL LLC

408 South Byrkit Avenue
P.O. Box 728
Mishawaka, Indiana 46546-0728

AM General Number 5745548
Copyright ©2003
All Rights Reserved. Printed in U.S.A.

HUMMER® is a registered trademark of
General Motors Corporation.

TABLE OF CONTENTS

General Information	1
Engine	2
Fuel, Emissions and Exhaust	3
Cooling System	4
Transmission/Transfer Case	5
Wheels and Tires/ Central Tire Inflation System	6
Brake System	7
Steering System	8
Axles/Suspension/Frame	9
Body	10
Heating/Ventilation/ Air Conditioning (HVAC)	11
Electrical	12
Accessories	13
Index	14

2004 HUMMER H1 PARTS CATALOG

Section 1 GENERAL INFORMATION

This catalog contains an illustrated list of service or replacement parts for the AM General Commercial HUMMER H1. The HUMMER H1 is equipped with a 6.5L turbocharged diesel engine and is offered in two body styles for the consumer series and three styles for K-Series vehicles:

HMCS,	Model 84 — Four-door, four passenger station wagon
HMCO,	Model 90 — Hard-door, four passenger, open top truck
XLC2,	Model 55 — Two-door enlarged cab (K-Series only)
KSC4,	Model 56 — Four-door, four passenger hardtop truck (K-Series only)
KSCS,	Model 57 — Four-door, four passenger station wagon (K-Series)
KSCO,	Model 58 — Hard-door, four passenger, open top truck (K-Series)

This catalog is divided into 13 major sections in the sequence shown on the title page. Major sections are divided into smaller groups of parts, each with its own illustration. Immediately preceding this introduction is a complete listing of all illustrations in this catalog. The first page of each section also contains a listing of illustrations for that section.

Illustrated items are numerically keyed on the illustrations and described in the text on the following page. Figure numbers are located at the top of the description column.

Indented items in the parts listings indicate availability as a part of the preceding assembly. Indented parts with assigned part numbers can also be ordered separately.

Alphabetical and Numerical indexes are located at the end of the catalog (Section 14).

PARTS SERVICED BY AM GENERAL

AM General will service virtually all of the service or replacement parts for this vehicle except those which are more economical and/or more practical to procure locally. Items not covered may be standard hardware, fuses, lamp bulbs, sealants, lubricants, adhesives, and standard sizes and types of tubing, hoses, and electrical connectors and fittings. Items which are listed in this catalog, but are not serviced, are indicated by the legend "N/S" in the part number column.

ESSENTIAL TOOLS

All essential tools are covered in the companion service manual. Tools listed with a Kent-Moore part number can be obtained directly from Kent-Moore by calling 1-800-345-2233 or writing to:

Kent-Moore
28635 Mound Rd.
Warren, Michigan 48092

HOW TO LOCATE PARTS

When function, use, or location is known: Refer to the Table of Contents.

When part number is known: Refer to the Numerical Index.

When nomenclature is known: Refer to the Alphabetical Index.

HOW TO ORDER SERVICE PARTS

Order parts through the Dealer Communication System (DCS). Include the part number and quantity of each part.

If you encounter difficulty in ordering through the DCS, you may phone the CDCS Help Line at Strategic Business Systems at 201-327-8532.

DAMAGED SHIPMENTS, SHORTAGES OR ERRORS

All shipments are properly packed and are in good order when delivered to the transportation company. Responsibility ends with such delivery. When a damaged shipment is received, a claim should be filed immediately against the carrier making delivery.

All claims for shortages or errors in packing must be made to the same address from which the parts were ordered. Claims must be made within ten (10) days after receiving shipment. All claims must be accompanied by the original packing slip, with proper notation of shortage or error, and signed by the responsible person in receiving department.

ABBREVIATIONS

ABS.....	Antilock Brake System	mm.....	Millimeter
AUX.....	Auxiliary	min.....	Minimum
A/C.....	Air Conditioning	N/A.....	Not Available
A/R.....	As Required	NPN.....	No Part Number
baro.....	Barometric	N/S.....	Not Serviced
CAD.....	Cadmium	N.Y.....	New York
CW.....	Clockwise	O.D.....	Outside Diameter
CCW ρ	ρ Counterclockwise	PCM.....	Powertrain Control Module
C.E. ρ	ρ Commutator End	PCV.....	Positive Crankcase Ventilation
cm.....	Centimeter	Phos.....	Phosphate
CTI.....	Central Tire Inflation	P/N ρ	ρ Part Number
CTIS.....	Central Tire Inflation System	P/S.....	Power Steering
D.C.....	ρ Direct Current	press.....	Pressure
D.E.....	ρ Drive End	QTY ρ	ρ Quantity
Dia.....	Diameter	R.F.....	Right Front
DRA.....	Digital Ratio Adaptor	R.H.....	Right-Hand
EPA ρ	Environmental Protection Agency	R.R. ρ	ρ Right Rear
G.C.C.....	Gulf Coast Countries	S.I.A.....	Serviced in Assembly
Gr8.....	Grade 8	S.I.K.....	Serviced in Kit
HMC4.....	Four-Door	S/N.....	Serial Number
HMCS.....	Station Wagon	S.P.D.T.....	Single Pole Double Throw
HMCO (hard doors).....	Open Vehicle	S.P.S.T.....	Single Pole Single Throw
HMSB.....	Slant-Back	S.R.E.....	Slip Ring End
hp.....	horsepower	STD.....	Standard
HVAC ρ	ρ Heating, Ventilating, Air Conditioning	TCM.....	Transmission Control Module
I.D.....	Inside Diameter	TT4.....	Torque Trac 4
in.....	inch	V.....	Volt
I/P.....	Instrument Panel	VIN.....	Vehicle Identification Number
L.F.....	Left Front	VDC ρ	ρ Volt Direct Current
L.H.....	Left-Hand	W/S.....	Windshield
L.R.....	Left Rear	XLC2.....	Two-Door, Enlarged Cab
l.....	Liter	ZN.....	Zinc
max. ρ	ρ Maximum		

SUGGESTIONS AND RECOMMENDATIONS

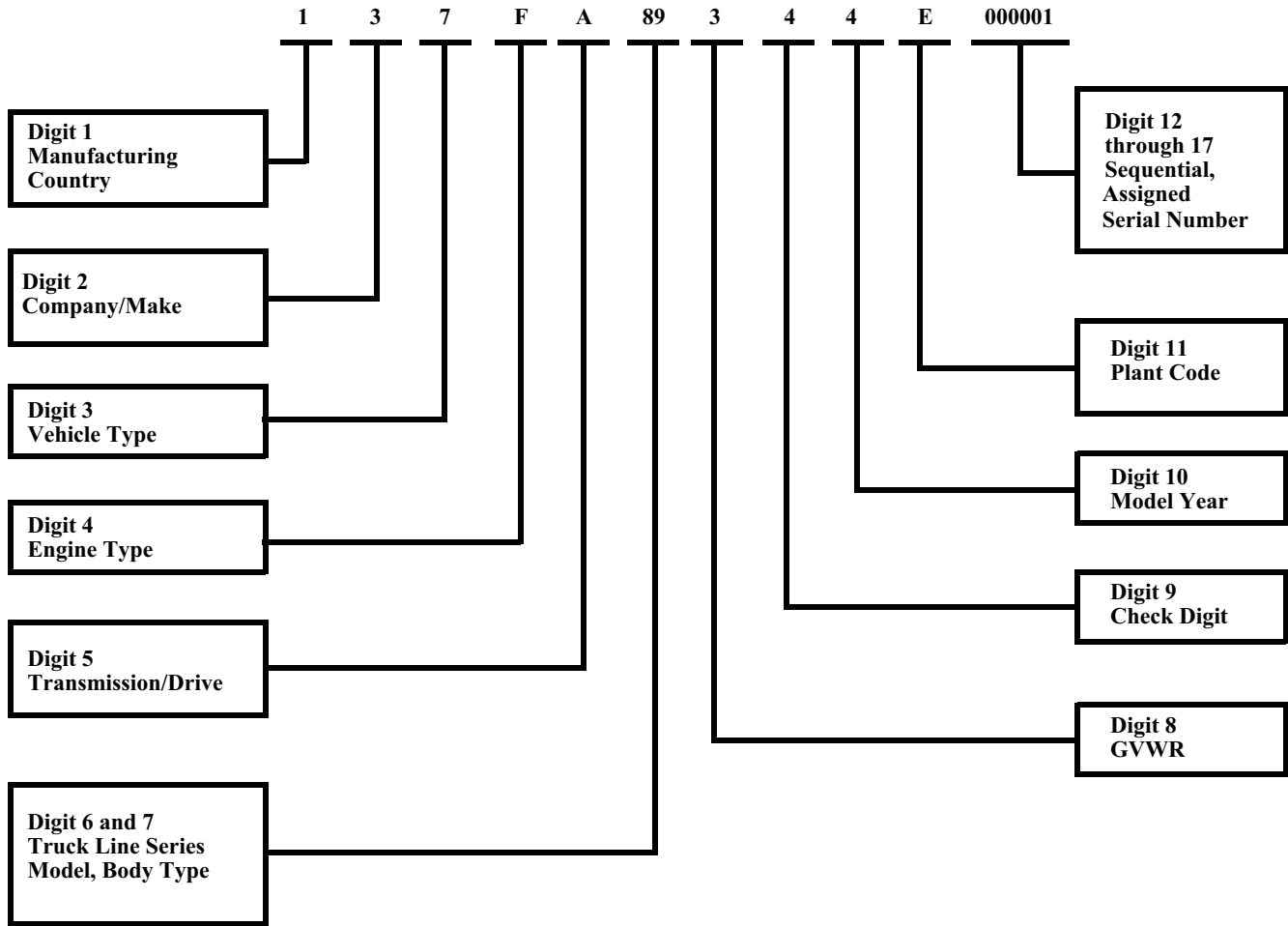
Recommendations for improving or correcting this catalog are encouraged. Forms are included at the back of this manual. Please forward corrections or recommendations directly to:

AM General
 Commercial Publications Department
 408 S. Byrkit St.
 Mishawaka, Indiana 46546-0728

To receive future revisions and updates to this manual, please send the publications form in the front of this manual to:

AM General
 Commercial Publications Department
 408 S. Byrkit St.
 Mishawaka, Indiana 46546-0728

VEHICLE IDENTIFICATION NUMBER DESCRIPTION



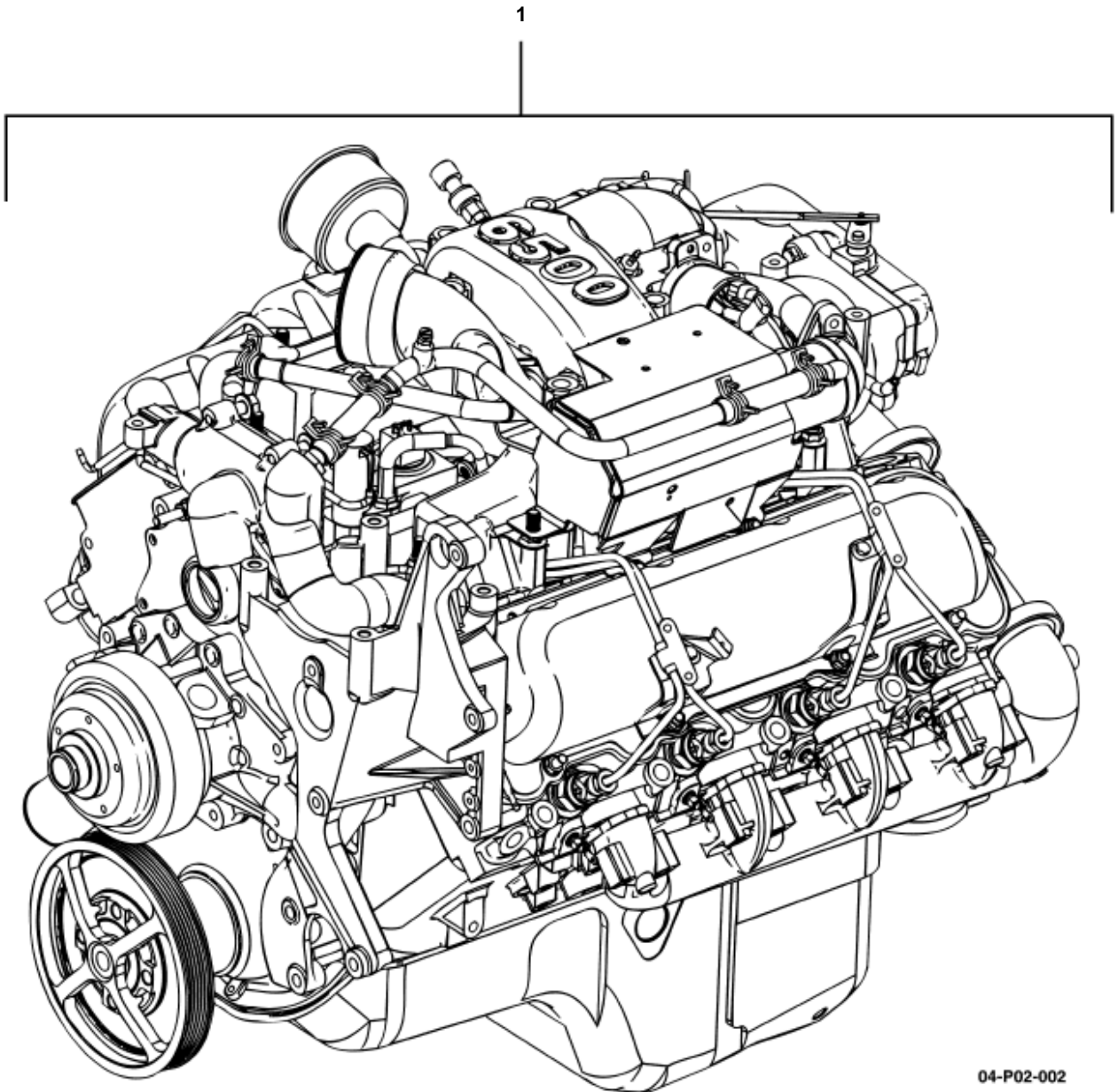
Vehicle Identification Number Decoding Chart

<u>Digit</u>	<u>Code</u>	<u>Code Definition</u>
1	1	United States
2	3	AM General LLC
3	7	Commercial Vehicles
4	F	6.5L Turbocharged Diesel, GEP, 8 cyl., 205 hp
5	A	4-Speed, Automatic/LHD

3-1-04

Vehicle Identification Number Decoding Chart (Continued)

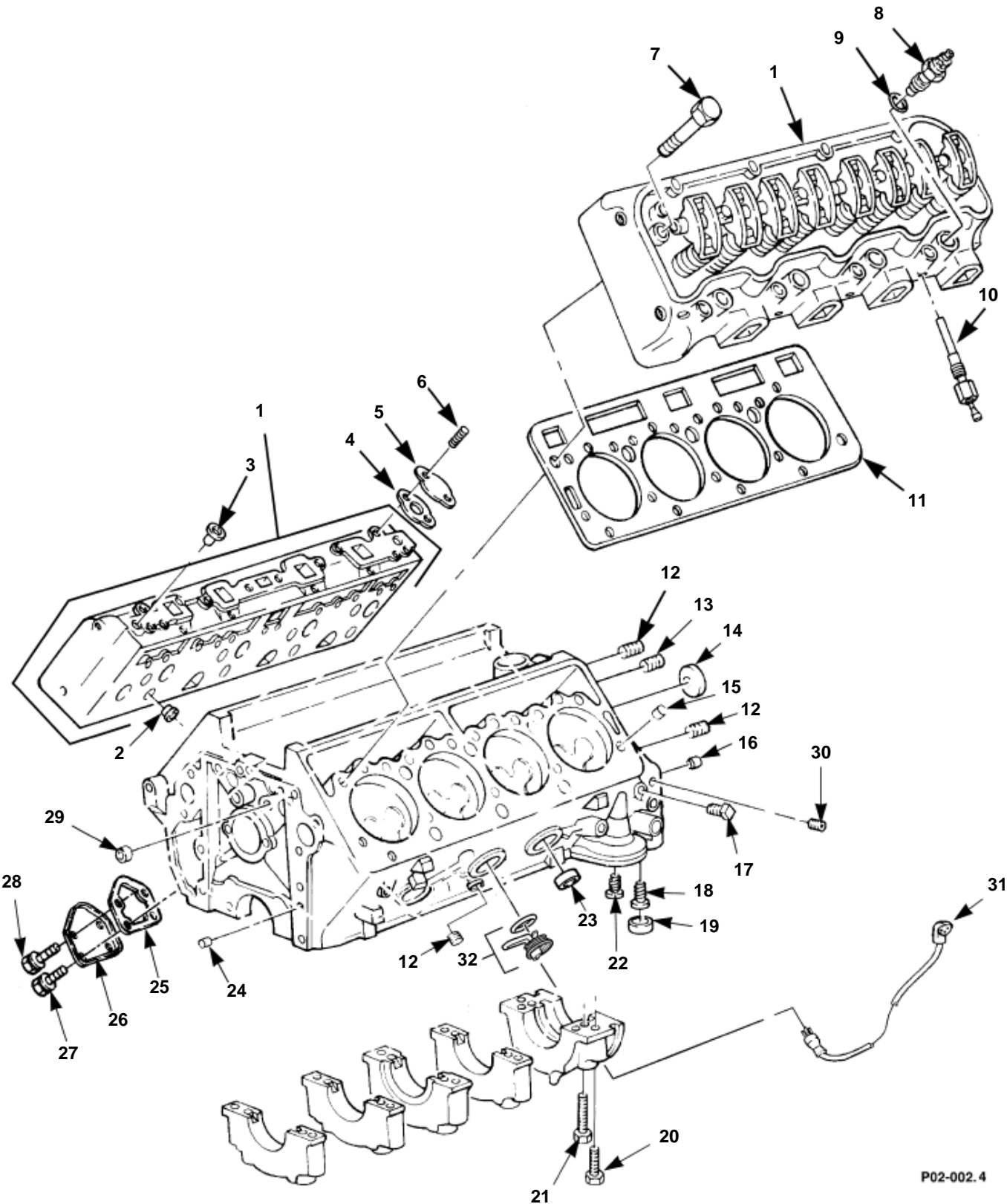
<u>Digit</u>	<u>Code</u>	<u>Code Definition</u>		
6 & 7	55	1-1/4 ton	Open body w/full hard doors (K-Series)	Truck, utility
	56	1-1/4 ton	4-door (K-Series)	Truck, utility
	57	1-1/4 ton	Station wagon (K-Series)	Truck, utility
	58	1-1/4 ton	2-door enlarged cab (K-Series)	Truck, utility
	84	1-1/4 ton	Station wagon	Truck, utility
	90	1-1/4 ton	Open body w/full hard doors	Truck, utility
8	Class 3	10,001 lb - 14,000 lb	(4,541 kg - 6,356 kg)	
9	—	Check Digit		
10	4	2004		
11	E	Mishawaka, Indiana		
12-17	—	Sequential Serial Number		



Engine Assembly

Engine Assembly.

Item	Part No.	Description	Qty
1	6014417	ENGINE, complete, 6.5 liter, new	1
	5744918	ENGINE, long block, 6.5 liter, new, (not illustrated)	1



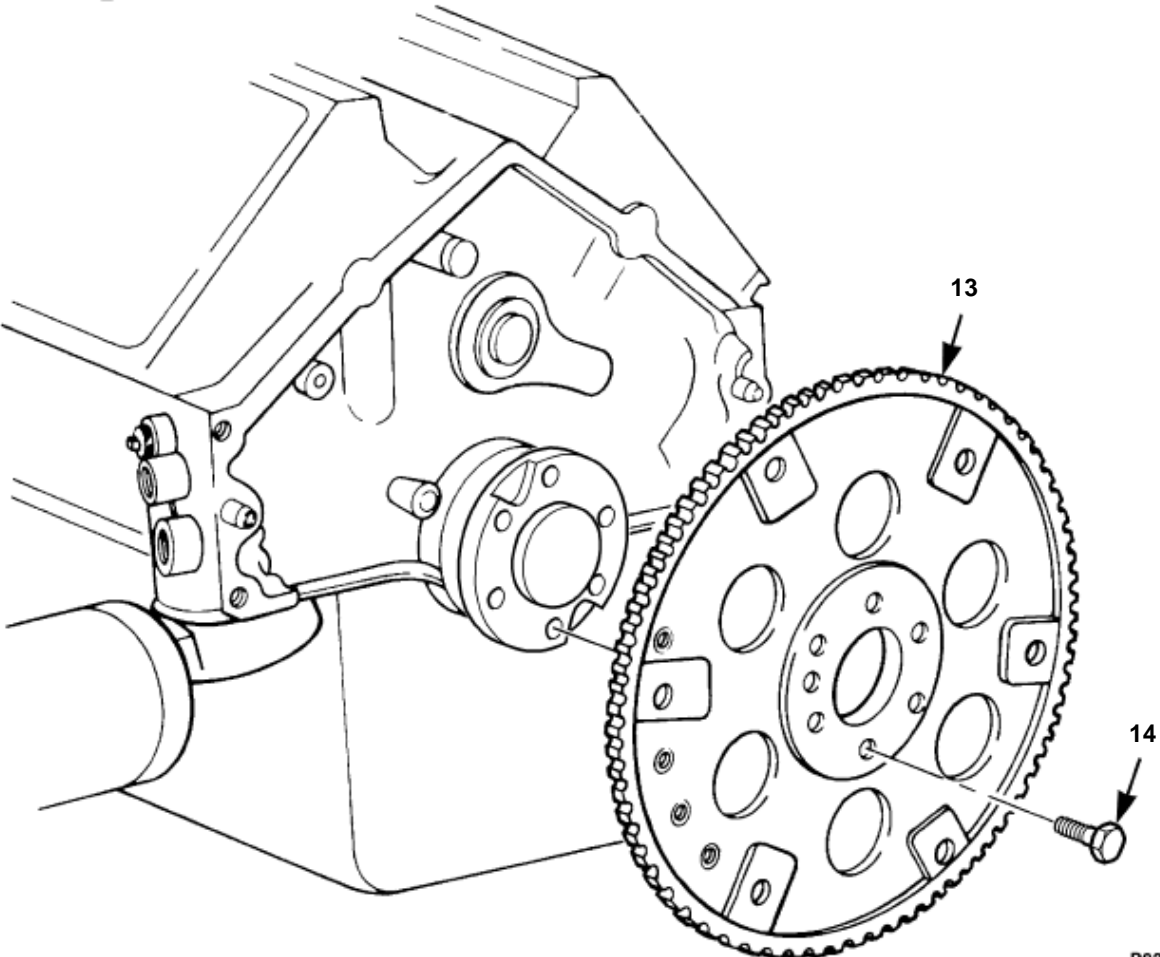
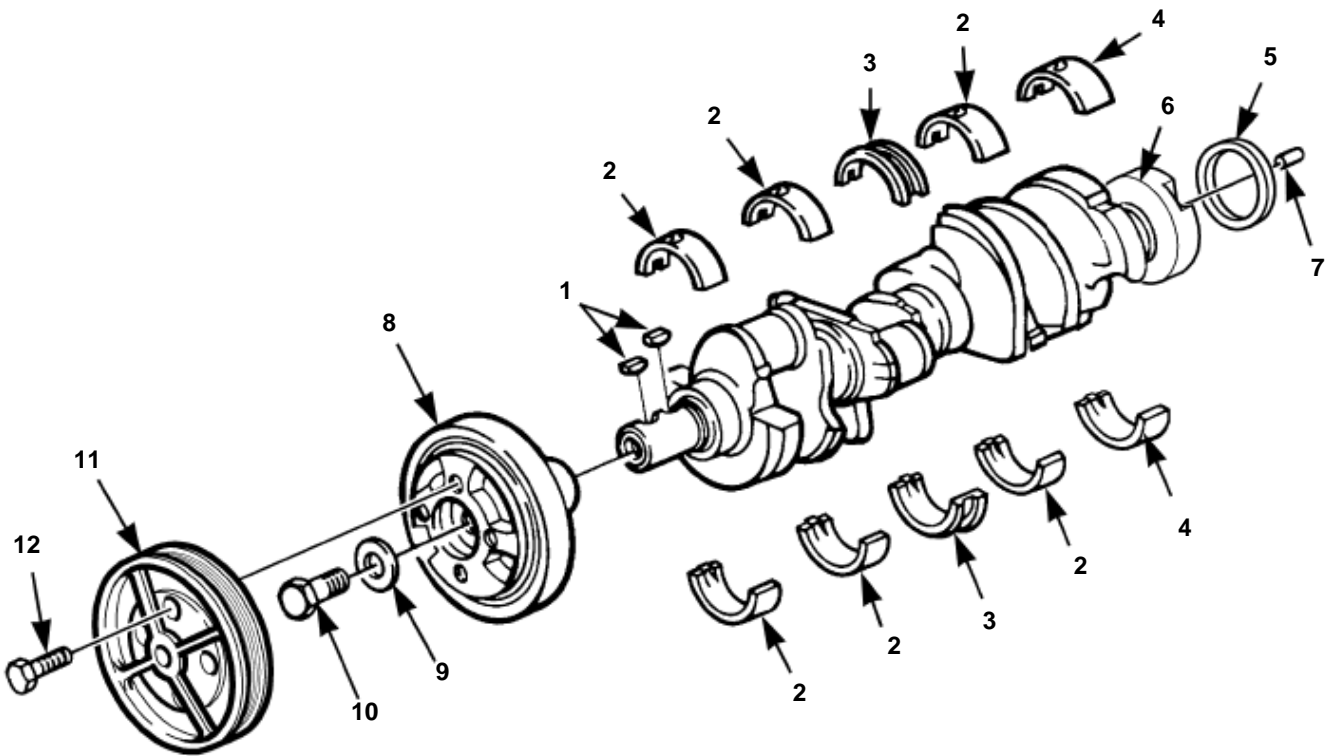
P02-002.4

Cylinder Head and Block Components

Cylinder Head and Block Components.

Item	Part No.	Description	Qty
1	GEP18000482	CYLINDER HEAD	2
2	5744650	.CHAMBER	8
	5744651	.CHAMBER, oversized	8
3	5572842	PLUG, cylinder head	4
4	5742109	GASKET, thermostat housing	2
5	5740186	COVER, water jacket	2
6	12339406-2	STUD, access cover	4
7	5740031	BOLT, cylinder head	34
8	5743223	NOZZLE, fuel injection	8
9	5740058	GASKET, nozzle	8
10	5745281	GLOW PLUG, type 60G	8
11	5744449	GASKET, cylinder head, SEE NOTE 1	2
12	N/S	PLUG, pipe, 1/4 - 18", oil passage/coolant drain	5
13	N/S	PLUG, pipe, 3/8", oil galley	1
14	5740272	PLUG, camshaft	1
15	5740268	SPACER, dowel pin, cylinder head	4
16	8134398	PIN, cylinder block	2
17	N/S	PLUG, pipe, 3/8", cylinder block	1
18	5743277	VALVE, regulating	1
19	5741043	PLUG, regulating valve, oil cooler	1
20	5740144	BOLT, bearing cap, outboard, front & rear	4
	5744943	BOLT, bearing cap, outboard, middle	6
21	5715343	BOLT, bearing cap, inboard, all	10
22	5743278	VALVE, safety	1
23	5740529	PLUG, expansion	6
24	5740145	PIN, block	2
25	5742650	GASKET, fuel pump cover	1
26	5742657	COVER, fuel pump	1
27	N/S	SCREW, fuel pump cover, M6 x 1.0 x 16	2
28	N/S	SCREW, fuel pump cover, 3/8 - 16 x 3/4"	2
29	5741150	PLUG, expansion	2
30	5598192	PLUG, cap	1
31	5939441	HEATER CORD, block	1
32	5743279	IMMERSION HEATER	1

NOTE 1: PART OF CYLINDER HEAD GASKET SET
P/N 5714842



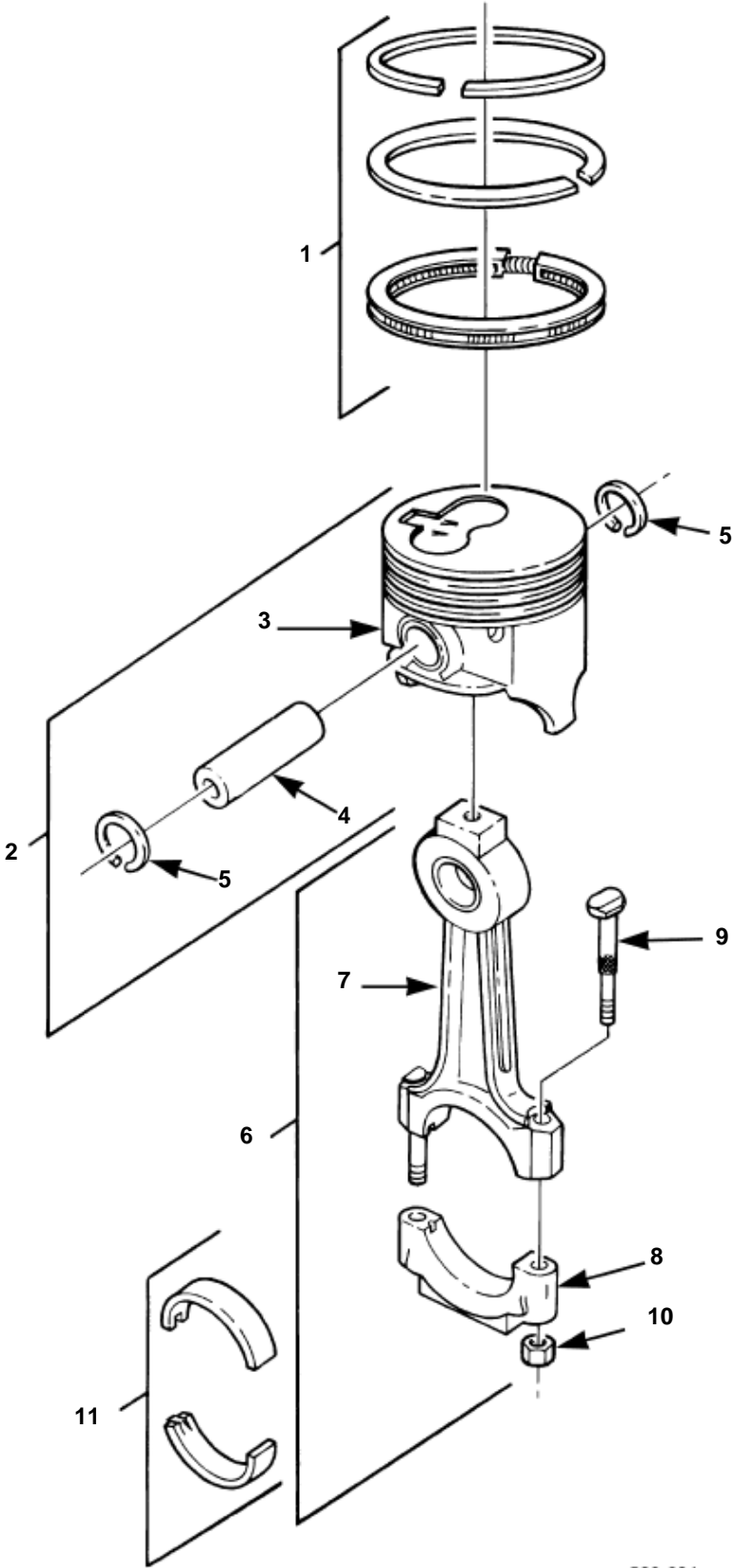
P02-003.1

Crankshaft, Damper, Bearings, Pulley, and Flywheel

Crankshaft, Damper, Bearings, Pulley, and Flywheel.

Item	Part No.	Description	Qty
1	106751	KEY, crankshaft	2
2	5715345	BEARING, standard, #1, 2, 4, 99-current	3
	5715346	BEARING, .013 mm undersized, #1, 2, 4, 99-current	3
	5715347	BEARING, .026 mm undersized, #1, 2, 4, 99-current	3
3	5715348	BEARING, standard, #3, 99-current	1
	5715349	BEARING, .013 mm undersized, #3, 99-current	1
	5715350	BEARING, .026 mm undersized, #3, 99-current	1
4	5715351	BEARING, standard, #5, 99-current	1
	5715352	BEARING, .013 mm undersized, #5, 99-current	1
	5715353	BEARING, .026 mm undersized, #5, 99-current	1
5	5743226	PACKING, preformed, crankshaft, SEE NOTE 1	2
6	5743227	CRANKSHAFT, engine	1
7	5740261	PIN, flywheel	1
8	5743228	DAMPER ASSEMBLY, crankshaft	1
9	5740147	WASHER, flat, torsional damper	1
10	5740146	SCREW, torsional damper	1
11	6003069	PULLEY, crankshaft	1
12	N/S	BOLT, M10 - 1.5 x 65, crankshaft pulley	1
13	5740037	FLYWHEEL, engine	1
14	5740263	BOLT, flywheel	6

NOTE 1: PART OF GASKET AND SEAL SET P/N 5743399

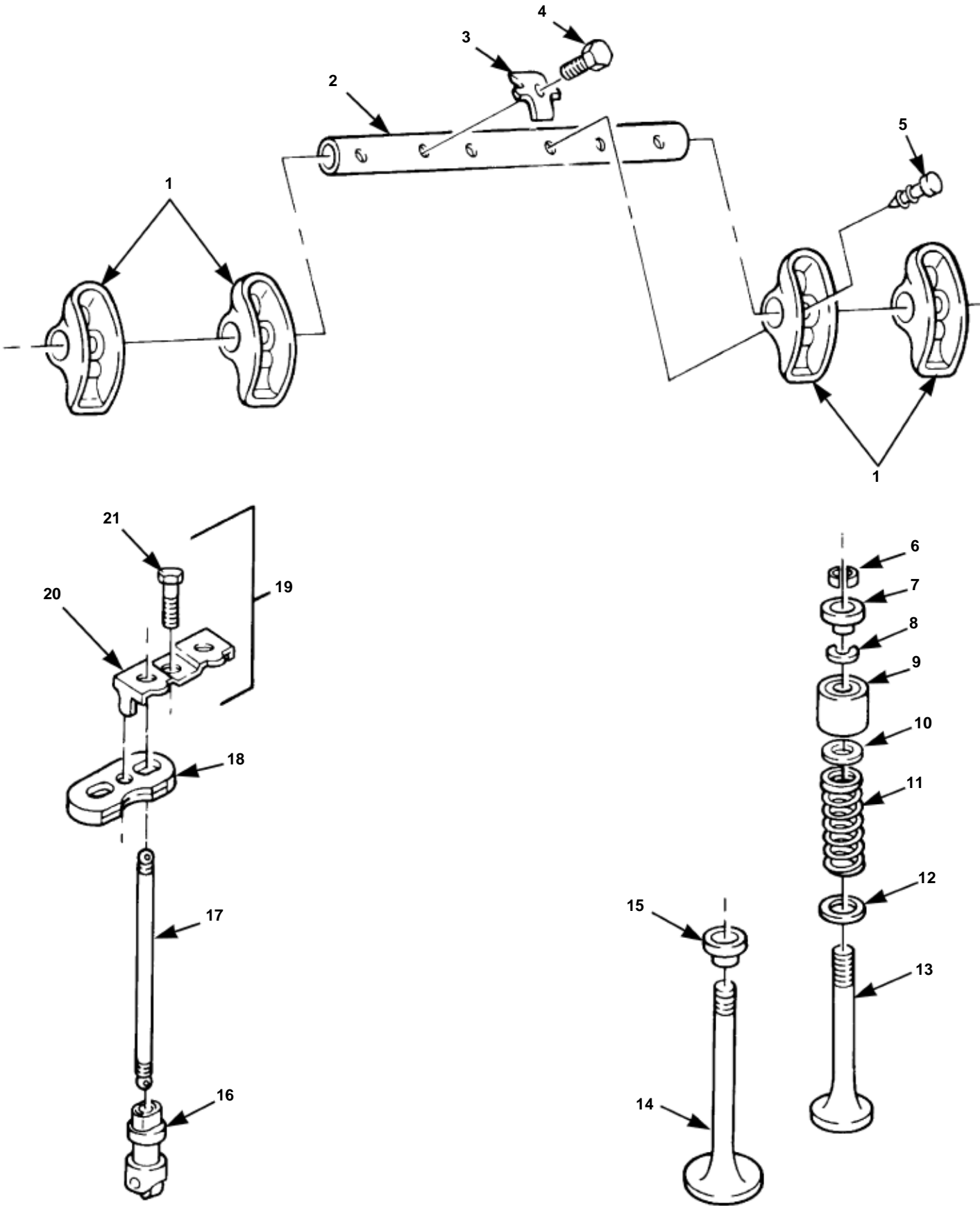


P02-004

Piston Assembly, Rod Assembly, and Ring Set

Piston Assembly, Rod Assembly, and Ring Set.

Item	Part No.	Description	Qty
1	5743280	RING SET, standard	8
	5743281	RING SET, 0.5 mm oversized	8
2	5743282	PISTON ASSEMBLY, standard	8
	5743799	PISTON ASSEMBLY, 0.5 mm oversized	8
3	N/S	·PISTON	8
4	N/S	·PISTON PIN	8
5	5740158	·RING, retaining	16
6	5740038	CONNECTING ROD ASSEMBLY	8
7	N/S	·CONNECTING ROD	8
8	N/S	·CAP, connecting rod	8
9	5740155	·BOLT, connecting rod	16
10	5740156	·NUT, connecting rod	16
11	5740238	BEARING, connecting rod, standard	8
	5740239	BEARING, connecting rod, 0.026 mm undersized	8



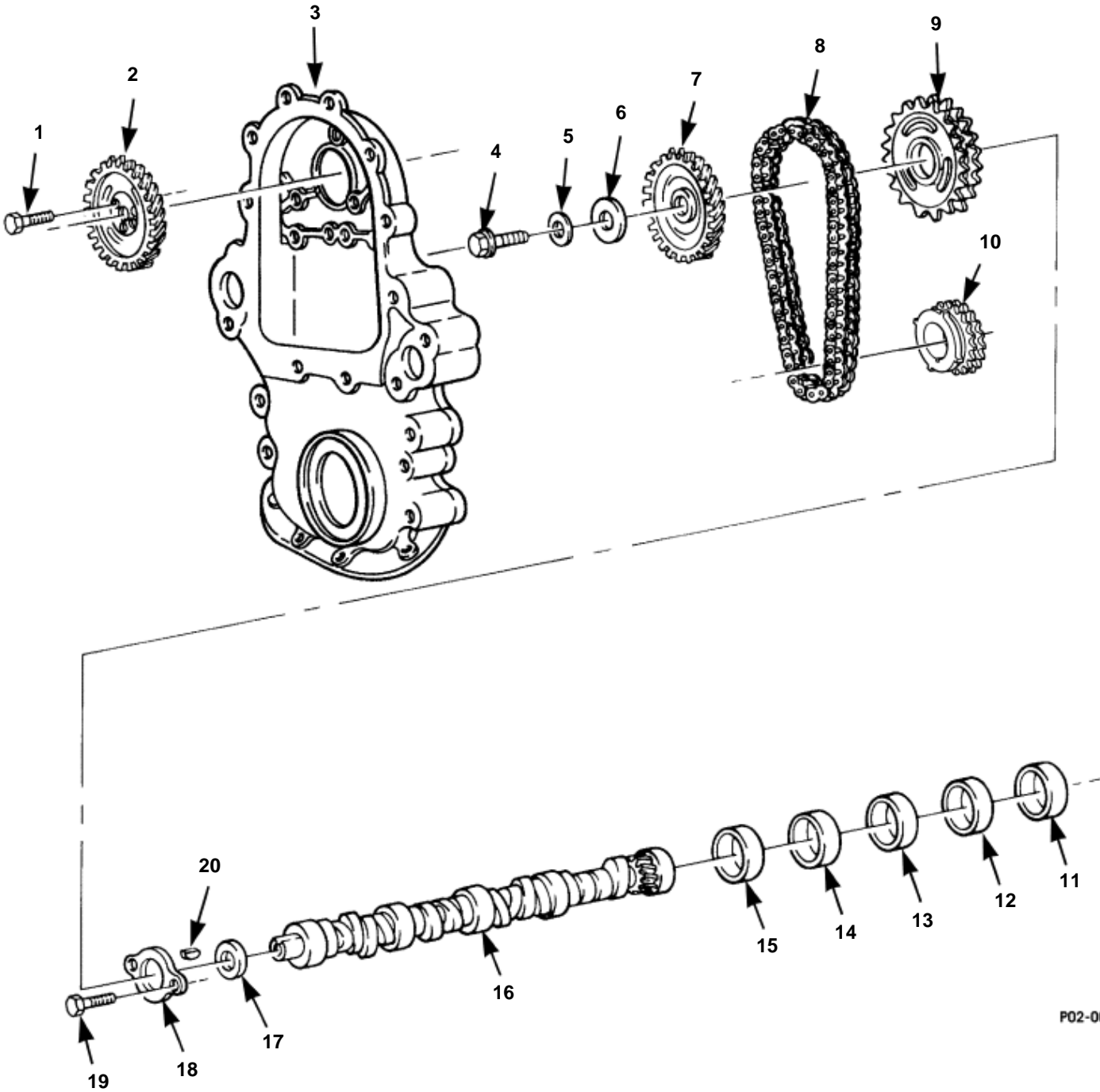
Valves, Guides, and Rocker Arm Assemblies

PO2-005

Valves, Guides, and Rocker Arm Assemblies.

Item	Part No.	Description	Qty
1	5740132	ROCKER ARM, valve	16
2	5740531	SHAFT, valve rocker arm	4
3	5741045	RETAINER, rocker arm shaft	8
4	11508355	BOLT, rocker arm shaft	8
5	5741046	RETAINER, rocker arm	16
6	5740270	LOCK, valve spring	32
7	5740180	ROTOR, engine poppet, exhaust valve	8
8	5740266	SEAL INLET, valve stem, SEE NOTE 1	16
9	5740153	SPACER, sleeve	16
10	5742095	SEAL, exhaust valve	8
11	5740152	SPRING, valve	16
12	5740130	WASHER, valve spring	16
13	5743283	VALVE, poppet, exhaust, standard	8
	5743284	VALVE, poppet, exhaust, 0.089 mm oversized	8
14	5740041	VALVE, poppet, intake, standard	8
	5740194	VALVE, poppet, intake, 0.089 mm oversized	8
	5740195	VALVE, poppet, intake, 0.349 mm oversized	8
15	5740131	CAP, intake valve spring	8
16	5740043	TAPPET, hydraulic roller	16
17	5740040	PUSHROD, valve	16
18	5740133	PLATE, guide	8
19	5740134	CLAMP ASSEMBLY, guide	8
20	N/S	-CLAMP, guide	8
21	N/S	-SCREW, flanged hex head, M8 -1.25 x 22	8

NOTE 1: PART OF 6.5L CYLINDER HEAD GASKET
KIT 5714842



P02-006.

Camshaft, Timing Chain, and Related Parts

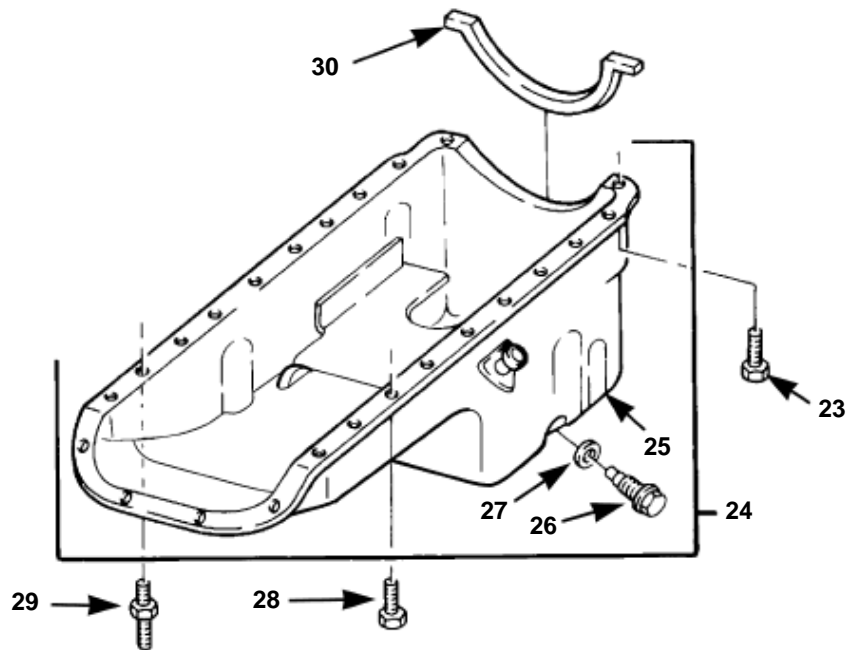
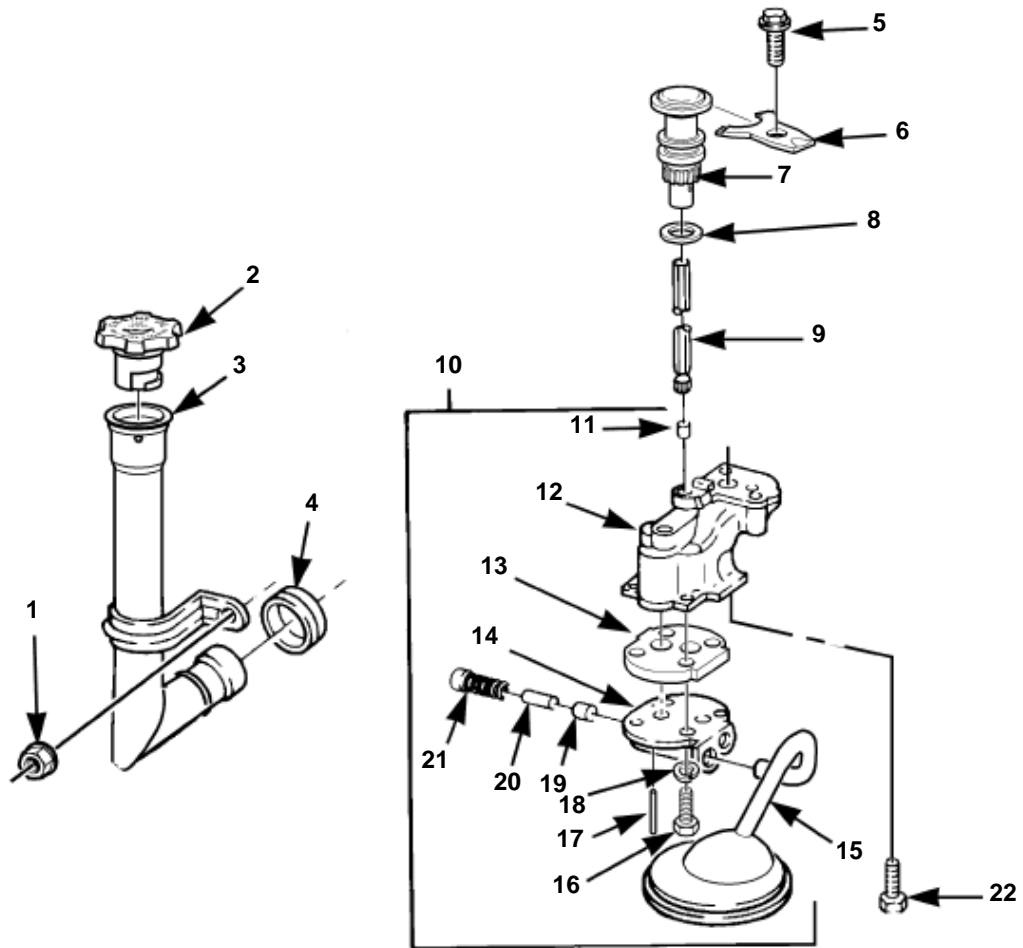
Camshaft, Timing Chain, and Related Parts.

Item	Part No.	Description	Qty
1	5740184	SCREW, fuel injection pump driven gear	3
2	5740139	GEAR, fuel injection pump driven	1
3	5740182	COVER, crankcase front	1
4	11500893P2	BOLT, M12 - 1.75 x 45MM	1
5	5741151	WASHER, fuel injection pump drive gear	1
6	5740137	WASHER, fuel injection pump drive gear	1
7	5740140	GEAR, fuel injection pump drive	1
8	5740046	CHAIN, camshaft timing	1
9	5740044	SPROCKET WHEEL, camshaft	1
10	5743229	SPROCKET WHEEL, crankshaft	1
11	5740191	BEARING, camshaft, #5, orange	1
12	5740190	BEARING, camshaft, #4, green	1
13	5740189	BEARING, camshaft, #3, yellow	1
14	5740188	BEARING, camshaft, #2, pink	1
15	5740187	BEARING, camshaft, #1, plain	1
16	5740213	CAMSHAFT, engine	1
17	5740135	SPACER, camshaft sprocket	1
18	5740136	RETAINER, camshaft	1
19	N/S	SCREW, M8 - 1.25 x 16, thrust bearing	2
20	106751	KEY, camshaft	1

Crankcase Cover Assembly and Rocker Cover.

Item	Part No.	Description	Qty
1	5714138	COVER, rocker arm, R.H.	1
	5740151	COVER, rocker arm, L.H.	1
2	5741153	WASHER, rocker arm cover	4
3	11500914	BOLT, rocker arm cover	4
4	5740039	STUD, rocker arm cover	12
5	5740095	STUD, crankcase front cover and injection pump, upper	1
6	5742184	STUD, crankcase front cover and injection pump, lower	2
7	5744439	BOLT, crankshaft position sensor	1
8	5744911	SENSOR, crankshaft position	1
9	5714537	PLUG, front cover	1
10	5740182	COVER, crankcase front	1
11	9438083	WASHER, hard, crankcase front cover	4
12	N/S	BOLT, M10 - 1.5 x 55, Class 10.9, crankcase front cover	4
13	5742152	SEAL, crankcase front cover, SEE NOTE 1	1
14	5740181	BOLT, backing plate and front cover	2
15	5743232	BACKING PLATE, water pump	1
16	5740185	STUD, backing plate and front cover	2

NOTE 1: PART OF GASKET AND SEAL KIT 5743399

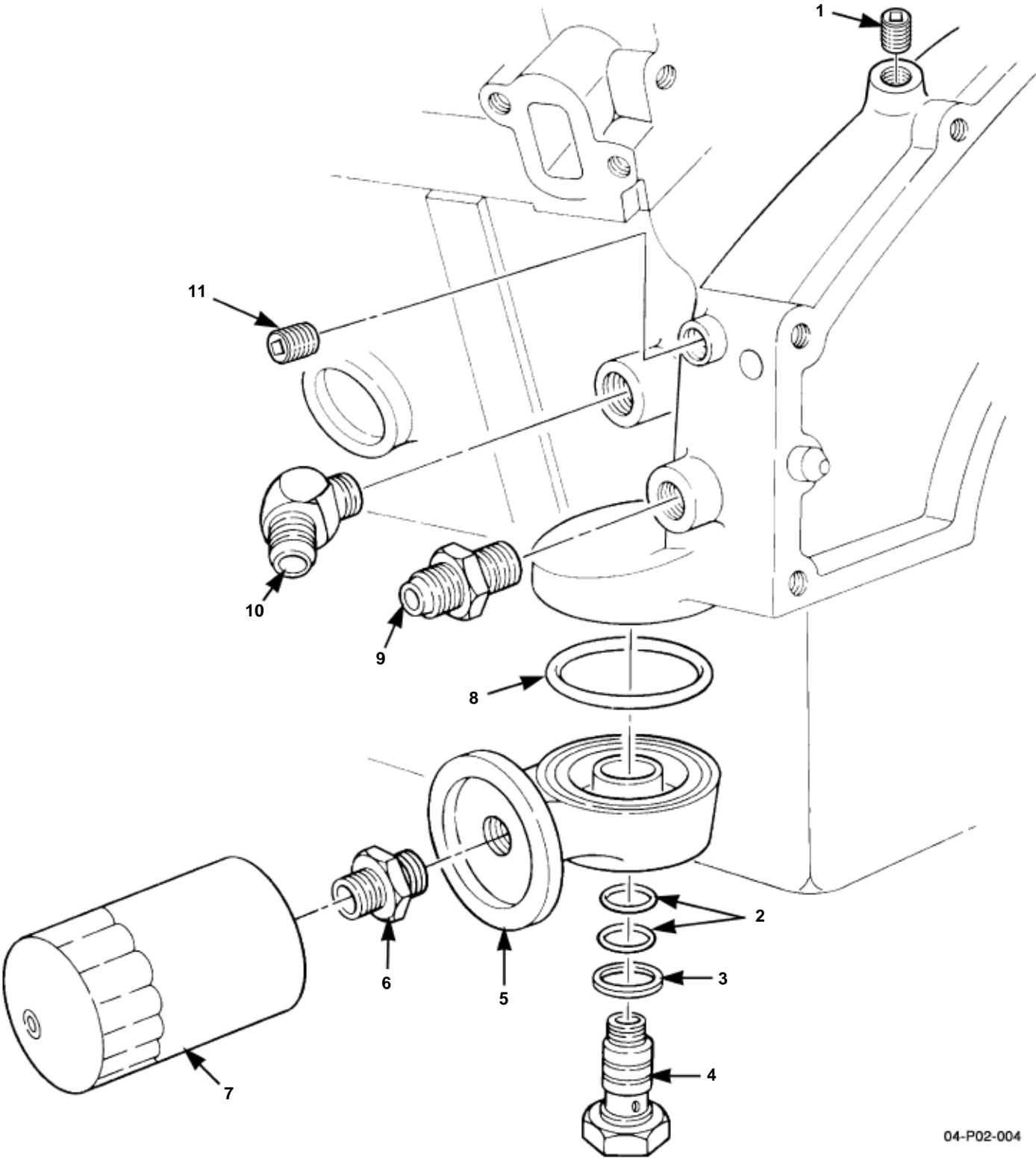


P02-008.4
(Modified)

Engine Oil Pan, Pump, and Filler Tube

Engine Oil Pan, Pump, and Filler Tube.

Item	Part No.	Description	Qty
1	N/S	NUT, flanged, M8-1.25, oil filler neck	2
2	6009976	CAP, engine oil filler	1
3	6009975	FILLER NECK	1
4	5740161	GROMMET, oil filler tube	1
5	5740181	BOLT, oil pump drive	1
6	5740138	CLAMP, oil pump drive assembly	1
7	5714669	OIL PUMP DRIVE ASSEMBLY	1
8	5740051	GASKET, oil pump drive	1
9	5740148	SHAFT, oil pump	1
10	5744893	PUMP AND SCREEN, oil pick-up	1
11	5740542	·RETAINER, pump assembly	1
12	S.I.A.	·PUMP BODY, top	1
13	S.I.A.	·SPACER, engine oil pump	1
14	S.I.A.	·PUMP BODY, bottom	1
15	S.I.A.	·STRAINER, pump assembly	1
16	S.I.A.	·BOLT, oil pump cover	4
17	S.I.A.	·PIN, regulating valve spring stop	1
18	S.I.A.	·LOCKWASHER, oil pump cover	4
19	S.I.A.	·DISK, oil pressure regulating valve	1
20	S.I.A.	·VALVE, relief, oil pressure	1
21	S.I.A.	·SPRING, oil pressure regulating valve	1
22	N/S	SCREW, M11 - 1.5 x 66, oil pump assembly	1
23	5740085	BOLT, engine oil pan	2
24	5744663	OIL PAN ASSEMBLY, engine	1
25	N/S	·OIL PAN, engine	1
26	5744811	·PLUG, engine oil pan drain	1
27	5744812	·GASKET, 12mm, engine oil drain plug	1
28	N/S	SCREW, engine oil pan	20
29	5591286	STUD, engine oil pan	2
30	5743235	SEAL, engine oil pan, rear	1

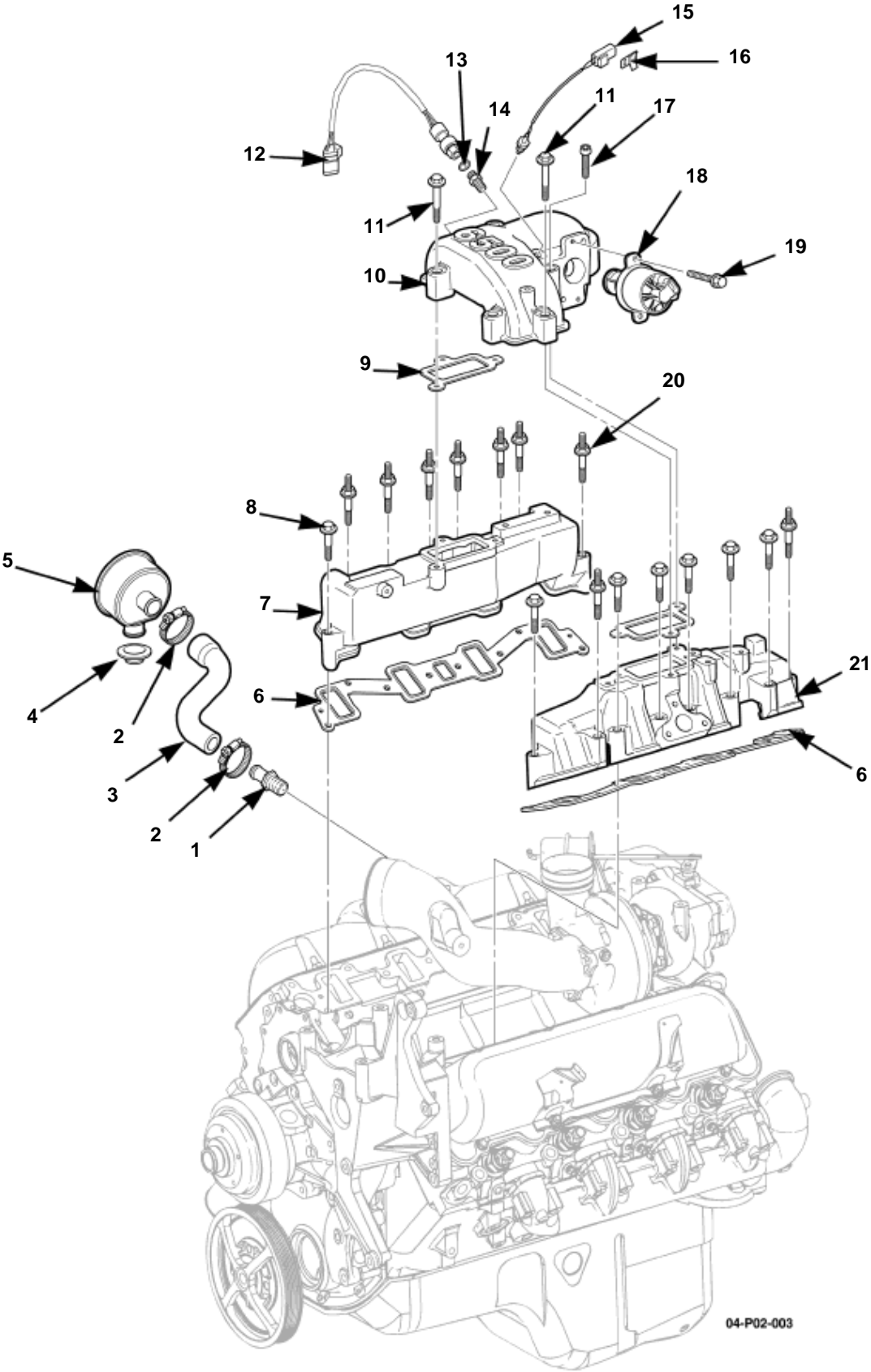


04-P02-004

Oil Filter, Adapter, and Oil Line Fittings

Oil Filter, Adapter, and Oil Line Fittings.

Item	Part No.	Description	Qty
1	N/S	PLUG, 1/4 - 18" NPT	1
2	MS28775-20	O-RING, oil filter adapter bolt	2
3	12339409	GASKET, oil filter bolt	1
4	EC12339410	BOLT, fluid passage	1
5	12338780	BRACKET, filter mount	1
6	12339405	CONNECTOR, oil filter	1
7	5715388	FILTER, engine oil	1
8	MS28775-236	O-RING, oil filter adapter	1
9	10-8-70102	STRAIGHT CONNECTOR, oil cooler inlet hose	1
10	10-8-70302	ELBOW, 45-degree, oil cooler outlet hose	1
11	N/S	PLUG, 3/8 - 18" NPT	1



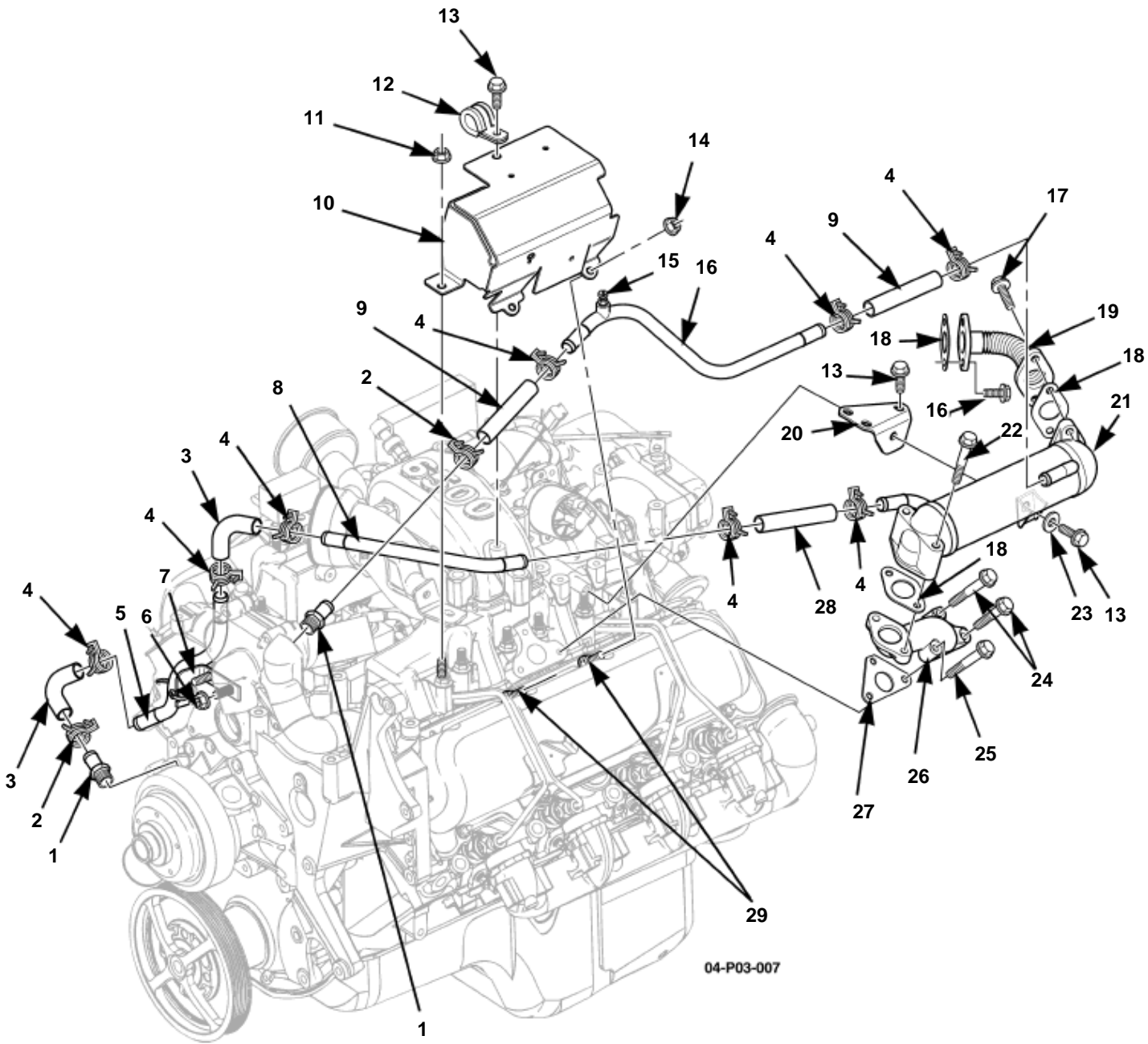
Air Intake Manifolds, CDR Valve, EGR Valve and Mounting Hardware

Air Intake Manifolds, CDR Valve, EGR Valve and Mounting Hardware.

Item	Part No.	Description	Qty
1	12339396	CONNECTOR, hose	2
2	N/S	CLAMP, CDR vent hose, 1.50" - 0.62"	2
3	GEP18000452	HOSE, CDR valve	1
4	5714133	GROMMET, CDR valve mount	1
5	5714132	VALVE, crankcase depression regulator	1
6	5744451	GASKET, intake manifold-to-head, L.H., R.H.	2
7	GEP18000401	INTAKE MANIFOLD, R.H.	1
8	GEP18000490	BOLT, intake manifold-to-head	16
9	GEP18000419	GASKET, center intake manifold	2
10	GEP18000403	INTAKE MANIFOLD, center	1
11	5744435	BOLT, center intake manifold, SEE NOTE 1	2
12	GEP18000410	SENSOR, map, turbo boost	1
13	GEP18000447	"O" RING, sensor map turbo boost	1
14	GEP18000446	ADAPTER, sensor map turbo boost	1
15	GEP18000428	SENSOR, EGR gas temperature, SEE NOTE 2	1
16	GEP18000476	CLIP, EGR, harness	1
17	GEP18000463	BOLT, SEE NOTE 1	2
18	GEP18000404	EGR VALVE, 20MM dual pintle	1
19	GEP18000481	BOLT	2
20	5744459	STUD, intake manifold - to - head	1
21	GEP18000402	INTAKE MANIFOLD, L.H.	1

NOTE 1: THESE BOLTS MUST BE REINSTALLED USING
LOCTITE.

NOTE 2: FOR FUTURE TEMPERATURE DATA, PART HAS
NO FUNCTION FOR CURRENT MODEL YEAR.

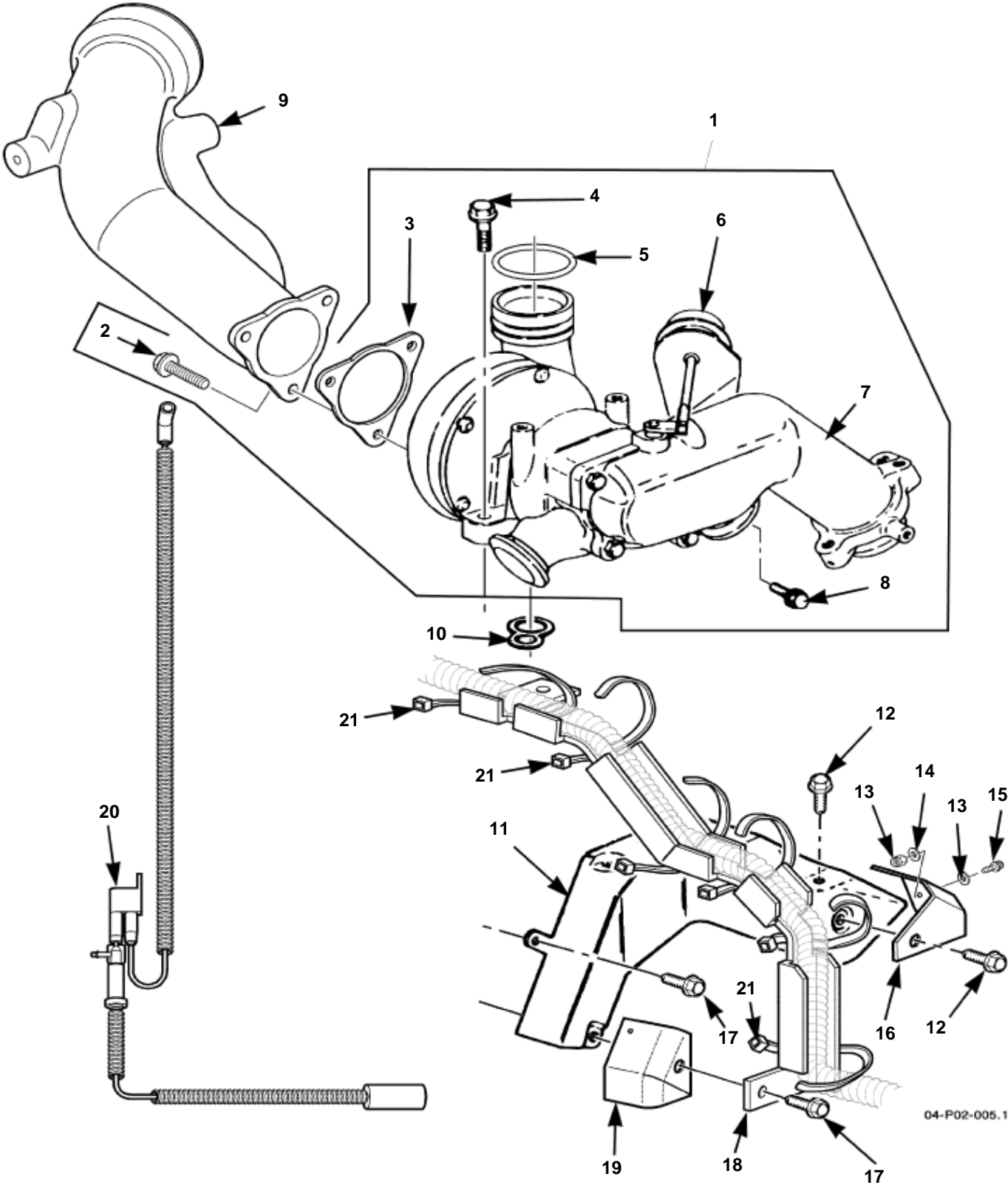


EGR Cooler and Mounting Hardware

EGR Cooler and Mounting Hardware.

Item	Part No.	Description	Qty
1	12339396	CONNECTOR, hose	2
2	GEP18000487	CLAMP, constant tension, #27	2
3	12339251	HOSE, elbow	2
4	GEP18000486	CLAMP, constant tension, #24	9
5	GEP18000467	TUBE, EGR cooler return, lower	1
6	N/S	NUT, flanged, M8 - 1.25	1
7	GEP18000475	BRACKET, tube assembly EGR cooler return, lower	1
8	GEP18000408	TUBE, EGR cooler return, upper	1
9	N/S	HOSE, .625 D.I.A., 90", SEE NOTE 1	2
10	GEP18000416	HEAT SHIELD, EGR cooler	1
11	N/S	NUT, flanged, M10 - 1.5 hex	1
12	MS21333-126	P-CLAMP, cushioned, 3/4"	1
13	5740085	BOLT	5
14	11514596	NUT, M8 - 1.25, 17.90D	1
15	6008770	BLEEDER ASSEMBLY, coolant	1
16	GEP18000407	TUBE ASSEMBLY, EGR cooler supply	1
17	N/S	BOLT, M8 - 1.25 X 20	4
18	GEP18000432	GASKET, EGR gas tube	3
19	GEP18000443	TUBE, assembly EGR cooler to valve	1
20	GEP18000453	BRACKET ASSEMBLY, EGR cooler support	1
21	GEP18000405	EGR COOLER ASSEMBLY	1
22	GEP18000481	BOLT	2
23	N/S	WASHER, flat, 3/8	1
24	N/S	BOLT, M8 X 1.25 X 30	2
25	GEP18000480	BOLT	1
26	GEP18000431	INLET, EGR cooler elbow	1
27	GEP18000456	GASKET ASSEMBLY, EGR cooler, exhaust	2
28	N/S	HOSE, .625 D.I.A., 50", SEE NOTE 1	2
29	5740039	STUD	2

NOTE 1: PART CAN BE SERVICED IN BULK. P/N 5741209

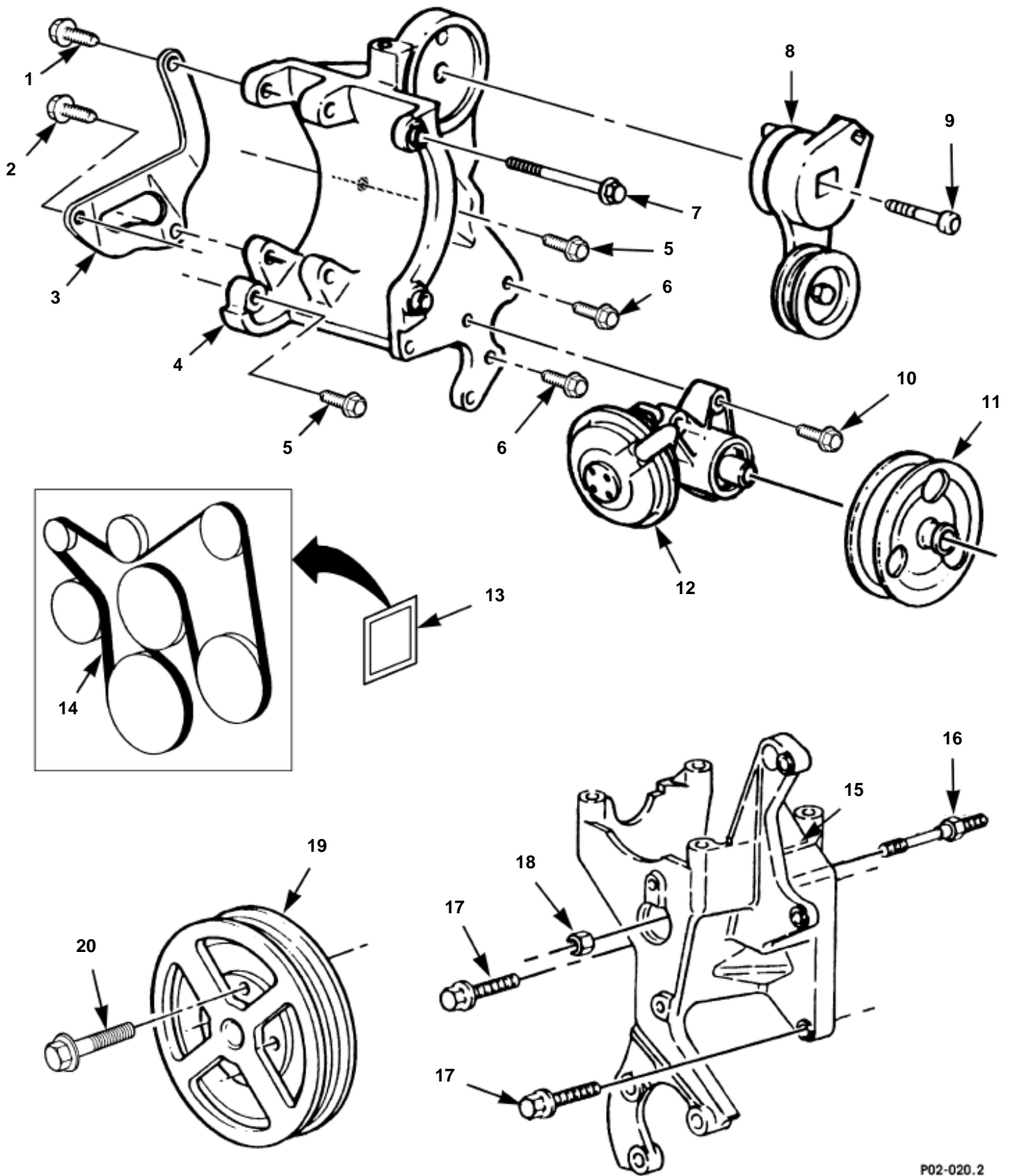


04-P02-005.1

TurboCharger Assembly and Heat Shields

TurboCharger Assembly and Heat Shields.

Item	Part No.	Description	Qty
1	GEP18000464	TURBOCHARGER ASSEMBLY	1
2	S.I.A.	·CAPSCREW, M8 - 1.25 x 19	3
3	GEP18000465	·GASKET, turbocharger inlet elbow	1
4	S.I.A.	·BOLT, M10 - 1.5 x 40, turbo-to-block	2
5	5745167	·O-RING, turbocharger air intake	1
6	5744654	·ACTUATOR, wastegate	1
7	S.I.A.	·CASTING, turbocharger body	1
8	S.I.A.	·BOLT, M8 - 1.25 x 20	1
9	GEP18000444	TUBE, turbo inlet	1
10	5745123	SEAL, turbo-to-block	1
11	12550114	HEAT SHIELD, turbocharger	1
12	N/S	BOLT, M8 - 1.25 x 15, heat shield	4
13	N/S	WASHER, flat, .183 - .196	2
14	N/S	LOCKNUT & LOCKWASHER ASSEMBLY, #8 - 32"	1
15	N/S	SCREW & LOCKWASHER ASSEMBLY, #8 - 32 x 1/2"	1
16	RCSK18089	HEAT SHIELD, R.H.	1
17	N/S	BOLT, M10 - 1.5 x 25, Class 9.8, heat shield	1
18	6014951	BRACKET, transmission harness	1
19	6007707	HEAT SHIELD, L.H.	1
20	5744652	VACUUM HARNESS BOOST CONTROL	1
21	6005929	CABLE TIE, high temperature	6



P02-020.2

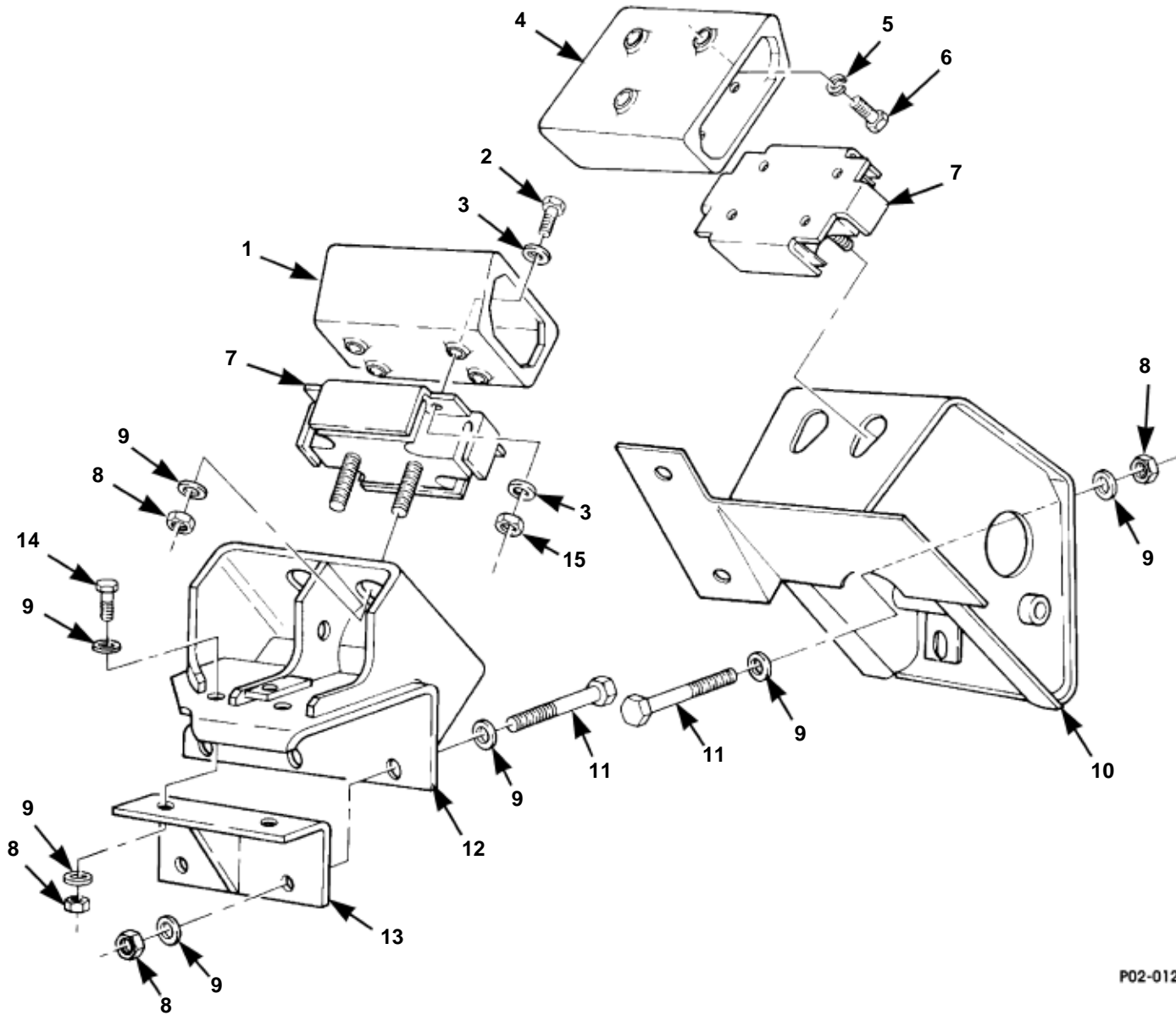
**Vacuum Pump, Serpentine Belt and
Accessory Drive Brackets and Pulleys**

Vacuum Pump, Serpentine Belt and Accessory Drive Brackets and Pulleys.

Item	Part No.	Description	Qty
1	6003067	BOLT, brace	1
2	6006783	BOLT, brace	4
3	6006773	BRACE, rear generator bracket	1
4	6006775	BRACKET, generator-to-engine	1
5	11509036	BOLT, flanged, generator bracket	2
6	6006989	NUT, generator brace	2
7	6006777	BOLT, generator mounting	2
8	6022070	TENSIONER	1
9	6006802	BOLT, Torx head, tensioner	1
10	11515758	BOLT, vacuum pump	3
11	6006805	PULLEY, vacuum pump	1
12	6018747	VACUUM PUMP	1
13	6016063	LABEL, belt routing, English/French	1
14	6007453	BELT, serpentine	1
15	6006807	BRACKET, A/C, P/S	1
16	6006806	STUD, bracket	1
17	6006808	BOLT, bracket	2
18	11501850	NUT, bracket	1
19	6003069	PULLEY, crankshaft	1
20	N/S	BOLT, M10 - 1.5 x 65	4
	5744471	VACUUM HARNESS, (vacuum to solenoid) not illustrated	1

Exhaust Manifolds and Turbo Exhaust Pipes.

Item	Part No.	Description	Qty
1	5744438	CLAMP, exhaust manifold-to-turbo	4
2	GEP18000089	EXHAUST PIPE, L.H.	1
3	5744445	EXHAUST MANIFOLD, L.H.	1
4	5937378	BOLT	16
5	GEP18000088	EXHAUST PIPE, R.H.	1
6	5744446	EXHAUST MANIFOLD, R.H.	1

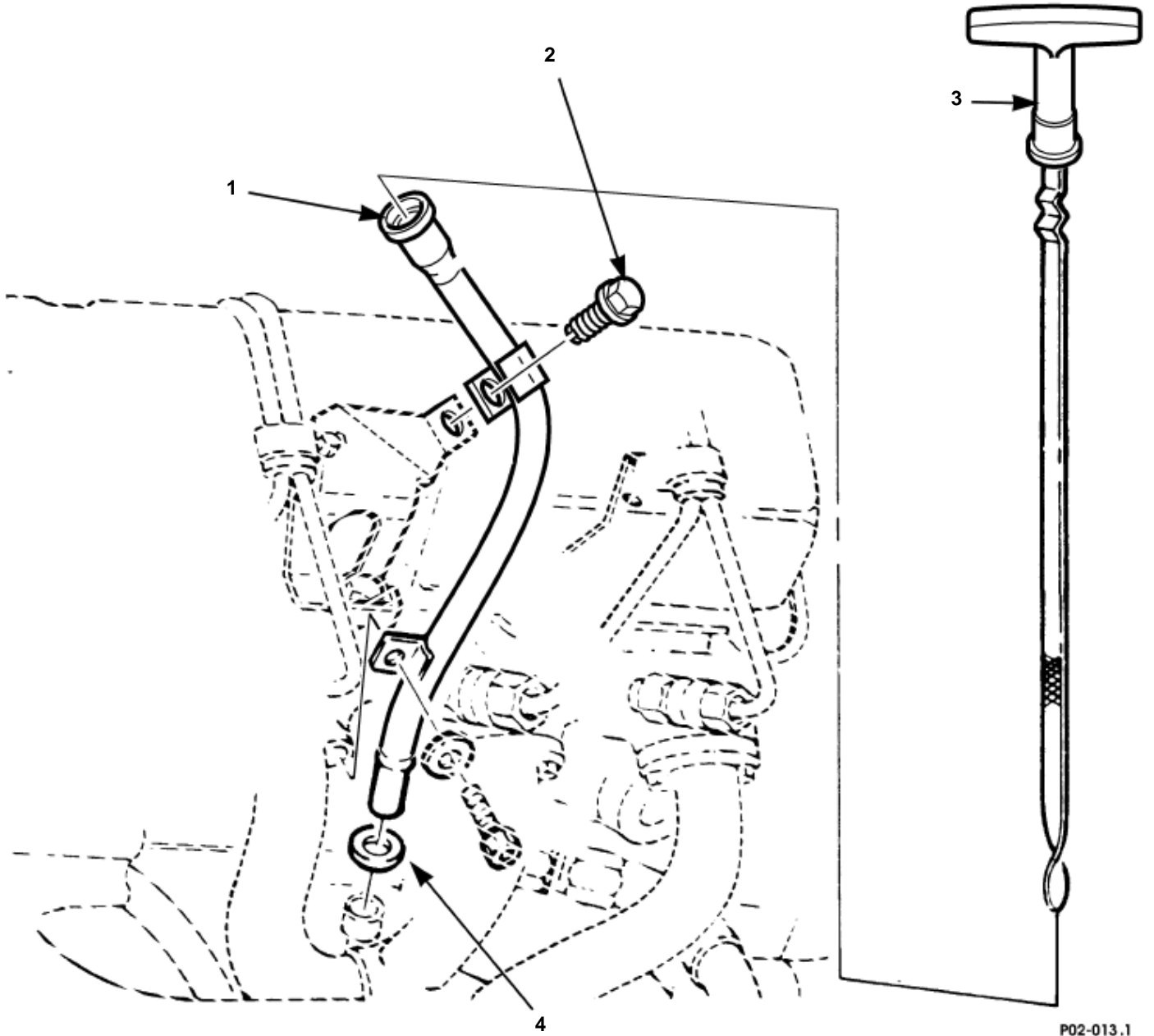


P02-012

Engine Motor Mounts and Mounting Brackets

Engine Motor Mounts and Mounting Brackets.

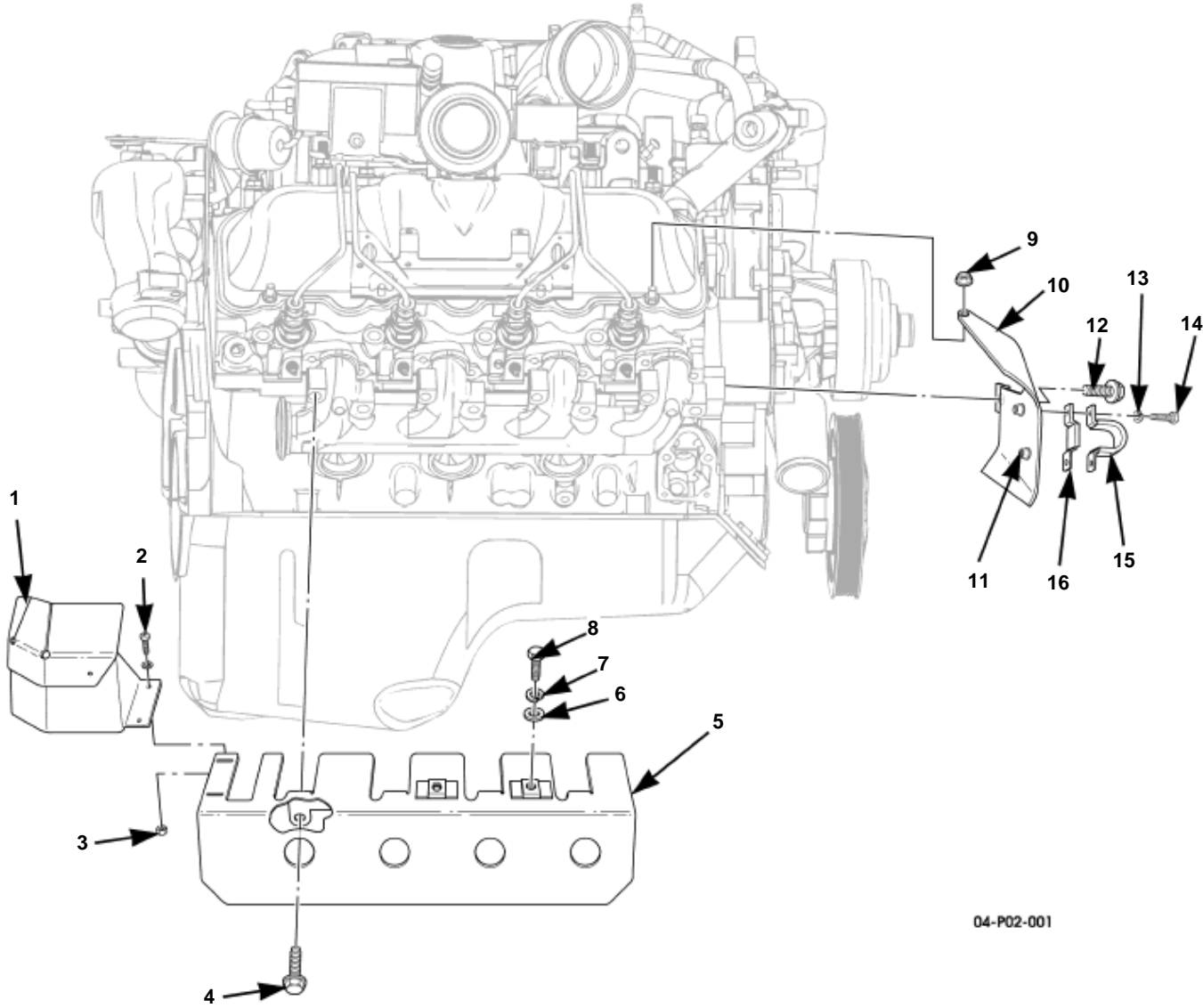
Item	Part No.	Description	Qty
1	12339133	BRACKET, engine block to insulator, R.H.	1
2	MS90728-62	SCREW, 3/8 - 16 X 1 1/4", Gr8, insulator-to-engine mount	8
3	N/S	WASHER, flat, type B, hardened, 3/8", ZN	16
4	12339132	BRACKET, engine block to insulator, L.H.	1
5	N/S	LOCKWASHER, M10, engine mount	6
6	N/S	SCREW, M10 - 1.5 x 25, engine mount	6
7	12339179	MOUNT, resilient	2
8	N/S	LOCKNUT, 1/2 - 13", Gr8, CAD, engine mount	13
9	N/S	WASHER, flat, type B, hardened, 1/2"	22
10	12338205	BRACKET, frame to insulator, L.H.	1
11	N/S	SCREW, 1/2 - 13 x 4 1/2", Gr8, CAD, engine mount	7
12	EC12338183B1	BRACKET, frame to insulator, R.H.	1
13	12338163	BRACKET, engine mount, lower R.H.	1
14	N/S	SCREW, 1/2 - 13 x 1 1/4", Gr8, CAD, bracket-to-engine mount	2
15	N/S	LOCKNUT, 3/8 - 16", Gr8, insulator-to-engine mount	8



Engine Oil Dipstick and Tube Assembly

Engine Oil Dipstick and Tube Assembly.

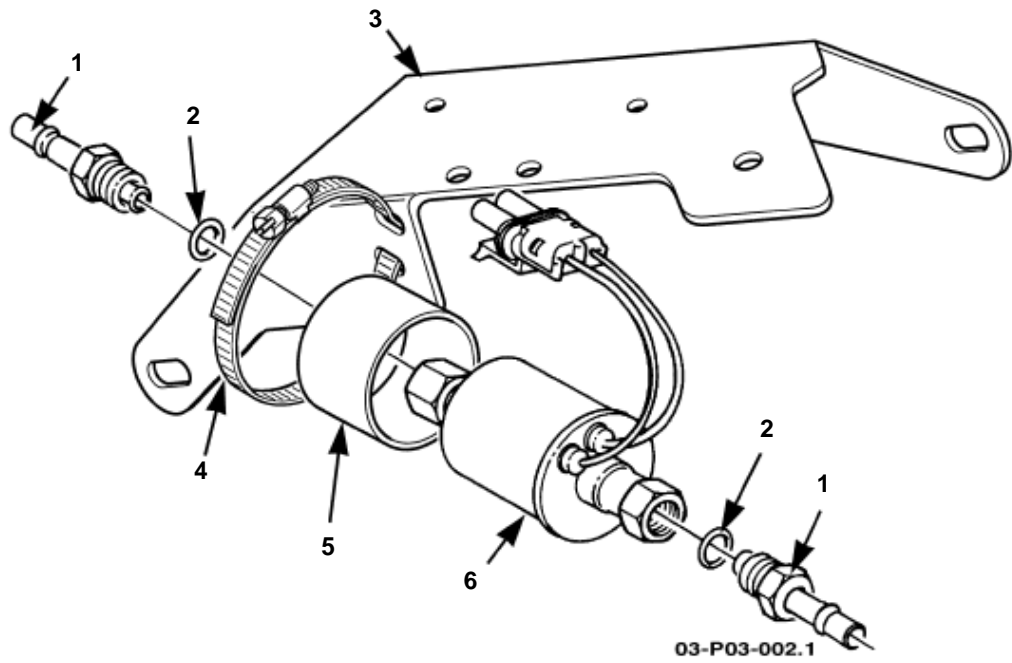
Item	Part No.	Description	Qty
1	6006825	TUBE ASSEMBLY, engine oil dipstick	1
2	5741162	SCREW, flange head, engine oil dipstick	1
3	6006824	DIPSTICK, engine oil level	1
4	274244	SEAL, O-RING, tube assembly, .	1



Exhaust Manifold Heat Shield

HUMMER H1 2004 Parts Catalog
Exhaust Manifold Heat Shield.

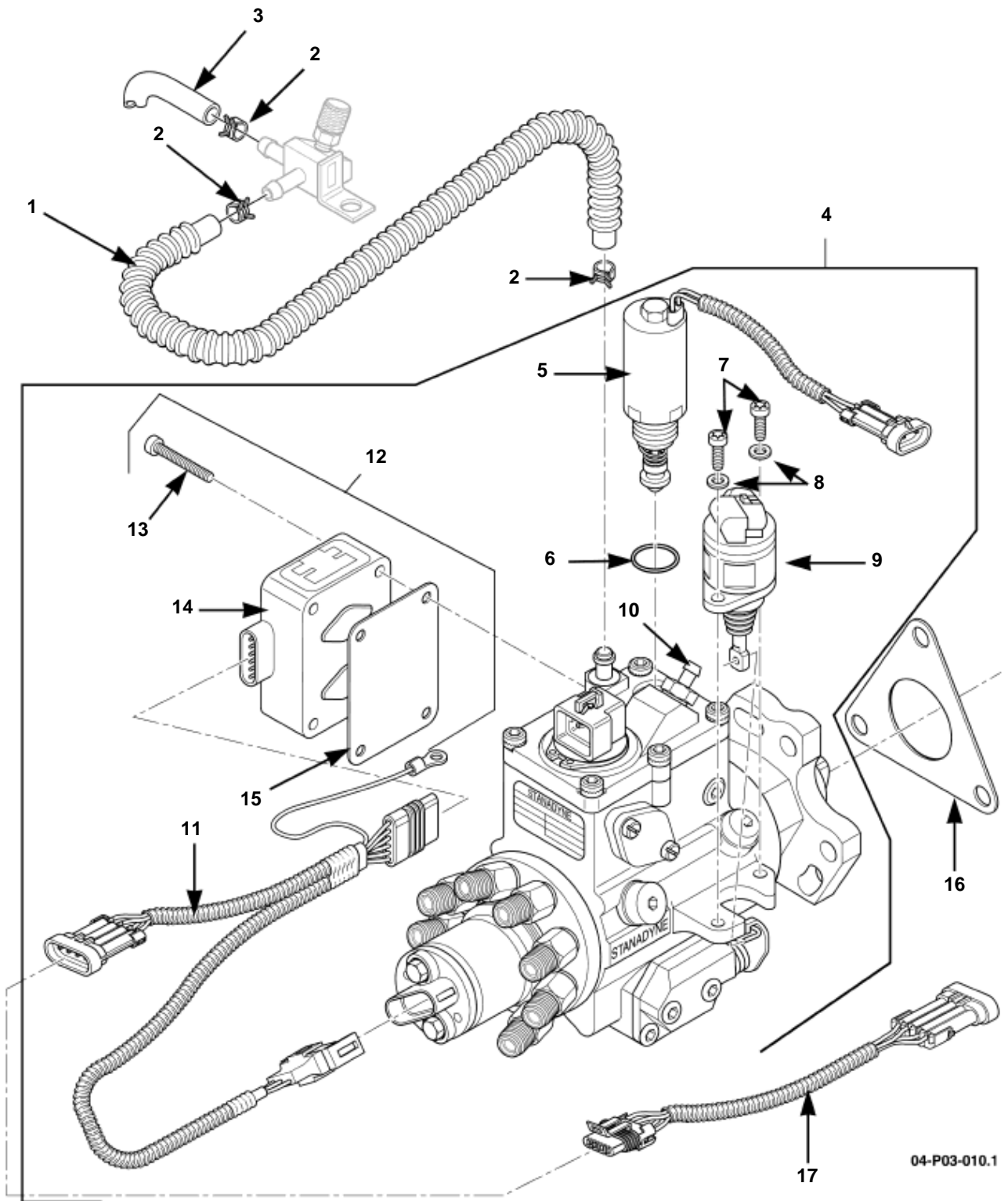
Item	Part No.	Description	Qty
1	RCSK17221	HEAT SHIELD, rear	1
2	N/S	SCREW, phcr, #10 - 24 x 3/4"	2
3	N/S	NUT & LOCKWASHER ASSEMBLY, #10 - 24"	2
4	N/S	SCREW, flanged hex head, M10 - 1.5 x 65, class 10.9	4
5	6011972	HEAT SHIELD, R.H.	1
6	MS27183-14	WASHER, flat, 3/8"	2
7	N/S	LOCKWASHER, 3/8"	2
8	MS90727-58	BOLT	2
9	N/S	NUT, flanged, M8 - 1.25	1
10	6007193	BRACKET, engine wiring harness	1
11	12446871-2	·NUTSERT, 1/4 x 20"	2
12	11503454	BOLT, hex flange	1
13	N/S	LOCKWASHER, 1/4"	2
14	N/S	BOLT, 1/4 - 20 x 1", Gr5	2
15	12340663-1	CLAMP, cushioned	1
16	12340664	CROSSBAR	1



Fuel Pump and Mounting Hardware

Fuel Pump and Mounting Hardware.

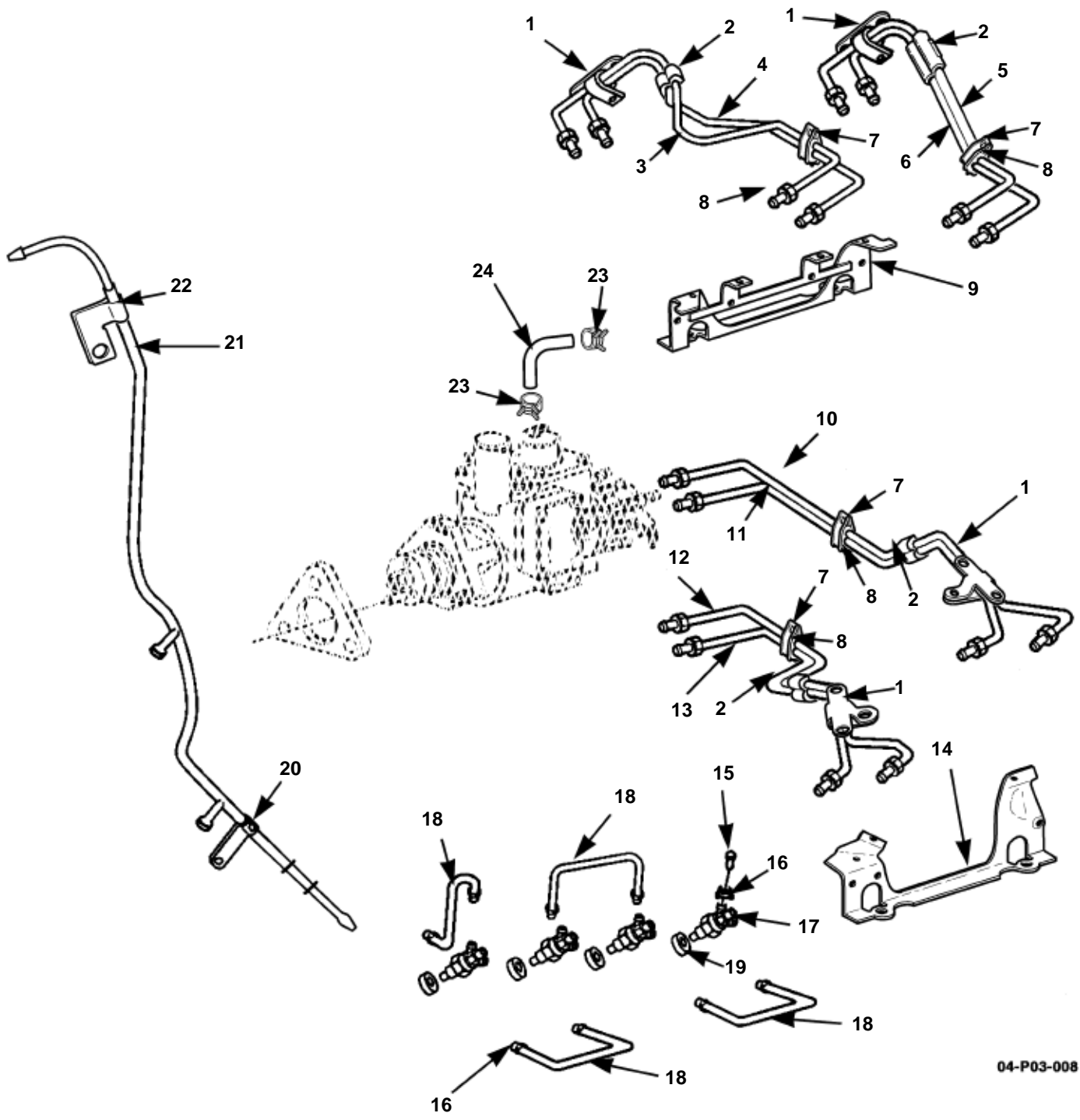
Item	Part No.	Description	Qty
1	6011808	TUBE ASSEMBLY, fuel line adapter	2
2	12340395	SEAL, O-ring	2
3	N/S	BRACKET, fuel pump	1
4	N/S	CLAMP, hose, stainless, 1 5/16" to 2 1/4", fuel pump	1
5	6011812	SLEEVE, fuel pump	1
6	6010682	FUEL PUMP	1



Fuel Injection Pump and Fuel Intake Line

Fuel Injection Pump and Fuel Intake Line.

Item	Part No.	Description	Qty
1	GEP18000461	TUBE ASSEMBLY, fuel injection pump supply	1
2	N/S	CLAMP, constant tension, 1/2", fuel line	3
3	N/S	HOSE, 1/4 x 24" long, fuel filter-to-fuel pressure service port, SEE NOTE 2	1
4	GEP18000423	PUMP, fuel injection, 6.5L	1
	5746072	PUMP, fuel injection, 6.5L, (remanufactured)	1
5	5744937	·SOLENOID ASSEMBLY, engine shut-off (ESO)	1
6	S.I.A.	·O-RING, ESO solenoid	1
7	N/S	·SCREW, mounting	2
8	N/S	·WASHER, flat	2
9	5745012	·MOTOR ASSEMBLY, injection timing stepper (ITS)	1
10	5745014	·PRESSURE REGULATOR ASSEMBLY	1
11	5745733	·WIRING HARNESS, fuel injection pump	1
12	5745016	·KIT, PMD-heat transfer pad	1
13	S.I.K.	·SCREW, mounting	4
14	S.I.K.	·DRIVER, pump-mounted fuel solenoid (PMD)	1
15	S.I.K.	·HEAT TRANSFER PAD	1
16	5740059	GASKET, fuel injector pump	1
17	6018387	JUMPER HARNESS, equalization resistor	1
	5745783	#5 CALIBRATION RESISTOR, injector pump, (not pictured)	1



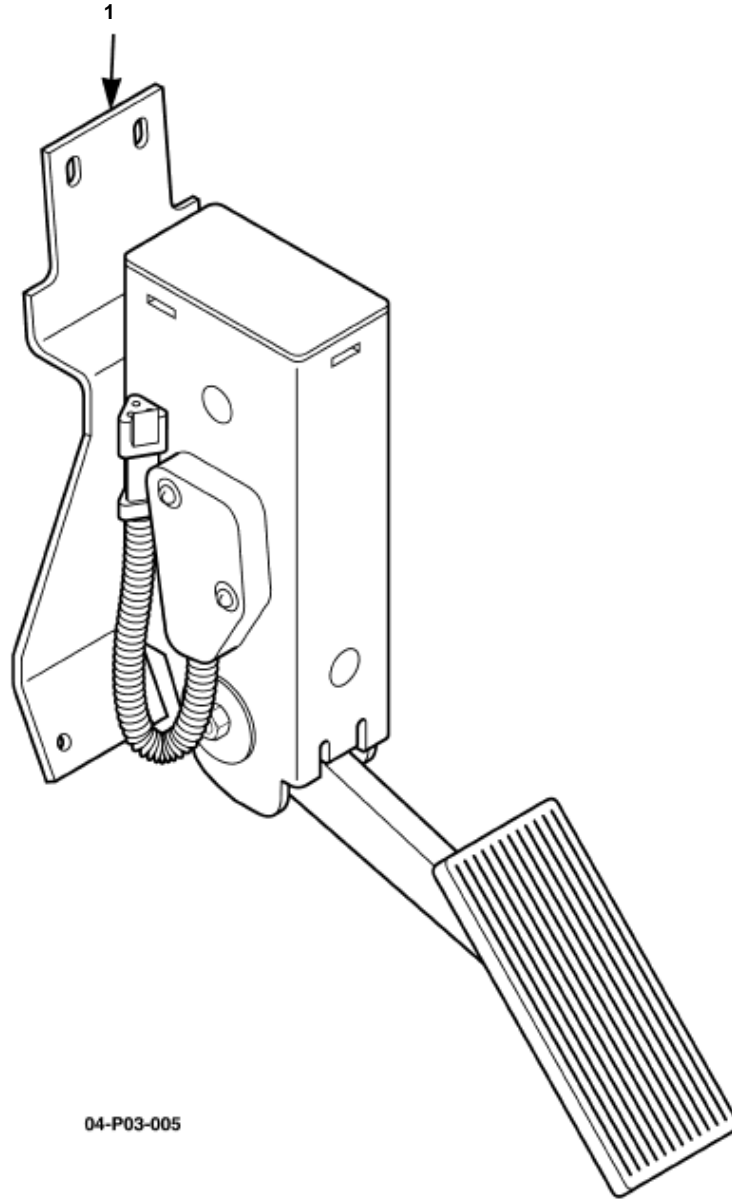
04-P03-008

Fuel Injection Supply and Return Lines

Fuel Injection Supply and Return Lines.

Item	Part No.	Description	Qty
1	N/S	CLAMP, fuel injection tube	4
2	N/S	CLIP, one-piece plastic, fuel injection tube	4
3	5744707	TUBE, pump to injector, #2 cylinder	1
4	5744709	TUBE, pump to injector, #4 cylinder	1
5	5744713	TUBE, pump to injector, #8 cylinder	1
6	5744711	TUBE, pump to injector, #6 cylinder	1
7	5740179	CLAMP, fuel injection tube	4
8	5740537	INSERT, fuel injection tube clamp	4
9	5742564	BRACKET, fuel injection lines, R.H.	1
10	5744712	TUBE, pump to injector, #7 cylinder	1
11	5744710	TUBE, pump to injector, #5 cylinder	1
12	5744708	TUBE, pump to injector, #3 cylinder	1
13	5744706	TUBE, pump to injector, #1 cylinder	1
14	5743288	BRACKET, fuel injection lines, L.H.	1
15	5740210	CAP, fuel injection nozzle	2
16	5741895	CLAMP, fuel drain tube	18
17	5743223	NOZZLE, fuel injection	8
18	5740211	HOSE, 7", fuel drain,	8
19	5740058	GASKET, nozzle	8
20	5740171	CLAMP, fuel drain	2
21	5745042	TUBE ASSEMBLY, fuel drain return	1
22	N/S	CLAMP, fuel return tube, L.H. side	1
23	N/S	CLAMP, fuel drain return hose	2
24	N/S	HOSE, 6-inch, fuel return, pump-to-return tube, SEE NOTE 1	1

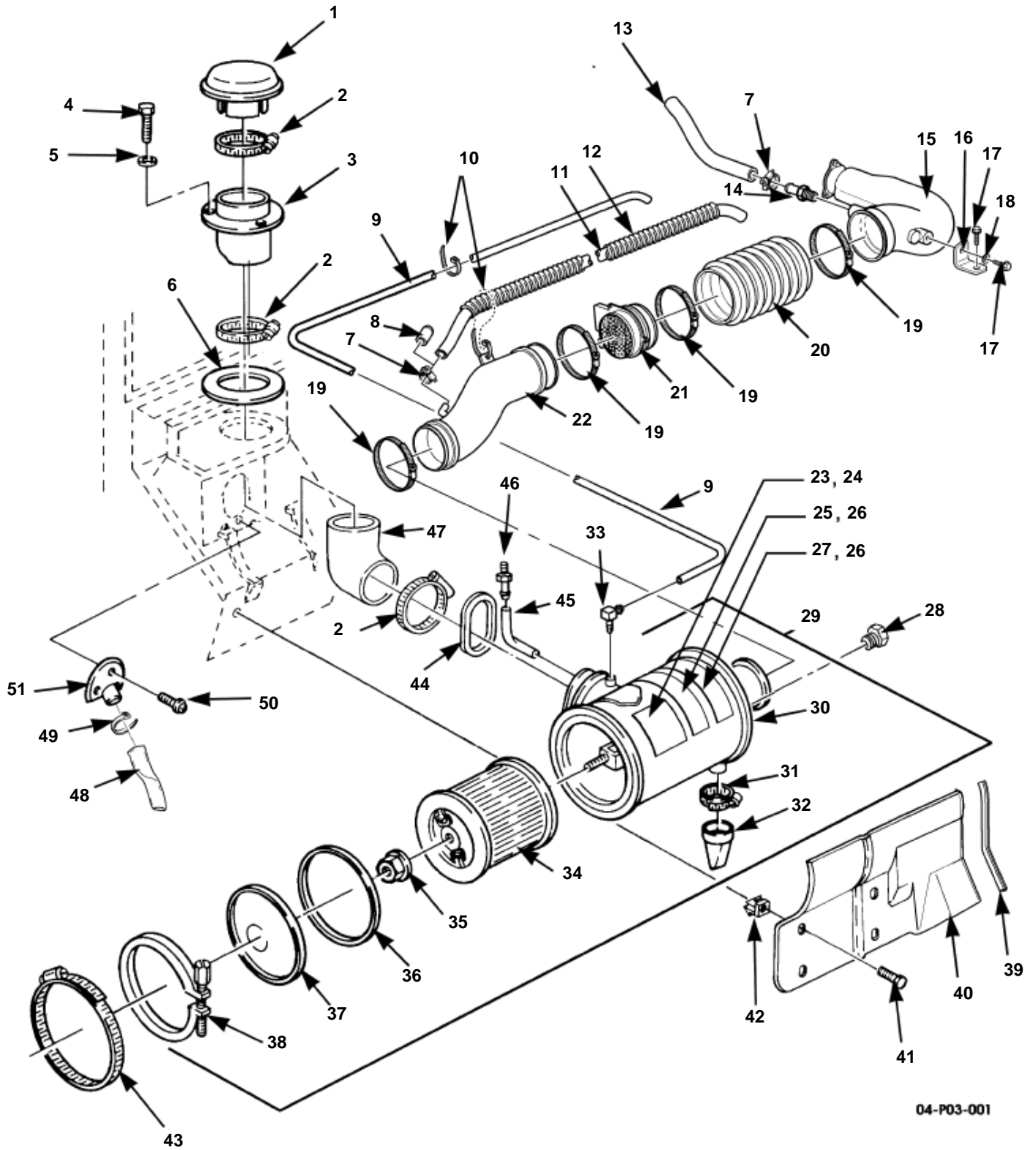
NOTE 1: MAKE FROM BULK HOSE P/N 5741163, 1/2"
O.D. X 1/4" I.D. X 25' ROLL



Accelerator Pedal Assembly

Accelerator Pedal Assembly.

Item	Part No.	Description	Qty
1	6014478	ACCELERATOR PEDAL ASSEMBLY	1



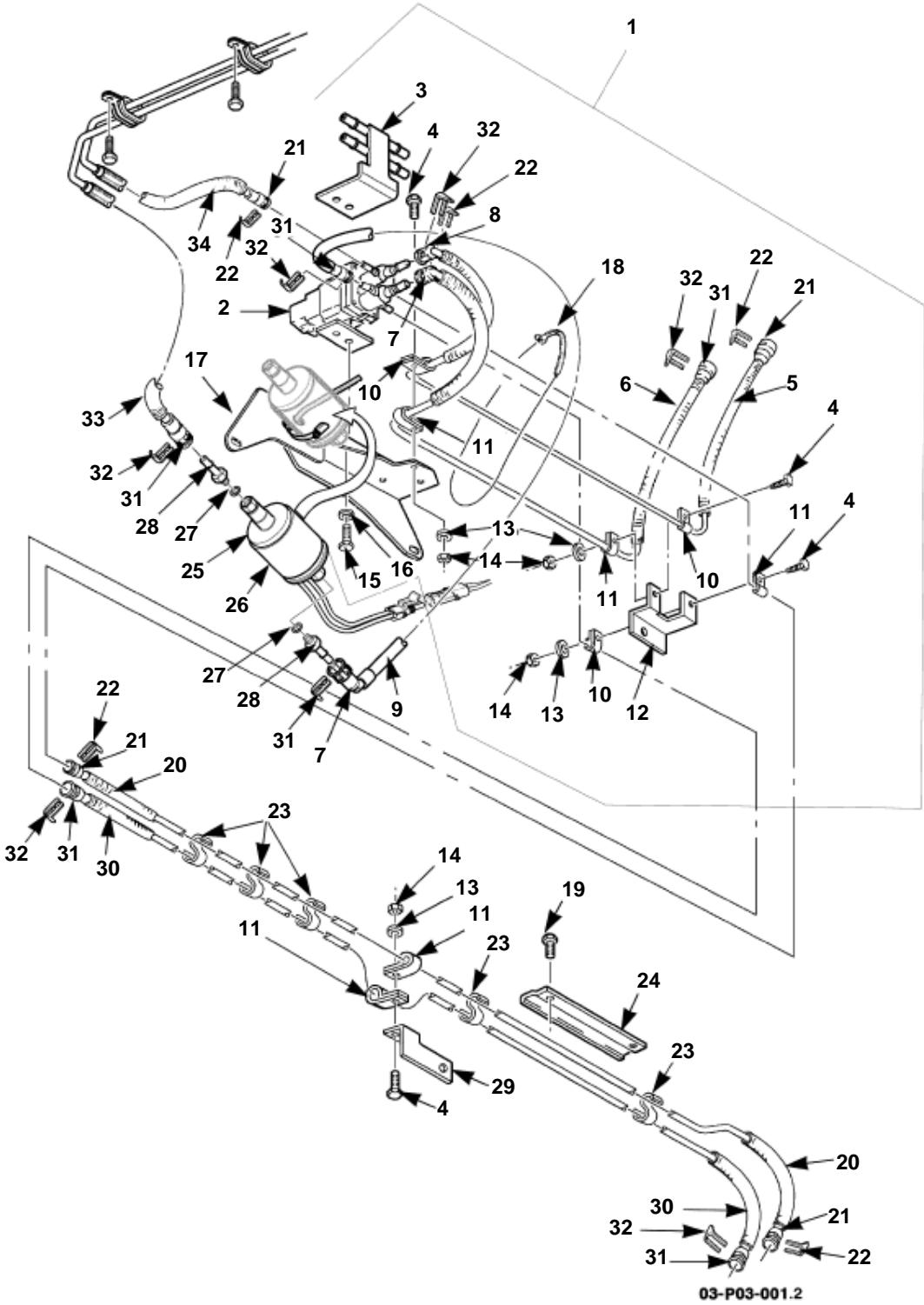
04-P03-001

Air Cleaner, Air Horn, and Related Parts

Air Cleaner, Air Horn, and Related Parts.

Item	Part No.	Description	Qty
1	12338377	CAP, air intake	1
2	N/S	CLAMP, 5.0" - 2.0", air intake	4
3	6001738P	ADAPTER, air intake	1
4	MS90728-2P2	SCREW, 1/4 - 20 x 7/16", Gr8, ZN, air intake shield	3
5	N/S	WASHER, flat, 1/4", CAD, air intake shield	3
6	6009745	GASKET, air intake housing	1
7	6008528	CLAMP, hose	1
8	N/S	PLUG, vacuum	1
9	N/S	TUBE, 28-inch, air cleaner vent line, SEE NOTE 1	1
10	MS3367-1-0	TIE WRAP, 6"	2
11	N/S	HOSE, CTIS compressor to air intake, 41.5", SEE NOTE 1	1
12	6008246	TUBING, convoluted	A/R
13	GEP18000452	HOSE, cdr valve	1
14	5744479	ADAPTER, therm bypass	1
15	GEP18000444	TUBE, turbo inlet	1
16	GEP18000436	BRACKET, tube, turbo inlet	1
17	5740085	BOLT	1
18	N/S	WASHER, flat, 3/8	1
19	6015137	CLAMP, constant tension	4
20	6015123	HOSE, bellow, air induction	1
21	6015124	SENSOR, mass air flow	1
22	6015125	DUCT ASSEMBLY, air induction	1
23	6016896	LABEL, CARB MDV, 2004	1
24	6001684	DECAL, clear protective film, 4 7/8 x 2 7/8"	1
25	GEP18000077	LABEL, emission control, 2004	1
26	6010397	DECAL, clear protective film, 8 x 2 1/4"	1
27	6017130	LABEL, A/C caution	1
28	127950	PLUG, 1/8" brass, hex, air cleaner	1
29	WA12339911	AIR CLEANER ASSEMBLY	1
30	S.I.A.	-BODY, air cleaner	1
31	N/S	-CLAMP, dust unloader	1
32	12342873	-UNLOADER, dust	1
33	12339964-1	ELBOW, 3/8 NPT to 1/4", pipe to hose, vent line	1
34	12342870	-FILTER ELEMENT, air cleaner	1
35	12342871	-NUT/LOCKWASHER, air cleaner	1
36	12342872	-GASKET, air cleaner cover	1
37	12342869	-COVER, air cleaner	1
38	12342874	-CLAMP, air cleaner	1
39	6009588	EDGE GUARD, air cleaner shield	1
40	6009455	SHIELD, air cleaner	1
41	N/S	SCREW, tapping, #10 - 16 x 1/2", ZN, air cleaner shield	4
42	12340922	GROMMET, air cleaner shield	4
43	11608950-28	CLAMP, 12.25/2, air cleaner	3
44	6005110	GASKET, air cleaner intake	1
45	12340799	TUBE, vent line	1
46	12339978	CONNECTOR, vent line	1
47	6001737	ELBOW, air cleaner	1
48	6009746	DRAIN HOSE	1
49	N/S	TIE WRAP	1
50	N/S	SCREW, tapping, phcr, #8 - 18 x 3/8", drainage bracket	3
51	12338842	BRACKET, air intake drainage tube	1

NOTE 1: MAKE FROM BULK NYLON TUBE P/N 5741079,
3/16" X 250' ROLL

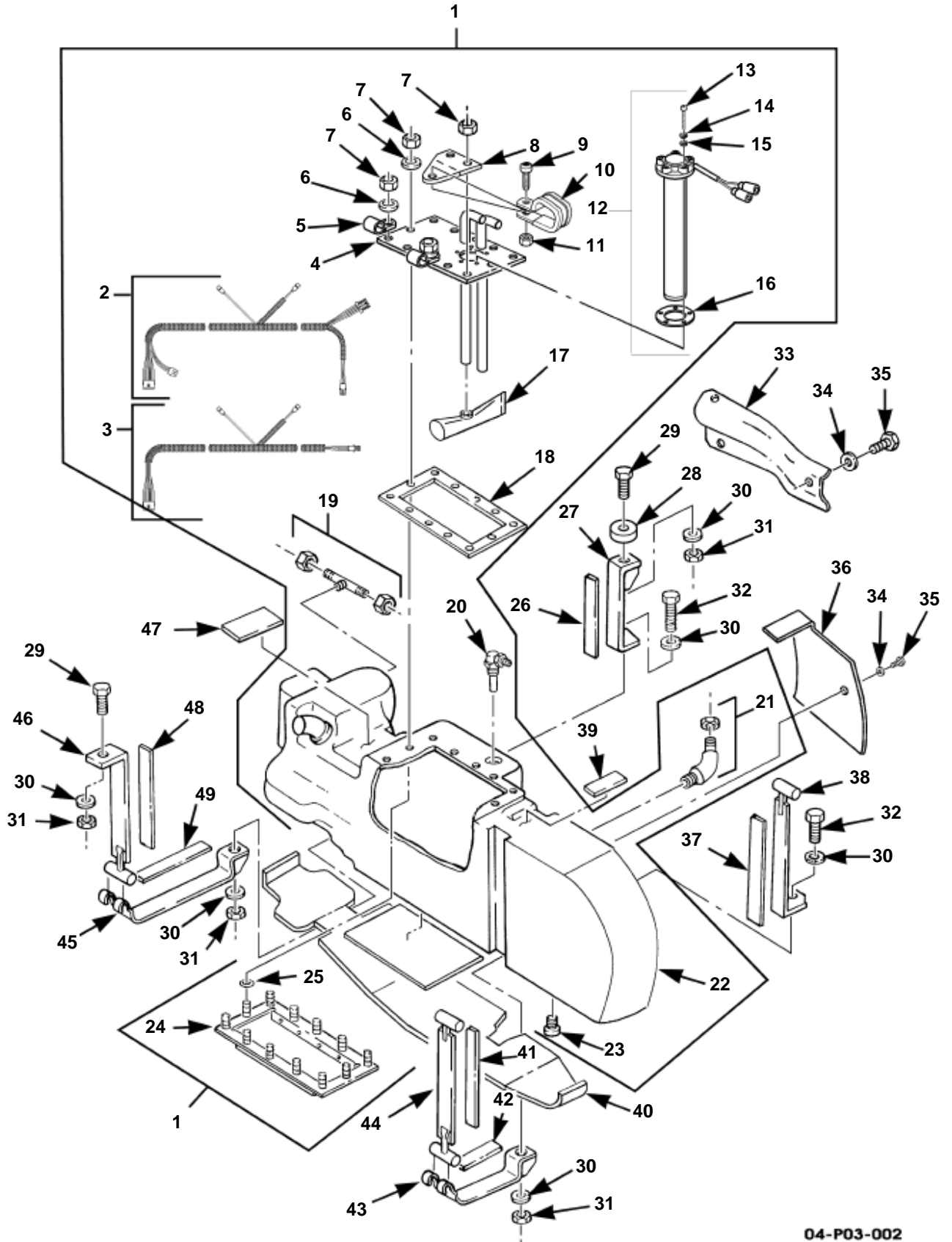


Fuel Supply and Return Lines

HUMMER H1 2004 Parts Catalog
Fuel Supply and Return Lines.

Item	Part No.	Description	Qty
1	6013665	FUEL BUNDLE ASSEMBLY	1
	6013666	FUEL BUNDLE ASSEMBLY, for fleet use with single tank	1
2	6005966	·VALVE ASSEMBLY, fuel tank selector, dual tanks	1
3	6011337	·TUBE AND BRACKET ASSEMBLY, single tank	1
4	S.I.A.	·BOLT, 1/4 - 20 x 3/4", Gr5, CAD	A/R
5	S.I.A.	·FUEL RETURN LINE	1
6	S.I.A.	·FUEL SUPPLY LINE	1
7	S.I.A.	·CONNECTOR, fuel line, 3/8", 90 Deg	2
8	S.I.A.	·CONNECTOR, fuel line, 5/16", 90 Deg	2
9	S.I.A.	·TUBE ASSEMBLY, selector to pump	1
10	S.I.A.	·P-CLIP, 5/16"	A/R
11	S.I.A.	·P-CLIP, 3/8"	A/R
12	S.I.A.	·BRACKET, tube mounting, fuel bundle	1
13	S.I.A.	·WASHER, flat, hard, 1/4", type B, ZN	A/R
14	S.I.A.	·LOCKNUT, 1/4 - 20", Gr8	A/R
15	S.I.A.	·BOLT, M8 x 1.25	2
16	S.I.A.	·LOCK WASHER #8	1
17	S.I.A.	·BRACKET ASSEMBLY, valve mounting	1
18	N/S	TIE WRAP	A/R
19	N/S	SCREW, tapping, #10 - 32 x 5/8"	2
20	6006763	TUBE ASSEMBLY, return, valve-to-auxiliary tank	1
21	S.I.A.	·CONNECTOR fuel line, 5/16"	3
22	S.I.A.	·CLIP, connector, fuel line, 5/16"	A/R
23	N/S	S-CLIP	A/R
24	6006793	BRACKET, hold down, auxiliary fuel lines	1
25	6010682	FUEL PUMP ASSEMBLY SEE NOTE 1	1
26	6011812	SLEEVE, fuel pump	1
27	12340395	SEAL, O-Ring	2
28	6011808	TUBE ASSEMBLY, fuel line adapter	2
29	6007724B9	BRACKET, auxiliary fuel line tubes	1
30	6006762	TUBE ASSEMBLY, supply, auxiliary tank-to-valve	1
31	S.I.A.	·CONNECTOR, fuel line, 3/8"	3
32	S.I.A.	·CLIP, connector, fuel line, 3/8"	A/R
33	6014436	FUEL SUPPLY LINE ASSEMBLY	1
34	6015884	FUEL RETURN LINE ASSEMBLY	1

NOTE 1: FOR DETAILED FUEL PUMP ASM SEE PAGE 3-2.

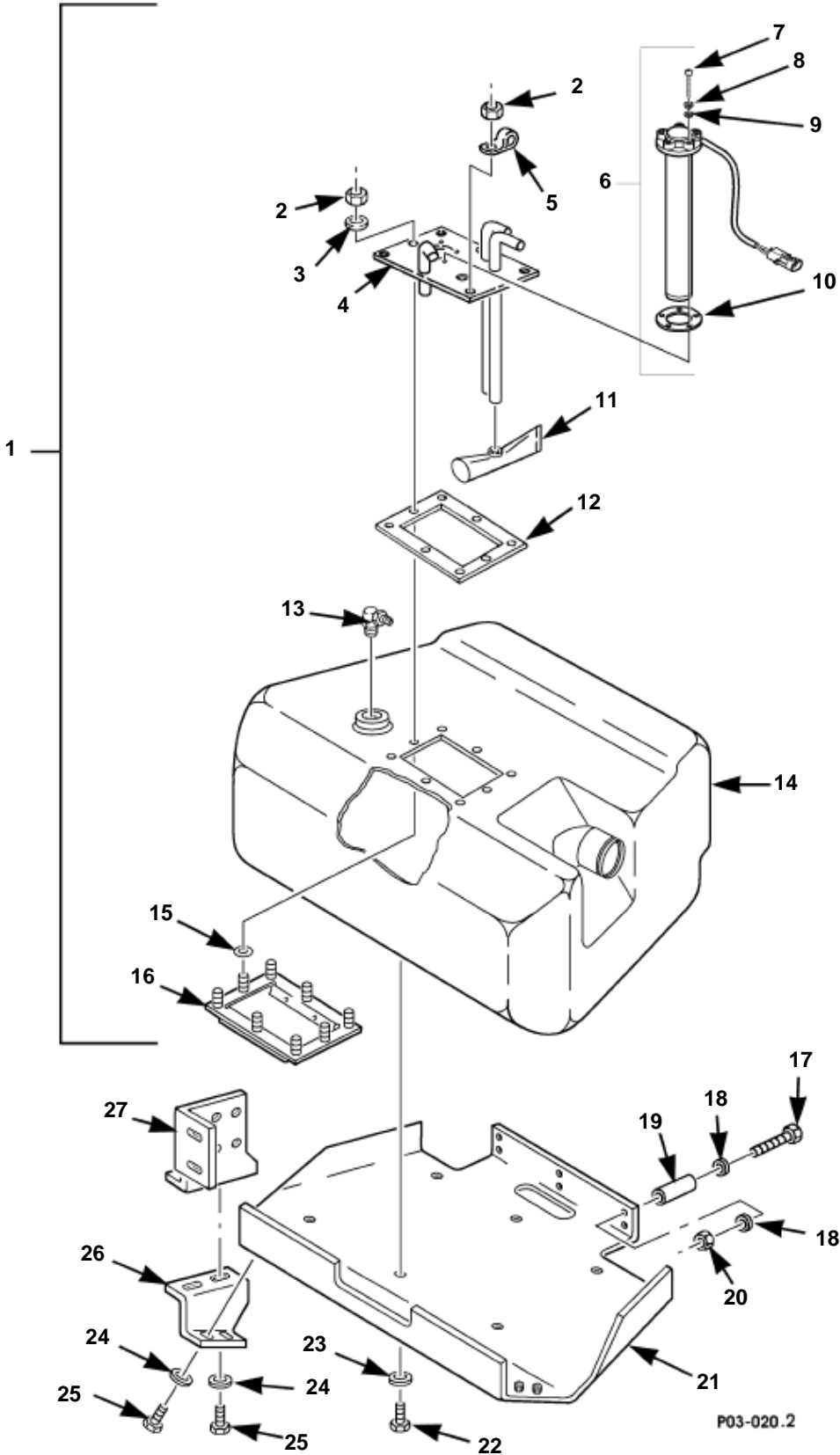


Main Fuel Tank Assembly and Mounting Straps

Main Fuel Tank Assembly and Mounting Straps.

Item	Part No.	Description	Qty
1	6013910	FUEL TANK ASSEMBLY, for vehicles w/aux tank, SEE NOTE 1	1
2	6014935	·JUMPER ASSEMBLY, main tank w/aux tank	1
3	6014934	·JUMPER ASSEMBLY, tank for vehicles w/o aux tank	1
4	6006979	·PLATE, fuel tank access	1
5	S.I.A.	·CLAMP, cushioned, 9/16", harness	2
6	S.I.A.	·WASHER, flat, hard, 1/4", ZN, fuel tank access plate	10
7	S.I.A.	·LOCKNUT, 1/4 - 20", Gr8, fuel tank access plate	12
8	6006737	·BRACKET, fuel line support	1
9	N/S	·SCREW, #10 - 32 x 1/2"	1
10	MS21334-34	·P-CLAMP, cushioned	1
11	N/S	·NUT, #10 - 32"	1
12	6009942	·TRANSMITTER, tank fuel level	1
13	S.I.A.	·SCREW, #10 - 24 x 1 1/4", CAD, fuel level transmitter	5
14	S.I.A.	·LOCKWASHER, #10, med, ZN, fuel level transmitter	5
15	S.I.A.	·WASHER, flat, #10, fuel level transmitter	5
16	5745031	·GASKET, fuel level transmitter	1
17	12338556	·FUEL STRAINER, fuel supply tube	1
18	12338585	·GASKET, fuel tank access plate	1
19	8-8-6-100425BA	·TEE, pipe to tube	1
20	6001342	·VALVE, rollover	1
21	8-6-100302BA	·ELBOW, pipe to tube	1
22	12460105	·FUEL TANK	1
23	12340000	·DRAIN PLUG, fuel	1
24	12460140	·RETAINER, access plate	1
25	12342933	·O-RING, fuel tank access	12
26	12460108-5	INSULATOR STRAP, inner, rear	1
27	EC12338568B1	STRAP, fuel tank, inner rear	1
28	12469055	SPACER, rubber coated	1
29	N/S	SCREW, 3/8 - 16 x 1 1/2", Gr8, CAD, fuel tank strap	2
30	N/S	WASHER, flat, 3/8", type B, fuel tank strap	6
31	N/S	NUT, 3/8 - 16", Gr8, CAD, fuel tank strap	4
32	N/S	BOLT, 3/8 - 16 x 2 1/4", Gr8, CAD	2
33	12460143	SHIELD	1
34	ELMS27183-10	FLATWASHER I.D., .281 x O.D., .625	4
35	N/S	SCREW, sl hd, 1/4 - 28 x 5/8", ZN	4
36	EC12460102B1	SHIELD, fuel tank	1
37	12460108-2	INSULATOR STRAP, inner front	1
38	EC12460103B1	STRAP, fuel tank, inner front	1
39	12338557-1	ANTI-SQUEAK, fuel tank, front	1
40	6006150B9	SHIELD, fuel tank	1
41	12460108-3	INSULATOR STRAP, outer, front	1
42	12460108-1	INSULATOR STRAP, bottom, front	1
43	EC12338571B1	STRAP, fuel tank, bottom front	1
44	EC12338573-2B1	STRAP, fuel tank, outer front	1
45	EC12338574B1	STRAP, fuel tank, bottom rear	1
46	6007695	STRAP, fuel tank, outer rear	1
47	12338557-2	ANTI-SQUEAK, fuel tank, rear	1
48	12460108-6	INSULATOR STRAP, outer, rear	1
49	12460108-4	INSULATOR STRAP, bottom, rear	1

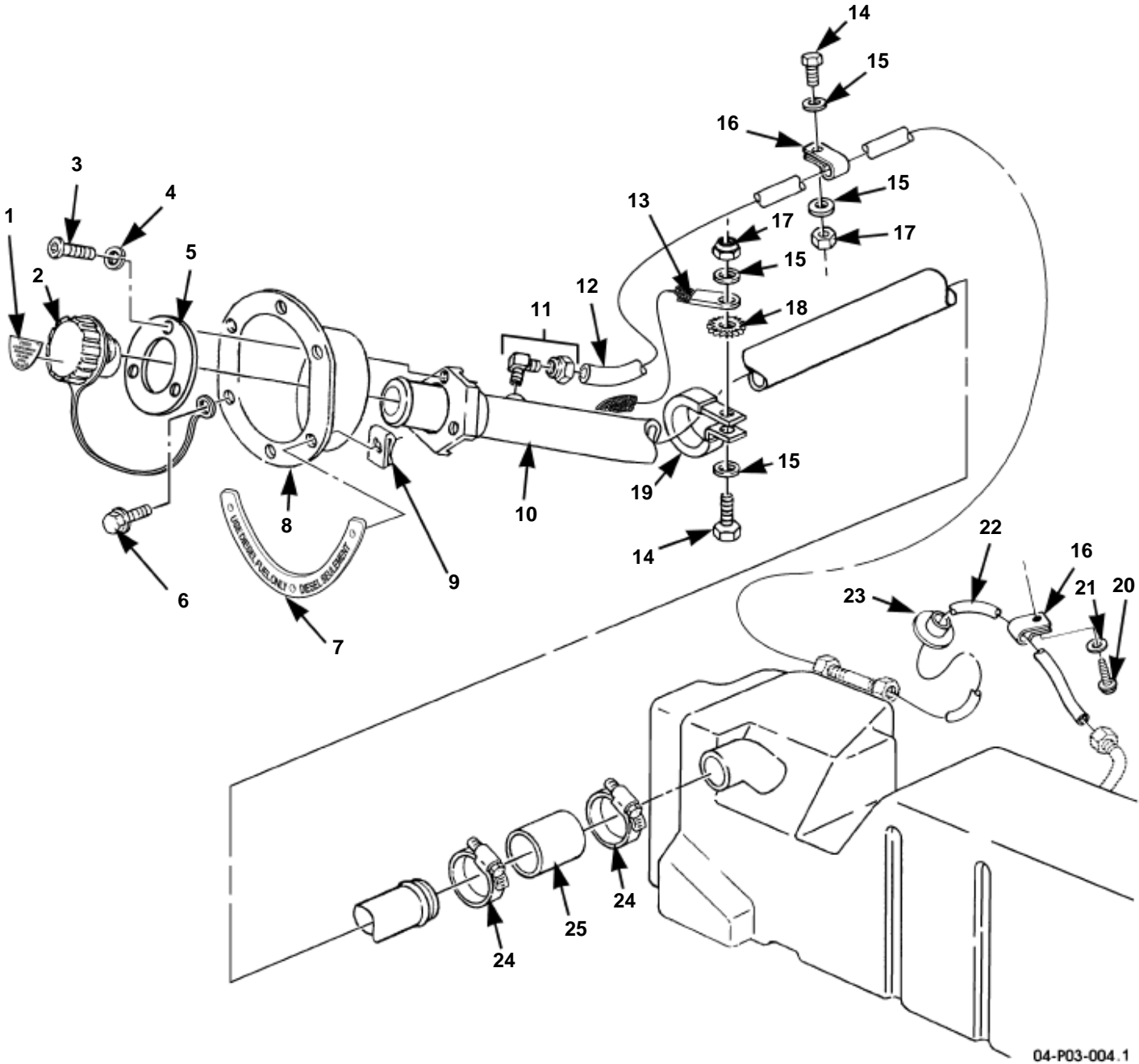
NOTE 1: FOR VEHICLES W/O AUX TANK, ORDER THIS ASSEMBLY AND JUMPER ASSY. P/N 6013907.



Fuel Tank (Auxiliary) Assembly and Mounting Hardware

Fuel Tank (Auxiliary) Assembly and Mounting Hardware.

Item	Part No.	Description	Qty
1	6010076	FUEL TANK ASSEMBLY,	1
2	N/S	·LOCKNUT, 1/4 - 20", Gr8	8
3	N/S	·WASHER, flat, hardened, 1/4", ZN	8
4	6008193	·PLATE, fuel tank access	1
5	N/S	·CLAMP , cushioned, 3/8"	1
6	6009943	·TRANSMITTER, tank fuel level	1
7	S.I.A.	·SCREW, #10 - 24 x 1 1/4", CAD, fuel level transmitter	5
8	S.I.A.	·LOCKWASHER, med, #10, ZN, fuel level transmitter	5
9	S.I.A.	·WASHER, flat, #10, fuel level transmitter	5
10	5745031	·GASKET, fuel level transmitter	1
11	12338556	·FUEL STRAINER	1
12	6006704	·GASKET, tank access	1
13	6001342	·VALVE, rollover	1
14	6006648	·FUEL TANK, auxiliary	1
15	12342933	·O-RING, fuel tank access	8
16	6006698	·RETAINER, access plate	1
17	N/S	BOLT, 5/16 - 18 x 2 3/4", Gr8, CAD	6
18	N/S	WASHER, flat, hardened, 5/16", ZN	12
19	12338186-69	SPACER	6
20	N/S	LOCKNUT, 5/16 - 18", Gr8	6
21	6006687	SKID PLATE ASSEMBLY	1
22	N/S	BOLT, 1/4 - 28 x 5/8", CAD	6
23	N/S	WASHER, flat, hardened, 1/4", ZN	6
24	N/S	WASHER, flat, 3/8", type B	8
25	N/S	BOLT 3/8 - 16 x 1", Gr8, CAD	8
26	6006797B9	BRACKET, skid plate mounting, R.H.	1
	6006798B9	BRACKET, skid plate mounting, L.H.	1
27	6006741B5	BRACKET, rear bumper, L.H., inner	1
	6006749B5	BRACKET, rear bumper, R.H., inner	1



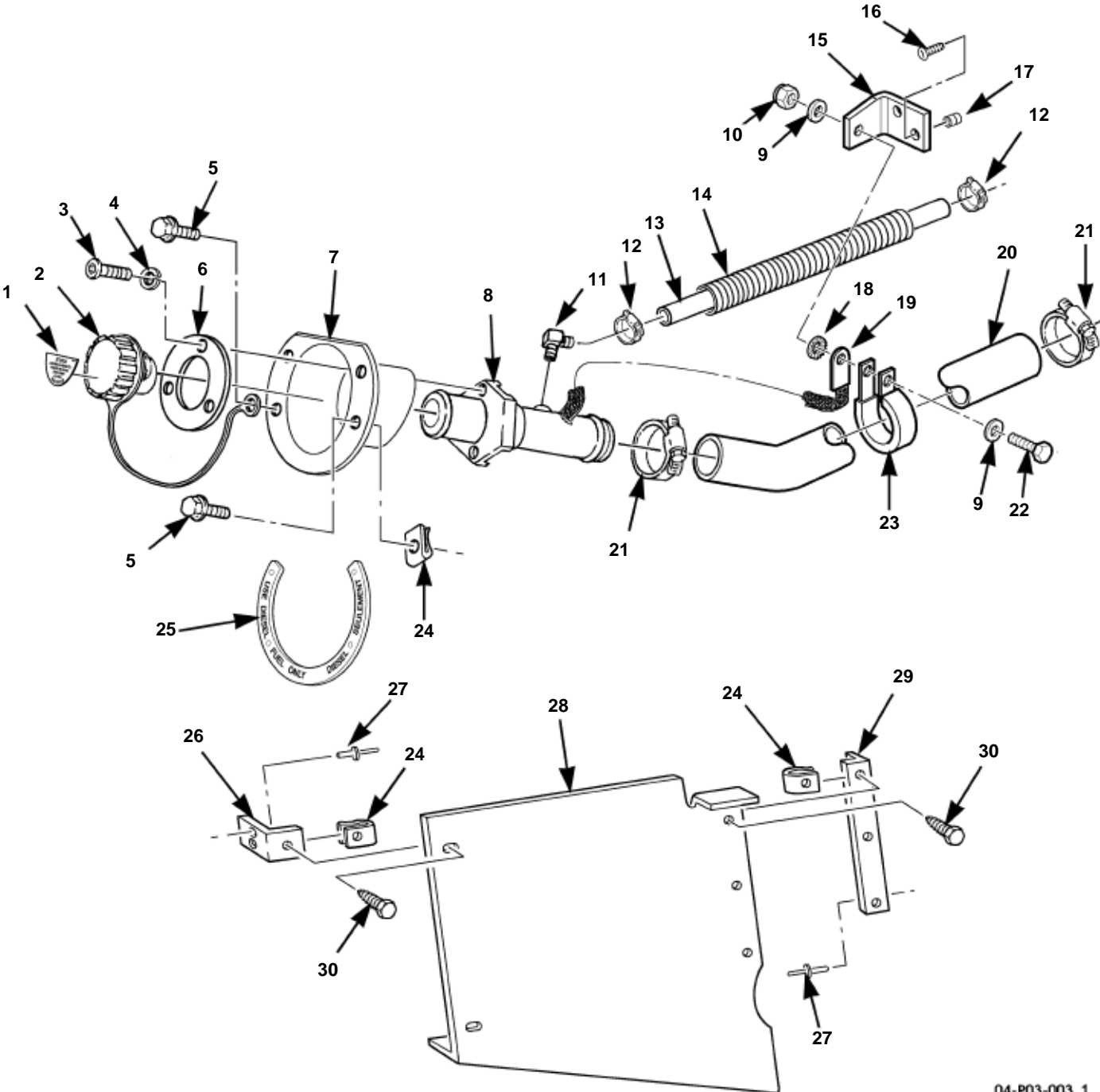
04-P03-004.1

Fuel Filler Pipe Assembly and Vent Lines, Main Fuel Tank

Fuel Filler Pipe Assembly and Vent Lines, Main Fuel Tank.

Item	Part No.	Description	Qty
1	6016057	DECAL, fuel cap caution	1
2	6009796	CAP ASSEMBLY, fuel filler w/tether	1
3	N/S	SCREW, socket head cap, 1/4 - 20 x 7/8", CAD	3
4	N/S	LOCKWASHER, med, 1/4", ZN	3
5	6008148	REINFORCEMENT RING, main tank fuel filler	1
6	12340792P2	SCREW, tapping, flanged, #10 - 12 x 3/4", CAD	6
7	6016058	INSTRUCTION PLATE, fuel filler, English/French	1
8	6008147	HOUSING, fuel filler opening	1
9	12339426	SPEEDNUT	6
10	6008088	FILLER NECK, fuel, main tank	1
11	8-6-100202BA	ELBOW, pipe to tube, fuel tank vent tube	1
12	N/S	TUBE, 44", fuel tank vent, SEE NOTE 1	1
13	6005924	STRAP, ground	1
14	N/S	SCREW, 1/4 - 20 x 3/4", Gr5, CAD	2
15	N/S	WASHER, flat, 1/4", hardened, ZN	4
16	N/S	CLAMP, filler pipe vent line 1/2" cushioned	2
17	N/S	LOCKNUT, 1/4 - 20", Gr8	2
18	N/S	LOCKWASHER, toothed, 1/4", ZN	1
19	N/S	CLAMP, hose, dipped, 2"	1
20	N/S	SCREW, tapping, 1/4 - 14 x 1 1/4", ZN	1
21	N/S	WASHER, flat, wide, 1/4"	1
22	N/S	TUBE, 27", fuel tank vent, SEE NOTE 1	1
23	12339892	BUSHING, fuel tank vent line	1
24	N/S	CLAMP, hose, 13/16" to 2 3/4"	1
25	12338551-2	HOSE, fuel filler neck to tank	1

NOTE 1: MAKE FROM BULK TUBING P/N CPR104420-3

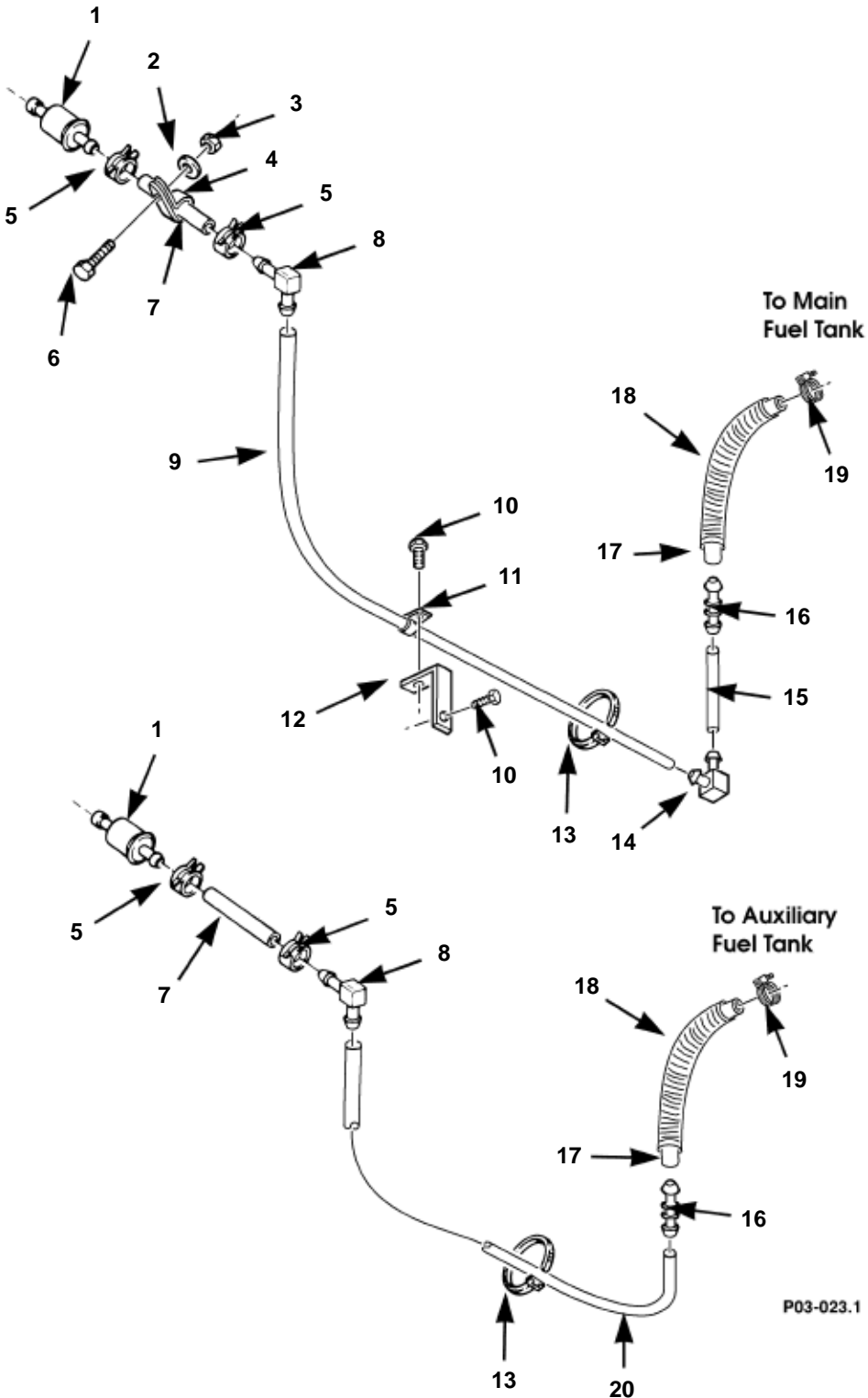


04-P03-003.1

Fuel Filler, Auxiliary Fuel Tank

Fuel Filler, Auxiliary Fuel Tank.

Item	Part No.	Description	Qty
1	6016057	DECAL, fuel cap caution	1
2	6009796	CAP ASSEMBLY, fuel filler, w/tether	1
3	MS16997-61	SCREW, socket head cap, 1/4 - 20 x 7/8", Gr8, CAD	3
4	N/S	LOCKWASHER, 1/4", ZN	3
5	12340792P2	SCREW, tapping, flanged, #10 - 12 x 3/4", CAD	9
6	6008105	REINFORCEMENT RING, fuel filler	1
7	6008104	HOUSING, auxiliary fuel filler	1
8	6008163	TUBE ASSEMBLY, auxiliary fuel filler	1
9	N/S	WASHER, flat, hardened, 1/4", ZN	2
10	N/S	LOCKNUT, 1/4 - 20", Gr8, CAD	1
11	N/S	ELBOW, 90 degree, barbed, 3/8"	2
12	N/S	CLAMP, hose, 1/2" to 1 1/4"	2
13	6008245	HOSE, vent, aux tank-to-filler neck	1
14	6008246	CONDUIT, vent hose, aux tank	1
15	6006670B9	BRACKET, fuel filler hanger	1
16	N/S	LOCKBOLT, 1/4"	2
17	NAS1080R08	COLLAR	2
18	N/S	LOCKWASHER, external tooth, 1/4", ZN	1
19	6005924	STRAP, ground	1
20	6008342	HOSE, filler neck-to-fuel tank	1
21	N/S	CLAMP, hose, 13/16" to 2 3/4"	2
22	N/S	BOLT, 1/4 - 20 x 1", Gr8, CAD	1
23	6008253	P-CLAMP, hose	1
24	12339426	SPEEDNUT	5
25	6016056	INSTRUCTION PLATE, fuel filler, "USE DIESEL FUEL ONLY" English/French	1
26	6006715B9	BRACKET, shield mounting, outer	2
27	N/S	RIVET, blind, 3/16"	7
28	6006709	SHIELD, fuel filler tube	1
29	6006707P	BRACKET, shield mounting, inner	1
30	N/S	SCREW, 1/4 - 14 x 5/8", HX T/S "AB"	5



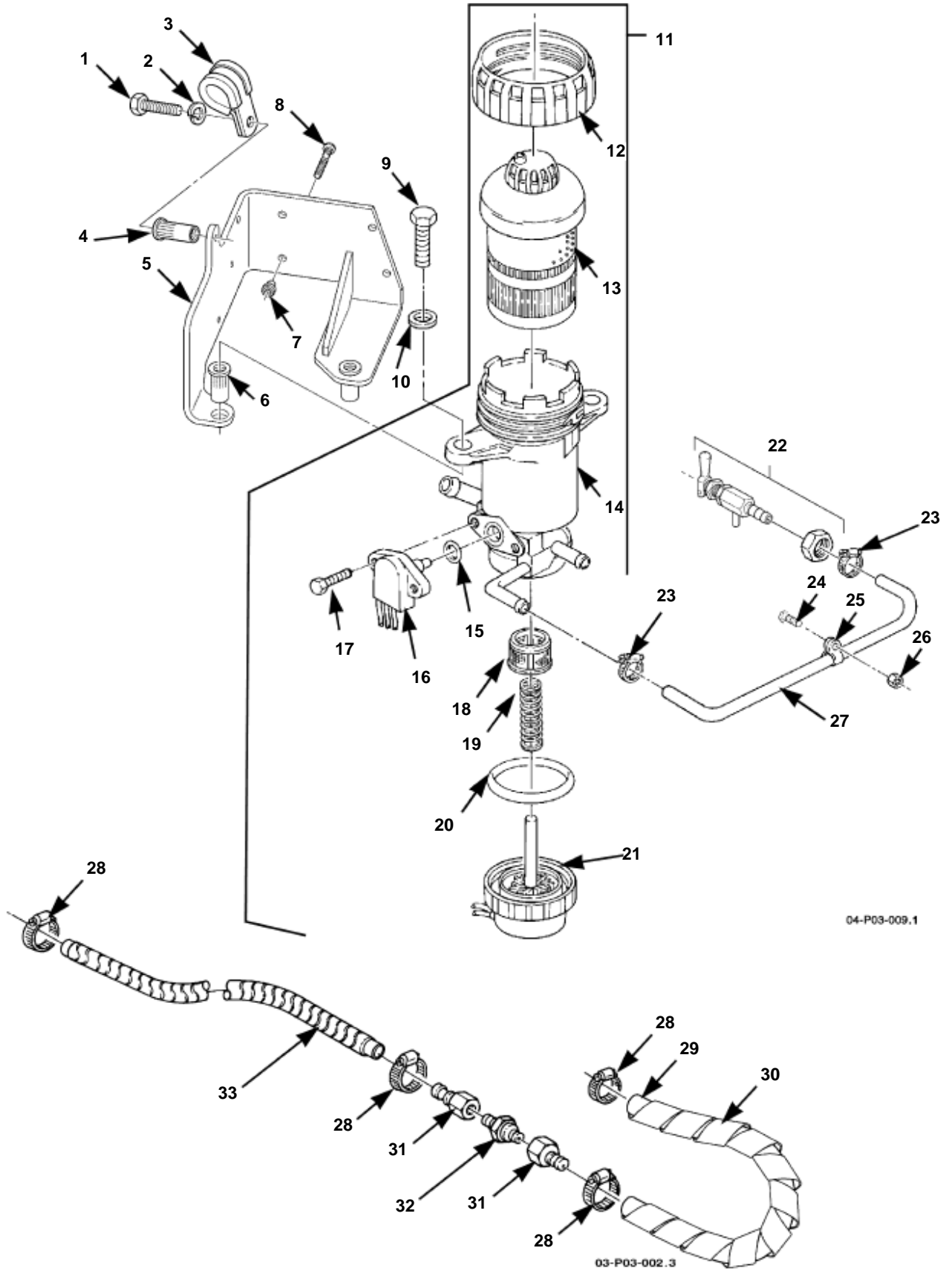
Fuel Tank Vent Line, Filter, and Mounting Hardware

Fuel Tank Vent Line, Filter, and Mounting Hardware.

Item	Part No.	Description	Qty
1	12339208	FILTER, fuel tank vent line	2
2	N/S	WASHER, flat, hardened, 1/4", ZN	1
3	N/S	LOCKNUT, 1/4", Gr8	1
4	N/S	CLAMP, cushioned, 3/4", vent line filter	1
5	WWC440-1/2	CLAMP, hose, 1/2", TY E, low press	2
6	N/S	SCREW, 1/4 - 20 x 5/8", Gr5, CAD, filter clamp	1
7	N/S	HOSE, 1/4" I.D. x 2 1/8", SEE NOTE 1	2
8	12339979-2	ELBOW, vent line	2
9	N/S	TUBE, 3/8" O.D. x 83", main fuel tank, SEE NOTE 2	1
10	N/S	SCREW, tapping, 3/8 - 16 x 5/8", ZN	2
11	N/S	CLAMP, cushioned, 3/8", fuel tank vent tube	1
12	12338663	BRACKET, vent line tube mounting	1
13	MS3367-2-0	TIEDOWN STRAP, vent tube	6
14	6007133	TEE, barbed, 3/8"	1
15	N/S	TUBING, 7-inch, SEE NOTE 2	1
16	6007176	REDUCER, 5/16" to 1/4"	2
17	6006738	HOSE, rollover-to-fuel bundle	2
18	6006739	CONDUIT, vent tubing	2
19	N/S	CLAMP, hose	2
20	N/S	TUBING, 3/8" O.D. x 5/16" I.D. x 35 1/4", aux fuel tank, SEE NOTE 2	1

NOTE 1: MAKE FROM BULK HOSE P/N 5741210,
1/4" X 50' ROLL

NOTE 2: ORDER BULK TUBING BY THE FOOT,
P/N CPR104420-2



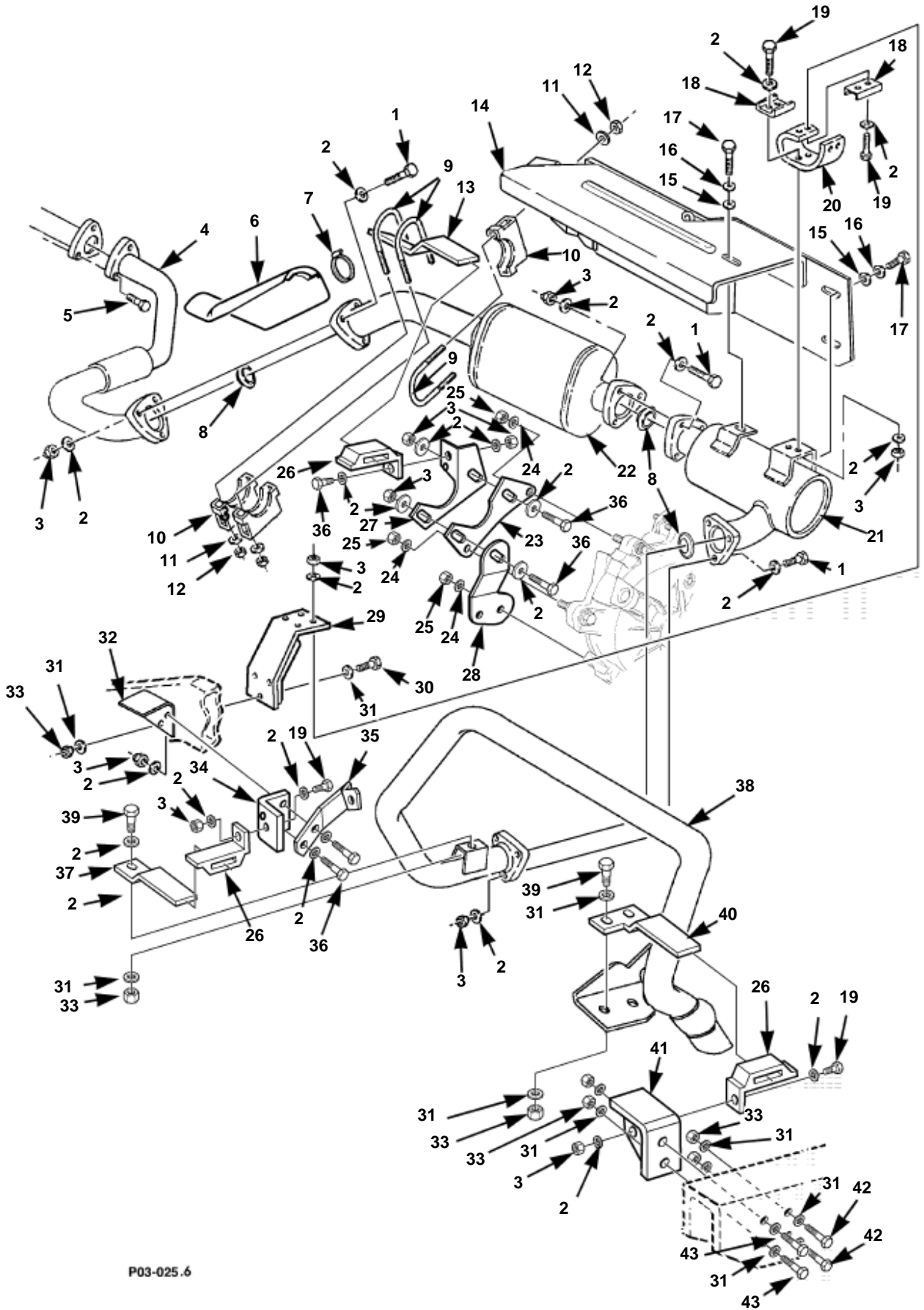
Fuel Filter Assembly, Mounting Hardware and Hose,
Filter to Pump Assembly

Fuel Filter Assembly, Mounting Hardware and Hose, Filter to Pump Assembly.

Item	Part No.	Description	Qty
1	N/S	SCREW, hex, #10 - 24 x 3/4"	1
2	MS35338-43	LOCKWASHER	1
3	MS21333-76	CLAMP, cushioned	1
4	N/S	NUT INSERT, #10 - 24	1
5	6015248P	BRACKET ASSEMBLY, fuel filter and pump mounting	1
6	6002257	NUT INSERT	2
7	NAS1080R08	COLLAR	4
8	M23469/2-50805	LOCKBOLT	4
9	N/S	BOLT, 5/16 - 18 x 1 1/4", Gr8, CAD, filter mounting	2
10	N/S	WASHER, flat, hard, 5/16", filter mounting, ZN	2
11	5939621	FUEL FILTER ASSEMBLY	1
12	5742599	.NUT, ELEMENT	1
13	5742602	.ELEMENT ASSEMBLY	1
14	S.I.A.	.HEADER ASSEMBLY	1
15	5740660	.SEAL, O-ring	1
16	5742605	.SENSOR ASSEMBLY, water	1
17	5742577	.SCREW	2
18	5742604	.SCREEN	1
19	S.I.A.	.COIL, flow guide	1
20	5742600	.SEAL, O-ring	1
21	5742603	.HEATER ASSEMBLY	1
22	12446751	VALVE ASSEMBLY, fuel filter drain	1
23	N/S	CLAMP, drain hose, 5/16", stainless	2
24	N/S	SCREW, #10 - 32 x 5/8" hex head	1
25	N/S	CLAMP, drain hose, cushioned, 5/8"	1
26	N/S	NUT AND LOCKWASHER ASSEMBLY, #10 - 32	1
27	N/S	HOSE, fuel filter drain, 20", SEE NOTE 1	1
28	N/S	CLAMP, hose, stainless, 5/16", fuel hose	4
29	N/S	HOSE, filter to pump, 12", SEE NOTE 2	1
30	5742924	WRAP. spiral, tube, 5"	A/R
31	12342951-2	HOSE BARB	2
32	12342953-2	CHECK VALVE	1
33	6001262	HOSE, 5", fuel filter inlet	1

NOTE 1: MAKE FROM BULK HOSE P/N 5741068,
1/4" X 25'

NOTE 2: MAKE FROM BULK HOSE P/N 5741067,
3/8" X 25'

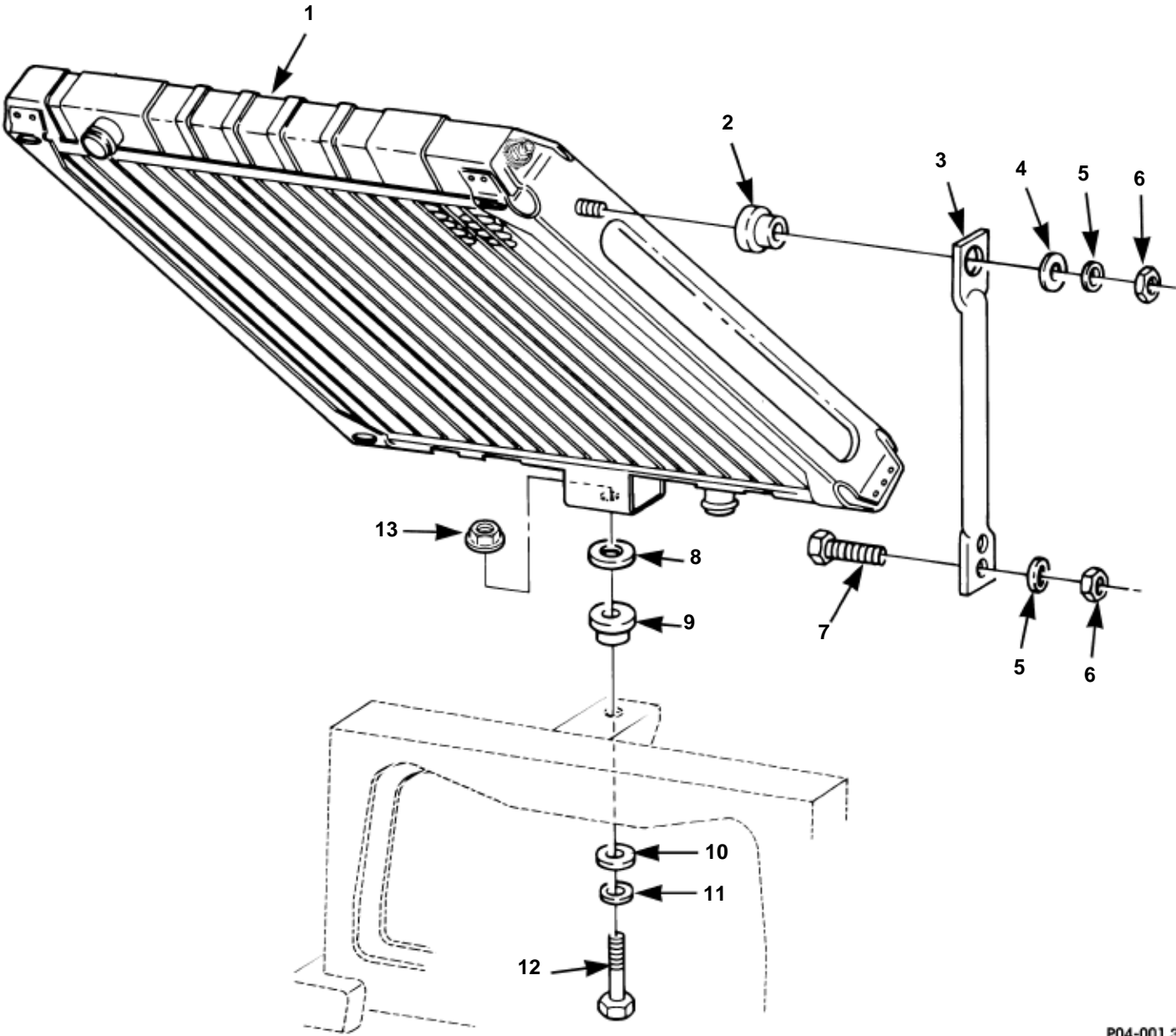


P03-025.6

Exhaust Pipes and Related Parts

Exhaust Pipes and Related Parts.

Item	Part No.	Description	Qty
1	N/S	BOLT, 3/8 - 16 x 2", Gr5, CAD	9
2	N/S	WASHER, flat, type B, 3/8"	50
3	N/S	LOCKNUT, 3/8 - 16", Gr8	20
4	12460487	PIPE ASSEMBLY, crossover	1
5	N/S	BOLT, M10 - 1.5 x 50, class 10.9, phos	2
6	6013322	SHIELD, exhaust	1
7	6005191	CLAMP, hose	2
8	12338339	GASKET	3
9	6010419	CLAMP ASSEMBLY, U-bolt	4
10	S.I.A.	-CLAMP END	4
11	S.I.A.	-WASHER	8
12	S.I.A.	-NUT	8
13	6009367	BRACKET, converter mounting, slide-bar type	1
14	12469345	HEAT SHIELD ASSEMBLY	1
15	12339433	WASHER, 1/4"	3
16	N/S	LOCKWASHER, med, 1/4", ZN	3
17	N/S	BOLT, 1/4 - 20 x 3/4", Gr5	3
18	12338341	PLATE, reinforcement	3
19	N/S	BOLT, 3/8 - 16 x 1 1/4", Gr8, CAD	10
20	12338337	INSULATOR, exhaust	1
21	6008296	MUFFLER ASSEMBLY, ceramic	1
22	12469353	CATALYTIC CONVERTER ASSEMBLY	1
23	12338347	BRACKET, exhaust	1
24	N/S	WASHER, flat, M10	10
25	N/S	LOCKNUT, M10 - 1.5, class 9.8, CAD	7
26	6009378	CUSHIONED LOOP ASSEMBLY	3
27	6009372	BRACKET, exhaust, transfer case	1
28	12447180	CABLE ASSEMBLY, transfer case guide	1
29	EC12338221B1	BRACKET, muffler mounting	1
30	N/S	BOLT, 1/2 - 13 x 4 3/4", Gr8, CAD, L.H. ,body mount bracket	3
31	N/S	WASHER, flat, hardened, 1/2", type B	18
32	WA12342509B9 6008610	BRACKET ASSEMBLY, C-mount, L.H. BRACKET, body mount, rear, C-mount, 12,100-lb GVW	1
33	N/S	LOCKNUT, 1/2 - 13", Gr8, CAD	11
34	6009377	BRACKET, exhaust-to-frame	1
35	6007737	BRACKET ASSEMBLY, CTIS mounting	1
36	N/S	BOLT, 3/8 - 16 x 1 1/4", Gr5, CAD	2
37	6009368	BRACKET, front tailpipe, slide-bar type	1
38	6008565	EXHAUST PIPE ASSEMBLY	1
39	N/S	BOLT, 1/2 - 13 x 1 1/4", Gr8, CAD	2
40	6009369	BRACKET, rear tailpipe, slide-bar type	1
41	6009375	BRACKET, tailpipe-to-bumper	1
42	N/S	BOLT, 1/2 - 13 x 3", Gr8, CAD	2
43	N/S	BOLT, 1/2 - 13 x 3 1/4", Gr8, CAD	2



P04-001.3

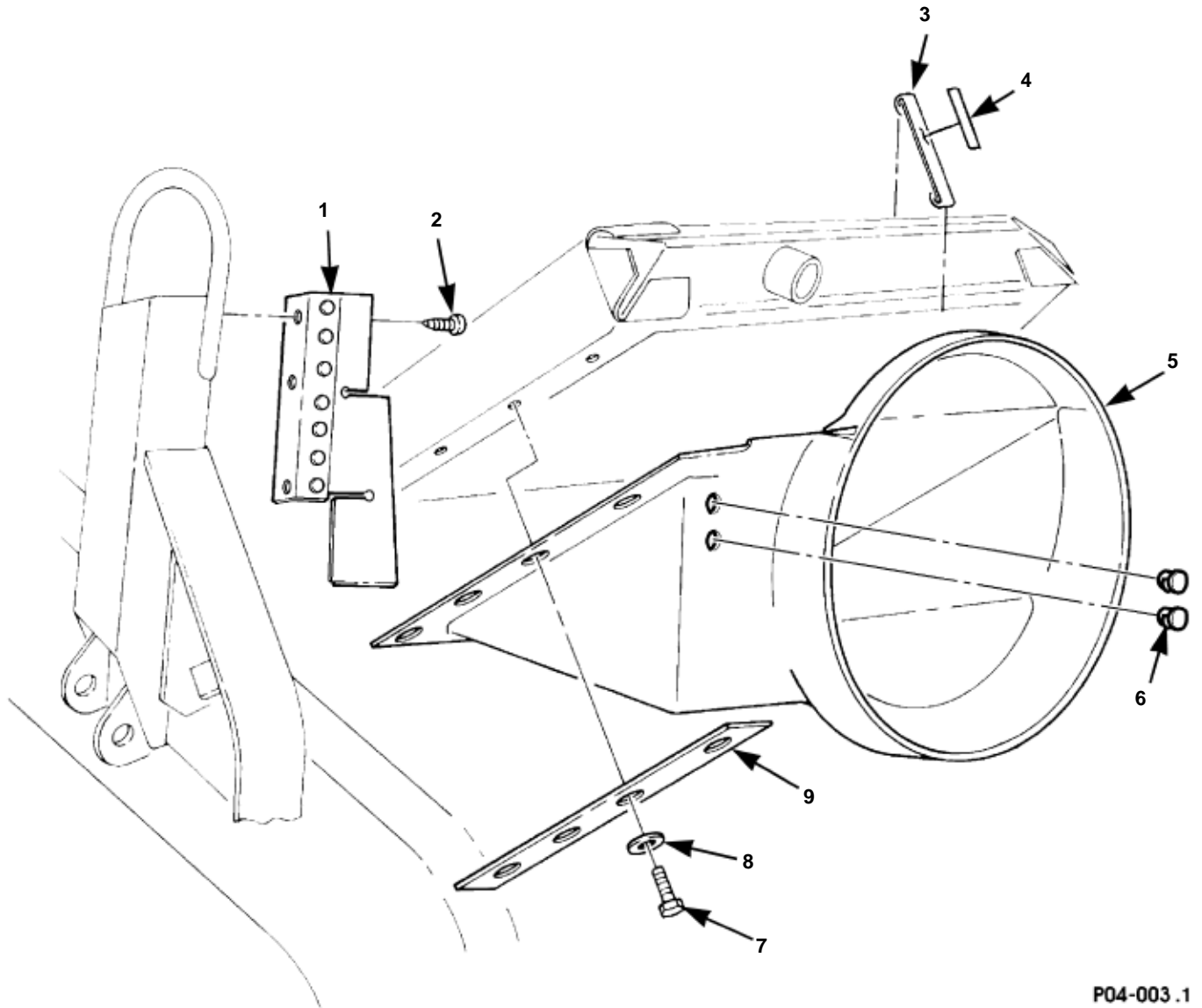
Radiator and Mounting Hardware

Radiator and Mounting Hardware.

Item	Part No.	Description	Qty
1	6007331	RADIATOR ASSEMBLY	1
2	12338338	GROMMET, insulator, upper	2
3	12339165-1	SUPPORT, radiator, L.H.	1
	12339165-2	SUPPORT, radiator, R.H.	1
4	N/S	WASHER, hardened, 3/8", ZN	2
5	N/S	WASHER, flat, hardened, 3/8", ZN	6
6	N/S	LOCKNUT, 3/8 - 16", Gr8, CAD	6
7	N/S	BOLT, 3/8 - 16 x 1", Gr5, Phos.	4
8	12340263	WASHER, flat, hardened	1
9	12340264	MOUNT, insulator, lower	1
10	N/S	WASHER, flat, hardened, 1/2"	1
11	N/S	WASHER, flat, hardened, 1/2", ZN	1
12	N/S	BOLT, 1/2 - 13 x 2", Gr8, CAD	1
13	N/S	NUT, 1/2 - 13", flanged Gr8, CAD	1

Surge Tank and Related Parts.

Item	Part No.	Description	Qty
1	6016055	DECAL, surge tank, (English/French)	1
2	12339878	CAP, surge tank	1
3	6008582	TANK, surge	1
4	N/S	CLAMP, hose, 5/8" to 1 1/2", stainless	2
5	5742924	WRAP, spiral, tube, 5"	3
6	12340046	HOSE, lower radiator-to-surge tank	1
7	6009102	FITTING, 45° male connector	1
8	N/S	CLAMP, hose, 5/16", stainless	2
9	12339155-1	HOSE, surge tank to radiator	1
10	12339974	FITTING, surge tank line to radiator	1
11	4-4-4-130424B	TEE, 1/4 x 1/4 x 1/4"	1
12	5937262	BUSHING, 1/4 x 1/8"	1
13	6008770	BLEEDER ASSEMBLY	1
14	N/S	BOLT, 1/4 - 20 x 3/4", Gr8, CAD	1
15	N/S	CLAMP, surge tank overflow hose, cushioned, 1/2"	1
16	N/S	WASHER, flat, hard, 1/4", ZN	1
17	N/S	LOCKNUT, 1/4 - 20", Gr8	1
18	6004920	HOSE, surge tank overflow, 12"	1
19	6008600	SENSOR, low coolant	1
20	6008584	SEAL, O-ring	1
21	12338713P	BRACKET, surge tank	1
22	N/S	CLAMP, 2" to 6 1/2", stainless	2

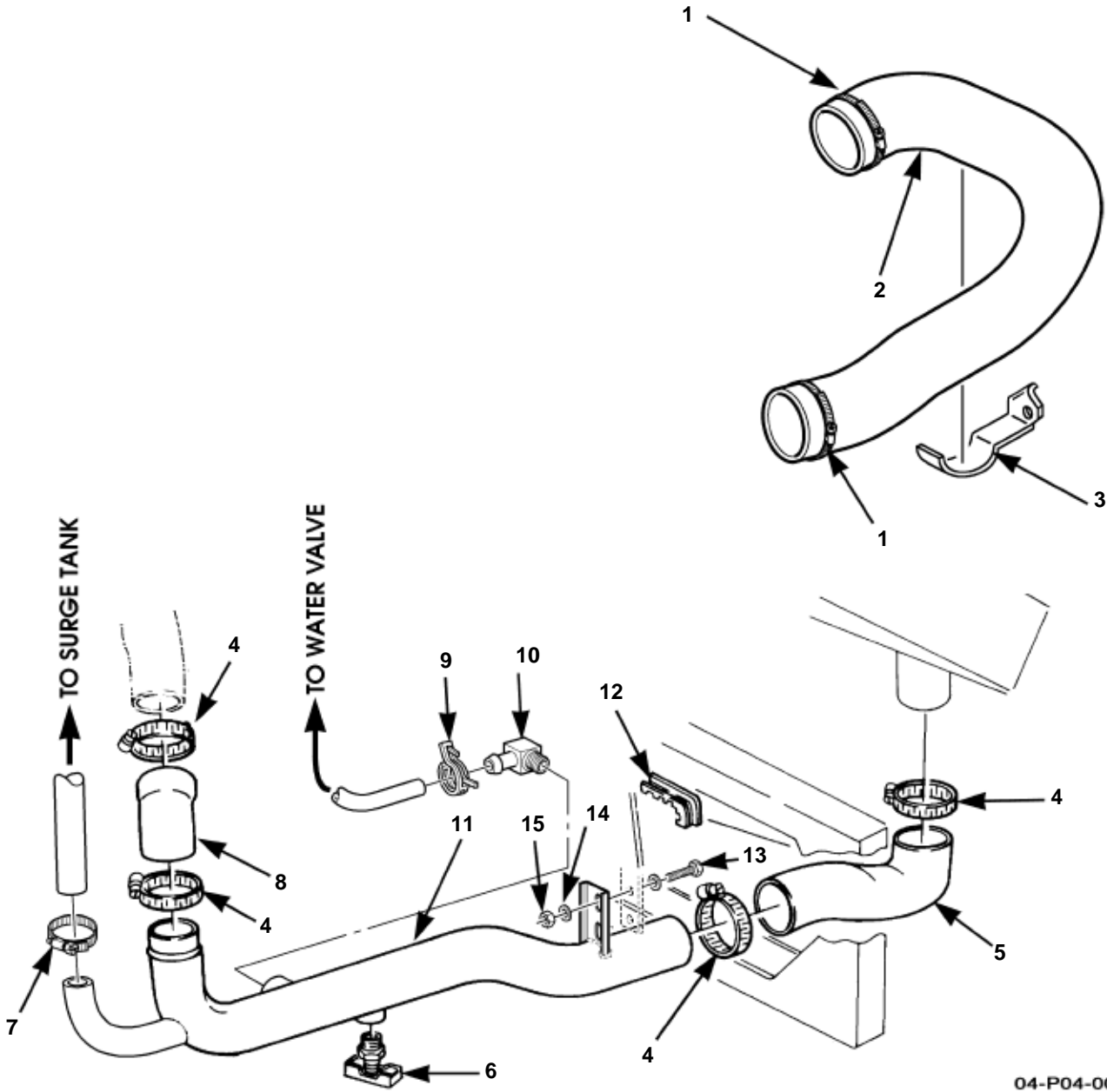


P04-003.1

Radiator Shroud and Related Parts

Radiator Shroud and Related Parts.

Item	Part No.	Description	Qty
1	WA12339166-1	SHIELD, shroud, airlift, L.H.	1
	WA12339166-2	SHIELD, shroud, airlift, R.H.	1
2	N/S	SCREW, pan head tapping, 1/4 - 20 x 1/2", CAD	6
3	EC12339154-1B1	RETAINING STRAP, radiator	1
4	6016054	DECAL, fan warning, (English/french)	1
5	6017294	SHROUD, radiator	1
6	12339361-6	PLUG, fan shroud holes	2
7	N/S	BOLT, 1/4 - 20 x .62", Gr5, CAD	8
8	N/S	LOCKWASHER, med, 1/4", ZN	8
9	12339156	RETAINING STRAP, shroud-to-radiator	2

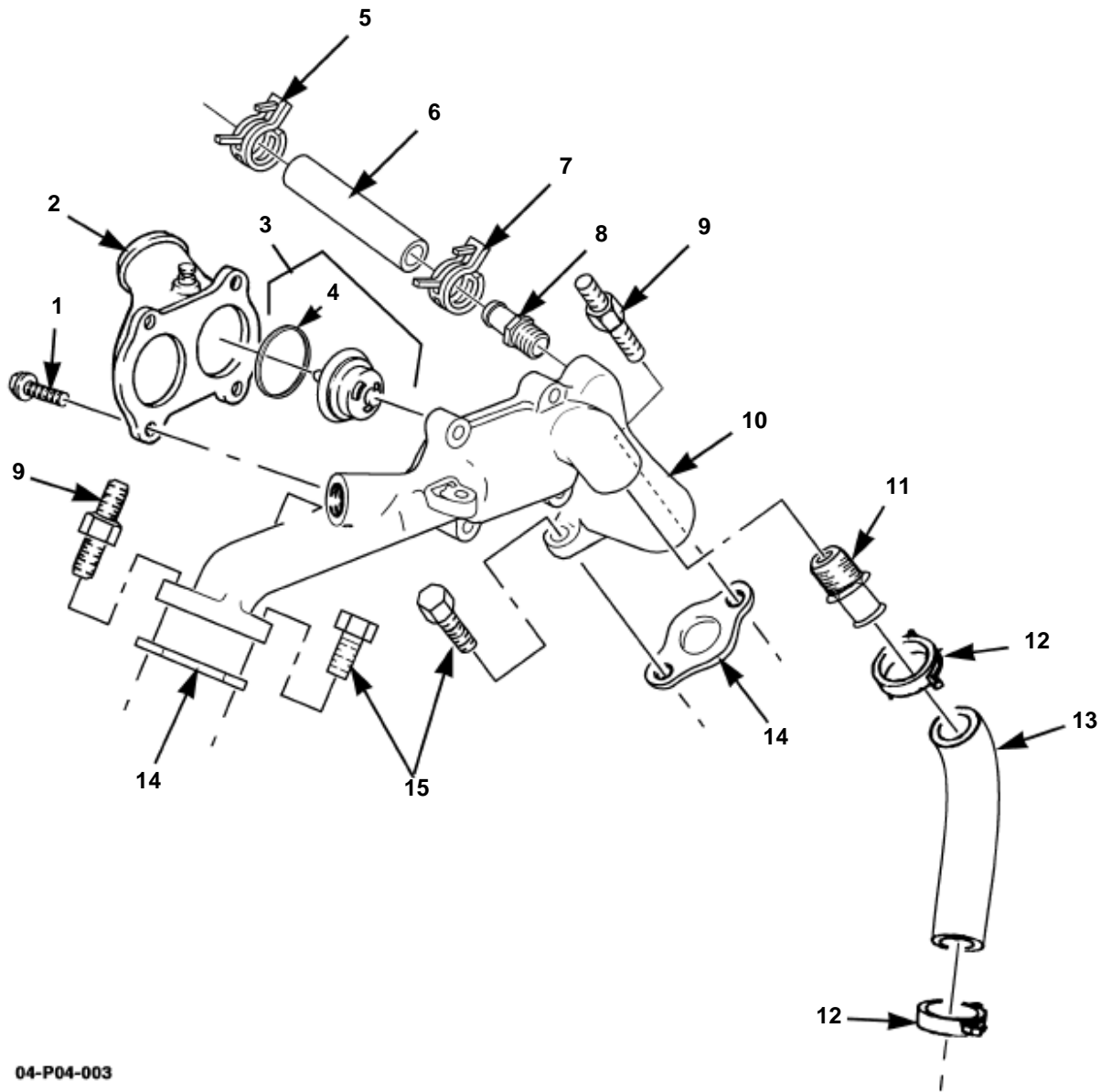


04-P04-001

Radiator Hoses and Related Parts

Radiator Hoses and Related Parts.

Item	Part No.	Description	Qty
1	6013838	CLAMP, constant tension, hose, stainless, 1.56 to 2.5"	7
2	6015082	HOSE, radiator inlet	1
3	6007013	BRACKET, support hose	1
4	6013839	CLAMP, constant tension, hose, stainless, 1.81 to 2.75"	4
5	12339162	HOSE, lower radiator	1
6	MS35782-4	DRAINCOCK, lower radiator tube	1
7	N/S	CLAMP, hose, stainless, .62 to 1.5"	1
8	12339159	HOSE, lower radiator, rear	1
9	5743508	CLAMP, constant tension, 3/4"	1
10	10-8-430260	FITTING	1
11	6010165	TUBE, lower radiator	1
12	12339902-12	EDGE PROTECTOR, 5.92"	1
13	N/S	BOLT, 1/4 - 20 x 3/4"	2
14	N/S	WASHER, flat, 1/4"	4
15	N/S	LOCKNUT, 1/4 - 20"	2



04-P04-003

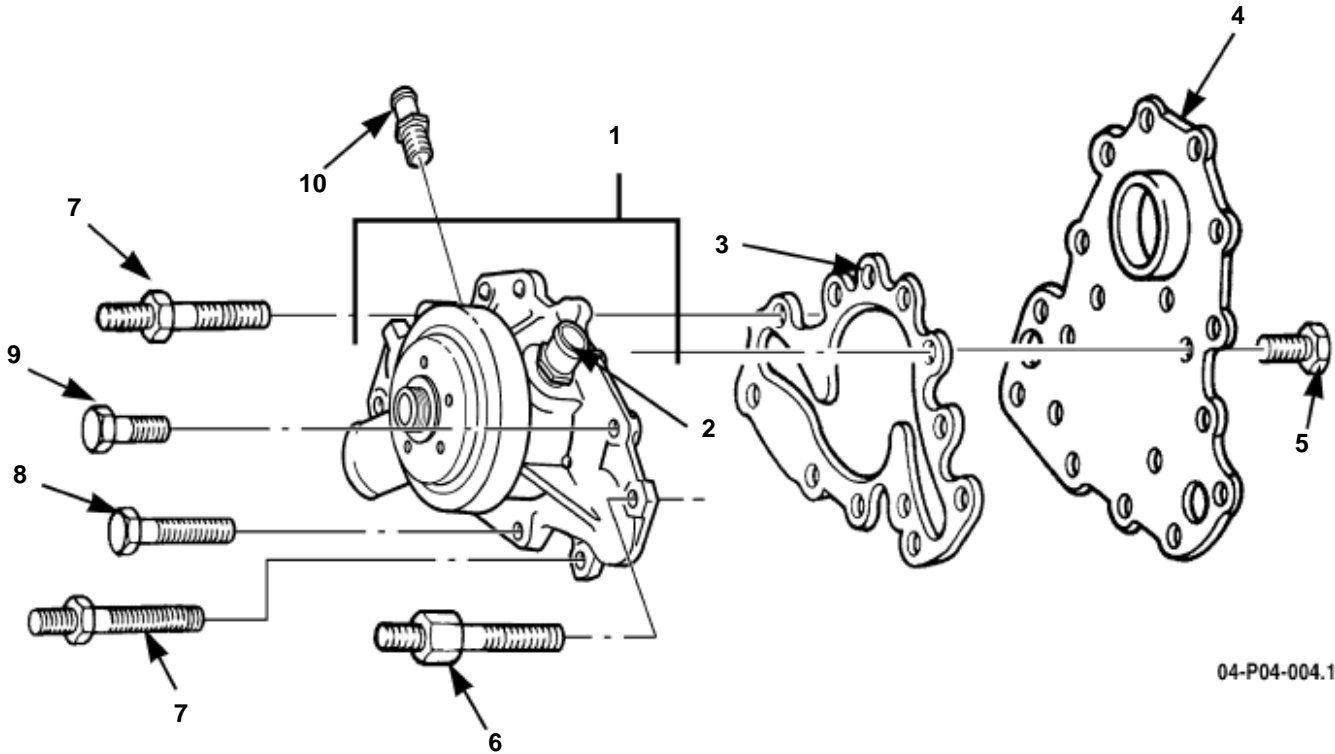
Thermostat, Water Crossover, and Attaching Hardware

Thermostat, Water Crossover, and Attaching Hardware.

Item	Part No.	Description	Qty
1	N/S	BOLT, flanged, M10 - 1.5 x 35, class10.9, water outlet	4
2	5744473	OUTLET ASSEMBLY, water	1
3	5744463	THERMOSTAT ASSEMBLY	2
4	5744462	-O-RING, enclosing, thermostat seal	2
5	GEP18000487	CLAMP, constant tension, #27	1
6	N/S	HOSE, 5/8" D.I.A., 90", SEE NOTE 1	1
7	GEP18000486	CLAMP, constant tension, #24	9
8	12339396	CONNECTOR, hose	1
9	5740052	STUD	2
10	GEP18000433	HOUSING, thermostat	1
11	5744479	CONNECTOR, thermal bypass hose	1
12	N/S	CLAMP, hose, 5/8 to 1 1/2"	2
13	5744460	HOSE, thermostat bypass	1
14	5742109	GASKET, thermostat housing, SEE NOTE 2	2
15	5744432	BOLT, thermostat housing	2

NOTE 1: PART CAN BE SERVICED IN BULK HOSE. P/N
5741209

NOTE 2: PART OF CYLINDER HEAD KIT 5714842

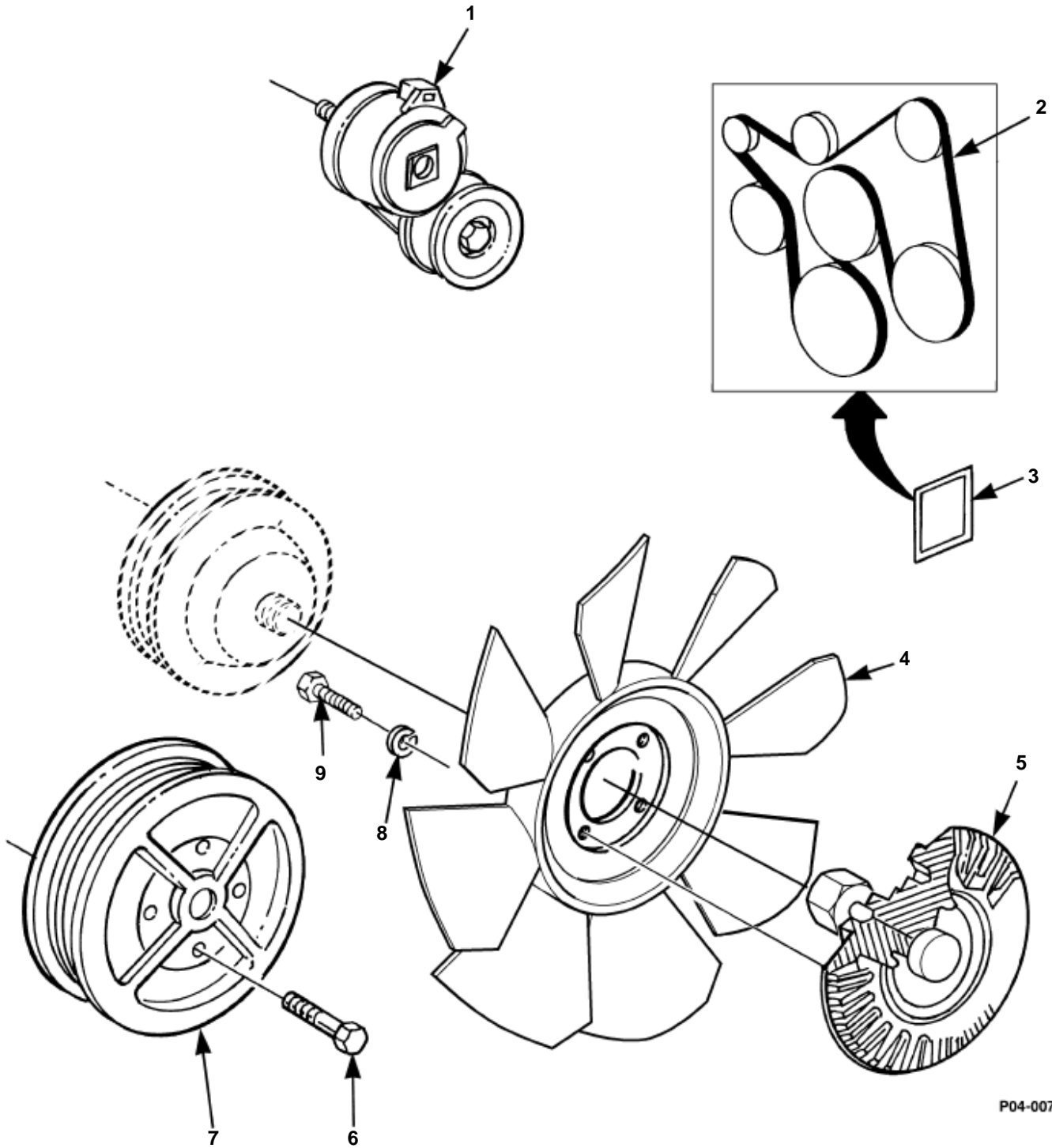


04-P04-004.1

Water Pump and Attaching Hardware

Water Pump and Attaching Hardware.

Item	Part No.	Description	Qty
1	GEP18000449	WATER PUMP ASSEMBLY, w/gasket	1
2	5744479	.CONNECTOR, therm bypass, brass	1
3	5714528	GASKET, water pump	1
4	5743232	BACKING PLATE, water pump	1
5	N/S	BOLT, M8 - 1.25 x 16, Class10.9, CAD	6
6	5741140	STUD, water pump	1
7	5741166	STUD	3
8	N/S	BOLT, M10 - 1.5 x 80, water pump	2
9	N/S	BOLT, M8 - 1.25 x 40, Class10.9, CAD	2
10	12339396	CONNECTOR,, heater hose nipple	1

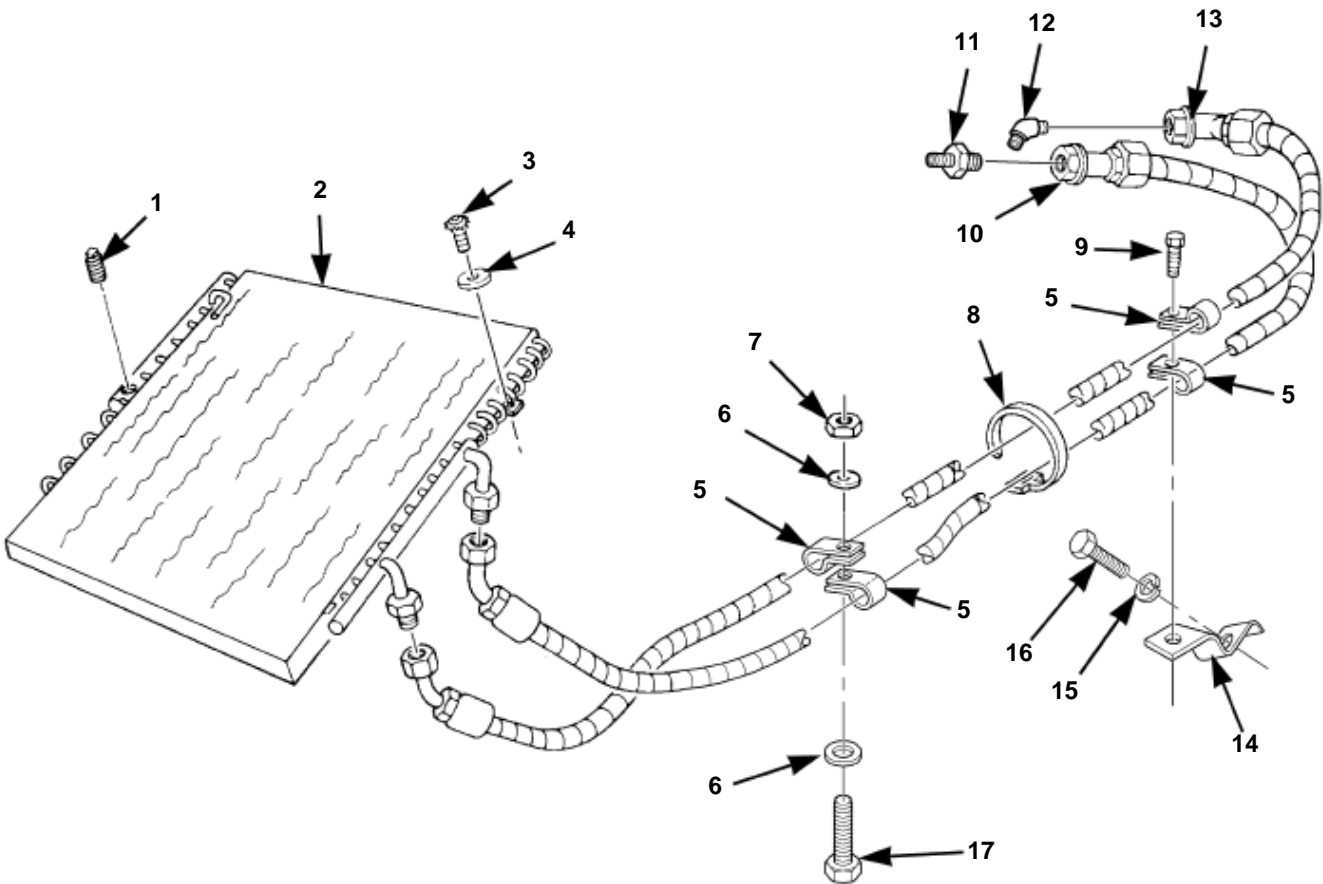


P04-007.7

Cooling Fan, Fan Clutch, Belt, and Pulleys

Cooling Fan, Fan Clutch, Belt, and Pulleys.

Item	Part No.	Description	Qty
1	6022070	TENSIONER	1
2	6007453	BELT, serpentine	1
3	6016063	LABEL, belt routing	1
4	6009790	FAN, engine cooling,	1
5	6009991	CLUTCH ASSEMBLY, fan	1
6	N/S	BOLT, M10 - 1.5 x 65, class 9.8	4
7	6003069	PULLEY, crankshaft	1
8	N/S	LOCKWASHER, med, 5/16"	4
9	N/S	BOLT, 5/16 - 18 x 5/8", fan-to-clutch	4



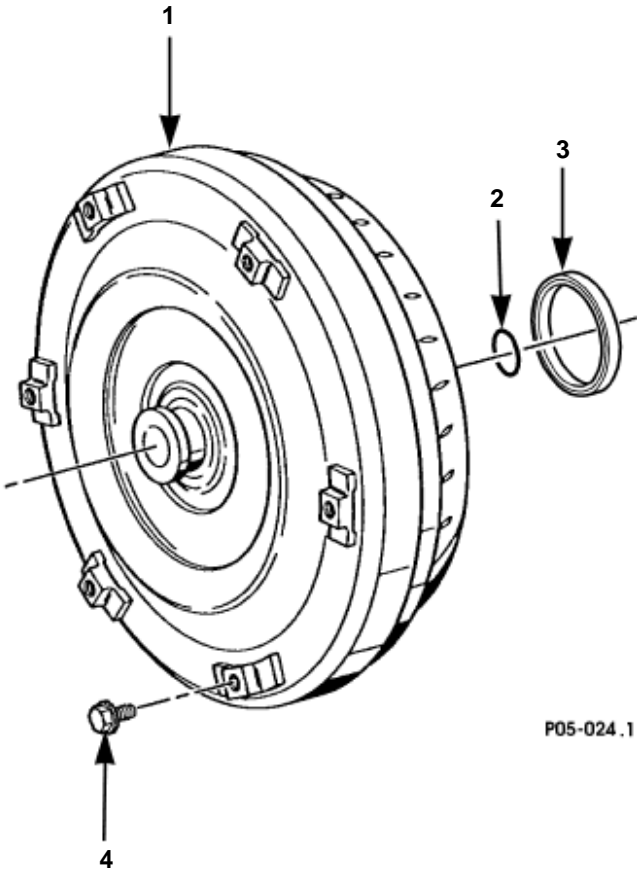
P04-008.2

Oil Cooler (Engine and Transmission) and Engine Oil Cooler Lines

Oil Cooler (Engine and Transmission) and Engine Oil Cooler Lines.

Item	Part No.	Description	Qty
1	MS49005-4	PLUG, pipe, oil cooler	2
2	12340185	COOLER, engine and transmission oil	1
3	6008591	BOLT, pan head, socket head	4
4	N/S	WASHER, flat, 5/16", CAD	4
5	12340571-2	CLAMP, closed, .937 phil PN SS	4
6	N/S	WASHER, flat, hardened, 1/4", ZN	2
7	N/S	LOCKNUT, 1/4 - 20", Gr8	1
8	MS3367-3-0	STRAP, tiedown, oil cooler hose	1
9	N/S	SCREW, tapping, 1/4 - 20 x 5/8", CAD, oil cooler hose clamp	1
10	EC12339411-2	HOSE, oil cooler inlet	1
11	10-8-70102	STRAIGHT CONNECTOR	1
12	10-8-70302	ELBOW, 45-degree	1
13	6007451	HOSE, oil cooler outlet	1
14	6010092	BRACKET, oil cooler hose clamp	1
15	N/S	LOCKWASHER, med, 3/8", ZN	1
16	N/S	SCREW, tapping, 3/8 - 16 x 3/4", ZN	1
17	N/S	SCREW, 1/4 - 20 x 3/4", Gr8, CAD	1
	6011197	RETAINER, oil cooler hoses (not illustrated) SEE NOTE 1	1

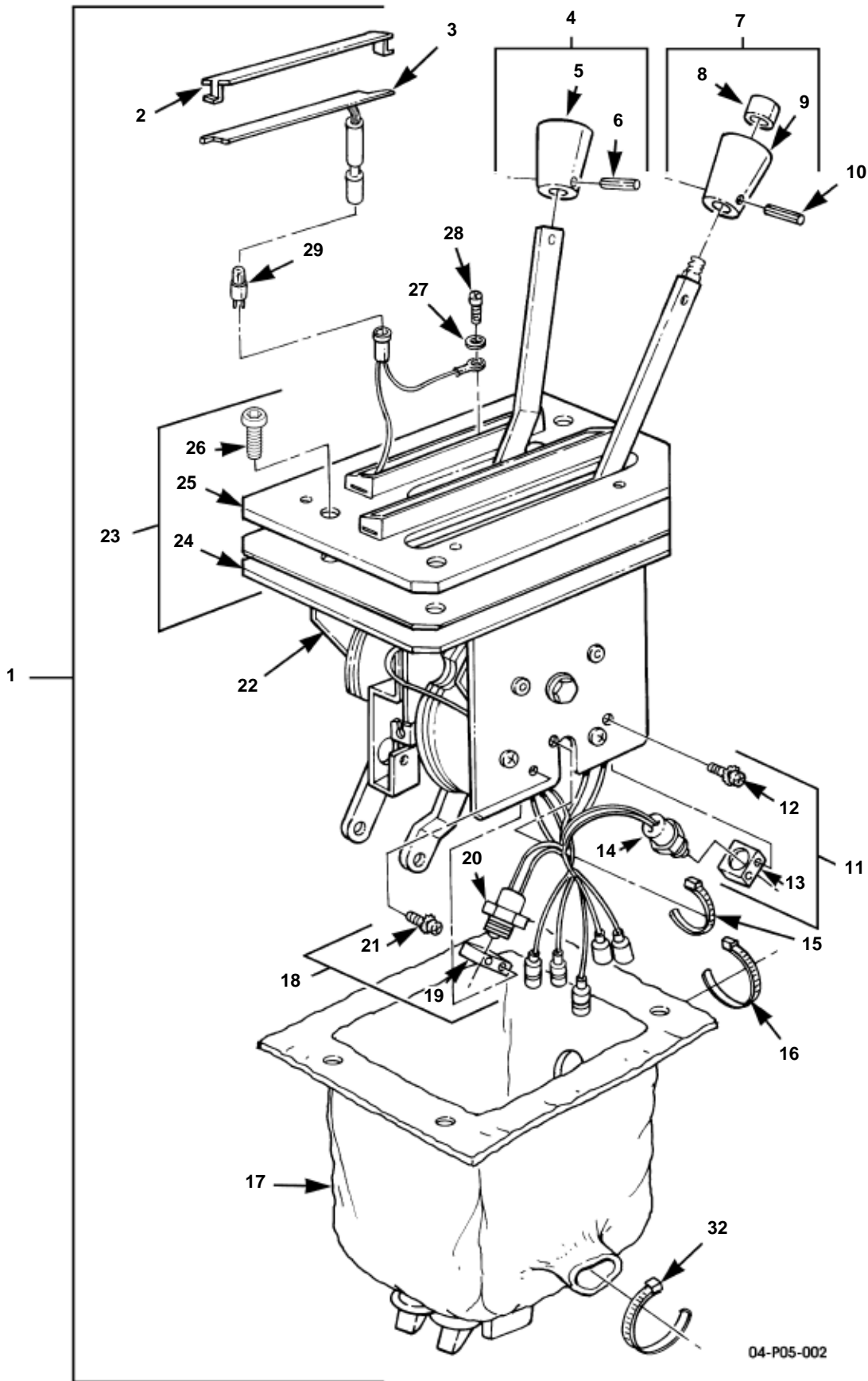
NOTE 1: RETAINER, OIL COOLER LINES MOUNTS TO ABS
MOUNTING BRACKET



Torque Converter

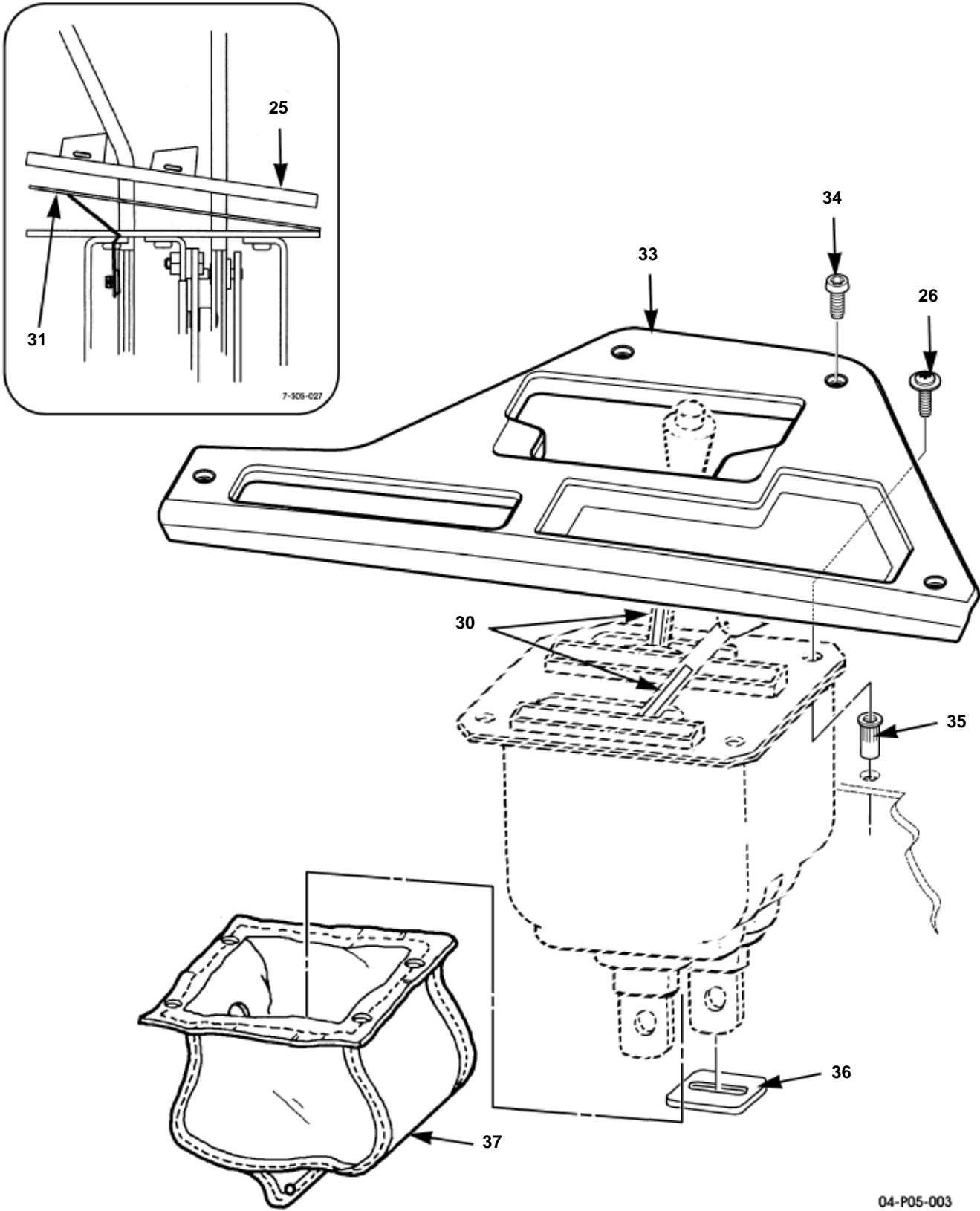
Torque Converter.

Item	Part No.	Description	Qty
1	5716023	TORQUE CONVERTER, trans (remanufactured)	1
2	5714323	O-RING, turbine shaft front oil seal	1
3	5743361	SEAL, torque converter	1
4	N/S	SCREW, M10-1.5 x 15, converter to flywheel	6



04-P05-002

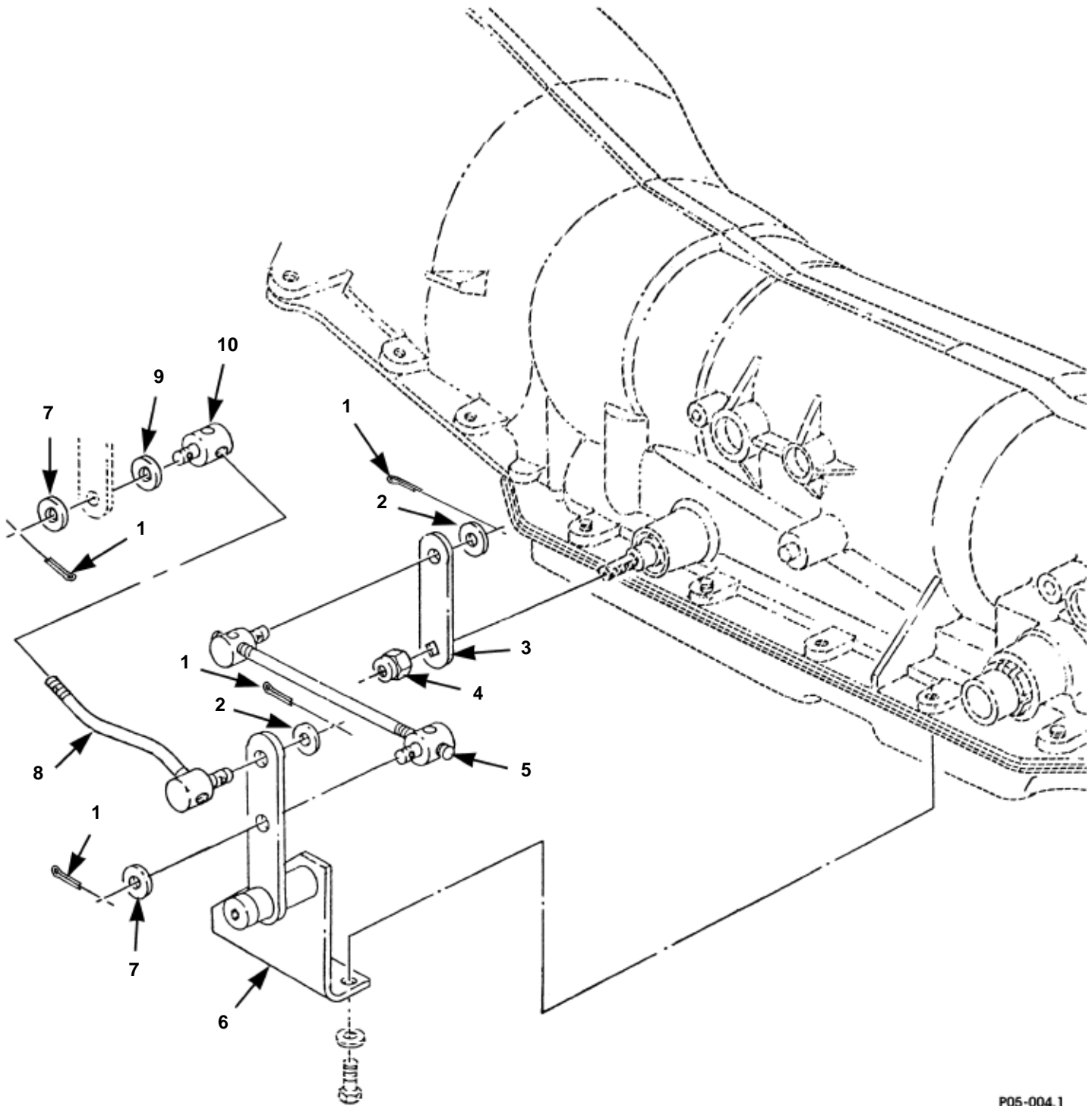
**Transmission and Transfer Case Control Assembly
and Neutral Start Switch**



**Transmission and Transfer Case Control Assembly
and Neutral Start Switch**

Transmission and Transfer Case Control Assembly and Neutral Start Switch.

Item	Part No.	Description	Qty
1	6015859	CONTROL ASSEMBLY, transmission and transfer case	1
2	5743154	.LENS, transmission	1
	5743155	.LENS, transfer case	1
3	5744277	.FIBEROPTICS, transmission	1
	5742980	.FIBEROPTICS, transfer case	1
4	5743156	.KNOB KIT, transfer case	1
5	S.I.K.	..KNOB, transfer shift	1
6	S.I.K.	..SPRING PIN	1
7	5743157	.PUSH BUTTON KNOB KIT, transmission	1
8	S.I.K.	..RELEASE BUTTON, transmission handle	1
9	S.I.K.	..KNOB, transmission handle	1
10	S.I.K.	..SPRING PIN	1
11	5743158	.SWITCH ASSEMBLY, neutral	1
12	S.I.A.	..SCREW-ASSEMBLED WASHER	2
13	S.I.A.	..NUT, neutral switch	1
14	S.I.A.	..NEUTRAL SWITCH	1
15	MS3367-4-2	.TIEDOWN STRAP, 2.72", red	2
16	MS3367-2-0	.TIEDOWN STRAP, .192 x 10.2", black	1
17	6015858	.BOOT, shifter control, silicone	1
18	5743159	.SWITCH ASSEMBLY, reverse	1
19	S.I.A.	..NUT, reverse switch	1
20	S.I.A.	..REVERSE SWITCH	1
21	S.I.A.	..SCREW-ASSEMBLED WASHER	2
22	S.I.A.	.HOUSING	1
23	5743160	.COVER PLATE SEAL KIT	1
24	S.I.K.	..COVER SEAL	1
25	S.I.K.	..COVER PLATE	1
26	MS16997-61P2	..SCREW, socket head cap	4
27	N/S	.WASHER	1
28	N/S	.SCREW	1
29	5744879	.BULB, indicator	1
30	5743742	.TAPE, indicator, transmission gear shift	2
31	6009798	.CLIP, anti-rattle,	1
32	11501906	TIEDOWN STRAP	1
33	6015360	BEZEL, shifter/parking brake	1
34	6017214	SCREW	4
35	6017693	SPEED NUT, "U" type	3
36	12460507	BOOT PROTECTOR	2
37	6007457	COVER, shifter boot	1

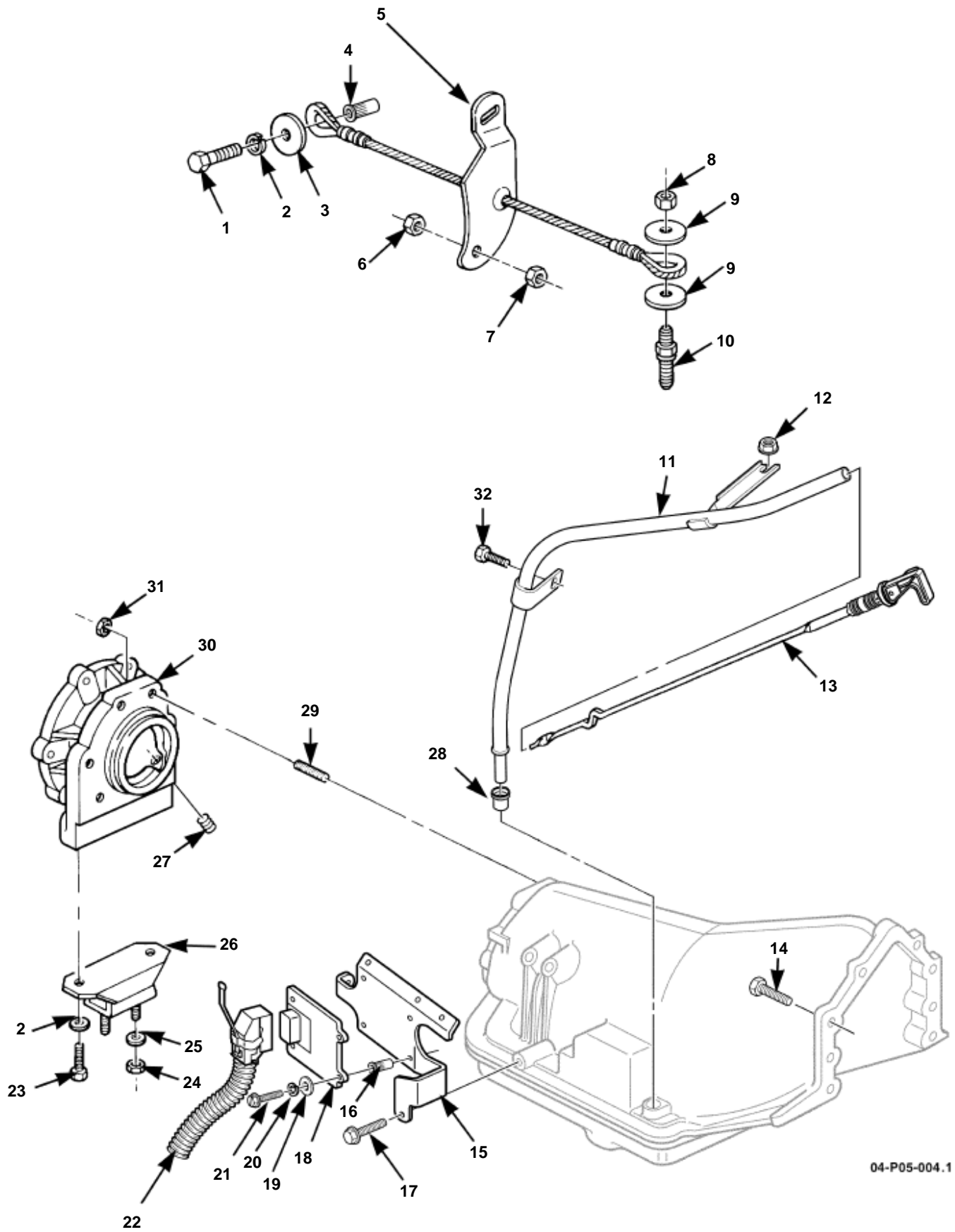


P05-004.1

Transmission Shifting Linkage

Transmission Shifting Linkage.

Item	Part No.	Description	Qty
1	N/S	PIN, cotter, 3/32 X 3/4"	5
2	N/S	WASHER, flat, 3/8", CL2, CAD	5
3	12447176	LEVER, transmission shift arm	1
4	N/S	NUT, M10 - 1.5, Class 10.9, Phos.	1
5	12447178	ROD ASSEMBLY, bracket-to-transmission	1
6	12447182	BRACKET, transmission shift lever	1
7	N/S	WASHER, flat, 3/8", CAD	1
8	12460146	ROD, transmission to shifter	1
9	12340257-3	WASHER, wave, 3/8", Type 2, ZN	1
10	12338442-2	TRUNNION, shift control, transmission	1

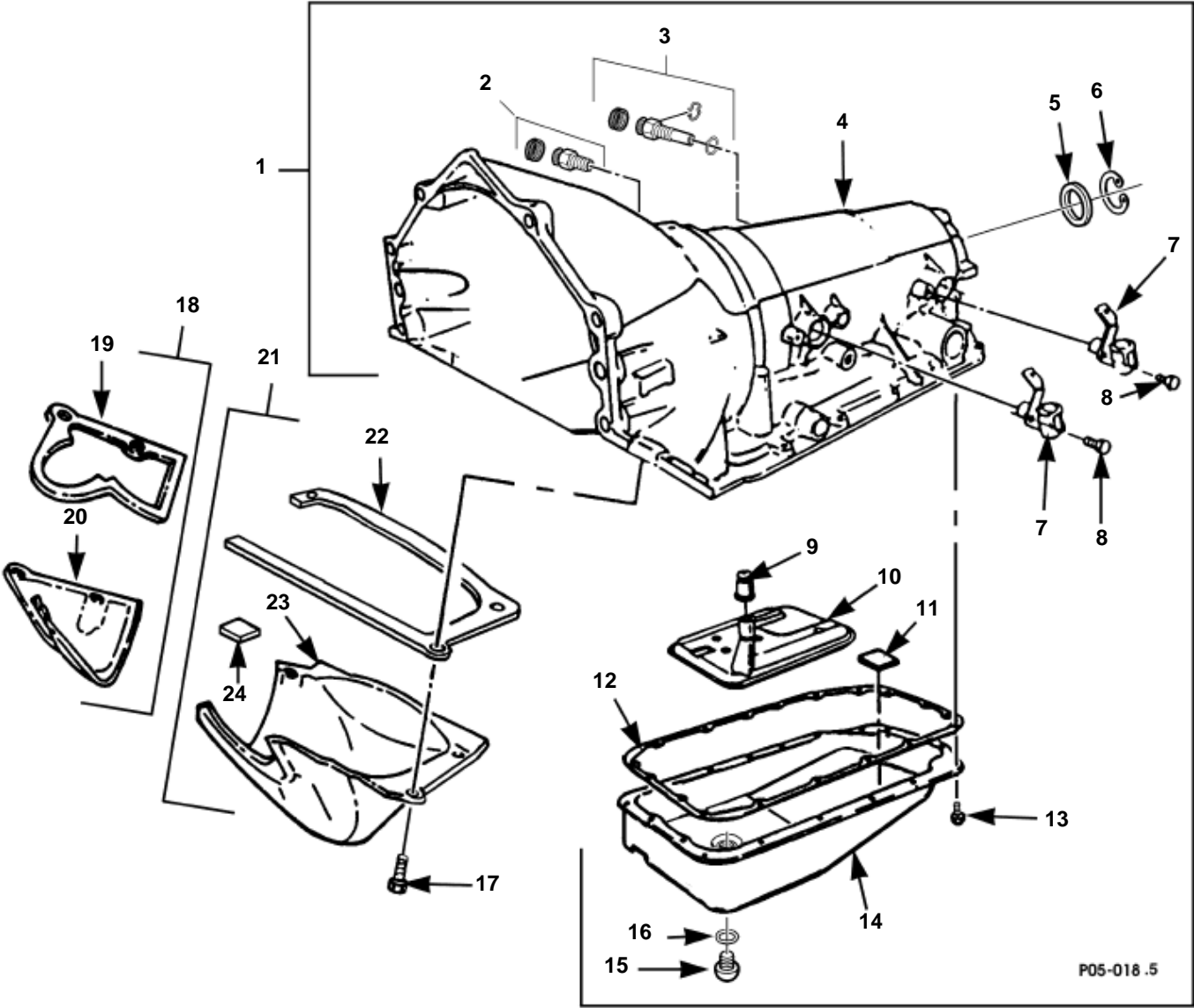


04-P05-004.1

Transmission Mounting Hardware, Fluid Dipstick, Tube Assembly, TCM, and Mounting Hardware

Transmission Mounting Hardware, Fluid Dipstick, Tube Assembly, TCM, and Mounting Hardware.

Item	Part No.	Description	Qty
1	N/S	BOLT, 1/2 - 13 x 1 3/4", Gr.8, CAD, guide cable	1
2	N/S	LOCKWASHER, 1/2", ZN	2
3	N/S	WASHER, flat, type B, 9/16", ZN, guide cable	1
4	12446871-6	NUT INSERT	1
5	12447180	CABLE ASSEMBLY, transfer case guide	1
6	N/S	NUT, M10 - 1.5	1
7	11501033	LOCKNUT, p.t., transfer case guide cable	1
8	N/S	NUT, 7/16 - 14", Gr8, guide cable	1
9	12340058	WASHER, flat	1
10	12447177	STUD, special, T-case anchor cable, L.H. side only	1
11	6010347	TUBE, transmission oil dipstick	1
12	N/S	NUT, flanged, M10 - 1.50	1
13	6015164	DIPSTICK, transmission oil	1
14	6008021	BOLT	6
15	6014333	BRACKET ASSEMBLY, transmission module	1
16	5939712	·NUT INSERT	4
17	N/S	BOLT, M8 X 1.25 X 20 LG FIG HG	1
18	5745845	TRANSMISSION CONTROL MODULE (non-programed)	1
19	ELMS51412-2	WASHER, flat	4
20	MS35338-43	LOCKWASHER	1
21	MS51849-78	BOLT	4
22	6014432	TRANSMISSION HARNESS	1
23	MS90725-110	SCREW	2
24	N/S	LOCKNUT, 3/8 - 16", Gr8	2
25	N/S	WASHER, flat, type B, 3/8"	2
26	12339178	MOUNT, resilient, transmission, rear	1
27	444689	DRAINPLUG, 1/8" NPT, transmission	1
28	12447172	SEAL, dipstick tube	1
29	12460065	STUD, transmission adapter	6
30	12447175	ADAPTER, transmission	1
31	5934802	LOCKNUT, flanged, 3/8 - 24", w/wax	12
32	N/S	BOLT, flanged, M10 - 1.5 x 16, class 9.8, Phos	1
	5573543	LOCTITE GASKET ELIMINATOR (not illustrated)	



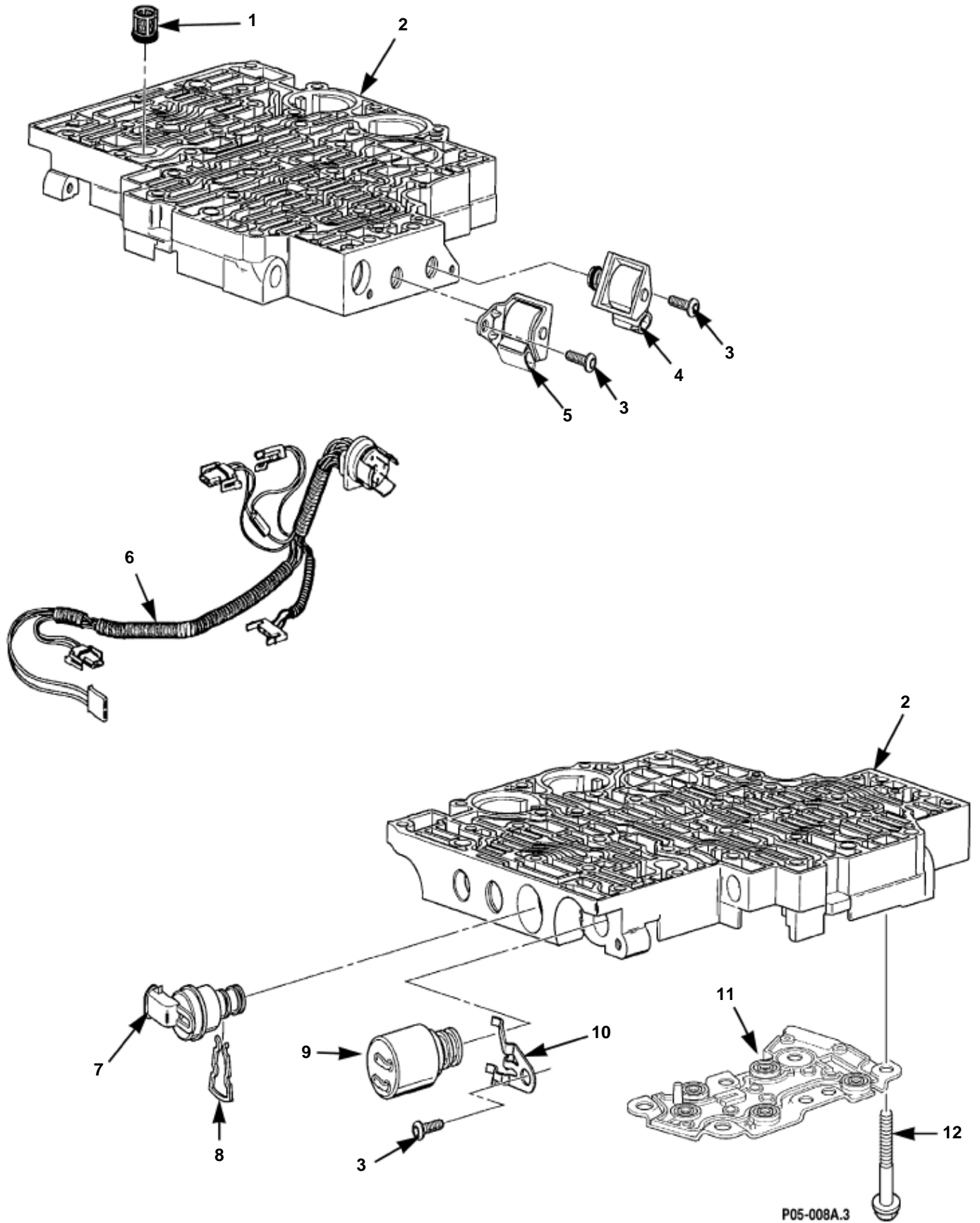
P05-018.5

Transmission, Filter and Sensors

Transmission Filter and Sensors.

Item	Part No.	Description	Qty
1	12469449-3	TRANSMISSION, w/torque converter, 4L80E, new SEE NOTE 1	1
	5745364	TRANSMISSION, w/torque converter, 4L80E, remanufactured SEE NOTE 1	1
2	5714961	·FITTING, cooler pipe, front	1
3	5714967	·FITTING, cooler pipe, rear	1
4	S.I.A.	·CASE	1
5	5714333	·SEAL, output shaft	1
6	5714335	·RETAINING RING, output shaft seal	1
7	5743516	·SENSOR ASSEMBLY	2
8	11508805	·BOLT, speed sensor	2
9	5743312	·SEAL, filter neck	1
10	5714971	·KIT, filter assembly	1
11	5744092	·MAGNET, chip collector	1
12	5743310	·SEAL, transmission oil pan	1
13	S.I.A.	·BOLT, oil pan, M8 - 1.25 x 20, class 9.8	17
14	5714952	·OIL PAN ASSEMBLY	1
15	5714953	·DRAIN PLUG, transmission	1
16	5714963	·O-RING, transmission drain plug	1
17	N/S	BOLT, flanged, M10 - 1.5 x 16, class 9.8, Phos	6
18	12342107	COVER ASSEMBLY	1
19	12342105	·GASKET, cover assembly	1
20	EC12342107-1B1	·COVER ASSEMBLY	1
21	RCSK18343	COVER ASSEMBLY, transmission	1
22	12460095	·GASKET, torque converter cover	1
23	S.I.A.	·COVER, torque converter	1
24	S.I.A.	·TAB, torque converter cover	1

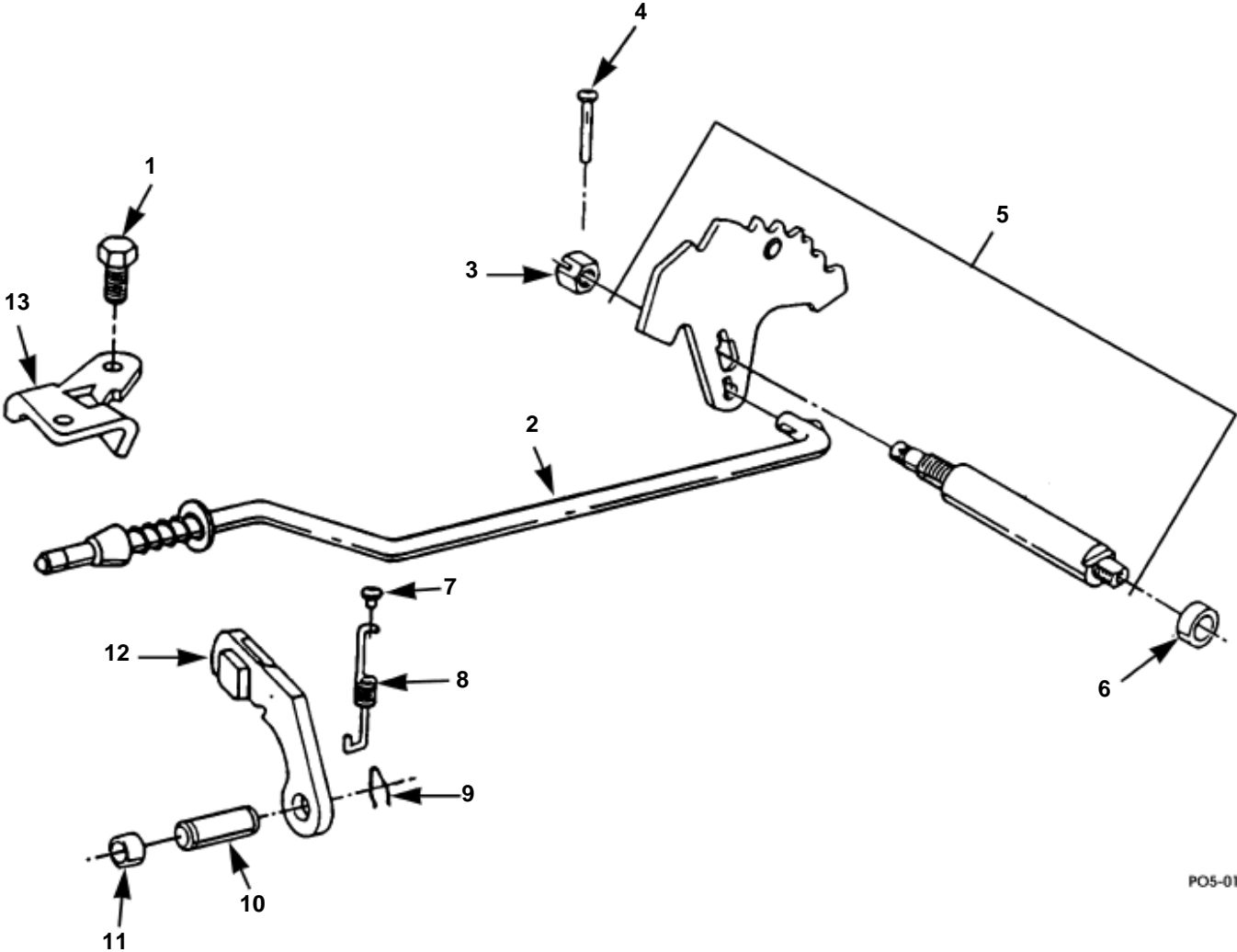
NOTE 1: FOR VEHICLES UNDER WARRANTY USE THE
REMANUFACTURED PART NO. 5745364.



Control Valve and Related Parts

HUMMER H1 2004 Parts Catalog
Control Valve and Related Parts.

Item	Part No.	Description	Qty
1	5714355	SCREEN FILTER	1
2	N/S	VALVE BODY ASSEMBLY, control	1
3	5744115	SCREW, ph Torx	3
4	5715668	SOLENOID, shift 2-3	1
5	5715667	SOLENOID, shift 1-2	1
6	5716607	WIRING HARNESS ASSEMBLY, transmission internal	1
7	5744093	SOLENOID ASSEMBLY, torque converter clutch	1
8	5744095	CLIP, solenoid valve	1
9	5716612	VALVE, pressure control solenoid	1
10	5714354	CLAMP, pressure control solenoid	1
11	5744098	SWITCH, fluid pressure, manual valve position	1
12	5744085	BOLT, valve body	3

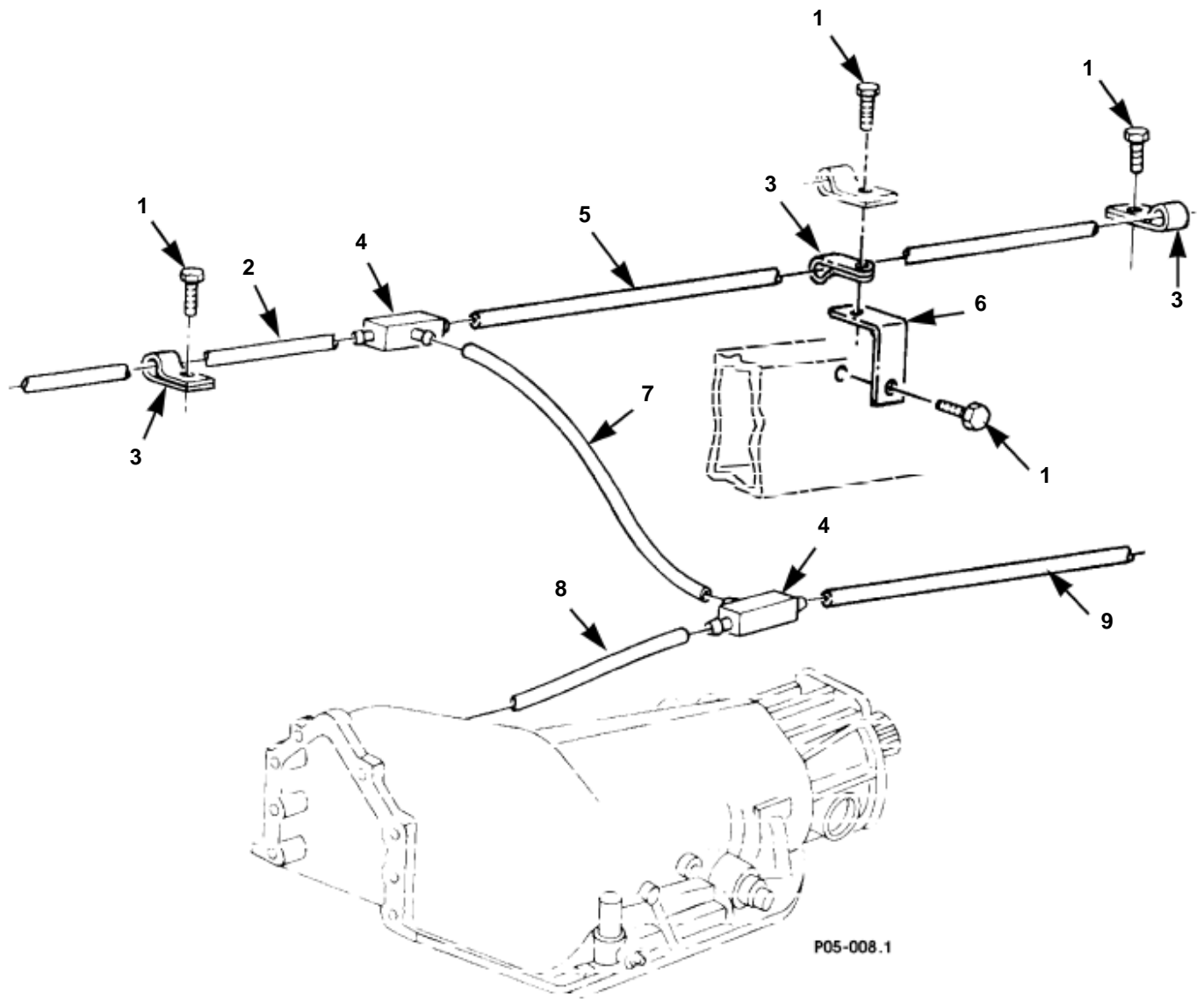


PO5-019

Transmission Parking Lock System

Transmission Parking Lock System.

Item	Part No.	Description	Qty
1	N/S	BOLT, M8 x 1.25 x 20, class 9.8	2
2	5744105	ACTUATOR ASSEMBLY	1
3	5744076	NUT, hex	1
4	5744122	PIN	1
5	5714375	LEVER AND SHAFT ASSEMBLY	1
6	5740322	SEAL ASSEMBLY	1
7	5744111	STUD	1
8	5744108	SPRING, retaining	1
9	148148	RETAINER, spring type	1
10	5742593	SHAFT, lock	1
11	5742589	PLUG, shaft	1
12	5714321	PAWL, parking lock	1
13	5744103	BRACKET, parking lock	1

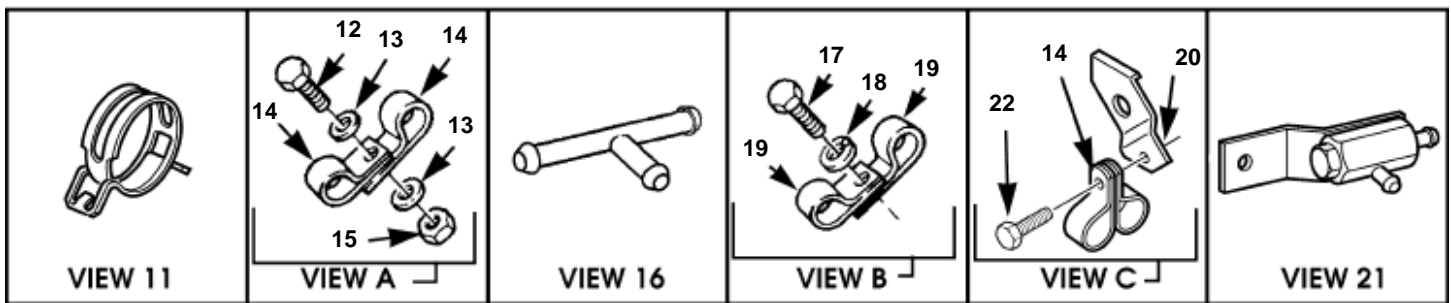
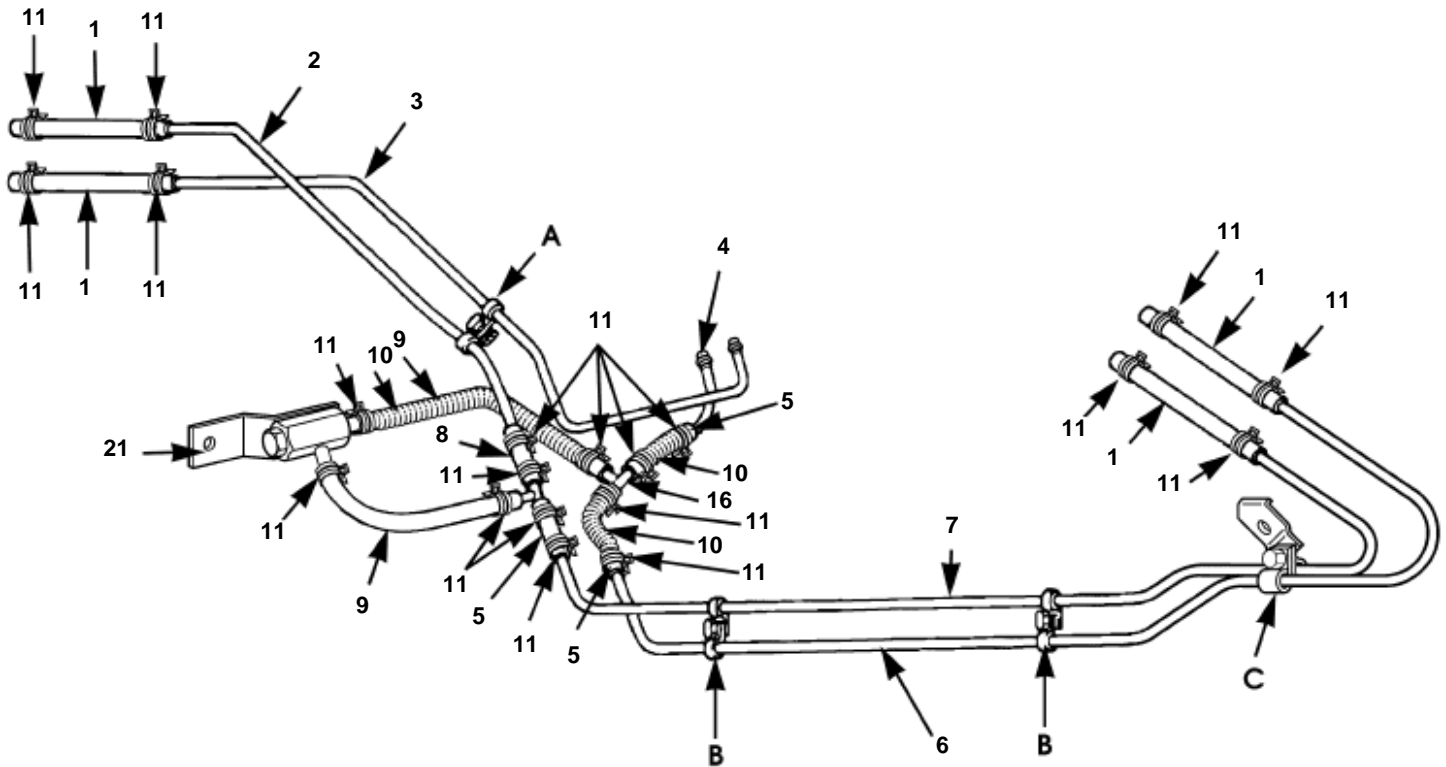


Transmission Vent Lines and Attaching Hardware

Transmission Vent Lines and Attaching Hardware.

Item	Part No.	Description	Qty
1	N/S	SCREW, tapping, 3/8 - 16 x 5/8", ZN	4
2	N/S	VENT LINE TUBE, 41", SEE NOTE 1	1
3	N/S	CLAMP, transmission vent line, cushioned, 1/4"	3
4	12339973-1	TEE, union	2
5	N/S	VENT LINE TUBE, 64", SEE NOTE 1	1
6	12338663	BRACKET, vent line tube mounting	1
7	N/S	VENT LINE TUBE, 11", SEE NOTE 1	1
8	N/S	VENT LINE TUBE, 11", SEE NOTE 1	1
9	N/S	VENT LINE TUBE, 17", SEE NOTE 1	1

NOTE 1: MAKE FROM BULK NYLON TUBE P/N 5741079
3/16" X 250' ROLL



04-P05-005

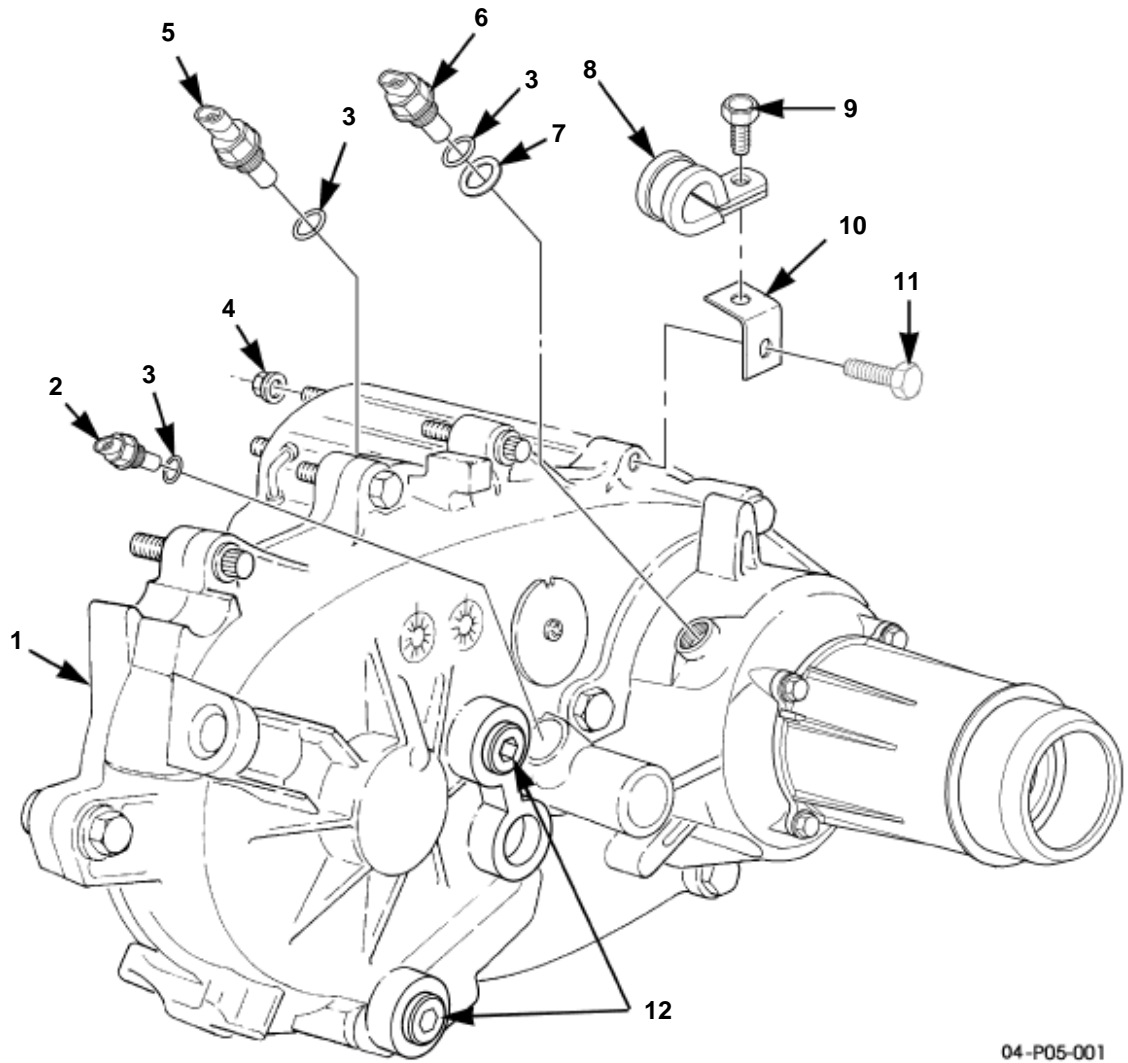
Transmission/Transfer Case Cooling Lines

Transmission/Transfer Case Cooling Lines.

Item	Part No.	Description	Qty
1	N/S	HOSE, 3", cooling lines, SEE NOTE 1	4
2	EC12338333	TUBE, transfer case to cooler, rear	1
3	EC12460493	TUBE, transfer case to transmission	1
4	EC12460492	TUBE, transmission to cooler, rear	1
5	N/S	HOSE, 4", transmission line to cooling line, SEE NOTE 1	3
6	EC12338335	TUBE, transmission to cooler, front	1
7	EC12338332	TUBE, transfer case to cooler, front	1
8	N/S	HOSE, 4", transfer case line to cooling line, SEE NOTE 1	1
9	N/S	HOSE, 7 1/2", tee-to-bypass valve, SEE NOTE 1	2
10	6014238	CONDUIT, convoluted, 6" piece, SEE NOTE 2	3
11	6008528	CLAMP, cooling lines, hose,	20
12	N/S	BOLT, flanged, 1/4 - 20 x 3/4", Gr5, CAD, cooling line clamps	2
13	N/S	WASHER, flat, 1/4", CAD	4
14	N/S	CLAMP, loop, cooling lines, 3/8"	6
15	N/S	LOCKNUT, 1/4 - 20", Gr8, cooling line clamp	2
16	12447077	TEE, bypass valve	2
17	N/S	SCREW, tapping, 3/8 - 16 x 3/4", ZN, cooling line clamp	2
18	N/S	LOCKWASHER, med, 3/8", ZN, cooling line clamp	2
19	N/S	CLAMP, cushioned, 3/8", cooling line	4
20	EC12338159B1	BRACKET, support, transmission cooling lines	1
21	12447076	VALVE, bypass, transmission oil	1
22	N/S	SCREW, 1/4 - 20 x 1/2"	1

NOTE 1: MAKE FROM BULK HOSE P/N 5741209, 3/8" X
25' ROLL

NOTE 2: CAN CUT TO LENGTH FOR OTHER LOCATIONS
ON TRANS COOLER LINES.

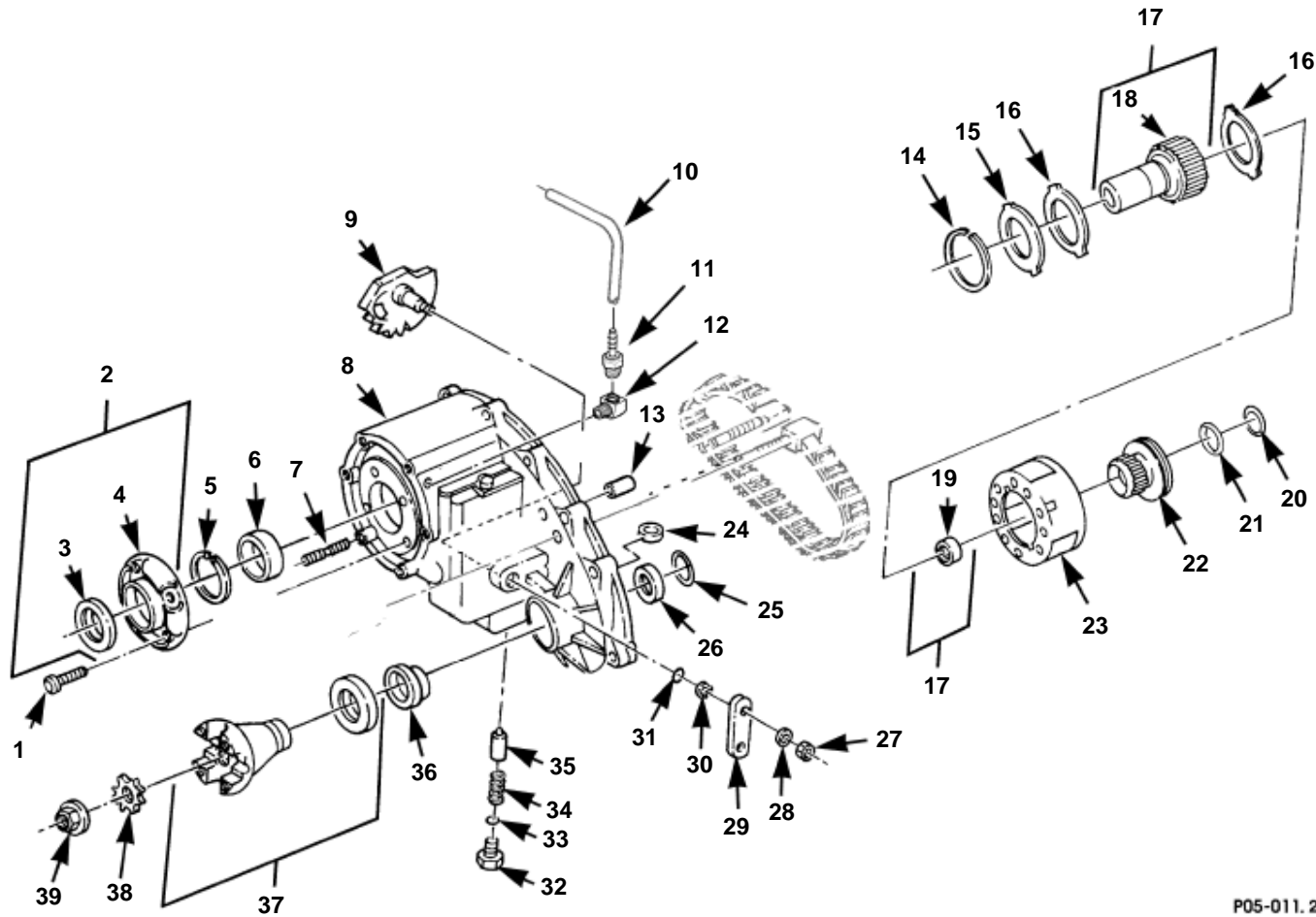


04-P05-001

Transfer Case Assembly

HUMMER H1 2004 Parts Catalog
Transfer Case Assembly.

Item	Part No.	Description	Qty
1	6011651	TRANSFER CASE ASSEMBLY	1
2	5938686	SWITCH, transfer lock, 12-volt	1
3	5938616	SEAL, O-ring	1
4	5934802	LOCKNUT, flanged, 3/8 - 24", w/wax	6
5	5743511	SWITCH, transfer case range	1
6	5743510	SWITCH, speed sensor	1
7	5745239	SHIM, speed sensor	A/R
8	N/S	P-CLAMP, cushioned, 7/16"	1
9	N/S	SCREW, tapping, 5/16 - 18 x 3/4"	1
10	5589115	BRACKET, transfer case	1
11	N/S	SCREW, M10 - 1.5 x 27, class 9.8, T-case housing	1
12	5745464	PLUG, transfer case drain	2



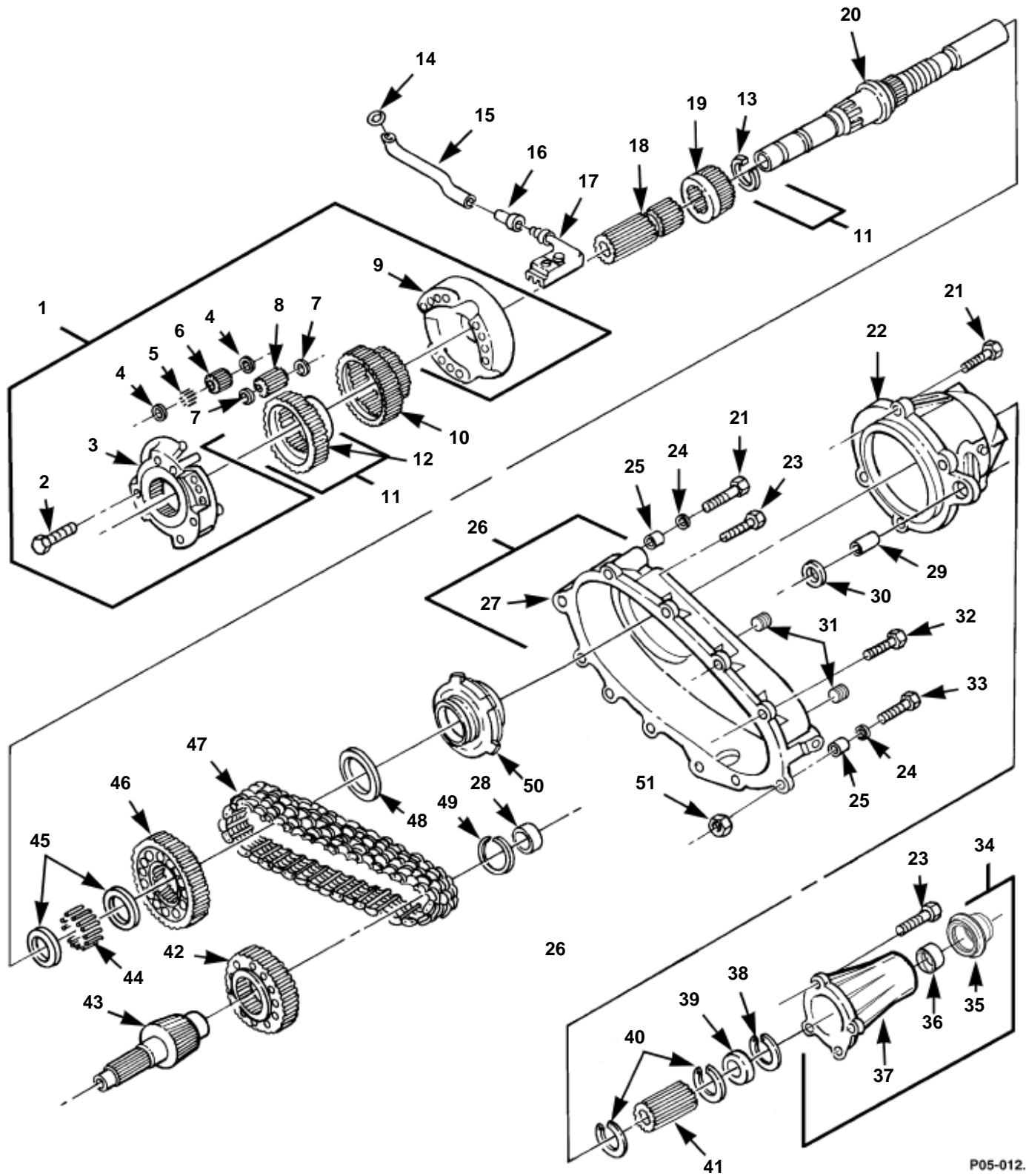
P05-011.2

Transfer Case Assembly, Front Half

Transfer Case Assembly, Front Half.

Item	Part No.	Description	Qty
1	5938626	RETAINER SCREW, input gear	4
2	5938625	RETAINER ASSEMBLY, input gear	1
3	5740017	·OIL SEAL, input gear	1
4	N/S	·RETAINER, input gear	1
5	5938623	LOCKRING, input gear, ring, retaining	1
6	5714223	BEARING, transfer case	1
7	12460065	STUD, mounting, transfer case	6
8	5745693	TRANSFER CASE, front half	1
9	5743744	SECTOR, transfer case	1
10	N/S	TUBING, 17", SEE NOTE 1	1
11	12339978	CONNECTOR, male	1
12	5937392	ELBOW, street	1
13	5938610	BUSHING, rail	1
14	5938624	LOCKING, input gear	1
15	5938622	RETAINING RING, input gear	1
16	5715449	WASHER, thrust, input gear	2
17	5714226	INPUT GEAR ASSEMBLY	1
18	N/S	·GEAR, input	1
19	5938621	·BEARING, input gear	1
20	5938658	WASHER, transfer case, clutch shaft	1
21	5938659	RETAINING RING, transfer case	1
22	5714229	SLEEVE, transfer case, range	1
23	5714225	PLANETARY ASSEMBLY	1
24	5740513	MAGNETIC CHIP COLLECTOR	1
25	5938608	RETAINING RING	1
26	5938607	BEARING, front output	1
27	5741254	NUT, operating lever, selector level	1
28	N/S	WASHER, flat, hard, 3/8", type B, ZN, operating lever	1
29	5938683	OPERATING LEVER, transfer case	1
30	5740107	RETAINER, operating lever	1
31	5740012	SEAL, operating lever	1
32	5714808	SCREW, poppet spring	1
33	5938616	SEAL, O-ring, poppet spring	1
34	5938615	POPPET SPRING	1
35	5938614	PLUNGER, transfer case	1
36	5744909	OIL SEAL, front output	1
37	5744928	YOKE AND SLINGER, front output	1
38	5740010	WASHER, yoke and slinger	1
39	5740011	NUT, yoke and slinger	1

NOTE 1: MAKE FROM BULK NYLON TUBE P/N 5741079,
3/16" I.D. X 250'.

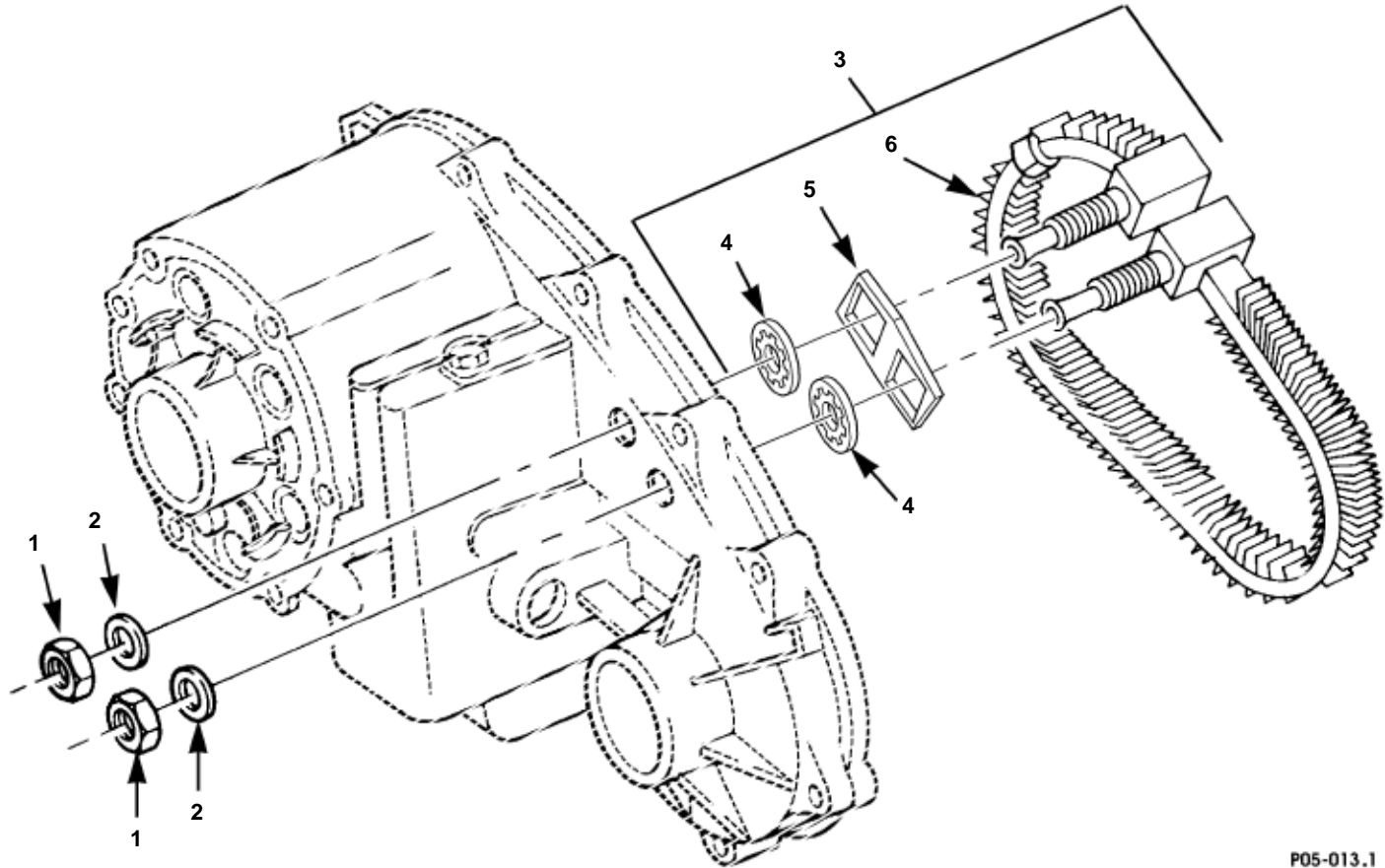


P05-012.3

Transfer Case Assembly, Rear Half

Transfer Case Assembly, Rear Half.

Item	Part No.	Description	Qty
1	5715448	DIFFERENTIAL CARRIER ASSEMBLY	1
2	5938641	·SCREW, differential carrier	3
3	5743072	·CARRIER, front differential	1
4	5938646	·WASHER, thrust	6
5	5938645	·NEEDLE BEARING	54
6	5744880	·PINION, narrow	3
7	5938647	·WASHER, thrust, pinion	6
8	5938643	·PINION, wide	3
9	S.I.A.	·CARRIER, rear differential (comes with Item 3)	1
10	5938650	GEAR, sprocket carrier	1
11	5938655	GEAR assembly differential	1
12	N/S	·GEAR, differential	1
13	5938656	·RING, differential gear	1
14	5938669	O-RING, oil tube	1
15	5938668	OIL TUBE	1
16	5938667	CONNECTOR, transfer case	1
17	5938666	SCREEN, oil tube	1
18	5714228	SHAFT, intermediate clutch	1
19	5938660	SLEEVE, mode shift	1
20	5714291	MAIN SHAFT	1
21	5938670	SCREW, rear bearing retainer	6
22	5743747	RETAINER, rear bearing	1
23	5740508	BOLT, case, rear half	10
24	5740230	WASHER, flat	12
25	5740102	PIN, case alignment	2
26	5939258	CASE ASSEMBLY, rear half	1
27	N/S	·CASE, rear half	1
28	5740015	BEARING, front output	1
29	5938665	DOWEL, alignment	1
30	5938610	BUSHING, rail	1
31	5745464	PLUG, transfer case drain	2
32	5741075	SCREW, case halves	2
33	5743855	SCREW, transfer case, flanged	1
34	5714232	EXTENSION ASSEMBLY	1
35	5743751	·SEAL, rear output	1
36	5743750	·BUSHING, extension	1
37	N/S	·EXTENSION, rear housing	1
38	5745110	RETAINING RING	1
39	5938607	BEARING, rear output	1
40	5938673	RETAINING RING	2
41	5743512	TONE WHEEL	1
42	5938663	SPROCKET, drive	1
43	5938662	SHAFT, front output	1
44	5938654	BEARING, needle roller	53
45	5938653	SPACER, roller	2
46	5938651	SPROCKET, drive	1
47	5938664	CHAIN, drive	1
48	5938652	RETAINING RING, sprocket	1
49	5740101	RETAINING RING, sprocket	1
50	5938674	PUMP ASSEMBLY, gear rotor	1
51	11501033	LOCKNUT, p.t., transfer case guide cable	1

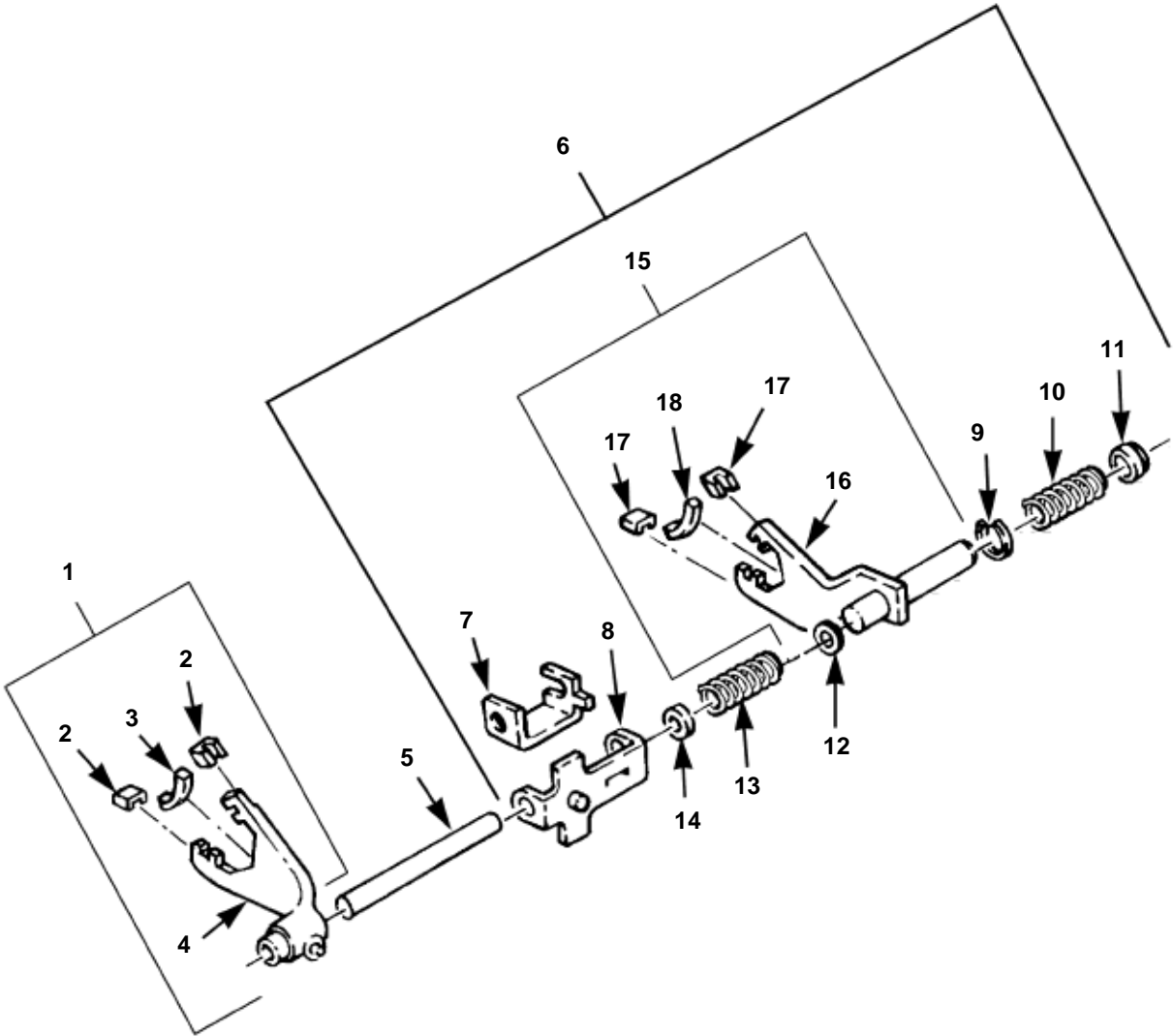


P05-013.1

Transfer Case Oil Cooler Assembly

Transfer Case Oil Cooler Assembly.

Item	Part No.	Description	Qty
1	225857	NUT, oil cooler	2
2	5741061	WASHER, oil cooler	2
3	6011652	COOLER CORE ASSEMBLY, oil, transfer case	1
4	5741062	·PACKING, preformed, oil cooler	2
5	S.I.A.	·BRACKET, T-case cooler support	1
6	N/S	·COOLER CORE, oil, transfer case	1

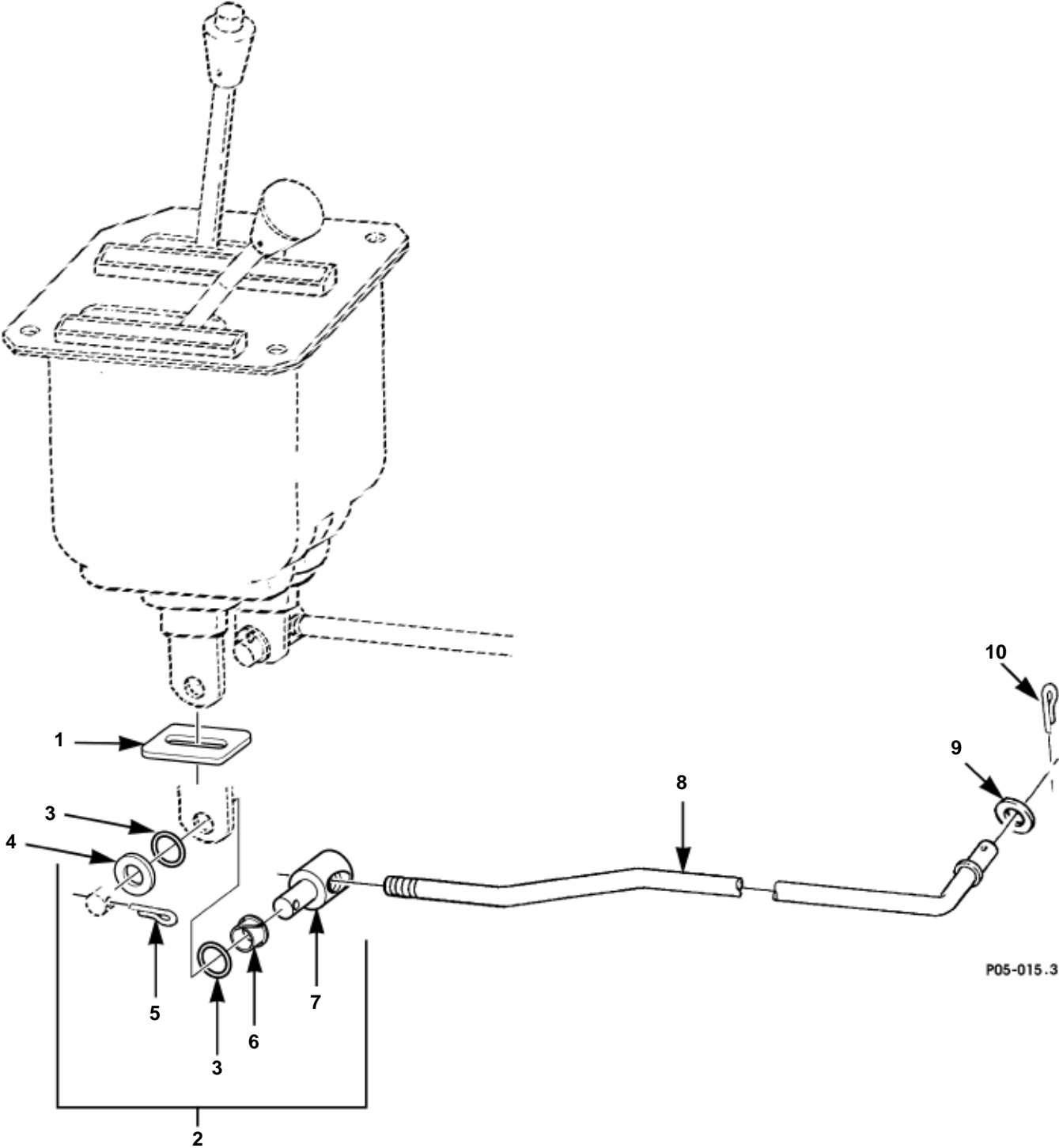


P05-014.1

Transfer Case Shift Mechanisms

HUMMER H1 2004 Parts Catalog
Transfer Case Shift Mechanisms.

Item	Part No.	Description	Qty
1	5938627	SHIFTER FORK, transfer case	1
2	5740114	·PAD, shifter fork	2
3	5740223	·PAD, shifter fork	1
4	S.I.A.	·SHIFTER FORK	1
5	5938648	RAIL, transfer shift	1
6	5714227	FORK AND BRACKET ASSEMBLY	1
7	5938635	·BRACKET, inner	1
8	5938636	·BRACKET, outer	1
9	5938632	·WASHER, thrust, spring, transfer shift	1
10	5938633	·SPRING, transfer shift	1
11	5938634	·BUSHING, transfer shift	1
12	5938630	·BUSHING, transfer shift	2
13	5938638	·SPRING, transfer	1
14	5938637	·CUP, transfer shift	1
15	5714227	·FORK ASSEMBLY, Mode	1
16	S.I.A.	··FORK, front mode	1
17	5740114	··PAD, shifter fork	2
18	5938631	··PAD, shifter fork	1

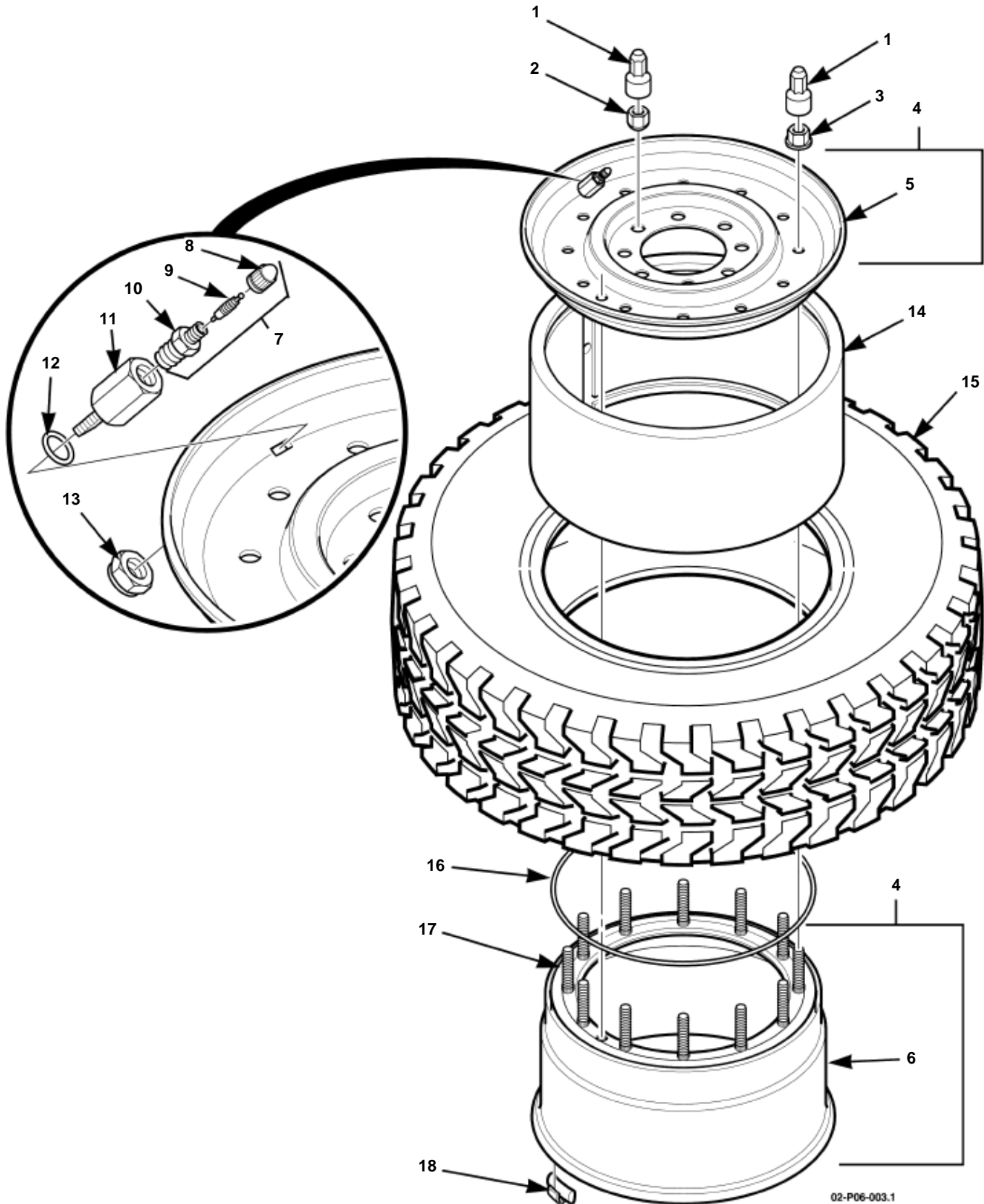


P05-015.3

Transfer Case Shift Controls

HUMMER H1 2004 Parts Catalog
Transfer Case Shift Controls.

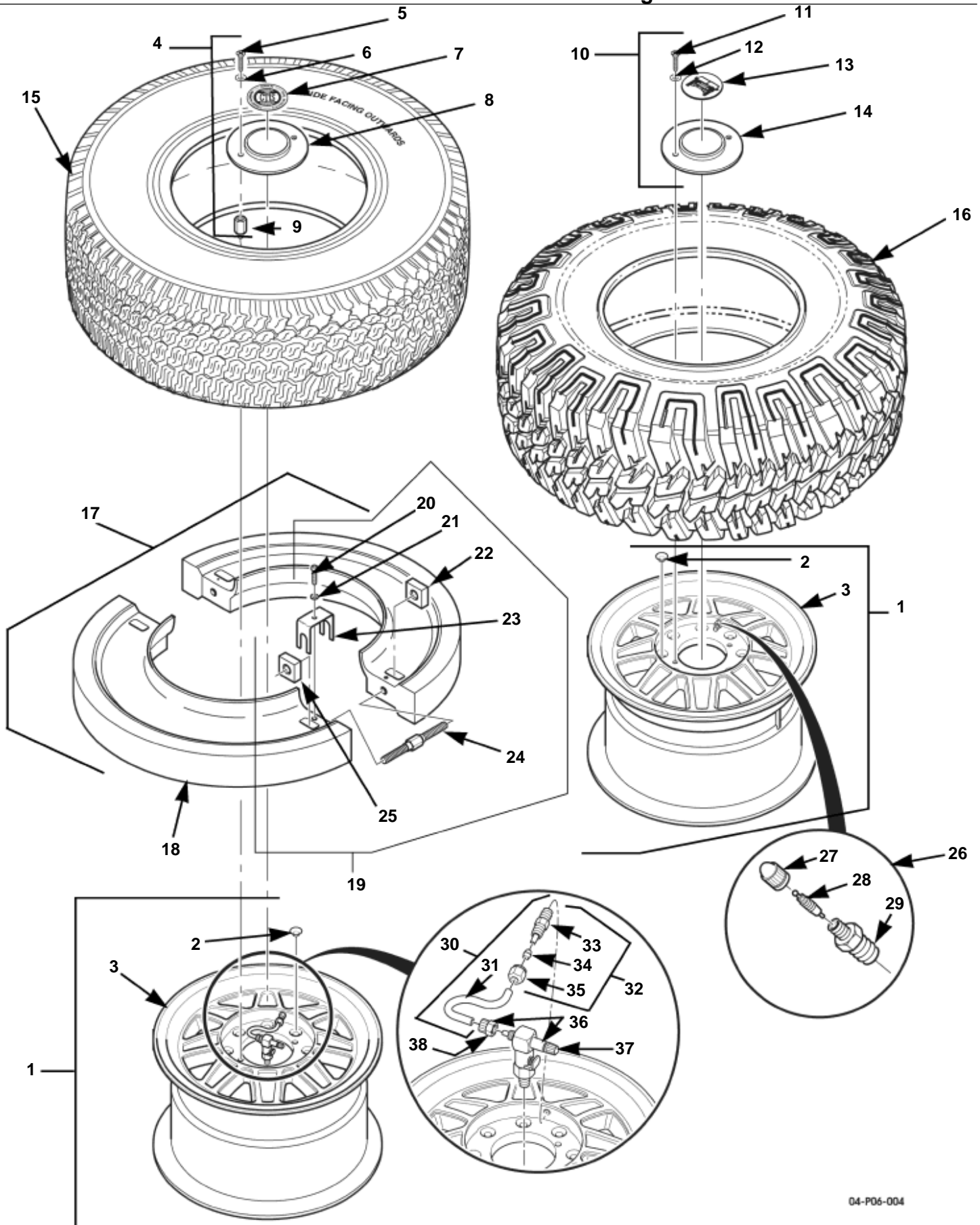
Item	Part No.	Description	Qty
1	12460507	BOOT PROTECTOR	1
2	5745427	KIT, TRUNNION SHIFT CONTROL	1
3	274244	·SEAL, O-RING	2
4	120393	·WASHER, 5/16"	1
5	N/S	·COTTER PIN, 3/32" x 3/4"	1
6	6011932	·BUSHING SHIFT CONTROL	1
7	6011930	·TRUNNION SHIFT CONTROL	1
8	12460067	ROD, shift linkage	1
9	N/S	WASHER, flat, 3/8", type B	1
10	N/S	·COTTER PIN, 1/8" x 3/4"	1



Wheel, Tire, and Beadlock Assembly, Two-Piece Steel Rim

Wheel, Tire, and Beadlock Assembly, Two-Piece Steel Rim.

Item	Part No.	Description	Qty
1	6011148	WHEEL HALF-NUT/LUG NUT COVER (black)	80
2	EC12339403	LUG NUT	32
3	EC12339501	NUT, flanged, 1/2 - 20"	48
4	5745404	WHEEL ASSEMBLY, two-piece steel	1
5	S.I.A.	·RIM, outer	4
6	S.I.A.	·RIM, inner	4
7	6013978	TANK VALVE ASSEMBLY	4
8	N/S	·VALVE CAP	4
9	N/S	·CORE	4
10	N/S	·TANK VALVE	4
11	EC12342793	INSERT, valve hole	4
12	12342794	O-RING, valve stem	4
13	ECMS21245-8	NUT, 1/2 - 20"	4
14	5594465	BEADLOCK	4
15	12342644	TIRE, Radial MT, 37 x 12.5 R16.5"	4
16	12460338	O-RING, rim	4
17	EC12460179	BOLT	48
18	5744406	WHEEL WEIGHTS, pack of 10, 1 oz, clip-on	1
	5744407	WHEEL WEIGHTS, pack of 10, 2 oz, clip-on	1
	5744408	WHEEL WEIGHTS, pack of 10, 4 oz, clip-on	1
	5744409	WHEEL WEIGHTS, pack of 10, 6 oz, clip-on	1
	5593926	WHEEL WEIGHTS, set of 12, adhesive	1
	5743721	RUNFLAT GEL, case of 10 tubes (not illustrated)	1



04-P06-004

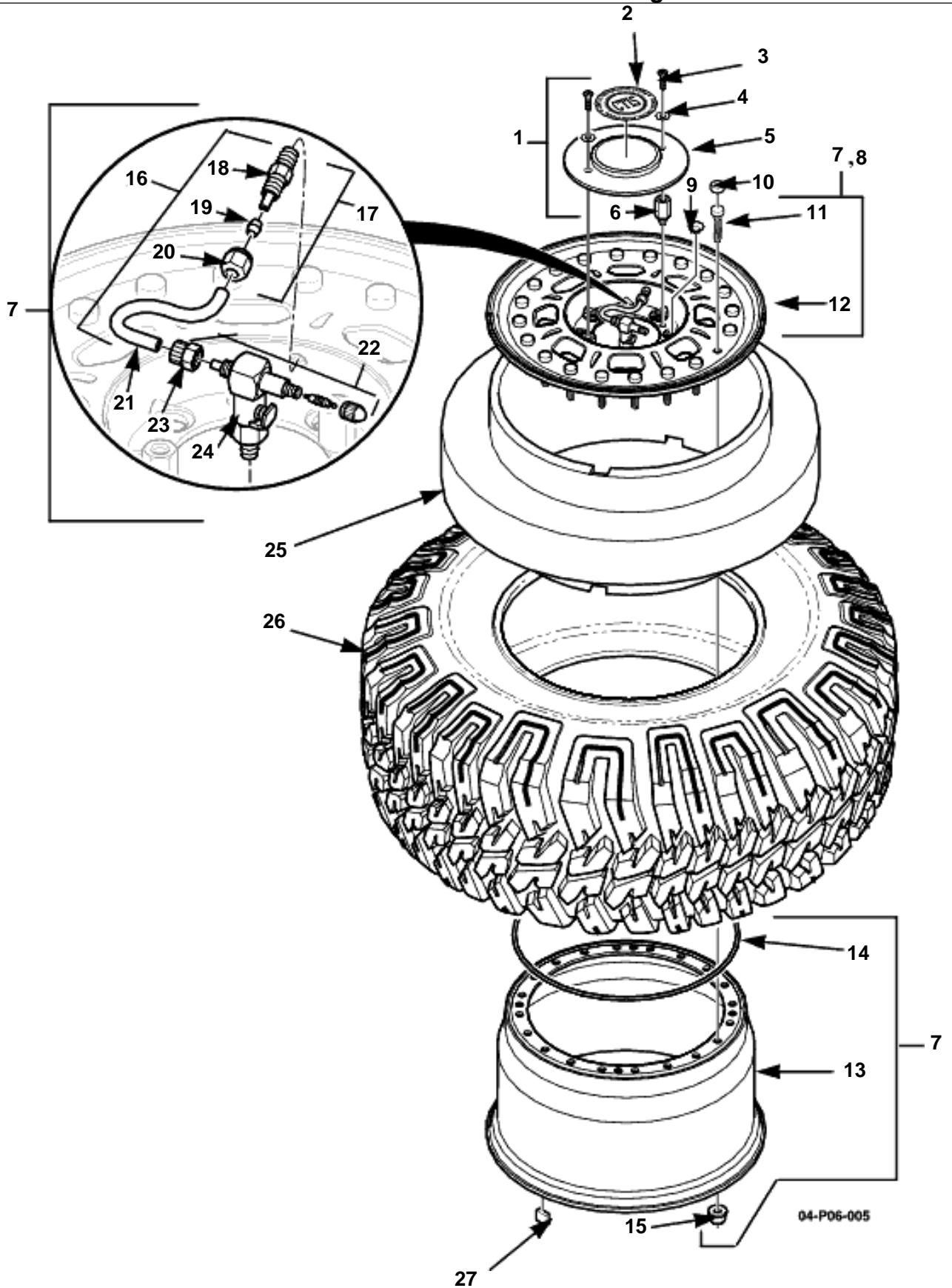
Wheel, Tire and Runflat Assembly, 17", One-Piece Aluminum

Wheel, Tire and Runflat Assembly, 17", One-Piece Aluminum.

Item	Part No.	Description	Qty
1	6016312	WHEEL ASSEMBLY, 17 x 8.5	4
2	S.I.A.	·INSERT, lug hole, steel	32
3	S.I.A.	·WHEEL, one-piece aluminum, 17"	4
4	6016311	LUG COVER ASSEMBLY KIT, with CTIS	4
5	6011548	·SCREW, center cover, aluminum wheel	8
6	6016308	·WASHER, teflon	8
7	6011281	·DISK, wheel lug cover, with CTIS, logo	4
8	6011260	·COVER, wheel lug, aluminum wheel w/CTIS	4
9	6013038	·ADAPTER, lug cover mounting	8
10	6016313	LUG COVER ASSEMBLY KIT, w/o CTIS, SEE NOTE 2	4
11	6011548	·SCREW, center cover, aluminum wheel	8
12	6016308	·WASHER, teflon	8
13	6011282	·DISK, wheel lug cover, w/o CTIS, logo	4
14	6011280	·COVER, wheel lug, aluminum wheel w/o decal	4
15	6010977	TIRE, Wrangler, GSA, 37 x 12.5, R-17"	4
16	6011913	TIRE, MTR, 37 x 12.5, R-17"	4
17	6011266	RUNFLAT ASSEMBLY, 17" SEE NOTE 1	4
18	S.I.A.	·RUNFLAT HALF	8
19	5745354	·RUNFLAT HARDWARE KIT, SEE NOTE 1	8
20	S.I.A.	·SCREW	8
21	S.I.A.	·WASHER	8
22	S.I.A.	·SQUARE NUT, RH thread	8
23	S.I.A.	·BRACKET, security	8
24	S.I.A.	·SCREW, N-12	8
25	S.I.A.	·SQUARE NUT, LH thread	8
26	6011283	TANK VALVE (used for non CTIS configuration, aluminum wheels)	4
27	N/S	·VALVE CAP	4
28	N/S	·CORE	4
29	N/S	·TANK VALVE	4
30	5745243	CTIS WHEEL TUBE ASSEMBLY	4
31	S.I.A.	·TUBE, wheel, CTIS	4
32	S.I.A.	·FITTING ASSEMBLY, CTIS wheel tube	4
33	S.I.A.	·CONNECTOR	4
34	S.I.A.	·FERRULE	4
35	S.I.A.	·TUBE NUT	4
36	6005109	VALVE ASSEMBLY, quick disconnect	4
37	S.I.A.	·VALVE CAP	4
38	S.I.A.	·TUBE NUT	4
	5593926	WHEEL WEIGHTS, set of 12, adhesive (not illustrated)	1
	5743721	RUNFLAT GEL, case of 10 tubes (not illustrated)	1

NOTE 1: FOR RUNFLAT HARDWARE ONLY USE
KIT, RUNFLAT, HARDWARE, P/N 5745354.
INCLUDES ALL PARTS IN CALL OUTS 20-25,
2 KITS REQUIRED PER RUNFLAT.

NOTE 2: LUG COVER MUST BE ORDERED SEPARATELY.

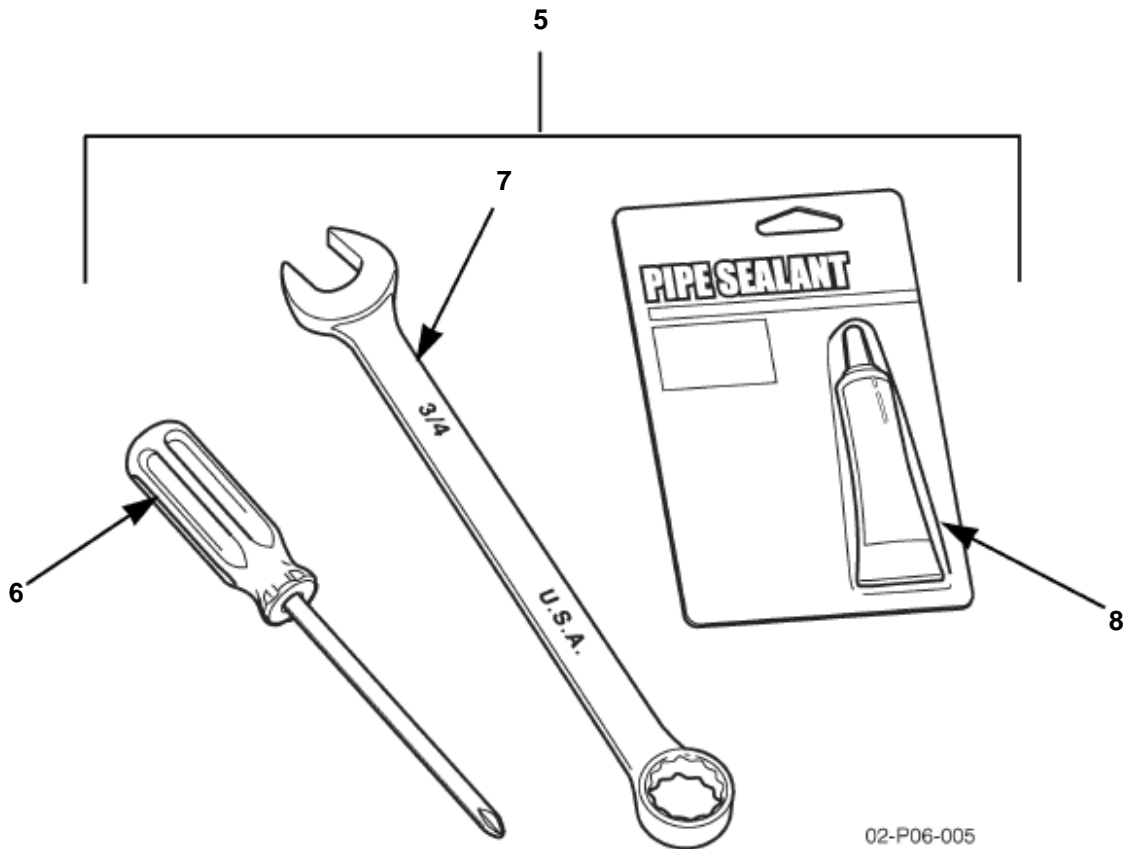
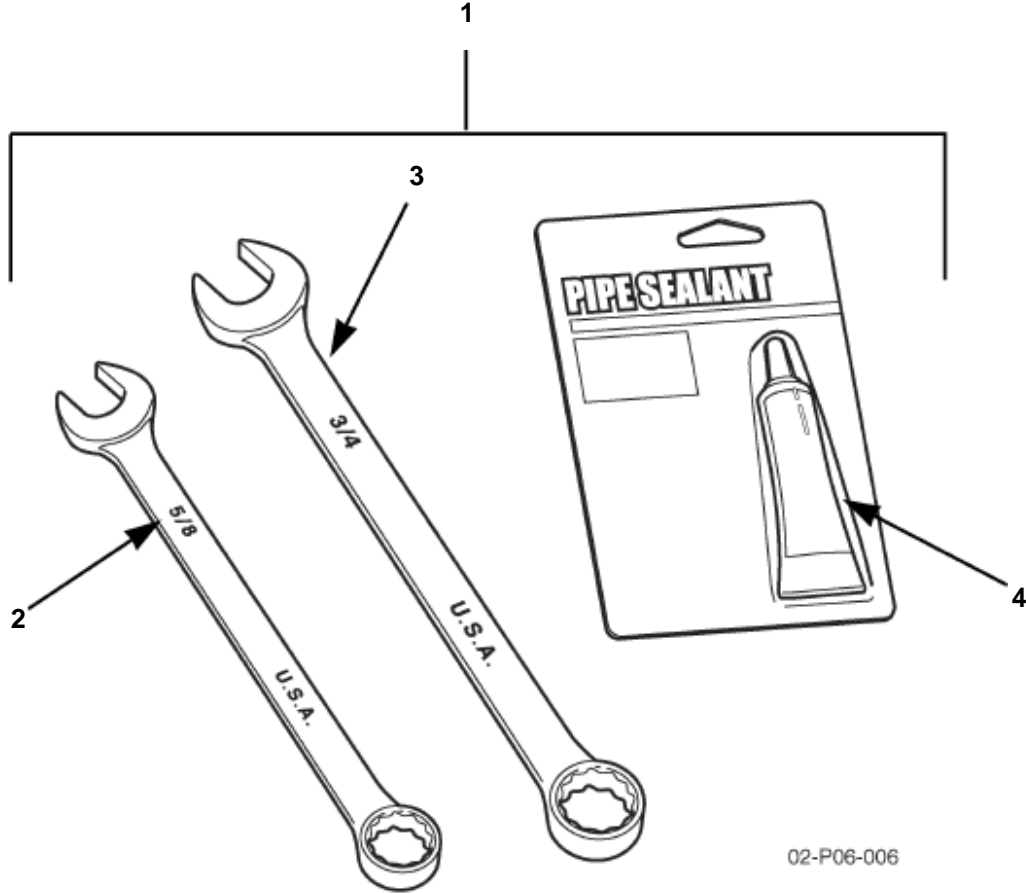


**Wheel, Tire and Runflat Assembly,
17", Two-Piece Aluminum Wheel**

Wheel, Tire and Runflat Assembly, 17", Two-piece Aluminum Wheel.

Item	Part No.	Description	Qty
1	6016309	·LUG COVER ASSEMBLY, W/CTIS, SEE NOTE 1	4
2	6013093	·DISK, wheel lug cover, with CTIS, logo	4
3	6013067	·SCREW, wheel cover	8
4	6016308	·WASHER, teflon	8
5	S.I.A.	·COVER, wheel lug	4
6	6013038	·ADAPTER, lug cover mounting	8
7	6017022	WHEEL ASSEMBLY, 17" two-piece aluminum wheel	4
8	6017024	·RIM ASSEMBLY, outer, 17", 2pc.	4
9	S.I.A.	·INSERT, lug hole, steel	32
10	6017028	·CAP, stud, plastic	80
11	6017026	·STUD, 1/2 - 20 -2.1L, dorrtech plated	64
	6017027	·STUD, 1/2 - 20, 3.0L, dorrtech plated	16
12	S.I.A.	·RIM, outer, 17", two-piece, diamond cut	4
13	6017023	·RIM, inner, 17", two-piece, diamond cut	4
14	6012731	·SEAL, O-RING, 17", two-piece	4
15	EC12339501	·LOCKNUT, flange head, 1/2-20" UNF, SAE, Gr8	80
16	5745243	·CTIS WHEEL TUBE ASSEMBLY	4
17	S.I.A.	·FITTING ASSEMBLY, CTIS wheel tube	4
18	S.I.A.	··CONNECTOR	4
19	S.I.A.	··FERRULE	4
20	S.I.A.	··TUBE NUT	4
21	S.I.A.	·TUBE, wheel, CTIS	4
22	6005109	·VALVE ASSEMBLY, quick disconnect	4
23	S.I.A.	·TUBE NUT	4
24	S.I.A.	·VALVE BODY	4
25	6012748	RUN FLAT, one-piece, for (17", two-piece wheel).	4
26	6011913	TIRE, MTR, 37 x 12.5 R-17"	4
27	5593926	WHEEL WEIGHTS, set of 12, adhesive	1
	5743721	RUNFLAT GEL, case of 10 tubes (not illustrated)	1

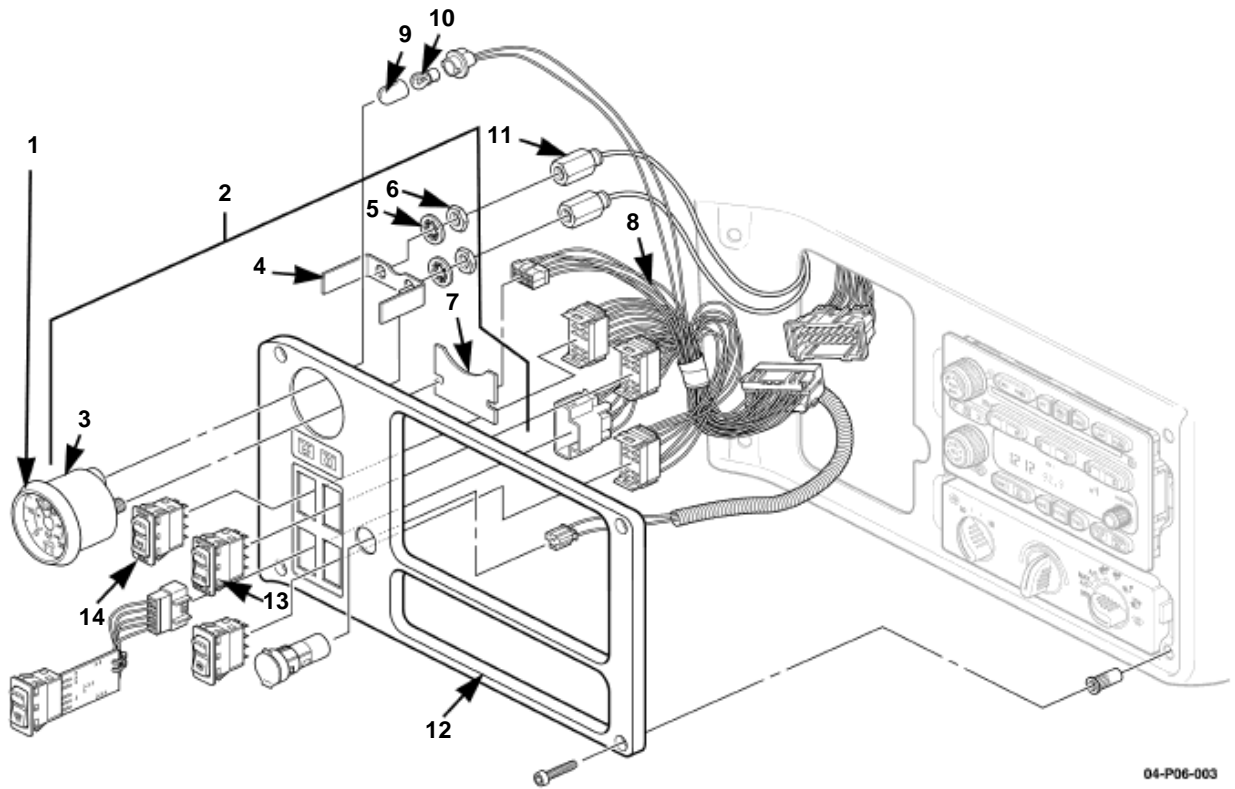
NOTE 1: LUG COVER MUST BE ORDERED SEPARATELY.



CTIS Tool Kits for 16.5" Steel Wheel and 17" Aluminum Wheel

CTIS Tool Kits for 16.5" Steel Wheel and 17" Aluminum Wheel.

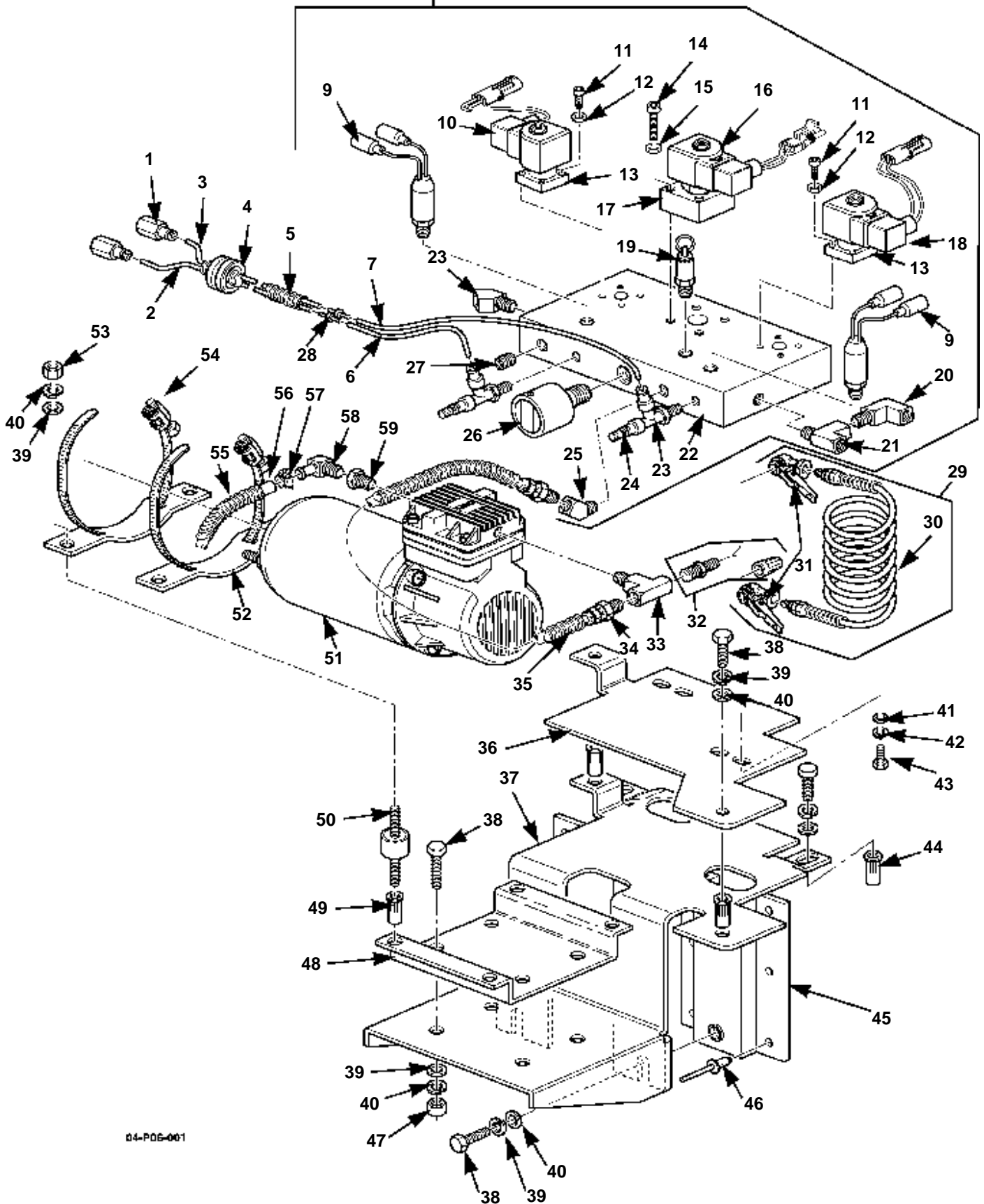
Item	Part No.	Description	Qty
1	6012548	KIT, CTIS tools, 16.5" steel wheel	1
2	S.I.K.	·WRENCH, combo, 5/8"	1
3	S.I.K.	·WRENCH, combo, 3/4"	1
4	S.I.K.	·SEALANT, pipe, w/teflon	1
5	6012549	KIT, CTIS tools, 17" aluminum wheel	1
7	S.I.K.	·WRENCH, combo, 3/4"	1
6	S.I.K.	·SCREWDRIVER, phillips	1
8	S.I.K.	·SEALANT, pipe, w/teflon	1



CTIS Control Panel and Electrical Harnesses

CTIS Control Panel and Electrical Harnesses.

Item	Part No.	Description	Qty
1	5746003	BEZEL, CTIS gauge	1
2	6017108	CTIS GAUGE ASSEMBLY	1
3	S.I.A.	·CTIS GAUGE	1
4	S.I.A.	BRACKET, ctis gage	1
5	S.I.A.	·LOCK WASHER	2
6	S.I.A.	·NUT	2
7	6017109	·MODULE, ctis, display	1
8	6016498	CTIS HARNESS, interior	1
9	5939818	BULB LENS	1
10	S.I.A.	BULB, #1815	1
11	6009491	CONNECTOR, female, 1/8"	2
12	6019056	BEZEL, radio	1
13	6016509	SWITCH inflate/deflate	1
14	6016510	SWITCH, tire selection, front and rear	1
	6017136	PLUG, non-ctis, (not illustrated)	1
	6010667	PLUG, dummy panel, single (not illustrated)	1



CTIS Valve Assembly and Compressor

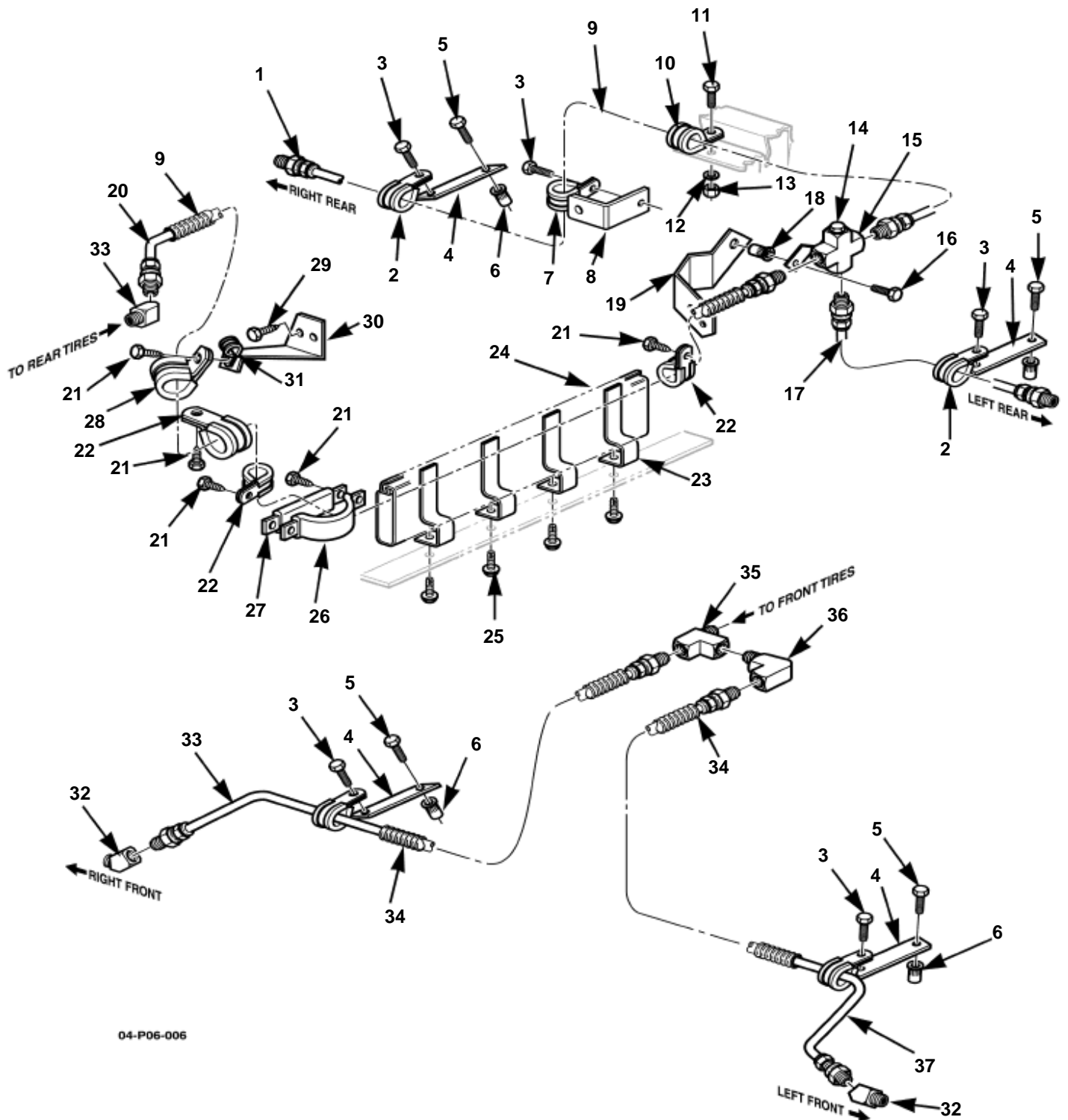
CTIS Valve Assembly and Compressor.

Item	Part No.	Description	Qty
1	6009491	CONNECTOR, female, 1/8"	2
2	6017612	TUBING, 1/8" O.D. x 36", (rear), red	1
3	N/S	TUBING, 1/8" O.D. x 24", (front), SEE NOTE 1	1
4	6000042	GROMMET	1
5	N/S	CONVOLUTED CONDUIT, non-slit, 3/8" O.D. x 1/4" I.D. x 6" long, CTIS dash gauge lines	1
6	N/S	TUBING, 1/8" O.D., 2", (rear), red, SEE NOTE 4	1
7	N/S	TUBING, 1/8" O.D., 4", (front), SEE NOTE 1	1
8	6015158	MANIFOLD ASSEMBLY, CTIS	1
9	6001036	·SWITCH, low pressure	2
10	6015160	·COIL ASSEMBLY, rear, inflate	1
11	N/S	·SCREW, inflate valve	8
12	N/S	·LOCKWASHER, #8	8
13	6008370	·VALVE, inflate, front, rear	2
14	N/S	·SCREW, deflate valve	4
15	N/S	·LOCKWASHER, 1/4"	4
16	6015161	·COIL ASSEMBLY, deflate	1
17	6008371	·VALVE, deflate	1
18	6015159	·COIL ASSEMBLY, front, inflate	1
19	6008872	·VALVE, safety	1
20	6008377	·STREET ELBOW, 1/4", FPT	1
21	4-4-4-040424	·TEE, 1/4", NPT	1
22	6015162	·MANIFOLD, CTIS	1
23	6008379	·TEE, swivel	2
24	6008380	·TUBE PLUG	2
25	454097	·ELBOW, 45-degrees	2
26	5935430	·DUST EXCLUDER	1
27	N/S	·PLUG, 1/4", FTP	1
28	6007670	ORIFICE, CTIS	2
29	6004415	HOSE ASSEMBLY, CTIS auxiliary air	1
30	6004416	·HOSE, auxiliary air	1
31	5745424	·CHUCK, clip-on	2
32	6013978	TANK VALVE ASSEMBLY	1
33	4-4-4-130424B	TEE, 1/4 x 1/4 x 1/4"	1
34	6009996	HOSE, stainless steel braided, compressor-to-CTIS manifold, w/fittings	1
35	N/S	CONVOLUTED CONDUIT, 16 1/2", slit, compressor-to-CTIS manifold, SEE NOTE 2	1
36	6016584	BRACKET ASSEMBLY, valve mounting	1
37	6014965	BRACKET ASSEMBLY, valve mounting	1
38	N/S	SCREW, 1/4 - 20 x 3/4"	10
39	N/S	LOCKWASHER, split-ring, 1/4"	10
40	N/S	WASHER, flat, 1/4"	14
41	N/S	WASHER, flat, #10	4
42	N/S	LOCKWASHER, #10	4
43	N/S	SCREW, hex head, #10 - 24 x 1/2"	4
44	N/S	NUT INSERT, 1/4 - 20"	4
45	6010094	BRACKET ASSEMBLY, compressor, side	2
46	N/S	RIVET	6
47	N/S	NUT, 1/4 - 20"	4
48	6009998	BRACKET ASSEMBLY, compressor lower	1
49	N/S	·NUT INSERT, 1/4 x 28"	4
50	12338607	MOUNT	4
51	5939999	COMPRESSOR, CTIS	1
52	6003902B2	BRACKET, compressor upper	2
53	N/S	NUT, 1/4 - 28", ZN	4
54	11608950-18	CLAMP, hose	2
55	N/S	CONVOLUTED CONDUIT, 25" long, non-slit air horn-to-compressor, SEE NOTE 3	1
56	5594129	HOSE, 40 1/2", air horn-to-compressor	1
57	6017101	CLAMP, hose	2
58	12339415	ELBOW, 90 degrees	2
59	6-4-140140	REDUCER, 3/8" to 1/4" NPT	1

NOTE 1: CUT FROM BULK TUBING P/N CPR104420-6,
1/8" OD X 50' LONG, BLACK.

CTIS Valve Assembly and Compressor.

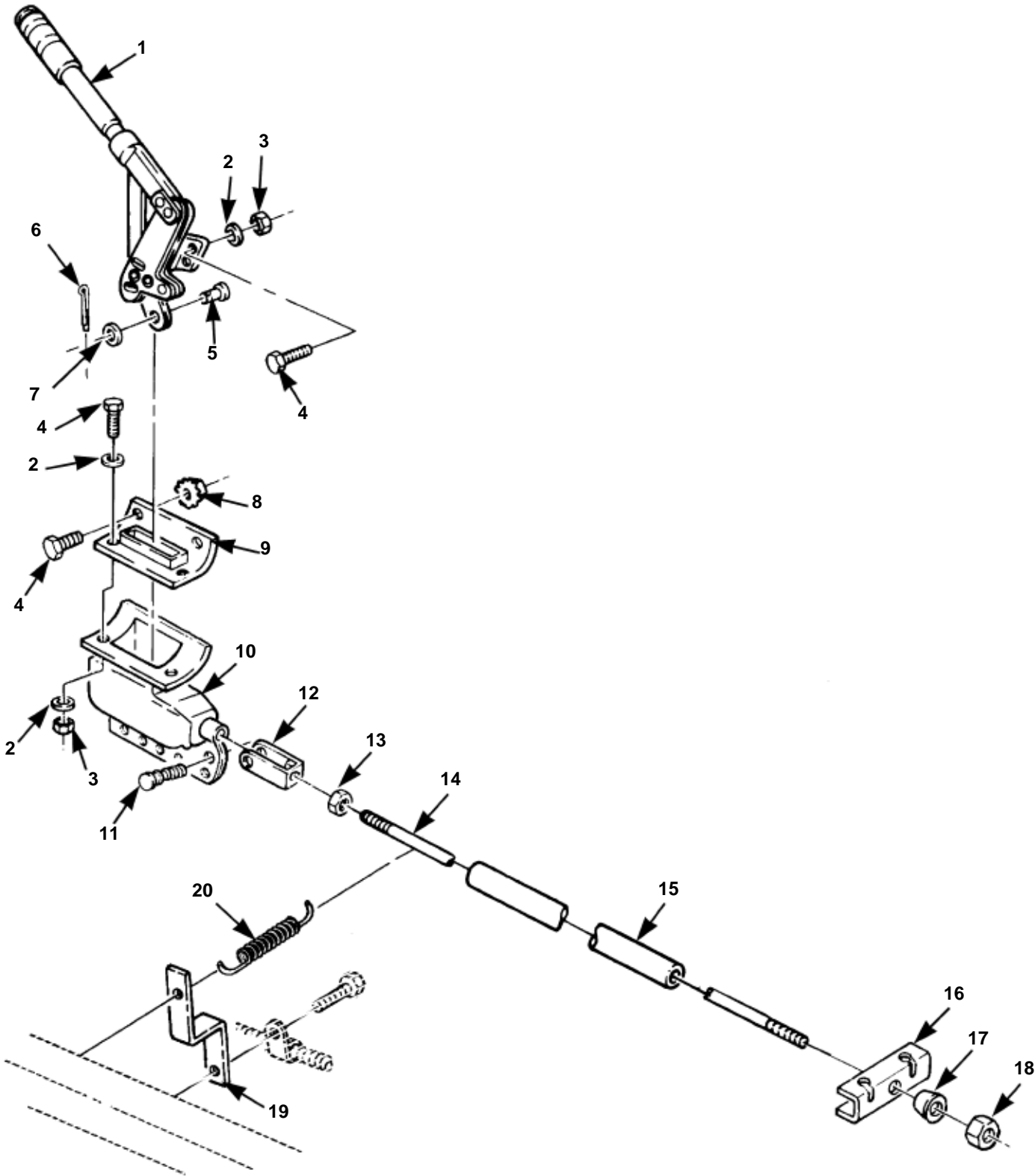
Item	Part No.	Description	Qty
NOTE 2:		CUT FROM SLIT CONVOLUTED CONDUIT, P/N 6007306, 7/8" O.D. X 3/4" I.D. X 20" LONG.	
NOTE 3:		CUT FROM NON-SLIT CONVOLUTED CONDUIT, P/N 6007446, 7/8" O.D. X 3/4" I.D. X 38" LONG.	
NOTE 4:		CUT FROM ITEM #3 6017612 TUBING, 1/8" O.D. X 36", (REAR), RED	



Central Tire Inflation System Routing

Central Tire Inflation System Routing.

Item	Part No.	Description	Qty
1	6005738	HOSE ASSEMBLY, rear cross strap asm to R.H. side	1
2	MS21333-121	CLAMP, cushioned, .3/8" DIA	4
3	N/S	SCREW, self tapping, 3/8 -16 x 5/8"	5
4	5594462	BRACKET, tube support	4
5	N/S	SCREW, HX HD - 5/16 - 18 x 1" DIA	4
6	12339998-12	PLUSNUT, 5/16 - 18"	4
7	MS21333-125	CLAMP, cushioned, 5/8"	1
8	5936232	BRACKET, standoff	1
9	6007672	HOSE CONDUIT, 19"	2
10	MS21333-102	CLAMP, cushioned, 1/2"	1
11	N/S	SCREW, HX HD 1/4 - 20 x 1"	2
12	N/S	WASHER, flat, .281" DIA	1
13	N/S	NUT 1/4"	1
14	127951	PLUG, HX HD 1/4", NPT	1
15	11669082	CROSS & STRAP ASSEMBLY	1
16	N/S	SCREW, HX HD 3/8 -16 x 1 1/4"	2
17	6005739	HOSE ASSEMBLY, rear cross strap asm to L.H. side	2
18	12446871-2	NUT INSERT	2
19	6007461	BRACKET, CTIS	1
20	6005737	HOSE ASSEMBLY, valve to rear tee	1
21	N/S	SCREW, tapping, #10 - 32 x 1/2"	5
22	MS21333-77	CLAMP, cushioned, 1"	2
23	6010106	BRACKET, support wire close out	4
24	6010104	CONDUIT, wiring, 48"	1
25	N/S	SCREW, 1/4 - 14 x 1/2" HWH T/S "AB"	4
26	12340665	CLAMP, strap assembly	1
27	S.I.A.	-CROSSBAR, clamp	1
28	MS21333-78	CLAMP, cushioned, 1 1/4"	2
29	N/S	SCREW	2
30	N/S	BRACKET, accelerator	1
31	MS21333-68	CLAMP, cushioned, .312" DIA	1
32	454097	ELBOW, 45 degrees	2
33	6012354	HOSE ASSEMBLY, manifold to front R.H.	1
34	6012356	HOSE CONDUIT, 60"	1
35	4-4-4-040424	TEE, 1/4", NPT	1
36	6008377	STREET ELBOW, 1/4", FPT	1
37	6012353	HOSE ASSEMBLY, manifold to front L.H.	1

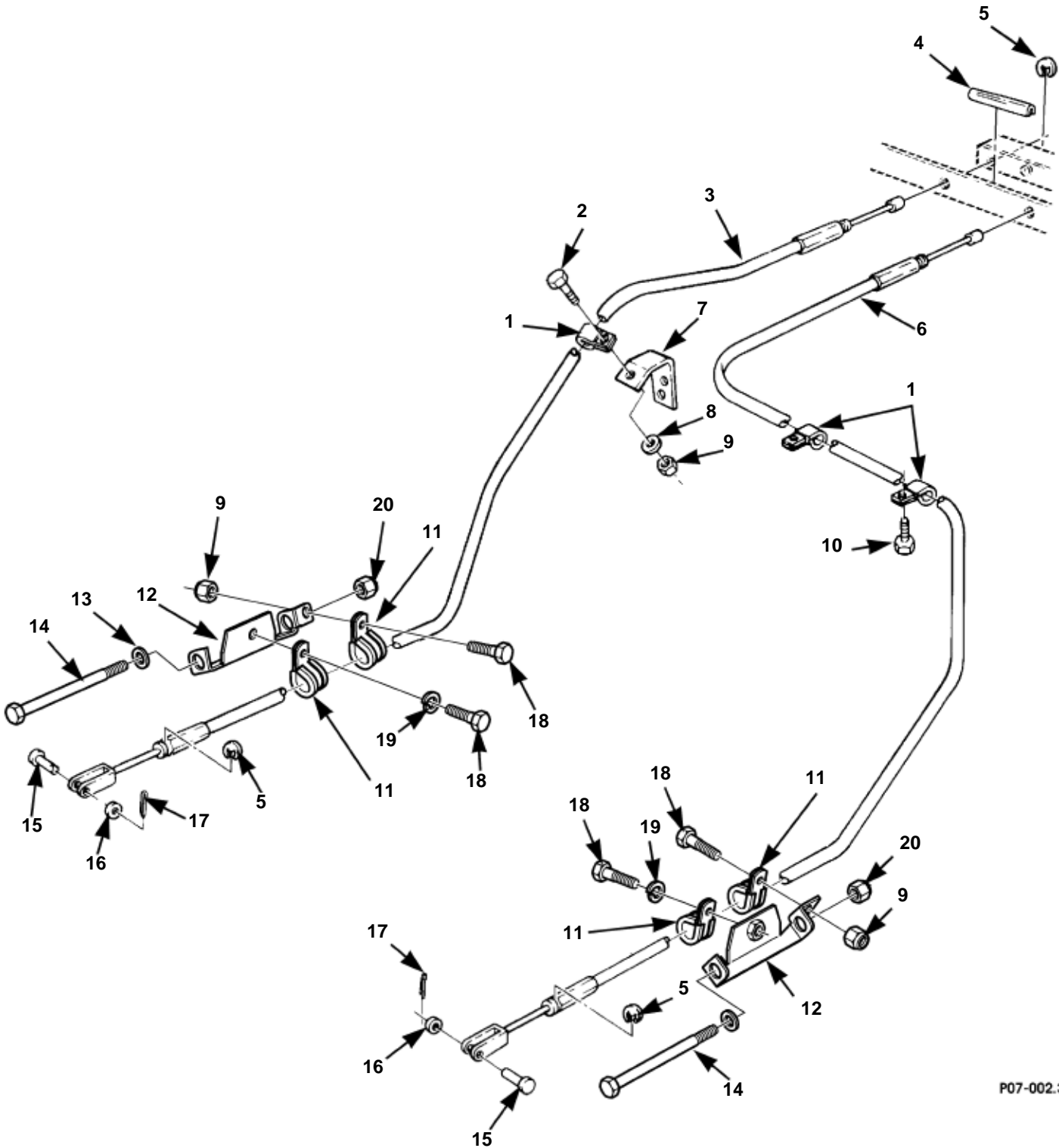


Parking Brake Hand Lever and Rod

04-P07-002

Parking Brake Hand Lever and Rod.

Item	Part No.	Description	Qty
1	WA12339218	LEVER, parking brake	1
2	N/S	WASHER, flat, 1/4", parking brake lever	7
3	N/S	LOCKNUT, 1/4 - 20", parking brake lever	5
4	N/S	BOLT, 1/4 - 20 x 1", parking brake	6
5	138084	PIN, clevis, parking brake cable	1
6	N/S	COTTER PIN, clevis pin	1
7	N/S	WASHER, flat, 3/8", clevis pin	1
8	N/S	LOCKNUT, 1/4 - 20", dust boot	2
9	12338295	BOOT, dust, upper parking brake	1
10	5939484	BOOT, dust, lower parking brake	1
11	5939457	CLIP, parking brake lower dust boot	6
12	12338285	CLEVIS, rod end, front parking brake	1
13	N/S	NUT, 5/16 - 24", clevis rod	1
14	12341895	CLEVIS ROD, parking brake	1
15	12469312	SLEEVE, parking brake rod	1
16	EC12341902B1	BAR, brake cable equalizer	1
17	12341897	WASHER, parking brake clevis rod, conical	1
18	N/S	LOCKNUT, 5/16 - 24", parking brake clevis rod	1
19	6002426B2	BRACKET, spring, retaining	1
20	12338866	SPRING, extension	1

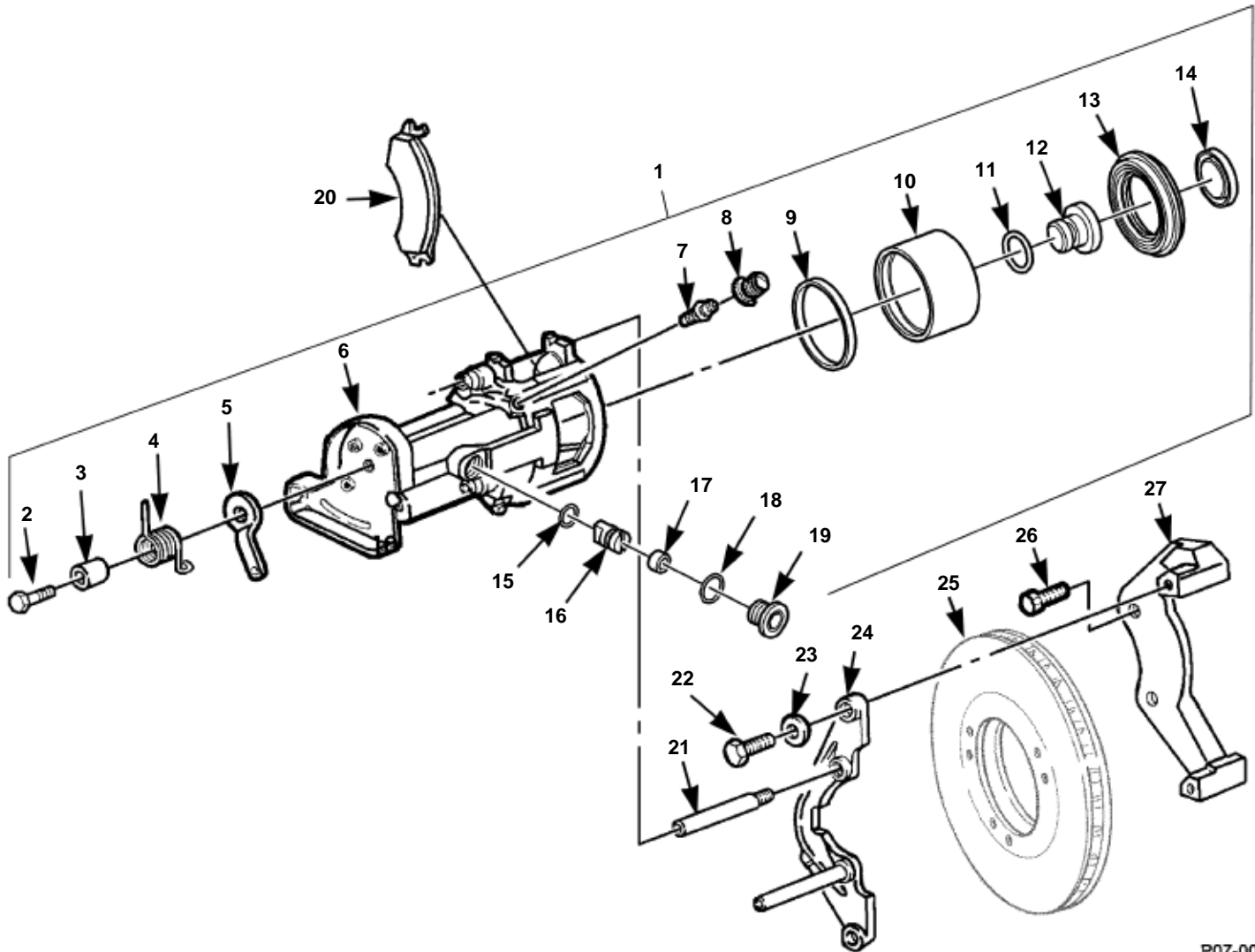


P07-002.3

Parking Brake Cables and Mounting Hardware

Parking Brake Cables and Mounting Hardware.

Item	Part No.	Description	Qty
1	N/S	CLAMP, parking brake cable, harness, rear	3
2	N/S	BOLT, 1/4 - 20 x 3/4", parking brake cable clamp	1
3	12341898-1	CABLE, parking brake, L.H.	1
4	12339902-11	PROTECTOR, edge, 2"	1
5	MS16633-1050	RETAINING RING, parking brake cable, clip extension	4
6	12341898-3	CABLE, parking brake, R.H.	1
7	12341906	BRACKET, parking brake cable	1
8	N/S	WASHER, flat, 1/4", parking brake cable bracket	1
9	N/S	NUT, 1/4 - 20", parking brake cable bracket	1
10	N/S	SCREW, tapping, #10 - 32 x 3/8"	2
11	N/S	CLAMP, parking brake cables, harness	4
12	12342965	BRACKET, parking brake cable, R.H.	1
	12342966	BRACKET, parking brake cable, L.H.	1
13	N/S	WASHER, flat, 1/4", parking brake cable brackets	6
14	AH025C450N	BOLT, 1/4 - 20 x 4 1/2", parking brake cable brackets	2
15	138084	PIN, clevis, parking brake cable	2
16	N/S	WASHER, flat, 3/8", parking brake cables	2
17	N/S	COTTER PIN, parking brake cables	2
18	N/S	BOLT, 1/4 - 20 x 5/8", parking brake cable clamps	4
19	N/S	LOCKWASHER, 1/4", parking brake cable clamps	2
20	N/S	LOCKNUT, 1/4 - 20", parking brake cable brackets	4



P07-003

Rear Service and Parking Brake Caliper Assembly and Rotor

Rear Service and Parking Brake Caliper Assembly and Rotor.

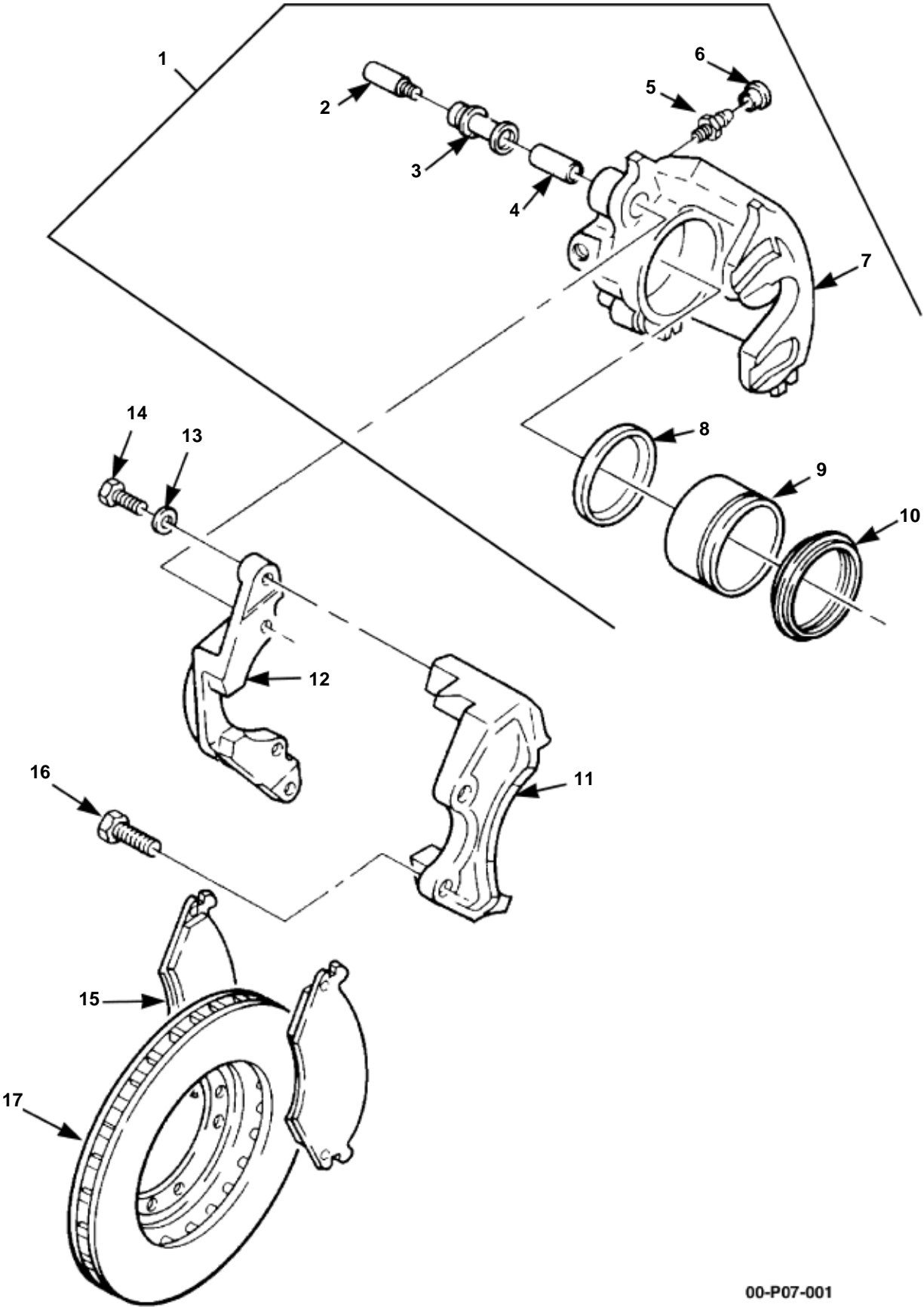
Item	Part No.	Description	Qty
1	12342342	BRAKE CALIPER, R.H., rear	1
	5745455	BRAKE CALIPER, R.H.,rear (12" brakes only)	1
	12342341	BRAKE CALIPER, L.H., rear	1
	5745456	BRAKE CALIPER, L.H. ,rear (12" brakes only)	1
	5745290	BRAKE CALIPER, L.H., rear, reman, SEE NOTE 4	1
	5745291	BRAKE CALIPER, R.H., rear, reman, SEE NOTE 4	1
2	5741889	.CAPSCREW	1
3	5741890	.CUP, spring	1
4	5741995	.SPRING, parking brake, L.H.	1
	5741994	.SPRING, parking brake, R.H.	1
5	5741750	.ARM, lever, L.H.	1
	5741748	.ARM, lever, R.H.	1
6	S.I.A.	.HOUSING, rear brake caliper	1
7	5578802	.BLEEDER VALVE, caliper	1
8	5597172	.CAP, bleeder valve	1
9	5578797	.SEAL, piston, SEE NOTE 1	1
10	5744404	.PISTON	1
11	S.I.K.	.O-RING, thrust screw, SEE NOTE 2	1
12	S.I.A.	.CONICAL CLUTCH	1
13	5578800	.DUST BOOT, caliper, piston, SEE NOTE 1	1
14	S.I.K.	.DUST CAP, piston, SEE NOTE 2	1
15	S.I.K.	.O-RING, anti-rotation pin, SEE NOTE 2	1
16	S.I.A.	.GUIDE PIN	1
17	S.I.A.	.SPACER	1
18	S.I.K.	.O-RING, pin retaining plug, SEE NOTE 2	1
19	S.I.A.	.PLUG, allen head	1
20	5745162C	KIT, brake pads, service (10,300 LB GVW) SEE NOTE 3	1
	5745063	KIT, brake pads, service (12,100 LB GVW, w/12" vented rotors) SEE NOTE 3	1
	57K0264C	KIT, brake pads srvice (12,LB GVW, w/10.5" rotors) SEE NOTE 3	
21	12342339	PIN, caliper, locating	2
22	5584071	BOLT, hex head, Gr8	2
23	5584072	WASHER, flat	2
24	5573090	YOKE, disc brake	1
25	12338387	ROTOR, disc brake	2
	6002218	ROTOR, disc brake, (12" brakes only)	2
26	N/S	BOLT, 5/8 - 11 x 1 1/2", Gr8, adapter	4
27	5742123	ADAPTER	1
	6002229	ADAPTER, R.H. front, L.H. rear (12" brakes only)	1
	6002228	ADAPTER, L.H. front, R.H. rear (12" brakes only)	1

NOTE 1: PART OF SERVICE BRAKE CALIPER BOOT AND SEAL KIT P/N 5579865.ONE (1) KIT HAS ENOUGH COMPONENTS FOR TWO (2) BRAKE CALIPERS.

NOTE 2: PART OF REAR CALIPER RESEAL KIT P/N 5744405. RESEAL KIT INCLUDES ACTUATOR SHAFT O-RING (NOT ILLUSTRATED).

NOTE 3: KITS CONTAINS FOUR PADS TO SERVICE ONE AXLE.

NOTE 4: FOR PARTS UNDER WARRANTY USE THE REMANUFACTURED P/N 5745290, 5745291.



00-P07-001

Front Service Brake Caliper Assembly and Rotor

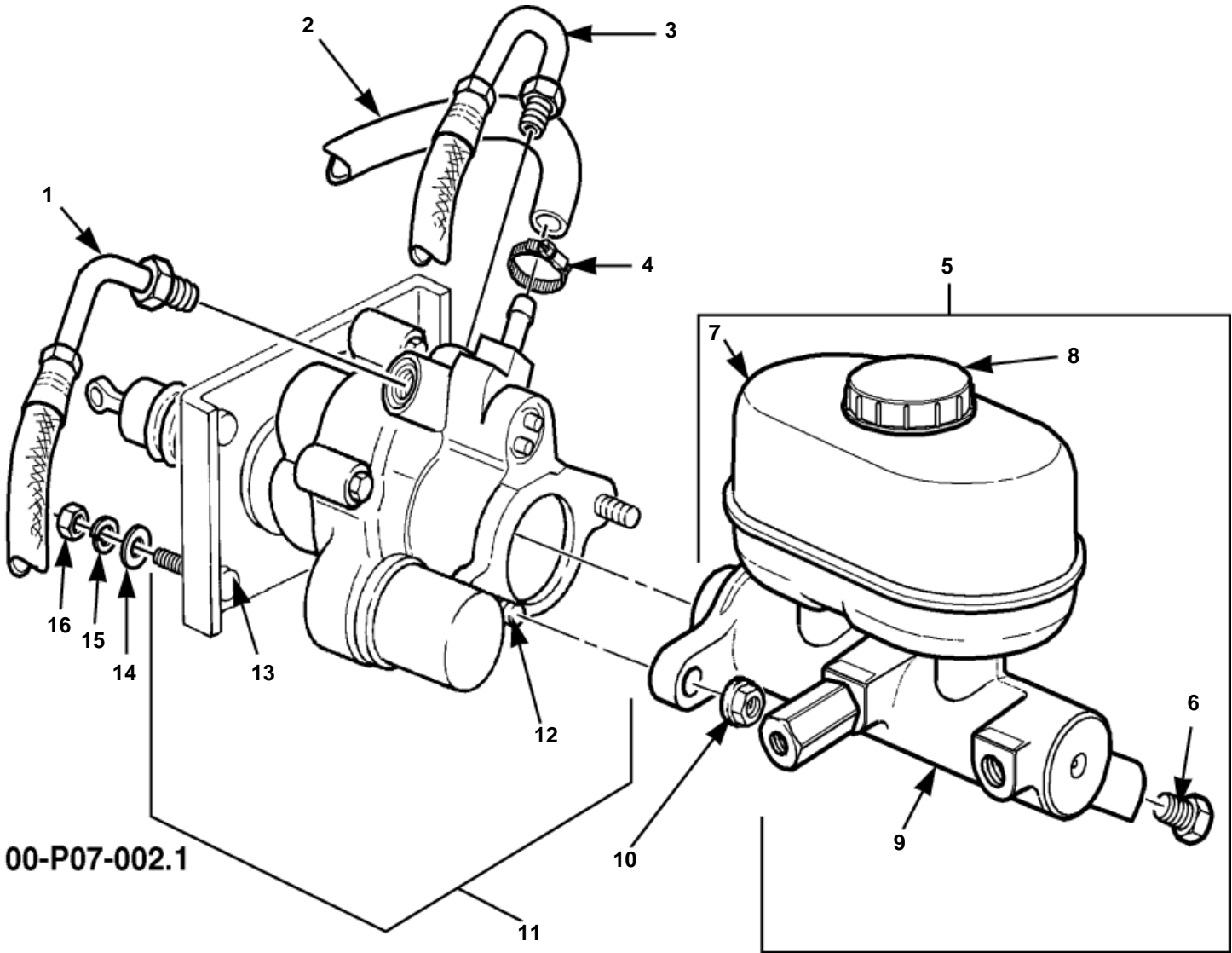
Front Service Brake Caliper Assembly and Rotor.

Item	Part No.	Description	Qty
1	5572426	BRAKE CALIPER, L.H. front	1
	5745454	BRAKE CALIPER, L.H. front (12" brakes only)	1
	5572430	BRAKE CALIPER, R.H. front	1
	5745452	BRAKE CALIPER, R.H. front (12" brakes only)	1
	5745289	BRAKE CALIPER, L.H. front, reman, SEE NOTE 3	1
	5745288	BRAKE CALIPER, R.H. front, reman, SEE NOTE 3	1
2	12342339	·PIN, caliper, locating	2
3	5578806	·BUSHING, caliper	2
4	5578794	·SLEEVE, caliper	2
5	5578802	·BLEEDER VALVE, caliper	1
6	5597172	·CAP, bleeder valve	1
7	S.I.K.	·HOUSING, front brake caliper	1
8	5578797	·SEAL, piston, SEE NOTE 1	1
9	5578803	·PISTON, caliper	1
10	5578800	·DUST BOOT, caliper, piston, SEE NOTE 1	1
11	5578809	ADAPTER, L.H. front	1
	5742123	ADAPTER, R.H. front	1
	6002229	ADAPTER, R.H. front, L.H. rear (12" brakes only)	1
	6002228	ADAPTER, L.H. front, R.H. rear (12" brakes only)	1
12	5573090	YOKE, disc brake	1
13	5584072	WASHER, flat, yoke to adapter	2
14	5584071	BOLT, hex head, Gr8, yoke to adapter	4
15	5745162C	KIT, brake pads, service (10,300 LB GVW) SEE NOTE 2	1
	5745063	KIT, brake pads, service (12,100 LB GVW, w/12" vented rotors) SEE NOTE 2	1
	57K0264C	KIT, brake pads service (12,100 LB GVW, w/10.5" rotor) SEE NOTE 2	
16	N/S	BOLT, 5/8 - 11 x 1 1/2", Gr8	4
17	12338387	ROTOR, disc brake	2
	6002218	ROTOR, disc brake (12" brakes only)	2

NOTE 1: PART OF SERVICE BRAKE CALIPER BOOT AND SEAL KIT P/N 5579865. ONE (1) KIT HAS ENOUGH COMPONENTS FOR TWO (2) BRAKE CALIPERS.

NOTE 2: KITS CONTAINS FOUR PADS TO SERVICE ONE AXLE.

NOTE 3: FOR PARTS UNDER WARRANTY USE THE REMANUFACTURED P/N 5745288, 5745289.



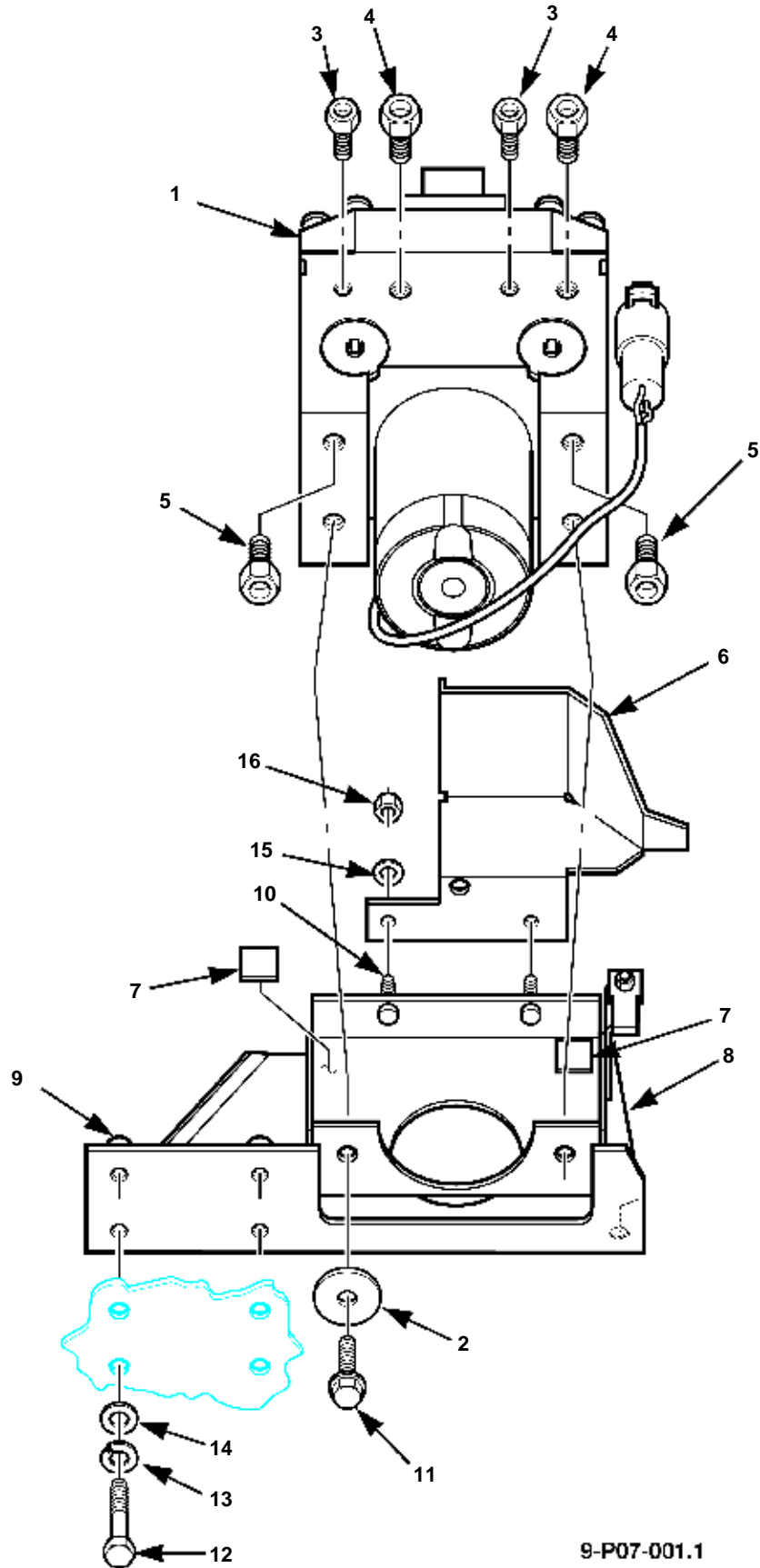
00-P07-002.1

Master Cylinder Assembly and Hydro-Boost Assembly

Master Cylinder Assembly and Hydro-Boost Assembly.

Item	Part No.	Description	Qty
1	6009990	HOSE ASSEMBLY, p/s pump-to-hydro-boost	1
2	N/S	HOSE, hydro-boost-to-p/s pump, SEE NOTE 1	1
3	6009989	HOSE ASSEMBLY, hydro-boost-to-steering gear	1
4	N/S	HOSE CLAMP, 5/8"	1
5	6012056	MASTER CYLINDER ASSEMBLY	1
6	6011955	·PLUG, master cylinder	1
7	S.I.A.	·RESERVOIR, master cylinder	1
8	S.I.A.	· COVER, master cylinder	1
9	S.I.A.	·MASTER CYLINDER	1
10	N/S	LOCKNUT, flanged, pt, 3/8 - 16"	2
11	6010096	HYDRO-BOOST ASSEMBLY	1
12	S.I.A.	·STUD, 3/8 - 16 x 1 1/2", hydro-boost-to-cowl	4
13	5745116	·STUD, 3/8 - 16 x 1 9/16", hydro-boost-to-m/c	2
14	ELMS27183-13	WASHER, flat	4
15	MS35338-46	LOCKWASHER	4
16	MS51943-35	NUT	4
	6010409	DECAL, master cylinder, GCC (not illustrated)	1

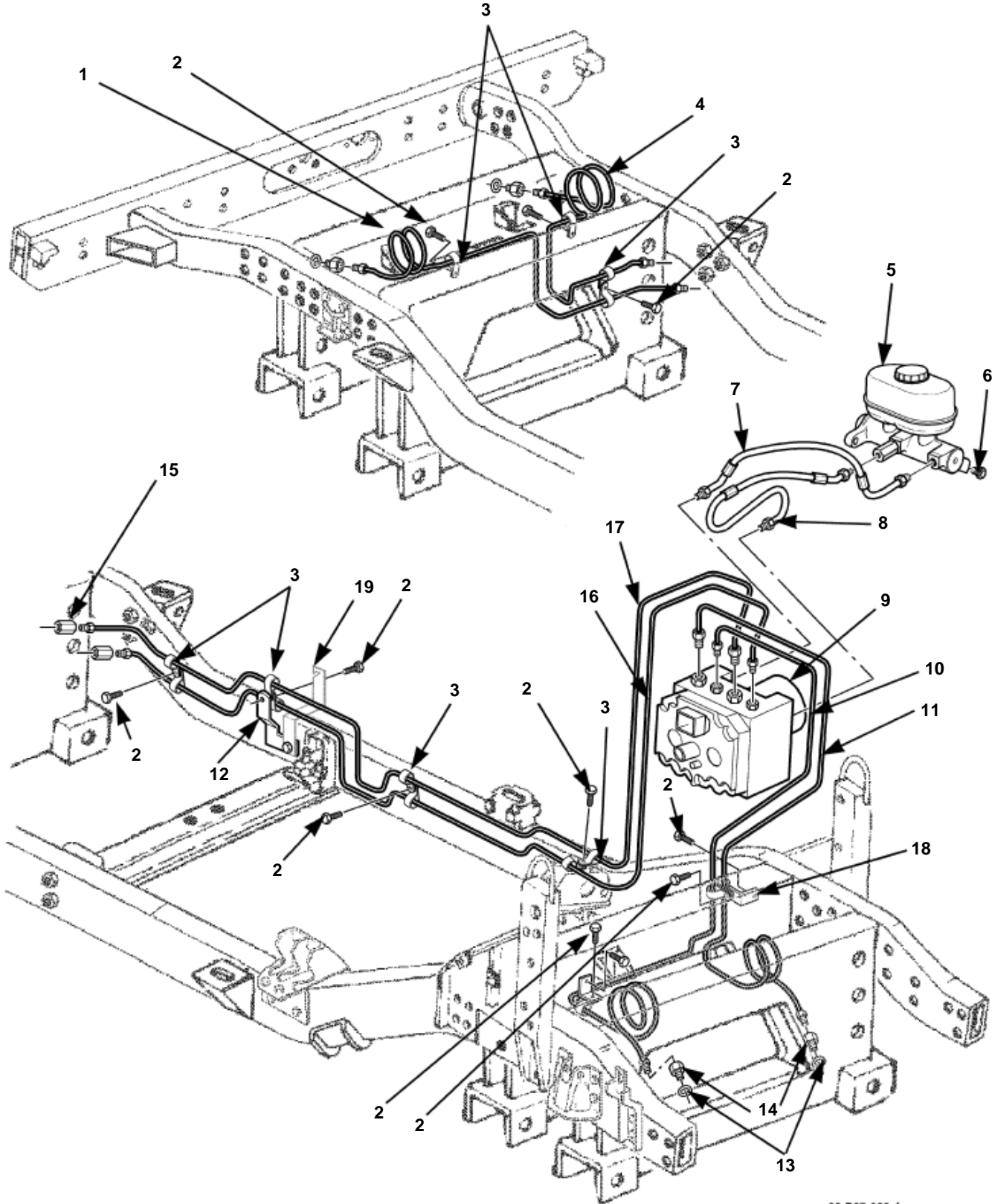
NOTE 1: MAKE FROM BULK HOSE, P/N 5741209, 5/8"
O.D. X 3/8" I.D. X 25'.



ABS Modulator

ABS Modulator.

Item	Part No.	Description	Qty
1	6010138	ABS MODULATOR ASSEMBLY, (wet)	1
2	S.I.A.	-WASHER, flat, 25mm O.D. x 6mm I.D.	2
3	6010824	ADAPTER, modulator to R.H. side	2
4	6010825	ADAPTER, modulator to L.H. side	2
5	6010823	ADAPTER, master cylinder to modulator	2
6	6008984	SHIELD, ABS modulator	1
7	6011036	SPACER, modulator mounting	2
8	6008985	BRACKET ASSEMBLY, ABS modulator	1
9	S.I.A.	-NUT INSERT, 3/8 - 16"	4
10	S.I.A.	-STUD, 1/4 - 20 x 1"	4
11	N/S	BOLT, M5 - 0.8 x 13	2
12	N/S	BOLT, 3/8 - 16 x 1 1/4"	4
13	N/S	LOCKWASHER, 3/8"	4
14	N/S	WASHER, flat, 3/8"	4
15	N/S	WASHER, flat, 1/4"	2
16	N/S	LOCKNUT, pt, 1/4 - 20"	2

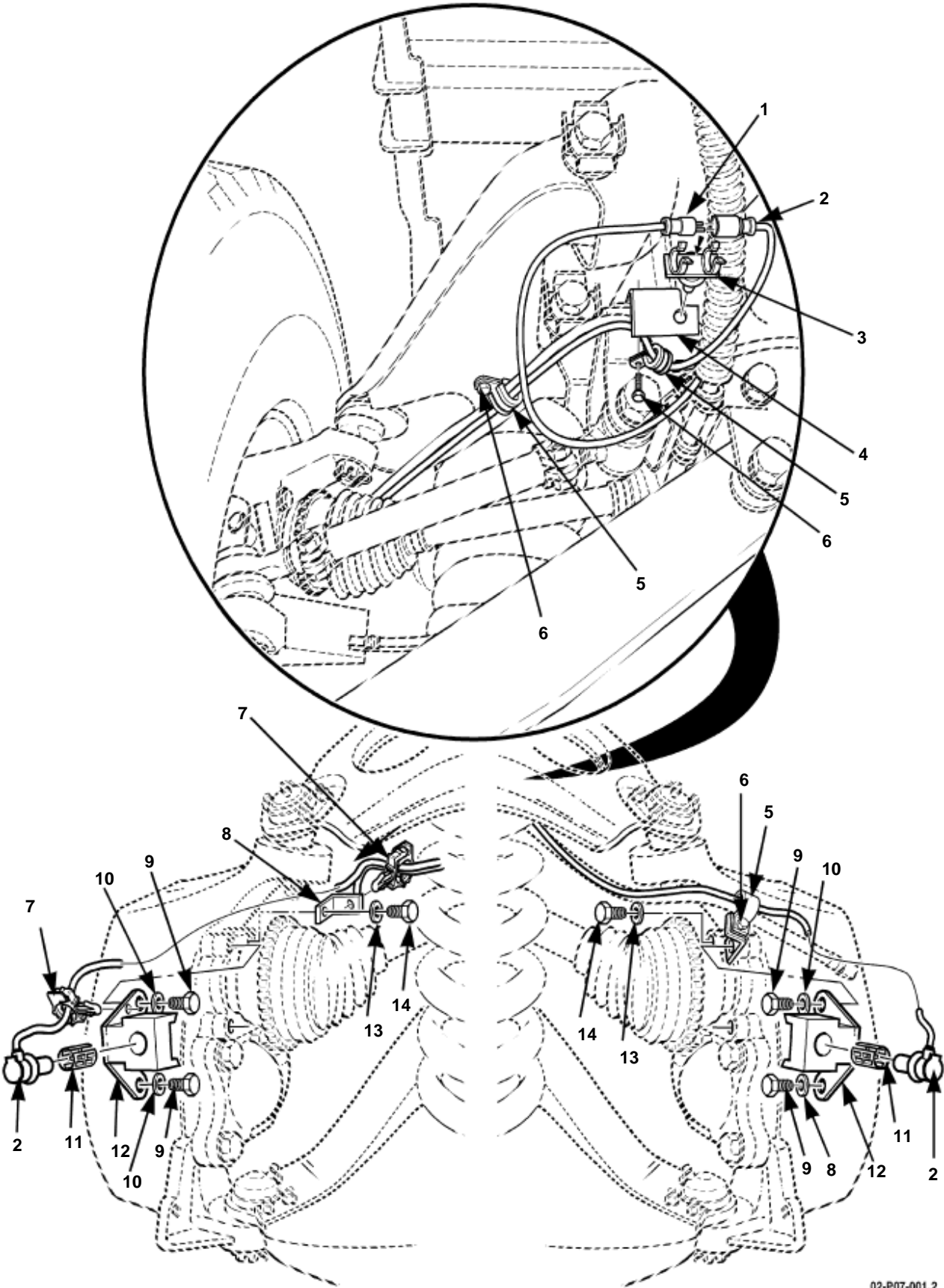


00-P07-003.1

Brake Lines

Brake Lines.

Item	Part No.	Description	Qty
1	6008928	BRAKE LINE, R.H. union-to-R.H. rear caliper, red	1
2	N/S	SCREW, tapping, 3/8 - 16 x 5/8"	11
3	N/S	P-CLAMP, 5/16" I.D.	15
4	6008926	BRAKE LINE, L.H. union-to-L.H. rear caliper, orange	1
5	6012056	MASTER CYLINDER ASSEMBLY	1
6	6011955	-PLUG, master cylinder	1
7	6011258	TUBE AND HOSE ASSEMBLY, primary, m/c-to-modulator	1
8	6011257	TUBE AND HOSE ASSEMBLY, secondary, m/c-to-modulator	1
9	6010138	ABS MODULATOR ASSEMBLY, (wet)	1
10	6008918	BRAKE LINE, modulator-to-L.H. front caliper, yellow	1
11	6008920	BRAKE LINE, modulator-to-R.H. front caliper, green	1
12	12447165	BRACKET, brake line mounting	1
13	12339204	WASHER, brake caliper	4
14	12339235	COUPLING, brake caliper	4
15	442393	UNION, brake line	2
16	6008924	BRAKE LINE, intermediate, modulator-to-R.H. union, red	1
17	6008922	BRAKE LINE, intermediate, modulator-to-L.H. union, orange	1
18	12338301	BRACKET, brake line	2
19	6002426B2	BRACKET, spring, retaining	1

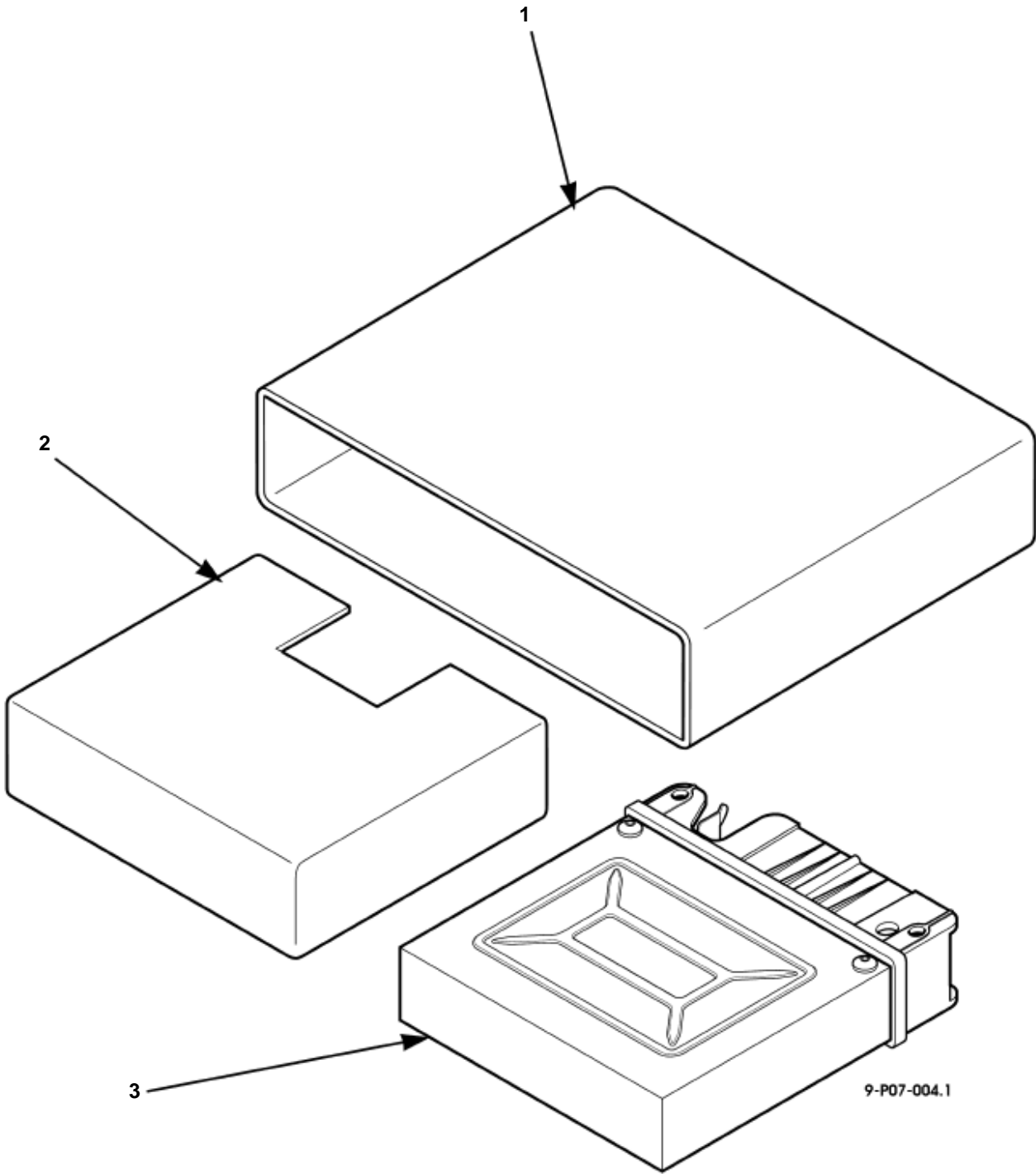


02-P07-001.2

ABS Wheel Speed Sensor

ABS Wheel Speed Sensor.

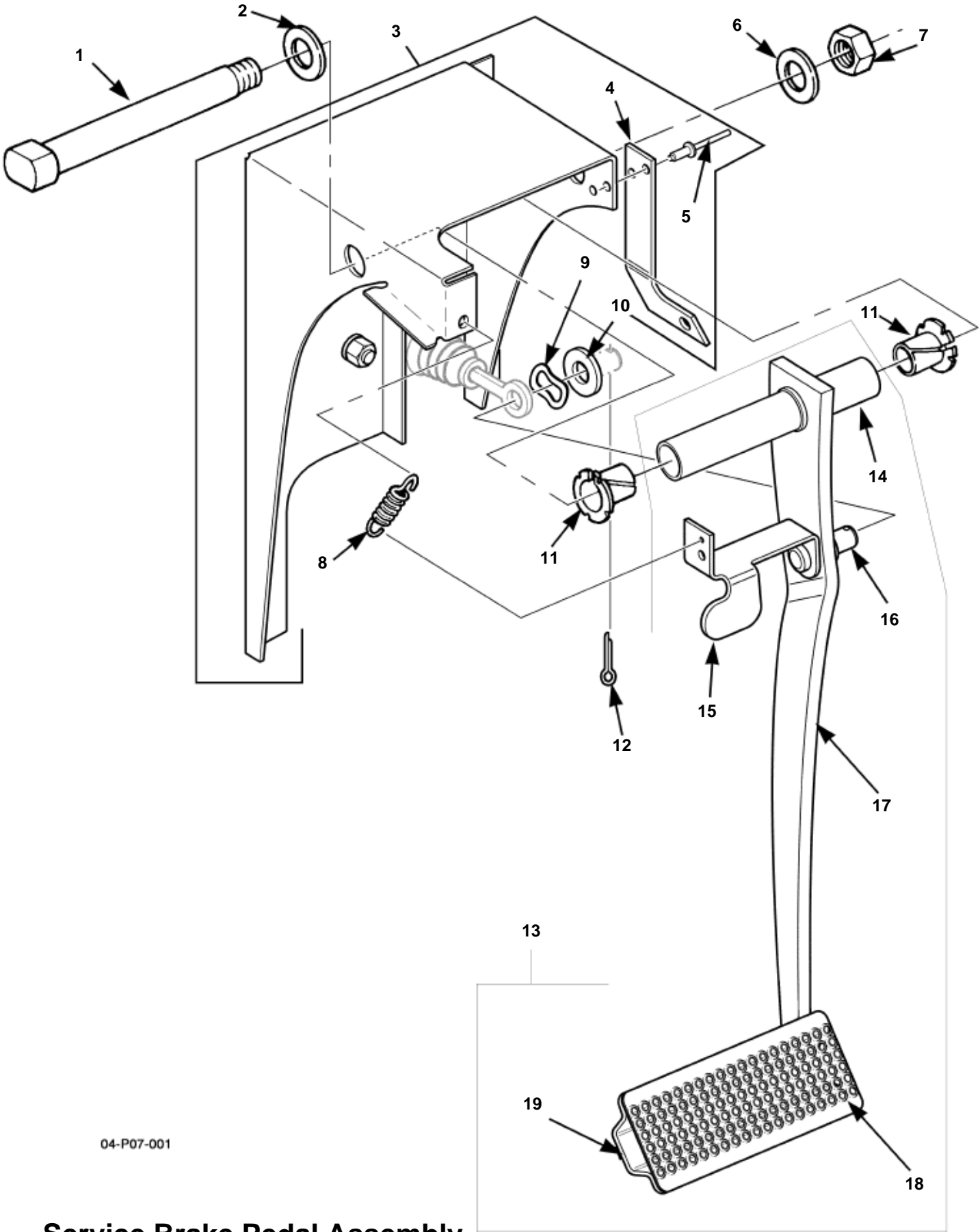
Item	Part No.	Description	Qty
1	6010137	JUMPER HARNESS ASSEMBLY, right front wheel sensor	1
2	6008841	ABS WHEEL SPEED SENSOR	4
3	6010259	CLIP, speed sensor connection mount	4
4	6010677	BRACKET, speed sensor connection clip, rear only	2
5	MS21333-125	CLAMP, cushioned, 5/8"	6
6	N/S	SCREW, tapping, 3/8 - 16 x 5/8"	6
7	6013757	CLIP, conduit	2
8	5598208	BRACKET, 90-degree	4
9	N/S	SCREW, 3/8 - 16 x 1"	8
10	N/S	WASHER, flat, 3/8"	8
11	6008840	BUSHING, ABS wheel speed sensor mounting	4
12	6012521	HOUSING ASSEMBLY, ABS wheel speed sensor mounting	4
13	N/S	WASHER, flat, 3/8"	4
14	N/S	SCREW, 3/8 - 16 x 1"	4
	6012587	BRACKET, vent tube and sensor wire shield L.H. (not illustrated)	2



ABS Electronic Control Unit (ECU)

ABS Electronic Control Unit (ECU).

Item	Part No.	Description	Qty
1	6010398	HOUSING, ECU, upper	1
2	6010399	HOUSING, ECU, lower	1
3	6013557	ELECTRONIC CONTROL UNIT (ECU), ABS	1

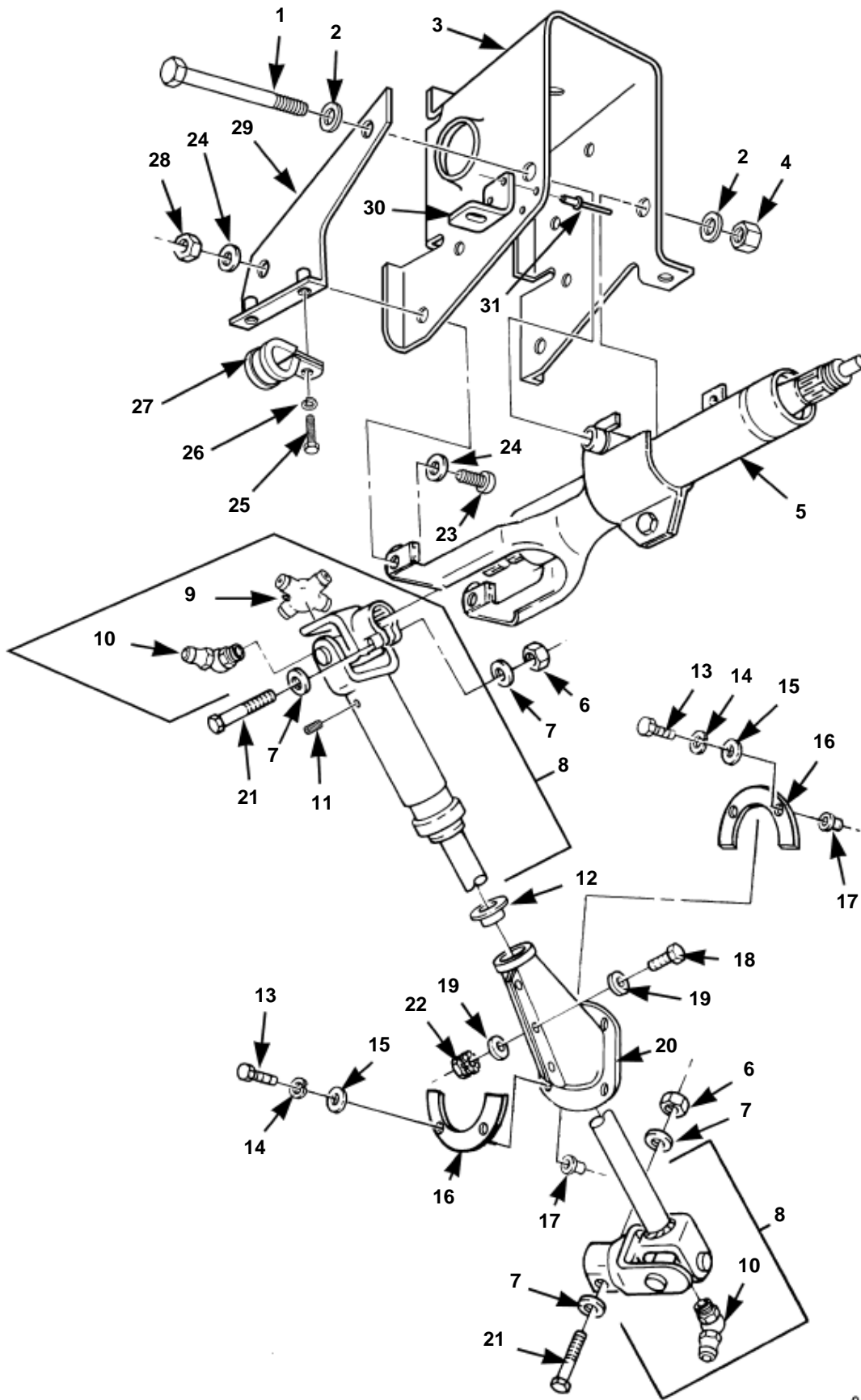


04-P07-001

Service Brake Pedal Assembly

HUMMER H1 2004 Parts Catalog
Service Brake Pedal Assembly.

Item	Part No.	Description	Qty
1	EC12339114	PIN, brake pedal	1
2	N/S	WASHER, flat, hardened, 3/4", type B, pin	1
3	6017666P	BRACKET, brake pedal mounting	1
4	6017665P	·BRACKET, cable guide	1
5	12339355-1	·RIVET	1
6	N/S	WASHER, flat, hardened, 9/16", type B, pin	1
7	N/S	LOCKNUT, 9/16 - 12", Gr8, CAD, pin	1
8	12339183	SPRING, brake pedal return	1
9	EC12338124	WASHER, wave, 1/2", brake pedal to Hydro-Boost	1
10	N/S	WASHER, flat, 1/2", class 3, CAD, brake pedal to Hydro-Boost	1
11	12339112-2	BEARING, flanged pin	2
12	N/S	COTTER PIN, 3/32 x 1". Phos, brake pedal to Hydro-Boost	1
13	6016919	BRAKE PEDAL	1
14	S.I.A.	·TUBE, brake pedal	1
15	S.I.A.	·LEVER, brake light switch	1
16	S.I.A.	·STUD, brake pedal	1
17	S.I.A.	·BRAKE PEDAL ARM	1
18	S.I.A.	·BRAKE PAD	1
19	S.I.A.	·BRACKET, brake pad	1

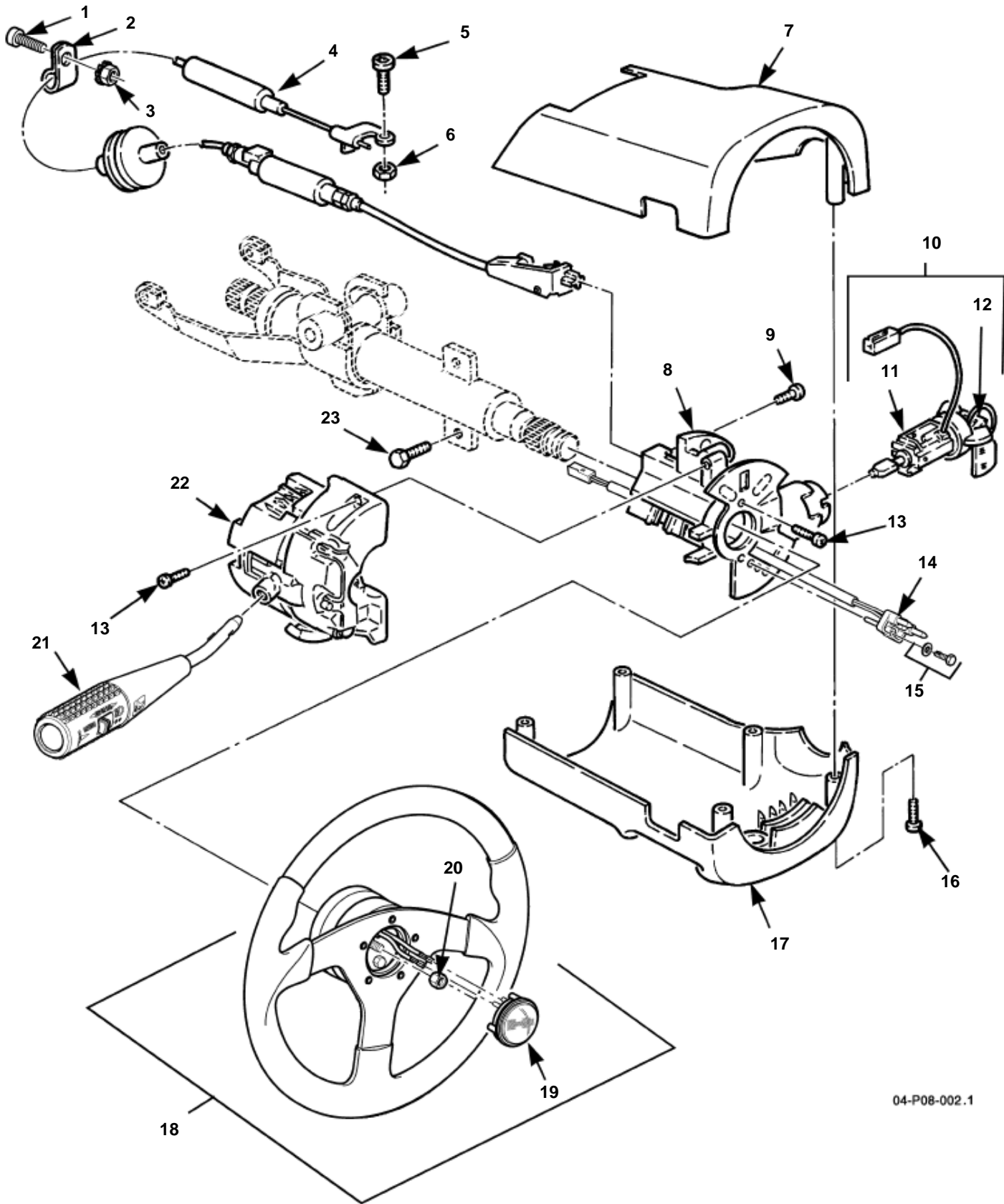


04-P08-004

Steering Column and Intermediate Shaft

Steering Column and Intermediate Shaft.

Item	Part No.	Description	Qty
1	N/S	BOLT, 3/8 - 16 x 5 1/2", Gr8, ZN, steering column	1
2	N/S	WASHER, flat, 3/8" type B, hard, steering column	2
3	5939226P	BRACKET, steering column mounting	1
4	N/S	LOCKNUT, 3/8 - 16", Gr8, steering column	1
5	5939076	STEERING COLUMN, upper	1
6	N/S	NUT, 7/16 - 20", Gr8, steering column	2
7	N/S	WASHER, flat, 7/16", steering column	4
8	12339210-2	SHAFT, intermediate steering	1
9	5744602	·U-JOINT, intermediate shaft	2
10	MS15003-4	·LUBRICATION FITTING, intermediate shaft	2
11	N/S	SET SCREW, 1/4 - 28 x 1/4"	1
12	12341894	NYLINER, interior steering shaft boot	1
13	N/S	BOLT, 1/4 - 20 x 1", Gr8, CAD, intermediate steering shaft	4
14	N/S	LOCKWASHER, 1/4", reinforcement	4
15	N/S	WASHER, flat, 1/4", intermediate steering shaft	3
16	5939997B1	REINFORCEMENT, steering column seal	2
17	12446871-2	NUT INSERT	4
18	N/S	SCREW, #10 - 24 x 3/4", steering shaft boot	3
19	N/S	WASHER, flat, #10, steering shaft boot	6
20	12341893	BOOT, dust and moisture, steering shaft	1
21	N/S	BOLT, 7/16 - 20 x 2", Gr8, CAD, steering column	2
22	N/S	NUT, #10 - 24", steering shaft boot	3
23	EC12447027	SCREW, steering column assembly	2
24	N/S	WASHER, flat, hard, 5/16"	4
25	N/S	SCREW, #10 - 24 x 5/8"	1
26	N/S	LOCKWASHER, #10	1
27	MS21333-82	P-CLAMP, cushioned	1
28	N/S	LOCKNUT, 5/16 - 18", Gr8	2
29	6007699	BRACKET, cross body harness	1
30	6016544	BRACKET, instrument panel support	1
31	12339355-1	RIVET	2

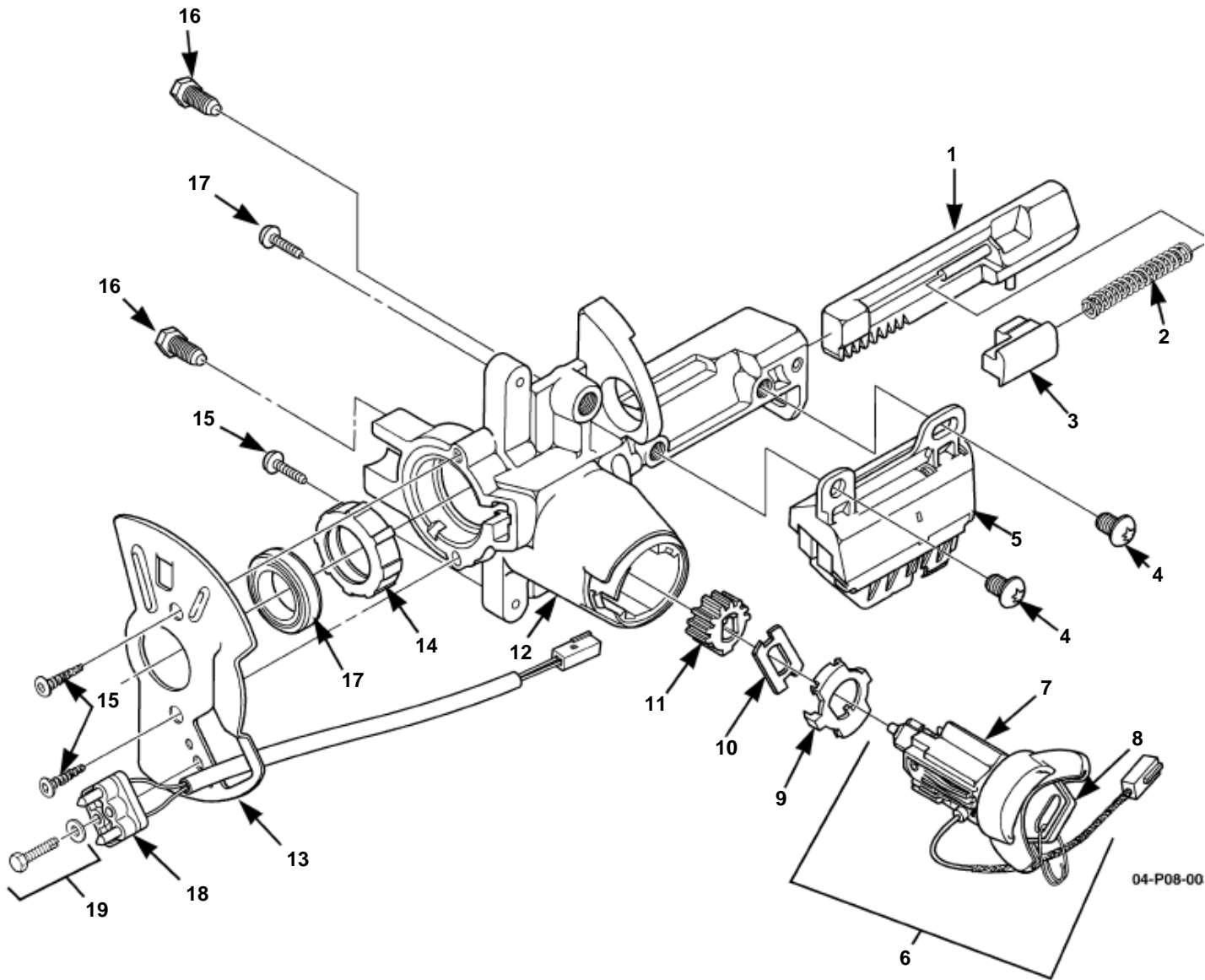


04-P08-002.1

Steering Column Trim and Turn Signal

Steering Column Trim and Turn Signal.

Item	Part No.	Description	Qty
1	N/S	SCREW, #10 - 24 x 3/4"	1
2	N/S	CLAMP, cushioned, 5/16"	1
3	N/S	NUT, keps, #10 - 24	1
4	6007700	CABLE, ignition interlock	1
5	N/S	SCREW, socket head cap, M6 - 1.0 x 16, class 10.9, ZN	1
6	N/S	LOCKNUT, M6 - 1.0, class 10.9	1
7	5939636	SHROUD, upper steering column	1
8	5742768	HOUSING, lock and switch (See Figure 8-3)	1
9	N/S	SCREW, #8 - 32 x 1/2"	1
10	6012701	LOCK CYLINDER KIT	1
11	S.I.K.	·LOCK CYLINDER	1
12	6013577	·KEY, H1 HUMMER, blank	1
13	5742680	SCREW, steering column	4
14	6016500	HORN BRUSH CONTACT	1
15	6017428	SCREW AND WASHER ASSEMBLY	1
16	N/S	SCREW, tapping, phcr, #8 - 18 x 1 1/4", steering column shroud	5
17	5939635	SHROUD, lower steering column	1
18	6016377	STEERING WHEEL, black leather w/brown accents	1
	6017131	STEERING WHEEL, K-series, black/black	1
19	6017256	·HORN BUTTON ASSEMBLY, H-series	1
	6017257	·HORN BUTTON ASSEMBLY, K-series	1
20	7063812	NUT, steering wheel-to-column	1
21	6016499	TURN SIGNAL LEVER, cruise control	1
22	5745484	SWITCH ASSEMBLY, turn, emergency, and dimmer	1
23	5742769	BOLT, steering column	2



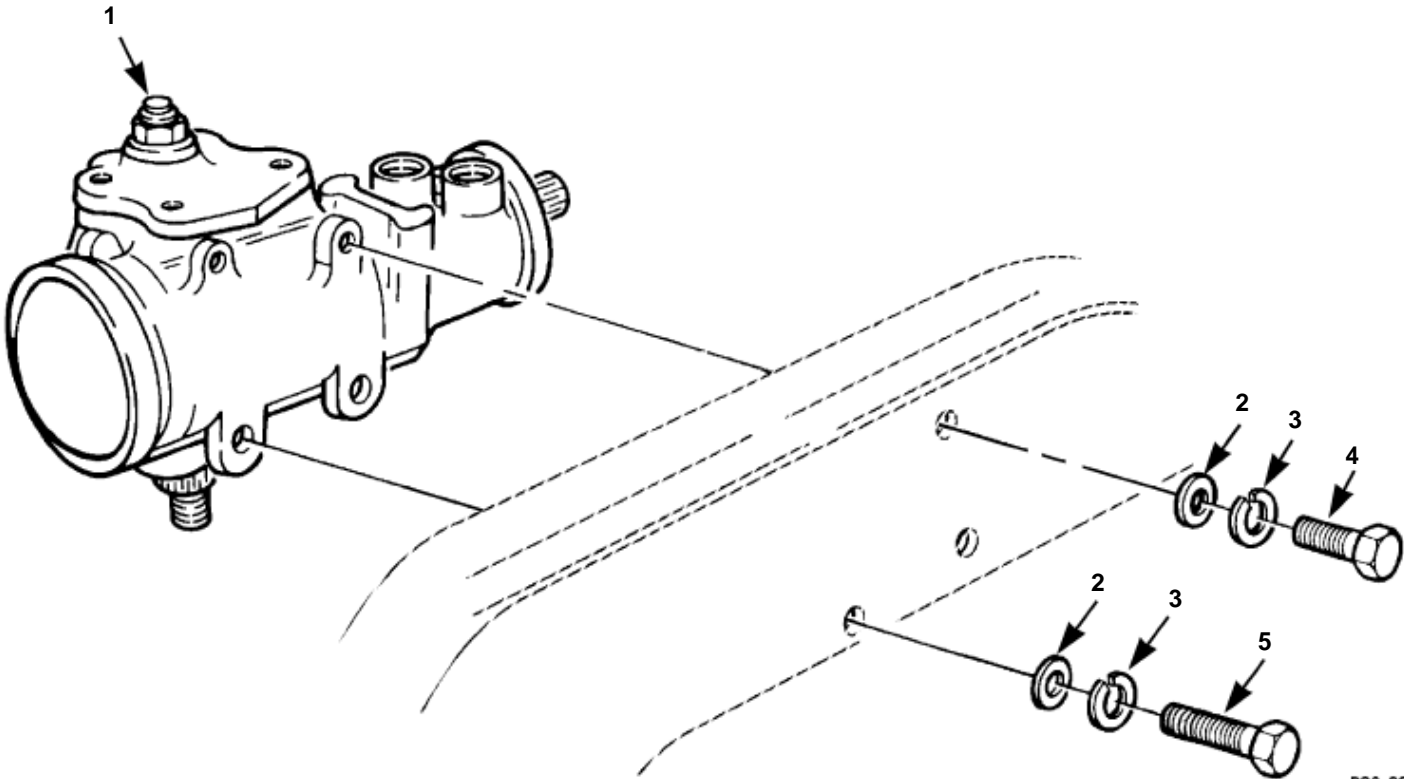
Steering Column Lock and Switch Housing Assembly

Steering Column Lock and Switch Housing Assembly.

Item	Part No.	Description	Qty
1	5743340	ACTUATOR, column lock	1
2	5743337	SPRING, steering column lock	1
3	5743336	PAWL, steering column lock	1
4	6001727	SCREW, soc. hd cap	2
5	5743343	SWITCH ASSEMBLY, ignition	1
6	6012701	LOCK CYLINDER KIT	1
7	S.I.K.	-LOCK CYLINDER	1
8	6013577	-KEY, H1 HUMMER, blank	1
9	5743341	RETAINER, column lock gear	1
10	5743338	FLAT BEARING, column lock	1
11	5743339	GEAR, steering column lock	1
12	5743342	HOUSING, lock cylinder	1
13	N/S	-PLATE, bearing retainer	1
14	5743344	SLEEVE, upper bearing	1
15	5742680	SCREW, steering column	4
16	N/S	BOLT, M8 - 1.25 x 24	2
17	5744891	BEARING ASSEMBLY, upper steering column	1
18	6016500	HORN BRUSH CONTACT	1
19	6017428	SCREW AND WASHER ASSEMBLY	1

Steering Linkage.

Item	Part No.	Description	Qty
1	N/S	COTTER PIN, 1/8 x 1 1/4", idler arm	6
2	MS35692-54	NUT, slotted	2
3	6011300	ARM, steering	1
4	MS15001-1	·FITTING, zerk, 1/4 - 28 x 3/16", steering arm	1
5	EC6003868B9	CENTER LINK, steering	1
6	6011889	TIE ROD ASSEMBLY, steering, left and right side	2
7	6011887	·TIE ROD END, steering, R.H. thread	1
8	MS15001-3	··FITTING, zerk, 45 degree, 1/4 - 28 x 3/16", tie rod end	1
9	MS35692-54	··NUT, slotted, tie rod end	1
10	6011888	·SLEEVE ASSEMBLY.	1
11	N/S	··CLAMP, tie rod end	2
12	N/S	··BOLT, 7/16 - 14 x 1 3/4", Gr8, tie rod end clamp	2
13	N/S	··NUT, 7/16 - 14", Gr8, tie rod end clamp	2
14	6011886	·TIE ROD END, steering, L.H. thread	1
15	MS15001-3	··FITTING, zerk, 45 degree, 1/4 - 28 x 3/16", tie rod end	1
16	MS35692-54	··NUT, slotted, tie rod end	1
17	5745558	IDLER ARM AND HARDWARE KIT	1
18	S.I.K.	·IDLER ARM	1
19	MS15001-1	·FITTING, zerk, 1/4 - 28 x 3/16"	2
20	6013602	·BOLT, hex	2
21	6013603	·LOCKNUT	2
22	6013604	·WASHER, flat, type B, 7/16", idler arm	4
23	N/S	WASHER, flat, hardened, 5/8"	1



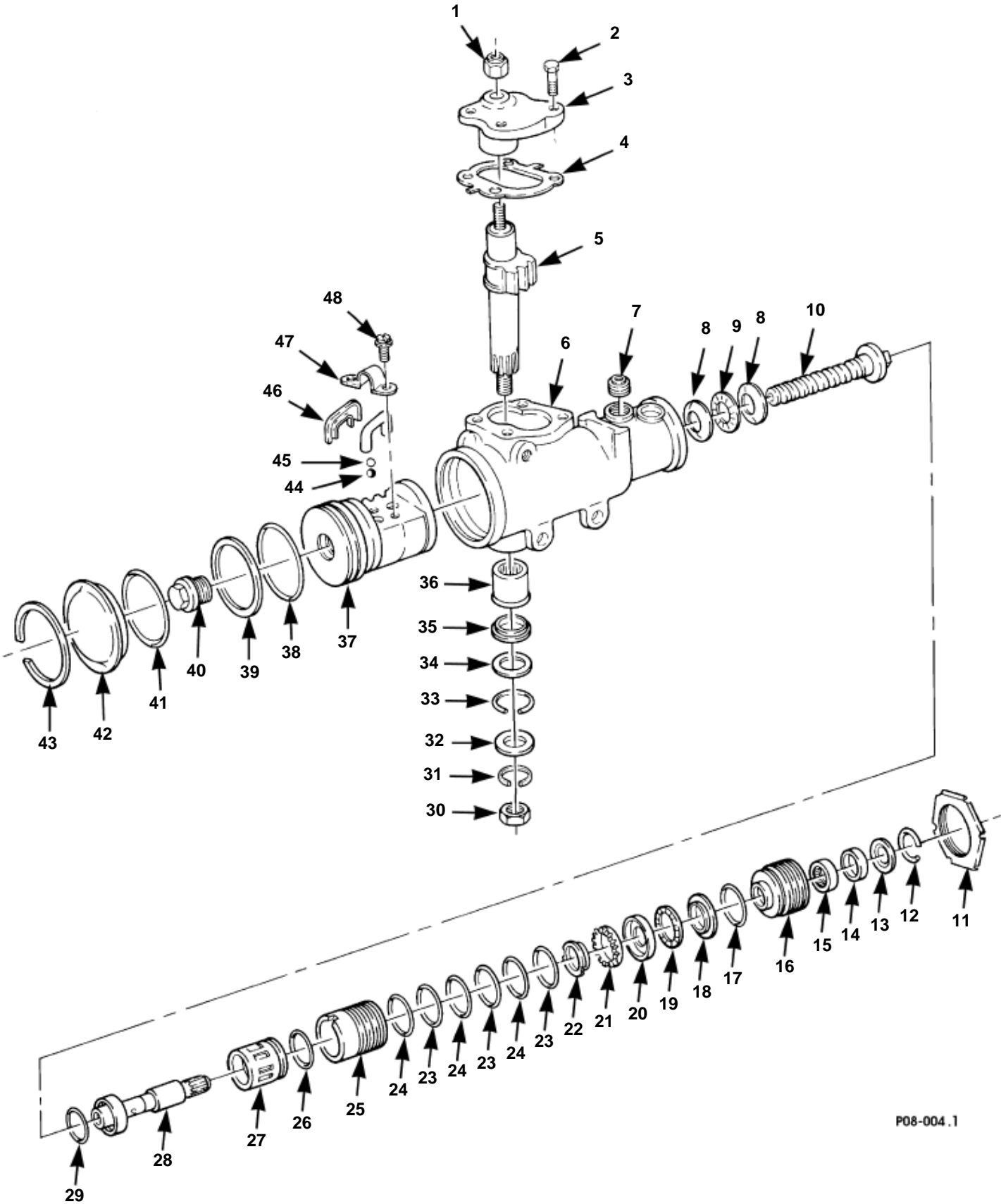
P08-003

Power Steering Gear and Mounting Hardware

Power Steering Gear and Mounting Hardware.

Item	Part No.	Description	Qty
1	12460232	STEERING GEAR, power	1
2	N/S	WASHER, flat, hard, 7/16", type B, steering gear, SEE NOTE 1	3
3	N/S	LOCKWASHER, heavy, 7/16", steering gear, SEE NOTE 1	3
4	N/S	BOLT, 7/16 - 14 x 4", Gr8, Phos, steering gear, SEE NOTE 1	1
5	N/S	BOLT, 7/16 - 14 x 5 1/4", Gr8, Phos, steering gear, SEE NOTE 1	2

NOTE 1: PART OF STEERING GEARBOX MOUNTING
HARDWARE KIT P/N 5745684.



P08-004.1

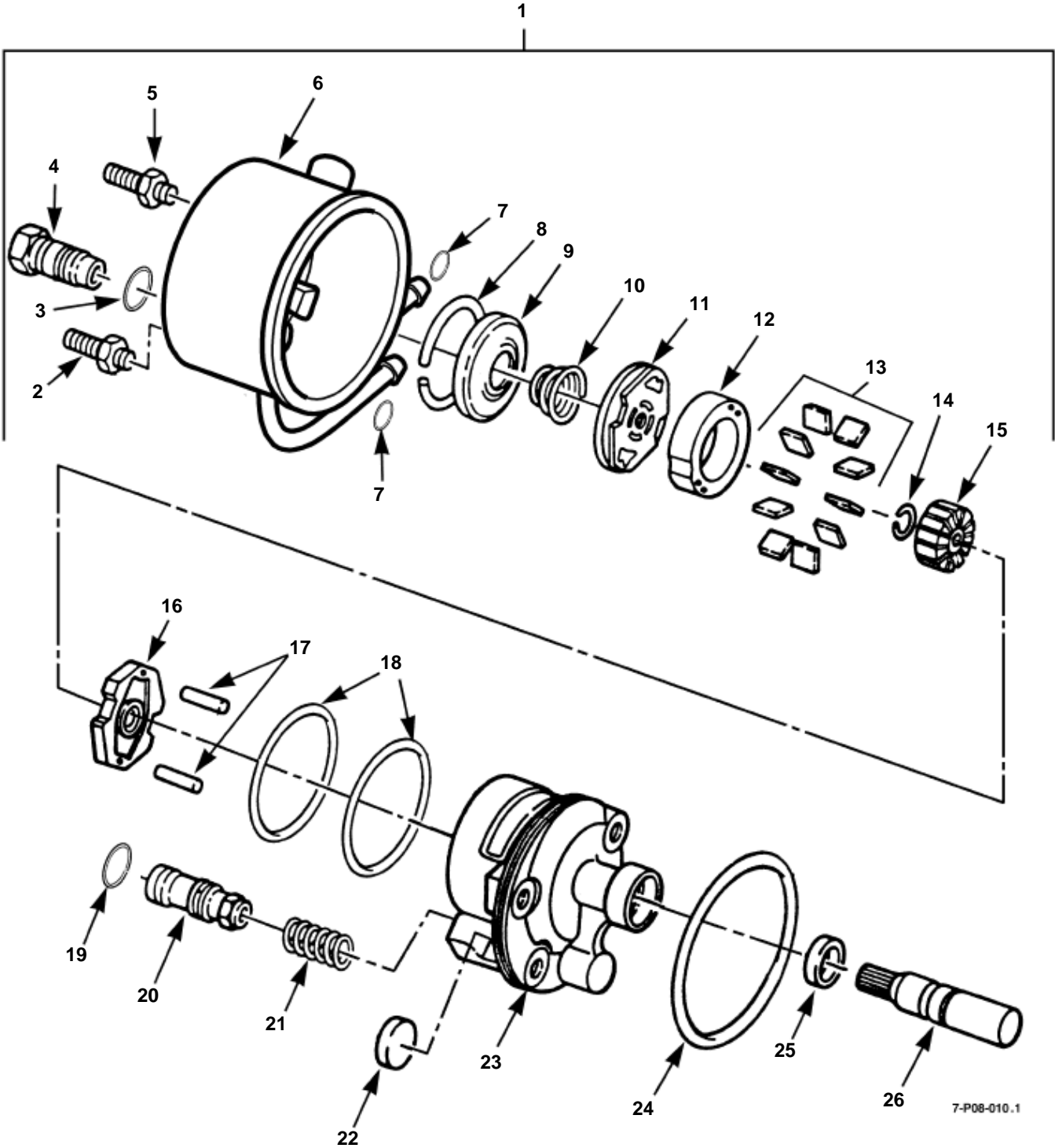
Power Steering Gear Assembly

Power Steering Gear Assembly.

Item	Part No.	Description	Qty
1	5740444	NUT, lash adjuster, self-locking	1
2	5740445	BOLT, cover assembly, SEE NOTES 1, 2, 12, AND 13	4
3	S.I.K.	COVER ASSEMBLY, housing side, SEE NOTE 12	1
4	5740447	GASKET, housing, cover assembly, SEE NOTES 1, 12, AND 13	1
5	S.I.K.	GEARSHAFT spur, pitman shaft, SEE NOTE 13	1
6	S.I.K.	HOUSING, steering gear, SEE NOTE 15	1
7	S.I.K.	VALVE ASSEMBLY, steering gear check, SEE NOTES 3 AND 15	1
8	S.I.K.	THRUST BEARING RACE, lower, SEE NOTE 4	2
9	S.I.K.	RETAINER AND ROLLER, SEE NOTE 4	1
10	S.I.K.	GEAR ASSEMBLY, worm, SEE NOTE 2	1
11	5741145	NUT, adjuster plug	1
12	S.I.K.	RETAINING RING, SEE NOTES 5 AND 14	1
13	S.I.K.	SEAL, shaft, SEE NOTES 5 AND 14	1
14	5741704	SEAL, shaft, SEE NOTES 5 AND 14	1
15	5740483	BUSHING, sleeve, shaft, SEE NOTE 5	1
16	S.I.K.	PLUG, adjuster, shaft, SEE NOTE 5	1
17	5740485	PACKING, preformed, adjuster plug, SEE NOTES 5 AND 14	1
18	S.I.K.	RACE, bearing, SEE NOTES 5 AND 6	1
19	S.I.K.	RETAINER AND ROLLER, SEE NOTES 5 AND 6	1
20	S.I.K.	RACE, bearing, SEE NOTES 5 AND 6	1
21	S.I.K.	SPACER, bearing, SEE NOTES 5 AND 6	1
22	S.I.K.	RETAINER, bearing adjuster plug, SEE NOTES 5 AND 6	1
23	S.I.K.	RING, seal, valve body, SEE NOTES 7 AND 16	3
24	S.I.K.	PACKING, preformed, valve body, SEE NOTES 7 AND 16	3
25	S.I.K.	VALVE BODY, steering, SEE NOTE 16	1
26	S.I.K.	SEAL, valve spool, SEE NOTES 7 AND 16	1
27	S.I.K.	VALVE SPOOL, direct, shaft, SEE NOTE 16	1
28	S.I.K.	SHAFT, steering column, SEE NOTE 16	1
29	S.I.K.	RING, seal, shaft, SEE NOTES 7 AND 16	1
30	940523	NUT, pitman shaft	1
31	5550554	LOCKWASHER, pitman shaft	1
32	S.I.K.	RING, retaining, pitman shaft, SEE NOTES 8 AND 15	1
33	S.I.K.	WASHER, seal, pitman shaft, SEE NOTES 8 AND 15	2
34	S.I.K.	SEAL, pitman shaft, SEE NOTES 8 AND 15	1
35	5740451	SEAL, pitman shaft, SEE NOTES 8 AND 15	1
36	5740453	BEARING, roller, pitman shaft, SEE NOTE 15	1
37	S.I.K.	RACK, piston nut, SEE NOTE 2	1
38	S.I.K.	RING, seal, piston rack, SEE NOTES 2 AND 9	1
39	S.I.K.	GASKET, piston rack, SEE NOTES 2 AND 9	1
40	5740461	PLUG, piston rack, SEE NOTE 2	1
41	S.I.K.	PACKING, preformed, housing end plug, SEE NOTE 10	1
42	5740456	PLUG, housing end	1
43	S.I.K.	RING, retaining, housing end plug, SEE NOTE 10	1
44	S.I.K.	BALL, bearing, piston rack, SEE NOTES 2 AND 11	12
45	S.I.K.	BALL, chrome, piston rack, SEE NOTES 2 AND 11	12
46	5740468	GUIDE, ball, piston rack, SEE NOTE 2	2
47	5740467	STRAP, retaining, piston rack ball guide, SEE NOTE 2	1
48	5740466	SCREW, retaining strap, SEE NOTE 2	2
49	S.I.K.	LUBRICANT, pitman shaft (not illustrated), SEE NOTE 8	1
NOTE 1: PART OF SIDE COVER HOUSING SEAL KIT P/N 5740448.			
NOTE 2: PART OF PISTON NUT RACK KIT P/N 5740462.			
NOTE 3: PART OF STEERING KIT P/N 5741190.			
NOTE 4: PART OF LOWER THRUST BEARING KIT P/N 5740476.			
NOTE 5: PART OF ADJUSTER PLUG KIT P/N 5741703.			
NOTE 6: PART OF UPPER THRUST BEARING KIT P/N 5742166.			
NOTE 7: PART OF SEAL VALVE RING KIT P/N 5740499.			

Power Steering Gear Assembly.

Item	Part No.	Description	Qty
NOTE 8:	PART OF PITMAN SHAFT SEAL KIT P/N 5715393.		
NOTE 9:	PART OF SEAL RACK PISTON KIT P/N 5740465.		
NOTE 10:	PART OF SEAL END PLUG KIT P/N 5740458.		
NOTE 11:	PART OF RECIRCULATING BALL KIT P/N 5740470.		
NOTE 12:	PART OF STEERING GEAR SIDE COVER KIT P/N 5741910.		
NOTE 13:	PART OF PITMAN SHAFT GEAR ASSEMBLY SERVICE KIT P/N 5742626.		
NOTE 14:	PART OF ADJUSTER PLUG SEAL KIT P/N 5741892.		
NOTE 15:	PART OF GEAR HOUSING ASSEMBLY SERVICE KIT P/N 5742627.		
NOTE 16:	PART OF STEERING GEAR VALVE ASSEMBLY KIT P/N 5742625.		



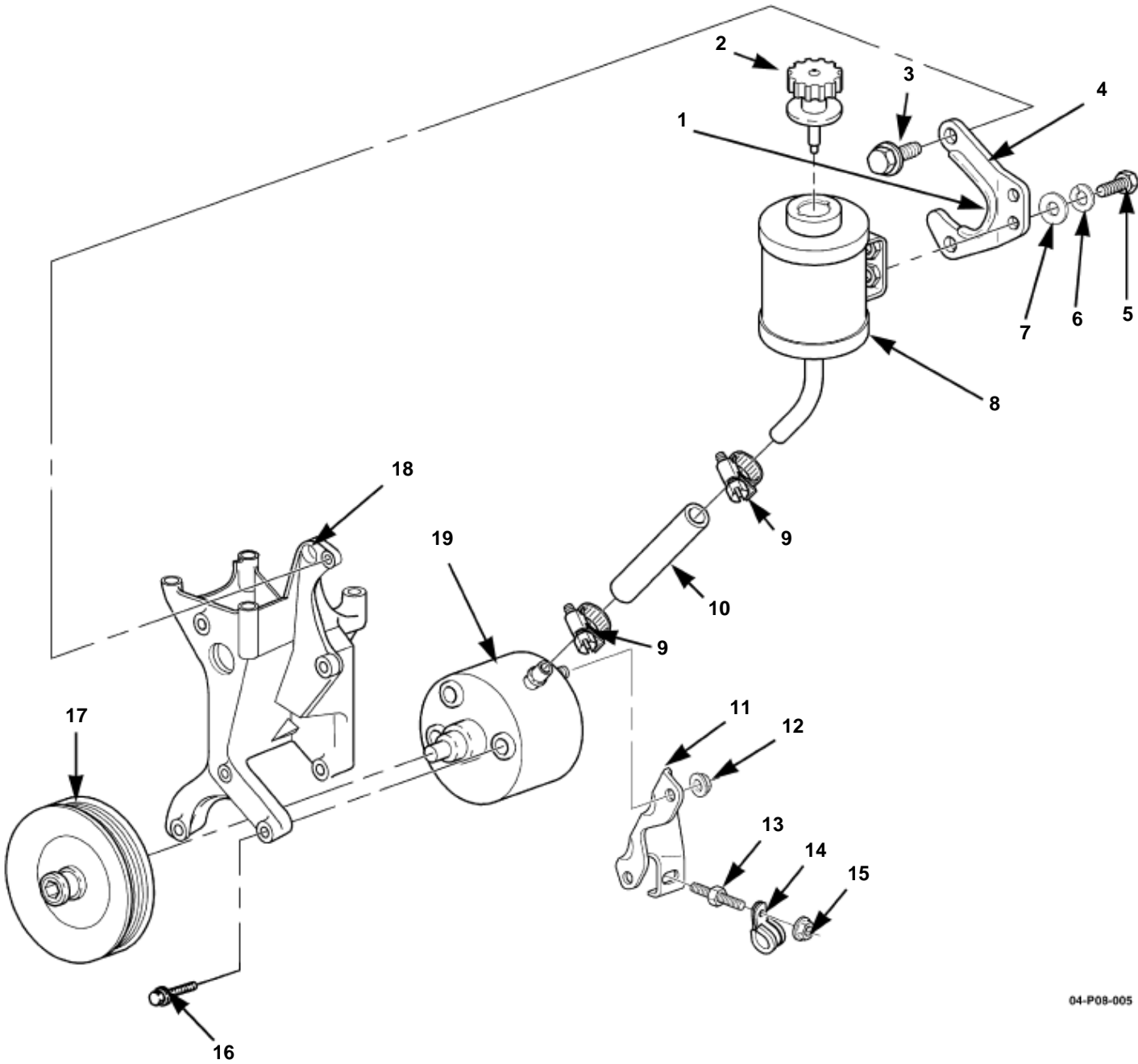
7-P08-010.1

Power Steering Pump

Power Steering Pump.

Item	Part No.	Description	Qty
1	6003042	POWER STEERING PUMP ASSEMBLY	1
2	S.I.A.	·STUD, M10 - 1.5 x 15 x 14 with 6mm spacer	1
3	S.I.A.	·O-RING, SEE NOTE 1	1
4	S.I.A.	·FITTING	1
5	S.I.A.	·STUD, M10 - 1.5 x 15 x 17	1
6	S.I.K.	·HOUSING, power steering pump	1
7	S.I.A.	·O-RING, square cut, SEE NOTE 1	2
8	S.I.A.	·RING, retaining	1
9	S.I.A.	·END PLATE	1
10	S.I.A.	·SPRING, pressure plate	1
11	S.I.A.	·PRESSURE PLATE	1
12	S.I.A.	·PUMP RING	1
13	S.I.A.	·VANES	10
14	S.I.A.	·RING, retaining	1
15	S.I.A.	·ROTOR, power steering pump	1
16	S.I.A.	·PLATE, thrust	1
17	S.I.A.	·PIN, dowel	2
18	S.I.A.	·O-RING, SEE NOTE 1	2
19	S.I.A.	·O-RING, square cut, SEE NOTE 1	1
20	5741823	·VALVE, flow control	1
21	S.I.A.	·SPRING, valve	1
22	S.I.A.	·MAGNET, SEE NOTE 1	1
23	S.I.A.	·PUMP BODY, power steering	1
24	S.I.A.	·O-RING, SEE NOTE 1	1
25	S.I.A.	·SEAL, high temperature, SEE NOTE 1	1
26	S.I.A.	·DRIVESHAFT	1

NOTE 1: PART OF POWER STEERING PUMP SEAL
SERVICE KIT P/N 5740440.



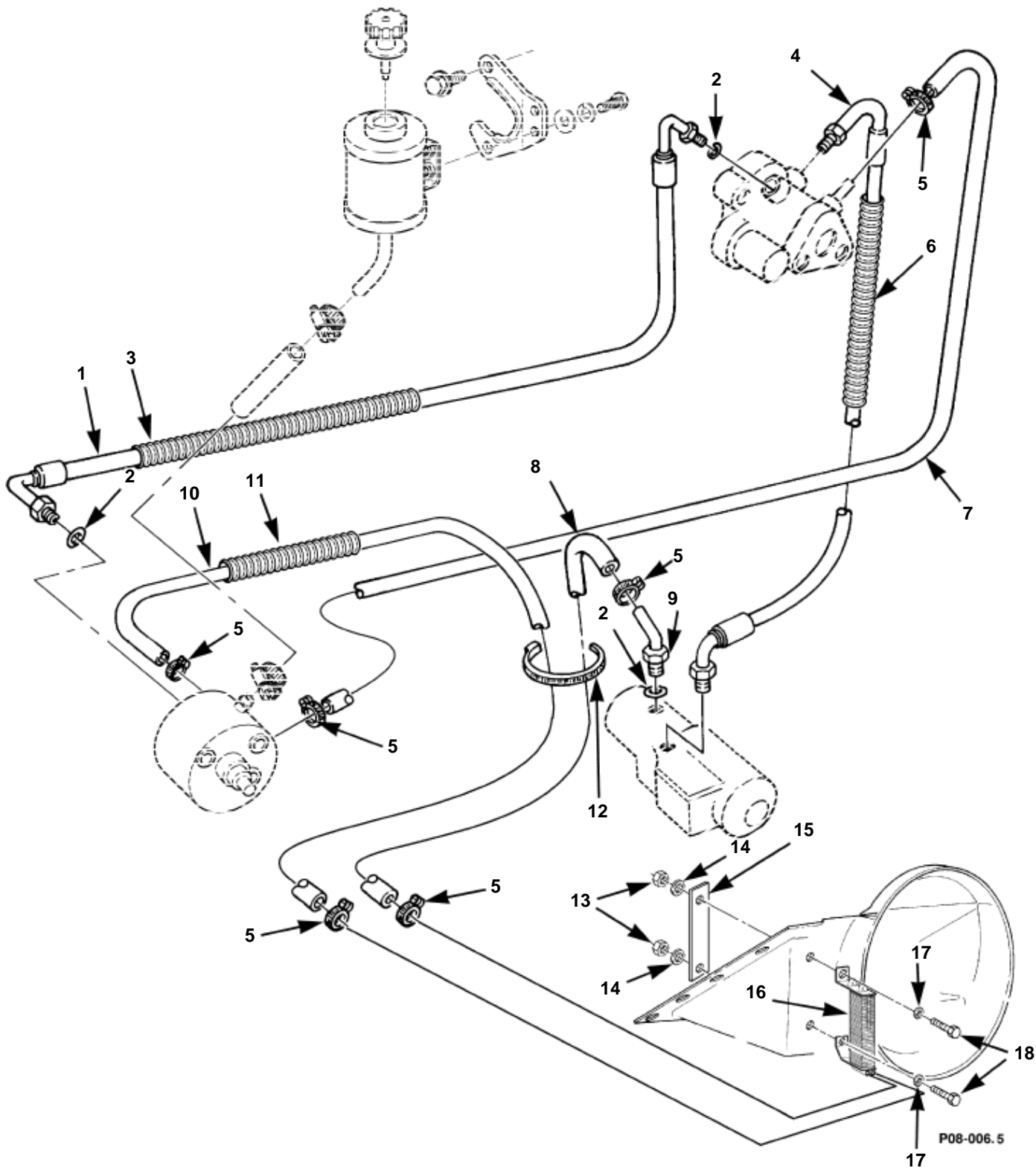
04-P08-005

Power Steering Pump, Pulley, Reservoir, and Mounting Hardware

Power Steering Pump, Pulley, Reservoir, and Mounting Hardware.

Item	Part No.	Description	Qty
1	12339902-12	EDGE PROTECTOR, 5 1/2"	1
2	6002106	CAP, power steering reservoir	1
3	N/S	BOLT, M10 - 1.5 x 25, flanged, bracket-to-engine	2
4	6010662B9	BRACKET, power steering reservoir mounting	1
5	N/S	BOLT, M8 - 1.25 x 25, mounting bracket-to-reservoir	2
6	N/S	LOCKWASHER, M8	2
7	N/S	WASHER, flat, M8	2
8	6010670	RESERVOIR, power steering	1
9	N/S	CLAMP, hose, worm gear, 3/4" to 1 1/8"	2
10	N/S	HOSE, power steering reservoir-to-pump, 7 3/4" SEE NOTE 1	1
11	6006785	BRACE, rear, power steering pump	1
12	11503643	NUT	2
13	6003067	STUD	1
14	MS21333-125	P-CLAMP, cushioned	1
15	N/S	NUT, flanged, M10	1
16	N/S	BOLT, M10 - 1.5 x 35, class 9.8	3
17	6004158	PULLEY, power steering pump	1
18	6006807	BRACKET, A/C, P/S	1
19	6003042	POWER STEERING PUMP ASSEMBLY	1

NOTE 1: CUT FROM P/S RESERVOIR HOSE, P/N 6003166,
1 1/16" O.D. X 3/4" I.D. X 9 1/2".



**Power Steering Pump, Oil Cooler,
and Hydro-Boost Lines and Fittings**

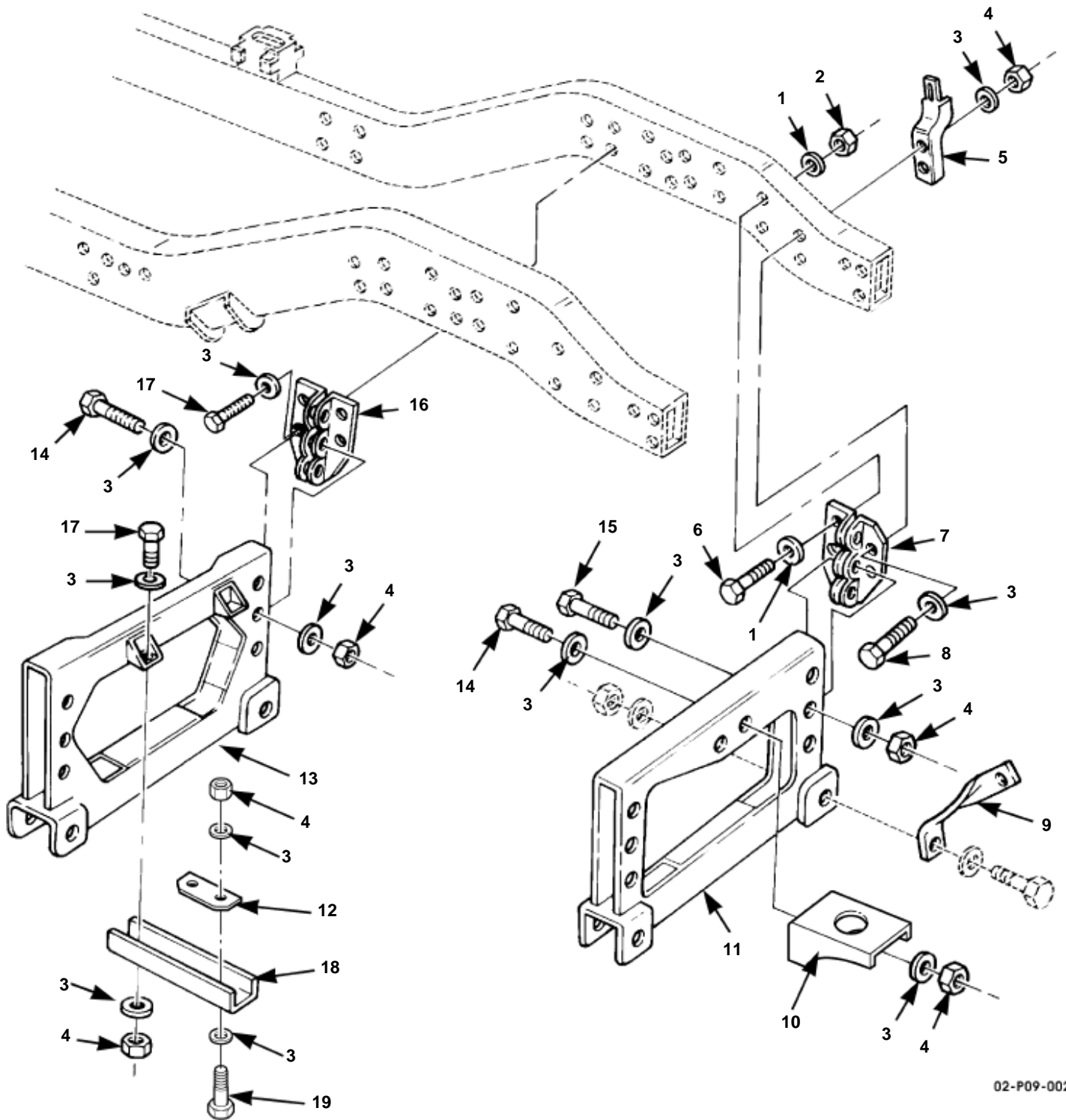
Power Steering Pump, Oil Cooler, and Hydro-Boost Lines and Fittings.

Item	Part No.	Description	Qty
1	6009990	HOSE ASSEMBLY, p/s pump-to-Hydro-Boost	1
2	12340395	SEAL, O-ring	1
3	N/S	CONVOLUTED CONDUIT, p/s pump-to-Hydro-Boost hose, 16", SEE NOTE 1	1
4	6009989	HOSE ASSEMBLY, Hydro-Boost-to-steering gear	1
5	5934854	CLAMP, hose	6
6	N/S	CONVOLUTED CONDUIT, Hydro-Boost-to-steering gear hose, 12", SEE NOTE 1	1
7	N/S	HOSE, Hydro-Boost-to-p/s pump, 31", SEE NOTE 2	1
8	N/S	HOSE, steering gear-to-cooler, 9 - 1/4", SEE NOTE 2	1
9	12338593	TUBE ASSEMBLY	1
10	N/S	HOSE, cooler-to-power steering pump, 20", SEE NOTE 2	1
11	N/S	CONVOLUTED CONDUIT, cooler-to-p/s pump hose, 19 - 3/4", SEE NOTE 3	1
12	11501906	TIEDOWN STRAP	2
13	N/S	NUT, 5/16 - 18", Gr8	2
14	N/S	WASHER, flat, 5/16"	4
15	6007233	PLATE, backing, P/S cooler	1
16	6010082	OIL COOLER ASSEMBLY, P/S	1
17	N/S	LOCKWASHER, 5/16"	2
18	N/S	SCREW, 5/16 - 18 x 1", Gr8, CAD	2

NOTE 1: MAKE FROM SLIT CONVOLUTED CONDUIT,
P/N 6010240, 1" O.D. X 3/4" I.D. X 22".

NOTE 2: MAKE FROM BULK HOSE, P/N 5741209,
5/8" O.D. X 3/8" I.D. X 25'.

NOTE 3: MAKE FROM NON-SLIT CONVOLUTED CON-
DUIT, P/N 6007446, 7/8" O.D. X 3/4" I.D. X38".

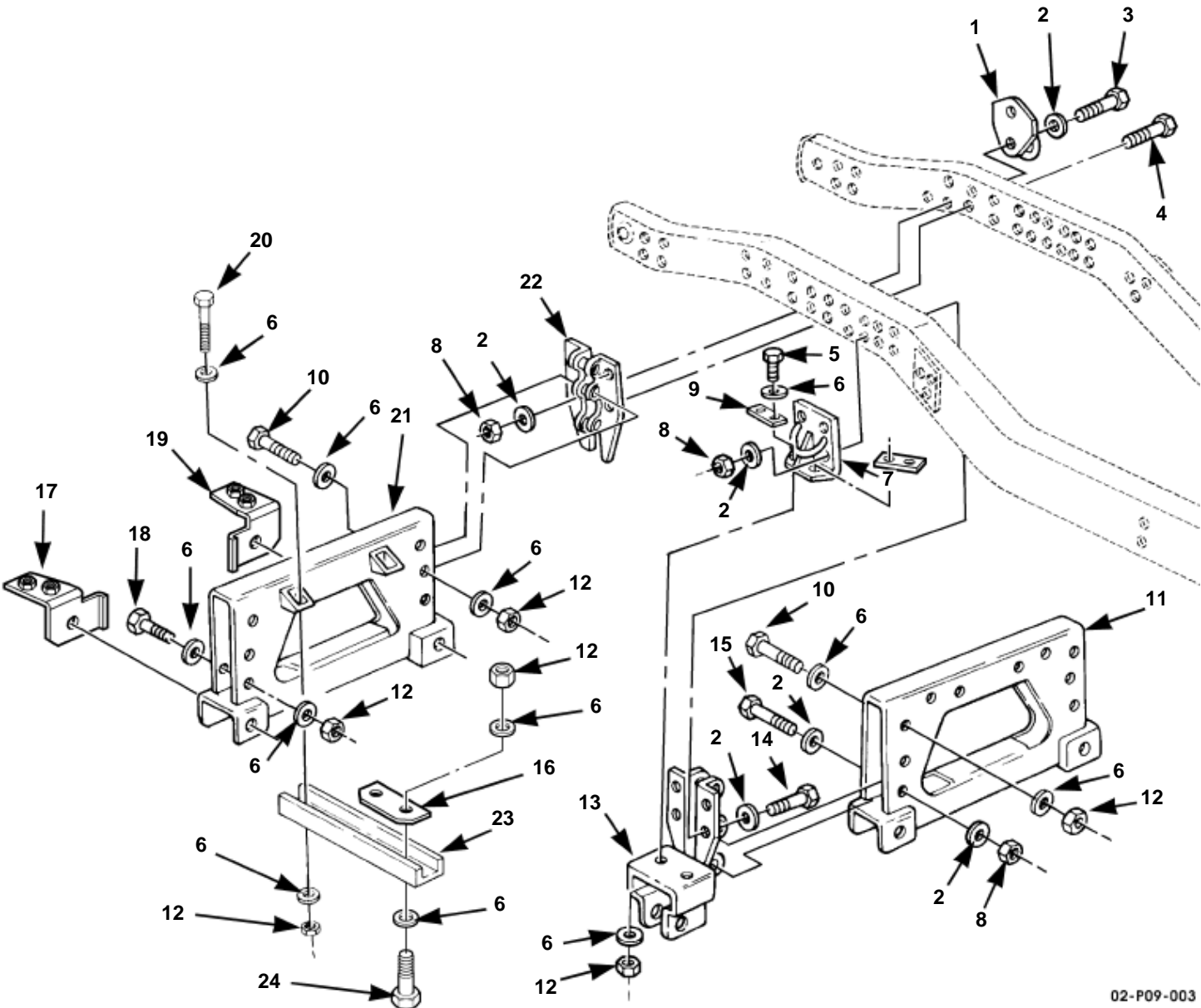


02-P09-002

**Front Suspension Crossmembers, Related Parts,
and Mounting Hardware**

Front Suspension Crossmembers, Related Parts, and Mounting Hardware.

Item	Part No.	Description	Qty
1	N/S	WASHER, flat, hard, 3/4", type B	8
2	N/S	LOCKNUT, 3/4 - 10", Gr8	4
3	N/S	WASHER, flat, hard, 1/2", type B	45
4	N/S	LOCKNUT, 1/2 - 13", Gr8	22
5	12447051	BRACKET, splash shield	2
6	N/S	BOLT, 3/4 - 10 x 4", Gr8, CAD	4
7	12338149-1B1	BRACKET, crossmember, front suspension, L.H., front	1
	12338149-2B1	BRACKET, crossmember, front suspension, R.H., front	1
8	N/S	BOLT, 1/2 - 13 x 3 1/4", Gr8, CAD	4
9	EC12338165B1	BRACE, front suspension	2
10	EC12338180B1	BRACKET, lower radiator mount	1
11	12338230	CROSSMEMBER, front suspension, front	1
	EC12460283B1	CROSSMEMBER, front suspension, front (12,100 frame only)	1
12	12338146	BRACKET, plate hanger, , front axle	2
	EC12460245B1	BRACKET, front axle, plate hanger (12,100 frame only)	2
13	WB12338223	CROSSMEMBER, front suspension, rear	1
	6012711	CROSSMEMBER, front suspension, rear (12,100 frame only)	1
14	N/S	BOLT, 1/2 - 13 x 3", Gr8, CAD	8
15	N/S	BOLT, 1/2 - 13 x 2 3/4", Gr8, CAD	6
16	12338155-1B1	BRACKET, crossmember, front suspension, L.H., rear	1
	12338155-2B1	BRACKET, crossmember, front suspension, R.H., rear	1
17	N/S	BOLT, 1/2 - 13 x 1", Gr8, CAD	5
18	EC12460253B1	BRACKET, axle support, R.H. front (12,100 frame only)	1
	EC12460254B1	BRACKET, axle support, L.H. front (12,100 frame only)	1
	12338146	BRACKET, axle support, LH, RH, front, (10,300 GVW)	2
19	N/S	BOLT 1/2 -13 x 1 1/2" hex head cap screw	4

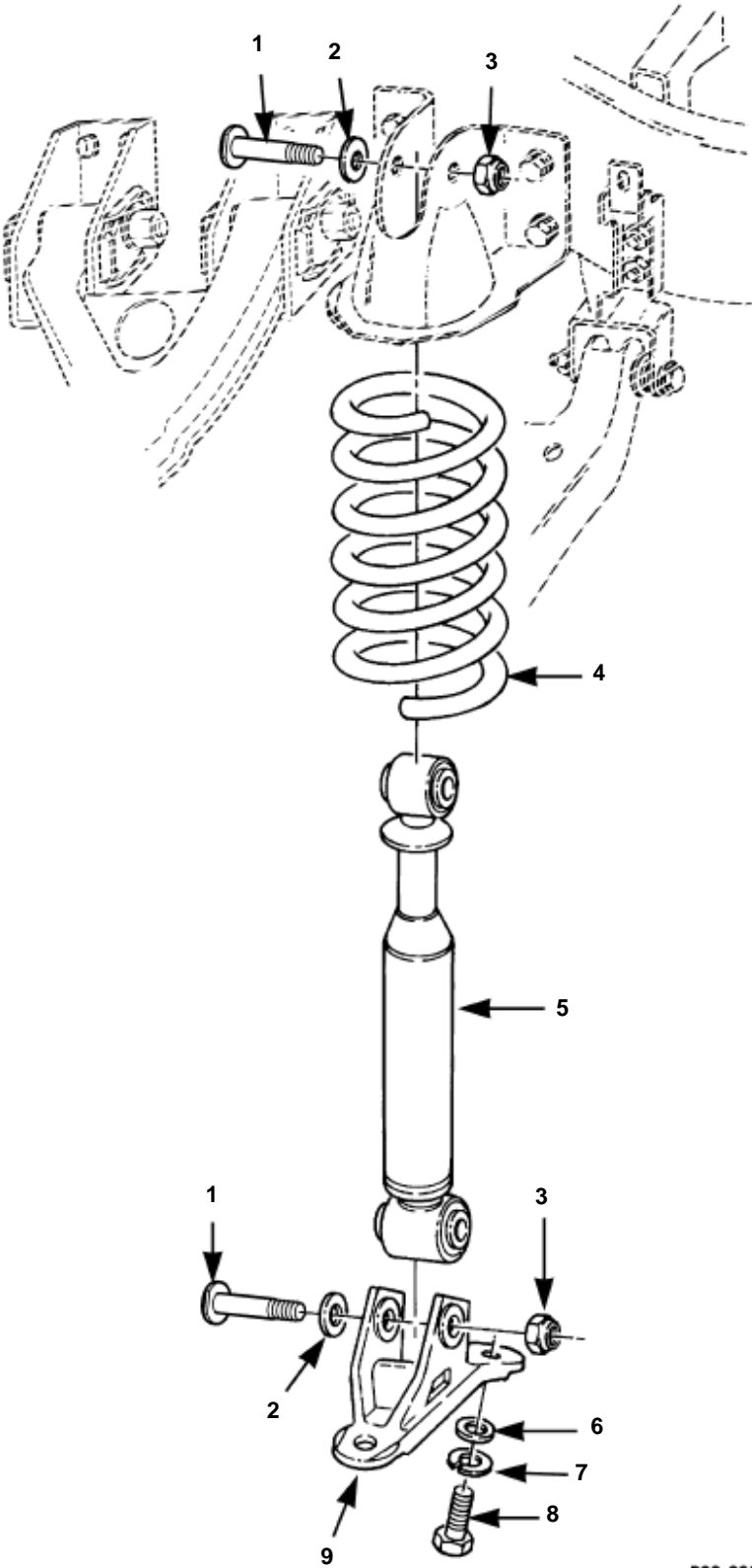


**Rear Suspension Crossmembers, Related Parts,
and Mounting Hardware**

Rear Suspension Crossmembers, Related Parts, and Mounting Hardware.

Item	Part No.	Description	Qty
1	12338181	BRACKET, tie-down, frame assembly	2
2	N/S	WASHER, flat, hard, 3/4", type B	40
3	N/S	BOLT, 3/4 - 10 x 4 1/4", Gr8, CAD	8
4	N/S	BOLT, 3/4 - 10 x 4 3/4", Gr8, CAD	4
5	N/S	BOLT, 1/2 - 13 x 1 1/2", Gr8, CAD	4
6	N/S	WASHER, flat, hard, 1/2", type B	32
7	EC12338197B1	BRACKET, tie-down, frame assembly	2
	6010677	BRACKET, (for frame asm 6010114 only)	2
8	N/S	LOCKNUT, 3/4 - 10", Gr8	20
9	12338172	BRACKET, vent line, tube mounting	2
10	N/S	BOLT, 1/2 - 13 x 2 3/4", Gr8, CAD	6
11	WA12338217	CROSSMEMBER, rear suspension, front	1
	6012712	CROSSMEMBER, rear suspension, front (12,100 frame only)	1
12	N/S	LOCKNUT, 1/2 - 13", Gr8	18
13	12338224	BRACKET, rear suspension, front	2
14	N/S	BOLT, 3/4 - 10 x 4 1/2", Gr8, CAD	4
15	N/S	BOLT, 3/4 - 10 x 3 1/4", Gr8, CAD	4
16	12338146	BRACKET, plate hanger, rear axle	2
	EC12460236B1	BRACKET, plate hanger, rear axle (12,100 frame only)	2
17	6007694	BRACKET ASSEMBLY, mounting, R.H. , SEE NOTE 1	1
18	N/S	BOLT, 1/2 - 13 x 3", Gr8, CAD	2
19	6007693	BRACKET ASSEMBLY, mounting, L.H., SEE NOTE 1	1
20	N/S	BOLT, 1/2 - 13 x 1", Gr8, CAD	4
21	WA12338222	CROSSMEMBER, rear suspension, rear	1
	6012713	CROSSMEMBER, rear suspension, rear (12,100 frame only)	1
22	12338148B1	BRACKET, rear suspension, rear	2
23	EC12460237B1	BRACKET, axle support, R.H. rear (12,100 frame only)	1
	EC12460247B1	BRACKET, axle support, L.H rear (12,100 frame only)	1
	12338146	BRACKET, axle support, LH, RH, rear, (10,300 GVW)	2
24	N/S	BOLT 1/2 -13 x 1 1/2", hex head cap screw	4

NOTE 1: USED WITH TRAILER TOWING RECEIVER



Shock Absorbers and Springs, Front and Rear

Shock Absorbers and Springs, Front and Rear.

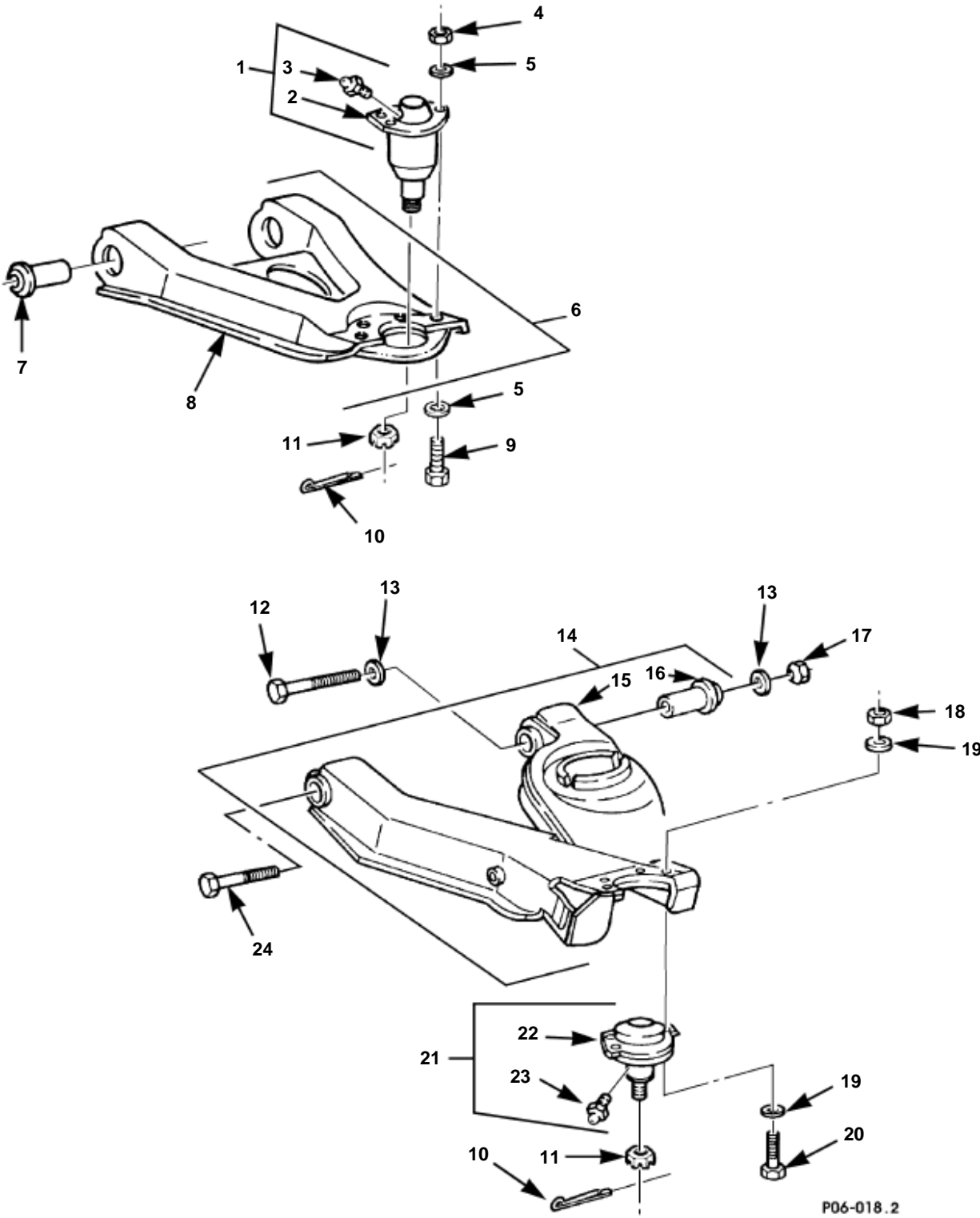
Item	Part No.	Description	Qty
1	12339205	PIN, shock absorber	8
2	N/S	WASHER, flat, hard, 1", type B	8
3	12339206	LOCKNUT, shock absorber	8
4	12342616	SPRING, rear, variable rate, standard, (gray)	2
	6011073	SPRING, rear, 3000 lbs/inch, heavy duty, (yellow & red)	2
		SEE NOTE 1	
	12338316-1B2	SPRING, front, 954 lbs/inch, standard, (yellow)	2
		89	
	6005787B9	SPRING, front, 954 lbs/inch, extended height, SEE NOTE 2	2
		(red),83, 84, 90	
	6005786B9	SPRING, front, 1250 lbs/inch, heavy duty, (orange)	2
		SEE NOTE 3	
	6011072	SPRING, front, 1728 lbs/inch, heavy duty, (white)	2
		SEE NOTE 4	
5	12340071	SHOCK ABSORBER, front	2
	5937865	SHOCK ABSORBER, front, 12,100-lb GVW	2
	12340072	SHOCK ABSORBER, rear	2
6	N/S	WASHER, flat, hard, 5/8"	8
7	N/S	LOCKWASHER, med, 5/8", ZN	8
8	N/S	BOLT, 5/8 - 11 x 2", Gr8, CAD	8
9	12338315	BRACKET, shock absorber mount, lower control arm	4

NOTE 1: USED ON 12,100-LB GVW VEHICLES.

NOTE 2: USED ON 10,300-LB GVW 2-DOOR VEHICLES WITH WINCH; AND ON VEHICLES (MODELS 83, 84, 90) WITHOUT WINCH OR HEAVY FRONT-END EQUIPMENT.

NOTE 3: USED ON 10,300-LB GVW 4-DOOR VEHICLES (MODELS 83, 84, 90) WITH WINCH.

NOTE 4: 12,100-LB GVW VEHICLES, FIRE TRUCKS, AND ON ALL VEHICLES EQUIPPED WITH A SNOW PLOW.

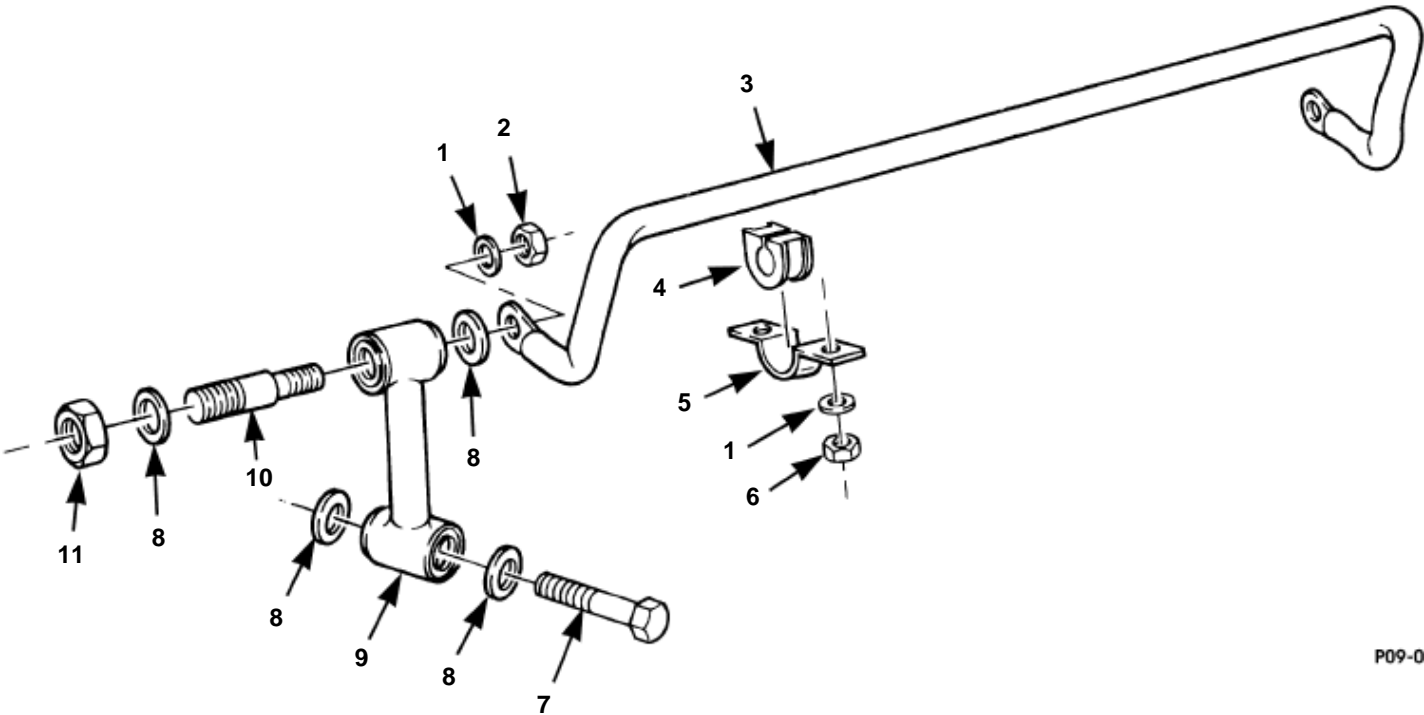


P06-018.2

Control Arms, Ball Joints, and Mounting Hardware

Control Arms, Ball Joints, and Mounting Hardware.

Item	Part No.	Description	Qty
1	6007755	BALL JOINT ASSEMBLY, upper	1
2	S.I.A.	-BALL JOINT, upper	1
3	9417901	-FITTING, upper ball joint	1
4	N/S	LOCKNUT, 3/8 - 24", Gr8	4
5	N/S	WASHER, flat, hard, 3/8," type B	8
6	12460167	CONTROL ARM ASSEMBLY, front L.H., upper	1
	12460151	CONTROL ARM ASSEMBLY, front R.H., upper	1
	ECRCSK17089-1	B1 CONTROL ARM ASSEMBLY, rear L.H., upper	1
	ECRCSK17089-2B1	CONTROL ARM, ASSEMBLY rear R.H., upper,	1
7	12338270	-BUSHING, control arm	2
8	S.I.A.	-CONTROL ARM, upper	1
9	12460159	BOLT, ball joint	4
10	N/S	COTTER PIN, ball joint, 1/8 x 1 1/4", CAD	1
11	N/S	NUT, castle, 5/8 - 18", Gr8, CAD, ball joint	1
12	N/S	BOLT, 3/4 - 10 x 5", Gr8, CAD	1
13	N/S	WASHER, flat, 3/4", type B, hard	1
14	6016750	CONTROL ARM, lower, R.H. front, L.H. rear	1
	6016751	CONTROL ARM, lower, L.H. front, R.H. rear	1
15	S.I.A.	-CONTROL ARM, lower	1
16	S.I.A.	-BUSHING, control arm	2
17	N/S	LOCKNUT, 3/4 - 10"	4
18	N/S	LOCKNUT, 7/16 -14", Gr8, CAD	4
19	N/S	WASHER, 7/16", type B, hard	8
20	N/S	BOLT, 7/16 - 14 x 1 1/2", Gr8, CAD, control arm mounting	4
21	6006645	BALL JOINT ASSEMBLY, lower	1
22	S.I.A.	-BALL JOINT, lower	1
23	9417901	-FITTING, ball joint	1
24	N/S	BOLT, 3/4 - 10 x 4 3/4", Gr8, CAD	1

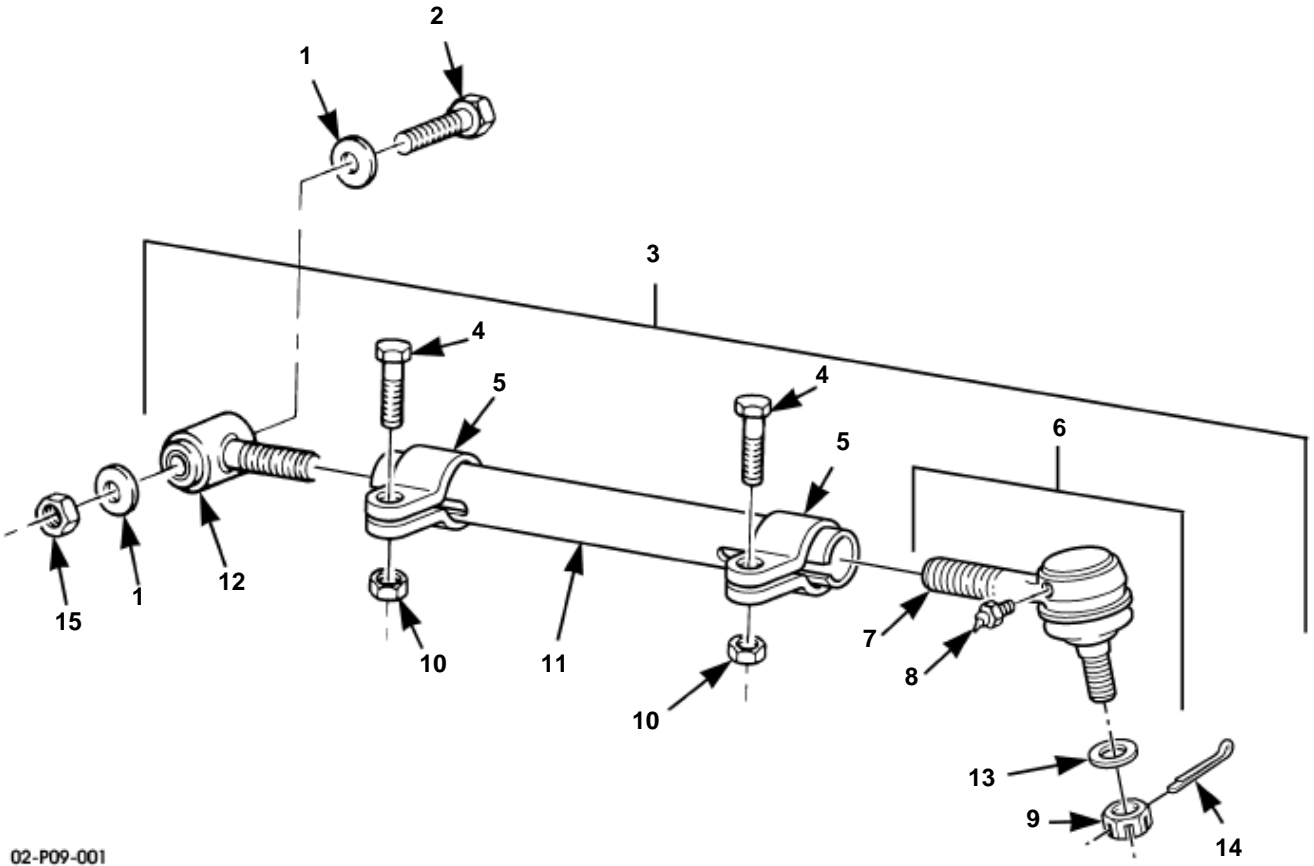


P09-004

Stabilizer Bar and Connecting Links

Stabilizer Bar and Connecting Links.

Item	Part No.	Description	Qty
1	N/S	WASHER, flat, hard, 1/2", type B	6
2	N/S	LOCKNUT, 1/2 - 20", Gr8, CAD	2
3	6004872	BAR, stabilizer	1
4	12338317	BUSHING, stabilizer bar	2
5	12338319	BRACKET, stabilizer bar	2
6	N/S	NUT, 7/16 - 14", Gr8, CAD	4
7	N/S	BOLT, 5/8 - 11 x 3", Gr8, CAD	2
8	12338322	WASHER, flat, connecting link, stabilizer bar	8
9	EC12338323	CONNECTING LINK, stabilizer bar	2
10	12339207	PIN, stabilizer bar	2
11	N/S	LOCKNUT, 5/8 - 11", Gr8	2

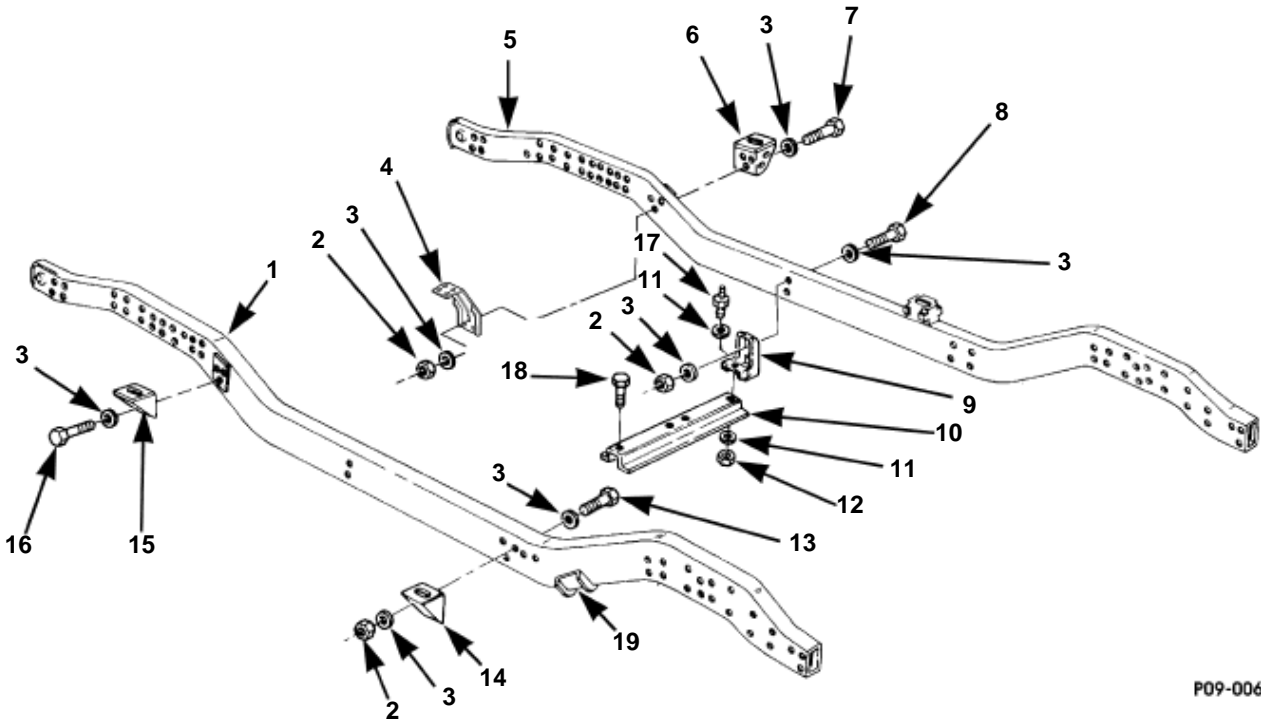


02-P09-001

Rear Radius Rods

Rear Radius Rods.

Item	Part No.	Description	Qty
1	N/S	WASHER, flat, hard, 3/4", type B	4
2	N/S	BOLT, 3/4 - 10 x 4 3/4", Gr8, CAD	2
3	6011890	RADIUS ROD ASSEMBLY, rear suspension	1
4	N/S	·BOLT, 7/16 - 14 x 1 3/4", Gr8, CAD	2
5	N/S	·CLAMP, rod assembly, retaining	2
6	6011886	·TIE ROD END steering, L.H. thread	1
7	S.I.A.	·TIE ROD END, LH thread	1
8	MS15001-3	·FITTING, zerk, 45 degree, 1/4 - 28 x 3/16"	1
9	N/S	·NUT, 5/8 - 18", Gr8, CAD, castle	1
10	N/S	·NUT, 7/16 - 14", Gr8, CAD	2
11	6013098	·SLEEVE ASSEMBLY, rear radius rod	1
12	6013099	·BUSHING, radius rod	1
13	N/S	WASHER, 5/8", hard, type B	2
14	N/S	COTTER PIN, 1/8 x 1 1/4", CAD	2
15	N/S	LOCKNUT, 3/4 - 10", Gr8	2

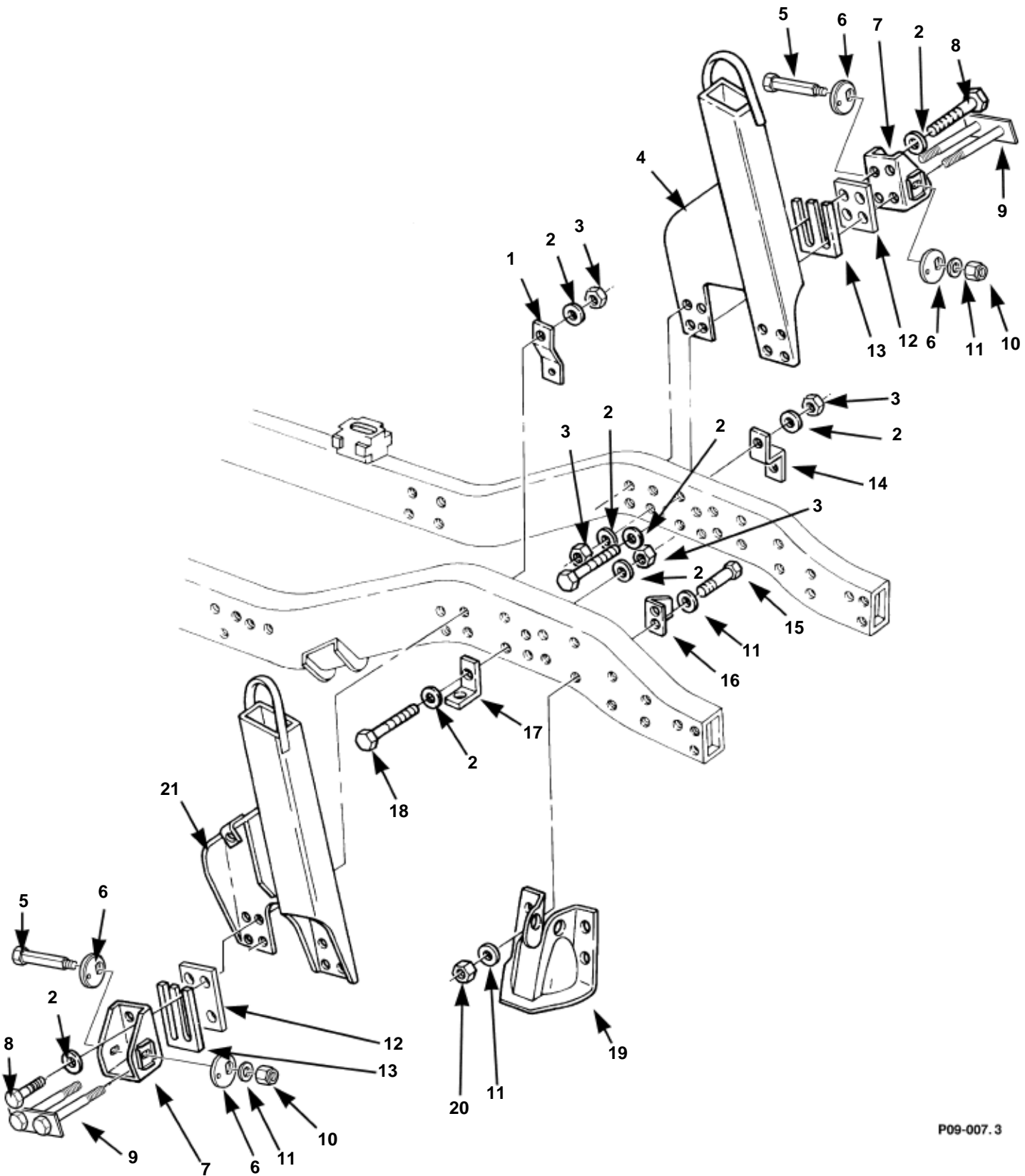


P09-006.2

Frame Rails, Body Mount Brackets, and Transmission Crossmember

Frame Rails, Body Mount Brackets, and Transmission Crossmember.

Item	Part No.	Description	Qty
1	12338247B9	FRAME RAIL, R.H.	1
	RCSK17438B9	FRAME RAIL, R.H., 12,100-lb GVW	1
2	N/S	LOCKNUT, 1/2 - 13", Gr8	12
3	N/S	WASHER, flat, hard, 1/2", type B	27
4	EC12338221B1	BRACKET, muffler mounting	1
5	5745026B9	FRAME RAIL, L.H.	1
	RCSK17439	FRAME RAIL, L.H., 12,100-lb GVW	1
6	WA12342509B9	BRACKET, body mount, rear, L.H., C-mount	1
	6008610	BRACKET, body mount, rear, L.H., C-mount, 12,100-lb GVW	1
7	N/S	BOLT, 1/2 - 13 x 4 3/4", Gr8, CAD, body mount brkt, L.H.	3
8	N/S	BOLT, 1/2 - 13 x 4 1/4", Gr8, CAD, transmission supt brkt	4
9	12338185B2	BRACKET, transmission support	2
10	EC12447053B9	CROSSMEMBER ASSEMBLY, transmission	1
11	N/S	WASHER, flat, hard, 9/16", type B	4
12	N/S	LOCKNUT, 9/16 - 12", Gr8	2
13	N/S	BOLT, 1/2 - 13 x 4 3/4", Gr8, CAD	5
14	12338178B2	BRACKET, body mount, front, R.H.	1
	5937399	BRACKET, body mount, front, R.H., 12,100-lb GVW	1
15	WA12342510B9	BRACKET, body mount, rear, R.H., C-mount	1
	5937961	BRACKET, body mount, rear, R.H., C-mount, 12,100-lb GVW	1
16	N/S	BOLT, 1/2 - 13 x 1 1/4", Gr8, CAD	3
17	12447177	STUD, special, T-case anchor cable, L.H. side only	1
18	N/S	BOLT, 9/16 - 12 x 1 1/2", Gr8, ZN	1
19	S.I.A.	BRACKET, sway bar mounting	1



P09-007.3

Airlift Brackets, Front Spring Seats, and Mounting Hardware

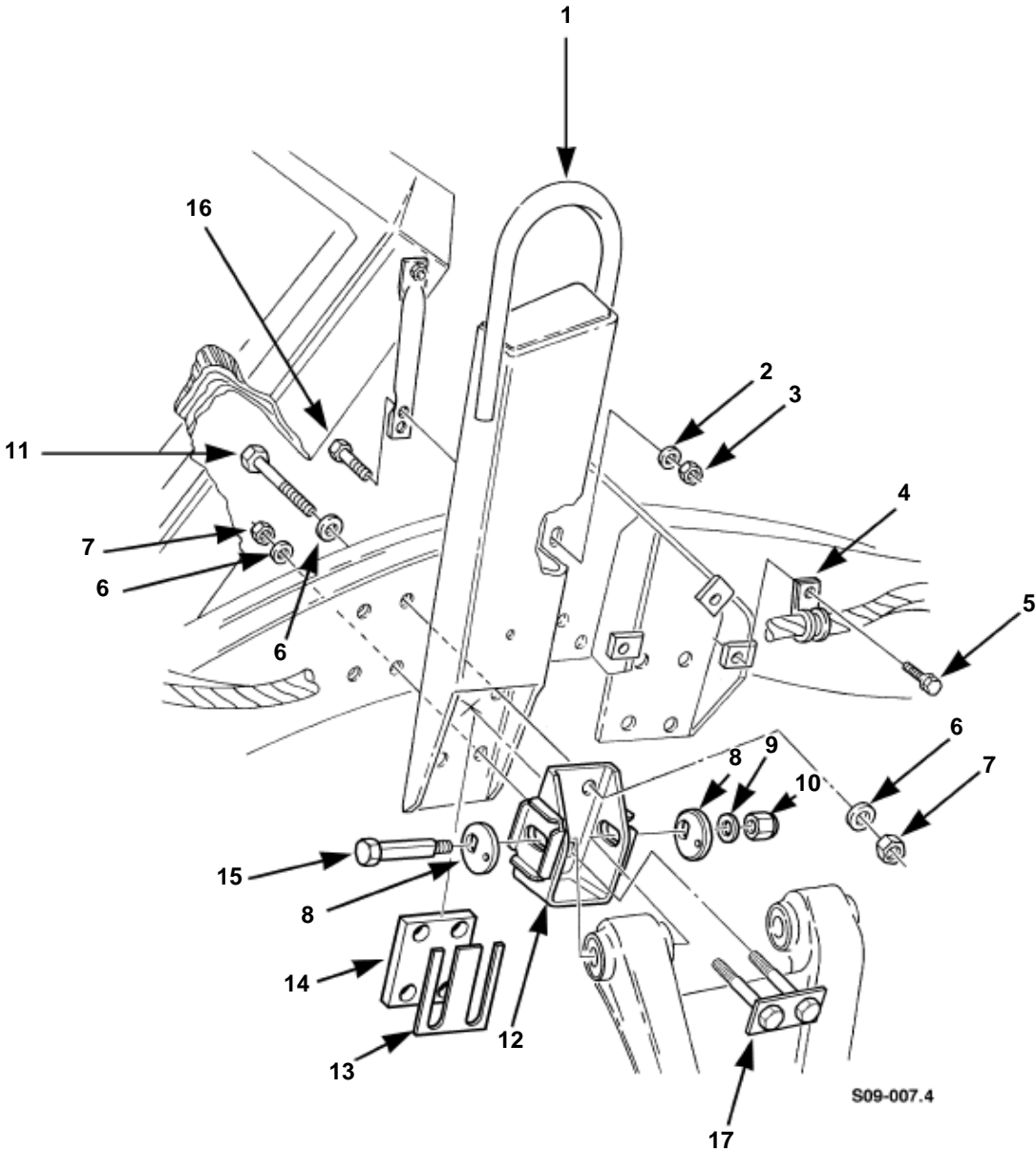
Airlift Brackets, Front Spring Seats, and Mounting Hardware.

Item	Part No.	Description	Qty
1	EC12338159B1	BRACKET, cooling line support	1
2	N/S	WASHER, flat, hard, 1/2", type B	40
3	N/S	LOCKNUT, 1/2 - 13", Gr8	19
4	WB12342361B5	BRACKET ASSEMBLY, airlift, L.H.	1
5	6009807	BOLT, control arm mounting	4
6	6009537	CAM, suspension alignment	4
7	6009538	BRACKET ASSEMBLY, upper control arm, front	4
8	N/S	BOLT, 1/2 - 13 x 4", Gr8, CAD, SEE NOTE 1	15
	N/S	BOLT, 1/2 - 13 x 3 3/4", Gr8, CAD, SEE NOTE 2	15
9	N/S	BRACKET ASSEMBLY, mounting, front, SEE NOTE 3	2
10	9422307	LOCKNUT, 3/4 - 10"	4
11	N/S	WASHER, flat, 3/4", type B	16
12	6009543	SPACER, upper control arm mounting bracket, 0.125"	A/R
	6009573	SPACER, upper control arm mounting bracket, 0.250"	A/R
13	12338226-1	SHIM, upper control arm mounting bracket, 0.060"	A/R
	12338226-2	SHIM, upper control arm mounting bracket, 0.120"	A/R
14	6010174	BRACKET, jumper mounting	1
15	N/S	BOLT, 3/4 - 10 x 4", Gr8, CAD	8
16	12338173	BRACKET, coolant pipe support	1
17	EC12338170B1	BRACKET, vent tube mounting	2
18	N/S	BOLT, 1/2 - 13 x 3 3/4", Gr8, CAD	4
19	12338191-1	SPRING SEAT, L.H., front	1
	12338191-2	SPRING SEAT, R.H., front	1
20	N/S	LOCKNUT, 3/4 - 10", Gr8	8
21	6003010B5	BRACKET, air-lift, R.H.	1

NOTE 1: USE WITH 0.240" SHIM PACK AND THICKER.

NOTE 2: USE WITH SHIM PACK UP TO 0.180-INCH THICK.

NOTE 3: USE TWO ITEM #8 BOLTS (USE THE SIZE THAT IS CONSISTENT WITH THE SHIM PACK/SPACER COMBINATION) AND TWO ITEM #2 WASHERS TO REPLACE THIS ASSEMBLY.



Front Upper Control Arm Brackets, L.H.

Front Upper Control Arm Brackets, L.H.

Item	Part No.	Description	Qty
1	WB12342361B5	BRACKET ASSEMBLY, air lift, L.H.	1
2	N/S	WASHER, flat, hardened, 3/8"	1
3	N/S	LOCKNUT, 3/8 - 16"	1
4	N/S	P-CLIP, cushioned, 1/2"	3
5	N/S	SCREW, tapping, 1/4 - 20 x 1/2"	3
6	N/S	WASHER, flat, hardened, 1/2"	6
7	N/S	LOCKNUT, 1/2 -13"	8
8	6009537	CAM, suspension alignment	4
9	N/S	WASHER, flat, hardened, 3/4"	2
10	9422307	LOCKNUT, 3/4 - 10"	2
11	N/S	BOLT, 1/2 - 13 x 3 3/4", Gr8, SEE NOTE 1	4
	N/S	BOLT, 1/2 - 13 x 1 3/4", Gr8, SEE NOTE 2	1
	N/S	BOLT, 1/2 - 13 x 3 1/4", Gr8, SEE NOTE 5	1
	N/S	BOLT, 1/2 - 13 x 1", Gr8, SEE NOTE 4	1
12	6009538	BRACKET ASSEMBLY, upper control arm, front	2
13	12338226-1	SHIM, upper control arm mounting bracket, 0.060"	A/R
	12338226-2	SHIM, upper control arm mounting bracket, 0.120"	A/R
14	6009543	SPACER, upper control arm mounting bracket, 0.125"	A/R
	6009573	SPACER, upper control arm mounting bracket, 0.250"	A/R
15	6009807	BOLT, control arm mounting	2
16	N/S	BOLT, 3/8 - 16 x 1", Gr5, Phos	1
17	N/S	BRACKET ASSEMBLY, mounting, front, SEE NOTE 3	1

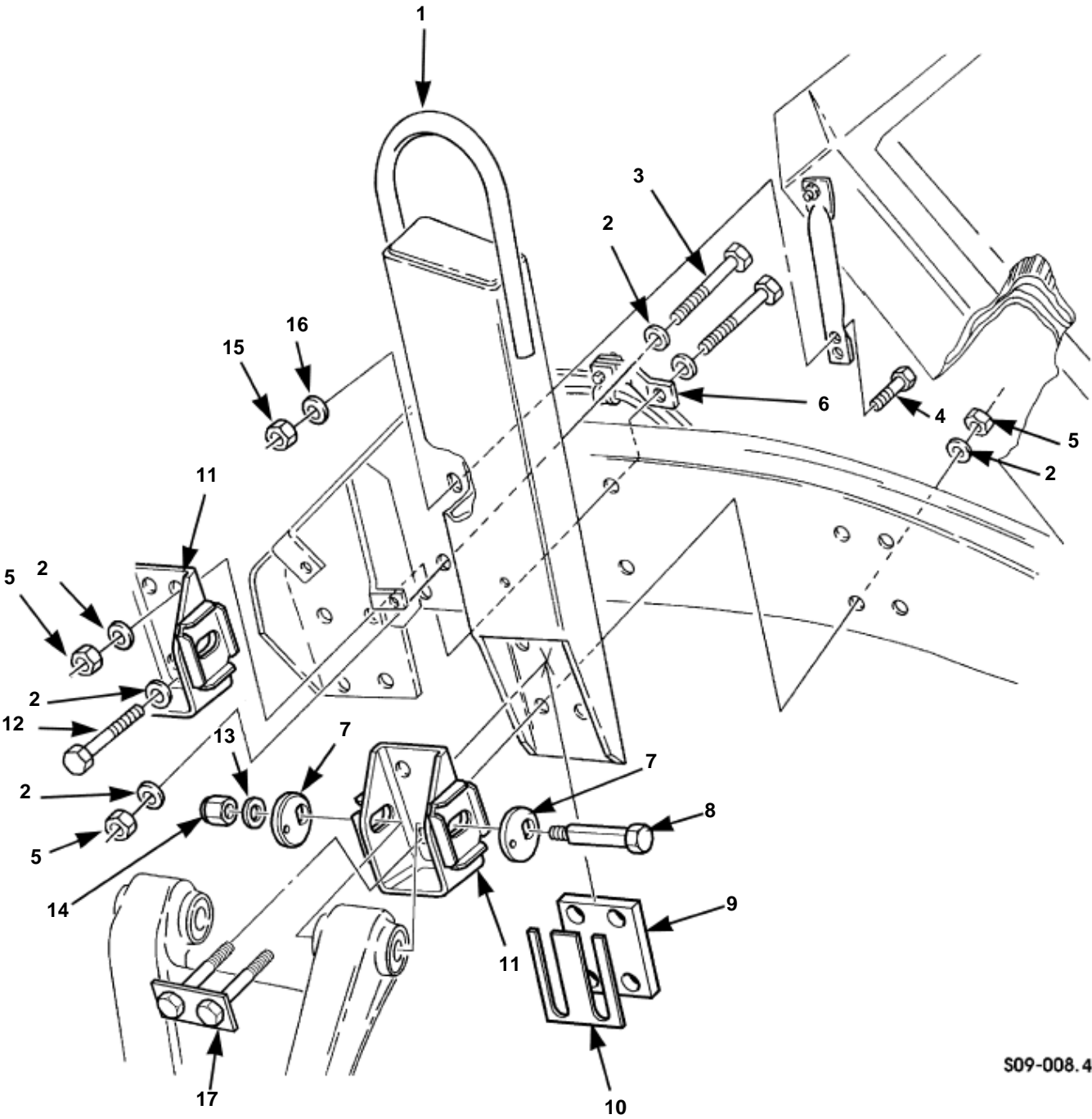
NOTE 1: EACH CONTROL ARM MOUNTING BRACKET-
TOP 2 BOLT HOLES.

NOTE 2: REAR CONTROL ARM MOUNTING BRACKET-
FRONT BOTTOM FACING INWARDS.

NOTE 3: USE TWO ITEM #11 BOLTS (USE THE SIZE THAT IS
CONSISTENT WITH THE SHIM PACK/SPACER
COMBINATION) AND TWO ITEM #6 WASHERS
TO REPLACE THIS ASSEMBLY.

NOTE 4: REAR CONTROL ARM MOUNTING BRACKET -
FRONT BOTTOM FACING OUTWARDS - BEHIND
STEERING GEARBOX (NOT ILLUSTRATED)

NOTE 5: REAR CONTROL ARM MOUNTING BRACKET -
REAR BOTTOM POSITION.



S09-008.4

Front Upper Control Arm Brackets, R.H.

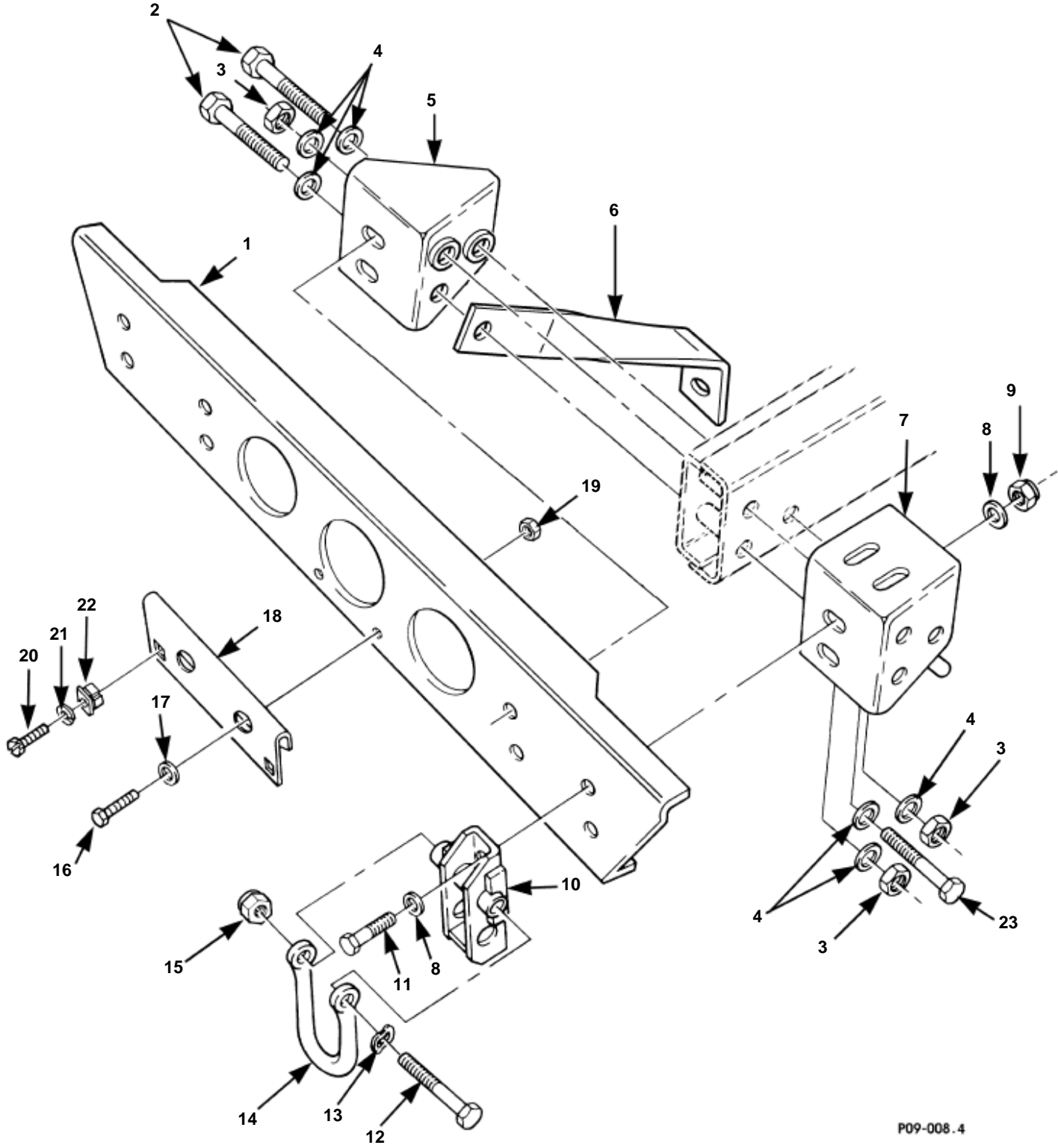
Front Upper Control Arm Brackets, R.H.

Item	Part No.	Description	Qty
1	6003010B5	BRACKET, air-lift, R.H.	1
2	N/S	WASHER, flat, hardened, 1/2", type B	16
3	N/S	BOLT, 1/2 - 13 x 4", Gr8, SEE NOTE 1	4
	N/S	BOLT, 1/2 - 13 x 3 3/4", Gr8, SEE NOTE 2	4
4	N/S	BOLT, 3/8 - 16 x 1", Gr5	1
5	N/S	LOCKNUT, 1/2 - 13", Gr 8	8
6	12338159	BRACKET, vent line	1
7	6009537	CAM, suspension alignment	4
8	6009807	BOLT, control arm mounting	2
9	6009543	SPACER, upper control arm mounting bracket, 0.125"	A/R
	6009573	SPACER, upper control arm mounting bracket, 0.250"	A/R
10	12338226-1	SHIM, upper control arm mounting bracket, 0.060"	A/R
	12338226-2	SHIM, upper control arm mounting bracket, 0.120"	A/R
11	6009538	BRACKET ASSEMBLY, upper control arm, front	2
12	N/S	BOLT, 1/2 - 13 x 3 3/4", Gr8, SEE NOTE 1	6
	N/S	BOLT, 1/2 - 13 x 1 3/4", Gr8, SEE NOTE 2	6
13	N/S	WASHER, flat, hardened, 3/4", type B	2
14	9422307	LOCKNUT, 3/4 - 10"	2
15	N/S	LOCKNUT, 3/8 - 16", Gr5	1
16	N/S	WASHER, flat, hardened, 3/8", type B	1
17	N/S	BRACKET ASSEMBLY, mounting, front, SEE NOTE 3	1

NOTE 1: USE WITH SHIM PACK/SPACER COMBINATION
OF 0.250" OR THICKER.

NOTE 2: USE WITH SHIM PACK/SPACER COMBINATION
OF UP TO 0.240" THICK.

NOTE 3: USE TWO ITEM #12 BOLTS (USE THE SIZE THAT IS
CONSISTENT WITH THE SHIM PACK/SPACER
COMBINATION) AND TWO ITEM #2 WASHERS
TO REPLACE THIS ASSEMBLY.



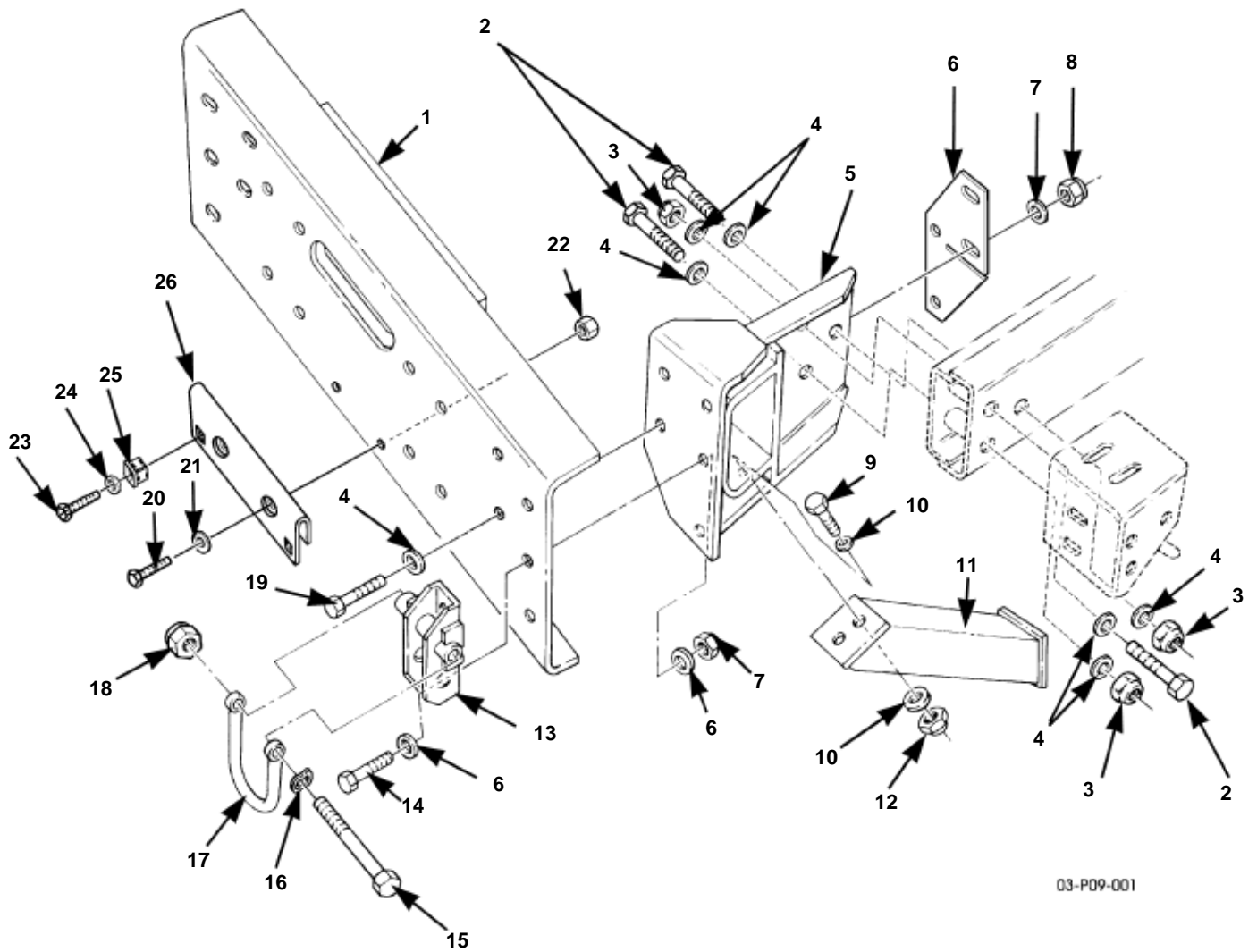
P09-008.4

Bumper, Front and Lifting Shackle (without Winch)

Bumper, Front and Lifting Shackle (without Winch).

Item	Part No.	Description	Qty
1	5935800B5	BUMPER, front	1
2	N/S	BOLT, 5/8 - 11 x 3 1/2", Gr8, CAD	4
3	N/S	NUT, 5/8 - 11", Gr8, CAD	6
4	N/S	WASHER, flat, hard, 5/8", type B	12
5	6001552B5	BRACKET ASSEMBLY, tow hook support, L.H., w/o winch SEE NOTE 1	1
	6001553B5	BRACKET ASSEMBLY, tow hook support, R.H., w/o winch SEE NOTE 1	1
6	EC12338165B1	BRACE, front suspension	2
7	WA12338199-1B5	BRACKET ASSEMBLY, front bumper, L.H.	2
	WA12338199-2B5	BRACKET ASSEMBLY, front bumper, R.H.	2
8	N/S	WASHER, flat, hard, 1/2", type B	8
9	N/S	LOCKNUT, 1/2 - 13", Gr8	4
10	12342404B5	BRACKET, towing	2
11	N/S	BOLT, 1/2 - 13 x 1 3/4", Gr8, CAD	4
12	6011153P2	·BOLT	2
13	7716721	WASHER, wave, 3/4", front shackles	2
14	12342354B5	SHACKLE, lifting	2
15	272739P2	NUT, w/washer, 5/8 - 18", Gr5	2
16	N/S	SCREW, 1/4 - 20 x 5/8", CAD	2
17	N/S	WASHER, flat, 1/4"	2
18	5939482B5	BRACKET, front license plate mounting	1
19	N/S	NUT, lockwasher, 1/4 - 20"	2
20	MS51851-85P2	SCREW, 1/4 - 28 x 5/8", ZN, license plate mounting	2
21	N/S	LOCKWASHER, 1/4", med, ZN	4
22	5939483	GROMMET, square head, license plate bracket	2
23	N/S	BOLT, 5/8 - 11 x 3 1/4", GR8	2

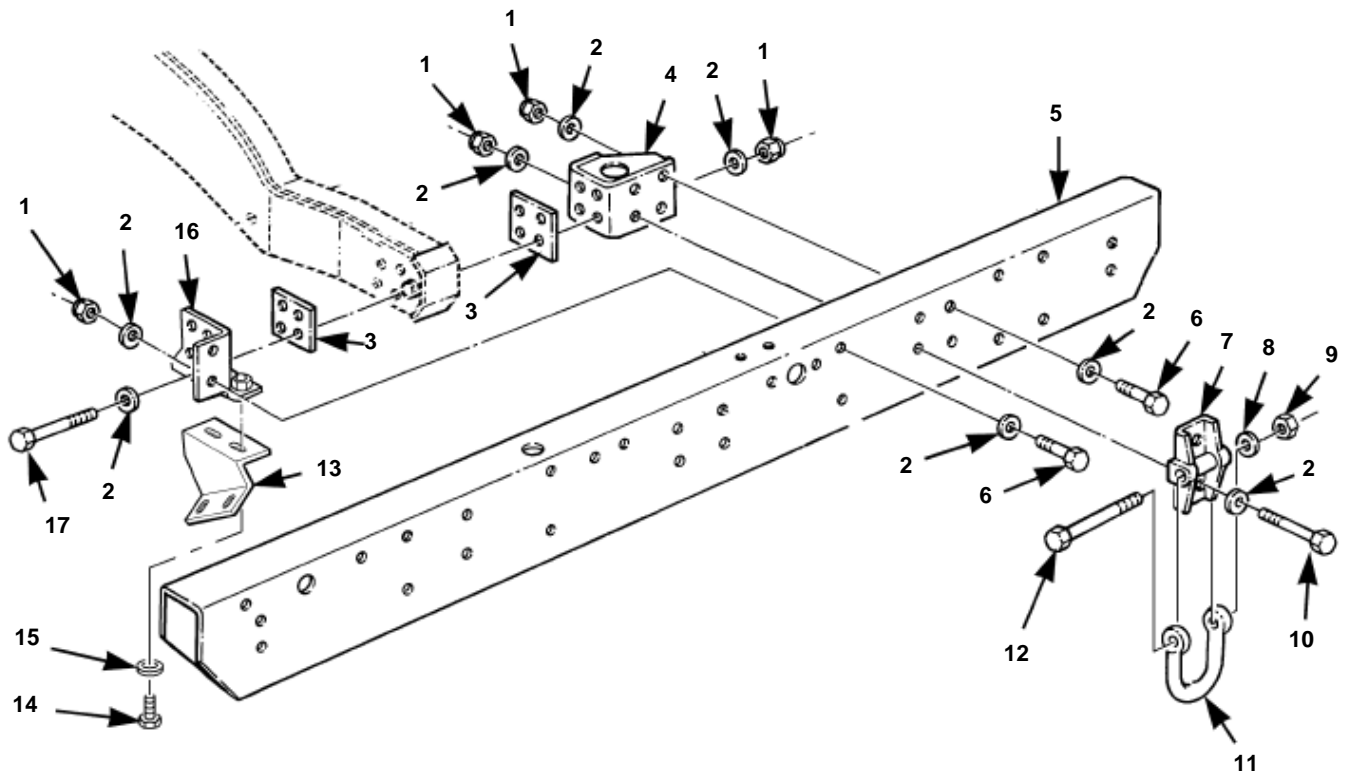
NOTE 1: FOR USE ONLY WITH BRUSHGUARD AND NO WINCH.



Bumper, Front and Lifting Shackle (with Winch)

Bumper, Front and Lifting Shackle (with Winch).

Item	Part No.	Description	Qty
1	6014209B5	BUMPER, front, with winch	1
2	N/S	BOLT, 5/8 - 11 x 3 3/4", Gr8, CAD	6
3	N/S	LOCKNUT, 5/8 - 11", Gr8	6
4	N/S	WASHER, flat, hardened, 5/8", type B	12
5	12342388B5	FRAME EXTENSION, front bumper, R.H.	1
	6014153B5	FRAME EXTENSION, front bumper, L.H.	1
6	6014216	BRACKET ASSEMBLY, bumper, L.H.	1
	6014219	BRACKET ASSEMBLY, bumper, R.H.	1
7	S.I.K.	WASHER, flat, hard, 1/2", type B	13
8	S.I.K.	LOCKNUT, 1/2 - 13" , front bumper	8
9	S.I.K.	BOLT, 3/8 - 16 x 1", brace assembly	4
10	S.I.K.	WASHER, flat, 3/8", brace assembly	8
11	12342389	BRACE ASSEMBLY, L.H.	1
	12342390	BRACE ASSEMBLY, R.H.	1
12	S.I.K.	NUT, 3/8 - 16", brace assembly	4
13	12342404B5	BRACKET, towing	2
14	N/S	BOLT, 1/2 - 13 x 1 - 3/4", Gr8, CAD	8
15	6011153P2	BOLT	2
16	7716721	WASHER, wave, 3/4", front shackles	2
17	12342354B5	SHACKLE, lifting	2
18	272739P2	NUT, w/washer, 5/8 - 18", Gr5	2
19	S.I.K.	BOLT, 1/2 - 13 x 1 1/2", frame extension	2
20	N/S	BOLT, 1/4 - 20 x 3/4", CAD	2
21	N/S	WASHER, flat, 1/4"	2
22	N/S	NUT, lockwasher, 1/4 - 20"	2
23	N/S	BOLT, 1/4 - 28 x 5/8", ZN	2
24	N/S	LOCKWASHER, med, 1/4", ZN	2
25	5939483	GROMMET, square head, license plate bracket	2
26	5939482B5	BRACKET, front license plate mounting	1

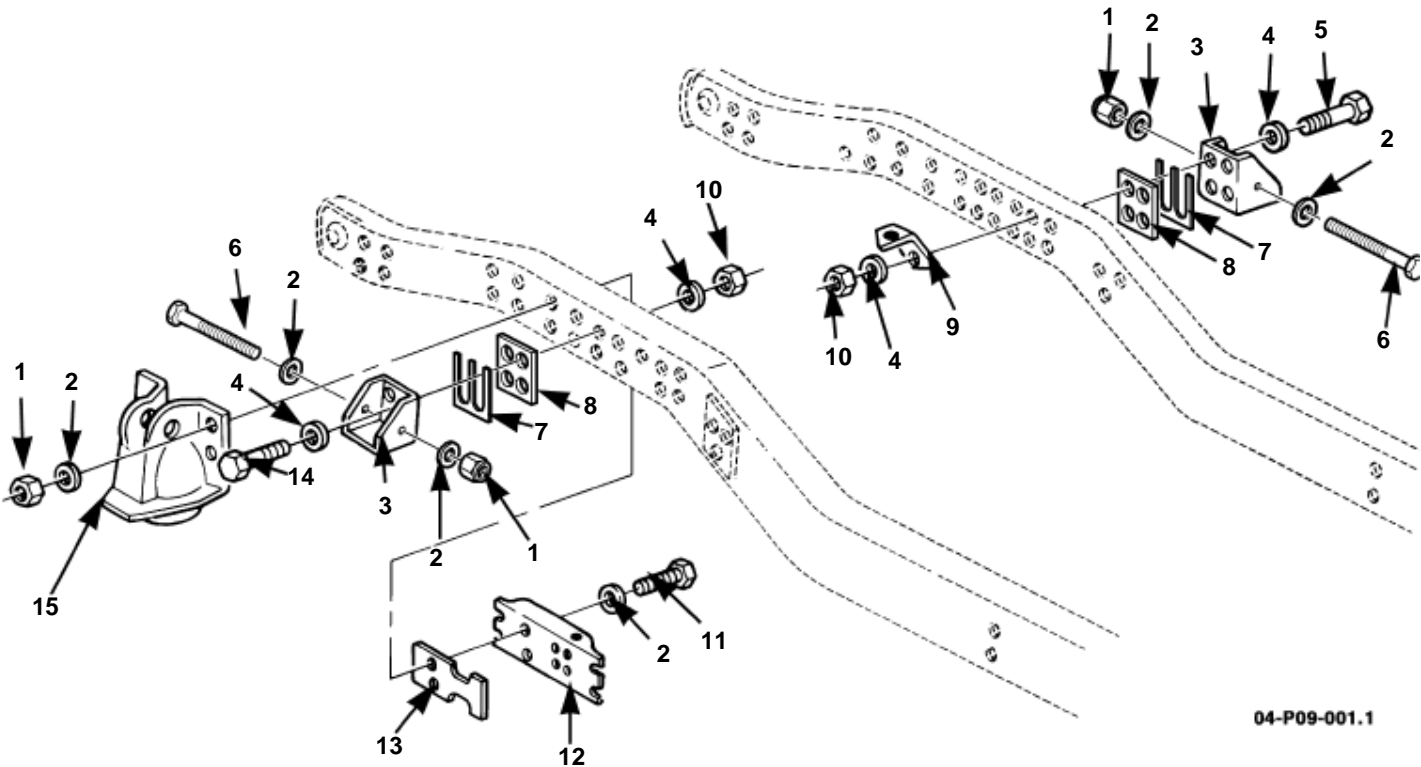


P09-010.2

Bumper, Rear and Lifting Shackle

Bumper, Rear and Lifting Shackle.

Item	Part No.	Description	Qty
1	N/S	LOCKNUT, 1/2 - 13", Gr8, rear bumper	20
2	N/S	WASHER, flat, hard, 1/2", type B, rear bumper	42
3	EC12338164B1	SPACER, mounting bracket, rear bumper	4
4	12446989B5	BRACKET, rear bumper, L.H., outer	1
	12446990B5	BRACKET, rear bumper, R.H., outer	1
5	6009595B5	BUMPER ASSEMBLY, rear	1
6	N/S	BOLT, 1/2 - 13 x 3 1/2", Gr8, CAD, rear bumper	8
7	12342373B5	BRACKET, rear bumper shackle	2
8	7716721	WASHER, wave, 3/4", rear shackles	2
9	272739P2	NUT, 5/8 - 18", Gr5	2
10	N/S	BOLT, rear bumper	4
11	12342354B5	SHACKLE, lifting	2
12	6011153P2	·BOLT	2
13	6006797B9	BRACKET, skid plate mounting, L.H.	1
	6006798B9	BRACKET, skid plate mounting, R.H.	1
14	N/S	BOLT, 3/8 - 16 x 1", Gr8, CAD	4
15	N/S	WASHER, flat, 3/8", type B	4
16	6006741B5	BRACKET, rear bumper, L.H., inner	1
	6006749B5	BRACKET, rear bumper, R.H., inner	1
17	N/S	BOLT, 1/2 - 13 x 4 1/4", Gr8, CAD	8



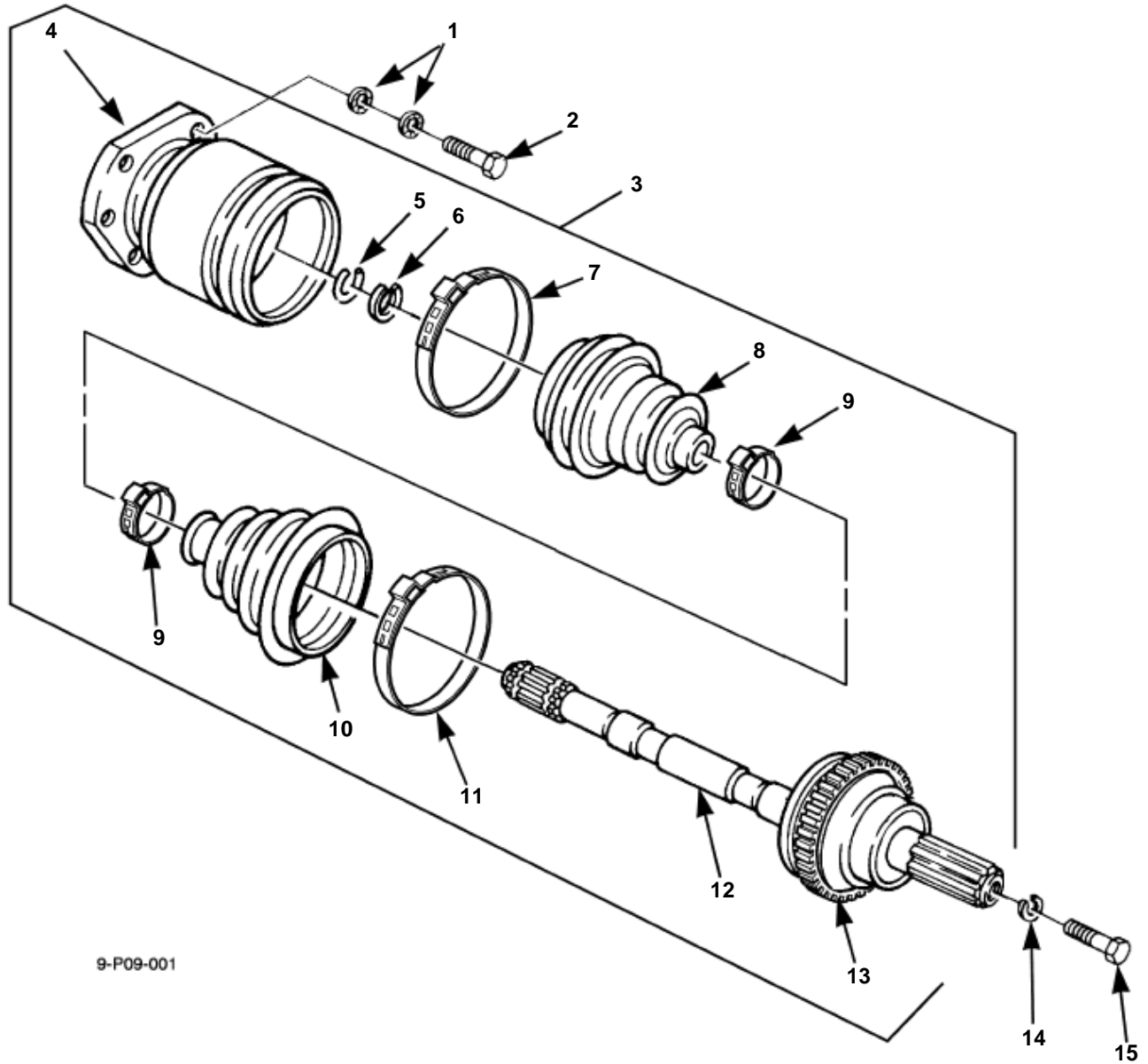
**Upper Control Arm Brackets, Spring Seats, Related Parts,
and Mounting Hardware**

Upper Control Arm Brackets, Spring Seats, Related Parts, and Mounting Hardware.

Item	Part No.	Description	Qty
1	MS51943-45	LOCKNUT, 3/4 - 10", Gr8, Cad	12
2	N/S	WASHER, flat, hardened, 3/4", type B	24
3	RCSK18517	BRACKET ASSEMBLY, upper control arm, rear	4
4	N/S	WASHER, flat, hardened, 1/2", type B	32
5	N/S	BOLT, 1/2 - 13 x 4 1/4", Gr8, CAD, SEE NOTE 1	16
	N/S	BOLT, 1/2 - 13 x 4", Gr8, CAD, SEE NOTE 2	18
6	N/S	BOLT, 3/4 - 10 x 4 3/4" GR8 DT	4
7	12338226-1	SHIM, upper control arm mounting bracket, 0.060"	A/R
	12338226-2	SHIM, upper control arm mounting bracket, 0.120"	A/R
8	6009543	SPACER, upper control arm mounting bracket, 0.125"	A/R
	6009573	SPACER, upper control arm mounting bracket, 0.250"	A/R
9	12338172	BRACKET, vent line	1
10	N/S	LOCKNUT, 1/2 - 13", Gr8, CAD	16
11	N/S	BOLT, 3/4 - 10 x 4 3/4", Gr8, CAD	8
12	12338152	REINFORCEMENT, frame	2
13	EC12338174B1	PLATE, frame reinforcement	2
14	N/S	BOLT, 1/2 - 13 x 4 1/2", Gr8, CAD, SEE NOTE 1	8
	N/S	BOLT, 1/2 - 13 x 4 1/4", Gr8, CAD, SEE NOTE 2	8
15	12338738	SEAT, rear spring	2

NOTE 1: USE WITH SHIM PACK/SPACER COMBINATION OF 0.240" OR THICKER.

NOTE 2: USE WITH SHIM PACK/SPACER COMBINATION OF UP TO 0.180" THICK.



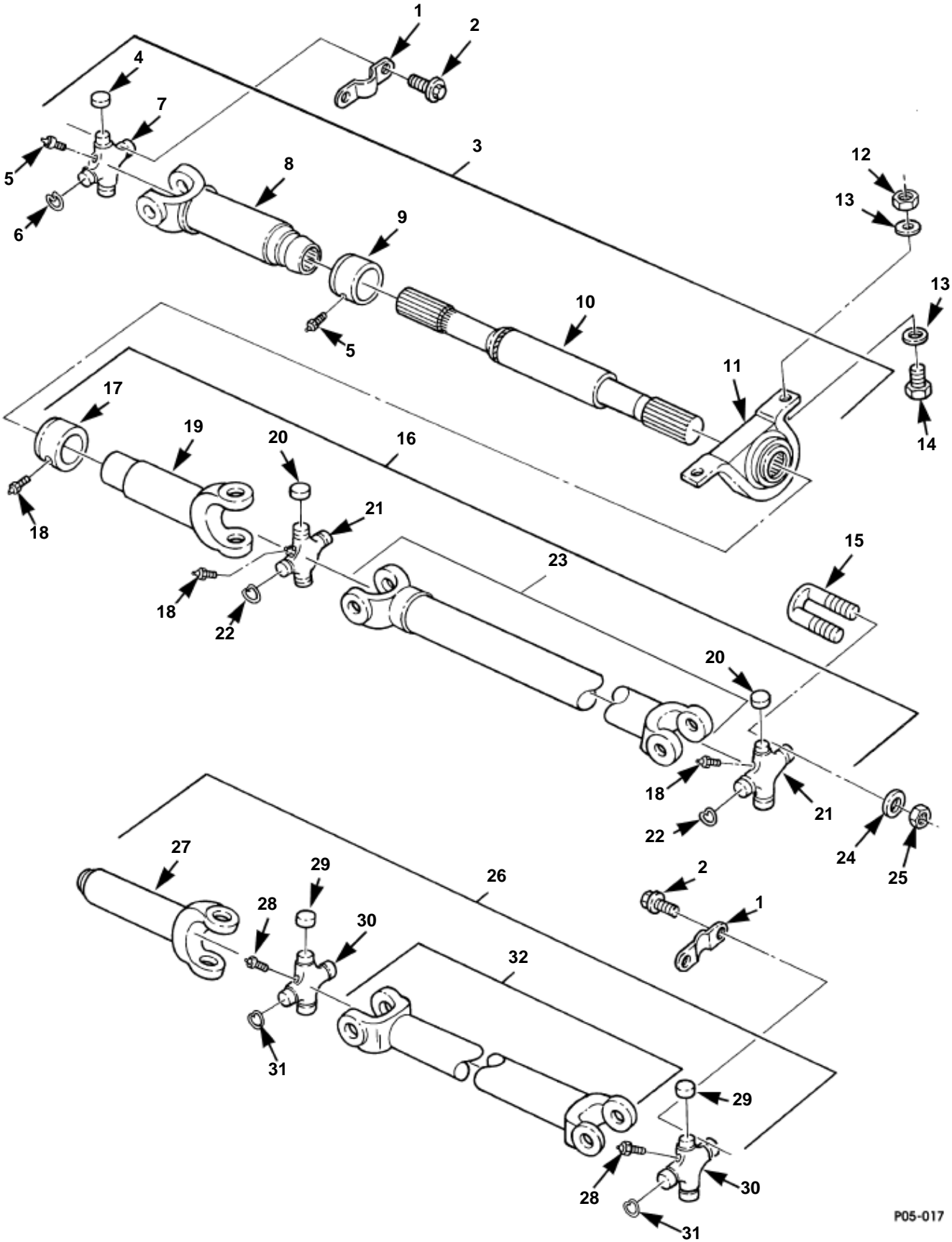
Halfshaft Assembly, Left and Right Side

Halfshaft Assembly, Left and Right Side.

Item	Part No.	Description	Qty
1	6008029	LOCKWASHER, M10, camlock, SEE NOTE 1	12
2	6008021	BOLT, SEE NOTE 1	6
3	6011466	HALFSHAFT ASSEMBLY, rear, L.H. and R.H.	2
	6011469	HALFSHAFT ASSEMBLY, rear, L.H. and R.H., 12,100-lb GVW	2
	6011464	HALFSHAFT ASSEMBLY, front, R.H.,	1
	6011467	HALFSHAFT ASSEMBLY, front, R.H., 12,100-lb GVW	1
	6011465	HALFSHAFT ASSEMBLY, front, L.H.,	1
	6011468	HALFSHAFT ASSEMBLY, front, L.H., 12,100-lb GVW	1
4	S.I.A.	·HOUSING, halfshaft, at axle	1
5	S.I.A.	·RETAINING RING, shaft	2
6	S.I.A.	·SPACER RING, halfshaft	2
7	5744413	·CLAMP, plunge boot, SEE NOTES 2 AND 3	1
	5744623	·CLAMP, plunge boot, SEE NOTE 4	1
8	S.I.A.	·BOOT, joint assembly, inner, SEE NOTE 3	1
	S.I.A.	·BOOT, joint assembly, inner, 12,100-lb GVW, SEE NOTE 4	1
9	5744414	·CLAMP, boot, inner, plunge and fixed joint assemblies, SEE NOTES 2 AND 3	2
	5744621	·CLAMP, boot, inner, plunge and fixed joint assemblies, 12,100-lb GVW, SEE NOTE 4	2
10	S.I.A.	·BOOT, fixed joint assembly, SEE NOTE 2	1
	S.I.A.	·BOOT, fixed joint assembly, 12,100-lb GVW, SEE NOTE 4	1
11	5744415	·CLAMP, boot, race, joint assembly, SEE NOTE 2	1
	5744622	·CLAMP, boot, race, joint assembly, 12,100-lb GVW, SEE NOTE 4	1
12	S.I.A.	·SHAFT, halfshaft, front, L.H.	1
	S.I.A.	·SHAFT, halfshaft, front, R.H.	1
	S.I.A.	·SHAFT, halfshaft, rear, L.H. and R.H.	1
13	6009900	TONE RING, Standard	1
	6009901	TONE RING, 12,100 GVW	1
14	N/S	LOCKWASHER, med, 3/8", Phos	1
15	N/S	SCREW, 3/8 -16 x 1 1/4", cap, Gr8, CAD	1
	5742070	GREASE, 3oz. package (not illustrated)	A/R

NOTE 1: QUANTITIES SHOWN ARE PER HALFSHAFT.

NOTE 2: PART OF FIXED JOINT BOOT PARTS KIT P/N
57K0275.NOTE 3: PART OF PLUNGE JOINT BOOT PARTS KIT P/N
57K0274.NOTE 4: PART OF BOOT PARTS KIT P/N 57K3515C. BOOT
KIT CONTAINS 2 IDENTICAL BOOTS AND 4
CLAMPS.



P05-017

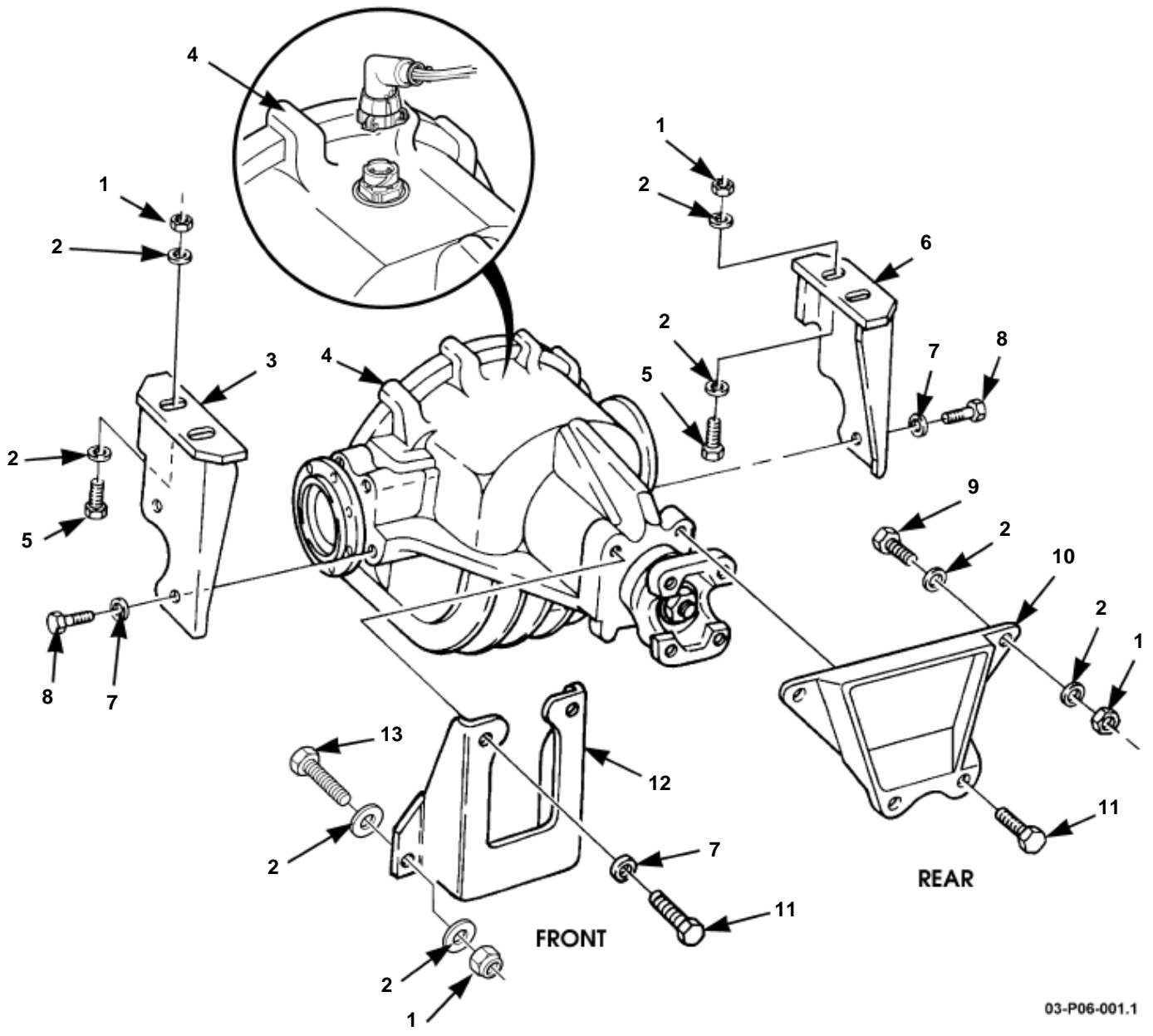
Propeller Shafts

Propeller Shafts.

Item	Part No.	Description	Qty
1	12339301	STRAP, cross assembly, bearing	4
	5937636	STRAP, cross assembly, bearing, 12,100-lb GVW	2
2	12339049	SCREW, cross assembly,	8
	5937637	SCREW, cross assembly, 12,100-lb GVW	4
3	6008596	PROPSHAFT, collapsing, front	1
4	S.I.K.	·BEARING RACE, SEE NOTE 1	4
5	MS15001-1	·FITTING, zerk, 1/4 - 28 x 3/16"	2
6	S.I.K.	·RING, SEE NOTE 1	2
7	S.I.K.	·CROSS ASSEMBLY, SEE NOTE 1	1
8	S.I.A.	·YOKE, universal	1
9	5740723	·DUST CAP	1
10	S.I.A.	·PROPELLER SHAFT, front	1
11	5741082	·BEARING, center	1
12	N/S	NUT, 7/16 - 14", Gr8, CAD	2
13	N/S	WASHER, flat, 7/16", type B, hard	4
14	N/S	SCREW, 7/16 - 14 x 1", Gr8, CAD	2
15	EC12339050	U-BOLT	2
16	12447114	DRIVE SHAFT, front	1
17	5740723	·DUST CAP	1
18	MS15001-1	·FITTING, zerk, 1/4 - 28 x 3/16"	3
19	5937482	·YOKE, universal	1
20	S.I.K.	·BEARING RACE, SEE NOTE 1	8
21	S.I.K.	·CROSS ASSEMBLY, SEE NOTE 1	2
22	S.I.K.	·RING, SEE NOTE 1	6
23	S.I.A.	·PROPELLER SHAFT, front middle	1
24	N/S	LOCKWASHER, med, 5/16", CAD	4
25	N/S	NUT, 5/16 - 24", Gr8	4
26	12447113	PROPSHAFT, rear	1
	RCSK17057	PROPSHAFT, rear, 12,100-lb GVW	1
27	5743957	·SLIP YOKE, universal joint	1
28	MS15001-1	·FITTING, zerk, 1/4 - 28 x 3/16"	2
29	S.I.K.	·BEARING RACE, SEE NOTE 2	8
30	S.I.K.	·CROSS ASSEMBLY, SEE NOTE 2	2
31	S.I.K.	·RING, SEE NOTE 1	6
32	S.I.A.	·PROPELLER SHAFT, rear	1

NOTE 1: USE JOURNAL AND BEARING KIT P/N
5595706. 10,300 GVW.

NOTE 2: USE JOURNAL AND BEARING KIT 12,100 GVW
REAR P/N 5714519 12,100 REAR U-JOINTS.



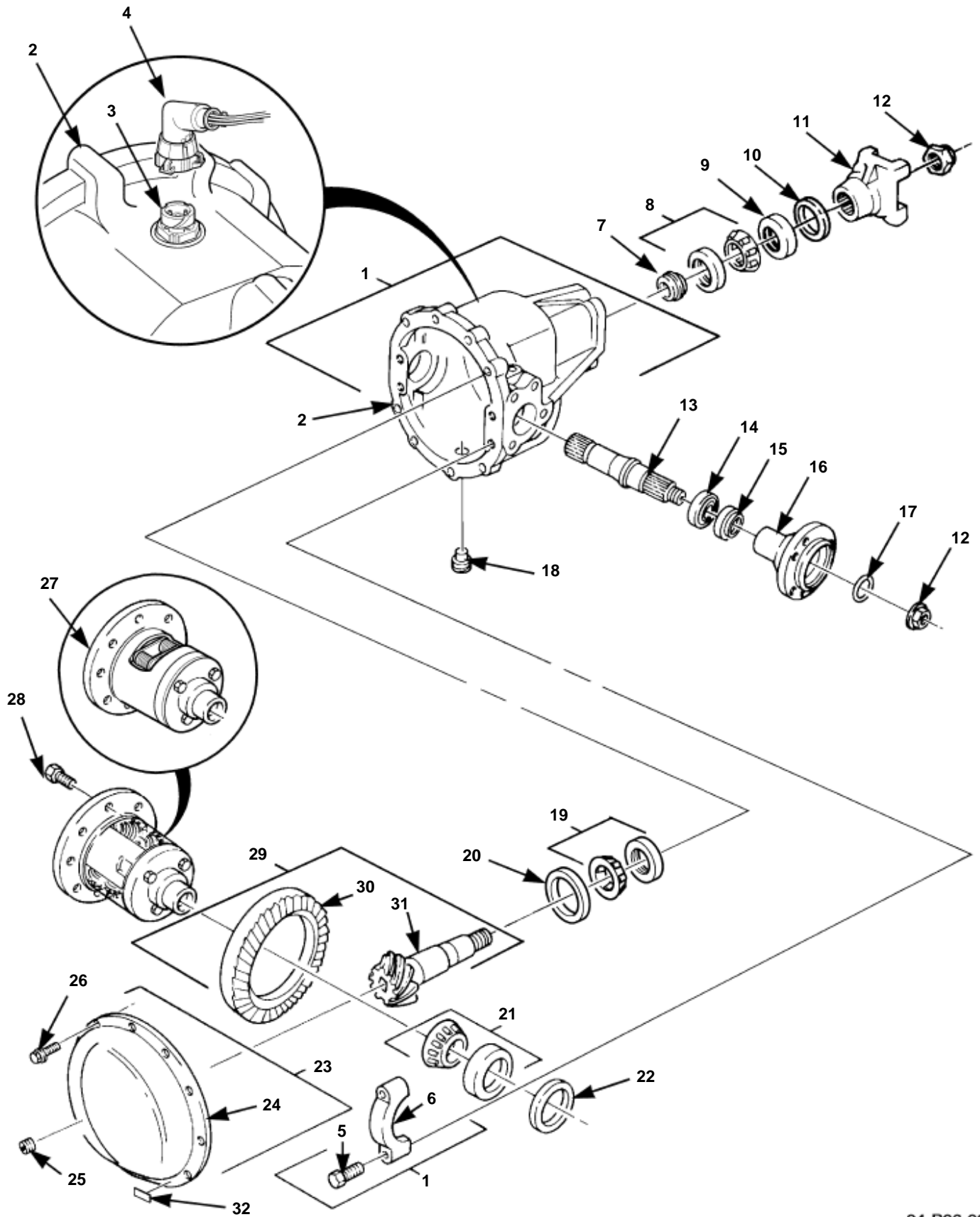
03-P06-001.1

Axle Differential, Mounting Brackets, and Hardware

Axle Differential, Mounting Brackets, and Hardware.

Item	Part No.	Description	Qty
1	N/S	LOCKNUT, 1/2 - 13", Gr8	8
2	N/S	WASHER, flat, hard, 1/2", type B	12
3	12338150-1	BRACKET, front differential, L.H. SEE NOTE 1	1
	12338151-2	BRACKET, rear differential, R.H. SEE NOTE 1	1
	EC12338150-7B1	BRACKET, front differential, L.H., 12,100-lb GVW SEE NOTE 1	1
	12338151-6	BRACKET, rear differential, R.H., 12,100-lb GVW SEE NOTE 1	1
4	6011934	AXLE ASM, front or rear, 2.56:1 ratio W/2.3 TBR	2
	6013891	AXLE ASM, front or rear, 2.56:1 ratio, W/E-Locker	1
	6011935	AXLE ASM, front, 3.08:1 ratio, 12,100-lb GVW W/2.3 TBR	1
	6011936	AXLE ASM, rear, 3.08:1 ratio, 12, 100-lb GVW W/2.3 TBR	1
	6013892	AXLE ASM, rear, 3.08:1 ratio, 12,100-lb GVW, W/E-Locker	1
	6014962	AXLE ASM, front, 3.08:1 ratio, 12,100-lb GVW, W/E-Locker	1
5	N/S	SCREW, 1/2 - 13 x 1 1/4", Gr8, CAD	2
	N/S	SCREW, 1/2 - 13 x 1 1/2", Gr8, CAD, 12,100-lb GVW	4
6	12338150-2	BRACKET, front differential, R.H. SEE NOTE 1	1
	12338151-1	BRACKET, rear differential, L.H. SEE NOTE 1	1
	EC12338150-6B1	BRACKET, front differential, R.H., 12,100-lb GVW SEE NOTE 1	1
	EC12338151-7B1	BRACKET, rear differential, L.H., 12,100-lb GVW SEE NOTE 1	1
7	N/S	WASHER, flat, hard, 5/8", type B	8
8	N/S	SCREW, lock, 5/8 - 11 x 1 1/4", Gr8, Phos	2
9	N/S	SCREW, 1/2 - 13 x 3 1/4", Gr8, CAD	2
10	12341900	BRACKET, axle pinion mounting, rear	1
11	N/S	BOLT, 5/8 - 11 x 1 1/2", HHCS, Gr8	2
12	12342801	BRACKET, axle pinion mounting, front	1
	EC12460286B1	-BRACKET ASSEMBLY, axle pinion mnt., front (12,100-lb GVW)	1
13	N/S	SCREW, 1/2 - 13 x 1", Gr8, CAD	2

NOTE 1: "K" SERIES VEHICLES ARE AVAILABLE WITH BOTH STANDARD AND 12,100 BRACKETS FRONT/REAR DIFFERENTIAL. 12,100 GVW IS STANDARD ON "K" SEREIES AND 10,300 IS OPTIONAL



04-P06-002

Axle Differential

Axle Differential.

Item	Part No.	Description	Qty
1	5579424	HOUSING ASSEMBLY, mechanical, axle differential	1
2	S.I.A.	·HOUSING, axle differential	1
	6013930	HOUSING, axle differential, E-Locker	1
3	5745701	·HOUSING, axle differential, E-Locker, connector SEE NOTE 4	1
4	N/S	CONNECTOR, 4-way, endbell - 90 degree	1
5	5745648	·BOLT, 1/2 -13 x 2 - 5/16", bearing cap	4
6	S.I.A.	·CAP, bearing	2
7	5579450	SPACER, axle pinion	1
8	5583610	BEARING, axle pinion	1
9	5579448	SEAL, axle pinion	1
10	5598183	SLINGER, axle	2
11	5597328	YOKE, differential pinion	2
	5937525	YOKE, differential pinion, rear, 12,100-lb GVW	1
12	5579442	LOCKNUT, axle shaft	3
13	6010942	SHAFT, axle output	2
14	5579988	BEARING, output shaft	2
15	6009472	SEAL, output shaft	2
16	5593817	FLANGE, output shaft	2
17	5939517	SEAL, star washer, output shaft	2
18	5593148	MAGNETIC PLUG, differential housing drain	1
19	5583609	BEARING, axle pinion	1
20	5579445-79	SPACER, axle pinion bearing, 0.0835-0.0845-inch, SEE NOTE 1	1
	5579445-78	SPACER, axle pinion bearing, 0.0846-0.0856-inch, SEE NOTE 1	1
	5579445-77	SPACER, axle pinion bearing, 0.0857-0.0867-inch, SEE NOTE 1	1
	5579445-76	SPACER, axle pinion bearing, 0.0868-0.0878-inch, SEE NOTE 1	1
	5579445-75	SPACER, axle pinion bearing, 0.0879-0.0889-inch, SEE NOTE 1	1
	5579445-74	SPACER, axle pinion bearing, 0.0890-0.0900-inch, SEE NOTE 1	1
	5579445-73	SPACER, axle pinion bearing, 0.0901-0.0911-inch, SEE NOTE 1	1
	5579445-72	SPACER, axle pinion bearing, 0.0912-0.0922-inch, SEE NOTE 1	1
	5579445-71	SPACER, axle pinion bearing, 0.0923-0.0933-inch, SEE NOTE 1	1
	5579445-70	SPACER, axle pinion bearing, 0.0934-0.0944-inch, SEE NOTE 1	1
	5579445-69	SPACER, axle pinion bearing, 0.0945-0.0955-inch, SEE NOTE 1	1
	5579445-68	SPACER, axle pinion bearing, 0.0956-0.0966-inch, SEE NOTE 1	1
	5579445-67	SPACER, axle pinion bearing, 0.0967-0.0977-inch, SEE NOTE 1	1
	5579445-66	SPACER, axle pinion bearing, 0.0978-0.0988-inch, SEE NOTE 1	1
	5579445-65	SPACER, axle pinion bearing, 0.0989-0.0999-inch, SEE NOTE 1	1
	5579445-64	SPACER, axle pinion bearing, 0.1000-0.1010-inch, SEE NOTE 1	1
	5579445-63	SPACER, axle pinion bearing, 0.1011-0.1021-inch, SEE NOTE 1	1
	5579445-62	SPACER, axle pinion bearing, 0.1022-0.1032-inch, SEE NOTE 1	1
	5579445-61	SPACER, axle pinion bearing, 0.1033-0.1043-inch, SEE NOTE 1	1
	5579445-60	SPACER, axle pinion bearing, 0.1044-0.1054-inch, SEE NOTE 1	1
	5579445-59	SPACER, axle pinion bearing, 0.1055-0.1065-inch, SEE NOTE 1	1
	5579445-58	SPACER, axle pinion bearing, 0.1066-0.1076-inch, SEE NOTE 1	1

Axle Differential.

Item	Part No.	Description	Qty
20	5579445-57	SPACER, axle pinion bearing, 0.1077-0.1087-inch, SEE NOTE 1	1
	5579445-56	SPACER, axle pinion bearing, 0.1088-0.1098-inch, SEE NOTE 1	1
	5579445-55	SPACER, axle pinion bearing, 0.1099-0.1109-inch, SEE NOTE 1	1
	5579445-54	SPACER, axle pinion bearing, 0.1110-0.1120-inch, SEE NOTE 1	1
21	5583611	ROLLER BEARING, output shaft	2
22	5579453-44	SPACER, differential bearing, 0.0745-0.0755-inch, SEE NOTE 2	1
	5579453-45	SPACER, differential bearing, 0.0756-0.0766-inch, SEE NOTE 2	1
	5579453-46	SPACER, differential bearing, 0.0767-0.0777-inch, SEE NOTE 2	1
	5579453-47	SPACER, differential bearing, 0.0778-0.0788-inch, SEE NOTE 2	1
	5579453-48	SPACER, differential bearing, 0.0789-0.0799-inch, SEE NOTE 2	1
	5579453-49	SPACER, differential bearing, 0.0800-0.0810-inch, SEE NOTE 2	1
	5579453-50	SPACER, differential bearing, 0.0811-0.0821-inch, SEE NOTE 2	1
	5579453-51	SPACER, differential bearing, 0.0822-0.0832-inch, SEE NOTE 2	1
	5579453-52	SPACER, differential bearing, 0.0833-0.0843-inch, SEE NOTE 2	1
	5579453-53	SPACER, differential bearing, 0.0844-0.0854-inch, SEE NOTE 2	1
	5579453-54	SPACER, differential bearing, 0.0855-0.0865-inch, SEE NOTE 2	1
	5579453-55	SPACER, differential bearing, 0.0866-0.0876-inch, SEE NOTE 2	1
	5579453-56	SPACER, differential bearing, 0.0877-0.0887-inch, SEE NOTE 2	1
	5579453-57	SPACER, differential bearing, 0.0888-0.0898-inch, SEE NOTE 2	1
	5579453-58	SPACER, differential bearing, 0.0899-0.0909-inch, SEE NOTE 2	1
	5579453-59	SPACER, differential bearing, 0.0910-0.0920-inch, SEE NOTE 2	1
	5579453-60	SPACER, differential bearing, 0.0921-0.0931-inch, SEE NOTE 2	1
	5579453-61	SPACER, differential bearing, 0.0932-0.0942-inch, SEE NOTE 2	1
	5579453-62	SPACER, differential bearing, 0.0943-0.0953-inch, SEE NOTE 2	1
	5579453-63	SPACER, differential bearing, 0.0954-0.0964-inch, SEE NOTE 2	1
	5579453-64	SPACER, differential bearing, 0.0965-0.0975-inch, SEE NOTE 2	1
	5579453-65	SPACER, differential bearing, 0.0976-0.0986-inch, SEE NOTE 2	1
	5579453-66	SPACER, differential bearing, 0.0987-0.0997-inch, SEE NOTE 2	1
	5579453-67	SPACER, differential bearing, 0.0998-0.1008-inch, SEE NOTE 2	1
	5579453-68	SPACER, differential bearing, 0.1009-0.1020-inch, SEE NOTE 2	1
	5579453-69	SPACER, differential bearing, 0.1020-0.1030-inch, SEE NOTE 2	1
	5579453-70	SPACER, differential bearing, 0.1031-0.1041-inch, SEE NOTE 2	1
	5579453-71	SPACER, differential bearing, 0.1042-0.1052-inch, SEE NOTE 2	1

Axle Differential.

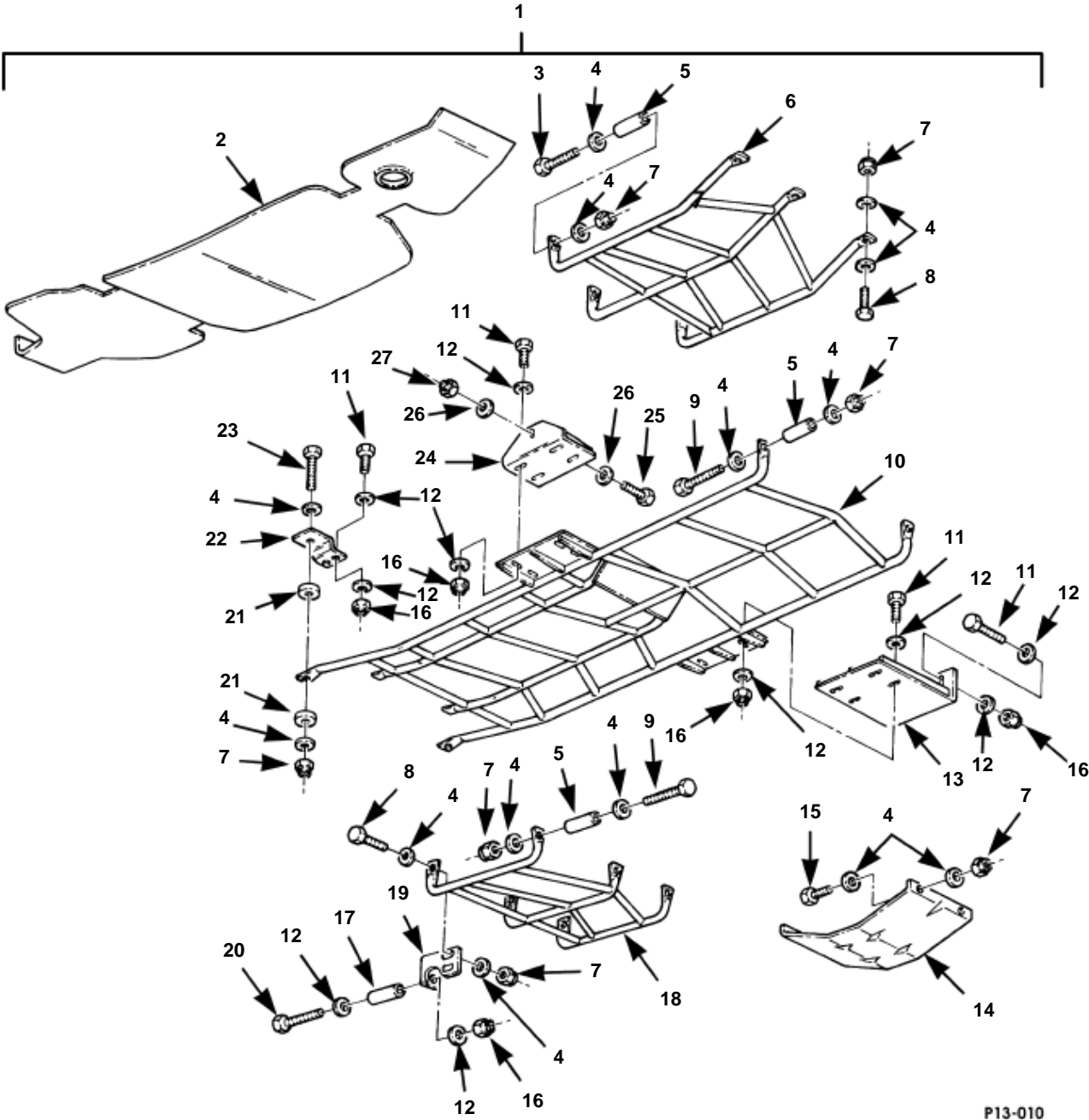
Item	Part No.	Description	Qty
22	5579453-72	SPACER, differential bearing, 0.1053-0.1063-inch, SEE NOTE 2	1
	5579453-73	SPACER, differential bearing, 0.1064-0.1074-inch, SEE NOTE 2	1
	5579453-74	SPACER, differential bearing, 0.1075-0.1085-inch, SEE NOTE 2	1
	5579453-75	SPACER, differential bearing, 0.1086-0.1096-inch, SEE NOTE 2	1
	5579453-76	SPACER, differential bearing, 0.1097-0.1107-inch, SEE NOTE 2	1
	5579453-77	SPACER, differential bearing, 0.1108-0.1118-inch, SEE NOTE 2	1
	5579453-78	SPACER, differential bearing, 0.1119-0.1129-inch, SEE NOTE 2	1
	5579453-79	SPACER, differential bearing, 0.1130-0.1140-inch, SEE NOTE 2	1
	5579453-80	SPACER, differential bearing, 0.1141-0.1151-inch, SEE NOTE 2	1
	5579453-81	SPACER, differential bearing, 0.1152-0.1162-inch, SEE NOTE 2	1
	5579453-82	SPACER, differential bearing, 0.1163-0.1173-inch, SEE NOTE 2	1
	5579453-83	SPACER, differential bearing, 0.1174-0.1184-inch, SEE NOTE 2	1
23	5582303	COVER ASSEMBLY, differential axle	1
	6013931	COVER ASSEMBLY, differential axle, E locker	1
24	S.I.A.	·COVER, differential axle	1
25	5597050	·PLUG, 1/2 - 14", differential cover	1
26	5579438	·SCREW, differential cover	12
27	6011975	DIFFERENTIAL, axle, standard, front and rear	1
	6013928	DIFFERENTIAL, axle, E-Locker, front and rear, (SEE NOTE 3)	1
28	5579439	SCREW, differential	8
29	5579501	GEAR SET, ring and pinion, 2.56:1 ratio	1
	RCSK17306	GEAR SET, ring and pinion, 3.08:1 ratio	1
30	S.I.A.	·RING, gear and pinion	1
31	S.I.A.	·PINION	1
32	6014954	TAG, axle I.D.	1
	6016039	TAG, lub i.D.	1
	5745569	LUBRICANT, gear, w/friction modifier, 1 Qt. bottle (not illustrated)	2
	5745694	BRACKET, retainer, W/ E-Locker, (not pictured)(SEE NOTE 3)	1

NOTE 1: PART OF AXLE PINION BEARING SHIM KIT P/N
5579445. KIT CONTAINS SPACERS P/N 5579445
-54 THROUGH P/N 5579445-79.

NOTE 2: PART OF DIFFERENTIAL BEARING SHIM KIT P/N
5579453. KIT CONTAINS SPACERS P/N 5579453
-44 THROUGH P/N 5579453-83.

NOTE 3: BRACKET 5745694 REQUIRED FOR E LOCKER.

NOTE 4: SEE SECTION 12 FOR HARNESS ASSEMBLY



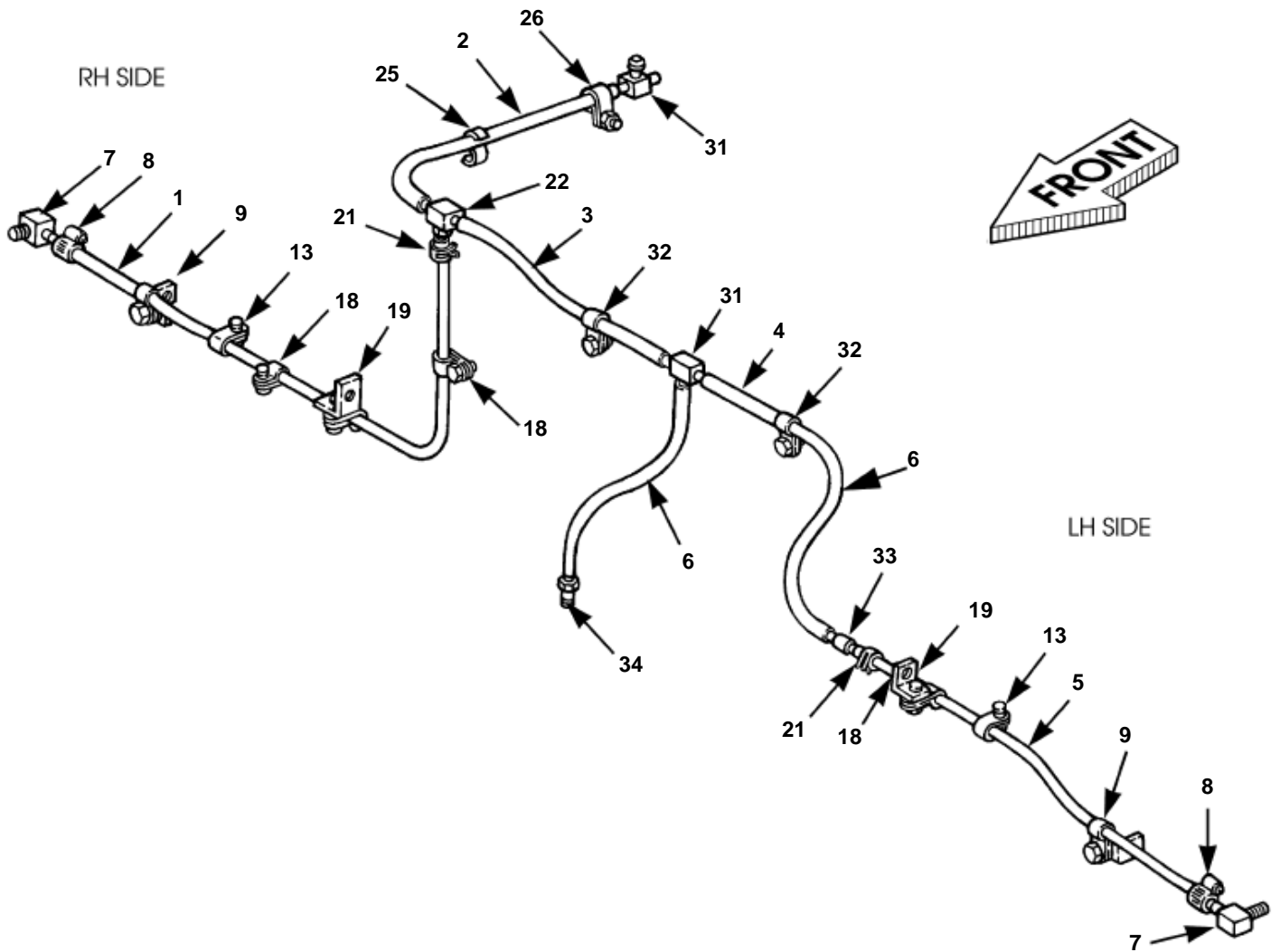
P13-010

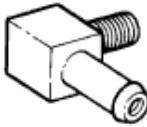

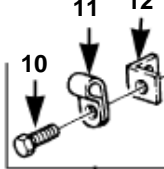
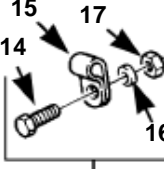
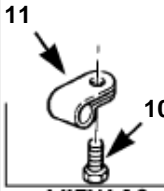
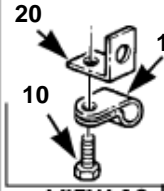

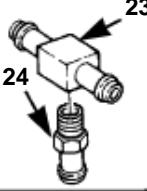

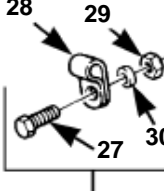
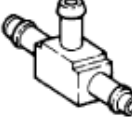
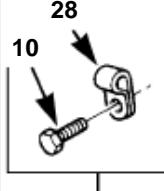
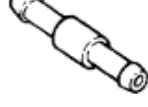

Driveline Protection and Mounting Hardware

Driveline Protection and Mounting Hardware.

Item	Part No.	Description	Qty
1	5744299	KIT, underbody protection, vehicle w/o winch	1
	5744281	KIT, underbody protection, vehicle w/winch, SEE NOTE 1	1
2	6006150B9	·SHIELD, fuel tank	1
3	S.I.K.	·BOLT, 3/8 - 16 x 3 1/4", Gr8, Phos	5
4	S.I.K.	·WASHER, flat, 3/8", type B	A/R
5	5594341	·SPACER, front	3
6	12460415	·DRIVE LINE PROTECTION, front	1
	6009094	DRIVE LINE PROTECTION, front (12,100 GVW only)	1
7	S.I.K.	·LOCKNUT, 3/8 - 16", Gr8	A/R
8	S.I.K.	·SCREW, cap, 3/8 - 16 x 1 1/8", Gr8, CAD	7
9	S.I.K.	·BOLT, 3/8 - 16 x 3 1/4", Gr8, Phos	3
10	12447143	·DRIVE LINE PROTECTION, intermediate	1
11	S.I.K.	·BOLT, 5/16 - 18 x 1", Gr8, CAD	12
12	S.I.K.	·WASHER, flat, 5/16", hardened, type B, ZN	36
13	12447146	·BRACKET ASSEMBLY, shield mounting, L.H.	1
14	12447151	·SHIELD, transfer case	1
15	S.I.K.	·BOLT, 3/8 - 16 x 1", Gr8, CAD	2
16	S.I.K.	·LOCKNUT, 5/16 - 18", Gr8	18
17	12338186-69	·SPACER, underbody protection, rear	9
18	5593492	·DRIVE LINE PROTECTION, rear	1
	6009095	DRIVE LINE PROTECTION, rear (12,100 GVW only)	1
19	12447145	·BRACKET, tube rear mounting, (10,300 GVW only)	3
	6009084B9	·BRACKET, tube rear mounting, (12,100 GVW only)	3
20	S.I.K.	·BOLT, 5/16 - 18 x 3", Gr8, ZN	6
21	5593497	·WASHER, laminated fiber, 3/8"	4
22	12447148	·BRACKET, tube support transmission	2
23	S.I.K.	·BOLT, 3/8 - 16 x 1 1/2", Gr8, CAD	2
24	12447147	·BRACKET ASSEMBLY, shield mounting, R.H.	1
25	S.I.K.	·BOLT, 1/2 - 13 x 3 3/4", Gr8, CAD	2
26	S.I.K.	·WASHER, flat, hardened, 1/2"	4
27	S.I.K.	·LOCKNUT, 1/2 - 13"	2

NOTE 1: FOR SKID PLATE INFORMATION, REFER TO
DRIVELINE PROTECTION SKID PLATES ON NEXT
PAGE.



 VIEW 7	 VIEW 8	 VIEW 9	 VIEW 13	 VIEW 18	 VIEW 19	 VIEW 21
 VIEW 22	 VIEW 25	 VIEW 26	 VIEW 31	 VIEW 32	 VIEW 33	 VIEW 34

P06-005

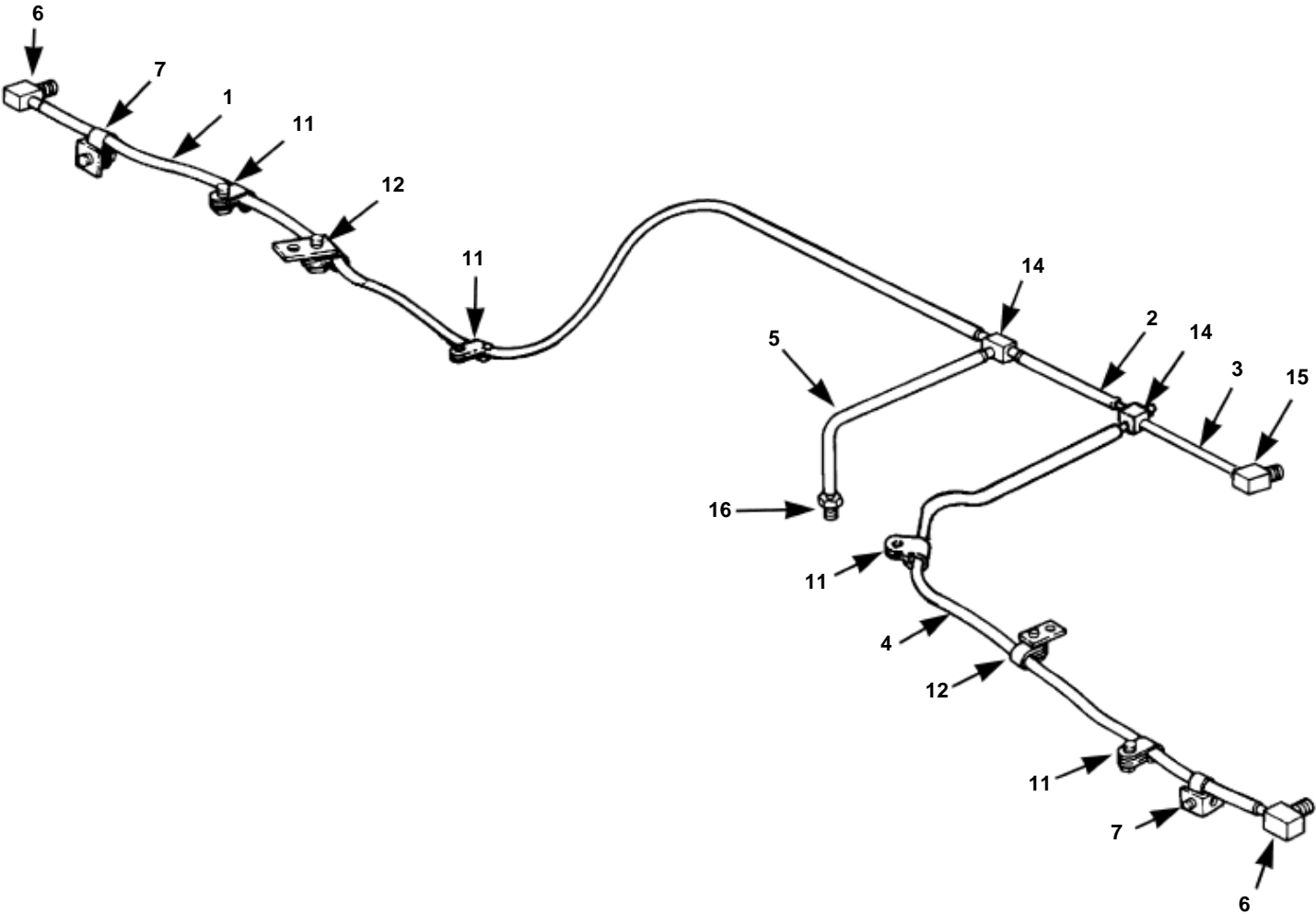
Vent Lines, Front Axle and Geared Hub


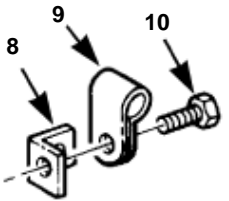
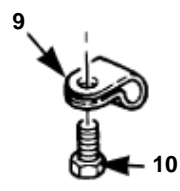
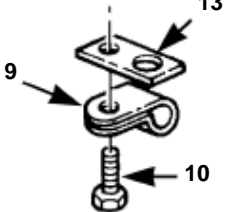
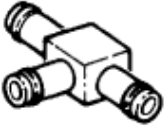


Vent Lines, Front Axle and Geared Hub.

Item	Part No.	Description	Qty
1	NPN	HOSE, 32", geared hub vent line, R.H., SEE NOTE 1	1
2	NPN	TUBE, 20", differential and geared hub vent line, SEE NOTE 2	1
3	NPN	TUBE, 14", differential and geared hub vent line, SEE NOTE 2	1
4	NPN	TUBE, 12", differential and geared hub vent line, SEE NOTE 2	1
5	NPN	HOSE, 25", geared hub vent line, L.H., SEE NOTE 1	1
6	NPN	TUBE, 8", differential vent line, SEE NOTE 2	2
7	6006440	ELBOW, male, geared hub vent line, 90 degree	2
8	5934855	CLAMP, screw type	2
9	NPN	CLAMP ASSEMBLY	2
10	N/S	·SCREW, tapping, 3/8 - 16 x 5/8", ZN	1
11	N/S	·CLAMP, cushioned, 5/8"	1
12	5598208	·BRACKET, vent line	1
13	NPN	CLAMP ASSEMBLY	2
14	N/S	·SCREW, 1/4 - 20 x 3/4", Gr5, CAD	1
15	12340571-2	CLAMP, closed, .937 phil PN SS	1
16	N/S	·WASHER, flat, 1/4", CAD	1
17	N/S	·LOCKNUT, 1/4 - 20", Gr8	1
18	NPN	CLAMP ASSEMBLY	2
19	NPN	BRACKET ASSEMBLY	2
20	12338170	·BRACKET, vent line	1
21	WWC440-1/2	CLAMP, hose, 1/2", TY E, low press	2
22	NPN	ADAPTER ASSEMBLY	1
23	12339969	·TEE, vent line	1
24	12340331	·ADAPTER, vent line	1
25	12339890	S-CLIP, vent line	1
26	NPN	CLAMP ASSEMBLY	1
27	N/S	·BOLT, 5/16 - 18 x 1", Gr5, CAD	1
28	N/S	·CLAMP, cushioned, 1/4"	1
29	N/S	·WASHER, flat, 5/16", CAD	1
30	N/S	·LOCKNUT, 5/16 - 18", Gr8	1
31	12339973-1	TEE, union	2
32	NPN	CLAMP ASSEMBLY	2
33	12339972	UNION, vent line	1
34	12339978	CONNECTOR, differential vent line	1
	6005755	TAPE, heat, vent line, 3/4" (not illustrated)	A/R

NOTE 1: MAKE FROM BULK HOSE P/N 5741210.

NOTE 2: MAKE FROM BULK NYLON TUBE P/N 5741079.



 <p>VIEW 6</p>	 <p>VIEW 7</p>	 <p>VIEW 11</p>	 <p>VIEW 12</p>
 <p>VIEW 14</p>	 <p>VIEW 15</p>	 <p>VIEW 16</p>	

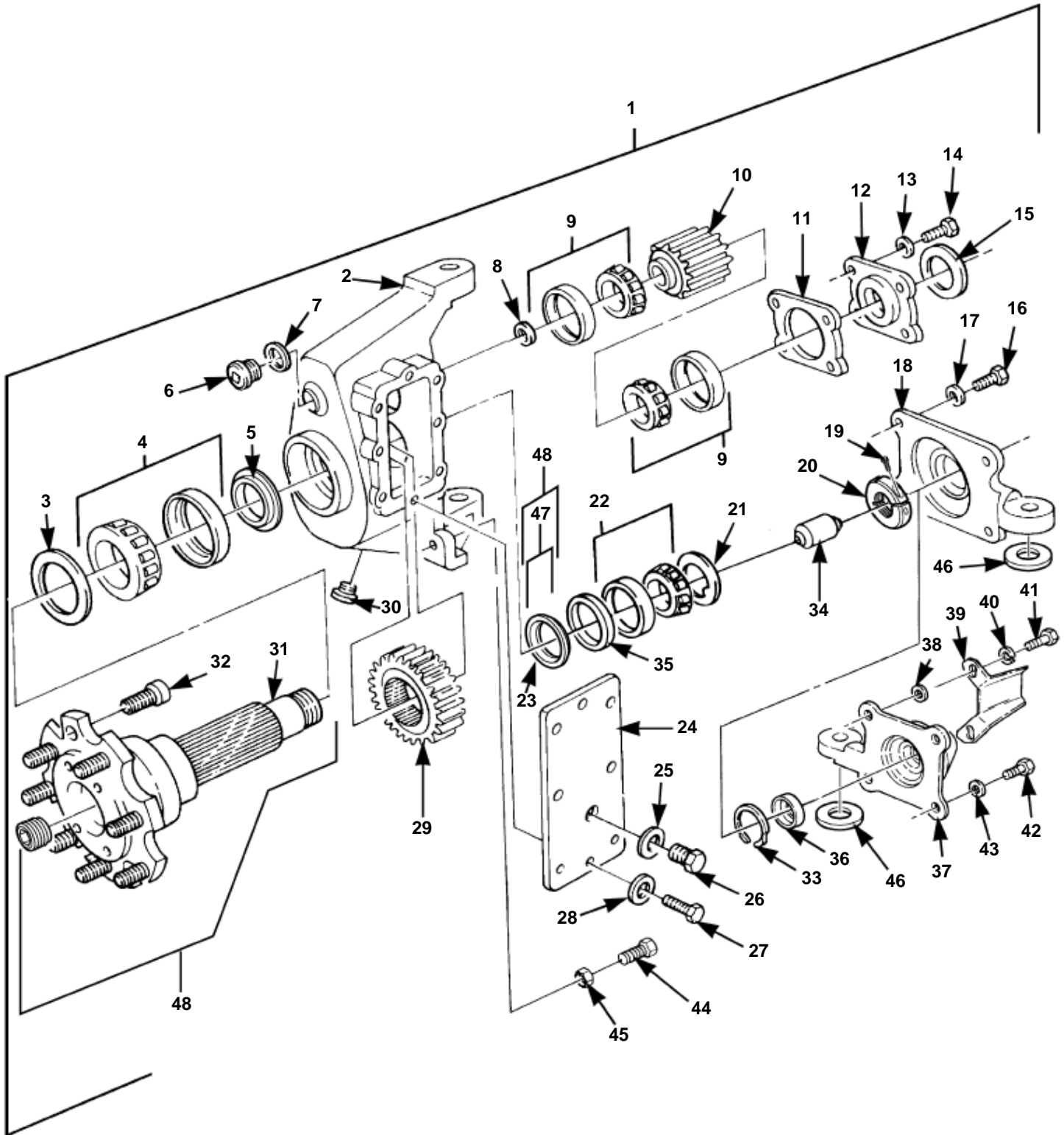
P06-008.1

Vent Lines, Rear Axle and Geared Hub

Vent Lines, Rear Axle and Geared Hub.

Item	Part No.	Description	Qty
1	NPN	TUBE, 42", geared hub vent line, L.H., SEE NOTE 1	1
2	NPN	TUBE, 7", differential and geared hub vent line, SEE NOTE 1	1
3	NPN	TUBE, 5", SEE NOTE 1	1
4	NPN	TUBE, 35 1/2", geared hub vent line, R.H., SEE NOTE 1	1
5	NPN	TUBE, 10", differential vent line, SEE NOTE 1	1
6	12339964-1	ELBOW, male, geared hub vent lines, 90 degree	2
7	NPN	BRACKET ASSEMBLY	2
8	5598208	·BRACKET, vent line	1
9	N/S	·CLAMP, cushioned, 1/4"	1
10	N/S	·SCREW, tapping, 3/8 - 16 x 5/8", ZN	1
11	NPN	CLAMP ASSEMBLY	4
12	NPN	PLATE ASSEMBLY	2
13	12338172	·BRACKET, geared hub, vent line	2
14	12339973-1	TEE, union	2
15	12339979-1	ELBOW, 90 degree	1
16	12339978	CONNECTOR, vent line	1
	6005755	TAPE, heat, vent line, 3/4" (not illustrated)	A/R

NOTE 1: MAKE FROM BULK NYLON TUBE P/N 5741079.



P06-006.4

Geared Hub (Knuckle) Assemblies

Geared Hub (Knuckle) Assemblies.

Item	Part No.	Description	Qty
1	6014366	GEARED HUB ASSY., noise-reduced, R.H. front, (CTIS) SEE NOTE 2	1
	6014367	GEARED HUB ASSY., noise-reduced, L.H. front, (CTIS) SEE NOTE 1	1
	6014370	GEARED HUB ASSY., 12,100-lb. GVW, R.H. front, (CTIS) (For Fleet Use Only), SEE NOTE 2, 6	1
	6014371	GEARED HUB ASSY., 12,100-lb. GVW, L.H. front, (CTIS) (For Fleet Use Only), SEE NOTE 1, 6	1
2	S.I.A.	·KNUCKLE HOUSING	1
3	5745995	·KIT, geared hub output seals	1
4	MS19081-86	·BEARING, outer spindle	1
5	5573989	·SPACER, outer spindle	1
6	5595214	·PLUG, upper access	1
7	5573688	·WASHER, upper access plug	1
8	5568223	·WASHER, half shaft	1
	6009454	·WASHER, half shaft, 12,100-lb. GVW	1
9	5568226	·BEARING, upper gear	2
10	6007115	·GEAR, upper	1
	6009453	·GEAR, upper, 12,100-lb. GVW	1
11	5573692	·SHIM, gasket, 0.005-inch	A/R
12	5574002	·RETAINER, upper gear	1
13	N/S	·WASHER, flat, upper gear retainer, 3/8", ZN	4
14	N/S	·BOLT, 3/8 - 16 x 1", Gr8, CAD	4
15	5745994	·KIT, geared hub input seals	1
16	N/S	·BOLT, 1/2 - 13 x 1 1/4", w/o CTIS, Gr8, CAD	4
17	N/S	·WASHER, flat, 1/2", w/o CTIS, ZN	4
18	6005121	·COVER, steering arm, CTIS, front L.H. and rear R.H.	2
19	6001757	·LOCKSCREW, clampnut	1
20	6001735	·CLAMPNUT, spindle	1
21	5573684	·WASHER, spindle	1
22	5568227	·BEARING, inner	1
23	S.I.K.	·SPACER, inner bearing, w/ CTIS, SEE NOTE 5	1
	S.I.K.	·SPACER, inner bearing, w/o CTIS, SEE NOTE 5	1
24	5574924	·ACCESS COVER, case side	1
25	5573687	·WASHER, fill plug, nylon	1
26	5573690	·FILL PLUG, access cover	1
27	5593348	·BOLT, side cover	8
28	S.I.A.	·WASHER, flat, 5/16", CAD	8
29	6007114	·GEAR, lower, output	1
	6009452	·GEAR, lower, output 12,100-lb GVW	1
30	5593656	·MAGNETIC PLUG, lower pipe	1
31	S.I.K.	SPINDLE, SEE NOTE 4, 5	1
32	5568211	·BOLT, spindle	8
33	5594472	·RETAINER, hub	1
34	5594531	·EXTENSION, spindle	1
35	6001784	·SPACER, bearing, w/ CTIS or 12,100-lb GVW	1
36	6005193	·SEAL, spindle	1
37	6005120	·COVER, steering arm, CTIS, front R.H., rear L.H.,	2
38	5599210	·WASHER, flat, hardened, shield	2
39	5598234	·SHIELD, CTIS tube, rear	4
40	S.I.A.	·LOCKWASHER, med, 1/2", CAD	2
41	S.I.A.	·BOLT, 1/2 - 13 x 1 3/8", Gr 5	2
42	S.I.A.	·BOLT, 1/2 - 13 x 1 1/4", Gr8	4
43	S.I.A.	·WASHER, hard, 1/2", type B	4
44	N/S	BOLT, 1/2 - 13 x 1 1/2", Gr8, CAD	2
45	N/S	NUT, 1/2 - 13", Gr5, ZN	2
46	N/S	WASHER, flat, hardened, 5/8"	4
47	5715295C	KIT, spindle, w/CTIS, SEE NOTE 5	1
	5715160	·SPINDLE	1
	6018512	·SPACER, inner bearing	1
48	5745293	KIT, spindle, w/o CTIS, SEE NOTE 5	1
	5715160	·SPINDLE	1
	6018512	·SPACER, inner bearing	1
	444654	·PIPE PLUG	1

Geared Hub (Knuckle) Assemblies.

Item	Part No.	Description	Qty
------	----------	-------------	-----

	6012521	HOUSING ASSEMBLY, ABS wheel speed sensor mounting (not illustrated), SEE NOTE 3	4
--	----------------	--	---

NOTE 1: L.H. FRONT AND R.H. REAR ARE THE SAME
EXCEPT FOR THE PLACEMENT OF ABS SENSOR
MOUNTING BRACKETS AND CTIS HOSE PRO-
TECTOR BRACKETS.

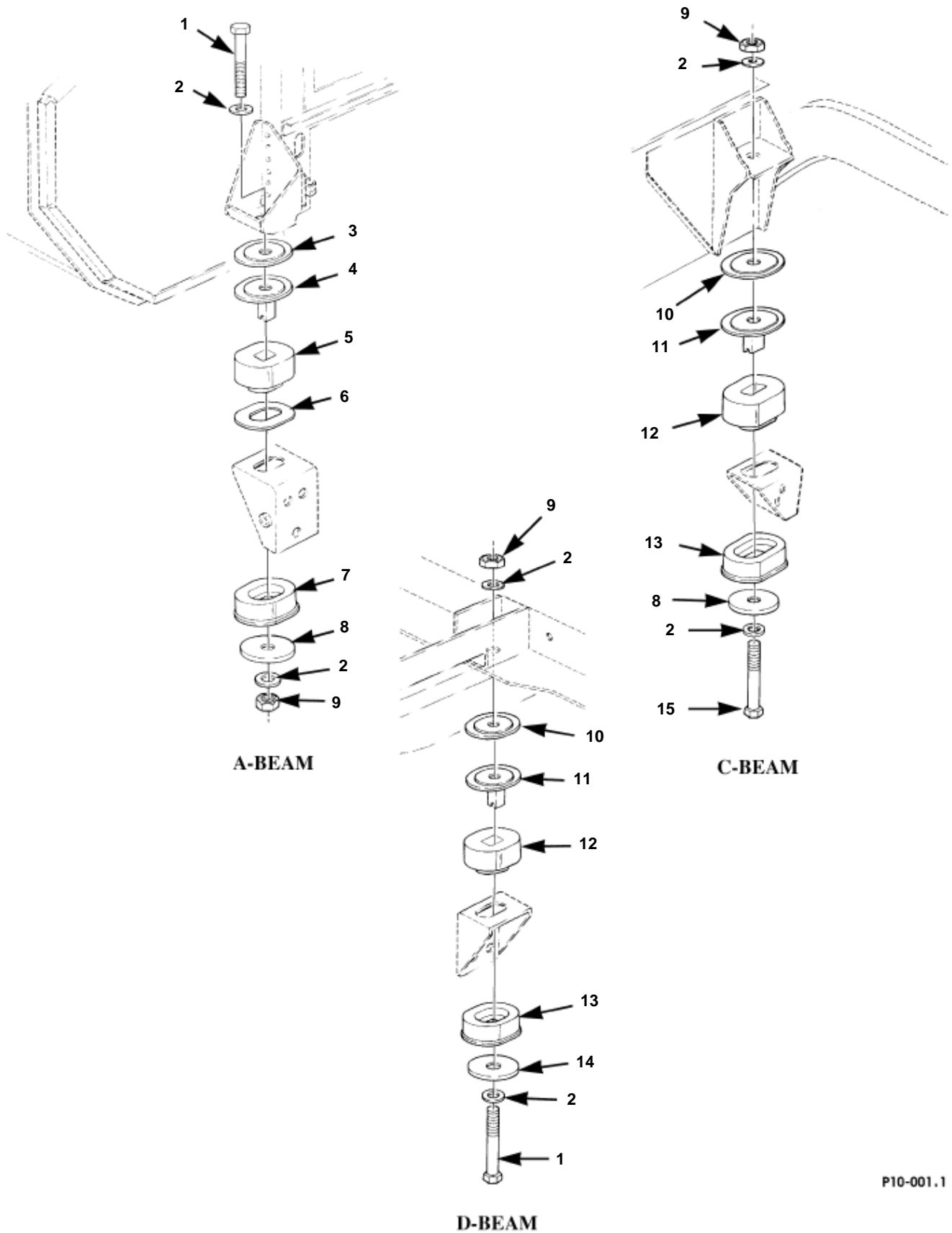
NOTE 2: R.H. FRONT AND L.H. REAR ARE THE SAME
EXCEPT FOR THE PLACEMENT OF ABS SENSOR
MOUNTING BRACKETS AND CTIS HOSE PRO-
TECTOR BRACKETS.

NOTE 3: HOUSING ASSEMBLY ABS SENSOR MNT.
BRACKET IS PICTURED IN SECTION 7.

NOTE 4: SPINDLE, 5715160 ALSO USED ON 12,000-LB
GVW

NOTE 5: SPINDLE AND INNER BEARING SPACER ARE
REPAIR PARTS IN SPINDLE REPAIR KITS.
5715295C, KIT, W/CTIS, 5745293, KIT, W/O CTIS

NOTE 6: FOR FLEET USE ONLY



P10-001.1

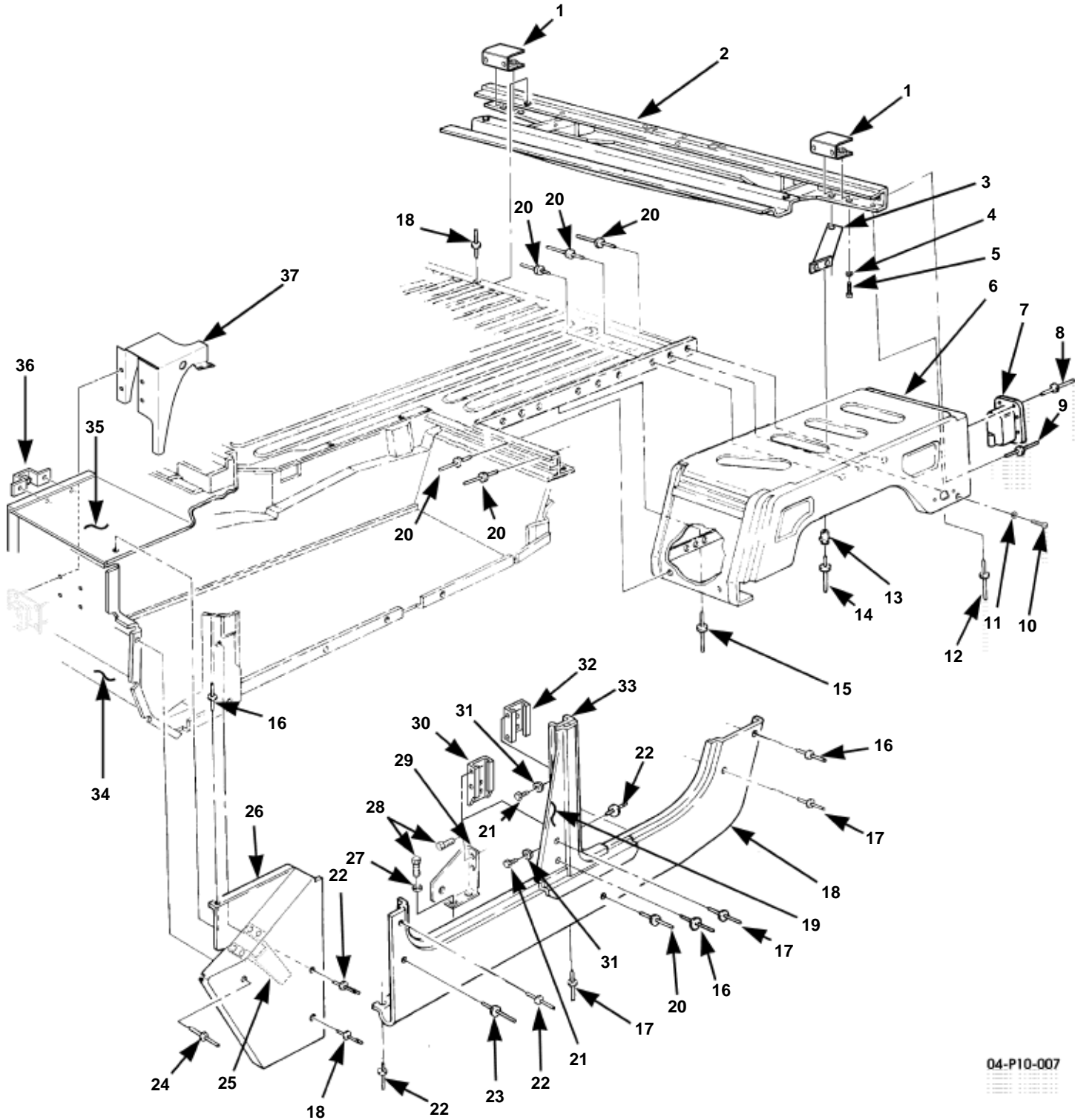
Body Mounting Components

Body Mounting Components.

Item	Part No.	Description	Qty
1	N/S	BOLT, L.H., 5/8 - 11 x 4 1/4", Gr8, A-beam body mount	1
	N/S	BOLT, R.H., 5/8 - 11 x 4 3/4", Gr8, A-beam body mount	1
	N/S	BOLT, 5/8 - 11 x 5", Gr8, D-beam body mount	2
2	N/S	WASHER, flat, hardened, 5/8", ZN	12
3	12469090-2	SPACER, body mount, "A"	2
4	EC12339249-1	SLEEVE ASSEMBLY, body cushion	2
5	EC12339244-1	CUSHION ASSEMBLY, body, upper	2
6	6011129	GASKET, body mount, "A"	2
7	EC12339247-1	CUSHION ASSEMBLY, body, lower	2
8	EC12339248-2	SPACER, mount, R.H.	2
9	EC12339248-3	SPACER, mount, L.H.	2
	N/S	LOCKNUT, 5/8 - 11", Gr8	6
10	12469090-1	SPACER, body mount, "C"	4
11	EC12339249-2	SLEEVE ASSEMBLY, body cushion	4
12	EC12339244-3	CUSHION ASSEMBLY, body, upper	4
13	EC12339247-3	CUSHION ASSEMBLY, body, lower	4
14	12339248-1	SPACER, body mount	2
15	N/S	BOLT, 5/8 - 11 x 5", Gr8, C-beam body mount, L.H.	1
	N/S	BOLT, 5/8 - 11 x 4 3/4", Gr8, C-beam body mount, R.H.	1

Body Assembly.

Item	Part No.	Description	Qty
1	6014516P	BODY ASSEMBLY, basic riveted 55, 56, 58, 90	1
	6017592P	BODY ASSEMBLY, basic riveted, wagon 57, 84	1
2	6003490P	PANEL, footwell, L.H.	1
3	6017134	BRACKET, console mounting	1
4	6017201	WIRE SUPPORT	1
5	6010376P	CLOSEOUT PANEL, A-beam	1
6	6003535P	PANEL, footwell, R.H.	1
7	6005440P	CLOSEOUT PANEL, wheelhouse, rear, R.H.	1
	6005439P	CLOSEOUT PANEL, wheelhouse, rear, L.H.	1
8	6016061	DECAL, EPA noise emission control information	1
	6016062	DECAL, EPA noise emission control information, export	1
9	12339992-2P	FILLER, wheelhouse, R.H.	1
	12339992-1P	FILLER, wheelhouse, L.H.	1
10	N/S	DECAL, certification 84,90	1
	N/S	DECAL, certification 55,56,57,58	1
11	6014807P	PANEL, cowl inner, LH	1
12	12338732P	BRACKET, brake pedal mounting	1
13	5939808	DRAIN PLUG, floor	1
14	6013488	LAMINATE, 3 x 5 x 1/16"	1
	6017732	DECAL, oper. req., (12,100LB.), W/O runflat 55, 56,57, 58 (not illustrated)	1
	6018128	DECAL, oper. req, (12,100LB.), W/ runflat 55,56, 57, 58, (not illustrated)	1

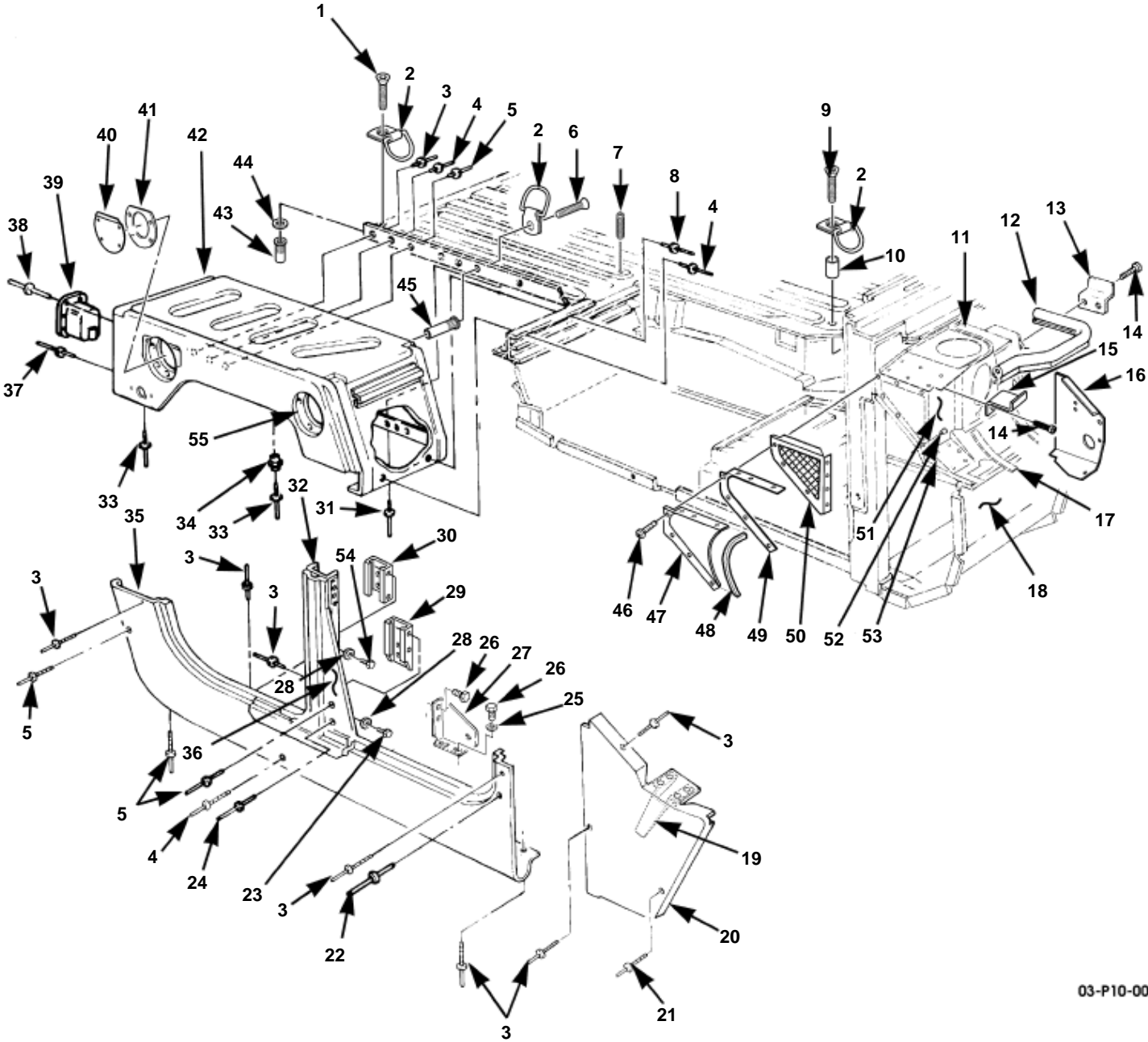


Body Assembly Components, L.H

Body Assembly Components, L.H.

Item	Part No.	Description	Qty
1	12339008B1	HARNES COVER, D-beam	2
2	6015064P	D-BEAM ASSEMBLY, 84	1
	WA12446928P	D-BEAM ASSEMBLY, 90	1
3	6007460B9	BRACE, L.H. wheelhouse	1
4	N/S	LOCKWASHER, 1/4"	4
5	N/S	BOLT, 1/4 - 20 x 1", Gr8	4
6	6012332P	WHEELHOUSE, outer, ASM, L.H.	1
7	5938940	BRACKET, taillight housing	1
8	6006452P1	RIVET, taillight housing	16
9	N/S	RIVET, fender assembly, 3/16 x 1/2"	36
10	N/S	BOLT, #10 - 24 x 3/4"	2
11	N/S	WASHER, flat, #10	2
12	N/S	RIVET, fender assembly, 3/16 x 7/16"	17
13	NAS1080R06	COLLAR, grooved, fender assembly	2
14	N/S	RIVET, fender assembly, 3/16 x 1/4-3/8"	10
15	N/S	RIVET, 3/16 x 5/16", fender assembly	32
16	N/S	RIVET, side panel, 3/16 x 5/16"	3
17	N/S	RIVET, fender panel, 3/16 x 1/4"	21
18	WA12339698-1P	BODY SIDE ASSEMBLY, panel, L.H.	1
19	12340009-3P	-RABBET ASSEMBLY, B-pillar, L.H.	1
20	N/S	RIVET, side panel, 3/16 x 1/4"	52
21	N/S	BOLT, 5/16 - 18 x 3/4", Gr8, CAD	4
22	N/S	RIVET, body assembly, 3/16 x 3/16"	101
23	N/S	RIVET, side panel, 3/16 x 3/16"	7
24	N/S	RIVET, cowl panel, 3/16 x 1/8"	21
25	6001256P	BRACKET ASSEMBLY, hood latch	1
26	5939202P	PANEL, cowl, L.H. outer.	1
27	N/S	WASHER, flat, 1/4", CAD, seat belt mount	2
28	N/S	BOLT, 1/4 - 20 x 5/8", CAD, seat belt mount	4
29	12339988-1P	MOUNTING BRACKET, seat belt, L.H., front	1
30	6004811B9	BRACKET, retractor mounting, L.H.	1
31	N/S	WASHER, flat, 5/16", CAD	4
32	WA12342372	BRACKET, door strap retension	2
33	6003456P	REINFORCEMENT, B-pillar, L.H.	1
34	6015174P	PANEL, cowl front, L.H.	1
35	6014561	PANEL, cowl top, L.H.	1
36	6005498B9	BRACKET, heated windshield fuse mounting	1
37	6017666P	BRACKET, brake pedal mounting, SEE NOTE 1	1
	6015215P	CROSSMEMBER cargo floor, engine compartment, (not illustrated)	1

NOTE 1: SEE SECTION 7 FOR BRAKE PEDAL.



03-P10-009

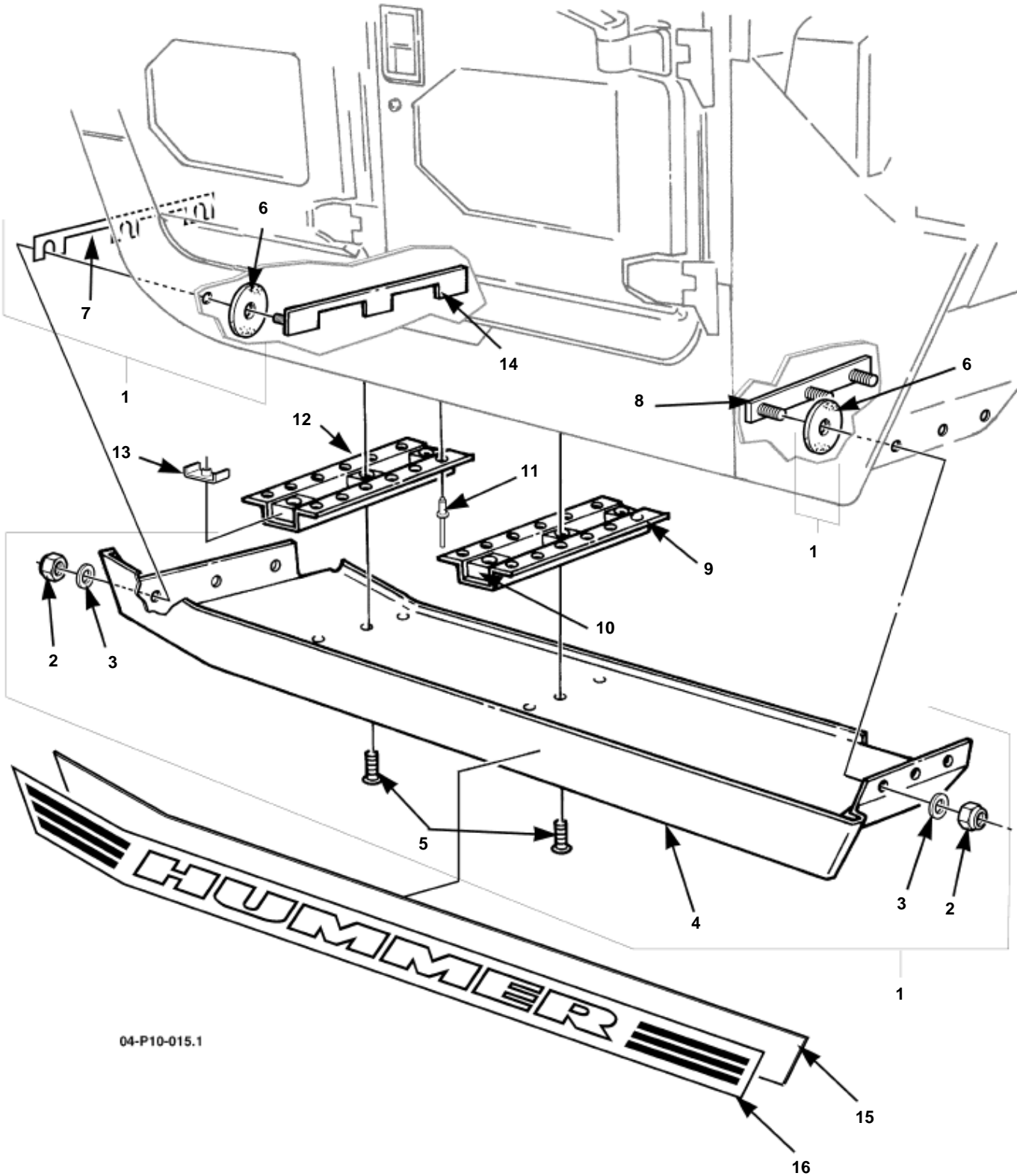
Body Assembly Components, R.H

Body Assembly Components, R.H.

Item	Part No.	Description	Qty
1	MS24667-77P2	SCREW, D-ring, cargo area, rear edge	A/R
2	6005425	D-RING TIEDOWN	A/R
3	N/S	RIVET, body assembly, 3/16 x 3/16"	130
4	N/S	RIVET, body assembly, 3/16 x 9/16"	57
5	N/S	RIVET, body assembly, 3/16 x 1/4"	21
6	MS24667-76P2	SCREW, D-ring, cargo area, center, no carpet 55, 90, 84	4
7	N/S	SCREW, headless 1/2 - 13 x 1 1/4"	A/R
8	N/S	RIVET, fender assembly, 3/16 x 7/16"	17
9	MS24667-78P2	SCREW, D-ring	4
	MS24667-74P2	SCREW, D-ring, 55	4
10	6006718	SPACER	4
11	6003137P	TOP PANEL ASSEMBLY, air intake chamber	1
12	12338832-1	SEAL, body assembly, air box	1
13	12338814B9	BRACKET, seal, air box	1
14	N/S	SCREW, tapping, #10 - 16 x 1/2", ZN, seal bracket	4
15	12340869	BRACKET, seal, front, air box	1
16	6009311P	PANEL, COWL SIDE, R.H., inner	1
17	12338712P	SUPPORT, air cleaner	2
18	6009318P	PANEL, cowl front, R.H.	1
19	6001256P	BRACKET ASSEMBLY, hood latch	1
20	6003135P	COWL PANEL, R.H.	1
21	N/S	RIVET, cowl panel, 3/16 x 1/8"	5
22	N/S	RIVET, side panel, 3/16 x 3/16"	3
23	N/S	BOLT, 5/16 - 18 x 3/4", Gr8, CAD	4
24	N/S	RIVET, side panel, 3/16 x 5/16"	7
25	N/S	WASHER, seat belt mount	2
26	N/S	SCREW, 1/4 - 20 x 5/8", CAD, seat belt mount	4
27	12339988-2B9	BRACKET, seat belt, front R.H.	1
28	N/S	WASHER, flat, 5/16", CAD	4
	6015215P	CROSSMEMBER cargo floor, engine compartment, (not illustrated)	1
29	6004811B9	BRACKET, retractor mounting, R.H.	1
30	WA12342372	BRACKET, door strap retension	2
31	N/S	RIVET, fender assembly	16
32	6003457P	REINFORCEMENT, B-pillar, R.H.	1
33	N/S	RIVET, fender assembly	2
34	N/S	COLLAR, grooved, fender assembly, 3/16"	2
35	WA12339698-2P	BODY SIDE ASSEMBLY, panel, R.H.	1
36	12340009-4P	.RABBET ASSEMBLY, B-pillar, R.H.	1
37	N/S	RIVET, fender assembly	18
38	6006452P1	RIVET, taillight housing	8
39	5938940	BRACKET, taillight housing	1
40	6007237P	COVER, auxiliary tank filler hole, SEE NOTE 1	1
41	6007247	GASKET, auxiliary tank filler hole cover, SEE NOTE 1	1
42	6012331P	WHEELHOUSE, assembly, R.H.	1
43	6007708	NUT, 1/2 - 13", spiral lock	3
44	2436165	WASHER, flat	3
45	6012185	NUT INSERT, closed end, 1/2 - 13"	3
46	6008857	SCREW	7
47	6008703P	SCOOP, air intake	1
48	6010845	EDGE GUARD, 18", air intake scoop, SEE NOTE 2	1
49	6009176	GASKET, air intake	1
50	6008699P	PANEL, air intake	1
51	6003409P	PANEL, air intake support	1
52	5939334	NUT INSERT, #10 - 24"	7
53	6016856P	PANEL, cowl top, R.H.	1
54	MS90725-33	BOLT	4
55	6011343	PANEL, c/o filler, main tank	1

NOTE 1: FOR USE ON FLEET VEHICLES WITHOUT AUXILIARY FUEL TANK.

NOTE 2: CUT TO 9 1/2" LENGTH



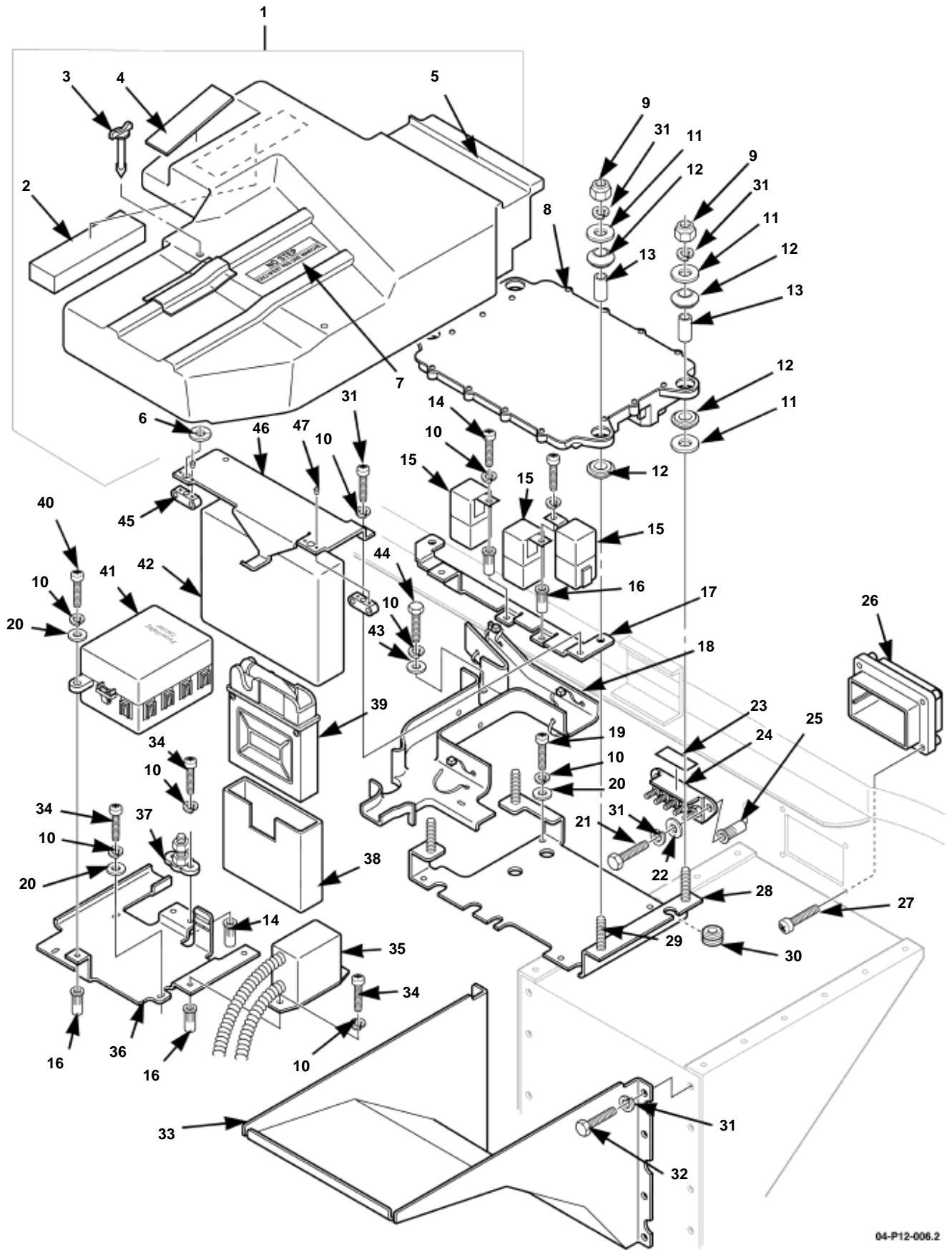
Rocker Panel Guard

Rocker Panel Guard.

Item	Part No.	Description	Qty
1	5745332	KIT, rocker panel protection (aluminum)	1
2	S.I.K.	·LOCKNUT, 3/8 - 16", Gr8	12
3	S.I.K.	·WASHER, flat, 3/8"	24
4	6005165B5	·PANEL, underbody skid, L.H. ,(aluminum), SEE NOTE 1	1
	6005166B5	·PANEL, underbody skid, R.H. ,(aluminum), SEE NOTE 1	1
5	6002805	·SCREW, socket, 3/8 - 16 x 1", flat-head, ZN, w/nylon	12
6	6001595	·GASKET, foam washer	12
7	6001278	SHIM, skid plate	A/R
8	6015240	WELD PLATE ASSEMBLY, front, L.H.	1
	6015241	WELD PLATE ASSEMBLY, front, R.H.	1
9	6017415	REINFORCEMENT ASSEMBLY, "B" pillar, lower, L.H.	1
	6017881	REINFORCEMENT ASSEMBLY, "B" pillar, lower, R.H.	1
10	N/S	BASE NUT	6
11	S.I.K.	RIVET, 3/16" dia., blind, aluminum	48
12	6015932	BRACKET, underbody skid	2
13	N/S	BASE ASSEMBLY, nut	12
14	6015238	WELD PLATE ASSEMBLY, rear, L.H.	1
	6015239	WELD PLATE ASSEMBLY, rear, R.H.	1
15	5745140	KIT, rocker panel protection cover, polished stainless steel	1
	5745198	KIT, rocker panel protection cover, brushed stainless steel	1
16	5744675	DECAL, "HUMMER", black, SEE NOTE 2	1
	6004296	DECAL, "HUMMER", gold, SEE NOTE 2	1
	6004295	DECAL, "HUMMER", silver, SEE NOTE 2	1
	6004294	DECAL, "HUMMER", white, SEE NOTE 2	1
	5744882	DECAL, "HUMMER", chrome, SEE NOTE 2	1

NOTE 1: PART OF KIT P/N 5745332.

NOTE 2: NOT INCLUDED IN KIT - ORDER SEPARATELY
(SHIPPED IN PAIRS ONLY).

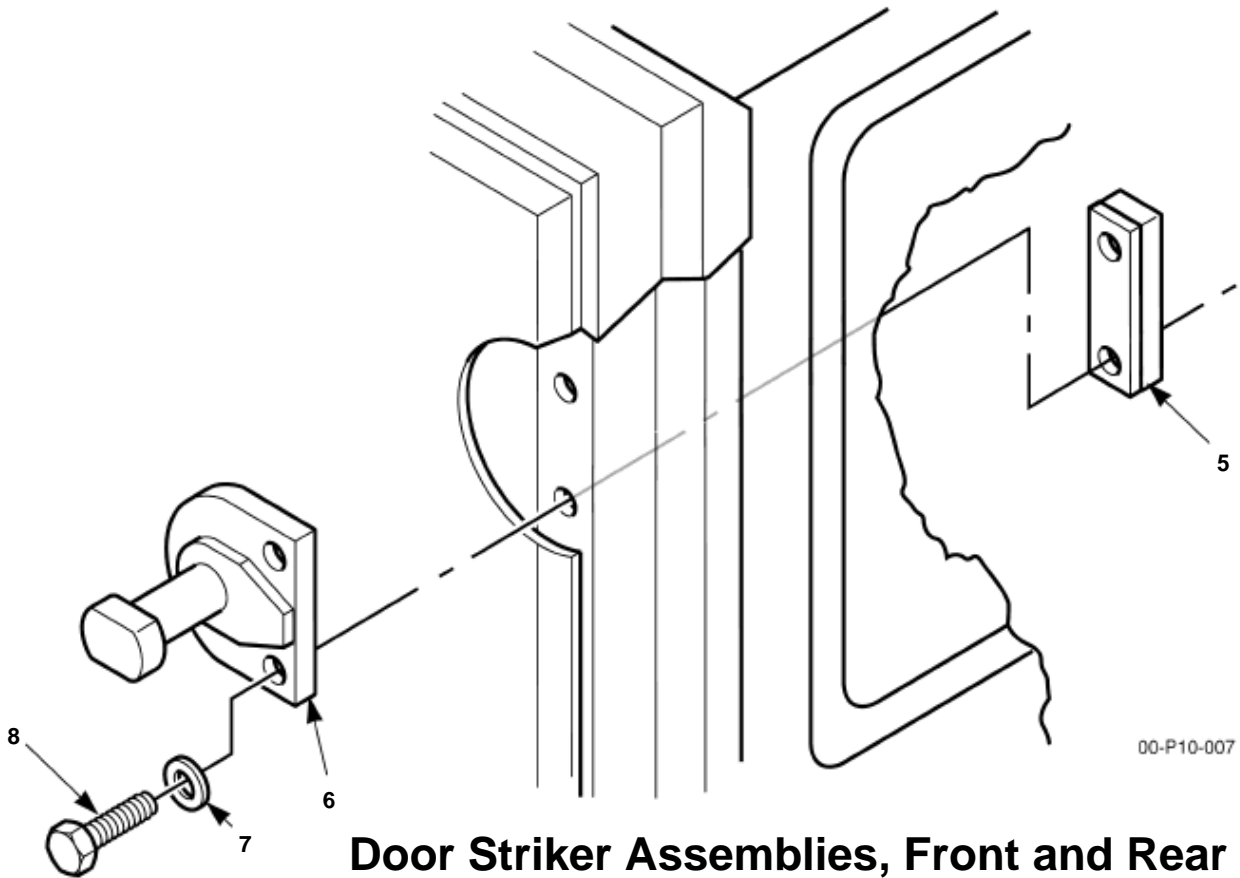
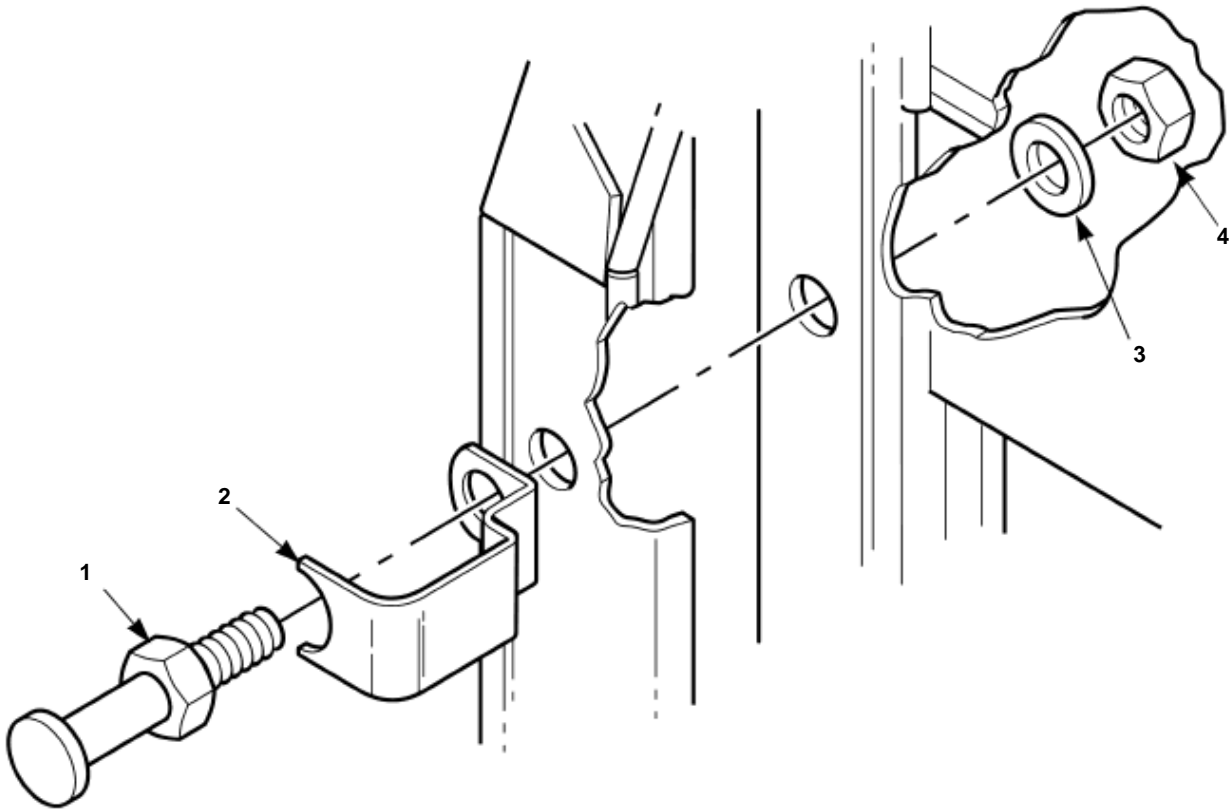


04-P12-006.2

Windshield Washer Reservoir Mounting Support and Left Cowl Cover

Windshield Washer Reservoir Mounting Support and Left Cowl Cover.

Item	Part No.	Description	Qty
1	6016227	COVER ASSEMBLY, L.H. cowl components	1
2	S.I.A.	·INSULATION, panel, lower back outer	1
3	6010326	·STUD, L.H. cowl fastening	2
4	S.I.A.	·PAD, L.H. cowl cover foam	1
5	S.I.A.	·COVER, L.H. cowl components	1
6	6010327	·RETAINER, stud L.H. cowl	2
7	6016052	·DECAL, no step, English/French	1
8	6013234	ECM, engine control module assembly	1
	5746044	ECM, engine control module assembly, (remanufactured)	1
9	N/S	NUT, 5/16 -18"	4
10	MS35338-43	LOCK WASHER, #10	2
11	N/S	WASHER, 3/8 - 1 1/8 x 5/8"	6
12	6017043	RUBBER MOUNT, ECM	8
13	6017044	SPACER, steel	4
14	N/S	SCREW, #10 - 24 x 3/4", pan head	2
15	6010234	RELAY, 80 AMP	3
16	5939712	RIVNUT, #10 - 24 X .130" grip	6
17	6014281	BRACET ASSEMBLY, relay mounting	1
18	6014326	GUIDE ASSEMBLY, L.H. cowl top harness, rear	1
19	N/S	SCREW, #10 - 24 x 3/4" slotted	6
20	MS27183-42P2	WASHER, #10	4
21	N/S	BOLT, 1/4 - 20 X 1"	2
22	N/S	WASHER, 1/4"	2
23	6016053	DECAL, 12V battery power	1
24	6007329	JUNCTION BOX	1
25	12446871-13	NUTSERT, 1/4 - 20", closed end	2
26	6014809	INTERFACE FLANGE	1
27	6015135	SCREW, connector, 102 way	4
28	6014260	BRACKET ASSEMBLY, ECM module mounting	1
29	6017447	·STUD	4
30	MS35489-42	GROMMET, hood lock cable	1
31	N/S	LOCKWASHER, 5/16"	9
32	N/S	BOLT, 5/16 - 18 X 1"	9
33	6010149B9	BRACKET ASSEMBLY, windshield washer reservoir mounting	1
34	MS35206-263	SCREW, #10 - 24 x 1/2", pan head	3
35	6014810	EMI FILTER MODULE	1
36	6014323	GUIDE ASSEMBLY, L.H. cowl top harness, front	1
37	6010674	STUD, GROUND	2
38	6010399	ABS HOUSING ASSEMBLY, lower	1
39	6013557	ABS ECU	1
40	N/S	SCREW, #10 - 24 X 1", pan head, phillips	2
41	6010288	COVER, external fuse box	1
42	6010398	ABS HOUSING ASSEMBLY, upper	1
43	ELMS51412-2	WASHER, flat, 3/8"	1
44	N/S	SCREW, #10 - 24 x 3/4" pan head phillips	1
45	6010264	RECEPTACLE, stud	2
46	6016225	BRACKET, abs module retainer	1
47	N/S	RIVET, blind, 1/8" dia	4

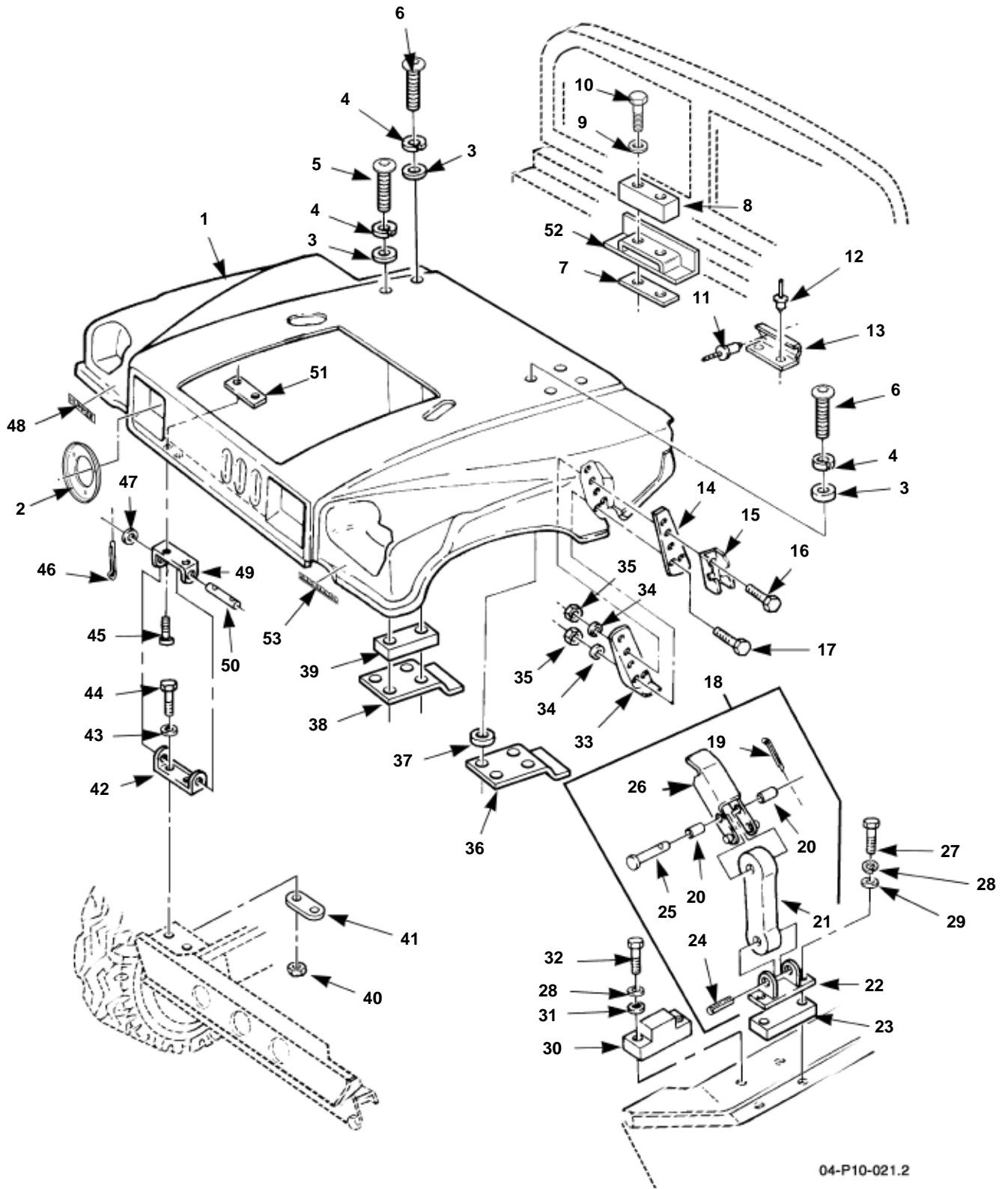


00-P10-007

Door Striker Assemblies, Front and Rear

Door Striker Assemblies, Front and Rear.

Item	Part No.	Description	Qty
1	6000392P2	STRIKER, door, front 56, 57, 58, 84, 90	2
	6004539P2	STRIKER, door, front 55	2
2	6006438	GUARD, striker	2
3	6001200P2	WASHER	2
4	N/S	LOCKNUT, 1/2 - 20", Gr8	2
5	6003485	PLATE, BACKING, rear	2
6	5939655P2	STRIKER, door, rear	2
7	9424257P2	LOCKWASHER	4
8	N/S	BOLT, 1/4 - 20 x 1 1/4", Gr8, CAD	4

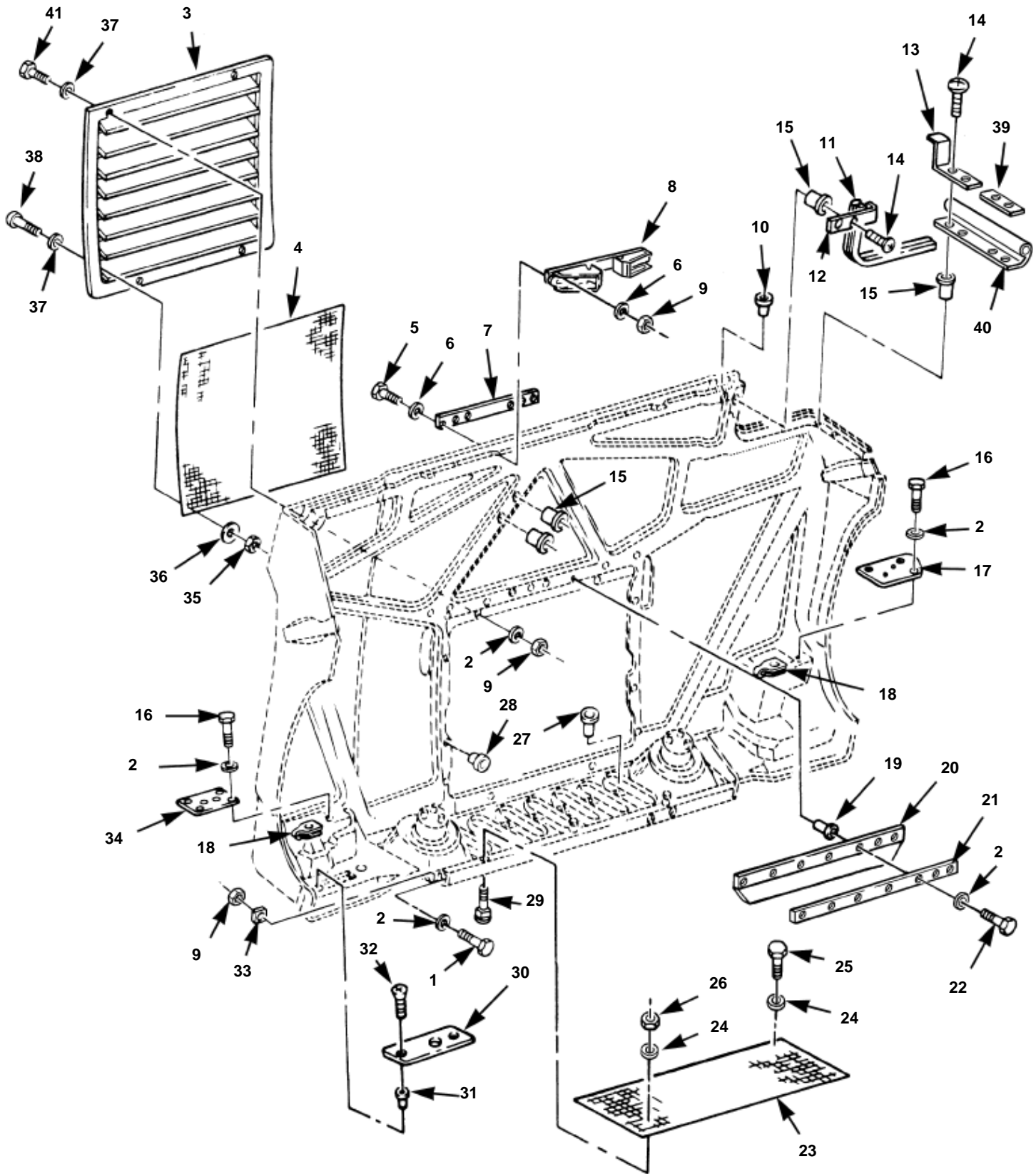


Hood Assembly and Mounting Hardware

Hood Assembly and Mounting Hardware.

Item	Part No.	Description	Qty
1	6012285	HOOD, engine compartment, SEE NOTE 1	1
2	EC12338901	·REINFORCEMENT, headlight can	2
3	N/S	WASHER, flat, 1/4", CAD	8
4	N/S	LOCKWASHER, med., 1/4", ZN, retainer bracket	8
5	N/S	BOLT, 1/4 - 20 x 1 1/2", Gr8, CAD, retainer bracket	2
6	N/S	BOLT, 1/4 - 20 x 3/4", Gr5, CAD, retainer bracket, L.H.	6
7	EC12338882	PLATE, center hood stop, tapping	1
8	6002012	BUMPER, center hood	1
9	12339433	WASHER, hood stop center	2
10	N/S	BOLT, 1/4 - 20 x 1", Gr8, CAD, hood stop	4
11	N/S	RIVET, 3/16 x 3/16 x 1/2", hood retainer bracket	4
12	12339355-2	RIVET, hood retainer bracket	4
13	5939715	BRACKET, hood retainer, "A" beam	2
14	12338883B4	PLATE, hood latch	2
15	12338908B4	BRACKET, hood latch, side	2
16	N/S	BOLT, 1/4 - 20 x 7/8", Gr8, hood latch bracket	6
17	N/S	BOLT, 1/4 - 20 x 1 1/8", Gr8, hood latch bracket	4
18	12338909B4	LATCH ASSEMBLY, hood	2
19	MS24665-134	·COTTER PIN, hood latch	2
20	12338886P3	·ROLLER, hood latch	2
21	12338889	·STRAP, hood latch	1
22	12338880B4	·BASE, hood latch	1
23	RCSK18663	·SPACER, L.H. latch	1
24	9419982	·PIN, hood latch, spring hood	1
25	12338894P3	·PIN, hood latch	1
26	12338891B4	·LATCH, hood release	1
27	N/S	BOLT, hood latch, 1/4 - 20 x 1 1/8", Gr5, CAD	4
28	N/S	LOCKWASHER, med, 1/4", ZN, center	8
29	N/S	WASHER, flat, hard, 1/4", type B, ZN	4
30	12338896	STOP, hood side	2
31	12339433P2	WASHER, hood side stop	4
32	N/S	BOLT, 1/4 - 20 x 1 5/8", Gr5, hood stop	4
33	12338905P3	BRACKET, hood latch stop	2
34	N/S	WASHER, flat, hard, 1/4", ZN, hood latch	10
35	N/S	LOCKNUT, 1/4 - 20", Gr8	10
36	5939716B2	BRACKET, hood retainer, L.H.	1
37	5939805B2	SPACER, retainer bracket	2
38	5939717B2	BRACKET, hood retainer, R.H.	1
39	5939718B2	SPACER, retainer bracket	1
40	N/S	NUT, 7/16 - 14", Gr8, CAD, lower hood hinge	4
41	12338879P3	SPACER, lower hinge	2
42	12338900B5	HINGE HALF, lower hood	2
43	N/S	WASHER, flat, hardened, 7/16", ZN, lower hinge	4
44	N/S	BOLT, 7/16 - 14 x 2", Gr8, CAD, lower hinge	4
45	N/S	BOLT, 3/8 - 16 x 2", Gr5, CAD	4
46	N/S	COTTER PIN, hood hinge, 3/32 x 1/2" CAD	4
47	N/S	WASHER, flat, hardened, 3/8", type B, lower hood hinge pin	4
48	6003871	NAME PLATE, "HUMMER"	1
49	12338897B5	HINGE HALF, upper hood	2
50	12338893	PIN, hood hinge halves	2
51	12339306	PLATE, upper hood hinge	2
52	12338649P	BRACKET, hood center stop	1
53	6014221	EMBLEM, TORQ TRAC 4 - E Locker	1
	6014222	EMBLEM, TORQ TRAC 4	1

NOTE 1: P/N 6012285 HOOD, ENGINE COMPARTMENT
INCLUDES P/N 12338897B5 AS PART OF ITS
ASSEMBLY.

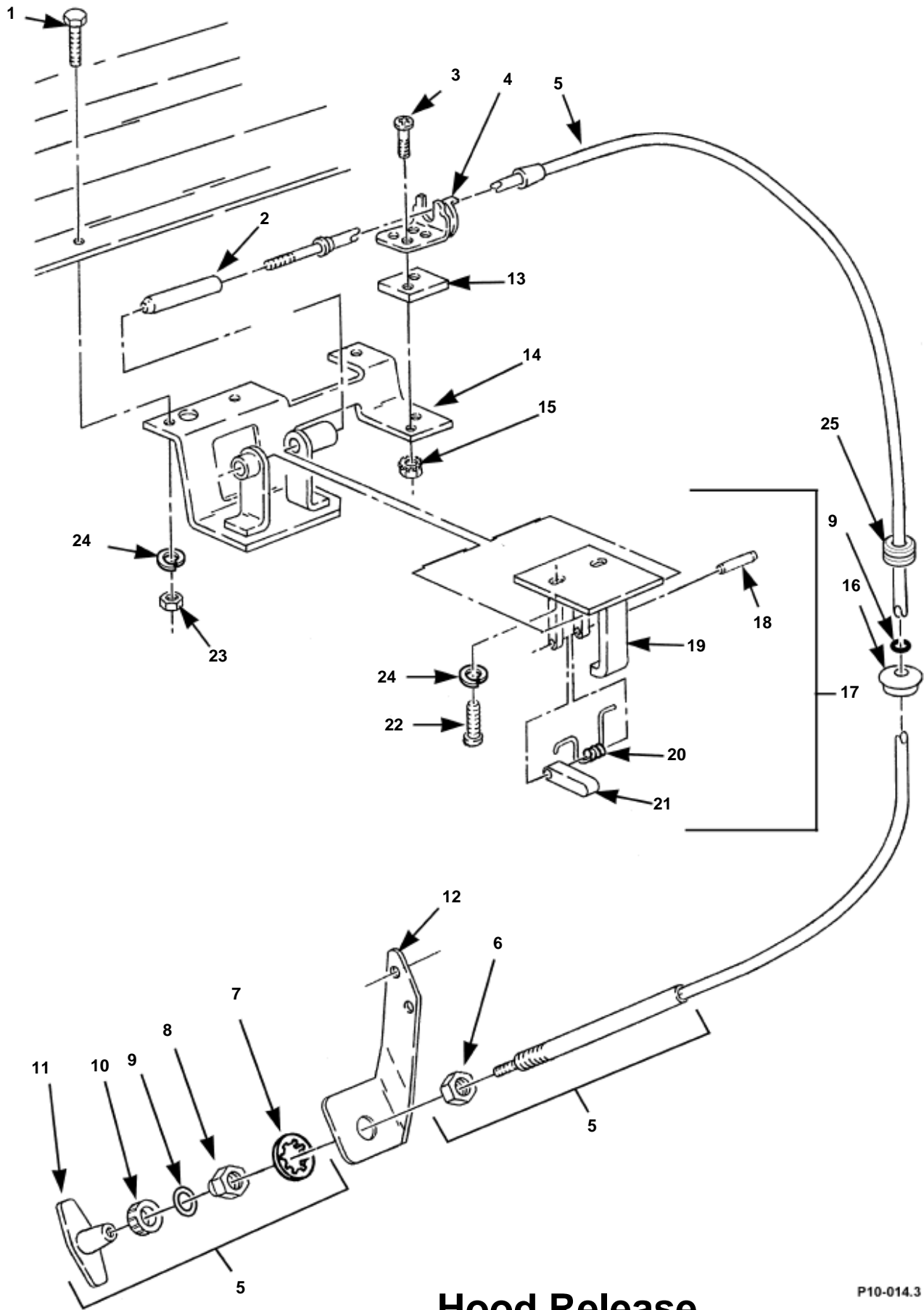


P10-007.2

Hood Assembly, Grille, and Related Parts

Hood Assembly, Grille, and Related Parts.

Item	Part No.	Description	Qty
1	N/S	BOLT, button head, 1/4 - 20 x 1", Gr8	6
2	N/S	WASHER, flat, 1/4", CAD	A/R
3	6007257	GRILLE, hood	1
4	6011077	SCREEN, hood grille, top	1
5	N/S	BOLT, 1/4 - 20 x 1 1/8", Gr8, CAD, hood stop guide	6
6	N/S	WASHER, flat, hardened, 1/4", ZN, hood stop guide	12
7	EC12338903B1	PLATE, hood stop guide	1
8	6007349	BRACKET, hood stop guide	1
9	N/S	LOCKNUT, 1/4 - 20", Gr8, hood stop guide and crossbar	14
10	M5501/7F4	PLUG, inner hood assembly	4
11	6002673	SEAL, hood	1
12	6001745	RETAINER, seal	1
13	6001746	RETAINER, seal	1
14	160057	SCREW	4
15	12339397-1	WELLNUT	4
16	N/S	BOLT, 1/4 - 20 x 3/4", Gr8, CAD, composite light cover	7
17	EC12338884B1	COVER, composite light, R.H.	1
18	12339425	SPEED NUT, composite light cover	7
19	12339397-4	WELLNUT, hood seal	9
20	WA12338911	SEAL, center hood	1
21	12338885P3	RETAINER, hood seal	1
22	N/S	BOLT, 1/4 - 20 x 1", Gr5, CAD, hood seal retainer	9
23	6011078	GUARD, hood and grille, front	1
24	N/S	WASHER, flat, hardened, 3/8", type B, front hood screen	6
25	N/S	SCREW, 5/16 - 18 x 1", Gr5, CAD	3
26	N/S	NUT, 5/16 - 18", Gr8, CAD, front hood screen	3
27	12339397-5	WELLNUT, front hood screen	3
28	12338887-2	PLUG, hood assembly, tapered, grille	6
29	12339434P2	BOLT, carriage	3
30	5935690	PANEL, inner hood, access	2
31	12339998-1	PLUSNUT, inner hood panel	4
32	N/S	SCREW, phcr, #10 - 32 x 1/2", inner hood panel	4
33	12338892	PLATE, hood crossbar, spacer	2
34	EC12338906B1	COVER, composite light, L.H.	1
35	N/S	LOCKNUT, hood grille screen, #10 - 24" Gr 8 CAD	6
36	12339432P2	WASHER, hood grille screen	12
37	N/S	WASHER, flat, hood grille screen, #10 S.A.E. CAD	6
38	N/S	SCREW, hood grille screen, #10-24 x 7/8" ph mach	6
39	6005171	RETAINER, hood seal	1
40	6005170	SEAL, hood, rear, R.H.	1
41	6006178	SCREW, button head, 1/4 - 20 x 1"	6

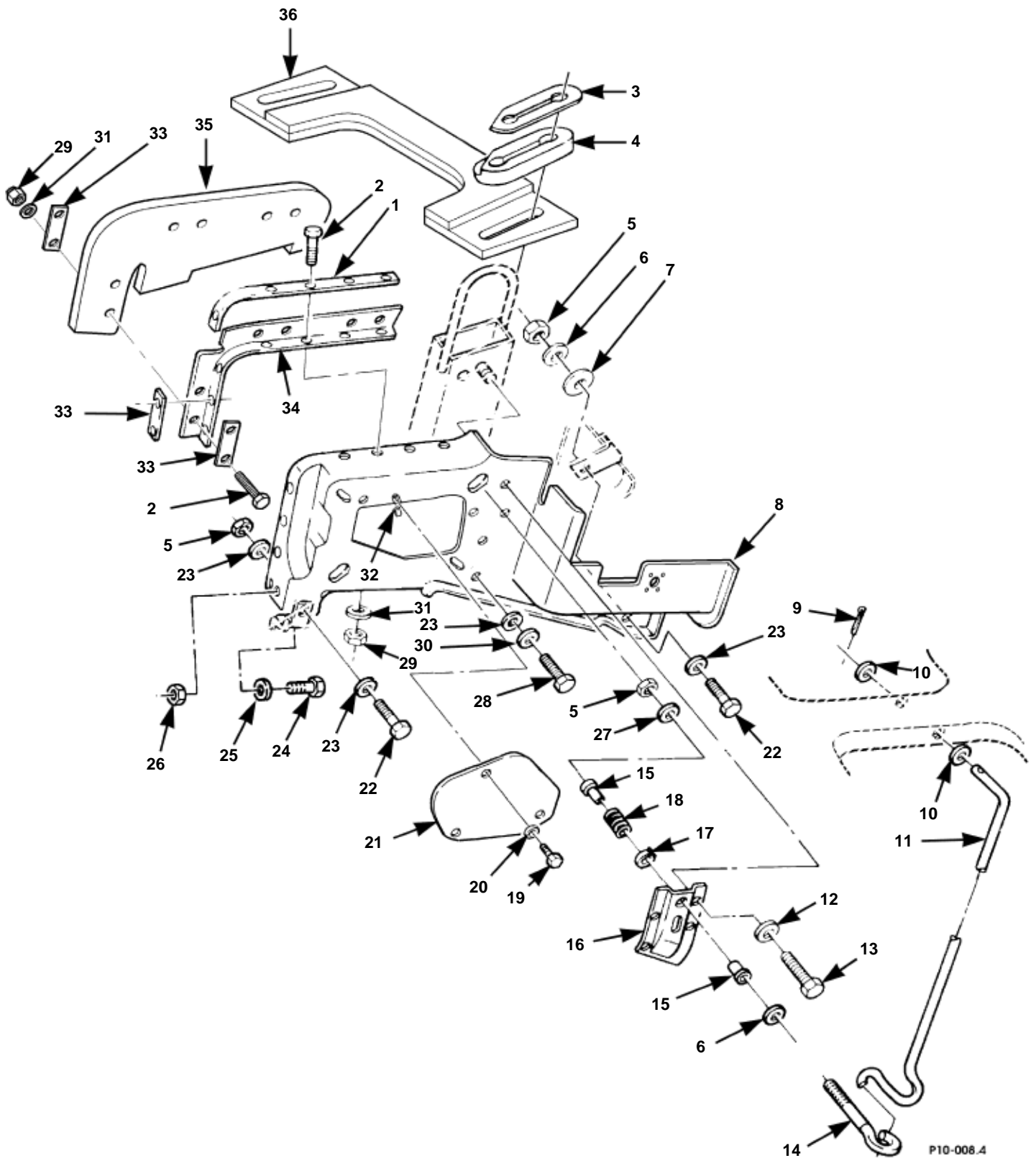


Hood Release

P10-014.3

Hood Release.

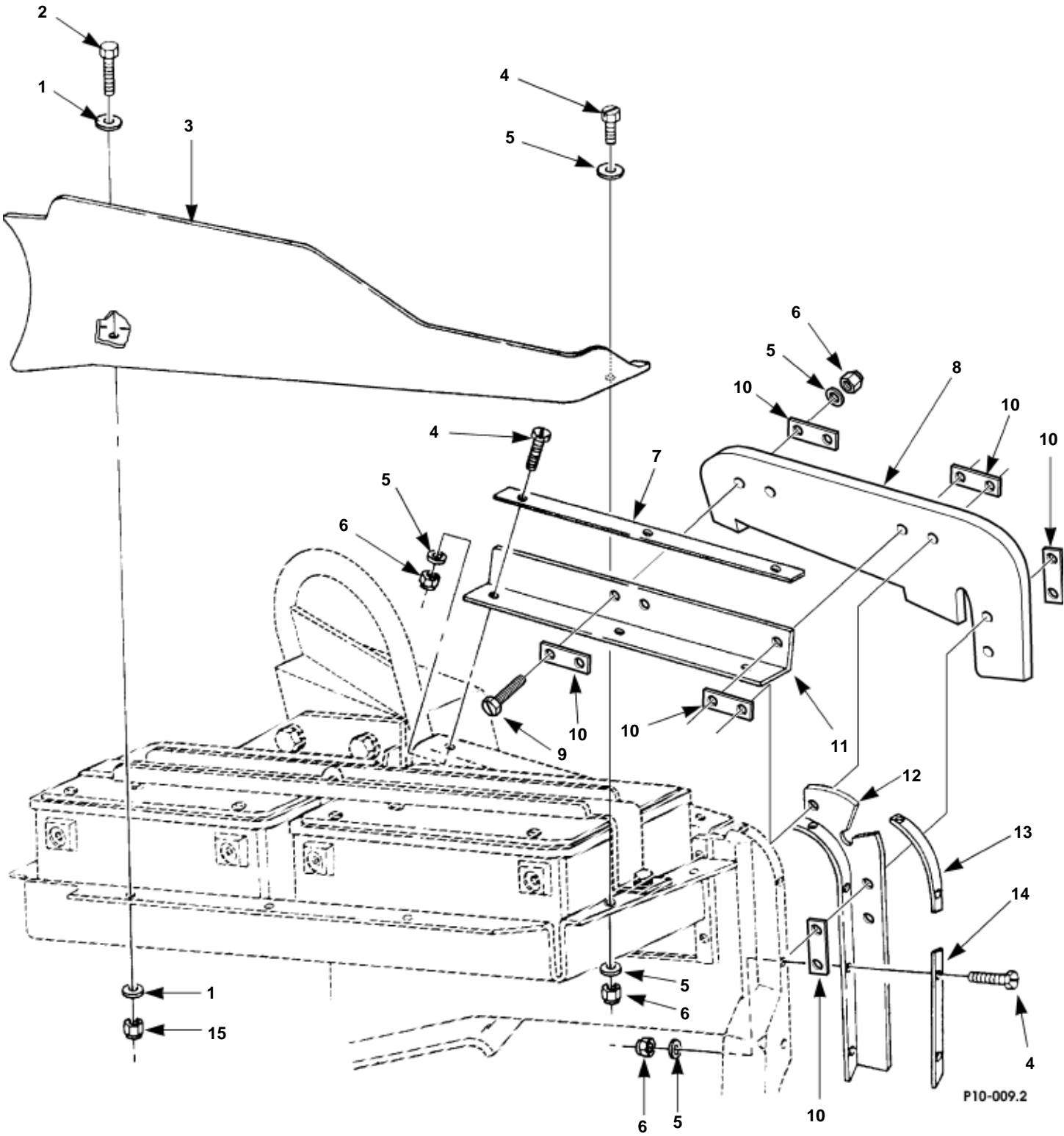
Item	Part No.	Description	Qty
1	N/S	BOLT, 1/4 - 20 x 1 1/4", Gr5, CAD	3
2	6005383	LOCKPIN, hood latch	1
3	S.I.K.	SCREW, phcr, #8 - 32 x 3/4"	4
4	6005401	BRACKET, cable clamp	1
5	6017306	CABLE ASSEMBLY	1
6	S.I.A.	·NUT	1
7	S.I.A.	·LOCKWASHER	1
8	S.I.A.	·LOCKNUT	1
9	6006128	·O-RING	2
10	S.I.A.	·SPACER	1
11	S.I.A.	·T-HANDLE	1
12	6005390	BRACKET, cable mounting	1
13	6005388	SPACER, cable mounting clamp	1
14	6005395	BRACKET ASSEMBLY	1
15	N/S	NUT AND LOCKWASHER ASSEMBLY, #8 - 32", keps	4
16	12338999	GROMMET	1
17	6005536	LATCH ASSEMBLY, hood	1
18	6005613	·PIN	1
19	S.I.A.	·LATCH	1
20	6005386	·SPRING, lock arm	1
21	6005385	·ARM LOCK	1
22	N/S	SCREW, tapping, 1/4 - 28 x 1 1/4", HHCS, Gr8, ZN, CBLT	2
23	N/S	NUT, 1/4 - 20", ZN	3
24	N/S	LOCKWASHER, med, 1/4", ZN	3
25	N/S	GROMMET, for ECM module mounting bracket	1



Splash Shield (Left Hand) and Hood Prop Rod

Splash Shield (Left Hand) and Hood Prop Rod.

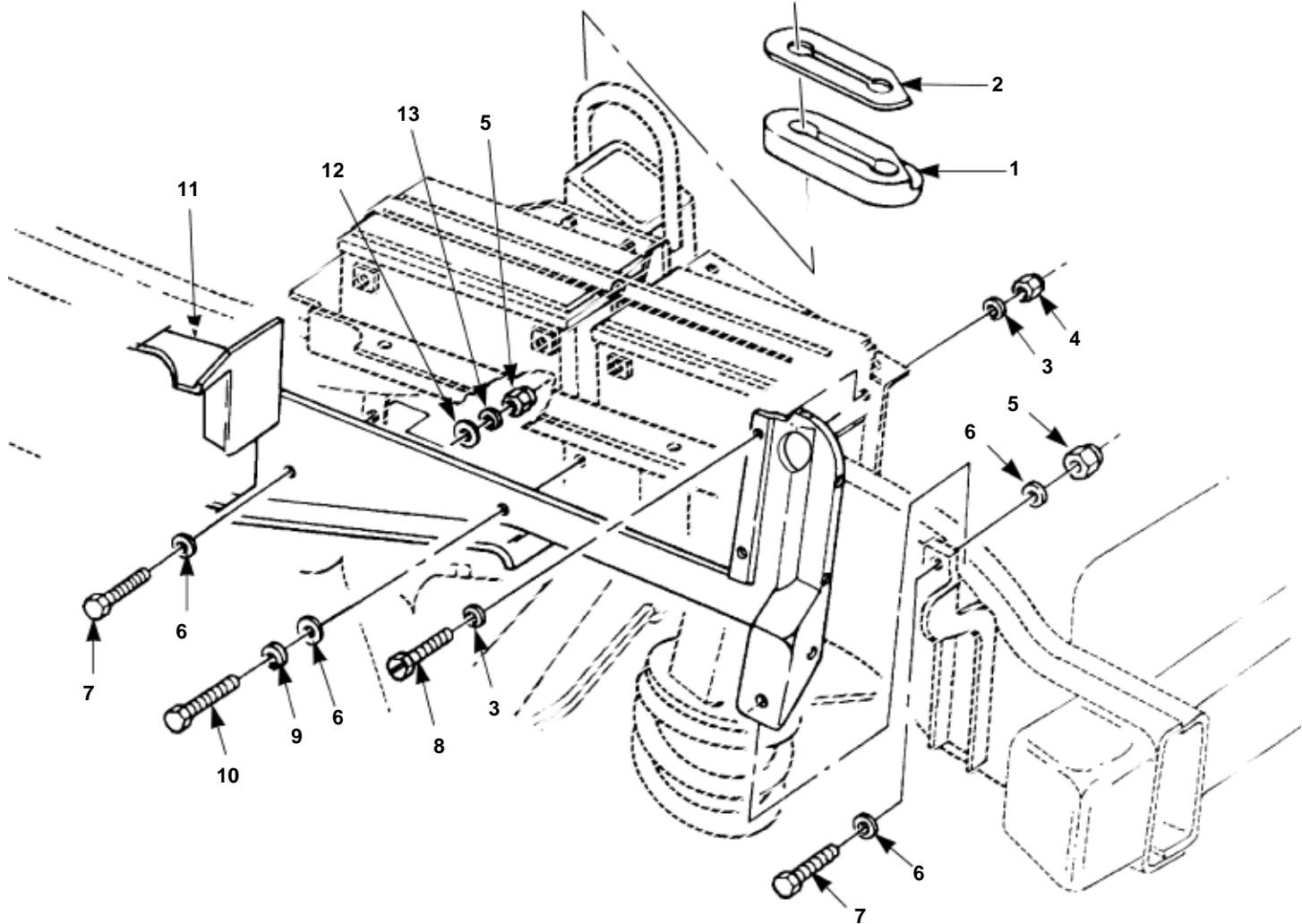
Item	Part No.	Description	Qty
1	12338630P3	RETAINER, splash shield seal	1
2	N/S	SCREW, #10 - 24 x 3/4"	7
	N/S	SCREW, #10 - 24 x 1 1/4"	12
3	6008043	COVER PLATE, airlift bracket seal	1
4	12342357	SEAL, airlift bracket, L.H.	1
5	N/S	LOCKNUT, 5/16 - 18", Gr8, prop rod eyebolt	3
6	N/S	WASHER, flat, hardened, 5/16", ZN, prop rod eyebolt	2
7	N/S	WASHER, flat, 3/8 x 1 1/8 x 5/8"	1
8	6010083B1	SPLASH SHIELD, L.H.	1
9	N/S	COTTER PIN, 3/32 x 3/4", prop rod	1
10	N/S	WASHER, flat, hardened, 3/8"	3
11	EC12338915	ROD, hood prop	1
12	N/S	LOCKWASHER, med, 1/4", ZN, prop rod bracket	4
13	N/S	SCREW, tapping, 1/4 - 28 x 1"	4
14	12339435	EYEBOLT, hood prop rod	1
15	12338895	BUSHING, eye bolt	2
16	12338913	BRACKET, hood prop rod	1
17	MS16624-2066	RETAINING RING, prop rod bracket bushing	1
18	12338881P3	SPRING, prop rod eyebolt	1
19	N/S	BOLT, #8 - 32 x 5/8"	3
20	N/S	WASHER, #8	3
21	12446770-1B2	PLATE COVER	1
22	N/S	BOLT, 5/16 - 18 x 1", Gr5, CAD	2
23	N/S	WASHER, flat, 5/16", CAD	4
24	N/S	SCREW, 1/4 - 20 x 1 1/2", CAD	1
25	N/S	WASHER, flat, 1/4", CAD	1
26	N/S	LOCKNUT, 1/4 - 20"	1
27	N/S	WASHER, flat, 5/16", CAD	1
28	N/S	SCREW, tapping, 5/16 - 18 x 1"	1
29	N/S	LOCKNUT, #10 - 24", Gr8, CAD	7
30	N/S	LOCKWASHER, med, 5/16", ZN	1
31	N/S	WASHER, flat, #10, CAD	7
32	N/S	SPRING NUT, #8 - 32"	3
33	12338634-1P3	RETAINER, splash shield seal, L.H.	7
34	6007395	SEAL, splash shield, hood, L.H.	1
35	6007251	SEAL, splash shield-to-hood	1
36	6007250	SEAL, radiator-to-hood	1



Splash Shield (Right Hand Upper) and Seals

Splash Shield (Right Hand Upper) and Seals.

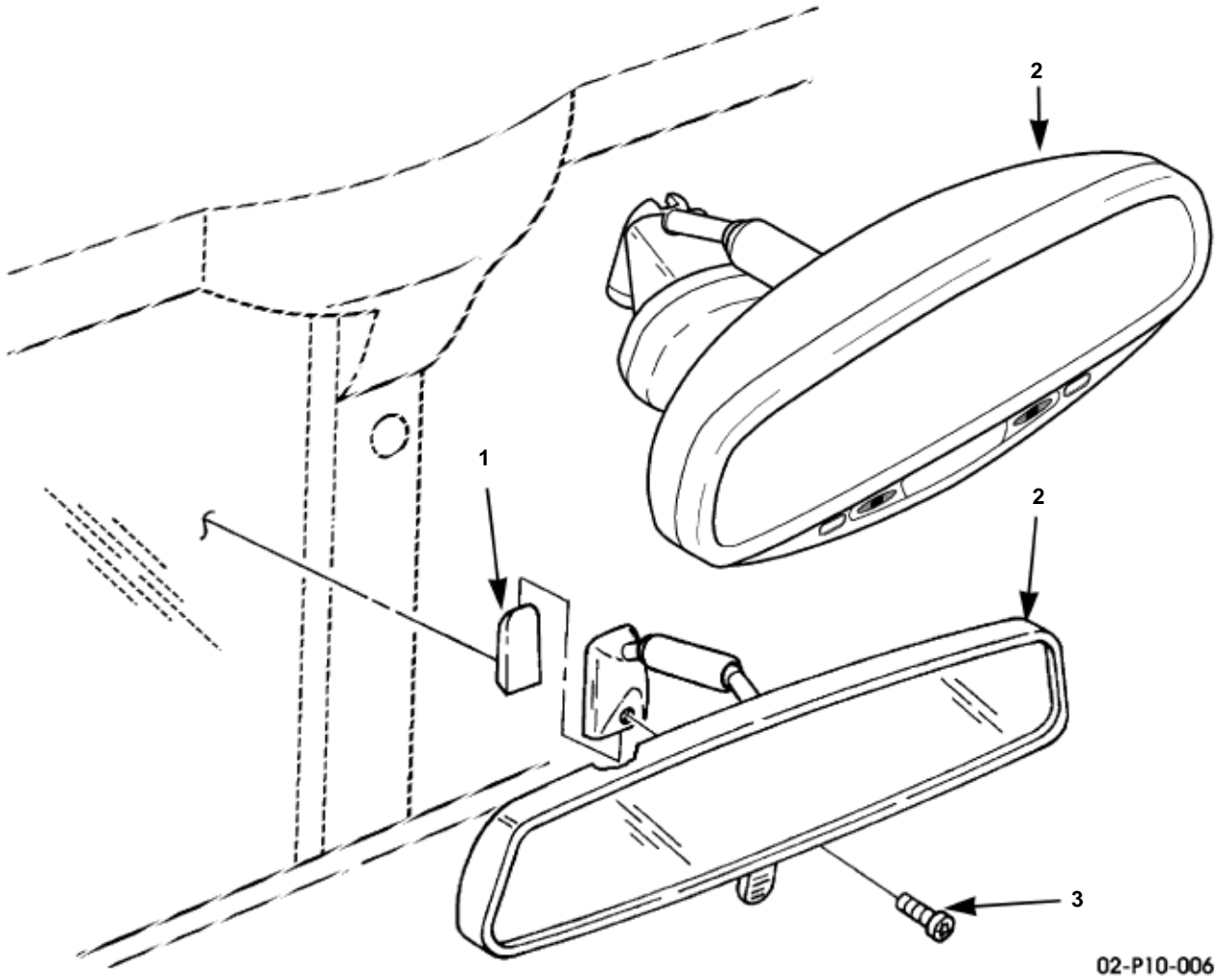
Item	Part No.	Description	Qty
1	N/S	WASHER, flat, 5/16", CAD	3
2	N/S	BOLT, 5/16 - 18 x 1", Gr5, CAD	3
3	6007249	SPLASH SHIELD, upper, R.H.	1
4	N/S	BOLT, #10 - 24 x 3/4", CAD	8
5	N/S	WASHER, flat, #10, CAD	14
6	N/S	LOCKNUT, #10 - 24", Gr8, CAD	14
7	6002924	RETAINER, hood seal, top	1
8	6007251	SEAL, splash shield-to-hood	1
9	N/S	BOLT, #10 - 24 x 1 1/4", CAD	6
10	12338634-1P3	RETAINER, splash shield	6
11	6002914	SEAL, battery tray-to-hood, top	1
12	6002915	SEAL, battery tray-to-hood, front	1
13	6002925	RETAINER, hood seal, front	1
14	12338634-2P3	RETAINER, seal	1
15	N/S	LOCKNUT, 5/16 - 18", Gr8, CAD	5



Splash Shield, Right Hand Lower

Splash Shield, Right Hand Lower.

Item	Part No.	Description	Qty
1	12342358	SEAL, airlift bracket, R.H.	1
2	6008043	COVER PLATE, airlift bracket seal	1
3	N/S	WASHER, flat, #10, CAD	4
4	N/S	LOCKNUT, #10 - 24", Gr8, CAD	2
5	N/S	LOCKNUT, 5/16 - 18", Gr8, CAD	5
6	N/S	WASHER, flat, 5/16", CAD	5
7	N/S	BOLT, 5/16 - 18 x 1", Gr5, CAD	6
8	N/S	SCREW, #10 - 24 x 3/4"	2
9	N/S	LOCKWASHER, med, 5/16", ZN	1
10	N/S	SCREW, tapping, 5/16 - 18 x 1", type C, ZN	1
11	6009388	SPLASH SHIELD, lower, R.H.	1
12	N/S	WASHER, flat, 3/8 x 1 1/8 x 5/8"	1
13	N/S	WASHER, flat, hardened, 5/16", "B", ZN	1



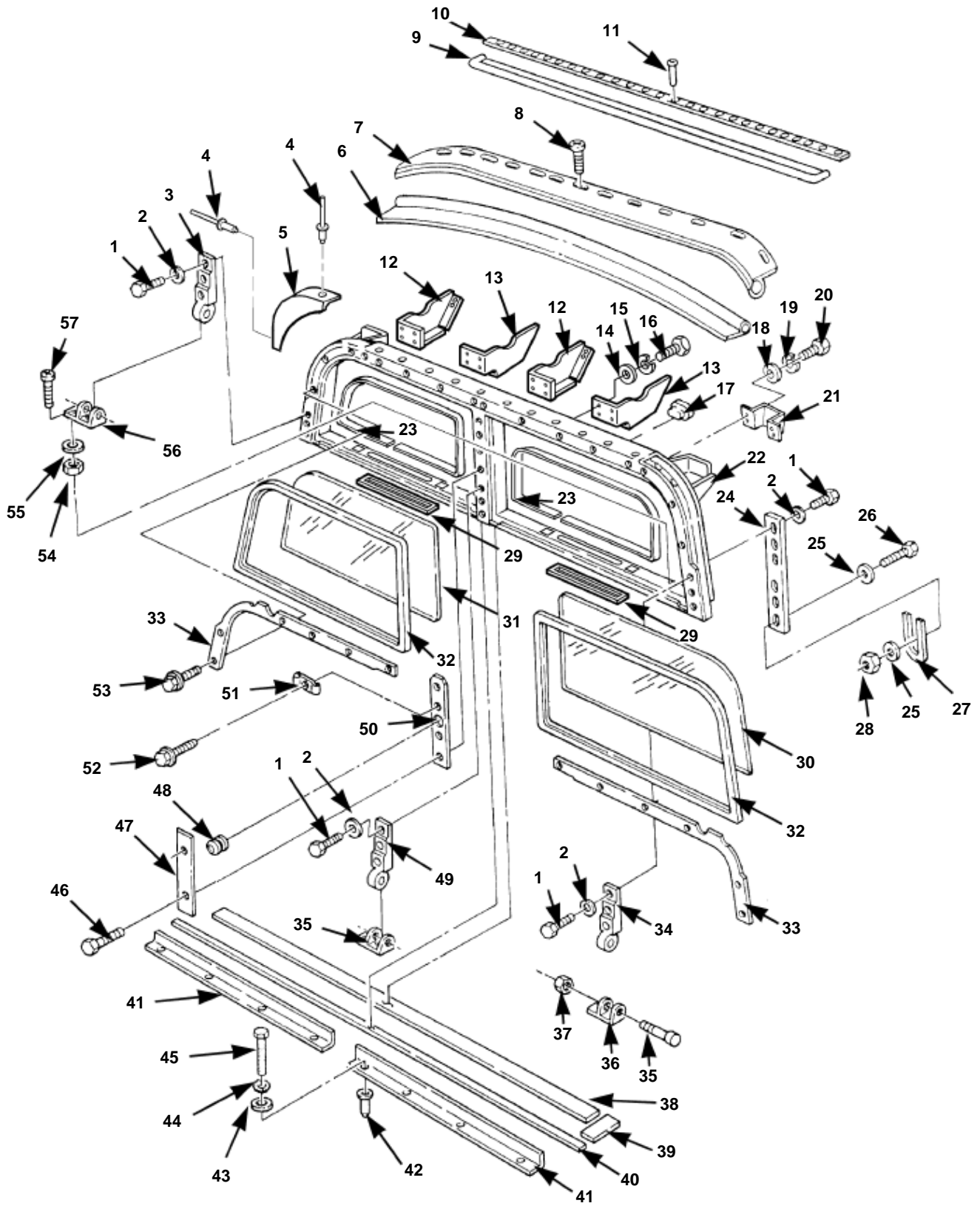
02-P10-006

Mirrors (Inside) Mounting Hardware

Mirrors (Inside) Mounting Hardware.

Item	Part No.	Description	Qty
1	5939643	SUPPORT, rear view mirror	1
2	5939074	MIRROR ASSEMBLY, rear view, standard, SEE NOTE 1 55, 56, 57, 58	1
	6013100	MIRROR ASSEMBLY, rear view, deluxe, w/compass, SEE NOTE 1 84, 90	1
3	S.I.A.	-SCREW, mirror mounting	1
	6007374	HARNESS ASSEMBLY, outside temperature sensor (not illustrated)	1
	6011019	SENSOR, outside temperature (not illustrated)	1
	6011324	HARNESS, rear view mirror (not illustrated)	1

NOTE 1: SEE ALSO THE HOMELINK REAR VIEW MIRROR KIT OFFERED IN THE ACCESSORIES SECTION.



04-P10-010.2

Windshield Assembly

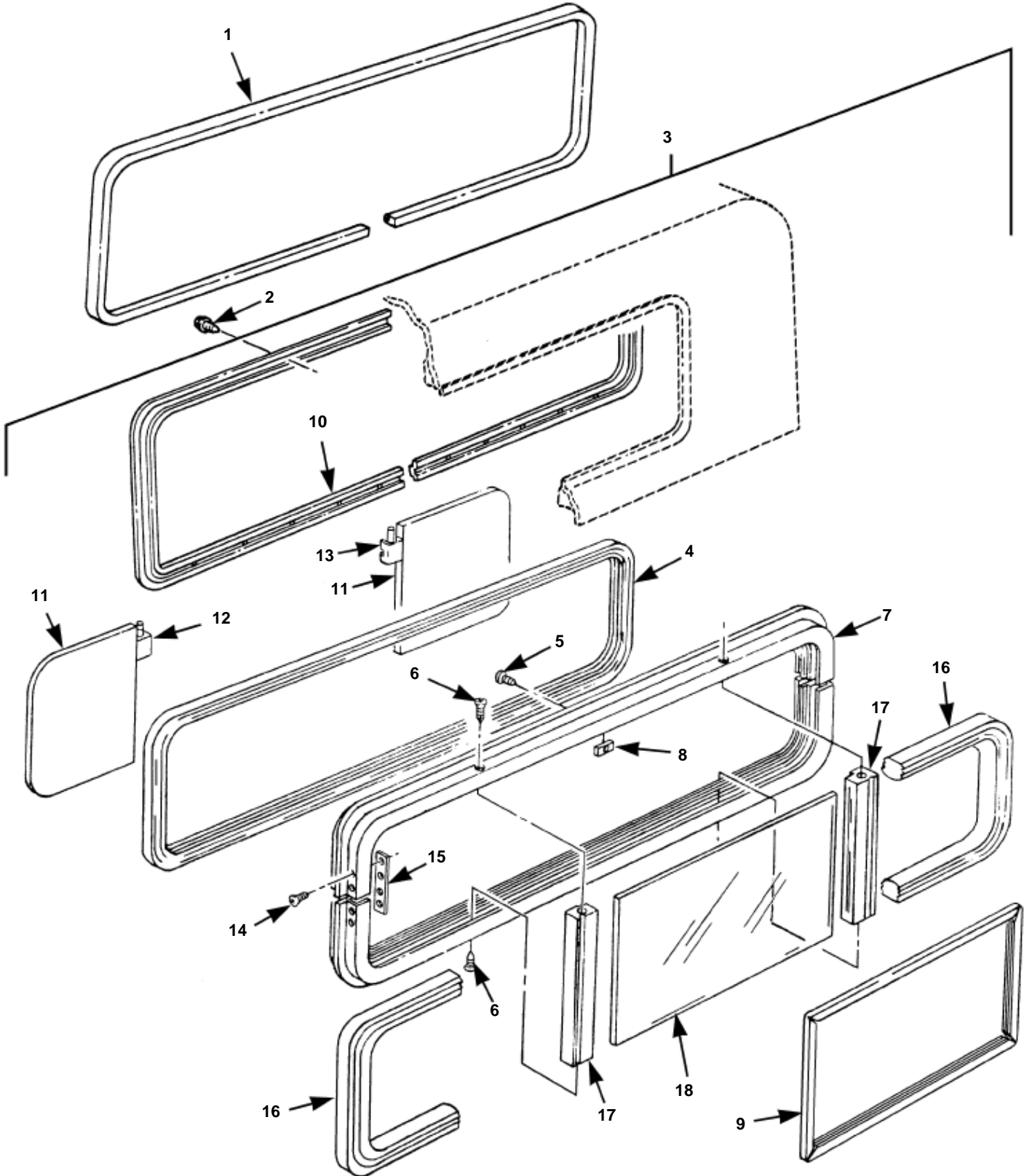
Windshield Assembly.

Item	Part No.	Description	Qty
1	N/S	BOLT, 5/16 - 18 x 1 1/4", Gr8	15
2	N/S	WASHER, flat, hardened, type B, 5/16"	15
3	12338841-2G1	HINGE, R.H.	1
4	N/S	RIVET	4
5	6009700P	CORNER CAP, L.H. 58, 90	1
	6009701P	CORNER CAP, R.H. 58, 90	
6	6009733	SEAL, windshield frame, upper 58, 90	1
7	6009732	FORMER ASSEMBLY 58, 90	1
8	N/S	SCREW, hex head tapping, #10 - 24 x 1/2" 58, 90	13
9	5939991	SEAL 55, 56, 57, 84	1
10	12338818P	RETAINER 55, 56, 57, 84	1
11	N/S	RIVET, blind, M1/8 x .251 x .312 55, 56, 57, 84	27
12	6015419	BRACKET ASSY., map tray, R.H.	2
13	6015417	BRACKET ASSY., map tray, L.H.	2
14	ELMS51412-2	WASHER, flat	16
15	MS35338-43	WASHER, lock	16
16	MS51849-76	SCREW, hex head	16
17	12338829	COVER	2
18	N/S	WASHER, flat, #10, CAD	16
19	N/S	LOCKWASHER, med, #10, ZN	16
20	N/S	SCREW, hex head, #10 - 24 x 3/4"	16
21	6000814B2	BRACKET, visor mounting	4
22	6016376	FRAME, windshield glass 84	1
	6012525	FRAME, windshield glass 55, 56, 57	1
	6016552	FRAME, windshield glass 90	1
	6012538	FRAME, windshield glass 58	1
23	6005792	TAPE, BUTYL FOAM, (30' roll), SEE NOTE 1	1
24	5939340	BRACKET, rear	2
25	N/S	WASHER, flat, hard, type B, 5/16"	6
26	N/S	BOLT, 5/16 - 18 x 1 1/4", Gr8	6
27	12338806	SHIM, 2 places	A/R
28	N/S	LOCKNUT, 5/16 - 18", Gr8	3
29	6016567	SEAL, defroster	2
30	6018684	GLASS, tinted, R.H.	1
	6016924	GLASS, heated windshield, R.H.,	1
	6018684	GLASS, R.H. 55, 56, 57, 58	1
31	6018685	GLASS, tinted, L.H.	1
	6016923	GLASS, heated windshield, L.H.	
	6018685	GLASS, L.H. 55, 56, 57, 58	1
32	12338941	WEATHERSTRIP	2
33	12338852P	RETAINER, windshield, upper	2
34	12338841-1G1	HINGE, L.H.	1
35	179847P2	CAP SCREW, 3/8 - 16 x 2", Gr5	3
36	12338822-1P	HINGE, lower	2
37	N/S	LOCKNUT, 3/8 - 16", Gr8	3
38	6001115	SEAL, 8'	1
39	5939686	SEAL, lower windshield, L.H.	1
	5939687	SEAL, lower windshield, R.H.	1
40	5939685	SEAL	1
41	12447029P	RETAINER, windshield, lower	2
42	5939334	NUT INSERT, #10 - 24"	8

Windshield Assembly.

Item	Part No.	Description	Qty
43	MS27183-42P2	WASHER	8
44	N/S	LOCKWASHER, med, #10, ZN	8
45	N/S	BOLT, #10 - 24 x 3/4"	8
46	N/S	SCREW, tapping, #10 - 32 x 7/8"	2
47	5935687P	COVER ASSEMBLY, wire	1
48	5935699	GROMMET, W/S center pillar	1
49	12338835	HINGE, middle	1
50	5935710P	RETAINER, windshield center	1
51	5935689	WIRE RETAINER	1
52	5939530P2	SCREW, tapping	1
53	5939530P2	SCREW, tapping	14
54	N/S	NUT, 5/16 - 18", Gr5	6
55	9424258	LOCKWASHER	6
56	12338822-2P	HINGE, lower, R.H.	1
57	N/S	SCREW, fillister head, 5/16 - 18 x 1 1/4"	6

NOTE 1: CUT TO LENGTH APPROXIMATELY 110" PER WINDSHIELD PANE.



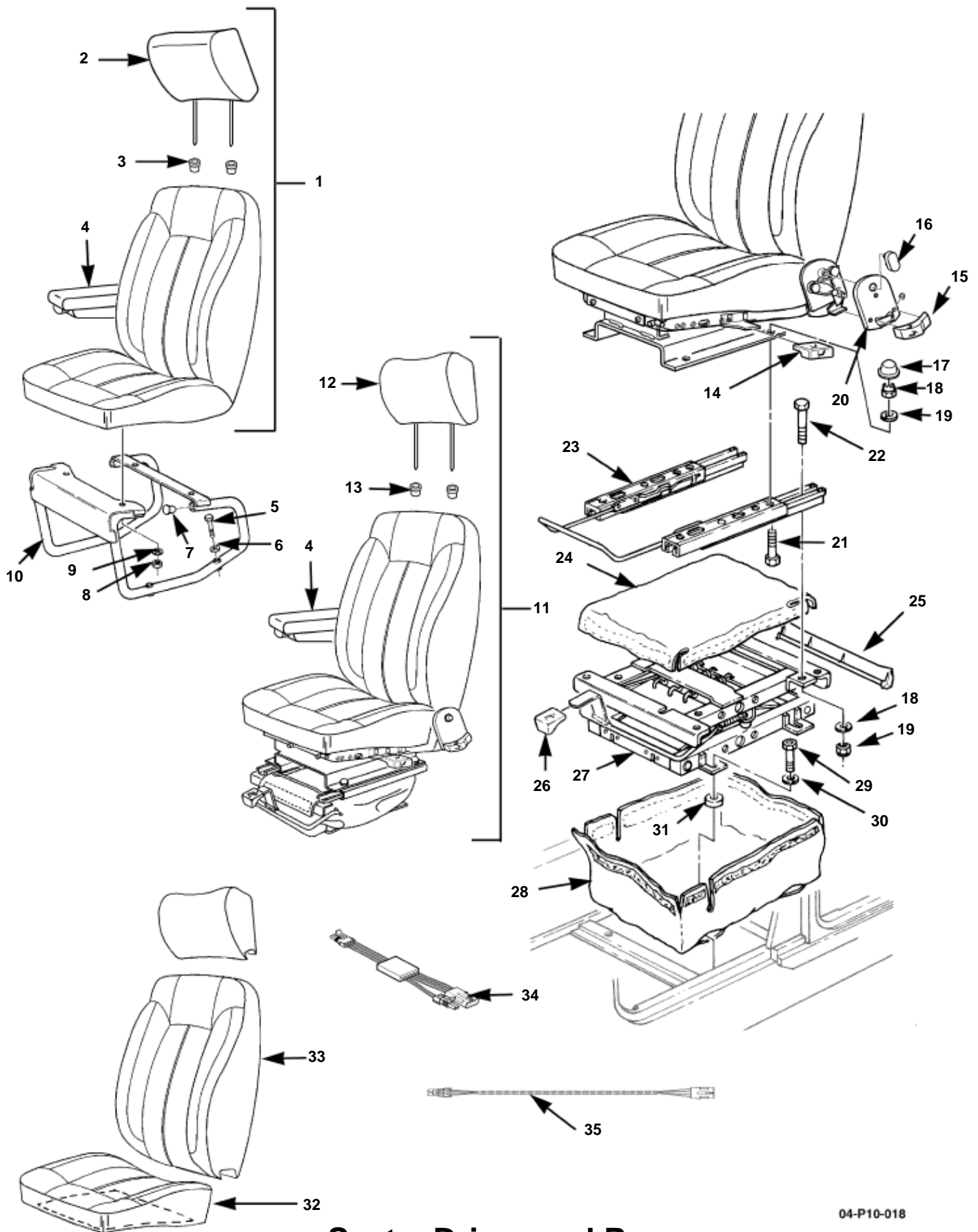
P10-014c

Window Assembly, Rear

HUMMER H1 2004 Parts Catalog
Window Assembly, Rear.

Item	Part No.	Description	Qty
1	5745369	SEAL, outer, rear window, SEE NOTE1	1
2	6001284	SCREW, self tapping, #8 - 18 x 1/2"	24
3	6003517	REAR WINDOW ASSEMBLY, sliding, tinted	1
	6005304	REAR WINDOW ASSEMBLY, sliding, with defroster	1
4	S.I.A.	·INNER FRAME	1
5	S.I.A.	·SCREW, rear window travel stop	2
6	S.I.A.	·SCREW, rear window side post mounting	4
7	S.I.A.	·INTERMEDIATE FRAME, rear window	1
8	S.I.A.	·TRAVEL STOP, rear window	2
9	S.I.A.	·SEAL, outer, rear window	1
10	5744496	·CLAMP RING, rear window	1
11	S.I.A.	·GLASS, sliding rear window, tinted	2
12	5744504	·LOCK, rear window left hand	1
13	5744505	·LOCK, rear window right hand	1
14	S.I.A.	·SCREW, rear window frame	4
15	5744501	·TIE BAR, rear window frame	1
16	5744506	·FILLER, window frame, 90"	2
17	5744503	·CENTER POST, rear window	2
18	S.I.A.	·GLASS, fixed center section, tinted	1
	S.I.A.	·GLASS, fixed center, w/defroster, tinted	1
19	6005233	HARNESS, rear window defrost, sliding 55, 56 (not illustrated)	1

NOTE 1: CUT TO 13' LENGTH FROM 1,000 FT. BULK
 SEAL, PN 6000366.



04-P10-018

Seats, Driver and Passenger

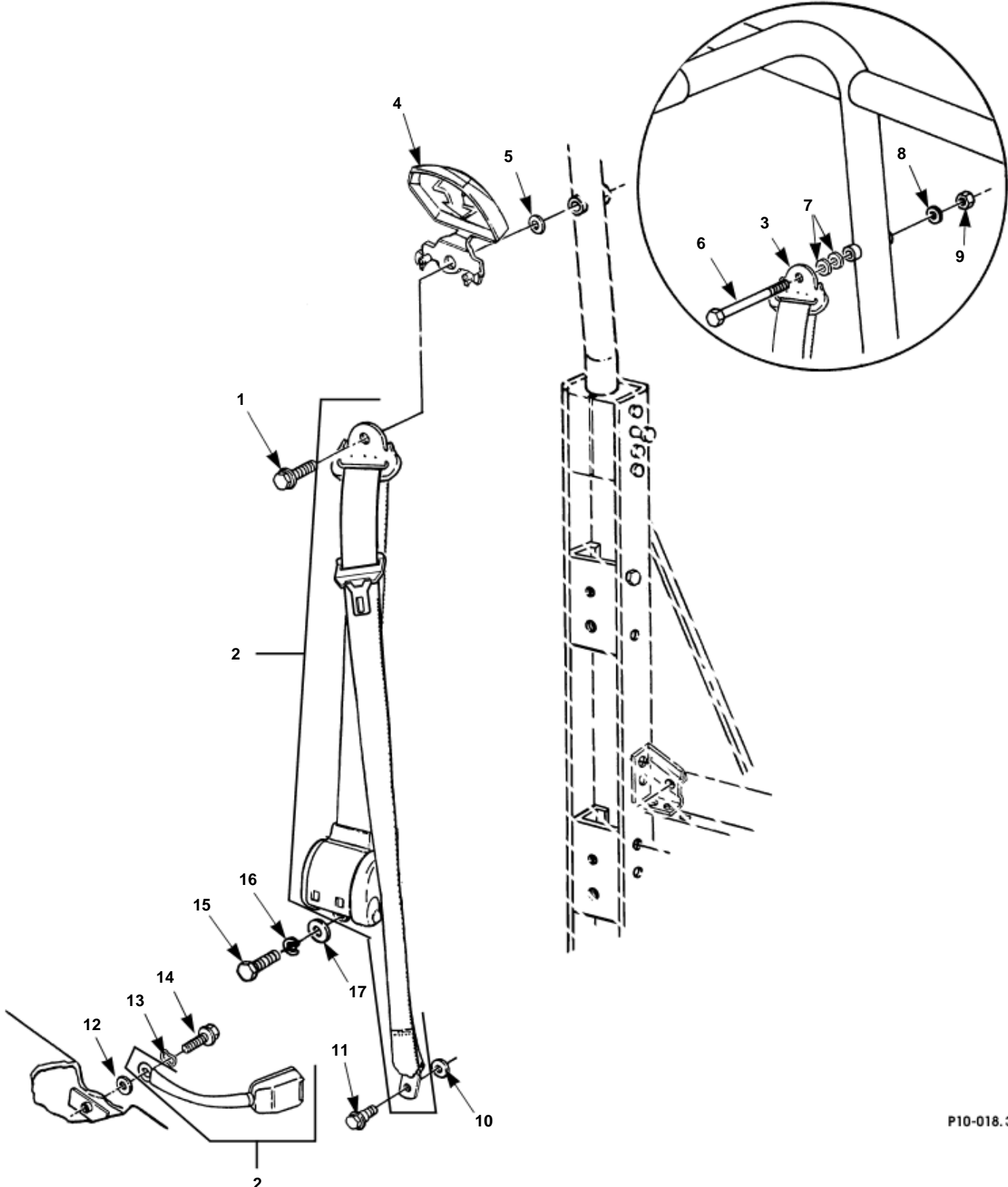
HUMMER H1 2004 Parts Catalog
Seats, Driver and Passenger.

Item	Part No.	Description	Qty
1	6016478	REAR PASSENGER SEAT ASSEMBLY, w/armrest, L.H., leather black/brown	1
	6016479	REAR PASSENGER SEAT ASSEMBLY, w/armrest, R.H., leather black/brown	1
	6016901	REAR PASSENGER SEAT ASSEMBLY, w/armrest, L.H., cloth black	1
	6016902	REAR PASSENGER SEAT ASSEMBLY, w/armrest, R.H., cloth black	1
2	5745735	·HEADREST ASSEMBLY, rear, leather	2
	5745734	·HEADREST ASSEMBLY, rear, black cloth	2
3	5744826	·FERRULE, headrest post	2
4	5745736	·ARMREST ASSEMBLY, R.H., front/rear, leather	1
	5745737	·ARMREST ASSEMBLY, L.H., rear, leather	1
	5745738	·ARMREST ASSEMBLY, R.H., front/rear, black cloth	1
	5745739	·ARMREST ASSEMBLY, L.H., rear, black cloth	1
	5745741	·ARMREST ASSEMBLY, driver's, leather	1
	5745740	·ARMREST ASSEMBLY, driver's, black cloth	1
5	N/S	BOLT, 5/16 - 18 x 1 3/4", Gr5, rear passenger seat support	4
6	N/S	WASHER, flat, hardened, 5/16", rear passenger seat support	4
7	12339361-5	PLUG, plastic, rear passenger seat	4
8	N/S	LOCKNUT, 5/16 - 18", Gr8, rear passenger seat support	4
9	N/S	WASHER, flat, hardened, 5/16", rear passenger seat support	4
10	5939508B2	REAR PASSENGER SEAT STANCHION ASSEMBLY	1
11	6016476	DRIVER SEAT ASSEMBLY, w/armrest, leather	1
	6016477	PASSENGER SEAT ASSEMBLY, w/armrest, leather	1
	6016899	DRIVER SEAT ASSEMBLY, w/armrest, black cloth	1
	6016900	PASSENGER SEAT ASSEMBLY, w/armrest, black cloth	1
12	5745743	·HEADREST ASSEMBLY, front, leather	2
	5745742	·HEADREST ASSEMBLY, front, black cloth	2
13	5744826	·FERRULE, headrest post	2
14	5745418	·KNOB, control, seat tilt, driver's seat	1
15	5745419	·KNOB, control, seatback recline, L.H.	1
	5745420	·KNOB, control, seatback recline, R.H.	1
16	5744818	·CAP, plastic	2
17	6002698	·PROTECTIVE CAP	4
18	N/S	·LOCKNUT, 5/16 - 18", Gr8	8
19	N/S	·WASHER, flat, hardened, type B, 5/16"	8
20	5745744	·COVER, driver's/passenger's side, reclining seat, black	1
21	N/S	·BOLT, socket head, M8 x 16 - GR 8.8	8
22	N/S	·BOLT, Socket head, M8 x 20 - GR 8.8	4
23	5745505	·SLIDE SET, driver's/passenger's seat	1
24	5745508	·COVER, height adjuster, black cloth	2
	5745745	·COVER, height adjuster, black vinyl	2
25	5744597	·COVER, frame, black	1
26	5744824	·CONTROL KNOB, seat	1
27	5745506	·HEIGHT ADJUSTER	1
28	5745507	·BAG, height adjuster, black cloth	1
	5745746	·BAG, height adjuster, black vinyl	1
29	N/S	·BOLT, 5/16 - 18 x 3/4", sock	8
30	N/S	·LOCKWASHER, med, 5/16", ZN	12
31	12343055	·SPACER, seat base	4
32	5745749	·UPHOLSTERY, seat, front, leather (cushion not included)	2
	5745750	·UPHOLSTERY, seat, rear, leather (cushion not included)	2
	5745748	·UPHOLSTERY, seat, rear, black cloth (cushion not included)	2
	5745747	·UPHOLSTERY, seat, front, black cloth (cushion not included)	2
	5745947	SEAT BASE CUSHION ASSEMBLY, front, w/heater and upholstery, leather	2
33	5745753	UPHOLSTERY, seatback, front, leather (cushion not included)	2

HUMMER H1 2004 Parts Catalog
Seats, Driver and Passenger.

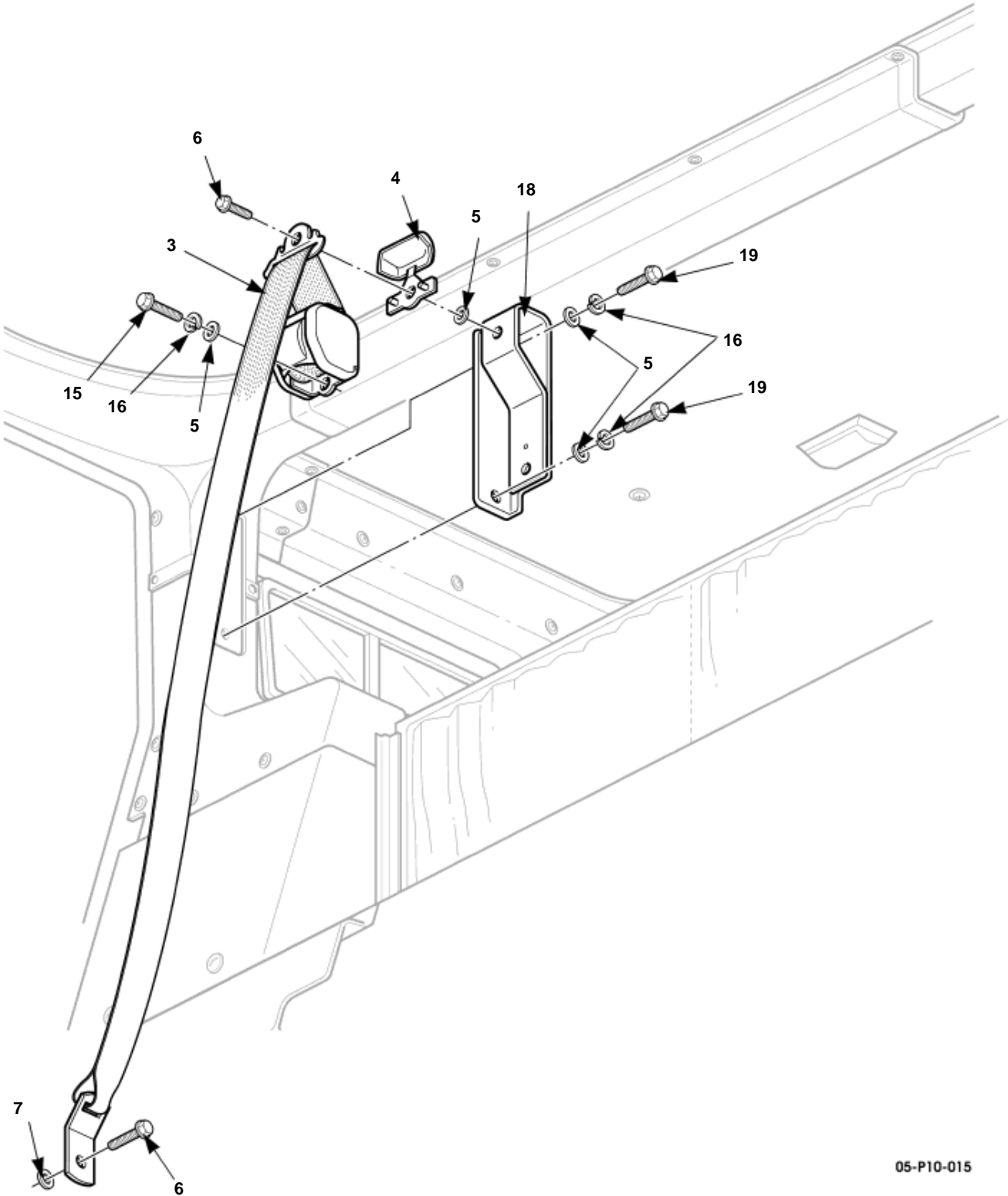
Item	Part No.	Description	Qty
33	5745754	UPHOLSTERY, seatback, rear, leather, (cushion not included)	2
	5745751	UPHOLSTERY, seatback, front, black cloth, (cushion not included)	2
	5745752	UPHOLSTERY, seatback, rear, black cloth, (cushion not included)	2
34	6016515	MODULE, heated seats	2
35	6016489	JUMPER HARNESS ASSEMBLY, heated seats	2
	5745491	·RECLINER MECHANISM, driver's seat (not illustrated)	1
	5745492	·RECLINER MECHANISM, passenger's seat (not illustrated) SEE NOTE 1	1
	5744800	·CLIP, upholstery retaining, front (not illustrated)	AR
	5745585	·CLIP, upholstery retaining, rear (not illustrated)	AR
	6012308	·HARNESS ASSEMBLY, heated seats (not illustrated) SEE SECTION 12	1

NOTE 1: PASSENGER'S SEAT RECLINER MECHANISM
WILL ONLY OPERATE ON VEHICLE MODEL
YEARS 2001 THRU CURRENT.



P10-018.3

Seat Belts, Front and Rear

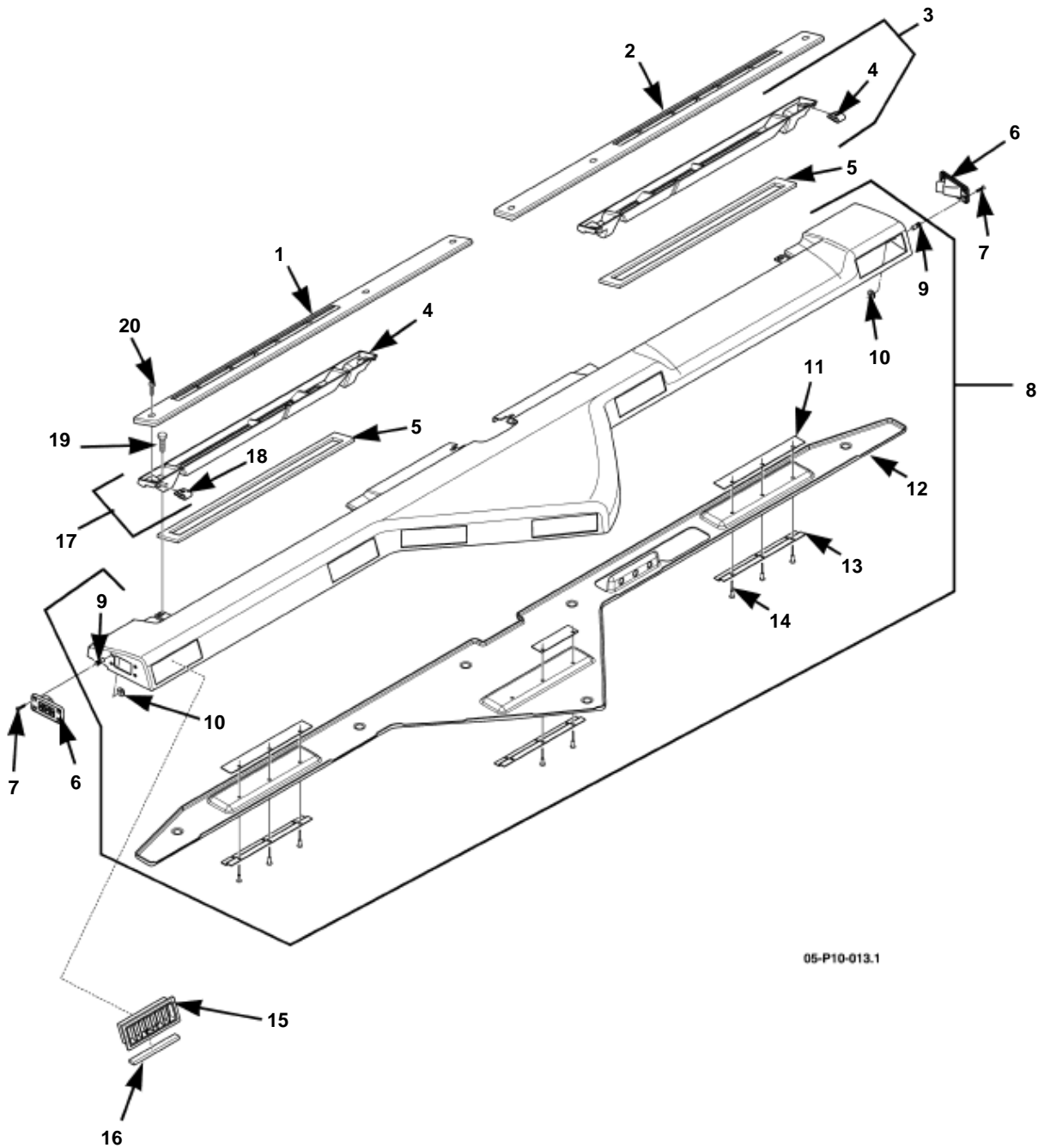


05-P10-015

Seat Belts, Front and Rear

Seat Belts, Front and Rear.

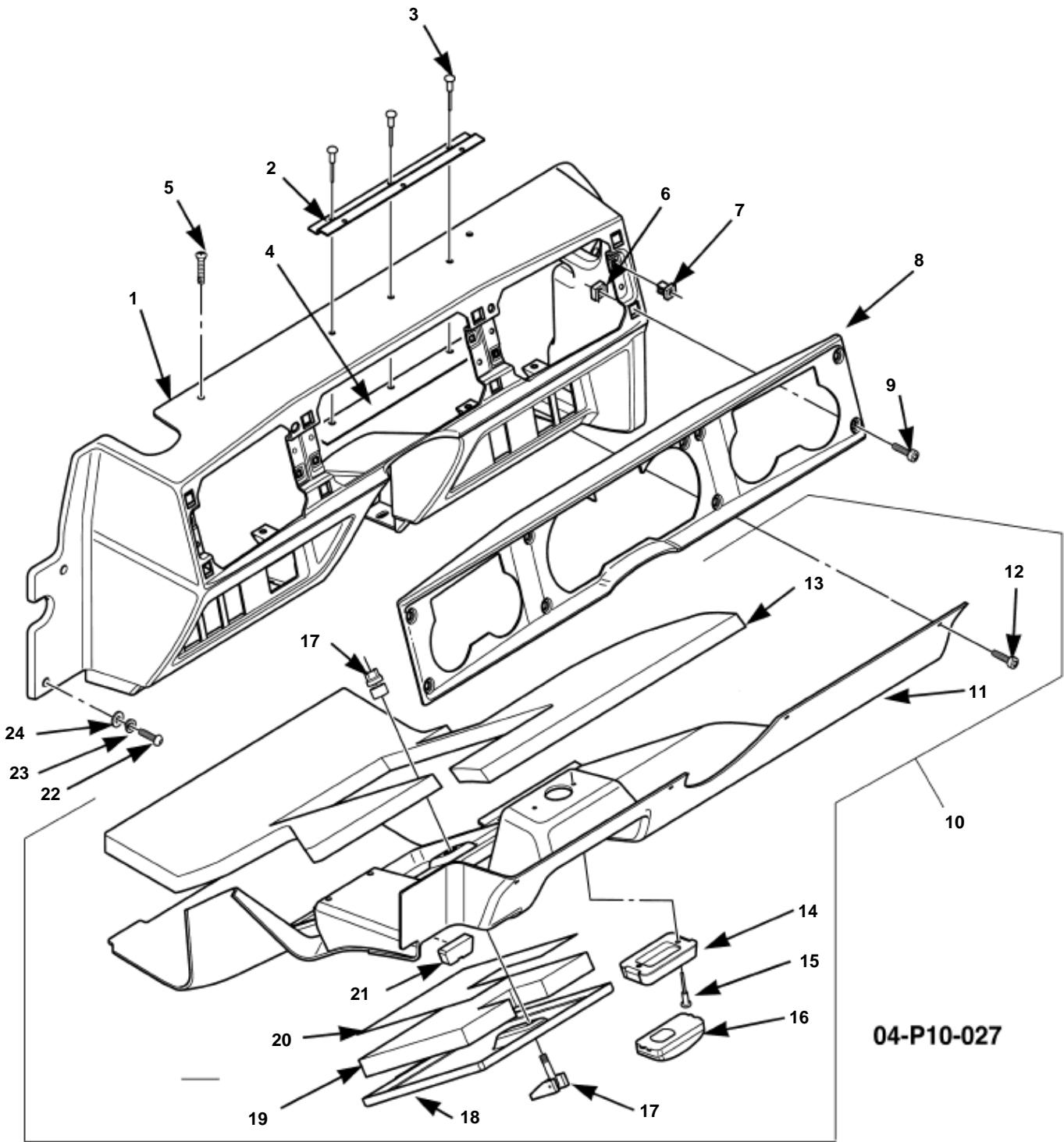
Item	Part No.	Description	Qty
1	6004980P2	BOLT, front seat belt anchor 55, 84	2
	6004162P2	BOLT, seat belt anchor 84, 90	2
2	5745560	KIT, front seat belt, L.H.	1
	5745561	KIT, front seat belt, R.H.	1
3	5745562	KIT, rear seat belt	2
4	6004161	-COVER, webbing guide 58, 90	2
	6004161	-COVER, webbing guide 55, 56, 57, 84	4
5	N/S	WASHER, flat, hardened, type B, 7/16" 55	2
	12341856P2	WASHER	4
6	12340259-4P2	BOLT, front seat belt 58, 90	2
	N/S	BOLT, 7/16 - 20 x 1 1/4", rear seat belt 58, 90	2
7	N/S	WASHER, flat, hardened, type B, 7/16", front and rear seat belt 58, 90	8
8	N/S	WASHER, flat, hardened, type B, 7/16", front seat belt 58, 90	2
9	N/S	LOCKNUT, 7/16 - 20", Gr8, CAD, front seat belt 58, 90	2
10	12340058P2	WASHER, flat 55, 56, 58, 90	2
	12340058P2	WASHER, flat 57, 84	4
11	12340259-6P2	BOLT 55, 56, 58, 90	2
	12340259-6P2	BOLT 57, 84	4
12	12340058P2	WASHER, flat 55, 56, 58, 90	2
	12340058P2	WASHER, flat 57, 84	4
13	EC12338124	WAVE WASHER	2
14	12340259-3P2	BOLT	4
15	12340259-9P2	BOLT, front seat belt 55	2
	12340259-9P2	BOLT, rear seat belt 56, 57, 58, 84	4
16	MS35338-47P2	LOCKWASHER, med, 7/16", ZN, rear seat belt 56, 57, 58, 84	4
17	N/S	WASHER, hardened, type B, 7/16" 55, 90	4
	N/S	WASHER, hardened, type B, 7/16" 56, 57, 58, 84	4
18	6012208	BRACKET, retractor assembly, L.H.	1
	6012209	BRACKET, retractor assembly, R.H.	1
19	N/S	BOLT, 7/16 - 20 x 1 - 1/4"	6
	6013971	SEAT BELT, extension assembly (not illustrated)	1



Upper Dash Assembly

Upper Dash Assembly.

Item	Part No.	Description	Qty
1	6015362	BEZEL, defroster, windshield, L.H.	1
2	6016547	BEZEL, defroster, windshield, R.H.	1
3	6017849	DEFROSTER HOUSING, R.H. ASSEMBLY	1
4	6017693	SPEEDNUT, 1/4 - 20", "U" type	2
5	6016567	SEAL, defroster	2
6	6015354	DEMISTER, windshield	2
7	6017813	SCREW	4
8	6018676	UPPER CRASH PAD ASSEMBLY	1
9	N/S	·PLUSNUT, #8 - 32 x 3/4"	4
10	N/S	·WASHER, flat, 1/4 - 20"	2
11	6017668	·PLATE, backer, crashpad mounting	1
12	S.I.A.	·BRACKET, upper crash pad assembly	1
13	6018674	·BRACKET, crash pad mounting	1
14	12339355-1	·RIVET	9
15	6019228	BEZEL ASSEMBLY AND CONTROL LOUVER, A/C	6
16	N/S	INSULATION, BEZEL	1
17	6016795	DEFROSTER HOUSING, L.H. ASSEMBLY	2
18	6017693	SPEEDNUT, 1/4 - 20", "U" type	4
19	6016634	SCREW	2
20	6017214	SCREW	6

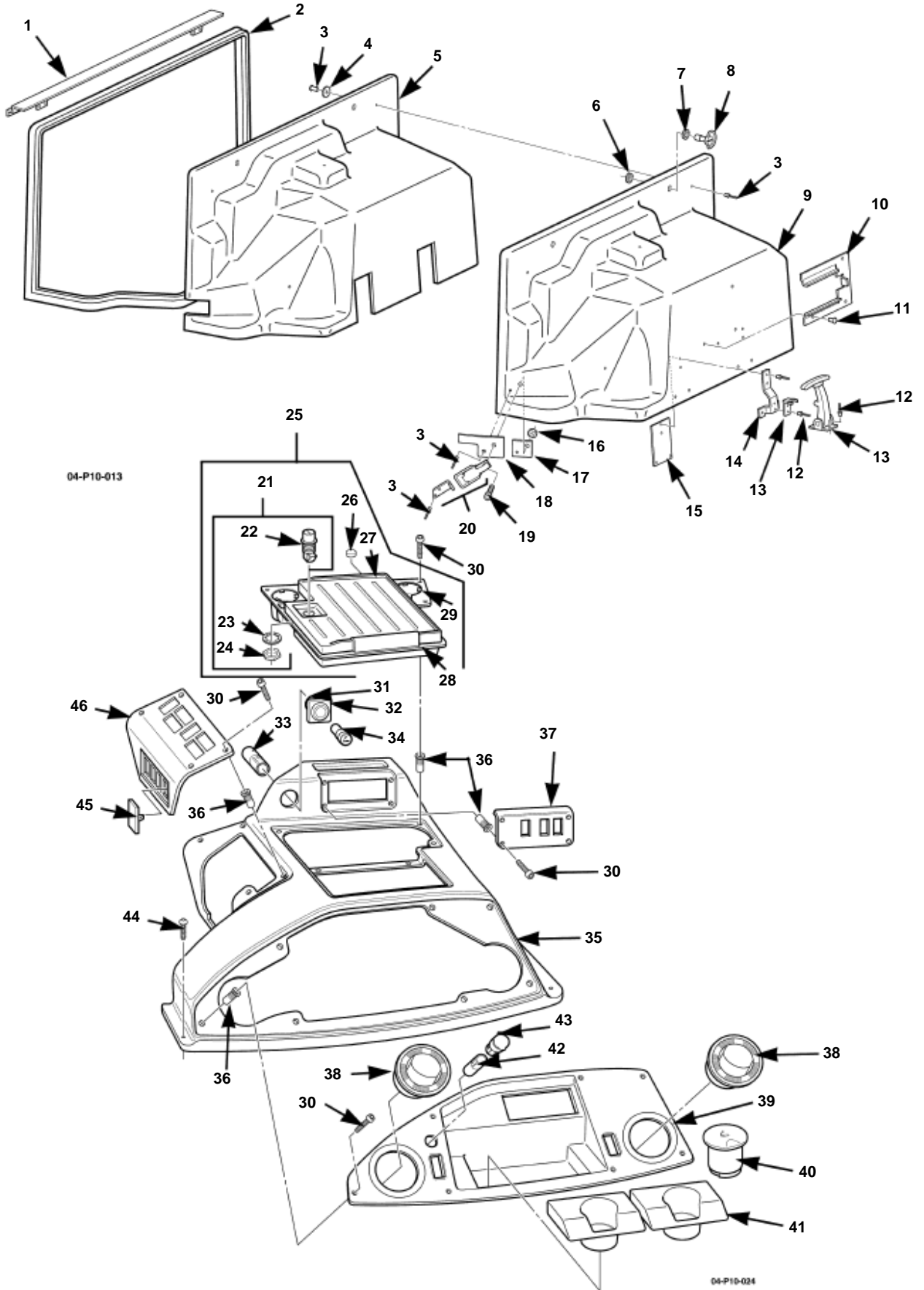


04-P10-027

Instrument Panel and Driver's Closeout

Instrument Panel and Driver's Closeout.

Item	Part No.	Description	Qty
1	6015332	PANEL, instrument	1
2	6018674	·BRACKET, crash pad mounting	1
3	12339355-1	·RIVET ASSEMBLY	3
4	N/S	·PLATE, backer, crashpad mounting	1
5	6017154	SCREW	2
6	6017056	NUT, #8 nylon	10
7	6016631	CAGE NUT, 1/4 - 20"	8
8	6015333	BEZEL, instrument panel	1
9	6017214	SCREW	8
10	6017204	PANEL ASSEMBLY, instrument panel closeout	1
11	S.I.A.	·PANEL, Instrument panel closeout	1
12	6016963	SCREW	3
13	S.I.A.	·ISULATION, instrument panel closeout	1
14	5937024	·BEZEL, lamp assembly mounting	1
15	N/S	·RIVET, 1/8" dia., blind	2
16	5939309	·LAMP ASSEMBLY	1
17	6007240	·LATCH ASSEMBLY	1
18	6017634	·DOOR, fuse access	1
19	6016200	·INSULATION, door, closeout panel	1
20	6014974	DECAL, fuse box, interior, (not illustrated)	1
21	6010694	COVER, DLC test connector	1
22	MS35206-284	SCREW	6
23	N/S	LOCKWASHER	6
24	2436161	WASHER, flat	6
	6018124	BRACKET, I/P closeout panel mounting (not illustrated)	1



Engine Cover, Console Cover, and Related Parts

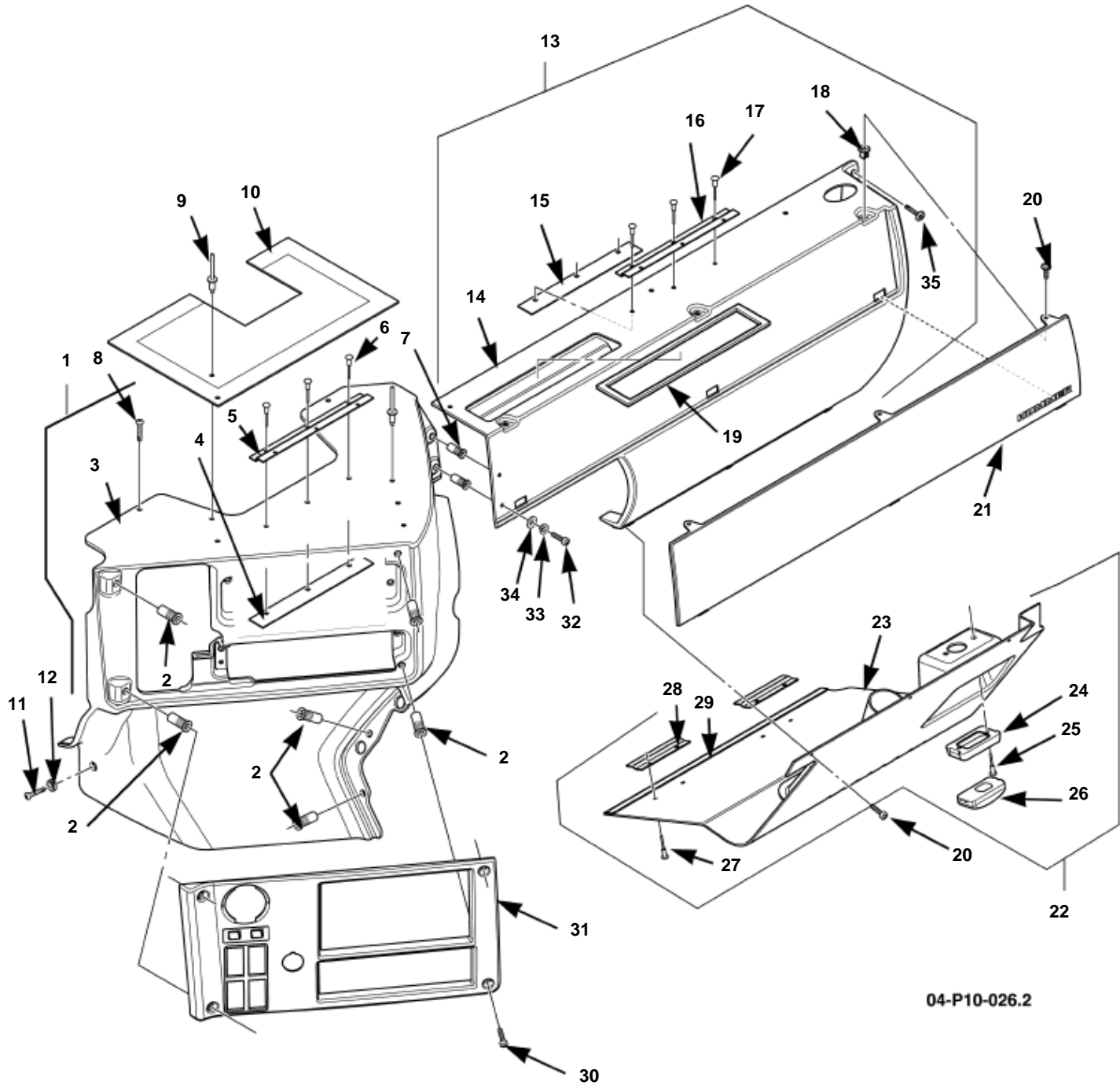
Engine Cover, Console Cover, and Related Parts.

Item	Part No.	Description	Qty
1	12338853G1	BRACKET, engine cover hold down	1
2	RCSK17796	SEAL ASSEMBLY, engine cover	1
3	12339737	RIVET ASSEMBLY, 2-piece, aluminum (12339737 includes one of each piece)	6
4	12341718	WASHER, flat, .276 x 1.39 x .05, (insulation retainer)	6
5	6015903	INSULATION, engine cover	1
6	12341011	RING RETAINER, .75 x .438 x .040	2
7	2436164	WASHER, 7/16", Fw Ty B Hrdnd Cad	2
8	12339738-1	STUD, ring head, 1118 St; Ht Dt	2
9	6015902	COVER, engine	1
10	6014497	BRACKET, E-locker, differential module	1
11	6001038G	TRIM BUTTON	7
12	M7885/2-6-4	RIVET, blind, 3/16"	22
13	12338946	LATCH AND KEEPER ASSEMBLY, (SEE NOTE 1)	1
14	RCSK17413	BRACKET, engine cover	2
15	RCSK17639	BACKER PLATE, latch assembly	2
16	MS51943-33	NUT LOCK, 5/16 - 18"	2
17	EC12338943B1	BACKER PLATE, latch assembly	2
18	EC12338952-1	GUIDE PLATE, engine cover, L.H.	1
	EC12338952-2	GUIDE PLATE, engine cover, R.H.	1
19	12339428	BOLT, shoulder	2
20	12338950	LATCH ASSEMBLY, engine cover	2
21	6015367	LATCH ASSEMBLY, glove box	1
22	S.I.A.	·LOCK CYLINDER	1
23	S.I.A.	·WASHER	1
24	S.I.A.	·NUT	1
25	6015364	GLOVE BOX ASSEMBLY	1
26	6017194	·GLOVE BOX, bumper	2
27	6015366	·GLOVE BOX, door	1
28	S.I.A.	·GLOVE BOX, hinge	1
29	6017230	·CUP HOLDER TAB	6
30	6017214	SCREW	18
31	6016985	RETAINER, lighter housing	1
32	6017193	BEZEL, lighter	1
33	6016984	HOUSING ASSEMBLY, lighter	1
34	6016986	ELEMENT ASSEMBLY, lighter	1
35	6015337	REAR CONSOLE ASSEMBLY 56, 57, 58, 84, 90	1
	6018107	REAR CONSOLE ASSEMBLY 55	1
36	12446871-2	·PLUS NUT, 1/4 - 20"	A/R
37	6015352	BEZEL, control, R.H.	1
38	6017226	BEZEL ASSEMBLY, rear A/C	2
39	6015348	BEZEL, rear console	1
40	6016996	ASHTRAY	1
41	6017229	CUP HOLDER, rear	2
42	6016538	POWER OUTLET	1
43	6016987	RETAINER ASSEMBLY, power outlet	1
44	6016963	SCREW	2
45	6017426	BEZEL, SINGLE BLANK, SEE NOTE 2	A/R
	6017427	BEZEL, DOUBLE BLANK, SEE NOTE 2	A/R
46	6015350	BEZEL CONTROL, L.H.	1
	6017410	CLIP, bezel, blank, (not illustrated) SEE NOTE 3	1

NOTE 1: LATCH AND KEEPER ASSEMBLY, P/N 12338946
INCLUDES TWO OF EACH.

NOTE 2: TO SECURE BEZELS, USE CLIP, DRIVER'S CONTROL PLUG, P/N 6017410 (NOT ILLUSTRATED).

NOTE 3: CLIP IS USED TO SECURE BEZEL 6017426, AND 6017427.



04-P10-026.2

Center Dash Assembly, R.H. Crash Pad

Center Dash Assembly, R.H. Crash Pad.

Item	Part No.	Description	Qty
1	6015334	CENTER DASH ASSEMBLY	1
2	12339998-13	·PLUSNUT, 1/4 - 20 x .020/.280" grip	6
3	S.I.A.	·CENTER DASH	1
4	N/S	·PLATE, backer, crashpad mounting	1
5	6018674	·BRACKET, crash pad mounting	1
6	12339355-1	·RIVET ASSEMBLY	3
7	12339998-14	·PLUSNUT, #10 - 32 x .020/.175" grip	2
8	6017154	SCREW	2
9	12341792	RIVET, blind, 3/6"	5
10	6018150	WATERSHIELD, center dash assembly	1
11	157401P2	SCREW, oval head recess, phillips	1
12	121641P2	FINISH WASHER, countersunk	1
13	6015340	CRASHPAD, R.H., ASSEMBLY	1
14	S.I.A.	·CRASHPAD, R.H.	1
15	N/S	·PLATE, backer, crashpad mounting	1
16	6018674	·BRACKET, crashpad mounting	1
17	12339355-1	·RIVET ASSEMBLY	3
18	6017056	·INSERT, nylon	6
19	6017686	GASKET, upper crash pad to R.H. crash pad	1
20	6017154	SCREW	8
21	6015343	BEZEL, crashpad, R.H.	1
22	6017095	PANEL ASSEMBLY, panel closeout R.H.	1
23	S.I.A.	·PANEL, panel closeout, R.H.	1
24	5937024	·BEZEL, lamp assembly mounting	
25	N/S	·RIVET, 1/8" dia., blind	2
26	5939309	·LAMP ASSEMBLY	1
27	12339355-1	·RIVET	4
28	6007191	·BRACKET, crash pad mounting	2
29	6006217	·TAPE, seal, SEE NOTE 1	A/R
30	6017214	SCREW	4
31	6019056	BEZEL, radio	1
32	N/S	SCREW, #10 - 32 x 3/4"	2
33	N/S	LOCKWASHER, #10	2
34	N/S	WASHER, flat, #10	2
35	6016963	SCREW, truss head, #10 - 16 x 1"	2

NOTE 1: P/N 6006217 TAPE SEAL IS A 150' BULK ROLL

Door Assembly, Front.

Item	Part No.	Description	Qty
1	6014159	KIT, 1pc. window seal	4
	5745369	·D-SEAL, side door, window, SEE NOTE 5	4
	6014161	·SEAL, butyl adhesive tape, SEE NOTE 4	1
2	6003620	DOOR HINGE ASSEMBLY, upper front, L.H.	1
	6003621	DOOR HINGE ASSEMBLY, upper front, R.H.	1
3	5939634P2	WASHER, flat, hinge mounting	12
4	5939223	BOLT	4
5	5939423	BOLT	6
6	6017499	DOOR ASSEMBLY, front, welded, L.H.	1
	6017500	DOOR ASSEMBLY, front, welded, R.H.	1
7	6001700	PLUG, door	3
8	5744554	GLASS AND LIFT CHANNEL, tinted glass, L.H., front, R.H., Rear	1
	5744555	GLASS AND LIFT CHANNEL, tinted glass, R.H., front, L.H., rear	1
9	6003516	·GLASS, tinted	1
10	6001887	·LIFT CHANNEL	1
11	6011776	SEAL, belt line	2
12	6000248	GASKET, exterior door handle	1
13	6002874	HANDLE ASSEMBLY, exterior door	1
14	N/S	LOCKWASHER, external tooth, 1/4"	13
15	N/S	SCREW, phcr, M6 - 1 x 13	13
16	6011276	ROD, interior handle-to-latch, front, SEE NOTE 2	2
17	6013372	SPRING, door latch, SEE NOTE 2	2
18	6011277	COUPLING, door latch, SEE NOTE 2	2
19	11502853	PUSH NUT, SEE NOTE 2	2
20	6000056	CHANNEL ASSEMBLY, front L.H. door, lower rear	1
	6000057	CHANNEL ASSEMBLY, front R.H. door, lower rear	1
21	N/S	SCEW, 1/4 - 20 X 1/2"	2
22	6012701	LOCK CYLINDER KIT	1
	S.I.K.	·LOCK CYLINDER, L.H., SEE NOTE 1	1
	S.I.K.	·LOCK CYLINDER, R.H., SEE NOTE 1	1
23	5939037	CLIP, rod end	3
24	6002905	SLEEVE, latch rod	1
25	5938964	ROD, key cylinder-to-latch, L.H.	1
	5939714	ROD, key cylinder-to-latch, R.H.	1
26	5939371	CLIP, key cylinder, retaining	1
27	6006447	SEAL, door, black foam, 120"	1
28	6004422	BRACKET ASSEMBLY, front door, armrest mounting, L.H.	1
	6004434	BRACKET ASSEMBLY, front door, armrest mounting, R.H.	1
29	N/S	SCREW, ph, 1/4 - 20 x 1 3/4"	1
30	5938960	LATCH ASSEMBLY, L.H.	1
	5938961	LATCH ASSEMBLY, R.H.	1
31	N/S	NUT AND LOCKWASHER, keps #10 - 24"	4
32	6001831	ACTUATOR ROD, front, L.H.	1
	6001832	ACTUATOR ROD, front, R.H.	1
33	5938965	ROD, lock pin-to-latch, L.H.	1
	5938966	ROD, lock pin-to-latch, R.H.	1
34	6017203	KNOB, door lock	1
35	9425422P2	SCREW, tapping, #10 - 16 x 7/8"	4
36	6016632	HANDLE ASSEMBLY, door interior, L.H.	1
	6016633	HANDLE ASSEMBLY, door interior, R.H.	1
37	6000064	ROD, interior handle-to-latch, front	2
38	6000747	CLIP, rod, handle end, L.H., R.H.	2
39	5938962P	HINGE ASSEMBLY, door, L.H.	1
	5938963P	HINGE ASSEMBLY, door, R.H.	1
40	6006178	SCREW, torq head	1
41	6014785	STRAP ASSEMBLY, door stop, front	1
42	5938919	CHANNEL ASSEMBLY, front L.H. door, lower front	1
	5938920	CHANNEL ASSEMBLY, front R.H. door, lower front	1
	5744322	SEAL, body, 50' roll (not illustrated)	1
	6018592	WATERSHIELD, L.H., front door, (not illustrated) SEE NOTE 3	1
	6018593	WATERSHIELD, R.H., front door (not illustrated) SEE NOTE 3	1

Door Assembly, Front.

Item	Part No.	Description	Qty
	6001694	WATERSHIELD, door latch 56, 57, 58, 84, 90, (not illustrated) SEE NOTE 3	4
	6001694	WATERSHIELD, door latch 55, (not illustrated) SEE NOTE 3	2
	6002870	WINDOW REGULATOR, power, L.H. (not illustrated) SEE NOTE 3	1
	6002871	WINDOW REGULATOR, power, R.H. (not illustrated) SEE NOTE 3	1
	6003590	ACTUATOR, power door lock, (not illustrated) SEE NOTE 3	2
	6013577	KEY, H1 HUMMER, blank (not illustrated) SEE NOTE 1	1

NOTE 1: ORDER LOCK CYLINDERS KIT P/N 6012701.

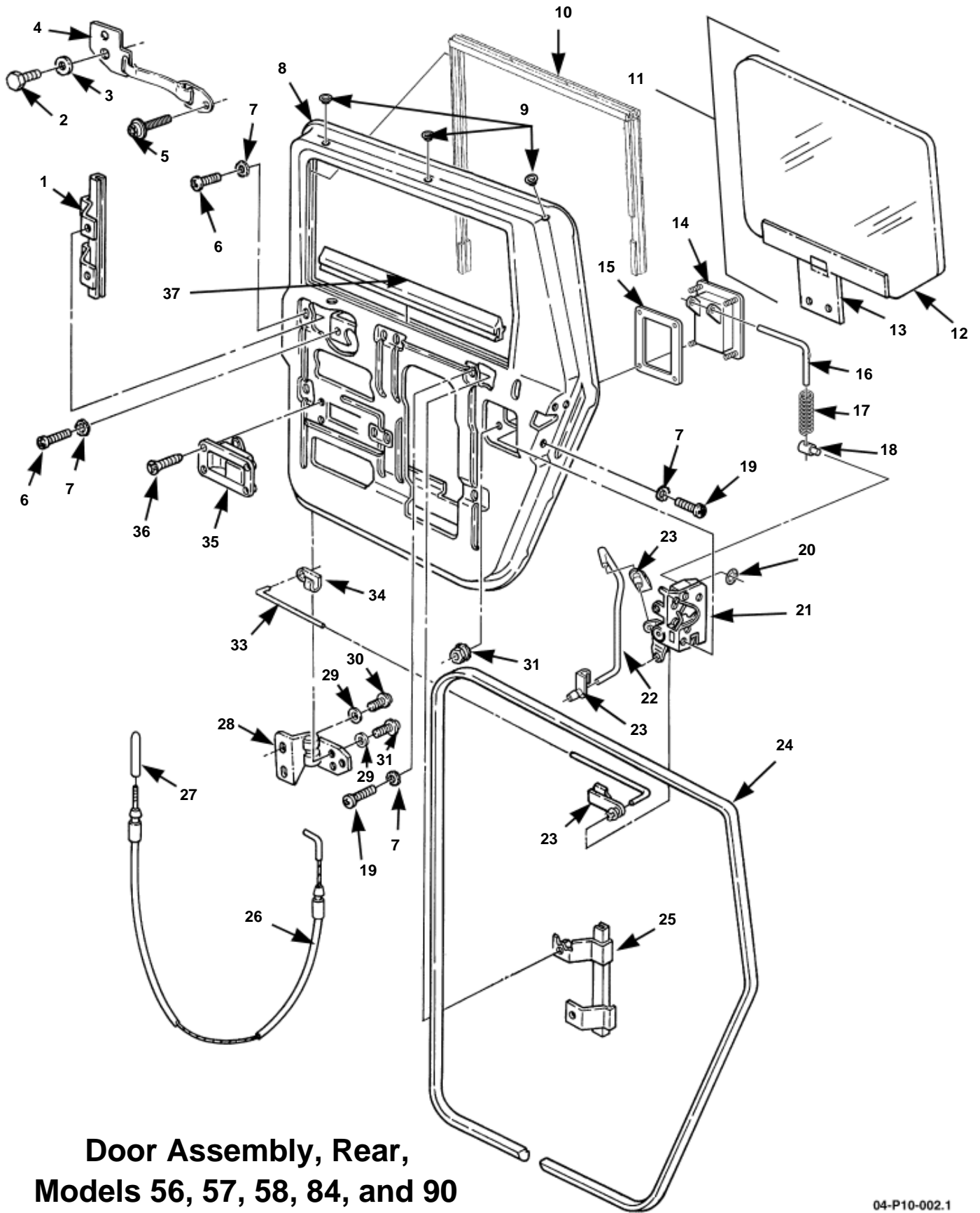
KIT INCLUDES H1 KEY, 6013577.

NOTE 2: KIT DOOR LATCH LIMITER 5745514 CONTAINS
ENOUGH PARTS FOR TWO DOORS.

NOTE 3: FOR DETAIL OF WINDOW REGULATOR
ASSEMBLY, DOOR LOCK ACTUATOR AND
OTHER RELATED PARTS SEE SECTION 12

NOTE 4: 6014161 IS A 100' ROLL, REQUIRES 17" PER
SEAL.

NOTE 5: 5745369 IS 13' LONG, REQUIRES 24" PER SEAL



**Door Assembly, Rear,
Models 56, 57, 58, 84, and 90**

04-P10-002.1

Door Assembly, Rear, Models 56, 57, 58, 84, and 90.

Item	Part No.	Description	Qty
1	5938921	CHANNEL ASSEMBLY, rear L.H. door, lower front	1
	5938922	CHANNEL ASSEMBLY, rear R.H. door, lower front	1
2	N/S	BOLT, 1/4 - 20 x 1 1/4", Gr8, CAD	2
3	N/S	WASHER, flat, hardened, type B, 1/4"	2
4	6014786	STRAP ASSEMBLY, door stop, rear, L.H.	1
	6014787	STRAP ASSEMBLY, door stop, rear, R.H.	1
5	6006178	SCREW, torx head	1
6	N/S	SCREW, 1/4 - 20 X 1/2"	10
7	N/S	LOCKWASHER, ext tooth, 1/4"	13
8	6016990	DOOR ASSEMBLY, rear, welded, L.H.	1
	6016991	DOOR ASSEMBLY, rear, welded, R.H.	1
9	6001700	PLUG, door	3
10	6014159	KIT, 1pc. window seal	4
	5745369	·D-SEAL, side door, window, SEE NOTE 4	4
	6014161	·SEAL, butyl adhesive tape, SEE NOTE 3	1
11	5744555	GLASS AND LIFT CHANNEL, tinted glass, R.H., front, L.H., rear	1
	5744554	GLASS AND LIFT CHANNEL, tinted glass, L.H., front, R.H., Rear	1
12	6003516	·GLASS, tinted	1
13	6001887	·LIFT CHANNEL	1
11	5745128	GLASS AND LIFT CHANNEL, privacy glass, L.H., rear	1
	5745129	GLASS AND LIFT CHANNEL, privacy glass, R.H., rear	1
12	6010780	·GLASS, privacy	1
13	6001887	·LIFT CHANNEL	1
14	6002874	HANDLE ASSEMBLY, exterior door	1
15	6000248	GASKET, exterior door handle	1
16	6011276	·ROD, interior handle-to-latch, rear, SEE NOTE 1	2
17	6013372	·SPRING, door latch, SEE NOTE 1	2
18	6011277	COUPLING, door latch, SEE NOTE 1	2
19	N/S	SCREW, ph, M6 - 1 x 13	10
20	11502853	PUSH NUT, SEE NOTE 1	2
21	5938960	LATCH ASSEMBLY, L.H.	1
	5938961	LATCH ASSEMBLY, R.H.	1
22	6001833	ACTUATOR ROD, rear, L.H. 56, 57, 58, 84, 90	1
	6001834	ACTUATOR ROD, rear, R.H. 56, 57, 58, 84, 90	1
23	5939037	CLIP, rod end	3
24	6006447	SEAL, door, black foam, 120"	1
25	6000058	CHANNEL ASSEMBLY, rear L.H. door, lower rear	1
	6000087	CHANNEL ASSEMBLY, rear R.H. door, lower rear	1
26	5938896	DOOR LOCK CABLE ASSEMBLY	1
27	6017203	KNOB, door lock	1
28	5938962P	HINGE ASSEMBLY, door, L.H.	2
	5938963P	HINGE ASSEMBLY, door, R.H.	2
29	5939634P2	WASHER, flat, hinge mounting	10
30	5939223	BOLT	4
31	5939423	BOLT	6
32	N/S	NUT AND LOCKWASHER, keps, #10 - 24", ZN	4
33	6000061	ROD, interior handle-to-latch, rear	1
34	6000747	CLIP, rod, handle end, L.H., R.H.	2
35	6016632	HANDLE ASSEMBLY, door interior, L.H.	2
	6016633	HANDLE ASSEMBLY, door interior, R.H.	2
36	9425422P2	SCREW, tapping, #10 - 16 x 7/8"	4
37	6011776	SEAL, belt line	2
	6018594	WATERSHIELD, L.H., rear door (not illustrated)	1
	6018595	WATERSHIELD, R.H., rear door (not illustrated)	1
	6001694	WATERSHIELD, door latch 56, 57, 58, 84, 90, (not illustrated) SEE NOTE 3	4
	6001694	WATERSHIELD, door latch 55, (not illustrated) SEE NOTE 3	2
	6002870	WINDOW REGULATOR, power, L.H. SEE NOTE 2 (not illustrated)	1

Door Assembly, Rear, Models 56, 57, 58, 84, and 90.

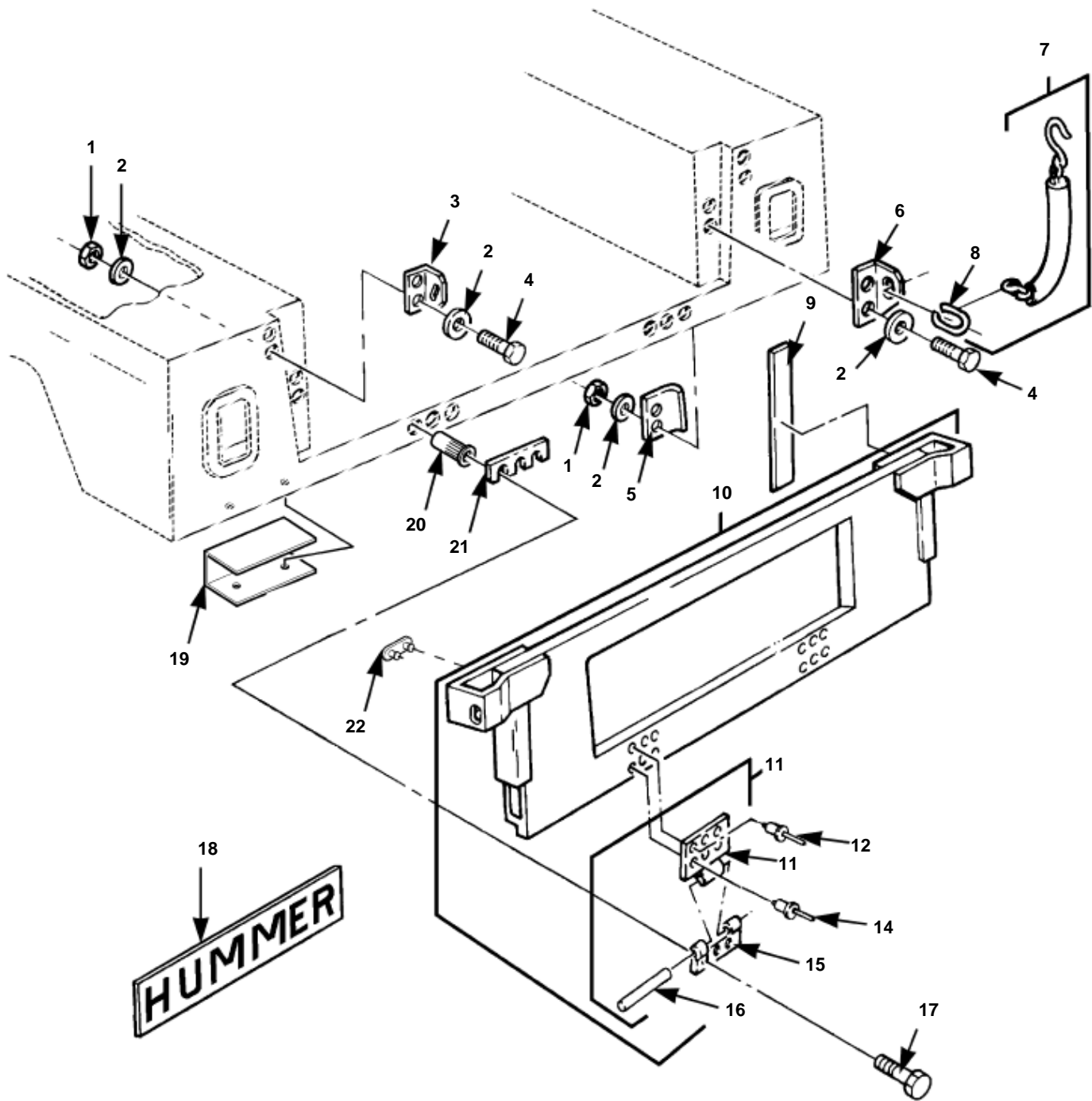
Item	Part No.	Description	Qty
	6002871	WINDOW REGULATOR, power, R.H. SEE NOTE 2 (not illustrated)	1
	6003590	ACTUATOR, power door lock, (not illustrated) SEE NOTE 2	2

NOTE 1: KIT DOOR LATCH LIMITER 5745514 CONTAINS ENOUGH PARTS FOR TWO DOORS.

NOTE 2: FOR DETAIL OF WINDOW REGULATOR ASSEMBLY, DOOR LOCK ACTUATOR AND OTHER RELATED PARTS SEE SECTION 12

NOTE 3: 6014161 IS A 100' ROLL, REQUIRES 17" PER SEAL.

NOTE 4: 5745369 IS 13' LONG, REQUIRES 24" PER SEAL.

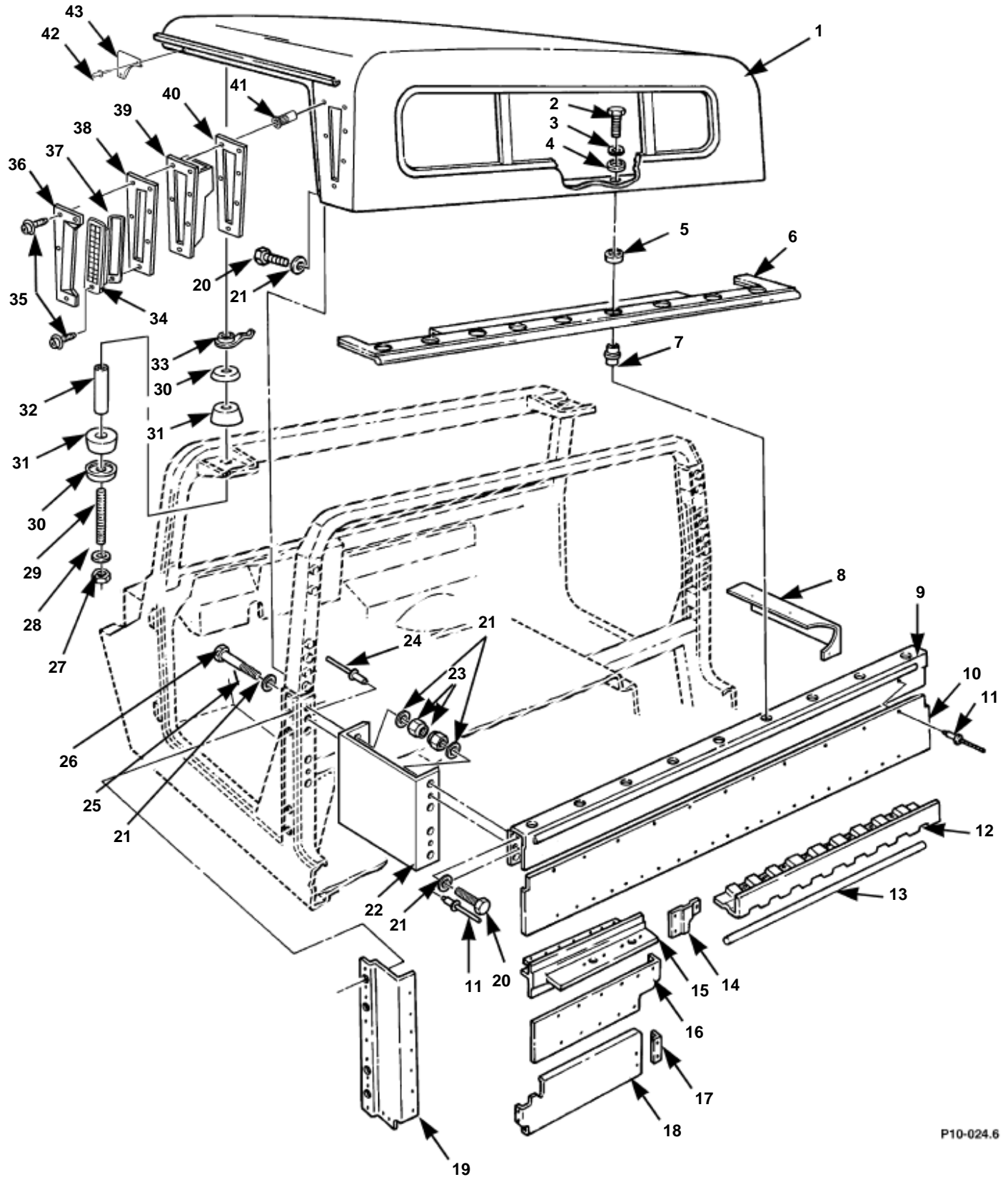


P10-023.3

Tailgate Assembly and Related Parts

Tailgate Assembly and Related Parts.

Item	Part No.	Description	Qty
1	N/S	LOCKNUT, 5/16 - 18", Gr8, latch and bracket	8
2	N/S	WASHER, flat, hardened, type B, 5/16", latch and bracket	16
3	12338974-2P	LATCH, tailgate chain, R.H.	1
	12338974-1P	LATCH, tailgate chain, L.H.	1
4	N/S	BOLT, 5/16 - 18 X 1 1/8", Gr5, latch and bracket	8
5	12338977B1	REINFORCEMENT, tailgate chain mount	2
6	12338975-1P	BRACKET, chain mount, L.H.	1
	12338975-2P	BRACKET, chain mount, R.H.	1
7	12339227-1P3	COVER AND CHAIN (links and end hook), tailgate, L.H.	1
	12339227-2P3	COVER AND CHAIN (links and end hook), tailgate,R.H.	1
8	12339223P3	·CONNECTOR, tailgate chain	2
9	12339228-9	SEAL, cargo box-to-tailgate 55, 56, 58, 90	2
10	WA12338981P	TAILGATE ASSEMBLY	1
11	12339985P	·HINGE ASSEMBLY	2
12	12340354-2	··RIVET, blind, upper	6
13	12339945	··HINGE, tailgate, upper	1
14	12340354-1	··RIVET, blind, lower	6
15	12339999	··HINGE, tailgate, lower	1
16	12339663	··PIN, tailgate hinge	1
17	N/S	BOLT, 3/8 - 16 x 1 1/2", Gr5, lower hinge	6
18	6002989	DECAL, "HUMMER", black	1
	5744923	DECAL, "HUMMER", chrome	1
	6002990	DECAL, "HUMMER", gold	1
	5744674	DECAL, "HUMMER", silver	1
	5744673	DECAL, "HUMMER", white	1
19	12339008B1	HARNESS COVER, D-beam	2
20	N/S	NUT INSERT, 3/8 - 16"	6
21	12340045	SHIM, tailgate hinge	A/R
22	12339961-2	GROMMET, tailgate	2

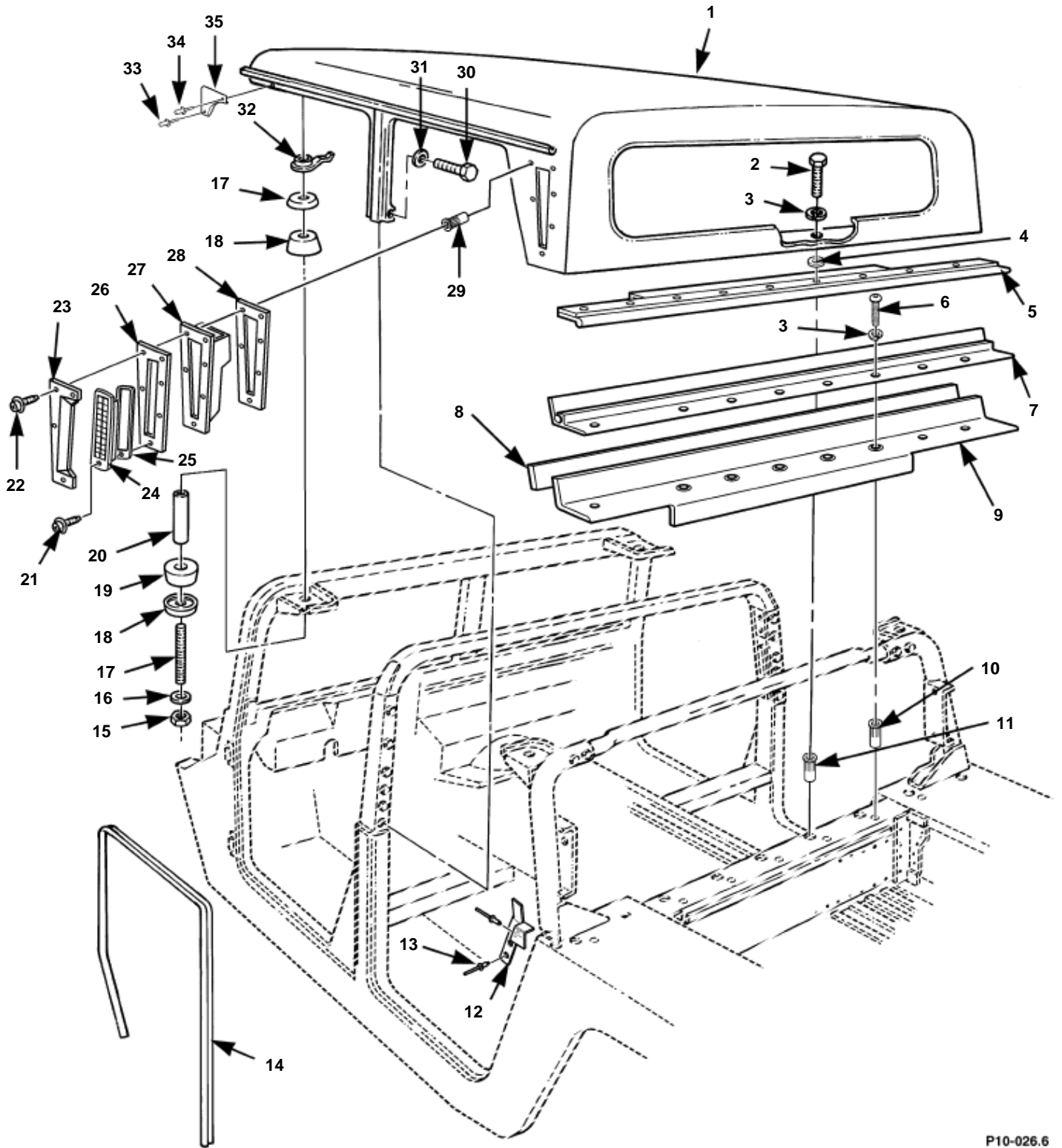


P10-024.6

**Roof and Mounting Hardware,
Two-Passenger Enlarged Cab, Model 55**

Roof and Mounting Hardware, Two-Passenger Enlarged Cab, Model 55.

Item	Part No.	Description	Qty
1	6009323	ROOF ASSEMBLY	1
2	N/S	BOLT, 1/4 - 20 x 1", Gr8, CAD	9
3	N/S	WASHER, springlock, med, 1/4", ZN	9
4	N/S	WASHER, flat, 1/4"	9
5	5939596	SPACER, belt line, rear seal	11
6	6004529	SEAL, belt line, rear	1
7	12446871-14	NUT INSERT	11
8	6004537P	CLOSEOUT RAIL, L.H.	1
	6004538P	CLOSEOUT RAIL, R.H.	1
9	5938736P	RAIL, upper rear	1
10	6004535P	PANEL, lower back	1
11	12339355-1	RIVET, blind, huck, 3/16"	128
12	5938744A	BRACKET, back panel support, center	1
13	5939988	SEAL, cargo floor/back panel	1
14	5938749	PANEL, L.H.	1
	5938760	PANEL, R.H.	1
15	6004521P	SUPPORT, footwell cover, L.H.	1
	6004522P	SUPPORT, footwell cover, R.H.	1
16	6004502P	PANEL, footwell, upper, L.H.	1
	6004503P	PANEL, footwell, upper, R.H.	1
17	5938745	BRACKET, closeout panel mounting	2
18	6004515P	PANEL, footwell, lower, L.H.	1
	6004516P	PANEL, footwell, lower, R.H.	1
19	6004517P	PANEL, lower back, outer, L.H.	1
	6004518P	PANEL, lower back, outer, R.H.	1
20	N/S	BOLT, 5/16 - 18 x 1 1/8", Gr8, CAD	4
21	N/S	WASHER, flat, hardened, type B, 5/16"	20
22	6004534	BRACKET, B-pillar-to-upper rear rail	2
23	N/S	LOCKNUT, 5/16 - 18", Gr8	10
24	N/S	RIVET, counter sunk, blind, 3/16"	4
25	6010009P	PANEL, cowl, inner, L.H.	1
26	N/S	BOLT, 5/16 - 18 x 4 3/4", Gr8, CAD	6
27	N/S	LOCKNUT, 3/8 - 16", Gr8	2
28	N/S	WASHER, flat, hardened, type B, 3/8"	2
29	12339559	STUD, roof mount	2
30	EC12339561B1	PLATE, snubber	4
31	12339571	MOUNT, roof	4
32	12338186-52	SPACER, rear mount	2
33	12339563	PLATE, roof mount	2
34	6008778	EXHAUSTER, vent, L.H.	1
	6008779	EXHAUSTER, vent, R.H.	1
35	N/S	SCREW, #8 - 32 x 1/2"	14
36	6008855P	LOUVER, ventilation, L.H.	1
	6008856P	LOUVER, ventilation, R.H.	1
37	6009175	GASKET, exhauster, L.H.	1
	6009376	GASKET, exhauster, R.H.	1
38	6008853P	PLATE, exhauster mounting	2
39	6008849	DUCT, ventilation, L.H.	1
	6008850	DUCT, ventilation, R.H.	1
40	6008851	GASKET, ventilator	2
41	6003638	NUT INSERT, #8 - 32"	12
42	N/S	RIVET, pop, 1/8"	4
43	6000242P	FILLER, corner closeout, roof asm-to-w/s frame	2



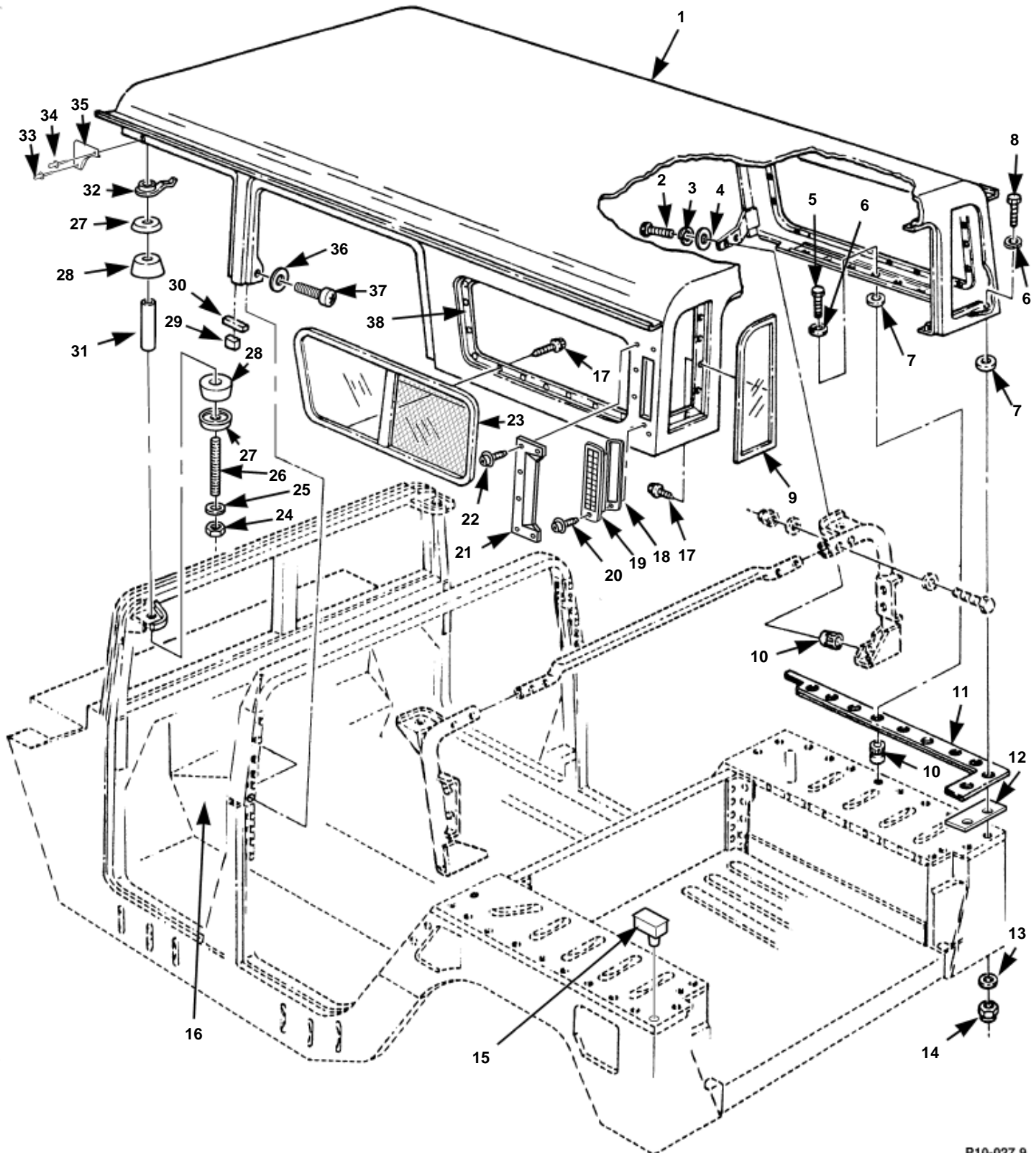
P10-026.6

Roof and Mounting Hardware, Four-Passenger Hard Top Model 56

Roof and Mounting Hardware, Four-Passenger Hard Top Model 56.

Item	Part No.	Description	Qty
1	6009137	ROOF ASSEMBLY	1
2	N/S	BOLT, 1/4 - 20 x 1", Gr8, CAD	9
3	MS35338-44	SPRINGLOCK, 1/4"	9
4	5939596	SPACER, belt line, rear seal	9
5	6000778	SEAL, belt line, rear	1
6	6006178	BOLT, torx soc	9
7	6003665	BRACKET, tonneau cover	1
8	6003848	SEAL, bracket, tonneau cover	1
9	6003844B2	MOUNTING BRACKET, tonneau extrusion	1
10	5937584	NUT LOCK, 1/4 - 20"	9
11	12446871-14	NUT INSERT, 1/4 - 20"	9
12	6005456B9	PANEL, filler, rear, L.H.	1
	6005457B9	PANEL, filler, rear, R.H.	1
13	N/S	RIVET, counter sunk, blind, 3/16"	4
14	N/S	SEAL, body, black rubber, 10-foot, SEE NOTE 1	1
15	N/S	LOCKNUT, 3/8 - 16", Gr8	4
16	N/S	WASHER, flat, hardened, type B, 3/8"	4
17	EC12339559	STUD, roof mount	4
18	EC12339561B1	PLATE, snubber	8
19	12339571	MOUNT, roof	8
20	12338186-52	SPACER, rear mount	4
21	N/S	SCREW, #8-32 x 1/2"	14
22	6008857	SCREW	12
23	6008855P	LOUVER, ventilation, L.H.	1
	6008856P	LOUVER, ventilation, R.H.	1
24	6008778	EXHAUSTER, vent, L.H.	1
	6008779	EXHAUSTER, vent, R.H.	1
25	6009175	GASKET, exhauster, L.H.	1
	6009376	GASKET, exhauster, R.H.	1
26	6008853P	PLATE, exhauster mounting	2
27	6008849	DUCT, ventilation, L.H.	1
	6008850	DUCT, ventilation, R.H.	1
28	6008851	GASKET, ventilator	2
29	6003638	NUT INSERT, #8 - 32"	14
30	N/S	SCREW, phcr, 5/16 - 18 x 5/8"	4
31	N/S	WASHER, flat, 5/16"	8
32	12339563	PLATE, roof mount	4
33	N/S	RIVET, pop, 1/8", grip .126 - .187	8
34	N/S	RIVET, pop, 1/8", grip .063 - .125	6
35	6000242P	FILLER, corner closeout, roof asm-to-w/s frame	2

NOTE 1: CUT TO LENGTH FROM 50' BULK ROLL OF
BODY SEAL P/N 5744322.



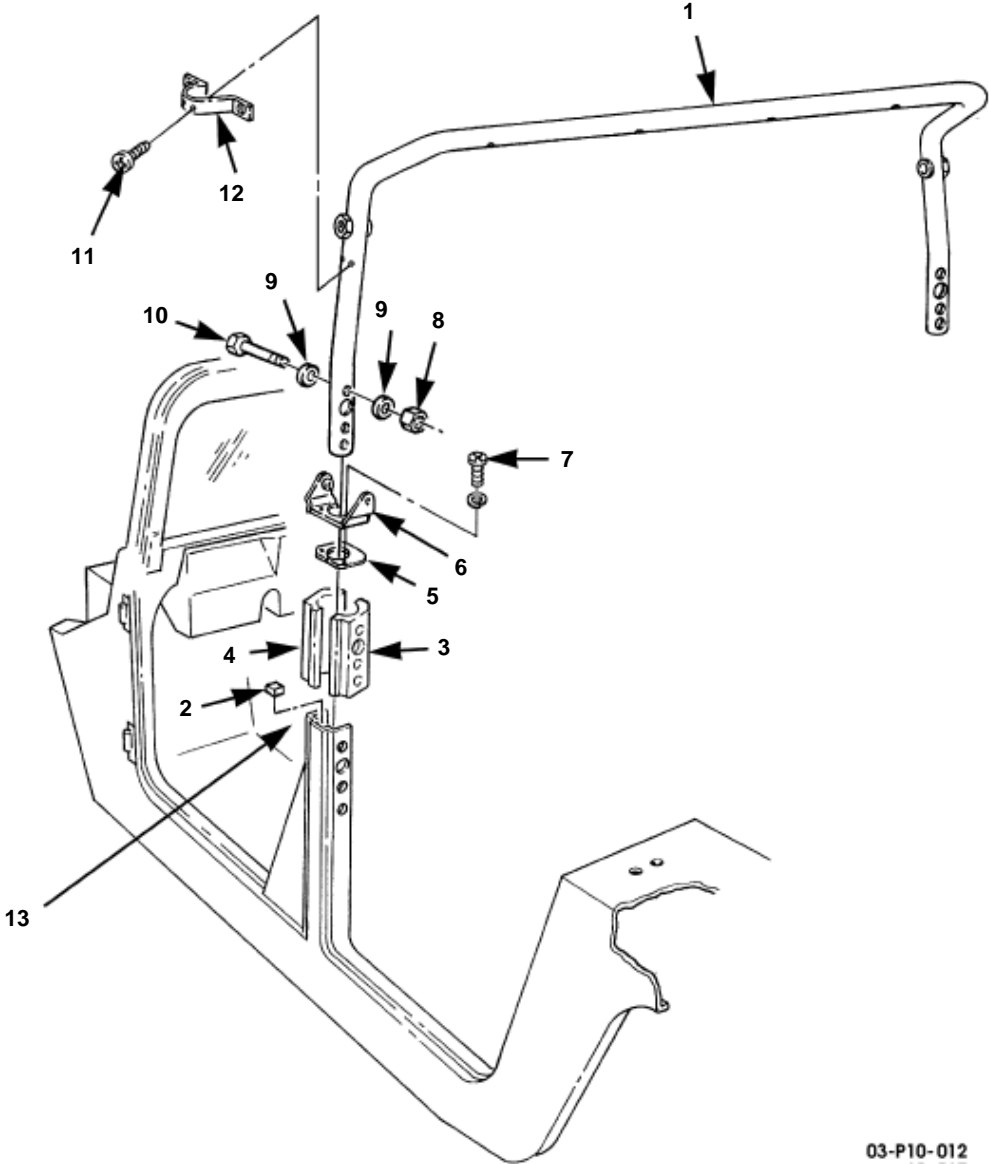
P10-027.9

**Roof and Mounting Hardware,
Station Wagon, Model 57, 84**

Roof and Mounting Hardware, Station Wagon, Model 57, 84.

Item	Part No.	Description	Qty
1	6009138	ROOF ASSEMBLY	1
2	N/S	BOLT, 1/4 - 20 x 3/4", Gr5	4
3	MS35338-44	LOCKWASHER, 1/4", med	4
4	N/S	WASHER, flat, 1/4", CAD	4
5	N/S	BOLT, 1/4 - 20 x 1", Gr8, CAD	14
6	N/S	WASHER, med, 1/4"	24
7	5939596	SPACER, belt line, rear seal	24
8	N/S	BOLT, 1/4 - 20 x 1 1/4", Gr8, CAD	10
9	6010776	OPERA WINDOW ASSEMBLY, privacy, L.H.	1
	6010777	OPERA WINDOW ASSEMBLY, privacy, R.H.	1
	6003523	OPERA WINDOW ASSEMBLY, tinted, L.H.	1
	6003524	OPERA WINDOW ASSEMBLY, tinted, R.H.	1
10	12446871-14	NUT INSERT	18
11	6014442	SEAL, side, L.H., roof-to-wheel well	1
	6014443	SEAL, side, R.H., roof-to-wheel well	1
12	6013451	SEAL, station wagon, rear.	2
13	9414920	WASHER, flat	10
14	N/S	LOCKNUT, 1/4 - 20", Gr8	10
15	6018405	ROOF DRAIN, L.H.	1
	6018406	ROOF DRAIN, R.H.	1
16	6010009P	PANEL, cowl, inner, L.H.	1
17	6001284	SCREW	72
18	6009175	GASKET, exhauster, L.H.	1
	6009376	GASKET, exhauster, R.H.	1
19	6008778	EXHAUSTER, vent, L.H.	1
	6008779	EXHAUSTER, vent, R.H.	1
20	N/S	SCREW, #8-32 x 1/2"	2
21	6008764P	COVER, vent exhauster	2
22	6008857	SCREW	12
23	6010774	WINDOW AND SCREEN ASSEMBLY, side, privacy, L.H.	1
	6010775	WINDOW AND SCREEN ASSEMBLY, side, privacy, R.H.	1
	6003521	WINDOW AND SCREEN ASSEMBLY, side, tinted, L.H.	1
	6003522	WINDOW AND SCREEN ASSEMBLY, side, tinted, R.H.	1
24	N/S	LOCKNUT, 3/8 - 16", Gr8	4
25	N/S	WASHER, flat, 3/8", type B	4
26	EC12339559	STUD, roof mount	4
27	EC12339561B1	PLATE, snubber	8
28	12339571	SNUBBER, roof mount	8
29	6000240	SEAL, B-pillar, lower	2
30	6000241	SEAL, B-pillar	2
31	12338186-52	SPACER, roof mount	4
32	12339563	PLATE, roof mount	4
33	N/S	RIVET, blind, 1/8", grip .126 - .187	8
34	N/S	RIVET, blind, 1/8", grip .063 - .125	6
35	6000242P	FILLER, corner closeout, roof assembly-to-w/s frame	2
36	MS27183-11	WASHER, flat, 5/16"	4
37	N/S	SCREW, phcr, 5/16 - 18 x 5/8"	4
38	6001242	SEAL, window SEE NOTE 1	2

NOTE 1: SEAL, WINDOW, P/N 6001242 CUT FROM 50'
ROLL.

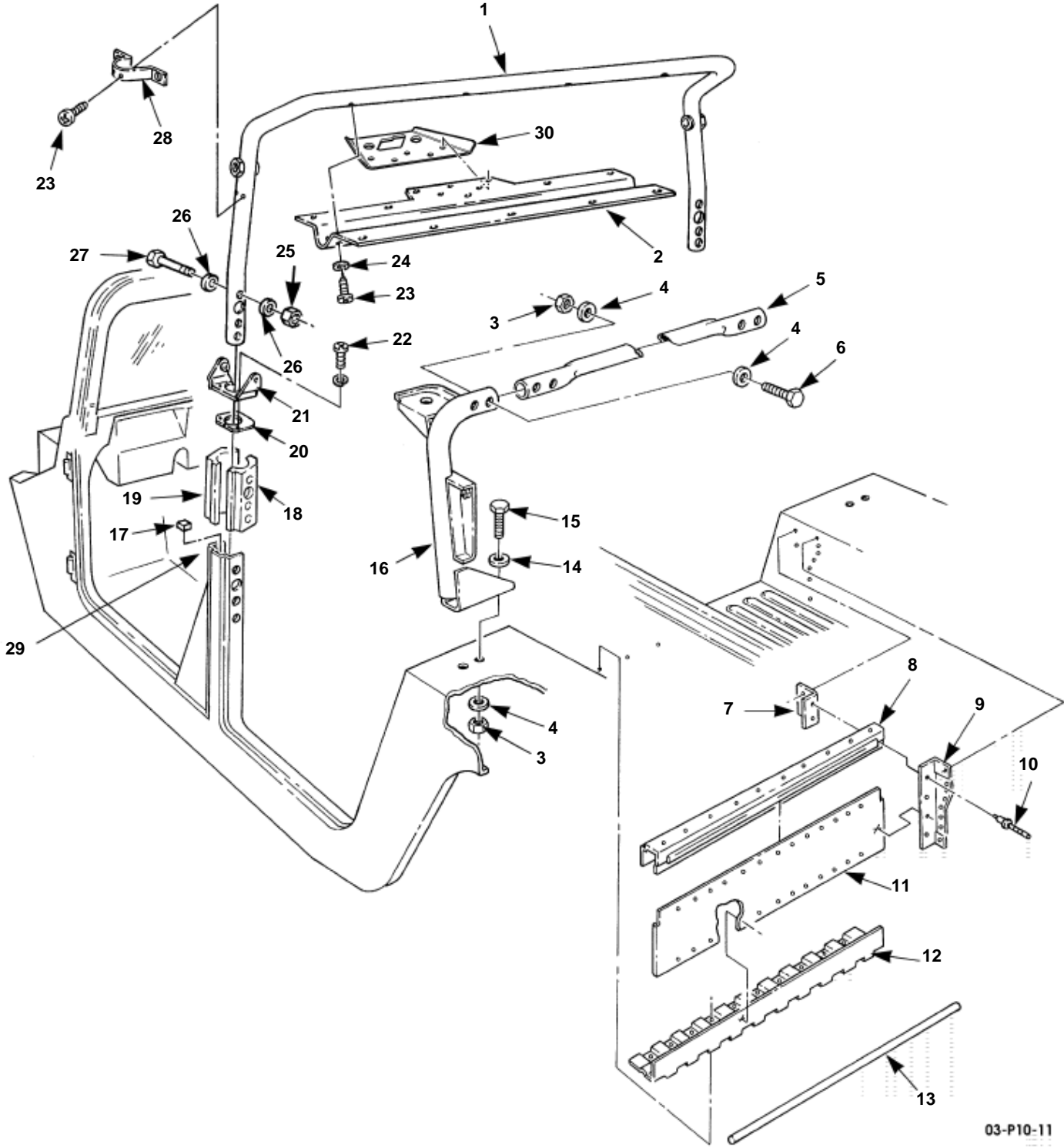


03-P10-012

B-Bar, Two-Passenger Enlarged Cab, Model 55

B-Bar, Two-Passenger Enlarged Cab, Model 55.

Item	Part No.	Description	Qty
1	6004532	B-BAR ASSEMBLY	1
2	6000240	SEAL, B-pillar	2
3	6005458	CONNECTION BLOCK, L.H. front/R.H. rear	2
4	6005459	CONNECTION BLOCK, R.H. front/L.H. rear	2
5	6005156	SEAL, B-pillar	2
6	6004541	BRACKET, B-pillar cover mounting	2
7	N/S	SCREW, tapping, phcr, #10 - 32 x 3/4"	4
8	N/S	LOCKNUT, 5/16 - 24", Gr8	6
9	N/S	WASHER, flat, 5/16"	12
10	N/S	BOLT, B-pillar, 5/16 - 24 x 4 1/4", Gr8	6
11	N/S	SCREW, #10 - 32 x 5/8"	12
12	6005145	BRACKET, trim mounting	2
13	6010009P	PANEL, cowl, inner, L.H.	1

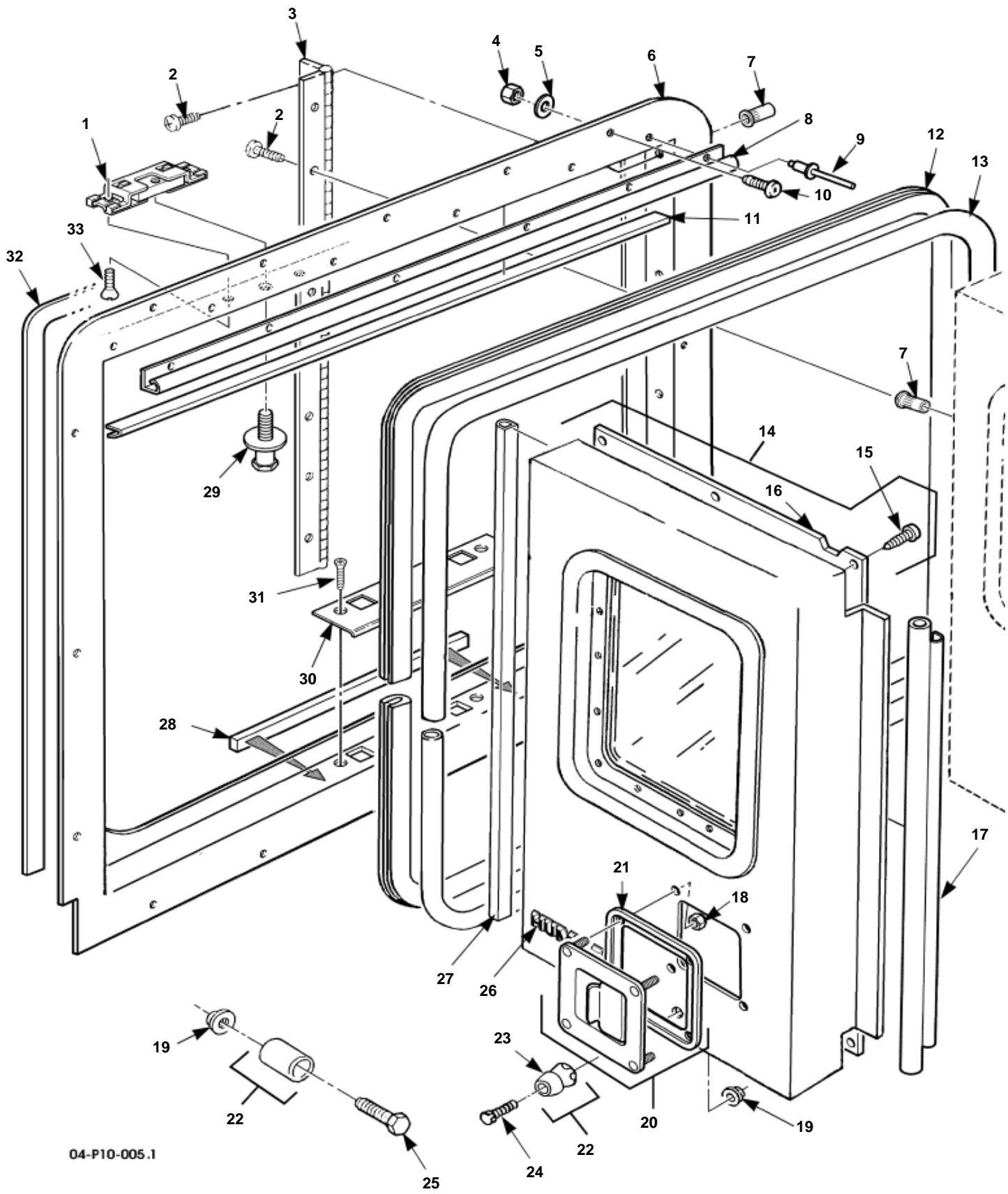


03-P10-11

B- and C-Bars, All Models

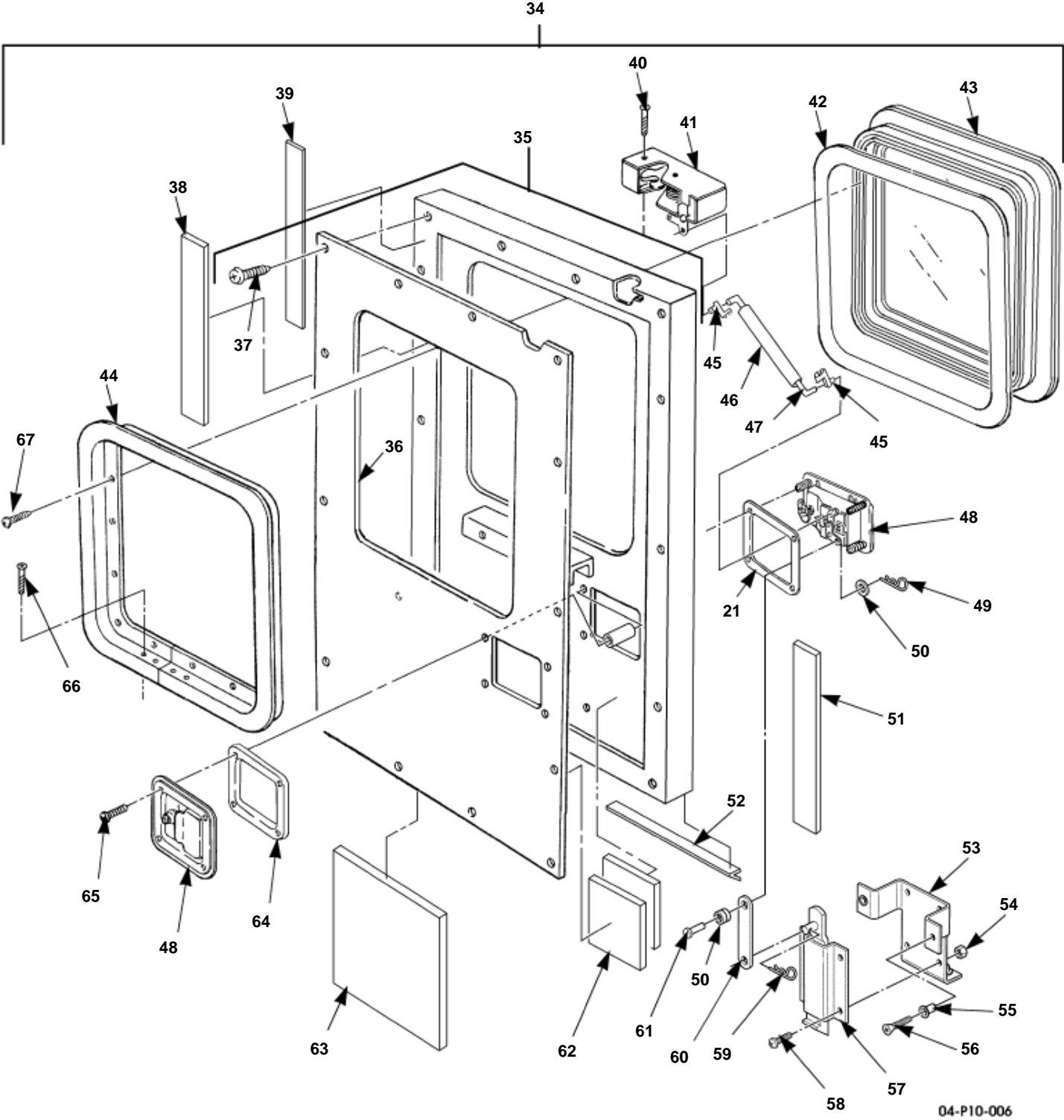
HUMMER H1 2004 Parts Catalog
B- and C-Bars, All Models.

Item	Part No.	Description	Qty
1	6004532	B-BAR ASSEMBLY	1
2	6009460	SUPPORT, headliner	1
3	N/S	LOCKNUT, 5/16 - 24", Gr8	8
4	N/S	WASHER, flat, hardened, type B, 3/8"	12
5	5937106	C-PILLAR, intermediate 56, 57, 84	1
6	N/S	BOLT, 3/8 - 16 x 3", Gr8, CAD	4
7	5938792P	ANGLE, rail-to-wheelhouse, L.H. 56, 58, 90	1
	5939304	ANGLE, rail-to-wheelhouse, R.H. 56, 58, 90	1
8	5938790	RAIL ASSEMBLY, upper rear 56, 58, 90	1
9	5938787	BRACKET, lower back panel, L.H. 56, 58, 90	1
	5938788	BRACKET, lower back panel, R.H. 56, 58, 90	1
10	12339355-1	RIVET, blind, huck, 3/16" 56, 58, 90	A/R
11	5938775	PANEL, lower back 56, 58, 90	1
12	5938789	BRACKET, cargo floor 56, 58, 90	1
13	5939988	SEAL, cargo floor/back panel	1
14	N/S	WASHER, flat, 3/8"	4
15	N/S	BOLT, 3/8 - 16 x 1 1/2", Gr8, CAD	4
16	5938814B9	C-PILLAR ASSEMBLY, L.H.	1
	5938815B9	C-PILLAR ASSEMBLY, R.H.	1
17	6000240	SEAL, B-pillar	2
18	12340090-1	CONNECTION BLOCK, rear	2
19	12340090-2	CONNECTION BLOCK, forward	2
20	6005156	SEAL, B-pillar	2
21	6004541	BRACKET, B-pillar cover mounting	2
22	N/S	SCREW, tapping, phcr, #10 - 32 x 3/4"	4
23	N/S	SCREW, #10 - 32 x 5/8"	12
24	N/S	WASHER, flat, type B, #10, ZN	10
25	N/S	NUT, 5/16 - 24", Gr8	6
26	N/S	WASHER, flat, 5/16"	12
27	N/S	BOLT, 5/16 - 24 x 4 1/4", Gr8, B-pillar	6
28	6005145	BRACKET, trim mounting	2
29	6010009P	PANEL, cowl, inner, L.H.	1
30	6002967B2	BRACKET, dome light	1



04-P10-005.1

Doors, Rear Cargo, Model 84



Doors, Rear Cargo, Model 84

HUMMER H1 2004 Parts Catalog
Doors, Rear Cargo, Model 84.

Item	Part No.	Description	Qty
1	6005630	CAGE NUT ASSEMBLY, top striker	2
2	6006178	SCREW	32
3	6005639	HINGE, rear door, L.H.	1
	6008343	HINGE, rear door, R.H.	1
4	N/S	NUT, 1/4 - 20", ZN	17
5	N/S	LOCKWASHER, med, 1/4", ZN	17
6	6015061P	FRAME ASSEMBLY, rear doors	1
7	12446871-13	NUT INSERT	30
8	6005773P	DRIP RAIL	1
9	N/S	RIVET, 1/8"	6
10	N/S	SCREW, torx, button head, 1/4 - 20 x 1 1/4"	17
11	6009486	V-SEAL, 48", rear door top, SEE NOTE 3	1
12	5744343	EDGE SEAL, vertical doors, SEE NOTE 1	1
13	5744344	DOOR SEAL, vertical door, SEE NOTE 2	1
14	6015044P	DOOR ASSEMBLY, riveted, L.H.	1
15	6006283	·SCREW, #10 - 32 x 5/8", truss head	16
16	6015049	·DOOR PANEL, inner, L.H.	1
17	6014428	SEAL, left door, center	1
18	N/S	KEPS NUT, 1/4 - 20", GM STD DT	4
19	12446871-2	NUT INSERT	4
20	6005632	·HANDLE ASSEMBLY, exterior, L.H.	1
21	6000248	·GASKET, exterior door handle	1
22	6005656	DOOR HOLD-OPEN ASSEMBLY	2
23	S.I.A.	·BALL PLUG, door hold-open assembly	2
24	N/S	SCREW, fillister head, socket head, 1/4 - 20 x 1 1/2", door hold-open assembly	2
25	N/S	SCREW, 1/4 - 20 x 1"	2
26	6003871	NAMEPLATE, "HUMMER"	1
27	5744344	DOOR SEAL, vertical door, SEE NOTE 6	1
28	6018237	SEAL, plate, door striker	1
29	6015218	STRKER	2
30	6015217	PLATE, door striker	1
31	N/S	SCREW, 1/4 - 20 x 1"	2
32	6005641	SEAL, door frame	14'
33	N/S	SCREW, flathead, 1/4 - 20 x 3/4"	8
34	6015053P	DOOR ASSEMBLY, rear, complete, R.H.	1
	6015043P	DOOR ASSEMBLY, rear, complete, L.H.	1
35	6015054P	·DOOR ASSEMBLY, riveted, R.H.	1
	6015044P	·DOOR ASSEMBLY, riveted, L.H.	1
36	6015057	·DOOR PANEL, inner, R.H.	1
	6015049	·DOOR PANEL, inner, L.H.	1
37	6006283	·SCREW	16
38	6006433	·INSULATION, upper, vertical door	1
39	5744346	·SEAL, door panel frame, SEE NOTE 4	1
40	N/S	·SCREW, flathead, 1/4 - 20 x 1", CAD	12
41	6005627	·LATCH ASSEMBLY, rotary, upper L.H.	1
	6005628	·LATCH ASSEMBLY, rotary, upper R.H.	1
42	6005932	·SEAL, window assembly, rear doors	1
43	6005634	·WINDOW, rear doors, tinted glass, SEE NOTE 5	1
	6010778	·WINDOW, rear doors, privacy glass, SEE NOTE 5	2
44	S.I.A.	·OUTER FRAME, rear doors	1
45	6000747	·ROD CLIP, interior handle	6
46	6006435	·SLEEVE, upper lock rod	1
47	6005769	·ROD, upper, latch	1
48	6015060	·HANDLE ASSY., back-to-back, interior/exterior SEE NOTE 7	1
49	N/S	·COTTER PIN, 1/16 X 1/2"	1
50	ELMS27183-10	WASHER	3
51	6006272	·INSULATION, 18 x 1 1/2 x 3/4"	1
	6006273	·INSULATION, 18 x 1 1/2 x 1/2"	1
52	6006434	·V-SEAL, vertical door sill, 23 1/2"	2
53	6015051	·BRACKET, lower latch	1
54	N/S	·LOCK NUT, #10 - 32	4
55	5939712	·NUT INSERT	4
56	155940	·SCREW	4

HUMMER H1 2004 Parts Catalog
Doors, Rear Cargo, Model 84.

Item	Part No.	Description	Qty
57	6015048	·LATCH ASSEMBLY	1
58	N/S	·SCREW, #10 - 32 X 1/2"	4
59	N/S	·COTTER PIN, 3/32 x 1/2"	1
60	6015050	·CONNECTOR, lower	1
61	6015059	·PIN CONNECTOR	1
62	6006274	·INSULATION, 1 1/2 x 1 1/2 x 3/4"	1
	6006275	·INSULATION, 1 1/2 x 1 1/2 x 1/2"	1
63	6006432	·INSULATION, lower, vertical door	1
64	6005633	·SPACER, interior handle	1
65	N/S	·SCREW, fillister head, socket head, 1/4 - 20 x 1", door hold-open assembly	2
66	S.I.A.	·SCREW, #8 - 18 x 3/4", TEKS	4
67	S.I.A.	·SCREW, #8 - 18 x 1/2", TEKS	24

NOTE 1: ORDER BY FOOT FROM BULK SEAL, VERTICAL DOORS, P/N 6006218, 500' ROLL, 14' REQUIRED PER VEHICLE.

NOTE 2: ORDER BY FOOT FROM BULK SEAL, VERTICAL DOORS, P/N 6006219, 500' ROLL, 14' REQUIRED PER VEHICLE.

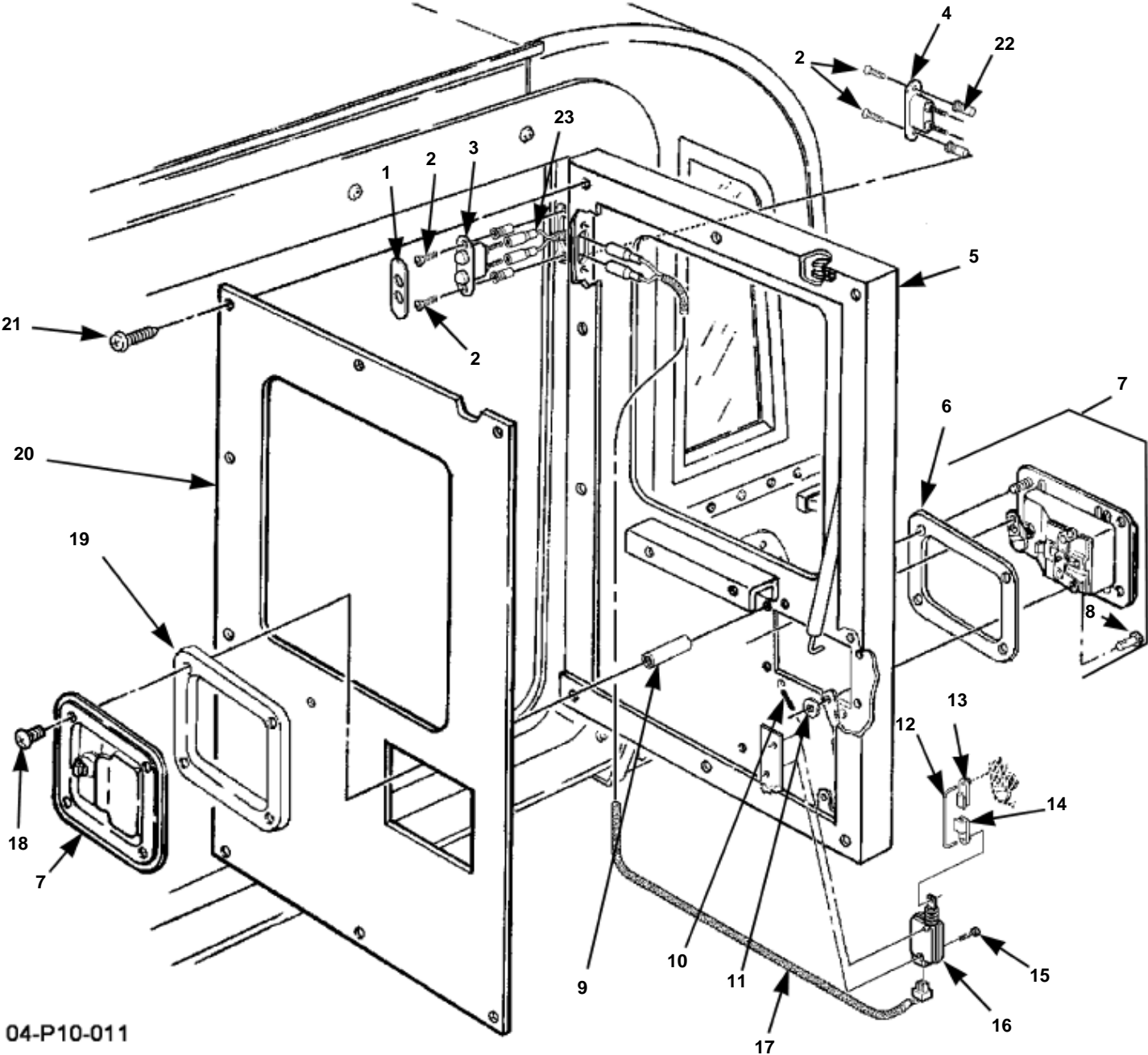
NOTE 3: ORDER BY FOOT FROM BULK V-SEAL, VERTICAL DOOR SILL, P/N 6009706, 500-FT ROLL, 4' 7 1/2" REQUIRED PER VEHICLE.

NOTE 4: ORDER BY FOOT FROM BULK SEAL, DOOR PANEL-TO-DOOR FRAME, P/N 6006217, 150' ROLL, 4' 6" REQUIRED PER VEHICLE.

NOTE 5: TINTED GLASS REAR DOOR WINDOW P/N 6005634 IS STANDARD; PRIVACY GLASS REAR DOOR WINDOW P/N 6010778 IS OPTIONAL.

NOTE 6: SEAL, VERTICAL DOOR, P/N 5744344 IS CUT FROM BULK MATERIAL ROLL P/N 6006219 31" PER DOOR.

NOTE 7: LOCK CYLINDER COMES WITH HANDLE ASSY.

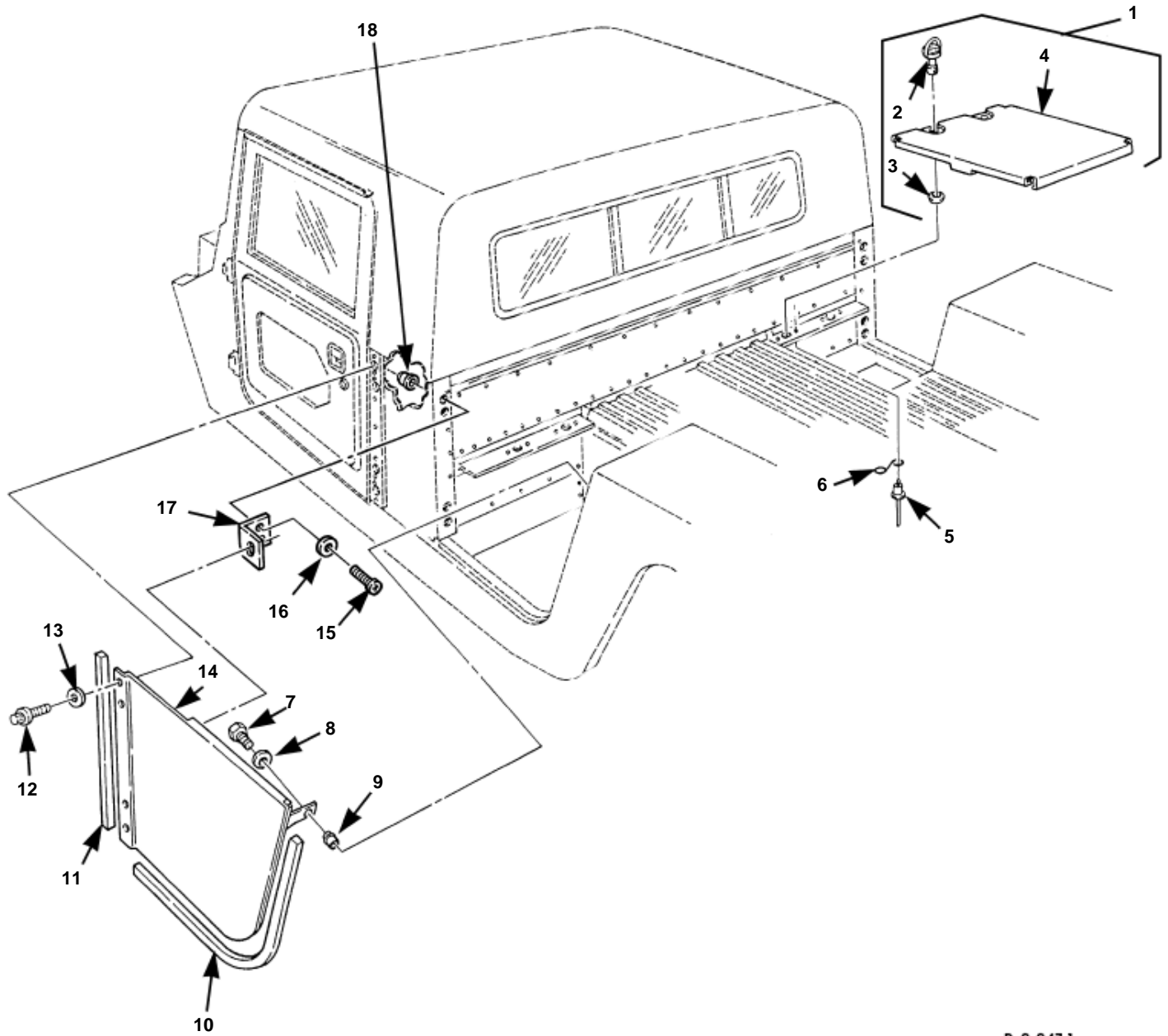


Doors, Rear Cargo, Power Door Lock, Model 84

Doors, Rear Cargo, Power Door Lock, Model 84.

Item	Part No.	Description	Qty
1	6008581	SEAL, door lock switch	1
2	N/S	SCREW, flat head, #6 - 32 x 5/8"	4
3	6008348	CONTACTS, power door lock, jamb-side	1
4	6008347	CONTACTS, power door lock, door-side	1
5	6015054P	DOOR ASSEMBLY, riveted, R.H.	1
6	6000248	GASKET, exterior door handle	1
7	6015060	HANDLE ASSY., back-to-back, interior/exterior	1
8	S.I.A.	-CONNECTING PIN	2
9	S.I.A.	-SPACER	4
10	S.I.A.	-COTTER PIN	2
11	S.I.A.	-WASHER, flat, 3/16"	2
12	6008346	ROD, power lock	1
13	6000747	ROD CLIP, interior handle	5
14	5939037	CLIP, rod end	1
15	6006283	SCREW	1
16	6003590	ACTUATOR, power door lock	1
17	6014927	HARNESS, power door lock, cargo door	1
18	N/S	SCREW. phcr, 1/4 - 20 x 1"	4
19	6005633	SPACER, interior handle	1
20	6015057	DOOR PANEL, inner, R.H.	1
21	6006283	SCREW	8
22	6003611	NUT, AVK, closed, 6 - 32"	4
23	6016485	HARNESS ASSEMBLY, cargo door jumper, R.H. 57,84	1
	6016484	HARNESS ASSEMBLY, cargo door jumper 56, 58,57, 58, 84, 90, SEE NOTE 1	1
	6009165	MODULE, power lock, vertical door (not illustrated)	1

NOTE 1: HARNESS ASSEMBLY 6016484 IS USED ON THE
L.H. DOOR OF MODELS 57, 84

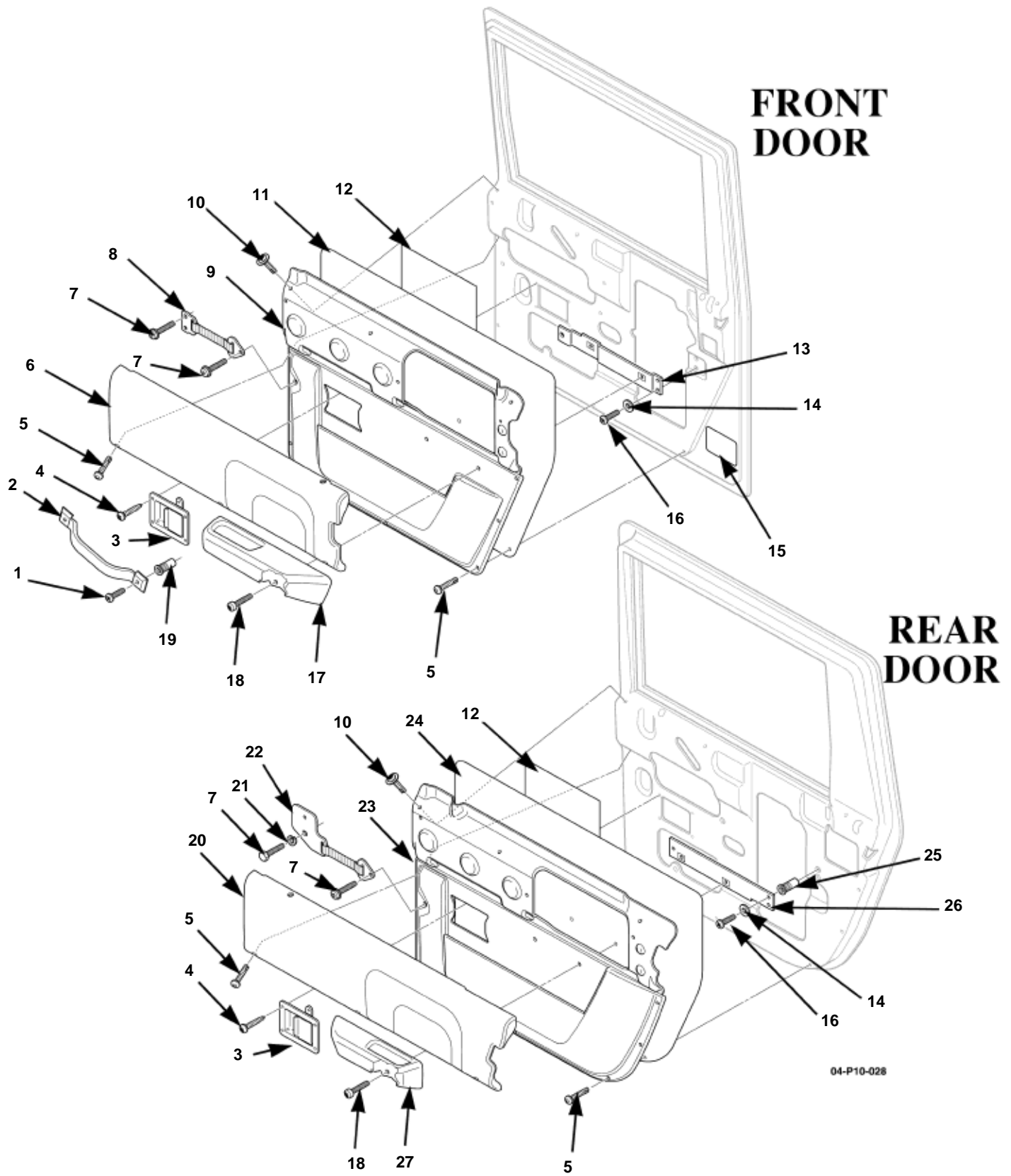


P 0-047.1

**Fixed Door, Footwell Cover, and Related Parts,
Two-Passenger Enlarged Cab, Model 55**

Fixed Door, Footwell Cover, and Related Parts, Two-Passenger Enlarged Cab, Model 55.

Item	Part No.	Description	Qty
1	6004513P	COVER ASSEMBLY, footwell	2
2	12339738-3	·STUD, ring head	2
3	12341011	·RING RETAINER, .75 x .438 x .040	2
4	S.I.A.	·COVER, footwell	2
5	M	24243/1A405 RIVET	8
6	12338823	RECEPTACLE, spring	4
7	N/S	BOLT, 1/4 - 20 x 5/8", Gr5, CAD	2
8	N/S	WASHER, flat, 1/4", CAD	2
9	12446871-2	NUT INSERT	2
10	12339419-2	SEAL, fixed door, 22"	2
11	12339419-1	SEAL, fixed door, 50"	2
12	5939423	BOLT	8
13	5939634P2	WASHER, flat, hinge mounting	8
14	6004506P	DOOR ASSEMBLY, L.H. , fixed	1
	6004507P	DOOR ASSEMBLY, R.H. , fixed	1
15	N/S	SCREW, #10 - 24 x 7/8"	8
16	N/S	WASHER, flat, #10, CAD	8
17	6005528	BRACKET, fixed door	4
18	6001566	NUT, insert, #10 - 24"	8

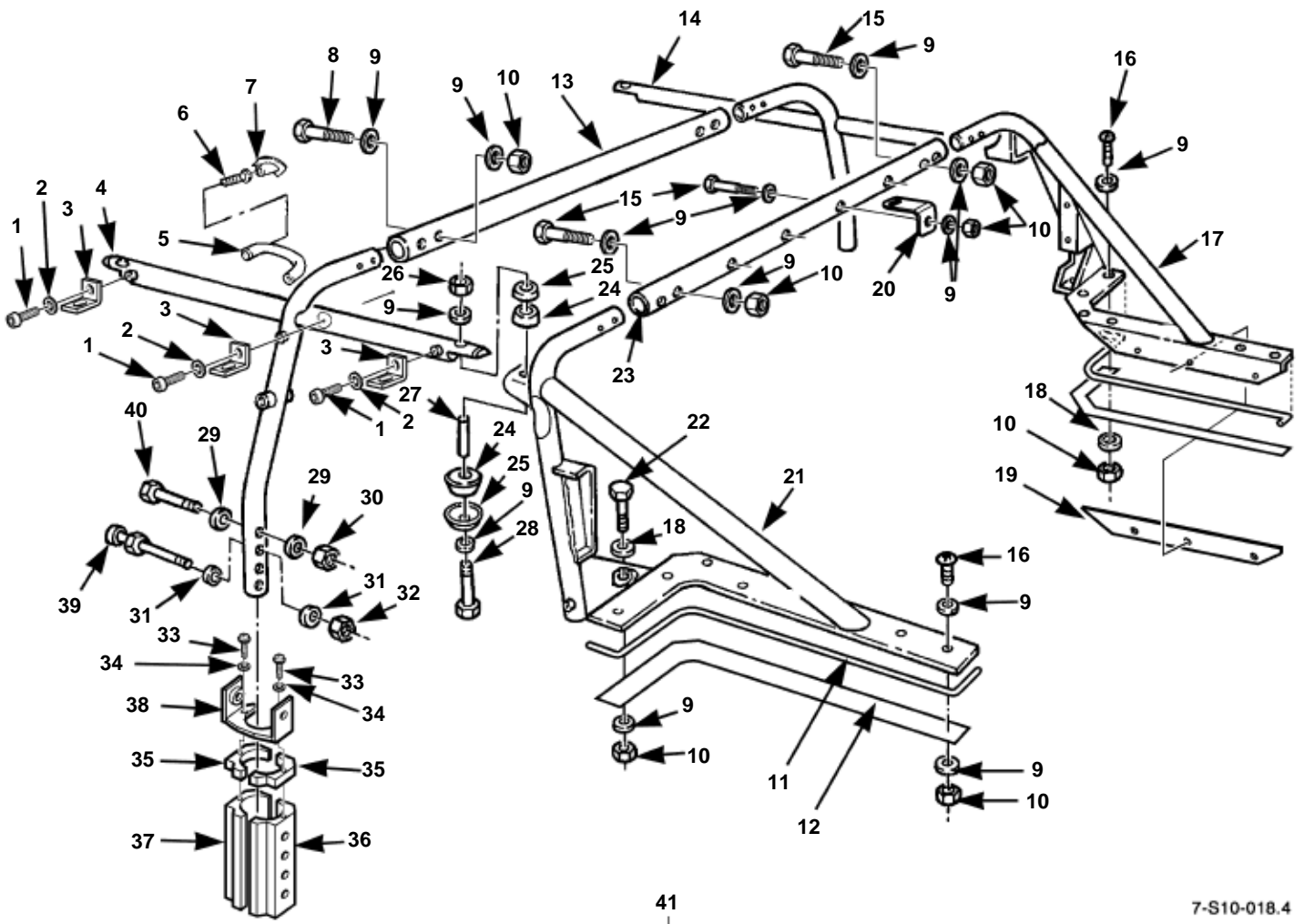


04-P10-028

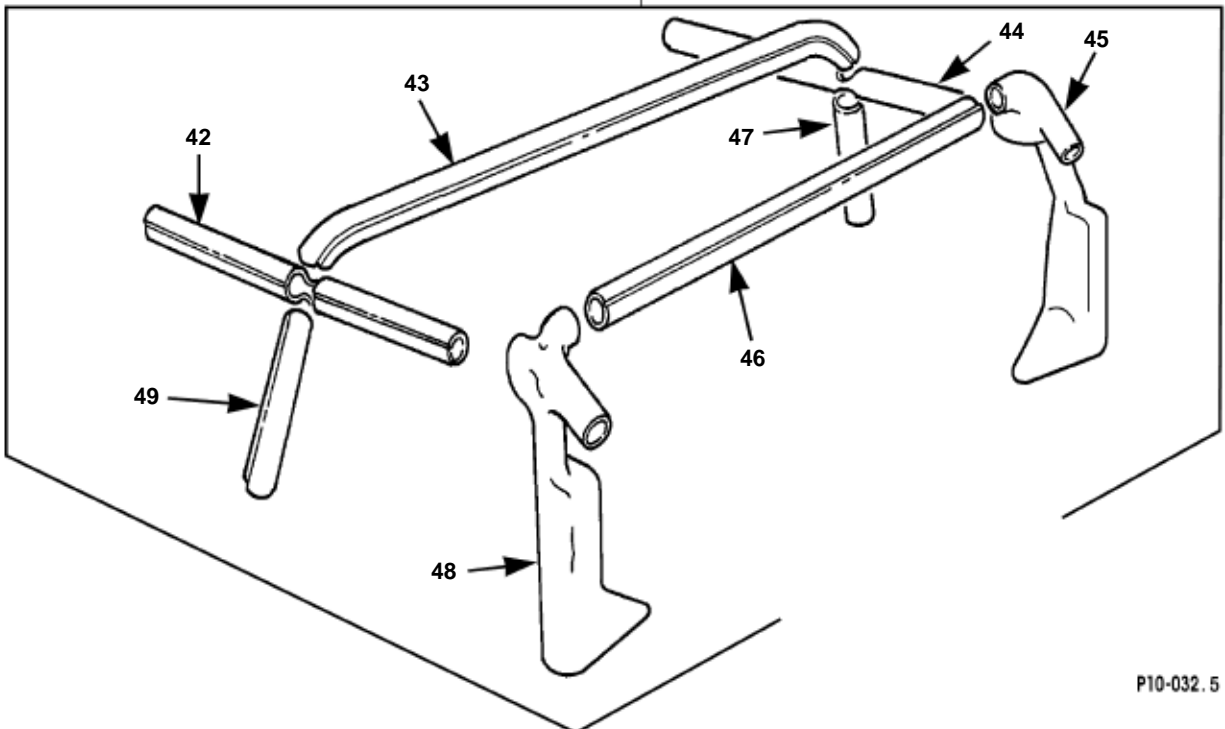
Panel Assembly Door Trim

HUMMER H1 2004 Parts Catalog
Panel Assembly Door Trim.

Item	Part No.	Description	Qty
1	N/S	SCREW, #8 - 32 X 1 1/2"	4
2	6017322	DOOR HANDLE PULL 55,56,57,58	2
3	6016632	HANDLE ASSEMBLY, door interior, L.H.	1
	6016633	HANDLE ASSEMBLY, door interior, R.H.	1
4	9425422P2	SCREW, tapping, #10 - 16 x 7/8"	4
5	6016963	SCREW	6
6	6015372	PANEL, door, front, upper, L.H. 84, 90	1
	6017316	PANEL, door, front, upper, L.H. 55,56,57,58	1
	6015376	PANEL, door, front, upper, R.H. 84, 90	1
	6017317	PANEL, door, front, upper, R.H. 55,56,57,58	1
7	6006178	SCREW, torq head	1
8	6014785	STRAP ASSEMBLY, door stop, front	1
9	6015369	PANEL, door front, L.H. 84, 90	1
	6015373	PANEL, door front, R.H. 84, 90	1
	6017320	PANEL, door front, L.H. 55, 56, 57, 58	1
	6017321	PANEL, door front, L.H. 55, 56, 57, 58	1
10	6017154	SCREW	8
11	6018592	WATERSHIELD, L.H., front door	1
	6018593	WATERSHIELD, R.H., front door	1
12	6001694	WATERSHIELD, door latch 56, 57, 58, 84, 90	4
	6001694	WATERSHIELD, door latch 55	2
13	6004422	BRACKET, door, front, L.H.	1
	6004434	BRACKET, door, front, R.H.	1
14	MS27183-42P2	WASHER, #10	6
15	6016048	DECAL, tire instruction warning (L.H. side only)	1
16	MS35206-263	SCREW	6
17	6015411	ARMREST, door, front, L.H. 84, 90	1
	6015412	ARMREST, door, front, R.H. 84, 90	1
18	N/S	SCREW, 1/4 - 20 x 1 3/4"	4
19	N/S	NUT INSERT, #8 - 32"	4
20	6015380	PANEL, door, rear, upper, L.H.	1
	6015384	PANEL, door, rear, upper, R.H.	1
21	N/S	WASHER, flat, hardened, type B, 7/16"	4
22	6014786	STRAP ASSEMBLY, door stop, rear, L.H.	1
	6014787	STRAP ASSEMBLY, door stop, rear, R.H.	1
23	6015377	PANEL, door rear, L.H. 84, 90	1
	6015381	PANEL, door rear, R.H. 84, 90	1
24	6018594	WATERSHIELD, L.H., rear door	1
	6018595	WATERSHIELD, R.H., rear door	1
25	N/S	NUT INSERT, #10 - 24"	4
26	6015415	BRACKET, door, rear, L.H.	1
	6015416	BRACKET, door, rear, R.H.	1
27	6015413	ARMREST, door, rear, L.H. 84, 90	1
	6015414	ARMREST, door, rear, R.H. 84, 90	1

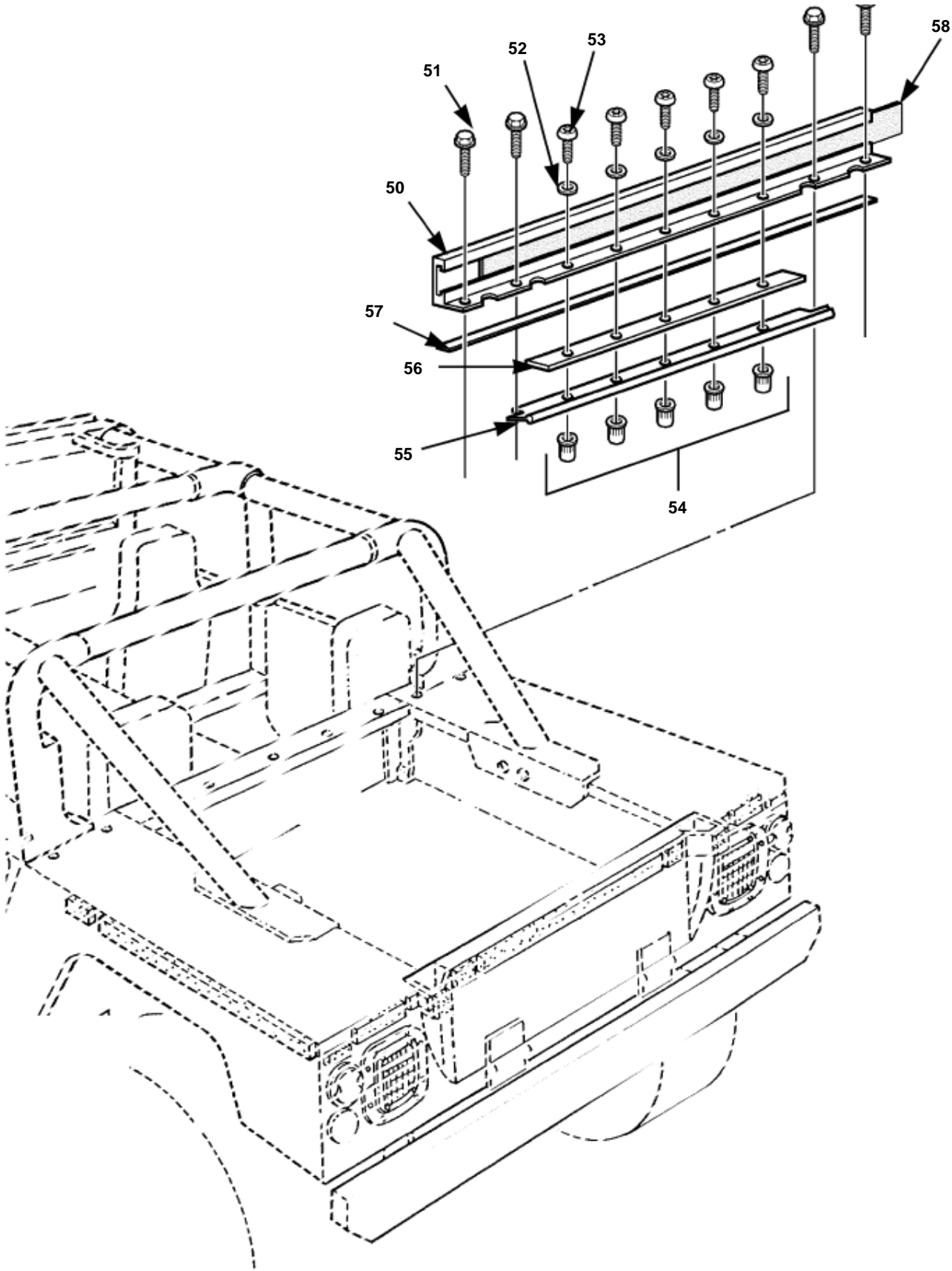


7-S10-018.4



P10-032.5

Soft Top Support Structure, Model 90



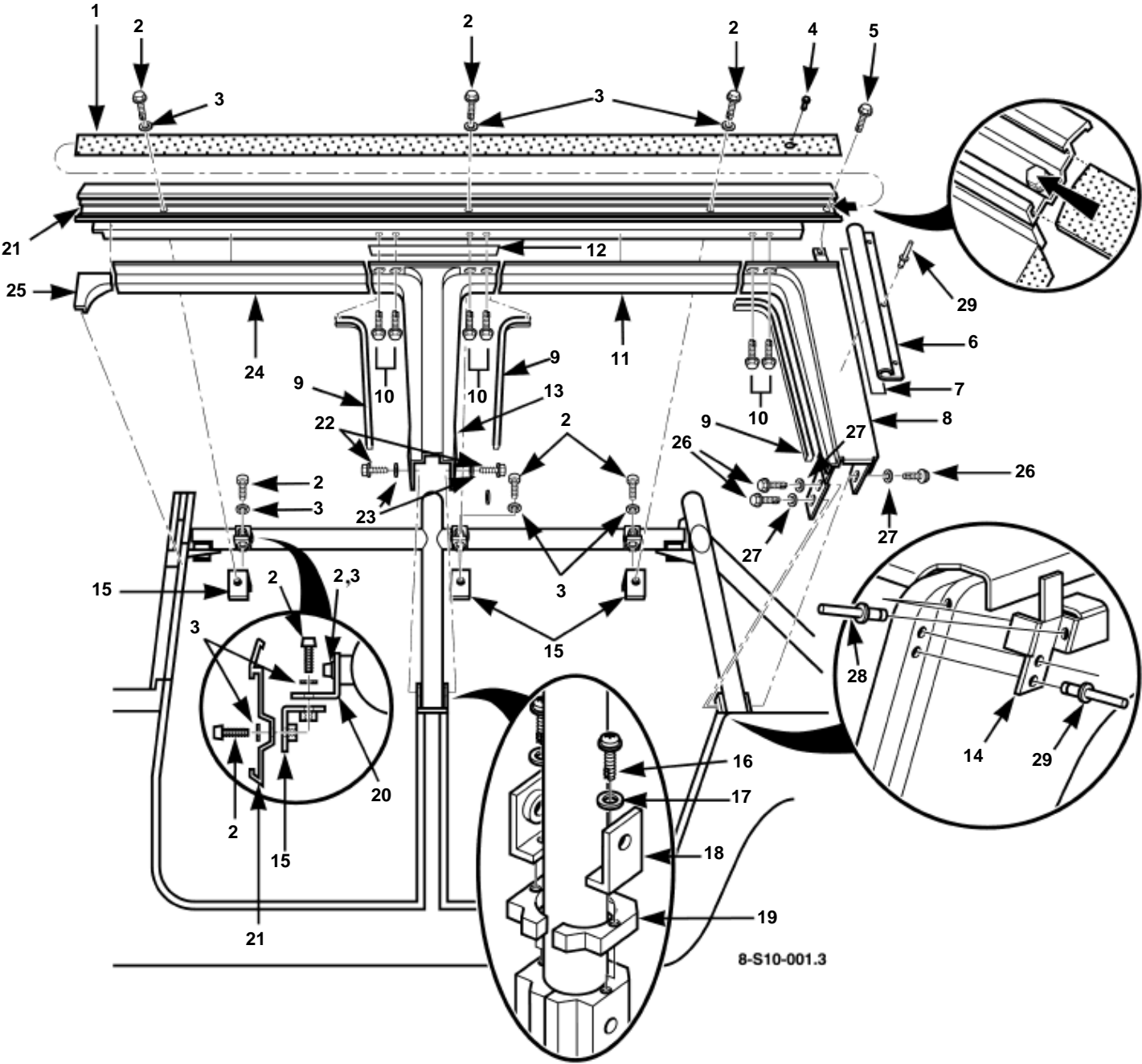
Soft Top Support Structure, Model 90

P10-114 .1

Soft Top Support Structure, Model 90.

Item	Part No.	Description	Qty
1	6009752	BOLT	6
2	N/S	WASHER, flat, 1/4	6
3	6009705	STANDOFF BRACKET, H-rail	6
4	6009560	SUPPORT ASSEMBLY, soft top, side, L.H.	1
5	6016964	GRAB HANDLE, black 58, 90	4
6	N/S	SCREW, phcr, 1/4 - 20 x 3/4", CAD	8
7	6000027G	PLUG, grab handle, gray	8
8	N/S	SCREW, 3/8 - 16 x 3", Gr8, CAD	4
9	N/S	WASHER, flat, 3/8", type B, hard	66
10	N/S	LOCKNUT, 3/8 - 16", Gr8	32
11	6018613	SEAL, deck, L.H.	1
	6018614	SEAL, deck, R.H.	1
12	12339376-3	TAPE, rail, 36" per side	2
13	6009493	SUPPORT BAR, center	1
14	6009561	SUPPORT ASSEMBLY, soft top, side, R.H.	1
15	N/S	BOLT, 3/8 - 16 x 3 1/4", Gr 8, CAD	7
16	N/S	SCREW, 3/8 - 16 x 1"	20
17	6009563	SUPPORT ASSEMBLY, C-pillar, rear, R.H.	1
18	12340880	WASHER, flat, 7/16 x 1 3/16"	8
19	6000119B2	SPACER, C-pillar support assembly, side	6
20	6009736	BRACKET, tensioning strap	5
21	6009562	SUPPORT ASSEMBLY, C-pillar, rear, L.H.	1
22	N/S	BOLT, 3/8 - 16 x 1 1/4", Gr8, CAD	4
23	6009727	SUPPORT BAR, center	1
24	12339571	MOUNT, roof, SEE NOTE 1	8
25	12339561	PLATE, snubber, SEE NOTE 1	8
26	N/S	LOCKNUT, low profile, 3/8 - 16", SEE NOTE 1	4
27	12338186-52	SPACER, C-pillar mount, SEE NOTE 1	4
28	N/S	BOLT, 3/8 - 16 x 3 1/2", Gr8, CAD, SEE NOTE 1)	4
29	12339724	WASHER, flat, hardened	12
30	N/S	LOCKNUT, 5/16 - 24", Gr8	6
31	N/S	WASHER, flat, hard, 1/2", type B	4
32	N/S	LOCKNUT, 1/2 - 20", Gr8	2
33	N/S	SCREW, tapping, phcr, #10 - 32 x 7/8"	4
34	N/S	LOCKWASHER, #10	4
35	6005156	SEAL, B-pillar	4
36	6005459	CONNECTION BLOCK, R.H. front/L.H. rear	2
37	6005458	CONNECTION BLOCK, L.H. front/R.H. rear	2
38	6004541	BRACKET, B-pillar cover mounting	2
39	6000392P2	STRIKER, door, front	2
40	N/S	BOLT, 5/16 - 24 x 4 1/4"	6
41	6009724	BOLSTER COVER KIT, black	1
42	S.I.K.	-COVER, horizontal rail, L.H., black	1
43	S.I.K.	-COVER, B-pillar, center, black	1
44	S.I.K.	-COVER, horizontal rail, R.H., black	1
45	S.I.K.	-COVER, C-pillar, vertical, R.H., black	1
46	S.I.K.	-COVER, C-pillar, center, black	1
47	S.I.K.	-COVER, B-pillar, vertical, R.H., black	1
48	S.I.K.	-COVER, C-pillar, vertical, L.H., black	1
49	S.I.K.	-COVER, B-pillar, vertical, L.H., black	1
50	6001658	EXTRUSION, rear curtain tonneau	1
51	N/S	TRIM SCREW, 10 - 12 X 3/4"	4
52	S.I.K.	LOCKWASHER, split, 1/4", black	5
53	6006178	BOLT, button head torx	5
54	12446871-13	NUT INSERT	5
55	6008387	SEAL, rear, roof-to-bulkhead	1
56	6003416	SPACER, bulkhead, J-rail	1
57	6001276	SEAL, outer window frame	1
58	5745080	VELCRO STRIP, rear tonneau curtain	1

NOTE 1: QUANTITIES INCLUDE A-PILLAR ROOF
MOUNTING HARDWARE ALSO.



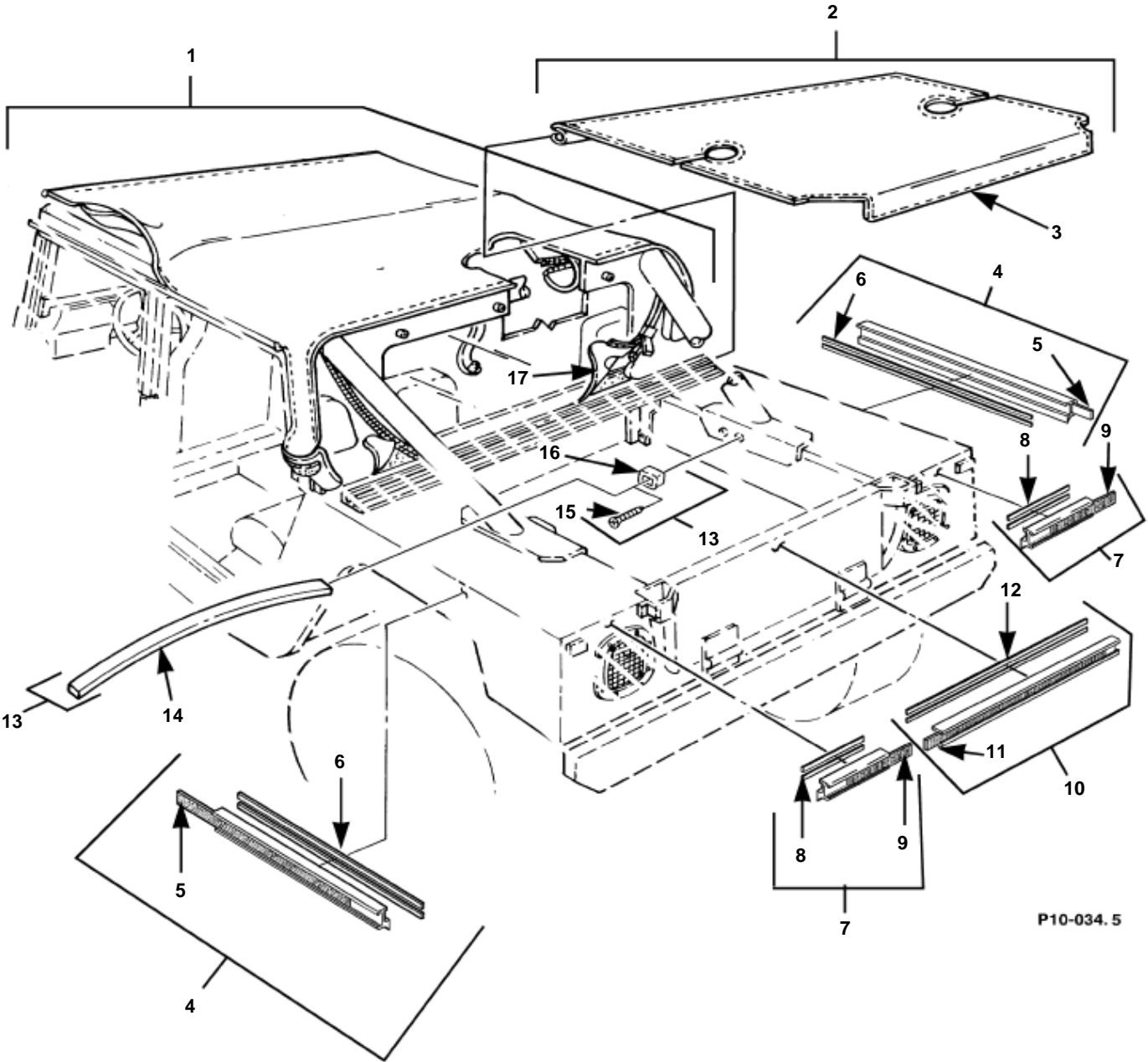
Support Structure, Soft Top, Model 90

Support Structure, Soft Top, Model 90.

Item	Part No.	Description	Qty
1	6009801	VELCRO STRIP, hook part, L.H.	1
	6009802	VELCRO STRIP, hook part, R.H.	1
2	6009752	BOLT	24
3	N/S	WASHER, flat, 1/4"	24
4	N/S	SCREW, tapping, #8 - 32 x 3/8"	2
5	N/S	SCREW, tapping, 1/4 - 20 x 1/2"	2
6	6009710	EXTRUSION, C-pillar cover retainer, L.H.	1
	6009726	EXTRUSION, C-pillar cover retainer, R.H.	1
7	6009857	FOAM TAPE, extrusion-to-C-pillar cover	2
8	6009740	C-PILLAR COVER ASSEMBLY, L.H.	1
	6009741	C-PILLAR COVER ASSEMBLY, R.H.	1
9	N/S	EDGE GUARD, 18", B-pillar, front and rear, and C-pillar, front, SEE NOTE 1	6
10	N/S	SCREW, tapping, phcr, #8 - 32 x 3/8"	12
11	6009789	FILLER PANEL, plastic, B-pillar-to-C-pillar	2
12	NPN	SEALING TAPE, B-pillar cover-to-H-rail, 10" SEE NOTE 2	2
13	6009585	B-PILLAR COVER	2
14	6005456	PANEL, filler, rear, L.H.	1
	6005457	PANEL, filler, rear, R.H.	1
15	6009738	BRACKET, H-rail	6
16	N/S	SCREW, tapping, #10 - 24 x 7/8"	4
17	N/S	LOCKWASHER, #10	4
18	6004541	BRACKET, B-pillar cover mounting	2
19	6005156	SEAL, B-pillar	4
20	6009705	STANDOFF BRACKET, H-rail	6
21	6009703	H-RAIL, L.H.	1
	6009704	H-RAIL, R.H.	1
22	N/S	BOLT, 5/16-18 x 5/8"	4
23	N/S	WASHER	4
24	6009788	FILLER PANEL, plastic, windshield-to-B-pillar	2
25	6009735	CLOSEOUT PANEL, roof-to-windshield	2
26	N/S	BOLT, 1/4 - 20 x 3/4", C-pillar	6
27	N/S	LOCKWASHER, 1/4", C-pillar	6
28	N/S	RIVET, countersunk, 1/8"	2
29	N/S	RIVET, 1/8"	10

NOTE 1: CUT FROM 24" EDGE GUARD 5745010.

NOTE 2: CUT TO LENGTH FROM BULK SEALING TAPE,
P/N 6006217, 150' ROLL.

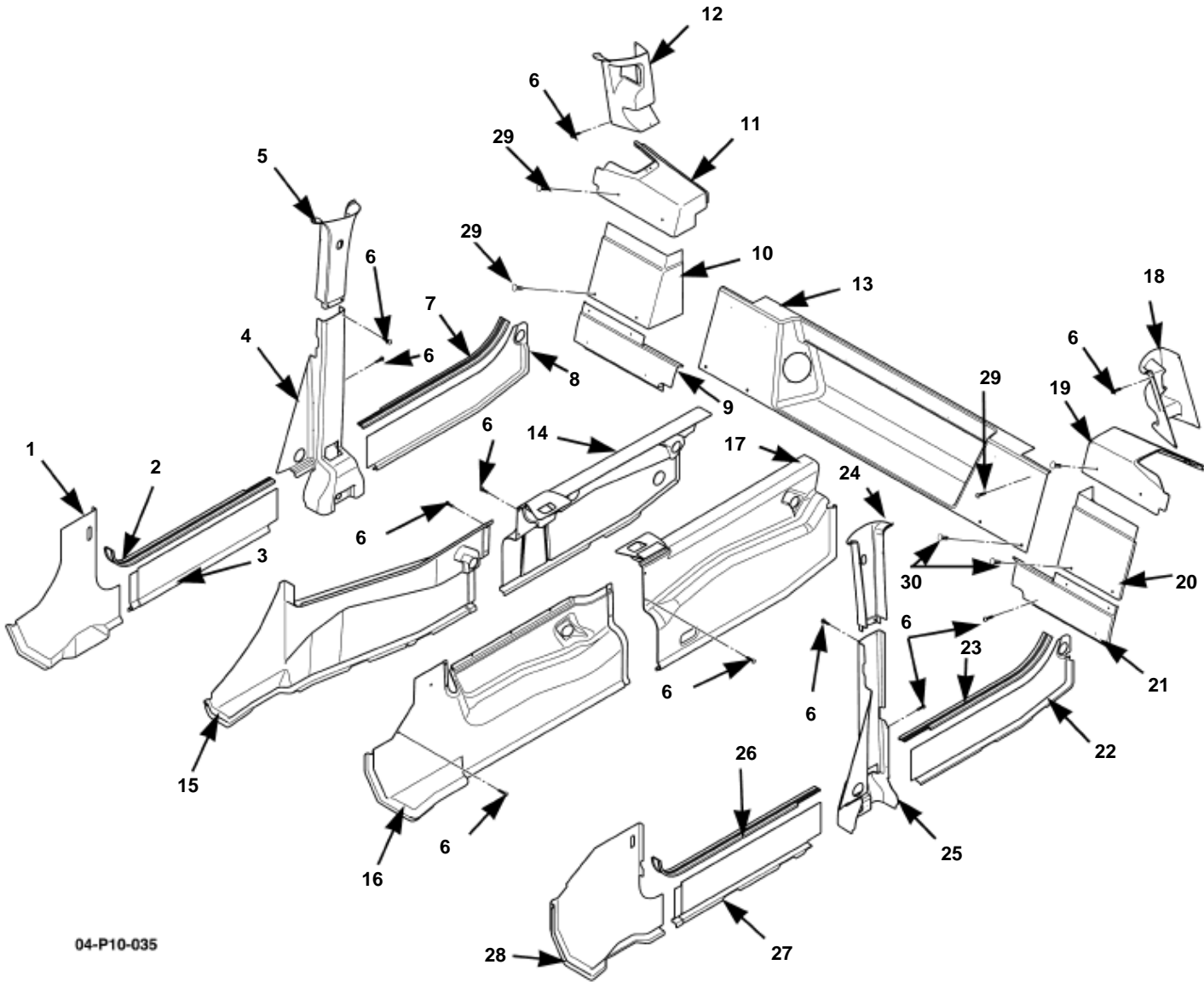


P10-034.5

Four-Door Soft Top Kit, Basic, Model 90

Four-Door Soft Top Kit, Basic, Model 90.

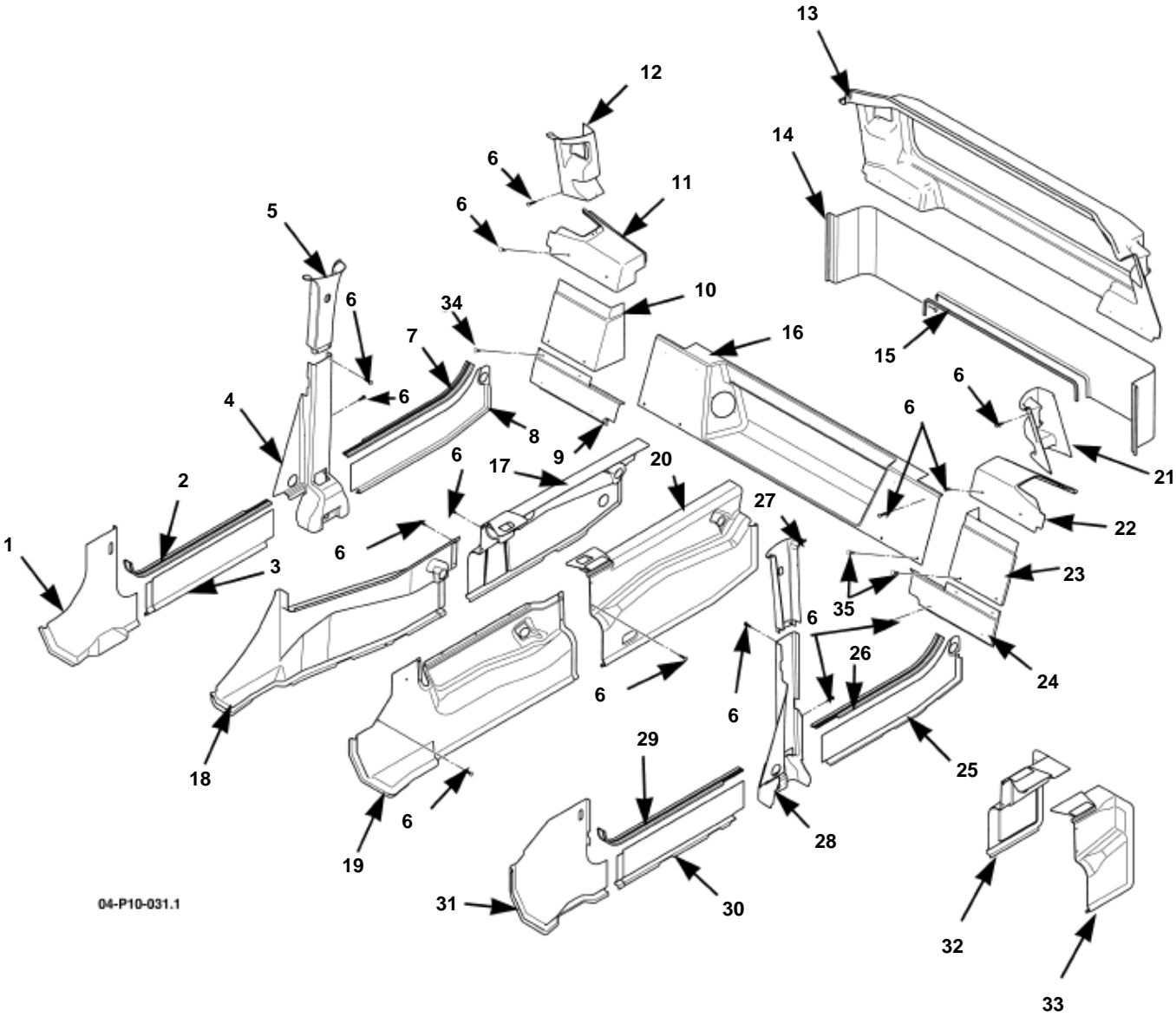
Item	Part No.	Description	Qty
1	6009721	TOP ASSEMBLY, tan	1
	6009720	TOP ASSEMBLY, black	1
2	6009723	COVER ASSEMBLY, tonneau, tan	1
	6009722	COVER ASSEMBLY, tonneau, black	1
3	6001648	·COVER, tonneau, tan	1
	6004212	·COVER, tonneau, black	1
4	6001670	·EXTRUSION, 41" 83, 90	2
5	5745081	··VELCRO STRIP, 41" 83, 90	2
6	N/S	··ADHESIVE TAPE, double sided, cut to length	4
7	6001671	·EXTRUSION, 9" 83, 90	2
8	N/S	··ADHESIVE TAPE, double sided, cut to length	4
9	5745083	··VELCRO STRIP, 9" 83, 90	2
10	6001669	·EXTRUSION, 43" 83, 90	1
11	5745082	··VELCRO STRIP, 43" 83, 90	1
12	N/S	··ADHESIVE TAPE, double sided, cut to length	2
13	5744425	·BOW KIT, tonneau, H/T 83,90	1
14	S.I.K.	·BOW, wooden 90	1
15	S.I.K.	·SCREW, #10 - 32 x 3/8" 90	4
16	S.I.K.	·BRACKET, tonneau cover bow 90	2
17	5745360	·REAR WINDOW CURTAIN, black	1
	5745359	·REAR WINDOW CURTAIN, tan	1



Interior Kick Panels, "B" pillars, and "C" pillars, "H" series

Interior Kick Panels, "B" pillars, and "C" pillars, "H" series.

Item	Part No.	Description	Qty
1	6015396	PANEL, kick, outer front, R.H. 90, 84	1
2	6017625	SCUFF PLATE ASSEMBLY, front R.H.	1
3	6015398	PANEL, kick, outer center, R.H. 90, 84	1
4	6016769	PANEL, trim, "B" pillar, lower R.H. 90	1
	6015386	PANEL, trim, "B" pillar, lower R.H. 84	1
5	6017312	PANEL, trim, "B" pillar, upper R.H. 84	1
6	6017154	SCREW	A/R
7	6017627	SCUFF PLATE ASSEMBLY, rear R.H.	1
8	6015400	PANEL, kick, outer rear, R.H. 90, 84	1
9	6017376	PANEL, wheelhouse, lower, R.H. 90	1
	6015404	PANEL, wheelhouse, lower, R.H. 84	1
10	6015402	PANEL, wheelhouse, upper, R.H. 84	1
11	6015316	PANEL, trim, "C" pillar, lower R.H. 84	1
12	6015314	PANEL, trim, "C" pillar, upper R.H. 84	1
13	6017252	PANEL, trim, rear 90	1
14	6015390	PANEL, kick, inner rear, R.H. 90, 84	1
15	6015394	PANEL, kick, inner front, R.H. 90, 84	1
16	6015393	PANEL, kick, inner front, L.H. 90, 84	1
17	6015387	PANEL, kick, inner rear, L.H. 90, 84	1
18	6015313	PANEL, trim, "C" pillar, upper L.H. 84	1
19	6015315	PANEL, trim, "C" pillar, lower L.H. 84	1
20	6015401	PANEL, wheelhouse, upper, L.H. 84	1
21	6015403	PANEL, wheelhouse, lower, L.H. 84	1
	6017513	PANEL, wheelhouse, lower, L.H. 90	1
22	6015399	PANEL, kick, outer rear, L.H. 90, 84	1
23	6017626	SCUFF PLATE ASSEMBLY, rear L.H.	1
24	6017310	PANEL, trim, "B" pillar, upper L.H. 84	1
25	6016768	PANEL, trim, "B" pillar, lower L.H. 90	1
	6015385	PANEL, trim, "B" pillar, lower L.H. 84	1
26	6017624	SCUFF PLATE ASSEMBLY, front L.H.	1
27	6015397	PANEL, kick, outer center, L.H. 90, 84	1
28	6015395	PANEL, kick, outer front, L.H. 90, 84	1
29	6017735	FASTENER, head-over-head	8
30	6022475	FASTENER	4



04-P10-031.1

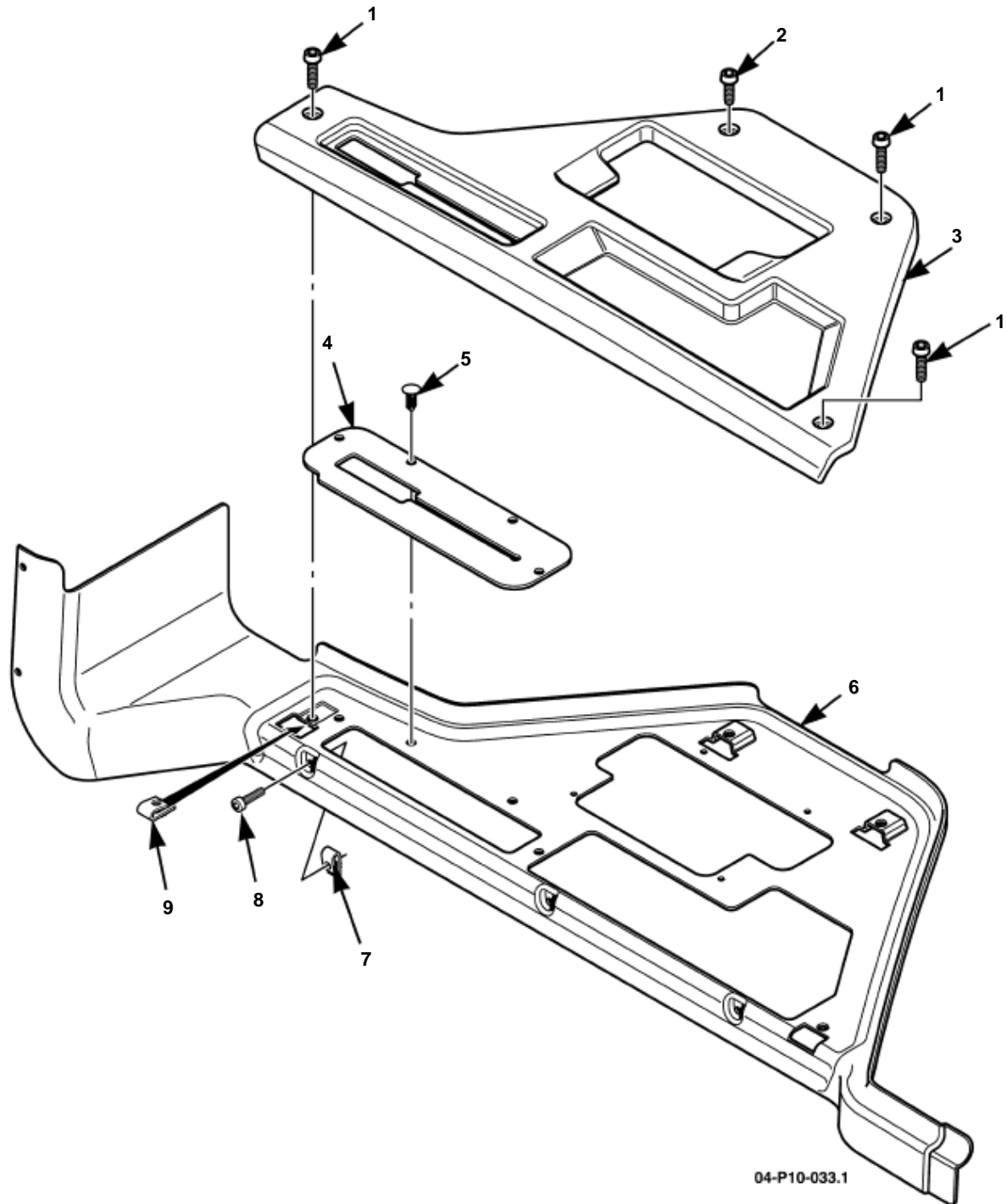
Interior Kick Panels, "B" pillars, and "C" pillars, "K" series

Interior Kick Panels, "B" pillars, and "C" pillars, "K" series.

Item	Part No.	Description	Qty
1	6017079	PANEL, kick, outer front, R.H. 55,56,57, 58	1
2	6017625	SCUFF PLATE ASSEMBLY, front R.H.	1
3	6017081	PANEL, kick, outer center, R.H. 55,56,57,58	1
4	6017373	PANEL, trim, "B" pillar, lower R.H. 58	1
	6017071	PANEL, trim, "B" pillar, lower R.H. 56,57	1
	6018160	PANEL, trim, "B" pillar, lower R.H. 55	1
5	6017313	PANEL, trim, "B" pillar, upper R.H. 56,57	1
6	6017154	SCREW	A/R
7	6017627	SCUFF PLATE ASSEMBLY, rear R.H.	1
8	6017083	PANEL, kick, outer rear, R.H. 56,57,58	1
9	6017375	PANEL, wheelhouse, lower, R.H. 56, 58	1
	6017087	PANEL, wheelhouse, lower, R.H. 57	1
10	6017085	PANEL, wheelhouse, upper, R.H. 57	1
11	6017182	PANEL, trim, "C" pillar, lower R.H. 57	1
12	6017180	PANEL, trim, "C" pillar, upper R.H. 56, 57	1
13	6018229	PANEL, trim, back upper 55	1
	6018342	PANEL, trim, back upper 56	1
14	6018158	PANEL, trim, rear lower 55	1
15	6018568	EDGE GUARD, 45" 55	1
16	6017252	PANEL, trim, rear lower 58, 90	1
	6018344	PANEL, trim, rear lower 56	1
17	6017074	PANEL, kick, inner rear, R.H. 56, 57, 58	1
18	6017077	PANEL, kick, inner front, R.H. 56, 57, 58	1
19	6017076	PANEL, kick, inner front, L.H. 56, 57, 58	1
20	6017072	PANEL, kick, inner rear, L.H. 56, 57, 58	1
21	6017179	PANEL, trim, "C" pillar, upper L.H. 56, 57	1
22	6017181	PANEL, trim, "C" pillar, lower L.H. 57	1
23	6017084	PANEL, wheelhouse, upper, L.H. 57	1
24	6017086	PANEL, wheelhouse, lower, L.H. 57	1
	6017514	PANEL, wheelhouse, lower, L.H. 56, 58	1
25	6017082	PANEL, kick, outer rear, L.H. 56,57,58	1
26	6017626	SCUFF PLATE ASSEMBLY, rear L.H.	1
27	6017311	PANEL, trim, "B" pillar, upper L.H. 56, 57	1
28	6017553	PANEL, trim, "B" pillar, lower L.H. 58	1
	6017070	PANEL, trim, "B" pillar, lower L.H. 56, 57	1

Interior Kick Panels, "B" pillars, and "C" pillars, "K" series.

Item	Part No.	Description	Qty
28	6018159	PANEL, trim, "B" pillar, lower L.H. 55	1
29	6017624	SCUFF PLATE ASSEMBLY, front L.H.	1
30	6017080	PANEL, kick, outer center, L.H. 55, 56, 57, 58	1
31	6017078	PANEL, kick, outer front, L.H. 55, 56, 57, 58	1
32	6018231	PANEL, trim, inner rear, R.H. 55	1
33	6018230	PANEL, trim, inner rear, L.H. 55	1
34	6017735	FASTENER, head-over-head	4
35	6022475	FASTENER	4

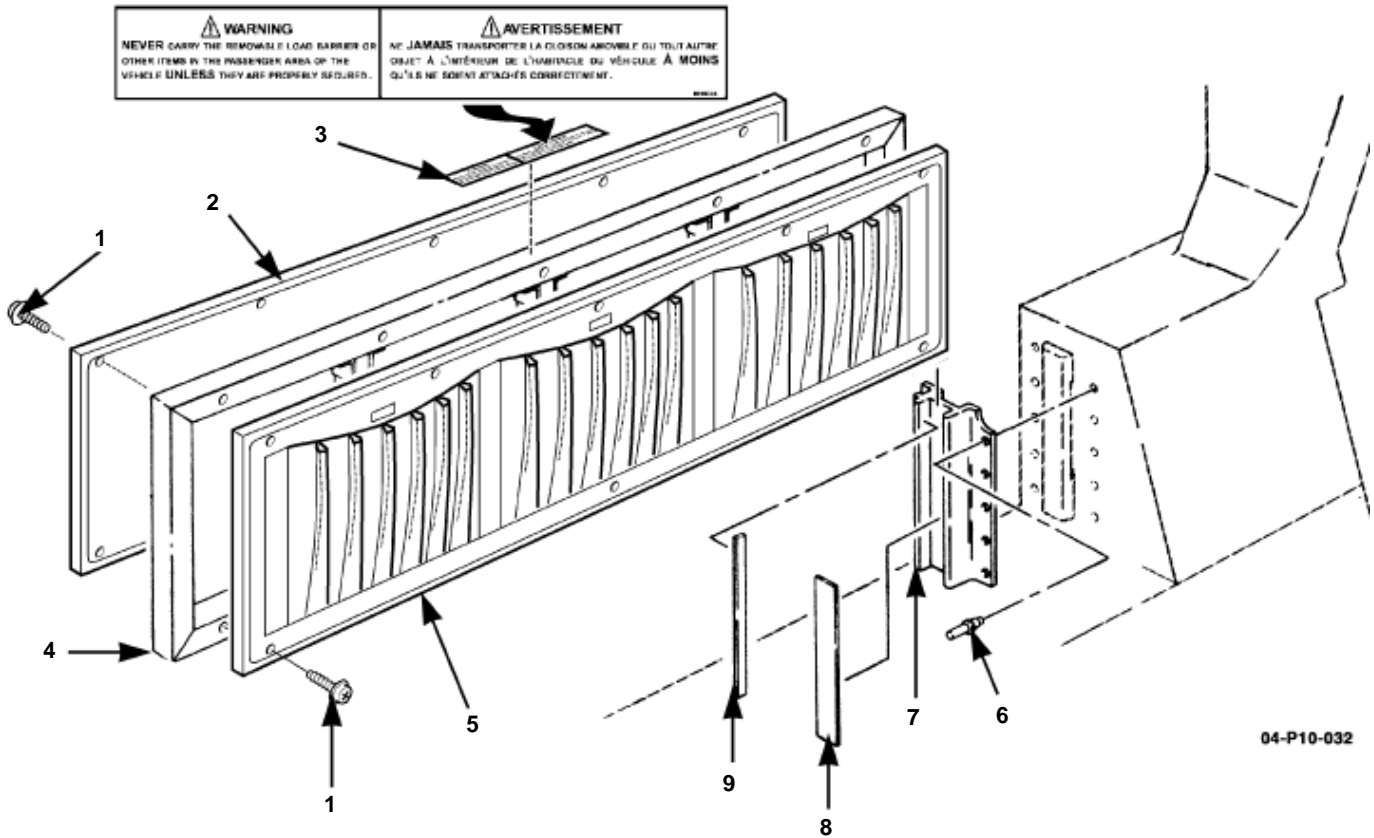


04-P10-033.1

**Shifter Panel, Shifter Bezel,
and Parking Brake Lever Seal**

Shifter Panel, Shifter Bezel, and Parking Brake Lever Seal.

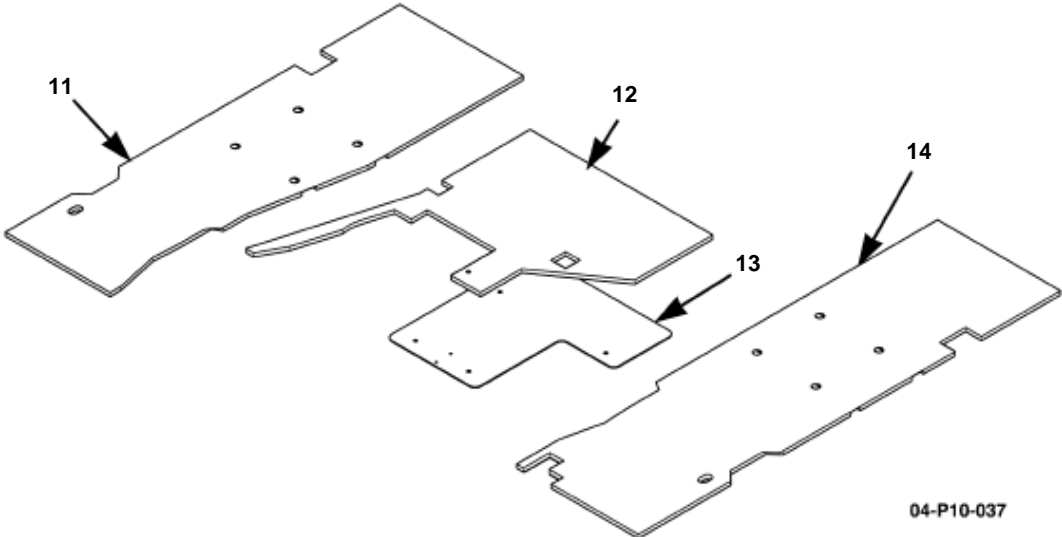
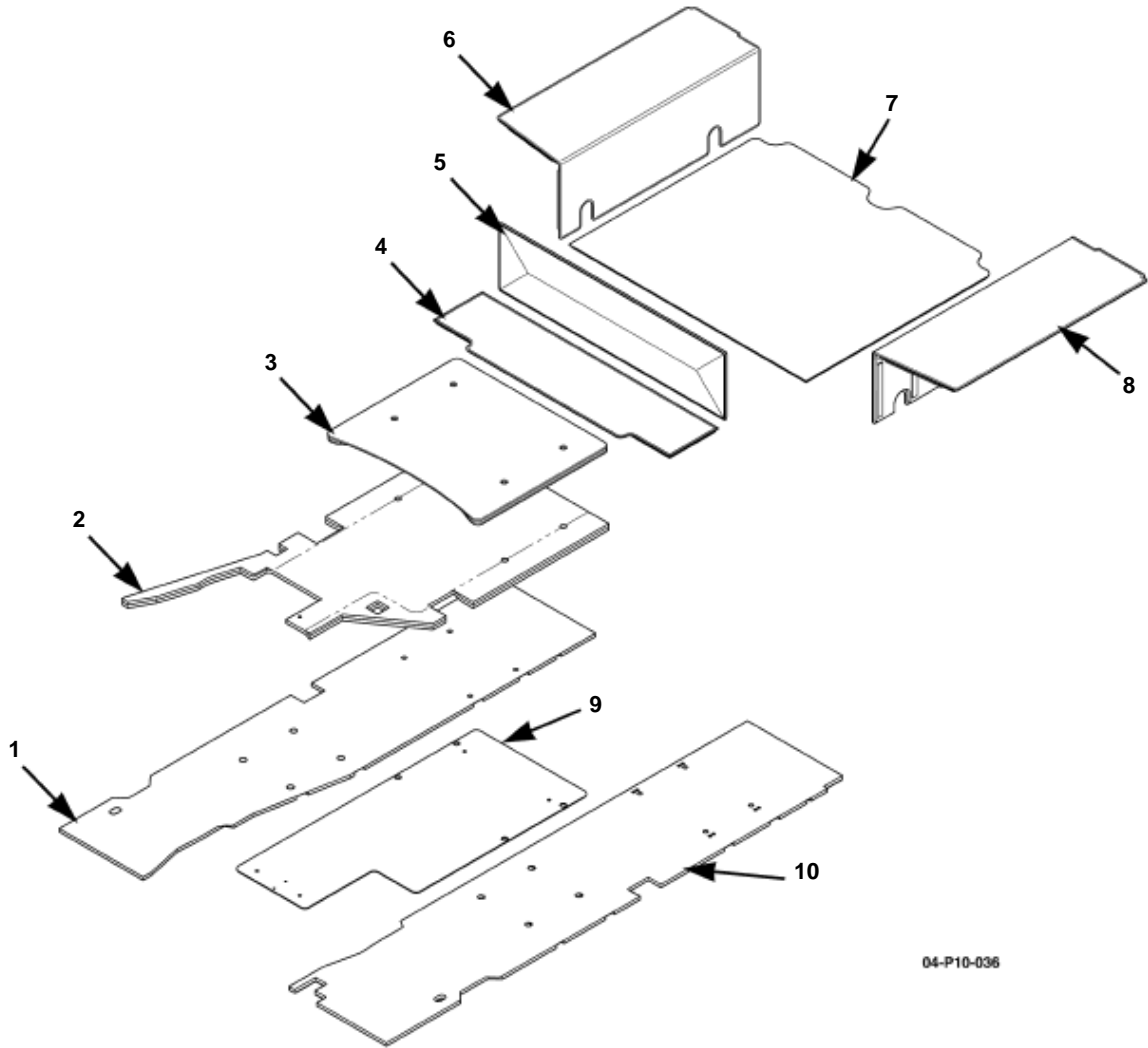
Item	Part No.	Description	Qty
1	6016634	SCREW	3
2	6017214	SCREW	1
3	6015360	BEZEL ASSEMBLY, parking brake/shifter	1
4	6015361	SEAL, parking brake	1
5	6000441	FASTENER, christmas tree	4
6	6015357	PANEL, trim, shifter control, (brown) 84, 90	1
	6018617	PANEL, trim, shifter control, (black) 55, 56 57, 58	1
7	6017693	SPEEDNUT, "U" type	3
8	6017154	SCREW	3
9	6001894	SPEEDNUT, "J" type	4



Removable Load Barrier, Station Wagon, Model 84

Removable Load Barrier, Station Wagon, Model 84.

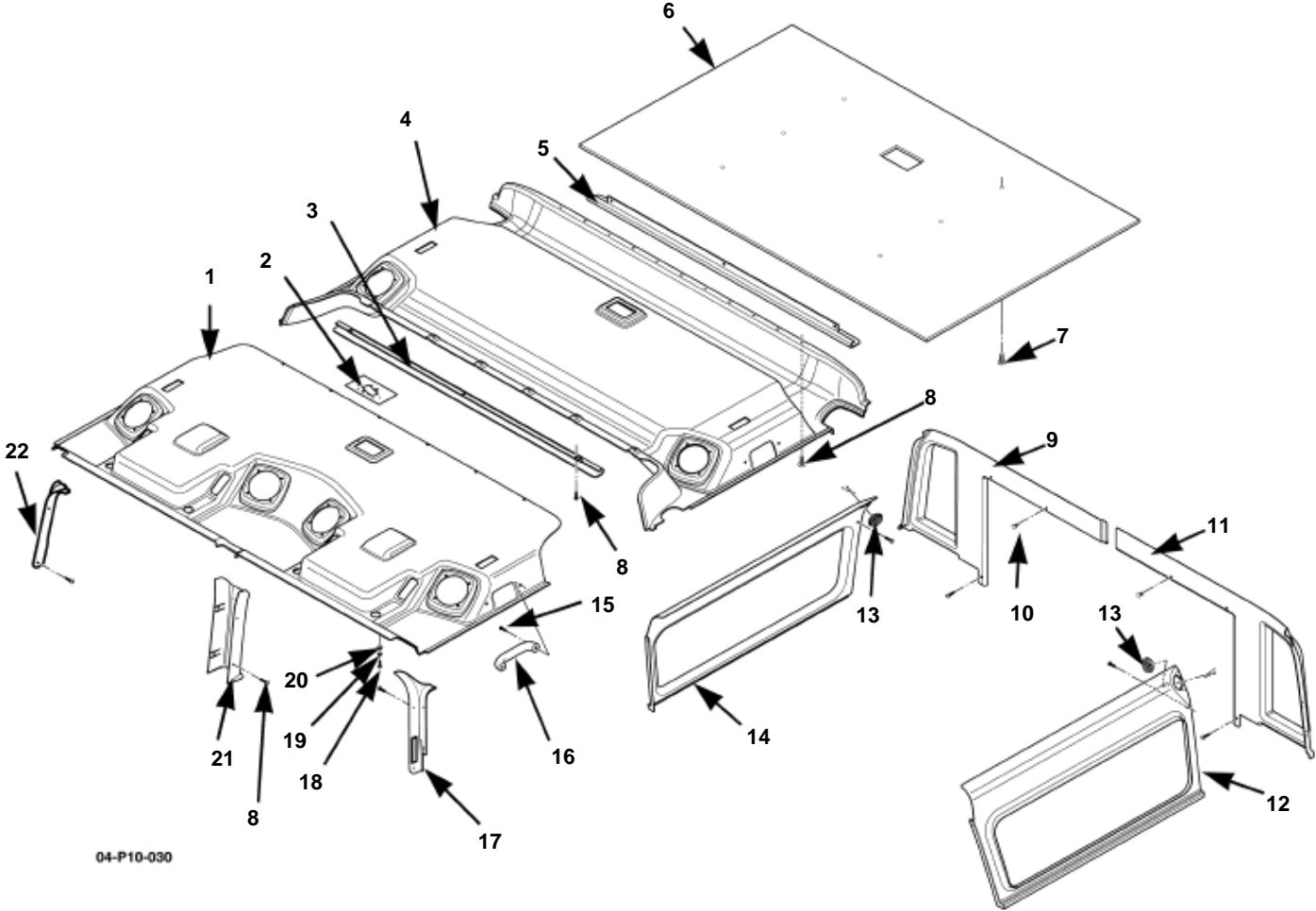
Item	Part No.	Description	Qty
1	6000243P2	TRIM SCREW	18
2	6017372	MAT ASSEMBLY, bulkhead	1
		57	
	6016214	CARPET ASSEMBLY, bulkhead, brown	1
		84	
3	6016046	DECAL, load barrier warning, English/French	1
4	6002978	FRAME ASSEMBLY, load barrier	1
5	6016219	POCKET ASM., load barrier, brown	1
		84,90	
	6017371	POCKET ASM., load barrier, black	1
		57	
6	12339355-1	RIVET, blind, huck, 3/16"	20
7	6003014A	BRACKET, L.H., load barrier	1
	6003020P	BRACKET, R.H., load barrier	1
8	6003015	BUMPER STRIP, center	1
9	6007112	BUMPER STRIP, side	4



Carpet, Padding, and Hardboards

Carpet, Padding, and Hardboards.

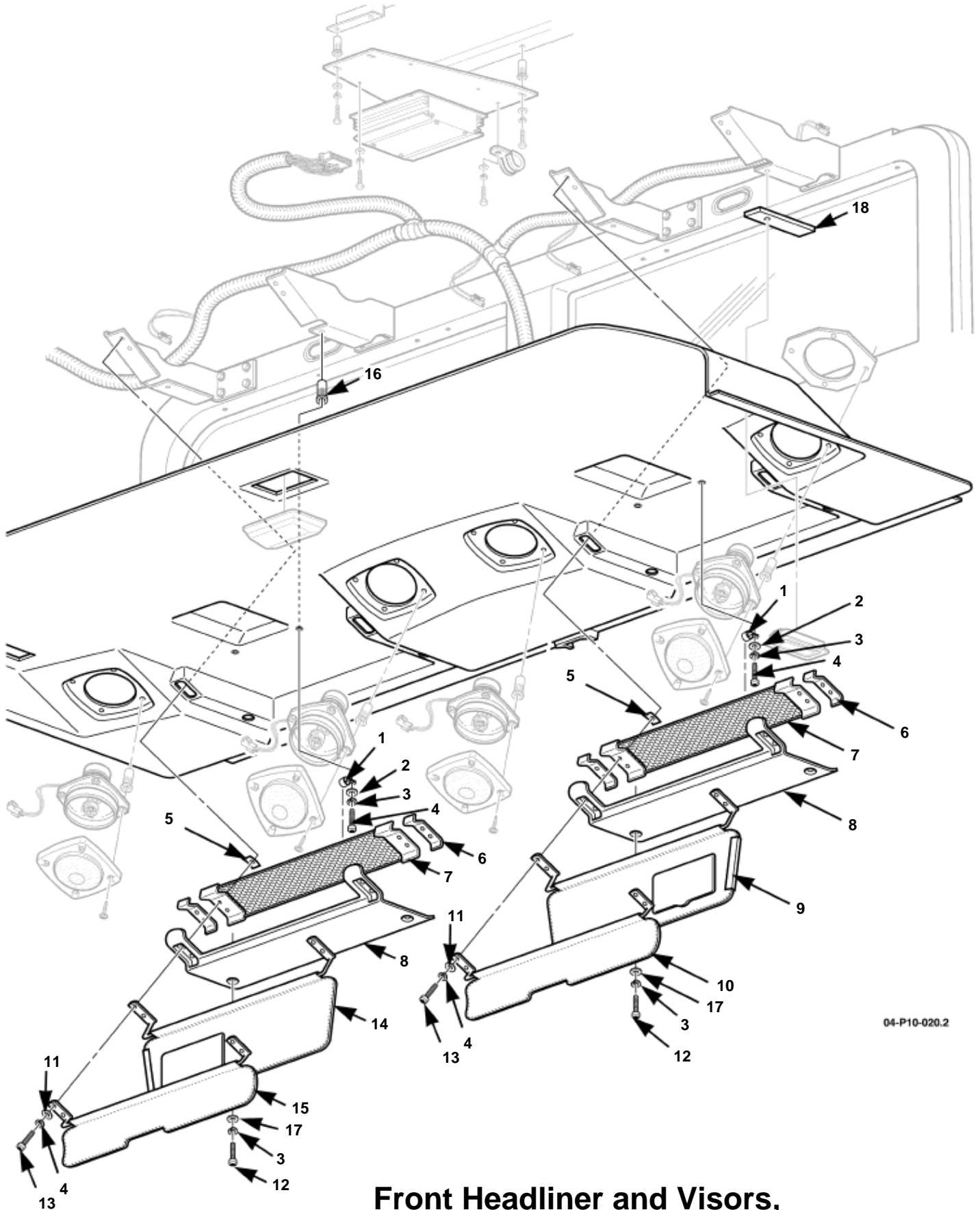
Item	Part No.	Description	Qty
1	6016221	PAD ASSEMBLY, floor, R.H., (black) 84, 90	1
	6018308	PAD ASSEMBLY, floor, R.H., (gray) 56, 57, 58	1
2	6016220	PAD, tunnel top, (black) 84	1
	6018307	PAD, tunnel top, (gray) 57	1
	6016774	PAD, tunnel top, (black) 90	1
2	6018314	PAD, tunnel top, (gray) 56,58	1
3	6016215	CARPET, tunnel top 84	1
	6016601	CARPET, tunnel top 90	1
	6016905	MAT ASSEMBLY, tunnel, center 57	1
4	6016213	CARPET ASSEMBLY, tunnel, center 84	1
5	6017372	MAT ASSEMBLY, bulkhead 57	1
	6016214	CARPET ASSEMBLY, bulkhead, brown 84	1
6	6016212	CARPET ASSEMBLY, wheelhouse, R.H. 84	1
7	6016216	CARPET ASSEMBLY, cargo floor 84	1
8	6016211	CARPET ASSEMBLY, wheelhouse, L.H. 84	1
9	6017099	HARDBOARD, tunnel top 56, 58, 90	1
	6017100	HARDBOARD, tunnel top 57, 84	1
10	6016222	PAD ASSEMBLY, floor, L.H., (black) 84, 90	1
	6018309	PAD ASSEMBLY, floor, L.H., (gray) 56, 57, 58	1
11	6016904	PAD ASSEMBLY, floor, R.H. 55	1
12	6017064	PAD ASSEMBLY, tunnel top 55	1
13	6017098	HARDBOARD, tunnel top 55	1
14	6016903	PAD ASSEMBLY, floor, L.H. 55	1
	6016773	PAD ASSEMBLY, tunnel top, rear outer (not illustrated). 90, 56, 58	2



Upper Trims, Headliners

HUMMER H1 2004 Parts Catalog
Upper Trims, Headliners.

Item	Part No.	Description	Qty
1	6017714	HEADLINER, front 84	1
	6017817	HEADLINER, front 55, 56,57	1
	6018343	HEADLINER, front 56	1
2	S.I.A.	-BRACKET, dome lamp, headliner 56, 57, 58, 84, 90	2
	6018453	BRACKET, dome lamp, headliner 55	1
3	6018258	RETAINER, front headliner	1
4	6015301	HEADLINER, center 57, 84	1
	6018343	HEADLINER, center 56	1
5	6018259	RETAINER, rear headliner	1
6	6015410	HEADLINER, rear 57, 84	1
	6015326	PANEL, trim, upper rear center	1
7	6017386	FASTENER, x-mas tree	A/R
8	6016962	SCREW, ivory head	A/R
9	6015325	PANEL, trim, upper rear, R.H. 57, 84	1
10	6017387	FASTENER, x-mas tree	A/R
11	6015324	PANEL, trim, upper rear, L.H. 57, 84	1
12	6015322	PANEL, trim, upper side, L.H. 57, 84	1
13	6018734	REAR VENT	1
14	6015323	PANEL, trim, upper side, R.H. 84	1
	6017174	PANEL, trim, upper side, R.H. 57	1
15	MS35206-281	SCREW	8
16	6015308	GRAB HANDLE, ivory 57, 84	4
	6016964	GRAB HANDLE, black 58, 90	4
17	6015309	PANEL, "A" pillar, L.H. 84	1
	6017187	PANEL, "A" pillar, L.H. 55, 56, 57	1
18	MS35206-266	SCREW	12
19	MS35338-43	LOCK WASHER	12
20	ELMS51412-2	WASHER, flat	12
21	6015317	PANEL, division bar 84	1
	6016785	PANEL, division bar 58, 90	1
	6017172	PANEL, division bar 55, 56, 57	1
22	6015310	PANEL, "A" pillar, R.H. 84	1
	6017188	PANEL, "A" pillar, R.H. 55, 56, 57	1

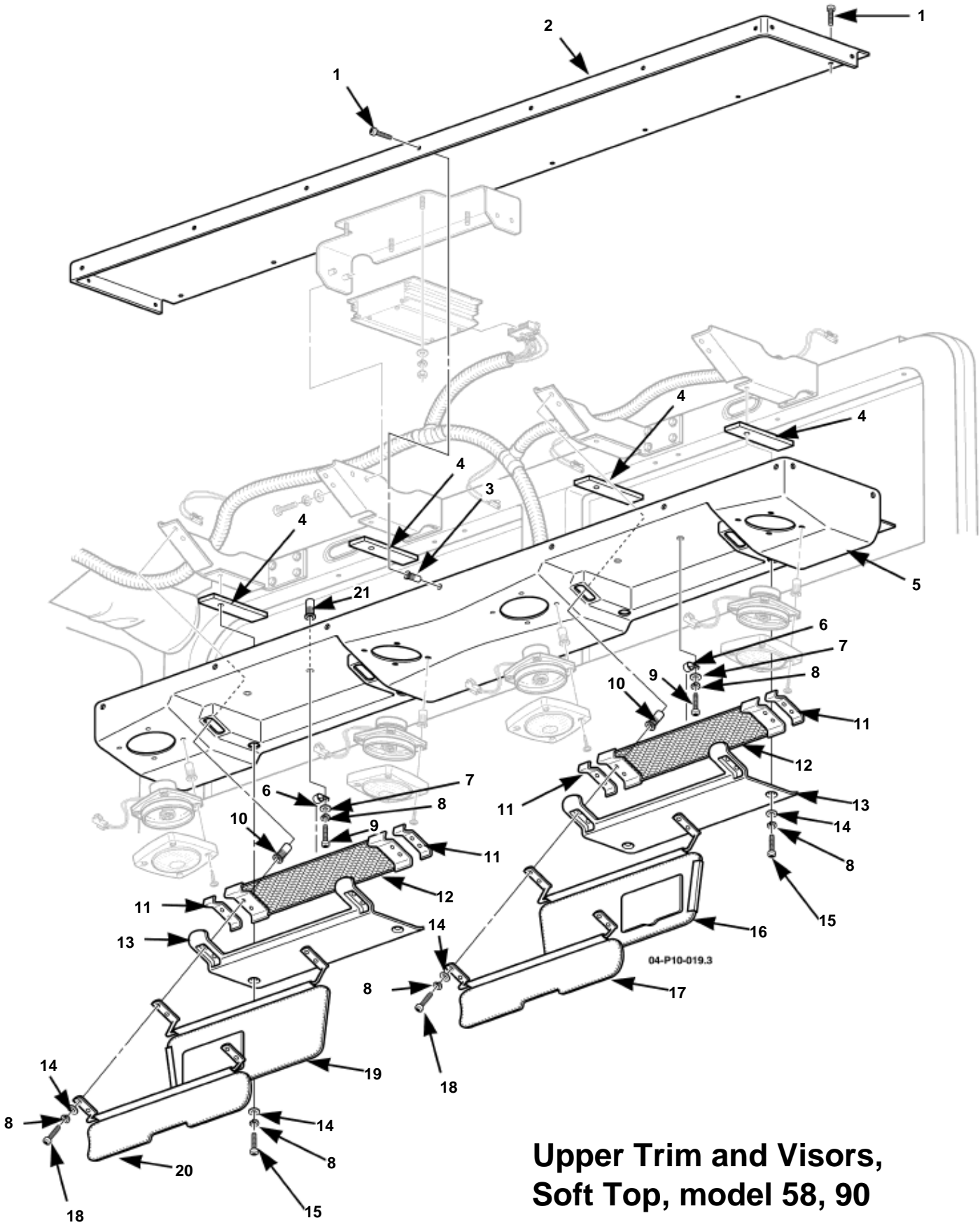


04-P10-020.2

**Front Headliner and Visors,
Wagon, Model 55, 56, 57, 84**

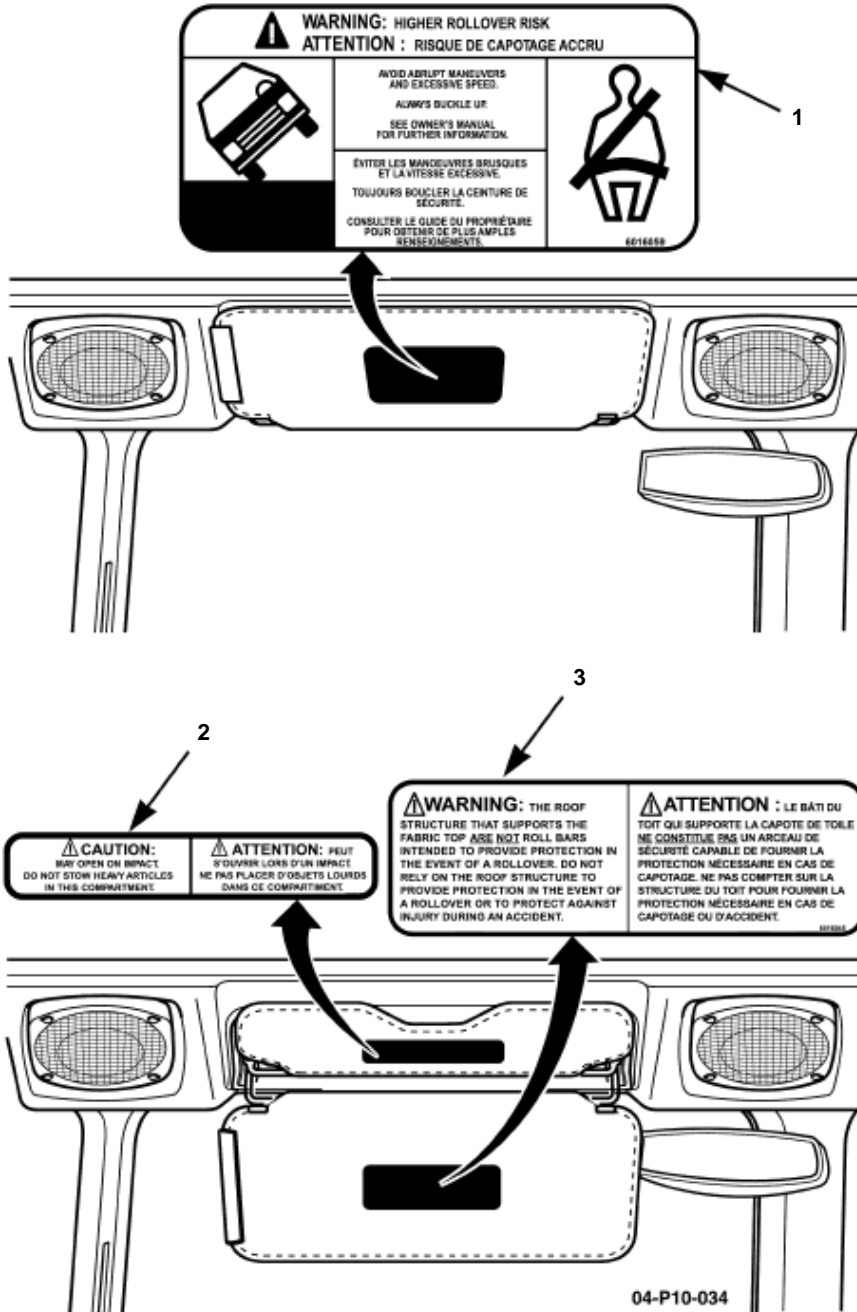
Front Headliner and Visors, Wagon, Model 55, 56, 57, 84.

Item	Part No.	Description	Qty
1	6018400	NYLON CABLE CLAMP	4
2	9416128	WASHER, #10	4
3	MS35338-43P2	LOCKWASHER, #10	4
4	MS35206-267P2	SCREW	4
5	5939712	PLUSNUT	12
6	6018183	BRACKET, net retainer	4
7	6018184	NET	2
8	6017506	COVER, map tray 55, 56, 57, 84	
9	6018336	SUN VISOR, R.H., lighted mirror	1
10	S.I.A.	-MAP POCKET DOOR	2
11	MS35338-42P2	WASHER, #10	4
12	N/S	SCREW, #10 - 24 x 7/8" pan hd x m/s	4
13	N/S	SCREW, #10 - 24 x 1 1/2"	8
14	6018335	SUN VISOR, L.H.,lighted mirror	1
15	S.I.A.	-MAP POCKET DOOR	1
16	6018399	PLUSNUT	4
17	N/S	WASHER, flat, #10	4
18	6001007	SPACER, foam	4



Upper Trim and Visors, Soft Top, model 58, 90.

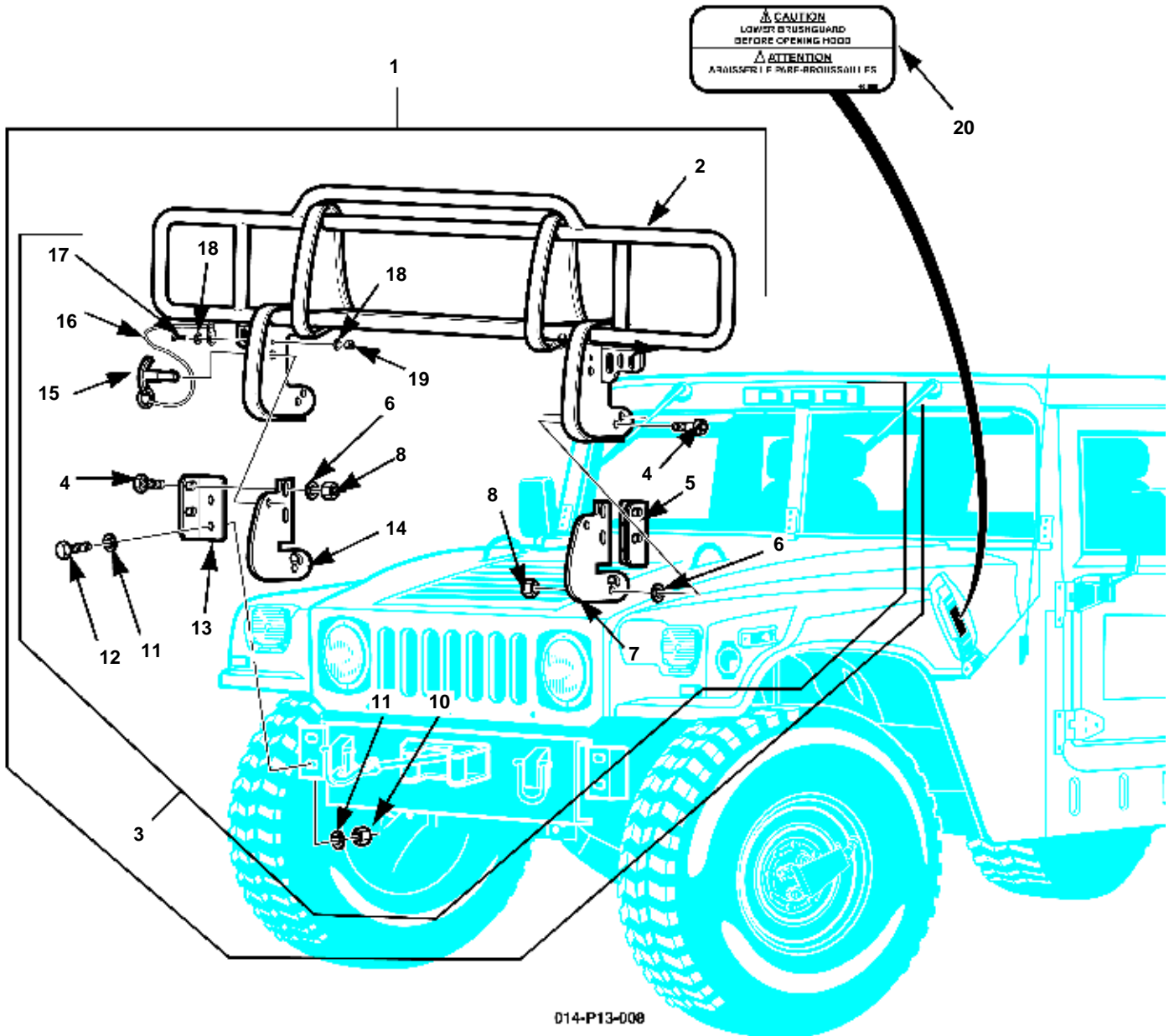
Item	Part No.	Description	Qty
1	6017154	SCREW	31
2	6017250	PANEL ASSEMBLY, upper console upper trim 58, 90	1
3	12339998-13	.PLUSNUT, 1/4 - 20" x .020/.280 grip	6
4	6001007	SPACER	4
5	6017774	PANEL ASSEMBLY, upper console lower trim 90	1
	6018162	PANEL ASSEMBLY, upper console lower trim 58	1
6	6018400	NYLON CABLE CLAMP	4
7	9416128	WASHER, #10	4
8	MS35338-43P2	LOCKWASHER, #10	4
9	MS35206-267P2	SCREW	4
10	5939712	PLUSNUT	12
11	6018183	BRACKET, net retainer	4
12	6018184	NET	2
13	6017488	COVER, map tray, black 58,90	2
14	MS35338-42P2	WASHER, #10	4
15	N/S	SCREW, #10 - 24 x 7/8" pan hd x m/s	2
16	6018338	SUN VISOR, R.H., lighted mirror, black	1
17	S.I.A.	.MAP POCKET DOOR	1
18	N/S	SCREW, #10 - 24 x 1 1/2"	8
19	6018337	SUN VISOR, L.H., black	1
20	S.I.A.	.MAP POCKET DOOR	1
21	6018399	PLUSNUT	4



Visor Warning Decals

Visor Warning Decals.

Item	Part No.	Description	Qty
1	6016059	DECAL, rollover risk	1
2	6018122	DECAL, caution, overhead storage bin	2
3	6016045	DECAL, roof structure 58, 90	1



D14-P13-008

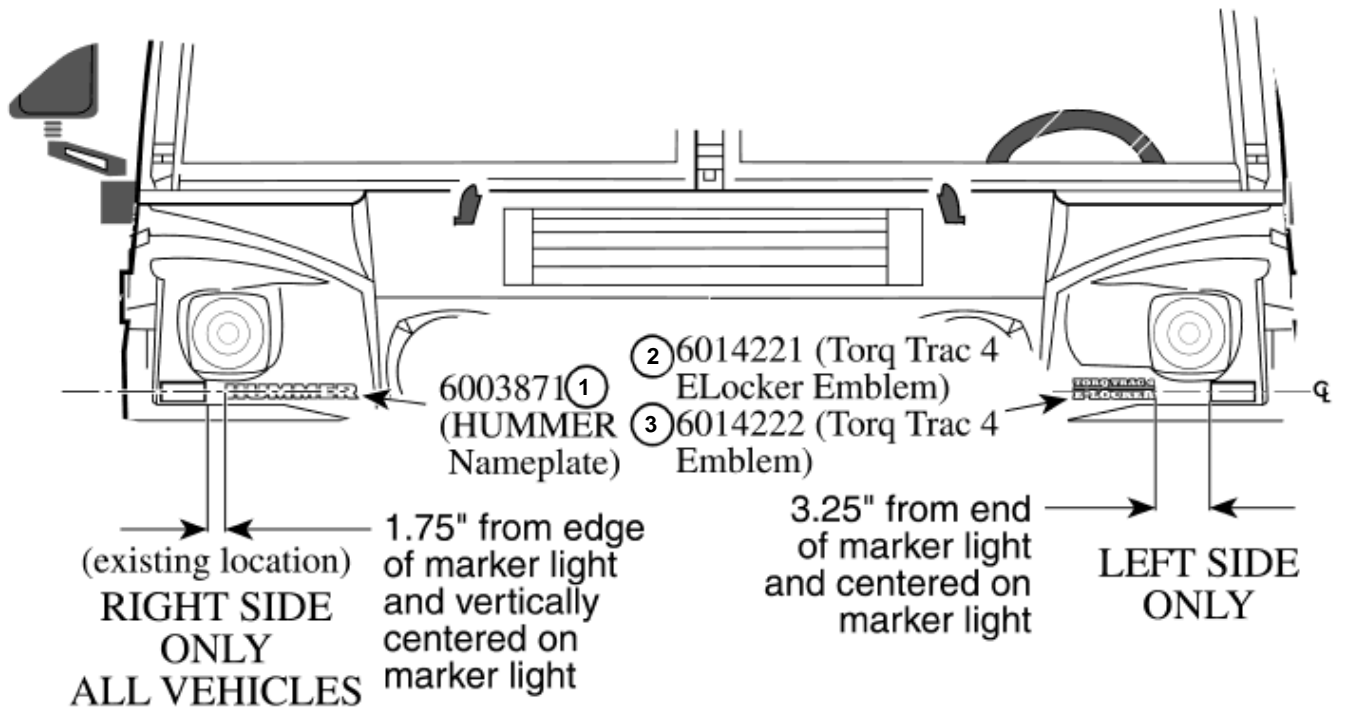
Brushguard Kit, Heavy Duty, Frontal Coverage

Brushguard Kit, Heavy Duty, Frontal Coverage.

Item	Part No.	Description	Qty
1	5745533	BRUSHGUARD KIT, heavy duty frontal-coverage	
2	S.I.K.	·BRUSHGUARD, frontal coverage	1
3	6013942	·KIT, mounting hardware, SEE NOTE 1	1
4	S.I.K.	·BOLT, shoulder, 1/2 x 5/8"	4
5	S.I.K.	·BRACKET, RR, L.H.	2
6	S.I.K.	·WASHER, nylon, 1/2"	4
7	S.I.K.	·BRACKET, L.H.	2
8	S.I.K.	·NUT, flanged, 3/8 - 16"	4
9	5745409	·GUARD, rubber	4
10	S.I.K.	·NUT, 1/2"	4
11	S.I.K.	·WASHER, 1/2"	8
12	S.I.K.	·BOLT, 1/2 x 2"	4
13	S.I.K.	·BRACKET, RR, R.H.	2
14	S.I.K.	·BRACKET, R.H.	2
15	5745405	·LOCK PIN	2
16	5745406	·LANYARD, with stainless steel tab, 6"	2
17	S.I.K.	·BOLT, button head, 1/4 - 20 x 3/4"	2
18	S.I.K.	·WASHER, nylon, 1/4"	4
19	S.I.K.	·LOCKNUT, 1/4"	2
20	6016051	DECAL, brushguard caution, English, SEE NOTE 2	1

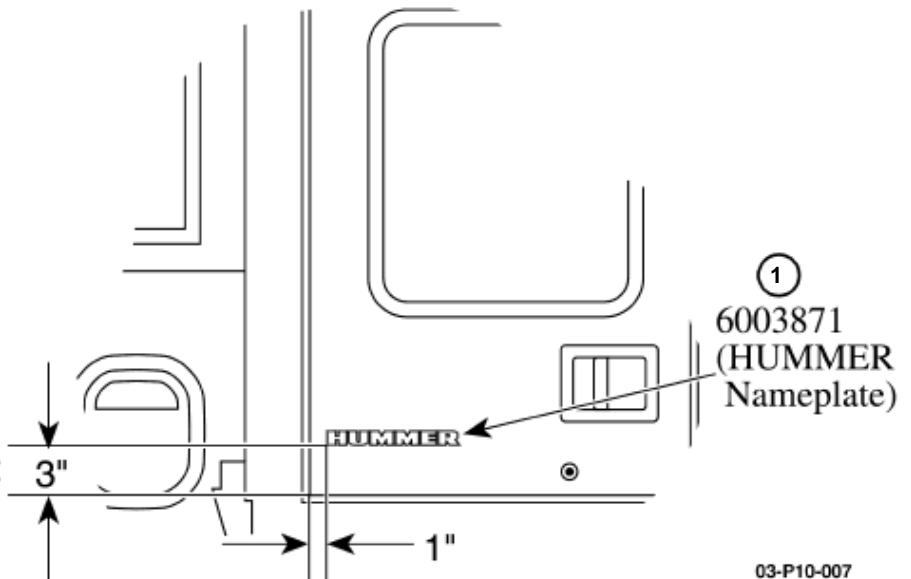
NOTE 1: MOUNTING HARDWARE INCLUDES; FRONT BARS, BRACKETS, AND HARDWARE.

NOTE 2: IF THE VEHICLE WAS NOT PREVIOUSLY EQUIPPED WITH A BRUSHGUARD A CAUTION DECAL WILL NEED TO BE ORDERED IN THE APPROPRIATE LANGUAGE FOR AREA OF USE. DECALS DO NOT COME WITH THE BRUSHGUARD KIT.

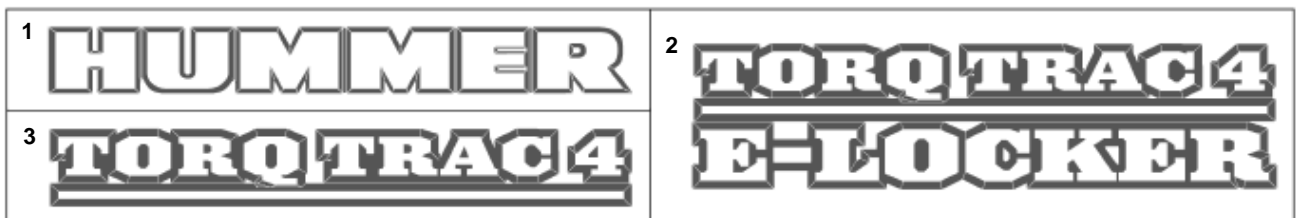


WAGON REAR DOOR

Left bottom corner of HUMMER located 3" above and 1" to right of bottom left corner of left rear door.



03-P10-007

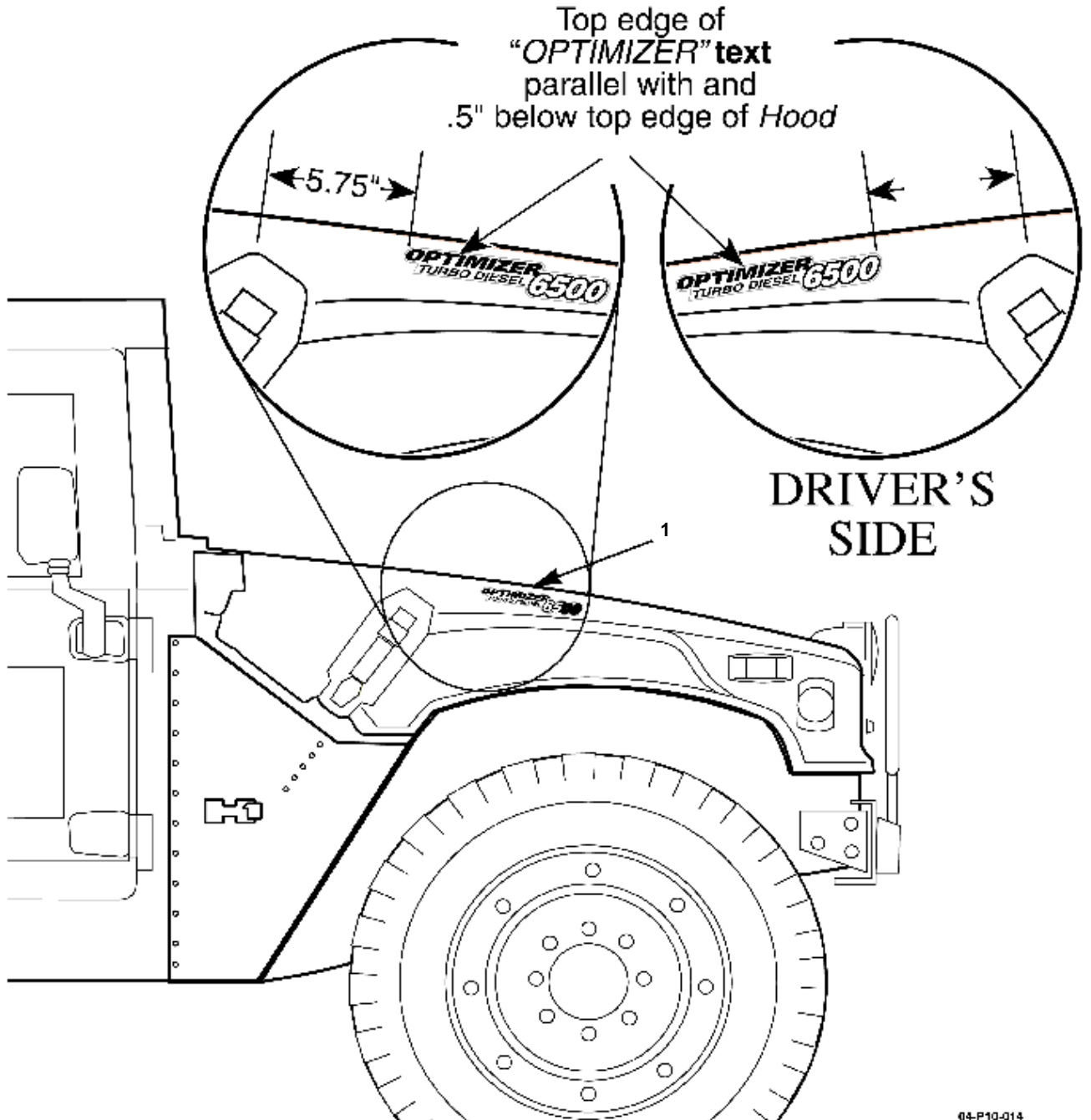


03-P10-006.1

Emblems, HUMMER, Front and Rear

Emblems, HUMMER, Front and Rear.

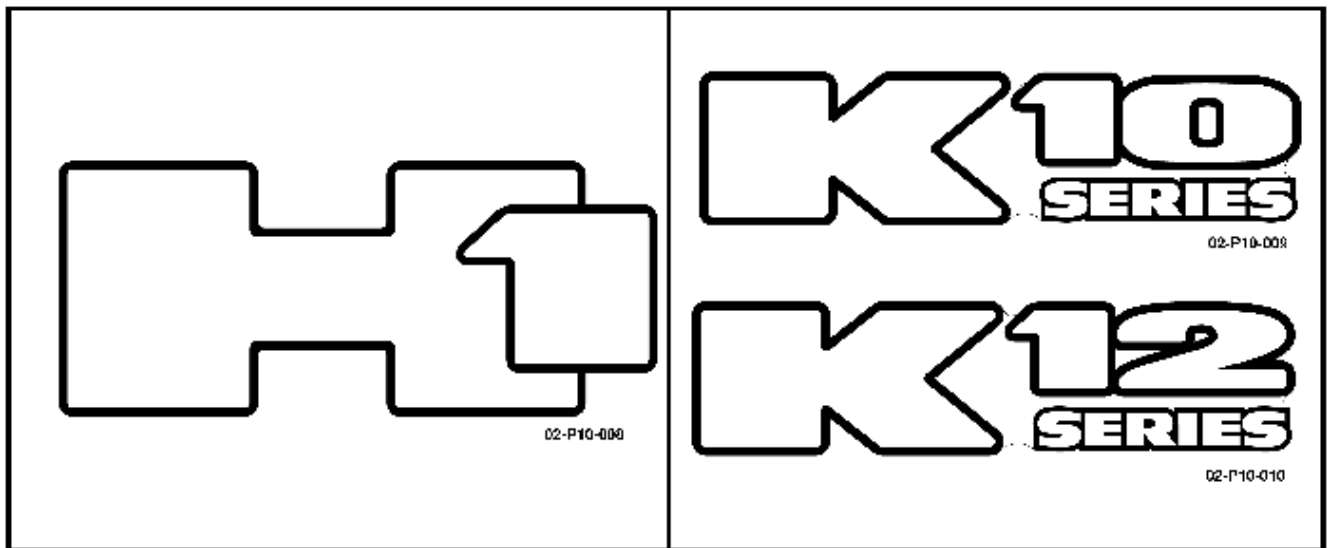
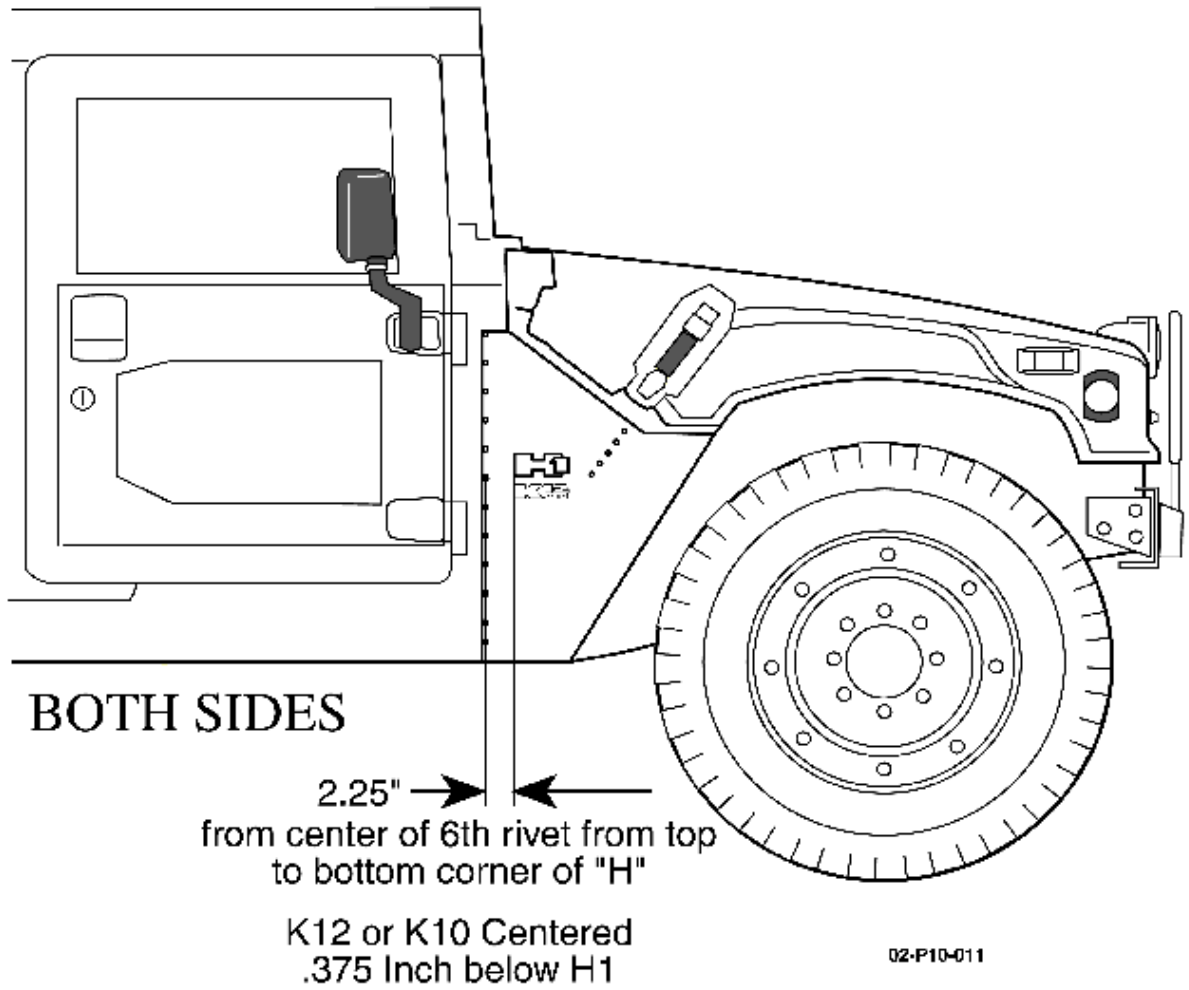
Item	Part No.	Description	Qty
1	6003871	EMBLEM, "HUMMER" logo	2
2	6014221	EMBLEM, "TORQ TRAC 4/E-LOCKER"	2
3	6014222	EMBLEM, "TORQ TRAC 4"	2



Decal, "Optimizer 6500 Turbo Diesel"

Decal, "Optimizer 6500 Turbo Diesel" .

Item	Part No.	Description	Qty
1	6016570	DECAL, optimizer 6500 turbo diesel	2



Emblems, HUMMER side (H1 and K-Series)

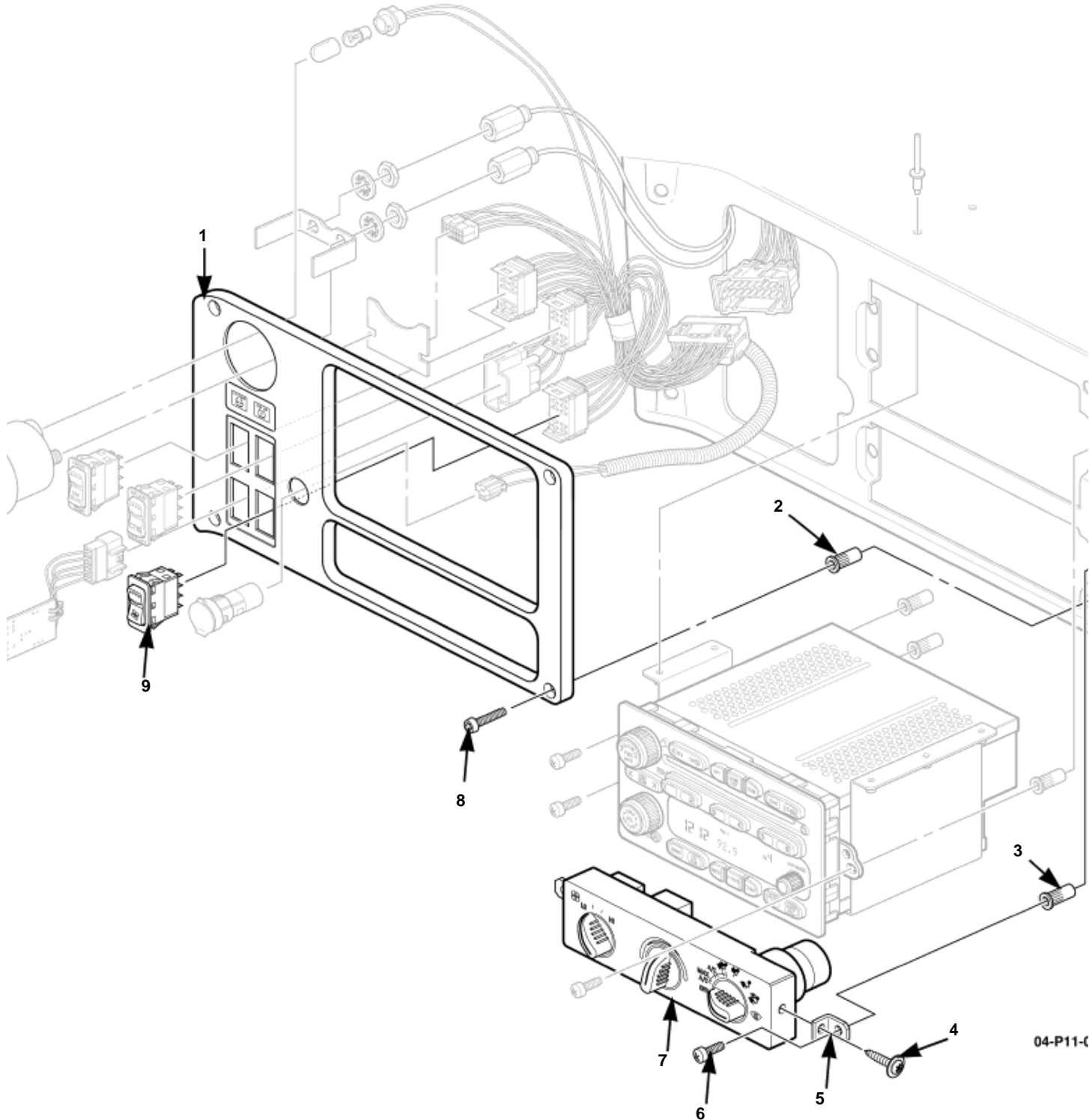
Emblems, HUMMER side (H1 and K-Series).

Item	Part No.	Description	Qty
1	6012582	"H1" LOGO EMBLEM, SEE NOTE 1	2
2	6013341	"K10 SERIES" LOGO DECAL, SEE NOTE 2	2
3	6013342	"K12 SERIES" LOGO DECAL, SEE NOTE 3	2

NOTE 1: "H1" LOGO EMBLEM IS USED ON BOTH COMMERCIAL AND FLEET VEHICLES.

NOTE 2: "K10 SERIES" LOGO DECAL IS USED ONLY ON 10,300 GVW TRUCKS.

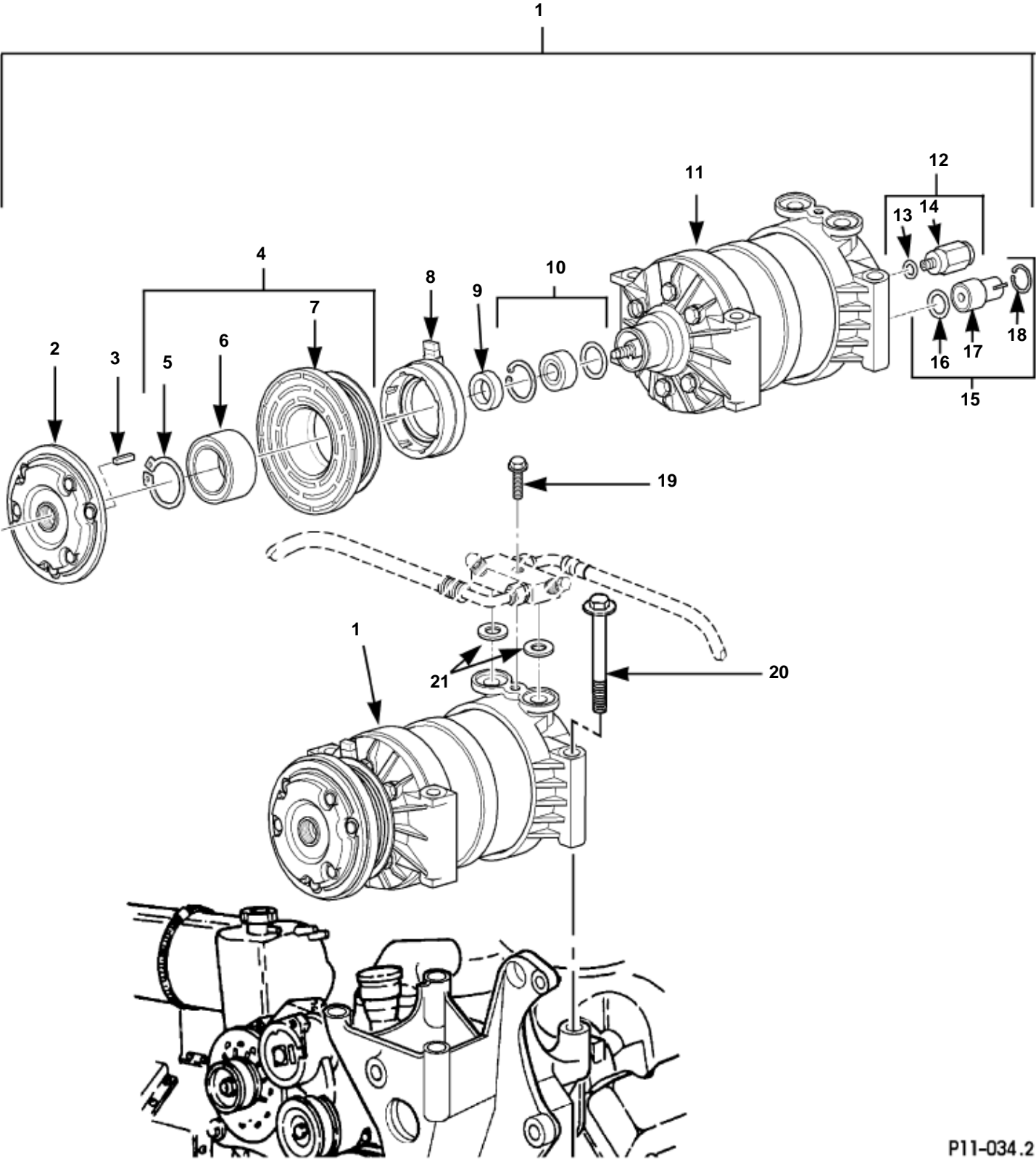
NOTE 3: "K12 SERIES" LOGO DECAL IS USED ONLY ON 12,100 FRAME TRUCKS.



Climate Control Panel

Climate Control Panel.

Item	Part No.	Description	Qty
1	6019056	BEZEL, radio	1
2	12446871-2	PLUS NUT, 1/4 - 20"	A/R
3	N/S	PLUS NUT, #10 - 32	2
4	6000243	TRIM SCREW	2
5	6017202	BRACKET, A/C-heat control	2
6	6000114P2	SCREW	2
7	6011451	A/C-HEAT CONTROL	1
8	6017214	SCREW	4
9	6016508	SWITCH, fan, rear, A/C	1

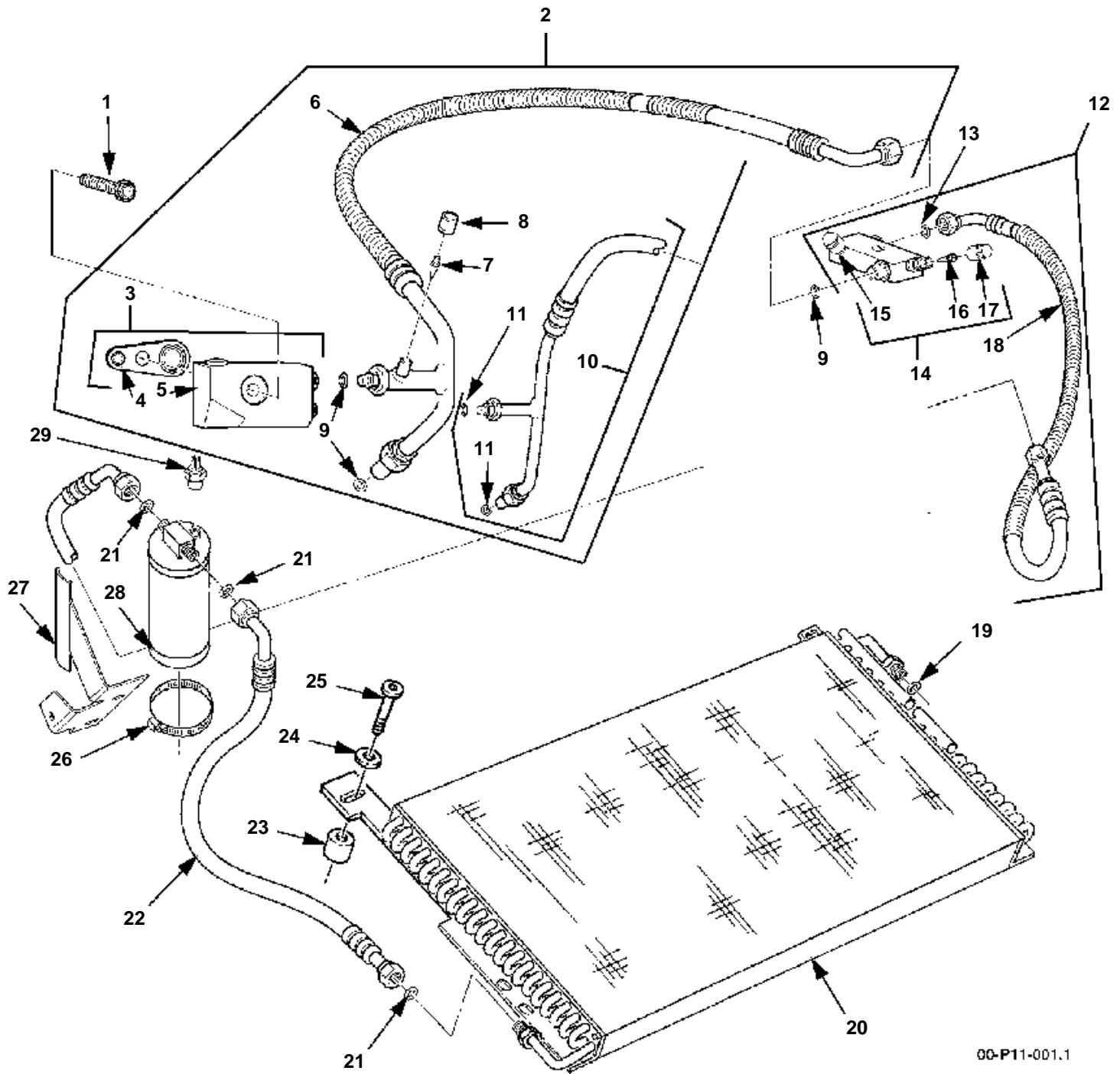


P11-034.2

A/C Compressor and Mounting Hardware

A/C Compressor and Mounting Hardware.

Item	Part No.	Description	Qty
1	6009795	COMPRESSOR ASSEMBLY, A/C	1
2	5744520	·CLUTCH DRIVE	1
3	5743077	·KEY, clutch drive	1
4	5744198	·PULLEY AND BEARING ASSEMBLY	1
5	5743075	·RETAINING RING	1
6	5743078	·BEARING, pulley	1
7	S.I.A.	·PULLEY	1
8	5744509	·COIL AND HOUSING ASSEMBLY	1
9	S.I.A.	·WASHER, felt	1
10	5744204	·SEAL KIT, lipseal	1
11	S.I.A.	·COMPRESSOR	1
12	5745118	·VALVE ASSEMBLY, pressure relief	1
13	S.I.A.	·O-RING	1
14	S.I.A.	·VALVE, pressure relief	1
15	5744865	·SWITCH ASSEMBLY, cut-off	1
16	S.I.A.	·O-RING	1
17	S.I.A.	·SWITCH, cut-off	1
18	S.I.A.	·RETAINER, snapping	1
19	6011914	BOLT	1
20	N/S	BOLT, M10 - 1.5 x 95, class 10.9	4
21	6003079	WASHER, sealing, 5/8"	2
	5743547	OIL, PAG, 12 oz. (not illustrated)	1

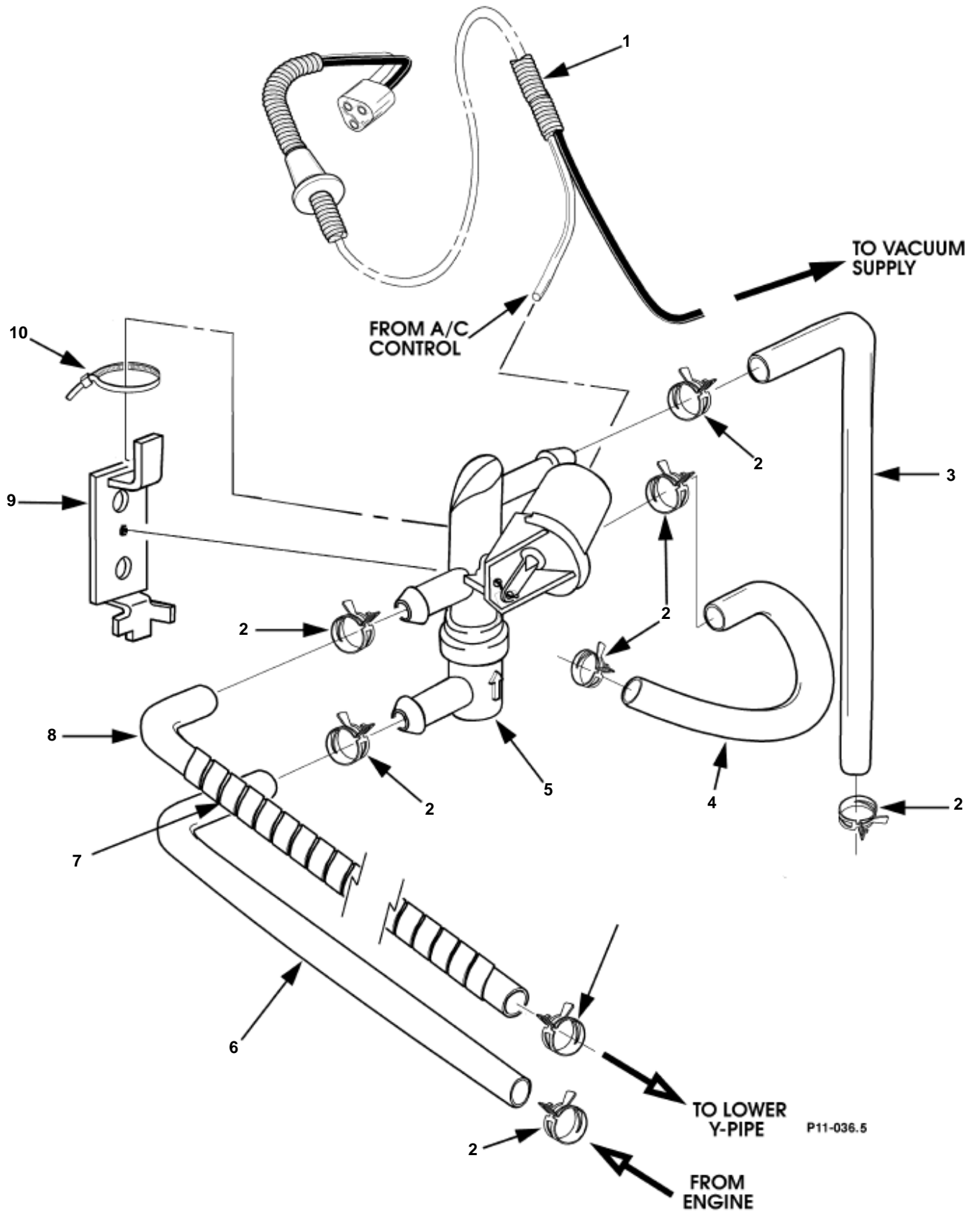


00-P11-001.1

Condenser, Receiver/Dryer, and A/C Hoses

Condenser, Receiver/Dryer, and A/C Hoses.

Item	Part No.	Description	Qty
1	5744986	CAPSCREW	1
2	6011085	HOSE ASSEMBLY, A/C compressor-to-receiver/dryer	1
3	6011086	·BLOCK ASSEMBLY, manifold expansion	1
4	5744825	·GASKET, block-to-expansion valve	1
5	S.I.A.	·BLOCK, A/C manifold expansion	1
6	6011087	·HOSE ASSEMBLY, A/C compressor-to-expansion valve	1
7	5743824	·VALVE, schrader, small port	1
8	5744902	·CAP, black, schrader valve	1
9	6006175	·O-RING, #10, R-134A	1
10	6011088	·HOSE, A/C manifold-to-receiver/dryer	1
11	6006173	·O-RING, #6, R-134A	1
12	6011089	HOSE ASSEMBLY, A/C discharge	1
13	6006174	·O-RING, #8, R-134A	1
14	6011090	·BLOCK ASSEMBLY, A/C	1
15	5744843	·CAP, schrader valve, high side, red	1
16	5744373	·VALVE, schrader, large port	2
17	5744844	·CAP, schrader valve, low side, blue	1
18	6011091	·HOSE ASSEMBLY, A/C compressor-to-condenser	1
19	6006174	O-RING, #8, R-134A	1
20	5744769	CONDENSER, A/C	1
21	6006173	O-RING, #6, R-134A	3
22	6008225	HOSE, #6, A/C condenser-to-receiver/dryer	1
23	5743412	SPACER, A/C condenser	4
24	N/S	WASHER, 5/16", flat	4
25	6008591	SCREW, socket head	4
26	5744142	CLAMP, 2 1/2", dryer	2
27	6007252	BRACKET, dryer mounting	1
28	5743473	RECEIVER/DRYER, A/C	1
29	5743472	SWITCH, low pressure cut-out	1

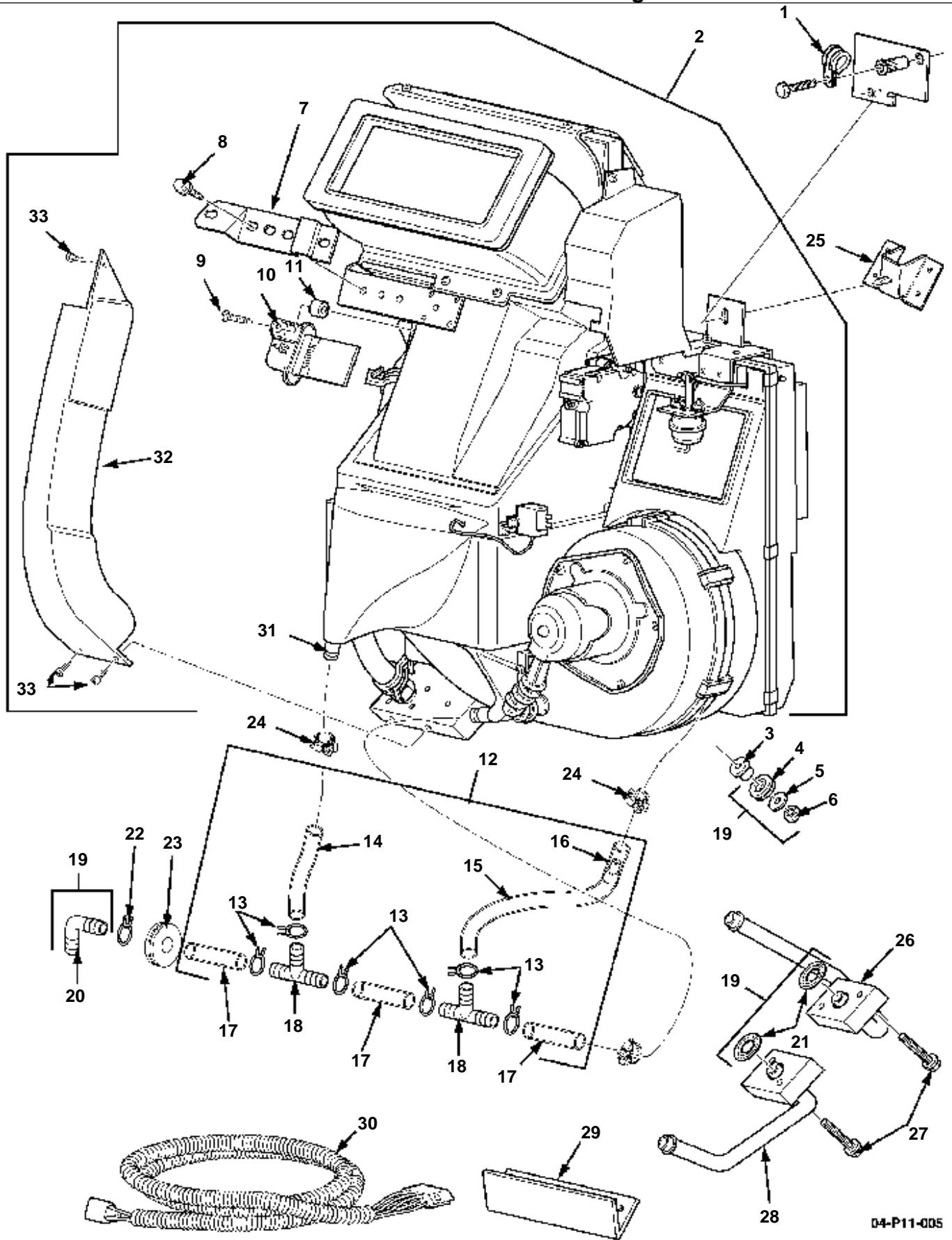


Water Control Valve and Heater Hoses

Water Control Valve and Heater Hoses.

Item	Part No.	Description	Qty
1	5744794	VACUUM HARNESS, water valve	1
2	5743508	CLAMP, hose, 24mm, constant tension	8
3	6006271	HOSE, heater, molded, 90-degrees, 5/8 x 27" SEE NOTE 1	1
4	6006268	HOSE, heater, molded, 270-degrees,	1
5	5744563	VALVE, water control	1
6	6006271	HOSE, heater, molded, 90-degrees, SEE NOTE 1	1
7	6004436	CHAFE GUARD, spiral	1
8	6006270	HOSE, heater, to lower y-pipe	1
9	6007368B9	BRACKET, water valve mounting	1
10	MS3367-2-0	TIE WRAP	1

NOTE 1: CUT TO REQUIRED LENGTH.



04-P11-005

Main A/C-Heat Unit

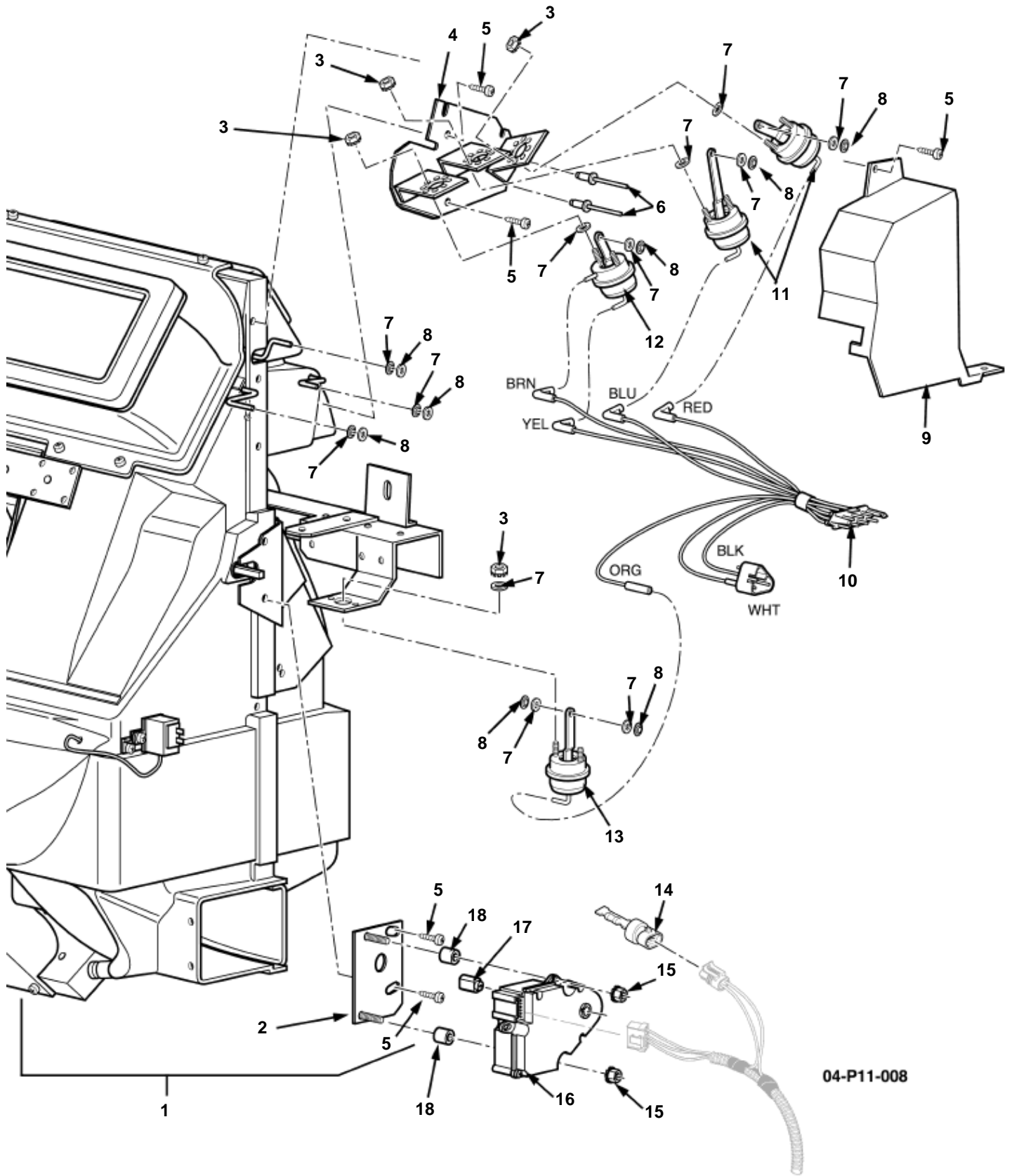
Main A/C-Heat Unit.

Item	Part No.	Description	Qty
1	MS21333-71	P-CLIP, 1/2"	1
2	6016257	HVAC ASSEMBLY, main unit	1
3	5744785	·BUSHING, mounting plate sealing	2
4	S.I.A.	·GROMMET, firewall, SEE NOTE 3	2
5	S.I.A.	WASHER,.275" I.D., fender, SEE NOTE 3	2
6	5743303	·NUT, 1/4 - 20", keps, ZN, SEE NOTE 3	2
7	S.I.A.	·BRACKET, inboard mounting	1
8	S.I.A.	·BOLT, 1/4 - 20 x 7/8", w/hex washer SEE NOTE 3	2
9	N/S	SCREW, #10 - 32 x 1"	1
10	6017018	RESISTOR, blower motor	1
11	N/S	SPACER, nylon, 1/2", SEE NOTE 3	1
12	6016259	KIT, A/C DRAIN HOSE ASSEMBLY	1
13	5743172	·CLAMP, constant tension, 1/2", drain	6
14	S.I.K.	·TUBE, drain, intermediate, short	1
15	S.I.K.	·TUBE ASSEMBLY, drain, intermediate, long	1
16	S.I.A.	·FLOW RESTRICTOR	1
17	S.I.K.	·TUBE, drain, 1/2"	3
18	N/S	·TEE-FITTING, 1/2"	2
19	6010855	ACCESSORY KIT, main HVAC unit	1
20	S.I.K.	·ELBOW, 90-degree, 1/2", drain tube, SEE NOTE 3	1
21	5744774	·GASKET, heater hose adapter, SEE NOTE 3	2
	S.I.K.	·HARDWARE BAG, additional (not illustrated), SEE NOTE 3	1
22	N/S	CLAMP, constant tension, 1/2", drain	1
23	6016262	GROMMET, cowl drain hose	1
24	N/S	CLAMP, worm gear type, 1/2", drain	3
25	6009440B9	BRACKET, HVAC mounting, upper, SEE NOTE 1	1
26	6017017	FITTING, heater, upper	1
27	N/S	BOLT, flanged, 1/4 - 20 x 1 1/4"	4
28	6017016	FITTING, heater, lower	1
29	6009384B9	BRACKET, HVAC mounting, lower, SEE NOTE 1	1
30	5744792	HARNESS, control, vacuum	1
31	5745370	KIT, nipple repair, SEE NOTE 2	1
32	5745580	COVER, heater core hoses	1
33	N/S	SCREW, #8 - 32 x 1/2" pan head, phillips	A/R

NOTE 1: PART OF BODY, NOT PART OF HVAC UNIT.

NOTE 2: KIT IS USED TO REPAIR ALL STRAIGHT AND 90°
NIPPLE FITTINGS.

NOTE 3: PART OF ACCESSORY KIT, 6010855.



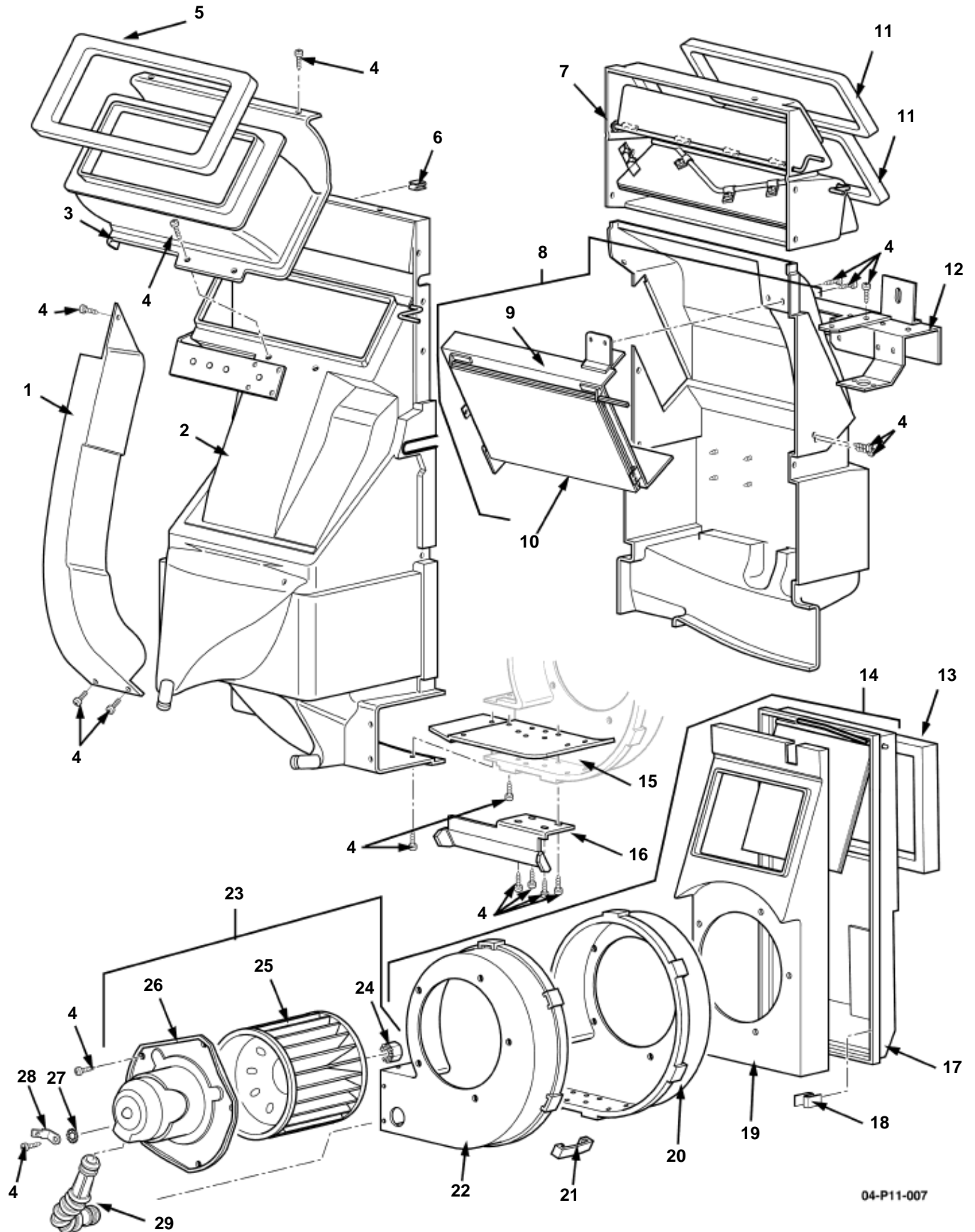
A/C-Heat Vacuum and Temperature Door Motors

A/C-Heat Vacuum and Temperature Door Motors.

Item	Part No.	Description	Qty
1	6013683	HVAC ASSEMBLY, main unit	1
2	S.I.A.	-BRACKET, motor, temperature door	1
3	N/S	NUT, keps #10 - 24", ZN, SEE NOTE 1	8
4	5745570	MOUNTING PLATE, vacuum motor	1
5	N/S	SCREW, phcr, #8 - 32 x 1/2"	5
6	N/S	RIVET	2
7	N/S	WASHER, 5mm, flat, silver/zinc DIN125A, SEE NOTE 2	16
8	5743459	PUSH NUT, 3/16", SEE NOTE 1	10
9	5745571	COVER, vacuum motor	1
10	5745572	HARNESS, vacuum evaporator	1
11	5744761	MOTOR, vacuum	2
12	5744763	MOTOR, vacuum	1
13	5744762	MOTOR, vacuum	1
14	6010396	RESISTOR MODULE, temperature door	1
15	5744983	NUT, #10 - 32", keps	3
16	5744764	MOTOR, temperature door	1
17	5745573	BUSHING, mode motor, temperature door	1
18	N/S	SPACER, 1/2", nylon	2

NOTE 1: TWO PER ITEM NUMBERS 11, 12, AND 13.

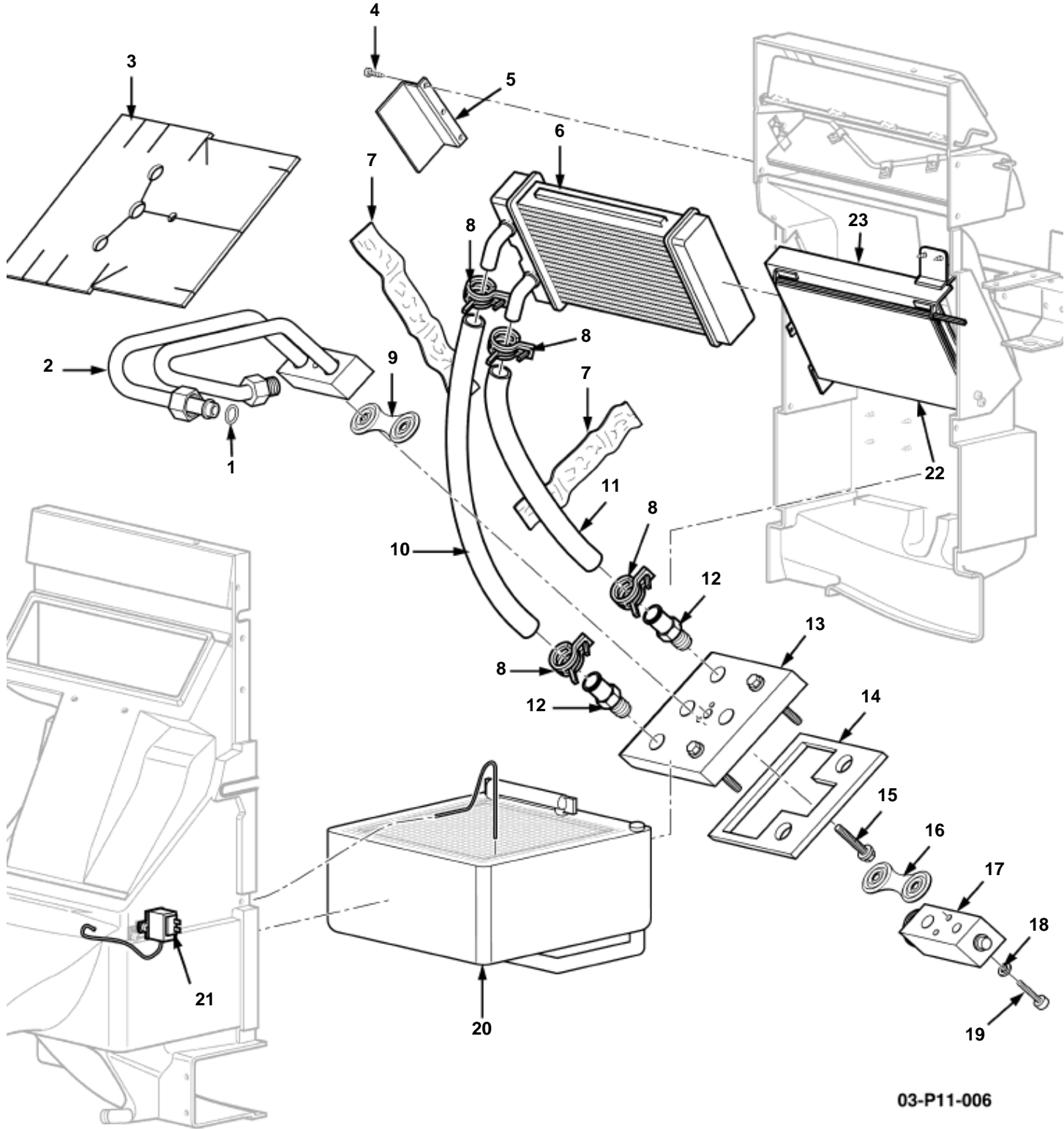
NOTE 2: FOUR PER ITEM NUMBERS 11, 12, AND 13



Main A/C-Heat Case Halves and Blower Motor

Main A/C-Heat Case Halves and Blower Motor.

Item	Part No.	Description	Qty
1	5745580	COVER, heater core hoses	1
2	5745575	CASE, evaporator bottom assembly	1
3	5745784	TRANSITION ASSEMBLY	1
4	N/S	SCREW, #8 - 32 x 1/2" pan head, phillips	A/R
5	6017096	SEAL, foam	4
6	5743478	S-CLIP, blower housing	6
7	5745576	CASE, heater/defroster top assembly	1
8	5745577	CASE, evaporator top assembly	1
9	S.I.A.	-BRACKET, temperature door	1
10	S.I.A.	-DOOR, temperature	1
11	N/S	SEAL, foam	2
12	N/S	BRACKET, mounting, air intake housing assembly	1
13	N/S	-SEAL, foam	1
14	5745578	BLOWER BOX AIR INTAKE ASSEMBLY	1
15	N/S	-BRACKET, inner blower housing	1
16	N/S	-BRACKET, mounting, blower motor	1
17	S.I.A.	-HOUSING, upper air intake	1
18	5743478	-S-CLIP	5
19	S.I.A.	-HOUSING, lower air intake	1
20	S.I.A.	-BLOWER HOUSING, bottom	1
21	S.I.A.	-CLIP, blower housing	5
22	S.I.A.	-BLOWER HOUSING, top	1
23	5744766	BLOWER MOTOR ASSEMBLY	1
24	S.I.A.	NUT	1
25	5745117	-WHEEL, blower motor	1
26	S.I.A.	-BLOWER MOTOR, main HVAC unit	1
27	N/S	WASHER, double tooth star	1
28	5743526	CLIP, ground connection	1
29	5743484	TUBE, motor cooling	1



03-P11-006

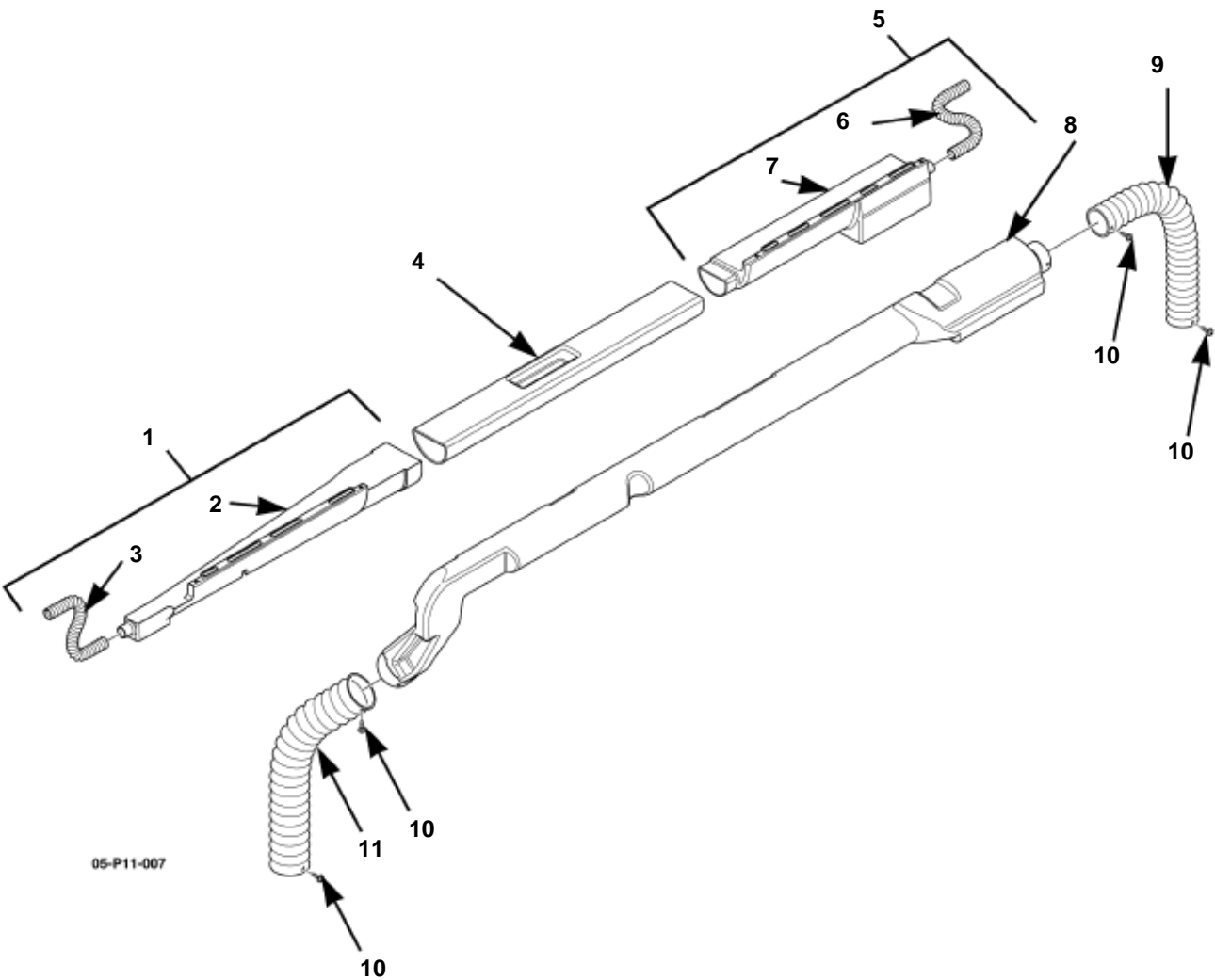
Main A/C-Heat Evaporator and Heater Core Assemblies

Main A/C-Heat Evaporator and Heater Core Assemblies.

Item	Part No.	Description	Qty
1	6006174	O-RING, #8, R-134A	1
2	5745579	MANIFOLD FITTING	1
3	5744904	INSULATION, sealing plate	1
4	N/S	SCREW, phcr, #8 - 32 x 1/2"	6
5	N/S	BRACKET, heater cap, part of upper case assembly	1
6	5745568	HEATER CORE	1
7	5743167	TAPE, sealant, 12"	2
8	5743508	CLAMP, 24mm, constant tension	4
9	5744775	GASKET, expansion valve to block SEE NOTE 1	1
10	5745582	HEATER HOSE, nomex, heater core, 5/8 x 17"	1
11	5745583	HEATER HOSE, nomex, heater core, 5/8 x 10"	1
12	N/S	FITTING, sealing plate, footwell opening	1
13	N/S	SEALING PLATE, footwell opening	1
14	5744780	MOUNTING PLATE, insulation/seal	1
15	N/S	BOLT, socket head, 1/4 - 20"	2
16	5744775	GASKET, expansion valve to block	1
17	5744770	VALVE, expansion	1
18	N/S	WASHER, 1/4"	1
19	5744767	BOLT, torx head, expansion valve mounting	2
20	5744768	EVAPORATOR COIL ASSEMBLY	1
21	5744760	THERMOSTAT, HVAC	1
22	S.I.A.	-DOOR, temperature SEE NOTE 2	1
23	S.I.A.	-BRACKET, temperature door SEE NOTE 2	1

NOTE 1: CUT APART TO ACCOMMODATE BOLT.

NOTE 2: BRACKET AND DOOR ARE PART OF ASSEMBLY
5745577, CASE, EVAPORATOR TOP ASSEMBLY



05-P11-007

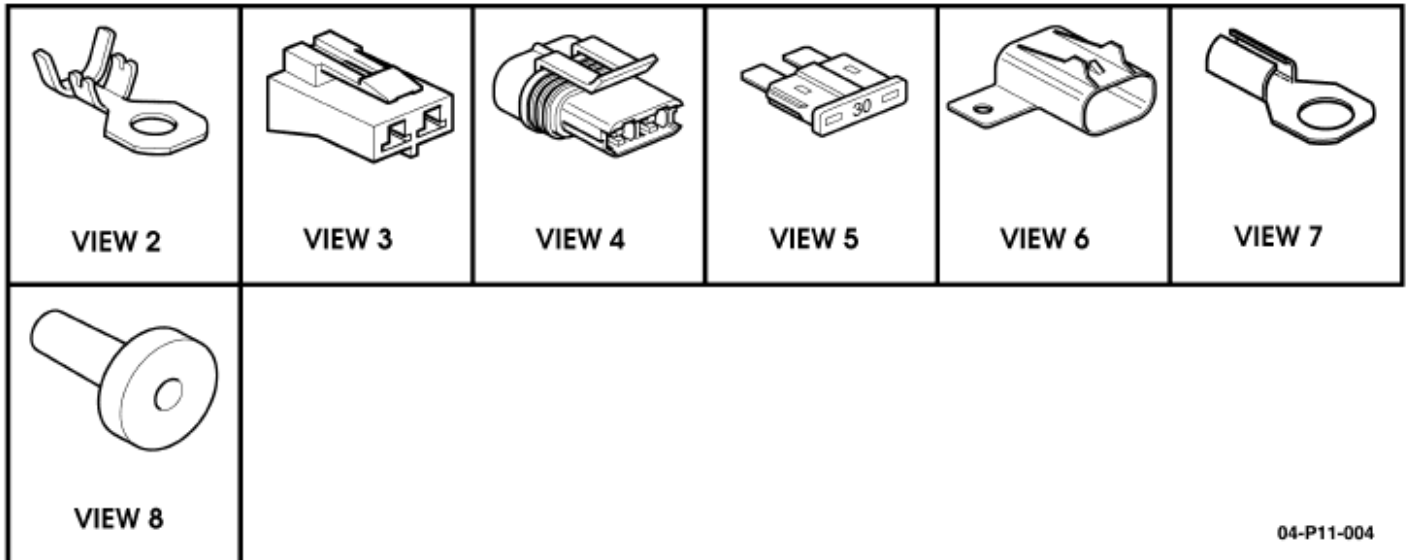
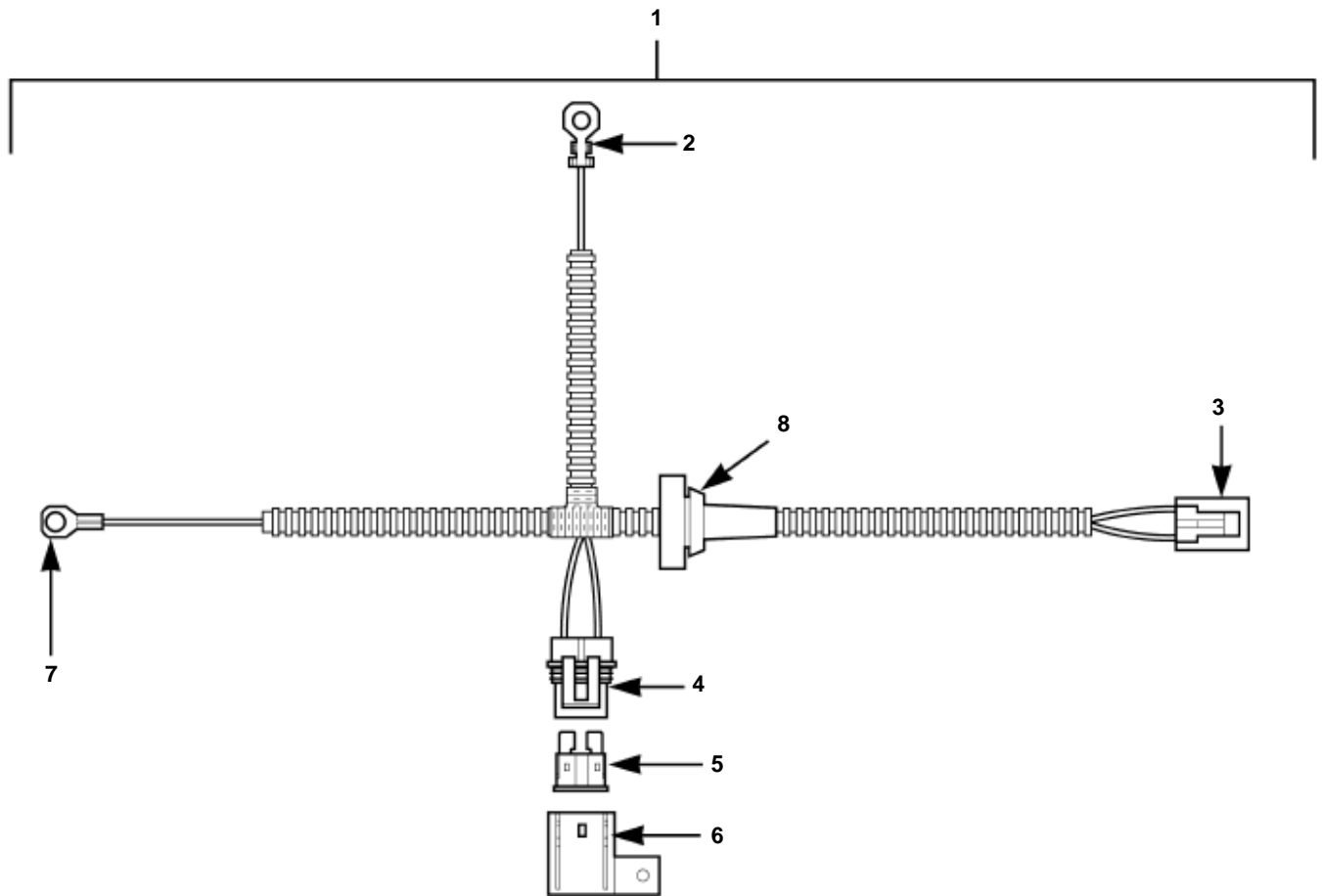
Plenum and Related Parts

HUMMER H1 2004 Parts Catalog
Plenum and Related Parts.

Item	Part No.	Description	Qty
1	6014285	DUCT ASSEMBLY, driver's side	1
2	S.I.A.	·DUCT, driver's side	1
3	5744258	·HOSE, 3/4" I.D x 18"., demist	A/R
4	6014286	DUCT, center	1
5	6014287	DUCT ASSEMBLY, passenger side	1
6	5744258	·HOSE, 3/4" I.D. x 18" demist	A/R
7	S.I.A.	·DUCT, passenger side	1
8	6017505	DUCT, cross car, HVAC	1
9	N/S	HOSE, 2" I.D., front passenger's footwell, (not illustrated), SEE NOTE 3	A/R
10	N/S	SCREW, 8 x 3/8" phil, pan head	6
11	N/S	·HOSE, 2 1/2" I.D.driver's footwell, SEE NOTE 2	A/R

NOTE 1: CUT FROM BULK HOSE P/N 5743542.

NOTE 2: CUT FROM BULK HOSE P/N 5743023.

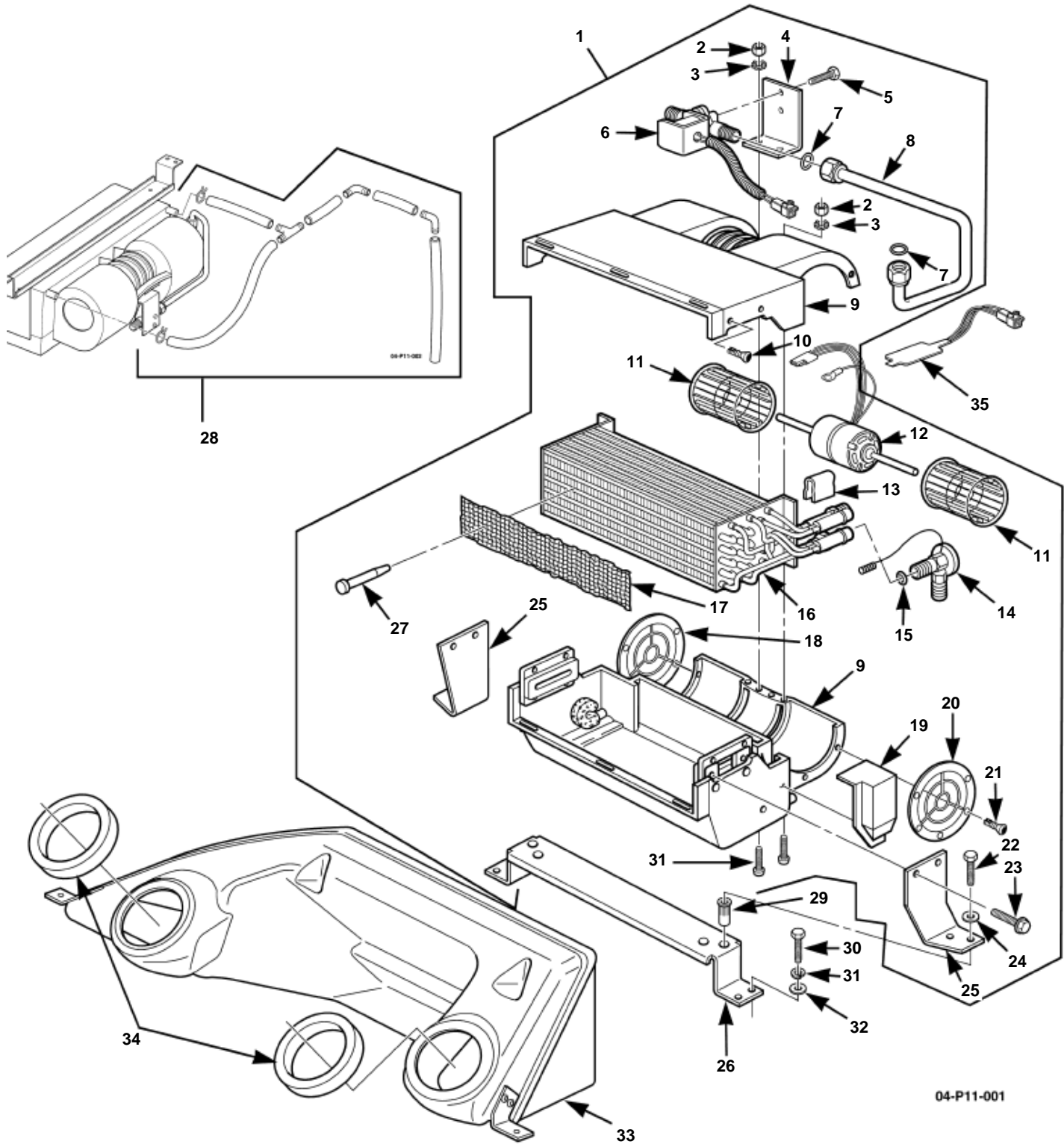


04-P11-004

Wiring Harnesses, A/C-Heat

HUMMER H1 2004 Parts Catalog
Wiring Harnesses, A/C-Heat.

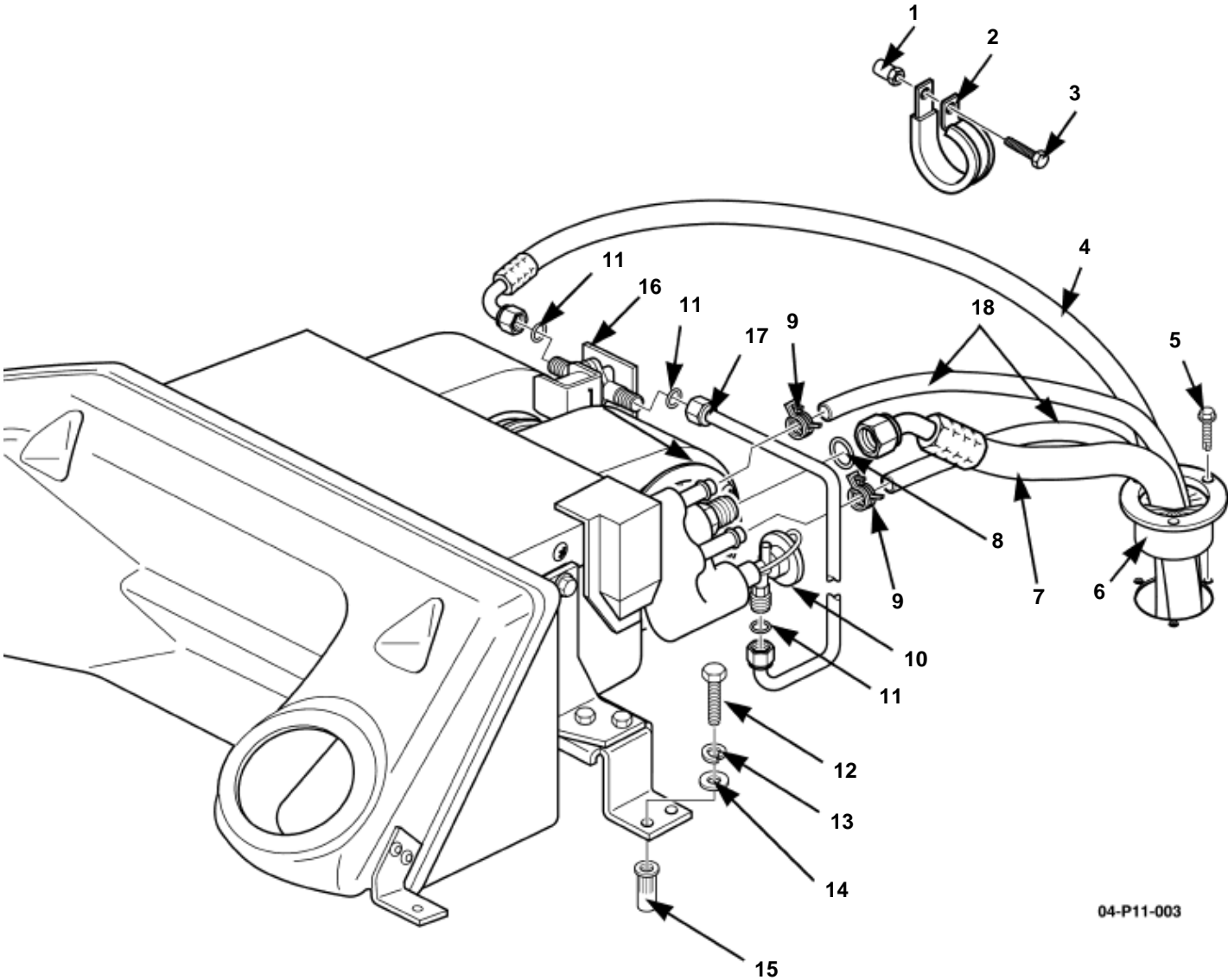
Item	Part No.	Description	Qty
1	6016316	HARNESS ASSEMBLY, engine compartment	1
2	S.I.A.	·TERMINAL	1
3	S.I.A.	·CONNECTOR, 2-way	1
4	S.I.A.	·CONNECTOR, fuse	1
5	S.I.A.	·FUSE, 30 AMP	1
6	6000023	·COVER, inline auto fuse	1
7	5903141	·TERMINAL RING	1
8	5939970	·GROMMET	1



Auxiliary HVAC Unit

Auxiliary HVAC Unit.

Item	Part No.	Description	Qty
1	6016258	KIT, A/C REAR UNIT	1
2	S.I.A.	·NUT	2
3	S.I.A.	·LOCKWASHER, external tooth	2
4	S.I.A.	·BRACKET, rear unit solenoid	1
5	S.I.A.	·SCREW, #8 - 3/8"	8
6	5745581	·SOLENOID VALVE, w/plug, aux unit	1
7	6006173	·O-RING, #6, R-134A	1
8	S.I.A.	·CONNECTING LINE, #6, solenoid valve	1
9	5745033	·CASE, top and bottom	1
10	S.I.A.	·SCREW, tapping, #10 - 16 x 5/8"	2
11	5743498	·WHEEL, blower	2
12	5743497	·MOTOR, blower	1
13	5743453	·CLAMP, bulb	1
14	5743496	·VALVE, expansion, auxiliary HVAC, R134A	1
15	6006174	·O-RING, #8, R-134A	1
16	5744894	·COIL, evaporator and heater	1
17	5744195	·SCREEN, coil	1
18	S.I.A.	·END GUARD, auxiliary blower wheel, L.H.	1
19	S.I.A.	·HOUSING, side, case	1
20	S.I.A.	·END GUARD, auxiliary blower wheel, R.H.	1
21	S.I.A.	·SCREW, countersunk, #6 - 18 x 1/2"	8
22	S.I.A.	·SCREW, 1/4 - 20 x 1/2"	8
23	S.I.A.	·BOLT, #10 - 24 x 3/4"	2
24	S.I.A.	·WASHER, flat, 1/4"	4
25	S.I.A.	·BRACKET, batwing, L.H., R.H.	2
26	5743534	·BRACKET, aux. A/C mounting	1
27	5744196	·PIN, insulation	3
28	6016259	KIT, A/C DRAIN HOSE ASSEMBLY	1
29	N/S	NUT INSERT, 1/4 - 20"	4
30	MS90728-7	SCREW	4
31	N/S	LOCKWASHER, 1/4"	4
32	N/S	WASHER, flat, 1/4"	4
33	6015405	PLENUM, auxiliary HVAC	1
34	6017020	SEAL, rear plenum to bezel	2
35	6017106	CIRCUIT BOARD ASSEMBLY, HVAC control	1



04-P11-003

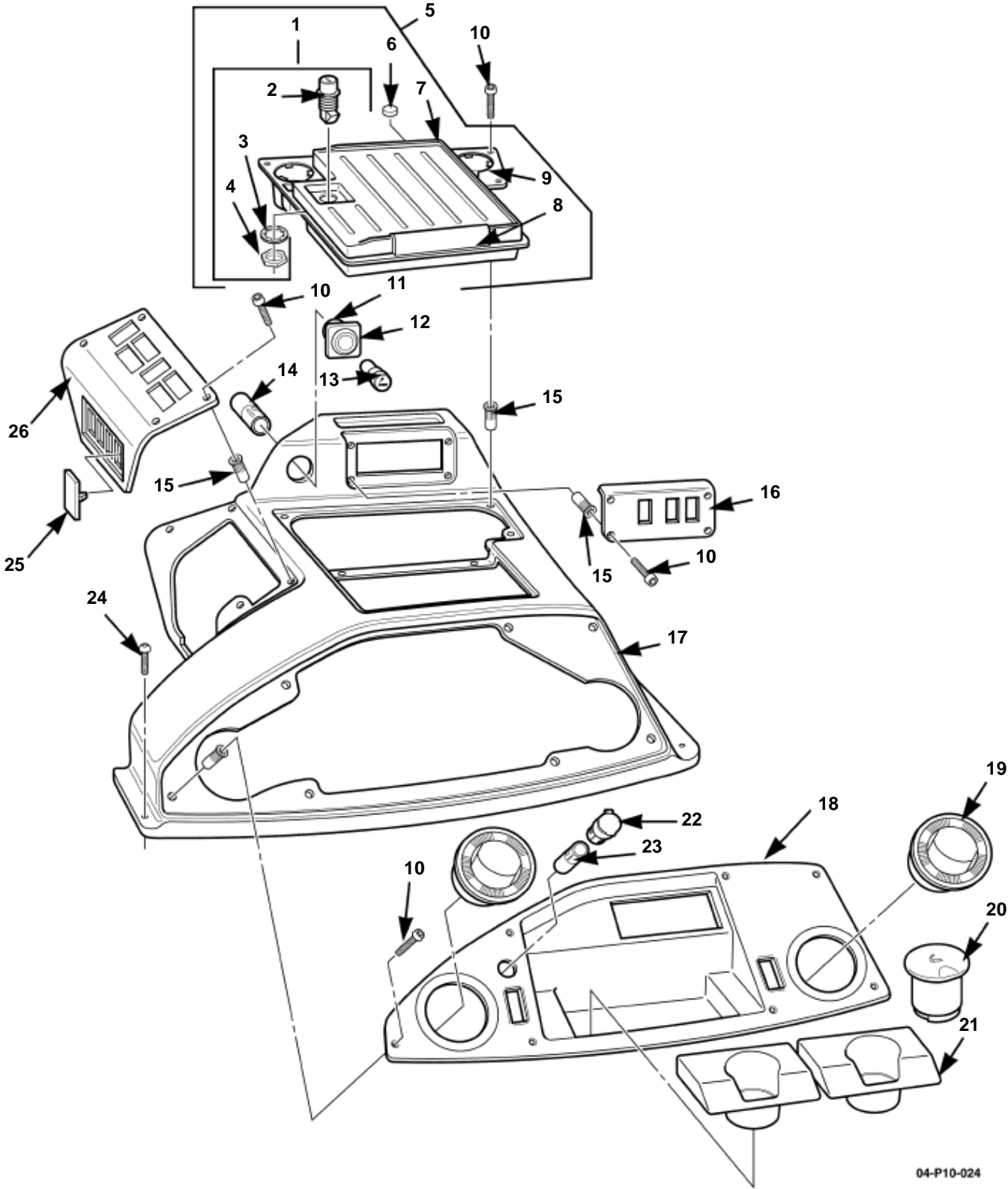
Auxiliary A/C-Heat Hoses

Auxiliary A/C-Heat Hoses.

Item	Part No.	Description	Qty
1	N/S	LOCKNUT, keps, 1/4 - 20", ZN	1
2	N/S	P-CLAMP, 2 1/2", SEE NOTE 2	2
3	N/S	BOLT, 1/4 - 20 x 1/2", Gr5, ZN	1
4	6016380	HOSE, #6 liquid, high pressure	1
5	5743187	SCREW, tapping, flanged,#10 - 16 x 3/4"	3
6	5743166	GROMMET, 3"	1
7	6016381	HOSE, #10, suction, low pressure	1
8	6006175	O-RING, #10, R-134A	1
9	5743508	CLAMP, hose	2
10	5743496	VALVE, expansion, auxiliary HVAC, R134A	1
11	6006173	O-RING, #6, R-134A	1
12	MS90728-7	SCREW	4
13	N/S	LOCKWASHER, 1/4"	4
14	ELMS27183-10	WASHER, flat, 9/32"	4
15	N/S	NUT INSERT, 1/4 - 20"	4
16	5745581	SOLENOID VALVE, w/plug, aux unit	1
17	N/S	CONNECTING LINE,#6, solenoid valve	1
18	5744152	HOSE, heater, 4' 2" x 5/8", SEE NOTE 1	1
	5743167	TAPE, sealant, 12" (not illustrated)	AR

NOTE 1: HEATER HOSE, P/N 5744152, COMES IN A 12' 6" LENGTH THAT IS TO BE CUT TO MAKE TWO 4' 2" HOSES FOR BOTH THE INLET AND OUTLET OF THE AUXILIARY A/C-HEAT UNIT OR CAN BE MADE FROM BULK HOSE 50', P/N 5740929.

NOTE 2: THIS CLAMP SECURES THE HEATER AND A/C HOSES, AFTER THEY PASS THROUGH THE GROMMET, TO THE INBOARD SIDE OF THE R.H. FRAME RAIL.

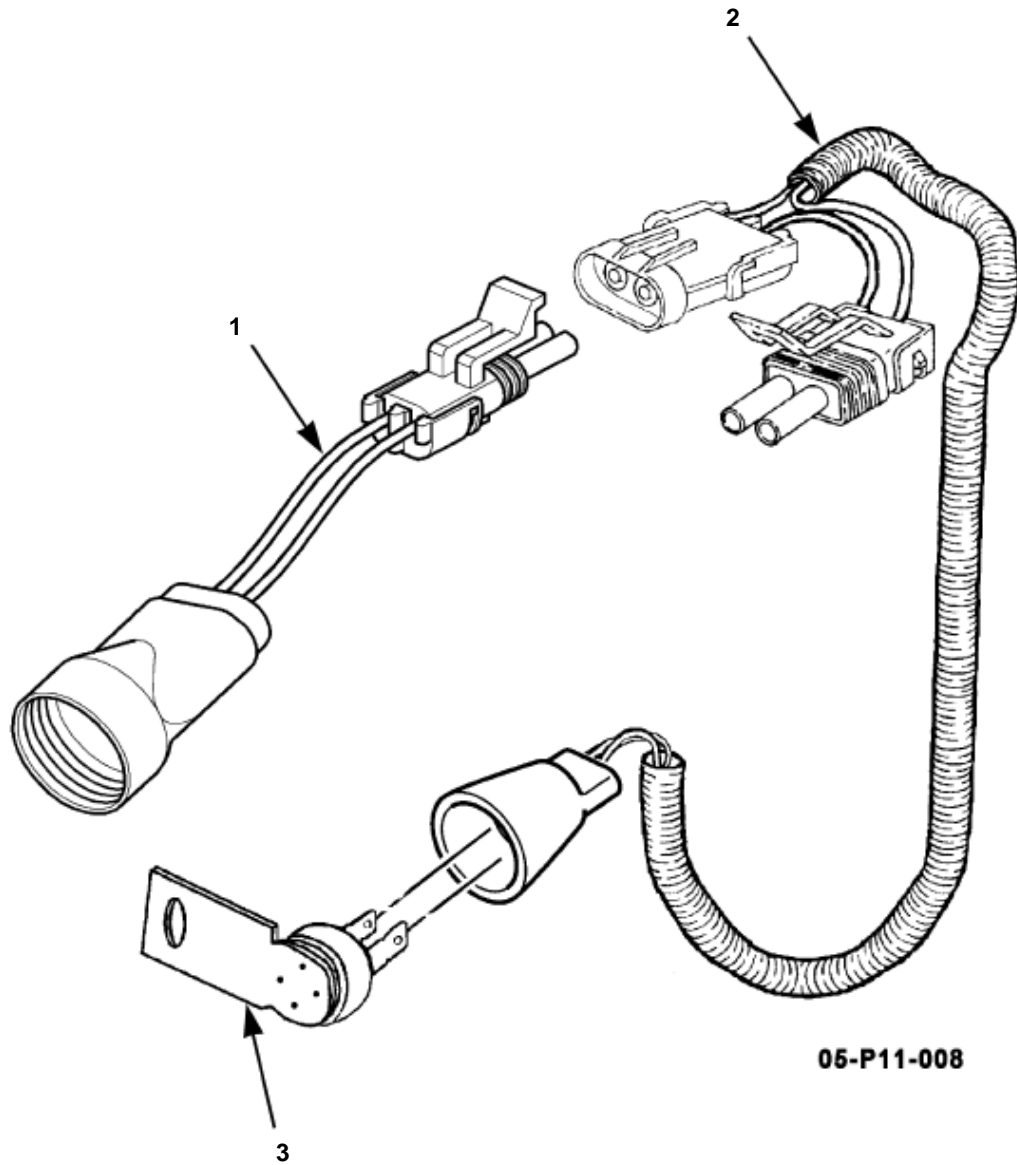


04-P10-024

Console Assembly, Rear Center

HUMMER H1 2004 Parts Catalog
Console Assembly, Rear Center.

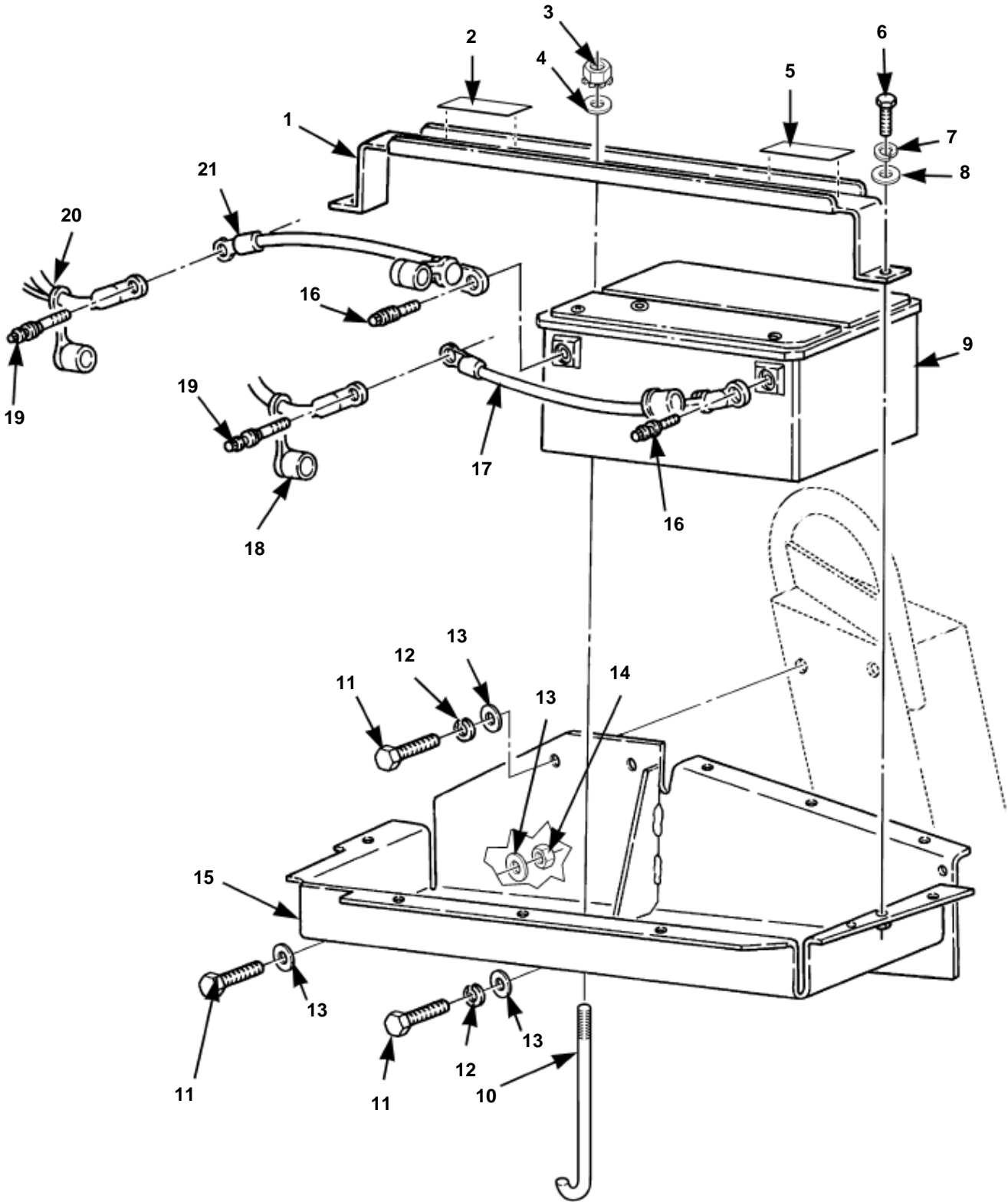
Item	Part No.	Description	Qty
1	6015367	LATCH ASSEMBLY, glove box	1
2	S.I.A.	·LOCK CYLINDER	1
3	S.I.A.	·WASHER	1
4	S.I.A.	·NUT	1
5	6015364	GLOVE BOX ASSEMBLY	1
6	6017194	·GLOVE BOX, bumper	2
7	6015366	·GLOVE BOX, door	1
8	S.I.A.	·GLOVE BOX, hinge	1
9	6017230	·CUP HOLDER TAB	6
10	6016634	SCREW	4
11	6016985	RETAINER, lighter housing	1
12	6017193	BEZEL, lighter	1
13	6016984	HOUSING ASSEMBLY, lighter	1
14	6016986	ELEMENT ASSEMBLY, lighter	1
15	12446871-2	PLUS NUT, 1/4 - 20"	A/R
16	6015352	BEZEL, control, R.H.	1
17	6015337	REAR CONSOLE ASSEMBLY	1
	6018107	REAR CONSOLE ASSEMBLY 55	1
18	6015348	BEZEL, rear console	1
19	6017226	BEZEL ASSEMBLY, rear A/C	2
20	N/S	ASHTRAY	1
21	6017229	CUP HOLDER, rear	2
22	6016987	RETAINER ASSEMBLY, power outlet	1
23	6016538	POWER OUTLET	1
24	6016963	SCREW	2
25	6017426	BEZEL, single blank	A/R
	6017427	BEZEL, double blank	A/R
	6017410	·CLIP, driver's control plug (not illustrated)	A/R
26	6015350	BEZEL CONTROL, L.H.	1



**Harness Assembly, Ambient Temperature,
and Temperature Switch**

Harness Assembly, Ambient Temperature, and Temperature Switch.

Item	Part No.	Description	Qty
1	5743767	JUMPER, low pressure switch	1
2	5743468	HARNESS ASSEMBLY, ambient temperature	1
3	5743469	·SWITCH, ambient temperature	1

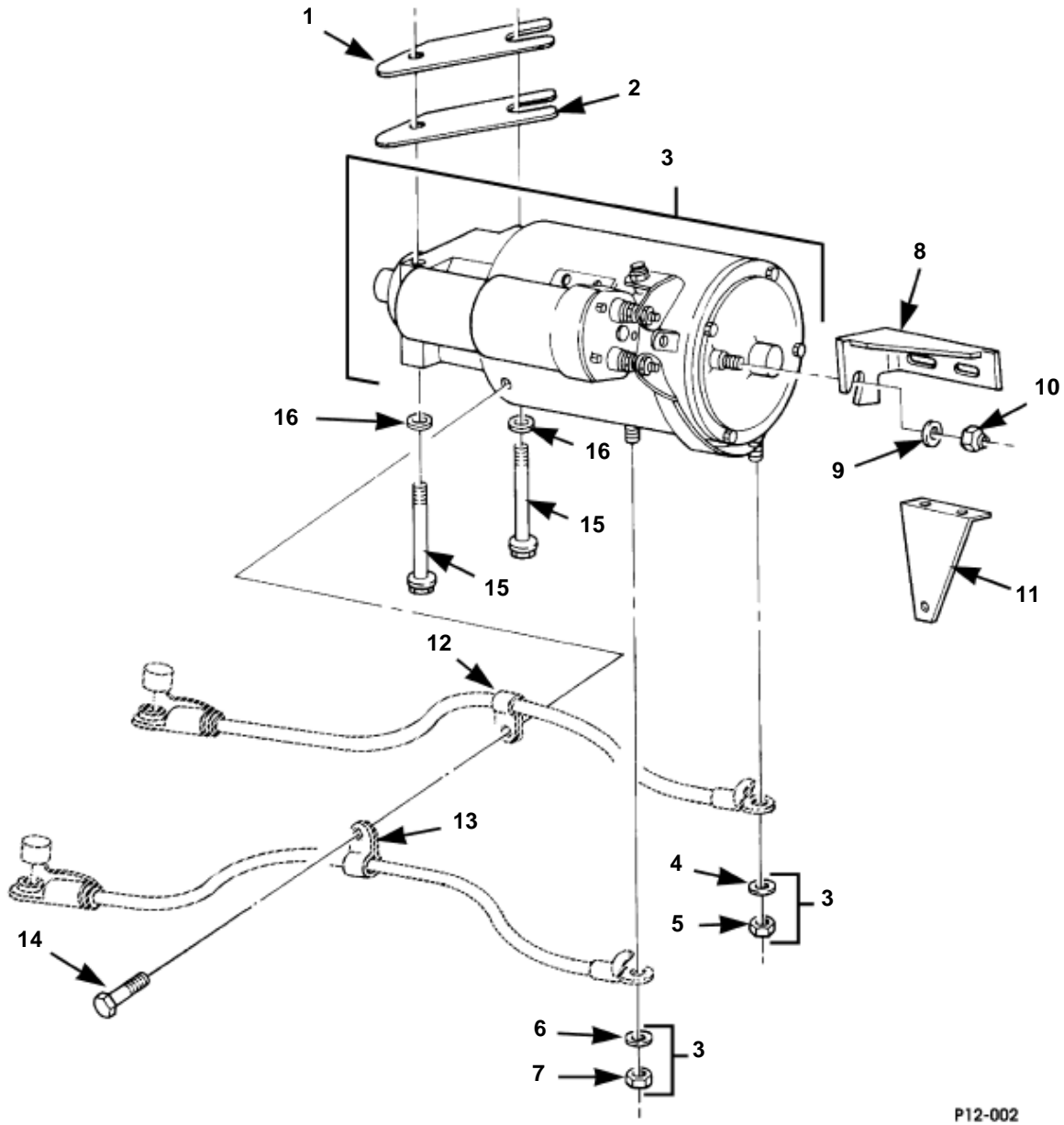


04-P12-007.1

Batteries, Cables, And Mounting Hardware

Batteries, Cables, And Mounting Hardware.

Item	Part No.	Description	Qty
1	6002911B9	BRACKET, battery hold-down	1
2	6016063	LABEL, belt routing, English/French	1
3	N/S	NUT, 5/16 - 18", Gr8, CAD	1
4	EC12340058	WASHER, flat	1
5	6016047	LABEL, battery warning, English/French	1
6	N/S	BOLT, 5/16 - 18 x 3/4", Gr8, ZN, battery hold-down	2
7	N/S	LOCKWASHER, 5/16	2
8	2436162	WASHER, 5/16"	2
9	5937120	BATTERY, 12-volt	2
10	6002912	J-BOLT, 5/16 - 18 x 8", ZN, battery hold-down	1
11	N/S	BOLT, 3/8 - 16 x 1", Gr8, CAD	4
12	N/S	LOCKWASHER, med, 3/8", ZN	4
13	N/S	WASHER, flat, med, 3/8", ZN	4
14	MS51943-35	NUT, 3/8 - 16"	1
15	6002907B2	BATTERY TRAY	1
16	6003471	BOLT, battery, side terminal, short	2
17	6003128	CABLE, black, negative	1
18	6009471	CABLE, starter, negative	1
19	5744361	BOLT, battery, side terminal, long	4
20	6009470	CABLE, starter, positive	1
21	6003129	CABLE, red, positive	1



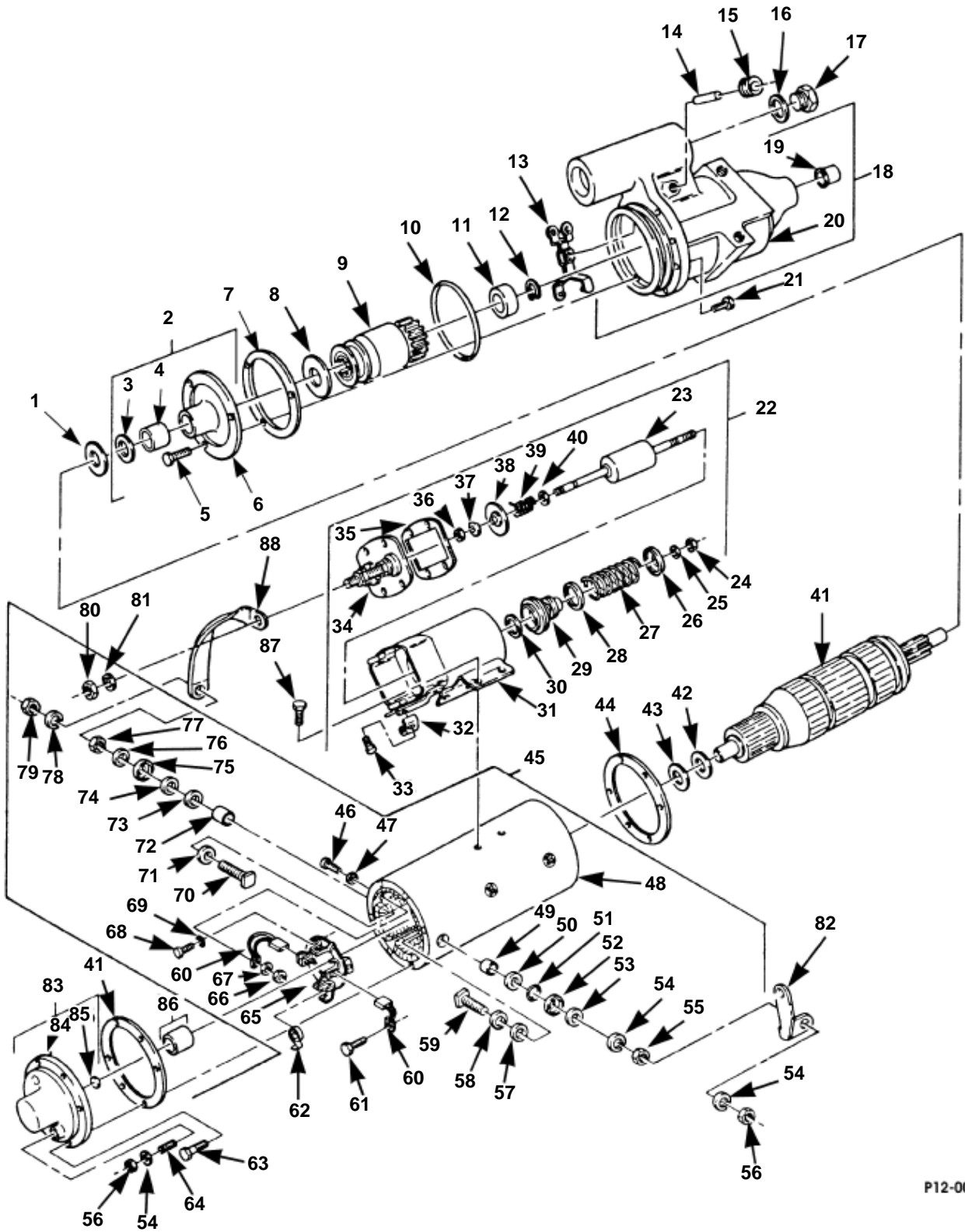
P12-002

Starter Motor And Mounting Hardware

Starter Motor And Mounting Hardware.

Item	Part No.	Description	Qty
1	12338789-2	SHIM	A/R
2	12338789-1	SHIM	A/R
3	5937124	STARTER MOTOR ASSEMBLY	1
	5744719	STARTER MOTOR ASSEMBLY, remanufactured	1
4	S.I.A.	·LOCKWASHER, 1/2" med, ZN	1
5	S.I.A.	·NUT, 1/2" Gr5, CAD	1
6	S.I.A.	·LOCKWASHER, 3/8" med, ZN	1
7	S.I.A.	·NUT, 3/8-16" Gr5, CAD	1
8	EC12469281B1	BRACKET, starter motor	1
9	N/S	WASHER, bracket 3/8", Hard Type B, Flat ZN	1
10	N/S	LOCKNUT, bracket, 3/8-16", Gr8	1
11	12339333B1	BRACKET, starter cable	1
12	N/S	CLAMP, positive cable 3/4", cushioned	1
13	N/S	CLAMP, ground cable 7/8", cushioned	1
14	12340844	SCREW, cable clamps	1
15	12339413	BOLT, starter	2
16	12341856	WASHER, starter	2

NOTE 1: FOR VEHICLES UNDER WARRANTY USE THE
REMANUFACTURED P/N 5744719.



P12-003

Starter Motor Assembly

Starter Motor Assembly.

Item	Part No.	Description	Qty
1	S.I.K.	WASHER, flat, SEE NOTE 1	1
2	5741114	BEARING ASSEMBLY, intermediate	1
3	5929739	·SEAL	1
4	5929738	·BEARING, ABS, bronze	1
5	S.I.A.	·SCREW, SEE NOTE 2	3
6	S.I.A.	·HOUSING, intermediate bearing assembly	1
7	S.I.K.	GASKET, SEE NOTE 3	1
8	S.I.K.	SPACER, starter clutch, SEE NOTE 1	1
9	5740926	CLUTCH, starter	1
10	5929752	O-RING, pinion housing	1
11	S.I.K.	PINION STOP, SEE NOTE 4	1
12	S.I.K.	SNAP RING, SEE NOTE 4	1
13	5929764	YOKE ASSEMBLY	1
14	S.I.K.	PIN, SEE NOTE 5	2
15	S.I.K.	PLUG, SEE NOTE 5	1
16	S.I.K.	GASKET, SEE NOTE 5	1
17	S.I.K.	PLUG, SEE NOTE 5	1
18	5742921	HOUSING ASSEMBLY, pinion	1
19	5741174	·BEARING, bronze	1
20	S.I.A.	·HOUSING	1
21	S.I.K.	SCREW, SEE NOTE 6	7
22	5742738	SOLENOID SWITCH ASSEMBLY	1
23	5742922	·CORE ASSEMBLY, moving	1
24	S.I.A.	·NUT, SEE NOTE 5	1
25	S.I.A.	·SNAP RING, SEE NOTE 7	1
26	S.I.A.	·RETAINER, SEE NOTE 7	1
27	S.I.A.	·SPRING, SEE NOTE 7	1
28	S.I.A.	·RETAINER, SEE NOTE 7	1
29	5929759	·BOOT, moving core, SEE NOTE 7	1
30	S.I.A.	·WASHER, SEE NOTE 7	1
31	S.I.A.	·HOUSING, solenoid	1
32	5741916	·LOCKWASHER, solenoid	1
33	N/S	·MACHINE SCREW	1
34	5740968	·COVER AND CONTACT STUD ASSEMBLY	1
35	S.I.A.	·GASKET, SEE NOTE 8	1
36	S.I.A.	·NUT, SEE NOTE 9	1
37	S.I.A.	·WASHER, SEE NOTE 9	1
38	S.I.A.	·CONTACT, SEE NOTE 9	1
39	S.I.A.	·SPRING, SEE NOTE 9	1
40	S.I.A.	·WASHER, SEE NOTE 9	1
41	5742918	ARMATURE ASSEMBLY	1
42	S.I.K.	THRUST WASHER, SEE NOTE 1	1
43	S.I.K.	THRUST WASHER, SEE NOTE 1	8
44	S.I.K.	GASKET, SEE NOTE 10	2
45	5742920	FRAME AND FIELD ASSEMBLY	1
46	N/S	·SCREW	2
47	5741118	·WASHER	2
48	S.I.A.	·HOUSING, frame and field assembly	1
49	S.I.A.	·BUSHING, SEE NOTE 11	1
50	S.I.A.	·WASHER, neoprene, SEE NOTE 11	1
51	S.I.A.	·WASHER, insulating, SEE NOTE 11	1
52	S.I.A.	·WASHER, cap, SEE NOTE 11	1
53	S.I.A.	·WASHER, plain, SEE NOTE 11	1
54	S.I.A.	·LOCKWASHER, SEE NOTE 11	4
55	S.I.A.	·NUT, SEE NOTE 11	1
56	S.I.A.	·NUT, SEE NOTE 11	4
57	S.I.A.	·WASHER, insulating, SEE NOTE 11	1
58	S.I.A.	·WASHER, plain, SEE NOTE 11	1
59	S.I.A.	·STUD, terminal, SEE NOTE 11	1
60	5740960	·BRUSH SET	1
61	N/S	·SCREW	2
62	5740961	·SPRING SET, brush	1
63	S.I.A.	·SCREW, SEE NOTE 6	4
64	S.I.A.	·STUD, terminal, SEE NOTE 11	1

Starter Motor Assembly.

Item	Part No.	Description	Qty
65	5741666	·PLATE ASSEMBLY, brush	1
66	N/S	·NUT	2
67	5741107	·LOCKWASHER	2
68	N/S	·SCREW	3
69	5741169	·SEAL PACKAGE, brush plate mounting	1
70	S.I.A.	·STUD, terminal, SEE NOTE 11	1
71	S.I.A.	·WASHER, insulating, SEE NOTE 11	1
72	S.I.A.	·BUSHING, insulating, SEE NOTE 11	1
73	S.I.A.	·WASHER, neoprene, SEE NOTE 11	1
74	S.I.A.	·WASHER, insulating, SEE NOTE 11	1
75	S.I.A.	·WASHER, cap, SEE NOTE 11	1
76	S.I.A.	·WASHER, plain, SEE NOTE 11	1
77	S.I.A.	·NUT, SEE NOTE 11	1
78	S.I.A.	·LOCKWASHER, SEE NOTE 11	2
79	S.I.A.	·NUT, SEE NOTE 11	3
80	N/S	·NUT	2
81	N/S	·WASHER	2
82	5741120	CONNECTOR, switch	1
83	5742919	HEAD ASSEMBLY, commutator end	1
84	S.I.A.	·HEAD, commutator end	1
85	S.I.A.	·OIL RETAINER, felt, SEE NOTE 2	1
86	S.I.A.	·BEARING, bronze, SEE NOTE 2	1
87	5741117	CONNECTOR, switch	1
88	S.I.K.	SCREW, solenoid, SEE NOTE 6	4

NOTE 1: PART OF BEARING AND RETAINER KIT (THRUST WASHER PACKAGE), P/N 5741171.

NOTE 2: PART OF BEARING AND OIL RETAINER KIT, P/N 5741167.

NOTE 3: PART OF GASKET KIT, INTERMEDIATE BEARING P/N 5740964.

NOTE 4: PART OF PINION STOP AND LOCK RING KIT, P/N 5741173.

NOTE 5: PART OF YOKE ADJUSTING PARTS KIT P/N 5929744.

NOTE 6: PART OF MOUNTING SCREW KIT, P/N 5740922.

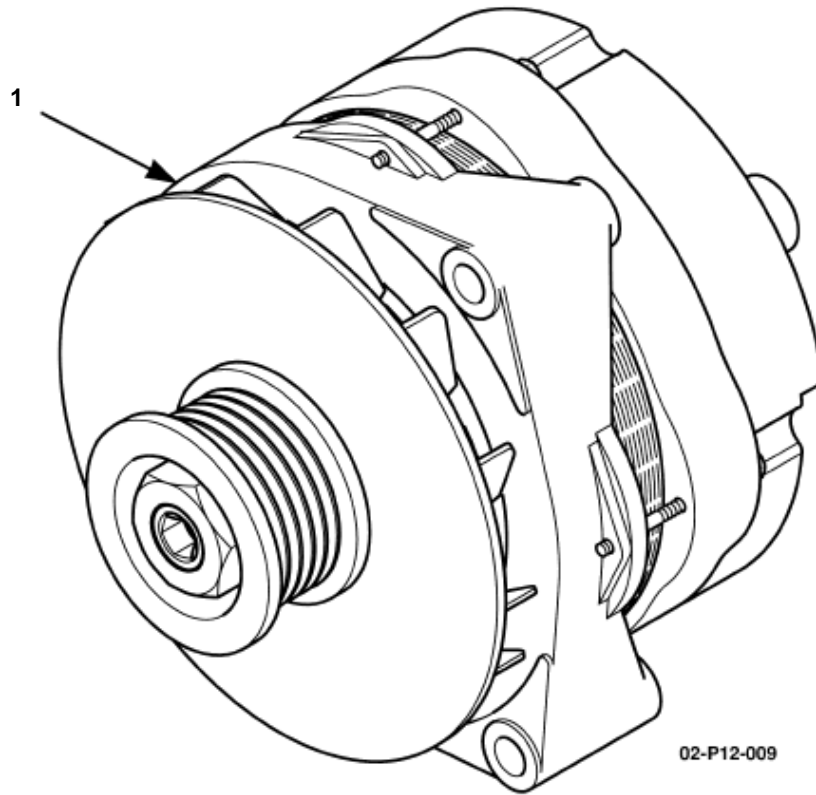
NOTE 7: PART OF STARTER RELAY KIT (CORE YOKE END PARTS PACKAGE), P/N 5929758.

NOTE 8: PART OF GASKET SWITCH KIT, P/N 5929755.

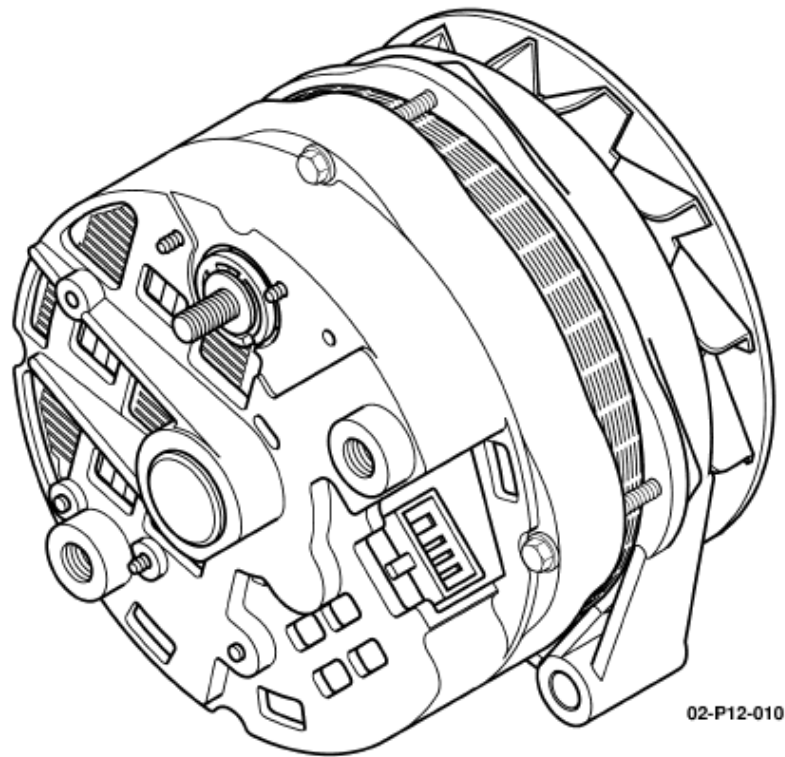
NOTE 9: PART OF CORE CONTACT KIT, P/N 5929757.

NOTE 10: PART OF GASKET KIT (GASKET PACKAGE, C.E. AND D.E. HEAD), P/N 5741168.

NOTE 11: PART OF TERMINAL STUD KIT, P/N 5740963.



Front View

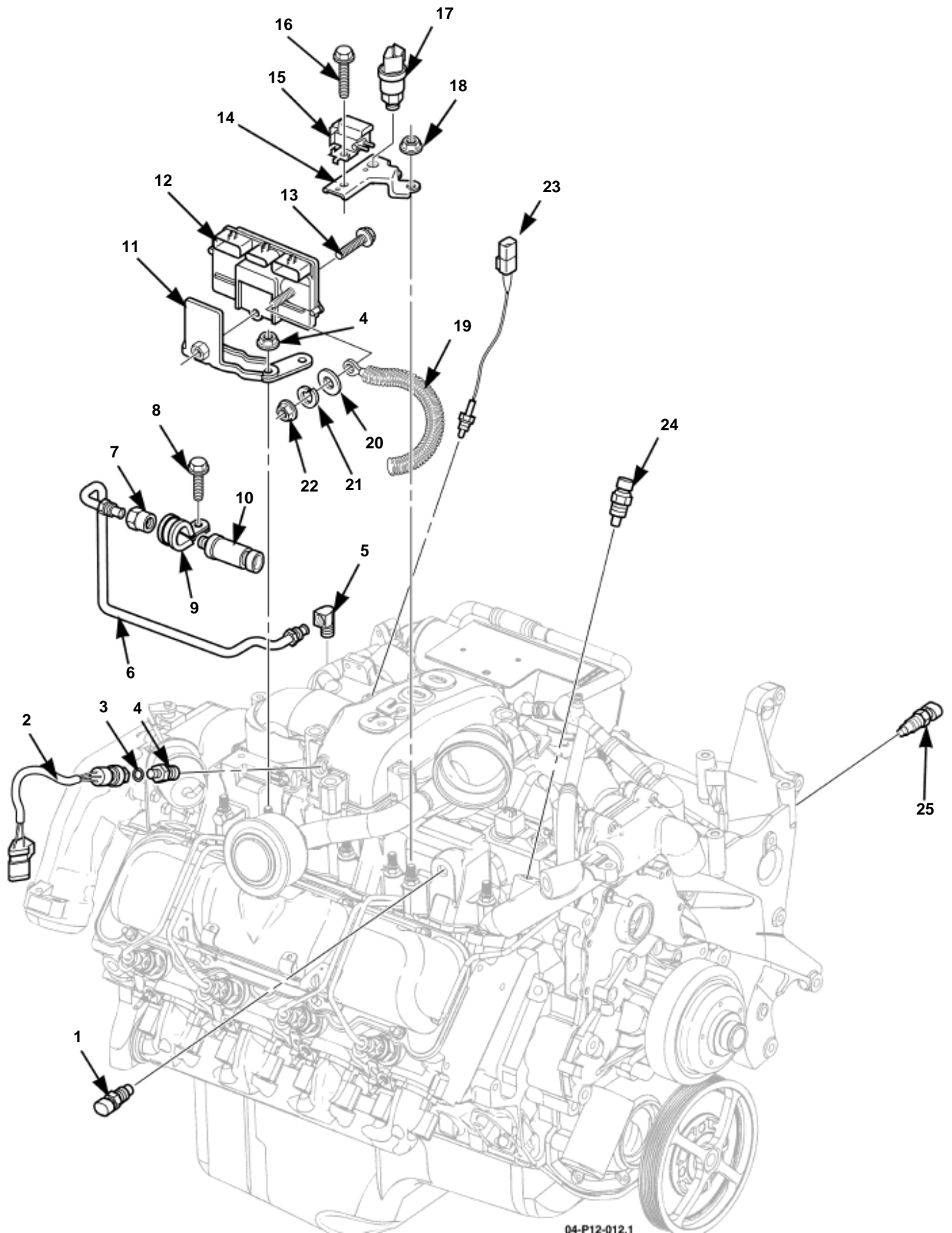


Rear View

124-AMP Alternator Assembly

HUMMER H1 2004 Parts Catalog
124-AMP Alternator Assembly.

Item	Part No.	Description	Qty
1	6012512	ALTERNATOR ASSEMBLY, 124-Amp	1



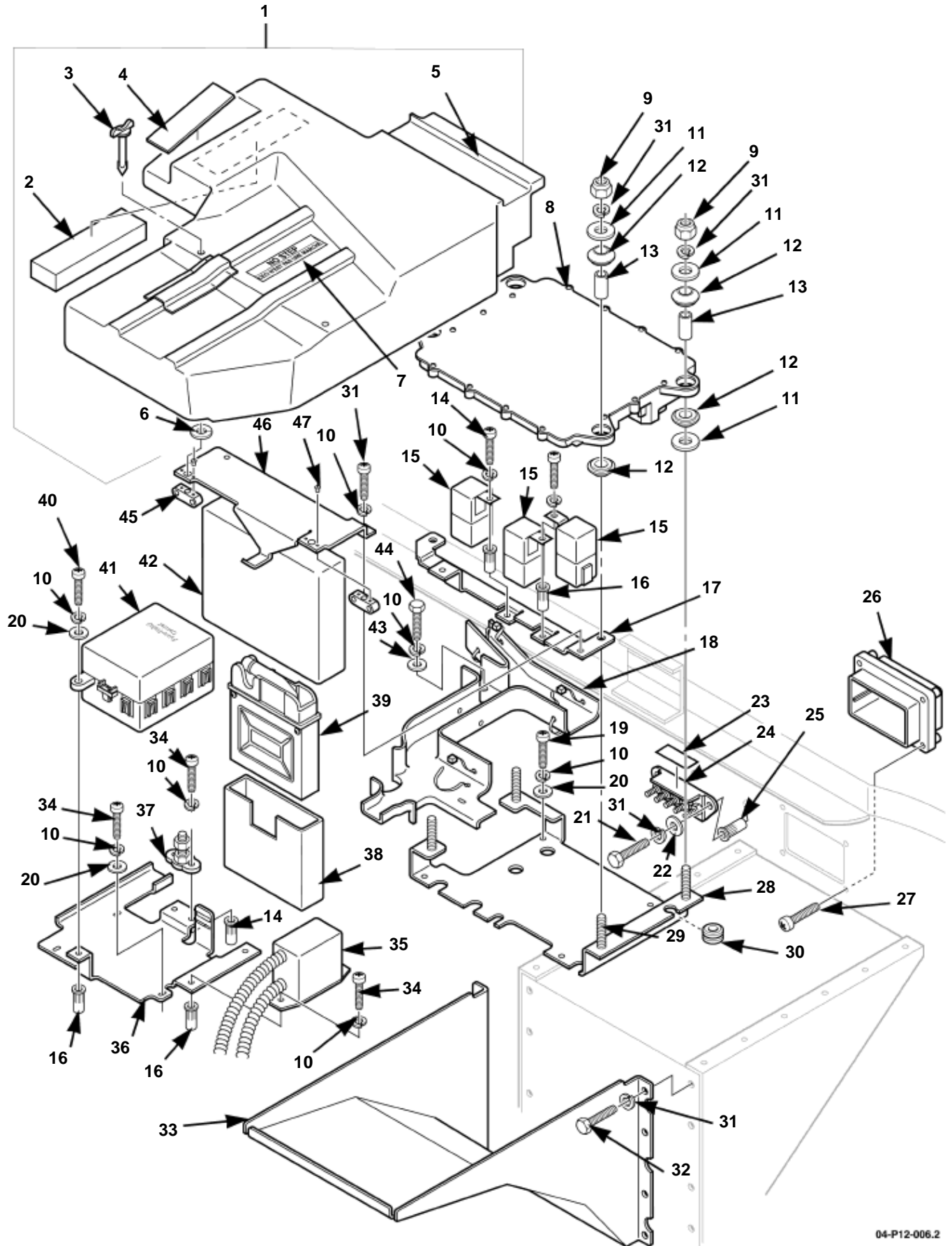
04-P12-012.1

Sensors, Sending Units, and Switches

Sensors, Sending Units, and Switches.

Item	Part No.	Description	Qty
1	5744430	SENSOR, air intake temperature	1
2	GEP18000410	SENSOR, map, turbo boost	1
3	GEP18000447	"O" RING, sensor map turbo boost	
4	GEP18000446	ADAPTER, sensor map turbo boost	
5	N/S	ADAPTER, 90 degree brass	1
6	GEP18000454	TUBE ASEMBLY, engine to oil pressure sensor	1
7	N/S	ADAPTER, straight, tube assembly to oil pressure sensor	1
8	N/S	SCREW, 3/8 - 16 x 5/8"	1
9	MS21333-126	P-CLIP, 3/4", cushioned	1
10	5745120	SENSOR, oil pressure	1
11	GEP18000470	BRACKET, glowplug controller	1
12	5745246	GLOWPLUG CONTROLLER	1
13	N/S	BOLT, flanged, 5/16-18 x 1 1/4"	1
14	N/S	BRACKET, solenoid valve mounting	1
15	5745247	SOLENOID VALVE, boost control	1
16	5744472	BOLT, solenoid valve	1
17	GEP18000466	SENSOR, atmospheric pressure	1
18	N/S	NUT, hex flange, M10 - 1.5	4
19	6010339	CABLE ASSEMBLY, glow plug power, controller to starter	1
20	N/S	WASHER, flat, 5/16"	1
21	N/S	LOCKWASHER, 5/16"	1
22	N/S	NUT, flanged, M8 - 1.25	1
23	N/S	SENSOR, EGR gas temperature, SEE NOTE 1	1
24	5744030	SENSOR, coolant temperature	1
25	5744032	SENDER, temperature gauge	1

NOTE 1: USED FOR FUTURE TEMPERATURE DATA, PART
HAS NO FUNCTION FOR CURRENT MODEL
YEAR.

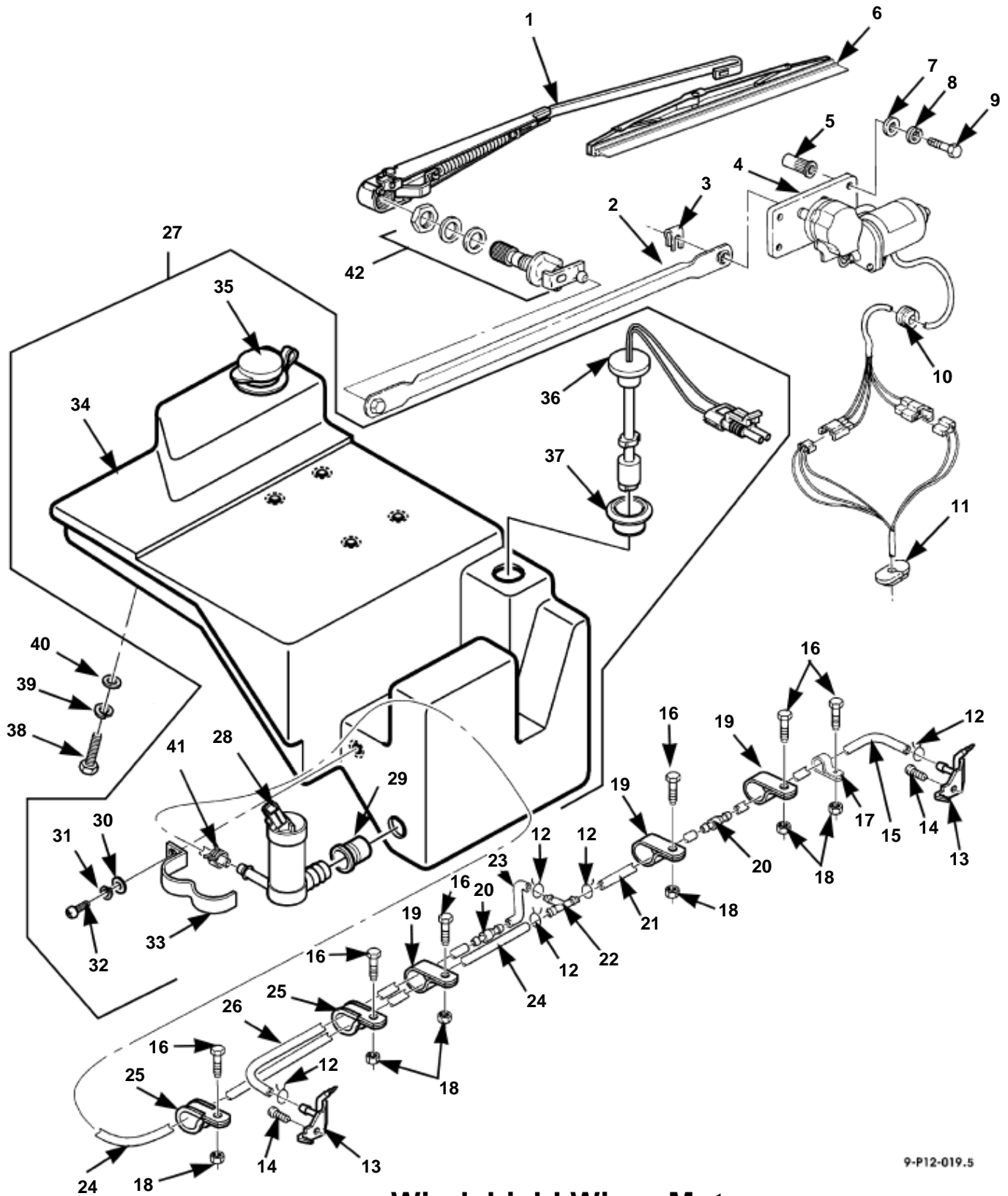


04-P12-006.2

ECM, ABS, EMI Filter Assemblies

HUMMER H1 2004 Parts Catalog
ECM, ABS, EMI Filter Assemblies.

Item	Part No.	Description	Qty
1	6016227	COVER ASSEMBLY, L.H. cowl components	1
2	S.I.A.	·INSULATION, panel, lower back outer	1
3	6010326	·STUD, L.H. cowl fastening	2
4	S.I.A.	·PAD, L.H. cowl cover foam	1
5	S.I.A.	·COVER, L.H. cowl components	1
6	6010327	·RETAINER, stud L.H. cowl	2
7	6016052	·DECAL, no step, English/French	1
8	6013234	ECM, engine control module assembly	1
	5746044	ECM, engine control module assembly, (remanufactured)	1
9	N/S	NUT, 5/16 - 18"	4
10	MS35338-43	LOCK WASHER, #10	2
11	N/S	WASHER, 3/8 - 1 1/8 x 5/8"	6
12	6017043	RUBBER MOUNT, ECM	8
13	6017044	SPACER, steel	4
14	N/S	SCREW, #10 - 24 x 3/4", pan head	2
15	6010234	RELAY, 80 AMP	3
16	5939712	RIVNUT, #10 - 24 X .130" grip	6
17	6014281	BRACET ASSEMBLY, relay mounting	1
18	6014326	GUIDE ASSEMBLY, L.H. cowl top harness, rear	1
19	N/S	SCREW, #10 - 24 x 3/4" slotted	6
20	MS27183-42P2	WASHER, #10	4
21	N/S	BOLT, 1/4 - 20 X 1"	2
22	N/S	WASHER, 1/4"	2
23	6016053	DECAL, 12V battery power	1
24	6007329	JUNCTION BOX	1
25	12446871-13	NUTSERT, 1/4 - 20", closed end	2
26	6014809	INTERFACE FLANGE	1
27	6015135	SCREW, connector, 102 way	4
28	6014260	BRACKET ASSEMBLY, ECM module mounting	1
29	6017447	·STUD	4
30	MS35489-42	GROMMET, hood lock cable	1
31	N/S	LOCKWASHER, 5/16"	9
32	N/S	BOLT, 5/16 - 18 X 1"	9
33	6010149B9	BRACKET ASSEMBLY, windshield washer reservoir mounting	1
34	MS35206-263	SCREW, #10 - 24 x 1/2", pan head	3
35	6014810	EMI FILTER MODULE	1
36	6014323	GUIDE ASSEMBLY, L.H. cowl top harness, front	1
37	6010674	STUD, GROUND	2
38	6010399	ABS HOUSING ASSEMBLY, lower	1
39	6013557	ABS ECU	1
40	N/S	SCREW, #10 - 24 X 1", pan head, phillips	2
41	6010288	COVER, external fuse box	1
42	6010398	ABS HOUSING ASSEMBLY, upper	1
43	ELMS51412-2	WASHER, flat, 3/8"	1
44	N/S	SCREW, #10 - 24 x 3/4" pan head phillips	1
45	6010264	RECEPTACLE, stud	2
46	6016225	BRACKET, abs module retainer	1
47	N/S	RIVET, blind, 1/8" dia	4



9-P12-019.5

Windshield Wiper Motor, Wiper Assembly, and Washer Bottle

Windshield Wiper Motor, Wiper Assembly, and Washer Bottle.

Item	Part No.	Description	Qty
1	6012641	WIPER ARM ASSEMBLY, less blade,	2
2	12338831	CONNECTING ARM, pivot assembly	2
3	12339427	RETAINER	1
4	5938822B2	MOTOR ASSEMBLY, windshield wiper	1
5	N/S	NUT INSERT, 1/4 - 20"	3
6	6012642	BLADE, windshield wiper	2
7	N/S	WASHER, flat, 1/4", CAD, wiper motor	3
8	N/S	LOCKWASHER, med, 1/4", ZN, wiper motor	3
9	N/S	SCREW, 1/4 - 20 x 3/4", Gr5, CAD, wiper motor	3
10	MS35489-41S	GROMMET, w/s wiper motor lead	1
11	12339340	GROMMET, w/s wiper motor harness	1
12	WWC440-3/8	CLAMP, w/s washer hose	7
13	6006600	NOZZLE, windshield washer	2
14	N/S	SCREW, phcr, tapping, #8 - 32 x 5/8", CAD, nozzle	2
15	N/S	HOSE, R.H., 13", check valve-to-nozzle, SEE NOTE 1	1
16	N/S	SCREW, slotted hex head, #10 - 24 x 3/4", CAD	6
17	N/S	P-CLIP, 3/8", windshield washer hose	1
18	N/S	LOCKNUT, #10 - 24", CAD, w/s washer hose p-clip	4
19	N/S	P-CLIP, 7/8", windshield washer hose	3
20	6005960	CHECK VALVE, windshield washer hose, SEE NOTE 2	2
21	N/S	HOSE, R.H., 13", tee-to-check valve, SEE NOTE 1	1
22	6010625	TEE, windshield washer hose	1
23	N/S	HOSE, L.H., 3", tee-to-check valve, SEE NOTE 1	1
24	6011553	HOSE, w/s washer pump-to-tee, SEE NOTE 3	1
25	N/S	P-CLIP, 5/8", windshield washer hose	2
26	N/S	HOSE, L.H., 13", check valve-to-nozzle, SEE NOTE 1	1
27	6014547	RESERVOIR AND PUMP ASSEMBLY, windshield washer, SEE NOTE 4	1
28	6014480	·PUMP, windshield washer, SEE NOTE 5	1
29	S.I.A.	·SEAL, windshield washer pump	1
30	S.I.A.	·WASHER, flat, #10	2
31	S.I.A.	·LOCKWASHER, #10	2
32	S.I.A.	·SCREW, phcr #10 - 24 x 1/2"	2
33	6010970	·RETAINER, windshield washer pump	1
34	S.I.A.	·RESERVOIR, windshield washer	1
35	S.I.A.	·CAP, windshield washer reservoir	1
36	6010250	·SWITCH ASSEMBLY, low level w/s washer fluid	1
37	S.I.A.	·SEAL, windshield washer low level switch	1
38	N/S	SCREW, 1/4 - 20 x 5/8"	4
39	N/S	LOCKWASHER, 1/4"	4
40	N/S	WASHER, flat, 1/4"	4
41	WWC440-1/2	CLAMP, hose, 1/2", TY E, low press	2
42	12340660	PIVOT ASSEMBLY, windshield wiper motor	2

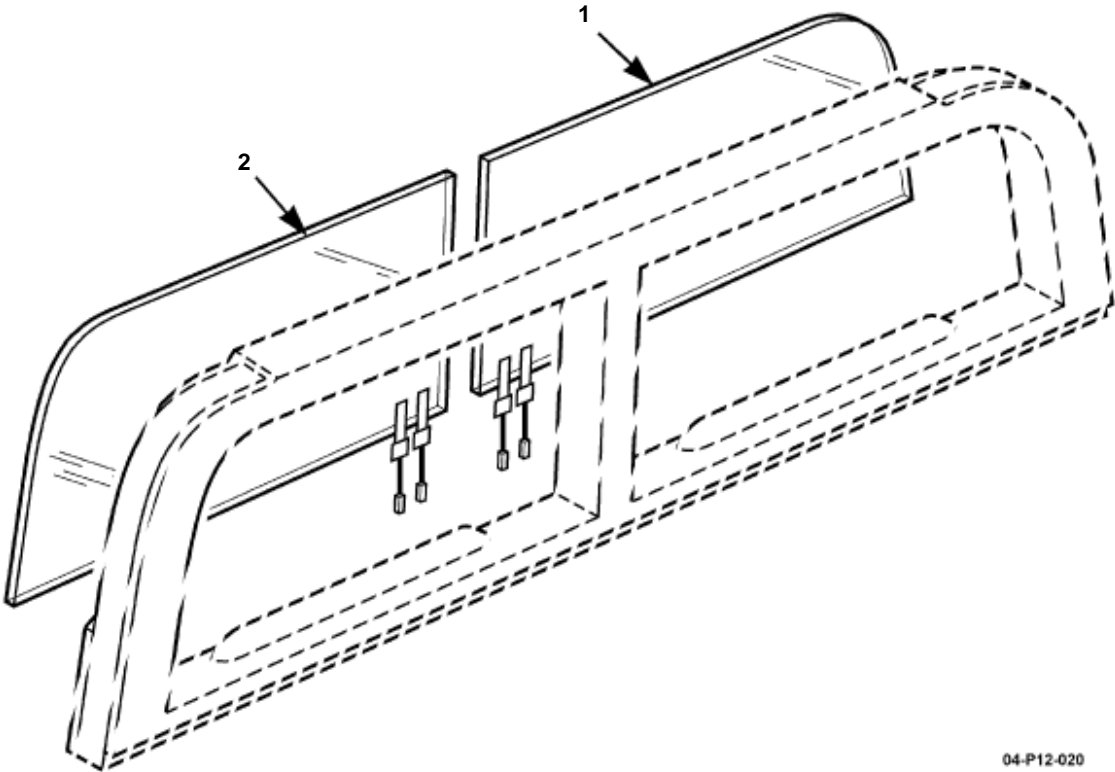
NOTE 1: CUT TO LENGTH FROM 50' ROLL BULK HOSE,
P/N 5741211.

NOTE 2: CHECK VALVES P/NS 6005960 AND 6010771
ARE INTERCHANGEABLE AS REPLACEMENT
PARTS.

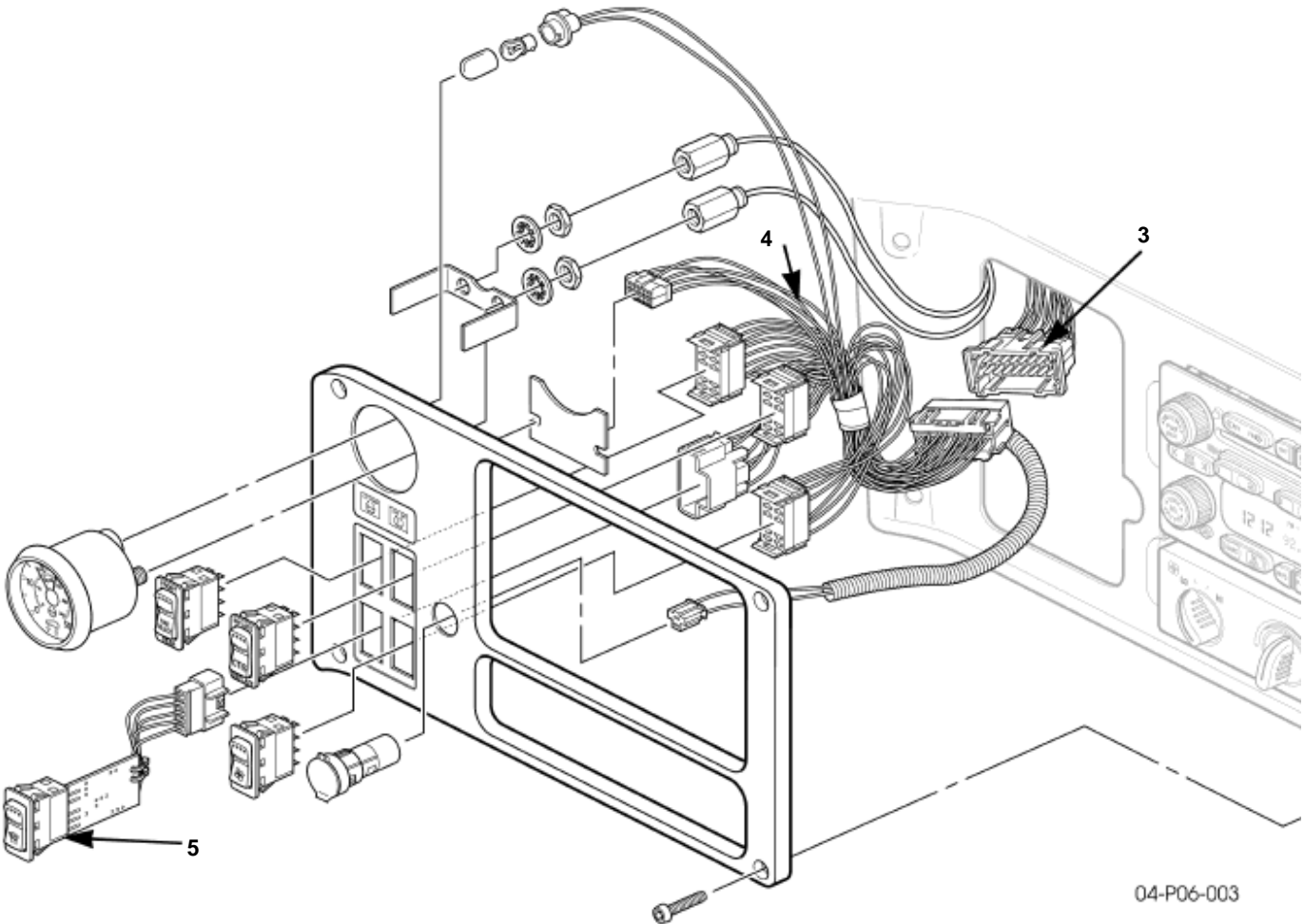
NOTE 3: CUT 6011553 TO LENGTH.

NOTE 4: WHEN ORDERING A REPLACEMENT RESERVOIR AND PUMP ASSEMBLY, P/N 6014547 YOU WILL ALSO NEED OT ORDR

NOTE 5: IF REPLACING WINDSHIELD RESERVOIR PUMP YOU WILL NEED JUMPER HARNESS P/N 6014483.



04-P12-020

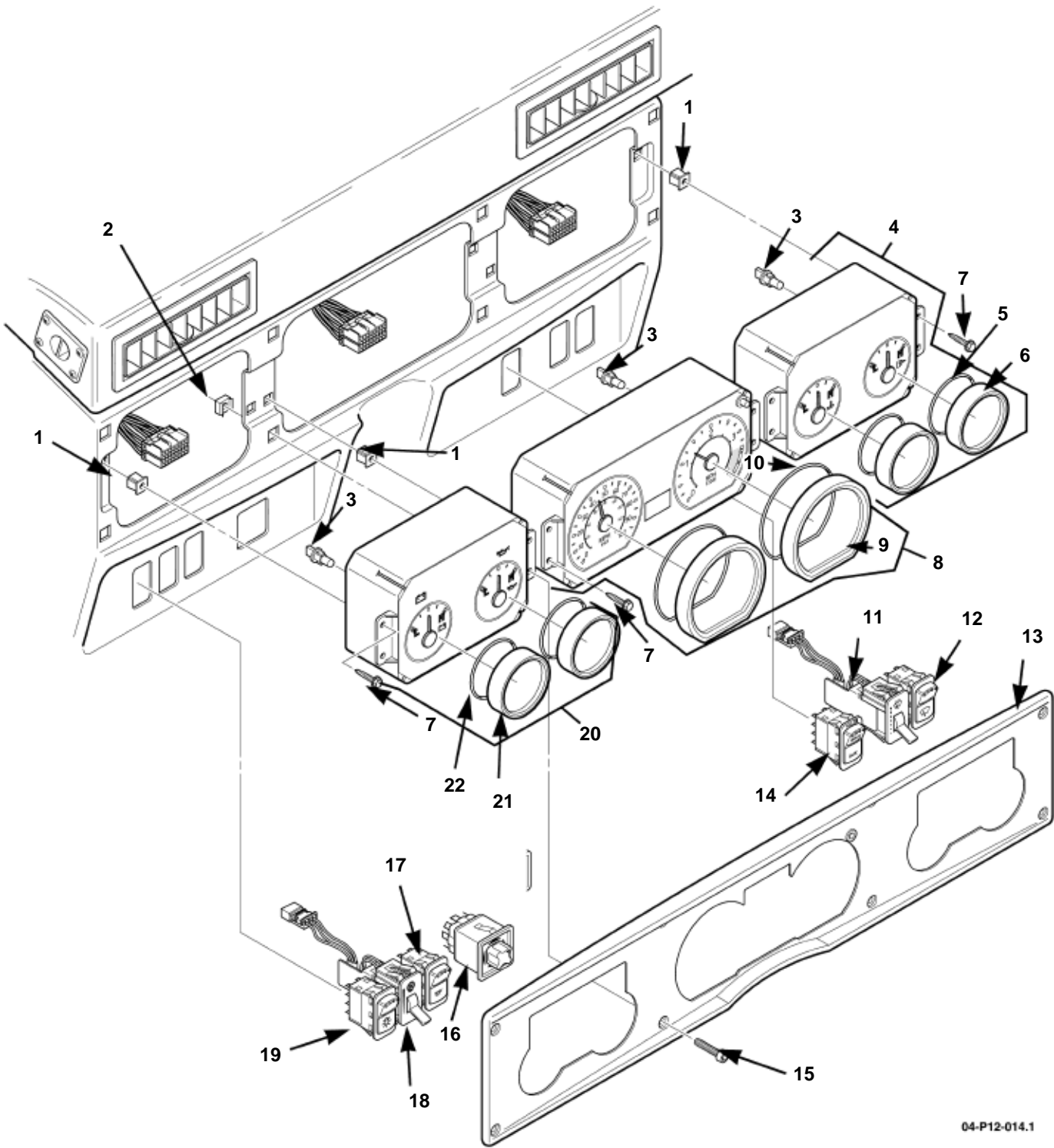


04-P06-003

Heated Windshield

Heated Windshield.

Item	Part No.	Description	Qty
1	6016924	GLASS, heated windshield, R.H.	1
2	6016923	GLASS, heated windshield, L.H.	1
3	6016868	HARNESS ASSEMBLY, instrument panel	1
4	6016498	HARNESS ASSEMBLY, CTIS, interior	1
5	6019254	SWITCH AND MODULE, heated windshield	1

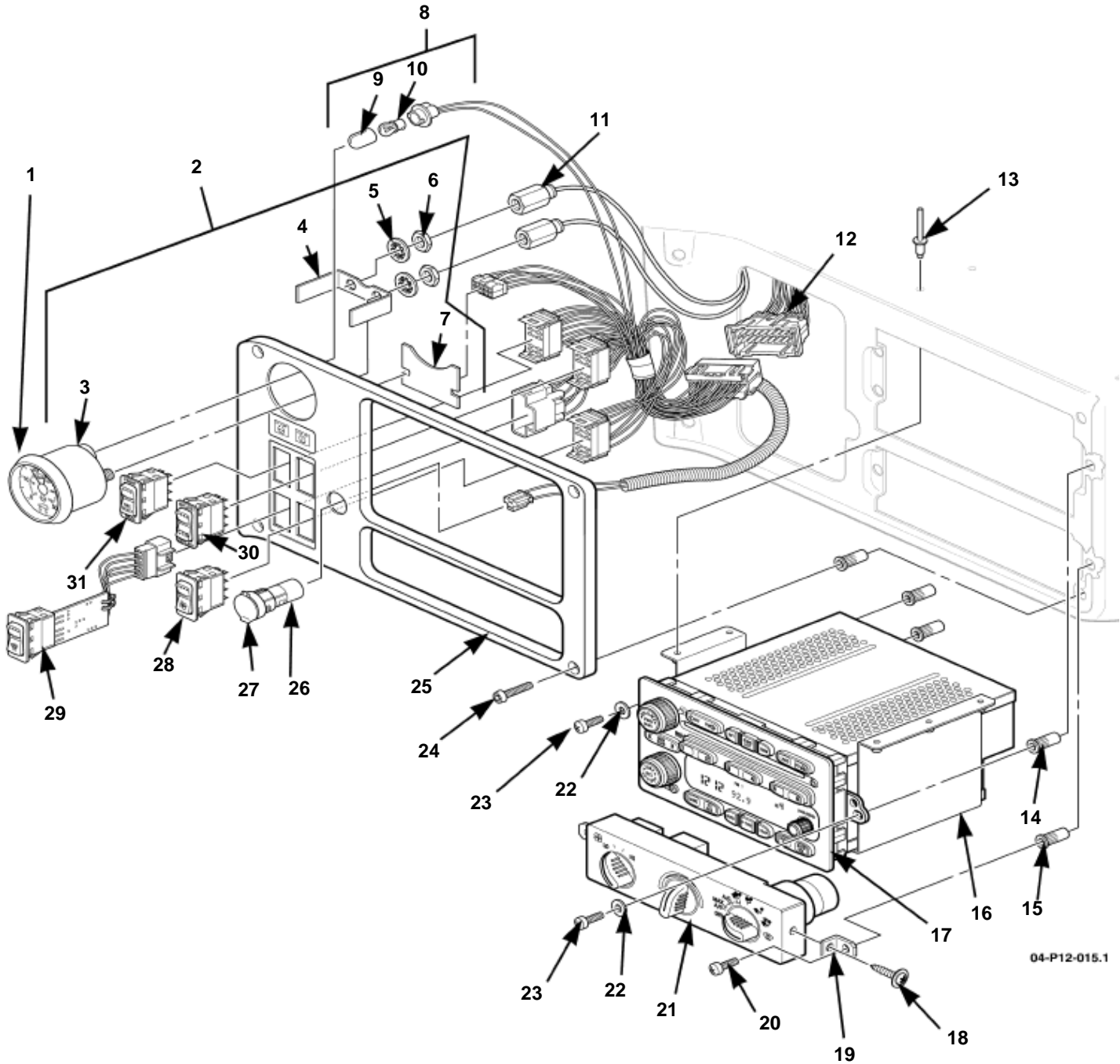


04-P12-014.1

Instrument Panel Cluster

Instrument Panel Cluster.

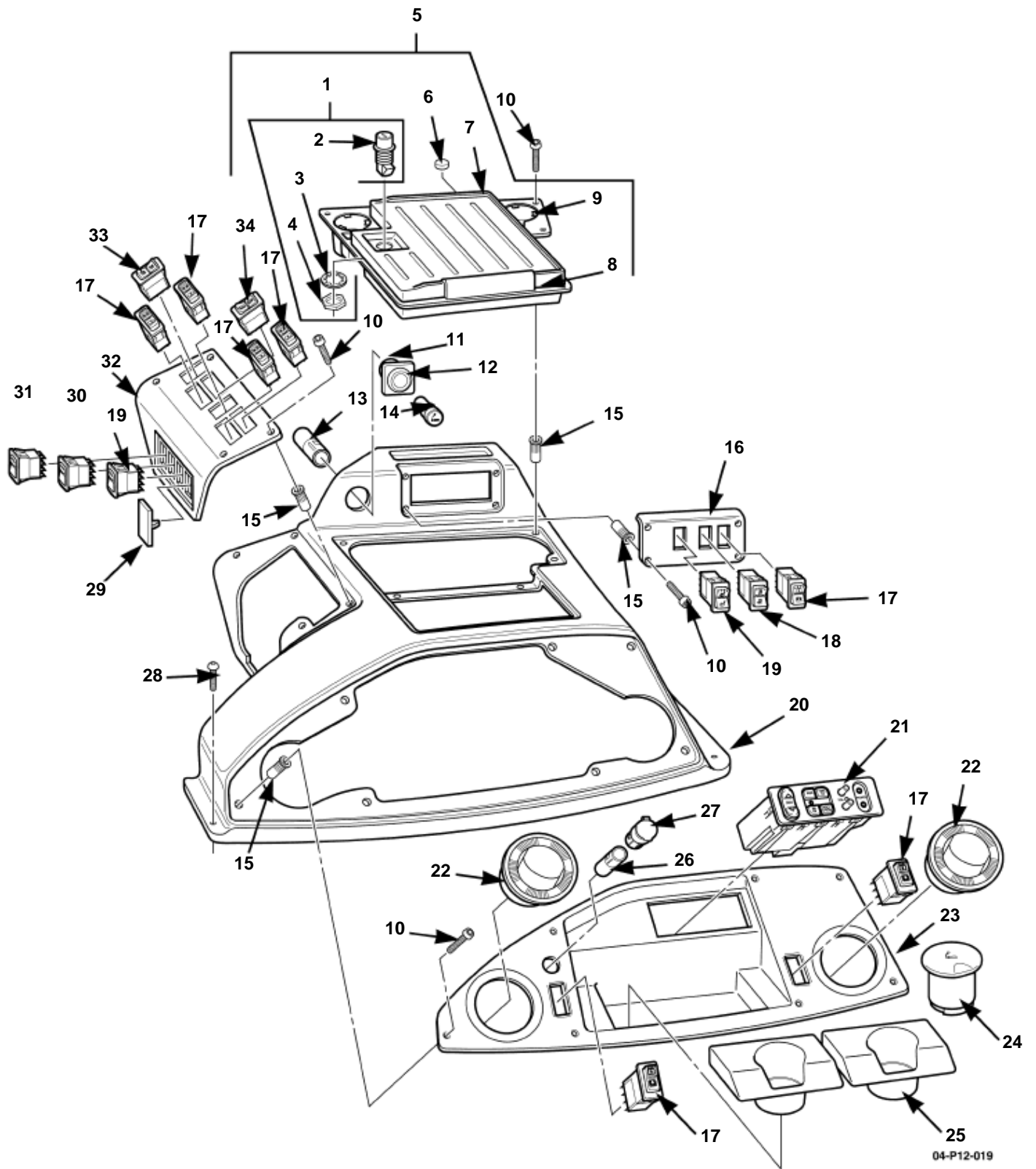
Item	Part No.	Description	Qty
1	6017056	NUT, #8 nylon	10
2	6016631	CAGE NUT, 1/4 - 20"	8
3	N/S	BULB, instrument panel	3
4	6016266	INSTRUMENT CLUSTER, fuel/temp	1
5	5745779	·"O" RING, small gauge cluster	4
6	5745777	·LENS, small gauge cluster	4
7	6017154	SCREW	6
8	5745710	INSTRUMENT CLUSTER KIT, speedometer/tachometer English	1
9	5745776	·LENS, large gauge cluster	2
10	5745778	·"O" RING, large gauge cluster	2
11	6016520	SWITCH, wiper/wash	1
12	6016507	SWITCH, wiper, HI/LOW speed	1
13	6015333	·BEZEL, instrument panel	1
14	6016506	SWITCH, fuel tank main/auxiliary	1
15	6017214	SCREW	8
16	6010091	SWITCH, power mirror	1
	6016504	SWITCH, dome/cargo light	1
17	6016505	SWITCH, dome light	1
18	6016519	SWITCH, instrument panel dimmer	1
19	6016503	SWITCH, headlamp	1
20	6016265	INSTRUMENT CLUSTER, volt/oil	1
21	5745777	·LENS, small gauge cluster	4
22	5745779	·"O" RING, small gauge cluster	4
	6017426	PLUG, drivers console, single	1
	6017427	PLUG, drivers console, double	1



CTIS and Radio Console

HUMMER H1 2004 Parts Catalog
CTIS and Radio Console.

Item	Part No.	Description	Qty
1	5746003	BEZEL, CTIS gauge	1
2	6017108	CTIS GAUGE ASSEMBLY	1
3	S.I.A.	.CTIS GAUGE	1
4	S.I.A.	.BRACKET, CTIS gauge	1
5	S.I.A.	.LOCK WASHER	2
6	S.I.A.	.NUT	2
7	6017109	.MODULE, CTIS,	1
8	6016498	HARNESS ASSEMBLY, CTIS, interior	1
9	5939818	.BULB LENS	1
10	S.I.A.	.BULB, #1815	1
11	6009491	CONNECTOR, female, 1/8"	2
12	6016868	HARNESS ASSEMBLY, instrument panel	1
13	12339355-1	RIVET	5
14	12446871-2	PLUS NUT, 1/4 - 20"	A/R
15	N/S	PLUS NUT, #10 - 32"	2
16	6017598	RADIO BRACKET	1
17	5745720	RADIO, ICDX 84, 90	1
	5745651	RADIO, standard 55, 56, 57, 58	1
18	6000243	TRIM SCREW	2
19	6017202	AC/HEAT CONTROL BRACKET	2
20	6000114P2	SCREW	2
21	6011451	AC/HEAT CONTROL	1
22	ELMS27183-10	WASHER, flat	2
23	6016635	SCREW, radio	2
24	6017214	SCREW	4
25	6019056	BEZEL, radio	1
26	6016538	POWER OUTLET	1
27	6016987	RETAINER ASSEMBLY, power outlet	1
28	6016508	SWITCH, fan, rear, ac	1
29	6019254	SWITCH AND MODULE, heated windshield	1
30	6016509	SWITCH, inflate/deflate	1
31	6016510	SWITCH, tire selection, front and rear	1
	6017136	PLUG, CTIS, (not illustrated)	1
	6010667	PLUG, dummy panel (not illustrated)	A/R

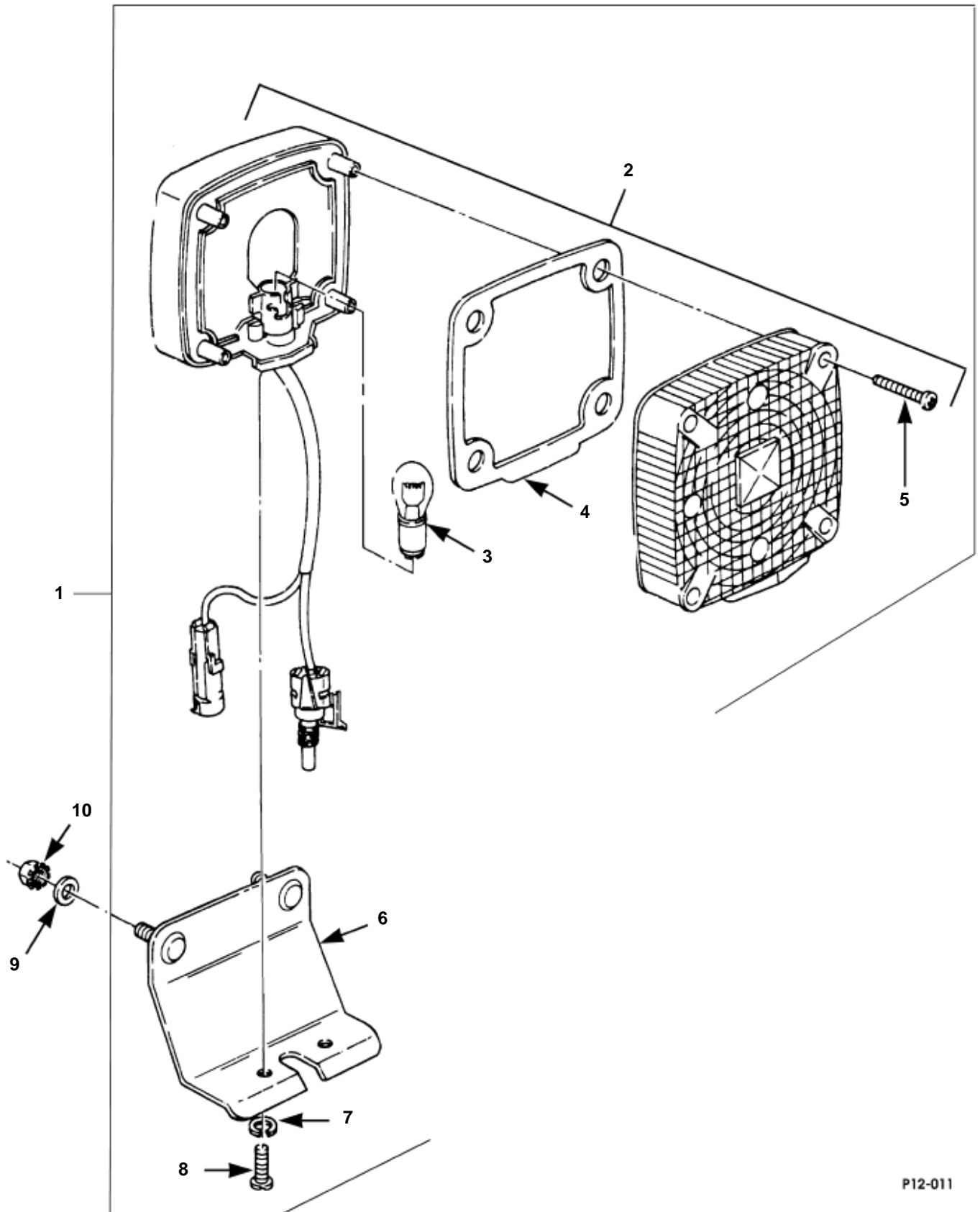


Center Console

Center Console.

Item	Part No.	Description	Qty
1	6015367	LATCH ASSEMBLY, glove box	1
2	S.I.A.	·LOCK CYLINDER	1
3	S.I.A.	·WASHER	1
4	S.I.A.	·NUT	1
5	6015364	GLOVE BOX ASSEMBLY	1
6	6017194	·GLOVE BOX, bumper	2
7	6015366	·GLOVE BOX, door	1
8	S.I.A.	·GLOVE BOX, hinge	1
9	6017230	·CUP HOLDER TAB	6
10	6017214	SCREW	4
11	6016985	RETAINER, lighter housing	1
12	6017193	BEZEL, lighter	1
13	6016984	HOUSING ASSEMBLY, lighter	1
14	6016986	ELEMENT ASSEMBLY, lighter	1
15	12446871-2	PLUS NUT, 1/4 - 20"	A/R
16	6015352	BEZEL, control, R.H.	1
17	6016516	SWITCH, power window	
18	6016518	SWITCH, door lock, vertical	1
19	6016514	SWITCH, heated seat	2
20	6015337	REAR CONSOLE ASSEMBLY 56, 57, 58, 84, 90	1
35	6018107	REAR CONSOLE ASSEMBLY 55	1
21	6011039	MODULE, RR seat audio	1
22	6017226	BEZEL ASSEMBLY, rear A/C	2
23	6015348	BEZEL, rear console	1
24	N/S	ASHTRAY	1
25	6017229	CUP HOLDER, rear	2
26	6016538	POWER OUTLET	1
27	6016987	RETAINER ASSEMBLY, power outlet	1
28	6016963	SCREW	2
29	6017426	BEZEL, SINGLE BLANK SEE NOTE 1	A/R
	6017427	BEZEL, DOUBLE BLANK SEE NOTE 1	A/R
30	6016512	SWITCH, rear E-Locker	1
31	6016511	SWITCH, front E-Locker	1
32	6015350	BEZEL CONTROL, L.H.	1
33	6017045	SWITCH, door lock, horizontal	1
34	6016517	SWITCH, window lockout, rear	1

NOTE 1: TO SECURE BEZELS, USE CLIP, DRIVER'S CONTROL PLUG, P/N 6017410 (NOT ILLUSTRATED).

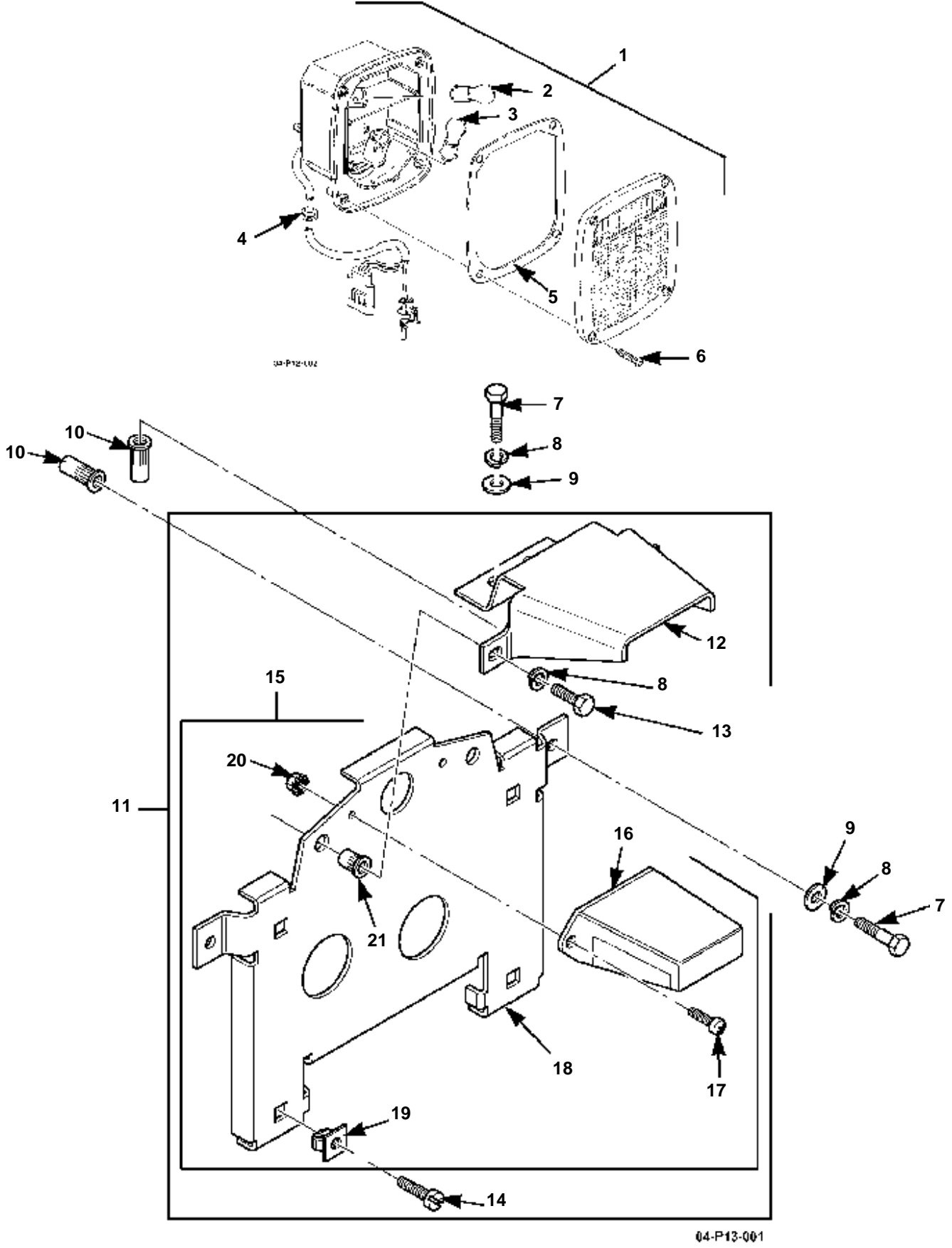


P12-011

Turn Signal Light and Mounting Hardware, Front

Turn Signal Light and Mounting Hardware, Front.

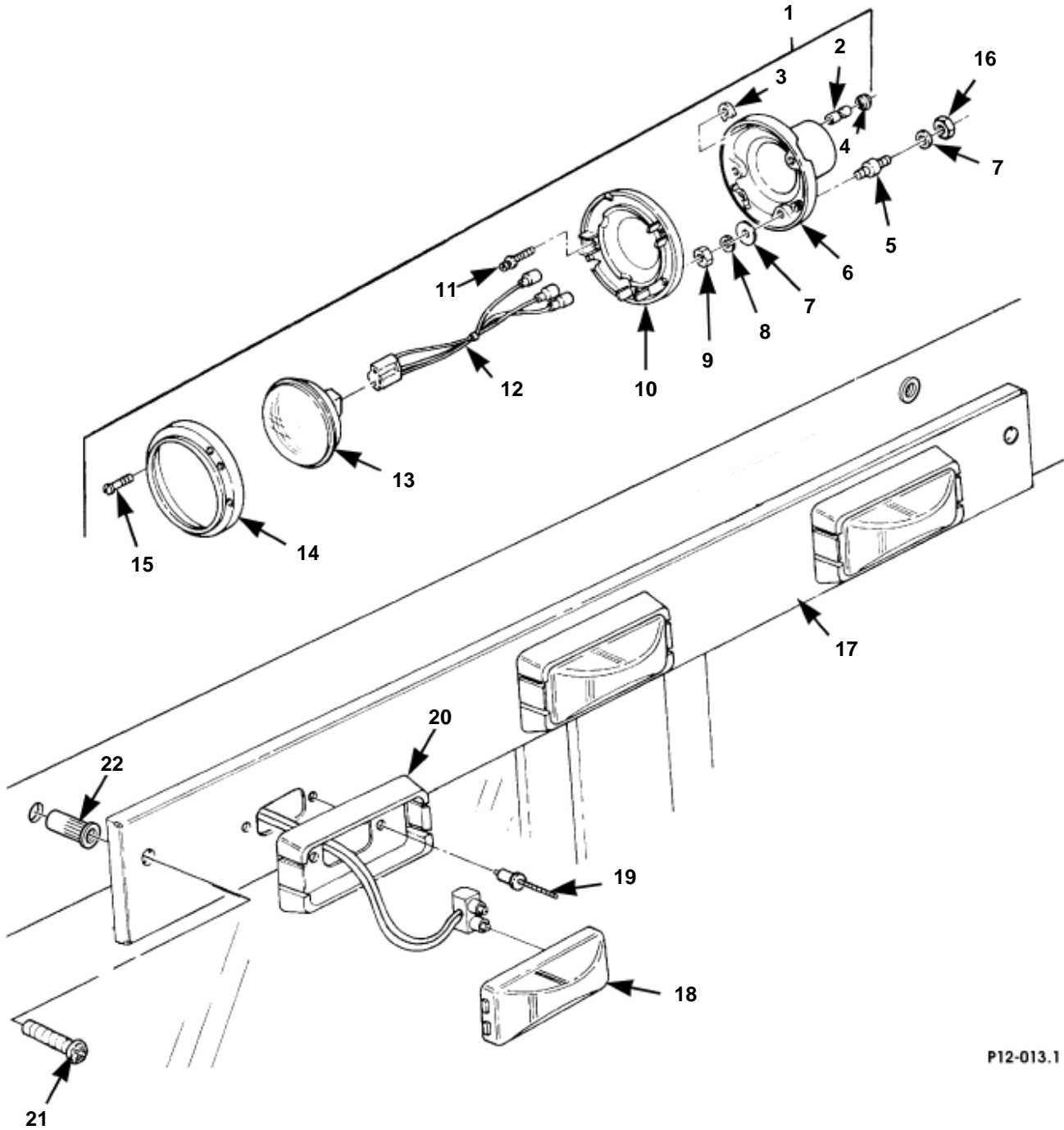
Item	Part No.	Description	Qty
1	5939092	LAMP ASSEMBLY, turn signal	2
2	5939420	·LAMP, turn signal, amber	2
3	S.I.A.	·· BULB (trade #1157)	2
4	S.I.A.	··GASKET	1
5	S.I.A.	··SCREW	4
6	5939093B9	·BRACKET, front turn signal lamp	2
7	S.I.A.	·LOCKWASHER, spring, med, 1/4", ZN	4
8	S.I.A.	·BOLT, 1/4 - 20 x 1/2", Gr5	4
9	N/S	WASHER, flat, 5/16" CAD	4
10	N/S	NUT AND LOCKWASHER ASSEMBLY, 5/16 - 18", Gr5, keps	4



**Turn Signal Light/Taillight, License Plate Bracket,
and Mounting Hardware, Rear**

Turn Signal Light/Taillight, License Plate Bracket, and Mounting Hardware, Rear.

Item	Part No.	Description	Qty
1	5939089	TAILLIGHT ASSEMBLY	2
2	N/S	·BULB, backup (trade #1156)	1
3	N/S	·BULB, stop, turn, taillight (trade #1157)	1
4	MS35489-41S	·GROMMET, hole, 3/8 x 1 1/4"	1
5	S.I.A.	·GASKET	1
6	S.I.A.	·SCREW	4
7	N/S	SCREW, 1/4 - 20 x 1 1/4", protective bracket, from top	4
8	N/S	LOCKWASHER, 1/4"	4
9	N/S	WASHER, flat, 1/4"	4
10	N/S	NUT INSERT, 1/4 - 20"	2
11	5745700	KIT, license plate mounting rear	1
12	6013597	·PROTECTIVE BRACKET, license plate lamp shield	1
13	N/S	·SCREW, 1/4 - 20 x 5/8"	2
14	N/S	·SCREW, 1/4 - 28 x 5/8", ZN	2
15	6013594	·LAMP AND BRACKET ASSEMBLY	1
16	5937030	··LAMP ASSEMBLY, license plate	1
17	N/S	··SCREW, phcr, #8 - 32 x 1/2", ZN	2
18	6013594	··LAMP AND BRACKET ASSEMBLY, license plate mount	1
19	5939483	··GROMMET, square head, license plate bracket	4
20	N/S	··NUT AND LOCKWASHER ASSEMBLY, keps, #8 - 32"	2
21	12446871-2	··NUT INSERT, 1/4 - 20", grip range.080 - .165	4

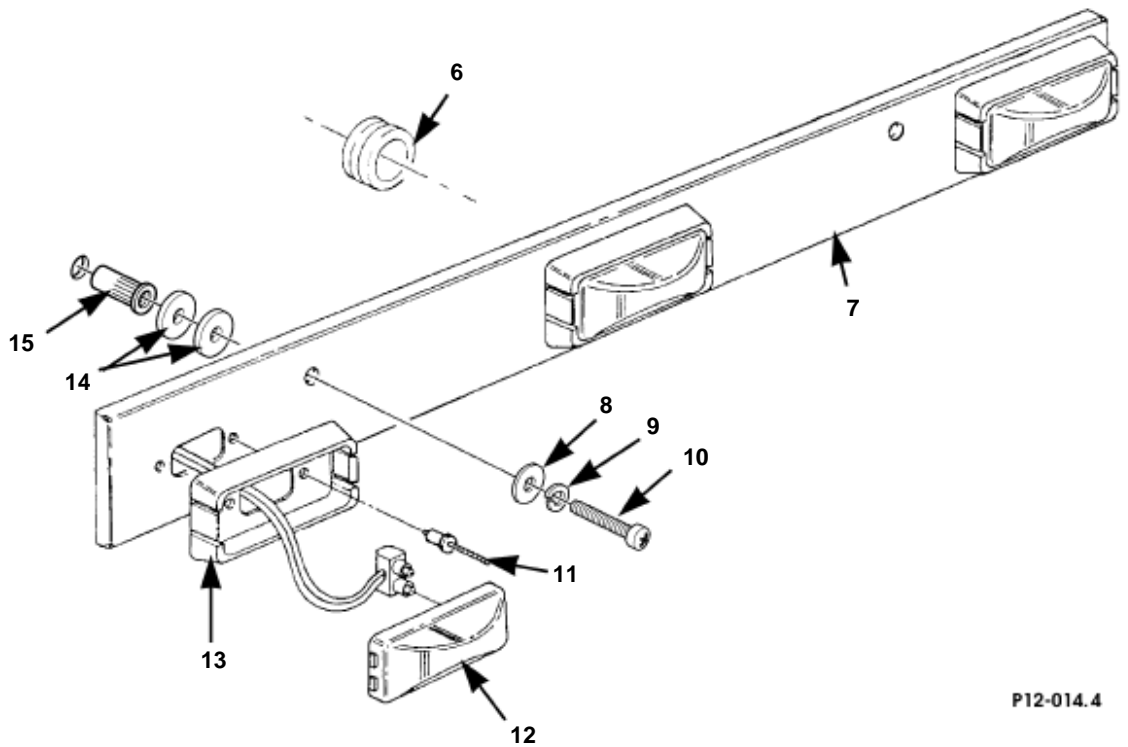
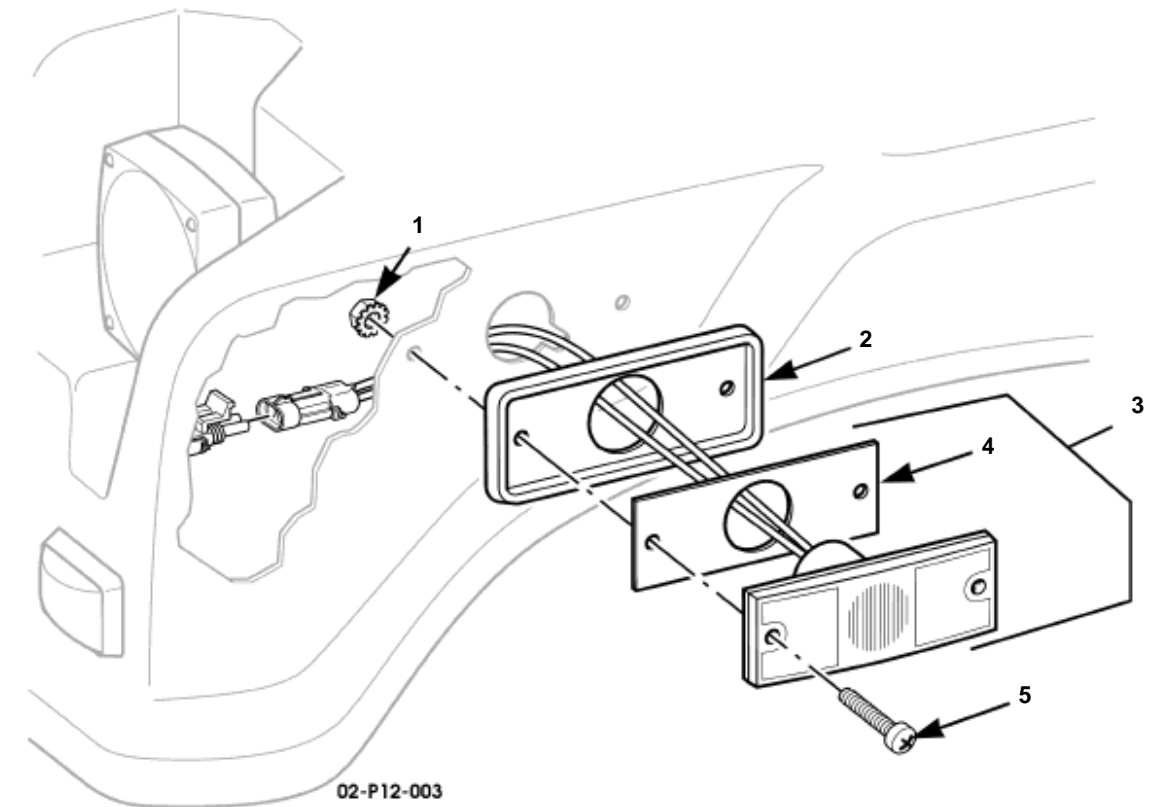


P12-013.1

Headlight Assembly and Running Lights

Headlight Assembly and Running Lights.

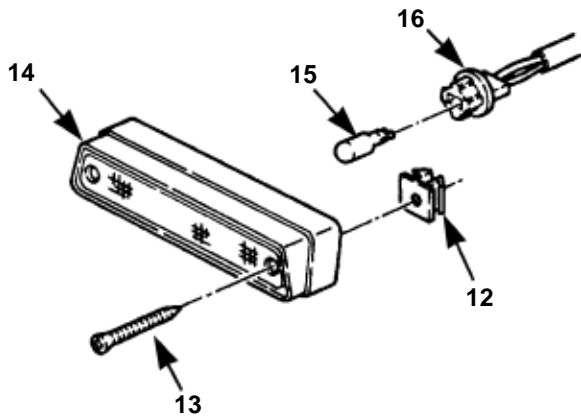
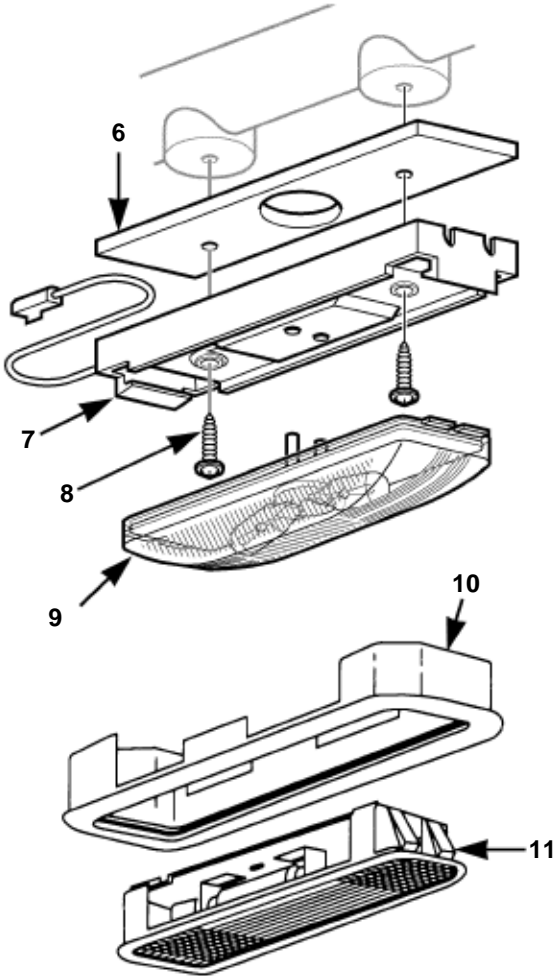
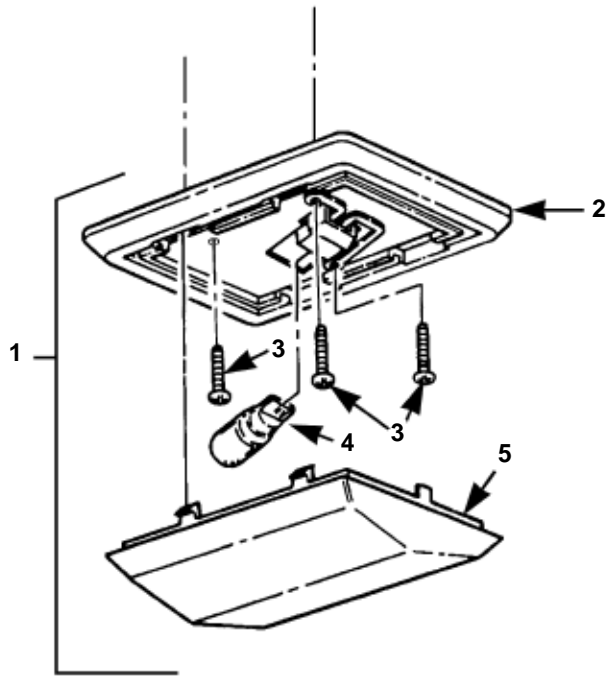
Item	Part No.	Description	Qty
1	5938841	HEADLIGHT ASSEMBLY	2
2	8741492	·CONNECTOR, headlight	3
3	8741435	·NUT	2
4	8741442	·GROMMET	3
5	12338607	·MOUNT	3
6	5938841	·HEADLAMP HOUSING	1
7	9414920	·WASHER, flat, 1/4"	9
8	N/S	·LOCKWASHER, med, 1/4", ZN	3
9	N/S	·NUT, 1/4 - 28", Gr5, CAD	3
10	8741447	·HEADLAMP MOUNT ASSEMBLY	1
11	7538146	·SCREW, head lamp	2
12	5935897	·HARNESS ASSEMBLY, jumper	1
13	5938842	·LAMP, halogen	1
14	8741446	·RETAINING RING	1
15	8741437	·SCREW, headlight bezel	3
16	N/S	LOCKNUT, w/washer, keps, 1/4 - 28", ZN, headlight assembly	6
17	5937037P	BRACKET ASSEMBLY	1
18	5937027	LAMP, yellow	5
19	M24243/5-A404	RIVET, blind, 1/8" dia.	10
20	5937024	BEZEL, lamp assembly mounting	5
21	N/S	SCREW, phcr, 1/4 - 20 x 1 1/4", CAD	2
22	N/S	NUT INSERT, 1/4 - 20"	2



Light Assembly, Clearance Marker and Side Marker Light

Light Assembly, Clearance Marker and Side Marker Light.

Item	Part No.	Description	Qty
1	190254	NUT AND LOCKWASHER ASSEMBLY	4
2	6013030	BEZEL, side marker lamp, front, rear	4
3	6012297	SIDE MARKER LAMP, front, amber	2
	6012298	SIDE MARKER LAMP, rear, red	2
4	S.I.A.	-GASKET, side marker lamp, front, rear	4
5	MS35206-267P2	SCREW, side marker lamp	8
6	6006453	GROMMET	1
	6006827	GROMMET	1
7	6007362P	BRACKET ASSEMBLY, rear	1
8	N/S	WASHER, flat, 1/4"	2
9	N/S	LOCKWASHER, 1/4"	2
10	N/S	SCREW, phcr, 1/4 - 20 x 1 1/4", CAD	2
11	M24243/5-A404	RIVET	10
12	5937026	LAMP ASSEMBLY, red	5
13	5937024	BEZEL, lamp assembly mounting	5
14	12339433P2	WASHER, flat	4
15	N/S	NUT INSERT, 1/4 - 20"	2

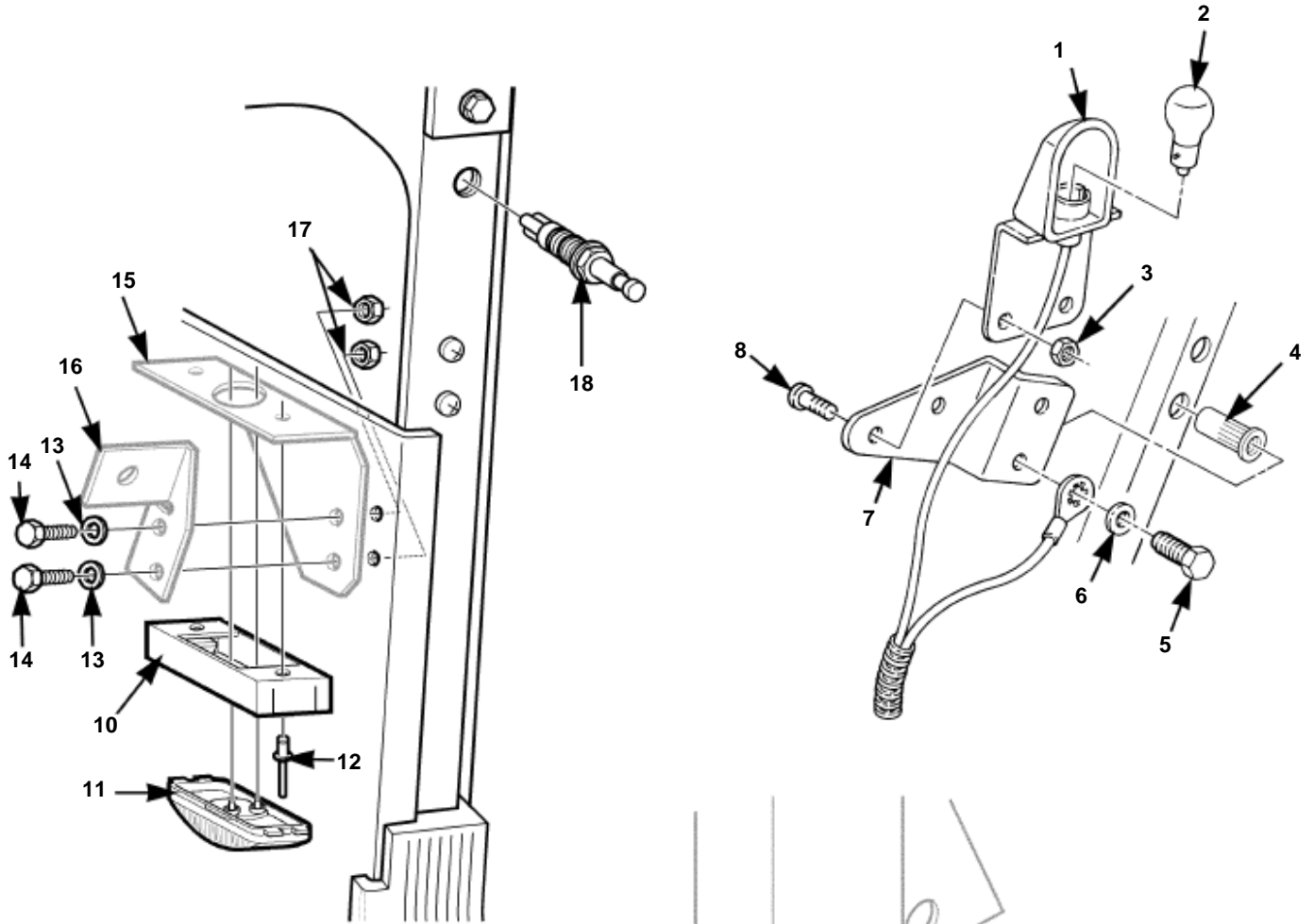


P12-015.7

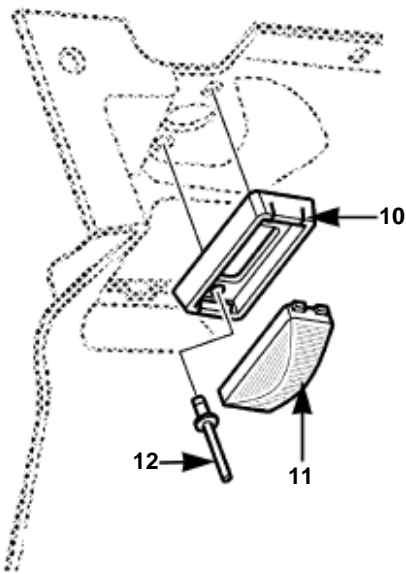
Lights, Interior Dome

Lights, Interior Dome.

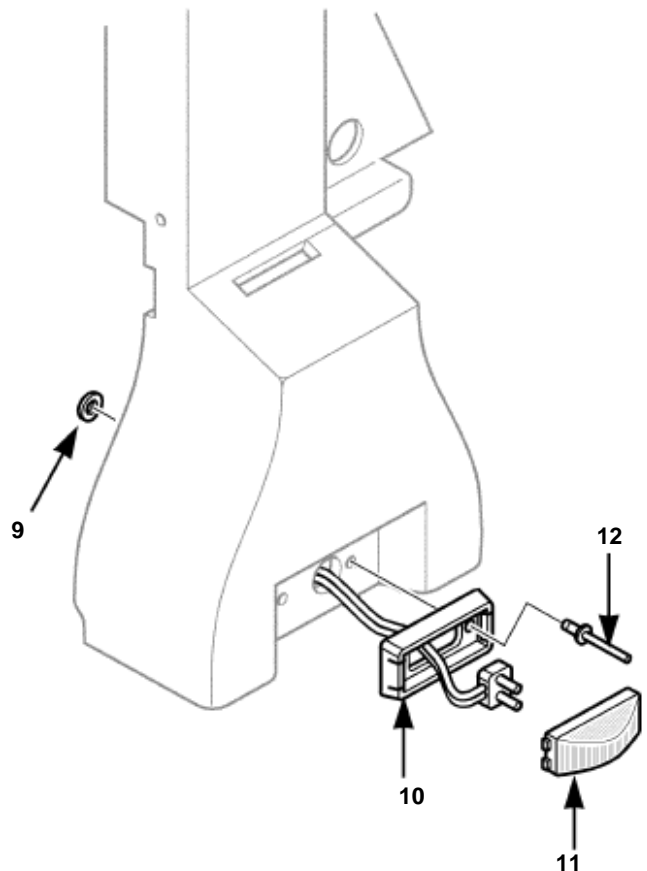
Item	Part No.	Description	Qty
1	6016753	DOME LAMP ASSEMBLY, standard 55	1
	6016753	DOME LAMP ASSEMBLY, standard 56	2
	6016753	DOME LAMP ASSEMBLY, standard 57, 84	3
2	S.I.A.	BASE, dome light 55	1
	S.I.A.	BASE, dome light 56	2
	S.I.A.	BASE, dome light 57, 84	3
3	6001284	·SCREW 55	3
	6001284	·SCREW 56	6
	6001284	·SCREW 57, 84	9
4	S.I.A.	·BULB (trade #912) 55	1
	S.I.A.	·BULB (trade #912) 56	2
	S.I.A.	·BULB (trade #912) 57, 84	3
5	5939652	LENS, dome lamp 55	1
	5939652	LENS, dome lamp 56	2
	5939652	LENS, dome lamp 57, 84	3
6	6009494	SUPPORT, dome lamp 58, 90	1
7	6009496	BASE, dome light 58, 90	1
8	N/S	SCREW, tapping, #8 - 32 x 3/4" 58, 90	2
9	6009495	DOME LAMP lens, 58, 90	
10	6004087	BEZEL, map light 55	2
	6004087	BEZEL, map light 56, 57, 84	4
11	6004088	LIGHT, assembly, map 55	2
	6004088	LIGHT, assembly, map 83, 84	4
12	5939659	GROMMET 55, 56	2
13	S.I.A.	SCREW, tapping, #8 - 32 x 1 1/2" 55, 56	2
14	6000894	CARGO LAMP ASSEMBLY 55, 56	1
15	S.I.A.	BULB (trade #912) 55, 56	1
16	6000893	WIRING AND SOCKET ASSEMBLY 55, 56	1



PASSENGER'S SIDE



DRIVER'S SIDE

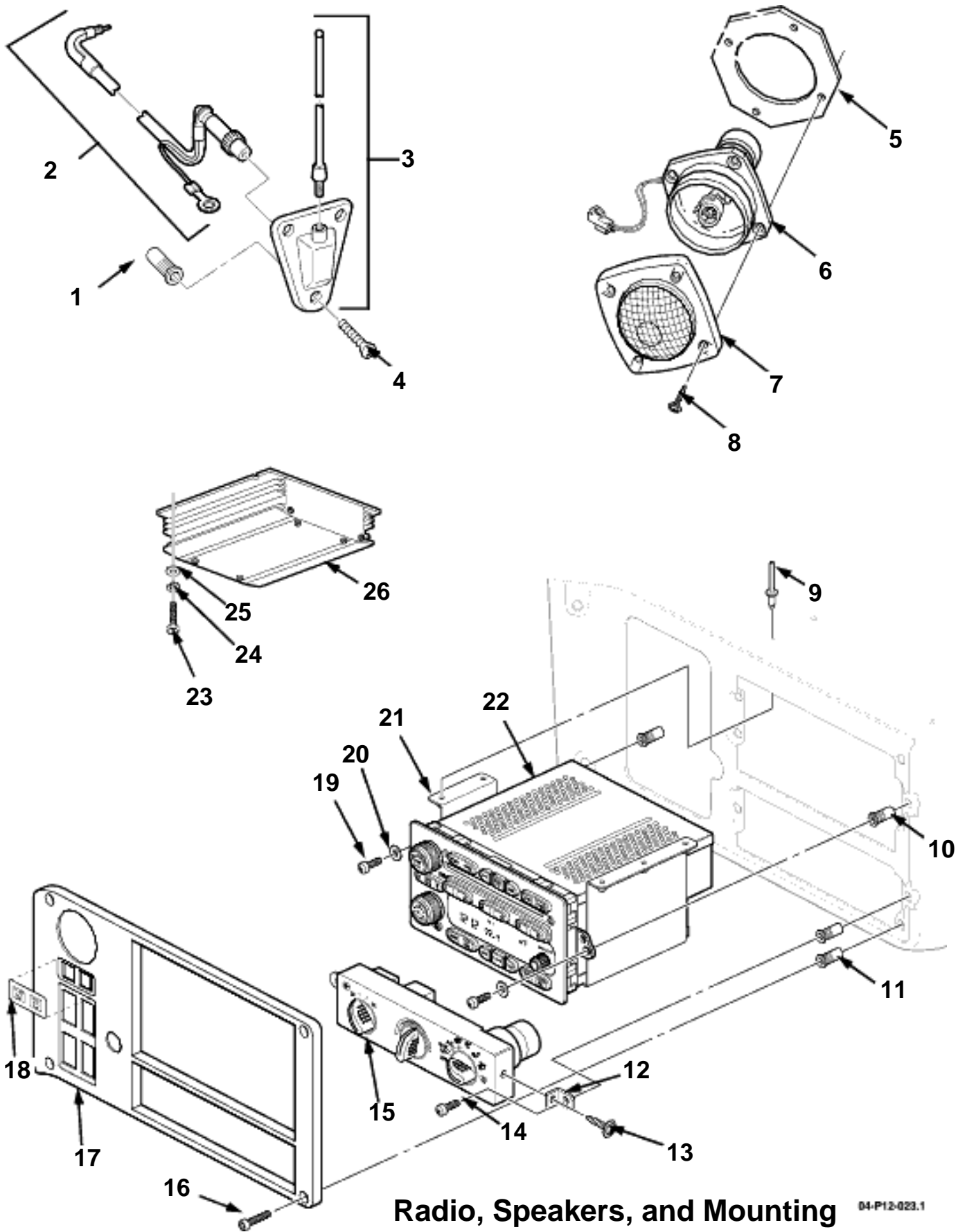


04-P12-026

Lights (Courtesy), Underhood Light, and Door Jamb Switch

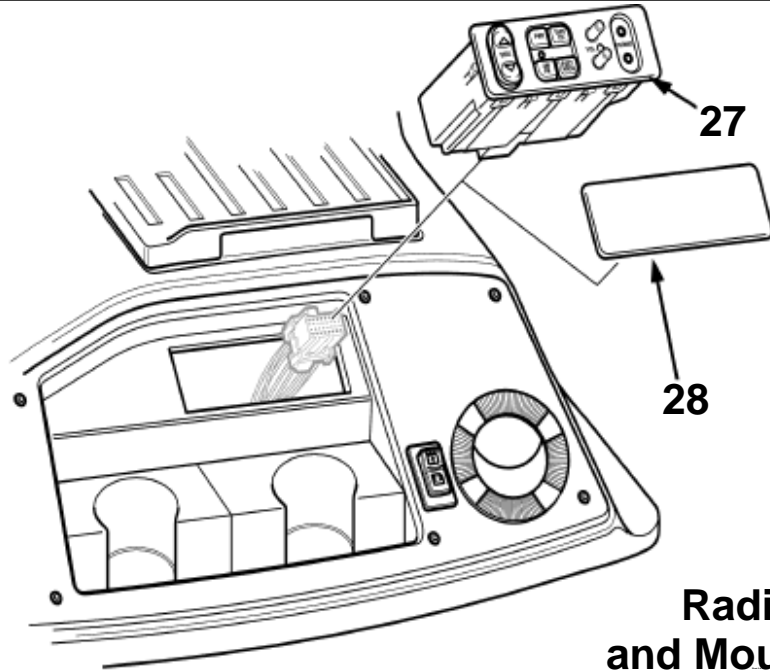
Lights (Courtesy), Underhood Light, and Door Jamb Switch.

Item	Part No.	Description	Qty
1	5939456	LAMP ASSEMBLY, underhood	1
2	N/S	-BULB (trade #93)	1
3	271169	NUT, #10 - 32", underhood lamp bracket	2
4	12339397-1	WELL NUT, #10 - 32"	2
5	N/S	SCREW, tapping, #10 - 32 x 5/8"	2
6	MS27183-8	WASHER	2
7	6019827	BRACKET, underhood lamp	1
8	N/S	SCREW, #10 - 32 x 1/2", underhood lamp bracket	2
9	MS27183-8	WASHER	2
10	5937024	BEZEL, lamp assembly mounting	1
11	5939309	LAMP ASSEMBLY	1
12	N/S	RIVET, 1/8" dia., blind	2
13	N/S	WASHER, flat, hardened, 1/4", type B	2
14	N/S	BOLT, 1/4 - 20 x 1 1/2", Gr8, CAD	2
15	6000093B9	BRACKET, courtesy lamp mounting	1
16	6009524B9	BRACKET, upper, closeout panel	1
17	N/S	WELDNUT, 1/4 - 20", Gr8, CAD	2
18	5939088	SWITCH ASSEMBLY, door jamb 56, 57, 84	4
	5939088	SWITCH ASSEMBLY, door jamb 55	2

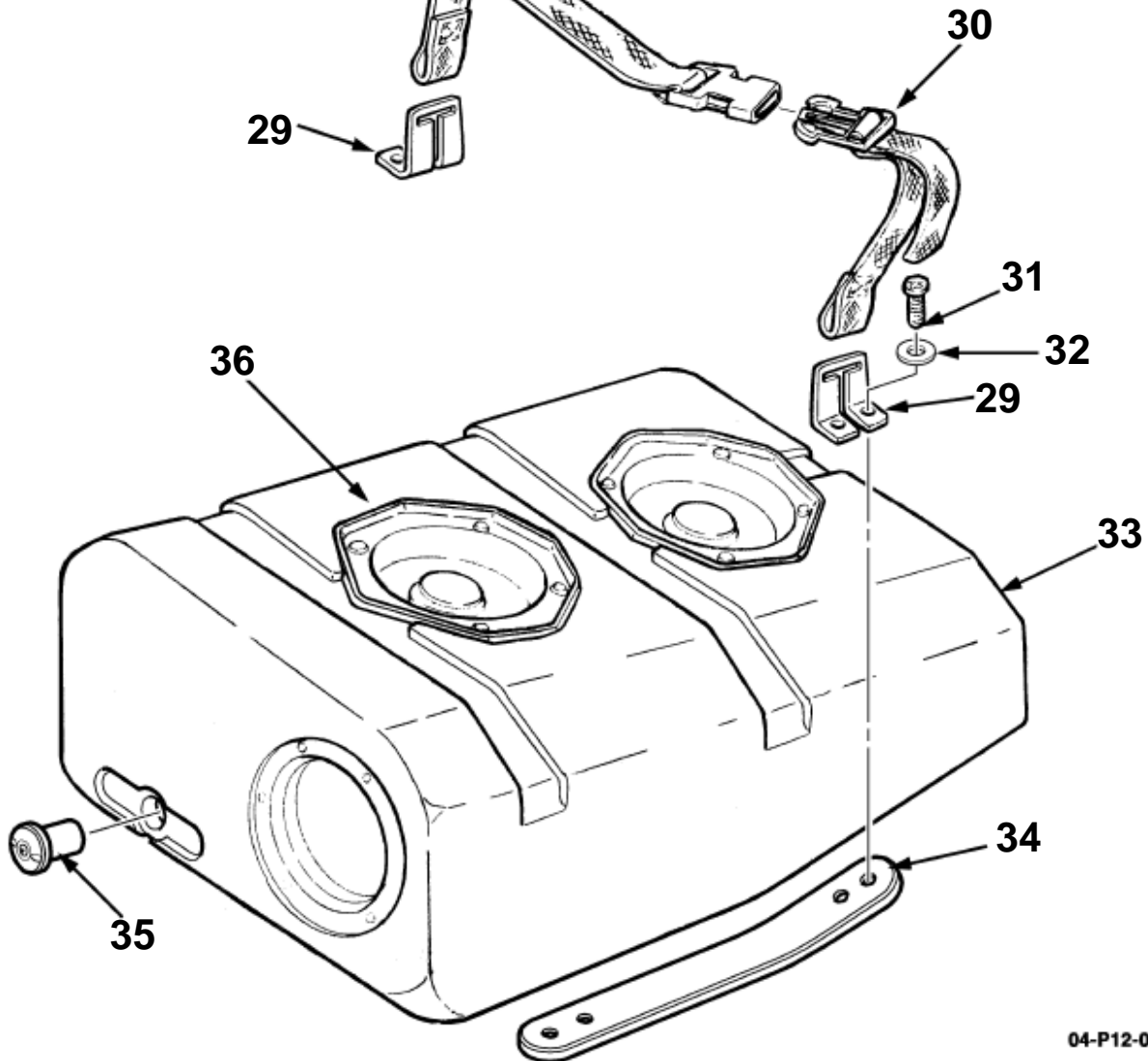


Radio, Speakers, and Mounting Hardware, Standard and Monsoon (Delco) Sheet 1 of 1

04-P12-023.1



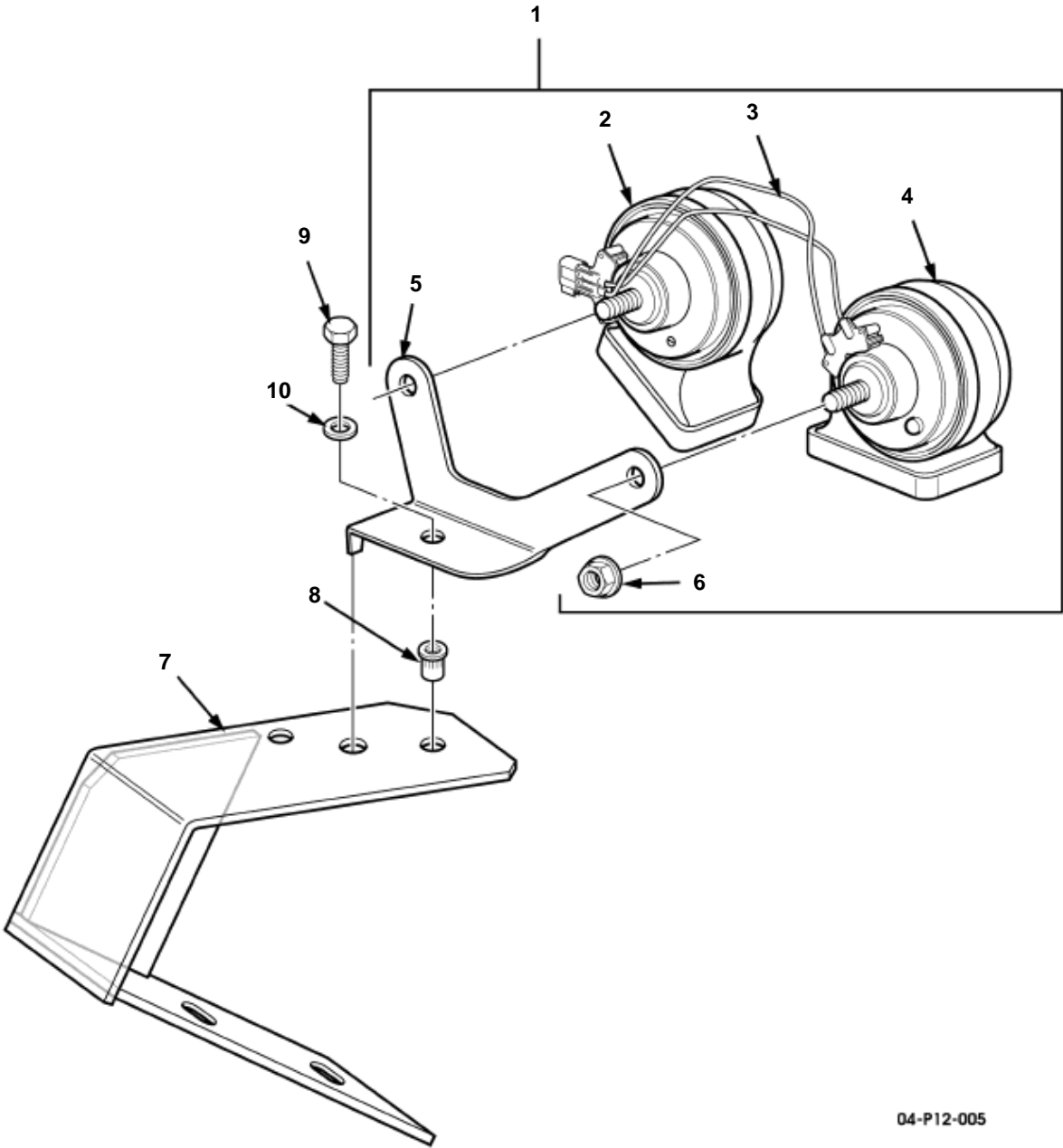
Radio, Speakers,
and Mounting Hardware
Standard and Monsoon
Sheet 2 of 2



04-P12-028

Radio, Speakers, and Mounting Hardware, Standard and Monsoon (De

Item	Part No.	Description	Qty
1	6000337	NUT INSERT	1
2	6014283	CABLE ASSEMBLY, antenna-to-radio	1
3	6009394	ANTENNA AND BASE ASSEMBLY	1
4	N/S	SCREW, phcr #8 - 32 x 1/2", ZN, radio antenna base	3
5	6009187	BACKING PLATE, speaker	2
6	6009152	SPEAKER ASSEMBLY, 5 1/2"	4
7	6009153	SPEAKER GRILLE, standard 55	2
	6009153	SPEAKER GRILLE, standard 56	4
	6009153	SPEAKER GRILLE, standard 84,90	6
8	159701P2	SCREW, phcr, #8 - 32 x 1 1/4", CAD (four for each speaker grille)	A/R
9	12339355-1	RIVET	5
10	12446871-2	PLUS NUT, 1/4 - 20"	A/R
11	N/S	PLUS NUT, #10 - 32	2
12	6017202	BRACKET, A/C-heat control	2
13	6000243	TRIM SCREW	2
14	6000114P2	SCREW	2
15	6011451	CONTROL, A/C-heat	1
16	6017214	SCREW	4
17	6018833	BEZEL, radio	1
18	6019055	INDICATOR LIGHT, overlay	1
19	6016635	SCREW, radio	2
20	ELMS27183-10	WASHER, flat	2
21	6017598	BRACKET, radio	1
22	5745720	RADIO, ICDX 84, 90	1
	5745651	RADIO, standard 55, 56, 57, 58	1
23	MS51849-76	BOLT	1
24	N/S	WASHER, lock, #10, med, ZN, amplifier	4
25	N/S	WASHER, flat, #10, amplifier	4
26	6017663	AMPLIFIER, Monsoon radio	1
84, 90			
27	6011039	MODULE, RR seat audio	1
28	6017826	PLUG ASSEMBLY, rear console,(less rear audio)	1
29	6009172	BRACKET, subwoofer, Monsoon 84, 90	4
30	6009173	STRAP, subwoofer, Monsoon	2
84, 90			
31	N/S	SCREW, phcr, #10 - 24 x 3/4"	8
32	MS27183-42P2	WASHER, flat	2
33	6009151	SUBWOOFER, Monsoon	1
84, 90			
34	6009803	PANEL, closeout, subwoofer mounting	1
84, 90			
35	12340000	DRAIN PLUG, subwoofer, Monsoon	1
84, 90			
36	5744822	·SPEAKER, 6" subwoofer	2
84, 90			
	6018150	WATER SHIELD, front console, (not illustrated)	1

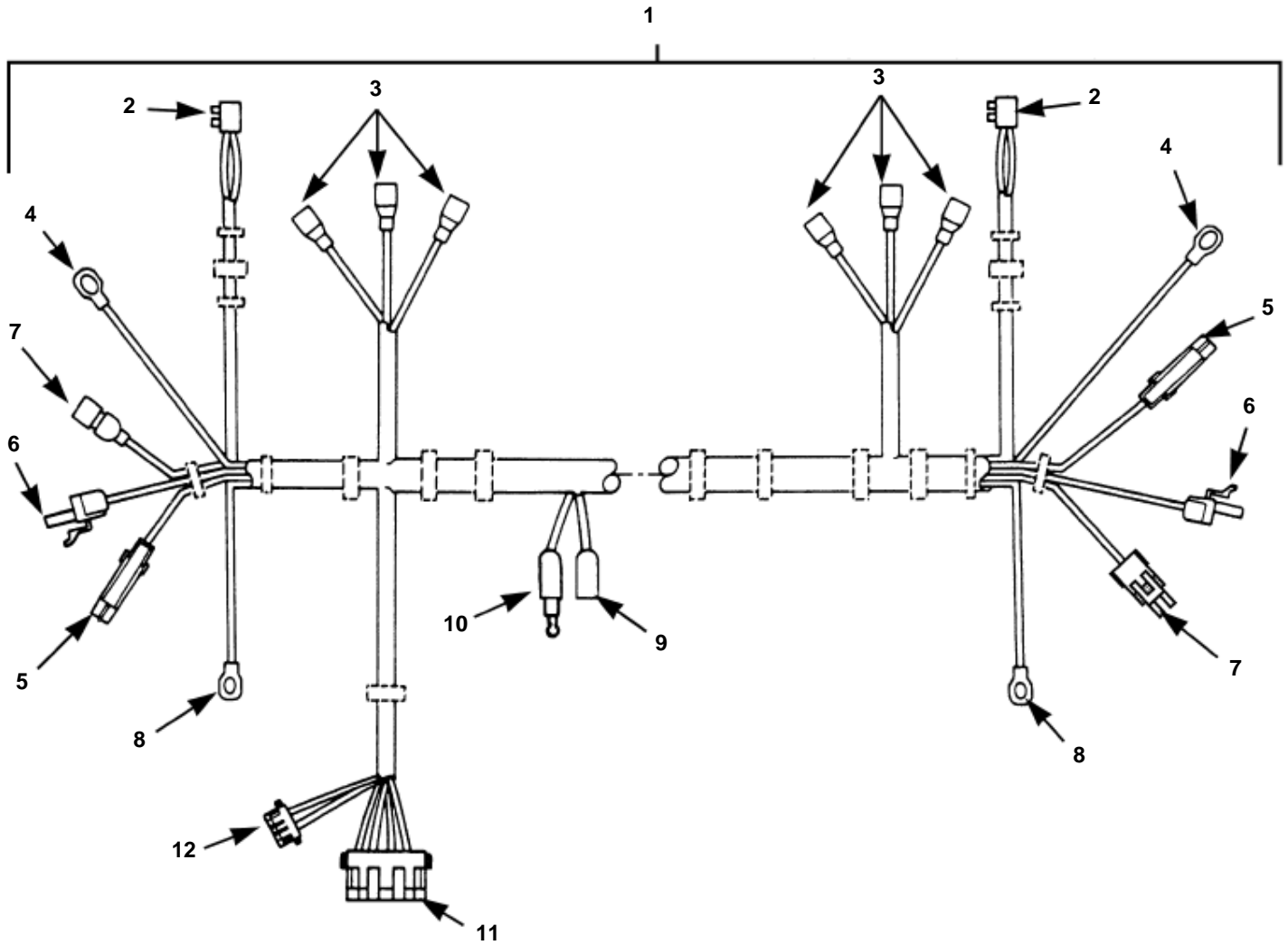





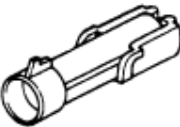
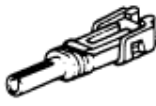
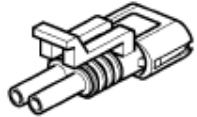



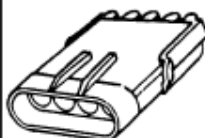

04-P12-005

Dual Horns

Dual Horns.

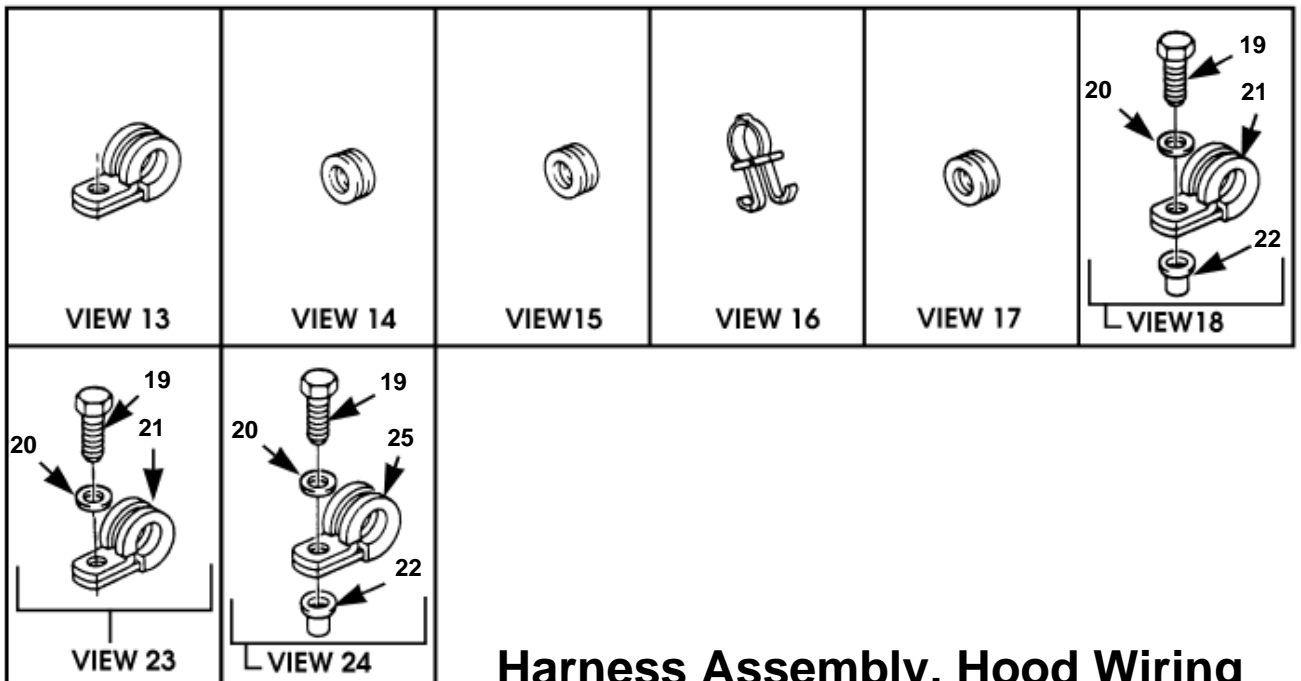
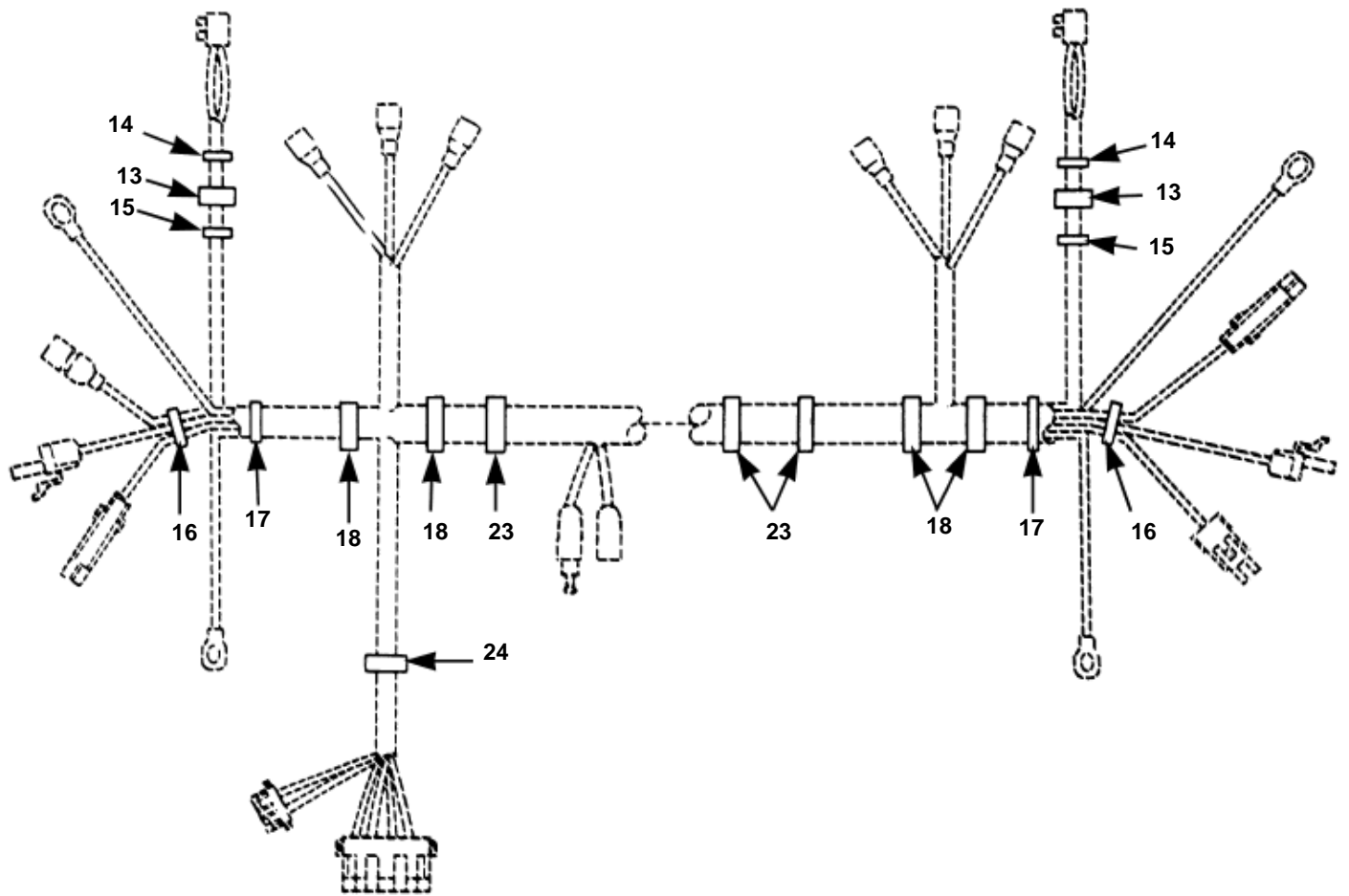
Item	Part No.	Description	Qty
1	6014583	HORN, assembly	1
2	S.I.A.	·HORN, hi frequency	1
3	S.I.A.	·HARNESS, dual horns jumper wire	1
4	S.I.A.	·HORN, low frequency	1
5	S.I.A.	·BRACKET, dual horn mounting	1
6	S.I.A.	·LOCKNUT	1
7	6014944	BRACKET, horn assembly mounting	1
8	S.I.A.	·NUT INSERT, 1/4 -20"	1
9	MS90728-6	SCREW, 1/4 - 20 X 3/4", HHCS, Gr8 DT	1
10	MS35338-44P2	LOCKWASHER, 1/4"	1



 VIEW 2	 VIEW 3	 VIEW 4	 VIEW 5	 VIEW 6	 VIEW 7
 VIEW 8	 VIEW 9	 VIEW 10	 VIEW 11	 VIEW 12	

02-P12-004

Harness Assembly, Hood Wiring



Harness Assembly, Hood Wiring

02-P12-005

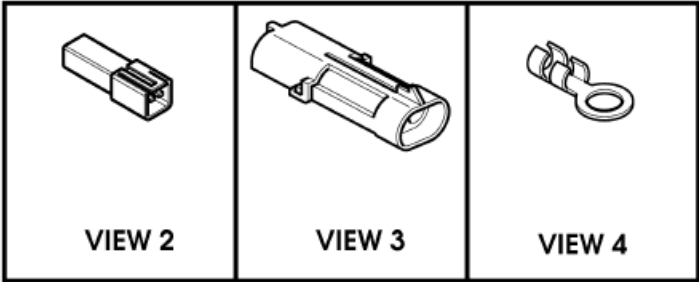
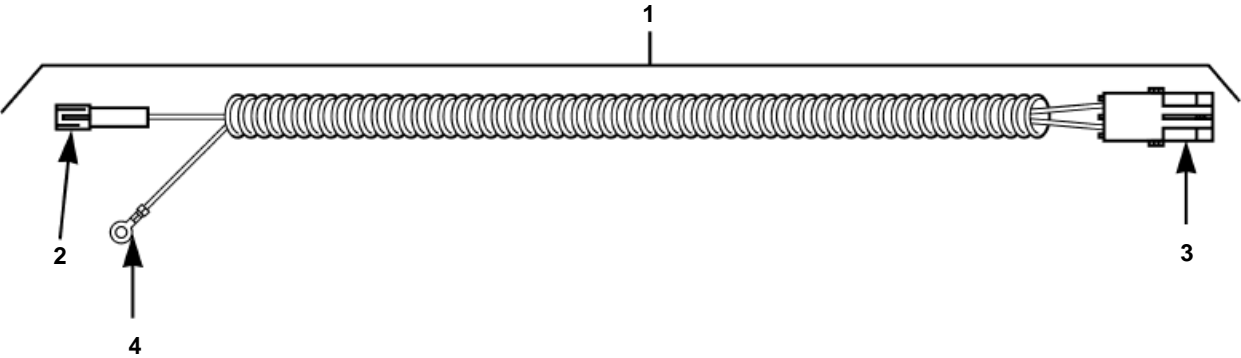
Harness Assembly, Hood Wiring.

Item	Part No.	Description	Qty
1	6012288	HARNESS ASSEMBLY, hood wiring	1
2	5937021	·CONNECTOR, clearance lamps	2
3	MS27142-2	·CONNECTOR PLUG, left and right head lamp	6
4	N/S	·TERMINAL LUG, parking lamp ground	2
5	5939236	·CONNECTOR PLUG, turn signal lamp	2
6	5939237	·CONNECTOR PLUG, park light	2
7	6003280	·CONNECTOR PLUG, marker lamp	2
8	N/S	·TERMINAL LUG, marker lamp ground	2
9	N/S	·CONNECTOR PLUG, under hood lamp	1
10	N/S	·CONNECTOR, under hood lamp	1
11	N/S	·CONNECTOR PLUG, to body harness	1
12	5939582	·CONNECTOR PLUG, under hood lamp	1
13	MS21333-99	CLAMP, wiring harness, 1/4"	2
14	MS35489-10S	GROMMET, wiring harness	2
15	MS35489-39S	GROMMET, wiring harness	2
16	12340573	CLIP, harness mounting	2
17	MS35489-48S	GROMMET, wiring harness	2
18	N/S	CLAMP ASSEMBLY, 1/2", w/wellnut	3
19	N/S	·SCREW, harness clamps, 1/4 - 20 x 7/8", Gr5, CAD, SEE NOTE 1	6
20	N/S	·WASHER, harness clamps 1/4" CAD, SAE flat, SEE NOTE 1	6
21	N/S	·CLAMP, wiring harness 1/2" cushioned, SEE NOTE 2	4
22	12339397-4	·WELLNUT, wiring harness, SEE NOTE 3	5
23	N/S	CLAMP, 1/2", w/o wellnut	2
24	N/S	CLAMP, 3/8"	1
25	N/S	·CLAMP, wiring harness, 3/8", cushioned	1

NOTE 1: USE ONE PER ITEMS 18, 23, & 24.

NOTE 2: USE ONE PER ITEMS 18 & 23.

NOTE 3: USE ONE PER ITEMS 18 & 24.

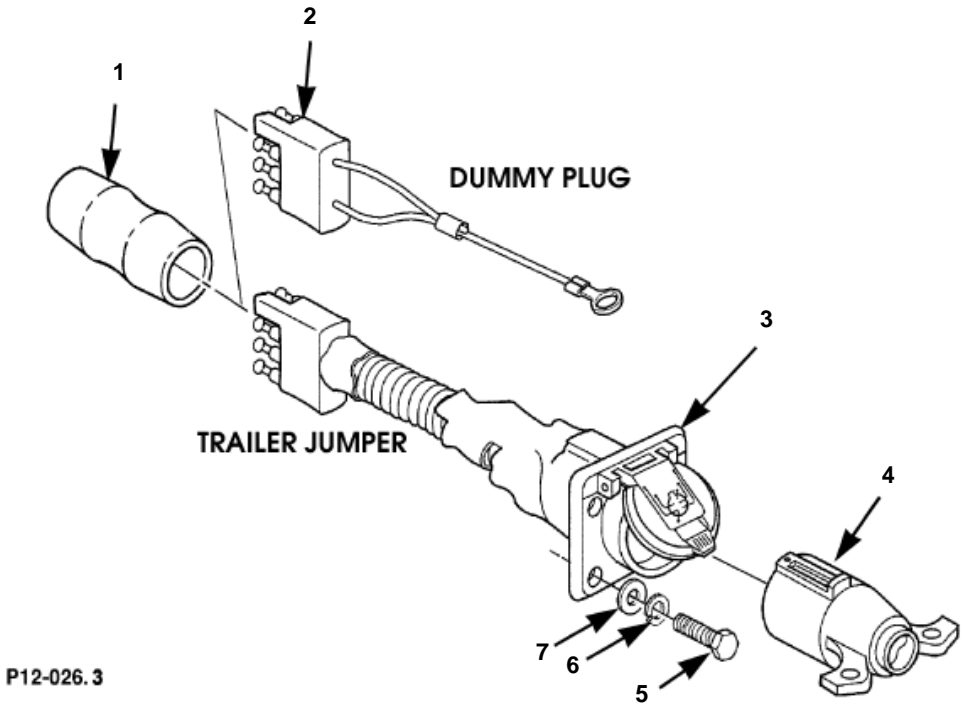


03-P12-021

Harness Assembly, Roof Wiring, Open Top

Harness Assembly, Roof Wiring, Open Top.

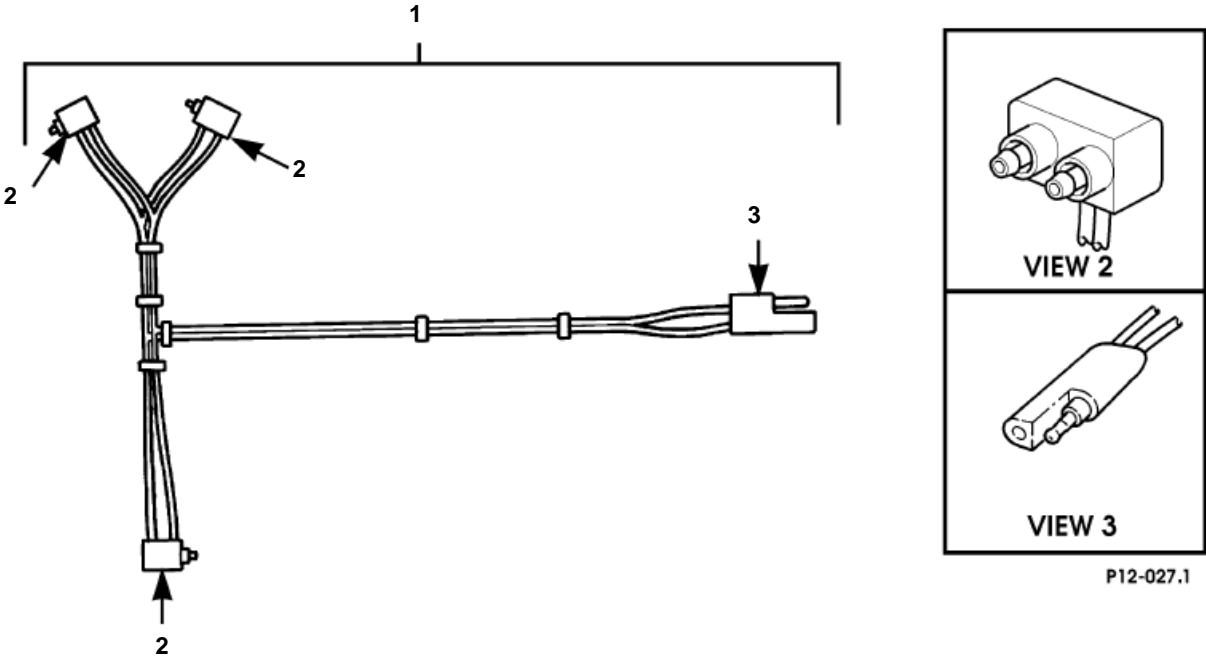
Item	Part No.	Description	Qty
1	6010672	JUMPER HARNESS ASSEMBLY, dome lamp, open body	1
2	6004020	.CONNECTOR, jumper harness to dome lamp	1
3	5939099	.CONNECTOR, jumper harness to roof wiring harness	1
4	S.I.A.	.RING TERMINAL	1



Trailer Towing Wiring

Trailer Towing Wiring.

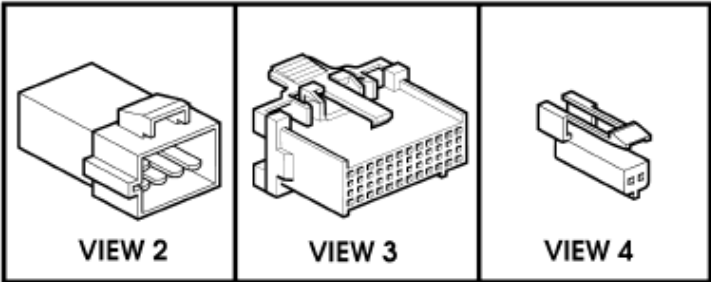
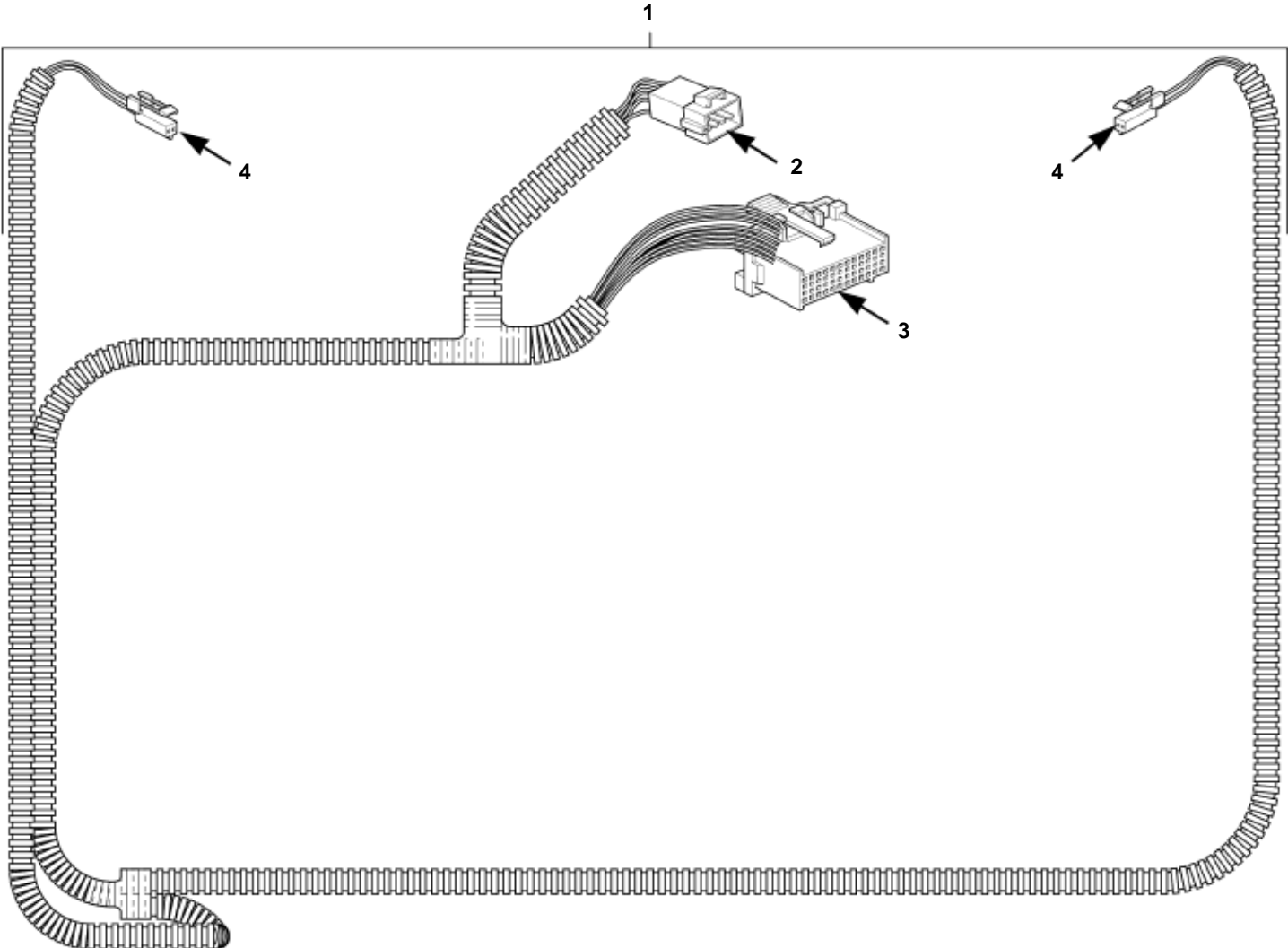
Item	Part No.	Description	Qty
1	6002920	SHRINK TUBING	1
2	5937211	PLUG, dummy, trailer jumper harness, with tether	1
3	6008780	HARNESS ASSEMBLY, trailer jumper	1
4	6008827	HARNESS ASSEMBLY, trailer plug	1
5	N/S	SCREW, mach, #10 - 24 x 3/4", Gr8, CAD	4
6	N/S	LOCKWASHER, med, #10, ZN	4
7	N/S	WASHER, flat, #10	4
	6016060	DECAL, trailer hitch warning (not illustrated)	1



Jumper Harness Assembly, Identification Lamp

Jumper Harness Assembly, Identification Lamp.

Item	Part No.	Description	Qty
1	5936493	JUMPER HARNESS ASSEMBLY, identification lamp, front	1
	6000082	JUMPER HARNESS ASSEMBLY, identification lamp, rear	1
2	5937039	·CONNECTOR, lamp	3
3	N/S	·INSULATOR, mold on	1



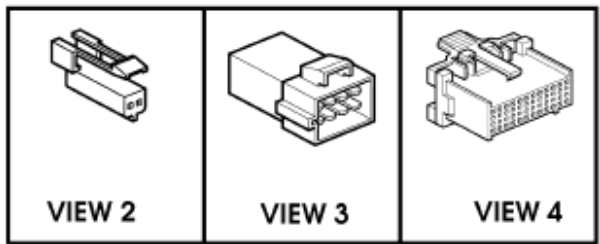
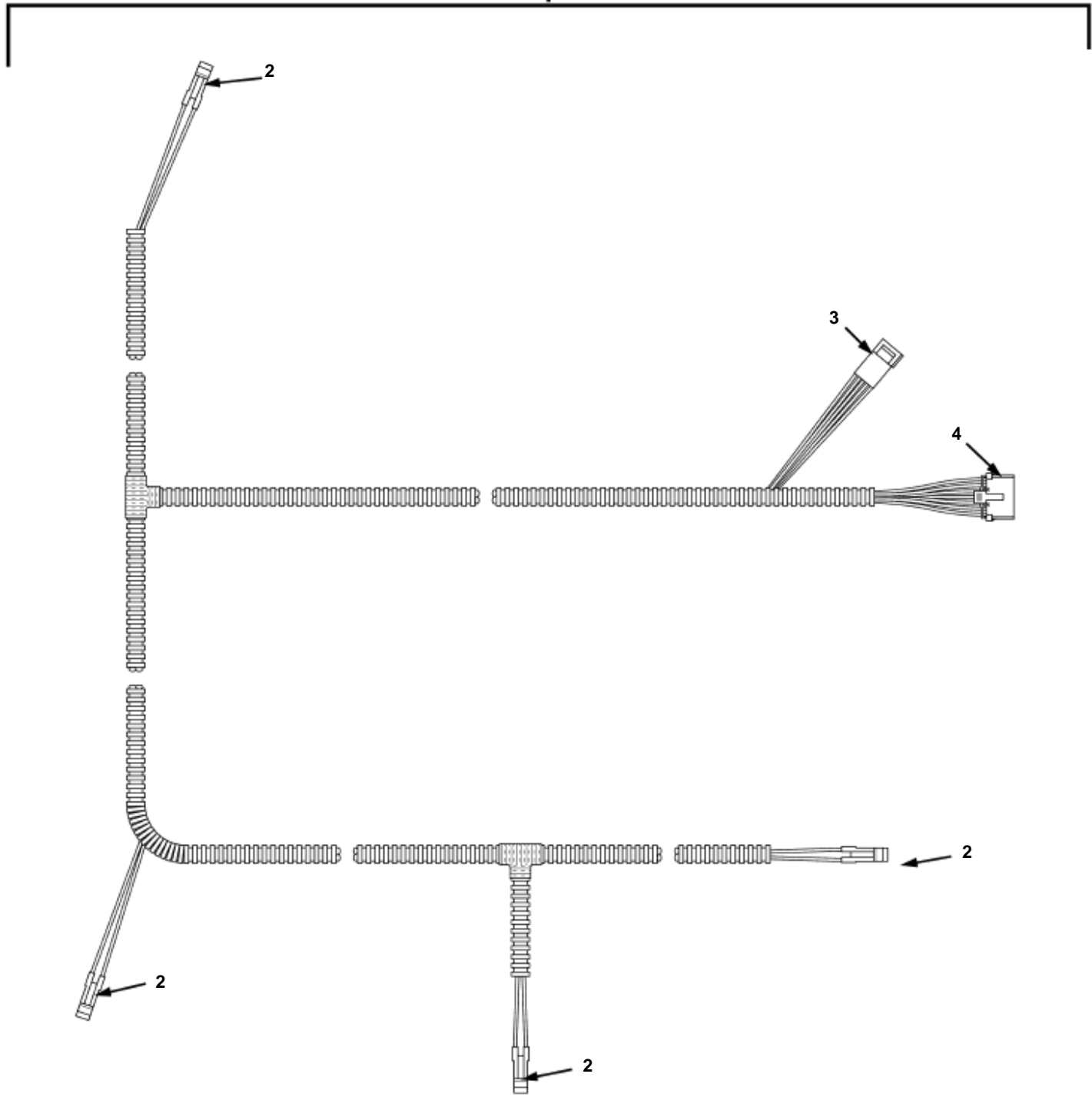
03-P12-003

**Harness Assembly, Delco Standard
Two-Speaker, Two-Door, Model 55**

Harness Assembly, Delco Standard Stereo Two-Speaker, Two-Door, Model 55.

Item	Part No.	Description	Qty
1	6016492	HARNESS ASSEMBLY, Delco standard stereo, two-speaker	1
2	6008670	.CONNECTOR, 8-way, to cross-body harness	1
3	6013986	.CONNECTOR, 24-way, radio	1
4	6009363	.CONNECTOR, 2-way, speaker	2

1

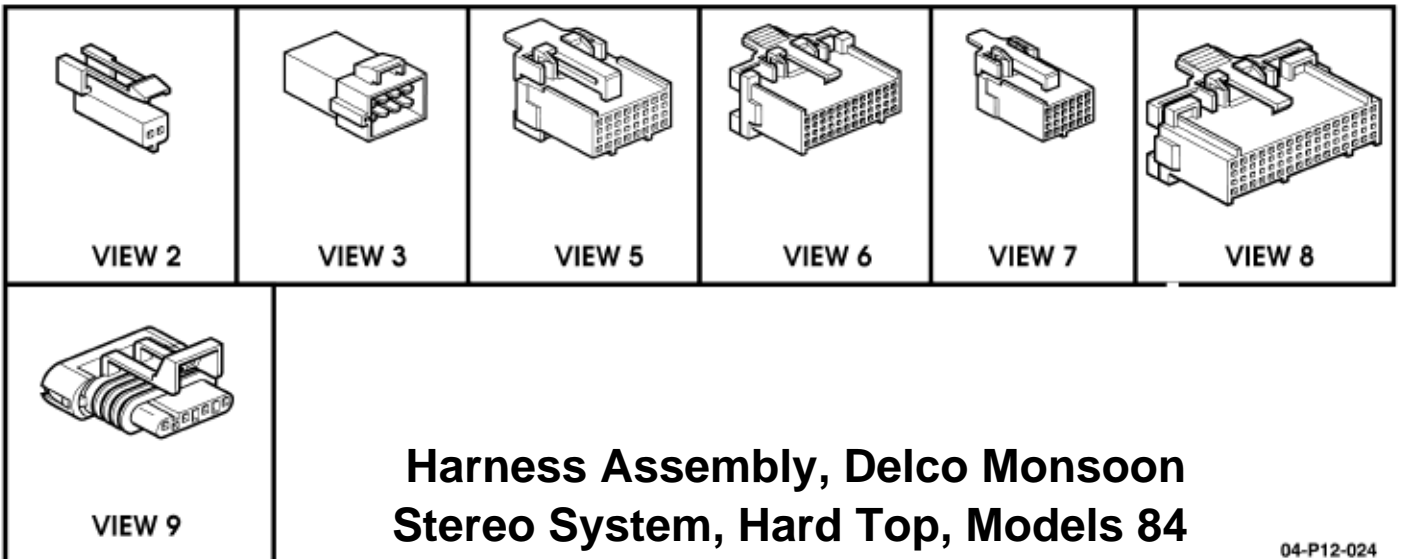
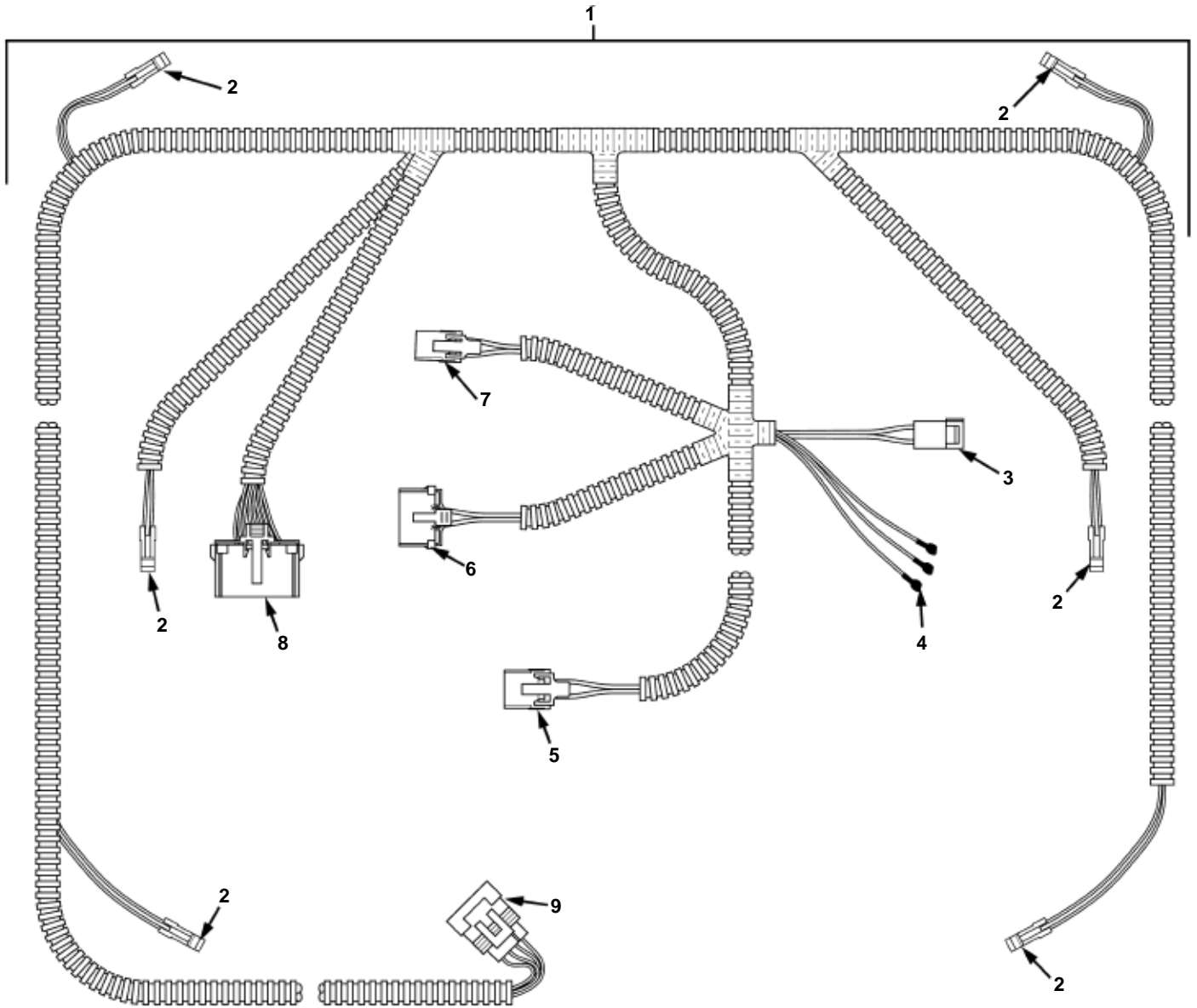


04-P12-038

**Harness Assembly, Delco Standard Stereo,
FourSpeaker, Open Top, Model 58**

Harness Assembly, Delco Standard Stereo, FourSpeaker, Open Top, Model 58.

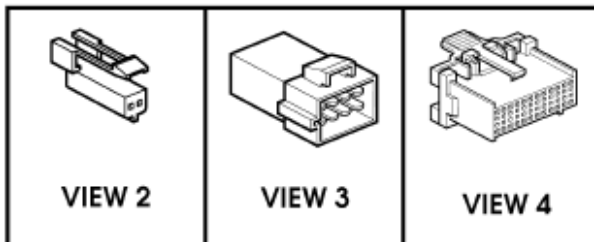
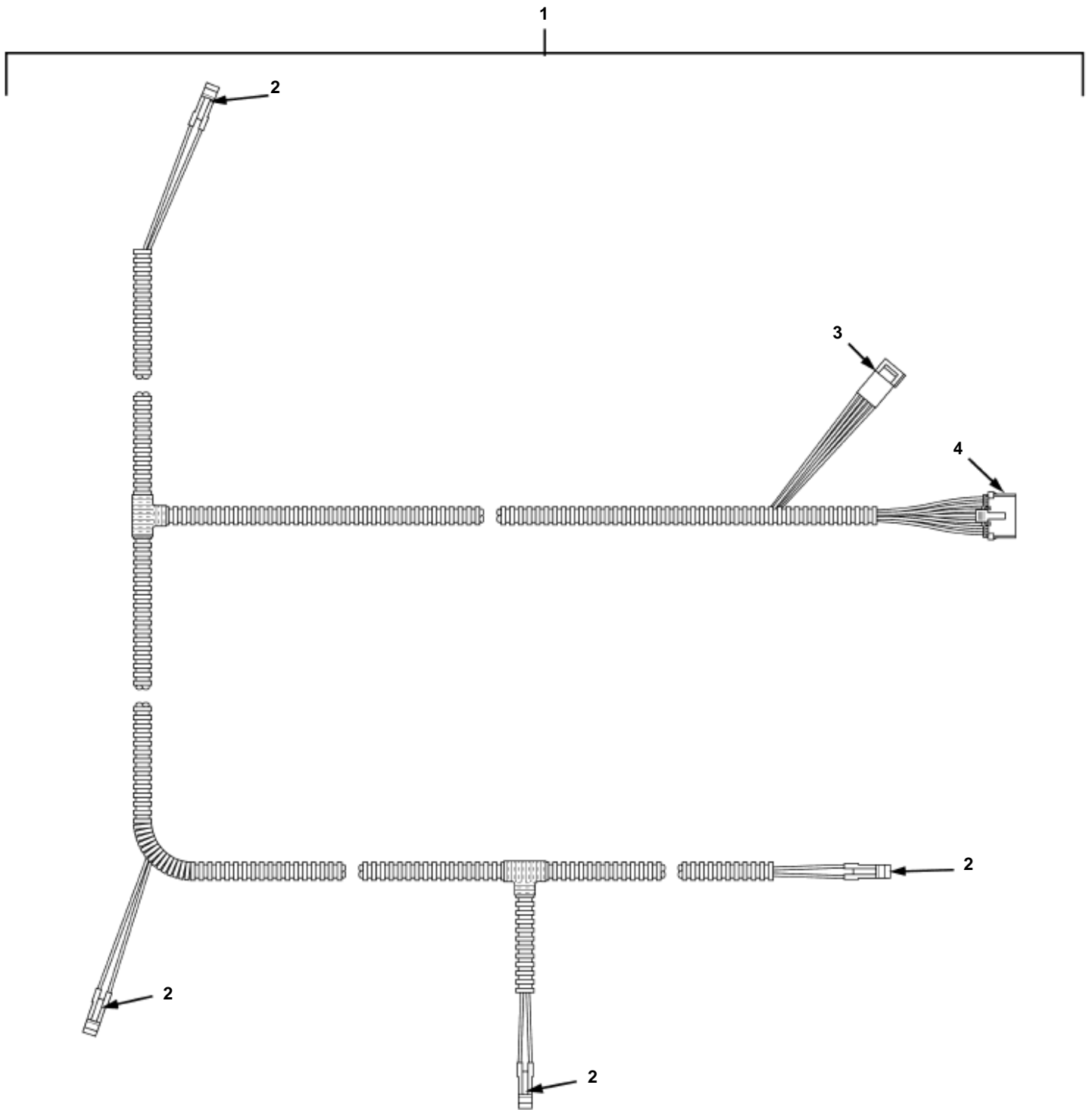
Item	Part No.	Description	Qty
1	6018152	HARNESS ASSEMBLY, Delco standard stereo, four-speaker, hard top	1
2	6009363	.CONNECTOR, 2-way, to speaker	4
3	6008670	.CONNECTOR, 8-way, to cross-body harness	1
4	6013986	.CONNECTOR, 24-way, to radio	1



04-P12-024

Harness Assembly, Delco Monsoon Stereo System, Hard Top, Models 84.

Item	Part No.	Description	Qty
1	6016490	HARNES ASSEMBLY, Delco Monsoon stereo	1
2	6009363	.CONNECTOR, 2-way, speaker	4
3	6008670	.CONNECTOR, 8-way,	1
4	N/S	.CELL PHONE MUTE	1
5	6011042	.CONNECTOR, 16-way, to cross-body harness	1
6	6013986	.CONNECTOR, 24-way, radio	1
7	N/S	CONNECTOR, 12-way	1
8	6004450	.CONNECTOR, 32-way,	1
9	6009362	.CONNECTOR, 4-way	1

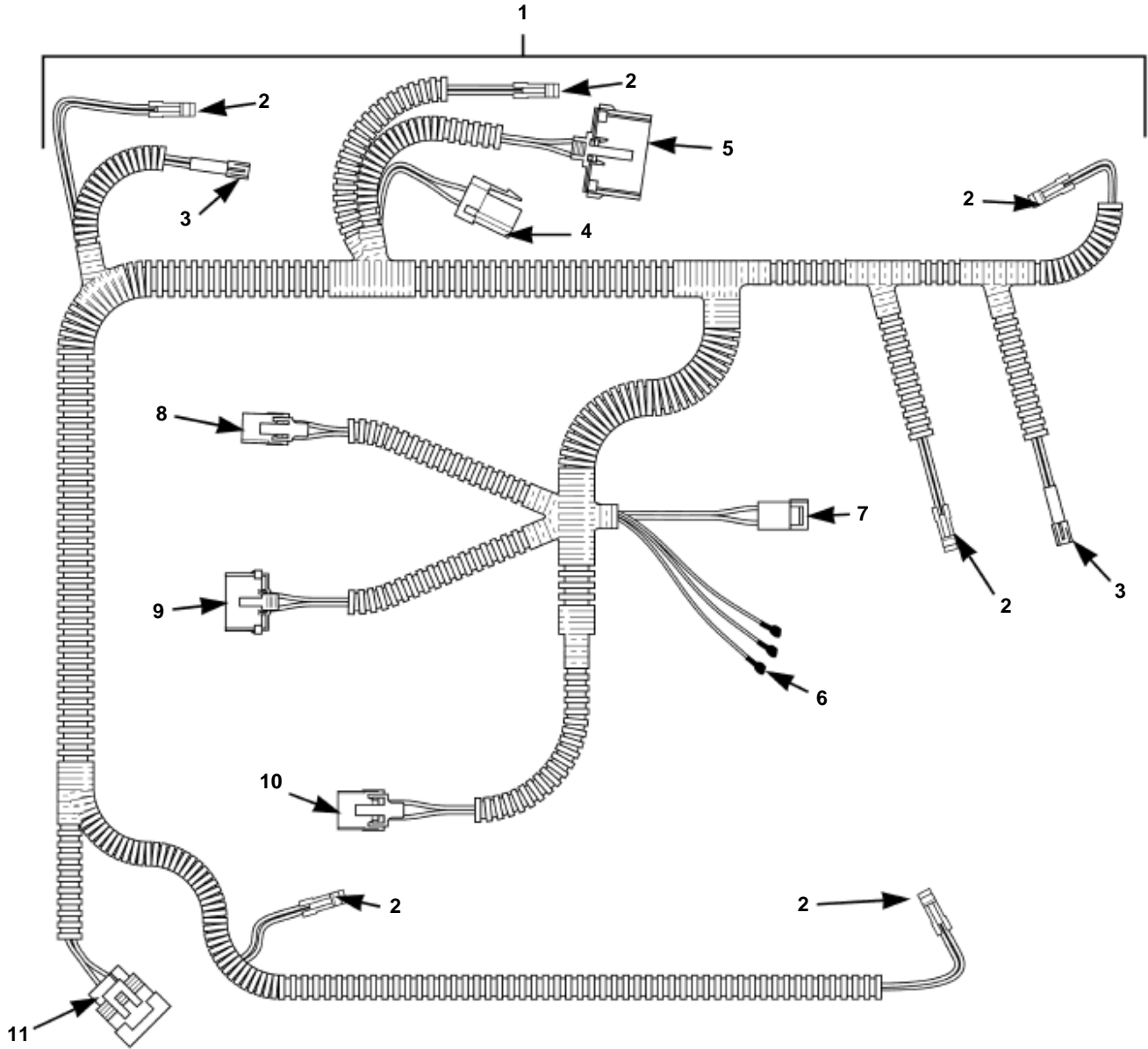




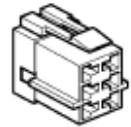
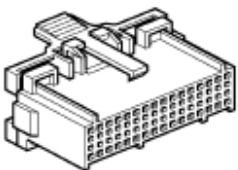
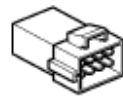
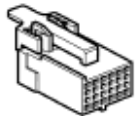
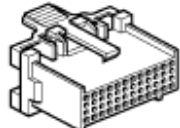
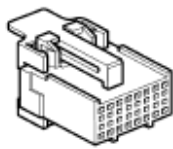
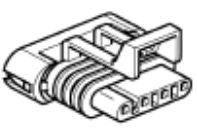
04-P12-038

**Harness Assembly, Standard Stereo,
Four-Speaker, Hard Top, Model 56, 57**

Harness Assembly, Standard Stereo, Four-Speaker, Hard Top, Model 56, 57.

Item	Part No.	Description	Qty
1	6016493	HARNES ASSEMBLY, Delco standard stereo four-speaker, open top	1
2	6009363	.CONNECTOR, 2-way, to speaker	4
3	6008670	.CONNECTOR, 8-way, to cross-body harness	1
4	6013986	.CONNECTOR, 24-way, to radio	1

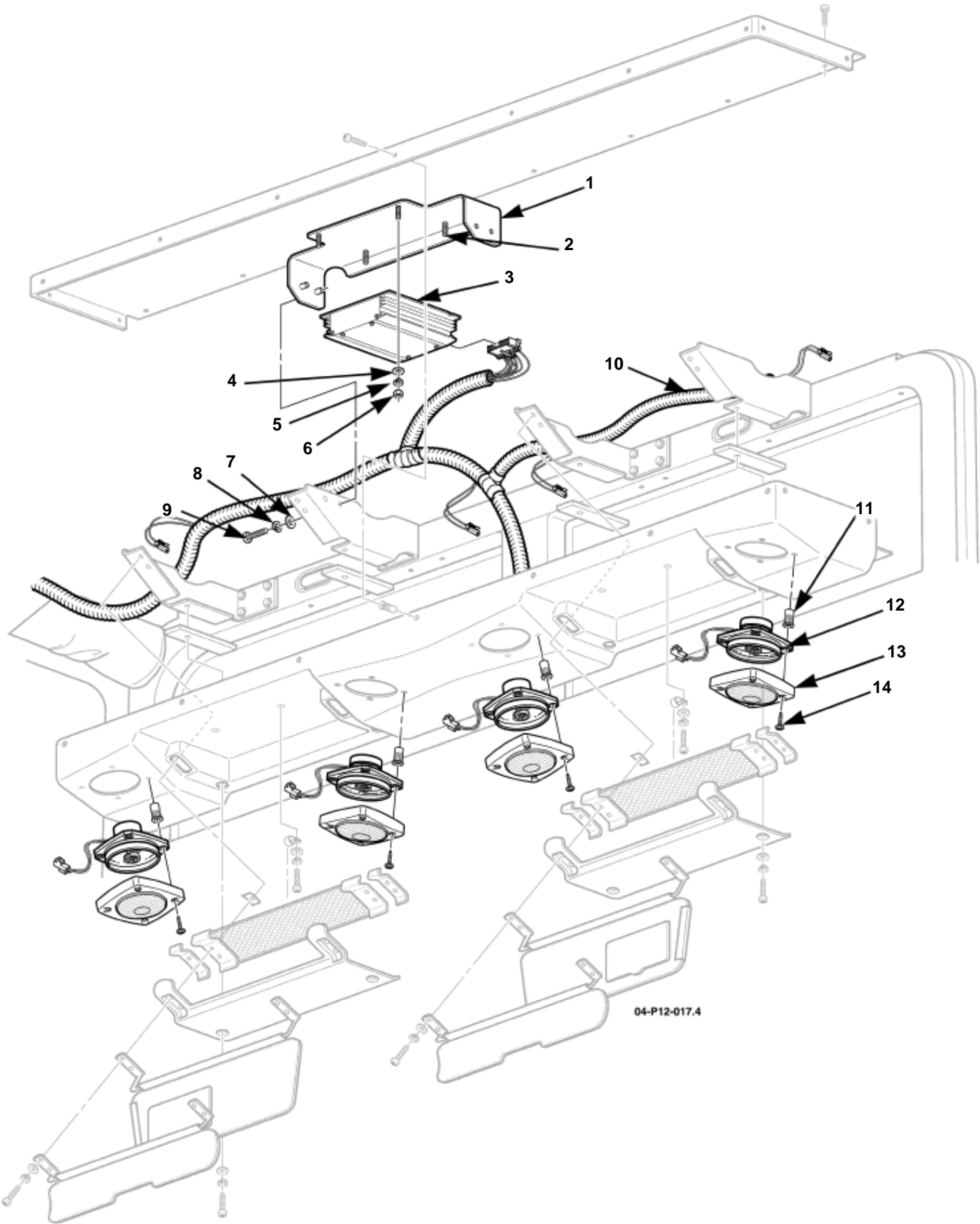


 <p>VIEW 2</p>	 <p>VIEW 3</p>	 <p>VIEW 4</p>	 <p>VIEW 5</p>	 <p>VIEW 7</p>	 <p>VIEW 8</p>
 <p>VIEW 9</p>	 <p>VIEW 10</p>	 <p>VIEW 11</p>	<p>04-P12-025</p>		

Harness Assembly, Monsoon, Soft-Top model 90

Harness Assembly, Monsoon, Soft-Top model 90.

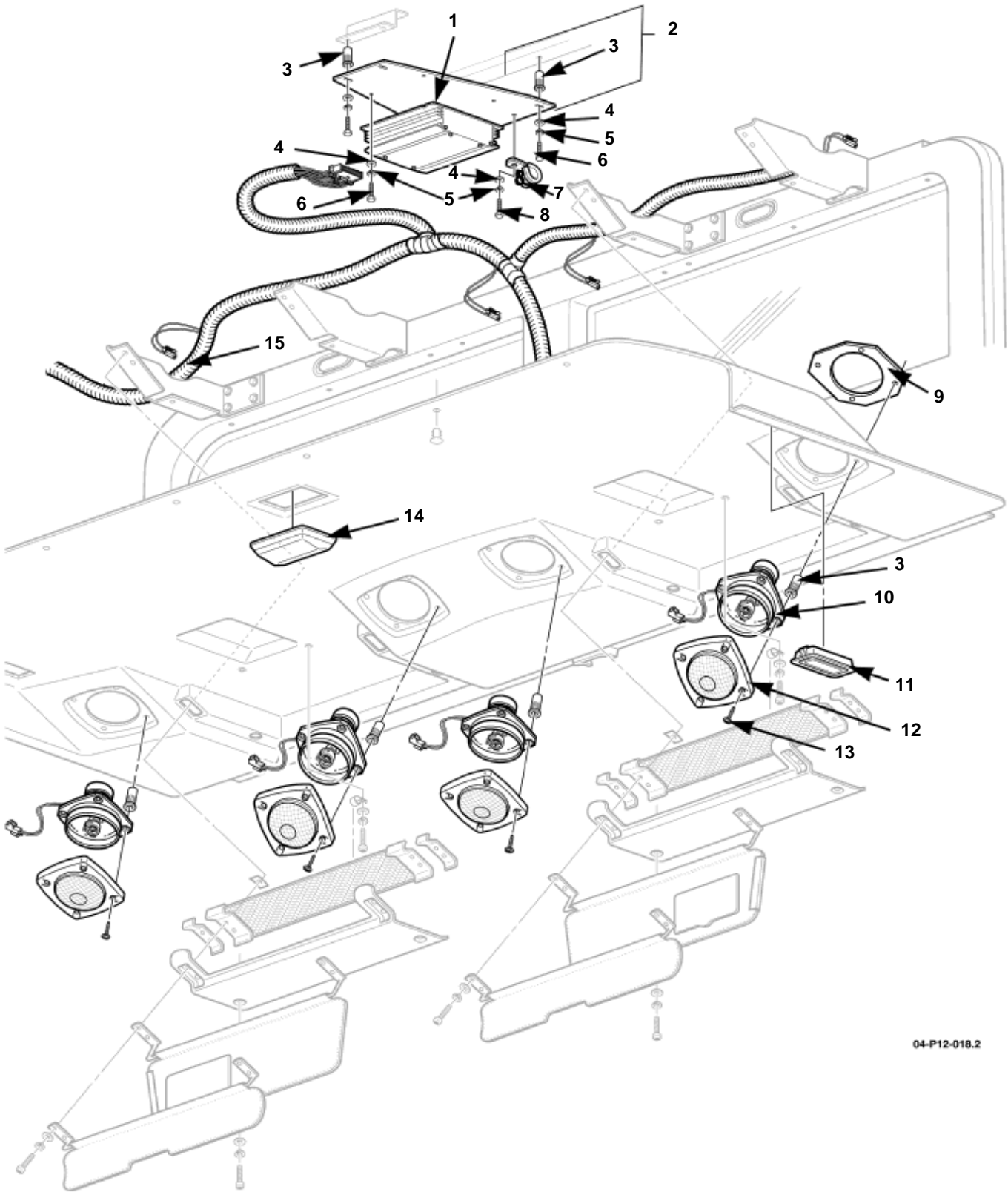
Item	Part No.	Description	Qty
1	6016491	HARNESS ASSEMBLY, soft-top, Monsoon	1
2	6009363	.CONNECTOR, 2-way, speaker	6
3	6003816	.CONNECTOR, 2-way, vanity mirror	2
4	6007029	.CONNECTOR, 6-way, cross body harness	1
5	6004450	.CONNECTOR, 32-way, amplifier	1
6	N/S	.HEAT SHRINK	1
7	6008670	.CONNECTOR, 8-way, to console harness	1
8	N/S	.CONNECTOR, 12-way, to radio	1
9	6013986	.CONNECTOR, 24-way, to radio	1
10	6011042	.CONNECTOR, 16-way, rear seat audio	1
11	6009362	.CONNECTOR, 4-way, to sub woofer	1



Monsoon System, Soft-Top

HUMMER H1 2004 Parts Catalog
Monsoon System, Soft-Top.

Item	Part No.	Description	Qty
1	6017773	BRACKET ASSEMBLY, amplifier	1
2	6017772	STUD, captive, press in	4
3	6017663	AMPLIFIER, Monsoon radio	1
4	MS35338-43	LOCKWASHER, #10	8
5	ELMS51412-2	WASHER, flat	4
6	N/S	NUT, #10 - 24", HX MS DT	4
7	2436161P2	WASHER, flat	4
8	MS35338-44P2	LOCKWASHER	4
9	MS90728-7	1/4 - 20 X 7/8" HHCS Gr8 DT	4
10	6016491	HARNES ASSEMBLY, soft top, Monsoon	1
11	5939712	RIVNUT, #10 - 24 x .130" grip	16
12	6009152	SPEAKER ASSEMBLY, 5 1/2"	4
13	6009153	SPEAKER GRILLE, standard	4
14	MS35206-267P2	SCREW	16



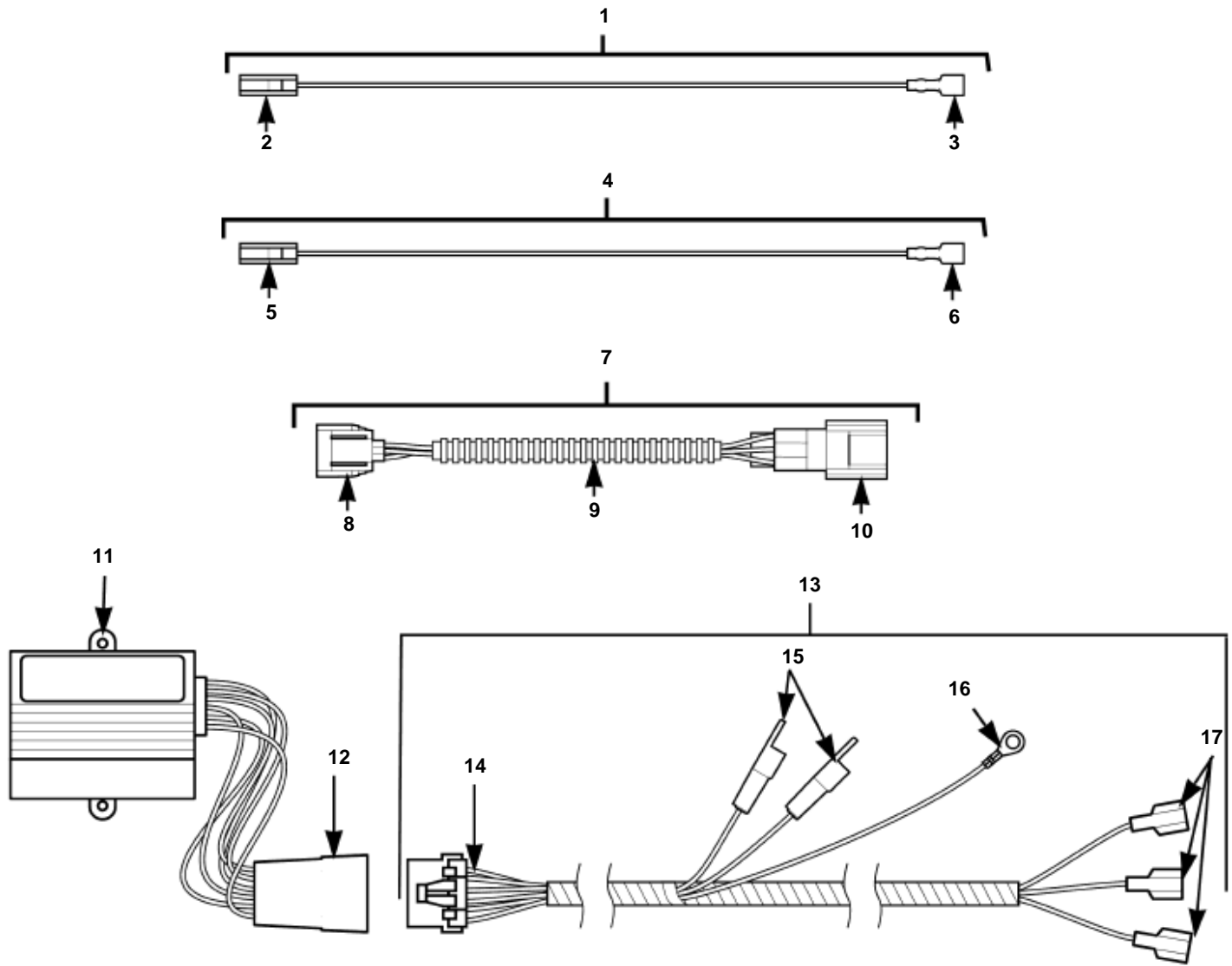
04-P12-018.2

Monsoon System, Wagon

Monsoon System, Wagon.

Item	Part No.	Description	Qty
1	6017663	AMPLIFIER, Monsoon radio	1
2	6016949	BRACKET, amplifier mounting	1
3	5939712	RIVNUT, #10 - 24 x .130" grip	20
4	MS27183-41	WASHER, flat	8
5	MS35338-43	LOCKWASHER, #10	8
6	N/S	SCREW, hex-head, machine screw, #10 - 24 x 3/4"	8
7	MS21333-75	P-CLAMP, cushioned	2
8	N/S	SCREW, #10 - 24 x 3/4"	2
9	6009187	BACKING PLATE, speaker	2
10	6009152	SPEAKER ASSEMBLY, 5 1/2", SEE NOTE 1	6
11	6004088	MAP LIGHT ASSEMBLY	4
	6004087	·BEZEL, map light	4
12	6009153	SPEAKER GRILLE, standard	6
13	MS35206-267P2	SCREW	20
14	6016753	DOME LAMP ASSEMBLY, standard	3
15	6016490	HARNES ASSEMBLY, Monsoon	1

NOTE 1: CENTER HEADLINER IS CONFIGURED
SIMILARLY TO THE FRONT HEADLINER,



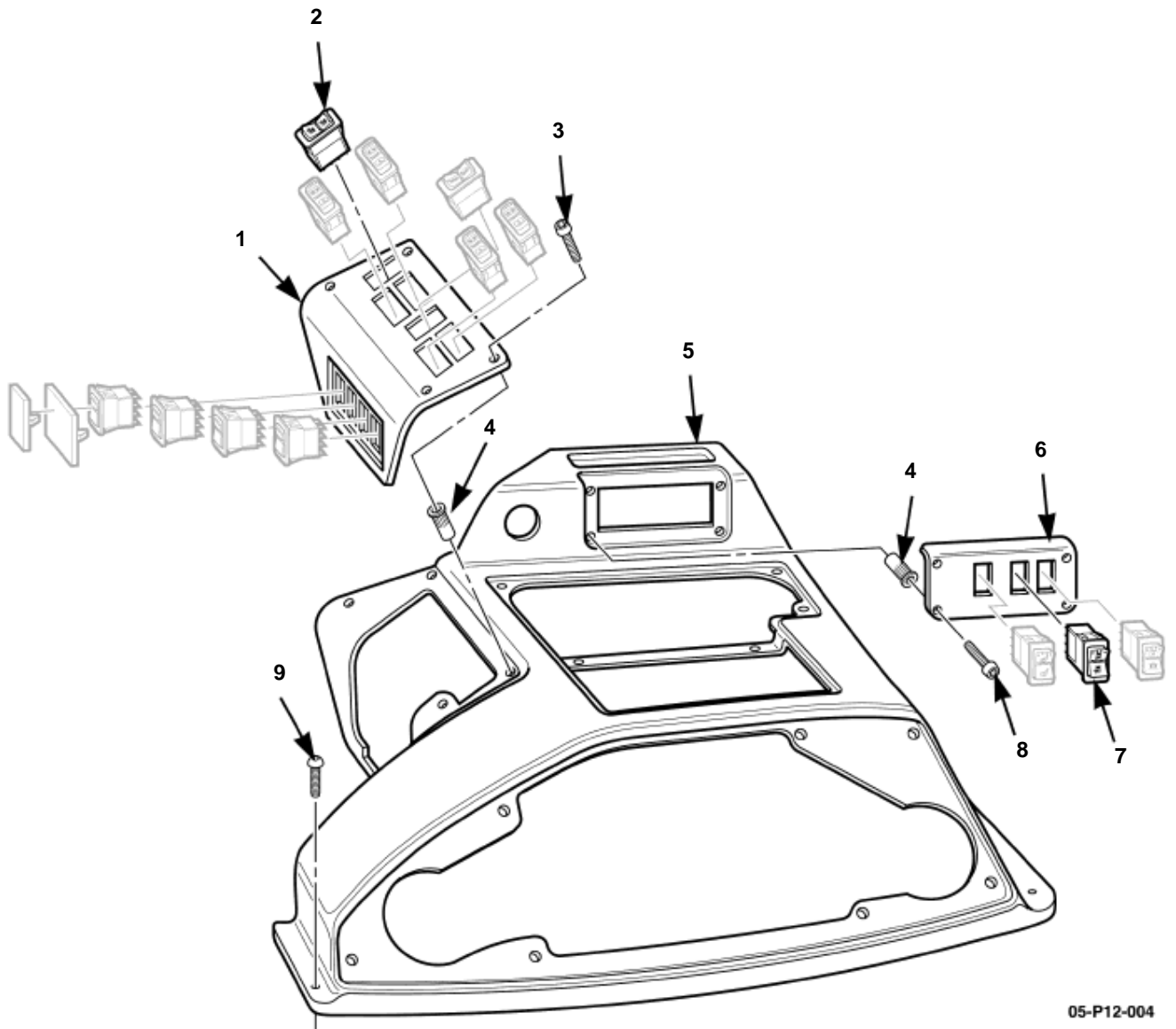
VIEW 2	VIEW 3	VIEW 5	VIEW 6	VIEW 8	VIEW 10
VIEW 12	VIEW 14	VIEW 15	VIEW 16	VIEW 17	

00-P12-009

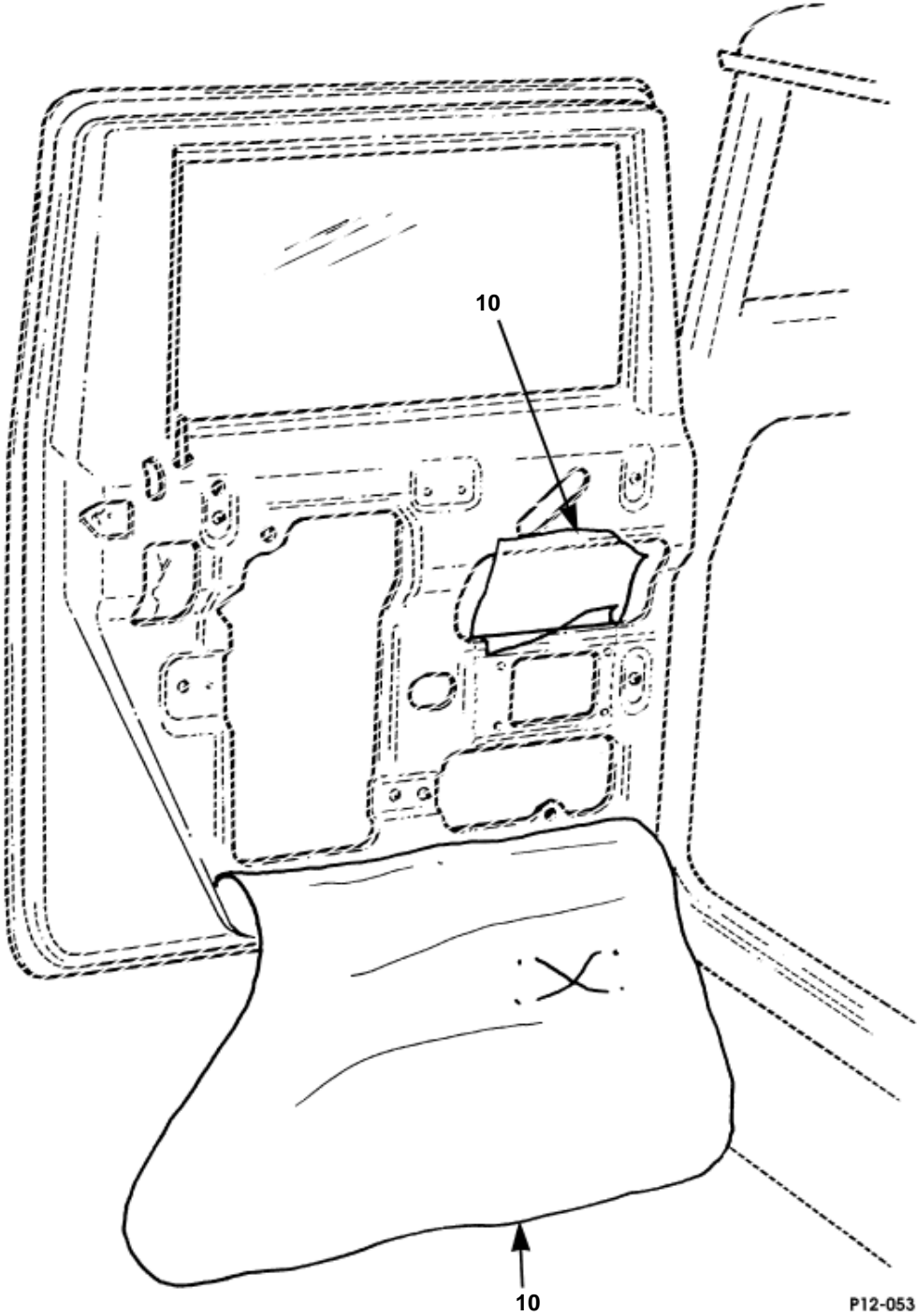
**Harness Assemblies, Jumpers,
Daytime Running Light, Ignition, Brake Fluid Level**

Harness Assemblies, Jumpers, Daytime Running Light, Ignition, Brake Fluid Level.

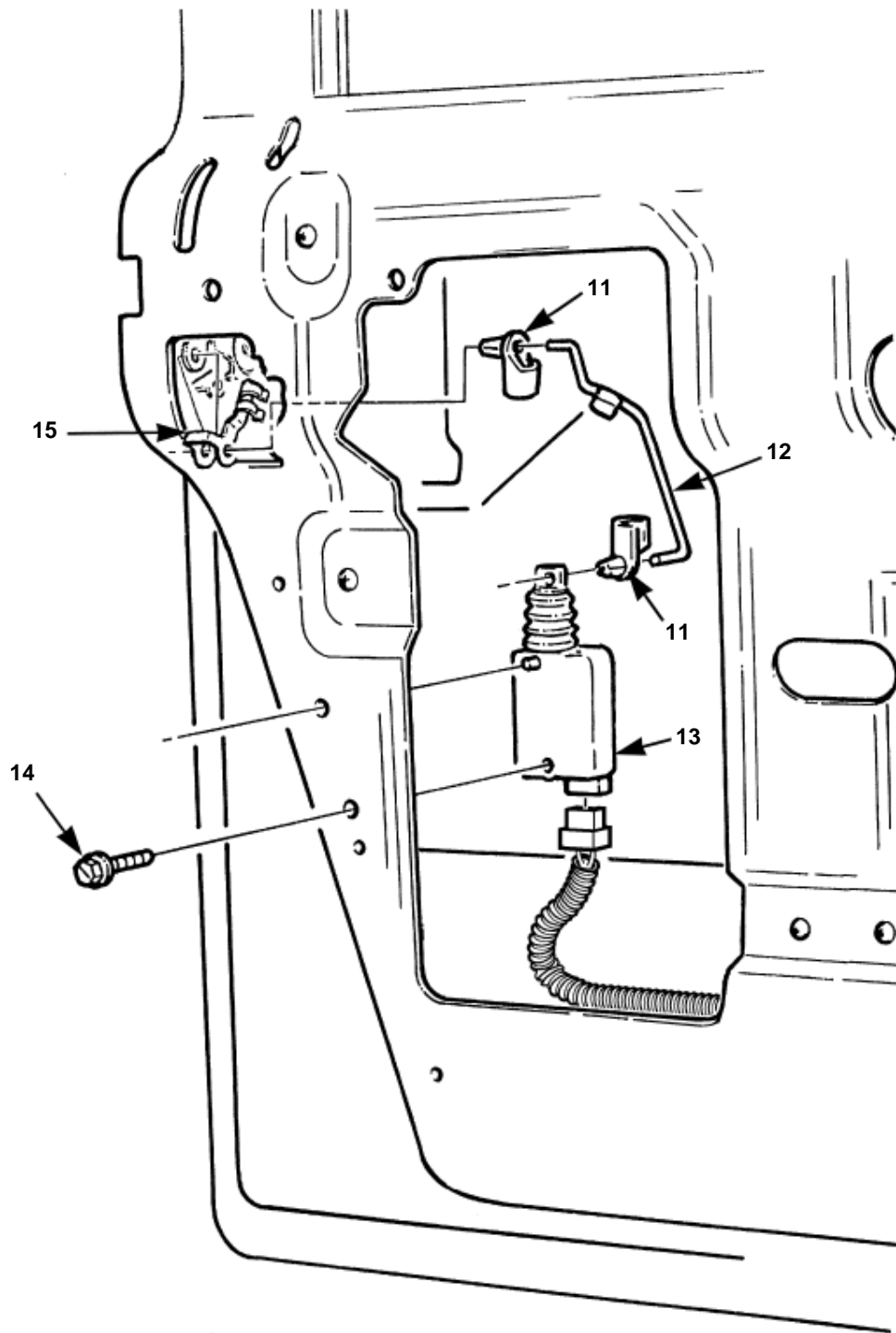
Item	Part No.	Description	Qty
1	6010839	JUMPER ASSEMBLY, daytime running light, (Canada only), yellow	1
2	5903092	·INSULATOR, connector	1
3	S.I.A.	·CONNECTOR	1
4	6010837	JUMPER ASSEMBLY, ignition, DRL & GCC, white	1
5	5903092	·INSULATOR, connector	1
6	S.I.A.	·CONNECTOR	1
7	6010841	JUMPER ASSEMBLY, brake fluid level, DRL	1
8	S.I.A.	·CONNECTOR, 3-way, to master cylinder	1
9	S.I.A.	·DIODE (in heat-shrinking tubing)	1
10	S.I.A.	·CONNECTOR, 3-way	1
11	6002625	MODULE ASSEMBLY, daytime running light	1
12	S.I.A.	·CONNECTOR	1
13	6002626	HARNESS, module, daytime running light (Canada only)	1
14	6002769	·CONNECTOR, 8-way	1
15	6002767	·CONNECTOR	2
16	S.I.A.	·RING TERMINAL	1
17	6002829	·CONNECTOR	3



Power Door Locks



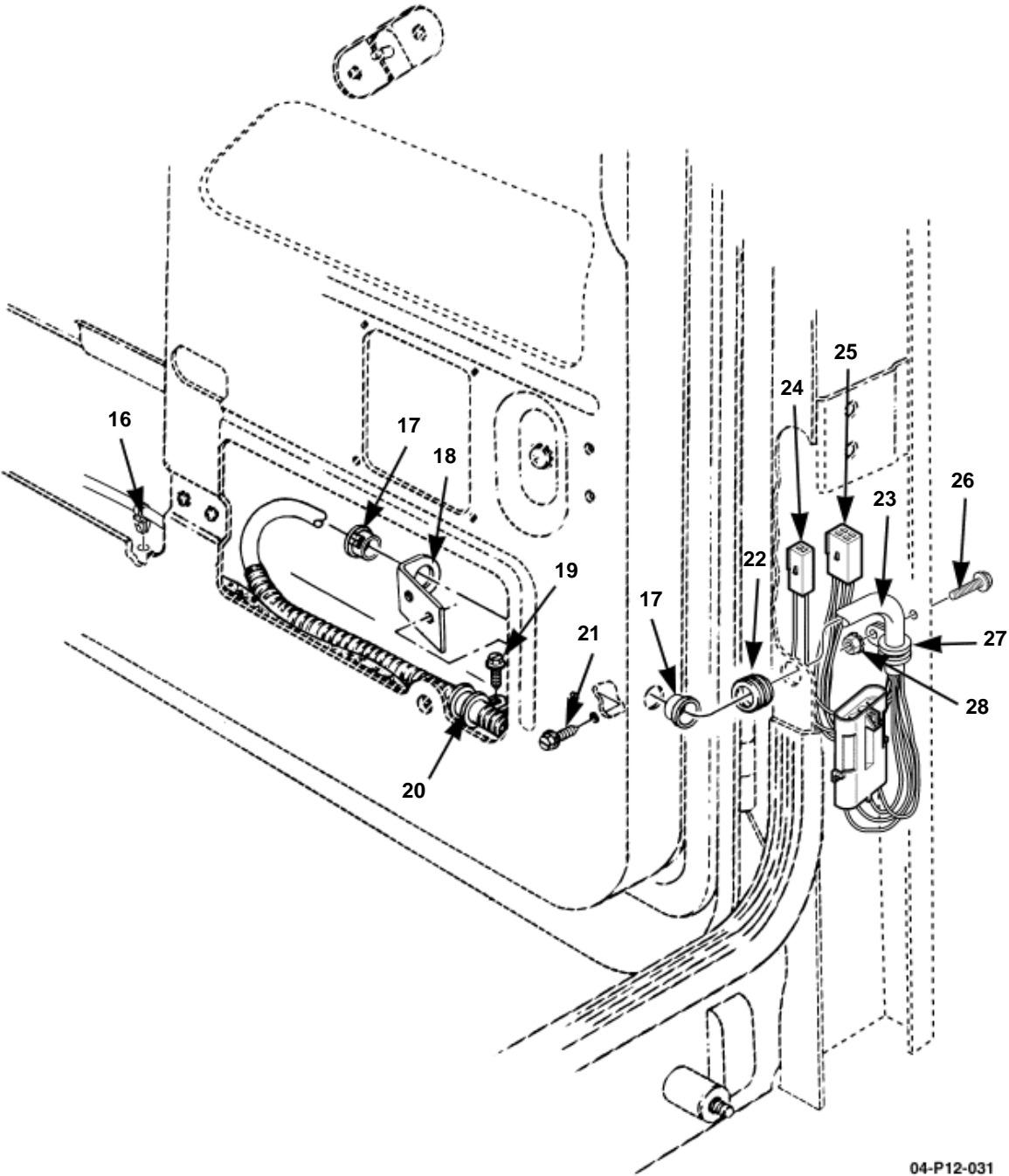
Power Door Locks



P12-055.1

Power Door Locks

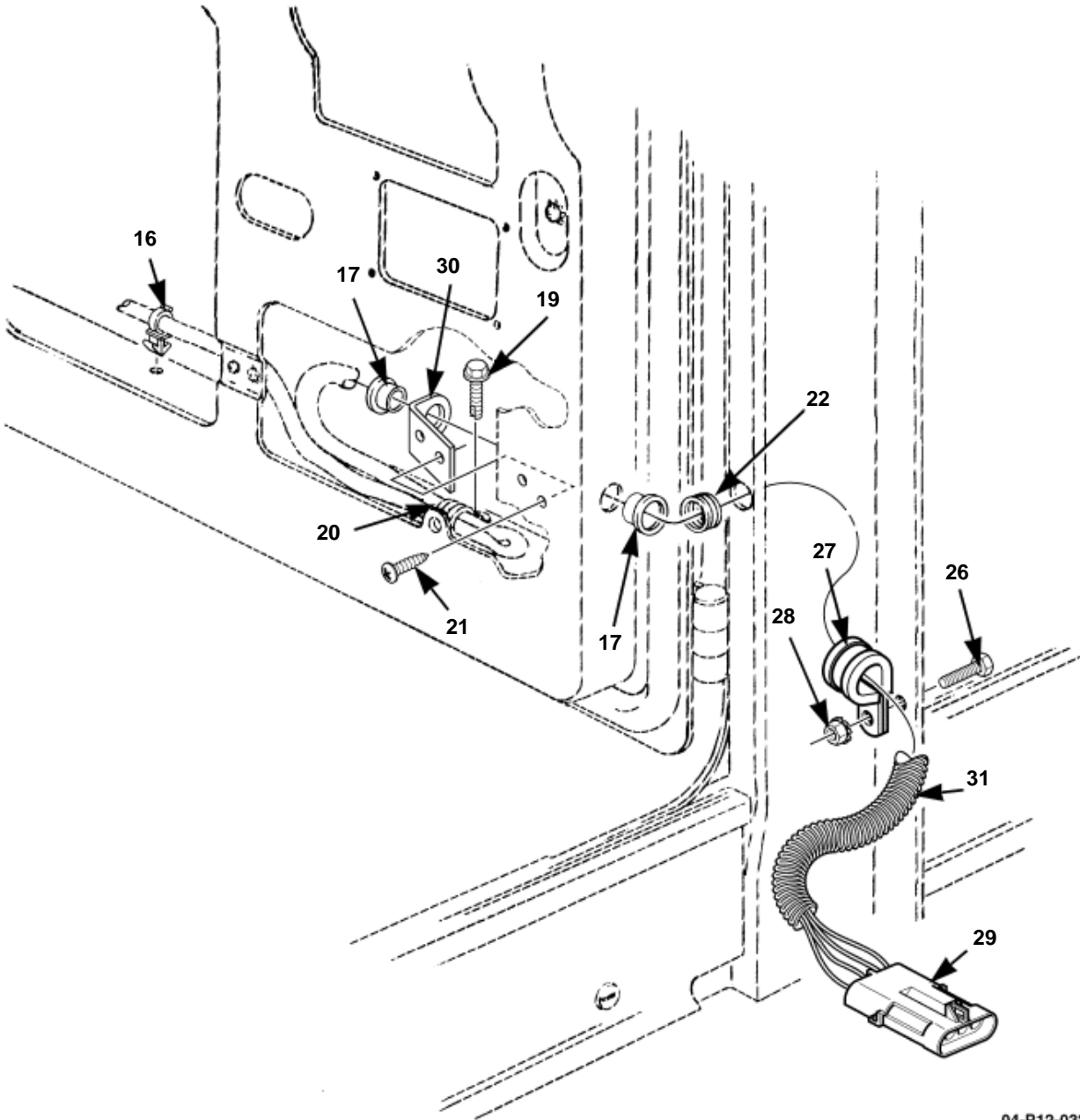
FRONT DOOR



04-P12-031

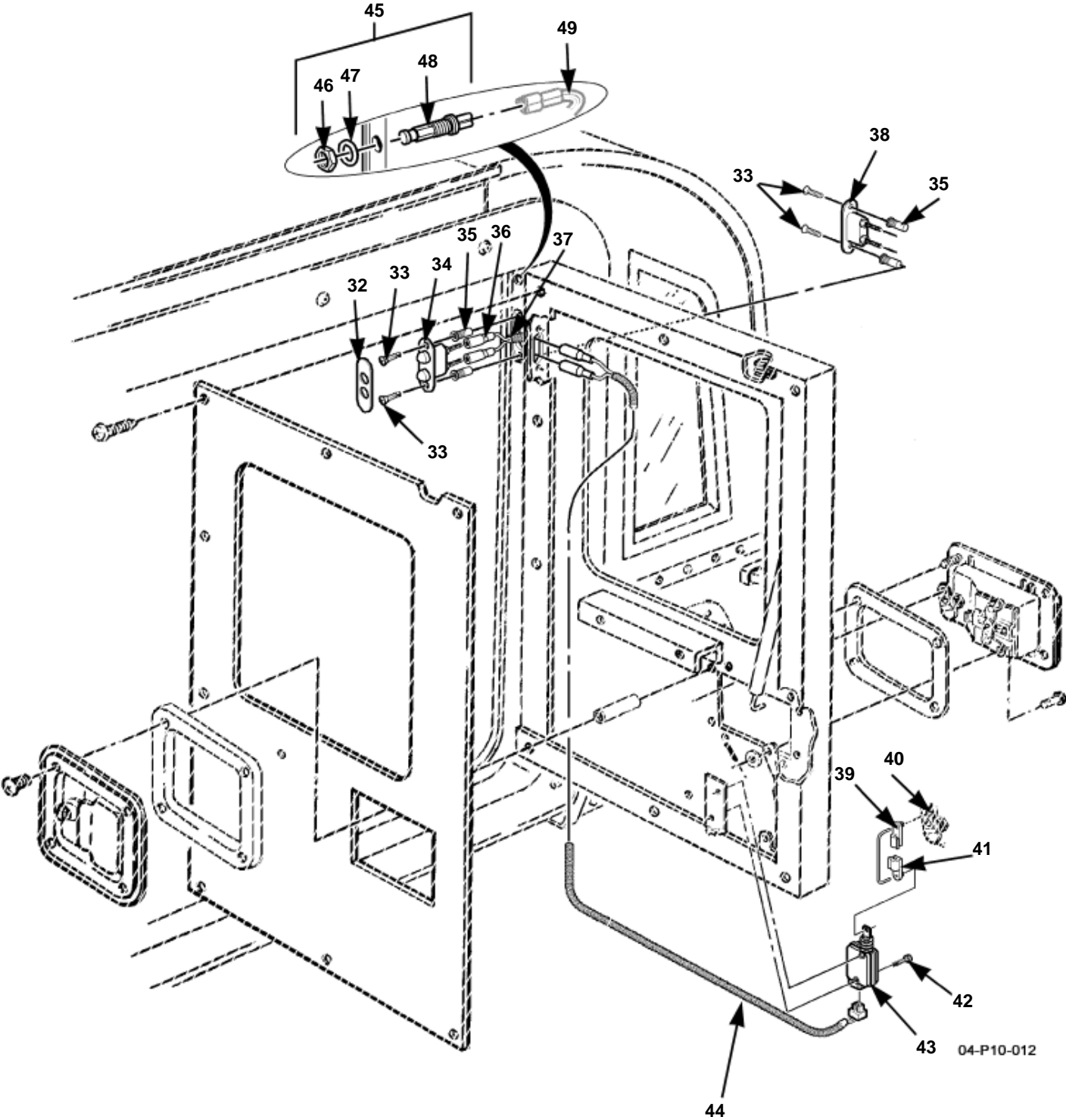
Power Door Locks

REAR DOOR



04-P12-032

Power Door Locks



Power Door Locks

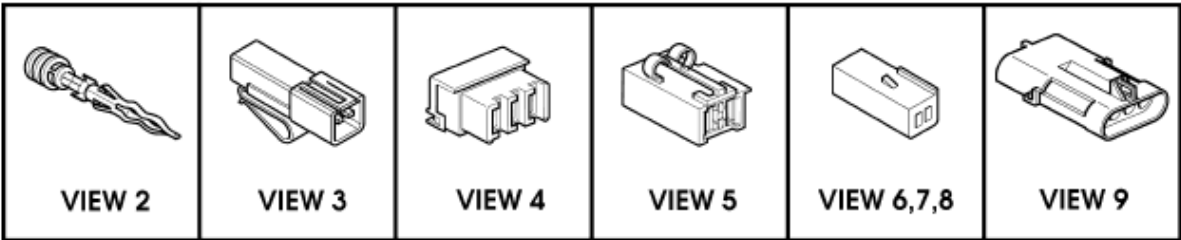
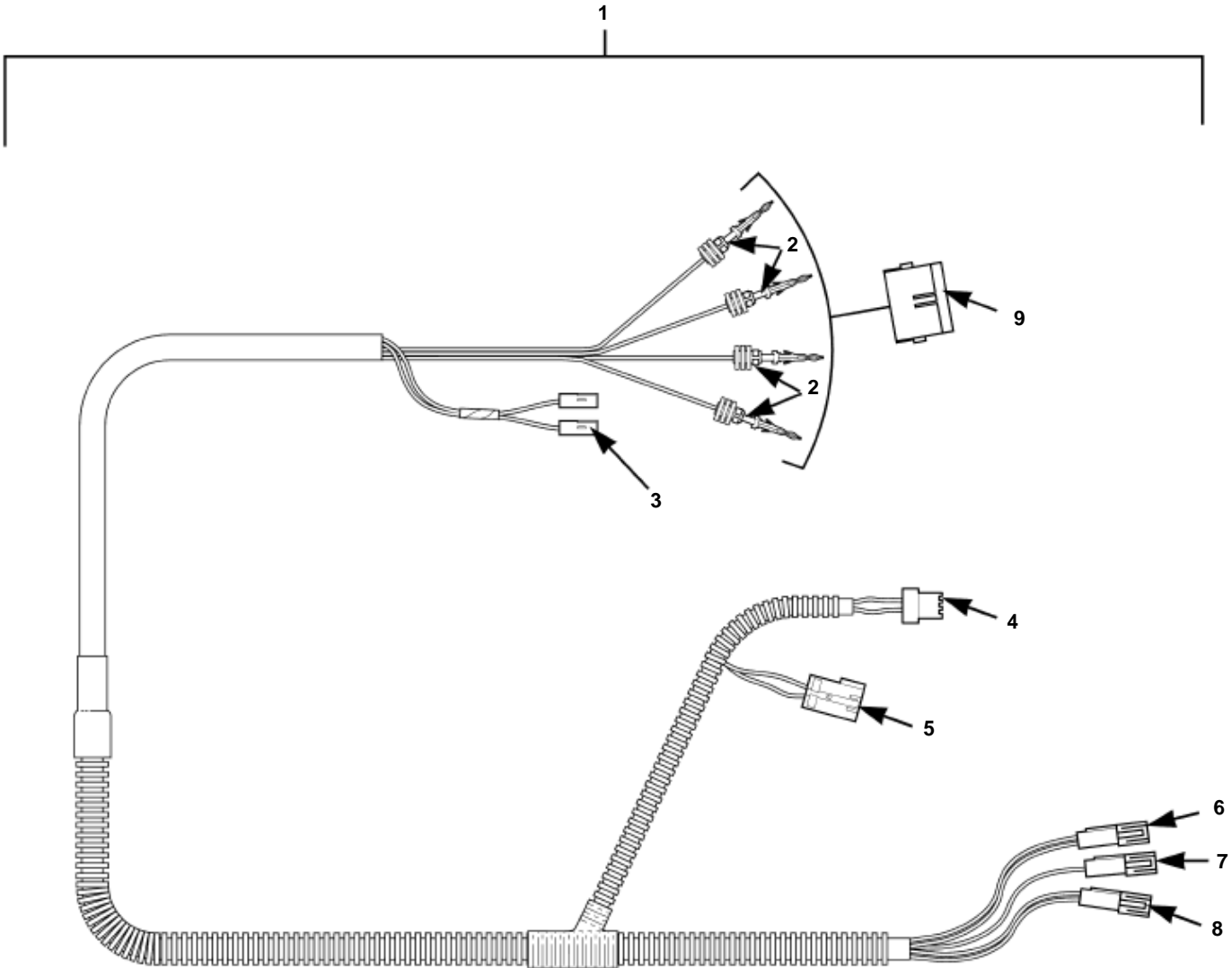
Power Door Locks.

Item	Part No.	Description	Qty	
1	6015350	BEZEL, control, L.H.	1	1
2	6017045	SWITCH, door lock, horizontal	1	1
3	6016634	SCREW	21	4
4	12446871-2	PLUS NUT, 1/4 - 20"	21	21
5	6015337	REAR CONSOLE ASSEMBLY 56, 57, 58, 84, 90		1
	6018107	REAR CONSOLE ASSEMBLY 55	1	
6	6015352	BEZEL, control, R.H.	1	1
7	6016518	SWITCH, door lock, R.H., front, rear	1	1
8	6016634	SCREW	21	21
9	6016963	SCREW	21	21
10	6018592	WATERSHIELD, L.H., front door	1	1
	6018593	WATERSHIELD, R.H., front door	1	1
	6018594	WATERSHIELD, L.H., rear door		1
	6018595	WATERSHIELD, R.H., rear door		1
	6001694	WATERSHIELD, door latch	2	4
11	5939037	CLIP, rod end	4	8
12	6001831	ACTUATOR ROD, front, L.H.	1	1
	6001832	ACTUATOR ROD, front, R.H.	1	1
	6001833	ACTUATOR ROD, rear, L.H. 56, 57, 58, 84, 90		1
	6001834	ACTUATOR ROD, rear, R.H. 56, 57, 58, 84, 90		1
13	6003590	ACTUATOR, power door lock	2	4
14	N/S	SCREW, truss head, tapping, #8 - 16 x 1"	8	16
15	6011276	ROD, exterior handle-to-latch	1	2
16	6002466	RETAINER, wire	2	4
17	N/S	BUSHING, snap	2	4
18	6001840	BRACKET, front, L.H.	1	1
	6001841	BRACKET, front, R.H.	1	1
19	EL12342499-2	SCREW	1	1
20	N/S	P-CLAMP, cushioned, .688" DIA	1	1
21	6005935	SCREW	2	2
22	MS35489-98	GROMMET, rubber	2	4
23	6016486	HARNESS, door, front, R.H.	1	1
	6016487	HARNESS, door, front, L.H.	1	1
24	6003815	CONNECTOR, to mirror body	2	4
25	6010415	CONNECTOR, to mirror body	2	4
26	N/S	SCREW, #10 - 32 x 3/4", ZN	2	4
27	MS21333-68	P-CLAMP, .312 DIA.	2	4
28	EL9411893	NUT AND LOCKWASHER ASSEMBLY	2	4
29	N/S	CONNECTOR, 4 way	2	4
30	6001842	BRACKET, rear, L.H.	1	1
	6001843	BRACKET, rear, R.H.	1	1
31	6016833	HARNESS, door, rear, R.H., L.H., power locks and windows	1	1
32	6008581	SEAL, door lock switch		1
33	N/S	SCREW, flat head, #6 - 32 x 5/8"		4
34	6008348	CONTACTS, power door lock, jamb-side		1
35	6003611	NUT INSERT, 6/32", closed end threaded		4
36	N/S	TERMINAL, female, to rear vertical door contacts		2
37	6016485	HARNESS ASSEMBLY, cargo door jumper, R.H. 57,84	1	
	6016484	HARNESS ASSEMBLY, cargo door jumper 56, 58,57, 58, 90, SEE NOTE 1	1	
38	6008347	CONTACTS, power door lock, door-side		1
39	6008346	ROD, power lock		1
40	6000747	ROD CLIP, interior handle		5
41	5939037	CLIP, rod end		1
42	6006283	SCREW, #10 - 32 x 5/8", truss head		1
43	6003590	ACTUATOR, power door lock		1
44	6014927	HARNESS, power door lock, cargo door		1
45	5939088	SWITCH ASSEMBLY, door jamb		1
46	S.I.A.	·NUT		1
47	S.I.A.	·WASHER		1

Power Door Locks.

Item	Part No.	Description	Qty
48	S.I.A.	·SWITCH, door jamb	1
49	6016497	HARNESS ASSEMBLY, roof wiring 84	1

NOTE 1: HARNESS ASSEMBLY 6016484 IS USED ON THE
L.H. CARGO DOOR OF MODELS 57, 84



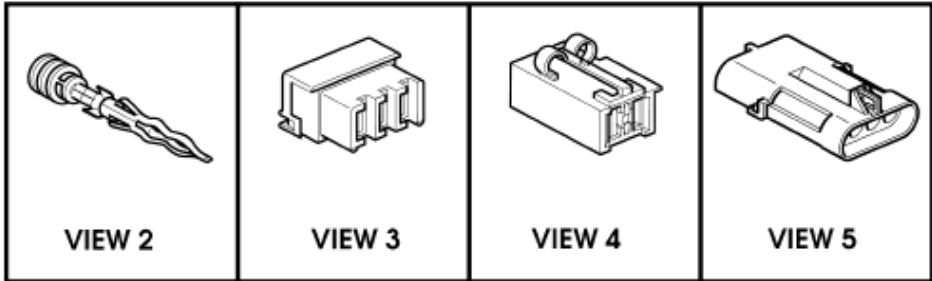
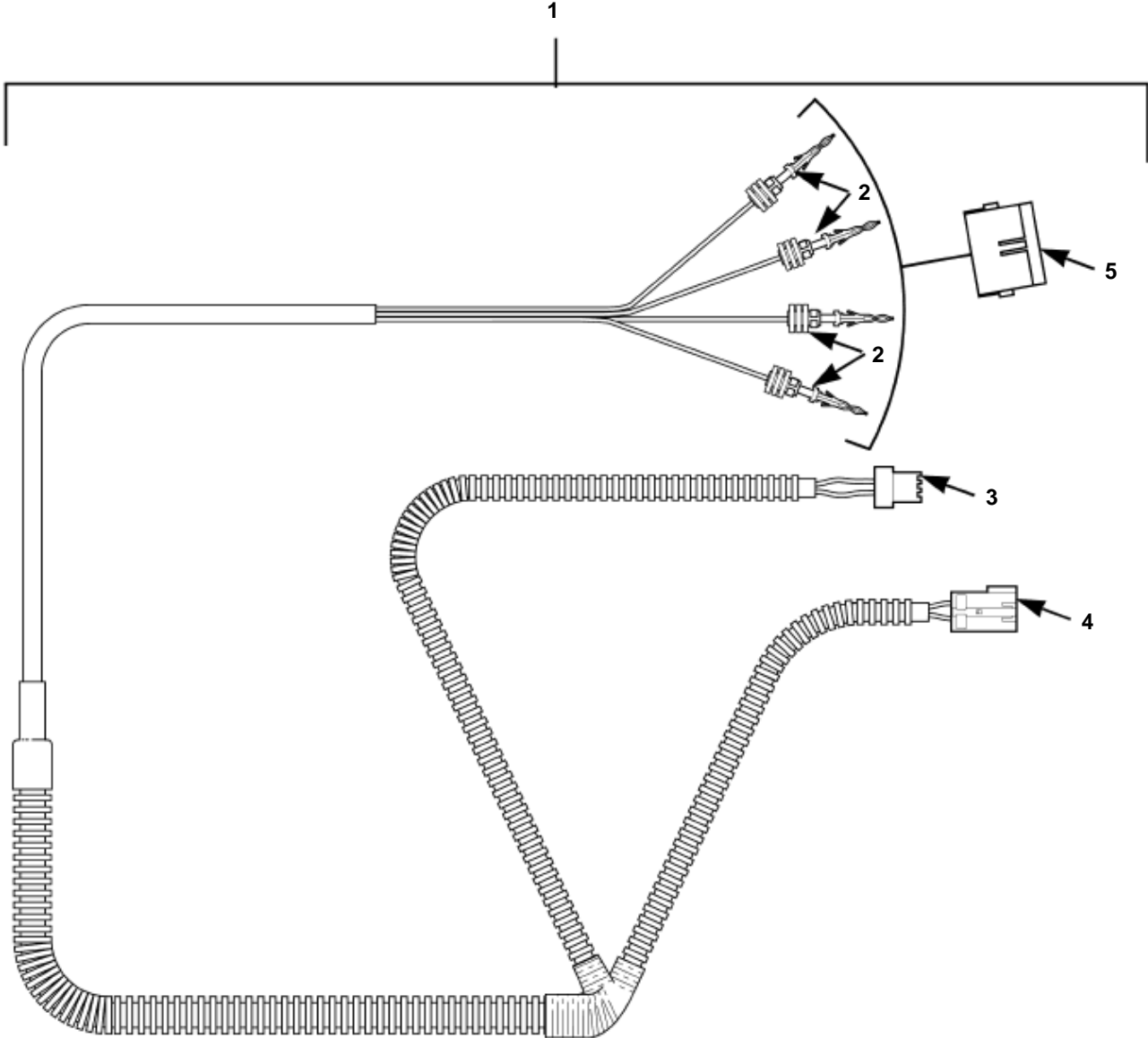
04-P12-010

Harness Assembly, Door, Front, L.H, R.H

Harness Assembly, Door, Front, L.H, R.H.

Item	Part No.	Description	Qty
1	6016486	HARNESS ASSEMBLY, front door, R.H.	1
	6016487	HARNESS ASSEMBLY, front door, L.H.	1
2	6003942	..TERMINAL	4
3	5995715	.CONNECTOR, 4-way, cross body	1
4	6002932	.CONNECTOR, 2-way, window regulator motor	1
5	6003236	.CONNECTOR, 3-way, actuator	1
6	6003816	.CONNECTOR, 2-way, power mirror jumper harness	1
7	6010870	.CONNECTOR, 2-way, power mirror jumper harness	1
8	6000135	.CONNECTOR, 2-way, power mirror jumper harness	1
9	N/S	CONNECTOR, 4 way, SEE NOTE 1	1

NOTE 1: THIS CONNECTOR DOES NOT COME WITH THE DOOR HARNESS. THE DOOR HARNESS ENDS WITH FOUR TERMINALS TO FIT THROUGH HOLES IN THE DOOR AND THEN INTO THIS CONNECTOR.



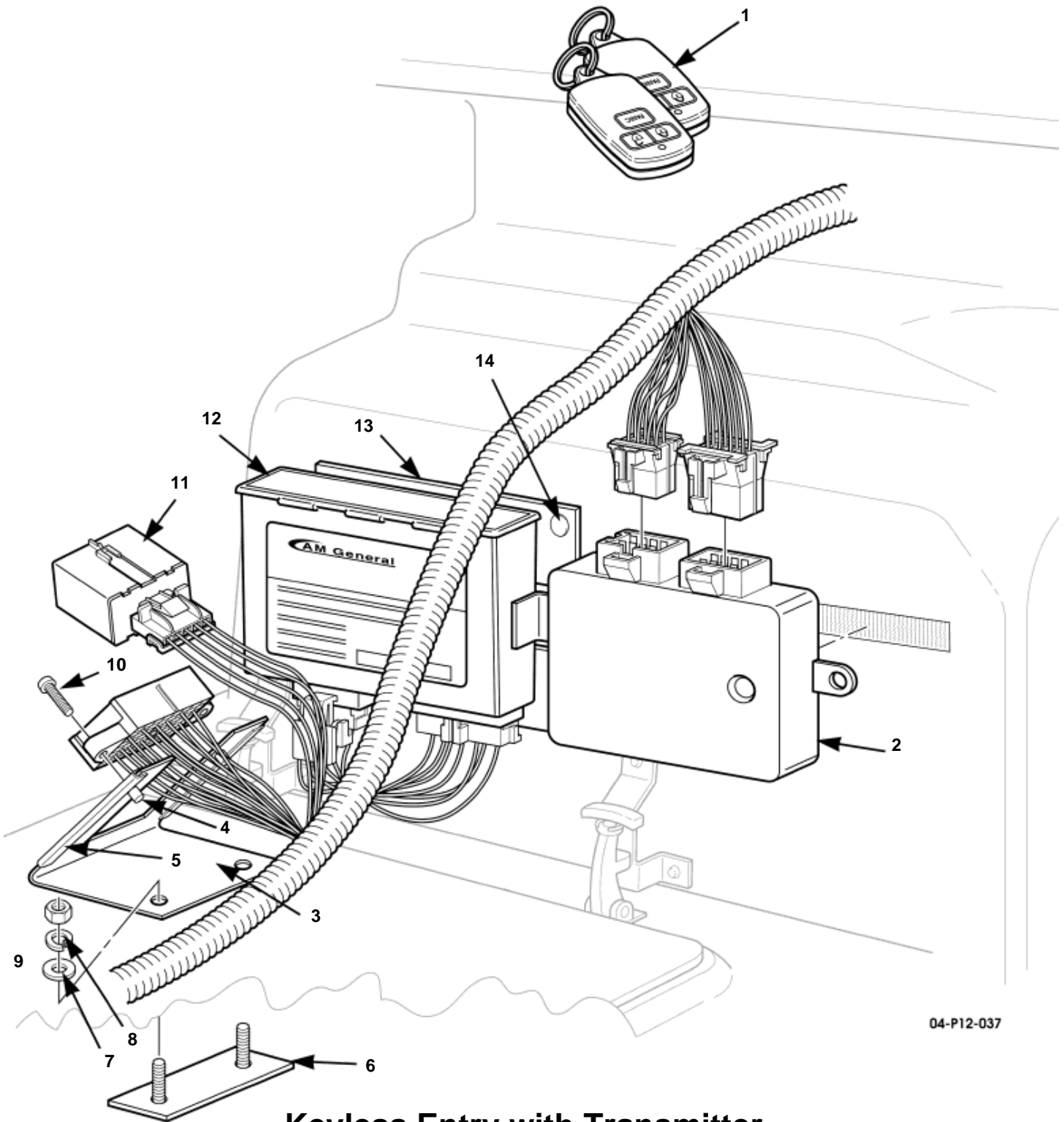
04-P12-011

Harness Assembly, Door, Rear, L.H., R.H

Harness Assembly, Door, Rear, L.H., R.H.

Item	Part No.	Description	Qty
1	6016833	HARNESS ASSEMBLY, rear doors, L.H., R.H.	1
2	6003942	.TERMINAL	4
3	6002932	.CONNECTOR, 2-way, window regulator motor	1
4	6003236	.CONNECTOR, 3-way, actuator	1
5	N/S	CONNECTOR, 4 way, SEE NOTE 1	1

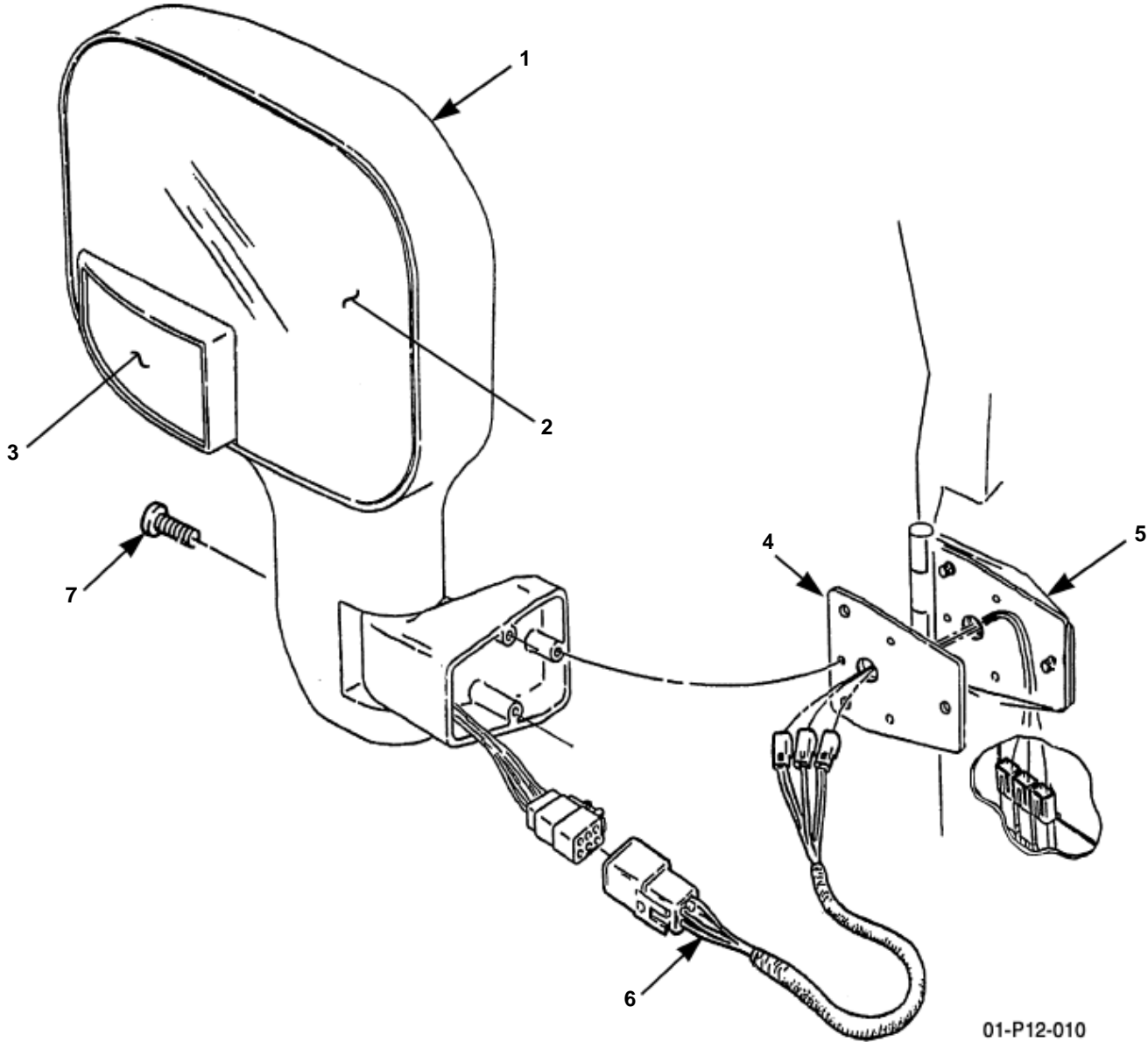
NOTE 2: THIS CONNECTOR DOES NOT COME WITH THE DOOR HARNESS. THE DOOR HARNESS ENDS WITH FOUR TERMINALS TO FIT THROUGH HOLES IN THE DOOR AND THEN INTO THIS CONNECTOR.



**Keyless Entry with Transmitter,
E-Locker Module, Express Down Window Module and
Cross Body Harness Bracket**

Keyless Entry with Transmitter, E-Locker Module, Express Down Window Module and Cross Body Harness Bracket.

Item	Part No.	Description	Qty
1	6010410	TRANSMITTER, remote entry, three button	2
2	6012317	MODULE, receiver, keyless entry	1
3	6017066	BRACKET ASSEMBLY, connector mounting	1
4	5939712	·NUT INSERT, 1/4 - 20"	2
5	S.I.A.	·EDGE GUARD	2
6	6017068	PLATE ASSEMBLY, connector mounting	1
7	N/S	WASHER, flat, 1/4"	2
8	N/S	LOCKWASHER, 1/4"	2
9	N/S	LOCKNUT, 1/4"	2
10	N/S	SCREW, phcr, 1/4 - 20 x 1"	2
11	6012309	MODULE, express down window	1
12	6018650	MODULE, E Locker, controller	1
13	6014497	BRACKET, E Locker, module	1
14	6001038	TRIM BUTTON	4



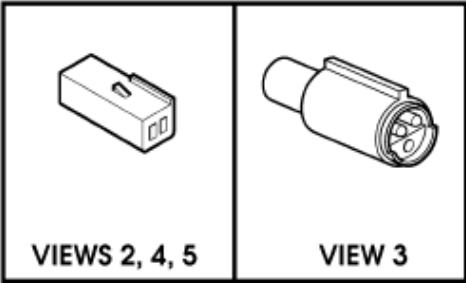
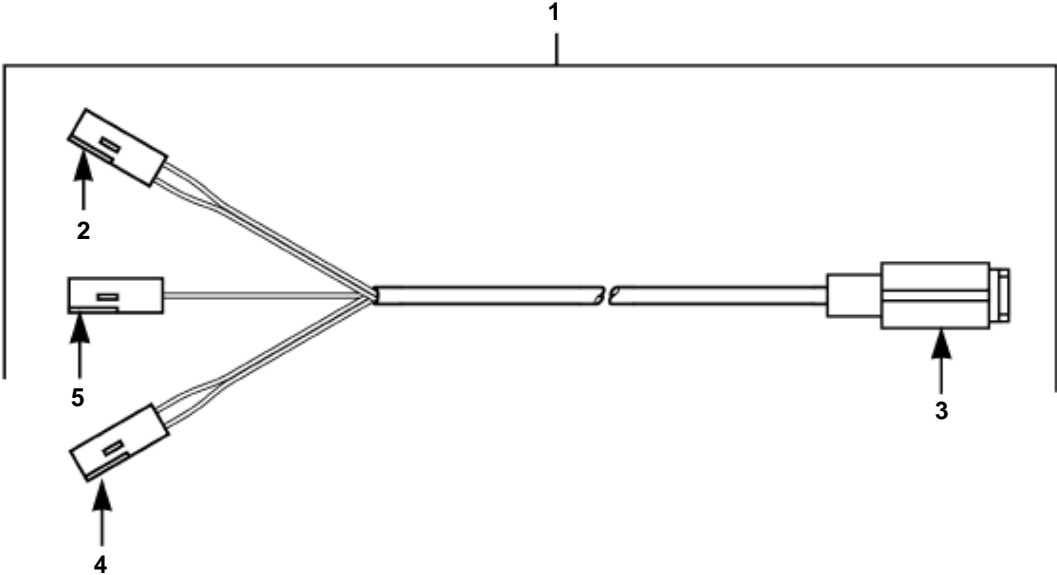
01-P12-010

Heated Power Exterior Mirrors

HUMMER H1 2004 Parts Catalog
Heated Power Exterior Mirrors.

Item	Part No.	Description	Qty
1	6012315	MIRROR, heated power, exterior, L.H.SEE NOTE 1	1
	6012316	MIRROR, heated power, exterior, R.H. SEE NOTE 1	1
2	5745421	.GLASS, replacement, exterior power mirror, L.H.	1
	5745422	.GLASS, replacement, exterior power mirror, R.H.	1
3	5745425	.GLASS, replacement, convex mirror, L.H.	1
	5745426	.GLASS, replacement, convex mirror, R.H.	1
4	6016302	GASKET, heated power mirror	2
5	6003618	PLATE, mirror mounting	2
6	6010863	JUMPER HARNESS ASSEMBLY, heated power mirrors	2
7	N/S	SCREW, flat head, 1/4 - 20 x 3/4", ZN	6
	6010864	HARNESS ASM, LF door, heated, power mirrors	1
	6010865	HARNESS ASM, RF door, heated, power mirrors	1
	5745423	MIRROR, power, exterior, kit SEE NOTE 1	1

NOTE 1: IF USED ON PRE 2001 (94-00) TRUCKS, THE
HEATED FUNCTION WILL NOT WORK.

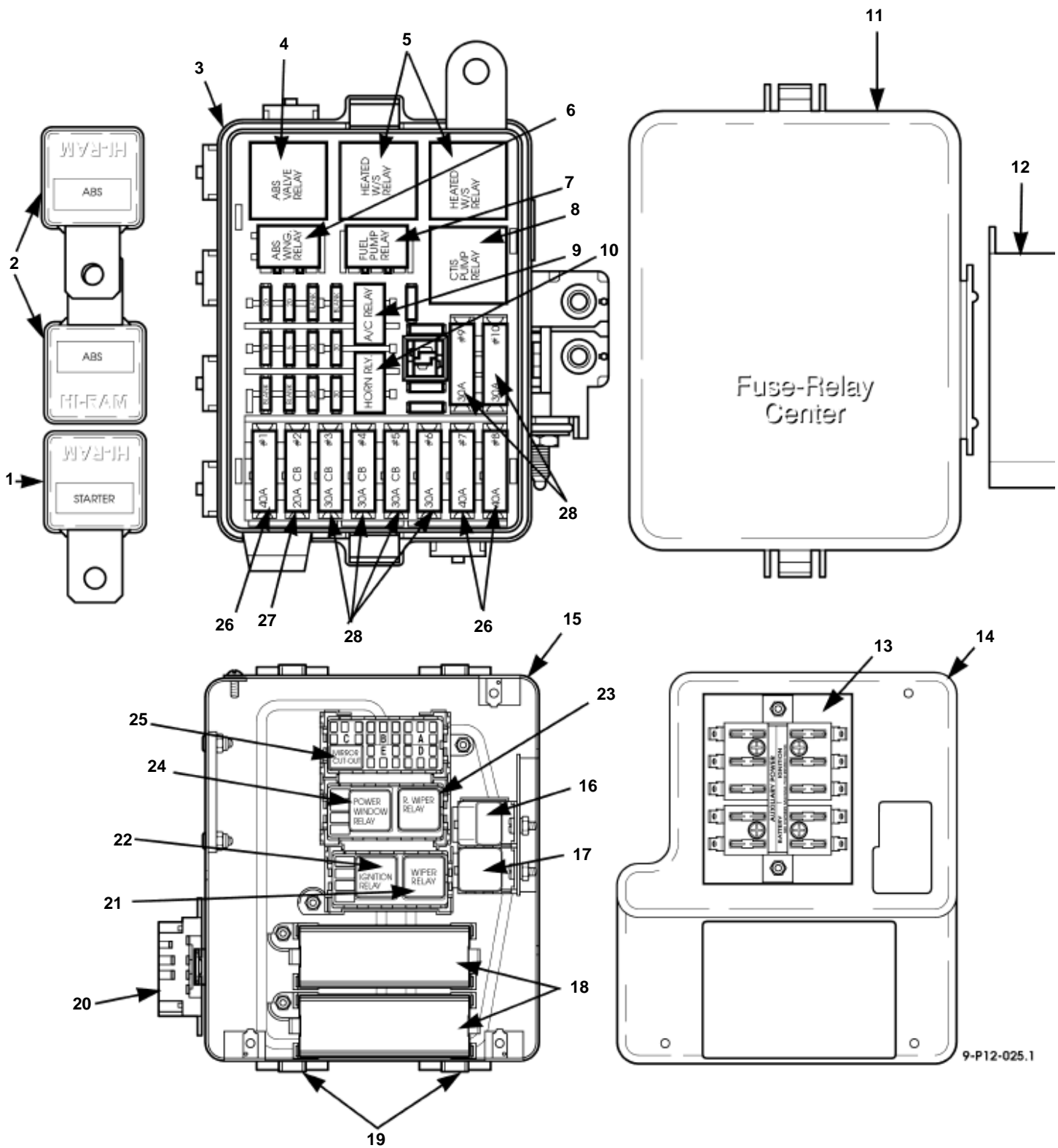


01-P12-005

Jumper Harness Assembly, Power Mirror, Heated

Jumper Harness Assembly, Power Mirror, Heated.

Item	Part No.	Description	Qty
1	6010863	JUMPER HARNESS ASSEMBLY, heated power mirrors	1
2	6003815	.CONNECTOR, 2-way, door harness	1
3	6011594	.CONNECTOR, 6-way, mirror harness	1
4	6003071	.CONNECTOR, 2-way, door harness	1
5	6010872	.CONNECTOR, 2-way, door harness	1

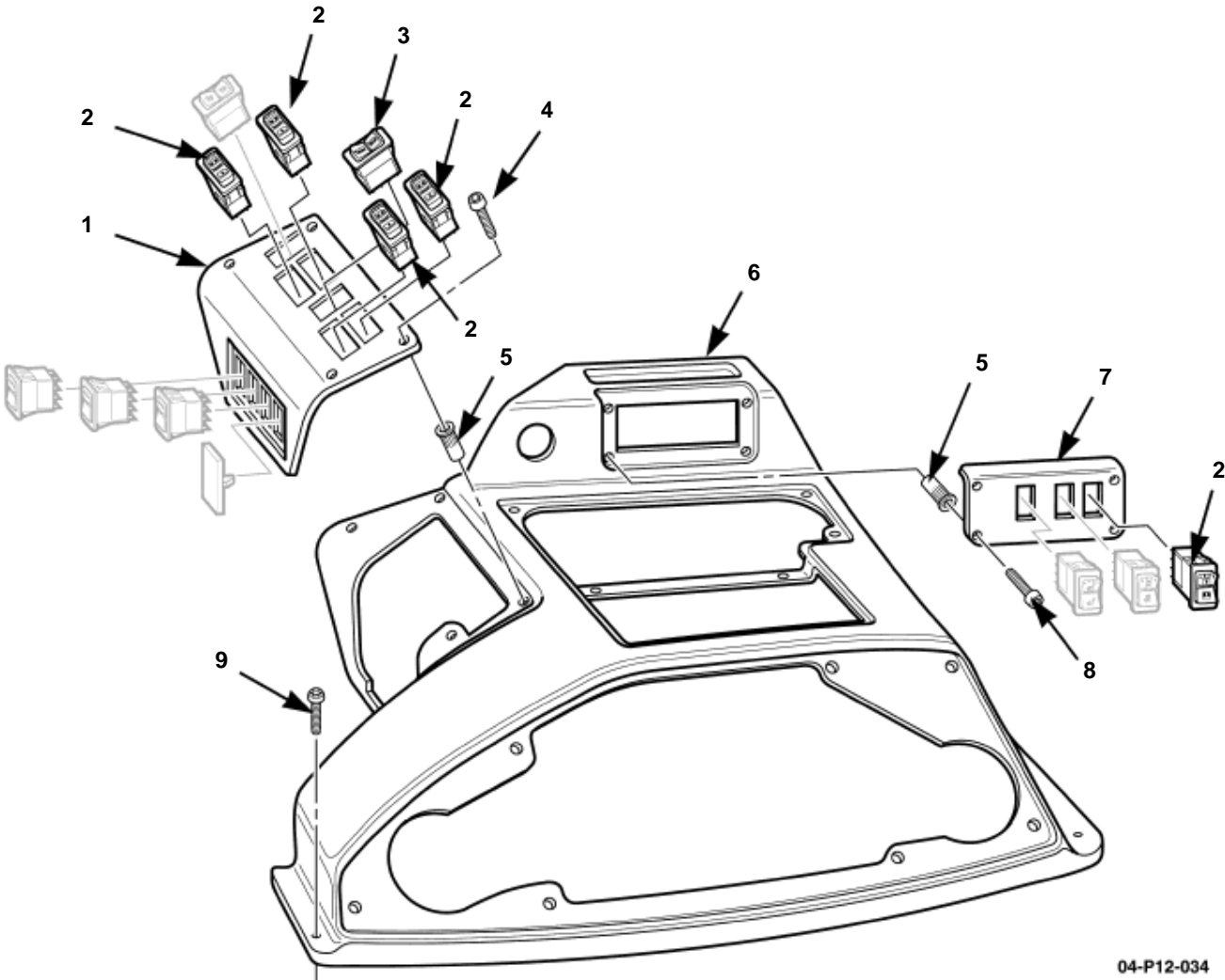


9-P12-025.1

Fuse Boxes, Internal & External

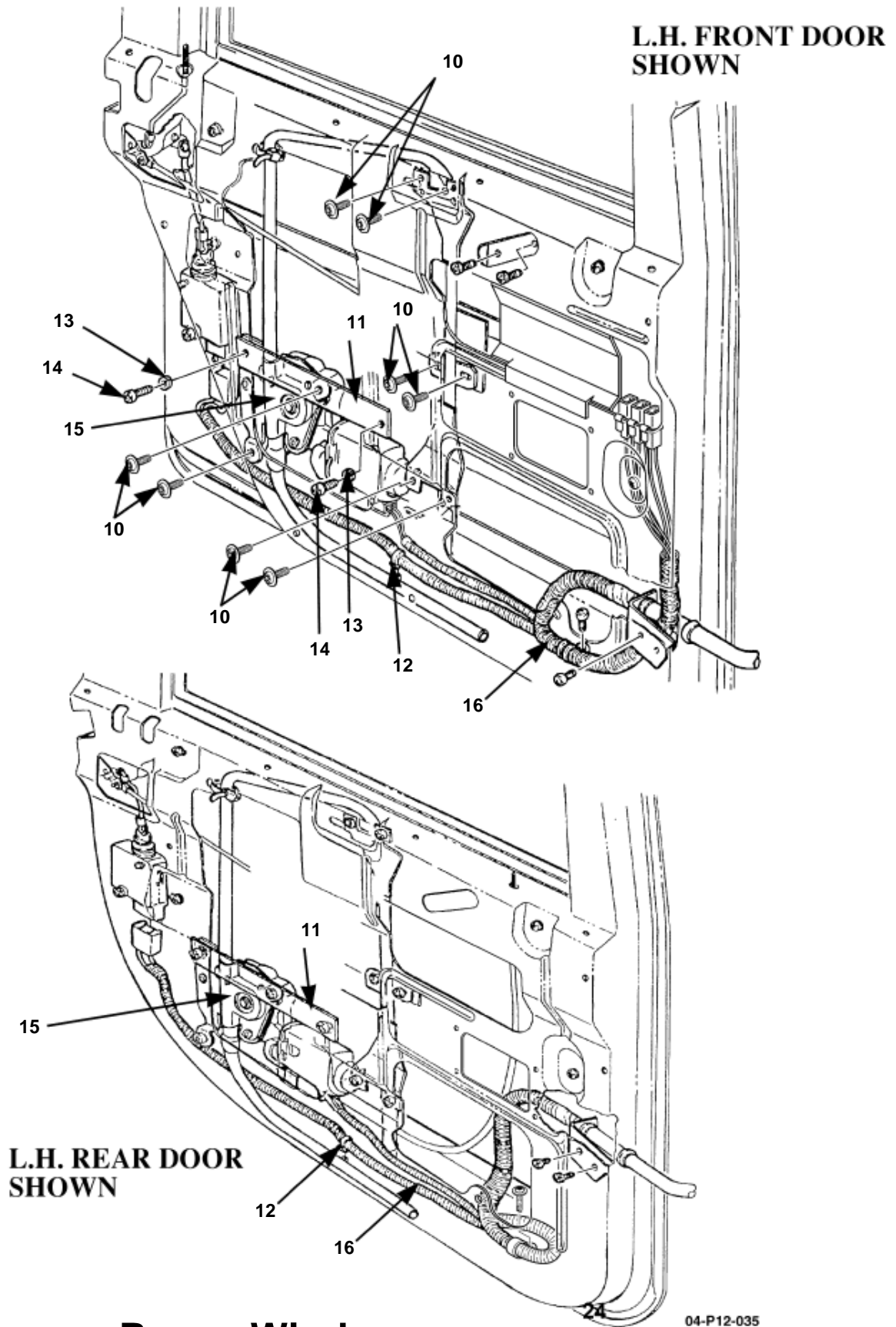
HUMMER H1 2004 Parts Catalog
Fuse Boxes, Internal & External.

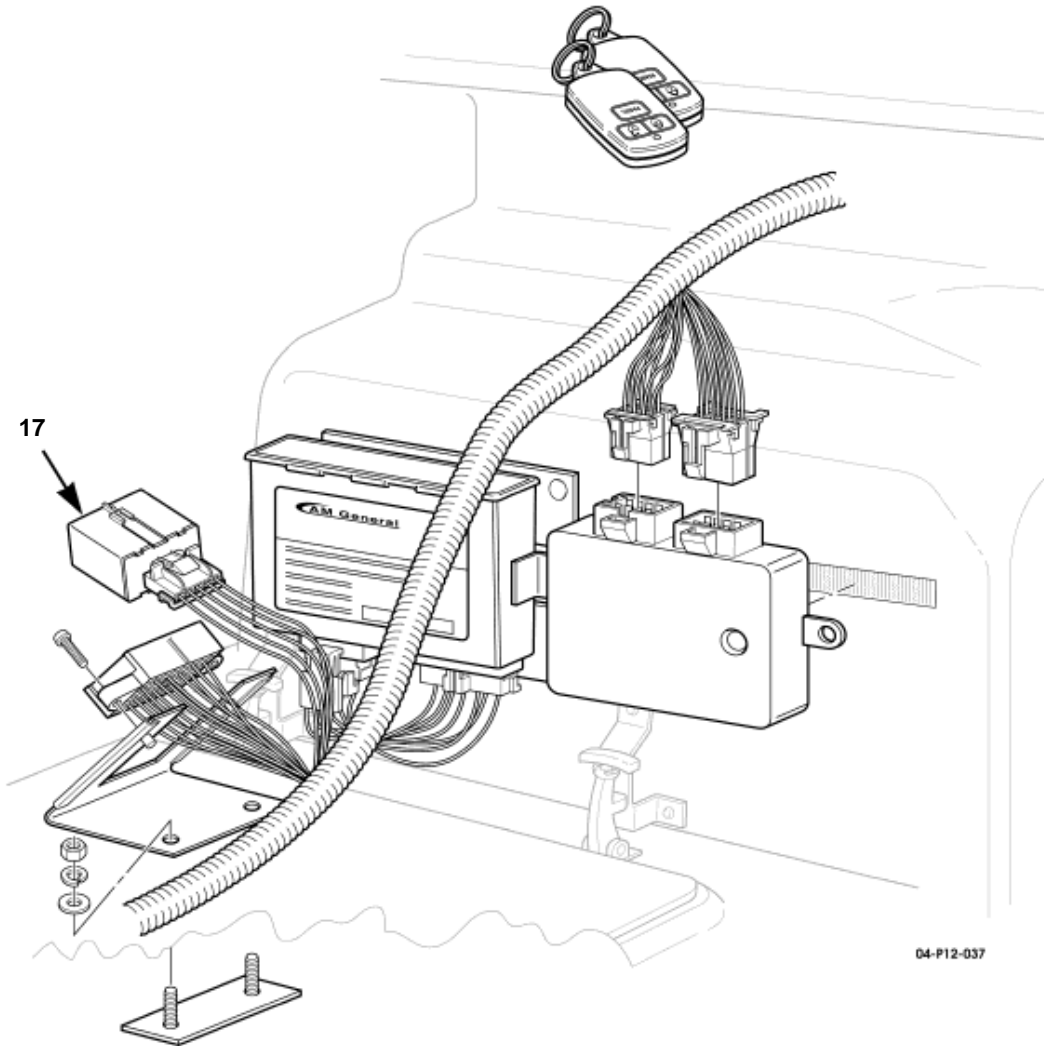
Item	Part No.	Description	Qty
1	6010234	RELAY, 80-amp, starter	1
2	6010234	RELAY, 80-amp, ABS	2
3	N/S	FUSE BOX BASE, external	1
4	6010442	RELAY, mini, ABS valve	1
5	6010442	RELAY, heated windshield	2
6	6010285	RELAY, micro (280 series), ABS warning	1
7	6010285	RELAY, micro (280 series), fuel pump	1
8	6010442	RELAY, mini, CTIS	1
9	6010285	RELAY, micro (280 series), A/C clutch	1
10	6010285	RELAY, micro, (280 series), horn	1
11	6010288	COVER, external fuse box	1
12	6010255	COVER, external power studs	1
13	6010403	FUSE PANEL, auxiliary	1
14	6010127	FUSE BOX COVER, internal	1
15	6010140B9	FUSE BOX BASE, internal	1
16	5939581	ALARM, CTIS, low pressure	1
17	6010136	FLASHER, turn signal and hazard	1
18	5939722	COVER, fuse box	2
19	5939908P	BRACKET ASSEMBLY, interior fuse box mounting	2
20	6004890	CHIME MODULE	1
21	6010442	RELAY, mini, windshield wiper	1
22	6010442	RELAY, mini, ignition	1
23	6010442	RELAY, mini, rear wiper	1
24	6010442	RELAY, mini, power windows	1
25	6010285	RELAY, micro, (280 series), power mirror cut-out	1
26	5939412	FUSE, 40 AMP, maxi	3
27	5939355	CIRCUIT BREAKER, maxi	1
28	6010287	FUSE, 30 AMP, maxi (99-03)	6
	6015151	DECAL, fuse box, exterior, (not illustrated)	1
	6014974	DECAL, fuse box, interior, (not illustrated)	1



04-P12-034

Power Window

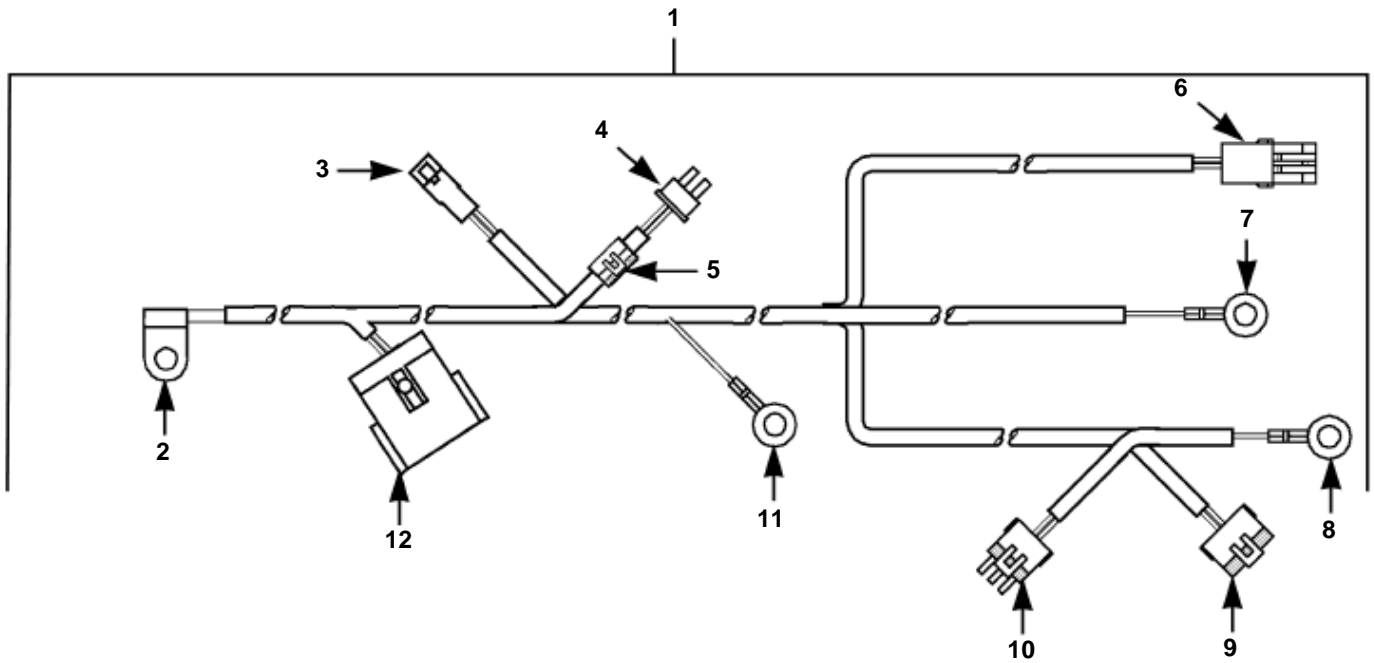




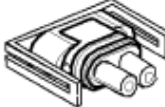

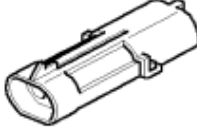





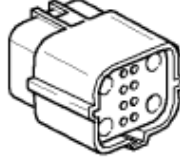


Power Window

Power Window.

Item	Part No.	Description	Qty
1	6015350	BEZEL CONTROL, L.H.	1
2	6016516	SWITCH, power window	
3	6016517	SWITCH, window lockout, rear	1
4	6017214	SCREW	4
5	12446871-2	PLUS NUT, 1/4 - 20"	A/R
6	6015337	REAR CONSOLE ASSEMBLY 56, 57, 58, 84, 90	1
	6018107	REAR CONSOLE ASSEMBLY 55	1
7	6015352	BEZEL, control, R.H.	1
8	6016634	SCREW	4
9	6016963	SCREW	2
10	6003484	SCREW, torx head, M6 - 1 x 11	8
11	6002866	BRACKET, window	4
12	6002466	RETAINER, wire	4
13	N/S	LOCKWASHER, #8	2
14	N/S	SCREW, #8 - 32 x 3/4", ZN	2
15	6002870	WINDOW REGULATOR, power, front L.H., rear L.H.	2
	6002871	WINDOW REGULATOR, power, front R.H., rear R.H.	2
16	6016486	HARNESS, door, front, R.H.	1
	6016487	HARNESS, door, front, L.H.	1
	6016833	HARNESS, door, rear, R.H., L.H., power locks and windows	1
17	6012309	MODULE, express down window	1
	6003916	CAP, door plug (not illustrated)	4

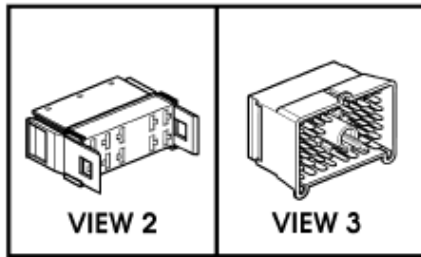
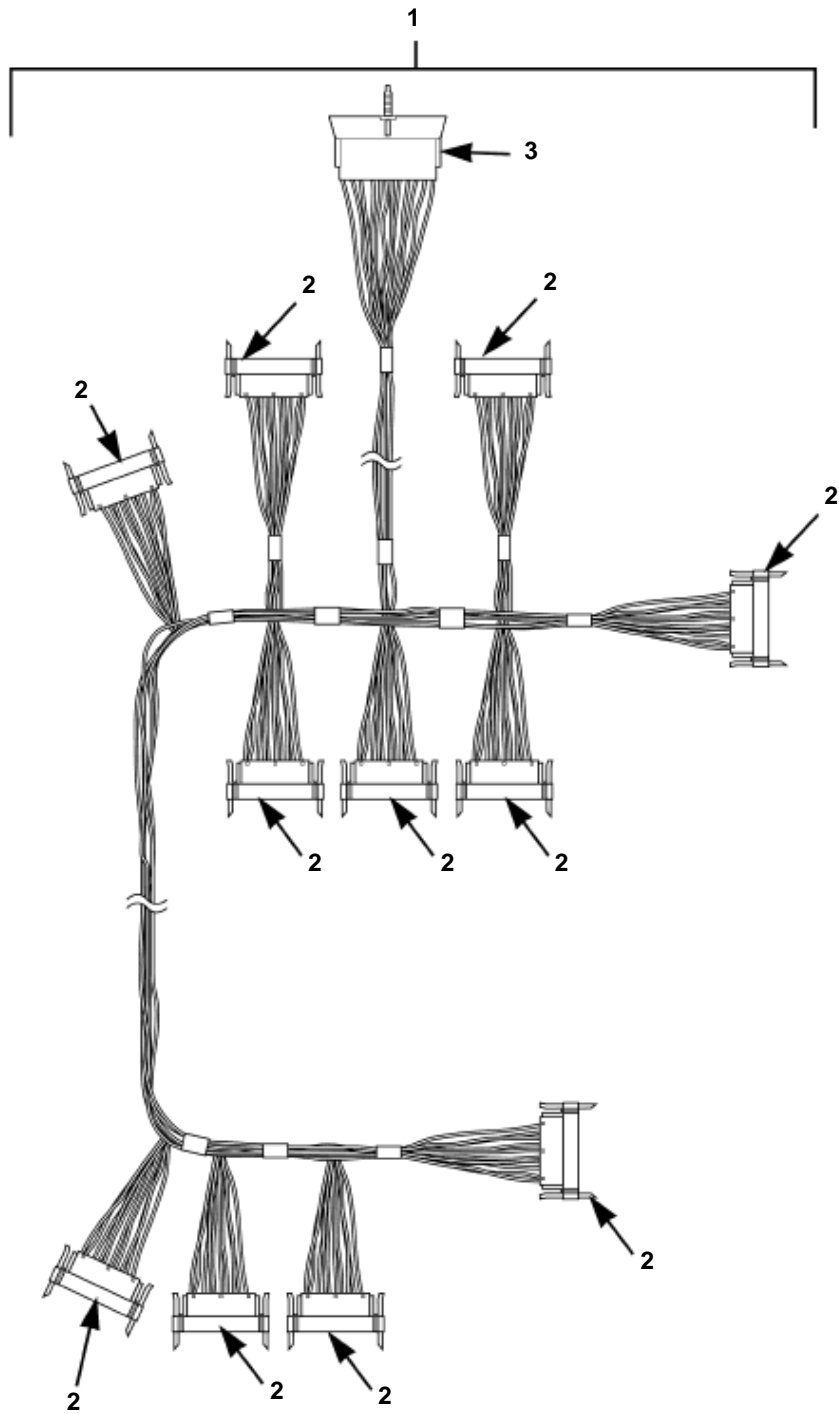


 VIEW 2	 VIEW 3	 VIEW 4	 VIEW 5	 VIEW 6	 VIEW 7
 VIEW 8	 VIEW 9	 VIEW 10	 VIEW 11	 VIEW 12	<p>9-P12-003</p>

Harness Assembly, AMG Engine

HUMMER H1 2004 Parts Catalog
Harness Assembly, AMG Engine.

Item	Part No.	Description	Qty
1	6014659	HARNES ASSEMBLY, engine	1
2	S.I.A.	·TERMINAL, power feed stud	1
3	S.I.A.	·CONNECTOR, A/C high pressure cut-out switch	1
4	S.I.A.	·CONNECTOR, A/C compressor	1
5	S.I.A.	·DIODE, A/C compressor	1
6	5939099	·CONNECTOR, A/C low pressure switch	1
7	S.I.A.	·RING TERMINAL, starter solenoid	1
8	S.I.A.	·RING TERMINAL, alternator	1
9	N/S	·CONNECTOR, alternator	1
10	5937082	·CONNECTOR, low coolant sensor	1
11	S.I.A.	·RING TERMINAL, ground	1
12	S.I.A.	·CONNECTOR, cowl harness	1

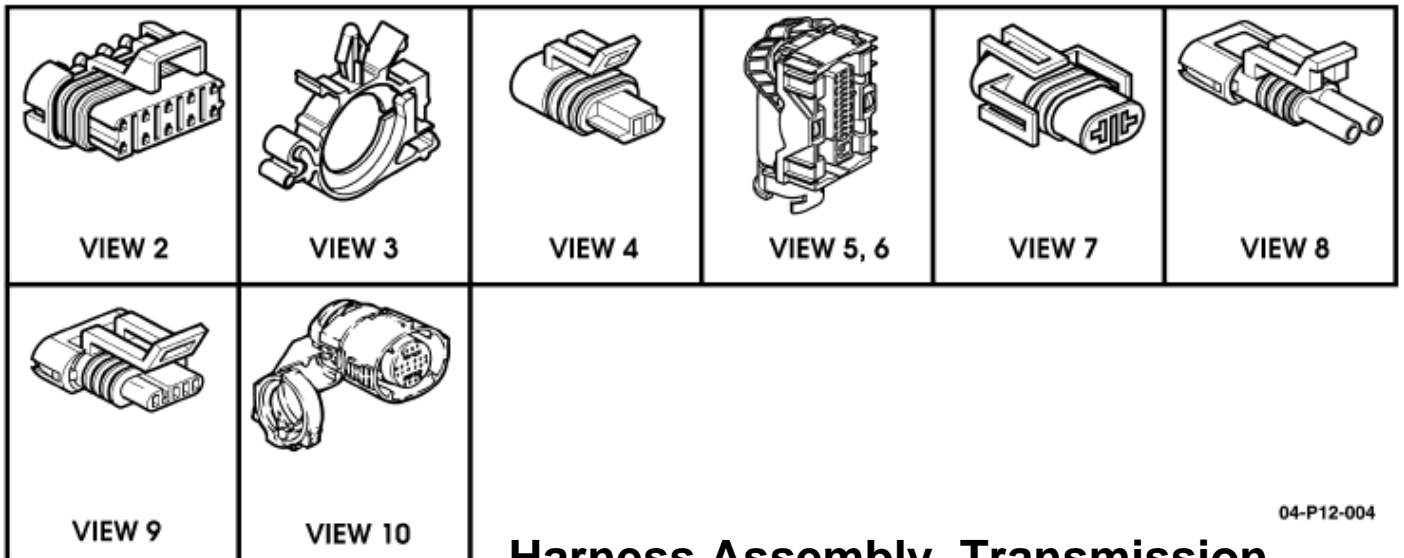
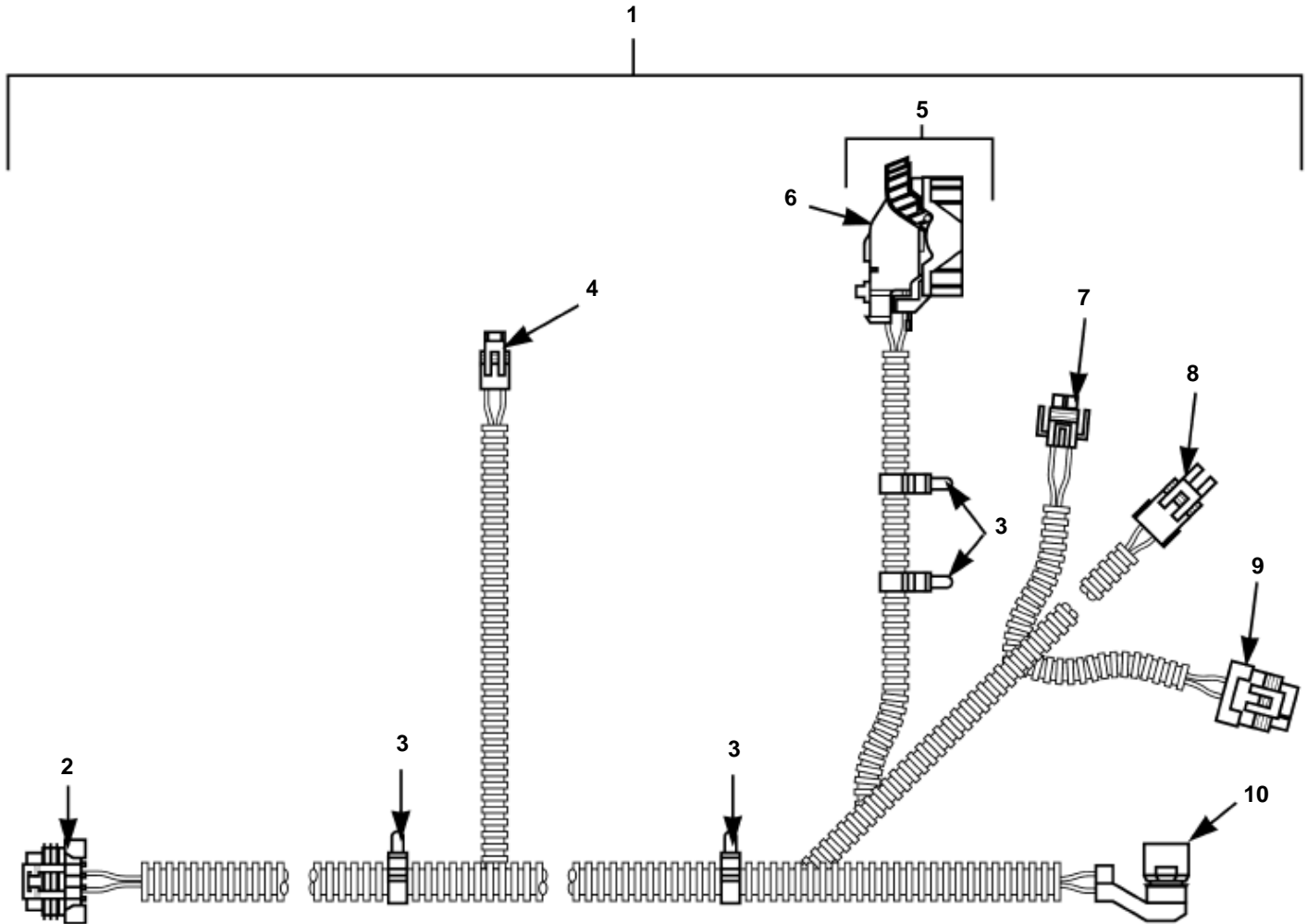


04-P12-027

Harness Assembly, Driver's Console

Harness Assembly, Driver's Console.

Item	Part No.	Description	Qty
1	6016483	HARNES ASSEMBLY, console	1
2	6010230	.CONNECTOR	11
3	6010112	.CONNECTOR, console, 56 way, to crossbody harness	1



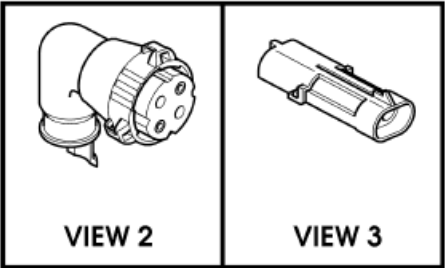
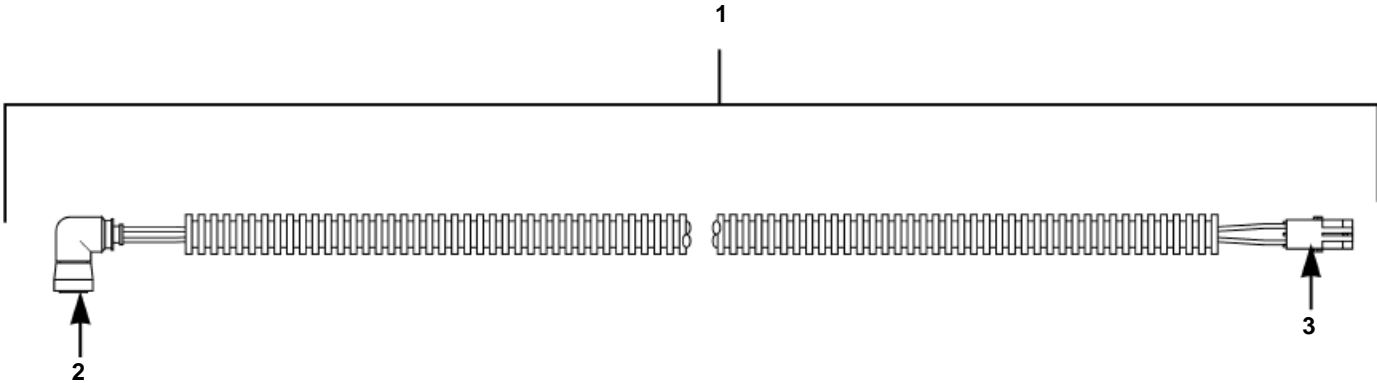
04-P12-004

Harness Assembly, Transmission

Harness Assembly, Transmission.

Item	Part No.	Description	Qty
1	6014432	HARNESS ASSEMBLY, transmission	1
2	6006958	.CONNECTOR, 10-way, cowl harness	1
3	6003234	.CLIP, conduit	4
4	6003235	.CONNECTOR, 2-way, transmission input speed sensor	2
5	6014789	.CONNECTOR, transmission control module (TCM)	1
6	6014792	.DRESS COVER, (TCM)	1
7	6005118	.CONNECTOR, vehicle speed sensor (VSS)	1
8	6003280	.CONNECTOR, transfer case lock switch	1
9	6004449	.CONNECTOR, 3-way, transfer range switch	1
10	6014767	.CONNECTOR, transmission	1
	6014643	.TERMINAL, micro 64, (not illustrated) SEE NOTE 1	24
	6014644	.TERMINAL, gt 280, (not illustrated) SEE NOTE 1	1

NOTE 1: TERMINALS ARE USED WITH P/N 6014789

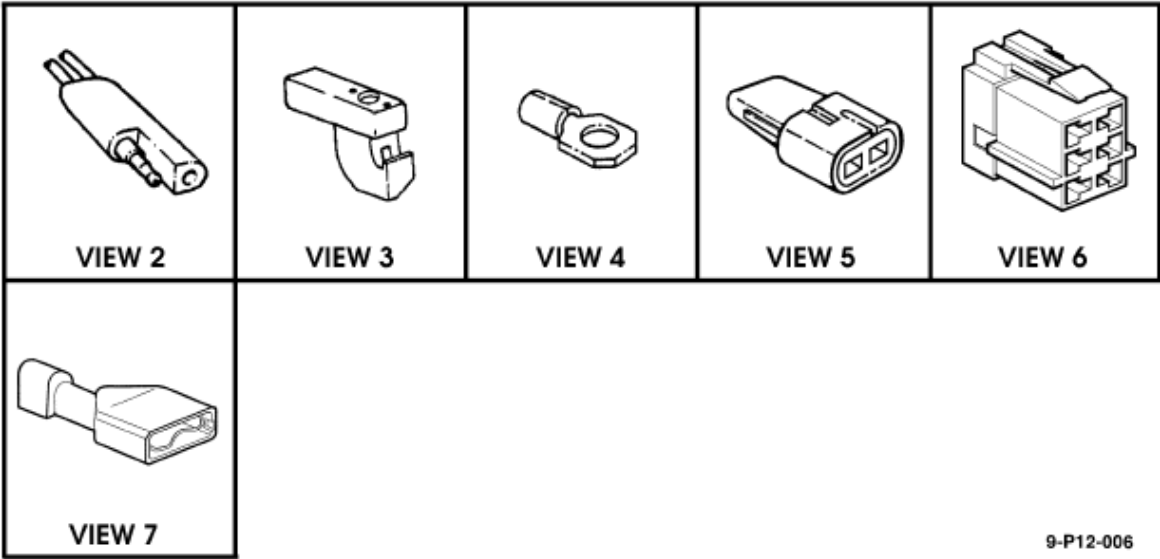
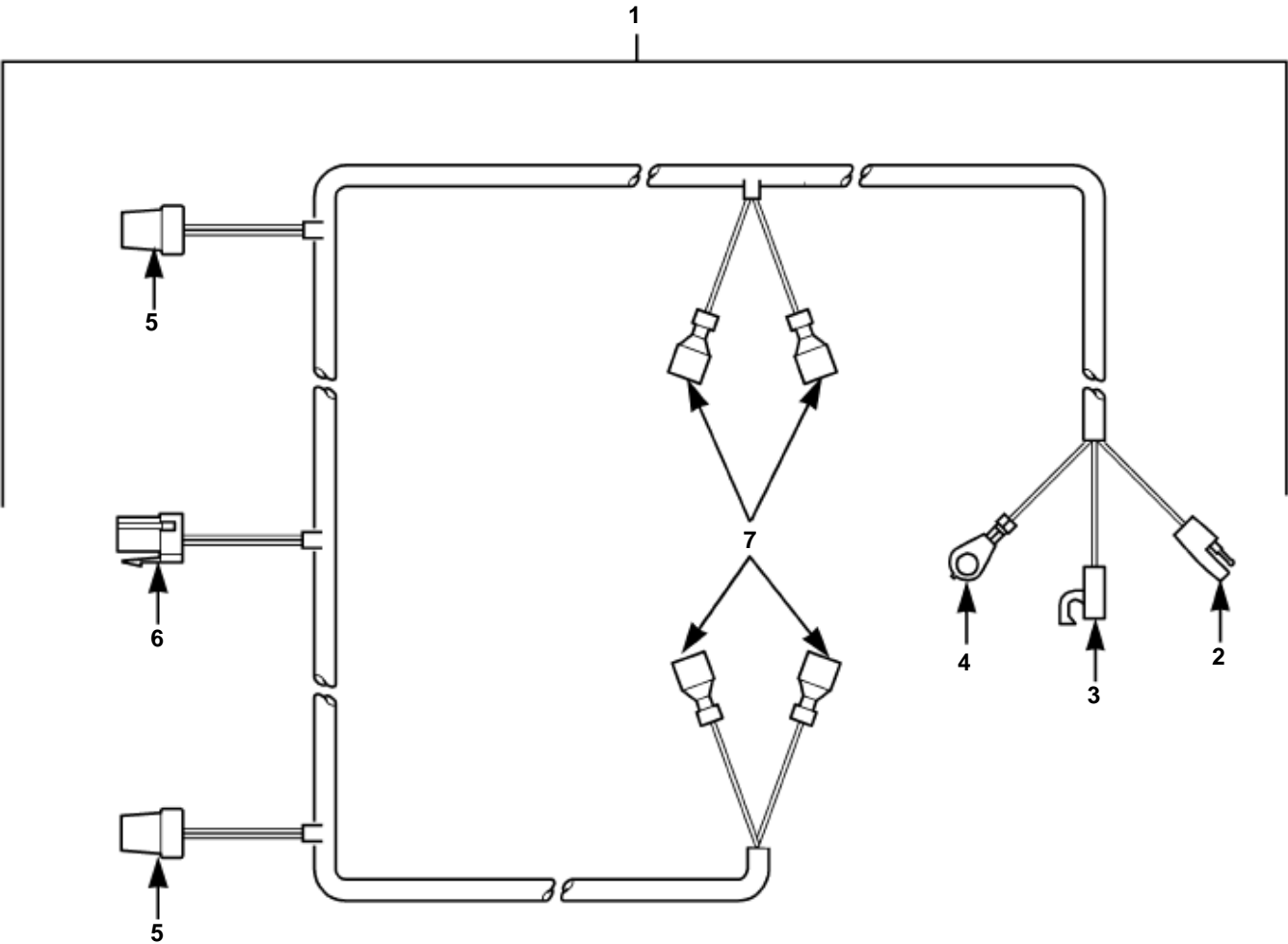


03-P12-011

Jumper Harness Assembly, ELocker

Jumper Harness Assembly, ELocker.

Item	Part No.	Description	Qty
1	6014866	JUMPER HARNESS ASSEMBLY, E Locker, front and rear	2
2	S.I.A.	.CONNECTOR, 4-way, endbell - 90 degree	1
3	S.I.A.	.CONNECTOR, 2-way	1
	6014069	CLIP, E-Locker (not illustrated)	1

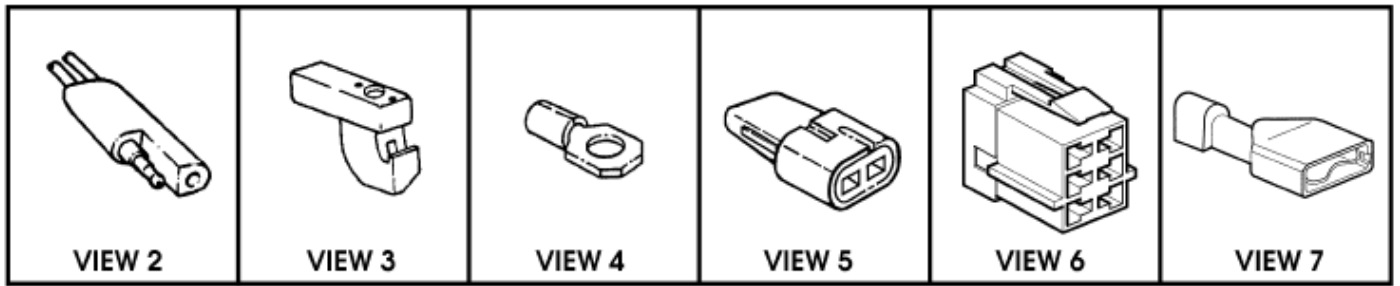
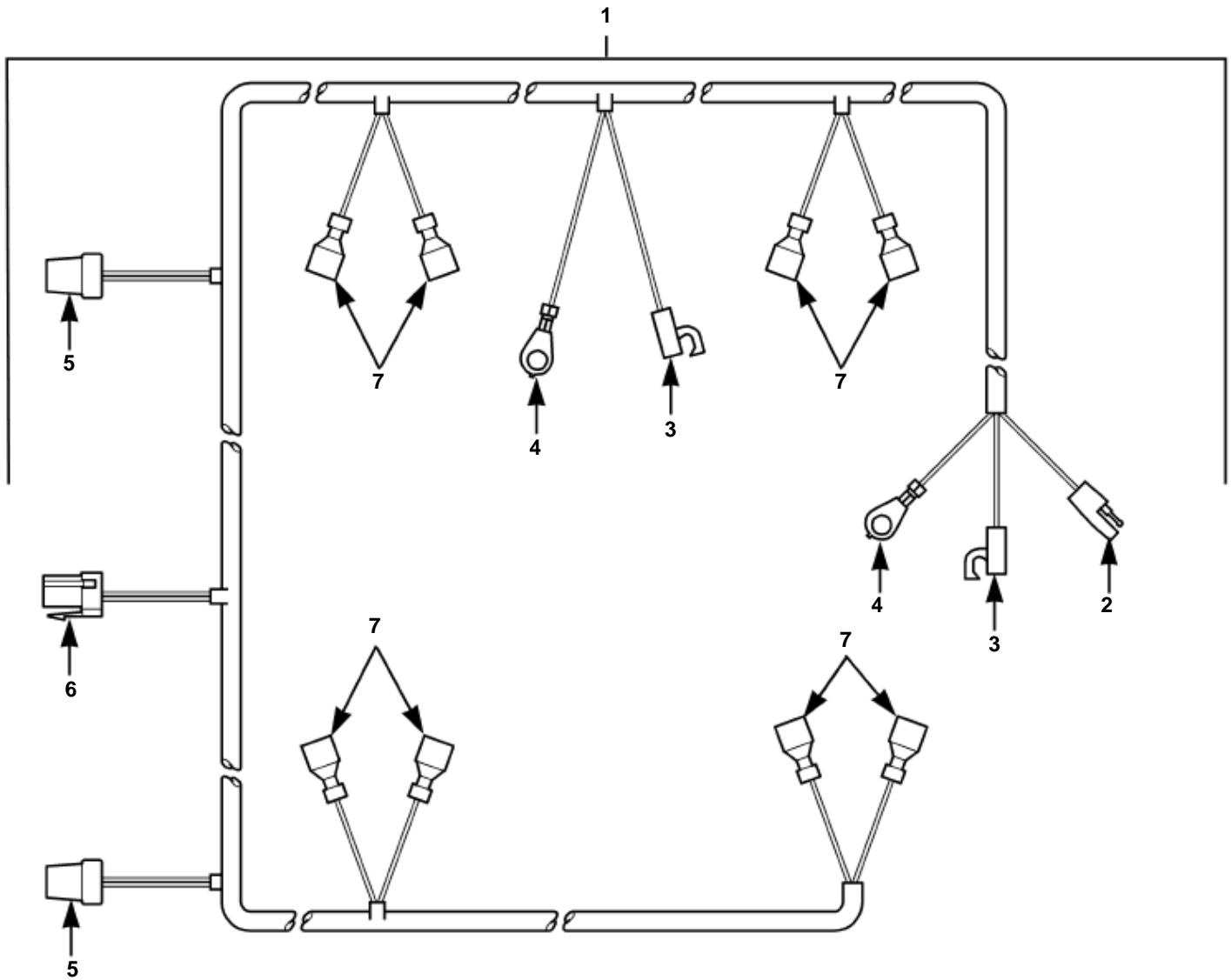


9-P12-006

Harness Assembly, Roof Wiring, Two-Door, Model 55

Harness Assembly, Roof Wiring, Two-Door, Model 55.

Item	Part No.	Description	Qty
1	6016495	HARNESS ASSEMBLY, roof wiring, two-door 55	1
2	6000972	·CONNECTOR, cargo light	1
3	5939096	·CONNECTOR, dome lamp	1
4	S.I.A.	·RING TERMINAL, dome lamp	1
5	S.I.A.	·CONNECTOR, visor light	2
6	S.I.A.	·CONNECTOR, cross body harness	1
7	S.I.A.	·TERMINAL, crimp-on spade, female	4

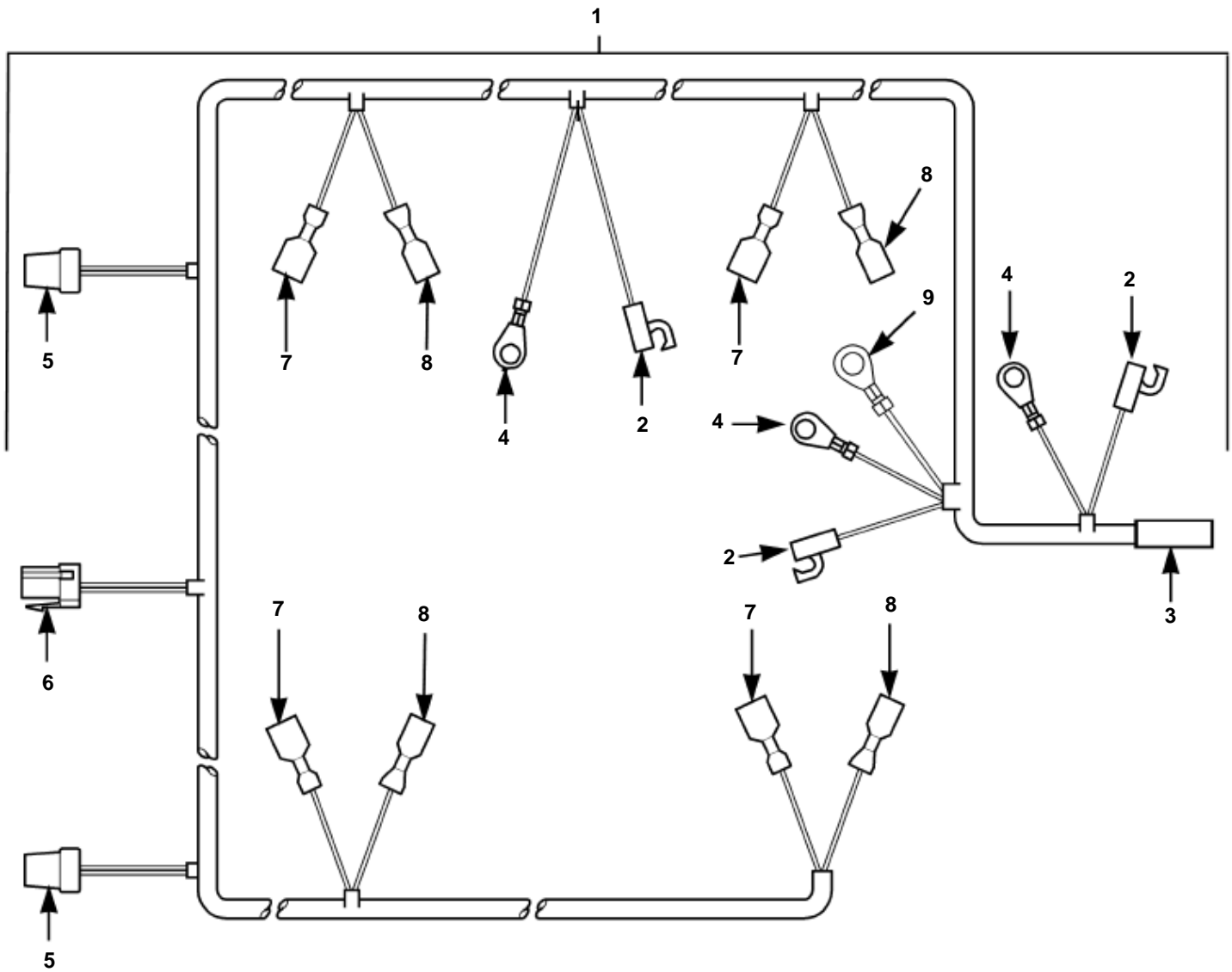



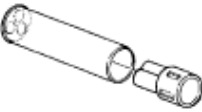

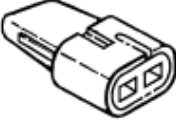
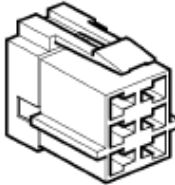



9-P12-008

Harness Assembly, Roof Wiring, Four-Door, Model 56

Harness Assembly, Roof Wiring, Four-Door, Model 56.

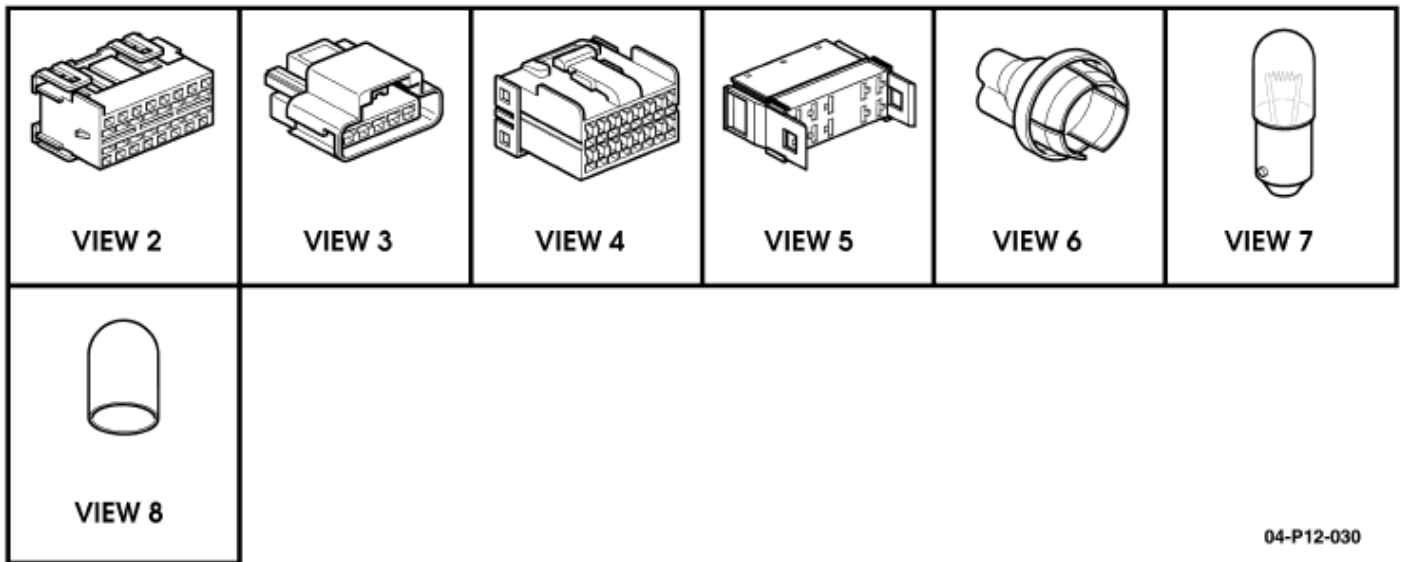
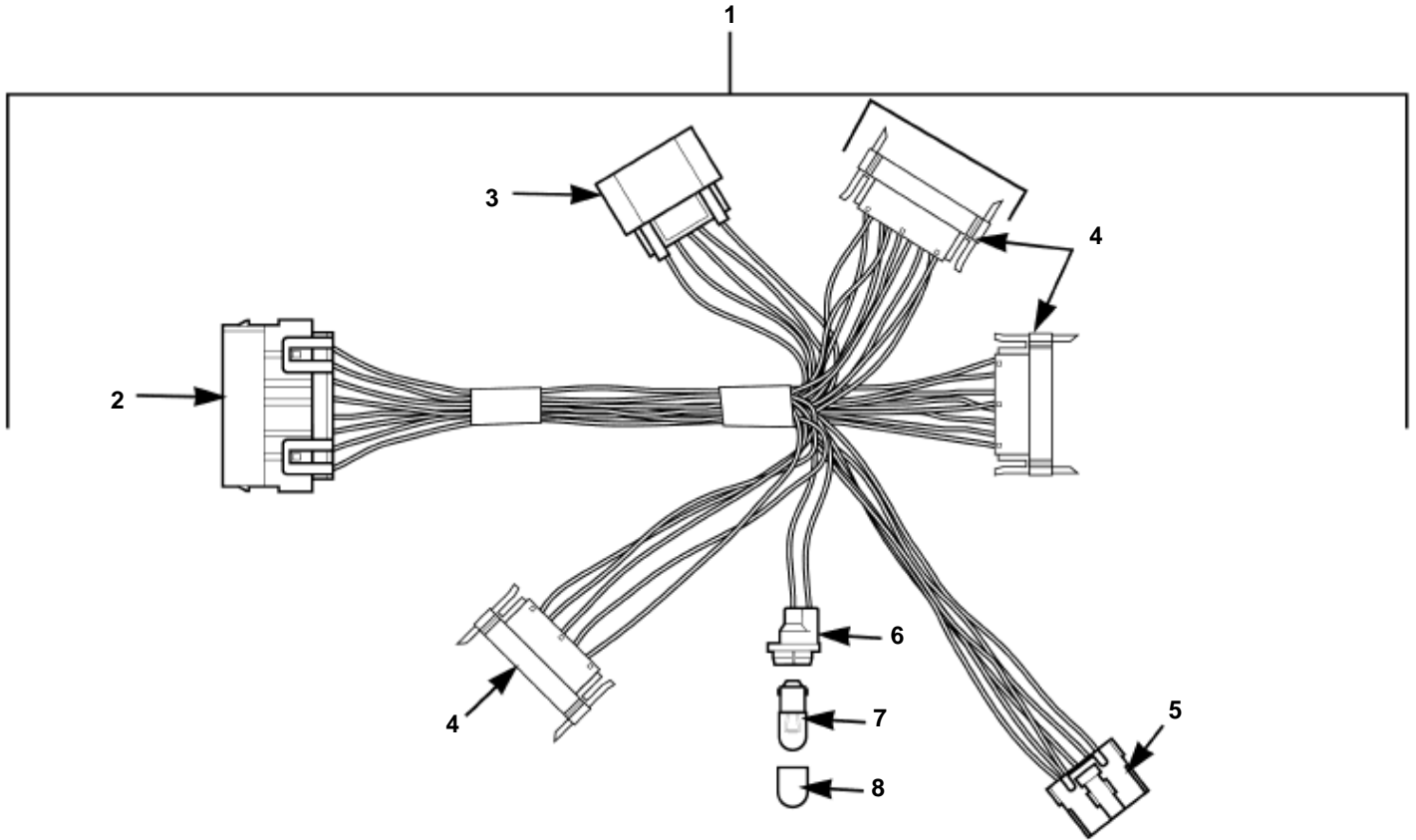
Item	Part No.	Description	Qty
1	6016496	HARNESS ASSEMBLY, roof wiring, four-door 56	1
2	6000972	·CONNECTOR, cargo light	1
3	6019764	·CONNECTOR, dome lamp	1
4	S.I.A.	·RING TERMINAL, dome lamp	1
5	S.I.A.	·CONNECTOR, visor light	2
6	S.I.A.	·CONNECTOR, cross body harness	1
7	S.I.A.	·TERMINAL, crimp-on spade, female	4



 <p>VIEW 2</p>	 <p>VIEW 3</p>	 <p>VIEW 4</p>	 <p>VIEW 5</p>	 <p>VIEW 6</p>	 <p>VIEW 7</p>
 <p>VIEW 8</p>	 <p>VIEW 9</p>	<p>Harness Assembly, Roof Wiring, Station Wagon, Model 57,84</p> <p>9-P12-007.1</p>			

Harness Assembly, Roof Wiring, Station Wagon, Model 57,84.

Item	Part No.	Description	Qty
1	6016497	HARNESS ASSEMBLY, roof wiring, station wagon, 57, 84	1
2	6019764	.CONNECTOR, dome lamp	1
3	5939085	.CONNECTOR, rear door cargo lamp switch	1
4	S.I.A.	.RING TERMINAL, dome light	1
5	S.I.A.	.CONNECTOR, visor light	2
6	S.I.A.	.CONNECTOR, cross body harness	1
7	S.I.A.	.TERMINAL, crimp-on spade, female	4
8	S.I.A.	.TERMINAL, crimp-on spade, female	4
9	S.I.A.	.RING TERMINAL, rear dome lamp	1

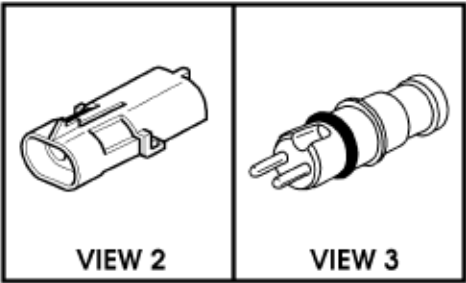
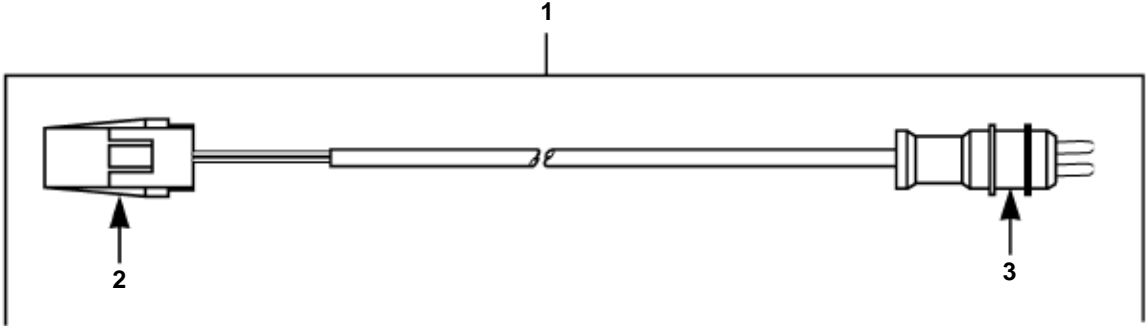


04-P12-030

Harness Assembly, CTIS Interior

HUMMER H1 2004 Parts Catalog
Harness Assembly, CTIS Interior.

Item	Part No.	Description	Qty
1	6016498	HARNESS ASSEMBLY, CTIS	1
2	S.I.A.	·CONNECTOR, instrument panel harness	1
3	S.I.A.	·CONNECTOR, 6way, rear blower switch	1
4	6010230	·CONNECTOR	3
5	S.I.A.	·CONNECTOR	1
6	S.I.A.	·LAMP SOCKET, CTIS gauge	1
7	S.I.A.	·BULB, #1815	1
8	5939818	·LENS, bulb	1

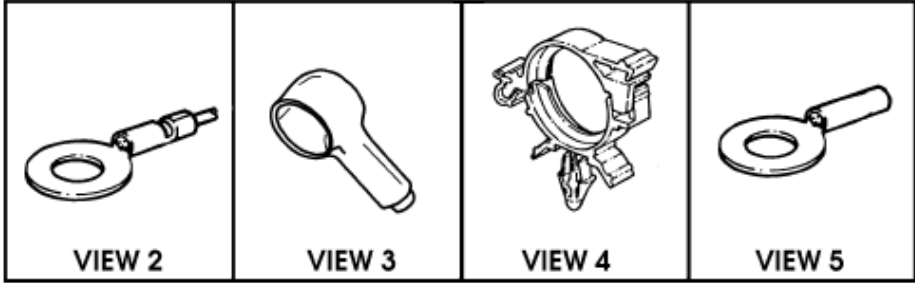
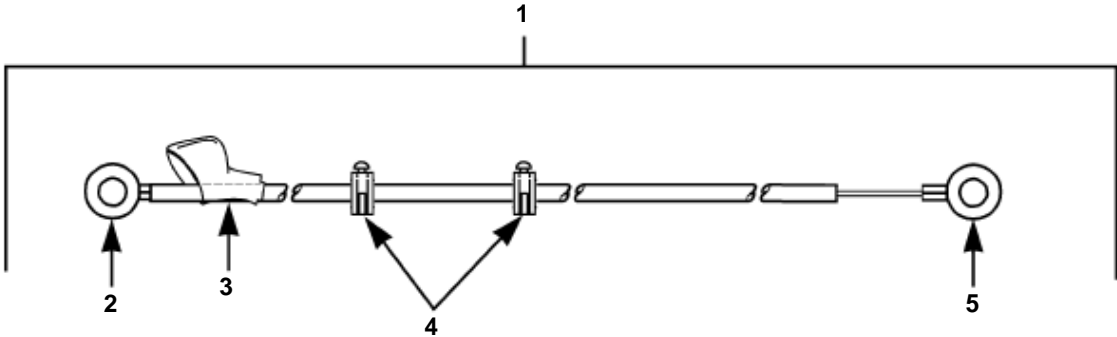


9-P12-010

Jumper Harness Assembly, Wheel Sensor, Right Front

Jumper Harness Assembly, Wheel Sensor, Right Front.

Item	Part No.	Description	Qty
1	6010137	JUMPER HARNESS ASSEMBLY, wheel sensor, right front	1
2	N/S	.CONNECTOR, underbody harness	1
3	N/S	.CONNECTOR, wheel sensor, right front	1

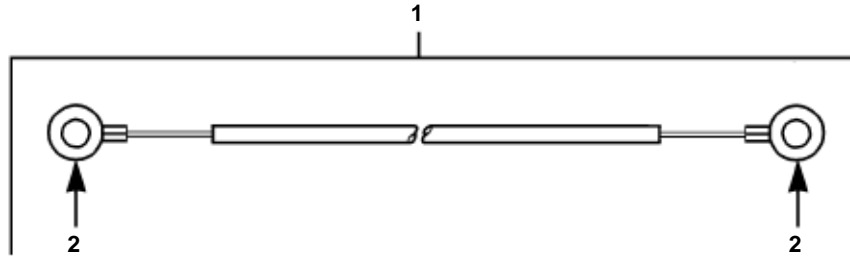


9-P12-013

Power Cable Assembly, Glow Plug

Power Cable Assembly, Glow Plug.

Item	Part No.	Description	Qty
1	6010339	CABLE ASSEMBLY, glow plug power	1
2	S.I.A.	·RING TERMINAL, glow plug controller	1
3	S.I.A.	·BOOT, terminal	1
4	5903019	·CLIP, conduit	2
5	S.I.A.	·RING TERMINAL, starter	1

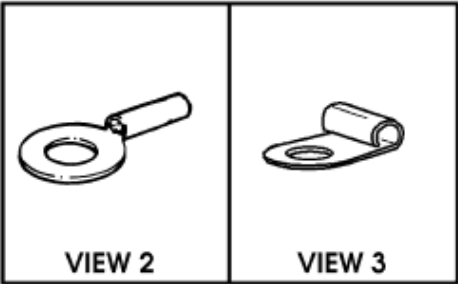
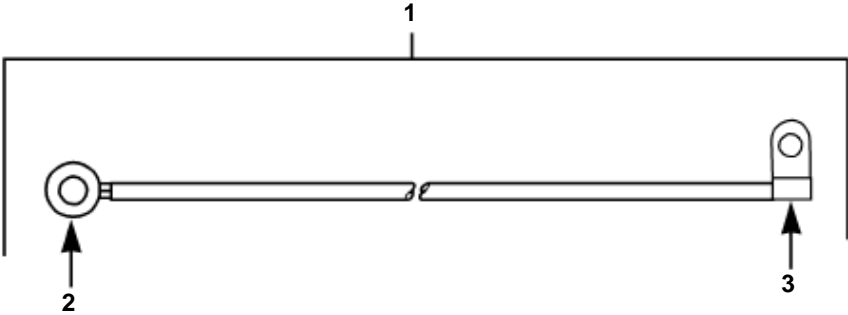


9-P12-012

Ground Cable Assembly, Interior

Ground Cable Assembly, Interior.

Item	Part No.	Description	Qty
1	6010377	CABLE ASSEMBLY, interior ground	1
2	N/S	·RING TERMINAL, ground	2

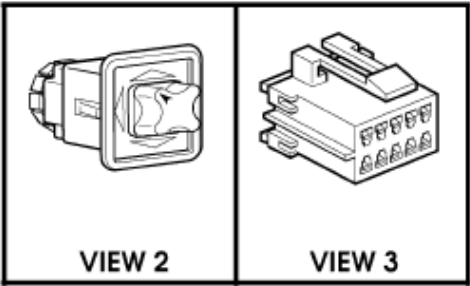
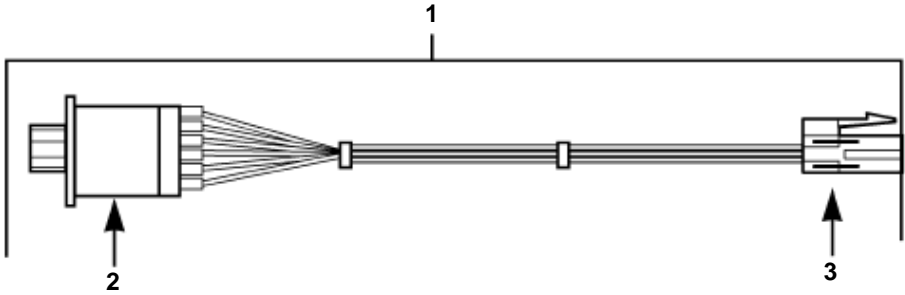


9-P12-011

Power Cable Assembly, Exterior Fuse Box

Power Cable Assembly, Exterior Fuse Box.

Item	Part No.	Description	Qty
1	6010349	CABLE, power, exterior fuse box	1
2	S.I.A.	·RING TERMINAL	1
3	S.I.A.	·FLAG TERMINAL	1

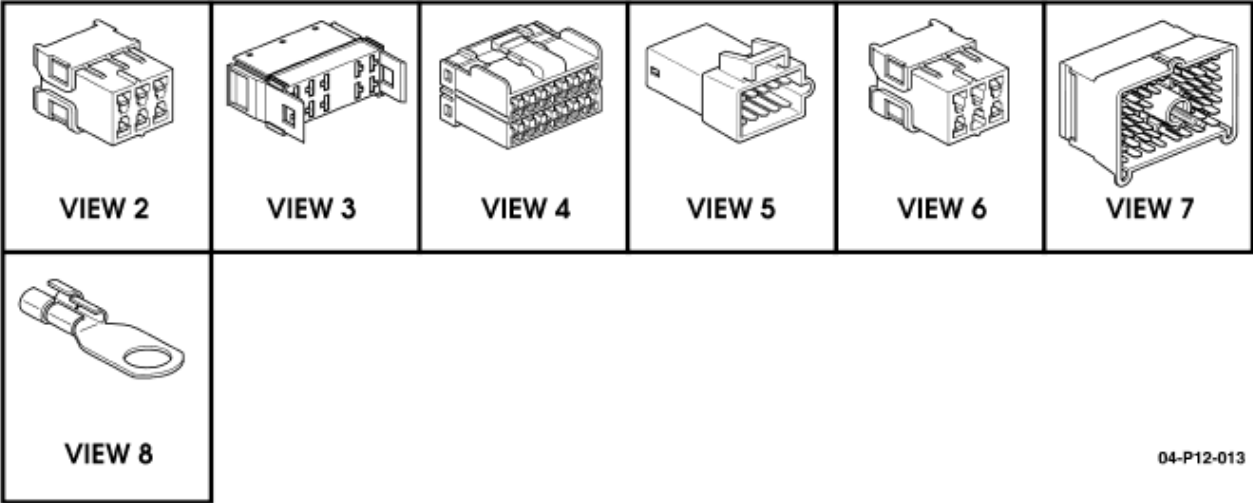
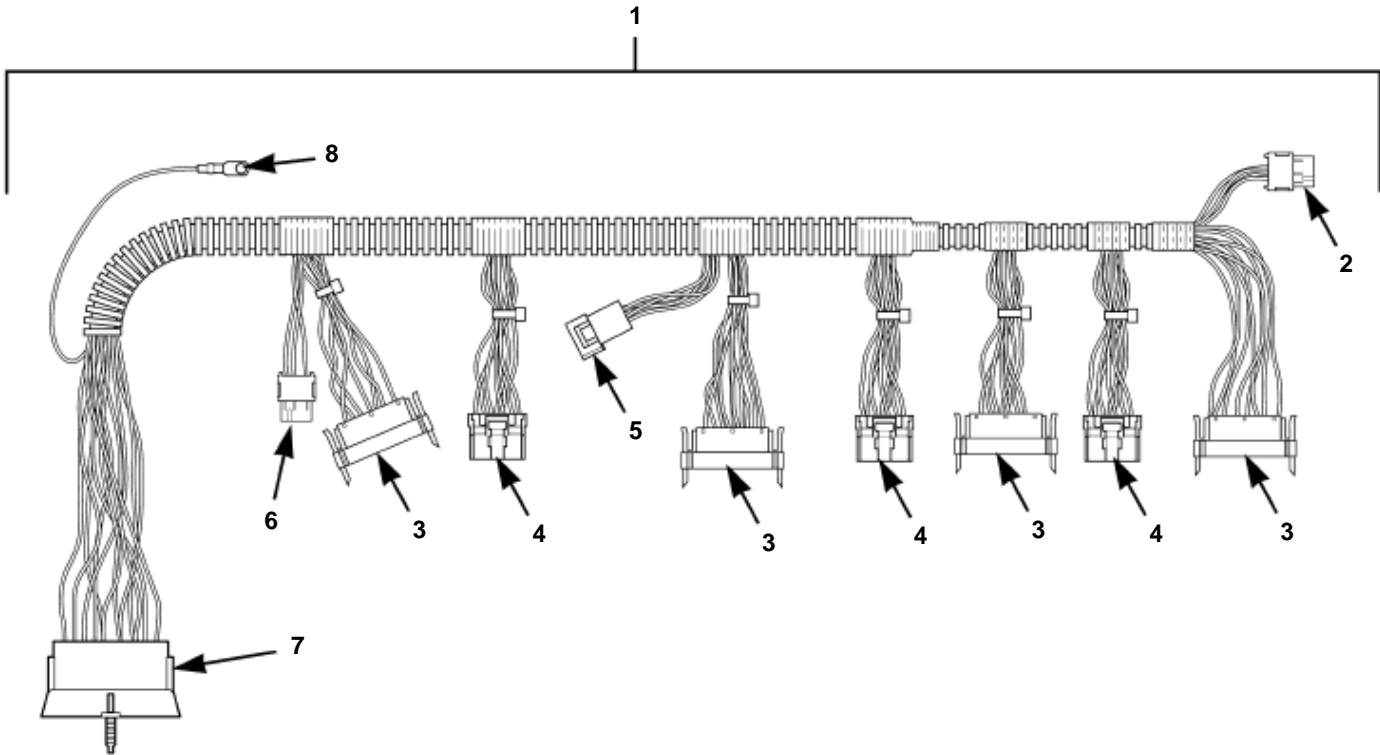


9-P12-015

Harness Assembly, Power Mirror Switch

Harness Assembly, Power Mirror Switch.

Item	Part No.	Description	Qty
1	6010091	HARNESS ASSEMBLY, power mirror, w/switch	1
2	6003849	.SWITCH, power mirror	1
3	6003227	.CONNECTOR, 10-way, instrumentation harness	1

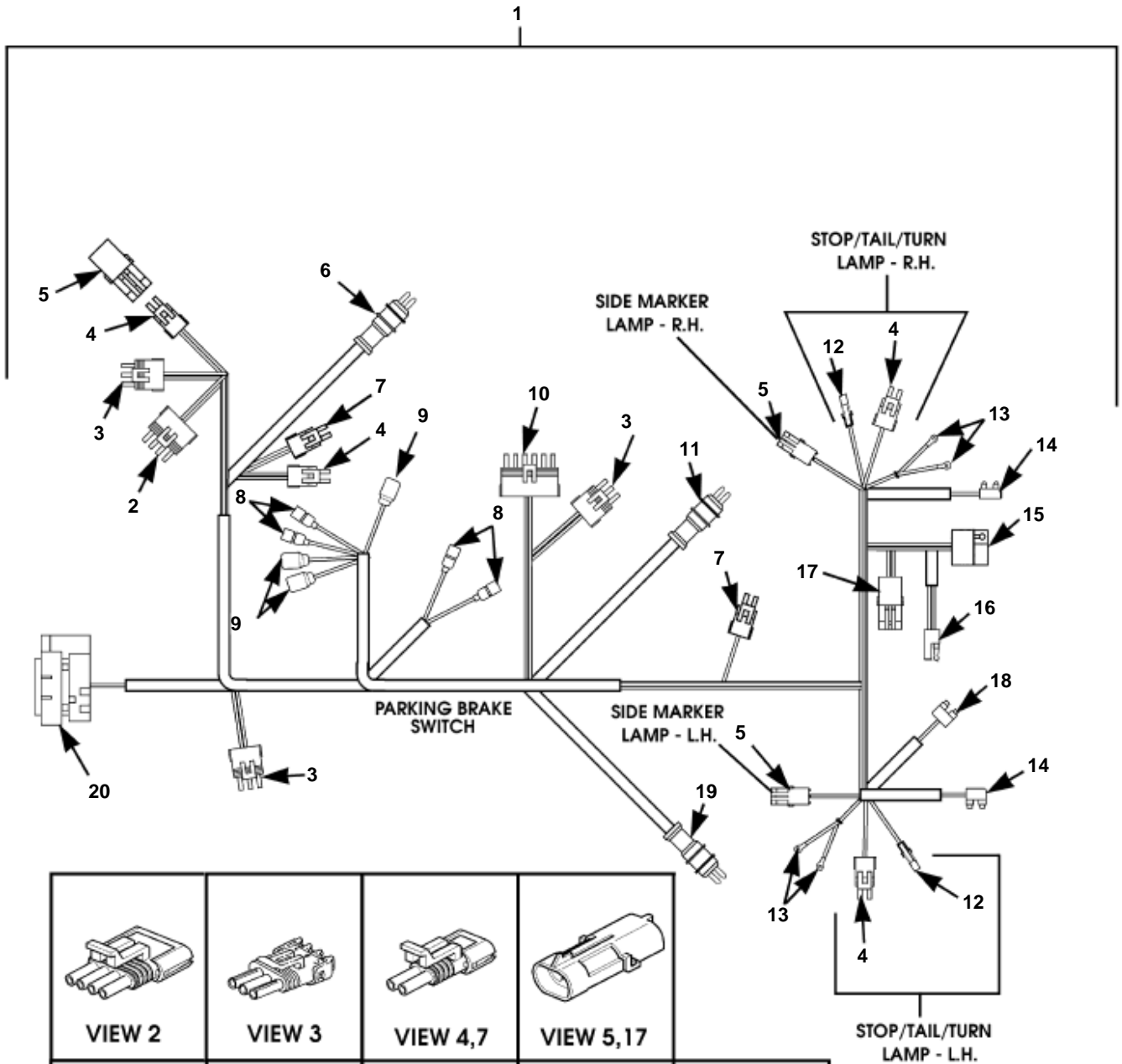


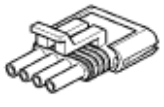

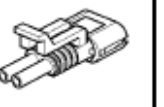




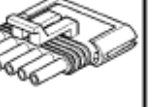







04-P12-013

Harness Assembly, Instrument Panel

Harness Assembly, Instrument Panel.

Item	Part No.	Description	Qty
1	6016868	HARNES ASSEMBLY, instrument panel	1
2	S.I.A.	.CONNECTOR, 6-way, rear wiper switch, intermittent wiper/washer switch, panel lamp dimmer	1
3	S.I.A.	.CONNECTOR, 10-way, fuel tank selector switch, rear axle differential lock switch	4
4	S.I.A.	.CONNECTOR, 16-way, water and fuel gauges	3
5	6003256	.CONNECTOR, 10-way, power mirror switch	1
6	S.I.A.	.CONNECTOR, panel lamp dimmer	1
7	6010112	.CONNECTOR, to cross body	1
8	S.I.A.	.RING TERMINAL, ground	1



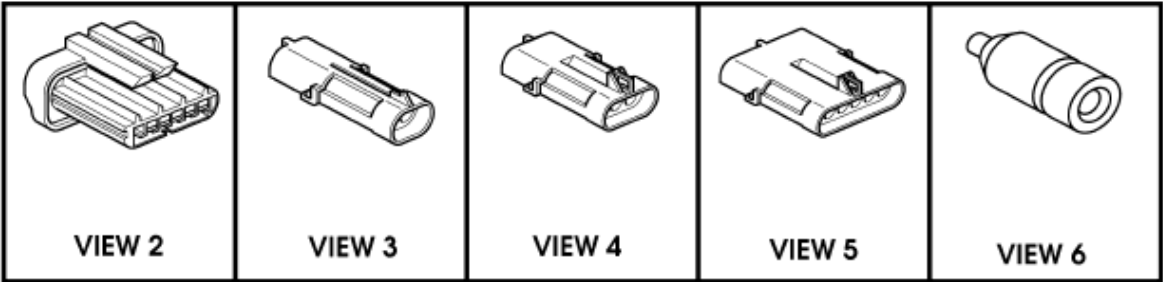
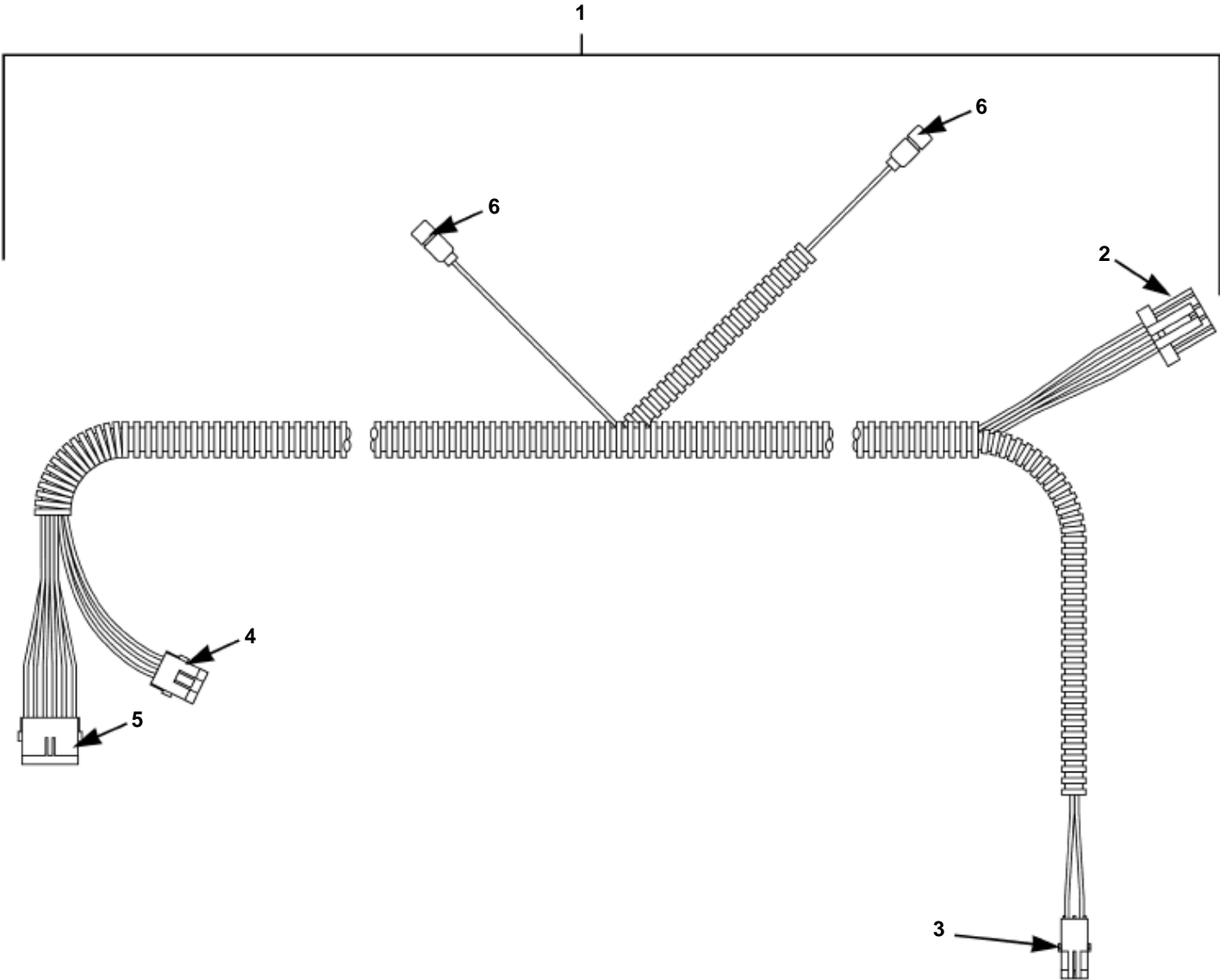
					
VIEW 2	VIEW 3	VIEW 4,7	VIEW 5,17		
					
VIEW 6,11,19	VIEW 8	VIEW 9	VIEW 10	VIEW 12	
					
VIEW 13	VIEW 14	VIEW 15	VIEW 16	VIEW 18	VIEW 20

04-P12-008

Harness Assembly, Underbody, Rear

Harness Assembly, Underbody, Rear.

Item	Part No.	Description	Qty
1	6014867	HARNESS ASSEMBLY, underbody, rear	1
2	5995715	.CONNECTOR, 4-way, hood harness	1
3	5937082	.CONNECTOR, 3-way, hood harness	2
4	6003280	.CONNECTOR, ambient temperature	2
5	5939099	.CONNECTOR, ambient temperature	1
6	S.I.A.	.CABLE ASSEMBLY, wheel sensor, left front	1
7	N/S	.CONNECTOR, front differential lock jumper harness	1
8	MS27142-2	.CONNECTOR, neutral switch, parking brake switch	4
9	MS27144-3	.CONNECTOR, shift, back up switch, illumination	3
10	S.I.A.	.CONNECTOR, main fuel tank	1
11	S.I.A.	.CABLE ASSEMBLY, wheel sensor, right rear	1
12	5939237	.CONNECTOR PLUG, stop turn tail, L,H., R.H.	2
13	S.I.A.	.RING TERMINAL, Tail lamp ground, L,H., R.H.	4
14	5937021	.CONNECTOR, molded, clearance lamp	2
15	5937038	.CONNECTOR, mold-on, trailer connection	1
16	S.I.A.	.CONNECTOR, mold-on, rear identification lights	1
17	6005581	.CONNECTOR, 2-way gray, auxiliary fuel tank sender	1
18	5937039	.CONNECTOR, mold-on, license plate lamps	1
19	S.I.A.	.CABLE ASSEMBLY, wheel sensor, left rear	1
20	S.I.A.	.CONNECTOR, cowl harness	1

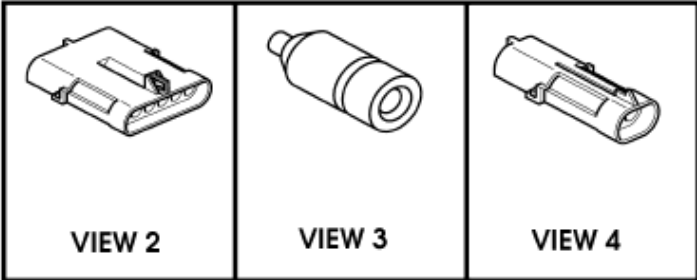
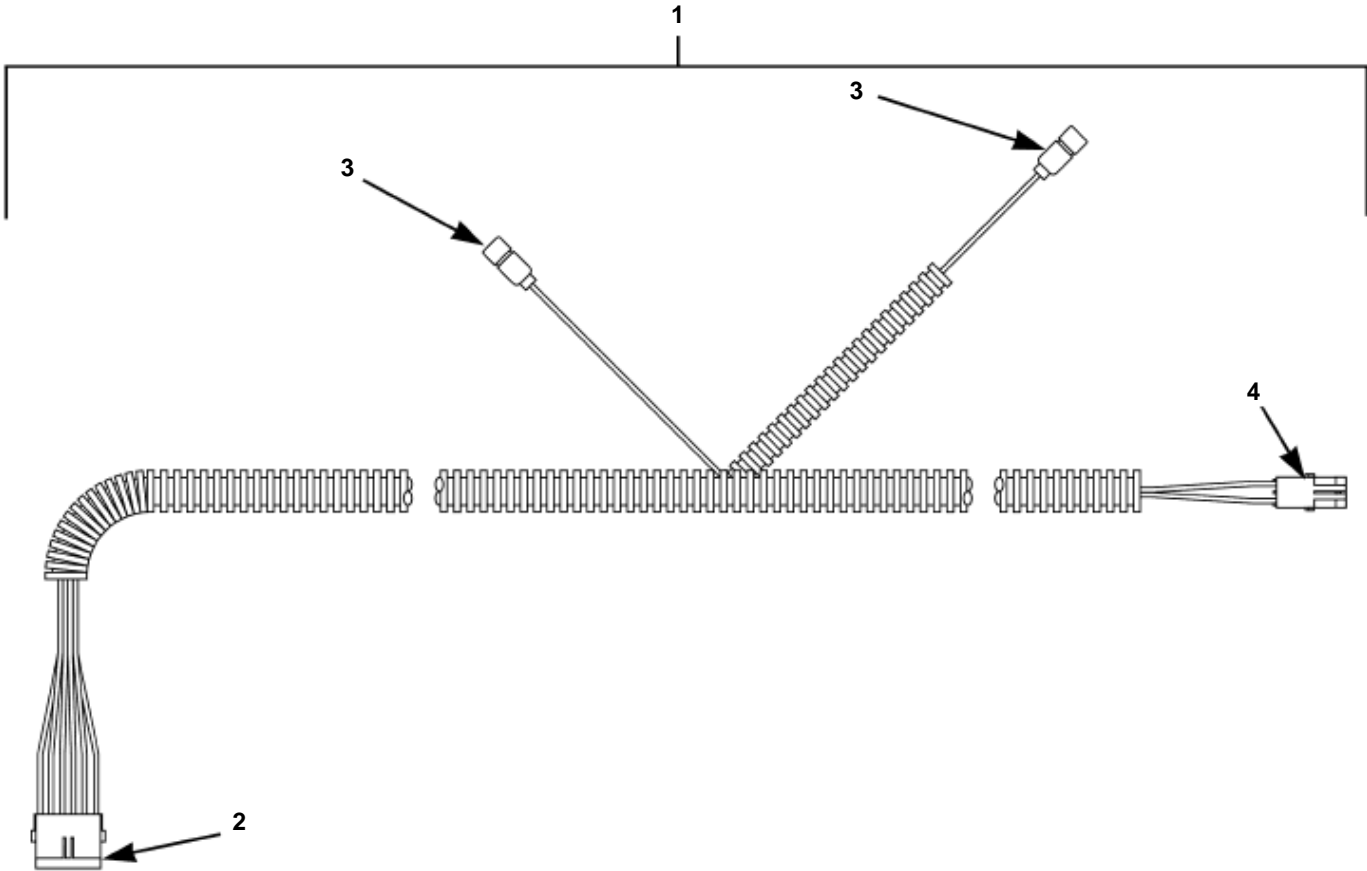


04-P12-001

Jumper Harness Assembly, Main Fuel Tank W/Aux Tank

Jumper Harness Assembly, Main Fuel Tank W/Aux Tank.

Item	Part No.	Description	Qty
1	6014935	JUMPER HARNESS ASSEMBLY, main fuel tank w/aux tank	1
2	N/S	·CONNECTOR, to fuel tank selector valve	1
3	5939099	·CONNECTOR, to fuel pump	1
4	5939582	·CONNECTOR, to body harness	1
5	N/S	·CONNECTOR 6-way, to body harness	1
6	MS27144-2	·CONNECTOR, to fuel level transmitter	2

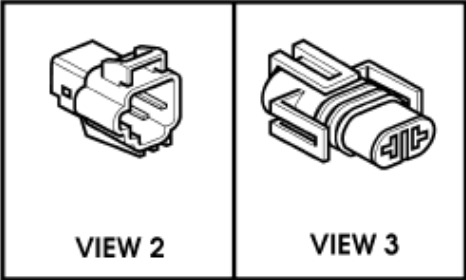
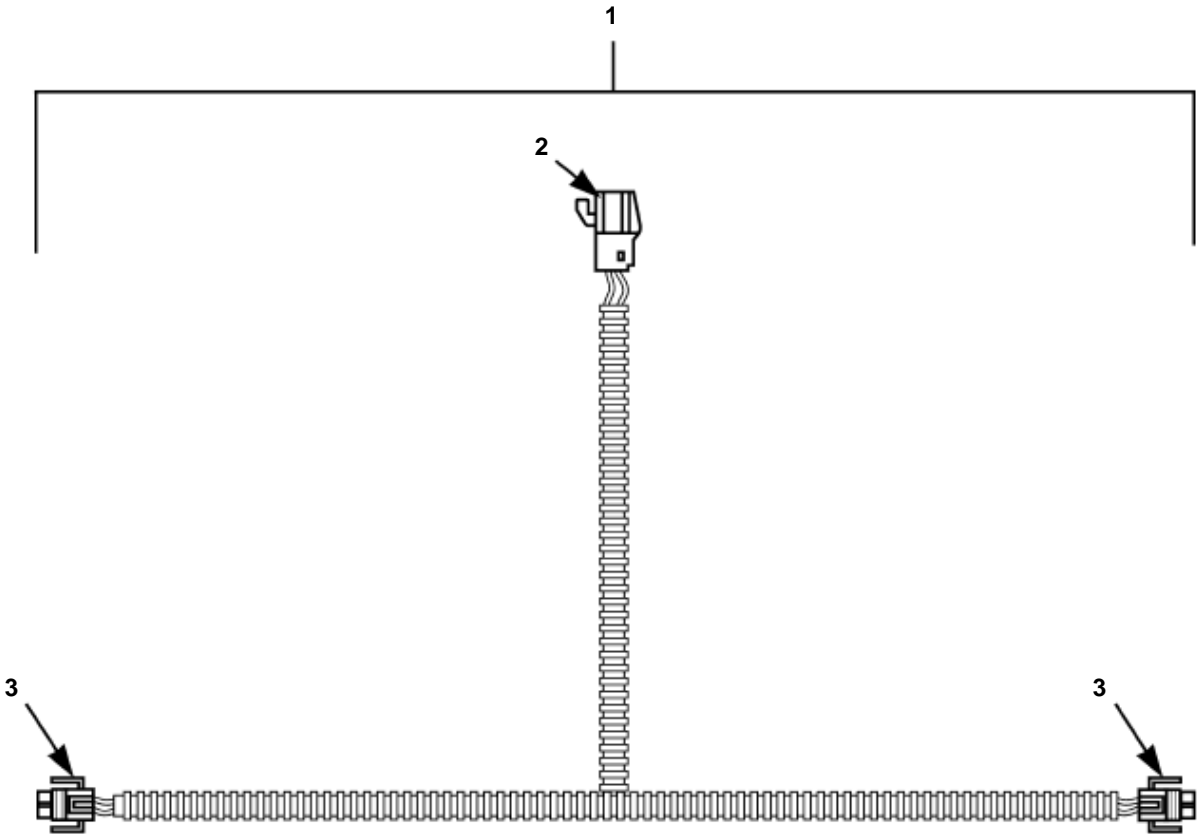


03-P12-010

Jumper Harness Assembly, Main Tank, w/o Aux Tank

Jumper Harness Assembly, Main Tank, w/o Aux Tank.

Item	Part No.	Description	Qty
1	6014934	JUMPER HARNESS ASSEMBLY, main fuel tank w/o aux tank	1
2	N/S	·CONNECTOR 6-way, to body harness	1
3	MS27144-2	·CONNECTOR, to fuel level transmitter	2
4	5939099	·CONNECTOR, to fuel pump	1

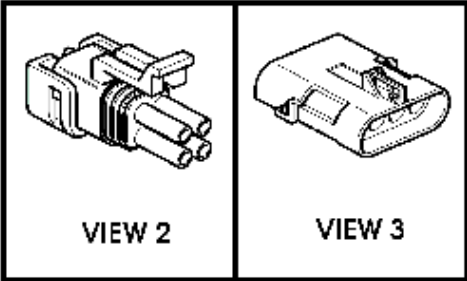
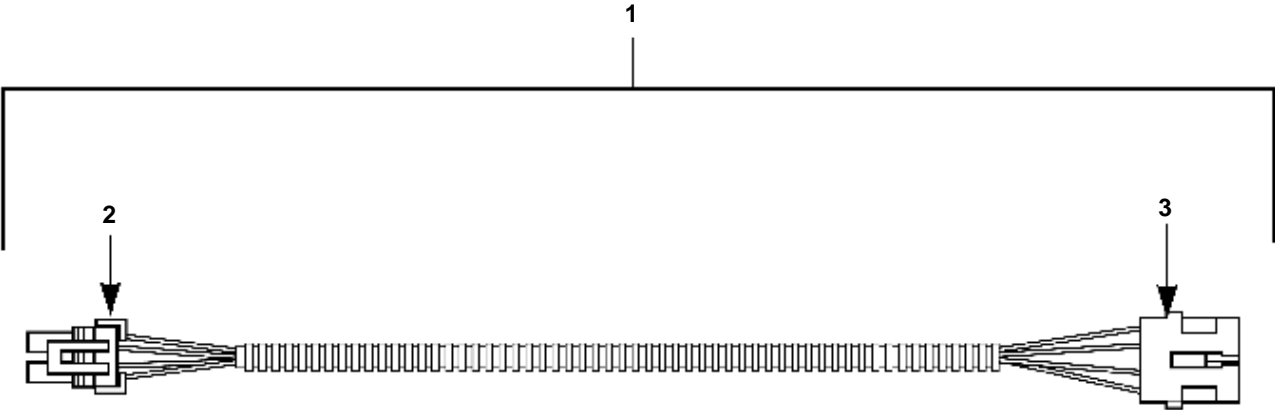


03-P12-017

Harness Assembly, Heated Seats

Harness Assembly, Heated Seats.

Item	Part No.	Description	Qty
1	6012308	HARNESS ASSEMBLY, heated seats	1
2	S.I.A.	CONNECTOR, to crossbody harness	1
3	6005118	CONNECTOR, to seat heater	2

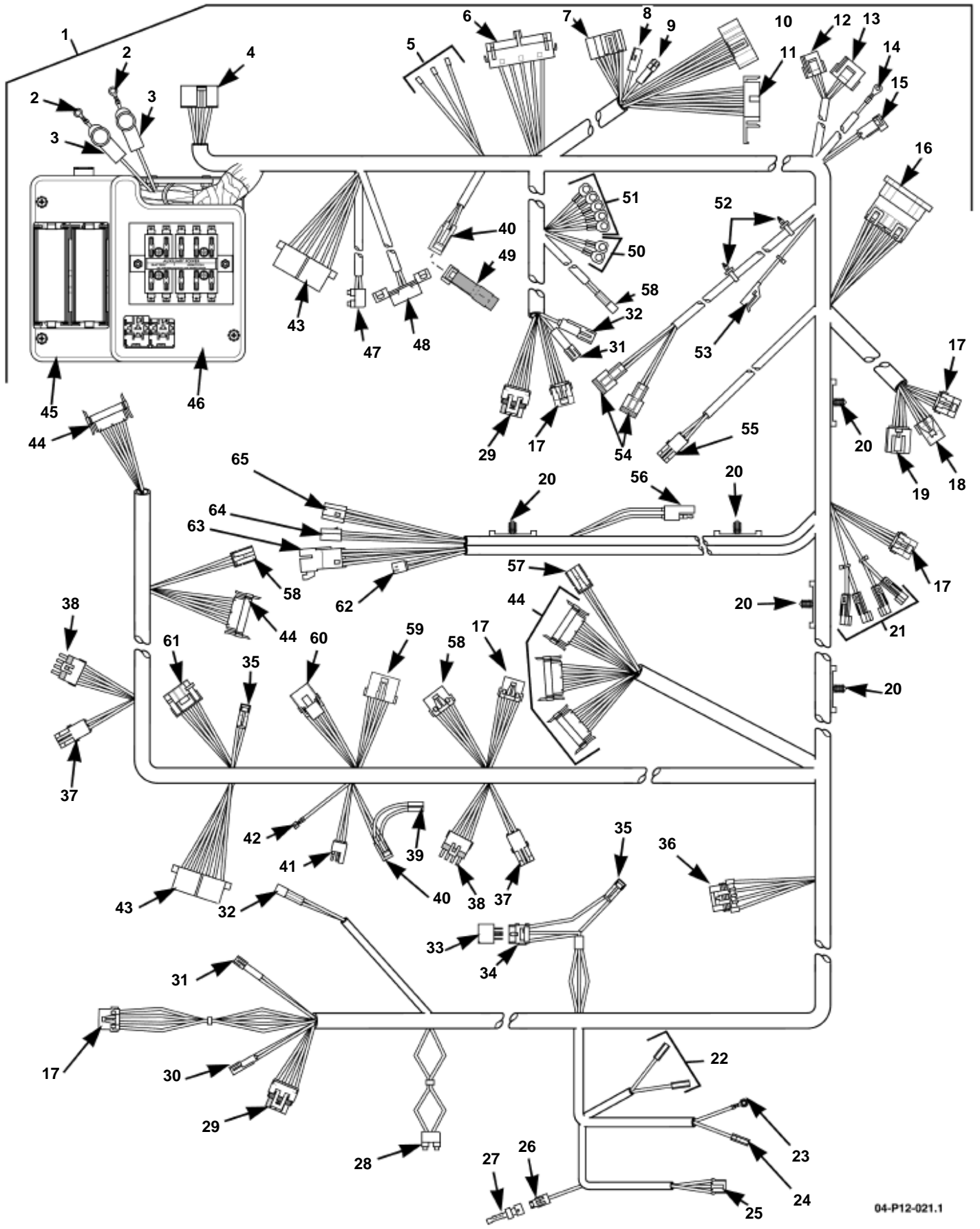


04-P12-029

Jumper Harness Assembly, Heated Seat



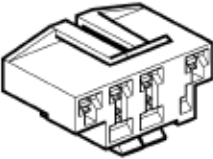

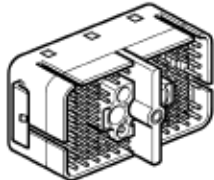
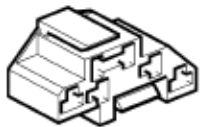

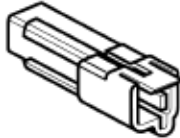

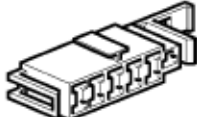



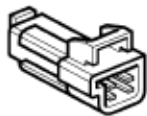
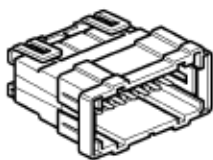
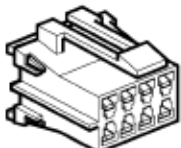
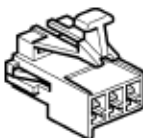


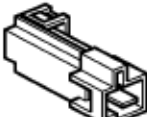
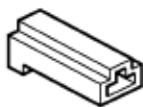

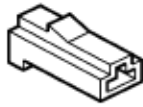


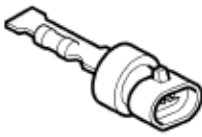
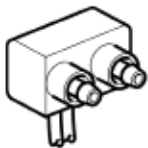
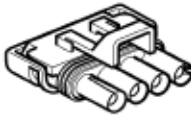
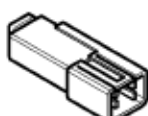
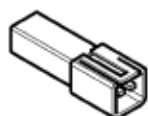
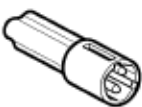
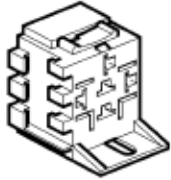
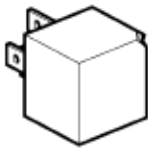
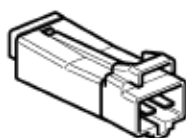

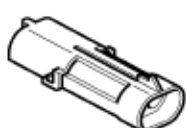
Jumper Harness Assembly, Heated Seat.

Item	Part No.	Description	Qty
1	6016489	JUMPER HARNESS ASSEMBLY, seat jumper	1
2	S.I.A.	CONNECTOR, to seat	1
3	S.I.A.	CONNECTOR, to heated seat module	1



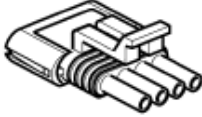
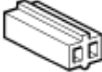
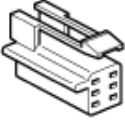
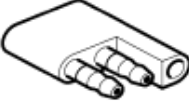

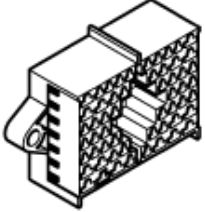

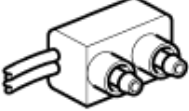
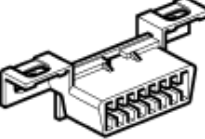
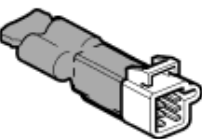



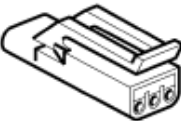
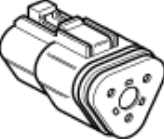
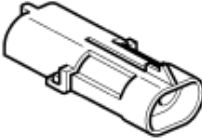
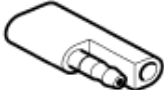
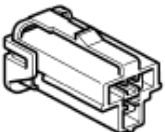
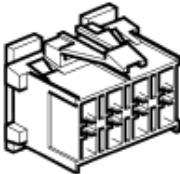
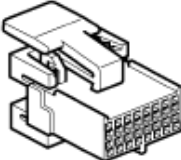
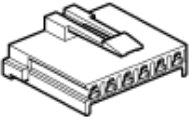
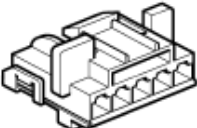
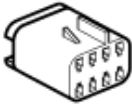
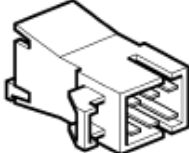

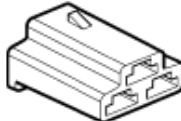
04-P12-021.1

Harness Assembly, Cross Body

					
VIEW 2	VIEW 3	VIEW 4	VIEW 5	VIEW 6	VIEW 7
					
VIEW 8	VIEW 9	VIEW 10	VIEW 11	VIEW 12	VIEW 13
					
VIEW 14	VIEW 15	VIEW 16	VIEW 17	VIEW 18	VIEW 19
					
VIEW 20	VIEW 21	VIEW 22	VIEW 23	VIEW 24	VIEW 25
					
VIEW 26	VIEW 27	VIEW 28	VIEW 29	VIEW 30	VIEW 31
					
VIEW 32	VIEW 33	VIEW 34	VIEW 35	VIEW 36	VIEW 37

04-P12-021A.1

Harness Assembly, Cross Body

					
VIEW 38	VIEW 39	VIEW 40	VIEW 41	VIEW 42	VIEW 43
					
VIEW 46	VIEW 47	VIEW 48	VIEW 49	VIEW 50	VIEW 51
					
VIEW 52	VIEW 53	VIEW 54	VIEW 55	VIEW 56	VIEW 57
					
VIEW 58	VIEW 59	VIEW 60	VIEW 61	VIEW 62	VIEW 63
					
VIEW 64	VIEW 65				

04-P12-021B.1

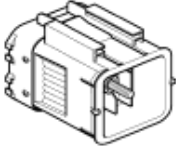
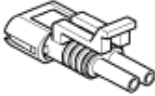
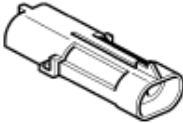
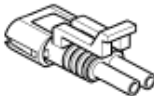








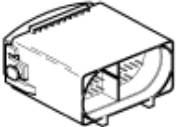
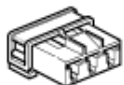
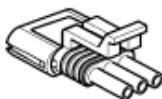
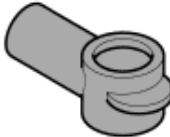




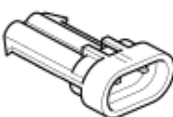
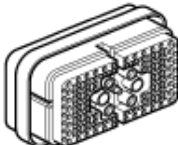






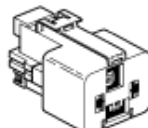

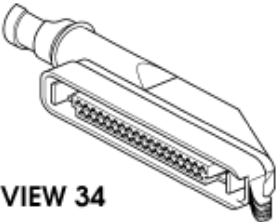
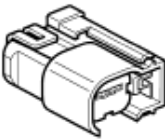




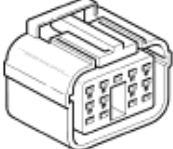
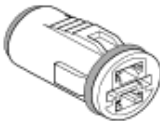
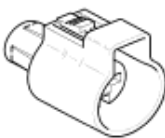
Harness Assembly, Cross Body

HUMMER H1 2004 Parts Catalog
Harness Assembly, Cross Body.

Item	Part No.	Description	Qty
1	6016869	HARNESS ASSEMBLY, Cross Body	1
2	S.I.A.	·EYELET, terminal, aux. fuse panel	2
3	S.I.A.	·BOOT, red, aux. fuse panel	2
4	6004877	·CONNECTOR, male, warning chime module	1
5	S.I.A.	·TRAILER LEADS, intermediated	3
6	6014890	·CONNECTOR, 102-way, cowl top harness	1
	6014893	·TERMINAL, 8-10 Ga	3
	6014894	·TERMINAL, 12-14 Ga	15
	6014896	·TERMINAL, 14-16 Ga	5
	6014895	·TERMINAL, 16-18 Ga	A/R
7	6000134	·SLEEVE CONNECTOR, 6-way, turn signal switch	1
8	6000141	·CONNECTOR, 1-way, key contact	1
9	S.I.A.	·CONNECTOR	1
10	6000142	·SLEEVE CONNECTOR, 7-way, turn signal switch	1
11	6000143	·SLEEVE CONNECTOR, ignition switch	1
12	6003221	·CONNECTOR, 2-way, stop light	1
	6003222	·TERMINAL, 14-16 Ga	A/R
13	6003223	·CONNECTOR, 4-way, transmission	1
14	5903147	·RING TERMINAL, steering column ground	1
15	5939599	·SECONDARY LOCK, cruise control	1
16	6006957	·CONNECTOR, 16-way, CTIS harness	1
17	6002769	·CONNECTOR, 8-way	5
18	S.I.A.	·CONNECTOR, 3-way, HVAC control unit	1
19	S.I.A.	·CONNECTOR, 4-way, HVAC control unit	1
20	S.I.A.	·RETAINER CLIP	4
21	S.I.A.	·CONNECTOR, 1-way	4
22	S.I.A.	·CONNECTOR, 1-way, temperature sensor	1
23	S.I.A.	·RING TERMINAL, blower motor	1
24	5903092	·CONNECTOR, 1-way, blower motor	1
25	S.I.A.	·CONNECTOR, 5-way, temp. door	1
26	6003235	·CONNECTOR, 2-way, resistor module	1
27	6010396	·RESISTOR MODULE	1
28	5937039	·CONNECTOR, 2-way, courtesy light	1
29	5995715	·CONNECTOR, 4-way	2
30	S.I.A.	·CONNECTOR, 4-way	2
31	6003816	·CONNECTOR, 2-way	2
32	5939085	·CONNECTOR, 3-way	2
33	5939315	·RELAY, A/C	1
34	N/S	·CONNECTOR, 5-way, relay blower motor	1
35	S.I.A.	·CONNECTOR, 2-way	2
36	N/S	·CONNECTOR, 4-way, heater blower resistor pack	1
37	5939099	·CONNECTOR, 2-way	2
38	6005579	·CONNECTOR, 4-way	2
39	5937089	·CONNECTOR, 2-way, rear HVAC unit	1
40	5939155	·CONNECTOR, 6-way	2
41	S.I.A.	·CONNECTOR, molded on	1
42	S.I.A.	·TERMINAL, rear HVAC unit	1
43	S.I.A.	·CONNECTOR, 56-way	2
	6003222	·TERMINAL, 14-16 Ga	A/R
44	S.I.A.	·CONNECTOR, switch	5
45	6010127	·COVER, fuse box	1
46	S.I.A.	·FUSE BOX	1
47	5937021	·CONNECTOR, molded, courtesy light	1
48	6003224	·CONNECTOR, 16-way, ALDL connector	1
49	5745473	·DIODE ASSEMBLY	1
50	S.I.A.	·RING TERMINAL, I/P ground harness	2
51	S.I.A.	·RING TERMINAL, M8-stud, I/P ground studs	5
52	S.I.A.	·CLIP, deltar, wire harness	2
53	6000150	·CONNECTOR, brake shift interlock	1
54	6014887	·CONNECTOR, throttle position sensors	2
	6014889	·TERMINAL	6
55	5939099	·CONNECTOR, 2-way, seat buckle switch	1
56	5583612	·INSULATOR AND SOCKET, molded on, front identification lamps	1

Harness Assembly, Cross Body.

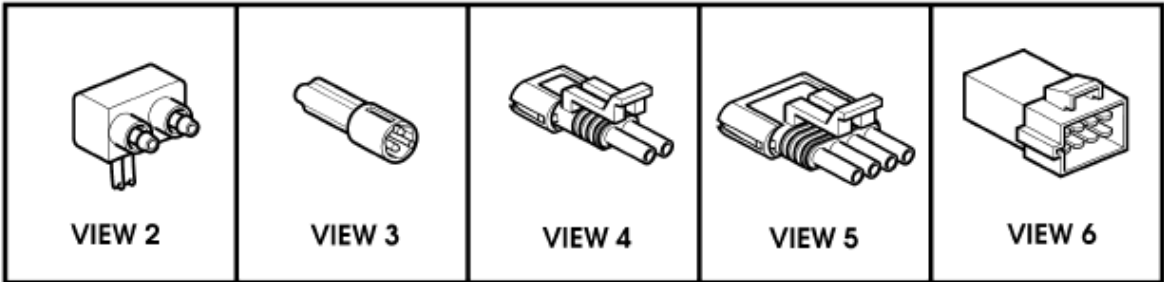
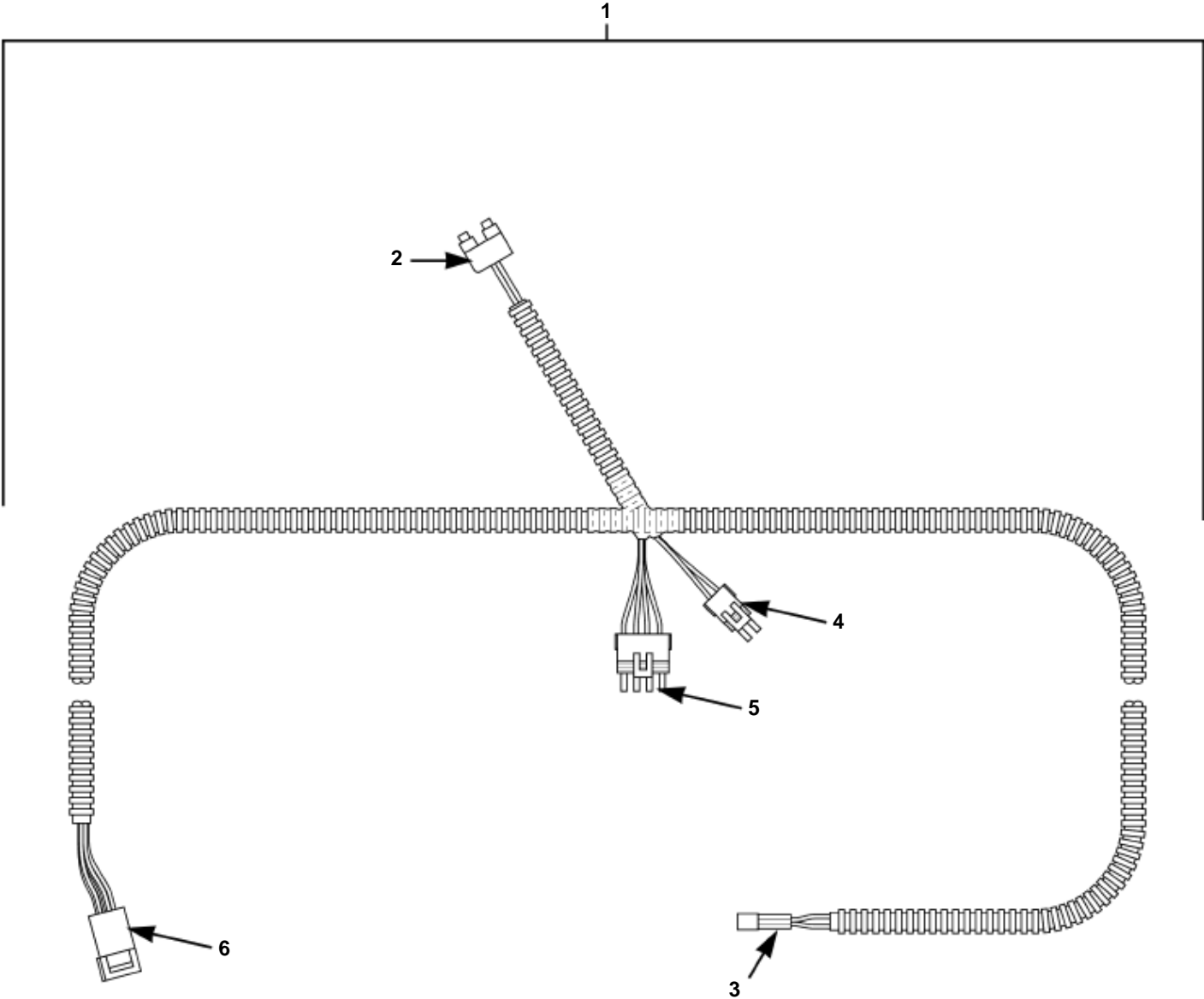
Item	Part No.	Description	Qty
57	S.I.A.	.CONNECTOR, 3-way	2
58	N/S	.CONNECTOR, 8-way, remote entry module	1
59	S.I.A.	.CONNECTOR, 16-way, locking diff. control module	1
60	S.I.A.	.CONNECTOR, 6-way, locking diff. control module	1
61	6012318	.CONNECTOR, 5-way, express down module	1
	6003222	..TERMINAL, 14-16 Ga	A/R
62	6007226	.CONNECTOR, 5-way, compass mirror	1
63	S.I.A.	.CONNECTOR, 6-way, roof harness	1
64	5936490	.CONNECTOR, 2-way, windshield wiper motor	1
65	5962328	.CONNECTOR, 3-way, windshield wiper motor	1

					
VIEW 2	VIEW 3	VIEW 4	VIEW 5	VIEW 6	VIEW 7
					
VIEW 8	VIEW 9	VIEW 10	VIEW 11	VIEW 12	VIEW 13
					
VIEW 14	VIEW 15	VIEW 16	VIEW 17	VIEW 18	VIEW 19
					
VIEW 20	VIEW 23	VIEW 24	VIEW 25	VIEW 26	VIEW 27
					
VIEW 28	VIEW 29	VIEW 30	VIEW 31	VIEW 32	VIEW 33
					
VIEW 34		VIEW 35	VIEW 36	VIEW 37	VIEW 38
				04-P12-022A	
VIEW 39	VIEW 40	VIEW 41	VIEW 42		

Harness Assembly, Cowl Top

HUMMER H1 2004 Parts Catalog
Harness Assembly, Cowl Top.

Item	Part No.	Description	Qty
1	6014234	HARNESS ASSEMBLY, COWL TOP	1
2	S.I.A.	·CONNECTOR, 42-way, to underbody harness	1
3	6003280	·CONNECTOR, 2-way	2
4	5939099	·CONNECTOR, 2-way	2
5	S.I.A.	·CONNECTOR, 2-way, to rear inflate solenoid	1
6	MS27144-2	·CONNECTOR, front/rear low pressure switch	4
7	S.I.A.	·RING TERMINAL, `A' beam power junction block	4
8	5903141	·RING TERMINAL, `A' beam power junction block	1
9	6010197	·CONNECTOR, 12-way, to engine harness	1
10	S.I.A.	·RING TERMINAL	5
11	S.I.A.	·RING TERMINAL, to engine ground stud	1
12	6010232	·CONNECTOR, 10-way, to transmission	1
13	7056715	·RING TERMINAL, to engine ground stud	1
14	6010131	·CONNECTOR, 40-way, to engine harness	1
15	5937060	·CONNECTOR, 3-way, to fuel heater	1
16	5937082	·CONNECTOR, 3-way, to water in fuel sensor	1
17	S.I.A.	·RUBBER BOOT, black, to CTIS pump	1
18	7056709	·EYELET, to CTIS pump	2
19	S.I.A.	·RUBBER BOOT, red, to CTIS pump	1
20	5939582	·CONNECTOR, 3-way, to underbody harness	1
21	6016414	·WRAP, panduit tie	5
22	6014326	·GUIDE, cowl top harness, rear	1
23	6008195	·CONNECTOR, 2-way, to hour meter	1
24	6008196	·CONNECTOR, 2-way, to hour meter	1
25	6014812	·CONNECTOR, 102-way to cross body harness	1
	6014815	··TERMINAL, 14-16 Ga	9
	6014816	··TERMINAL, 12-14 Ga	15
	6014817	··TERMINAL, 8-10 Ga	3
	6016956	··TERMINAL, 14-16 Ga	63
26	S.I.A.	·CONNECTOR PLUG, y-receptacle	2
27	S.I.A.	·Y-RECEPTACLE, with terminating resistor	1
28	6013545	·CONNECTOR, to ECM	1
	6018242	··TERMINAL, 16-18 Ga	A/R
29	6013544	·CONNECTOR, to ECM	1
	6018242	··TERMINAL, 16-18 Ga	A/R
	6014641	··TERMINAL, 14 Ga	4
30	S.I.A.	·CONNECTOR, 2-way to washer pump	1
31	6015998	·CABLE ASSEMBLY, with d-connector, exterior fuse center power	1
32	S.I.A.	·CONNECTOR, 4-way, abs pump relay, starter relay	3
33	6010234	·RELAY, 80 amp	3
34	S.I.A.	·CONNECTOR KIT, to ABS ECU	1
35	S.I.A.	·CONNECTOR, 2-way, to horns	1
36	S.I.A.	·RETAINER CLIP	2
37	5939567	·CONNECTOR, 2-way, trouble light (optional)	1
38	S.I.A.	·CONNECTOR, 5-way, EMI filter	1
39	S.I.A.	·CONNECTOR, to brake fluid level sensor	1
40	S.I.A.	·CONNECTOR, 4-way, to modulator unit	1
41	S.I.A.	·CONNECTOR, 2-way, to modulator pump	1
42	S.I.A.	·CONNECTOR, 1-way, to modulator ground	1
	6015151	·DECAL, exterior fuse box (not illustrated)	1



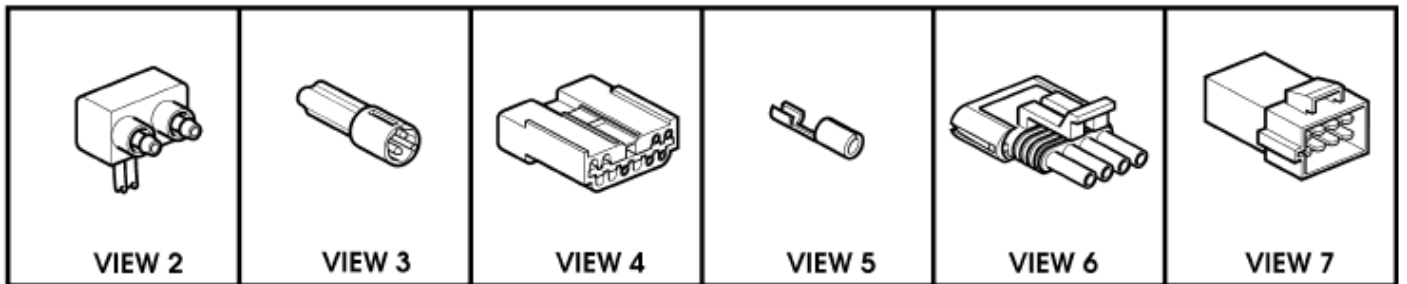
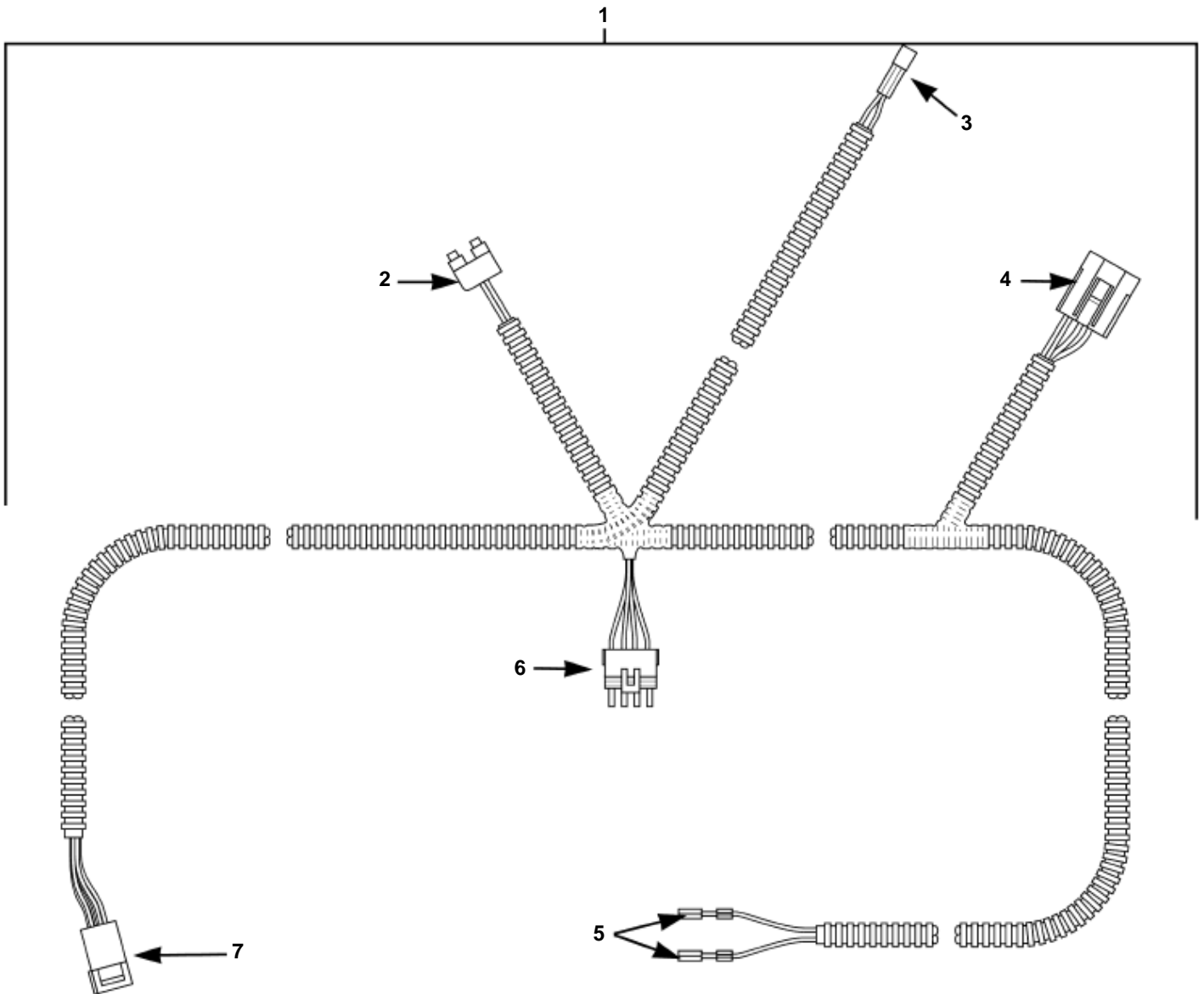
04-P12-039

**Jumper Harness Assembly,
Rear Door, Models 56, 57, 58, 84, 90**

Jumper Harness Assembly, Rear Door, Models 56, 57, 58, 84, 90.

Item	Part No.	Description	Qty
1	6016484	JUMPER HARNESS ASSEMBLY, rear door 56, 57, 58, 90, SEE NOTE 1	1
2	5937039	.CONNECTOR, 2-way mold-on, to rear courtesy light	1
3	5939085	.CONNECTOR, 3-way, to rear door jamb switch	1
4	6003280	CONNECTOR, to soft top dome lamp jumper	1
5	5995715	.CONNECTOR, 6-way, to rear door window and locks harness	1
6	6008670	.CONNECTOR, 8-way, to cross-body harness	1

NOTE 1: HARNESS ASSEMBLY 6016484 IS USED ON THE
L.H. CARGO DOOR OF MODELS 57, 84.

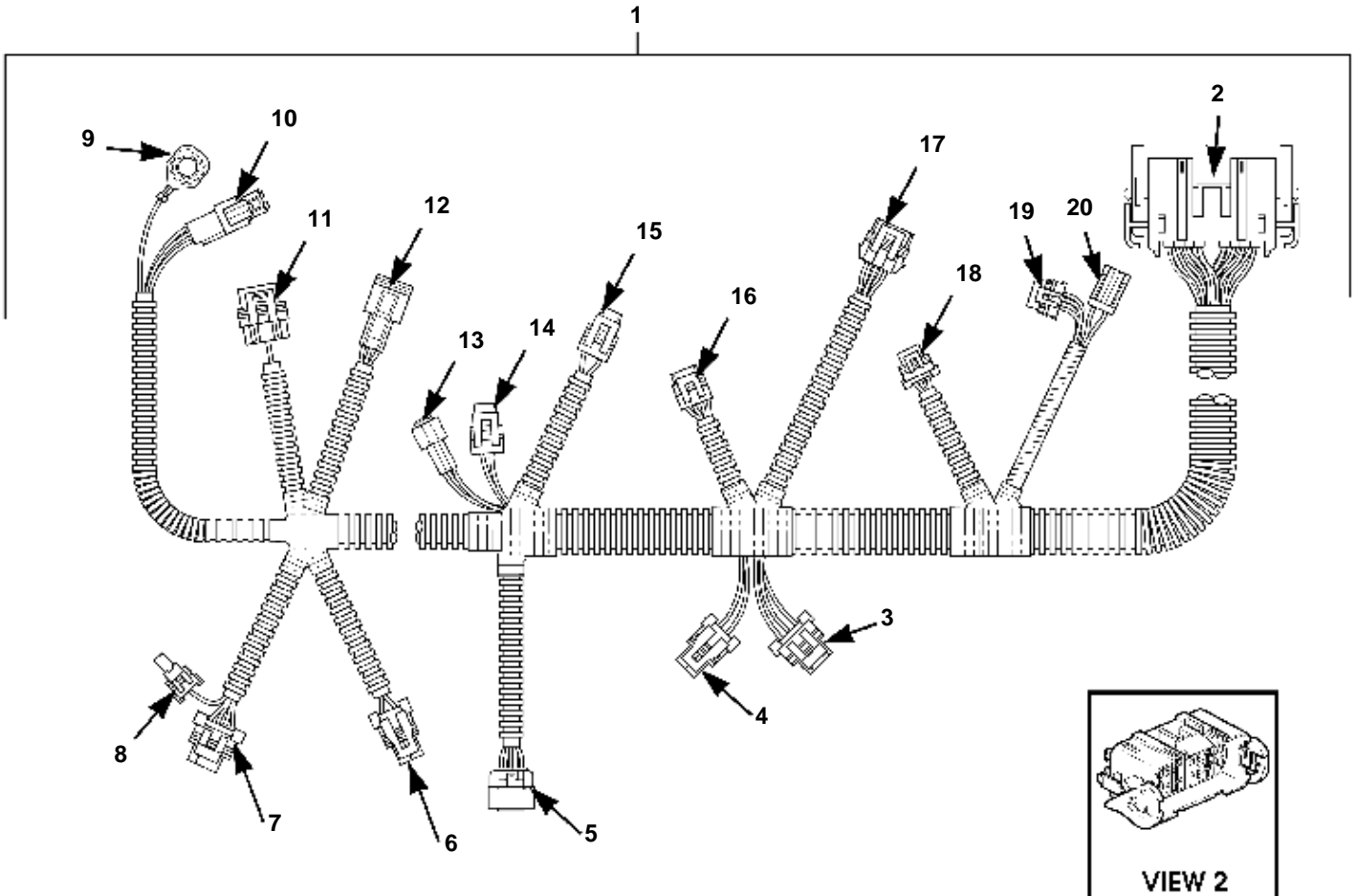


04-P12-009

Jumper Harness Assembly, Station Wagon Cargo Door R.H. ,57, 84

Jumper Harness Assembly, Station Wagon Cargo Door R.H. ,57, 84.

Item	Part No.	Description	Qty
1	6016485	JUMPER HARNESS ASSEMBLY, cargo door, R.H. 57, 84	1
2	5937039	.CONNECTOR, 2-way mold-on, to rear courtesy light	1
3	5939085	.CONNECTOR, 3-way, to rear door jamb switch	1
4	6009107	.CONNECTOR, 10-way, to rear door lock module	1
5	6009730	.TERMINAL, female, to rear vertical door contacts	2
6	5995715	.CONNECTOR, 6-way, to rear door window and locks harness	1
7	6008670	.CONNECTOR, 8-way, to cross-body harness	1



VIEW 3	VIEW 4	VIEW 5	VIEW 6	VIEW 7	VIEW 8
VIEW 9	VIEW 10	VIEW 11	VIEW 12	VIEW 13	VIEW 14
VIEW 15	VIEW 16	VIEW 17	VIEW 18	VIEW 19	VIEW 20

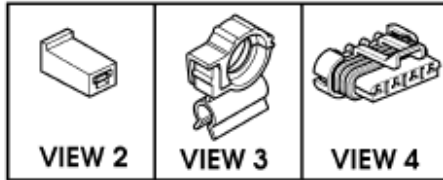
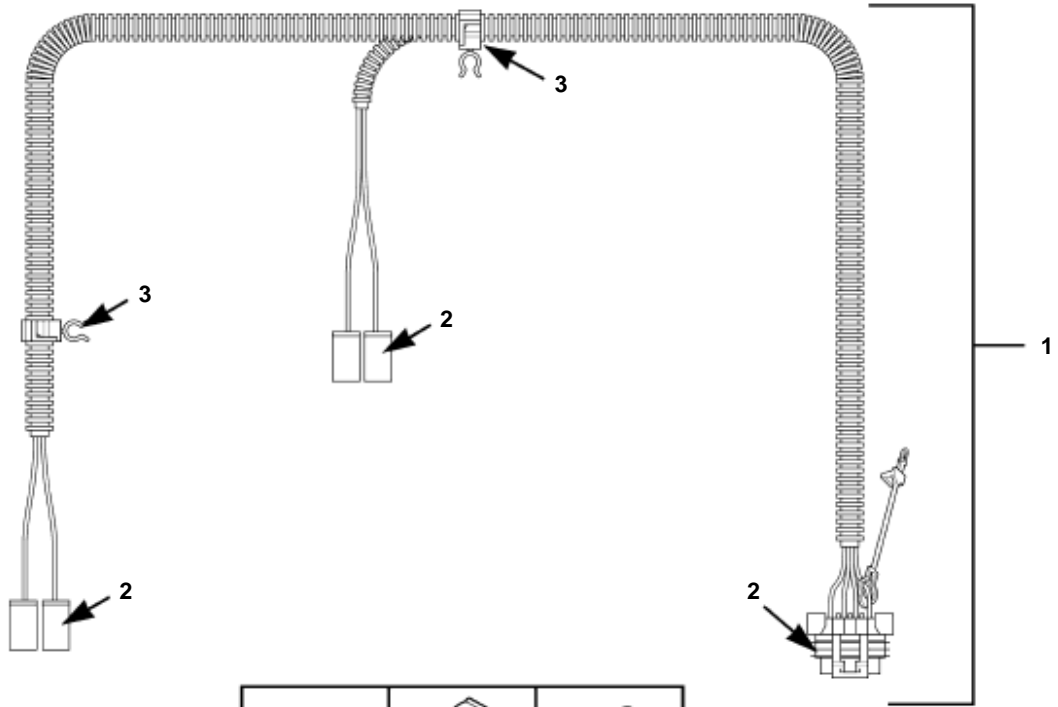
04-P12-003.1

Harness Assembly, Engine, GEP

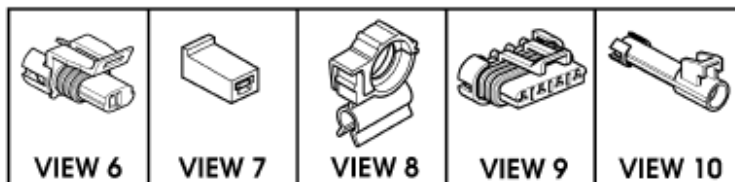
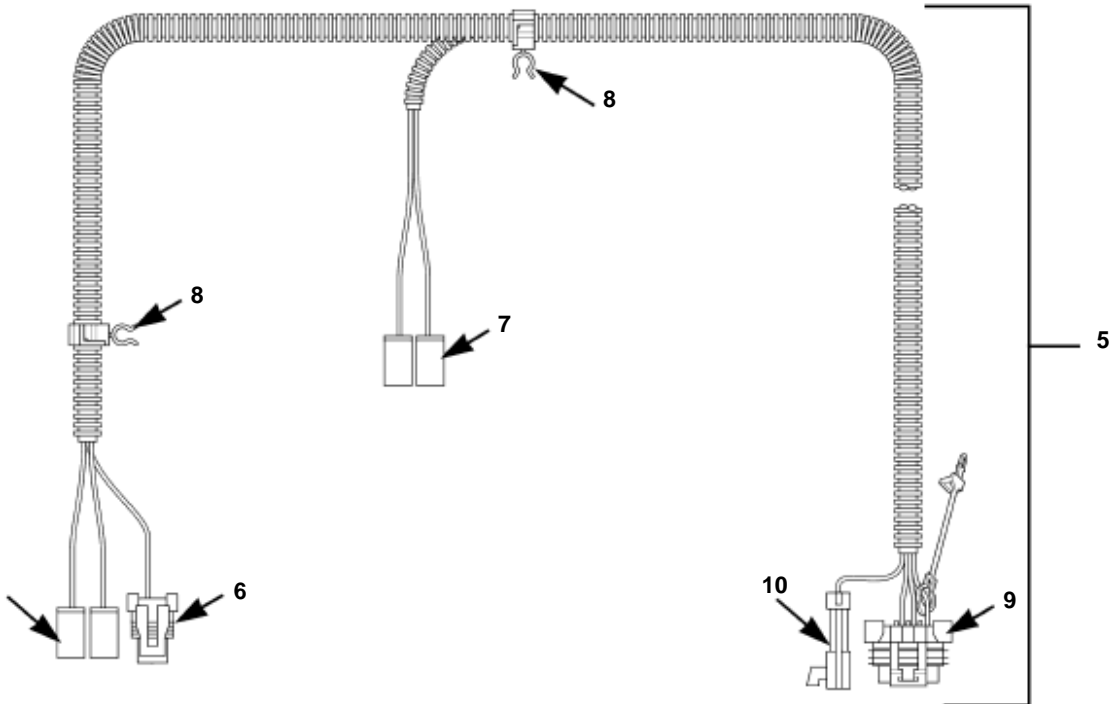
Harness Assembly, Engine, GEP.

Item	Part No.	Description	Qty
1	GEP18000445	HARNESS ASSEMBLY, engine, GEP, SEE NOTE 1	1
2	S.I.A.	.CONNECTOR, 40-way	1
3	S.I.A.	.CONNECTOR, 3-way, crankshaft position sensor	1
4	S.I.A.	.CONNECTOR, 2-way, engine shutoff solenoid	1
5	S.I.A.	.CONNECTOR, 5-way, maf sensor	1
6	S.I.A.	.CONNECTOR, 2-way, wastegate solenoid	1
7	S.I.A.	.CONNECTOR, 4-way, glow plug controller	1
8	S.I.A.	.CONNECTOR, 2-way	1
9	S.I.A.	.ENGINE GROUND	1
10	S.I.A.	.CONNECTOR, 3-way, oil sending unit	1
11	S.I.A.	.CONNECTOR, 3-way, oil pressure switch	1
12	S.I.A.	.CONNECTOR, 3-way, atmospheric pressure sensor	1
13	S.I.A.	.CONNECTOR, 3-way, barometric pressure sensor	1
14	S.I.A.	.CONNECTOR, 2-way, air temperature sensor	1
15	S.I.A.	.CONNECTOR, 2-way, coolant temperature sensor	1
16	S.I.A.	.CONNECTOR, 4-way, stepper mtr.	1
17	S.I.A.	.CONNECTOR, 6-way, optical sensor	1
18	S.I.A.	.CONNECTOR, 4-way, fuel solenoid driver	1
19	S.I.A.	.CONNECTOR, 2-way, EGR temperature sensor	1
20	S.I.A.	.CONNECTOR, 5-way, EGR valve	1

NOTE 1: ENGINE HARNESS ASSEMBLY P/N
GEP18000445 COMES WITH ENGINE.



02-P12-011

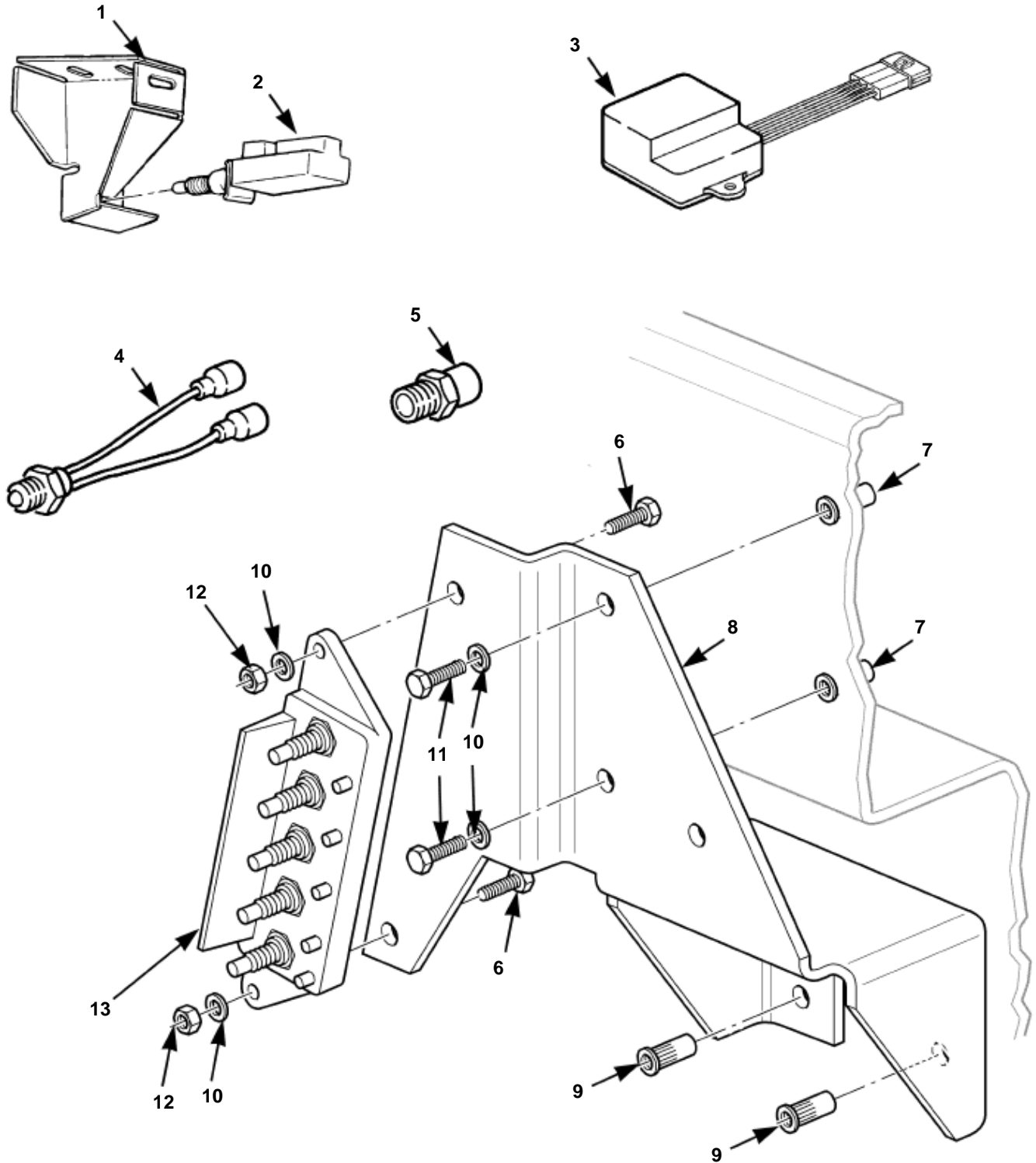


02-P12-012

Harness Assemblies, Glow Plug, Left and Right

Harness Assemblies, Glow Plug, Left and Right.

Item	Part No.	Description	Qty
1	5745303	HARNESS ASSEMBLY, glow plug, right side	1
2	S.I.A.	·CONNECTOR, glow plug	4
3	S.I.A.	·CLIP, harness, guide	2
4	S.I.A.	·CONNECTOR, glow plug controller	1
5	5745302	HARNESS ASSEMBLY, glow plug, left side	1
6	S.I.A.	·CONNECTOR, water coolant sensor	1
7	S.I.A.	·CONNECTOR, glow plug	4
8	S.I.A.	·CLIP, harness, guide	2
9	S.I.A.	·CONNECTOR, glow plug controller	1
10	S.I.A.	·CONNECTOR	1

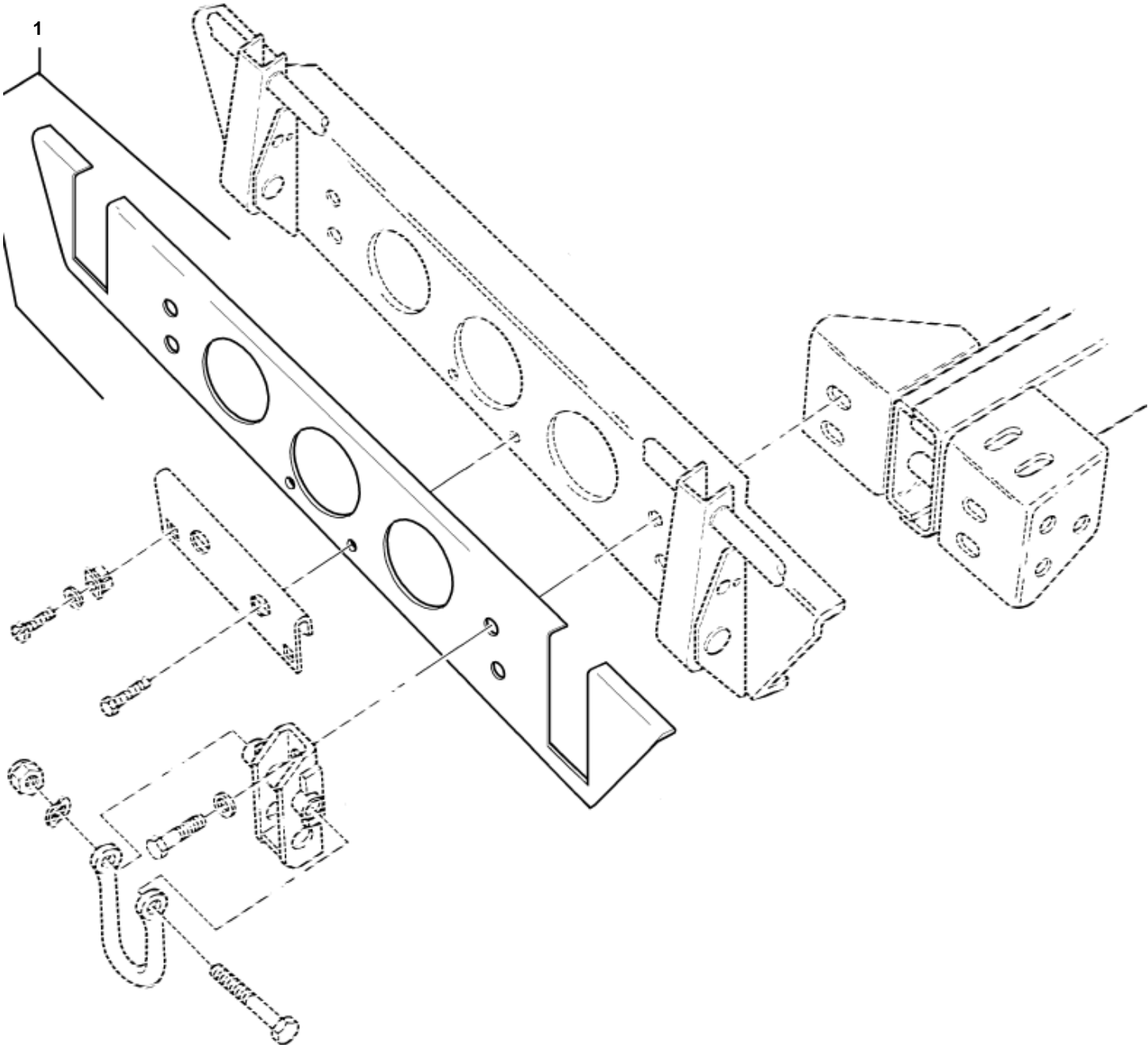


P12-048.4

Miscellaneous Electrical Items, Junction Block

Miscellaneous Electrical Items, Junction Block.

Item	Part No.	Description	Qty
1	6002810	BRACKET, brake light switch	1
2	6002811	SWITCH, brake light/ cruise	1
3	5745365	MODULE ASSEMBLY, daytime running light (Canada Only)	1
4	12356704	SWITCH, parking brake	1
5	5938686	SWITCH, transfer lock, 12 volt	1
6	N/S	SCREW, 1/4 - 20 x 3/4"	2
7	12446871-13	NUT INSERT	3
8	6014565	BRACKET ASSEMBLY, junction block & connector mounting	1
9	5939712	·NUT INSERT	2
10	N/S	WASHER, flat, 1/4"	5
11	N/S	BOLT, 1/4 - 20 x 5/8"	3
12	N/S	NUT, 1/4 - 20"	2
13	6007329	JUNCTION BLOCK	1

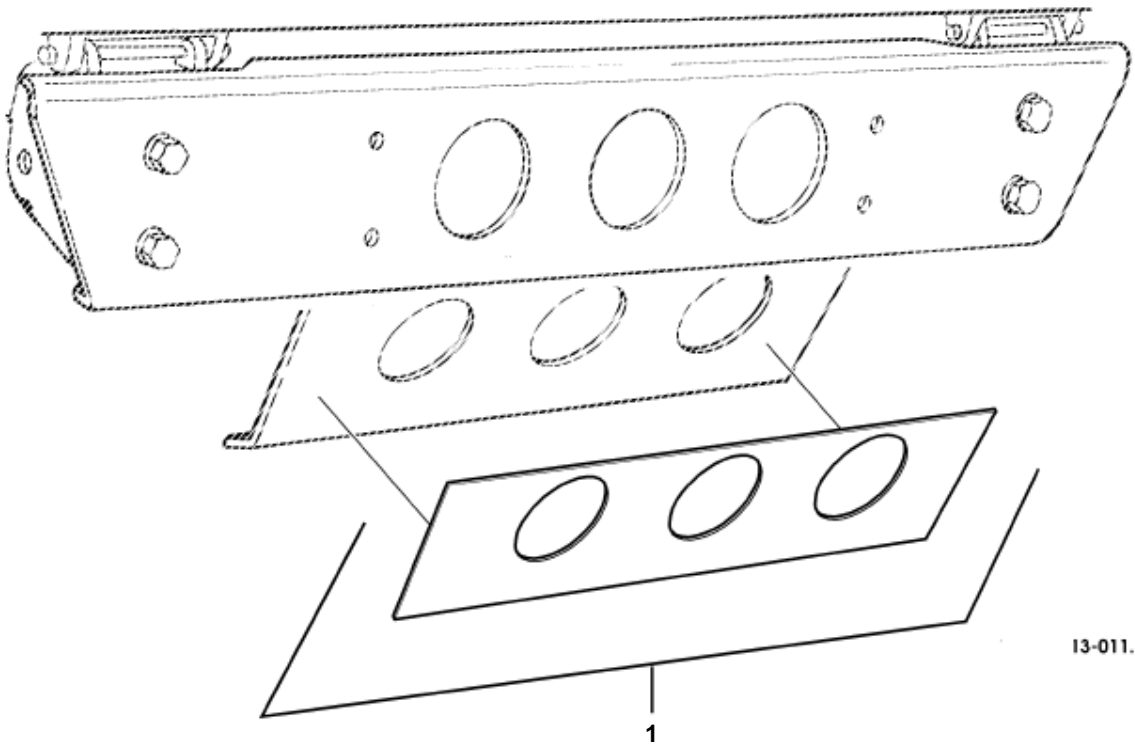


**Cover KIT, Front Bumper,
(Front Bumper with Brushguard and Without Winch)
Polished or Brushed Stainless Steel**

9-P13-013

Cover KIT, Front Bumper, (Front Bumper with Brushguard and Without Winch) Polished or Brushed Stainless Steel.

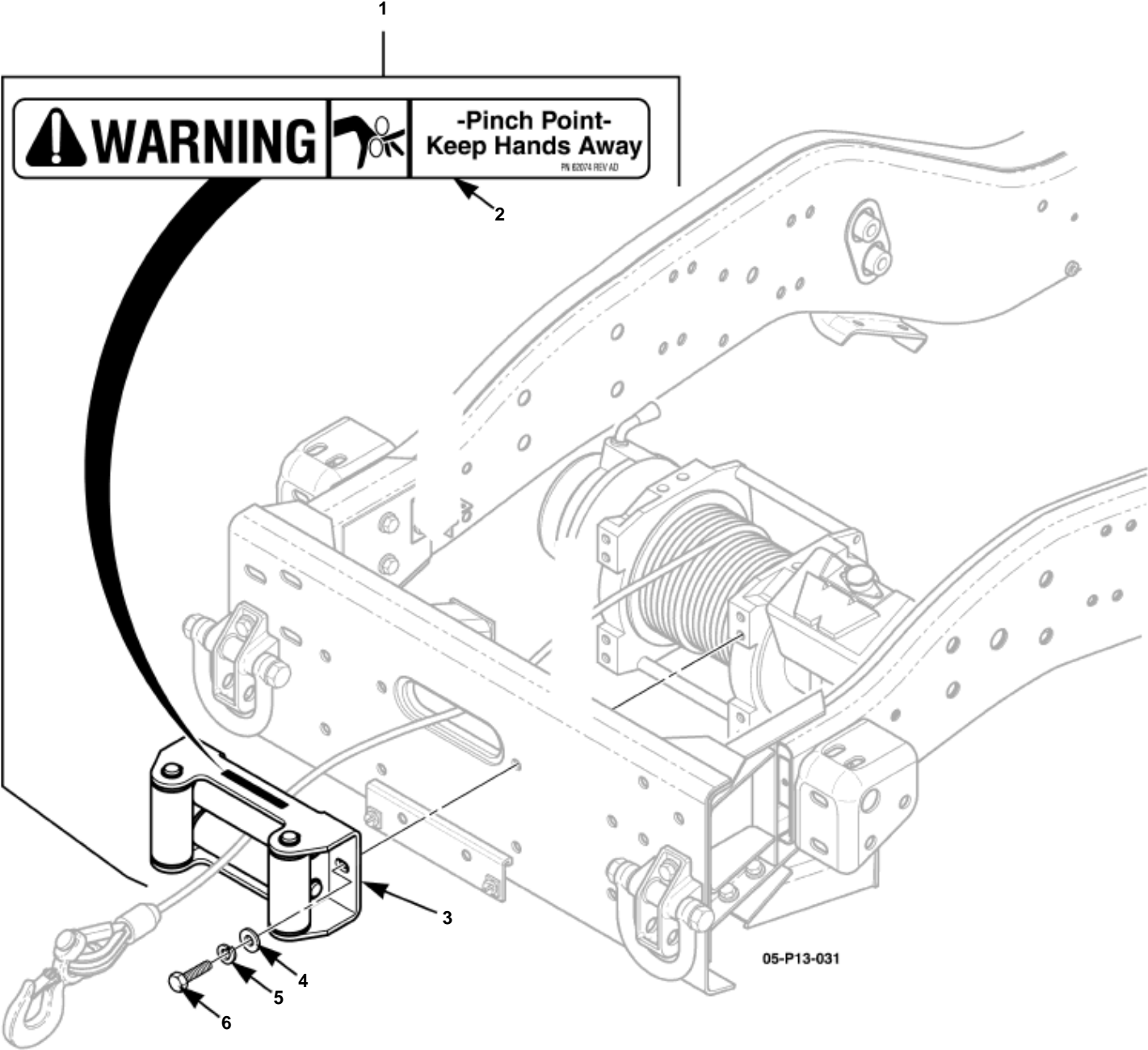
Item	Part No.	Description	Qty
1	5745079	COVER, front bumper with brushguard and without winch, polished stainless steel	1
	5745192	COVER, front bumper with brushguard and without winch, brushed stainless steel	



Cover Kit, Front Skid Plate

HUMMER H1 2004 Parts Catalog
Cover Kit, Front Skid Plate.

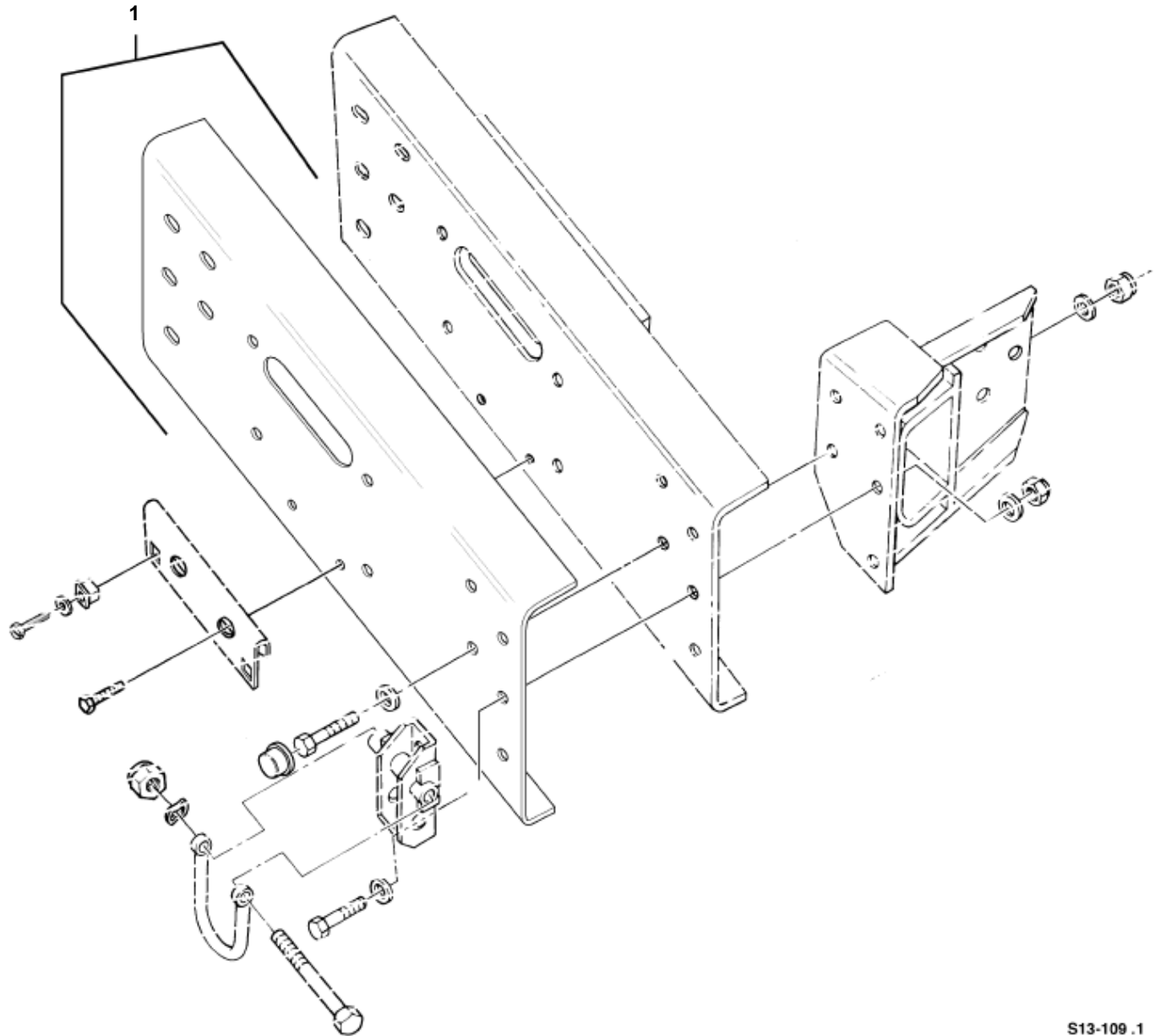
Item	Part No.	Description	Qty
1	5745071	COVER, skid plate, polished stainless steel	1
	5745195	COVER, skid plate, brushed stainless steel	1



Winch Roller Fairlead

Winch Roller Fairlead.

Item	Part No.	Description	Qty
1	6017037	WINCH ROLLER FAIRLEAD KIT	1
2	S.I.K.	·DECAL, WARNING, pinch point	1
3	S.I.K.	·WINCH ROLLER FAIRLEAD, black	1
	5744715	WINCH ROLLER FAIRLEAD, chrome	1
4	N/S	WASHER, flat, hard, M12	2
5	N/S	LOCKWASHER, M12	2
6	N/S	BOLT, M12 - 1.75 x 45mm	2

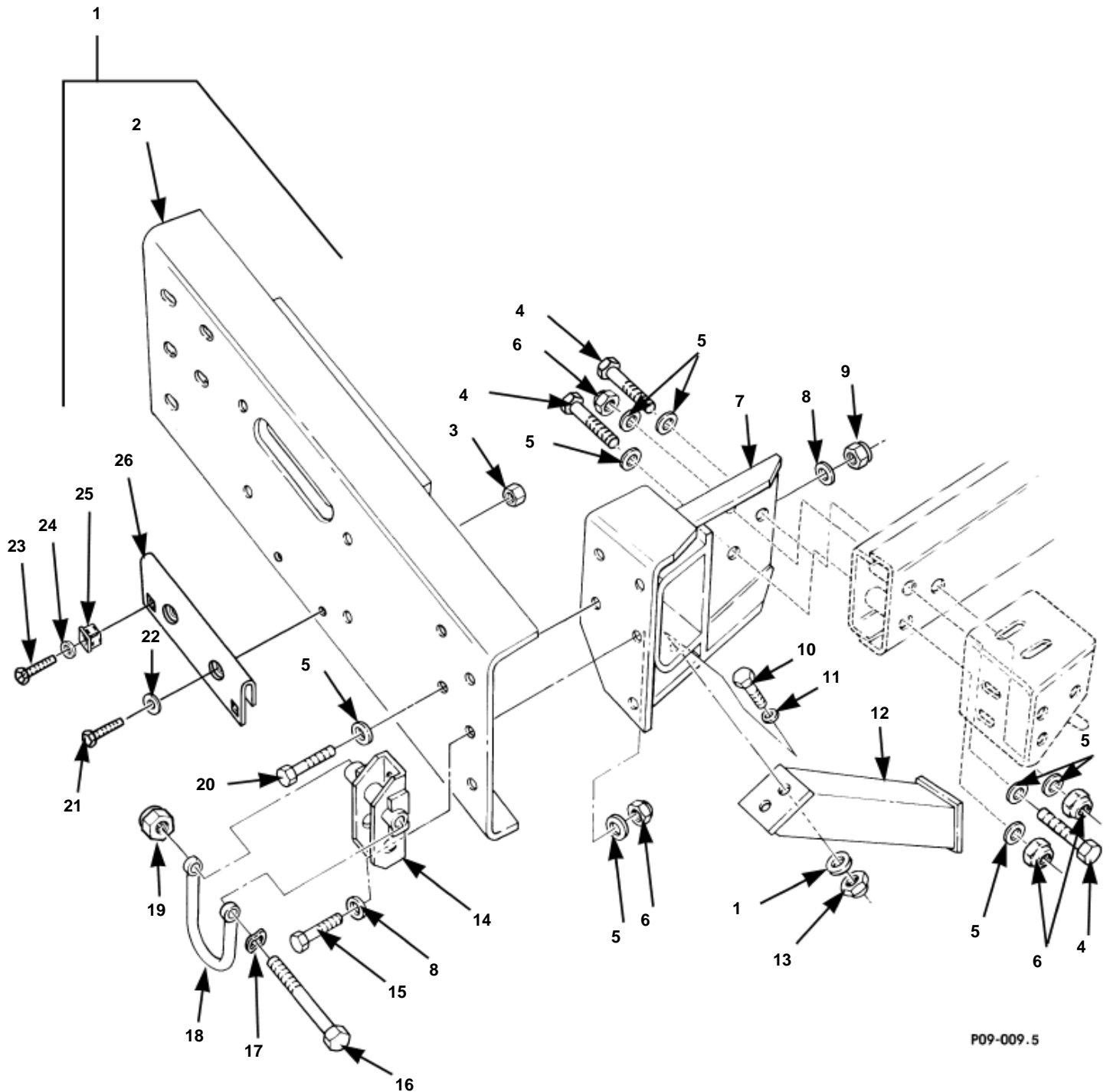


S13-109.1

**Cover Kit, Front Bumper, (Front with Winch),
Polished or Brushed Stainless Steel**

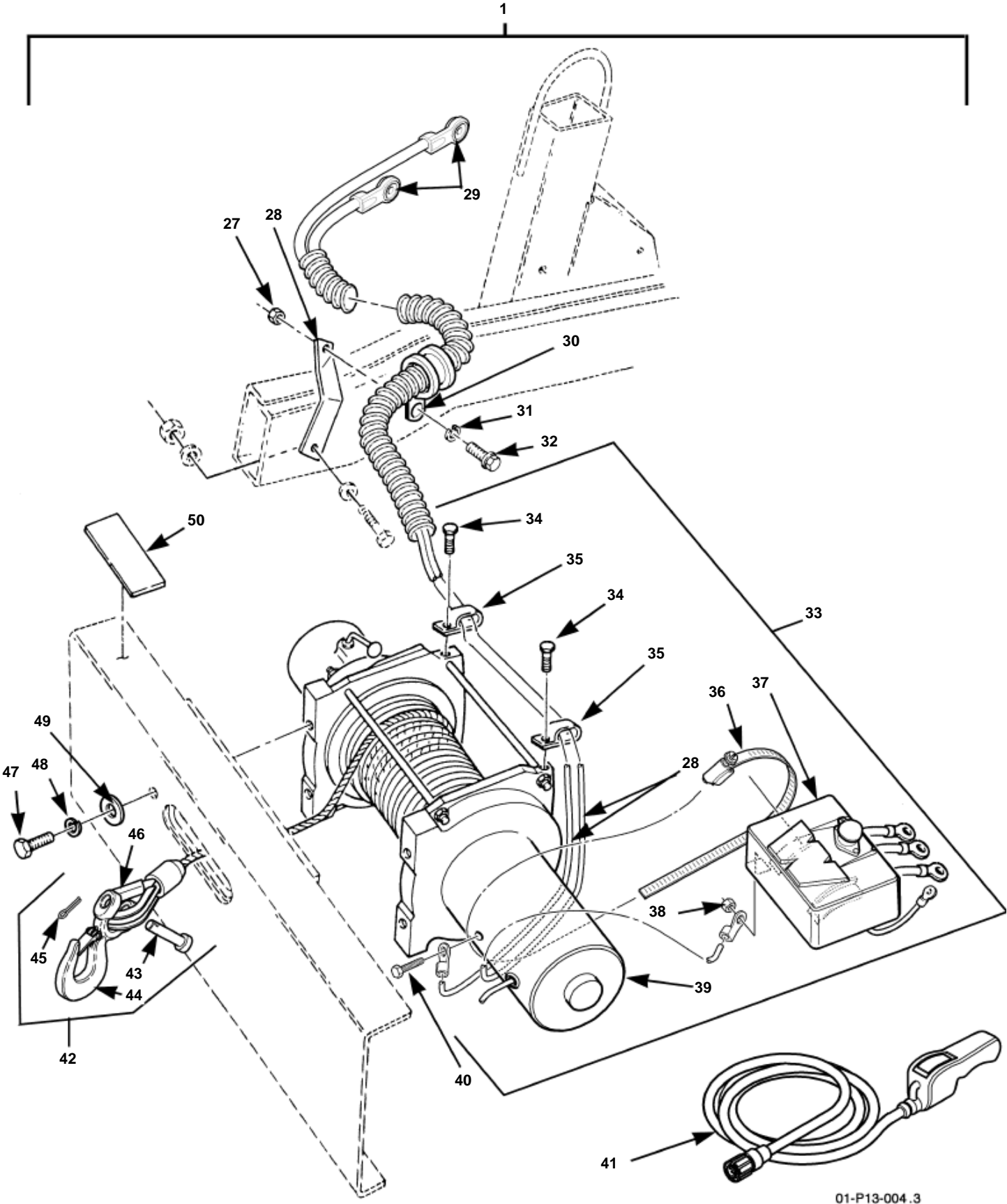
Cover Kit, Front Bumper, (Front with Winch), Polished or Brushed Stainless Steel.

Item	Part No.	Description	Qty
1	5745070	COVER, front bumper with winch, polished stainless steel	1
	5745189	COVER, front bumper with winch, brushed stainless steel	1



P09-009.5

**Winch Bumper, Winch Assembly,
Mounting Hardware, and Related Parts (Winch Kit)**



01-P13-004.3

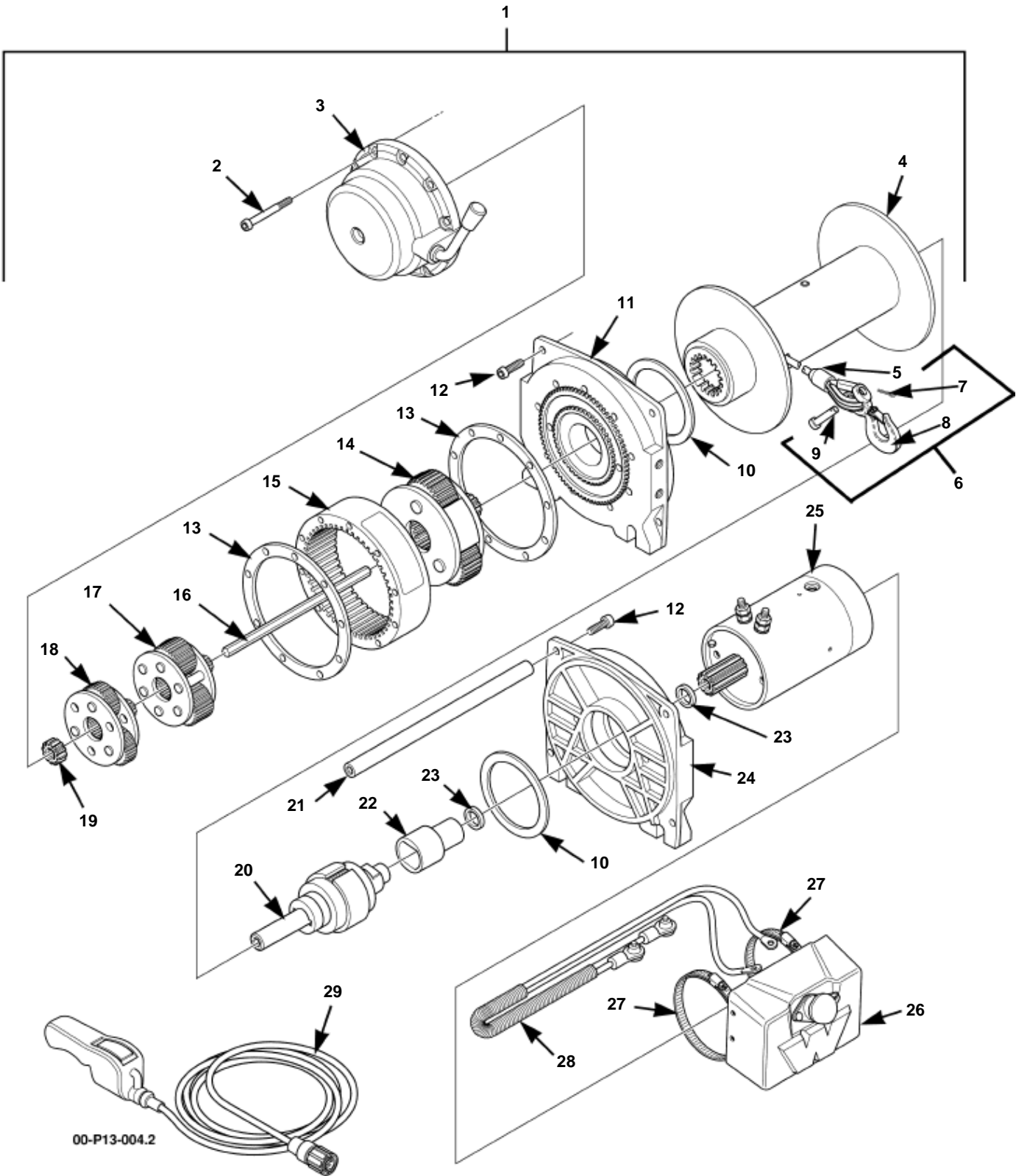
Winch Bumper, Winch Assembly, Mounting Hardware, and Related Parts (Winch Kit).

Item	Part No.	Description	Qty
1	5745286	KIT, winch, 12V, 12,000-lb capacity, SEE NOTES 1 and 2	1
2	6014209B5	·BUMPER, front, with winch	1
3	N/S	NUT, lockwasher, 1/4 - 20"	2
4	N/S	BOLT, 5/8 - 11 x 3 3/4", Gr8, CAD	6
5	N/S	WASHER, flat, hardened, 5/8", type B	13
6	N/S	LOCKNUT, 5/8 - 11", Gr8	6
7	12342388B5	FRAME EXTENSION, front bumper, R.H., SEE NOTE 3	1
	12342387B5	FRAME EXTENSION, front bumper, L.H., SEE NOTE 3	1
8	S.I.K.	WASHER, flat, hard, 1/2", type B, SEE NOTE 3	18
9	S.I.K.	LOCKNUT, 1/2 - 13", front bumper, SEE NOTE 3	8
10	S.I.K.	BOLT, 3/8 - 16 x 1", brace assembly, SEE NOTE 3	4
11	S.I.K.	WASHER, flat, 3/8", brace assembly, SEE NOTE 3	8
12	12342389B5	BRACE ASSEMBLY, L.H., SEE NOTE 3	1
	12342390B5	BRACE ASSEMBLY, R.H., SEE NOTE 3	1
13	S.I.K.	NUT, 3/8 - 16", brace assembly, SEE NOTE 3	4
14	12342404B5	BRACKET, towing	2
15	S.I.K.	BOLT, 1/2 - 13 x 1 3/4", Gr8, CAD	8
16	6011153P2	BOLT	2
17	7716721	WASHER, wave, 3/4", front shackles	2
18	12342354B5	SHACKLE, lifting	2
19	272739P2	NUT, w/washer, 5/8 - 18", Gr5	2
20	S.I.K.	BOLT, 1/2 - 13 x 1 1/4", frame extension, SEE NOTE 3	6
21	N/S	BOLT, 1/4 - 20 x 5/8", CAD	2
22	N/S	WASHER, flat, 1/4"	4
23	MS51851-85P2	BOLT	2
24	N/S	LOCKWASHER, med, 1/4", ZN	2
25	5939483	GROMMET, square head, license plate bracket	2
26	5939482B5	BRACKET, front license plate mounting	1
27	S.I.K.	·NUT, lockwasher, 1/4 - 20", Gr8	1
28	12338481	·BRACKET, clamp	1
29	5744290	·POWER CABLE ASSEMBLY, winch-to-battery 64 1/2"	1
30	7385182	CLAMP, cushioned, double tube	1
31	S.I.K.	·WASHER, flat, #10, clamp	1
32	S.I.K.	·SCREW, 1/4 - 20 x 3/4", ZN, clamp	1
33	6019637	·WINCH ASSEMBLY	1
34	S.I.A.	·SCREW, clamp	2
35	MS21334-28	·CLAMP, positive and ground cables	2
36	5741028	·CLAMP, winch motor-to-cover assembly,	2
37	5745269	·CONTROL PACK ASSEMBLY	1
38	S.I.A.	·NUT, winch cable-to-motor stud	1
39	S.I.A.	·WINCH	1
40	S.I.A.	·SCREW, winch cable-to-motor	1
41	5745267	·REMOTE CONTROLLER, winch	1
42	5744739	·HOOK ASSEMBLY	1
43	S.I.A.	·CLEVIS PIN, winch hook	1
44	S.I.A.	·HOOK, winch	1
45	S.I.A.	·COTTER PIN, 1/8 x 1 1/4"	1
46	5742974	·WIRE ROPE, 7/16" Dia. x 75'	1
47	11500893P2	·BOLT, winch	4
48	11500208	·LOCKWASHER, M12	4
49	N/S	·WASHER, .531 x 1 x .134	4
50	6016049	·DECAL, winch, English/French	1

NOTE 1: MUST ALSO ORDER SKID PLATE, P/N 5935669,
FOR VEHICLES WITH UNDERBODY PROTEC-
TION.

NOTE 2: TO KEEP VEHICLE WARRANTY IN EFFECT,
UPGRADED HEAVY DUTY FRONT SPRINGS
MUST BE USED ON VEHICLES EQUIPPED WITH
WINCH. SEE SERVICE INFORMATION BULLE-
TIN 98-13-06.

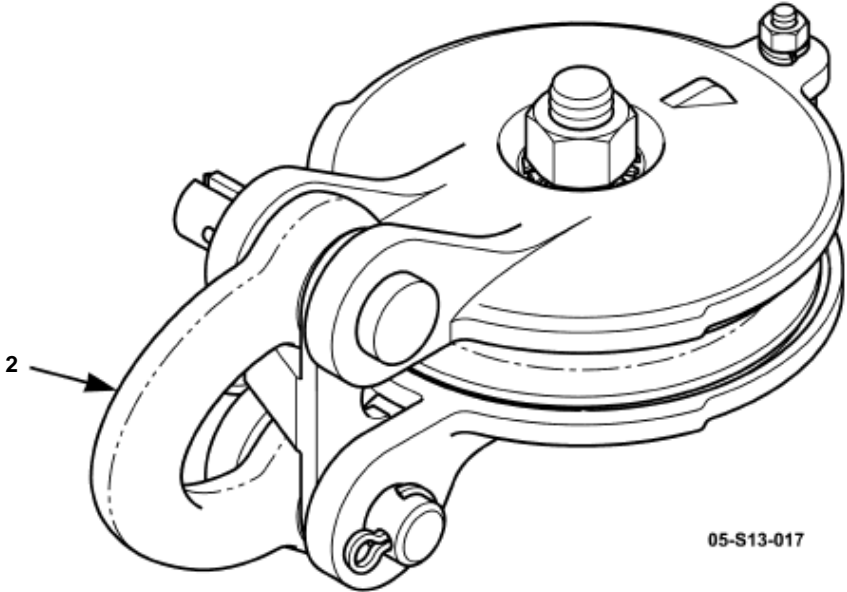
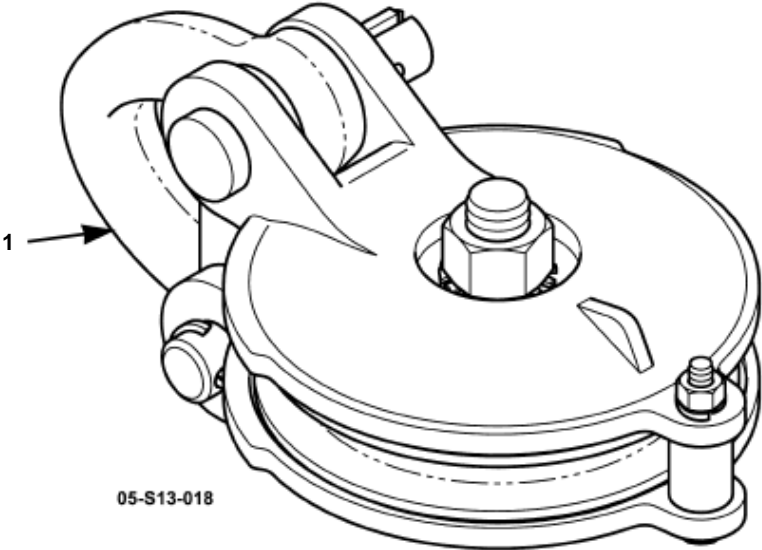
NOTE 3: PART OF WINCH KIT P/N 5745286.



Winch Assembly

Winch Assembly.

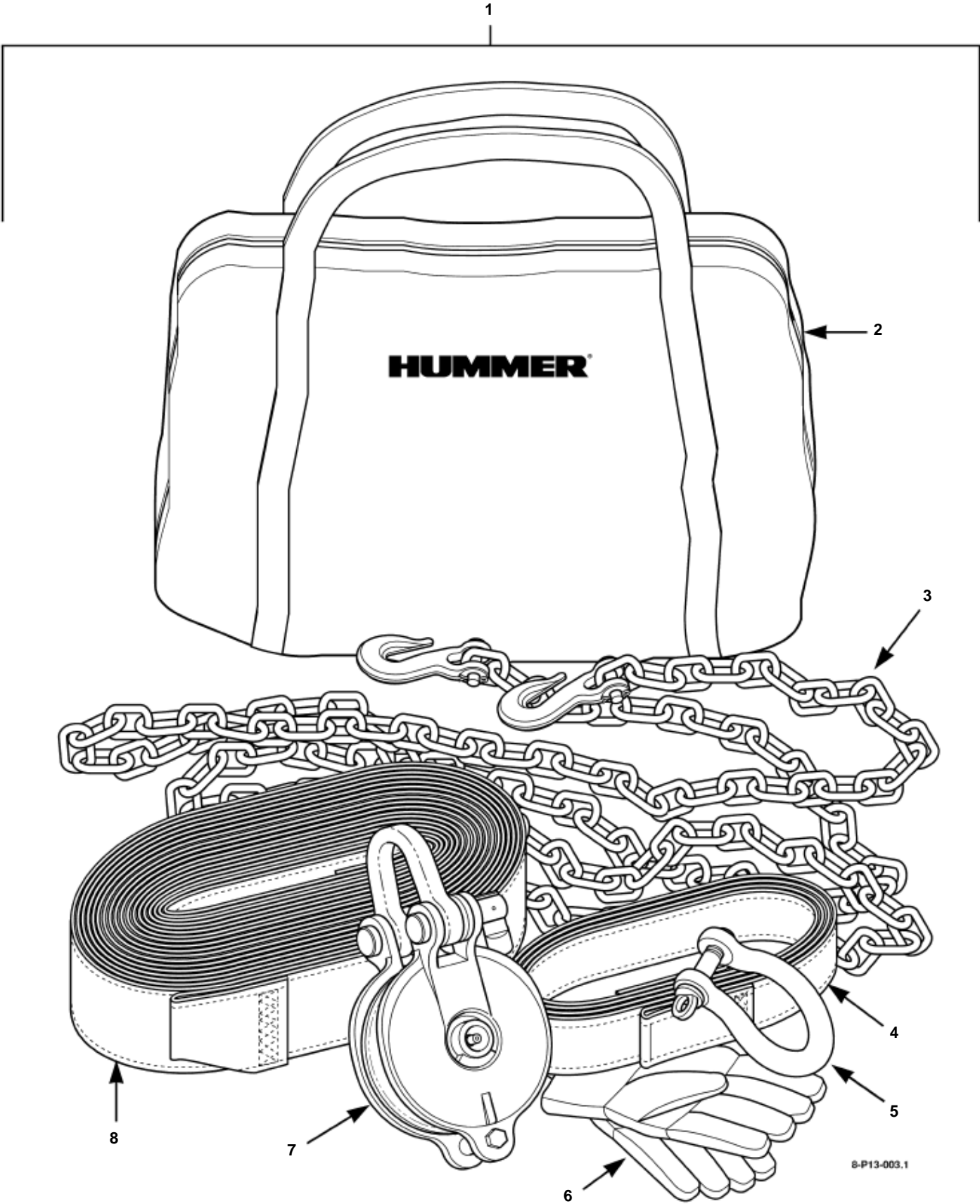
Item	Part No.	Description	Qty
1	6011149	WINCH ASSEMBLY	1
2	5742884	·CAPSCREW	10
3	5745266	·GEAR HOUSING ASSEMBLY	1
4	5745261	·DRUM ASSEMBLY	1
5	5742974	·WIRE ROPE, 7/16" Dia. x 75'	1
6	5744739	·HOOK CABLE ASSEMBLY	1
7	S.I.A.	·COTTER PIN, 1/8 x 1 1/4"	1
8	S.I.A.	·HOOK, winch	1
9	S.I.A.	·CLEVIS PIN, winch hook	1
10	5714481	·THRUST WASHER	2
11	5745262	·DRUM SUPPORT, gear end	1
12	5745259	·CAPSCREW	6
13	5745263	·GASKET	2
14	5714484	·CARRIER ASSEMBLY, stage 3	1
15	5745264	·RING GEAR, output stage	1
16	5714498	·DRIVE SHAFT	1
17	5745265	·CARRIER GEAR, stage 2	1
18	5742886	·CARRIER GEAR, stage 1	1
19	5742888	·SUN GEAR	1
20	5714499	·BRAKE ASSEMBLY	1
21	5745260	·TIE ROD	3
22	5714478	·BRAKE DRIVER	1
23	5742882	·SPACER	2
24	5745258	·DRUM SUPPORT, motor end	1
25	5745257	·MOTOR ASSEMBLY, winch	1
26	5745269	·CONTROL PACK ASSEMBLY	1
27	5741028	·CLAMP	2
28	5745268	·CABLE ASSEMBLY, battery	1
29	5745267	·REMOTE CONTROLLER, winch	1



Snatch block

Snatch block.

Item	Part No.	Description	Qty
1	5746042	SNATCH BLOCK, heavy duty, five-inch, 24,000 lbs.	1
2	5746043	SNATCH BLOCK, heavy duty, six-inch, 30,000 lbs.	1

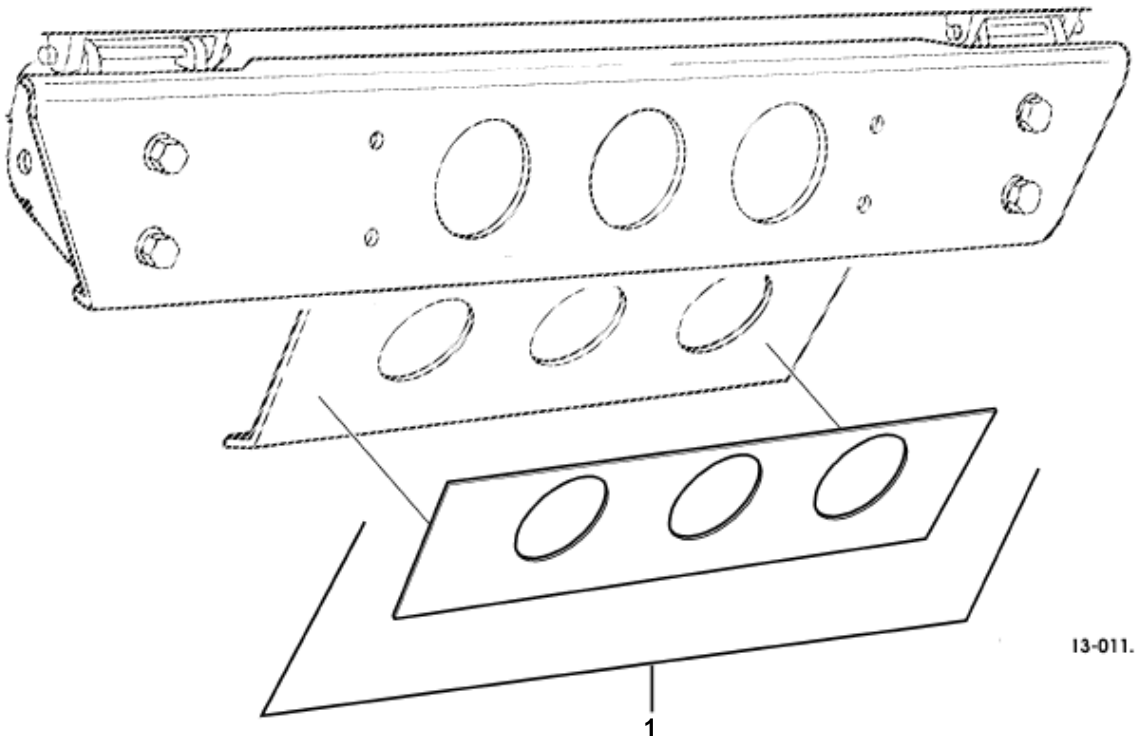


8-P13-003.1

Winch Accessory Kit

Winch Accessory Kit.

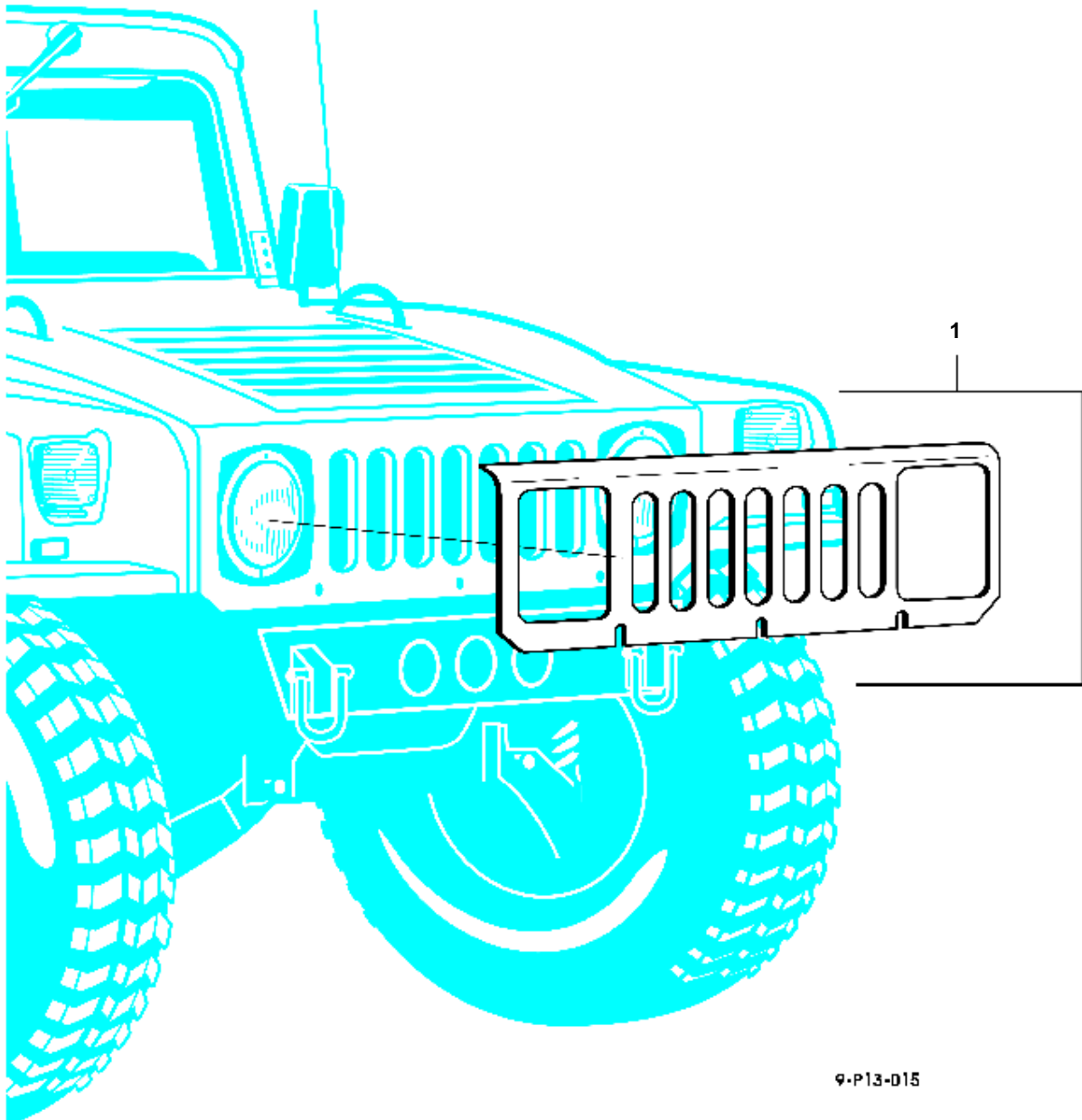
Item	Part No.	Description	Year
1	5745019	KIT, winch accessory	1
2	S.I.K.	·BAG, camouflage	1
3	S.I.K.	·CHAIN	1
4	S.I.K.	·TRUNK PROTECTOR, 2"	1
5	S.I.K.	·SHACKLE, 3/4"	1
6	S.I.K.	·GLOVES	1 pair
7	S.I.K.	·SNATCH BLOCK	1
8	5744881	·STRAP, vehicle recovery, 30' x 3"	1



Skid Plate Polished Stainless Steel

Skid Plate Polished Stainless Steel.

Item	Part No.	Description	Qty
1	5745071	COVER, skid plate, polished stainless steel	1
	5745195	COVER, skid plate, brushed stainless steel	1

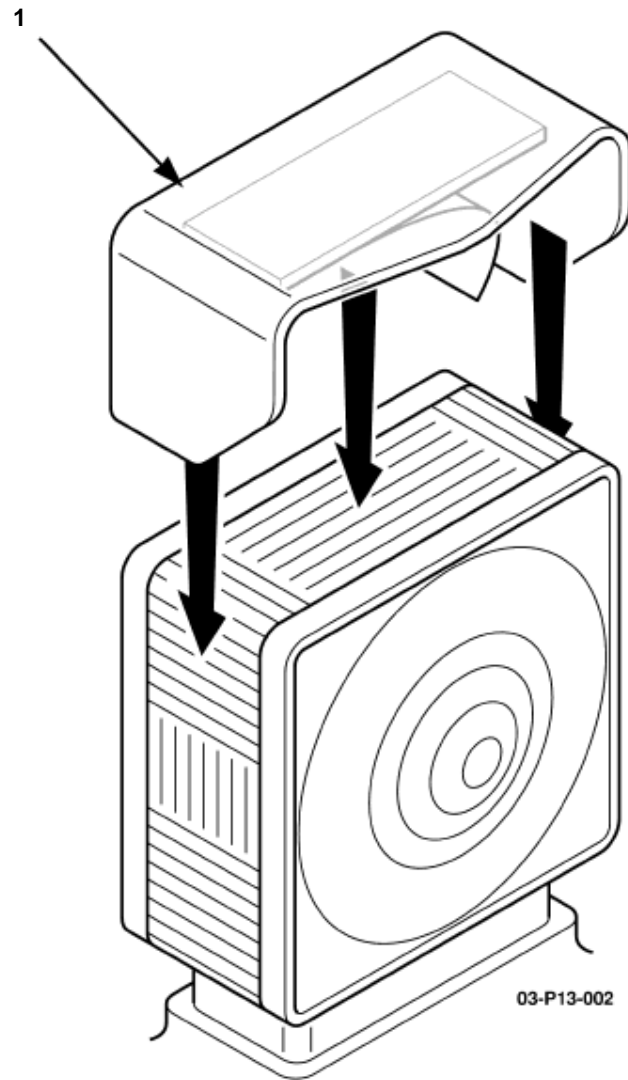


9-P13-015

Grill Cover, (Front), Polished or Brushed Stainless Steel

Grill Cover, (Front), Polished or Brushed Stainless Steel.

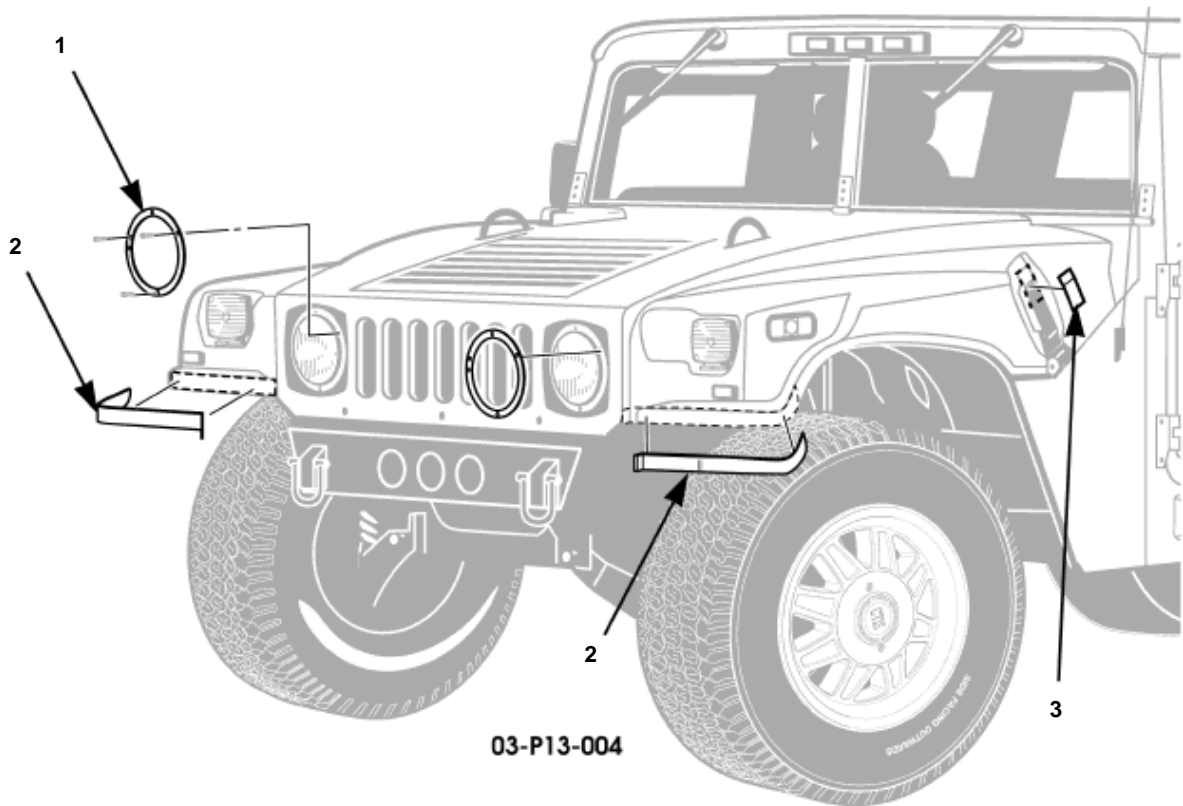
Item	Part No.	Description	Qty
1	5745069	COVER, front grille, polished stainless steel	1
	5745186	COVER, front grille, brushed stainless steel	1



Turn Signal Visors, Stainless Steel

Turn Signal Visors, Stainless Steel.

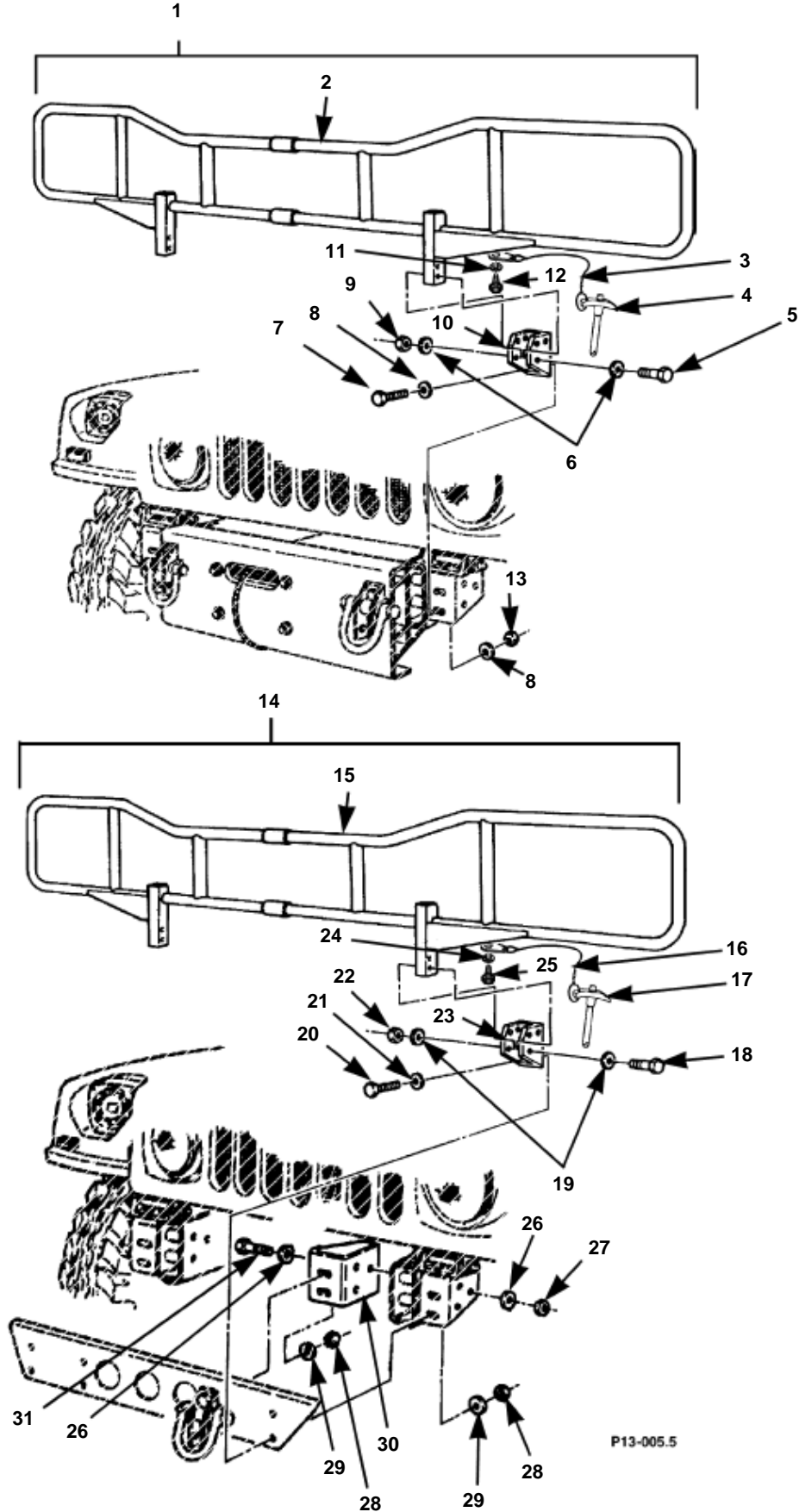
Item	Part No.	Description	Qty
1	5745621	VISORS, turn signal, stainless steel, (1pair)	1



**Headlight Bezels, Hoodlatch Covers,
Front Corner Trim, Stainless Steel**

Headlight Bezels, Hoodlatch Covers, Front Corner Trim, Stainless Steel.

Item	Part No.	Description	Qty
1	5745626	BEZEL, headlight, stainless steel, (1pair)	1
2	5745627	TRIM, hood, front corner, stainless steel, (1pair)	1
3	5745628	LATCH COVER, hood, stainless steel, (1pair)	1

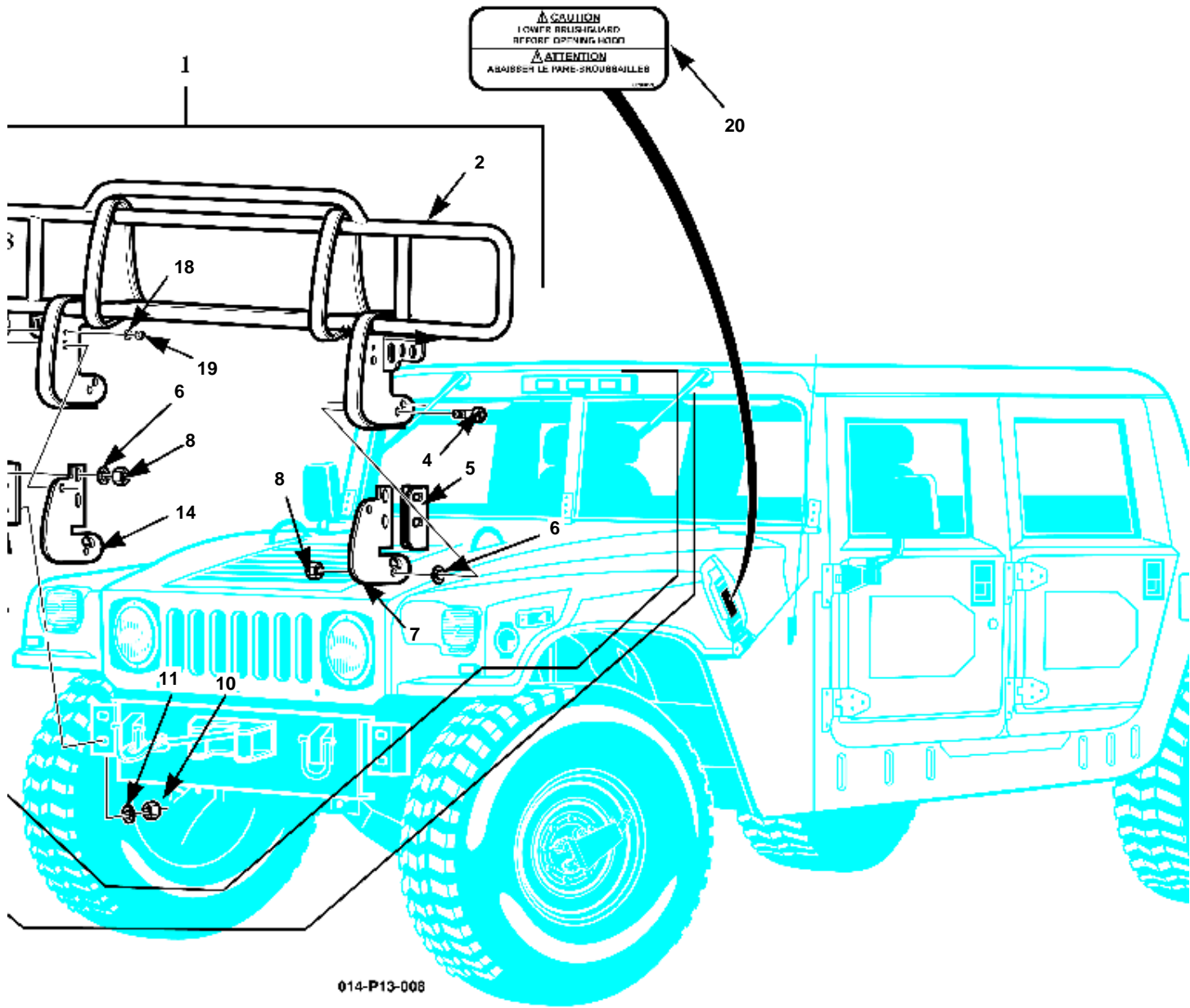


Brushguard Kit and Mounting Hardware

Brushguard Kit and Mounting Hardware.

Item	Part No.	Description	Qty
1	6000999	BRUSHGUARD KIT, vehicle w/winch	1
2	6000862	·BRUSHGUARD ASSEMBLY, w/winch	1
3	5935839	·LANYARD	2
4	6007230	·PIN, quick release	2
5	S.I.K.	·SCREW, 5/8 - 11 x 3 3/4", Gr8, CAD, bracket mounting	2
6	S.I.K.	·WASHER, flat, hard, 5/8", Type B, bracket mounting	16
7	S.I.K.	·BOLT, 1/2 - 13 x 1 3/4", Gr8, CAD, bracket mounting	4
8	S.I.K.	·WASHER, flat, hardened, 1/2", type B, bracket mounting	8
9	S.I.K.	·LOCKNUT, 5/8 - 11", bracket mounting, w/ winch	8
10	6000864B1	·BRACKET, brushguard support .	2
11	S.I.K.	·WASHER, 1/4"	2
12	S.I.K.	·SCREW, tapping, 1/4 - 14 x 1/2"	2
13	S.I.K.	·LOCKNUT, 1/2 - 13", Gr8, CAD, bracket mounting	4
14	6001000	BRUSHGUARD KIT, vehicle w/o winch	1
15	6000862	·BRUSHGUARD ASSEMBLY, w/o winch	1
16	5935839	·LANYARD	2
17	6007230	·PIN, quick release	2
18	S.I.K.	·BOLT, 5/8 - 11 x 3 3/4", Gr8, CAD, bracket mounting	2
19	S.I.K.	·WASHER, flat, hard, 5/8", type B, bracket mounting	16
20	S.I.K.	·BOLT, 1/2 - 13 x 1 3/4", Gr8, CAD, bracket mounting	4
21	S.I.K.	·WASHER, flat, hard, 1/2", type B, bracket mounting	8
22	S.I.K.	·LOCKNUT, 5/8 - 11", bracket mounting, w/o winch	2
23	6000864B1	·BRACKET, brushguard support .	2
24	S.I.K.	·WASHER, 1/4"	2
25	S.I.K.	·SCREW, tapping, 1/4 - 14 x 1/2"	2
26	S.I.K.	·WASHER, flat, 5/8", type B, bracket mounting, w/o winch	16
27	S.I.K.	·LOCKNUT, 5/8 - 11", Gr8, CAD, w/o winch	8
28	S.I.K.	·LOCKNUT, 1/2 - 13", Gr8, CAD, bracket mounting	4
29	S.I.K.	·WASHER, flat, hard, 1/2", type B, bracket mounting	8
30	6001552B5	·BRACKET ASSEMBLY, tow hook support, L.H., w/o winch SEE NOTE 1	1
	6001553B5	·BRACKET ASSEMBLY, tow hook support, R.H., w/o winch SEE NOTE 1	1
31	S.I.K.	·BOLT, 5/8 - 11 x 3 3/4", Gr8, CAD, bracket mounting, w/o winch	8
	6016051	·DECAL, brushguard caution, English/French (not illustrated)	1

FOR USE ONLY WITH BRUSHGUARD AND NO WINCH



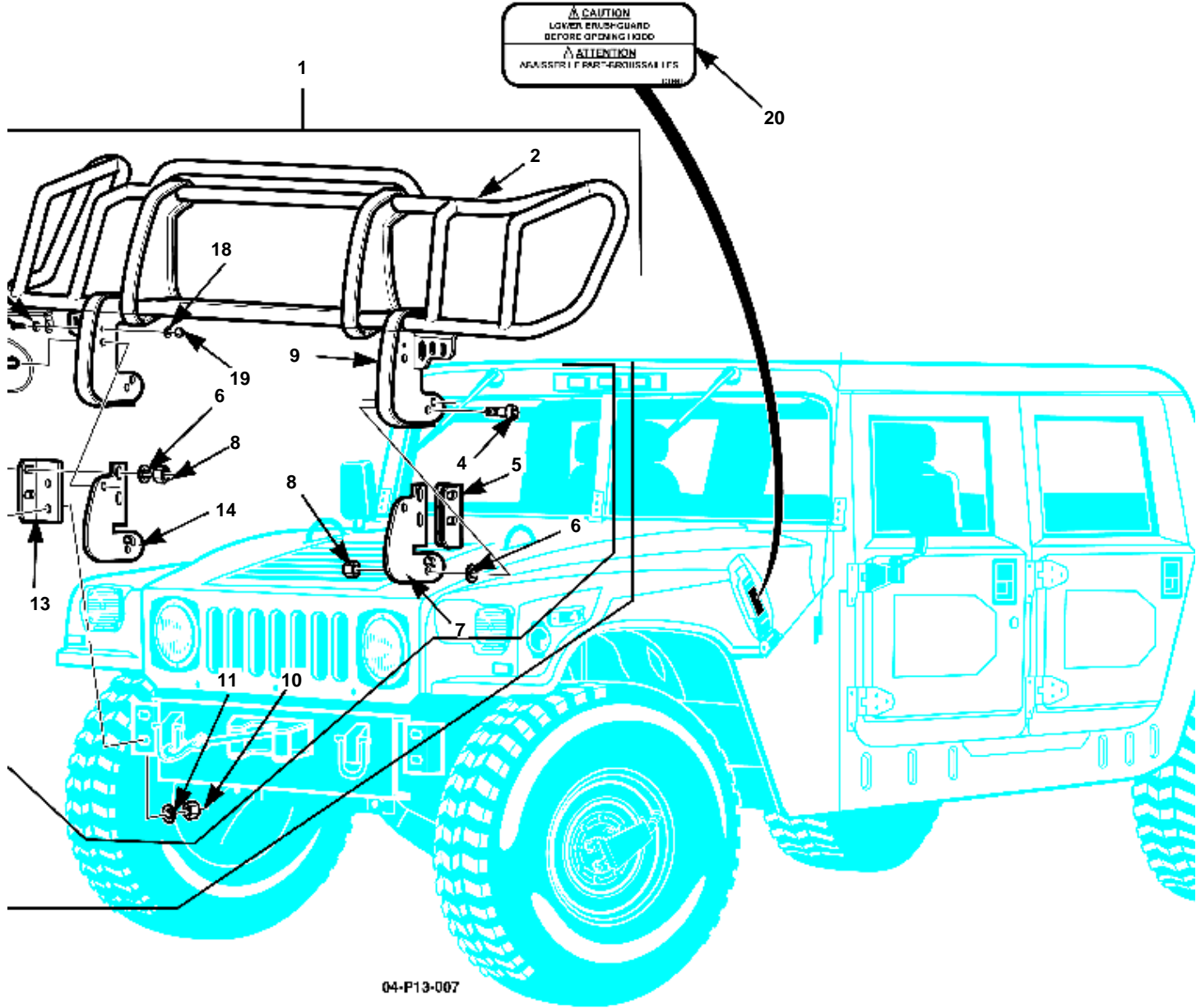
Brushguard Kit, Heavy Duty Accessory Frontal Coverage

Brushguard Kit, Heavy Duty Accessory Frontal Coverage.

Item	Part No.	Description	Qty
1	5745533	BRUSHGUARD KIT, heavy duty frontal-coverage	
2	S.I.K.	·BRUSHGUARD, frontal coverage	1
3	6013942	·KIT, mounting hardware, SEE NOTE 1	1
4	S.I.K.	·BOLT, shoulder, 1/2 x 5/8"	4
5	S.I.K.	·BRACKET, RR, L.H.	2
6	S.I.K.	·WASHER, nylon, 1/2"	4
7	S.I.K.	·BRACKET, L.H.	2
8	S.I.K.	·NUT, flanged, 3/8 - 16"	4
9	5745409	·GUARD, rubber	4
10	S.I.K.	·NUT, 1/2"	4
11	S.I.K.	·WASHER, 1/2"	8
12	S.I.K.	·BOLT, 1/2 x 2"	4
13	S.I.K.	·BRACKET, RR, R.H.	2
14	S.I.K.	·BRACKET, R.H.	2
15	5745405	·LOCK PIN	2
16	5745406	·LANYARD, with stainless steel tab, 6"	2
17	S.I.K.	·BOLT, button head, 1/4 - 20 x 3/4"	2
18	S.I.K.	·WASHER, nylon, 1/4"	4
19	S.I.K.	·LOCKNUT, 1/4"	2
20	6016051	DECAL, brushguard caution, English/French, SEE NOTE 2	1

NOTE 1: MOUNTING HARDWARE INCLUDES; FRONT BARS, BRACKETS, AND HARDWARE.

NOTE 2: IF THE VEHICLE WAS NOT PREVIOUSLY EQUIPPED WITH A BRUSHGUARD A CAUTION DECAL WILL NEED TO BE ORDERED. DECALS DO NOT COME WITH THE BRUSHGUARD KIT.



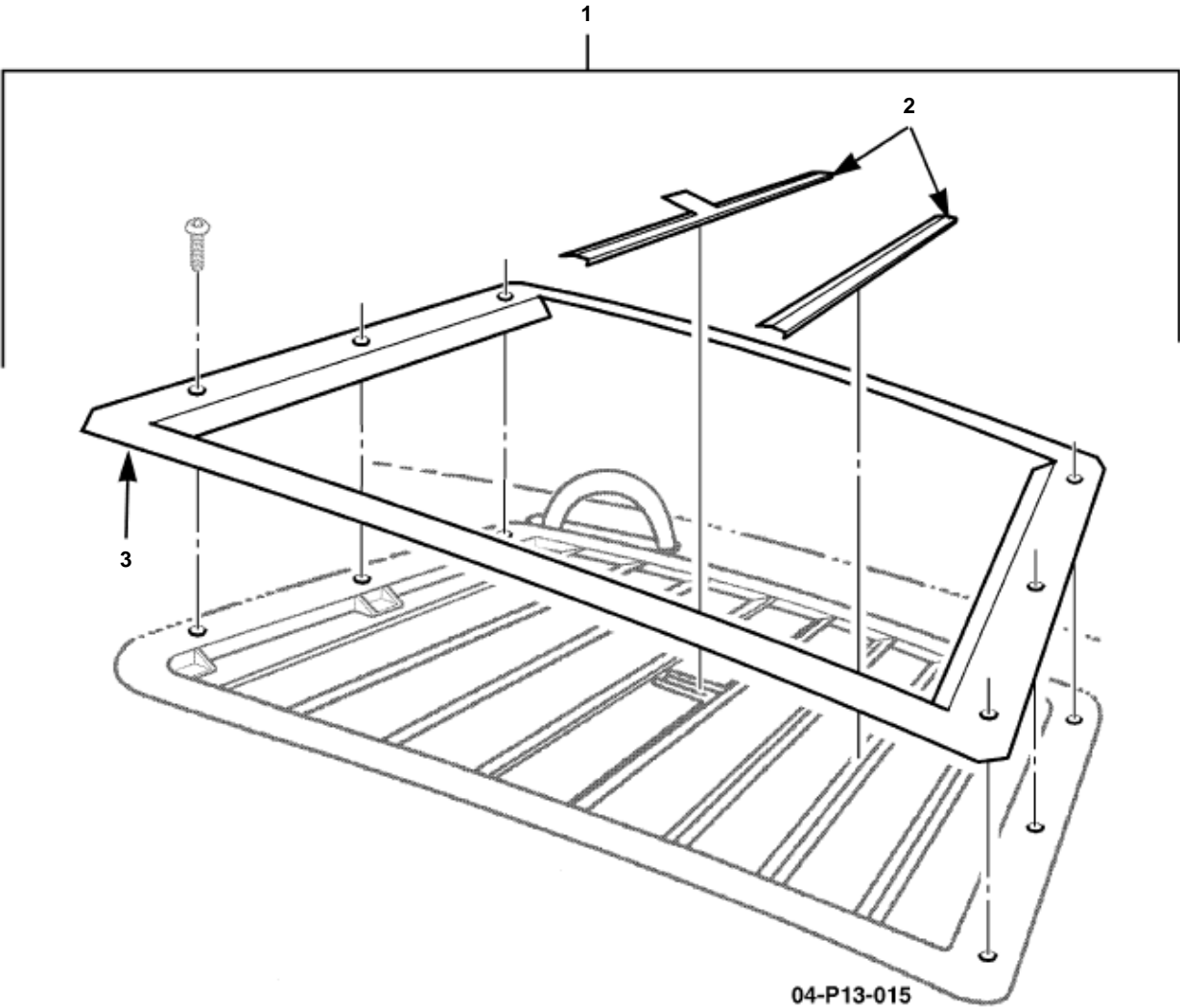
Brushguard Kit, Heavy Duty Accessory, Wrap-Around

Brushguard Kit, Heavy Duty Accessory, Wrap-Around.

Item	Part No.	Description	Qty
1	5745532	BRUSHGUARD KIT, heavy duty frontal-coverage wrap-around	
2	S.I.K.	..BRUSHGUARD, wrap-around coverage,	1
3	6013942	..KIT, mounting hardware, SEE NOTE 1	1
4	S.I.K.	..BOLT, shoulder, 1/2 x 5/8"	4
5	S.I.K.	..BRACKET, RR, L.H.	2
6	S.I.K.	..WASHER, nylon, 1/2"	4
7	S.I.K.	..BRACKET, L.H.	2
8	S.I.K.	..NUT, flanged, 3/8 - 16"	4
9	5745409	..GUARD, rubber	4
10	S.I.K.	..NUT, 1/2"	4
11	S.I.K.	..WASHER, 1/2"	8
12	S.I.K.	..BOLT, 1/2 x 2"	4
13	S.I.K.	..BRACKET, RR, R.H.	2
14	S.I.K.	..BRACKET, R.H.	2
15	5745405	..LOCK PIN	2
16	5745406	..LANYARD, with stainless steel tab, 6"	2
17	S.I.K.	..BOLT, button head, 1/4 - 20 x 3/4"	2
18	S.I.K.	..WASHER, nylon, 1/4"	4
19	S.I.K.	..LOCKNUT, 1/4"	2
20	6016051	DECAL, brushguard caution, English/French, SEE NOTE 2	1

NOTE 1: MOUNTING HARDWARE INCLUDES; FRONT BARS, BRACKETS, AND HARDWARE.

NOTE 2: IF THE VEHICLE WAS NOT PREVIOUSLY EQUIPPED WITH A BRUSHGUARD A CAUTION DECAL WILL NEED TO BE ORDERED. DECALS DO NOT COME WITH THE BRUSHGUARD KIT.

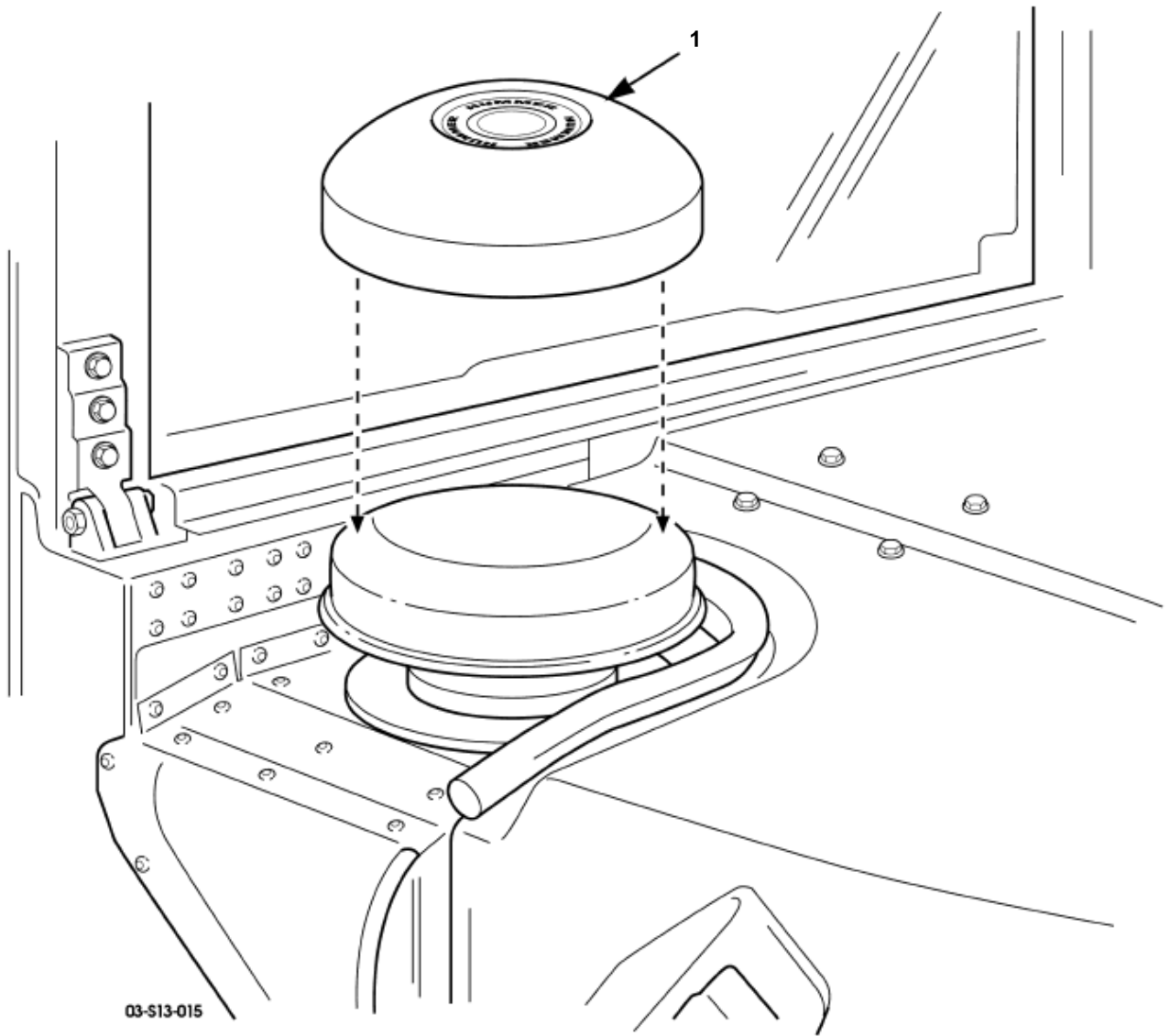


**Grille Cover, (Hood Top),
Polished or Brushed Stainless Steel**

Grille Cover, (Hood Top), Polished or Brushed Stainless Steel.

Item	Part No.	Description	Qty
1	5745020	COVER, grille, polished stainless steel. SEE NOTE 1	1
2	S.I.K.	-GRILLE SLAT, polished stainless steel	8
3	S.I.K.	-GRILLE FRAME, polished stainless steel	1
1	5745183	COVER, grille, brushed stainless steel. SEE NOTE 1	1
2	S.I.K.	-GRILLE SLAT, brushed stainless steel	8
3	S.I.K.	-GRILLE FRAME, brushed stainless steel	1

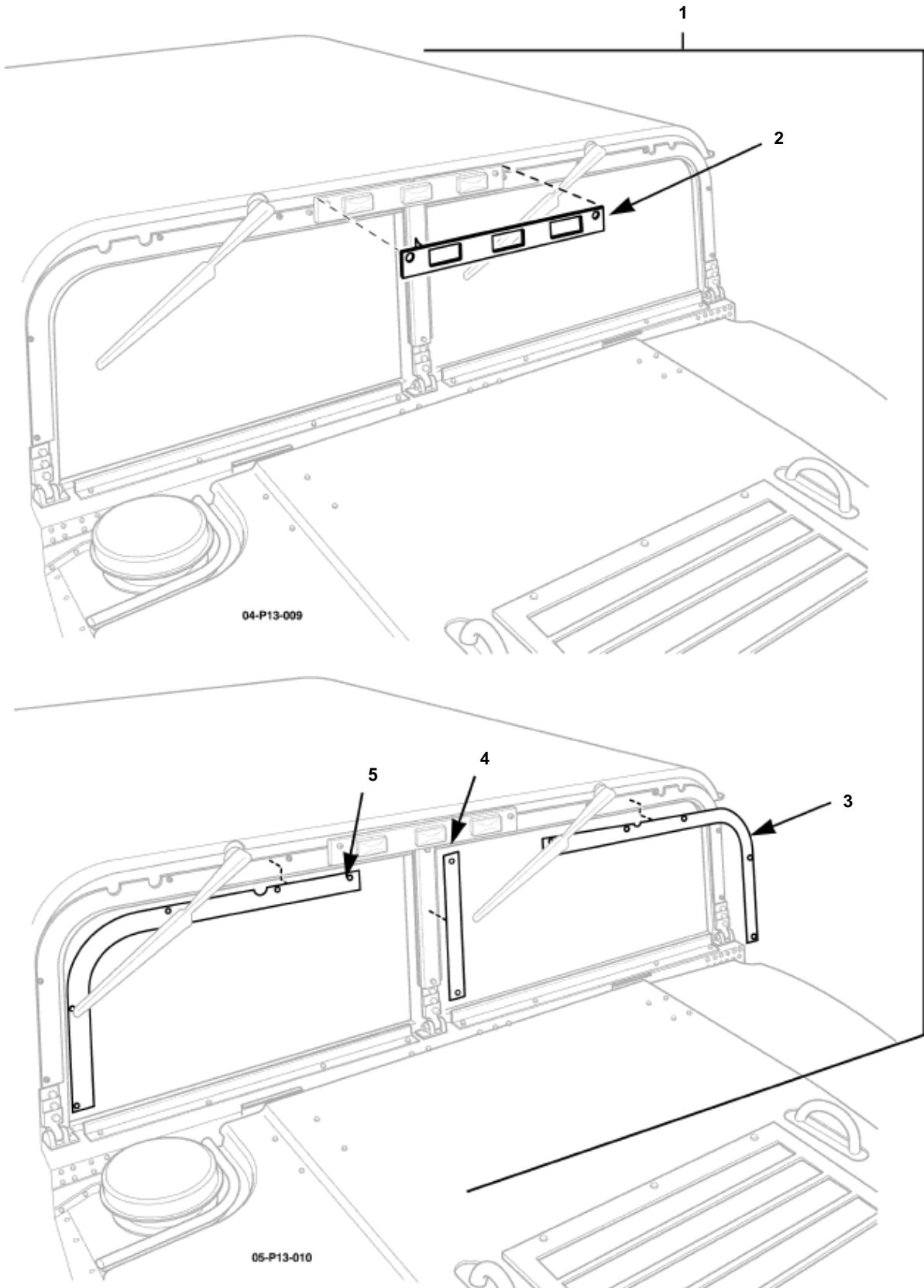
NOTE 1: USE ORIGINAL SCREWS TO ATTACH STAIN-
LESS STEEL COVER, GRILLE SLAT AND FRAME.



Stainless Steel Air Intake Cap

HUMMER H1 2004 Parts Catalog
Stainless Steel Air Intake Cap.

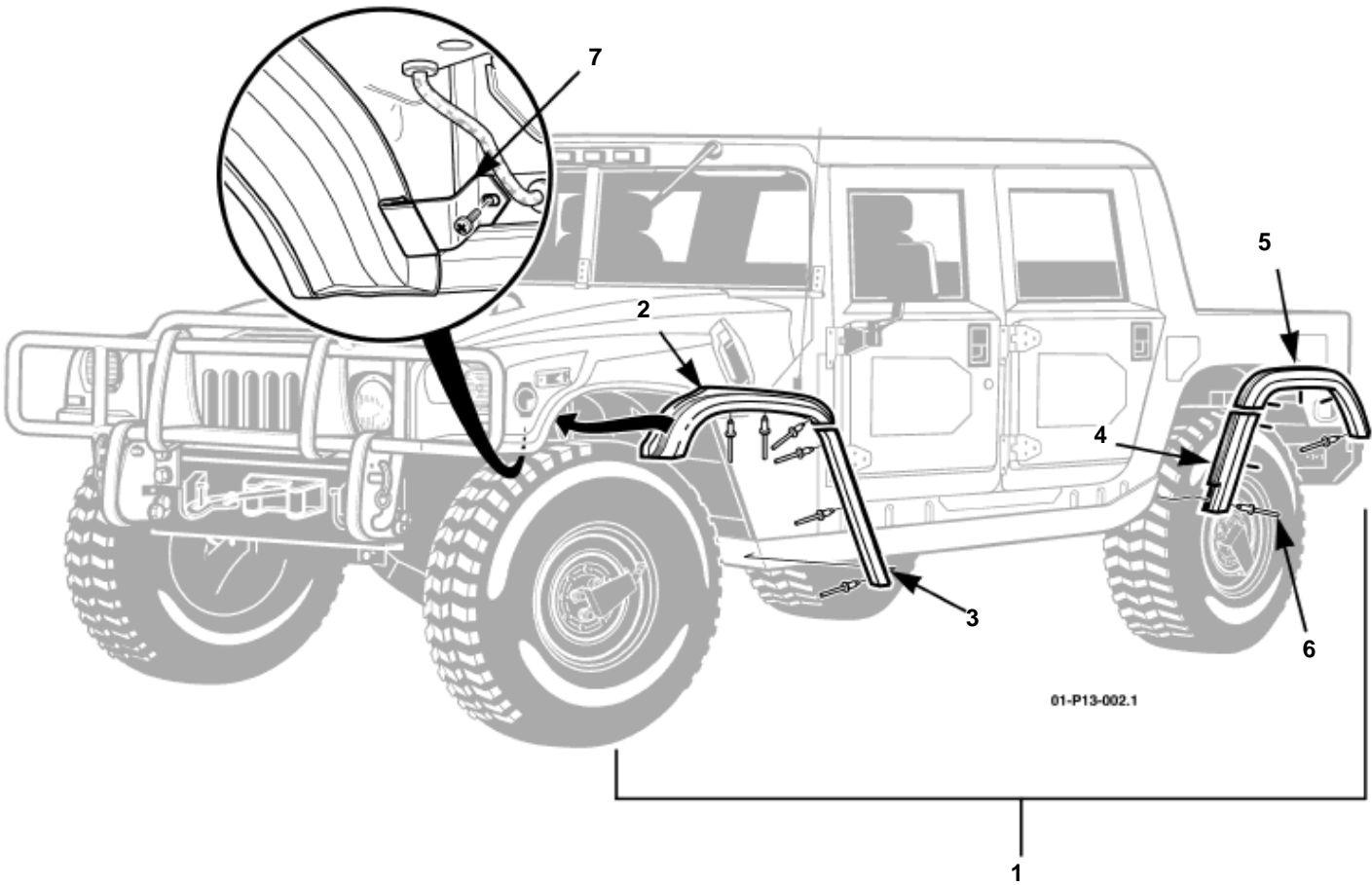
Item	Part No.	Description	Qty
1	5745624	AIR INTAKE CAP, stainless steel	1



**Windshield Frame and Front Marker
Light Trim Applique Kit, Stainless Steel**

Windshield Frame and Front Marker Light Trim Applique Kit, Stainless Steel.

Item	Part No.	Description	Qty
1	5745622	TRIM APPLIQUE KIT, windshield frame and front marker light, stainless steel	1
2	S.I.K.	·FRONT MARKER LIGHT APPLIQUE, stainless steel	1
3	S.I.K.	·WINDSHIELD FRAME APPLIQUE, L.H., stainless steel	1
4	S.I.K.	·WINDSHIELD FRAME APPLIQUE, center, stainless steel	1
5	S.I.K.	·WINDSHIELD FRAME APPLIQUE, R.H., stainless steel	1

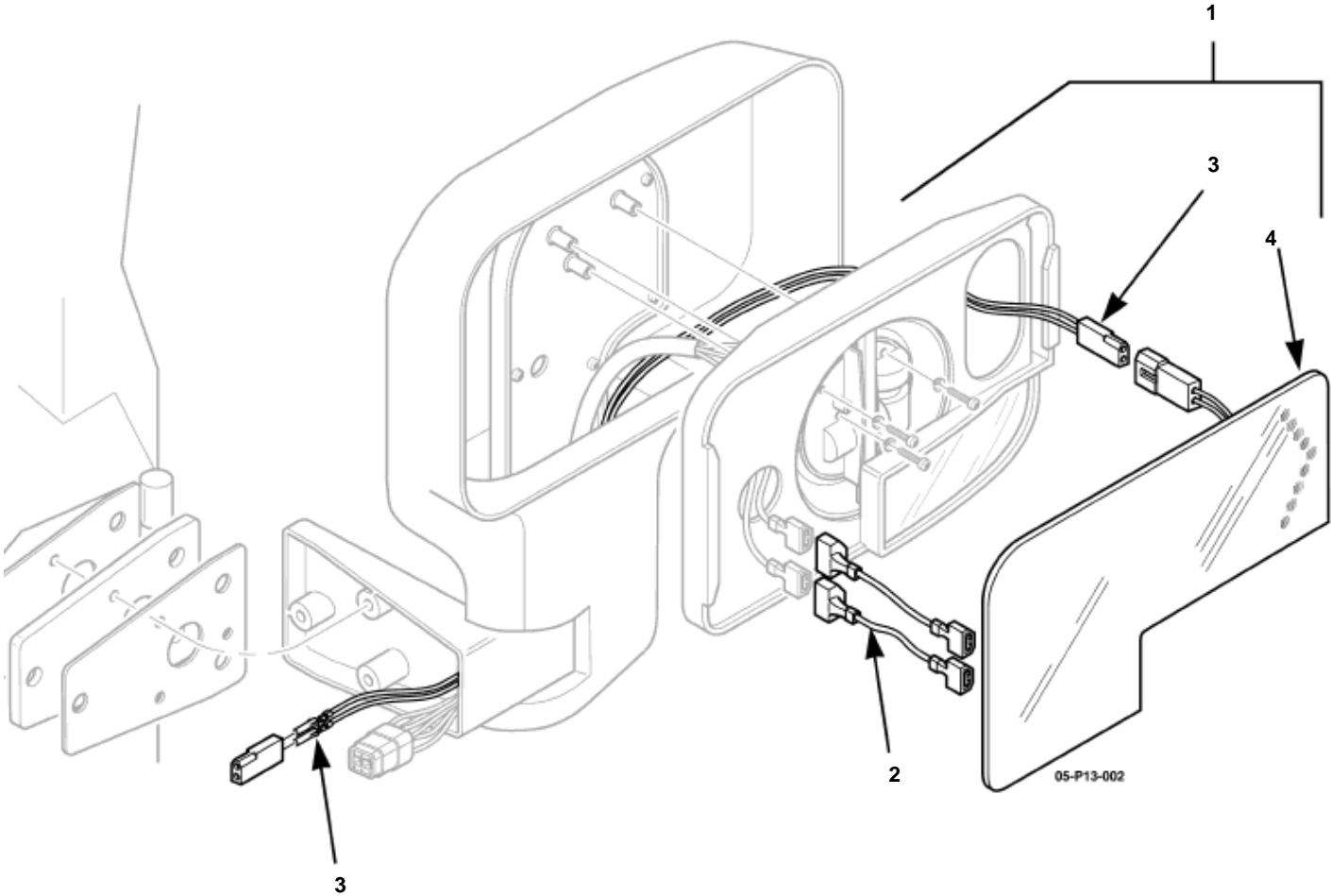


Wheel Well Flare Kit

Wheel Well Flair Kit.

Item	Part No.	Description	Qty
1	5745440	KIT, wheel well flare SEE NOTE 1	1
2	5745431	·FLARE, driver's side top, front	1
3	5745432	·FLARE, driver's side bottom, front	1
4	5745436	·FLARE, driver's side bottom, rear	1
5	5745435	·FLARE, driver's side top, rear	1
6	S.I.K.	·RIVET, 3/6" large-flange	40
7	5745543	·BRACKET, mounting, front fender flares	2
	5745433	·FLARE, passenger's side top, front (not illustrated)	1
	5745434	·FLARE, passenger's side bottom, front (not illustrated)	1
	5745437	·FLARE, passenger's side top, rear (not illustrated)	1
	5745438	·FLARE, passenger's side bottom, rear (not illustrated)	1

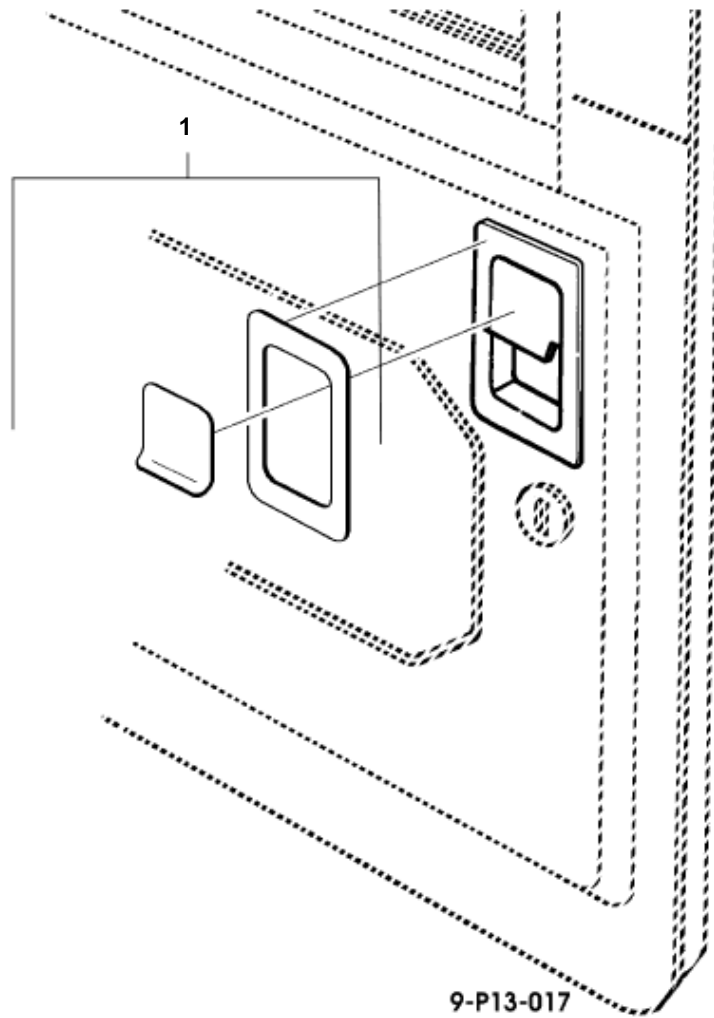
NOTE 2: HARDWARE INCLUDED WITH THE WHEEL WELL
FLARE KIT, 5745440.



Turn Signal Mirror Kit

Turn Signal Mirror Kit.

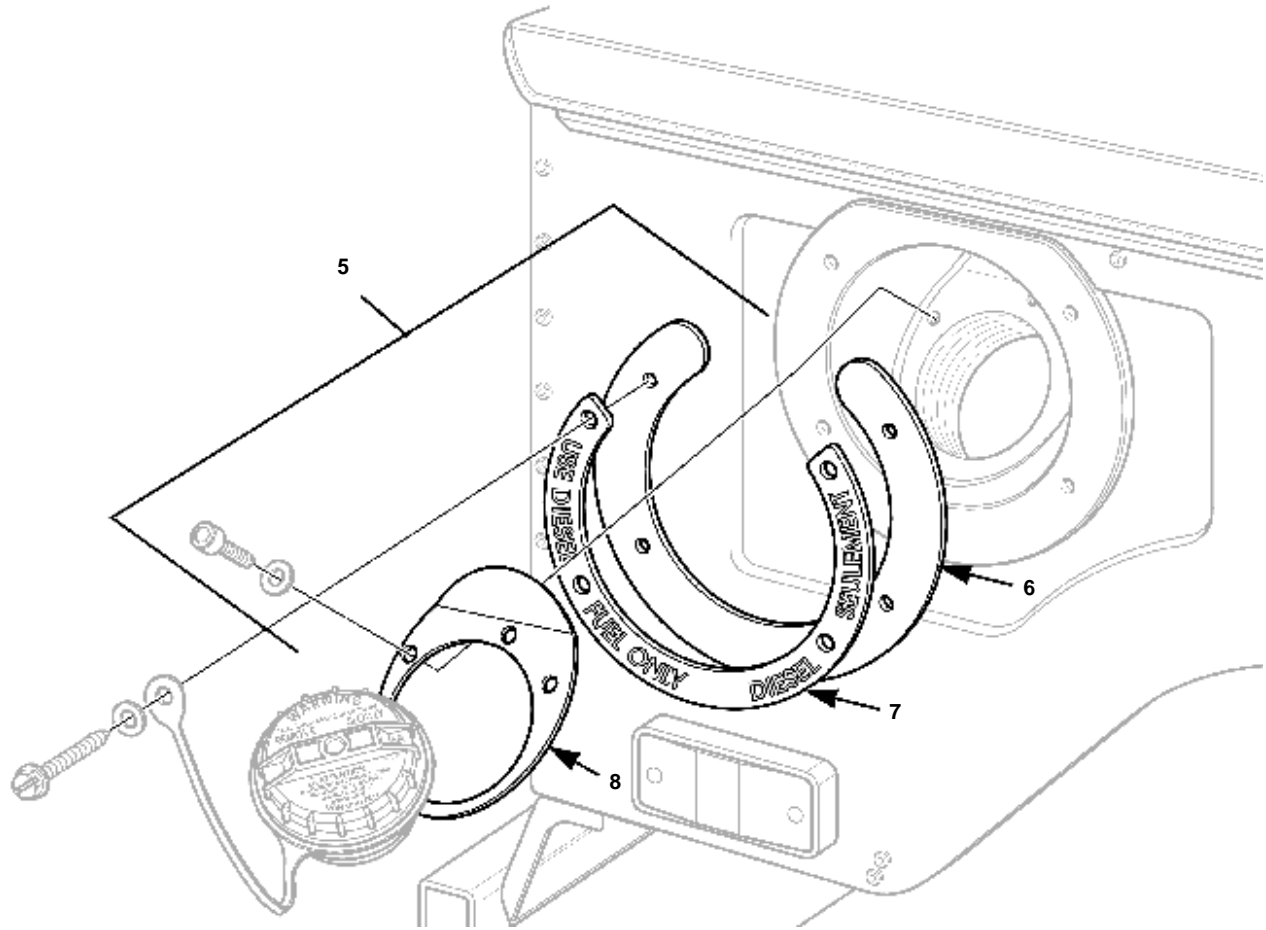
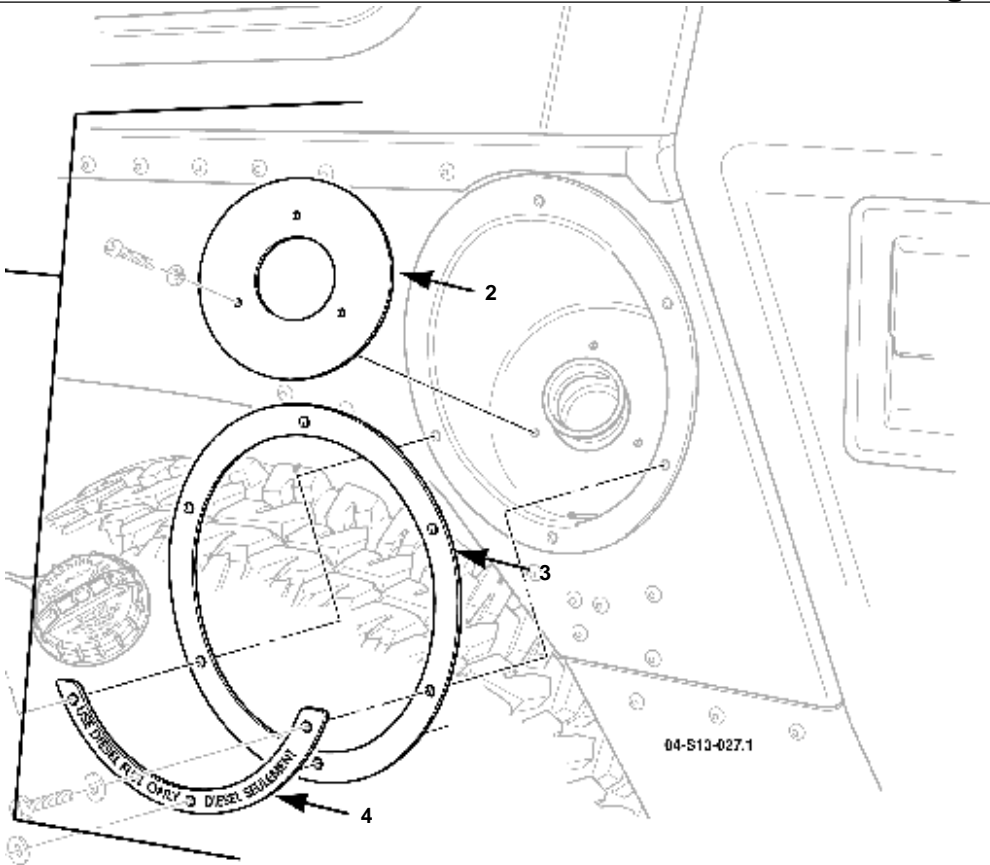
Item	Part No.	Description	Qty
1	5745761	TURN SIGNAL MIRROR KIT	1
2	S.I.K.	·JUMPER HARNESS, heated mirror	2
3	S.I.K.	·JUMPER HARNESS, turn signal mirror	2
4	5745759	·MIRROR, with turn signal, L.H.	1
	5745760	·MIRROR, with turn signal, R.H.	1
	S.I.K.	·HARNESS, turn signal mirror, driver's side, 8' (not illustrated)	1
	S.I.K.	·HARNESS, turn signal mirror, passenger's side, 18' (not illustrated)	1



**Door Handle and Bezel Covers,
Polished and Brushed Stainless Steel**

Door Handle and Bezel Covers, Polished and Brushed Stainless Steel.

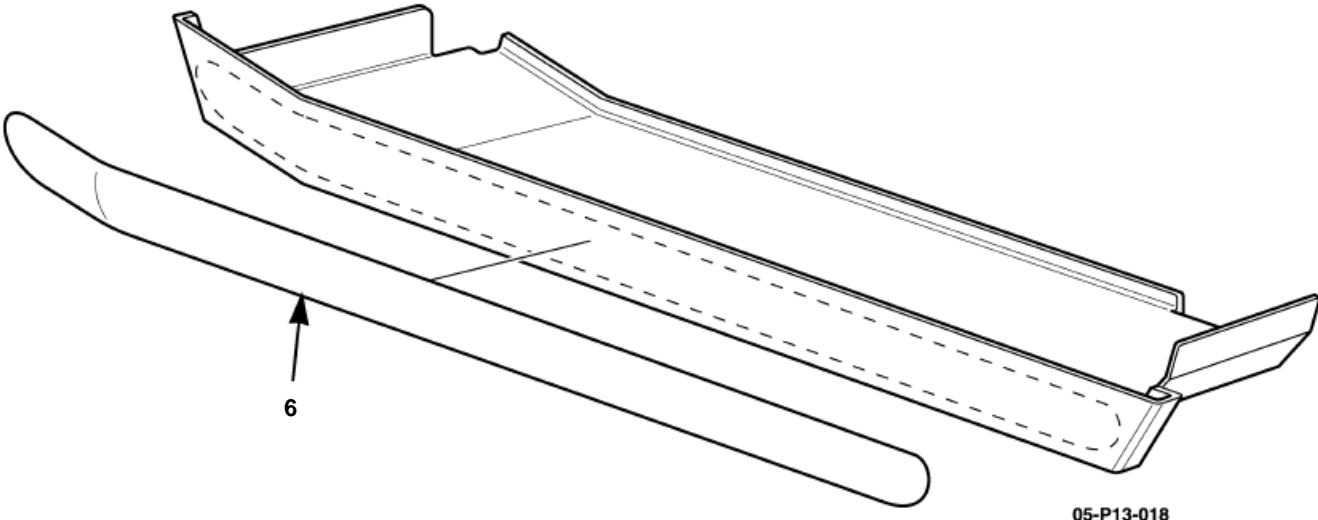
Item	Part No.	Description	Qty
1	5745102	COVERS, door handle and bezel (four-door), polished stainless steel 83, 89, 90	4
	5745101	COVERS, door handle and bezel (six-door), polished stainless steel 84	4
	5745201	COVERS, door handle and bezel (four-door), brushed stainless steel 83, 89, 90	6
	5745204	COVERS, door handle and bezel (six-door), brushed stainless steel 84	6



Fuel Tank filler Applique, Main and Auxiliary, Stainless Steel

Fuel Tank filler Applique, Main and Auxiliary, Stainless Steel.

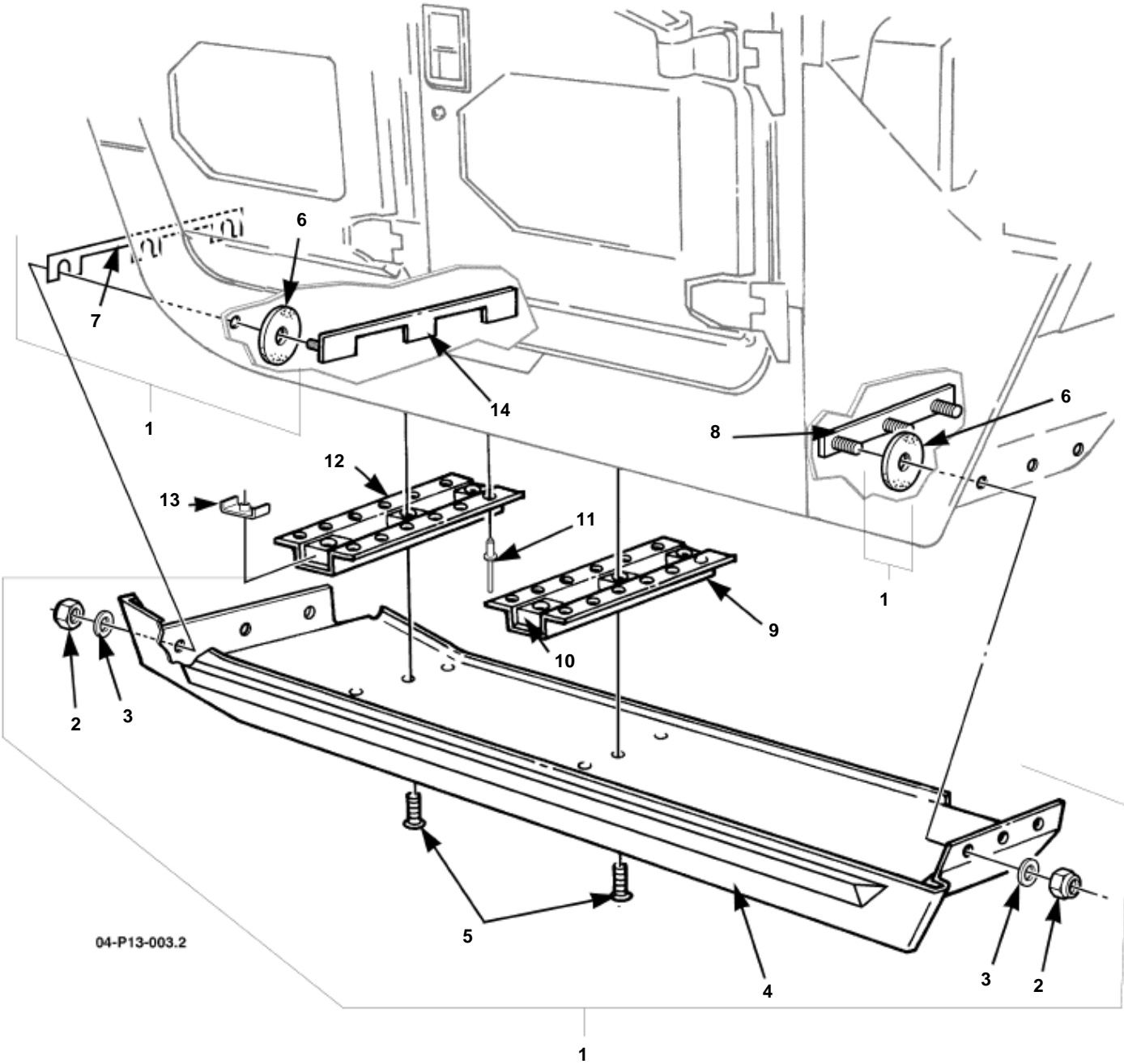
Item	Part No.	Description	Qty
1	5745639	BEZEL AND INSERT PLATE KIT, main fuel filler, stainless steel	1
2	S.I.K.	·INSERT PLATE, main fuel filler, stainless steel	1
3	S.I.K.	·BEZEL, main fuel filler, stainless steel	1
4	6016058	INSTRUCTION PLATE, fuel filler, English/French	1
5	5745638	BEZEL AND INSERT PLATE KIT, auxiliary fuel filler, stainless steel	1
6	S.I.K.	·INSERT PLATE, auxiliary fuel filler, stainless steel	1
7	6016056	INSTRUCTION PLATE, fuel filler, "USE DIESEL FUEL ONLY" English/French	1
8	S.I.K.	·BEZEL, main fuel filler, stainless steel	1



Rock Tube Kit

HUMMER H1 2004 Parts Catalog
Rock Tube Kit.

Item	Part No.	Description	Qty
1	5746084	Rock Tube Kit.	1

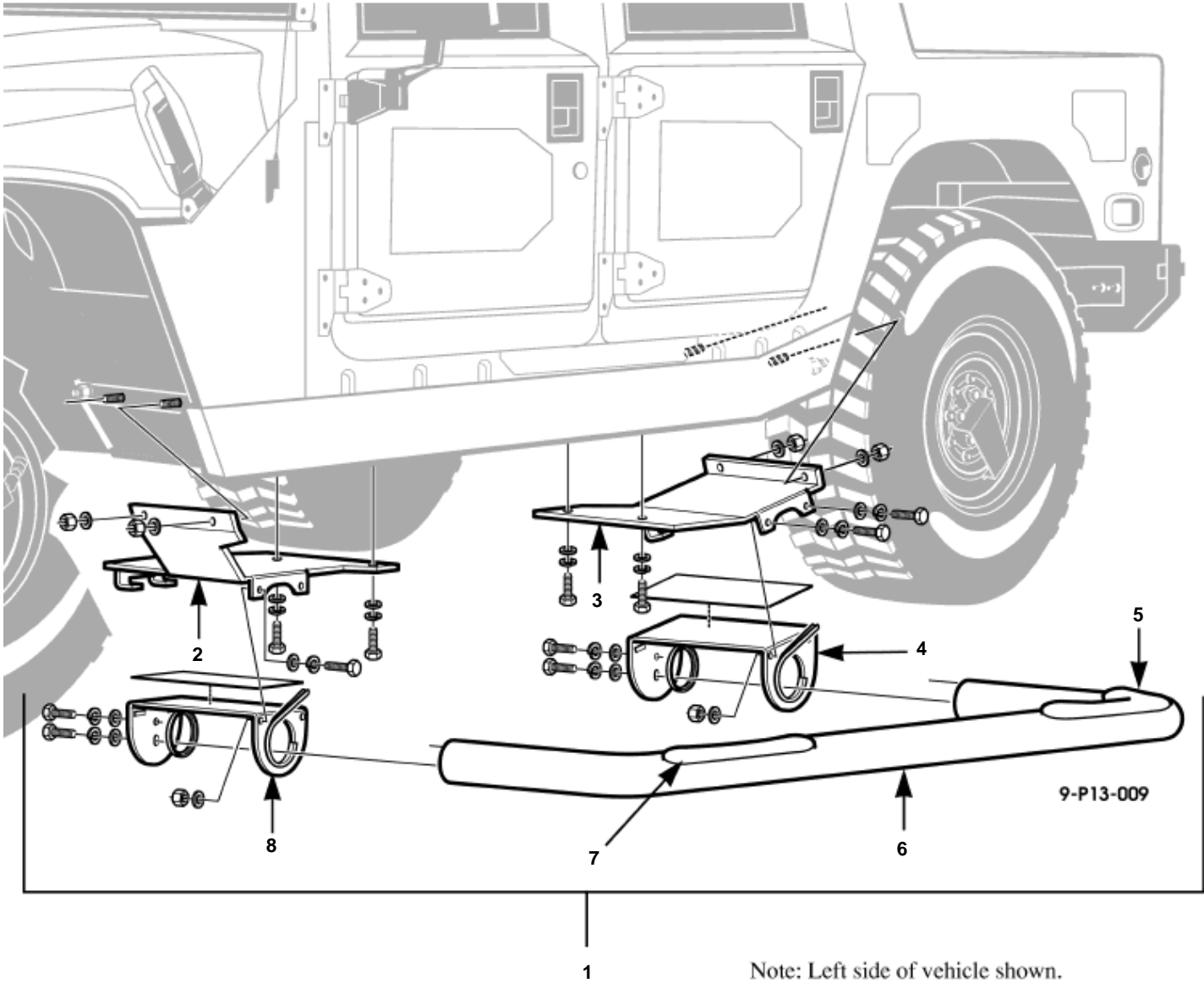


Rocker Panel Guard Accessory Kit, (Steel)

Rocker Panel Guard Accessory Kit, (Steel).

Item	Part No.	Description	Qty
1	5745331	KIT, rocker panel protection (steel, w/reinforcements)	1
2	S.I.K.	·LOCKNUT, 3/8 - 16", Gr8	12
3	S.I.K.	·WASHER, flat, 3/8"	24
4	5745169	·PANEL, underbody skid, L.H. (steel), w/welded side reinforcements, SEE NOTE 1	1
	5745170	·PANEL, underbody skid, R.H. (steel), w/welded side reinforcements, SEE NOTE 1	1
5	S.I.K.	·SCREW, socket, 3/8 - 16 x 1", flat-head, ZN, w/nylon	12
6	6001595	·GASKET, foam washer	12
7	6001278	SHIM	A/R
8	6015240	WELD PLATE ASSEMBLY, front, L.H.	1
	6015241	WELD PLATE ASSEMBLY, front, R.H.	1
9	6017415	REINFORCEMENT ASSEMBLY, "B" pillar, lower, L.H.	1
	6017881	REINFORCEMENT ASSEMBLY, "B" pillar, lower, R.H.	1
10	N/S	BASE NUT	6
11	S.I.K.	RIVET, 3/16" dia., blind, aluminum	48
12	6015932	BRACKET, rocker protection	2
13	6015236	BASE ASSEMBLY, nut	12
14	6015238	WELD PLATE ASSEMBLY, rear, L.H.	1
	6015239	WELD PLATE ASSEMBLY, rear, R.H.	1

NOTE 3: PART OF KIT P/N 5745331.



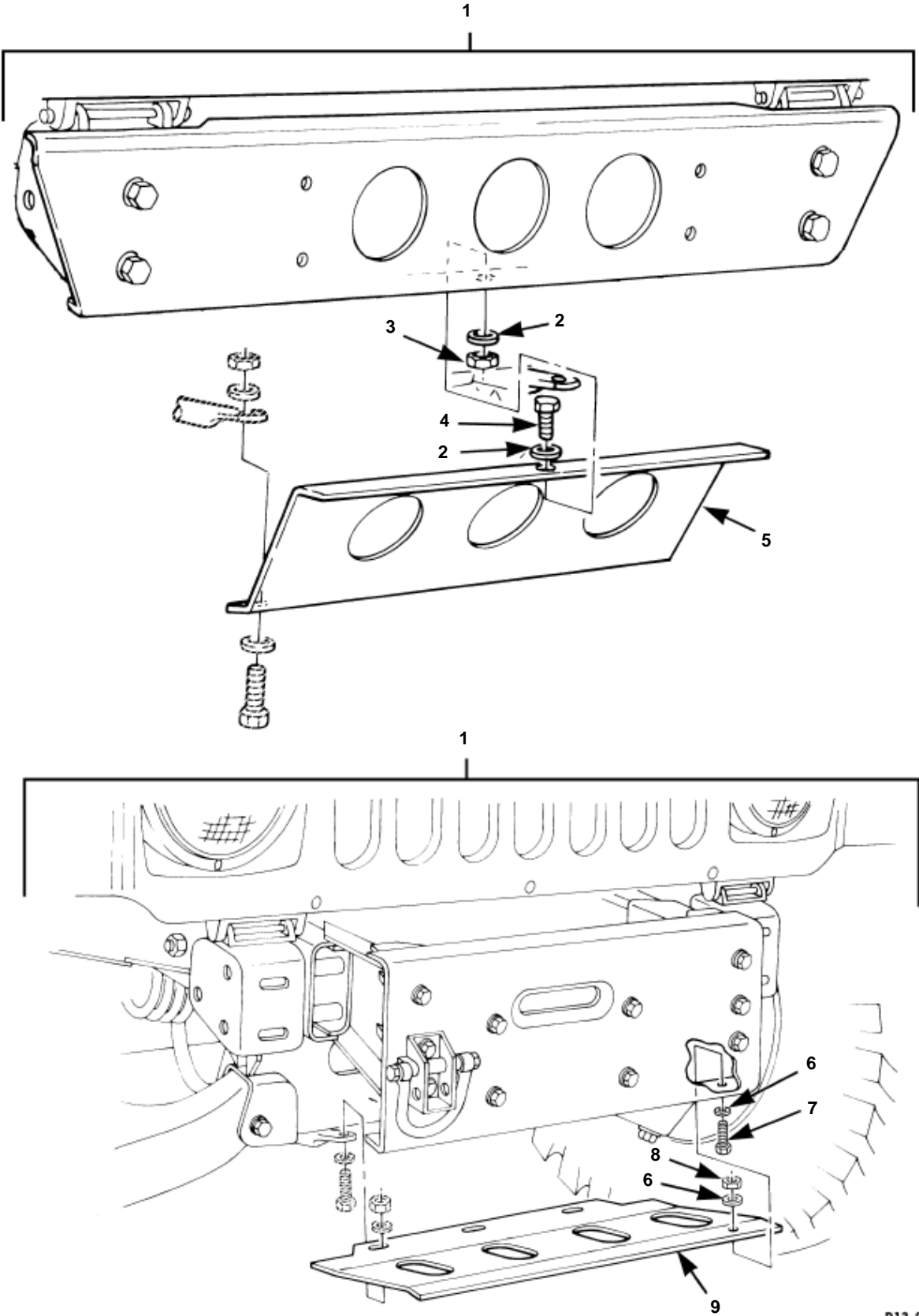
Side Step Bar Kit

Side Step Bar Kit.

Item	Part No.	Description	Qty
1	5745049	KIT, side step bars, black textured	1
	5745050	KIT, side step bars, stainless steel	1
2	5745088	·BRACKET, support, left front	1
	5745089	·BRACKET, support, right front	1
3	5745090	·BRACKET, support, left rear	1
	5745091	·BRACKET, support, right rear	1
4	5745097	·BRACKET, tube, left rear	1
	5745098	·BRACKET, tube, right rear	1
5	5745047	·PAD, left rear step	1
	5745048	·PAD, right rear step	1
6	5745084	·SIDE BAR, with step pad, left, black textured, SEE NOTE 1	1
	5745085	·SIDE BAR, with step pad, right, black textured SEE NOTE 1	1
	5745086	·SIDE BAR, with step pad, left, stainless steel, SEE NOTE 2	1
	5745087	·SIDE BAR, with step pad, right, stainless steel, SEE NOTE 2	1
7	5745046	·PAD, front step	2
8	5745099	·BRACKET, tube, left and right front	2
	S.I.K.	·HARDWARE PACKAGE	1

NOTE 1: PART OF KIT 5745049 ONLY.

NOTE 2: PART OF KIT 5745050 ONLY.

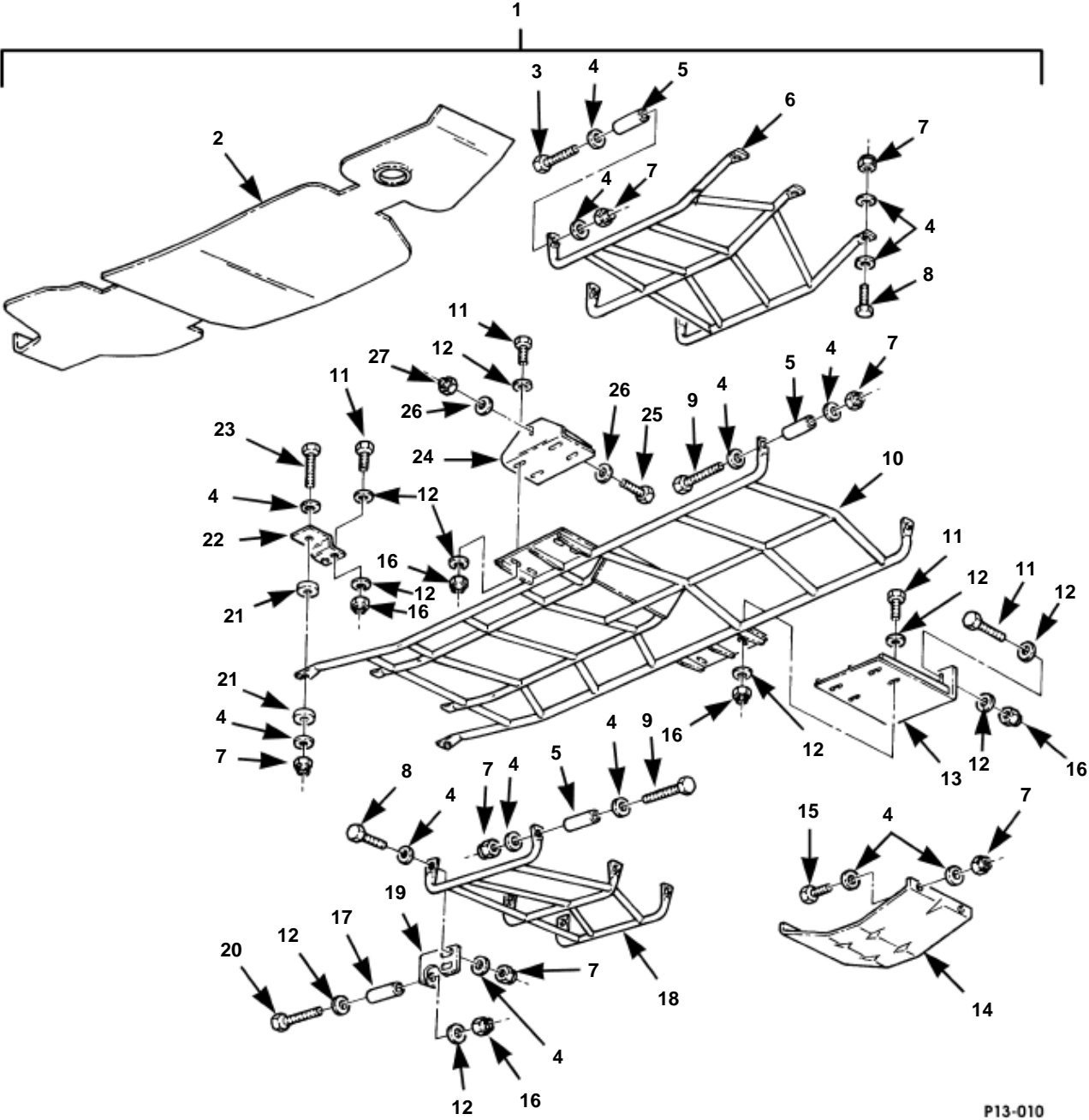


P13-011

Driveline Protection Skid Plates

HUMMER H1 2004 Parts Catalog
Driveline Protection Skid Plates.

Item	Part No.	Description	Qty
1	5744299	KIT, underbody protection, vehicle w/o winch	1
	5744281	KIT, underbody protection, vehicle w/ winch	1
2	S.I.K.	·WASHER, flat, 3/8", type B, w/o winch	8
3	S.I.K.	·LOCKNUT, 3/8-16", Gr8, w/o winch	4
4	S.I.K.	·BOLT, 3/8-16 x 1", Gr8, Phos, w/o winch	4
5	5935943	·SKID PLATE w/o winch	1
6	S.I.K.	·WASHER, flat, 3/8", type B, w/winch	6
7	S.I.K.	·BOLT, 3/8 - 16 x 1", w/winch, Gr8, CAD	3
8	S.I.K.	·LOCKNUT, 3/8 - 16", Gr8, w/winch	3
9	5935669B5	·SKID PLATE, w/winch	1

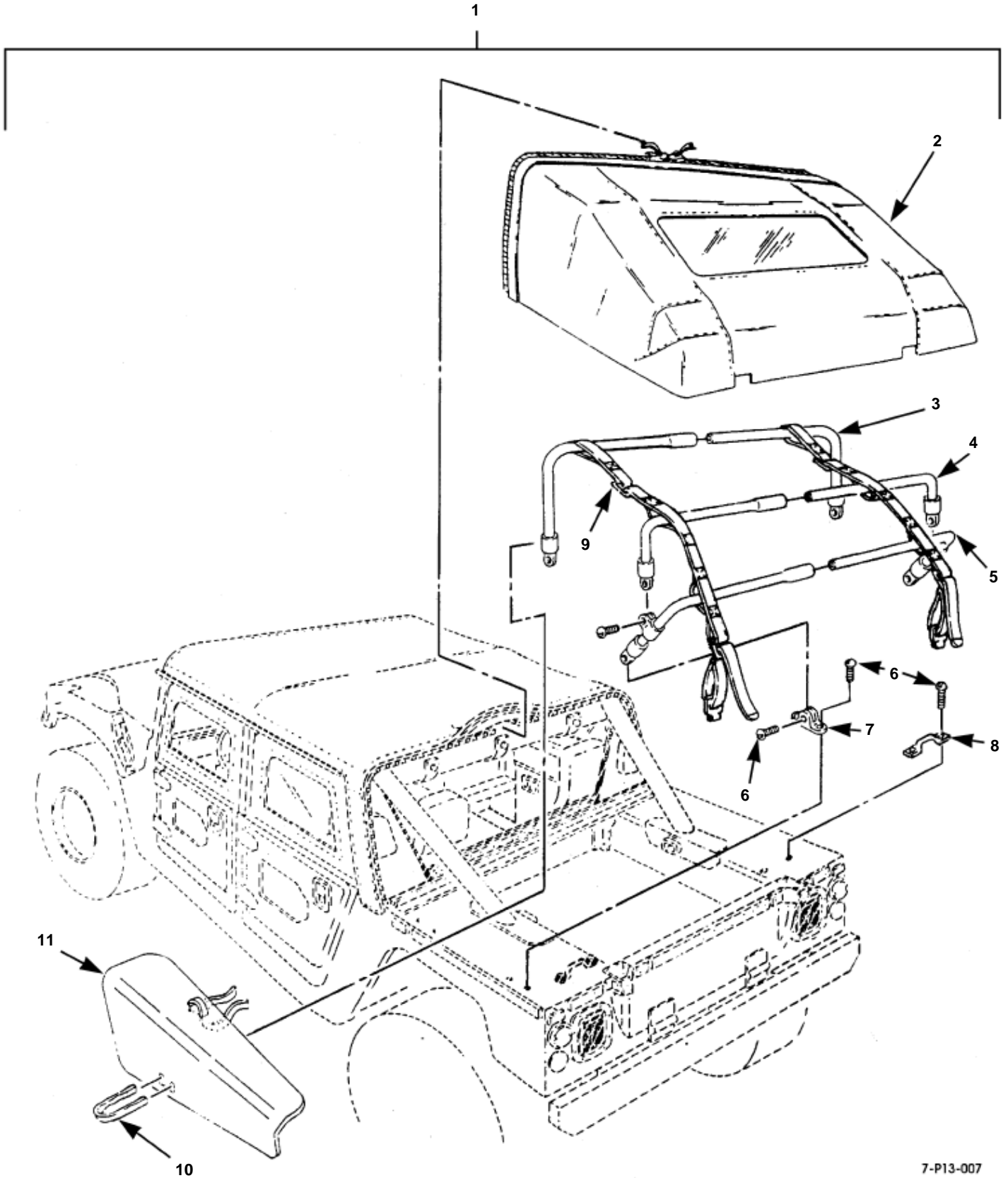


Driveline Protection and Mounting Hardware

Driveline Protection and Mounting Hardware.

Item	Part No.	Description	Qty
1	5744299	KIT, underbody protection, vehicle w/o winch	1
	5744281	KIT, underbody protection, vehicle w/winch, SEE NOTE 1	1
2	6006150B9	·SHIELD, fuel tank	1
3	S.I.K.	·BOLT, 3/8 - 16 x 3 1/4", Gr8, Phos	5
4	S.I.K.	·WASHER, flat, 3/8", type B (use w/ kit P/N 5744299)	40
	S.I.K.	·WASHER, flat, 3/8", type B (use w/ kit P/N 5744281)	30
5	5594341	·SPACER, front	3
6	12460415	·DRIVE LINE PROTECTION, front	1
	6009094	DRIVE LINE PROTECTION, front (12,100 GVW only)	1
7	S.I.K.	·LOCKNUT, 3/8 - 16", Gr8 (use w/ kit P/N 5744299)	20
	S.I.K.	·LOCKNUT, 3/8 - 16", Gr8 (use w/ kit P/N 5744281)	14
8	S.I.K.	·SCREW, cap, 3/8 - 16 x 1 1/8", Gr8, CAD	7
9	S.I.K.	·BOLT, 3/8 - 16 x 3 1/4", Gr8, Phos	3
10	12447143	·DRIVE LINE PROTECTION, intermediate	1
11	S.I.K.	·BOLT, 5/16 - 18 x 1", Gr8, CAD	12
12	S.I.K.	·WASHER, flat, 5/16", hardened, type B, ZN	36
13	12447146	·BRACKET ASSEMBLY, shield mounting, L.H.	1
14	12447151	·SHIELD, transfer case	1
15	S.I.K.	·BOLT, 3/8 - 16 x 1", Gr8, CAD	2
16	S.I.K.	·LOCKNUT, 5/16 - 18", Gr8	18
17	12338186-69	·SPACER, underbody protection, rear	9
18	5593492	·DRIVE LINE PROTECTION, rear	1
	6009095	DRIVE LINE PROTECTION, rear (12,100 GVW only)	1
19	6009084B9	·BRACKET, tube rear mounting (12,100 GVW)	3
20	S.I.K.	·BOLT, 5/16 - 18 x 3", Gr8, ZN	6
21	5593497	·WASHER, laminated fiber, 3/8"	4
22	12447148	·BRACKET, tube support transmission	2
23	S.I.K.	·BOLT, 3/8 - 16 x 1 1/2", Gr8, CAD	2
24	12447147	·BRACKET ASSEMBLY, shield mounting, R.H.	1
25	S.I.K.	·BOLT, 1/2 - 13 x 3 3/4", Gr8, CAD	2
26	S.I.K.	·WASHER, flat, hardened, 1/2"	4
27	S.I.K.	·LOCKNUT, 1/2 - 13"	2

NOTE 1: FOR SKID PLATE INFORMATION, REFER TO
DRIVELINE PROTECTION SKID PLATES ON NEXT
PAGE.

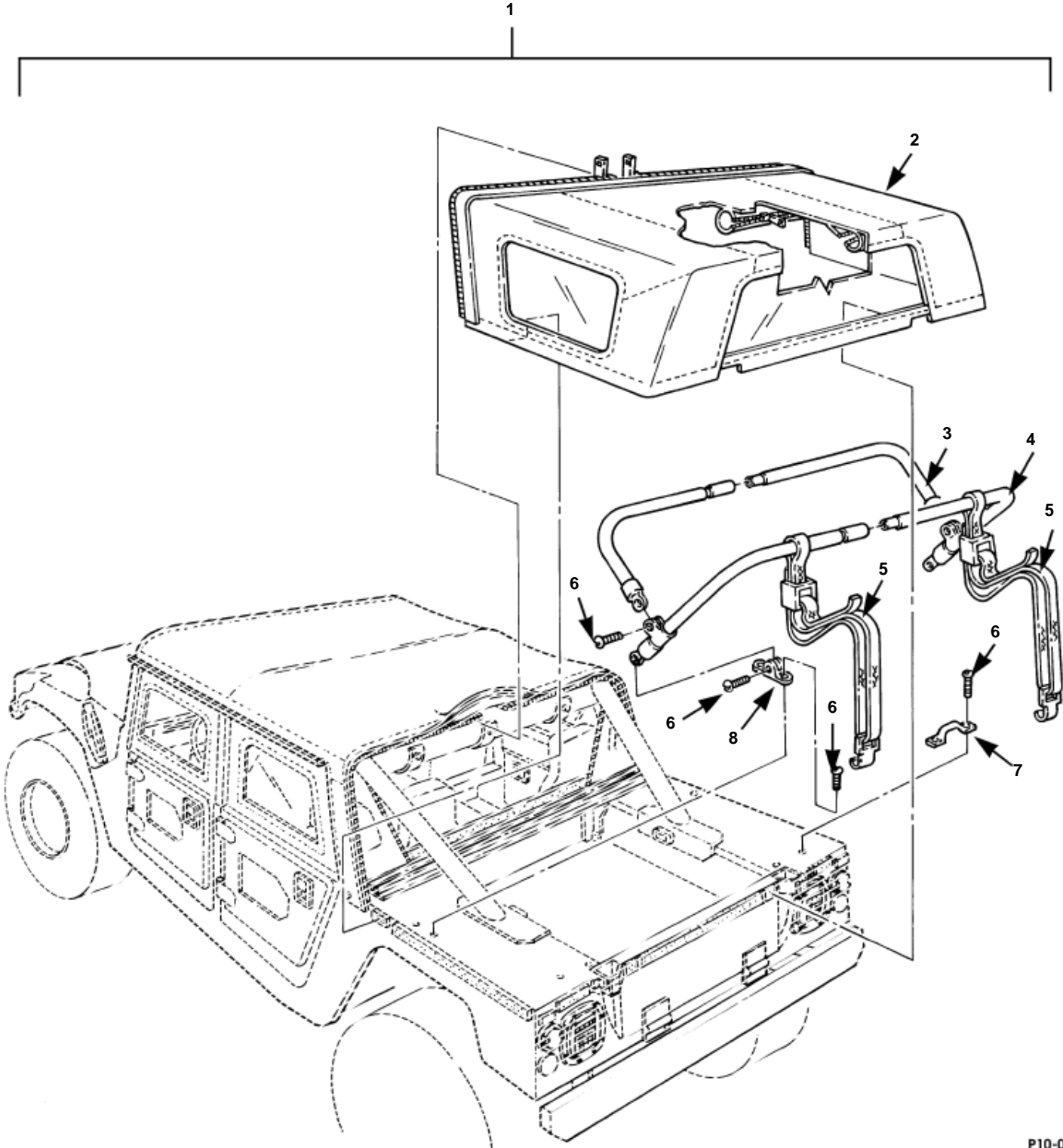


Slant-Back Soft Top Kit. Model 90

HUMMER H1 2004 Parts Catalog
Slant-Back Soft Top Kit. Model 90.

Item	Part No.	Description	Qty
1	5745292	KIT, soft top slant-back, tan 90	1
	5744851	KIT, soft top slant-back, black 90	1
	5744852	KIT, soft top slant-back, white 90	1
2	6001747	·COVER ASSEMBLY, tan	1
	5744757	·COVER ASSEMBLY, black	1
	5744758	·COVER ASSEMBLY, white	1
3	6001748	·BOW ASSEMBLY, front	1
4	6001749	·BOW ASSEMBLY, middle	1
5	6001750	·BOW ASSEMBLY, rear	1
6	S.I.K.	·SCREW, #10 - 32 x 3/4"	16
7	6001717	·BRACKET, hinge	4
8	6001719	·FOOTMAN LOOP	2
9	5743708	·LOOP, extended webbing	2
10	S.I.K.	·STRAP, velcro	4
11	5745712	·FORMERS, slant back SEE NOTE 1	1

NOTE 2: P/N 5745712 INCLUDES FORMERS FOR BOTH
 THE R.H. AND L.H SIDES.



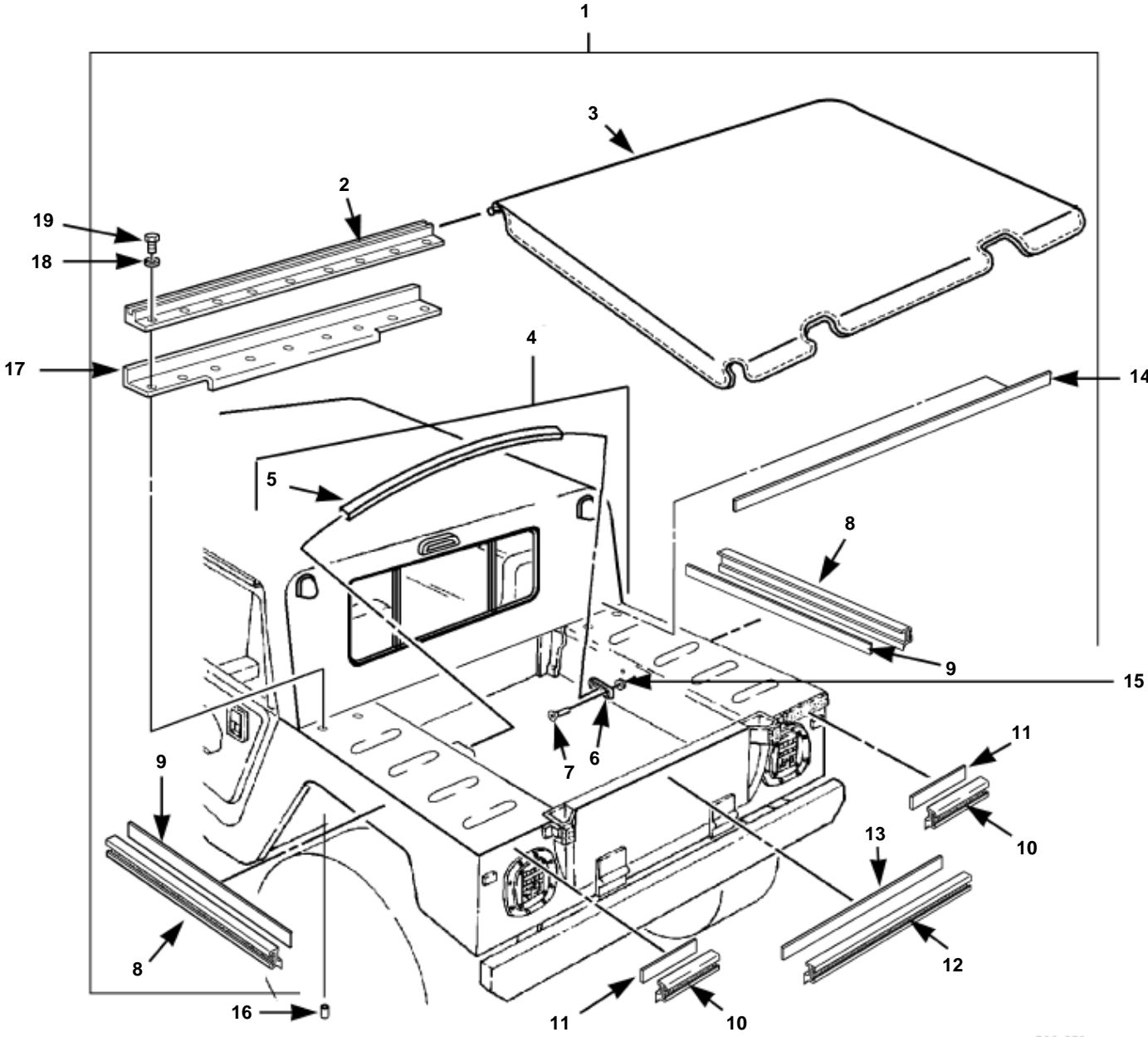
P10-036

Soft Square Back Kit. Model 90

HUMMER H1 2004 Parts Catalog
Soft Square Back Kit. Model 90.

Item	Part No.	Description	Qty
1	5742960	KIT, soft top, tan	1
	6004208	KIT, soft top, white	1
	6004069	KIT, soft top, black	1
2	6001714	·COVER ASSEMBLY, soft top, tan	1
	6004209	·COVER ASSEMBLY, soft top, white	1
	6004070	·COVER ASSEMBLY, soft top, black	1
3	6001715	·BOW ASSEMBLY, front	1
4	6001716	·BOW ASSEMBLY, rear	1
5	6001718	·LOOP, extended webbing	2
6	S.I.A.	·SCREW, #10 - 32 x 3/4"	12
7	6001719	·FOOTMAN LOOP	2
8	6001717	·BRACKET, hinge	2

NOTE : VELCRO STRIP FOR RETAINING THE BOTTOM
EDGE IS NOT INCLUDED. SEE SECTION 10 FOR
THESE PARTS.



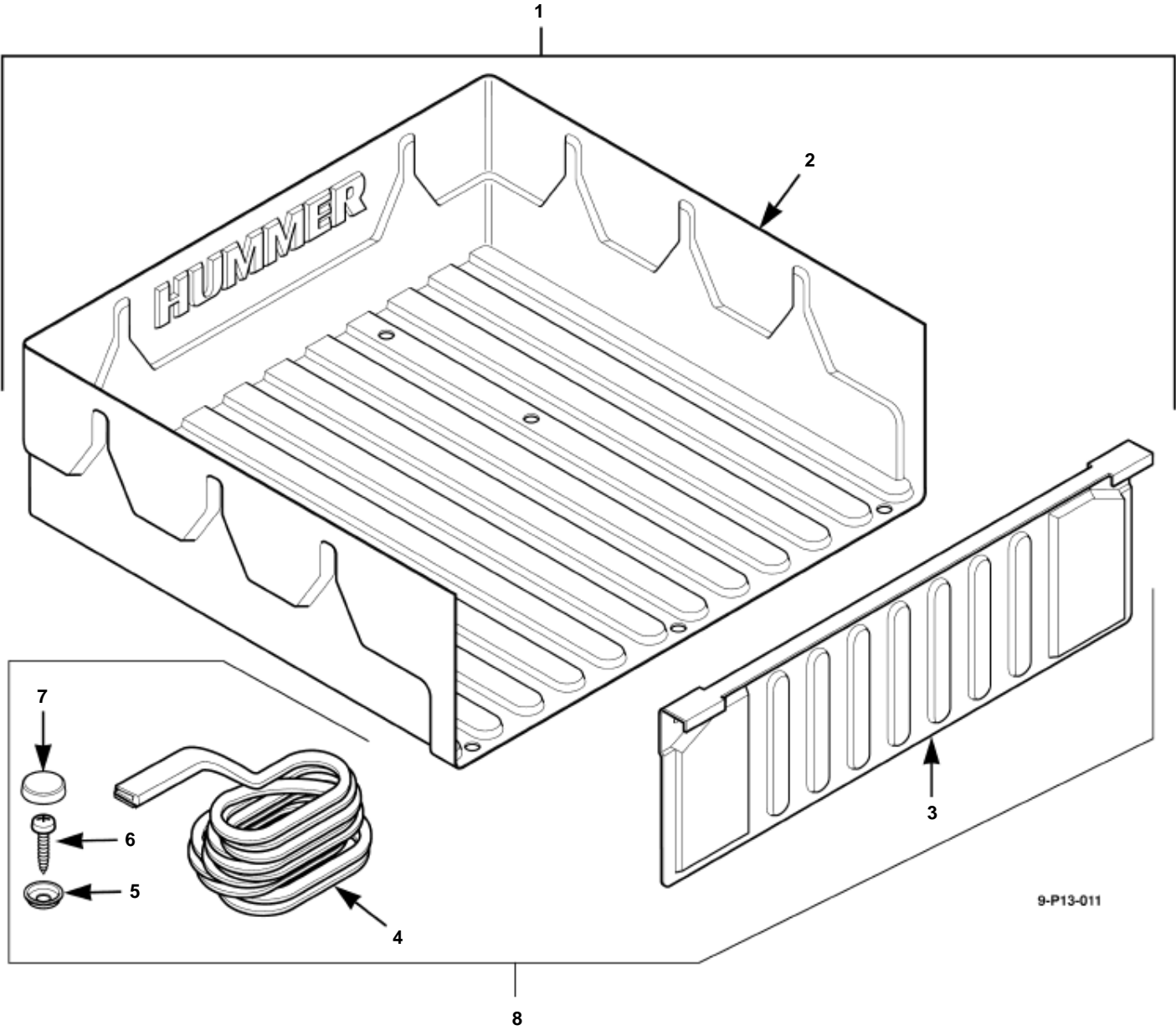
P13-063

NOTE: ITEMS 14 THROUGH 19 ARE NOT COMPONENTS OF ITEM 1.

Tonneau Cover 4-Door Hardtop

HUMMER H1 2004 Parts Catalog
Tonneau Cover 4-Door Hardtop.

Item	Part No.	Description	Qty
1	6003663	KIT, tonneau cover, H/T, tan	1
	6004243	KIT, tonneau cover, H/T, black	1
	6004245	KIT, tonneau cover, H/T, white	1
2	6003665	·EXTRUSION, tonneau cover	1
3	6003664	·COVER, tonneau, tan, H/T	1
	6004244	·COVER, tonneau, black, H/T	1
	6004246	·COVER, tonneau, white, H/T	1
4	5744425	·BOW KIT, tonneau, H/T	1
5	S.I.K.	··BOW, tonneau cover	1
6	S.I.K.	··BRACKET, tonneau bow	2
7	S.I.K.	··SCREW, phcr, #10 - 32 x 3/4"	4
8	6001670	·EXTRUSION, 41"	2
9	5745081	··VELCRO STRIP, 41"	2
10	6001671	·EXTRUSION, 9"	2
11	5745083	··VELCRO STRIP, 9"	2
12	6001669	·EXTRUSION, 43"	1
13	5745082	··VELCRO STRIP, 43"	1
14	6003848	SEAL, bracket, tonneau cover	1
15	12339397-1	NUT INSERT, rubber, #10 - 32"	4
16	N/S	NUT INSERT, 1/4 - 20"	9
17	6003844B2	MOUNTING BRACKET, tonneau extrusion	1
18	N/S	LOCKWASHER, split, 1/4"	9
19	N/S	BOLT, 1/4 - 20 x 1", Gr8	9

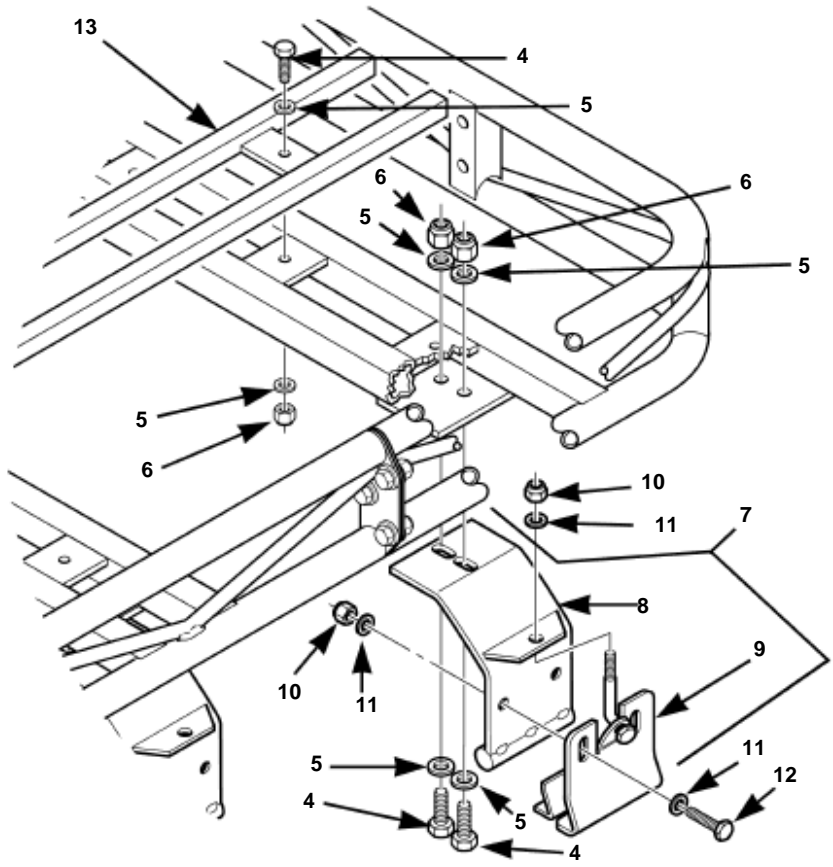
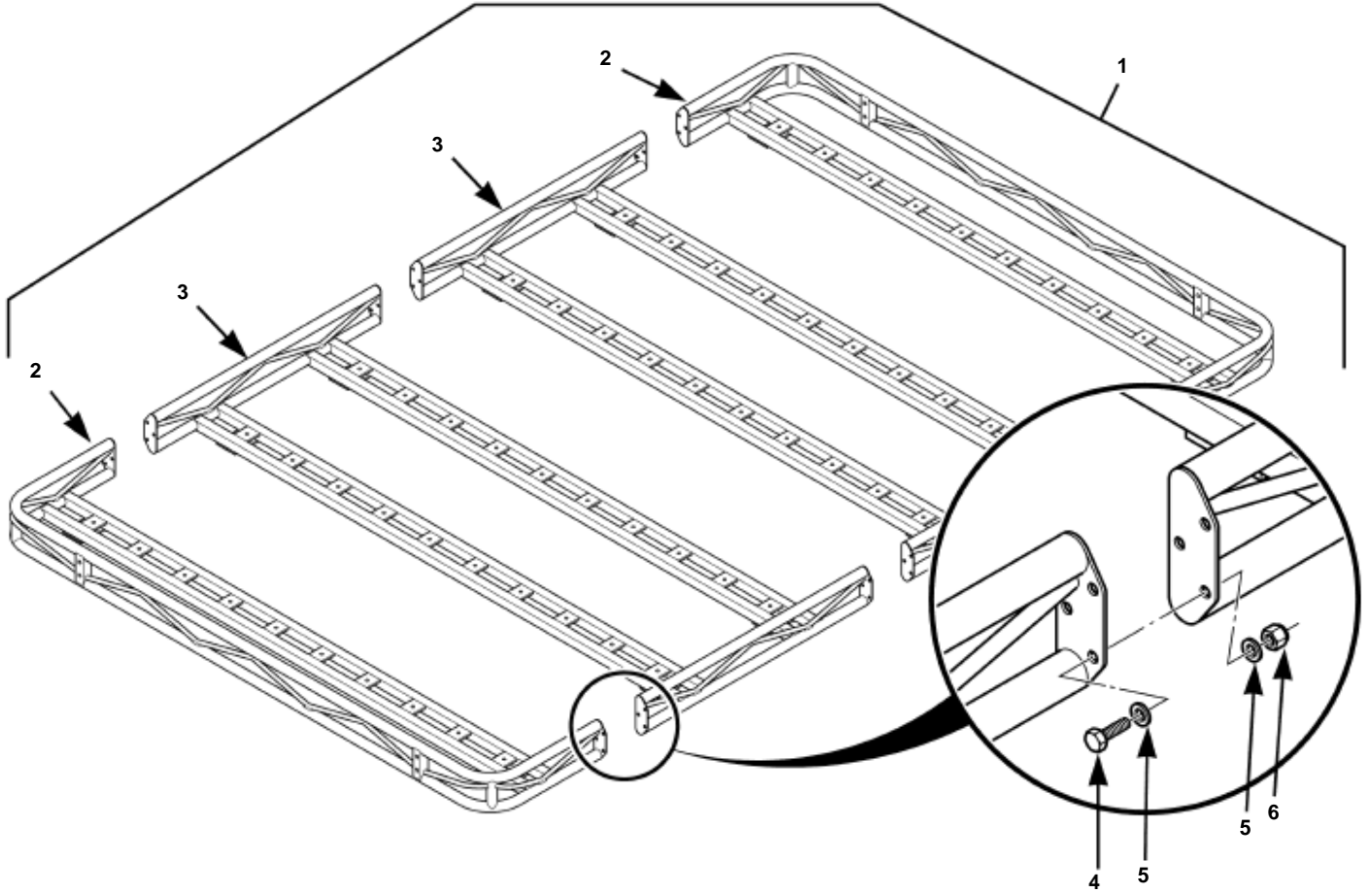


Bedliner Kit

Bedliner Kit.

Item	Part No.	Description	Qty
1	5745029	KIT, bedliner	1
2	S.I.K.	·BEDLINER	1
3	S.I.K.	·COVER, tailgate	1
4	S.I.K.	·EDGE TRIM STRIP	4
5	S.I.K.	·WASHER, cap lock	2
6	S.I.K.	·SCREW	2
7	S.I.K.	·COVER, cap lock	2

NOTE 3: 5745564 KIT, TAILGATE COVER AND HARD-
WARE 1



00-P13-007.1

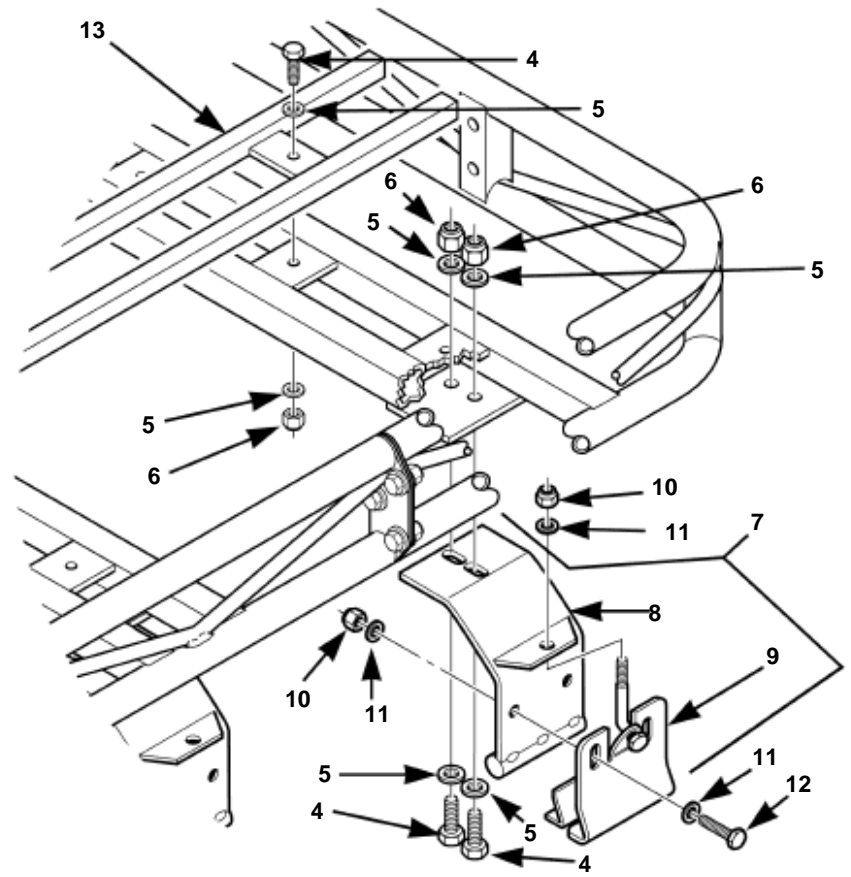
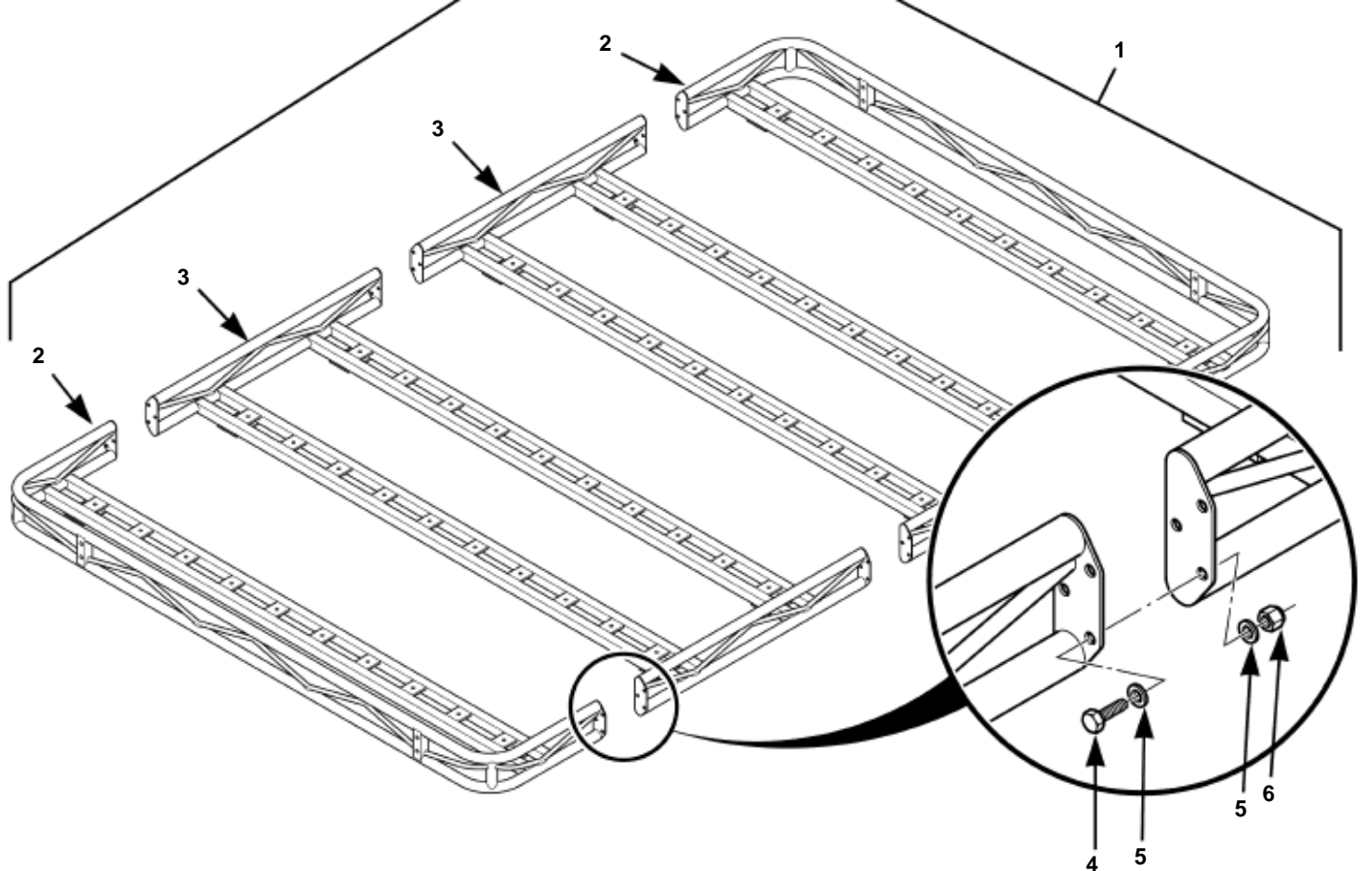
Roof Rack Kit, Aluminum Textured

Roof Rack Kit, Aluminum Textured.

Item	Part No.	Description	Qty 3'	Qty 6'	Qty 9'
1	5745787	KIT, 3' roof rack, textured finish 89, 83, 84, 91	1		
	5745788	KIT, 6' roof rack, textured finish 83, 84, 91		1	
	5745789	KIT, 9' roof rack, textured finish, SEE NOTE 1 84			1
2	5745792	·RACK END ASSEMBLY, textured finish	2	2	2
3	5745791	·RACK CENTER ASSEMBLY, textured finish		1	2
4	S.I.K.	BOLT, hex, 3/8 - 16", stainless	34	68	102
5	S.I.K.	WASHER, flat, 3/8 - 16", stainless	68	136	204
6	S.I.K.	LOCKNUT, nylon, 3/8 - 16", stainless	34	68	102
7	5745790	CLAMP ASSEMBLY, textured finish	4	8	12
8	S.I.K.	·BRACKET	1	1	1
9	S.I.K.	·"L"BRACKET	1	1	1
10	S.I.K.	LOCKNUT, nylon, 3/8 - 16", stainless	3	3	3
11	S.I.K.	WASHER, flat, 3/8 - 16", stainless	4	4	4
12	S.I.K.	BOLT, hex, 3/8 - 16", stainless	2	2	2
13	5745793	·FLOOR RAIL ASSEMBLY, 3', textured finish	10		
	5745794	·FLOOR RAIL ASSEMBLY, 6', textured finish		10	
	5745795	·FLOOR RAIL ASSEMBLY, 9', textured finish			10
	5745313	·END CAP, floor rail (not illustrated)	40	40	40
	S.I.K.	·TAPE, foam	1	1	1
	6011541	LABEL, warning, English only, 3' roof rack (not illustrated)	1		
	6011544	LABEL, warning, English only, 6' and 9' roof racks (not illustrated)		1	1
	5745796	KIT, HARDWARE, aluminum roof rack, textured finish, (not illustrated) SEE NOTE 2			1

NOTE 1: NINE-FOOT ROOF RACK SHOWN.

NOTE 2: HARDWARE KIT P/N 5745796 CONSISTS OF FASTENERS USED TO ASSEMBLE 9' ROOF RACK ASSEMBLY. USE THIS HARDWARE KIT FOR 3' AND 6' ROOF RACKS AS WELL.

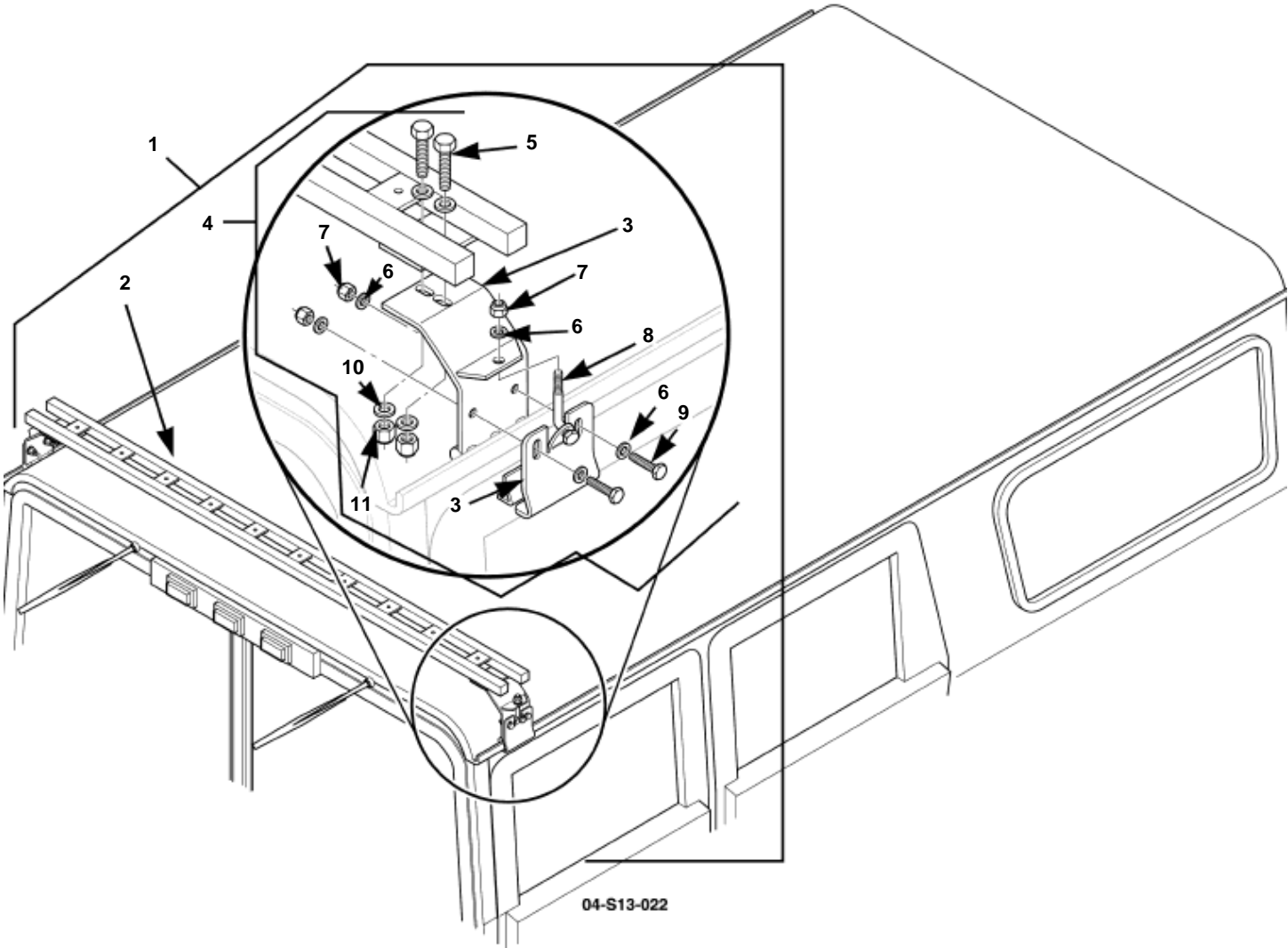


00-P13-007.1

Roof Rack Kit, Aluminum round Tube

Roof Rack Kit, Aluminum round Tube.

Item	Part No.	Description	Qty 3'	Qty 6'	Qty 9'
1	5745305	KIT, 3' roof rack 89, 83, 84, 91	1		
	5745306	KIT, 6' roof rack 83, 84, 91		1	
	N/S	KIT, 9' roof rack, SEE NOTE 1 84			1
2	5745308	·RACK END ASSEMBLY	2	2	2
3	5745315	·RACK CENTER ASSEMBLY		1	2
4	S.I.K.	BOLT, hex, 3/8 - 16", stainless	34	68	102
5	S.I.K.	WASHER, flat, 3/8 - 16", stainless	68	136	204
6	S.I.K.	LOCKNUT, nylon, 3/8 - 16", stainless	34	68	102
7	5745314	CLAMP ASSEMBLY	4	8	12
8	S.I.K.	·BRACKET	1	1	1
9	S.I.K.	·"L"BRACKET	1	1	1
10	S.I.K.	LOCKNUT, nylon, 3/8 - 16", stainless	3	3	3
11	S.I.K.	WASHER, flat, 3/8 - 16", stainless	4	4	4
12	S.I.K.	BOLT, hex, 3/8 - 16", stainless	2	2	2
13	5745310	·FLOOR RAIL ASSEMBLY, 3'	10		
	5745311	·FLOOR RAIL ASSEMBLY, 6'		10	
	5745312	·FLOOR RAIL ASSEMBLY, 9'			10
	5745313	·END CAP, floor rail (not illustrated)	40	40	40
	S.I.K.	·TAPE, foam	1	1	1
	6016064	LABEL, warning, English/French 3' roof rack (not illustrated)	1		
	6016065	LABEL, warning, English/French 6' and 9' roof racks (not illustrated)		1	1
	5745428	KIT, HARDWARE, aluminum roof rack, (not illustrated) SEE NOTE 3			1
		NOTE 1: THE ALUMINUM ROUND TUBE ROOF RACK KIT IS NO LONGER AVAILABLE. INDIVIDUAL SERVICE PARTS ARE STILL AVAILABLE FOR THIS KIT. FOR A COMPLETE ROOF RACK KIT PLEASE REFER TO THE ALUMINUM TEXTURED ROOF RACK KIT IN THIS MANUAL.			
		NOTE 2: NINE-FOOT ROOF RACK SHOWN.			
		NOTE 3: HARDWARE KIT CONSISTS OF FASTENERS USED TO ASSEMBLE 9' ROOF RACK ASSEMBLY. CAN BE USE FOR SHORTER ROOF RACKS AS WELL.			

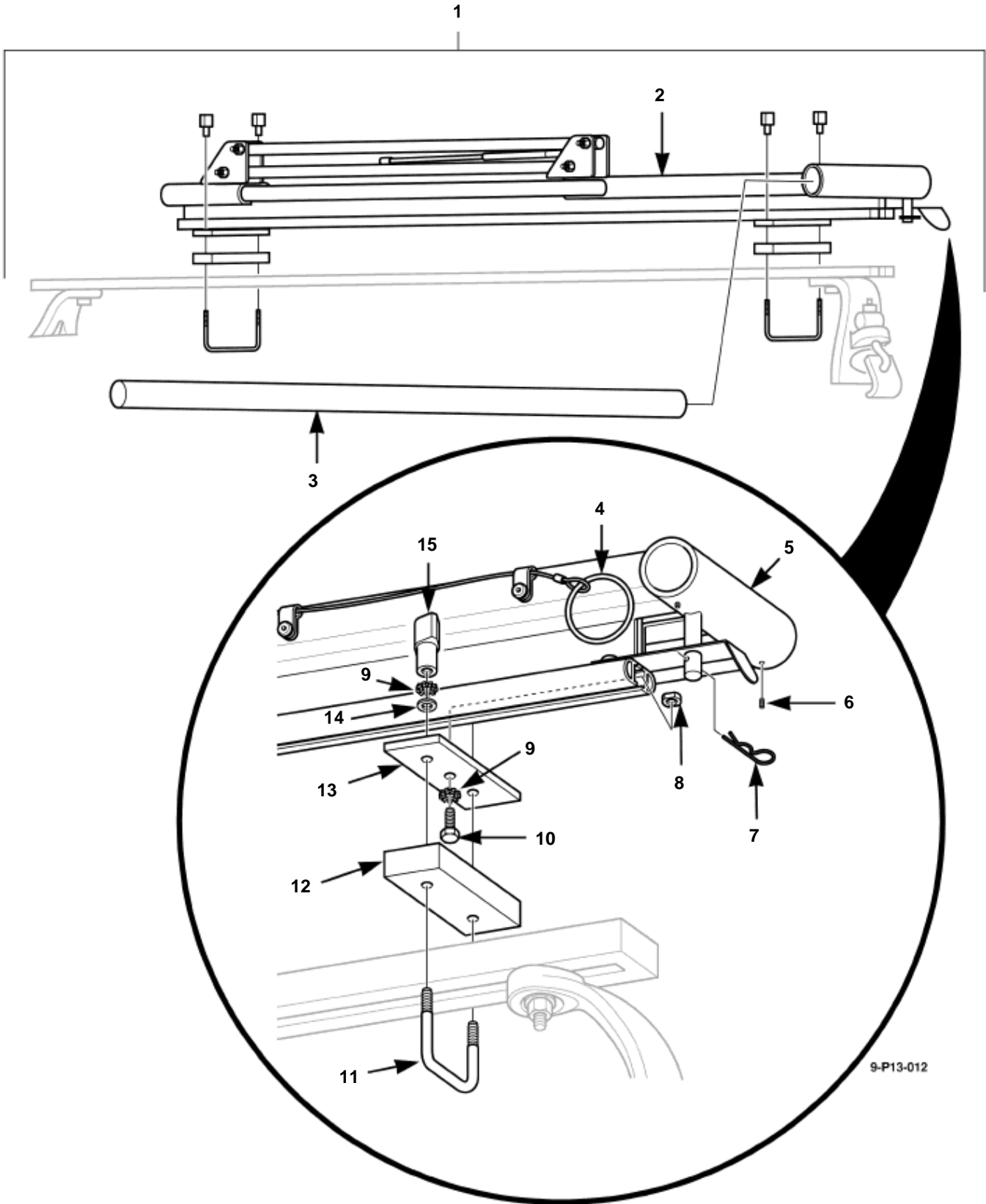


Universal Mounting Kit

Universal Mounting Kit.

Item	Part No.	Description	Qty
1	5745780	UNIVERSAL MOUNTING BAR KIT	1
2	S.I.K.	·UNIVERSAL MOUNTING BAR	1
3	5745790	CLAMP ASSEMBLY, textured finish	2
4	5745781	·MOUNTING BAR BRACKET HARDWARE	2
5	S.I.K.	··BOLT, 3/8 x 1"	4
6	S.I.K.	··WASHER, flat, 1/4"	10
7	S.I.K.	··NYLOCK NUT, 1/4"	6
8	S.I.K.	··BOLT, 1/4 x 2 1/2", (bent for clamp)	2
9	S.I.K.	··BOLT, 1/4 x 1"	4
10	S.I.K.	··WASHER, flat, 3/8"	8
11	S.I.K.	··NYLOCK NUT, 3/8"	4

NOTE 1: MULTIPLE KITS MAY BE INSTALLED AS
DEEMED NECESSARY FOR ITS INTENDED
PURPOSE. ALL QUANTITIES LISTED ABOVE
ARE FOR ONE INDIVIDUAL KIT.

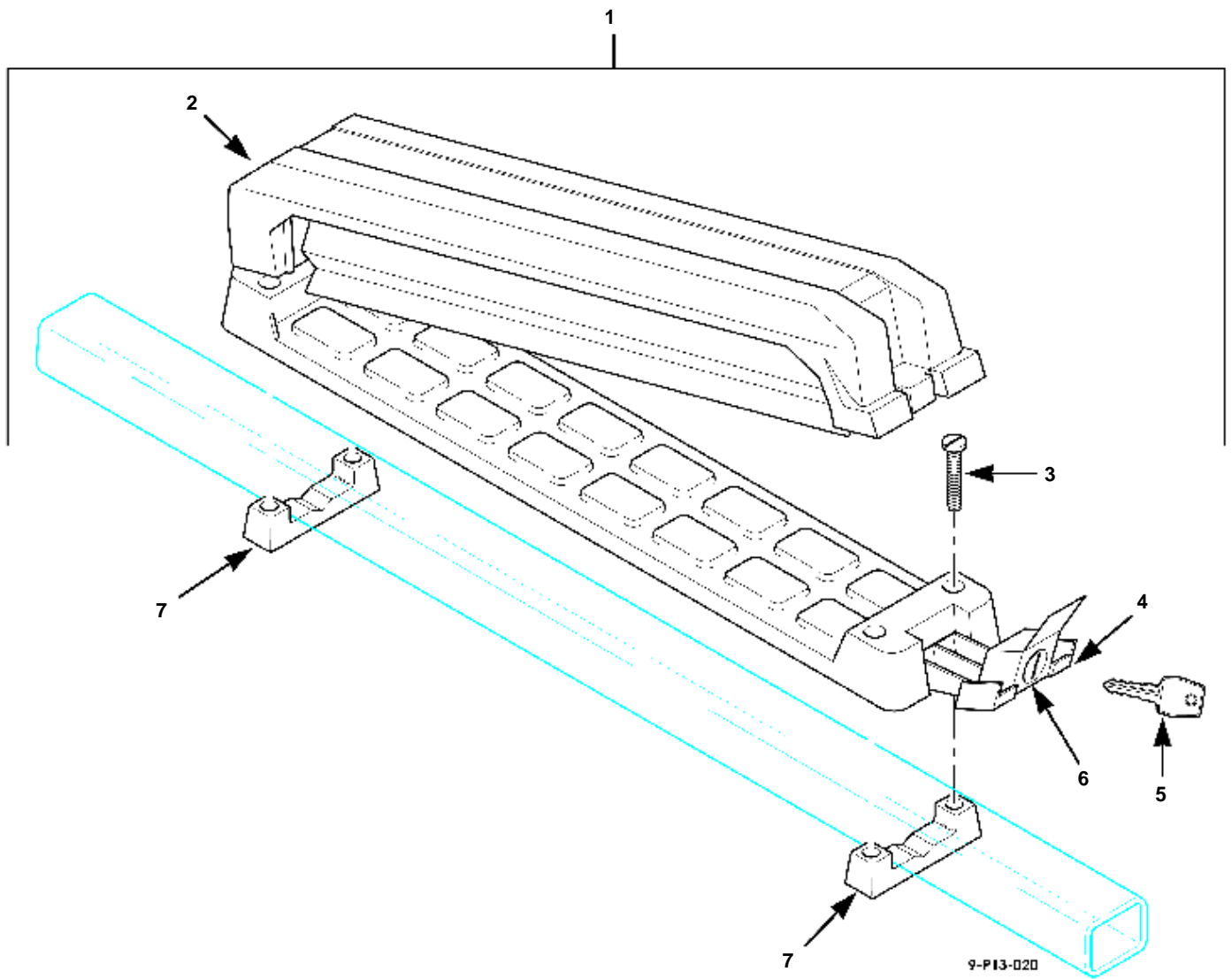


9-P13-012

Roof Rack Kit, Side Load

HUMMER H1 2004 Parts Catalog
Roof Rack Kit, Side Load.

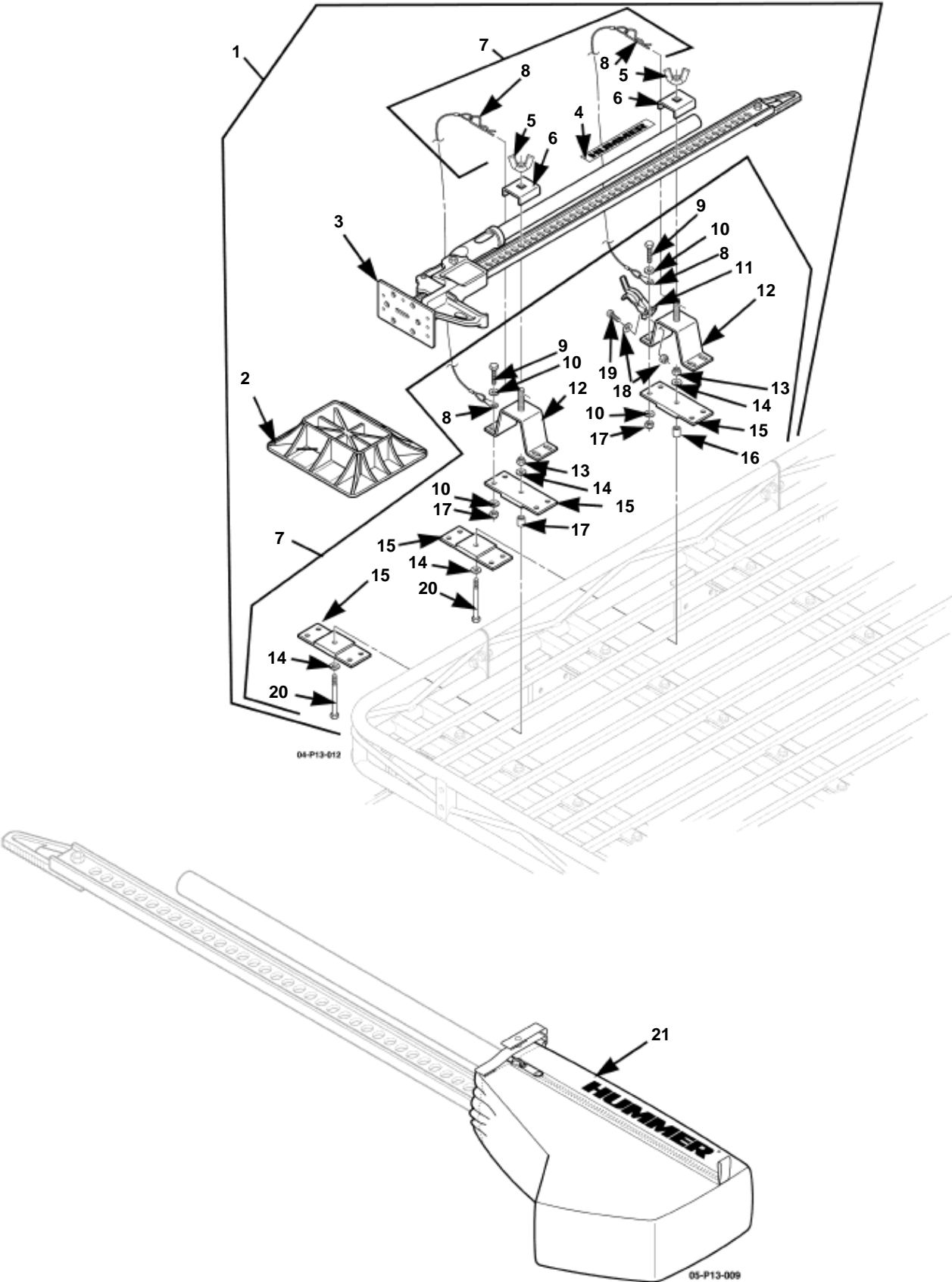
Item	Part No.	Description	Qty
1	5745051	KIT, side load roof rack	1
2	S.I.K.	·ROOF RACK, half	2
3	S.I.K.	·BAR, handle	1
4	S.I.K.	·RING, quick release	1
5	S.I.K.	·HOLDER, handle bar	2
6	S.I.K.	·SET SCREW	2
7	S.I.K.	·PIN, hitch	2
8	S.I.K.	·NUT	4
9	S.I.K.	·WASHER, lock	10
10	S.I.K.	·SCREW	4
11	S.I.K.	·U-BOLT	4
12	S.I.K.	·PAD, rubber	4
13	S.I.K.	·MOUNTING FOOT	4
14	S.I.K.	·WASHER, flat	8
15	S.I.K.	·NUT, wing	8



Ski Rack Kit

Ski Rack Kit.

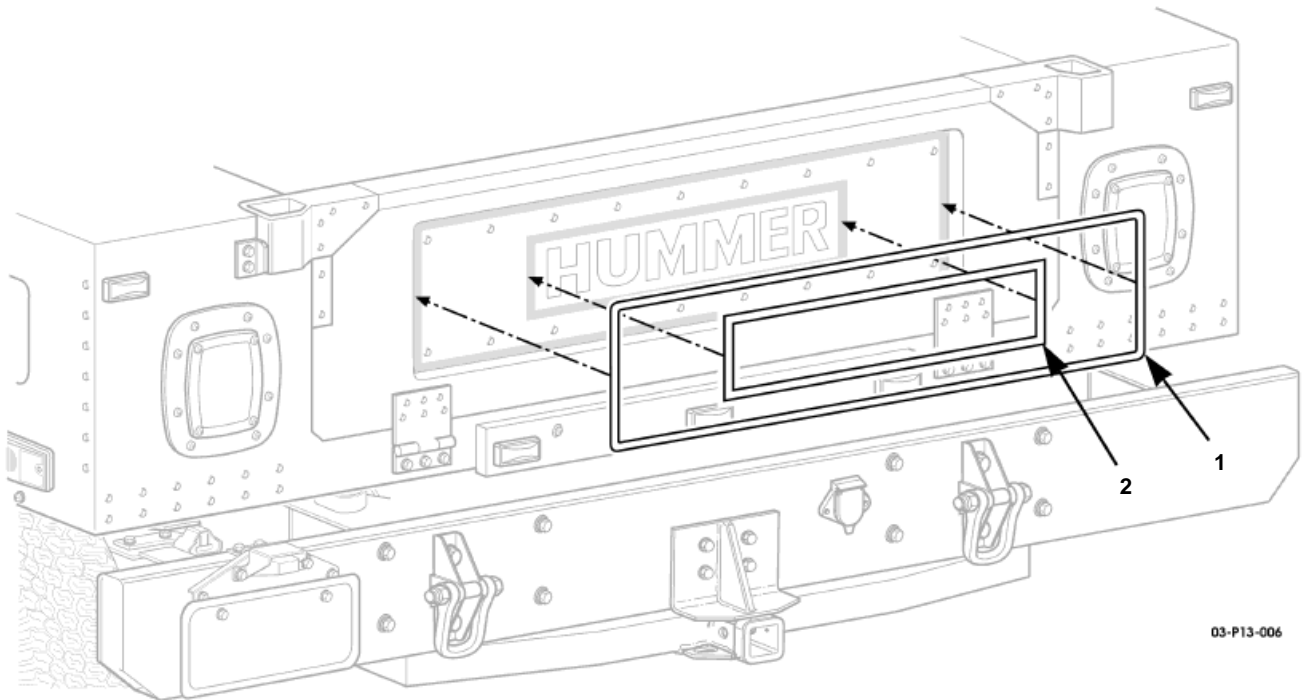
Item	Part No.	Description	Qty
1	5745154	KIT, ski rack	1
2	S.I.K.	·CARRIER, ski	4
3	S.I.K.	·SCREW, clamp	8
4	S.I.K.	·LATCH	2
5	S.I.K.	·KEY	1
6	S.I.K.	·LOCK	2
7	5745181	·CLAMP	4



Off-Road Jack Kit and Off-Road Jack Bag

Off-Road Jack Kit and Off-Road Jack Bag.

Item	Part No.	Description	Qty
1	5745841	OFF-ROAD JACK KIT	1
2	5745840	·OFF-ROAD BASE, Hi Lift jack	1
3	5745839	·HI LIFT JACK, 48", w/HUMMER decal	1
4	5745839	·Decal, HUMMER, off-road jack	1
5	N/S	·WING NUT	2
6	N/S	·BRACKET	2
7	5745955	·HARDWARE KIT, off-road jack	1
8	S.I.K.	·LANYARD, off-road jack	2
9	S.I.K.	·BOLT, 1/4 - 20 x 1 1/4", ZN	8
10	S.I.K.	·WASHER, flat, 1/4", ZN	16
11	S.I.K.	·RIFLE CLAMP	1
12	5745838	·MOUNTING SYSTEM, heavy duty, 4X RAC	2
13	S.I.K.	·NUT, 5/16 - 18", nylon insert	2
14	S.I.K.	·WASHER, flat, 5/16", ZN	4
15	SK6627	·BRACKET, jack mounting, upper	4
16	SK6625	·SPACER, jack mounting, 1.10"	2
17	S.I.K.	·NUT, nylon insert	2
18	S.I.K.	·WASHER, flat, #10	2
19	S.I.K.	·SCREW, 10 - 24 x 5/8"	2
20	S.I.K.	·BOLT, 5/16 - 18 x 3", Gr8 DT	2
21	5746035	OFF-ROAD JACK BAG, heavy duty vinyl, black w/logo	1

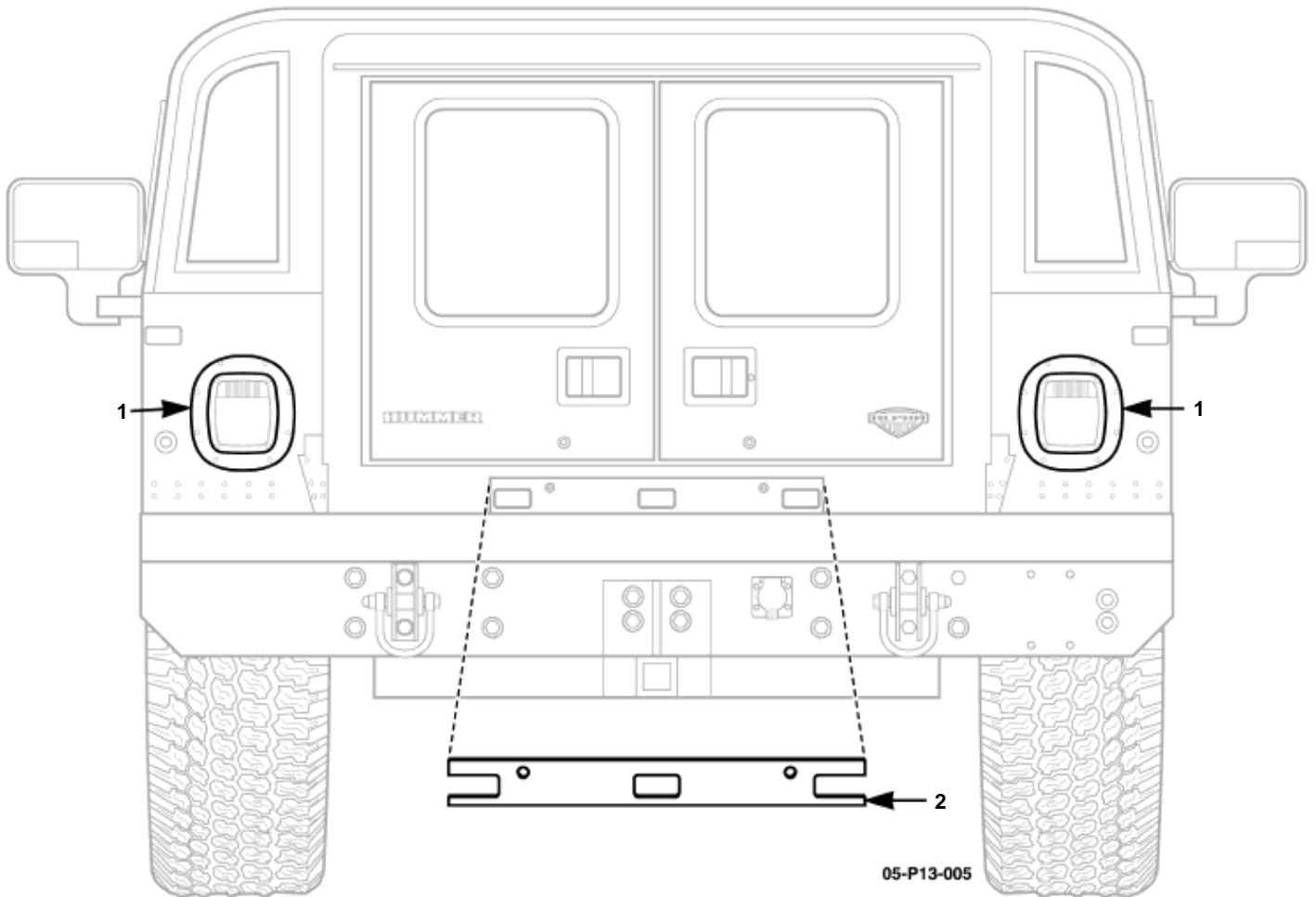


03-P13-006

Tailgate and Logo Surround Trim, Stainless Steel

Tailgate and Logo Surround Trim, Stainless Steel.

Item	Part No.	Description	Qty
1	5745645	TRIM, surround, tailgate, stainless steel	1
2	5745637	TRIM, surround, logo, stainless steel	1

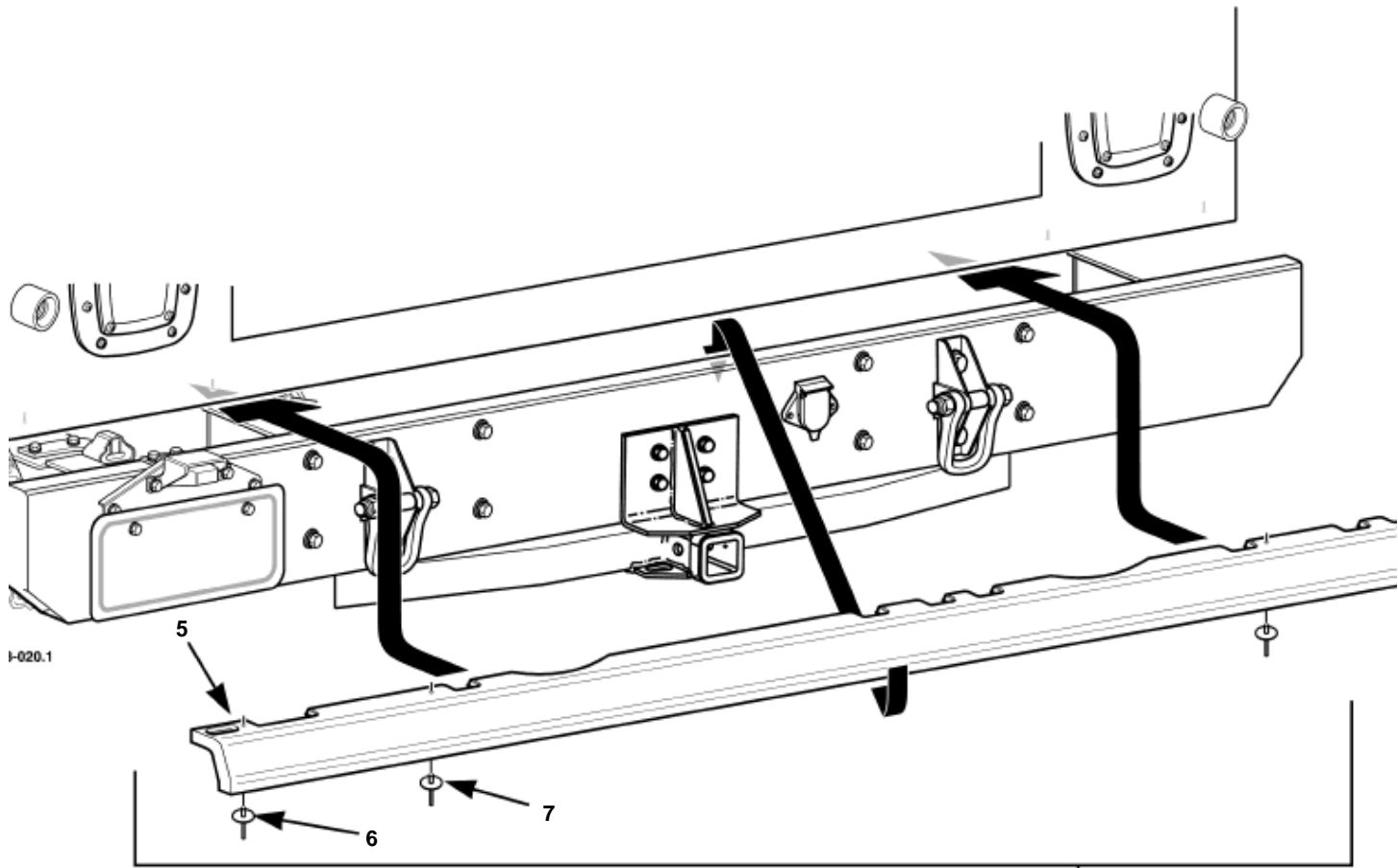
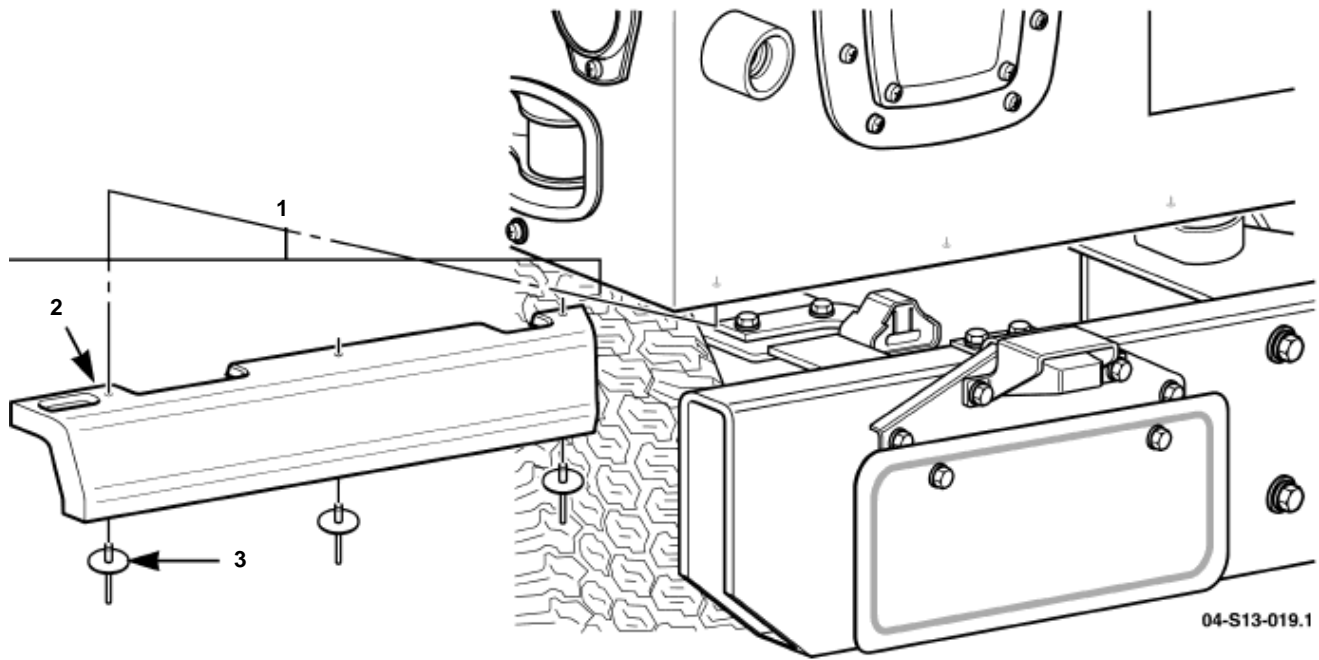


**Tail Light Bezel and Rear Marker
Light Bezel Applique Kits, Stainless Steel**

Tail Light Bezel and Rear Marker Light Bezel Applique Kits, Stainless Steel.

Item	Part No.	Description	Qty
1	5745635	TAIL LIGHT BEZEL APPLIQUE KIT, stainless steel, SEE NOTE 1	1
2	5745636	REAR MARKER LIGHT BEZEL APPLIQUE KIT, stainless steel	1

NOTE 1: THIS KIT CONTAINS TWO TAIL LIGHT BEZEL TRIM
RINGS. NO DRILLING OR ADDITIONAL
HARDWARE IS REQUIRED.

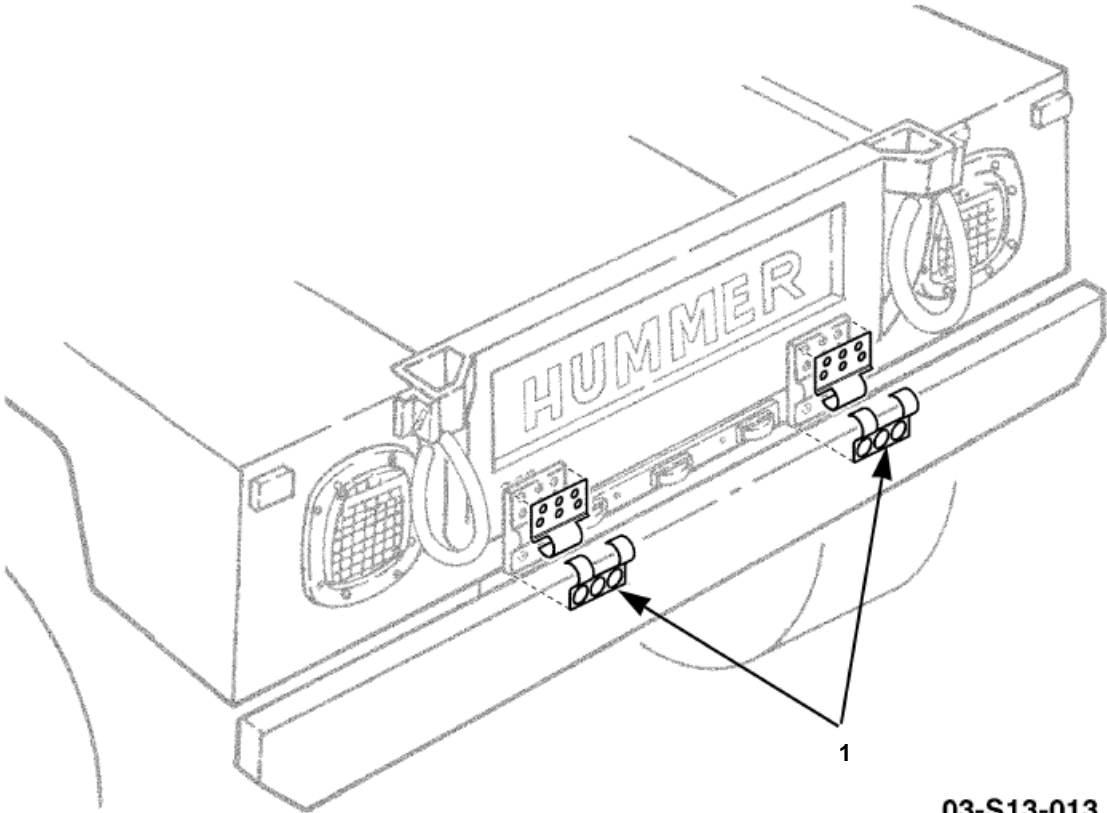


Bumper Closeouts, Center and Rear

Bumper Closeouts, Center and Rear.

Item	Part No.	Description	Qty
1	5745439	KIT, closeout, rear splash	1
2	5745429	CLOSEOUT, panel, left rear	1
	5745430	CLOSEOUT, panel, right rear	1
3	S.I.K.	RIVET, 3/16", large flange	6
4	5745608	KIT, center rear, splash shield	1
5	S.I.K.	CLOSEOUT, center	1
6	S.I.K.	RIVET, 3/16", large flange	6
7	S.I.K.	CLIP	4

NOTE 1: KIT, CENTER REAR CLOSEOUT P/N 5745608 IS DESIGNED FOR INSTALLATION WITH OR WITHOUT THE RIGHT AND LEFT SIDE CLOSEOUT PANELS KIT, 5745439.

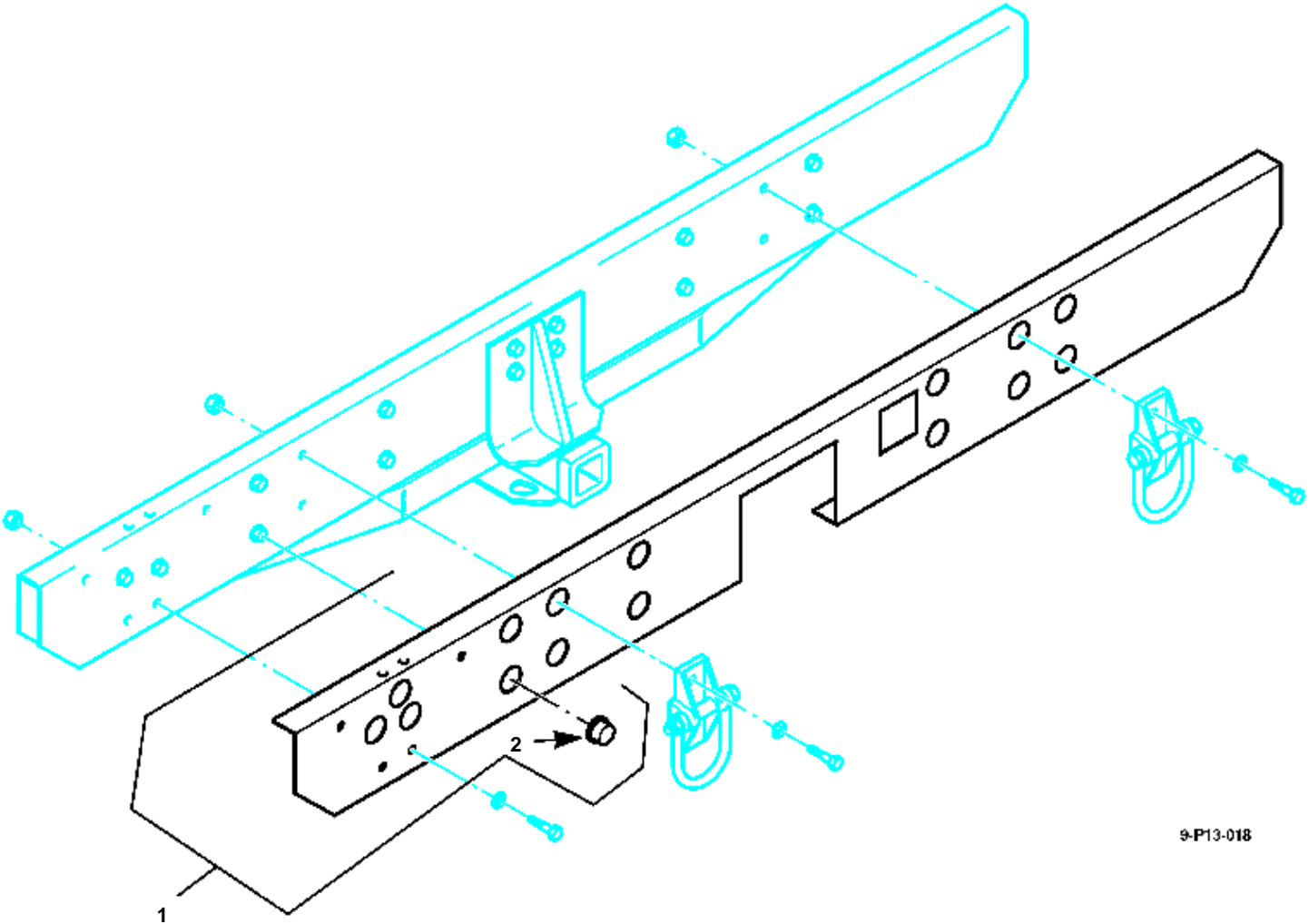


03-S13-013

Tailgate Hinge Covers, Polished Steel

Tailgate Hinge Covers, Polished Steel.

Item	Part No.	Description	Qty
1	5745643	COVER, tailgate hinge, polished steel 2Pc. set	1

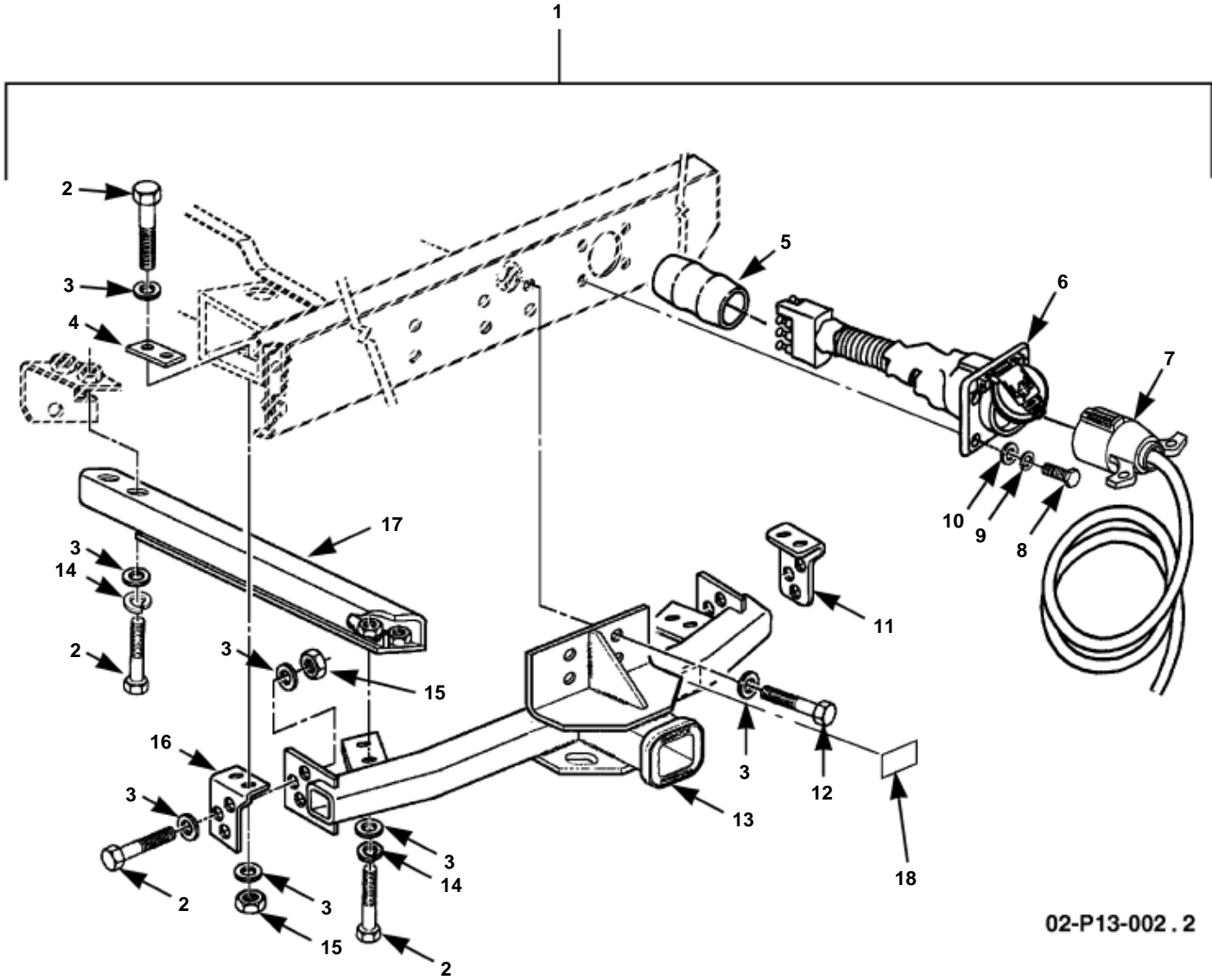


9-P13-018

Bumper Cover (Rear), Polished or Brushed Stainless Steel

Bumper Cover (Rear), Polished or Brushed Stainless Steel.

Item	Part No.	Description	Qty
1	5745115	COVER, rear bumper, polished stainless steel	1
	5745207	COVER, rear bumper, brushed stainless steel	1
2	5745148	COVER, bolt, polished	8
	5745218	COVER, bolt, brushed stainless steel	8

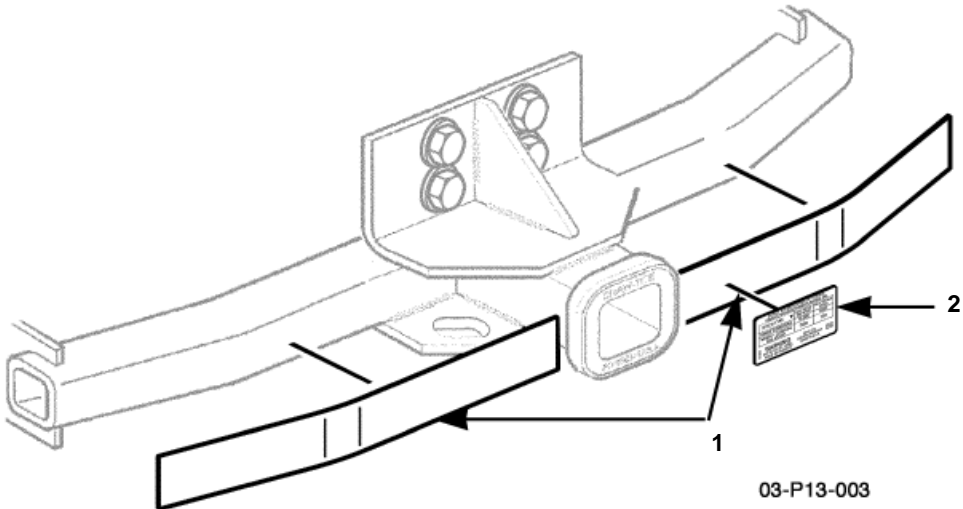


02-P13-002.2

Trailer Towing Kit

Trailer Towing Kit.

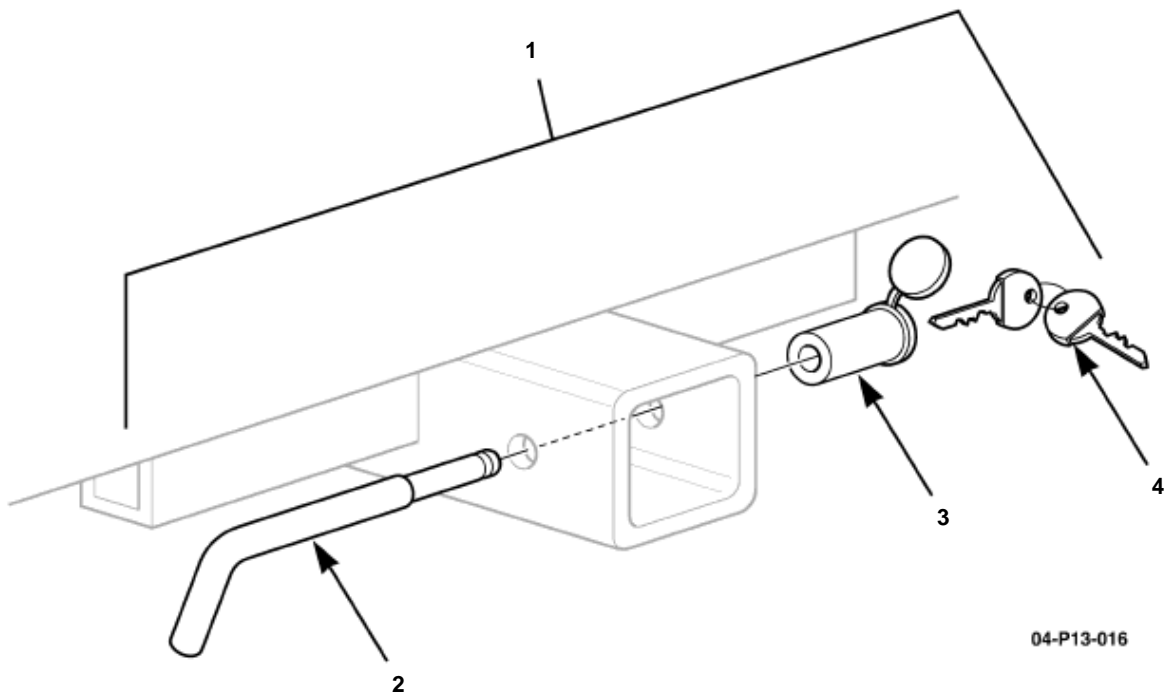
Item	Part No.	Description	Qty
1	5745114	KIT, trailer towing	1
2	MS90728-113	·BOLT, receiver mounting	18
3	2436165	WASHER, 1/2", type "B", HRDND, CAD, DT	32
4	6006928	·MOUNTING BLOCK, trailer hitch receiver	2
5	5745416	·TUBE, shrinkable, 3 1/2"	1
6	6008780	·HARNESS ASSEMBLY, trailer jumper	1
7	6008827	·HARNESS ASSEMBLY, trailer plug	1
8	MS35206-265	·SCREW	4
9	MS35338-43	·LOCKWASHER, #10	4
10	MS51412-2	·WASHER, flat,#10	4
11	6007931	·MOUNTING BRACKET, trailer hitch receiver, R.H.	1
12	MS90728-111	·BOLT	4
13	6008114B5	·RECEIVER, trailer hitch	1
14	131101	LOCKWASHER, 1/2", heavy, zinc	8
15	MS51943-39	NUT, 1/2 - 13", HX, STOVER, Gr8, DT	10
16	6007905	·MOUNTING BRACKET, trailer hitch receiver, L.H.	1
17	6007688B5	·BRACE, trailer hitch receiver, L.H.	1
18	6016060	DECAL, trailer hitch warning	1
	6007689B5	·BRACE, trailer hitch receiver, R.H. (not illustrated)	1



Tow Bar Cover, Polished Stainless Steel

Tow Bar Cover, Polished Stainless Steel.

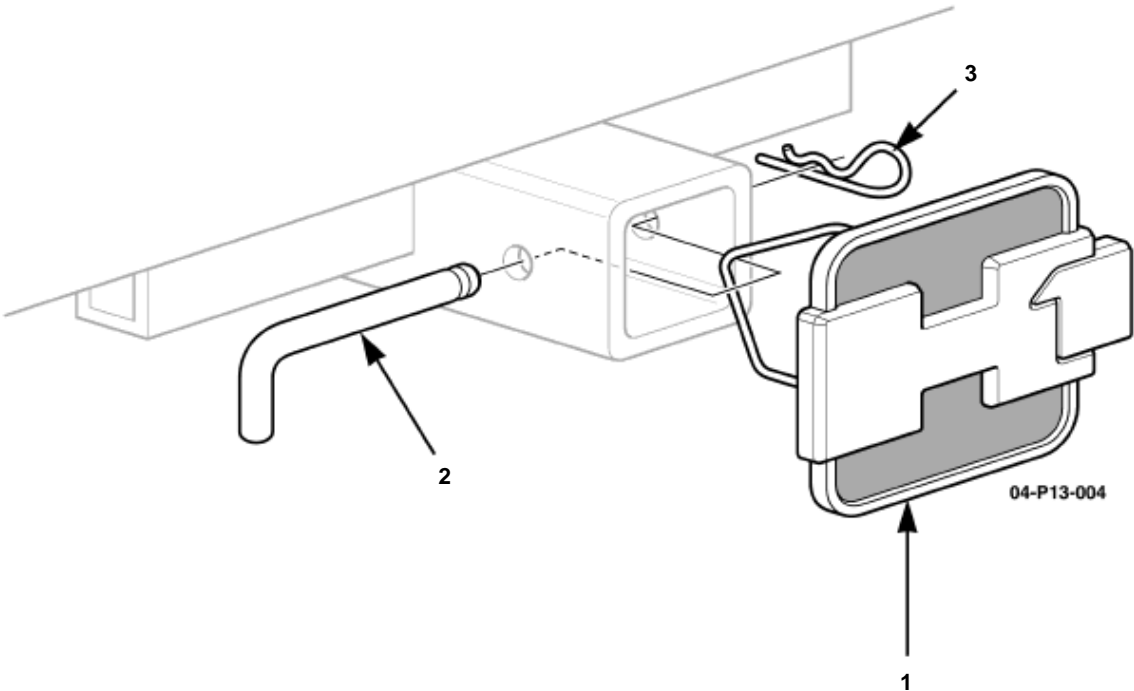
Item	Part No.	Description	Qty
1	5745632	TOW BAR COVER, 2Pc. polished stainless steel	1
2	S.I.A.	DECAL, tow bar	1



Locking Hitch Pin/Lock Combo

Locking Hitch Pin/Lock Combo.

Item	Part No.	Description	Qty
1	5745717	MASTERLOCK LOCKING HITCH PIN AND LOCK ASSEMBLY	1
2	S.I.A.	·HITCH PIN	1
3	S.I.A.	·LOCK	1
4	S.I.A.	·KEY, Masterlock locking hitch pin and lock assembly	2



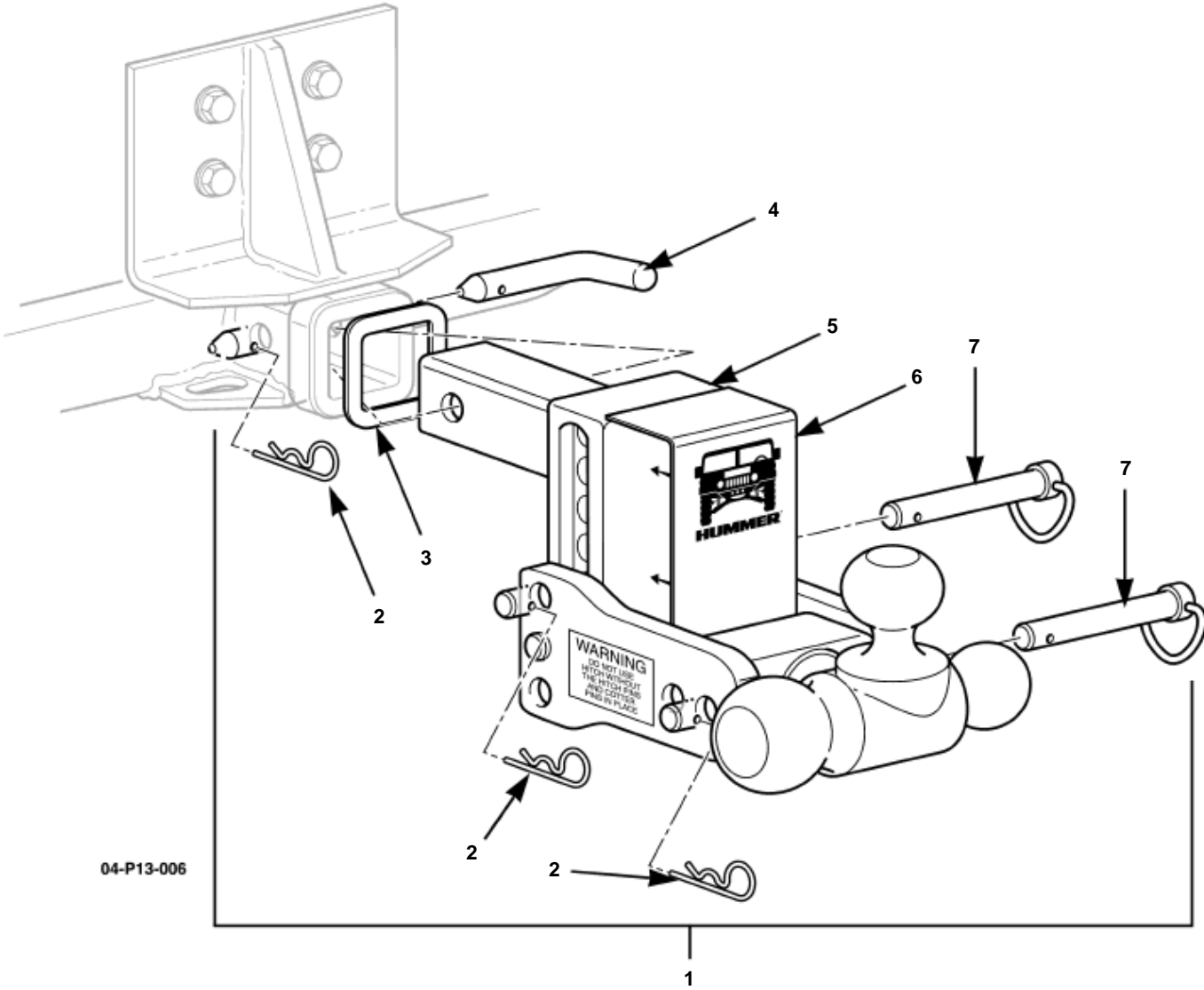
H1 Logo Trailer Hitch Receiver Cover

H1 Logo Trailer Hitch Receiver Cover.

Item	Part No.	Description	Qty
1	5745716	HITCH COVER, Hummer H1 logo SEE NOTES 1 & 2	1
2	N/S	HITCH PIN	1
3	N/S	PIN, retainer	3

NOTE 1: SHOWN WITH STANDARD HITCH PIN AND
RETAINER THAT IS SUPPLIED WITH THE TOW
BALL ASSEMBLY.

NOTE 2: CAN BE USED WITH LOCKABLE HITCH PIN,
P/N 5745717, ON PAGE -95.



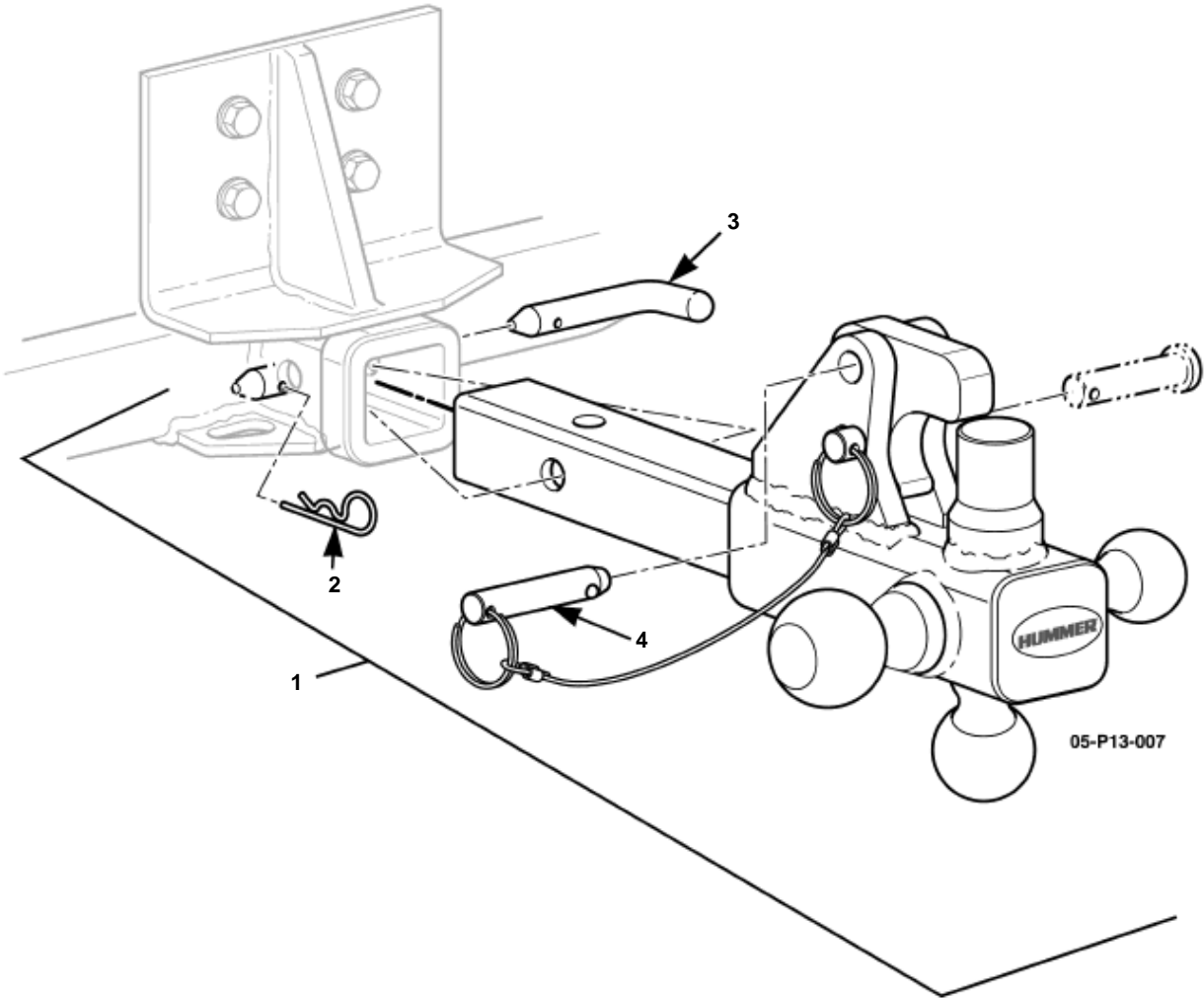
Drop Tow Hitch Kits

Drop Tow Hitch Kits.

Item	Part No.	Description	Qty
1	5745723	KIT, tow ball hitch, 6" drop, two-ball (1 7/8" and 2")	1
	5745725	KIT, tow ball hitch, 6" drop, three-ball (1 7/8", 2", 2 5/16")	1
	5745724	KIT, tow ball hitch, 8" drop, three-ball (1 7/8", 2", 2 5/16")	1
	5745726	KIT, tow ball/pintle hitch, 8" drop, SEE NOTE 1	1
2	S.I.K.	·PIN, retainer	3
3	5745731	·SILENCER PAD	1
4	S.I.K.	·PIN, anchor	1
5	S.I.K.	·BALL SET	1
6	5745729	·LOGO COVER PLATE, stainless steel, 6" drop	1
	5745730	·LOGO COVER PLATE, stainless steel, 8" drop	1
7	S.I.K.	·PIN	2
	5745727	PINTLE BALL, 2 5/16" (not illustrated)	1
	5745728	TOW BALL, 2" (not illustrated)	1
	5745859	HITCH, triple tow ball with shackle, (not illustrated), SEE NOTE 2	1

NOTE 1: THIS KIT FUNCTIONS AS A PINTLE OR A BALL TYPE HITCH. THE TOW BALLS ARE NOT INCLUDED IN THIS KIT AND ARE SOLD SEPERATELY AS P/N 5745727 PINTLE BALL, 2 5/16" AND P/N 5745728 TOW BALL, 2".

NOTE 2: THIS CARBON STEEL TRIPLE BALL WITH SHACKLE HITCH IS BLACK POWDER COATED, WITH CHROME BALLS IN SIZES 1 7/8", 2", AND 2 5/16". A 5/8" PLATED SHACKLE IS INSTALLED IN FOURTH POSITION. OFFERS AN 8" VERTICLE ADJUSTMENT.



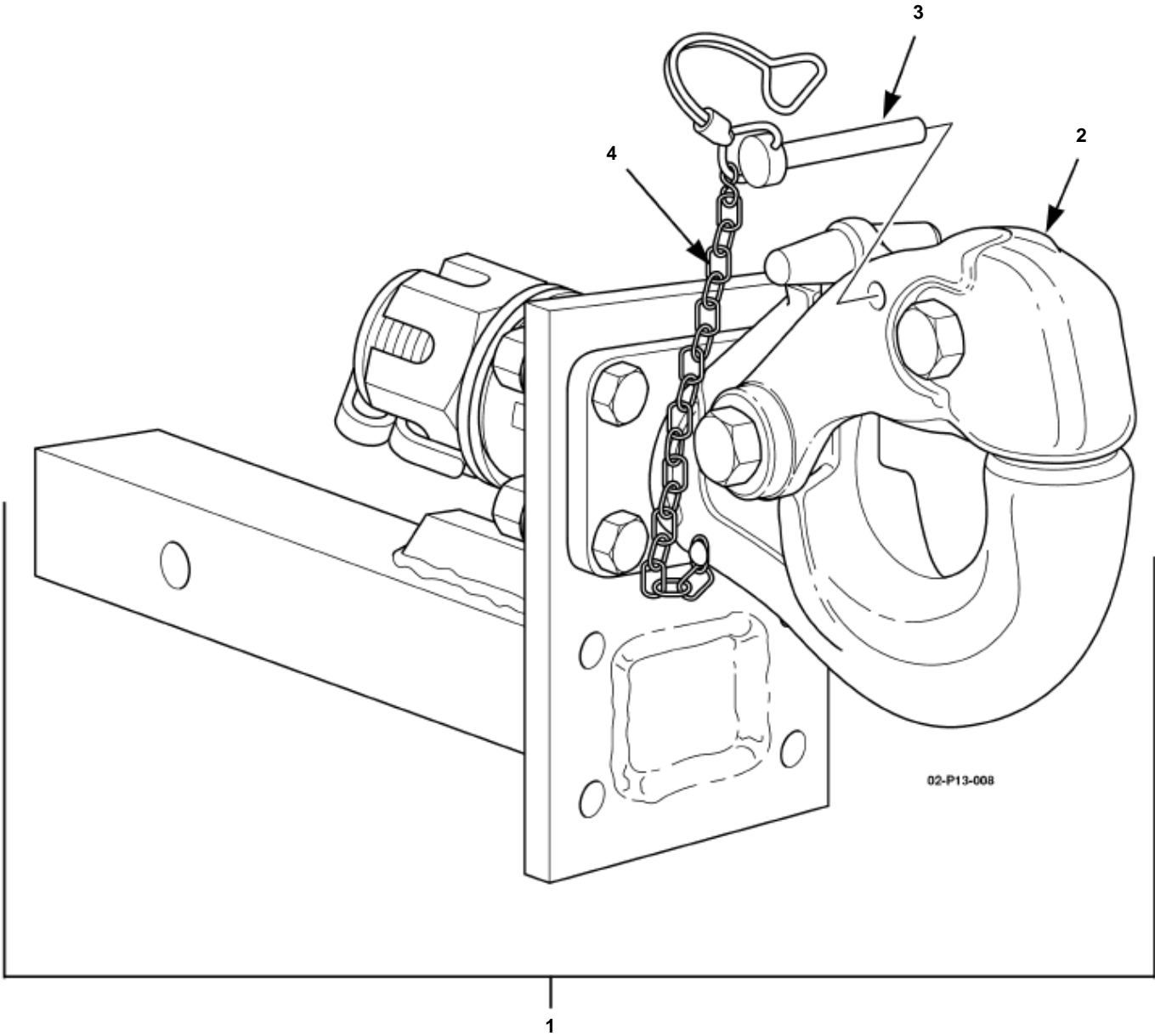
Pintle and Triple Ball Hitch

HUMMER H1 2004 Parts Catalog
Pintle and Triple Ball Hitch.

Item	Part No.	Description	Qty
1	5745856	HITCH, straight three-ball w/pintle, carbon steel, black powder coat, SEE NOTES 1 & 2	1
2	S.I.K.	-CLIP, retaining pin	1
3	S.I.K.	-RETAINING PIN	1
4	S.I.K.	-LOCKING PIN	1

NOTE 1: CAN BE USED WITH LOCKABLE HITCH PIN,
P/N 5745717, ON PAGE -95.

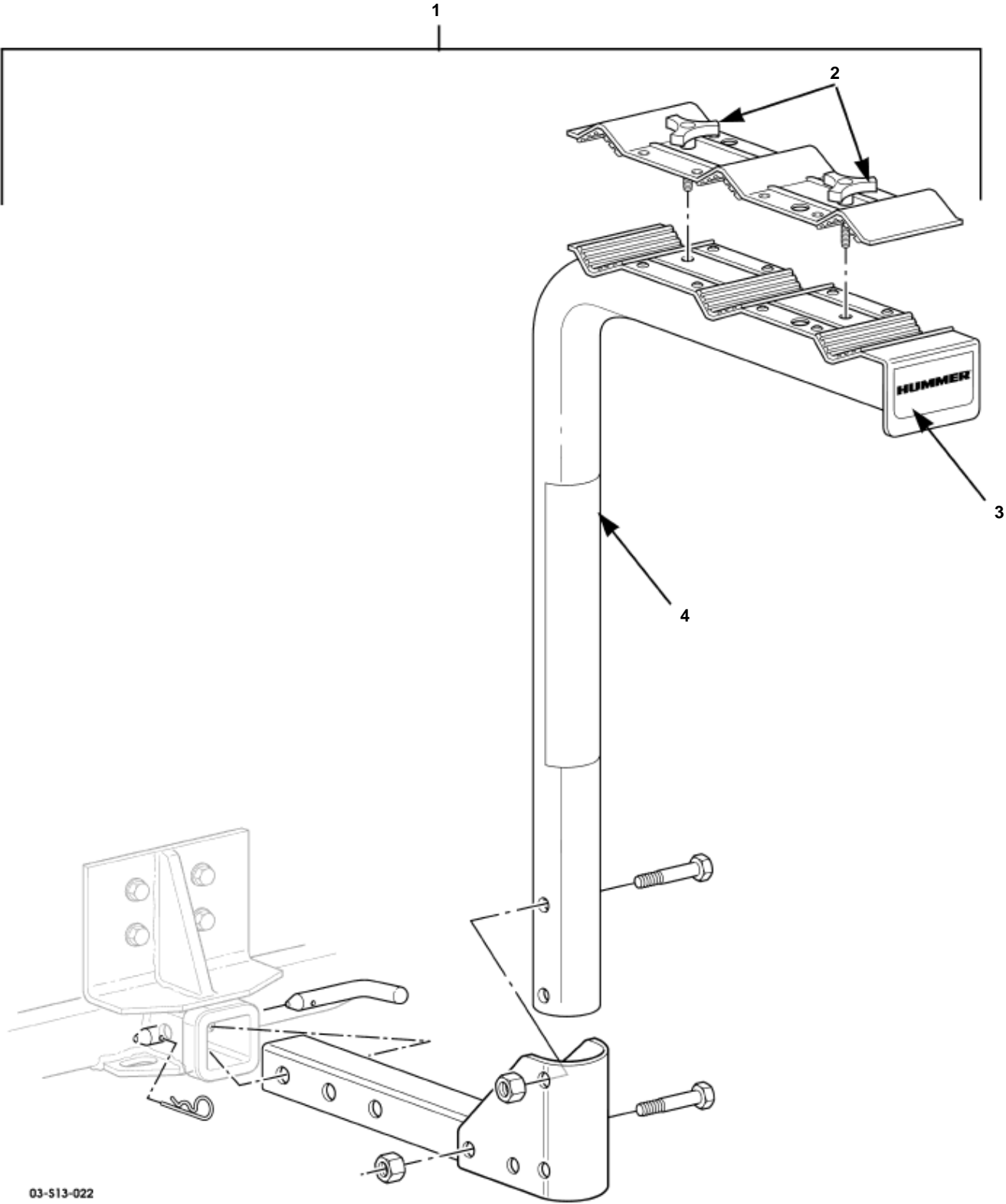
NOTE 2: HITCH CONTAINS THREE CHROME BALLS IN
SIZES 1 7/8", 2", 2 5/16".



Pintle Receiver Hitch

Pintle Receiver Hitch.

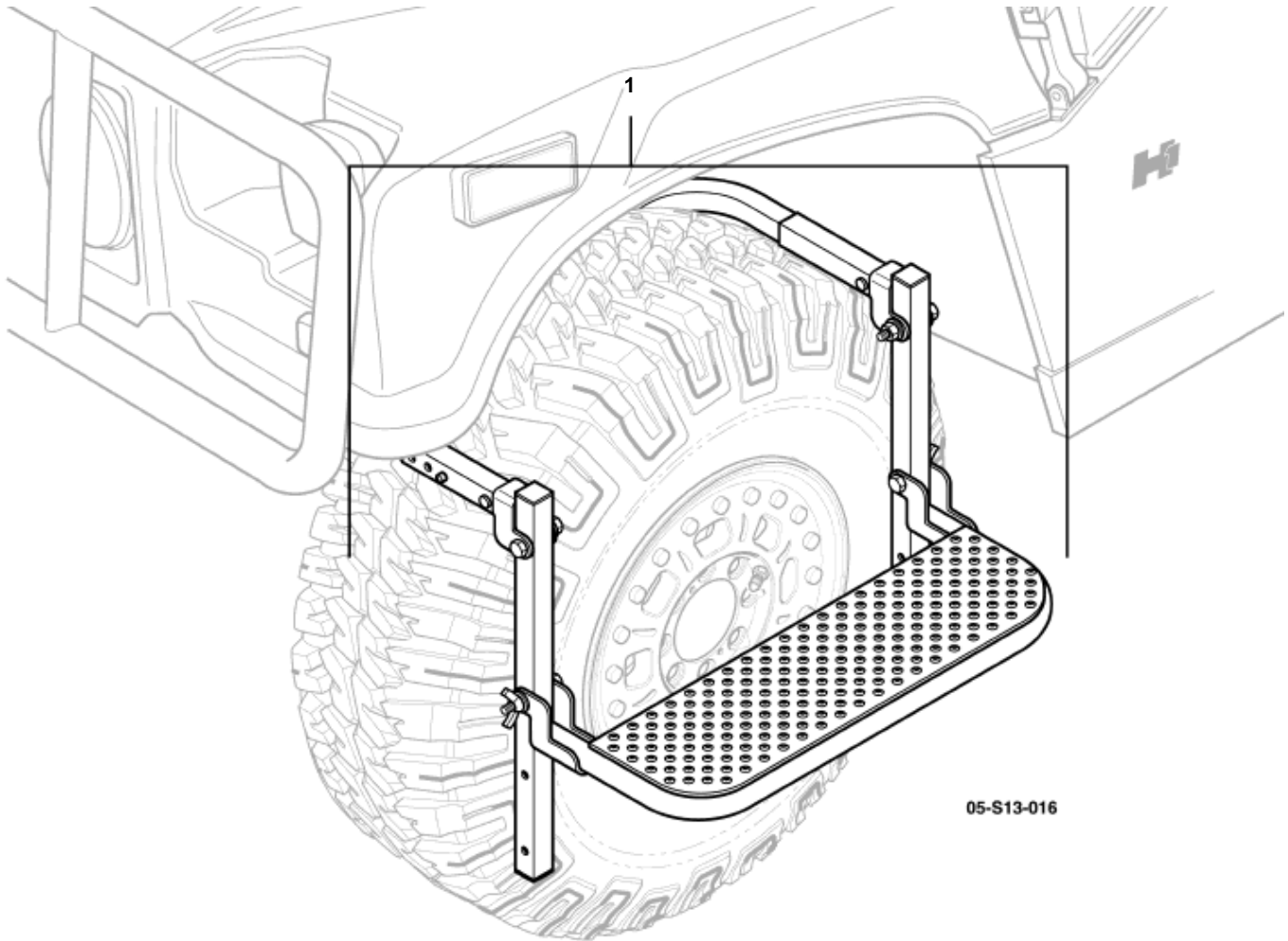
Item	Part No.	Description	Qty
1	5745472	HITCH ASSEMBLY, receiver, pintle	1
2	S.I.K.	HITCH, receiver, pintle	1
3	S.I.K.	·PIN	1
4	S.I.K.	SAFETY CHAIN	1



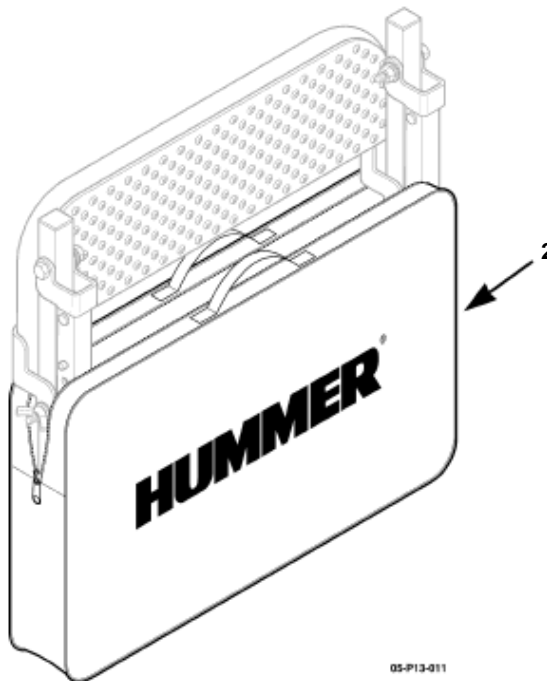
Bike Rack, Trailer Hitch Receiver Mount

Bike Rack, Trailer Hitch Receiver Mount.

Item	Part No.	Description	Qty
1	5745657	KIT, trailer hitch receiver mount, bike rack	1
2	5745658	·KNOB	2
3	5745665	·LABEL, end plate	1
4	5745666	·LABEL, support tube	1



05-S13-016

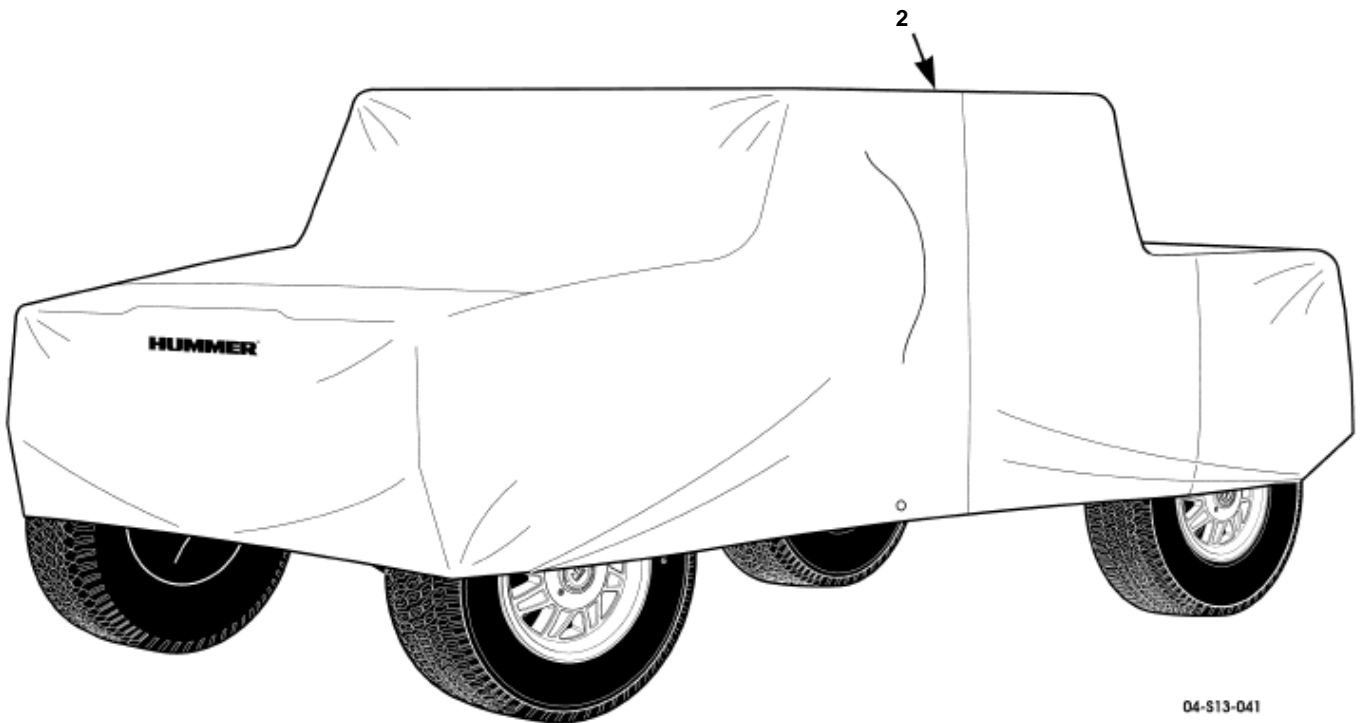
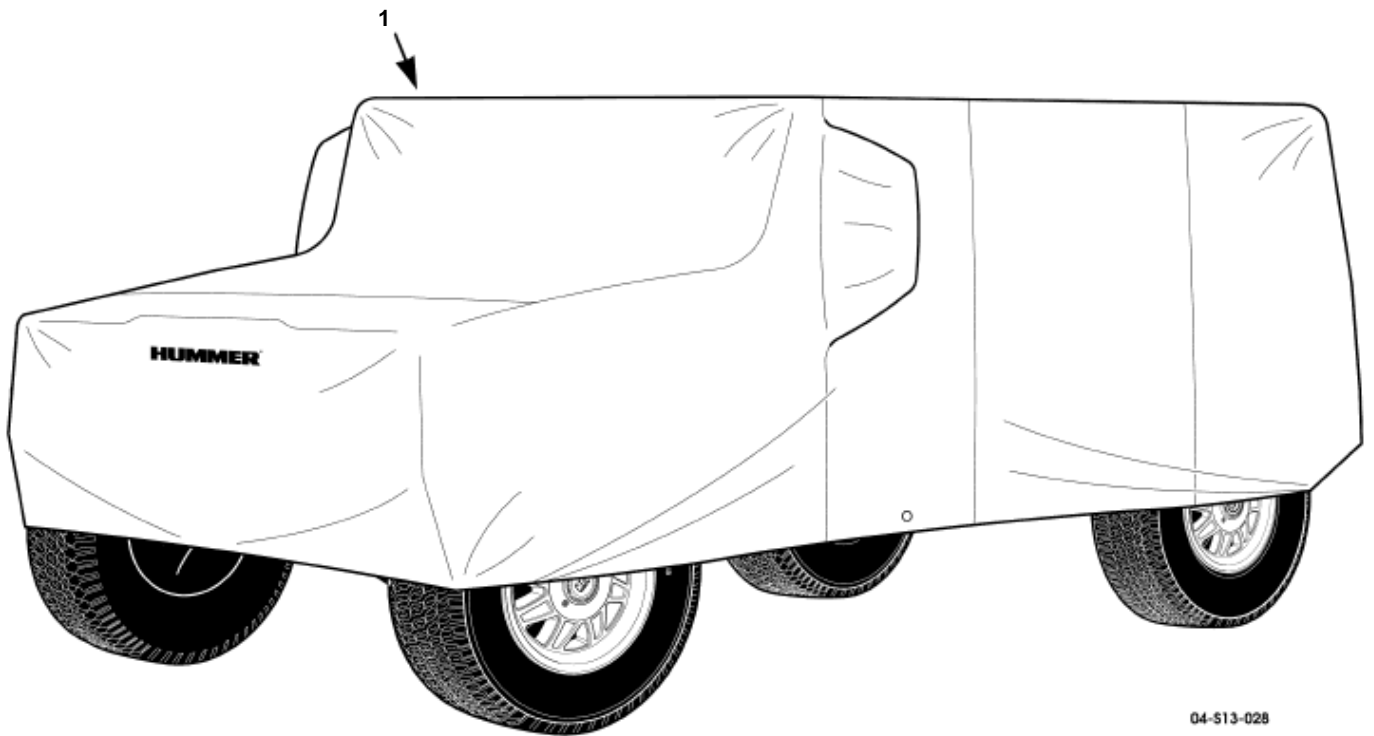


05-P13-011

Utility Step, Utility Step Storage Bag

Utility Step, Utility Step Storage Bag.

Item	Part No.	Description	Qty
1	5746008	STEP ASSEMBLY, utility, w/HUMMER decal	1
2	5746063	UTILITY STEP BAG	1



Vehicle Cover. Model 84

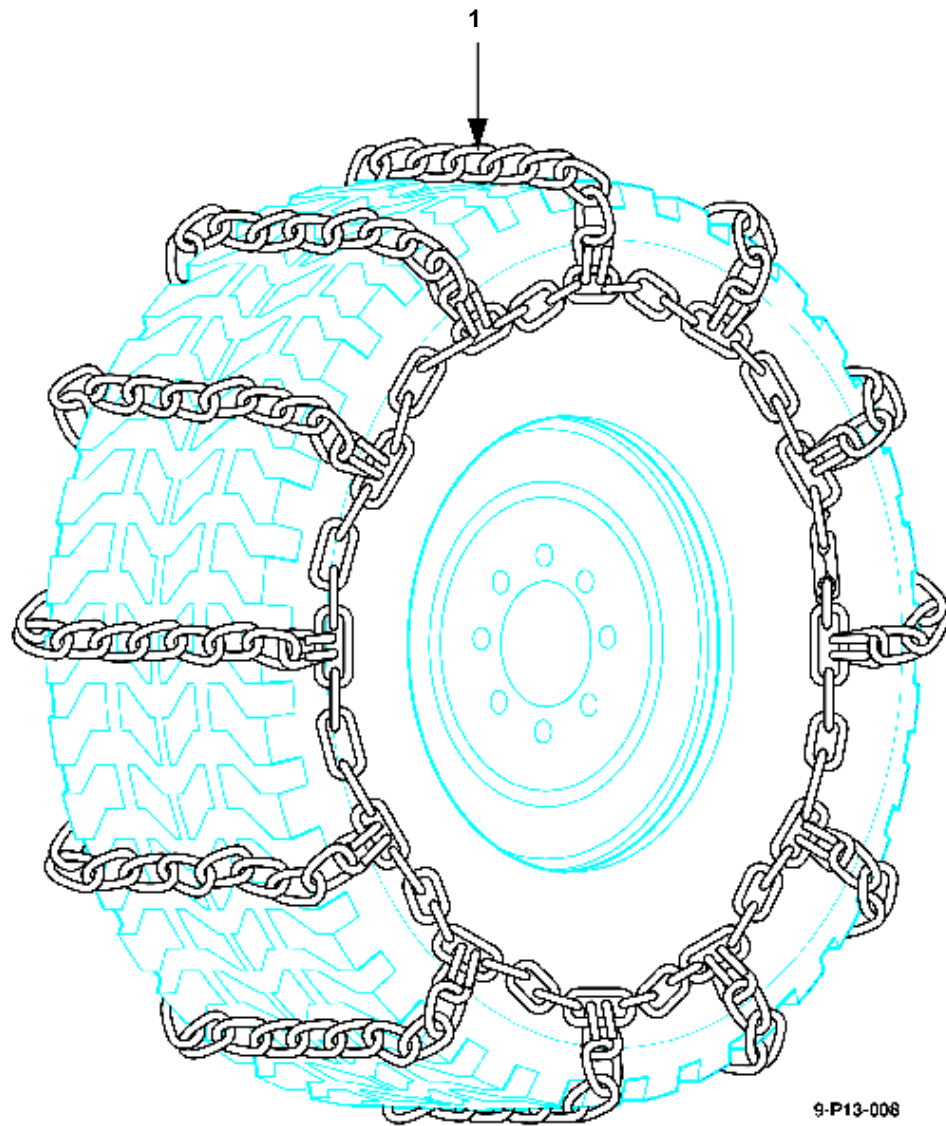
HUMMER H1 2004 Parts Catalog
Vehicle Cover. Model 84.

Item	Part No.	Description	Qty
1	5745785	VEHICLE COVER, with logo, gray, all-weather, 84 SEE NOTE 1	1
2	5746079	VEHICLE COVER, with logo, gray, all-weather, 56, 90 SEE NOTE 2	1
	5746080	VEHICLE COVER, with logo, gray, all-weather, 56, 90 SEE NOTE 3	1

NOTE 1: THIS COVER WILL ALSO FIT MODEL 56 AND 90 VEHICLES WITH THE WAGON STYLE CARGO AREA COVERS.

NOTE 2: FOR VEHICLES WITHOUT SWING AWAY SPARE TIRE CARRIER

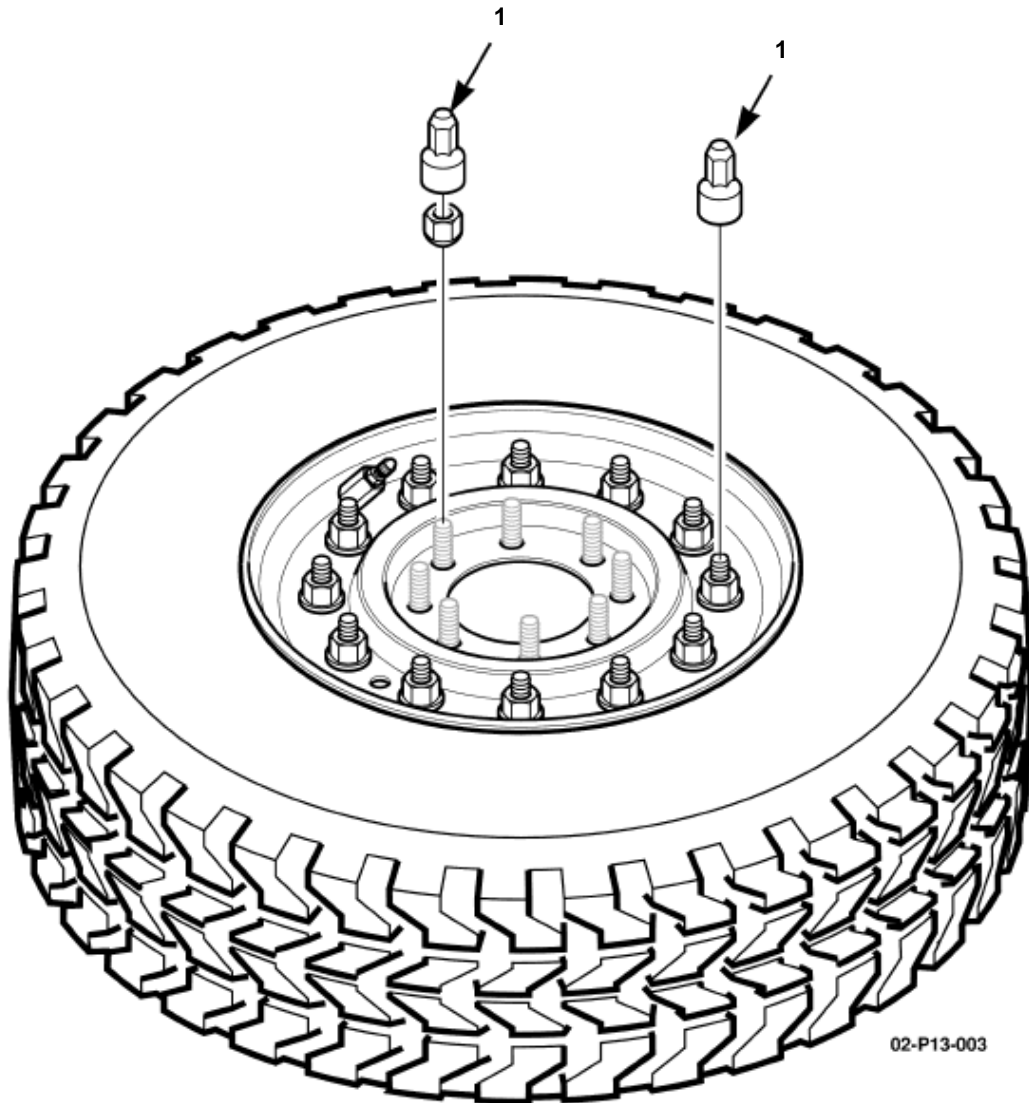
NOTE 3: FOR VEHICLES WITH SWING AWAY SPARE TIRE CARRIER



Tire Chains

Tire Chains.

Item	Part No.	Description	Qty
1	5569255	TIRE CHAINS, one pair, for one axle	2

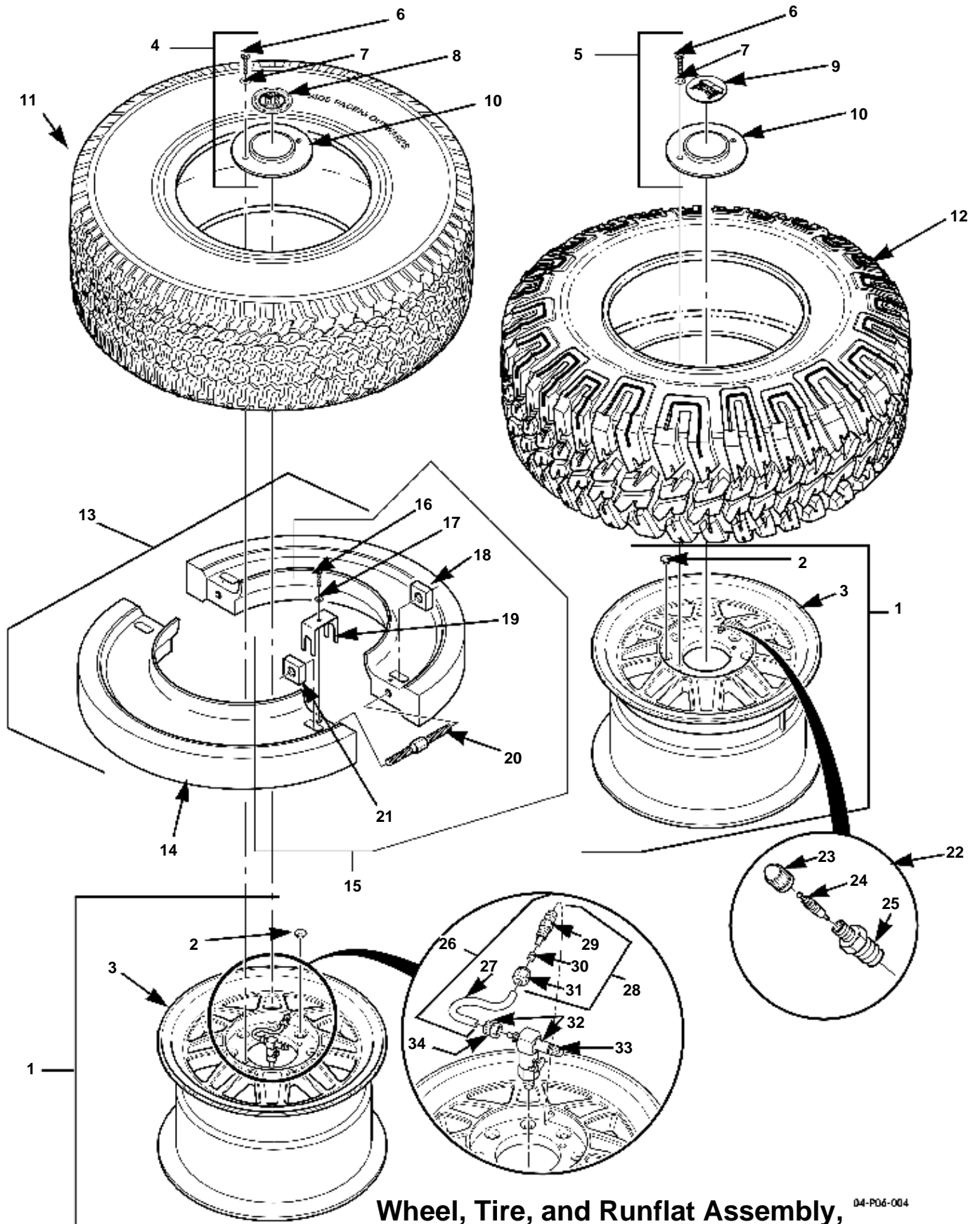


02-P13-003

Lug Nut and Stud Cover, Chrome Plated Plastic

Lug Nut and Stud Cover, Chrome Plated Plastic.

Item	Part No.	Description	Qty
1	5745317	COVER, chrome plated plastic, lug nut and stud	80



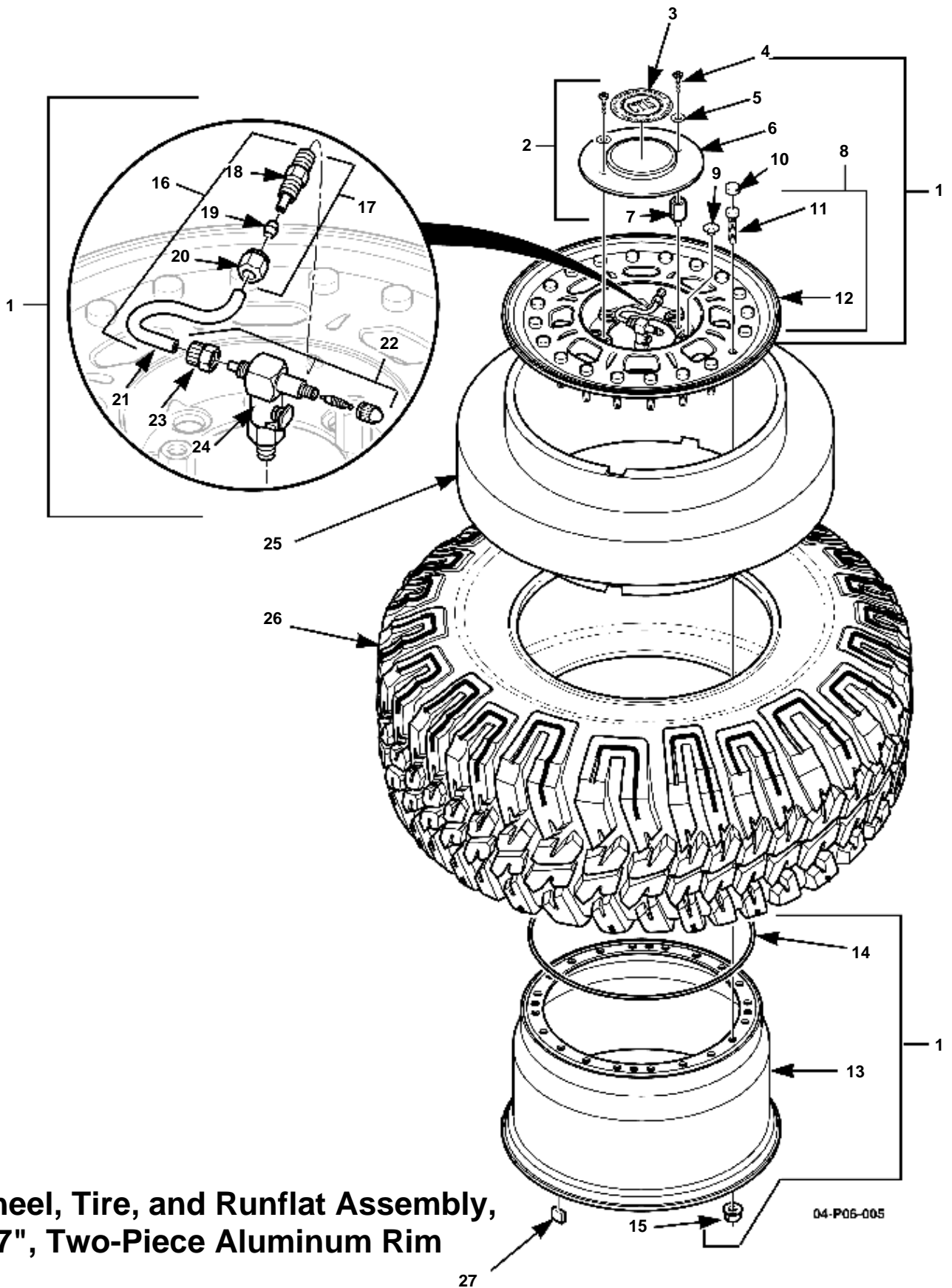
Wheel, Tire, and Runflat Assembly,
17", One-Piece Aluminum Rim

04-PO6-004

Wheel, Tire, and Runflat Assembly, 17", One-Piece Aluminum Rim.

Item	Part No.	Description	Qty
1	6016312	WHEEL ASSEMBLY, 17 x 8.50"	4
2	S.I.A.	·INSERT, lug hole, steel	32
3	S.I.A.	·WHEEL, one-piece aluminum, 17"	4
4	6016311	LUG COVER ASSEMBLY KIT, with CTIS	4
5	6016313	LUG COVER ASSEMBLY KIT, w/o CTIS	4
6	6011548	·SCREW, center cover, aluminum wheel	8
7	6016308	·WASHER, teflon	8
8	6011281	·DISK, wheel lug cover, with CTIS, logo	4
9	6011282	·DISK, wheel lug cover, w/o CTIS, logo	4
10	6011280	COVER, wheel lug	4
11	6010977	TIRE, GS-A, 37 x 12.50 R-17", LT, LR-E	4
12	6011913	TIRE, MT-R, 37 x 12.50 R-17", LT, LR-E	4
13	6011266	RUNFLAT ASSEMBLY, 17" SEE NOTE 1	4
14	S.I.A.	·RUNFLAT HALF	8
15	5745354	·RUNFLAT HARDWARE KIT, SEE NOTE 1	8
16	S.I.A.	·SCREW	8
17	S.I.A.	·WASHER	8
18	S.I.A.	·SQUARE NUT, RH thread	8
19	S.I.A.	·BRACKET, security	8
20	S.I.A.	·SCREW, N-12	8
21	S.I.A.	·SQUARE NUT, LH thread	8
22	6011283	TANK VALVE (used for non CTIS configuration, aluminum wheels)	4
23	N/S	·VALVE CAP	4
24	N/S	·CORE	4
25	N/S	·TANK VALVE	4
26	5745243	CTIS WHEEL TUBE ASSEMBLY	4
27	S.I.A.	·TUBE, wheel, CTIS	4
28	S.I.A.	·FITTING ASSEMBLY, CTIS wheel tube	4
29	S.I.A.	·CONNECTOR	4
30	S.I.A.	·FERRULE	4
31	S.I.A.	·TUBE NUT	4
32	6005109	VALVE ASSEMBLY, quick disconnect	4
33	S.I.A.	·VALVE CAP	4
34	S.I.A.	·TUBE NUT	4
	5593926	WHEEL WEIGHTS, set of 12, adhesive (not illustrated)	1

NOTE 1: FOR RUNFLAT HARDWARE ONLY USE
KIT, RUNFLAT, HARDWARE, P/N 5745354.
INCLUDES ALL PARTS IN CALL OUTS 16-21,
2 KITS REQUIRED PER RUNFLAT.

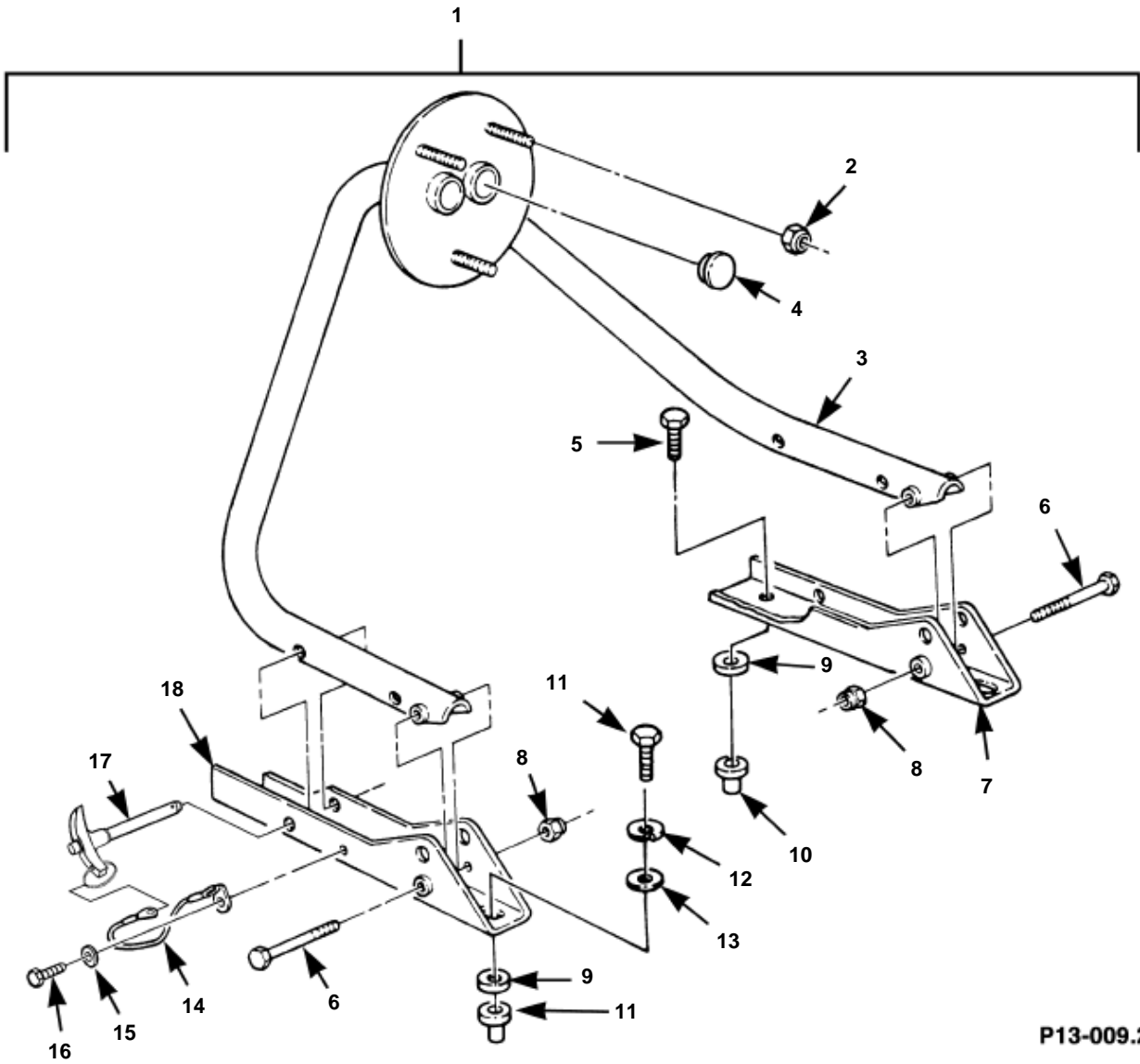


**Wheel, Tire, and Runflat Assembly,
17", Two-Piece Aluminum Rim**

04-P06-005

Wheel, Tire, and Runflat Assembly, 17", Two-Piece Aluminum Rim.

Item	Part No.	Description	Qty
1	6017022	WHEEL ASSEMBLY, 17" two-piece aluminum wheel	4
2	6016309	·LUG COVER ASSEMBLY, W/CTIS	4
3	6013093	·DISK, wheel lug cover, with CTIS, logo	4
4	6013067	·SCREW, wheel cover	8
5	6016308	·WASHER, teflon	8
6	S.I.A.	·COVER, wheel lug	4
7	6013038	·ADAPTER, lug cover mounting	8
8	6017024	·RIM ASSEMBLY, outer, 17", 2pc.	4
9	S.I.A.	·INSERT, lug hole, steel	32
10	6017028	·CAP, stud, plastic	80
11	6017026	·STUD, 1/2 - 20 x 2.1L, dorrtech plated	64
	6017027	·STUD, 1/2 - 20 x 3.0L, dorrtech plated	16
12	S.I.A.	·RIM, outer, 17", two-piece, diamond cut	4
13	6017023	·RIM, inner, 17", two-piece, diamond cut	4
14	6012731	·SEAL, O-RING, 17", two-piece	4
15	EC12339501	·LOCKNUT, flange head, 1/2-20" UNF, SAE, Gr8	80
16	5745243	·CTIS WHEEL TUBE ASSEMBLY	4
17	S.I.A.	·FITTING ASSEMBLY, CTIS wheel tube	4
18	S.I.A.	·CONNECTOR	4
19	S.I.A.	·FERRULE	4
20	S.I.A.	·TUBE NUT	4
21	S.I.A.	·TUBE, wheel, CTIS	4
22	6005109	·VALVE ASSEMBLY, quick disconnect	4
23	S.I.A.	·TUBE NUT	4
24	S.I.A.	·VALVE BODY	4
25	6012748	RUN FLAT, one-piece, for (17", two-piece wheel).	4
26	6011913	TIRE, MT-R, 37 x 12.50 R-17", LT, LR-E	4
27	5593926	WHEEL WEIGHTS, set of 12, adhesive	1

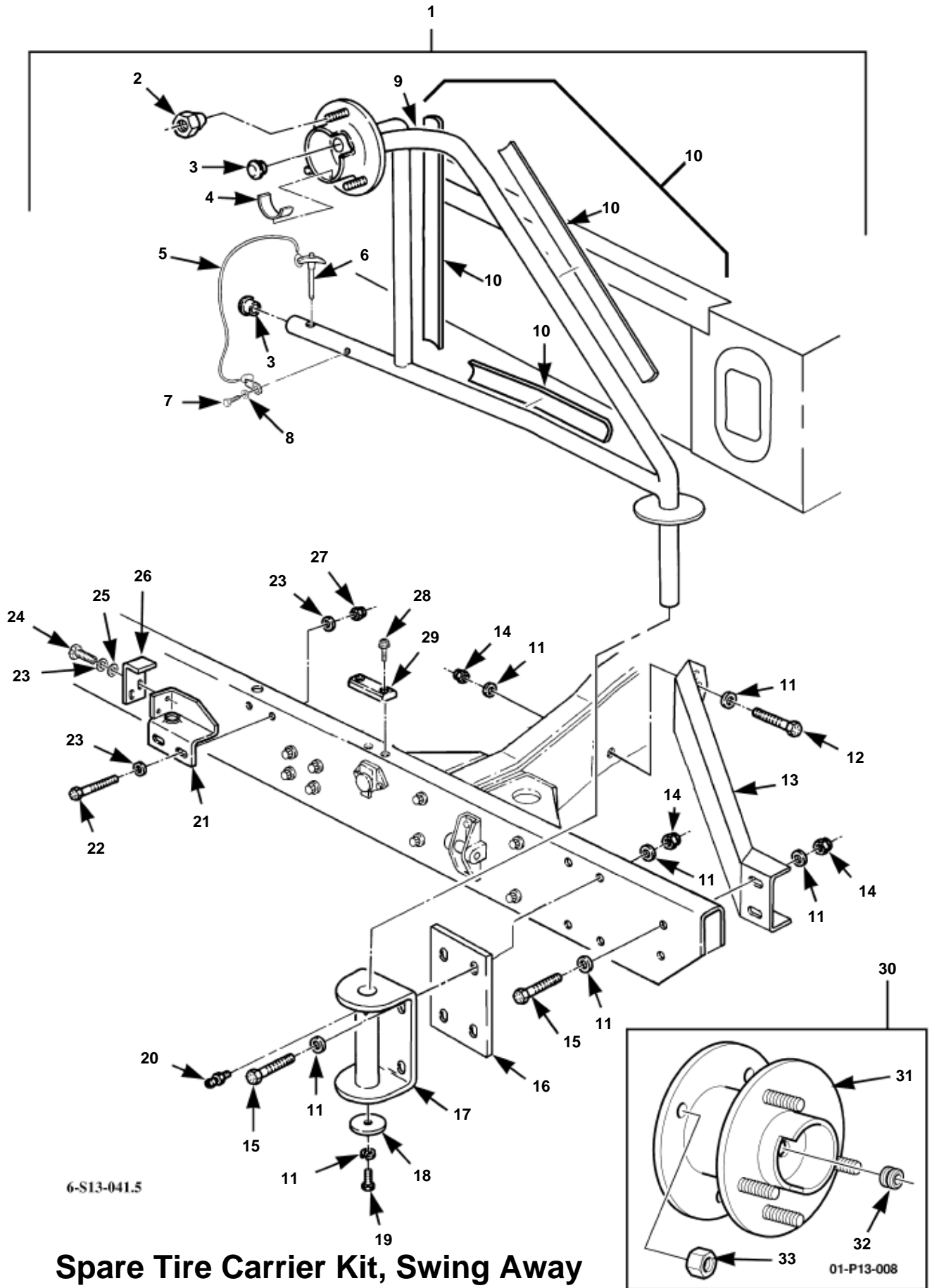


P13-009.2

Spare Tire Carrier, Bed-Mounted

Spare Tire Carrier, Bed-Mounted.

Item	Part No.	Description	Qty
1	5742944	KIT, bed-mounted spare tire carrier SEE NOTE 1 82, 83, 89	1
2	6007340P2	·LUG NUT, flanged, 9/16 - 18"	3
3	6008230B3	·SPARE TIRE FRAME ASSEMBLY	1
4	5935349	·PLUG, hole	2
5	MS24667-54P2	·SCREW, countersunk, socket head	4
6	S.I.K.	·BOLT, 1/2 - 13 x 3 1/2", Gr5, Phos.	2
7	6000931	·MOUNTING BRACKET, R.H.	1
8	S.I.K.	·NUT, 1/2 - 13", Gr8, CAD	2
9	6000942B2	·SPACER	6
10	5935428	·NUT INSERT	5
11	S.I.K.	·SCREW, 3/8 - 16 x 1 3/4", Gr5, CAD	2
12	S.I.K.	·LOCKWASHER, med, 3/8", Phos	2
13	S.I.K.	·WASHER, flat, 3/8", type B	2
14	5935839	·LANYARD	2
15	S.I.K.	·WASHER, flat, 1/4"	2
16	S.I.K.	·SCREW, tapping, 1/4 - 14 x 1/2", Phos	2
17	6007230	·PIN, quick release	2
18	6000930B3	·MOUNTING BRACKET, L.H.	1

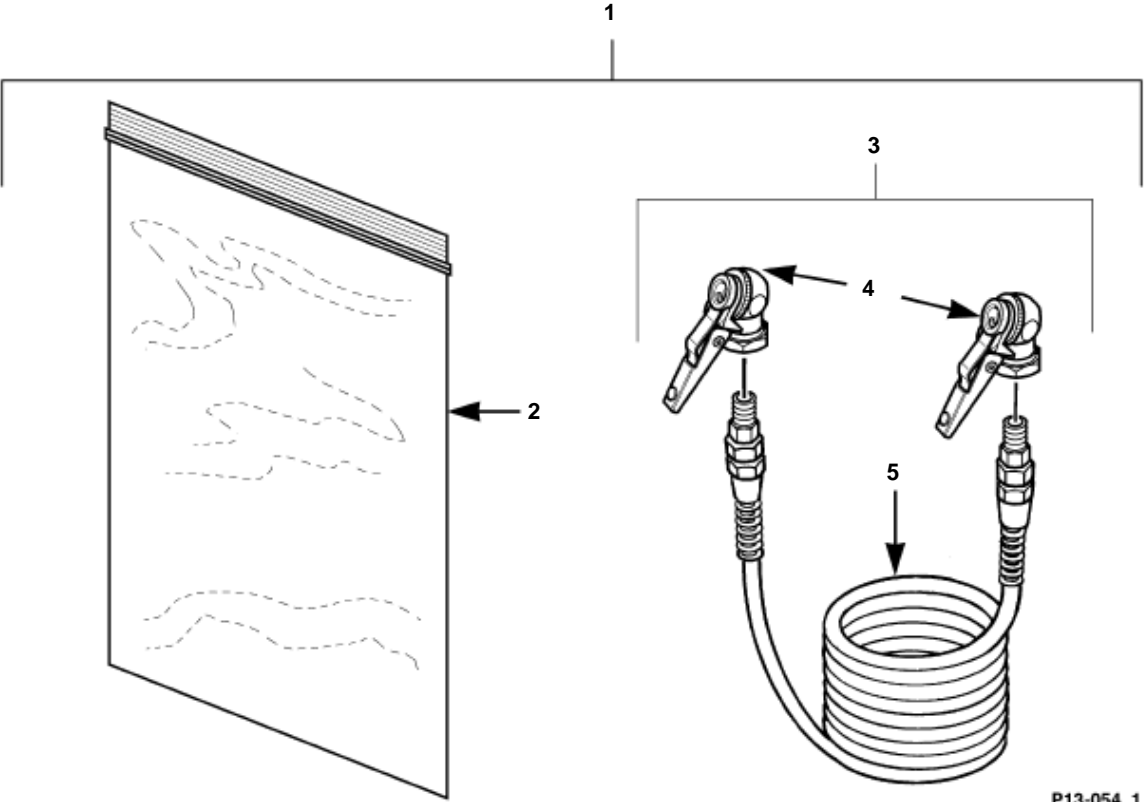


Spare Tire Carrier Kit, Swing Away.

Item	Part No.	Description	Qty
1	5744642	KIT, swing-away spare tire carrier SEE NOTE 1	1
2	6007340P2	·LUG NUT, flanged, 9/16 - 18"	3
3	5935349	·PLUG, hole	3
4	6016050	·DECAL, spare tire warning, English/French	1
5	5935839	·LANYARD	1
6	6007230	·PIN, quick release	1
7	S.I.K.	·SCREW, tapping, 1/4 - 14 x 5/8", Phos	1
8	S.I.K.	·WASHER, flat, 1/4"	1
9	6007764B9	·FRAME, swing-away spare tire	1
10	5744553	·SWING-AWAY CUSHION, 44", SEE NOTE 2	1
11	S.I.K.	·WASHER, flat, hard, 1/2", type B	14
12	S.I.K.	·BOLT, 1/2 - 13 x 3 3/4", Gr8, CAD	1
13	12339186	·BRACE, bumper, R.H.	1
14	S.I.K.	·LOCKNUT, 1/2 - 13"	7
15	S.I.K.	·BOLT 1/2 - 13 x 3", Gr8, CAD	6
16	6002620	·SPACER	1
17	6011123B9	·BRACKET, spare tire mounting	1
18	5935291B9	·PLATE, tube retainer	1
19	S.I.K.	·BOLT, 5/16 - 18 x 1", Gr5, CAD	1
20	S.I.K.	·FITTING, lubrication	1
21	6008049B2	·BRACKET, tire carrier stop	1
22	S.I.K.	·BOLT, 5/16 - 18 x 3", Gr8, CAD	2
23	S.I.K.	·WASHER, flat, 5/16"	6
24	S.I.K.	·BOLT, 5/16 - 18 x 3/4", Gr8, ZN	2
25	S.I.K.	·LOCKWASHER, med, 5/16"	3
26	6008056	·BRACKET, carrier, hold down	1
27	S.I.K.	·LOCKNUT, 5/16 - 18", Gr8	2
28	S.I.K.	·SCREW, 1/4 - 20 x 7/8", ZN	2
29	5935281	·BLOCK, guide	1
30	5745478	KIT, ADAPTOR ASSEMBLY, aluminum wheel	1
31	S.I.K.	·MOUNTING ADAPTER ASSEMBLY	1
32	S.I.K.	·GROMMET	1
33	S.I.K.	·LUG NUT	4

NOTE 1: KIT, SWING-AWAY SPARE TIRE CARRIER IS DESIGNED FOR THE STEEL WHEEL ONLY. FOR THE ALUMINUM WHEEL ADD THE ALUMINUM WHEEL ADAPTER. WHEN ORDERING.

NOTE 2: CUT INTO THREE PIECES: TWO OF 15", ONE OF 14".

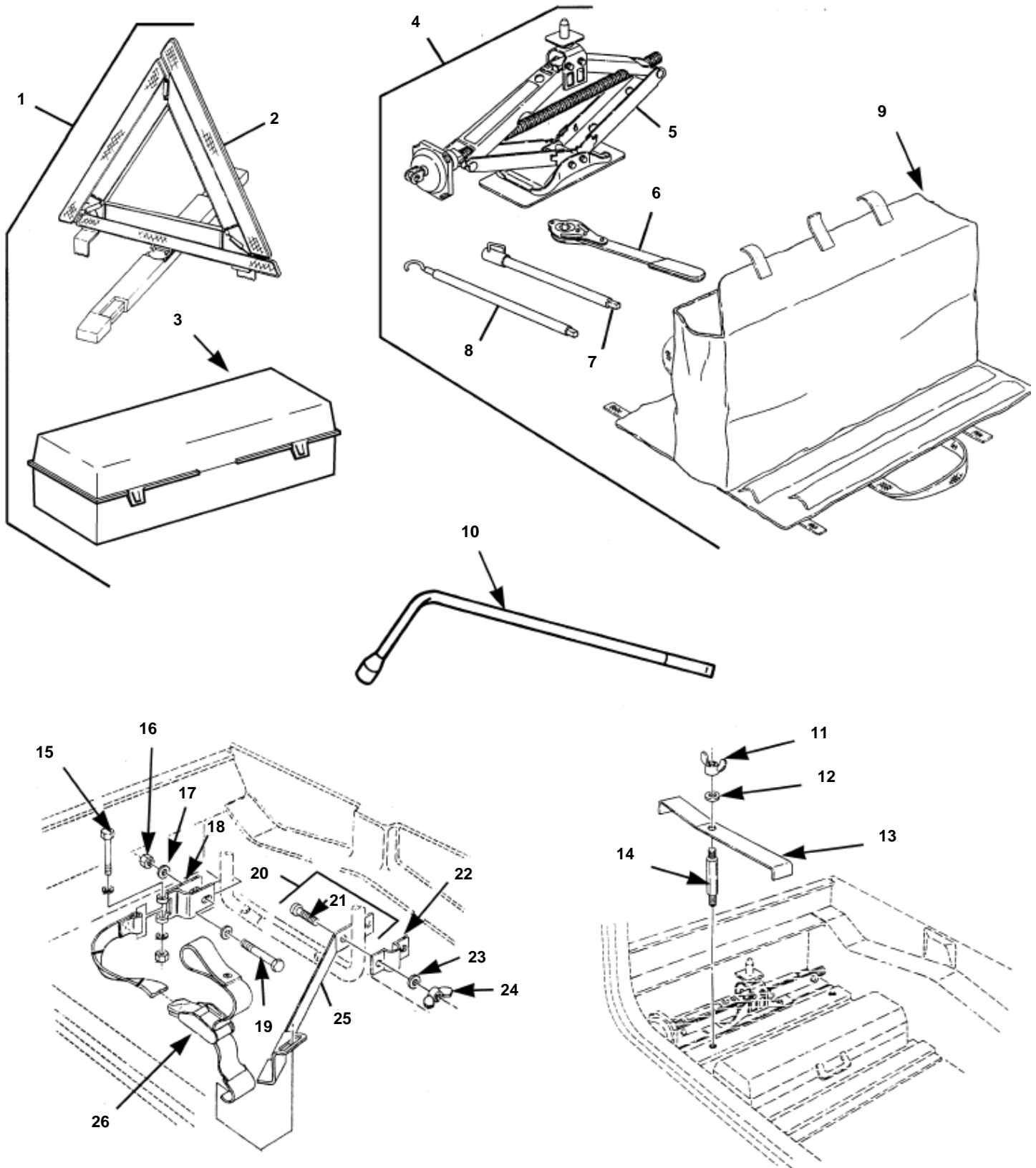


P13-054.1

Auxiliary Air Hose Kit

Auxiliary Air Hose Kit.

Item	Part No.	Description	Qty
1	5743599	KIT, auxiliary air hose	1
2	5743709	·BAG, CTIS hose storage, 12 x 12" plastic	1
3	6004415	·HOSE ASSEMBLY, CTIS auxiliary air	1
4	5745424	··CHUCK, clip-on	2
5	6004416	··HOSE, auxiliary air	1

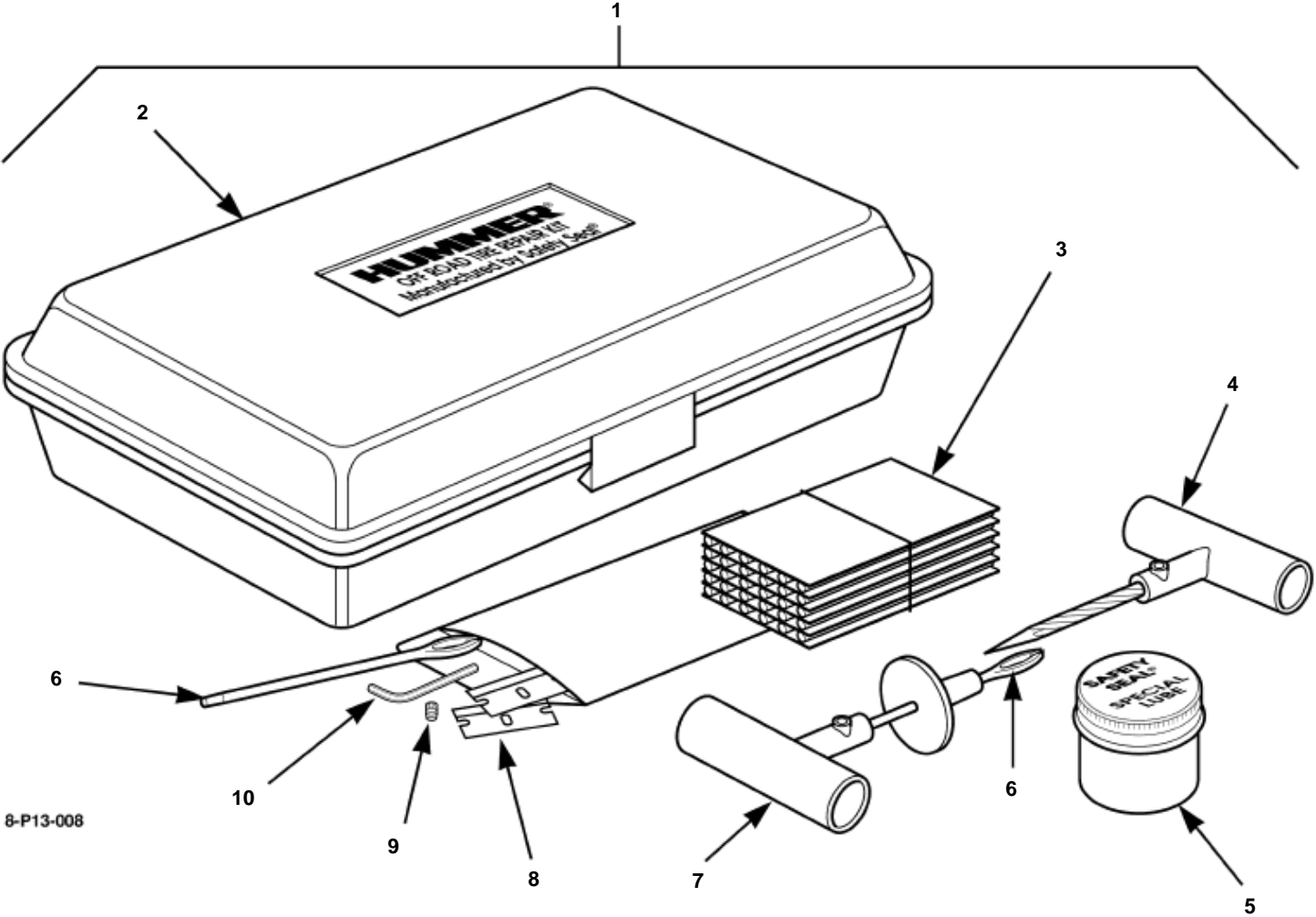


**Reflective Triangle Warning Device,
Jack Asseby, and Mounting Hardware**

P13-006.1

Reflective Triangle Warning Device, Jack Assembly, and Mounting Hardware.

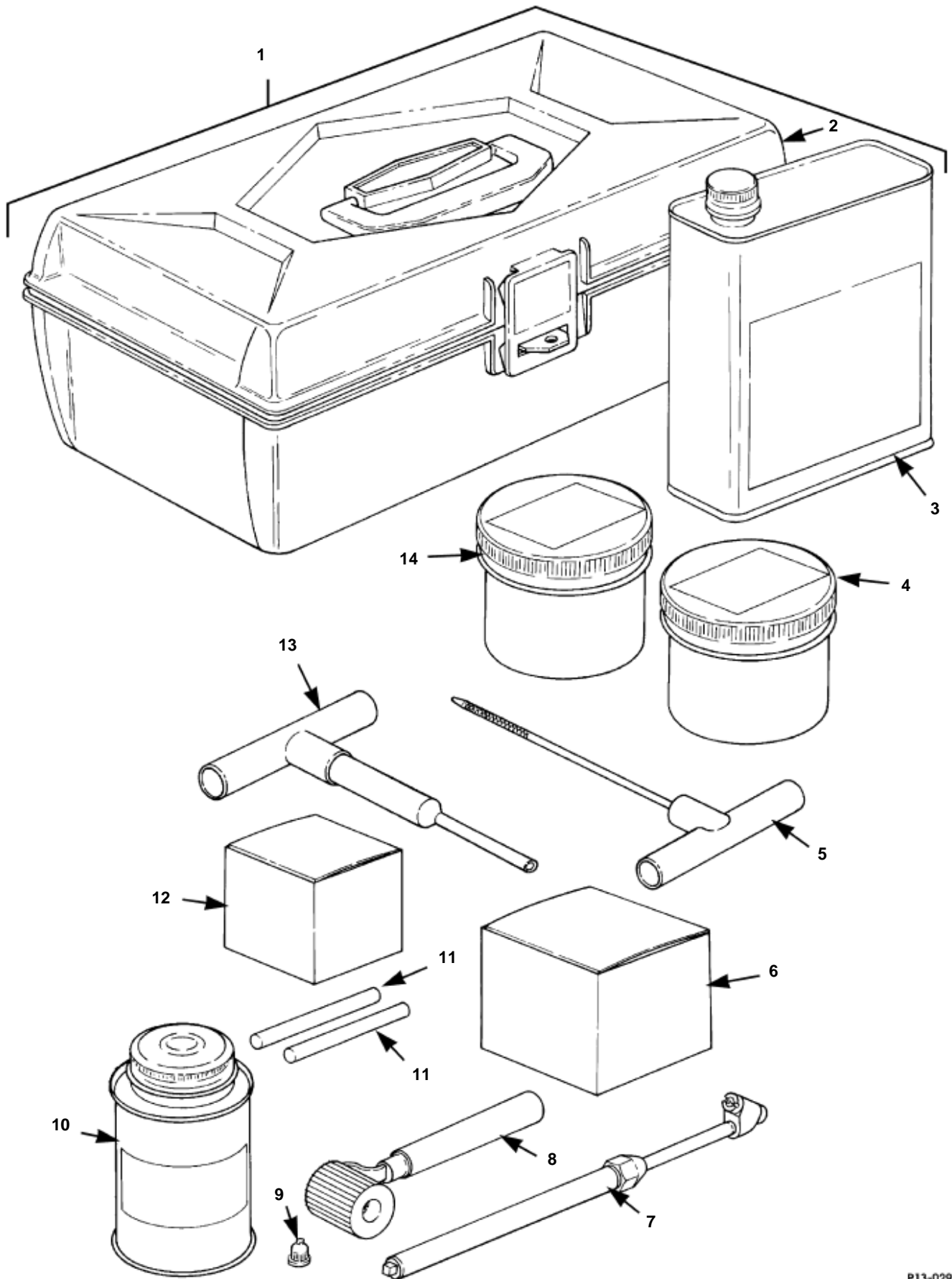
Item	Part No.	Description	Qty
1	11669000	KIT, Folding Reflective Triangle Warning Device	1
2	S.I.K.	·WARNING TRIANGLE	3
3	S.I.K.	·STORAGE CONTAINER	1
4	5939822	JACK AND BAG ASSEMBLY, scissor	1
5	S.I.K.	·JACK, tire	1
6	S.I.K.	·CRANK RATCHET	1
7	S.I.K.	·CRANK EXTENSION	1
8	S.I.K.	·CRANK	1
9	6002031	·BAG, jack/tool	1
10	6017882	WRENCH, wheel lug	1
11	6000162P2	WING NUT, 5/16 - 18", Steel	2
		89	
12	N/S	WASHER, flat, 5/16", Type B, ZN	2
		89	
13	6009332B2	BRACKET, jack hold-down	2
		89	
14	6000161	STUD, jack hold-down	2
		89	
15	N/S	BOLT, 1/4 - 20 x 2", Gr5, CAD	1
		83, 84, 90	
16	N/S	NUT, 1/4 - 20", Gr8, ZN	2
		83, 84, 90	
17	N/S	WASHER, flat, hard, 1/4", type B, ZN	4
		83, 84, 90	
18	6000268B2	BRACKET ASSEMBLY, strap	1
		83, 84, 90	
19	N/S	BOLT, 1/4 - 20 x 1 1/2", Gr5, ZN	1
		83, 84, 90	
20	6000265B2	BRACKET ASSEMBLY, jack hold-down	1
		83, 84, 90	
21	12339734-4	·STUD, jack hold-down bracket	2
22	6000270B2	·BRACKET, clamping	1
		83, 84, 90	
23	N/S	·WASHER, flat, #10, type B, ZN	2
		83, 84, 90	
24	N/S	·WING NUT, #10 - 24", steel	2
		83, 84, 90	
25	N/S	·BRACKET, retaining	1
26	6000273	STRAP ASSEMBLY	1
		83, 84, 90	



Tire Repair Accessory Kit External

Tire Repair Accessory Kit External.

Item	Part No.	Description	Qty
1	5745015	KIT, external tire repair accessory	1
2	S.I.K.	·TOOLBOX	1
3	S.I.K.	·SAFETY SEAL, 1/4" dia. x 4" self-vulcanizing fiber bar	30
4	S.I.K.	·REAMER, T-handle	1
5	S.I.K.	·SPECIAL LUBE, 4-oz plastic jar	1
6	S.I.K.	·NEEDLE, insertion, 0.18 dia	2
7	S.I.K.	·SAFETY SEAL INSERTION TOOL, T-handle	1
8	S.I.K.	·CUTTING BLADE	2
9	S.I.K.	·SET SCREW, 1/4 hex socket head	2
10	S.I.K.	·HEX KEY WRENCH, 1/4"	1
	S.I.K.	·INSTRUCTION BOOKLET (not illustrated)	1

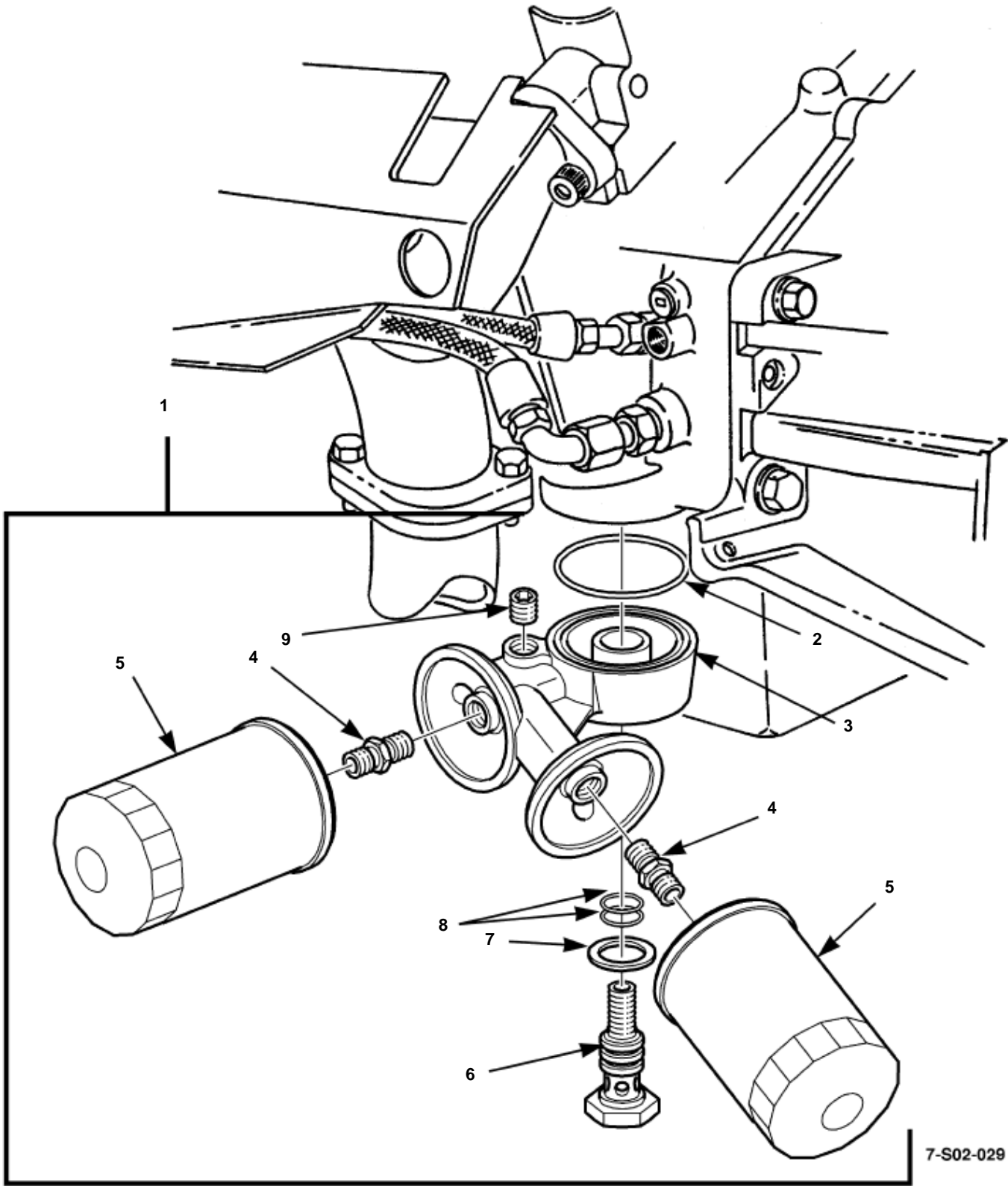


P13-029

Tire (tubless) Repair Kit

Tire (tubeless) Repair Kit.

Item	Part No.	Description	Qty
1	5710216	KIT, internal tubeless tire repair	1
2	5713347	·TOOLBOX	1
3	5713351	·CLEANER (32 ounce)	1
4	5742539	·PLUG, small tire	15
5	5742540	·RASP	1
6	5713341	·PATCH (R-20)	20
7	5714148	·GAUGE, tire pressure	1
8	5713340	·STITCHER, patch roll	1
9	5714149	·CAP, valve stem	20
10	5713343	·CEMENT (8 ounce)	2
11	5714147	·PENCIL, yellow chalk	2
12	5713339	·PATCH (R-12)	20
13	5712541	·TOOL, plug insert	1
14	5742538	·PLUG, large tire	15
	5713342	·SCRAPER (not illustrated)	1

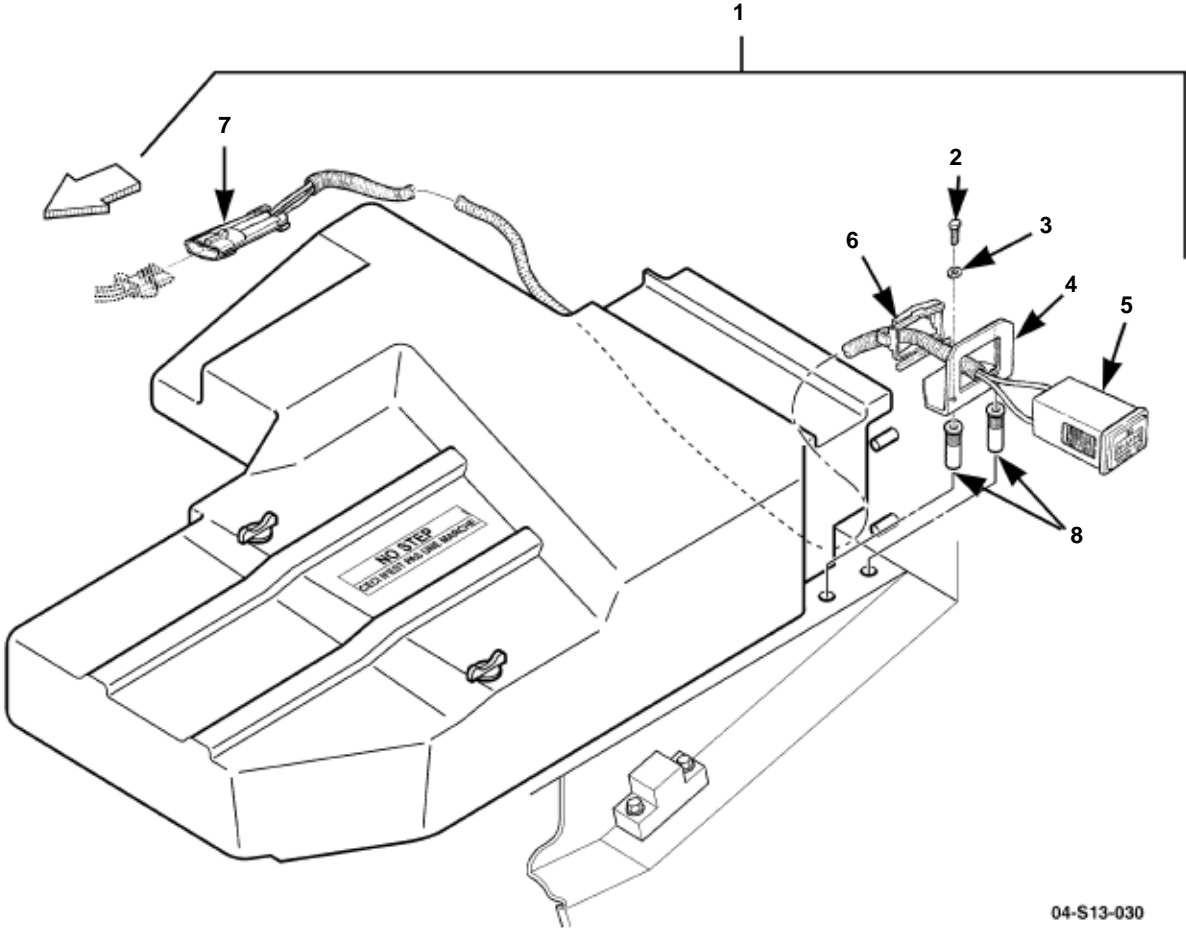


Dual Oil Filter Kit

Dual Oil Filter Kit.

Item	Part No.	Description	Qty
1	5744867	DUAL OIL FILTER KIT	1
2	MS28775-236	·O-RING, oil filter adapter	1
3	5594912	·ADAPTER, dual oil filter	1
4	12339405	·CONNECTOR, oil filter, SEE NOTE 1	1
5	5715388	·FILTER, engine oil	2
6	EC12339410	·BOLT, oil filter	1
7	12339409	·GASKET, oil filter bolt	1
8	MS28775-20	·O-RING	2
9	444698	·PIPE PLUG, 3/8 - 18"	1

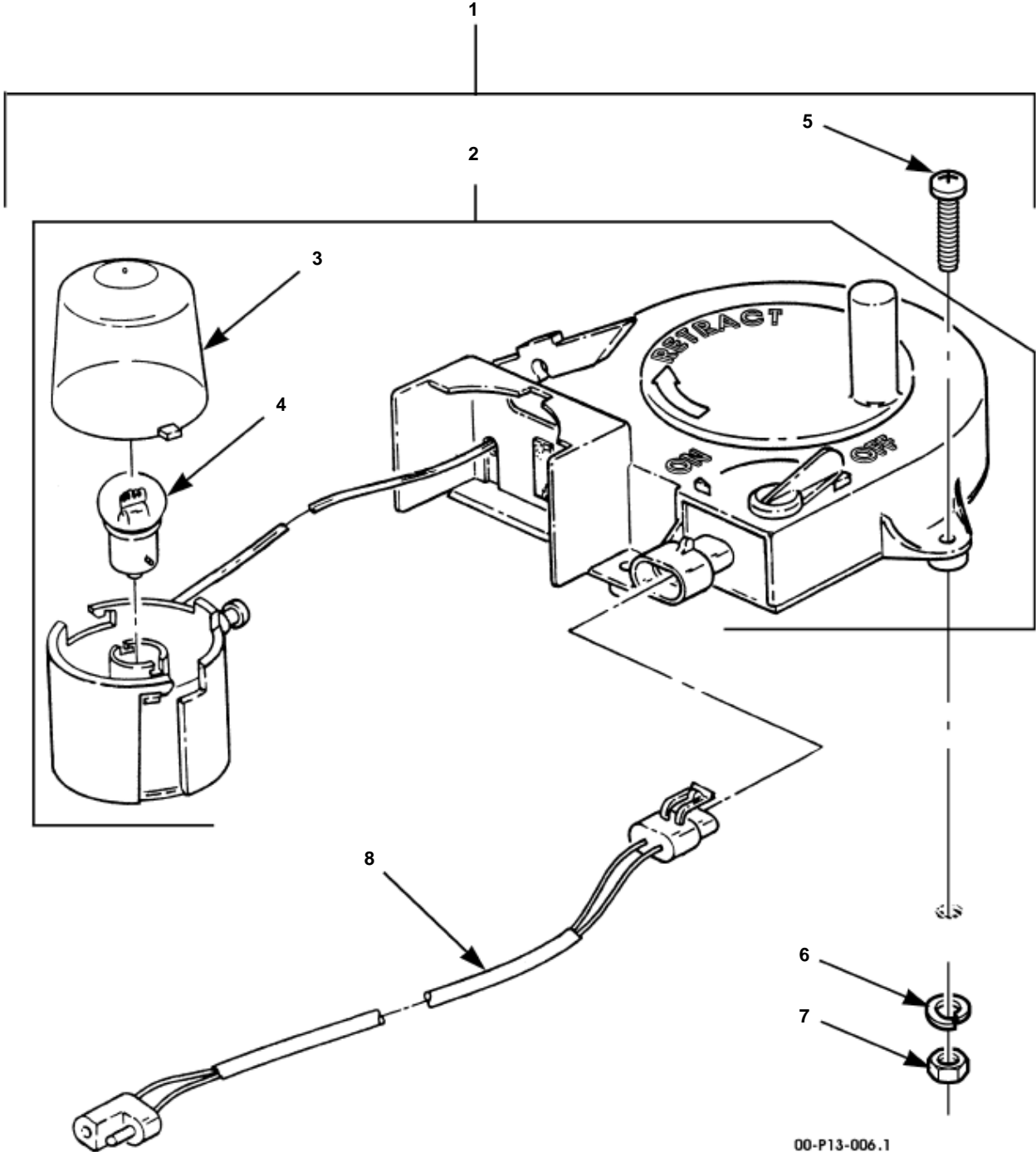
NOTE 1: ONLY ONE OIL FILTER CONNECTOR IS INCLUDED IN KIT. REUSE CONNECTOR ALREADY ON VEHICLE.



Hourmeter Kit

Hourmeter Kit.

Item	Part No.	Description	Qty
1	5744869	KIT, hourmeter	1
2	S.I.K.	·BOLT, #10 - 24 x 5/8", hourmeter	2
3	S.I.K.	·WASHER, flat, #10	2
4	6008033	·BRACKET, hourmeter mounting	1
5	6008032	·HOURMETER ASSEMBLY	1
6	S.I.A.	··SPRING CLIP	1
7	6008196	··CONNECTOR, female, hourmeter	1
8	S.I.K.	·NUT INSERT, #10 - 24"	2

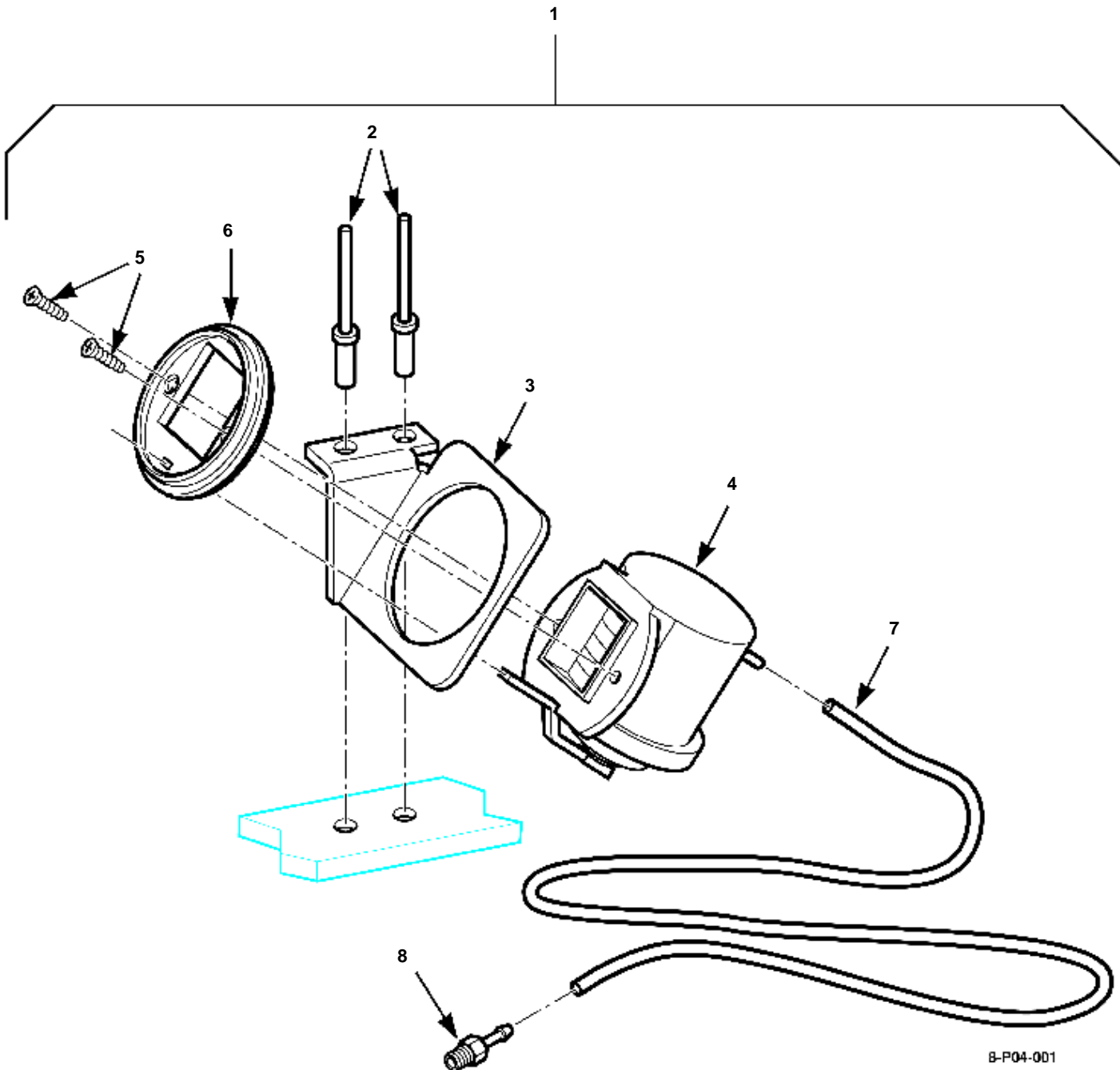


00-P13-006.1

Reel Lamp Kit

Reel Lamp Kit.

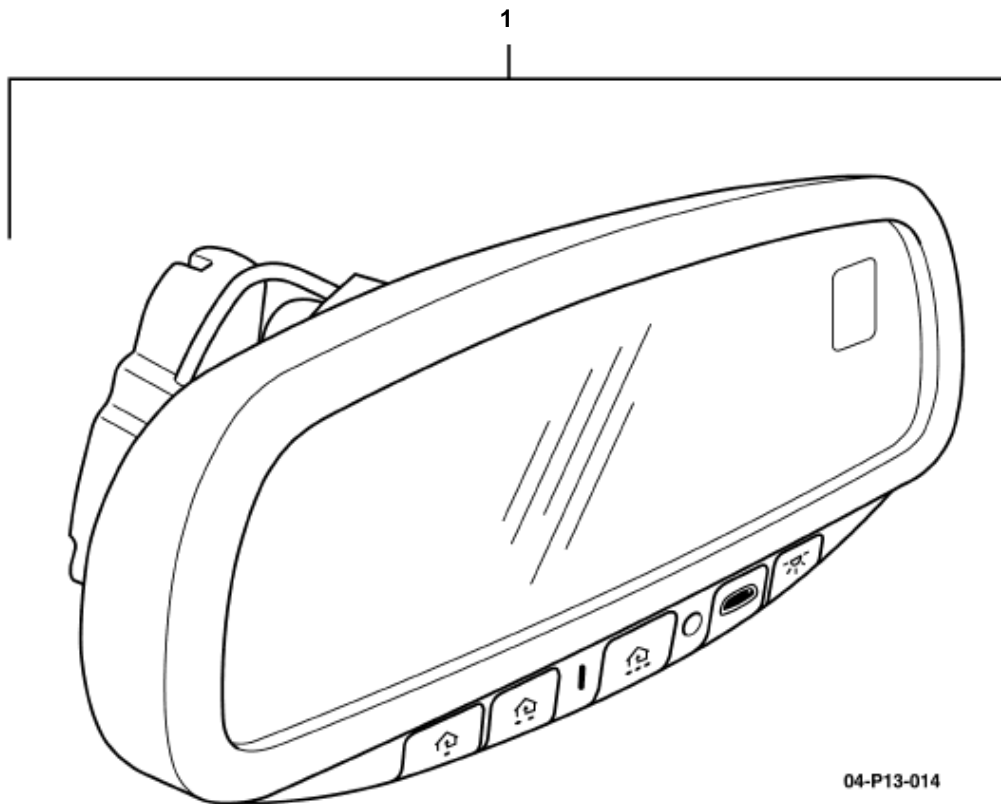
Item	Part No.	Description	Qty
1	5745479	KIT, reel lamp	1
2	5939056	·LAMP, assembly	1
3	S.I.A.	·COVER, clear plastic	1
4	S.I.A.	·BULB	1
5	MS51849-78	·SCREW	3
6	ELMS51412-2	·WASHER	6
7	190254	·LOCK NUT	3
8	5745393	·HARNESS ASSEMBLY, long	1
	6000320	·HARNESS ASSEMBLY, short	1



Air Filter Restriction Guage Kit

Air Filter Restriction Guage Kit.

Item	Part No.	Description	Qty
1	5744872	KIT, air filter restriction gauge	1
2	S.I.K.	·RIVET, 1/8 x 5/16"	2
3	6002004	·BRACKET, air filter restriction gauge mounting	1
4	6001933	·AIR FILTER RESTRICTION GAUGE	1
5	S.I.K.	·SCREW, air filter restriction gauge bezel	2
6	S.I.K.	·BEZEL, air filter restriction gauge	1
7	S.I.K.	·HOSE, 1/4" O.D. x 24"	1
8	12339978	·CONNECTOR	1

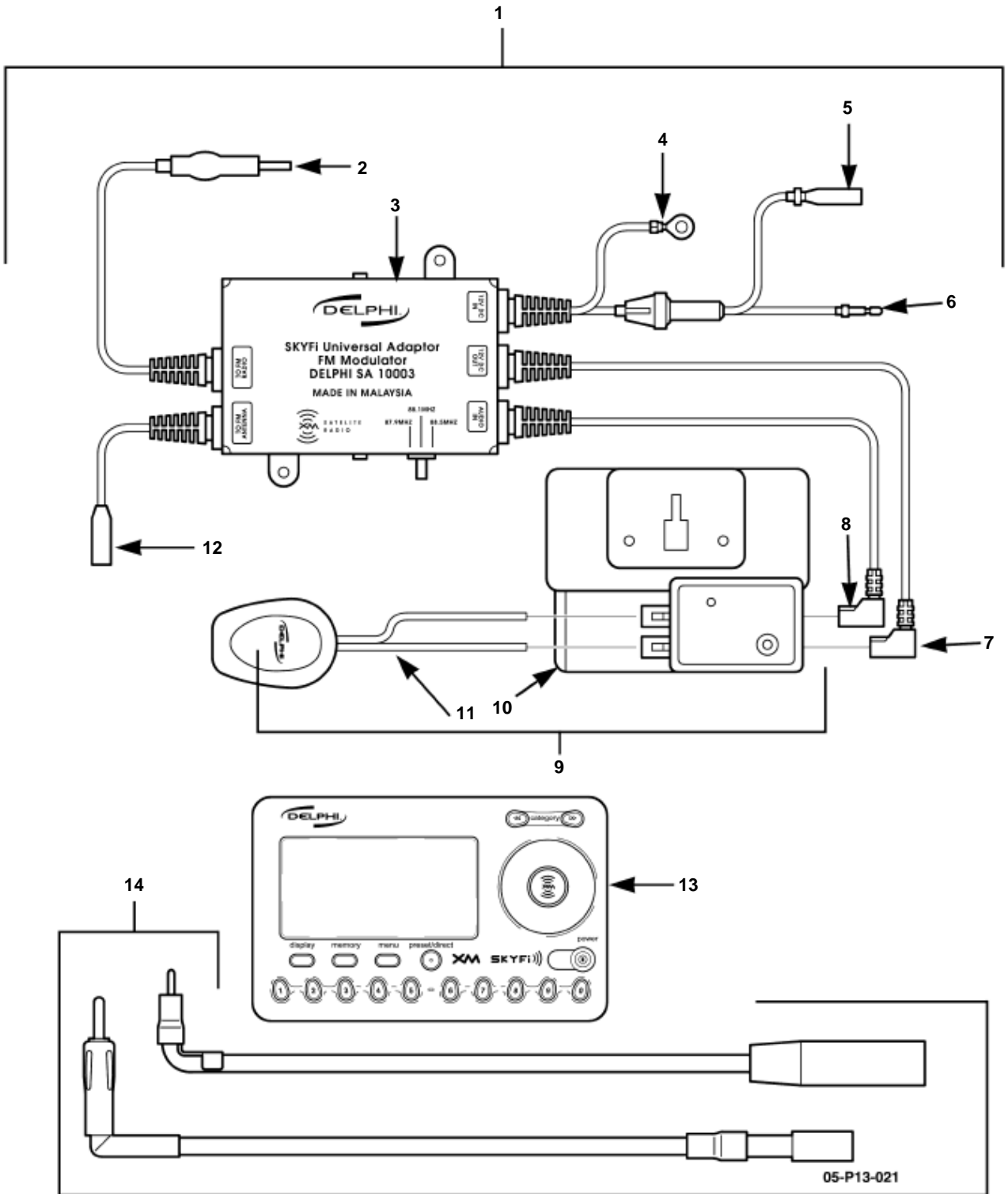


Homelink Rear View Mirror Kit

HUMMER H1 2004 Parts Catalog
Homelink Rear View Mirror Kit.

Item	Part No.	Description	Qty
1	5745696	HOMELINK REAR VIEW MIRROR KIT, SEE NOTE 1	1

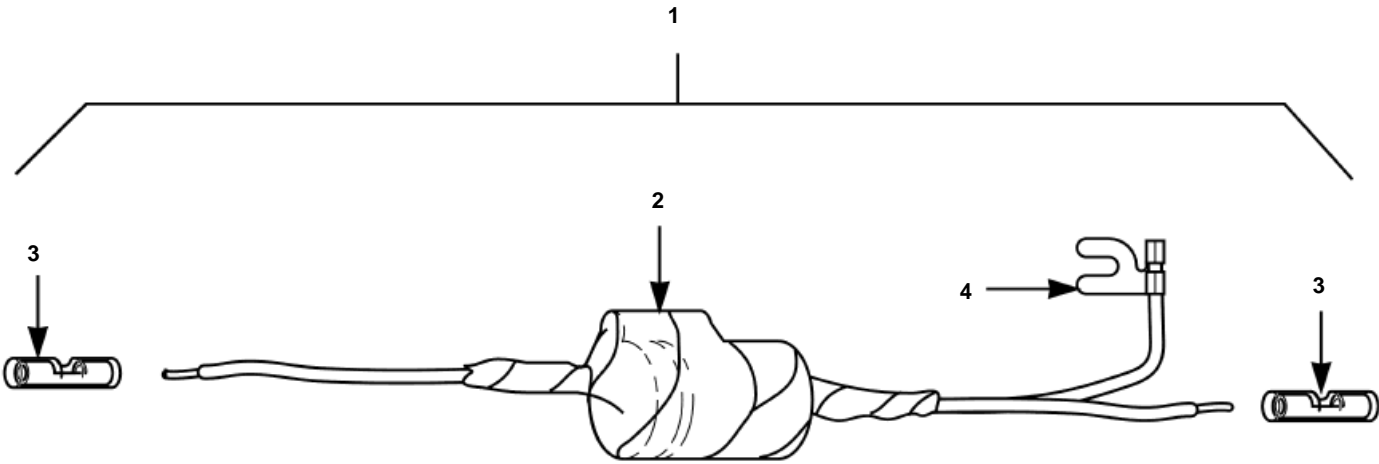
NOTE 1: THE HOMELINK REAR VIEW MIRROR KIT, P/N
5745696 IS FOR 2000 - 2004 MODEL YEAR H1
VEHICLES ONLY.



SKYFI FM Modulator and XM Satellite Radio Kit

SKYFI FM Modulator and XM Satellite Radio Kit.

Item	Part No.	Description	Qty
1	5745703	RADIO KIT	1
2	S.I.K.	.CONNECTOR, to FM radio	1
3	5745706	.FM MODULATOR	1
4	S.I.K.	.RING TERMINAL, to ground	1
5	S.I.K.	.CONNECTOR, female, to vehicle 12V power terminal	1
6	S.I.K.	.CONNECTOR, male	1
7	S.I.K.	.CONNECTOR, 6V DC in	1
8	S.I.K.	.CONNECTOR, audio in	1
9	5745705	.VEHICLE KIT	1
10	S.I.K.	..CRADLE	1
11	S.I.K.	..ANTENNA	1
12	S.I.K.	.CONNECTOR, to FM antenna	1
13	5745704	.CONTROLLER/RECEIVER	1
14	5745709	.ANTENNA ADAPTER	1
	5745715	.INSTALLATION INSTRUCTIONS, SKYFi (not illustrated)	1
	5745708	BOOM BOX (not illustrated)	1
	5745707	HOME KIT (not illustrated)	1

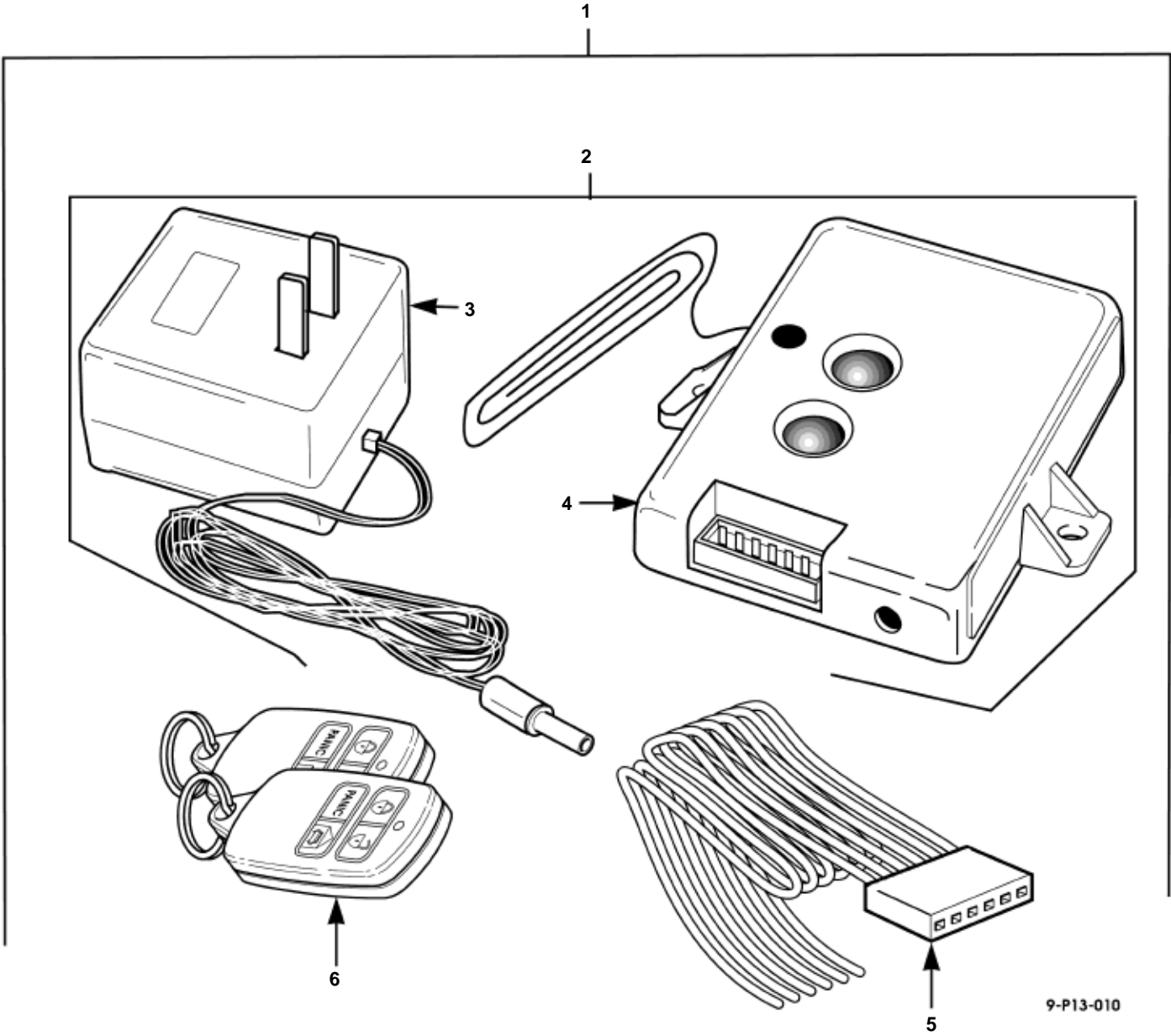


8-P13-009

Radio Noise Suppression Filer Kit

Radio Noise Suppression Filer Kit.

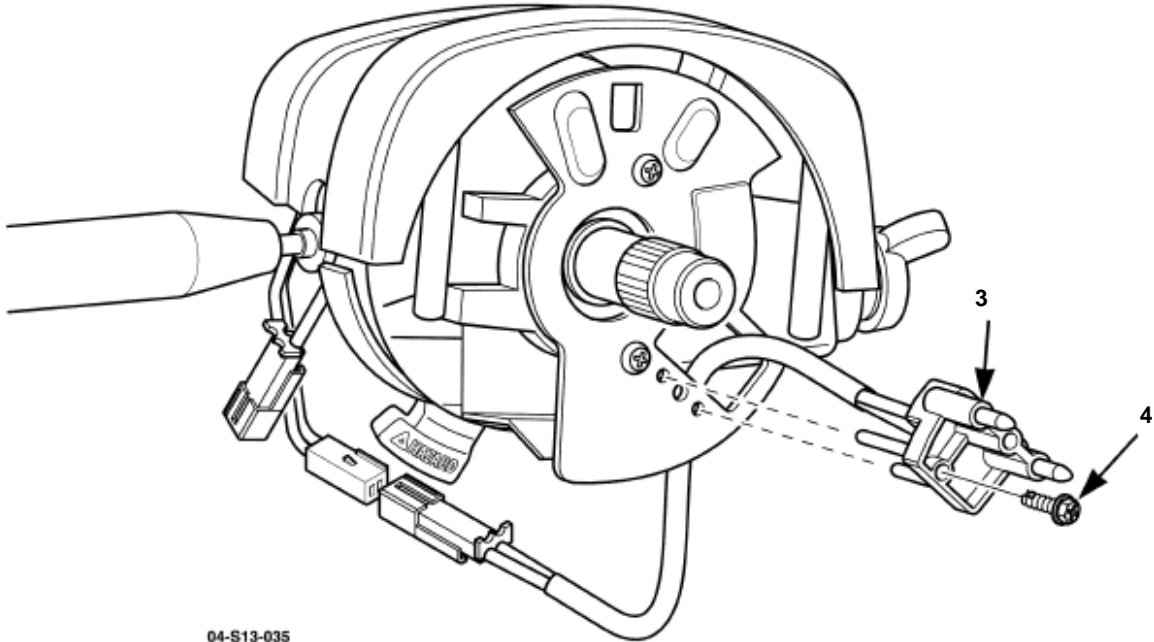
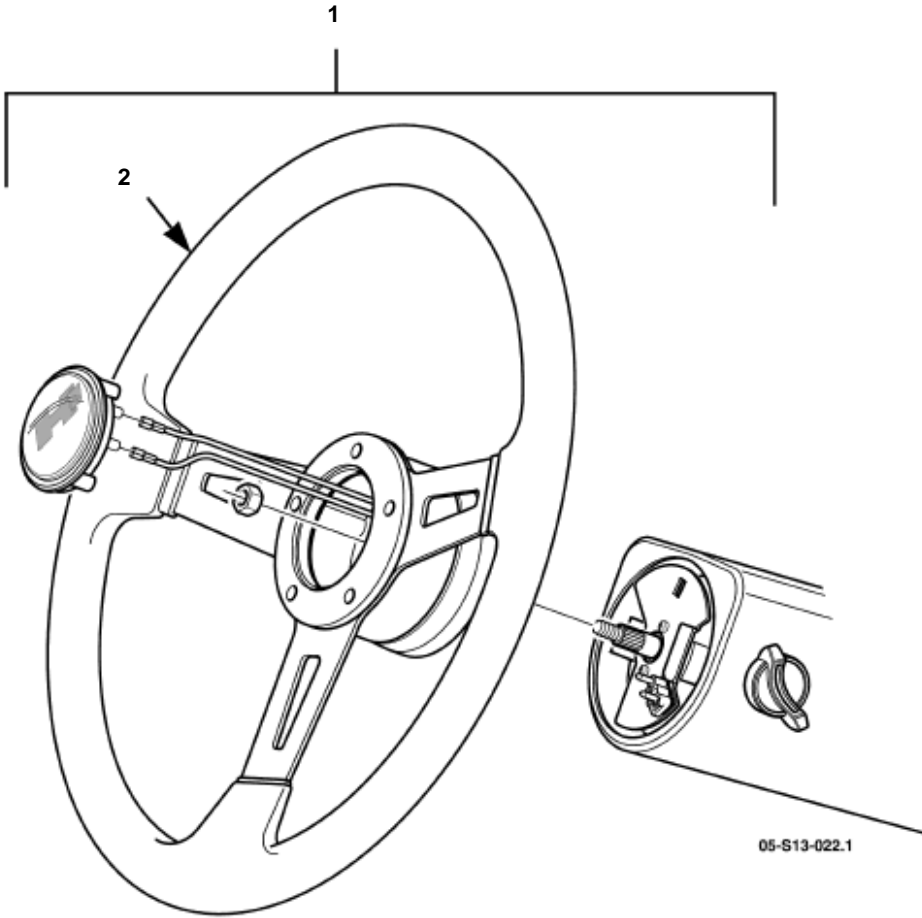
Item	Part No.	Description	Qty
1	5744279	FILTER KIT, radio noise suppression	1
2	S.I.K.	·FILTER, radio noise suppression	1
3	S.I.K.	·CONNECTOR, butt	2
4	S.I.K.	·F-TERMINAL	1



Remote Entry Kits

Remote Entry Kits.

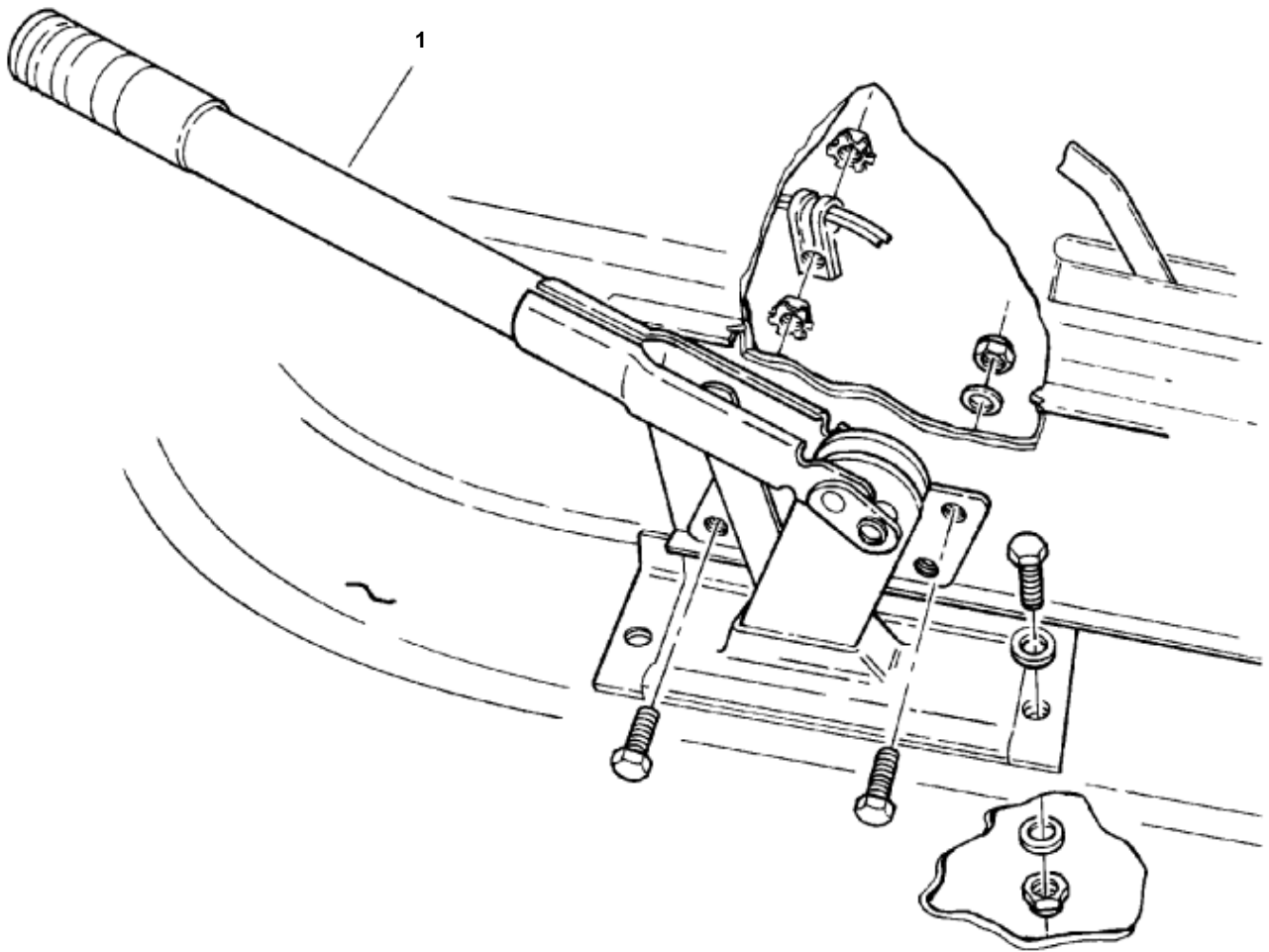
Item	Part No.	Description	Qty
1	5745076	KIT, remote entry, 4-button	1
2	6010413	·MODULE ASSEMBLY, receiver, garage door, 4-button	1
3	S.I.A.	·D.C. VOLTAGE CONVERTER, power supply	1
4	S.I.A.	·MODULE, receiver, garage door, 4-button	1
5	6010425	·HARNES ASSEMBLY, garage door interface switch	1
6	6010411	·TRANSMITTER, 4-button	2



Steering Wheel Kit, Black Leather

Steering Wheel Kit, Black Leather.

Item	Part No.	Description	Qty
1	5746060	STEERING WHEEL KIT, black leather	1
2	S.I.K.	STEERING WHEEL, black leather	1
3	6016500	HORN BUTTON CONTACT (used with 04 or newer)	1
4	6017428	SCREW WASHER ASSEMBLY	1

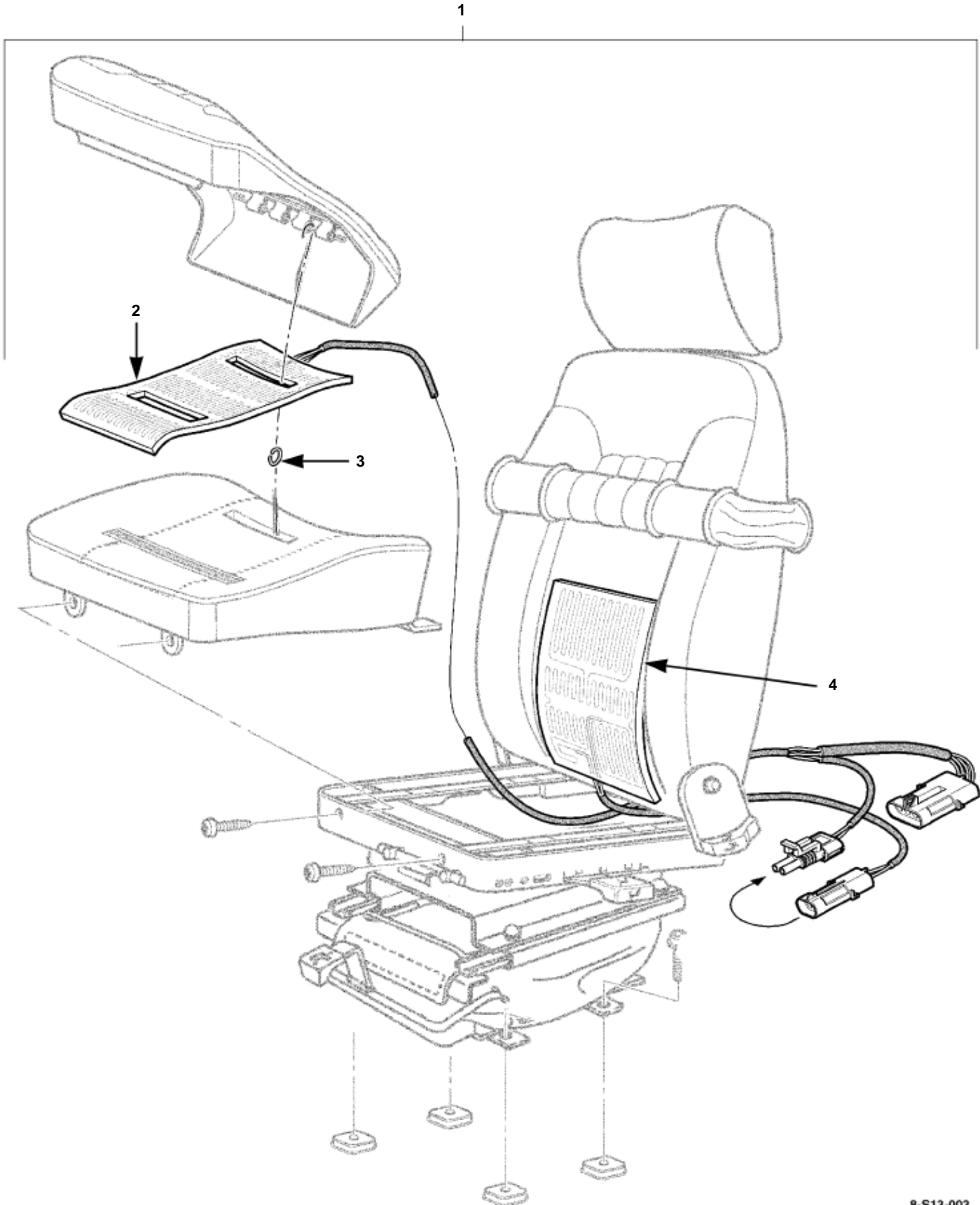


S07-033

Parking Brake Lever, Decorative

Parking Brake Lever, Decorative.

Item	Part No.	Description	Qty
1	5746020	PARKING BRAKE LEVER, rosewood	1
	5746021	PARKING BRAKE LEVER, burlwood	1
	5746022	PARKING BRAKE LEVER carbon fiber	1

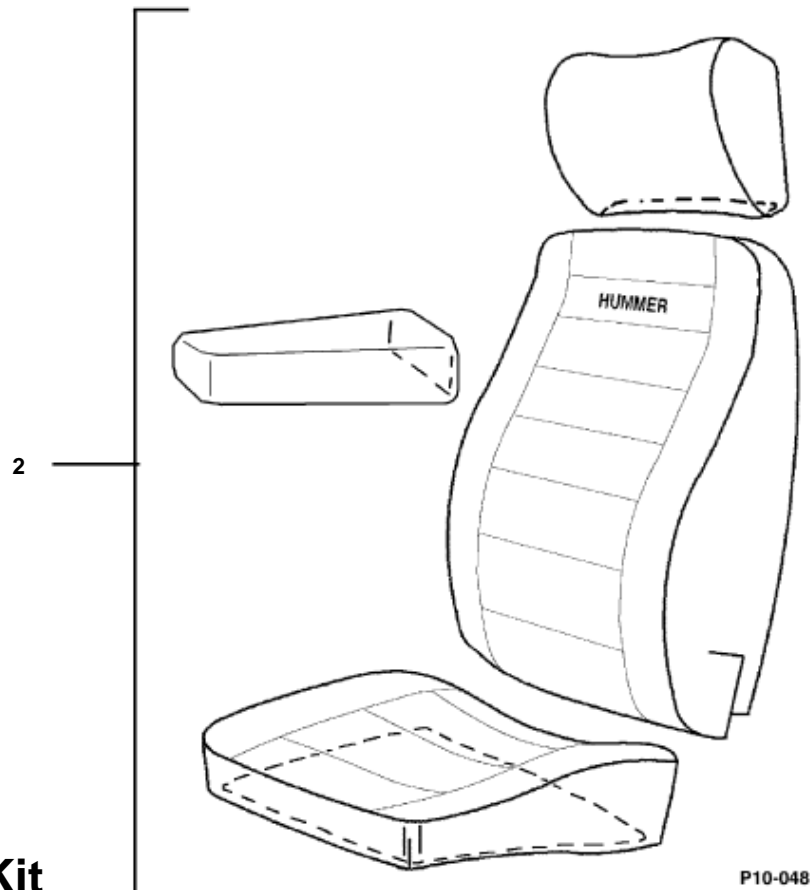
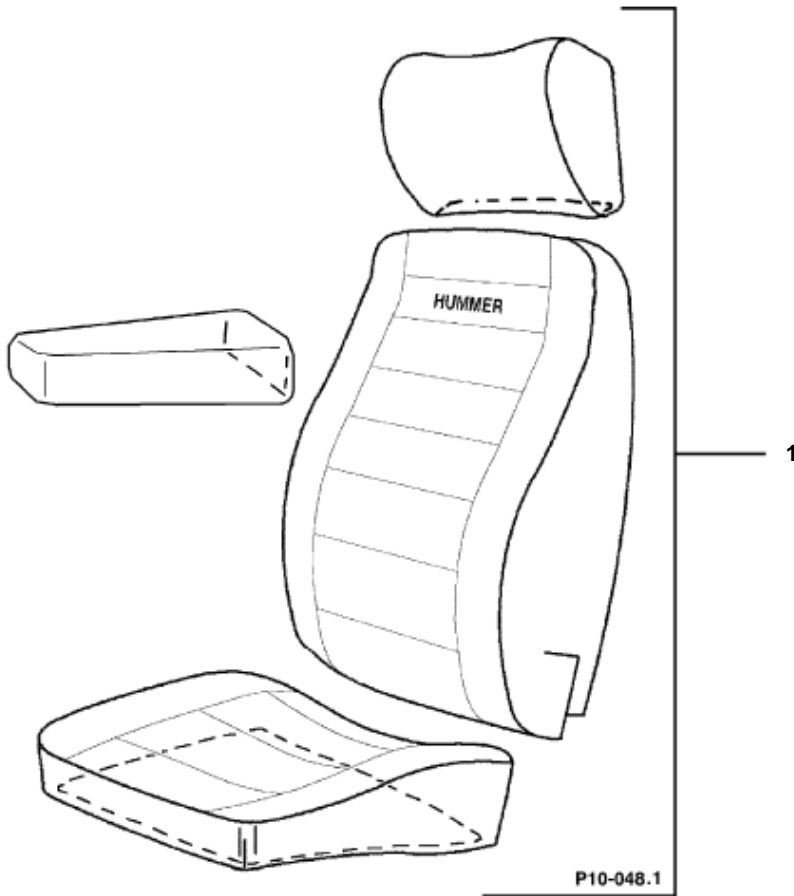


8-S13-003

Electric Seat Heater Kit

HUMMER H1 2004 Parts Catalog
Electric Seat Heater Kit.

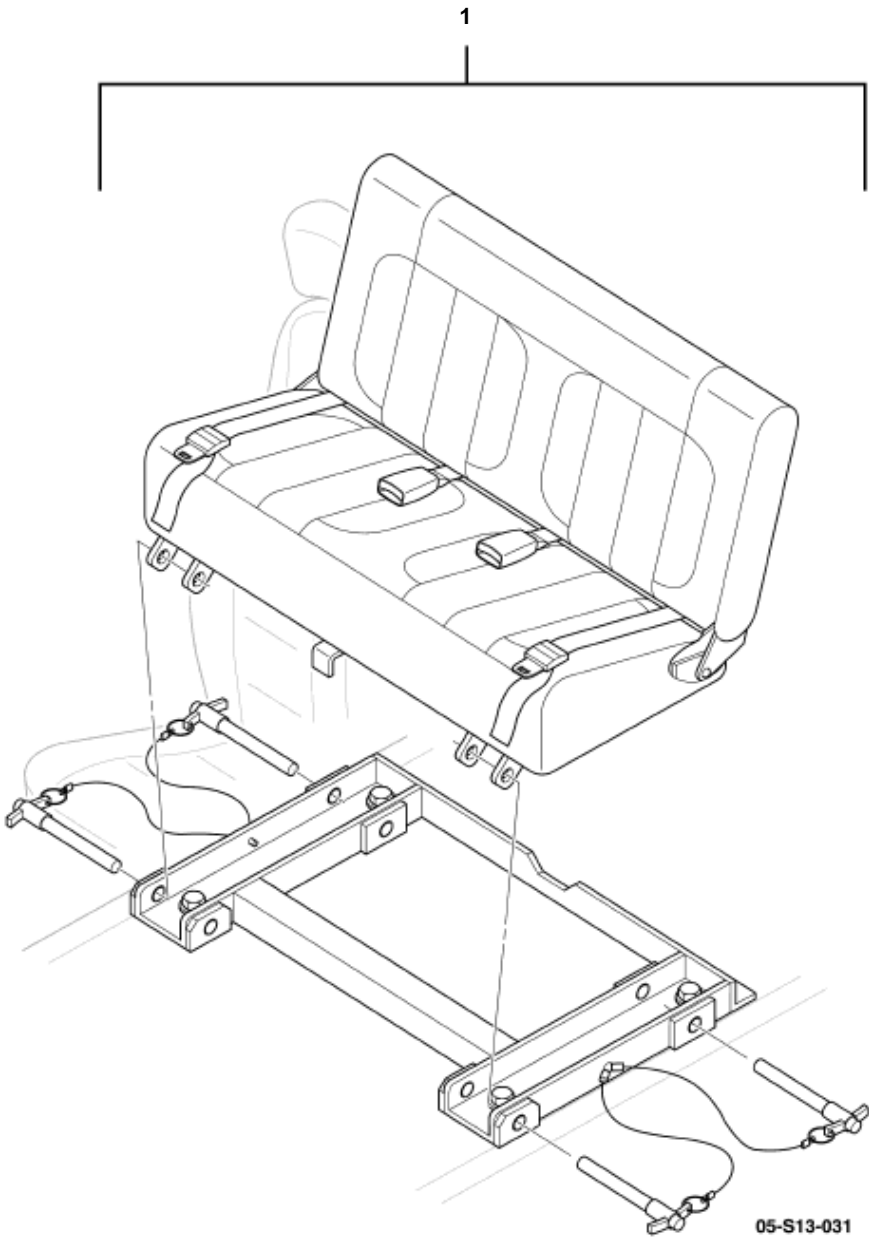
Item	Part No.	Description	Qty
1	5744890	KIT, electric seat heater	1
2	5744927	·ELEMENT, heating, cushion	1
3	S.I.K.	·HOG RING	A/R
4	5744926	·ELEMENT, heating, back	1
	5744924	·SWITCH, seat heater (not illustrated)	1
	5745607	·MODULE, seat heater (not illustrated)	1



Protective Seat Cover Kit

Protective Seat Cover Kit.

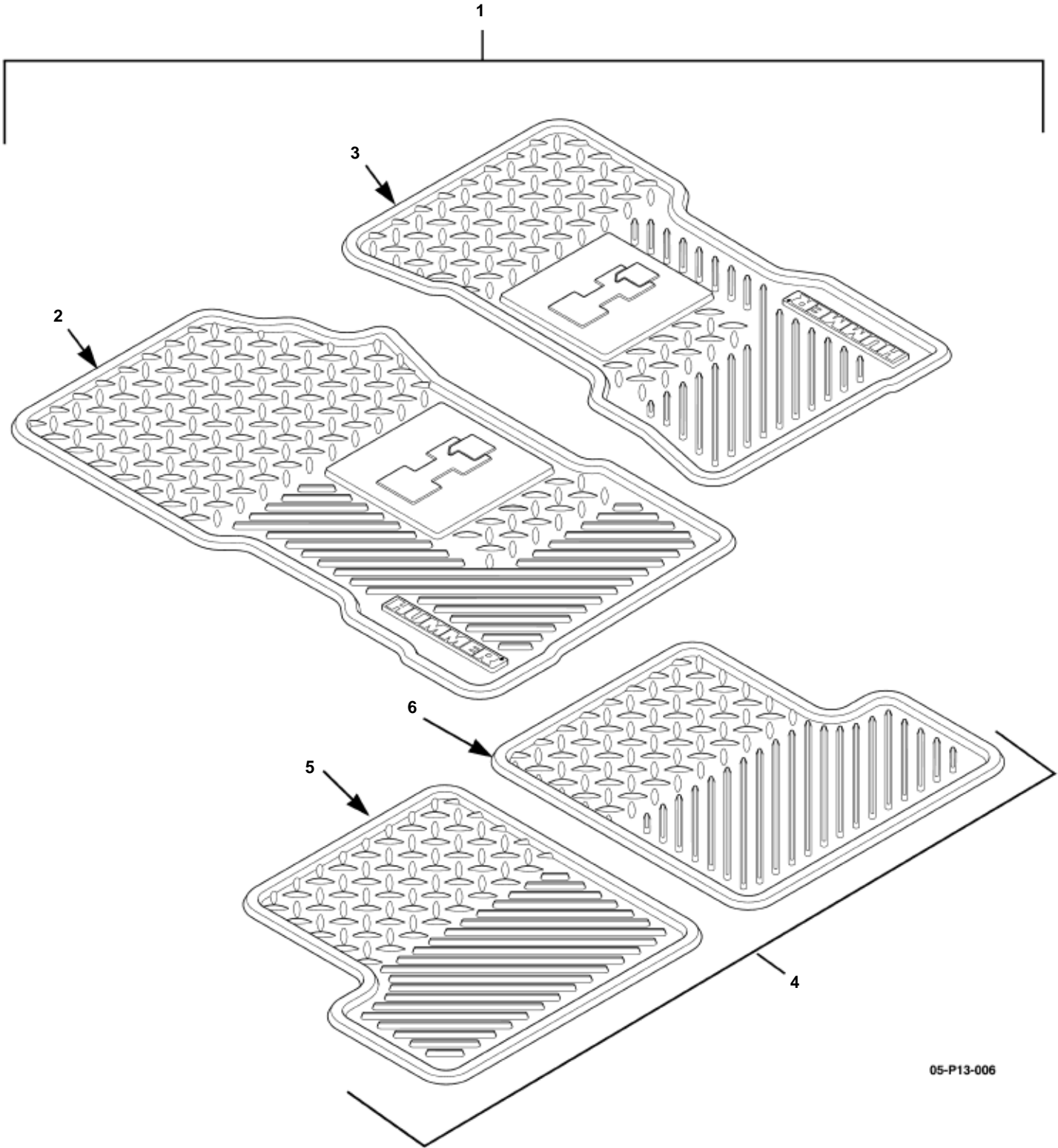
Item	Part No.	Description	Qty
1	5745982	PROTECTIVE SEAT COVER KIT, front, black polyester w/HUMMER logo	1
	S.I.K.	·PROTECTIVE COVER, headrest	1
	S.I.K.	·PROTECTIVE COVER, armrest	1
	S.I.K.	·PROTECTIVE COVER, seat back	1
	S.I.K.	·PROTECTIVE COVER, seat cushion	1
2	5745983	PROTECTIVE SEAT COVER KIT, rear, black polyester w/HUMMER logo	1
	S.I.K.	·PROTECTIVE COVER, headrest	1
	S.I.K.	·PROTECTIVE COVER, armrest	1
	S.I.K.	·PROTECTIVE COVER, seat back	1
	S.I.K.	·PROTECTIVE COVER, seat cushion	1
	5744579	STORAGE BAG, seat cover (not illustrated)	1



Auxiliary Seat Kit

Auxiliary Seat Kit.

Item	Part No.	Description	Qty
1	5746089	AUXILIARY SEAT, black and brown leather	1
	5746088	AUXILIARY SEAT, black vinyl	1

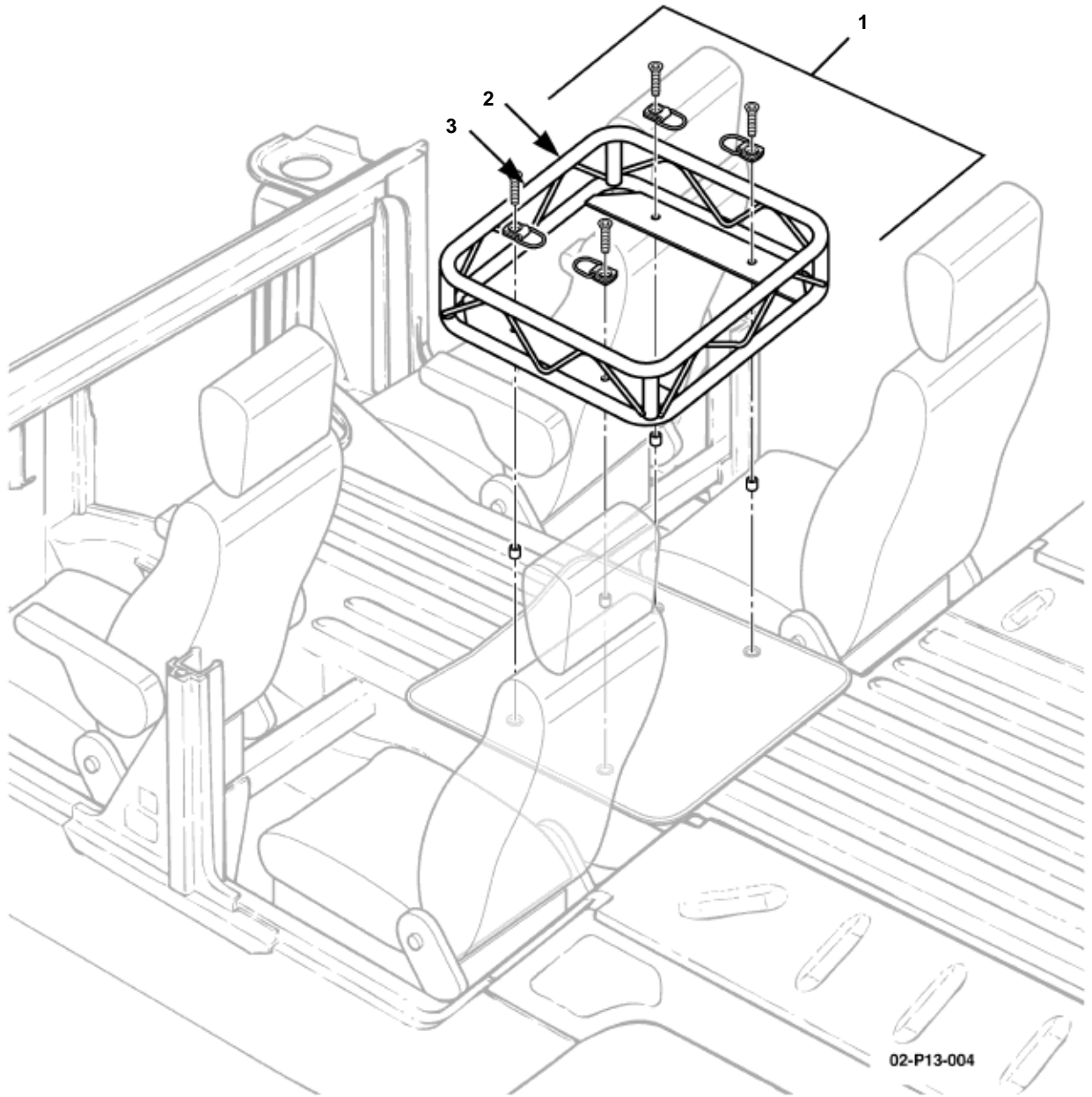


05-P13-006

Floor Mats, Rubber

Floor Mats, Rubber.

Item	Part No.	Description	Qty
1	5745984	KIT, floor mat, rubber, front	1
2	S.I.K.	·FLOOR MAT, rubber, L.H., front	1
3	S.I.K.	·FLOOR MAT, rubber, R.H., front	1
4	5745985	KIT, floor mat, rubber, rear	1
5	S.I.K.	·FLOOR MAT, rubber, L.H. rear	1
6	S.I.K.	·FLOOR MAT, rubber, R.H. rear	1

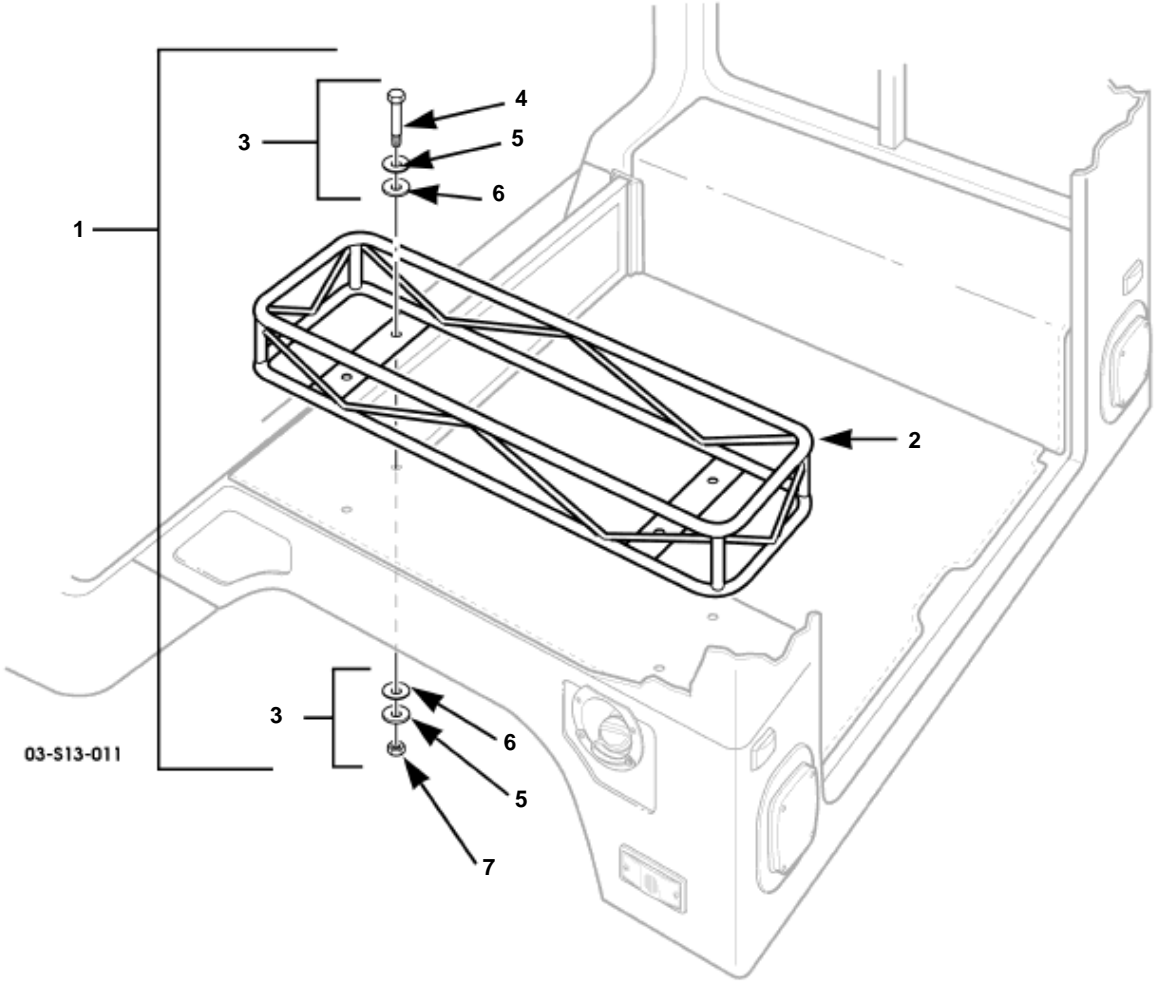


Center Tunnel Rack Kit

Center Tunnel Rack Kit.

Item	Part No.	Description	Qty
1	5745500	KIT, center tunnel rack	1
2	S.I.K.	·RACK, center tunnel	1
3	MS24667-79	·CAP SCREW, socket head,flat, 1/2 -13 x 2 1/4"	4

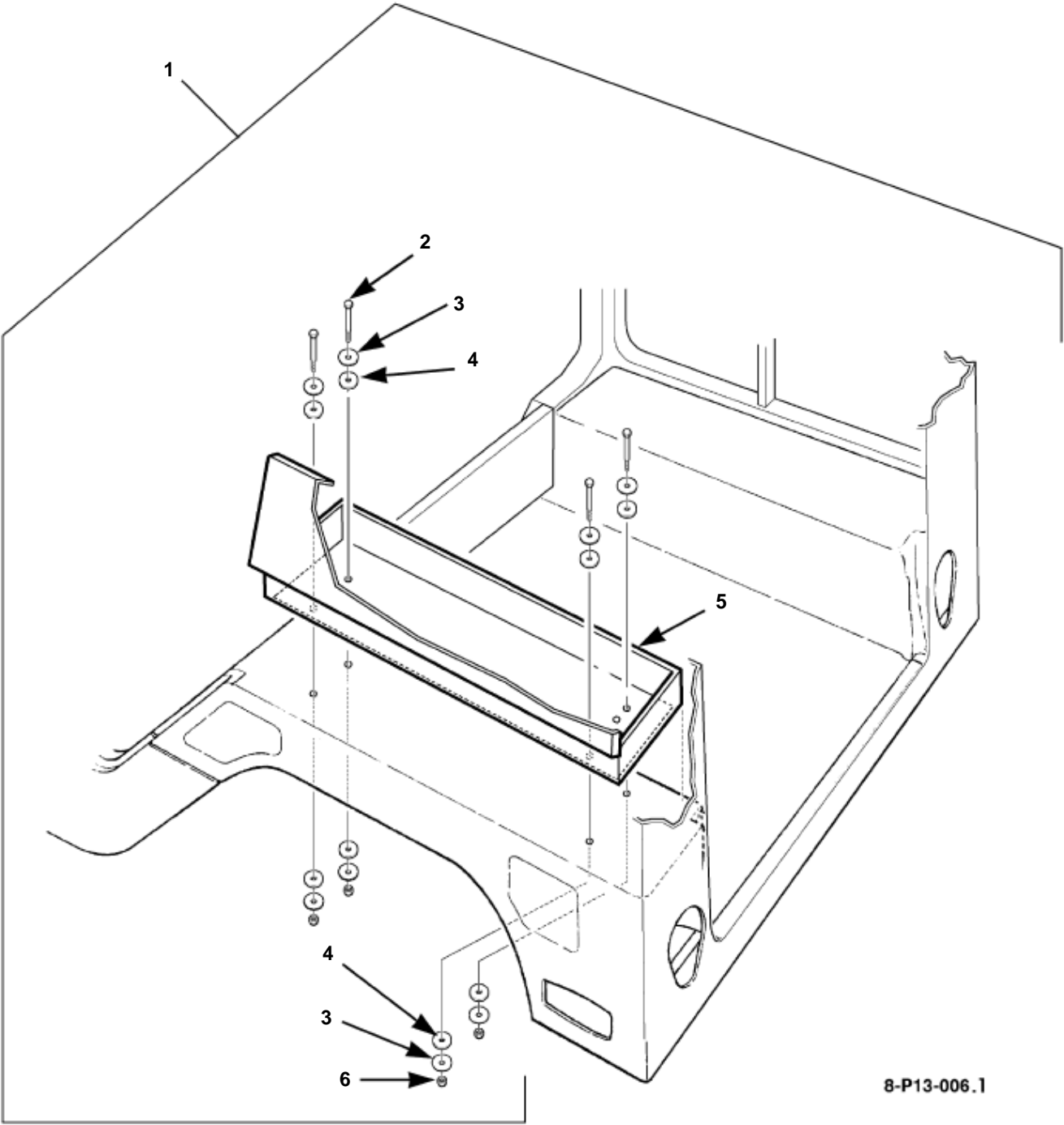
NOTE 2: CARGO TIE DOWN RING AND SPACER ARE
PART OF THE TRUCK ASSEMBLY. THESE PARTS
ARE NOT SUPPLIED IN KIT.



Rack, Wheelhouse Mounted

HUMMER H1 2004 Parts Catalog
Rack, Wheelhouse Mounted.

Item	Part No.	Description	Qty
1	5745649	KIT, rack, wheelhouse mounted, interior	1
2	S.I.K.	·RACK, wheelhouse mounted, interior	1
3	S.I.K.	·KIT, hardware	1
4	S.I.K.	·BOLT, 1/4 - 20 x 1 3/4", Gr8	4
5	S.I.K.	·WASHER, 1/4"	8
6	S.I.K.	·GASKET, foam washer, 1/4"	8
7	S.I.K.	·LOCKNUT, 1/4 - 20", CAD	4



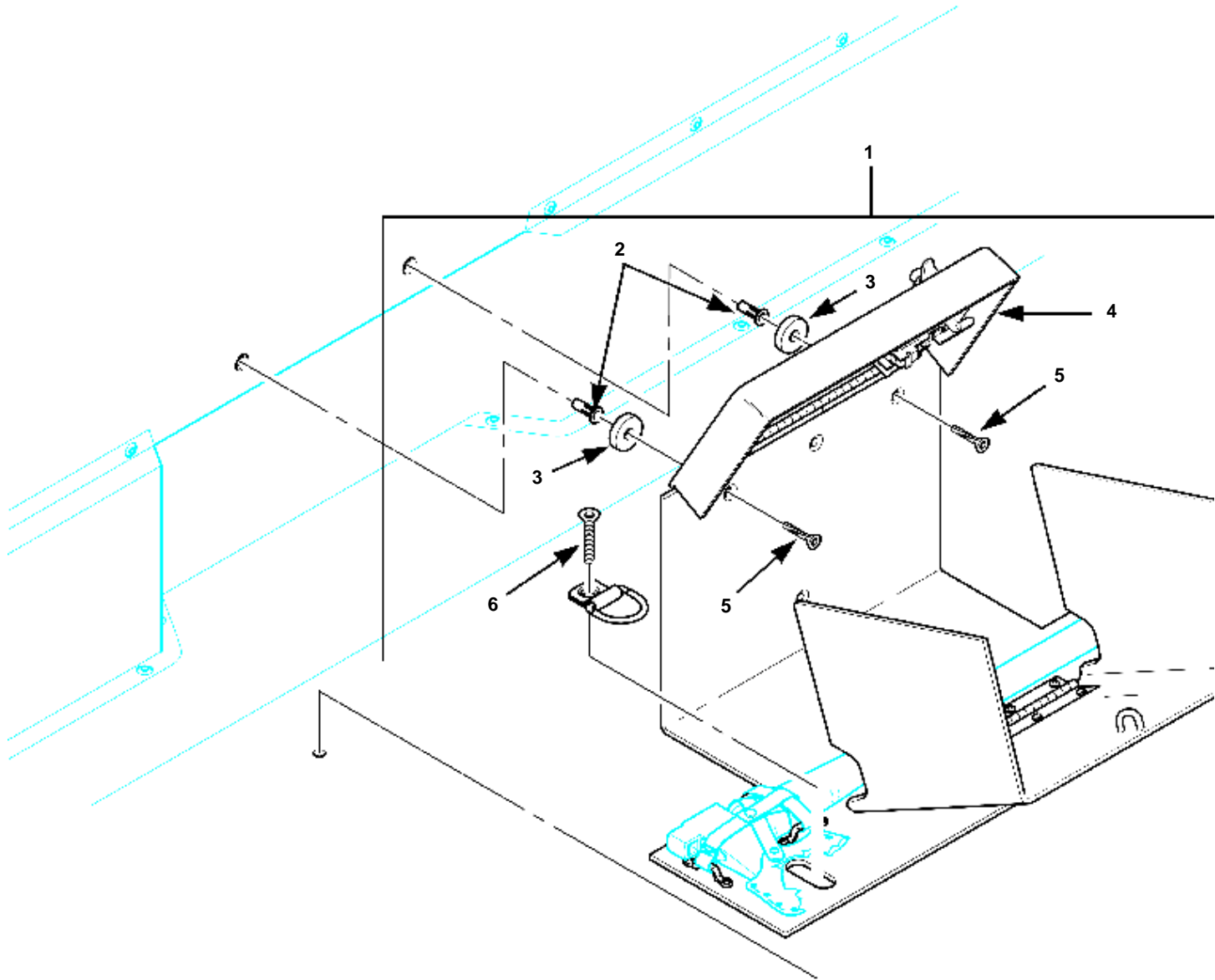
8-P13-006.1

Off-Road Accessory Kit, Station Wagon, Model 84

Off-Road Accessory Kit, Station Wagon, Model 84.

Item	Part No.	Description	Qty
1	5744704	KIT, off-road accessory 84	1
2	MS90728-13	·BOLT	4
3	5935291B9	·PLATE, tube retainer	8
4	6001595	·GASKET, foam washer	8
5	5744801	·TOOL BOX, off-road, large	1
6	S.I.K.	·LOCKNUT, 1/4 - 20", CAD	4
	5744881	·STRAP, vehicle recovery, 30' x 3" (not illustrated)	1
	6004898	·KIT, pioneer tool (not illustrated) SEE NOTE 1	1
	5744718	·OFF ROAD PARTS PACKAGE (not illustrated)	1
	S.I.K.	·TESTER, 12-volt circuit	1
	S.I.K.	·GAUGE, tire pressure	1
	S.I.K.	·CABLE SET, jumper	1
	S.I.K.	·FIRST AID AND BURN KIT	1
	S.I.K.	·FLASHLIGHT, Mag-Lite	1
	S.I.K.	·FIRE EXTINGUISHER, 2.5-lb	1
	S.I.K.	·PLIERS, 6 1/2" Channel-Lock	1
	S.I.K.	·FUSE ASSORTMENT	1
	S.I.K.	·PLIERS, lineman's type	1
	S.I.K.	·SOCKET SET, 64 piece	1

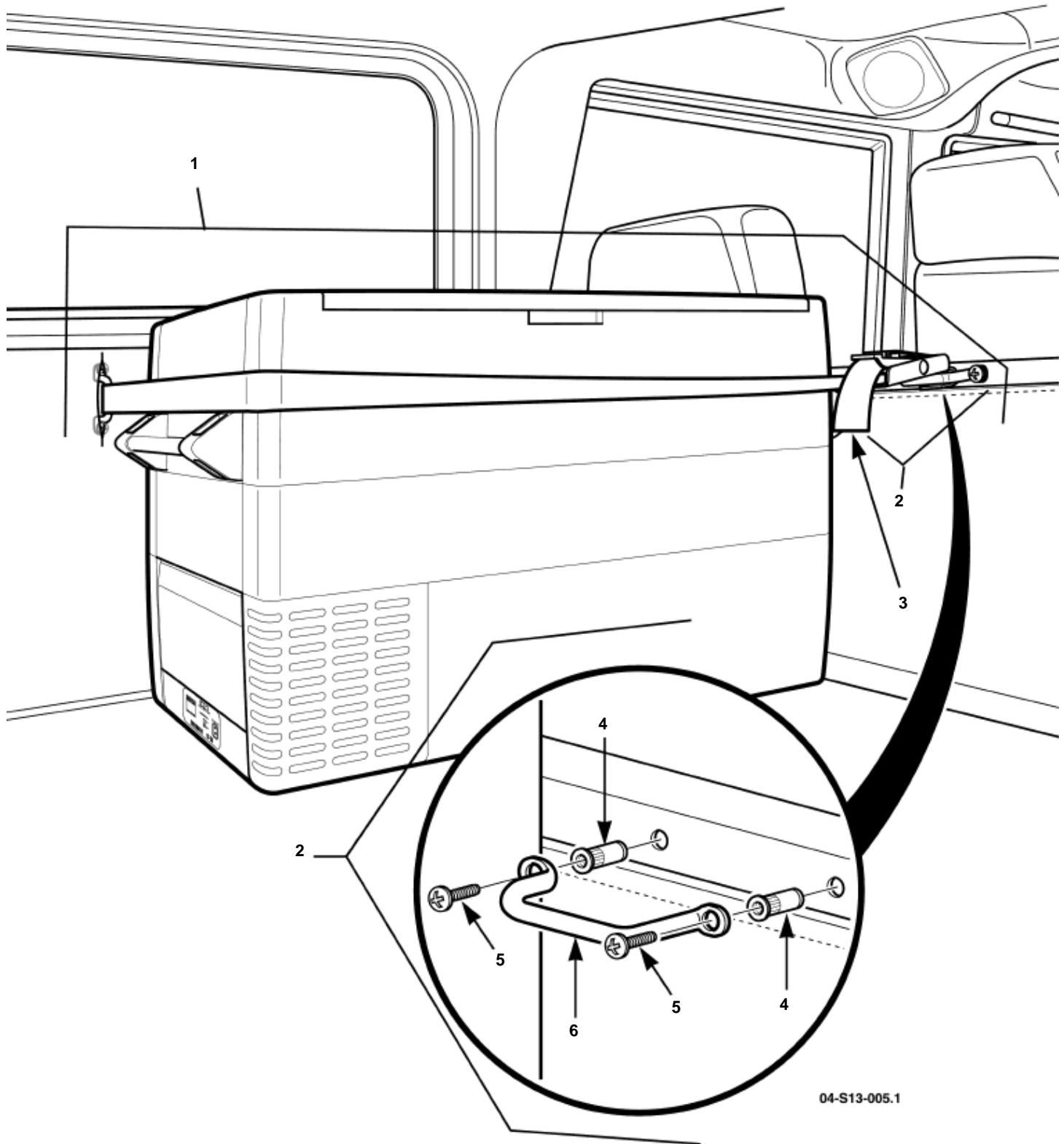
NOTE 1: See Pioneer Tool Kit in this section for complete listing of parts in this kit.



Off-Road Accessory Kit, Models 84, 90

Off-Road Accessory Kit, Models 84, 90.

Item	Part No.	Description	Qty
1	5744705	KIT, off-road accessory 83, 89, 90	1
2	5935428	·NUT INSERT	2
3	6000942B2	·SPACER	2
4	5744738	·TOOL BOX, off road	1
5	S.I.K.	·SCREW, flathead, 3/8 - 16 x 1 3/4"	2
6	S.I.K.	·SCREW, flathead, 1/2 - 13 X 2 1/4"	2
	5744881	·STRAP, vehicle recovery, 30' x 3")	1
	6004898	·KIT, pioneer tool	1
	5744718	·OFF ROAD PARTS PACKAGE (not illustrated)	1
	S.I.K.	·TESTER, 12-volt circuit	1
	S.I.K.	·GAUGE, tire pressure	1
	S.I.K.	·CABLE SET, jumper	1
	S.I.K.	·FIRST AID AND BURN KIT	1
	S.I.K.	·FLASHLIGHT, Mag-Lite	1
	S.I.K.	·FIRE EXTINGUISHER, 2.5-lb	1
	S.I.K.	·PLIERS, 6 1/2" Channel-Lock	1
	S.I.K.	·FUSE ASSORTMENT	1
	S.I.K.	·PLIERS, lineman's type	1

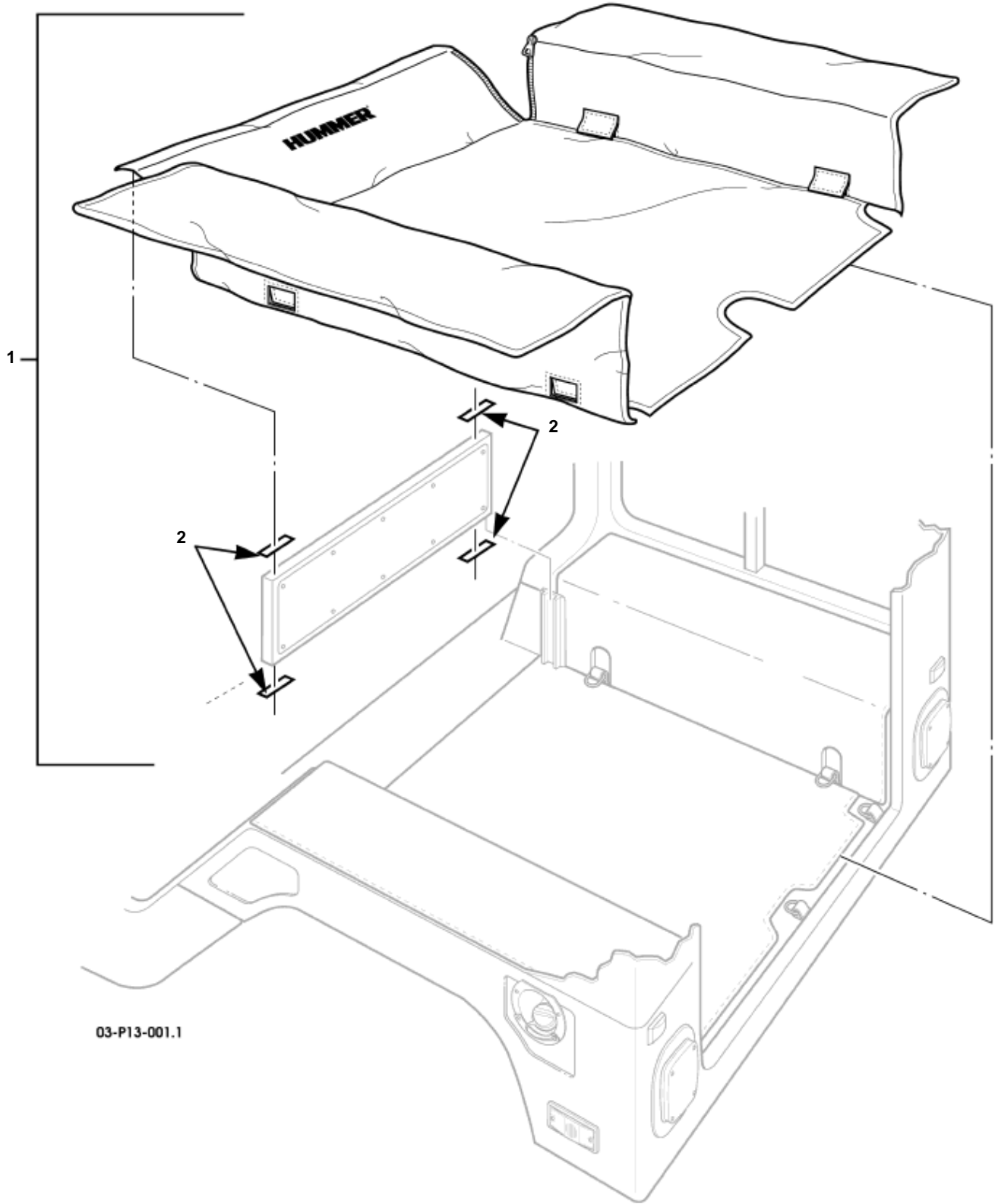


04-S13-005.1

Dual Voltage Refrigerator/Freezer

Dual Voltage Refrigerator/Freezer.

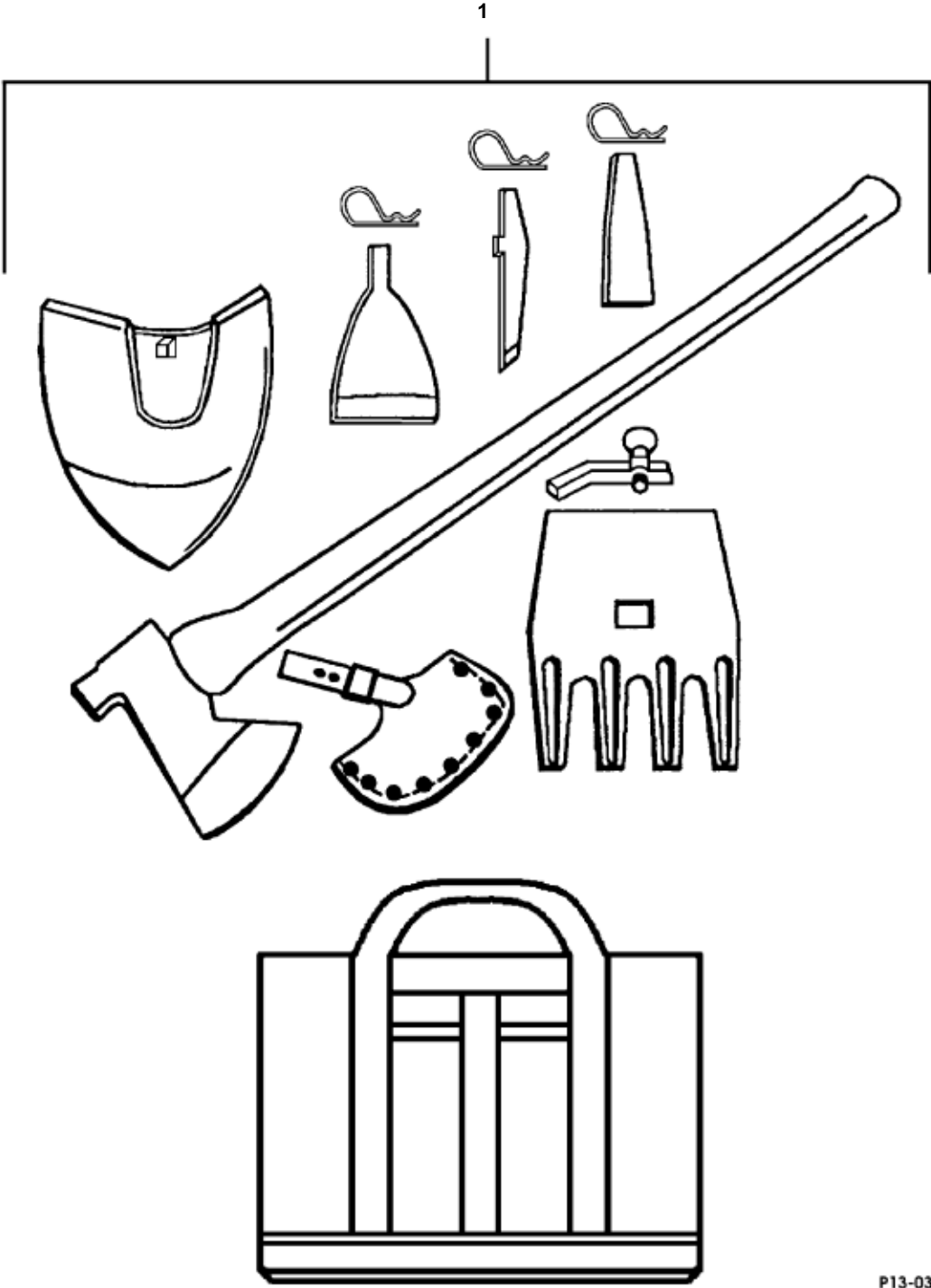
Item	Part No.	Description	Qty
1	5745767	HUMMER COOL BOX, 33-quart, refrigerator/freezer, portable	1
	5745769	HUMMER COOL BOX, 39-quart, refrigerator/freezer, portable	1
	5745771	HUMMER COOL BOX, 52-quart, refrigerator/freezer, portable	1
2	5745765	·KIT, installation hardware for HUMMER cool box	1
	5745762	·STRAP ASSEMBLY, black	1
3	5939334	NUT INSERT, #10 - 24"	4
4	156971	·SCREW	4
5	5745763	·LOOP, footman, black	2
	S.I.K.	·POWER CORD, 110 volt AC (not illustrated)	1
	S.I.K.	·POWER CORD, 12 volt DC (not illustrated)	1
	5745773	COVER, insulating, protective, 33-quart, (not illustrated)	1
	5745774	COVER, insulating, protective, 39-quart, (not illustrated)	1
	5745775	COVER, insulating, protective, 52-quart, (not illustrated)	1



Cargo Area Liner Kit, Model 84

HUMMER H1 2004 Parts Catalog
Cargo Area Liner Kit, Model 84.

Item	Part No.	Description	Qty
1	5746029	CARGO AREA LINER KIT, black w/red logo	1
2	S.I.K.	·VELCRO STRIPS	2

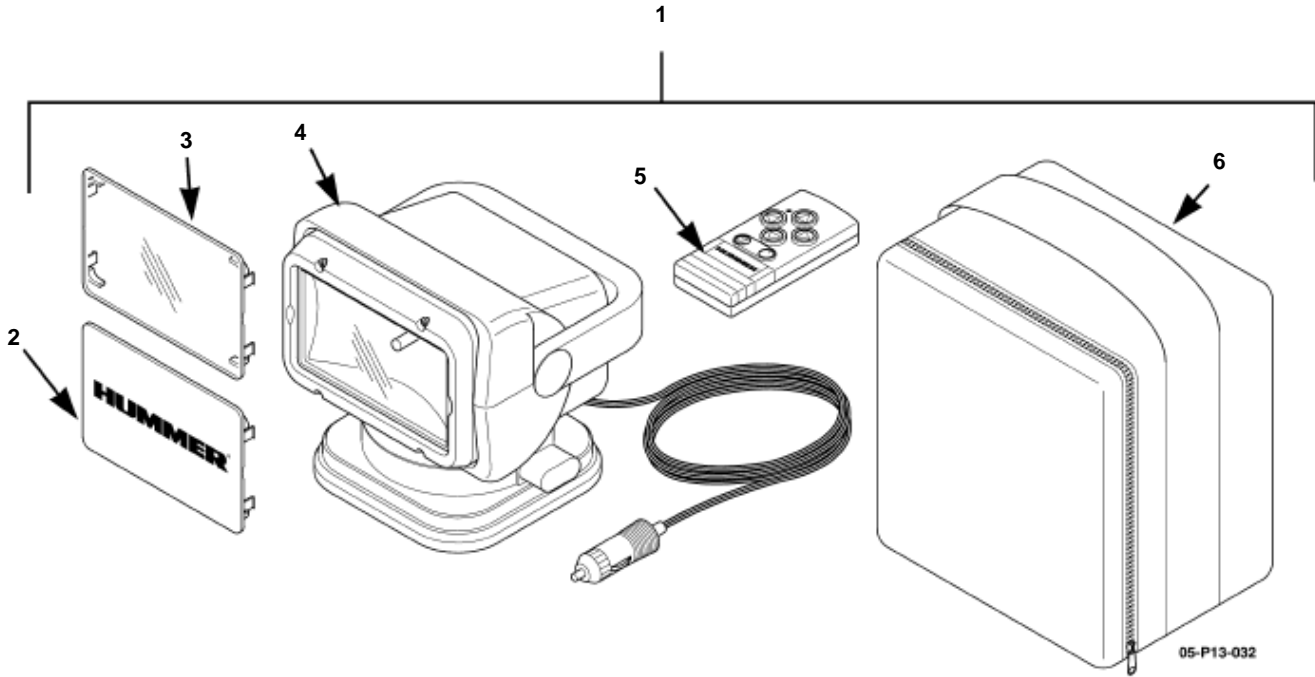


P13-038

Pioneer Tool Kit

HUMMER H1 2004 Parts Catalog
Pioneer Tool Kit.

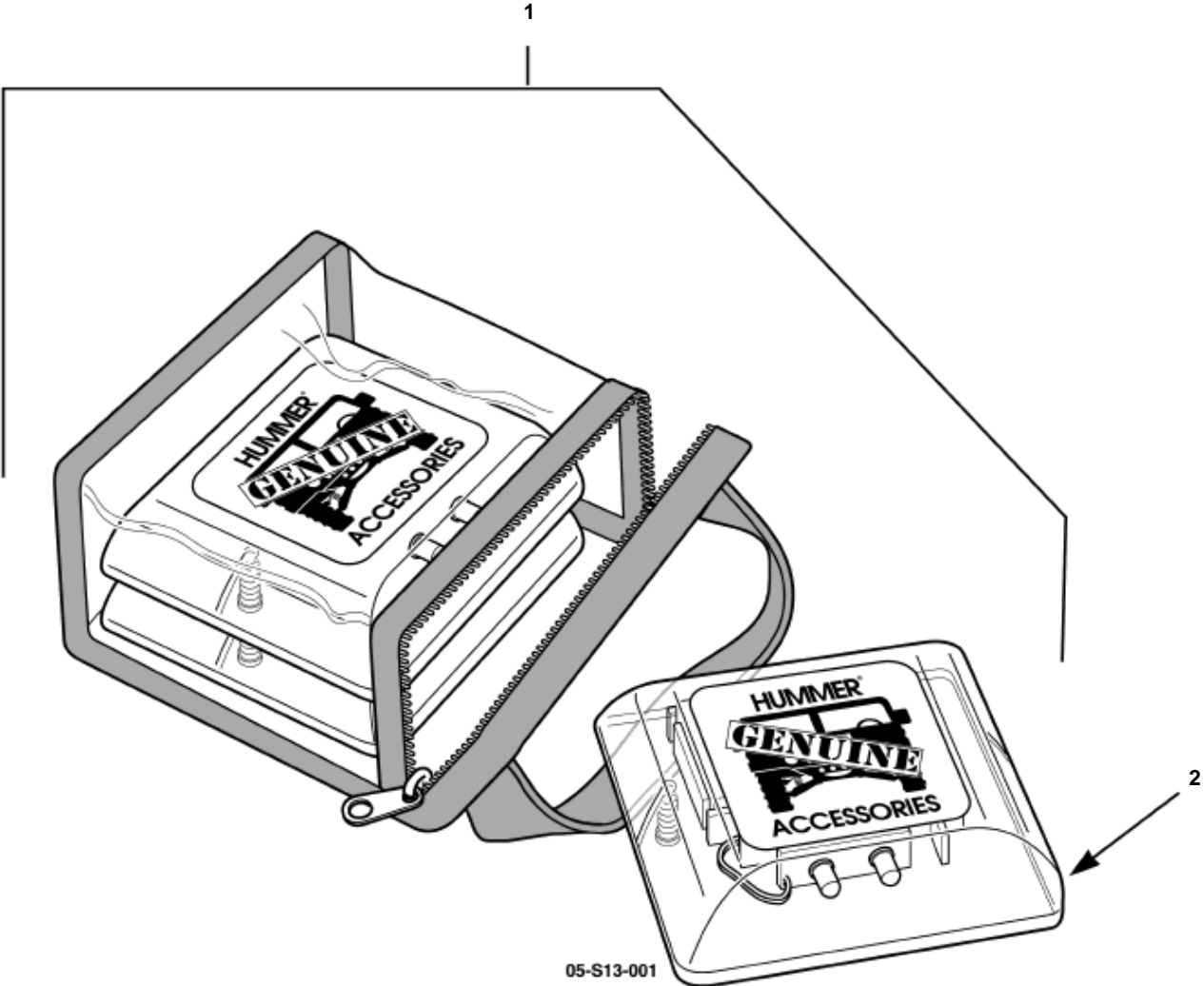
Item	Part No.	Description	Qty
1	6004898	KIT, pioneer tool	1



Searchlight Kit, Portable

HUMMER H1 2004 Parts Catalog
Searchlight Kit, Portable.

Item	Part No.	Description	Qty
1	5746037	SEARCHLIGHT KIT, portable	1
2	5746041	·ROCK COVER, white	1
3	S.I.K.	·CLEAR PLASTIC LENS	1
4	S.I.K.	·SEARCH LIGHT	1
5	5746040	·WIRELESS REMOTE	1
6	S.I.K.	·STORAGE BAG	1

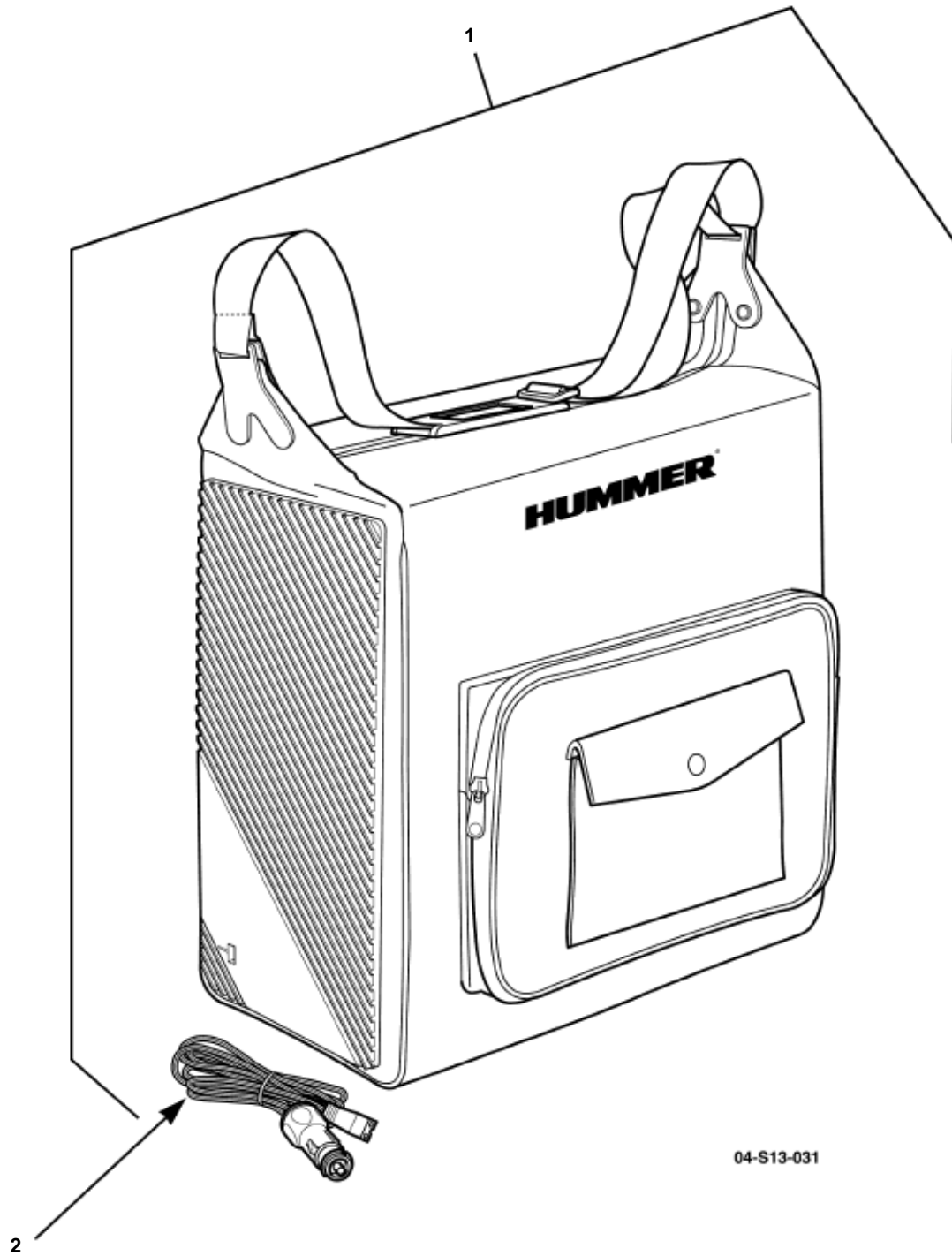


Electronic Flares

Electronic Flares.

Item	Part No.	Description	Qty
1	5745952	ELECTRONIC FLARE, amber, 3-pack, with plastic carrying case, SEE NOTE 1	1
	5745951	ELECTRONIC FLARE, red, 3-pack, with plastic carrying case, SEE NOTE 1	1
2	5745954	ELECTRONIC FLARE, amber, SEE NOTE 1	1
	5745953	ELECTRONIC FLARE, red, SEE NOTE 1	1

NOTE 3: EACH FLARE PROVIDES UP TO 500 HOURS OF ILLUMINATION AND THE FLASHING LIGHT IS VISIBLE FOR OVER ONE MILE.



Tropicool Fresh Bag

Tropicool Fresh Bag.

Item	Part No.	Description	Qty
1	5745829	TROPICOOOL FRESH BAG, with logo, silver-gray/black, nylon, SEE NOTE 1	1
2	N/S	·POWER CORD, 12-volt	1

NOTE 1: THIS COOLER BAG WILL FIT TWO 2-LITER BOTTLES.

HUMMER Coat and Off-Road Field Repair Kits.

Item	Part No.	Description	Qty
HUMMER COAT			
	5745756	HUMMER COAT, sound deadener, case, (12 - 1Qt. cans)	1
	5745755	HUMMER COAT, sound deadener, quart, (1Qt. can)	1
	5745757	SPRAY GUN	1
	6018462	SEAM SEALER, total coat, 6/300ML tubes, cartridges	1
OFF-ROAD FIELD REPAIR HARDWARE KITS			
	5745687	KIT, master off-road field repair hardware	1
	5745684	·KIT, steering gearbox mounting hardware	1
	S.I.K.	··BOLT	1
	S.I.K.	··BOLT	2
	S.I.K.	··LOCKWASHER	3
	S.I.K.	··WASHER, flat	3
	5745685	·KIT, universal joint and shaft hardware	1
	5595706	··KIT, journal and bearing	1
	12339301	··STRAP, bearing	2
	12339049	··BOLT	2
	EC12339050	··U-BOLT	2
	S.I.K.	··NUT	4
	MS35338-45	LOCKWASHER, 5/16" MED, DT	4
	5745686	·KIT, halfshaft mounting hardware	1
	6008029	··WASHER ASSEMBLY, M10, cam lock	12
	6008021	··BOLT	6
	S.I.K.	··LOCKWASHER	1
	MS90728-62	··BOLT	1
	6001959	··SEALANT, pipe, w/teflon	1

Bulk Parts.

Item	Part No.	Description	Qty
	5740928	HOSE, rubber, bulk, 1/2" O.D. x 1/4" I.D. x 100'	A/R
	5740929	HOSE, rubber, bulk, 7/8" O.D. x 5/8" I.D. x 50'	A/R
	5741064	HOSE, rubber, bulk, 1" O.D. x 11/16" I.D. x 25'	A/R
	5741067	HOSE, nonmetallic, 5/8" O.D. x 3/8" I.D. x 25'	A/R
	5741068	HOSE, nonmetallic, 1/2" O.D. x 1/4" I.D. x 25'	A/R
	5741079	TUBE, nylon, bulk, 1/4" O.D. x 3/16" I.D. x 250'	A/R
	5741163	HOSE, rubber, bulk, 1/2" O.D. x 1/4" I.D. x 25'	A/R
	5741209	HOSE, rubber, bulk, 5/8" O.D. x 3/8" I.D. x 25'	A/R
	5741210	HOSE, rubber, bulk, 1/2" O.D. x 1/4" I.D. x 50'	A/R
	5741211	HOSE, rubber, bulk, 3/8" O.D. x 3/16" I.D. x 50'	A/R
	5741214	EDGE PROTECTOR, 3/8 x 9/32" x 500'	A/R
	5743023	HOSE, air duct, bulk, 2 1/2" I.D. x 18'	A/R
	5743169	HOSE, plastic, drain, 1/2" O.D. x 3/8" I.D. x 4'	A/R
	5743290	FOAM TAPE, w/strip, 1/4" x 35'	A/R
	5743541	HOSE, air duct, bulk, 1 1/2" I.D. x 10'	A/R
	5743542	HOSE, air duct, bulk, 2" I.D. x 50'	A/R
	5743584	HOSE, bulk, drain, 7/16" O.D. x 3/8" I.D. x 50'	A/R
	5744138	SEAL, door trim, 12' roll	A/R
	5744322	SEAL, body, 50' roll	A/R
	5745107	VELCRO SET 1" x 75'	A/R
	5937189	TAPE, PVC foam, 35' roll	A/R
	6000366	SEAL, bulk, 1,000'	A/R
	6000871	SEAL, door drip rail, 500'	A/R
	6001808	SEAL, door trim, 250' roll	A/R
	6006217	SEALING TAPE, bulk, 150' roll	A/R
	6006218	EDGE SEAL, bulk, vertical doors, 500' roll	A/R
	6006219	DOOR SEAL, bulk, vert, 500' roll	A/R
	6007306	CONVOLUTED CONDUIT, slit, 7/8" O.D. x 3/4" I.D. x 20"	A/R
	6007446	CONVOLUTED CONDUIT, non-slit, 7/8" O.D. x 3/4" I.D. x 38"	A/R
	6005792	TAPE, Butyl foam core, bulk, 30' long roll	A/R
	6009706	V-SEAL, bulk, 500' roll	A/R
	CPR104420-2	TUBING, nylon, 3/8" O.D.	A/R
	CPR104420-3	TUBING, nylon, 1/2" O.D. x 3/8" I.D. , bulk	A/R
	CPR104420-6	TUBING, nylon, bulk, 1/8" O.D. x 50'	A/R
	M13486/111	ELECTRICAL WIRE, 4 GAUGE	A/R
	5593448	LUBRIPATE, lubricant, 14 oz. can	A/R

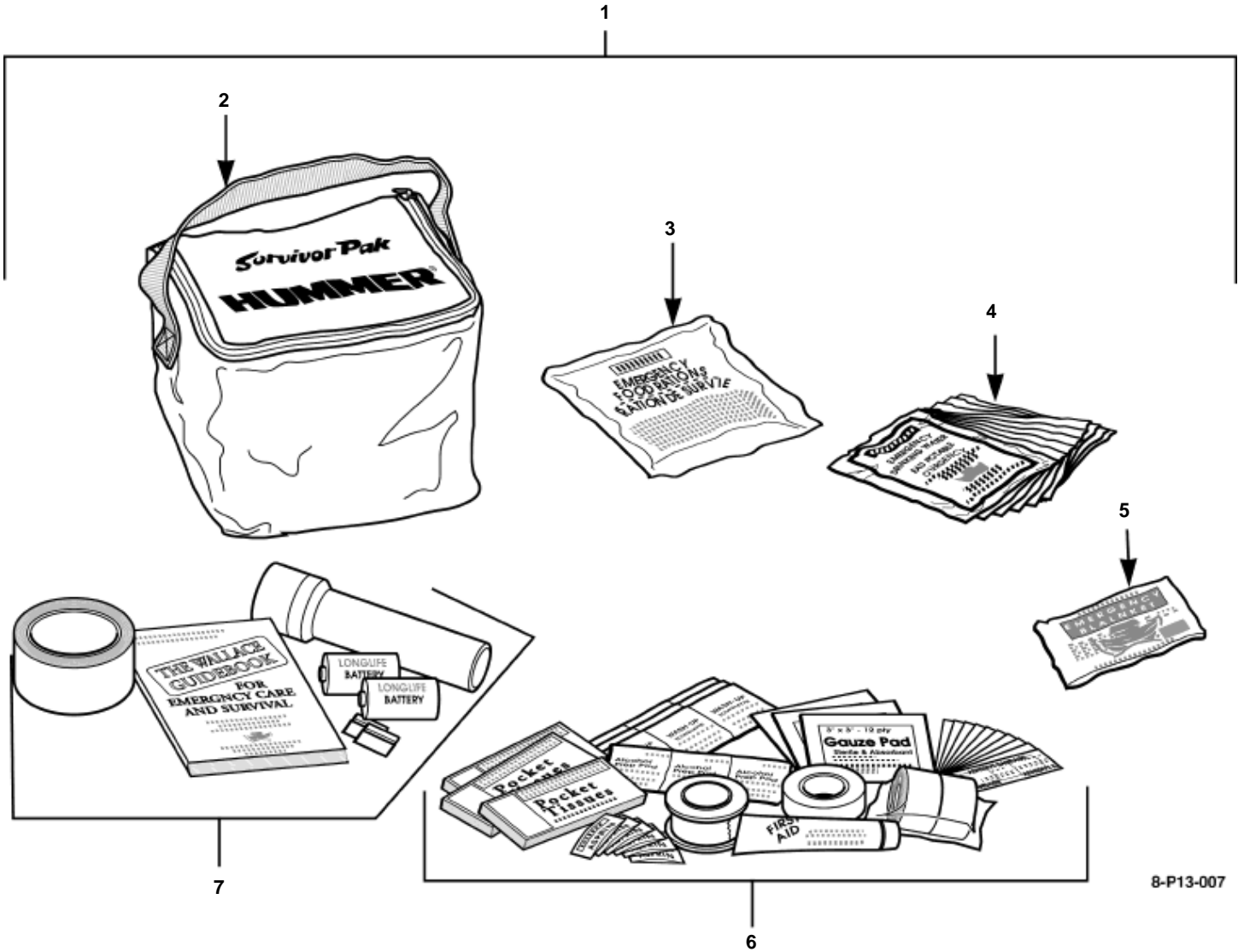
11-1-05

2004 HUMMER H1 PARTS CATALOG

13-184 ACCESSORIES

COLOR DESCRIPTION	AMG CODE	PPG CODE	NCP CODE	PPG PRIMER	AMG TOUCH UP 2 oz. bottle	AMG TOUCHUP 12 oz.spray
<i>Paint Codes.</i>						
BLACK DIAMOND METALLIC	B30	DUHS - 36241	N/A	DP50LF	N/A	N/A
BLACK GLOSS	B25	DUHS - 9000	N/A	DP50LF	5744182	5744181
BLACK METALLIC	B34	DUHS - 9935	N/A	DP50LF	N/A	N/A
BRIGHT WHITE	W26	DUHS - 91493	N/A	DP50LF	5744366	5744367
COMPETITION YELLOW	Y27	DUHS - 4266	N/A	DP50LF	5744895	5744896
FIREHOUSE RED	R28	DUHS - 4217	N/A	DP50LF	5745476	5745475S
METALLIC PEWTER	P33	DUHS - 5377	N/A	DP50LF	5745283	5745282
SAND METALLIC	T32	DUHS-904231	N/A	DP50LF	N/A	N/A
SUMMIT SILVER	S31	DUHS-35911	N/A	DP50LF	N/A	N/A

NOTE: All paints listed above can be used with PPG Top coat Enhancer Code DX73. Top coat Catalysts are as follows: PPG Code DU6, NCP Code N1433B. PPG Primer Catalyst is code DP402LF. All listed paints can use PPG reducer, Code DRS1470, DRS1485, or DRS1495.



Traveler's Survival Kit

Traveler's Survival Kit.

Item	Part No.	Description	Qty
1	5744903	KIT, traveler's survival	1
2	5744996	.BAG	1
3	S.I.K.	.FOOD PACKET, 3-day supply	1
4	S.I.K.	.WATER PACKETS, 3-day supply	12
5	S.I.K.	.SPACE BLANKET	1
6	S.I.K.	.MEDICAL SUPPLIES PACKAGE	1
7	S.I.K.	.GENERAL SUPPLIES PACKAGE	1