

# 1992-1994 SERVICE PARTS CATALOG

## COMMERCIAL HUMMER H1

### AM GENERAL LLC

408 South Byrkit Avenue  
P.O. Box 728  
Mishawaka, Indiana 46546-0728

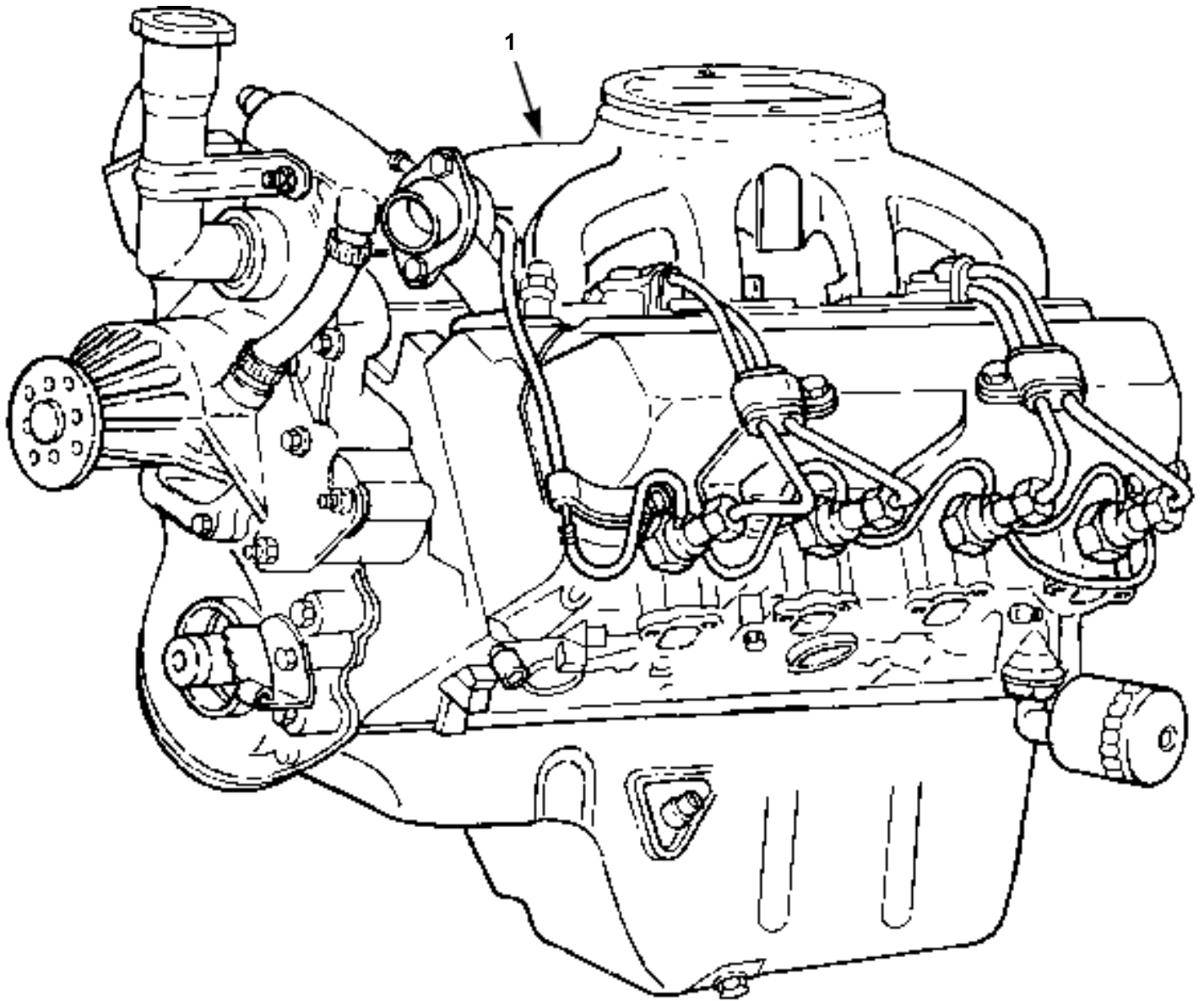
AM General

All Rights Reserved. Printed in U.S.A.

HUMMER® is a registered trademark of  
General Motors Corporation.

### TABLE OF CONTENTS

Engine	2
Fuel, Emissions and Exhaust	3
Cooling System	4
Transmission/Transfer Case	5
Wheels and Tires/ Central Tire Inflation System	6
Brake System	7
Steering System	8
Axles/Suspension/Frame	9
Body	10
Heating/Ventilation/ Air Conditioning (HVAC)	11
Electrical	12
Accessories	13

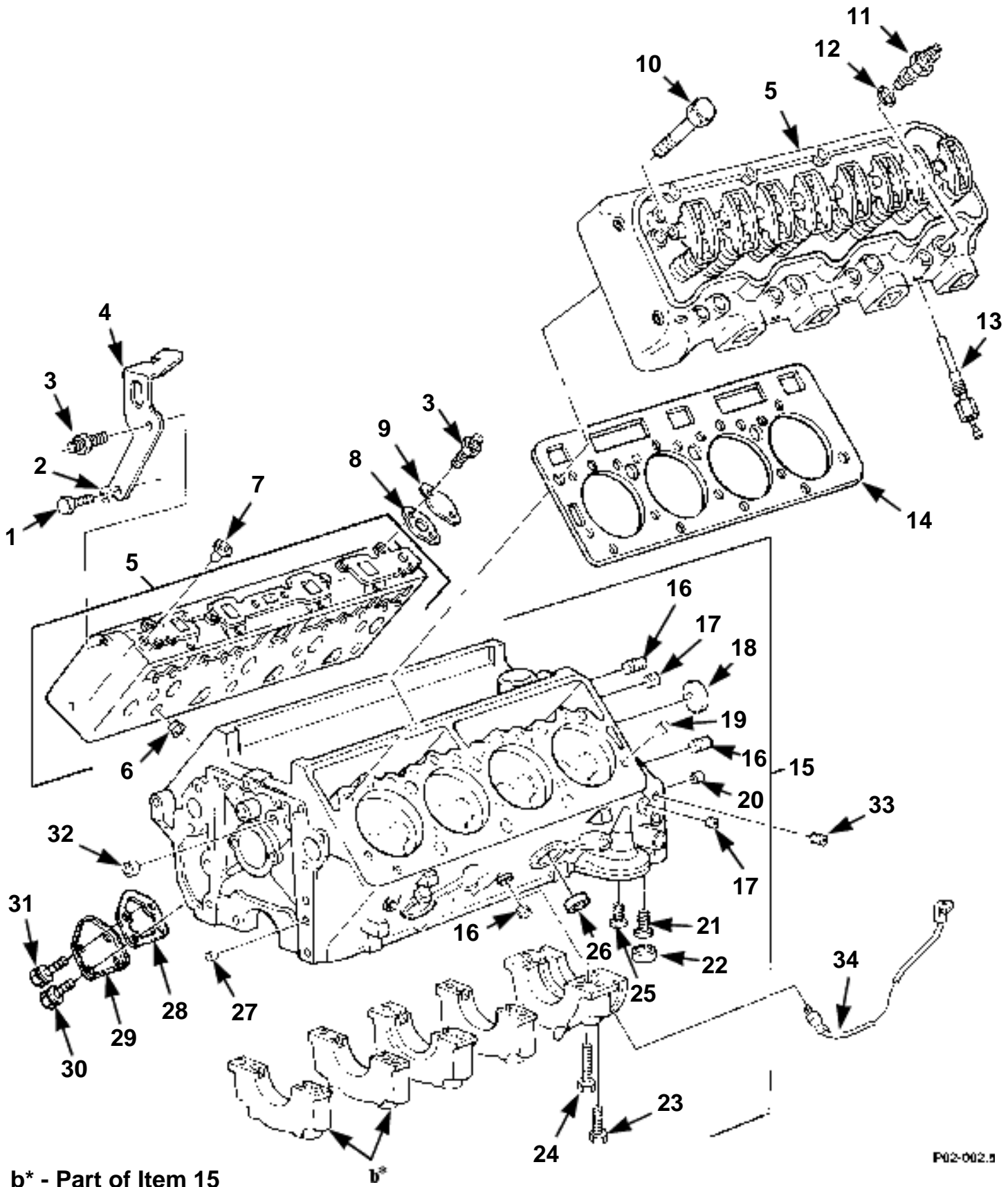


P02-001

## Engine Assembly

**Engine Assembly.**

Item	Part No.	Description	Qty
1	<b>5744339</b>	ENGINE, complete, 6.2 liter	1
	<b>5745024</b>	ENGINE, complete, 6.5L, (1994)	1



b\* - Part of Item 15

P02-002.5

# Block Assembly and Cylinder Head



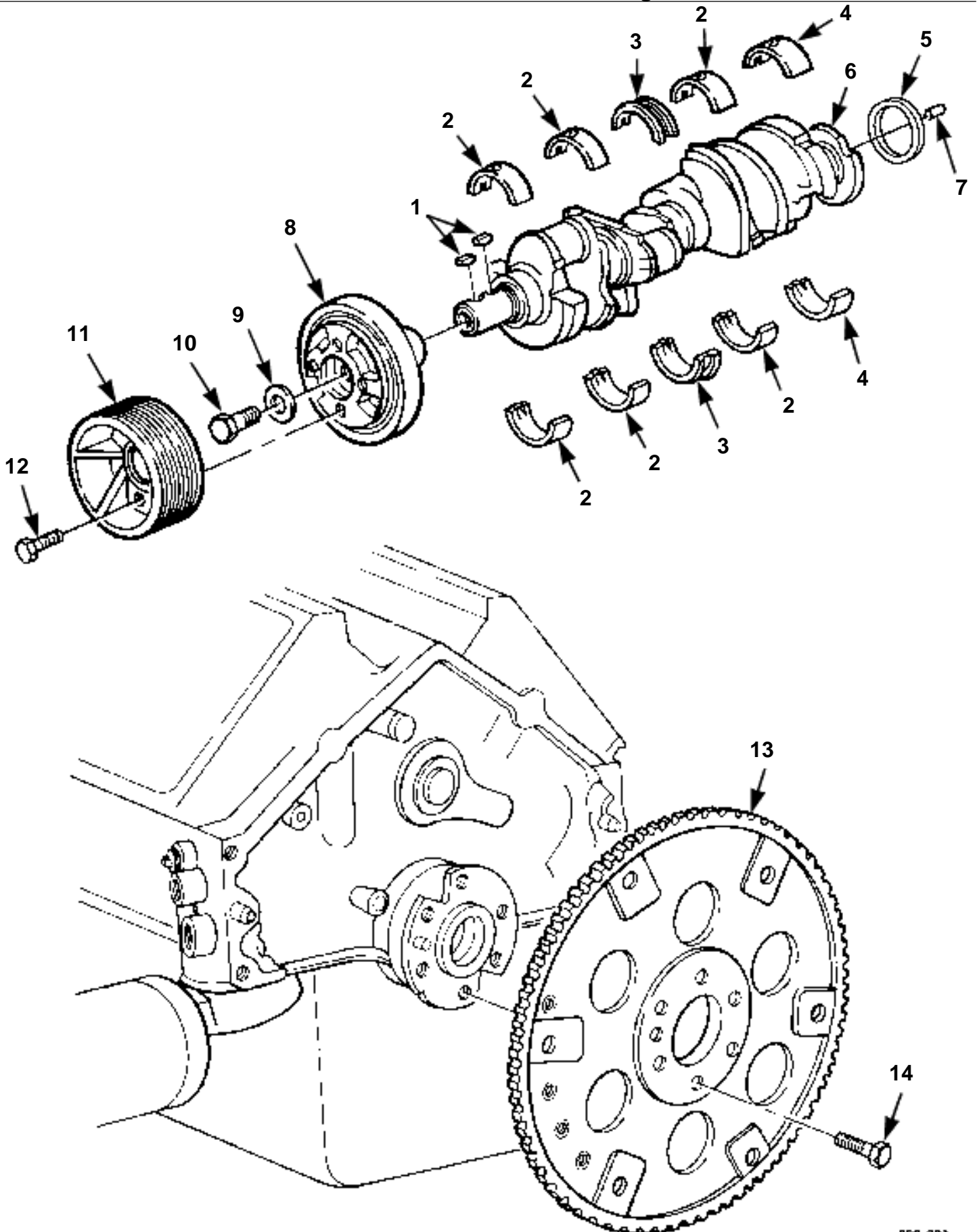
**Block Assembly and Cylinder Head.**

Item	Part No.	Description	Qty
1	<b>N/S</b>	BOLT, M10 - 1.5 X 20	1
2	<b>MS27183-14</b>	WASHER, flat, 3/8"	1
3	<b>12339406-2</b>	STUD, cylinder head bracket	2
4	<b>5937374</b>	BRACKET, cylinder head	1
5	<b>5742094</b>	CYLINDER HEAD, 6.2L engine	2
	<b>5743222</b>	CYLINDER HEAD, 6.5L engine, (1994)	2
6	<b>5742096</b>	·CHAMBER	8
	<b>5742097</b>	·CHAMBER	8
	<b>5743275</b>	·CHAMBER, (1994)	8
	<b>5743276</b>	·CHAMBER, oversized, (1994)	8
7	<b>5572842</b>	PLUG, cylinder head	4
8	<b>5742109</b>	GASKET	2
9	<b>5740186</b>	COVER, access	2
10	<b>5740031</b>	BOLT, cylinder head	34
11	<b>5742548</b>	NOZZLE, fuel injection	8
	<b>5743223</b>	NOZZLE, fuel injection, (1994)	8
12	<b>5740058</b>	GASKET, nozzle	8
13	<b>5745281</b>	GLOW PLUG, type 60G	8
14	<b>5742098</b>	GASKET, cylinder head, SEE NOTE 1	2
	<b>5744449</b>	GASKET, cylinder head, (1994), SEE NOTE 2	2
15	<b>N/S</b>	BLOCK ASSEMBLY, SEE NOTE 3	1
	<b>N/S</b>	BLOCK ASSEMBLY, (1994), SEE NOTE 3	1
16	<b>5742029</b>	·PLUG, oil passage	5
17	<b>14090911</b>	·PLUG, oil gallery	2
18	<b>5740272</b>	·PLUG, camshaft	1
19	<b>5740268</b>	·SPACER, cylinder head	4
20	<b>8134398</b>	·PIN, flywheel	2
21	<b>5743277</b>	·VALVE, regulating	1
22	<b>5741043</b>	·PLUG, regulating valve	1
23	<b>5740144</b>	·BOLT, bearing cap, outboard	10
24	<b>N/S</b>	·BOLT, bearing cap, inboard	10
25	<b>5741044</b>	·VALVE, safety	1
	<b>5743278</b>	·VALVE, safety, (1994)	1
26	<b>5740529</b>	·PLUG, expansion, freeze plug	6
27	<b>5740145</b>	·PIN, block	2
28	<b>5742114</b>	·GASKET, fuel pump cover	1
29	<b>5742657</b>	·COVER, fuel pump	1
30	<b>11509669</b>	·SCREW, fuel pump cover	2
31	<b>5740084</b>	·SCREW, fuel pump cover	2
32	<b>5741150</b>	·PLUG, expansion	2
33	<b>12342018</b>	PLUG, cap	1
34	<b>5939441</b>	HEATER CORD, block	1
	<b>5743279</b>	IMMERSION HEATER (not illustrated)	1

NOTE 1: PART OF CYLINDER HEAD GASKET AND SEAL  
SET P/N 5742119

NOTE 2: NOTE 1:PART OF GASKET SET P/N 5714842

NOTE 3: BLOCK ASSEMBLY NO LONGER AVAILABLE.  
USE ENGINE ASSEMBLY COMPLETE 6.5L,  
P/N 5745024



# Crankshaft, Damper, Bearings Pulley and Flywheel

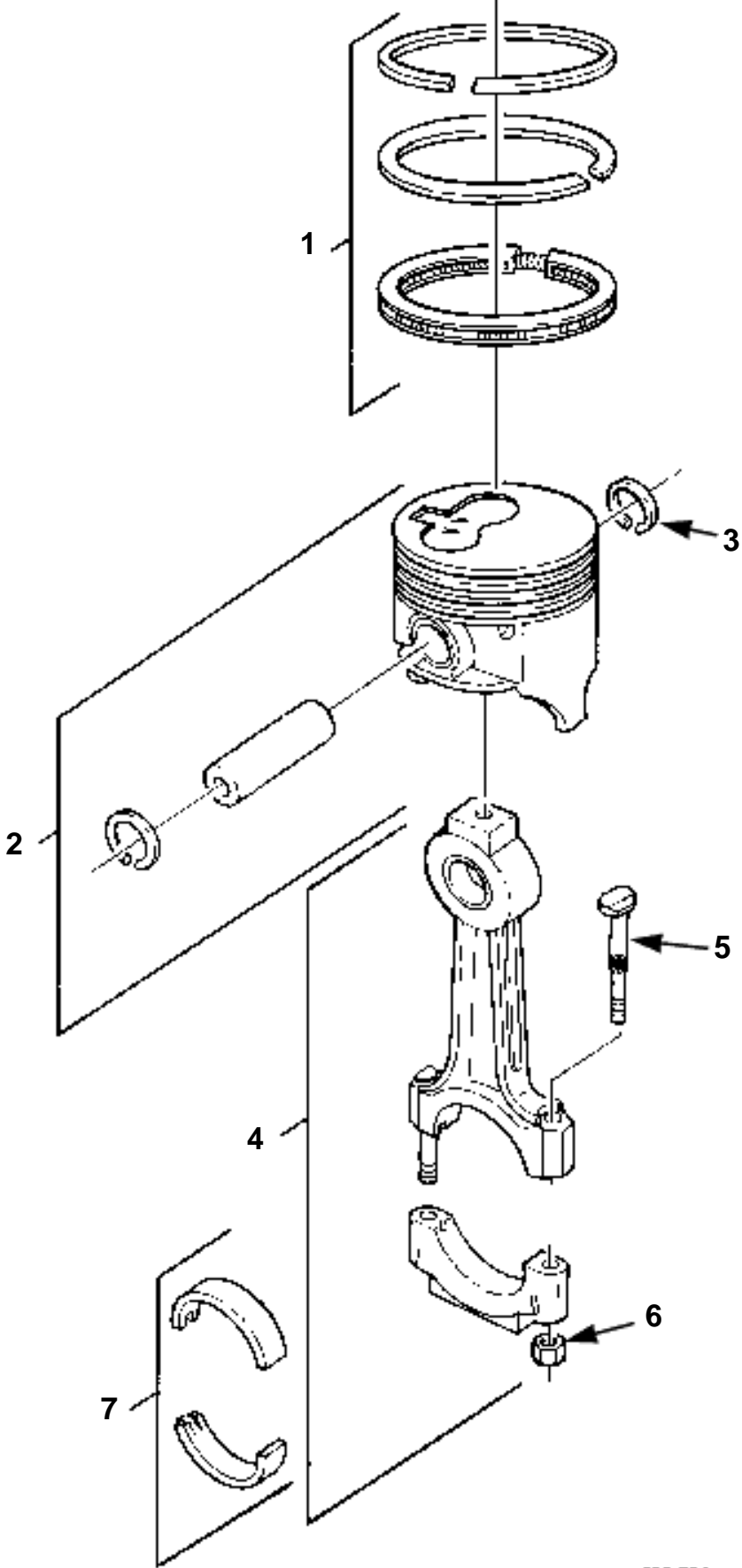
PG2-003

**Crankshaft, Damper, Bearings, Pulley, and Flywheel.**

Item	Part No.	Description	Qty
1	<b>106751</b>	KEY, crankshaft	2
2	<b>5740240</b>	BEARINGS, standard, #1, 2, 4	3
	<b>5740241</b>	BEARING,.013 mm undersized, #1, 2, 4	3
	<b>5740242</b>	BEARING,.026 mm undersized. #1. 2. 4	3
3	<b>5740201</b>	BEARING, standard, #3	1
	<b>5740202</b>	BEARING,.013 mm undersized, #3	1
	<b>5740203</b>	BEARING,.026 mm undersized, #3	1
4	<b>5740204</b>	BEARING, standard, #5	1
	<b>5740205</b>	BEARING,.013 mm undersized, #5	1
	<b>5740206</b>	BEARING,.026 mm undersized, #5	1
5	<b>5740035</b>	PACKING, preformed, crankshaft, SEE NOTE 1	1
	<b>5743226</b>	PACKING, preformed, crankshaft, (1994), SEE NOTE 2	1
6	<b>5740034</b>	CRANKSHAFT, engine	1
	<b>5743227</b>	CRANKSHAFT, engine, (1994)	1
7	<b>5740261</b>	PIN, flywheel	1
8	<b>5740033</b>	DAMPER ASSEMBLY, crankshaft	1
	<b>5743228</b>	DAMPER ASSEMBLY, crankshaft, (1994)	1
9	<b>5740147</b>	WASHER, flat, torsional damper	1
10	<b>5740146</b>	SCREW, torsional damper, M16-1.5 x 50	1
11	<b>12339393</b>	PULLEY, crankshaft	1
	<b>6003069</b>	PULLEY, crankshaft, (1994)	1
12	<b>N/S</b>	BOLT, M10 - 1.5 X 25, HX, FLG, crankshaft pulley	1
	<b>N/S</b>	BOLT, M10 - 1.5 X 65, HVY, HX, FLG, crankshaft pulley, (1994)	1
13	<b>5740037</b>	FLYWHEEL, engine	1
14	<b>5740263</b>	BOLT, flywheel	6

NOTE 1: PART OF GASKET AND SEAL SET P/N 5742120  
PART OF ENGINE OVERHAUL KIT P/N 5740956

NOTE 2: NOTE 1: PART OF GASKET AND SEAL SET P/N  
5743399

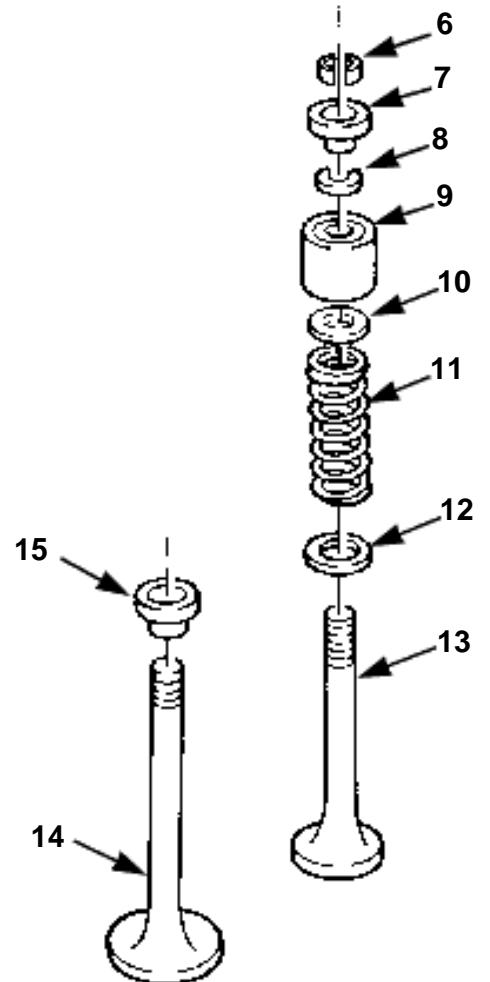
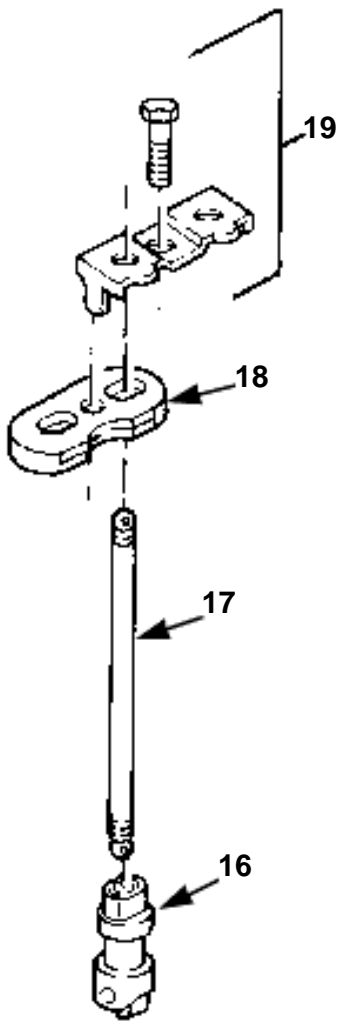
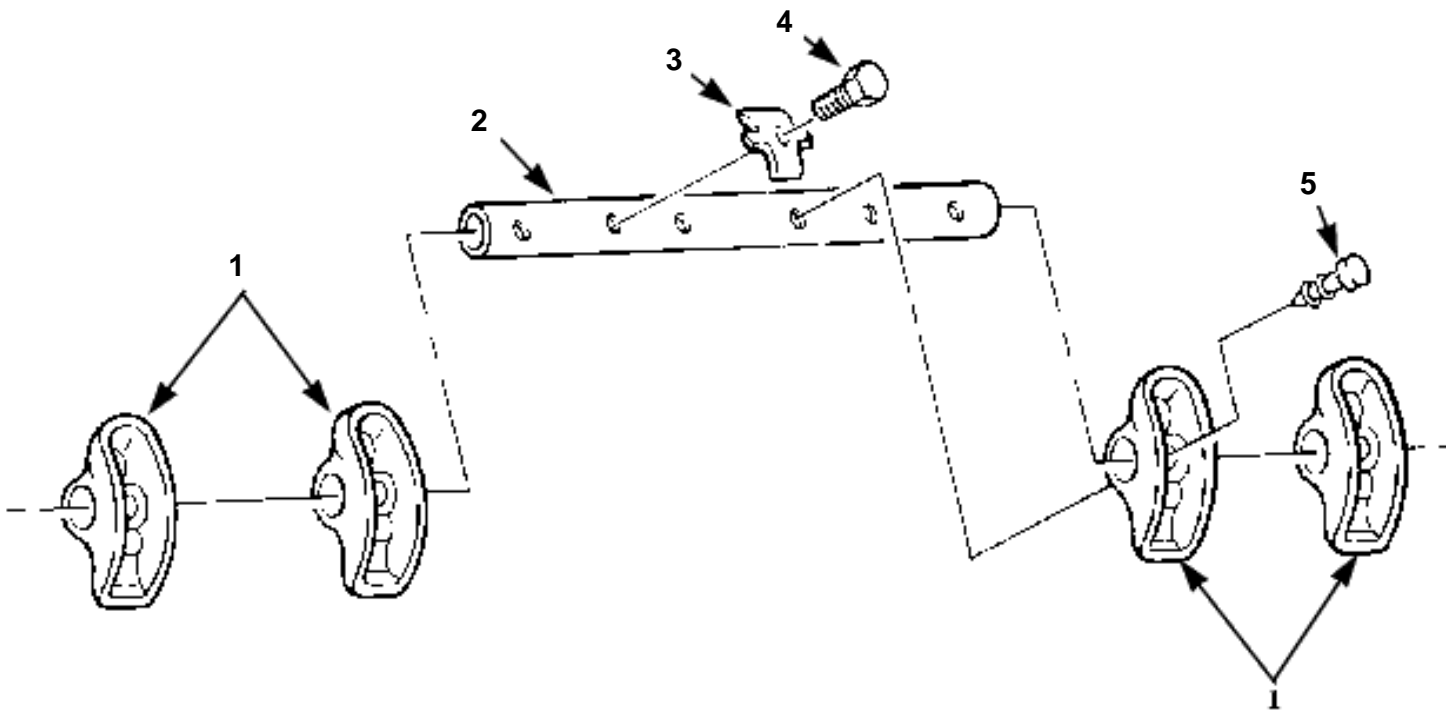


PD2-004

# Piston and Rod Assembly, Rod Assembly and Ring S

**Piston Assembly, Rod Assembly, and Ring Set.**

Item	Part No.	Description	Qty
1	<b>5740198</b>	RING SET, standard	8
	<b>5743280</b>	RING SET, standard (1994)	8
	<b>5740199</b>	RING SET,.5 mm oversized	8
	<b>5743281</b>	RING SET,.5 mm oversized (1994)	8
2	<b>5740065</b>	PISTON, standard	8
	<b>5743282</b>	PISTON, standard (1994)	8
	<b>5740192</b>	PISTON, high limit	8
	<b>5743799</b>	PISTON, 0.5 mm oversized (1994)	8
3	<b>5740158</b>	·RING, retaining	2
4	<b>5740038</b>	CONNECTING ROD, piston	8
5	<b>5740155</b>	·BOLT, connecting rod	2
6	<b>5740156</b>	·NUT, connecting rod	2
7	<b>5740238</b>	BEARING, connecting rod, standard	8
	<b>5740239</b>	BEARING, connecting rod,.026 mm undersized	8



### Valves, Guides and Rocker Arm Assemblies

PO2-005

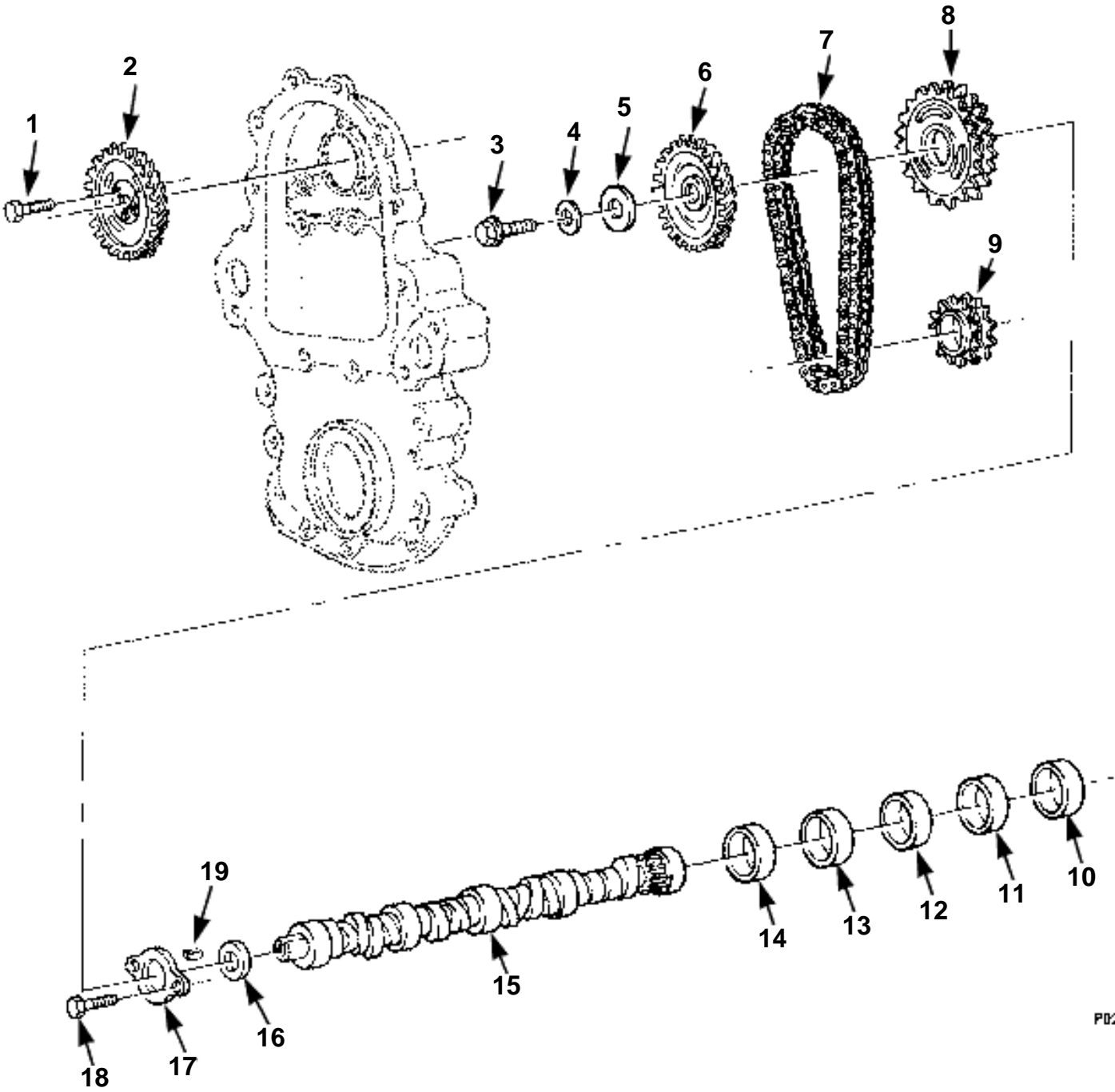
**Valves, Guides, and Rocker Arm Assemblies.**

Item	Part No.	Description	Qty
1	<b>5740132</b>	ROCKER ARM, valve rockers	16
2	<b>5740531</b>	SHAFT, valve rocker arm	4
3	<b>5741045</b>	RETAINER, rocker armshaft	8
4	<b>11508355</b>	BOLT, rocker armshaft	8
5	<b>5741046</b>	RETAINER, rocker arm	16
6	<b>5740270</b>	LOCK, valve spring	32
7	<b>5740180</b>	ROTOR, engine poppet, exhaust valve	8
8	<b>5740266</b>	SEAL INLET, valve stem, SEE NOTE 1 AND 2	16
9	<b>5740153</b>	SPACER, sleeve	16
10	<b>5742095</b>	SEAL, exhaust valve	8
11	<b>5740152</b>	SPRING, valve	16
12	<b>5740130</b>	WASHER, valve spring	16
13	<b>5742115</b>	VALVE, poppet, exhaust, standard	8
	<b>5743283</b>	VALVE, poppet, exhaust, standard (1994)	8
	<b>5742116</b>	VALVE, poppet, exhaust,.089 mm oversized	8
	<b>5743284</b>	VALVE, poppet, exhaust,.089 mm oversized, (1994)	8
	<b>5740197</b>	VALVE, poppet, exhaust,.349 mm oversized)	8
14	<b>5740041</b>	VALVE, poppet, intake, standard	8
	<b>5740194</b>	VALVE, poppet, intake,.089 mm oversized	8
	<b>5740195</b>	VALVE, poppet, intake,.349 mm oversized	8
15	<b>5740131</b>	CAP, intake valve spring	8
16	<b>5740043</b>	TAPPET, hydraulic roller	16
17	<b>5740040</b>	PUSHROD, valve	16
18	<b>5740133</b>	PLATE, guide	8
19	<b>5740134</b>	CLAMP, guide	8

NOTE 1: PART OF CYLINDER HEAD GASKET KIT AND  
SEAL SET P/N 5742119

PART OF ENGINE OVERHAUL KIT P/N 5740956

NOTE 2: NOTE 1:PART OF GASKET SET P/N 5714842



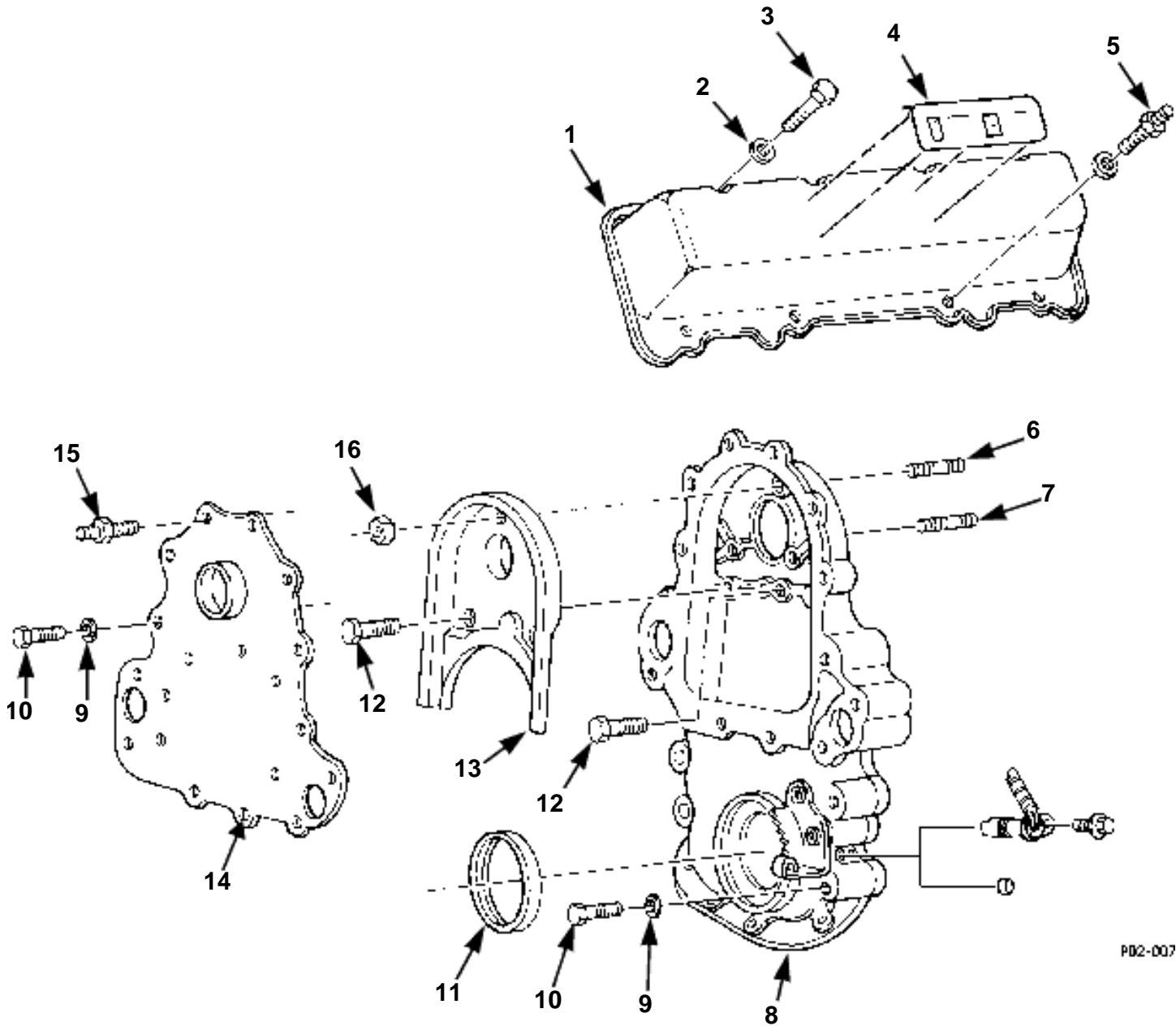
P02-006

# Camshaft, Timing Chain and Related Parts



**Camshaft, Timing Chain, and Related Parts.**

Item	Part No.	Description	Qty
1	<b>5740184</b>	SCREW, fuel injection pump driven gear	3
2	<b>5740139</b>	GEAR, fuel injection pump driven	1
3	<b>11500893P2</b>	SCREW, fuel injection pump drive gear	1
4	<b>5741151</b>	WASHER, fuel injection pump drive gear	1
5	<b>5740137</b>	WASHER, fuel injection pump drive gear	1
6	<b>5740140</b>	GEAR, fuel injection pump drive	1
7	<b>5740046</b>	CHAIN, camshaft timing	1
8	<b>5740044</b>	SPROCKET WHEEL, camshaft	1
9	<b>5740045</b>	SPROCKET WHEEL, crankshaft	1
	<b>5743229</b>	SPROCKET WHEEL, crankshaft (1994)	1
10	<b>5740191</b>	BEARING, camshaft, #5, orange	1
11	<b>5740190</b>	BEARING, camshaft, #4, green	1
12	<b>5740189</b>	BEARING, camshaft, #3, yellow	1
13	<b>5740188</b>	BEARING, camshaft, #2, pink	1
14	<b>5740187</b>	BEARING, camshaft, #1, plain	1
15	<b>5740213</b>	CAMSHAFT, engine	1
16	<b>5740135</b>	SPACER, camshaft sprocket	1
17	<b>5740136</b>	BEARING, camshaft	1
18	<b>11509589</b>	SCREW, thrust bearing	2
19	<b>106751</b>	KEY, camshaft	1



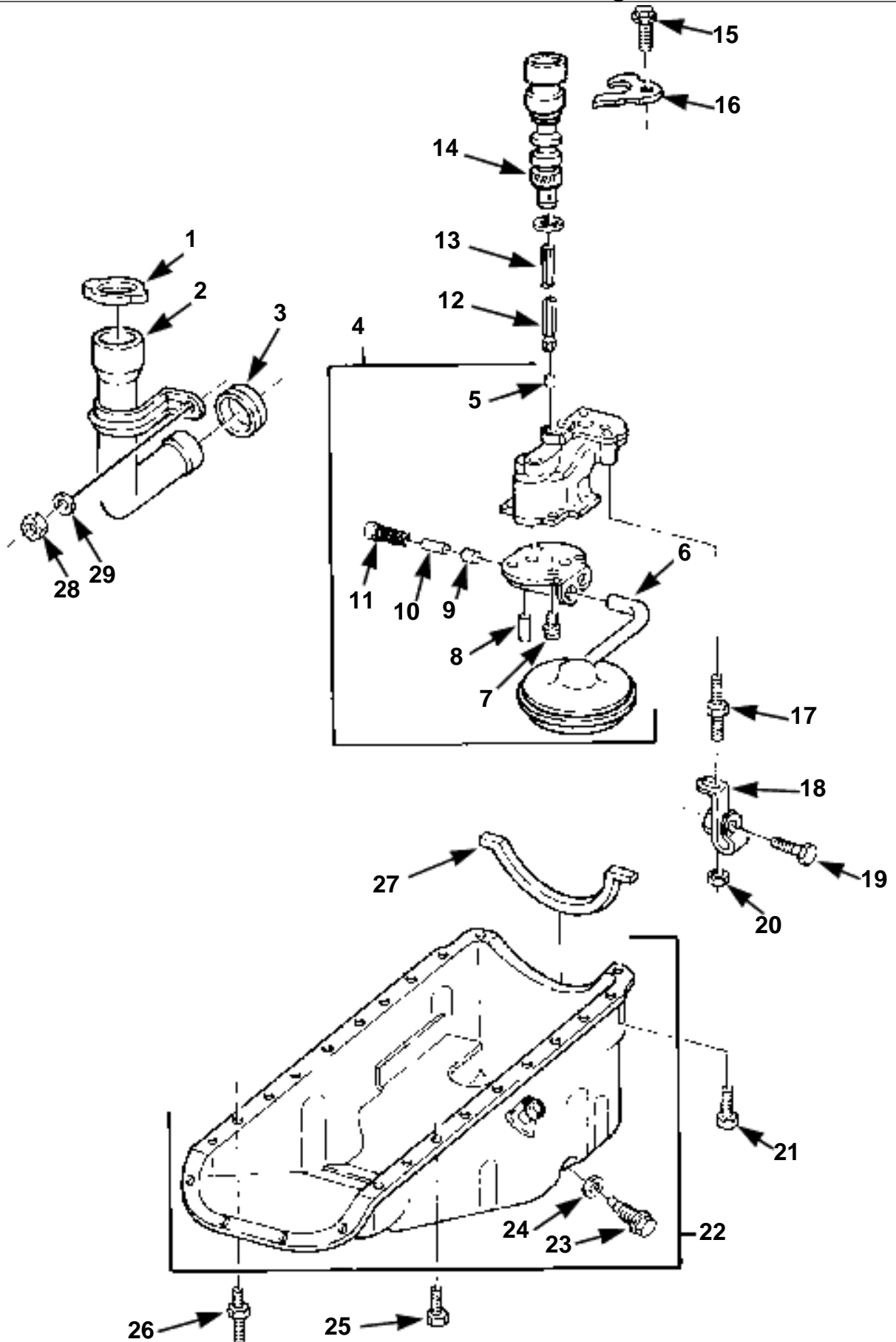
PD2-007

# Crankcase Cover Assembly and Rocker Cover

**Crankcase Cover Assembly and Rocker Cover.**

Item	Part No.	Description	Qty
1	<b>5714138</b>	COVER, rocker arm, R.H.	1
	<b>5740151</b>	COVER, rocker arm, L.H.	1
2	<b>5741153</b>	WASHER, rocker arm cover	7
3	<b>11500914</b>	BOLT, rocker arm cover	7
4	<b>N/A</b>	EMISSIONS LABEL, 1992 engines	1
	<b>N/A</b>	EMISSIONS LABEL, 1993 engines	1
	<b>6003847</b>	EMISSIONS LABEL, 1993 engines, (English/french)	1
	<b>N/A</b>	EMISSIONS LABEL, 1994 engines	1
	<b>N/A</b>	EMISSIONS LABEL, 1994 engines, (English/French)	1
5	<b>5740039</b>	STUD, rocker arm cover	9
6	<b>5740095</b>	STUD, crankcase front cover and injection pump, upper	1
7	<b>5742184</b>	STUD, crankcase front cover and injection pump, lower	2
8	<b>5740182</b>	COVER, crankcase front	1
9	<b>120395</b>	WASHER, crankcase front cover	4
10	<b>11502804</b>	BOLT, crankcase front cover	4
11	<b>5742152</b>	SEAL, crankcase front cover, SEE NOTE 1	1
12	<b>5740181</b>	BOLT, backing plate and front cover	2
13	<b>5740169</b>	BAFFLE, crankcase	1
14	<b>5740150</b>	PLATE, water pump backing, (1993)	1
	<b>5743232</b>	PLATE, water pump backing, (1994)	1
15	<b>5740185</b>	STUD, backing plate and front cover	2
16	<b>11514603</b>	NUT, baffle	1

NOTE 1: PART OF CYLINDER HEAD GASKET KIT AND  
 SEAL SET P/N 5742119  
 PART OF ENGINE OVERHAUL KIT P/N 5740956  
 NOTE 2: NOTE 1:PART OF GASKET SET P/N 5714842



PD2-008

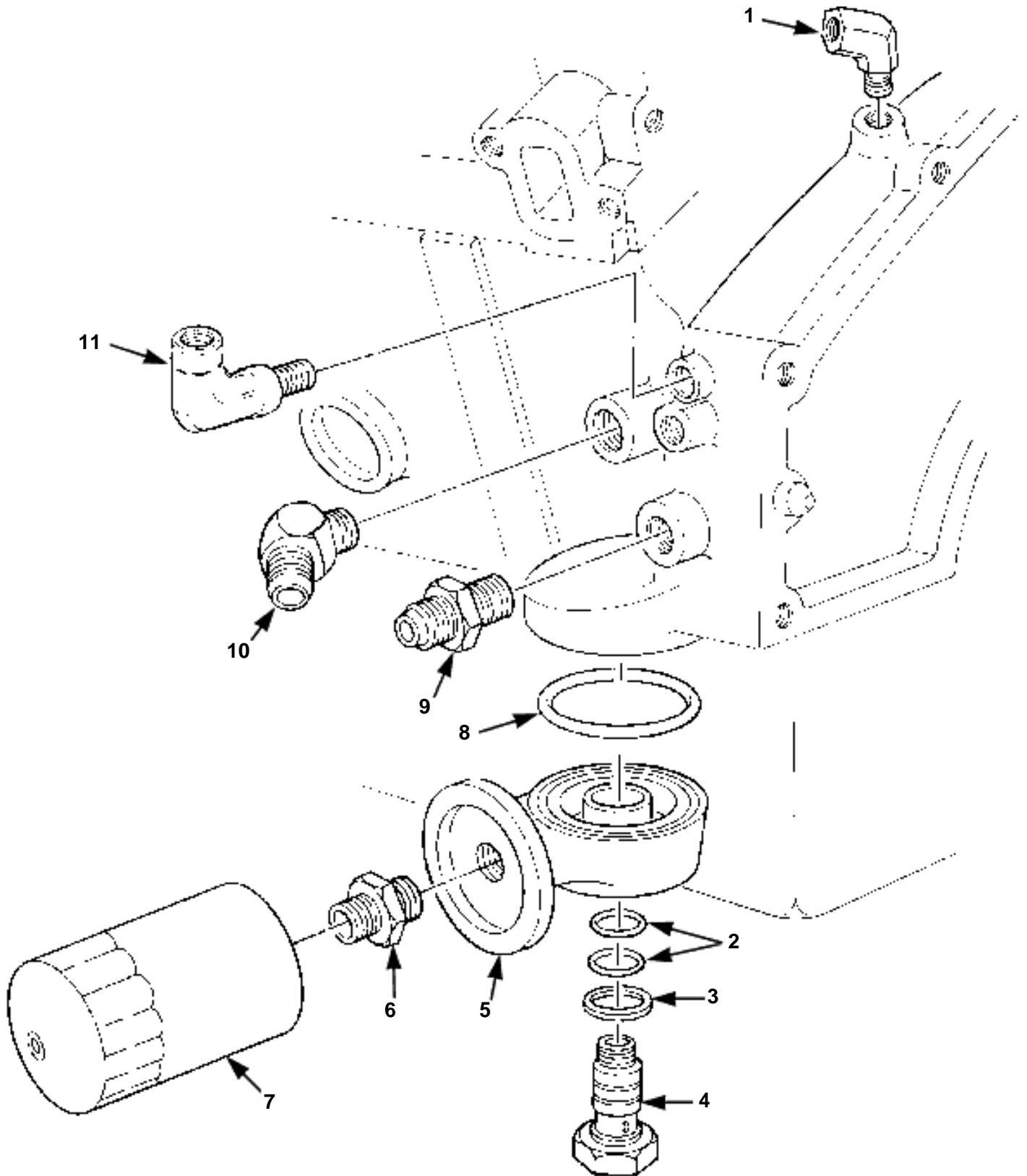
### Engine Oil Pan, Pump and Filler Tube

**Engine Oil Pan, Pump, and Filler Tube.**

Item	Part No.	Description	Qty
1	<b>12339358</b>	CAP, engine oil filler	1
	<b>5743286</b>	CAP, engine oil filler (1994)	1
2	<b>6006826</b>	FILLER NECK, engine oil	1
3	<b>5740161</b>	GROMMET, oil filler tube	1
4	<b>5740541</b>	PUMP AND SCREEN, oil pick up, (1993)	1
	<b>5743233</b>	PUMP AND SCREEN, oil pick up, (1994)	1
5	<b>5740542</b>	·RETAINER, pump assembly	1
6	<b>S.I.A.</b>	·STRAINER, pump assembly	1
7	<b>S.I.A.</b>	·BOLT, oil pump cover	4
8	<b>S.I.A.</b>	·PIN, regulating valve spring stop	1
9	<b>S.I.A.</b>	·DISK, oil pressure regulating valve	1
10	<b>S.I.A.</b>	·VALVE, relief, oil pressure	1
11	<b>S.I.A.</b>	·SPRING, oil pressure regulating valve	1
12	<b>5740148</b>	SHAFT, oil pump	1
13	<b>5740051</b>	GASKET, oil pump drive	1
14	<b>5742658</b>	OIL PUMP DRIVE ASSEMBLY	1
	<b>5743234</b>	OIL PUMP DRIVE ASSEMBLY (1994)	1
15	<b>5740181</b>	BOLT, oil pump drive	1
16	<b>5740138</b>	CLAMP, oil pump drive assembly	1
17	<b>5740244</b>	STUD, oil pump assembly	1
18	<b>5741613</b>	CLAMP, oil pickup tube	1
19	<b>11515758</b>	BOLT, oil pickup tube	1
20	<b>11506101</b>	NUT, oil pickup tube bracket	1
21	<b>5740085</b>	BOLT, engine oil pan	2
22	<b>5588022</b>	OIL PAN, engine (1993)	1
	<b>5743236</b>	OIL PAN, engine, (1994) PRE VIN No.154278	1
	<b>5743794</b>	OIL PAN, engine, (1994) POST VIN No. 154277	1
23	<b>5741081</b>	·PLUG, engine oil pan	1
24	<b>MS35769-9</b>	·GASKET, engine oil drainplug	1
25	<b>5740084</b>	SCREW, engine oil pan	20
26	<b>5591286</b>	STUD, engine oil pan	2
27	<b>5740048</b>	SEAL, engine oil pan, rear	1
	<b>5743235</b>	SEAL, engine oil pan, rear	1
28	<b>5740247</b>	NUT, oil filler neck	2
29	<b>N/S</b>	WASHER, flat, 1/4", oil filler neck	2

NOTE 1: PART OF CYLINDER HEAD GASKET KIT AND  
SEAL SET P/N 5742119  
PART OF ENGINE OVERHAUL KIT P/N 5740956

NOTE 2: PART OF OIL PAN SET 5743400

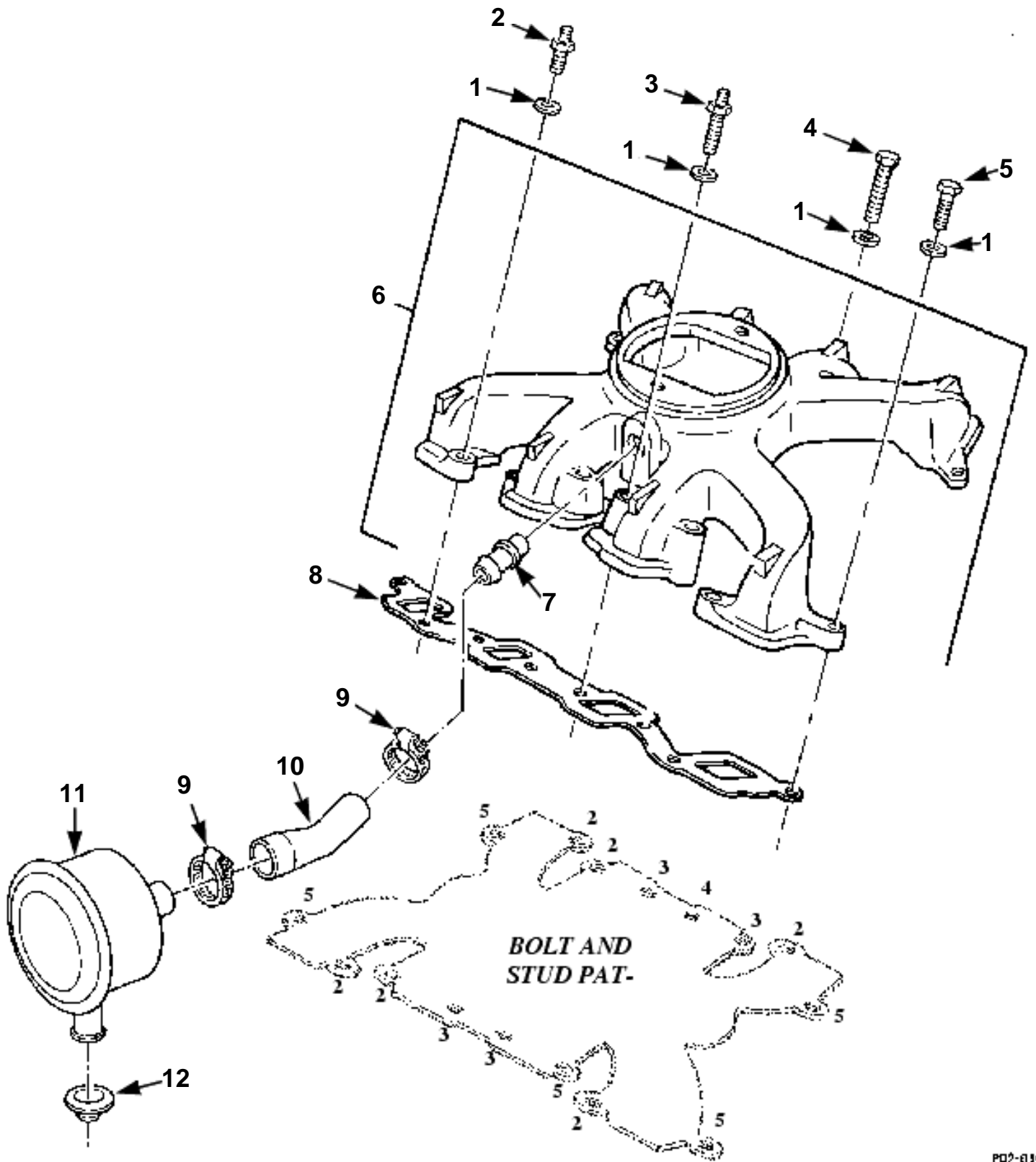


PC2-009

## Oil Filter, Adapter and Oil Line Fittings

**Oil Filter, Adapter, and Oil Line Fittings.**

Item	Part No.	Description	Qty
1	<b>454097</b>	ELBOW, oil pressure sensor	1
2	<b>MS28775-20</b>	PACKING, oil filter adapter bolt	2
3	<b>12339409</b>	GASKET, oil filter adapter bolt	1
4	<b>EC12339410</b>	BOLT, fluid passage	1
5	<b>12338780</b>	BRACKET, filter mount	1
6	<b>12339405</b>	REDUCER, oil filter adapter	1
7	<b>5715388</b>	FILTER, FLUID, engine oil	1
8	<b>MS28775-236</b>	PACKING, oil filter adapter	1
9	<b>12338778</b>	ADAPTER, oil cooler outlet hose	1
10	<b>12338776</b>	ELBOW, 37 Deg flare	1
11	<b>6000272</b>	ELBOW, oil pressure switch	1



P02-010

**Air Intake Manifold, Crankcase Depression Regulator Valve,  
and Mounting Hardware**

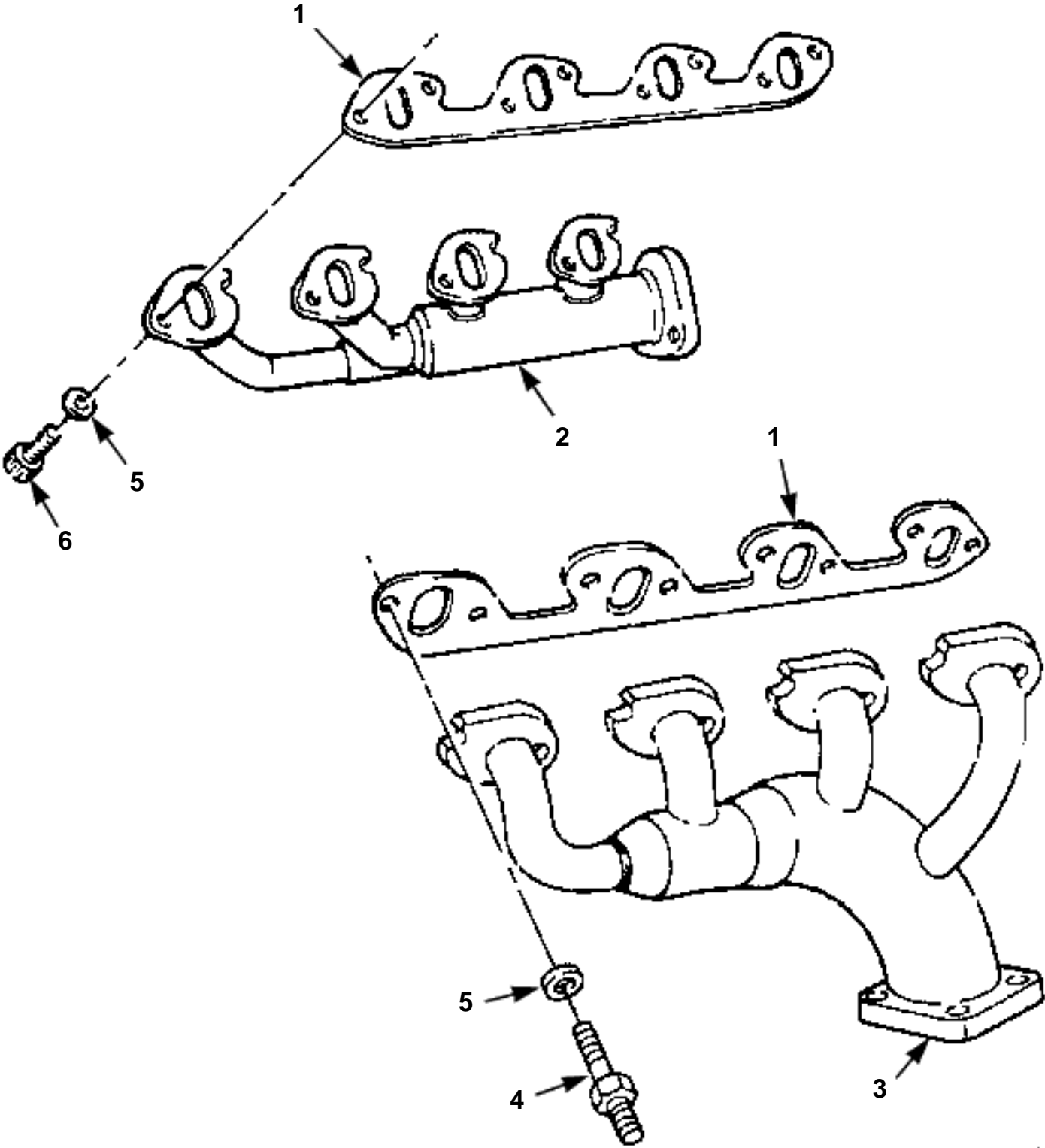


**Air Intake manifold, Crankcase Depression Regulator Valve, and M**

Item	Part No.	Description	Qty
1	<b>2436164</b>	WASHER, flat	16
2	<b>12339406-2</b>	STUD, intake manifold	6
3	<b>5740053</b>	STUD, intake manifold	4
4	<b>11509265</b>	SCREW, cap, hexagon	1
5	<b>5740181</b>	BOLT, self-locking	5
6	<b>5740057</b>	MANIFOLD, intake	1
7	<b>5741614</b>	·ADAPTER, straight	1
8	<b>5714850</b>	GASKET KIT, SEE NOTES 1 AND 2	2
9	<b>11608950-5</b>	CLAMP, CDR valve hose	2
10	<b>5742652</b>	HOSE, preformed, CDR valve to air intake manifold	1
11	<b>5714132</b>	SENSOR, air charged	1
12	<b>5714233</b>	GROMMET, CDR valve mounting	1

NOTE 1: PART OF CYLINDER HEAD GASKET KIT AND  
SEAL SET P/N 5742119

NOTE 2: NOTE 1:PART OF GASKET SET P/N 5714842

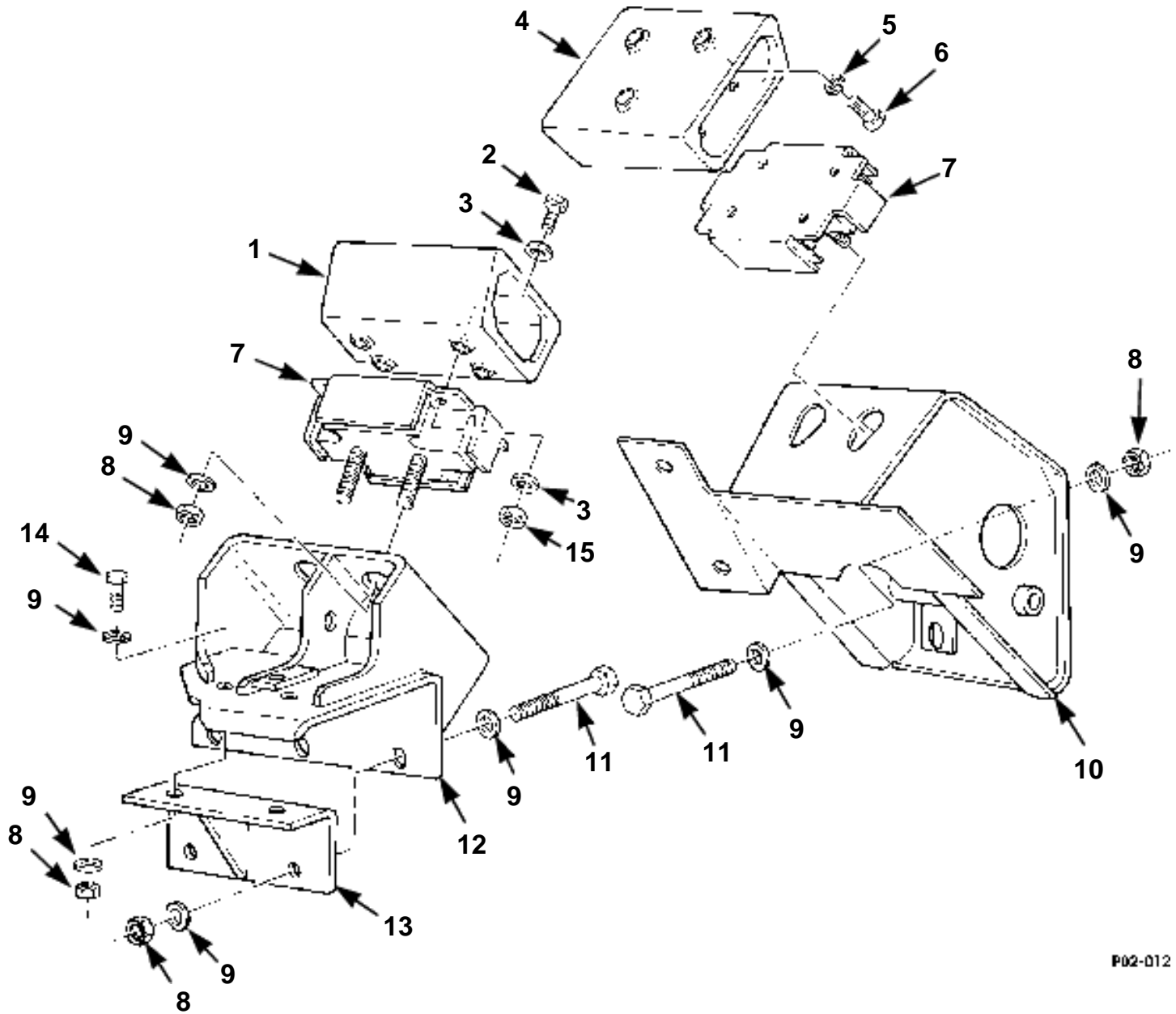


P02-011

### Exhaust Manifolds

**Exhaust Manifolds.**

Item	Part No.	Description	Qty
1	<b>12339414</b>	GASKET, exhaust manifold	2
2	<b>12338788</b>	MANIFOLD, exhaust, R.H.	1
3	<b>12338787</b>	MANIFOLD, exhaust, L.H.	1
4	<b>12339406-4</b>	STUD, exhaust manifold, L.H.	1
5	<b>N/S</b>	WASHER, M10, narrow	16
6	<b>12339239-1</b>	SCREW, exhaust manifold	15

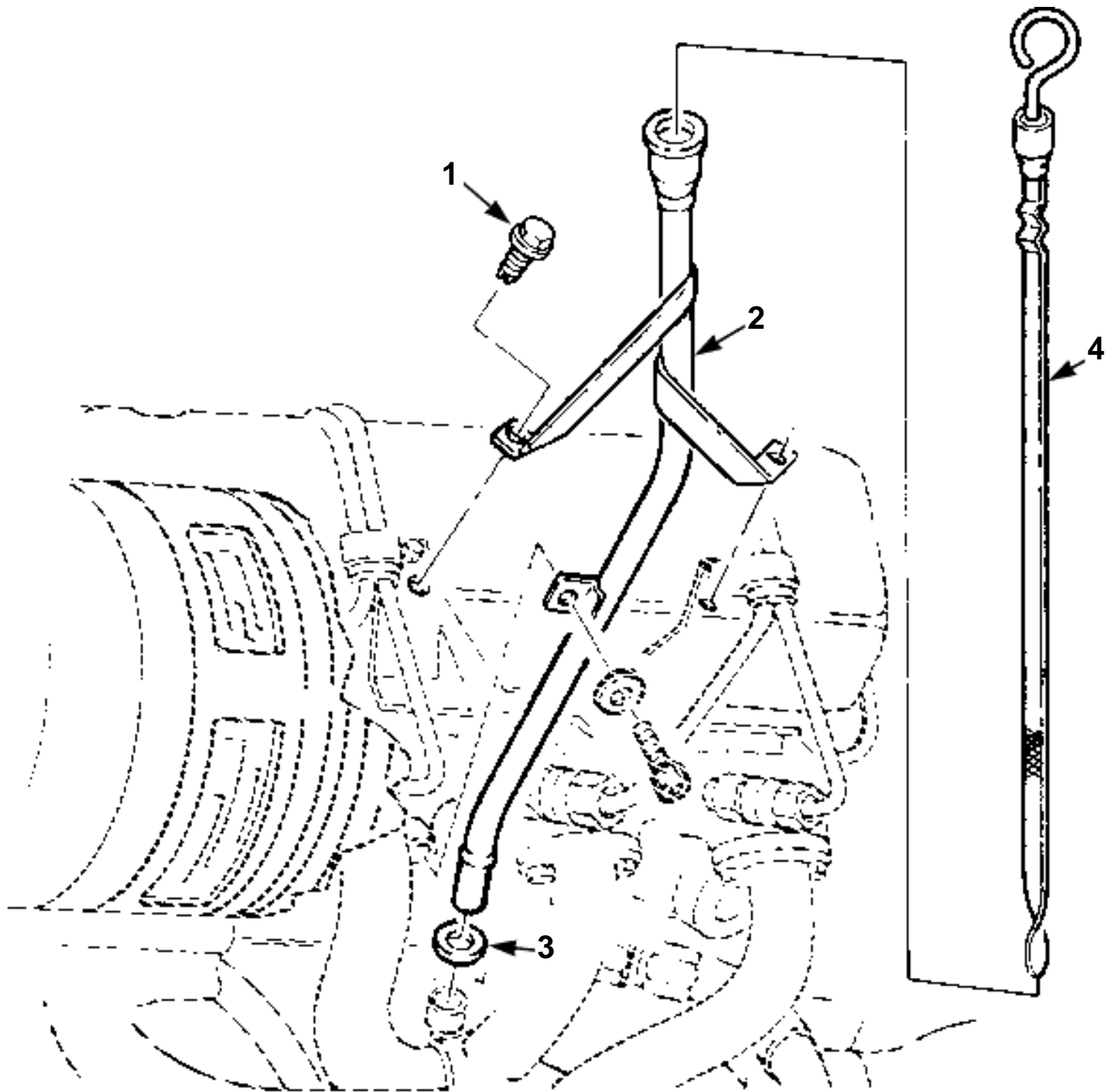


P02-012

## Engine Mounting Brackets

HUMMER H1 1994 Parts Catalog  
**Engine Mounting Brackets.**

Item	Part No.	Description	Qty
1	<b>12339133</b>	BRACKET, engine block to insulator, R.H.	1
2	<b>MS90728-62</b>	SCREW, insulator to engine mount	8
3	<b>2436163</b>	WASHER, flat	16
4	<b>12339132</b>	BRACKET, engine block to insulator, L.H.	1
5	<b>MS35338-46</b>	LOCKWASHER, engine mount	6
6	<b>MS90728-60</b>	SCREW, engine mount	6
7	<b>12339179</b>	MOUNT, resilient	2
8	<b>MS51943-39</b>	NUT, engine mount	13
9	<b>2436165</b>	WASHER, flat	22
10	<b>EC12338205B1</b>	BRACKET, frame to insulator	1
11	<b>N/S</b>	SCREW, 1/2 - 13 x 4 1/2, Gr8, DT, engine mount	7
12	<b>EC12338183B1</b>	BRACKET, frame to insulator, R.H.	1
13	<b>EC12338163B1</b>	BRACKET, engine mount	1
14	<b>MS90728-111</b>	SCREW, bracket to engine mount	2
15	<b>MS51943-35</b>	NUT, insulator to engine mount	8

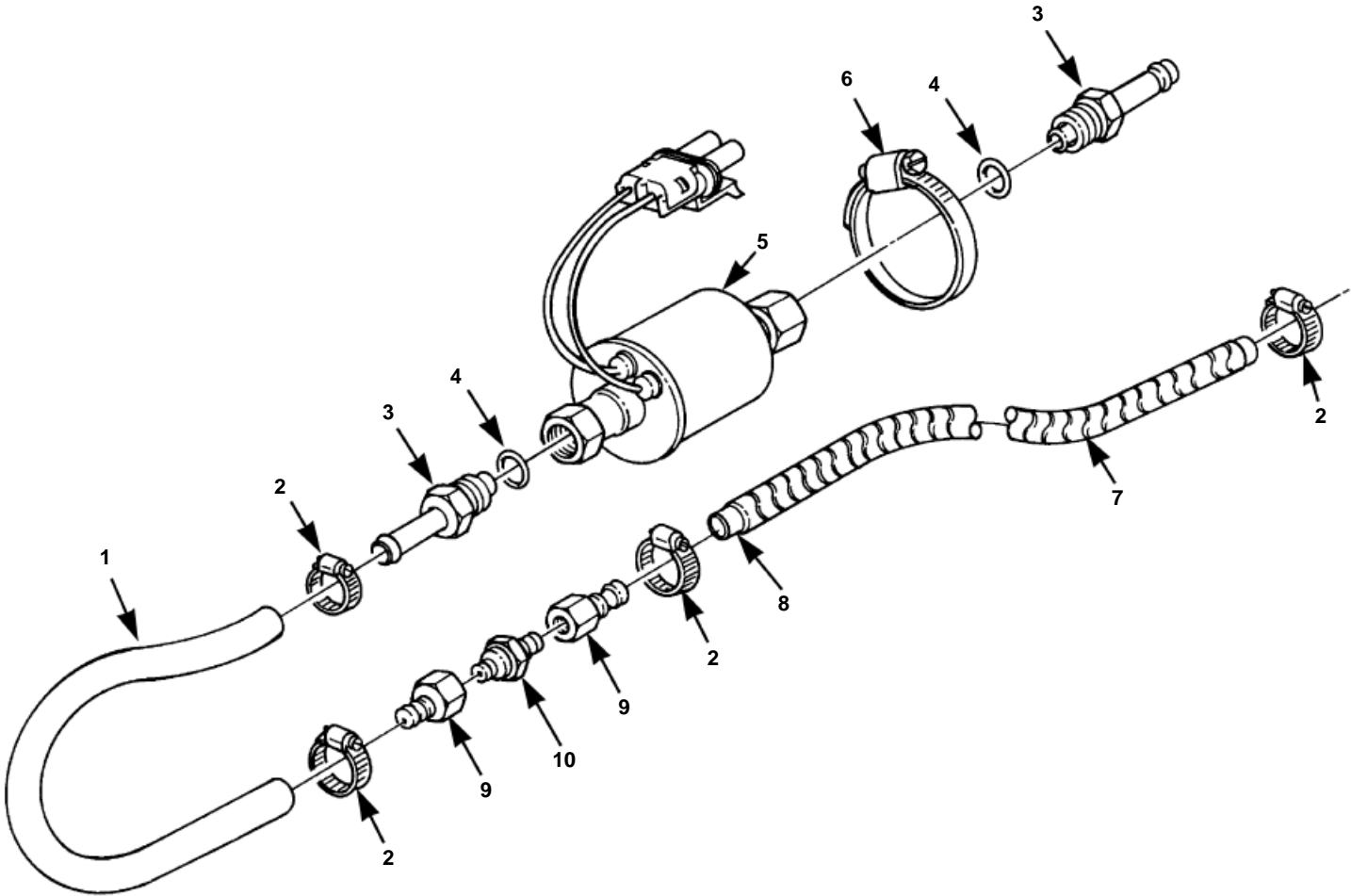


PC2-D13

### Engine Oil Dipstick and Tube Assembly

**Engine Oil Dipstick and Tube Assembly.**

Item	Part No.	Description	Qty
1	<b>12340515</b>	SCREW, engine oil dipstick tube	2
	<b>5741162</b>	SCREW, engine oil dipstick tube (1994) (not illustrated)	2
2	<b>5743292</b>	TUBE, dipstick PRE VIN No.154278 (not illustrated)	1
	<b>12339170</b>	TUBE ASSEMBLY, engine oil dipstick, POST VIN No. 154277	1
3	<b>274244</b>	O-RING, tube assembly	1
4	<b>5743291</b>	DIPSTICK, engine oil level PRE VIN No.154278(not illustrated)	1
	<b>6002645</b>	DIPSTICK, engine oil level POST VIN No. 154277	1
	<b>6003863B1</b>	BRACKET, tube support, (1994) (not illustrated)	1



P03-00

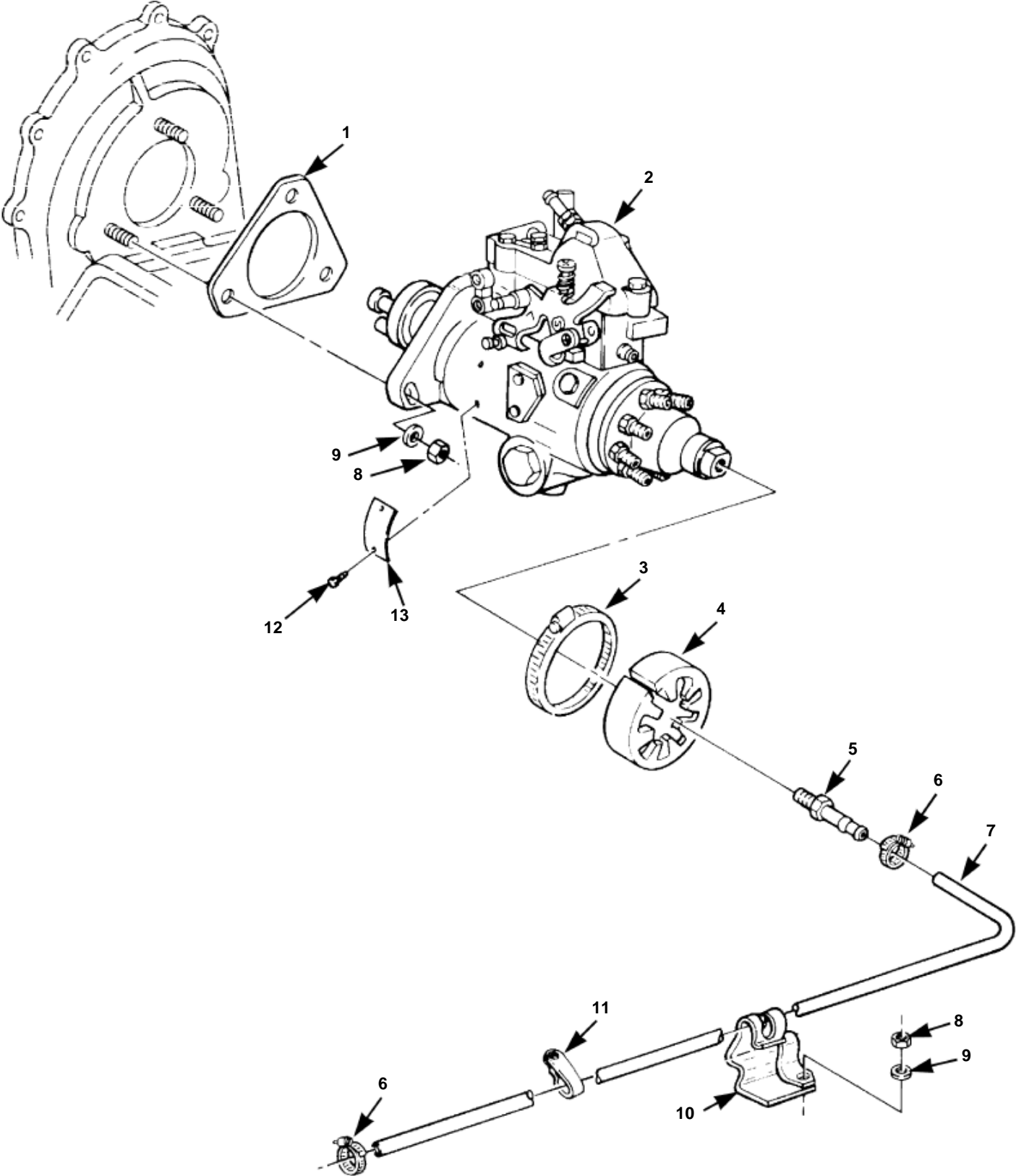
### Fuel Pump and Mounting Hardware



**Fuel Pump and Mounting Hardware.**

Item	Part No.	Description	Qty
1	<b>N/S</b>	HOSE, filter to pump, 12-inch, SEE NOTE 1	1
2	<b>N/S</b>	CLAMP, #16 (3/8 - 3/4"), fuel hose	4
3	<b>5939725</b>	TUBE ASSEMBLY, fuel line adapter	2
4	<b>12340395</b>	SEAL, O-ring	2
5	<b>6010682</b>	FUEL PUMP ASSEMBLY	1
6	<b>N/S</b>	CLAMP, (1 1/4 - 2 1/4"), fuel pump	1
7	<b>5742924</b>	WRAP, spiral, 5-inch	1
	<b>6004436</b>	WRAP, spiral, 5-inch (1994)	1
8	<b>6001262</b>	HOSE, fuel filter inlet, 5-inch	1
9	<b>12342951-2</b>	CONNECTOR	2
10	<b>12342953-2</b>	CHECK VALVE	1

NOTE 1: MAKE FROM BULK HOSE, 25' ROLL  
P/N 5741067



P03-002

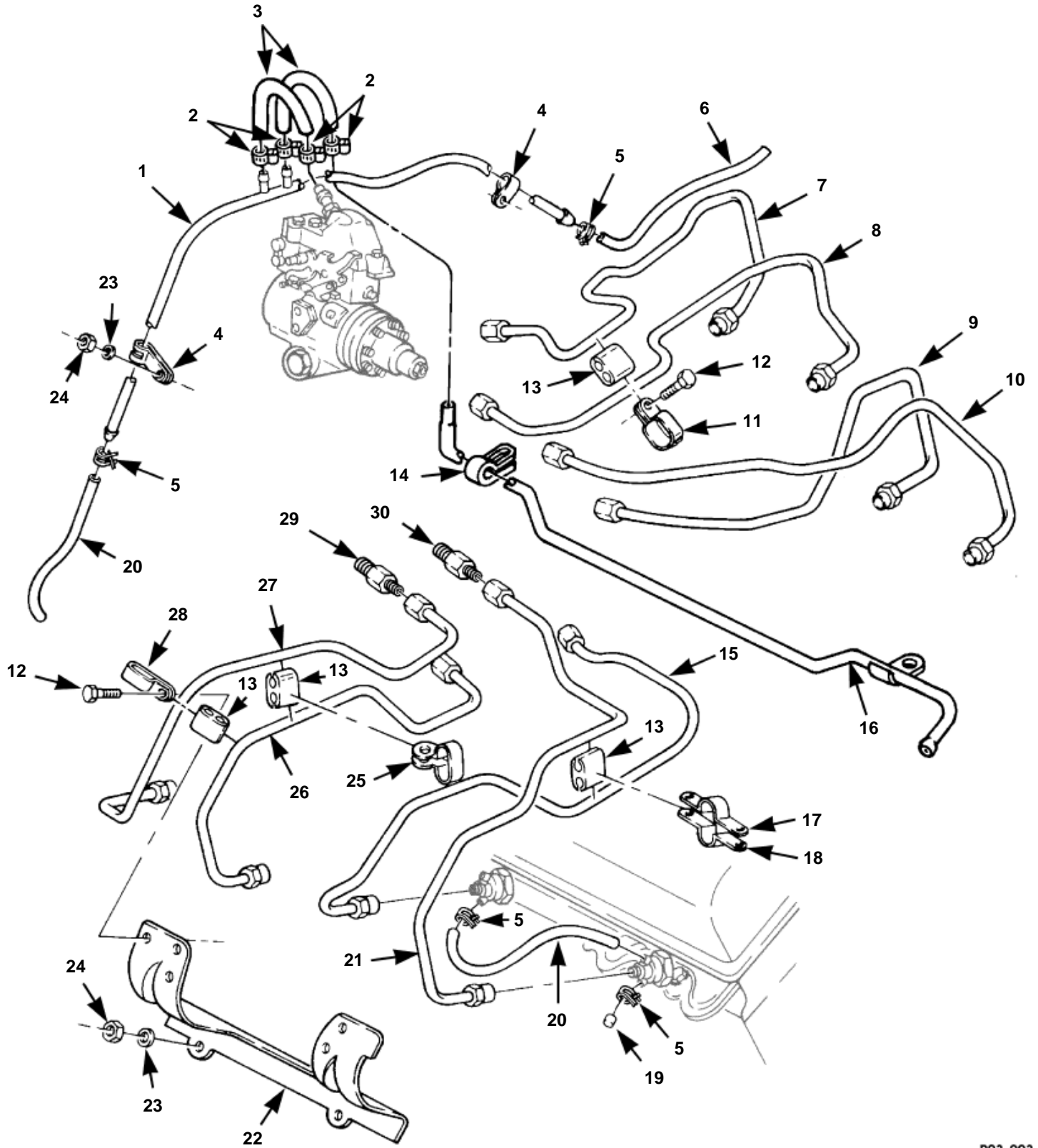
### Fuel Injection Pump and Fuel Filter Lines

**Fuel Injection Pump and Fuel Filter Lines.**

Item	Part No.	Description	Qty
1	<b>5740059</b>	GASKET, fuel injection pump, SEE NOTE 1	1
2	<b>5742549</b>	PUMP, fuel injection	1
	<b>5743237</b>	PUMP, fuel injection (1994)	1
	<b>5744365</b>	PUMP, fuel injection (1994 rebuilt)	1
3	<b>N/S</b>	CLAMP, fuel injection pump boot	1
4	<b>12339491-1</b>	BOOT, fuel injection pump	1
5	<b>5593885</b>	TUBE, fuel injection pump, outlet	1
6	<b>N/S</b>	CLAMP, (1/4" - 1/2"), fuel filter inlet tube	2
7	<b>N/S</b>	HOSE, 3/8-inch, fuel filter outlet, SEE NOTE 2	1
8	<b>N/S</b>	NUT, 8mm - 1.25, fuel injection pump	4
9	<b>N/S</b>	WASHER, flat, 1/4", fuel injection pump	4
10	<b>5741160</b>	CLAMP, fuel filter inlet and outlet lines	1
11	<b>5740167</b>	CLAMP, fuel filter inlet tube	1
12	<b>5740567</b>	SCREW, fuel injection pump nameplate	2
13	<b>5740568</b>	PLATE, identification	1

NOTE 1: PART OF ENGINE GASKET KIT P/N 5742120.

NOTE 2: MAKE FROM BULK HOSE, 1/4" DIA., 25' ROLL  
P/N 5741068.



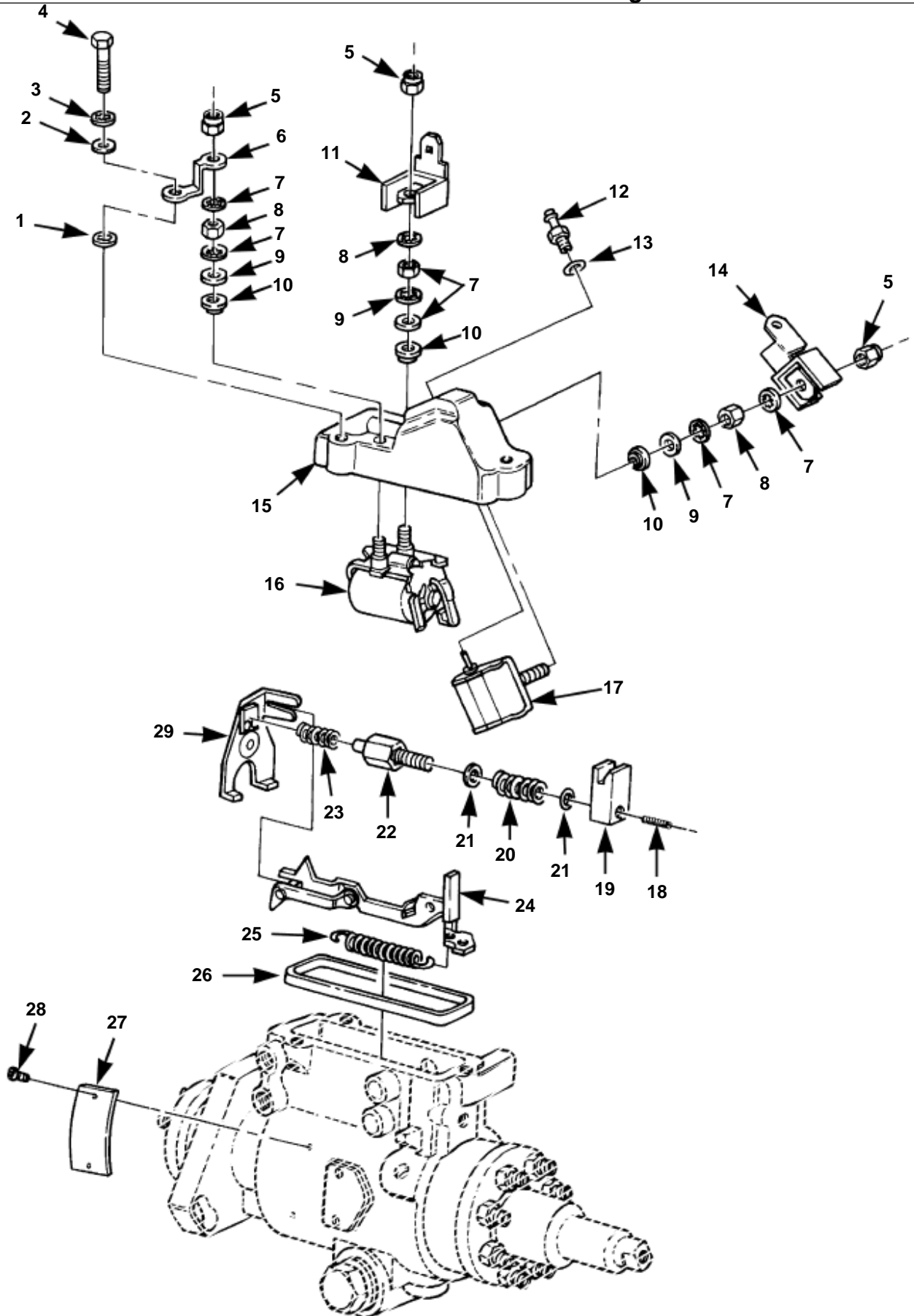
P03-003

### Fuel Injection Supply and Return Lines

**Fuel Injection Supply and Return Lines.**

Item	Part No.	Description	Qty
1	<b>5939996</b>	TUBE, fuel drain	1
	<b>5742675</b>	TUBE, fuel drain (1994)	1
2	<b>N/S</b>	CLAMP, (1/4 - 1/2")	4
3	<b>N/S</b>	HOSE, 7-inch, fuel drain, SEE NOTE 1	2
4	<b>5740171</b>	CLAMP, fuel drain	2
5	<b>5741895</b>	CLAMP, fuel drain tube	18
	<b>5740172</b>	CLAMP, fuel drain tube (1994)	18
6	<b>5740211</b>	TUBING, fuel drain pipe, right side	1
7	<b>5742551</b>	TUBE, pump to injector, #2 cylinder	1
8	<b>5742553</b>	TUBE, pump to injector, #4 cylinder	1
9	<b>5742555</b>	TUBE, pump to injector, #6 cylinder	1
10	<b>5742557</b>	TUBE, pump to injector, #8 cylinder	1
11	<b>5740179</b>	CLAMP, fuel injection tube	4
12	<b>5741162</b>	SCREW, fuel injection tube clamp	8
13	<b>5740537</b>	INSERT, fuel injection tube clamp	12
14	<b>5742767</b>	CLAMP, fuel drain tube	1
15	<b>5742554</b>	TUBE, pump to injector, #5 cylinder	1
16	<b>5742675</b>	TUBE ASSEMBLY, fuel drain return	1
17	<b>5740175</b>	STRAP, fuel injection tube, upper	3
18	<b>5740176</b>	STRAP, fuel injection tube, lower	3
19	<b>5740210</b>	CAP, fuel injection nozzle	2
20	<b>N/S</b>	HOSE, 7-inch, fuel drain, SEE NOTE 1	2
21	<b>5742556</b>	TUBE, pump to injector, #7 cylinder	1
22	<b>5742564</b>	BRACKET, fuel injection lines, R.H.	1
	<b>5742118</b>	BRACKET, fuel injection lines, L.H.	1
	<b>5743288</b>	BRACKET, fuel injection lines, L.H. (1994)	1
23	<b>N/S</b>	WASHER, flat, 1/4", fuel drain	5
24	<b>N/S</b>	NUT, 8mm - 1.25, fuel drain	5
25	<b>5740178</b>	CLAMP, fuel injection tube	1
26	<b>5742552</b>	TUBE, pump to injector, #3 cylinder	1
27	<b>5742550</b>	TUBE, pump to injector, #1 cylinder	1
28	<b>5740536</b>	CLAMP, fuel injection tube	4
29	<b>5743765</b>	SENSOR, time-trac, #1 cyl	1
30	<b>5742452</b>	CONNECTOR, fuel line to pump	7

NOTE 1: MAKE FROM BULK HOSE, 1/4" DIA. ,25' ROLL  
P/N 5741163



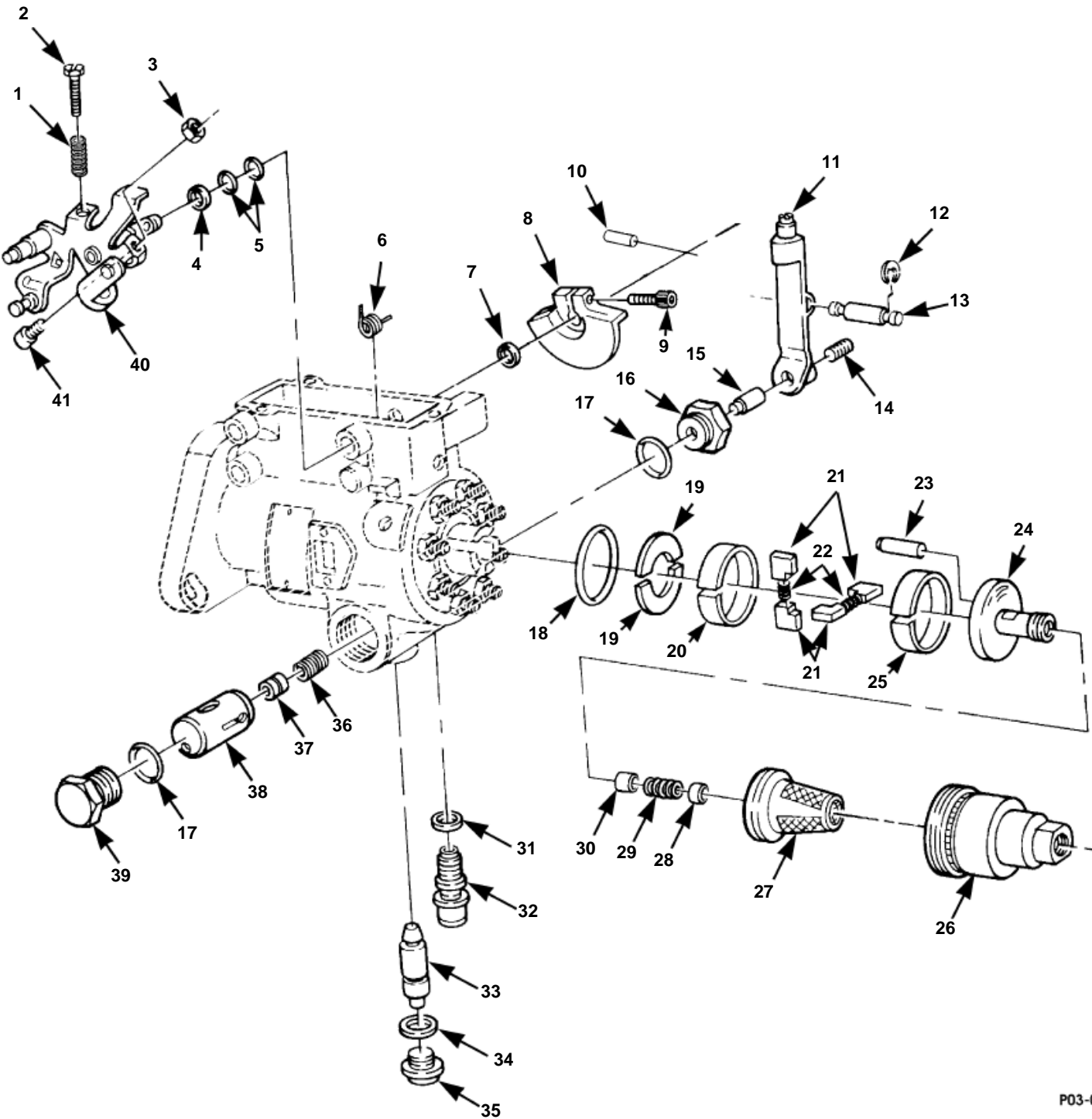
Fuel Injection Pump Cover Assembly,  
Governor Linkage, and Related Parts

P03-004

**Fuel Injection Pump Cover Assembly, Governor Linkage, and Relate**

Item	Part No.	Description	Qty
1	<b>5740665</b>	LOCKWASHER	1
2	<b>5740569</b>	WASHER, fuel injection pump cover	3
3	<b>5740554</b>	LOCKWASHER, fuel injection pump cover	3
4	<b>5740553</b>	SCREW, fuel injection pump cover	3
5	<b>5740671</b>	LOCKNUT	3
6	<b>5740664</b>	STRAP, terminal	1
7	<b>5740673</b>	LOCKWASHER	6
8	<b>5740666</b>	NUT	3
9	<b>5740667</b>	WASHER	3
10	<b>5740674</b>	WASHER, SEE NOTE 1	3
11	<b>57432648</b>	SPADE LUG, shutoff solenoid	1
12	<b>5742634</b>	CONNECTOR, return line	1
13	<b>5740556</b>	PACKING, SEE NOTE 1	1
14	<b>5742649</b>	SPADE LUG, cold advance solenoid	1
15	<b>5742631</b>	COVER	1
16	<b>5742632</b>	SOLENOID, shutoff	1
17	<b>5742633</b>	SOLENOID, cold advance	1
18	<b>5742124</b>	SPRING, governor inner	1
19	<b>5740627</b>	BLOCK ASSEMBLY	1
20	<b>5742126</b>	SPRING, governor outer	1
21	<b>5740625</b>	WASHER	2
22	<b>5742127</b>	PUSHROD ASSEMBLY, governor	1
23	<b>5740616</b>	SPRING, governor, idling	1
24	<b>5740693</b>	HOOK ASSEMBLY	1
25	<b>5742635</b>	SPRING	1
26	<b>5740072</b>	GASKET, SEE NOTE 1	1
27	<b>5740568</b>	IDENTIFICATION PLATE	1
28	<b>5740567</b>	SCREW, identification plate	2
29	<b>5740617</b>	ARM	1

NOTE 1: PART OF FUEL INJECTION GASKET OVER-  
HAUL KIT P/N 5742010



P03-005

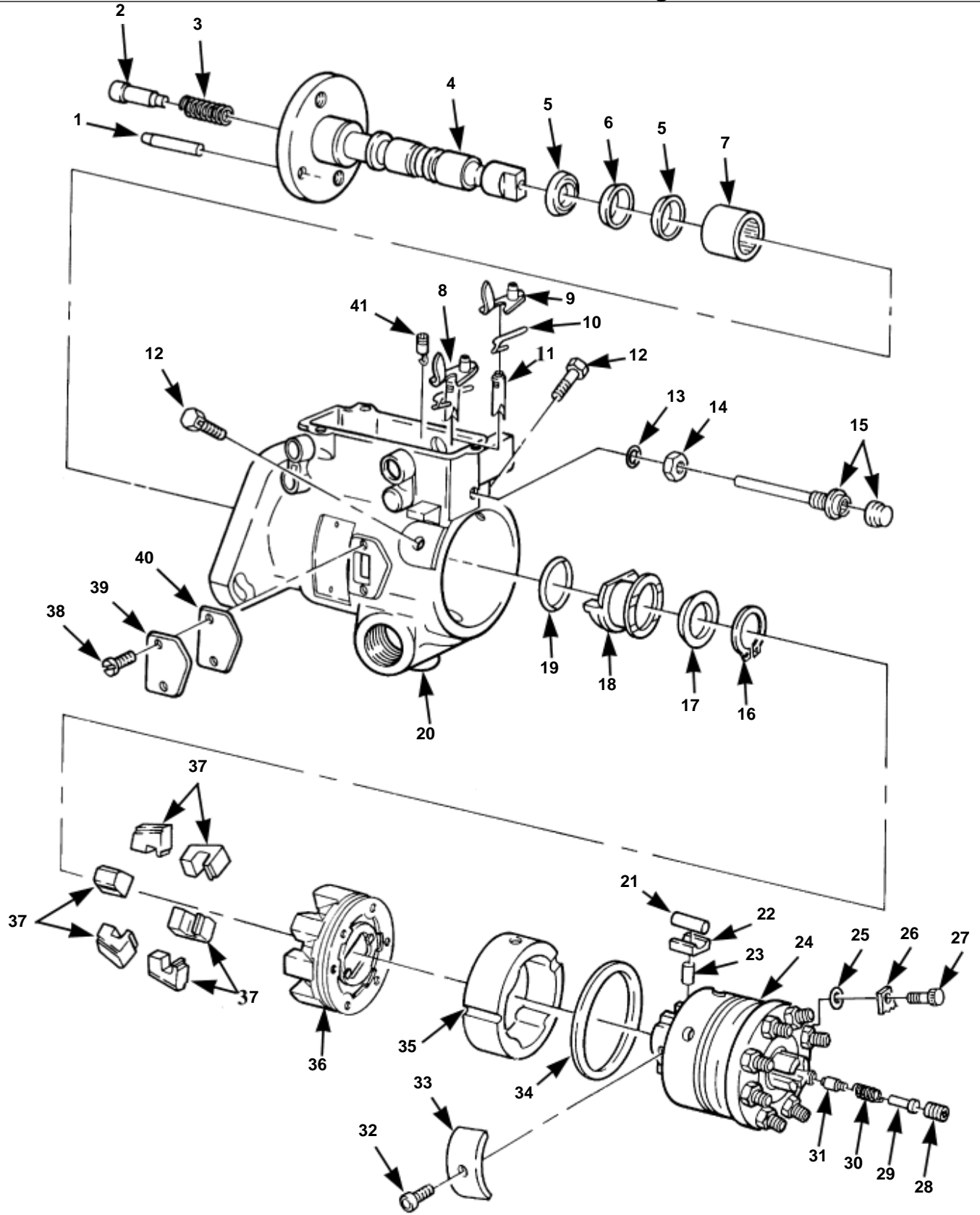
Fuel Injection Pump Throttle Shaft, Regulator,  
Transfer Pump, and Related Parts



**Fuel Injection Pump Throttle Shaft, Regulator, Transfer Pump, an**

Item	Part No.	Description	Qty
1	<b>5740637</b>	SPRING, low idle screw	1
2	<b>5740636</b>	SCREW, low idle	1
3	<b>5740635</b>	NUT, max. throttle travel	1
4	<b>5740634</b>	SPACER, throttle shaft	1
5	<b>5740645</b>	SEAL, throttle shaft, SEE NOTE 1	2
6	<b>5742128</b>	SPRING, governor, thrust	1
7	<b>5742636</b>	SEAL WASHER, throttle shaft, SEE NOTE 1	1
8	<b>5740644</b>	CAM, face, fuel injection pump	1
9	<b>5740642</b>	SCREW, face, cam	1
10	<b>5740643</b>	PIN, drive, SEE NOTE 1	1
11	<b>5740655</b>	LEVER, rocker, fuel injection pump	1
12	<b>5740657</b>	RETAINING RING, rocker lever	2
13	<b>5740656</b>	PIN, rocker level	1
14	<b>5740658</b>	SETSCREW, servo advance adjust	1
15	<b>5740647</b>	PLUNGER, servo advance	1
16	<b>5742445</b>	PLUG, piston hole	1
17	<b>5740653</b>	SEAL, drain plug, piston hole, SEE NOTE 1	2
18	<b>5740599</b>	SEAL, ring, transfer pump, SEE NOTE 1	1
19	<b>5740607</b>	RETAINER, rotor, fuel injection pump	2
20	<b>5740608</b>	LINER, transfer pump	1
21	<b>5740609</b>	BLADE, transfer pump, standard	4
	<b>5740610</b>	BLADE, transfer pump, oversized,.001	4
22	<b>5740600</b>	SPRING, transfer pump blade	2
23	<b>5740601</b>	PIN, transfer pump	1
24	<b>5742446</b>	REGULATOR, transfer pump	1
25	<b>5740611</b>	RETAINING RING, lining	1
26	<b>5742447</b>	CAP, transfer pump	1
27	<b>5742451</b>	STRAINER, fuel inlet	1
28	<b>5740604</b>	PLUG ASSEMBLY, end plate	1
29	<b>5742131</b>	SPRING, regulating	1
30	<b>5740603</b>	PISTON, fuel regulating transfer pump	1
31	<b>5740660</b>	PACKING, head locating screw, SEE NOTE 1	1
32	<b>5740661</b>	SCREW, head locating	1
33	<b>5740654</b>	PIN, cam advance	1
34	<b>5740662</b>	PACKING, cam advance, SEE NOTE 1	1
35	<b>5740663</b>	PLUG, screw hole advance	1
36	<b>5742448</b>	SPRING, light load advance	1
37	<b>5740649</b>	VALVE, servo advance	1
38	<b>5742449</b>	PISTON, servo advance	1
39	<b>5742133</b>	PLUG, piston hole, power side	1
40	<b>5740638</b>	SHAFT ASSEMBLY, throttle	1
41	<b>5742637</b>	SCREW, max. throttle travel	1

NOTE 1: PART OF FUEL INJECTION GASKET OVER-  
HAUL KIT P/N 5742010



P03-006

Fuel Injection Pump Housing Head, and Rotor Drive Shaft, and Related Parts

**Fuel Injection Pump Housing Head and Rotor, Drive Shaft, and Rel**

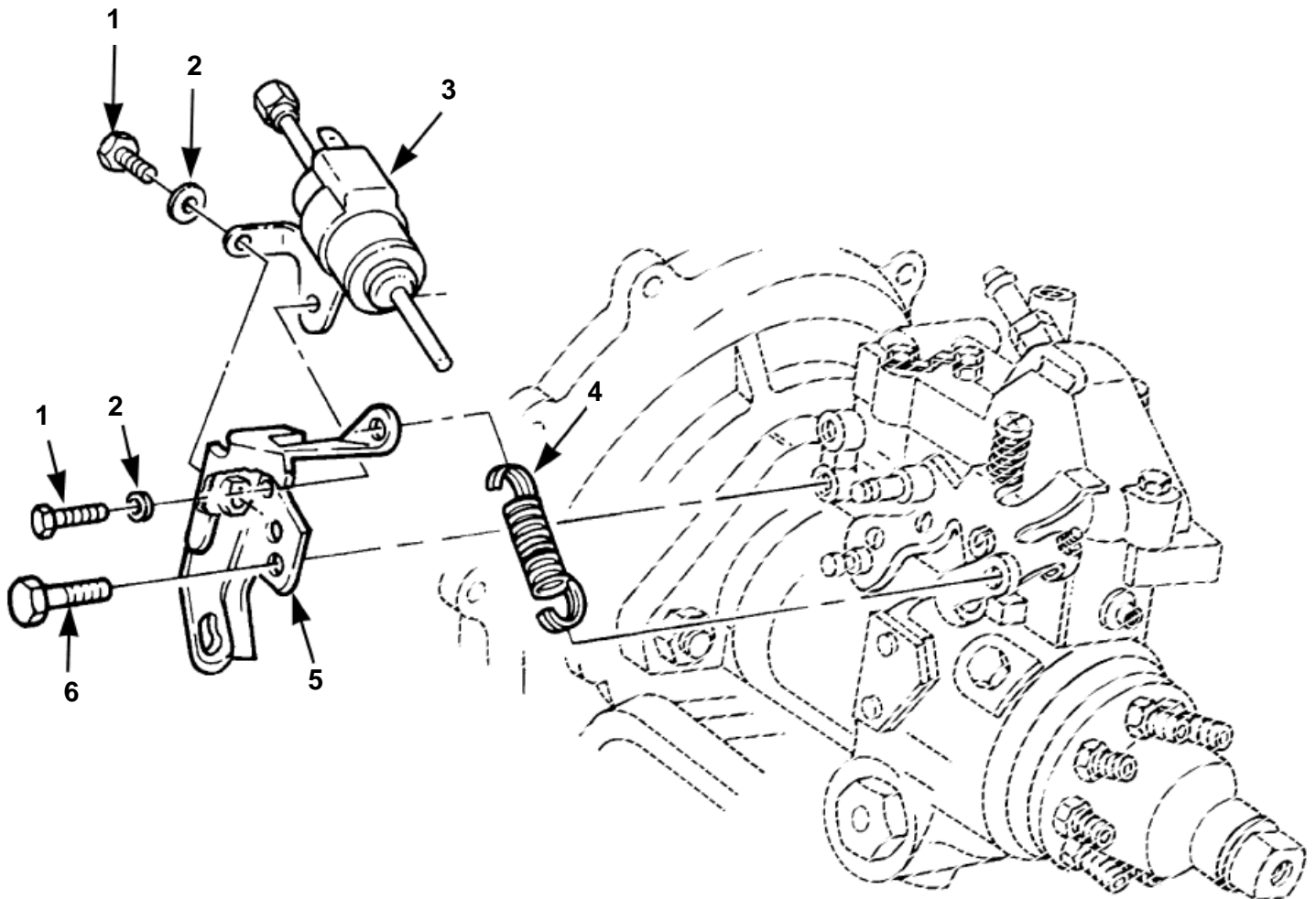
Item	Part No.	Description	Qty
1	<b>5740559</b>	PIN, drive shaft dowel, SEE NOTE 1	2
	<b>5740560</b>	PIN, drive shaft dowel, oversized	1
2	<b>5740563</b>	PIN, thrust washer	1
3	<b>5740561</b>	SPRING, thrust pin	1
4	<b>5740557</b>	DRIVE SHAFT	1
5	<b>5740562</b>	PACKING, black, SEE NOTE 2	2
6	<b>5740564</b>	PACKING, red, SEE NOTE 2	1
7	<b>5740583</b>	NEEDLE BEARING	1
8	<b>5741097</b>	VALVE ASSEMBLY, oversized, SEE NOTE 3	1
9	<b>5740630</b>	ARM ASSEMBLY, standard	1
10	<b>5740631</b>	SPRING	1
11	<b>5740632</b>	VALVE, standard	1
12	<b>5740580</b>	SCREW, headlocking	2
13	<b>5742137</b>	SEAL, O-ring, guide stud	1
14	<b>5742136</b>	NUT, guide stud	1
15	<b>5742138</b>	STUD, governor	1
16	<b>5740623</b>	RETAINING RING, governor	1
17	<b>5740621</b>	WASHER, governor sleeve	1
18	<b>5740620</b>	GOVERNOR SLEEVE	1
19	<b>5742140</b>	RETAINING RING	1
20	<b>5742141</b>	HOUSING, fuel injection pump	1
21	<b>5740585</b>	ROLLER, cam	2
22	<b>5740586</b>	SHOE, cam roller	2
23	<b>5740680</b>	PLUNGER, standard, .290 A, SEE NOTE 4	2
	<b>5740681</b>	PLUNGER, standard, .290 B, SEE NOTE 4	2
	<b>5740682</b>	PLUNGER, standard, .290 C, SEE NOTE 4	2
	<b>5740683</b>	PLUNGER, standard, .290 D, SEE NOTE 4	2
	<b>5740684</b>	PLUNGER, oversized, A, SEE NOTE 4	2
	<b>5740685</b>	PLUNGER, oversized, B, SEE NOTE 4	2
	<b>5740686</b>	PLUNGER, oversized, .002 C, SEE NOTE 4	2
	<b>5740687</b>	PLUNGER, oversized, .002 D, SEE NOTE 4	2
24	<b>5742142</b>	HEAD AND ROTOR ASSEMBLY	1
25	<b>5740595</b>	PACKING, locking plate, SEE NOTE 2	1
26	<b>5742638</b>	LOCKING PLATE	1
27	<b>N/S</b>	SCREW, locking plate	1
28	<b>5740598</b>	SCREW, delivery valve	1
29	<b>5740592</b>	STOP, delivery valve, SEE NOTE 2	1
30	<b>5740591</b>	SPRING, delivery valve	1
31	<b>5742143</b>	VALVE, standard	1
	<b>5742144</b>	VALVE, oversized	1
32	<b>5740590</b>	ADJUSTING SCREW, leaf spring	1
33	<b>5740589</b>	SPRING	1
34	<b>5740588</b>	PACKING, hydraulic head, SEE NOTE 2	1
35	<b>5740587</b>	CAM RING, standard	1
36	<b>5740691</b>	RETAINER ASSEMBLY	1
37	<b>5740622</b>	WEIGHT, counter balance	6
38	<b>5740566</b>	SCREW, timing line cover	2
39	<b>5740565</b>	TIMING LINE COVER	1
40	<b>5740584</b>	GASKET, timing line cover, SEE NOTE 2	1
41	<b>5740572</b>	SCREW ASSEMBLY, vent, #0	1
	<b>5740573</b>	SCREW ASSEMBLY, vent, #1	1
	<b>5740574</b>	SCREW ASSEMBLY, vent, #2	1
	<b>5740575</b>	SCREW ASSEMBLY, vent, #3	1
	<b>5740576</b>	SCREW ASSEMBLY, vent, #4	1
	<b>5740577</b>	SCREW ASSEMBLY, vent, #5	1

NOTE 1: COMES WITH ITEM 4.

NOTE 2: PART OF FUEL INJECTION GASKET OVER-HAUL KIT P/N 5742010.

NOTE 3: COMES WITH ITEMS 9 AND 11.

NOTE 4: COMES WITH ITEM 24.

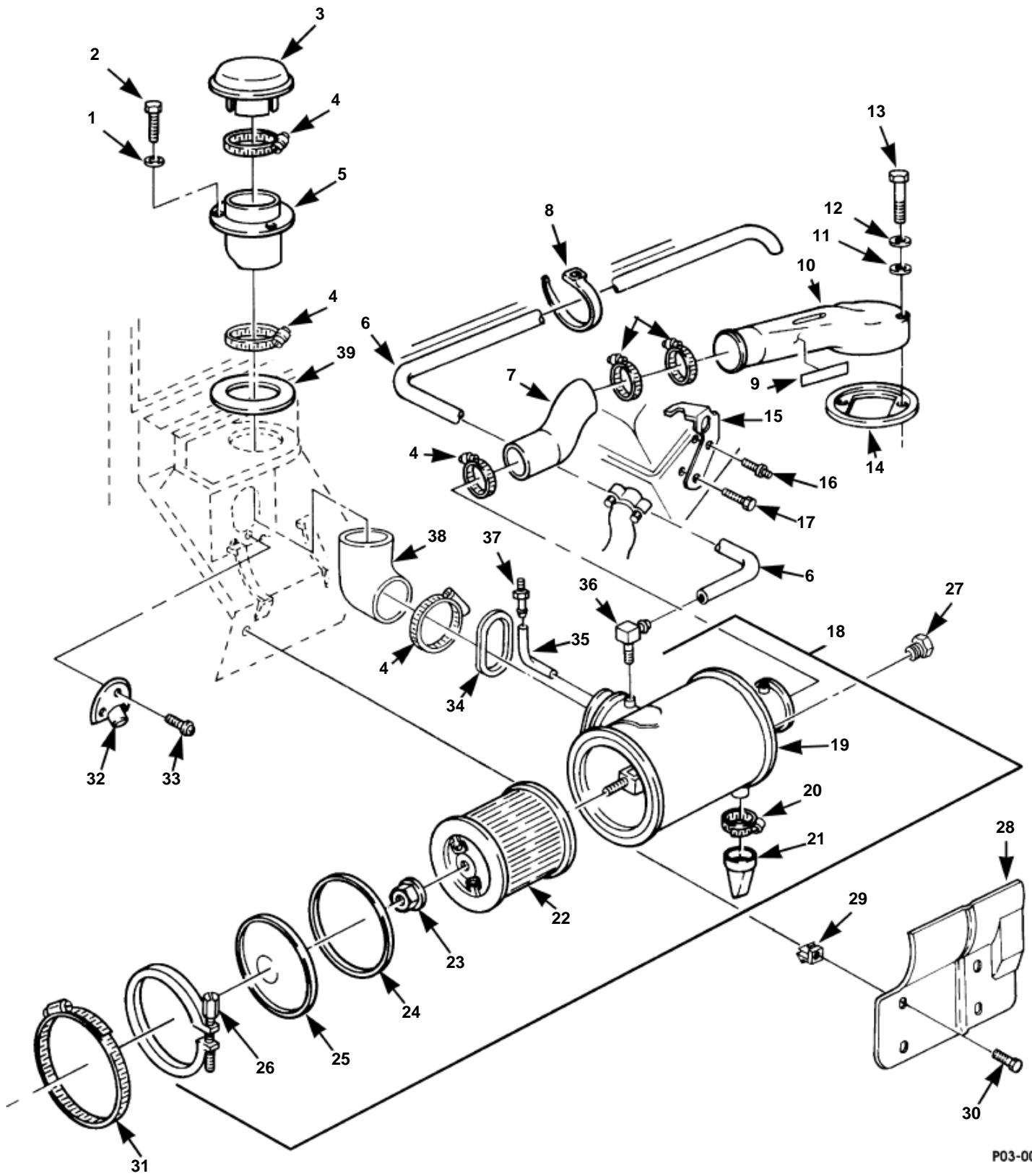


P03-007

## Accelerator Cable Bracket and Idle Spring

**Accelerator Cable Bracket and Idle Spring.**

Item	Part No.	Description	Qty
1	<b>N/S</b>	SCREW, solenoid	2
2	<b>N/S</b>	WASHER, accelerator cable bracket	2
3	<b>5742565</b>	SOLENOID ASSEMBLY, idle speed control	1
4	<b>5742659</b>	SPRING, idle return	1
5	<b>5742654</b>	BRACKET ASSEMBLY, accelerator cable	1
6	<b>5741159</b>	BOLT, accelerator cable bracket	2



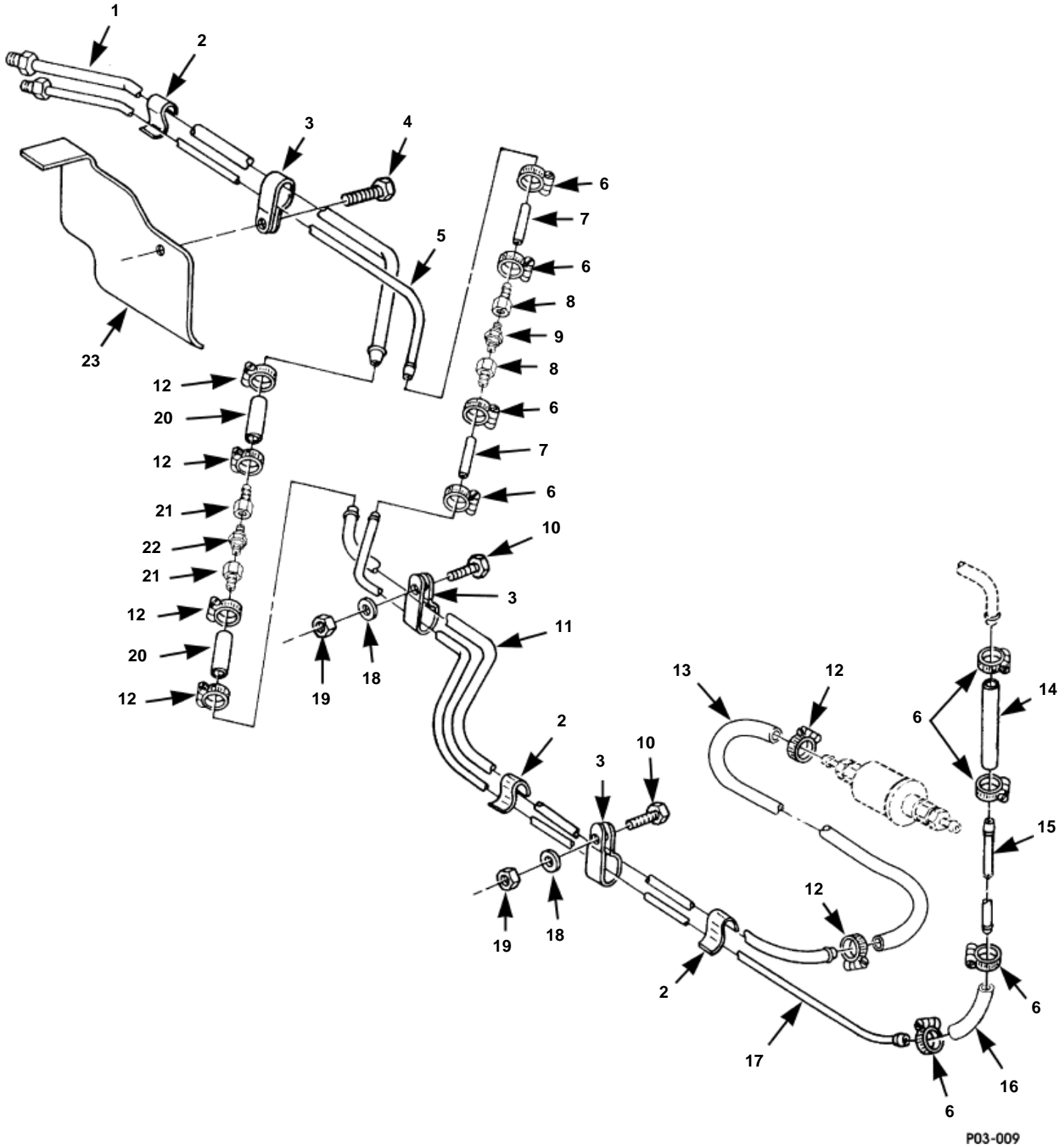
P03-008

### Air Cleaner, Air Horn, and Related Parts

**Air Cleaner, Air Horn, and Related Parts.**

Item	Part No.	Description	Qty
1	<b>N/S</b>	WASHER, flat, 1/4", air intake shield	3
2	<b>MS90728-2P2</b>	SCREW, air intake shield, 1/4 - 20 x 7/16	3
3	<b>12338377</b>	CAP, air intake	1
4	<b>11608950-18</b>	CLAMP, air intake, 5.0 - 2.0	6
5	<b>6001738P</b>	ADAPTER, air intake	1
6	<b>N/S</b>	TUBE, 28-inch, air cleaner vent line, SEE NOTE 1	1
7	<b>5934992</b>	HOSE, induction	1
	<b>5934992</b>	HOSE, induction (1994)	1
8	<b>11501906</b>	TIEDOWN STRAP, tube air cleaner	1
9	<b>12339055</b>	DECAL, no step	1
10	<b>12338383</b>	AIR HORN ASSEMBLY	1
11	<b>12339052</b>	WASHER, air horn, 5/16	2
12	<b>9418924</b>	WASHER, air horn, 5/16 - 18 x 3.75	2
13	<b>MS90728-47</b>	BOLT, air horn, 5/16 - 18 x 3 3/4"	2
14	<b>12338382</b>	GASKET, air horn	1
15	<b>5937374</b>	BRACKET, engine lift	1
16	<b>12339406-2</b>	STUD, air horn support bracket	1
17	<b>11503454</b>	SCREW, air horn support bracket, M10 - 1.5 x 20, 10.9	1
18	<b>WA12339911</b>	AIR CLEANER ASSEMBLY	1
19	<b>S.I.A.</b>	·BODY, air cleaner	1
20	<b>N/S</b>	·CLAMP, dust unloader	1
21	<b>12342873</b>	·UNLOADER, dust	1
22	<b>12342870</b>	·FILTER element, air cleaner	1
23	<b>12342871</b>	·NUT/LOCKWASHER, air cleaner	1
24	<b>12342872</b>	·GASKET, air filter	1
25	<b>12342869</b>	·COVER, air cleaner	1
26	<b>12342874</b>	·CLAMP, air cleaner	1
27	<b>127950</b>	PLUG, air cleaner, 1/8 brass, hex	1
28	<b>12338863P</b>	SHIELD, air cleaner	1
29	<b>12340922</b>	GROMMET, air cleaner shield	4
30	<b>9421073</b>	SCREW, air cleaner shield	4
31	<b>11608950-28</b>	CLAMP, air cleaner, 2.25 - 2.00	3
32	<b>12338842</b>	BRACKET, air intake drainage tube	1
33	<b>MS51861-34</b>	SCREW, drainage bracket	3
34	<b>6005110</b>	GASKET, air cleaner intake	1
35	<b>12340799</b>	TUBE, vent line	1
36	<b>12339964-1</b>	ELBOW, pipe to hose, vent line	1
37	<b>12339978</b>	CONNECTOR, vent line	1
38	<b>12339840</b>	ELBOW, air cleaner	1
	<b>6001737</b>	ELBOW, air cleaner (1994)	1
39	<b>6001764</b>	GASKET, air intake housing	1

NOTE 1: MAKE FROM BULK NYLON TUBE, 250' ROLL  
P/N 5741079.



### Fuel Tank Supply and Return Lines

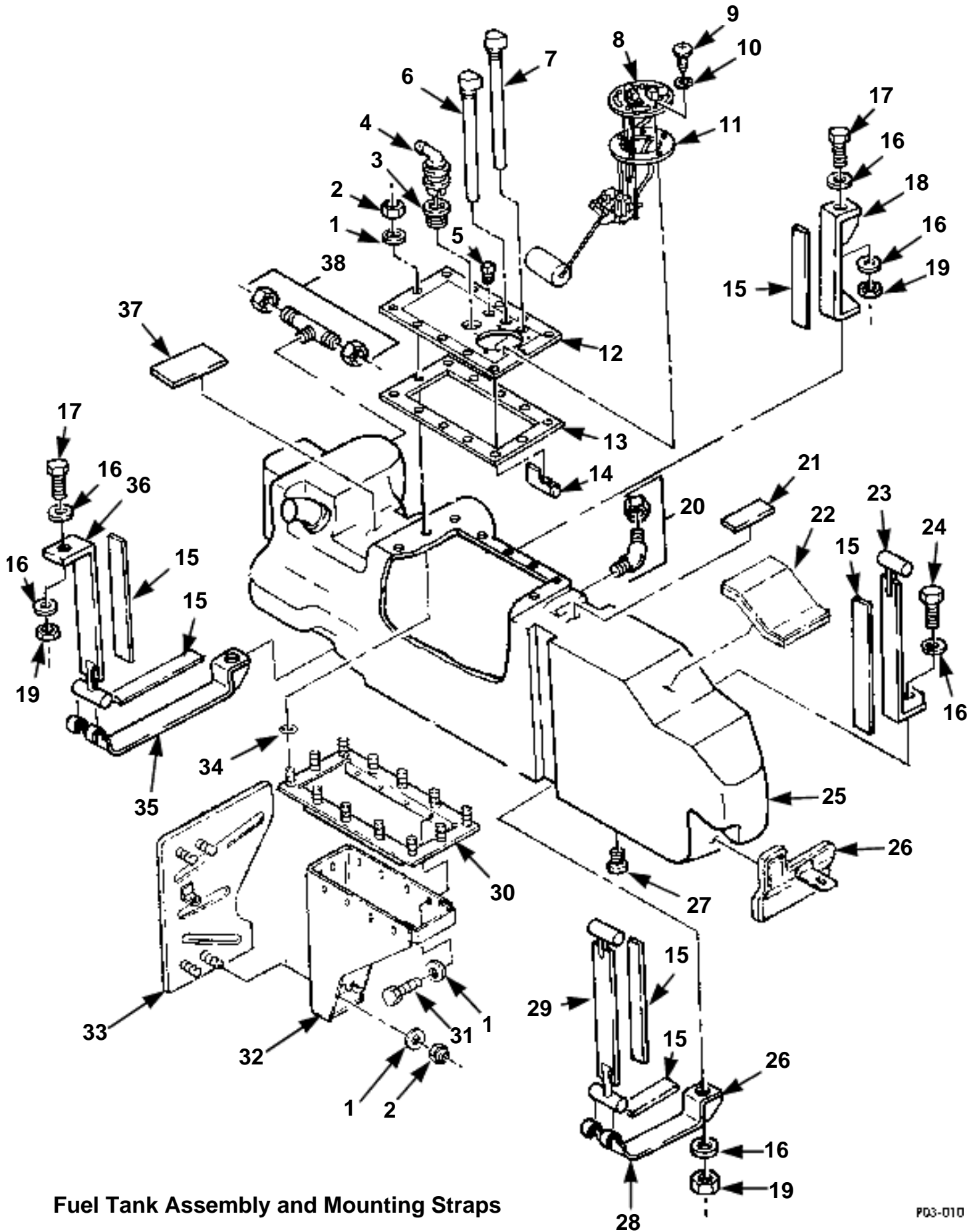


**Fuel Tank Supply and Return Lines.**

Item	Part No.	Description	Qty
1	<b>12342949</b>	TUBE ASSEMBLY, fuel supply	1
2	<b>12339890</b>	"S" CLIP, fuel lines	3
3	<b>12339660</b>	CLAMP, fuel lines	3
4	<b>N/S</b>	SCREW, 1/4 - 28 x 5/8", fuel line clamp and shield	1
5	<b>EC12342950</b>	TUBE ASSEMBLY, fuel return	1
6	<b>N/S</b>	CLAMP, 1/4 - 1/2", fuel return line	8
7	<b>N/S</b>	HOSE, 2 1/4", fuel return, SEE NOTE 1	2
8	<b>12342951-1</b>	HOSE BARB	2
9	<b>12342953-1</b>	CHECK VALVE	1
10	<b>MS90725-6</b>	SCREW, clamp, fuel supply and return lines	2
11	<b>5939876</b>	TUBE, fuel supply	1
12	<b>N/S</b>	CLAMP, 3/8 - 3/4", fuel supply line	8
13	<b>N/S</b>	HOSE, 7.75-inch, fuel supply, SEE NOTE 2	1
14	<b>N/S</b>	HOSE, 3.00-inch, fuel return, SEE NOTE 1	1
15	<b>5939878</b>	TUBE, fuel return	1
16	<b>N/S</b>	HOSE, 2.5-inch, fuel return, SEE NOTE 1	1
17	<b>5939877</b>	TUBE, fuel return	1
18	<b>N/S</b>	WASHER, fuel line clamp	2
19	<b>MS51943-31</b>	LOCKNUT, fuel line clamp	2
20	<b>N/S</b>	HOSE, 2.25-inch, fuel supply, SEE NOTE 2	2
21	<b>12342951-2</b>	HOSE BARB	2
22	<b>12342953-3</b>	CHECK VALVE	1
23	<b>N/S</b>	SHIELD, fuel tank, heat protection	1
	<b>EC12460102B1</b>	SHIELD, fuel tank, heat protection (1994)	1

NOTE 1: MAKE FROM BULK HOSE, 1/4" DIA., 25' ROLL  
P/N 5741068.

NOTE 2: MAKE FROM BULK HOSE, 25' ROLL  
P/N 5741067

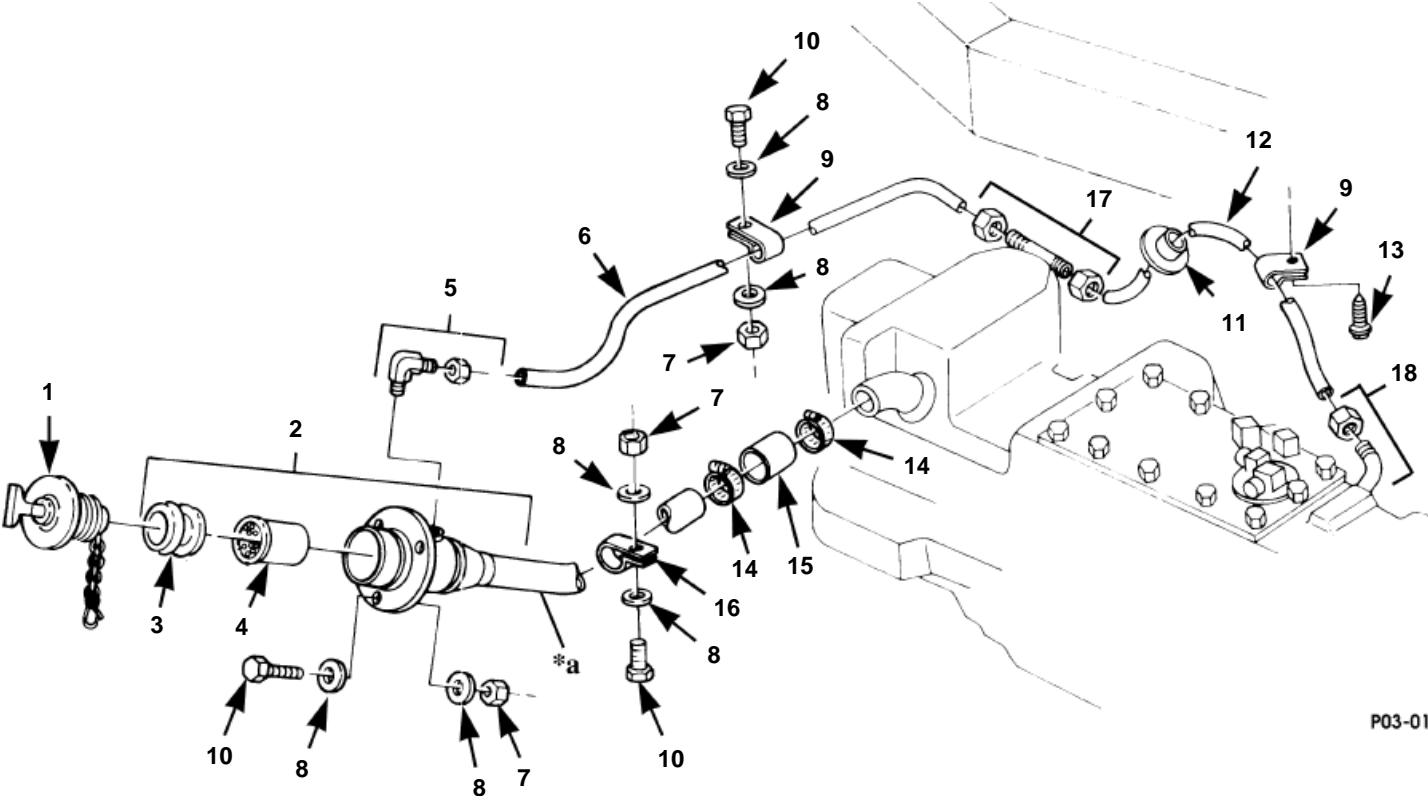


Fuel Tank Assembly and Mounting Straps

PD3-010

**Fuel Tank Assembly and Mounting Straps.**

Item	Part No.	Description	Qty
1	<b>2436161P2</b>	WASHER, fuel tank access plate	12
2	<b>MS51943-31</b>	LOCKNUT, fuel tank access plate	12
3	<b>12339297</b>	SEAL, fuel tank vent	1
4	<b>12339894</b>	VALVE, fuel tank vent	1
5	<b>444577</b>	PLUG, fuel tank access plate	1
6	<b>12338550-1</b>	TUBE ASSEMBLY, fuel supply	1
7	<b>12338549</b>	TUBE ASSEMBLY, fuel return	1
8	<b>6009942</b>	TRANSMITTER, engine fuel level	1
9	<b>MS51849-76</b>	SCREW, fuel level transmitter	5
10	<b>MS35338-43</b>	LOCKWASHER, fuel level transmitter	5
11	<b>7539072</b>	GASKET, fuel level transmitter	1
12	<b>12338567</b>	PLATE, fuel tank access	1
13	<b>12338585</b>	GASKET, fuel tank access plate	1
14	<b>12338556</b>	FUEL STRAINER, fuel supply tube	4
15	<b>12460108-3</b>	INSULATOR	1
16	<b>2436163</b>	WASHER, fuel tank strap	8
17	<b>MS90728-60</b>	SCREW, fuel tank strap	2
18	<b>EC12338568B1</b>	STRAP, fuel tank, inner rear	1
19	<b>MS51967-9</b>	NUT, fuel tank strap	4
20	<b>86-100302BA</b>	ELBOW, pipe to tube	1
21	<b>12338557-2</b>	ANTI-SQUEAK, fuel tank, front	1
22	<b>6000284</b>	PAD ASSEMBLY, upper	1
23	<b>EC12460103B1</b>	STRAP, fuel tank, inner front	1
24	<b>6000351</b>	SCREW, inner fuel tank strap	2
25	<b>12338579</b>	FUEL TANK	1
	<b>12460105</b>	FUEL TANK (1994)	1
26	<b>6000285</b>	BRACKET	1
27	<b>12340000</b>	DRAINPLUG, fuel	1
28	<b>EC12338571B1</b>	STRAP, fuel tank, bottom front	1
29	<b>EC12338573-2B1</b>	STRAP, fuel tank, outer front	1
30	<b>12342940</b>	RETAINER, access plate	1
	<b>6003450</b>	RETAINER, access plate (1994)	1
31	<b>MS90725-6</b>	SCREW, baffle	8
32	<b>12342935</b>	BRACKET	1
33	<b>12342938</b>	BAFFLE ASSEMBLY	1
34	<b>12342933</b>	O-RING, fuel tank access	12
35	<b>EC12338574B1</b>	STRAP, fuel tank, bottom rear	1
36	<b>EC12338575B1</b>	STRAP, fuel tank, outer rear	1
37	<b>12338557-1</b>	ANTI-SQUEAK, fuel tank, rear	1
38	<b>8-6-100425BA</b>	TEE, pipe to tube	1
	<b>12339342</b>	JUMPER, fuel sender, (not illustrated)	1



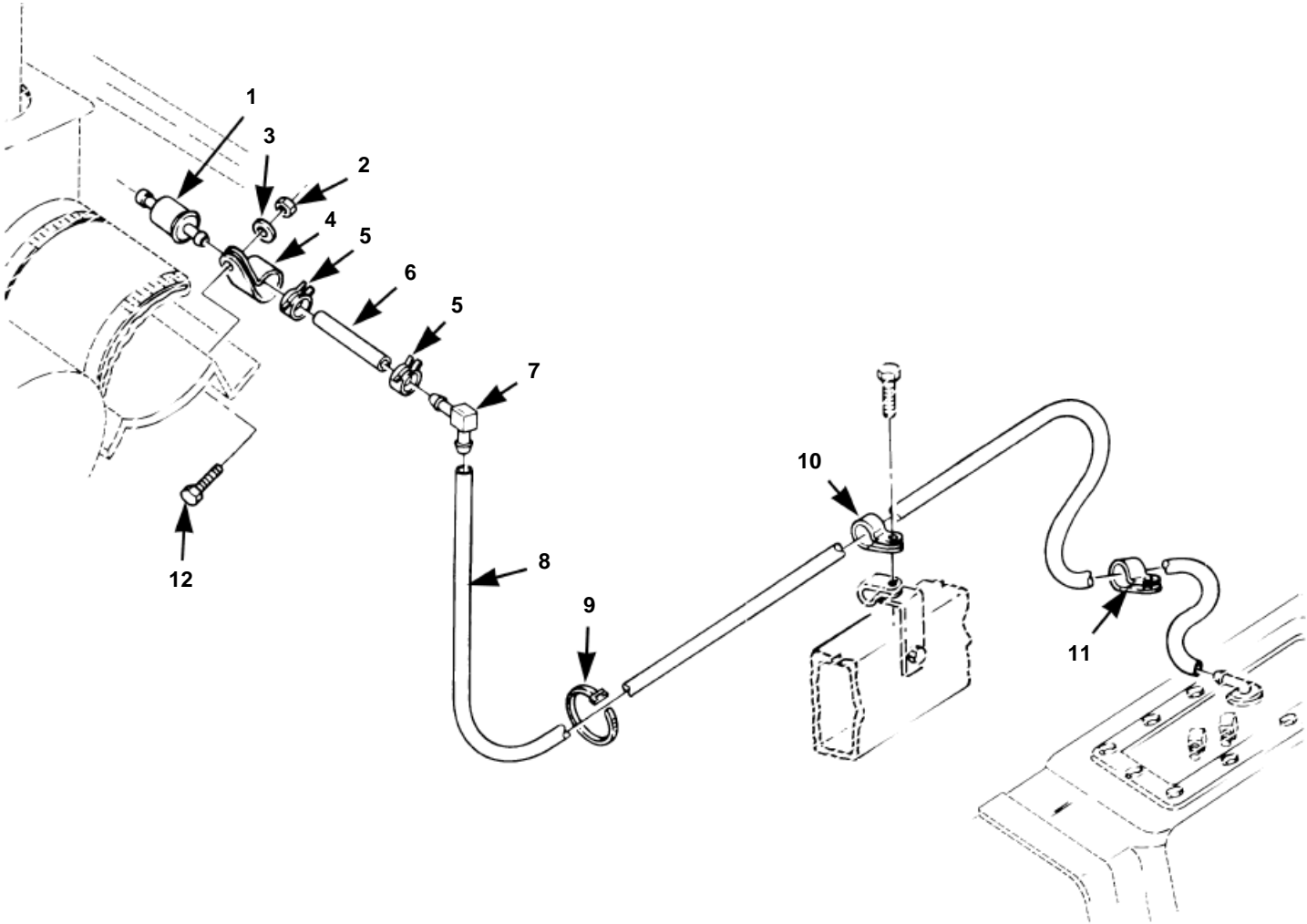
P03-011

# Fuel Filler Pipe Assembly and Vent Lines

**Fuel Filler Pipe Assembly and Vent Lines.**

Item	Part No.	Description	Qty
1	<b>12338558-1B4</b>	FUEL CAP	1
2	<b>12338580</b>	FILLER NECK, fuel	1
3	<b>12339296</b>	.GROMMET, fuel filler neck	1
4	<b>12342096</b>	.STRAINER element, filler neck	1
5	<b>86-100202BA</b>	ELBOW, pipe to tube, fuel tank vent tube	1
6	<b>N/S</b>	TUBE, 44-inch, fuel tank vent, SEE NOTE 1	1
7	<b>MS51943-31</b>	LOCKNUT, fuel filler and vent line	5
8	<b>2436161</b>	WASHER, fuel filler and vent line	10
9	<b>MS21333-102</b>	CLAMP, filler pipe vent line	2
10	<b>MS90728-6P2</b>	SCREW, fuel filler line and vent line	5
11	<b>12339892</b>	BUSHING, fuel tank vent line	1
12	<b>N/S</b>	TUBE, 27-inch, fuel tank vent, SEE NOTE 1	1
13	<b>9426241</b>	SCREW, fuel tank vent tube clamp	1
14	<b>N/S</b>	CLAMP, 1 3/4 - 2 3/4, fuel filler hose	2
15	<b>12338551-2</b>	HOSE, fuel filler neck to tank	1
16	<b>12340571-4</b>	CLAMP, fuel filler pipe support	1
17	<b>86-100425BA</b>	TEE, pipe to tube	1
18	<b>86-100302BA</b>	ELBOW, pipe to tube	1

NOTE 1: MAKE FROM BULK TUBING P/N CPR104420-3.



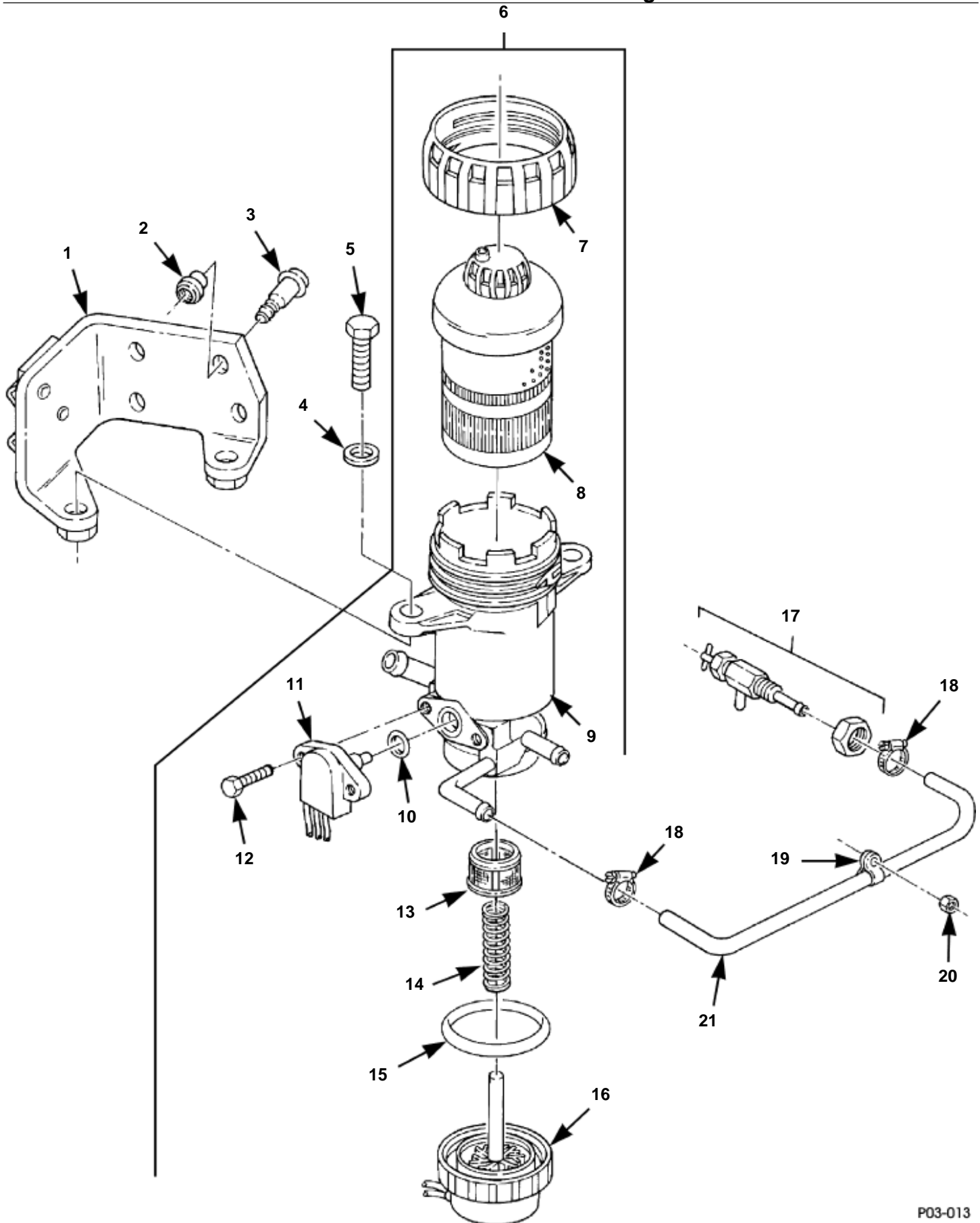
P03-01

### Fuel Tank Vent Line, Filter and Mounting Hardware

**Fuel Tank Vent Line, Filter, and Mounting Hardware.**

Item	Part No.	Description	Qty
1	<b>12339208</b>	FILTER, fuel tank vent line	1
2	<b>MS51943-31</b>	LOCKNUT, filter clamp	1
3	<b>2436161P2</b>	WASHER, filter clamp	2
4	<b>N/S</b>	CLAMP, 3/4", vent line filter	1
5	<b>WW-C-440-1/2</b>	CLAMP, hose vent line filter	2
6	<b>N/S</b>	HOSE, 2.13-inch, vent line, SEE NOTE 1	1
7	<b>12339979-2</b>	ELBOW, vent line	1
8	<b>N/S</b>	TUBE, 91-inch, vent line, SEE NOTE 1	1
9	<b>MS3367-2-0</b>	TIEDOWN STRAP, vent tube	1
10	<b>MS21333-121</b>	CLAMP, fuel tank vent tube	2
11	<b>N/S</b>	CLAMP, 3/8", fuel tank vent tube	2
12	<b>N/S</b>	SCREW, 1/4 - 20 X 5/8", Gr5, filter clamp	1

NOTE 1: MAKE FROM BULK HOSE 1/4 I.D., 1/2"O.D., 50'  
ROLL, P/N 5741210.



P03-013

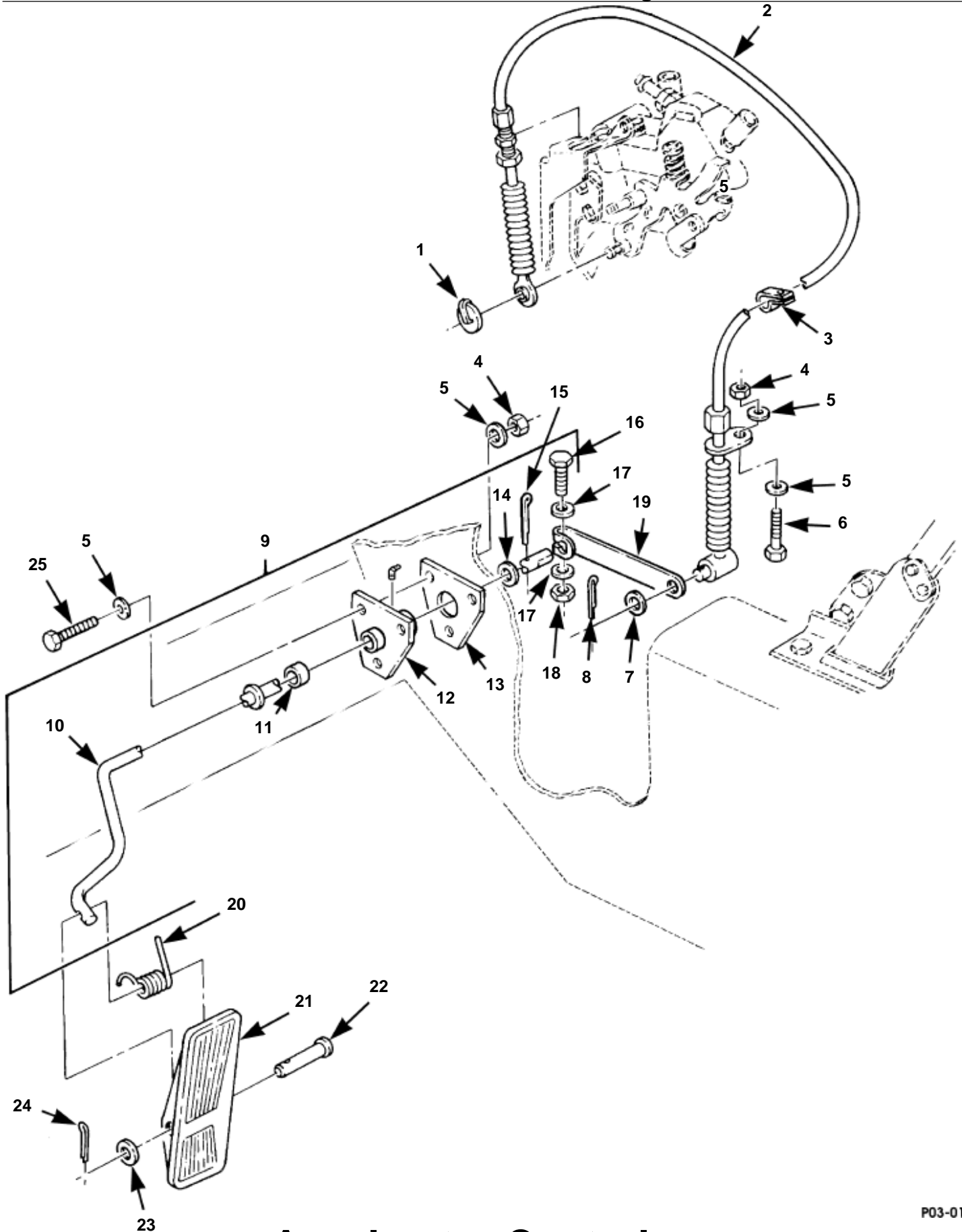
### Fuel Filter Assembly and Mounting Hardware



**Fuel Filter Assembly and Mounting Hardware.**

Item	Part No.	Description	Qty
1	<b>5939619B9</b>	BRACKET ASSEMBLY, filter mounting	1
2	<b>NAS1080R08</b>	COLLAR	4
3	<b>MS23469/2-50805</b>	LOCKBOLT	4
4	<b>2436162</b>	WASHER, filter mounting	2
5	<b>MS90728-36</b>	BOLT, filter mounting	2
6	<b>5939621</b>	FUEL FILTER ASSEMBLY	1
7	<b>5742599</b>	·NUT ELEMENT	1
8	<b>5742602</b>	·ELEMENT ASSEMBLY	1
9	<b>S.I.A.</b>	·HEADER ASSEMBLY	1
10	<b>5740660</b>	·SEAL, O-ring	1
11	<b>5742605</b>	·SENSOR ASSEMBLY, water	1
12	<b>5742577</b>	·SCREW	2
13	<b>5742604</b>	·SCREEN	1
14	<b>S.I.A.</b>	·COIL, flow guide	1
15	<b>5742600</b>	·SEAL, O-ring	1
16	<b>5742603</b>	·HEATER ASSEMBLY	1
17	<b>12339893</b>	VALVE ASSEMBLY, fuel filter drain	1
18	<b>12339884-1</b>	CLAMP, drain hose	2
19	<b>MS21333-104</b>	CLAMP, drain hose	1
20	<b>MS51943-31</b>	LOCKNUT, drain hose clamp	1
21	<b>N/S</b>	HOSE, fuel filter drain, 20-inch, SEE NOTE 1	1

NOTE 1: MAKE FROM BULK HOSE 1/4 " X 25' ROLL  
P/N 5741068,

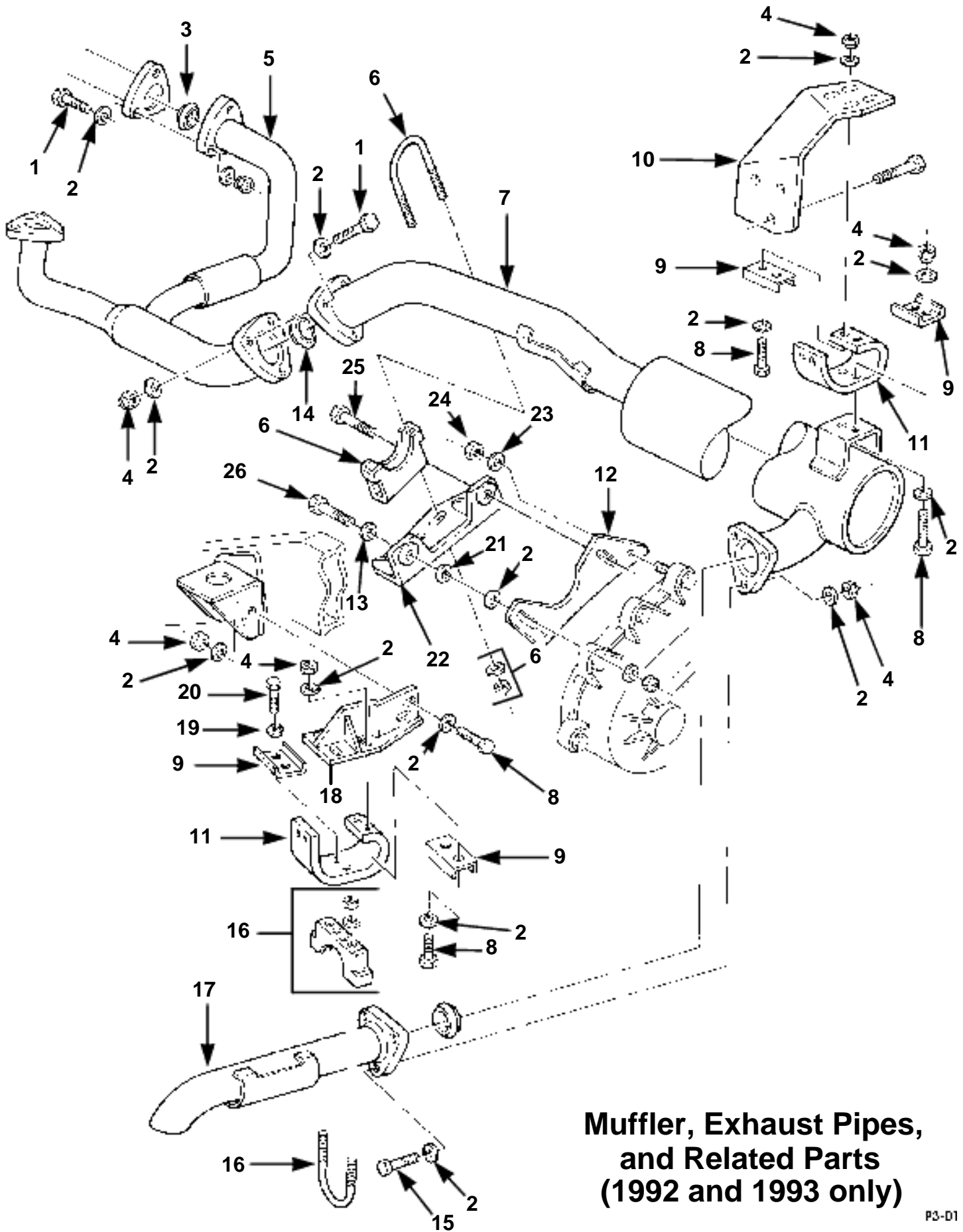


# Accelerator Controls

P03-014

**Accelerator Controls.**

Item	Part No.	Description	Qty
1	<b>12338355</b>	CLIP, accelerator cable	1
2	<b>12338360</b>	ACCELERATOR cable	1
3	<b>MS21333-67</b>	CLAMP, accelerator cable	1
4	<b>MS51943-31</b>	LOCKNUT, accelerator cable	4
5	<b>2436161P2</b>	WASHER, accelerator cable	8
6	<b>MS90728-6</b>	SCREW, accelerator cable	1
7	<b>N/S</b>	WASHER, 9/32", accelerator cable	4
8	<b>N/S</b>	COTTER PIN, 1/16 x 1/2", accelerator cable	1
9	<b>6008144</b>	BELLCRANK ASSEMBLY	1
10	<b>S.I.A.</b>	·ROD-LEVER, accelerator pedal	1
11	<b>5939348</b>	·BUSHING, accelerator pedal	2
12	<b>5939343</b>	·PIVOT ASSEMBLY, bellcrank	1
13	<b>12338357</b>	·GASKET, retainer cover	1
14	<b>N/S</b>	·WASHER, 7/16", accelerator pedal	1
15	<b>N/S</b>	·COTTER PIN, 3/32 x 1/2", accelerator pedal	1
16	<b>N/S</b>	·SCREW, 1/4 - 20 x 1 1/4", bellcrank assembly	1
17	<b>2436161</b>	·WASHER, bellcrank assembly	2
18	<b>MS51943-31</b>	·LOCKNUT, bellcrank assembly	1
19	<b>5939349</b>	·CONNECTING ARM, accelerator pedal	1
20	<b>12338358</b>	SPRING, accelerator control pedal	1
21	<b>12338365</b>	PEDAL, accelerator control	1
22	<b>12338361</b>	PIN, accelerator control pedal	1
23	<b>N/S</b>	WASHER, flat, #12, accelerator control pedal	1
24	<b>N/S</b>	COTTER PIN, 3/32 x 1/2", accelerator pedal	1
25	<b>N/S</b>	SCREW, 1/4 - 20", Gr5, accelerator control pedal	3

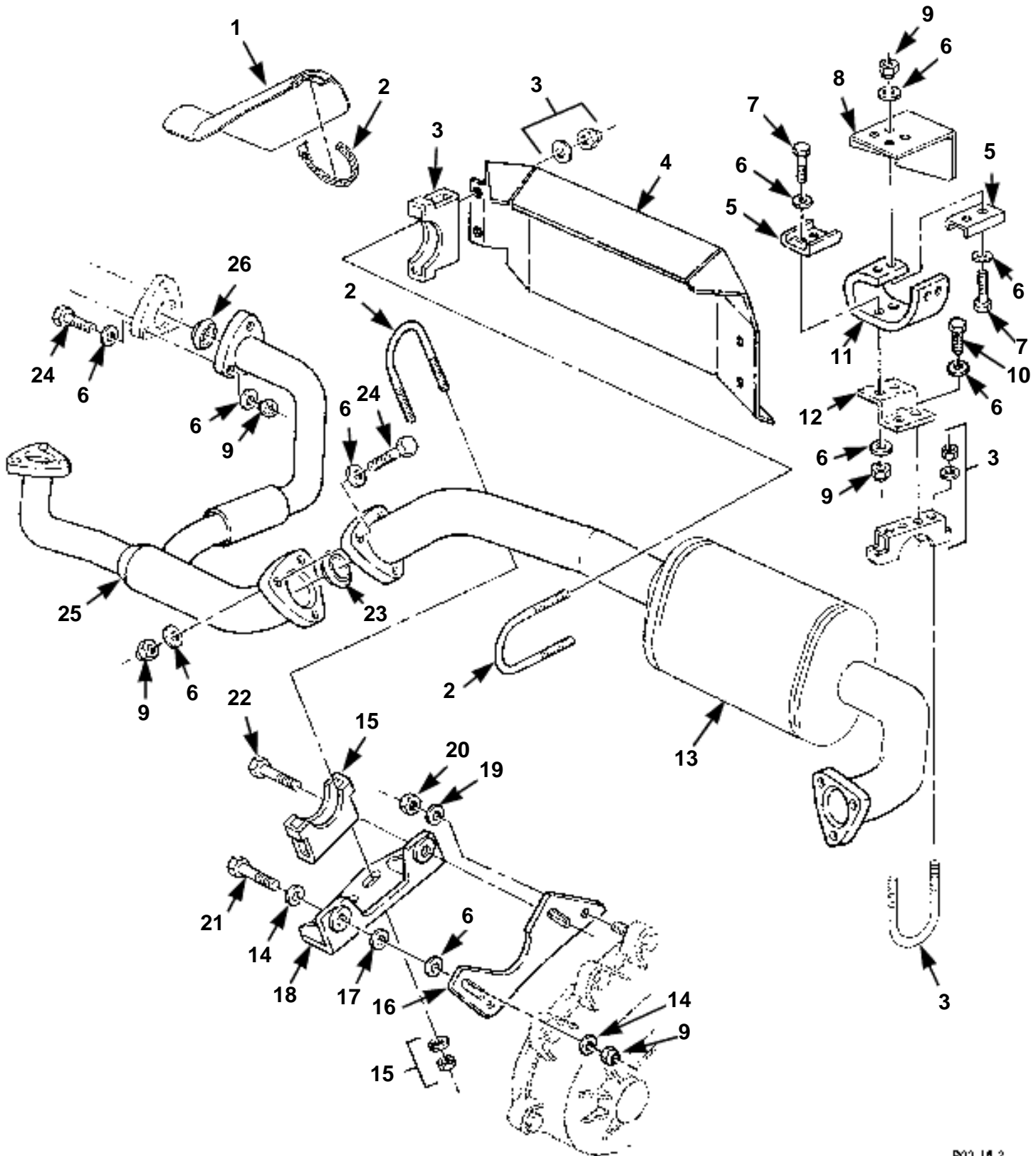


**Muffler, Exhaust Pipes,  
and Related Parts  
(1992 and 1993 only)**

P3-D1

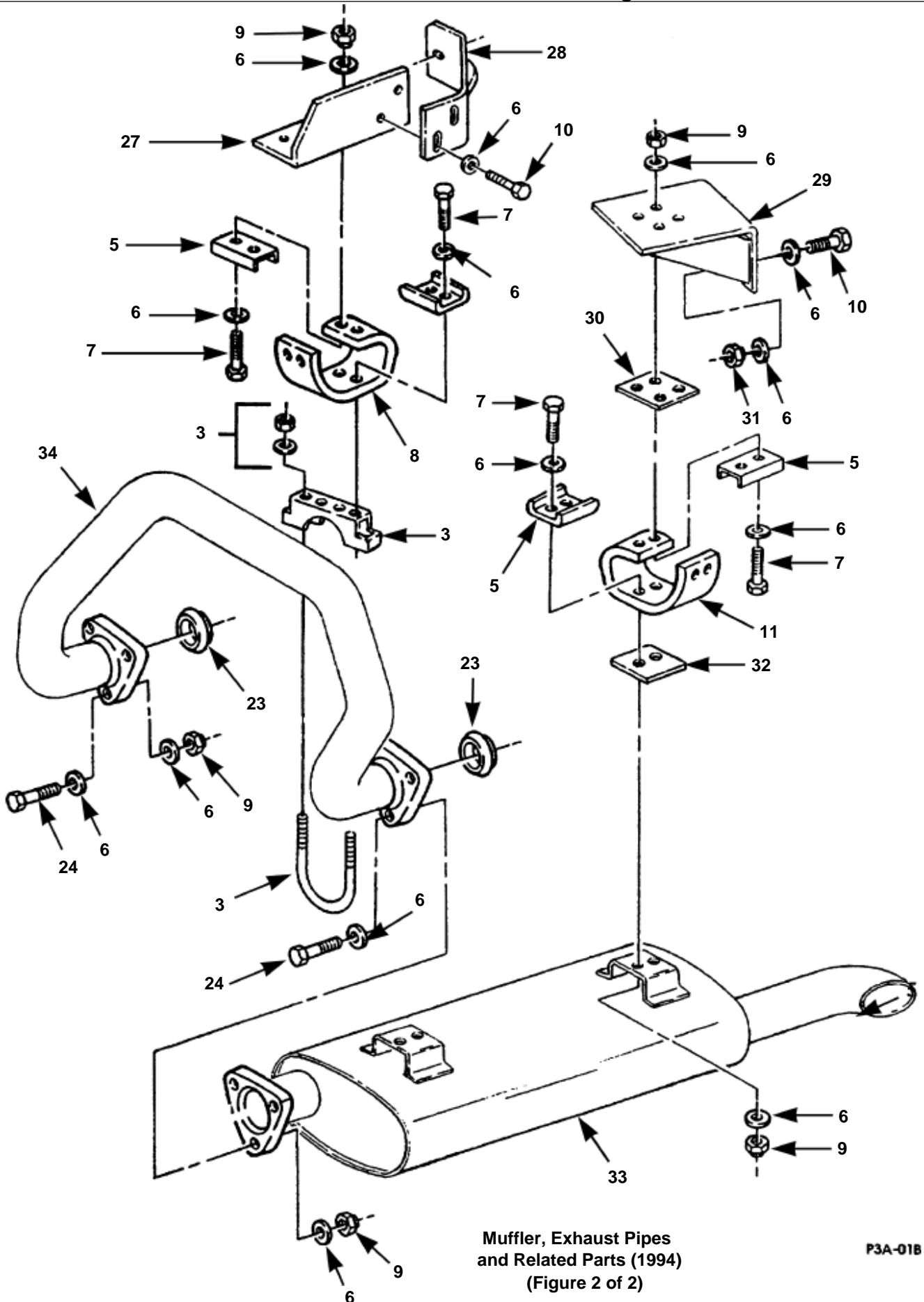
**Muffler, Exhaust Pipes, and Related Parts (1992 and 1993 only).**

Item	Part No.	Description	Qty
1	<b>N/S</b>	SCREW, 3/8 - 16 x 2 1/4", Gr5, crossover pipe to manifold	9
2	<b>2436163</b>	WASHER, exhaust system	46
3	<b>12338342</b>	SEAL, manifold crossover	2
4	<b>MS51943-35</b>	LOCKNUT, exhaust system	26
5	<b>12337351</b>	PIPE, crossover	1
6	<b>6010419</b>	CLAMP, muffler support	1
7	<b>6000097</b>	MUFFLER, exhaust	1
8	<b>MS90728-62</b>	SCREW, insulator and hanger assembly	12
9	<b>EC12338341B1</b>	PLATE, reinforcement, muffler and tailpipe	6
10	<b>EC12338221B1</b>	HANGER, exhaust	1
11	<b>12338337</b>	INSULATOR, muffler and tailpipe hanger	2
12	<b>12338347</b>	BRACKET, exhaust	1
13	<b>N/S</b>	WASHER, 1/2", muffler support bracket	4
14	<b>12338339</b>	GASKET, muffler	2
15	<b>N/S</b>	SCREW, 3/8 - 16 x 2", muffler	3
16	<b>12338343-1</b>	BRACE, tailpipe support	1
17	<b>12338350</b>	TAILPIPE, exhaust	1
18	<b>12338346</b>	HANGER, tailpipe	1
19	<b>MS35338-46</b>	LOCKWASHER, insulator	2
20	<b>MS90728-60</b>	SCREW, insulator to bracket	2
21	<b>12338338</b>	GROMMET, muffler support bracket	2
22	<b>EC12338340B1</b>	BRACKET, muffler	1
23	<b>ELMS27183-42</b>	WASHER, muffler support bracket	2
24	<b>11501033</b>	NUT, muffler support bracket	2
25	<b>MS90728-65</b>	SCREW, muffler support bracket	1
26	<b>MS90728-66</b>	SCREW, muffler support bracket	1



P03 18.2

Muffer, Exhaust Pipes and Related Parts (1994)  
(Figure 1 of 2)

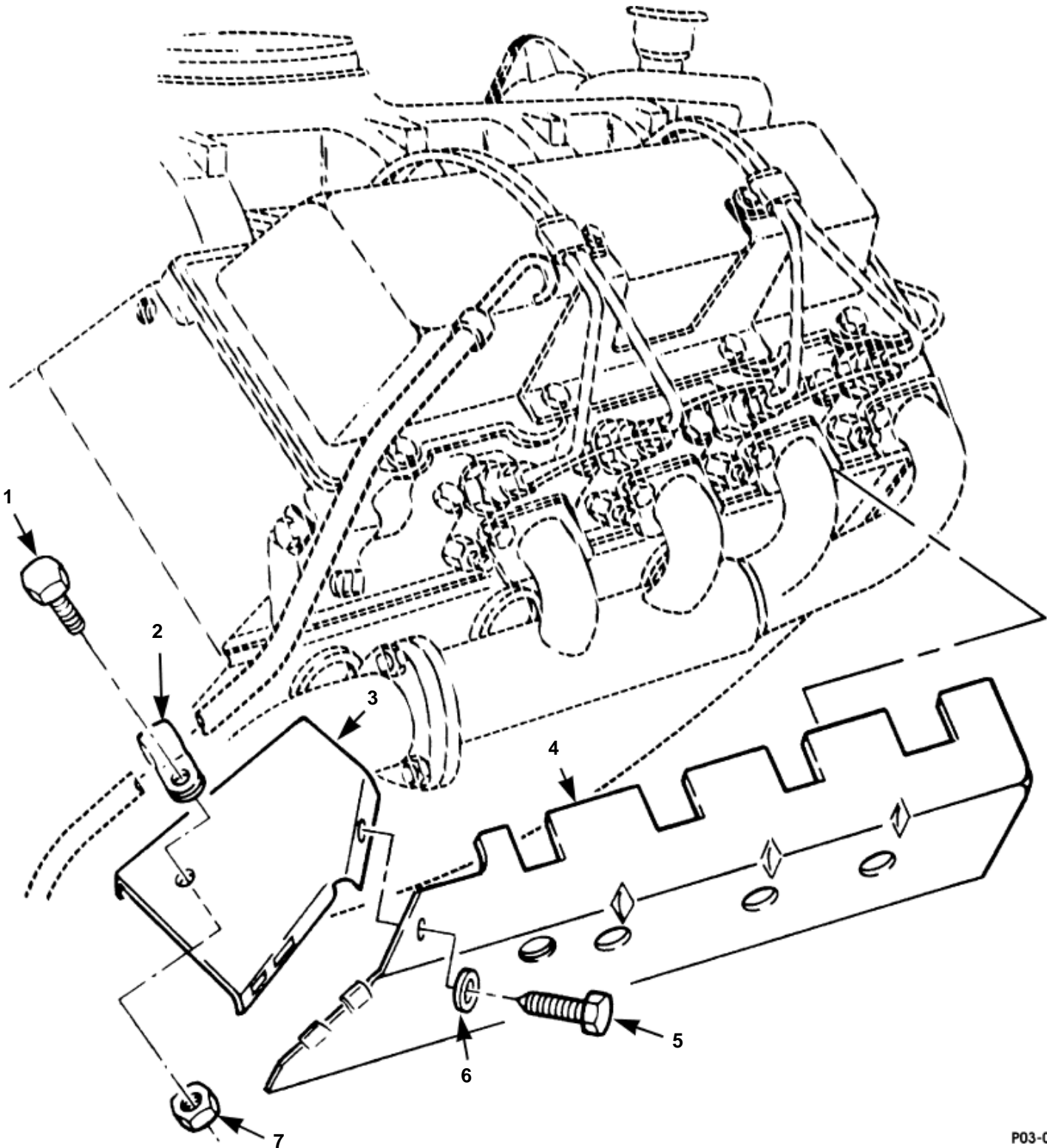


P3A-01B

**Muffler, Exhaust Pipes, and Related Parts (1994).**

Item	Part No.	Description	Qty
1	<b>12460087</b>	HEAT SHIELD ASSEMBLY, exhaust	1
2	<b>6005191</b>	CLAMP	3
3	<b>12338343-1</b>	CLAMP ASSEMBLY	2
4	<b>6008596</b>	HEAT SHIELD ASSEMBLY, catalytic converter	1
5	<b>EC12338341B1</b>	PLATE, reinforcement	12
6	<b>2436163</b>	WASHER	76
7	<b>MS90728-62</b>	BOLT	24
8	<b>6002917</b>	BRACKET	1
9	<b>MS51943-35</b>	LOCKNUT	27
10	<b>MS90728-60</b>	BOLT	8
11	<b>12338337</b>	INSULATOR, exhaust	4
12	<b>6002918</b>	BRACKET, catalytic converter, lower	1
13	<b>6002404</b>	CATALYTIC CONVERTER ASSEMBLY	1
	<b>6003946</b>	RESONATOR AND TUBE ASSEMBLY (Canada only)	1
14	<b>N/S</b>	WASHER, flat, 1/2"	2
15	<b>6010419</b>	CLAMP ASSEMBLY	1
16	<b>12338347</b>	BRACKET	1
17	<b>12338338</b>	INSULATOR, radiator	1
18	<b>EC12338340</b>	BRACKET ASSEMBLY, muffler	1
19	<b>ELMS51412-2</b>	WASHER	1
20	<b>11501033</b>	NUT	1
21	<b>N/S</b>	BOLT, 3/8 - 16 X 2", Gr5, DT	2
22	<b>N/S</b>	BOLT, 3/8 - 16 X 3/4", Gr5, DT	2
23	<b>12338339</b>	GASKET	4
24	<b>MS90728-67</b>	BOLT	15
25	<b>12460086</b>	PIPE ASSEMBLY, crossover	1
26	<b>12338342</b>	GASKET, exhaust manifold-to-crossover pipe	2
27	<b>EC2338221B1</b>	BRACKET	1
28	<b>6004396B2</b>	BRACKET	1
29	<b>N/S</b>	BRACKET, L.H.	1
	<b>6003686</b>	BRACKET, R.H.	1
30	<b>6003962B1</b>	REINFORCEMENT, upper	2
31	<b>MS51943-5</b>	LOCKNUT	10
32	<b>6003963B1</b>	REINFORCEMENT, lower	2
33	<b>6003801</b>	MUFFLER ASSEMBLY	1
34	<b>6003802</b>	PIPE, exhaust	1



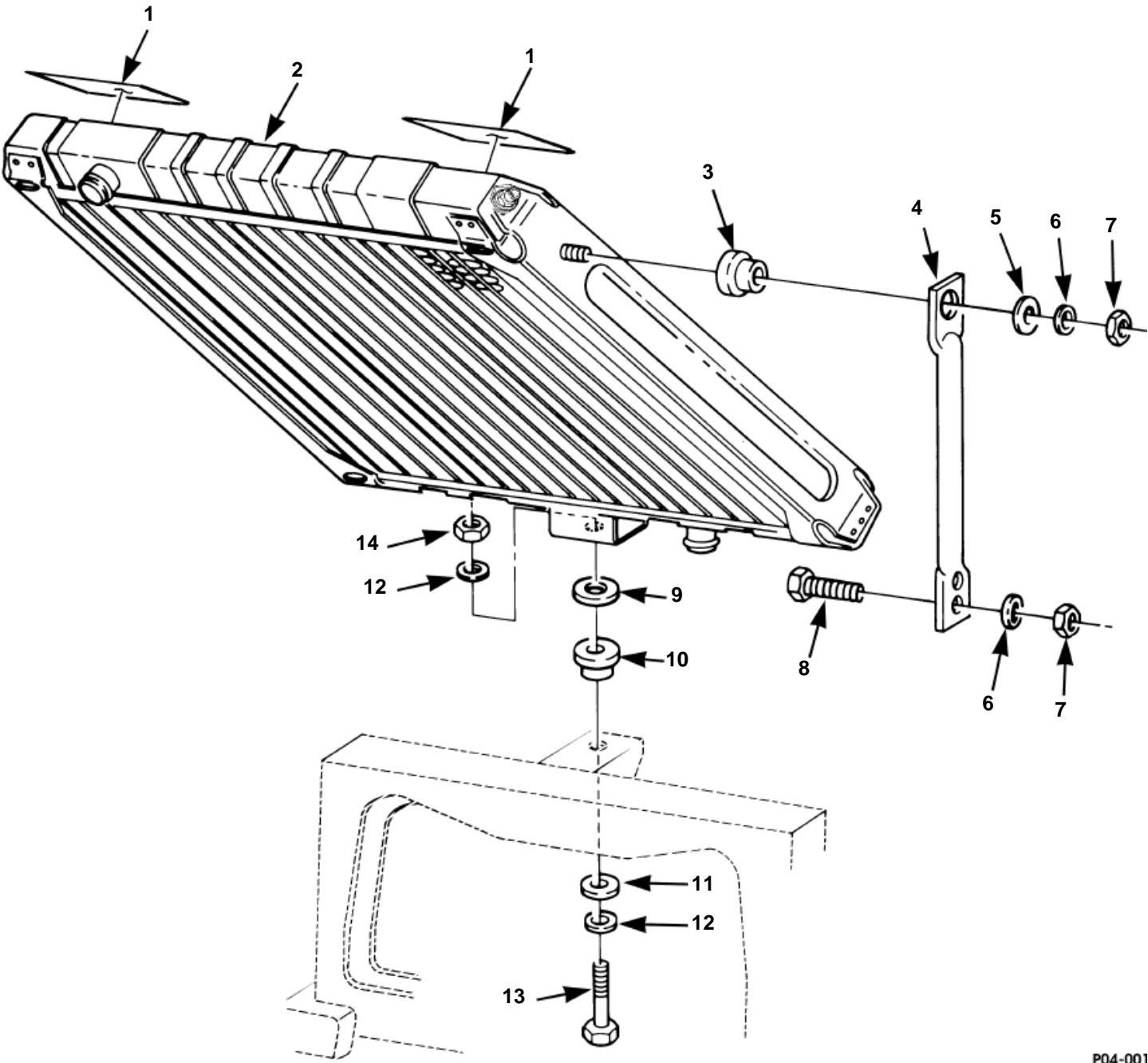


P03-017

**Exhaust Manifold Heat Shield**

HUMMER H1 1994 Parts Catalog  
**Exhaust Manifold Heat Shield.**

Item	Part No.	Description	Qty
1	<b>N/S</b>	SCREW, 1/4 - 20 X 1/2", Gr8, DT, clamp	1
2	<b>120528</b>	CLAMP, transmission tube	1
3	<b>12339181</b>	GUARD, rear heat shield	1
4	<b>12339175</b>	HEAT SHIELD, exhaust, R.H.	1
5	<b>N/S</b>	SCREW, 10 - 32 X 3/8", heat shield	1
6	<b>N/S</b>	WASHER, 1/2", heat shield	1
7	<b>MS51943-31</b>	LOCKNUT, clamp	1

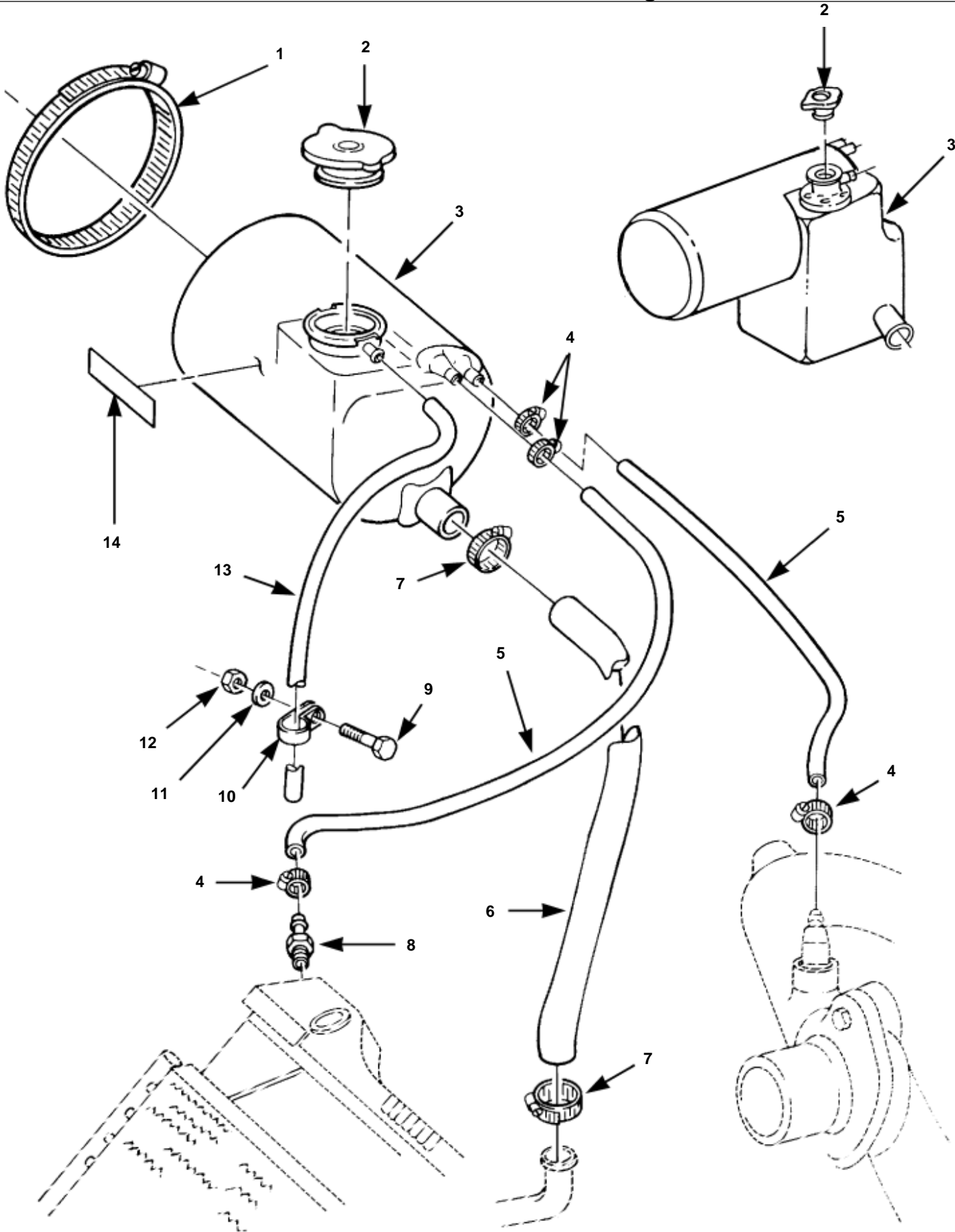


P04-001

Radiator and Mounting Hardware

**Radiator and Mounting Hardware.**

Item	Part No.	Description	Qty
1	<b>12339055</b>	DECAL, no step, white letters	2
	<b>6002678</b>	DECAL, no step, white letters (French)	2
2	<b>12339138</b>	RADIATOR ASSEMBLY	1
	<b>6007331</b>	RADIATOR ASSEMBLY (1994)	1
3	<b>12338338</b>	GROMMET, insulator, upper	2
4	<b>EC12339165-1</b>	SUPPORT, radiator, L.H.	1
	<b>12339165-2</b>	SUPPORT, radiator, R.H.	1
5	<b>9417793</b>	WASHER, 3/8", zinc	2
6	<b>2436163</b>	WASHER, flat, 3/8"	6
7	<b>MS51943-35</b>	LOCKNUT, 3/8"-16	6
8	<b>N/S</b>	BOLT, 3/8"-16 x 1", Gr5, DT	4
9	<b>EC12340263</b>	WASHER, hardened	1
10	<b>12340264</b>	MOUNT, insulator, lower	1
11	<b>9428851</b>	WASHER	1
12	<b>2436165</b>	WASHER, flat, 1/2"	2
13	<b>N/S</b>	SCREW, 1/2"-13 x 2", Gr8, DT	1
14	<b>MS51943-39</b>	LOCKNUT, 1/2"-13	1



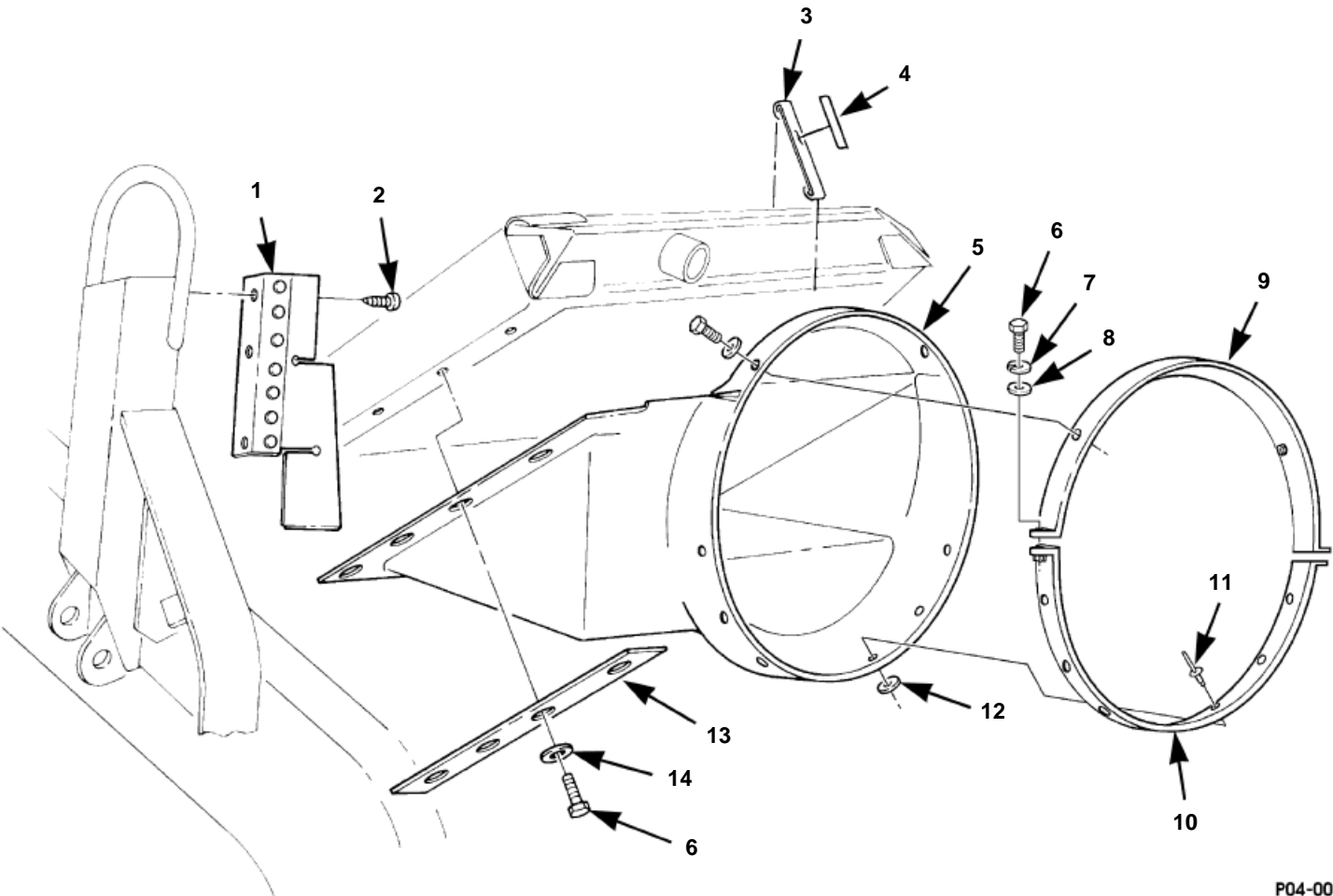
P04-002

**Surge Tank and Related Parts**

**Surge Tank and Related Parts.**

Item	Part No.	Description	Qty
1	<b>N/S</b>	CLAMP, 6.62"-2"	2
2	<b>12339878</b>	CAP, surge tank	1
3	<b>12340062</b>	TANK, surge	1
	<b>12340061</b>	TANK, surge (1994)	1
4	<b>N/S</b>	CLAMP, 3/8 - 3/4", radiator crossover hose	4
5	<b>12339155-1</b>	HOSE, surge tank-to-water crossover	2
	<b>6003097</b>	HOSE, surge tank-to-water crossover (1994)	2
6	<b>12339163</b>	HOSE, lower radiator-to-surge tank	1
7	<b>N/S</b>	CLAMP, hose. 1.5"- .62"	2
8	<b>12339974</b>	ADAPTER, straight	1
9	<b>MS90728-6</b>	SCREW, 1/4"-20 x 3/4"	1
10	<b>N/S</b>	CLAMP, 1/2", surge tank overflow hose	1
11	<b>2436161</b>	WASHER, surge tank overflow hose clamp	1
12	<b>MS51943-31</b>	LOCKNUT, 1/4"-20	1
13	<b>12339977</b>	HOSE, surge tank overflow, SEE NOTE 1	1
14	<b>6001710</b>	DECAL, surge tank, do not remove or touch when hot	1
	<b>6002676</b>	DECAL, surge tank, do not remove or touch when hot (French)	1

NOTE 1: MAKE FROM BULK RUBBER HOSE, 3/8"  
P/N 5740928.



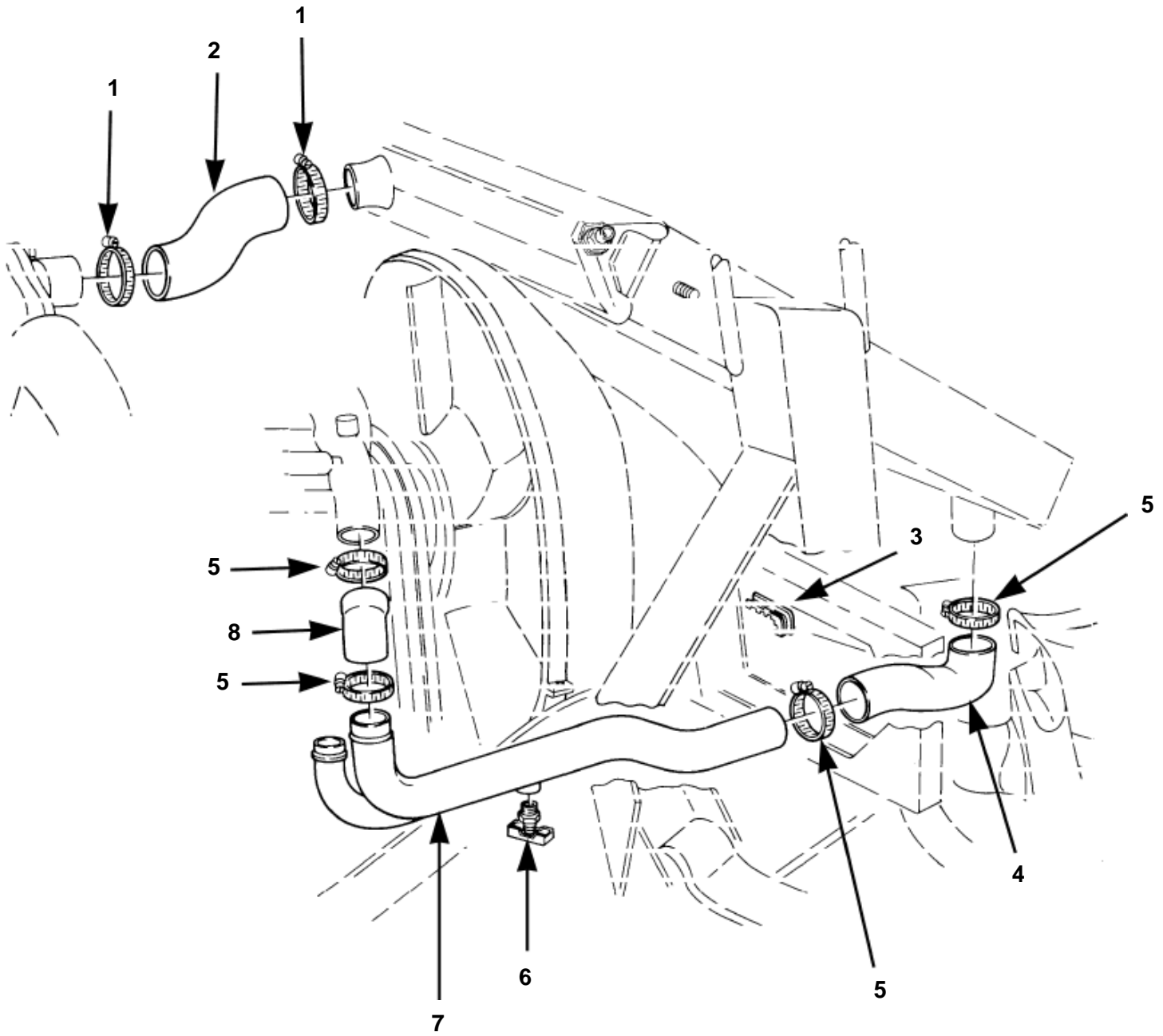
P04-003

# Radiator Shroud and Related Parts

**Radiator Shroud and Related Parts.**

Item	Part No.	Description	Qty
1	<b>RCSK19180B1</b>	SHIELD, shroud, airlift, L.H.	1
	<b>RCSK19181B1</b>	SHIELD, shroud, airlift, R.H.	1
2	<b>N/S</b>	SCREW, tap, 1/4"-20 x 1/2", panhead, phillips	6
3	<b>EC12339154B1</b>	RETAINING STRAP, radiator	1
4	<b>12339064</b>	DECAL, fan warning	1
	<b>6002724</b>	DECAL, fan warning (French)	1
5	<b>6017294</b>	SHROUD, radiator	1
6	<b>N/S</b>	BOLT, 1/4"-20 x 1", Gr5, DT	10
7	<b>N/S</b>	LOCKWASHER, 1/4"	2
8	<b>N/S</b>	WASHER, 9/32"	4
9	<b>6003836</b>	EXTENSION, shroud upper (1994)	1
10	<b>6003837</b>	EXTENSION, shroud, lower (1994)	1
11	<b>12339355-1</b>	RIVET, 3/16" dia., blind	6
12	<b>MS27183-42</b>	WASHER, flat, #10	6
13	<b>EC12339156</b>	RETAINING STRAP, shroud-to-radiator	2
14	<b>MS35338-44</b>	LOCKWASHER, 1/4"	8
15	<b>MS90725-6</b>	BOLT, 1/4"-20 x 3/4"	2



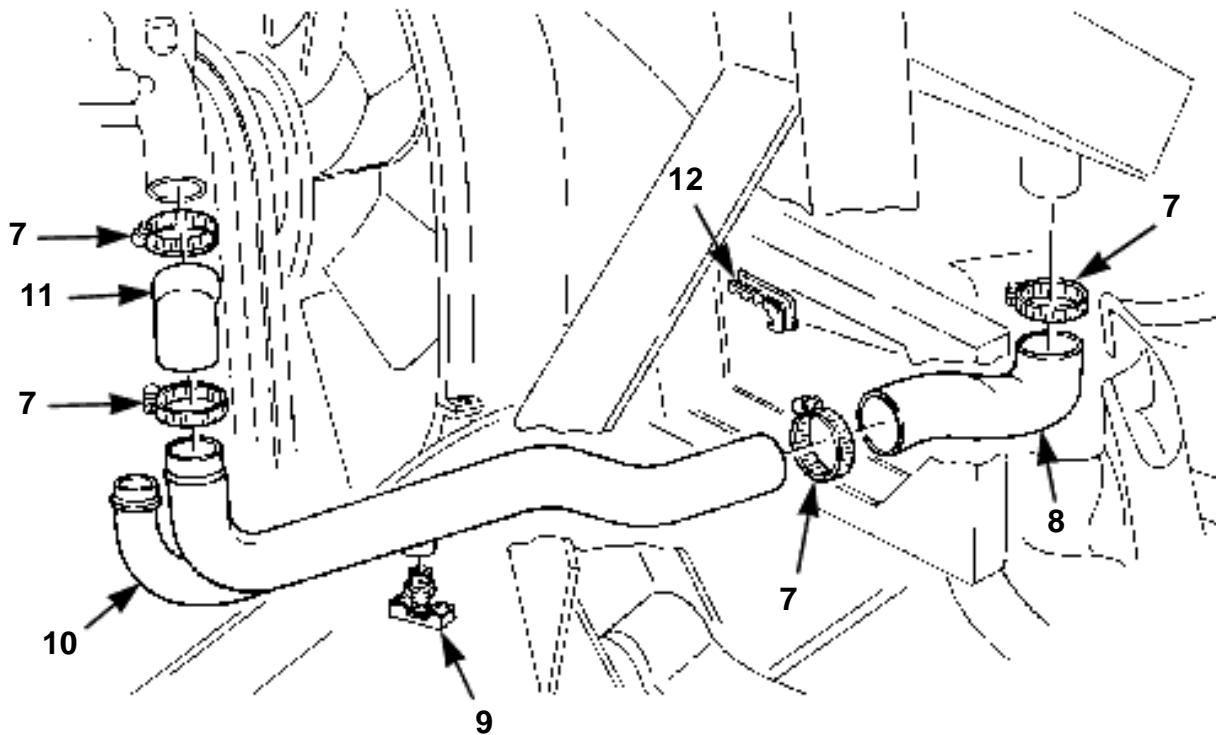
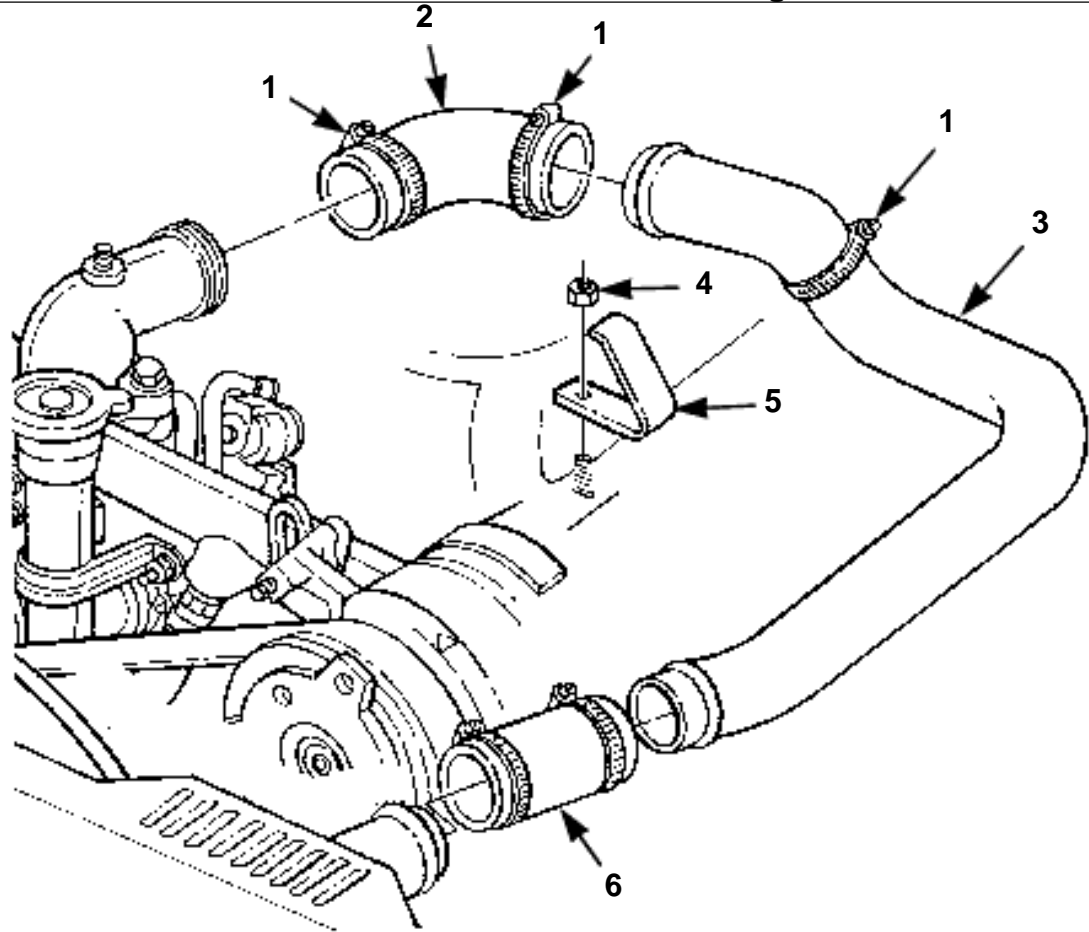


Radiator Hoses and Related Parts (1992-1993 Only)

**Radiator Hoses and Related Parts (1992 and 1993 Only).**

Item	Part No.	Description	Qty
1	<b>N/S</b>	CLAMP, hose, 2 1/2 -1 1/2"	2
2	<b>12339160</b>	HOSE, radiator inlet	1
3	<b>12339902-12</b>	PAD, crossmember, SEE NOTE 1	1
4	<b>12339162</b>	HOSE, lower radiator	1
5	<b>N/S</b>	CLAMP, 2 3/4 -1 3/4"	4
6	<b>MS35782-4</b>	DRAINCOCK, lower radiator tube	1
7	<b>EC12339152B1</b>	TUBE, lower radiator	1
8	<b>12339159</b>	HOSE, lower radiator, rear	1

NOTE 1: MAKE FROM BULK PAD, 500' ROLL  
P/N 5741214.



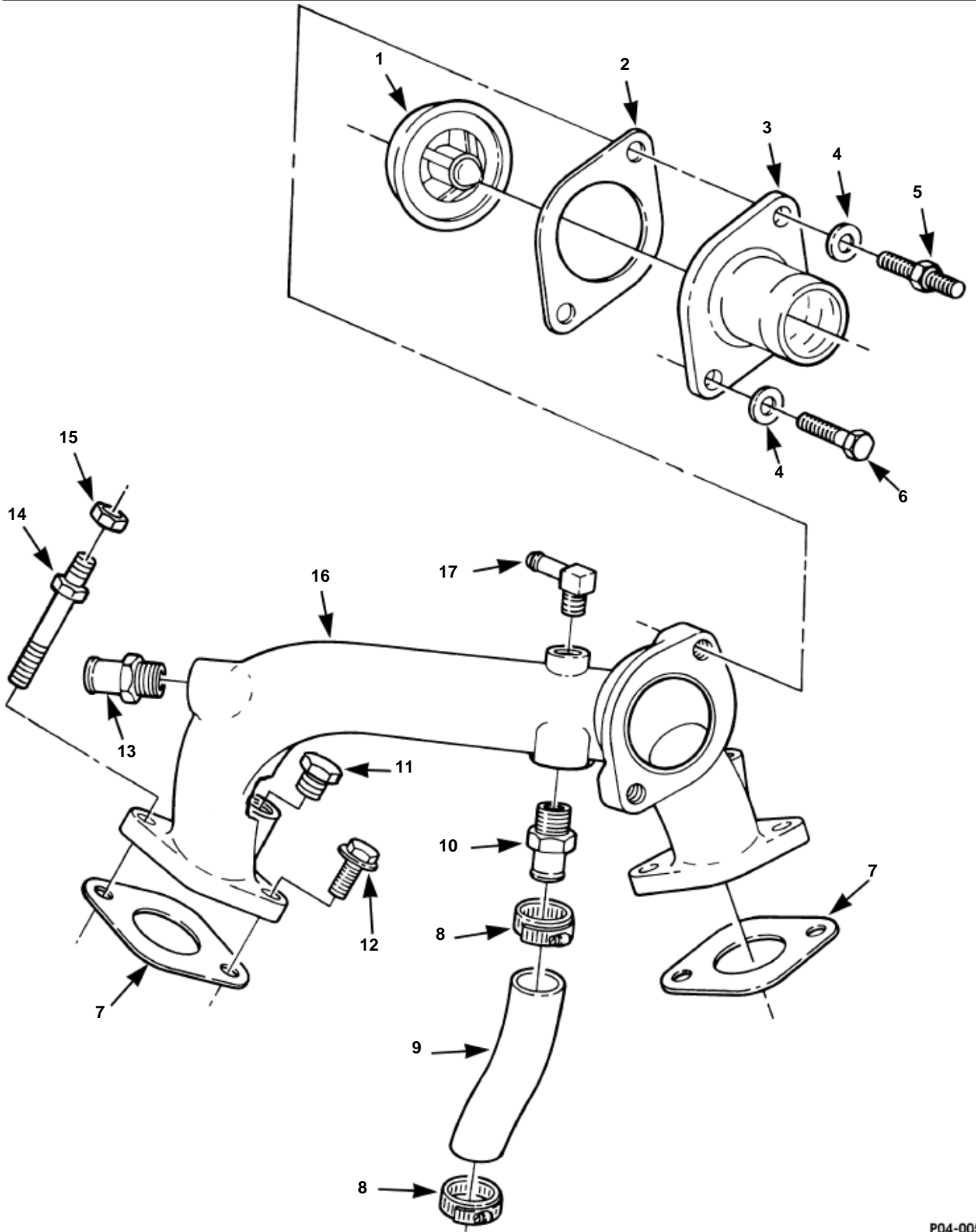
P04.004

**Radiator Hoses and Related Parts**

**Radiator Hoses and Related Parts.**

Item	Part No.	Description	Qty
1	<b>N/S</b>	CLAMP, hose, 2 1/2 -1 1/2"	5
2	<b>6003415</b>	HOSE, tube-to-outlet housing	1
3	<b>6003099</b>	TUBE, radiator-to-engine	1
4	<b>N/S</b>	NUT, M10-1.5, flanged	1
5	<b>6003414</b>	BRACKET, upper tube	1
6	<b>6003098</b>	HOSE, radiator inlet	1
7	<b>N/S</b>	CLAMP, 2 3/4 -1 7/8"	4
8	<b>12339162</b>	HOSE, lower radiator	1
9	<b>MS35782-4</b>	DRAINCOCK, lower radiator tube	1
10	<b>EC12339152B1</b>	TUBE, lower radiator	1
11	<b>12339159</b>	HOSE, lower radiator, rear	1
12	<b>12339902-12</b>	PAD, crossmember, SEE NOTE 1	1

NOTE 1: MAKE FROM BULK PAD, 500' ROLL  
P/N 5741214.



P04-005

Thermostat, Water Crossover , and Attaching Hardware

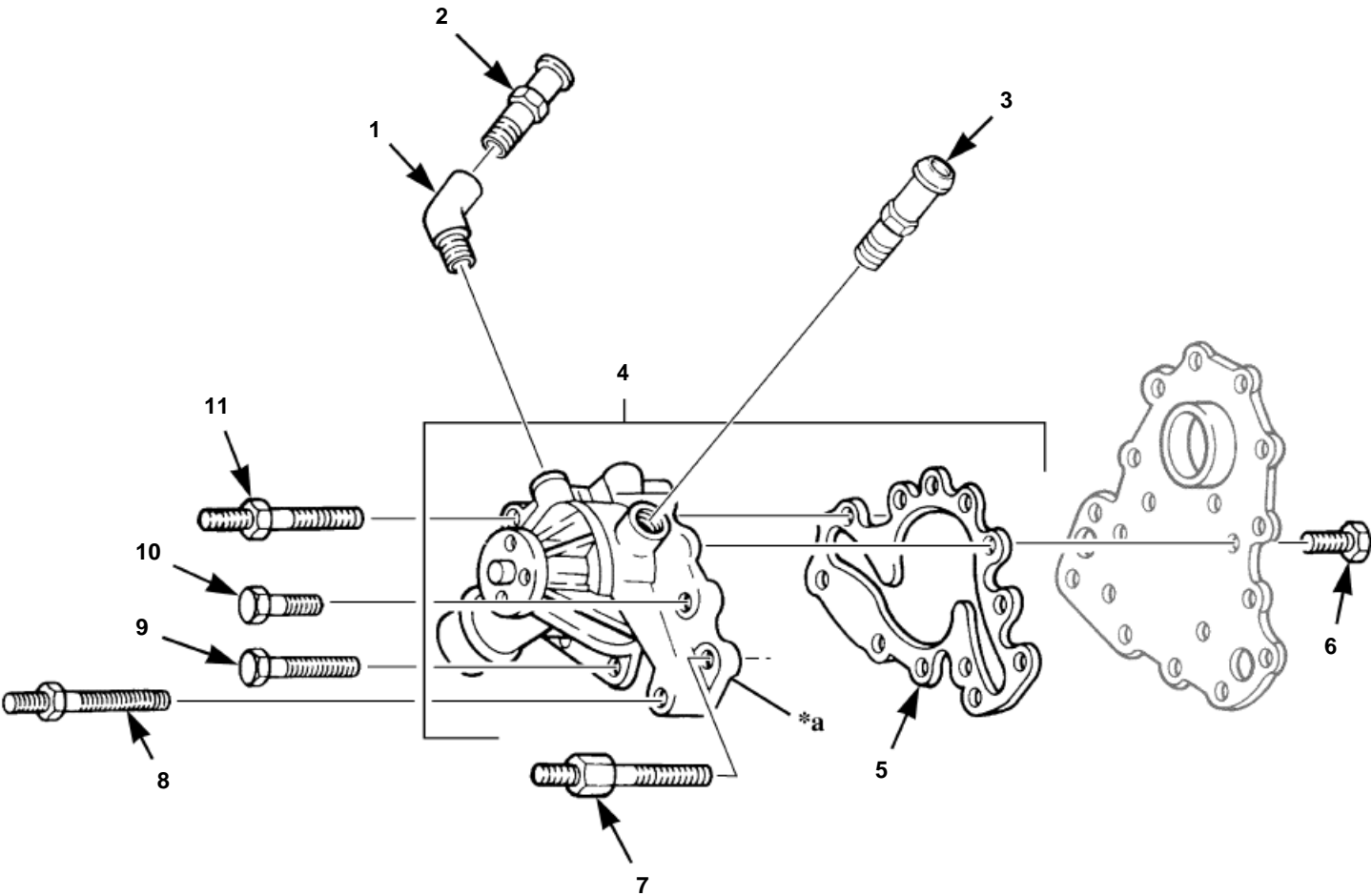
**Thermostat, Water Crossover, and Attaching Hardware.**

Item	Part No.	Description	Qty
1	<b>5740494</b>	THERMOSTAT, water	1
	<b>5743238</b>	THERMOSTAT, water (1994)	1
2	<b>5714666</b>	GASKET, water outlet SEE NOTE 1	1
	<b>5743239</b>	GASKET, water outlet (1994) SEE NOTE 3	1
3	<b>5740159</b>	FLANGE, water outlet	1
4	<b>120395</b>	WASHER, water outlet flange	2
5	<b>12339406-2</b>	STUD, M10-1.5" x 30 x 20	1
6	<b>5741165</b>	BOLT, grade 8	1
7	<b>5742109</b>	GASKET, water crossover, SEE NOTES 1 AND 3	2
8	<b>5740200</b>	CLAMP, water pump hose	2
9	<b>5740789</b>	HOSE, thermostat, bypass, SEE NOTE 2	1
10	<b>5740265</b>	ADAPTER, thermostat bypass hose	1
11	<b>1490911</b>	PLUG, water crossover	1
	<b>5743888</b>	PLUG, water crossover (1994)	1
12	<b>5740181</b>	BOLT, M10-1.5" x 30, 10.9	3
13	<b>12339396</b>	ADAPTER, thermostat by-pass	1
14	<b>12339406-2</b>	STUD, M10 x 1.5" x 30 x 20	1
15	<b>N/S</b>	NUT, M10-1.5", hex head	1
16	<b>5740077</b>	WATER OUTLET, crossover	1
17	<b>12339415</b>	ELBOW, pipe to hose	1

NOTE 1: PART OF CYLINDER HEAD GASKET AND SEAL  
SET P/N 5742119.

NOTE 2: MAKE FROM BULK HOSE P/N 5741064.

NOTE 3: PART OF 6.5L CYLINDER HEAD KIT 5743401.



\* a PART OF ITEM 4

### Water Pump and Attaching Hardware

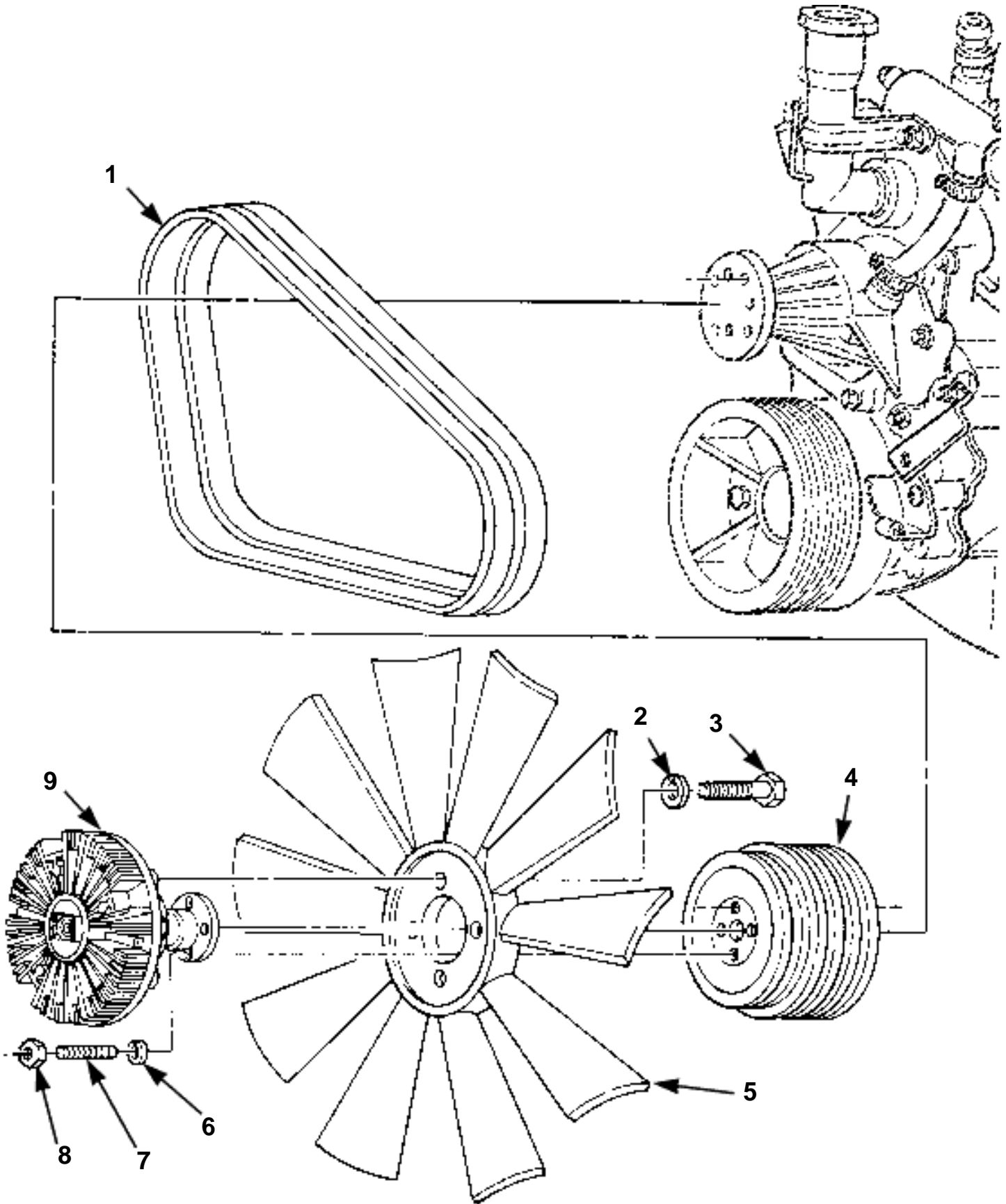
**Water Pump and Attaching Hardware.**

Item	Part No.	Description	Qty
1	<b>12339408</b>	ELBOW, pipe, street, 45 degree (Diesel)	1
2	<b>12339396</b>	NIPPLE, heater hose (Diesel)	1
3	<b>5740079</b>	WATER PUMP, cooling system	1
	<b>5743241</b>	WATER PUMP, cooling system (1994)	1
4	<b>5742110</b>	-GASKET, water pump, SEE NOTE 1	1
	<b>5714528</b>	-GASKET, water pump (1994), SEE NOTE 2	1
3	<b>5740265</b>	ADAPTER, water pump thermostat	1
4	<b>5743241</b>	WATER PUMP (Diesel)	1
5	<b>5743242</b>	-GASKET, water pump (Diesel) SEE NOTE 1	1
6	<b>N/S</b>	SCREW, M8-1.25" x 16mm	A/R
7	<b>5741140</b>	STUD, water pump	1
8	<b>5741166</b>	STUD, 10-1.5" x 95 x 17mm	1
9	<b>5742076</b>	BOLT, water pump	1
10	<b>11500921</b>	BOLT, M8-1.25" x 40	2
11	<b>5740185</b>	STUD, water pump	1

NOTE 1: PART OF ENGINE OVERHAUL KIT P/N 5740956.

NOTE 2: PART OF ENGINE OVERHAUL KIT P/N 5743399.

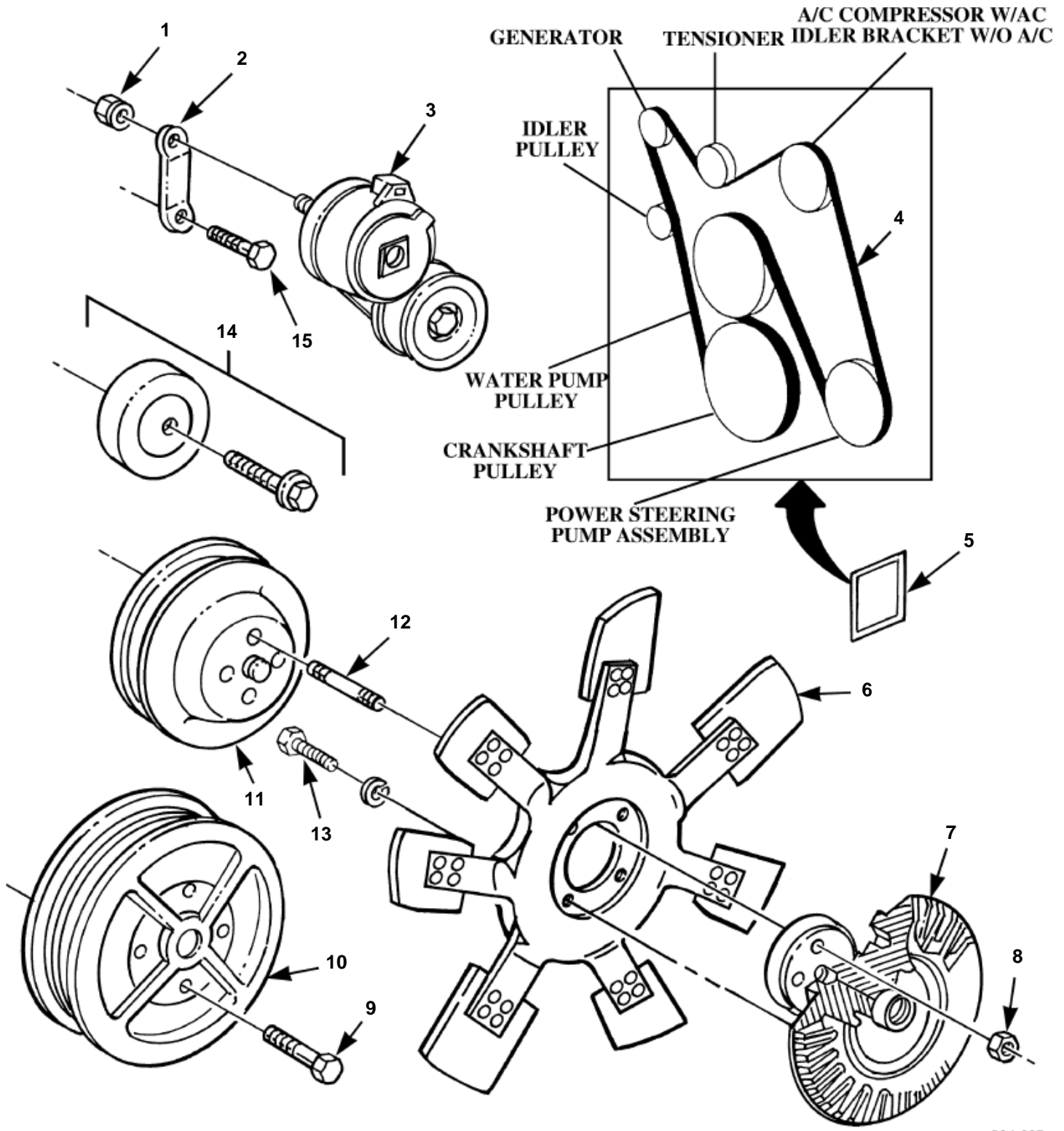




Viscous Fan Drive, Power Steering, and Water Pump Belts 6.2L

**Viscous Fan Drive, Power Steering, and Water Pump Belts. 6.2L**

Item	Part No.	Description	Qty
1	<b>12339359-15</b>	V-BELTS, matched set, water pump, power steering	1
2	<b>MS35338-45</b>	LOCKWASHER	4
3	<b>MS90728-31</b>	BOLT	4
4	<b>5939607</b>	PULLEY	1
5	<b>5939560</b>	COOLING FAN, engine and transmission	1
6	<b>2436162</b>	WASHER	4
7	<b>6000487</b>	STUD	4
8	<b>11501038</b>	NUT	4
9	<b>5939545</b>	VISCOUS FAN DRIVE	1

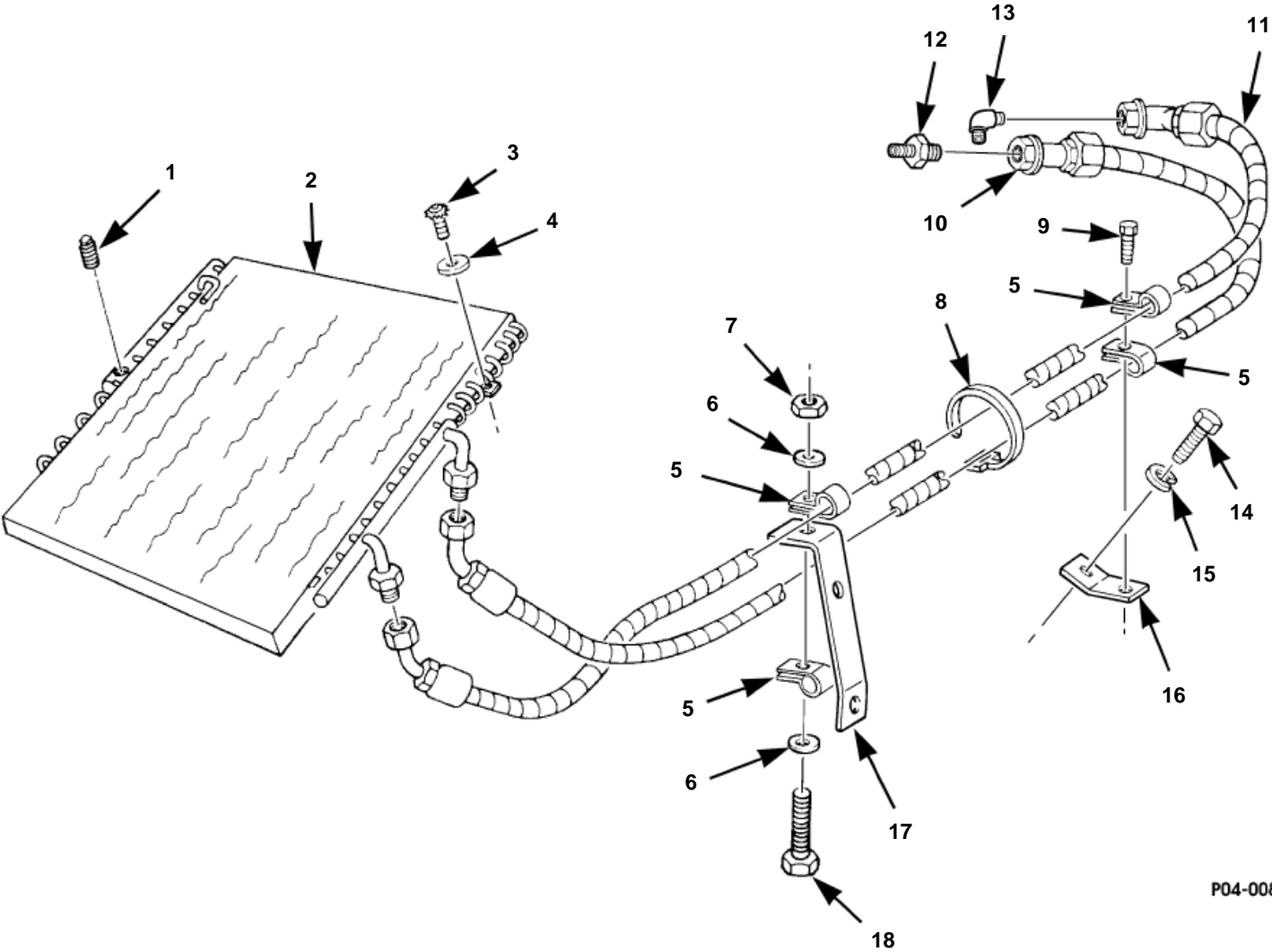


P04-007

Cooling Fan, Fan Clutch, Belt and Pulleys, 6.5L

**Cooling Fan, Fan Clutch, Belt, and Pulleys, 6.5L.**

Item	Part No.	Description	Qty
1	<b>N/S</b>	NUT, M12 - 1.75", HX FLG, tensioner brace	1
2	<b>6003047</b>	BRACE, tensioner	1
3	<b>6022070</b>	TENSIONER	1
4	<b>6003052</b>	BELT, serpentine	1
5	<b>6003503</b>	LABEL, belt routing	1
6	<b>6003064</b>	FAN, engine cooling	1
7	<b>6003082</b>	CLUTCH ASSEMBLY, fan	1
8	<b>11508284</b>	NUT, fan-to-clutch	4
9	<b>N/S</b>	BOLT, M10 x 1.5 x 65", HVY, HX, FLG	4
10	<b>6003069</b>	PULLEY, crankshaft	1
11	<b>6003066</b>	PULLEY, water pump	1
12	<b>6003063</b>	STUD, fan-to-water pump	4
13	<b>6003065</b>	BOLT, fan-to-clutch	4
14	<b>6003045</b>	IDLER ASSEMBLY	1
15	<b>N/S</b>	BOLT, M10-1.5 x 25", HX, FLG, brace-to-cover	1

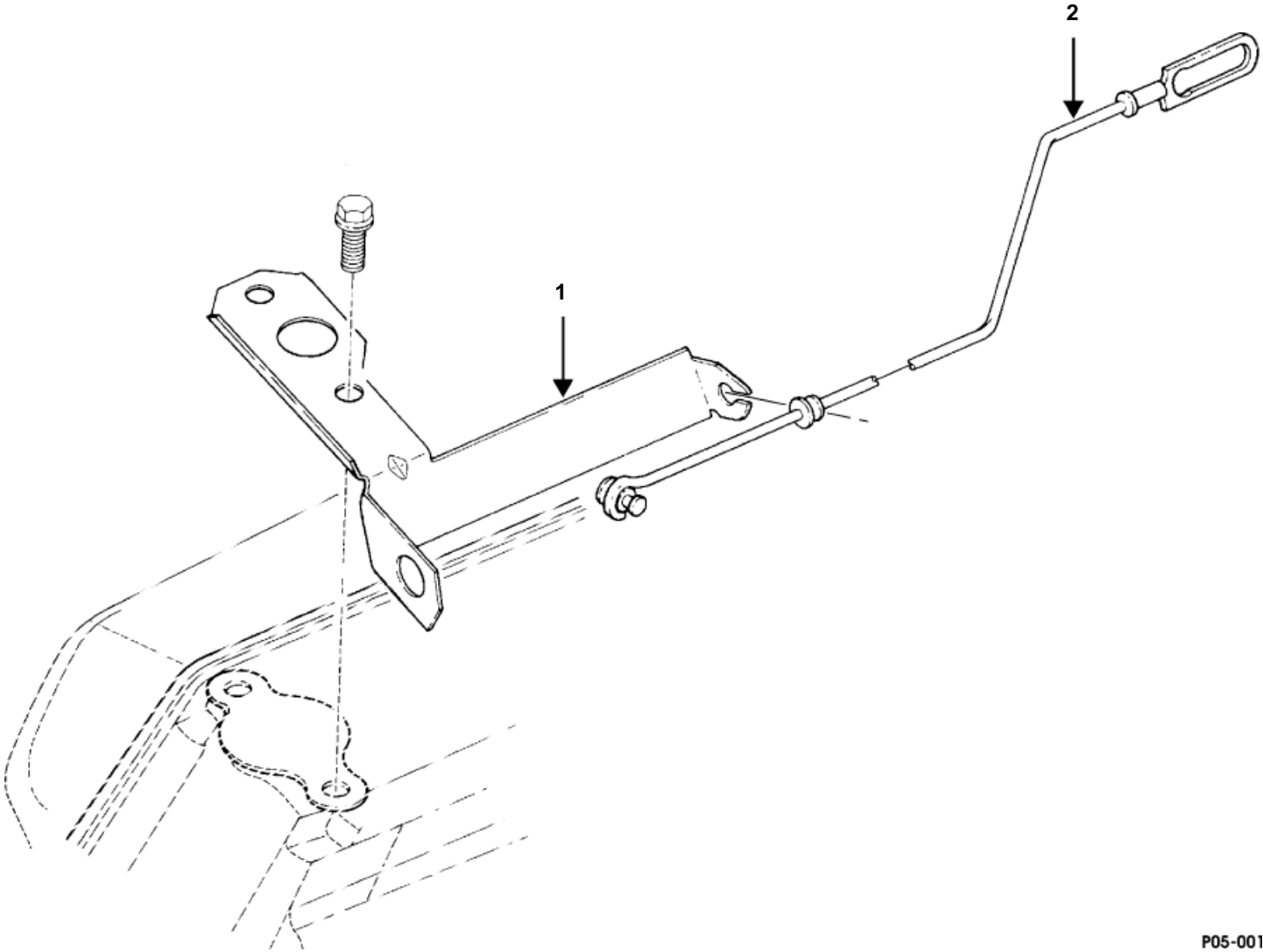


P04-008.1

**Line and Transmission Oil Cooler and Engine Oil Cooler Line**

**Engine and Transmission Oil Cooler and Engine oil Cooler Lines.**

Item	Part No.	Description	Qty
1	<b>144011</b>	LUG, pipe, oil cooler	2
2	<b>12340185</b>	COOLER, engine and transmission oil	1
3	<b>5741099</b>	BOLT, 5/16"-18 x 5/16"	4
4	<b>ELMS27183-12</b>	WASHER, flat, .344"	4
5	<b>12340571-2</b>	CLAMP, closed dipped	4
6	<b>2436161P2</b>	WASHER, flat, 1/4"	2
7	<b>MS51943-31</b>	LOCKNUT, 1/4"-20	1
8	<b>MS3367-3-9</b>	STRAP, tiedown, oil cooler hose	1
9	<b>MS51851-85</b>	SCREW, oil cooler hose clamp	1
10	<b>EC12339411-2</b>	HOSE, oil cooler inlet (Diesel)	1
11	<b>12339411-1</b>	HOSE, oil cooler outlet (Diesel)	1
12	<b>12338778</b>	ADAPTER, pipe	1
13	<b>10-6-70202C</b>	ELBOW, 90 degree, 37 degree flange	1
14	<b>N/S</b>	SCREW, 3/8 -16 x 3/4"	1
15	<b>MS35338-46</b>	LOCKWASHER, 3/8"	1
16	<b>12338777</b>	BRACKET, oil cooler hose clamp	1
17	<b>12338779</b>	BRACKET, oil cooler hose clamp	1
18	<b>MS90725-9</b>	SCREW, 1/4"-20 x 1.13"	1



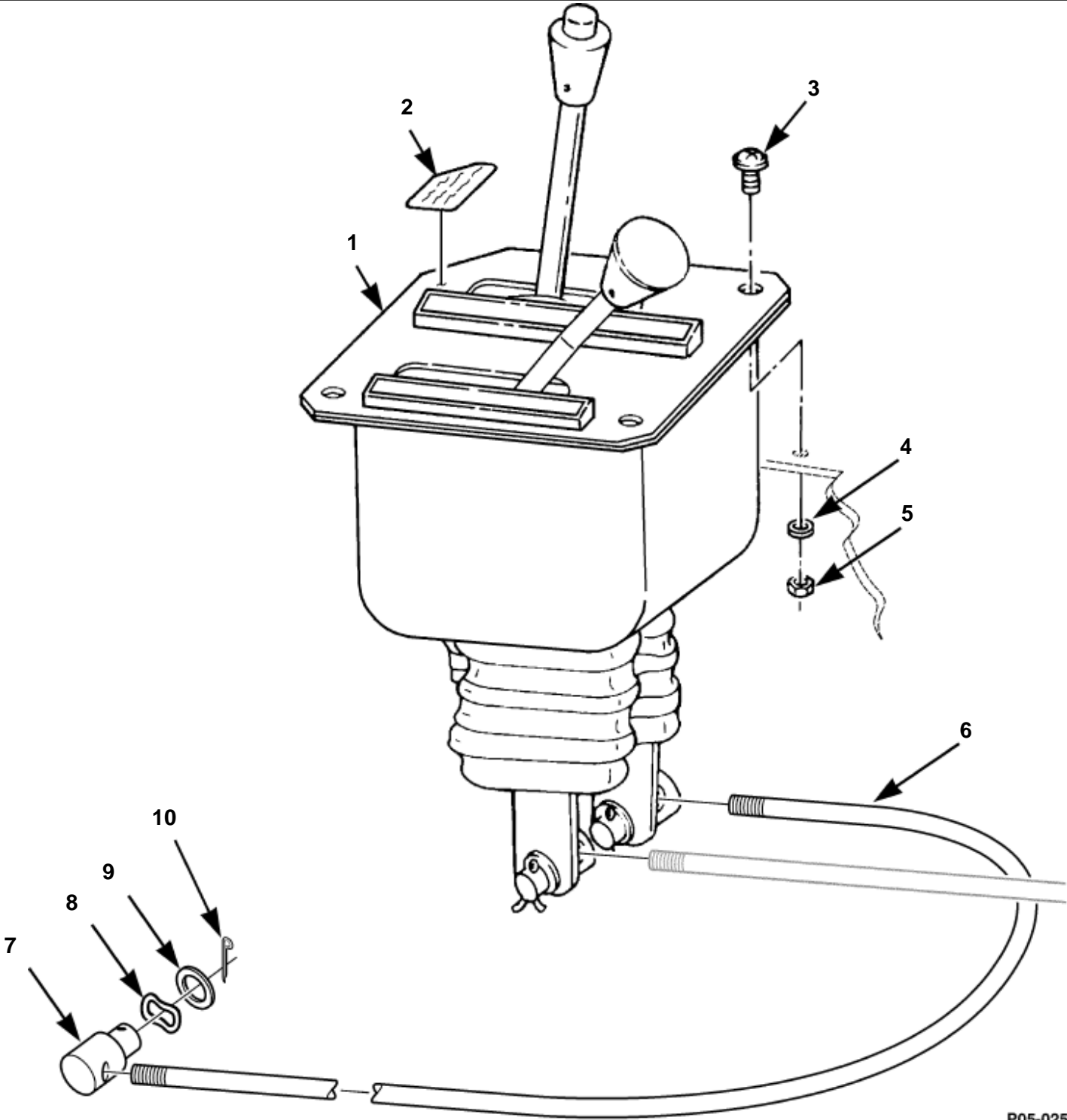
P05-001

**Modulator Rod Assembly and Bracket**

**Modulator Rod Assembly and Bracket.**

Item	Part No.	Description	Qty
1	<b>12339141</b>	BRACKET, modulator control	1
2	<b>12339149</b>	CONNECTING LINKAGE, modulator control	1



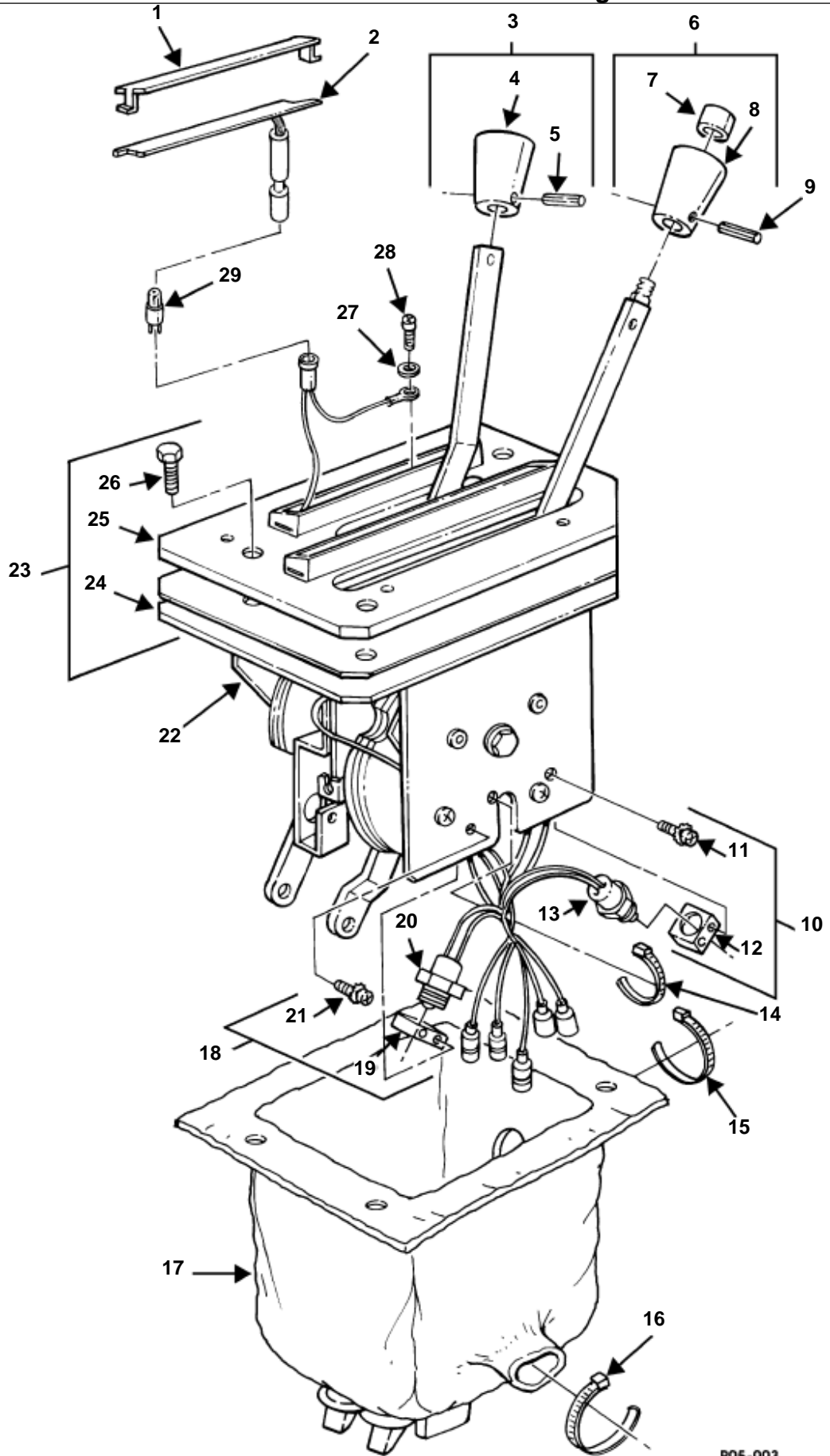


P05-025

Transmission, Transfer Case Control Assembly, and Shift Rod

**Transmission, Transfer Case Control Assembly, and Shift Rod.**

Item	Part No.	Description	Qty
1	<b>6002029</b>	CONTROL ASSEMBLY, transmission and transfer case	1
	<b>6002639</b>	CONTROL ASSEMBLY, transmission and transfer case (1994)	1
2	<b>6003832</b>	DECAL, shift instruction	1
3	<b>MS16997-61</b>	SCREW, control assembly	3
4	<b>2436161</b>	WASHER, control assembly	3
5	<b>MS51943-31</b>	LOCKNUT, control assembly	3
6	<b>5939066</b>	ROD, transmission shift	1
	<b>6003173</b>	ROD, transmission shift (1994)	1
7	<b>6001696</b>	TRUNNION, shift control rod	1
8	<b>12340257-3</b>	WASHER, wave	1
9	<b>AN960-616</b>	WASHER, shift rod trunnion	1
10	<b>MS24665-283</b>	PIN, cotter	2

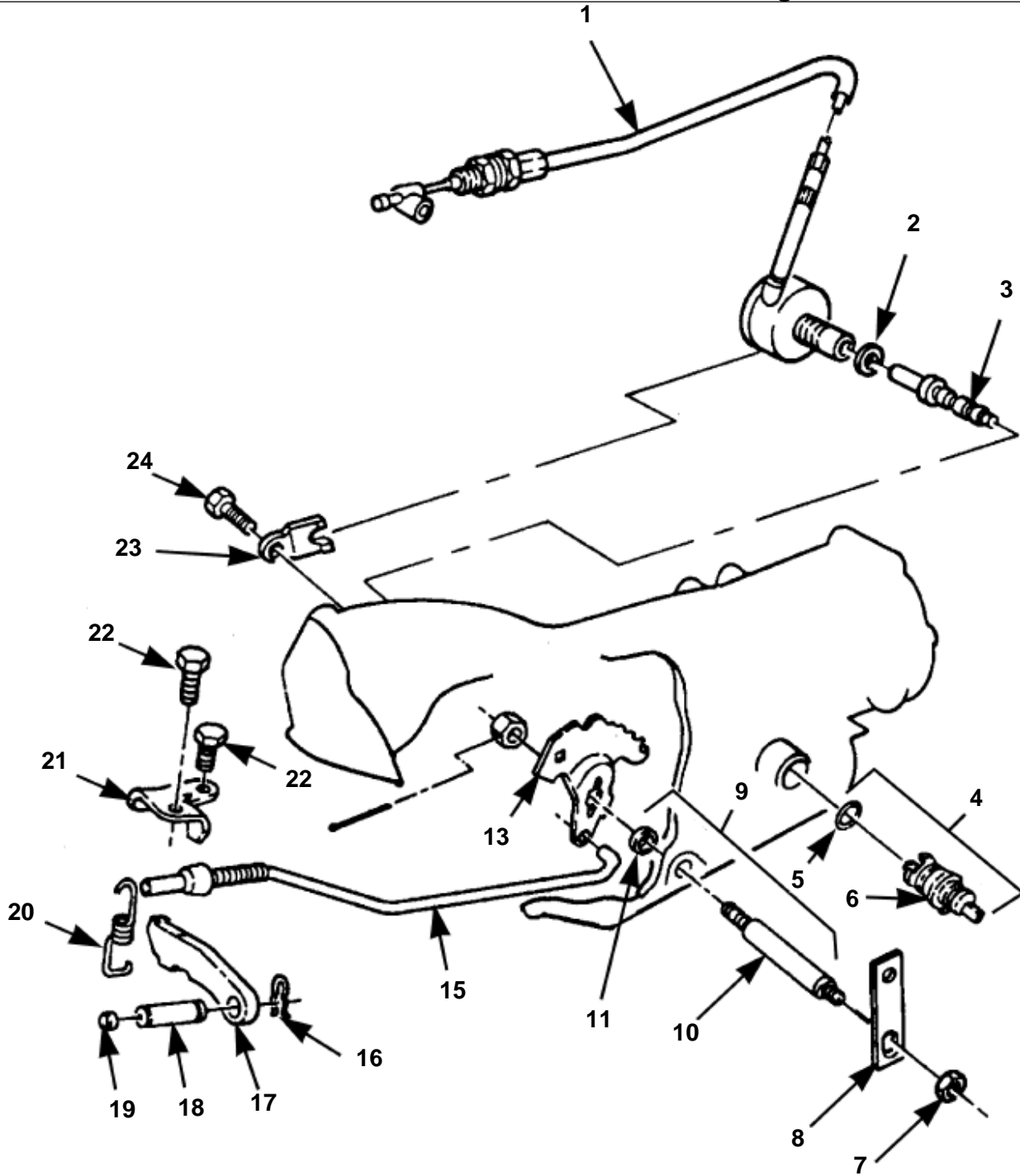


Transmission Shift Control and Neutral Start Switch

P05-003

**Transmission Shift Control and Neutral Start Switch.**

Item	Part No.	Description	Qty
1	<b>5743742</b>	INDICATOR, transmission (1994)	1
	<b>5743154</b>	INDICATOR, transmission (1993)	1
	<b>5743155</b>	INDICATOR, transfer	1
2	<b>5742979</b>	FIBEROPTICS, transmission	1
	<b>5742980</b>	FIBEROPTICS, transfer	1
3	<b>5743156</b>	KNOB KIT, transfer	1
4	<b>S.I.K.</b>	·KNOB, transfer shift	1
5	<b>S.I.K.</b>	·SPRING PIN	1
6	<b>5743157</b>	PUSH BUTTON KNOB KIT, transmission	1
7	<b>S.I.K.</b>	·RELEASE BUTTON, transmission handle	1
8	<b>S.I.K.</b>	·KNOB, transmission handle	1
9	<b>S.I.K.</b>	·SPRING PIN	1
10	<b>5743158</b>	SWITCH SET, neutral	1
11	<b>S.I.K.</b>	·SCREW-ASSEMBLED WASHER	2
12	<b>S.I.K.</b>	·NUT, neutral switch	1
13	<b>S.I.K.</b>	·NEUTRAL SWITCH	1
14	<b>N/S</b>	TIEDOWN STRAP	2
15	<b>MS3367-2-0</b>	TIEDOWN STRAP	1
16	<b>11501906</b>	TIEDOWN STRAP	1
17	<b>12460508</b>	BOOT	1
18	<b>5743159</b>	SWITCH SET, reverse	1
19	<b>S.I.K.</b>	·NUT, reverse switch	1
20	<b>S.I.K.</b>	·REVERSE switch	1
21	<b>S.I.K.</b>	·SCREW-ASSEMBLED WASHER	2
22	<b>NPN</b>	HOUSING	1
23	<b>5743160</b>	COVER PLATE SEAL KIT	1
24	<b>S.I.K.</b>	·COVER SEAL	1
25	<b>S.I.K.</b>	·COVER PLATE	1
26	<b>S.I.K.</b>	·SCREW	4
27	<b>N/S</b>	WASHER	1
28	<b>N/S</b>	SCREW	1
29	<b>5744879</b>	BULB, indicator	1

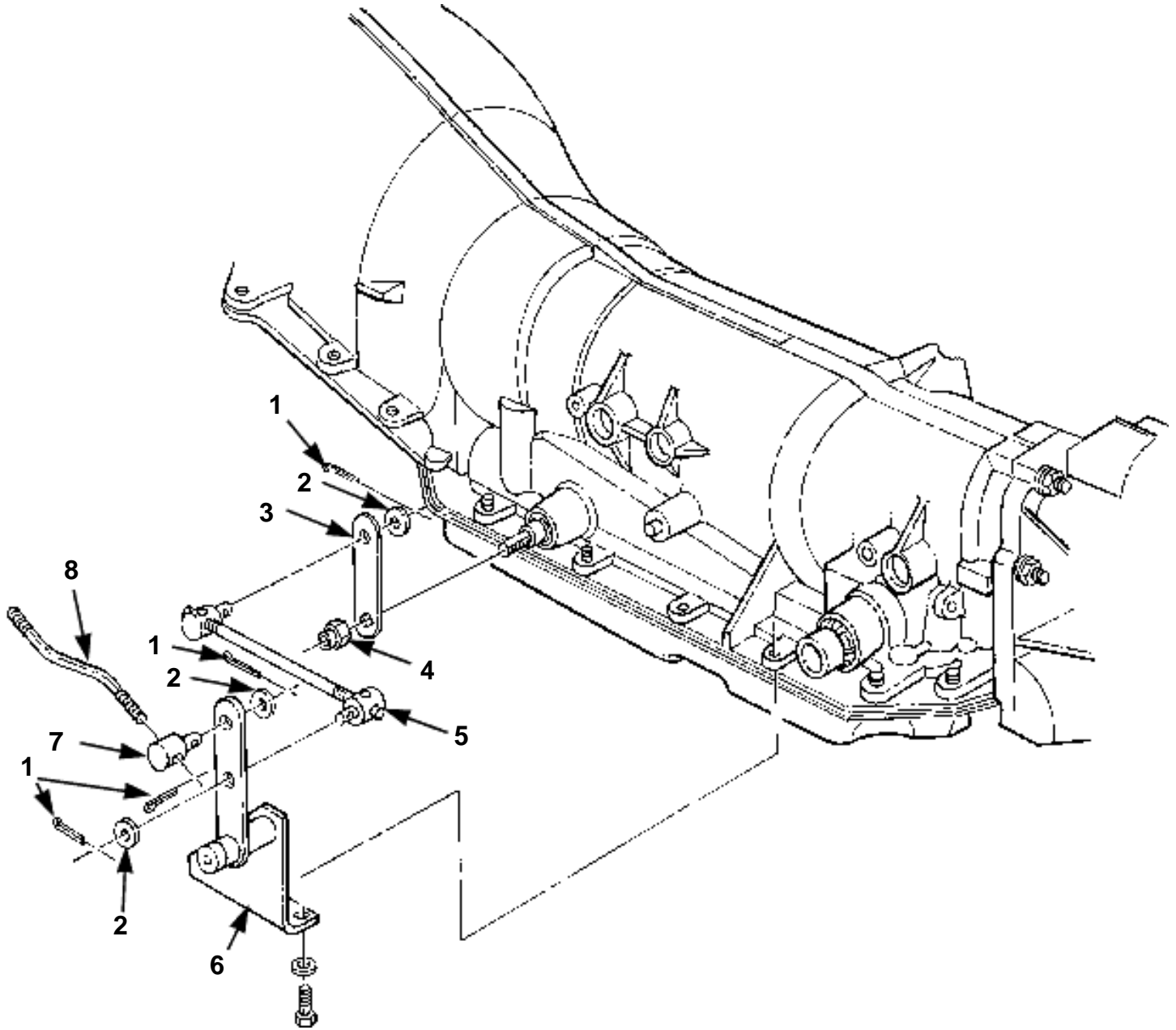


P05-026

## Transmission Shift Lever, Shift Bracket, and Rod (1992 and 1993 only)

**Transmission Shift Lever, Shift Bracket, and Rod (1992 and 1993**

Item	Part No.	Description	Qty
1	<b>12339357</b>	MODULATOR, cable, transmission	1
2	<b>5740021</b>	SEAL, modulator	1
3	<b>5740324</b>	SLIDE, directional, modulator	1
4	<b>5740426</b>	CONNECTOR PLUG, solenoid	1
5	<b>5740021</b>	SEAL, solenoid connector	1
6	<b>5740426</b>	CONNECTOR, solenoid	1
7	<b>5934444</b>	NUT, shift lever	1
8	<b>6001695</b>	LEVER, transmission selector shaft	1
	<b>12447176</b>	LEVER, transmission selector shaft (1994)	1
9	<b>5740323</b>	PARTS KIT, selector shaft	1
10	<b>S.I.K.</b>	SHAFT, transmission selector	1
11	<b>5740322</b>	SEAL, transmission selector shaft	1
12	<b>117212</b>	NUT, transmission selector	1
13	<b>5742618</b>	DETENT PLATE, transmission selector shaft	1
14	<b>5740336</b>	PIN, transmission selector shaft	1
15	<b>5742591</b>	ACTATOR ASSEMBLY, parking lock	1
16	<b>148148</b>	RETAINER, parking pawl shaft	1
17	<b>5742594</b>	PAWL, parking lock	1
18	<b>5742593</b>	SHAFT, parking pawl lock	1
19	<b>5742589</b>	PLUG, parking pawl shaft	1
20	<b>5742590</b>	SPRING, parking pawl return	1
21	<b>5742592</b>	BRACKET, parking lock	1
22	<b>179814</b>	BOLT, parking lock bracket	2
23	<b>5740325</b>	RETAINER, modulator	1
24	<b>179816</b>	BOLT, modulator, retainer	1

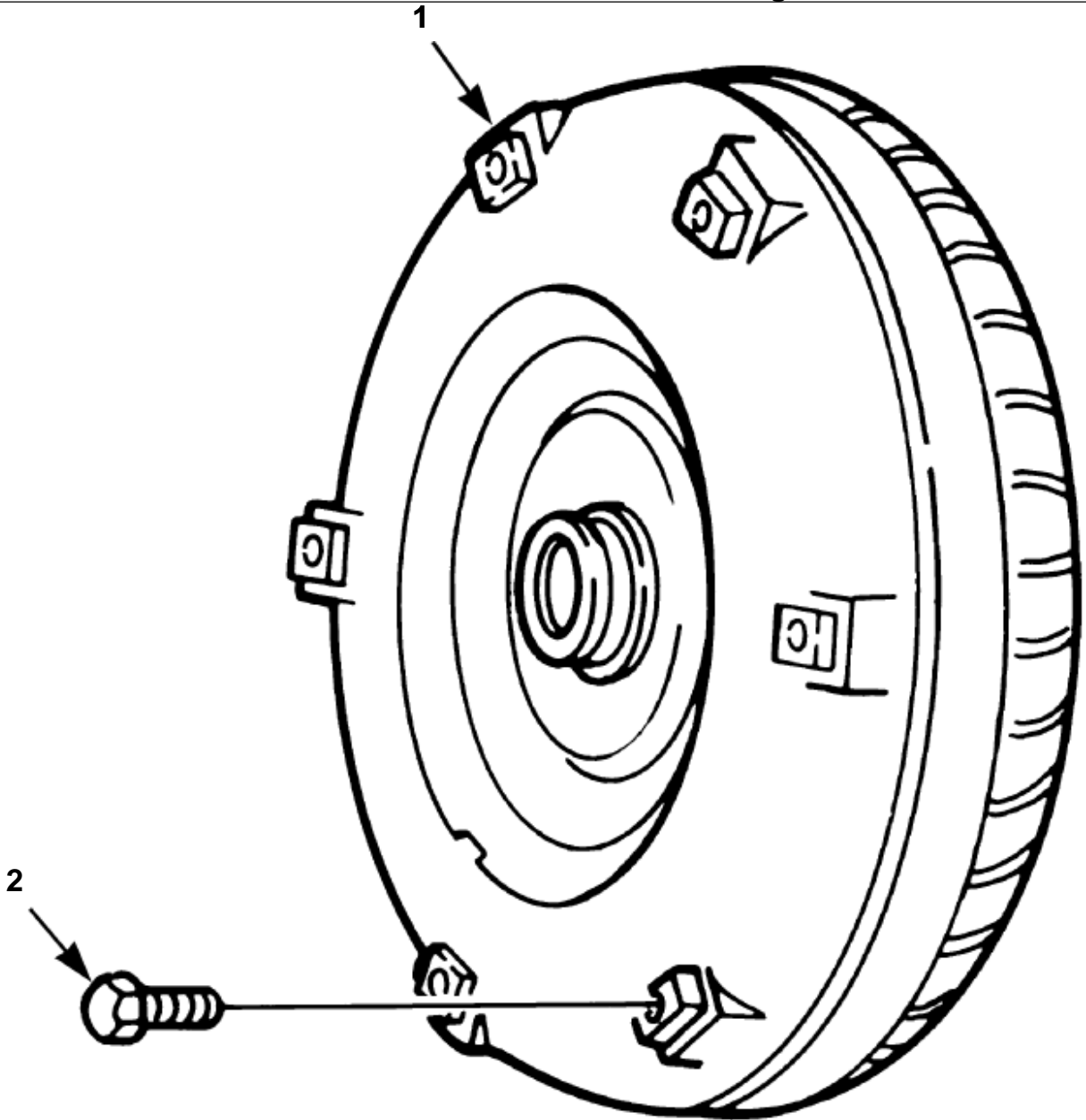


## Transmission Assembly, Shift Lever, Shift Bracket and Rod

**Transmission Assembly, Shift Lever, Shift Bracket, and Rod.**

Item	Part No.	Description	Qty
1	<b>N/S</b>	PIN, cotter, 3/32 x 3/4", DT	3
2	<b>AN960-616</b>	WASHER	5
3	<b>12447176</b>	LEVER, transmission shift arm	1
4	<b>5934444</b>	NUT	1
5	<b>12447178</b>	ROD ASSEMBLY, bracket - to - transmission	1
6	<b>12447182</b>	BRACKET, transmission shift lever	1
7	<b>12338442</b>	TRUNNION, shift control	1
8	<b>12460146</b>	ROD, transmission to shifter	1



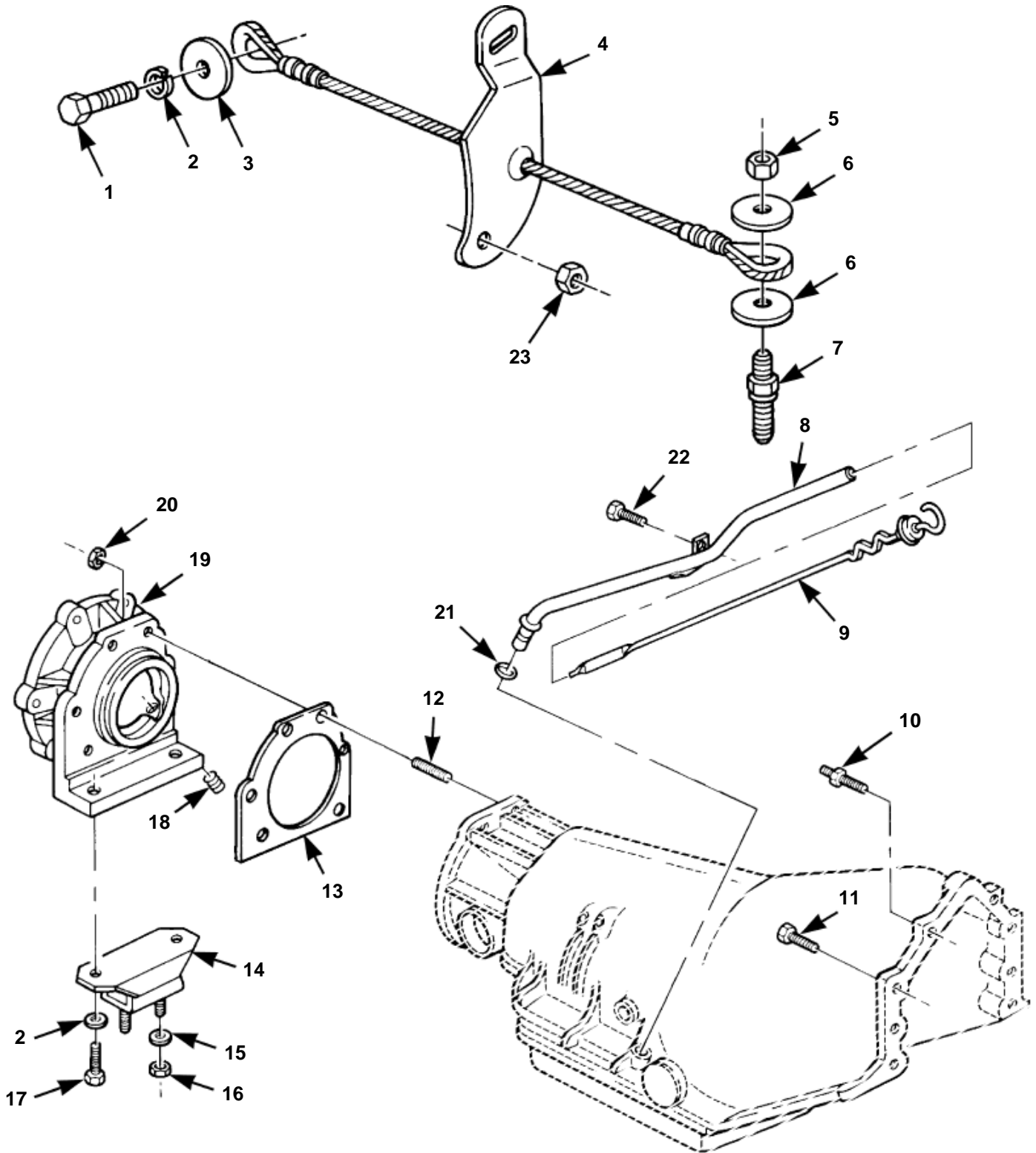


P05-005

# Torque Converter

**Torque Converter.**

Item	Part No.	Description	Qty
1	<b>5740029</b>	TORQUE CONVERTER, transmission	1
	<b>5743314</b>	TORQUE CONVERTER, transmission (1994)	1
2	<b>12340514</b>	SCREW, converter to flywheel	6



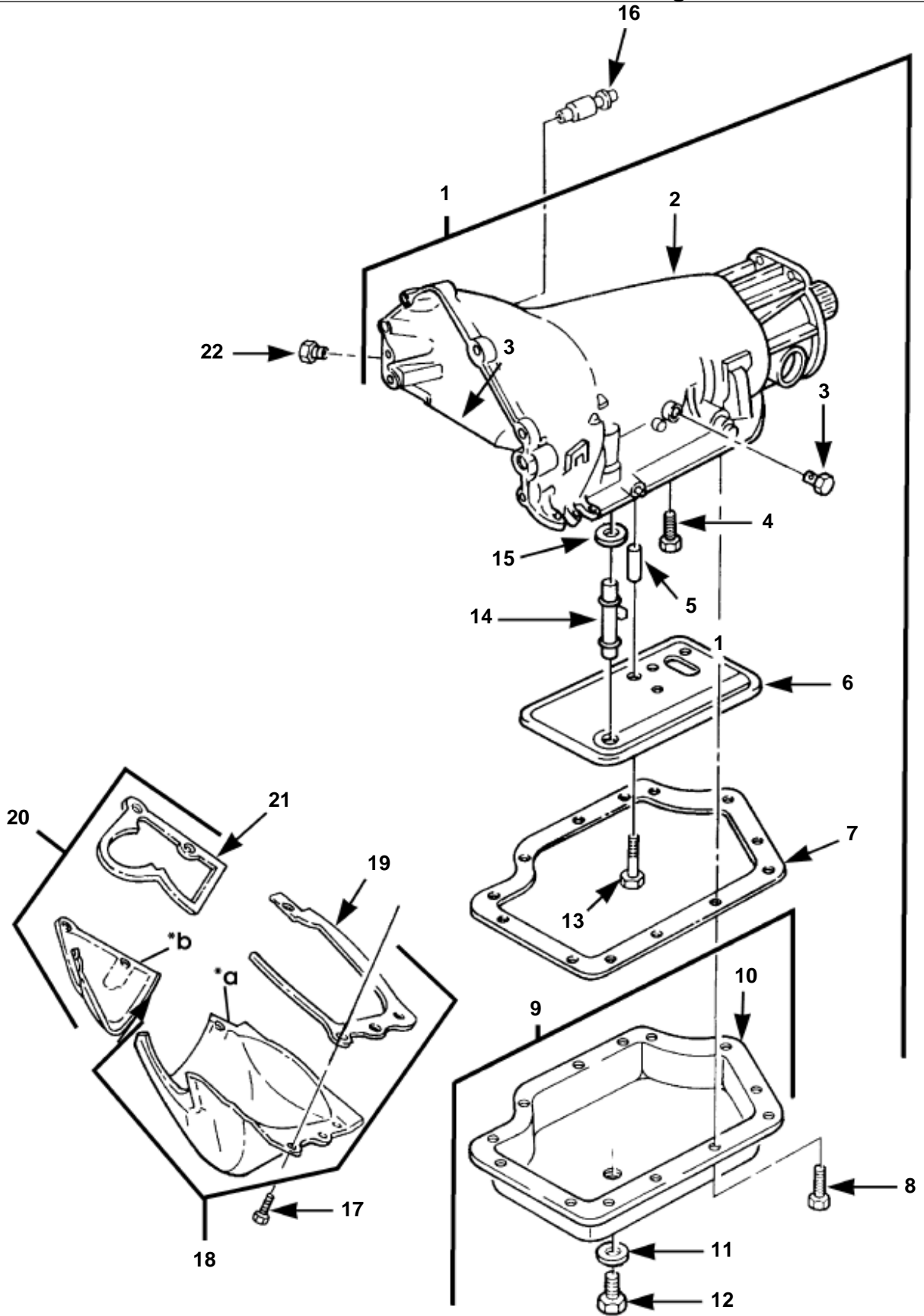
P05-006

## Transmission Mounting Hardware, Fluid Dipstick and Tube Assembly

**Transmission Mounting Hardware, Fluid dipstick, and Tube Assembl**

Item	Part No.	Description	Qty
1	<b>MS90728-114</b>	BOLT, guide cable	1
2	<b>N/S</b>	LOCKWASHER, 1/2", MED, DT	3
3	<b>N/S</b>	WASHER, guide cable, 5/8", DT	1
4	<b>12447180</b>	CABLE ASSEMBLY, transfer case guide	1
5	<b>N/S</b>	NUT, guide cable, 7/16 - 14"	1
6	<b>EC12340058</b>	WASHER, guide cable	2
7	<b>6000349</b>	STUD	1
8	<b>12339147-1</b>	TUBE, transmission oil dipstick	1
	<b>6005610B2</b>	TUBE, transmission oil dipstick (1994)	1
9	<b>12339167</b>	DIPSTICK, transmission oil level	1
	<b>6007924</b>	DIPSTICK, transmission oil level (1994)	1
10	<b>12339662</b>	STUD, transmission to engine	1
	<b>12460065</b>	STUD, transmission to engine (1994)	1
11	<b>MS90725-63</b>	SCREW, transmission to engine	4
12	<b>12339518</b>	STUD, adapter	6
13	<b>5742566</b>	GASKET, case to extension SEE NOTE 1	1
14	<b>12339178</b>	MOUNT, resilient, transmission, rear	1
15	<b>2436163</b>	WASHER, transmission mount to crossmember	2
16	<b>MS51943-35</b>	LOCKNUT, transmission mount to crossmember	2
17	<b>MS90725-110</b>	SCREW, transmission mount to adapter	2
18	<b>444689</b>	DRAINPLUG	1
19	<b>12339134</b>	ADAPTER, transmission	1
	<b>12447175</b>	ADAPTER, transmission (1994)	1
20	<b>N/S</b>	LOCKNUT, adapter, 3/8 - 24" HEX, FLG, DT	6
21	<b>MS28775-113</b>	SEAL, O-ring, dipstick tube	1
	<b>6002996</b>	SEAL, O-ring, dipstick tube (1994)	1
22	<b>11503451</b>	SCREW, dipstick tube	1
23	<b>11501033</b>	NUT	1

NOTE 1: PART OF TRANSMISSION OVERHAUL KIT P/N  
5742044.



P05-007

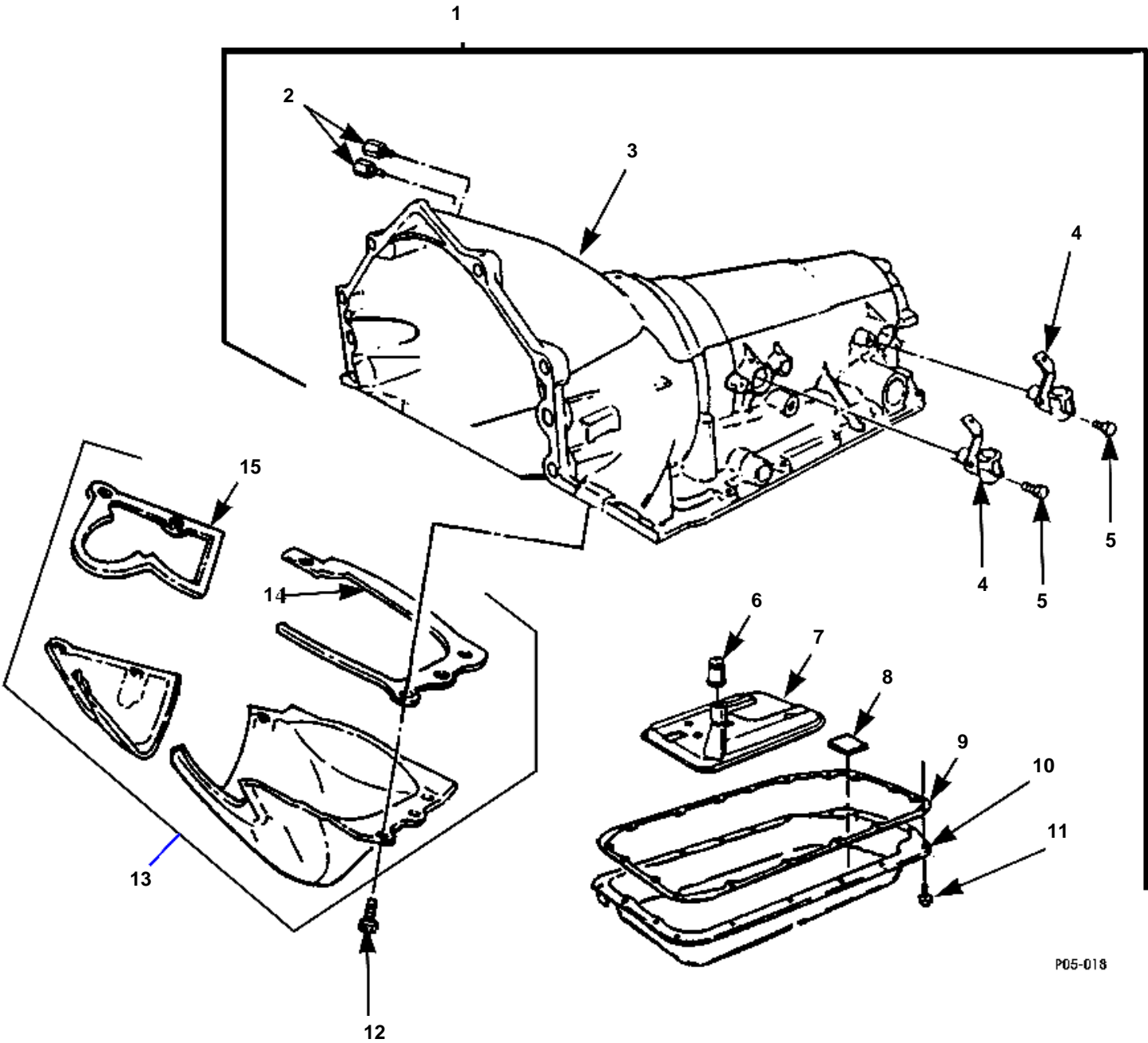
\*a Part of Item 18  
\*b Part of Item 20

### Transmission, Filter and Sensors (1992 and 1993 only)

**Transmission, Filter and Sensors (1992 and 1993 Only).**

Item	Part No.	Description	Qty
1	<b>574438</b>	TRANSMISSION, w/ torque converter	1
	<b>5743315</b>	TRANSMISSION, SRTA (plus core charge)	1
2	<b>S.I.A.</b>	·CASE	1
3	<b>5740282</b>	·PLUG, case	1
4	<b>5742640</b>	·BOLT, case to center support	1
5	<b>5740334</b>	·SPACER, valve body to filter	1
6	<b>5740020</b>	·FILTER, transmission oil, SEE NOTE 1	1
7	<b>5740790</b>	·GASKET, oil pan to case, SEE NOTE 1	1
8	<b>5741128</b>	·BOLT, oil pan	13
9	<b>5741131</b>	·OIL PAN ASSEMBLY	1
10	<b>N/S</b>	·PAN, transmission oil	1
11	<b>5741252</b>	·GASKET, drainplug	1
12	<b>5741081</b>	·PLUG, oil drain	1
13	<b>5740335</b>	·BOLT, oil filter	1
14	<b>5740333</b>	·TUBE, oil filter	1
15	<b>5740330</b>	·SEAL, oil filter intake tube	1
16	<b>12340024</b>	UNION-BARB FITTING, transmission vent	1
17	<b>11503451</b>	SCREW, converter access cover to transmission	6
18	<b>12342107</b>	ACCESS COVER, torque converter	1
19	<b>12342104</b>	·GASKET, torque converter access cover	1
20	<b>12342106</b>	ACCESS COVER, torque converter	1
21	<b>12342105</b>	·GASKET, torque converter access cover	1
22	<b>5741250</b>	PLUG	2

NOTE 1: PART OF TRANSMISSION OVERHAUL KIT P/N  
5742044.



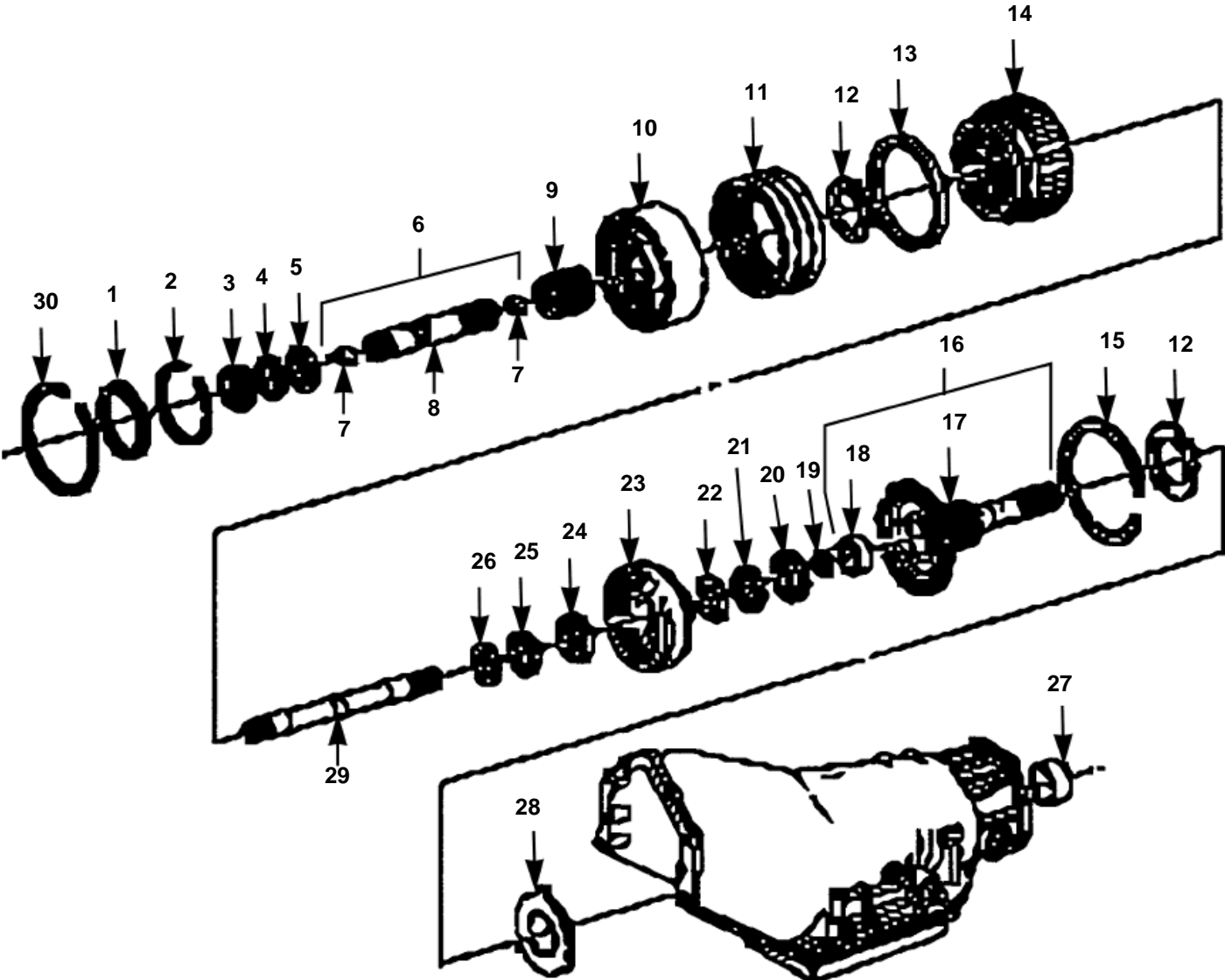
P05-018

**Transmission, Filter and Sensors**

**Transmission, Filter, and Sensors.**

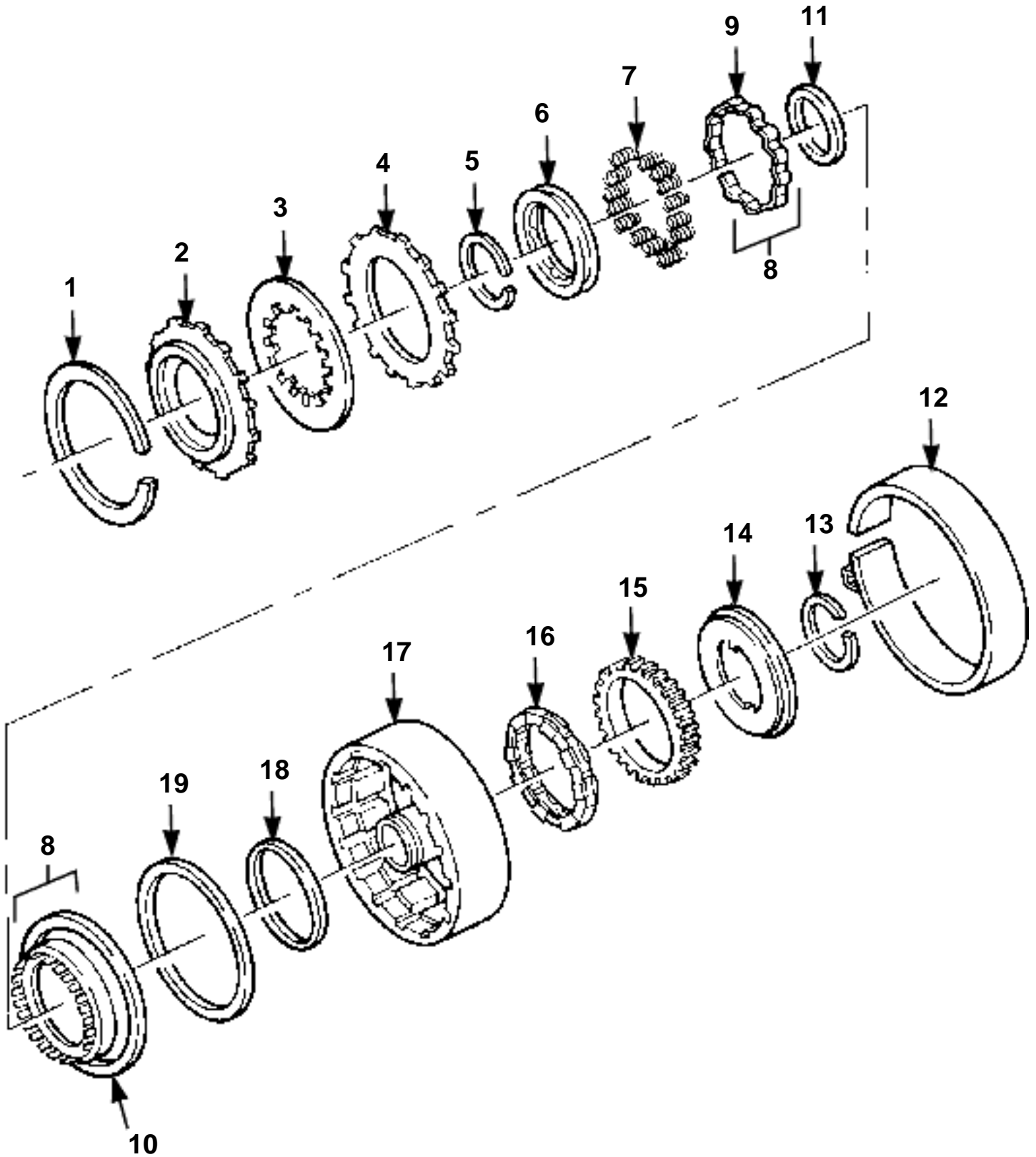
Item	Part No.	Description	Qty
1	<b>5743315</b>	TRANSMISSION, with torque converter	1
2	<b>5744087</b>	CONNECTOR	2
3	<b>N/S</b>	CASE	1
4	<b>5743516</b>	SENSOR ASSEMBLY	2
5	<b>11514308</b>	BOLT, speed sensor	2
6	<b>5743312</b>	SEAL	1
7	<b>5743311</b>	FILTER ASSEMBLY	1
8	<b>5744092</b>	MAGNET, chip collector	1
9	<b>5743310</b>	SEAL	1
10	<b>5743313</b>	OIL PAN ASSEMBLY	1
11	<b>5744077</b>	BOLT, oil pan	17
12	<b>11503451</b>	SCREW, converter access cover - to - transmission	6
13	<b>6002939B2</b>	ACCESS COVER	1
14	<b>12342104</b>	GASKET	1
15	<b>12342105</b>	GASKET	1





P05\_0027

### Planetary Gear Carrier (1992 and 1993 only)



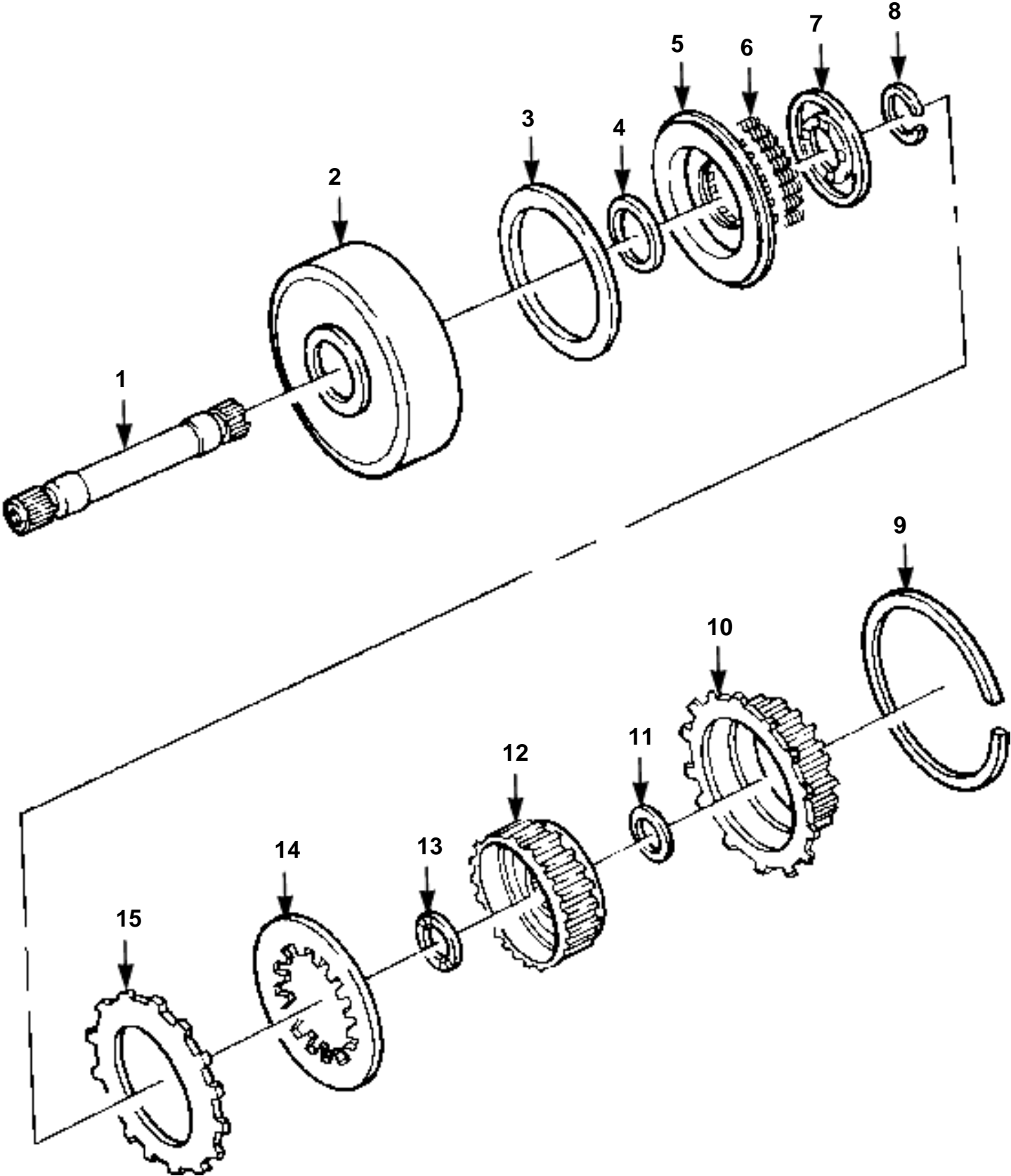
# Direct Clutch Assembly (1992 and 1993 only)

**Direct Clutch Assembly (1992 and 1993 Only).**

Item	Part No.	Description	Qty
1	<b>5740353</b>	SPACER, direct clutch	1
2	<b>5740365</b>	PRESSURE PLATE, direct clutch	1
3	<b>5740351</b>	DISK, direct clutch, SEE NOTE 1	1
4	<b>5740350</b>	DISK, direct clutch,.0915 flat steel	1
5	<b>5740347</b>	SNAPRING, direct clutch	1
6	<b>5740346</b>	RETAINING PLATE, direct clutch	1
7	<b>5741087</b>	SPRING, piston release	1
8	<b>5740362</b>	PISTON, direct clutch	1
9	<b>S.I.A.</b>	-RING, apply, direct clutch	1
10	<b>S.I.A.</b>	-PISTON, forward, direct clutch	1
11	<b>S.I.K.</b>	INNER SEAL, direct clutch, SEE NOTE 1 AND 2	1
12	<b>5714372</b>	BAND, front, direct, clutch	1
13	<b>5740361</b>	SNAPRING, direct clutch, 2.40	1
14	<b>5740360</b>	RETAINER, direct clutch	1
15	<b>5740359</b>	RING, outer, direct clutch	1
16	<b>5740358</b>	SPRAG ASSEMBLY, direct clutch	1
17	<b>5740357</b>	HOUSING, direct clutch	1
18	<b>S.I.K.</b>	SEAL, center, direct clutch, SEE NOTE 1 AND 2	1
19	<b>S.I.K.</b>	SEAL outer, direct clutch, SEE NOTE 1 AND 2	1

NOTE 1: PART OF TRANSMISSION OVERHAUL KIT P/N  
5742044.

NOTE 2: PART OF DIRECT CLUTCH PISTON SEAL KIT P/  
N 5740363



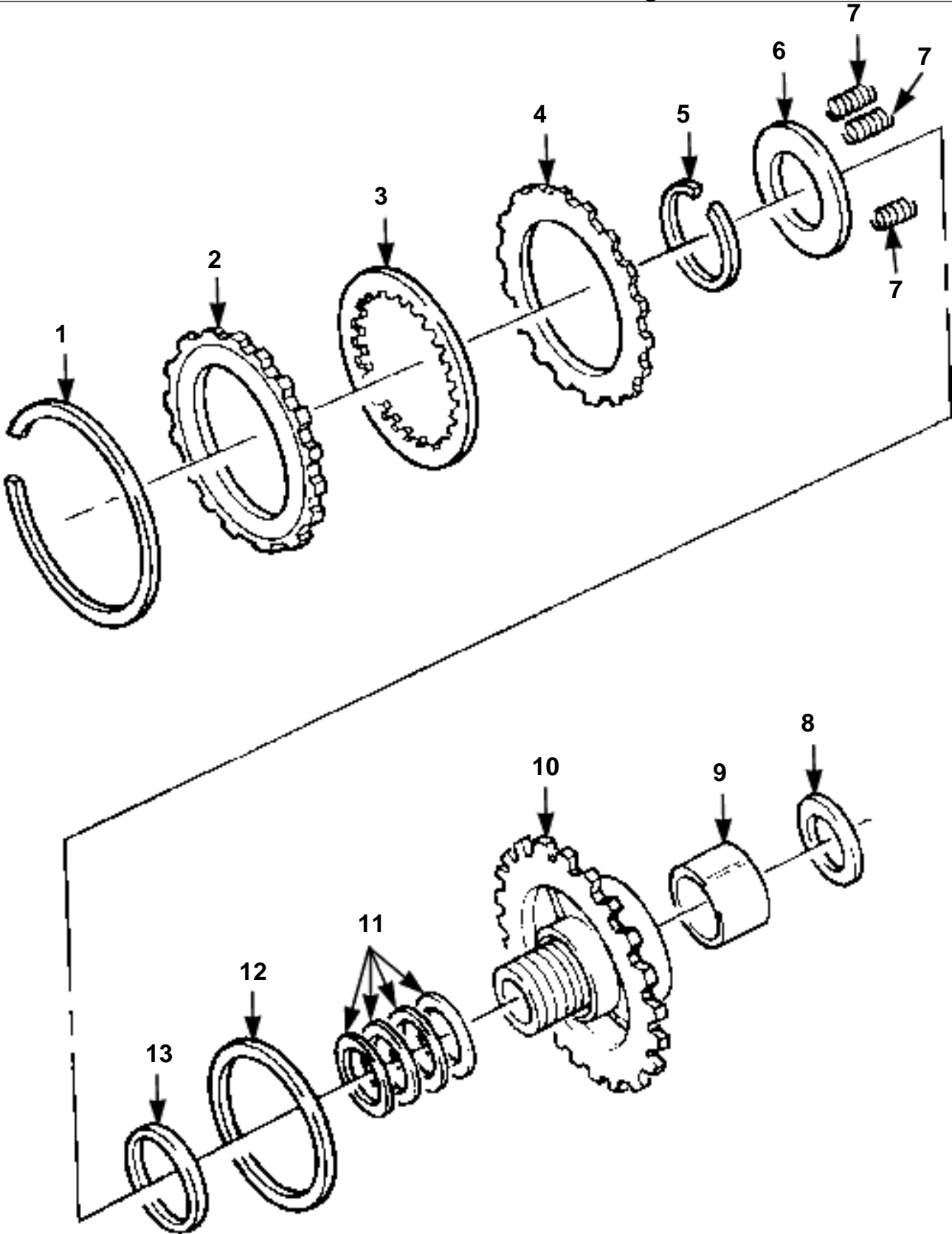
**Forward Clutch (1992 and 1993 only)**

**Forward Clutch (1992 and 1993 Only).**

Item	Part No.	Description	Qty
1	<b>5740285</b>	SHAFT, forward clutch	1
2	<b>5740354</b>	HOUSING, forward clutch	1
3	<b>S.I.K.</b>	SEAL, outer, SEE NOTE 1 AND 2	1
4	<b>S.I.K.</b>	SEAL, inner, SEE NOTE 1 AND 2	1
5	<b>5740355</b>	PISTON, forward clutch	1
6	<b>5741087</b>	SPRING, piston release	16
7	<b>5740346</b>	PLATE, piston release	1
8	<b>5740347</b>	SNAPRING, release retainer	1
9	<b>5740353</b>	RETAINING RING, forward clutch	1
10	<b>5740352</b>	HUB, clutch driving	1
11	<b>5741134</b>	BEARING, clutch hub	1
12	<b>5740349</b>	GEAR, forward clutch	1
13	<b>5740348</b>	BEARING, forward hub housing	1
14	<b>5740351</b>	BEARING, forward hub housing	5
15	<b>5740350</b>	DISK, flat steel	5

NOTE 1: PART OF TRANSMISSION OVERHAUL KIT P/N  
5742044.

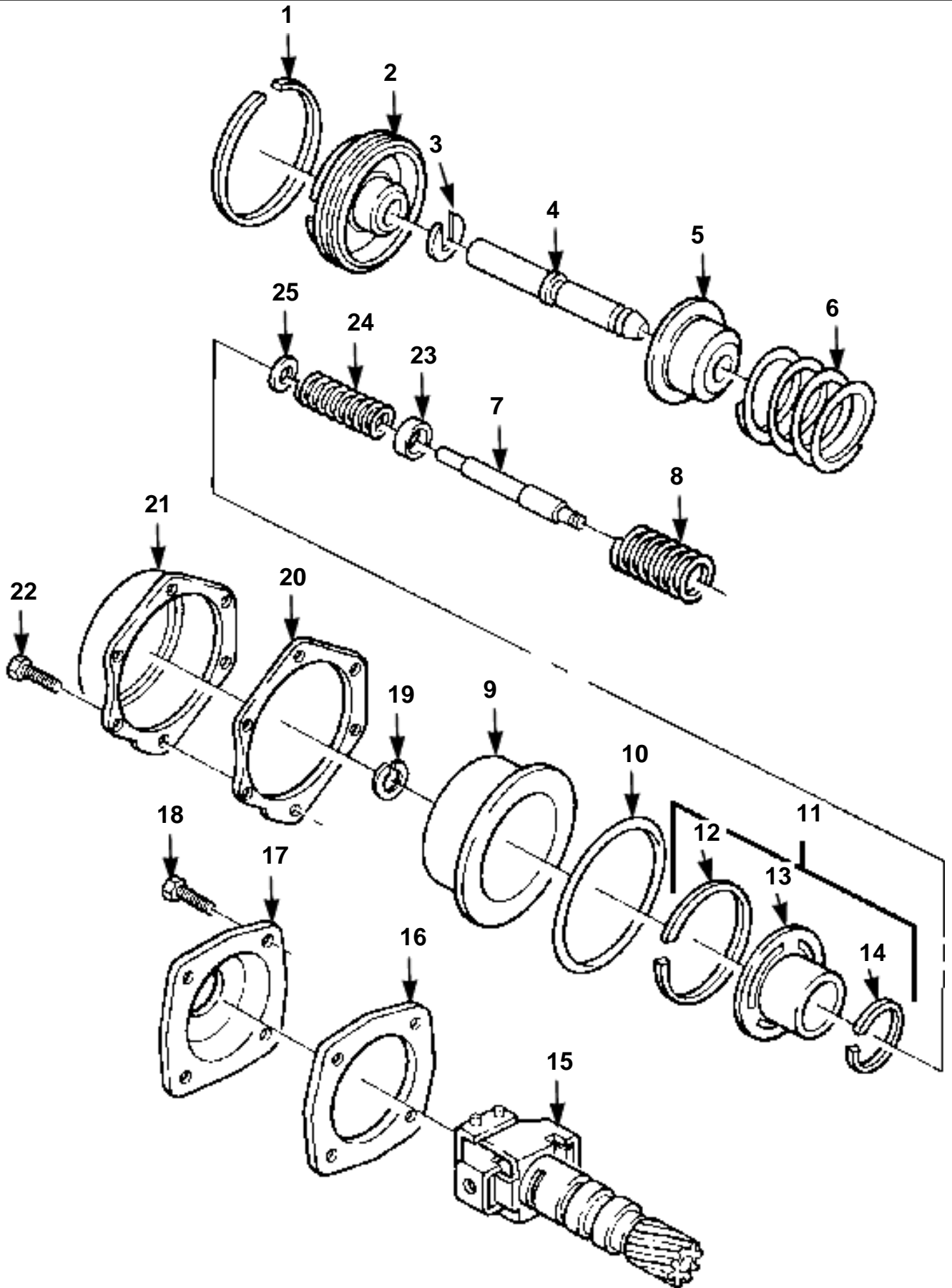
NOTE 2: PART OF DIRECT CLUTCH PISTON SEAL KIT P/  
N 5740363



**Intermediate Clutch (1992 and 1993 only)**

**Intermediate Clutch (1992 and 1993 Only).**

Item	Part No.	Description	Qty
1	<b>5740304</b>	RETAINING RING, intermediate clutch	1
2	<b>5740303</b>	PLATE, clutch backing	1
3	<b>5740302</b>	PLATE ASSEMBLY, intermediate clutch, SEE NOTE 1	3
4	<b>5740301</b>	PLATE, intermediate clutch flat	3
5	<b>5740402</b>	RETAINING RING, piston release	1
6	<b>5740401</b>	RETAINER, clutch spring	1
7	<b>5740400</b>	SPRING, clutch release	1
8	<b>5740367</b>	WASHER THRUST, support assembly	1
9	<b>S.I.K.</b>	BUSHING, center support, SEE NOTE 3	1
10	<b>5740388</b>	SUPPORT WITH RACE, center support	1
11	<b>5740284</b>	PACKING RETAINER, center support, SEE NOTE 1	1
12	<b>S.I.K.</b>	O-RING, inner clutch piston, SEE NOTE 1 AND 2	1
13	<b>S.I.K.</b>	O-RING, outer clutch piston, SEE NOTE 1 and 2	1



Front Servo, Rear Servo, Governor Assembly (1992 and 1993 only)

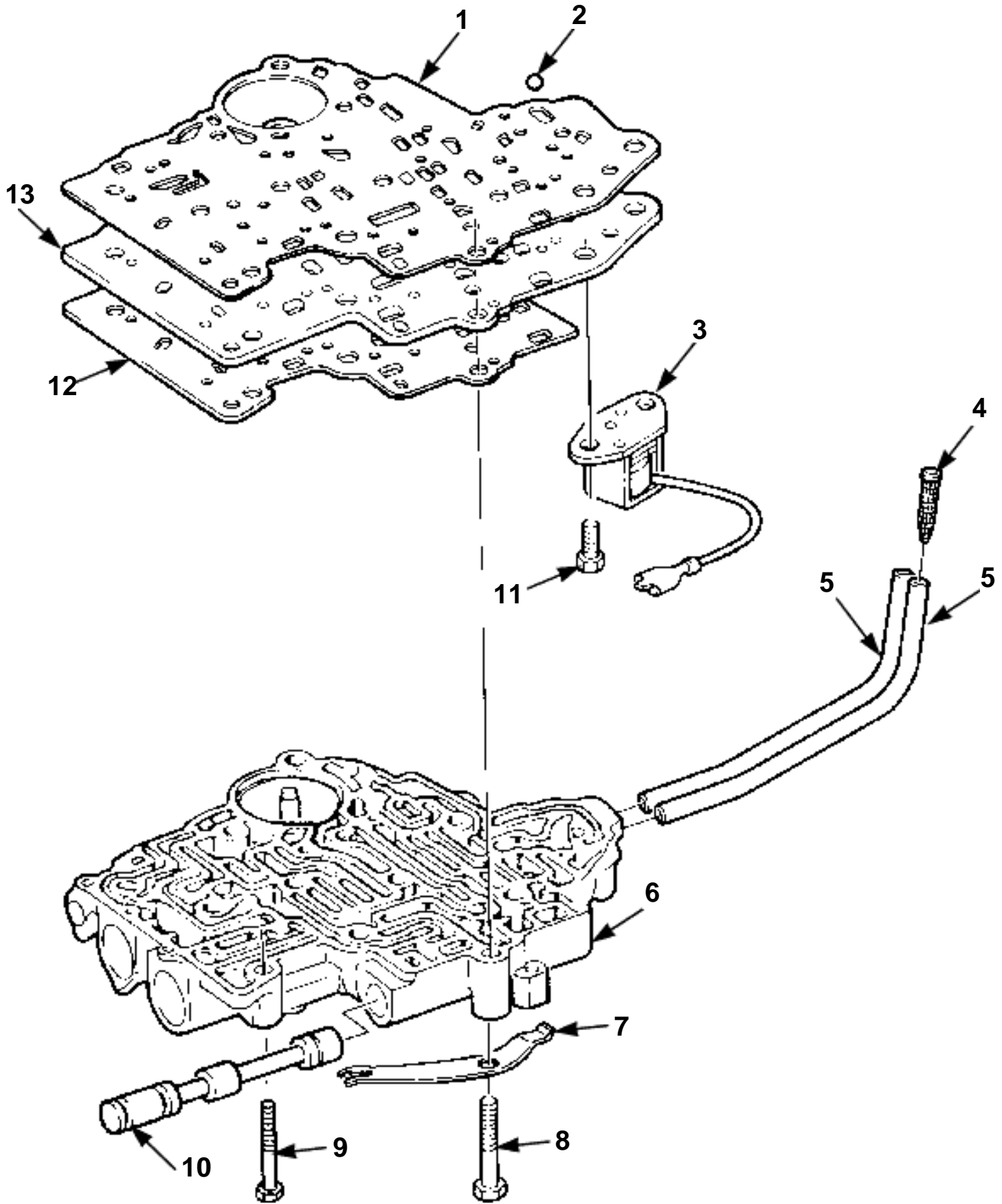


**Front Servo, Rear Servo, and Governor Assembly (1992 and 1993 On**

Item	Part No.	Description	Qty
1	<b>5740297</b>	SEAL, front servo, SEE NOTE 2	1
2	<b>5740295</b>	PISTON, front servo	1
3	<b>5740300</b>	SLOTTED WASHER, front servo spring	1
4	<b>5740296</b>	PIN, front servo piston	1
5	<b>5740299</b>	RETAINER, front servo piston	1
6	<b>5740298</b>	SPRING, front servo piston	1
7	<b>5740411</b>	PIN, rear servo piston, 2 rings	1
	<b>5740412</b>	PIN rear servo piston, 3 rings	1
	<b>5740413</b>	PIN, rear servo piston, 1 wide and 1 narrow ring	1
	<b>5740414</b>	PIN, rear servo piston, plain ring	1
	<b>5740415</b>	PIN, rear servo piston, 1 narrow and 1 wide ring	1
	<b>5740416</b>	PIN, rear servo piston 2 wide rings	1
8	<b>5740316</b>	SPRING, rear accumulator	1
9	<b>5740417</b>	PISTON, rear servo	1
10	<b>5740418</b>	GASKET, rear servo piston, SEE NOTE 1 AND 2	1
11	<b>5740422</b>	PISTON AND RING ASSEMBLY, rear accumulator	1
12	<b>S.I.A.</b>	SEAL, rear accumulator	1
13	<b>N/S</b>	PISTON, rear accumulator	1
14	<b>S.I.A.</b>	RING, rear accumulator	1
15	<b>5740027</b>	TRANSMISSION GOVERNOR	1
16	<b>5741135</b>	GASKET, governor cover, SEE NOTE 2	1
17	<b>5740319</b>	COVER, governor	1
18	<b>5741128</b>	BOLT, governor cover	1
19	<b>9413523</b>	RETAINING RING, rear servo piston	1
20	<b>5740317</b>	GASKET, rear servo cover, SEE NOTE 1 AND 2	1
21	<b>5740318</b>	ACCESS COVER, rear servo	1
22	<b>179816</b>	BOLT, rear servo access cover	1
23	<b>5740420</b>	SEAT, rear servo piston	1
24	<b>5740421</b>	SPRING, rear servo piston	1
25	<b>5740419</b>	WASHER, rear servo piston	1

NOTE 1: PART OF SEAL AND GASKET TRANSMISSION PACKAGE P/N 5741253

NOTE 2: PART OF TRANSMISSION OVERHAUL KIT P/N 5742044.

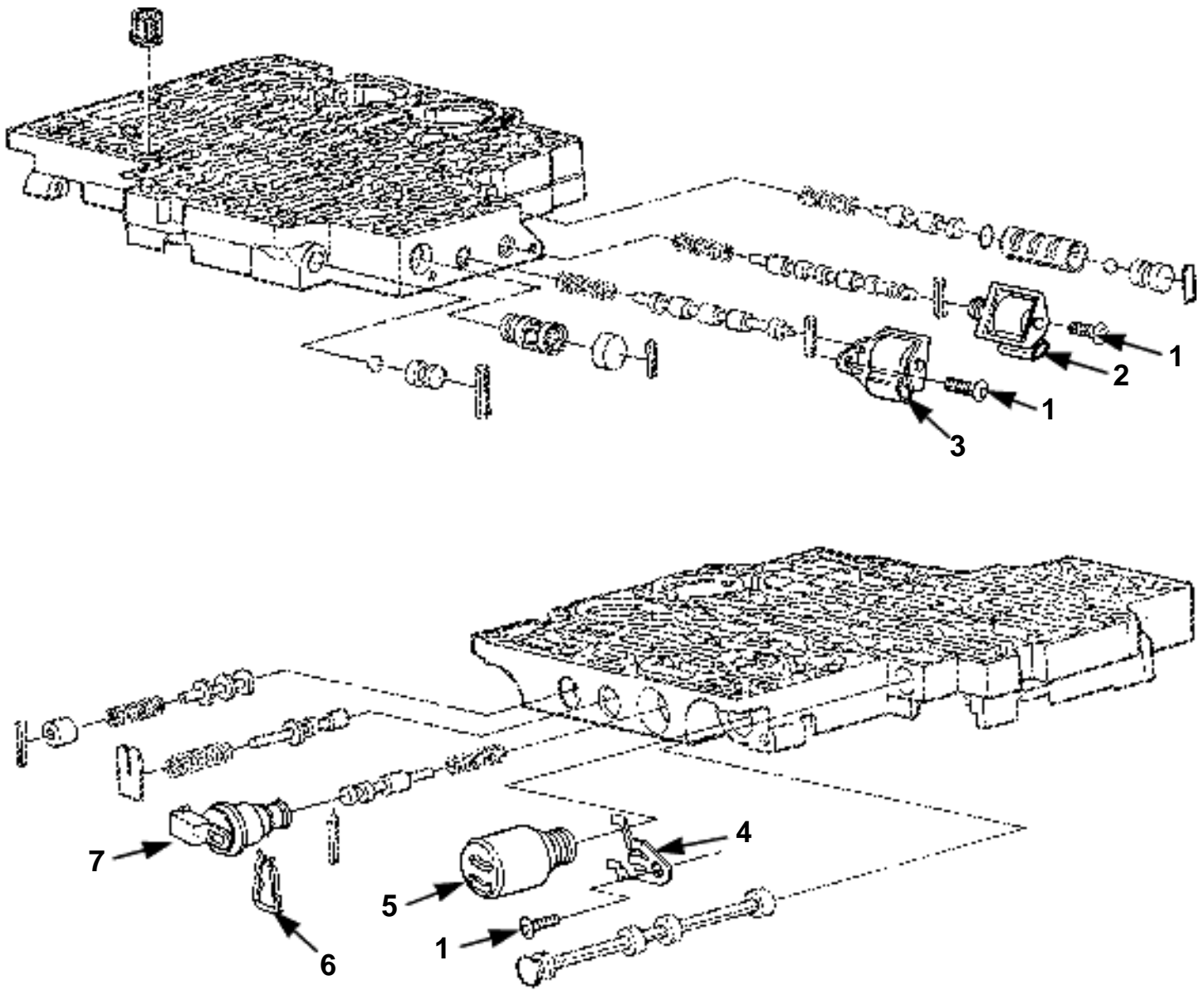


Control Valve and Related Parts (1992 and 1993 only)

**Control Valve and related parts (1992 and 1993 Only).**

Item	Part No.	Description	Qty
1	<b>5742621</b>	GASKET, case to spacer, SEE NOTE 1	1
2	<b>147485</b>	BALL BEARING, control valve	7
3	<b>5742622</b>	SOLENOID, transmission dentent	1
4	<b>5740332</b>	STRAINER, governor tube	1
5	<b>5740331</b>	METAL TUBE, control valve	2
6	<b>5740009</b>	VALVE, transmission control	1
7	<b>5740329</b>	ROLLER AND SPRING, manual detent	1
8	<b>108597</b>	BOLT, control valve	8
9	<b>179802</b>	BOLT, control valve	3
10	<b>5740428</b>	VALVE, manual	1
11	<b>N/S</b>	SCREW, detent solenoid, 1/4 - 20 x 5/8", Gr5	2
12	<b>5742619</b>	GASKET, control valve body, SEE NOTE 1	1
13	<b>5742620</b>	PLATE, valve body	1

NOTE 1: PART OF TRANSMISSION OVERHAUL KIT P/N  
5742044.

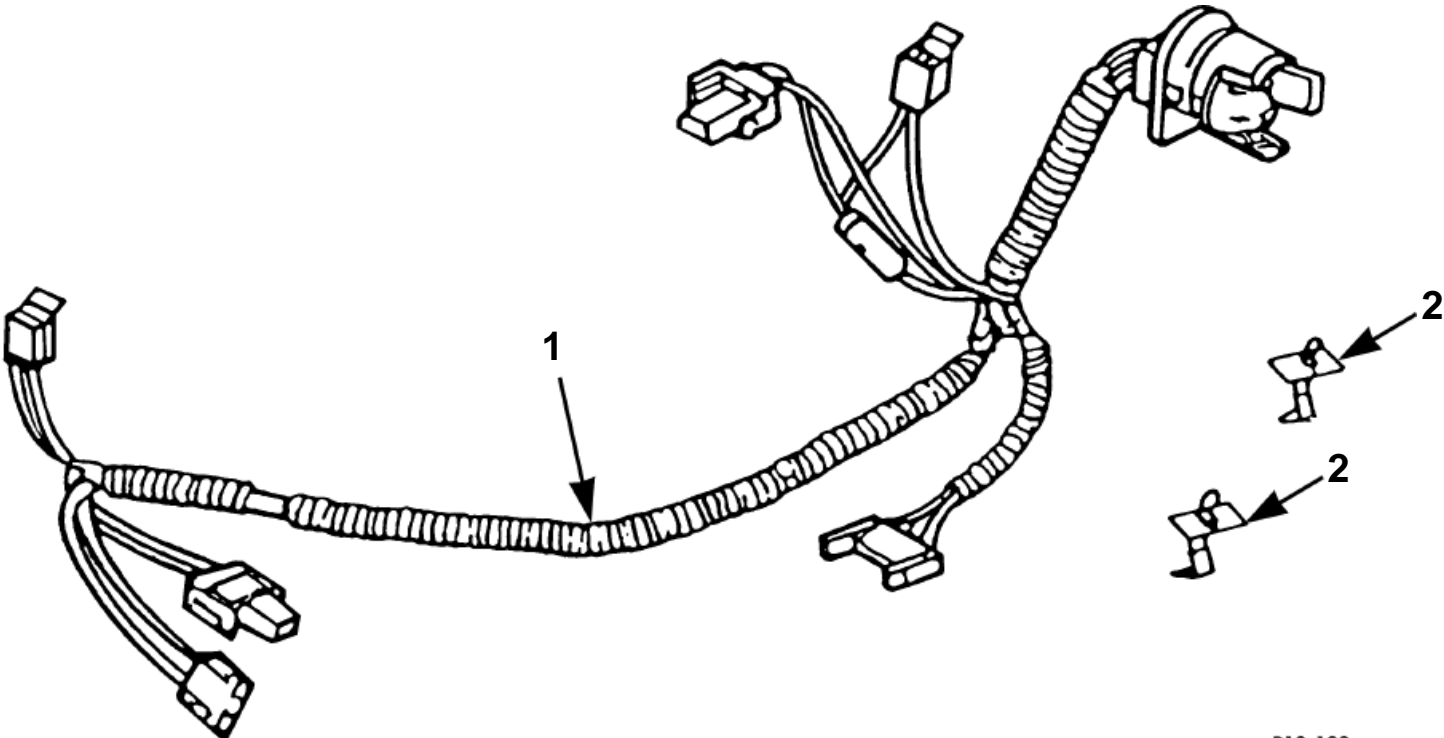


P06-008A

## Control Valve and Related Parts

**Control Valve and Related Parts.**

Item	Part No.	Description	Qty
1	<b>5744115</b>	BOLT, solenoid	3
2	<b>5715668</b>	SOLENOID, shift 2-3	1
3	<b>5715667</b>	SOLENOID, shift 1-2	1
4	<b>8684217</b>	CLAMP, pressure control solenoid	1
5	<b>5714373</b>	SOLENOID, pressure control	1
6	<b>5744095</b>	CLIP, solenoid	1
7	<b>5744093</b>	SOLENOID ASSEMBLY, torque converter clutch	1

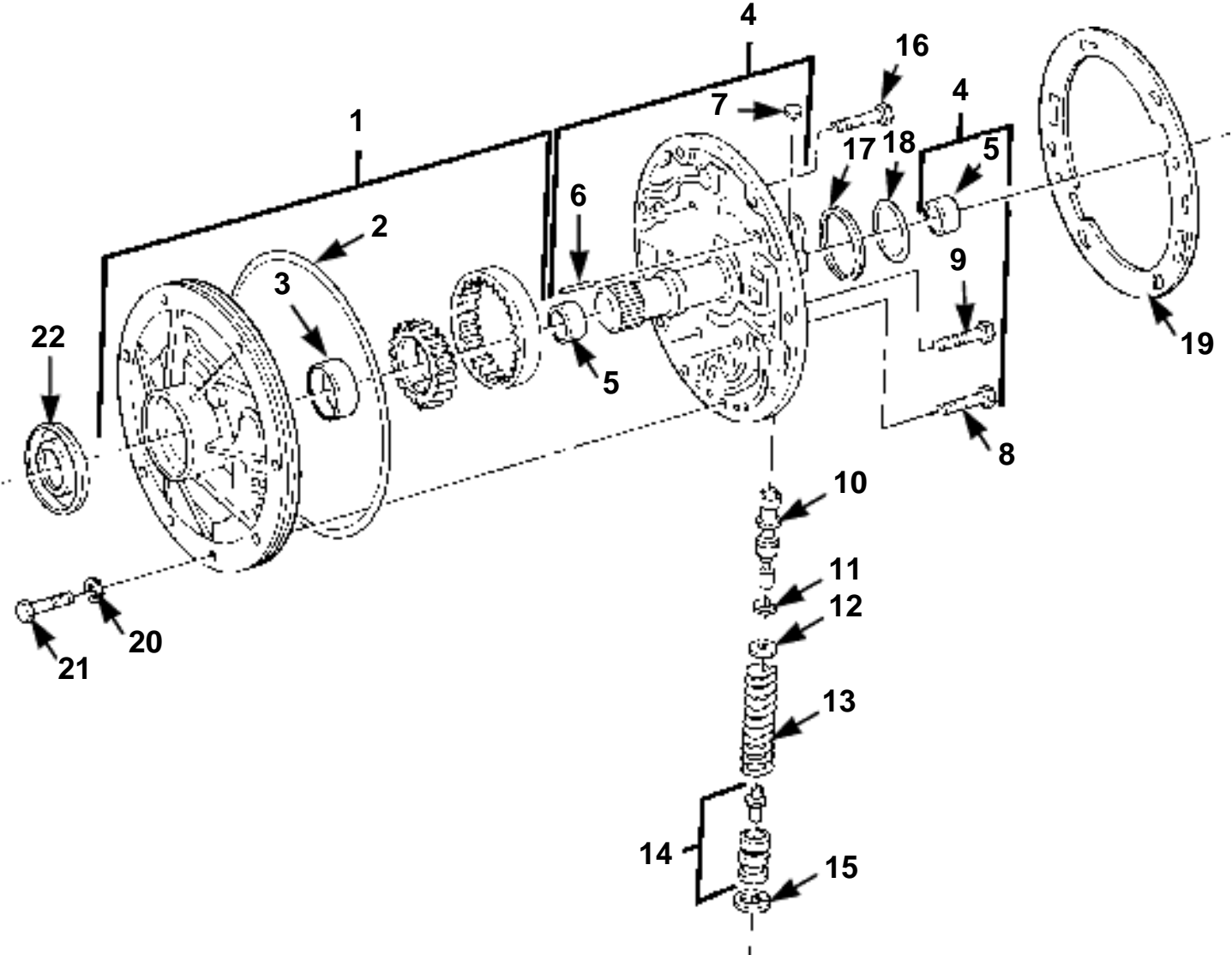


P12-109

**Transmission Wiring Harness**

HUMMER H1 1994 Parts Catalog  
**Transmission Wiring Harness.**

Item	Part No.	Description	Qty
1	<b>5743513</b>	HARNESS ASSEMBLY, transmission	1
2	<b>5744083</b>	CLAMP	3



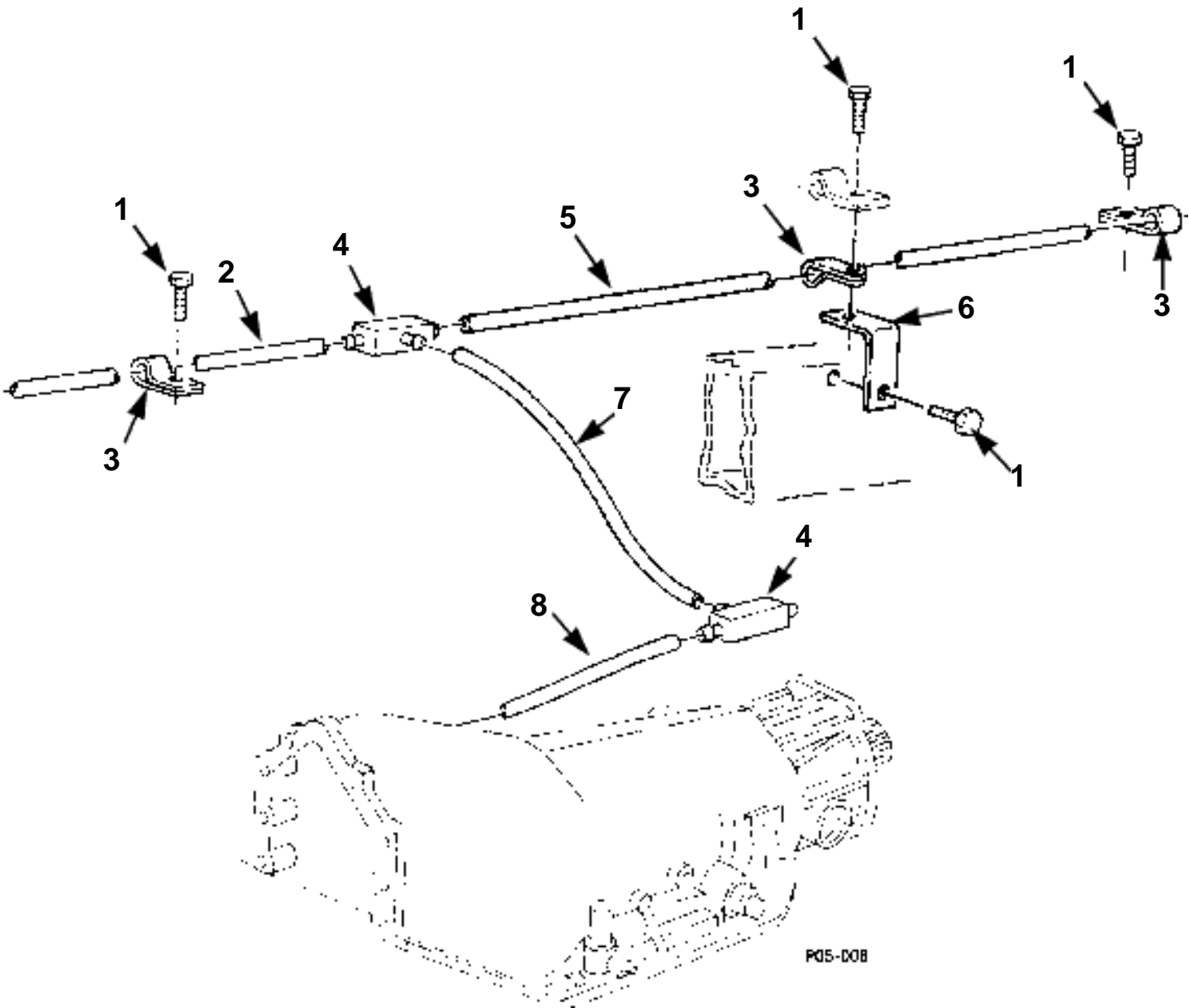
### Transmission Oil Pump (1992 and 1993 only)



**Transmission Oil Pump (1992 and 1993 Only).**

Item	Part No.	Description	Qty
1	<b>5741065</b>	BODY ASSEMBLY, transmission oil pump	1
2	<b>5740340</b>	OIL SEAL, pump to case, SEE NOTE 1	1
3	<b>5741088</b>	BUSHING, pump body	1
4	<b>5741073</b>	COVER ASSEMBLY	1
5	<b>5740404</b>	BEARING, oil pump stator shaft	2
6	<b>5741089</b>	PIN, oil pump	1
7	<b>5742641</b>	PLUG, pressure regulator valve bore	1
8	<b>N/S</b>	BOLT, oil pump assembly, 5/16 - 18 x 1 3/4"	1
9	<b>N/S</b>	BOLT, oil pump assembly, 5/16 - 18 x 1 1/2"	2
10	<b>5741092</b>	VALVE, pressure regulator	1
11	<b>5741129</b>	SPLIT WASHER, pressure regulator spring	1
12	<b>5741130</b>	WASHER, spring retainer	1
13	<b>5741091</b>	SPRING, pressure regulator valve	1
14	<b>5741090</b>	SEAT, pressure regulator valve	1
15	<b>5741251</b>	SNAPRING	1
16	<b>179818</b>	SCREW, pump assembly	1
17	<b>5740286</b>	BEARING, pump cover to clutch housing,.060 -.064	V
	<b>5740287</b>	BEARING, pump cover to clutch housing,.071 -.075	V
	<b>5740288</b>	BEARING, pump cover to clutch housing,.082 -.086	V
	<b>5740289</b>	BEARING, pump cover to clutch housing,.093 -.097	V
	<b>5740290</b>	BEARING, pump cover to clutch housing,.104 -.108	V
	<b>5740291</b>	BEARING, pump cover to clutch housing,.113 -.119	V
	<b>5740292</b>	BEARING, pump cover to clutch housing,.126 -.130	V
18	<b>5740284</b>	WASHER, oil pump cover, SEE NOTE 1	2
19	<b>5740023</b>	GASKET, oil pump to case, SEE NOTE 1	1
20	<b>5740024</b>	WASHER, oil pump to case	6
21	<b>5740026</b>	BOLT, oil pump to case, SEE NOTE 1	6
22	<b>5740339</b>	SEAL, oil pump, SEE NOTE 1	1
	<b>5743361</b>	SEAL, converter (1994)	1

NOTE 1: PART OF TRANSMISSION OVERHAUL KIT P/N  
5742044.

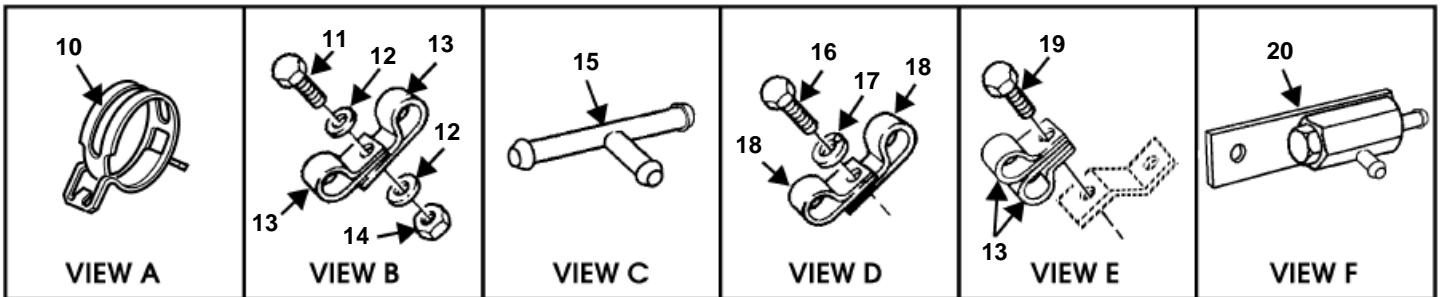
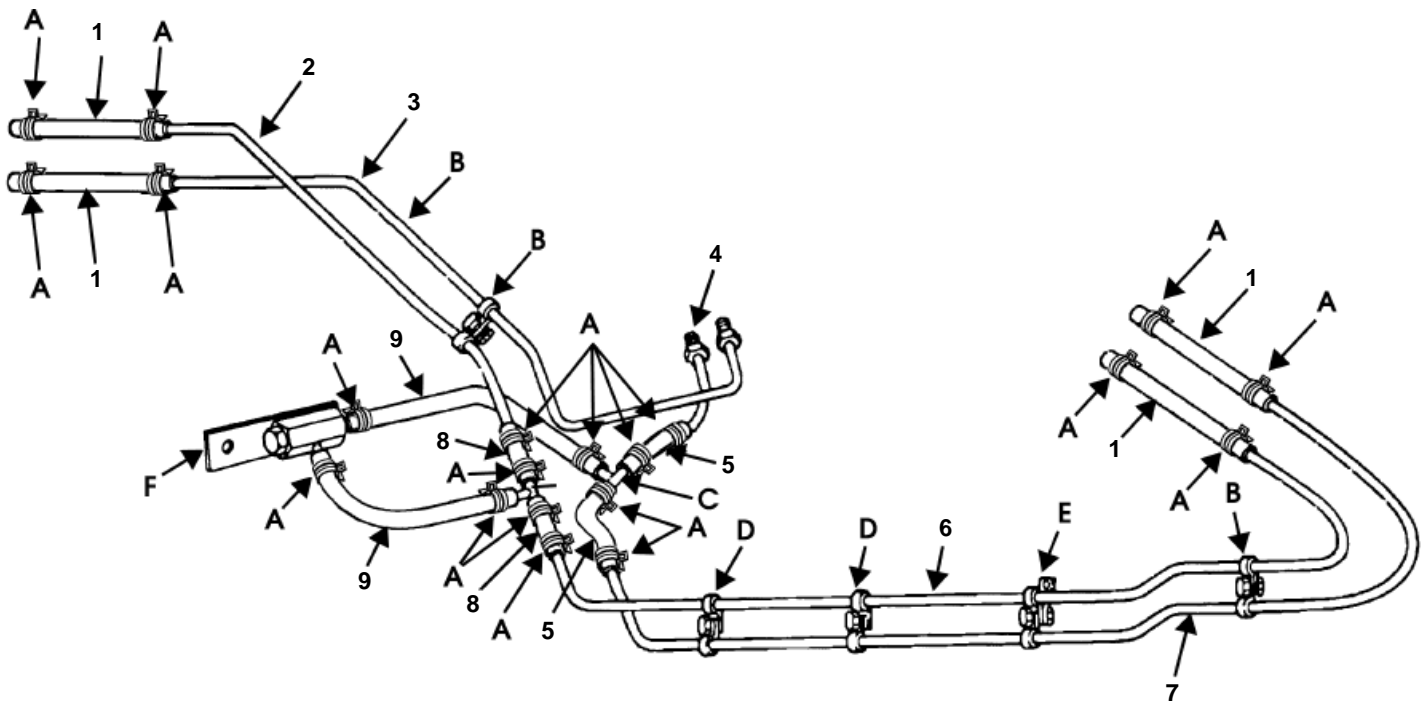


# Transmission Vent Lines and Attaching Hardware

**Transmission Vent Lines and Attaching Hardware.**

Item	Part No.	Description	Qty
1	<b>N/S</b>	SCREW, transmission vent line clamp, 3/8 - 16 x 5/8", HEX	4
2	<b>N/S</b>	VENT LINE TUBE, 41-inch, SEE NOTE 1	1
3	<b>N/S</b>	CLAMP, transmission vent line, 1/4"	3
4	<b>12339973-1</b>	TEE, transmission vent line	2
5	<b>N/S</b>	VENT LINE TUBE, 64-inch, SEE NOTE 1	1
6	<b>EC12338663B1</b>	BRACKET, vent line tube mounting	1
7	<b>N/S</b>	VENT LINE TUBE, 11-inch, SEE NOTE 1	1
8	<b>N/S</b>	VENT LINE TUBE, 11-inch, SEE NOTE 1	1

NOTE 1: MAKE FROM BULK NYLON TUBE P/N 5741079  
3/16" X 25' ROLL



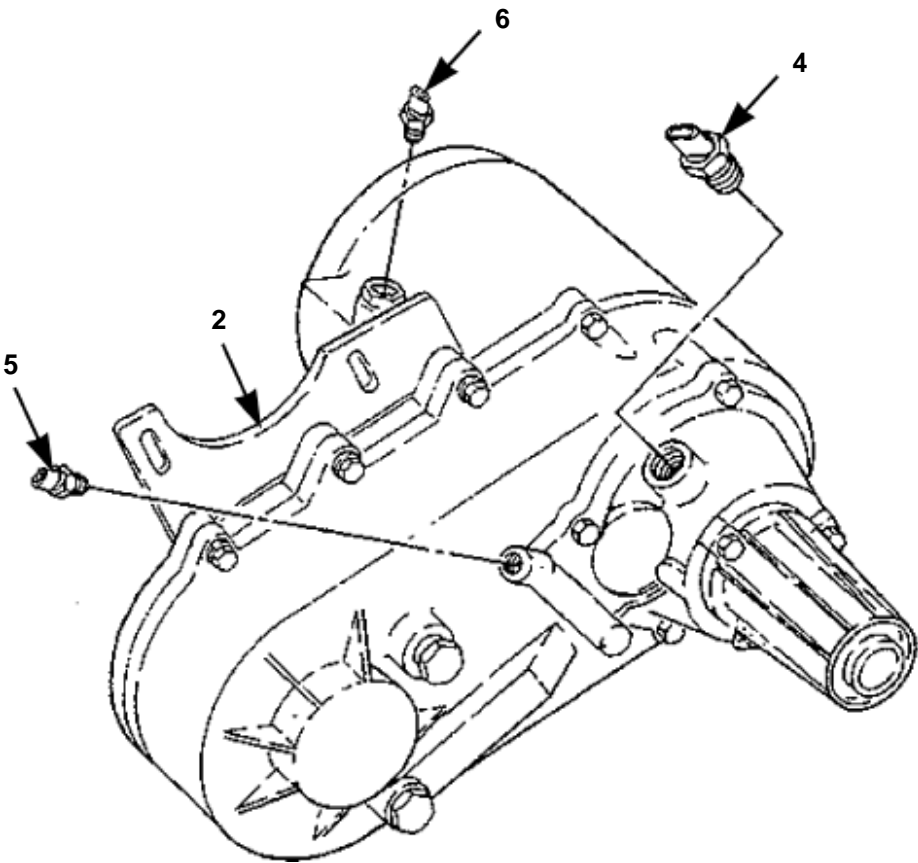
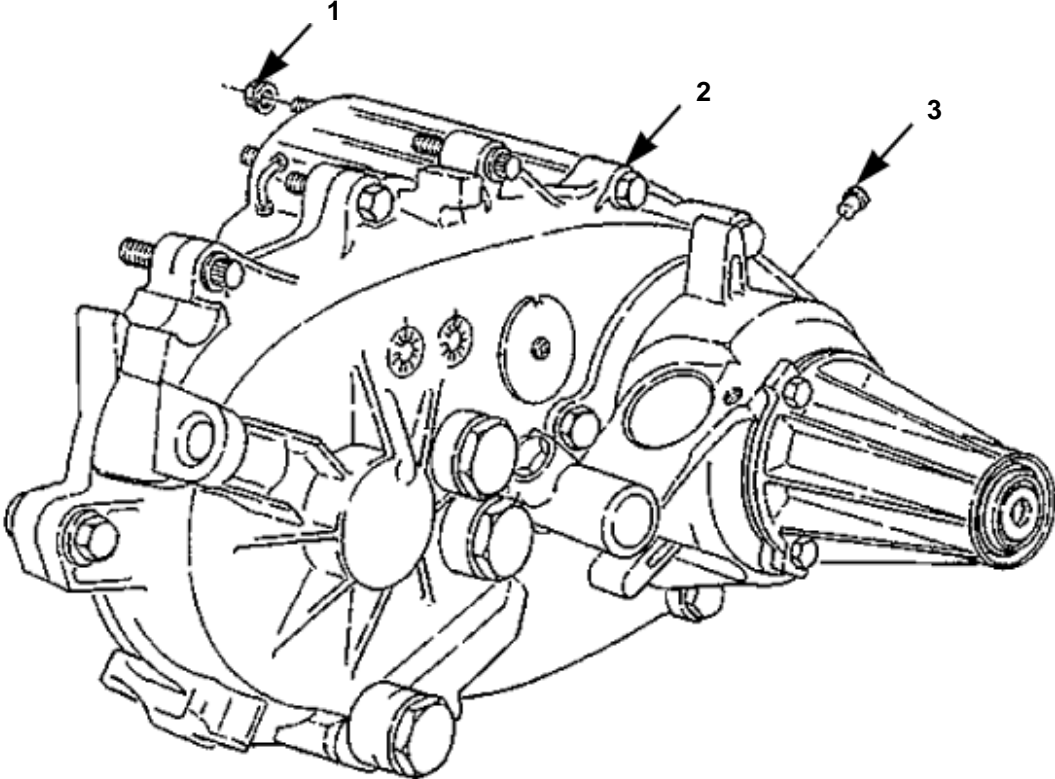
P05-009

## Transmission/Transfer Case Cooling Lines

**Transmission/Transfer Case Cooling Lines.**

Item	Part No.	Description	Qty
1	<b>N/S</b>	HOSE, 3-inch, cooling lines, SEE NOTE 1	4
2	<b>EC12338333</b>	TUBE, transfer case to cooler, rear	1
3	<b>12338334</b>	TUBE, transfer case to transmission	1
	<b>6002779</b>	TUBE, transfer case to transmission (1994)	1
4	<b>12338331</b>	TUBE, transmission to cooler, rear	1
	<b>6002771</b>	TUBE, transmission to cooler, rear (1994)	1
5	<b>N/S</b>	HOSE, 4-inch, transmission line to cooling line, SEE NOTE 1	2
6	<b>EC12338332</b>	TUBE, transfer case to cooler, front	1
	<b>6002779</b>	TUBE, transfer case to cooler, front (1994)	1
7	<b>EC12338335</b>	TUBE, transmission to cooler, front	1
	<b>6002771</b>	TUBE, transmission to cooler, front (1994)	1
8	<b>N/S</b>	HOSE, 4-inch, transfer case line to cooling line, SEE NOTE 1	2
9	<b>N/S</b>	HOSE, 10-inch, tee-to-bypass valve, NOTE 1	2
10	<b>11608950-1</b>	CLAMP, cooling lines	20
11	<b>MS90728-6</b>	SCREW, cooling line clamp	3
	<b>11503451</b>	SCREW, cooling line clamp (1994)	3
12	<b>N/S</b>	WASHER, cooling line clamp, 9/32"	6
	<b>2436161</b>	WASHER, cooling line clamps (1994)	3
13	<b>N/S</b>	CLAMP, cooling lines	8
14	<b>MS51943-31</b>	LOCKNUT, cooling line clamps, 1/4"-20	3
15	<b>12447077</b>	TEE, bypass valve	2
16	<b>172482</b>	SCREW, cooling line clamps, 3/8"-16 x.75"	2
17	<b>MS35338-46</b>	LOCKWASHER, cooling line clamps, 3/8"	2
18	<b>MS21333-121</b>	CLAMP, cooling lines	4
19	<b>273151</b>	SCREW, cooling line clamps, 1/4"-20 x 1/2"	1
20	<b>6003697B1</b>	VALVE, bypass	1

NOTE 1: MAKE FROM BULK HOSE P/N 5741209.

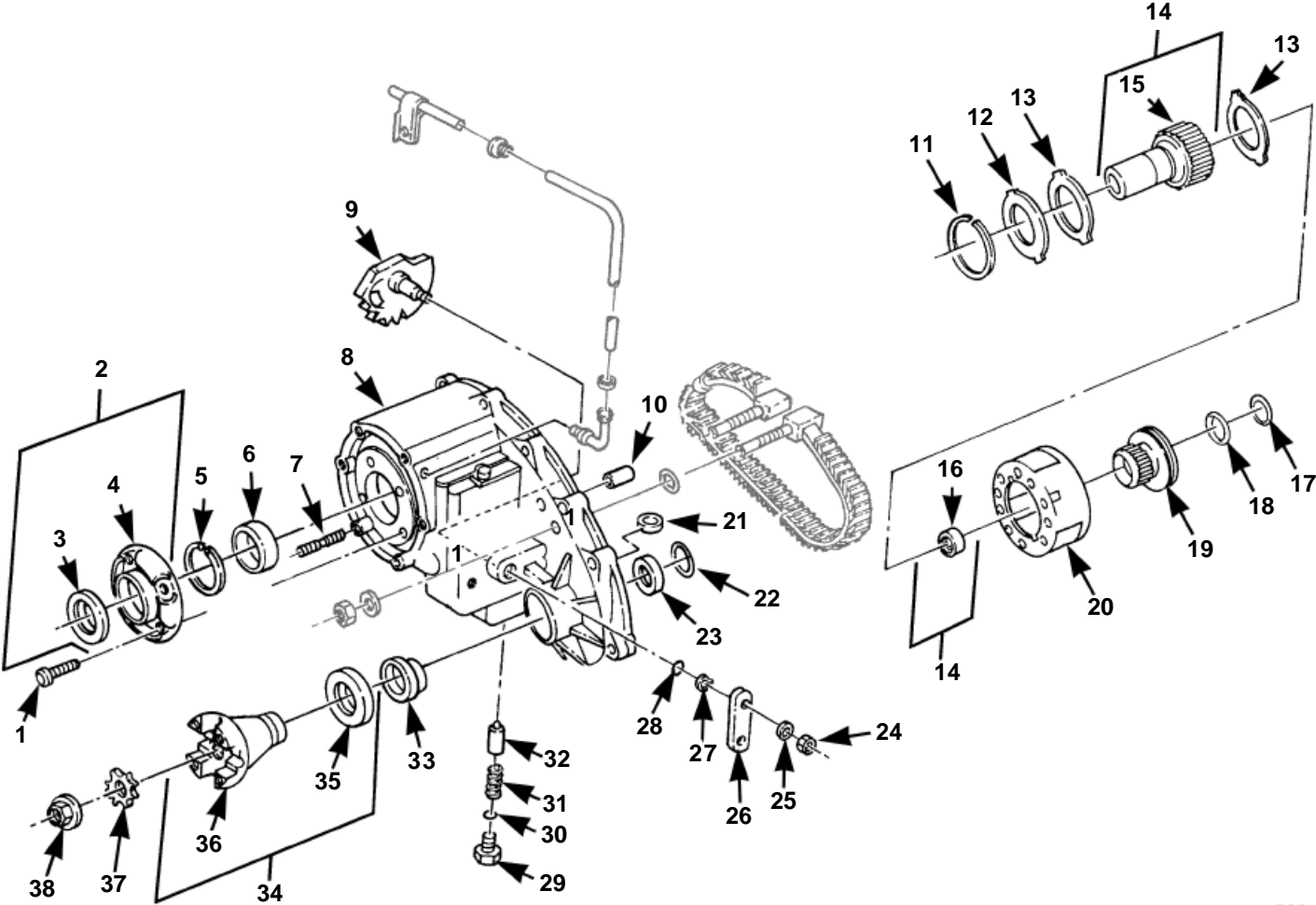


# Transfer Case Assembly

HUMMER H1 1994 Parts Catalog  
**Transfer Case Assembly.**

Item	Part No.	Description	Qty
1	<b>N/S</b>	LOCKNUT, transfer case, 3/8 - 24", HEX, FLG, DT	6
2	<b>5744685</b>	TRANSFER CASE (REMANUFACTURED) (1992 & 1993), SEE NOTE 1	1
	<b>5744424</b>	TRANSFER CASE (1994)	1
3	<b>5938682</b>	DUST PLUG, transfer case	1
2	<b>6018698</b>	SWITCH, speed sensor (1994)	1
5	<b>5938686</b>	SWITCH, transfer case	1
6	<b>5743511</b>	SWITCH, transfer case range	1

NOTE 1: FOR WARRANTY REPLACEMENT. TRANSFER CASE PART NUMBER IS SHOWN ON THE VENDOR TAG ON THE TRANSFER CASE ASSEMBLY.



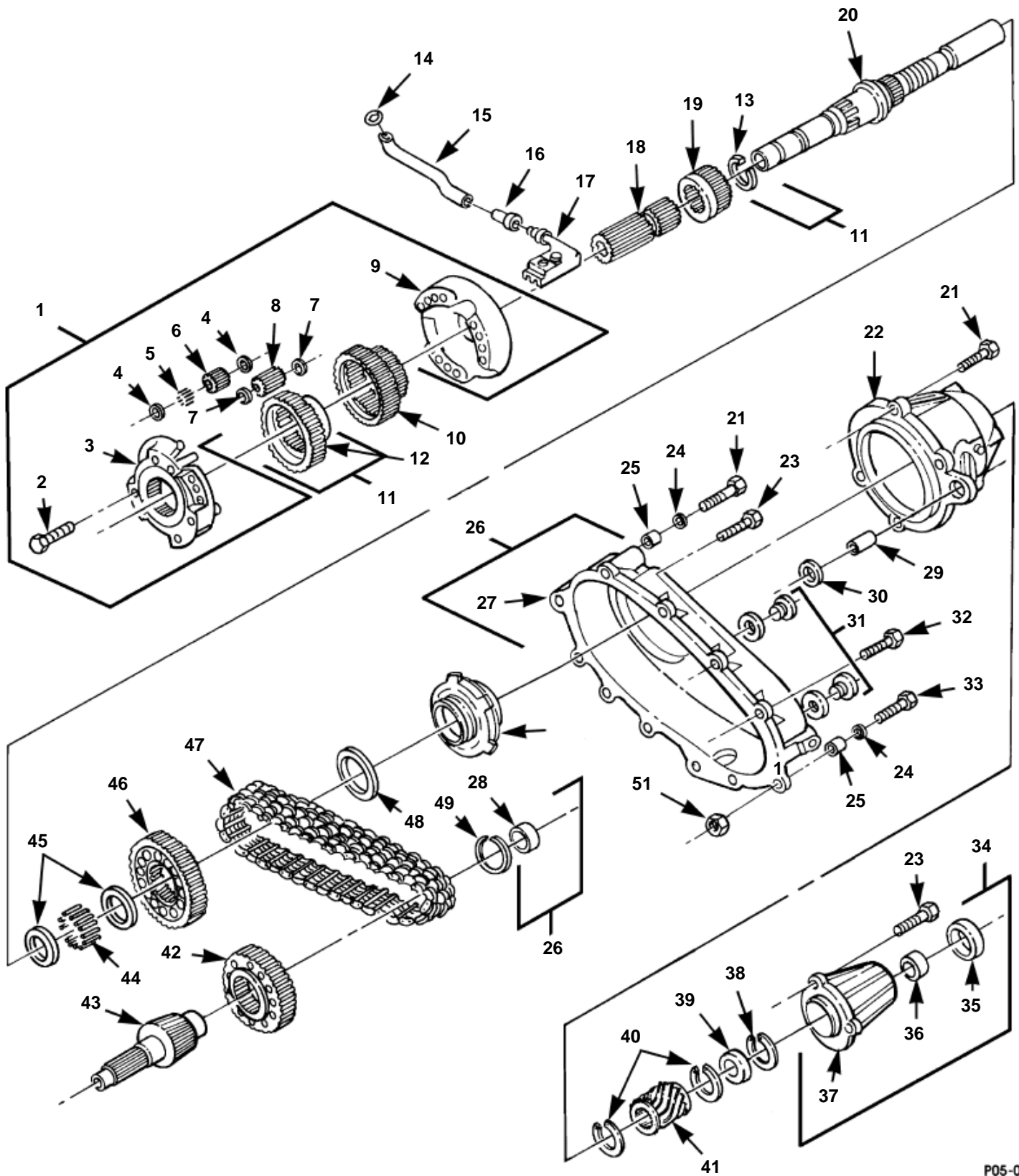
P05-011

### Transfer Case Assembly, Front Half



**Transfer Case Assembly, Front Half.**

Item	Part No.	Description	Qty
1	<b>5938626</b>	RETAINER SCREW	4
2	<b>5938625</b>	RETAINER ASSEMBLY, input gear	1
3	<b>5740017</b>	·OIL SEAL, input gear	1
4	<b>S.I.A.</b>	·RETAINER, input gear	1
5	<b>5938623</b>	LOCKRING, input gear	1
6	<b>5938606</b>	BEARING, transfer case	1
7	<b>5740008</b>	STUD, transfer case	6
8	<b>5938604</b>	RANSFER CASE, front half	1
9	<b>5743744</b>	SECTOR, transfer case	1
10	<b>5938610</b>	BUSHING, rail	1
11	<b>5938622</b>	LOCKRING, input gear	1
12	<b>5938624</b>	RETAINING RING, input gear	1
13	<b>5938619</b>	WASHER, input gear	2
14	<b>5938620</b>	INPUT GEAR ASSEMBLY	1
15	<b>S.I.A.</b>	·GEAR, input	1
16	<b>5938621</b>	·BEARING, input gear	1
17	<b>5938658</b>	WASHER, transfer case	1
18	<b>5938659</b>	RETAINING RING, transfer case	1
19	<b>5938661</b>	SLEEVE, transfer case	1
20	<b>5938618</b>	PLANETARY ASSEMBLY	1
21	<b>5740513</b>	MAGNETIC CHIP COLLECTOR	1
22	<b>5938608</b>	RETAINING RING	1
23	<b>5938607</b>	BEARING, front output	1
24	<b>5741254</b>	NUT, operating lever	1
25	<b>2436163</b>	WASHER, operating lever	1
26	<b>5938683</b>	OPERATING LEVER, transfer case	1
27	<b>5740107</b>	RETAINER, operating lever	1
28	<b>5740012</b>	SEAL, operating lever	1
29	<b>5938617</b>	SCREW, poppet spring	1
30	<b>5938616</b>	SEAL, poppet spring	1
31	<b>5938615</b>	POPPET SPRING	1
32	<b>5938614</b>	PLUNGER, transfer case	1
33	<b>5714224</b>	OIL SEAL, front output	1
34	<b>5938685</b>	YOKE AND SLINGER, front output	1
35	<b>5740225</b>	·SLINGER, front output	1
36	<b>S.I.A.</b>	·YOKE, front output	1
37	<b>5740010</b>	WASHER, yoke and slinger	1
38	<b>5740011</b>	NUT, yoke and slinger	1



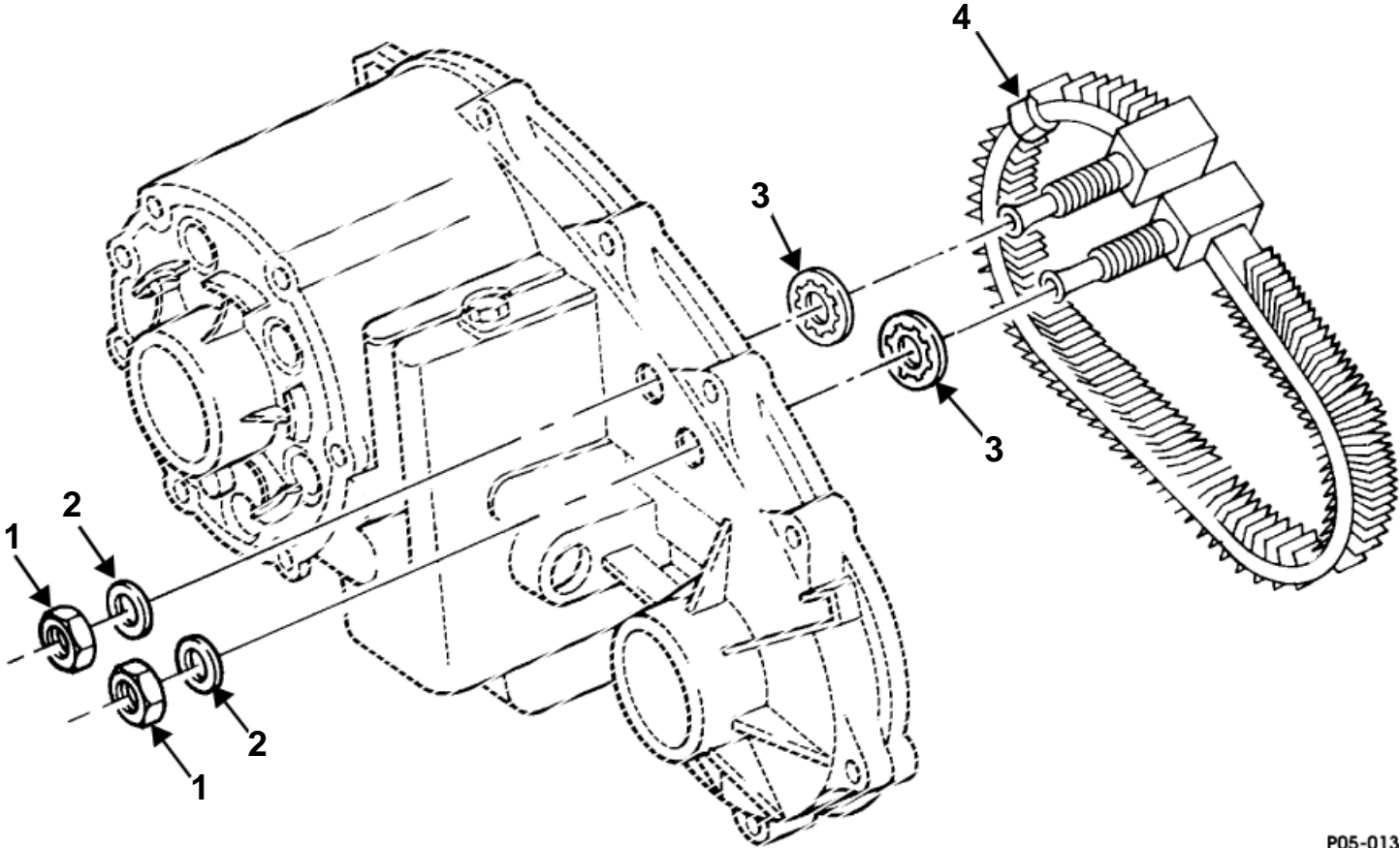
P05-012

## Transfer Case Assembly, Rear Half

**Transfer Case Assembly, Rear Half.**

Item	Part No.	Description	Qty
1	<b>5715448</b>	DIFFERENTIAL CARRIER ASSEMBLY	1
2	<b>5938641</b>	·SCREW, differential carrier	6
3	<b>5743072</b>	·CARRIER, front differential	1
4	<b>5938646</b>	·WASHER	6
5	<b>5938645</b>	·NEEDLE BEARING	54
6	<b>5938644</b>	·PINION, narrow	3
7	<b>5938647</b>	·WASHER, pinion	6
8	<b>5938643</b>	·PINION, wide	3
9	<b>S.I.A.</b>	·CARRIER, rear differential (comes with Item 3)	1
10	<b>5938650</b>	GEAR, sprocket carrier	1
11	<b>5938655</b>	GEAR ASSEMBLY, differential	1
12	<b>S.I.A.</b>	·GEAR, differential	1
13	<b>5938656</b>	·RING, differential gear	1
14	<b>5938669</b>	O-RING, oil tube	1
15	<b>5938668</b>	OIL TUBE	1
16	<b>5938667</b>	CONNECTOR	1
17	<b>5938666</b>	SCREEN, oil tube	1
18	<b>5714228</b>	SHAFT, intermediate clutch	1
19	<b>5938660</b>	SLEEVE, mode shift	1
20	<b>5938639</b>	MAIN SHAFT	1
21	<b>5938670</b>	BOLT, rear bearing retainer	6
22	<b>5742777</b>	RETAINER, rear bearing	1
23	<b>5740508</b>	SCREW, case, rear half	10
24	<b>5740230</b>	WASHER	12
25	<b>5740102</b>	PIN, case alignment	2
26	<b>5939258</b>	CASE ASSEMBLY, rear half	1
27	<b>S.I.A.</b>	·CASE, rear half	1
28	<b>5740015</b>	·BEARING, front output	1
29	<b>5938665</b>	DOWEL, alignment	1
30	<b>5938610</b>	BUSHING, rail	1
31	<b>5740224</b>	PLUG, transfer case drain	2
32	<b>5741075</b>	SCREW, case halves	2
33	<b>5743855</b>	BOLT	1
34	<b>5938679</b>	EXTENSION ASSEMBLY	1
35	<b>5938681</b>	·SEAL, rear output	1
36	<b>5938680</b>	·BUSHING, extension	1
37	<b>S.I.A.</b>	·EXTENSION, rear housing	1
38	<b>5938675</b>	RETAINING RING	1
39	<b>5938607</b>	BEARING, rear output	1
40	<b>5938673</b>	RETAINING RING	2
41	<b>5938675</b>	TONE WHEEL (used in 6000362 Transfer Case)	1
	<b>5743512</b>	TONE WHEEL (used in 60003058 Transfer Case) (1994)	1
42	<b>5938663</b>	SPROCKET, drive	1
43	<b>5938662</b>	SHAFT, front output	1
44	<b>5938654</b>	BEARING, needle rollers	53
45	<b>5938653</b>	SPACER, roller	2
46	<b>5938651</b>	SPROCKET, drive	1
47	<b>5938664</b>	CHAIN, drive	1
48	<b>5938652</b>	RETAINING RING, sprocket	1
49	<b>5740101</b>	RETAINING RING, sprocket	1
50	<b>5938674</b>	PUMP ASSEMBLY, gear rotor	1
51	<b>11501033</b>	NUT	1

NOTE 1: REPAIR PARTS ARE FOR P/N 5744685 AND P/N 5744424 TRANSFER CASE.

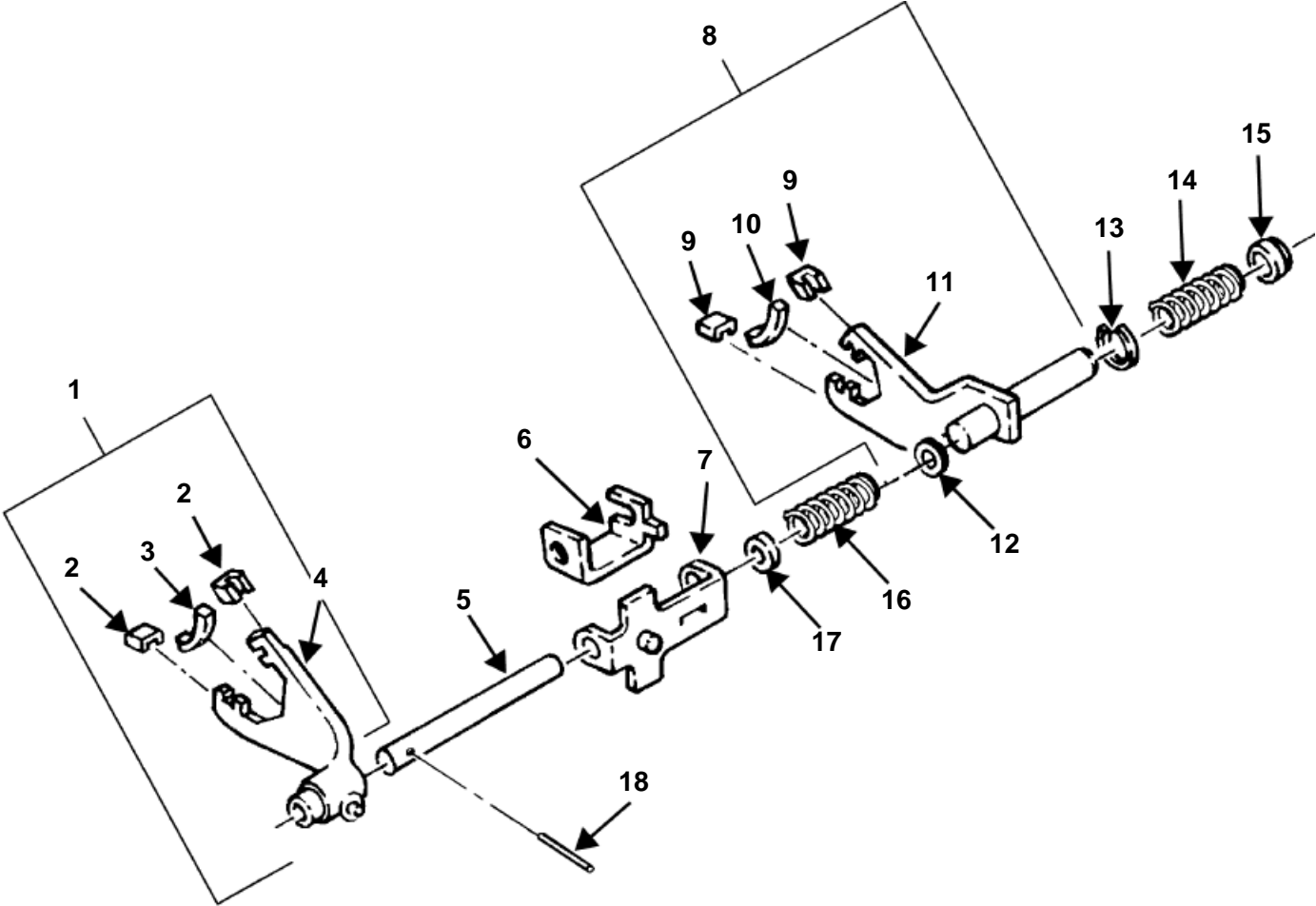


P05-013

# Transfer Case Oil Cooler Assembly

**Transfer Case Oil Cooler Assembly.**

Item	Part No.	Description	Qty
1	<b>225857</b>	NUT, oil cooler	2
2	<b>5741061</b>	WASHER, oil cooler	2
3	<b>5741062</b>	PACKING, oil cooler	2
4	<b>5938611</b>	COOLER CORE, transfer case	1

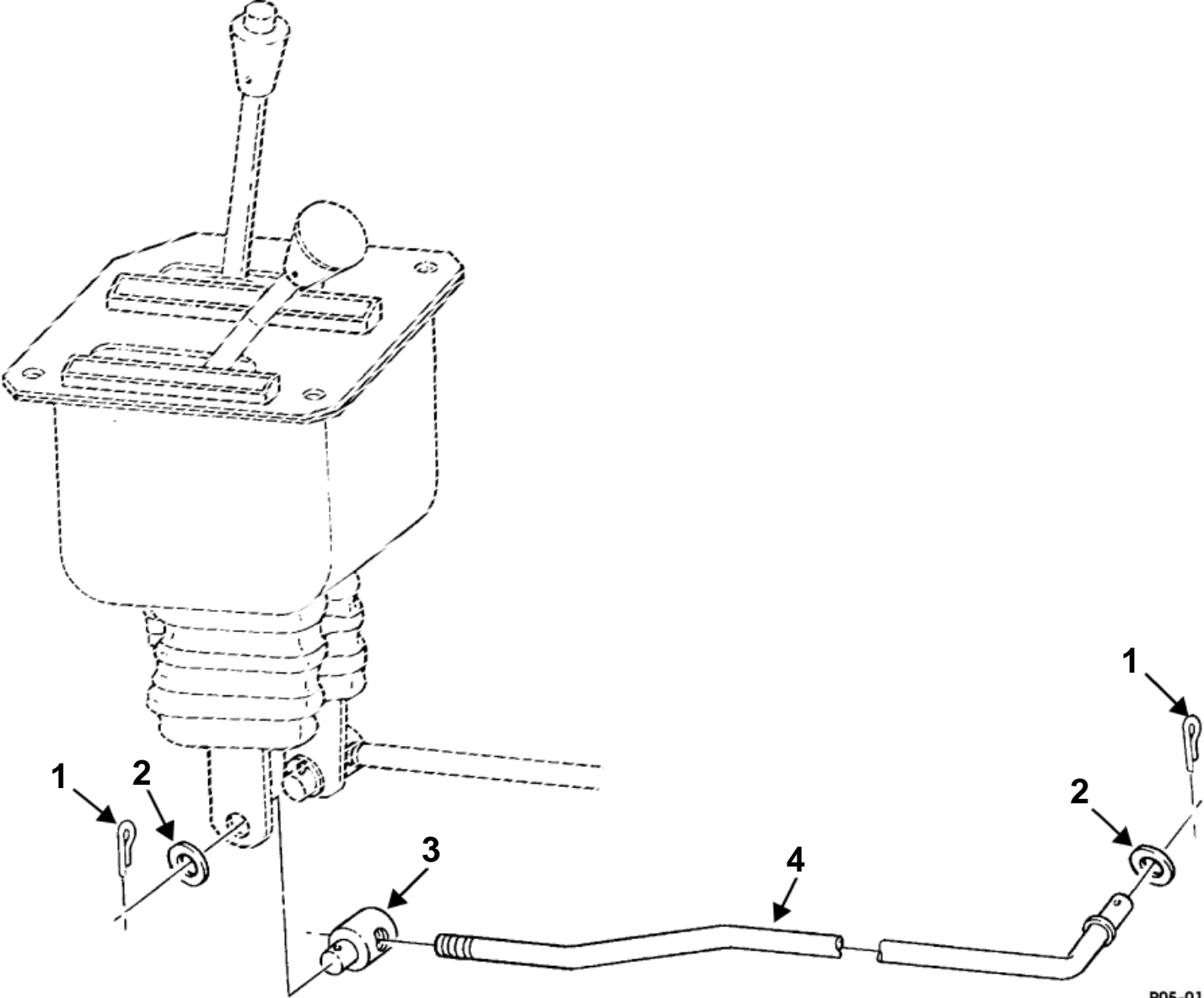


P05-014

# Transfer Case Shift Mechanisms

**Transfer Case Shift Mechanisms.**

Item	Part No.	Description	Qty
1	<b>5938627</b>	SHIFTER FORK, transfer case	1
2	<b>5740114</b>	·PAD, shifter fork	2
3	<b>5740223</b>	·PAD, shifter fork	1
4	<b>S.I.A.</b>	·SHIFTER FORK	1
5	<b>5938648</b>	RAIL, transfer shift	1
6	<b>5938635</b>	BRACKET, inner	1
7	<b>5938636</b>	BRACKET, outer	1
8	<b>5939261</b>	SHIFTER FORK, transfer case	1
9	<b>5740114</b>	·PAD, shifter fork	2
10	<b>5743744</b>	·PAD, shifter fork	1
11	<b>S.I.A.</b>	·SHIFTER FORK, front mode	1
12	<b>5938630</b>	·BUSHING, transfer shift	2
13	<b>5938632</b>	WASHER, transfer shift	1
14	<b>5938633</b>	SPRING, transfer shift	1
15	<b>5938634</b>	BUSHING, transfer shift	1
16	<b>5938638</b>	SPRING, transfer	1
17	<b>5938637</b>	CUP, transfer shift	1
18	<b>5938649</b>	PIN, fork to rail	1



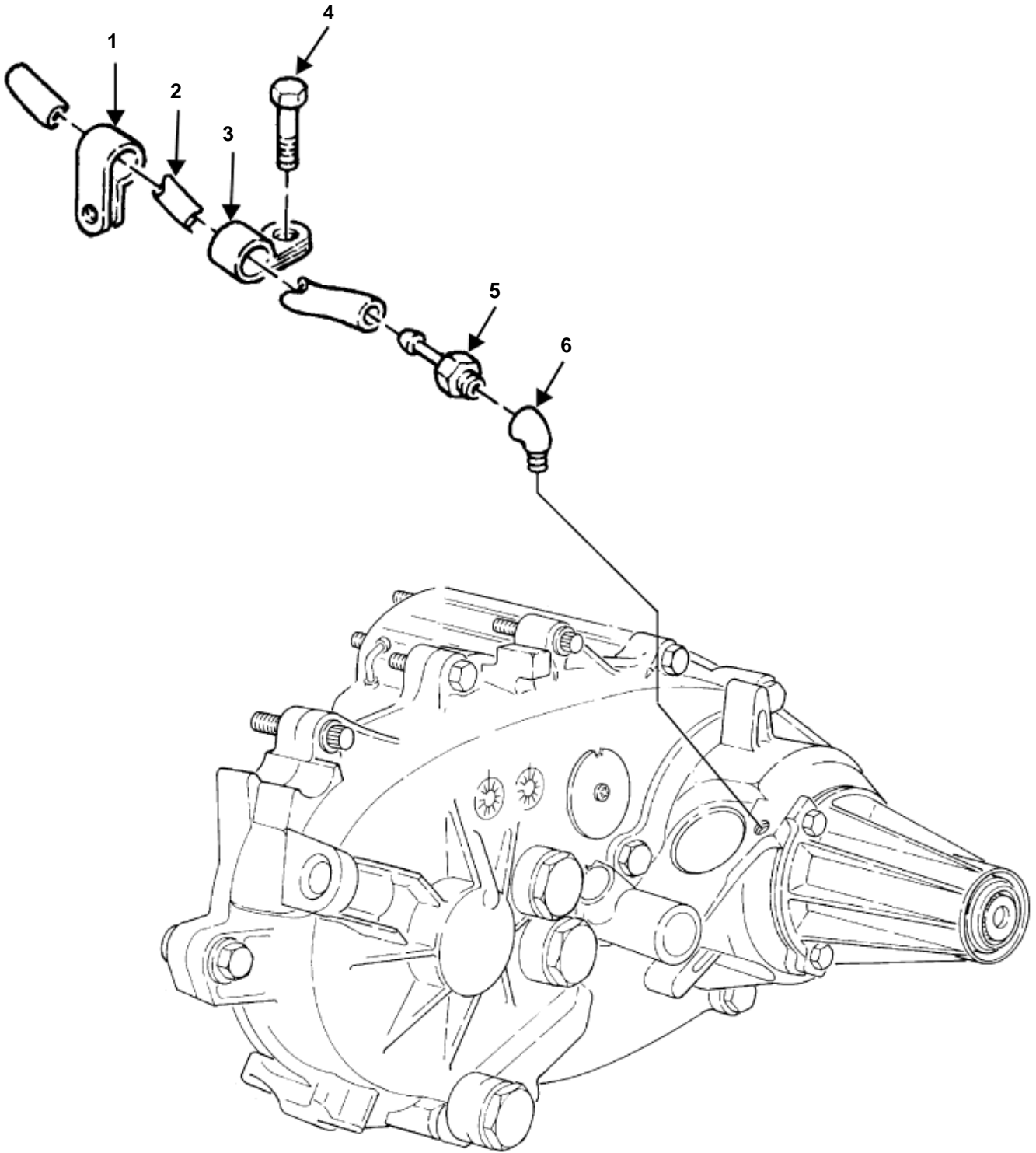
P05-015

# Transfer Case Shift Controls



**Transfer Case Shift Controls.**

Item	Part No.	Description	Qty
1	<b>N/S</b>	COTTER PIN, 3/32 x 3/4", DT	2
	<b>N/S</b>	COTTER PIN (1994), 1/8 x 3/4"	2
2	<b>AN960-616</b>	WASHER	2
	<b>2436163</b>	WASHER (1994)	2
3	<b>12338442-2</b>	TRUNNION	1
4	<b>12338460</b>	ROD	1
	<b>12460067</b>	ROD (1994)	1



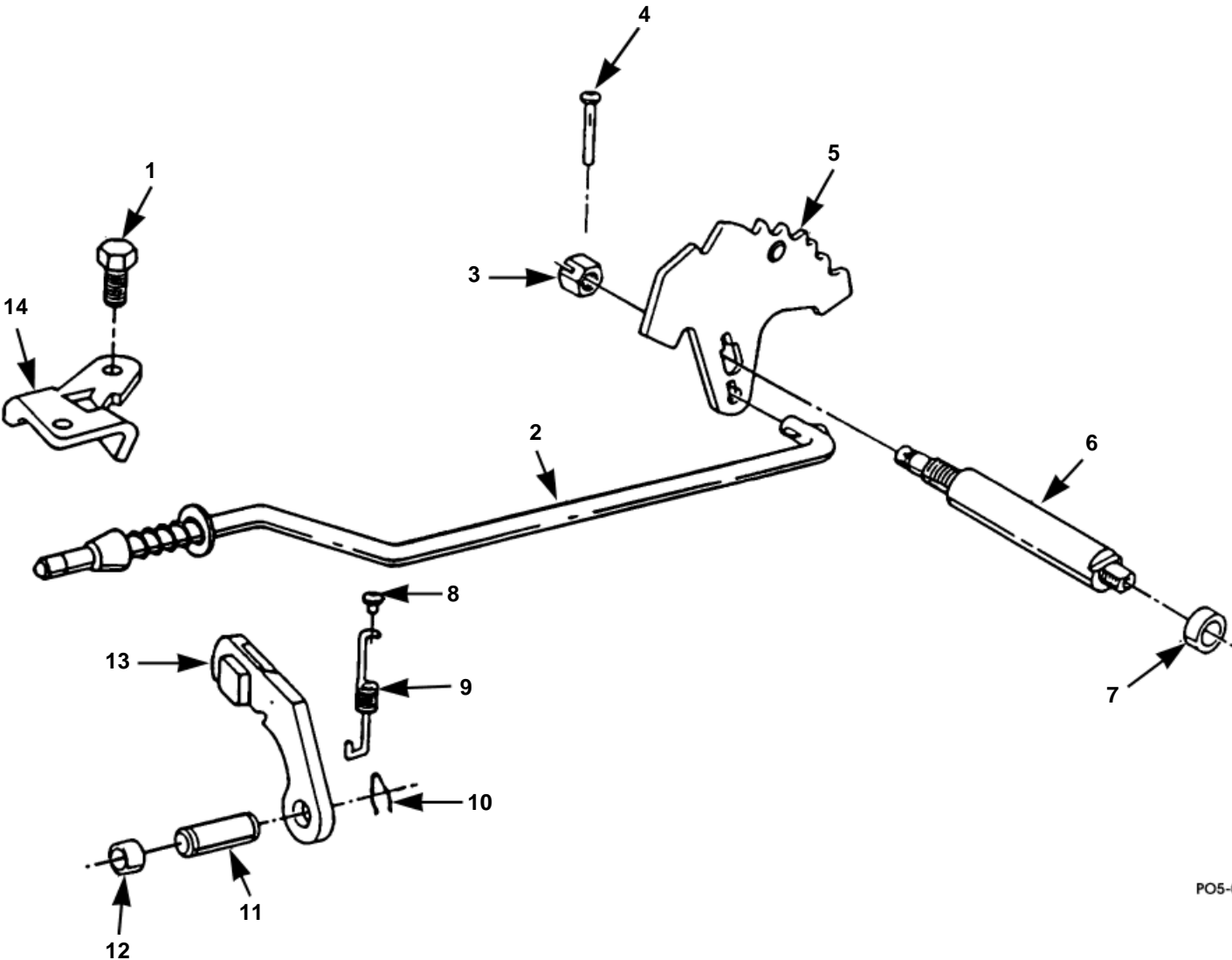
P05-016

## Transfer Case Vent Line and Related Parts

**Transfer Case Vent Line and Related Parts.**

Item	Part No.	Description	Qty
1	<b>N/S</b>	CLAMP, transfer case vent line	1
2	<b>N/S</b>	TUBE, 17- inch, vent line, SEE NOTE 1	1
3	<b>N/S</b>	CLAMP, transfer case vent line	1
4	<b>N/S</b>	SCREW, vent line clamp, 3/8 - 16 x 5/8"	1
5	<b>12339978</b>	CONNECTOR, male, transfer case vent line	1
6	<b>5937392</b>	ELBOW, vent line, 1/8", pipe	1

NOTE 1: MAKE FROM BULK NYLON TUBE P/N 5741079  
3/16" X 25' ROLL

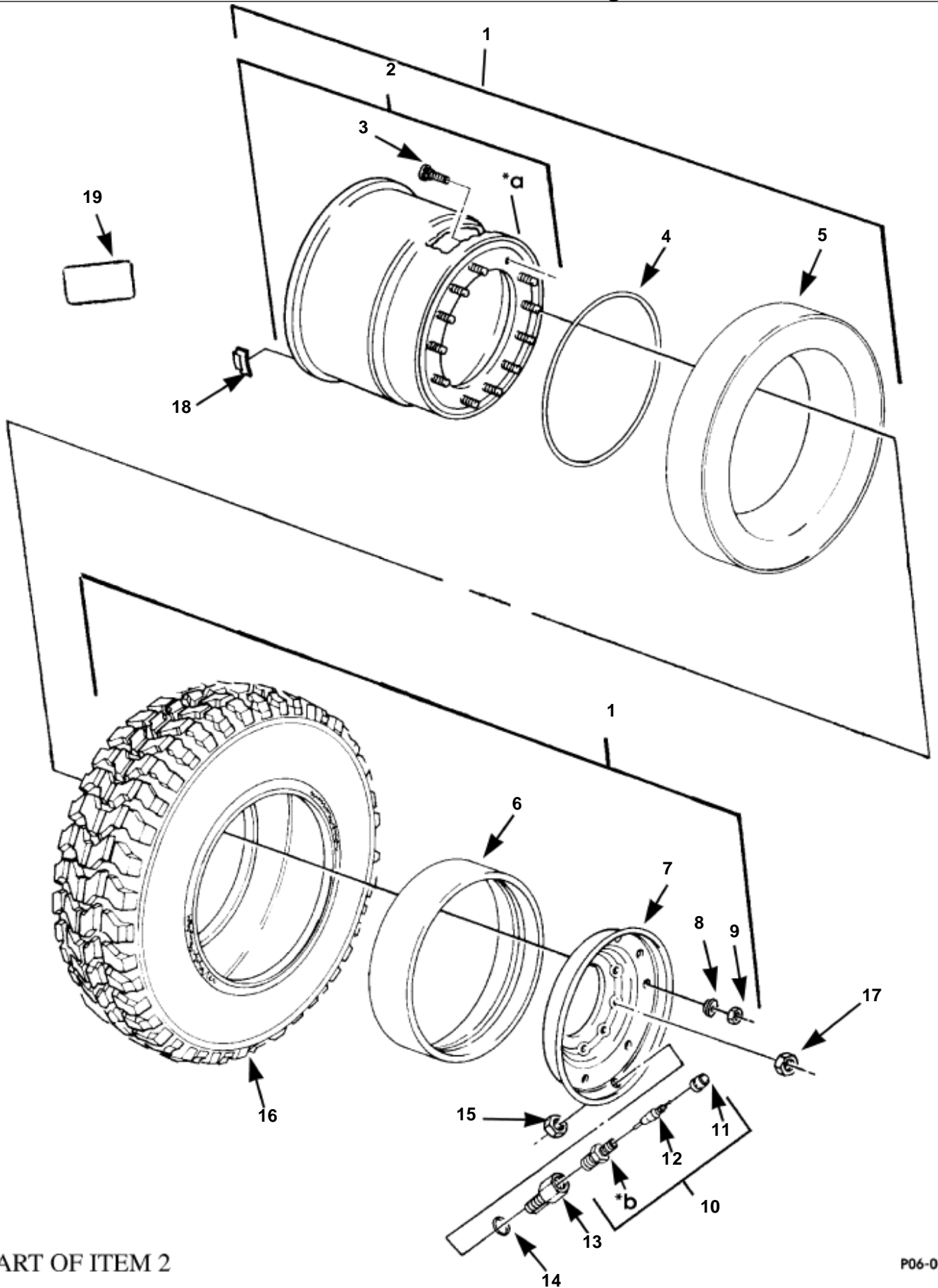


PO5-019

# Parking Lock System

**Parking Lock System.**

Item	Part No.	Description	Qty
1	<b>11501939</b>	BOLT	2
2	<b>5744105</b>	ACTUATOR ASSEMBLY	1
3	<b>5744076</b>	NUT	1
4	<b>5744122</b>	PIN	1
5	<b>5743374</b>	LEVER AND PIN, inside detent	1
6	<b>5714375</b>	SHAFT	1
7	<b>5740322</b>	SEAL ASSEMBLY	1
8	<b>5744110</b>	STUD	1
9	<b>5744108</b>	SPRING	1
10	<b>148148</b>	RETAINER	1
11	<b>5742593</b>	SHAFT	1
12	<b>5742589</b>	PLUG	1
13	<b>5714321</b>	PAWL, parking lock	1
14	<b>5744103</b>	BRACKET	1



\* a PART OF ITEM 2

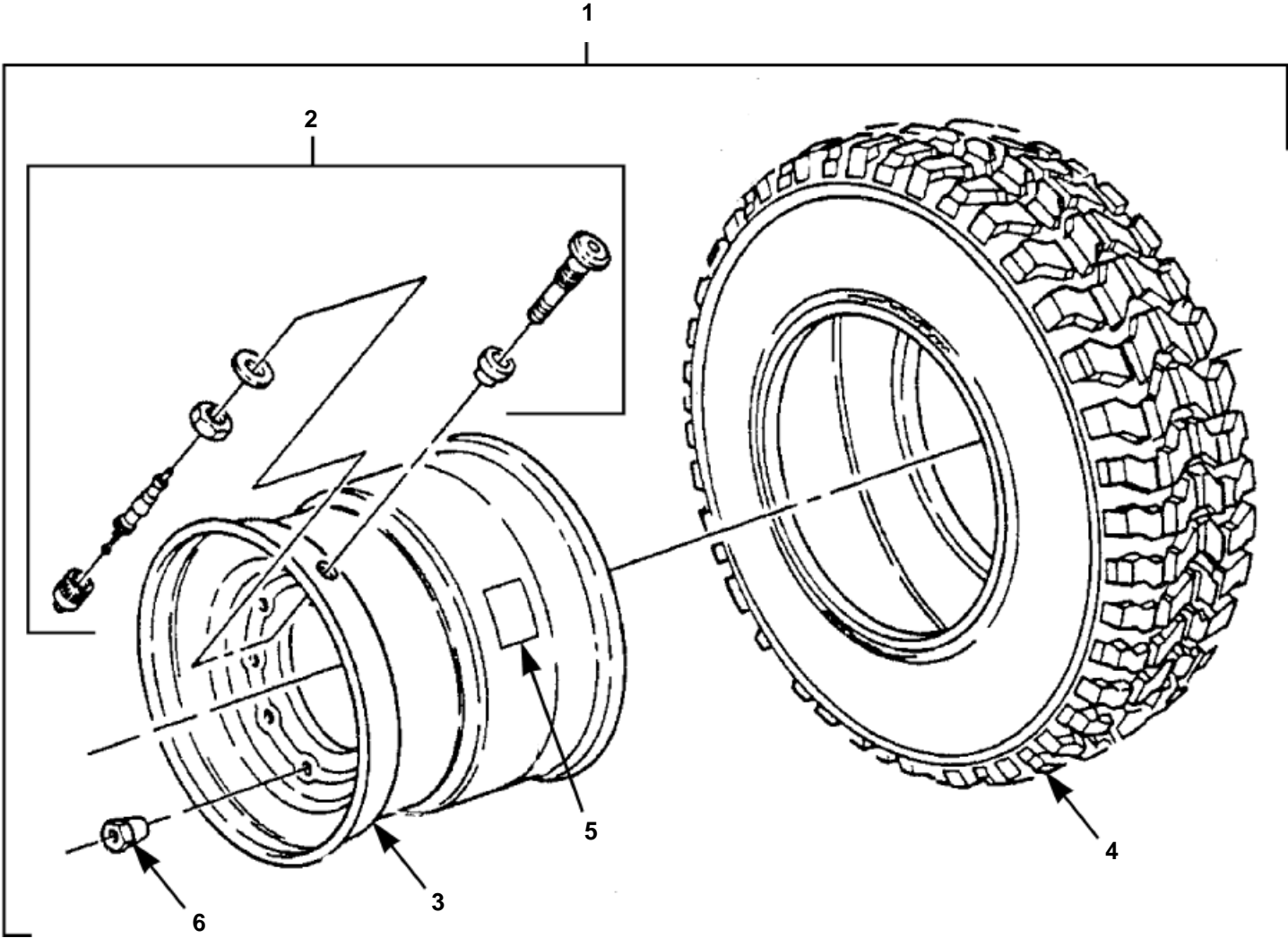
\* b PART OF ITEM 12

P06-001

### Wheel and Runflat Assembly and Tire

**Wheel and Runflat Assembly and Tire.**

Item	Part No.	Description	Year
1	<b>5938061P</b>	WHEEL AND BEADLOCK ASSEMBLY (w/o CTIS) SEE NOTE 2	4
	<b>6003303P</b>	WHEEL AND BEADLOCK ASSEMBLY (w/o CTIS) "GSA"	4
	<b>WA12342641P</b>	WHEEL AND high-profile RUNFLAT (w/o CTIS) SEE NOTE 2	4
	<b>6003305P</b>	WHEEL AND high-profile RUNFLAT (w/o CTIS) "GSA"	4
	<b>5938062P</b>	WHEEL AND BEADLOCK ASSEMBLY (w/ CTIS) SEE NOTE 1	4
	<b>6003304P</b>	WHEEL AND LOW PROFILE RUNFLAT (w/ CTIS) "GSA" SEE NOTE 1	4
	<b>12460176B1</b>	WHEEL AND LOW-PROFILE RUNFLAT (w/ CTIS) SEE NOTE 1	4
2	<b>12342642</b>	·RIM, wheel, pneumatic, inner	1
3	<b>12342758</b>	·BOLT, inner rim	12
4	<b>12342633</b>	·PACKING, wheel assembly	1
5	<b>12342638-1</b>	·RUNFLAT, low-profile (w/ CTIS only)	1
	<b>12342638</b>	·RUNFLAT, high-profile (w/o CTIS)	1
6	<b>5594465</b>	·BEADLOCK, full width	1
7	<b>5745404</b>	·RIM, wheel assembly	1
8	<b>6001844</b>	·WASHER, pilot	3
9	<b>5939392</b>	·LOCKNUT, wheel assembly	12
10	<b>6013978</b>	·VALVE, pneumatic, wheel assembly, SEE NOTE 2	1
11	<b>S.I.A.</b>	·VALVE CAP, wheel assembly	1
12	<b>S.I.A.</b>	·VALVE CORE, wheel assembly	1
13	<b>EC12342793</b>	·INSERT, wheel assembly	1
14	<b>12342794</b>	·O-RING, wheel assembly	1
15	<b>ECMS21245-8</b>	·LOCKNUT, wheel assembly	1
16	<b>6002923</b>	·TIRE, pneumatic, radial "GSA"	4
	<b>12342644</b>	·TIRE, pneumatic, radial "MT"	4
17	<b>EC12339403</b>	NUT, wheel stud	32
18	<b>6001761</b>	WEIGHT, clip on, 1 ounce	V
	<b>6001760</b>	WEIGHT, clip on, 2 ounce	V
	<b>6001759</b>	WEIGHT, clip on, 4 ounce	V
	<b>6001758</b>	WEIGHT, clip on, 6 ounce	V
	<b>5593926</b>	WEIGHT, adhesive (set of 12)	V
19	<b>5939460</b>	DECAL, tire warning	1
	<b>6000035</b>	DECAL, tire usage	1
	<b>5939888</b>	DECAL, clear protective	1
	<b>6004008</b>	DECAL, tire weight	1
	<b>5743721</b>	LUBRICANT, runflat, (10 units to a case)	CASE
		NOTE 1: 12460176B1 AND 6003304 ALSO CONTAIN ITEMS 107-111, FIGURE 6-10.	
		NOTE 2: USED ON WA 12342641 AND 5938061P ONLY.	



# Wheel and Tire Assembly (Recruit)



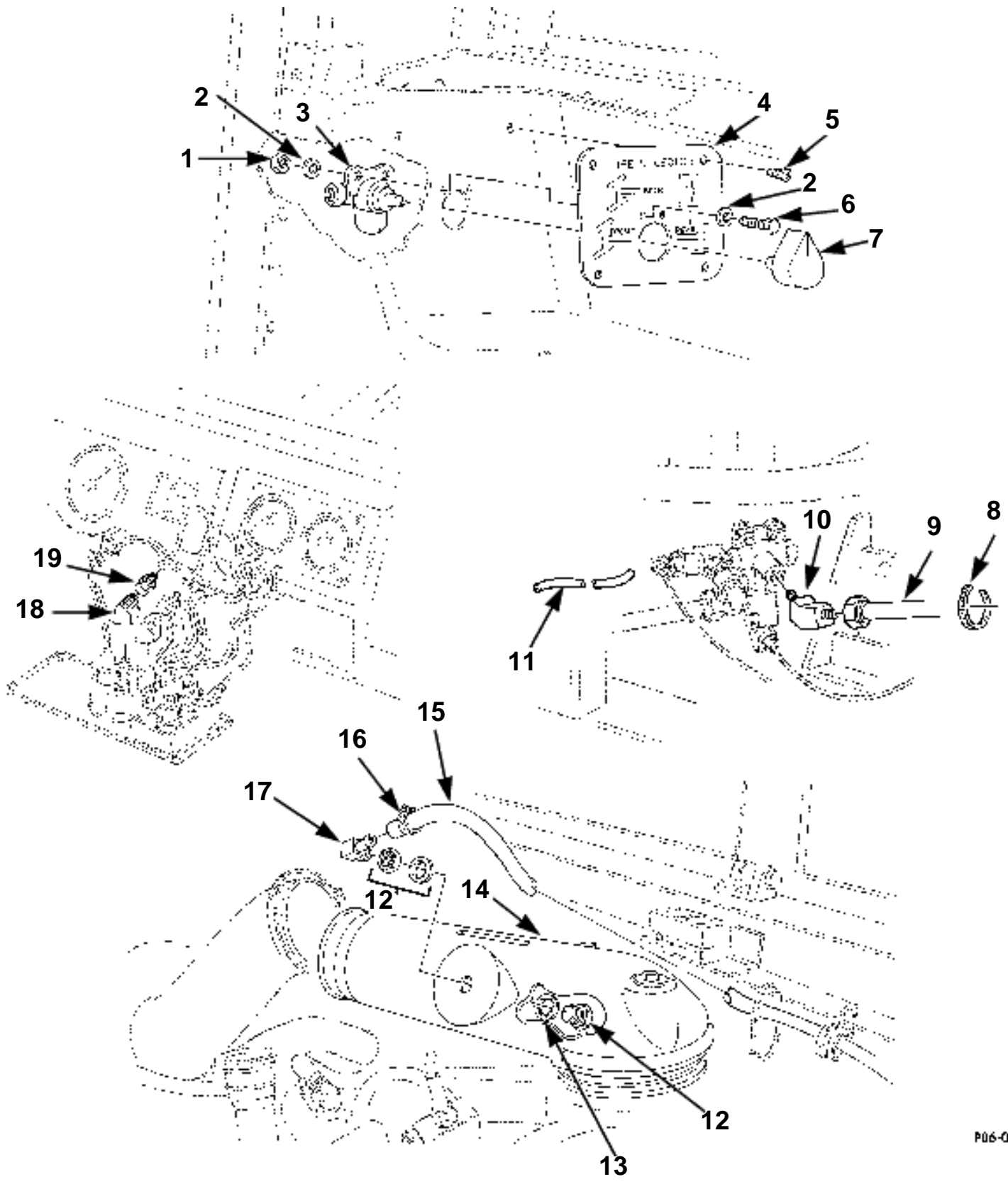
**Wheel and Tire Assembly (Recruit).**

Item	Part No.	Description	Qty
1	<b>6002598</b>	WHEEL, TIRE, and valve assembly HMR2, HMRO	4
	<b>5744072</b>	WHEEL, TIRE, and valve assembly HMR2, HMRO	4
2	<b>6002010</b>	VALVE ASSEMBLY, tire HMR2, HMRO	4
3	<b>6002010</b>	WHEEL ASSEMBLY, one piece HMR2, HMRO	4
4	<b>12342644</b>	TIRE HMR2, HMRO	4
5	<b>5939460</b>	DECAL, tire warning HMR2, HMRO	4
6	<b>EC12339403</b>	NUT, WHEEL STUD HMR2, HMRO	32
	<b>6016050</b>	DECAL, tire weight HMR2, HMRO, (not illustrated)	4

(Sheet 1 of 3).

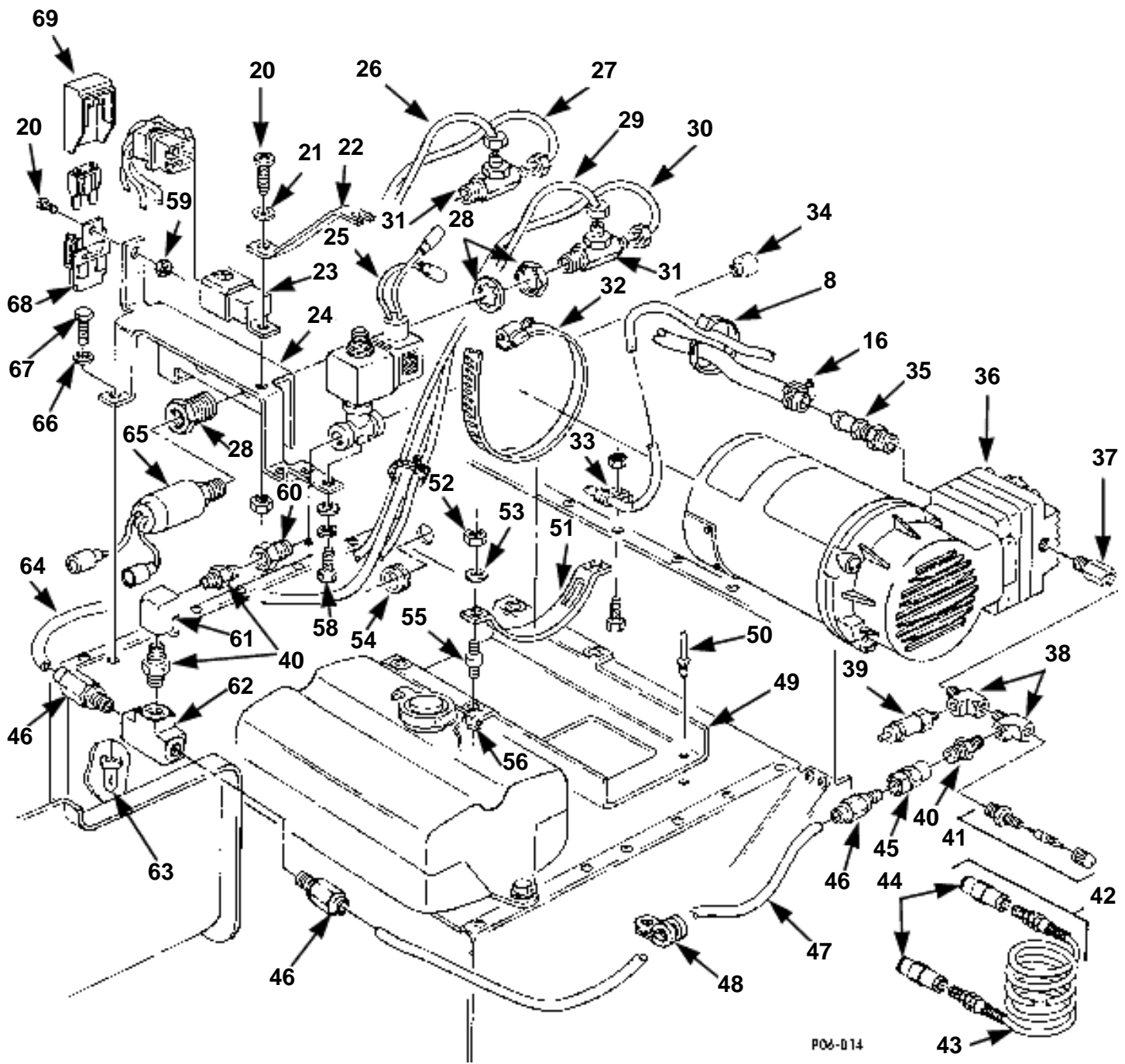
(Sheet 2 of 3).

(Sheet 3 of 3).

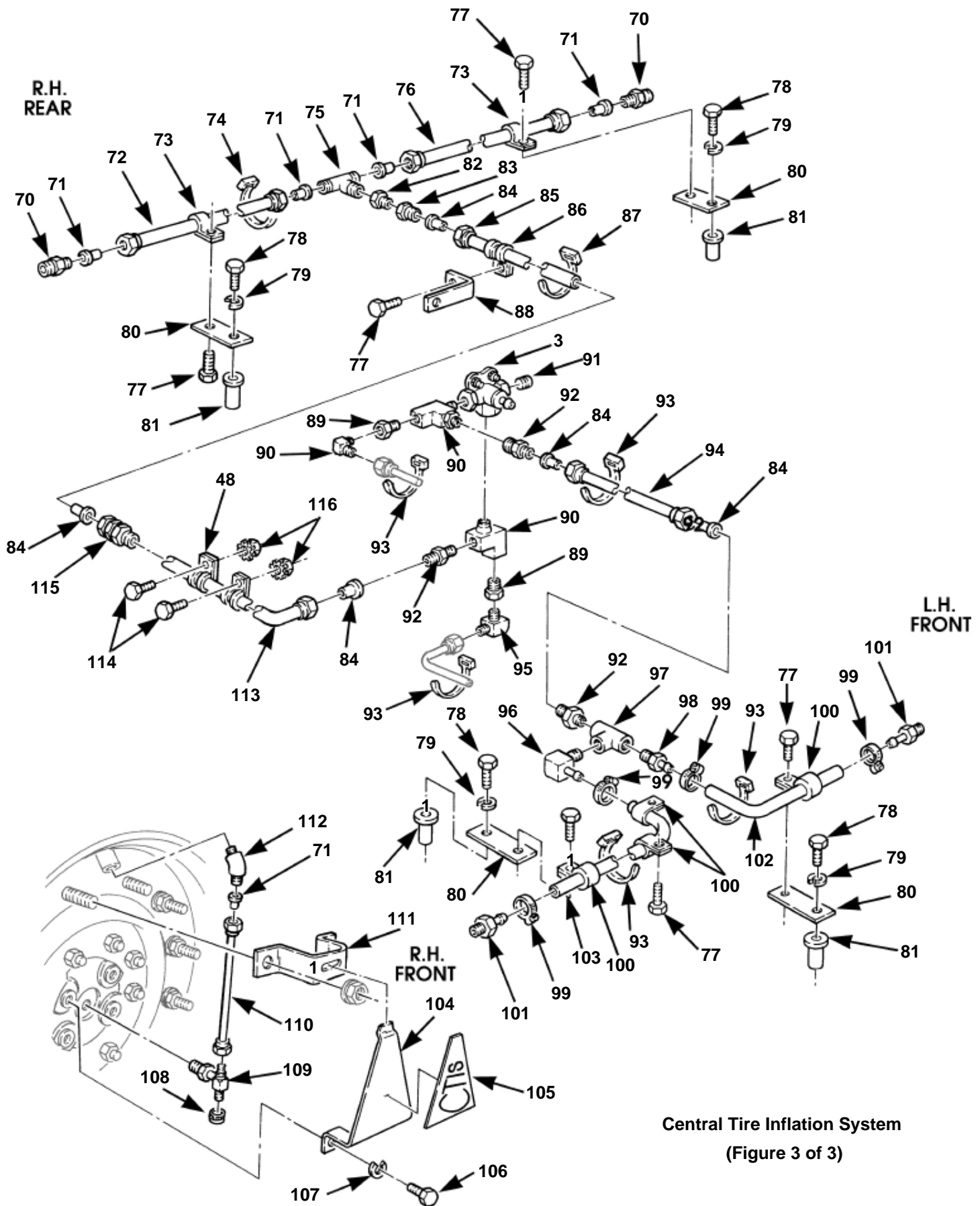


P06-010

**Central Tire Inflation System (Figure 1 of 3)**



**Central Tire Inflation System (Figure 2 of 3)**



**Figure#160;6-4.**

Item	Part No.	Description	Qty
1	<b>MS51943-31</b>	NUT	2
2	<b>2436161P2</b>	WASHER	4
3	<b>6000031</b>	SELECTOR, CTIS valve, 4-way	1
4	<b>6003957</b>	DECAL, CTIS selector	1
	<b>6003958</b>	DECAL, CTIS selector (French)	1
	<b>6003959</b>	DECAL, CTIS selector (Arabic)	1
5	<b>9414241</b>	SCREW	4
6	<b>N/S</b>	SCREW, 1/4 - 20 x 7/8"	2
7	<b>5598990</b>	CONTROL KNOB	1
8	<b>11501906</b>	STRAP, tiedown	3
9	<b>N/S</b>	TUBING, 18-inch, SEE NOTE 1	1
10	<b>5936182</b>	ELBOW	1
11	<b>12339902-7</b>	PROTECTOR, edge	1
12	<b>12339984</b>	COUPLING ASSEMBLY, bulkhead	1
13	<b>5594103</b>	SEAL, static	1
14	<b>5938908</b>	AIR HORN ASSEMBLY, induction system	1
15	<b>6000340</b>	HOSE, air pump inlet	1
16	<b>11608950-1</b>	CLAMP, hose	2
17	<b>12339415</b>	ELBOW	1
18	<b>5955052</b>	ELBOW	2
19	<b>6002047</b>	CONNECTOR	2
20	<b>N/S</b>	SCREW, 10 - 24 x 1/2", pan head, phillips	3
21	<b>N/S</b>	WASHER, flat, #10	5
22	<b>6005621</b>	BRACKET, deflate valve support	1
23	<b>5939316</b>	RELAY, weatherproof S.P.D.T.	1
24	<b>6005562</b>	BRACKET, pressure switch mounting	1
25	<b>5939993</b>	DEFLATE VALVE ASSEMBLY	1
26	<b>CPR104420-6-32</b>	TUBING, 32-inch	1
27	<b>6017612</b>	TUBING, 24-inch	1
28	<b>6000018</b>	CONNECTOR, anchor	2
29	<b>N/S</b>	TUBING, 32-inch, SEE NOTE 2	1
30	<b>N/S</b>	TUBING, 24-inch, SEE NOTE 2	1
31	<b>6002046</b>	TEE	2
32	<b>11608950-18</b>	CLAMP	2
33	<b>N/S</b>	CLAMP, 1", cushioned	1
34	<b>5935430</b>	DUST EXCLUDER	1
35	<b>6-430160</b>	HOSE END	1
36	<b>5939999</b>	COMPRESSOR, 12 VDC	1
37	<b>4-4-130139B</b>	ADAPTER, threaded	1
38	<b>4-4-4-130424B</b>	TEE	3
39	<b>6005167</b>	SAFETY VALVE, CTIS	1
40	<b>6-4-130137</b>	NIPPLE	3
41	<b>6013978</b>	VALVE, auxiliary air	1
42	<b>6004415</b>	HOSE ASSEMBLY, CTIS auxiliary air	1
43	<b>6004416</b>	·HOSE, auxiliary air	1
44	<b>6004417</b>	·FITTING, quick disconnect	2
45	<b>5935429</b>	CHECK VALVE	1
46	<b>6005673</b>	HOSE END	3
47	<b>N/S</b>	TUBING, 25-inch, SEE NOTE 1	1
48	<b>MS21333-71</b>	CLAMP	2
49	<b>6000019P</b>	BRACKET, compressor mounting, lower	1
50	<b>12339355-1</b>	RIVET	6
51	<b>6003902B2</b>	BRACKET, compressor mounting, upper	1
52	<b>134551</b>	NUT	4
53	<b>120380</b>	LOCKWASHER	6
54	<b>6000042</b>	GROMMET	2
55	<b>5939998</b>	ISOLATOR, compressor mounting	4
56	<b>12446871-2</b>	NUT, insert	4
57	<b>120217</b>	LOCKWASHER	2
58	<b>N/S</b>	SCREW, 10 - 24 x 3/8"	2
59	<b>271166</b>	NUT AND LOCKWASHER ASSEMBLY	3
60	<b>6-4-140140</b>	BUSHING, reducer	1
61	<b>84-100202BA</b>	ELBOW	2
62	<b>4-4-4130438</b>	TEE	1

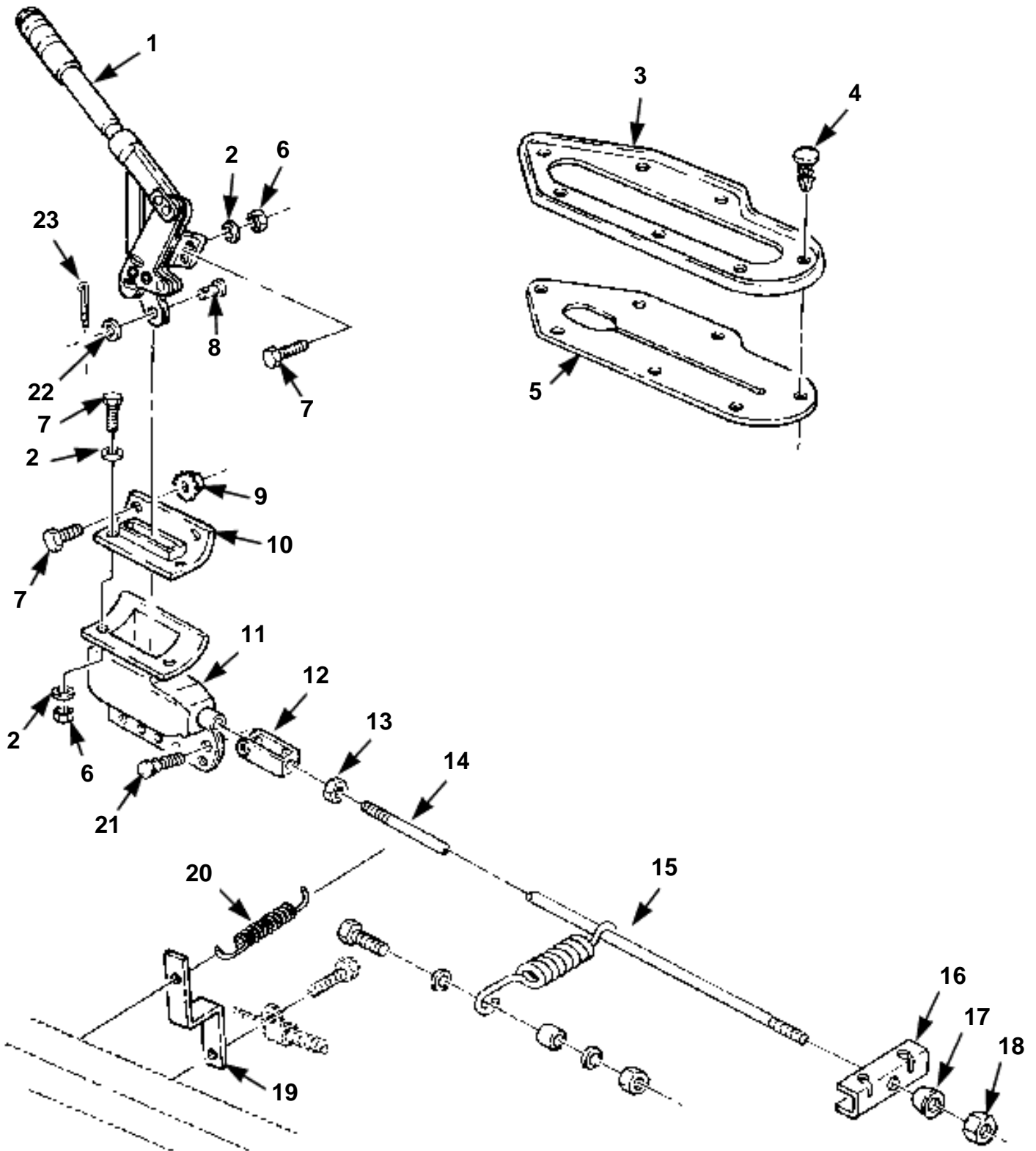
**Figure#160;6-4.**

Item	Part No.	Description	Qty
63	<b>6001566</b>	NUT, insert	3
64	<b>CPR104420</b>	-3 TUBING, nylon reinforced	1
65	<b>6001036</b>	SWITCH, pressure	2
66	<b>MS27183-42</b>	WASHER	3
67	<b>MS51849-76</b>	SCREW	3
68	<b>6000033</b>	FUSE HOLDER	1
69	<b>6000034</b>	COVER, fuse holder	1
70	<b>6-4-100102BA</b>	CONNECTOR	2
71	<b>5598770</b>	INSERT	8
72	<b>N/S</b>	TUBE, 19-inch, rear right tire wheel-to-tee, SEE NOTE 3	1
73	<b>MS21333-124</b>	CLAMP	2
74	<b>H-OVE-18</b>	STRAP, tiedown	4
75	<b>5936233</b>	TEE	1
76	<b>N/S</b>	TUBE, 39-inch, rear left tire wheel-to-tee, SEE NOTE 3	1
77	<b>N/S</b>	SCREW, 3/8 - 16 x 5/8"	6
78	<b>MS90728-34</b>	BOLT	4
79	<b>MS35338-45</b>	LOCKWASHER	4
80	<b>5594462</b>	BRACKET, tube support, lower control arm	4
81	<b>12339998-12</b>	PLUSNUT	4
82	<b>5937263</b>	BUSHING	1
83	<b>8-6-100103BA</b>	CONNECTOR	1
84	<b>5598771</b>	INSERT	6
85	<b>N/S</b>	TUBE, 89-inch, rear tee-to-union, SEE NOTE 1	1
86	<b>MS21333-125</b>	CLAMP	6
87	<b>MS3367-3-0</b>	STRAP, tiedown	1
88	<b>5936232</b>	BRACKET, standoff	1
89	<b>5937262</b>	BUSHING	2
90	<b>4-4-4-130424B</b>	TEE, SEE NOTE 4	2
91	<b>444693</b>	SOCKET PLUG	1
92	<b>8-4-100102BA</b>	CONNECTOR	3
93	<b>MS3367-2-0</b>	STRAP, tiedown	11
94	<b>N/S</b>	TUBE, 31-inch, front tee-to-selector valve, SEE NOTE 1	1
95	<b>5935223</b>	ELBOW	2
96	<b>12339415</b>	ELBOW	1
97	<b>4-4-4130438</b>	TEE	1
98	<b>5935237</b>	CONNECTOR	1
99	<b>5934854</b>	CLAMP	4
100	<b>MS21333-126</b>	CLAMP	4
101	<b>6000239</b>	CONNECTOR	2
102	<b>5935245</b>	HOSE, 36.50-inch, front left tire wheel-to-tee	1
103	<b>5935246</b>	HOSE, 56-inch, front right tire wheel-to-tee	1
104	<b>5935441</b>	SHIELD, CTIS tube	4
	<b>5935440</b>	SHIELD, CTIS tube, rear, (L.E. only)	2
105	<b>6003880</b>	DECAL, CTIS logo	4
106	<b>N/S</b>	HEX BOLT, 7/16 - 14 x 3/4", hex cap	8
107	<b>N/S</b>	LOCKWASHER, 7/16"	8
108	<b>5594510</b>	CAP, valve	4
109	<b>6005109</b>	VALVE ASSEMBLY, quick disconnect	4
110	<b>N/S</b>	TUBING, 5.50-inch, SEE NOTE 3	4
111	<b>5935449</b>	BRACKET, wheel tube shield support	4
112	<b>5593467</b>	ELBOW	4
113	<b>N/S</b>	TUBING, 34-inch, selector-to-union, SEE NOTE 1	1
114	<b>MS35207-265</b>	SCREW	2
115	<b>88-100101BA</b>	UNION	1
116	<b>271169</b>	NUT AND LOCKWASHER ASSEMBLY	2

NOTE 1: MAKE FROM TUBING P/N CPR104420-3.

NOTE 2: MAKE FROM TUBING P/N CPR104420-6

NOTE 3: MAKE FROM TUBING P/N CPR104420-2



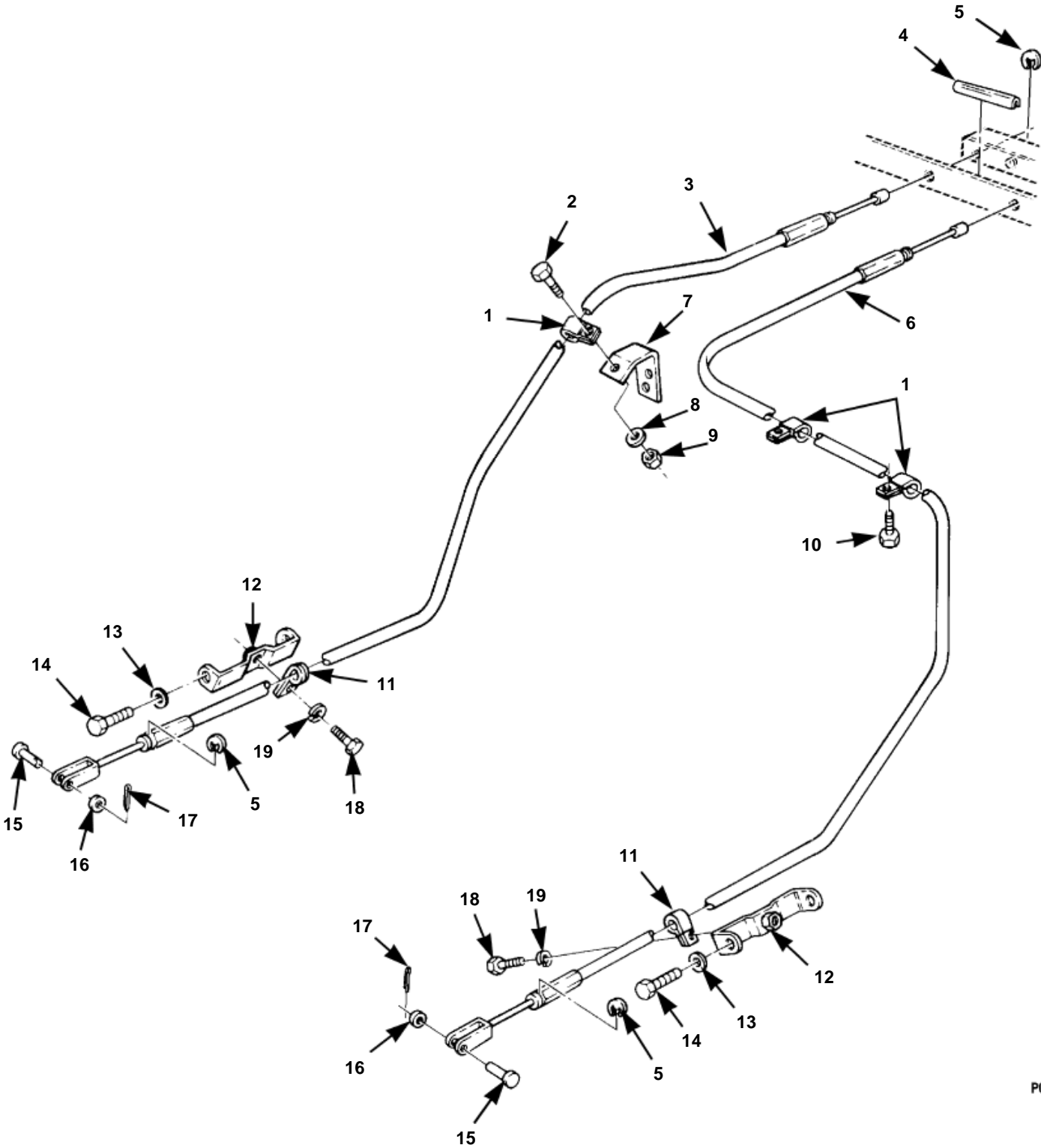
# Parking Brake Hand Lever and Rod

P07-00

**Parking Brake Hand Lever and Rod.**

Item	Part No.	Description	Qty
1	<b>WA12339218</b>	LEVER, parking brake	1
2	<b>2436161P2</b>	WASHER, parking brake lever	7
3	<b>6000436</b>	BEZEL, parking brake lever	1
4	<b>6000441</b>	FASTENER, parking brake bezel	7
5	<b>6000440</b>	BOOT, parking brake lever bezel	1
6	<b>MS51943-31</b>	LOCKNUT, parking brake lever	5
7	<b>MS90728-8</b>	SCREW, parking brake	6
8	<b>138084</b>	PIN, parking brake lever	1
9	<b>271172</b>	LOCKNUT, dust and moist boot	2
10	<b>12338295</b>	BOOT, dust and moist, upper parking brake	1
11	<b>5939484</b>	BOOT, dust and moist, lower parking brake	1
12	<b>12338285</b>	CLEVIS, rod end, front parking brake	1
13	<b>225853</b>	NUT, clevis rod	1
14	<b>12341895</b>	CLEVIS ROD, parking brake	1
15	<b>12469312</b>	SLEEVE, parking brake rod	1
16	<b>EC12341902</b>	BAR, brake cable equalizer	1
17	<b>12341897</b>	WASHER, parking brake clevis rod	1
18	<b>N/S</b>	LOCKNUT, parking brake clevis rod, 5/16 x 24"	1
19	<b>6002426B2</b>	BRACKET	1
20	<b>12338866</b>	SPRING	1
21	<b>5939457</b>	CLIP, parking brake lower dust boot	6
22	<b>2436163</b>	WASHER, clevis pin	1
23	<b>N/S</b>	COTTER PIN, clevis pin, 3/32 x 3/4"	1



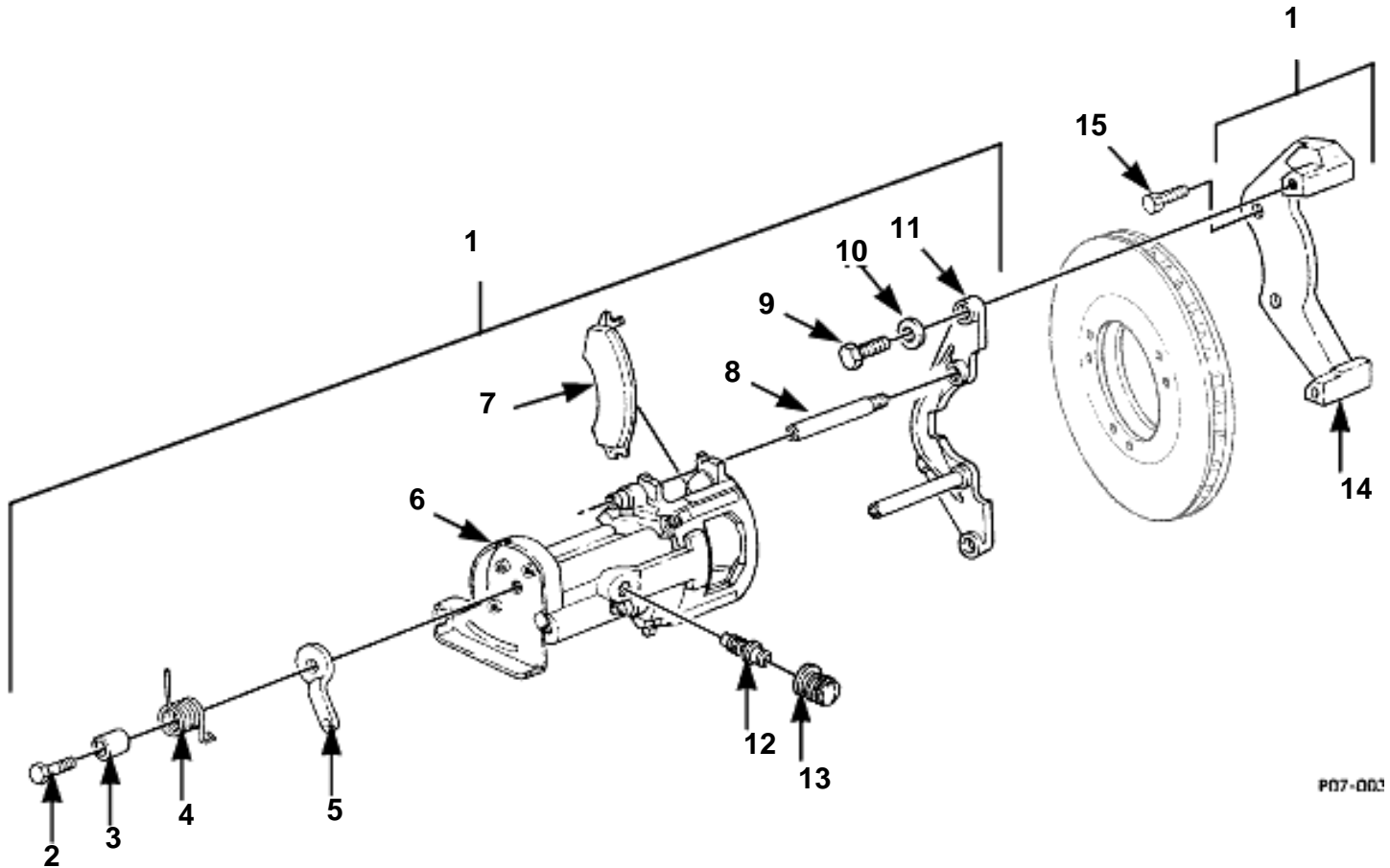


P07-002

# Parking Brake Cables and Mounting Hardware

**Parking Brake Cables and Mounting Hardware.**

Item	Part No.	Description	Qty
1	<b>MS21333-104</b>	CLAMP, parking brake cable	3
2	<b>MS90725-6</b>	SCREW, parking brake cable clamp	1
3	<b>12341898-1</b>	CABLE, parking brake, L.H.	1
4	<b>12339902-11</b>	PROTECTOR, edge, 2-inch	1
5	<b>MS16633-1050</b>	RETAINING RING, parking brake cable	4
6	<b>12341898-3</b>	CABLE, parking brake, R.H.	1
7	<b>12341906</b>	BRACKET, parking brake cable	1
8	<b>ELMS27183-10</b>	WASHER, parking brake cable bracket	1
9	<b>N/S</b>	KEPS NUT, parking brake cable bracket, 1/4 - 20"	1
10	<b>N/S</b>	SCREW, parking brake cable clamp, 10-32 x 3/8"	2
11	<b>N/S</b>	CLAMP, parking brake cables, 3/4"	2
12	<b>12341986</b>	BRACKET, parking brake cables	2
	<b>EC12342965</b>	BRACKET, parking brake cable, R.H. (1994)	1
	<b>EC12342966</b>	BRACKET, parking brake cable, L.H. (1994)	1
13	<b>MS122033</b>	WASHER, parking brake cable brackets	4
14	<b>456644</b>	SCREW, parking brake cable brackets	4
15	<b>138084</b>	PIN, parking brake cables	2
16	<b>2436163</b>	WASHER, parking brake cables	2
17	<b>N/S</b>	COTTER PIN, parking brake cables, 3/32 x 3/4"	2
18	<b>MS90728-5</b>	SCREW, parking brake cable clamps	2
19	<b>MS35338-44</b>	LOCKWASHER, parking brake cable clamps	2



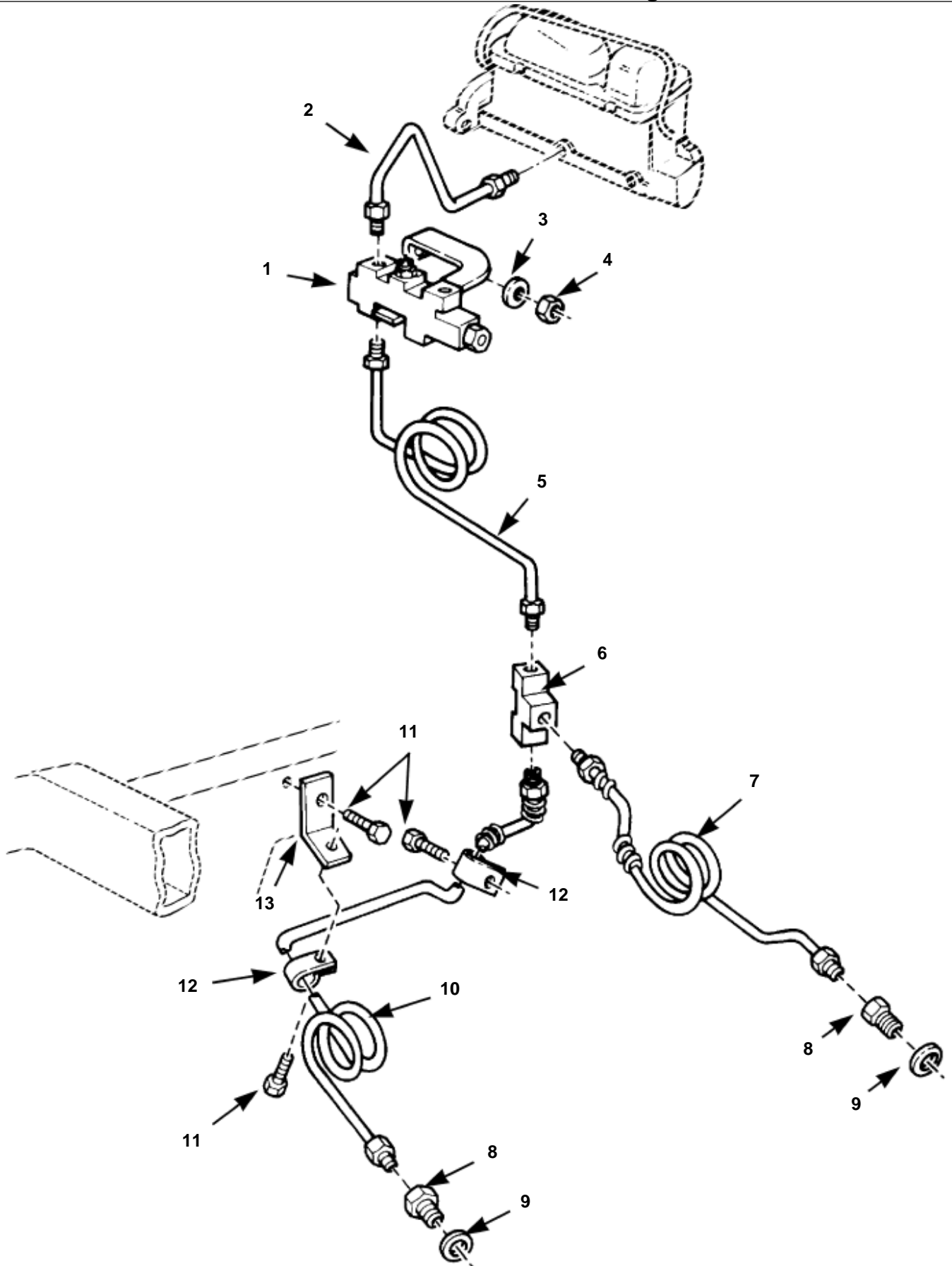
## Parking Brake Caliper Assembly

**Parking Brake Caliper Assembly.**

Item	Part No.	Description	Qty
1	<b>12341907-2</b>	BRAKE CALIPER ASSEMBLY, R.H., rear	1
	<b>12341907-1</b>	BRAKE CALIPER ASSEMBLY, L.H., rear	1
2	<b>5741889</b>	·CAPSCREW	1
3	<b>5741890</b>	·CUP, spring	1
4	<b>5741995</b>	·SPRING, L.H.	1
	<b>5741994</b>	·SPRING, R.H.	1
5	<b>5741750</b>	·ARM, lever, L.H.	1
	<b>5741748</b>	·ARM, lever, R.H.	1
6	<b>12342341</b>	·CALIPER HOUSING ASSEMBLY, L.H.	1
	<b>12342342</b>	·CALIPER HOUSING ASSEMBLY, RH.	1
7	<b>S.I.K.</b>	·PAD, disc brake, SEE NOTE 1	1
8	<b>12342339</b>	·PIN, caliper	2
9	<b>5584071</b>	·BOLT	2
10	<b>5584072</b>	·WASHER, flat	2
11	<b>5573090</b>	·YOKE, disc brake	1
12	<b>5578802</b>	·BLEEDER VALVE	1
13	<b>5597172</b>	·CAP, bleeder valve	1
14	<b>5742123</b>	·ADAPTER	1
15	<b>5936095</b>	BOLT, adapter, 5/8"-11 x 1.50"	4

NOTE 1: PART OF SERVICE BRAKE PAD KIT  
P/N 57K0264C

KIT CONTAINS 4 PADS TO SERVICE ONE  
AXLE.

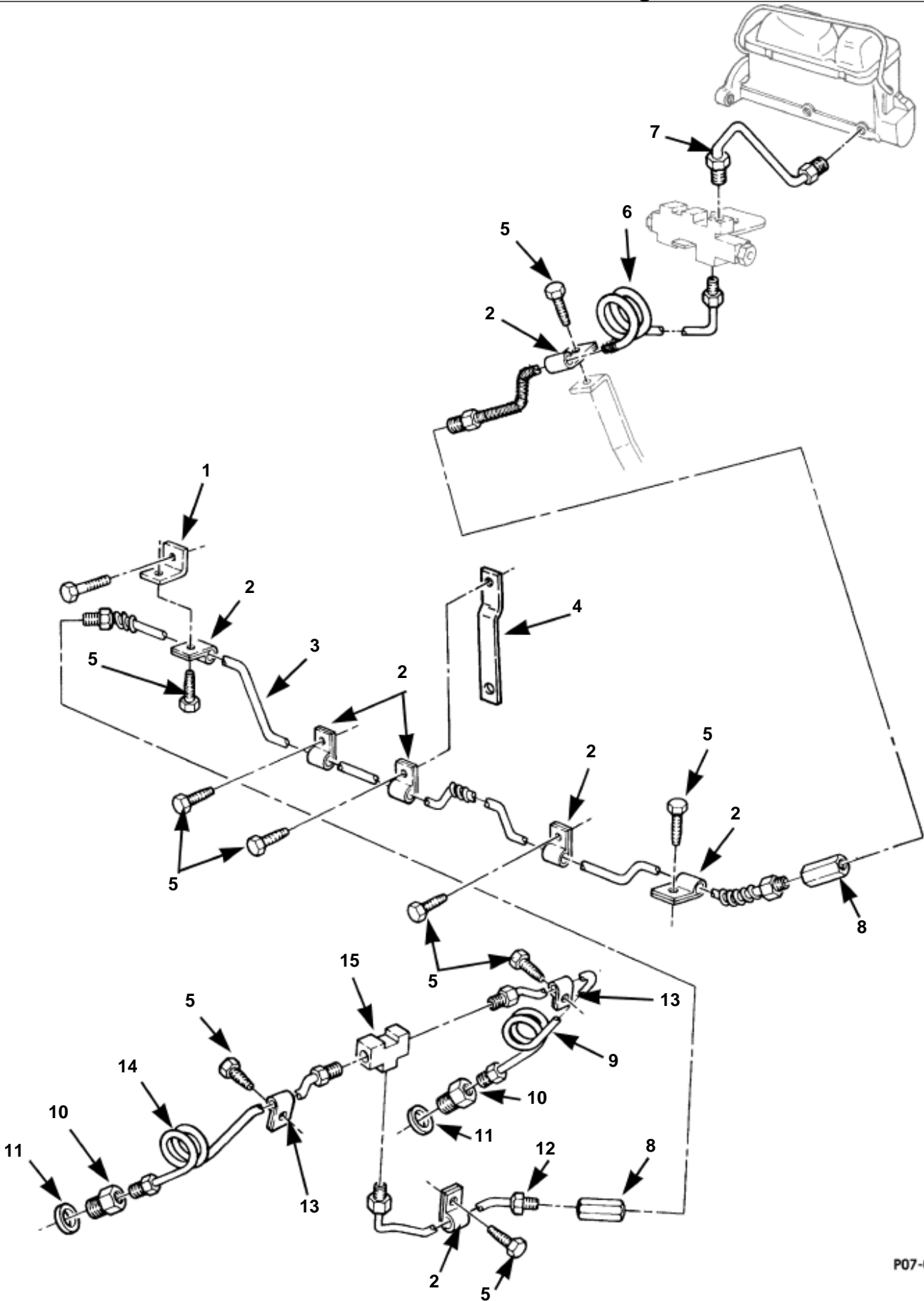


P07-005

# Front Service Brake Lines Proportioning Valve

**Front Service Brake Lines and Proportioning Valve.**

Item	Part No.	Description	Qty
1	<b>6005728</b>	VALVE ASSEMBLY, hydraulic brake	1
2	<b>12338299</b>	TUBE ASSEMBLY, master cylinder	1
3	<b>2436163</b>	WASHER, valve to hydro-boost	1
4	<b>MS51943-35</b>	LOCKNUT, valve to hydro-boost	1
5	<b>6004425</b>	TUBE, valve to tee	1
6	<b>178654</b>	TEE, tube, front brake lines	1
7	<b>12338296</b>	TUBE ASSEMBLY, tee to front L.H. caliper	1
8	<b>12339235</b>	COUPLING, brake caliper	2
9	<b>12339204</b>	WASHER, caliper	2
10	<b>12338297</b>	TUBE ASSEMBLY, tee to front R.H. caliper	1
11	<b>N/S</b>	SCREW, 3/8 - 16 x 5/8", brake line clamps and bracket	3
12	<b>179147</b>	CLIP, brake line	2
13	<b>12338301</b>	BRACKET, brake line	1



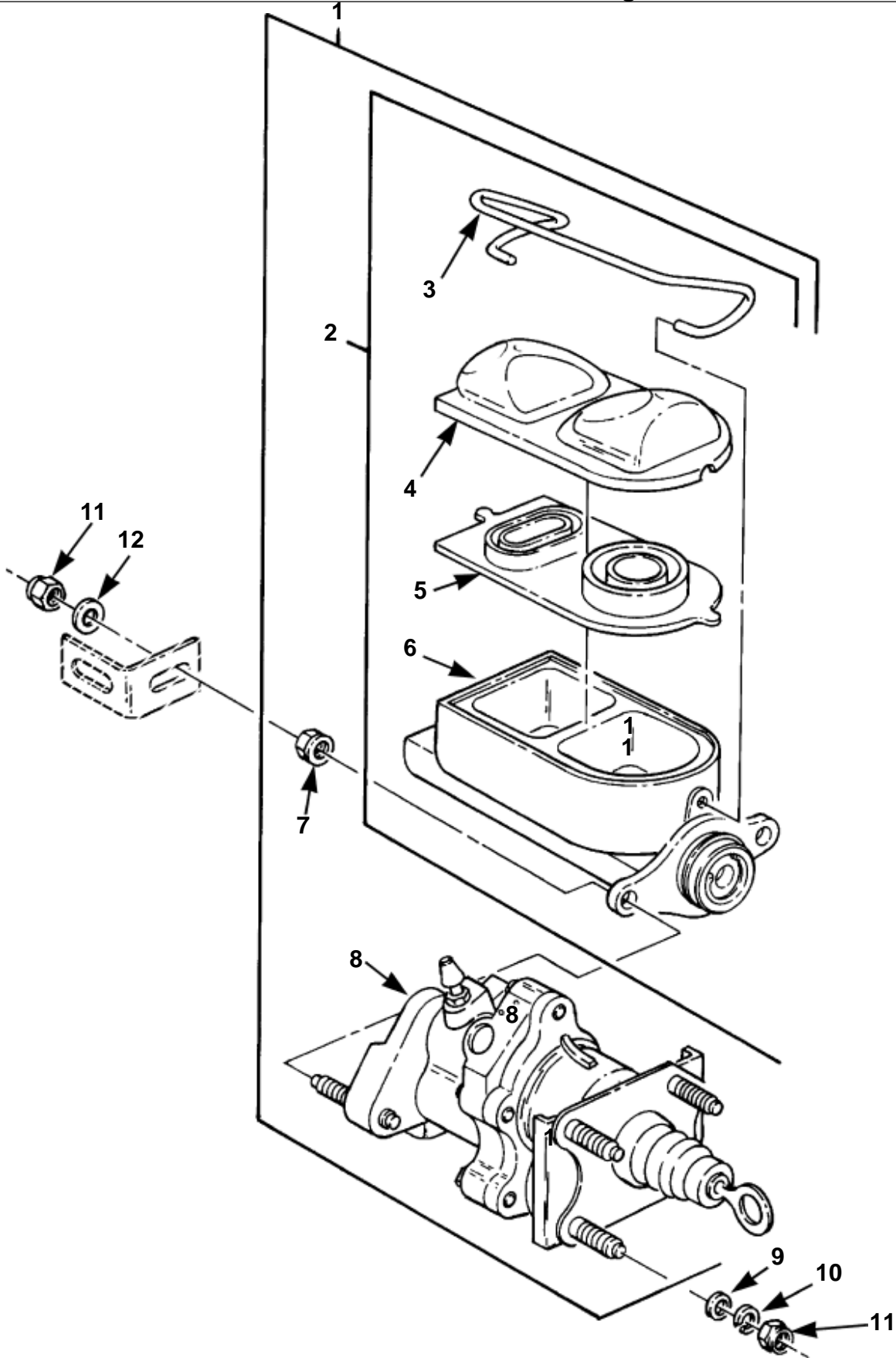
P07-006

### Rear Brake Lines and Fittings

HUMMER H1 1994 Parts Catalog  
**Rear Brake Lines and Fittings.**

Item	Part No.	Description	Qty
1	<b>12338302</b>	BRACKET, brake line	1
2	<b>179148</b>	CLIP, brake line	7
3	<b>6000397</b>	TUBE ASSEMBLY, center, union to union	1
4	<b>6001008B1</b>	BRACKET	1
5	<b>N/S</b>	SCREW, 3/8 - 16 x 5/8", brake line clips	9
6	<b>EC12338307</b>	TUBE ASSEMBLY, valve to union	1
7	<b>12338300</b>	TUBE ASSEMBLY, master cylinder to valve	1
8	<b>442393</b>	UNION, rear brake, center	2
9	<b>12338305</b>	TUBE ASSEMBLY, tee to rear L.H. caliper	1
10	<b>12339235</b>	FITTING, adapter, caliper	2
11	<b>12339204</b>	WASHER, caliper	2
12	<b>12338304</b>	TUBE ASSEMBLY, tee to union	1
13	<b>179147</b>	CLIP, brake line	2
14	<b>12338298</b>	TUBE ASSEMBLY, tee to rear R.H. caliper	1
15	<b>178654</b>	TEE, tube, rear brake lines	1



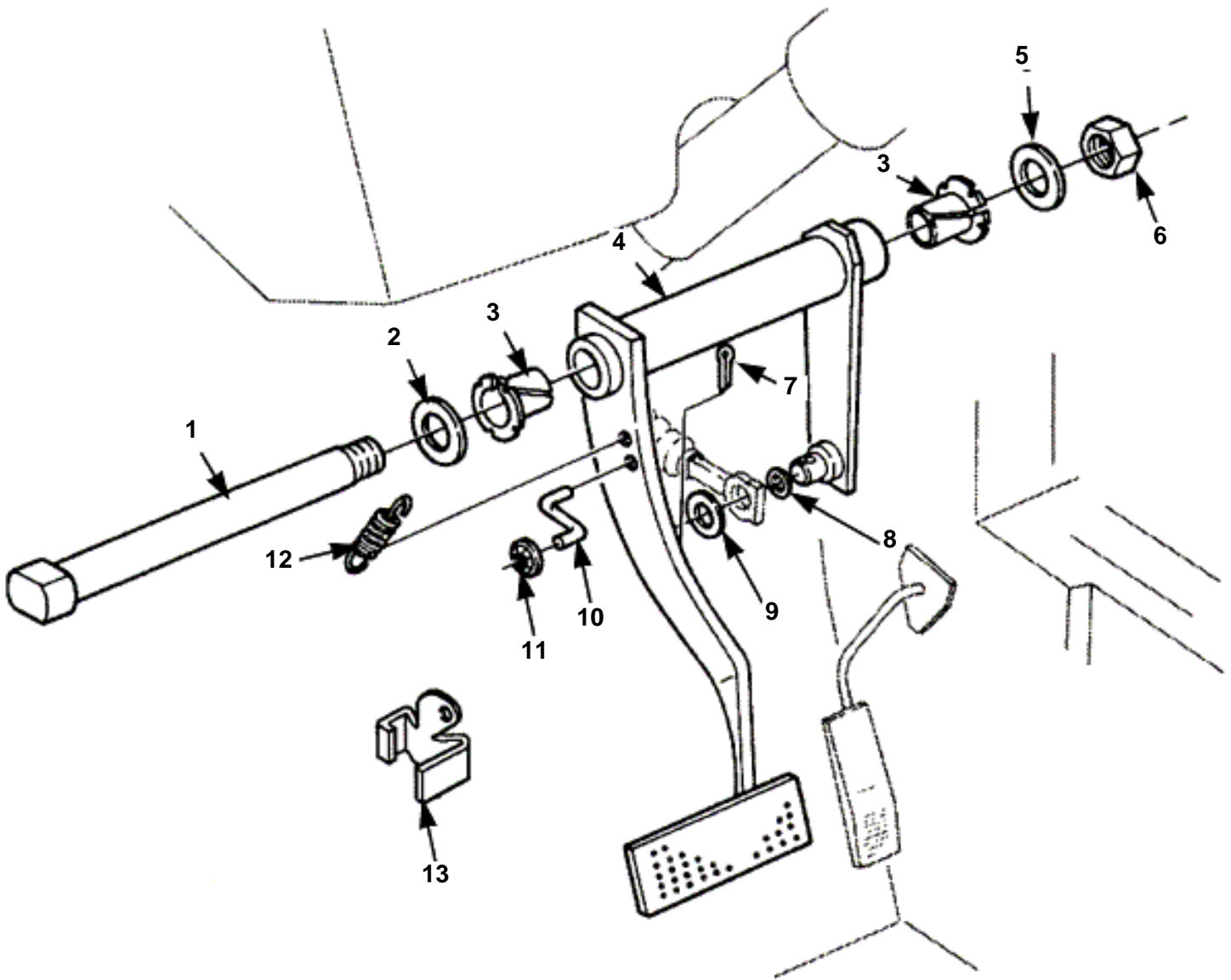


Master Cylinder Assembly and Hydro-Booster

P07-007.1

**Master Cylinder Assembly and Hydro-Booster.**

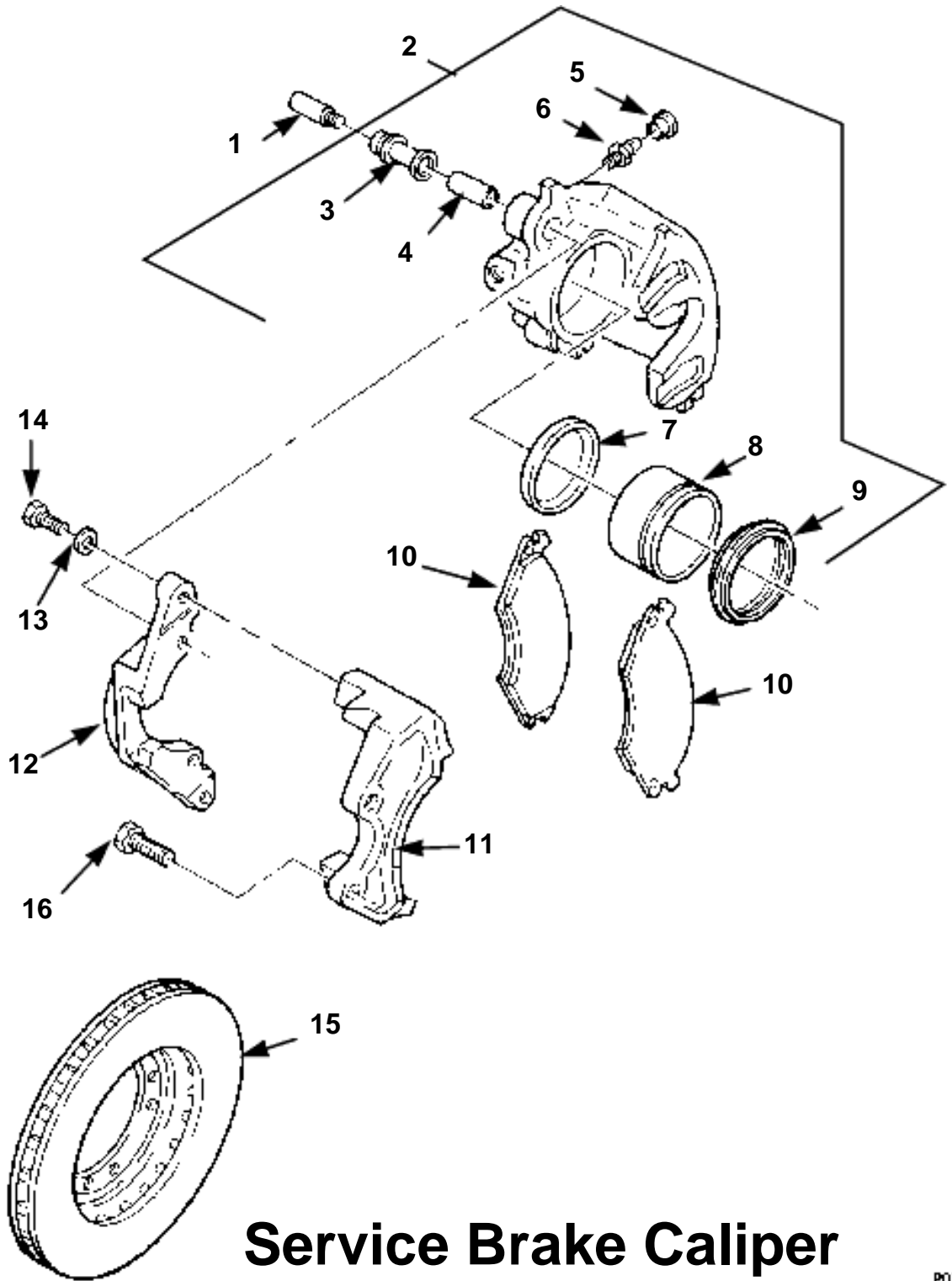
Item	Part No.	Description	Qty
1	<b>6000227</b>	HYDRAULIC BRAKE BOOSTER AND MASTER CYLINDER ASSEMBLY	1
2	<b>6000228</b>	·MASTER CYLINDER, hydraulic	1
3	<b>S.I.A.</b>	··RETAINING CLIP	1
4	<b>S.I.A.</b>	··RESERVOIR COVER	1
5	<b>S.I.A.</b>	··GASKET	1
6	<b>S.I.A.</b>	··RESERVOIR	1
7	<b>5741066</b>	·NUT, flanged	2
8	<b>5582538</b>	·HYDRO-BOOSTER	1
9	<b>MS27183-13</b>	WASHER, hydro-boost	4
10	<b>MS35338-46</b>	LOCKWASHER, hydro-boost	4
11	<b>MS51943-35</b>	LOCKNUT, hydro-boost	6
12	<b>2436163</b>	WASHER, hydro-boost	2



## Service Brake Pedal Assembly

**Service Brake Pedal Assembly.**

Item	Part No.	Description	Qty
1	<b>EC12339114</b>	PIN, brake pedal	1
2	<b>2436168</b>	WASHER, pin	1
3	<b>12339112-2</b>	BEARING, pin	2
4	<b>WA12338394B1</b>	BRAKE PEDAL	1
5	<b>N/S</b>	WASHER, 9/16", pin	1
6	<b>N/S</b>	LOCKNUT, 9/16", pin	1
7	<b>N/S</b>	COTTER PIN, 3/32 x 1", brake pedal to hydro-boost	1
8	<b>EC12338124</b>	WASHER, brake pedal to hydro-boost	1
9	<b>MS27183-18</b>	WASHER, brake pedal to hydro-boost	1
10	<b>12338390</b>	CONNECTING LINK, stoplight switch	1
11	<b>12339313</b>	PUSHNUT, connecting link	2
12	<b>6003075</b>	STRIKER, brake light switch	1
13	<b>12339183</b>	SPRING, brake pedal return	1



# Service Brake Caliper Assembly and Rotor

P07-004

\* a PART OF ITEM 1

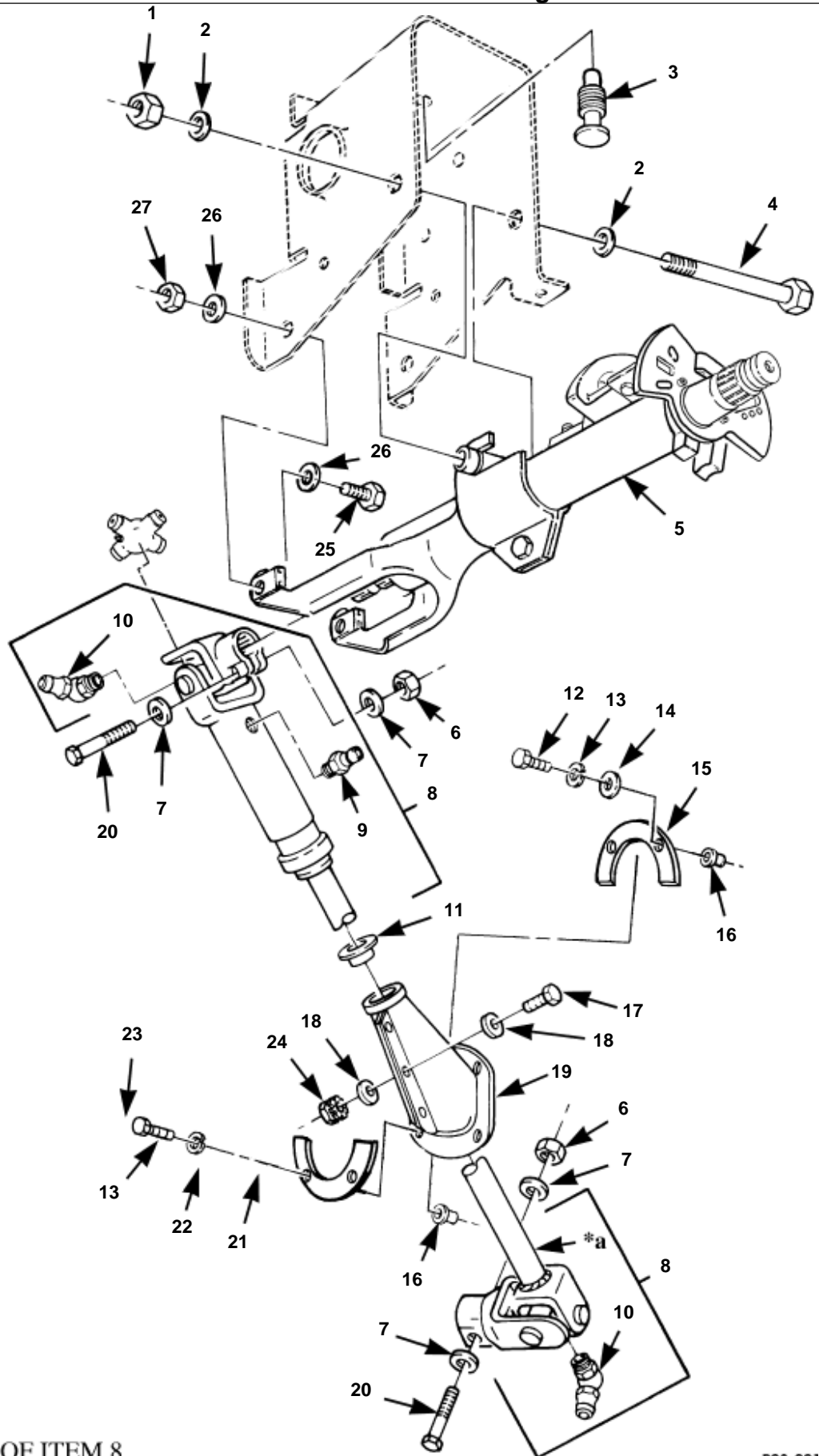
**Service Brake Caliper Assembly and Rotor.**

Item	Part No.	Description	Qty
1	<b>12342339</b>	PIN, caliper, locating	2
2	<b>5745454</b>	HOUSING, caliper, L.H., front	1
	<b>5745452</b>	HOUSING, caliper, R.H. front	1
3	<b>5578806</b>	·BUSHING, caliper	2
4	<b>5578794</b>	·SLEEVE, caliper	2
5	<b>5597172</b>	·CAP, bleeder valve	1
6	<b>5578802</b>	·BLEEDER VALVE, caliper	1
7	<b>5578797</b>	·SEAL, piston SEE NOTE 1	1
8	<b>5578803</b>	·PISTON, caliper	1
9	<b>5578800</b>	·BOOT, caliper, piston, SEE NOTE 1	1
10	<b>S.I.K.</b>	PAD, disc brake, SEE NOTE 2	1
11	<b>5578809</b>	ADAPTER, L.H. front	1
	<b>5742123</b>	ADAPTER, R.H. front	1
12	<b>5573090</b>	YOKE, disc brake	1
13	<b>5584072</b>	WASHER, flat, yoke to adapter	2
14	<b>5584071</b>	BOLT, yoke to adapter, hex head	2
15	<b>12338387</b>	ROTOR, disc brake	4
16	<b>5936095</b>	BOLT	4

NOTE 1: PART OF SERVICE BRAKE CALIPER BOOT AND SEAL KIT P/N 5579865.

NOTE 2: PART OF SERVICE BRAKE PAD KIT P/N 57K0264C

KIT CONTAINS 4 PADS TO SERVICE ONE AXLE.



\* a PART OF ITEM 8

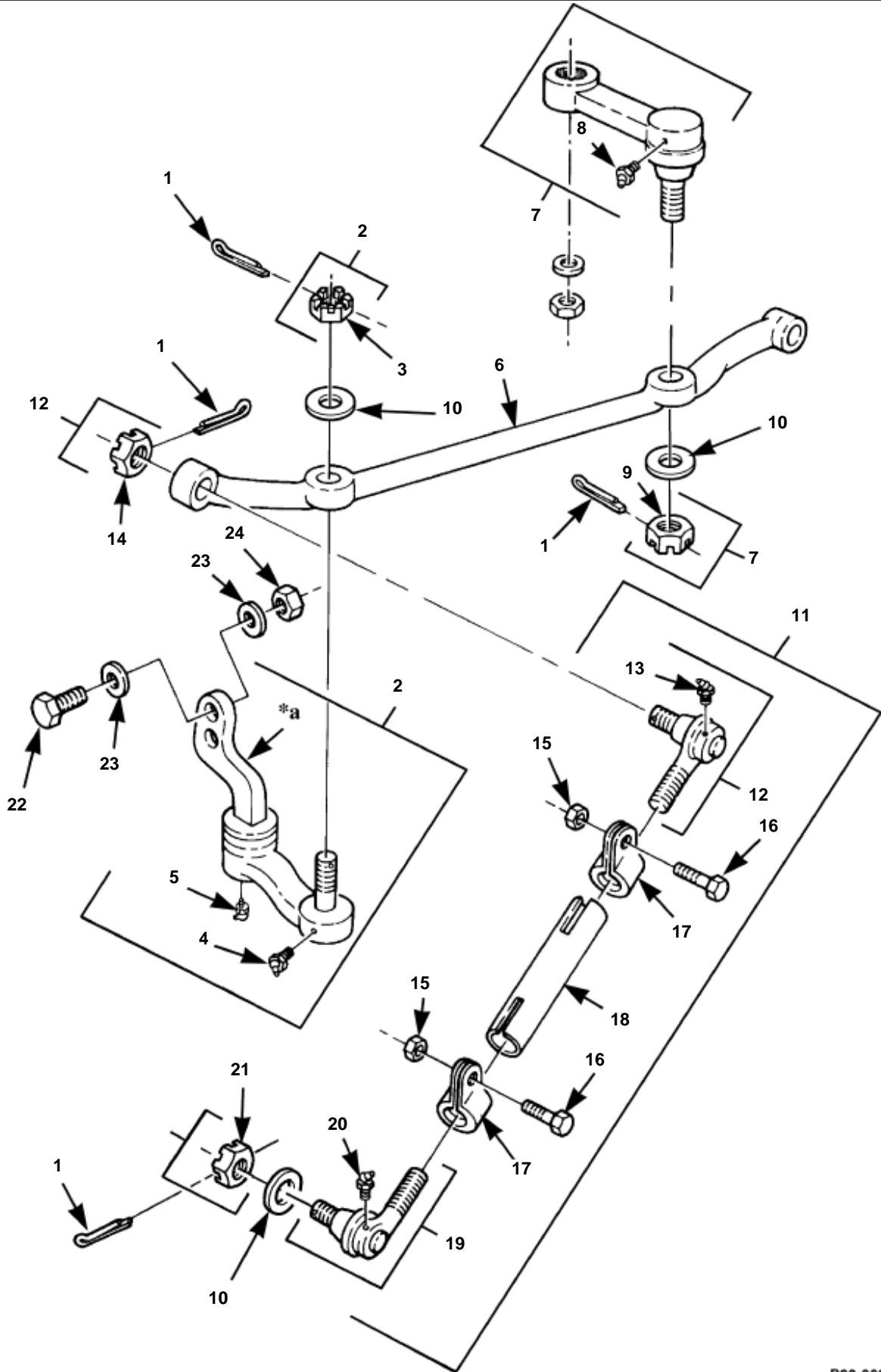
Steering Column and Intermediate Shaft

P08-001

**Steering Column and Intermediate Shaft.**

Item	Part No.	Description	Qty
1	<b>MS51943-35</b>	LOCKNUT, steering column	1
2	<b>2436163</b>	LOCKWASHER, steering column	2
3	<b>12339402</b>	DRIVE PIN	1
4	<b>6000202</b>	BOLT, steering column	1
5	<b>5939076</b>	STEERING COLUMN, upper	1
6	<b>9422300</b>	NUT, steering column	2
7	<b>2436164</b>	WASHER, steering column	4
8	<b>12339210-2</b>	SHAFT, intermediate steering	1
9	<b>9417901</b>	·LUBRICATION FITTING, intermediate shaft	1
10	<b>MS15003-4</b>	·LUBRICATION FITTING, intermediate shaft	2
11	<b>12341894</b>	NYLINER, interior steering shaft boot	1
12	<b>MS90728-8</b>	SCREW, intermediate steering shaft	3
13	<b>120380</b>	LOCKWASHER, reinforcement	4
14	<b>2436161</b>	WASHER, intermediate steering shaft	3
15	<b>5939997B1</b>	REINFORCEMENT, steering column seal	2
16	<b>12446871-2</b>	NUT INSERT	4
17	<b>MS51849-76</b>	SCREW, steering shaft boot	3
18	<b>ELMS51412-2</b>	WASHER, steering shaft boot	6
19	<b>12341893</b>	BOOT, dust and moist, steering shaft	1
20	<b>N/S</b>	BOLT, 7/16 - 20 x 2", HHCS, Gr8, DT steering column	2
21	<b>6000040B1</b>	SPACER	1
22	<b>6000039B1</b>	BRACKET	1
23	<b>MS90728-10</b>	BOLT	1
24	<b>N/S</b>	NUT, 10 - 24, HX EXT TOOTH LW, steering shaft boot	3
25	<b>EC12447027</b>	BOLT, steering column assembly	2
26	<b>2436162</b>	WASHER	4
27	<b>MS51943-33</b>	LOCKNUT	2





Steering Linkage

P08-002.2

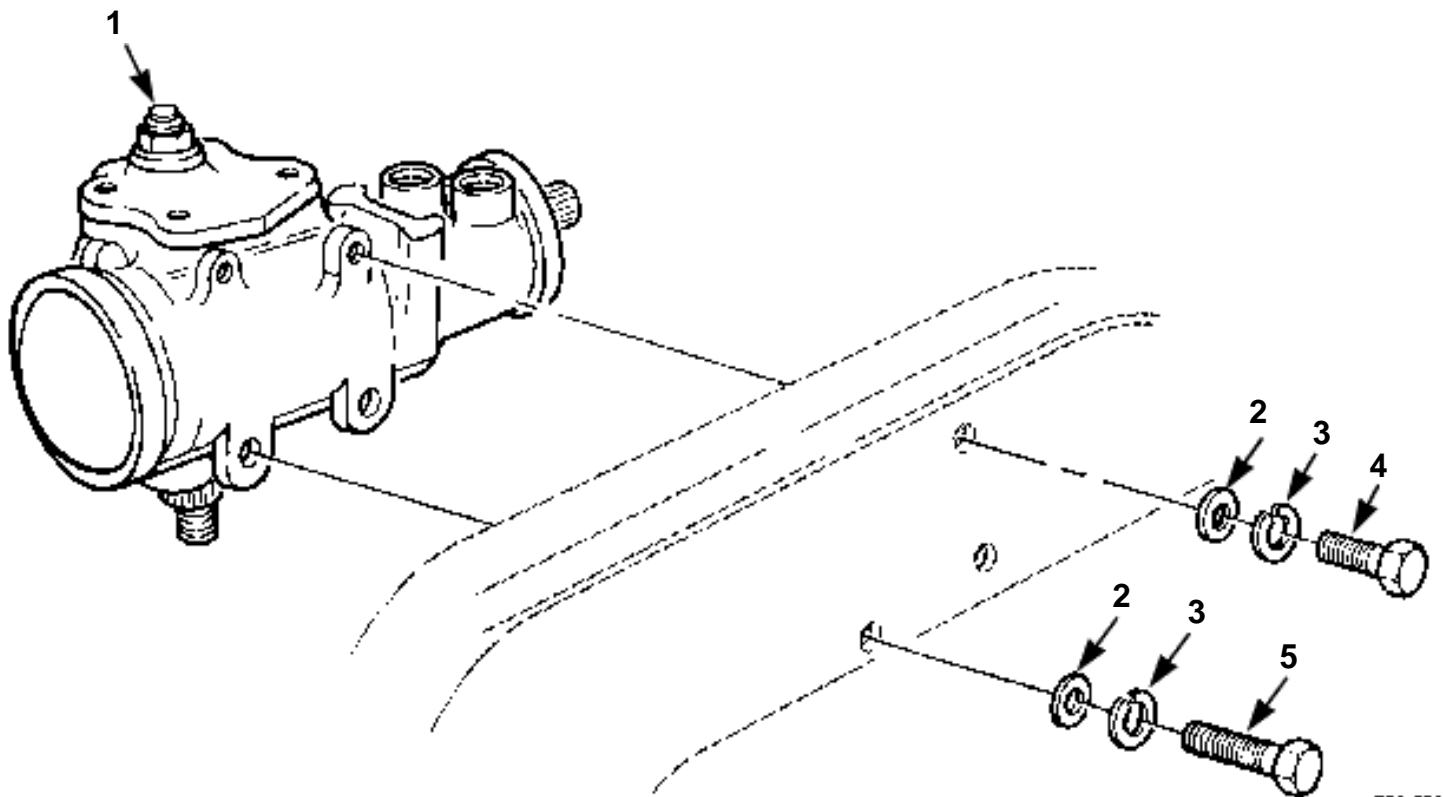
**Steering Linkage.**

Item	Part No.	Description	Qty
1	<b>N/S</b>	COTTER PIN, idler arm, 1/8" x 1-1/4"	6
2	<b>6004839</b>	IDLER ARM, steering SEE NOTE 1	1
3	<b>9429082</b>	·NUT, slotted, idler arm, 5/8"-18	1
4	<b>MS15001-1</b>	·FITTING, idler arm, 1/4"-28	1
5	<b>MS15001-3</b>	·FITTING, Zerk, 45 degrees idler arm, 1/4"-28 x 45	1
6	<b>12338622</b>	CENTER LINK, steering, SEE NOTE 2	1
	<b>6003868</b>	CENTER LINK, steering, SEE NOTE 3	1
7	<b>6004838</b>	ARM, steering SEE NOTE 1	1
8	<b>MS15001-1</b>	·FITTING, steering arm, 1/4"-28 x 1/2"	1
9	<b>9429082</b>	·NUT, slotted, steering arm, 5/8"-18	1
10	<b>6006711</b>	SPACER, idler/steering arm SEE NOTE 1	2
11	<b>6005119B2</b>	TIE ROD, steering, left and right side	2
12	<b>12338311-2</b>	·TIE ROD END, steering	1
13	<b>MS15001-3</b>	··FITTING, Zerk, 45 degree, tie rod end	1
14	<b>MS35692-54</b>	··NUT, slot, tie rod end, 5/8"-18	1
15	<b>MS51967-12</b>	·NUT, tie rod end clamp, 7/16"-14	2
16	<b>9419079</b>	·BOLT, tie rod end clamp	2
17	<b>12339202</b>	·CLAMP, tie rod end	2
18	<b>6005124</b>	·ROD.	1
19	<b>6028035</b>	·TIE ROD END, steering	1
20	<b>MS15001-3</b>	··FITTING, Zerk, 45 degree, tie rod end	1
21	<b>MS35692-54</b>	··NUT, slot, tie rod end, 5/8"-18	1
22	<b>MS90728-102</b>	SCREW, idler arm, 7/16"-14 x 4.75"	2
23	<b>2436164</b>	WASHER, flat, idler arm, 7/16"	4
24	<b>9422299</b>	NUT, idler arm, 7/16"-14	2

NOTE 1: SPACER P/N 6006711, IS REQUIRED WITH IDLER ARM P/N 6004839 AND STEERING ARM P/N 6004838 IF THE VEHICLE IS EQUIPPED WITH CENTER LINK P/N 12338622.

NOTE 2: NOTE 2: CENTER LINK P/N 12338622 HAS A 0.798-0.838" THICK BOSS FOR THE IDLER AND STEERING ARMS.

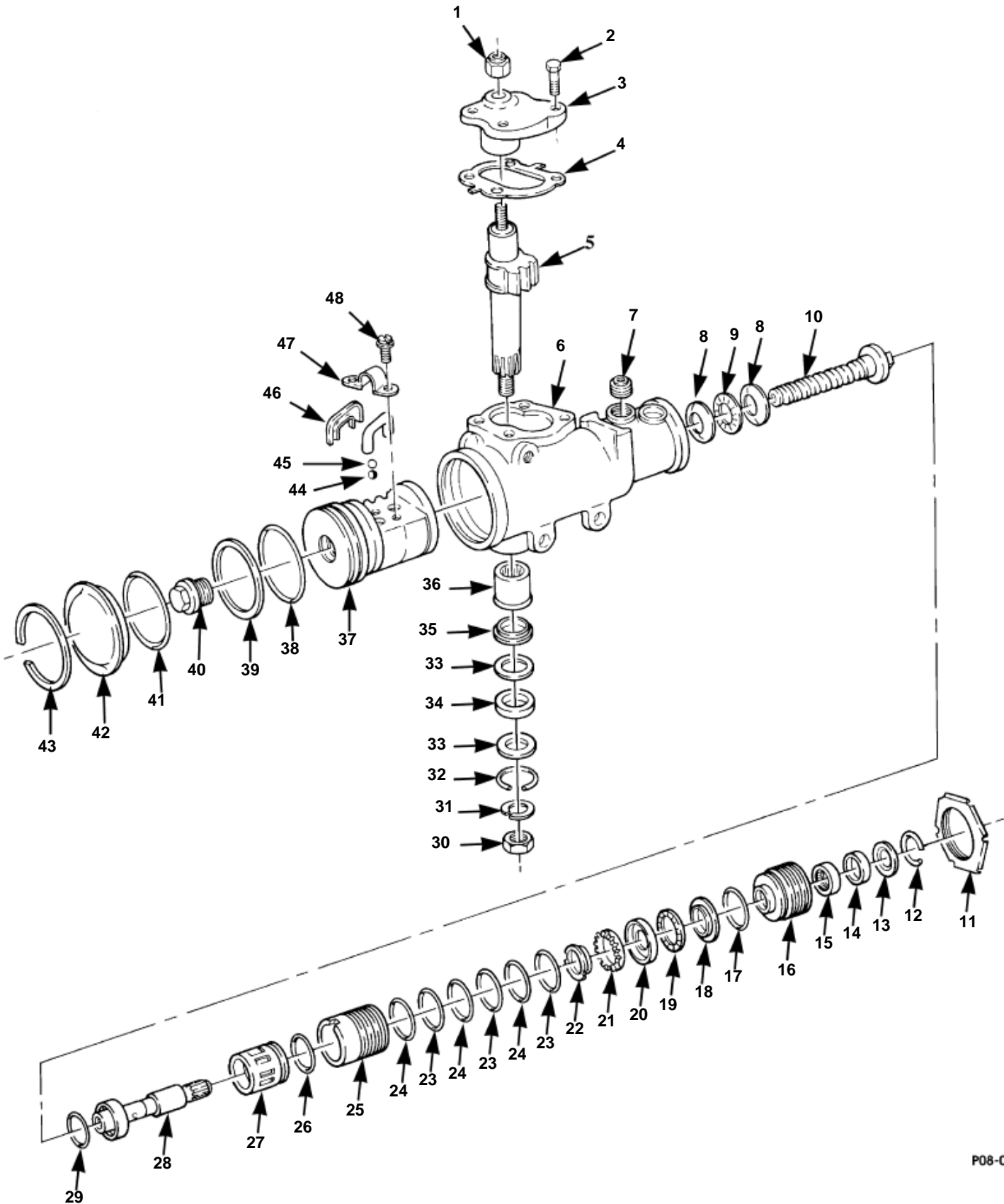
NOTE 3: NOTE 3: CENTER LINK P/N 6003868 HAS A 1.00-1.040" THICK BOSS FOR THE IDLER AND STEERING ARMS.



## Power Steering Gear and Mounting Hardware

**Power Steering Gear and Mounting Hardware.**

Item	Part No.	Description	Qty
1	<b>12460232</b>	STEERING GEAR	1
2	<b>2436164</b>	WASHER, steering gear	3
3	<b>123153</b>	LOCKWASHER, steering gear	3
4	<b>N/S</b>	BOLT, steering gear, 7/16 - 14 x 4", Gr8, DT	1
5	<b>N/S</b>	SCREW, steering gear, 7/16 - 14 x 5 1/4", Gr8, DT	2



P08-004

**Power Steering Gear Assembly**

**Power Steering Gear Assembly.**

Item	Part No.	Description	Qty
1	<b>5740444</b>	NUT, lash adjuster	1
2	<b>5740445</b>	BOLT, cover assembly, SEE NOTES 1, 2, 12, AND 13	4
3	<b>S.I.K.</b>	COVER ASSEMBLY, housing side, SEE NOTE 12	1
4	<b>5740447</b>	GASKET, housing, cover assembly, SEE NOTES 1, 12, AND 13	1
5	<b>S.I.K.</b>	GEARSHAFT spur, pitman shaft, SEE NOTE 13	1
6	<b>S.I.K.</b>	HOUSING, steering gear, SEE NOTE 15	1
7	<b>S.I.K.</b>	VALVE ASSEMBLY, steering gear check, SEE NOTES 3 AND 15	1
8	<b>S.I.K.</b>	THRUST BEARING RACE, lower, SEE NOTE 4	2
9	<b>S.I.K.</b>	RETAINER AND ROLLER, SEE NOTE 4	1
10	<b>S.I.K.</b>	GEAR ASSEMBLY, worm, SEE NOTE 2	1
11	<b>5741145</b>	NUT, adjuster plug	1
12	<b>S.I.K.</b>	RETAINING RING, SEE NOTES 5 AND 14	1
13	<b>S.I.K.</b>	SEAL, shaft, SEE NOTES 5 AND 14	1
14	<b>5741704</b>	SEAL, shaft, SEE NOTES 5 AND 14	1
15	<b>5740483</b>	BUSHING, sleeve, shaft, SEE NOTE 5	1
16	<b>S.I.K.</b>	PLUG, adjuster, shaft, SEE NOTE 5	1
17	<b>5740485</b>	PACKING, preformed, adjuster plug, SEE NOTES 5 AND 14	1
18	<b>S.I.K.</b>	RACE, bearing, SEE NOTES 5 AND 6	1
19	<b>S.I.K.</b>	RETAINER AND ROLLER, SEE NOTES 5 AND 6	1
20	<b>S.I.K.</b>	RACE, bearing, SEE NOTES 5 AND 6	1
21	<b>S.I.K.</b>	SPACER, bearing, SEE NOTES 5 AND 6	1
22	<b>S.I.K.</b>	RETAINER, bearing adjuster plug, SEE NOTES 5 AND 6	1
23	<b>S.I.K.</b>	RING, seal, valve body, SEE NOTES 7 AND 16	3
24	<b>S.I.K.</b>	PACKING, preformed, valve body, SEE NOTES 7 AND 16	3
25	<b>S.I.K.</b>	VALVE BODY, steering, SEE NOTE 16	1
26	<b>S.I.K.</b>	SEAL, valve spool, SEE NOTES 7 AND 16	1
27	<b>S.I.K.</b>	VALVE SPOOL, direct, shaft, SEE NOTE 16	1
28	<b>S.I.K.</b>	SHAFT, steering column, SEE NOTE 16	1
29	<b>S.I.K.</b>	RING, seal, shaft, SEE NOTES 7 AND 16	1
30	<b>940523</b>	NUT, pitman shaft	1
31	<b>5550554</b>	LOCKWASHER, pitman shaft	1
32	<b>S.I.K.</b>	RING, retaining, pitman shaft, SEE NOTES 8 AND 15	1
33	<b>S.I.K.</b>	WASHER, seal, pitman shaft, SEE NOTES 8 AND 15	2
34	<b>S.I.K.</b>	SEAL, pitman shaft, SEE NOTES 8 AND 15	1
35	<b>5740451</b>	SEAL, pitman shaft, SEE NOTES 8 AND 15	1
36	<b>5740453</b>	BEARING, roller, pitman shaft, SEE NOTE 15	1
37	<b>S.I.K.</b>	RACK, piston nut, SEE NOTE 2	1
38	<b>S.I.K.</b>	RING, seal, piston rack, SEE NOTES 2 AND 9	1
39	<b>S.I.K.</b>	GASKET, piston rack, SEE NOTES 2 AND 9	1
40	<b>5740461</b>	PLUG, piston rack, SEE NOTE 2	1
41	<b>S.I.K.</b>	PACKING, preformed, housing end plug, SEE NOTE 10	1
42	<b>5740456</b>	PLUG, housing end	1
43	<b>S.I.K.</b>	RING, retaining, housing end plug, SEE NOTE 10	1
44	<b>S.I.K.</b>	BALL, bearing, piston rack, SEE NOTES 2 AND 11	12
45	<b>S.I.K.</b>	BALL, chrome, .281250 diameter, piston rack, SEE NOTES 2 AND 11	12
46	<b>5740468</b>	GUIDE, ball, piston rack, SEE NOTE 2	2
47	<b>5740467</b>	STRAP, retaining, piston rack ball guide, SEE NOTE 2	1
48	<b>5740466</b>	SCREW, retaining strap, SEE NOTE 2	2

NOTE 1: PART OF SIDE COVER HOUSING SEAL KIT P/N  
5740448.

NOTE 2: PART OF PISTON NUT RACK KIT P/N 5740462.

NOTE 3: PART OF STEERING KIT P/N 5741190.

NOTE 4: PART OF LOWER THRUST BEARING KIT P/N  
5740476.

NOTE 5: PART OF ADJUSTER PLUG KIT P/N 5741703.

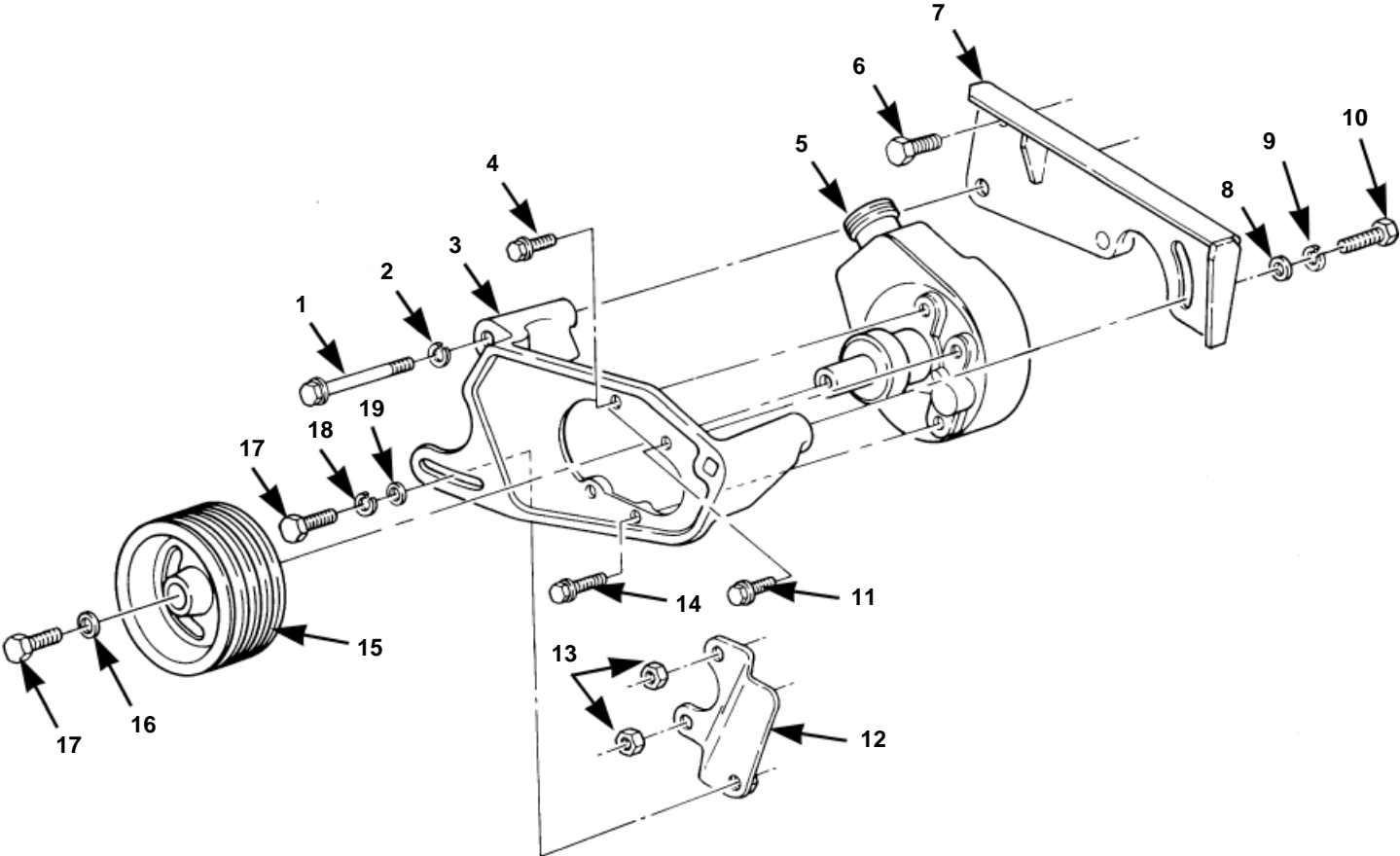
NOTE 6: PART OF UPPER THRUST BEARING KIT  
P/N 5742166

NOTE 7: PART OF SEAL VALVE RING KIT P/N 5740499

NOTE 8: PART OF PITMAN SHAFT SEAL KIT P/N 5740452

**Power Steering Gear Assembly.**

Item	Part No.	Description	Qty
		NOTE 9: PART OF SEAL RACK PISTON KIT P/N 5740465	
		NOTE 10: PART OF SEAL END PLUG KIT P/N 5740458	
		NOTE 11: PART OF RECIRCULATING BALL KIT P/N 5740470	
		NOTE 12: PART OF STEERING GEAR SIDE COVER KIT P/N 5741910	
		NOTE 13: PART OF PITMAN SHAFT GEAR ASSEMBLY SERVICE KIT P/N 5742626	
		NOTE 14: PART OF ADJUSTER PLUG SEAL KIT P/N 5741892	
		NOTE 15: PART OF GEAR HOUSING ASSEMBLY SER- VICE KIT P/N 5742627	
		NOTE 16: PART OF STEERING GEAR VALVE ASSEMBLY KIT P/N 5742625	

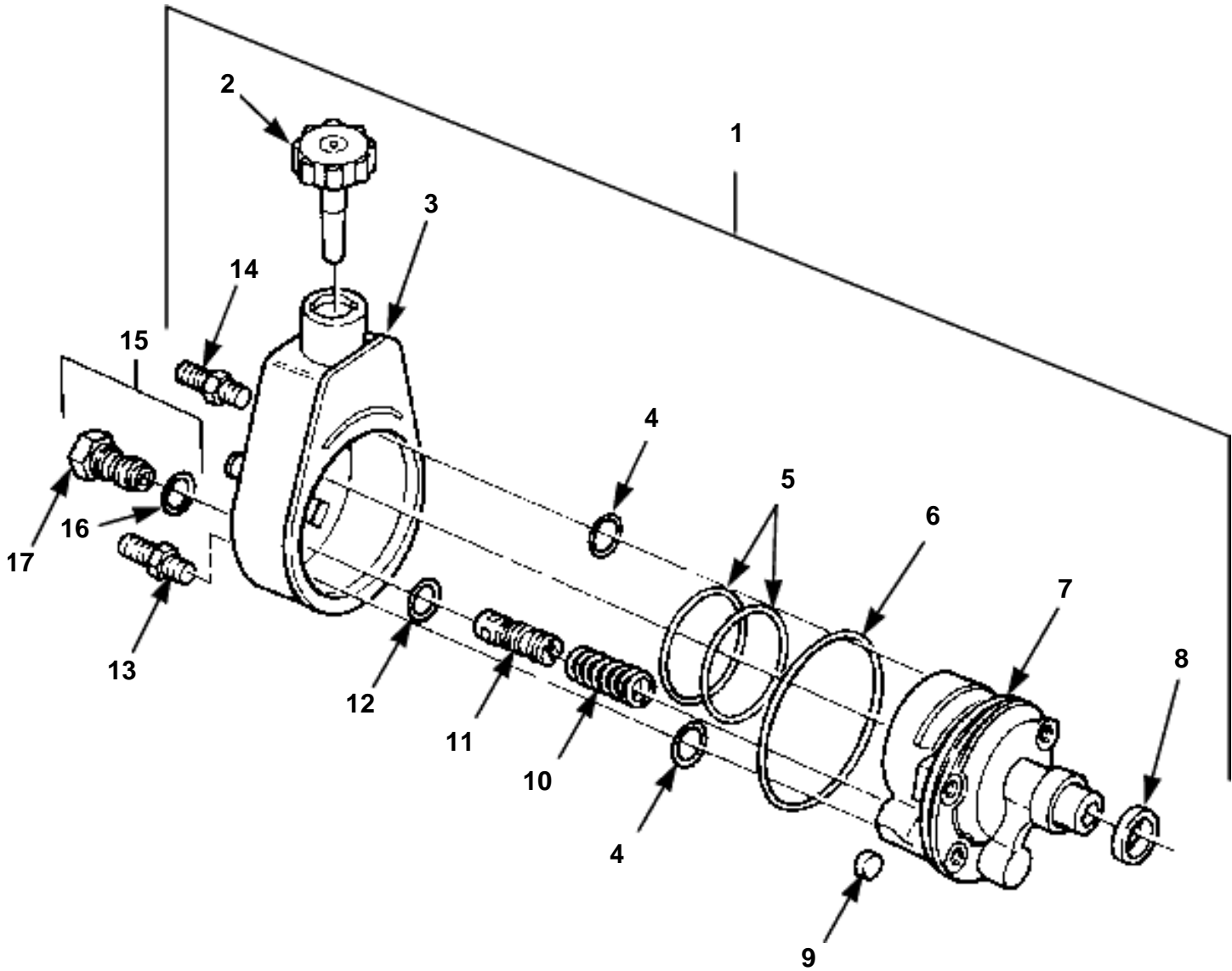


**Power Steering Pump, Pulley, Reservoir  
and Mounting Hardware (1992-1993 only)**



**Power Steering Pump, Pulley, Reservoir, and Mounting Hardware (9**

Item	Part No.	Description	Qty
1	<b>12340845-4</b>	BOLT, power steering pump bracket	1
2	<b>11500207</b>	LOCKWASHER, power steering pump bracket	1
3	<b>12338775</b>	BRACKET, power steering pump	1
4	<b>N/S</b>	BOLT, M10 - 1 1/4", pump to bracket	1
5	<b>RCSK18330</b>	PUMP/RESERVOIR, power steering	1
6	<b>12340845-2</b>	BOLT	2
7	<b>5938689</b>	BRACKET, power steering pump	1
8	<b>2436165</b>	WASHER, power steering pump bracket	1
9	<b>N/S</b>	LOCKWASHER, 1/2", power steering pump bracket	1
10	<b>MS90728-113</b>	SCREW, power steering pump bracket	1
11	<b>11500827</b>	SCREW, pump to bracket	1
12	<b>12338774</b>	BRACKET, power steering pump support	1
13	<b>5934444</b>	NUT, support bracket	2
14	<b>11500829</b>	BOLT, pump to bracket	2
15	<b>12338773</b>	PULLEY, power steering pump	1
16	<b>9417793</b>	WASHER, power steering pulley	1
17	<b>MS90728-60</b>	SCREW, power steering bracket and pulley	2
18	<b>MS35338-46</b>	LOCKWASHER, power steering bracket	1
19	<b>2436163</b>	WASHER, power steering bracket	1



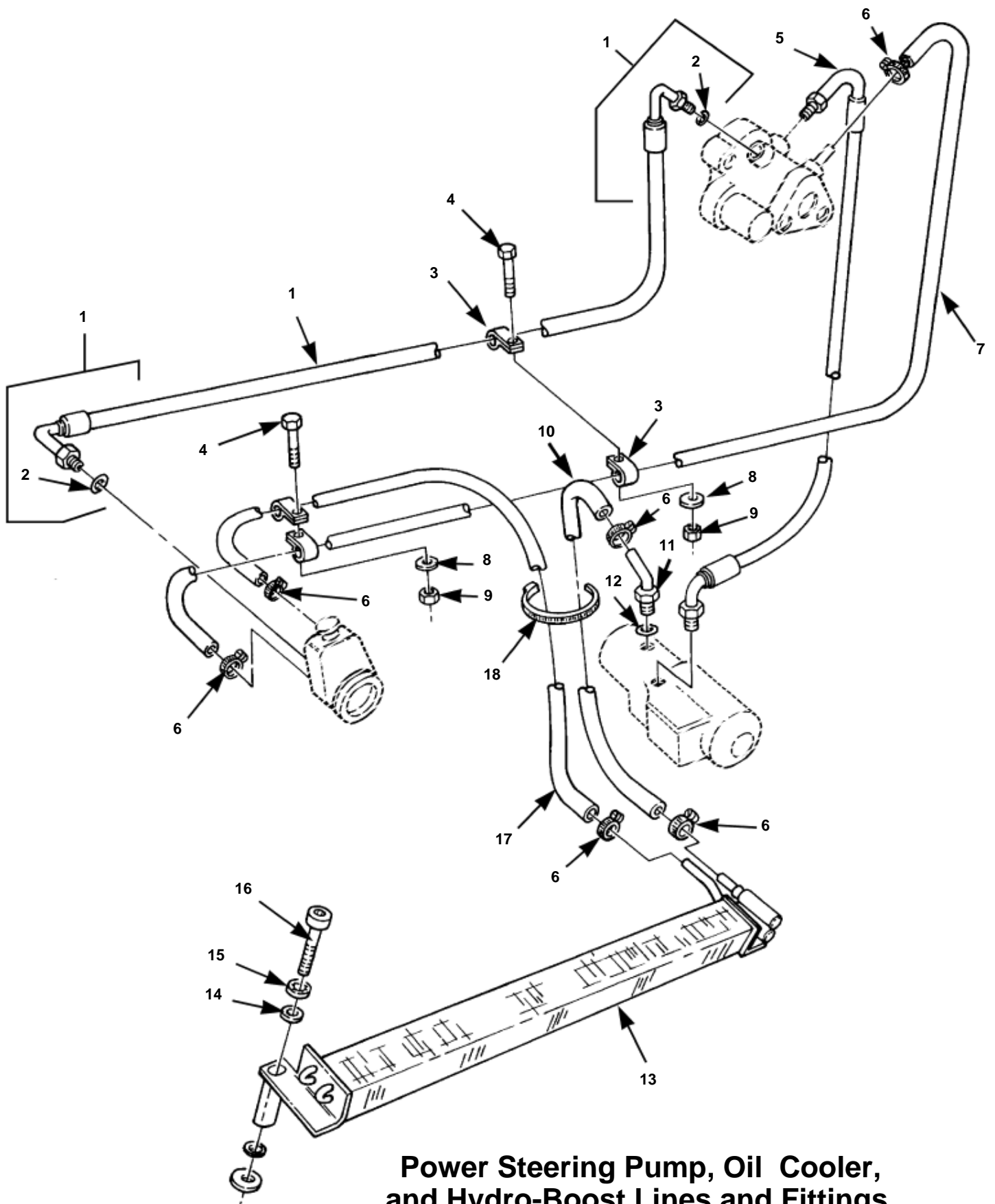
**Power Steering Pump Assembly (1992-1993 only)**

**Power Steering Pump Assembly (92-93 Only).**

Item	Part No.	Description	Qty
1	<b>RCSK18330</b>	PUMP/RESERVOIR, power steering	1
2	<b>6002106</b>	·CAP, power steering pump	1
3	<b>S.I.A.</b>	·RESERVOIR, power steering pump assembly	1
4	<b>S.I.K.</b>	·SEAL, O-ring, SEE NOTE 1	2
5	<b>S.I.K.</b>	·SEAL, O-ring, SEE NOTE 1	2
6	<b>S.I.K.</b>	·SEAL, O-ring, SEE NOTE 1	1
7	<b>S.I.A.</b>	·PUMP, power steering pump assembly	1
8	<b>S.I.K.</b>	·SEAL, drive shaft, SEE NOTE 1	1
9	<b>S.I.K.</b>	·MAGNET, power steering pump	1
10	<b>5997107</b>	·SPRING, flow control, power steering pump	1
11	<b>S.I.K.</b>	·CARTRIDGE, relief valve, power steering pump SEE NOTE 2	1
12	<b>S.I.K.</b>	·SEAL, O-ring, SEE NOTE 1	1
13	<b>5741147</b>	·STUD, pump mounting	1
14	<b>5742724</b>	·STUD, pump mounting	1
15	<b>5740437</b>	CONNECTOR ASSEMBLY, fluid, power steering pump	1
16	<b>S.I.K.</b>	·CONNECTOR	1
17	<b>S. I.K.</b>	·SEAL, O-ring, SEE NOTE 1	1

NOTE 1: PART OF REPLACEMENT O-RING SEALS KIT P/  
N 5740440

NOTE 2: PART OF CONTROL VALVE KIT P/N 5741823



**Power Steering Pump, Oil Cooler,  
and Hydro-Boost Lines and Fittings  
(1992 -1993 only)**

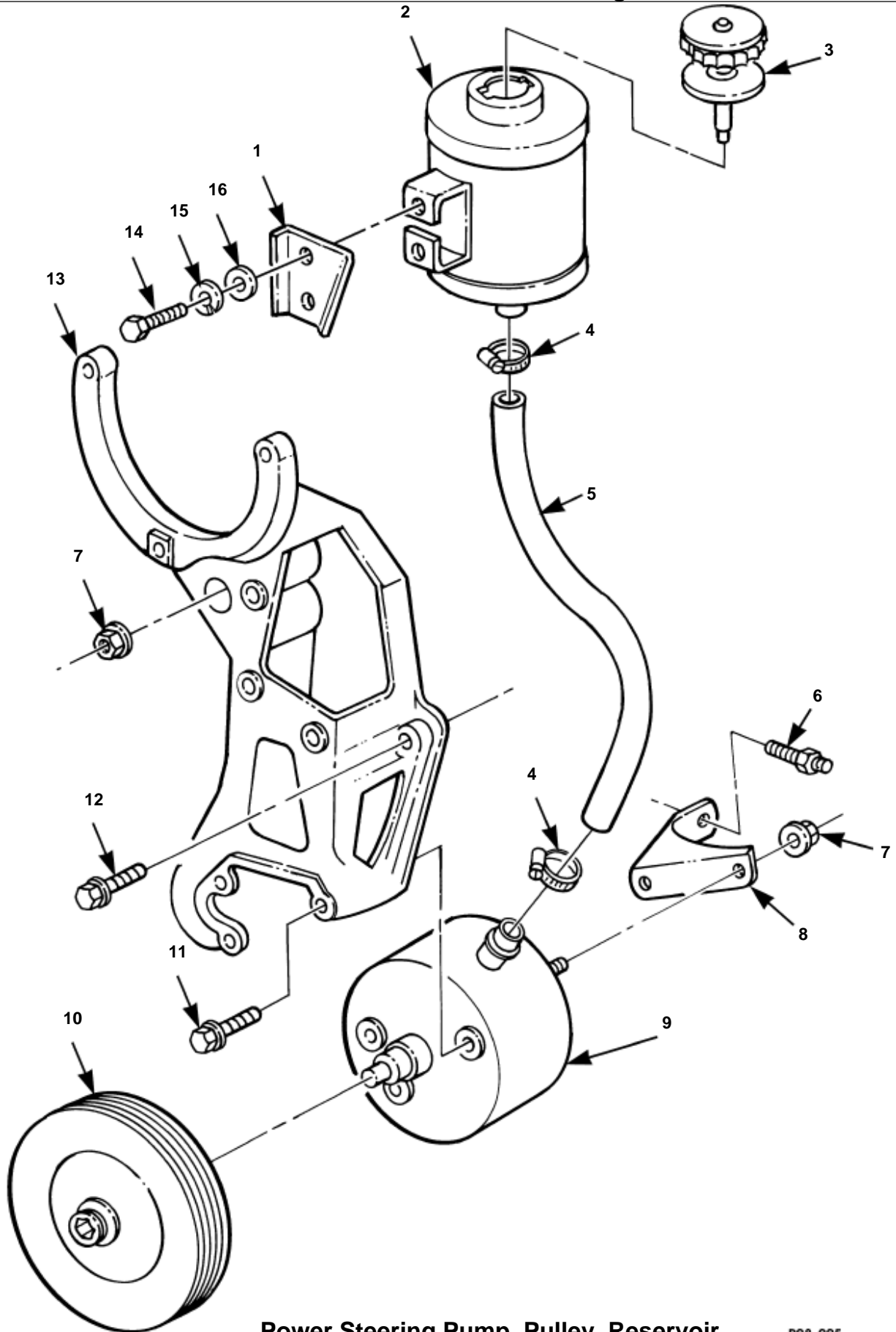
\* a PART OF ITEM 1

P08-006

**Power Steering Pump, Oil Cooler, and Hydro-Boost Lines and Fitti**

Item	Part No.	Description	Qty
1	<b>6003869</b>	HOSE ASSEMBLY	1
2	<b>S.I.A.</b>	·O-ring	2
3	<b>MS21333-104</b>	CLAMP	4
4	<b>MS90728-6</b>	BOLT	2
5	<b>12338956</b>	HOSE ASSEMBLY	1
6	<b>12339884-1</b>	CLAMP	6
7	<b>N/S</b>	HOSE, 33.25-inch, SEE NOTE 1	1
8	<b>ELMS27183-10</b>	WASHER	2
9	<b>MS51943-31</b>	LOCKNUT	2
10	<b>N/S</b>	HOSE, 28.5-inch, SEE NOTE 1	1
11	<b>12338593</b>	TUBE ASSEMBLY	1
12	<b>12340395</b>	SEAL, O-ring	1
13	<b>12342142</b>	COOLER, fluid, power steering	1
14	<b>ELMS27183-12</b>	WASHER	2
15	<b>138538</b>	LOCKWASHER	2
16	<b>MS16995-72</b>	CAPSCREW	2
17	<b>N/S</b>	HOSE, 45-inch, SEE NOTE 1	1
18	<b>MS3367-2-0</b>	TIEDOWN STRAP	1

NOTE 1: MAKE FROM BULK HOSE P/N 5741209.

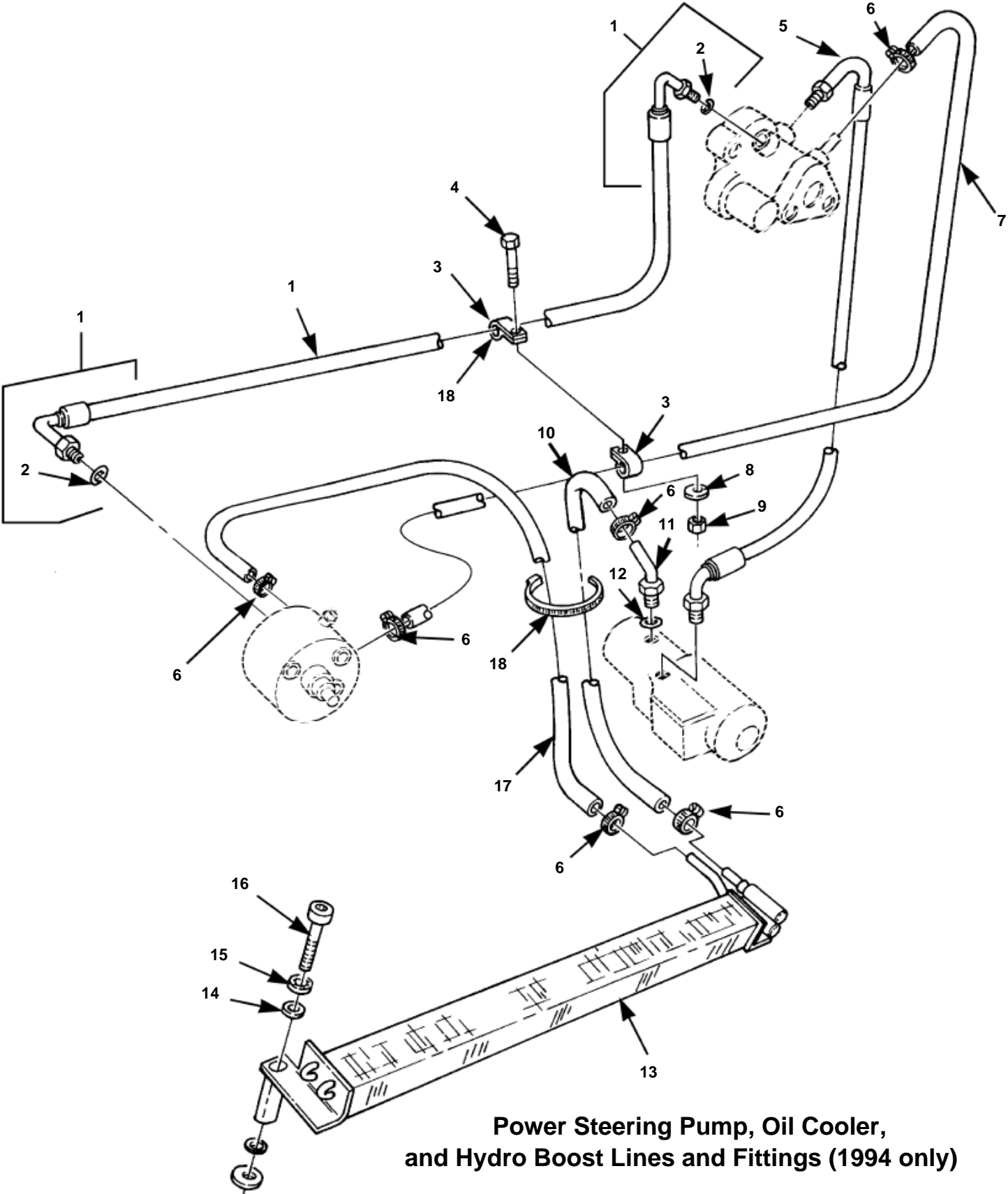


Power Steering Pump, Pulley, Reservoir and Mounting Hardware (1994 only)

P08-005

**Power Steering Pump, Pulley, Reservoir, and Mounting Hardware (1**

Item	Part No.	Description	Qty
1	<b>6003168</b>	BRACKET	1
2	<b>6002107</b>	RESERVOIR	1
3	<b>6002106</b>	CAP, reservoir	1
4	<b>12339884-1</b>	CLAMP	2
5	<b>6005126</b>	HOSE, reservoir to pump	1
6	<b>6003067</b>	STUD	1
7	<b>6004156</b>	NUT	2
8	<b>6003048</b>	BRACE	1
9	<b>6004285</b>	PUMP, power steering	1
10	<b>6004158</b>	PULLEY, power steering pump	1
11	<b>11508251</b>	BOLT, pump-to-bracket	3
12	<b>11508475</b>	BOLT, bracket-to-engine	1
13	<b>6004157</b>	BRACKET	1
14	<b>11500918</b>	BOLT, reservoir support bracket	2
15	<b>11500161</b>	LOCKWASHER	2
16	<b>11500162</b>	WASHER	2



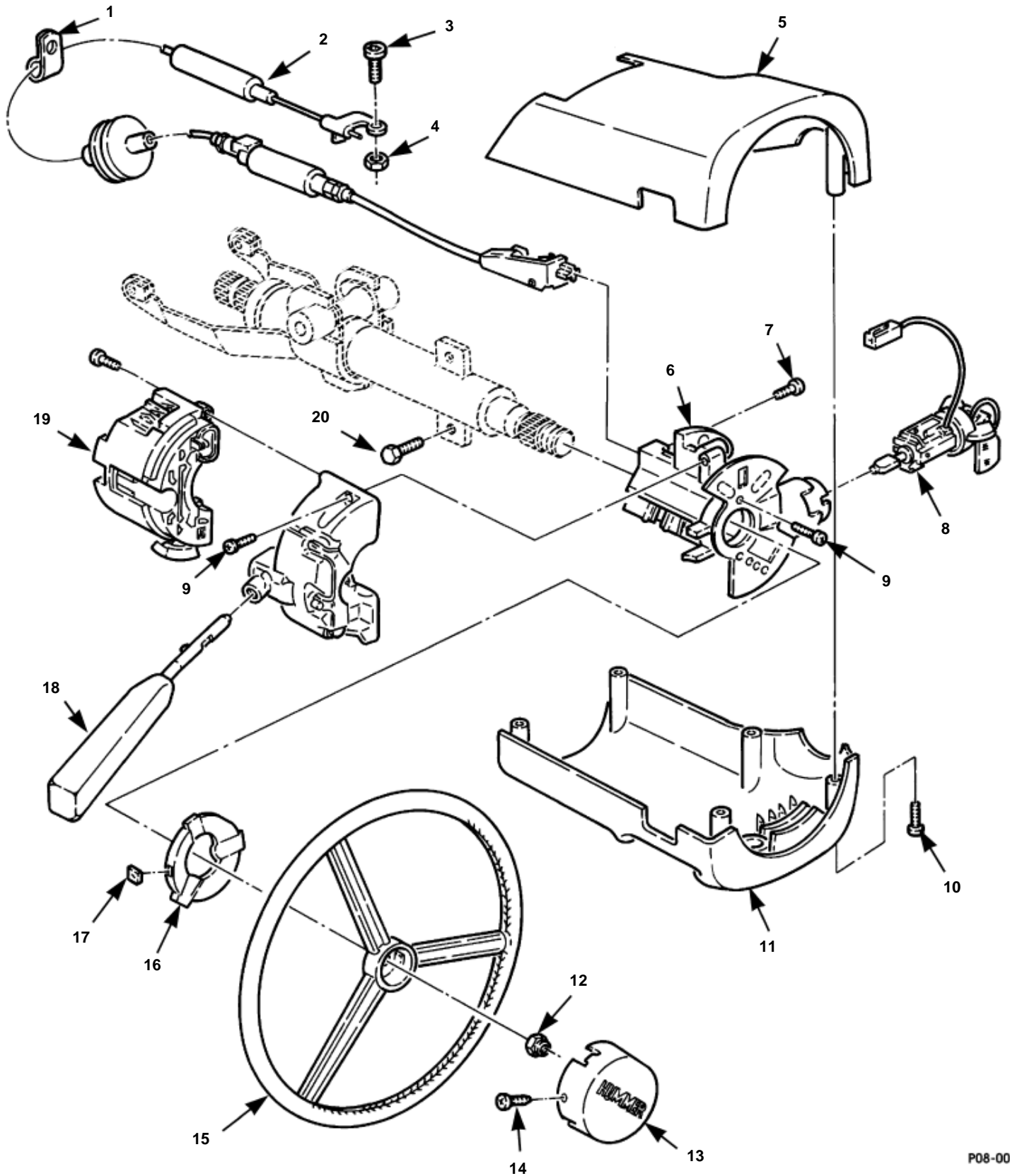
**Power Steering Pump, Oil Cooler,  
and Hydro Boost Lines and Fittings (1994 only)**



**Power Steering Pump, Oil Cooler, and Hydro Boost lines and fitti**

Item	Part No.	Description	Qty
1	<b>6003869</b>	HOSE ASSEMBLY	1
2	<b>S.I.A.</b>	O-ring	2
3	<b>MS21333-104</b>	CLAMP	4
4	<b>MS90728-6</b>	BOLT	2
5	<b>12338956</b>	HOSE ASSEMBLY	1
6	<b>12339884-1</b>	CLAMP	6
7	<b>N/S</b>	HOSE, 33.25-inch, SEE NOTE 1	1
8	<b>ELMS27183-10</b>	WASHER	2
9	<b>MS51943-31</b>	LOCKNUT	2
10	<b>N/S</b>	HOSE, 28.5-inch, SEE NOTE 1	1
11	<b>12338593</b>	TUBE ASSEMBLY	1
12	<b>12340395</b>	SEAL, O-ring	1
13	<b>12342142</b>	COOLER, fluid, power steering	1
14	<b>ELMS27183-12</b>	WASHER	2
15	<b>138538</b>	LOCKWASHER	2
16	<b>MS16995-72</b>	CAPSCREW	2
17	<b>N/S</b>	HOSE, 45-inch, SEE NOTE 1	1
18	<b>MS3367-2-0</b>	TIEDOWN STRAP	1

NOTE 1: MAKE FROM BULK HOSE P/N 5741209.



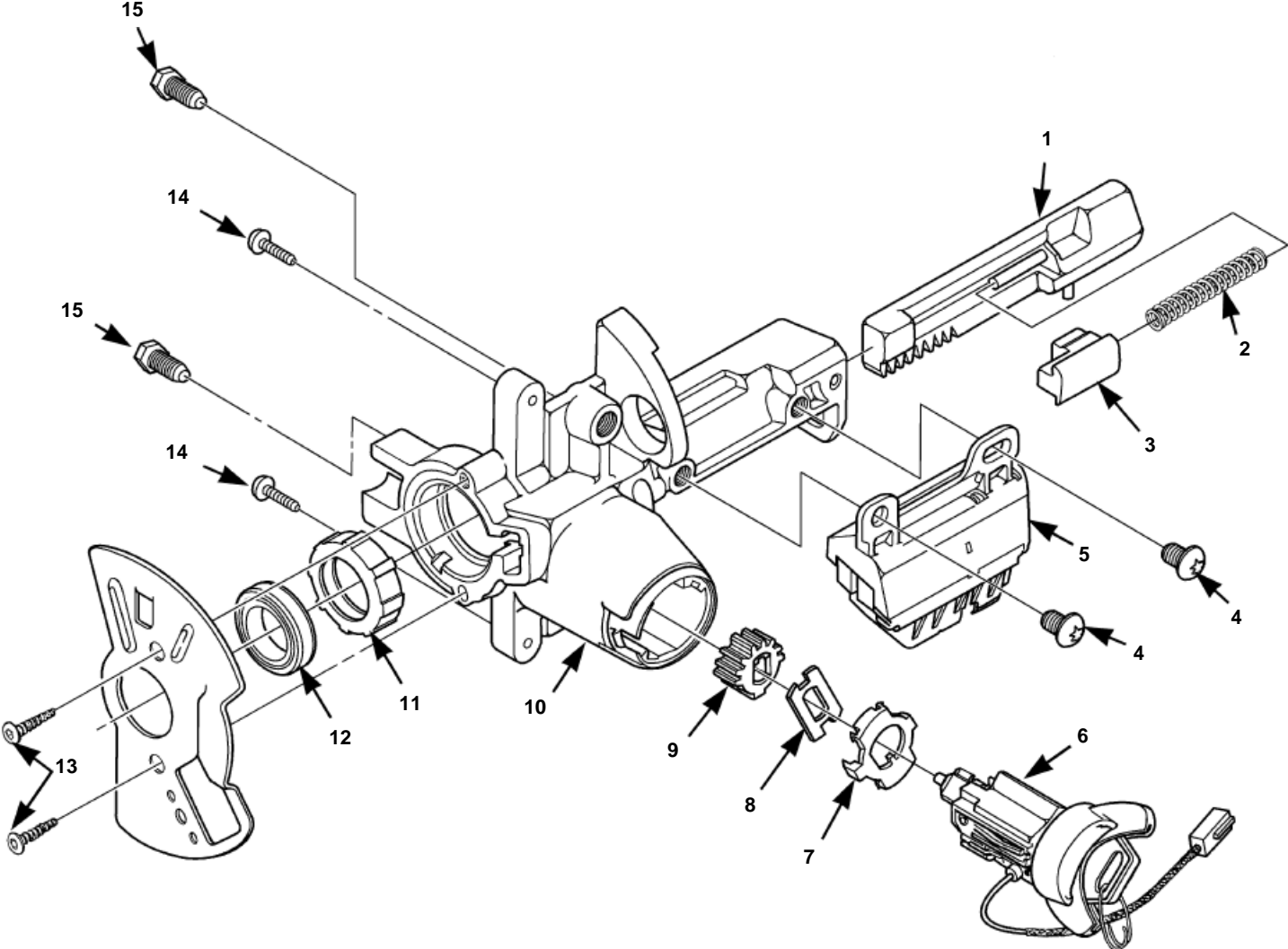
P08-007

\* a PART OF ITEM 19  
 \* b SEE FIGURE 8-8

**Steering Column Trim and Turn Signal**

**Steering Column Trim and Turn Signal.**

Item	Part No.	Description	Qty
1	<b>MS21333-68</b>	CLAMP	1
2	<b>6007700</b>	CABLE, ignition interlock	1
3	<b>6001727</b>	SCREW, M6 x 16	1
4	<b>N/S</b>	NUT, M6	1
5	<b>5939636</b>	SHROUD, upper steering column	1
6	<b>N/S</b>	HOUSING, lock and switch (See Figure 8-8)	1
7	<b>N/S</b>	SCREW, 8-32 x 1/2"	1
8	<b>6012701</b>	LOCK CYLINDER AND KEY ASSEMBLY, ignition	1
9	<b>5742680</b>	SCREW, steering column	4
10	<b>MS51861-40</b>	SCREW, steering column shroud	5
11	<b>5939635</b>	SHROUD, lower steering column	1
12	<b>7063812</b>	NUT, steering wheel to column	1
13	<b>6000113</b>	COVER, steering wheel hub	1
14	<b>6000207</b>	SCREW, #8-18 x .50	3
15	<b>5939373</b>	STEERING WHEEL ASSEMBLY, with cover and padding	1
16	<b>6000112</b>	ADAPTER, steering wheel hub cover	1
17	<b>5939659</b>	GROMMET	3
18	<b>6009707</b>	TURN SIGNAL LEVER	1
	<b>6004056</b>	TURN SIGNAL LEVER, cruise control	1
19	<b>5745484</b>	SWITCH ASSEMBLY, turn, emergency, horn, and dimmer	1
20	<b>5742769</b>	BOLT	2



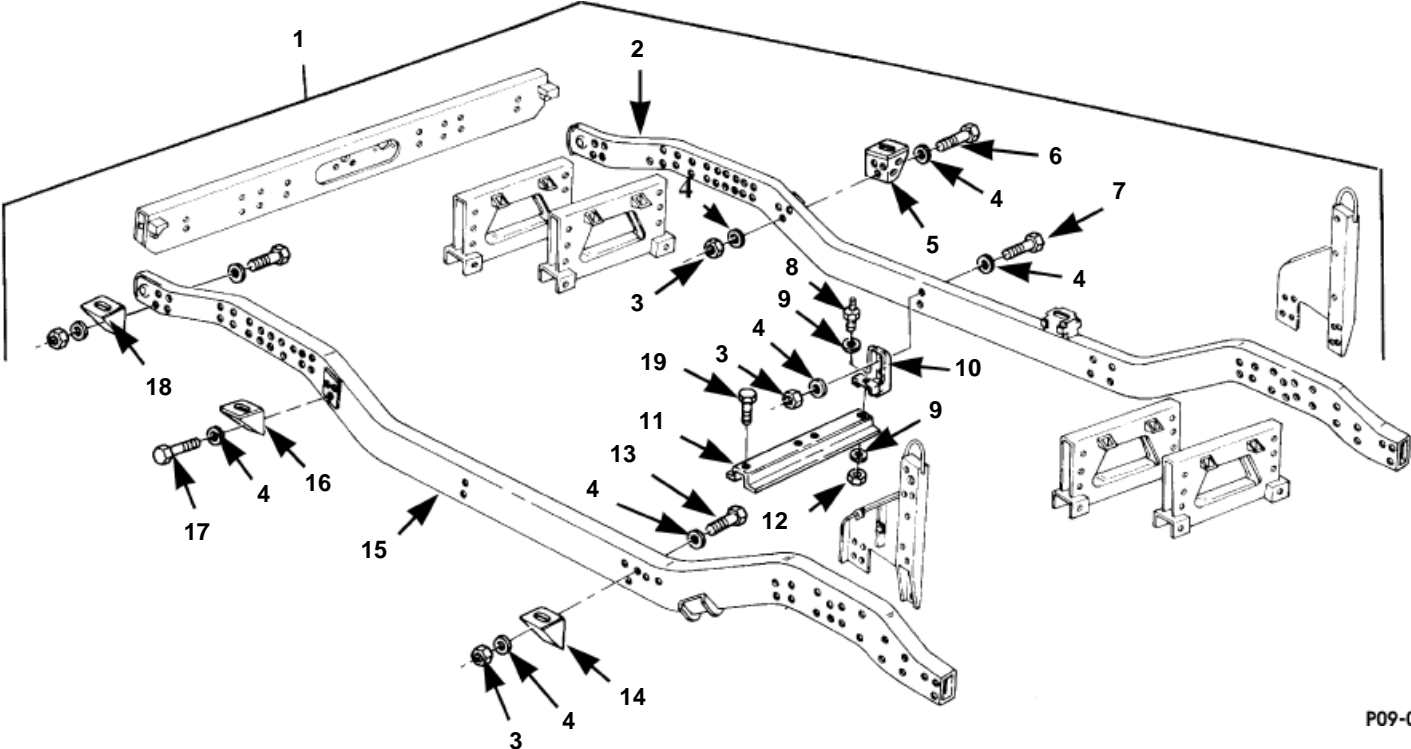
P08-008

\* a PART OF ITEM 10

# Steering Column Lock and Switch Housing Assembly

**Steering Column Lock and Switch Housing Assembly.**

Item	Part No.	Description	Qty
1	<b>5743340</b>	ACTUATOR, column lock	1
2	<b>5743337</b>	SPRING, steering column lock	1
3	<b>5743336</b>	PAWL, steering column lock	1
4	<b>6001727</b>	SCREW, M6 x 16	2
5	<b>5743343</b>	SWITCH ASSEMBLY, ignition	1
6	<b>6012701</b>	CYLINDER AND KEY ASSEMBLY, ignition lock	1
7	<b>5743341</b>	RETAINER, column lock gear	1
8	<b>5743338</b>	FLAT BEARING, column lock	1
9	<b>5743339</b>	GEAR, steering column lock	1
10	<b>5743342</b>	HOUSING, lock cylinder	1
11	<b>5743344</b>	SLEEVE, upper bearing	1
12	<b>N/S</b>	SEAL, dust	1
13	<b>5742680</b>	SCREW, #8-18 x 5/8"	2
14	<b>N/S</b>	SCREW	2
15	<b>N/S</b>	SCREW	2

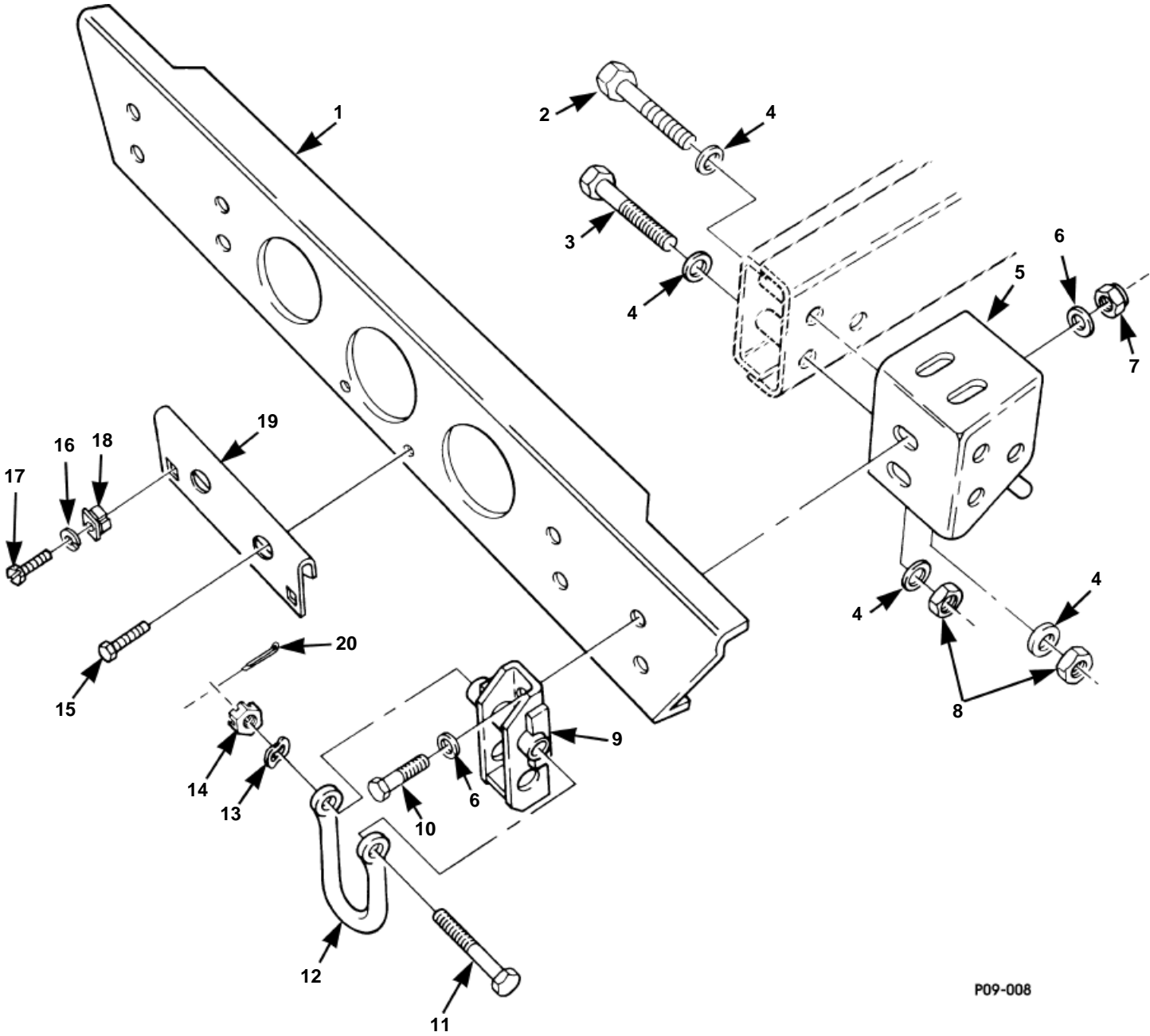


P09-006

# Frame Assembly, Body Mount Brackets, and Transmission Crossmember

**Frame Assembly, Body Mount Brackets, and Transmission Crossmember**

Item	Part No.	Description	Qty
1	<b>WA12342503</b>	FRAME ASSEMBLY, complete	1
2	<b>5745026B9</b>	·RAIL, frame, L.H.	1
3	<b>MS51943-39</b>	·LOCKNUT, frame assembly	12
4	<b>2436165</b>	·WASHER, frame assembly	27
5	<b>WA12342509</b>	·BRACKET, body mount, rear, L.H.	1
6	<b>MS90728-126</b>	·SCREW, body mount bracket, L.H.	3
7	<b>MS90728-124</b>	·SCREW, transmission support bracket	4
8	<b>EC12447177</b>	·STUD, SPECIAL, L.H. side only	1
9	<b>2436166</b>	·WASHER, transmission support bracket	4
10	<b>EC12338185B1</b>	·BRACKET, transmission support	2
11	<b>EC12447053B2</b>	·CROSSMEMBER, transmission	1
12	<b>9422303</b>	·NUT, transmission support bracket	2
13	<b>MS90728-125</b>	·SCREW, body mount, R.H.	5
14	<b>12338178B2</b>	·BRACKET, body mount, front, R.H.	1
15	<b>12338247</b>	·RAIL, frame, R.H.	1
16	<b>WA12342510</b>	·BRACKET, body mount, rear, R.H.	1
17	<b>MS90728-111</b>	·SCREW, body mount bracket, R.H.	3
18	<b>12338202-2</b>	·BRACKET, body mount, rear, R.H.	1
19	<b>MS90728-138</b>	·BOLT.	1

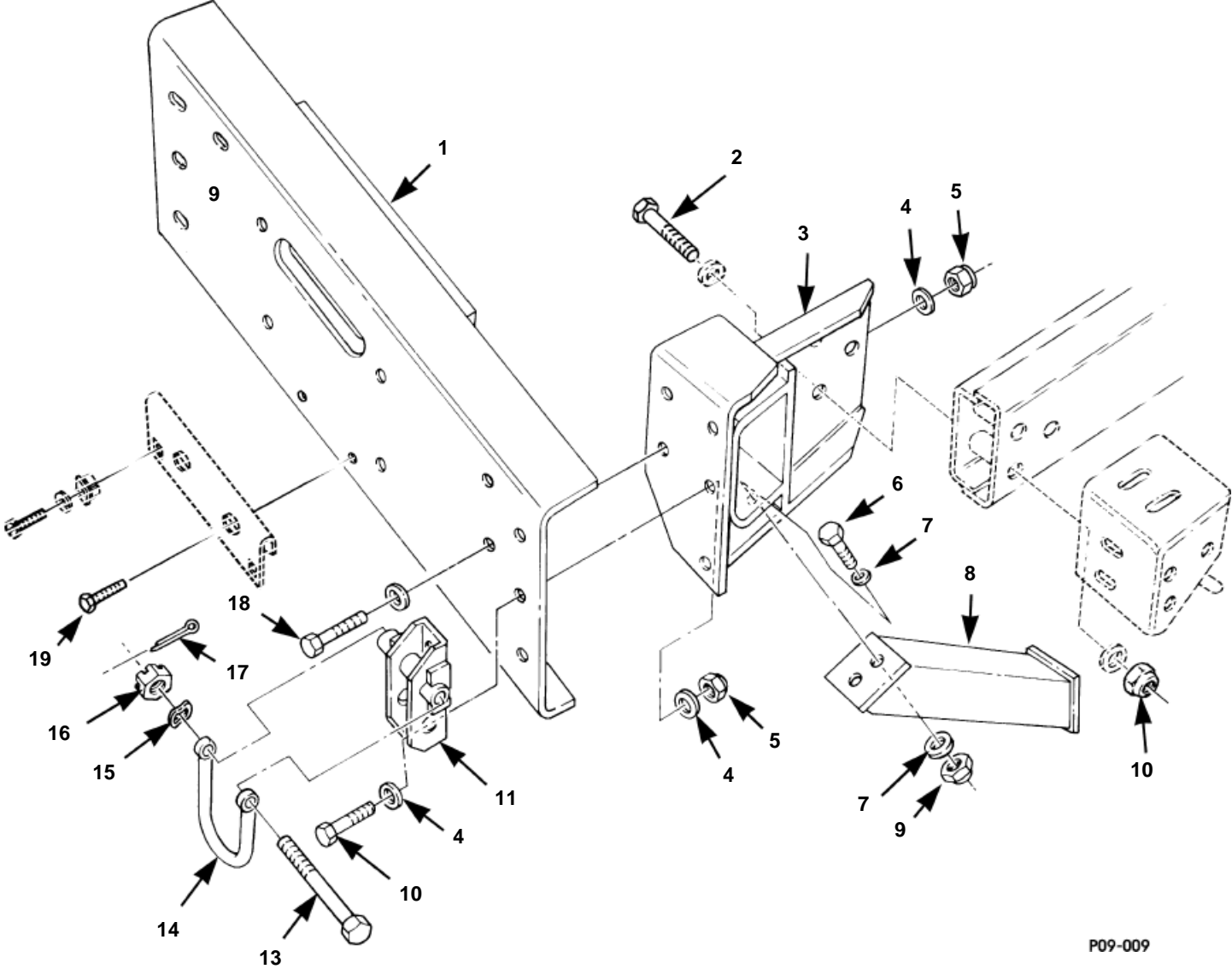


# Front Bumper and Lifting Shackle



**Front Bumper and Lifting Shackle.**

Item	Part No.	Description	Qty
1	<b>5935800B5</b>	BUMPER, front	1
2	<b>N/S</b>	SCREW, front bumper bracket, 5/8 - 11 x 3 1/4", Gr8, DT	2
3	<b>N/S</b>	SCREW, front bumper bracket, 5/8 - 11 x 3 1/2". Gr8, DT	4
4	<b>2436167</b>	WASHER, front bumper bracket	12
5	<b>WA12338199</b>	-1 BRACKET, front bumper, L.H.	1
	<b>WA12338199-2</b>	BRACKET, front bumper, R.H.	1
6	<b>2436165</b>	WASHER, front bumper bracket	8
7	<b>MS51943-39</b>	LOCKNUT, front bumper bracket	4
8	<b>MS51943-43</b>	LOCKNUT, front bumper bracket	6
9	<b>12342404B5</b>	BRACKET, towing	2
10	<b>MS90728-114</b>	SCREW, towing bracket	4
11	<b>12338225-1</b>	SCREW, front lifting shackle	2
12	<b>12342354B5</b>	SHACKLE, lifting	2
13	<b>7716721</b>	SPRING WASHER, front lifting shackle	2
14	<b>MS35692-54</b>	NUT, front lifting shackle	2
15	<b>9415857</b>	SCREW, hex slot, license plate bracket	2
16	<b>MS35338-44</b>	LOCKWASHER, license plate bracket	4
17	<b>MS51851-85P2</b>	SCREW, self-tapping, license plate bracket	2
18	<b>5939483</b>	GROMMET, square head, license plate bracket	2
19	<b>5939482B5</b>	BRACKET, front license plate mounting	1
20	<b>MS24665-355</b>	COTTER PIN, front lifting shackle	2



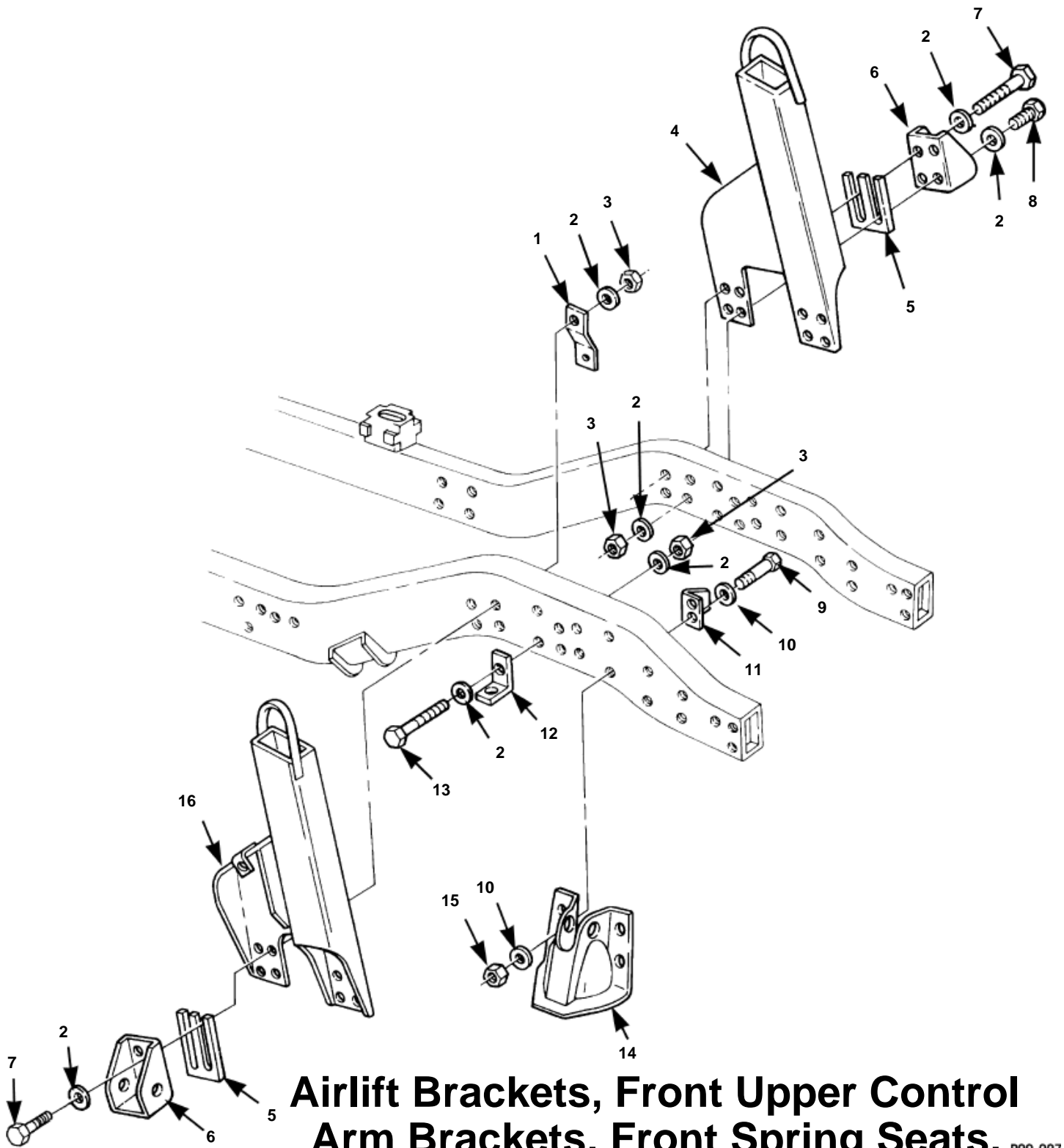
P09-009

# Front Bumper and Lifting Shackle (Winch Kit)

**Front Bumper and Lifting Shackle (Winch Kit).**

Item	Part No.	Description	Qty
1	<b>5935666B5</b>	BUMPER, front, with winch, SEE NOTE 1	1
2	<b>MS90728-171</b>	BOLT, 5/8-11 x 3.75", SEE NOTE 1	6
3	<b>12342388B5</b>	FRAME EXTENSION, front bumper, R.H., SEE NOTE 1	1
	<b>6014153B5</b>	FRAME EXTENSION, front bumper, L.H., SEE NOTE 1	1
4	<b>2436165</b>	WASHER, front bumper, 1/2", SEE NOTE 1	18
5	<b>MS51943-39</b>	LOCKNUT, front bumper, 1/2"-13, SEE NOTE 1	8
6	<b>MS90728-60</b>	SCREW, brace assembly, 3/8-16 x 1, SEE NOTE 1	4
7	<b>2436163</b>	WASHER, brace assembly, 3/8", SEE NOTE 1	8
8	<b>12342389B5</b>	BRACE ASSEMBLY, L.H., SEE NOTE 1	1
	<b>12342390B5</b>	BRACE ASSEMBLY, R.H., SEE NOTE 1	1
9	<b>MS51943-35</b>	NUT, brace assembly, 3/8"-16, SEE NOTE 1	4
10	<b>12342404B5</b>	BRACKET, towing	2
11	<b>MS51943-43</b>	LOCKNUT, 5/8"-11, SEE NOTE 1	6
12	<b>MS90728-114</b>	SCREW, towing bracket, 1/2"-13 x 1.75"	4
13	<b>12338225-1</b>	SCREW, front lifting shackle	2
14	<b>12342354B5</b>	SHACKLE, lifting	2
15	<b>7716721</b>	SPRING WASHER, front lifting shackle	2
16	<b>MS35692-54</b>	NUT, front lifting shackle	2
17	<b>MS24665-355</b>	COTTER PIN, front lifting shackle, 1/8" x 1 1/4"	2
18	<b>MS90728-113</b>	SCREW, frame extension, 1/2"-13 x 1.5", SEE NOTE 1	6
19	<b>9415861</b>	SCREW, 1/4"-28 x 1 1/8", SEE NOTE 1	2

NOTE 1: PART OF WINCH KIT P/N 5745286



**Airlift Brackets, Front Upper Control  
Arm Brackets, Front Spring Seats,  
and Mounting Hardware**

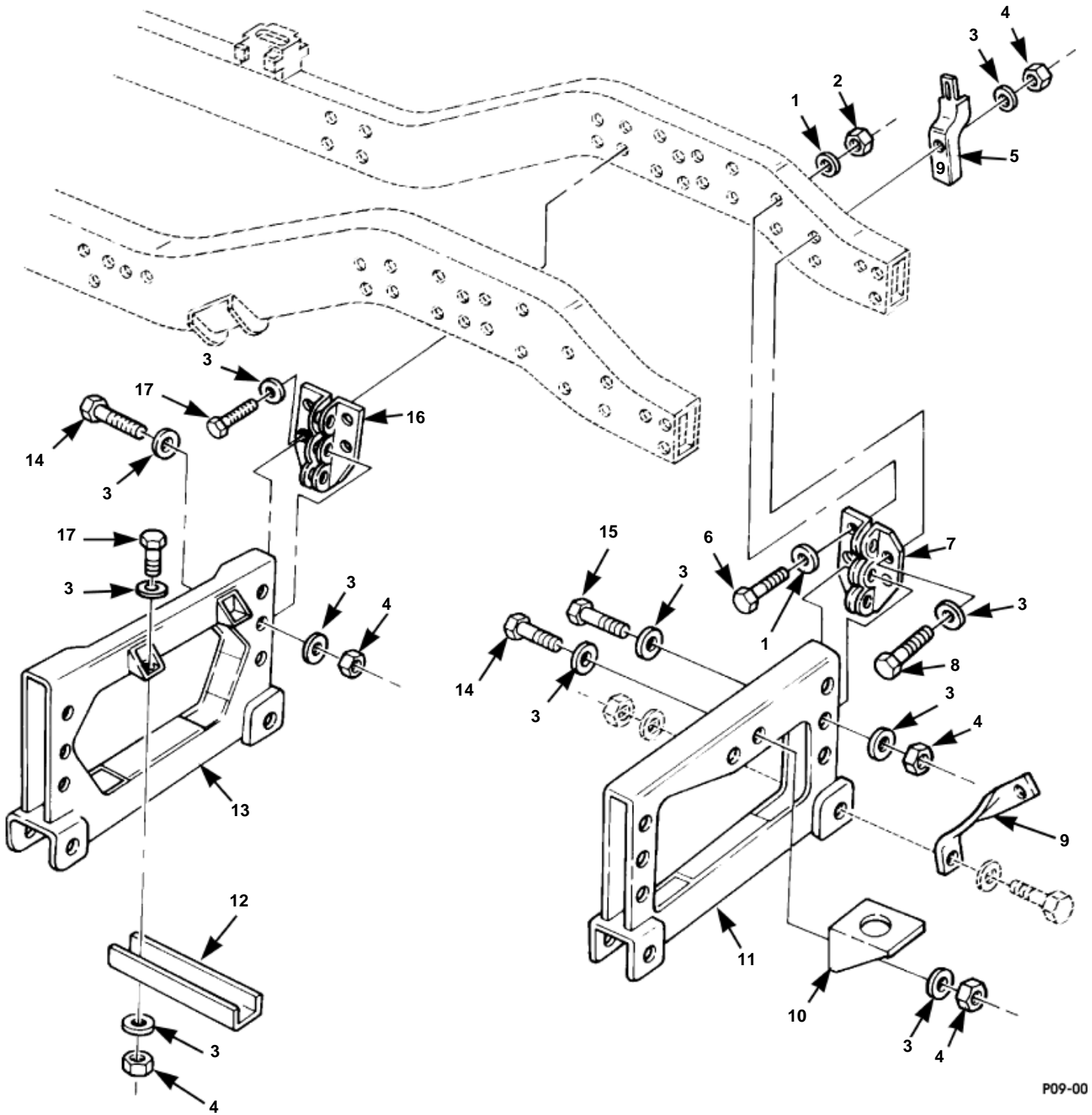
P09-007

**Airlift Brackets, Front Upper Control Arm Brackets, Front Spring**

Item	Part No.	Description	Qty
1	<b>EC12338159B1</b>	BRACKET, cooling line support	1
2	<b>2436165</b>	WASHER, frame assembly	40
3	<b>MS51943-39</b>	LOCKNUT, frame assembly	19
4	<b>WB12342361B5</b>	BRACKET, airlift, L.H.	1
5	<b>12338226-1</b>	SHIM, control arm bracket, .060-inch	V
	<b>12338226-2</b>	SHIM, control arm bracket, .120-inch	V
6	<b>EC12338245B1</b>	BRACKET, upper control arm, front	4
7	<b>MS90728-123</b>	SCREW, control arm and airlift bracket, SEE NOTE 1	15
	<b>MS90728-122</b>	SCREW, airlift bracket, SEE NOTE 2	15
8	<b>MS90728-114</b>	SCREW, control arm bracket, L.H.	1
9	<b>MS90728-195</b>	SCREW, front spring seats	8
10	<b>2436168</b>	WASHER, frame assembly	16
11	<b>12338173</b>	BRACKET, front spring seat	1
12	<b>EC12338170B1</b>	BRACKET, vent tube	2
13	<b>MS90728-122</b>	SCREW	4
14	<b>12338191-1</b>	SPRING SEAT, L.H., front	1
	<b>12338191-2</b>	SPRING SEAT, R.H., front	1
15	<b>MS51943-45</b>	LOCKNUT, front spring brackets	8
16	<b>EC12447001B1</b>	BRACKET, airlift, R.H.	1
	<b>6003010B5</b>	BRACKET, airlift, R.H. (1994)	1

NOTE 1: USE WITH .240-INCH SHIM PACK AND THICKER

NOTE 2: USE WITH SHIM PACK UP TO .180-INCH THICK

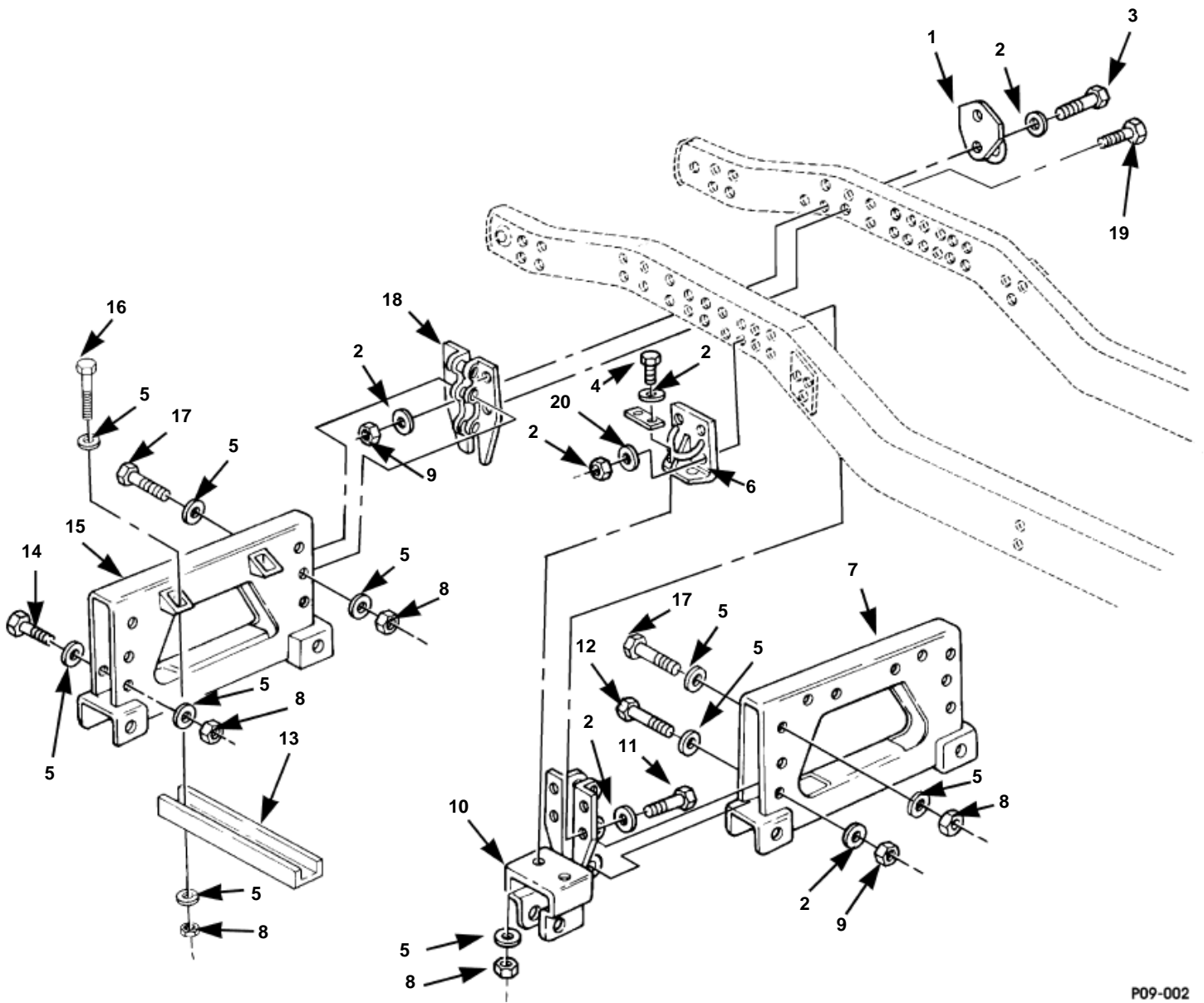


P09-00

# Front Suspension Crossmembers, Related Parts, and Mounting Hardware

**Front Suspension Crossmembers, Related Parts, and Mounting Hardw**

Item	Part No.	Description	Qty
1	<b>2436168</b>	WASHER, frame assembly	8
2	<b>MS51943-45</b>	LOCKNUT, frame assembly	4
3	<b>2436165</b>	WASHER, frame assembly	45
4	<b>MS51943-39</b>	LOCKNUT, frame assembly	22
5	<b>12338166</b>	BRACKET, frame assembly	2
6	<b>MS90728-195</b>	SCREW, crossmember bracket	4
7	<b>12338149-1</b>	B1 BRACKET, crossmember, L.H., front suspension	1
	<b>12338149-2</b>	B1 BRACKET, crossmember, R.H., front suspension	1
8	<b>MS90728-120</b>	SCREW, front suspension bracket	4
9	<b>EC12338165B1</b>	BRACE, front suspension	2
10	<b>EC12338180B1</b>	BRACKET, lower radiator mount	1
11	<b>12338230</b>	CROSSMEMBER, front forward	1
12	<b>12338146</b>	BRACKET, axle support	2
13	<b>WB12338223</b>	CROSSMEMBER, front rear	1
14	<b>MS90728-119</b>	SCREW, front crossmember	8
15	<b>MS90728-118</b>	SCREW, front crossmember	6
16	<b>12338155-1B1</b>	BRACKET, crossmember, L.H., front suspension	1
	<b>12338155-2B1</b>	BRACKET, crossmember, R.H., front suspension	1
17	<b>MS90728-109</b>	SCREW, crossmember bracket	5



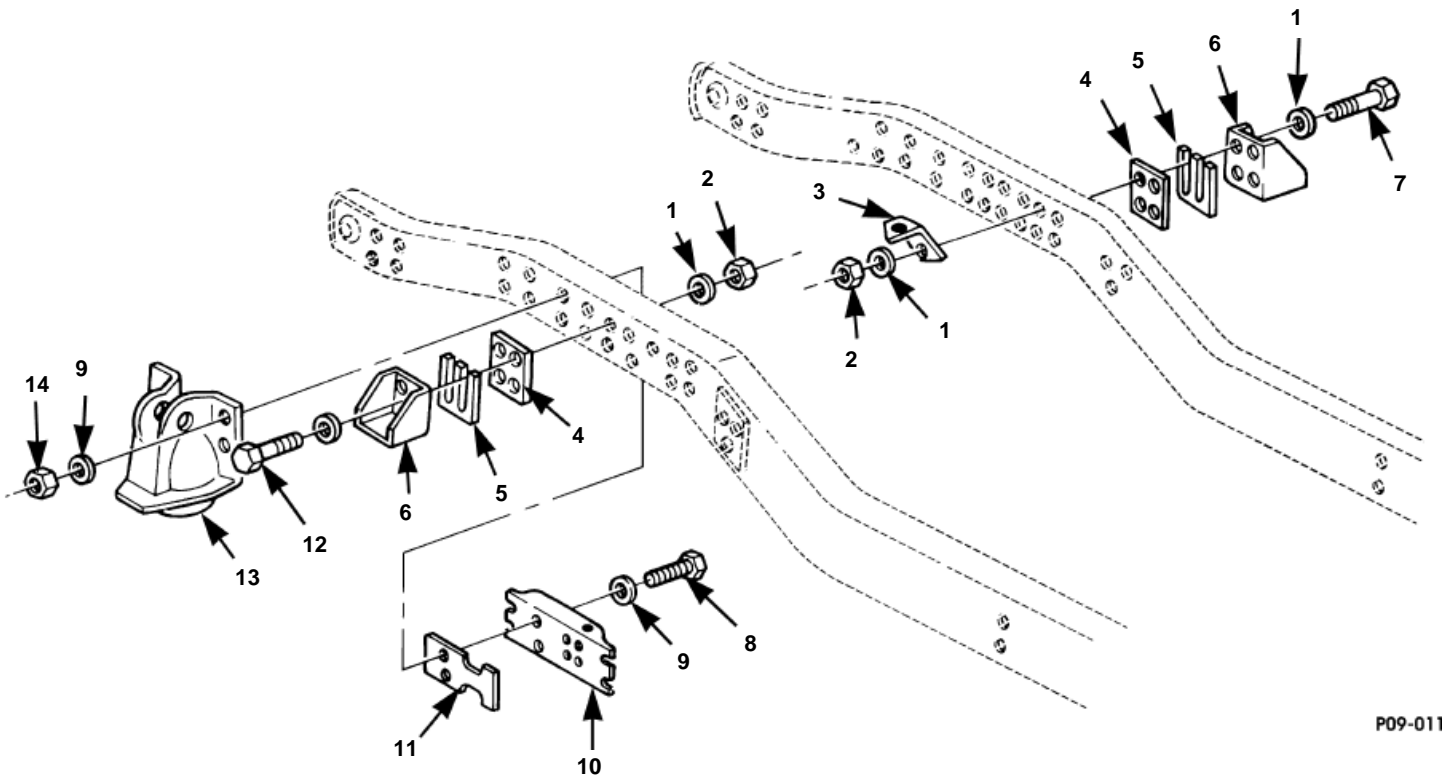
P09-002

# Rear Suspension Crossmembers, Related Parts, and Mounting Hardware



**Rear Suspension Crossmembers, Related Parts, and Mounting Hardwa**

Item	Part No.	Description	Qty
1	<b>EC12338181B1</b>	BRACKET, tiedown, frame assembly	2
2	<b>2436168</b>	WASHER, frame assembly	40
3	<b>MS90728-196</b>	SCREW, frame assembly	8
4	<b>MS90728-113</b>	SCREW, cable bracket	4
5	<b>2436165</b>	WASHER, frame assembly	32
6	<b>EC12338197B1</b>	BRACKET, tiedown, frame assembly	2
7	<b>WA12338217</b>	CROSSMEMBER, rear suspension, front	1
8	<b>MS51943-39</b>	LOCKNUT, frame assembly	18
9	<b>MS51943-45</b>	LOCKNUT, frame assembly	20
10	<b>12338224</b>	BRACKET, crossmember, rear suspension	2
11	<b>MS90728-197</b>	SCREW, rear suspension bracket	4
12	<b>MS90728-192</b>	SCREW, crossmember	4
13	<b>12338146</b>	BRACKET, rear axle support	2
14	<b>MS90728-119</b>	SCREW, rear crossmember	2
15	<b>WA12338222</b>	CROSSMEMBER, rear suspension, rear	1
16	<b>MS90728-109</b>	SCREW, rear axle support	4
17	<b>MS90728-118</b>	SCREW, crossmember	6
18	<b>12338148B1</b>	BRACKET, crossmember, rear suspension	2
19	<b>MS90728-198</b>	SCREW, crossmember bracket	4
20	<b>12338172</b>	PLATE, vent lines	2



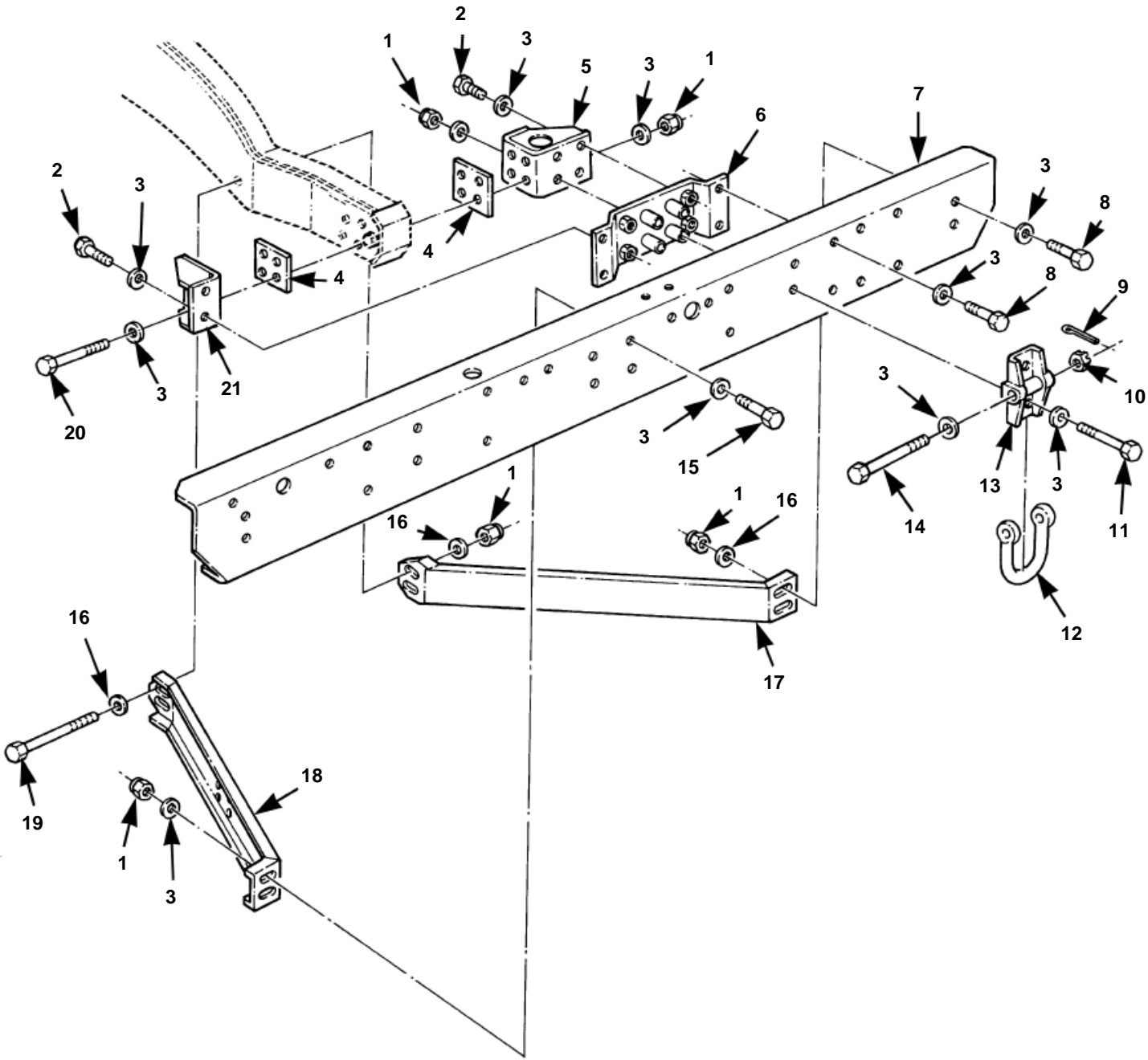
## Rear Crossmember, Upper Control Arm Brackets, Spring Seats, Related Parts and Mounting Hardware

**Rear Crossmember, Upper Control Arm Brackets, Spring Seats, Rela**

Item	Part No.	Description	Qty
1	<b>2436165</b>	WASHER, frame brackets	32
2	<b>MS51943-39</b>	LOCKNUT, frame brackets	16
3	<b>12338172</b>	BRACKET, vent tube	1
4	<b>6009543</b>	SPACER, control arm bracket	4
5	<b>12338226-1</b>	SPACER, control arm bracket, .060-inch	V
	<b>12338226-2</b>	SPACER, control arm bracket, .012-inch	V
6	<b>EC12338240B1</b>	BRACKET, upper control arm	4
7	<b>MS90728-124</b>	SCREW, upper control arm bracket, SEE NOTE 1	8
	<b>MS90728-123</b>	SCREW, upper control arm bracket, SEE NOTE 2	8
8	<b>MS90728-198</b>	SCREW, frame reinforcement	8
9	<b>2436168</b>	WASHER, frame reinforcement	16
10	<b>12338152</b>	REINFORCEMENT, frame	2
11	<b>12338174B1</b>	PLATE, frame reinforcement	2
12	<b>MS90728-125</b>	SCREW, control arm brackets, SEE NOTE 1	8
	<b>MS90728-124</b>	SCREW, control arm brackets, SEE NOTE 2	8
13	<b>12338738</b>	SEAT, rear spring	2
14	<b>MS51943-45</b>	LOCKNUT, rear spring seat	8

NOTE 1: USE WITH .240-INCH SHIM PACK AND  
THICKER

NOTE 2: USE WITH SHIM PACK UP TO .180-INCH THICK

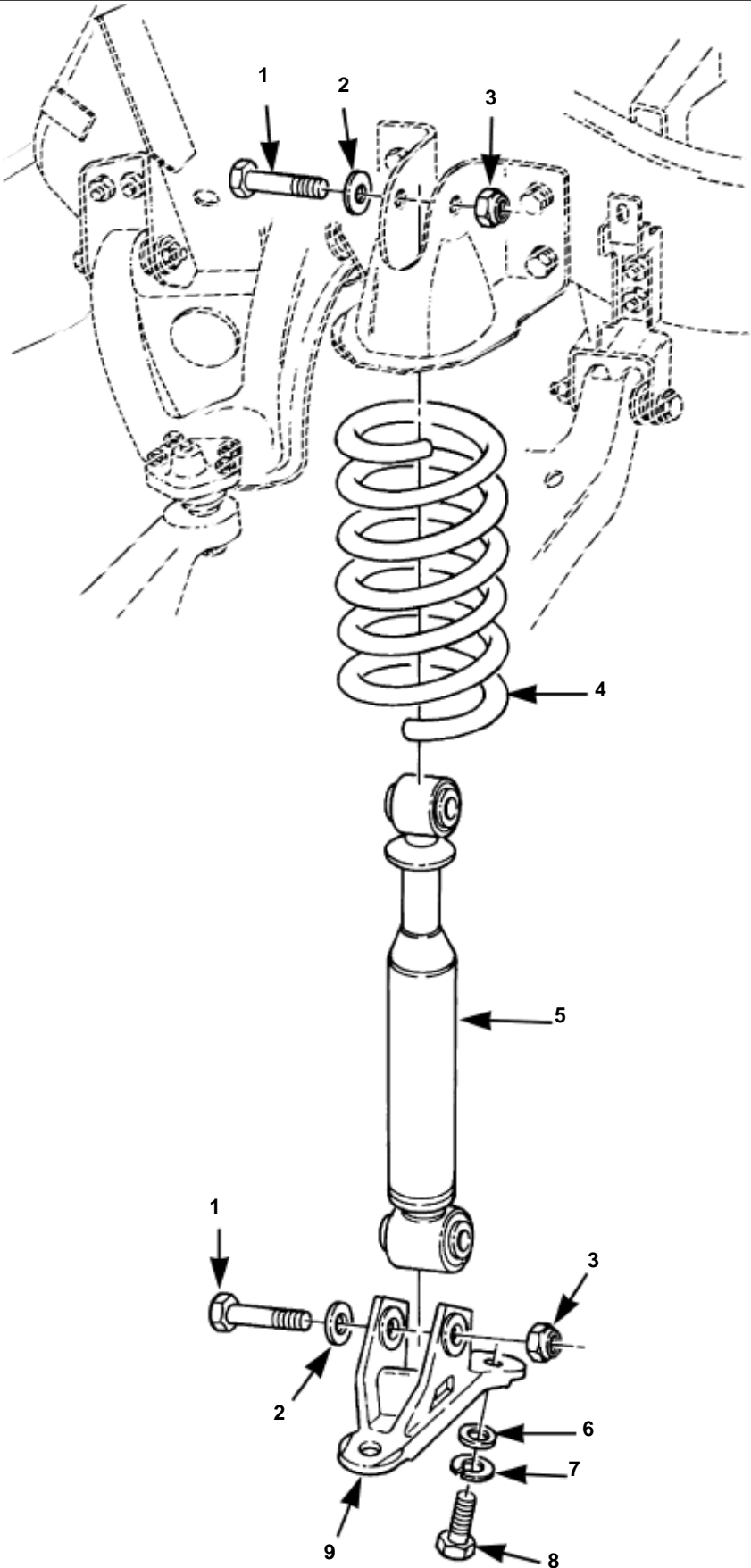


P09-010

# Rear Bumper and Lifting Shackle

HUMMER H1 1994 Parts Catalog  
**Rear Bumper and Lifting Shackle.**

Item	Part No.	Description	Qty
1	<b>MS51943-39</b>	LOCKNUT, rear bumper	30
2	<b>MS51849-98</b>	SCREW, closeout	4
3	<b>2436165</b>	WASHER, rear bumper	30
4	<b>NPN</b>	SPACER, rear bumper bracket	4
5	<b>NPN</b>	SUPPORT	2
6	<b>6003609</b>	BRACKET, bumper mounting assembly	2
7	<b>6003572B2</b>	BUMPER, rear	1
8	<b>MS90728-119</b>	SCREW, rear bumper	6
9	<b>MS24665-355</b>	COTTER PIN, rear lifting shackle	2
10	<b>MS35692-54</b>	NUT, rear lifting shackle	2
11	<b>MS90728-121</b>	SCREW, tiedown bracket, rear bumper	4
12	<b>12342354B5</b>	SHACKLE, lifting	2
13	<b>12342373</b>	BRACKET, tiedown	2
14	<b>12338225-1</b>	SCREW, rear lifting shackle	2
15	<b>MS90728-111</b>	BOLT, spacer	4
16	<b>2436165</b>	WASHER, rear bumper	30
17	<b>6003807</b>	BRACE, bumper, R.H.	2
18	<b>6003806</b>	BRACE, bumper, L.H.	2
19	<b>MS90728-122</b>	SCREW, rear bumper brace	2
20	<b>MS90728-123</b>	SCREW, rear bumper bracket	8
21	<b>NPN</b>	BRACKET	2

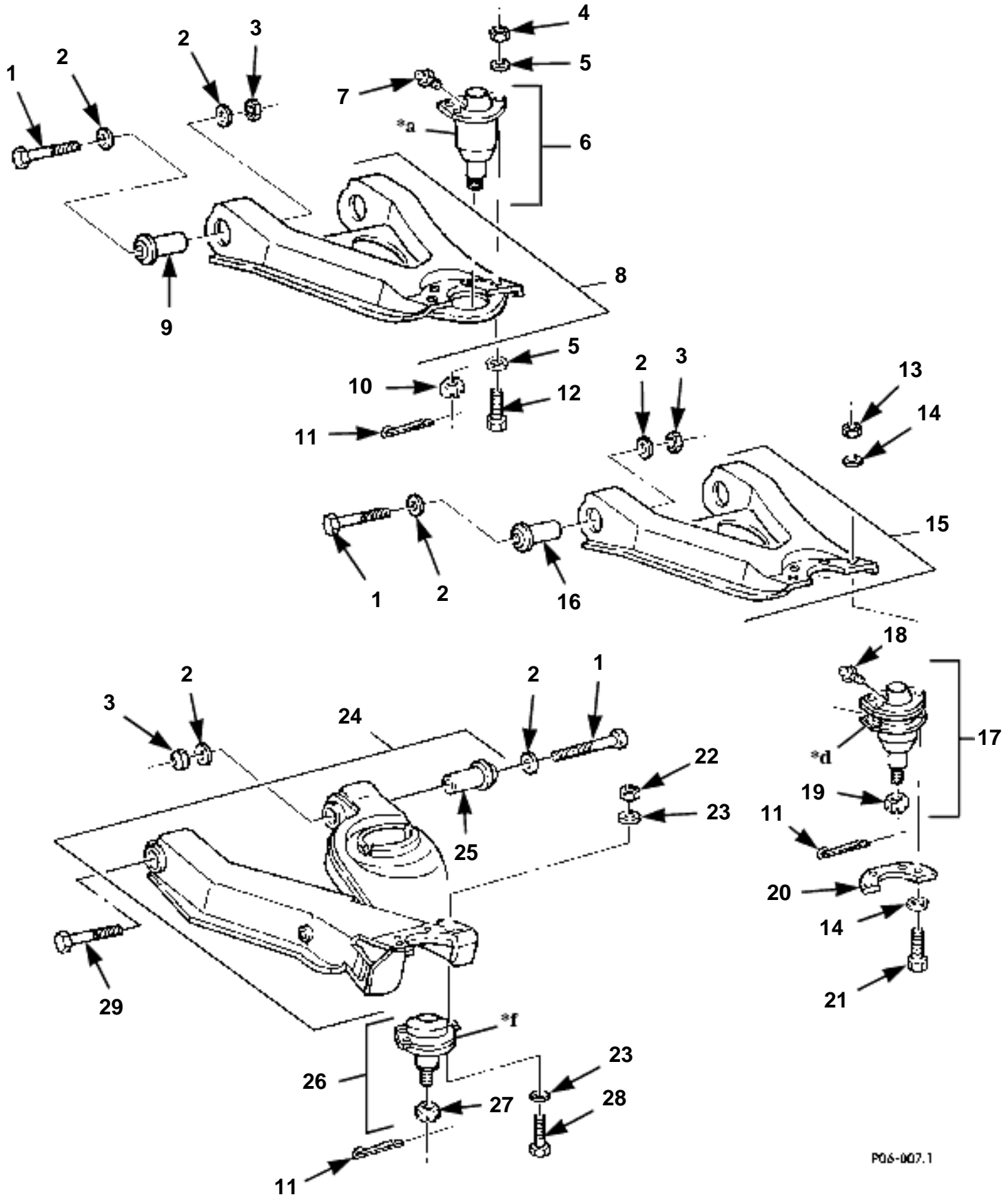


P09-003

# Shock Absorber and Springs, Front and Rear

**Shock Absorbers and Springs, Front and Rear.**

Item	Part No.	Description	Qty
1	<b>EC12339205</b>	PIN, shock absorber	8
2	<b>2436170</b>	WASHER, shock absorber	8
3	<b>12339206</b>	LOCKNUT, shock absorber	8
4	<b>12342616B2</b>	SPRING, rear, shock absorber, variable rate, standard	2
	<b>12338316-1B9</b>	SPRING, front, shock absorber, 954 lb/in, 13.3" VLC2,	2
	<b>12338316-2</b>	SPRING, front, shock absorber, heavy duty	2
	<b>6005787B9</b>	SPRING, front, shock absorber, w/o winch, 954 lb/in, 14" HMC4, HMCS, VLCO	2
	<b>6005787B9</b>	SPRING, front, shock absorber, w/winch, 954 lb/in, 14" VLC2, XLC2	2
	<b>6005786B9</b>	SPRING, front, shock absorber, w/winch, 1250 lb/in HMC4, HMCS, VLCO	2
	<b>6006008B2</b>	SPRING, rear, shock absorber, heavy duty, 2300 lb/in	2
5	<b>12340071</b>	SHOCK ABSORBER, front	2
	<b>12340072</b>	SHOCK ABSORBER, rear	2
6	<b>12341212</b>	WASHER, shock absorber bracket	8
7	<b>MS35338-50</b>	LOCKWASHER, shock absorber bracket	8
8	<b>MS90728-164</b>	BOLT, shock absorber bracket	8
9	<b>EC12338315</b>	SHOCK ABSORBER BRACKET, lower control arm	4



PG6-007.1

# Control Arms, Ball Joints and Mounting Hardware

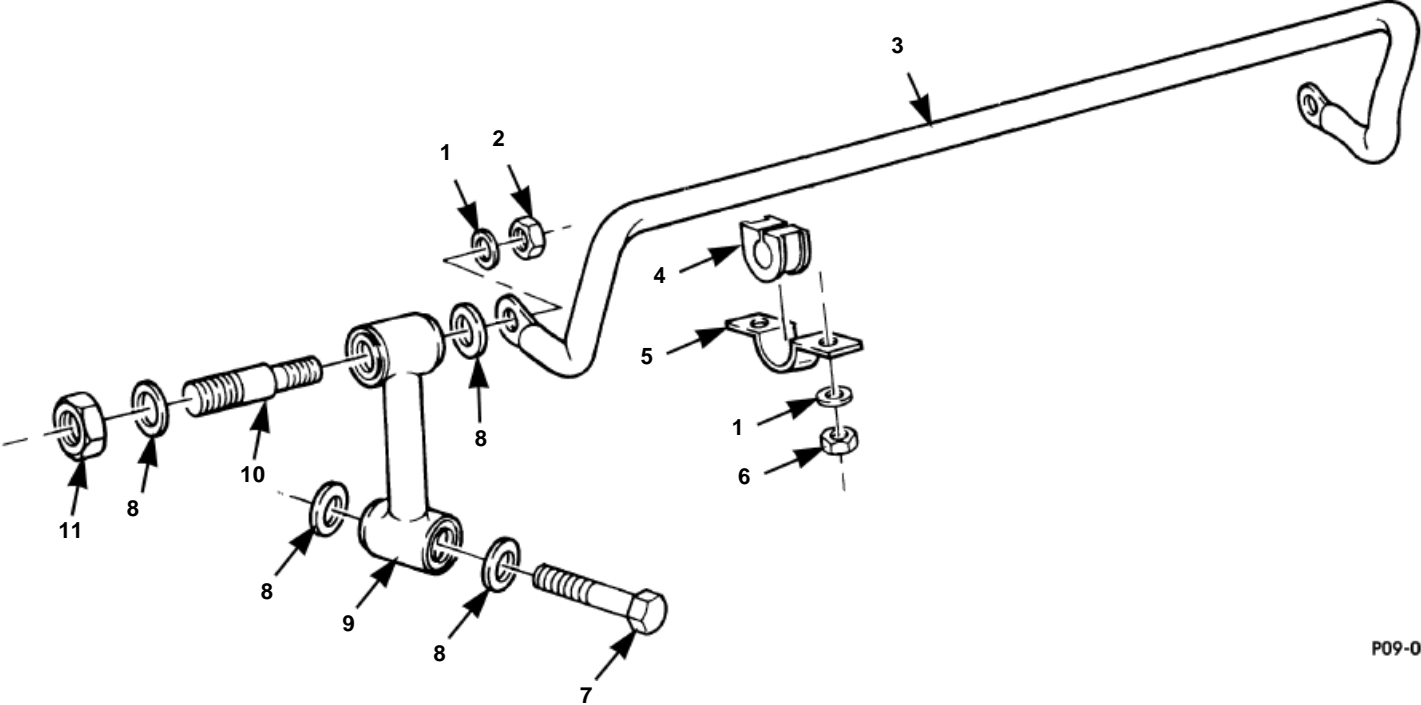


**Control Arms, ball Joints, and Mounting Hardware.**

Item	Part No.	Description	Qty
1	<b>MS90728-198</b>	BOLT, control arm, 3/4"-10 x 4.75"	3
2	<b>2436168</b>	WASHER, flat, control arm, 3/4"	8
3	<b>MS51943-45</b>	LOCKNUT, control arm, 3/4"-10	4
4	<b>MS51943-35</b>	LOCKNUT, upper ball joint, 3/8"-16 SEE NOTE 1	4
5	<b>2436163</b>	WASHER, flat, upper ball joint, 3/8" SEE NOTE 1	8
6	<b>6007755</b>	BALL JOINT, upper SEE NOTE 1	1
7	<b>9417901</b>	-FITTING, upper ball joint, 1/4" - 28 x 1/2"	1
8	<b>EC12460167B1</b>	CONTROL ARM, front L.H., upper, w/reinforcement	1
	<b>EC12460151B1</b>	CONTROL ARM, front R.H., upper, w/reinforcement	1
	<b>ECRCSK17089-1</b>	B1 CONTROL ARM, rear L.H., upper, w/reinforcement	1
	<b>RCSK17089-2</b>	CONTROL ARM, rear R.H., upper, w/reinforcement	1
9	<b>12338270</b>	-BUSHING, control arm	2
10	<b>MS35692-54</b>	NUT, castle, ball joint, 5/8"-18	1
11	<b>MS24665-355</b>	COTTER PIN, ball joint, 1/8" x 1-1/4"	1
12	<b>MS90728-62</b>	BOLT, ball joint, 3/8"-16 x 1.25"	4
13	<b>MS51943-33</b>	LOCKNUT, upper ball joint, 5/16"-18 SEE NOTE 2	4
14	<b>2436162</b>	WASHER, flat, upper ball joint, 5/16" SEE NOTE 2	8
15	<b>5744274</b>	CONTROL ARM, front L.H., upper, w/o reinforcement	1
	<b>12460151</b>	CONTROL ARM, front R.H., upper, w/o reinforcement	1
	<b>ECRSK17089-1B1</b>	CONTROL ARM, rear L.H., upper, w/o reinforcement	1
	<b>ECRSK17089-2B1</b>	CONTROL ARM, rear R.H., upper, w/o reinforcement	1
16	<b>12338270</b>	-BUSHING, control arm	2
17	<b>6007755</b>	BALL JOINT, upper SEE NOTE 2	1
18	<b>9417901</b>	-FITTING, upper ball joint, 1/4"-28 x 1/2"	1
19	<b>MS35692-54</b>	NUT, castle, ball joint, 5/8"-18	1
20	<b>12338320</b>	RETAINER, ball joint SEE NOTE 2	1
21	<b>MS90728-36</b>	BOLT, ball joint, 5/16"-18 x 1.25" SEE NOTE 2	4
22	<b>MS51943-35</b>	LOCKNUT, lower ball joint, front, 3/8"-16	4
	<b>9422299</b>	LOCKNUT, lower ball joint, rear, 7/16"-14	4
23	<b>2436163</b>	WASHER, flat, lower ball joint, front, 3/8"	8
	<b>2436164</b>	WASHER, flat, lower ball joint, rear, 7/16"	8
24	<b>6016750</b>	CONTROL ARM, lower front, R.H., rear L.H.	1
	<b>6016751</b>	CONTROL ARM, lower front, L.H., rear R.H.	1
25	<b>12338270</b>	-BUSHING, control arm	2
26	<b>6006645</b>	BALL JOINT, lower	1
27	<b>MS35692-54</b>	NUT, slotted, ball joint, lower, 5/8"-18	1
28	<b>MS90728-63</b>	BOLT, lower ball joint, front, 3/8"-16 x 1.38"	4
	<b>9425080</b>	BOLT, lower ball joint, rear, 7/16"-14 x 1.5"	4
29	<b>MS90728-199</b>	BOLT, lower control arm, 3/4"-10 x 5"	1

NOTE 1: USE WITH VEHICLES THAT HAVE WELDED REINFORCEMENTS ON THE UPPER CONTROL ARMS.

NOTE 2: USE WITH VEHICLES THAT HAVE SEPARATE RETAINER ON THE UPPER CONTROL ARMS.

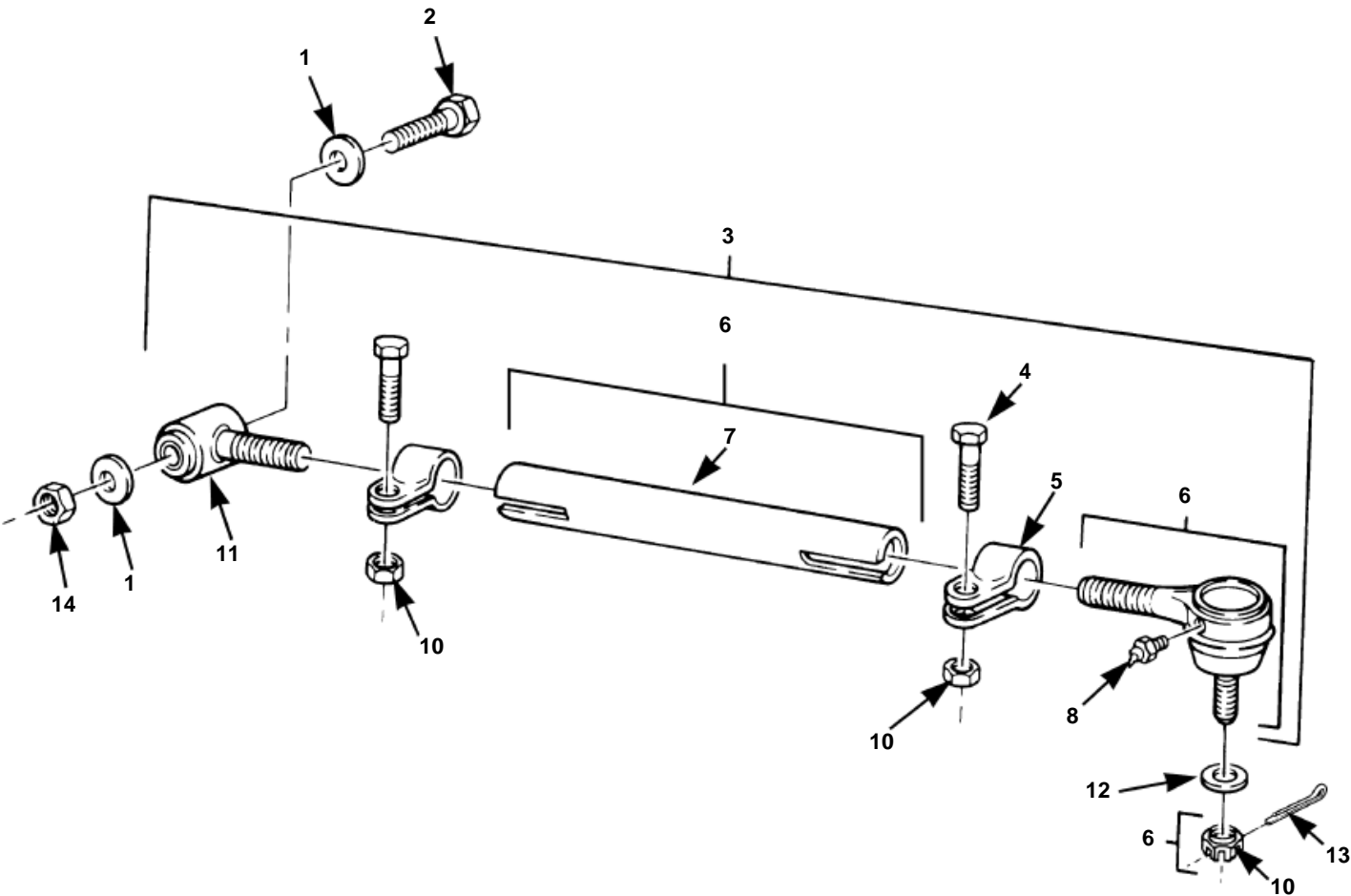


P09-004

# Stabilizer Bar and Connecting Links

**Stabilizer Bar and Connecting Links.**

Item	Part No.	Description	Qty
1	<b>2436164</b>	WASHER, stabilizer bar	6
2	<b>MS51943-40</b>	LOCKNUT, stabilizer bar	2
3	<b>12338329</b>	BAR, stabilizer	1
4	<b>12338317</b>	BUSHING, stabilizer bar	2
5	<b>12338319</b>	BRACKET, stabilizer bar	2
6	<b>9422299</b>	NUT, stabilizer bracket	4
7	<b>MS90728-168</b>	BOLT, connecting link	2
8	<b>12338322</b>	WASHER, connecting link, stabilizer bar	8
9	<b>EC12338323</b>	CONNECTING LINK, stabilizer bar	2
10	<b>EC12339207</b>	PIN, stabilizer bar	2
11	<b>MS51943-43</b>	LOCKNUT, stabilizer bar	2

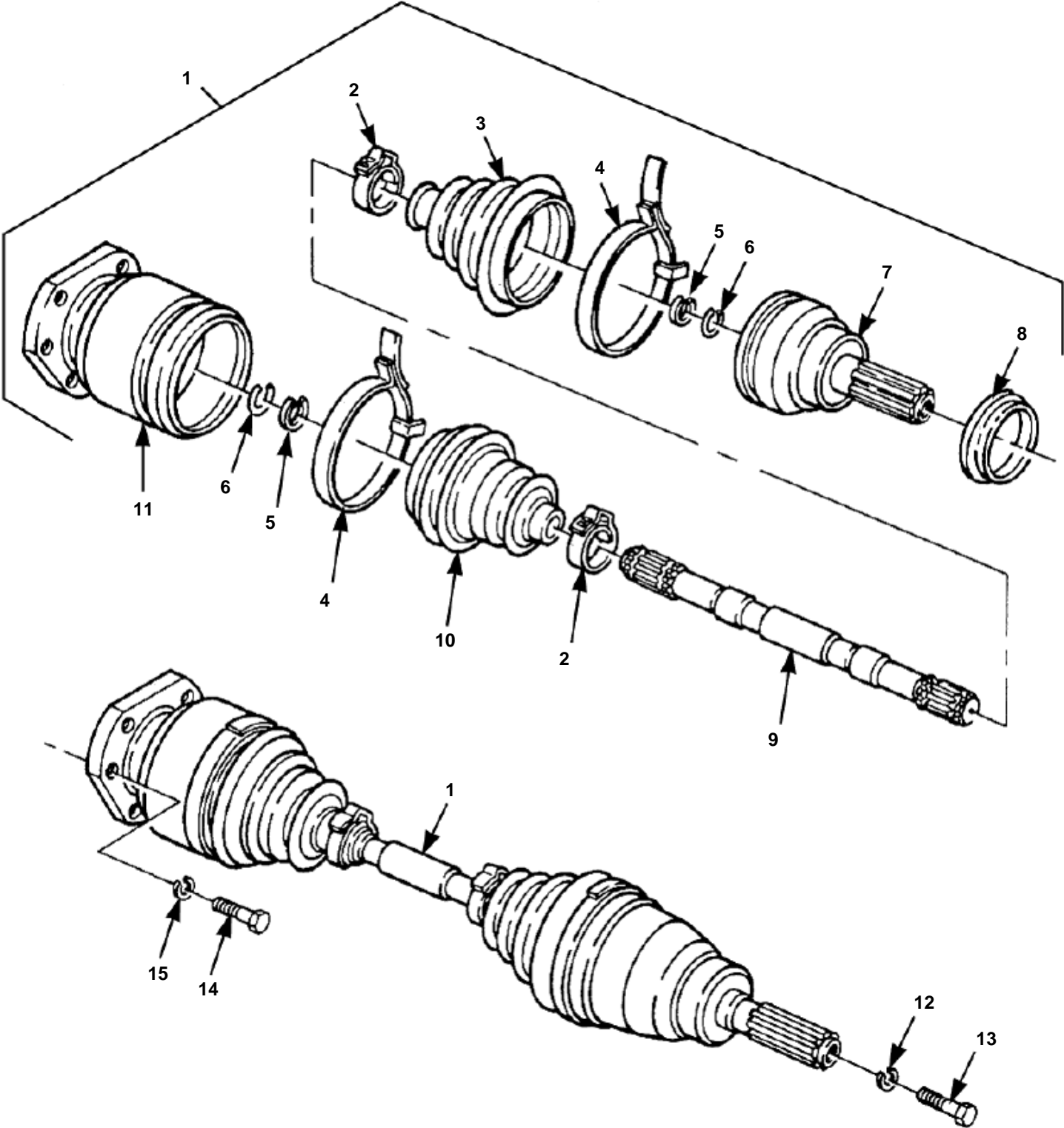


P09-005

# Rear Radius Rods

**Rear Radius Rods.**

Item	Part No.	Description	Qty
1	<b>2436168</b>	WASHER, radius rod mounting	4
2	<b>MS90728-198</b>	BOLT, radius rod mounting	2
3	<b>6005274B2</b>	ROD ASSEMBLY, radius rear	2
4	<b>9419079</b>	·BOLT, rod assembly clamp	2
5	<b>12339202</b>	·CLAMP, rod assembly	2
6	<b>6028035</b>	·TIE ROD END, L.H. thread	1
7	<b>S.I.A.</b>	·TIE ROD	1
8	<b>MS15001-3</b>	·FITTING, tie rod end	1
9	<b>MS35692-54</b>	·NUT, tie rod end	1
10	<b>9422299</b>	·NUT, rod assembly clamp	2
11	<b>12338314B1</b>	·BUSHING, tie rod	1
12	<b>2436167</b>	WASHER, tie rod end	2
13	<b>MS24665-355</b>	COTTER PIN, tie rod end	2
14	<b>MS51943-45</b>	LOCKNUT, tie rod end	2



P09012

# Halfshaft Assembly, Left and Right Side

**Halfshaft Assembly, Left and Right Side.**

Item	Part No.	Description	Qty
1	<b>12342974-1</b>	HALFSHAFT ASSEMBLY, rear, L.H. and R.H.	2
	<b>12342974-2</b>	HALFSHAFT ASSEMBLY, front, R.H., SEE NOTE 3	1
	<b>12342974-3</b>	HALFSHAFT ASSEMBLY, front, L.H., SEE NOTE 3	1
2	<b>S.I.K.</b>	CLAMP, race, joint asselbly, outer boot SEE NOTES 1 AND 2	2
3	<b>S.I.K.</b>	·BOOT, joint assembly, SEE NOTE 1	1
4	<b>S.I.K.</b>	·CLAMP, race, joint assembly, SEE NOTES 1 AND 2	1
5	<b>S.I.A.</b>	·SPACER RING, halfshaft	2
6	<b>S.I.A.</b>	·RETAINING RING, shaft	2
7	<b>5740551</b>	·JOINT ASSEMBLY, fixed halfshaft (1992, 1993)	1
8	<b>5598209</b>	·DEFLECTOR, halfshaft (1992, 1993)	1
9	<b>S.I.A.</b>	·SHAFT, halfshaft, front, L.H.	1
	<b>S.I.A.</b>	·SHAFT, halfshaft, front, R.H.	1
	<b>S.I.A.</b>	·SHAFT, halfshaft, rear, L.H. and R.H.	1
10	<b>S.I.K.</b>	·BOOT, joint assembly, inner, SEE NOTE 2	1
11	<b>5740550</b>	JOINT ASSEMBLY, halfshaft (1992 1993)	1
12	<b>N/S</b>	LOCKWASHER, halfshaft assembly, 3/8"	1
13	<b>MS90728-62</b>	SCREW, halfshaft assembly, 3/8"-16 x 1.25	1
14	<b>11500931</b>	BOLT, halfshaft assembly	6
15	<b>11500162</b>	LOCKWASHER, halfshaft assembly	6

NOTE 1: PART OF FIXED BOOT PARTS KIT

P/N 5705605 - 1992 - 1993

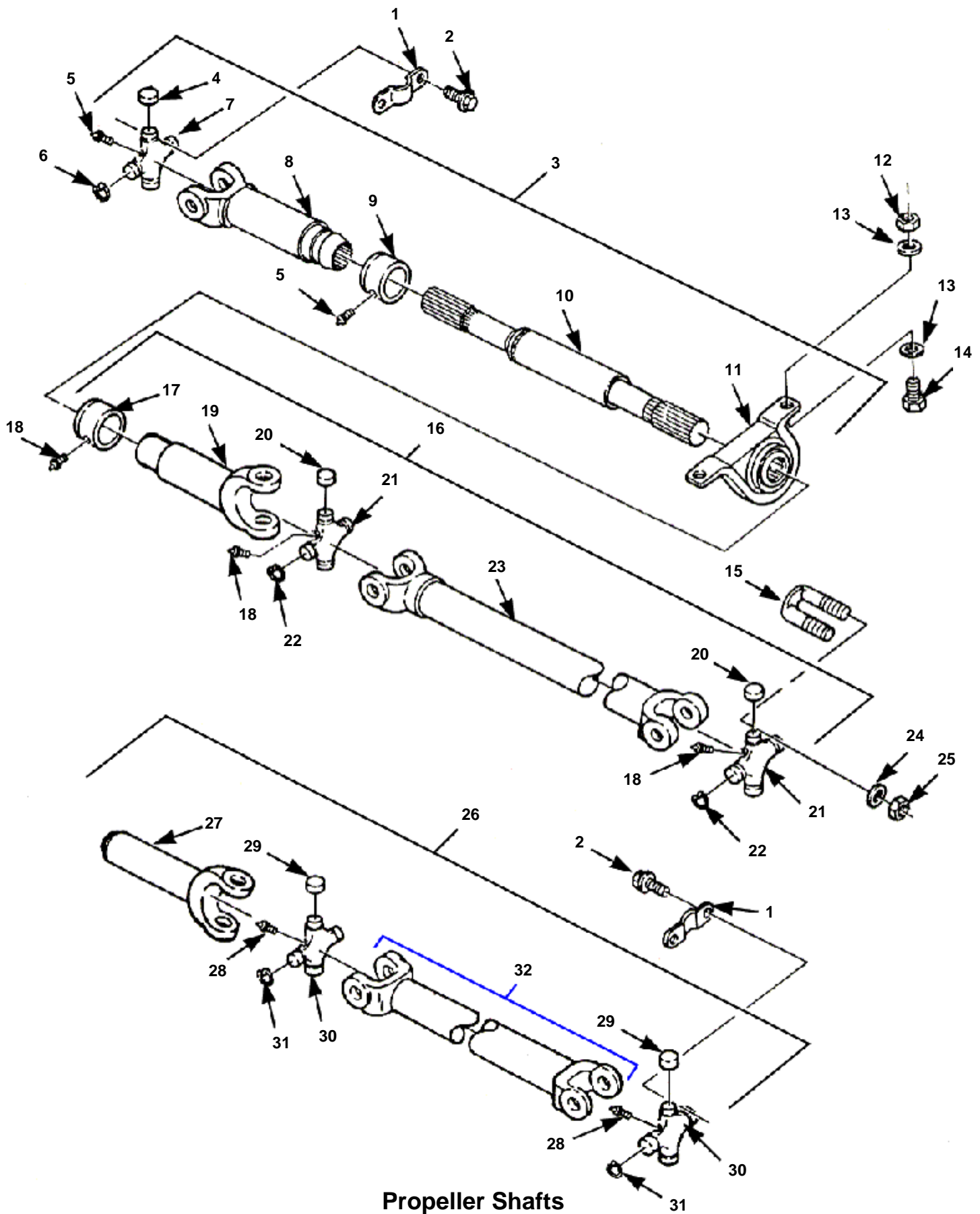
P/N 5742776 - 1994

NOTE 2: PART OF PLUNGE BOOT PARTS KIT

P/N 5705606 - 1992 - 1993

P/N 5742775 - 1994

NOTE 3: BOOTS ONLY AVAILABLE FOR 1994 SHAFTS



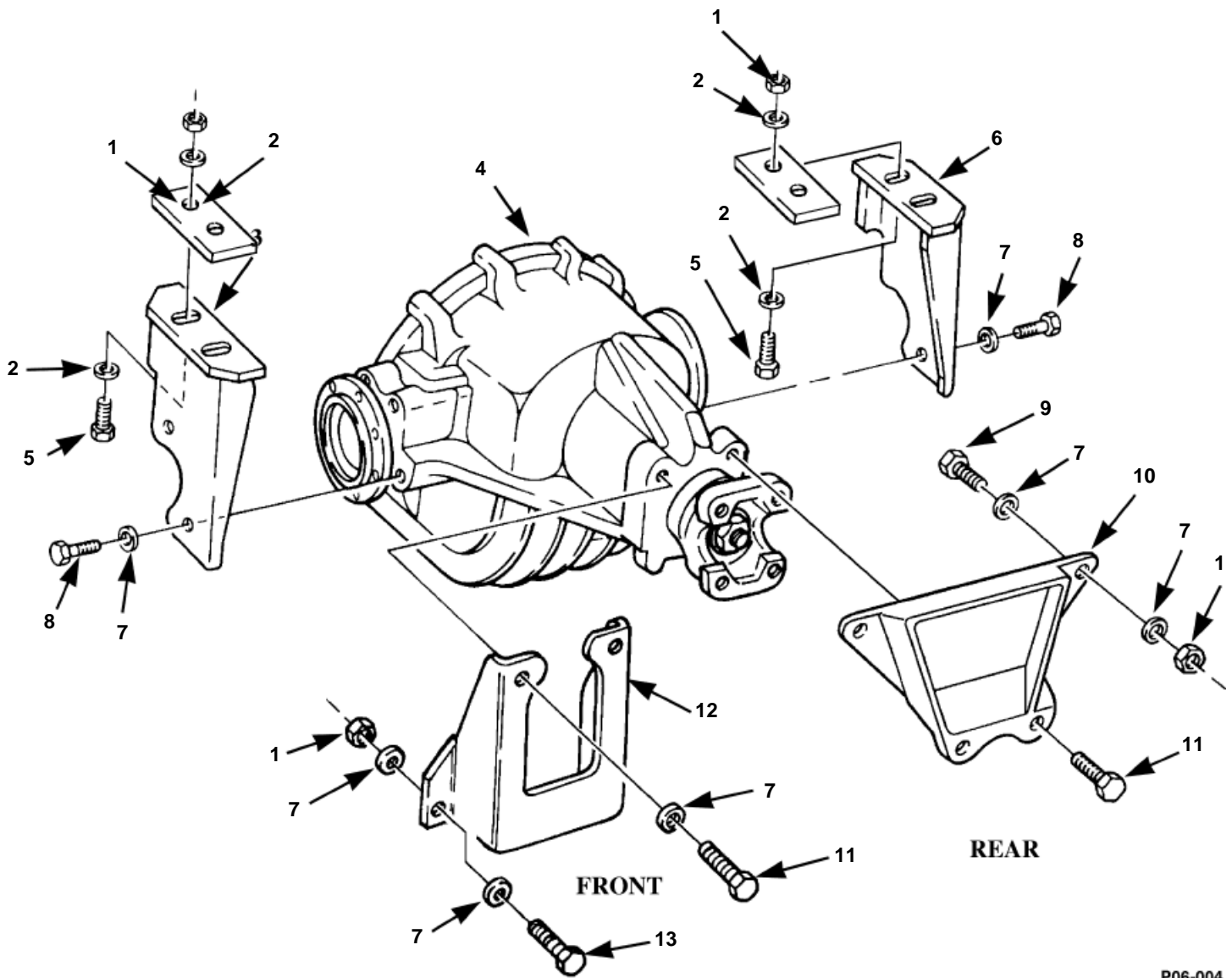
Propeller Shafts



**Propeller Shafts.**

Item	Part No.	Description	Qty
1	<b>12339301</b>	STRAP, cross assembly	4
2	<b>12339049</b>	SCREW, cross assembly	8
3	<b>6000262</b>	PROPSHAFT, collapsing	1
4	<b>S.I.K.</b>	BEARING RACE, SEE NOTE 1	4
5	<b>MS15001-1</b>	FITTING, grease	2
6	<b>S.I.K.</b>	RING, SEE NOTE 1	2
7	<b>S.I.K.</b>	CROSS ASSEMBLY, SEE NOTE 1	1
8	<b>S.I.A.</b>	YOKE, universal	1
9	<b>5740723</b>	DUST CAP	1
10	<b>S.I.A.</b>	PROPELLER SHAFT, front	1
11	<b>5741082</b>	BEARING, center	1
12	<b>9422299</b>	NUT	2
13	<b>2436164</b>	WASHER	4
14	<b>MS90728-85</b>	SCREW	2
15	<b>EC12339050</b>	U-BOLT	2
16	<b>12342618</b>	DRIVE SHAFT, front	1
	<b>12447114</b>	DRIVE SHAFT, front (1994)	1
17	<b>5740723</b>	DUST CAP	1
18	<b>MS15001-1</b>	FITTING, grease	3
19	<b>5937482</b>	YOKE, universal	1
20	<b>S.I.K.</b>	BEARING RACE, SEE NOTE 1	8
21	<b>S.I.K.</b>	CROSS ASSEMBLY, SEE NOT 1	2
22	<b>S.I.K.</b>	RING, SEE NOTE 1	2
23	<b>S.I.A.</b>	PROPELLER SGAFT, front middle	1
24	<b>MS35338-45</b>	LOCKWASHER	4
25	<b>MS51968-6</b>	NUT	4
26	<b>12342619</b>	PROPSHAFT, rear	1
	<b>6002594</b>	PROPSHAFT, rear (1994 vehicles; used with transfer case P/N 6003058)	1
	<b>12447113</b>	PROPSHAFT, rear (1994 vehicles; used with transfer cae P/N 6003690)	1
27	<b>5937481</b>	SLIP YOKE, universal joint	1
28	<b>MS15001-1</b>	FITTING, grease	2
29	<b>S.I.K.</b>	BEARING RACE, SEE NOTE 1	8
30	<b>S.I.K.</b>	CROSS ASSEMBLY, SEE NOT 1	2
31	<b>S.I.K.</b>	RING, SEE NOTE 1	2
32	<b>S.I.A.</b>	PROPELLER SHAFT, rear	1

NOTE 1: PART OF JOURNAL AND BEARING KIT P/N  
5595706

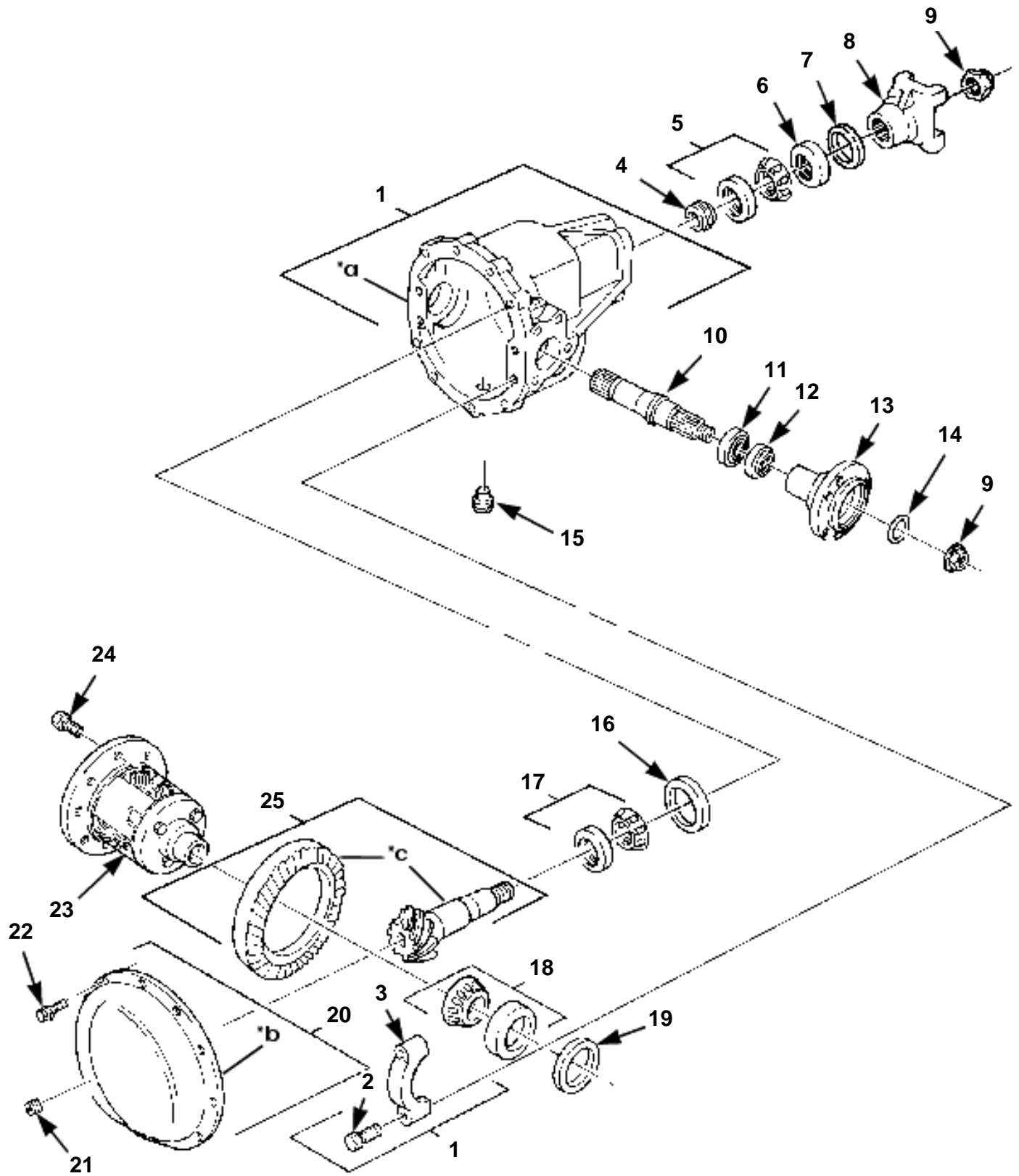


P06-004

## Axle Differential, Mounting Brackets and Hardware

**Axle Differential, Mounting Brackets, and Hardware.**

Item	Part No.	Description	Qty
1	<b>MS51943-39</b>	LOCKNUT, differential hanger bracket	2
2	<b>2436165</b>	WASHER, differential hanger bracket	4
3	<b>12338150-1</b>	BRACKET, front differential, L.H.	1
	<b>12338151-2</b>	BRACKET, rear differential, R.H.	1
4	<b>6002483</b>	AXLE ASSEMBLY, differential, front or rear	1
5	<b>MS90728-111</b>	SCREW, differential hanger bracket	2
6	<b>12338150-2</b>	BRACKET, front differential, R.H.	1
	<b>12338151-1</b>	BRACKET, rear differential, L.H.	1
7	<b>2436167</b>	WASHER, differential	8
8	<b>5936101</b>	SCREW, differential	2
9	<b>MS90728-120</b>	SCREW, rear differential bracket	2
10	<b>12341900</b>	BRACKET, rear axle	1
11	<b>5936095</b>	BOLT, differential pinion mount	2
12	<b>12342801</b>	BRACKET, front axle pinion	1
13	<b>MS90728-109</b>	SCREW, front differential bracket	2



PD4-D39

- \*a PART OF ITEM 1
- \*b PART OF ITEM 20
- \*c PART OF ITEM 25

## Axle Differential

**Axle Differential.**

Item	Part No.	Description	Qty
1	<b>5579424</b>	HOUSING, mechanical, axle differential	1
2	<b>5745648</b>	.BOLT, bearing cap	4
3	<b>S.I.A.</b>	.CAP, bearing	2
4	<b>5579450</b>	SPACER, axle pinion	1
5	<b>5583610</b>	BEARING, axle pinion	1
6	<b>5579448</b>	SEAL, axle pinion	1
7	<b>12460375</b>	SLINGER, axle	2
8	<b>12460374</b>	YOKE, differential pinion	2
9	<b>5579442</b>	LOCKNUT, axle shaft	3
10	<b>6010942</b>	SHAFT, axle output	2
11	<b>5579988</b>	BEARING, output shaft	2
12	<b>6009472</b>	SEAL, output shaft	2
13	<b>5593817</b>	FLANGE, output shaft	2
14	<b>5939517</b>	SEAL, O-ring, output shaft	2
15	<b>5593148</b>	MAGNETIC PLUG, differential housing drain	1
16	<b>5579445-79</b>	SPACER, axle pinion bearing, 0.0835-0.0845-inch, SEE NOTE 1	1
	<b>5579445-78</b>	SPACER, axle pinion bearing, 0.0846-0.0856-inch, SEE NOTE 1	1
	<b>5579445-77</b>	SPACER, axle pinion bearing, 0.0857-0.0867-inch, SEE NOTE 1	1
	<b>5579445-76</b>	SPACER, axle pinion bearing, 0.0868-0.0878-inch, SEE NOTE 1	1
	<b>5579445-75</b>	SPACER, axle pinion bearing, 0.0879-0.0889-inch, SEE NOTE 1	1
	<b>5579445-74</b>	SPACER, axle pinion bearing, 0.0890-0.0900-inch, SEE NOTE 1	1
	<b>5579445-73</b>	SPACER, axle pinion bearing, 0.0901-0.0911-inch, SEE NOTE 1	1
	<b>5579445-72</b>	SPACER, axle pinion bearing, 0.0912-0.0922-inch, SEE NOTE 1	1
	<b>5579445-71</b>	SPACER, axle pinion bearing, 0.0923-0.0933-inch, SEE NOTE 1	1
	<b>5579445-70</b>	SPACER, axle pinion bearing, 0.0934-0.0944-inch, SEE NOTE 1	1
	<b>5579445-69</b>	SPACER, axle pinion bearing, 0.0945-0.0955-inch, SEE NOTE 1	1
	<b>5579445-68</b>	SPACER, axle pinion bearing, 0.0956-0.0966-inch, SEE NOTE 1	1
	<b>5579445-67</b>	SPACER, axle pinion bearing, 0.0967-0.0977-inch, SEE NOTE 1	1
	<b>5579445-66</b>	SPACER, axle pinion bearing, 0.0978-0.0988-inch, SEE NOTE 1	1
	<b>5579445-65</b>	SPACER, axle pinion bearing, 0.0989-0.0999-inch, SEE NOTE 1	1
	<b>5579445-64</b>	SPACER, axle pinion bearing, 0.1000-0.1010-inch, SEE NOTE 1	1
	<b>5579445-63</b>	SPACER, axle pinion bearing, 0.1011-0.1021-inch, SEE NOTE 1	1
	<b>5579445-62</b>	SPACER, axle pinion bearing, 0.1022-0.1032-inch, SEE NOTE 1	1
	<b>5579445-61</b>	SPACER, axle pinion bearing, 0.1033-0.1043-inch, SEE NOTE 1	1
	<b>5579445-60</b>	SPACER, axle pinion bearing, 0.1044-0.1054-inch, SEE NOTE 1	1
	<b>5579445-59</b>	SPACER, axle pinion bearing, 0.1055-0.1065-inch, SEE NOTE 1	1
	<b>5579445-58</b>	SPACER, axle pinion bearing, 0.1066-0.1076-inch, SEE NOTE 1	1
	<b>5579445-57</b>	SPACER, axle pinion bearing, 0.1077-0.1087-inch, SEE NOTE 1	1
	<b>5579445-56</b>	SPACER, axle pinion bearing, 0.1088-0.1098-inch, SEE NOTE 1	1
	<b>5579445-55</b>	SPACER, axle pinion bearing, 0.1099-0.1109-inch, SEE NOTE 1	1

**Axle Differential.**

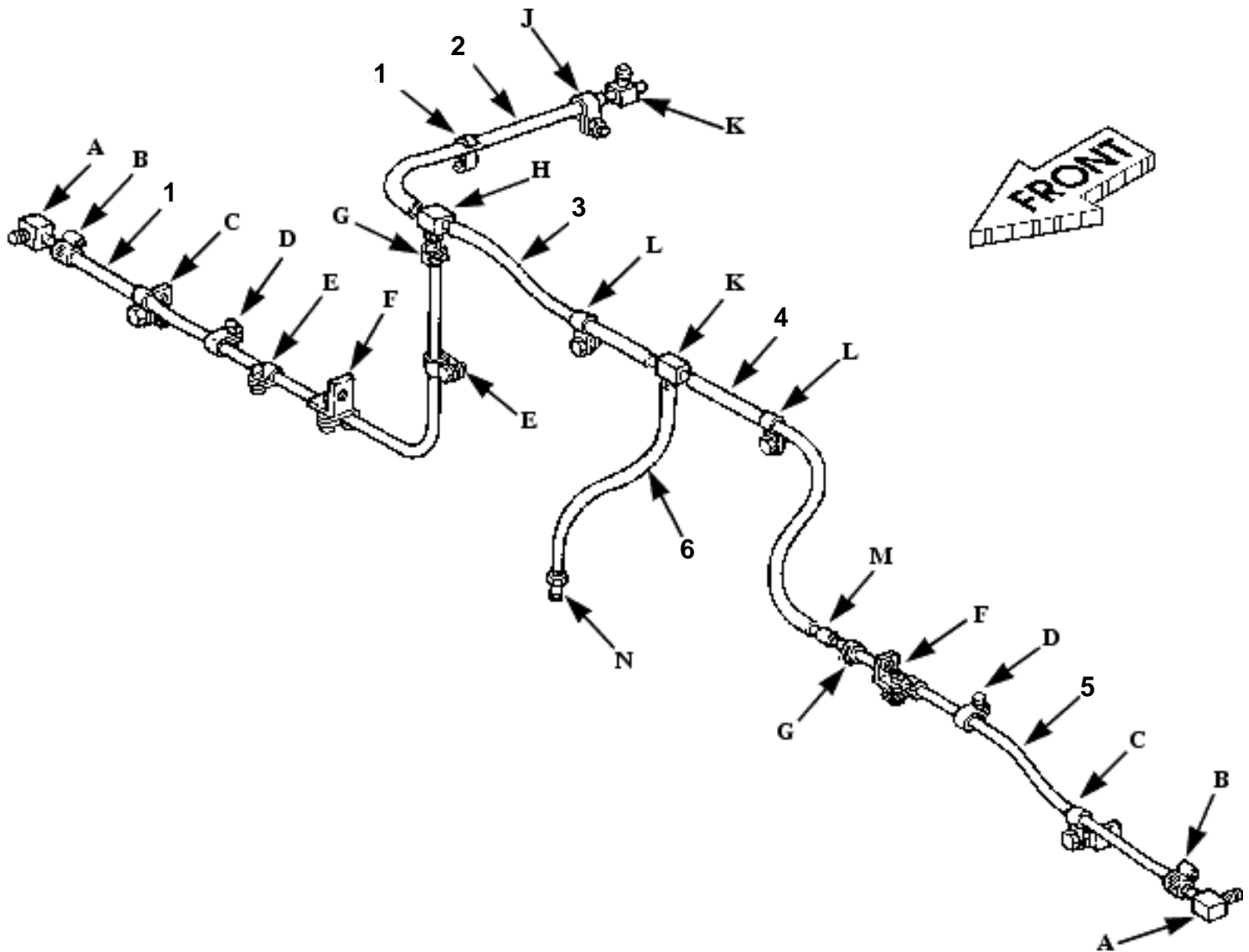
Item	Part No.	Description	Qty
16	<b>5579445-54</b>	SPACER, axle pinion bearing, 0.1110-0.1120-inch, SEE NOTE 1	1
17	<b>5583609</b>	BEARING, axle pinion	1
18	<b>5583611</b>	ROLLER BEARING, output shaft	2
19	<b>5579453-44</b>	SPACER, differential bearing, 0.0745-0.0755-inch, SEE NOTE 2	1
	<b>5579453-45</b>	SPACER, differential bearing, 0.0756-0.0766-inch, SEE NOTE 2	1
	<b>5579453-46</b>	SPACER, differential bearing, 0.0767-0.0777-inch, SEE NOTE 2	1
	<b>5579453-47</b>	SPACER, differential bearing, 0.0778-0.0788-inch, SEE NOTE 2	1
	<b>5579453-48</b>	SPACER, differential bearing, 0.0789-0.0799-inch, SEE NOTE 2	1
	<b>5579453-49</b>	SPACER, differential bearing, 0.0800-0.0810-inch, SEE NOTE 2	1
	<b>5579453-50</b>	SPACER, differential bearing, 0.0811-0.0821-inch, SEE NOTE 2	1
	<b>5579453-51</b>	SPACER, differential bearing, 0.0822-0.0832-inch, SEE NOTE 2	1
	<b>5579453-52</b>	SPACER, differential bearing, 0.0833-0.0843-inch, SEE NOTE 2	1
	<b>5579453-53</b>	SPACER, differential bearing, 0.0844-0.0854-inch, SEE NOTE 2	1
	<b>5579453-54</b>	SPACER, differential bearing, 0.0855-0.0865-inch, SEE NOTE 2	1
	<b>5579453-55</b>	SPACER, differential bearing, 0.0866-0.0876-inch, SEE NOTE 2	1
	<b>5579453-56</b>	SPACER, differential bearing, 0.0877-0.0887-inch, SEE NOTE 2	1
	<b>5579453-57</b>	SPACER, differential bearing, 0.0888-0.0898-inch, SEE NOTE 2	1
	<b>5579453-58</b>	SPACER, differential bearing, 0.0899-0.0909-inch, SEE NOTE 2	1
	<b>5579453-59</b>	SPACER, differential bearing, 0.0910-0.0920-inch, SEE NOTE 2	1
	<b>5579453-60</b>	SPACER, differential bearing, 0.0921-0.0931-inch, SEE NOTE 2	1
	<b>5579453-61</b>	SPACER, differential bearing, 0.0932-0.0942-inch, SEE NOTE 2	1
	<b>5579453-62</b>	SPACER, differential bearing, 0.0943-0.0953-inch, SEE NOTE 2	1
	<b>5579453-63</b>	SPACER, differential bearing, 0.0954-0.0964-inch, SEE NOTE 2	1
	<b>5579453-64</b>	SPACER, differential bearing, 0.0965-0.0975-inch, SEE NOTE 2	1
	<b>5579453-65</b>	SPACER, differential bearing, 0.0976-0.0986-inch, SEE NOTE 2	1
	<b>5579453-66</b>	SPACER, differential bearing, 0.0987-0.0997-inch, SEE NOTE 2	1
	<b>5579453-67</b>	SPACER, differential bearing, 0.0998-0.1008-inch, SEE NOTE 2	1
	<b>5579453-68</b>	SPACER, differential bearing, 0.1009-0.1019-inch, SEE NOTE 2	1
	<b>5579453-69</b>	SPACER, differential bearing, 0.1020-0.1030-inch, SEE NOTE 2	1
	<b>5579453-70</b>	SPACER, differential bearing, 0.1031-0.1041-inch, SEE NOTE 2	1
	<b>5579453-71</b>	SPACER, differential bearing, 0.1042-0.1052-inch, SEE NOTE 2	1
	<b>5579453-72</b>	SPACER, differential bearing, 0.1042-0.1052-inch, SEE NOTE 2	1
	<b>5579453-73</b>	SPACER, differential bearing, 0.1064-0.1074-inch, SEE NOTE 2	1
	<b>5579453-74</b>	SPACER, differential bearing, 0.1075-0.1085-inch, SEE NOTE 2	1

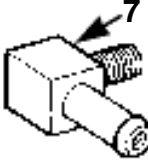

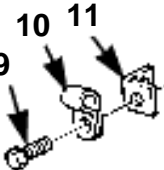
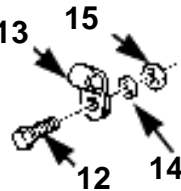
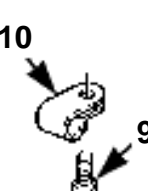
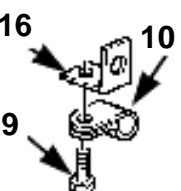

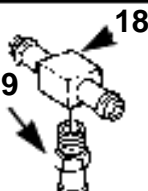

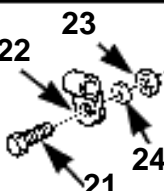
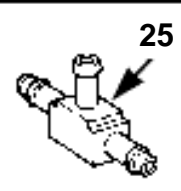
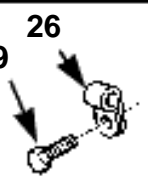
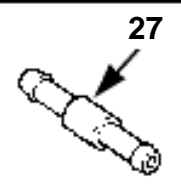

**Axle Differential.**

Item	Part No.	Description	Qty
19	<b>5579453-75</b>	SPACER, differential bearing, 0.1086-0.1096-inch, SEE NOTE 2	1
	<b>5579453-76</b>	SPACER, differential bearing, 0.1097-0.1107-inch, SEE NOTE 2	1
	<b>5579453-77</b>	SPACER, differential bearing, 0.1108-0.1118-inch, SEE NOTE 2	1
	<b>5579453-78</b>	SPACER, differential bearing, 0.1119-0.1129-inch, SEE NOTE 2	1
	<b>5579453-79</b>	SPACER, differential bearing, 0.1130-0.1140-inch, SEE NOTE 2	1
	<b>5579453-80</b>	SPACER, differential bearing, 0.1141-0.1151-inch, SEE NOTE 2	1
	<b>5579453-81</b>	SPACER, differential bearing, 0.1152-0.1162-inch, SEE NOTE 2	1
	<b>5579453-82</b>	SPACER, differential bearing, 0.1163-0.1173-inch, SEE NOTE 2	1
	<b>5579453-83</b>	SPACER, differential bearing, 0.1174-0.1184-inch, SEE NOTE 2	1
20	<b>5582303</b>	COVER ASSEMBLY, differential axle	1
21	<b>5597050</b>	·PLUG, differential cover	1
22	<b>5579438</b>	·SCREW, differential cover	12
23	<b>5936107</b>	DIFFERENTIAL, axle	1
24	<b>5579439</b>	SCREW, differential	8
25	<b>5935390</b>	GEAR SET, ring and pinion	1

NOTE 1: PART OF AXLE PINION BEARING SHIM KIT P/N  
5579445 KIT CONTAINS SPACERS P/N 5579445-  
54 THROUGH P/N 5579445-79.

NOTE 2: PART OF DIFFERENTIAL BEARING SHIM KIT P/  
N 5579453 KIT CONTAINS SPACERS P/N  
5579453-44 THROUGH P/N 5579453-83.



 <b>VIEW A</b>	 <b>VIEW B</b>	 <b>VIEW C</b>	 <b>VIEW D</b>	 <b>VIEW E</b>	 <b>VIEW F</b>	 <b>VIEW G</b>
 <b>VIEW H</b>	 <b>VIEW I</b>	 <b>VIEW J</b>	 <b>VIEW K</b>	 <b>VIEW L</b>	 <b>VIEW M</b>	 <b>VIEW N</b>

PG6-006

## Front Axle Differential and Geared Hub Vent Lines

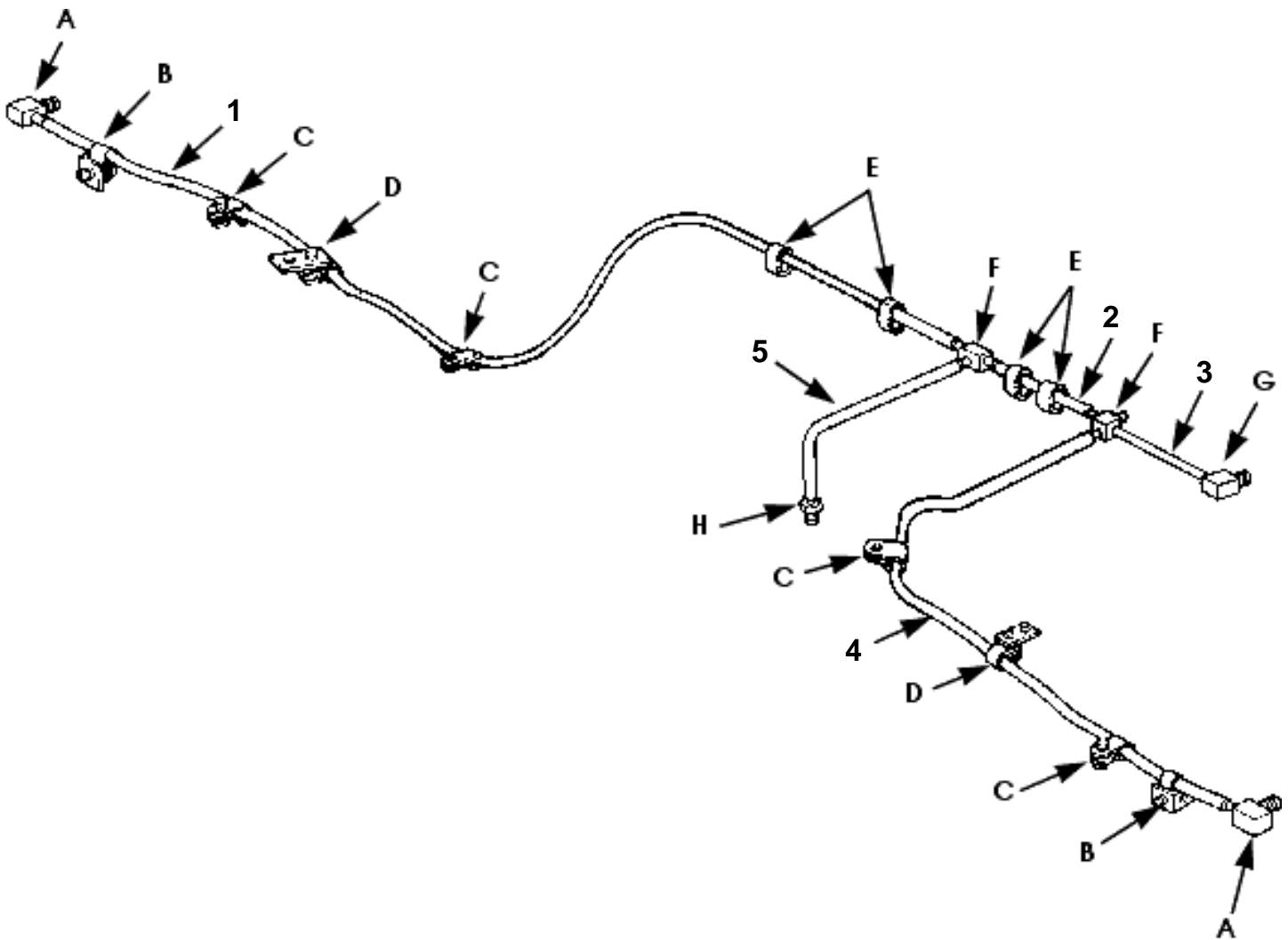


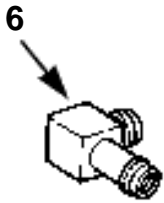
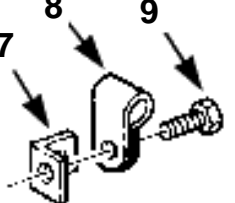
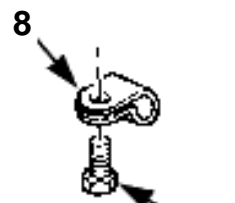
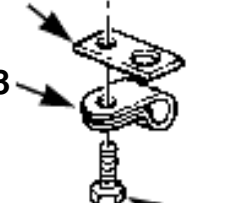
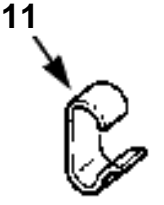
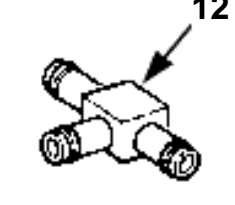
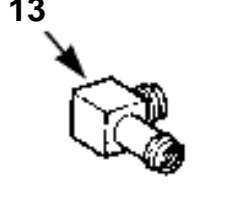
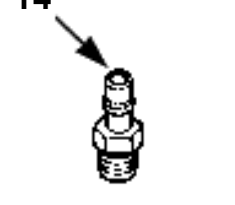
**Front Axle Differential and Geared Hub Vent Lines.**

Item	Part No.	Description	Qty
1	<b>N/S</b>	HOSE, 32-inch, geared hub vent line, R.H., SEE NOTE 1	1
2	<b>N/S</b>	TUBE, 20-inch, differential and geared hub vent line, SEE NOTE 2	1
3	<b>N/S</b>	TUBE, 14-inch, differential and geared hub vent line, SEE NOTE 2	1
4	<b>N/S</b>	TUBE, 12-inch, differential and geared hub vent line, SEE NOTE 2	1
5	<b>N/S</b>	HOSE, 25-inch, geared hub vent line, L.H., SEE NOTE 1	1
6	<b>N/S</b>	TUBE, 8-inch, differential vent line, SEE NOTE 2	2
7	<b>12339983</b>	ELBOW, geared hub vent line	2
8	<b>5934853</b>	CLAMP, screw type	2
9	<b>271153</b>	SCREW, vent line clamp	8
10	<b>MS21333-123</b>	CLAMP, vent line	6
11	<b>5598208</b>	BRACKET, vent line	2
12	<b>MS90725-6</b>	SCREW, vent line	2
13	<b>12340571-2</b>	CLAMP, vent line	2
14	<b>ELMS27183-10</b>	WASHER, vent line	2
15	<b>MS51943-31</b>	LOCKNUT	2
16	<b>EC12338170</b>	BRACKET, vent line	2
17	<b>WW-C-440-1/2</b>	CLAMP, vent line, 1/2-inch, pinch type	2
18	<b>12339969</b>	TEE, vent line	1
19	<b>12340331</b>	ADAPTER, vent line	1
20	<b>12339890</b>	S-CLIP	1
21	<b>MS90728-34</b>	BOLT	1
22	<b>MS21333-109</b>	CLAMP	1
23	<b>ELMS27183-13</b>	WASHER	1
24	<b>MS51943-33</b>	LOCKNUT	1
25	<b>12339973-1</b>	TEE, vent line	2
26	<b>MS21333-119</b>	CLAMP, vent line	2
27	<b>12339972</b>	UNION, vent line	1
28	<b>12339978</b>	ADAPTER, differential vent line	1

NOTE 1: MAKE FROM BULK HOSE P/N 5741210.

NOTE 2: MAKE FROM BULK NYLON TUBE P/N 5741079



 <p>VIEW A</p>	 <p>VIEW B</p>	 <p>VIEW C</p>	 <p>VIEW D</p>
 <p>VIEW E</p>	 <p>VIEW F</p>	 <p>VIEW G</p>	 <p>VIEW H</p>

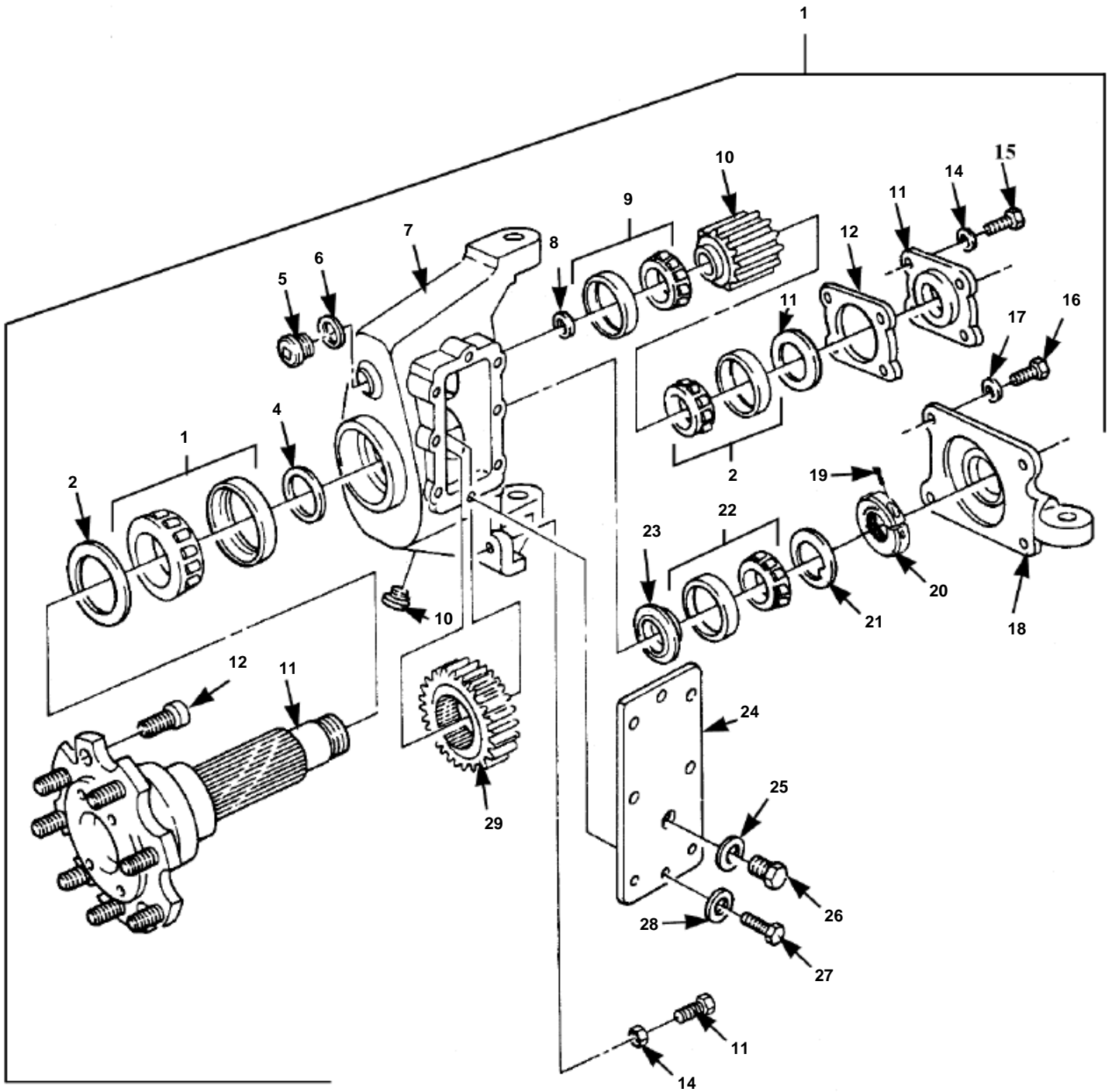
PO6-G06

## Rear Axle Differential and Geared Hub Vent Lines

**Rear Axle Differential and Geared Hub Vent Lines.**

Item	Part No.	Description	Qty
1	<b>N/S</b>	TUBE, 42-inch, geared hub vent line, L.H., SEE NOTE 1	1
2	<b>N/S</b>	TUBE, 7-inch, differential and geared hub vent line, SEE NOTE 1	1
3	<b>N/S</b>	TUBE, 5-inch, SEE NOTE 1	1
4	<b>N/S</b>	TUBE, 35.50-inch, geared hub vent line, R.H., SEE NOTE 1	1
5	<b>N/S</b>	TUBE, 10-inch, differential vent line, SEE NOTE 1	1
6	<b>12339964-1</b>	ELBOW, geared hub vent lines	2
7	<b>5598208</b>	BRACKET, vent lines	2
8	<b>MS21333-119</b>	CLAMP, vent lines	8
9	<b>271153</b>	SCREW, vent line clamps	8
10	<b>12338172</b>	PLATE, geared hub vent lines	2
11	<b>12340023</b>	CLIP, vent lines	4
12	<b>12339973-1</b>	TEE, vent lines	2
13	<b>12339979-1</b>	ELBOW	1
14	<b>12339978</b>	CONNECTOR, vent line	1

NOTE 1: MAKE FROM BULK NYLON TUBE P/N 5741079.

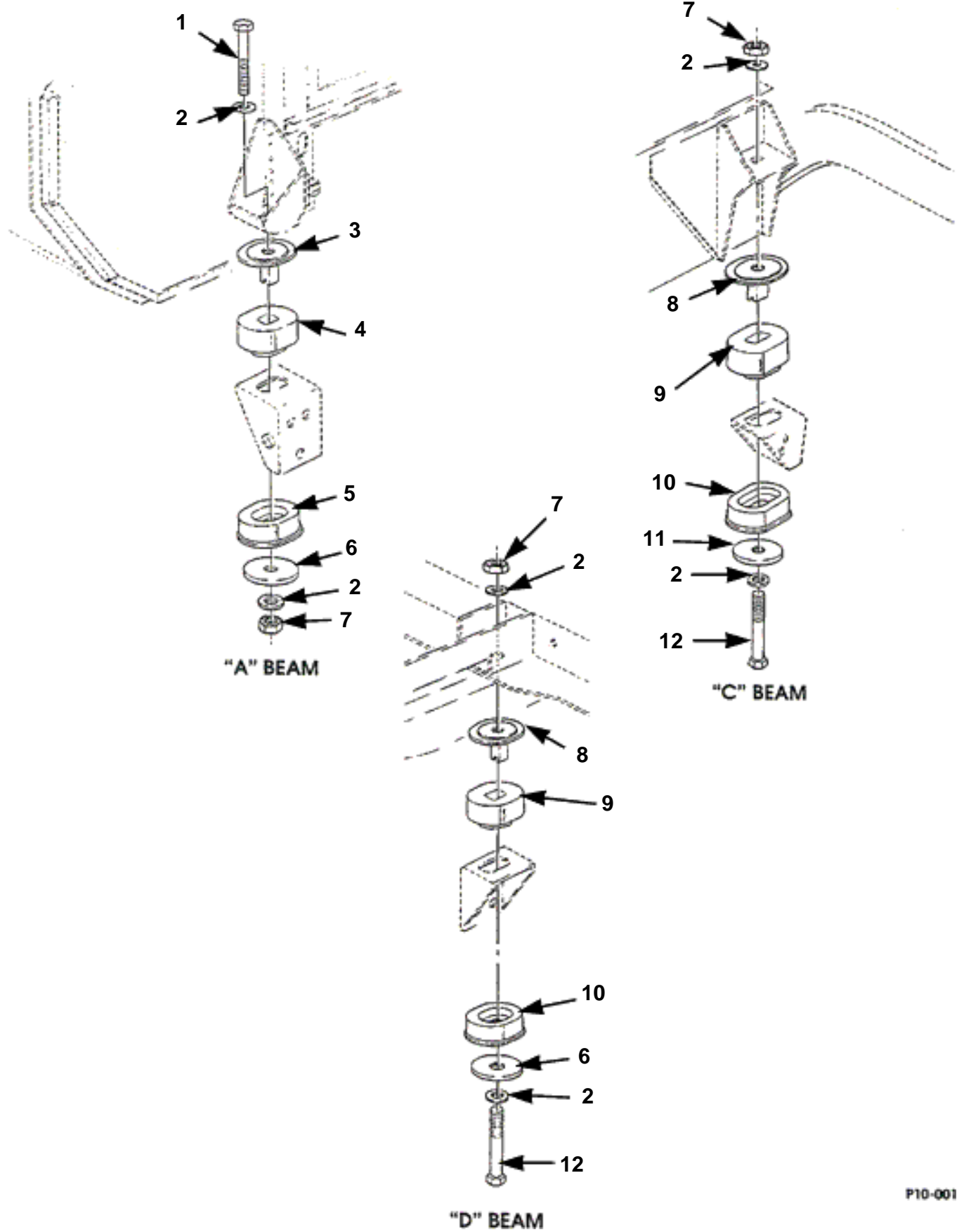


# Knuckle and Geared Hub Assembly, CTIS

**Knuckle and Geared Hub Assembly, CTIS.**

Item	Part No.	Description	Qty
1	<b>6014367</b>	KNUCKLE, geared hub, front L.H., rear R.H.	1
	<b>6014366</b>	KNUCKLE, geared hub, front R.H., rear L.H.	1
2	<b>S.I.K.</b>	SEAL, outer bearing, SEE NOTE 1	1
3	<b>MS19081-86</b>	BEARING, spindle, outer	1
4	<b>5573989</b>	SPACER, outer spindle	1
5	<b>5595214</b>	PLUG, pper access	1
6	<b>5573688</b>	WASHER, upper access plug	1
7	<b>S.I.A.</b>	GEARED HUB HOUSING	1
8	<b>5568223</b>	WASHER, halfshaft	1
9	<b>5568226</b>	BEARING, upper gear	2
10	<b>5574921</b>	GEAR, upper	1
11	<b>5745324</b>	SEAL, upper gear	1
12	<b>5573692</b>	SHIM, gasket, .005-inch	V
13	<b>5574002</b>	RETAINER, upper gear	1
14	<b>N/S</b>	WASHER, upper gear retainer	4
15	<b>MS90728-60</b>	SCREW, upper gear retainer	4
16	<b>N/S</b>	SCREW, steering cover, 1/2 - 13 x 1 1/4"	4
17	<b>MS27183-18</b>	WASHER, steering cover	4
18	<b>6001773</b>	COVER, steering arm front L.H., rear R.H.	1
	<b>6001772</b>	COVER, steering arm front R.H., rear L.H.	1
19	<b>6001757</b>	LOCKSCREW, clampnut	1
20	<b>6001735</b>	CLAMPNUT	1
21	<b>5573684</b>	WASHER, spindle	1
22	<b>5568227</b>	BEARING, inner	1
23	<b>6018512</b>	SPACER, inner bearing	1
24	<b>5574924</b>	ACCES COVER, case side	1
25	<b>5573687</b>	WASHER, fill plug	1
26	<b>5573690</b>	FILL PLUG	1
27	<b>5593348</b>	BOLT, side cover	8
28	<b>ELMS27183-12</b>	WASHER, side cover	8
29	<b>5574922</b>	GEAR, lower	1
30	<b>5593656</b>	MAGNETIC PLUG, lower	1
31	<b>5579061</b>	SPINDLE KIT, (contains item 22)	1
32	<b>5568211</b>	STUD, spindle	8
33	<b>MS90728-113</b>	SCREW, steering stop, front only	2
34	<b>N/S</b>	NUT, steering stop, front only	2

NOTE 1: SEAL SERVICED IN GEARED HUB OUTPUT  
SEAL KIT P/N 5745995

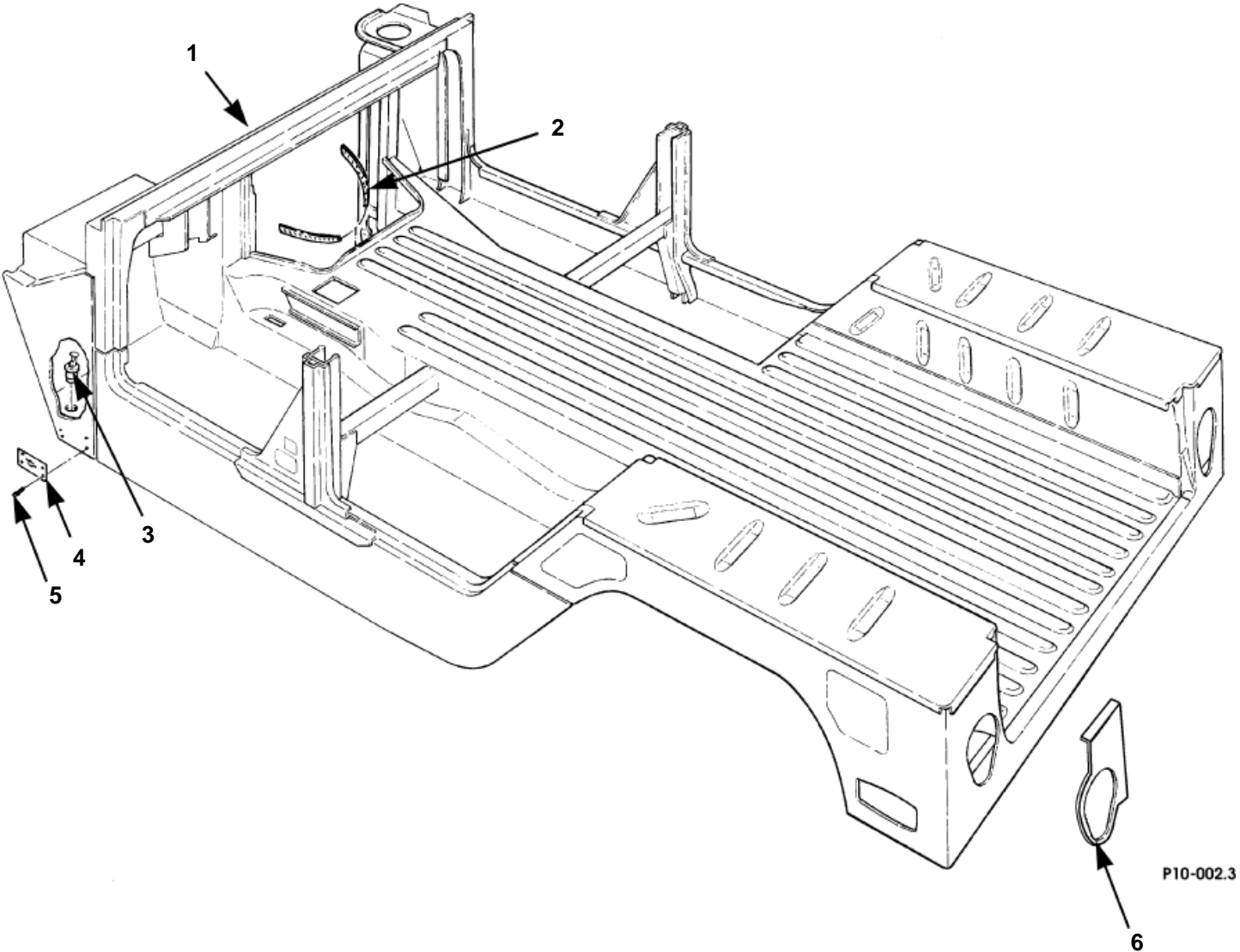


P10-001

# Body Mounting Components

**Body Mounting Components.**

Item	Part No.	Description	Qty
1	<b>MS90728-171</b>	BOLT, A-beam body mount, L.H.	1
	<b>MS90728-172</b>	BOLT, A-beam body mount, R.H.	1
2	<b>2436167</b>	WASHER	12
3	<b>EC12339249-1</b>	SLEEVE ASSEMBLY, body cushion	2
4	<b>EC12339244-1</b>	CUSHION ASSEMBLY, body, upper	2
5	<b>EC12339247-1</b>	CUSHION ASSEMBLY, body, lower	2
6	<b>EC12339248-2</b>	SPACER, mount, R.H.	3
	<b>EC12339248-3</b>	SPACER, mount, L.H.	1
7	<b>MS51943-43</b>	NUT	6
8	<b>EC12339249-2</b>	SLEEVE ASSEMBLY, body cushion	4
9	<b>EC12339244-3</b>	CUSHION ASSEMBLY, body, upper	4
10	<b>EC12339247-3</b>	CUSHION ASSEMBLY, body, lower	4
11	<b>EC12339248-1</b>	SPACER, mount	2
12	<b>MS90728-173</b>	BOLT, body mount, R.H., C-beam	1
	<b>MS90728-174</b>	BOLT, body mount, L.H., C-beam; D-beam both sides	3



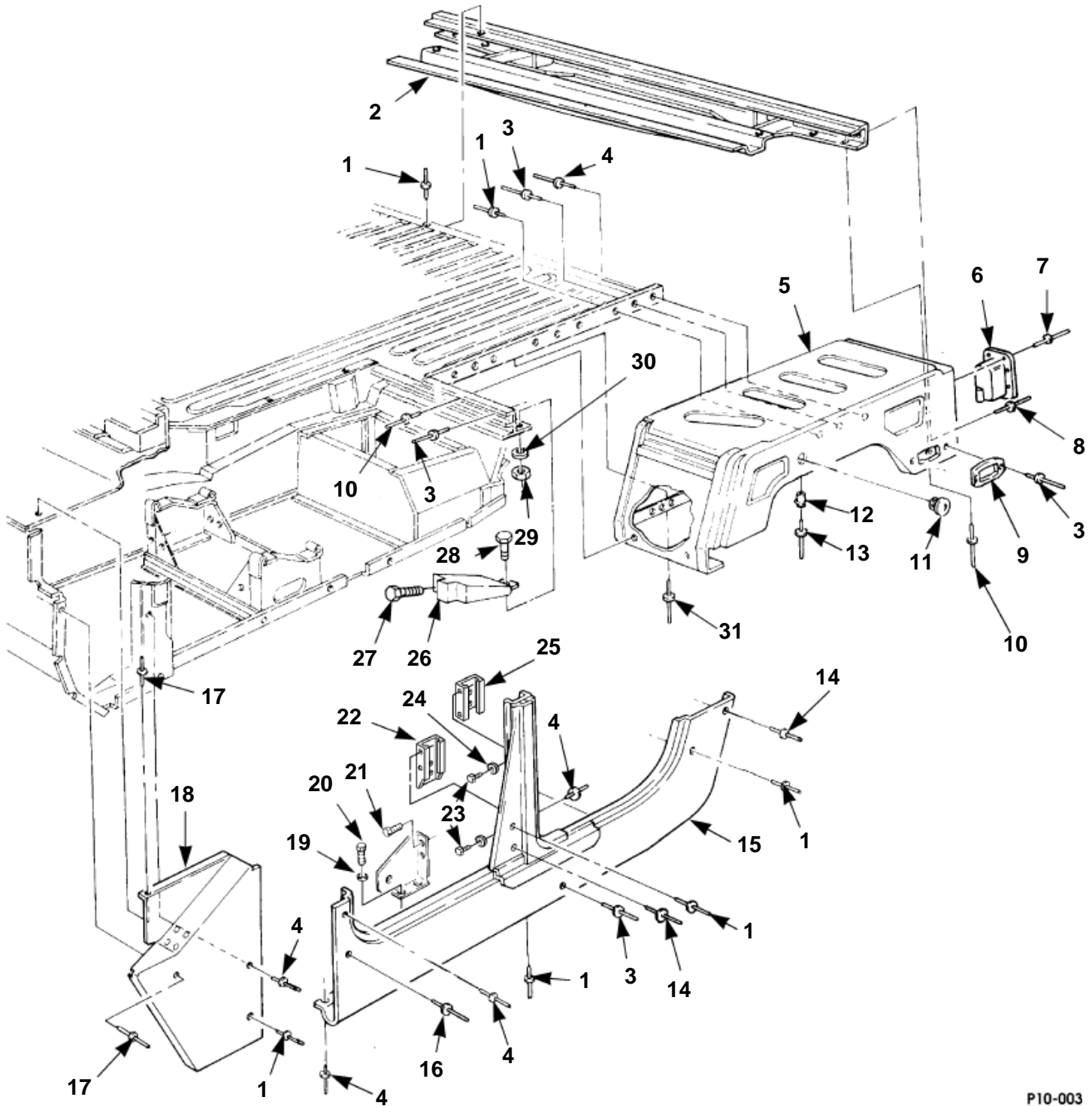
# Body Assembly



**Body Assembly.**

Item	Part No.	Description	Qty
1	<b>WA12342636</b>	BODY ASSEMBLY, basic riveted HMC2	1
	<b>WC12342636</b>	BODY ASSEMBLY, basic riveted, (1994) HMC2	1
	<b>WD12342636</b>	BODY ASSEMBLY, basic riveted, (1994) HMC4, HMCS, HMCO	1
2	<b>12339902-7</b>	PROTECTOR EDGE	7
3	<b>5939808</b>	DRAIN PLUG, floor	2
4	<b>6001601</b>	PLATE "HUMMER", STD (1993)	2
	<b>6003871</b>	PLATE, "HUMMER," (1994)	2
5	<b>6000235</b>	SCREW	8
6	<b>6005440P</b>	PANEL, closeout, rear, R.H. SEE NOTE 1	1
	<b>6005439P</b>	PANEL, closeout, rear, L.H. SEE NOTE 1	1

NOTE 1: USED ON VEHICLES WITH VERTICAL REAR  
DOORS

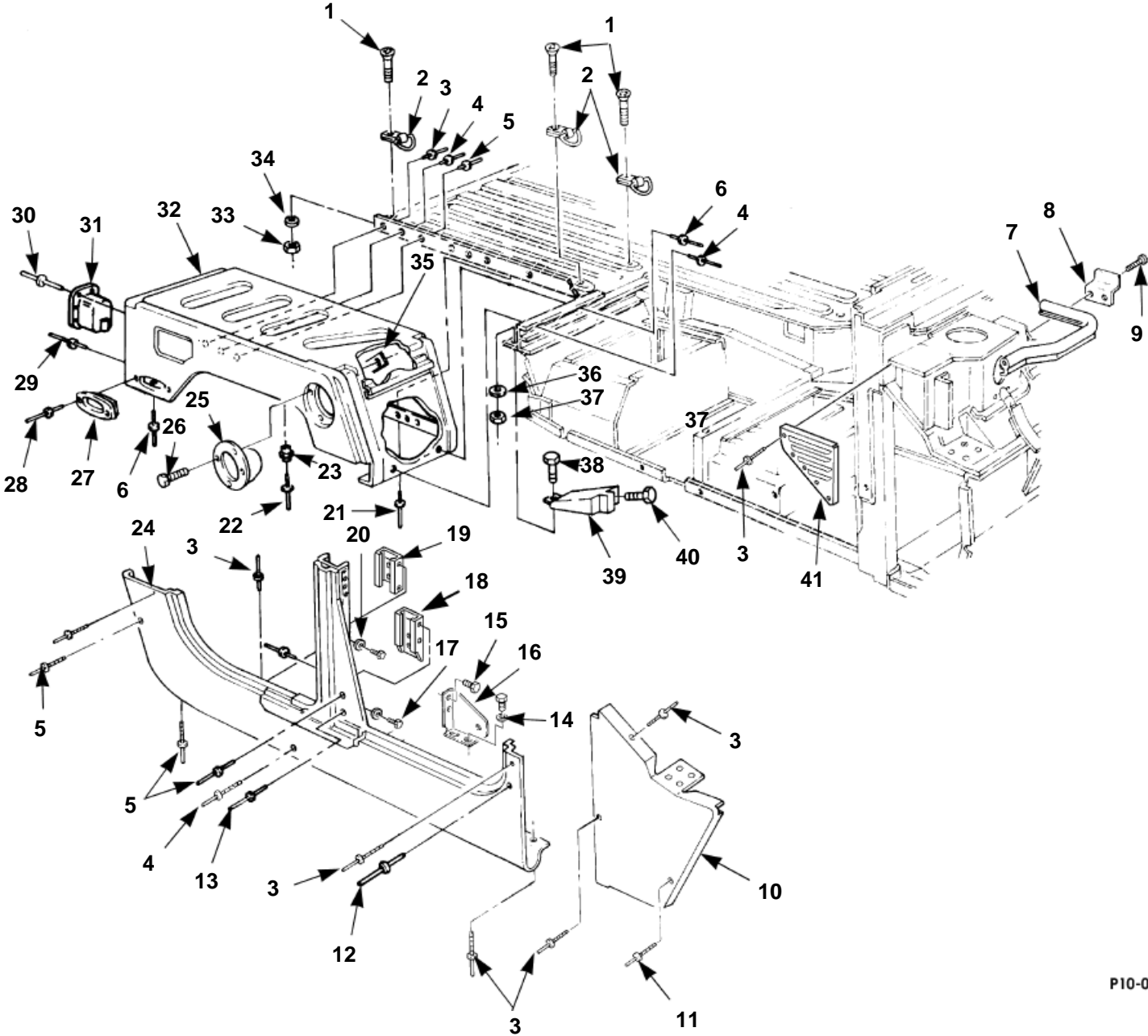


P10-003

### Body Assembly Components, L.H.

**Body Assembly Components, L.H.**

Item	Part No.	Description	Qty
1	<b>N/S</b>	RIVET, fender panel	21
2	<b>WA12338758P</b>	BEAM ASSEMBLY	1
3	<b>12339355-1P1</b>	RIVET, side panel	52
4	<b>N/S</b>	RIVET, body assembly	101
5	<b>WE12339701P</b>	FENDER ASSEMBLY	1
6	<b>5938940</b>	BRACKET, taillight housing	1
7	<b>N/S</b>	RIVET, taillight housing, 3/6", blind	8
8	<b>N/S</b>	RIVET, fender assembly	36
9	<b>12338709</b>	LIGHT HOUSING, fender assembly	1
10	<b>N/S</b>	RIVET, fender assembly	17
11	<b>N/S</b>	PLUG, fender assembly	2
12	<b>N/S</b>	COLLAR, grooved, fender assembly	2
13	<b>N/S</b>	RIVET, fender assembly	2
14	<b>N/S</b>	RIVET, side panel	3
15	<b>12339698-1P</b>	BODY SIDE ASSEMBLY, panel, L.H.	1
16	<b>N/S</b>	RIVET, side panel	7
17	<b>N/S</b>	RIVET, cowl panel	21
18	<b>5939202P</b>	COWL ASSEMBLY, L.H.	1
19	<b>ELMS27183-10</b>	WASHER, seat belt mount	2
20	<b>MS90728-5</b>	SCREW, seat belt mount	4
21	<b>12339988-1P</b>	MOUNTING BRACKET, seat belt	1
22	<b>6004811B9</b>	BRACKET, lower, L.H.	1
23	<b>MS90728-33</b>	BOLT	4
24	<b>ELMS27183-12</b>	WASHER	4
25	<b>WA12342372B9</b>	BRACKET, upper	1
26	<b>WA12339025-1</b>	SEAL ASSEMBLY, cargo floor	1
27	<b>9425422P2</b>	SCREW	2
28	<b>MS51849-76</b>	SCREW, seal assembly	1
29	<b>EL190254</b>	NUT, seal assembly	1
30	<b>ELMS51412-2</b>	WASHER, seal assembly	1
31	<b>N/S</b>	RIVET, fender assembly	32
	<b>6003456P</b>	B-PILLAR reinforcement, (Not Illustrated)	1
	<b>12340011-1</b>	B-PILLAR reinforcement, (1992-93), (not illustrated)	1

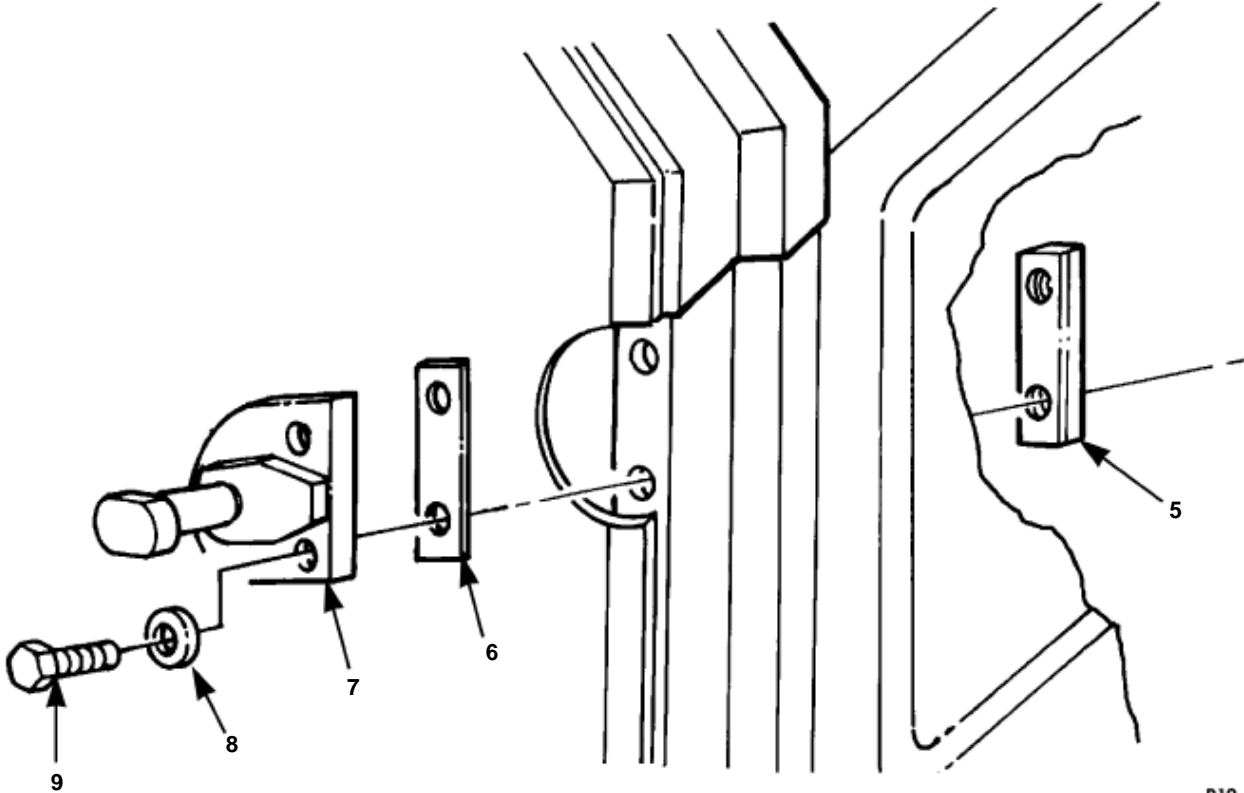
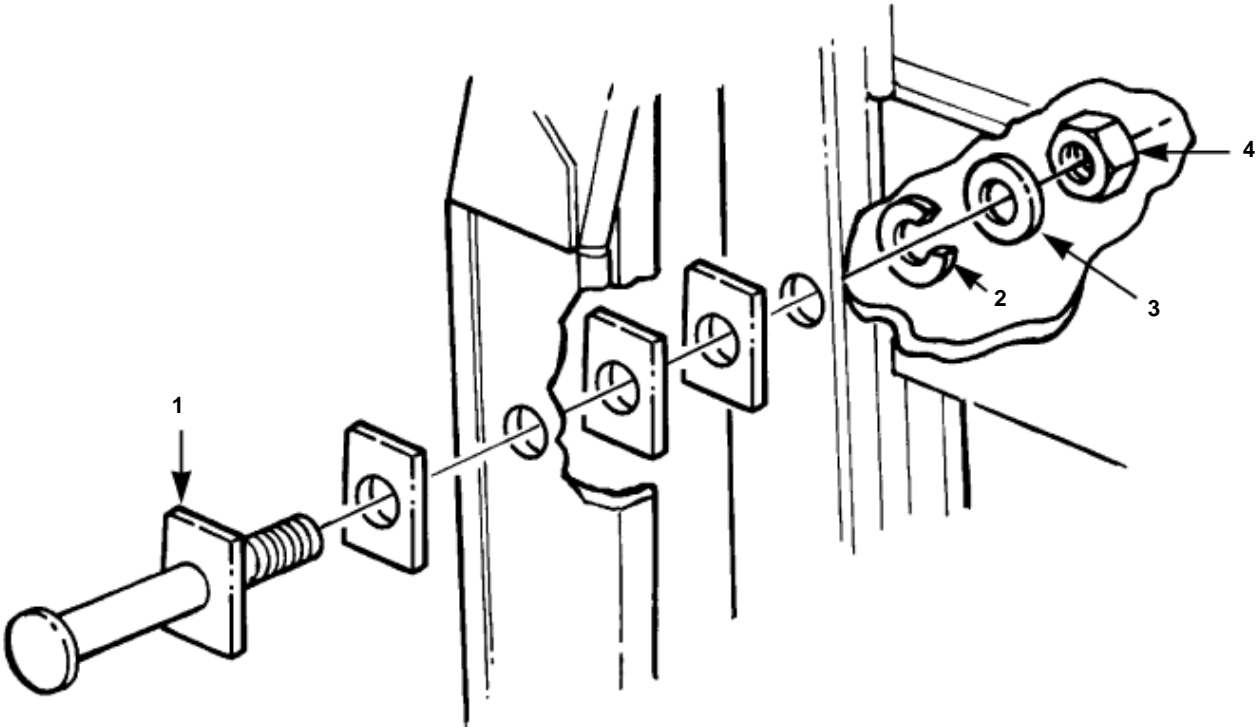


P10-004

# Body Assembly Components, R.H.

**Body Assembly Components, R.H.**

Item	Part No.	Description	Qty
1	<b>MS24667-77P2</b>	SCREW, body assembly, 4-door	3
	<b>MS24667-77P2</b>	SCREW, body assembly, 2-door	6
2	<b>6005425</b>	TIEDOWN, body assembly, 4-door	3
	<b>6005425</b>	TIEDOWN, body assembly, 2-door	6
3	<b>N/S</b>	RIVET, body assembly	130
4	<b>N/S</b>	RIVET, body assembly	57
5	<b>N/S</b>	RIVET, body assembly	21
6	<b>N/S</b>	RIVET, fender assembly	17
7	<b>12338832-1</b>	SEAL, body assembly	1
8	<b>12338814B9</b>	BRACKET, seal	1
9	<b>9421073</b>	SCREW, seal bracket	2
10	<b>6003135</b>	COWL PANEL, R.H.	1
11	<b>N/S</b>	RIVET, cowl panel	5
12	<b>N/S</b>	RIVET, side panel	3
13	<b>N/S</b>	RIVET, side panel	7
14	<b>MS27183-21</b>	WASHER, seat belt mount	2
15	<b>MS90728-5</b>	SCREW, seat belt mount	4
16	<b>12339988-2</b>	BRACKET, seat belt	1
17	<b>ELMS27183-12</b>	BOLT	4
18	<b>6004836B9</b>	BRACKET, lower, R.H.	1
19	<b>WA12342372</b>	B9 BRACKET, upper	1
20	<b>MS90728-33</b>	WASHER	4
21	<b>N/S</b>	RIVET, fender assembly	16
22	<b>N/S</b>	RIVET, fender assembly	2
23	<b>N/S</b>	COLLAR, grooved, fender assembly	2
24	<b>WA12339698-2P</b>	BODY SIDE ASSEMBLY, panel, R.H.	1
25	<b>12339048-1</b>	FUEL FILLER HOUSING, fender assembly	1
26	<b>12340792P2</b>	SCREW, fuel filler	6
27	<b>12338709</b>	LIGHT HOUSING, fender assembly	1
28	<b>12339355-1P1</b>	RIVET, light housing	2
29	<b>N/S</b>	RIVET, fender assembly	18
30	<b>N/S</b>	RIVET, taillight housing, 3/16", blind	8
31	<b>5938940</b>	BRACKET, taillight housing	1
32	<b>WB12339707P</b>	FENDER, right rear	1
33	<b>MS51943-39</b>	NUT, body assembly, 4-door	3
	<b>MS51943-39</b>	NUT, body assembly, 2-door	6
34	<b>AN960-816</b>	WASHER, body assembly, 4-door	3
	<b>AN960-816</b>	WASHER, body assembly, 2-door	6
35	<b>12339426</b>	NUT, fuel filler	1
36	<b>ELMS51412-2</b>	WASHER, seal assembly	1
37	<b>EL190254</b>	NUT, seal assembly	1
38	<b>MS51849-76</b>	SCREW, seal assembly	1
39	<b>12339025-2</b>	SEAL ASSEMBLY, body	1
40	<b>9425422P2</b>	SCREW	2
41	<b>6003138P</b>	SIDE PANEL, air intake	1
	<b>6003457P</b>	B-PILLAR reinforcement (not illustrated)	1
	<b>12340011-1</b>	B-PILLAR reinforcement (1992-93), (not illustrated)	1

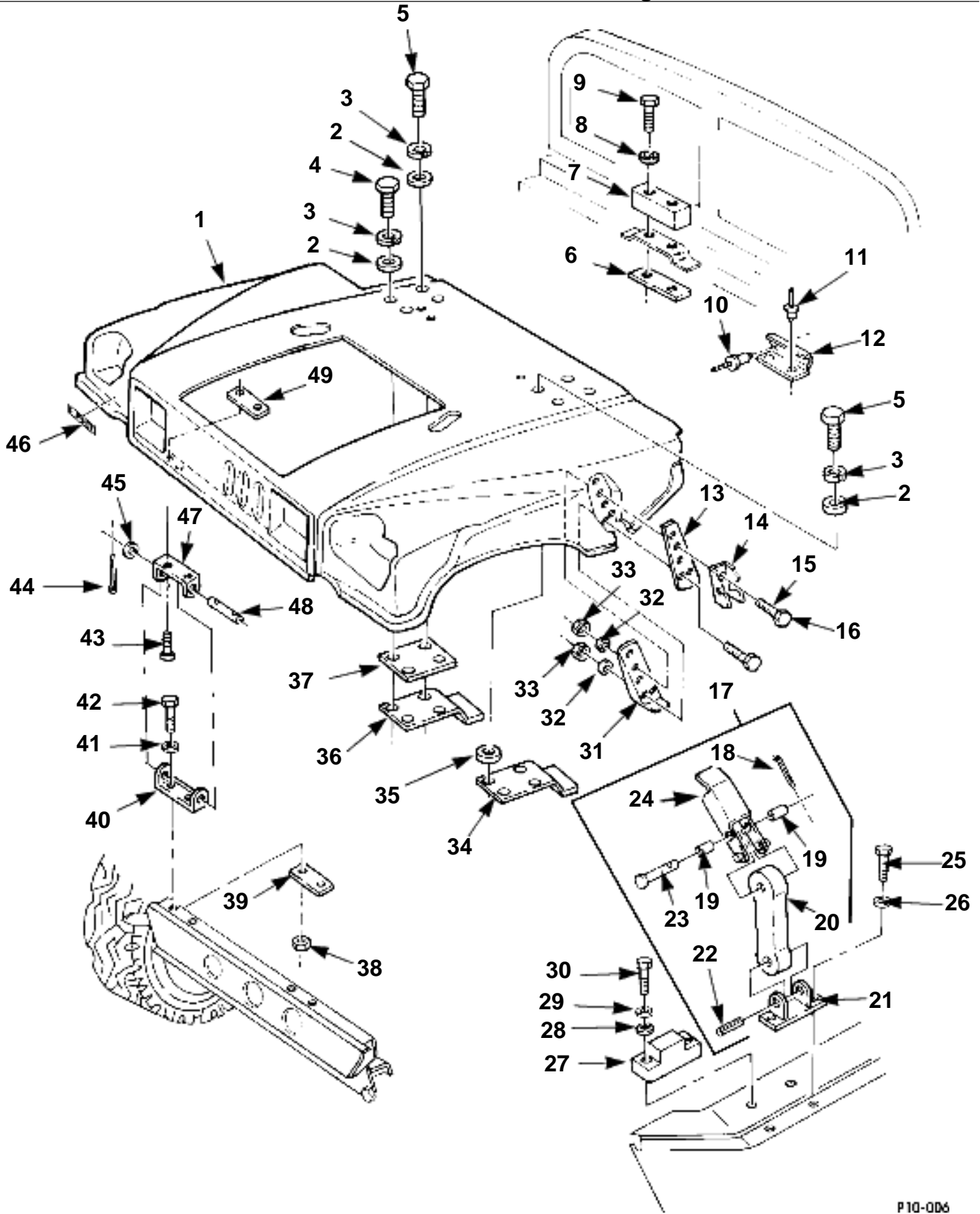


P10-005

# Front and Rear Door Striker Assemblies

**Front and Rear Door Striker Assemblies.**

Item	Part No.	Description	Qty
1	<b>6000398</b>	STRIKER ASSEMBLY, front	2
2	<b>131101</b>	LOCKWASHER	2
3	<b>6001200</b>	WASHER	2
4	<b>MS51943-40</b>	NUT	2
5	<b>6003485</b>	PLATE BACKING, rear	2
6	<b>5939591</b>	PLATE BACKING, front	2
7	<b>5939655</b>	STRIKER ASSEMBLY, rear	2
8	<b>9424257P2</b>	WASHER	4
9	<b>MS90728-10P2</b>	SCREW	4



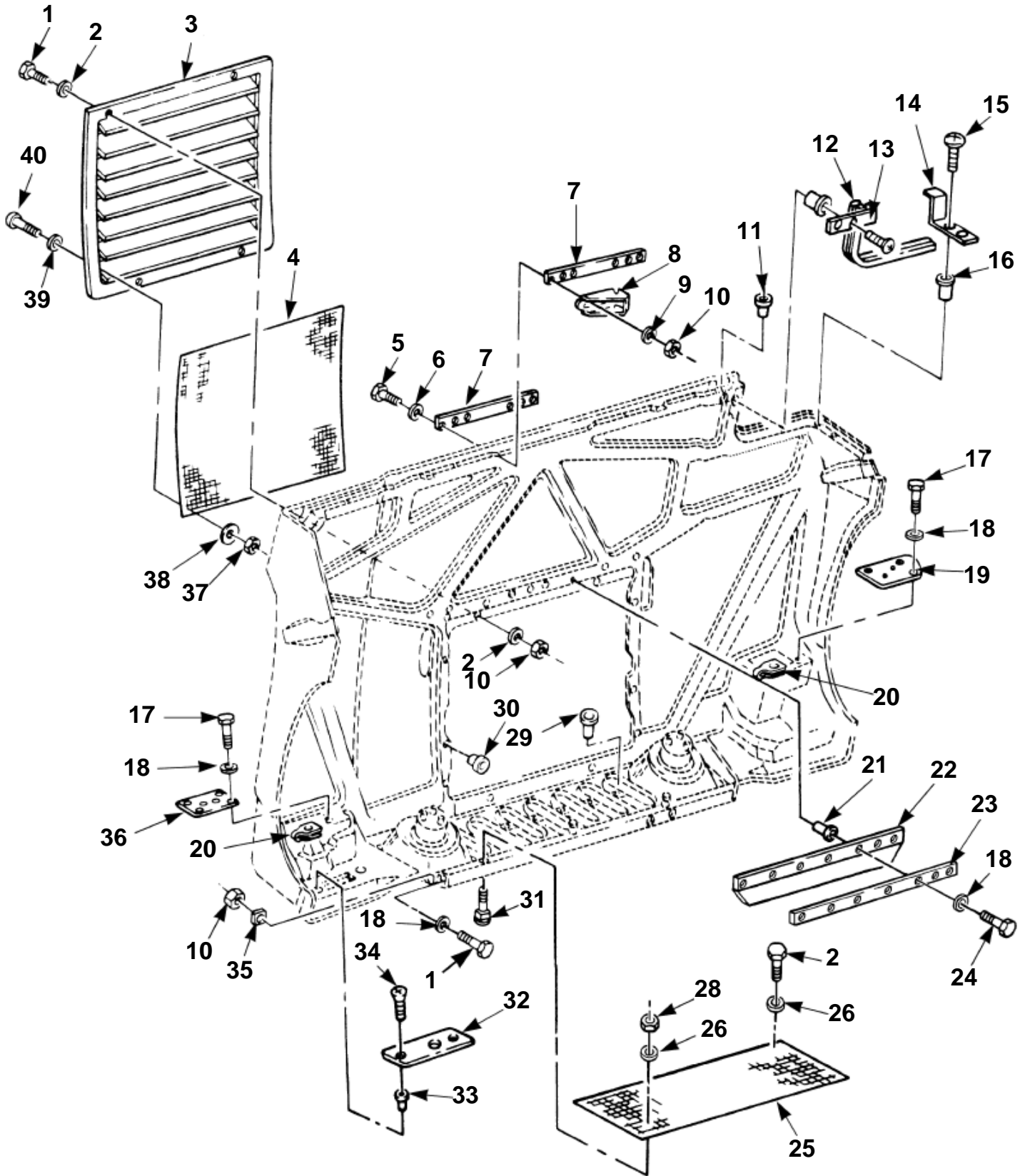
P10-006

# Hood Assembly and Mounting Hardware



**Hood Assembly and Mounting Hardware**

Item	Part No.	Description	Qty
1	<b>WA12338940P</b>	HOOD, engine compartment	1
2	<b>ELMS27183-10</b>	WASHER	8
3	<b>MS35338-44P2</b>	LOCKWASHER, retainer bracket	8
4	<b>MS90728-12</b>	BOLT, retainer bracket	2
5	<b>MS90728-6P2</b>	BOLT, retainer bracket, L.H.	6
6	<b>EC12338882</b>	PLATE, center hood stop	1
7	<b>6002012</b>	BUMPER, center hood	1
8	<b>EC12339433</b>	WASHER, hood stop center	2
9	<b>MS90728-8</b>	BOLT, hood stop	2
10	<b>M7885/2-6-4</b>	RIVET, hood retainer bracket	4
11	<b>12339355-2</b>	RIVET, hood retainer bracket	4
12	<b>5939715P</b>	BRACKET, hood retainer	2
13	<b>12338883B4</b>	PLATE, hood latch	2
14	<b>12338908B4</b>	BRACKET, hood latch, side	2
15	<b>MS90728-9P2</b>	SCREW, hood latch bracket	4
16	<b>MS90728-7P2</b>	SCREW, hood latch bracket	6
17	<b>12338909B4</b>	LATCH ASSEMBLY, hood	2
18	<b>MS24665-153</b>	·COTTER PIN, hood latch	1
19	<b>6019819</b>	·SPACER, hood latch	2
20	<b>12338889</b>	·STRAP, hood latch	1
21	<b>6019821</b>	·BASE, hood latch	1
22	<b>9419982</b>	·PIN, hood latch	1
23	<b>12338894P3</b>	·PIN, hood latch	1
24	<b>6019331</b>	·LATCH, hood release	1
25	<b>MS90725-9</b>	SCREW, hood latch	4
26	<b>2436161P2</b>	WASHER	4
27	<b>12338896</b>	STOP, hood side	2
28	<b>12339433P2</b>	WASHER, hood side stop	4
29	<b>120380</b>	WASHER	8
30	<b>9419011P2</b>	BOLT, hood stop	4
31	<b>12338905P3</b>	BRACKET, hood latch stop	2
32	<b>2436161</b>	WASHER, hood latch	22
33	<b>MS51943-31</b>	NUT	5
34	<b>5939716B2</b>	BRACKET, hood retainer, L.H.	1
35	<b>5939805B2</b>	SPACER, retainer bracket	2
36	<b>5939717B2</b>	BRACKET, hood retainer, R.H.	1
37	<b>5939718B2</b>	SPACER, retainer bracket	1
38	<b>9422299</b>	NUT, lower hood hinge	4
39	<b>12338879P3</b>	SPACER, lower hinge	2
40	<b>12338900P5</b>	HINGE HALF, lower hood	2
41	<b>2436164P2</b>	WASHER, lower hinge	2
42	<b>MS90728-87</b>	BOLT, lower hinge	4
43	<b>MS90728-66</b>	SCREW, upper hood hinge	4
44	<b>MS24665-281</b>	COTTER PIN, hood hinge	4
45	<b>2436163P2</b>	WASHER, lower hood hinge pin	4
46	<b>6003871</b>	NAME PLATE, Hummer	3
47	<b>12338897P5</b>	HINGE HALF, upper hood	2
48	<b>12338893</b>	PIN, hood hinge halves	2
49	<b>EC12339306</b>	PLATE, upper hood hinge	2

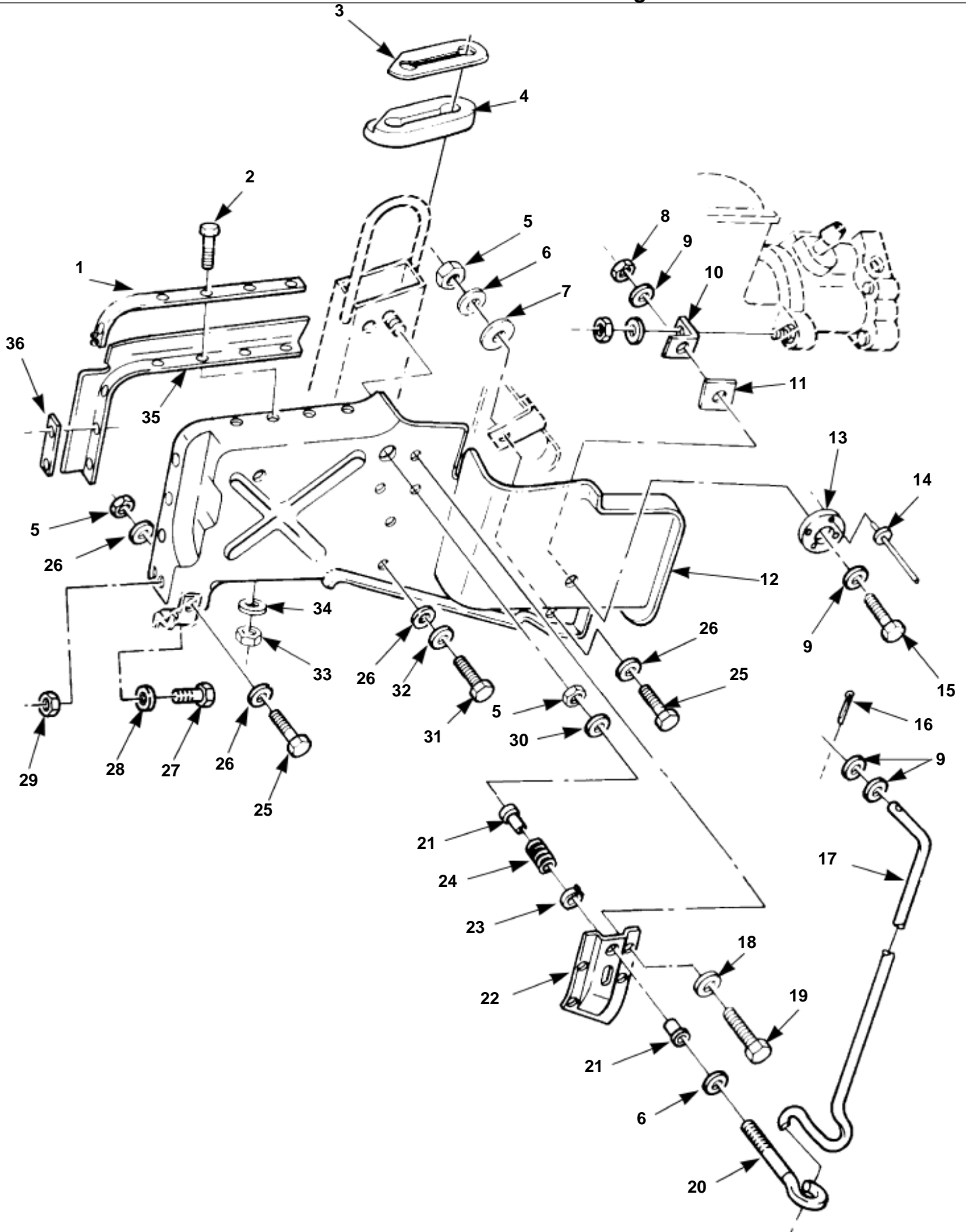


## Hood Assembly, Grille, and Related Parts

P10-007

**Hood Assembly, Grille, and Related Parts.**

Item	Part No.	Description	Qty
1	<b>MS90728-8</b>	SCREW, hood grille	17
2	<b>MS27183-11</b>	WASHER, hood grille	12
3	<b>6007257</b>	GRILLE, hood	1
4	<b>6011077</b>	SCREEN, hood grille	1
5	<b>MS90728-9</b>	SCREW, hood stop guide	6
6	<b>2436161</b>	WASHER, hood stop guide	6
7	<b>EC12338903B1</b>	PLATE, hood stop guide	2
8	<b>6007349</b>	BRACKET, hood stop guide	2
9	<b>2436161P2</b>	WASHER, hood stop guide	6
10	<b>MS51943-31</b>	LOCKNUT, hood stop guide and crossbar	12
11	<b>M5501/7F2</b>	PLUG, inner hood assembly (comes with Item 1, Figure 10-6)	4
12	<b>6002673</b>	SEAL	1
13	<b>6001745</b>	RETAINER	1
14	<b>6001746</b>	RETAINER	1
15	<b>MS35207-265</b>	SCREW	4
16	<b>12339397-1</b>	WELLNUT	4
17	<b>MS90725-6</b>	SCREW, composite light cover	7
18	<b>ELMS27183-10</b>	WASHER, composite light cover and hood seal	16
19	<b>EC12338884B1</b>	COVER, composite light, R.H.	1
20	<b>EC12339425</b>	SPEED NUT, composite light cover	7
21	<b>12339397-4</b>	WELLNUT, hood seal	9
22	<b>WA12338911</b>	SEAL, center hood	1
23	<b>12338885P3</b>	RETAINER, hood seal	1
24	<b>MS90725-8</b>	SCREW, hood seal retainer	9
25	<b>EC12338923-2B1</b>	GUARD, hood and grille	1
26	<b>2436163</b>	WASHER, front hood screen	6
27	<b>MS90728-34</b>	SCREW, front hood screen (comes with Item 1, Figure 10-6)	3
28	<b>MS51967-6</b>	NUT, front hood screen	3
29	<b>12339397-5</b>	WELLNUT, front hood screen	3
30	<b>12338887-2</b>	PLUG, hood assembly	6
31	<b>12339434P2</b>	BOLT, front hood screen (comes with Item 1, Figure 10-6)	3
32	<b>5935690</b>	PANEL, inner hood	2
33	<b>12339998-1</b>	PLUSNUT, inner hood panel	4
34	<b>MS35207-263</b>	SCREW, inner hood panel	4
35	<b>EC12338892</b>	PLATE, hood crossbar	2
36	<b>EC12338906B1</b>	COVER, composite light, L.H.	1
37	<b>EC190254</b>	LOCKNUT, hood grille screen	6
38	<b>12339432P2</b>	WASHER, hood grille screen	12
39	<b>MS27183-42P2</b>	WASHER, hood grille screen	6
40	<b>MS352062-66</b>	SCREW, hood grille screen	6

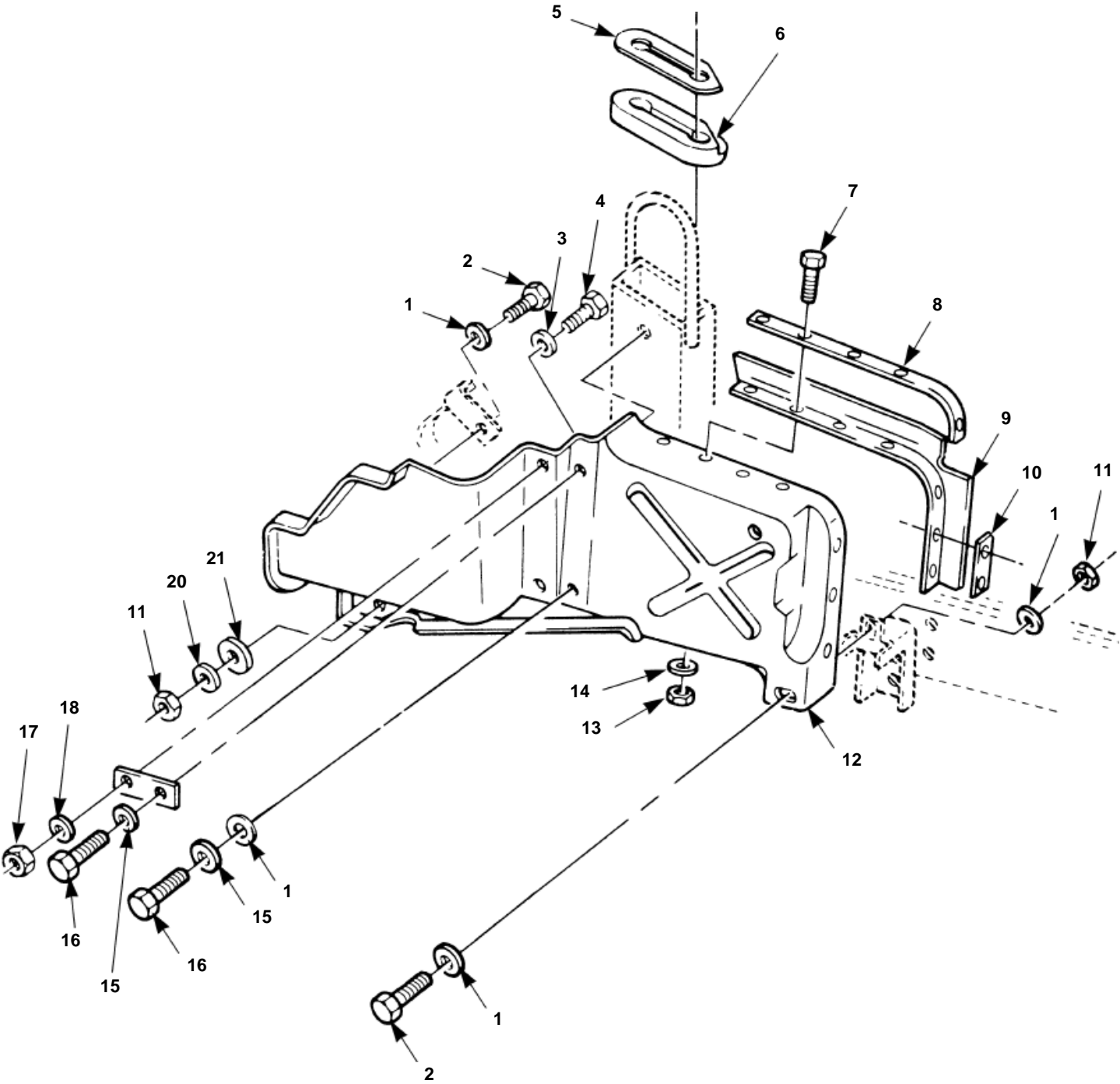


# Left Hand Splash Shield and Hood Prop Rod

P10-008

**Left Hand Splash Shield and Hood Prop Rod.**

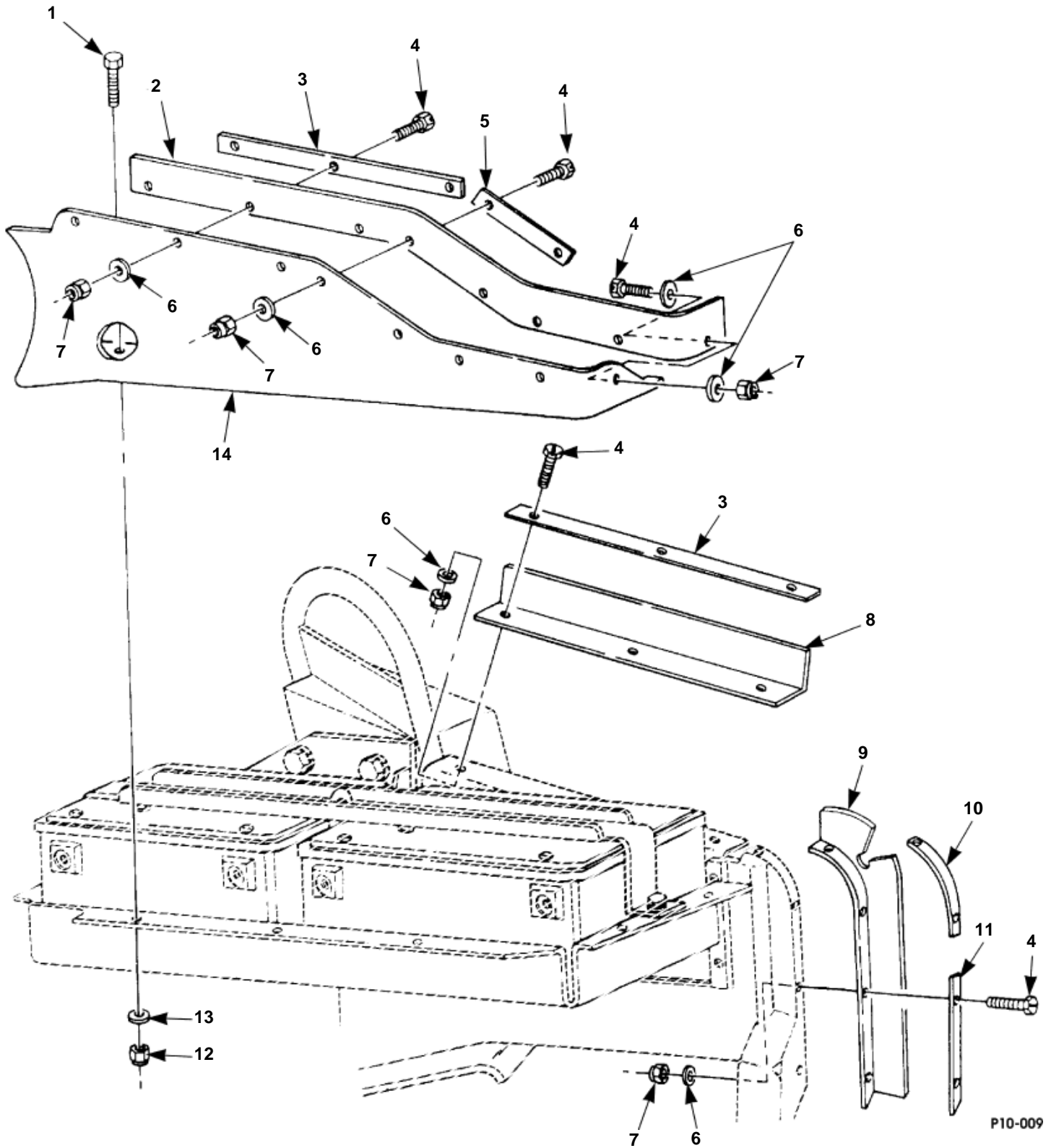
Item	Part No.	Description	Qty
1	<b>EC12338630B1</b>	RETAINER, splash shield seal	1
2	<b>MS51849-76</b>	SCREW, splash shield seal	7
3	<b>12342355</b>	COVER PLATE, airlift bracket seal	1
4	<b>12342357</b>	SEAL, airlift bracket	1
5	<b>MS51943-33</b>	LOCKNUT, prop rod eyebolt	3
6	<b>2436162</b>	WASHER, prop rod eyebolt	2
7	<b>9421128</b>	WASHER, splash shield	1
8	<b>MS51943-35</b>	LOCKNUT, support bracket	2
9	<b>2436163</b>	WASHER, support bracket and hood prop rod	5
10	<b>EC12338629B1</b>	BRACKET, splash shield support	1
11	<b>EC12338636B1</b>	PLATE, splash shield	1
12	<b>12446771</b>	SPLASH SHIELD	1
13	<b>EC12338637B1</b>	SUPPORT, splash shield	1
14	<b>12339355-2</b>	RIVET, splash shield	4
15	<b>MS90728-64</b>	SCREW, support bracket	1
16	<b>MS24665-283</b>	COTTER PIN, prop rod	1
17	<b>EC12338915</b>	ROD, hood prop	1
18	<b>MS35338-44</b>	LOCKWASHER, prop rod bracket	4
19	<b>172447</b>	SCREW, prop rod bracket	4
20	<b>EC12339435</b>	EYEBOLT, hood prop rod	1
21	<b>12338895</b>	BUSHING, eye bolt	2
22	<b>EC12338913B1</b>	BRACKET, hood prop rod	1
23	<b>MS16624-2066</b>	RETAINING RING, prop rod bracket bushing	1
24	<b>12338881P3</b>	SPRING, prop rod eyebolt	1
25	<b>MS90728-34</b>	BOLT, splash shield	2
26	<b>ELMS27183-13</b>	WASHER, splash shield	4
27	<b>N/S</b>	SCREW, 1/4 - 20 x 1 1/2"	1
28	<b>ELMS27183-10</b>	WASHER	1
29	<b>EL271172</b>	NUT	1
30	<b>ELMS27183-12</b>	WASHER, prop rod eyebolt	1
31	<b>N/S</b>	SCREW, splash shield, 5/16 - 18 x 1	1
32	<b>ELMS35338-45</b>	LOCKWASHER, splash shield	1
33	<b>EL190254</b>	LOCKNUT, splash shield seal	7
34	<b>ELMS27183-42</b>	WASHER, splash shield seal	7
35	<b>12338632</b>	SEAL, splash shield	1
36	<b>12338634-1P3</b>	RETAINER, splash shield seal	1



# Right Hand Splash Shield

HUMMER H1 1994 Parts Catalog  
**Right Hand Splash Shield.**

Item	Part No.	Description	Qty
1	<b>ELMS27183-13</b>	WASHER, splash shield	4
2	<b>MS90728-34</b>	BOLT, splash shield	2
3	<b>MS27183-11</b>	WASHER, support plate	1
4	<b>MS90725-6</b>	SCREW, support plate	1
5	<b>12342355</b>	COVER PLATE, airlift bracket seal	1
6	<b>12342358</b>	SEAL, airlift bracket	1
7	<b>MS51849-76</b>	SCREW, splash shield seal	7
8	<b>EC12338630B1</b>	RETAINER, splash shield seal	1
9	<b>12338631</b>	SEAL, splash shield	1
10	<b>EC12338634-2B1</b>	RETAINER, splash shield seal	1
11	<b>MS51943-33</b>	LOCKNUT, splash shield	2
12	<b>12340360</b>	SPASH SHIELD	1
13	<b>EL190254</b>	LOCKNUT, splash shield seal	7
14	<b>ELMS51412-2</b>	WASHER, splash shield	7
15	<b>ELMS35338-45</b>	LOCKWASHER, splash shield	1
16	<b>171108</b>	SCREW, splash shield	1
17	<b>MS51943-31</b>	LOCKNUT, support plate	1
18	<b>ELMS27183-10</b>	WASHER, support plate	1
19	<b>12338635</b>	PLATE, splash shield	1
20	<b>2436162</b>	WASHER, splash shield	1
21	<b>9421128</b>	WASHER, splash shield	1



## Right Hand Upper Splash Shield and Seals



**Right Hand Upper Splash Shield and Seals.**

Item	Part No.	Description	Qty
1	<b>MS90728-34</b>	BOLT	5
2	<b>6003117</b>	SEAL, battery tray to headliner, top, outer	1
3	<b>6002924</b>	RETAINER, hood seal, top	2
4	<b>MS51849-76</b>	SCREW	15
5	<b>EC12338634-1B1</b>	RETAINER, seal	2
6	<b>ELMS51412-2</b>	WASHER	16
7	<b>EL190254</b>	LOCKNUT	15
8	<b>6002914</b>	SEAL, battery tray to hood, top	1
9	<b>6002915</b>	SEAL, battery tray to hood, front	1
10	<b>6002925</b>	RETAINER, hood seal, front	1
11	<b>EC12338634-2</b>	B1 RETAINER, seal	1
12	<b>MS51943-33</b>	NUT	5
13	<b>ELMS27183-13</b>	WASHER	5
14	<b>6007249</b>	SPLASH SHIELD, upper, R.H.	1

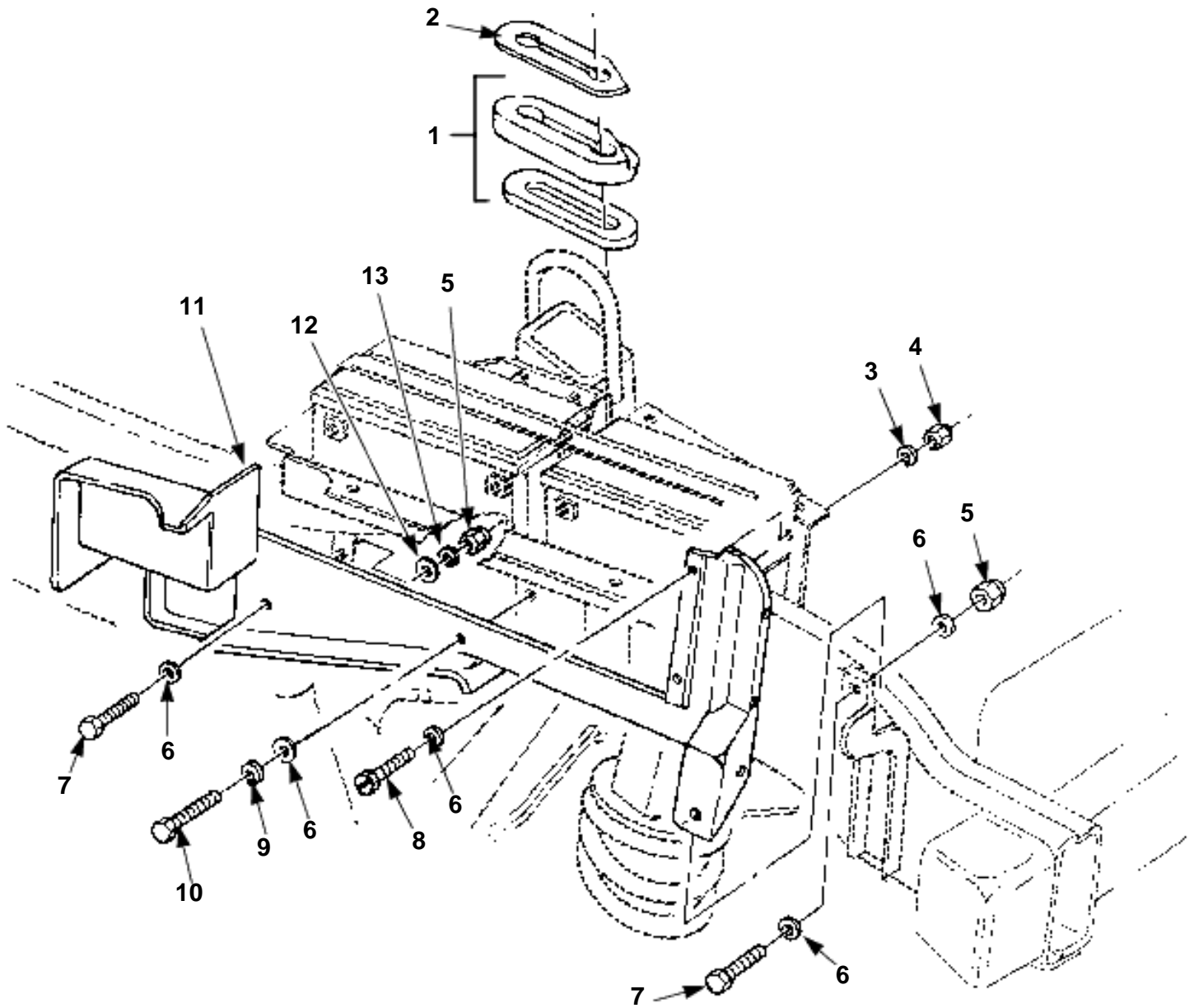
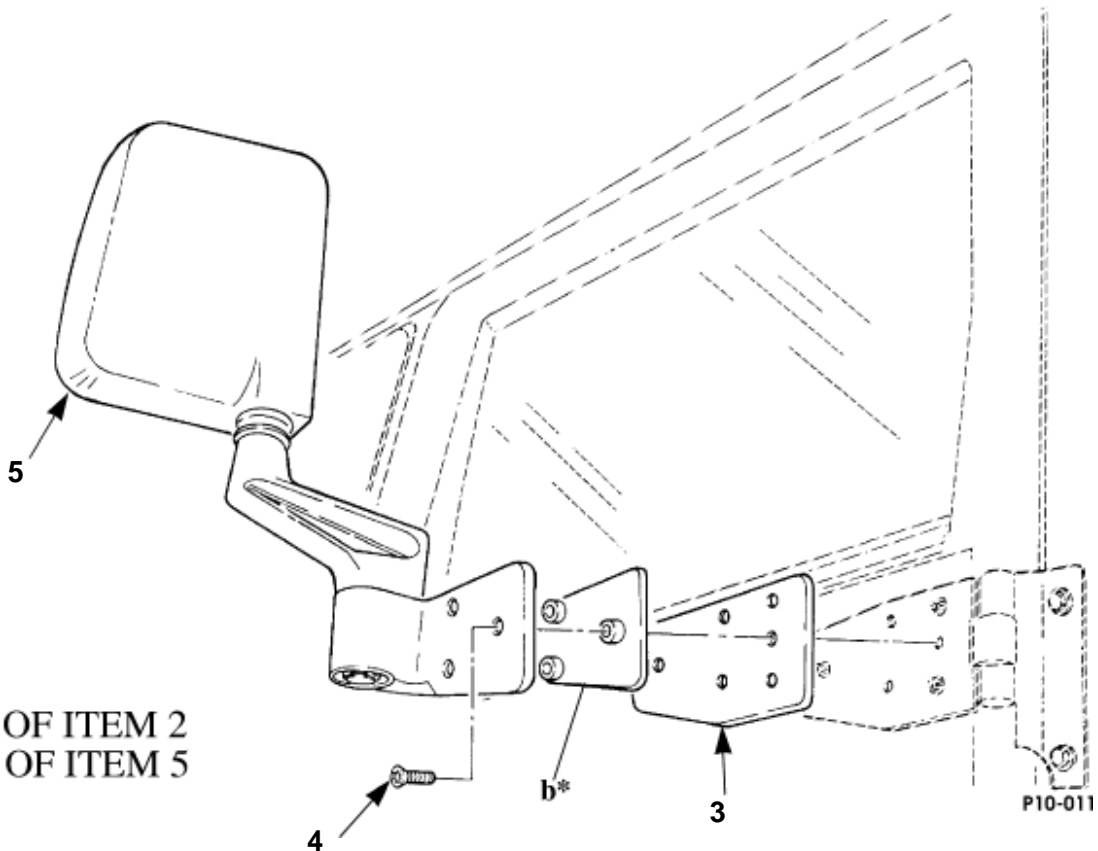
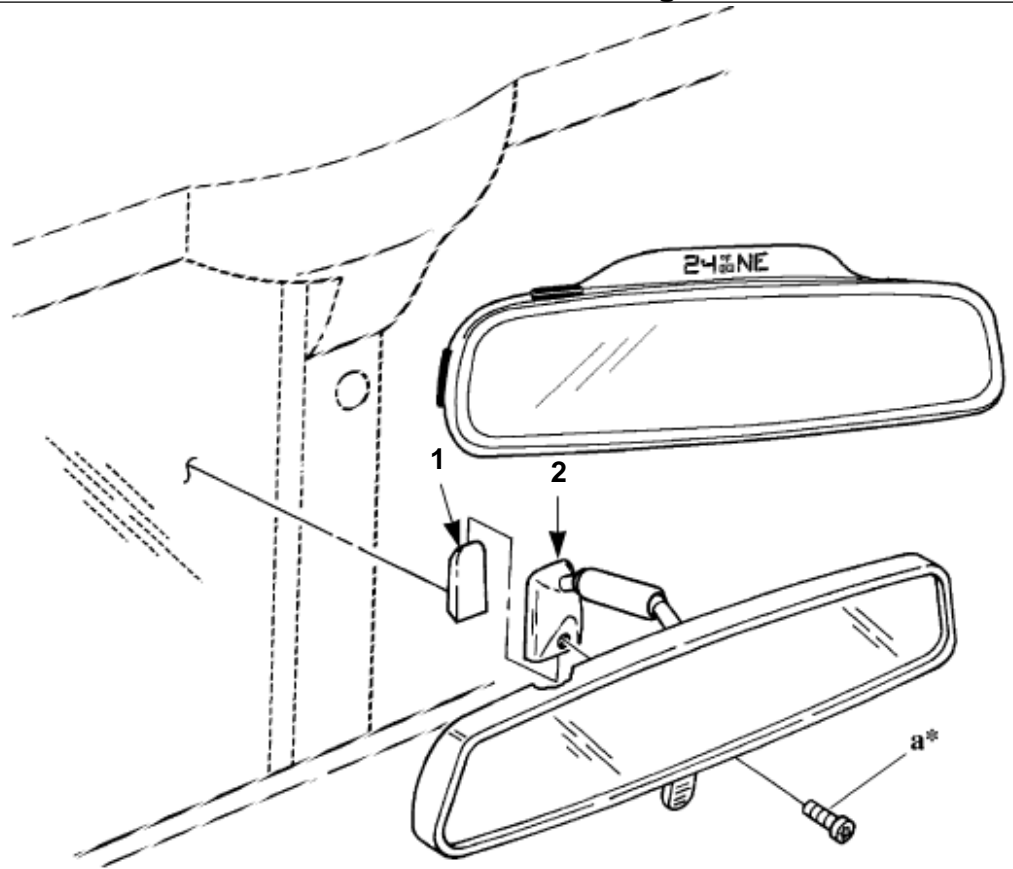


FIG-010

## Right Hand Lower Splash Shield

HUMMER H1 1994 Parts Catalog  
**Right Hand Lower Splash Shield.**

Item	Part No.	Description	Qty
1	<b>12342358</b>	SEAL, airlift bracket	1
2	<b>12342355</b>	COVER PLATE, airlift bracket seal	1
3	<b>ELMS51412-2</b>	WASHER	4
4	<b>EL190254</b>	LOCKNUT	2
5	<b>MS51943-33</b>	NUT	5
6	<b>ELMS27183-13</b>	WASHER	5
7	<b>MS90728-34</b>	BOLT	6
8	<b>MS51849-76</b>	SCREW	2
9	<b>ELMS35338-45</b>	LOCKWASHER	1
10	<b>171108</b>	SCREW	1
11	<b>6009388</b>	SPLASH SHIELD, lower, R.H.	1
12	<b>9421128</b>	WASHER	2
13	<b>2436162</b>	WASHER	1



\* a PART OF ITEM 2  
\* b PART OF ITEM 5

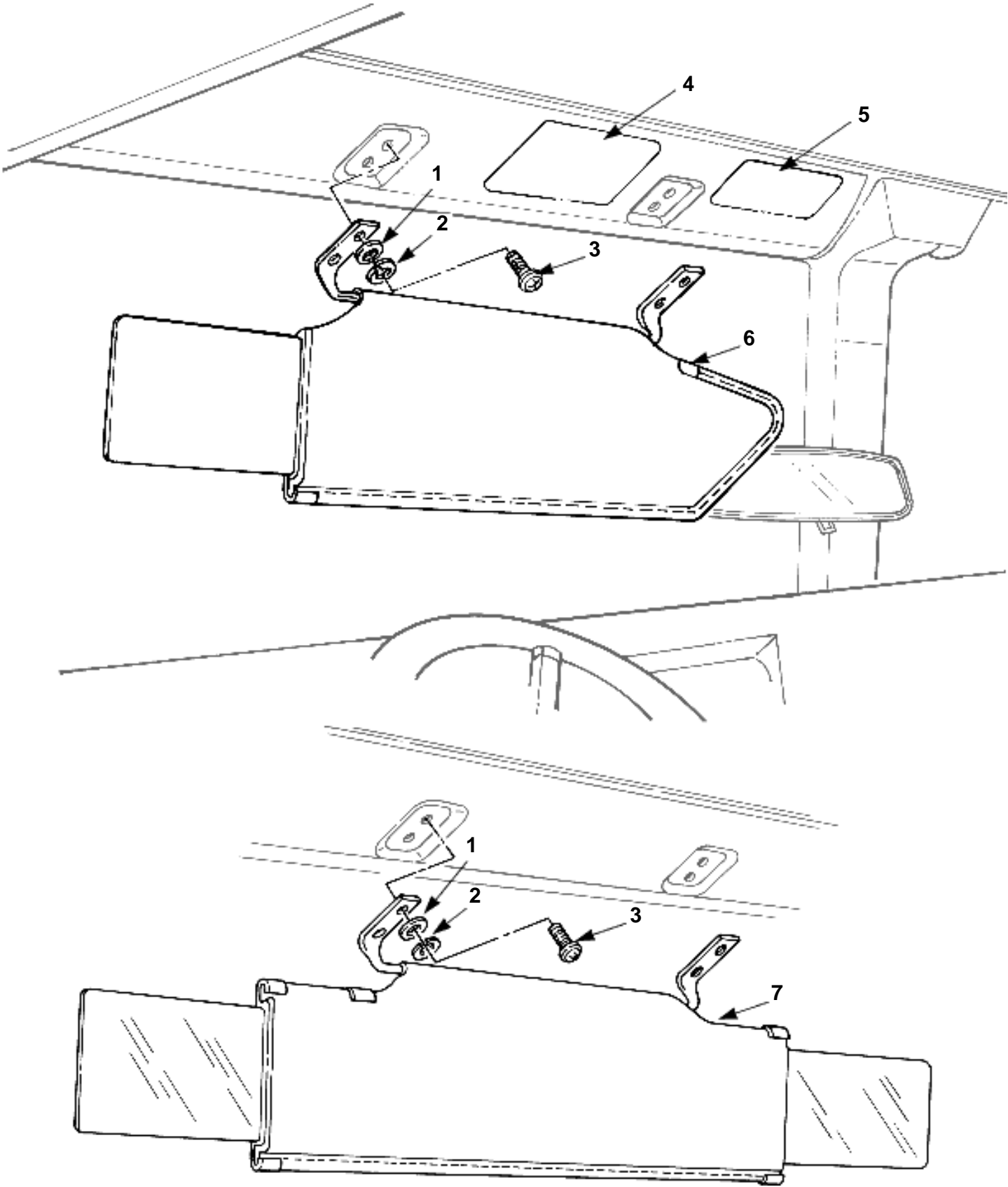
### Inside and Outside Mirrors and Mounting Hardware

**Inside and Outside Mirrors and Mounting Hardware.**

Item	Part No.	Description	Qty
1	<b>5939643</b>	SUPPORT, inside rear view mirror	1
2	<b>5939074</b>	REARVIEW MIRROR ASSEMBLY	1
3	<b>6003618</b>	PLATE, adapter mirror mounting	2
4	<b>6003933P2</b>	SCREW	6
5	<b>5939436</b>	EXTERIOR MIRROR, L.H.	1
	<b>N/S</b>	EXTERIOR MIRROR, R.H. SEE NOTE 1	1
	<b>5745423</b>	KIT EXTERIOR MIRROR, L.H., R.H. (not illustrated)	1

NOTE 1: THE R.H. MIRROR IS NO LONGER AVAILABLE.  
PLEASE USE KIT 5745423 WHEN REPLACING  
THE R.H.

MIRROR KIT INCLUDES R.H. AND L.H. MIRRORS IN A NEW STYLE THAT WAS USED ON NEWER MODEL YEAR TRUCKS. SEE PART MANUAL (2006 D-Max) FOR STYLE OF MIRRORS IN KIT.

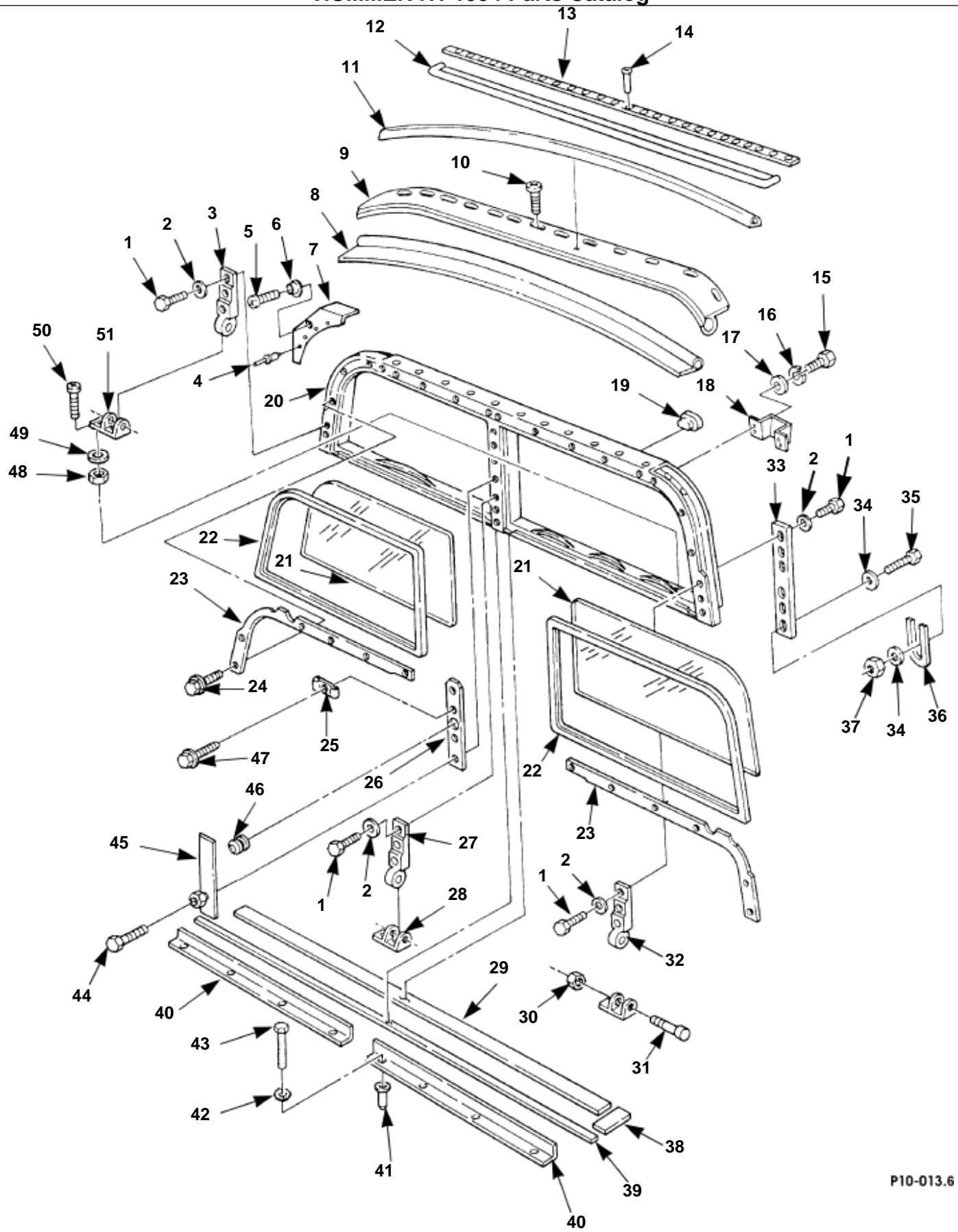


# Sun Visor

**Sun Visor.**

Item	Part No.	Description	Qty
1	<b>MS27183-42P2</b>	WASHER	8
2	<b>MS35338-43P2</b>	LOCKWASHER	8
3	<b>MS35206-265</b>	SCREW	8
4	<b>5938720</b>	DECAL, warning, roof structure HMC2, HMC4, HMCS	1
	<b>6002901</b>	DECAL, warning roof structure, Gulf State vehicles HMC2, HMC4, HMCS	1
	<b>6000263</b>	DECAL, warning (symbol only) HMR2, HMRO	1
	<b>6002025</b>	DECAL, warning (Arabic) VLC2, VLCO	1
5	<b>6008180</b>	DECAL, warning, soft top HMCO	1
	<b>6002022</b>	DECAL, warning, soft top, Gulf State vehicles HMCO	1
	<b>6002901</b>	DECAL, warning, soft top, Gulf State vehicles (1994) HMCO	1
	<b>6001789</b>	DECAL, warning HMR2, HMRO	1
6	<b>5939433T</b>	SUN VISOR, L.H., deluxe trim, SEE NOTE 1	1
	<b>6002754T</b>	SUN VISOR, L.H., standard trim, SEE NOTE 1	1
	<b>6005704</b>	SUN VISOR, L.H., French decals, SEE NOTE 1	1
	<b>6002901T</b>	SUN VISOR, L.H., Arabic decals, SEE NOTE 1	1
	<b>6005702</b>	SUN VISOR, L.H., International, SEE NOTE 1	1
	<b>5939433G</b>	SUN VISOR, L.H., deluxe trim, SEE NOTE 1	1
7	<b>6002755T</b>	SUN VISOR, R.H., standard trim, SEE NOTE 1	1
	<b>5939434T</b>	SUN VISOR, R.H., deluxe trim, SEE NOTE 1	1
	<b>5939434G</b>	SUN VISOR, R.H., deluxe trim, SEE NOTE 1	1

NOTE 1: T FOR TAN, G FOR GRAY



P10-013.6

Windshield Assembly

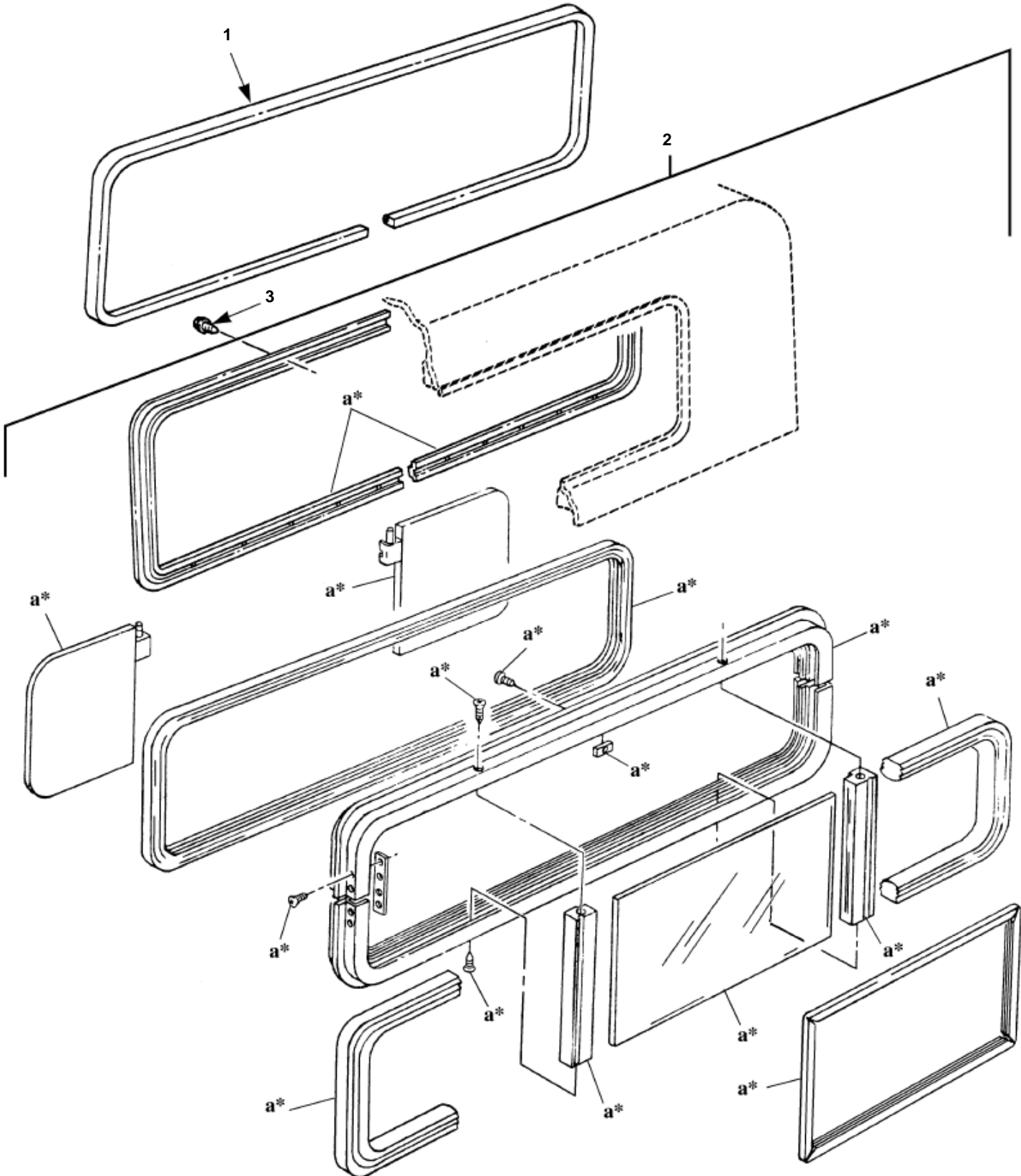


**Windshield Assembly.**

Item	Part No.	Description	Year
1	<b>MS90728-35</b>	BOLT	15
2	<b>2436162P2</b>	WASHER	15
3	<b>1233841-2G1</b>	HINGE, R.H.	1
4	<b>12339355-1P1</b>	RIVET	8
5	<b>9416136P2</b>	SCREW	2
6	<b>MS27980-7B</b>	SNAP FASTENER	2
7	<b>6001062P</b>	CORNER CAP, L.H.	1
		HMCO	
	<b>6001063P</b>	CORNER CAP, R.H.	1
		HMCO	
8	<b>6001113</b>	SEAL	1
		HMCO	
9	<b>6001112P</b>	FORMER ASSEMBLY,	1
		HMCO	
10	<b>MS24629-46</b>	SCREW	11
		HMCO	
11	<b>6002867</b>	SEAL, windshield D-header, .88-inch	1
		HMCO	
12	<b>5939991</b>	SEAL	1
		HMC2, HMC4, HMCS	
13	<b>12338818P</b>	RETAINER	1
		HMC2, HMC4, HMCS	
14	<b>M7885/2-4-5</b>	RIVET	27
		HMC2, HMC4, HMCS	
15	<b>MS35206-265</b>	SCREW	16
16	<b>MS35338-43</b>	LOCKWASHER	16
17	<b>ELMS51412-2</b>	WASHER	16
18	<b>6000814B2</b>	BRACKET	4
19	<b>12338829</b>	COVER	2
20	<b>WC12339513</b>	P	·FRAME
		HMC2, HMC4, HMCS	1
20	<b>WC12339513-1</b>	P	·FRAME
		HMCO	1
21	<b>12339514</b>	·GLASS (clear)	2
	<b>6003519</b>	·GLASS, tinted, R.H.	1
	<b>6003520</b>	·GLASS, tinted, L.H.	1
22	<b>12338941</b>	·WEATHERSTRIP	2
23	<b>12338852P</b>	·RETAINER	2
24	<b>EL12342499-2</b>	·SCREW	1
25	<b>5935689</b>	·WIRE RETAINER	1
26	<b>5935710P</b>	·RETAINER, windshield center	1
27	<b>12338835G1</b>	HINGE, middle	1
28	<b>12338822-1P</b>	HINGE, lower	2
29	<b>6001115</b>	SEAL, 8 foot	1
30	<b>9422277P2</b>	NUT	3
31	<b>179847P2</b>	BOLT	3
32	<b>12338841-1G1</b>	HINGE, L.H.	1
33	<b>5939340B9</b>	BRACKET	2
34	<b>2436162P2</b>	WASHER	12
35	<b>MS90728-36P2</b>	BOLT	6
36	<b>12338806</b>	SHIM, 2 places	A/R
37	<b>MS51943-33</b>	NUT	3
38	<b>5939686</b>	SEAL, lower windshield, L.H.	1
	<b>5939687</b>	SEAL, lower windshield, R.H.	1
39	<b>5939685</b>	SEAL	1
40	<b>12447029P</b>	RETAINER, windshield, lower	2
41	<b>5939334</b>	NUT INSERT	8
42	<b>120217P2</b>	LOCKWASHER	8
43	<b>MS51849-76P2</b>	SCREW	8
44	<b>448641P2</b>	SCREW	2
45	<b>5935687</b>	COVER ASSEMBLY, wire	1
46	<b>5935699</b>	GROMMET	1
47	<b>5939530P2</b>	SCREW, self-tapping	1
48	<b>MS51967-6</b>	NUT	6
49	<b>9424258</b>	WASHER	6

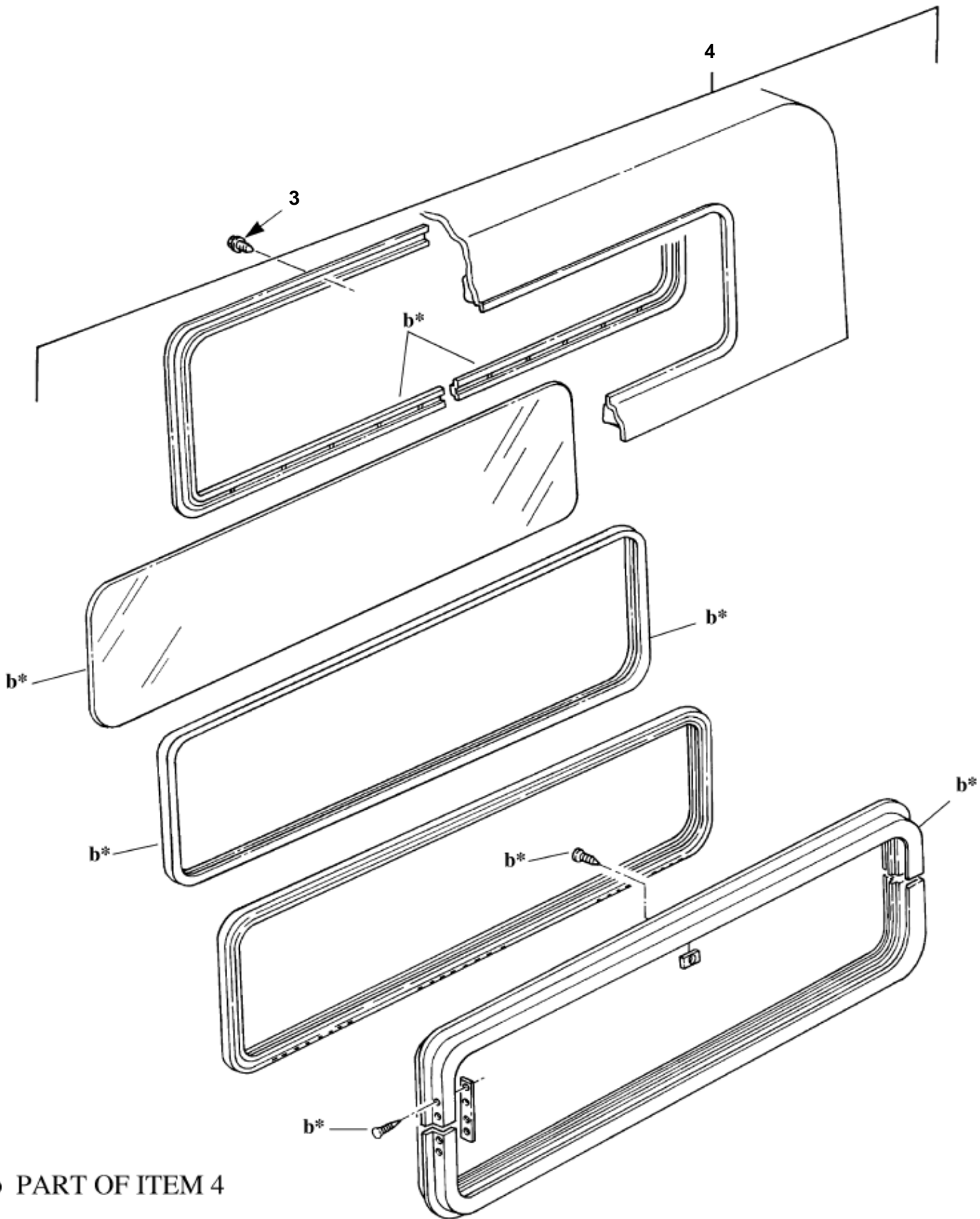
HUMMER H1 1994 Parts Catalog  
**Windshield Assembly.**

Item	Part No.	Description	Year
50	<b>MS35190-307P2</b>	SCREW	6
51	<b>12338822-2P</b>	HINGE, lower (Sheet 1 of 2) (Sheet 2 of 2)	1



P10-014a

Rear Window Assembly (Figure 1 of 2)



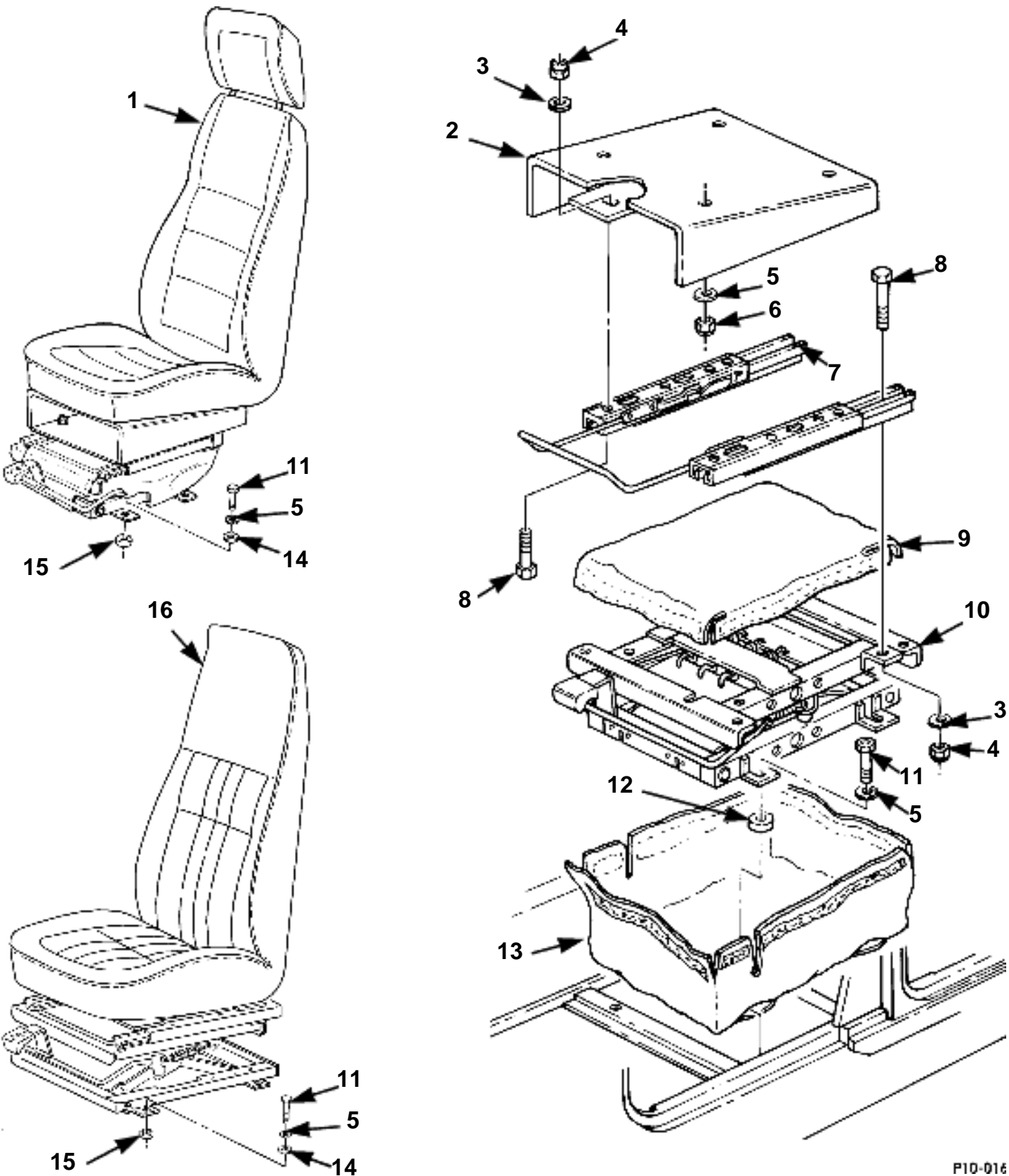
\* b PART OF ITEM 4

P10-014b

### Rear Window Assembly (Figure 2 of 2)

HUMMER H1 1994 Parts Catalog  
**Rear Window Assembly.**

Item	Part No.	Description	Qty
1	<b>6000366</b>	SEAL, rear window	1
2	<b>6003517</b>	REAR WINDOW ASSEMBLY, sliding, tinted	1
	<b>N/S</b>	REAR WINDOW ASSEMBLY, sliding, clear	1
	<b>N/S</b>	REAR WINDOW ASSEMBLY, sliding, deep tinted	1
3	<b>6000226</b>	SCREW	24
4	<b>6003518</b>	REAR WINDOW ASSEMBLY, stationary, tinted	1
	<b>N/S</b>	REAR WINDOW ASSEMBLY, stationary, clear	1
	<b>N/S</b>	REAR WINDOW ASSEMBLY, stationary, deep tinted	1



F10-016

**Driver and Passenger Seats, Deluxe and Standard**

**Driver and Passenger Seats, Deluxe and Standard.**

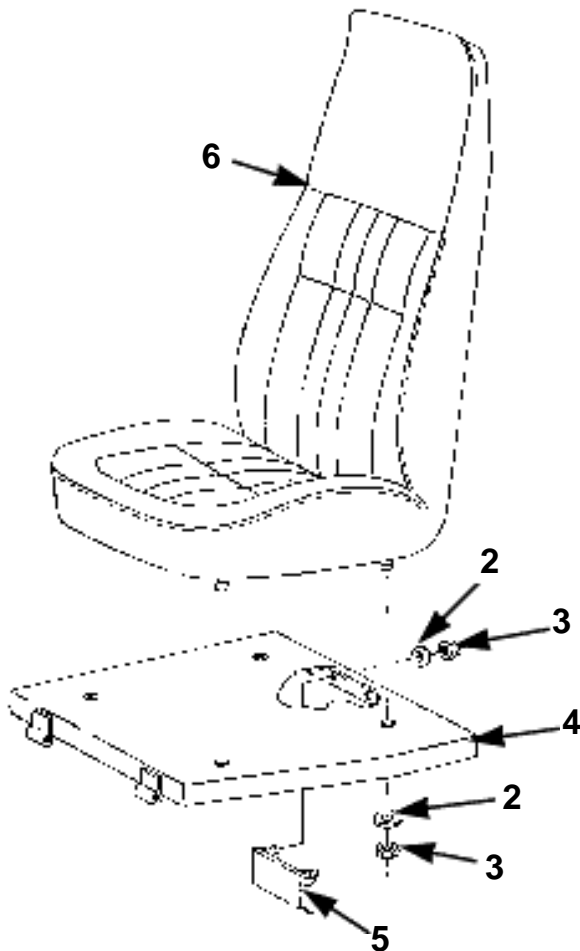
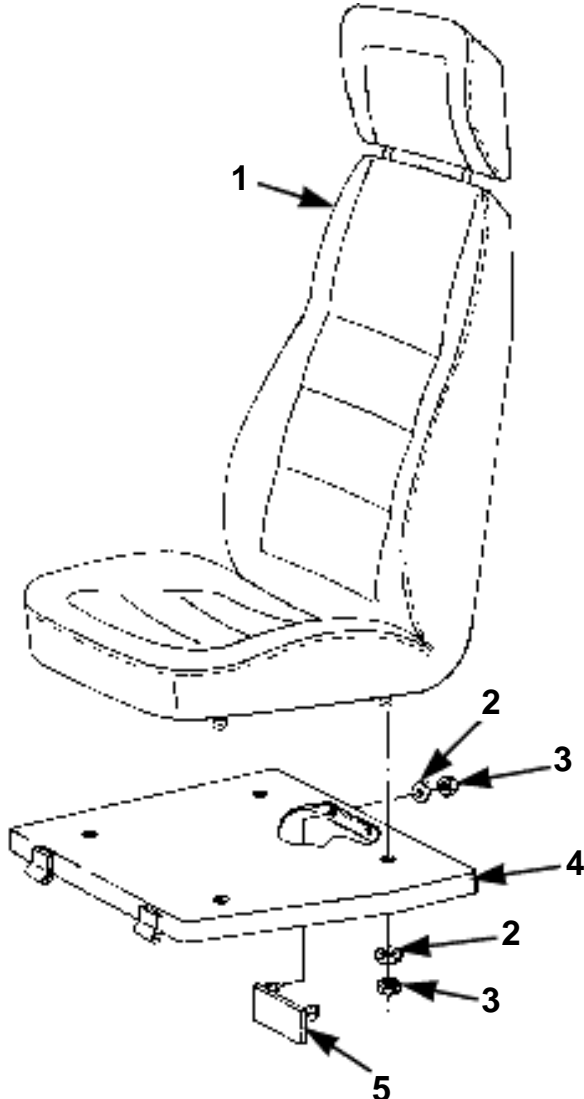
Item	Part No.	Description	Qty
1	<b>6002667</b>	DRIVER SEAT (tan cloth) HMRO	1
	<b>6001617</b>	DRIVER SEAT ASSEMBLY, deluxe (black vinyl) HMC4, HMCS, HMCO	1
	<b>6002534</b>	DRIVER SEAT ASSEMBLY, deluxe (black vinyl) HMC2	1
	<b>6004205T</b>	DRIVER SEAT ASSEMBLY, deluxe, tilt, cojac sesame (tan), long armrest, recline and slide adjusters (1994) HMC4, HMCS, VLCO, SEE NOTE 1	1
	<b>6004205G</b>	DRIVER SEAT ASSEMBLY, deluxe, tilt, cojac coal (gray), long armrest, recline and slide adjusters (1994) HMC4, HMCS, VLCO, SEE NOTE 1	1
	<b>6004196T</b>	PASSENGER SEAT ASSEMBLY, deluxe, tilt, cojac sesame (tan), long armrest, recline and slide adjusters (1994) HMC4, HMCS, VLCO, SEE NOTE 1	1
	<b>6004196G</b>	PASSENGER SEAT ASSEMBLY, deluxe, tilt, cojac coal (gray), long armrest, recline and slide adjusters (1994) HMC4, HMCS, VLCO, SEE NOTE 1	1
	<b>6004199T</b>	DRIVER SEAT ASSEMBLY, deluxe, cojac sesame (tan), long armrest, recline and slide adjusters (1994) VLCO, SEE NOTE 1	1
	<b>6004199T</b>	DRIVER SEAT ASSEMBLY, deluxe, cojac coal (gray), long armrest, recline and slide adjusters (1994) VLCO, SEE NOTE 1	1
	<b>6004202T</b>	PASSENGER SEAT ASSEMBLY, deluxe, cojac sesame (tan), long armrest (1994) VLCO, SEE NOTE 1	1
	<b>6004202G</b>	PASSENGER SEAT ASSEMBLY, deluxe, cojac coal (gray), long armrest (1994) VLCO, SEE NOTE 1	1
	<b>6004207</b>	DRIVER SEAT ASSEMBLY, standard, brown, recline and slide adjusters (1994) HMC4, HMCS, VLCO	1
	<b>6004198</b>	PASSENGER SEAT ASSEMBLY, standard, brown, recline and slide adjusters (1994) HMC4, HMCS, VLCO	1
	<b>6004201</b>	DRIVER SEAT ASSEMBLY, standard, brown, slide adjusters (1994) VLC2	1
	<b>6004204</b>	PASSENGER SEAT ASSEMBLY, standard, brown, (1994) VLC2	1
	<b>6004206</b>	DRIVER SEAT ASSEMBLY, standard, black vinyl, recline and slide adjusters (1994) HMC4, HMCS, VLCO	1
	<b>6004197</b>	PASSENGER SEAT ASSEMBLY, standard, black vinyl, recline and slide adjusters (1994) HMC4, HMCS, VLCO	1
	<b>6004200</b>	DRIVER SEAT ASSEMBLY, optional, black vinyl, recline and slide adjusters (1994) VLC2	1
	<b>6004203</b>	PASSENGER SEAT ASSEMBLY, optional, black vinyl, (1994) VLC2	1
2	<b>12343053</b>	RISER	1
3	<b>2436162</b>	WASHER	8
4	<b>9419475</b>	LOCKNUT	8
5	<b>N/S</b>	LOCKWASHER, 5/16"	12
6	<b>MS51967-6</b>	NUT	4
7	<b>5745505</b>	SLIDE SET, driver seat	1
8	<b>9421705</b>	BOLT	8
9	<b>NPN</b>	COVER, height adjuster	2
10	<b>5745506</b>	HEIGHT ADJUSTER	1
11	<b>9421705</b>	BOLT	8
12	<b>12343055</b>	SPACER	4
13	<b>NPN</b>	BAG, height adjuster	1
14	<b>2436162P2</b>	WASHER	4
15	<b>12341856</b>	SPACER	4

**Driver and Passenger Seats, Deluxe and Standard.**

Item	Part No.	Description	Qty
16	<b>6001619</b>	DRIVER SEAT ASSEMBLY, standard HMC4, HMCS, HMCO	1
	<b>6002663</b>	DRIVER SEAT ASSEMBLY, standard HMC2	1
	<b>6003551</b>	DRIVER SEAT ASSEMBLY HMRO	1
	<b>6003542</b>	DRIVER SEAT ASSEMBLY HMR2	1

NOTE 1: T FOR TAN, G FOR GRAY



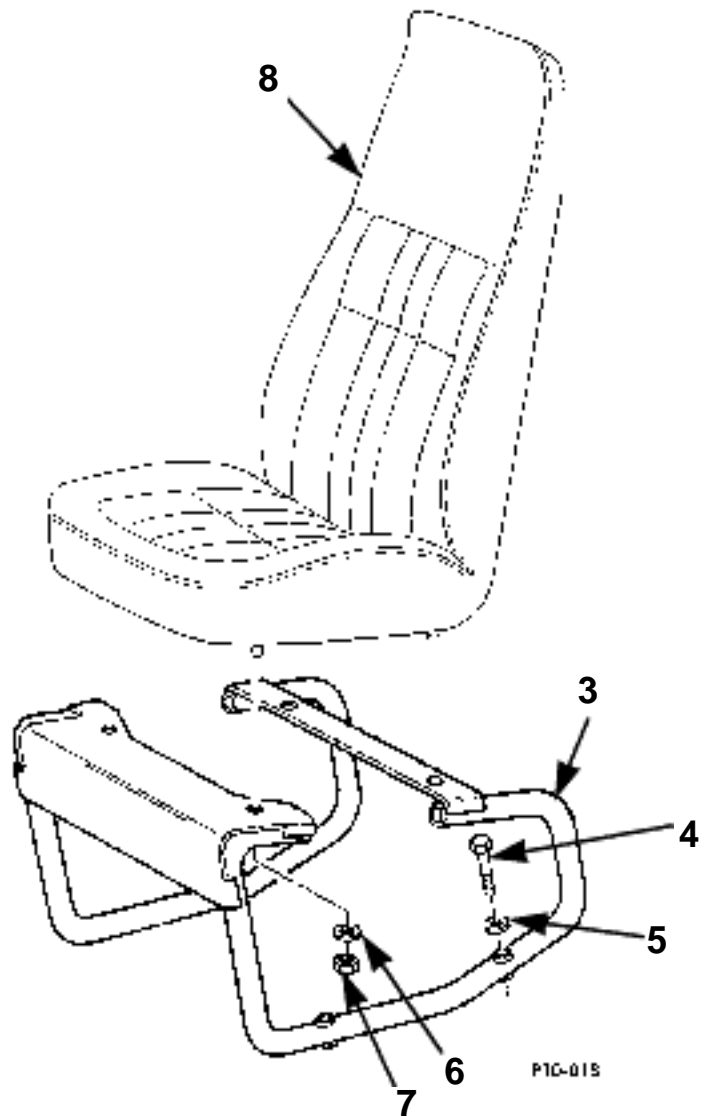
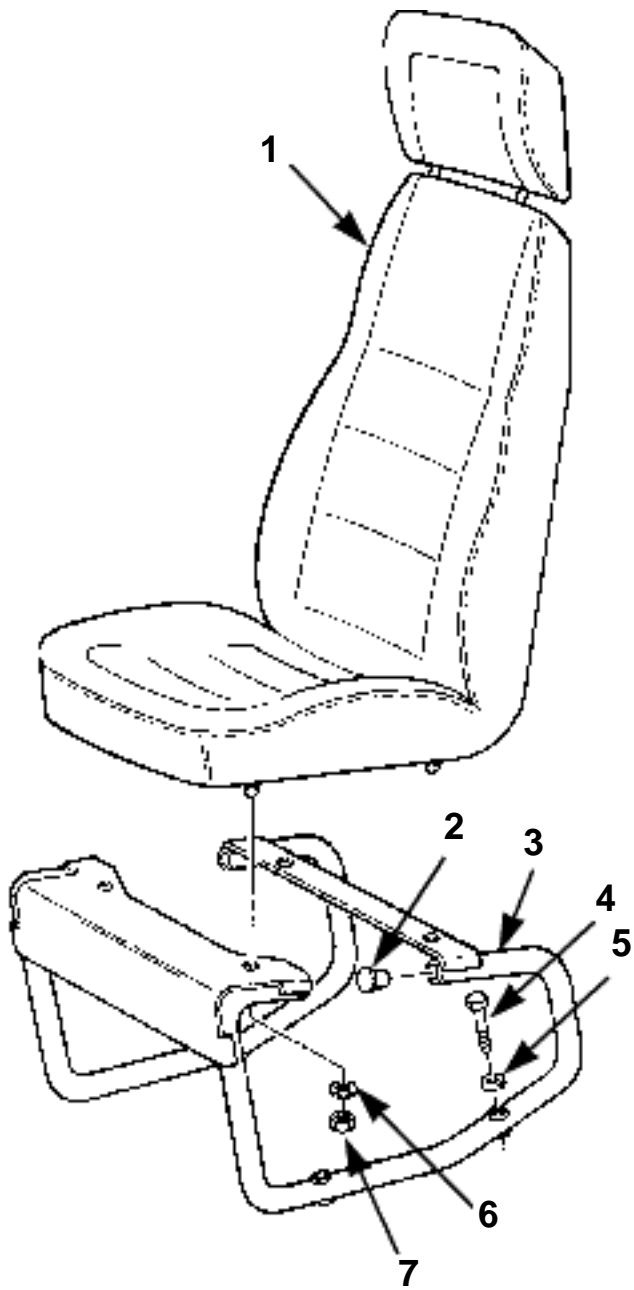


**Front Passenger Seats, Deluxe and Standard**

**Front Passenger Seats, Deluxe and Standard.**

Item	Part No.	Description	Qty
1	<b>6001618</b>	PASSENGER SEAT ASSEMBLY, deluxe HMC4, HMCS, HMCO	1
	<b>6002535</b>	PASSENGER SEAT ASSEMBLY, deluxe HMC2	1
2	<b>2436162</b>	WASHER, passenger seat support	6
3	<b>MS51943-33</b>	NUT, passenger seat support	6
4	<b>6001634P</b>	COVER ASSEMBLY, battery box HMC4, HMCS, HMCO	1
	<b>5939417P</b>	COVER ASSEMBLY, battery box HMC2	1
5	<b>5939320</b>	STRIKER, battery box	1
6	<b>6001620</b>	PASSENGER SEAT ASSEMBLY, standard HMC4, HMCS, HMCO	1
	<b>6002664</b>	PASSENGER SEAT ASSEMBLY, standard HMC2	1
	<b>6002668</b>	PASSENGER SEAT ASSEMBLY HMRO	1
	<b>6002666</b>	PASSENGER SEAT ASSEMBLY HMR2	1
	<b>6003548</b>	PASSENGER SEAT ASSEMBLY HMC4, HMCS, HMCO	1
	<b>6003545</b>	PASSENGER SEAT ASSEMBLY HMCS, HMR2	1

NOTE 1: T FOR TAN  
G FOR GRAY

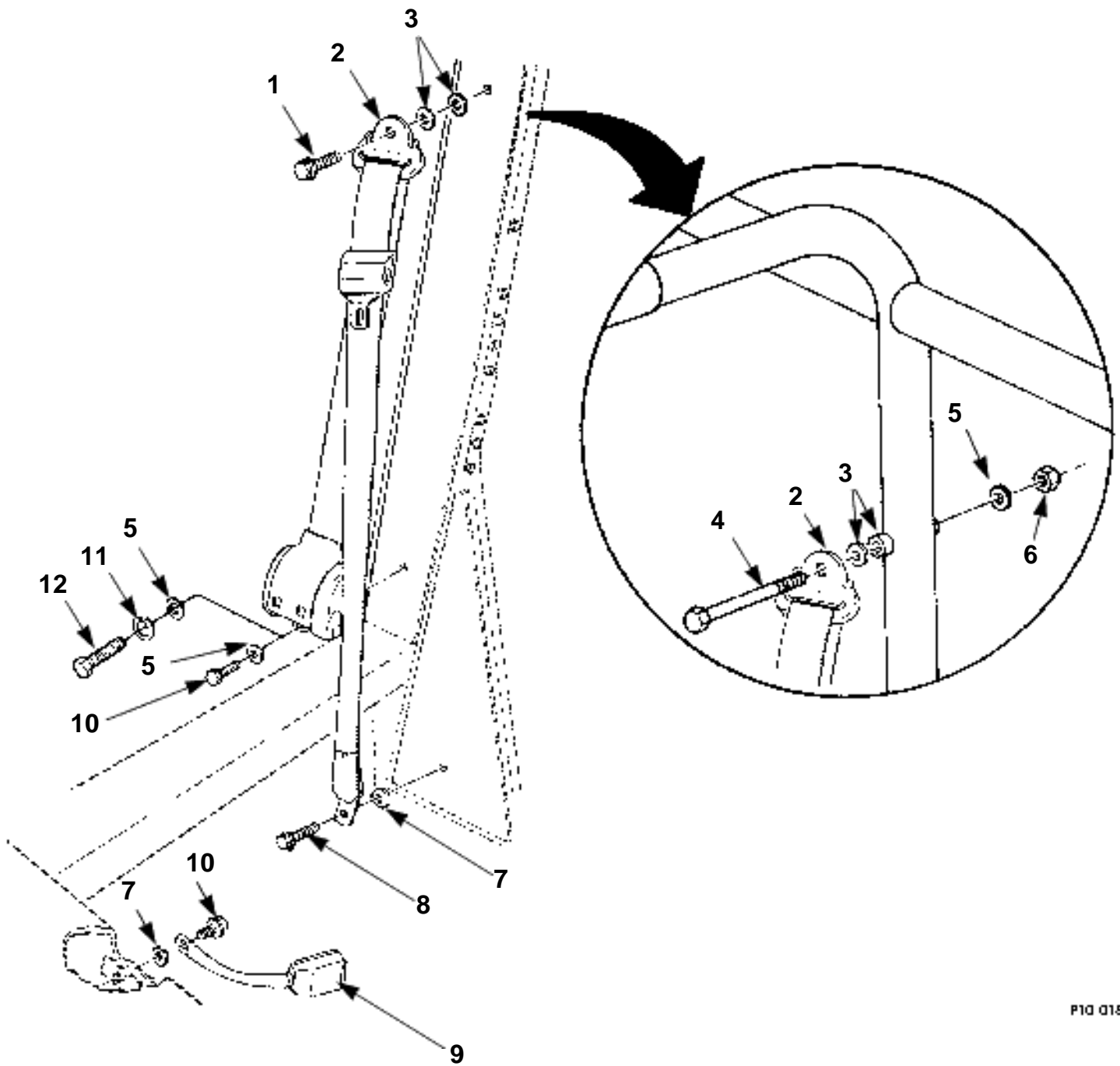


## Rear Passenger Seat, Deluxe and Standard

**Rear Passenger Seat, Deluxe and Standard.**

Item	Part No.	Description	Qty
1	<b>5939510</b>	SEAT ASSEMBLY, passenger, deluxe	2
	<b>6003553</b>	PASSENGER SEAT ASSEMBLY, optional black vinyl	2
	<b>6003678T</b>	PASSENGER SEAT ASSEMBLY, deluxe, cojac tan	2
	<b>6003678G</b>	PASSENGER SEAT ASSEMBLY, deluxe, cojac coal gray	2
	<b>6003552</b>	PASSENGER SEAT ASSEMBLY, brown	2
2	<b>12339361-5</b>	PLUG	8
3	<b>5939508B2</b>	REAR SEAT STANCHION ASSEMBLY	2
4	<b>9418992P2</b>	BOLT, passenger seat support	8
5	<b>2436162</b>	WASHER, passenger seat support	8
6	<b>2436162P2</b>	WASHER, passenger seat support	8
7	<b>MS51943-33</b>	NUT, passenger seat support, 4-door	12
8	<b>5939509</b>	SEAT ASSEMBLY, passenger, standard	2
	<b>6002669</b>	SEAT ASSEMBLY, passenger HMRO	2
	<b>6003554</b>	SEAT ASSEMBLY, passenger HMRO, (1994)	1

NOTE 1: T FOR TAN, G FOR GRAY

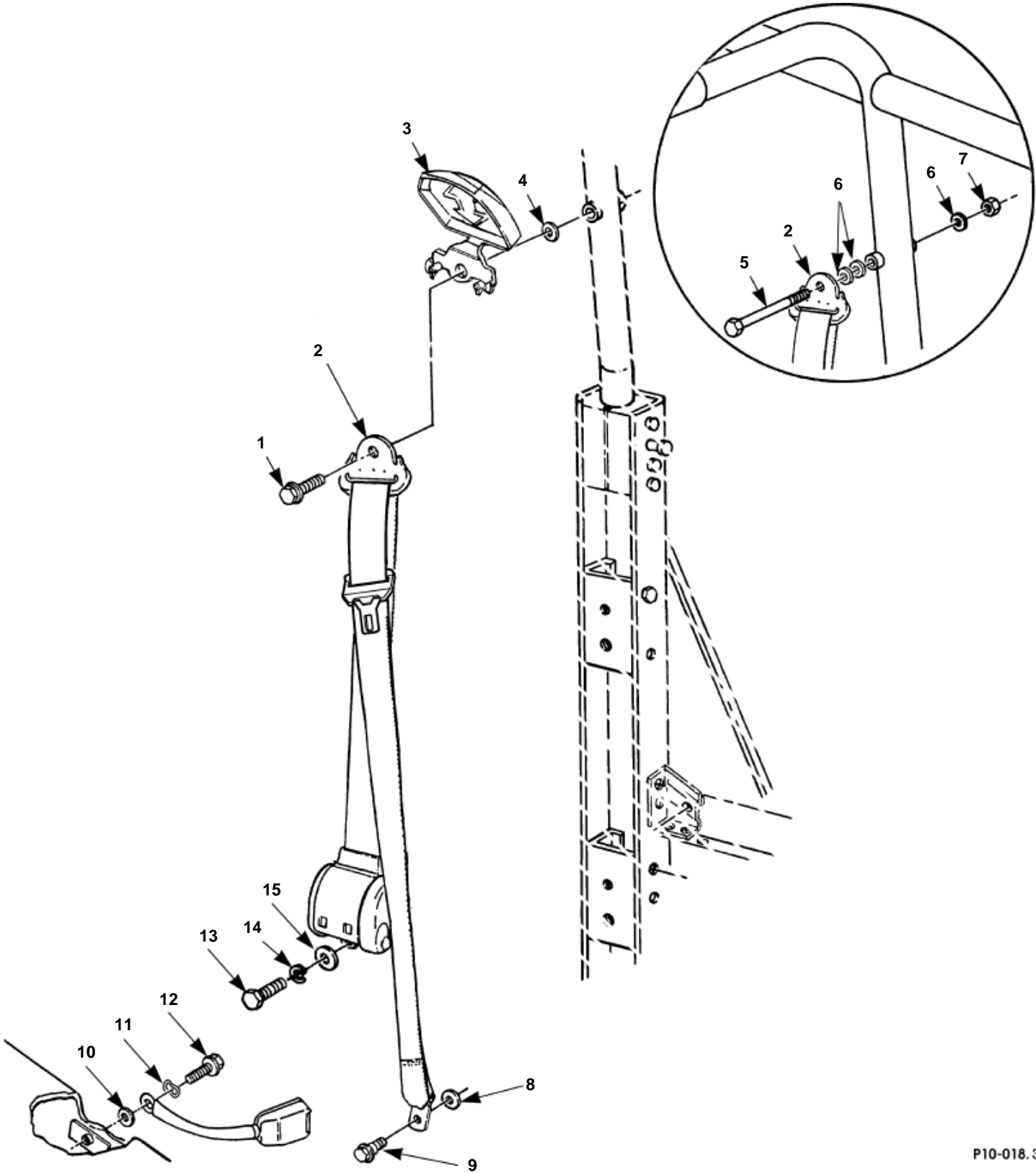


P10 018

## Front and Rear Seat Belts (1992, 1993 & 1994)

**Front and Rear Seat Belts (1992, 1993, and early 1994).**

Item	Part No.	Description	Qty
1	<b>12340259-9P2</b>	BOLT	4
2	<b>5743857C</b>	DRIVER SEAT BELT	1
	<b>5743858C</b>	PASSENGER SEAT BELT, front	1
	<b>5743859</b>	PASSENGER SEAT BELT, L.H. rear	1
	<b>5743860C</b>	PASSENGER SEAT BELT, R.H. rear	1
3	<b>2436164P2</b>	WASHER	4
4	<b>12340259</b>	BOLT	2
		VLCO	
5	<b>2436164P2</b>	WASHER	2
		VLCO	
6	<b>9422300</b>	NUT	2
		VLCO	
7	<b>EC12340058</b>	WASHER	8
8	<b>EC12340259-6</b>	BOLT	4
9	<b>EC12340259-3</b>	BOLT	4
10	<b>453719</b>	BOLT, front seat belts	2
11	<b>120383</b>	LOCKWASHER, rear seat belts	2
12	<b>453124</b>	BOLT, rear seat belts	2



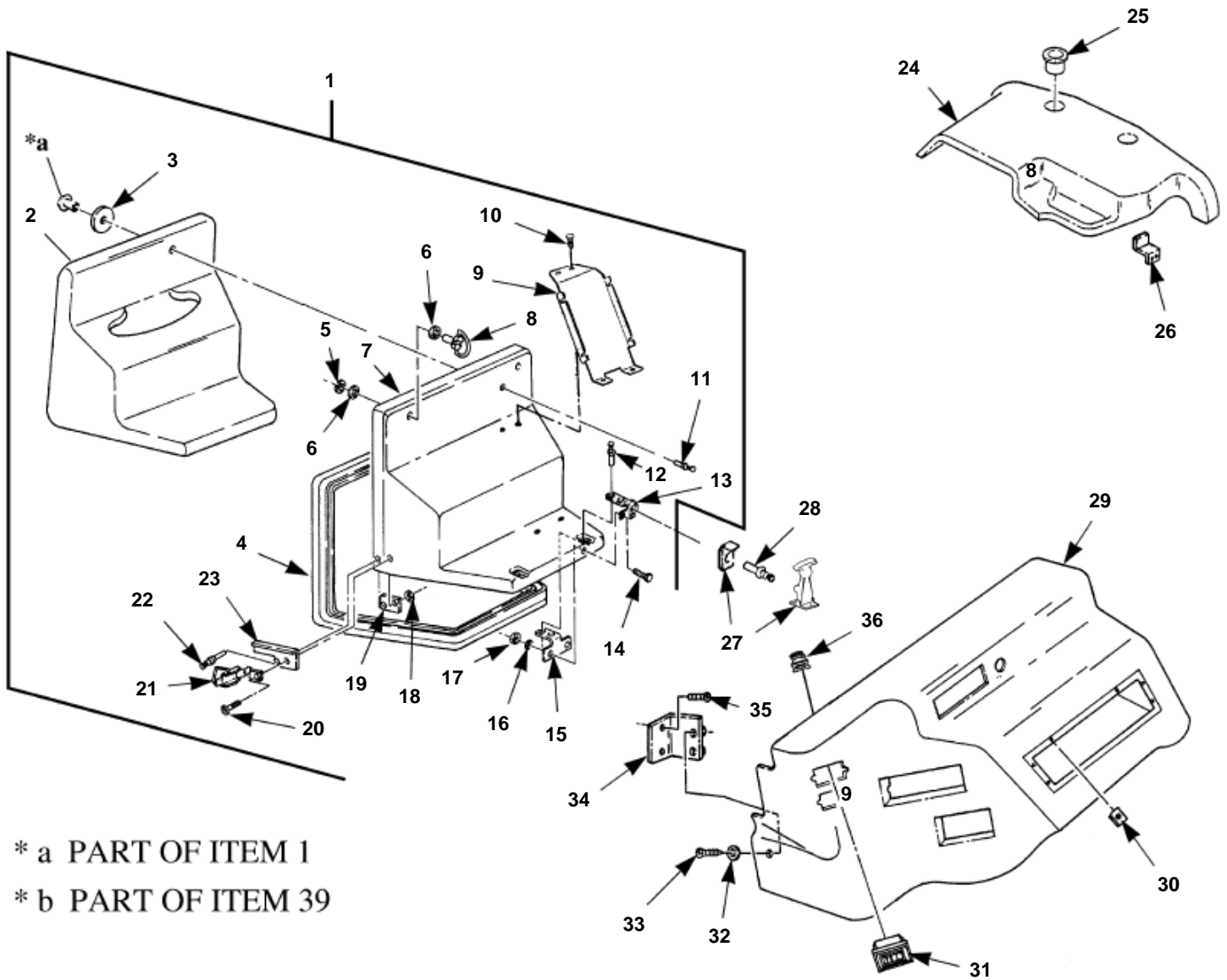
P10-018.3

# Front and Rear Seat Belts

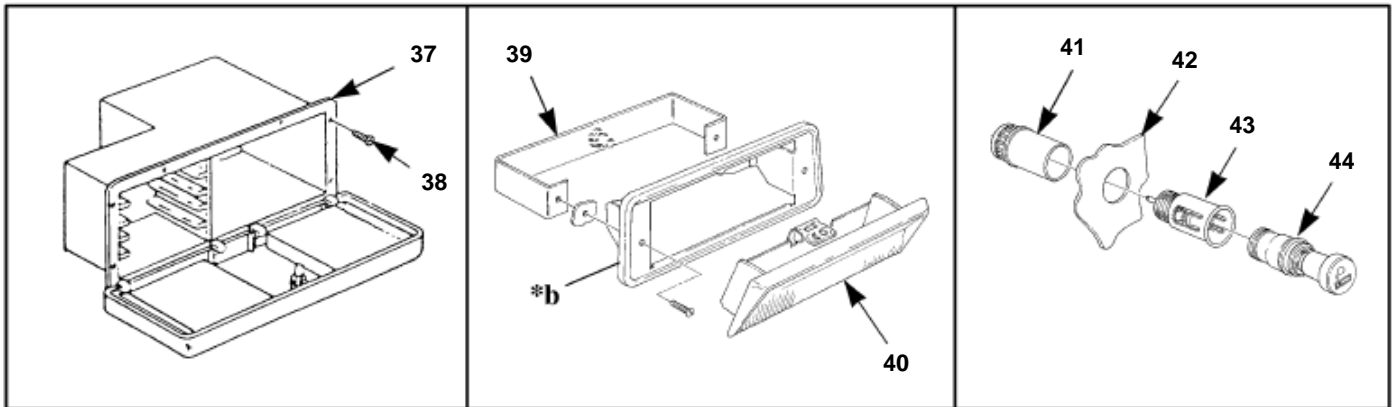
HUMMER H1 1994 Parts Catalog  
**Front and Rear Seat Belts.**

Item	Part No.	Description	Qty
1	<b>6004980P2</b>	BOLT XLC2	2
	<b>6004162P2</b>	BOLT VLC2	2
	<b>6004162P2</b>	BOLT HMC4, HMCS	4
2	<b>5743857C</b>	KIT, front seat belt, L.H.	1
	<b>5743858C</b>	KIT, front seat belt, R.H.	1
	<b>5743859</b>	KIT, rear seat belt, L.H.	1
	<b>5743860C</b>	KIT, rear seat belt, R.H.	1
3	<b>6004161</b>	COVER, webbing guide XLC2, VLC2	2
	<b>6004161</b>	COVER, webbing guide HMCS, HMC4	4
4	<b>2436164P2</b>	WASHER VLC2, XLC2	2
	<b>2436164P2</b>	WASHER HMC4, HMCS	4
5	<b>EC12340259-4</b>	BOLT, front seat belt VLCO	2
	<b>6000468P2</b>	BOLT, rear seat belt VLCO	2
6	<b>2436164P2</b>	WASHER, front seat belt VLCO	10
7	<b>9422300</b>	NUT, front seat belt VLCO	2
8	<b>EC12340058</b>	WASHER VLC2, XLC2, VLCO	2
	<b>EC12340058</b>	WASHER HMCS, HMC4	2
9	<b>EC12340259-6</b>	BOLT VLC2, XLC2, VLCO	2
	<b>EC12340259-6</b>	BOLT HMC4, HMCS	4
10	<b>EC12340058</b>	WASHER XLC2, VLC2, VLCO	2
	<b>12340058-P2</b>	WASHER HMC4, HMCS	4
11	<b>EC12338124</b>	WAVE WASHER XLC2, VLC2, VLCO	2
	<b>EC12338124</b>	WAVE WASHER HMC4, HMCS	4
12	<b>EC12340259-3</b>	BOLT VLC2, XLC2, VLCO	4
12	<b>EC12340259-3</b>	BOLT HMC4, HMCS	4
13	<b>453719</b>	BOLT, front seat belt	2
	<b>453124</b>	BOLT, rear seat belt HMCS, HMC4	2
14	<b>120383</b>	LOCKWASHER, rear seat belt HMC4, HMCS	2
15	<b>12341856</b>	WASHER XLC2, VLC2, VLCO	2
	<b>12341856</b>	WASHER	





\* a PART OF ITEM 1  
 \* b PART OF ITEM 39



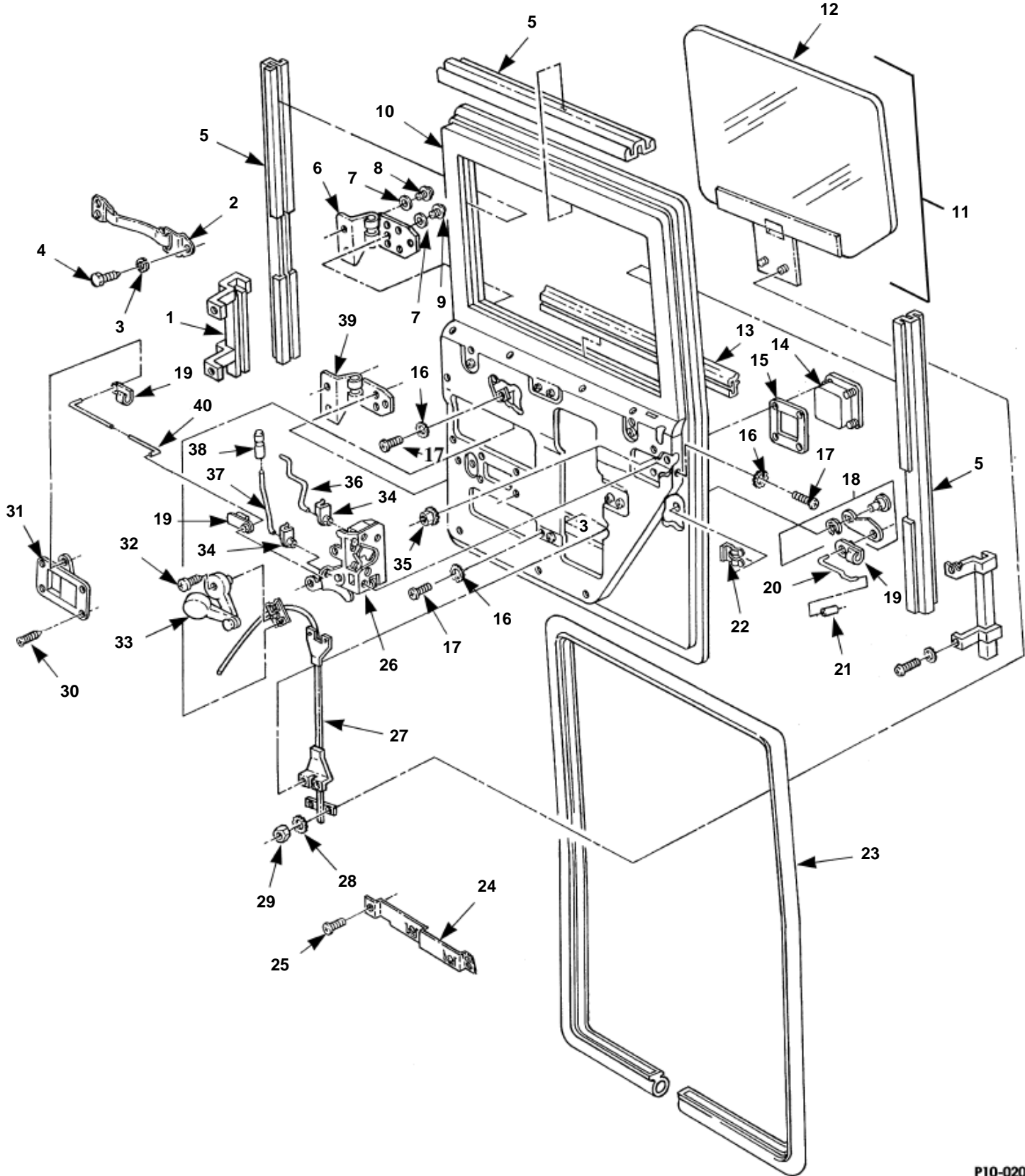
P10-019

# Engine Cover, Console Cover and Related Parts

**Engine Cover, Console Cover, and Related Parts.**

Item	Part No.	Description	Qty
HMC4, HMCS			
1	<b>5939858</b>	ENGINE COVER ASSEMBLY	1
	<b>6003199</b>	ENGINE COVER ASSEMBLY	1
2	<b>5939994</b>	·INSULATION, engine cover	1
3	<b>12341718</b>	·RETAINER, engine cover insulation	7
4	<b>12338953</b>	·SEAL, engine cover	1
5	<b>12341011</b>	·RING, retaining	2
6	<b>2436164</b>	·WASHER	4
7	<b>5939514</b>	·ENGINE COVER	1
8	<b>12339738-1</b>	·STUD, ring head	2
9	<b>6006756B9</b>	·BRACKET, PCM/TCM mounting	1
10	<b>6001038</b>	·CLIP, trim	4
11	<b>12339737</b>	·RIVET	7
12	<b>M7885/2-6-4</b>	·RIVET	4
13	<b>12338951</b>	·BRACKET, engine cover hold-down, rear	2
14	<b>MS51849-75</b>	·SCREW	4
15	<b>12338944G1</b>	·PLATE, engine cover hold-down bracket, rear	2
16	<b>9416128</b>	·WASHER	4
17	<b>MS35649-202</b>	·NUT	4
18	<b>MS51943-33</b>	·LOCKNUT	2
19	<b>EC12338943B1</b>	·PLATE, latch backing, front	2
20	<b>12339428</b>	·BOLT	2
21	<b>EC12338950</b>	·LATCH ASSEMBLY, engine cover hold-down, front	2
22	<b>M7885/3-6-4</b>	·RIVET	2
23	<b>EC12338952-1</b>	·GUIDE PLATE, engine cover, front, L.H.	1
	<b>EC12338952-2B1</b>	·GUIDE PLATE, engine cover, front, R.H.	1
24	<b>6000913</b>	CONSOLE, rear section	1
		HMCS, HMC4, VLCO	
	<b>6003504G</b>	CONSOLE, rear section, deluxe, SEE NOTE 1	1
		HMCS, HMC4, VLCO	
	<b>6003504</b>	CONSOLE, rear section, deluxe, SEE NOTE 1	1
		HMCS, HMC4, VLCO	
	<b>5746320</b>	CONSOLE, rear section, standard, SEE NOTE 1	1
		HMCS, HMC4, VLCO	
25	<b>6001157</b>	CUP HOLDER	2
		HMCS, HMC4, VLCO	
26	<b>6004817B2</b>	SUPPORT, rear console	1
		HMCS, HMC4, VLCO	
27	<b>12338946</b>	CATCH, engine cover hold-down bracket	2
28	<b>5575839</b>	RIVET	2
29	<b>6003214G</b>	CONSOLE, engine cover, deluxe with A/C and glove box (1994), SEE NOTE 1	1
	<b>6003214</b>	CONSOLE, engine cover, deluxe with A/C and glove box (1994), SEE NOTE 1	1
30	<b>6001894</b>	SPEEDNUT, J-type	6
31	<b>5744793</b>	GRILL, A/C outlet	4
32	<b>121641P2</b>	WASHER	2
33	<b>157401P2</b>	SCREW	2
34	<b>6001584P1</b>	BRACKET	1
35	<b>6000243</b>	SCREW	3
36	<b>5742831</b>	ADAPTER, A/C grille	4
37	<b>6001804</b>	GLOVEBOX, w/ A/C	1
38	<b>MS35206-265</b>	SCREW	4
39	<b>5939710B2</b>	BRACKET, ashtray	2
40	<b>5939713</b>	ASHTRAY	2
41	<b>5939557</b>	CLAMP, shell	1
42	<b>6001208</b>	BEZEL, lighter	1
43	<b>5939559</b>	SWITCH BASE ASSEMBLY, with thermal breaker	1
44	<b>6016986</b>	CIGAR LIGHTER, knob and element	1

NOTE 1: T FOR TAN, G FOR GRAY



P10-020

# Front Door Assembly

**Front Door Assembly.**

Item	Part No.	Description	Qty
1	<b>5938919</b>	CHANNEL ASSEMBLY, front door glass, lower front, L.H.	1
	<b>5938920</b>	CHANNEL ASSEMBLY, front door glass, lower front, R.H.	1
	<b>6000056</b>	CHANNEL ASSEMBLY, front door glass, lower rear, L.H. (indy)	1
	<b>5938921</b>	CHANNEL ASSEMBLY, front door glass, lower rear L.H. (creative)	1
	<b>6000057</b>	CHANNEL ASSEMBLY, front door glass, lower rear, R.H. (indy)	1
	<b>5938922</b>	CHANNEL ASSEMBLY, front door glass, lower rear, R.H. (creative)	1
2	<b>6004975</b>	STRAP ASSEMBLY, door stop, front	1
3	<b>2436161</b>	WASHER	1
4	<b>MS90728-8</b>	BOLT	4
5	<b>6014159</b>	SEAL, window channel, (one piece seal)	1
6	<b>6003620</b>	DOOR HINGE ASSEMBLY, upper front, L.H.	1
	<b>6003621</b>	DOOR HINGE ASSEMBLY, upper front, R.H.	1
7	<b>5939634P2</b>	WASHER	11
8	<b>5939223</b>	BOLT, upper	3
9	<b>5939423</b>	BOLT, lower	3
10	<b>6000065P</b>	DOOR ASSEMBLY, front, L.H. (indy) HMC2, HMC4, HMCS	1
	<b>5938894</b>	DOOR ASSEMBLY, front, L.H. (Creative) HMC2, HMC4, HMCS, VLC1	1
	<b>6001054P</b>	DOOR ASSEMBLY, front, L.H. (indy) HMCO	1
	<b>6000290P</b>	DOOR ASSEMBLY, front, L.H. (creative) HMCO	1
	<b>6003641</b>	DOOR ASSEMBLY, front R.H. (indy) HMC2, HMC4, HMCS, VLCO	1
	<b>5938895</b>	DOOR ASSEMBLY, front, R.H. (creative) HMC2, HMC4, HMCS	1
	<b>6003643P</b>	DOOR ASSEMBLY, front, R.H. HMCO	1
	<b>6000291</b>	DOOR ASSEMBLY, front, R.H. (creative) HMCO	1
	<b>6012398</b>	DOOR ASSEMBLY, front, L.H. HMC4, HMCS, VLC2,	1
	<b>6003644P</b>	DOOR ASSEMBLY, front, L.H. HMCO	1
11	<b>5742925</b>	GLASS AND LIFT CHANNEL, L.H. front, R.H. rear, clear	1
	<b>5742926</b>	GLASS AND LIFT CHANNEL, R.H. front, L.H. rear, clear	1
12	<b>5938943</b>	·GLASS, clear	1
11	<b>5744554</b>	GLASS AND LIFT CHANNEL, L.H., tinted	1
	<b>5744555</b>	GLASS AND LIFT CHANNEL, R.H., tinted	1
12	<b>6003516</b>	·GLASS, side window, tinted	2
13	<b>6011776</b>	SEAL, belt line	2
14	<b>6002874</b>	HANDLE ASSEMBLY, exterior door, front, SEE NOTE 3	1
15	<b>6000248</b>	GASKET, exterior door handle	1
16	<b>121753</b>	LOCKWASHER	13
17	<b>11504882P2</b>	SCREW	13
18	<b>N/S</b>	LOCK CYLINDER, L.H., SEE NOTE 2	1
	<b>N/S</b>	LOCK CYLINDER, R.H., SEE NOTE 2	1
19	<b>5939037</b>	CLIP, rod end	3
20	<b>5938964</b>	ROD, key cylinder to latch, L.H.	1
	<b>5939714</b>	ROD, key cylinder to latch, R.H.	1
21	<b>6002906</b>	SLEEVE, latch rod	1
22	<b>5939371</b>	CLIP, key cylinder, retaining	1
23	<b>NPN</b>	SEAL, door, black foam, 120-inches long, SEE NOTE 1	1
24	<b>6004422</b>	BRACKET ASSEMBLY, front door, arm rest mounting, L.H.	1
	<b>6004434</b>	BRACKET ASSEMBLY, front door, arm rest mounting, R.H.	1
25	<b>160586</b>	SCREW	1
26	<b>5938960</b>	LATCH ASSEMBLY, L.H.	1
	<b>5938961</b>	LATCH ASSEMBLY, R.H.	1
27	<b>5938949</b>	WINDOW REGULATOR ASSEMBLY, L.H.	1
	<b>5938950</b>	WINDOW REGULATOR ASSEMBLY, R.H.	1

**Front Door Assembly.**

Item	Part No.	Description	Qty
28	<b>NPN</b>	LOCKWASHER	2
29	<b>NPN</b>	NUT	2
30	<b>N/S</b>	SCREW, 10 - 24 x 1, flat head, phillips	4
31	<b>6000249</b>	HANDLE ASSEMBLY, door interior, L.H.	1
	<b>6000250</b>	HANDLE ASSEMBLY, door interior, R.H.	1
32	<b>155954</b>	SCREW	1
33	<b>5938951</b>	HANDLE, window regulator	1
34	<b>12340002</b>	CLIP, rod, handle end, L.H.	2
	<b>12340003</b>	CLIP, rod, handle end, R.H.	2
35	<b>271166</b>	NUT AND LOCKWASHER	4
36	<b>6002880</b>	ROD, exterior handle to latch, front, SEE NOTE 3	2
37	<b>5938965</b>	ROD, lock pin to latch, L.H.	1
38	<b>5938966</b>	ROD, lock pin to latch, R.H.	1
	<b>5938959</b>	KNOB, door lock	1
39	<b>5938962P</b>	DOOR HINGE ASSEMBLY, lower, L.H.	1
	<b>5938963P</b>	DOOR HINGE ASSEMBLY, lower, R.H.	1
40	<b>6000064</b>	ROD, interior handle to latch, front	1

NOTE 1: BULK SEAL P/N 6001808

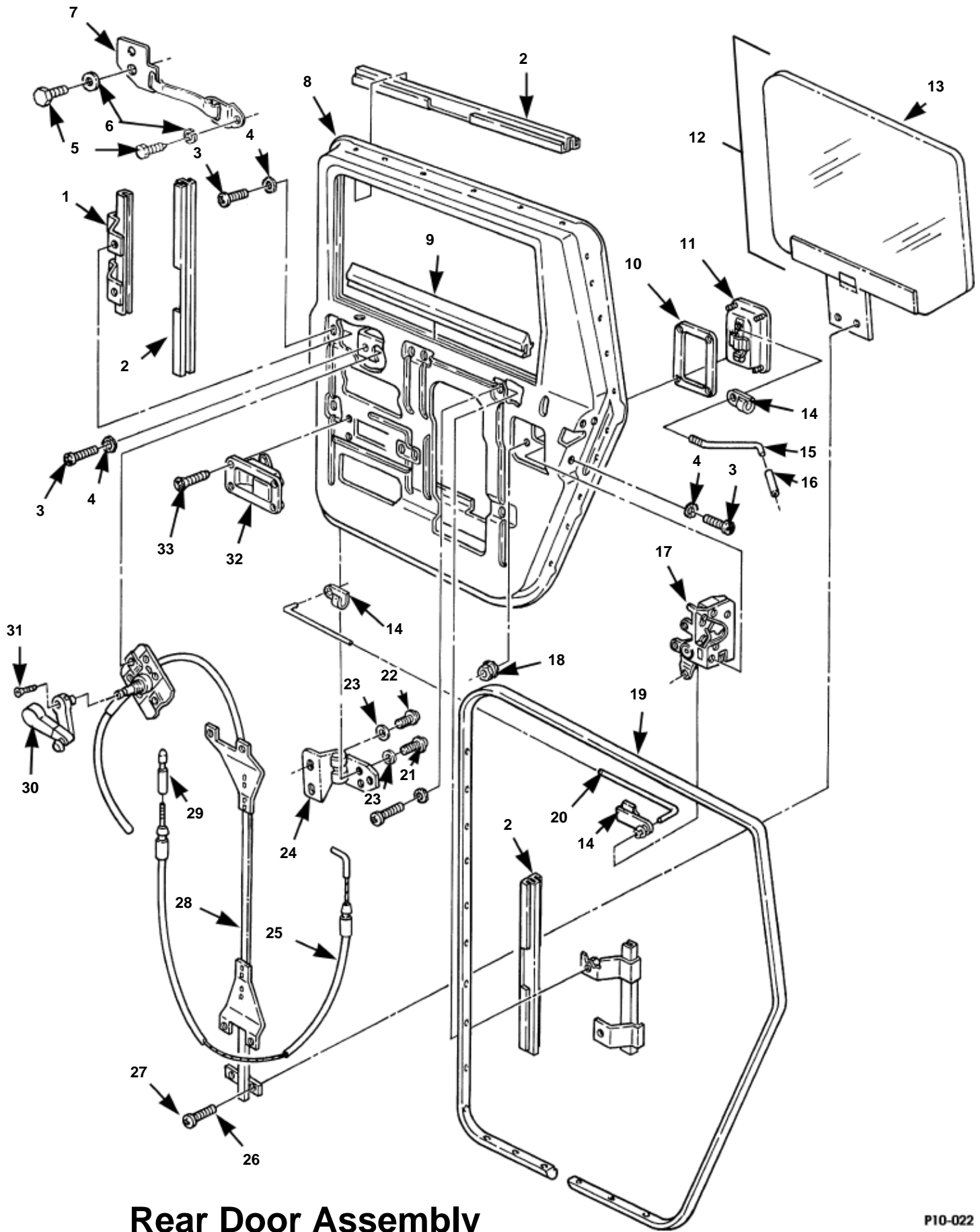
NOTE 2: ORDER LOCK CYLINDER KIT P/N 6012702

NOTE 3: WHEN REPLACING SINGLE LEVER OUTSIDE

HANDLE, ORDER ROD AND HANDLE KIT

P/N 5743247 WHICH CONSISTS OF ROD 6002880

AND HANDLE 6002874



# Rear Door Assembly

P10-022

**Rear Door Assembly.**

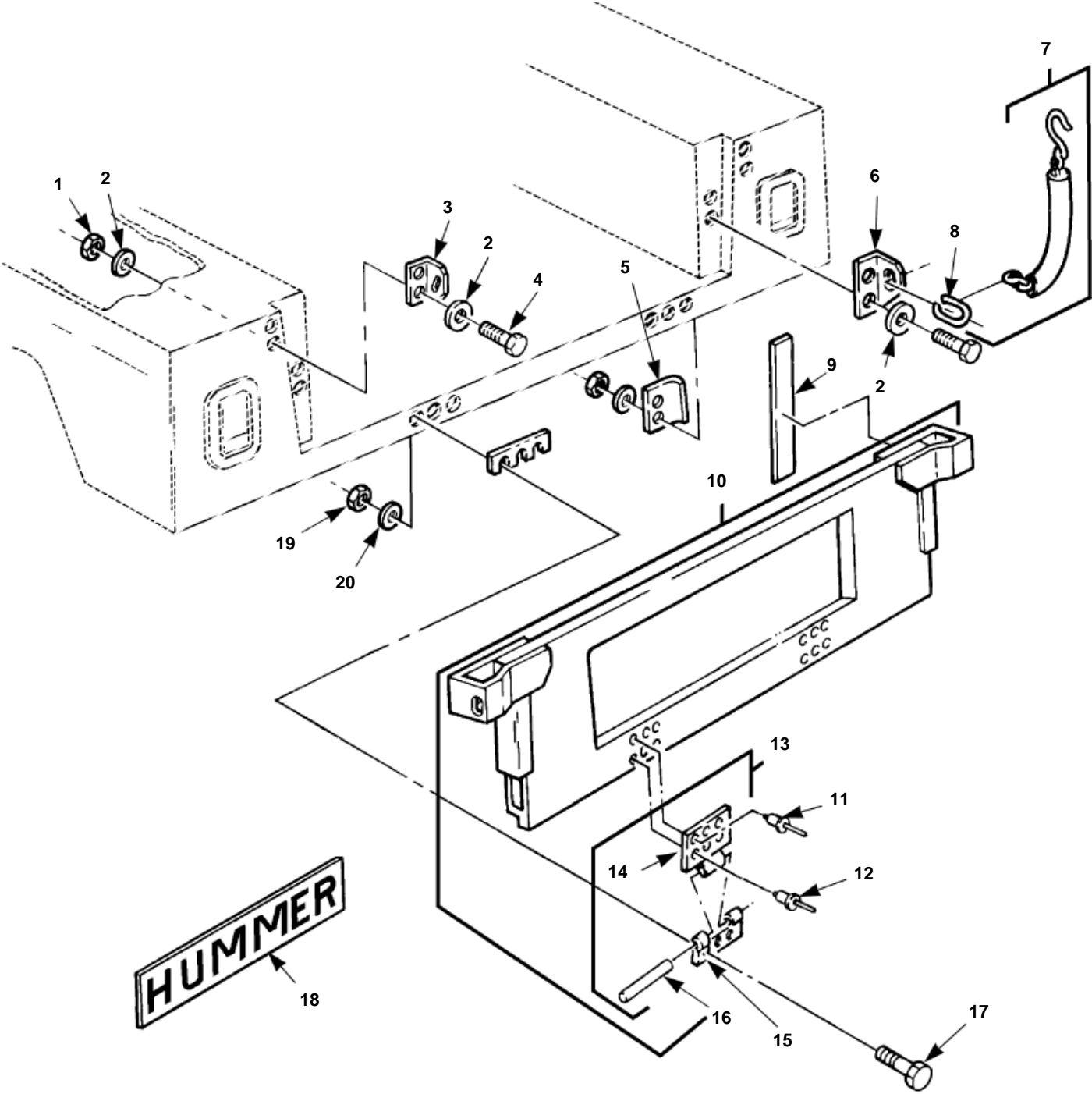
Item	Part No.	Description	Qty
1	<b>5938921</b>	CHANNEL ASSEMBLY, front door glass, lower rear, L.H.	1
	<b>5938922</b>	CHANNEL ASSEMBLY, front door glass, lower rear, R.H.	1
	<b>5938923</b>	CHANNEL ASSEMBLY, rear door glass lower rear, L.H. (creative)	1
	<b>6000058</b>	CHANNEL ASSEMBLY, rear door glass, lower rear, L.H. (indy)	1
	<b>5938924</b>	CHANNEL ASSEMBLY, rear door glass, lower rear R.H. (creative)	1
	<b>6000087</b>	CHANNEL ASSEMBLY, rear door glass, lower rear, R.H. (indy)	1
2	<b>6014159</b>	SEAL, window channel, (one piece seal)	1
3	<b>160515</b>	SCREW	10
4	<b>121753</b>	LOCKWASHER	13
5	<b>MS90728-8</b>	BOLT	4
6	<b>2436161</b>	WASHER	4
7	<b>6004971</b>	STRAP ASSEMBLY, door stop, rear, L.H.	1
	<b>6004972</b>	STRAP ASSEMBLY, door stop, rear, R.H.	1
8	<b>5938872</b>	DOOR ASSEMBLY, rear, R.H., (creative)	1
HMC2, HMC4, HMCS			
8	<b>6016990</b>	DOOR ASSEMBLY, rear, L.H., (indy)	1
HMC2, HMC4, HMCS			
8	<b>6001056P</b>	DOOR ASSEMBLY, rear, L.H. VLCO	1
	<b>6000292P</b>	DOOR ASSEMBLY, rear, L.H., (creative) HMCO	1
	<b>5938873</b>	DOOR ASSEMBLY, rear, R.H. (creative) HMC2, HMC4, HMCS	1
	<b>6016991</b>	DOOR ASSEMBLY, rear, R.H. (indy) HMC2, HMC4, HMCS	1
	<b>6001057P</b>	DOOR ASSEMBLY, rear, R.H. (indy) HMCO	1
	<b>6000293P</b>	DOOR ASSEMBLY, rear, R.H. (creative) HMCO	1
9	<b>6011776</b>	SEAL, belt line	2
10	<b>6000248</b>	GASKET, exterior door handle	1
11	<b>6002874</b>	HANDLE ASSEMBLY, door exterior, rear, SEE NOTE 2	1
12	<b>5742925</b>	GLASS AND LIFT CHANNEL, L.H. front, R.H. rear, clear	1
	<b>5742926</b>	GLASS AND LIFT CHANNEL, R.H. front, L.H. rear, clear	1
13	<b>5938943</b>	-GLASS, clear	1
12	<b>5744554</b>	GLASS AND LIFT CHANNEL, L.H., tinted	1
	<b>5744555</b>	GLASS AND LIFT CHANNEL, R.H., tinted	1
13	<b>6003516</b>	-GLASS, side window, tinted	2
14	<b>5939037</b>	CLIP, rod end	3
15	<b>6002881</b>	ROD, exterior handle to latch, rear, SEE NOTE 2	2
16	<b>6002906</b>	SLEEVE, latch rod	1
17	<b>5938960</b>	LATCH ASSEMBLY, L.H.	1
	<b>5938961</b>	LATCH ASSEMBLY, R.H.	1
18	<b>271166</b>	NUT AND LOCKWASHER	4
19	<b>NPN</b>	SEAL, door, black foam, 120" long, SEE NOTE 1	1
20	<b>6000061</b>	ROD, interior handle to latch, rear	1
21	<b>5939423</b>	BOLT	6
22	<b>5939223</b>	BOLT	4
23	<b>5939634P2</b>	WASHER	11
24	<b>5938962</b>	HINGE ASSEMBLY, door, L.H.	2
	<b>5938963</b>	HINGE ASSEMBLY, door, R.H.	2
25	<b>5938896</b>	DOOR LOCK CABLE ASSEMBLY	1
26	<b>NPN</b>	LOCKWASHER	2
27	<b>NPN</b>	NUT	
28	<b>5938949</b>	WINDOW REGULATOR ASSEMBLY, L.H.	1
	<b>5938950</b>	WINDOW REGULATOR ASSEMBLY, R.H.	1
29	<b>5938959</b>	KNOB	1
30	<b>5938951</b>	HANDLE, window regulator	1
31	<b>N/S</b>	SCREW, 10 - 24 x 1", flat head, phillips	1
32	<b>6000249</b>	HANDLE ASSEMBLY, door interior, L.H.	1

VLCO, HMC4, HMCS

**Rear Door Assembly.**

Item	Part No.	Description	Qty
32	<b>6000250</b>	HANDLE ASSEMBLY, door interior, R.H. VLCO, HMC4, HMCS	1
33	<b>9425422P2</b>	SCREW	4
NOTE 1: BULK SEAL P/N 6006447, 250 '			
NOTE 2: WHEN REPLACING SINGLE LEVER OUTSIDE HANDLE, ORDER ROD AND HANDLE KIT P/N 5743249			



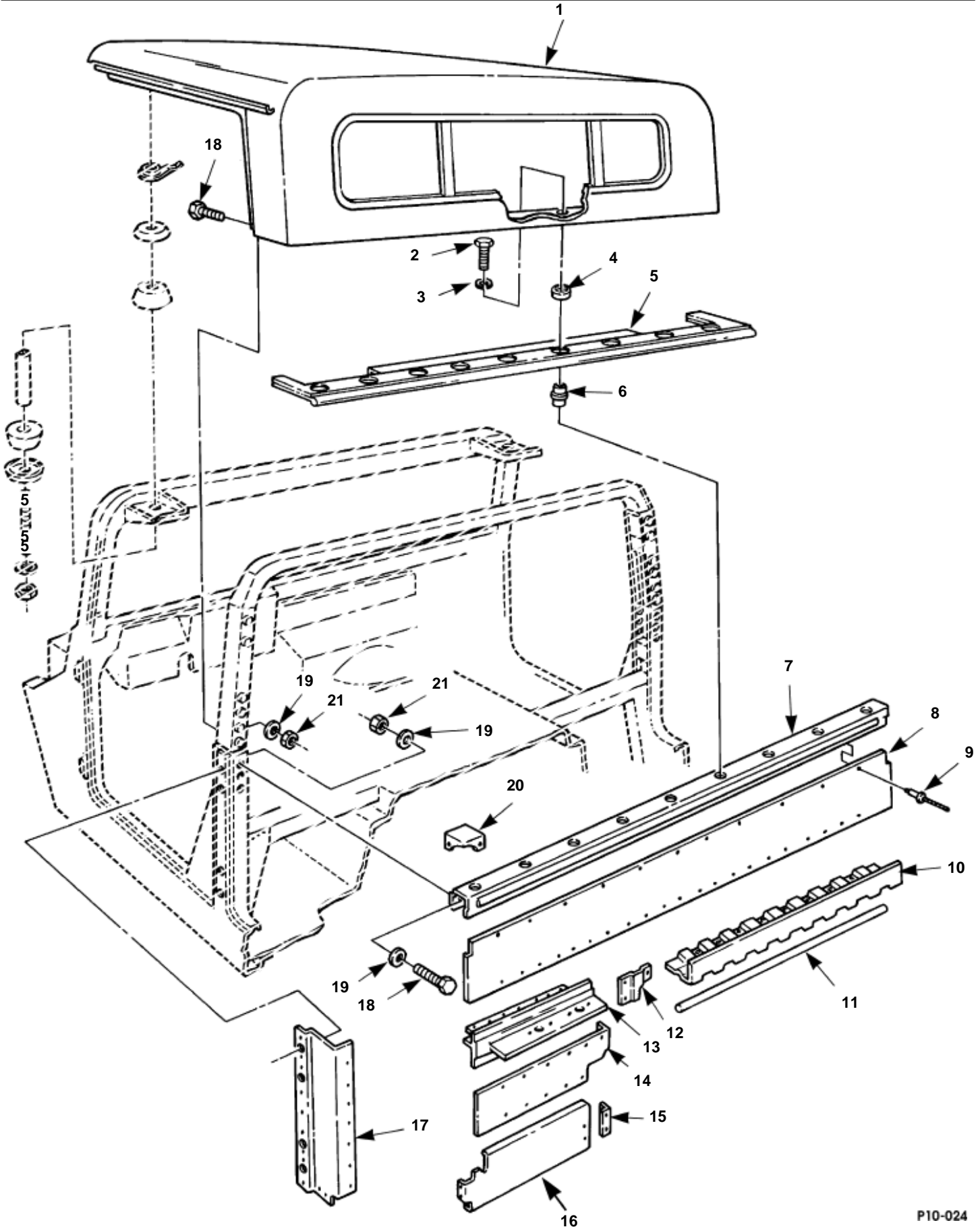


P10-023

# Tailgate Assembly and Related Parts

**Tailgate Assembly and Related Parts.**

Item	Part No.	Description	Qty
1	<b>MS51943-33</b>	LOCKNUT, latch and bracket	8
2	<b>2436162</b>	WASHER, latch and bracket	16
3	<b>12338974-2P</b>	LATCH, tailgate chain, R.H.	1
	<b>12338974-1P</b>	LATCH, tailgate chain, L.H.	1
4	<b>MS90728-35</b>	BOLT, latch and bracket	8
5	<b>12338977B1</b>	REINFORCEMENT, tailgate chain mount	2
6	<b>12338975-1P</b>	BRACKET, chain mount, L.H.	1
	<b>12338975-2P</b>	BRACKET, chain mount, R.H.	1
7	<b>12339227-1P3</b>	COVER AND CHAIN, tailgate, L.H.	1
	<b>12339227-2P3</b>	COVER AND CHAIN, tailgate, R.H.	1
8	<b>12339223P3</b>	·CONNECTOR, tailgate chain	2
9	<b>12339228-9</b>	SEAL, cargo box to tailgate HMC2, HMC4	2
10	<b>WA12338981</b>	P TAILGATE ASSEMBLY	1
11	<b>12340354-2</b>	·RIVET, blind, upper	6
12	<b>12340354-1</b>	·RIVET, blind, lower	6
13	<b>12339985P</b>	·HINGE ASSEMBLY	2
14	<b>12339945</b>	·HINGE, tailgate, upper	1
15	<b>12339999</b>	·HINGE, tailgate, lower	1
16	<b>12339663</b>	·PIN, tailgate hinge	1
17	<b>MS90725-64P2</b>	SCREW, lower hinge	6
18	<b>6002989</b>	DECAL, "HUMMER", black	1
	<b>6002990</b>	DECAL, "HUMMER", gold	1
19	<b>MS51943-35</b>	LOCKNUT, lower hinge	6
20	<b>2436163</b>	WASHER, lower hinge	6
21	<b>12340045B1</b>	SHIM, tailgate hinge	V

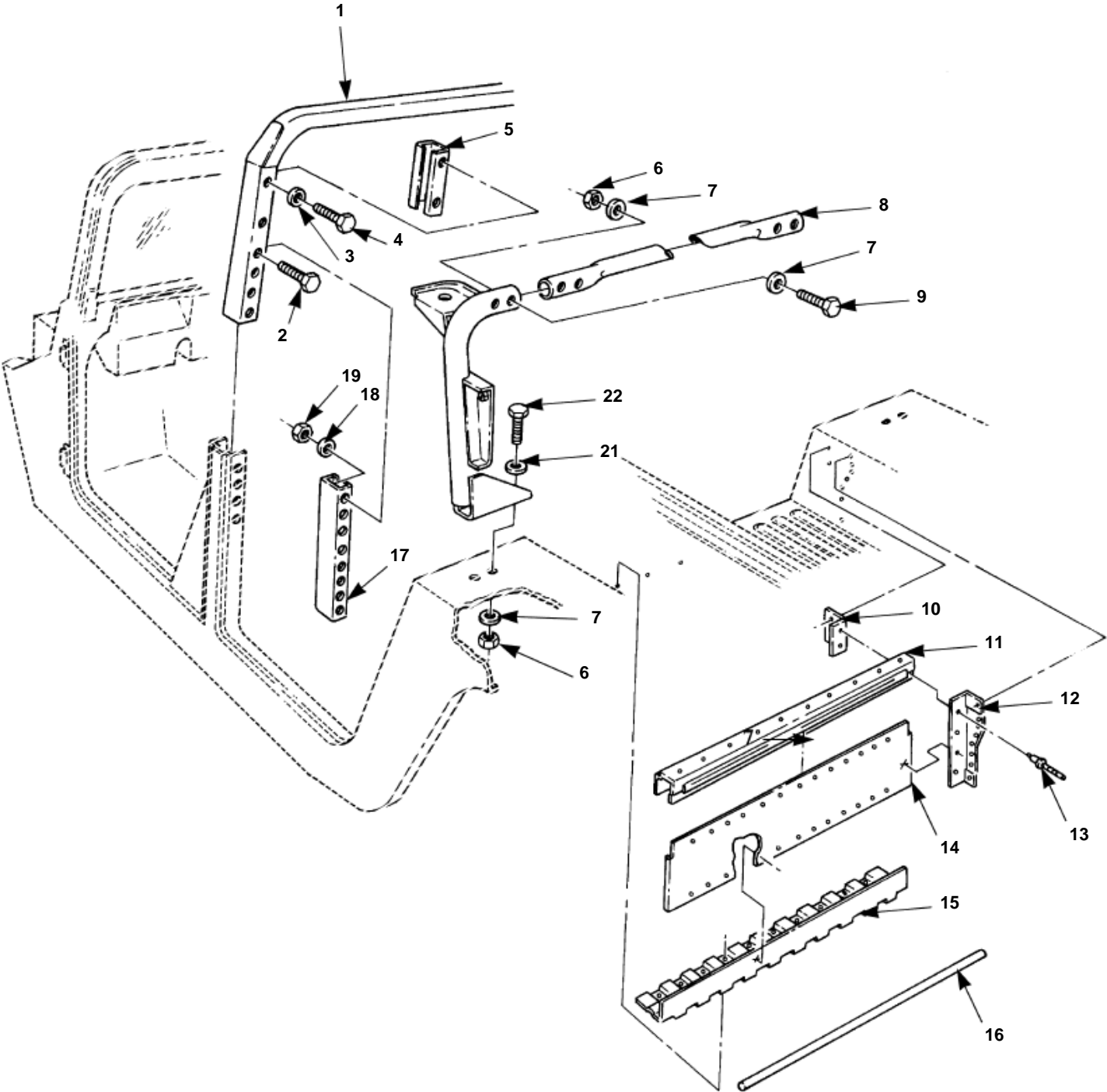


### Two-Man Hardtop

P10-024

**Two-Man Hardtop.**

Item	Part No.	Description	Qty
1	<b>6005972P</b>	ROOF ASSEMBLY HMC2	1
	<b>6032409</b>	ROOF ASSEMBLY XLC2	1
2	<b>MS90728-8</b>	BOLT HMC2	9
3	<b>MS35338-44</b>	WASHER HMC2	9
4	<b>5939596</b>	SPACER, belt line, rear seal HMC2	9
5	<b>6000778</b>	SEAL, belt line, rear HMC2	1
6	<b>12446871-16</b>	NUT INSERT HMC2	9
7	<b>5938736P</b>	RAIL, upper rear HMC2	1
8	<b>6004535P</b>	PANEL, lower back HMC2	1
9	<b>12339355-1</b>	RIVET HMC2	115
10	<b>5938744A</b>	BRACKET, back panel support, center HMC2	1
11	<b>5939988</b>	SEAL, cargo floor/back panel HMC2	1
12	<b>5938749P</b>	PANEL, L.H. HMC2	1
	<b>5938760G1</b>	PANEL, R.H. HMC2	1
13	<b>5938767P</b>	SUPPORT, footwell cover, L.H. HMC2	1
	<b>5938768</b>	SUPPORT, footwell cover, R.H. HMC2	1
14	<b>6004502P</b>	PANEL, footwell, upper, L.H. HMC2	1
	<b>5938764</b>	PANEL, footwell, upper, R.H. HMC2	1
15	<b>5938745</b>	BRACKET, closeout panel mounting HMC2	2
16	<b>6004515P</b>	PANEL, footwell, lower, L.H. HMC2	1
	<b>6004516P</b>	PANEL, footwell, lower, R.H. HMC2	1
17	<b>6004517P</b>	PANEL, lower back, outer, L.H. HMC2	1
	<b>6004518P</b>	PANEL, lower back, outer, R.H. HMC2	1
18	<b>MS90728-34</b>	BOLT HMC2	4
19	<b>2436162</b>	WASHER HMC2	6
20	<b>5939078B9</b>	CLOSEOUT RAIL, outer HMC2	2
21	<b>MS51943-33</b>	NUT HMC2	4

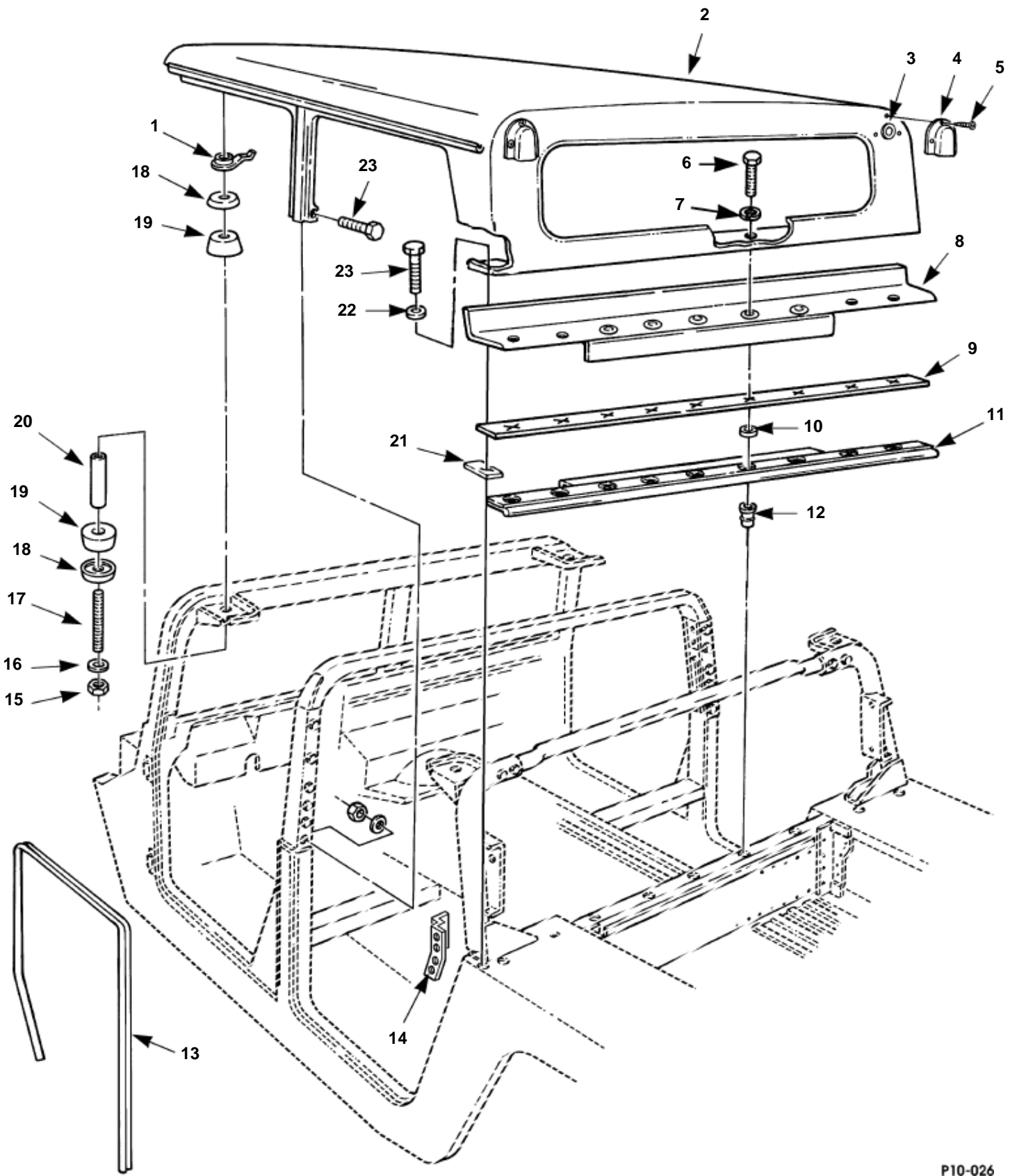


P10-025

# Four-Main Hardtop B- and C- Pillars

HUMMER H1 1994 Parts Catalog  
**Four-Man Hardtop B- and C-Pillars.**

Item	Part No.	Description	Qty
1	<b>WA12339195B9</b>	B-BAR ASSEMBLY HMC4, HMCS	1
2	<b>AN5-6AP2</b>	BOLT	16
3	<b>2436162</b>	WASHER	8
4	<b>MS90728-32</b>	BOLT	8
5	<b>12342683B9</b>	BRACKET ASSEMBLY, "D" ring	2
6	<b>MS51943-35</b>	NUT HMC4, HMCS	8
7	<b>2436163</b>	WASHER HMC4, HMCS	12
8	<b>5937106</b>	C-PILLAR, intermediate HMC4, HMCS	1
9	<b>MS90728-70</b>	BOLT HMC4, HMCS	4
10	<b>5938792P</b>	ANGLE, rail to wheelhouse, L.H. HMC4, HMCS	1
	<b>5939304</b>	ANGLE, rail to wheelhouse, R.H. HMC4, HMCS	1
11	<b>5938790</b>	RAIL ASSEMBLY, upper rear HMC4, HMCS	1
12	<b>5938787</b>	BRACKET, lower back panel, L.H. HMC4, HMCS	1
	<b>5938788</b>	BRACKET, lower back panel, R.H. HMC4, HMCS	1
13	<b>12339355-1</b>	RIVET HMC4, HMCS	74
14	<b>5938775</b>	PANEL, lower back HMC4, HMCS	2
15	<b>5938789</b>	BRACKET, cargo floor HMC4, HMCS	1
16	<b>5939988</b>	SEAL, cargo floor/back panel HMC4, HMCS	1
17	<b>5938972B9</b>	JOINT, "B" roll	2
18	<b>EL27183-12</b>	WASHER HMC4, HMCS	4
19	<b>MS51943-34</b>	NUT	1
20	<b>5938814B2</b>	C-PILLAR ASSEMBLY, L.H. HMC4, HMCS	4
	<b>5938815B2</b>	C-PILLAR ASSEMBLY, R.H. HMC4, HMCS	1
21	<b>EC12340880</b>	WASHER	4
22	<b>MS90728-64</b>	BOLT	6



P10-026

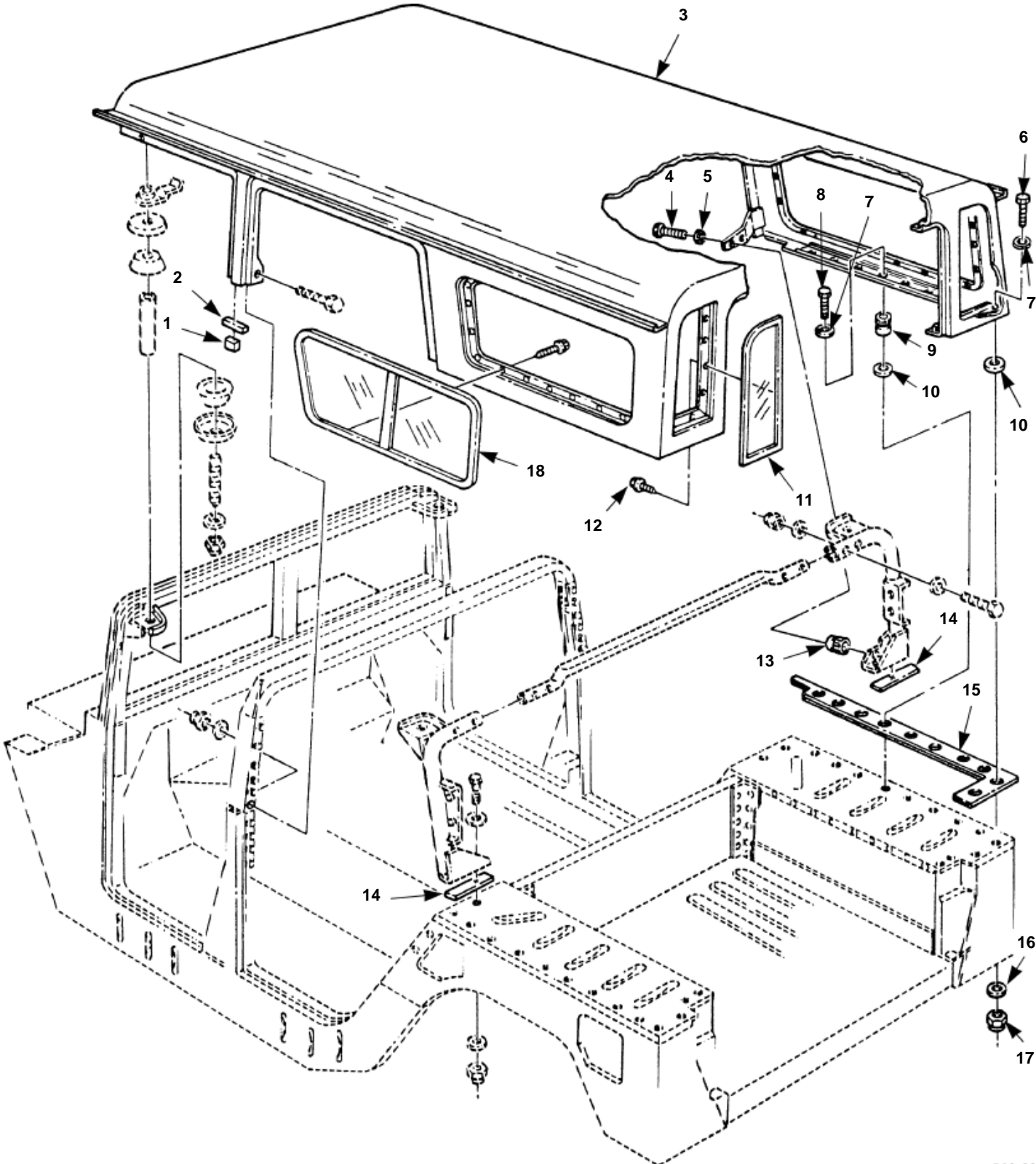
# Four-Man Hardtop Assembly

HUMMER H1 1994 Parts Catalog  
**Four-Man Hardtop Assembly.**

Item	Part No.	Description	Qty
1	<b>EC12339563</b>	PLATE, roof mount	4
2	<b>5938794P</b>	ROOF ASSEMBLY	1
3	<b>6003146</b>	VENT, scupper valve	2
4	<b>6003147P</b>	VENT COVER	2
5	<b>NPN</b>	SCREW	6
6	<b>MS90728-8</b>	BOLT	9
7	<b>MS35338-44</b>	LOCKWASHER	9
8	<b>6003844</b>	TONNEAU BRACKET	1
9	<b>6003848</b>	SEAL, tonneau bracket-to-roof	1
10	<b>5939596</b>	SPACER, belt line, rear	9
11	<b>6000778</b>	SEAL, belt line, rear	1
12	<b>12446871-16</b>	NUT, insert	9
13	<b>5744139</b>	SEAL, body, black rubber, 10-foot, SEE NOTE 1	1
14	<b>6005456B9</b>	PANEL, filler, rear, L.H.	1
	<b>6005457B9</b>	PANEL, filler, rear, R.H.	1
15	<b>MS51943-35</b>	NUT	4
16	<b>2436163</b>	WASHER	4
17	<b>EC12339559</b>	STUD	4
18	<b>EC12339561</b>	PLATE, snubber	8
19	<b>EC12339571</b>	MOUNT, roof	8
20	<b>EC12338186-52</b>	SPACER	4
21	<b>5936286</b>	SEAL, rear, roof side panel	2
22	<b>ELMS27183-10</b>	WASHER	4
23	<b>MS90725-6</b>	BOLT	4

NOTE 1: MAKE FROM BULK SEAL P/N 6000871





P10-027

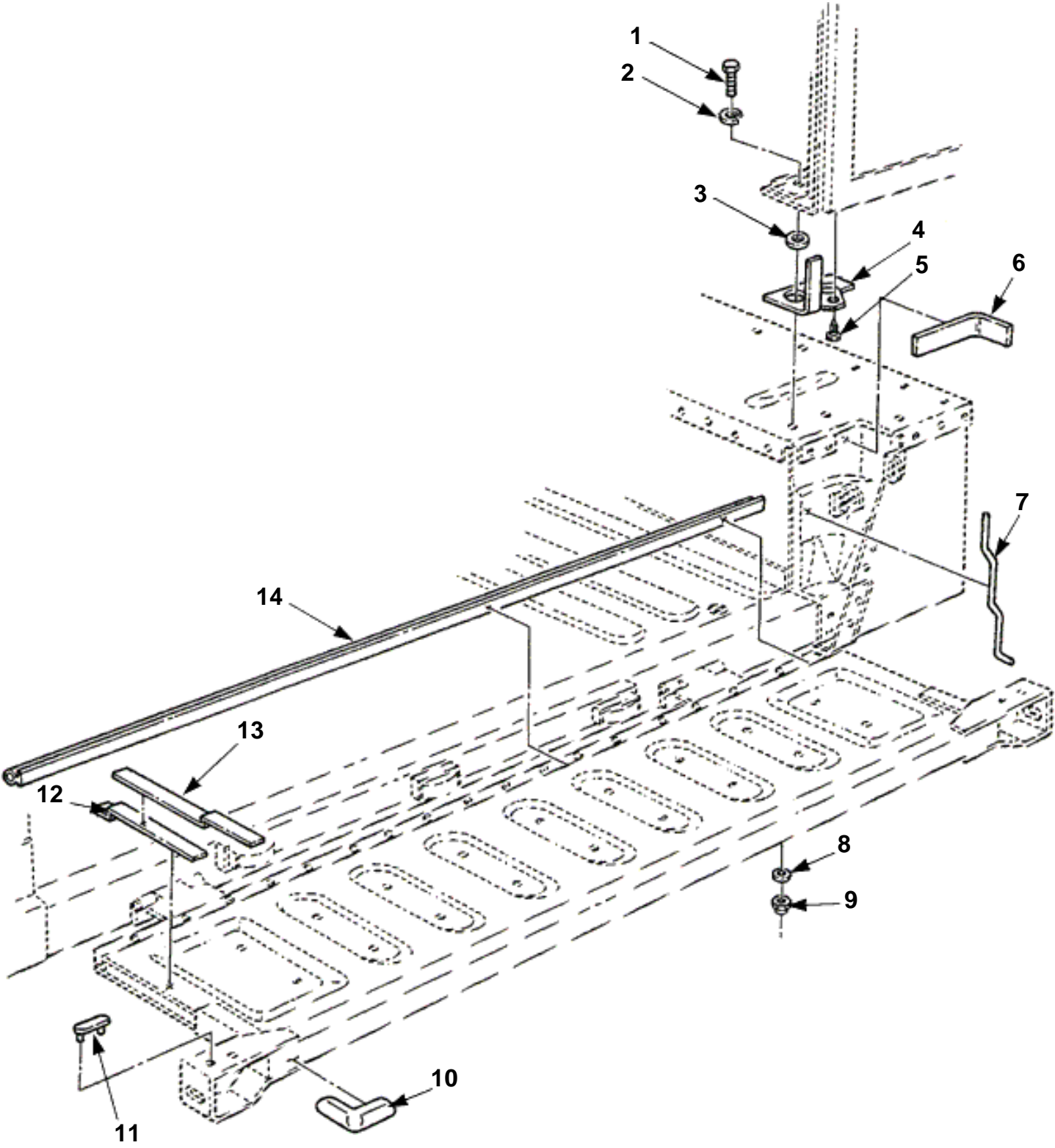
# Station Wagon Roof and Mounting Hardware

**Station Wagon Roof and Mounting Hardware.**

Item	Part No.	Description	Qty
1	<b>6000240</b>	SEAL, B-pillar HMCS	2
2	<b>6000241</b>	SEAL, B-pillar HMCS	2
3	<b>6009138</b>	ROOF ASSEMBLY HMCS	1
4	<b>MS90728-6P2</b>	SCREW HMCS	4
5	<b>ELMS27183-10</b>	WASHER HMCS	4
6	<b>MS90728-10</b>	BOLT HMCS	10
7	<b>MS35338-44P2</b>	LOCKWASHER HMCS	24
8	<b>MS90728-8</b>	BOLT HMCS	14
9	<b>12446871-16</b>	NUT INSERT HMCS	14
10	<b>5939596</b>	SPACER HMCS	24
11	<b>6000983</b>	OPERA WINDOW ASSEMBLY, L.H. HMCS	1
	<b>6003524</b>	OPERA WINDOW ASSEMBLY, R.H. HMCS	1
	<b>6003523</b>	OPERA WINDOW ASSEMBLY, tinted, L.H. HMCS SEE NOTE 1	1
	<b>6003524</b>	OPERA WINDOW ASSEMBLY, tinted, R.H. HMCS SEE NOTE 1	1
12	<b>6001284</b>	SCREW HMCS	72
13	<b>12446871-2</b>	NUT INSERT HMCS	4
14	<b>EC12338186-52</b>	SPACER HMCS	2
15	<b>6014442</b>	SEAL, side, L.H. HMCS	1
	<b>6004443</b>	SEAL, side, R.H. HMCS	1
16	<b>9414920</b>	WASHER HMCS	10
17	<b>MS51943-31</b>	LOCKNUT HMCS	10
18	<b>6003521</b>	WINDOW ASSEMBLY, side, tinted, L.H. HMCS	
18	<b>6003522</b>	WINDOW ASSEMBLY, side, tinted, R.H. HMCS	1

NOTE 1: 6003531, AND 6003532 ARE REPLACE BY  
6003523 AND 6003524, WHEN REPLACING DEEP  
TINT WINDOWS, ORDER BOTH NEWER NUM-  
BERS TO MATCH.

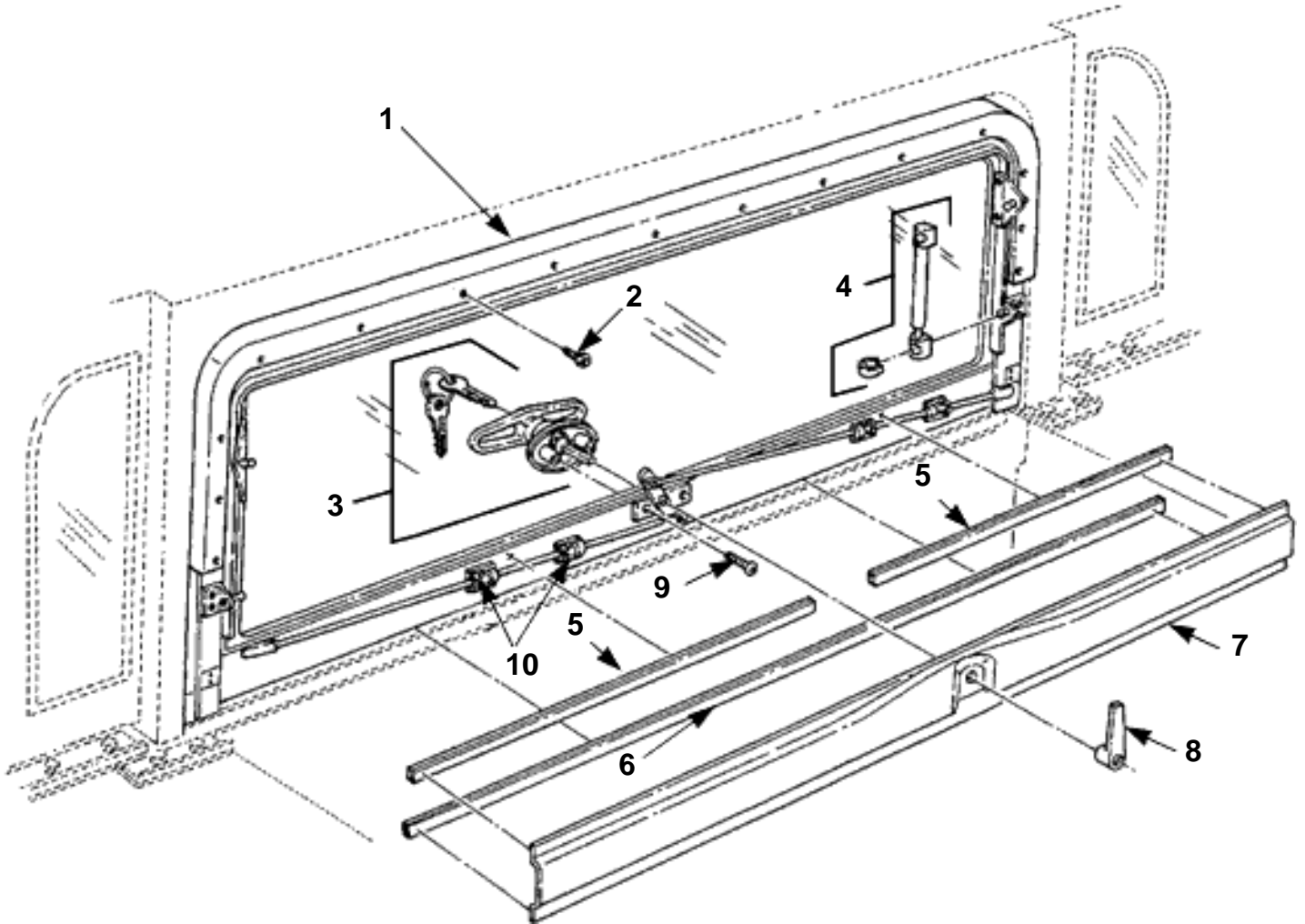
NOTE 2: 6000981, 6000982, 6003529, 6003530 ARE ALL  
REPLACED BY 6003521, AND 6003522, WHEN  
REPLACING CLEAR GLASS AND DEEP TINT  
WINDOWS, ORDER BOTH NEWER NUMBERS  
TO MATCH.



### Station Wagon Tailgate and Mounting Hardware

**Station Wagon Tailgate and Mounting Hardware.**

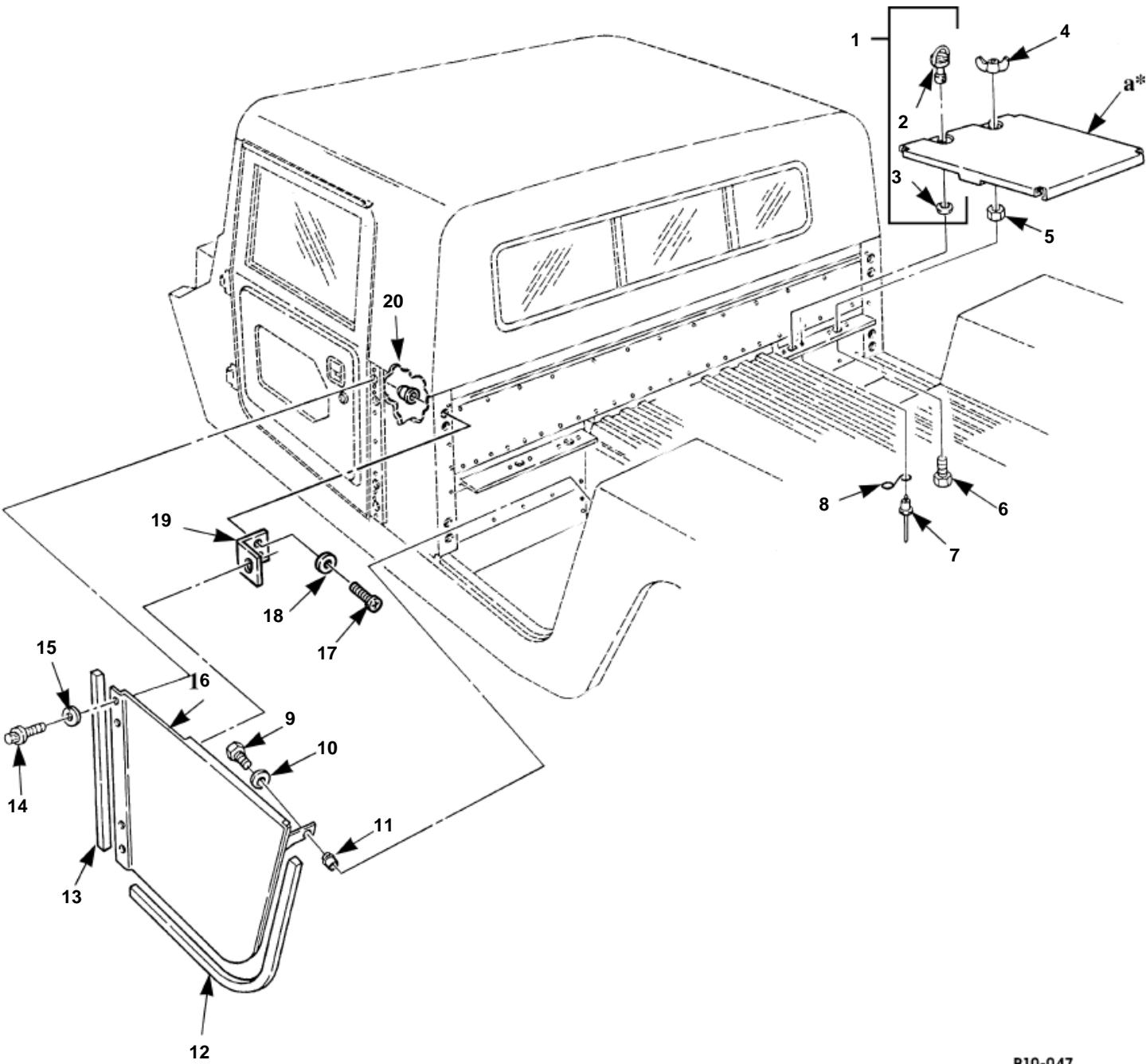
Item	Part No.	Description	Qty
1	<b>MS90728-10</b>	BOLT HMCS, HMCO	2
2	<b>MS35338-44P2</b>	LOCKWASHER HMCS, HMCO	2
3	<b>6001788</b>	RETAINER, tailgate seal HMCS, HMCO	2
4	<b>6013451</b>	SEAL, rear tailgate panel, L.H. HMCS, HMCO	1
	<b>6003635</b>	SEAL, rear tailgate panel, R.H. HMCS, HMCO	1
5	<b>6001788</b>	RETAINER, tailgate seal HMCS, HMCO	2
6	<b>6001531</b>	SEAL, upper HMCS, HMCO	2
7	<b>6001532</b>	SEAL HMCS, HMCO	2
8	<b>9414920</b>	WASHER HMCS, HMCO	2
9	<b>MS51943-31</b>	LOCKNUT HMCS, HMCO	2
10	<b>6004822</b>	SEAL HMCS, HMCO	2
11	<b>12339961-2</b>	GROMMET HMCS, HMCO	2
12	<b>6003848</b>	SEAL, tailgate, lower side HMCS, HMCO	2
13	<b>6001527</b>	SEAL, tailgate, upper side HMCS, HMCO	2
14	<b>6001561</b>	SEAL, tailgate lower HMCS, HMCO	1



## Station Wagon Liftgate Assembly and Mounting Hardware

**Station Wagon Liftgate Assembly and Mounting Hardware.**

Item	Part No.	Description	Qty
1	<b>6003525</b>	LIFTGATE ASSEMBLY, tinted glass (1994) HMCS	1
	<b>6005305</b>	LIFTGATE ASSEMBLY, deep tinted glass (1994) HMCS	1
2	<b>6001285</b>	SCREW, lift hatch clamping ring HMCS	17
3	<b>5743150</b>	T-HANDLE HMCS	1
4	<b>5743151</b>	GAS SPRING HMCS	2
5	<b>N/S</b>	VELCRO, rear trim mounting, 18-38 inch HMCS	2
6	<b>N/S</b>	VELCRO, rear trim mounting 48-76 inch HMCS	2
7	<b>6001830</b>	COVER, liftgate lock linkage HMCS	1
8	<b>5743152</b>	L-HANDLE HMCS	1
9	<b>5743153</b>	SCREW HMCS	2
10	<b>5744974</b>	LOCK BAR GUIDE BRACKET	4



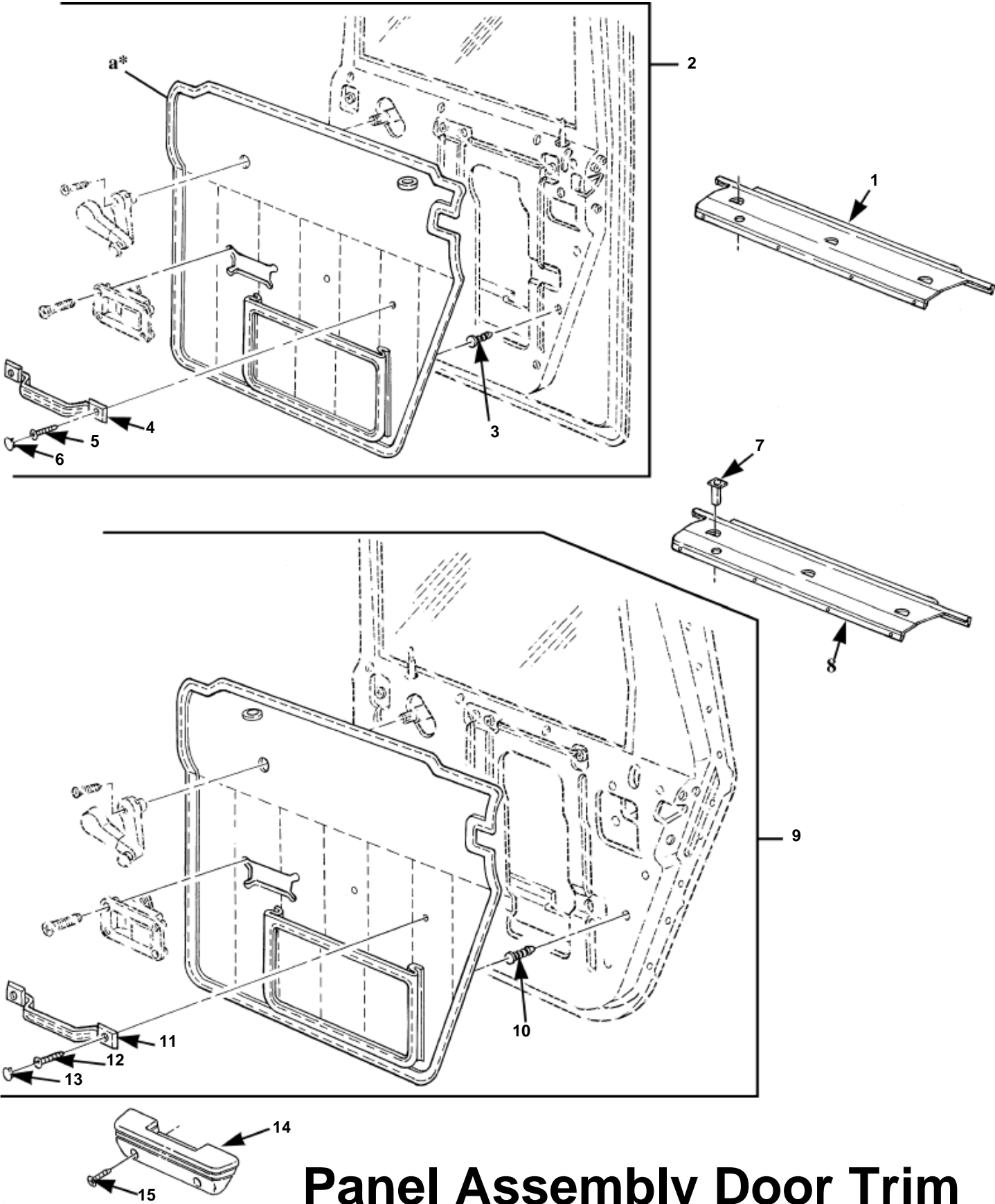
P10-047

# Fixed Door, Footwell Cover and Related Parts

**Fixed Door, Footwell Cover, and Related Parts.**

Item	Part No.	Description	Qty
1	<b>5937335LP</b>	COVER ASSEMBLY, L.H. footwell HMC2	1
	<b>5937335LP</b>	COVER ASSEMBLY, footwell (1992-1993) HMC2	2
	<b>6004513P</b>	COVER ASSEMBLY, footwell XLC2	2
2	<b>12339738-3</b>	·STUD, ring head HMC2	4
3	<b>12341011</b>	·RING RETAINER HMC2	4
4	<b>6000740P2</b>	WING NUT (new models) HMC2	1
5	<b>MS51471-1P2</b>	JAM NUT (new models) HMC2	1
6	<b>6000741P2</b>	BOLT LOCKPIN (new models) HMC2	1
7	<b>M24243/1A405</b>	RIVET HMC2	8
8	<b>12338823</b>	RECEPTACLE, spring HMC2	4
9	<b>MS90725-5</b>	BOLT HMC2	2
10	<b>ELMS27183-10</b>	WASHER HMC2	2
11	<b>12446871-2</b>	NUT INSERT HMC2	2
12	<b>12339419-2</b>	SEAL, fixed door, 22-inch HMC2	1
13	<b>12339419-1</b>	SEAL, fixed door, 50-inch HMC2	1
14	<b>5939423</b>	BOLT HMC2	8
15	<b>5939634P2</b>	WASHER HMC2	8
16	<b>5938773LP</b>	DOOR ASSEMBLY, L.H. HMC2	1
	<b>6004506P</b>	DOOR ASSEMBLY, L.H. XLC2	1
	<b>5938774LP</b>	DOOR ASSEMBLY, R.H. HMC2	1
	<b>6004507P</b>	DOOR ASSEMBLY, R.H. XLC2	1
17	<b>MS51957-64P2</b>	SCREW XLC2	8
18	<b>MS27183-42P2</b>	WASHER XLC2	8
19	<b>6005528</b>	BRACKET, fixed door XLC2	4
20	<b>6001566</b>	NUT, insert	





# Panel Assembly Door Trim

**Panel Assembly Door Trim.**

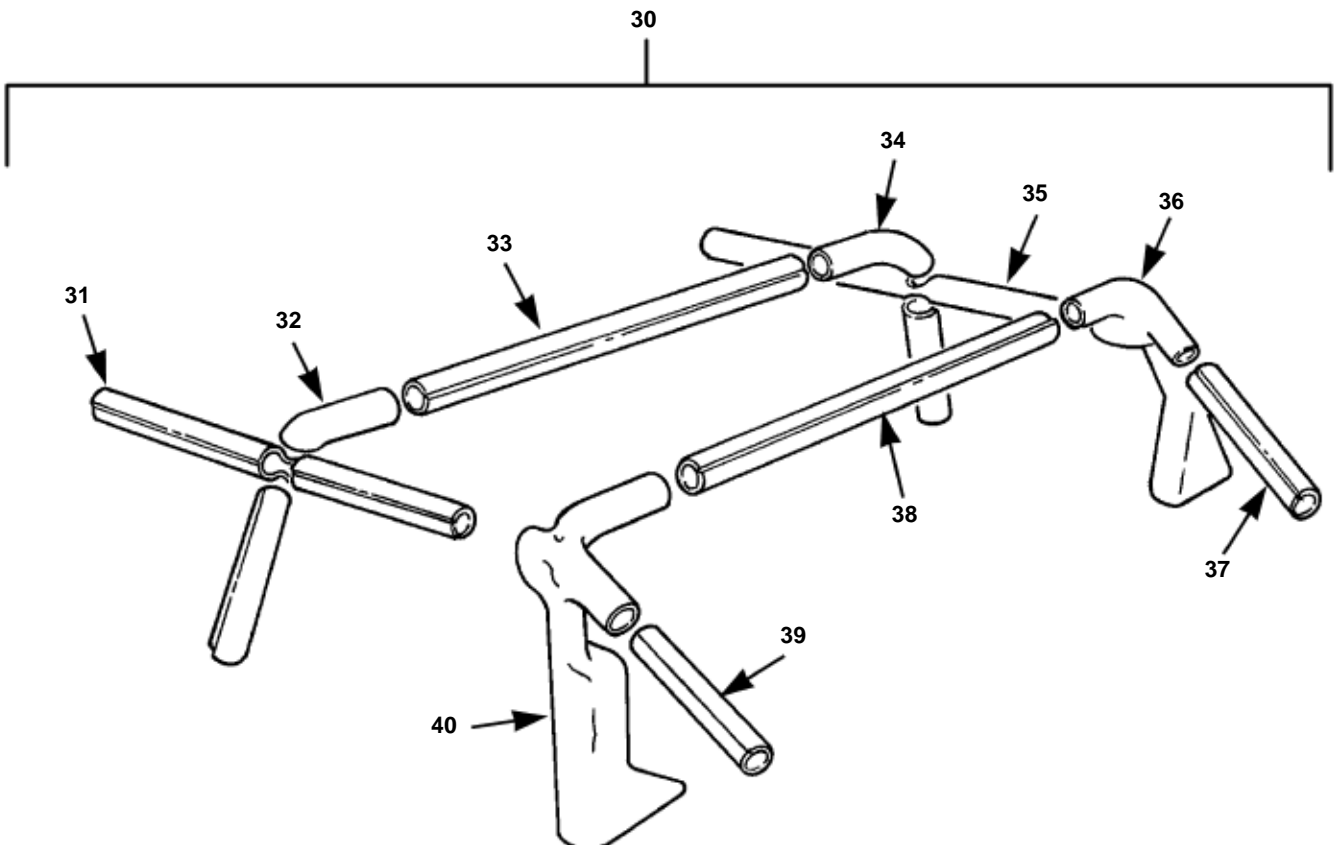
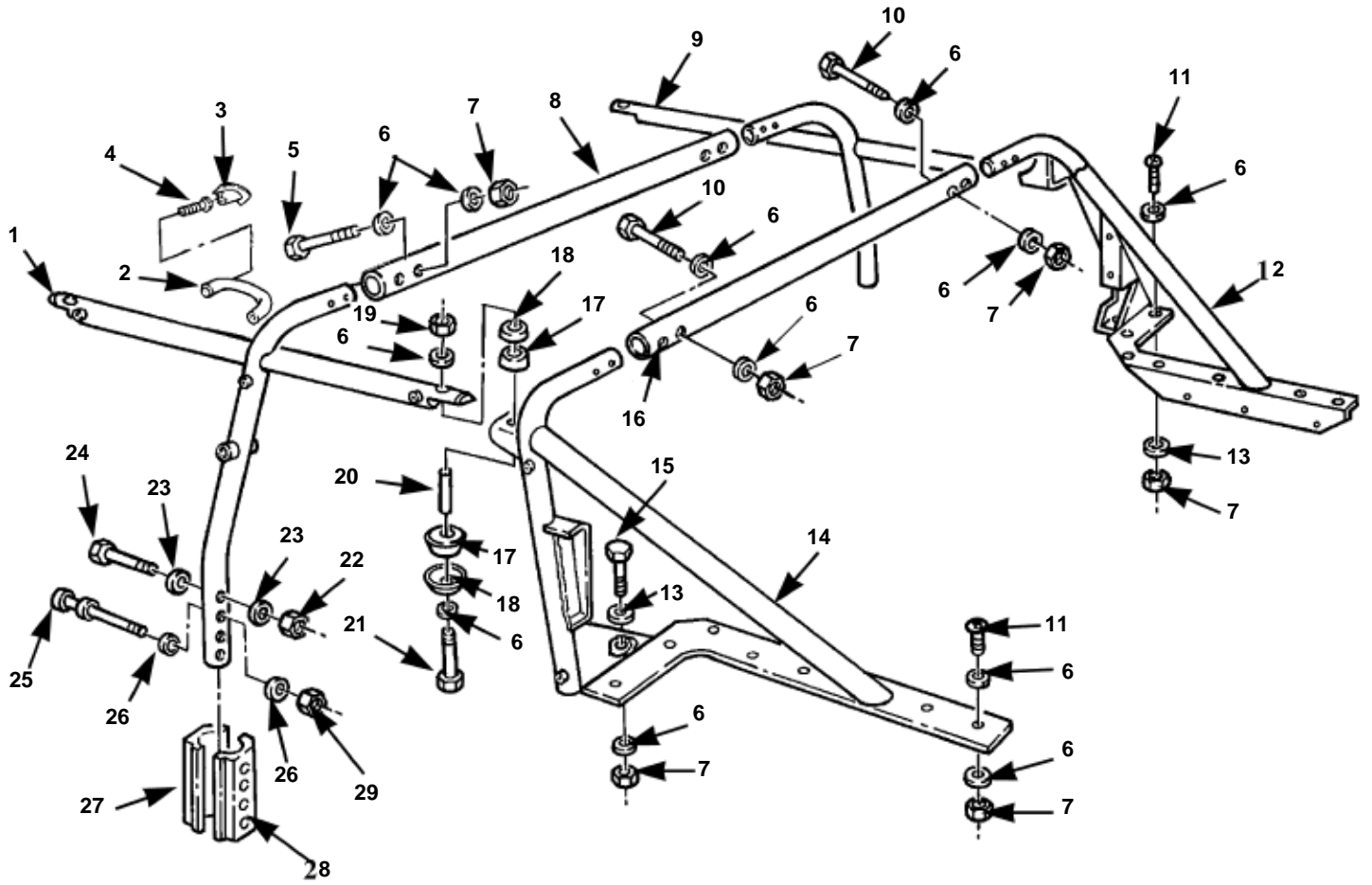
Item	Part No.	Description	Qty
XLC2			
1	<b>6000376</b>	TRIM COVER, front, L.H. HMCO, SEE NOTE 1	1
	<b>6000988</b>	TRIM COVER, front, L.H. HMCO, SEE NOTE 2	1
	<b>6000377</b>	TRM COVER, front, R.H. HMCO, SEE NOTE 1	1
	<b>6000989</b>	TRIM COVER, front, R.H. HMCO, SEE NOTE 2	1
2	<b>5939176</b>	PANEL ASSEMBLY, R.H. HMC2, HMC4, HMCS, SEE NOTE 1	1
	<b>6000049</b>	PANEL ASSEMBLY, R.H., standard front door trim, HMC2, HMC4, HMCS, SEE NOTE 3	1
	<b>6002452</b>	PANEL ASSEMBLY, R.H., standard front door trim, HMC2, HMC4, HMCS, SEE NOTE 4	1
	<b>6002460</b>	PANEL ASSEMBLY, R.H., standard front door trim, HMC2, HMC4, HMCS, SEE NOTE 5	1
	<b>5939172</b>	PANEL ASSEMBLY, R.H., deluxe front door trim HMC2, HMC4, HMCS, SEE NOTE 1	1
	<b>6000045</b>	PANEL ASSEMBLY, R.H., deluxe front door trim, HMC2, HMC4, HMCS, SEE NOTE 3	1
	<b>6004461G</b>	PANEL ASSEMBLY, R.H., deluxe front door trim, HMC2, HMC4, HMCS, SEE NOTES 4 AND 6	1
	<b>6004461</b>	PANEL ASSEMBLY, R.H., deluxe front door trim, HMC2, HMC4, HMCS, SEE NOTES 4 AND 6	1
	<b>6004463G</b>	PANEL ASSEMBLY, R.H., deluxe front door trim, HMC2, HMC4, HMCS, SEE NOTES 5 AND 6	1
	<b>6004463</b>	PANEL ASSEMBLY, R.H., deluxe front door trim, HMC2, HMC4, HMCS, SEE NOTES 5 AND 6	1
	<b>5939175</b>	PANEL ASSEMBLY, L.H., standard front door trim HMC2, HMC4, HMCS, SEE NOTE 1	1
	<b>6000048</b>	PANEL ASSEMBLY, L.H., standard front door trim, HMC2, HMC4, HMCS, SEE NOTE 3	1
	<b>6002450</b>	PANEL ASSEMBLY, L.H., standard front door trim, HMC2, HMC4, HMCS, SEE NOTE 4	1
	<b>5939171</b>	PANEL ASSEMBLY, L.H., deluxe front door trim HMC2, HMC4, HMCS, SEE NOTE 1	1
	<b>6000044</b>	PANEL ASSEMBLY, L.H., deluxe front door trim, HMC2, HMC4, HMCS, SEE NOTE 3	1
	<b>6004460G</b>	PANEL ASSEMBLY, L.H., deluxe front door trim, HMC2, HMC4, HMCS, SEE NOTES 4 AND 6	1
	<b>6004460</b>	PANEL ASSEMBLY, L.H., deluxe front door trim, HMC2, HMC4, HMCS, SEE NOTES 4 AND 6	1
	<b>6004462G</b>	PANEL ASSEMBLY, L.H., deluxe front door trim, HMC2, HMC4, HMCS, SEE NOTES 5 AND 6	1
	<b>6004462</b>	PANEL ASSEMBLY, L.H., deluxe front door trim, HMC2, HMC4, HMCS, SEE NOTES 5 AND 6	1
	<b>6000193</b>	PANEL ASSEMBLY, L.H. standard front door trim, HMCO, SEE NOTE 1	1
	<b>6000219</b>	PANEL ASSEMBLY, L.H., standard front door trim, HMCO, SEE NOTE 3	1
2	<b>6002458</b>	PANEL ASSEMBLY, L.H., standard front door trim, HMCO, SEE NOTE 4	1
	<b>6000195</b>	PANEL ASSEMBLY, R.H., standard front door trim HMCO, SEE NOTE 1	1
	<b>6000221</b>	PANEL ASSEMBLY, R.H., standard front door trim, HMCO, SEE NOTE 3	1
	<b>6002460</b>	PANEL ASSEMBLY, R.H., standard front door trim HMCO, SEE NOTE 4	1
	<b>6000192</b>	PANEL ASSEMBLY, R.H., deluxe front door trim HMCO, SEE NOTE 1	1
	<b>6000218</b>	PANEL ASSEMBLY, L.H., deluxe front door trim, HMCO, SEE NOTE 3	1
	<b>6002457</b>	PANEL ASSEMBLY, L.H., deluxe front door trim, HMCO, SEE NOTE 4	1

**Panel Assembly Door Trim.**

Item	Part No.	Description	Qty
2	<b>6000194</b>	PANEL ASSEMBLY, R.H., deluxe front door trim HMCO, SEE NOTE 1	1
	<b>6000220</b>	PANEL ASSEMBLY, R.H., deluxe front door trim, HMCO, SEE NOTE 3	1
	<b>6002459</b>	PANEL ASSEMBLY, R.H., deluxe front door trim, HMCO, SEE NOTE 4	1
3	<b>6000243P2</b>	·FASTENER	10
4	<b>6001013</b>	·PULL HANDLE ASSEMBLY	1
5	<b>156797P2</b>	·SCREW, pull handle	2
6	<b>6000400</b>	·CAP ASSEMBLY	2
7	<b>NPN</b>	GROMMET	1
	<b>6000404</b>	TRIM COVER, rear, L.H.	
8		HMCO, SEE NOTE 1	1
	<b>6000994</b>	TRIM COVER, rear, L.H.	1
		HMCO, SEE NOTE 2	
	<b>6000405</b>	TRIM COVER, rear, R.H.	1
		HMCO, SEE NOTE 1	
8	<b>6000995</b>	TRIM COVER, rear, R.H.	1
		HMCO, SEE NOTE 2	
9	<b>5939178</b>	PANEL ASSEMBLY, R.H.	1
		HMC4, HMCS, SEE NOTE 1	
	<b>6000051</b>	PANEL ASSEMBLY, R.H., standard rear door trim, HMC4, HMCS, SEE NOTES 3 AND 4	1
	<b>6002465</b>	PANEL ASSEMBLY, R.H., standard rear door trim, HMC4, HMCS, SEE NOTE 5	1
	<b>5939174</b>	PANEL ASSEMBLY, R.H., deluxe rear door trim, HMC4, HMCS, SEE NOTE 1 AND 7	1
	<b>6000047</b>	PANEL ASSEMBLY, R.H., deluxe rear door trim, HMC4, HMCS, SEE NOTES 3, 4, AND 7	1
	<b>6002464</b>	PANEL ASSEMBLY, R.H., deluxe rear door trim, HMC4, HMCS, SEE NOTES 5 AND 7	1
	<b>5939177</b>	PANEL ASSEMBLY, L.H., standard rear door trim HMC4, HMCS, SEE NOTE 1	1
	<b>6000050</b>	PANEL ASSEMBLY, L.H., standard rear door trim, HMC4, HMCS, SEE NOTES 3 AND 4	1
	<b>6002463</b>	· PANEL ASSEMBLY, L.H., standard rear door trim,	1
	<b>5939173</b>	PANEL ASSEMBLY, L.H., deluxe rear door trim HMC4, HMCS, SEE NOTE 1 AND 7	1
	<b>6000046</b>	PANEL ASSEMBLY, L.H., deluxe rear door trim, HMC4, HMCS, SEE NOTES 3, 4, AND 7	1
	<b>6002462</b>	PANEL ASSEMBLY, L.H., deluxe rear door trim, HMC4, HMCS, SEE NOTES 5 AND 7	1
	<b>6000199</b>	PANEL ASSEMBLY, R.H. standard rear door trim HMC4, HMCS, SEE NOTES 5 AND 7	1
	<b>6000225</b>	PANEL ASSEMBLY, R.H., standard rear door trim, HMCO, SEE NOTES 3 AND 4	1
	<b>6000197</b>	PANEL ASSEMBLY, L.H., standard rear door trim HMCO, SEE NOTES 1	1
	<b>6000223</b>	PANEL ASSEMBLY, L.H., standard rear door trim, HMCO, SEE NOTES 3 AND 4	1
	<b>6000196</b>	PANEL ASSEMBLY, L.H., deluxe rear door trim HMCO, SEE NOTES 1 AND 7	1
	<b>6000222</b>	PANEL ASSEMBLY, L.H., deluxe rear door trim, HMCO, SEE NOTES 3, 4 AND 7	1
	<b>6000198</b>	PANEL ASSEMBLY, R.H. deluxe rear door trim HMCO, SEE NOTES 1 AND 7	1
	<b>6000224</b>	PANEL ASSEMBLY, R.H., deluxe rear door trim, HMCO, SEE NOTES 3, 4, AND 7	1
10	<b>6000243P2</b>	·FASTENER, SEE NOTE 1	10
11	<b>6001013</b>	·PULL HANDLE ASSEMBLY, SEE NOTE 1	1
12	<b>156797P2</b>	·SCREW, pull handle, SEE NOTE 1	2
13	<b>6000400</b>	·CAP ASSEMBLY, SEE NOTE 1	2
14	<b>6011393G</b>	ARMREST ASSEMBLY, L.H., SEE NOTES 4, 5, AND 6	1
	<b>6011393</b>	ARMREST ASSEMBLY, L.H., SEE NOTES 4, 5, AND 6	1
15	<b>160586</b>	SCREW, SEE NOTES 4 AND 5	2

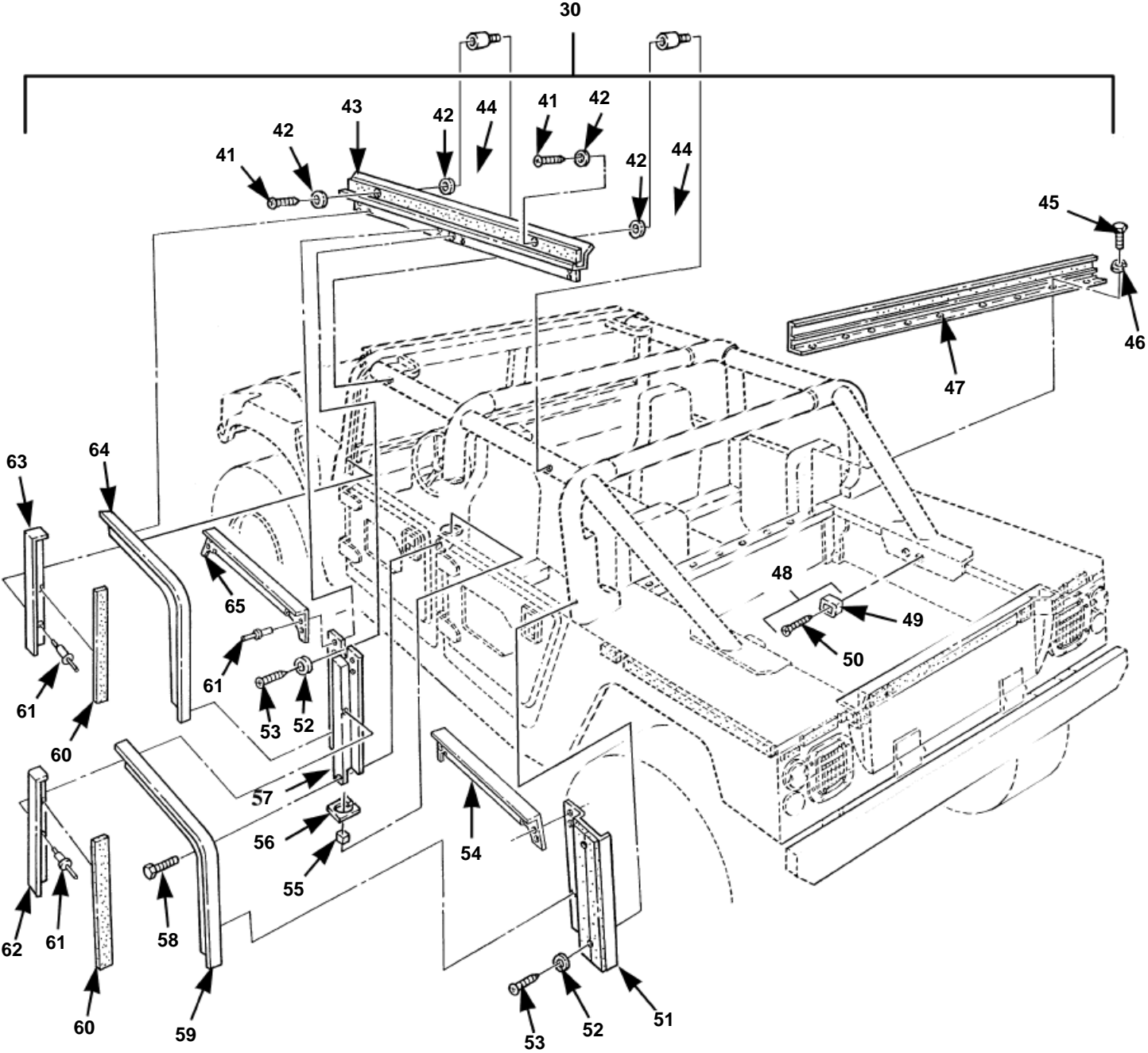
HUMMER H1 1994 Parts Catalog  
**Panel Assembly Door Trim.**

Item	Part No.	Description	Qty
NOTE 1: CREATIVE DOORS FOR 1992, 1993, AND EARLY 1994 VEHICLES.			
NOTE 2: ALL INDIANAPOLIS DOORS FOR LATE 1994 VEHICLES.			
NOTE 3: INDIANAPOLIS DOORS FOR LATE 1994 VEHICLES WITHOUT POWER DOOR LOCKS AND POWER WINDOWS.			
NOTE 4: INDIANAPOLIS DOORS FOR LATE 1994 VEHICLES WITH POWER LOCKS.			
NOTE 5: INDIANAPOLIS DOORS FOR LATE 1994 VEHICLES WITH POWER DOOR LOCKS AND POWER WINDOWS.			
NOTE 6: G FOR GRAY INTERIOR COLOR OTHER TAN			
NOTE 7: MAP POCKET INCLUDED ON DELUXE MODELS ONLY.			



Soft Top Kit and Support Structure (Figure 1 of 2)

P10-032



**Soft Top Kit and Support Structure (Figure 2 of 2)**

**Figure#160;10-34.**

Item	Part No.	Description	Qty
1	<b>6000216P</b>	SUPPORT ASSEMBLY, soft top, side, L.H. HMCO	1
2	<b>5939469G</b>	HANDLE, grab, SEE NOTE 2	4
	<b>5939469</b>	HANDLE, grab, SEE NOTE 2	4
3	<b>S.I.A.</b>	PLUG, grab handle, SEE NOTE 2	8
	<b>S.I.A.</b>	PLUG, grab handle, SEE NOTE 2	8
4	<b>MS35206-281</b>	SCREW	8
5	<b>MS90728-70</b>	BOLT HMCO	4
6	<b>G2436163</b>	WASHER HMCO	66
7	<b>MS51943-35</b>	LOCKNUT HMCO	32
8	<b>6000104P</b>	SUPPORT BAR, center HMCO	1
9	<b>6000217P</b>	SUPPORT ASSEMBLY, soft top, side, R.H. HMCO	1
10	<b>MS90728-71</b>	BOLT HMCO	5
11	<b>6001094</b>	SCREW HMCO	20
12	<b>6000169P</b>	SUPPORT ASSEMBLY, C-pillar, rear, R.H. HMCO	1
13	<b>EC12340880</b>	WASHER HMCO	8
14	<b>6000168</b>	SUPPORT ASSEMBLY, C-pillar, rear, L.H. HMCO	1
15	<b>MS90728-64</b>	BOLT HMCO	4
16	<b>6000105P</b>	SUPPORT BAR, center HMCO	4
17	<b>EC12339571</b>	MOUNT, roof HMCO	8
18	<b>EC12339561</b>	PLATE, snubber HMCO	8
19	<b>6000408</b>	LOCKNUT HMCO	5
20	<b>EC12338186-52</b>	SPACER HMCO	4
21	<b>MS90728-72</b>	BOLT HMCO	4
22	<b>MS51943-34</b>	LOCKNUT HMCO	6
23	<b>12339724</b>	WASHER HMCO	12
24	<b>AN541</b>	BOLT HMCO	6
25	<b>6000392</b>	STRIKER, door HMCO	2
26	<b>2436165</b>	WASHER HMCO	4
27	<b>12340090-1</b>	CONNECTOR BLOCK, L.H. front/R.H. rear HMCO	2
28	<b>12340090-2</b>	CONNECTOR BLOCK, R.H. front/L.H. rear HMCO	2
29	<b>MS51943-40</b>	LOCKNUT HMCO	2
30	<b>5742959</b>	KIT, soft top, basic, w/tonneau cover HMCO	1
	<b>5743015</b>	KIT, soft top, basic, w/o tonneau cover HMCO	1
	<b>6004805</b>	KIT, soft top, basic, white	1
	<b>6004806</b>	KIT, soft top, w/ full door, white	1
	<b>6004803</b>	KIT, soft top, basic, black	1
	<b>6004804</b>	KIT, soft top, w/ full door, black	1
	<b>6004400</b>	KIT, soft top, basic, tan, tan	1

**Figure#160;10-34.**

Item	Part No.	Description	Qty
30	<b>6004802</b>	KIT, soft top, w/ full door, tan	1
31	<b>6001659</b>	COVER, horizontal rail, L.H. HMCO, HMRO	1
	<b>6004233</b>	COVER, horizontal rail, L.H., white, w/o grab handle HMCO, HMRO	1
	<b>6004217</b>	COVER, horizontal rail, L.H., black, w/o grab handle HMCO, HMRO	1
	<b>6004405</b>	.COVER, horizontal rail, L.H., white	1
	<b>6004403</b>	.COVER, horizontal rail, L.H., black	1
	<b>6004402</b>	.COVER, horizontal rail, R.H., tan	1
32	<b>6001661</b>	.COVER, B-pillar, vertical, L.H., tan HMCO	1
	<b>6004235</b>	.COVER, B-pillar, vertical, L.H., white HMCO	1
	<b>6004219</b>	.COVER, B-pillar, vertical, L.H., black HMCO	1
33	<b>6001665</b>	.COVER, B-pillar, center, tan HMCO	1
	<b>6004239</b>	.COVER, B-pillar, center, white HMCO	1
	<b>6004223</b>	.COVER, B-pillar, center, black HMCO	1
34	<b>6001662</b>	.COVER, B-pillar, vertical, R.H., tan HMCO	1
	<b>6004236</b>	.COVER, B-pillar, vertical, R.H., white HMCO	1
	<b>6004220</b>	.COVER, B-pillar, vertical, R.H., black, HMCO	1
35	<b>6001660</b>	COVER, horizontal rail, R,H, w/o grab handle HMCO, HMRO	1
	<b>6004234</b>	COVER, horizontal rail, R.H., w/o grab handle HMCO, HMRO	1
	<b>6004218</b>	COVER, horizontal rail, R.H., w/o grab handle HMCO, HMRO	1
	<b>6004406</b>	.COVER, horizontal rail, R.H., white	1
	<b>6004404</b>	.COVER, horizontal rail, R.H., black	1
	<b>6004401</b>	.COVER, horizontal rail, R.H., tan	1
36	<b>6001664</b>	.COVER, C-pillar, vertical, R.H., tan HMCO	1
	<b>6004238</b>	.COVER, C-pillar, vertical, R.H., white HMCO, HMRO	1
	<b>6004222</b>	.COVER, C-pillar, vertical, R.H., black HMCO, HMRO	1
37	<b>6001668</b>	.COVER, C-pillar support brace, R.H., tan HMCO, HMRO	1
	<b>5743841</b>	.COVER, C-pillar support brace, R.H., black HMCO, HMRO	1
	<b>5743843</b>	.COVER, C-pillar, support brace, R.H., white HMCO, HMRO	1
38	<b>6001666</b>	.COVER, C-pillar, center, tan HMCO, HMRO	1
39	<b>5743840</b>	.COVER, C-pillar support brace, L.H., black HMCO, HMRO	1
	<b>5743842</b>	.COVER, C-pillar support brace, L.H., white HMCO, HMRO	1
	<b>6001667</b>	.COVER, C-pillar support brace, L.H., tan HMCO, HMRO	1
40	<b>6001663</b>	.COVER, C-pillar, vertical, L.H., tan HMCO, HMRO	1
	<b>6004237</b>	.COVER, C-pillar, vertical, L.H., white HMCO, HMRO	1
	<b>6004221</b>	.COVER, C-pillar vertical, L.H., black HMCO, HMRO	1
41	<b>6001675</b>	.SCREW HMCO, HMRO	4



**Figure#160;10-34.**

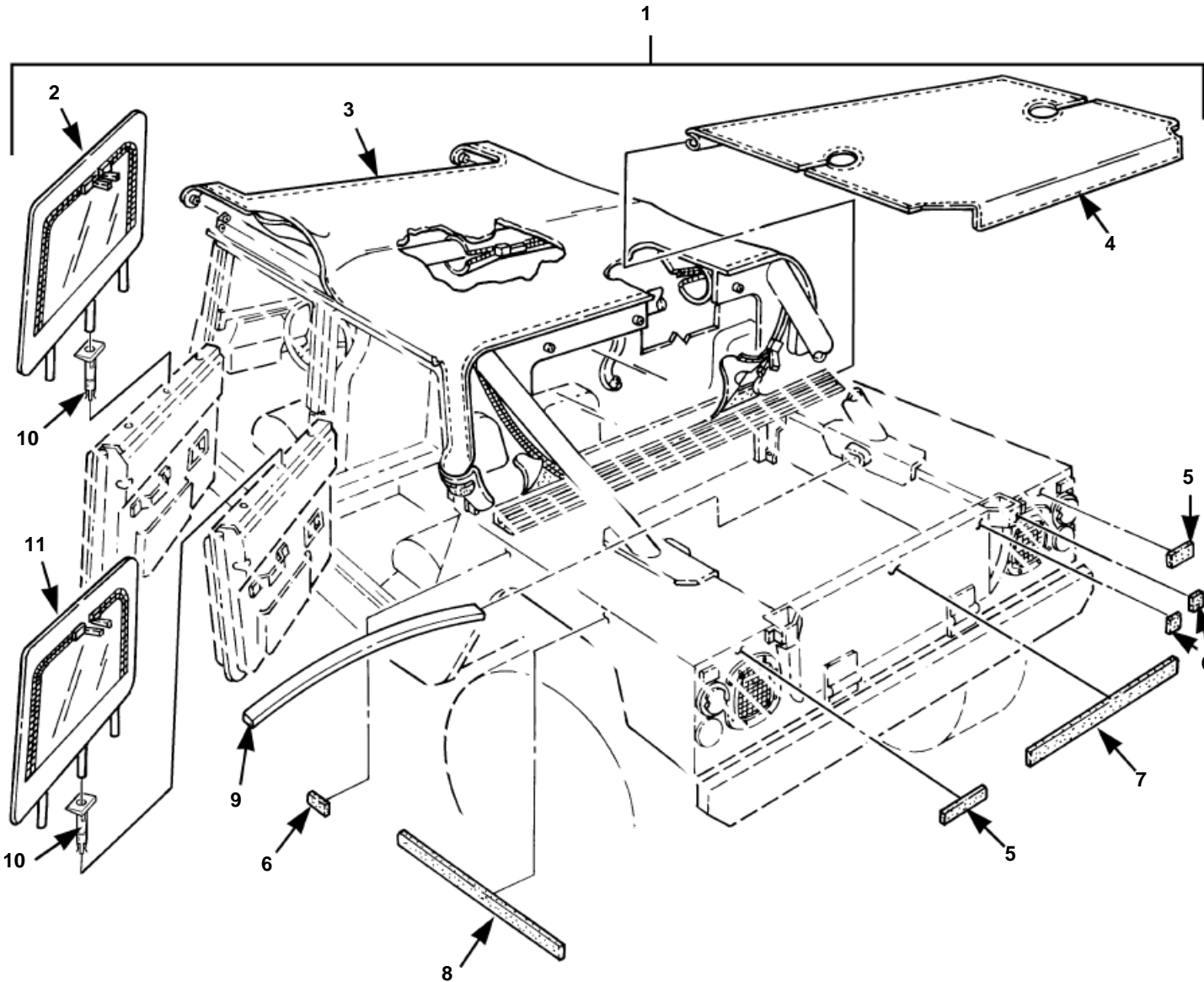
Item	Part No.	Description	Qty
42	<b>12339724</b>	·SPACER, washer, SEE NOTE 1 HMCO	V
43	<b>6001653</b>	·HORIZONTAL RAIL, with pvc-velcro extrusion, L.H. HMCO, HMRO	1
	<b>6001654</b>	·HORIZONTAL RAIL, with pvc-velcro extrusion, R.H. HMCO, HMRO	1
44	<b>6001673</b>	·SPACER, horizontal rail HMCO, HMRO	4
45	<b>NPN</b>	·SCREW HMCO	2
46	<b>NPN</b>	·WASHER HMCO	2
47	<b>6001658</b>	·TONNEAU, rear curtain extrusion with pvc-velcro	1
	<b>6003665</b>	·EXTRUSION, tonneau HMCO, HMRO	1
48	<b>5744425</b>	·KIT, tonneau assembly HMCO	1
49	<b>S.I.K.</b>	·BRACKET, tonneau cover bow HMCO	2
50	<b>6001674</b>	·SCREW HMCO	4
51	<b>6001656</b>	·EXTRUSION, C-pillar, with 1-inch velcro tape, L.H. HMCO, HMRO	1
	<b>6001657</b>	·EXTRUSION, C-pillar, with 1-inch velcro tape, R.H. HMCO, HMRO	1
52	<b>6002631</b>	·WASHER HMCO, HMRO	6
53	<b>6001674</b>	·SCREW HMCO, HMRO	6
54	<b>6003856P</b>	·FILLER PANEL, left rear, full door HMCO, HMRO	1
	<b>6003859P</b>	·FILLER PANEL, right rear, full door HMCO, HMRO	1
55	<b>6001807</b>	·SEAL, B-pillar, SEE NOTE 1 HMCO	2
56	<b>6000240</b>	·CLOSE-OFF SEAL, SEE NOTE 1 HMCO	2
57	<b>6001655</b>	·EXTRUSION, B-pillar HMCO	2
	<b>6003857P</b>	·EXTRUSION, B-pillar, with full door HMCO	2
58	<b>EL12342499-2</b>	·SCREW, SEE NOTE 1 HMCO	2
59	<b>6001680</b>	·WEATHERSEAL, rear door, L.H. HMCO, HMRO	1
	<b>6001681</b>	·WEATHERSEAL, rear door, R.H. HMCO, HMRO	1
60	<b>6001992</b>	·WEATHERSEAL, front edge, door HMCO, HMRO	4
61	<b>M24243/1A403</b>	·RIVET, SEE NOTE 1 HMCO	28
62	<b>6001995</b>	·WIND DEFLECTOR, rear door, L.H. HMCO, HMRO	1
	<b>6001996</b>	·WIND DEFLECTOR, rear door, R.H. HMCO, HMRO	1
63	<b>6001993</b>	·WIND DEFLECTOR, front door, L.H. HMCO, HMRO	1
	<b>6001994</b>	·WIND DEFLECTOR, front door, R.H. HMCO, HMRO	1
64	<b>6001678</b>	·WEATHERSEAL, front door, L.H. HMCO, HMRO	1
	<b>6001679</b>	·WEATHERSEAL, front door, R.H. HMCO, HMRO	1
65	<b>6003855P</b>	·FILLER PANEL, left front, full door HMCO, HMRO	1

**Figure#160;10-34.**

Item	Part No.	Description	Qty
65	<b>6003858P</b>	·FILLER PANEL, right front, full door HMCO, HMRO	1

NOTE 1: NOT PART OF KIT P/N 5742959

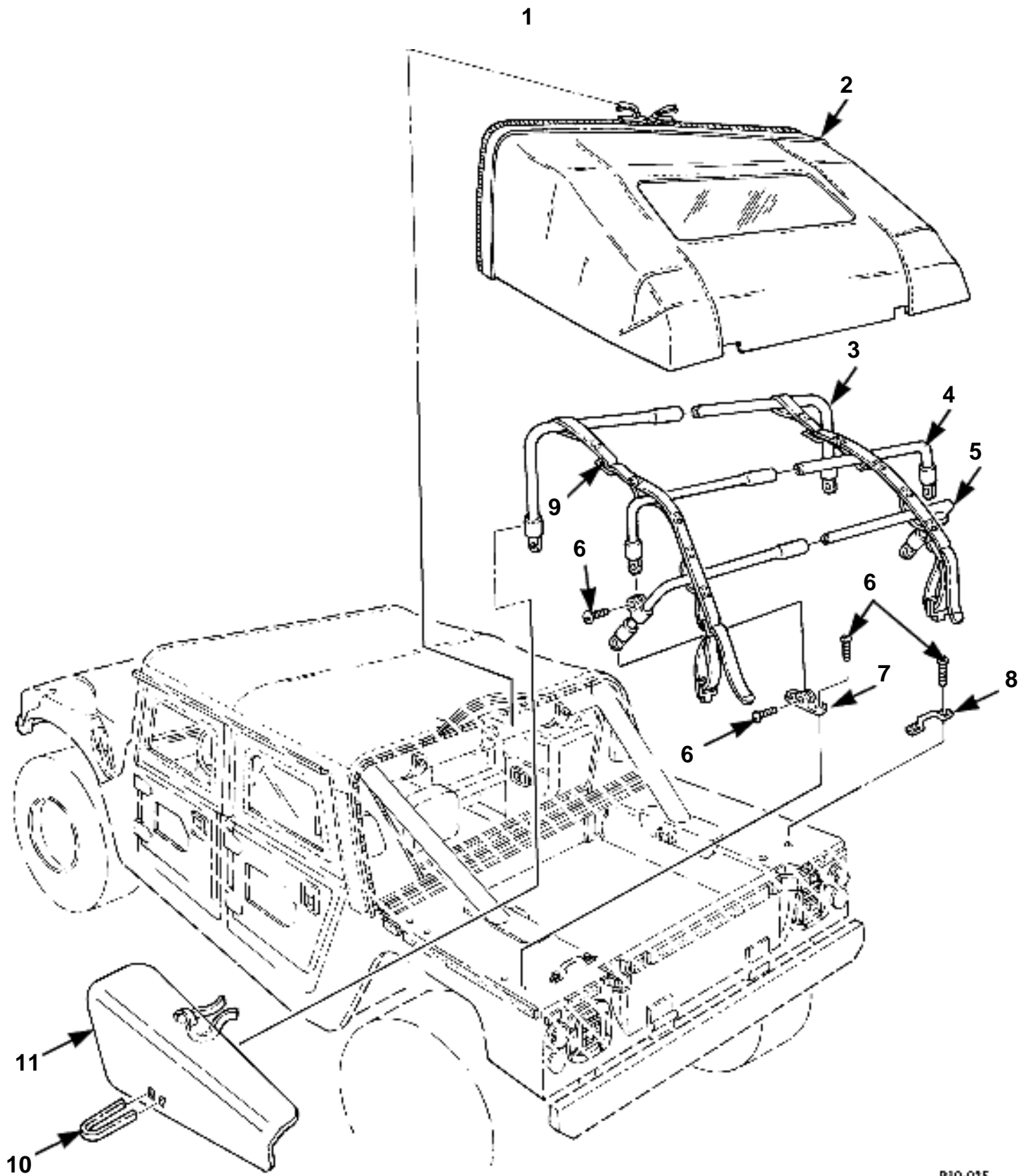
NOTE 2: G FOR GRAY, PLAIN NUMBER FOR TAN  
B FOR PAINTED PART



# Four-Man Soft Top Kit, Basic

HUMMER H1 1994 Parts Catalog  
**Four-Man Soft Top Kit, Basic.**

Item	Part No.	Description	Qty
1	<b>5742959</b>	KIT, soft top, basic, tan (includes top and tonneau cover, side curtains, all attaching hardware, and covers over metal top support structure) HMCO	1
	<b>6004803</b>	KIT, soft top, basic, black (includes top and tonneau cover, side curtains, all attaching hardware, and covers over metal top support structure) HMCO	1
	<b>6004805</b>	KIT, soft top, basic, white (includes top and tonneau cover, side curtains, all attaching hardware, and covers over metal top support structure) HMCO	1
2	<b>6001649</b>	.DOOR, upper front, L.H., tan HMCO, HMRO	1
	<b>6004229</b>	.DOOR, upper front, L.H, white. HMCO, HMRO	1
	<b>6004213</b>	.DOOR, upper front, L.H, black. HMCO, HMRO	1
	<b>6001650</b>	.DOOR, upper front, R.H., tan HMCO, HMRO	1
	<b>6004230</b>	.DOOR, upper front, R.H., white HMCO, HMRO	1
	<b>6004214</b>	.DOOR, upper front, R.H., black HMCO, HMRO	1
3	<b>6001647</b>	.TOP ASSEMBLY, convertible HMCO, HMRO	1
4	<b>6001648</b>	.COVER ASSEMBLY, tonneau, tan HMCO	1
	<b>6004228</b>	.COVER ASSEMBLY, tonneau, white HMCO	1
	<b>6004212</b>	.COVER ASSEMBLY, tonneau, black HMCO	1
5	<b>6001671</b>	.PVC EXTRUSION, tonneau with velcro, 9-inch HMCO	2
6	<b>6002955</b>	.HOOK PATCH, self-adhesive HMCO	6
7	<b>6001669</b>	.PVC EXTRUSION, tonneau with velcro, 43-inch HMCO	1
8	<b>6001670</b>	.PVC EXTRUSION, tonneau with velcro, 41-inch HMCO	2
9	<b>S.I.K.</b>	.BOW, tonneau cover HMCO	1
10	<b>6000977</b>	.GROMMET	4
11	<b>6001651</b>	.DOOR, upper rear, L.H., tan HMCO, HMRO	1
	<b>6004231</b>	.DOOR, upper rear, L.H., white HMCO, HMRO	1
11	<b>6004215</b>	.DOOR, upper rear, L.H., black	1
	<b>6001652</b>	.DOOR, upper rear, R.H., tan	1
	<b>6004232</b>	.DOOR, upper rear, R.H., white	1
	<b>6004216</b>	.DOOR, upper rear, R.H., black	1

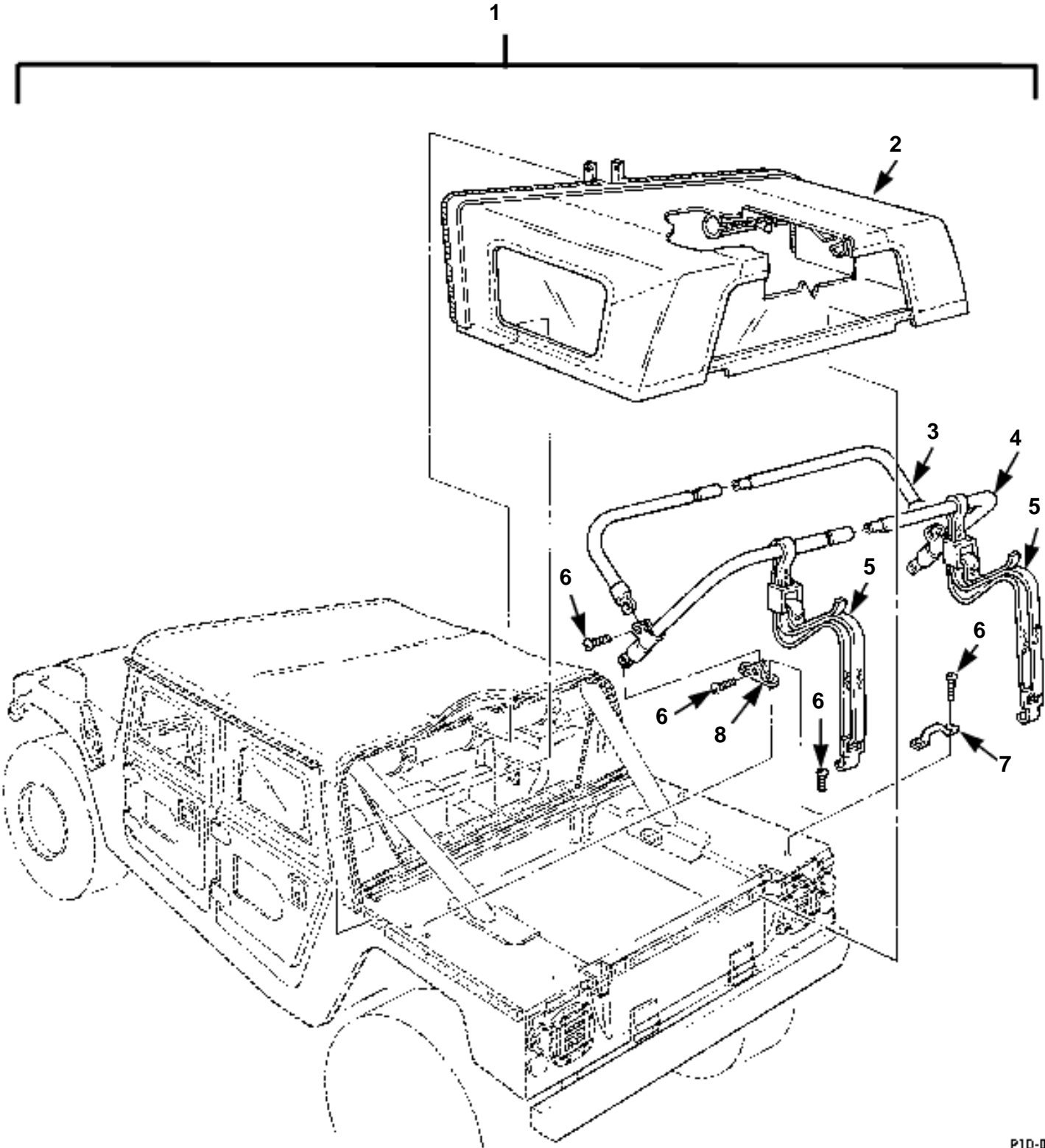


P10-035

## Four-Man Soft Top Kit, Slant Back

**Four-Man Soft Top Kit, Slant Back,**

Item	Part No.	Description	Qty
1	<b>5745292</b>	KIT, soft top, slant back HMCO	1
2	<b>6001747</b>	.COVER ASSEMBLY, slant back HMCO	1
3	<b>6001748</b>	.BOW ASSEMBLY, front HMCO	1
4	<b>6001749</b>	.BOW ASSEMBLY, middle HMCO	1
5	<b>6001750</b>	.BOW ASSEMBLY, rear HMCO	1
6	<b>6001720</b>	.SCREW HMCO	16
7	<b>6001717</b>	.BRACKET, hinge HMCO	4
8	<b>6001719</b>	.FOOTMAN LOOP HMCO	2
9	<b>5743708</b>	.LOOP, extended webbing HMCO	2
10	<b>NPN</b>	.STRAP, velcro HMCO	4
11	<b>5745712</b>	.FORMER, slant back, L.H., R.H. HMCO	1



P10-036

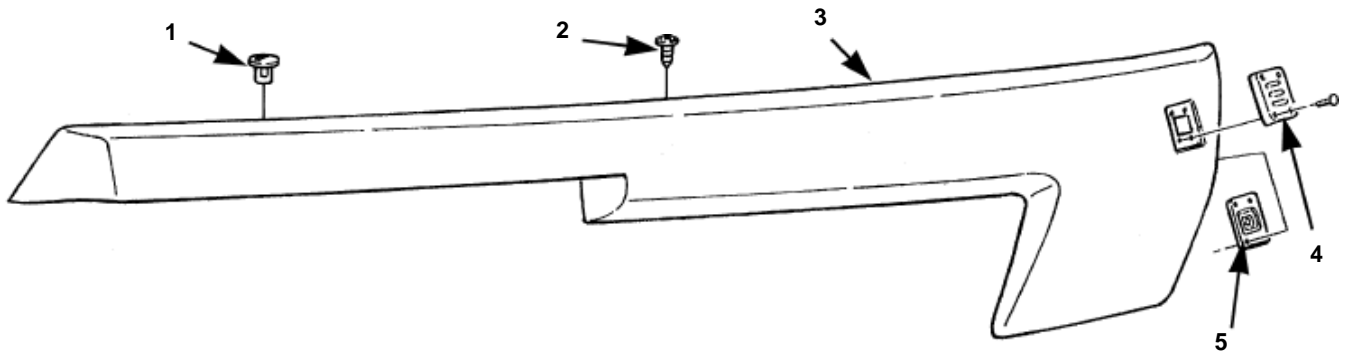
# Four-Man Soft Top Kit, Station Wagon

**Four-Man Soft Top Kit, Station Wagon**

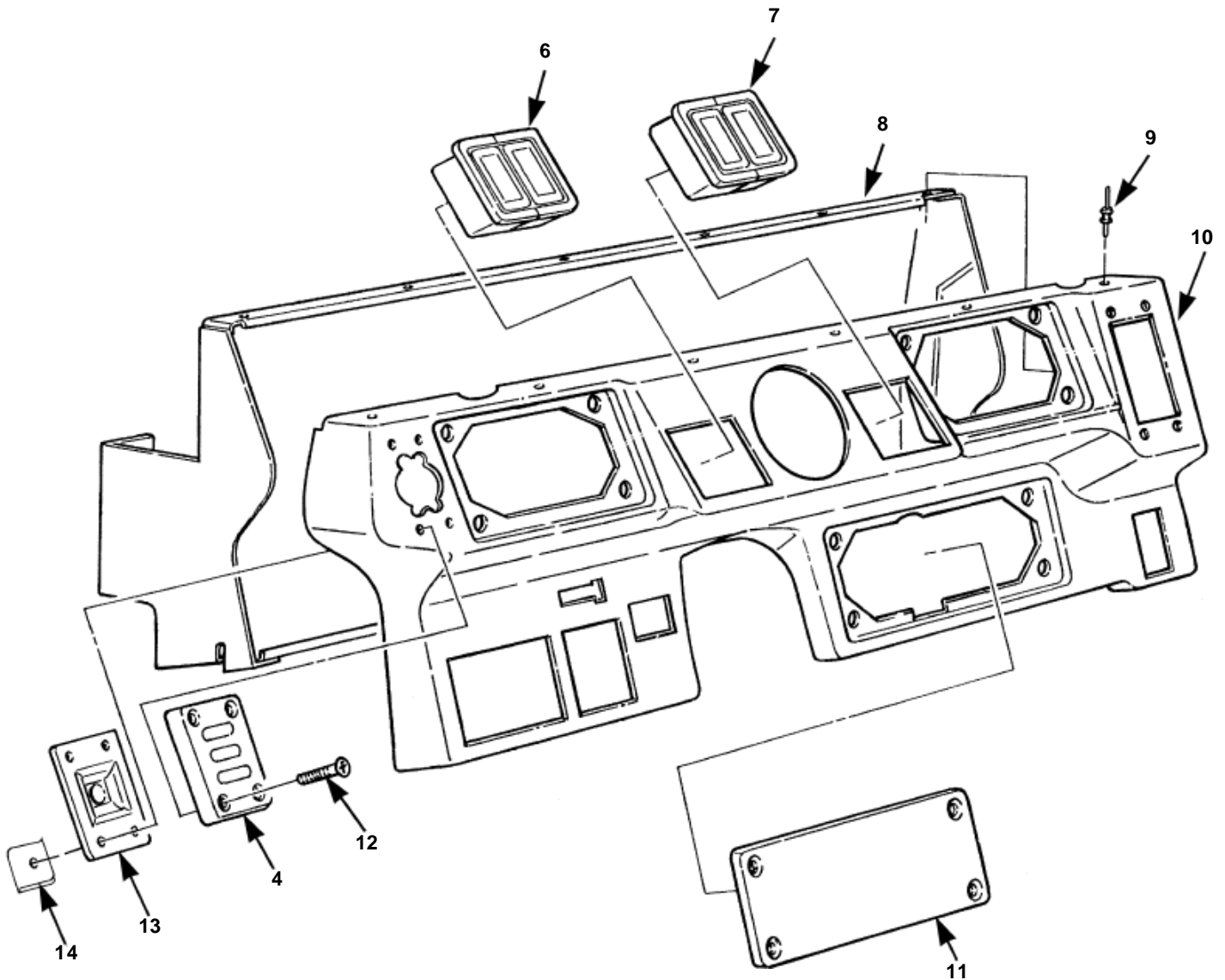
Item	Part No.	Description	Qty
1	<b>5742960</b>	KIT, soft top, tan HMCO	1
	<b>6004208</b>	KIT, soft top, white HMCO	1
	<b>6004069</b>	KIT, soft top, black HMCO	1
2	<b>6001714</b>	.COVER ASSEMBLY, soft top, tan HMCO	1
	<b>6004209</b>	.COVER ASSEMBLY, soft top, white HMCO	1
	<b>6004070</b>	.COVER ASSEMBLY, soft top, black HMCO	1
3	<b>6001715</b>	.BOW ASSEMBLY, front HMCO	1
4	<b>6001716</b>	.BOW ASSEMBLY, rear HMCO	1
5	<b>6001718</b>	.LOOP, extended webbing HMCO	2
6	<b>6001720</b>	.SCREW HMCO	12
7	<b>6001719</b>	.FOOTMAN LOOP HMCO	2
8	<b>6001717</b>	.BRACKET, hinge HMCO	2

NOTE 1: VELCRO STRIP FOR RETAINING THE BOTTOM  
EDGE IS NOT INCLUDED.  
SEE FIGURE 10-30 FOR THESE PARTS.





## Instrument Panel Assembly Dash Trim Crash Pad, and Mounting Hardware



**Instrument Panel Assembly, Dash Trim, Crash Pad, and Mounting Ha**

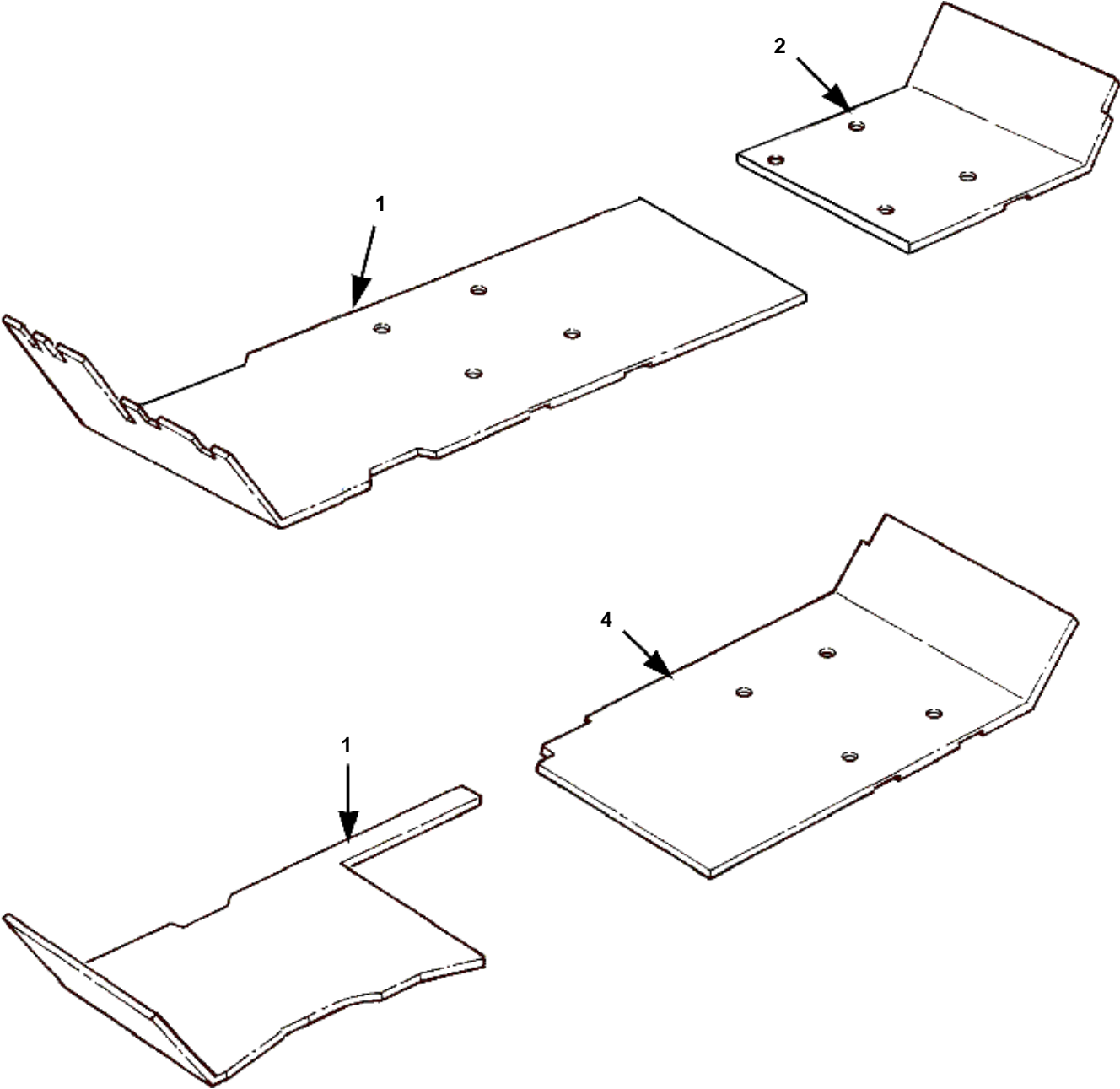
Item	Part No.	Description	Qty
1	<b>6000475G</b>	CLIP, trim, SEE NOTE 1	2
	<b>6000475</b>	CLIP, trim, SEE NOTE 1	2
2	<b>6000911</b>	CRASH PAD	1
	<b>6003421</b>	CRASH PAD, standard	1
	<b>6006176G</b>	CRASH PAD, deluxe, SEE NOTE 1	1
	<b>6006176</b>	CRASH PAD, deluxe, SEE NOTE 1	1
3	<b>6000243</b>	SCREW-ASSEMBLED WASHER, #8-18 x .75"	6
4	<b>6003558</b>	COVER AND NOZZLE, defroster, R.H. side window	2
5	<b>6000231</b>	VENT, R.H. side window (1992 and 1993)	1
6	<b>N/S</b>	STATUS CENTER ASSEMBLY, indicator/warning amps, L.H., SEE NOTE 2	1
7	<b>N/S</b>	STATUS CENTER ASSEMBLY, indicator/warning lamps, R.H., SEE NOTE 2	1
8	<b>5939633</b>	INSTRUMENT PANEL MOUNTING SUPPORT ASSEMBLY	1
9	<b>M24243/1A403</b>	RIVET, blind, .126 - .187	12
10	<b>6002478</b>	INSTRUMENT PANEL, w/ air conditioning and power windows	1
	<b>6000422</b>	INSTRUMENT PANEL, w/ air conditioning	1
	<b>6003191</b>	INSTRUMENT PANEL, w/ power locks and power windows	1
	<b>6003192</b>	INSTRUMENT PANEL, w/ power locks and power windows	1
	<b>6003922</b>	INSTRUMENT PANEL, w/ power mirrors	1
	<b>6003923</b>	INSTRUMENT PANEL, w/ power mirrors and power windows	1
11	<b>5939270</b>	PANEL, gauge, lower (blank)	1
12	<b>6000235</b>	SCREW, #4-24 x 3/4"	4
13	<b>6000230</b>	VENT, L.H., side window	1
14	<b>6004081</b>	J-CLIP, defroster mounting	4

NOTE 1: G FOR GRAY, PLAIN NUMBER FOR TAN  
B FOR PAINTED PART

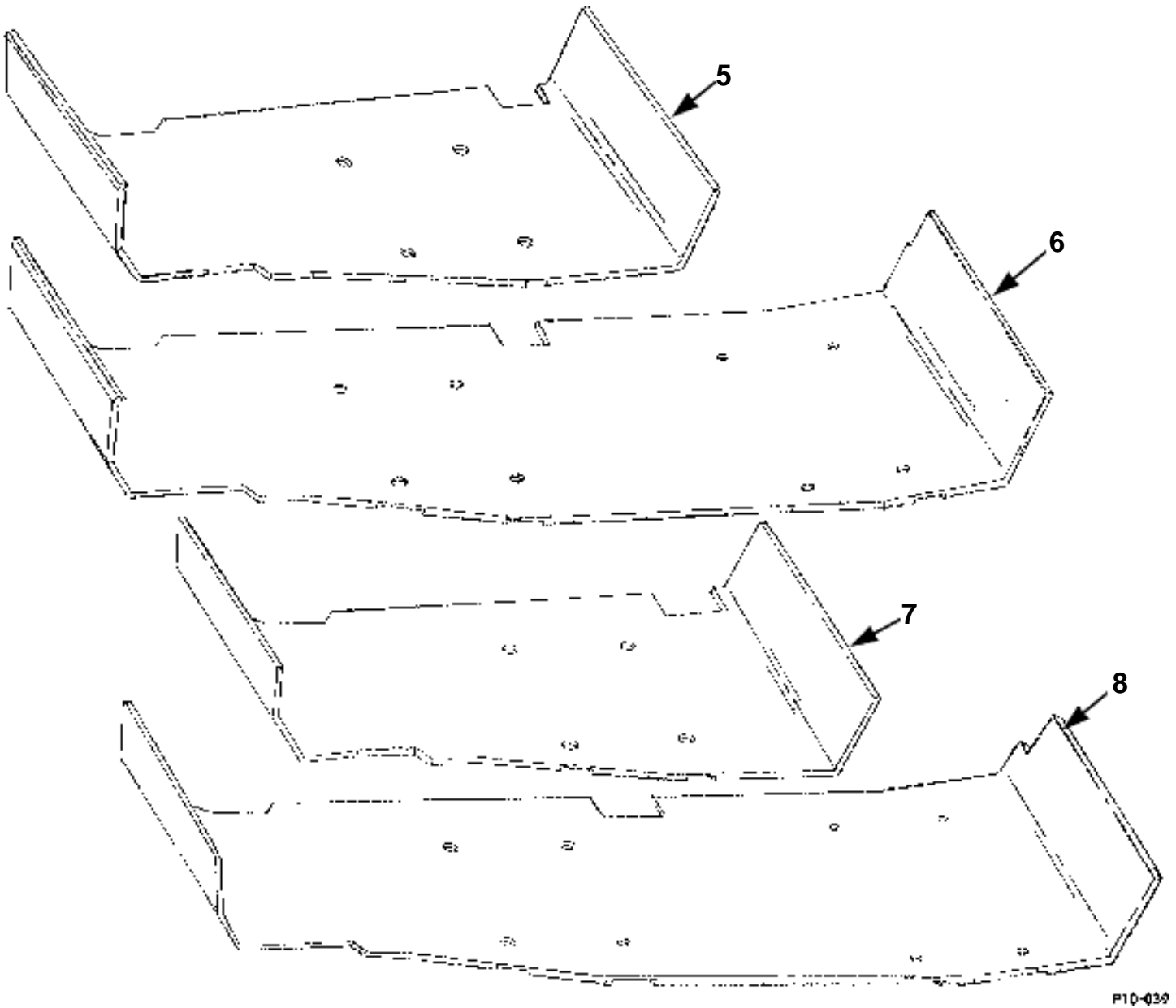
NOTE 2: ALL DETAIL PARTS SERVICED IN FIGURE 12-9.  
IT IS NOT PRACTICAL OR DESIRABLE TO  
SERVICE THESE BUILTUP ASSEMBLIES.

(Sheet 1 of 2)

(Sheet 2 of 2)



**Floor Padding, Front and Rear (Figure 1 of 2)**

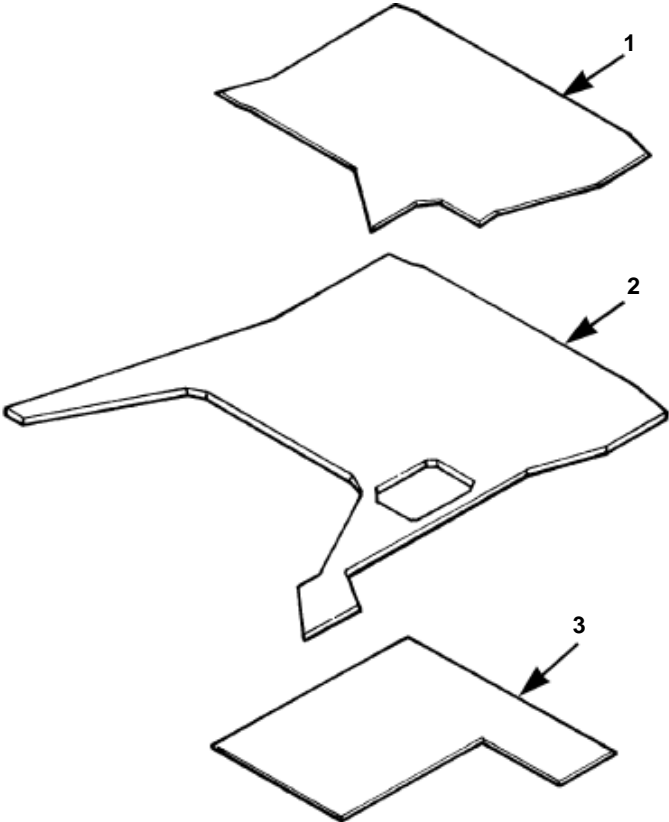


**Floor Padding, Front and Rear (Figure 2 of 2)**

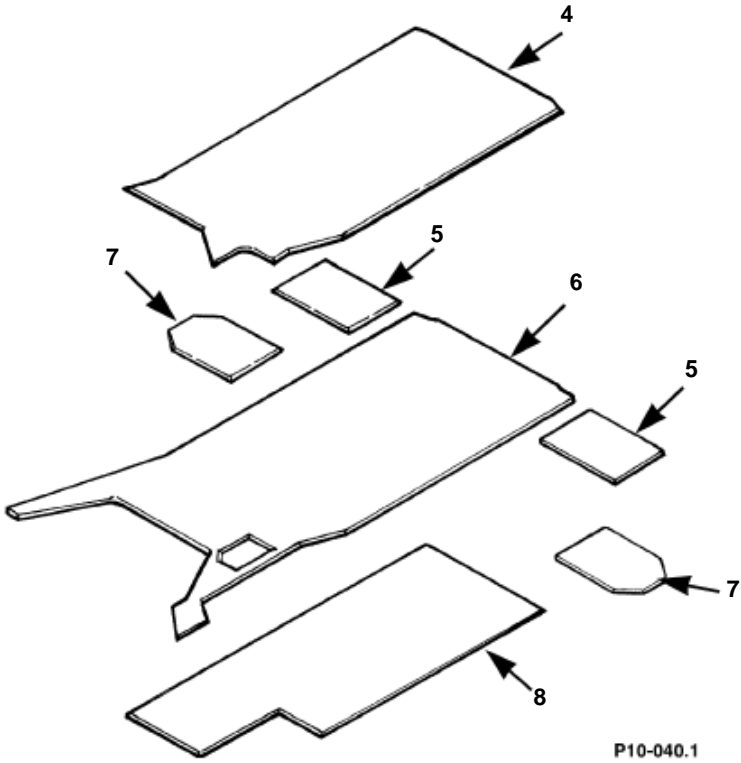
HUMMER H1 1994 Parts Catalog  
**Floor Padding, Front and Rear.**

Item	Part No.	Description	Qty
1	<b>5939693</b>	PAD, front floor, L.H. (92-93)	1
2	<b>6939692</b>	PAD, rear floor, L.H., (92, 93)	1
3	<b>5939689</b>	PAD, front floor, R.H.(92,93)	1
4	<b>5939691</b>	PAD, rear floor, R.H., 92-93)	1
5	<b>6003155G</b>	PAD ASSEMBLY, R.H. HMC2, (1994), SEE NOTE 1	1
	<b>6003155</b>	PAD ASSEMBLY, R.H. HMC2, (1994), SEE NOTE 1	1
	<b>6004548G</b>	PAD ASSEMBLY, R.H. XLC2, (1994)	1
	<b>6004548</b>	PAD ASSEMBLY, R.H. XLC2, (1994)	1
6	<b>6003154G</b>	PAD ASSEMBLY, R.H. HMC4, HMCS, VLCO, (1994), SEE NOTE 1	1
	<b>6003154</b>	PAD ASSEMBLY, R.H. HMC4, HMCS, VLCO, (1994), SEE NOTE 1	1
7	<b>6003443G</b>	PAD ASSEMBLY, L.H. VLC2, (1994), SEE NOTE 1	1
	<b>6003443</b>	PAD ASSEMBLY, L.H. VLC2, (1994), SEE NOTE 1	1
	<b>6012191G</b>	PAD ASSEMBLY, R.H. XLC2, (1994)	1
	<b>6004547</b>	PAD ASSEMBLY, R.H. XLC2, (1994)	1
8	<b>6012190G</b>	PAD ASSEMBLY, L.H. HMC4, HMCS, HMCO, (1994), SEE NOTE 1	1
	<b>6009861</b>	PAD ASSEMBLY, L.H. HMC4, HMCS, HMCO, (1994) SEE NOTE 1	1
	<b>6000970</b>	INSULATION, cowl, front upper	1

NOTE 1: G FOR GRAY, PLAIN NUMBER FOR TAN  
 B FOR PAINTED PART



TWO-MAN



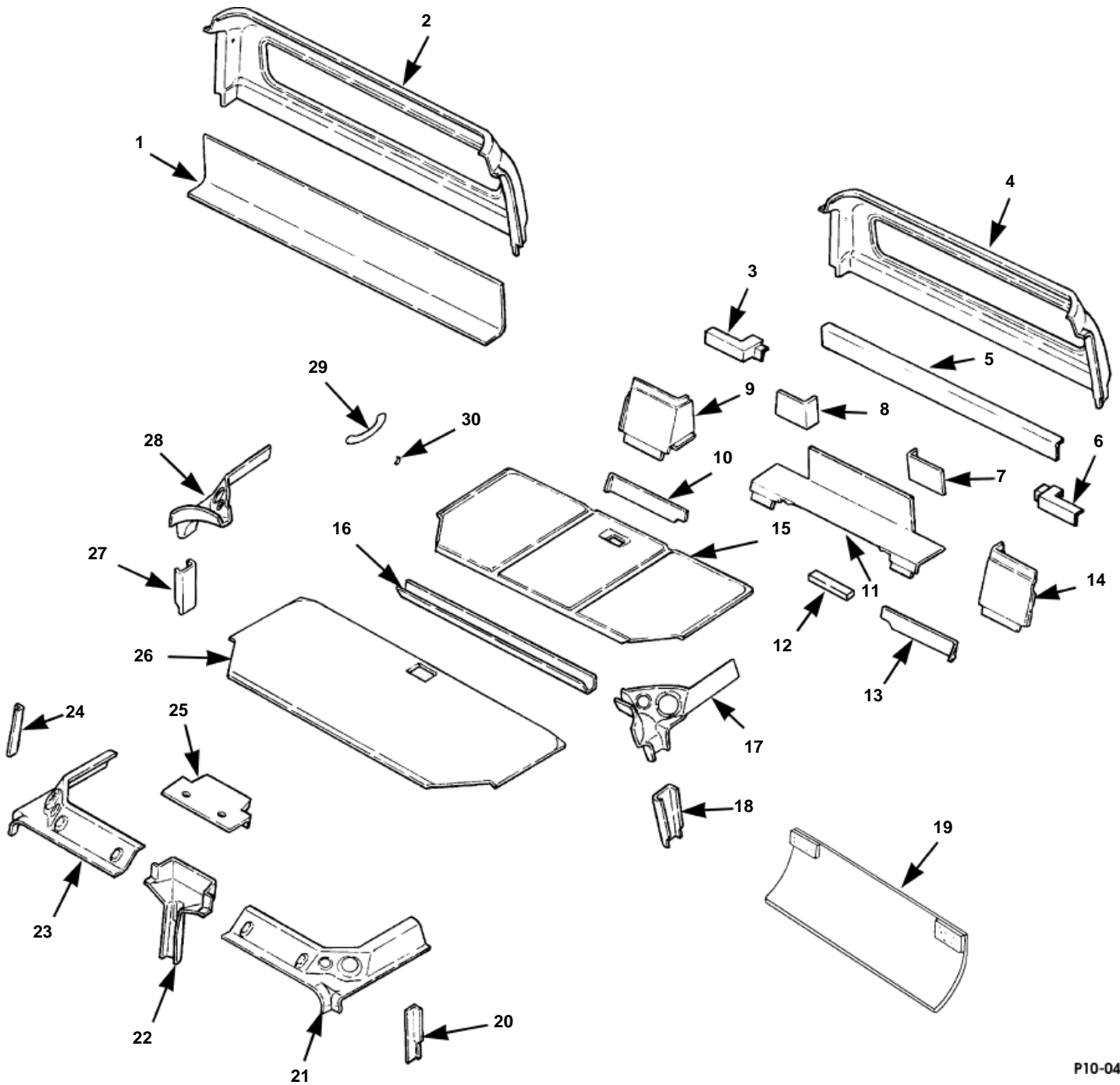
P10-040.1

FOUR-MAN  
Interior Tunnel Padding, Carpet and Hardboard

**Interior Tunnel Padding, Carpet, and Hardboard.**

Item	Part No.	Description	Qty
1	<b>6001576G</b>	CARPET, tunnel top, deluxe HMC2, SEE NOTE 1	1
	<b>6001576</b>	CARPET, tunnel top, deluxe HMC2, SEE NOTE 1	1
2	<b>5939734</b>	PAD ASSEMBLY, tunnel top HMC2	1
	<b>6003512G</b>	PAD ASSEMBLY, tunnel top HMC2, SEE NOTE 1	1
	<b>6003512T</b>	PAD ASSEMBLY, tunnel top HMC2, SEE NOTE 1	1
3	<b>6017098</b>	HARDBOARD, tunnel top HMC2	1
4	<b>6000922G</b>	CARPET, tunnel top, deluxe HMC4, HMCS, SEE NOTE 1	1
	<b>6000922T</b>	CARPET, tunnel top, deluxe HMC4, HMCS, SEE NOTE 1	1
	<b>6003054</b>	CARPET, tunnel top, (1994) HMC4, HMCS	1
5	<b>5939985G</b>	PAD ASSEMBLY, tunnel top, RR, outer HMC4, HMCS, SEE NOTE 1	2
	<b>5939985T</b>	PAD ASSEMBLY, tunnel top, RR, outer HMC4, HMCS, SEE NOTE 1	2
6	<b>6005237</b>	PAD ASSEMBLY, tunnel top HMC4, HMCS	1
	<b>6003055</b>	PAD ASSEMBLY, tunnel top (1994) HMC4, HMCS	1
	<b>6003157G</b>	PAD ASSEMBLY, tunnel top (1994) HMC4, HMCS, SEE NOTE 1	1
	<b>6003157</b>	PAD ASSEMBLY, tunnel top (1994) HMC4, HMCS, SEE NOTE 1	1
7	<b>6000870</b>	HARDBOARD, tunnel top, RR, outer HMC4, HMCS, HMCO	2
8	<b>5939738</b>	HARDBOARD, tunnel top HMC4, HMCS	1
	<b>6003056</b>	HARDBOARD, tunnel top HMC4, HMCS	1

NOTE 1: G FOR GRAY, PLAIN NUMBER FOR TAN  
B FOR PAINTED PART



P10-041

**Headliner Roof Trim, Front and Rear Side Trim  
Grab Handles, and Mounting Hardware**



**Headliner, Roof Trim, Front and Rear Side Trim, Grab Handles, an**

Item	Part No.	Description	Qty
1	<b>6000077</b>	PANEL, rear, lower HMC2	1
	<b>6005174G</b>	PANEL, rear, lower w/ Clarion radio, HMC2, SEE NOTE 1	1
	<b>6005174T</b>	PANEL, rear, lower w/ Clarion radio HMC2, SEE NOTE 1	1
	<b>6003602G</b>	PANEL, rear, lower HMC2, SEE NOTE 1	1
	<b>6003602</b>	PANEL, rear, lower HMC2, SEE NOTE 1	1
2	<b>6001196</b>	PANEL ASSEMBLY TRIM, rear (standard) HMC2, SEE NOTE 1	1
	<b>5939608G</b>	PANEL ASSEMBLY TRIM, rear (deluxe) HMC2, SEE NOTE 1	1
	<b>5939608</b>	PANEL ASSEMBLY TRIM, rear (deluxe) HMC2, SEE NOTE 1	1
3	<b>6001031G</b>	PANEL TRIM, wheelhouse, upper, R.H. HMCO, SEE NOTE 1	1
	<b>6001031T</b>	PANEL TRIM, wheelhouse, upper, R.H. HMCO, SEE NOTE 1	1
4	<b>6001158</b>	PANEL ASSEMBLY TRIM, rear (standard) HMC4	1
	<b>6003604</b>	PANEL ASSEMBLY TRIM, rear (standard) HMC4	1
	<b>6003603</b>	PANEL ASSEMBLY TRIM, rear (deluxe) HMC4, SEE NOTE 1	1
5	<b>6001032G</b>	PANEL TRIM, rear HMCO, SEE NOTE 1	1
	<b>6001032B</b>	PANEL TRIM, rear HMCO, SEE NOTE 1	1
6	<b>6001030G</b>	PANEL TRIM, wheelhouse, upper, L.H. HMCO, SEE NOTE 1	1
	<b>6001030</b>	PANEL TRIM, wheelhouse, upper, L.H. HMCO, SEE NOTE 1	1
7	<b>6000185G</b>	PANEL, amp cover, L.H. HMC4, HMCS, HMCO, SEE NOTE 1	1
	<b>6000185</b>	PANEL, amp cover, L.H. HMC4, HMCS, HMCO, SEE NOTE 1	1
	<b>6001028G</b>	PANEL, amp cover, L.H. HMCO, SEE NOTE 1	1
	<b>6001028</b>	PANEL, amp cover, L.H. HMCO, SEE NOTE 1	1
8	<b>6000186G</b>	PANEL, amp cover, R.H. HMC4, HMCS, HMCO, SEE NOTE 1	1
	<b>6000186</b>	PANEL, amp cover, R.H. HMC4, HMCS, HMCO, SEE NOTE 1	1
	<b>6001029G</b>	PANEL, amp cover, R.H.	1
HMC0, SEE NOTE 1			
8	<b>6001029</b>	PANEL, amp cover, R.H. HMCO, SEE NOTE 1	1
9	<b>6000184G</b>	PANEL, wheelhouse, upper, R.H. HMC4, HMCS, HMCO, SEE NOTE 1	1
	<b>6000184</b>	PANEL, wheelhouse, upper, R.H. HMC4, HMCS, HMCO, SEE NOTE 1	1
	<b>6002995G</b>	PANEL, wheelhouse, upper, R.H. HMC4, HMCS, HMCO, SEE NOTE 1	1
	<b>6002995</b>	PANEL, wheelhouse, upper, R.H. HMC4, HMCS, HMCO, SEE NOTE 1	1
10	<b>6000182G</b>	PANEL, wheelhouse, lower, R.H. HMC4, HMCS, HMCO, SEE NOTE 1	1
	<b>6000182</b>	PANEL, wheelhouse, lower, R.H. HMC4, HMCS, HMCO, SEE NOTE 1	1
	<b>6002993G</b>	PANEL, wheelhouse, lower, R.H. HMC4, HMCS, HMCO, SEE NOTE 1	1
	<b>6002993</b>	PANEL, wheelhouse, lower, R.H. HMC4, HMCS, HMCO, SEE NOTE 1	1

**Headliner, Roof Trim, Front and Rear Side Trim, Grab Handles, an**

Item	Part No.	Description	Qty
11	<b>6001198G</b>	PANEL, rear, lower, center HMC4, HMCS, HMCO, SEE NOTE 1	1
	<b>6001198</b>	PANEL, rear, lower, center HMC4, HMCS, HMCO, SEE NOTE 1	1
	<b>6005125B</b>	PANEL, rear lower, center, w/ Clarion radio HMC4, HMCS, HMCO, SEE NOTE 1	1
	<b>6005125</b>	PANEL, rear lower, center, w/ Clarion radio HMC4, HMCS, HMCO, SEE NOTE 1	1
	<b>6000077</b>	"B" BEAM TRIM (1993) HMC2	1
	<b>6003602</b>	B-BEAM TRIM, (1994) HMC2	1
	<b>6005174G</b>	B-BEAM TRIM, w/ Clarion radio HMC2, SEE NOTE 1	1
	<b>6005174</b>	B-BEAM TRIM, w/ Clarion radio HMC2, SEE NOTE 1	1
12	<b>6001197</b>	BACKING PLATE, trim mounting HMC2	4
13	<b>6000181G</b>	PANEL, wheelhouse, lower, L.H. HMC4, HMCS, HMCO, SEE NOTE 1	1
	<b>6000181</b>	PANEL, wheelhouse, lower, L.H. HMC4, HMCS, HMCO, SEE NOTE 1	1
	<b>6002992</b>	PANEL, wheelhouse, lower, L.H. HMC4, HMCS, HMCO, SEE NOTE 1	1
14	<b>6000183G</b>	PANEL, wheelhouse, upper, L.H. HMC4, HMCS, HMCO, SEE NOTE 1	1
	<b>6000183</b>	PANEL, wheelhouse, upper, L.H. HMC4, HMCS, HMCO, SEE NOTE 1	1
	<b>6002994G</b>	PANEL, wheelhouse, upper, L.H. HMCS, SEE NOTE 1	1
	<b>6002994</b>	PANEL, wheelhouse, upper, L.H. HMCS, SEE NOTE 1	1
15	<b>6001706</b>	HEADLINER, rear (standard) HMC4, SEE NOTE 1	1
	<b>6001173G</b>	HEADLINER, rear (deluxe) HMC4, SEE NOTE 1	1
	<b>6001173</b>	HEADLINER, rear (deluxe) HMC4, SEE NOTE 1	1
16	<b>6001127</b>	PANEL ASSEMBLY TRIM, center (standard) HMC4, HMCS, SEE NOTE 1	1
	<b>5939614G</b>	PANEL ASSEMBLY TRIM, center (deluxe) HMC4, HMCS, SEE NOTE 1	1
	<b>5939614</b>	PANEL ASSEMBLY TRIM, center (deluxe) HMC4, HMCS, SEE NOTE 1	1
17	<b>6001512</b>	PANEL ASSEMBLY TRIM, L.H., B-pillar (standard w/ standard audio system) HMC4, HMCS, SEE NOTE 1	1
	<b>6003561G</b>	PANEL ASSEMBLY TRIM, L.H., "B" pillar (deluxe with deluxe audio system) HMC4, HMCS, SEE NOTE 1	1
	<b>6001510</b>	PANEL ASSEMBLY TRIM, L.H. "B" pillar (deluxe with deluxe audio system) HMC4, HMCS, SEE NOTE 1	1
	<b>6001514G</b>	PANEL ASSEMBLY TRIM, L.H., B-pillar (standard w/ deluxe audio) HMC4, HMCS, SEE NOTE 1	1
	<b>6001514</b>	PANEL ASSEMBLY TRIM, L.H., B-pillar (standard w/ deluxe audio) HMC4, HMCS, SEE NOTE 1	1
	<b>6003905G</b>	PANEL ASSEMBLY TRIM, L.H., "B" pillar (deluxe with deluxe audio system) (1994) HMC4, HMCS, SEE NOTE 1	1
	<b>6003905</b>	PANEL ASSEMBLY TRIM, L.H., "B" pillar (deluxe with deluxe audio system) (1994) HMC4, HMCS, SEE NOTE 1	1

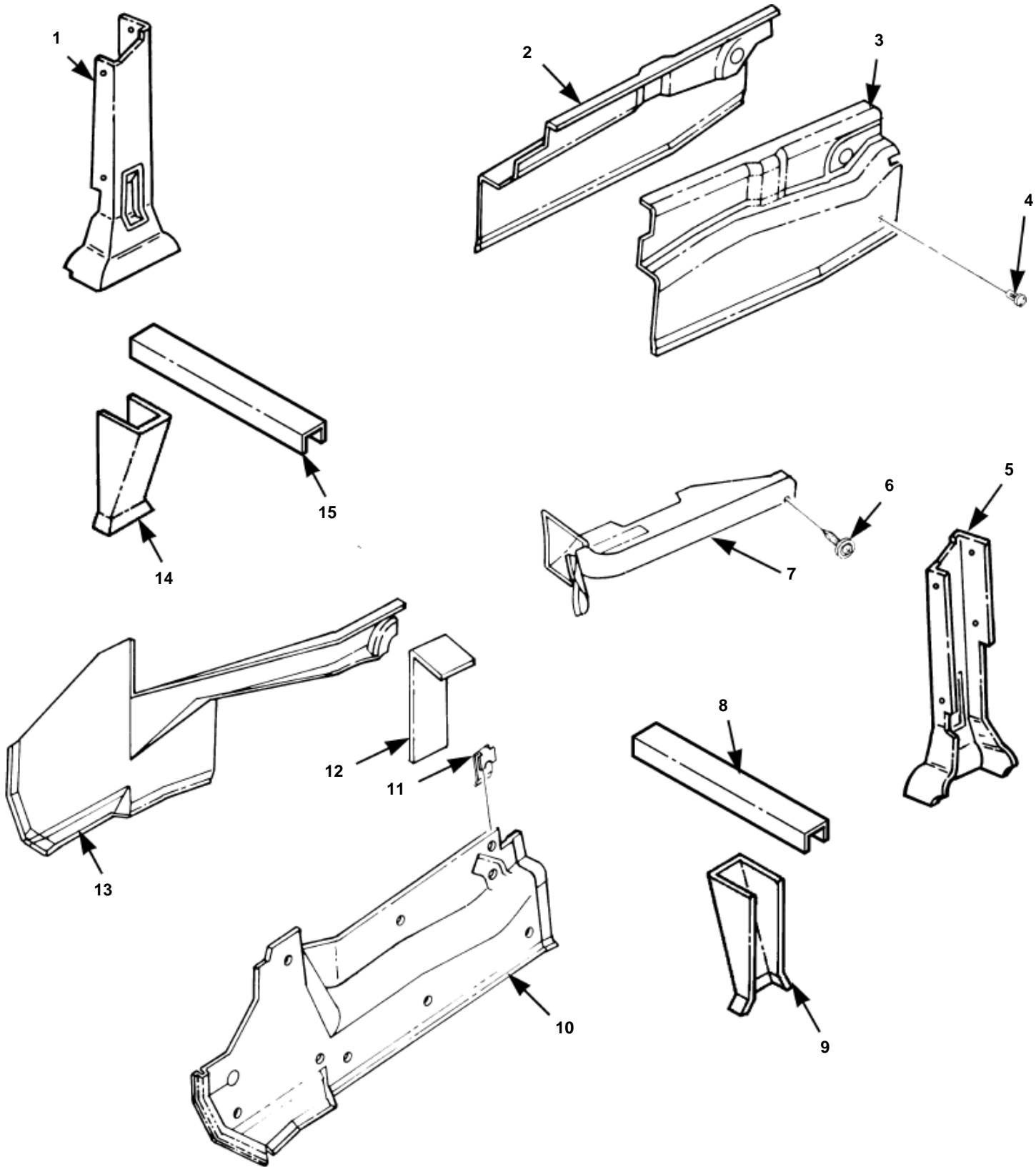
**Headliner, Roof Trim, Front and Rear Side Trim, Grab Handles, an**

Item	Part No.	Description	Qty
18	<b>6001508</b>	PANEL ASSEMBLY TRIM, "B" pillar, center (standard) HMC4, HMCS, SEE NOTE 1	1
	<b>6001506G</b>	PANEL ASSEMBLY TRIM, "B" pillar, center (standard) HMC4, HMCS, SEE NOTE 1	1
	<b>6001506</b>	PANEL ASSEMBLY TRIM, "B" pillar, center (standard) HMC4, HMCS, SEE NOTE 1	1
19	<b>6001864G</b>	COVER, amplifier HMC2, SEE NOTE 1	1
	<b>6001864</b>	COVER, amplifier HMC2, SEE NOTE 1	1
20	<b>6001194</b>	PANEL ASSEMBLY TRIM, L.H., A-pillar (standard) HMC4, HMCS, HMC2, SEE NOTE 1	1
	<b>5939313G</b>	PANEL ASSEMBLY TRIM, L.H., A-pillar (deluxe) HMC4, HMCS, HMC2, SEE NOTE 1	1
	<b>5939313</b>	PANEL ASSEMBLY TRIM, L.H., A-pillar (deluxe) HMC4, HMCS, HMC2, SEE NOTE 1	1
21	<b>6000856</b>	PANEL ASSEMBLY TRIM, L.H., front, upper (standard with standard audio system), HMC2, HMC4, HMCS, SEE NOTE 1	1
	<b>5939299G</b>	PANEL ASSEMBLY TRIM, L.H., front, upper (deluxe w/ deluxe audio system) HMC4, HMCS, HMC2, SEE NOTE 1	1
	<b>5939299</b>	PANEL ASSEMBLY TRIM, L.H., front, upper (deluxe w/ deluxe audio system) HMC4, HMCS, VLC2, SEE NOTE 1	1
	<b>6002729G</b>	PANEL ASSEMBLY TRIM, L.H., front, upper HMR2, SEE NOTE 1	1
	<b>6002729</b>	PANEL ASSEMBLY TRIM, L.H., front, upper HMR2, SEE NOTE 1	1
	<b>6002730G</b>	PANEL ASSEMBLY TRIM, L.H., front, upper HMR2, SEE NOTE 1	1
	<b>6002730</b>	PANEL ASSEMBLY TRIM, L.H., front, upper HMR2, SEE NOTE 1	1
22	<b>6001172</b>	PANEL ASSEMBLY TRIM, wiper motor (standard), HMC4, HMCS, HMC2, SEE NOTE 1	1
	<b>5939300G</b>	PANEL ASSEMBLY TRIM, wiper motor (deluxe), HMC4, HMCS, HMC2, SEE NOTE 1	1
	<b>5939300</b>	PANEL ASSEMBLY TRIM, wiper motor (deluxe) HMC4, HMCS, HMC2, SEE NOTE 1	1
	<b>6001024G</b>	PANEL ASSEMBLY TRIM, wiper motor HMCO, SEE NOTE 1	1
	<b>6001024</b>	PANEL ASSEMBLY TRIM, wiper motor HMCO, SEE NOTE 1	1
23	<b>6000857</b>	PANEL ASSEMBLY TRIM, R.H., front, upper (standard with standard audio system) HMC2, HMC4, HMCS	1
	<b>5939312G</b>	PANEL ASSEMBLY TRIM, R.H., front, upper (deluxe w/ deluxe audio system) HMC4, HMCS, VLC2, SEE NOTE 1	1
	<b>5939312</b>	PANEL ASSEMBLY TRIM, R.H., front, upper (deluxe w/ deluxe audio system) HMC4, HMCS, VLC2, SEE NOTE 1	1
	<b>6002730</b>	PANEL ASSEMBLY TRIM, R.H., front, upper (standard with standard audio system)(1994) HMC2, HMC4, HMCS, SEE NOTE 1	1
24	<b>6001195</b>	PANEL ASSEMBLY TRIM, R.H., A-pillar (standard) HMC4, HMCS, HMC2, SEE NOTE 1	1
	<b>5939314G</b>	· PANEL ASSEMBLY TRIM, R.H., A-pillar (deluxe),	1
	<b>5939314</b>	PANEL ASSEMBLY TRIM, R.H., A-pillar (deluxe) HMC4, HMCS, HMC2, SEE NOTE 1	1
25	<b>6001025G</b>	PANEL TRIM, upper wiper motor HMCO, SEE NOTE 1	1
	<b>6001025</b>	PANEL TRIM, upper wiper motor, HMCO, SEE NOTE 1	1
26	<b>6001705</b>	HEADLINER (standard) HMC4, HMCS, HMC2, SEE NOTE 1	1

**Headliner, Roof Trim, Front and Rear Side Trim, Grab Handles, an**

Item	Part No.	Description	Qty
26	<b>6001166G</b>	HEADLINER (deluxe) HMC4, HMCS, HMC2, SEE NOTE 1	1
	<b>6001166</b>	HEADLINER (deluxe) HMC4, HMCS, HMC2, SEE NOTE 1	1
27	<b>6001509</b>	PANEL ASSEMBLY TRIM, R.H., "B" pillar, center (standard) HMC4, HMCS, SEE NOTE 1	1
	<b>6001507G</b>	PANEL ASSEMBLY TRIM, R.H., "B" pillar, center, (standard) HMC4, HMCS, SEE NOTE 1	1
	<b>6001507</b>	PANEL ASSEMBLY TRIM, R.H., "B" pillar, center, (standard) HMC4, HMCS, SEE NOTE 1	1
28	<b>6001513</b>	PANEL ASSEMBLY TRIM, R.H., B-pillar, upper (standard w/ standard audio system) HMC4, HMCS, SEE NOTE 1	1
	<b>6003562G</b>	PANEL ASSEMBLY TRIM, R.H., B-pillar, upper (deluxe w/ deluxe audio system), SEE NOTE 1 HMC4, HMCS	1
	<b>6003562</b>	PANEL ASSEMBLY TRIM, R.H., B-pillar, upper (deluxe w/ deluxe audio system), SEE NOTE 1 HMC4, HMCS	1
29	<b>5939469G</b>	GRAB HANDLE HMC2, SEE NOTE 1	2
	<b>5939469</b>	GRAB HANDLE HMC2, SEE NOTE 1	2
	<b>5939469G</b>	GRAB HANDLE HMC4, HMCS, HMC2, SEE NOTE 1	4
	<b>5939469</b>	GRAB HANDLE HMC4, HMCS, HMC2, SEE NOTE 1	4
	<b>5939469G</b>	GRAB HANDLE HMC4, HMCS, SEE NOTE 1	8
	<b>5939469</b>	GRAB HANDLE HMC4, HMCS, SEE NOTE 1	8

NOTE 1: G FOR GRAY, PLAIN NUMBER FOR TAN  
B FOR PAINTED PART



P10-042.6

# Inner Kick Panels and Miscellaneous Trim Panel

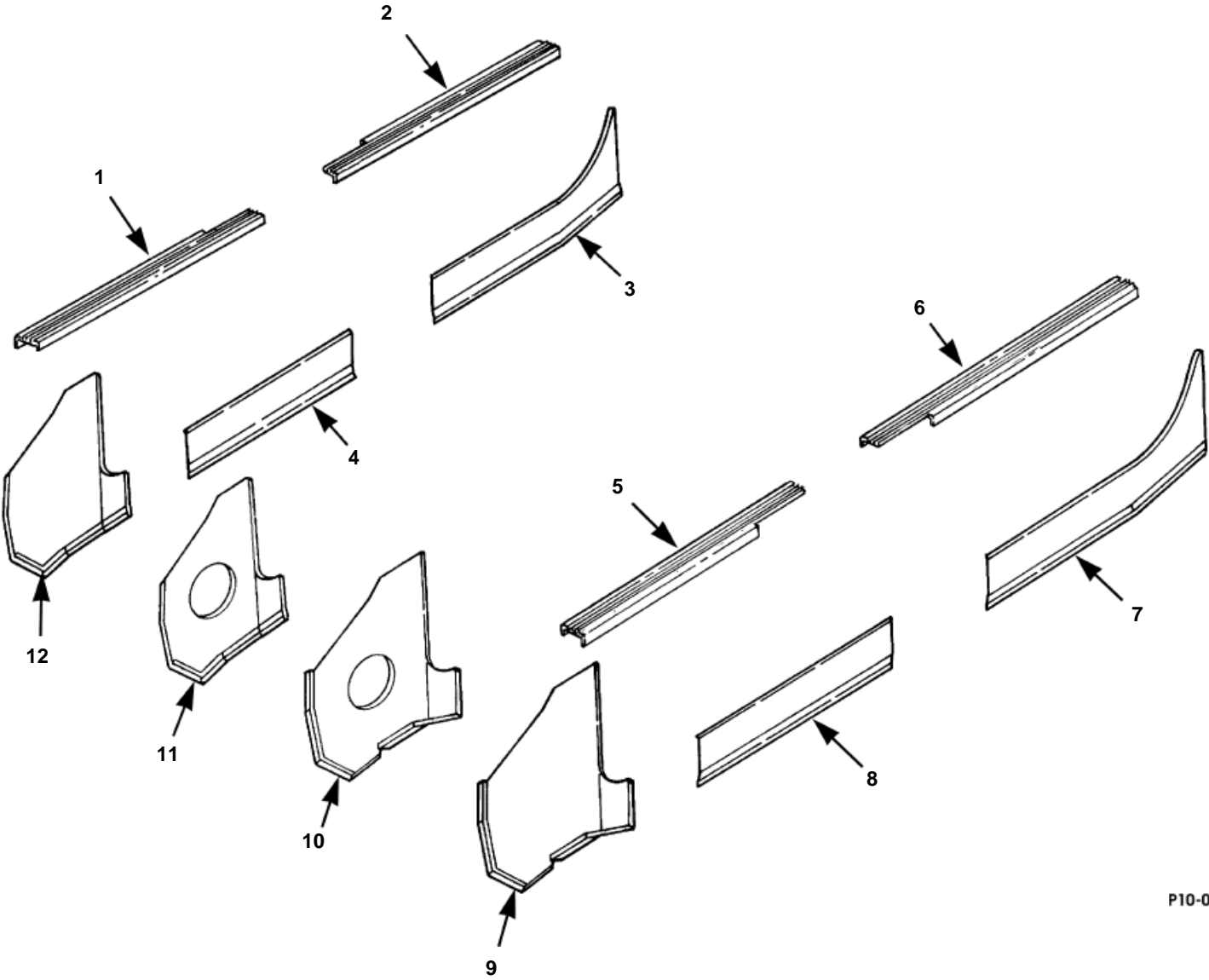
## Inner Kick Panels and Miscellaneous Trim Panels.

Item	Part No.	Description	Qty
1	<b>6003430G</b>	PANEL, kick, inner rear, R.H. HMC4, HMCS, HMCO, SEE NOTE 1	1
	<b>6003430</b>	PANEL, kick, inner rear, R.H. HMC4, HMCS, HMCO, SEE NOTE 1	1
	<b>6004869G</b>	PANEL, kick, inner rear, R.H., w/ low belt retractor, HMC4, HMCS, HMCO, SEE NOTE 1	1
	<b>6004869</b>	PANEL, kick, inner rear, R.H., w/ low belt retractor HMC4, HMCS, HMCO, SEE NOTE 1	1
2	<b>5939603</b>	PANEL, kick, inner rear, R.H. HMC4, HMCS, HMCO	1
3	<b>5939606</b>	PANEL, kick, inner rear, L.H. HMC4, HMCS, HMCO, SEE NOTE 1	1
	<b>6003434G</b>	PANEL, kick, inner rear, L.H. (1994) HMC4, HMCS, HMCO	1
	<b>6003434</b>	PANEL, kick, inner rear, L.H. (1994) HMC4, HMCS, HMCO	1
4	<b>6000391</b>	SPEEDNUT	56
5	<b>6004868B</b>	PANEL, kick, inner rear, L.H., w/ low belt retractor, HMC4, HMCS, HMCO, SEE NOTE 1	1
	<b>6004868</b>	PANEL, kick, inner rear, L.H., w/ low belt retractor, HMC4, HMCS, HMCO, SEE NOTE 1	1
6	<b>6002686G</b>	SCREW AND WASHER ASSEMBLY, SEE NOTE 1	56
	<b>6002686</b>	SCREW AND WASHER ASSEMBLY, SEE NOTE 1	56
7	<b>5939986</b>	PANEL, shift and park brake, L.H.	1
	<b>6006180G</b>	PANEL, shift and parking brake HMC2 SEE NOTE 1	1
	<b>6006180</b>	PANEL, shift and parking brake HMC2, SEE NOTE 1	1
	<b>6003156G</b>	PANEL, shift and park brake (1994) HMC4, HMCS, HMCO, SEE NOTE 1	1
	<b>6003156</b>	PANEL, shift and park brake (1994) HMC4, HMCS, HMCO, SEE NOTE 1	1
8	<b>6001621</b>	PANEL, "B" beam, L.H. HMC4, HMCS, HMCO	1
9	<b>6001708</b>	PANEL, B-pillar, lower, L.H., (w/convenience lamps) HMC4, HMCS, HMCO	1
	<b>6003508G</b>	PANEL, B-pillar, lower, L.H. w/convenience lamps) HMC4, HMCS, HMCO, SEE NOTE 1	1
	<b>6003508</b>	PANEL, B-pillar, lower, L.H. w/convenience lamps) HMC4, HMCS, HMCO, SEE NOTE 1	1
	<b>6002502</b>	PANEL, "B" pillar, lower, L.H., (convenience lamps) HMC4, HMCS	1
	<b>6001033G</b>	PANEL, B-pillar, lower L.H. HMC2, SEE NOTE 1	1
9	<b>6001033</b>	PANEL, B-pillar, lower L.H. HMC2, SEE NOTE 1	1
	<b>6003508</b>	PANEL, B-pillar, lower, L.H. (w/convenience lamps) HMC4, HMCS, HMCO, SEE NOTE 1	1
11	<b>6000926</b>	PANEL, kick, lower center, L.H. (w/o CTIS) HMC4, HMCS, HMCO	1
	<b>6003441G</b>	PANEL, kick, lower center, L.H. (w/o CTIS) HMC4, HMCS, HMCO, SEE NOTE 1	1
	<b>6003441</b>	PANEL, kick, lower center, L.H. (w/o CTIS) HMC4, HMCS, HMCO, SEE NOTE 1	1
	<b>6000921</b>	PANEL, kick, lower center, L.H. (w/ CTIS) HMC4, HMCS, HMCO	1
	<b>6003432G</b>	PANEL, kick, lower center, L.H. (w/ CTIS) HMC4, HMCS, HMCO, SEE NOTE 1	1
	<b>6003432</b>	PANEL, kick, lower center, L.H. (w/ CTIS) HMC4, HMCS, HMCO, SEE NOTE 1	1
	<b>6000925</b>	PANEL, kick, lower center, L.H. (w/o CTIS) HMC2	1
	<b>6003442G</b>	PANEL, kick, lower center, L.H. (w/o CTIS) HMC2, SEE NOTE 1	1
	<b>6003442</b>	PANEL, kick, lower center, L.H. (w/o CTIS) HMC2, SEE NOTE 1	1

**Inner Kick Panels and Miscellaneous Trim Panels.**

Item	Part No.	Description	Qty
11	<b>6000923</b>	PANEL, kick, lower center, L.H. (w/ CTIS) HMC2	1
	<b>6003433G</b>	PANEL, kick, lower center, L.H. (w/ CTIS) HMC2, SEE NOTE 1	1
	<b>6003433</b>	PANEL, kick, lower center, L.H. (w/ CTIS) HMC2, SEE NOTE 1	1
12	<b>6000475G</b>	CLIP, trim, SEE NOTE 1	44
	<b>6000475</b>	CLIP, trim, SEE NOTE 1	44
13	<b>6000187G</b>	PANEL, inner rear, R.H. HMC2, SEE NOTE 1	1
	<b>6000187</b>	PANEL, inner rear, R.H. HMC2, SEE NOTE 1	1
14	<b>6000892</b>	PANEL, inner front, R.H.	1
	<b>6003470G</b>	PANEL, inner front, R.H. HMC2, SEE NOTE 1	1
	<b>6003470</b>	PANEL, inner front, R.H. HMC2, SEE NOTE 1	1
	<b>6005541G</b>	PANEL, inner front, R.H. HMC4, HMCS, HMCO, SEE NOTE 1	1
	<b>6003153</b>	PANEL, inner front, R.H. HMC4, HMCS, HMCO, SEE NOTE 1	1
	<b>6001709</b>	· PANEL, B-pillar, lower, R.H.	1
	<b>6003574G</b>	PANEL, B-pillar, lower, R.H. (w/o convenience lamps) HMC4, HMCS, HMCO, SEE NOTE 1	1
	<b>6003574</b>	PANEL, B-pillar, lower, R.H. (w/o convenience lamps) HMC4, HMCS, HMCO, SEE NOTE 1	1
	<b>6002503</b>	PANEL, B-pillar, lower, R.H. (w/o convenience lamps), HMC4, HMCS	1
	<b>6003509</b>	PANEL, B-pillar, lower, R.H. (w/o convenience lamps), HMC4, HMCS, HMCO	1
	<b>6001034G</b>	PANEL, B-pillar, lower, R.H. HMC2, SEE NOTE 1	1
	<b>6001034</b>	PANEL, B-pillar, lower, R.H. HMC2, SEE NOTE 1	1
15	<b>6001622</b>	PANEL, "B" beam, R.H. HMC4, HMCS, HMCO	1

NOTE 1: G FOR GRAY, PLAIN NUMBER FOR TAN  
B FOR PAINTED PART



P10-043

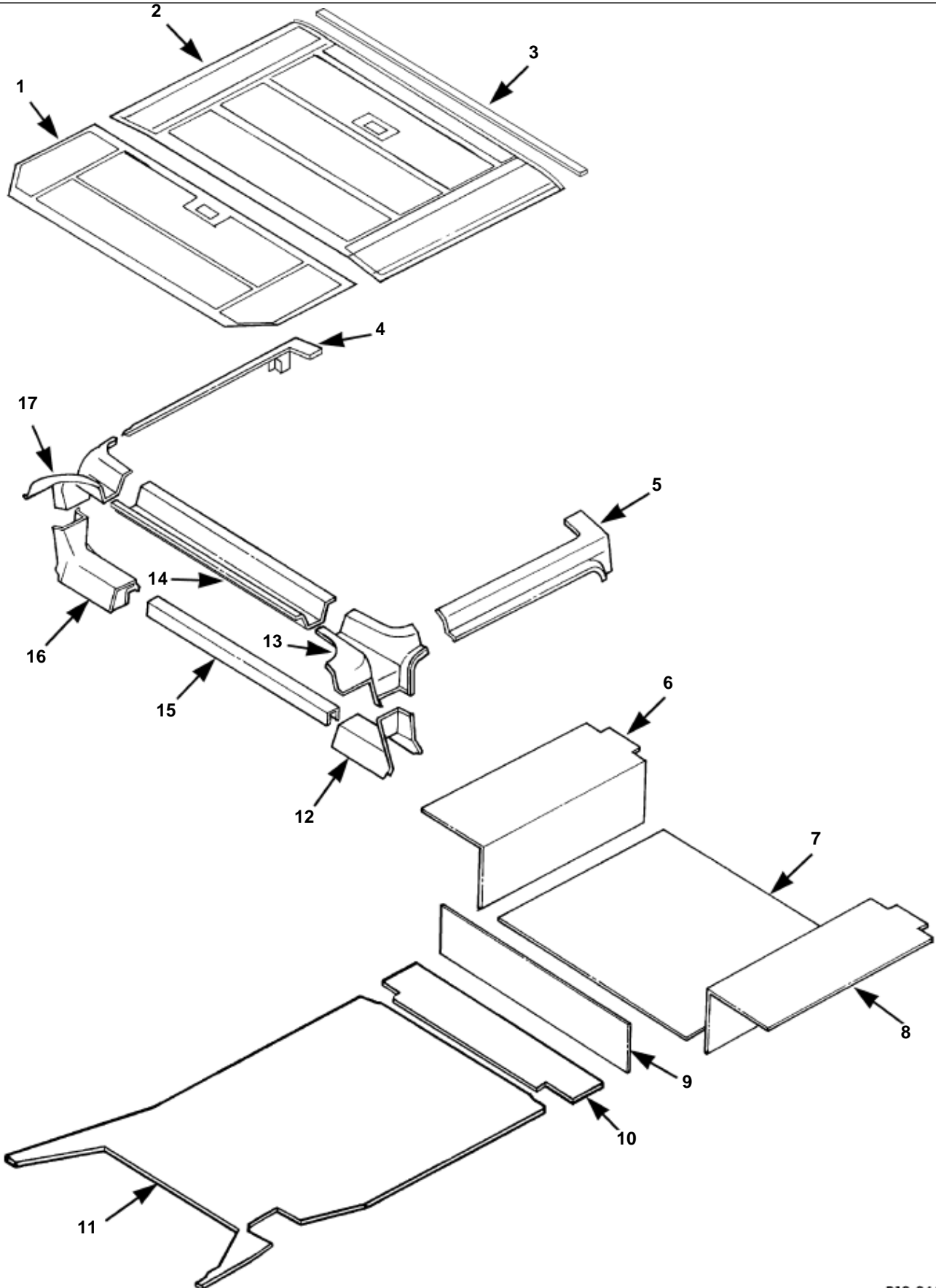
# Outer Kick Panels Interior Trim



HUMMER H1 1994 Parts Catalog  
**Outer Kick Panels Interior Trim.**

Item	Part No.	Description	Qty
1	<b>6000770</b>	SCUFF PLATE ASSEMBLY, front, R.H.	1
2	<b>6000772</b>	SCUFF PLATE ASSEMBLY, rear, R.H. HMC4, HMCS, HMCO	1
3	<b>5939708G</b>	PANEL, outer rear, R.H. HMC4, HMCS, HMCO, SEE NOTE 1	1
	<b>5939708</b>	PANEL, outer rear, R.H. HMC4, HMCS, HMCO, SEE NOTE 1	1
4	<b>5939706</b>	PANEL, outer center, R.H.	1
	<b>6003436G</b>	PANEL, outer center, R.H., SEE NOTE 1	1
	<b>6003436</b>	PANEL, outer center, R.H., SEE NOTE 1	1
5	<b>6000769</b>	SCUFF PLATE ASSEMBLY, front, L.H.	1
6	<b>6000771</b>	SCUFF PLATE ASSEMBLY, rear, L.H. HMC4, HMCS, HMCO	1
7	<b>5939709G</b>	PANEL, outer rear, L.H. HMC4, HMCS, HMCO, SEE NOTE 1	1
	<b>5939709</b>	PANEL, outer rear, L.H. HMC4, HMCS, HMCO, SEE NOTE 1	1
8	<b>6003435G</b>	PANEL, outer center, L.H., SEE NOTE 1	1
	<b>6003435</b>	PANEL, outer center, L.H., SEE NOTE 1	1
9	<b>5939705B</b>	PANEL, outer front, L.H. HMC4, HMCS, HMC2, HMCO, SEE NOTE 1	1
10	<b>6001026G</b>	PANEL, outer front, L.H. HMCO, SEE NOTE 1	1
	<b>6001026</b>	PANEL, outer front, L.H. HMCO, SEE NOTE 1	1
11	<b>6001027</b>	PANEL, outer front, R.H. HMCO	1
	<b>6003423G</b>	PANEL, outer front, R.H. HMCO, SEE NOTE 1	1
	<b>6003423</b>	PANEL, outer front, R.H. HMCO, SEE NOTE 1	1
12	<b>6000920</b>	PANEL, outer front, R.H. HMC4, HMCS, HMC2, HMCO	1
	<b>6003422G</b>	PANEL, outer front, R.H. HMC4, HMCS, HMC2, SEE NOTE 1	1
	<b>6003422</b>	PANEL, outer front, R.H. HMC4, HMCS, HMC2, SEE NOTE 1	1

NOTE 1: G FOR GRAY, PLAIN NUMBER FOR TAN  
 B FOR PAINTED PART



# Station Wagon Interior Trim

P10-044

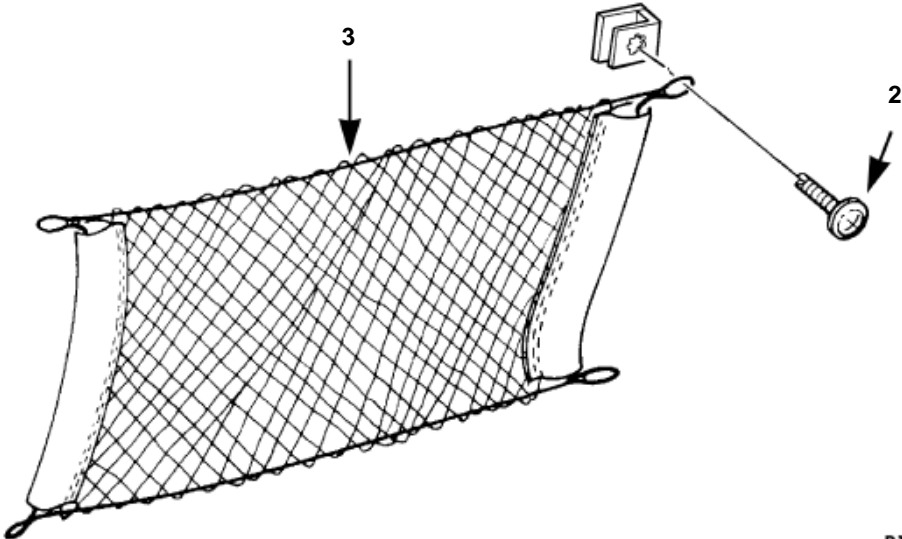
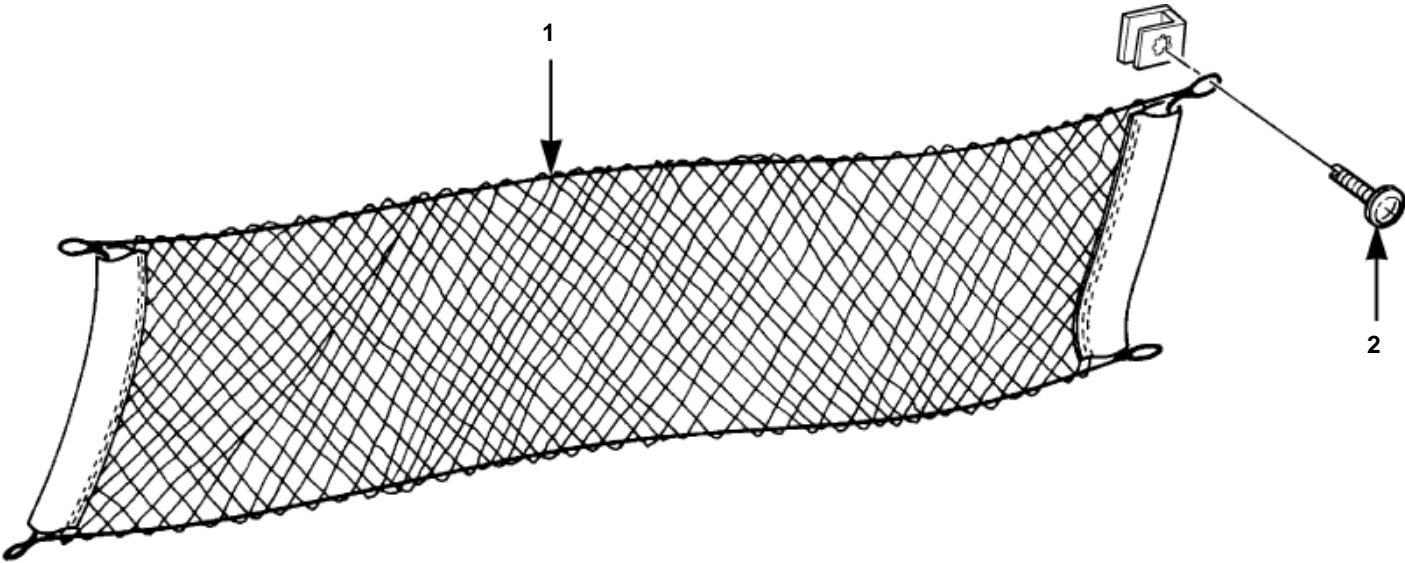
HUMMER H1 1994 Parts Catalog  
**Station Wagon Interior Trim.**

Item	Part No.	Description	Qty
1	<b>6001690G</b>	HEADLINER, center (standard) HMCS	1
	<b>6001690</b>	HEADLINER, center (standard) HMCS	1
	<b>6001236G</b>	HEADLINER, center (deluxe) HMCS	1
	<b>6001236</b>	HEADLINER, center (deluxe) HMCS	1
2	<b>6001065G</b>	HEADLINER, rear HMCS	1
	<b>6001065</b>	HEADLINER, rear HMCS	1
	<b>6002728G</b>	HEADLINER, with deluxe audio, rear HMCS	1
	<b>6002728</b>	HEADLINER, with deluxe audio, rear HMCS	1
3	<b>6003659</b>	INSULATION, headliner, rear HMCS	1
4	<b>6001067G</b>	PANEL, upper rear, R.H. HMCS	1
	<b>6001067</b>	PANEL, upper rear, R.H. HMCS	1
5	<b>6001066G</b>	PANEL, upper rear, L.H. HMCS	1
	<b>6001066</b>	PANEL, upper rear, L.H. HMCS	1
6	<b>6001109G</b>	CARPET, wheelhouse, R.H. HMCS	1
	<b>6001109</b>	CARPET, wheelhouse, R.H. HMCS	1
7	<b>6001110G</b>	CARPET, cargo floor HMCS	1
	<b>6001110</b>	CARPET, cargo floor HMCS	1
8	<b>6001108G</b>	CARPET, wheelhouse, L.H. HMCS	1
	<b>6001108</b>	CARPET, wheelhouse, L.H. HMCS	1
9	<b>6001111G</b>	CARPET, bulkhead HMCS	1
	<b>6001111</b>	CARPET, bulkhead HMCS	1
10	<b>6002988G</b>	CARPET ASSY, tunnel, center HMCS	1
	<b>6002988</b>	CARPET ASSY, tunnel, center HMCS	1
11	<b>6003157</b>	PAD ASSY, tunnel, center HMCS	
12	<b>6002983G</b>	PANEL, C-pillar, lower, L.H. (standard) HMCS	1
	<b>6002983</b>	PANEL, C-pillar, lower, L.H. (standard) HMCS	1
	<b>6002981G</b>	PANEL, C-pillar, lower, L.H. (deluxe) HMCS	1
	<b>6002981</b>	PANEL, C-pillar, lower, L.H. (deluxe) HMCS	1
13	<b>6001549G</b>	PANEL, C-pillar, upper, L.H. (standard) HMCS	1
	<b>6001549</b>	PANEL, C-pillar, upper, L.H. (standard) HMCS	1
	<b>6001068G</b>	PANEL, C-pillar, upper, L.H. (deluxe) HMCS	1
	<b>6001068</b>	PANEL, C-pillar, upper, L.H. (deluxe) HMCS	1
14	<b>6001551</b>	PANEL, C-pillar, center (standard) HMCS	1

HUMMER H1 1994 Parts Catalog  
**Station Wagon Interior Trim.**

Item	Part No.	Description	Qty
14	<b>6003038</b>	PANEL, C-pillar, center (deluxe) HMCS	1
15	<b>6003038</b>	PANEL, upper rail HMCS	1
16	<b>6001548</b>	PANEL, C-pillar, lower, R.H. (standard) HMCS	1
	<b>6002984</b>	PANEL, C-pillar, lower, R.H. (standard) HMCS	1
	<b>6002982G</b>	PANEL, C-pillar, lower, R.H. (deluxe) HMCS	1
	<b>6002982</b>	PANEL, C-pillar, lower, R.H. (deluxe) HMCS	1
17	<b>6001550G</b>	PANEL, C-pillar, upper, R.H. (standard) HMCS	1
	<b>6001550</b>	PANEL, C-pillar, upper, R.H. (standard) HMCS	1
	<b>6001069G</b>	PANEL, C-pillar, upper, R.H. (deluxe) HMCS	1
	<b>6001069</b>	PANEL, C-pillar, upper, R.H. (deluxe) HMCS	1

NOTE 1: G FOR GRAY, PLAIN NUMBER FOR TAN  
 B FOR PAINTED PART

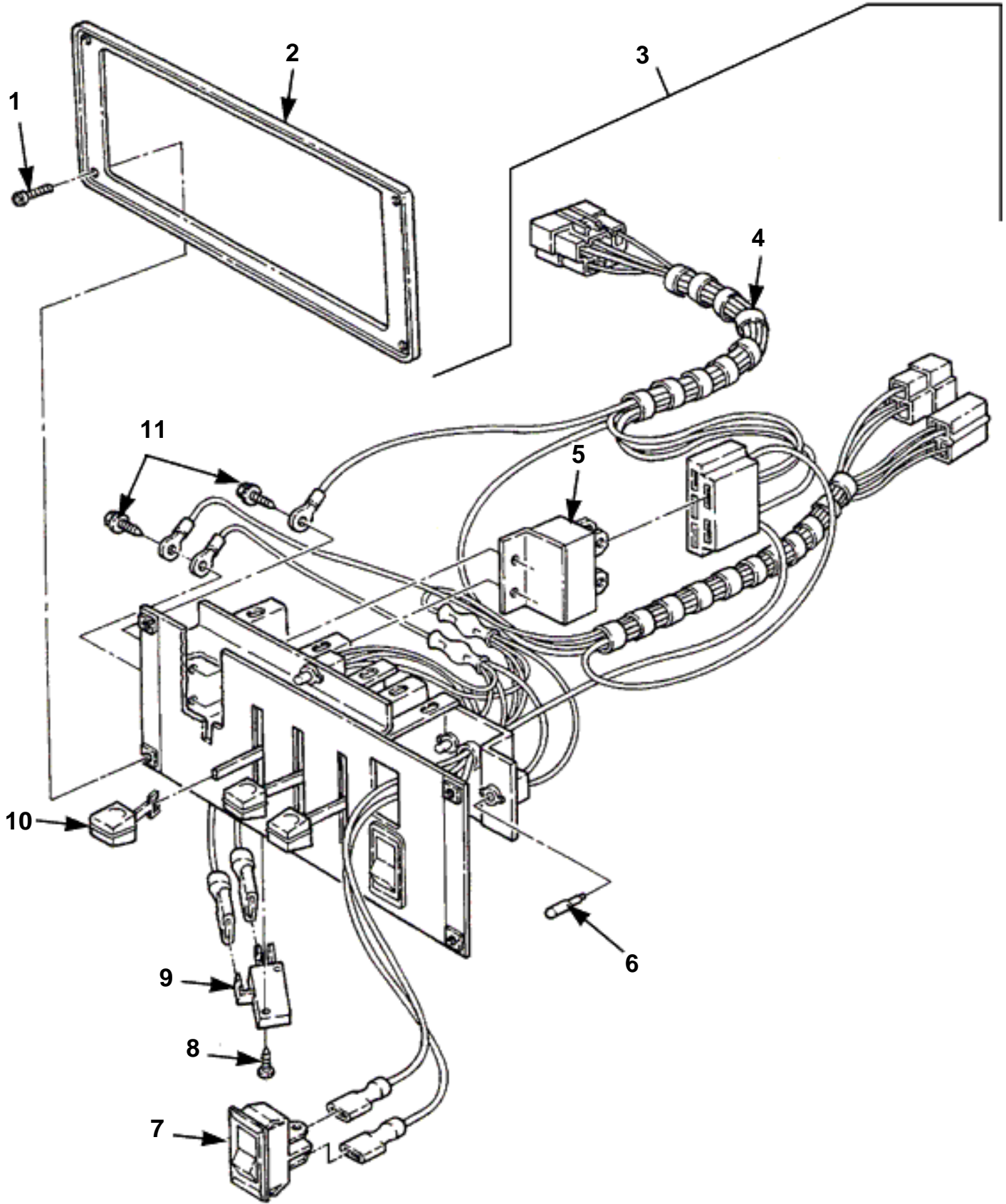


P10-046

# Cargo Net and Pocket Net

HUMMER H1 1994 Parts Catalog  
**Cargo Net and Pocket Net.**

Item	Part No.	Description	Qty
1	<b>N/A</b>	CARGO NET	1
2	<b>6000114</b>	SCREW AND WASHER ASSEMBLY	8
3	<b>6002808</b>	POCKET NET	1

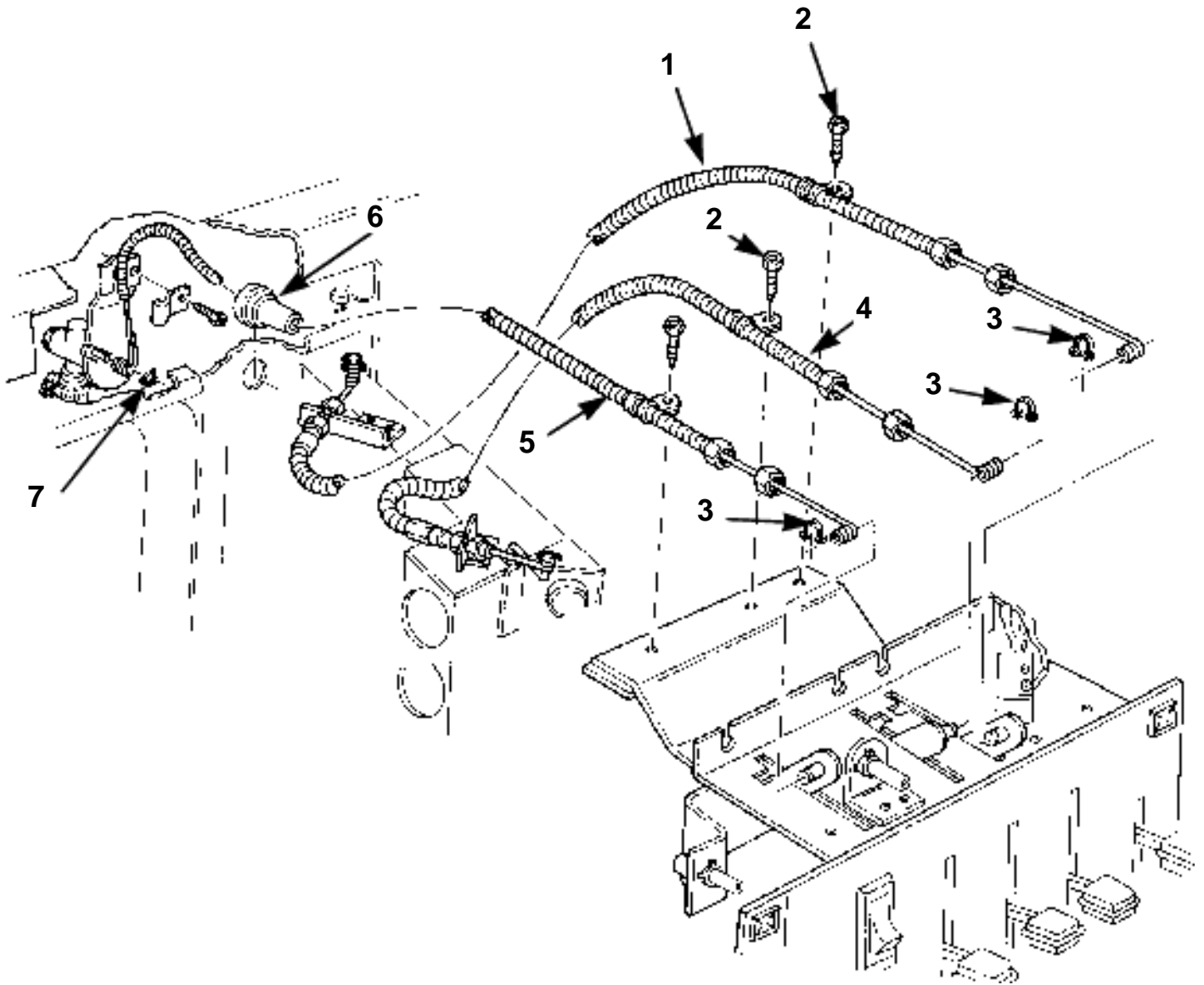


### Climate Control Switches and Wiring Harness (1992 and 1993 only)

**Climate Control Switches and Wiring Harness (1992 and 1993 only)**

Item	Part No.	Description	Qty
1	<b>NPN</b>	SCREW	4
2	<b>6001207</b>	BEZEL, heater control	1
3	<b>5742828</b>	CONTROL PANEL ASSEMBLY	1
4	<b>5742827</b>	HARNESS, control panel	1
5	<b>5742802</b>	SWITCH, blower	1
6	<b>N/S</b>	BULB (trade #73)	1
7	<b>5742826</b>	SWITCH, rocker, with red sides	2
8	<b>5743040</b>	SCREW	2
9	<b>5742803</b>	SWITCH, micro	1
10	<b>5742825</b>	KNOB, control panel	4
11	<b>5743037</b>	SCREW	2

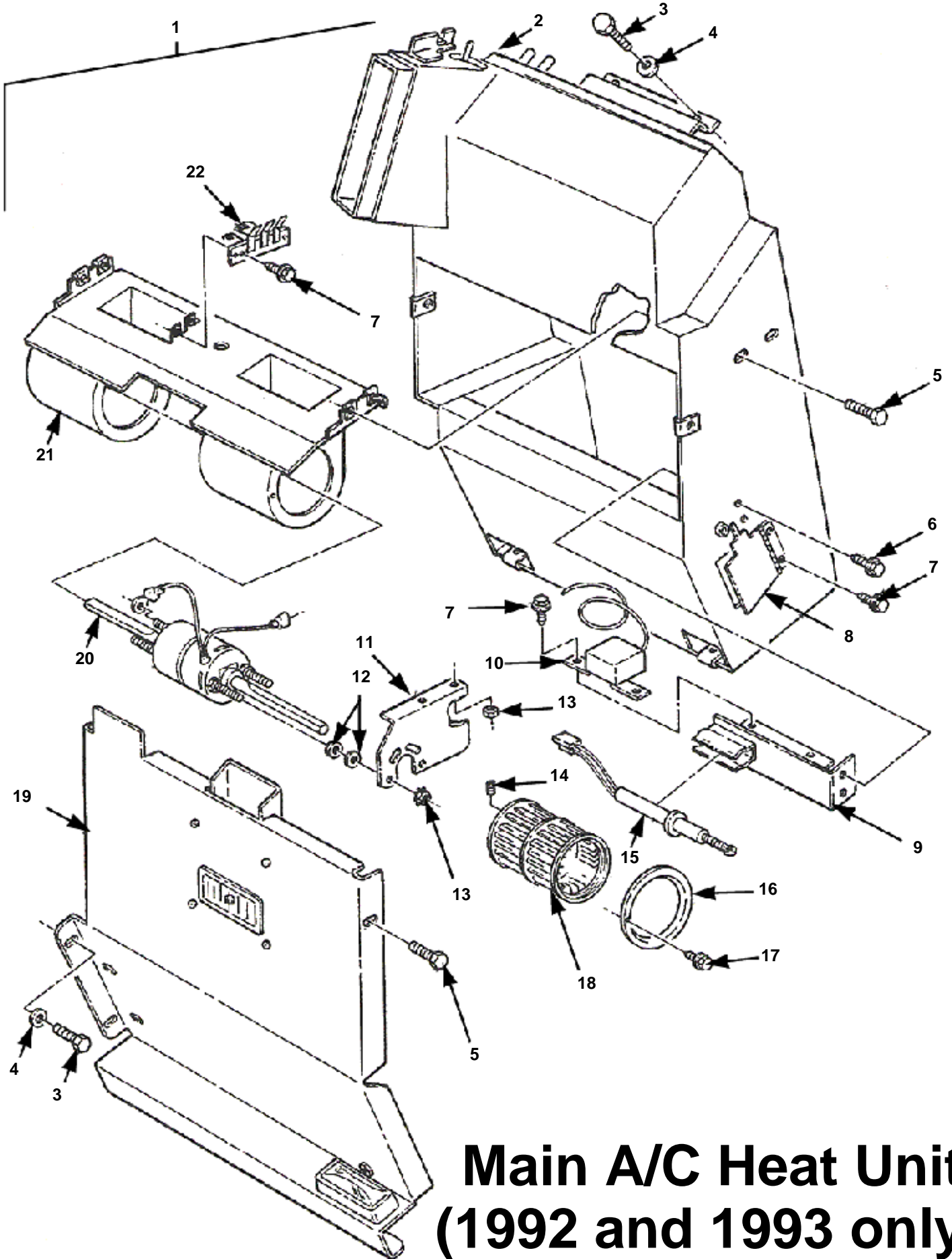




## Climate Control Cables and Mounting Hardware (1992 and 1993 only)

**Climate Control Cables and Mounting Hardware (1992 and 1993 only)**

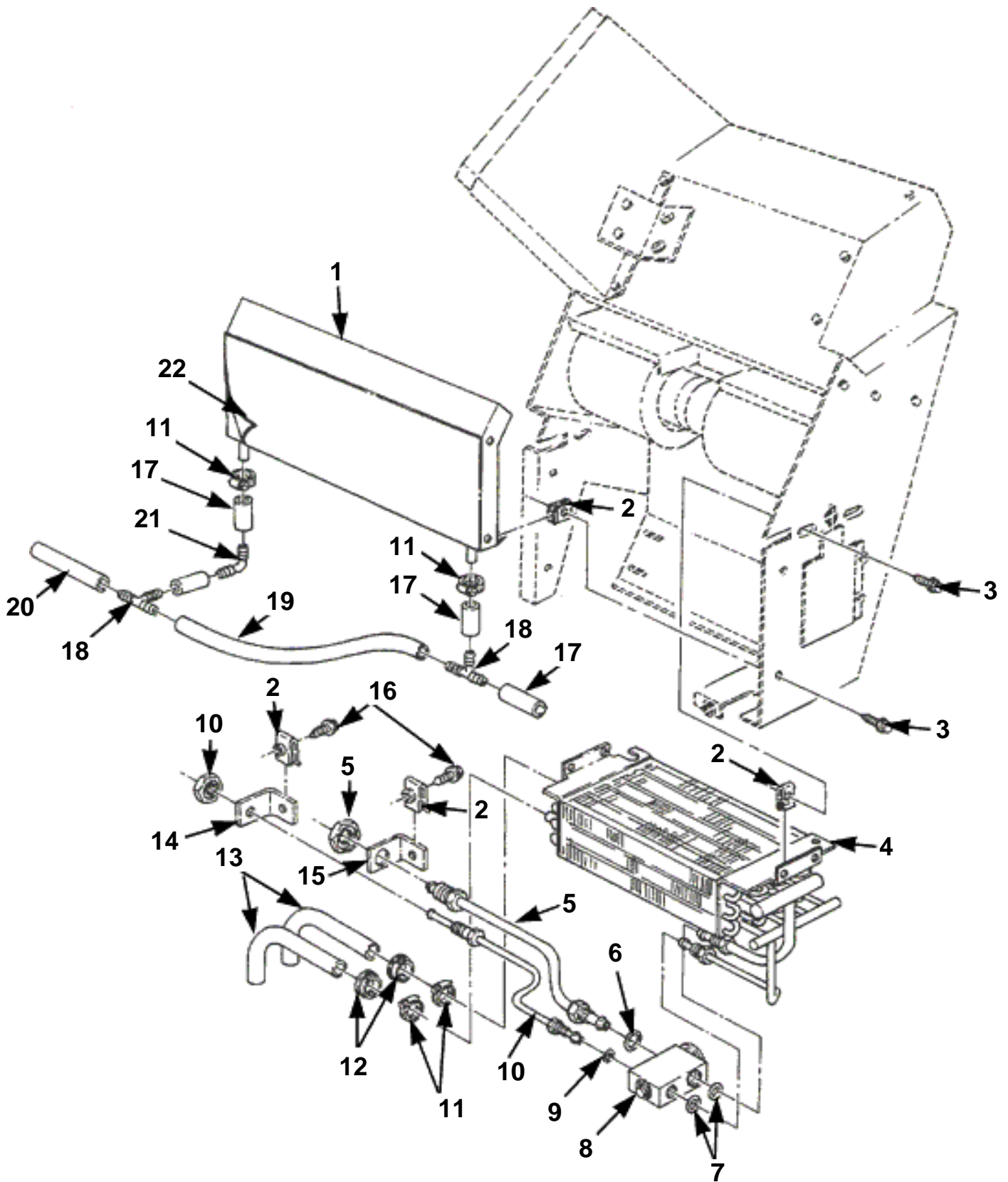
Item	Part No.	Description	Qty
1	<b>5742824</b>	CABLE ASSEMBLY, defrost	1
2	<b>5743037</b>	SCREW	3
3	<b>5743045</b>	CLIP	3
4	<b>5742823</b>	CABLE ASSEMBLY, comfort	1
5	<b>5742801</b>	CABLE ASSEMBLY, water valve, threaded with jam nuts	1
	<b>5742975</b>	CABLE ASSEMBLY, water valve, smooth	1
6	<b>5939970</b>	GROMMET, heater control cable	1
7	<b>NPN</b>	CLIP	3



# Main A/C Heat Unit (1992 and 1993 only)

**Main A/C-Heat Unit (1992 and 1993 only).**

Item	Part No.	Description	Qty
1	<b>6000394</b>	MAIN A/C-HEAT UNIT	1
2	<b>5743053</b>	HOUSING	1
3	<b>9415477</b>	BOLT	4
4	<b>ELMS27183-10</b>	WASHER	4
5	<b>N/S</b>	BOLT, 1/4 20 X 1/2", HWH	4
6	<b>NPN</b>	BOLT	2
7	<b>5743036</b>	SCREW	6
8	<b>5743054</b>	DOOR	1
9	<b>5743055</b>	BRACKET	1
10	<b>5742790</b>	THERMOSTAT	1
11	<b>5743061</b>	BRACKET, R.H.	1
	<b>5743062</b>	BRACKET, L.H.	1
12	<b>5743044</b>	WASHER	2
13	<b>271169</b>	NUT	6
14	<b>NPN</b>	SETSCREW	2
15	<b>5742834</b>	ACTUATOR, electric	1
16	<b>5743024</b>	RETAINER	2
17	<b>5743036</b>	SCREW	6
18	<b>5742946</b>	WHEEL, blower	2
19	<b>5743052</b>	PANEL	1
20	<b>5742793</b>	MOTOR, blower	1
21	<b>5743063</b>	HOUSING, blower motor	1
22	<b>5742794</b>	RESISTOR, blower motor	1

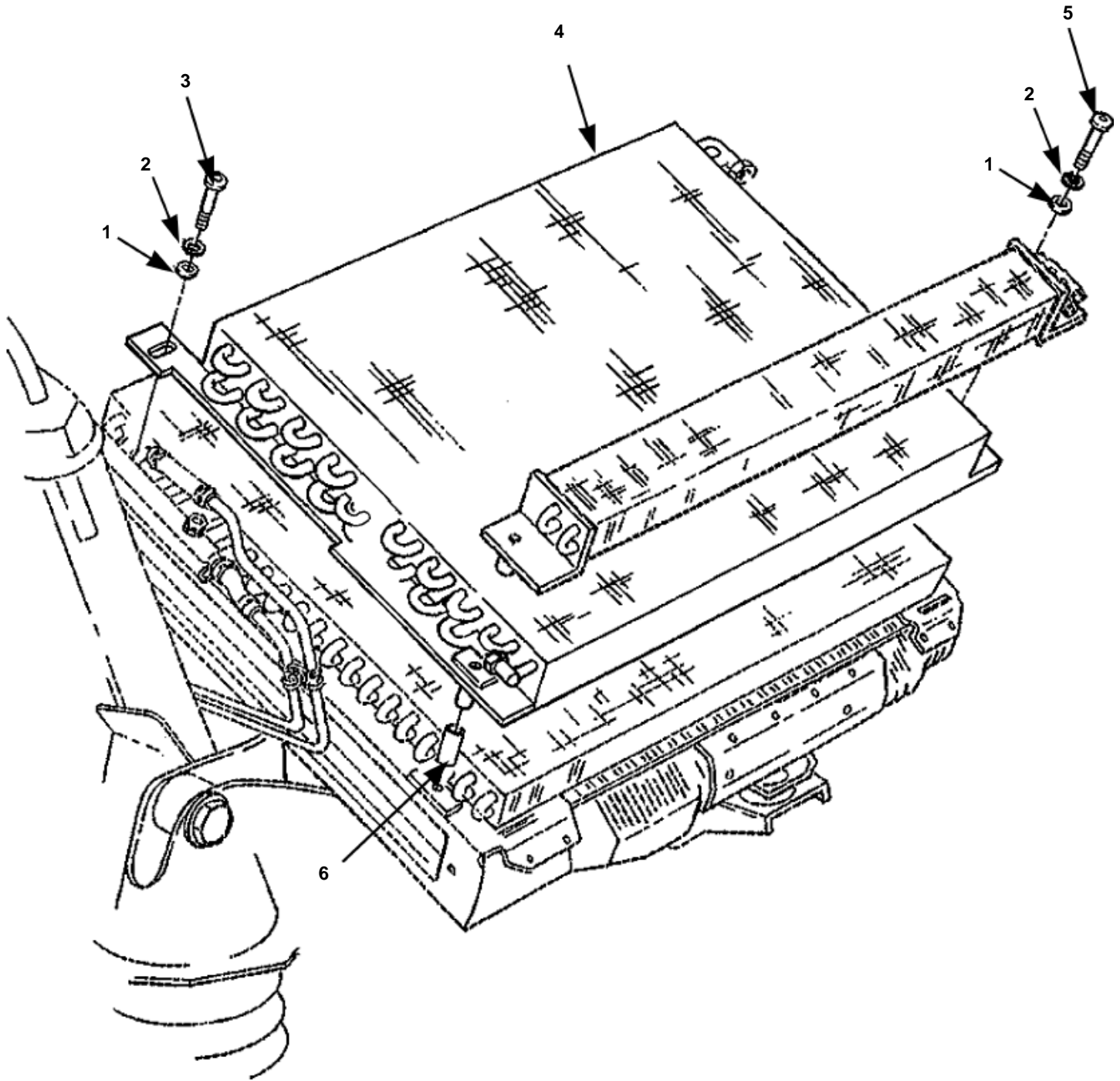


## Evaporator Coil Assembly and Expansion Valve (1992 and 1993 Only)

**Evaporator Coil Assembly and Expansion Valve (1992 and 1993 only)**

Item	Part No.	Description	Qty
1	<b>5743056</b>	PANEL	1
2	<b>5743047</b>	NUT, sheet spring	10
3	<b>5743039</b>	SCREW	4
4	<b>5742792</b>	EVAPORATOR COIL	1
5	<b>5742833</b>	TUBE, suction and nut	1
6	<b>5742807</b>	SEAL, O-ring	1
7	<b>5742806</b>	SEAL, O-ring	2
8	<b>5742909</b>	VAVLE, expansion	1
9	<b>5742805</b>	SEAL, O-ring	1
10	<b>5742832</b>	TUBE, liquid and nut	1
11	<b>5743034</b>	CLAMP	4
12	<b>5743026</b>	ADAPTER	2
13	<b>5743032</b>	HOSE, heater core	2
14	<b>5743059</b>	BRACKET	1
15	<b>5743060</b>	BRACKET	1
16	<b>5743038</b>	SCREW	2
17	<b>N/S</b>	HOSE, 1 3/4", SEE NOTE 1	4
18	<b>5743022</b>	TEE	2
19	<b>N/S</b>	HOSE, 13", SEE NOTE 1	1
20	<b>N/S</b>	HOSE, 4 1/2", SEE NOTE 1	1
21	<b>5743021</b>	ELBOW	1
22	<b>5743028</b>	INSULATION	1

NOTE 1: MAKE FROM BULK HOSE P/N 5743031

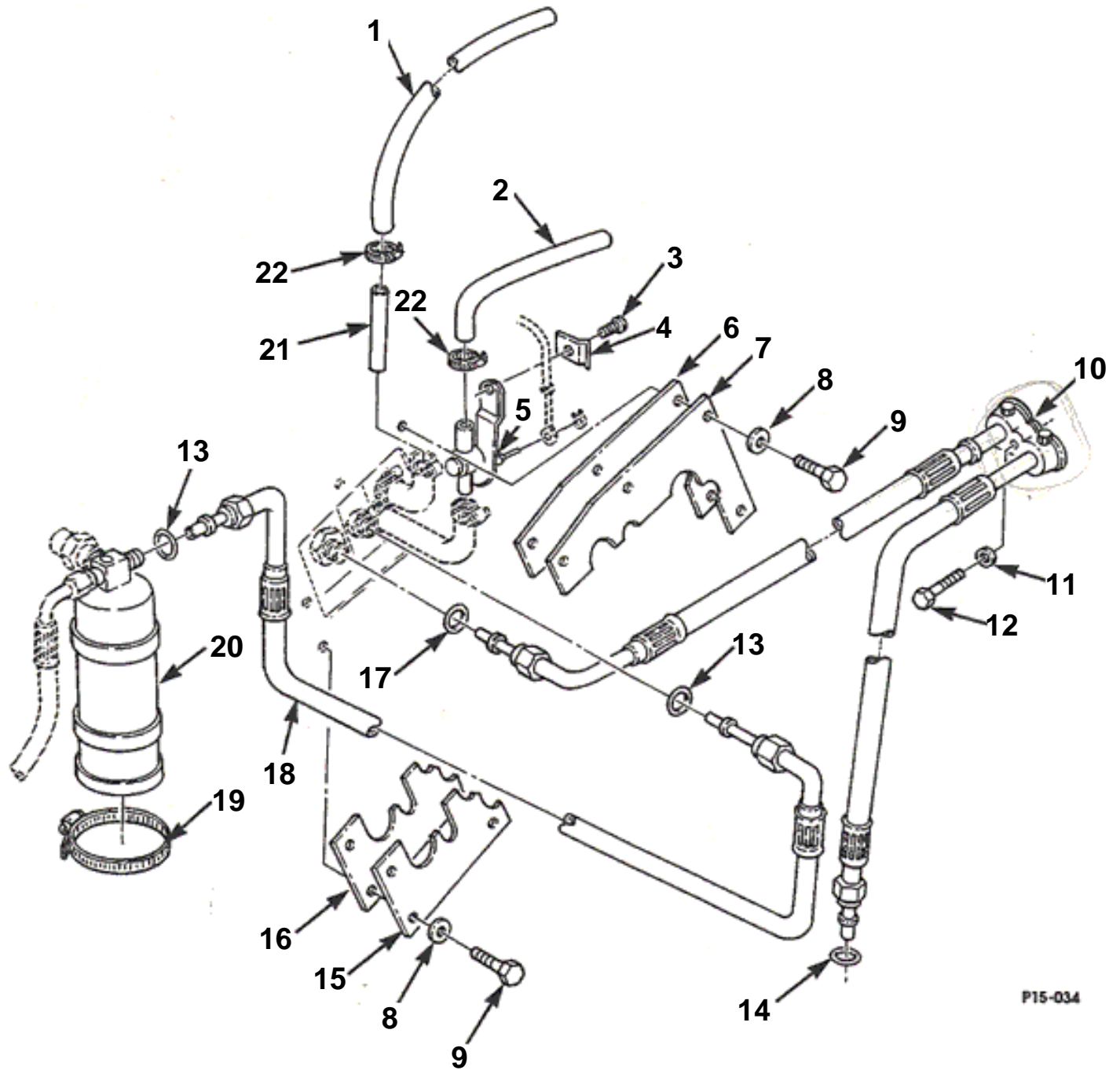


## Condenser Coil and Mounting Hardware (1992 and 1993 Only)

**Condenser Coil and Mounting Hardware (1992 and 1993 only).**

Item	Part No.	Description	Qty
1	<b>NPN</b>	WASHER	4
2	<b>NPN</b>	LOCKWASHER	4
3	<b>5743041</b>	SCREW	2
4	<b>5742796</b>	CONDENSER COIL	1
5	<b>5743042</b>	SCREW	2
6	<b>5743050</b>	SPACER	4



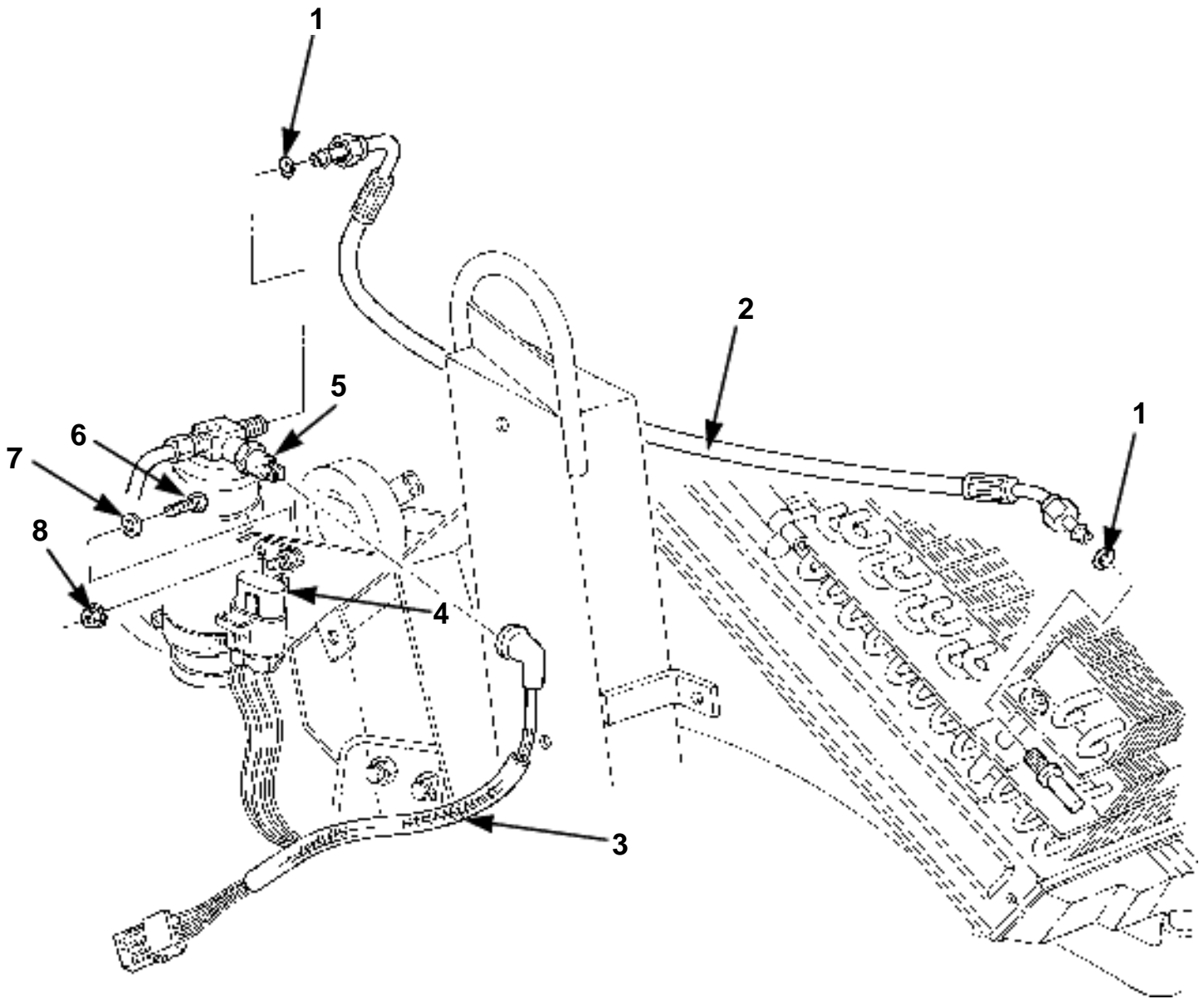


P15-034

### Receiver Dryer and Evaporator Hoses (1992 and 1993 Only)

**Receiver Dryer and Evaporator Hoses (1992 and 1993 only).**

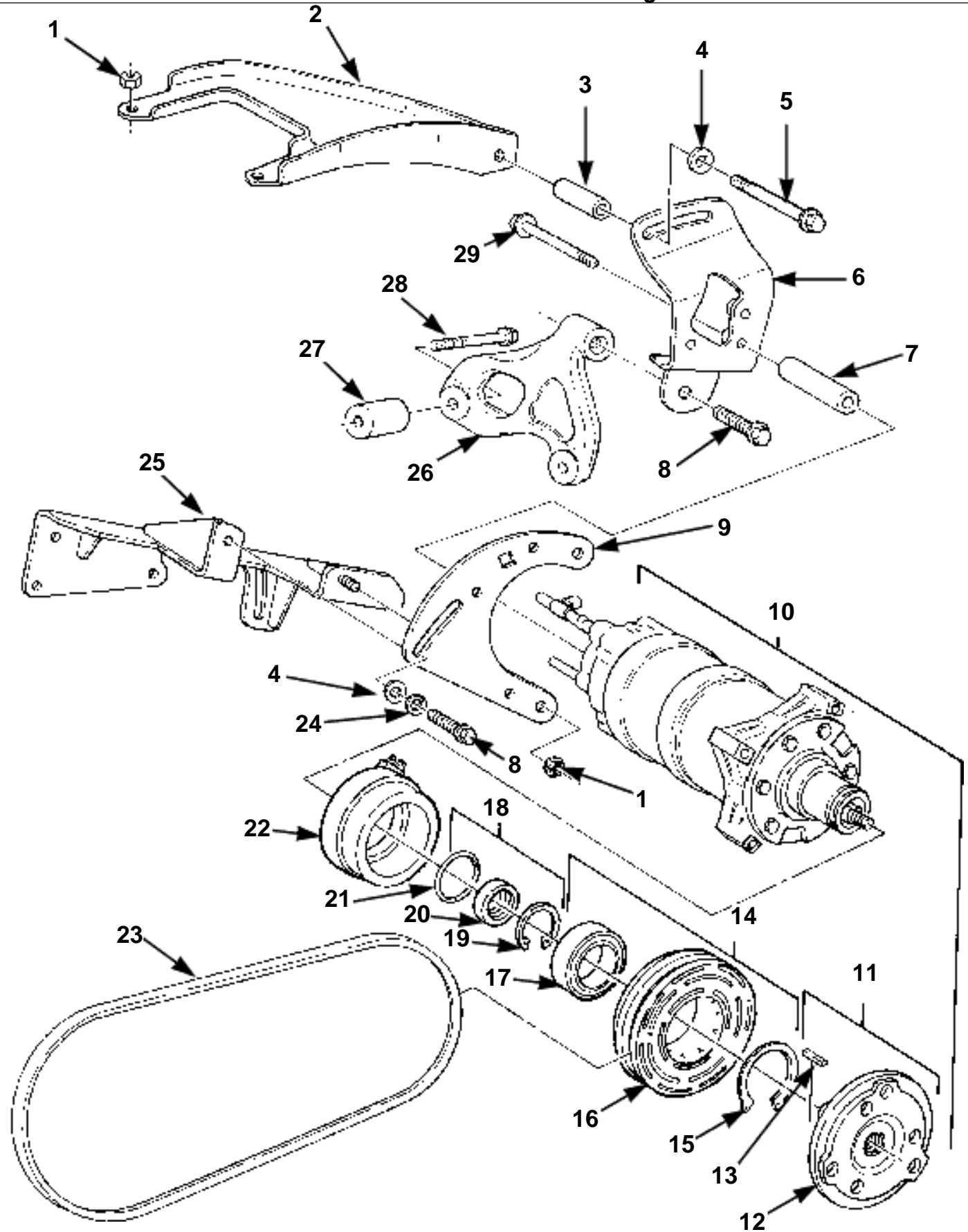
Item	Part No.	Description	Qty
1	<b>5935927</b>	HOSE, tube to water pump, SEE NOTE 1	1
2	<b>6001039</b>	HOSE, water valve to water crossover	1
3	<b>5743037</b>	SCREW	1
4	<b>5743046</b>	NUT, sheet spring	1
5	<b>5742800</b>	WATER VALVE	1
6	<b>5743030</b>	GASKET	1
7	<b>5743057</b>	PLATE	1
8	<b>MS27183-8</b>	WASHER	7
9	<b>MS51849-76</b>	SCREW	7
10	<b>5742804</b>	HOSE ASSEMBLY, compressor	1
11	<b>EL11500256</b>	WASHER	1
12	<b>6008021</b>	SCREW	1
13	<b>5742805</b>	SEAL, O-ring	2
14	<b>5742806</b>	SEAL, O-ring	1
15	<b>5743058</b>	PLATE	1
16	<b>5743029</b>	GASKET	1
17	<b>5742807</b>	SEAL, O-ring	1
18	<b>5742798</b>	HOSE ASSEMBLY, evaporator-to-receiver	1
19	<b>5744142</b>	CLAMP	2
20	<b>5742795</b>	RECEIVER DRYER	1
21	<b>5743027</b>	TUBE	1
22	<b>5743508</b>	CLAMP, heater hose	4



## Receiver Dryer Pressure Switch and Jumper Harness (1992 and 1993 only)

**Receiver Dryer Pressure Switch and Jumper Harness (1992 and 1993)**

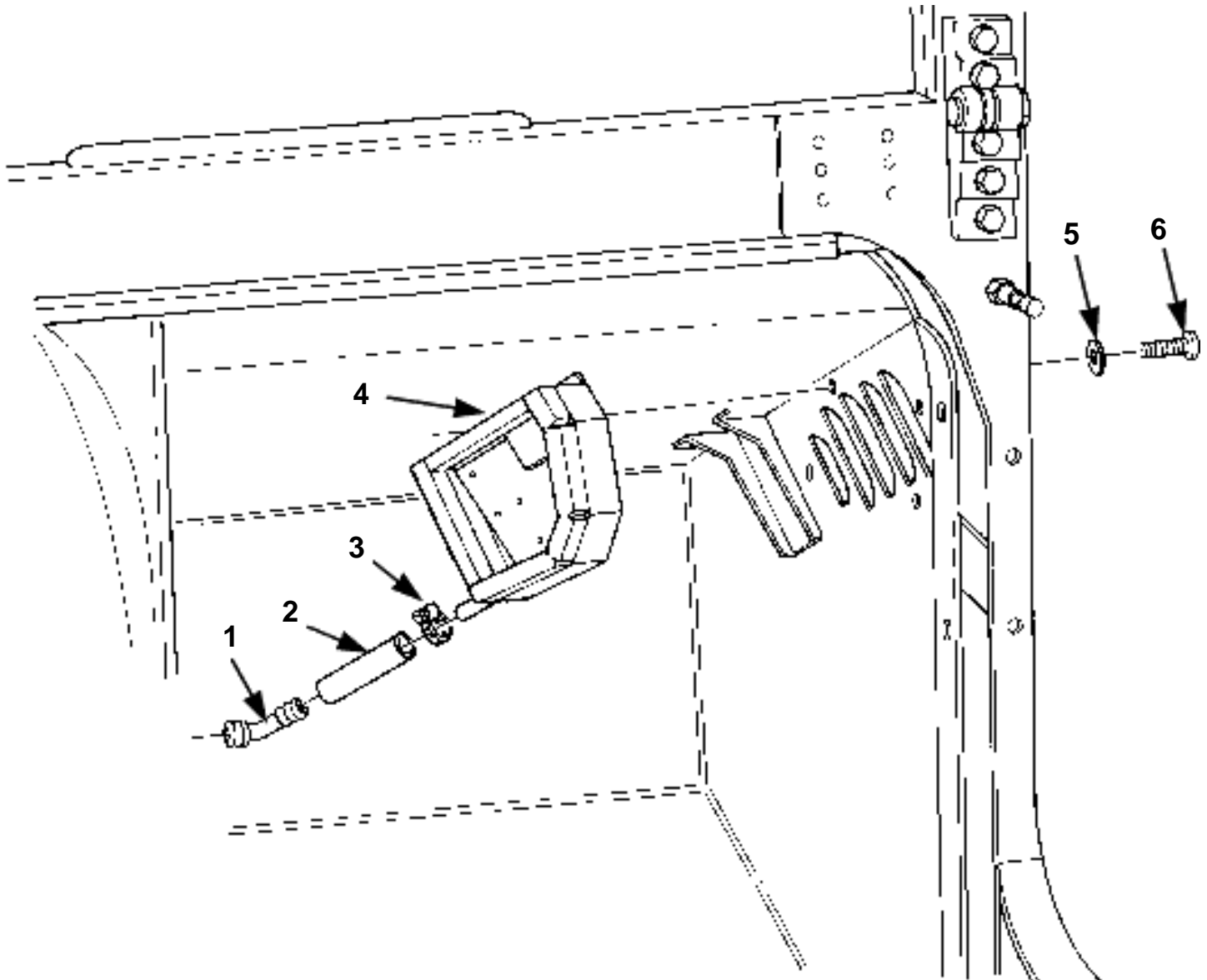
Item	Part No.	Description	Qty
1	<b>5742805</b>	SEAL, O-Ring	2
2	<b>5742799</b>	HOSE, condenser to receiver	1
3	<b>6000813</b>	Harness, A/C jumper	1
4	<b>5939962</b>	RELAY	1
5	<b>5742797</b>	SWITCH, high-low pressure	1
6	<b>NPN</b>	SCREW	2
7	<b>NPN</b>	WASHER	2
8	<b>NPN</b>	NUT	2



**Air Conditioner Compressor and  
Mounting Hardware (1992 and 1993 only)**

**Air Conditioner Compressor and Mounting Hardware (1992 and 1993**

Item	Part No.	Description	Qty
1	<b>11517071</b>	NUT	3
2	<b>5937370</b>	BRACKET, upper rear	1
3	<b>5937369</b>	SPACER	1
4	<b>11502474</b>	WASHER	2
5	<b>N/S</b>	BOLT, M10 - 1.5 X 70 HX FLG BLT 9.8	1
6	<b>5937368</b>	BRACKET, rear adjustment	1
7	<b>5937371</b>	SPACER	3
8	<b>11502689</b>	BOLT	3
9	<b>5937350</b>	BRACKET, front adjustment	1
10	<b>6000396</b>	AIR CONDITIONER COMPRESSOR AND CLUTCH ASSEMBLY	1
11	<b>5743066</b>	CLUTCH ASSEMBLY	1
12	<b>S.I.A.</b>	CLUTCH	1
13	<b>5743077</b>	KEY, clutch hub	1
14	<b>5743064</b>	PULLY ASSEMBLY	1
15	<b>5743075</b>	RING, retaining	1
16	<b>S.I.A.</b>	PULLY	1
17	<b>5743078</b>	BEARING	1
18	<b>5744204</b>	SEAL, lip-shaft kit	1
19	<b>5743076</b>	RING, retaining	1
20	<b>5743074</b>	WASHER, seal, 5/8-inch thick	1
21	<b>S.I.A.</b>	RETAINER RING	1
22	<b>5743065</b>	HOUSING ASSEMBLY	1
23	<b>5937377</b>	V-BELT (62.00)	1
24	<b>11500162</b>	LOCKWASHER	1
25	<b>5937349</b>	BRACKET, compressor mounting	1
26	<b>5937372</b>	SUPPORT, compressor rear bracket	1
27	<b>5937373</b>	SPACER	2
28	<b>5937378</b>	BOLT	2
29	<b>11504727</b>	BOLT	3



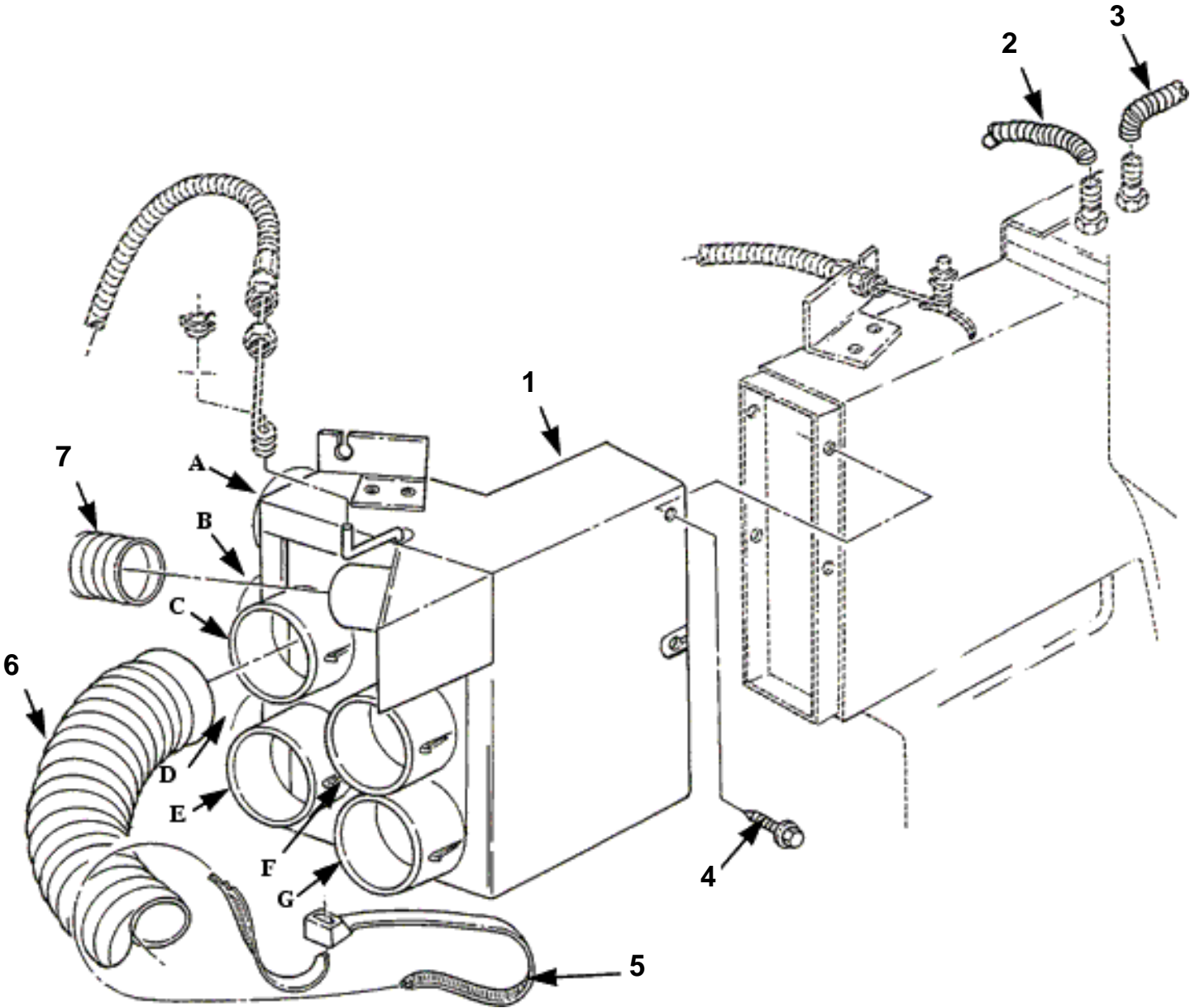
# enum and Related Parts (1992 and 1993 only)

**Plenum and Related Parts (1992 and 1993 only).**

Item	Part No.	Description	Qty
1	<b>5743021</b>	ELBOW	1
2	<b>N/S</b>	HOSE, 3 3/4", SEE NOTE 1	1
3	<b>5743035</b>	CLAMP	1
4	<b>5743048</b>	PLENUM	1
5	<b>MS27183-42P2</b>	WASHER	4
6	<b>N/S</b>	SCREW, 10-32 x 3/4", PN HD PHIL	4

NOTE 2: MAKE FROM BULK HOSE, 1/2", I.D., 5743031.





# Diverter Box and Hoses (1992 and 1993 only)

**Diverter Box and Hoses (1992 and 1993 only).**

Item	Part No.	Description	Qty
1	<b>5743049</b>	DIVERTER BOX	1
2	<b>6000088</b>	DUCT, window bent, divert, 61"	1
3	<b>6000089</b>	DUCT, window vent, passenger, 6"	1
4	<b>NPN</b>	SCREW	4
5	<b>MS3367-2-0</b>	TIE WRAP	2
6	<b>N/S</b>	HOSE, duct, SEE NOTE 1	7

A - front passenger's air vent, 24"

B & C - driver's top and bottom air vents, 36"

D - left rear passenger's air vent, 46"

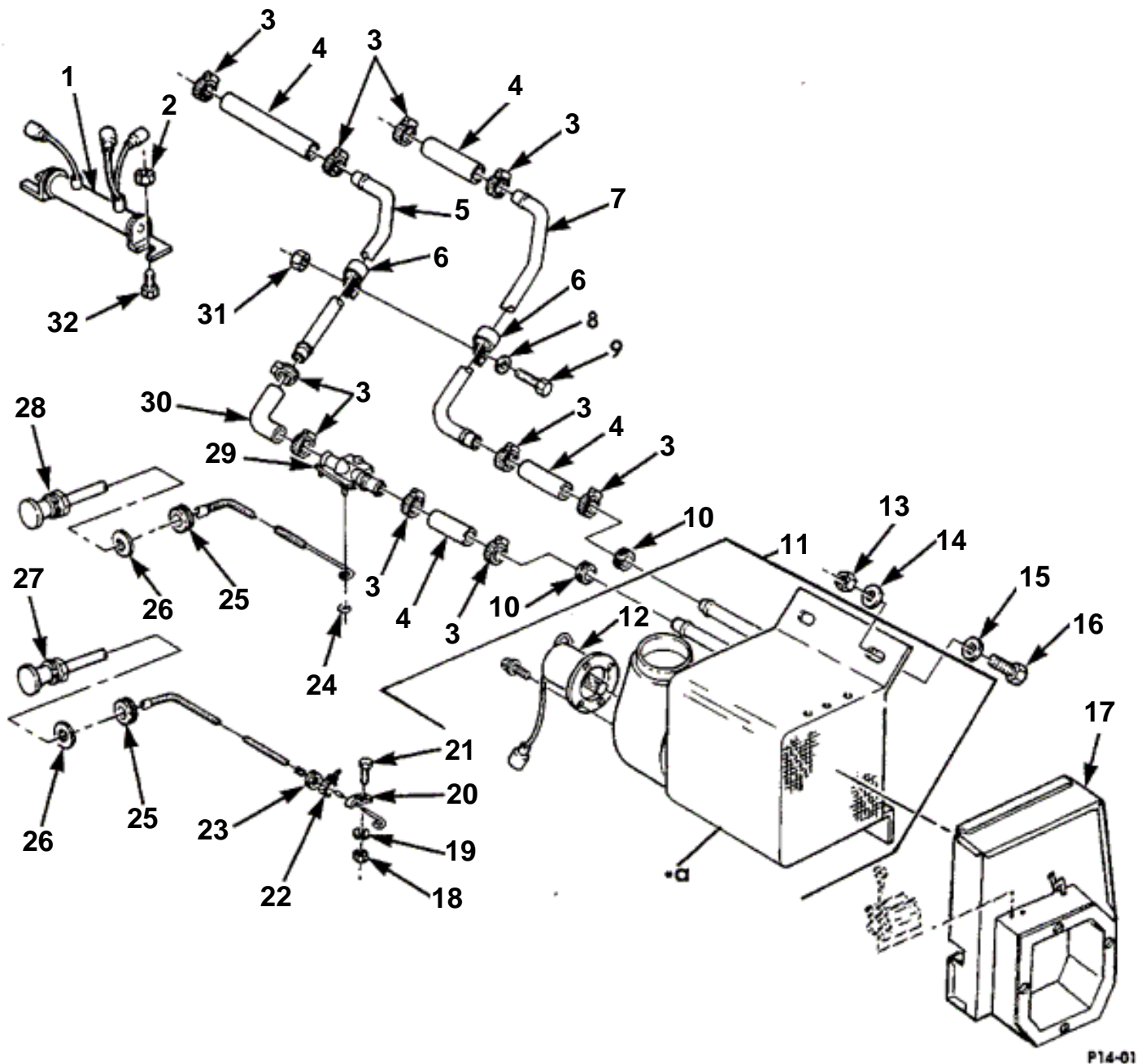
E & G - right rear passengers air vent and heat outlet, 40"

F - left rear heat outlet, 48"

7 **6000014** HOSE, duct, driver's heat outlet, SEE NOTE 2 1

NOTE 1: MAKE FROM BULK HOSE P/N 5743023

NOTE 2: MAKE FROM BULK HOSE  
P/N FLX4001212405760

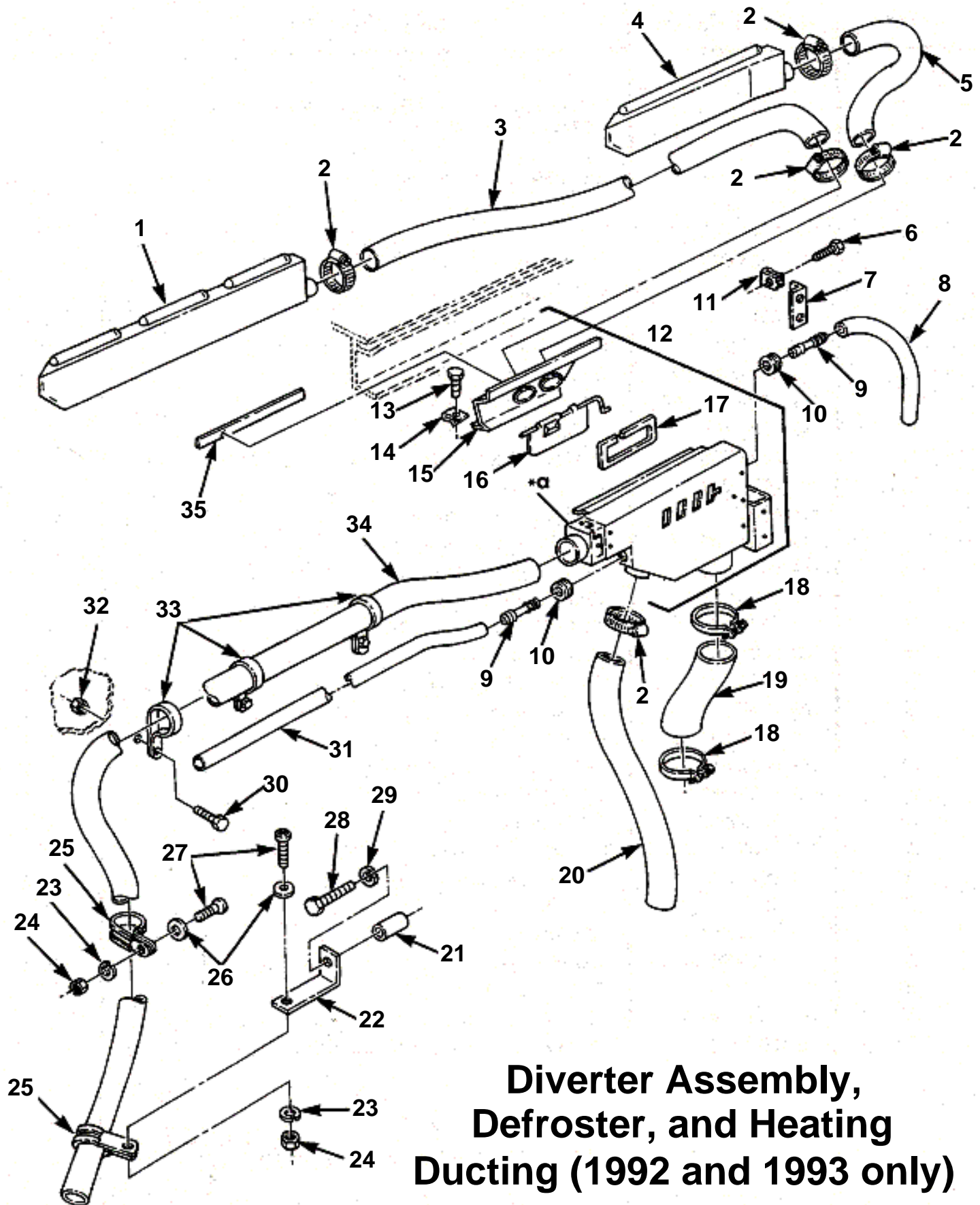


## Heater Assembly, Water Valve and Controls (1992 and 1993 Only)

**Heater Assembly, Water Valve, and Controls (1992 and 1993 only).**

Item	Part No.	Description	Qty
1	<b>12338468</b>	RESISTOR, heater blower motor	1
2	<b>134551</b>	NUT, heater resistor	2
3	<b>5743508</b>	CLAMP, heater hose	10
4	<b>N/S</b>	HOSE, 2 1/2", SEE NOTE 1	4
5	<b>EC12339263</b>	TUBE, heater inlet	1
6	<b>137197</b>	CLAMP, heater outlet	1
7	<b>5937381</b>	TUBE, heater outlet	1
8	<b>2436161P2</b>	WASHER, heater clamp	1
9	<b>MS90728-6P2</b>	SCREW, heater clamp	1
10	<b>MS35489-17</b>	GROMMET, heater inlet and outlet	2
11	<b>5937005</b>	HEATER ASSEMBLY	1
12	<b>5742561</b>	MOTOR, heater	1
13	<b>MS51943-33</b>	LOCKNUT, heater mount	4
14	<b>2436162P2</b>	WASHER, heater mount	4
15	<b>MS27183-12P2</b>	WASHER, heater mount	4
16	<b>MS90728-34</b>	BOLT, heater mount	4
17	<b>5939476</b>	FRESH AIR PLENUM	1
18	<b>MS51469-2</b>	NUT, clamp	1
19	<b>MS35338-41</b>	LOCKWASHER, clamp	1
20	<b>MS21333-66</b>	CLAMP, defroster cable	1
21	<b>MS51849-33</b>	SCREW, clamp	1
22	<b>11501906</b>	CABLE TIE, defroster cable	1
23	<b>MS35489-9</b>	GROMMET, defroster cable	1
24	<b>12340258</b>	RETAINER, heater cable	1
25	<b>MS35489-11</b>	GROMMET, defroster and heater cable	2
26	<b>274517</b>	WASHER, heater and defroster cable	2
27	<b>12340531-3</b>	DEFOSTER CABLE	1
28	<b>12340531-4</b>	HEATER CABLE	1
29	<b>EC12339966</b>	VALUE, water shutoff	1
30	<b>12339251</b>	HOSE, heater inlet	1
31	<b>MS51943-31</b>	LOCKNUT, clamp	1
32	<b>191989</b>	SCREW, heater resistor and lockwasher	2

NOTE 3: MAKE FROM BULK HOSE P/N 5740929



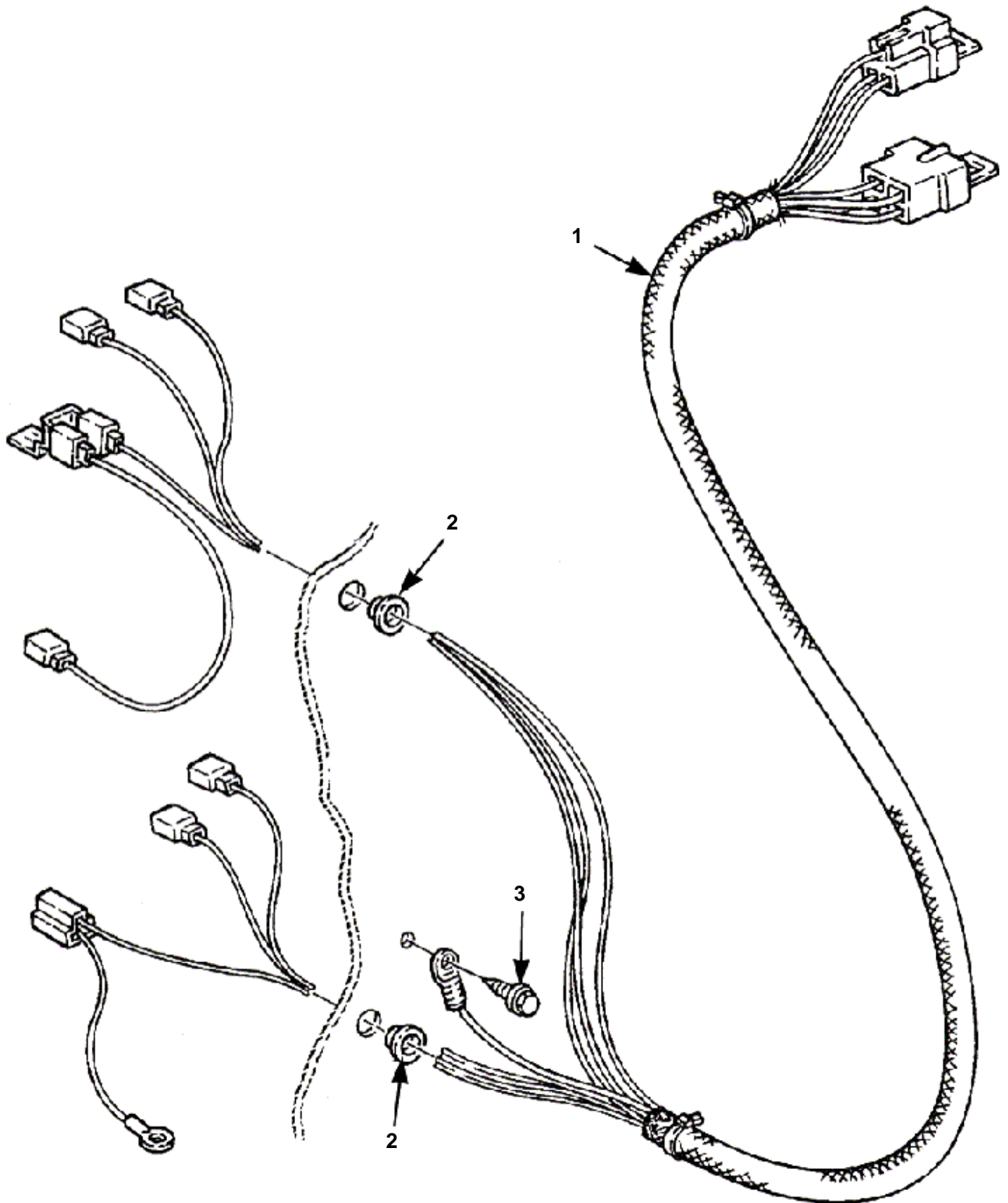
### Diverter Assembly, Defroster, and Heating Ducting (1992 and 1993 only)

B14.00

**Diverter Assembly, Defroster, and Heater Ducting (1992 and 1993**

Item	Part No.	Description	Qty
1	<b>12339289-1</b>	NOZZLE, defroster, L.H.	1
2	<b>9422858</b>	CLAMP, defroster ducting	5
3	<b>N/S</b>	DEFROSTER DUCTING, 37", SEE NOTE 1	1
4	<b>12339292-1</b>	NOZZEL, R.H.	1
5	<b>12339265-2</b>	DEFROSTER DUCTING, 7", SEE NOTE 1	1
6	<b>274707</b>	SCREW	4
7	<b>12339261G1</b>	BRACKET	1
8	<b>6000089</b>	DUCT, passenger window vent	1
9	<b>6000085</b>	CONNECTOR, duct to diverter	2
10	<b>MS35489-149</b>	GROMMET	2
11	<b>EC12339694</b>	SPEED NUT, "U" type	4
12	<b>WA12339291</b>	HOUSING, defroster diverter	1
13	<b>274707</b>	SCREW, defroster diverter	5
14	<b>12339694</b>	SPEED NUT, "U" type	5
15	<b>12339283T2</b>	PANEL ASSEMBLY, defroster diverter	1
16	<b>12339273</b>	DOOR ASSEMBLY, defroster diverter	1
17	<b>12339255</b>	GASKET, defroster door	1
18	<b>9422858</b>	CLAMP, heater assembly	2
19	<b>12339265-8</b>	HEATER DUCTING, 8 1/2"	1
20	<b>12339265-9</b>	HEATER DUCTING, 19", SEE NOTE 1	1
21	<b>NPN</b>	SPACER	1
22	<b>NPN</b>	BRACKET	1
23	<b>120217P2</b>	LOCKWASHER, clamp	2
24	<b>MS35649-202</b>	NUT, clamp	2
25	<b>MS21333-82</b>	CLAMP, heater ducting	2
26	<b>MS27183 42P2</b>	WASHER, clamp	2
27	<b>MS35206-263</b>	SCREW, clamp	2
28	<b>NPN</b>	SCREW, bracket	1
29	<b>NPN</b>	LOCKWASHER, bracket	1
30	<b>431942</b>	SCREW, clamp	1
31	<b>6000088</b>	DUCT, driver window vent	1
32	<b>271169</b>	NUT, clamp	1
33	<b>MS21333-18</b>	CLAMP, heater ducting	3
34	<b>6000014</b>	HEATER DUCTING, SEE NOTE 2	1
35	<b>12339228-7</b>	SEAL, 8 3/4"	1

NOTE 4: MAKE FROM BULK AIR DUCT HOSE P/N  
5743542

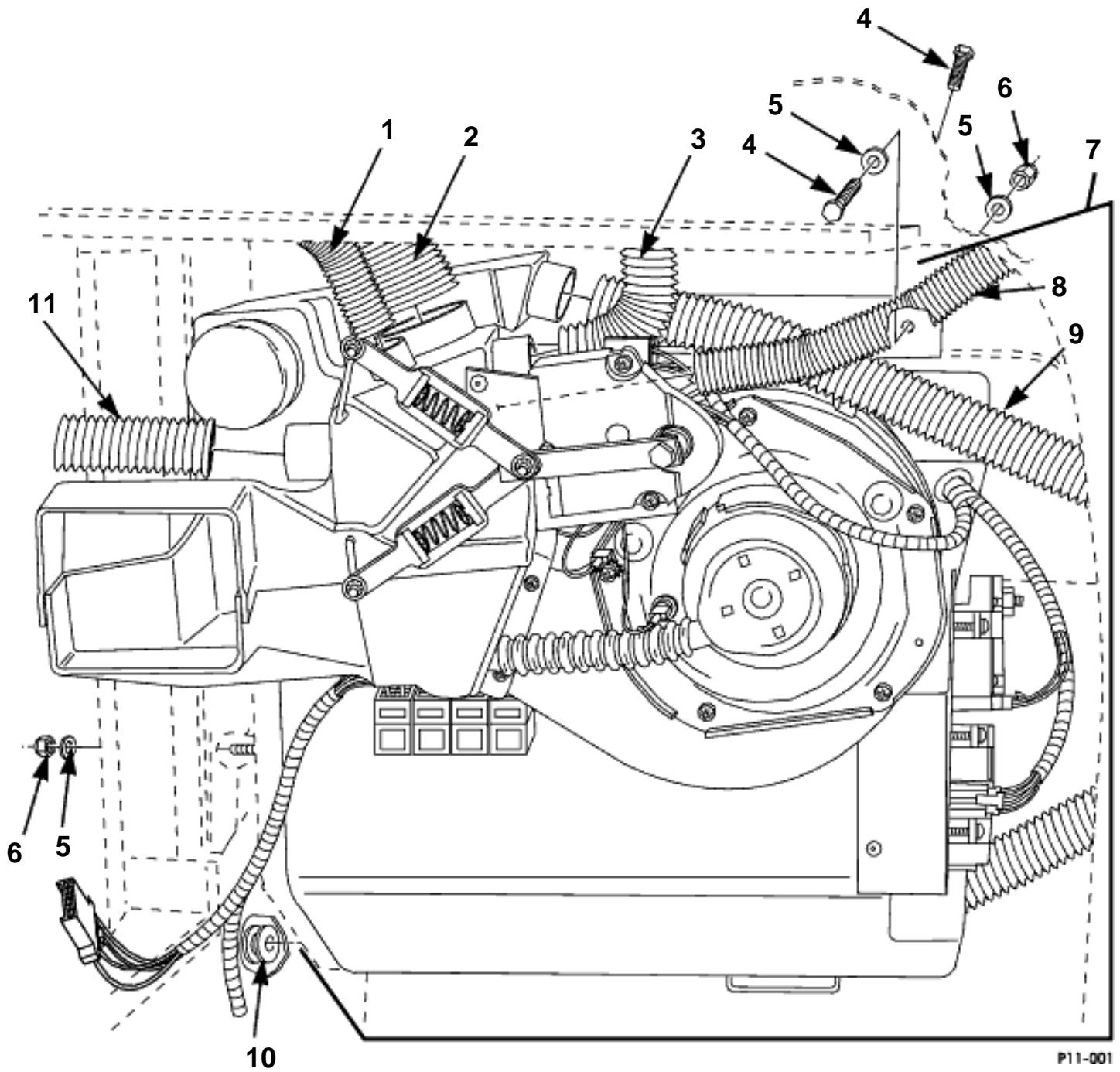


## Harness Assembly, Main A/C -Heat (1992 and 1993 only)

**Harness Assembly, Main A/C-Heat (1992 and 1993 only).**

Item	Part No.	Description	Qty
1	<b>5742829</b>	HARNESS ASSEMBLY	1
2	<b>5743020</b>	GROMMET	2
3	<b>5743037</b>	SCREW	1





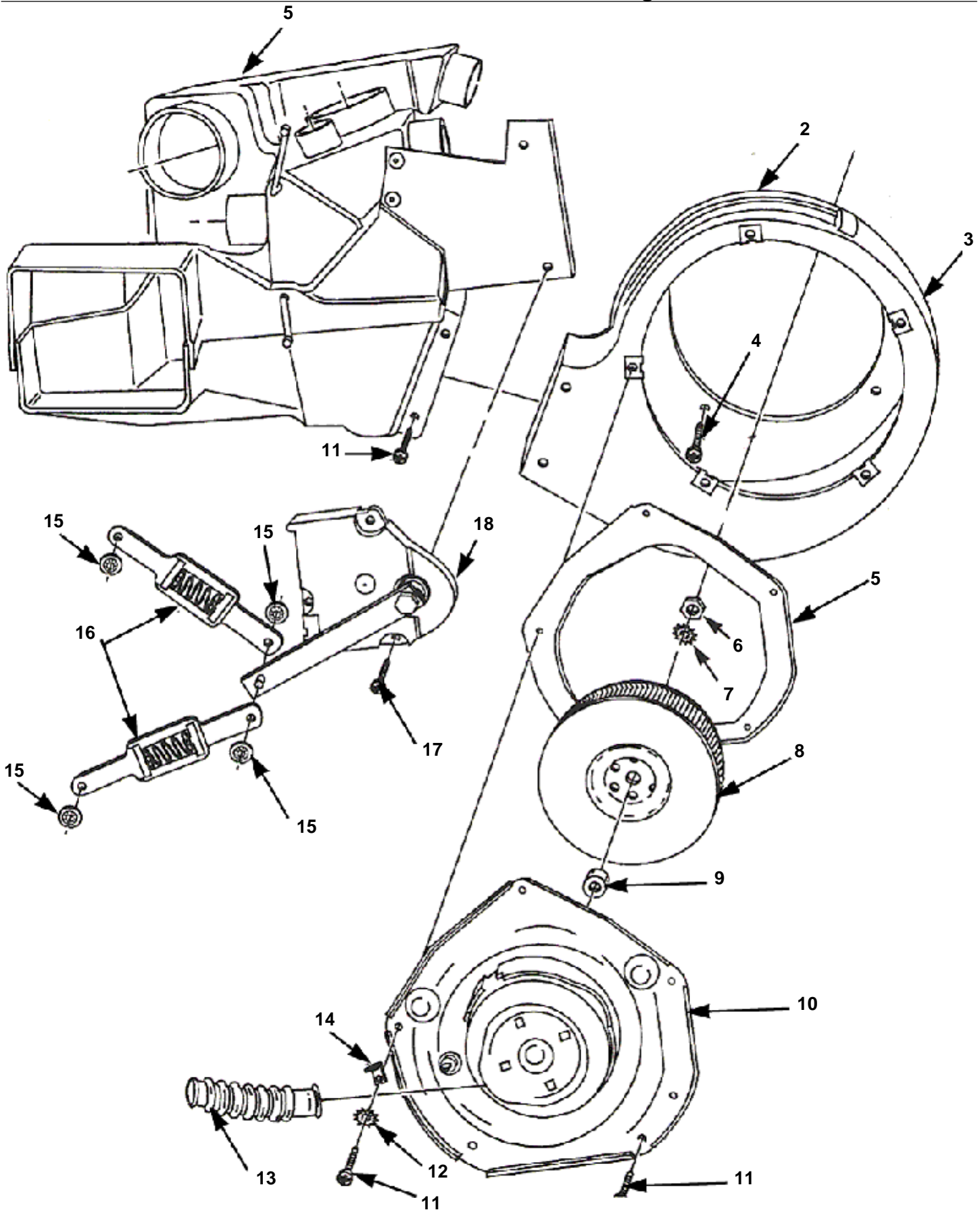
## Main A/C-Heat Unit (1994)

HUMMER H1 1994 Parts Catalog  
**Main A/C-Heat Unit (1994).**

Item	Part No.	Description	Qty
1	<b>6000088</b>	HOSE, driver window vent	1
2	<b>5743417</b>	HOSE, driver windshield 2 x 34", SEE NOTE 1	1
3	<b>5743418</b>	HOSE, passenger windshield, 2 x 12", SEE NOTE 1	1
4	<b>MS90728-6P2</b>	BOLT	2
5	<b>MS27183-11</b>	WASHER	6
6	<b>9419454</b>	LOCKNUT	5
7	<b>6003586</b>	UNIT, A/C-heat main	1
8	<b>6000089</b>	HOSE, passenger window vent, 3/4 x 16"	1
9	<b>5743588</b>	HOSE, passenger footwell, 1 1/2 x 43", SEE NOTE 2	1
10	<b>6000946</b>	GROMMET, drain	1
11	<b>5743418</b>	HOSE, driver's footwell, 1 1/2 x 83", SEE NOTE 2	1

NOTE 5: CUT FROM BULK HOSE, 2" X 50',  
P/N 5743542

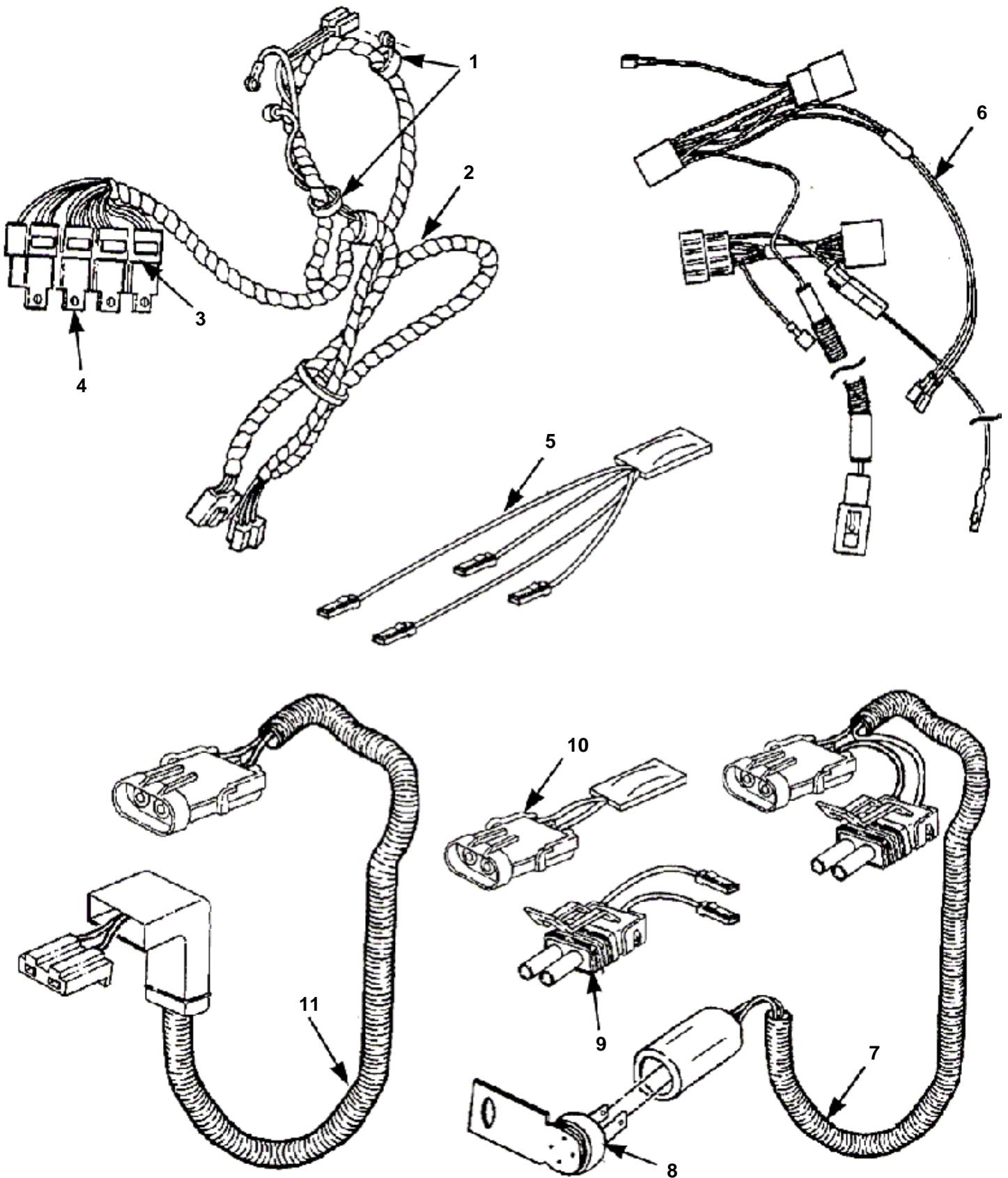
NOTE 6: CUT FROM BULK HOSE, 1 1/2" X 10',  
P/N 5743541



## Diverter and Blower Motor Assembly

**Diverter and Blower Motor Assembly.**

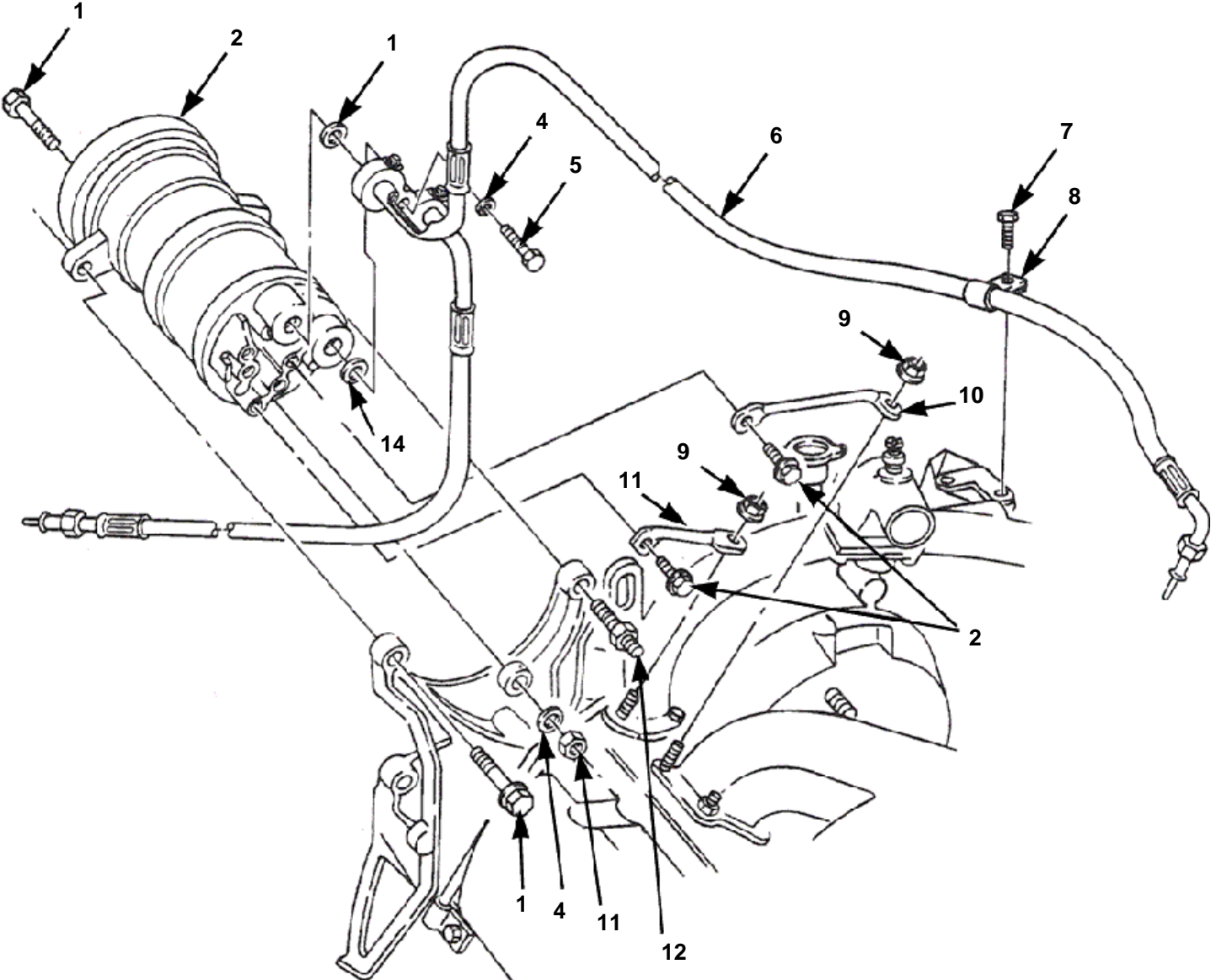
Item	Part No.	Description	Qty
1	<b>5743464</b>	DIVERTER HOUSING	1
2	<b>5743480</b>	BLOWER HOUSING	1
3	<b>MS90723-31</b>	NUT, "J"	5
4	<b>5743589</b>	SCREW	4
5	<b>5743483</b>	RING, blower mount	1
6	<b>NPN</b>	NUT	1
7	<b>NPN</b>	WASHER, star	1
8	<b>5743490</b>	WHEEL, blower	1
9	<b>5743481</b>	CLIP, blower, retainer	1
10	<b>5743482</b>	MOTOR, blower	1
11	<b>5743185</b>	SCREW	9
12	<b>5743175</b>	WASHER, star	1
13	<b>5743484</b>	TUBE, motor cooling	1
14	<b>5743526</b>	CLIP, male tab	1
15	<b>5743459</b>	PUSHNUT	4
16	<b>5743491</b>	ARM, actuator control	2
17	<b>N/S</b>	SCREW, #10 x 1", pan head	3
18	<b>5743485</b>	MOTOR, A/C mode control	1



## Wiring Harnesses, Main A/C-Heat

**Wiring Harnesses, Main A/C-Heat.**

Item	Part No.	Description	Qty
1	<b>6001543</b>	CLAMP, cable	2
2	<b>5743488</b>	HARNESS, main unit	1
3	<b>5743475</b>	RECEPTACLE, relay	4
4	<b>5743489</b>	RELAY, 12 volt SPDT	4
5	<b>5743406</b>	FILTER, control module	1
6	<b>5743407</b>	HARNESS, filter control module	1
8	<b>5743468</b>	HARNESS, ambient temperature switch	1
9	<b>5743766</b>	JUMPER HARNESS (1992-1993)	1
10	<b>5743767</b>	JUMPER, high/low pressure switch	1
11	<b>6003012</b>	JUMPER, compressor	1



# Air Conditioner Compressor and Mounting Hardware

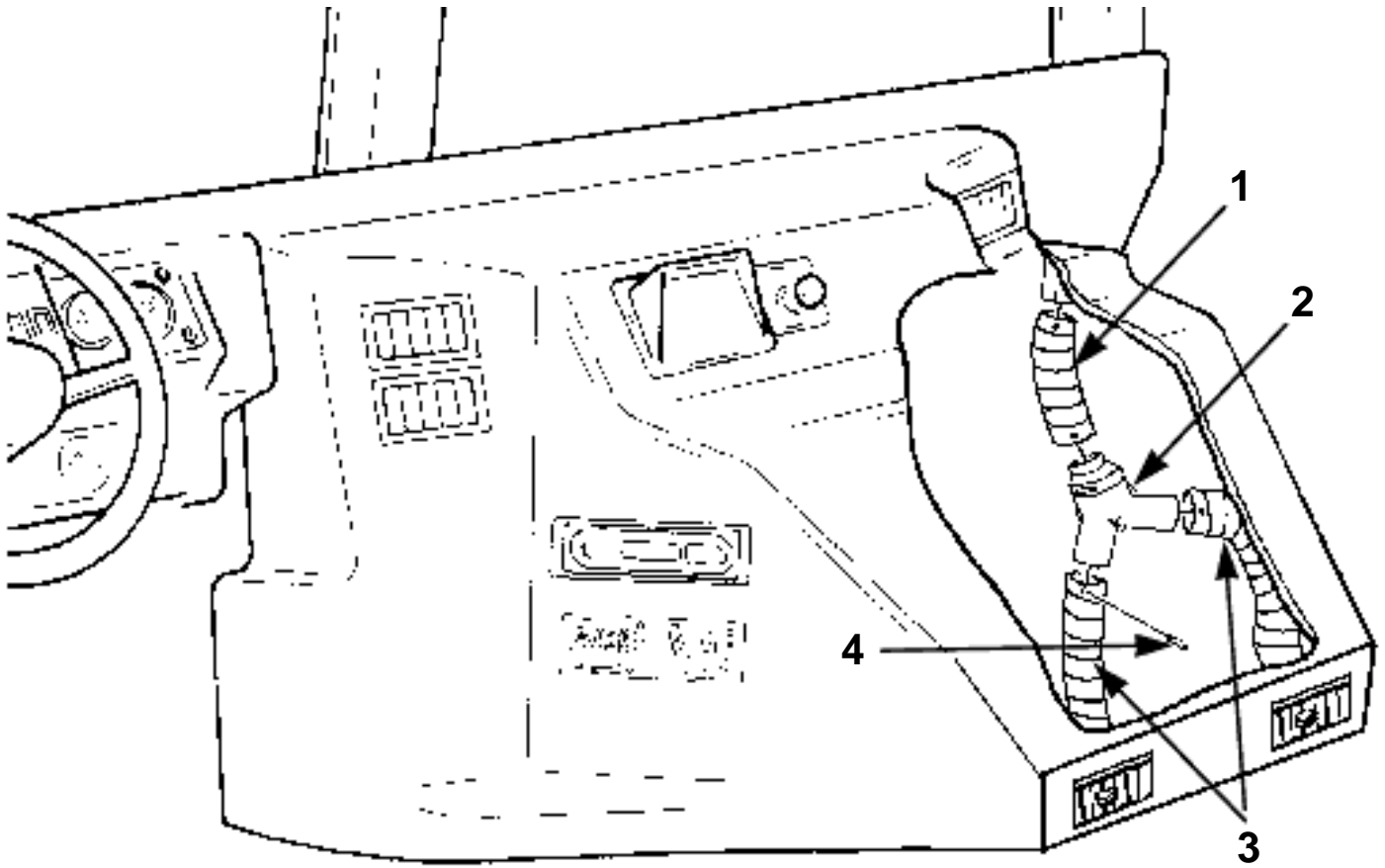
**Air Conditioner Compressor and Mounting Hardware.**

Item	Part No.	Description	Qty
1	<b>11508475</b>	BOLT	2
2	<b>6002941</b>	COMPRESSOR, diesel	1
3	<b>6003079</b>	WASHER, 5/8", thin, SEE NOTES 1 AND 2	2
	<b>5743074</b>	WASHER, 5/8", thick, SEE NOTES 1 AND 2	1
4	<b>11500162</b>	LOCKWASHER	2
5	<b>6008021</b>	BOLT	1
6	<b>6003081</b>	HOSE, suction/discharge	1
7	<b>11508300</b>	BOLT	3
8	<b>MS21333-128</b>	CLAMP	1
9	<b>11514597</b>	NUT	2
10	<b>6003088</b>	BRACE, longitudinal compressor	1
11	<b>6003089</b>	BRACE, transverse compressor	1
12	<b>6003090</b>	STUD	1
13	<b>11517071</b>	NUT	1
14	<b>6003078</b>	WASHER, 3/4", thin, SEE NOTES 1 AND 2	1

NOTE 7: SOME EARLY 1994 MODELS USED ONE THIN  
AND ONE THICK WASHER. INSPECT AND  
REPLACE AS NECESSARY.

NOTE 8: PART OF SEALING WASHER KIT P/N 5743764





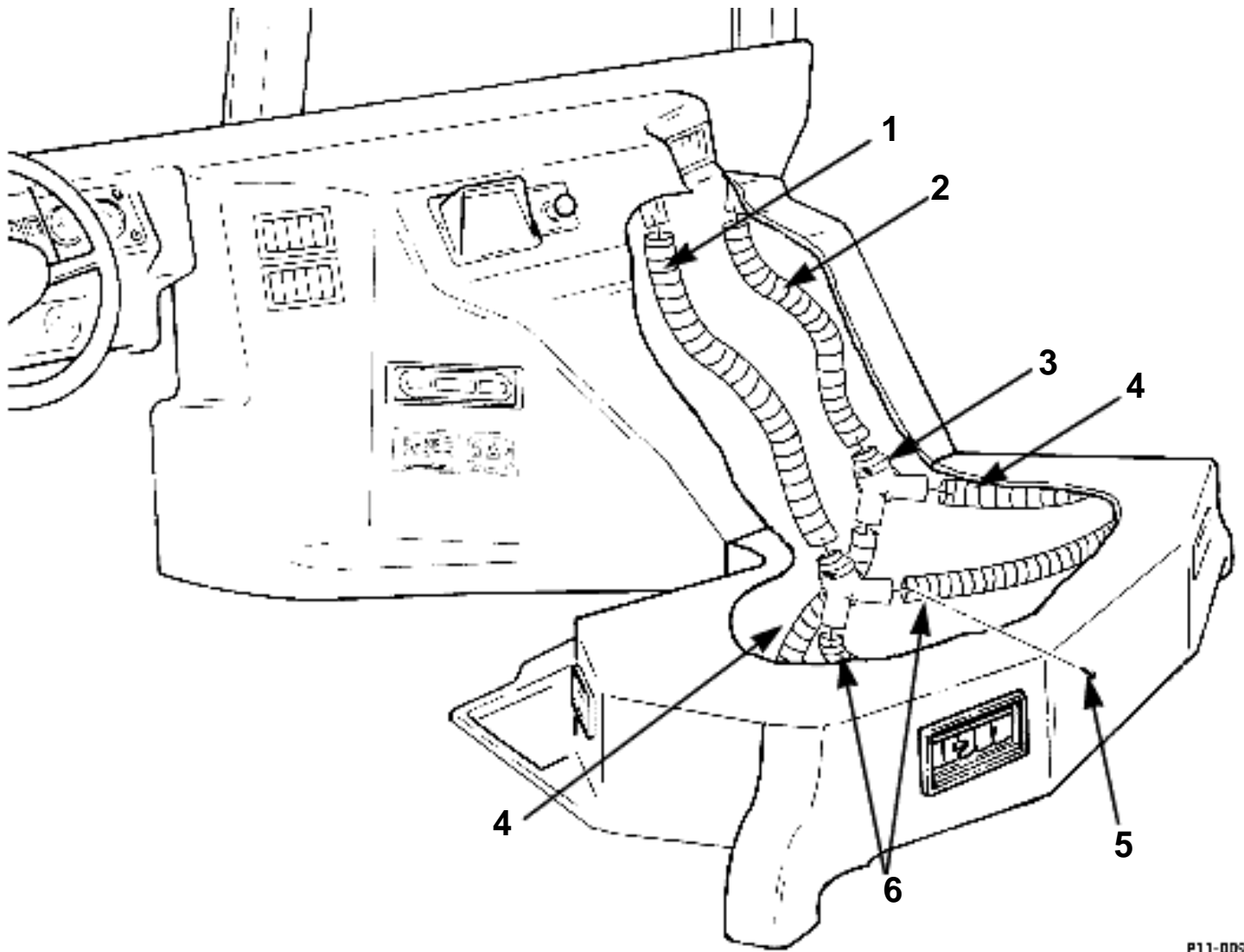
P11-008

## Hose w/o Auxiliary Air Two-Passenger Vehicles

**Hose w/o Auxiliary Air-Two Passenger Vehicles.**

Item	Part No.	Description	Qty
1	<b>N/S</b>	HOSE, 2 X 24", SEE NOTE 1	1
2	<b>5743591</b>	CONNECTION, 2", duct hose "Y"	1
3	<b>N/S</b>	HOSE, 2 x 40", SEE NOTE 1	2
4	<b>5743185</b>	SCREW, #8 x 1/2", phil pan head	3

NOTE 9: CUT FROM BULK HOSE 50' P/N 5743542



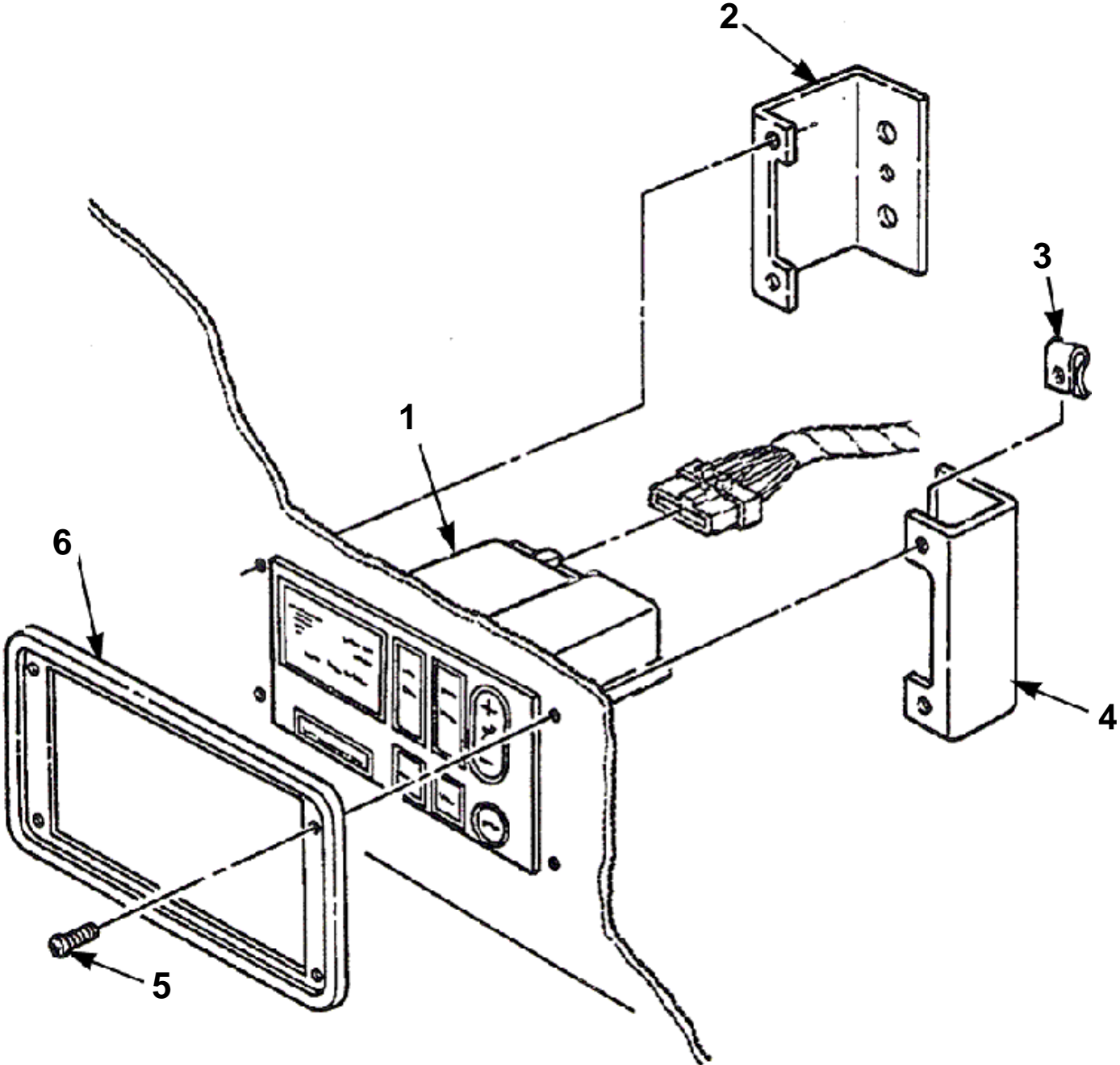
P11-009

## A/C Hoses w/o Auxiliary Air Four-Passenger Vehicles

**A/C Hoses w/o Auxiliary Air - Four Passenger Vehicles.**

Item	Part No.	Description	Qty
1	<b>N/S</b>	HOSE, 2 x 36", SEE NOTE 1	1
2	<b>N/S</b>	HOSE, 2 x 24", SEE NOTE 1	1
3	<b>5743591</b>	CONNECTION, 2" duct hose "Y"	2
4	<b>N/S</b>	HOSE, 2 x 60", SEE NOTE 1	2
5	<b>5743185</b>	SCREW	6
6	<b>5743505</b>	HOSE, 2 x 18", SEE NOTE 1	2

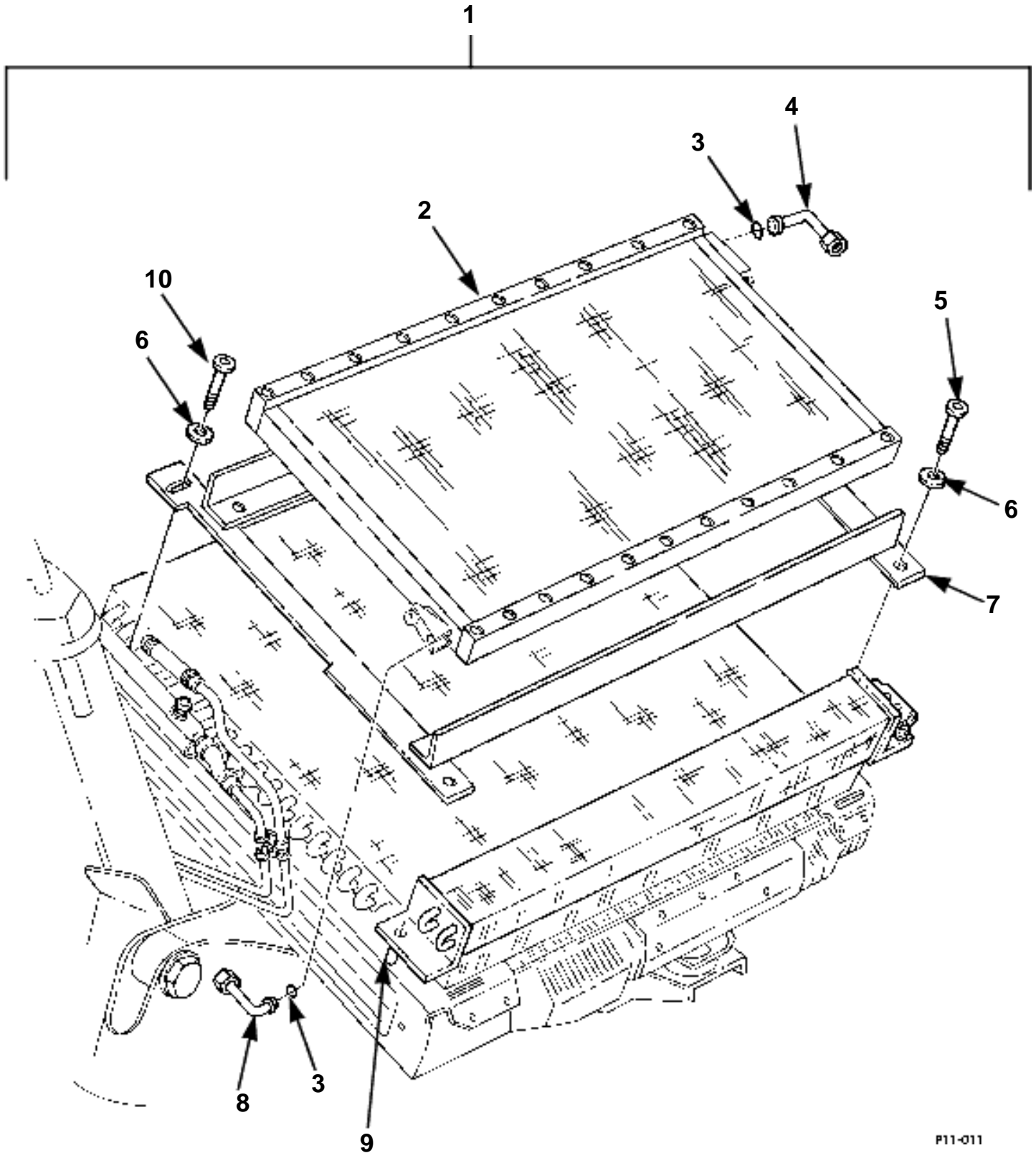
NOTE 10: CUT FROM BULK HOSE 50' P/N 5743542



# Climate Control Panel (1994)

HUMMER H1 1994 Parts Catalog  
**Climate Control Panel (1994).**

Item	Part No.	Description	Qty
1	<b>6005602</b>	PANEL, climate control (heat-A/C)	1
	<b>6005601</b>	PANEL, climate control (heat only)	1
2	<b>6003493</b>	BRACKET, HVAC control, front	1
3	<b>6000302</b>	SPEEDNUT	4
4	<b>6003492</b>	BRACKET, HVAC control, rear	1
5	<b>5939651P2</b>	SCREW, #10-16 x 3/4"	4
6	<b>6003491</b>	BEZEL, HVAC control	1



P11-011

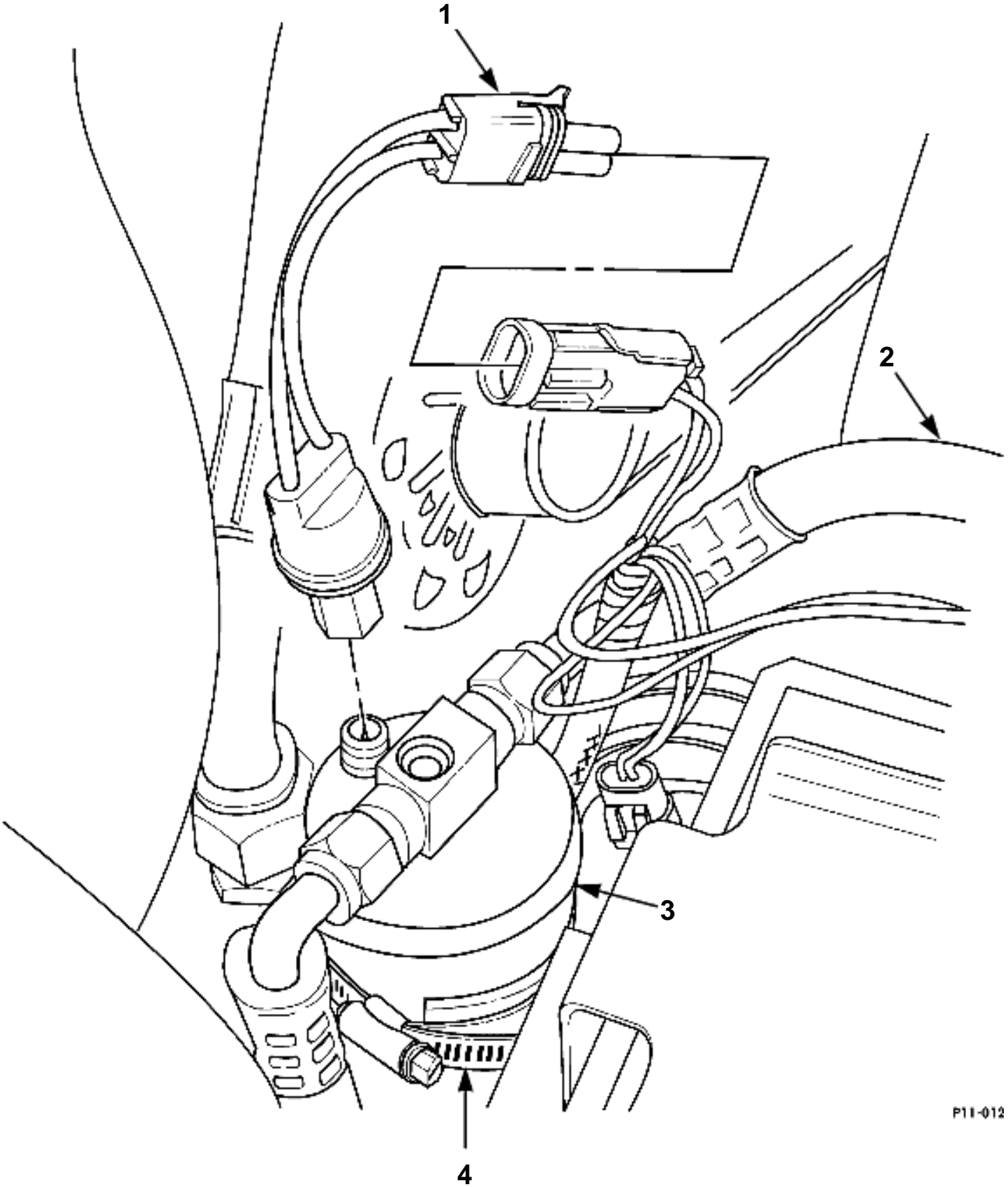
# Condenser Coil and Mounting Hardware

**Condenser Coil and Mounting Hardware.**

Item	Part No.	Description	Qty
1	<b>5744141</b>	CONDENSER KIT, A/C	1
2	<b>5743471</b>	·CONDENSER, A/C	1
3	<b>5743474</b>	·O-RING, condenser	2
4	<b>S.I.A.</b>	·FITTING, O-Ring, SEE NOTE 1	1
5	<b>5743042</b>	·SCREW	2
6	<b>120393</b>	·WASHER	4
7	<b>5743470</b>	·FRAME, condenser	1
8	<b>S.I.A.</b>	·FITTING, O-Ring, SEE NOTE 1	1
9	<b>5743041</b>	·SCREW	2
10	<b>5743412</b>	·SPACER, condenser	2

NOTE 11: SERVICED WITH P/N 5743471



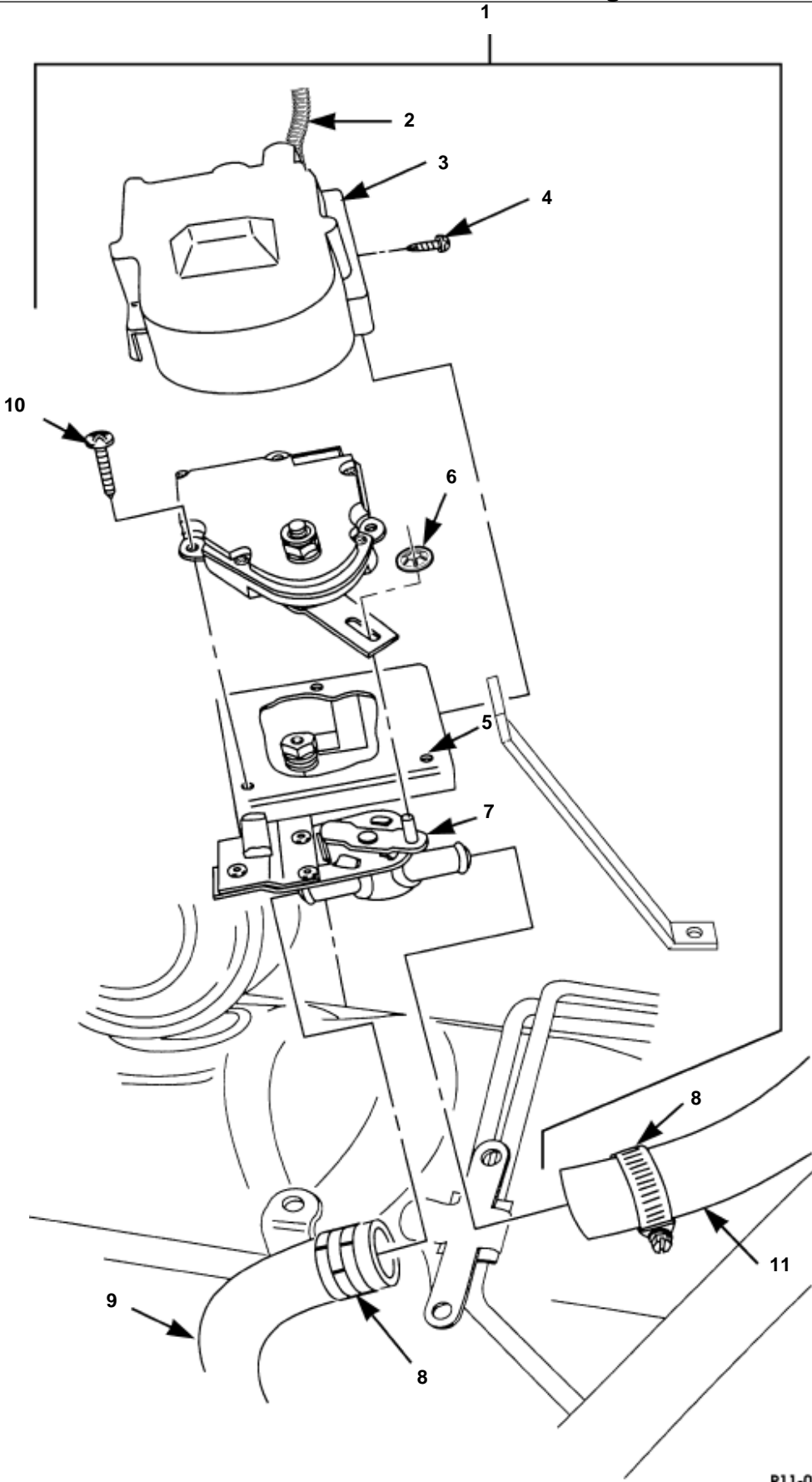


P11-012

### Receiver Dryer Pressure Switch

**Receiver Dryer Pressure Switch.**

Item	Part No.	Description	Qty
1	<b>5743472</b>	SWITCH, low pressure	1
2	<b>5743411</b>	LINE, condenser to receiver-dryer	1
3	<b>5743473</b>	RECEIVER-DRYER	1
4	<b>6013838</b>	CLAMP, dryer, 2 1/2"	2



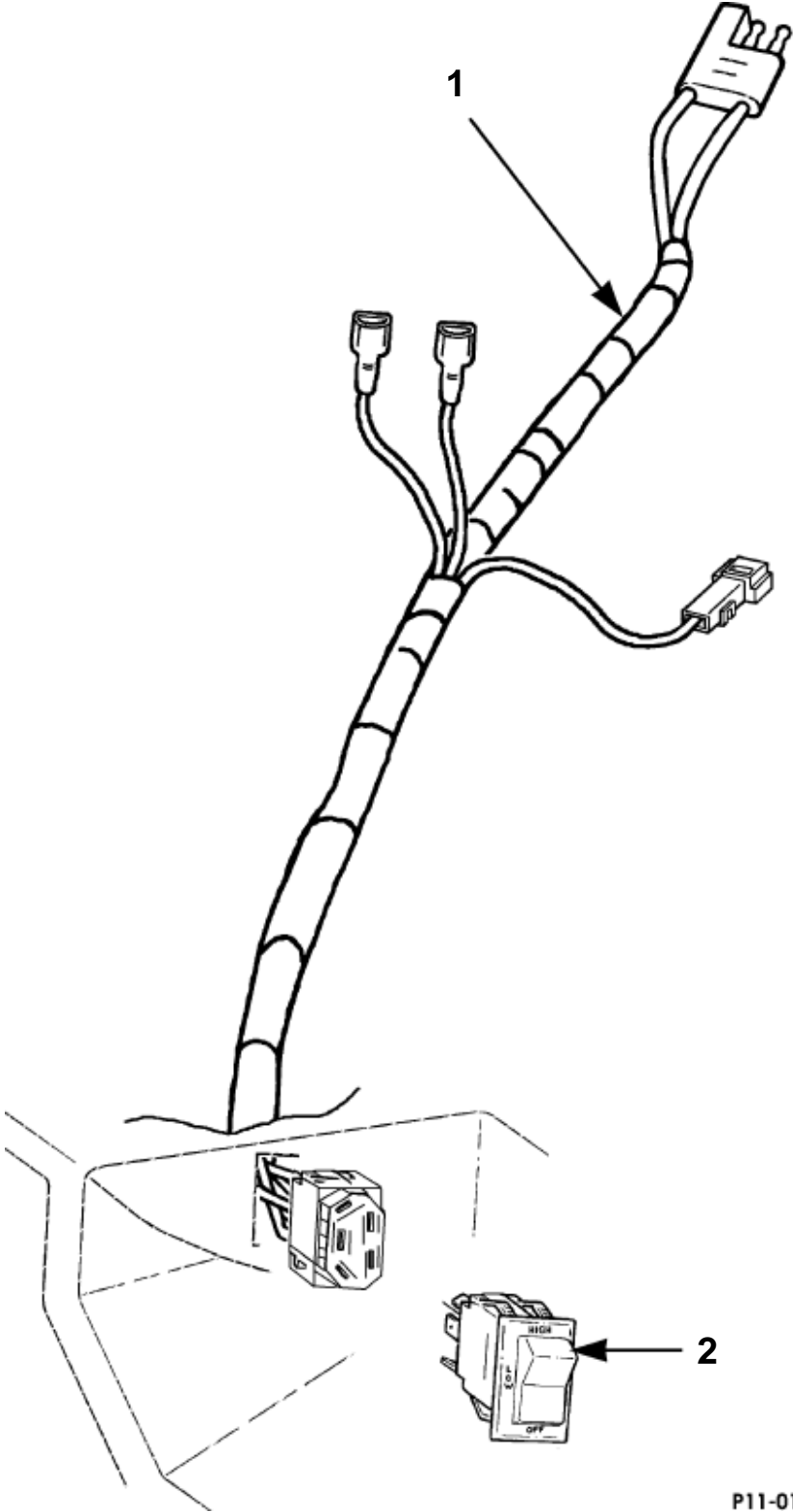
P11-013

**Water Control Valve**

**Water Control Valve.**

Item	Part No.	Description	Qty
1	<b>5743574</b>	VALVE, water, complete	1
2	<b>5743506</b>	·HARNESS, water valve	1
3	<b>5743517</b>	·COVER, water valve	1
4	<b>5743185</b>	·SCREW, #8 x 1/2", phill, pan	3
5	<b>5743574</b>	·MOTOR, water valve w/arm	1
6	<b>5743459</b>	·PUSHNUT, 3/16"	1
7	<b>5743352</b>	·VALVE, water, w/bracket	1
8	<b>5743508</b>	·CLAMP, 24mm constant tension	2
9	<b>5743413</b>	·HOSE, molded, heater, 5/8"	1
10	<b>5743575</b>	·SCREW, #10 x 1 PPH, zinc	3
11	<b>5743576</b>	HOSE, heater 5/8 x 9", SEE NOTE 1	1

NOTE 12: CUT FROM BULK HOSE 50' P/N 5740929

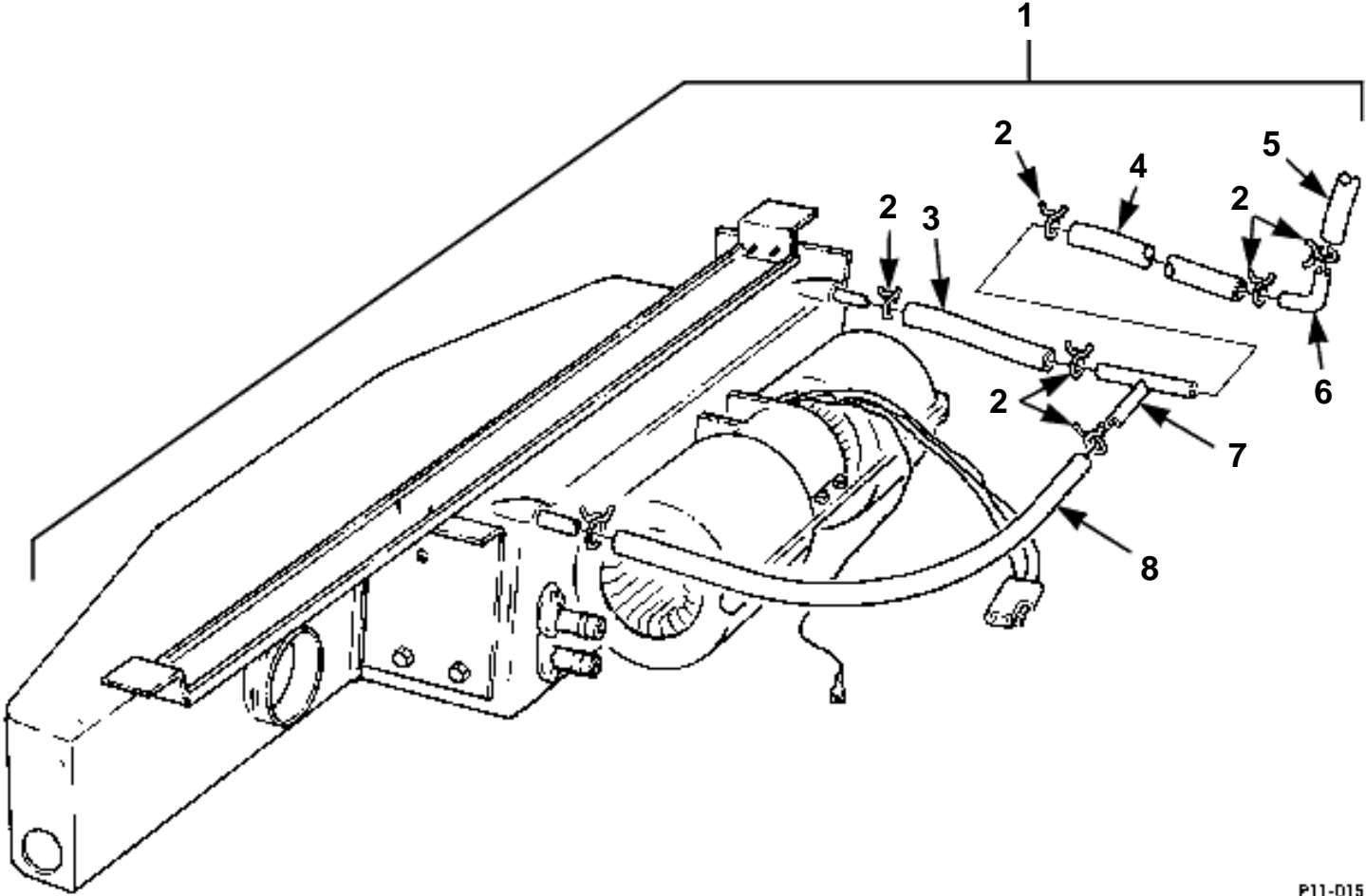


P11-014

### Auxiliary Air Wiring Harness

**Auxiliary Air Wiring Harness.**

Item	Part No.	Description	Qty
1	<b>5743503</b>	REAR AUXILIARY WIRING HARNESS	1
2	<b>5743502</b>	SWITCH, auxiliary A/C	1



P11-015

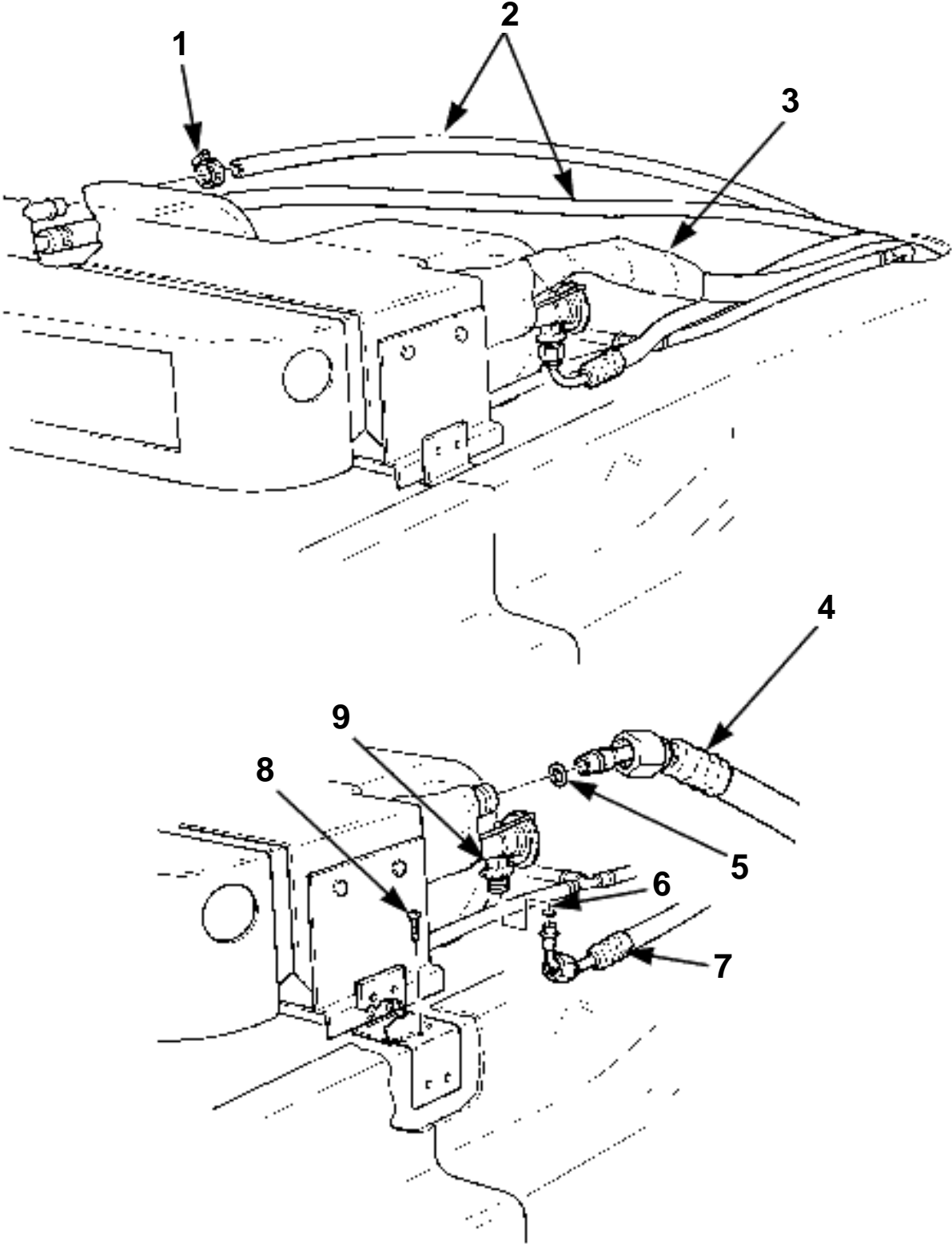
# Auxiliary A/C-Heat

**Auxiliary A/C - Heat.**

Item	Part No.	Description	Qty
	<b>5743544</b>	KIT, auxiliary A/C-Heat	1
1	<b>6004353</b>	·HEAT/COOL POWER, heavy duty	1
2	<b>5743172</b>	·CLAMP, hose, 3/8"	7
3	<b>5743582</b>	·HOSE, drain, 3/8" x 5", SEE NOTE 1	1
4	<b>5743586</b>	·HOSE, drain, 3/8"x 13", SEE NOTE 1	1
5	<b>5743587</b>	·HOSE, drain 3/8"x 15", SEE NOTE 1	1
6	<b>5743170</b>	·ELBOW, drain hose, 3/8"	1
7	<b>5743171</b>	·TEE, drain, 3/8"	1
8	<b>5743583</b>	·HOSE, drain, 3/8 x 17" SEE NOTE 1	1

NOTE 13: CUT FROM BULK HOSE 3/8 "X 50', P/N 5743584.





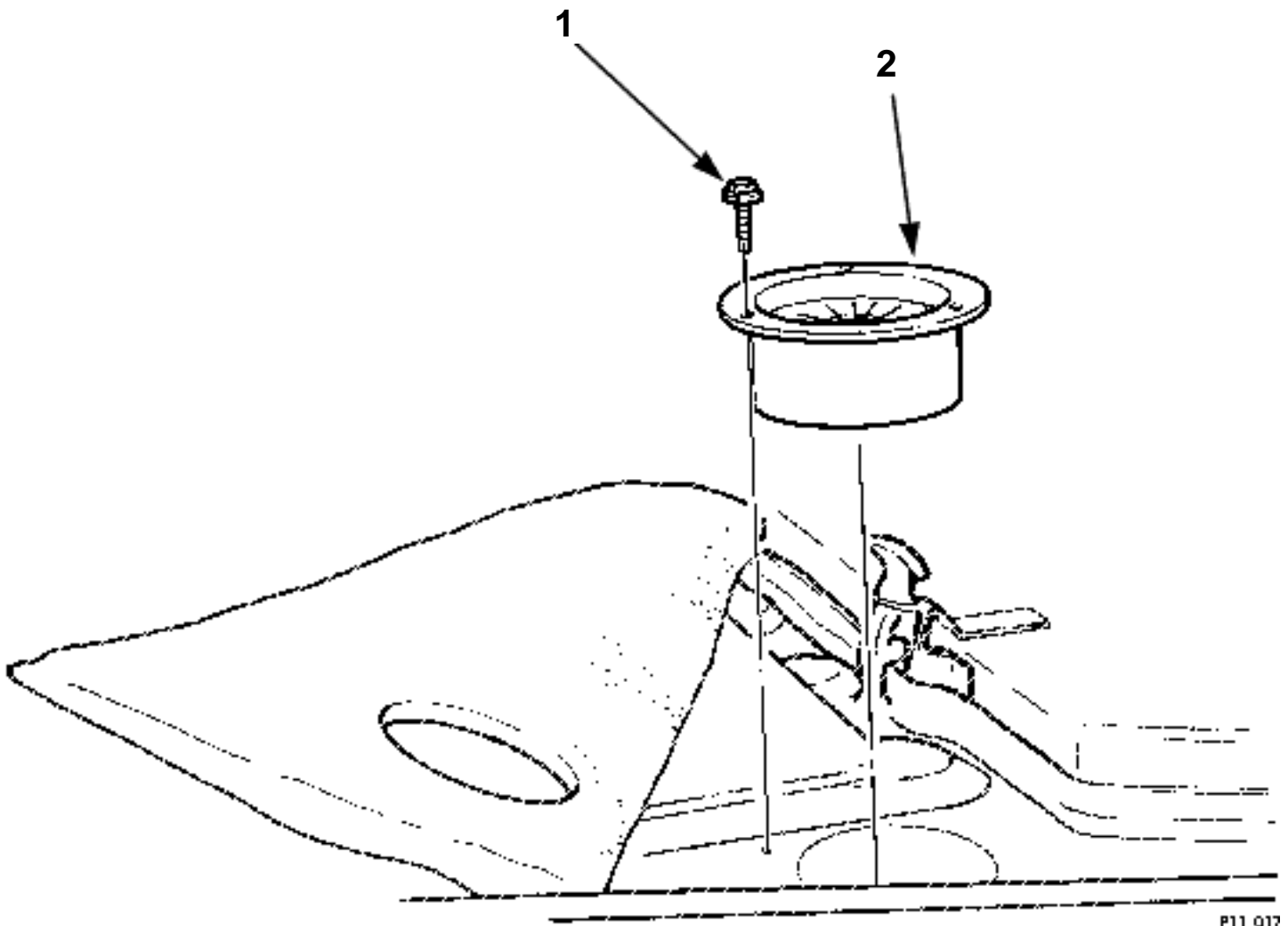
11-1-015

# Auxiliary Air Hoses (1994)

HUMMER H1 1994 Parts Catalog  
**Auxiliary Air Hoses, 1994**

Item	Part No.	Description	Qty
1	<b>6006266</b>	CLAMP, hose	2
2	<b>5743585</b>	HOSE, 5/8 x 2 1/2", SEE NOTE 1	1
3	<b>5743167</b>	TAPE, permagum/prestite	1
4	<b>5743536</b>	LINE, #10 suction, low pressure	1
5	<b>6006175</b>	O-RING, #10 A/C	1
6	<b>6006173</b>	O-RING, #6 A/C	1
7	<b>5743535</b>	LINE, #6 liquid, high pressure	1
8	<b>5743186</b>	SCREW, #8 x 1/2", phil, pan head	4
9	<b>6015613</b>	VAVE, expansion	1

NOTE 14: CUT FROM BULK HOSE, 5/8 X 50', P/N 5740929

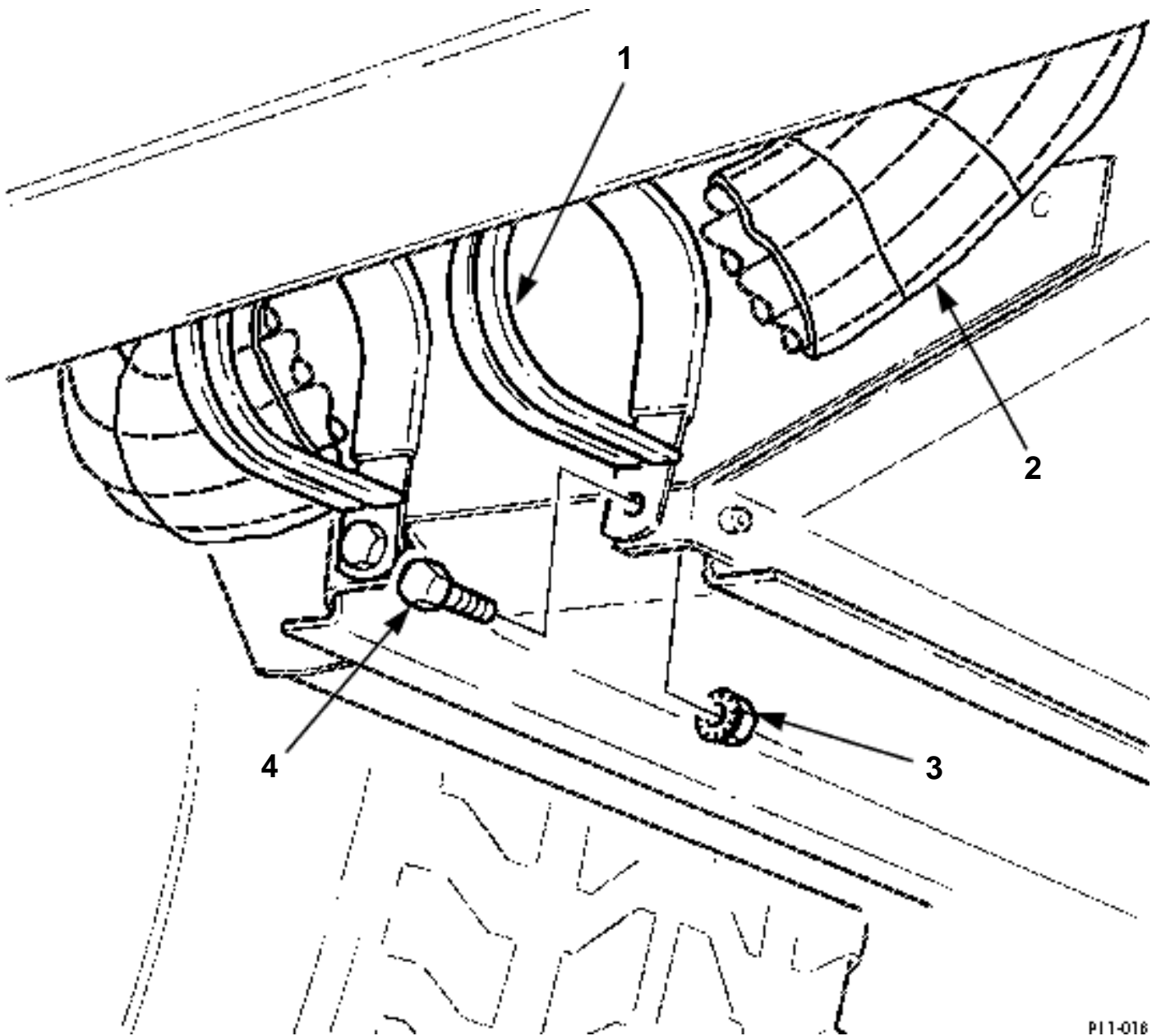


P11 017

# Auxiliary Air Grommet

HUMMER H1 1994 Parts Catalog  
**Auxiliary Air Grommet.**

Item	Part No.	Description	Qty
1	<b>5743187</b>	SCREW, #10 x 3/4" teks HD	3
2	<b>5743166</b>	GROMMET, 3"	1

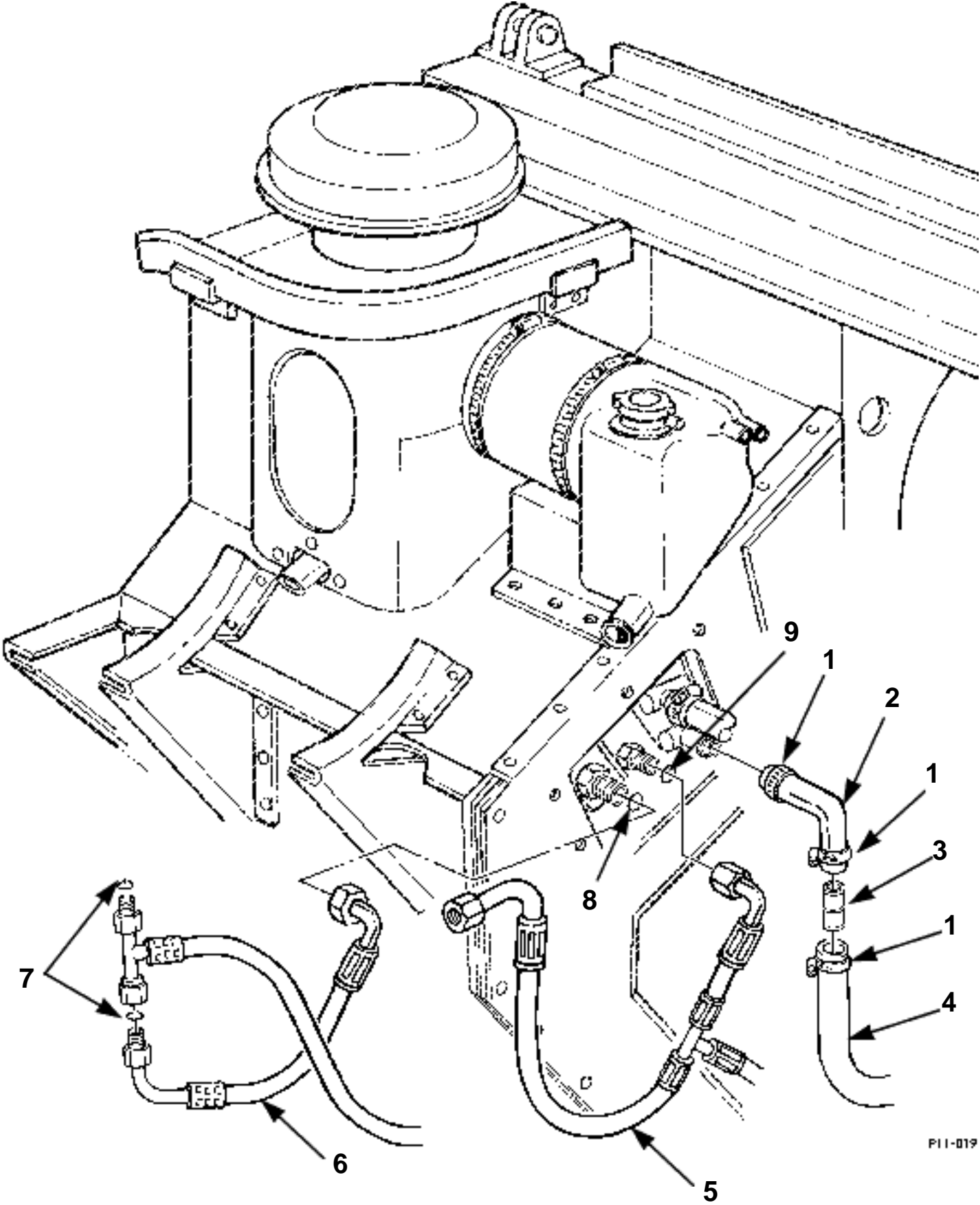


P11-018

## Clamps and Reflective Wrap

HUMMER H1 1994 Parts Catalog  
**Clamps and Reflective Wrap.**

Item	Part No.	Description	Qty
1	<b>5743188</b>	P-CLAMP, 2 1/2"	2
2	<b>5743477</b>	REFLECTIVE WRAP	1
3	<b>5743303</b>	NUT, keps, 1/4 -20"	2
4	<b>179791P2</b>	SCREW, 1/4 - 20 x 1/2"	2



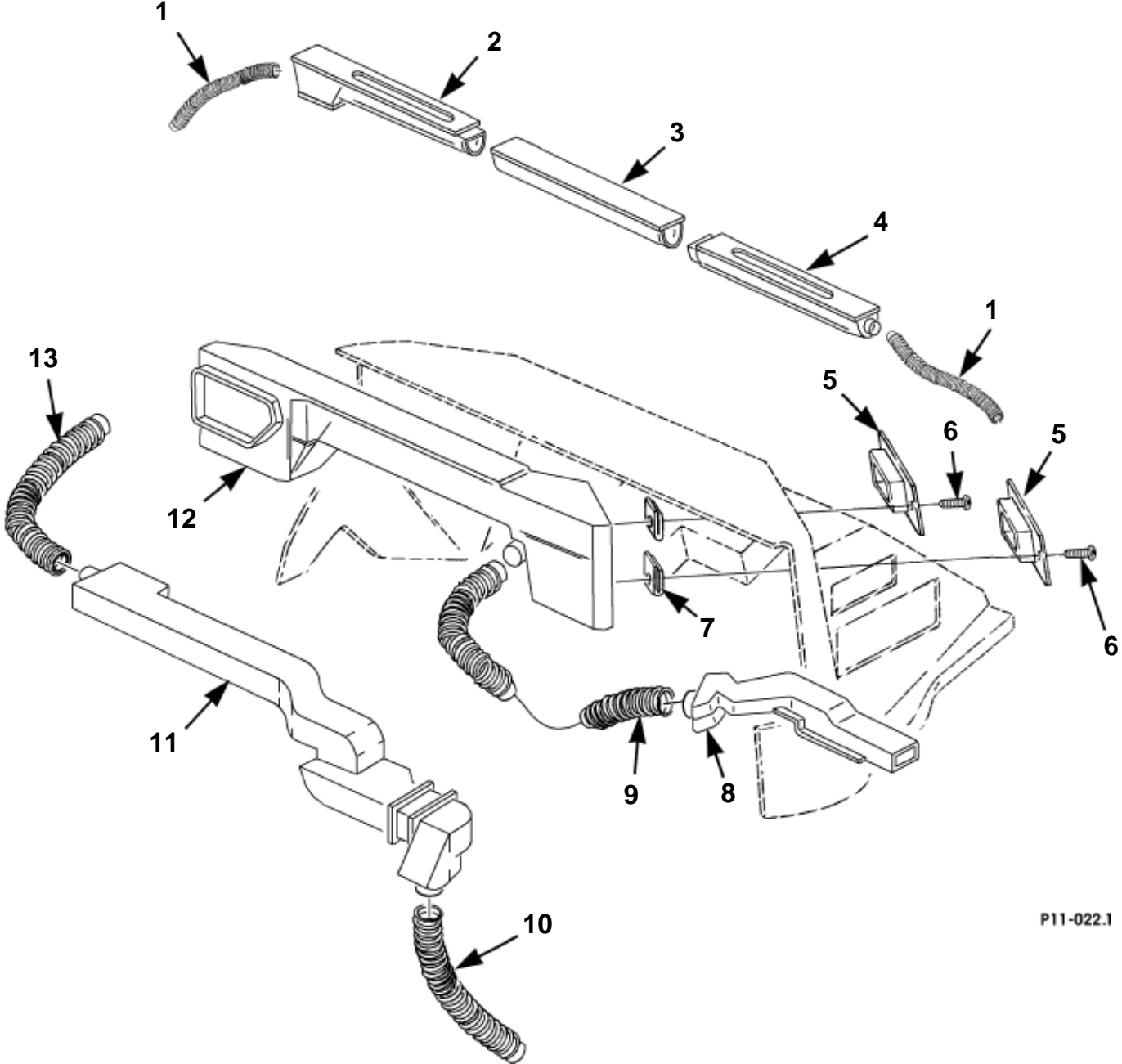
P11-019

# Heater Hoses

**Heater Hoses.**

Item	Part No.	Description	Qty
1	<b>6006266</b>	CLAMP, constant tension	3
2	<b>6006269</b>	HOSE, molded 90 degree	1
3	<b>5743177</b>	SPLICE, heater hose	2
4	<b>5743585</b>	HOSE, 5.8", x 12 5/8" (prior to cutting) SEE NOTE 1	1
5	<b>5743535</b>	LINE, liquid H.P. auxiliary A/C	1
6	<b>5714373</b>	LINE, suction L.P., auxiliary A/C	1
7	<b>6008337</b>	O-RING, #12 suction, L.P., tee	2
8	<b>6006175</b>	O-RING, #10 suction, L.P.	1
9	<b>6006173</b>	O-RING, #6 liquid H.P.	1





P11-022.1

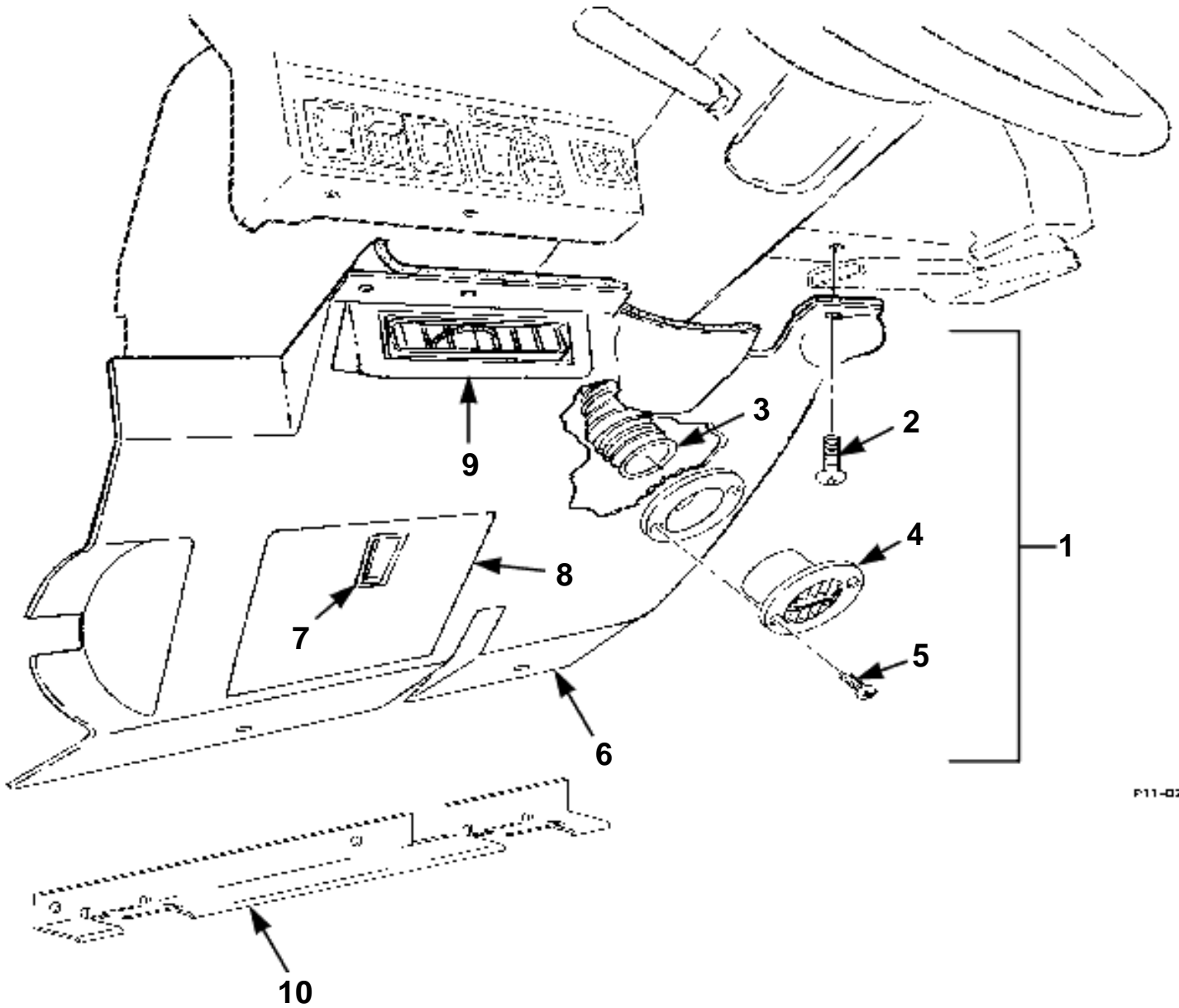
# Plenum and Related Parts

HUMMER H1 1994 Parts Catalog  
**Plenum and Related Parts.**

Item	Part No.	Description	Qty
1	<b>5744258</b>	HOSE, demist, 3/4" x 18" SEE NOTES 1	2
2	<b>5744207</b>	DUCT, passenger side SEE NOTE 1	1
3	<b>6014286</b>	DUCT, center SEE NOTE 1	1
4	<b>6014285</b>	DUCT, driver's side SEE NOTE 1	1
5	<b>5744793</b>	LOUVER, rectangular w/o adapter	3
6	<b>6004097</b>	SCREW, #6 x 3/4"	6
7	<b>5743478</b>	S-CLIP	6
8	<b>5744219</b>	PLENUM, closeout panel	1
9	<b>5744209</b>	ADAPTER, duct, 2 1/2", oval SEE NOTE 1	1
10	<b>6006436</b>	DUCT, closeout panel	1
11	<b>5744208</b>	DUCT, driver's heat SEE NOTE 1	1
12	<b>5743409</b>	PLENUM, front console	1
13	<b>5743588</b>	HOSE, passenger footwell, 1.5" x 40" SEE NOTE 2	1

NOTE 1: PART OF DEFROST DUCT KIT P/N 6005604

NOTE 2: CUT FROM BULK HOSE P/N 5743541.

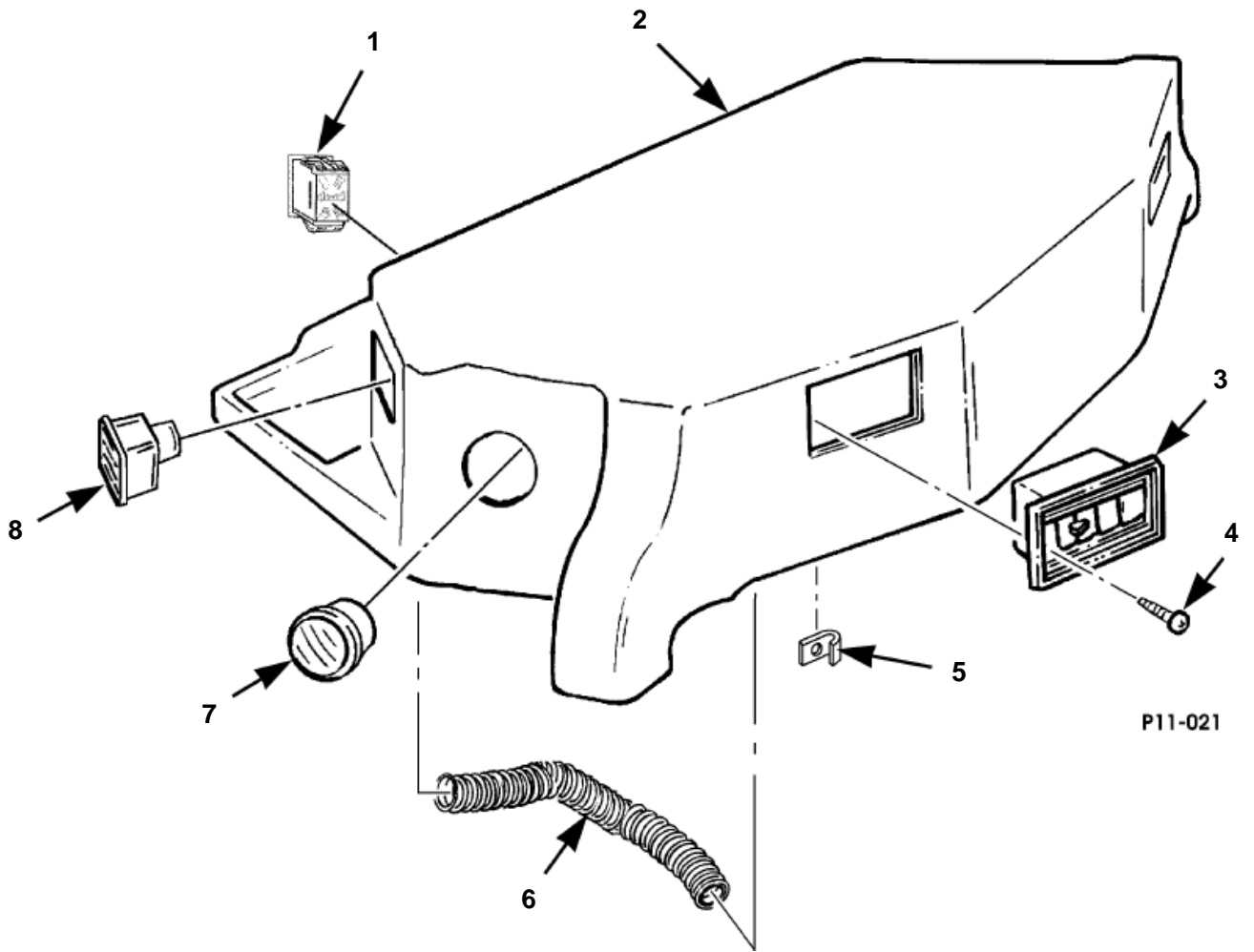


F11-025

## Driver's Closeout Panel

**Driver's Closeout Panel.**

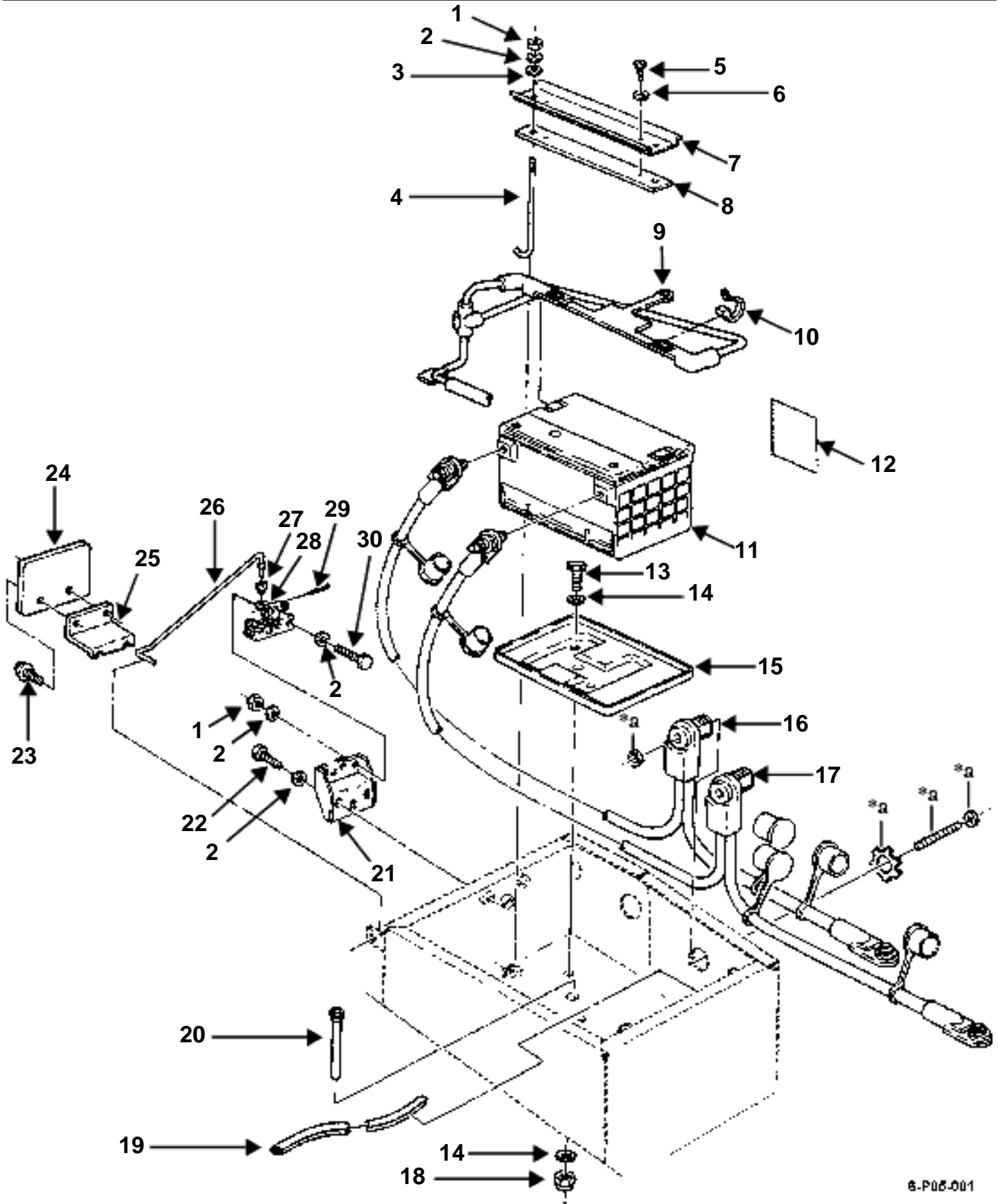
Item	Part No.	Description	Qty
1	<b>6006436</b>	CLOSEOUT ASSEMBLY, driver's	1
2	<b>6002686</b>	·SCREW, trim, #8 x 1",	3
3	<b>6006436</b>	·DUCT, closeout panel	1
4	<b>6007155</b>	·LOUVER, 2 1/2" circular	1
5	<b>5743185</b>	·SCREW, #8 x 1/2"	2
6	<b>6006436</b>	·PANEL, closeout	1
7	<b>5744218</b>	·LATCH, closeout panel door	1
8	<b>5744217</b>	·DOOR, closeout panel	1
9	<b>6007156</b>	·LOUVER, rectangular	1
10	<b>6005497</b>	BRACKET, closeout panel	1



# Rear Center Console

**Rear Center Console.**

Item	Part No.	Description	Qty
1	<b>5743502</b>	SWITCH, two-speed rocker	1
2	<b>6003582</b>	CONSOLE, standard, tan w/ auxiliary air conditioning	1
	<b>6003583</b>	CONSOLE, deluxe, tan w/ auxiliary air conditioning	1
	<b>6003583G</b>	CONSOLE, deluxe, gray w/ auxiliary air conditioning	1
3	<b>5743410</b>	LOUVER, rectangle w/o adapter	2
4	<b>5743186</b>	SCREW, #8 x 1/2	4
5	<b>NPN</b>	J-CLIP	4
6	<b>5743505</b>	HOSE, duct, 2" x 18"	1
7	<b>12460434</b>	LOUVER, side vent	2
8	<b>5743501</b>	LOUVER, rectangle w/ adapter.	1



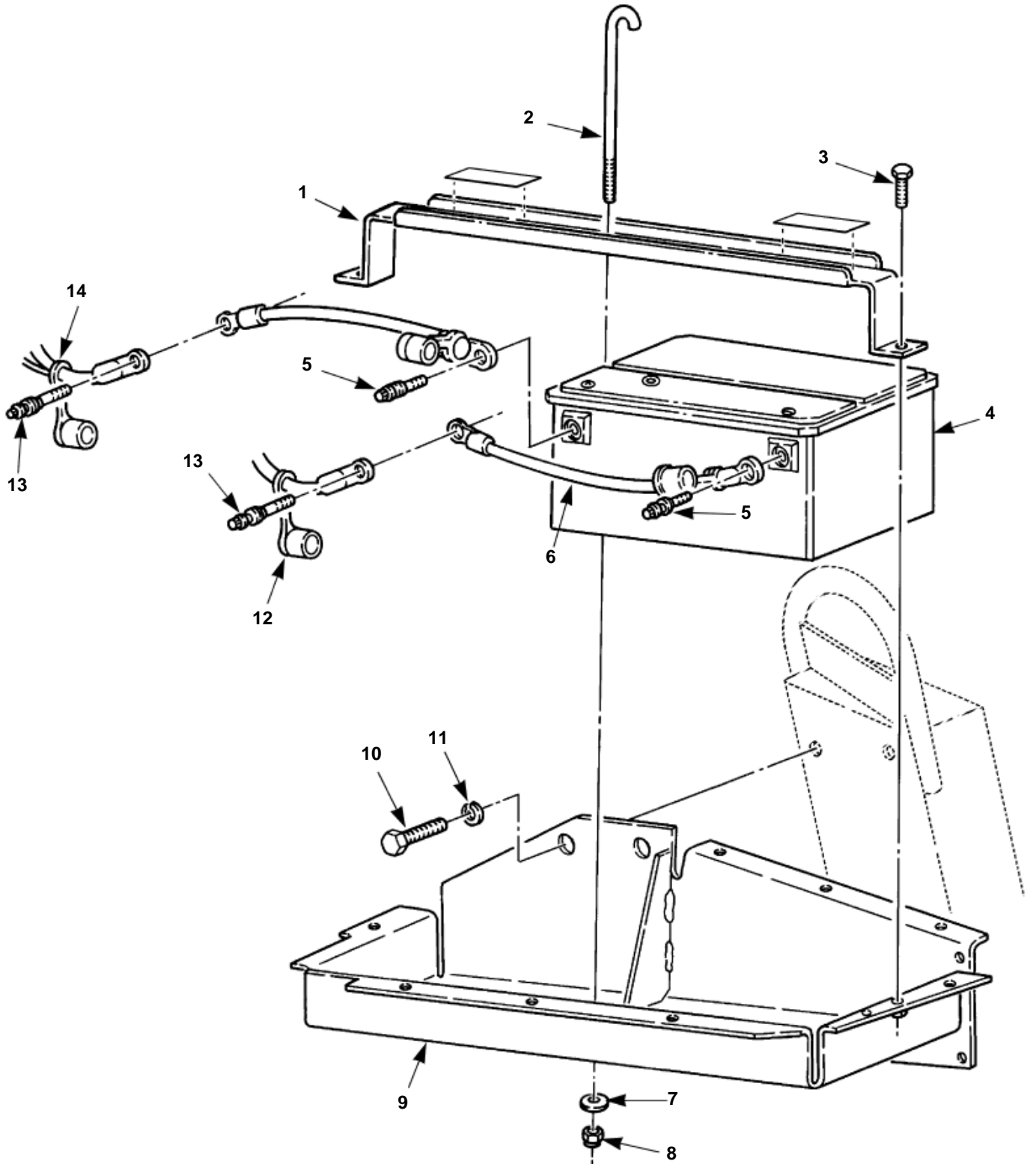
6-P06-001

# Batteries, Cables, and Mounting Hardware (1992 and 1993)

**Batteries, Cables, and Mounting Hardware (1992 & 1993).**

Item	Part No.	Description	Qty
1	<b>MS51943-33</b>	LOCKNUT, battery straps	7
2	<b>2436162</b>	WASHER, battery straps	13
3	<b>EC12340058</b>	WASHER	4
4	<b>6000203</b>	ROD, battery straps	4
5	<b>MS35207-261</b>	SCREW, battery hold down straps	4
6	<b>MS35338-43</b>	LOCKWASHER, battery hold down straps	4
7	<b>5939478B2</b>	STRAP, battery hold down	2
8	<b>6000204</b>	SPACER, battery hold down	2
9	<b>5939809</b>	HOSE ASSEMBLY, battery venting	2
10	<b>11501906</b>	TIEDOWN STRAP, battery vent hose	4
11	<b>5937120</b>	12 VOLT BATTERY	2
	<b>6005297</b>	12 VOLT BATTERY, with Arabic label	1
12	<b>6004096</b>	DECAL, safety warning (French)	1
13	<b>MS90728-6</b>	SCREW, battery tray	4
14	<b>2436161</b>	WASHER, battery tray	8
15	<b>5939333</b>	BATTERY TRAY	2
16	<b>5937226</b>	CABLE ASSEMBLY, negative	1
17	<b>5937225</b>	CABLE ASSEMBLY, positive	1
18	<b>MS51943-31</b>	LOCKNUT, battery tray	4
19	<b>5939666</b>	SEAL, battery box	1
20	<b>6000471</b>	HOSE ASSEMBLY, battery exhaust	2
21	<b>5939326P</b>	BRACKET, battery box latch	1
22	<b>MS90728-32</b>	BOLT, battery box latch	3
23	<b>6000243</b>	SCREW-ASSEMBLED WASHER	2
24	<b>6002609</b>	COVER, battery box latch	1
25	<b>6002608P</b>	BRACKET, battery box latch	1
26	<b>5939322</b>	ROD, battery box latch	1
27	<b>5939321</b>	BEARING, latch rod	2
28	<b>5939327</b>	LATCH, battery box	1
29	<b>MS24665-283</b>	COTTER PIN, latch rod	1
30	<b>MS90728-38</b>	BOLT, battery box latch	3



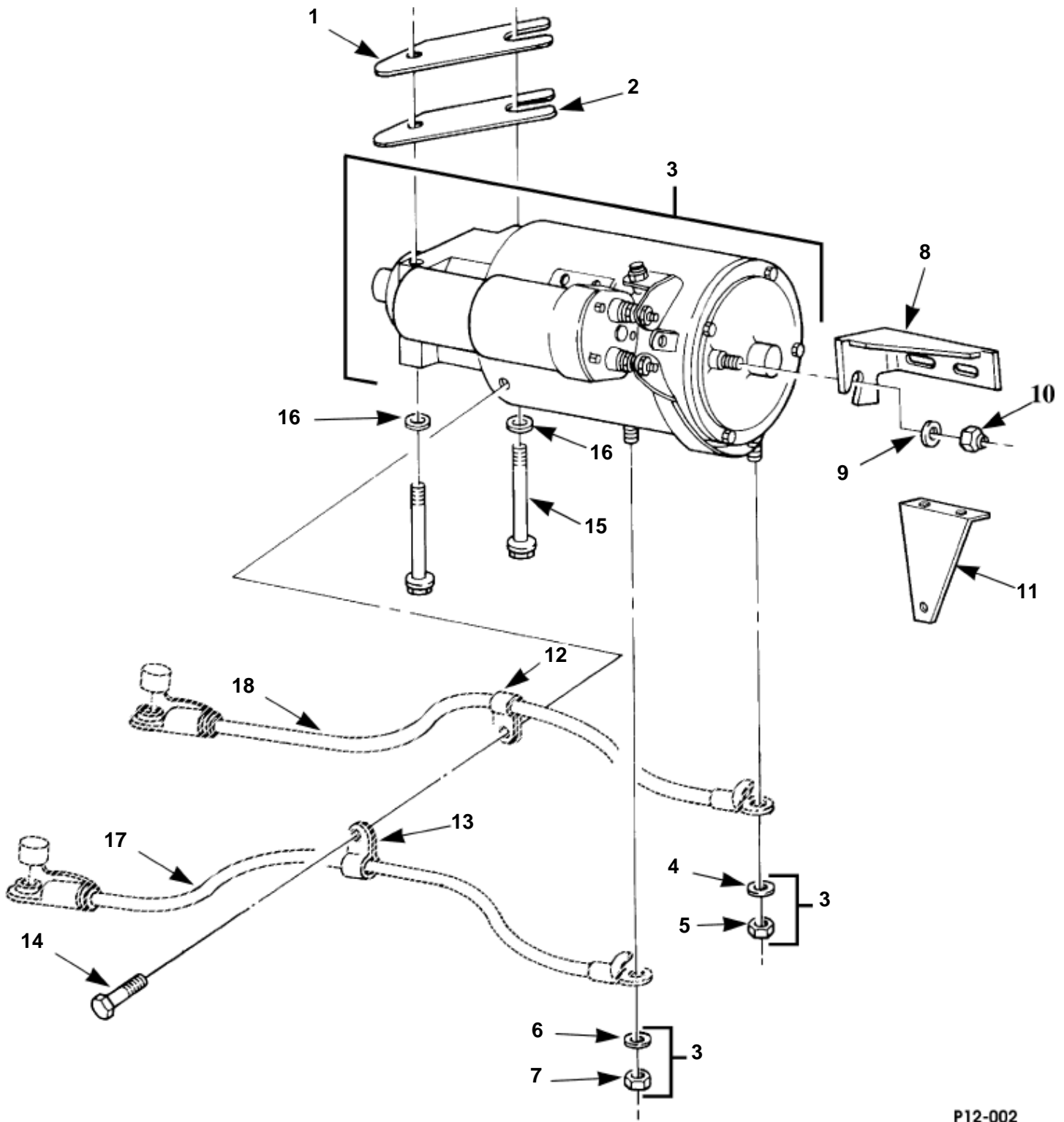


P12-001

# Batteries, Cables, and Mounting Hardware (1994)

**Batteries, Cables, and Mounting Hardware (1994).**

Item	Part No.	Description	Qty
1	<b>6002911B2</b>	BRACKET, battery hold down	1
2	<b>6002912</b>	J-BOLT	1
3	<b>454869</b>	BOLT, 5/16"-18 x 3/4"	2
4	<b>MS90728-32</b>	BATTERY, 12-volt	2
5	<b>6003471</b>	BOLT, terminal, battery, side	2
6	<b>6003128</b>	CABLE, black, negative	1
7	<b>EC12340058</b>	WASHER	1
8	<b>MS51967-6</b>	NUT, 5/16-18	1
9	<b>6002907B2</b>	BATTERY TRAY	1
10	<b>MS90728-60</b>	BOLT, 3/8-16 x 1 in.	2
11	<b>MS35338-46</b>	LOCKWASHER	2
12	<b>6003132</b>	CABLE, starter, negative	1
13	<b>5744361</b>	BATTERY BOLT, long	2
14	<b>6003131</b>	CABLE, starter, positive	1
15	<b>6003129</b>	CABLE, red, positive	1

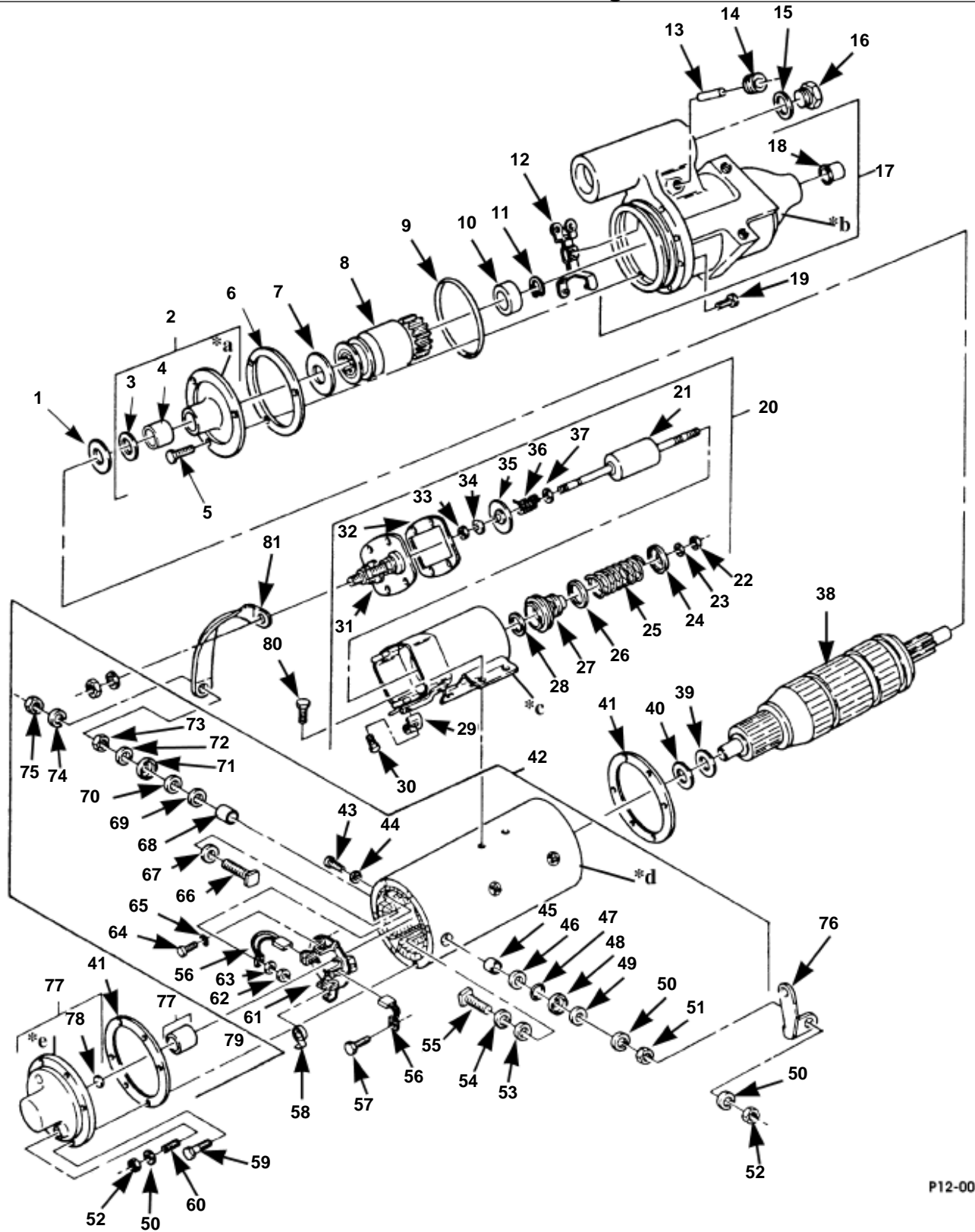


P12-002

# Starter Motor and Mounting Hardware

**Starter Motor and Mounting Hardware.**

Item	Part No.	Description	Qty
1	<b>12338789-2</b>	SHIM	V
2	<b>12338789-1</b>	SHIM	V
3	<b>5937124</b>	STARTER MOTOR ASSEMBLY	1
4	<b>MS51419-9</b>	·LOCKWASHER	1
5	<b>MS35691-33</b>	·NUT	1
6	<b>MS35338-46</b>	·LOCKWASHER	1
7	<b>MS51967-8</b>	·NUT	1
8	<b>12446777</b>	BRACKET, starter motor	1
9	<b>2436163</b>	WASHER, bracket	1
10	<b>MS51943-35</b>	LOCKNUT, bracket	1
11	<b>EC1233933B1</b>	BRACKET, Starter cable	1
12	<b>MS21333-105</b>	CLAMP, positive cable	1
13	<b>MS21333-106</b>	CLAMP, ground cable	1
14	<b>12340844</b>	SCREW, cable clamps	1
15	<b>12339413</b>	BOLT, starter	2
16	<b>12341856</b>	WASHER, starter	2
17	<b>5937228</b>	CABLE ASSEMBLY, 31-inch, negative black	1
18	<b>5937227</b>	CABLE ASSEMBLY, 31-inch, positive, red	1



P12-003

\*a PART OF ITEM 2

\*b PART OF ITEM 17

\*c PART OF ITEM 20

\*d PART OF ITEM 42

\*e PART OF ITEM 74

# Starter Motor Assembly

**Starter Motor Assembly.**

Item	Part No.	Description	Qty
1	<b>S.I.K.</b>	WASHER, flat, SEE NOTE 4	1
2	<b>5741114</b>	BEARING ASSEMBLY, intermediate	1
3	<b>5929739</b>	·SEAL	1
4	<b>5929738</b>	·BEARING, ABS, bronze	1
5	<b>S.I.K.</b>	·SCREW, SEE NOTE 3	3
6	<b>S.I.K.</b>	GASKET, SEE NOTE 10	1
7	<b>S.I.K.</b>	SPACER, starter clutch, SEE NOTE 4	1
8	<b>5740926</b>	CLUTCH, starter	1
9	<b>5929752</b>	O-RING, pinion housing	1
10	<b>S.I.K.</b>	PINION STOP, SEE NOTE 5	1
11	<b>S.I.K.</b>	SNAP RING, SEE NOTE 5	1
12	<b>5929764</b>	YOKE ASSEMBLY	1
13	<b>S.I.K.</b>	PIN, SEE NOTE 7	2
14	<b>S.I.K.</b>	PLUG, SEE NOTE 7	1
15	<b>S.I.K.</b>	GASKET, SEE NOTE 7	1
16	<b>S.I.K.</b>	PLUG, SEE NOTE 7	1
17	<b>5742921</b>	HOUSING ASSEMBLY, pinion	1
18	<b>5741174</b>	·BEARING, bronze	1
19	<b>S.I.K.</b>	SCREW, SEE NOTE 1	7
20	<b>5742738</b>	SOLENOID SWITCH	1
21	<b>5742922</b>	·CORE ASSEMBLY, moving	1
22	<b>S.I.K.</b>	·NUT, SEE NOTE 7	1
23	<b>S.I.K.</b>	·SNAP RING, SEE NOTE 8	1
24	<b>S.I.K.</b>	·RETAINER, SEE NOTE 8	1
25	<b>S.I.K.</b>	·SPRING, SEE NOTE 8	1
26	<b>S.I.K.</b>	·RETAINER, SEE NOTE 8	1
27	<b>5929759</b>	·BOOT, moving core, SEE NOTE 8	1
28	<b>S.I.K.</b>	·WASHER, SEE NOTE 8	1
29	<b>5741916</b>	·LOCKWASHER, solenoid	1
30	<b>N/S</b>	·MACHINE SCREW	1
31	<b>5740968</b>	·COVER AND CONTACT STUD ASSEMBLY	1
32	<b>S.I.K.</b>	·GASKET, SEE NOTE 11	1
33	<b>S.I.K.</b>	·NUT, SEE NOTE 6	1
34	<b>S.I.K.</b>	·WASHER, SEE NOTE 6	1
35	<b>S.I.K.</b>	·CONTACT, SEE NOTE 6	1
36	<b>S.I.K.</b>	·SPRING, SEE NOTE 6	1
37	<b>S.I.K.</b>	·WASHER, SEE NOTE 6	1
38	<b>5742918</b>	ARMATURE ASSEMBLY	1
39	<b>S.I.K.</b>	THRUST WASHER, SEE NOTE 4	1
40	<b>S.I.K.</b>	THRUST WASHER, SEE NOTE 4	8
41	<b>S.I.K.</b>	GASKET, SEE NOTE 9	2
42	<b>5742920</b>	FRAME AND FIELD ASSEMBLY	1
43	<b>N/S</b>	·SCREW	2
44	<b>5741118</b>	·WASHER	2
45	<b>S.I.K.</b>	·BUSHING, SEE NOTE 2	1
46	<b>S.I.K.</b>	·WASHER, neoprene, SEE NOTE 2	1
47	<b>S.I.K.</b>	·WASHER, insulating, SEE NOTE 2	1
48	<b>S.I.K.</b>	·WASHER, cap, SEE NOTE 2	1
49	<b>S.I.K.</b>	·WASHER, plain, SEE NOTE 2	1
50	<b>S.I.K.</b>	·LOCKWASHER, SEE NOTE 2	4
51	<b>S.I.K.</b>	·NUT, SEE NOTE 2	1
52	<b>S.I.K.</b>	·NUT, SEE NOTE 2	4
53	<b>S.I.K.</b>	·WASHER, insulating, SEE NOTE 2	1
54	<b>S.I.K.</b>	·WASHER, plain, SEE NOTE 2	1
55	<b>S.I.K.</b>	·STUD, terminal, SEE NOTE 2	1
56	<b>5740960</b>	·BRUSH SET	1
57	<b>N/S</b>	·SCREW	2
58	<b>5740961</b>	·SPRING SET, brush	1
59	<b>S.I.K.</b>	·SCREW, SEE NOTE 1	4
60	<b>S.I.K.</b>	·STUD, terminal, SEE NOTE 2	1
61	<b>5741666</b>	·PLATE ASSEMBLY, brush	1
62	<b>N/S</b>	·NUT	2
63	<b>5741107</b>	·LOCKWASHER	2
64	<b>N/S</b>	·SCREW	3

**Starter Motor Assembly.**

Item	Part No.	Description	Qty
65	<b>5741169</b>	·SEAL PACKAGE, brush plate mounting	1
66	<b>S.I.K.</b>	·STUD, terminal, SEE NOTE 2	1
67	<b>S.I.K.</b>	·WASHER, insulating, SEE NOTE 2	1
68	<b>S.I.K.</b>	·BUSHING, insulating, SEE NOTE 2	1
69	<b>S.I.K.</b>	·WASHER, neoprene, SEE NOTE 2	1
70	<b>S.I.K.</b>	·WASHER, insulating, SEE NOTE 2	1
71	<b>S.I.K.</b>	·WASHER, cap, SEE NOTE 2	1
72	<b>S.I.K.</b>	·WASHER, plain, SEE NOTE 2	1
73	<b>S.I.K.</b>	·NUT, SEE NOTE 2	1
74	<b>S.I.K.</b>	·LOCKWASHER, SEE NOTE 2	2
75	<b>S.I.K.</b>	·NUT, SEE NOTE 2	3
76	<b>5741120</b>	CONNECTOR, switch	1
77	<b>5742919</b>	HEAD ASSEMBLY, commutator end	1
78	<b>S.I.K.</b>	·OIL RETAINER, felt, SEE NOTE 3	1
79	<b>S.I.K.</b>	·BEARING, bronze, SEE NOTE 3	1
80	<b>S.I.K.</b>	SCREW, solenoid, SEE NOTE 1	4
81	<b>5741117</b>	CONNECTOR, switch	1

NOTE 1: PART OF MOUNTING SCREW PACKAGE P/N  
5740922

NOTE 2: PART OF TERMINAL STUD PACKAGE P/N  
5740963

NOTE 3: PART OF BEARING AND OIL RETAINER PACK-  
AGE P/N 5741167

NOTE 4: PART OF THRUST WASHER PACKAGE P/N  
5741171

NOTE 5: PART OF PINION STOP AND LOCK RING PACK-  
AGE P/N 5741173

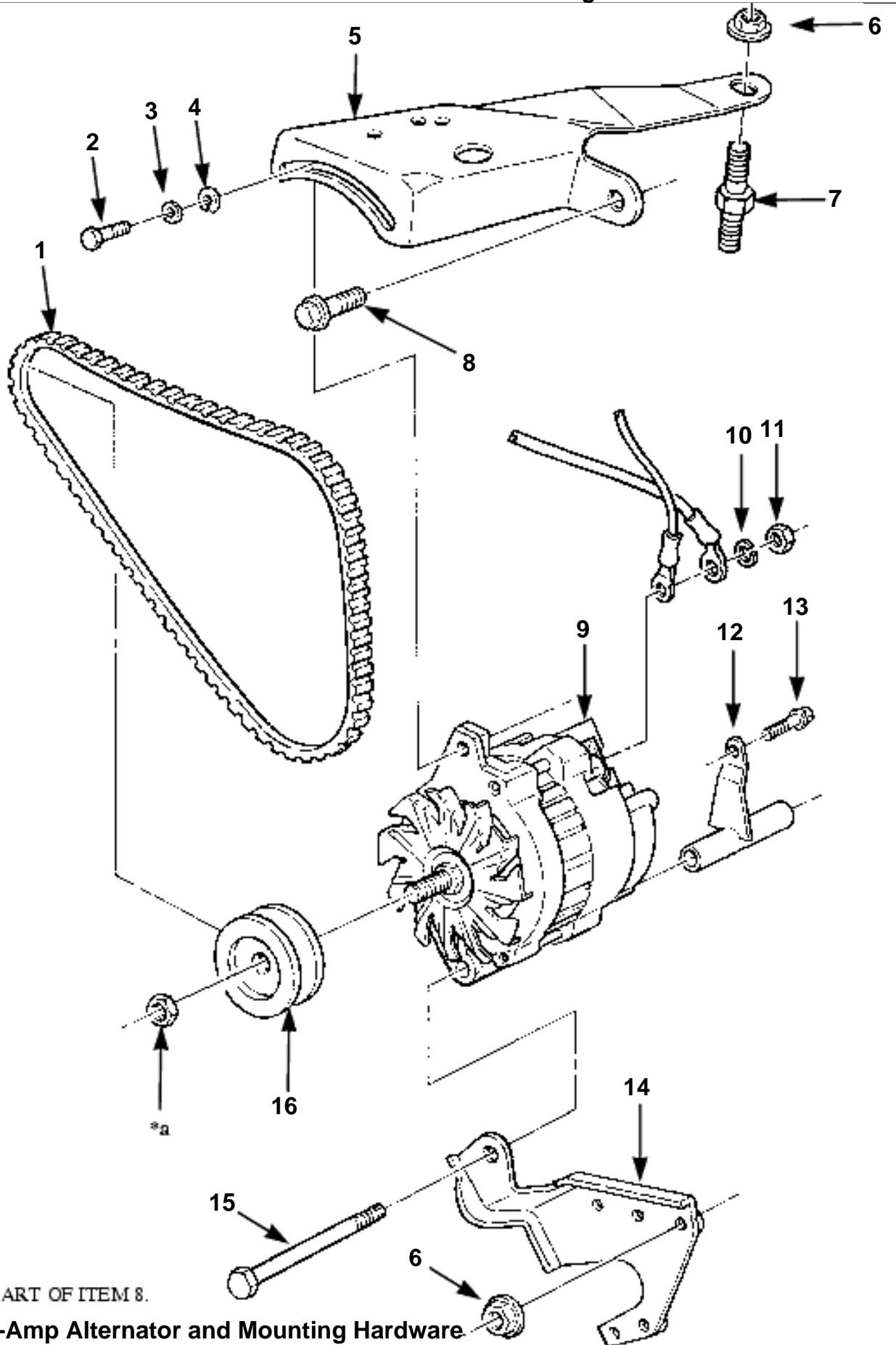
NOTE 6: PART OF CORE CONTACT END PARTS PACK-  
AGE P/N 5929757

NOTE 7: PART OF YOKE ADJUSTING PARTS PACKAGE  
P/N 5929744

NOTE 8: PART OF CORE YOKE END PARTS PACKAGE  
P/N 5929758 PART OF GASKET PACKAGE, C.E.  
AND D.E. HEAD P/N 5741168

NOTE 9: PART OF GASKET PACKAGE, INTERMEDIATE-  
BEARING P/N 5740964

NOTE 10: PART OF MULTI-PAC P/N 5929755

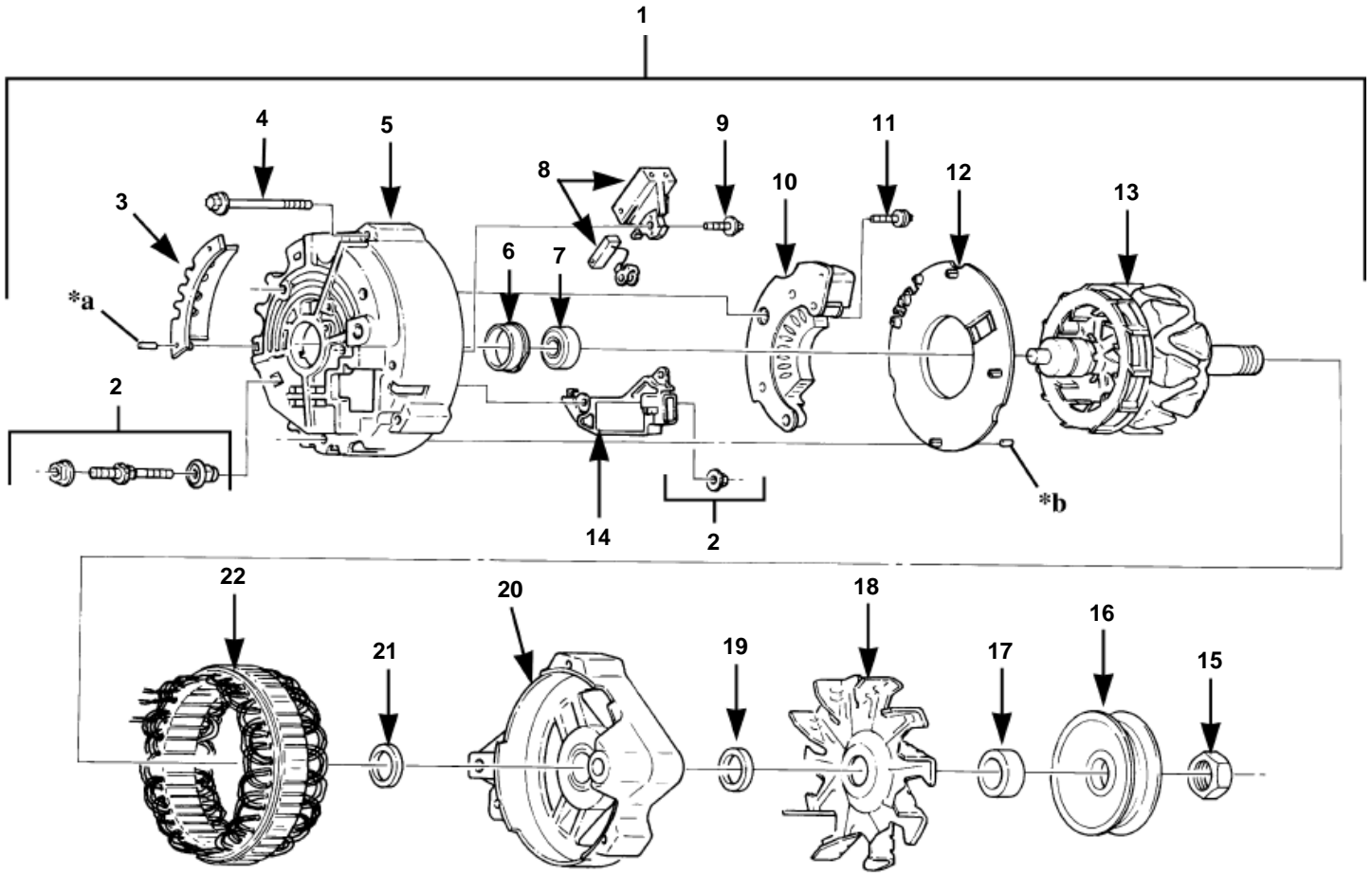


124-Amp Alternator and Mounting Hardware  
(1992 and 1993)



**124-Amp Alternator and Mounting Hardware (1992 & 1993).**

Item	Part No.	Description	Qty
1	<b>5743317</b>	V-BELT, alternator	1
2	<b>11500918</b>	BOLT, adjusting bracket	1
3	<b>11501623</b>	WASHER, adjusting bracket	1
4	<b>11500161</b>	LOCKWASHER, adjusting bracket	1
5	<b>5937208</b>	ADJUSTING BRACKET	1
6	<b>11517071</b>	NUT, adjusting bracket	3
7	<b>12339406-2</b>	STUD, special	1
8	<b>11502655</b>	BOLT, adjusting bracket	1
9	<b>5937122</b>	85-AMP ALTERNATOR ASSEMBLY	1
10	<b>11503962</b>	LOCKWASHER	1
11	<b>11503743</b>	NUT	1
12	<b>5937358</b>	SPACER ASSEMBLY, generator pivot	1
13	<b>11508300</b>	BOLT, spacer assembly	1
14	<b>5937209</b>	SUPPORT ASSEMBLY	1
15	<b>5937207</b>	BOLT, support assembly	1
16	<b>5937375</b>	PULLEY, alternator	1



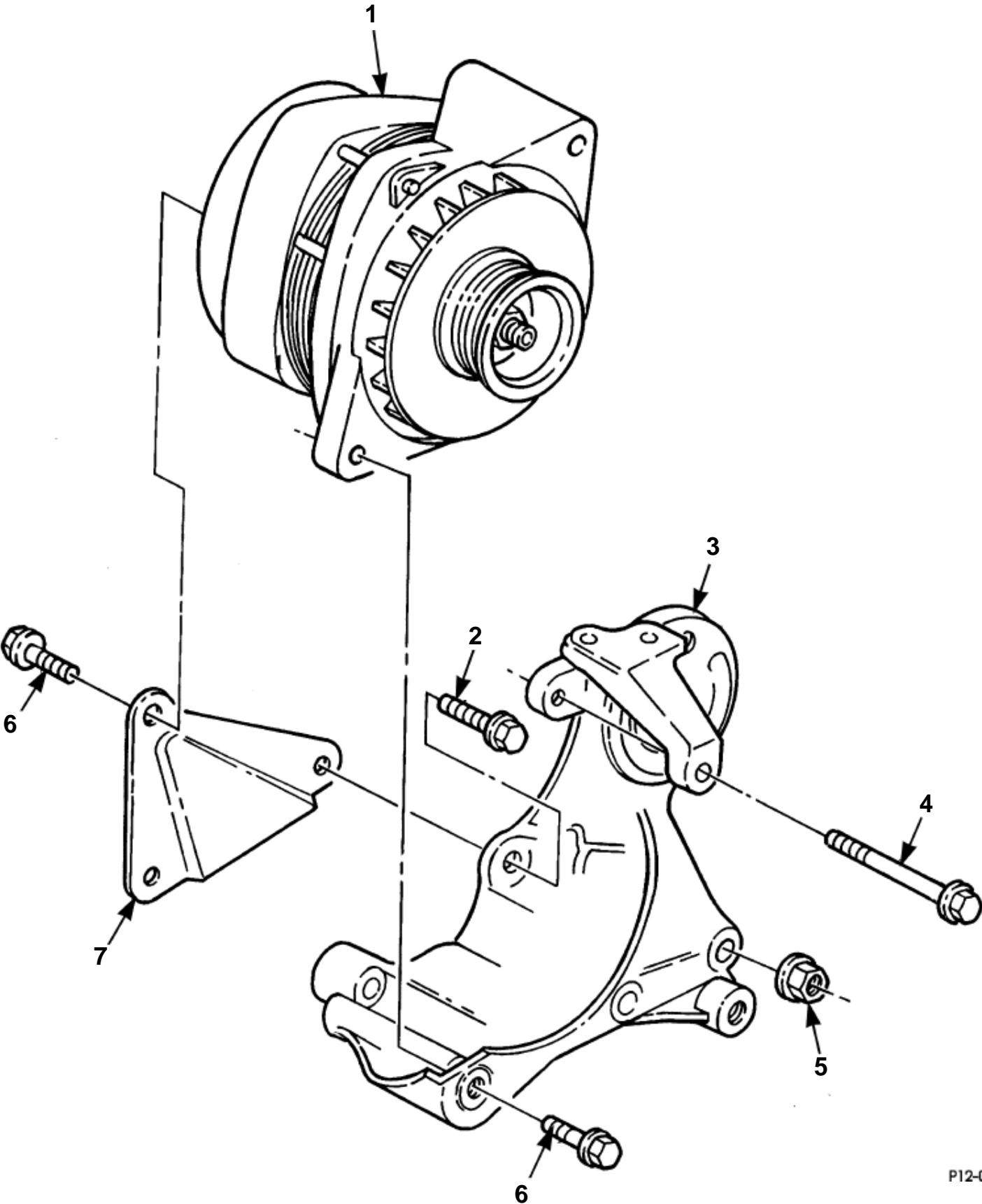
\*a Part of Item 3

\*b Part of Item 12

## 85-Amp Alternator Assembly (1992 and 1993)

**85-AMP Alternator Assembly (1992 & 1993).**

Item	Part No.	Description	Qty
1	<b>5937122</b>	85-AMP ALTERNATOR ASSEMBLY	1
2	<b>5742689</b>	·TERMINAL PACKAGE, battery	1
3	<b>S.I.A.</b>	·COVER	1
4	<b>S.I.A.</b>	·BOLT	3
5	<b>S.I.A.</b>	·FRAME, includes bearings	1
6	<b>S.I.A.</b>	·RING, tolerance	1
7	<b>S.I.A.</b>	·BEARING	1
8	<b>5742690</b>	·BRUSH HOLDER	1
9	<b>S.I.A.</b>	·SCREW, brush holder	1
10	<b>5742691</b>	·RECTIFIER BRIDGE	1
11	<b>S.I.A.</b>	·SCREW, rectifier bridge	6
12	<b>S.I.A.</b>	·BAFFLE	1
13	<b>S.I.A.</b>	·ROTOR	1
14	<b>5742692</b>	·REGULATOR	1
15	<b>8125242</b>	·NUT, pulley	1
16	<b>8132698</b>	·PULLEY, alternator	1
17	<b>S.I.A.</b>	·COLLAR	1
18	<b>S.I.A.</b>	·FAN	1
19	<b>S.I.A.</b>	·COLLAR, outside	1
20	<b>S.I.A.</b>	·FRAME, includes bearings	1
21	<b>S.I.A.</b>	·COLLAR, inside	1
22	<b>S.I.A.</b>	·STATOR	1

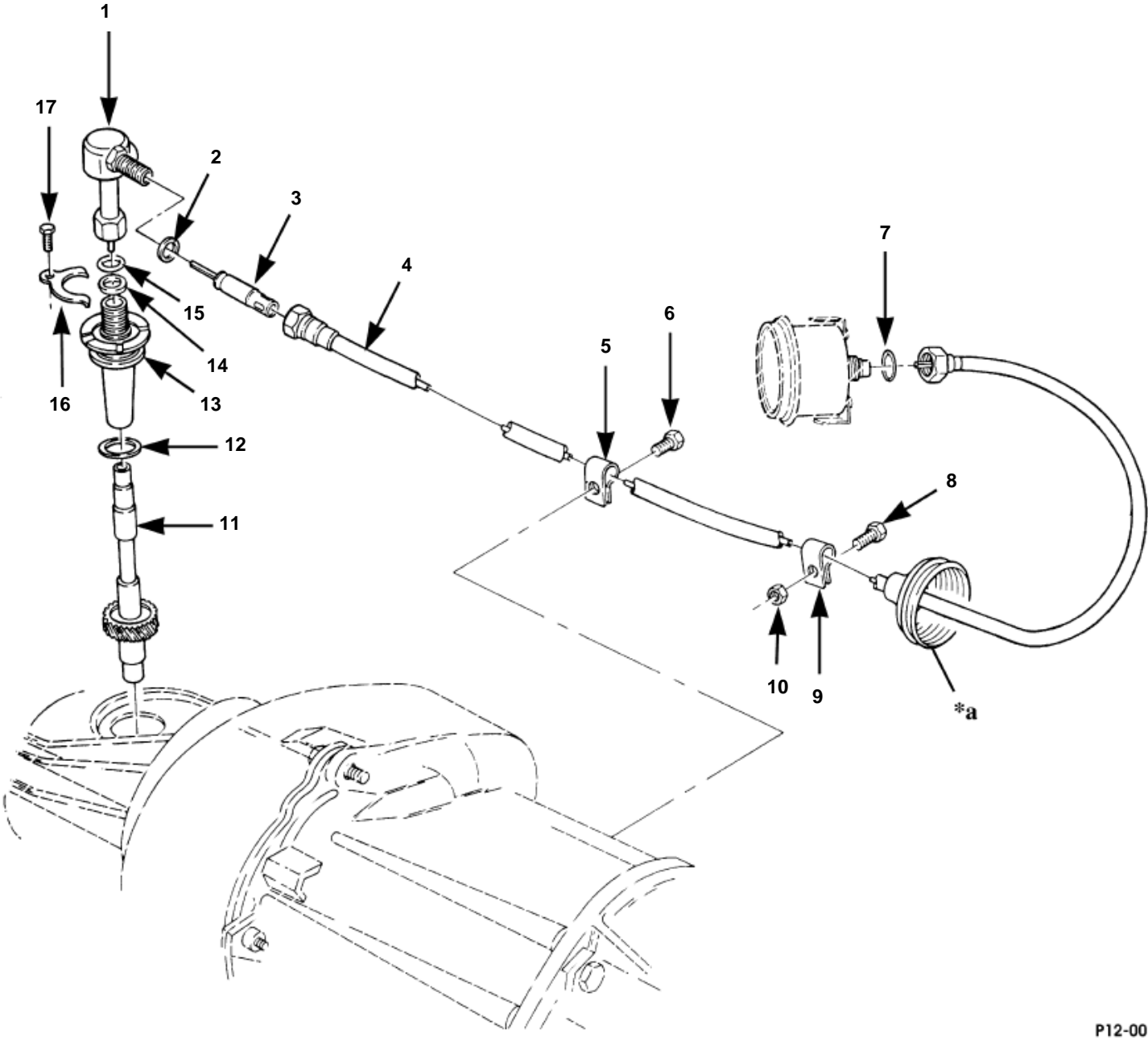


P12-004

# 124-Amp Alternator and Mounting Hardware (1994)

**124-Amp Alternator and Mounting Hardware (1994).**

Item	Part No.	Description	Qty
1	<b>5744831</b>	ALTERNATOR, diesel, 124-Amp	1
2	<b>12340845-3</b>	BOLT, bracket to head	2
3	<b>6003049</b>	BRACKET, alternator mounting	1
4	<b>11508475</b>	BOLT, bracket to head	1
5	<b>11514597</b>	NUT, bracket and brake to head	1
6	<b>11502655</b>	BOLT	3
7	<b>6003053</b>	BRACE, rear alternator support	1



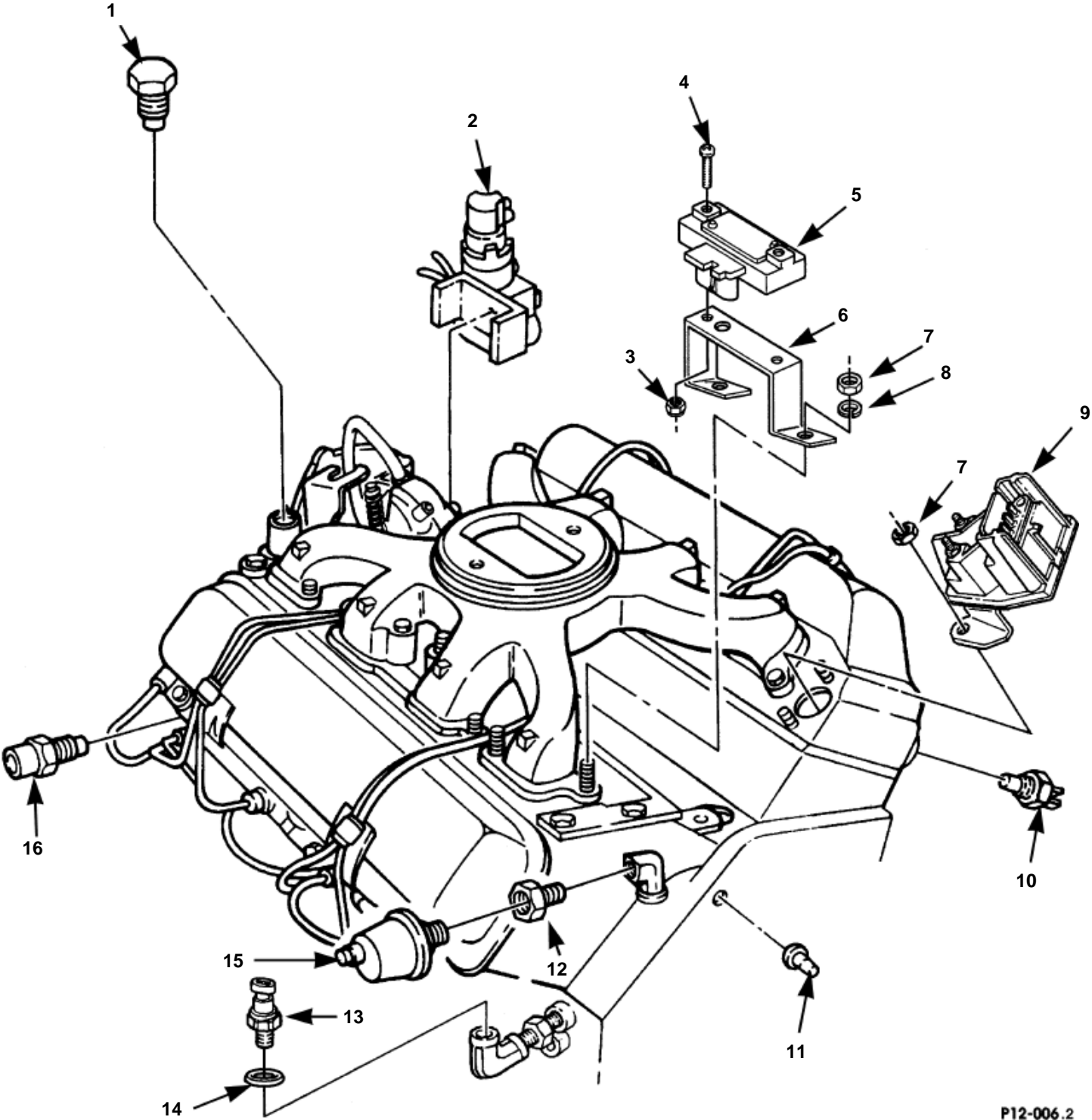
P12-007

•a Part of Item 3

# Speedometer Drive and Related Parts

**Speedometer Drive and Related Parts.**

Item	Part No.	Description	Qty
1	<b>12338430</b>	ADAPTER, speedometer drive pinion	1
2	<b>12338998</b>	SEAL, speedometer cable	1
3	<b>5743084</b>	TIP, speedometer cable	1
4	<b>WA12338428</b>	CABLE ASSEMBLY, speedometer	1
5	<b>MS21333-72</b>	CLAMP, speedometer cable	1
6	<b>448621</b>	SCREW, clamp	1
7	<b>12338997</b>	SEAL, speedometer cable	1
8	<b>431942</b>	SCREW, clamp	1
9	<b>MS21333-68</b>	CLAMP, speedometer cable	1
10	<b>271169</b>	LOCKNUT, clamp	1
11	<b>12342602</b>	DRIVE PINION ASSEMBLY	1
12	<b>12339002</b>	O-RING, speedometer drive pinion	1
13	<b>12339963</b>	ADAPTER, speedometer drive pinion	1
14	<b>12339001</b>	SEAL, adapter	1
15	<b>12339000</b>	RETAINER, adapter	1
16	<b>12339962</b>	CLAMP, adapter	1
17	<b>MS90728-31</b>	BOLT, adapter clamp	1



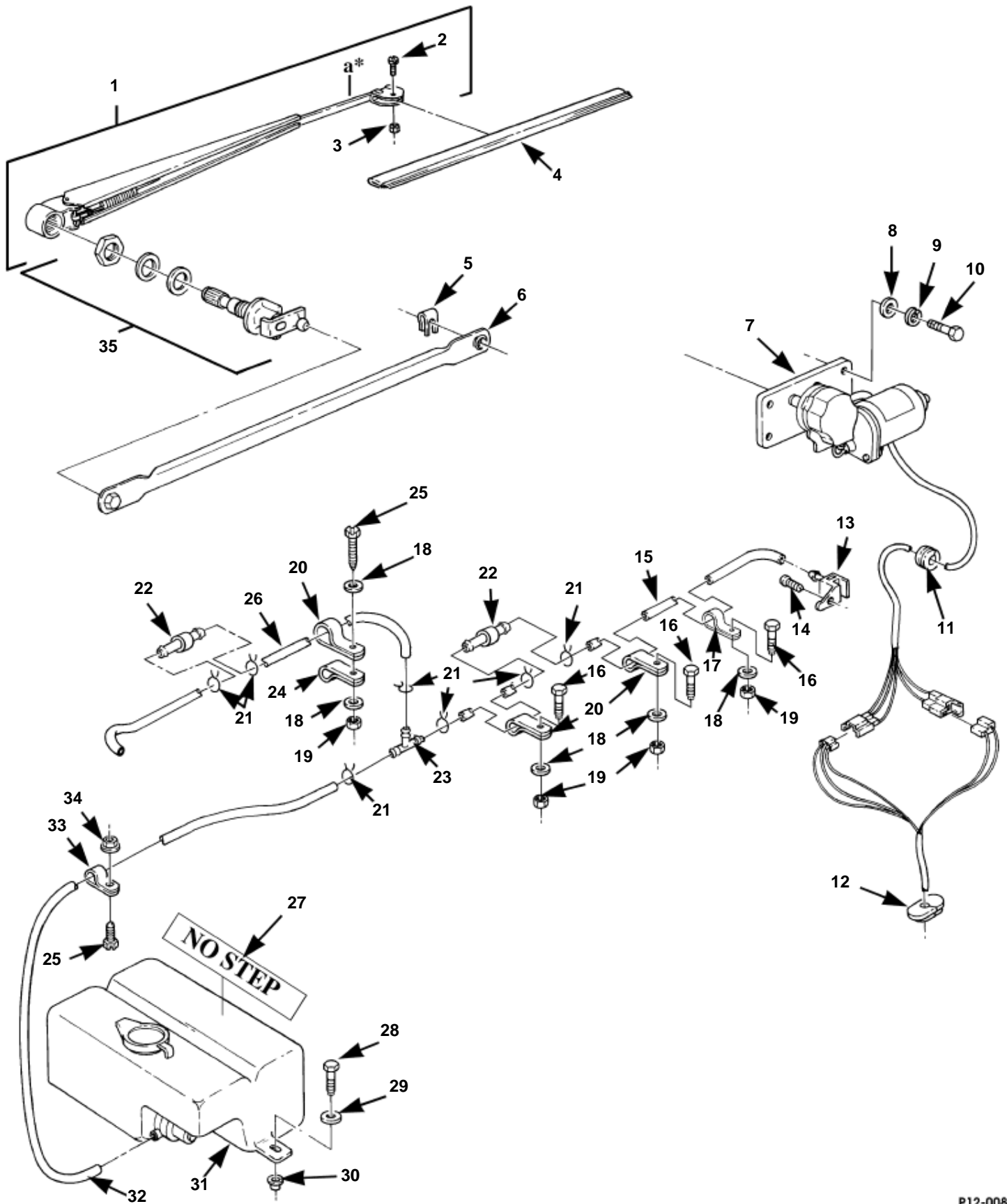
P12-006.2

# Sending Units



**Sending Units.**

Item	Part No.	Description	Qty
1	<b>14090911</b>	PLUG	1
2	<b>5742559</b>	SWITCH, sensitive, kickdown	1
	<b>5743243</b>	SENSOR, throttle position	1
3	<b>N/S</b>	LOCKNUT	2
4	<b>MS35206-338</b>	SCREW	2
5	<b>6003469</b>	SENSOR, baro press	1
6	<b>6003100</b>	BRACKET, baro sensor	1
7	<b>N/S</b>	NUT	4
8	<b>11500207</b>	LOCKWASHER	2
9	<b>5742558</b>	CONTROL, glow plug	1
10	<b>5742560</b>	COLD ADVANCE SWITCH	1
11	<b>12339238</b>	RIVET	1
12	<b>5937262</b>	BUSHING, reducer	1
13	<b>6000092</b>	OIL PRESSURE SWITCH	1
14	<b>5744134</b>	·SEAL, oil pressure switch	1
15	<b>6001037</b>	TRANSMITTER, pressure, oil	1
16	<b>5937054</b>	SENDER, engine temperature	1



P12-008

# Windshield Wiper Motor, Wiper Assembly and Washer Bottles

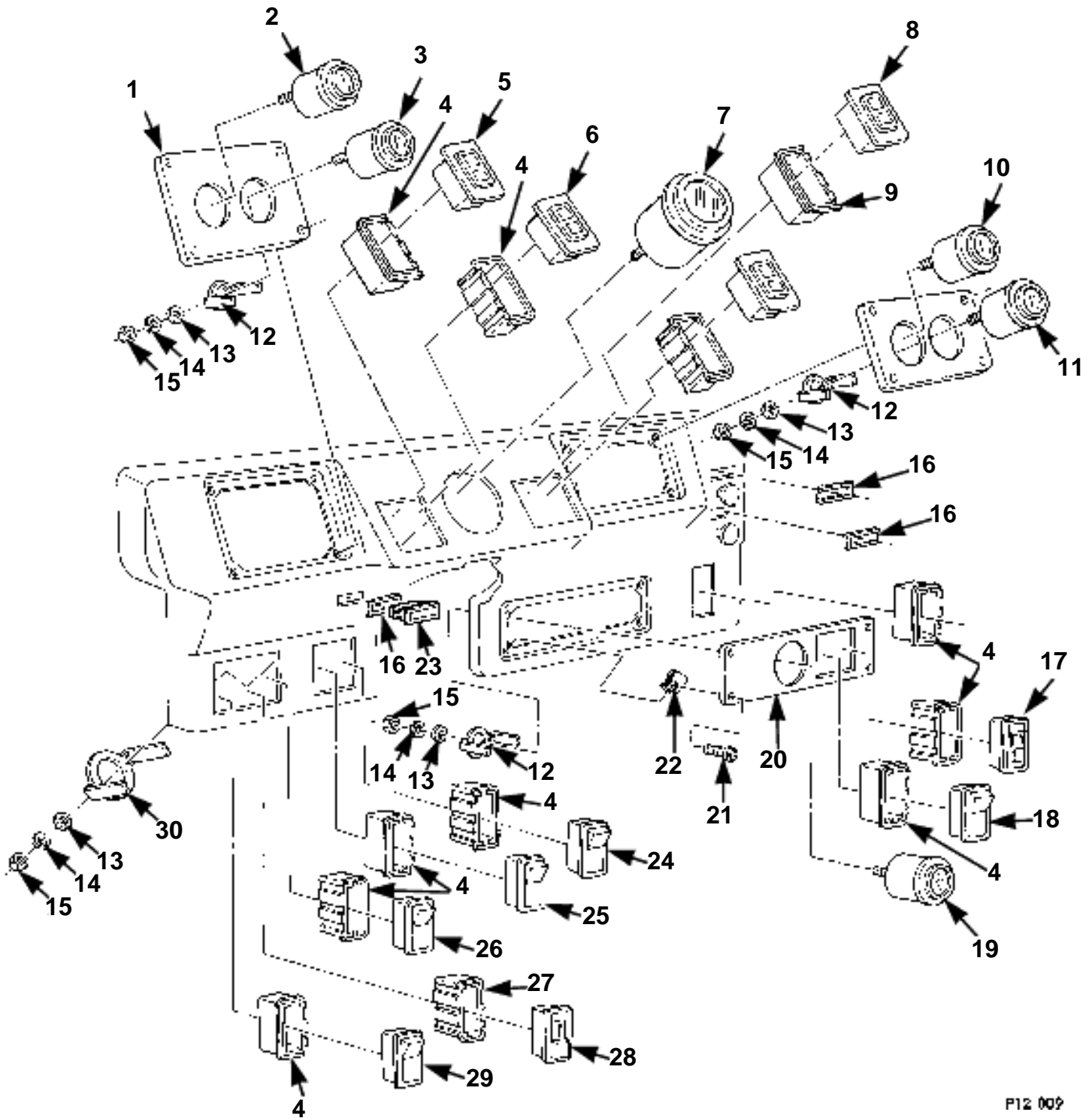
**Windshield Wiper Motor, Wiper Assembly, and Washer Bottles.**

Item	Part No.	Description	Qty
1	<b>12339504</b>	WIPER ARM ASSEMBLY, pivot assembly, less blade	2
	<b>6012641</b>	WIPER ARM ASSEMBLY, pivot assembly, less blade (1994)	2
2	<b>5741925</b>	·SCREW, arm, 1/8 x .5"	1
3	<b>5741926</b>	·LOCKNUT, arm, 5-40	1
4	<b>12339505</b>	BLADE, wiper arm assembly	2
	<b>6012642</b>	BLADE, wiper arm assembly (1994)	2
5	<b>12339427</b>	RETAINER	1
6	<b>12338831</b>	CONNECTING ARM, pivot assembly	2
7	<b>5938822B2</b>	WIPER MOTOR ASSEMBLY, windshield	1
8	<b>ELMS27183-10</b>	WASHER, wiper motor, 9/32"	3
9	<b>MS35338-44</b>	LOCKWASHER, wiper motor, 1/4"	3
10	<b>MS90725-6</b>	SCREW, wiper motor, 1/4-20 x 3/4"	3
11	<b>MS35489-41S</b>	GROMMET, motor lead	1
12	<b>12339340</b>	GROMMET, motor lead	1
13	<b>12338846</b>	NOZZLE, windshield washer	2
14	<b>164403</b>	SCREW, nozzle, 8-32 x 5/8"	2
15	<b>N/S</b>	HOSE, 27-inch, windshield washer, SEE NOTE 1	1
16	<b>MS51849-76</b>	SCREW, clamp, without CTIS, 10-24 x 3/4"	3
	<b>MS51849-76</b>	SCREW, clamp, with CTIS, 10-24 x 3/4"	4
17	<b>MS21333-36</b>	CLAMP, hose, without CTIS, 3/8"	1
	<b>MS21333-36</b>	CLAMP, hose, with CTIS, 3/8"	2
18	<b>9416128</b>	WASHER, clamp, without CTIS, #10	5
	<b>9416128</b>	WASHER, clamp, with CTIS, #10	7
19	<b>MS35649-202</b>	NUT, clamp, without CTIS	4
	<b>MS35649-202</b>	NUT, clamp, with CTIS	5
20	<b>MS21333-42</b>	CLAMP, hose, 7/8"	3
21	<b>WW-C-440-3/8</b>	CLAMP, hose	7
22	<b>6005960</b>	CHECK VALVE, washer hose	2
23	<b>12340056</b>	TEE, hose	1
24	<b>MS21333-68</b>	CLAMP, hose, 5/16"	1
25	<b>MS51849-78</b>	SCREW, clamp, #10-24 x 1"	1
26	<b>N/S</b>	HOSE, 16-inch, windshield washer, SEE NOTE 1	1
27	<b>6016052</b>	DECAL, no step	1
28	<b>440502</b>	SCREW, reservoir	2
29	<b>120391</b>	WASHER, reservoir	2
30	<b>5939334</b>	NUT INSERT, reservoir, #10-24	2
31	<b>5936121</b>	RESERVOIR AND PUMP ASSEMBLY, windshield washer	1
32	<b>N/S</b>	HOSE, 36-inch, windshield washer, SEE NOTE 1	1
33	<b>MS21333-107</b>	CLAMP, cushioned, 1.0"	1
34	<b>271166</b>	NUT and LOCKWASHER, #10-24	1
35	<b>12340660</b>	PIVOT ASSEMBLY, windshield wiper motor	2

NOTE 1: MAKE FROM BULK HOSE 50' P/N 5741211

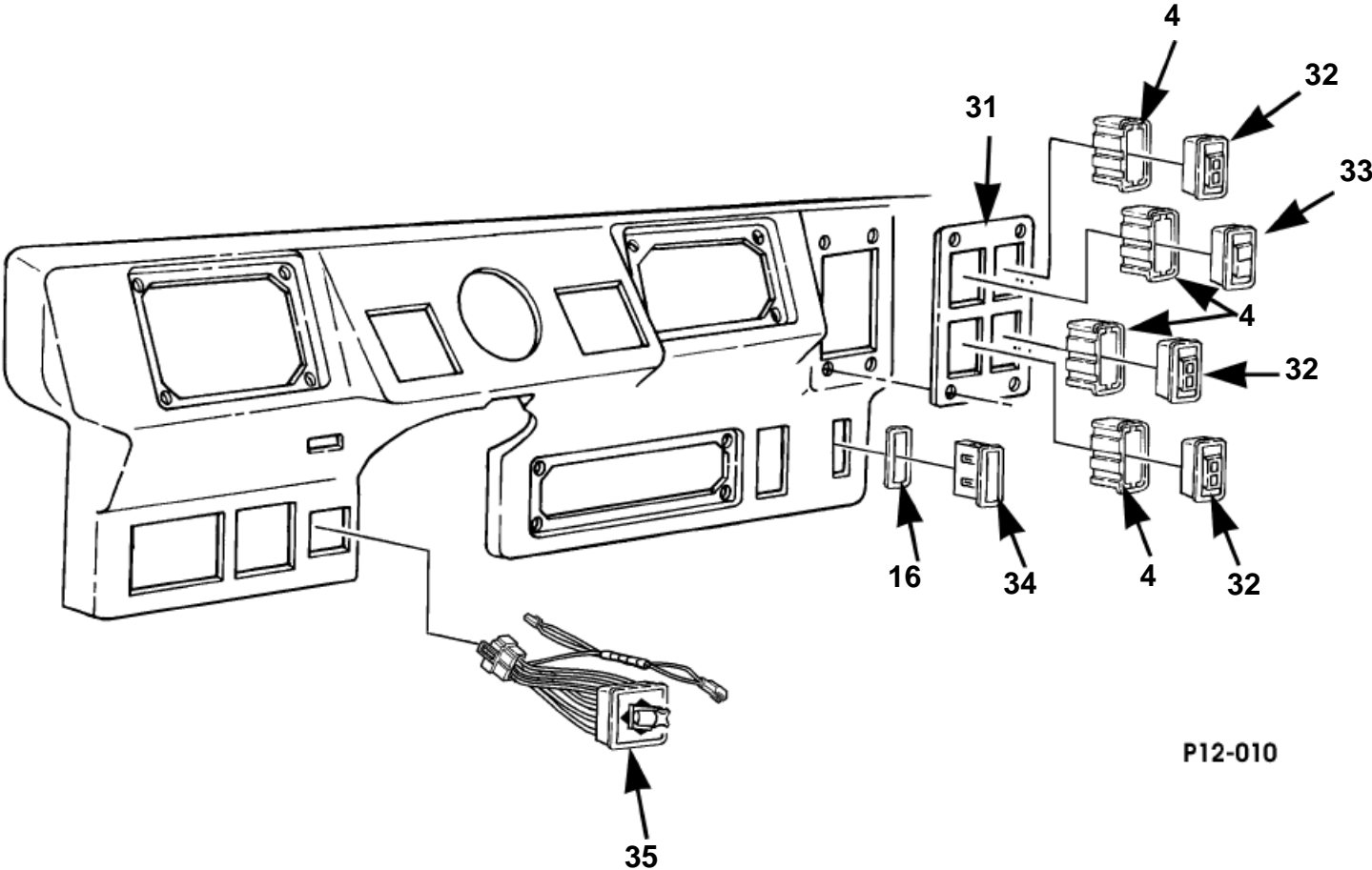
(Sheet 1 of 2)

(Sheet 2 of 2)



P12 009

# Instrument Panel Cluster



P12-010

## Instrument Panel Cluster

Item	Part No.	Description	Qty
1	<b>6003565</b>	PANEL, gauge	2
	<b>6003565</b>	PANEL, gauge (1994)	2
2	<b>5936499</b>	VOLTMETER, SEE NOTE 1	1
	<b>6003426</b>	VOLTMETER (1994), SEE NOTE 1	1
3	<b>5936498</b>	OIL PRESSURE GAUGE, SEE NOTE 1	1
	<b>6003425</b>	OIL PRESSURE GAUGE (1994), SEE NOTE 1	1
	<b>6001854</b>	OIL PRESSURE GAUGE, metric, SEE NOTE 1	1
	<b>6004038</b>	OIL PRESSURE GAUGE, metric (1994), SEE NOTE 1	1
4	<b>5939042</b>	BEZEL, end, SEE NOTE 1	15
5	<b>5939068</b>	INDICATOR LAMP, left turn and high beam, SEE NOTE 1	1
6	<b>5939070</b>	INDICATOR LAMP, brake and seatbelt, SEE NOTE 1	1
	<b>6002653</b>	INDICATOR LAMP, brake and seatbelt, Canadian, SEE NOTE 1	1
7	<b>5937000</b>	SPEEDOMETER, electronic	1
	<b>6003170</b>	SPEEDOMETER, electronic (1994)	1
	<b>6001855</b>	SPEEDOMETER, metric	1
	<b>6004037</b>	SPEEDOMETER, metric (1994)	1
8	<b>5939072</b>	INDICATOR LAMP, wait and drain filter, SEE NOTE 1	1
	<b>6002655</b>	INDICATOR LAMP, wait and drain filter, N.Y. State, SEE NOTE 1	1
9	<b>6002654</b>	INDICATOR LAMP, right turn and transfer case lock, SEE NOTE 1	1
10	<b>5936599</b>	WATER TEMPERATURE GAUGE, SEE NOTE 1	1
	<b>6003424</b>	WATER TEMPERATURE GAUGE (1994), SEE NOTE 1	1
	<b>6001853</b>	WATER TEMPERATURE GAUGE, metric, SEE NOTE 1	1
	<b>6004039</b>	WATER TEMPERATURE GAUGE, metric (1994), SEE NOTE 1	1
11	<b>5937201</b>	FUEL GAUGE, SEE NOTE 1	1
	<b>6003427</b>	FUEL GAUGE (1994), SEE NOTE 1	1
12	<b>5938714</b>	BRACKET, SEE NOTE 1	3
	<b>6003428</b>	BRACKET (1994), SEE NOTE 1	3
13	<b>ELMS51412-2</b>	WASHER	8
14	<b>120217</b>	LOCKWASHER, SEE NOTE 1	10
15	<b>MS51470-3</b>	NUT, SEE NOTE 1	10
16	<b>6000830</b>	SHIM	4
17	<b>5939071</b>	INDICATOR LAMP, CTI pump and tire air	1
	<b>6002817</b>	INDICATOR LAMP, CTI pump and tire air (used on earlier models) (symbols only)	1
18	<b>5939546</b>	SWITCH, CTI inflate/deflate	1
19	<b>6005131</b>	SWITCH, CTI air pressure	1
	<b>6005131</b>	SWITCH, CTI air pressure (1994)	1
20	<b>5939270</b>	PANEL, gauge (blank)	1
	<b>5939268</b>	PANEL, gauge (with CTI)	1
21	<b>5939651</b>	SCREW, gauge panel	12
22	<b>6000302</b>	SPEEDNUT	12
23	<b>5936134</b>	LAMP ASSEMBLY, washer/wiper indicator	1
24	<b>5939551</b>	SWITCH, windshield washer, SEE NOTE 1	1
	<b>6000036</b>	SWITCH, windshield wiper, intermittent, and washer option	1
25	<b>5939550</b>	SWITCH, windshield wiper, SEE NOTE 1	1
26	<b>5939549</b>	SWITCH, dome lights, SEE NOTE 1	1
	<b>6000895</b>	SWITCH, dome light/cargo light	1
27	<b>5939043</b>	BEZEL, center, SEE NOTE 1	1
28	<b>5939548</b>	SWITCH, panel lights, SEE NOTE 1	1
29	<b>5939547</b>	SWITCH, master lighting, SEE NOTE 1	1
30	<b>5938726</b>	BRACKET, electronic speedometer mounting	1
	<b>6003429</b>	BRACKET, electronic speedometer mounting (1994)	1
31	<b>6002467</b>	PLATE, power window switch	1
HMC4, HMCS			
31	<b>6002471</b>	PLATE, power window switch	1
VLC2			
32	<b>6004185</b>	SWITCH, power windows (1994)	3
33	<b>5745217</b>	SWITCH, on/off	1
34	<b>6002985</b>	WARNING LIGHT, transmission (1994)	1
35	<b>6003852</b>	JUMPER, power mirror switch, SEE NOTE 2	1

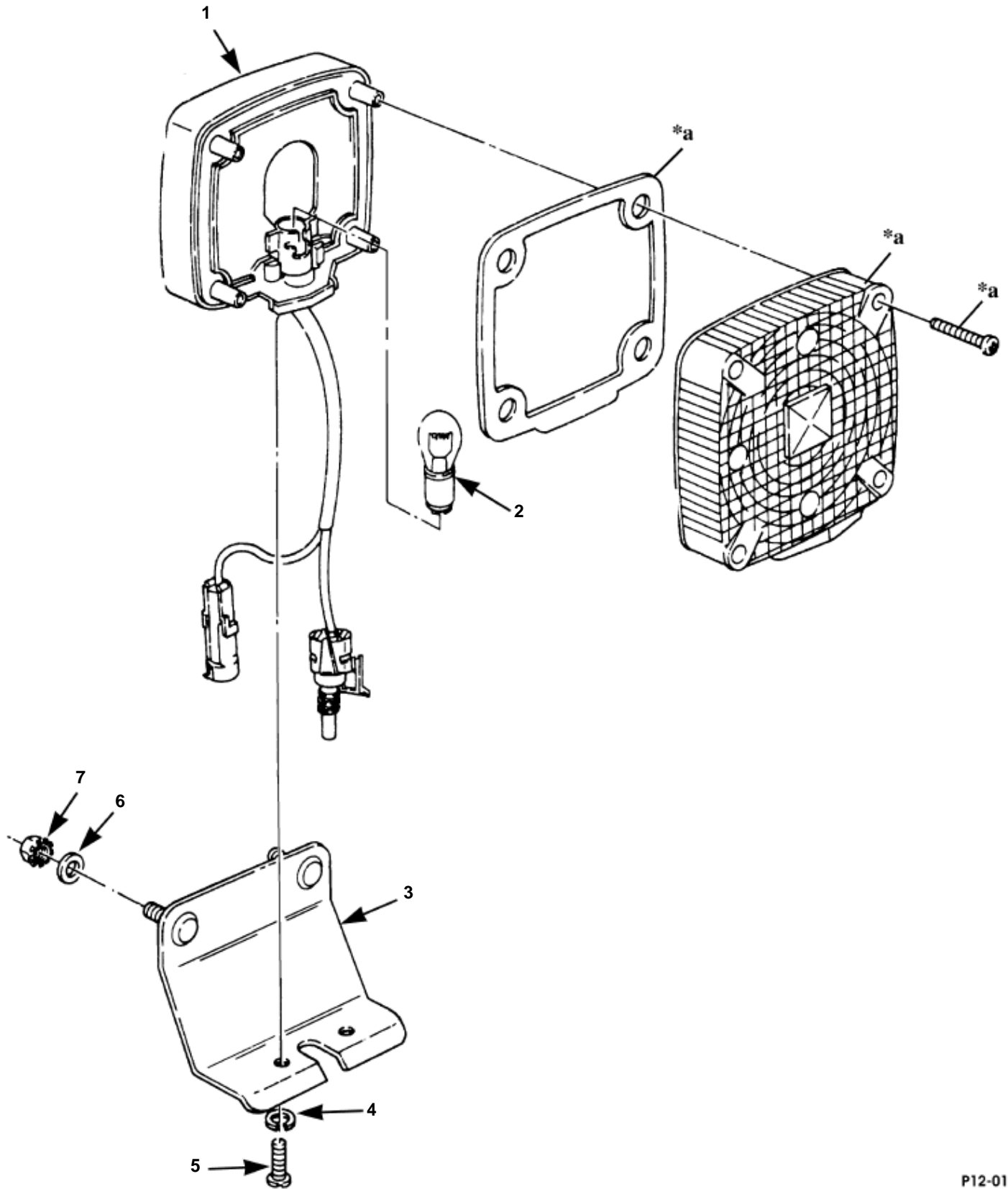
**Instrument Panel Cluster**

Item	Part No.	Description	Qty
	<b>M55017F2</b>	CAP (not illustrated)	2
	<b>NPN</b>	LOCKNUT (not illustrated)	4
	<b>5936132</b>	INDICATOR LAMP, CTI pump and tire air (used on earlier models) (symbols only) (not illustrated)	1
	<b>5936132</b>	INDICATOR LAMP, CTI pump and tire air (used on earlier models) (symbols only) (not illustrated)	1
	<b>5939552</b>	SWITCH, heater fan (used on earlier models) (not illustrated)	1
	<b>5939071</b>	INDICATOR LAMP, CTIS pump and tire air (used on earlier models) (not illustrated)	1
	<b>6002817</b>	INDICATOR LAMP, CTIS pump and tire air (used on earlier models) (symbols only) (not illustrated)	
	<b>5936133</b>	LAMP ASSEMBLY, temperature indicator (used on earlier models) (not illustrated)	1

NOTE 1: FOR ASSEMBLY OF PARTS, SEE FIGURE 10-33

NOTE 2: PART OF KIT, POWER MIRROR H/T P/N 5743320

PART OF KIT P/N , POWER MIRROR S/T 5743321



P12-011

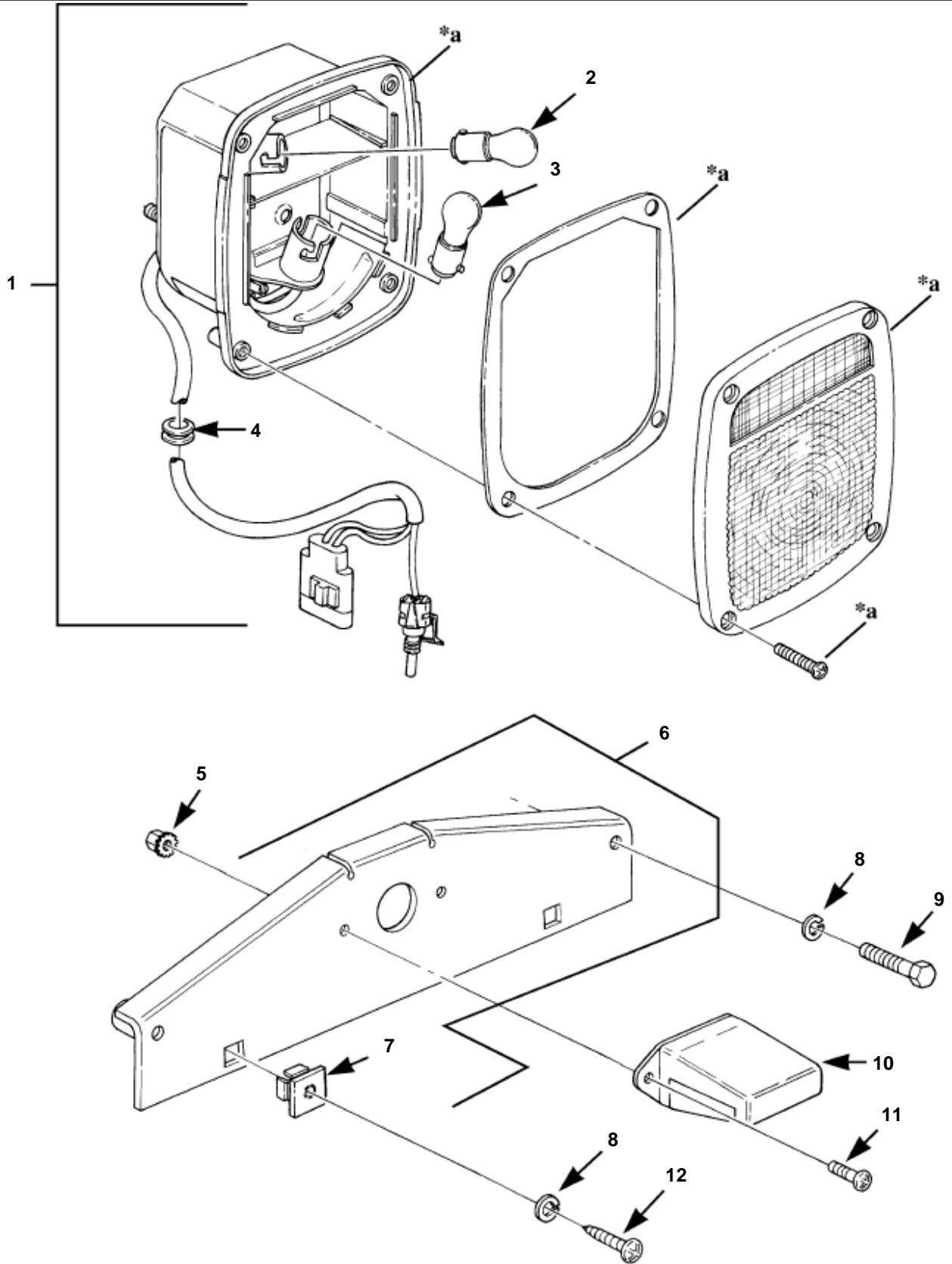
\*a PART OF ITEM 1

# Front Turn Signal Light and Mounting Hardware



**Front Turn Signal Light and Mounting Hardware.**

Item	Part No.	Description	Qty
1	<b>5939420</b>	LAMP, turn signal	2
2	<b>N/S</b>	BULB (trade #1157)	2
3	<b>5939093</b>	BRACKET, turn signal	2
4	<b>N/S</b>	LOCKWASHER, 1/4", MED	4
5	<b>179791P2</b>	BOLT	4
6	<b>ELMS27183-12</b>	WASHER	4
7	<b>271184</b>	NUT AND LOCKWASHER ASSEMBLY	4



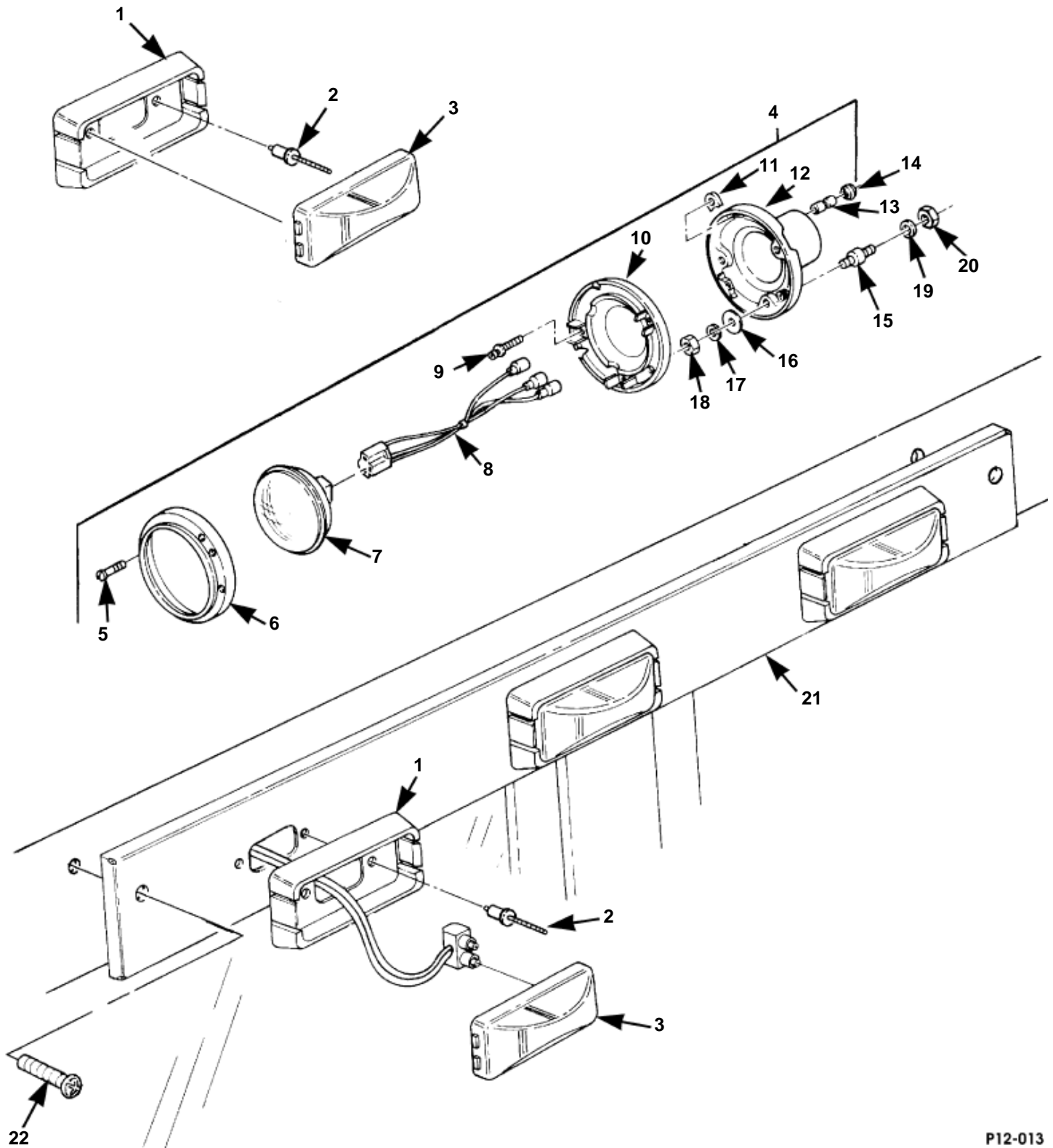
P12-012

\*a PART OF ITEM 1

## Rear Turn Signal Light/Taillight, License Plat Bracket, and Mounting Hardware

**Rear Turn Signal Light/Taillight, License Plate Bracket, and Mou**

Item	Part No.	Description	Qty
1	<b>5939089</b>	TAILLIGHT ASSEMBLY	2
2	<b>N/S</b>	·BULB, backup (trade #1156)	1
3	<b>N/S</b>	·BULB, stop, turn, taillight (trade #1157)	1
4	<b>MS35489-41</b>	S ·GROMMET	1
5	<b>271163</b>	NUT AND LOCKWASHER	2
6	<b>6013594</b>	BRACKET ASSEMBLY, license plate mount	1
7	<b>5939483</b>	·NUT	2
8	<b>MS35338-44P2</b>	LOCKWASHER	4
9	<b>N/S</b>	SCREW, 1/4 - 20 x 1 1/4", HX, HD, tapping	2
10	<b>5937030</b>	LAMP ASSEMBLY, license plate	1
11	<b>MS35206-245</b>	SCREW	2
12	<b>9415857</b>	SCREW	2

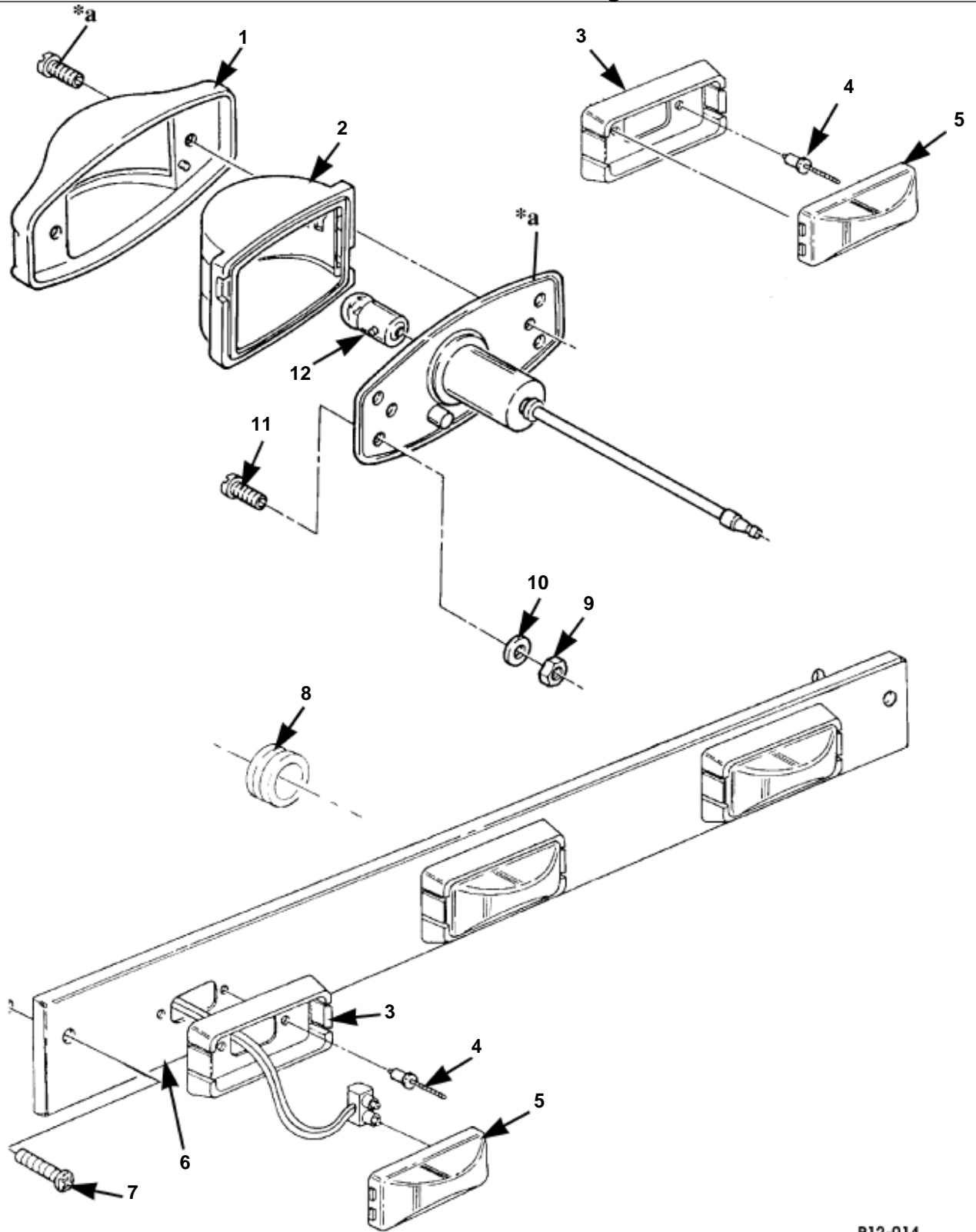


P12-013

# Headlight Assembly and Running Lights

**Headlight Assembly and Running Lights.**

Item	Part No.	Description	Qty
1	<b>5937024</b>	BRACKET, lamp assembly mount	5
2	<b>M24243/5-A404</b>	RIVET	10
3	<b>5937027</b>	LAMP, yellow	5
4	<b>5938841</b>	HEADLIGHT ASSEMBLY	2
5	<b>8741437P2</b>	·SCREW	3
6	<b>8741446</b>	·RETAINING RING	1
7	<b>5938842</b>	·LAMP, halogen	1
8	<b>5935897</b>	·HARNES ASSEMBLY, jumper	1
9	<b>7538146</b>	·SCREW	2
10	<b>8741447</b>	·HEADLAMP MOUNT ASSEMBLY	1
11	<b>8741435</b>	·NUT	2
12	<b>8741461</b>	·HEADLAMP HOUSING	1
13	<b>8741492</b>	·CONNECTOR	3
14	<b>8741442</b>	·GROMMET	3
15	<b>12338607</b>	·MOUNT	3
16	<b>2436161</b>	·WASHER	3
17	<b>MS35338-44</b>	·LOCKWASHER	3
18	<b>MS51968-2</b>	·NUT	3
19	<b>9414920</b>	WASHER, headlight assembly	6
20	<b>271175</b>	LOCKNUT, headlight assembly	6
21	<b>5937037P</b>	BRACKET ASSEMBLY	1
22	<b>MS35206-284</b>	SCREW	2



P12-014

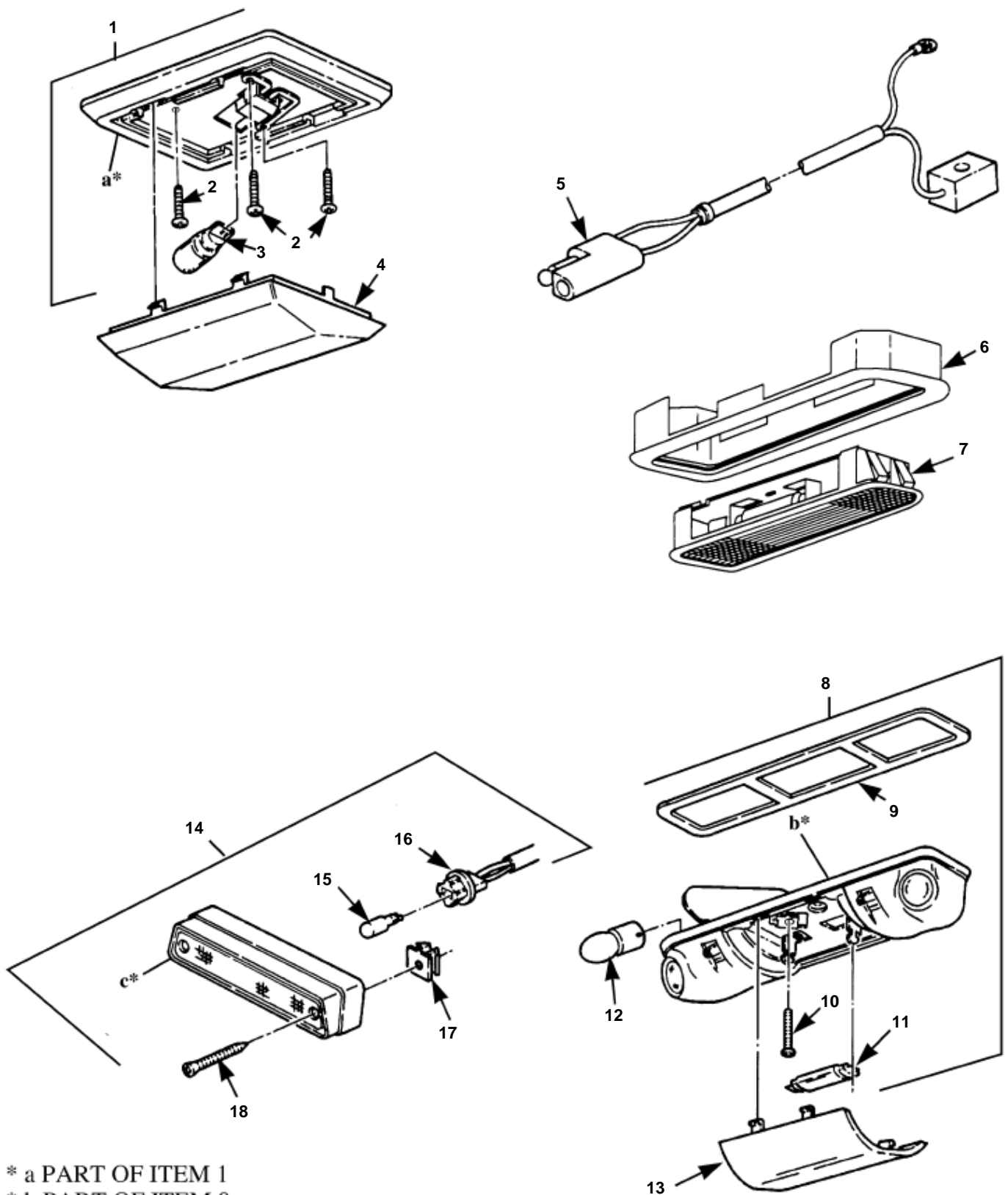
\*a PART OF ITEM 1

# Clearance Marker Light Assembly

**Clearance Marker Light Assembly.**

Item	Part No.	Description	Qty
1	<b>5937035</b>	LAMP HOLDER ASSEMBLY	4
2	<b>MS35421-1</b>	AMBER LENS LIGHT, front, SEE NOTE 1	2
	<b>MS35421-2</b>	RED LENS LIGHT, rear, SEE NOTE 1	2
3	<b>5937024</b>	BRACKET, lens assembly mounting	5
4	<b>M24243/5-A404</b>	RIVET	10
5	<b>5937026</b>	LAMP ASSEMBLY, red	5
6	<b>5939165P</b>	BRACKET ASSEMBLY, rear	1
7	<b>MS35206-284P2</b>	SCREW	2
8	<b>MS35489-48S</b>	GROMMET	1
9	<b>EL190254</b>	LOCKNUT	16
10	<b>ELMS27183-42</b>	WASHER	16
11	<b>MS35206-265</b>	SCREW	16
12	<b>S.I.A.</b>	BULB (trade #67)	1

NOTE 1: COMPLETE ASSEMBLY P/N 5937036 B2 FRONT



\* a PART OF ITEM 1  
 \* b PART OF ITEM 8  
 \* c PART OF ITEM 14

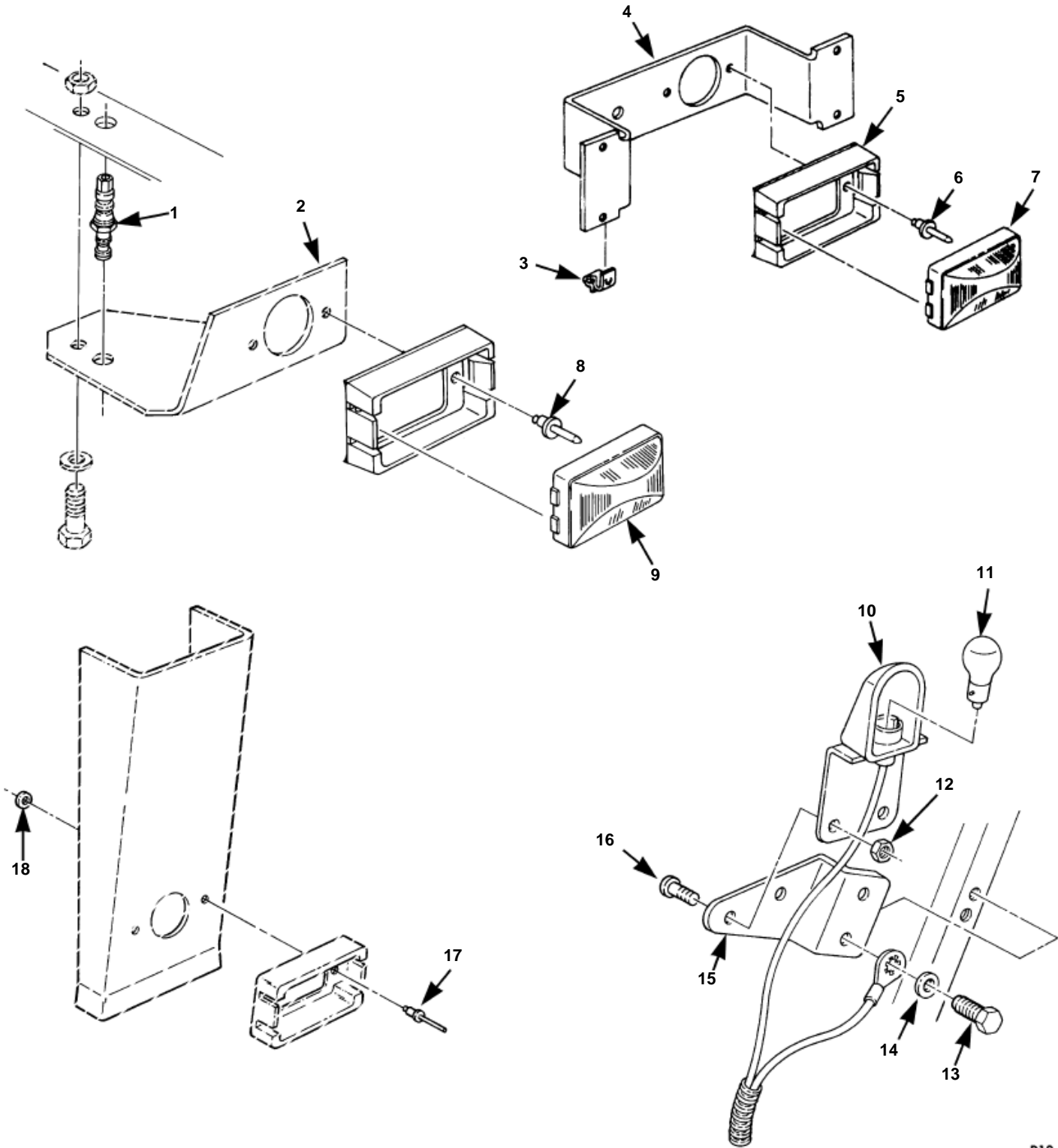
# Interior Dome Lights

P12-015



**Interior Dome Lights.**

Item	Part No.	Description	Qty
1	<b>5939057</b>	DOME LAMP ASSEMBLY, standard	1
VLC2			
HMC4			
HMCS			
2	<b>N/S</b>	·SCREW	3
3	<b>N/S</b>	·LAMP (trade #912)	1
4	<b>5939652</b>	LENS, dome lamp	1
VLC2			
HMC4			
HMCS			
5	<b>6000975</b>	HARNESS ASSEMBLY, dome lamp jumper	1
HMCS			
6	<b>6004087</b>	BEZEL, map light	1
7	<b>6004088</b>	LIGHT, assembly, map	1
8	<b>6000380</b>	MAP/DOME LAMP ASSEMBLY	1
9	<b>6002401</b>	·GASKET	1
10	<b>S.I.A.</b>	·SCREW	2
11	<b>N/S</b>	·BULB, dome light (trade #105)	1
12	<b>N/S</b>	·BULB, map light (trade #89)	2
13	<b>5939653</b>	LENS, map/dome lamp	1
14	<b>6000894</b>	CARGO LAMP ASSEMBLY	1
VLC2, HMC4			
15	<b>N/S</b>	·LAMP (trade #912)	1
VLC2, HMC4			
16	<b>6000893</b>	·HARNESS	1
VLC2, HMC4			
17	<b>5939659</b>	·GROMMET	2
VLC2, HMC4			
18	<b>176981P2</b>	·SCREW	2
VLC2, HMC4			

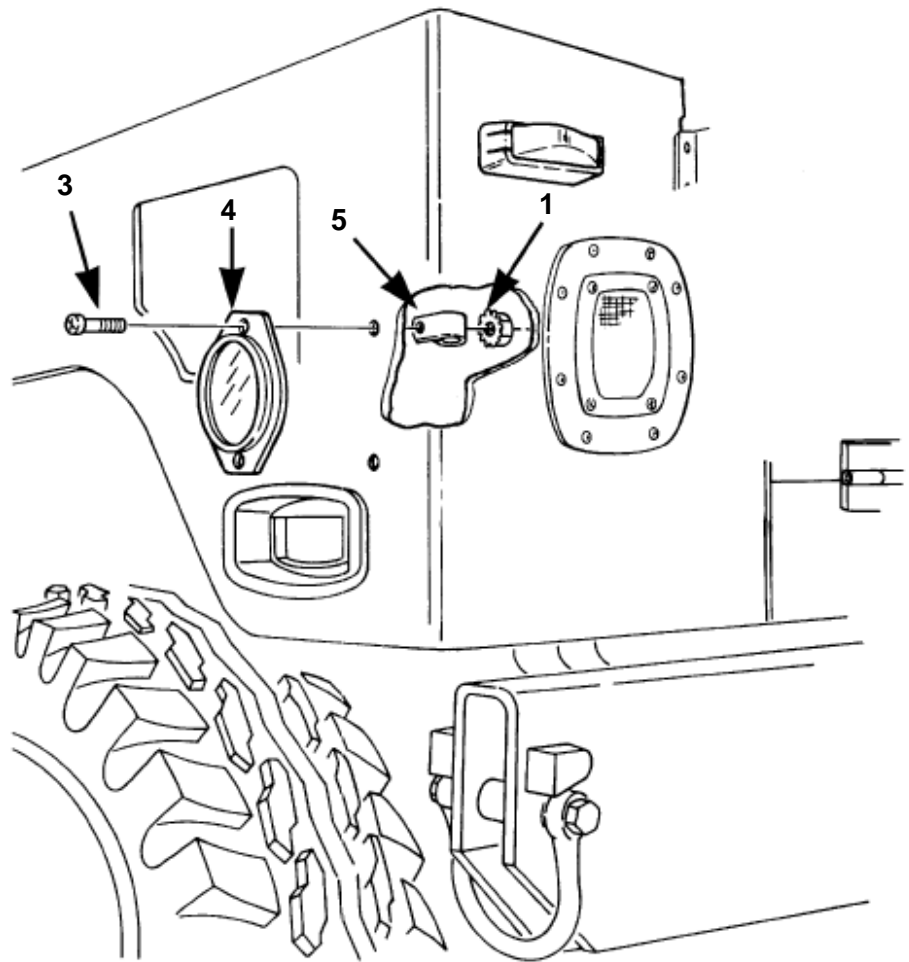
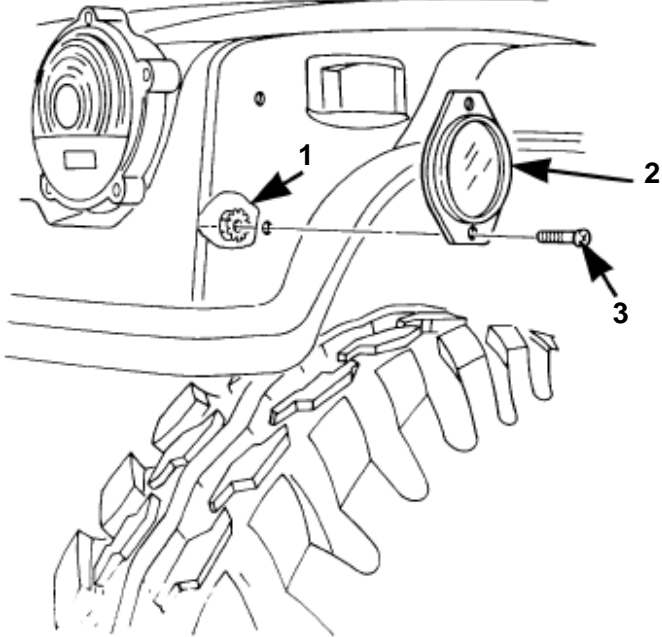


P12-016

# Interior Courtesy Lights, Underhood Light, and Door Jamb Switch

**Interior Courtesy Lights, Underhood Light, and Door Jamb Switch.**

Item	Part No.	Description	Qty
1	<b>5939088</b>	DOOR JAMB SWITCH	2
VLC2			
1	<b>5939088</b>	DOOR JAMB SWITCH	4
VLC4, HMCS, VLCO			
2	<b>5937024</b>	BRACKET, lamp assembly mounting	2
VLC2			
2	<b>5937024</b>	BRACKET, lamp assembly mounting	4
HMC4, HMCS, VLCO			
3	<b>6000008</b>	CLIP	4
HMC2			
4	<b>5939995</b>	BRACKET	2
HMC2			
5	<b>5937024</b>	BRACKET	2
HMC2			
6	<b>6002039</b>	RIVET	4
HMC2			
7	<b>5939309</b>	LAMP ASSEMBLY	2
HMC2			
8	<b>6002039</b>	RIVET	4
		VLC2	
HMC4, HMCS, VLCO			
9	<b>5939309</b>	LAMP ASSEMBLY	2
		VLC2	
HMC4, HMCS, VLCO			
10	<b>5939456</b>	LAMP ASSEMBLY, underhood	1
11	<b>N/S</b>	BULB (trade #105)	1
12	<b>271169</b>	NUT, underhood lamp bracket	2
13	<b>N/S</b>	SCREW, #10 - 32", hex, head	2
14	<b>MS27183-8</b>	WASHER	2
15	<b>5939819</b>	BRACKET, underhood lamp	1
16	<b>MS35207-263</b>	SCREW, underhood lamp bracket	2
17	<b>6002039</b>	RIVET	4
18	<b>MS27183-6</b>	WASHER	4

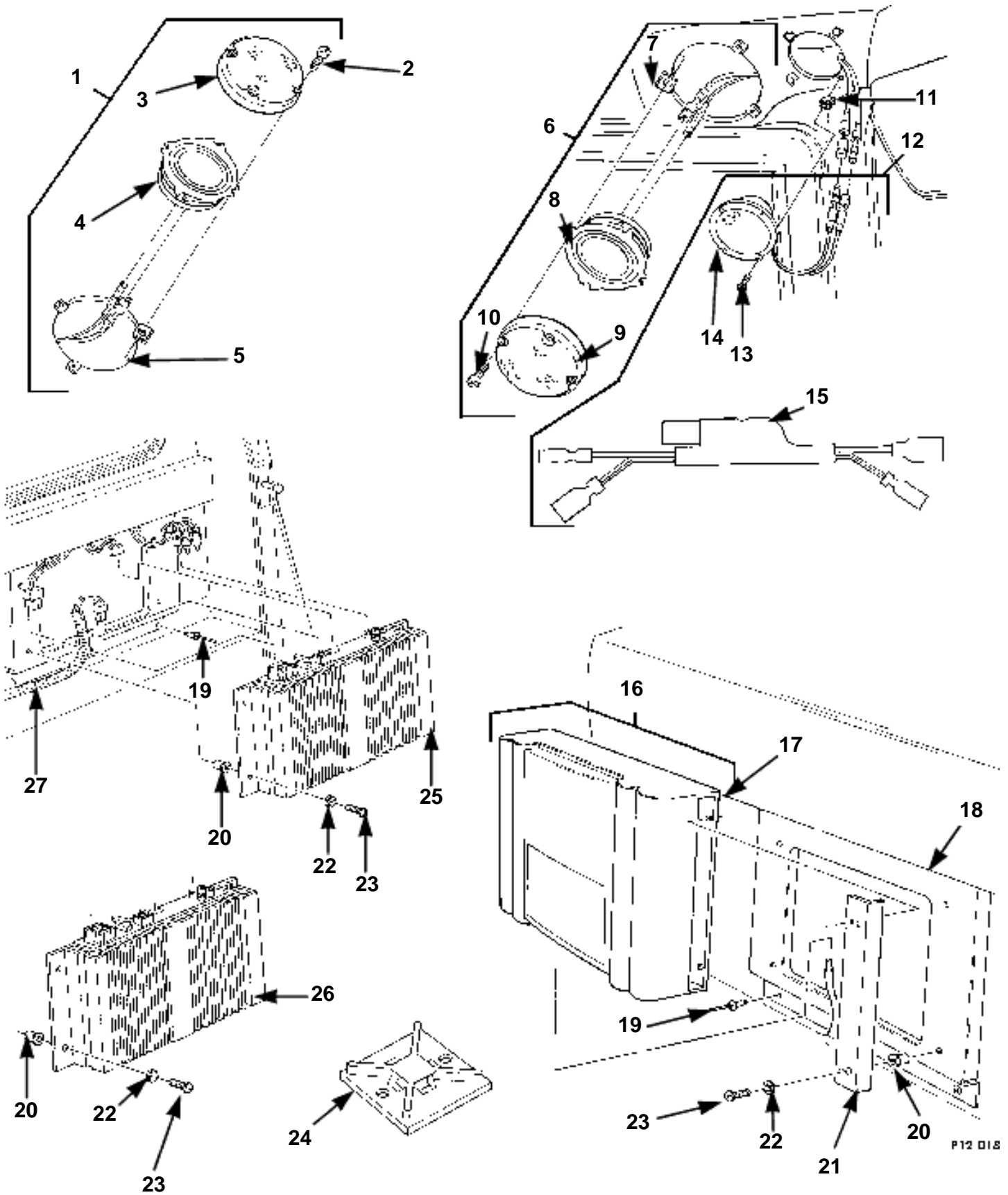


P12-017

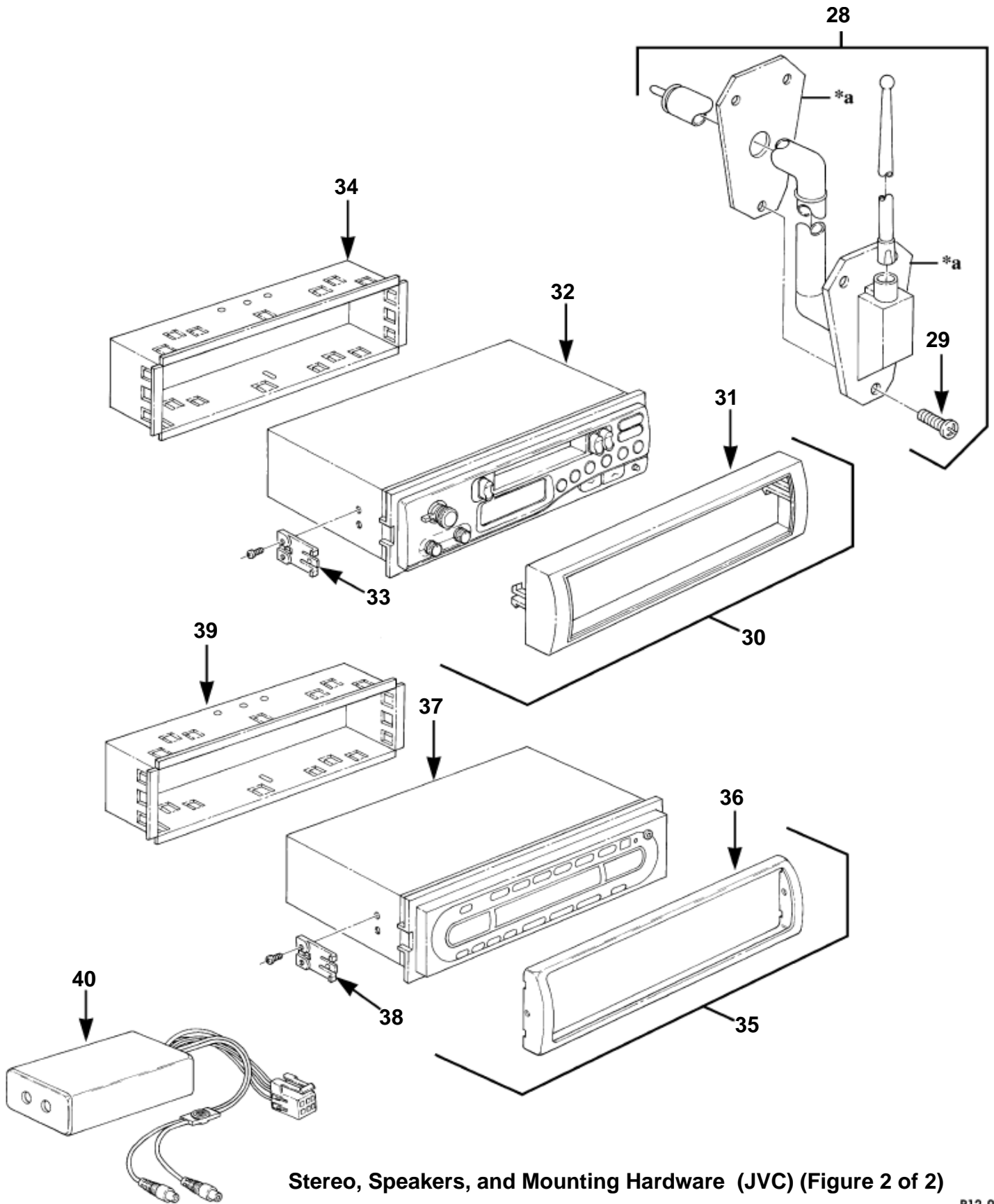
# Reflectors

**Reflectors.**

Item	Part No.	Description	Qty
1	<b>271172</b>	LOCKNUT, reflector mounting	8
2	<b>5935715B2</b>	AMBER REFLECTOR, front, side	2
3	<b>MS35206-28</b>	0 SCREW	8
4	<b>5935714B2</b>	RED REFLECTOR, rear, side	2
5	<b>MS21333-99</b>	CLAMP	4



**Stereo, Speakers, and Mounting Hardware (JVC) (Figure 1 of 2)**



Stereo, Speakers, and Mounting Hardware (JVC) (Figure 2 of 2)

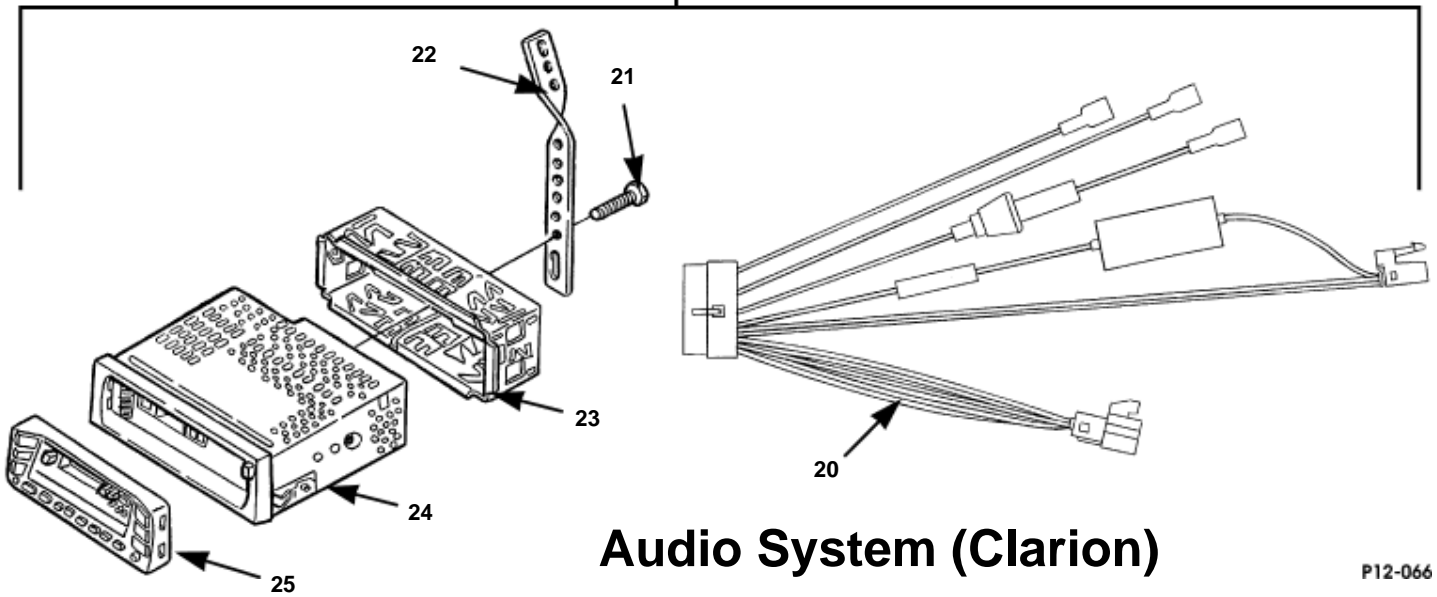
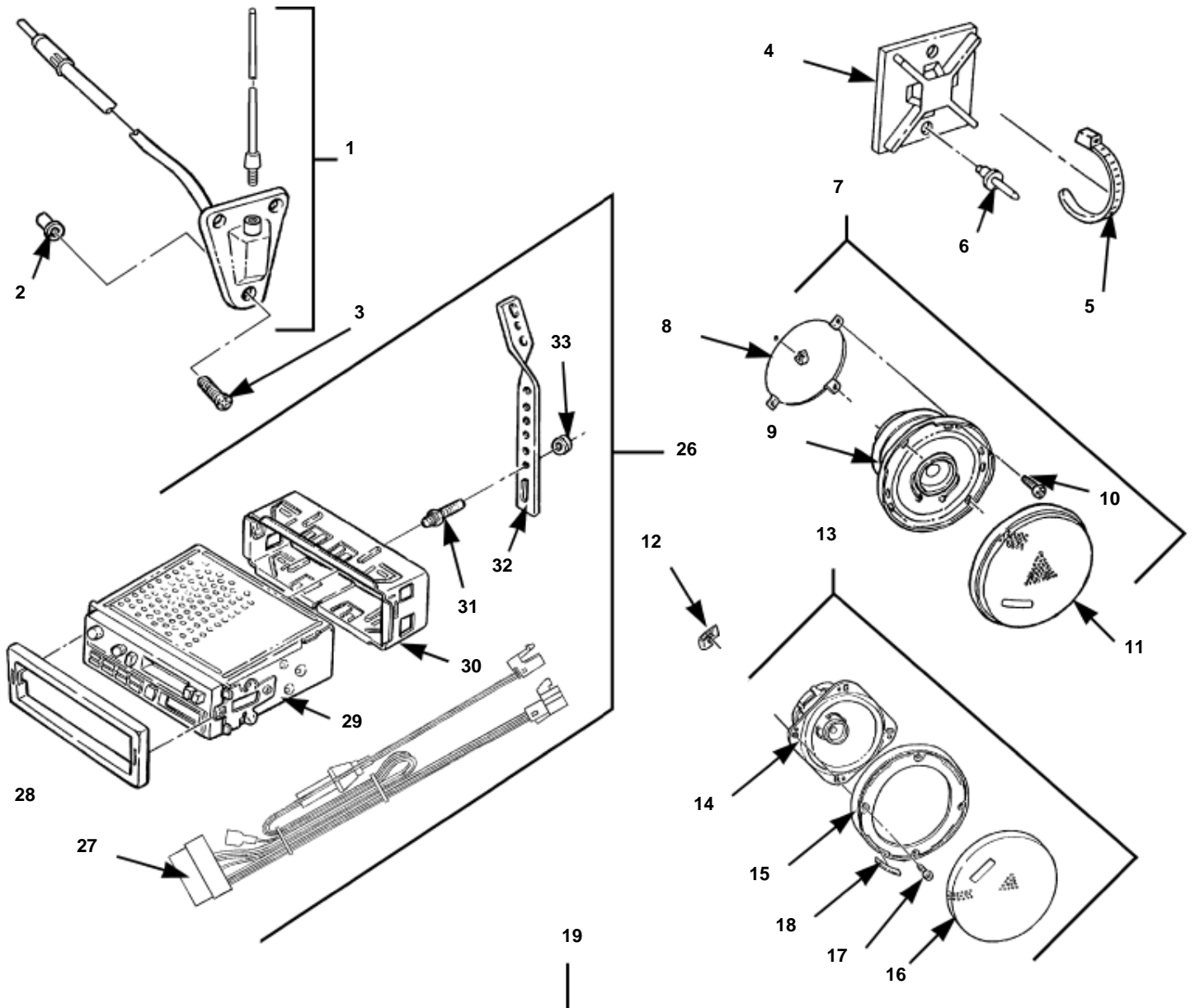
P12-019

\*a Part of Item 28

**Stereo, Speakers, and Mounting Hardware (JVC)**

Item	Part No.	Description	Qty
1	<b>6001042</b>	DUAL CONE SPEAKER KIT (HMCO)	2
	<b>6001043</b>	TWO-WAY SPEAKER KIT	2
2	<b>MS35206-232</b>	.SCREW, midrange	4
	<b>6000800</b>	.SCREW, full range	4
3	<b>5939572</b>	.GRILLE, midrange	1
	<b>6000798</b>	.GRILLE, full range	1
4	<b>6001042</b>	.SPEAKER, dual cone	2
	<b>6001043</b>	.SPEAKER, two-way	2
5	<b>5939574</b>	.SPEEDNUT, midrange	4
	<b>6000799</b>	.SPEEDNUT, full range	4
6	<b>5939211</b>	MIDRANGE SPEAKER KIT	1
7	<b>5939574</b>	.SPEEDNUT, midrange	4
	<b>6000799</b>	.SPEEDNUT, full range	4
8	<b>5939571</b>	.SPEAKER, midrange	2
	<b>6000797</b>	.SPEAKER, full range	2
9	<b>5939572</b>	.GRILLE, midrange	1
	<b>6000798</b>	.GRILLE, full range	1
10	<b>MS35206-232</b>	.SCREW, midrange	4
	<b>6000800</b>	.SCREW, full range	4
11	<b>6001234</b>	TUBULAR NUT	8
12	<b>5939210</b>	TWEETER KIT	1
13	<b>5939474</b>	.SCREW	8
14	<b>5939472</b>	.SCREW, tweeter	2
15	<b>5939473</b>	.CROSSOVER NETWORK	2
16	<b>5939209</b>	SUBWOOFER KIT	1
17	<b>5939487</b>	.SUBWOOFER	1
18	<b>6000385</b>	SUBWOOFER MOUNTING BRACKET	1
19	<b>12339355-1</b>	RIVET	22
20	<b>6000337</b>	NUT, insert	12
21	<b>6000743</b>	MOUNTING BRACKET	2
22	<b>N/S</b>	TOOTHED LOCKWASHER, #8	12
23	<b>VKZ40298-006</b>	SETSCREW, amplifier	12
24	<b>6007928</b>	MOUNT, cable tie	1
25	<b>5939207</b>	AMPLIFIER, stereo	1
		HMC4, HMCS, HMCO	
26	<b>5939208</b>	AMPLIFIER, 4-channel	1
		HMC4, HMCS, HMCO	
27	<b>6000321</b>	BRACKET, amplifier mounting	1
28	<b>6007043</b>	ANTENNA, radio	1
29	<b>156770P2</b>	SCREW, radio antenna	3
30	<b>6000490</b>	CASSETTE RECEIVER KIT, standard	1
31	<b>S.I.K.</b>	.TRIM PLATE	1
32	<b>S.I.K.</b>	.CASSETTE RECEIVER	1
33	<b>S.I.K.</b>	.SIDE SPRING	2
34	<b>S.I.K.</b>	.MOUNTING SLEEVE	1
35	<b>5939206</b>	CASSETTE RECEIVER KIT, deluxe	1
36	<b>S.I.K.</b>	.TRIM PLATE	1
37	<b>S.I.K.</b>	.CASSETTE RECEIVER	1
38	<b>S.I.K.</b>	.SIDE SPRING	2
39	<b>S.I.K.</b>	.MOUNTING SLEEVE	1
40	<b>5939212</b>	CONVERTER, speaker level output	1



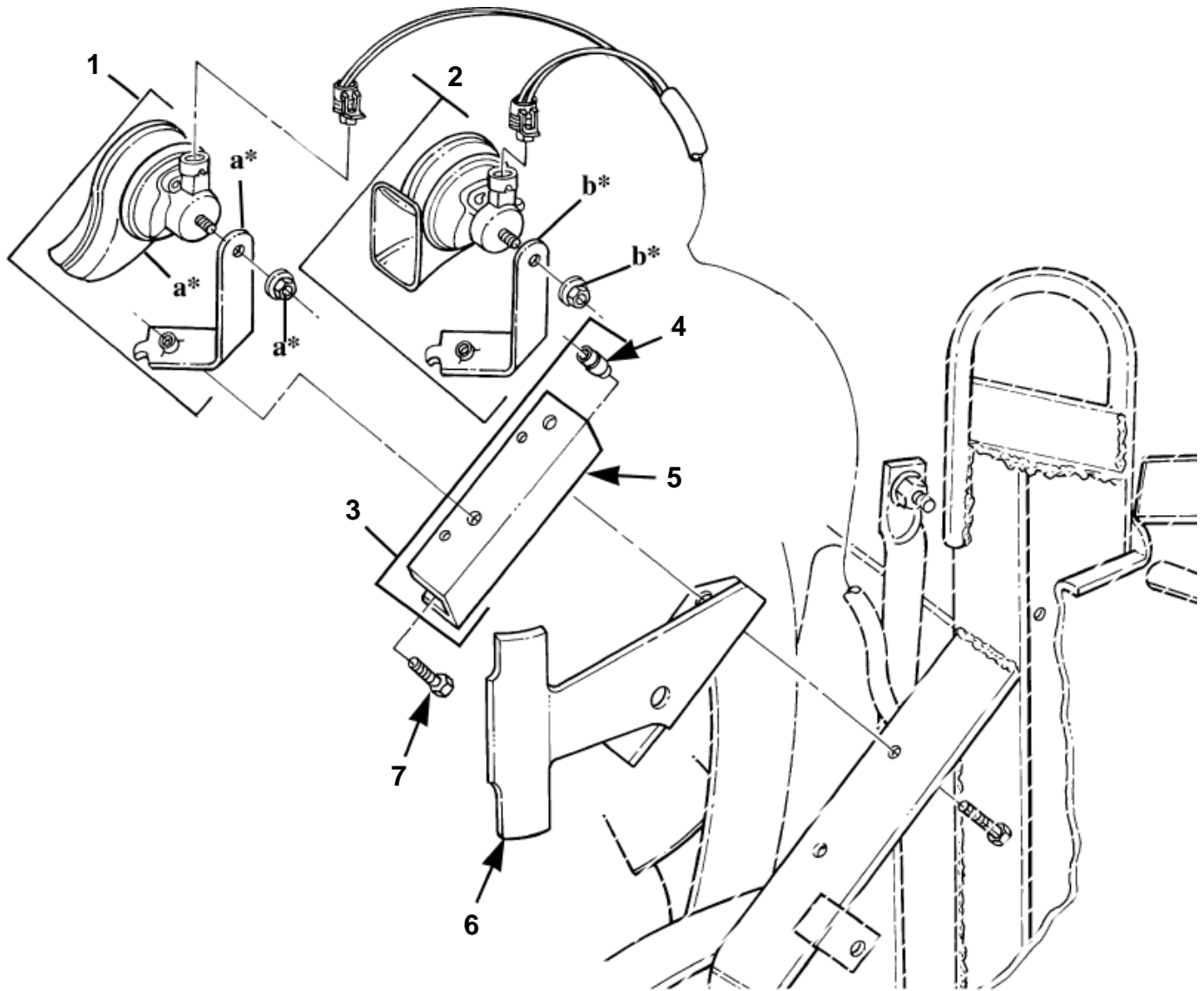


**Audio System (Clarion)**

P12-066

**Audio System (Clarion).**

Item	Part No.	Description	Qty
1	<b>6007043</b>	ANTENNA	1
2	<b>6000337</b>	NUT INSERT	3
3	<b>156770P2</b>	SCREW	3
4	<b>6002532</b>	MOUNT, cable tie	1
5	<b>MS3367-2-0</b>	TIE WRAP	1
6	<b>M24243/1A405</b>	RIVET	2
7	<b>6004819</b>	DUAL CONE SPEAKER KIT, (standard)	1
	<b>6004470</b>	COAXIAL SPEAKER KIT, (deluxe)	2
8	<b>S.I.K.</b>	SPEEDNUT	16
9	<b>S.I.K.</b>	COAXIAL SPEAKER	4
10	<b>S.I.K.</b>	SCREW	16
11	<b>S.I.K.</b>	GRILLE	4
12	<b>6004469</b>	SPEEDNUT	8
		VLC2	
	<b>6004469</b>	SPEEDNUT	16
		HMC4, HMCS	
13	<b>6004409</b>	COAXIAL SPEAKER KIT, (deluxe)	1
		VLC2	
	<b>6004409</b>	COAXIAL SPEAKER KIT, (deluxe)	2
		HMC4, HMCS	
	<b>6004818</b>	DUAL CONE SPEAKER KIT, (standard)	1
		VLC2	
	<b>6004818</b>	DUAL CONE SPEAKER KIT, (standard)	2
		HMC4, HMCS	
14	<b>S.I.K.</b>	DUAL CONE SPEAKER, SEE NOTE 1	2
15	<b>S.I.K.</b>	GRILLE, SEE NOTE 1	2
16	<b>S.I.K.</b>	SCREEN, SEE NOTE 1	2
17	<b>S.I.K.</b>	SCREW, SEE NOTE 1	8
18	<b>S.I.K.</b>	BUTYL RUBBER, SEE NOTE 1	8
19	<b>5745168</b>	CASSETTE RECEIVER KIT, (deluxe)	1
20	<b>6004411</b>	JUMPER HARNESS	1
21	<b>S.I.K.</b>	SCREW	1
22	<b>S.I.K.</b>	SUPPORT STRAP	1
23	<b>S.I.K.</b>	MOUNTING SLEEVE	1
24	<b>S.I.K.</b>	CASSETTE RECEIVER	1
25	<b>S.I.K.</b>	RADIO CONTROL PANEL	1
26	<b>6004820</b>	CASSETTE RECEIVER KIT, (standard)	1
27	<b>6004821</b>	JUMPER HARNESS	1
28	<b>S.I.K.</b>	TRIM PLATE	1
29	<b>S.I.K.</b>	CASSETTE RECEIVER	1
30	<b>S.I.K.</b>	MOUNTING SLEEVE	1
31	<b>S.I.K.</b>	STUD	1
32	<b>S.I.K.</b>	SUPPORT STRAP	1
33	<b>S.I.K.</b>	NUT	1



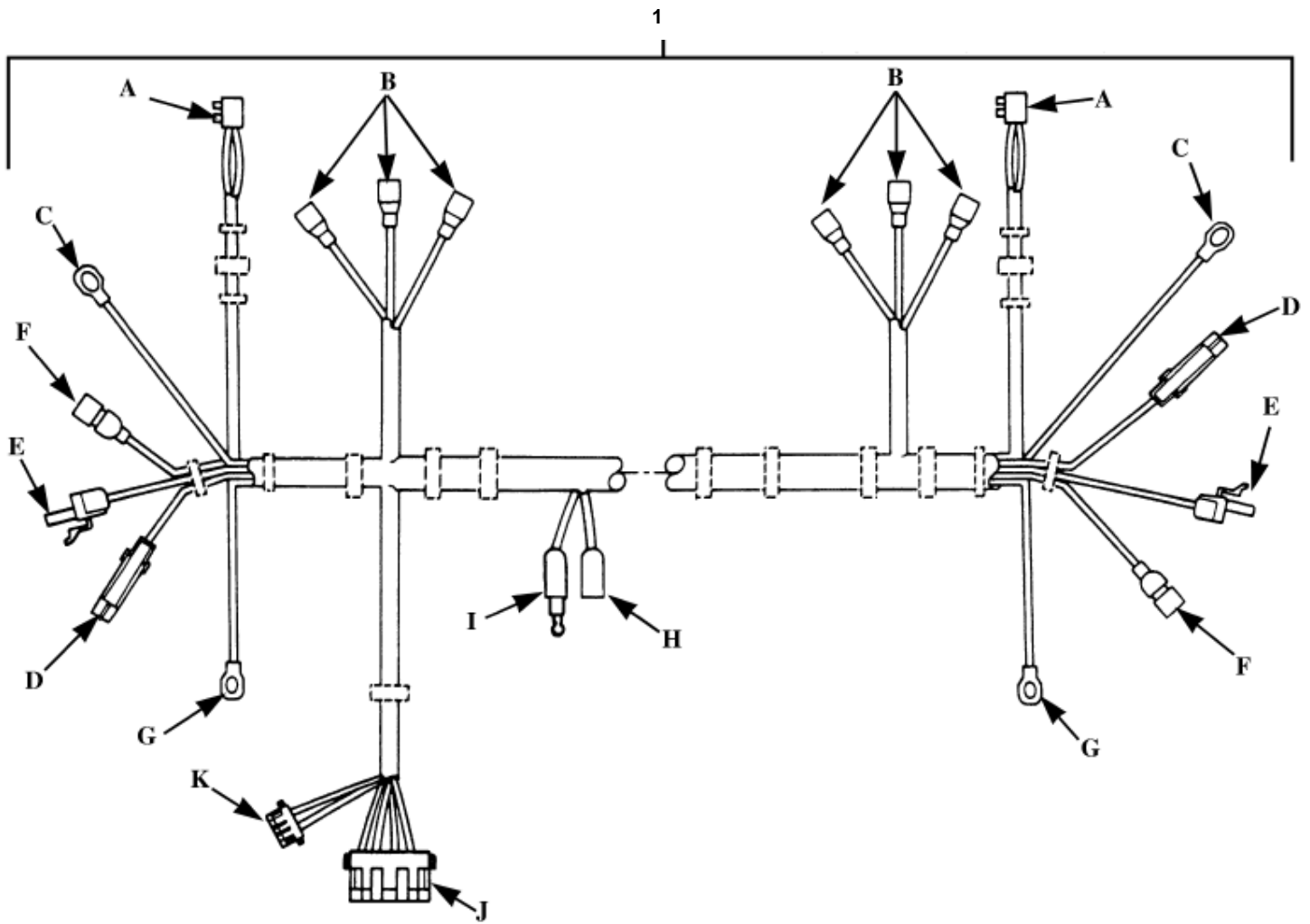
P12-020

- \* a PART OF ITEM 1
- \* b PART OF ITEM 2

## Dual Horns

**Dual Horns.**

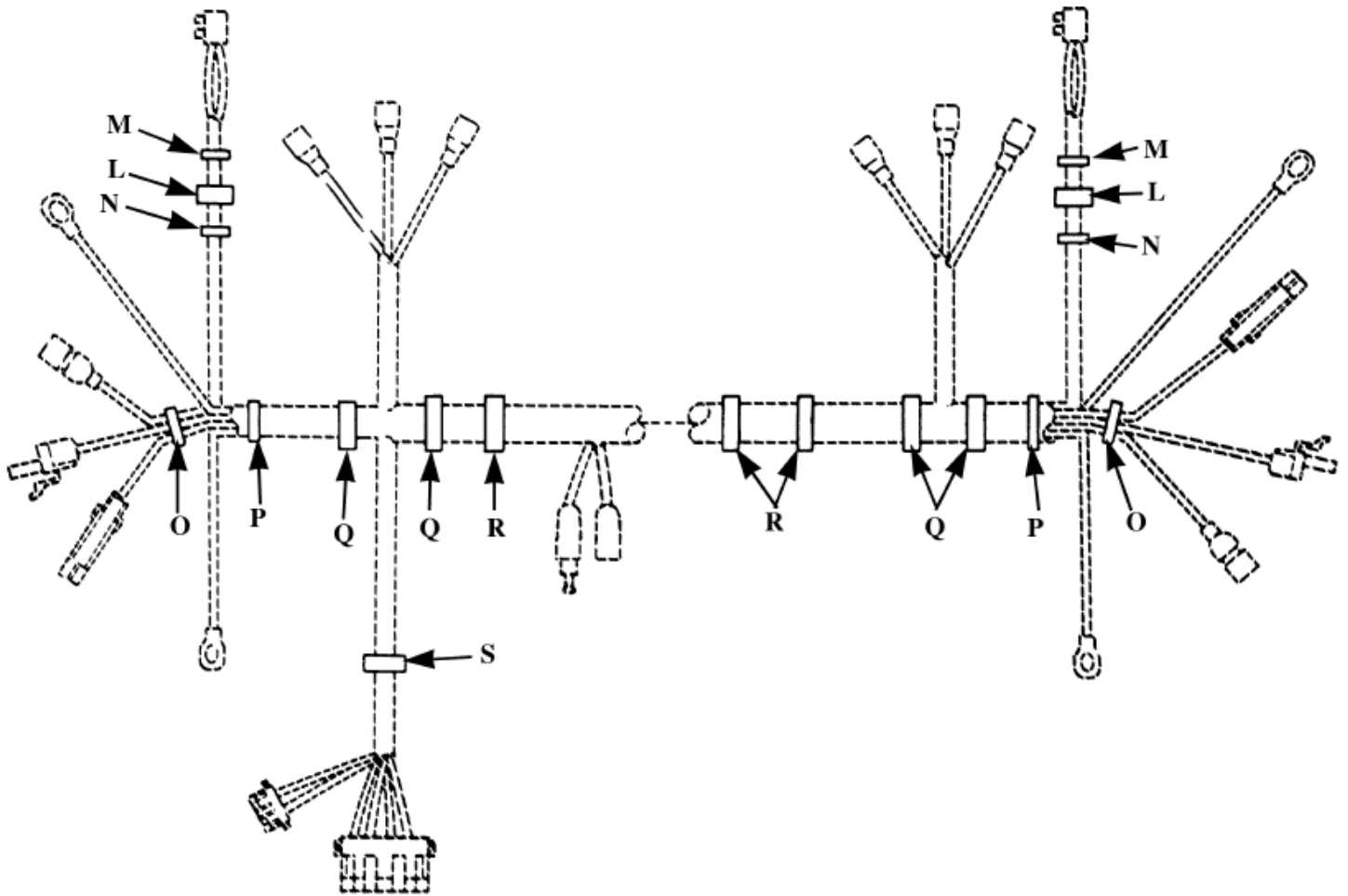
Item	Part No.	Description	Qty
1	<b>5745133</b>	HORN AND BRACKET ASSEMBLY, 400 HZ	1
2	<b>5745134</b>	HORN AND BRACKET ASSEMBLY, 500 HZ	1
3	<b>6003130</b>	BRACKET ASSEMBLY, horn mounting	1
4	<b>6002707</b>	·NUT, insert	2
5	<b>6003402</b>	·BRACKET	1
6	<b>6003161</b>	BRACKET	1
7	<b>MS90728-34</b>	BOLT	2

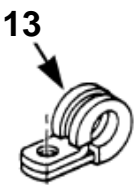

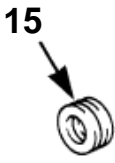
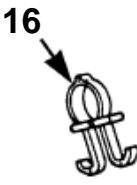

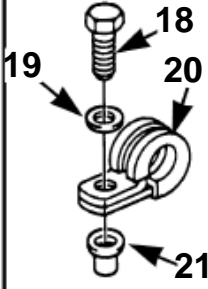
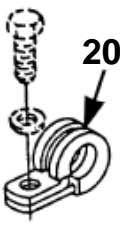
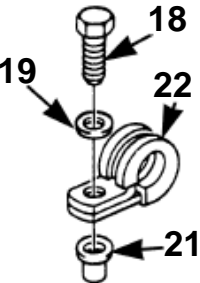


<p>2</p> <p>VIEW A</p>	<p>3</p> <p>VIEW B</p>	<p>4</p> <p>VIEW C</p>	<p>5</p> <p>VIEW D</p>	<p>6</p> <p>VIEW E</p>	<p>7</p> <p>VIEW F</p>
<p>8</p> <p>VIEW G</p>	<p>9</p> <p>VIEW H</p>	<p>10</p> <p>VIEW I</p>	<p>11</p> <p>VIEW J</p>	<p>12</p> <p>VIEW K</p>	

**Hood Wiring Harness (Figure 1 of 2)**

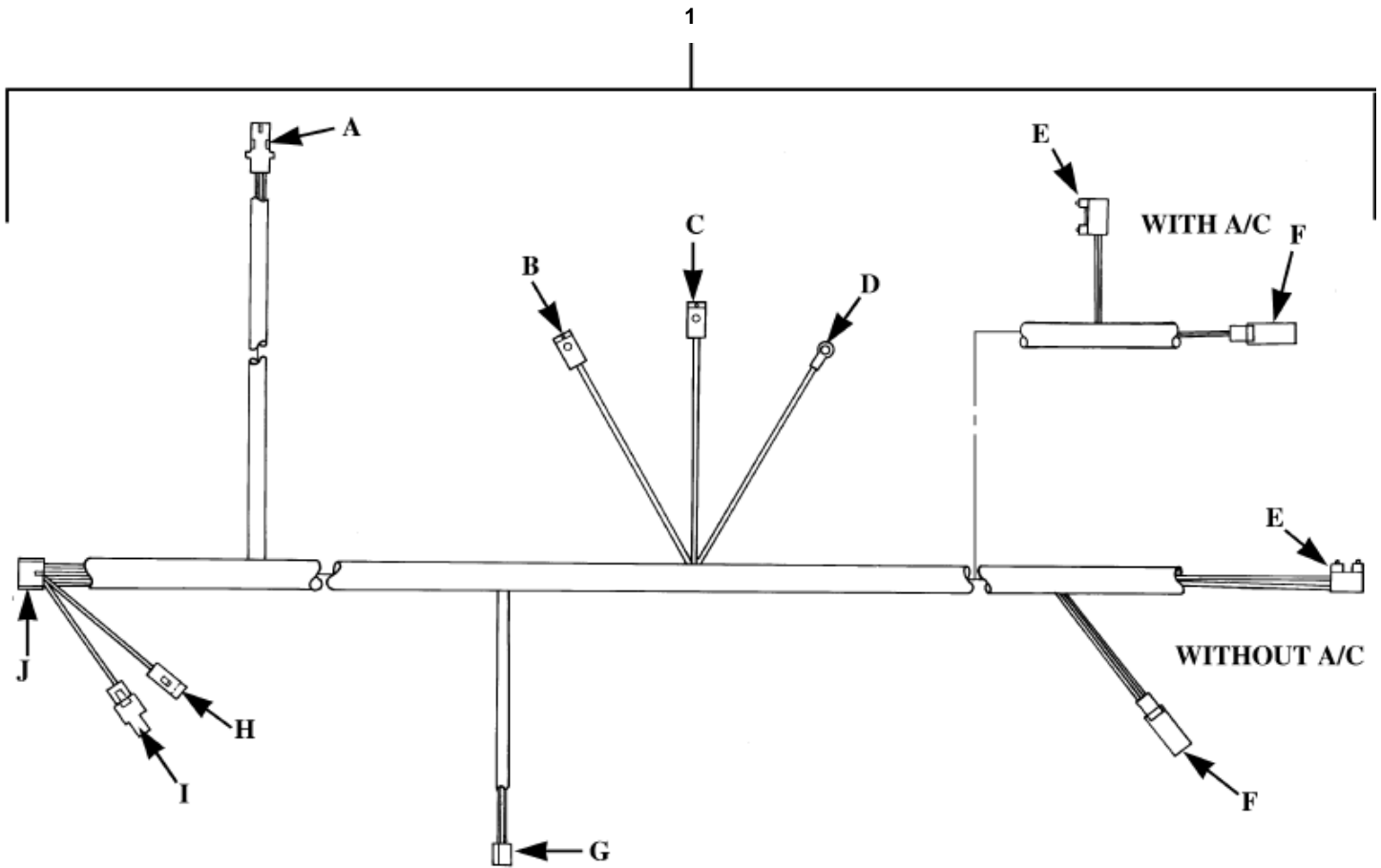
..2-021

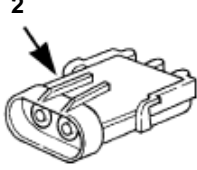



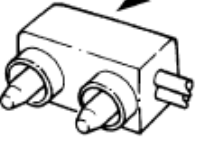
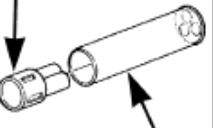
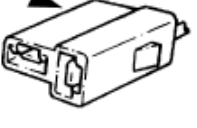
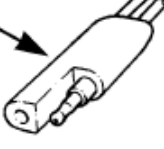
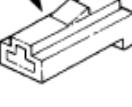
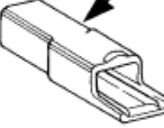



 <p>VIEW L</p>	 <p>VIEW M</p>	 <p>VIEW N</p>	 <p>VIEW O</p>	 <p>VIEW P</p>	 <p>VIEW Q</p>
 <p>VIEW R</p>	 <p>VIEW S</p>	<h2>Hood Wiring Harness (Figure 2 of 2)</h2>			

**Hood Wiring Harness**

Item	Part No.	Description	Qty
1	<b>5936598</b>	HOOD WIRING HARNESS	1
2	<b>5937021</b>	.CONNECTOR, clearance lamps	2
3	<b>MS27142-2</b>	.CONNECTOR PLUG, left and right head lamp	6
4	<b>N/S</b>	.TERMINAL LUG, parking lamp ground	2
5	<b>5939236</b>	.CONNECTOR PLUG, turn signal lamp	2
6	<b>5939237</b>	.CONNECTOR PLUG, park light	2
7	<b>MS27144-2</b>	.CONNECTOR PLUG, marker lamp	2
8	<b>N/S</b>	.TERMINAL LUG, marker lamp ground	2
9	<b>N/S</b>	.CONNECTOR PLUG, under hood lamp	1
10	<b>N/S</b>	.CONNECTOR, under hood lamp	1
11	<b>5995732</b>	.CONNECTOR PLUG, to body harness	1
12	<b>5939582</b>	.CONNECTOR PLUG, under hood lamp	1
13	<b>MS21333-99</b>	CLAMP, wiring harness	2
14	<b>MS35489-10S</b>	GROMMET, wiring harness	2
15	<b>MS35489-39S</b>	GROMMET, wiring harness	2
16	<b>12340573</b>	CLIP, harness mounting	2
17	<b>MS35489-48S</b>	GROMMET, wiring harness	2
18	<b>MS90725-7</b>	SCREW, harness clamps	5
19	<b>ELMS27183-10</b>	WASHER, harness clamps	5
20	<b>MS21333-112</b>	CLAMP, wiring harness	7
21	<b>12339397-4</b>	WELLNUT, wiring harness	5
22	<b>MS21333-100</b>	CLAMP, wiring harness	1



 <p>2</p> <p>VIEW A</p>	 <p>3</p> <p>VIEW B</p>	 <p>4</p> <p>VIEW C</p>	 <p>5</p> <p>VIEW D</p>	 <p>6</p> <p>VIEW E</p>	 <p>7</p> <p>8</p> <p>VIEW F</p>
 <p>9</p> <p>WITHOUT A/C</p> <p>VIEW G</p>	 <p>9</p> <p>WITH A/C</p> <p>VIEW G</p>	 <p>10</p> <p>VIEW H</p>	 <p>11</p> <p>VIEW I</p>	 <p>12</p> <p>VIEW J</p>	

P12-023

# Roof Wiring Harness, Two-Door

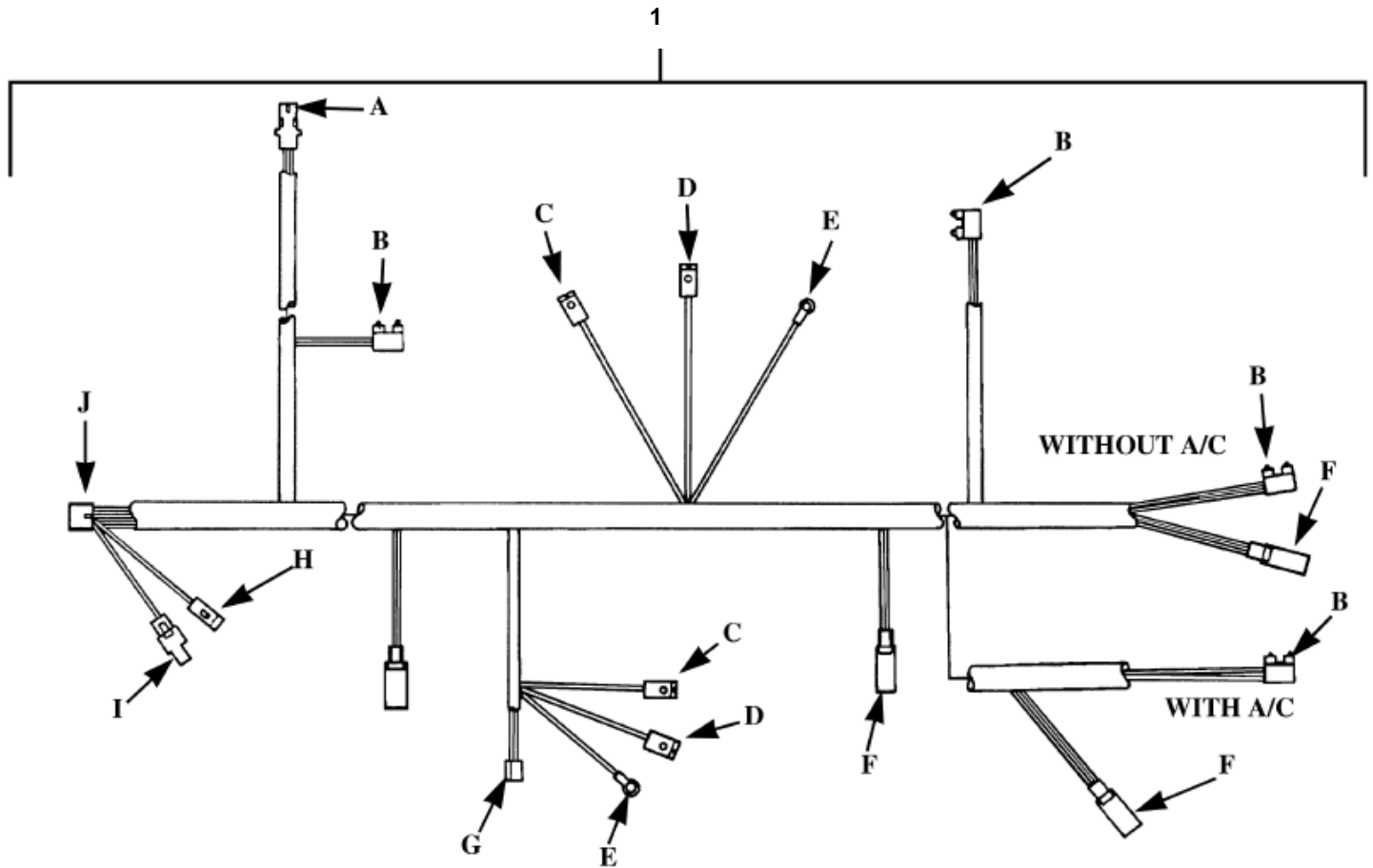





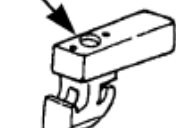

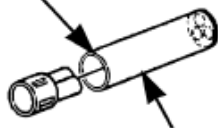
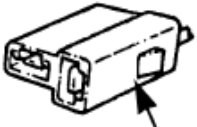
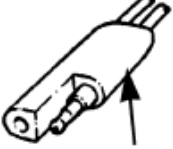
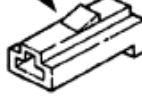


HUMMER H1 1994 Parts Catalog  
**Roof Wiring Harness, Two-Door.**

Item	Part No.	Description	Qty
1	<b>6000944</b>	WIRING HARNESS (with A/C)	1
HMC2			
1	<b>6003474</b>	WIRING HARNESS (with A/C) (early 1994), SEE NOTE 1	1
HMC2			
1	<b>6004300</b>	WIRING HARNESS (late 1994), SEE NOTE 2	1
HMC2			
1	<b>5939086</b>	WIRING HARNESS (without A/C)	1
HMC2			
1	<b>6005284</b>	WIRING HARNESS	1
XLC2			
2	<b>5939099</b>	.CONNECTOR, seatbelt switch	1
3	<b>5939096</b>	.RETAINER, dome lamp	1
4	<b>5939097</b>	.RETAINER, dome lamp	1
5	<b>N/S</b>	.TERMINAL RING, dome lamp	1
6	<b>5937039</b>	.CONNECTOR, right courtesy light	1
7	<b>5939102</b>	.SLEEVE, right door jamb switch	1
8	<b>5939085</b>	.CONNECTOR, right door jamb switch	1
9	<b>6000972</b>	.CONNECTOR, cargo light (with A/C)	1
	<b>5962722</b>	.CONNECTOR, cargo light (without A/C)	1
10	<b>5903092</b>	.INSULATOR, wiring harness	1
11	<b>5903093</b>	.INSULATOR, wiring harness	1
12	<b>6000261</b>	.CONNECTOR, wiring harness	1

NOTE 1: WITH CENTER DOME/MAP LIGHT.

NOTE 2: WITH SEPARATE RECTANGULAR MAP LIGHTS.



 2 VIEW A	 3 VIEW B	 4 VIEW C	 5 VIEW D	 6 VIEW E	 7 8 VIEW F
WITHOUT A/C  9 VIEW G	WITH A/C  9 VIEW G	 10 VIEW H	 11 VIEW I	 12 VIEW J	

P12-024

# Roof Wiring Harness Four-Door

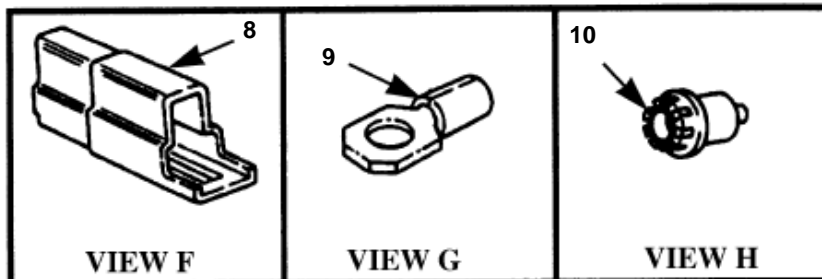
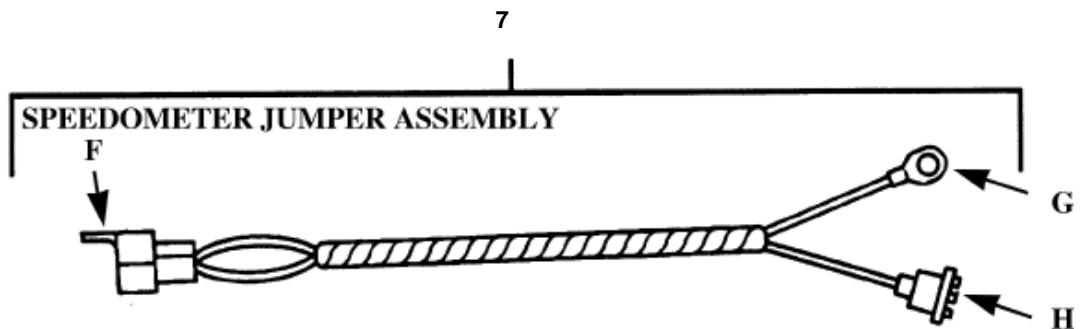
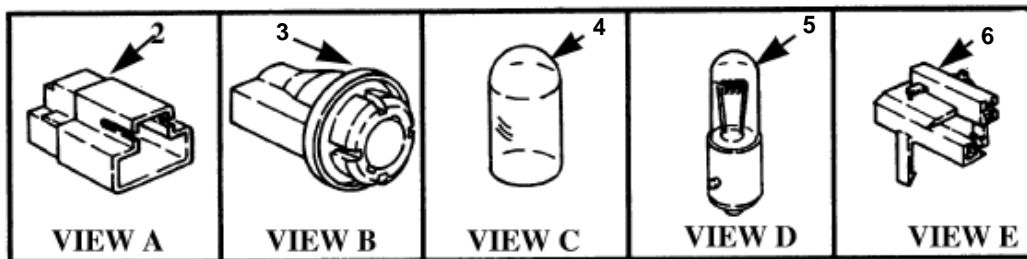
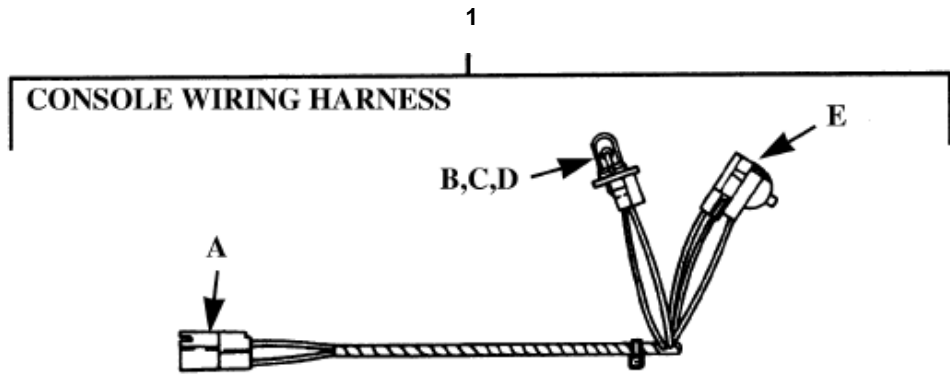
HUMMER H1 1994 Parts Catalog  
**Roof Wiring Harness, Four-Door.**

Item	Part No.	Description	Qty
1	<b>6000945</b>	WIRING HARNESS (with A/C)	1
HMC4, HMCS			
1	<b>6003473</b>	WIRING HARNESS (with A/C) (early 1994), SEE NOTE 1	1
HMC4, HMCS			
1	<b>6004299</b>	WIRING HARNESS (late 1994) SEE NOTE 2	1
HMC4, HMCS			
1	<b>5939087</b>	WIRING HARNESS (without A/C)	1
HMC4, HMCS			
2	<b>5939099</b>	.CONNECTOR, seatbelt switch	1
3	<b>5937039</b>	.CONNECTOR, courtesy light	3
4	<b>5939097</b>	.RETAINER, dome lamp	2
5	<b>5939096</b>	.RETAINER, dome lamp	2
6	<b>N/S</b>	.TERMINAL RING, dome lamp	2
7	<b>5939085</b>	.CONNECTOR, door jamb switch	3
8	<b>5939102</b>	.SLEEVE, door jamb switch	3
9	<b>6000972</b>	.CONNECTOR, cargo light (with A/C)	1
	<b>5962722</b>	.CONNECTOR, cargo light (without A/C)	1
10	<b>5903092</b>	.INSULATOR, wiring harness	1
11	<b>5903093</b>	.INSULATOR, wiring harness	1
12	<b>6000261</b>	.CONNECTOR, wiring harness	1
	<b>6004928</b>	HARNESS, map light extension (not illustrated)	1
SEE NOTE 3			

NOTE 1: WITH CENTER DOME/MAP LIGHT.

NOTE 2: WITH SEPARATE RECTANGULAR MAP LIGHTS.

NOTE 3: MAP LIGHT EXTENSION HARNESS, P/N 6004298, MUST BE ORDERED WITH WIRING HARNESS, P/N 6004299.

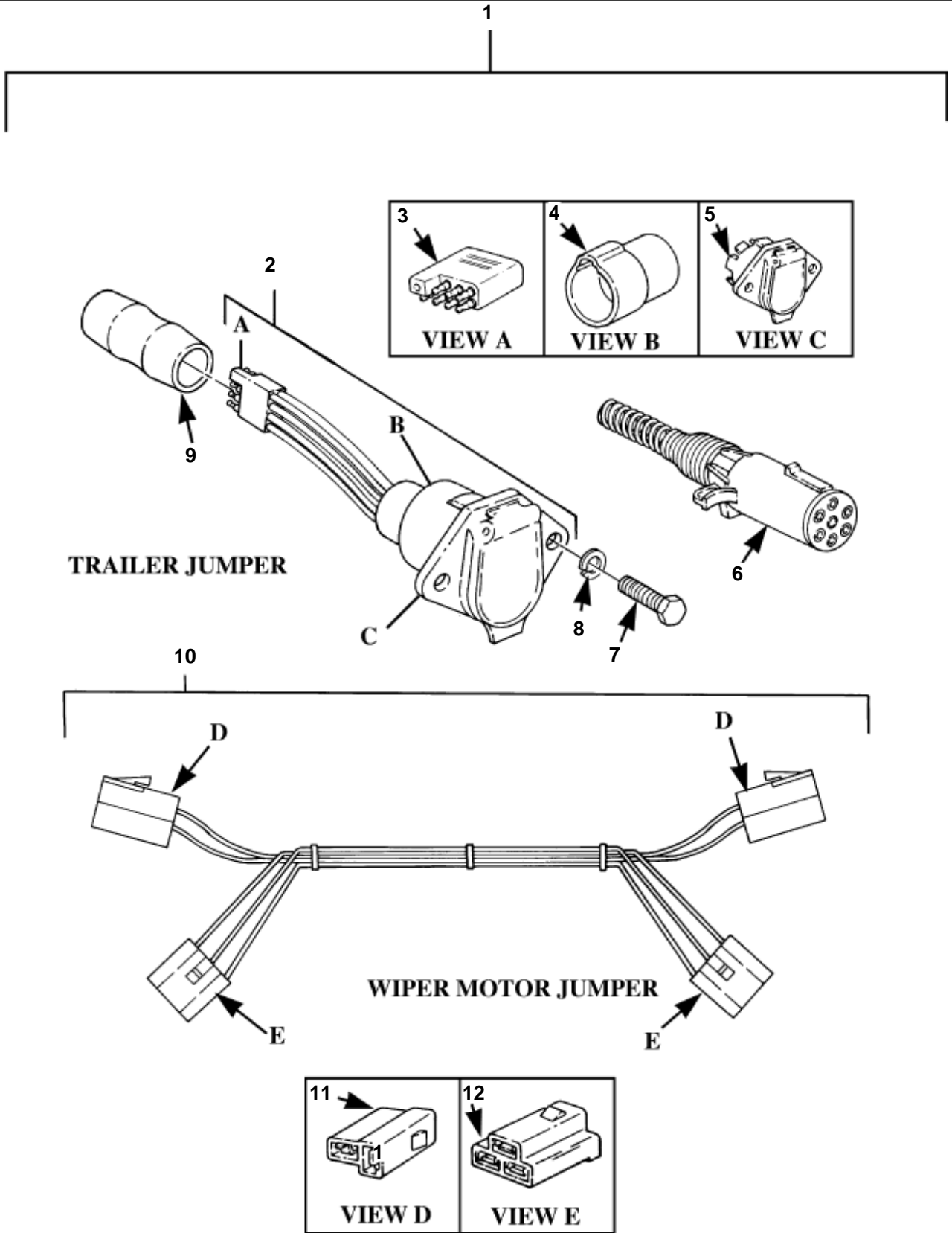


P12-025

## Console Wiring Harness and Speedometer Jumper Assembly

**Console Wiring Harness and Speedometer Jumper Assembly.**

Item	Part No.	Description	Qty
1	<b>6000710</b>	HARNESS ASSEMBLY, console	1
2	<b>5936492</b>	·CONNECTOR, body harness	1
3	<b>5938708</b>	·LAMP SOCKET, ashtray light	1
4	<b>5939818</b>	·BOOT, green	1
5	<b>N/S</b>	·BULB, ashtray light (trade #1815)	1
6	<b>5939641</b>	·CONNECTOR, cigar lighter	1
7	<b>6000232</b>	SPEEDOMETER JUMPER ASSEMBLY	1
	<b>6003203</b>	SPEEDOMETER JUMPER ASSEMBLY (1994)	1
8	<b>5995809</b>	·INSULATOR, to body harness	1
	<b>5939598</b>	·INSULATOR, to body harness (1994)	1
9	<b>N/S</b>	·TERMINAL LUG, to speedometer	1
	<b>N/S</b>	·TERMINAL LUG, to speedometer (1994)	4
10	<b>990591</b>	·SOCKET ASSEMBLY, lamp	1



P12-026

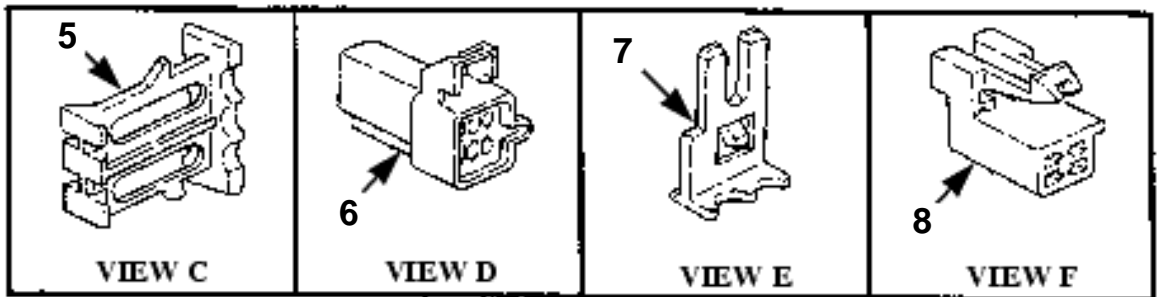
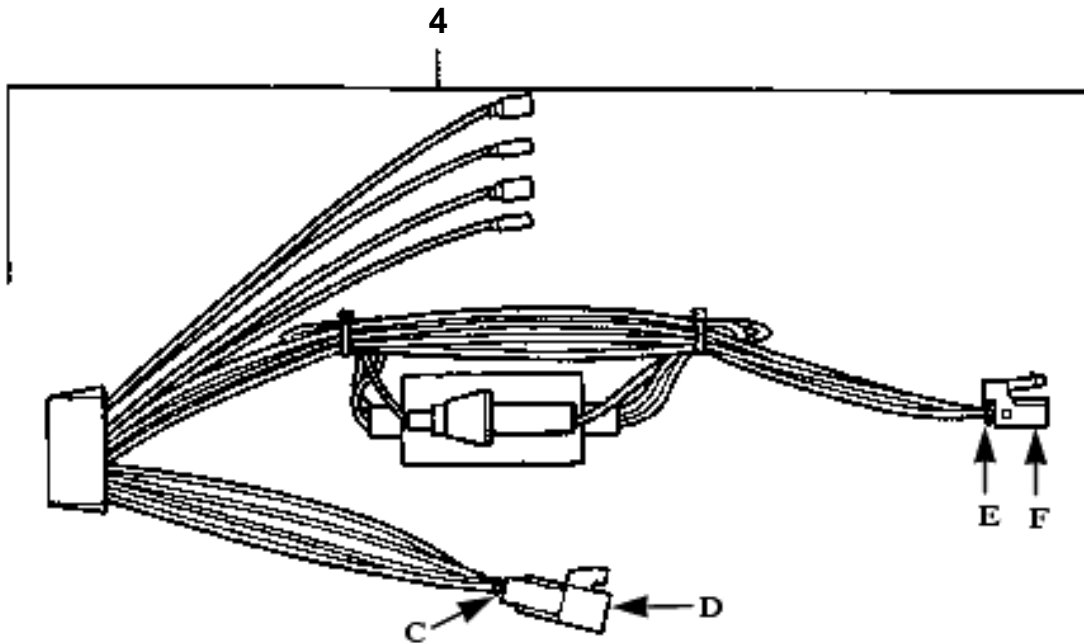
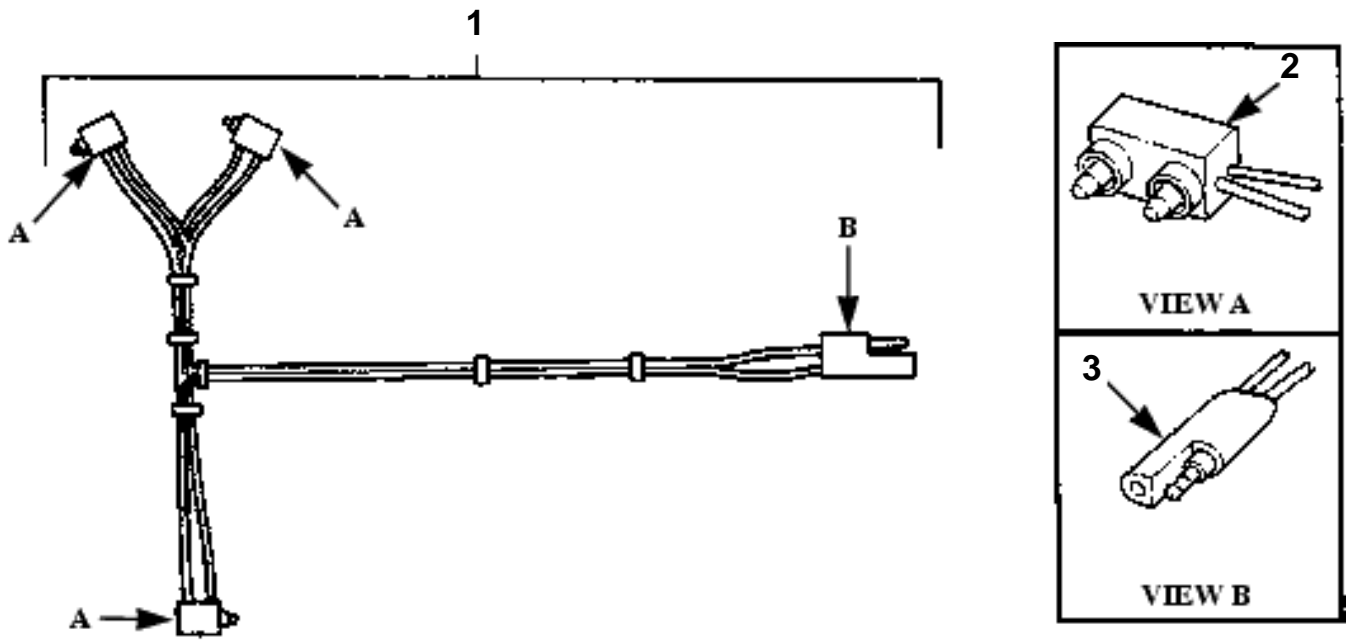
# Trailer Towing Wiring Kit and Wiper Motor Jumper Harness

**Trailer Towing Wiring Kit and Wiper Motor Jumper Harness.**

Item	Part No.	Description	Qty
1	<b>5743007</b>	TRAILER TOWING WIRING KIT	1
2	<b>5939305</b>	·TRAILER JUMPER HARNESS ASSEMBLY, SEE NOTES 1 AND 2	1
3	<b>5939214</b>	·CONNECTOR, to trailer harness	1
4	<b>S.I.A.</b>	·CONNECTOR, eight conductor	1
5	<b>5939049</b>	·CONNECTOR, to body harness	1
6	<b>5939703</b>	·HARNESS ASSEMBLY, trailer plug and cable, SEE NOTE 1	1
7	<b>MS51849-98</b>	·SCREW	2
8	<b>MS35338-44P2</b>	·LOCKWASHER	2
9	<b>5745416</b>	·SHRINK TUBING	1
10	<b>5937155</b>	WIPER MOTOR JUMPER HARNESS ASSEMBLY	1
11	<b>5962722</b>	·CONNECTOR PLUG, to wiper motor	2
12	<b>5962328</b>	·CONNECTOR PLUG, to wiper motor	2

NOTE 1: PART OF TRAILER TOWING KIT P/N 5939341

NOTE 2: PART OF TRAILER TOWING WIRING KIT P/N  
5743007.



## Identification Lamp Assembly Jumper Cassette Receiver, and Jumper Harness Assembly

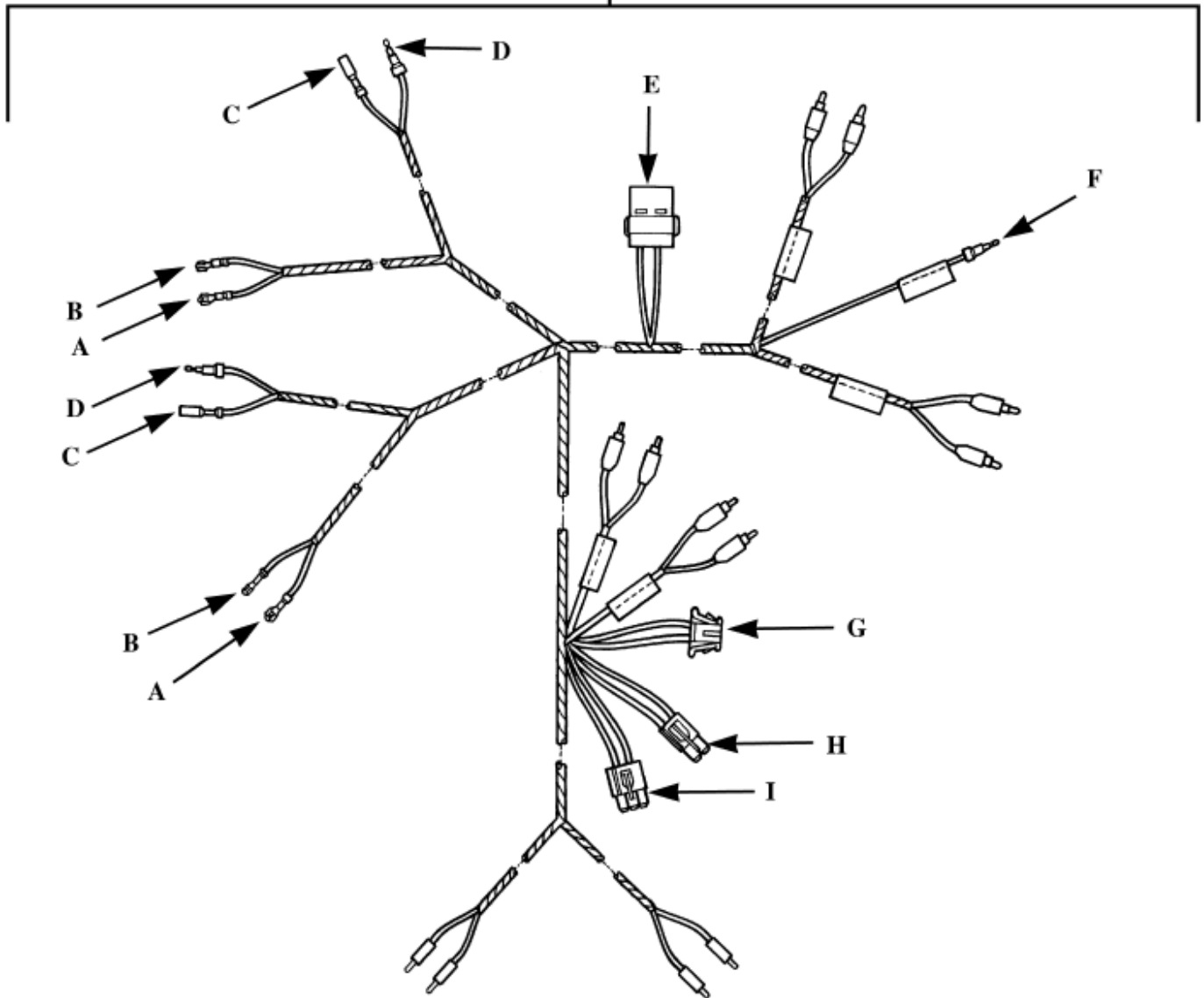


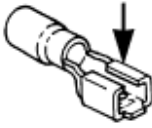
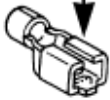




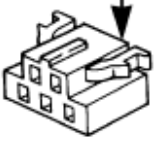
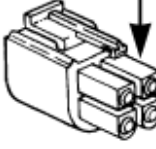
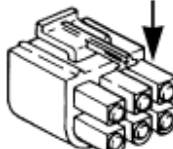
**Identification Lamp Assembly Jumper and Cassette Receiver Jumper**

Item	Part No.	Description	Qty
1	<b>5936493</b>	IDENTIFICATION LAMP JUMPER HARNESS, front	1
	<b>6000082</b>	IDENTIFICATION LAMP JUMPER HARNESS, rear	1
2	<b>5937039</b>	· CONNECTOR	3
3	<b>N/S</b>	· INSULATOR, mold on	1
4	<b>5939618</b>	CASSETTE RECEIVER JUMPER HARNESS, SEE NOTE 1	1
	<b>6000488</b>	CASSETTE RECEIVER JUMPER HARNESS, SEE NOTE 2	1
5	<b>5939153</b>	· LOCK, secondary, used with P/N 5939618 only	1
6	<b>5939157</b>	· CONNECTOR, six-way male used with P/N 5939618 only	1
7	<b>5939600</b>	· LOCK, secondary, used with both harnesses	2
8	<b>5939598</b>	· CONNECTOR, used with both harnesses	1

NOTE 1: PART OF CASSETTE RECEIVER KIT P/N  
5939206.

1

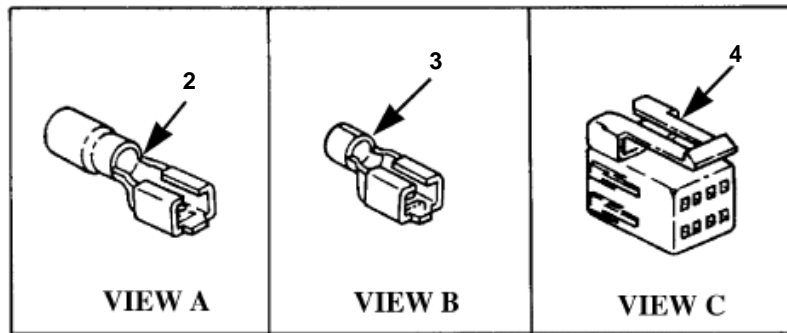
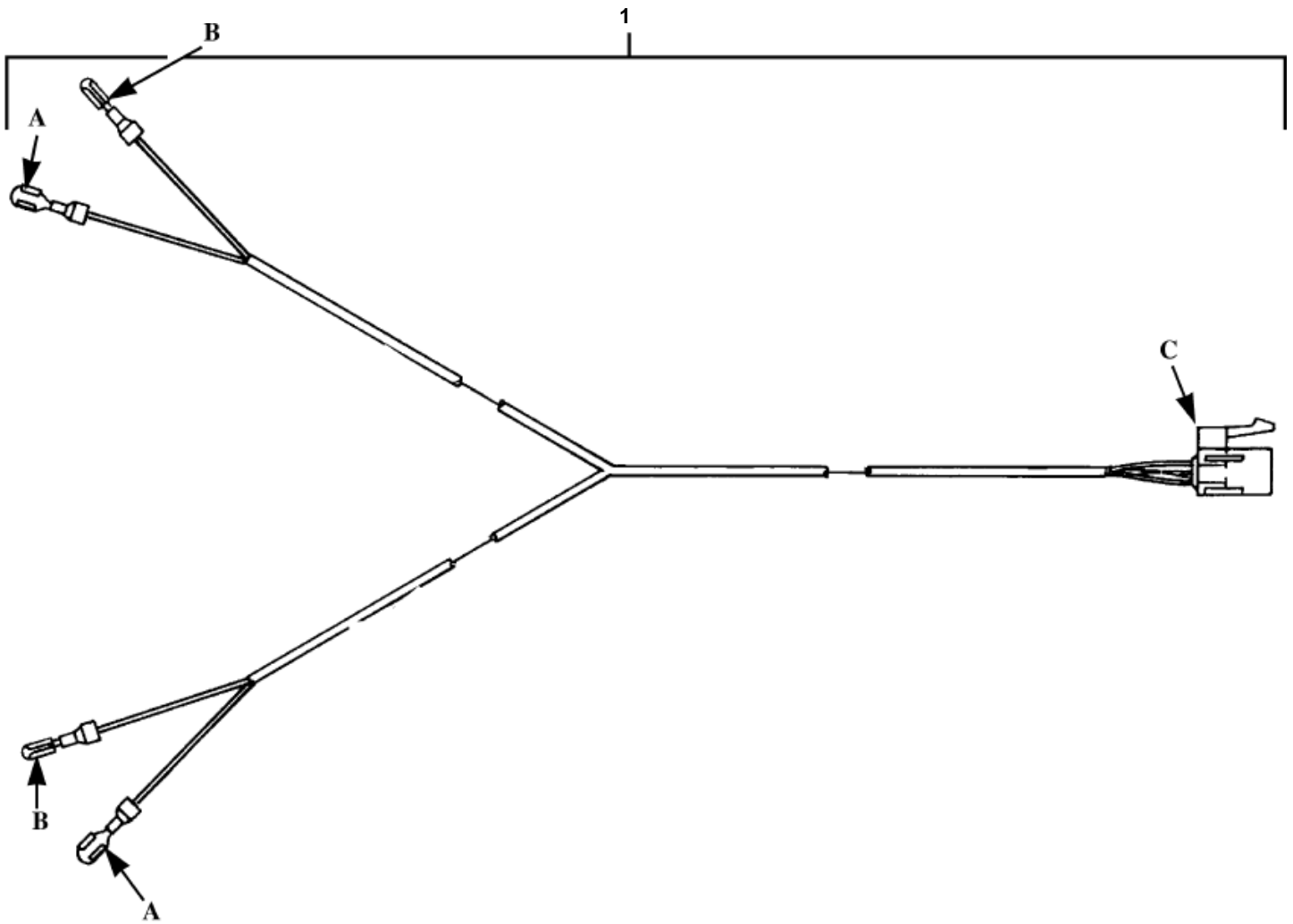


<p>2</p>  <p>VIEW A</p>	<p>3</p>  <p>VIEW B</p>	<p>4</p>  <p>VIEW C</p>	<p>5</p>  <p>VIEW D</p>	<p>6</p>  <p>VIEW E</p>	<p>7</p>  <p>VIEW F</p>
<p>8</p>  <p>VIEW G</p>	<p>9</p>  <p>VIEW H</p>	<p>10</p>  <p>VIEW I</p>			

## Stereo Harness, Two-Door (HMC2)

HUMMER H1 1994 Parts Catalog  
**Stereo Harness, Two-Door (HMC2).**

Item	Part No.	Description	Qty
1	<b>6004408</b>	HARNESS ASSEMBLY, Clarion	1
HMC2			
1	<b>5939626</b>	HARNESS ASSEMBLY, Audio System	1
HMC2			
2	<b>N/S</b>	.TERMINAL, midrange	2
HMC2			
3	<b>N/S</b>	.TERMINAL, midrange	2
HMC2			
4	<b>5939670</b>	CONNECTOR, tweeter	2
HMC2			
5	<b>5939720</b>	CONNECTOR, tweeter	2
HMC2			
6	<b>5939680</b>	CONNECTOR, body harness	1
HMC2			
7	<b>5939669</b>	CONNECTOR, radio	1
HMC2			
8	<b>5939668</b>	CONNECTOR, amplifier	1
HMC2			
9	<b>5939681</b>	CONNECTOR, amplifier	1
HMC2			
10	<b>5939683</b>	CONNECTOR, amplifier	1
HMC2			

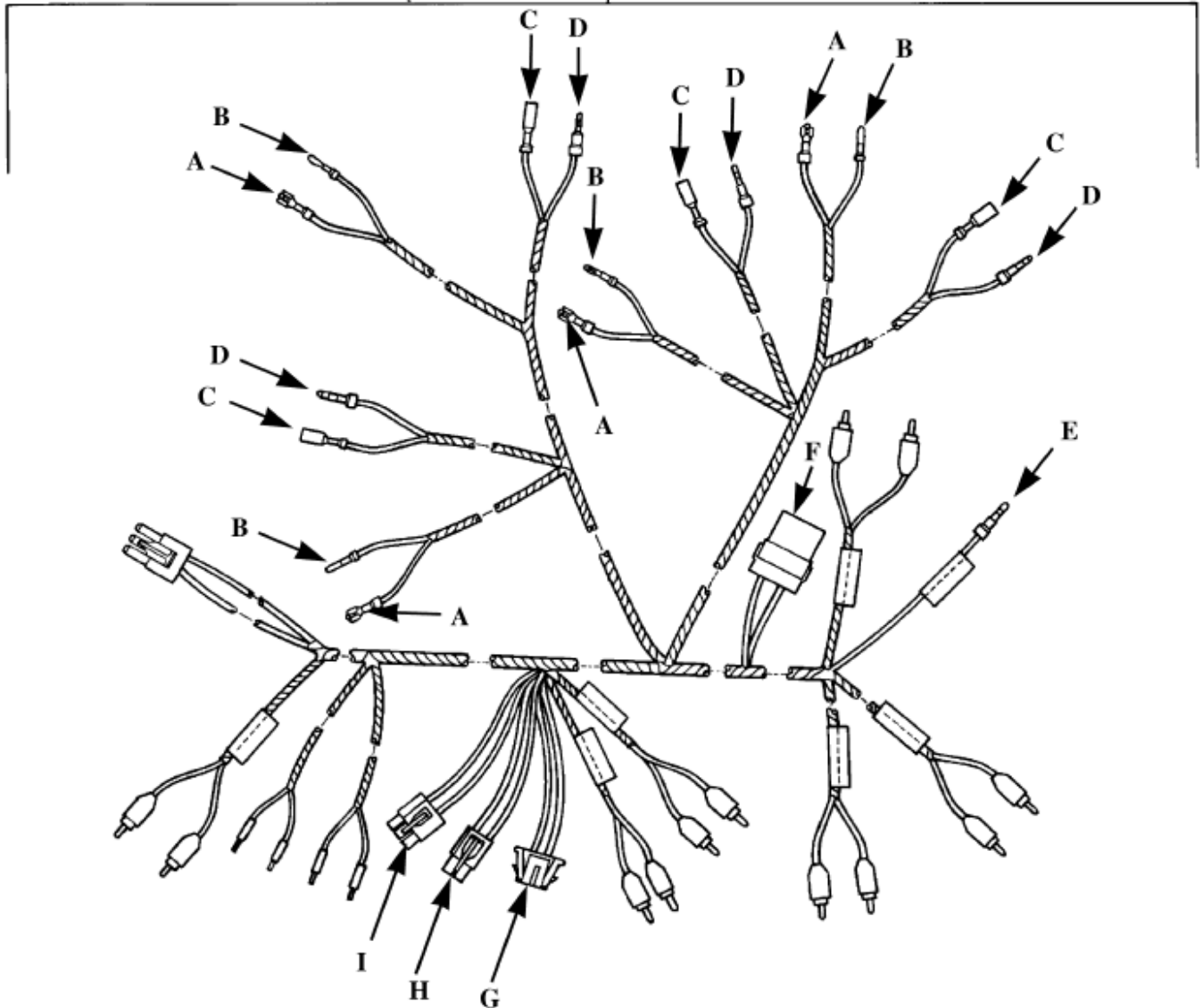


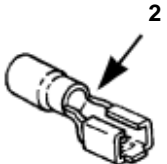
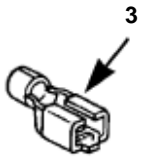
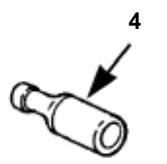
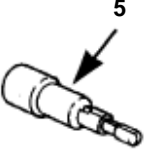
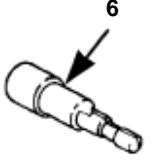
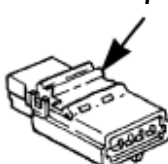
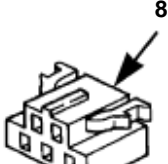
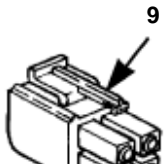
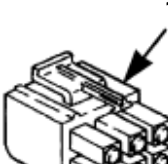
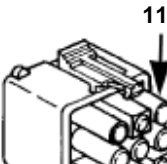
P12-029

# Stereo Harness, Two-Door (Standard)

**Stereo Harness, Two-Door (Standard).**

Item	Part No.	Description	Qty
1	<b>6007667</b>	HARNESS ASSEMBLY, audio system	1
HMC2			
1	<b>6004408</b>	HARNESS ASSEMBLY, audio system (1994)	1
HMC2			
2	<b>N/S</b>	·TERMINAL, speakers	2
HMC2			
3	<b>N/S</b>	·TERMINAL, speakers	2
HMC2			
4	<b>6000808</b>	·CONNECTOR, radio	1



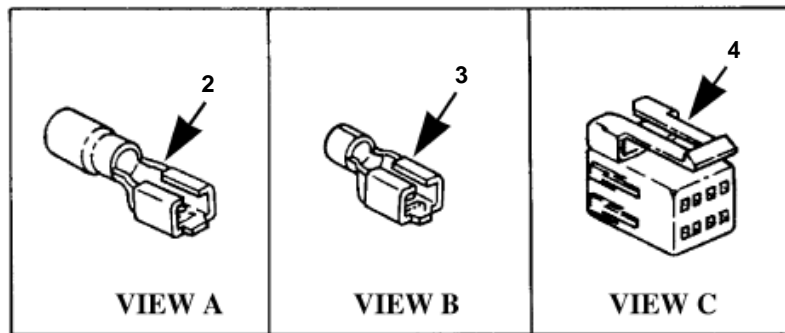
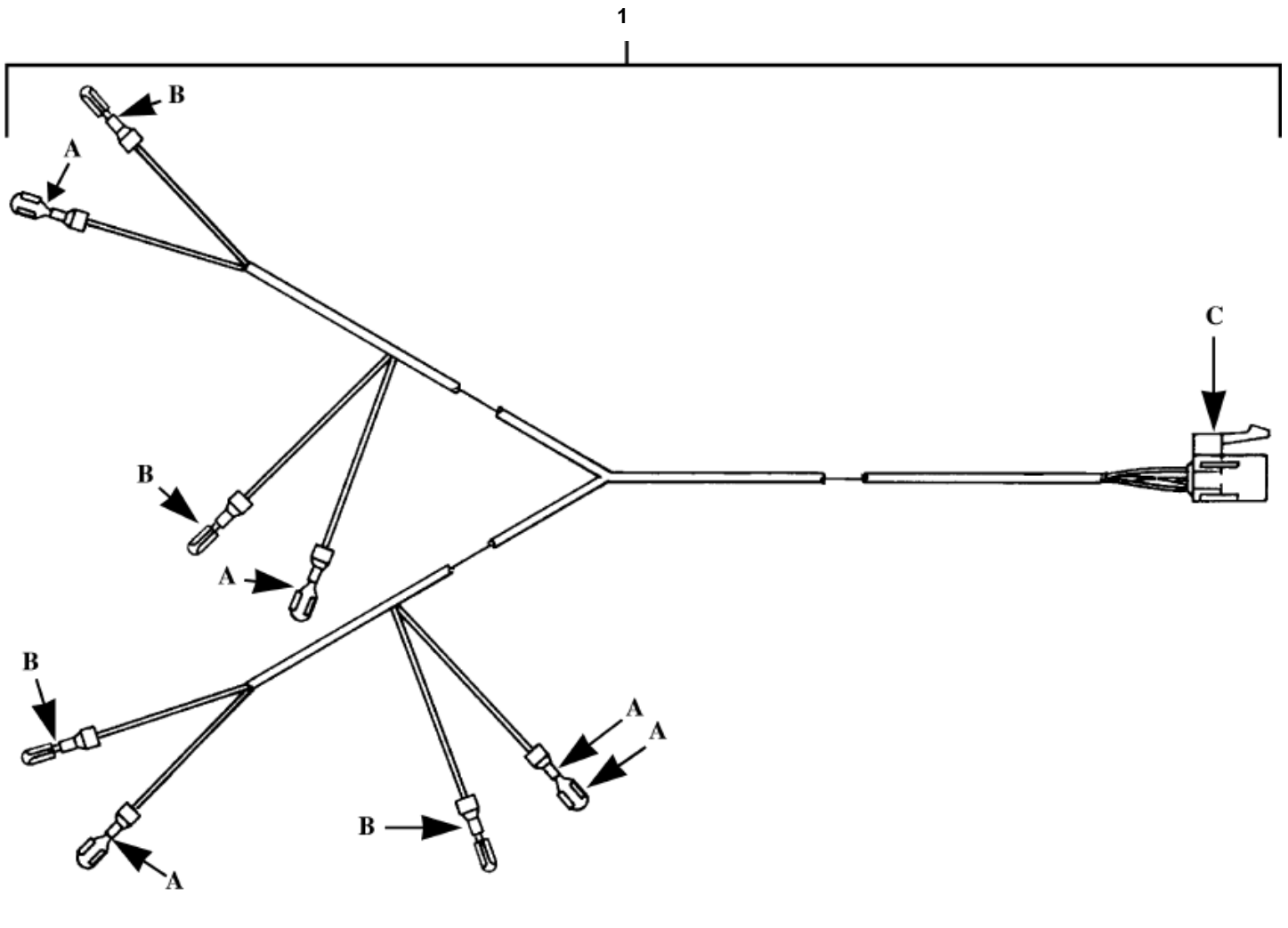
 <p>VIEW A</p>	 <p>VIEW B</p>	 <p>VIEW C</p>	 <p>VIEW D</p>	 <p>VIEW E</p>	 <p>VIEW F</p>
 <p>VIEW G</p>	 <p>VIEW H</p>	 <p>VIEW I</p>	 <p>VIEW J</p>		

# Stereo Harness, Four-Door

P12-028

HUMMER H1 1994 Parts Catalog  
**Stereo Harness, Four-Door.**

Item	Part No.	Description	Qty
1	<b>5939627</b>	HARNESS ASSEMBLY, Audio System	1
HMC4, HMCS			
1	<b>6002818</b>	HARNESS ASSEMBLY, Audio System (1994)	1
HMCS			
2	<b>N/S</b>	·TERMINAL, midrange and tweeter	2
HMC4, HMCS			
3	<b>N/S</b>	·TERMINAL, midrange and tweeter	2
HMC4, HMCS			
4	<b>5939670</b>	CONNECTOR, midrange and tweeter	2
HMC4, HMCS			
5	<b>5939720</b>	CONNECTOR, midrange and tweeter	2
HMC4, HMCS			
6	<b>5939669</b>	CONNECTOR, radio	1
HMC4, HMCS			
7	<b>5939680</b>	CONNECTOR, body harness	1
HMC4, HMCS			
8	<b>5939668</b>	CONNECTOR, amplifier	1
HMC4, HMCS			
9	<b>5939681</b>	CONNECTOR, amplifier	1
HMC4, HMCS			
10	<b>5939683</b>	CONNECTOR, amplifier	1
HMC4, HMCS			
11	<b>5939682</b>	CONNECTOR, amplifier	1
HMC4, HMCS			



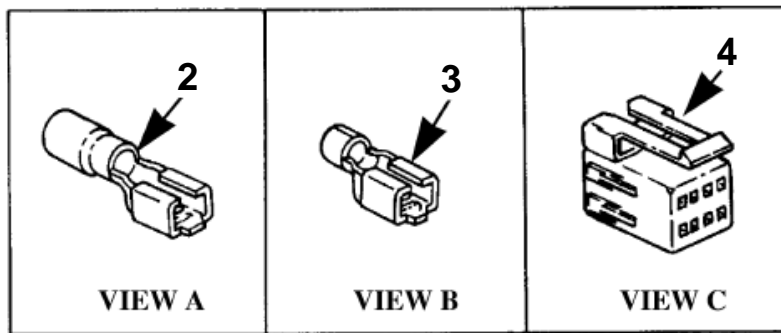
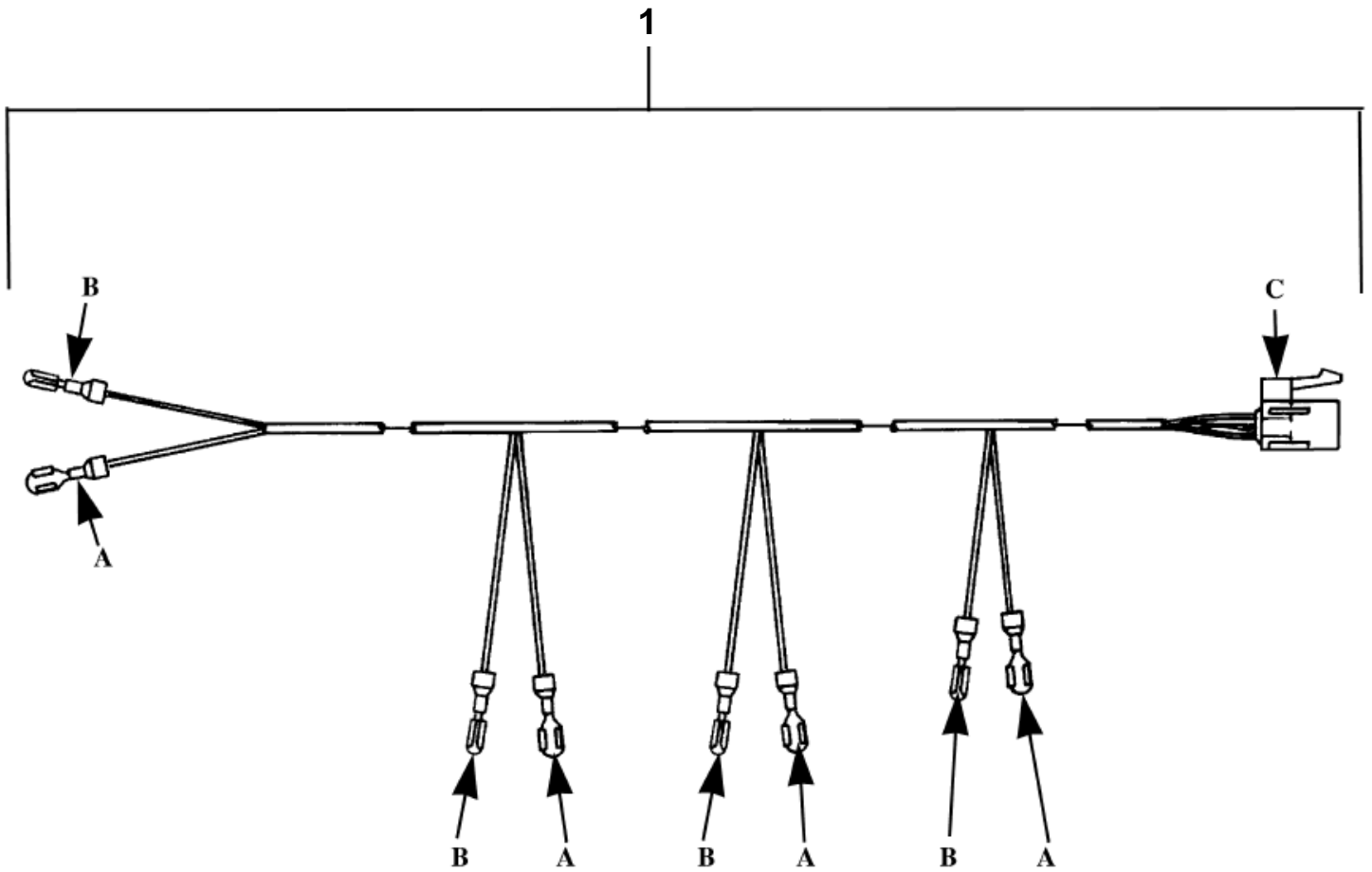
P12-029

## Stereo Harness, Hard Top (Standard)



**Stereo Harness, Hard Top (Standard).**

Item	Part No.	Description	Qty
1	<b>6000927</b>	HARNESS ASSEMBLY, audio system	1
HMC2, HMC4, HMCS			
2	<b>N/S</b>	.TERMINAL, speaker	4
HMC2, HMC4, HMCS			
3	<b>N/S</b>	.TERMINAL, speaker	4
HMC2, HMC4, HMCS			
4	<b>6000808</b>	.CONNECTOR, radio	1
HMC2, HMC4, HMCS			

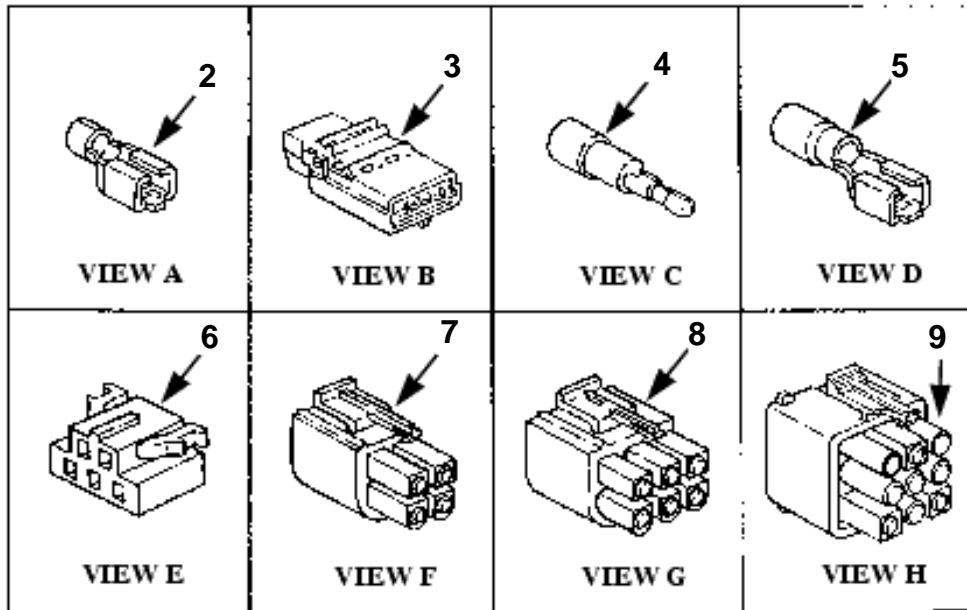
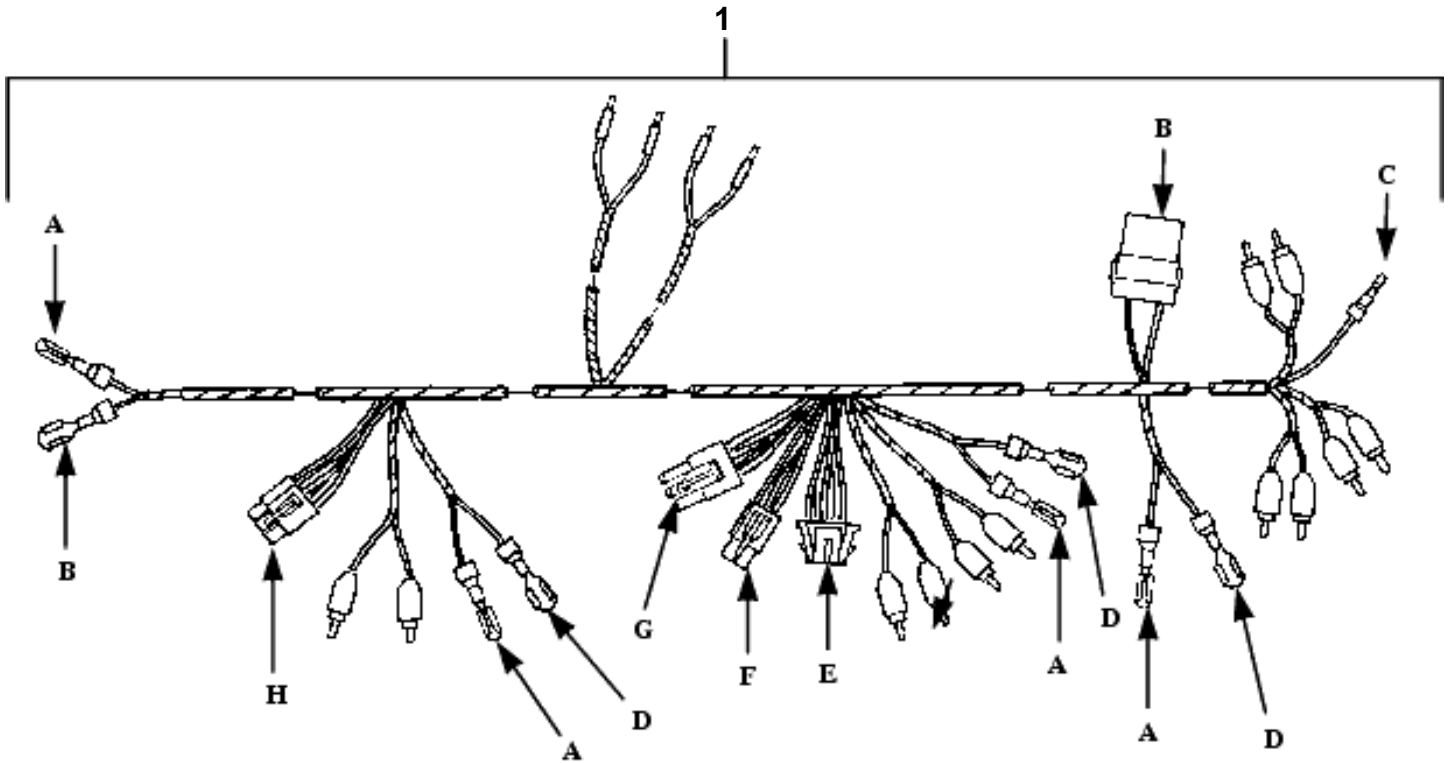


P12-030

# Stereo Harness, Open Top (Standard)

**Stereo Harness, Open Top (Standard).**

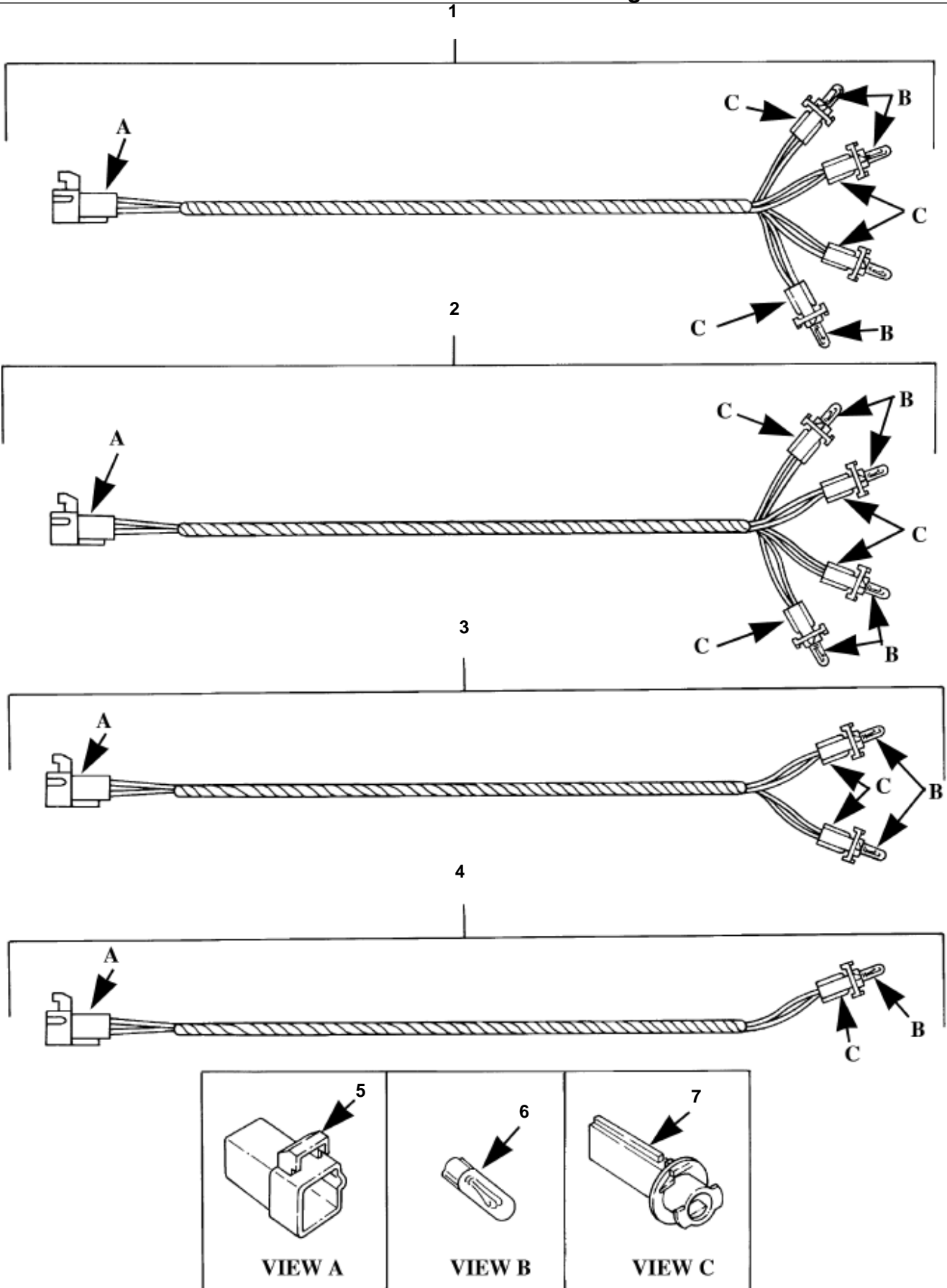
Item	Part No.	Description	Qty
1	<b>6001046</b>	HARNESS ASSEMBLY, audio system	1
VLCO			
2	<b>N/S</b>	.TERMINAL, speaker	4
VLCO			
3	<b>N/S</b>	.TERMINAL, speaker	4
VLCO			
4	<b>6000808</b>	.CONNECTOR, radio	1
VLCO			



## Stereo Harness, Open Top (Deluxe)

**Stereo Harness, Open Top (Deluxe).**

Item	Part No.	Description	Qty
1	<b>5939627</b>	HARNESS ASSEMBLY, Audio System	1
HMC4, HMCS			
1	<b>6002818</b>	HARNESS ASSEMBLY, Audio System (1994)	1
HMC4, HMCS			
2	<b>N/S</b>	·TERMINAL, midrange and tweeter	2
HMC4, HMCS			
3	<b>N/S</b>	·TERMINAL, midrange and tweeter	2
HMC4, HMCS			
4	<b>5939670</b>	CONNECTOR, midrange and tweeter	2
HMC4, HMCS			
5	<b>5939720</b>	CONNECTOR, midrange and tweeter	2
HMC4, HMCS			
6	<b>5939669</b>	CONNECTOR, radio	1
HMC4, HMCS			
7	<b>5939680</b>	CONNECTOR, body harness	1
HMC4, HMCS			
8	<b>5939668</b>	CONNECTOR, amplifier	1
HMC4, HMCS			
9	<b>5939681</b>	CONNECTOR, amplifier	1
HMC4, HMCS			
10	<b>5939683</b>	CONNECTOR, amplifier	1
HMC4, HMCS			
11	<b>5939682</b>	CONNECTOR, amplifier	1
HMC4, HMCS			



P12-031

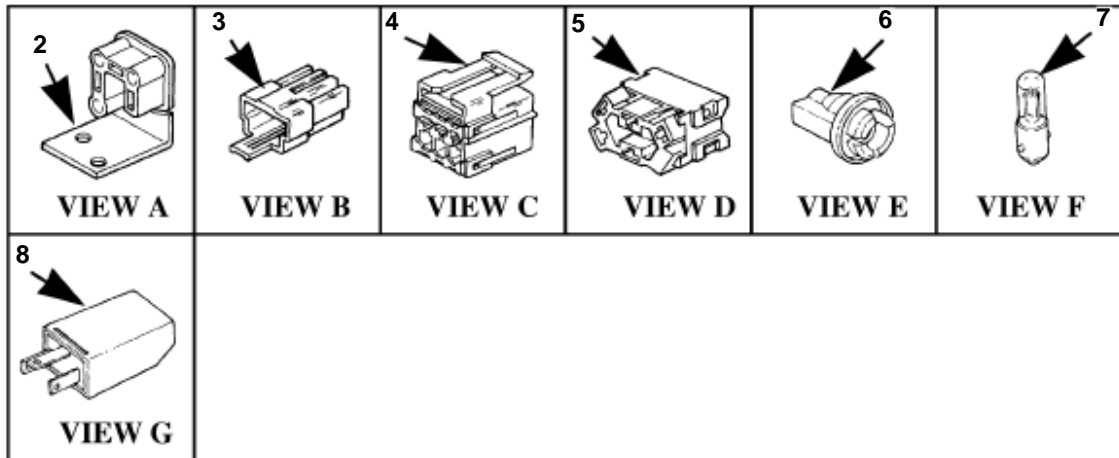
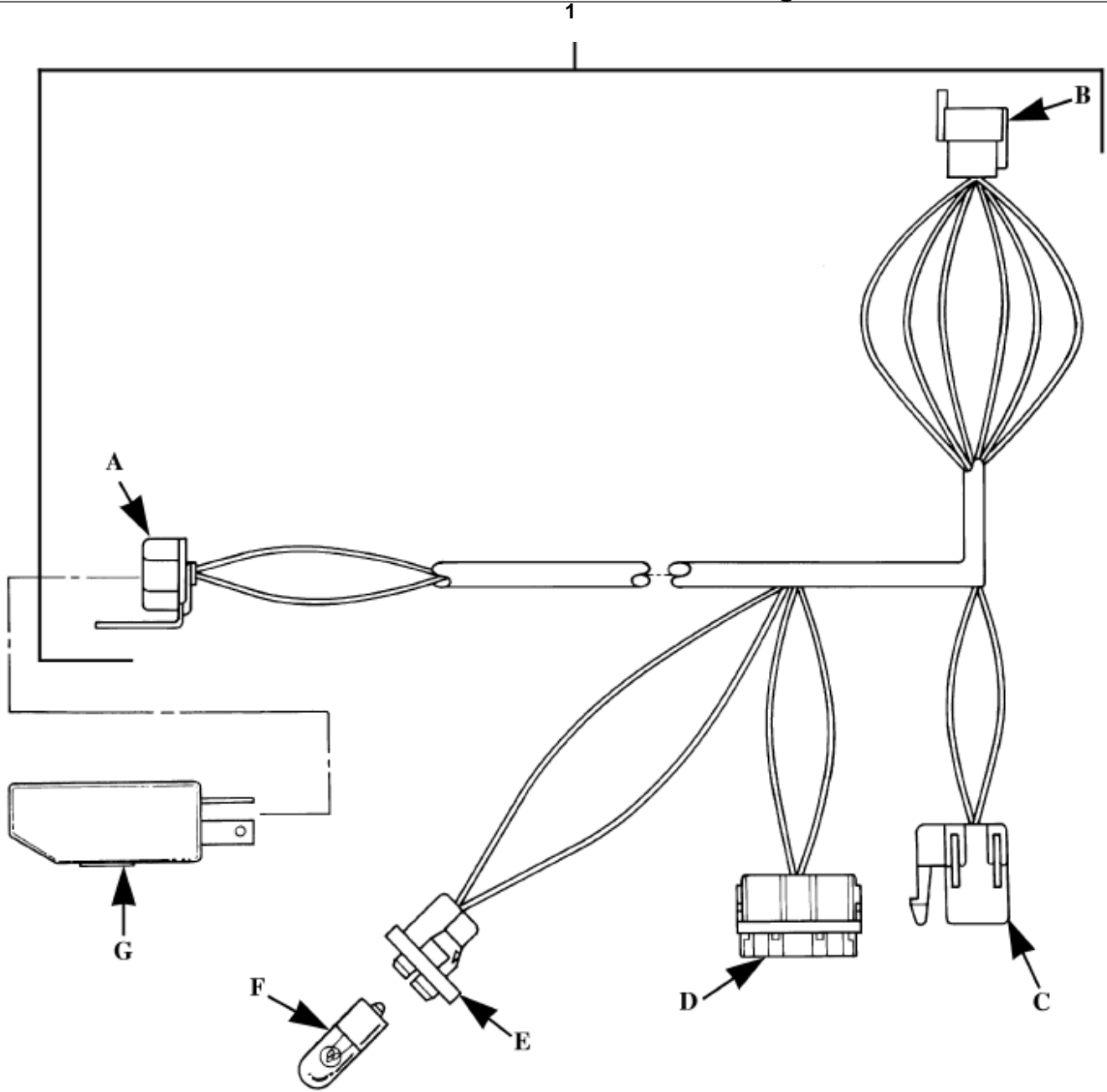
# Instrument Panel Jumper Assemblies

**Instrument Panel Jumper Assemblies.**

Item	Part No.	Description	Qty
1	<b>5939526</b>	JUMPER ASSEMBLY, status center, R.H.	1
2	<b>5939525</b>	JUMPER ASSEMBLY, status center, L.H.	1
3	<b>5939527</b>	JUMPER ASSEMBLY, CTI indicator/warning lights	1
4	<b>6002957</b>	JUMPER, Trans indicator light	1
5	<b>5939157</b>	·CONNECTOR	1
6	<b>N/S</b>	·LAMP, (trade #73), SEE NOTES 1 AND 2	4
7	<b>5938708</b>	·LAMP SOCKET, SEE NOTES 1 AND 2	4

NOTE 1: WITH JUMPER ASSEMBLY P/N 5939527  
QTY IS 2.

NOTE 2: WITH JUMPER ASSEMBLY P/N 6002957  
QTY IS 1



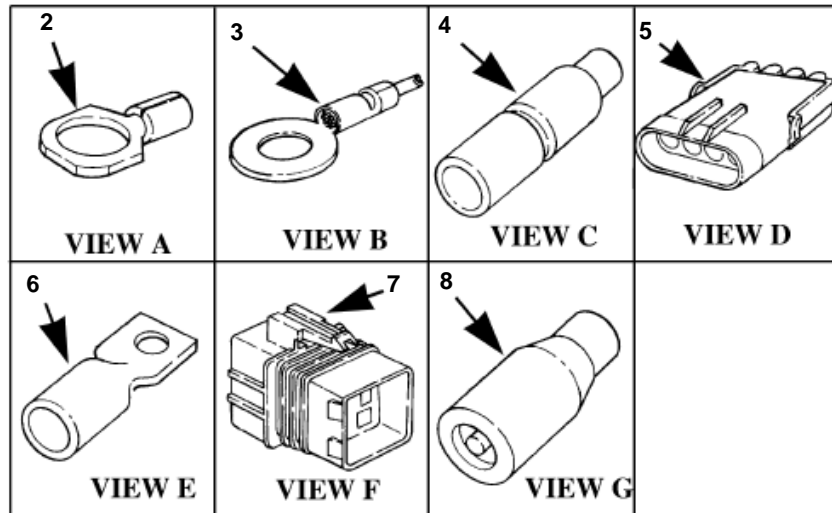
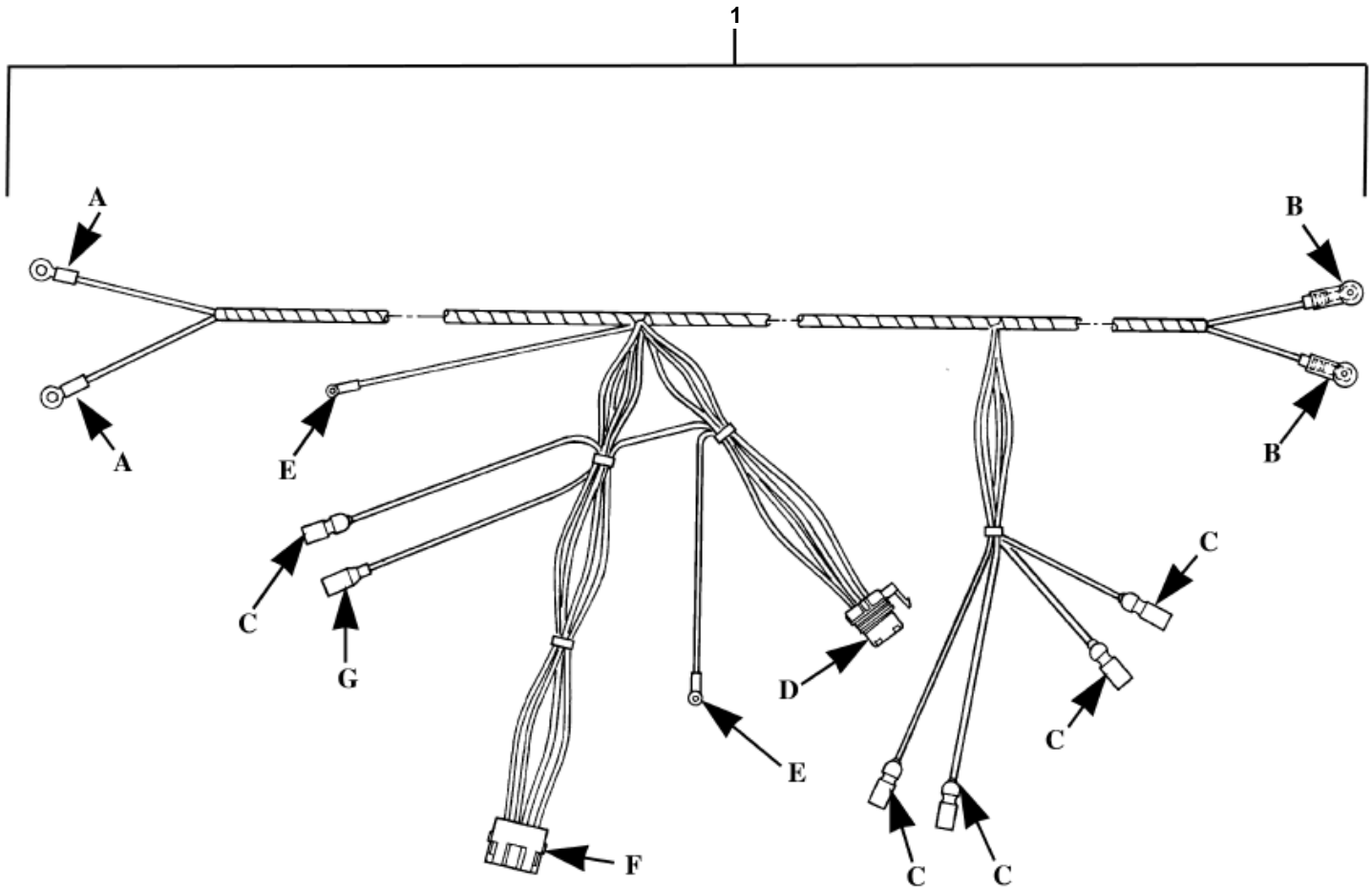
# Interior CTIS Wiring Harness

P12-032



HUMMER H1 1994 Parts Catalog  
**Interior CTIS Wiring Harness.**

Item	Part No.	Description	Qty
1	<b>5939555</b>	HARNES ASSEMBLY, interior CTIS	1
2	<b>5939865</b>	·FLASHER CONNECTOR, CTIS alarm	1
3	<b>5939964</b>	·CONNECTOR, body harness	1
4	<b>5939155</b>	·CONNECTOR, indicator lights	1
5	<b>5939891</b>	·CONNECTOR	1
6	<b>5938708</b>	·LAMP SOCKET, SEE NOTE 1	1
7	<b>N/S</b>	·LAMP, (trade #73), SEE NOTE 1	1
8	<b>5939581</b>	CTI ALARM, dual rate, 12 volt	1



P12-033

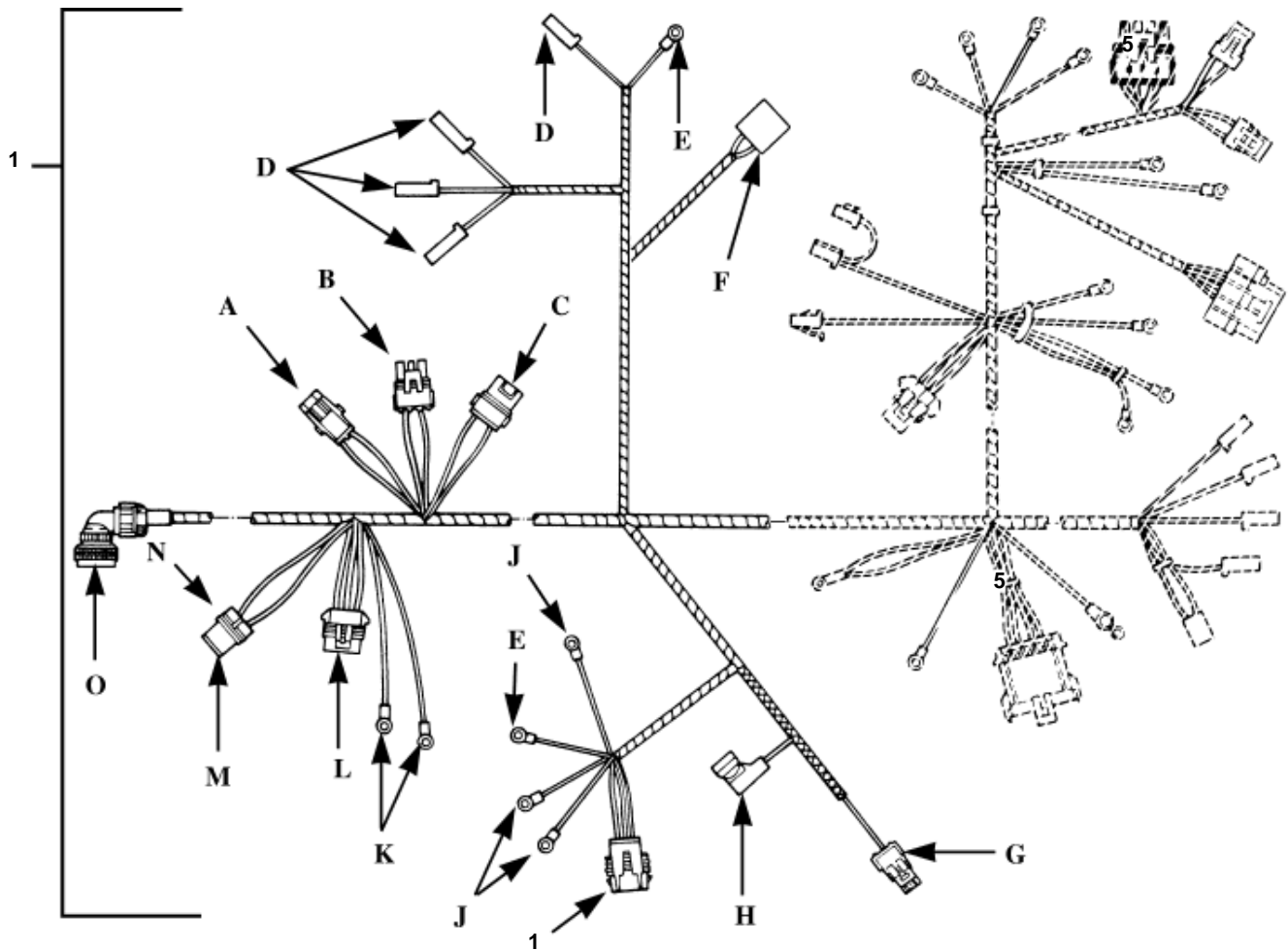
## Exterior CTIS Wiring Harness

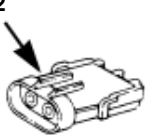
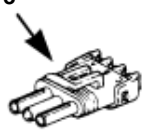
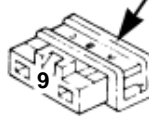
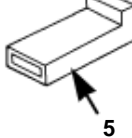

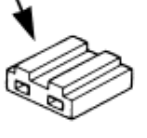
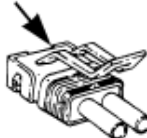
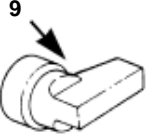
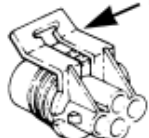


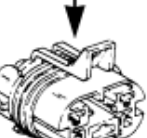
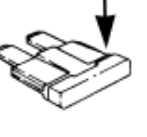
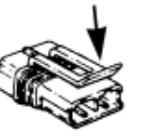
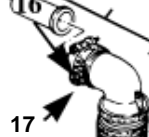
HUMMER H1 1994 Parts Catalog  
**Exterior CTIS Wiring Harness.**

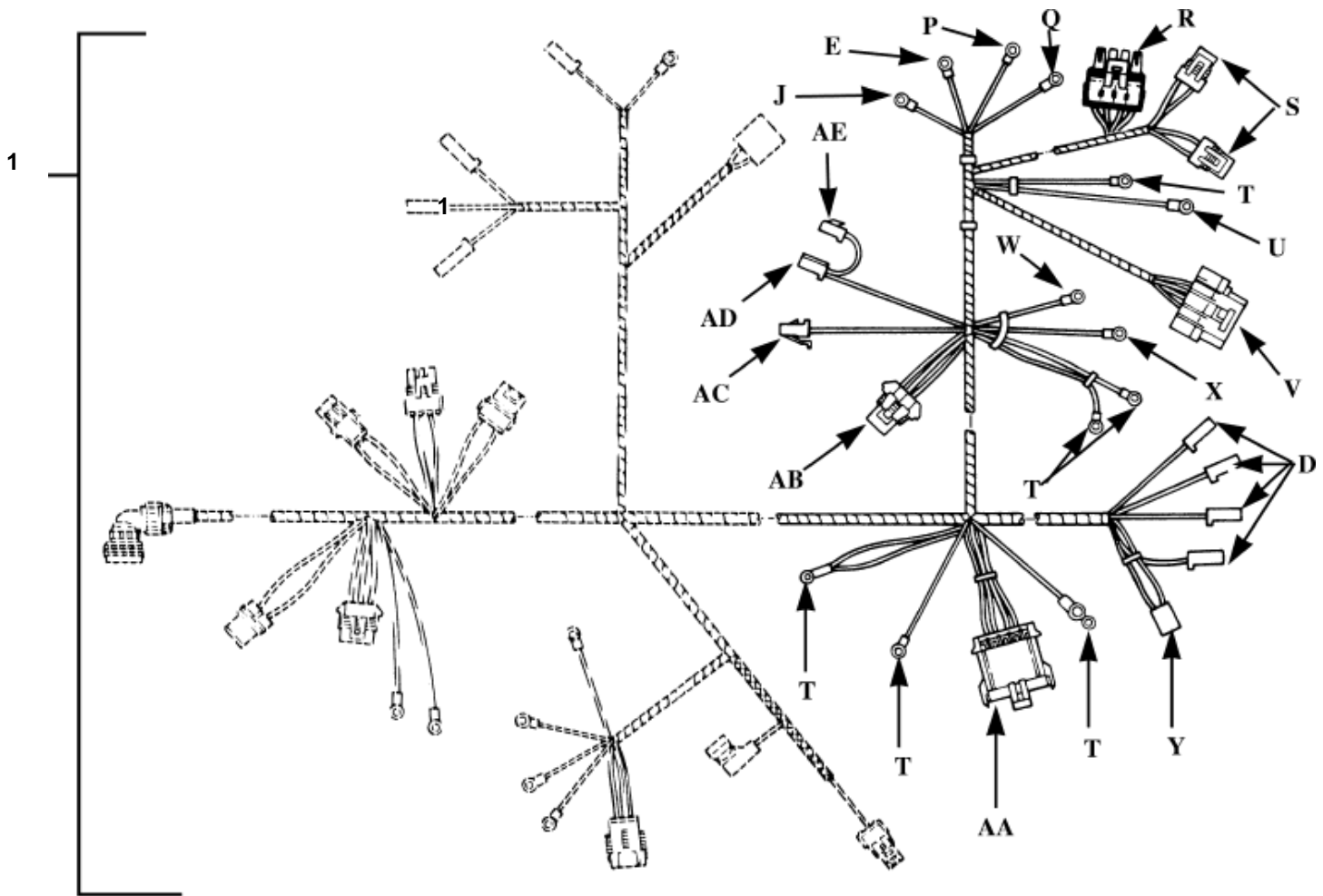
Item	Part No.	Description	Qty
1	<b>5939556</b>	HARNES ASSEMBLY, exterior CTIS	1
2	<b>N/S</b>	·TERMINAL, power terminal block	2
3	<b>N/S</b>	·TERMINAL, pump motor	2
4	<b>MS27144-2</b>	·CONNECTOR, low pressure switch, A and B	5
5	<b>5939869</b>	·CONNECTOR, pump relay	1
6	<b>5903147</b>	·TERMINAL, maxi fuse holder	2
7	<b>5995732</b>	·CONNECTOR, body harness	1
8	<b>MS27142-3</b>	·CONNECTOR, deflate solenoid valve	1



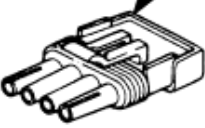
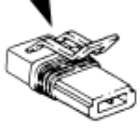


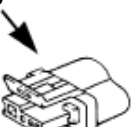

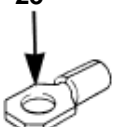
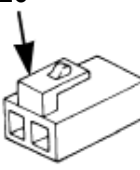
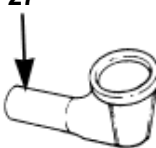
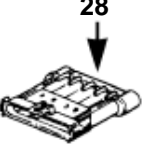
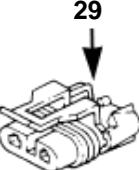
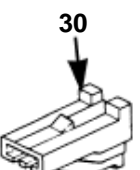
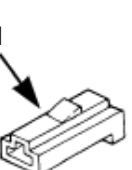
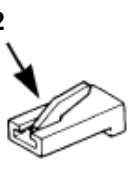
Sheet 1 of 2.

Sheet 2 of 2.



 <p>VIEW A</p>	 <p>VIEW B</p>	 <p>VIEW C</p>	 <p>VIEW D</p>	 <p>VIEW E</p>	 <p>VIEW F</p>
 <p>VIEW G</p>	 <p>VIEW H</p>	 <p>VIEW I</p>	 <p>VIEW J</p>	 <p>VIEW K</p>	 <p>VIEW L</p>
 <p>VIEW M</p>	 <p>VIEW N</p>	 <p>VIEW O</p>	<p><b>Engine Wiring Harness (1992 and 1993) (Figure 1 of 2)</b></p>		

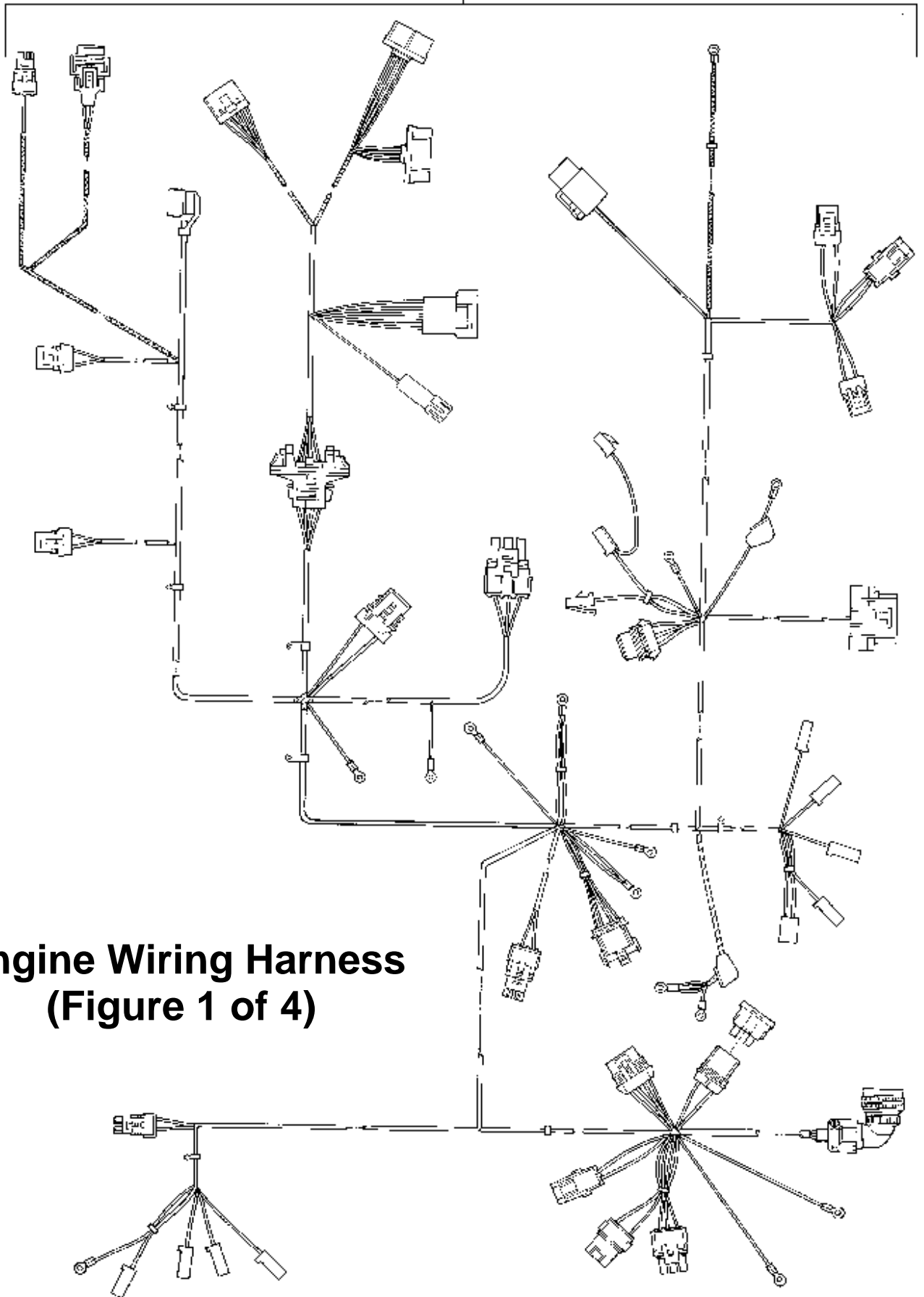


 <p>17 VIEW P</p>	 <p>18 VIEW Q</p>	 <p>19 VIEW R</p>	 <p>20 VIEW S</p>	 <p>21 VIEW T</p>	 <p>22 VIEW U</p>
 <p>23 VIEW V</p>	 <p>24 VIEW W</p>	 <p>25 VIEW X</p>	 <p>26 VIEW Y</p>	 <p>27 VIEW Z</p>	 <p>28 VIEW AA</p>
 <p>29 VIEW BB</p>	 <p>30 VIEW CC</p>	 <p>31 VIEW DD</p>	 <p>32 VIEW EE</p>	<p>Engine Wiring Harness (1992 and 1993) (Figure 2 of 2)</p>	

**Engine Wiring Harness (1992 & 1993)**

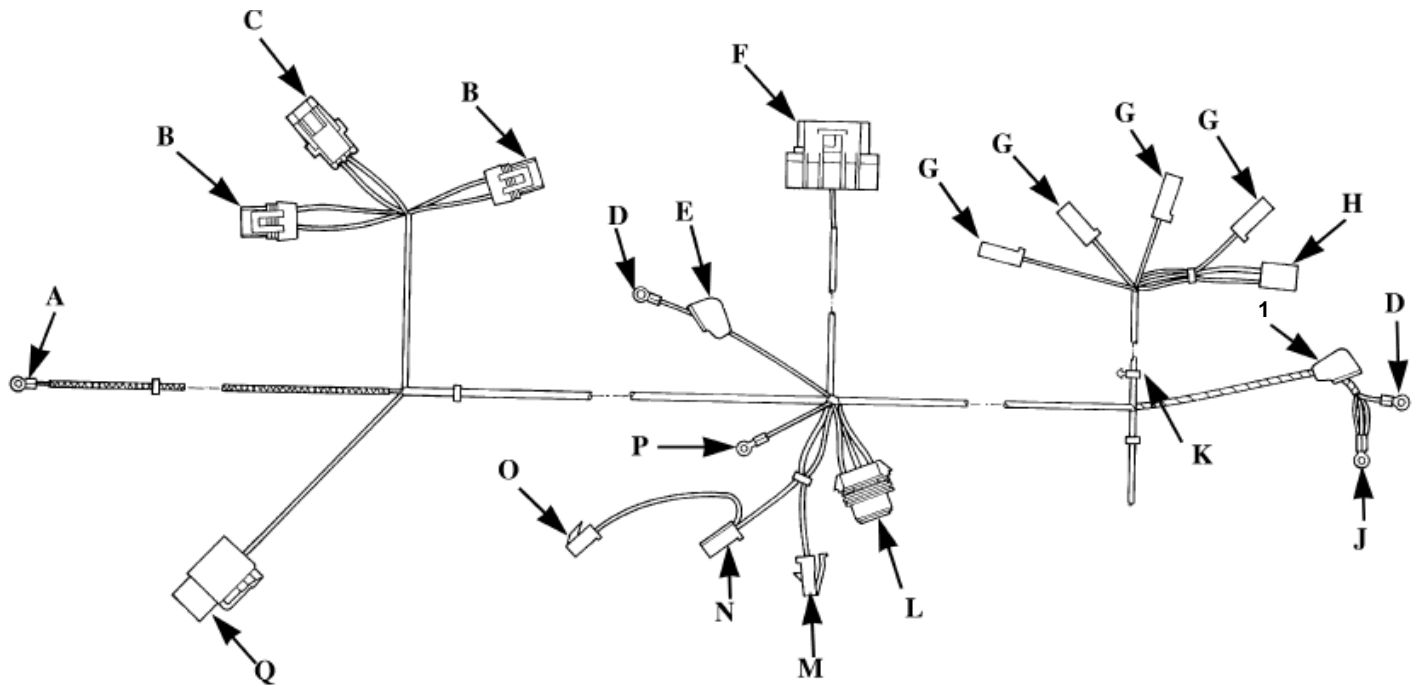
Item	Part No.	Description	Qty
1	<b>6000773</b>	HARNESS ASSEMBLY, engine (with A/C)	1
	<b>6000773</b>	HARNESS ASSEMBLY, engine (without A/C)	1
2	<b>5939099</b>	.CONNECTOR, fuel pump	1
3	<b>5937082</b>	.CONNECTOR, water in fuel sensor	1
4	<b>5937060</b>	.CONNECTOR, fuel heater	1
5	<b>5937081</b>	.CONNECTOR, glow plugs	8
6	<b>N/S</b>	.TERMINAL, temperature sensor and starter solenoid	1
7	<b>5903094</b>	.CONNECTOR, A/C compressor	1
8	<b>5995717</b>	.INSULATOR, transfer case lock switch	1
9	<b>5589014</b>	.INSULATOR, transmission kick-down solenoid	1
10	<b>6000022</b>	.CONNECTOR, oil pressure switch	1
11	<b>N/S</b>	.TERMINAL, engine ground	3
12	<b>N/S</b>	.TERMINAL, starter ground and junction block	2
13	<b>5939963</b>	.CONNECTOR, fuel pump relay	1
14	<b>5937265</b>	.20-AMP FUSE, fuel pump	1
15	<b>6000021</b>	.CONNECTOR, fuel pump	1
16	<b>5939445</b>	.CONNECTOR	1
17	<b>N/S</b>	.TERMINAL, starter	2
18	<b>N/S</b>	.TERMINAL, battery power	1
19	<b>5995715</b>	.CONNECTOR, A/C jumper harness	1
20	<b>5939567</b>	.CONNECTOR, horns	2
21	<b>N/S</b>	.TERMINAL, alternator and horn ground	7
22	<b>N/S</b>	.TERMINAL, alternator	1
23	<b>5937091</b>	.CONNECTOR, alternator	1
24	<b>N/S</b>	.TERMINAL, alternator	1
25	<b>N/S</b>	.TERMINAL, alternator	1
26	<b>5937089</b>	.CONNECTOR, fast idle switch	1
27	<b>5937088</b>	.BOOT, terminal ring	1
28	<b>5937078</b>	.CONNECTOR, glow plug controller	1
29	<b>5937077</b>	.CONNECTOR, kick-down switch	1
30	<b>5937076</b>	.CONNECTOR, fuel solenoid	1
31	<b>5903092</b>	.CONNECTOR, cold advance solenoid	1
32	<b>5937061</b>	.CONNECTOR, fast idle solenoid	1

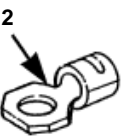
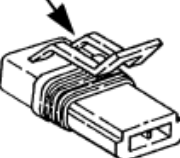
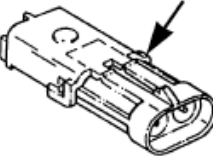
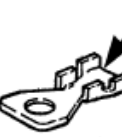

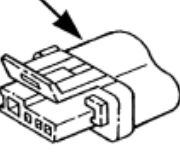
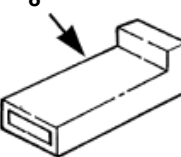
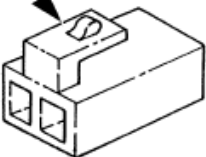
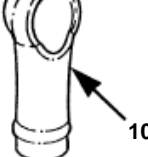
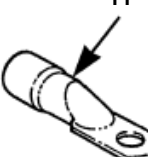
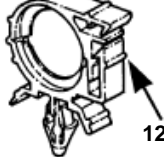
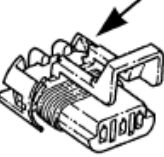
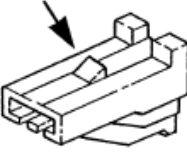
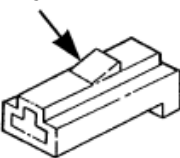
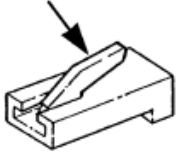

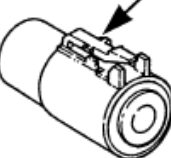
1



**Engine Wiring Harness  
(Figure 1 of 4)**

P12-034

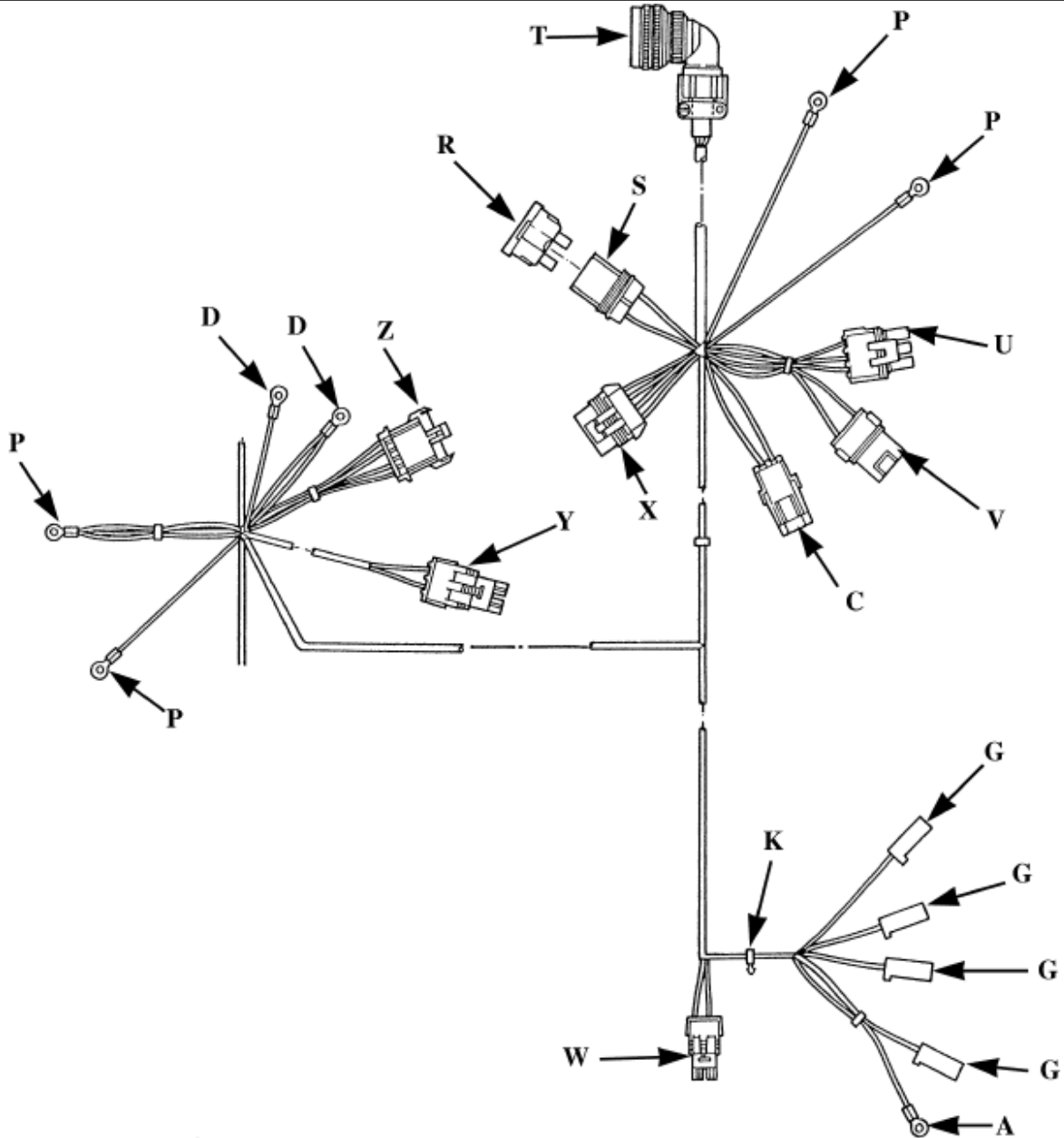


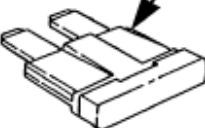
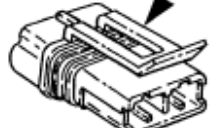
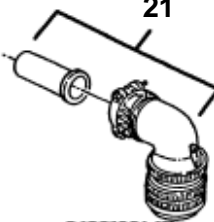
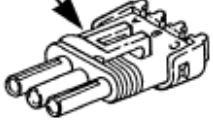
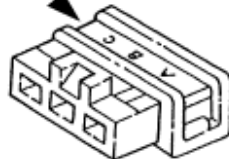
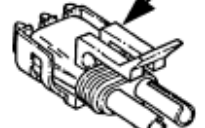

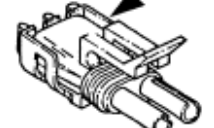
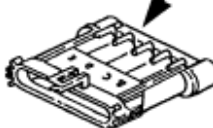
 <p>VIEW A</p>	 <p>VIEW B</p>	 <p>VIEW C</p>	 <p>VIEW D</p>	 <p>VIEW E</p>	 <p>VIEW F</p>
 <p>VIEW G</p>	 <p>VIEW H</p>	 <p>VIEW I</p>	 <p>VIEW J</p>	 <p>VIEW K</p>	 <p>VIEW L</p>
 <p>VIEW M</p>	 <p>VIEW N</p>	 <p>VIEW O</p>	 <p>VIEW P</p>	 <p>VIEW Q</p>	

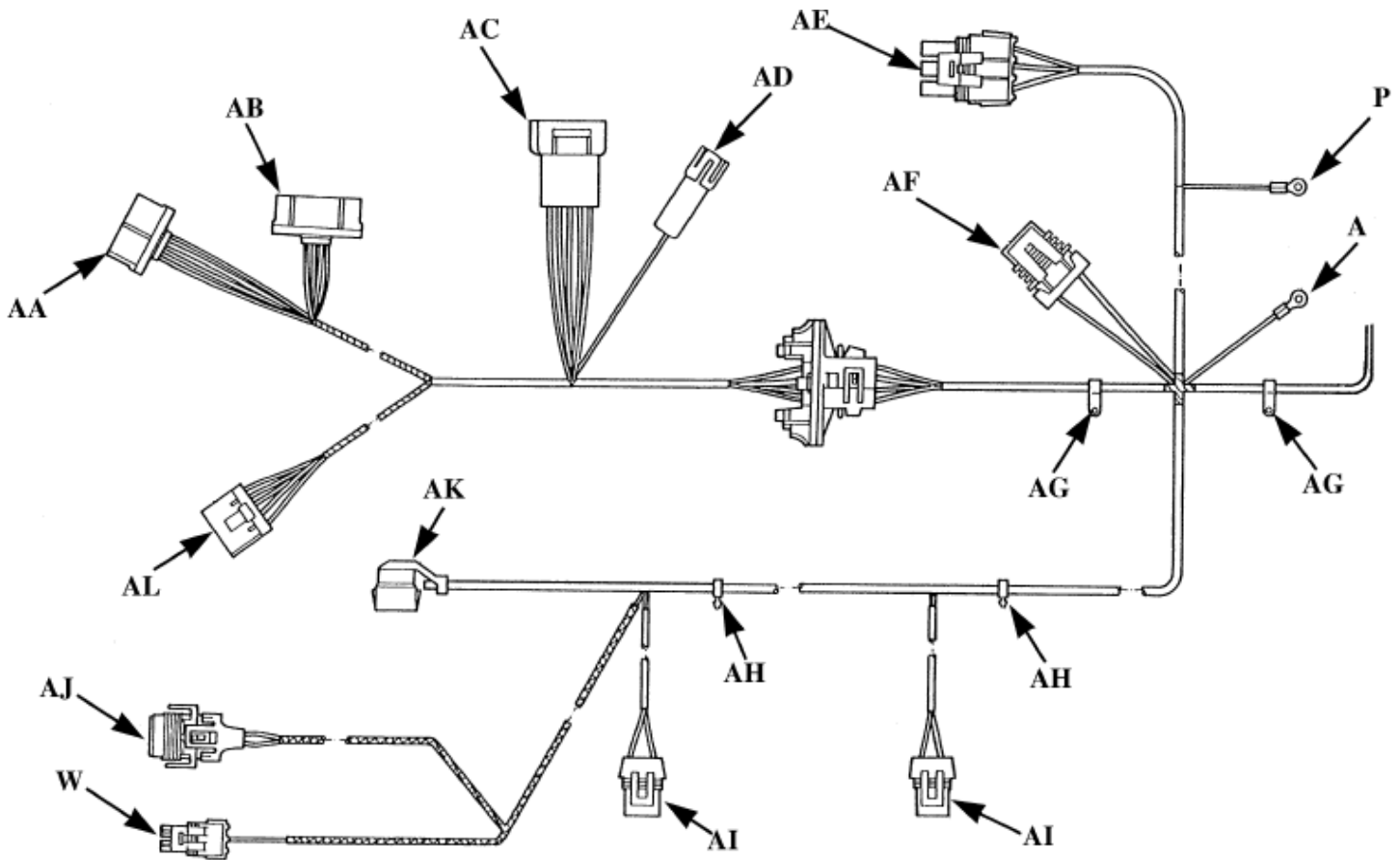
P12-035

Engine Wiring Harness (Figure 2 of 4)

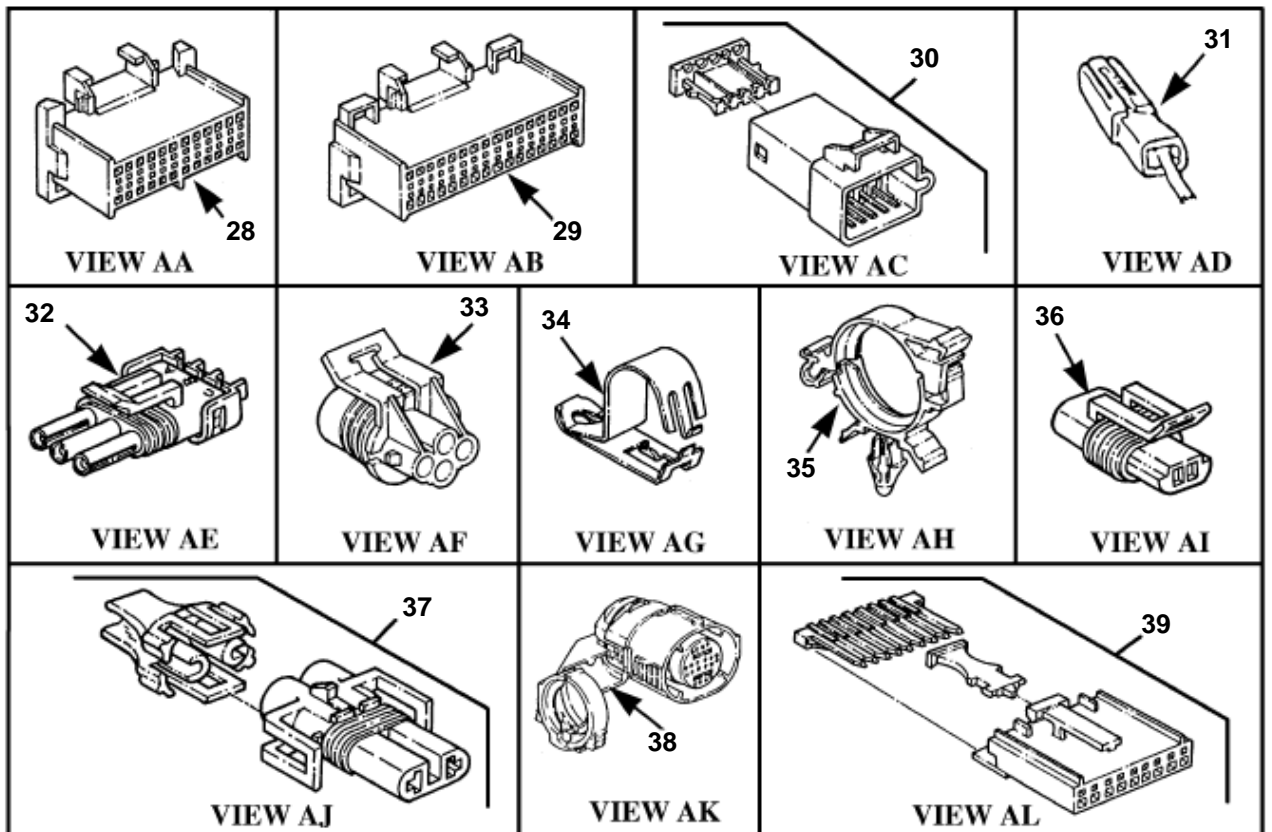




 <p>19</p> <p>VIEW R</p>	 <p>20</p> <p>VIEW S</p>	 <p>21</p> <p>VIEW T</p>	 <p>22</p> <p>VIEW U</p>	 <p>23</p> <p>VIEW V</p>
 <p>24</p> <p>VIEW W</p>	 <p>25</p> <p>VIEW X</p>	 <p>26</p> <p>VIEW Y</p>	 <p>27</p> <p>VIEW Z</p>	<p>Engine Wiring Harness (Figure 3 of 4)</p>

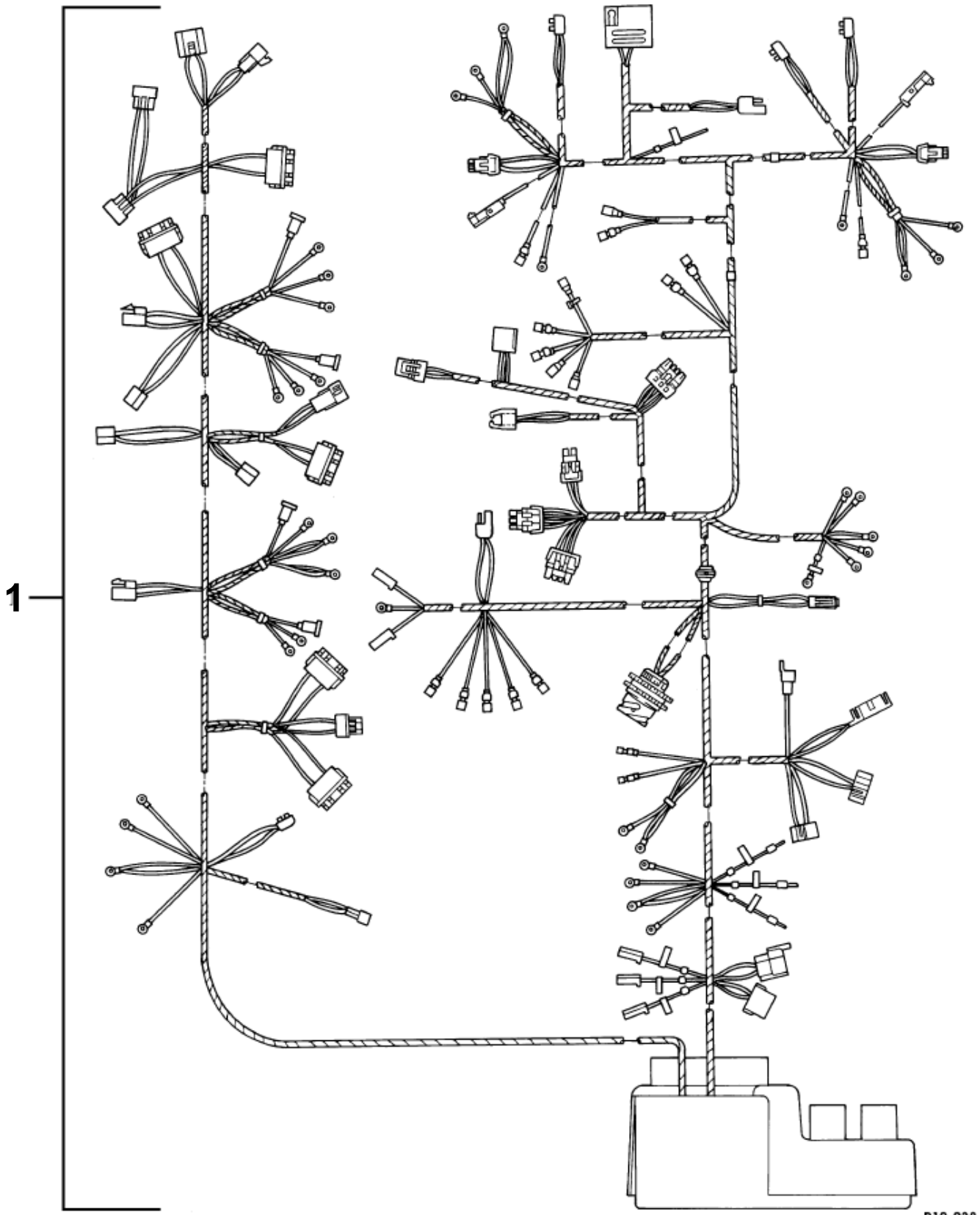


Engine Wiring Harness (Figure 4 of 4)



**Engine Wiring Harness.**

Item	Part No.	Description	Qty
1	<b>6003123</b>	HARNES ASSEMBLY, engine	1
2	<b>N/S</b>	·TERMINAL, starter solenoid	3
3	<b>5939567</b>	·CONNECTOR, horn	2
4	<b>5939099</b>	·CONNECTOR, A/C pressure switch	2
5	<b>N/S</b>	·TERMINAL	4
6	<b>5937088</b>	·BOOT	1
7	<b>5937091</b>	·CONNECTOR, alternator	1
8	<b>5937081</b>	·CONNECTOR, glow plug	8
9	<b>5937089</b>	·CONNECTOR, cold-advance	1
10	<b>12339710</b>	·BOOT	1
11	<b>N/S</b>	·TERMINAL	1
12	<b>6003234</b>	·CLIP, convoluted conduit	2
13	<b>6003229</b>	·CONNECTOR, throttle sensor	1
14	<b>5937076</b>	·CONNECTOR, fuel solenoid	1
15	<b>5903092</b>	·CONNECTOR, cold-advance	1
16	<b>5937061</b>	·CONNECTOR, fast idle	1
17	<b>N/S</b>	·TERMINAL, horn ground	5
18	<b>6003284</b>	·PLUG, battery cable	1
19	<b>5937265</b>	·FUSE, fuel pump, 20-amp	1
20	<b>6003241</b>	·CONNECTOR, fuel pump	1
21	<b>5939445</b>	·CONNECTOR, body harness	1
22	<b>5937082</b>	·CONNECTOR, water in fuel sensor	1
23	<b>5937060</b>	·CONNECTOR, fuel heater	1
24	<b>6003280</b>	·CONNECTOR, A/C compressor jumper	2
25	<b>6003032</b>	·CONNECTOR, fuel pump relay	1
26	<b>6003232</b>	·CONNECTOR	1
27	<b>5937078</b>	·CONNECTOR, glow plug controller	1
28	<b>6003251</b>	·CONNECTOR, transmission control module	1
29	<b>6003248</b>	·CONNECTOR, transmission control module	1
30	<b>6003256</b>	·CONNECTOR, body harness	1
31	<b>5939154</b>	·CONNECTOR	1
32	<b>6003814</b>	·CONNECTOR, barometric pressure sensor	1
33	<b>6000022</b>	·CONNECTOR, oil pressure switch	1
34	<b>6003233</b>	·CLAMP, convoluted conduit	2
35	<b>6003555</b>	·CLIP, convoluted conduit	2
36	<b>6003235</b>	·CONNECTOR, transmission	2
37	<b>5937647</b>	·CONNECTOR, speed sensor	1
38	<b>6003237</b>	·CONNECTOR, transmission	1
39	<b>6003257</b>	·CONNECTOR, digital radio adapter	1



P12-038

# Body Wiring Harness (without A/C)

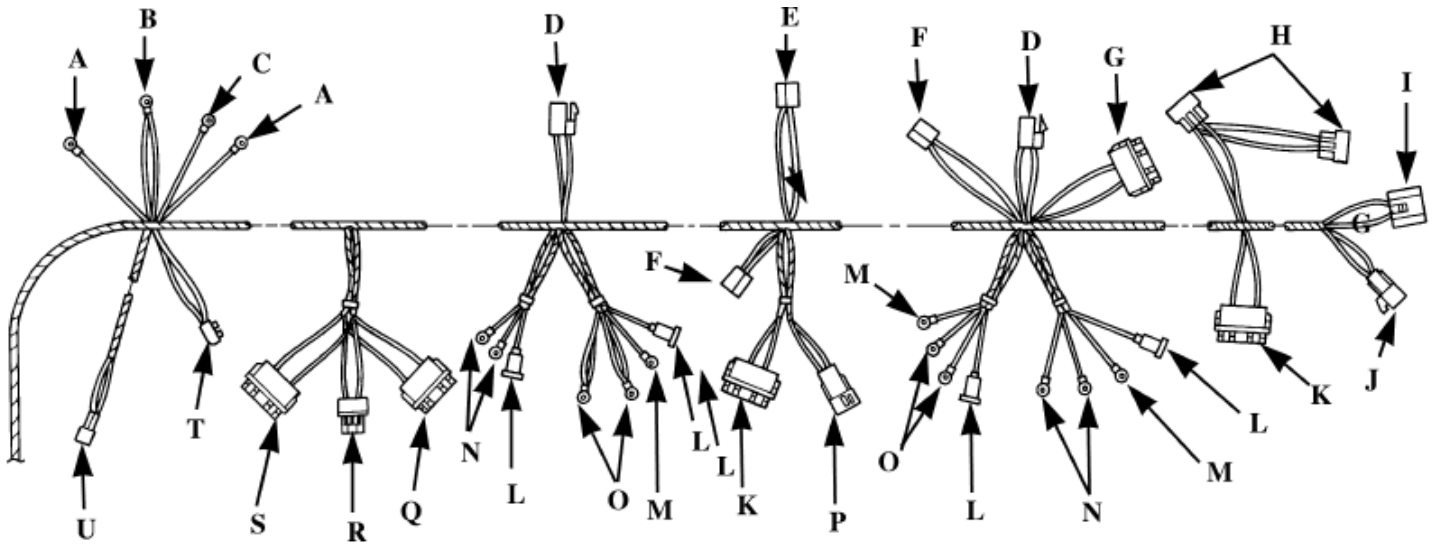
**Body Wiring Harness (without A/C).**


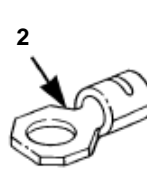
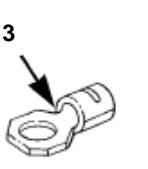
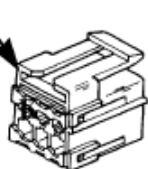
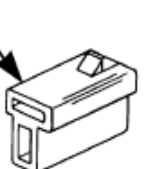
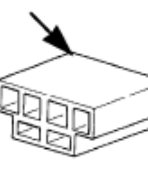
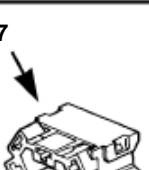
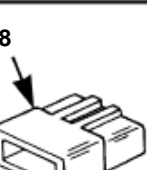
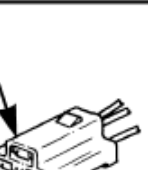
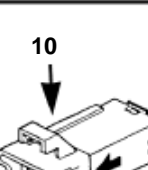
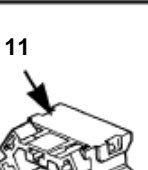
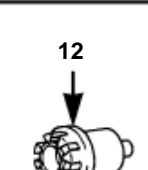
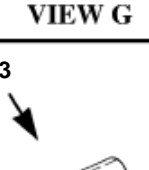
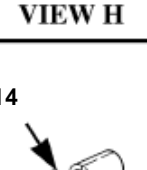

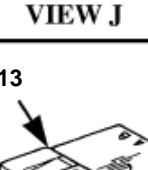
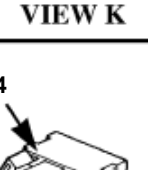
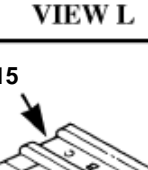
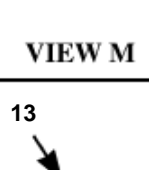
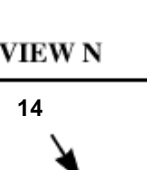
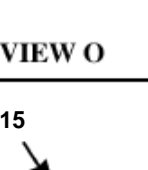
Item	Part No.	Description	Qty
1	<b>5939523</b>	BODY WIRING HARNESS ASSEMBLY (with head lamp chime)	1

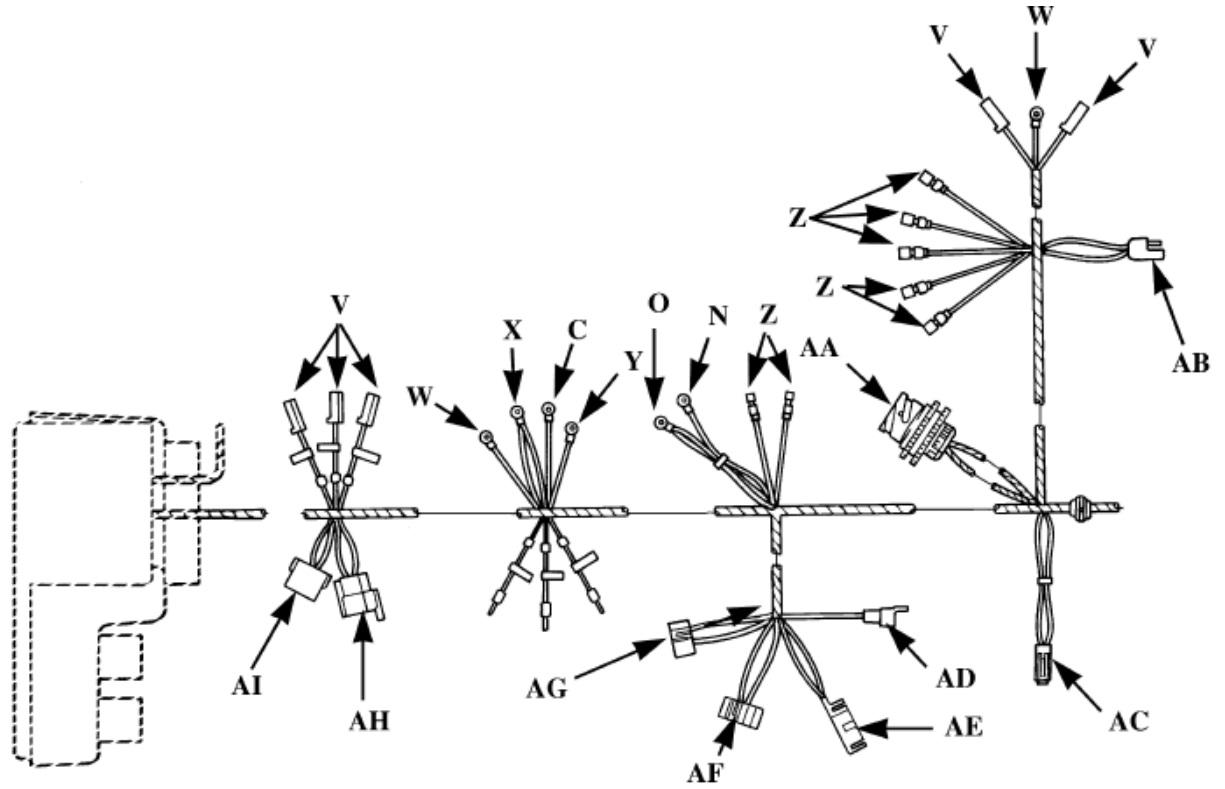
Sheet 1 of 3.

Sheet 2 of 3.

Sheet 3 of 3.

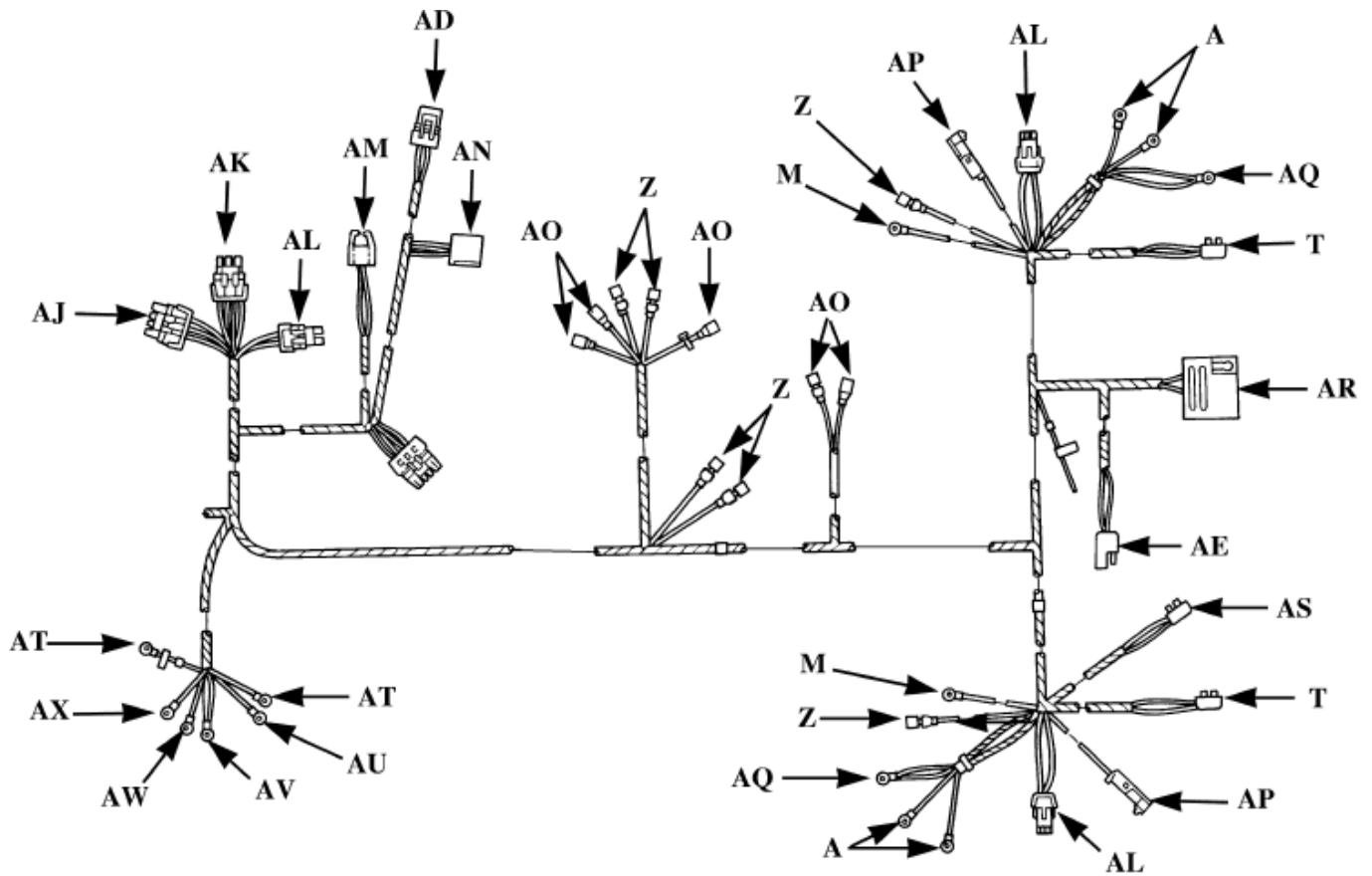


 <b>VIEW A</b>	 <b>VIEW B</b>	 <b>VIEW C</b>	 <b>VIEW D</b>	 <b>VIEW E</b>	 <b>VIEW F</b>
 <b>VIEW G</b>	 <b>VIEW H</b>	 <b>VIEW I</b>	 <b>VIEW J</b>	 <b>VIEW K</b>	 <b>VIEW L</b>
 <b>VIEW M</b>	 <b>VIEW N</b>	 <b>VIEW O</b>	 <b>VIEW P</b>	 <b>VIEW Q</b>	 <b>VIEW R</b>
 <b>VIEW S</b>	 <b>VIEW T</b>	 <b>VIEW U</b>	<h2>Body Wiring Harness (without A/C) Partial Views</h2>		



<p>22</p> <p>VIEW V</p>	<p>23</p> <p>VIEW W</p>	<p>24</p> <p>VIEW X</p>	<p>25</p> <p>VIEW Y</p>	<p>26</p> <p>VIEW Z</p>	<p>27</p> <p>VIEW AA</p>
<p>28</p> <p>VIEW AB</p>	<p>29</p> <p>VIEW AC</p>	<p>30</p> <p>VIEW AD</p>	<p>31</p> <p>VIEW AE</p>	<p>32</p> <p>VIEW AF</p>	<p>33</p> <p>VIEW AG</p>
<p>34</p> <p>VIEW AH</p>	<p>35</p> <p>VIEW AI</p>				

P12-040

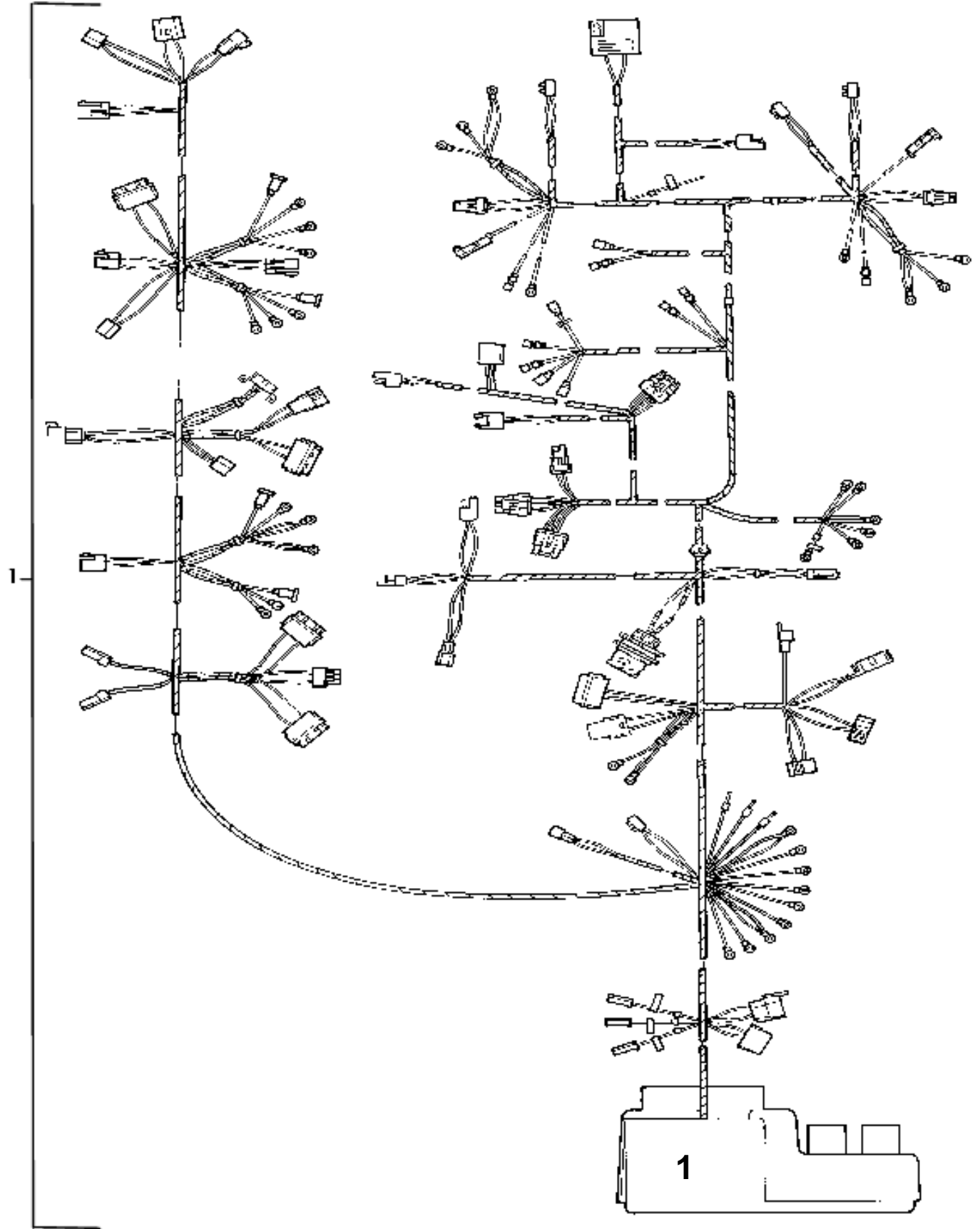


<p>36</p> <p>VIEW AJ</p>	<p>37</p> <p>VIEW AK</p>	<p>38</p> <p>VIEW AL</p>	<p>39</p> <p>VIEW AM</p>	<p>40</p> <p>VIEW AN</p>	<p>41</p> <p>VIEW AO</p>
<p>42</p> <p>VIEW AP</p>	<p>43</p> <p>VIEW AQ</p>	<p>44</p> <p>VIEW AR</p>	<p>45</p> <p>VIEW AS</p>	<p>46</p> <p>VIEW AT</p>	<p>47</p> <p>VIEW AU</p>
<p>48</p> <p>VIEW AV</p>	<p>49</p> <p>VIEW AW</p>	<p>50</p> <p>VIEW AX</p>			



**Body Wiring Harness (without A/C) - Partial Views**

Item	Part No.	Description	Qty
1	N/S	TERMINAL, instrument panel ground	6
2	N/S	TERMINAL, instrument panel ground	1
3	N/S	TERMINAL, instrument panel ground	2
4	5939155	CONNECTOR, left and right status centers	2
5	5903233	CONNECTOR, speedometer	1
6	5949100	CONNECTOR, CTI harness	2
7	5939899	CONNECTOR, fog lamp switch	1
8	5937170	CONNECTOR, heater control	2
9	5962328	CONNECTOR, engine console	1
10	5939599	CONNECTOR, radio	1
11	5939891	CONNECTOR, heater fan	2
12	990591	CONNECTOR, instrument gauge	4
13	N/S	TERMINAL, instrument gauges	5
14	N/S	TERMINAL, instrument gauges	5
15	N/S	TERMINAL, instrument	5
16	6000135	CONNECTOR, wiper switch illumination	1
17	5939900	CONNECTOR, dome light switch	1
18	5937060	CONNECTOR, panel lamp dimmer	1
19	5939898	CONNECTOR, light switch	1
20	5937021	CONNECTOR, courtesy light and clearance lamp	3
21	5939085	CONNECTOR, driver's door jamb light	1
22	5903092	CONNECTOR, heater motor	5
23	N/S	TERMINAL, instrument panel ground	2
24	N/S	TERMINAL, instrument panel ground	1
25	N/S	TERMINAL, instrument panel ground	1
26	MS27144-2	CONNECTOR, stop light switch	14
27	5743346	CONNECTOR, engine harness	1
28	5573612	CONNECTOR, front and rear identification lights	1
29	6000150	CONNECTOR, transmission shifter lock	1
30	6000141	CONNECTOR, key contact	2
31	6000143	CONNECTOR, ignition switch	2
32	6000134	CONNECTOR, turn signal switch	1
33	6000142	CONNECTOR, turn signal switch	1
34	5939964	CONNECTOR, roof harness	1
35	5939679	CONNECTOR, radio harness	1
36	5995715	CONNECTOR, hood harness	1
37	5937082	CONNECTOR, wiper motor	1
38	5995717	CONNECTOR, brake warning valve	2
39	N/S	CONNECTOR, brake warning valve	1
40	5937156	CONNECTOR, fog lamp	1
41	MS27142-3	CONNECTOR, backup switch	4
42	5939237	CONNECTOR, taillight	2
43	N/S	TERMINAL, ground	2
44	5937038	CONNECTOR, trailer	1
45	5937039	CONNECTOR, license plate lamp	1
46	N/S	TERMINAL, positive power stud	2
47	N/S	TERMINAL, positive power stud	1
48	N/S	TERMINAL, negative power stud	1
49	N/S	TERMINAL, negative power stud	1
50	N/S	TERMINAL, negative power stud	1
51	12339342	JUMPER, FUEL SENDER (not pictured)	1



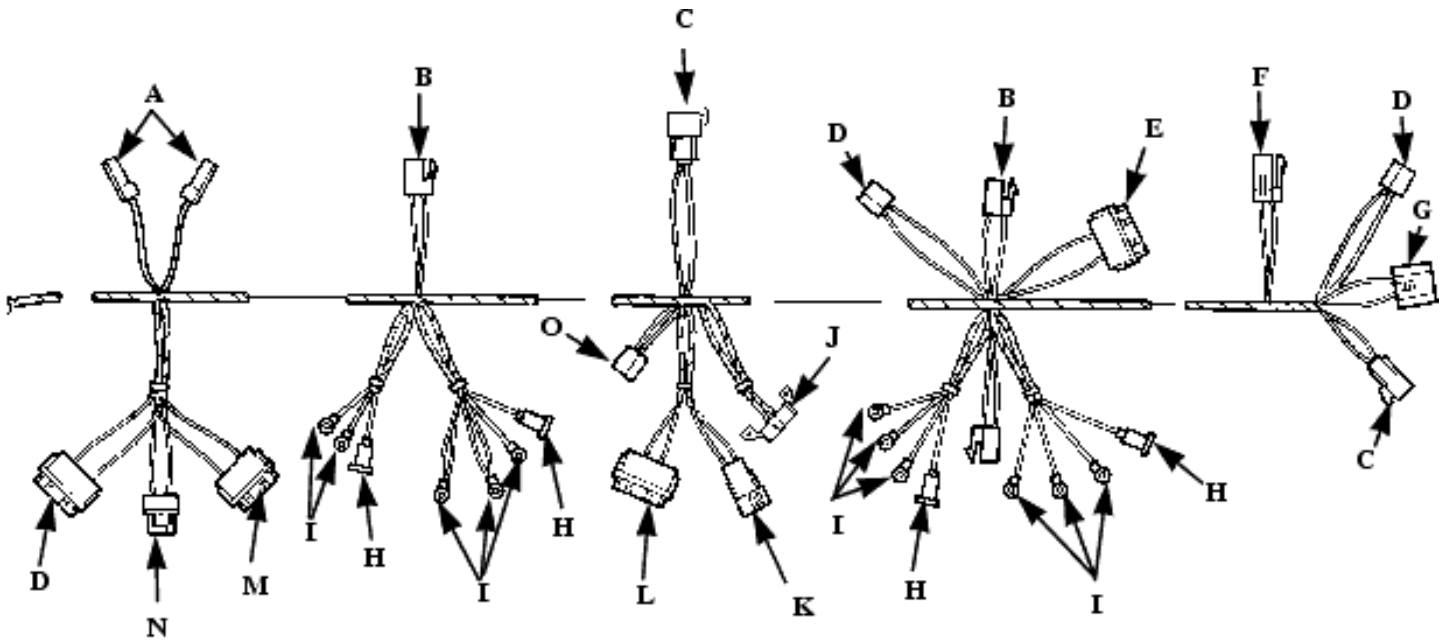
P12-042

# Body Wiring Harness (with A/C)

**Body Wiring Harness (with A/C).**

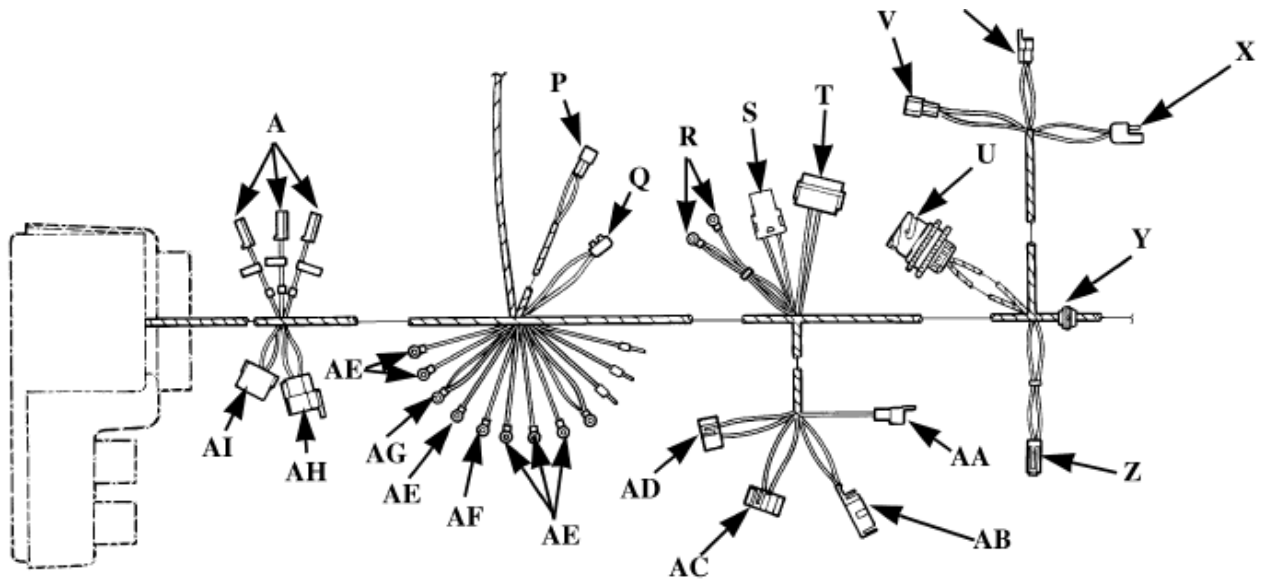
Item	Part No.	Description	Qty
1	<b>6000766</b>	BODY WIRING HARNESS ASSEMBLY (with A/C) (new 1992 and 1993)	1
	<b>6005853</b>	BODY WIRING HARNESS ASSEMBLY (late 1994, with head lamp chime) SEE NOTE 1	1
	<b>6000766</b>	BODY WIRING HARNESS ASSEMBLY (with A/C, power door locks, and power windows (new 1992 and 1993)	1
	<b>6000766</b>	BODY WIRING HARNESS ASSEMBLY (with A/C, power door locks, and power windows and key buzzer (1994)	1

NOTE 1: EFFECTIVE WITH VIN 156048 PLUS VEHICLE  
155616.

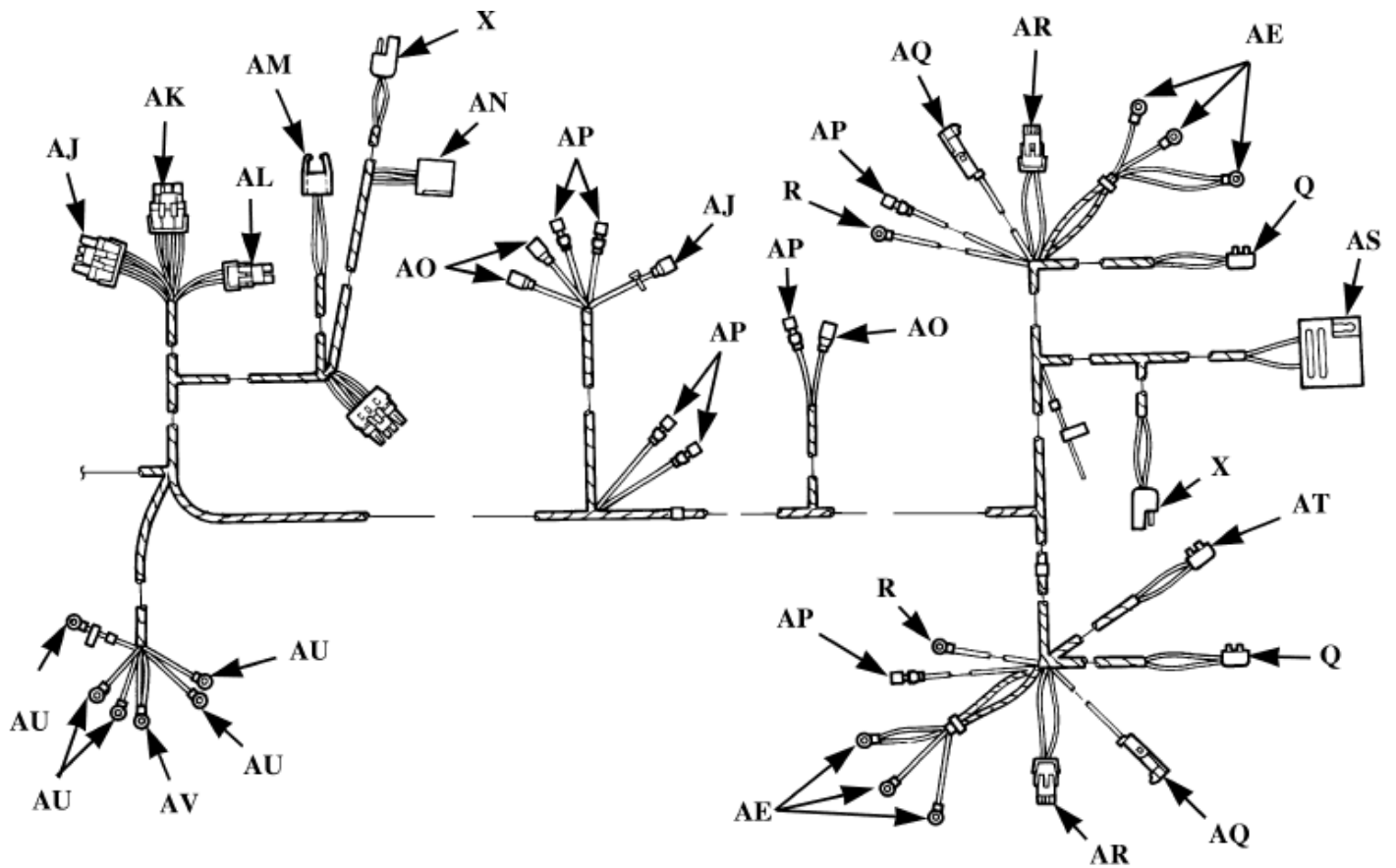


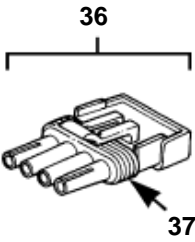
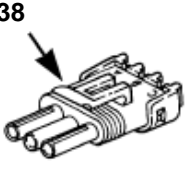
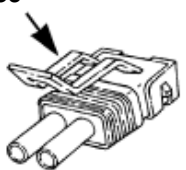
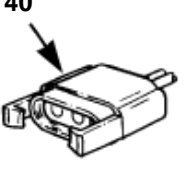
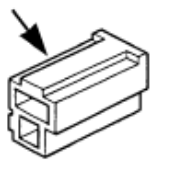
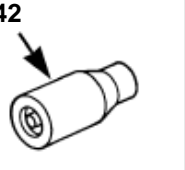
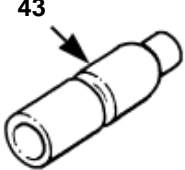
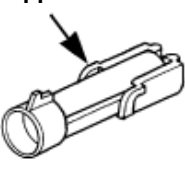
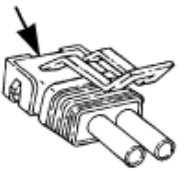
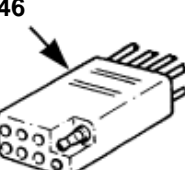
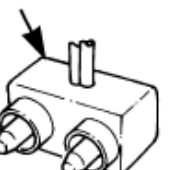
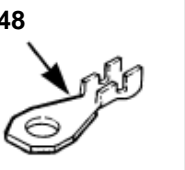

<p>1</p> <p>VIEW A</p>	<p>2</p> <p>VIEW B</p>	<p>3</p> <p>VIEW C</p>	<p>4</p> <p>VIEW D</p>	<p>5</p> <p>VIEW E</p>	<p>6</p> <p>VIEW F</p>
<p>7</p> <p>VIEW G</p>	<p>8</p> <p>VIEW H</p>	<p>9</p> <p>VIEW I</p>	<p>10</p> <p>VIEW J</p>	<p>11</p> <p>VIEW K</p>	<p>12</p> <p>VIEW L</p>
<p>13</p> <p>VIEW M</p>	<p>14</p> <p>VIEW N</p>	<p>15</p> <p>VIEW O</p>	<p><b>Body Wiring Harness with A/C-Partial Views (Figure 1 of 3)</b></p>		

P12-043



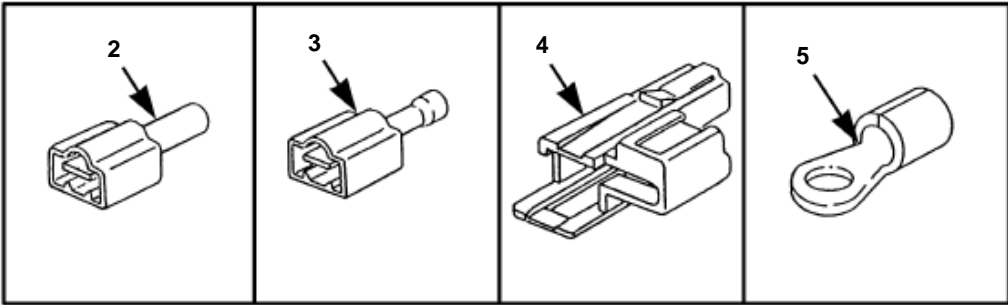
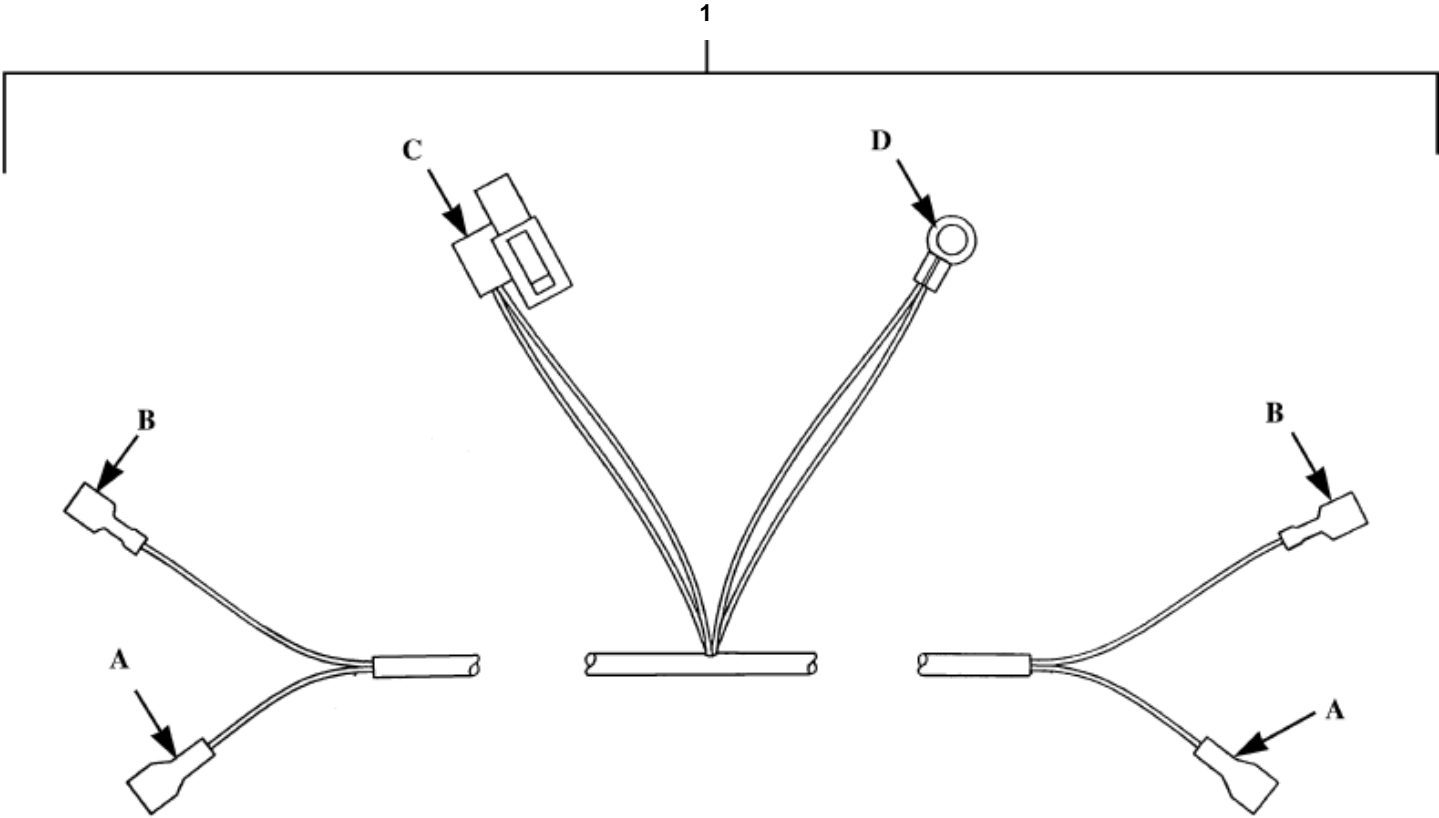
<p>16</p> <p>VIEW P</p>	<p>17</p> <p>VIEW Q</p>	<p>18</p> <p>VIEW R</p>	<p>19</p> <p>VIEW S</p>	<p>20</p> <p>VIEW T</p>	<p>21</p> <p>VIEW U</p>
<p>22</p> <p>VIEW V</p>	<p>23</p> <p>VIEW W</p>	<p>24</p> <p>VIEW X</p>	<p>25</p> <p>VIEW Y</p>	<p>26</p> <p>VIEW Z</p>	<p>27</p> <p>VIEW AA</p>
<p>28</p> <p>VIEW AB</p>	<p>29</p> <p>VIEW AC</p>	<p>30</p> <p>VIEW AD</p>	<p>31</p> <p>VIEW AE</p>	<p>32</p> <p>VIEW AF</p>	<p>33</p> <p>VIEW AG</p>
<p>34</p> <p>VIEW AH</p>	<p>35</p> <p>VIEW AI</p>	<p>Body Wiring Harness (with A/C) - Partial Views (Figure 2 of 3)</p>			



 <p>VIEW AJ</p>	 <p>VIEW AK</p>	 <p>VIEW AL</p>	 <p>VIEW AM</p>	 <p>VIEW AN</p>	 <p>VIEW AN</p>
 <p>VIEW AP</p>	 <p>VIEW AQ</p>	 <p>VIEW AR</p>	 <p>VIEW AS</p>	 <p>VIEW AT</p>	 <p>VIEW AU</p>
 <p>VIEW AV</p>	<p>Body Wiring Harness (with A/C) - Partial Views (Figure 3 of 3)</p>				

**Body Wiring Harness (with A/C) - Partial Views.**

Item	Part No.	Description	Qty
1	<b>5903092</b>	CONNECTOR, power door locks and windows	5
2	<b>5939155</b>	CONNECTOR, left and right status centers	2
3	<b>5939599</b>	CONNECTOR, speedometer	1
4	<b>6000261</b>	CONNECTOR, CTI harness	3
5	<b>5939899</b>	CONNECTOR, fog lamp switch	1
6	<b>6003227</b>	CONNECTOR, engine harness	1
7	<b>5962328</b>	CONNECTOR, engine console	1
8	<b>6003289</b>	CONNECTOR, fuel gauge	2
9	<b>N/S</b>	TERMINAL, fuel gauge and temperature gauge	11
10	<b>6003224</b>	CONNECTOR, ALDL	1
11	<b>6000135</b>	CONNECTOR, wiper switch illumination	1
12	<b>5939891</b>	CONNECTOR, wiper switch	1
13	<b>5939900</b>	CONNECTOR, dome light switch	1
14	<b>5937060</b>	CONNECTOR, panel lamp dimmer	1
15	<b>5939898</b>	CONNECTOR, light switch	1
16	<b>5939085</b>	CONNECTOR, driver's door jamb switch	1
17	<b>5937021</b>	CONNECTOR, courtesy light	3
18	<b>N/S</b>	TERMINAL, steering column ground	4
19	<b>6003222</b>	CONNECTOR, stop light switch	1
20	<b>6003223</b>	CONNECTOR, transmission	1
21	<b>5743346</b>	CONNECTOR, engine harness	1
22	<b>5742953</b>	CONNECTOR	1
23	<b>5962088</b>	CONNECTOR	1
24	<b>5936493</b>	CONNECTOR, front identification light	3
25	<b>6000147</b>	GROMMET	1
26	<b>6000150</b>	CONNECTOR, transmission shifter lock solenoid	1
27	<b>6000141</b>	SLEEVE, key contact	1
28	<b>6000143</b>	SLEEVE, ignition switch	1
29	<b>6000134</b>	SLEEVE, turn signal switch	1
30	<b>6000142</b>	SLEEVE, turn signal switch	1
31	<b>N/S</b>	TERMINAL, instrument panel ground point	12
32	<b>N/S</b>	TERMINAL, instrument panel ground point	1
33	<b>N/S</b>	TERMINAL, instrument panel ground point	1
34	<b>5939964</b>	CONNECTOR, roof harness	1
35	<b>5939679</b>	CONNECTOR, radio harness	1
36	<b>5995715</b>	CONNECTOR, hood harness and CTI compressor	1
37	<b>5937655</b>	-SEAL, connector	1
38	<b>5937082</b>	CONNECTOR, hood harness	1
39	<b>6000136</b>	CONNECTOR, fog lamps	1
40	<b>N/S</b>	CONNECTOR, brake warning valve	1
41	<b>5937156</b>	CONNECTOR, windshield washer pump	1
42	<b>MS27142-3</b>	CONNECTOR, backup switch and shifter illumination	3
43	<b>MS27144-2</b>	CONNECTOR, stop light switch	9
44	<b>5939237</b>	CONNECTOR, taillight	2
45	<b>5995717</b>	CONNECTOR, taillight	2
46	<b>5937038</b>	CONNECTOR, trailer	1
47	<b>5937039</b>	CONNECTOR, license plate lamp	1
48	<b>N/S</b>	TERMINAL, power stud	5
49	<b>N/S</b>	TERMINAL, power stud	1



# Map Light Extension Harness

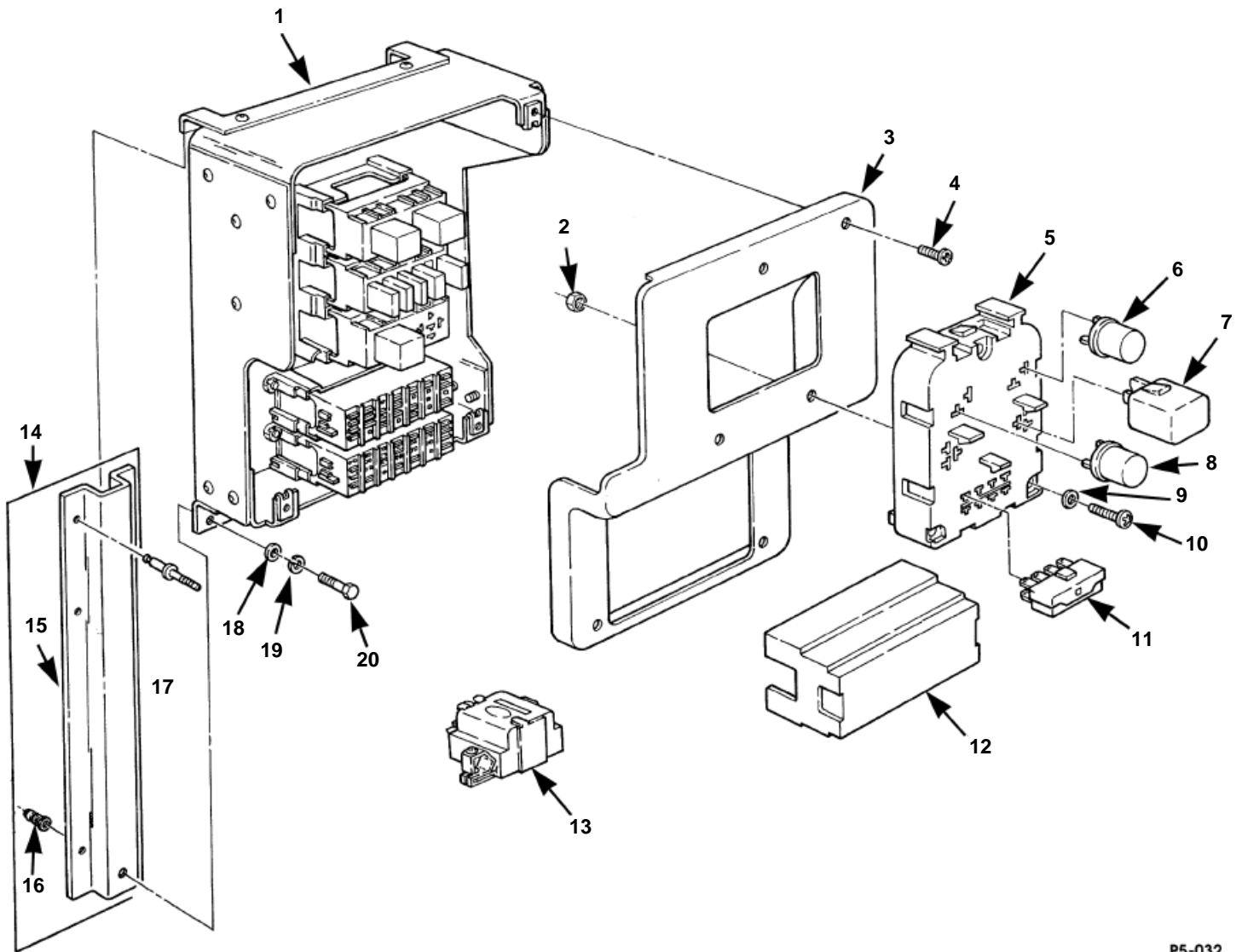


**Map Light Extension Harness.**

Item	Part No.	Description	Qty
1	<b>6004298</b>	HARNESS ASSEMBLY, map light extension	1
2	<b>6003850</b>	CONNECTOR, right map light	2
3	<b>6004933</b>	CONNECTOR, right map light	2
4	<b>6004293</b>	CONNECTOR, roof harness	1
5	<b>N/S</b>	TERMINAL, roof harness	1

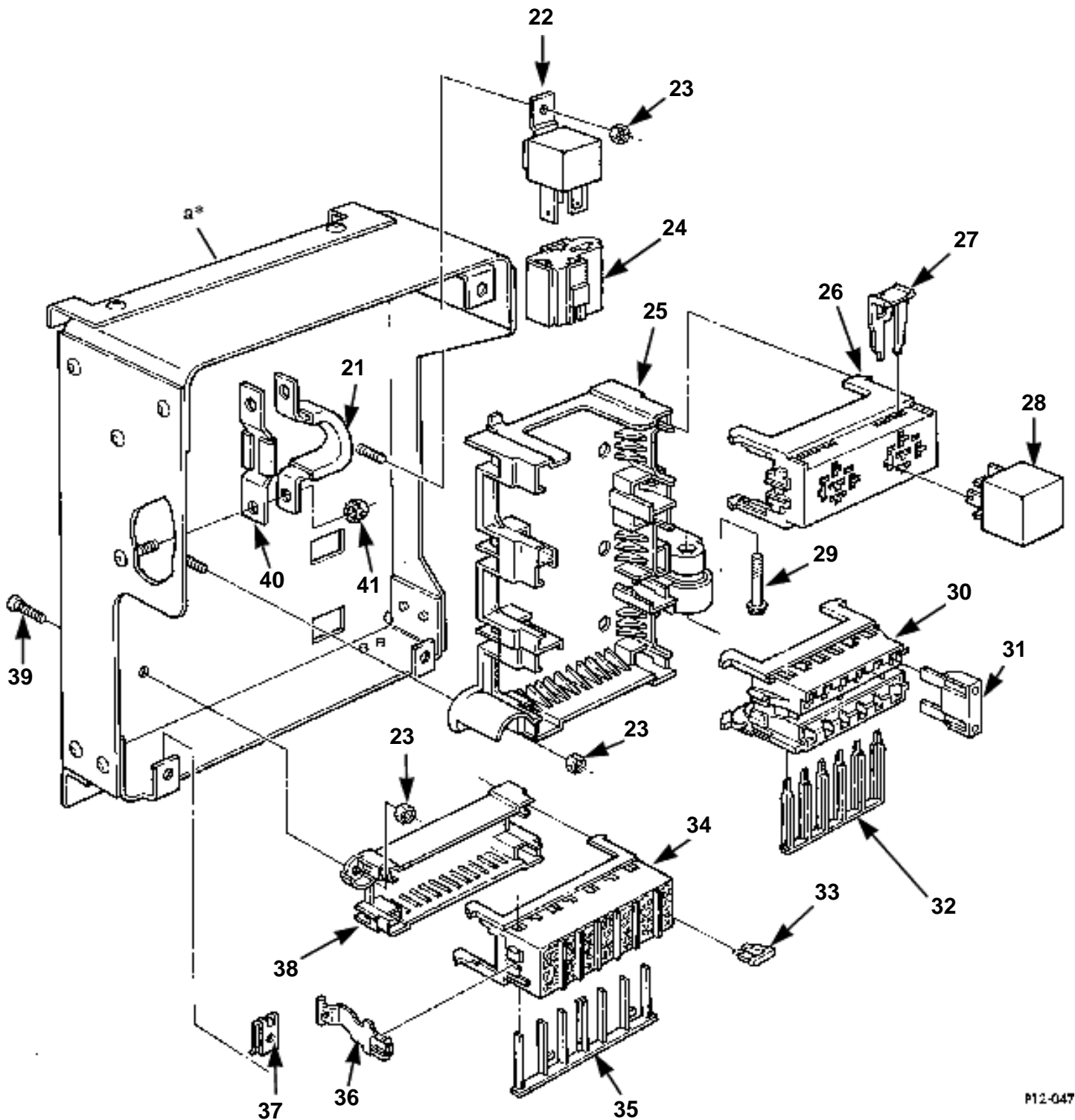
(Sheet 1 of 2)

(Sheet 2 of 2)



P5-032

## Fuse Box Panel, Convenience Center, and Mounting Hardware (Figure 1 of 2)



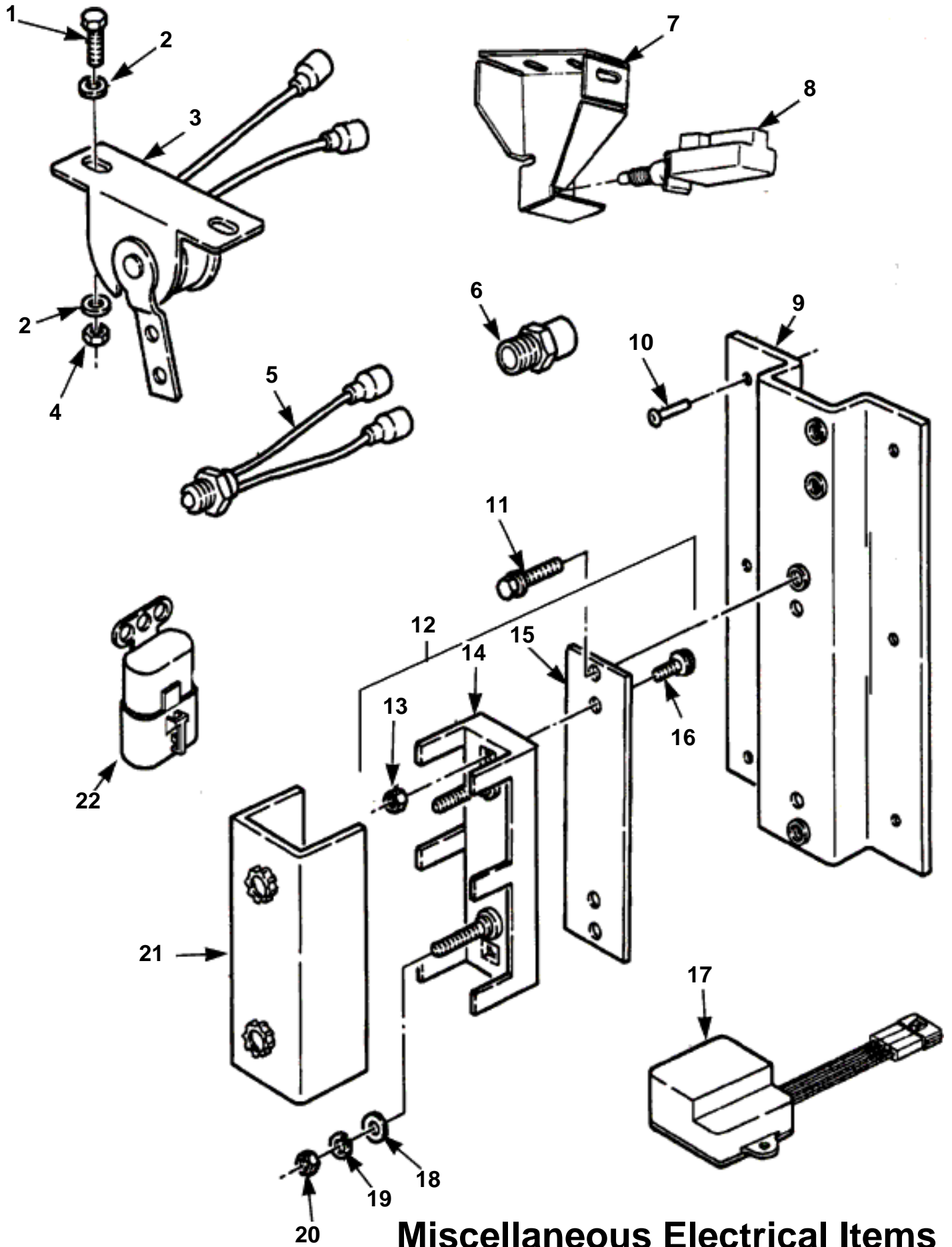
P12-047

\* a PART OF ITEM 1  
**Fuse Box Panel, Convenience Center and Mounting Hardware (Figure 2 of 2)**

**Fuse Box Panel, Convenience Center, and Mounting Hardware.**

Item	Part No.	Description	Qty
1	<b>5939907B2</b>	FUSE BOX ASSEMBLY	1
2	<b>271163</b>	NUT	3
3	<b>5939901</b>	FUSE BOX COVER	1
4	<b>9413442</b>	SCREW	3
5	<b>5939288</b>	CONVENIENCE CENTER	1
6	<b>5939639</b>	HAZARD FLASHER	1
7	<b>5939375</b>	HORN RELAY	1
8	<b>5939640</b>	TURN SIGNAL FLASHER	1
9	<b>9419664</b>	WASHER	3
10	<b>MS35206-251</b>	SCREW	3
11	<b>5939075</b>	MULTI-INPUT BUZZER	1
12	<b>5939722</b>	COVER, mini fuse block	1
13	<b>6004890</b>	MODULE, chime, SEE NOTE 1	1
14	<b>5939908</b>	BRACKET ASSEMBLY, fuse box mounting	2
15	<b>5939913</b>	·BRACKET	1
16	<b>5939712</b>	·NUT, insert	2
17	<b>12339355-1</b>	RIVET ASSEMBLY	16
18	<b>120391</b>	WASHER	2
19	<b>120217</b>	LOCKWASHER	2
20	<b>440502</b>	SCREW	2
21	<b>6000745</b>	STRAP, clamp	1
22	<b>5939379</b>	RELAY, power S.P.S.T.	1
23	<b>EL190254</b>	LOCKNUT	4
24	<b>5743831</b>	SOCKET ASSEMBLY, relay	1
25	<b>5939292</b>	BASE ASSEMBLY, 3 modules	1
26	<b>5939296</b>	DUAL RELAY BLOCK	2
27	<b>5939297</b>	SECONDARY LOCK, relay	1
28	<b>5939315</b>	RELAY, S.P.D.T.	3
29	<b>5939294</b>	SCREW, hex head	1
30	<b>5939293</b>	FUSE BLOCK, maxi	1
31	<b>5939355</b>	MAXI CIRCUIT BREAKER, automatic reset, 20-amp	1
	<b>5939440</b>	MAXI CIRCUIT BREAKER, automatic reset, 30-amp	1
	<b>N/S</b>	MAXI FUSE, 20-amp	1
	<b>N/S</b>	MAXI FUSE, 30-amp	1
	<b>N/S</b>	MAXI FUSE, 40-amp	1
32	<b>5939295</b>	SECONDARY LOCK, maxi fuse	1
33	<b>N/S</b>	MINI FUSE, 5-amp	7
	<b>N/S</b>	MINI FUSE, 7.5-amp	5
	<b>N/S</b>	MINI FUSE, 10-amp	2
	<b>N/S</b>	MINI FUSE, 15-amp	5
	<b>N/S</b>	MINI FUSE, 20-amp	2
	<b>N/S</b>	MINI FUSE, 25-amp	1
	<b>N/S</b>	MINI FUSE, 30-amp	1
34	<b>5939290</b>	FUSE BLOCK, mini	2
35	<b>5939291</b>	SECONDARY LOCK, mini fuse	2
36	<b>5939723</b>	CLIP, fuse block cover	2
37	<b>EC12339694</b>	SPEEDNUT, U-type	3
38	<b>5939289</b>	BASE, 1 module	2
39	<b>12339734-1</b>	STUD	7
40	<b>6000485</b>	CROSSBAR CLAMP	1
41	<b>EL190254</b>	NUT ASSEMBLY	2

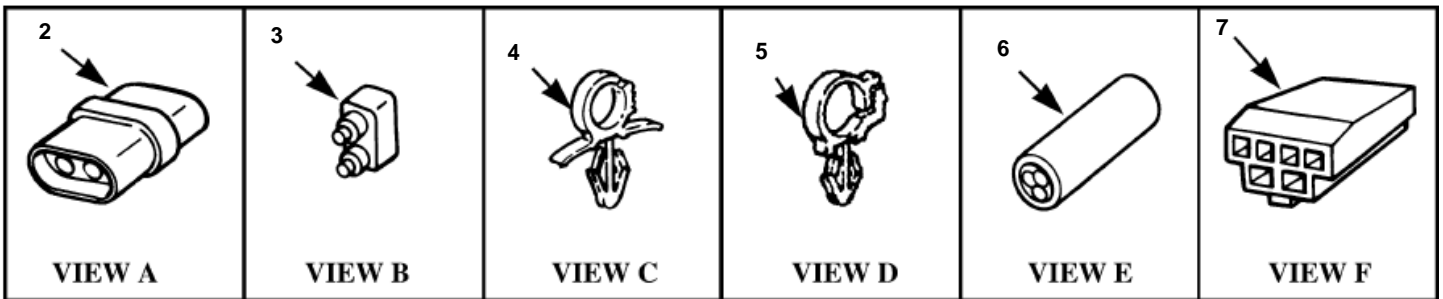
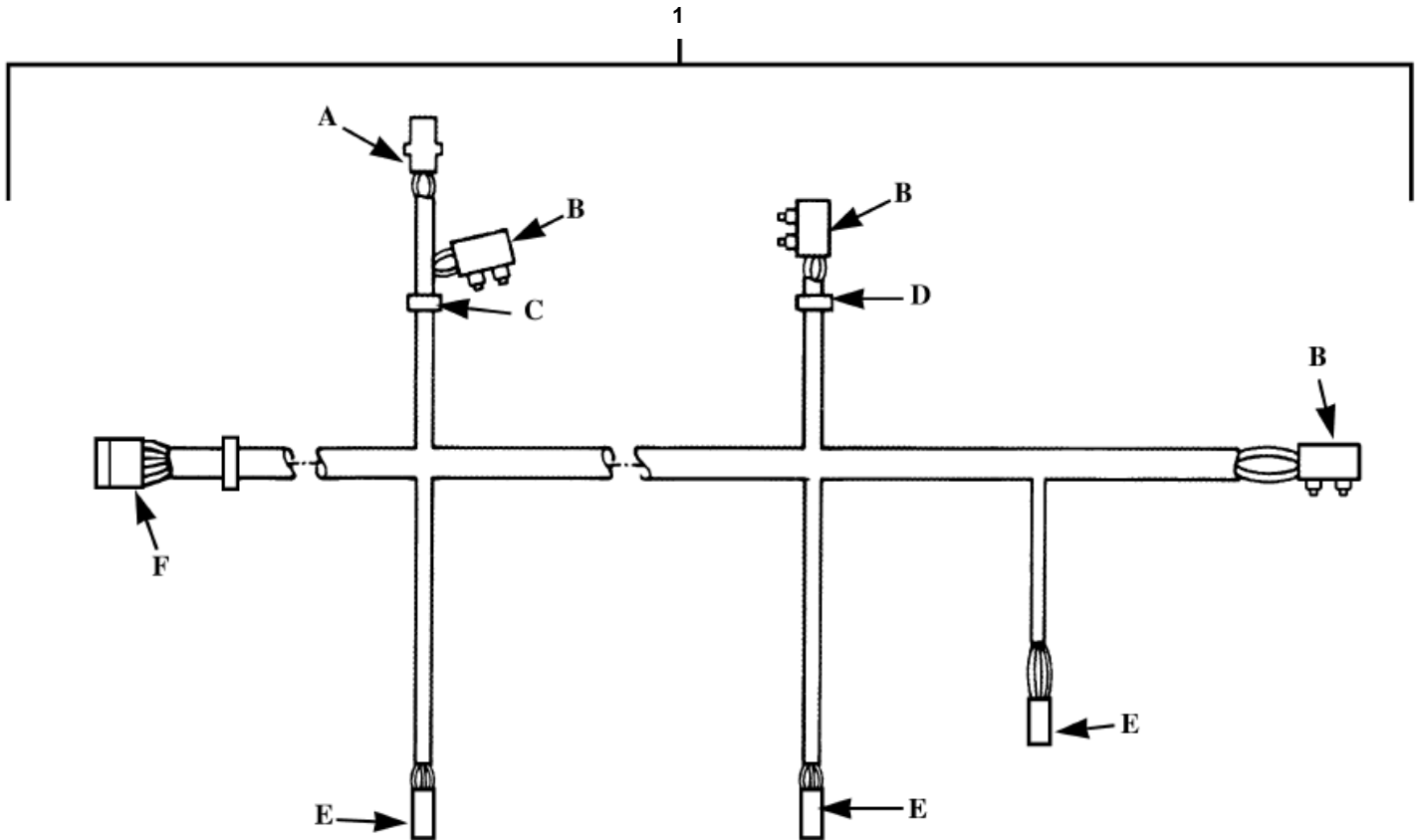
NOTE 1: EFFECTIVE STARTING WITH VIN 156048 PLUS  
VEHICLE 155616



**Miscellaneous Electrical Items**

**Miscellaneous Electrical Items.**

Item	Part No.	Description	Qty
1	<b>9415477</b>	SCREW, stoplight switch	2
2	<b>N/S</b>	WASHER, flat, 9/32 x 5/8"	4
3	<b>11663279</b>	STOPLIGHT SWITCH	1
4	<b>271172</b>	LOCKNUT, park light switch	2
5	<b>12356704</b>	SWITCH, parking brake	1
6	<b>5938686</b>	SWITCH, transfer lock	1
7	<b>6002810</b>	BRACKET, brake light switch	1
8	<b>6002811</b>	BRAKE, light/cruise switch	1
9	<b>5939969</b>	BRACKET	1
10	<b>12339355-1</b>	RIVET	6
11	<b>MS90728-5</b>	SCREW	2
12	<b>5939972</b>	PLATE AND TERMINAL BOARD ASSEMBLY	1
13	<b>MS51469-2</b>	.NUT	2
14	<b>MS27212-5-2</b>	.TERMINAL BOARD	1
15	<b>5939971B2</b>	.PLATE, terminal board	1
16	<b>S.I.A.</b>	.SCREW, 6 - 32 x 1/2"	2
17	<b>5745365</b>	Module, daytime running light	1
18	<b>AN960-616</b>	WASHER	2
19	<b>MS35338-141</b>	LOCKWASHER	2
20	<b>MS35650-3384</b>	NUT	2
21	<b>MS18029-5L-2</b>	COVER ASSEMBLY, electrical	1
22	<b>5939962</b>	FUEL PUMP RELAY	1



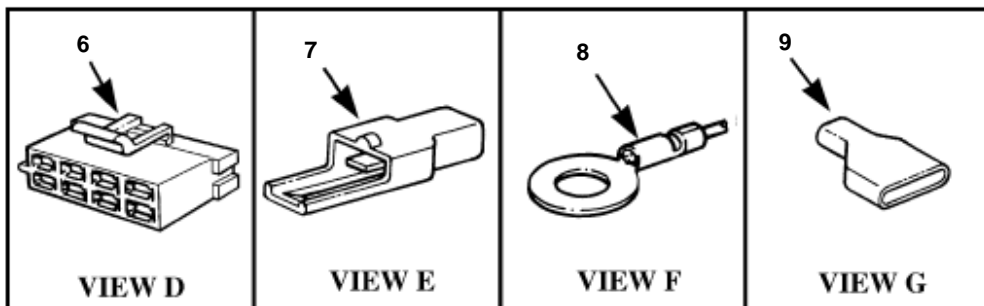
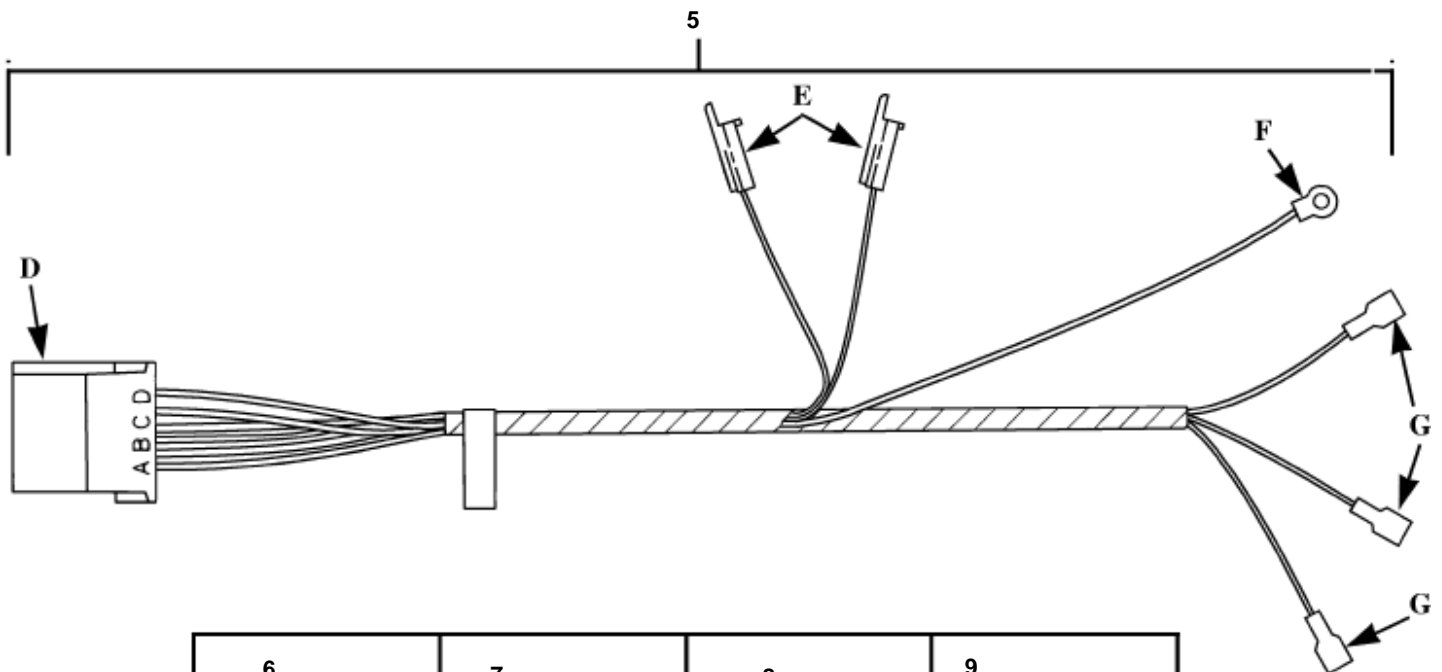
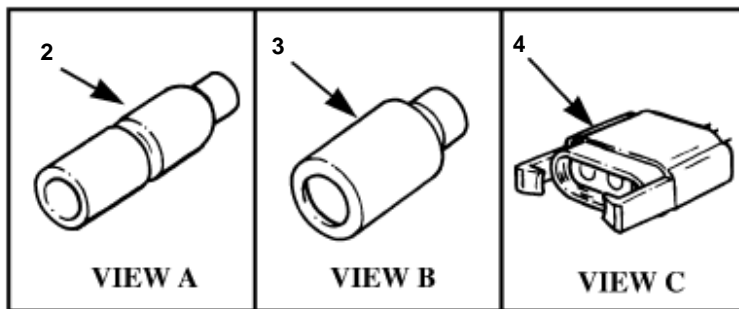
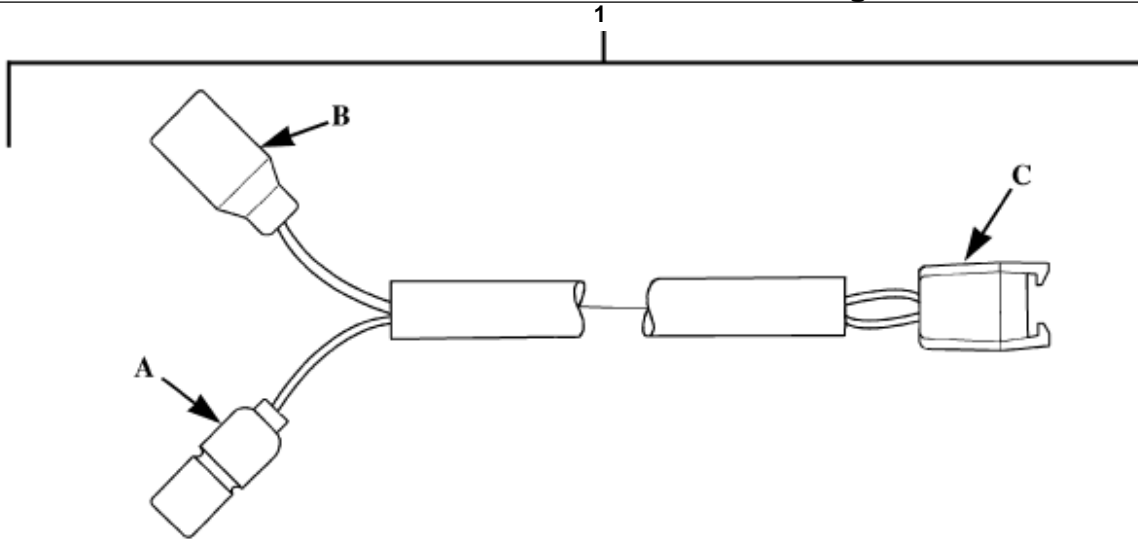
P12-049

# Wiring Harness Assembly, Open Top

**Wiring Harness Assembly, Open Top.**

Item	Part No.	Description	Qty
1	<b>6003576</b>	HARNESS ASSEMBLY, open body	1
2	<b>5939099</b>	CONNECTOR, seat belt buckle switch	1
3	<b>5937039</b>	CONNECTOR, courtesy lights	3
4	<b>6003234</b>	CLIP, with wings	1
5	<b>6000246</b>	CLIP, convoluted conduit	1
6	<b>5939085</b>	CONNECTOR, door jamb switch	3
7	<b>6000261</b>	CONNECTOR	1



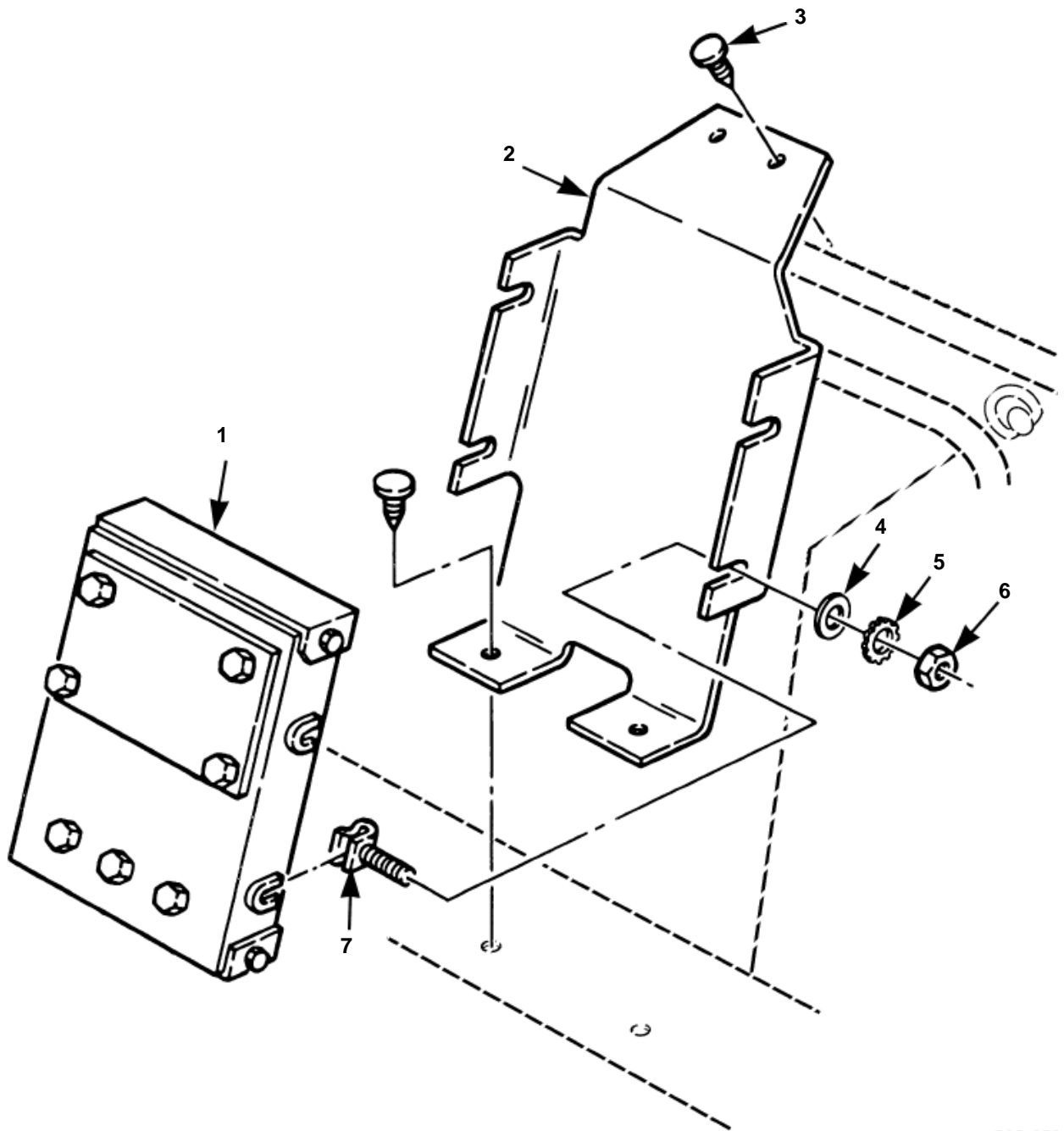


Daytime Running Light Jumper and Harness

P12-050

**Daytime Running Light Jumper and Harness.**

Item	Part No.	Description	Qty
1	<b>6002919</b>	JUMPER, daytime running light (Canada only)	1
2	<b>MS27144-2</b>	·CONNECTOR	1
3	<b>MS27142-3</b>	·CONNECTOR	1
4	<b>N/S</b>	·CONNECTOR	1
5	<b>6002626</b>	HARNES, module, daytime running light (Canada only)	1
6	<b>6002769</b>	·CONNECTOR	1
7	<b>6002767</b>	·CONNECTOR	2
8	<b>5903147</b>	·TERMINAL, ring	1
9	<b>6002829</b>	·CONNECTOR	3

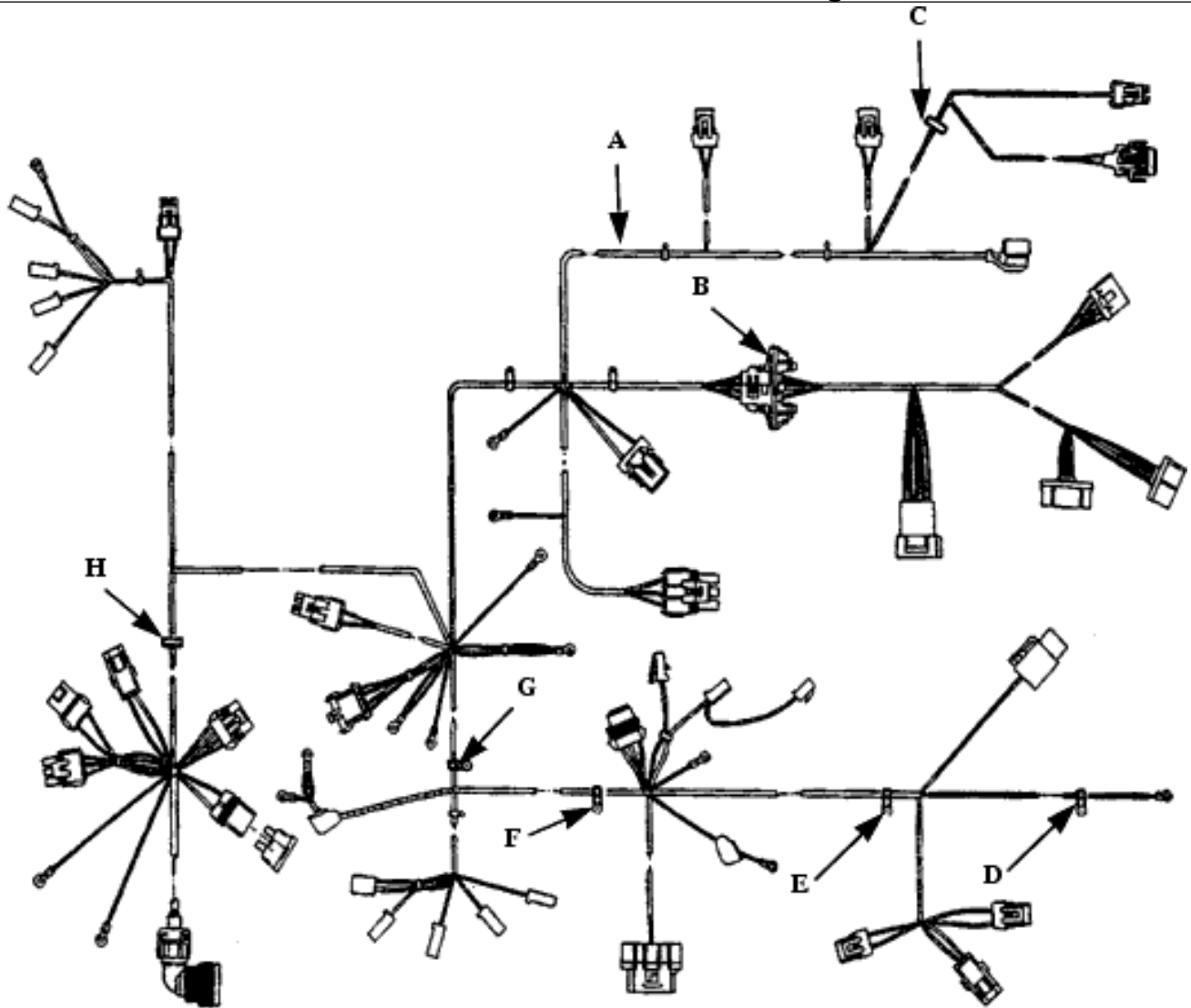


P12-051

## Bracket/Transmission Control Module/ Powertrain Control Module Mounting

**Bracket/Transmission Control Module/Powertrain Control Module Mo**

Item	Part No.	Description	Qty
1	<b>6003126</b>	MODULE, transmission control, diesel (1994)	1
2	<b>6003476</b>	BRACKET, transmission control module/	
	<b>6006756B9</b>	powertrain control module	1
3	<b>6001038</b>	TRIM, button	4
4	<b>9416128</b>	WASHER	4
5	<b>MS45904-60</b>	LOCKWASHER	4
6	<b>B18245B05</b>	NUT	4
7	<b>6003831</b>	CLIP and stud assembly	4
8	<b>6003489</b>	DIGITAL RATIO ADAPTER (not pictured)	1

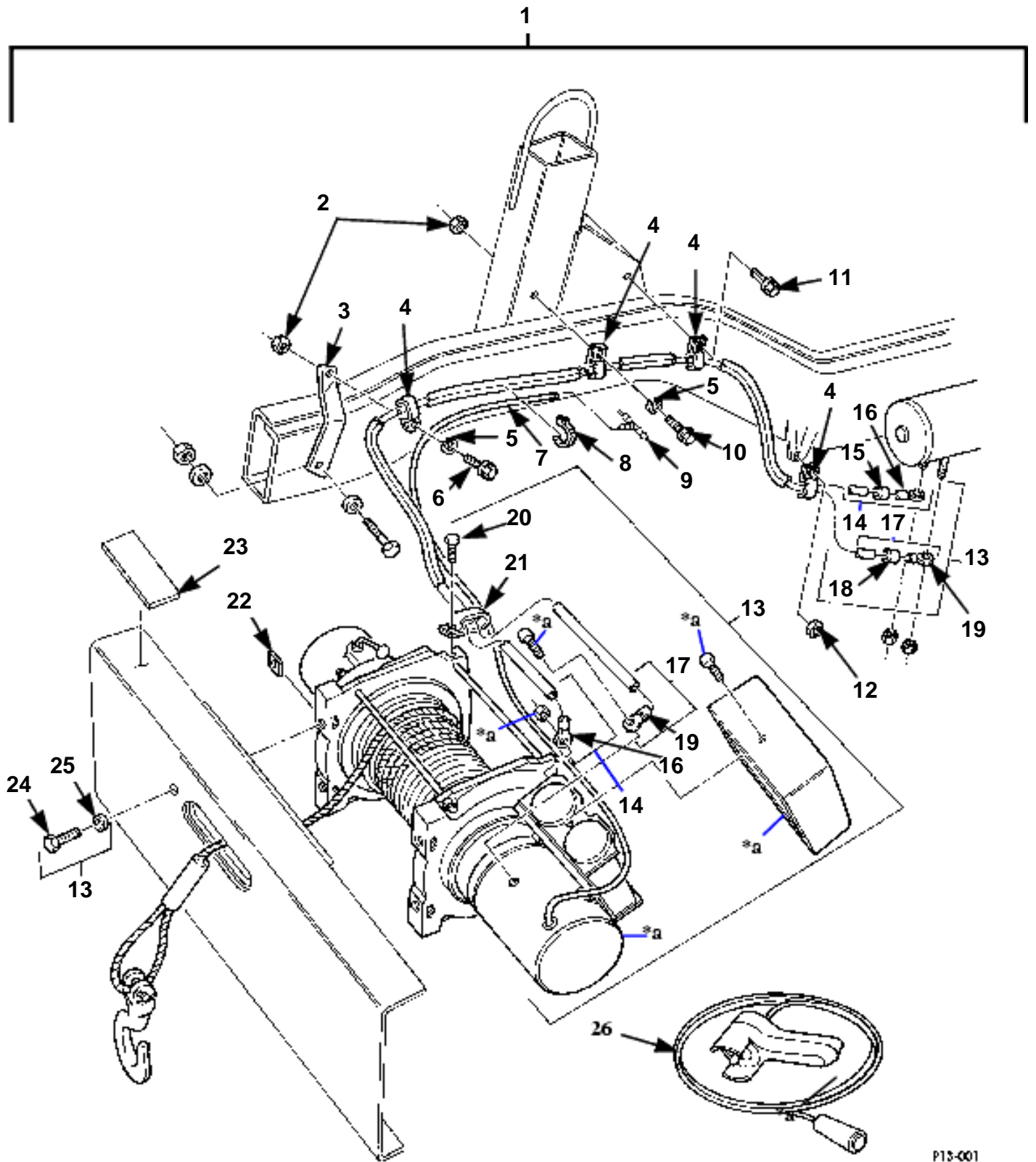


<p>VIEW A</p>	<p>VIEW B</p>	<p>VIEW C</p>	<p>VIEW D</p>
<p>VIEW E</p>	<p>VIEW F</p>	<p>VIEW G</p>	<p>VIEW H</p>

## Engine Wiring Harness Installation

HUMMER H1 1994 Parts Catalog  
**Engine Wiring Harness Installation.**

Item	Part No.	Description	Qty
1	<b>11517071</b>	LOCKNUT	2
2	<b>6003233</b>	CLAMP	1
3	<b>6003022</b>	GROMMET	1
4	<b>MS21333-112</b>	CLAMP	1
5	<b>2436162</b>	WASHER	3
6	<b>MS90728-32</b>	BOLT	1
7	<b>MS51943-33</b>	LOCKNUT	1
8	<b>271172</b>	NUT	1
9	<b>MS21333-100</b>	CLAMP	1
10	<b>9415477</b>	SCREW	1
11	<b>5934444</b>	NUT	4
12	<b>11500207</b>	WASHER	4
13	<b>MS21333-128</b>	CLAMP	1
14	<b>MS21333-125</b>	CLAMP	2
15	<b>448655</b>	SCREW	1
16	<b>MS21333-105</b>	CLAMP	1
17	<b>MS21333-104</b>	CLAMP	2
18	<b>MS35206-338</b>	SCREW	4
19	<b>EL190254</b>	LOCKNUT	4



## Winch Assembly, Mounting Hardware and Related Parts (Winch Kit)

\* a PART OF ITEM 10

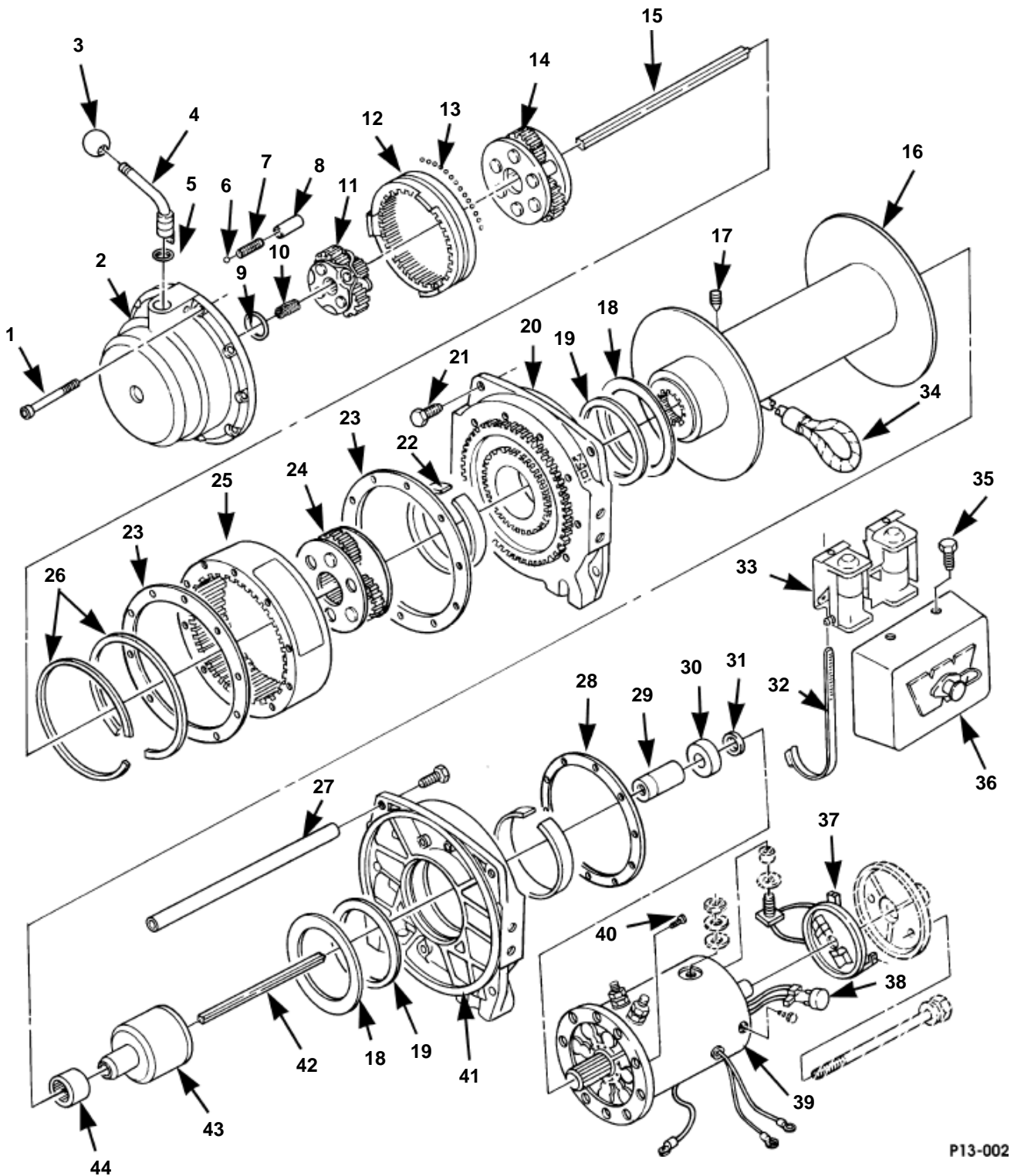
**Winch Assembly, Mounting Hardware, and Related Parts (Winch Kit)**

Item	Part No.	Description	Qty
1	<b>MS51967-2</b>	KIT, winch, 12V, 12000 lb. capacity, SEE NOTES 2	2
2	<b>MS51967-3</b>	·NUT, clamp, 1/4"-20	1
3	<b>12338481</b>	·BRACKET, clamp	1
4	<b>7385182</b>	·CLAMP, positive and ground cables	1
5	<b>MS35338-44P2</b>	·LOCKWASHER, clamp, 1/4"	1
6	<b>9415477</b>	·SCREW, clamp, 1/4"-20 x 3/4"	1
7	<b>CPR104420-1</b>	TUBE, winch vent line, 70-inches long	1
8	<b>MS3367-2-0</b>	·STRAP, tiedown, vent line	4
9	<b>12339973-1</b>	·TEE, vent line	1
10	<b>MS90728-6P2</b>	SCREW CLAMP	1
11	<b>MS51851-85</b>	SCREW CLAMP	1
12	<b>271172</b>	NUT, clamp	1
13	<b>5935667</b>	WINCH ASSEMBLY	1
	<b>6003560</b>	·WINCH ASSEMBLY	1
14	<b>N/S</b>	CABLE, 77", positive, SEE NOTE 1	1
15	<b>7056640</b>	INSULATION, sleeving, red, cable	1
16	<b>8689221</b>	TERMINAL, cable	2
17	<b>N/S</b>	CABLE, 87 1/2", ground, SEE NOTE 1	1
18	<b>7064829</b>	TERMINAL, cable	2
19	<b>5740980</b>	·SCREW, clamp	2
20	<b>MS21334-28</b>	·CLAMP, positive and ground cables	2
21	<b>N/S</b>	·NUT, winch, 7/16"-14"	4
22	<b>6000236</b>	·DECAL, winch	1
23	<b>9425080</b>	·BOLT, winch, 7/16"-14 x 1.5"	4
24	<b>2436164P2</b>	·WASHER, winch, 7/16"	4
25	<b>5939435</b>	·HAND CONTROLLER, winch	1

NOTE 1: MAKE FROM BULK ELECTRICAL WIRE, P/N  
M13466/111

NOTE 2: MUST ALSO ORDER SKID PLATE, P/N  
5935669B5, FOR VEHICLES WITH UNDERBODY  
PROTECTION.



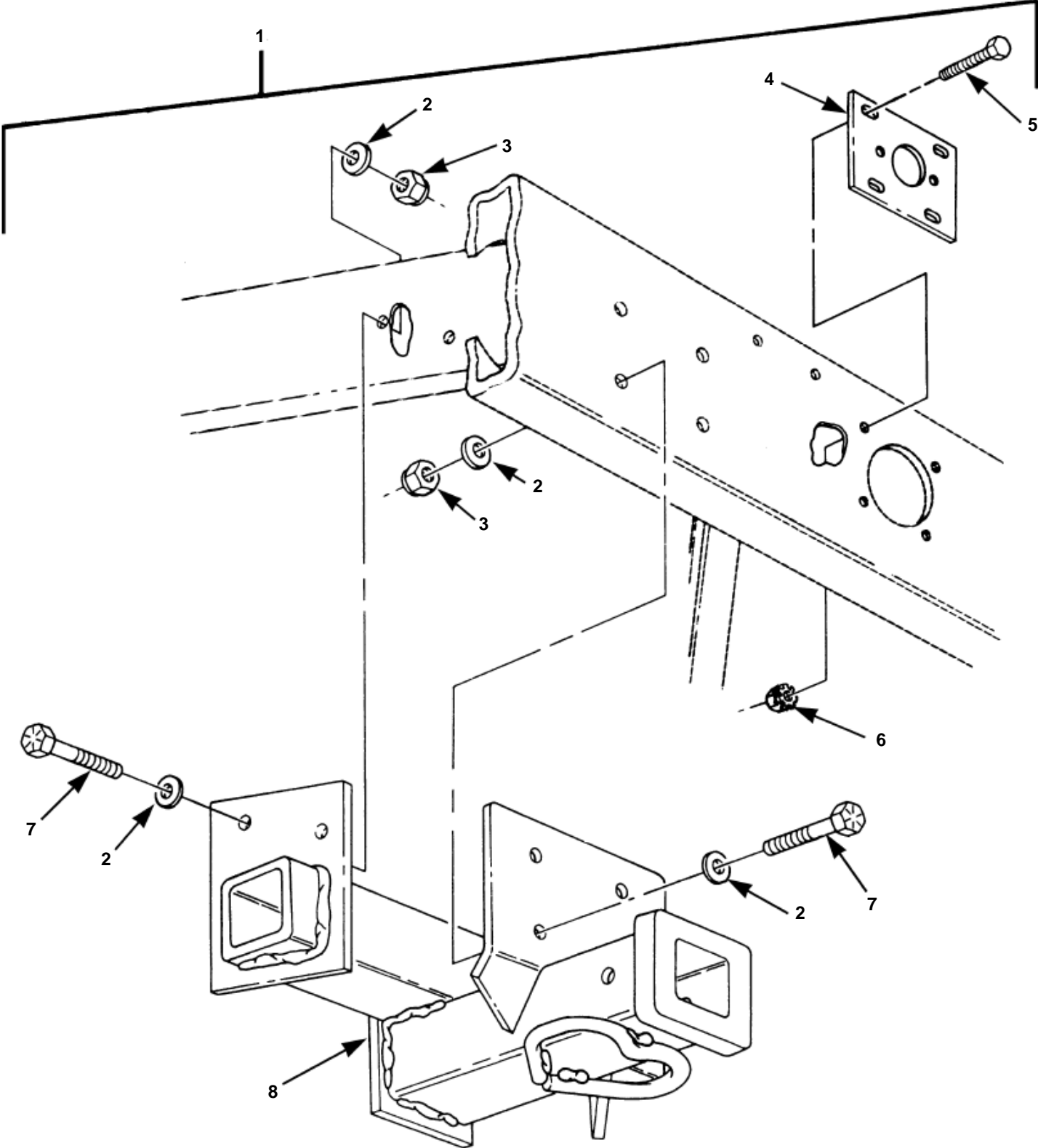


P13-002

# Winch Assembly

**Winch Assembly.**

Item	Part No.	Description	Qty
1	<b>5742884</b>	CAPSCREW	10
2	<b>5742968</b>	CCW GEAR HOUSING ASSEMBLY (includes item 9)	1
3	<b>5741021</b>	KNOB	1
4	<b>5742969</b>	CLUTCH LEVER, with plastic knob (includes item 5)	1
5	<b>5742885</b>	SEAL, O-ring	1
6	<b>5742877</b>	1/4-INCH DIA. STEEL BALL	1
7	<b>5742876</b>	COMPRESSION SPRING	1
8	<b>5742858</b>	DETENT SPACER	1
9	<b>5742871</b>	THRUST PLATE	1
10	<b>5742888</b>	SUN GEAR, input	1
11	<b>5742886</b>	CARRIER ASSEMBLY, stage 1	1
12	<b>5742857</b>	RING GEAR, stage 2	1
13	<b>5742872</b>	3/16-INCH DIA. STEEL BALL SET, 85 balls	1
14	<b>5742873</b>	CARRIER ASSEMBLY, stage 2	1
15	<b>5742971</b>	HEX SHAFT, output	1
16	<b>5742892</b>	3.5 x 6-INCH DRUM ASSEMBLY (includes item 17)	1
	<b>5742973</b>	3.5 x 6-INCH DRUM ASSEMBLY (includes items 17 and 34)	1
17	<b>5742890</b>	SETSCREW	1
18	<b>5741144</b>	THRUST WASHER, nylon	2
19		OIL SEAL, radial	2
20	<b>5742967</b>	CCW DRUM SUPPORT, gear end (includes items 19 and 22)	1
21	<b>5742875</b>	CAPSCREW	6
22	<b>5742866</b>	DRUM BUSHING, nylon	2
23	<b>5742881</b>	GASKET	2
24	<b>5742887</b>	CARRIER ASSEMBLY, stage 3	1
25	<b>5742970</b>	RING GEAR ASSEMBLY, series 12	1
26	<b>5742883</b>	RETAINING RING	2
27	<b>5742893</b>	TIE ROD	3
28	<b>5741004</b>	GASKET	1
29	<b>5742869</b>	COUPLING, motor shaft	1
30	<b>5742880</b>	BALL BEARING	1
31	<b>5742882</b>	SPACER, motor shaft	1
32	<b>5741028</b>	CLAMP, winch motor	1
33	<b>5742932</b>	CONTROL PACK, 12 VDC	1
34	<b>5742974</b>	WIRE ROPE, 7/16-inch DIA. x 75-feet long	1
35	<b>5741030</b>	SCREW, solenoid cover	2
36	<b>5742932</b>	SOLENOID HOUSING	1
37	<b>5742870</b>	BRUSH SET, 12 VDC	1
38	<b>5742874</b>	SWITCH, electric thermal	1
39	<b>5742868</b>	ELECTRIC MOTOR, 12 VDC (includes items 30 and 31)	1
40	<b>5741005</b>	CAPSCREW	10
41	<b>5742897</b>	DRUM SUPPORT, motor end (includes items 19 and 22)	1
42	<b>5742972</b>	HEX SHAFT, input	1
43	<b>5743782</b>	BRAKE ASSEMBLY	1
44	<b>5742878</b>	ROLLER CLUTCH	1



P13-003

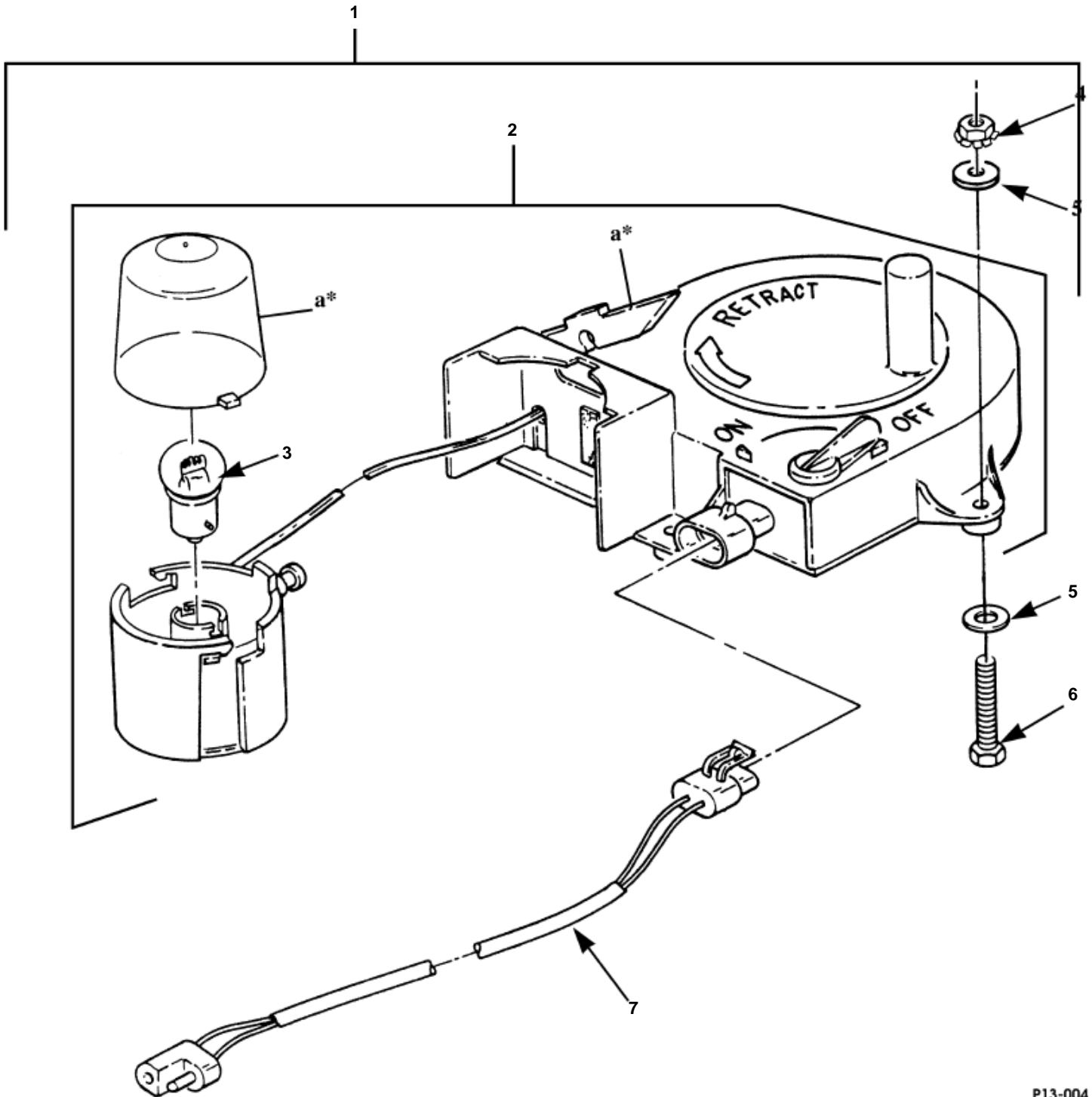
# Trailer Towing Kit

**Trailer Towing Kit.**

Item	Part No.	Description	Qty
1	<b>5939341</b>	KIT, trailer towing, SEE NOTE 1	1
2	<b>2436165P2</b>	.WASHER	16
3	<b>MS51943-39</b>	.NUT	8
4	<b>5939199</b>	.PLATE ASSEMBLY, connector mounting, SEE NOTE 2	1
5	<b>MS51849-98</b>	.BOLT	4
6	<b>271172</b>	.NUT	4
7	<b>MS90728-114</b>	.BOLT	8
8	<b>5939424</b>	.RECEIVER ASSEMBLY	1

NOTE 1: TRAILER PLUG AND CABLE HARNESS AND TRAILER JUMPER HARNESS ARE SHOWN ON FIGURE 12-23.

NOTE 2: PART OF TRAILER TOWING WIRING KIT P/N 5743007.

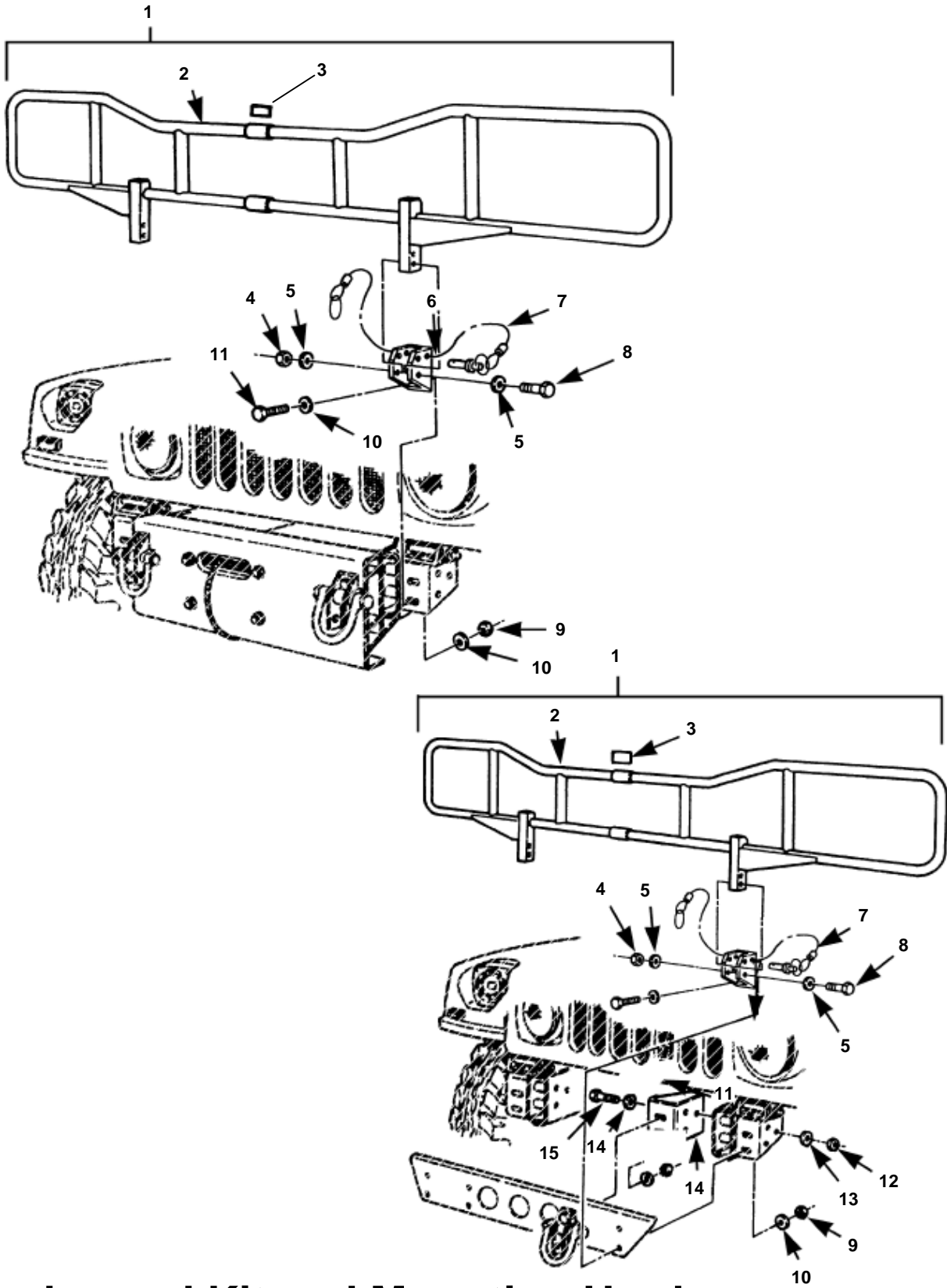


P13-004

# Reel Lamp Accessory Kit

**Reel Lamp Accessory Kit.**

Item	Part No.	Description	Qty
1	<b>5745479</b>	KIT, reel lamp	1
2	<b>5939056</b>	·REEL LAMP ASSEMBLY	1
3	<b>N/S</b>	··BULB (trade #GE232)	1
4	<b>190254</b>	·LOCKNUT	3
5	<b>ELMS51412-2</b>	·WASHER	6
6	<b>MS51849-78</b>	·SCREW	3
7	<b>6000320</b>	·HARNESS ASSEMBLY, work light jumper	1



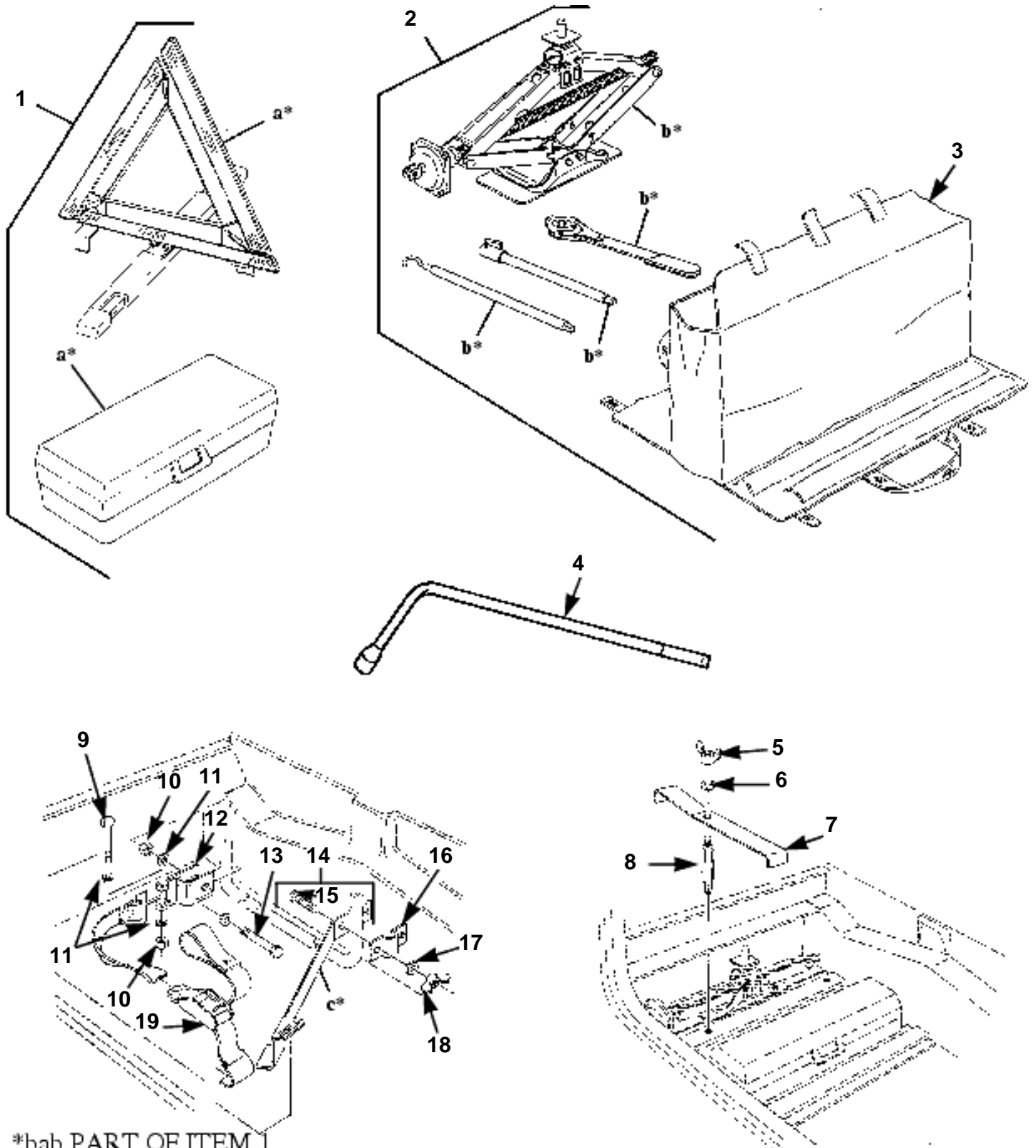
# Brushguard Kit and Mounting Hardware

P13-005.1

**Brushguard Kit and Mounting Hardware.**

Item	Part No.	Description	Qty
1	<b>6000999</b>	KIT, brushguard, vehicle w/ winch	1
	<b>6001000</b>	KIT, brushguard, vehicle w/o winch	1
2	<b>6000862</b>	·BRUSHGUARD ASSEMBLY	1
3	<b>6016051</b>	·DECAL, brushguard	1
4	<b>MS51943-43P2</b>	·NUT, bracket mounting, w/o winch (part of kit P/N 6001000)	2
	<b>MS51943-43P2</b>	·NUT, bracket mounting, w/ winch (part of kit P/N 6000999)	8
5	<b>2436167P2</b>	·WASHER, bracket mounting	16
6	<b>6000864B5</b>	·BRACKET, brushguard support	2
7	<b>6007230</b>	·PIN ASSEMBLY, bracket mounting	2
8	<b>MS90728-171P2</b>	·SCREW, bracket mounting	2
9	<b>MS51943-39</b>	·NUT, bracket mounting	4
10	<b>2436165P2</b>	·WASHER, bracket mounting	8
11	<b>MS90728-114</b>	·SCREW, bracket mounting	4
12	<b>MS51943-43</b>	·NUT, w/o winch (part of kit P/N 6001000)	8
13	<b>2436167P2</b>	·WASHER, bracket mounting, w/o winch	16
14	<b>6001552B5</b>	·BRACKET, tow hook support, L.H., w/o winch (part of kit P/N 6001000)	1
	<b>6001553</b>	·BRACKET, tow hook support, R.H., w/o winch (part of kit P/N 6001000)	1
15	<b>MS90728-171</b>	·SCREW, bracket mounting, w/o winch (part of kit P/N 6001000)	8



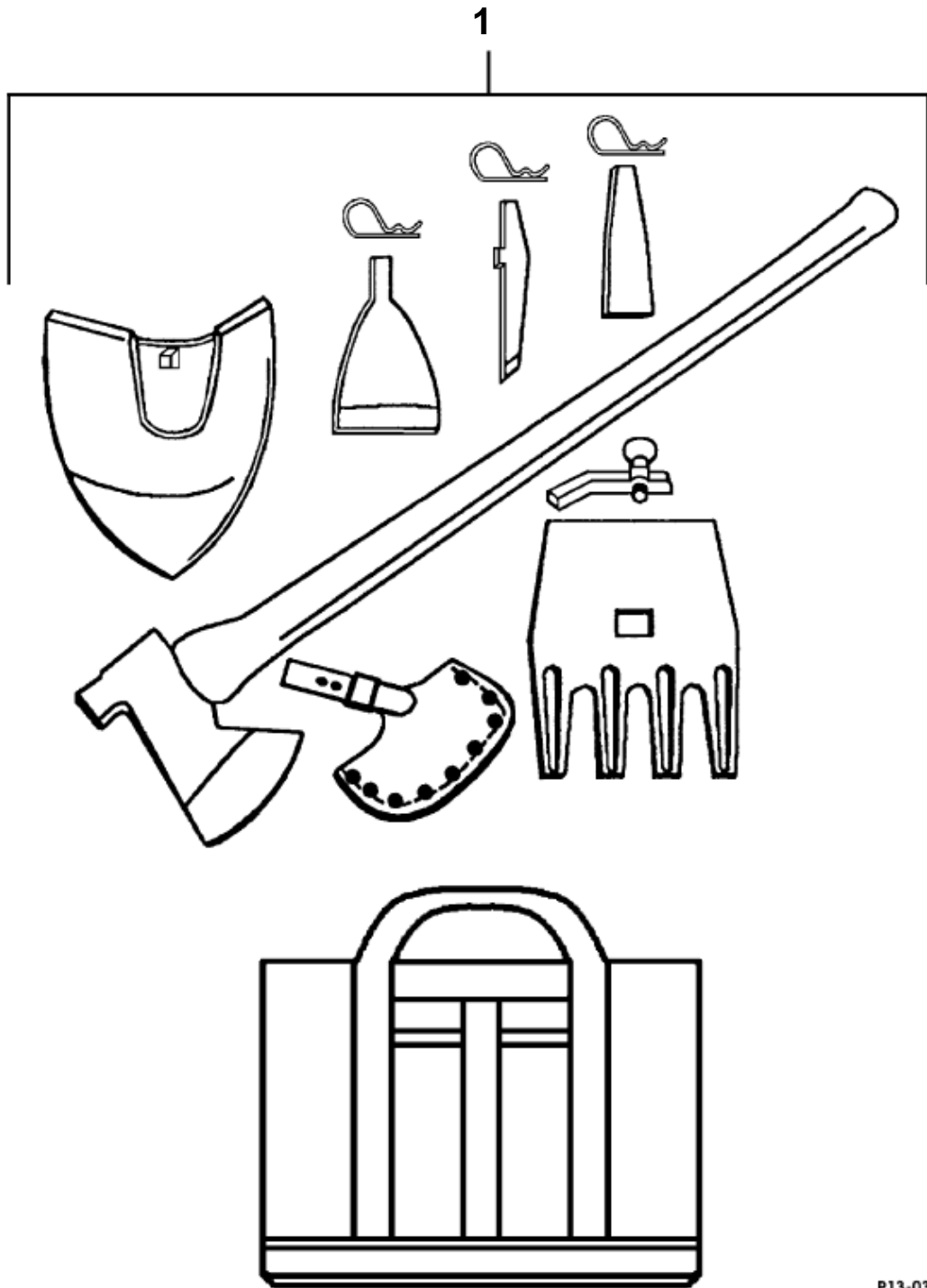


\***a** PART OF ITEM 1  
 \***b** PART OF ITEM 2  
 \* **c** PART OF ITEM 12

### Reflective Triangle Warning Device Jack Assembly, and Mounting Hardware

**Reflective Triangle Warning Device, Jack Assembly, and Mounting**

Item	Part No.	Description	Qty
1	<b>11669000</b>	KIT, Folding Reflective Triangle Warning Device	1
2	<b>5939822</b>	JACK ASSEMBLY, scissor	1
3	<b>6002031</b>	·BAG, jack/tool	1
4	<b>6017882</b>	WRENCH, wheel lug	1
5	<b>N/S</b>	WING NUT, 5/16 - 18" VLC2	2
6	<b>9418924</b>	WASHER VLC2	2
7	<b>6000160B2</b>	BRACKET, jack holddown VLC2	2
8	<b>6000161</b>	STUD, jack holddown VLC2	2
9	<b>MS90728-14</b>	BOLT HMC4, HMCS, VLCO	1
10	<b>134551</b>	NUT HMC4, HMCS, VLCO	2
11	<b>2436161P2</b>	WASHER HMC4, HMCS, VLCO	4
12	<b>6000268B2</b>	BRACKET ASSEMBLY, strap HMC4, HMCS, VLCO	1
13	<b>MS90728-12</b>	BOLT HMC4, HMCS, VLCO	1
14	<b>6000265B2</b>	BRACKET, jack holddown HMC4, HMCS, VLCO	1
15	<b>12339734-4</b>	·STUD, jack holddown bracket	2
16	<b>6000270B2</b>	BRACKET, clamping HMC4, HMCS, VLCO	1
17	<b>9416128</b>	WASHER HMC4, HMCS, VLCO	2
18	<b>6000271P2</b>	WINGNUT HMC4, HMCS, VLCO	2
19	<b>6000273</b>	STRAP ASSEMBLY HMC4, HMCS, VLCO	1

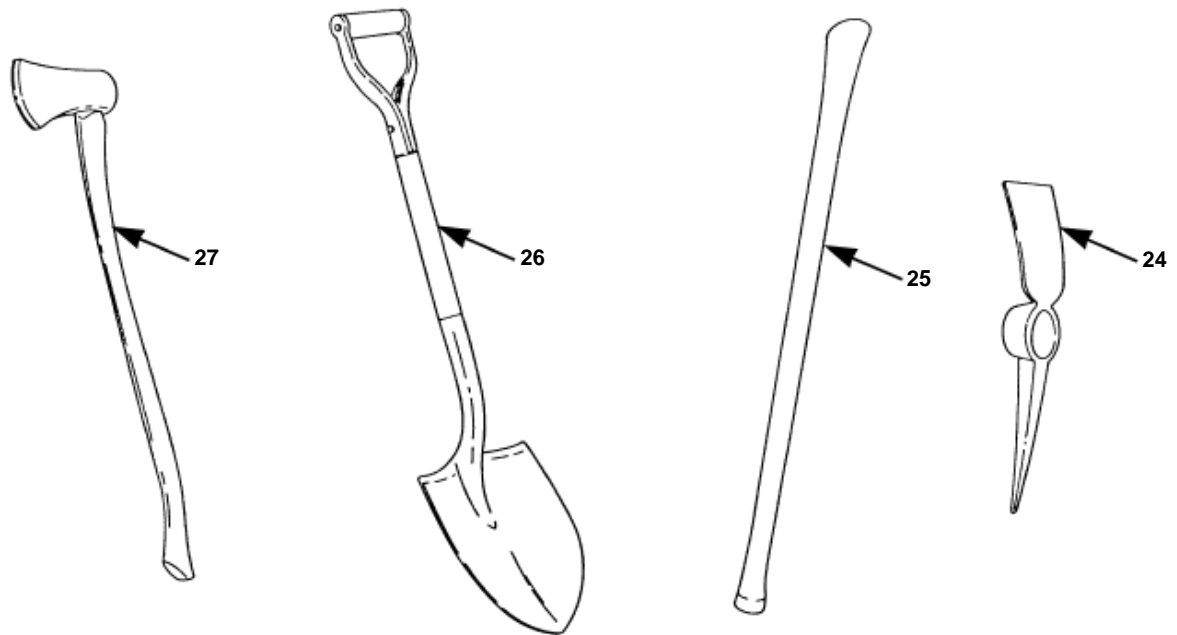
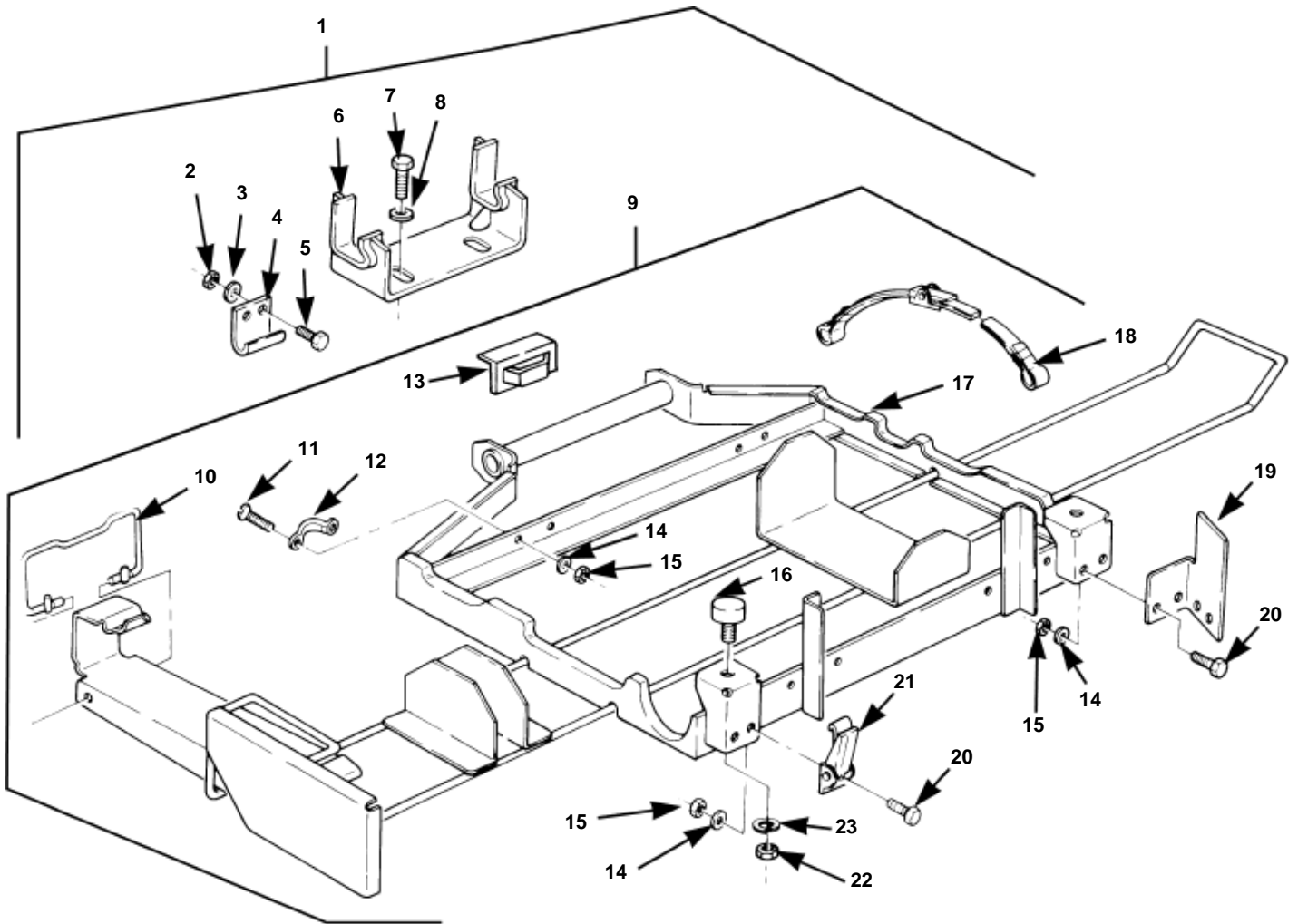


P13-038

## Pioneer Tool Kit

HUMMER H1 1994 Parts Catalog  
**Pioneer Tool Kit.**

Item	Part No.	Description	Qty
1	<b>6004898</b>	KIT, pioneer tool	1

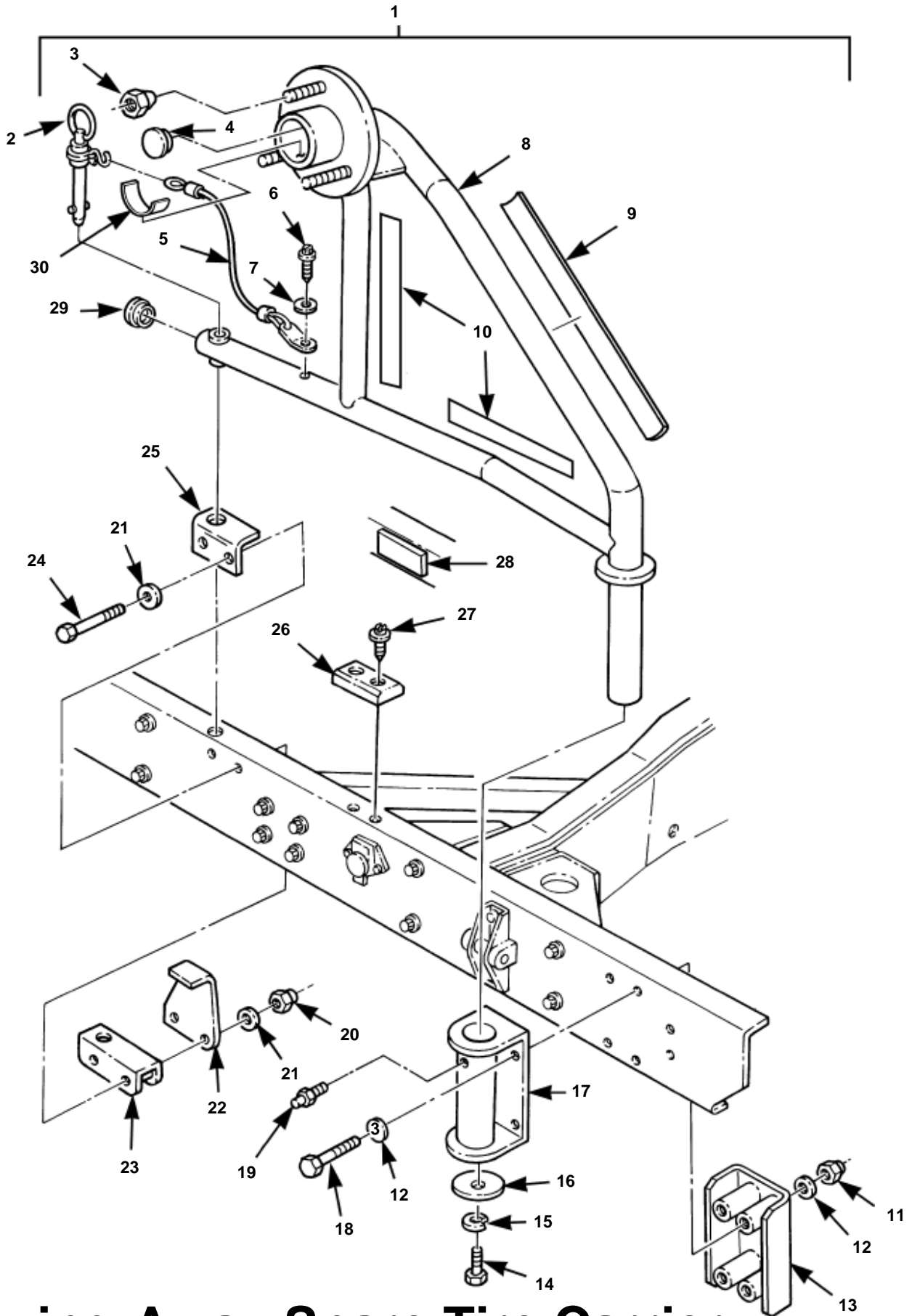


P13-007

# Pioneer Tool Stowage Tray Assembly

**Pioneer Tool Stowage Tray Assembly.**

Item	Part No.	Description	Qty
1	<b>5938023</b>	PIONEER TOOL STOWAGE KIT (1992-1993)	1
2	<b>MS35649-202</b>	NUT, striker	4
3	<b>MS35338-43</b>	WASHER, striker	4
4	<b>EC12339761</b>	STRIKER, tool tray	2
5	<b>9421294</b>	SCREW, striker	4
6	<b>12340286B1</b>	BRACKET, tool tray	1
7	<b>ELMS90728-58</b>	SCREW, bracket	2
8	<b>2436163P2</b>	WASHER, bracket	2
9	<b>12340289</b>	TRAY ASSEMBLY	1
10	<b>12340271</b>	CLIP, tray	1
11	<b>155940</b>	SCREW, tray	8
12	<b>EC1238839-1</b>	FOOTMAN LOOP, tray	4
13	<b>12340272</b>	BRACKET	1
14	<b>MS35338-43</b>	WASHER, tray	16
15	<b>MS35649-202</b>	NUT, tray	16
16	<b>12340846-2</b>	BUMPER, tray	2
17	<b>12340287</b>	TRAY, pioneer tool stowage	1
18	<b>12340646-2</b>	STRAP, L.H.	1
	<b>12340646-1</b>	STRAP, R.H.	1
19	<b>12340275-1</b>	BRACKET, L.H.	1
	<b>12340275-2</b>	BRACKET, R.H.	1
20	<b>9421294</b>	SCREW, tray	8
21	<b>5934871</b>	CATCH, tray	2
22	<b>MS51967-3</b>	NUT, tray	2
23	<b>MS35338-44P2</b>	LOCKWASHER, tray	2
24	<b>11677022</b>	MATTOCK PICK HEAD	1
25	<b>11677021</b>	MATTOCK PICK HANDLE	1
26	<b>11655784</b>	SHOVEL, hand round point	1
27	<b>6150925</b>	AXE, single bit	1



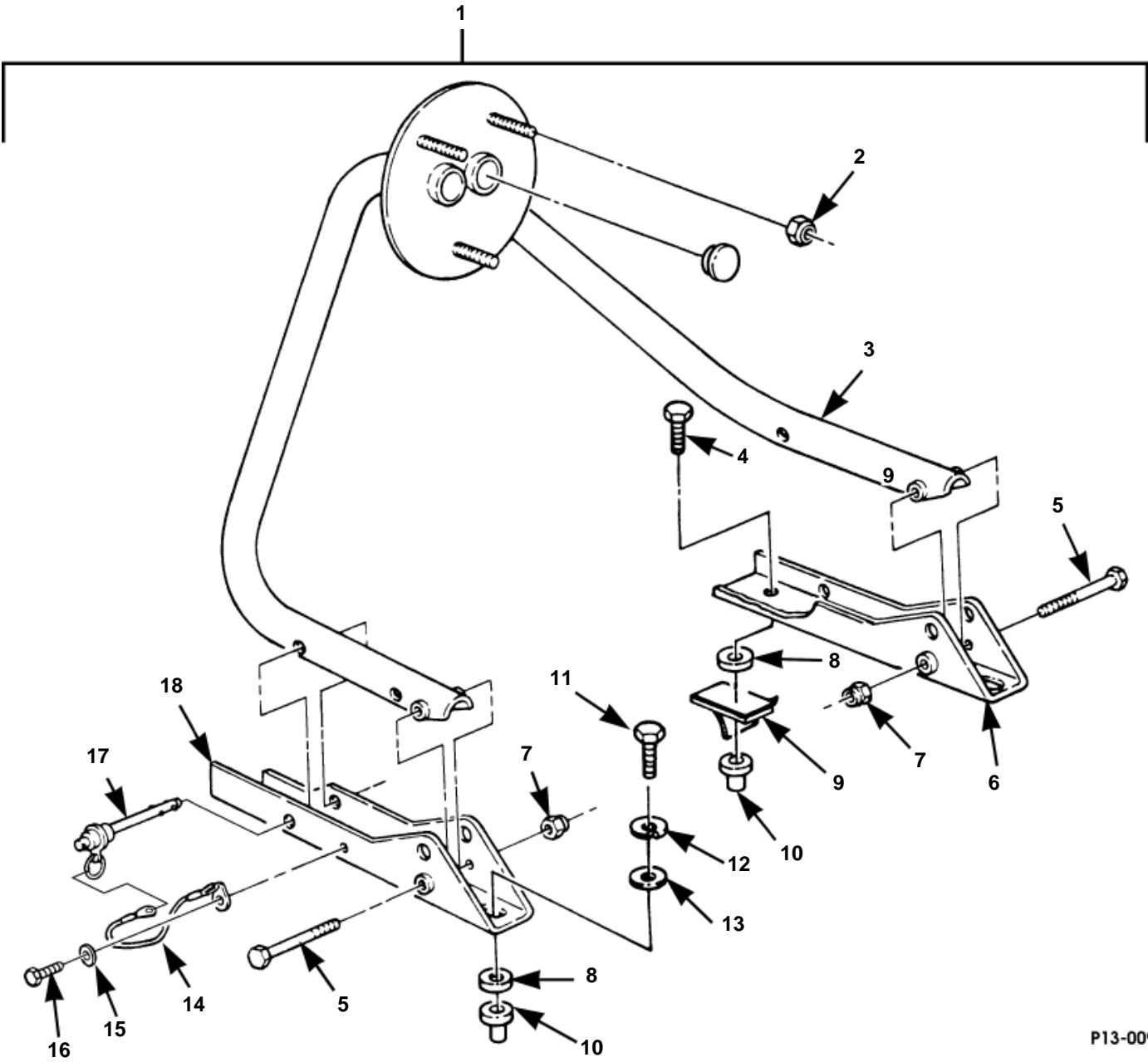
# Swing-Away Spare Tire Carrier

P13-008

HUMMER H1 1994 Parts Catalog  
**Swing-Away Spare Tire Carrier.**

Item	Part No.	Description	Qty
1	<b>5938048</b>	KIT, swing-away spare tire	1
2	<b>MS17990-830</b>	.LOCKPIN	1
3	<b>EC12339403P</b>	.NUT	3
4	<b>NPN</b>	.PLUG	2
5	<b>5935839</b>	.LANYARD	1
6	<b>9420352</b>	.SCREW	1
7	<b>2436161P2</b>	.WASHER	1
8	<b>6007764B9</b>	.FRAME ASSEMBLY	1
9	<b>5744553</b>	.CUSHION, 1.5" x 15"	1
10	<b>5936286</b>	.CUSHION, 1.5" x 7.5"	2
11	<b>MS51943-39</b>	.NUT	4
12	<b>2436165</b>	.WASHER	8
13	<b>6003653B2</b>	.REINFORCEMENT, bracket assembly	1
14	<b>MS90728-34</b>	.BOLT	1
15	<b>ELMS35338-45</b>	.WASHER	1
16	<b>5935291</b>	.PLATE, tube retainer	1
17	<b>6011123B9</b>	.BRACKET ASSEMBLY	1
18	<b>MS90728-119</b>	.BOLT	4
19	<b>5935290</b>	.LUBE FITTING	1
20	<b>MS51943-33</b>	.NUT	2
21	<b>2436162P2</b>	.WASHER	4
22	<b>6000318B9</b>	.PLATE	1
23	<b>6003668B2</b>	.BRACKET ASSEMBLY, reinforcement stop	1
24	<b>MS90728-45</b>	.BOLT	2
25	<b>6003951B9</b>	.BRACKET, stop, locking pin	1
26	<b>5935281</b>	.GUIDE BLOCK	1
27	<b>9425183</b>	.SCREW	2
28	<b>5936286</b>	.PAD	1
29	<b>5935349</b>	.PLUG	3
30	<b>6016050</b>	.DECAL, spare tire weight	1



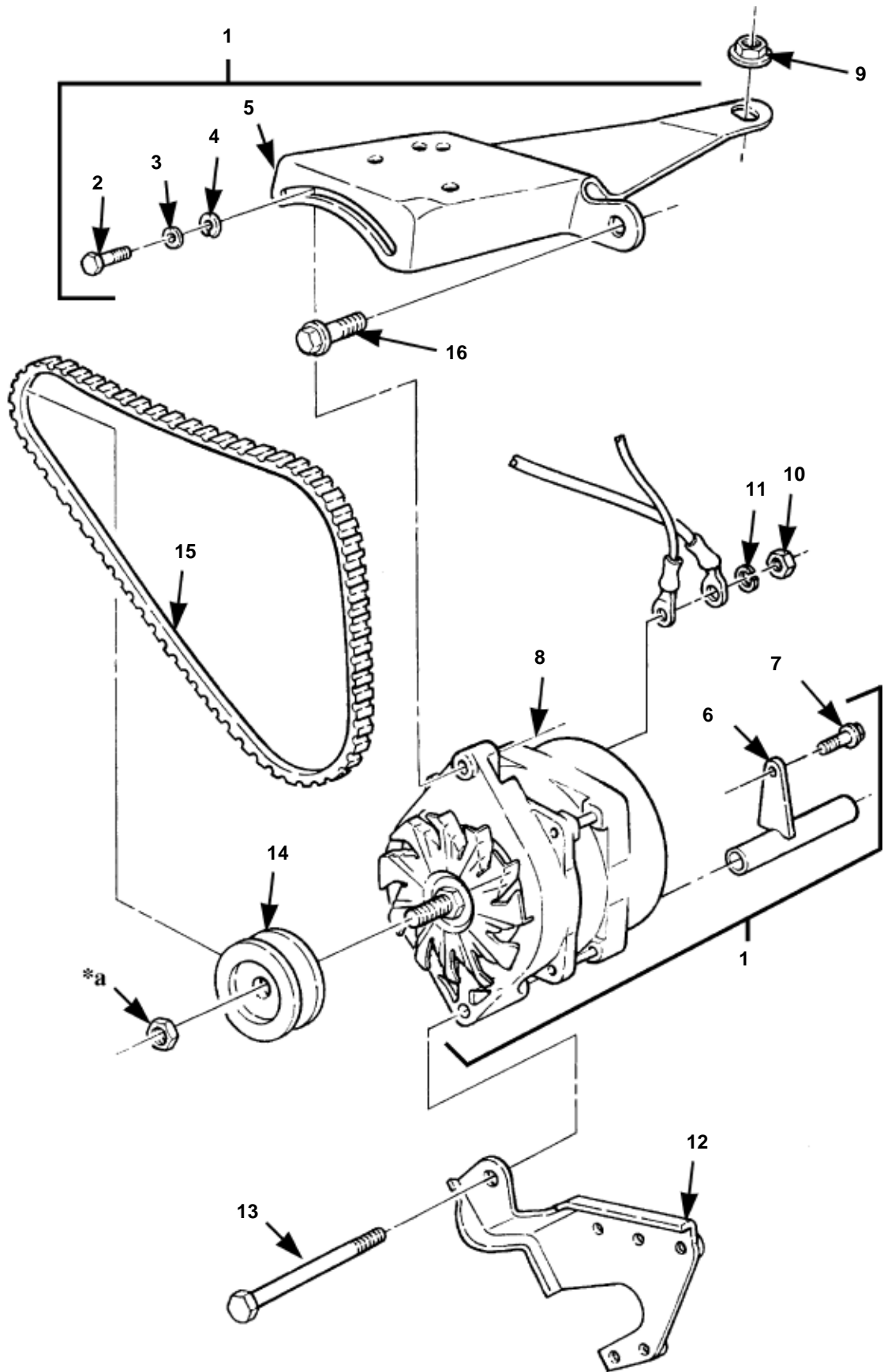


P13-009

# Bed-Mounted Spare Tire Carrier

**Bed-Mounted Spare Tire Carrier.**

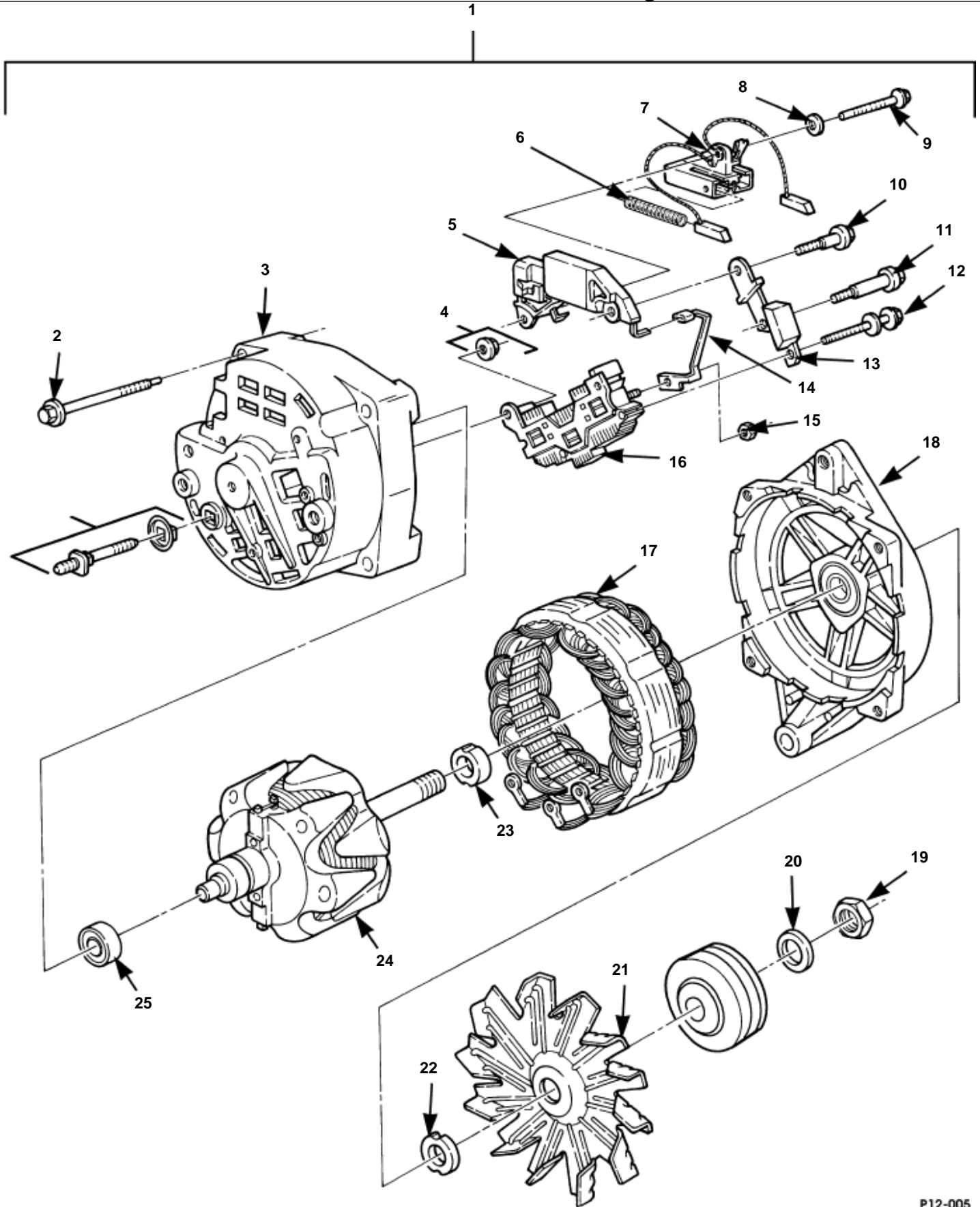
Item	Part No.	Description	Qty
1	<b>5742944</b>	KIT, bed-mounted spare tire carrier	1
2	<b>EC12339403</b>	·NUT	3
3	<b>6008230</b>	·SPARE TIRE FRAME ASSEMBLY	1
4	<b>MS24667-54P2</b>	·SCREW	4
5	<b>122501</b>	·SCREW	2
6	<b>6000931B2</b>	·MOUNTING BRACKET, R.H.	1
7	<b>MS51943-39</b>	·NUT	2
8	<b>6000942B2</b>	·SPACER	6
9	<b>12339376-1</b>	·ADHESIVE-BACKED TAPE	2
10	<b>5935428</b>	·RIVNUT	5
11	<b>MS90728-64</b>	·SCREW	2
12	<b>9419871</b>	·LOCKWASHER	2
13	<b>2436163</b>	·WASHER	2
14	<b>5935839</b>	·LANYARD	2
15	<b>2436161</b>	·WASHER	2
16	<b>9426241</b>	·SCREW	2
17	<b>MS17990-830</b>	·LOCKPIN	2
18	<b>6000930B3</b>	·MOUNTING BRACKET, L.H.	1



# 124-Amp Alternator Kit, Belt Pulley and Mounting Hardware

**124-AMP Alternator Kit, Belt, Pulley, and Mounting Hardware.**

Item	Part No.	Description	Qty
1	<b>5743333</b>	124-AMP ALTERNATOR KIT (1992 - 1993 only).	1
2	<b>11500830</b>	BOLT	1
3	<b>11502474</b>	WASHER	1
4	<b>11500207</b>	LOCKWASHER	1
5	<b>5937379</b>	ADJUSTING BRACKET	1
6	<b>5937416</b>	SPACER ASSEMBLY, generator pivot	1
7	<b>11504595</b>	BOLT	1
8	<b>5744831</b>	124-AMP ALTERNATOR ASSEMBLY	1
9	<b>11517071</b>	NUT	3
10	<b>11503743</b>	NUT	1
11	<b>11503962</b>	LOCKWASHER	1
12	<b>5937209</b>	SUPPORT ASSEMBLY	1
13	<b>5937207</b>	BOLT	1
14	<b>5937375</b>	ALTERNATOR PULLEY	1
15	<b>5743318</b>	V-BELT	1
16	<b>11502655</b>	BOLT	2

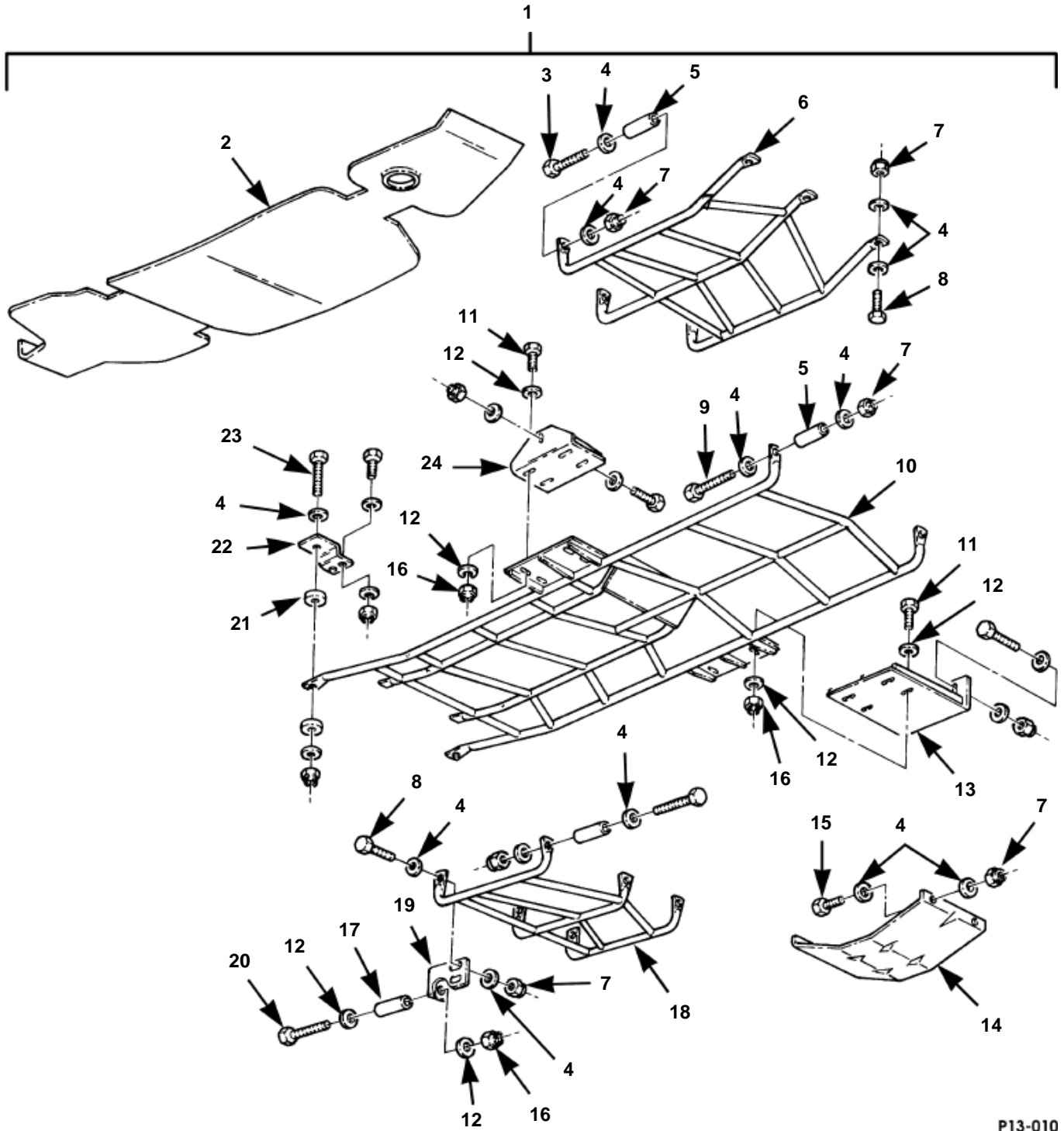


P12-005

# 124-Amp Alternator Assembly

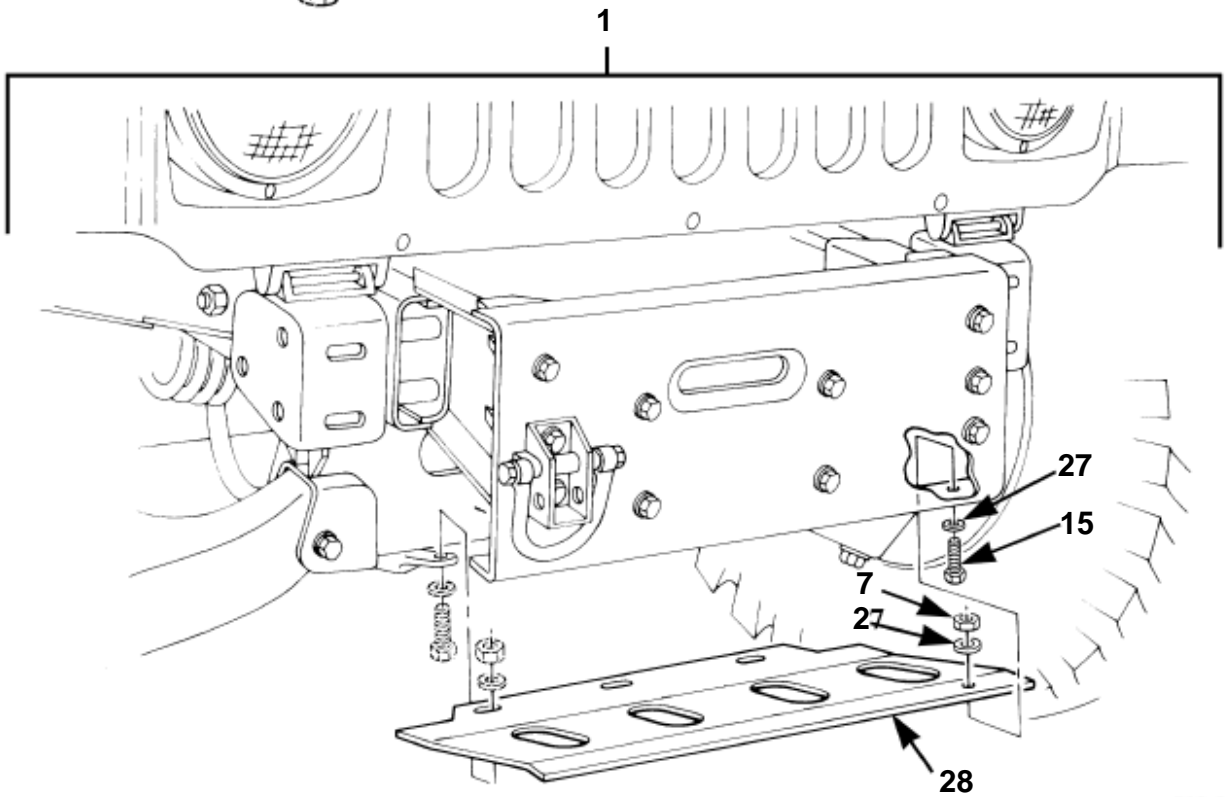
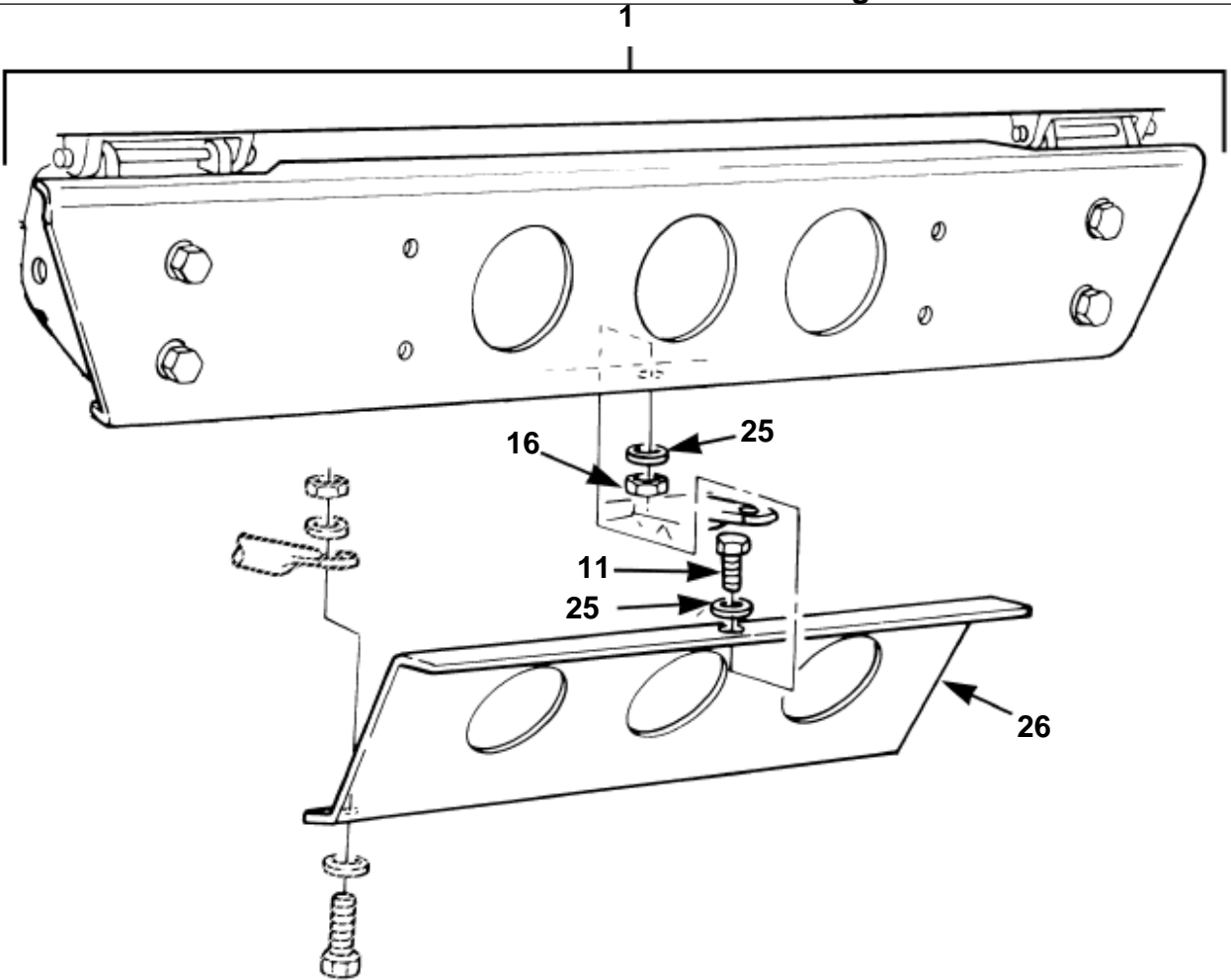
**124-AMP ALTERNATOR ASSEMBLY.**

Item	Part No.	Description	Qty
1	<b>5744831</b>	124-AMP ALTERNATOR ASSEMBLY	1
2	<b>5742662</b>	BOLT	4
3	<b>5742663</b>	FRAME, includes bearings	1
4	<b>8125185</b>	TERMINAL PACKAGE, battery	1
5	<b>5742664</b>	REGULATOR	1
6	<b>5742665</b>	SPRING, brush	2
7	<b>5742666</b>	BRUSH HOLDER AND BRUSH ASSEMBLY	1
8	<b>NPN</b>	WASHER	1
9	<b>5733274</b>	SCREW, brush holder	1
10	<b>5742667</b>	SCREW, regulator	1
11	<b>5742668</b>	SCREW, rectifier bridge	1
12	<b>5742669</b>	SCREW AND WASHER, rectifier bridge	2
13	<b>5742670</b>	CAPACITOR	1
14	<b>5742671</b>	CONNECTOR, rectifier bridge to regulator	1
15	<b>453996</b>	NUT, rectifier bridge	3
16	<b>5742672</b>	RECTIFIER BRIDGE	1
17	<b>5742673</b>	STATOR ASSEMBLY	1
18	<b>5742674</b>	FRAME, D.E., includes bearings	1
19	<b>8125242</b>	NUT, pulley	1
20	<b>8125186</b>	LOCKWASHER, shaft nut, D.E.	1
21	<b>8125193</b>	FAN	1
22	<b>5742676</b>	COLLAR, outside	1
23	<b>5742677</b>	COLLAR, inside	1
24	<b>5742678</b>	ROTOR ASSEMBLY	1
25	<b>5742679</b>	BALL BEARING, S.R.E.	1



P13-010

## Underbody Protection and Mounting Hardware (Figure 1 of 2)



Underbody Protection and Mounting Hardware (Figure 2 of 2)

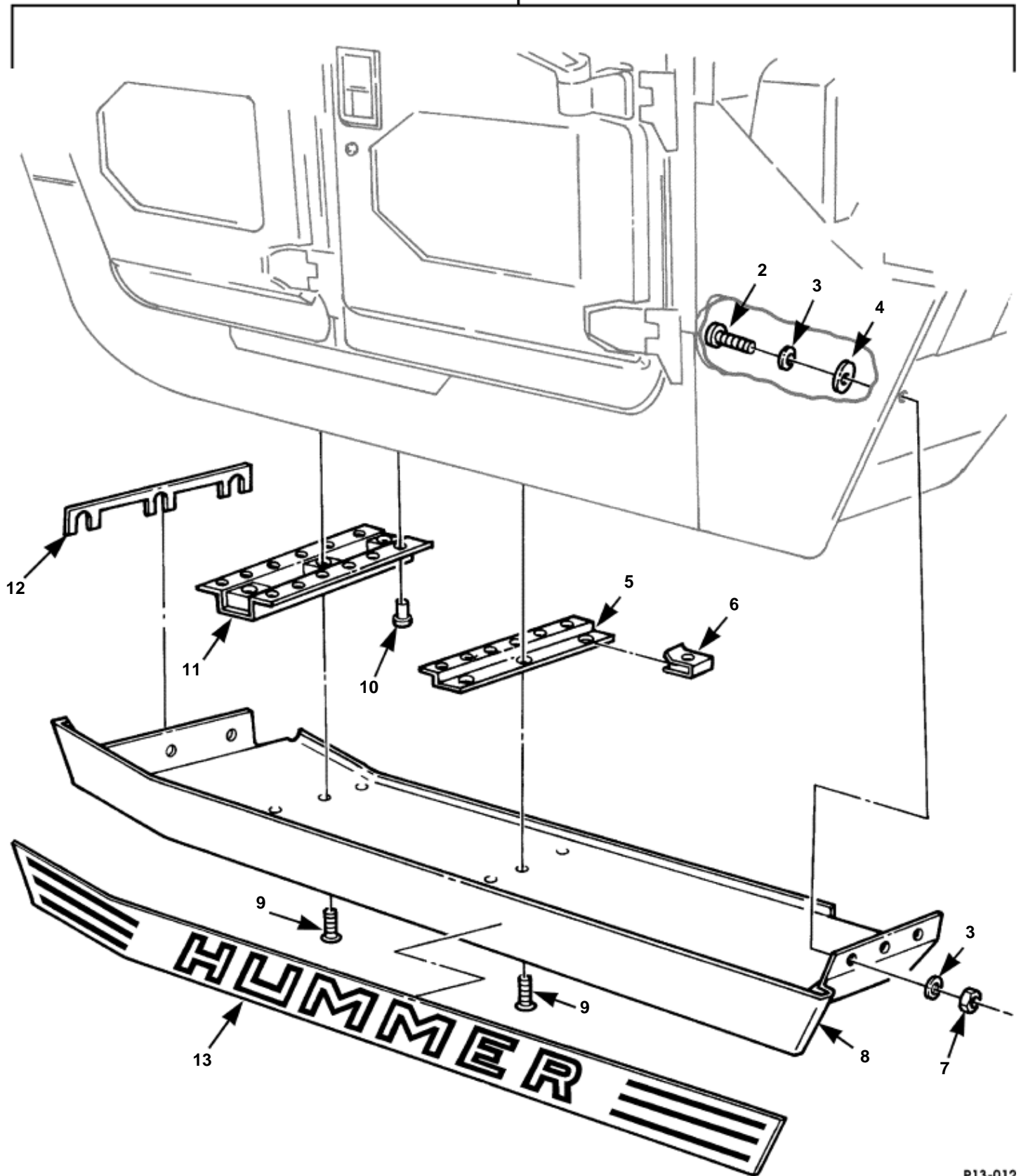
P13-011



**Underbody Protection, Skid Plates and Mounting Hardware.**

Item	Part No.	Description	Qty
1	<b>5744299</b>	KIT, underbody protection, vehicle w/o winch	1
	<b>5744281</b>	KIT, underbody protection, vehicle w/ winch	1
2	<b>12447150</b>	·SHIELD, fuel tank	1
3	<b>MS90728-71</b>	·BOLT	5
4	<b>2436163P2</b>	·WASHER (use w/ kit P/N 06001545)	40
	<b>2436163P2</b>	·WASHER (use w/ kit P/N 06001546)	30
5	<b>5594341</b>	·SPACER, front	3
6	<b>5593490</b>	·FRONT SHIELD ASSEMBLY	1
7	<b>MS51943-35</b>	·LOCKNUT (use w/ kit P/N 06001545)	23
	<b>MS51943-35</b>	·LOCKNUT (use w/ kit P/N 06001546)	17
8	<b>MS90728-61</b>	·BOLT	7
9	<b>MS90728-73</b>	·BOLT	1
10	<b>12447143</b>	·INTERMEDIATE SHIELD ASSEMBLY	1
11	<b>MS90728-34</b>	·BOLT	12
12	<b>2436162P2</b>	·WASHER	28
13	<b>12447146</b>	·BRACKET ASSEMBLY, shield mounting, L.H.	1
14	<b>12447151</b>	·SHIELD, transfer case	1
15	<b>MS90728-60</b>	·BOLT	5
16	<b>MS51943-33</b>	·LOCKNUT	18
17	<b>EC12338186-69</b>	·SPACER, rear	9
18	<b>5593492</b>	·REAR SHIELD ASSEMBLY	1
19	<b>12447145</b>	·BRACKET, tube rear mounting	3
20	<b>453039</b>	·BOLT	6
21	<b>12447149</b>	·WASHER	4
22	<b>12447148</b>	·BRACKET, tube support transmission	2
23	<b>MS90728-64</b>	·BOLT	2
24	<b>12447147</b>	·BRACKET ASSEMBLY, shield mounting, R.H.	1
25	<b>2436162</b>	·WASHER	8
26	<b>5935943</b>	·SKID PLATE	1
27	<b>2436163</b>	·WASHER	6
28	<b>5935669B5</b>	·SKID PLATE	1

1



P13-012

# Rocker Panel Guard Accessory Kit

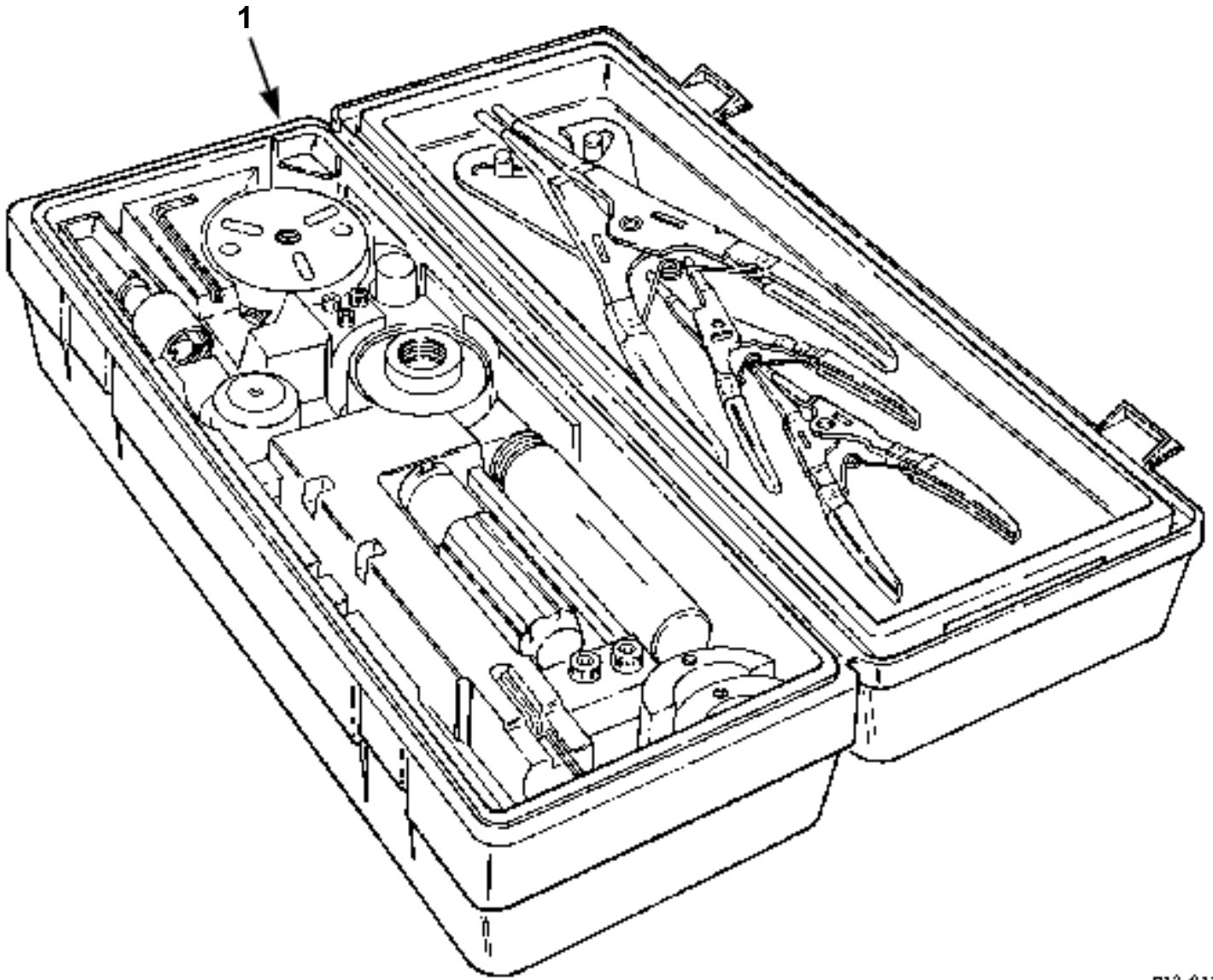
**Rocker Panel Guard Accessory Kit.**

Item	Part No.	Description	Qty
1	<b>5743772</b>	KIT, rocker panel guard (aluminum)	1
	<b>5745331</b>	KIT, rocker panel guard (steel)	1
2	<b>EC12342675</b>	·SCREW	12
3	<b>ELMS27183-13</b>	·WASHER	24
4	<b>6001595</b>	·GASKET, foam washer	12
5	<b>6001241</b>	·BRACKET, mounting.	2
6	<b>6001283</b>	·NUT, U-type	9
7	<b>MS51943-35</b>	·LOCKNUT	12
8	<b>6003614P</b>	·PANEL, underbody skid, L.H., SEE NOTE 1 (steel)	1
	<b>6003615P</b>	·PANEL, underbody skid, R.H., SEE NOTE 1 (steel)	1
	<b>6005165P</b>	·PANEL, underbody skid, L.H., SEE NOTE 2 (aluminum)	1
	<b>6005166P</b>	·PANEL, underbody skid, R.H., SEE NOTE 2 (aluminum)	1
9	<b>6002805</b>	·SCREW	18
10	<b>12339355-1</b>	·RIVET	48
11	<b>6015932</b>	·BRACKET, skid plate mounting	3
12	<b>6001278</b>	·SHIM, skid plate	6
13	<b>6004294</b>	DECAL, Hummer, white, SEE NOTE 3	1
	<b>6004295</b>	DECAL, Hummer, silver, SEE NOTE 3	1
	<b>6004296</b>	DECAL, Hummer, gold, SEE NOTE 3	1

NOTE 1: PART OF KIT P/N 5745331

NOTE 2: PART OF KIT P/N 5743772

NOTE 3: NOT INCLUDED IN KIT - ORDER SEPARATELY  
SHIPPED IN PAIRS ONLY.



F13-013

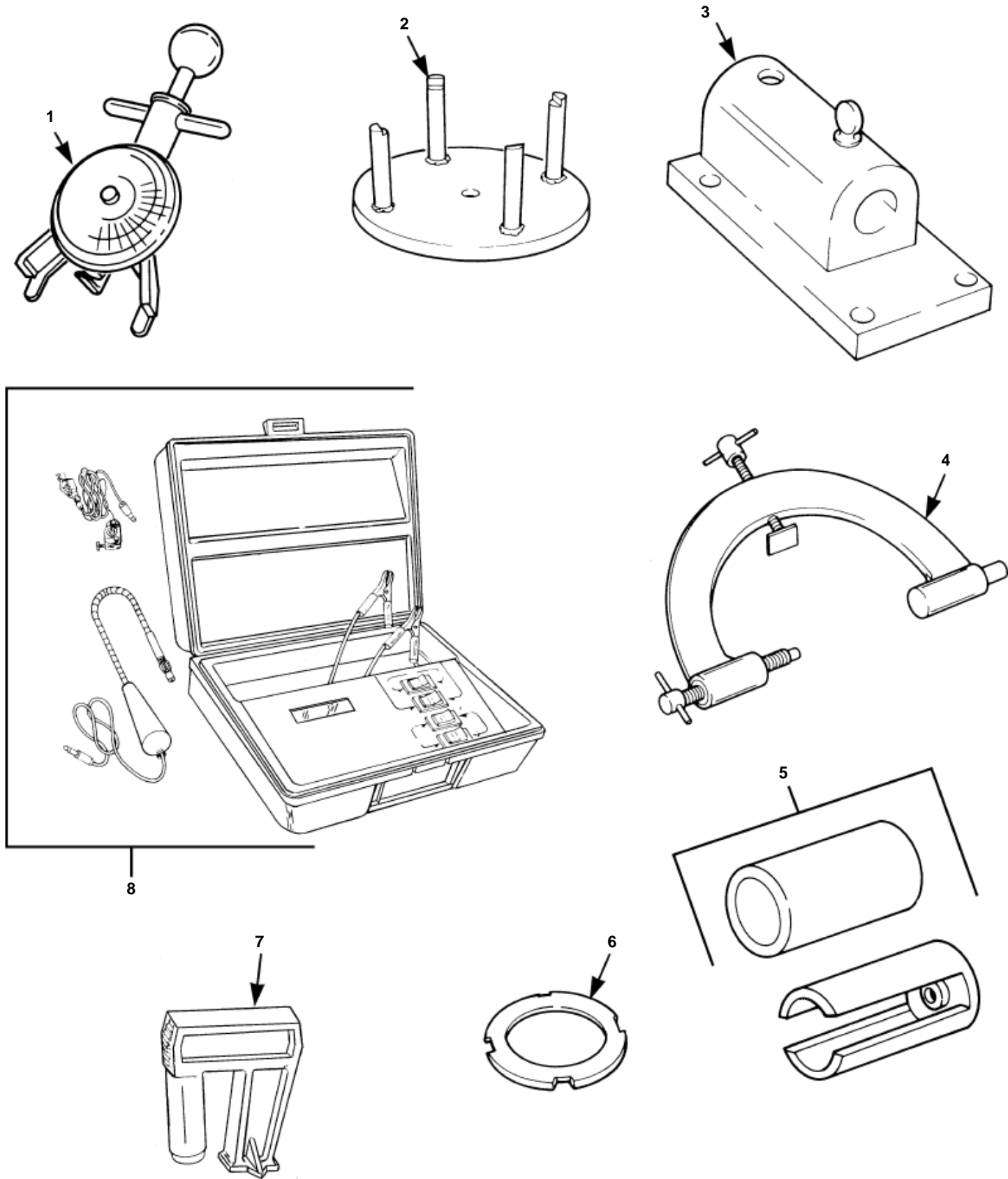
## Special Tools, Air Conditioner Compressor

**Special Tools, Air Conditioner Compressor.**

Item	Part No.	Description	Qty
------	----------	-------------	-----

1	<b>5743017</b>	TOOL KIT, air conditioner compressor, SEE NOTE 1	1
---	----------------	--	---

NOTE 1: AVAILABLE THROUGH SPX KENT MOORE



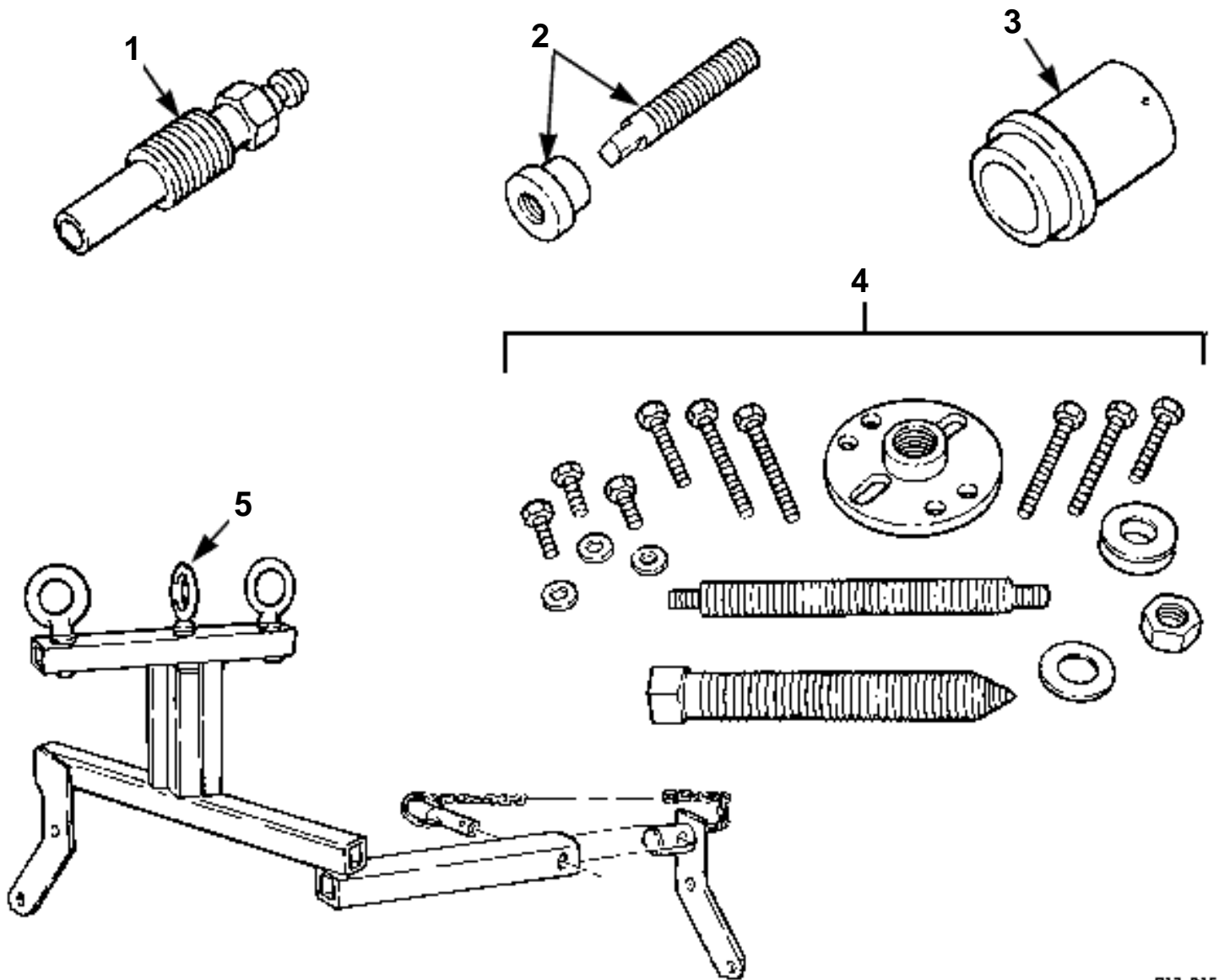
**Special Tools, Drive Belt and Transmission (1 of 2)**

P13-014

**Special Tools, Drive Belts and Transmission.**

Item	Part No.	Description	Qty
1	<b>5737554</b>	GAUGE, belt tension, SEE NOTE 1	
2	<b>5740764</b>	CLUTCH SPRING, compressor, SEE NOTE 1	
3	<b>5740070</b>	HOLDING FIXTURE, transmission, SEE NOTE 1	
4	<b>5740069</b>	HOLDING FIXTURE, transmission, SEE NOTE 1	
5	<b>5740781</b>	REMOVER, gear, SEE NOTE 1	
6	<b>5740780</b>	ADAPTER, compressor clutch spring, SEE NOTE 1	
7	<b>5735122</b>	TIMING GAUGE, engine, SEE NOTE 1	
8	<b>5740935</b>	TOOL KIT, dynamic timing, SEE NOTE 1	

NOTE 1: AVAILABLE THROUGH SPX KENT MOORE



P13-015

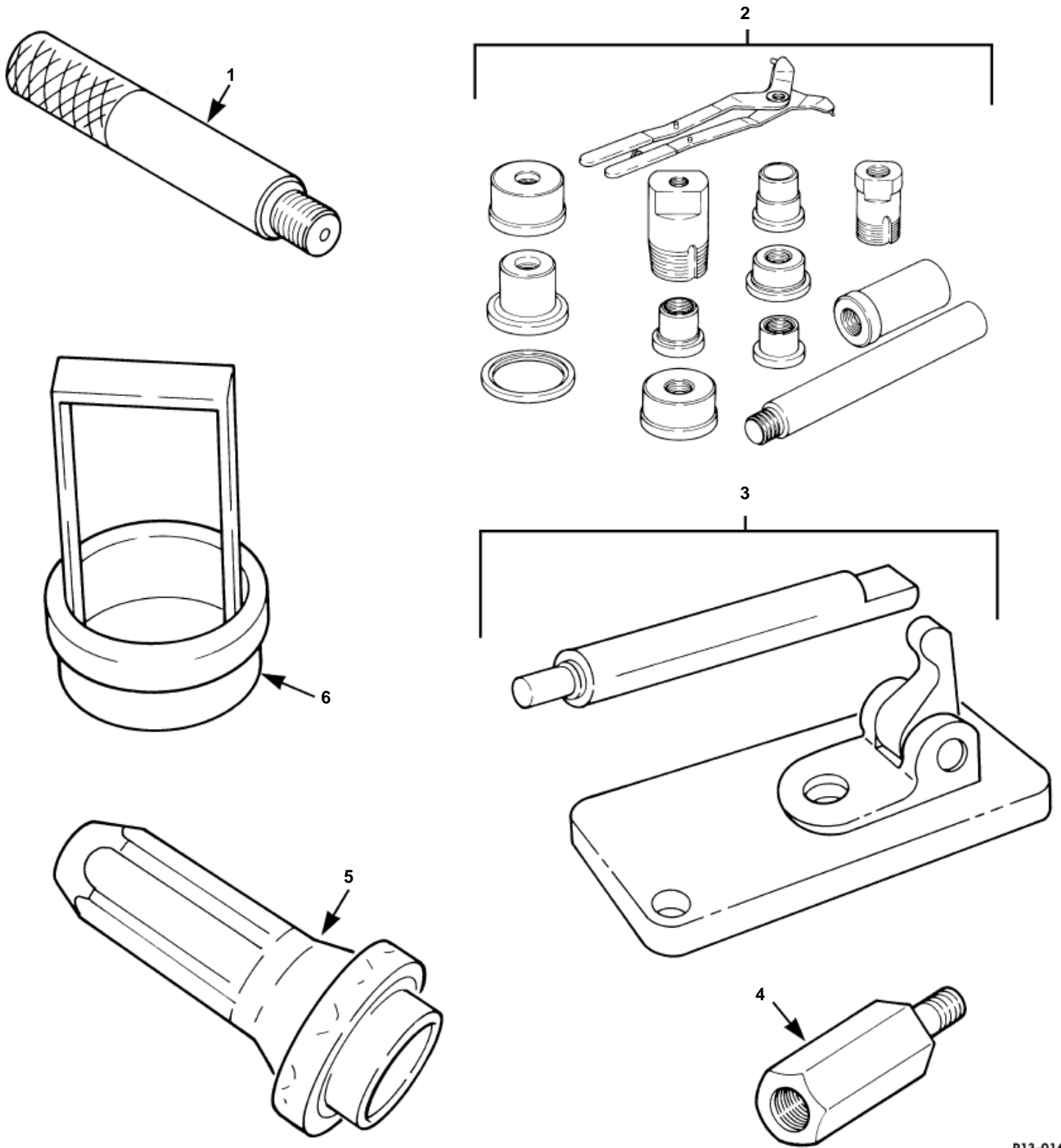
## Special Tools Drive Belts and Transmission (2 of 2)



**Special Tools, Drive Belts and Transmission.**

Item	Part No.	Description	Qty
1	<b>5741726</b>	ADAPTER, compression gauge, SEE NOTE 1	
2	<b>5742544</b>	INSTALLER, harmonic balancer, SEE NOTE 1	
3	<b>5740754</b>	INSTALLER, front oil seal, SEE NOTE 1	
4	<b>5740755</b>	REMOVER/INSTALLER, harmonic balancer, SEE NOTE 1	
5	<b>5569872</b>	ENGINE SLING, SEE NOTE 1	

NOTE 1: AVAILABLE THROUGH SPX KENT MOORE



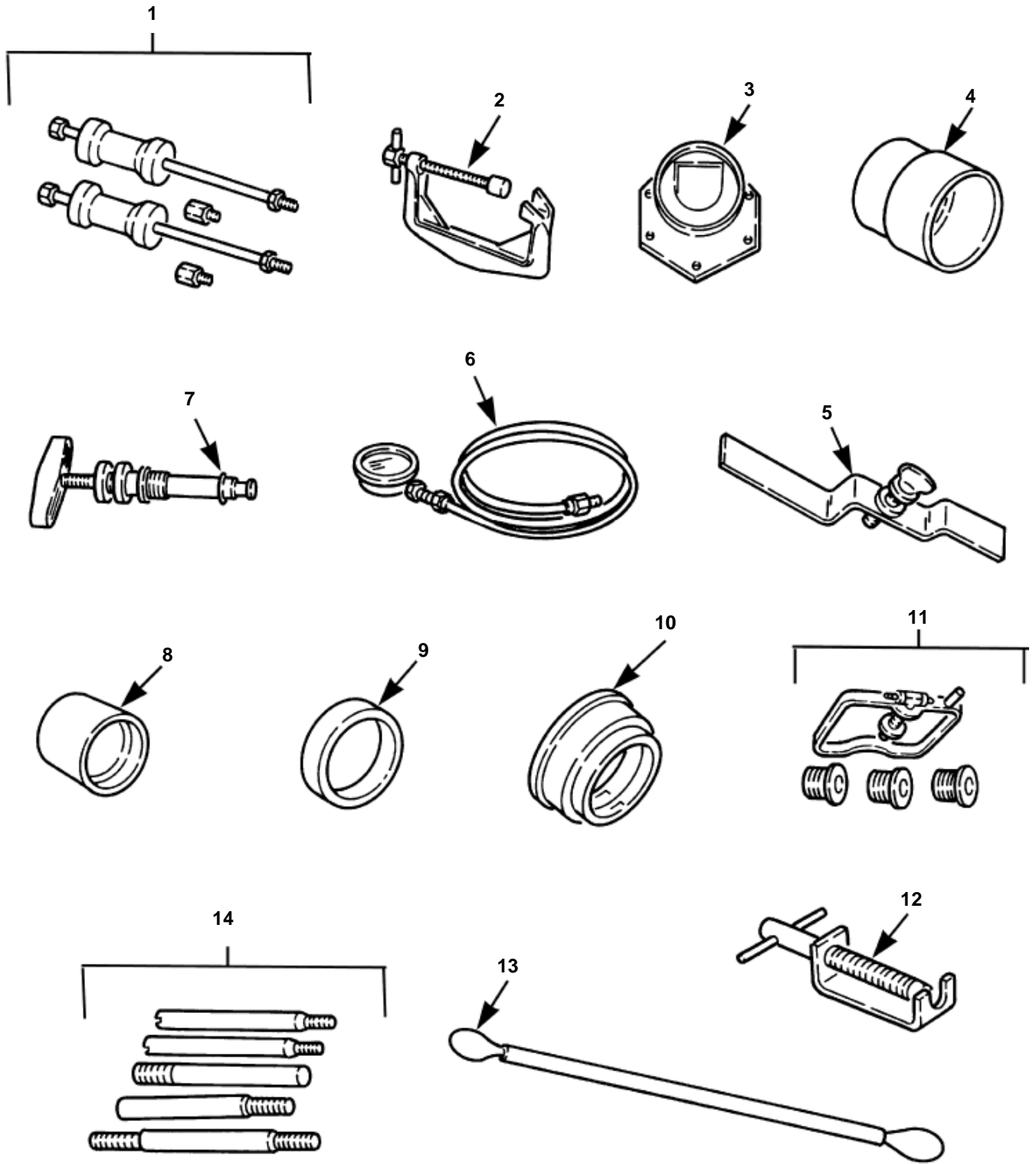
P13-016

## Special Tools, Transmission (1 of 4)

HUMMER H1 1994 Parts Catalog  
**Special Tools, Transmission.**

Item	Part No.	Description	Qty
1	<b>5731895</b>	DRIVER HANDLE, transmission, SEE NOTE 1	
2	<b>5740779</b>	BUSHING KIT, transmission, SEE NOTE 1	
3	<b>5740775</b>	GAUGE, band selector, SEE NOTE 1	
4	<b>5741192</b>	SLIDE HAMMER ADAPTER, SEE NOTE 1	
5	<b>5740770</b>	INSTALLER, front seal, SEE NOTE 1	
6	<b>5740784</b>	ALIGNER, clutch plate, SEE NOTE 1	

NOTE 1: AVAILABLE THROUGH SPX KENT MOORE



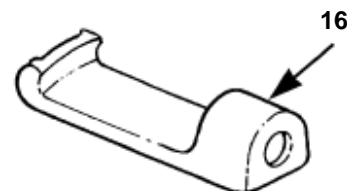
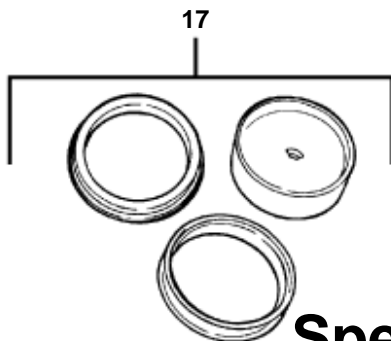
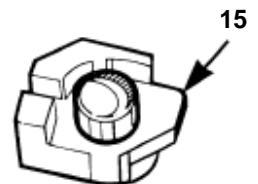
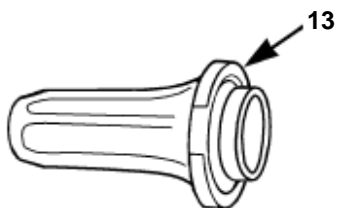
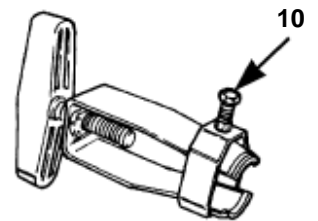
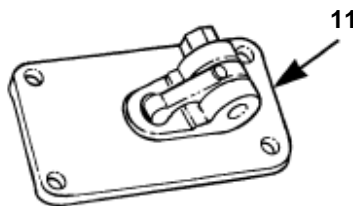
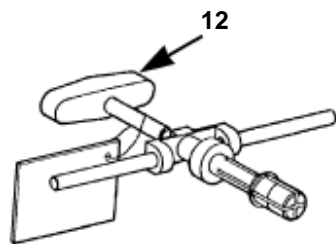
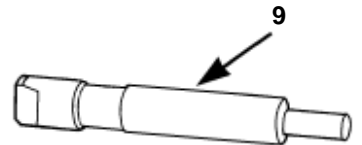
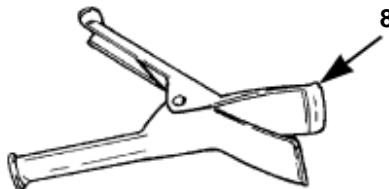
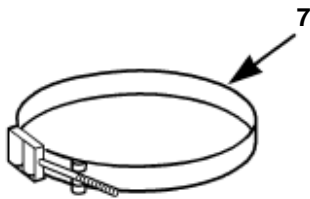
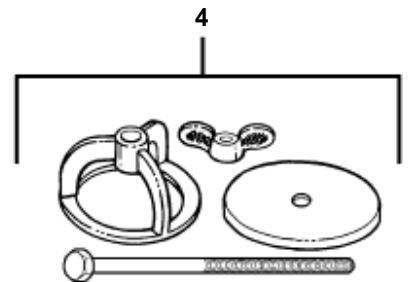
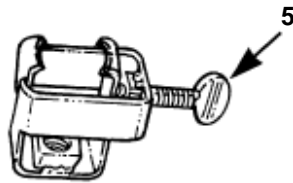
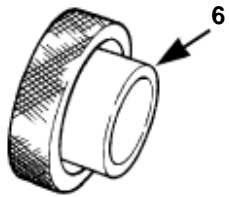
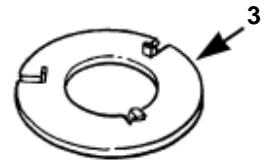
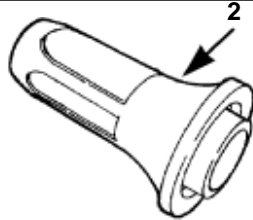
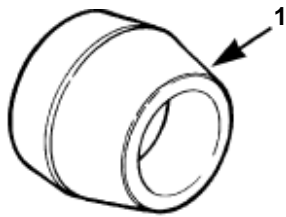
P13-017

## Special Tools, Transmission (2 of 4)

**Special Tools, Transmission.**

Item	Part No.	Description	Qty
1	<b>5740806</b>	SLIDE HAMMER, set of 2, SEE NOTE 1	
2	<b>5740786</b>	REMOVER, accumulator piston, SEE NOTE 1	
3	<b>5740767</b>	HOLDING FIXTURE, rear gear, SEE NOTE 1	
4	<b>5740772</b>	PROTECTOR, inner seal, SEE NOTE 1	
5	<b>5735188</b>	HOLDING TOOL, torque converter, SEE NOTE 1	
6	<b>5740785</b>	OIL PRESSURE GAUGE AND HOSE, SEE NOTE 1	
7	<b>5735187</b>	END PLAY TESTER, torque converter, SEE NOTE 1	
8	<b>5740771</b>	PROTECTOR, center seal, SEE NOTE 1	
9	<b>5740777</b>	PROTECTOR, outer seal, SEE NOTE 1	
10	<b>5735183</b>	ADAPTER, gear unit fixture, SEE NOTE 1	
11	<b>5735210</b>	LEAK TEST FIXTURE, torque converter, SEE NOTE 1	
12	<b>5735186</b>	PUMP REMOVER, SEE NOTE 1	
13	<b>5735185</b>	INSTALLER, intermediate clutch seal, SEE NOTE 1	
14	<b>5735207</b>	PIN SET, oil pump and valve body, SEE NOTE 1	

NOTE 1: AVAILABLE THROUGH SPX KENT MOORE



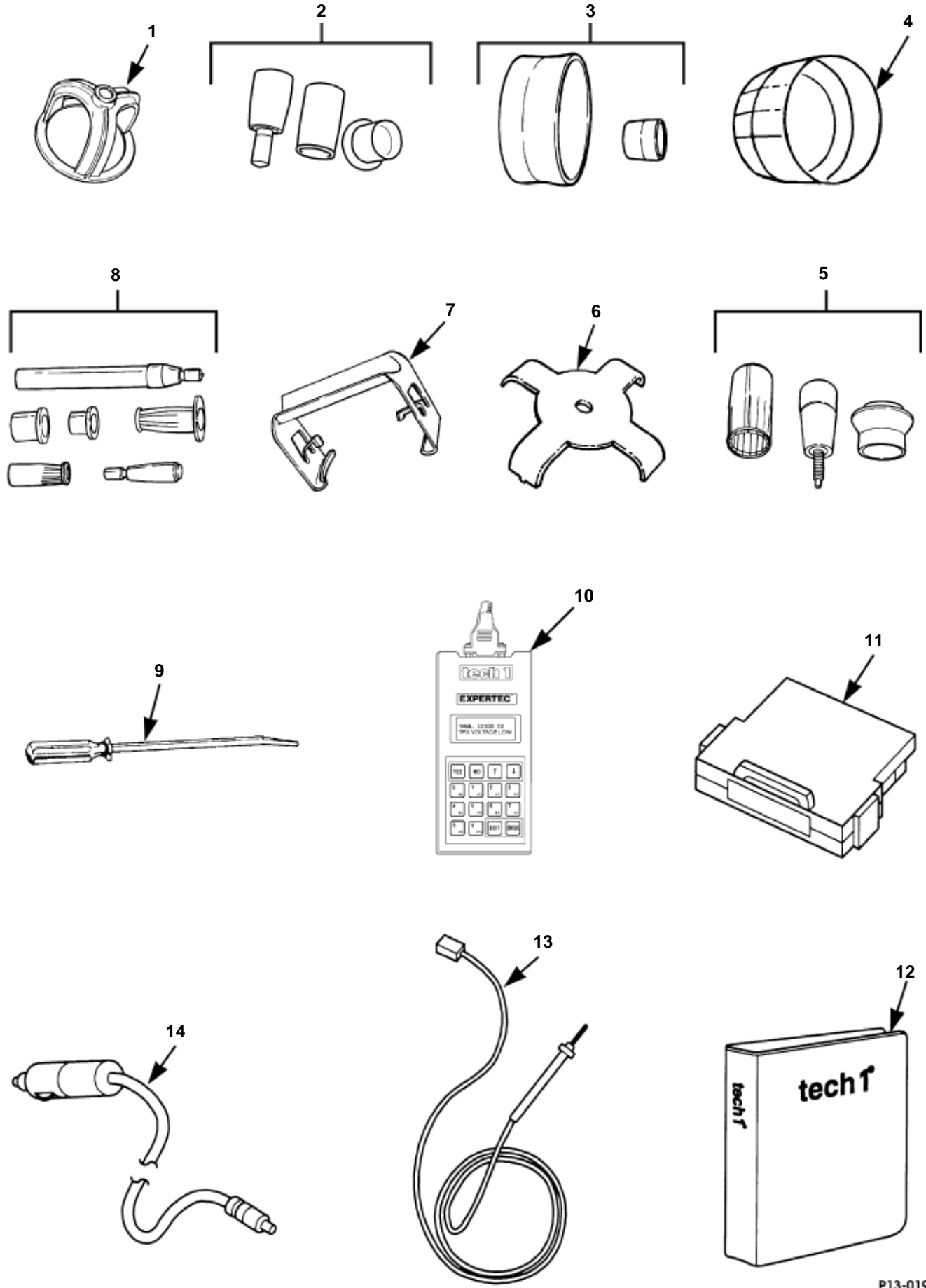
### Special Tools, Transmission (3 of 4)

**Special Tools, Transmission.**

Item	Part No.	Description	Qty
1	<b>5743113</b>	SEAL PROTECTOR, overrun clutch piston , SEE NOTE 1	
2	<b>5743114</b>	SEAL INSTALLER, rear lube, SEE NOTE 1	
3	<b>5743115</b>	ADAPTER, compressor (used with J23327-1 and J6129) , SEE NOTE 1	
4	<b>5743116</b>	COMPRESSOR, forward clutch spring, SEE NOTE 1	
5	<b>5743117</b>	INSTALLER/REMOVER, gear unit assembly, SEE NOTE 1	
6	<b>5743118</b>	SNAP RING PLACER, direct clutch spiral, SEE NOTE 1	
7	<b>5743119</b>	ALIGNMENT BAND, pump body and cover, SEE NOTE 1	
8	<b>5743120</b>	REMOVER/INSTALLER, forward clutch assembly , SEE NOTE 1	
9	<b>5743121</b>	BAND, to apply pin gauge (used with J38737) , SEE NOTE 1	
10	<b>5743122</b>	PUMP REMOVER, SEE NOTE 1	
11	<b>5743123</b>	BAND, apply pin checking tool, SEE NOTE 1	
12	<b>5743124</b>	TOOL, converter end play, SEE NOTE 1	
13	<b>5743125</b>	SEAL INSTALLER, oil pump and rear extension housing , SEE NOTE 1	
14	<b>5743126</b>	TOOL, center support, SEE NOTE 1	
15	<b>5743128</b>	ADAPTER, transmission holding fixture, SEE NOTE 1	
16	<b>5743129</b>	REMOVER, seal, SEE NOTE 1	
17	<b>5743130</b>	PROTECTOR/SPACER, fourth clutch piston and housing seal, SEE NOTE 1	

NOTE 1: AVAILABLE THROUGH SPX KENT MOORE

HUMMER H1 1994 Parts Catalog



Special Tools, Transmission (4 of 4)

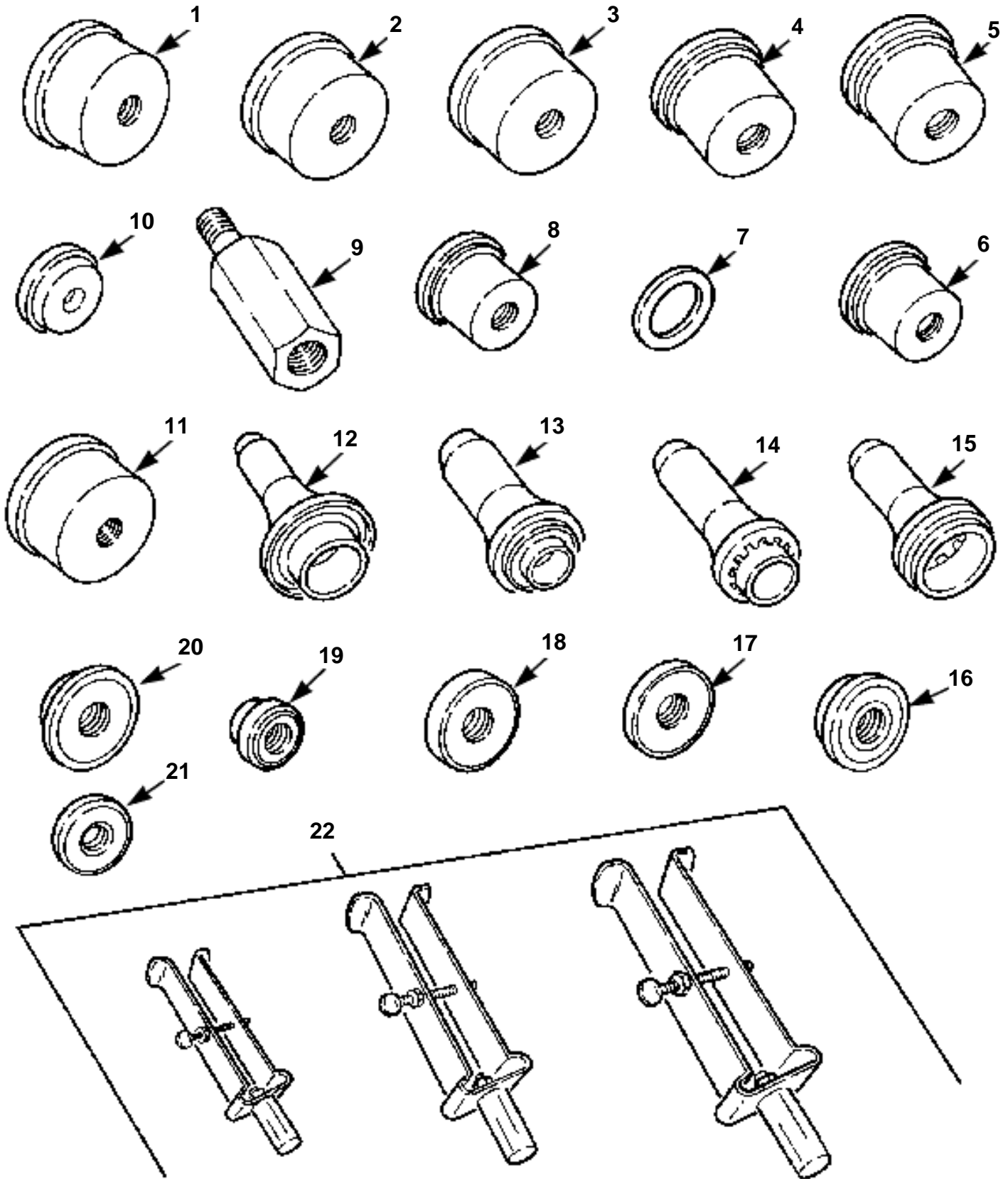
P13-019



**Special Tools, Transmission.**

Item	Part No.	Description	Qty
1	<b>5743131</b>	ADAPTER, intermediate clutch piston compressor , SEE NOTE 1	
2	<b>5743132</b>	INSTALLER/SIZER/PUSHER, oil pump assembly seal ring , SEE NOTE 1	
3	<b>5743133</b>	PROTECTOR, direct and forward clutch piston and outer seal, SEE NOTE 1	
4	<b>5743134</b>	PROTECTOR, direct and forward clutch piston and inner seal , SEE NOTE 1	
5	<b>5743135</b>	INSTALLER/SIZER/PUSHER, center support seal, SEE NOTE 1	
6	<b>5743136</b>	ADAPTER, fourth clutch spring and retainer assembly , SEE NOTE 1	
7	<b>5743137</b>	REMOVER/INSTALLER, direct clutch assembly, SEE NOTE 1	
8	<b>5743138</b>	INSTALLER/SIZER/PUSHER, turbine shaft seal, SEE NOTE 1	
9	<b>5743190</b>	REMOVER, snap ring, SEE NOTE 1	
10	<b>5743199</b>	TECH 1 (diagnostic scanner), SEE NOTE 1	
11	<b>5744191</b>	CARTRIDGE, power train, SEE NOTE 1	
12	<b>5743201</b>	OPERATOR'S MANUAL, tech 1 diagnostic scanner , SEE NOTE 1	
13	<b>5743202</b>	TEST LEAD, SEE NOTE 1	
14	<b>5743203</b>	CABLE, DC power, SEE NOTE 1	
15	<b>5743331</b>	ADAPTER, 16/12 pin (interfaces with the TECH 1 connector) (not shown), SEE NOTE 1	

NOTE 1: AVAILABLE THROUGH SPX KENT MOORE



## Special Tools, Transfer Case

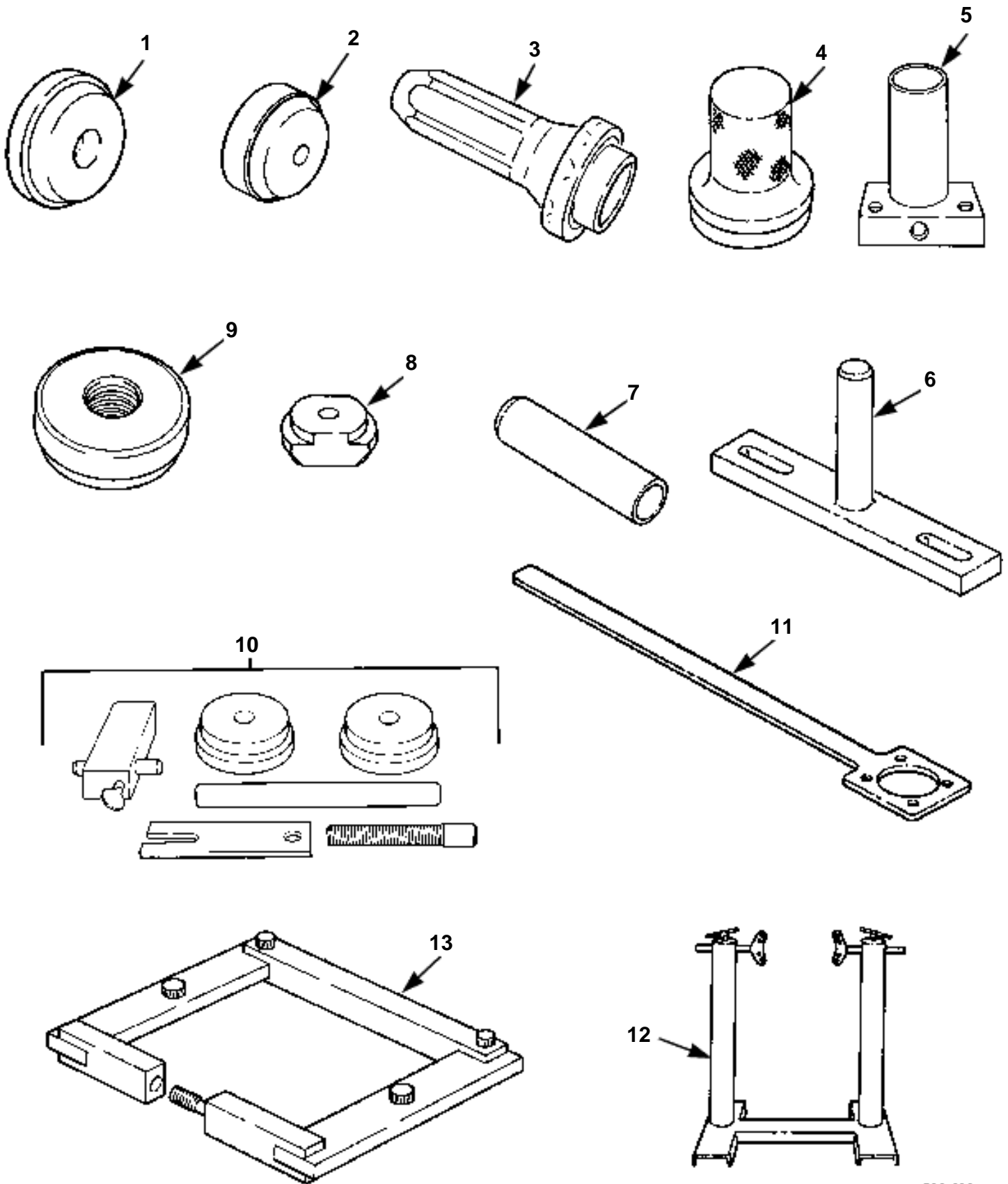
°13-020

**Special Tools, Transfer Case.**

Item	Part No.	Description	Qty
1	<b>5740807</b>	INSTALLER/REMOVER, rear output bearing, SEE NOTE 2	
2	<b>5737531</b>	REMOVER, front output bearing, SEE NOTE 2	
3	<b>5737532</b>	INSTALLER, front output shaft bearing, SEE NOTE 2	
4	<b>5737535</b>	INSTALLER, front output shaft rear bearing, SEE NOTE 2	
5	<b>5737537</b>	INSTALLER, input gear bearing, SEE NOTE 2	
6	<b>5742572</b>	INSERTER, main shaft annulus, SEE NOTE 2	
7	<b>S.I.A.</b>	INSTALLER, annulus gear bushing, SEE NOTE 1	
8	<b>5737540</b>	INSTALLER/REMOVER, annulus gear bushing, SEE NOTE 2	
9	<b>5741191</b>	ADAPTER, slide hammer, SEE NOTE 2	
10	<b>5737529</b>	INSTALLER, retainer bearing, SEE NOTE 2	
11	<b>5737536</b>	REMOVER, input gear bearing, SEE NOTE 2	
12	<b>5742582</b>	INSTALLER, input gear seal, SEE NOTE 2	
13	<b>5738105</b>	INSTALLER, output shaft seal, SEE NOTE 2	
14	<b>5742583</b>	INSTALLER, housing extension seal, SEE NOTE 2	
15	<b>5742629</b>	INSTALLER, pump housing seal, SEE NOTE 2	
16	<b>5742584</b>	INSTALLER, bearing, SEE NOTE 2	
17	<b>5742585</b>	INSTALLER, bearing, SEE NOTE 2	
18	<b>5742586</b>	INSTALLER, bearing, SEE NOTE 2	
19	<b>5742587</b>	REMOVER, bushing, SEE NOTE 2	
20	<b>5742588</b>	TOOL, bearing, SEE NOTE 2	
21	<b>5742628</b>	INSTALLER, rear bearing output shaft, SEE NOTE 2	
22	<b>5741728</b>	PULLER, bushing and bearing, SEE NOTE 2	

NOTE 1: PART OF ASSEMBLY P/N 05737540

NOTE 2: AVAILABLE THROUGH SPX KENT MOORE



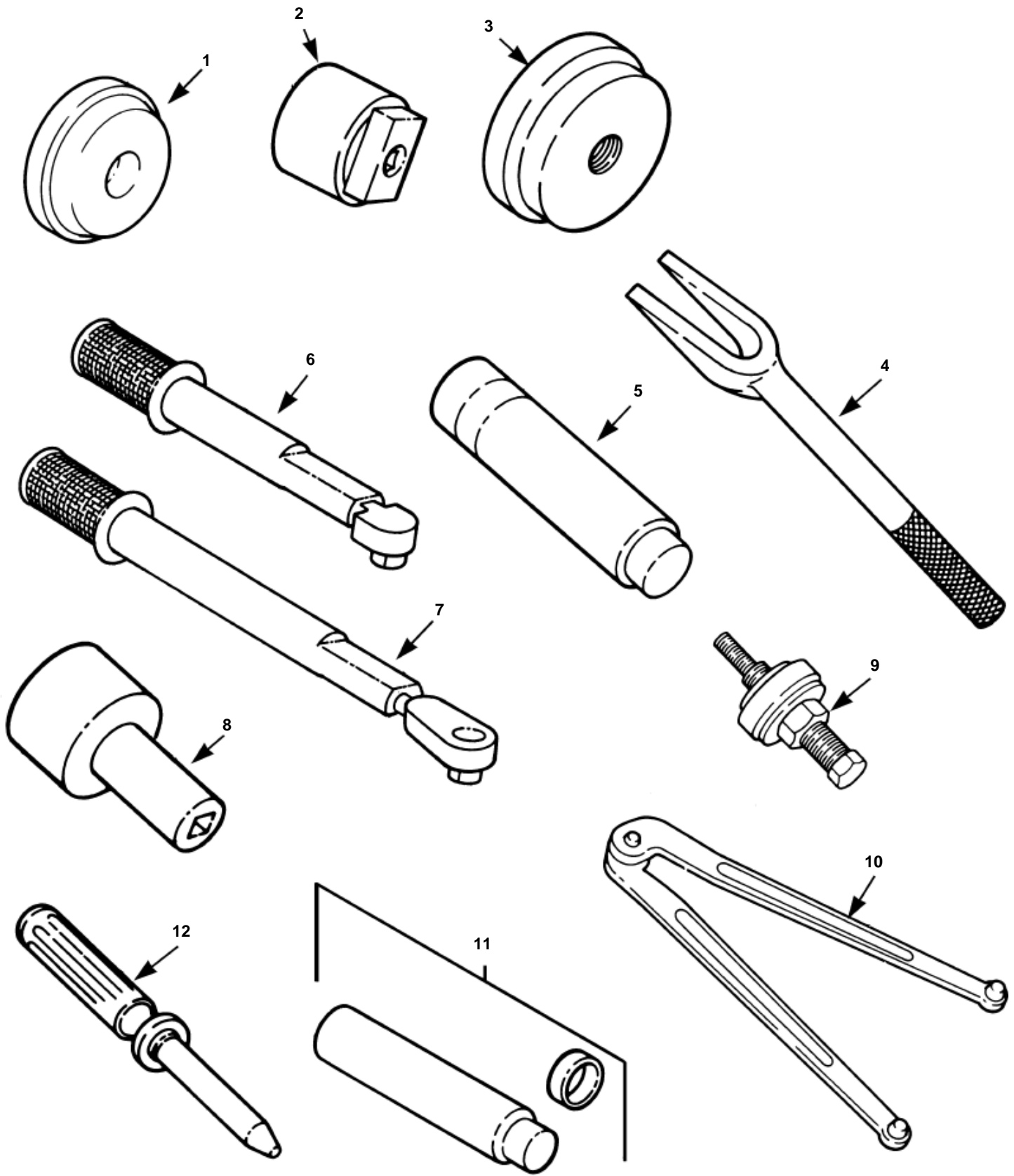
## Special Tools, Axle Differential

P13-021

**Special Tools, Axle Differential.**

Item	Part No.	Description	Qty
1	<b>5738103</b>	REMOVER, front pinion bearing cup and bearing SEE NOTE 1	
2	<b>5738102</b>	INSTALLER, front pinion bearing cup and bearing SEE NOTE 1	
3	<b>5737530</b>	INSTALLER, rear seal, SEE NOTE 1	
4	<b>5740938</b>	INSTALLER, axle shaft and seal, SEE NOTE 1	
5	<b>5735191</b>	ADAPTER, axle holding fixture, SEE NOTE 1	
6	<b>5735480</b>	FLANGE HOLDING TOOL, SEE NOTE 1	
7	<b>5735192</b>	INSTALLER, bearing, SEE NOTE 1	
8	<b>5738106</b>	REMOVER, differential bearing cup and bearing SEE NOTE 1	
9	<b>5738112</b>	INSTALLER, rear pinion bearing cup and bearing SEE NOTE 1	
10	<b>5742757</b>	PINION GAUGE SET, SEE NOTE 1	
11	<b>5735220</b>	PINION HOLDING TOOL, SEE NOTE 1	
12	<b>5731751</b>	STAND, with holding fixtures, SEE NOTE 1	
13	<b>5584381</b>	SPREADER, differential housing, SEE NOTE 1	
	<b>5741193</b>	SPREADER, rear axle differential housing, SEE NOTE 1	

NOTE 1: AVAILABLE THROUGH SPX KENT MOORE

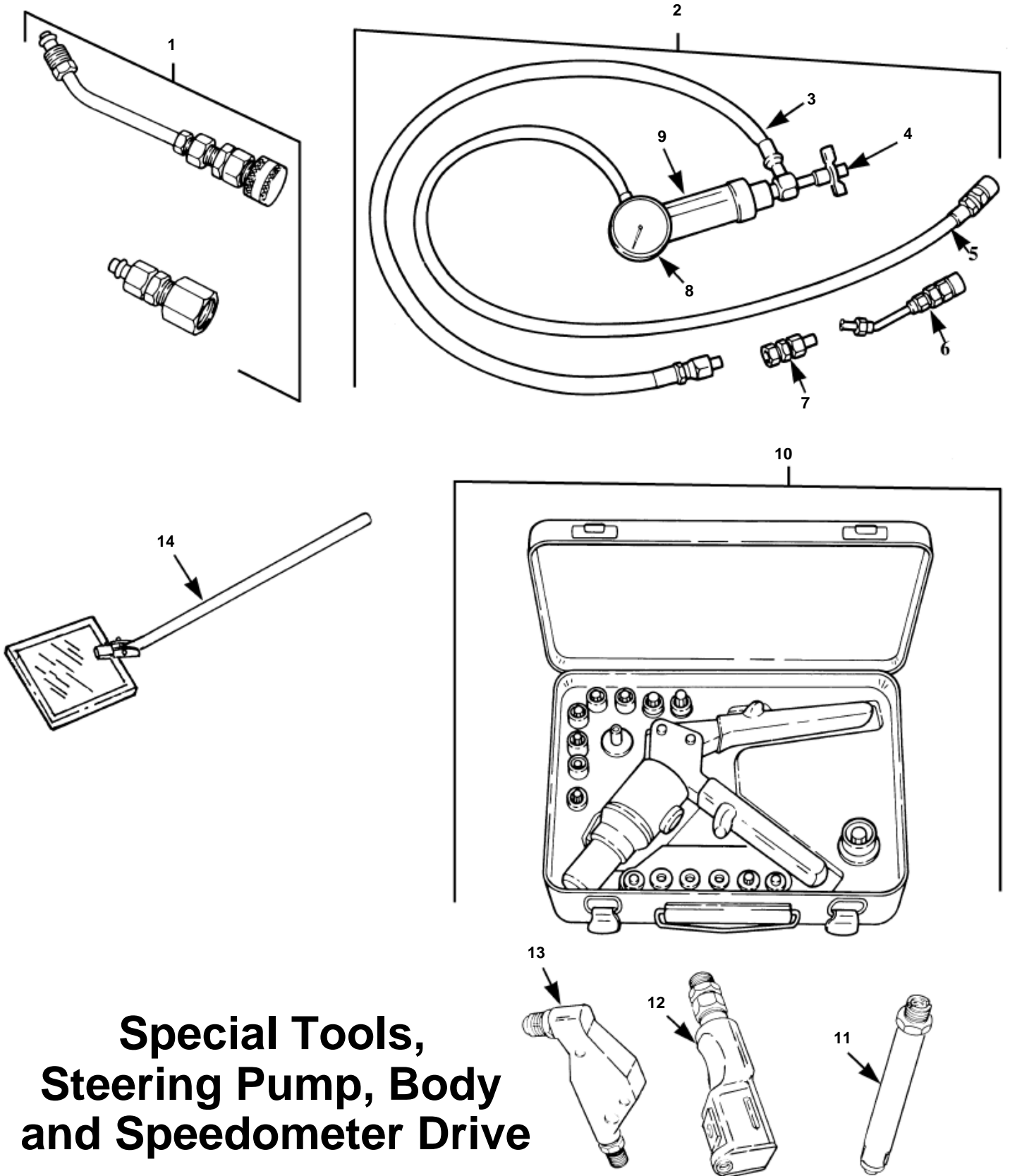


## Special Tools, Geared Hub and Steering

**Special Tools, Geared Hub and Steering.**

Item	Part No.	Description	Qty
1	<b>5740939</b>	INSTALLER, geared hub input seal, SEE NOTE 1	
2	<b>5740940</b>	WRENCH, geared hub, SEE NOTE 1	
3	<b>5741194</b>	INSTALLER, geared hub seal, SEE NOTE 1	
4	<b>11595179</b>	REMOVER, tie rod and ball joint, SEE NOTE 1	
5	<b>5740810</b>	REMOVER/INSTALLER, adjuster plug, SEE NOTE 1	
6	<b>6002603</b>	WRENCH, torque, 1/4-inch drive, SEE NOTE 1	
7	<b>6002604</b>	WRENCH, torque, 3/8-inch drive, SEE NOTE 1	
8	<b>6001755</b>	WRENCH, spindle clampnut, SEE NOTE 1	
9	<b>5735193</b>	INSTALLER, power steering pump pulley, SEE NOTE 1	
10	<b>5740820</b>	SPANNER WRENCH, steering gear, SEE NOTE 1	
11	<b>5740816</b>	REMOVER/INSTALLER, pitman shaft bearing, SEE NOTE 1	
12	<b>5740819</b>	ARBOR, rack piston, SEE NOTE 1	

NOTE 1: AVAILABLE THROUGH SPX KENT MOORE



**Special Tools,  
Steering Pump, Body  
and Speedometer Drive**

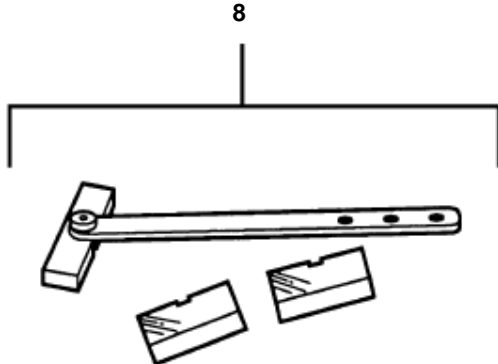
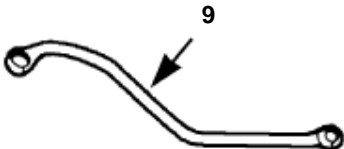
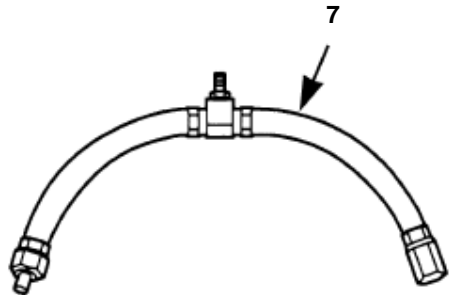
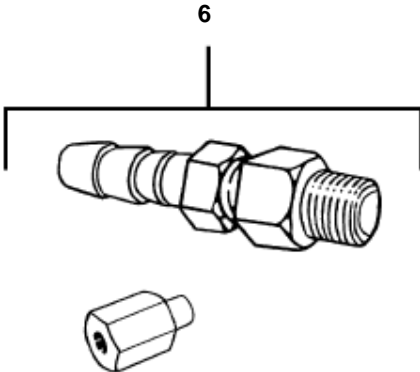
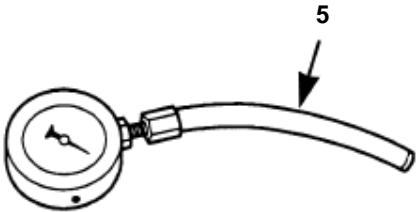
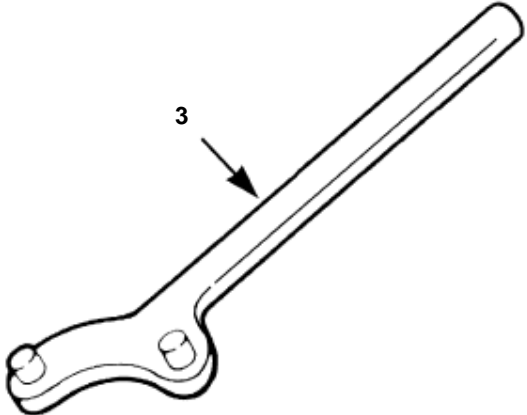
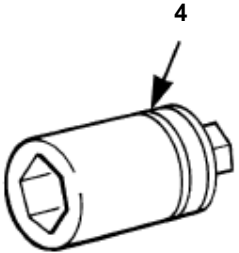
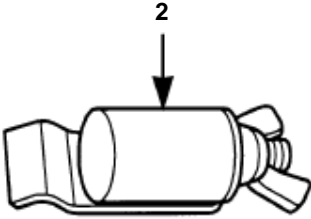
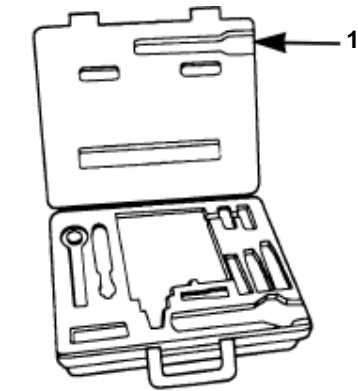
P13-023



**Special Tools, Steering Pump, Body, and Speedometer Drive.**

Item	Part No.	Description	Qty
1	<b>5740941</b>	ADAPTER, power steering analyzer, SEE NOTE 1	
2	<b>5740813</b>	ANALYZER, power steering pump, SEE NOTE 1	
3	<b>5742752</b>	·HOSE, power steering analyzer, SEE NOTE 1	
4	<b>5742755</b>	·REGULATING VALVE, power steering analyzer , SEE NOTE 1	
5	<b>5742753</b>	·HOSE, power steering analyzer, SEE NOTE 1	
6	<b>5742751</b>	·COUPLING, power steering analyzer, SEE NOTE 1	
7	<b>5742750</b>	·ADAPTER, power steering analyzer, SEE NOTE 1	
8	<b>5742754</b>	·PRESSURE GAUGE, power steering analyzer, SEE NOTE 1	
9	<b>5742756</b>	·INDICATOR, power steering analyzer, SEE NOTE 1	
10	<b>5741320</b>	TOOL KIT, blind rivet, SEE NOTE 1	
11	<b>5741725</b>	PULLER, straight extension, SEE NOTE 1	
12	<b>5741724</b>	PULLER, offset, SEE NOTE 1	
13	<b>5741723</b>	PULLER, right angle, SEE NOTE 1	
14	<b>5741096</b>	INSPECTION MIRROR, speedometer drive, SEE NOTE 1	

NOTE 1: AVAILABLE THROUGH SPX KENT MOORE



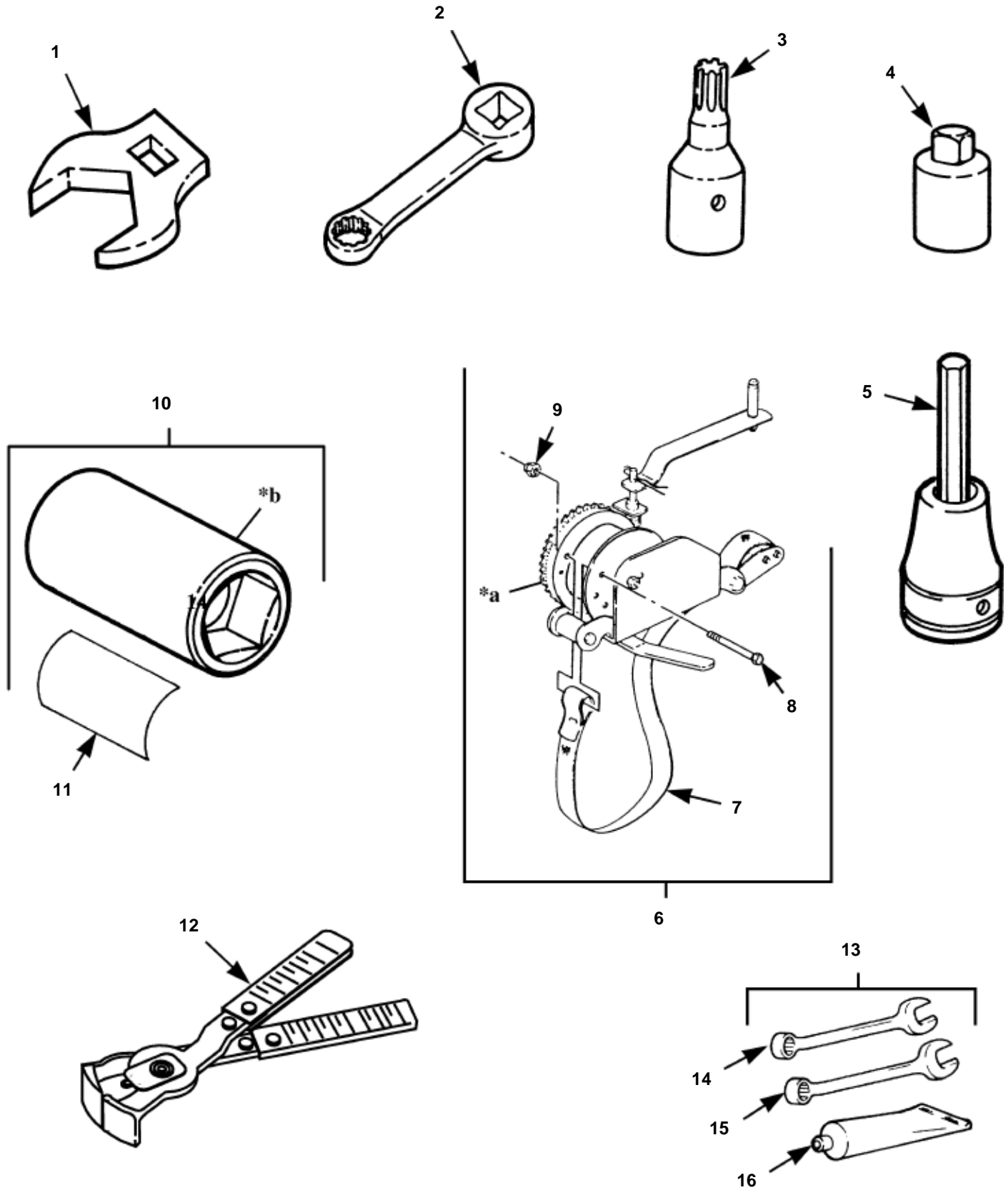
**Special Tools, Fuel Injection Pump**

P13-025

**Special Tools, Fuel Injection Pump.**

Item	Part No.	Description	Qty
1	<b>5743110</b>	KIT, feul injection pump service, SEE NOTE 1	
2	<b>5743111</b>	SETTING TOOL, face cam, SEE NOTE 1	
3	<b>5743112</b>	ADJUSTING TOOL, pump, SEE NOTE 1	
4	<b>5740748</b>	SOCKET, nozzle, 30 mm, SEE NOTE 1	
5	<b>5740757</b>	PRESSURE GAUGE, SEE NOTE 1	
6	<b>5735209</b>	ADAPTER, injection pump, SEE NOTE 1	
7	<b>5743142</b>	ADAPTER, housing pressure, SEE NOTE 1	
8	<b>5740750</b>	GAUGE BLOCK SET (throttle position switch, (6.5 L) SEE NOTE 1	
9	<b>5743771</b>	WRENCH, fuel injection pump, 15 mm (6.5 L) SEE NOTE 1	

NOTE 1: AVAILABLE THROUGH SPX KENT MOORE



## Special Tools, Multipurpose

P13-026

\* a PART OF ITEM 6  
\* b PART OF ITEM 10

**Special Tools, Multipurpose.**

Item	Part No.	Description	Qty
1	<b>5741199</b>	CROWFOOT, 9/16-inch, 3/8-inch drive, SEE NOTE 5	
	<b>5741870</b>	CROWFOOT, 11/16-inch, 3/8-inch drive, SEE NOTE 5	
	<b>5741196</b>	CROWFOOT, 7/8-inch, 3/8-inch drive, SEE NOTE 5	
	<b>5740989</b>	CROWFOOT, 1/2-inch, 3/8-inch drive, SEE NOTE 5	
	<b>5741195</b>	CROWFOOT, 5/16-inch, 3/8-inch drive, SEE NOTE 5	
	<b>5741197</b>	CROWFOOT, 5/8-inch, 3/8-inch drive, SEE NOTE 5	
2	<b>5741070</b>	ADAPTER, torque wrench, 9/16-inch, SEE NOTE 5	
	<b>5741071</b>	ADAPTER, torque wrench, 3/4-inch, SEE NOTE 5	
3	<b>5732210</b>	SOCKET, socket wrench, 1/4-inch drive, SEE NOTE 5	
4	<b>11655788-2</b>	ADAPTER, socket wrench, 3/8-inch drive to 1/2-inch drive, SEE NOTE 5	
5	<b>5741812</b>	DRIVER, 3/16-inch, 3/8-inch drive, SEE NOTE 5	
	<b>5742742</b>	DRIVER, 7 mm, 3/8-inch drive, SEE NOTE 5	
6	<b>5742952</b>	TOOL, runflat, SEE NOTE 5	
	<b>5742758</b>	·REPAIR KIT, runflat tool, SEE NOTE 5	
7	<b>S.I.K.</b>	·STRAP ASSEMBLY SEE NOTE 1, SEE NOTE 5	
8	<b>S.I.K.</b>	·BOLT SEE NOTE 1, SEE NOTE 5	
9	<b>S.I.K.</b>	·LOCKNUT SEE NOTE 1, SEE NOTE 5	
10	<b>5744126</b>	KIT, socket, 5-sided, with English label, SEE NOTE 5	
	<b>5744128</b>	KIT, socket, 5-sided, with English and French label SEE NOTE 5I	
	<b>5744129</b>	KIT, socket, 5-sided, with English and Arabic label SEE NOTE 5	
11	<b>5744127</b>	·LABEL, English, SEE NOTE 2, SEE NOTE 5	
	<b>5743106</b>	·LABEL, French, SEE NOTE 3, SEE NOTE 5	
	<b>5743107</b>	·LABEL, Arabic, SEE NOTE 4, SEE NOTE 5	
12	<b>5743141</b>	TOOL, boot banding, SEE NOTE 5	
13	<b>6012548</b>	KIT, CTIS tool, SEE NOTE 5	
14	<b>6001967</b>	·COMBINATION WRENCH, 5/8-inch, SEE NOTE 5	
15	<b>6001968</b>	·COMBINATION WRENCH, 3/4-inch, SEE NOTE 5	
16	<b>6001959</b>	·LOCTITE, vibraseal, #5, SEE NOTE 5	

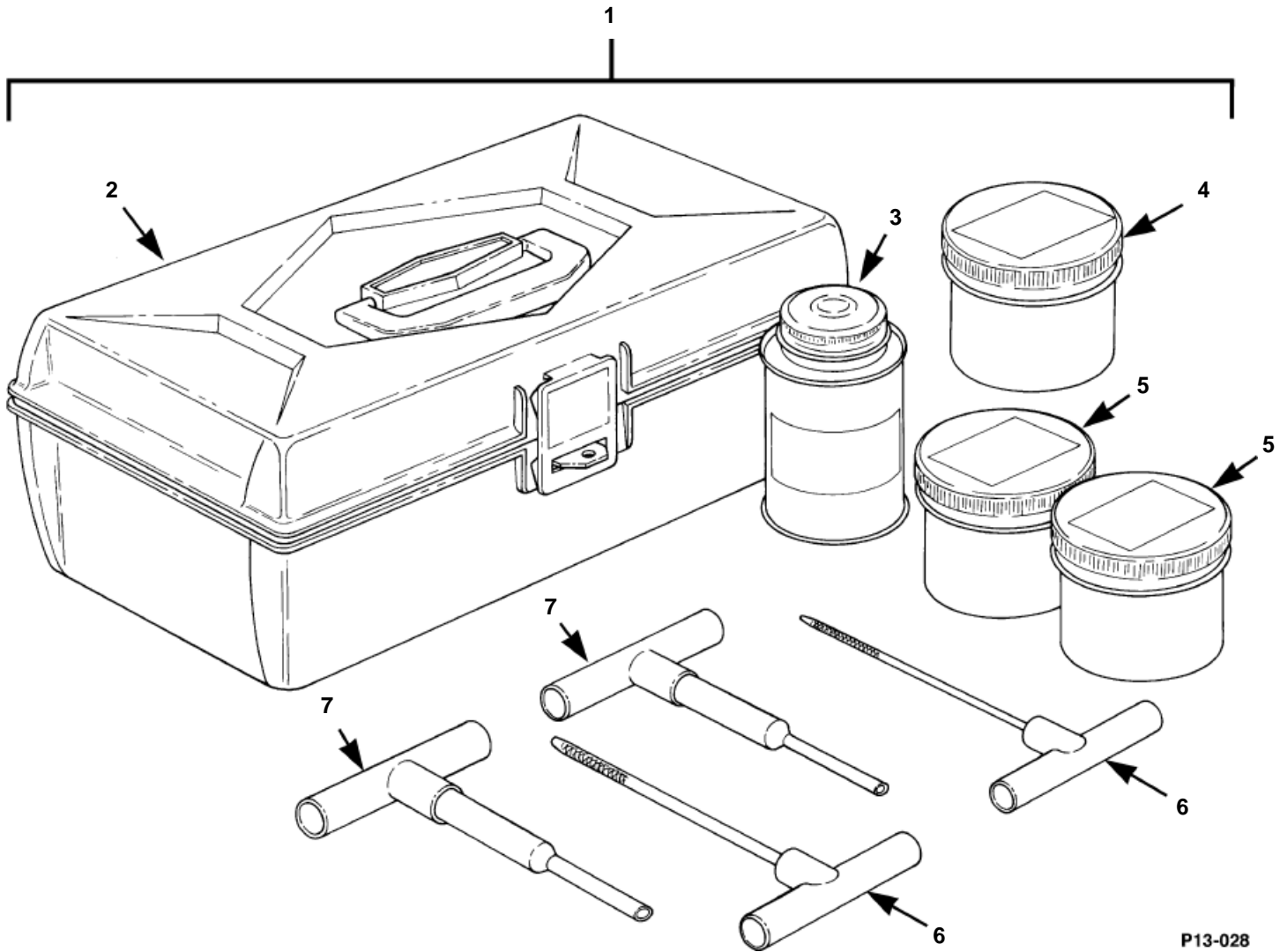
NOTE 1: PART OF KIT P/N 5742758, SEE NOTE 5

NOTE 2: PART OF KIT P/N 5744126, SEE NOTE 5

NOTE 3: PART OF KIT P/N 5744128, SEE NOTE 5

NOTE 4: PART OF KIT P/N 5744129, SEE NOTE 5

NOTE 5: AVAILABLE THROUGH SPX KENT MOORE

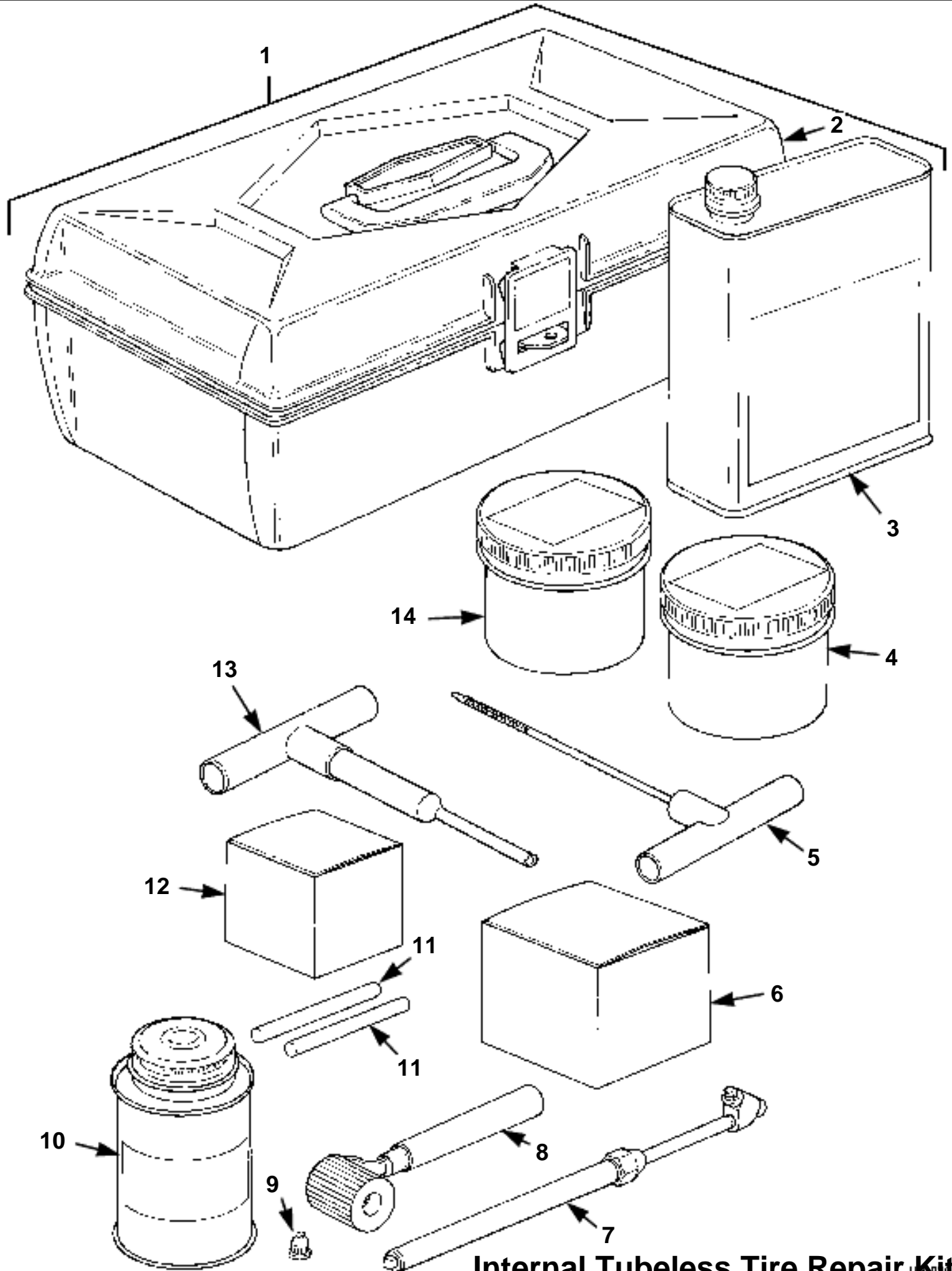


P13-028

# External Tubeless Tire Repair Kit

**External Tubeless Tire Repair Kit.**

Item	Part No.	Description	Qty
1	<b>5745015</b>	KIT, external tubeless tire repair	1
2	<b>5742542</b>	·TOOLBOX,	1
3	<b>5742537</b>	·FLUID, chemical vulcanizing (1/2 pint)	1
4	<b>5742538</b>	·PLUG, large	15
5	<b>5742539</b>	·PLUG, small	30
6	<b>5742540</b>	·RASP	2
7	<b>5742541</b>	·TOOL, plug insert	2



**Internal Tubeless Tire Repair Kit**



HUMMER H1 1994 Parts Catalog  
**Internal Tubeless Repair Kit.**

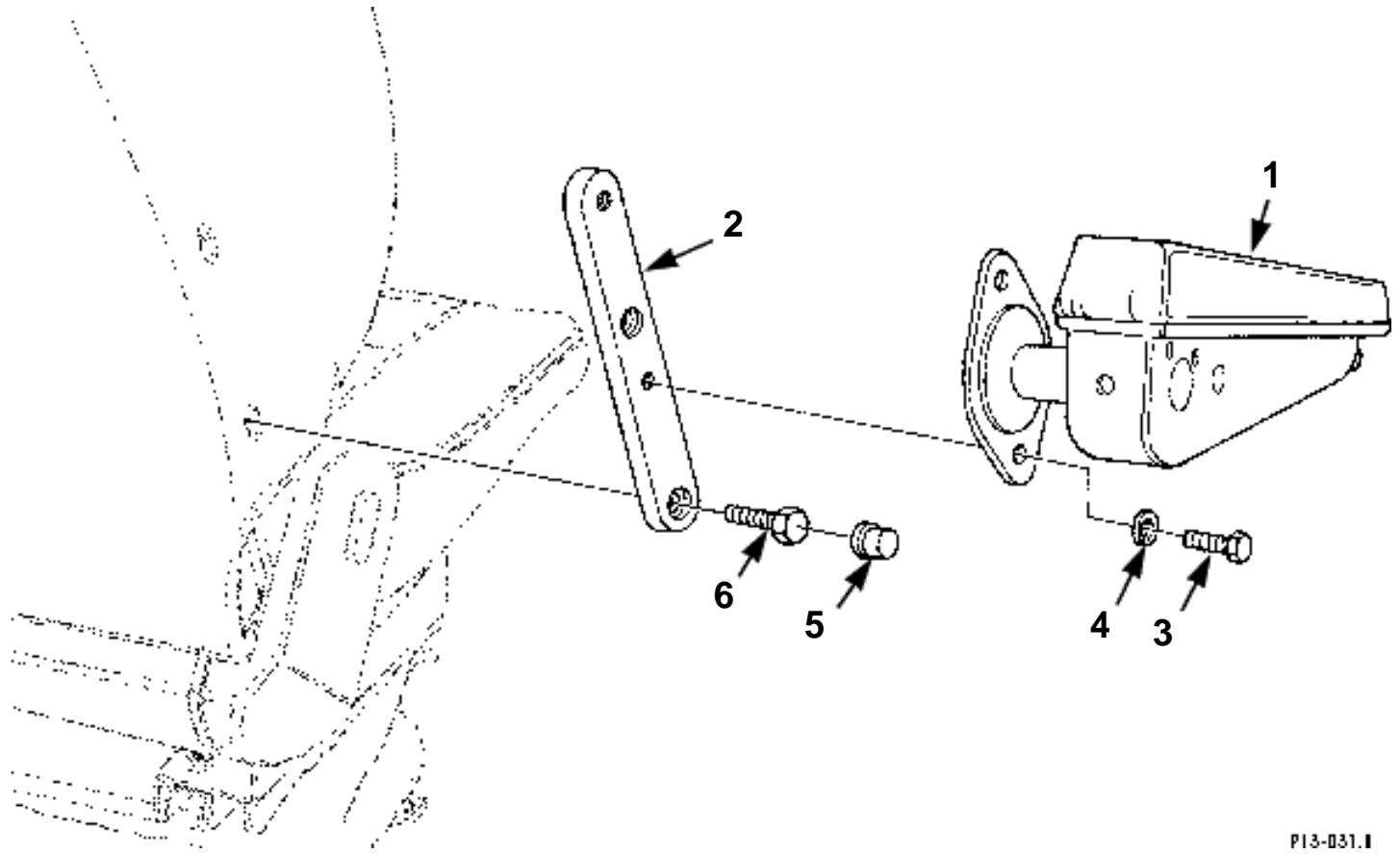
Item	Part No.	Description	Qty
1	<b>5710216</b>	KIT, internal tubeless tire repair	1
2	<b>5713347</b>	·TOOLBOX	1
3	<b>5713351</b>	·CLEANER (32 ounce)	1
4	<b>5742539</b>	·PLUG, small	15
5	<b>5742540</b>	·RASP	1
6	<b>5713341</b>	·PATCH (R-20)	20
7	<b>5714148</b>	·GAUGE, tire pressure	1
8	<b>5713340</b>	·STITCHER, patch roll	1
9	<b>5714149</b>	·CAP, valve stem	20
10	<b>5713343</b>	·CEMENT (8 ounce)	2
11	<b>5714147</b>	·PENCIL, yellow chalk	2
12	<b>5713339</b>	·PATCH (R-12)	20
13	<b>5712541</b>	·TOOL, plug insert	1
14	<b>5742538</b>	·PLUG, large	15
	<b>5713342</b>	·SCRAPER (not illustrated)	1



## Winch Accessory Kit

**Winch Accessory Kit.**

Item	Part No.	Description	Year
1	<b>5745019</b>	KIT, winch accessory	1
2	<b>S.I.K.</b>	·BAG, camouflage	1
		·SNATCH BLOCK (not illustrated)	1
		·CHAIN (not illustrated)	1
		·TRUNK PROTECTOR, 2-inch (not illustrated)	1
		·GLOVES (not illustrated)	1 pair
		·SHACKLE 3/4-inch (not illustrated)	1
		·STRAP, 3-inch 30 feet (not illustrated)	1



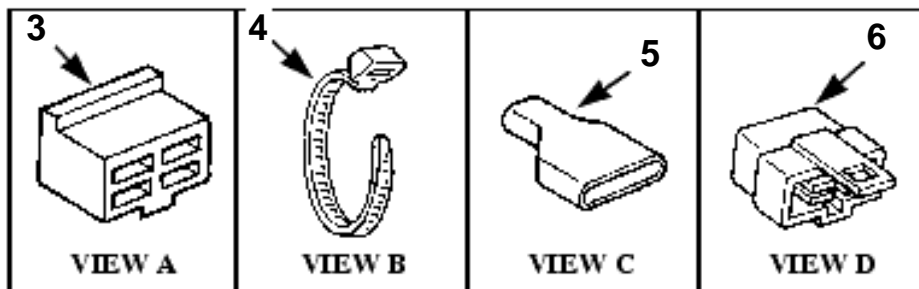
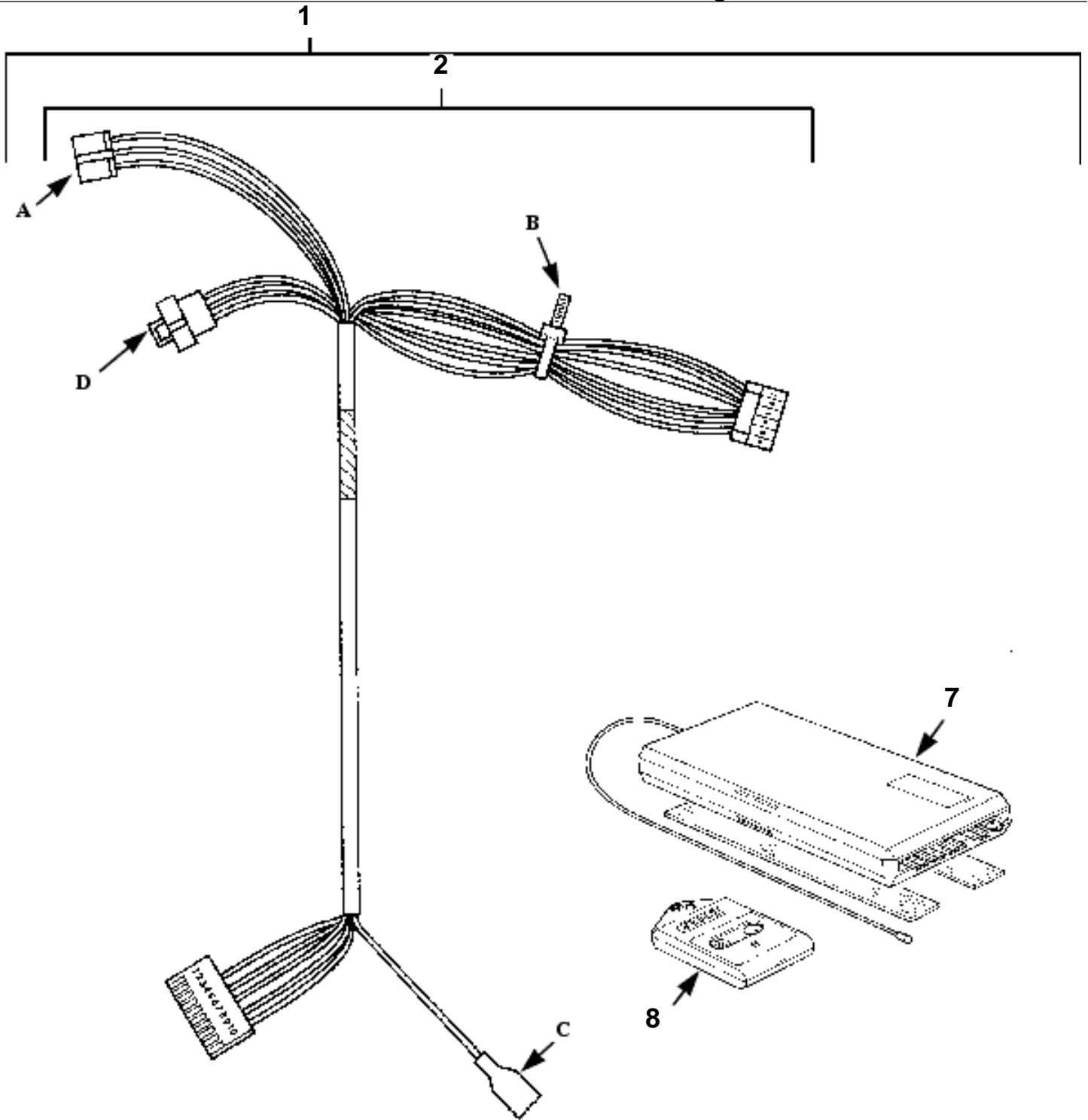
P13-031.1

## Driver's Seat Armrest Kit

**Driver's Seat Armrest Kit.**

Item	Part No.	Description	Qty
1	<b>5744333</b>	KIT, armrest, driver's seat, cojac tan	1
	<b>5744332</b>	KIT, armrest, driver's seat, cojac gray	1
	<b>5744334</b>	KIT, armrest, driver's seat, black vinyl	1
2	<b>6002694</b>	BRACKET, SEE NOTE 1	1
3	<b>6002696</b>	BOLT, SEE NOTE 1	2
4	<b>6002697</b>	LOCKWASHER, SEE NOTE 1	2
5	<b>6002698</b>	CAP, black plastic, SEE NOTE 1	3
6	<b>6002695</b>	BOLT, SEE NOTE 1	2

NOTE 1: PART OF ARMREST HARDWARE INSTALLATION KIT P/N 5744330



**Remote Entry Kits**

P13-033.1

**Remote Entry Kit.**

Item	Part No.	Description	Qty
1	<b>6005142</b>	KIT, remote entry	1
2	<b>6005275</b>	·HARNES ASSEMBLY, remote entry	1
3	<b>5962769</b>	·CONNECTOR	1
4	<b>MS3367-1</b>	·TIEDOWN STRAP	3
5	<b>6002829</b>	·TERMINAL	1
6	<b>5903246</b>	·CONNECTOR	1
7	<b>6005115</b>	·RECEIVER	1
8	<b>5744201</b>	·REMOTE	2

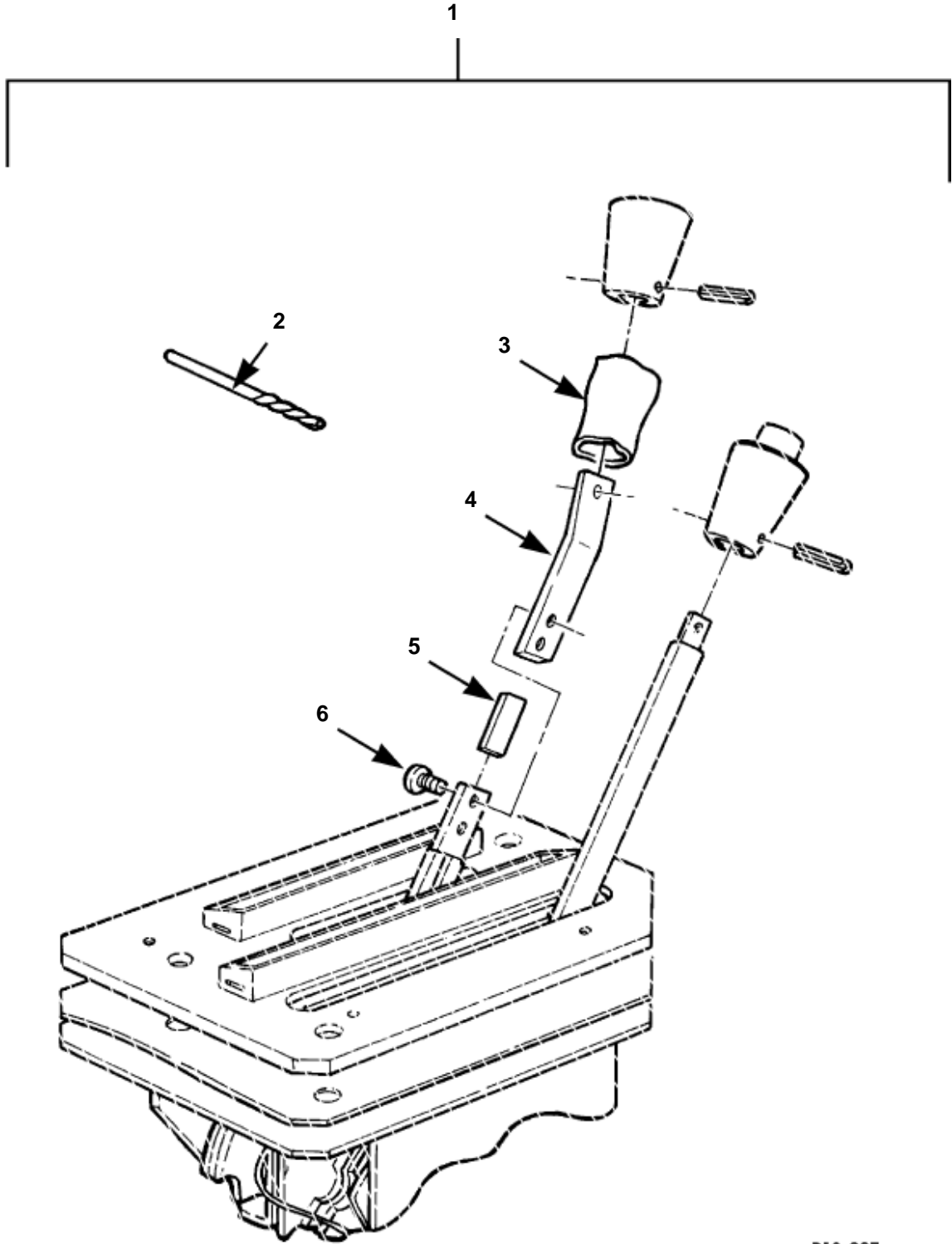
**NOT ILLUSTRATED.**

## **Snow Plow Preparation Kit**



HUMMER H1 1994 Parts Catalog  
**Snow Plow Preparation Kit.**

Item	Part No.	Description	Qty
	<b>12338316-2</b>	-SPRING, front, all, w/ snow plow (not illustrated)	2



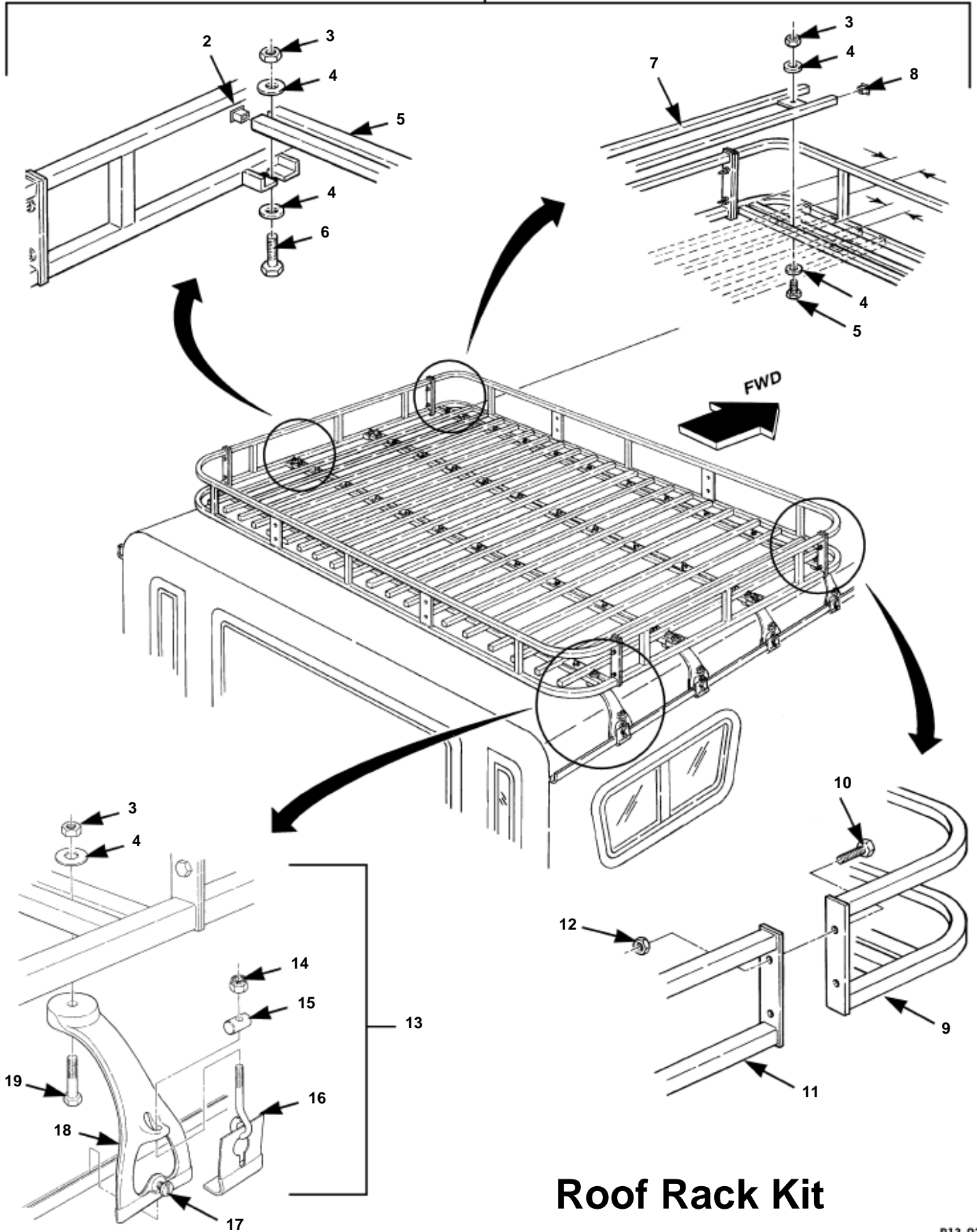
P13-027

# Transfer Case Lever Extension Kit

**Transfer Case Lever Extension Kit.**

Item	Part No.	Description	Qty
1	<b>5742995</b>	TRANSFER CASE LEVER EXTENSION KIT	1
2	<b>5742998</b>	DRILL BIT, 3/16"	1
3	<b>5742996</b>	TUBING, heat shrink	1
4	<b>5742993</b>	LEVER, extension, transfer case	1
5	<b>5743019</b>	STRIP, flat	1
6	<b>5742997</b>	SCREW, button head	2

1



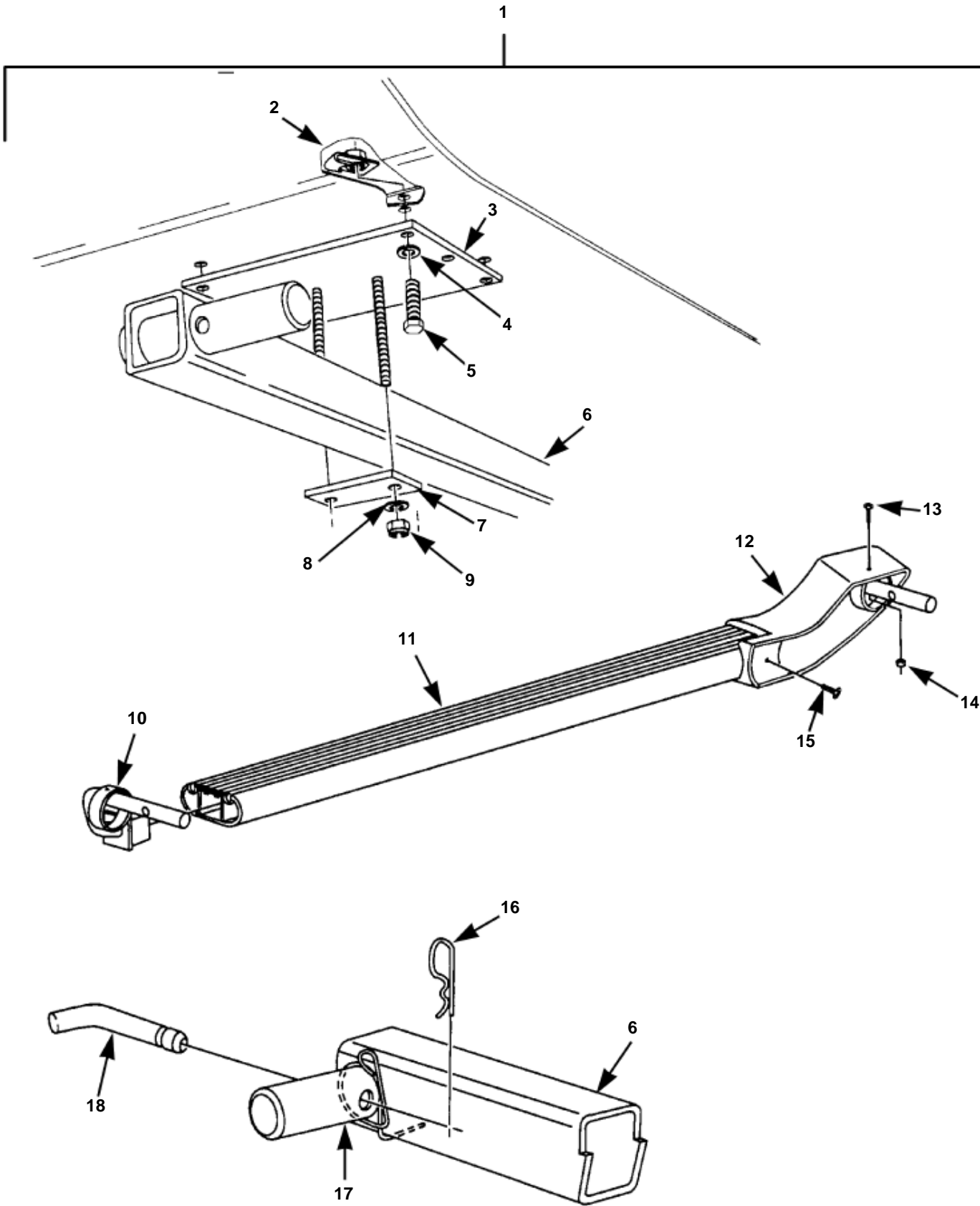
# Roof Rack Kit

P13-037

**Roof Rack Kit.**

Item	Part No.	Description	Qty
1	<b>5745787</b>	KIT, three foot roof rack XLC2, HMC4, HMCS, VLC2	1
	<b>5745788</b>	KIT, six foot roof rack HMC4, HMCS	1
	<b>5745789</b>	KIT, nine foot roof rack HMCS	1
2	<b>5743261</b>	·END CAP, crossbar 8 16	20
3	<b>5743271</b>	·LOCKNUT, nylon 24 52	66
4	<b>5743270</b>	·WASHER, flat 44 96	122
5	<b>5743258</b>	·CROSSBAR 2 4	5
6	<b>5743268</b>	·BOLT 20 44	56
7	<b>5743262</b>	·FLOOR SECTION, three foot rack	10
	<b>5743263</b>	·FLOOR SECTION, six foot rack	10
	<b>5743264</b>	·FLOOR SECTION, three foot rack	10
8	<b>5743261</b>	·FLOOR SECTION, end cap 40 40	40
9	<b>5743256</b>	·RACK END ASSEMBLY 2 2	2
10	<b>5743266</b>	·BOLT 8 8	8
11	<b>5743260</b>	·SIDE, three foot rack	2
	<b>5743259</b>	·SIDE, six foot rack	2
	<b>5743257</b>	·SIDE, nine foot rack	2
12	<b>5743267</b>	·LOCKNUT, nylon 8 8	8
13	<b>5743250</b>	·CLAMP ASSEMBLY 4 8	10
14	<b>5743255</b>	·LOCKNUT, nylon 1 1	1
15	<b>5743254</b>	··SPACER, round, clamp 1 1	1
16	<b>5743250</b>	··KIT, clip, clamp 1 1	1
17	<b>5743252</b>	··BOOT, rubber, clamp 1 1	1
18	<b>S.I.K.</b>	··YOKE, clamp 1 1	1
19	<b>N/S</b>	·BOLT, 3/8 - 16 x 2 4 8	10

NOTE 1: 6-FOOT ROOF RACK SHOWN.

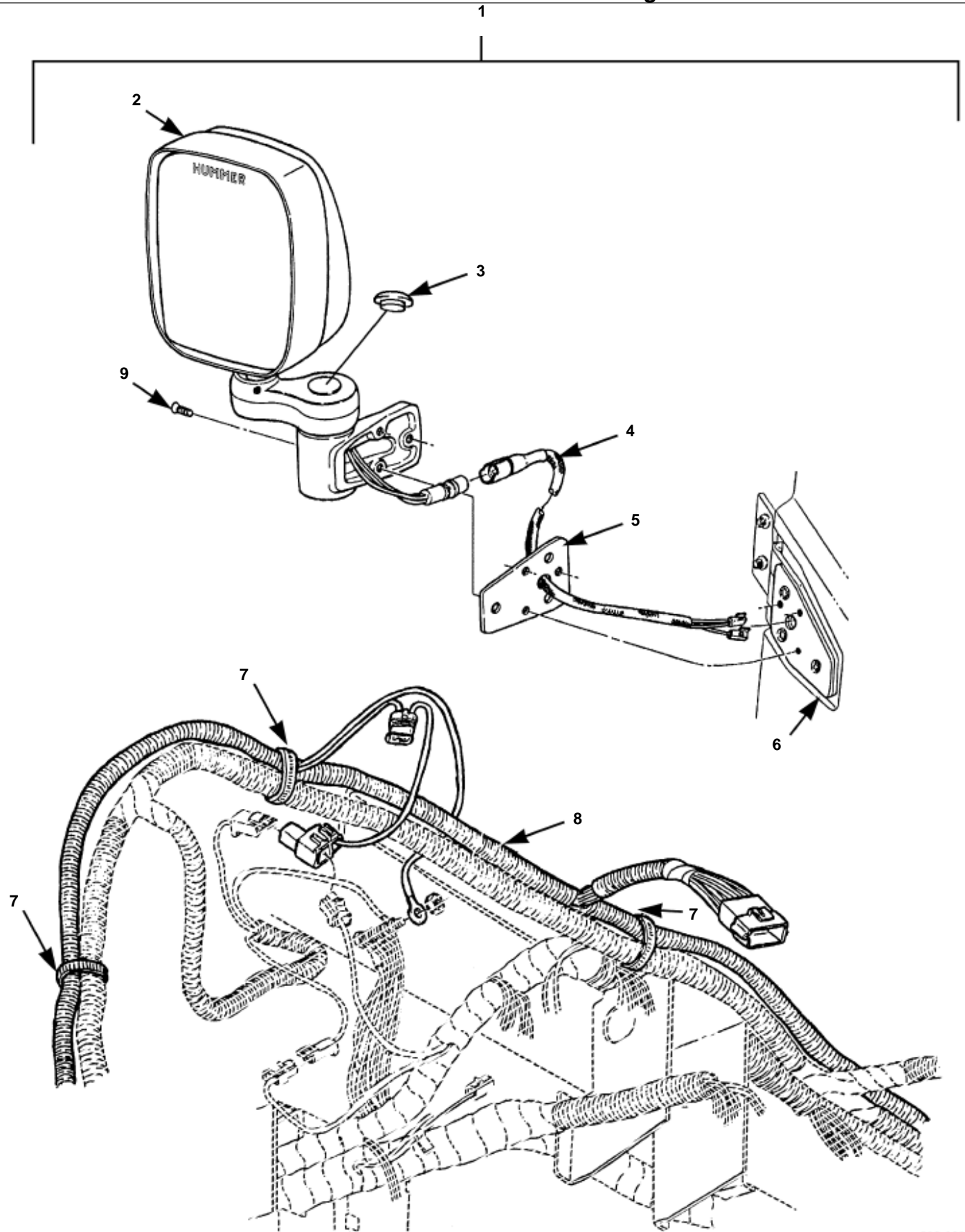


P13-037

# Running Board Kit

**Running Board Kit.**

Item	Part No.	Description	Qty
1	<b>5743446</b>	KIT, running board	1
2	<b>6001283</b>	·J-NUT	8
3	<b>5743437</b>	·MOUNTING bracket	4
4	<b>9419871</b>	·LOCKWASHER	12
5	<b>MS90725-62P2</b>	·BOLT	12
6	<b>5743441</b>	·RECEIVER	2
7	<b>5743438</b>	·PLATE, clamp	6
8	<b>2436163P2</b>	·WASHER	8
9	<b>456004</b>	·NUT	8
10	<b>5743443</b>	·END CAP, left	2
	<b>5743444</b>	·END CAP, right	2
11	<b>5743442</b>	·RUNNING BOARD	2
12	<b>5743439</b>	·CURVED TUBE, left	2
	<b>5743440</b>	·CURVED TUBE, right	2
13	<b>5743431</b>	·SCREW	8
14	<b>5743432</b>	·NUT	8
15	<b>5743433</b>	·SCREW	4
16	<b>5743436</b>	·CLIP	4
17	<b>5743434</b>	·CLIP, spring	4
18	<b>5743435</b>	·PIN	4



P12-108

# Power Mirror Kit

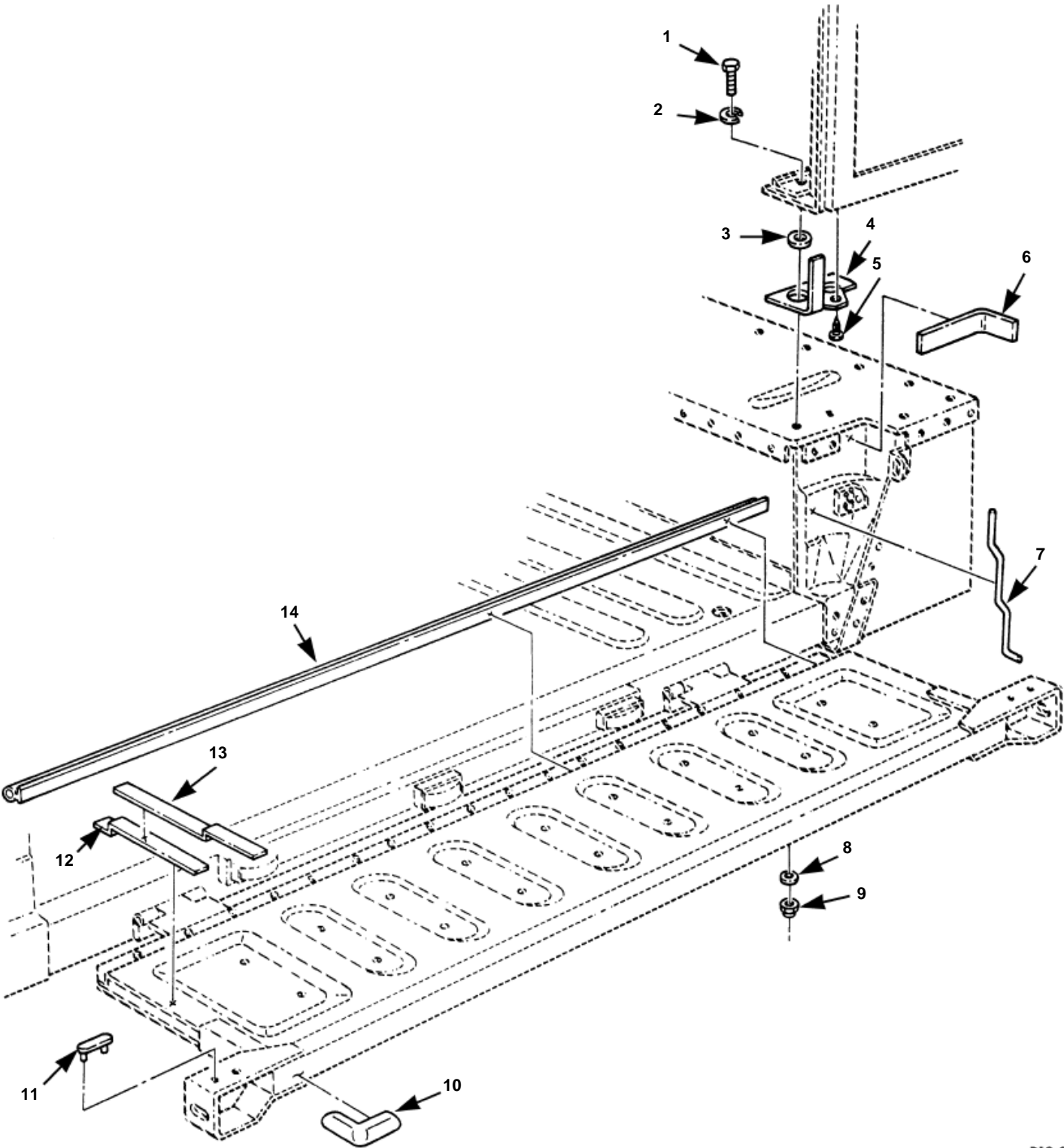


**Power Mirror Kit.**

Item	Part No.	Description	Qty
1	<b>5743320</b>	KIT, power, mirror	1
	<b>5743321</b>	KIT, power mirror	1
2	<b>6003828</b>	MIRROR L.H., SEE NOTES, 1 AND 2	1
	<b>6003829</b>	MIRROR, R.H., SEE NOTES 1	1
	<b>6003830</b>	MIRROR, R.H., SEE NOTES 2	1
3	<b>5744075</b>	CAP, mirror pivot	1
4	<b>6003884</b>	HARNESS, door jumper, SEE NOTE 1 AND 2	2
5	<b>6016302</b>	GASKET, SEE NOTES 1 AND 2	2
6	<b>6003618</b>	PLATE, mirror mounting, SEE NOTES 1 AND 2	2
7	<b>11501906</b>	CABLE, SEE NOTES 1 AND 2	5
8	<b>6003696</b>	HARNESS, instrument panel, SEE NOTES 1 AND 2	1
9	<b>6003933P2</b>	SCREW, SEE NOTES 1 AND 2	6

NOTE 1: PART OF KIT P/N 5743320

NOTE 2: PART OF KIT P/N 5743321

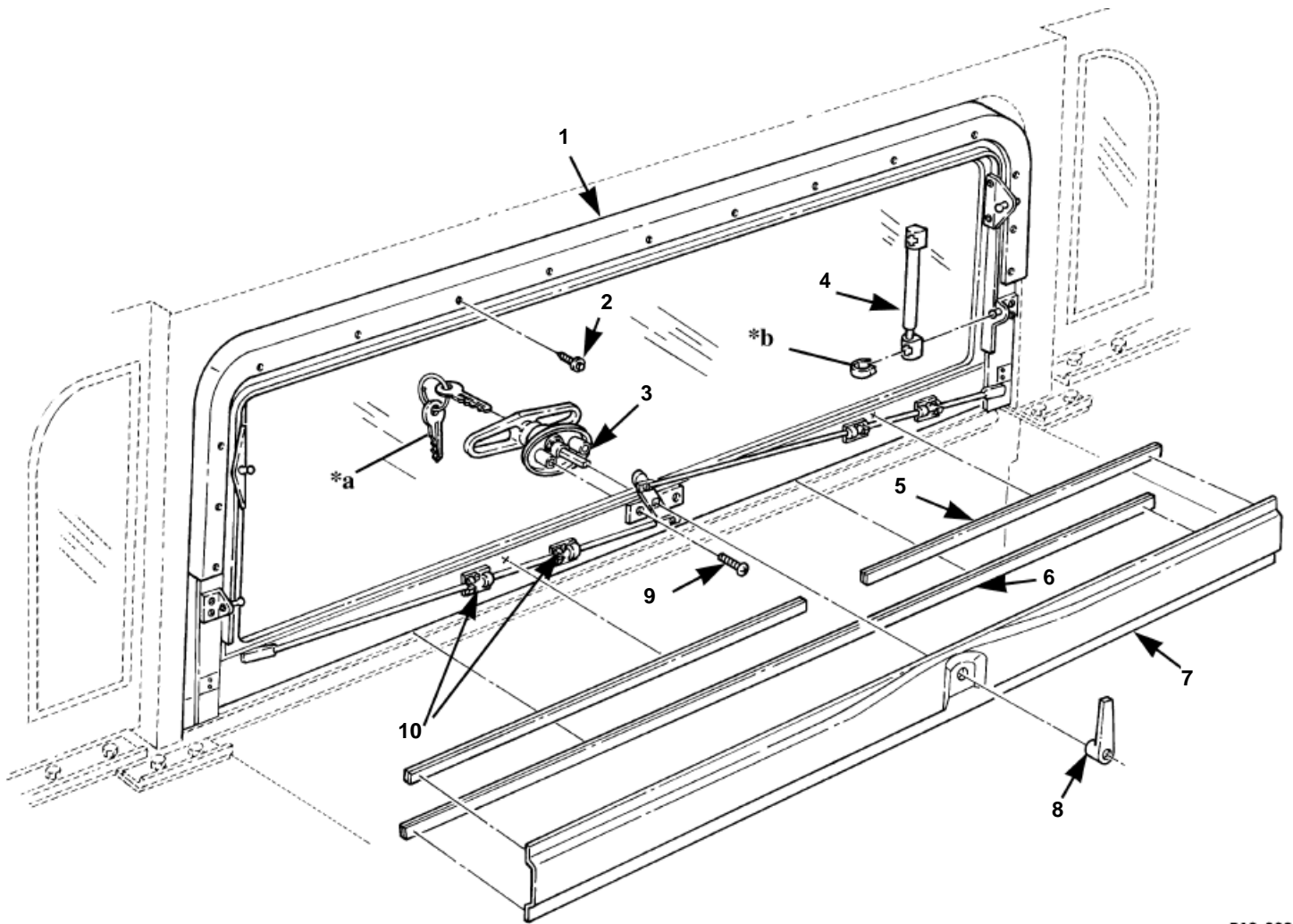


P10-028

# Station Wagon Tailgate Seals

HUMMER H1 1994 Parts Catalog  
**Station Wagon Tailgate Seals.**

Item	Part No.	Description	Qty
1	<b>MS90728-10</b>	BOLT	2
HMCS			
2	<b>MS35338-44P2</b>	LOCKWASHER	2
HMCS			
3	<b>6001788</b>	RETAINER, tailgate seal	2
HMCS			
4	<b>6013451</b>	SEAL, rear tailgate panel, L.H.	1
HMCS			
4	<b>6003635</b>	SEAL, rear tailgate panel, R.H.	1
HMCS			
5	<b>6001788</b>	RETAINER, tailgate seal	2
HMCS			
6	<b>6001531</b>	SEAL, upper	2
HMCS			
7	<b>6001532</b>	SEAL	2
HMCS			
8	<b>9414920</b>	WASHER	2
HMCS			
9	<b>MS51943-31</b>	LOCKNUT	2
HMCS			
10	<b>6004822</b>	SEAL	2
HMCS			
11	<b>12339961</b>	GROMMET	2
HMCS			
12	<b>6003848</b>	SEAL, tailgate, lower side	1
HMCS			
13	<b>6001527</b>	SEAL, tailgate, upper side	1
HMCS			
14	<b>6001561</b>	SEAL, tailgate, lower	1
HMCS			



P10-029

- \* a PART OF ITEM 3
- \* b PART OF ITEM 4

## Station Wagon Liftgate Assembly and Mounting Hardware

**Figure#160;13-39.**

Item	Part No.	Description	Qty
1	<b>6003525</b>	LIFTGATE ASSEMBLY, tinted glass	1
HMCS			
2	<b>6001285</b>	SCREW, lifthatch clamping ring	17
HMCS			
3	<b>5743150</b>	T-HANDLE	1
HMCS			
4	<b>5743151</b>	GAS SPRING	2
HMCS			
5	<b>6001847</b>	VELCRO, rear trim mounting, 18.38-inch	2
HMCS			
6	<b>N/S</b>	VELCRO, rear trim mounting, 48.76-inch	2
HMCS			
7	<b>6001830</b>	COVER, liftgate lock linkage	1
HMCS			
8	<b>5743152</b>	L-HANDLE	1
HMCS			
9	<b>5743153</b>	SCREW	2
HMCS			
10	<b>5744074</b>	LOCK BAR GUIDE BRACKET	4
HMCS			
	<b>6001242</b>	WEATHERSTRIP, liftgate-to-body, outer (not illustrated)	A/R
	<b>6001243</b>	WEATHERSTRIP, liftgate-to-body, inner (not illustrated)	A/R

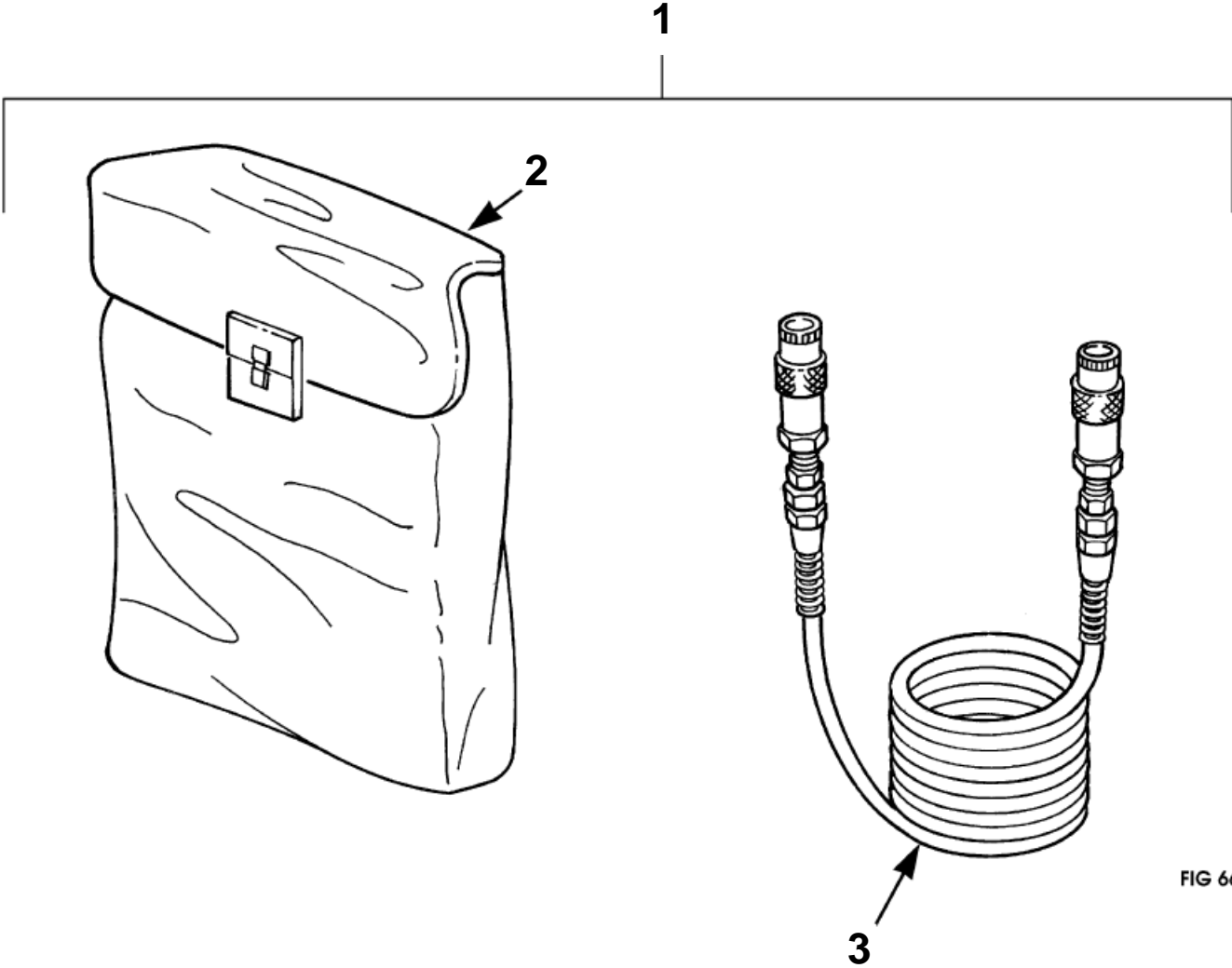
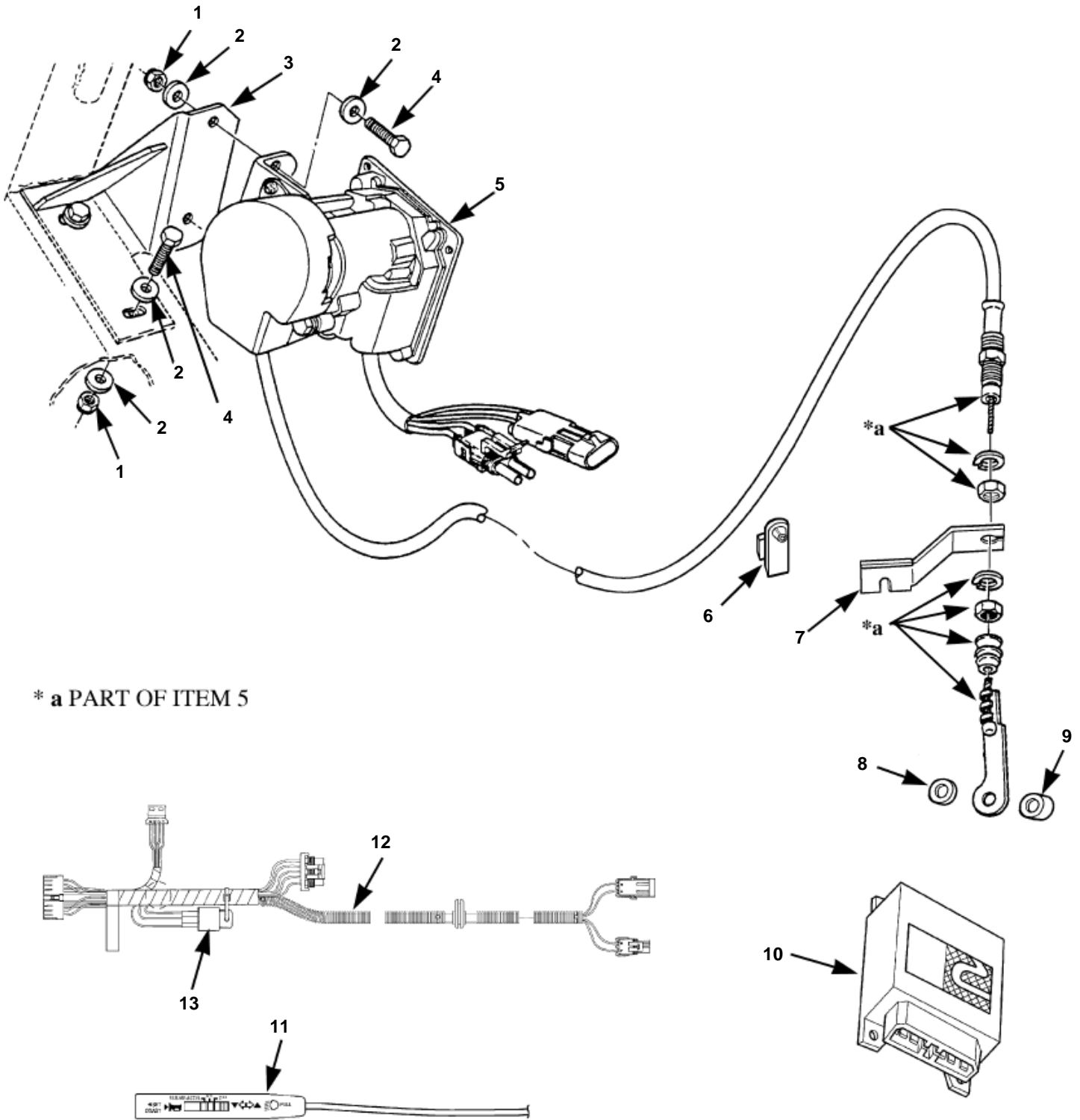


FIG 66

# Auxiliary Air Hose Kit

**Auxiliary Air Hose Kit.**

Item	Part No.	Description	Qty
1	<b>6004415</b>	KIT, auxiliary air hose	1
2	<b>5743709</b>	·BAG, CTIS hose storage	1
3	<b>6004415</b>	·HOSE ASSEMBLY, CTIS auxiliary air	1



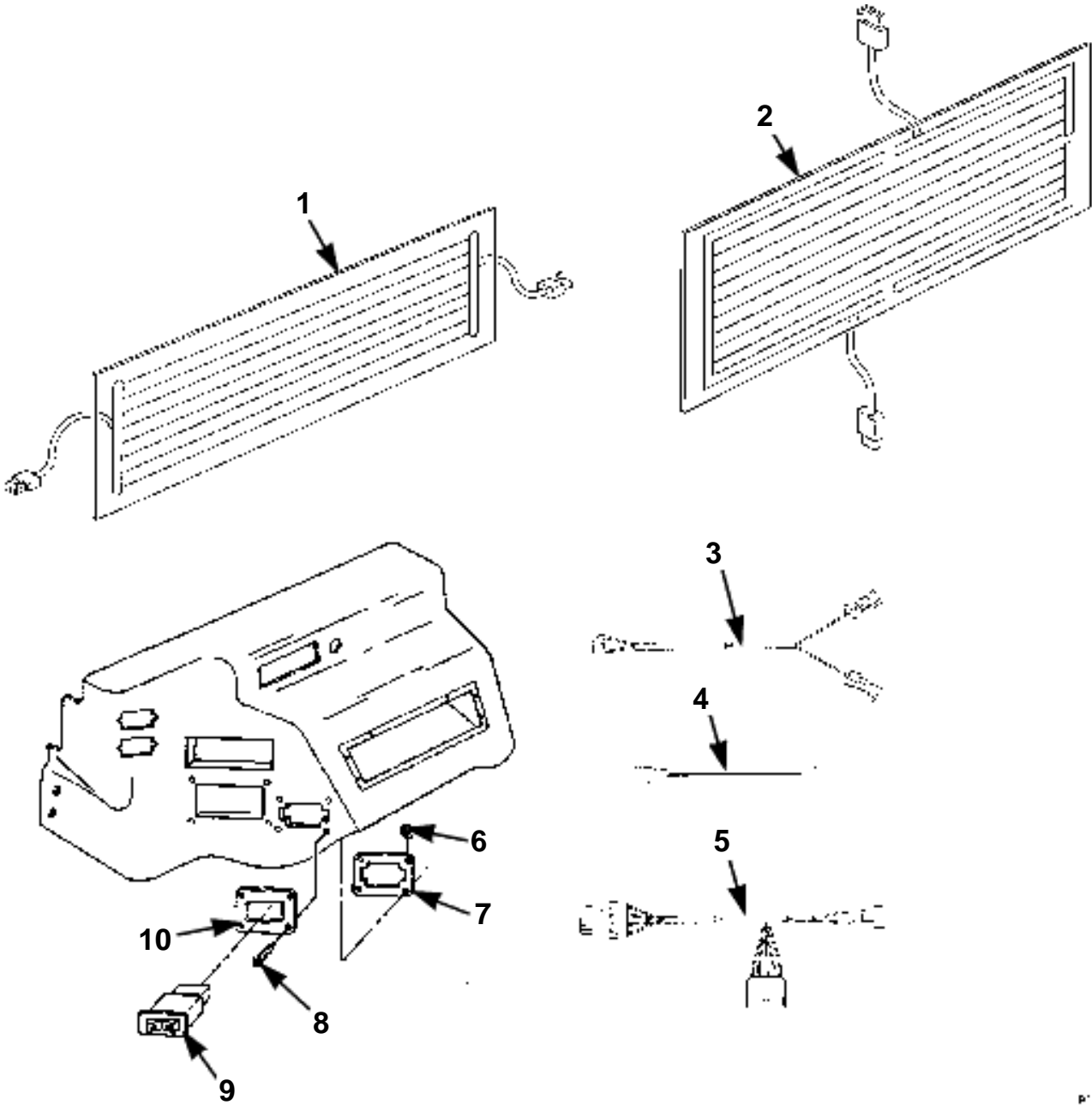
P13-52

## Cruise Control, Actuator, Wiring Harness and Mounting Hardware



**Cruise Control, Actuator, Wiring Harness, and Mounting Hardware.**

Item	Part No.	Description	Qty
1	<b>MS51943-31</b>	NUT, 1/4"-20	4
2	<b>2436161</b>	WASHER, 1/4"	8
3	<b>6003846</b>	BRACKET, cruise control	1
4	<b>MS90725-6</b>	BOLT, 1/4"-20 x 3/4"	4
5	<b>6007172</b>	ACTUATOR/CABLE ASSEMBLY, diesel	1
6	<b>5939037</b>	RETAINER CLIP, cruise control, diesel	1
7	<b>6007146B2</b>	BRACKET, cruise control, diesel	1
8	<b>6006449</b>	WASHER, nylon, outer, diesel	1
9	<b>6006446</b>	WASHER, nylon, inner, diesel	1
10	<b>6004057</b>	MODULE, cruise control	1
11	<b>6004056</b>	STALK, TS w/cruise	1
12	<b>6004059</b>	HARNESS ASSEMBLY	1
13	<b>6004055</b>	.RELAY	1

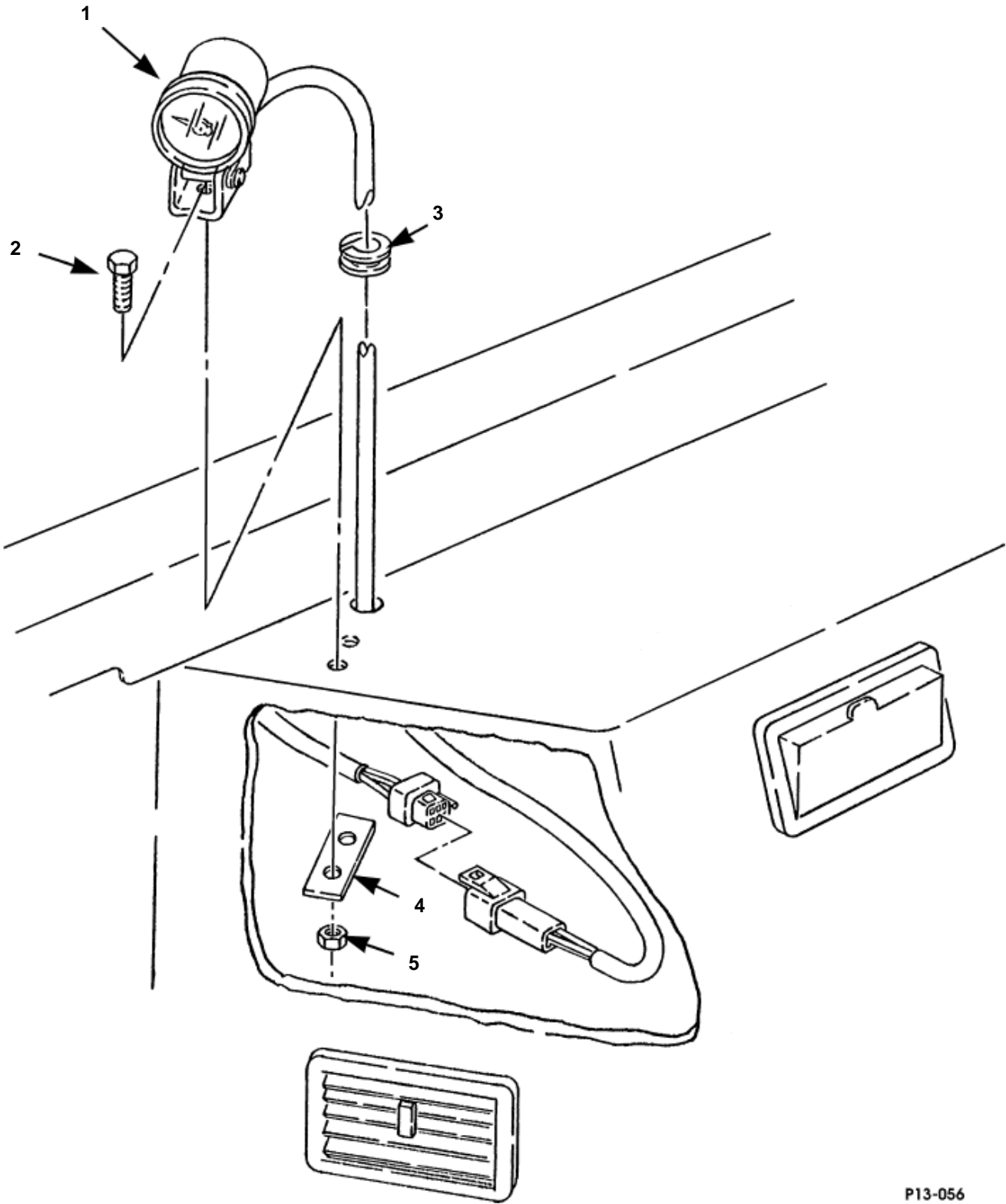


P11-051

# Rear Defroster

**Rear Defroster.**

Item	Part No.	Description	Qty
1	<b>6005305</b>	WINDOW ASSEMBLY, liftgate with defroster	1
HMCS			
1	<b>6005306</b>	WINDOW ASSEMBLY, rear with defrost, stationary	1
HMC4, VLC2, XLC2			
2	<b>6005304</b>	WINDOW ASSEMBLY, rear with defrost, sliding	1
HMC4, VLC2, XLC2			
3	<b>6005207</b>	HARNESS ASSEMBLY, rear defrost	1
HMCS			
3	<b>6005233</b>	HARNESS, rear window defrost, sliding	1
HMC4, VLC2, XLC2			
3	<b>6005232</b>	HARNESS, rear window defrost, stationary	1
HMC4, VLC2, XLC2			
4	<b>6005560</b>	HARNESS, rear window defrost	1
HMCS			
5	<b>6005202</b>	HARNESS ASSEMBLY, rear defrost timer switch-to-body	1
6	<b>6001894</b>	J-NUT	4
7	<b>6005176</b>	PLATE, rear window defrost	1
8	<b>5939651</b>	SCREW, #10-16 x 3/4"	4
9	<b>6008768</b>	CONTROL, rear window defrost	1
10	<b>6005177</b>	BEZEL, rear window defrost	1

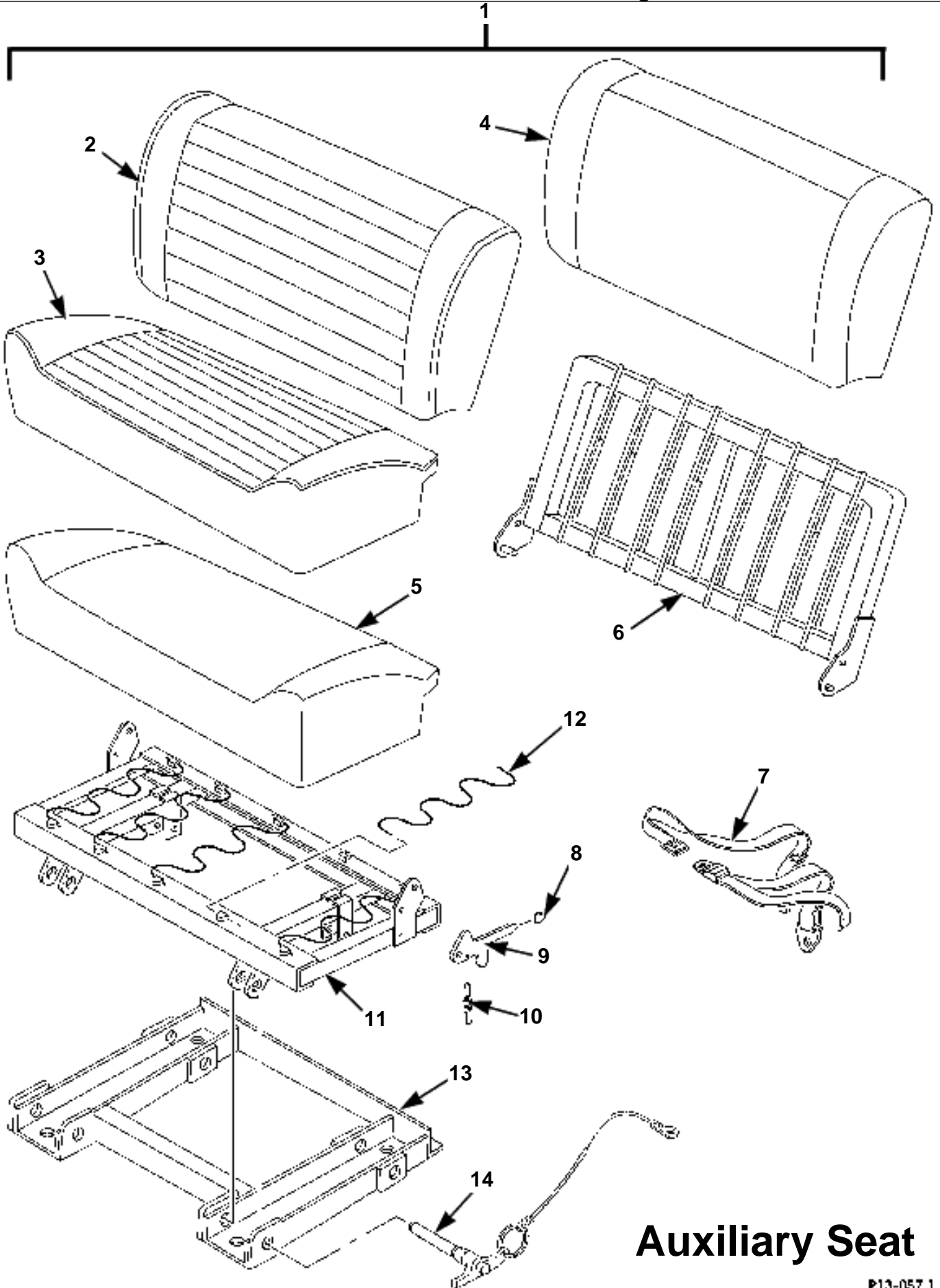


P13-056

# Tachometer and Mounting Hardware

**Tachometer and Mounting Hardware.**

Item	Part No.	Description	Qty
1	<b>6005437</b>	TACHOMETER, diesel engine	1
2	<b>159612</b>	SCREW, #8-32 x 5/8"	2
3	<b>MS35489-67</b>	GROMMET	1
4	<b>6005504</b>	PLATE, tachometer mounting	1
5	<b>MS21083N08</b>	NUT, lock, .162-32	



## Auxiliary Seat

**Auxiliary Seat.**

Item	Part No.	Description	Qty
1	<b>6005269</b>	SEAT, auxiliary, tan	1
	<b>6005269G</b>	SEAT, auxiliary, gray	1
	<b>6009015B</b>	SEAT, auxiliary, black vinyl	1
2	<b>5744293</b>	·UPHOLSTERY, seat back. auxiliary seat, tan	1
	<b>5744294</b>	·UPHOLSTERY, seat back. auxiliary, seat, gray	1
	<b>5744295</b>	·UPHOLSTERY, seat back. auxiliary seat, black	1
3	<b>5744296</b>	·UPHOLSTERY, seat. auxiliary seat, tan	1
	<b>5744297</b>	·UPHOLSTERY, seat. auxiliary seat, gray	1
	<b>5744298</b>	·UPHOLSTERY, seat. auxiliary seat, black	1
4	<b>5744317</b>	·FOAM, auxiliary seatback	1
5	<b>5744318</b>	·FOAM, auxiliary seat, cushion	1
6	<b>5744314</b>	·FRAME, auxiliary seatback, w/spring	1
7	<b>5744291</b>	·SEAT BELT, auxiliary seat	2
8	<b>5744311</b>	·CAP, lock handle	2
9	<b>5744312</b>	·HANDLE, locking hook	2
10	<b>5744310</b>	·SPRING, lock return	2
11	<b>5744313</b>	·FRAME, auxiliary seat w/spring	1
12	<b>5744316</b>	··SPRING, auxiliary seat susp	5
13	<b>5744315</b>	·FRAME, auxiliary seat mount	1
14	<b>5744292</b>	··PIN, auxiliary seat retainer	4

**NOT ILLUSTRATED.**

**Repair Kits**



**Repair Kits**

Item	Part No.	Description	Qty
	<b>5743401</b>	CYLINDER HEAD KIT, 6.5L	1
	<b>5744449</b>	·GASKET, cylinder head	2
	<b>5740266</b>	·SEAL INLET, valve stem	6
	<b>5742152</b>	·SEAL, crankcase front cover	1
	<b>5714850</b>	·GASKET SET	2
	<b>5743239</b>	·GASKET, water outlet	1
	<b>5742109</b>	·GASKET, water crossover	2
	<b>5743235</b>	OIL PAN KIT	1
	<b>5743235</b>	·SEAL, engine oil pan, rear	1
	<b>5743399</b>	ENGINE OIL OVERHAUL KIT	1
	<b>5743226</b>	·PACKING, preformed, crankshaft	1
	<b>5714528</b>	·GASKET, water pump	1
	<b>5742010</b>	FUEL INJECTION GASKET OVERHAUL KIT	1
	<b>5740674</b>	·WASHER	3
	<b>5740556</b>	·PACKING	1
	<b>5740072</b>	·GASKET	1
	<b>5740645</b>	·SEAL, throttle shaft	1
	<b>5742636</b>	·SEAL WASHER, throttle shaft	1
	<b>5740643</b>	·PIN, drive	1
	<b>5740653</b>	·SEAL, drain plug, piston hole	2
	<b>5740599</b>	·SEAL, ring, transfer pump	1
	<b>5740592</b>	·STOP, delivery valve	1
	<b>5740588</b>	·PACKING, hydraulic head	1
	<b>5740584</b>	·GASKET, timing line cover	1
	<b>5595706</b>	JOURNAL AND BEARING KIT	1
	<b>NPN</b>	·BEARING RACE	4
	<b>NPN</b>	·FITTING, grease	1
	<b>NPN</b>	·RING	4
	<b>NPN</b>	·CROSS ASSEMBLY	1
	<b>57K0275</b>	BOOT KIT, fixed joint	1
	<b>NPN</b>	·CLAMP, race, joint assembly, outer boot	2
	<b>NPN</b>	·BOOT, joint assembly	1
	<b>NPN</b>	·CLAMP, race, joint assembly	2
	<b>57K0274</b>	PLUNGE BOOT PARTS KIT	1
	<b>NPN</b>	·CLAMP, race, joint assembly, outer boot	2
	<b>NPN</b>	·CLAMP, race, joint assembly	2
	<b>NPN</b>	·BOOT, joint assembly, inner	1
	<b>5579445</b>	AXLE PINION BEARING SHIM KIT	1
(See Figure 6-9, items 16)			
	<b>5579453</b>	DIFFERENTIAL BEARING SHIM KIT	1
(See Figure 6-9, items 19)			
	<b>5742771</b>	SERVICE BRAKE PAD KIT (Front or Rear)	1
	<b>NPN</b>	·PAD, disk brake (rear)	4
	<b>NPN</b>	·PAD, disk brake (front)	4
	<b>5579865</b>	SERVICE BRAKE CALIPER BOOT AND SEAL KIT	1
	<b>5578797</b>	·GASKET, piston	1
	<b>5578800</b>	·BOOT, caliper, piston	1
	<b>5740448</b>	SIDE COVER HOUSING SEAL KIT	1
	<b>5740445</b>	·BOLT, cover assembly	4
	<b>5740448</b>	·GASKET, housing, cover assembly	1
	<b>5740462</b>	PISTON NUT RACK KIT	1
	<b>5740445</b>	·BOLT, cover assembly	4
	<b>NPN</b>	·GEAR ASSEMBLY, worm	1
	<b>NPN</b>	·RACK, piston nut	1
	<b>NPN</b>	·RING, seal, piston rack	1
	<b>NPN</b>	·GASKET, piston rack	1
	<b>5740461</b>	·PLUG, piston rack	1
	<b>NPN</b>	·BALL, bearing, piston rack	12
	<b>NPN</b>	·BALL, chrome, .28 diameter, piston rack	12
	<b>5740468</b>	·GUIDE, ball, piston rack	2
	<b>5740467</b>	·STRAP, retaining, piston rack ball guide	1
	<b>5740466</b>	·SCREW, retaining strap	2
	<b>5741190</b>	STEERING KIT	1
	<b>NPN</b>	·VALVE ASSEMBLY, steering gear check	1

**Repair Kits**

Item	Part No.	Description	Qty
	<b>5740476</b>	LOWER THRUST BEARING KIT	1
	<b>NPN</b>	·THRUST BEARING RACE, lower	2
	<b>NPN</b>	·RETAINER and ROLLER	1
	<b>5741703</b>	ADJUSTER PLUG KIT	1
	<b>NPN</b>	·RETAINING RING	1
	<b>NPN</b>	·SEAL, shaft	1
	<b>5741704</b>	·SEAL, shaft	1
	<b>5740483</b>	·BUSHING, sleeve, shaft	1
	<b>NPN</b>	·PLUG, adjuster, shaft	1
	<b>5740485</b>	·PACKING, preformed, adjuster plug	1
	<b>NPN</b>	·RACE, bearing	1
	<b>NPN</b>	·RETAINER and ROLLER	1
	<b>NPN</b>	·RACE, bearing	1
	<b>NPN</b>	·SPACER, bearing	1
	<b>NPN</b>	·RETAINER, bearing adjuster plug	1
	<b>5742166</b>	UPPER THRUST BEARING KIT	1
	<b>NPN</b>	·RACE, bearing	1
	<b>NPN</b>	·RETAINER and ROLLER	1
	<b>NPN</b>	·RACE, bearing	1
	<b>NPN</b>	·SPACER, bearing	1
	<b>NPN</b>	·RETAINER, bearing adjuster plug	1
	<b>5740499</b>	SEAL VALVE RING KIT	1
	<b>NPN</b>	·RING, seal, valve body	3
	<b>NPN</b>	·PACKING, preformed, valve body	3
	<b>NPN</b>	·SEAL, valve spool	1
	<b>NPN</b>	·RING, seal, shaft	1
	<b>5740452</b>	PITMAN SHAFT SEAL KIT	1
	<b>NPN</b>	·RING, retaining, pitman shaft	1
	<b>NPN</b>	·WASHER, seal pitman shaft	2
	<b>NPN</b>	·SEAL, pitman shaft	1
	<b>5740451</b>	·SEAL, pitman shaft	1
	<b>5740465</b>	SEAL RACK PISTON KIT	1
	<b>NPN</b>	·RING, seal, piston rack	1
	<b>NPN</b>	·GASKET, piston rack	1
	<b>5740458</b>	SEAL END PLUG KIT	1
	<b>NPN</b>	·PACKING, preformed, housing end plug	1
	<b>NPN</b>	·RING, retaining, housing end plug	1
	<b>5740470</b>	RECIRCULATING BALL KIT	1
	<b>NPN</b>	·BALL, bearing, piston rack	12
	<b>NPN</b>	·BALL, chrome, .28 diameter, piston rack	12
	<b>5741910</b>	STEERING GEAR SIDE COVER KIT	1
	<b>5740445</b>	·BOLT, cover assembly	4
	<b>NPN</b>	·COVER ASSEMBLY, housing side	1
	<b>5740448</b>	·GASKET, housing, cover assembly	1
	<b>5742626</b>	PITMAN SHIFT GEAR ASSEMBLY SERVICE KIT	1
	<b>5740445</b>	·BOLT, cover assembly	4
	<b>5740448</b>	·GASKET, housing, cover assembly	1
	<b>NPN</b>	·GEARSHAFT SPUR, pitman shaft	1
	<b>5741892</b>	ADJUSTER PLUG SEAL KIT	1
	<b>NPN</b>	·RETAINING RING	1
	<b>NPN</b>	·SEAL, shaft	1
	<b>5741704</b>	·SEAL, shaft	1
	<b>5740485</b>	·PACKING, preformed, adjuster plug	1
	<b>12460232</b>	GEAR HOUSING ASSEMBLY SERVICE KIT	1
	<b>NPN</b>	·HOUSING, steering gear	1
	<b>NPN</b>	·VALVE ASSEMBLY, steering gear check	1
	<b>NPN</b>	·RING, retaining, pitman shaft	1
	<b>NPN</b>	·WASHER, seal, pitman shaft	2
	<b>NPN</b>	·SEAL, pitman shaft	1
	<b>5740451</b>	·SEAL, pitman shaft	1
	<b>5740453</b>	·BEARING, roller, pitman shaft	1
	<b>5742625</b>	STEERING GEAR VALVE ASSEMBLY KIT	1
	<b>NPN</b>	·RING, seal, valve body	3
	<b>NPN</b>	·PACKING, preformed, valve	3

**Repair Kits**

Item	Part No.	Description	Qty
	<b>NPN</b>	·VALVE BODY, steering	1
	<b>NPN</b>	·SEAL, valve spool	1
	<b>NPN</b>	·VALVE SPOOL, direct, shaft	1
	<b>NPN</b>	·SHAFT, steering column	1
	<b>NPN</b>	·RING, seal, shaft	1
	<b>5743764</b>	SEALING WASHER KIT	1
	<b>6003079</b>	·WASHER	2
	<b>5743074</b>	·WASHER	1
	<b>6003078</b>	·WASHER	1
	<b>5740963</b>	TERMINAL STUD PACKAGE	1
	<b>NPN</b>	·BUSHING	1
	<b>NPN</b>	·WASHER, neoprene	1
	<b>NPN</b>	·WASHER, insulating	1
	<b>NPN</b>	·WASHER, cap	1
	<b>NPN</b>	·WASHER, plain	1
	<b>NPN</b>	·LOCKWASHER	4
	<b>NPN</b>	·NUT	1
	<b>NPN</b>	·NUT	4
	<b>NPN</b>	·WASHER, insulating	1
	<b>NPN</b>	·WASHER, plain	1
	<b>NPN</b>	·STUD, terminal	1
	<b>NPN</b>	·STUD, terminal	1
	<b>NPN</b>	·STUD, terminal	1
	<b>NPN</b>	·WASHER, insulating	1
	<b>NPN</b>	·BUSHING, insulating	1
	<b>NPN</b>	·WASHER, neoprene	1
	<b>NPN</b>	·WASHER, insulating	1
	<b>NPN</b>	·WASHER, cap	1
	<b>NPN</b>	·WASHER, plain	1
	<b>NPN</b>	·NUT	1
	<b>NPN</b>	·LOCKWASHER	2
	<b>NPN</b>	·NUT	3
	<b>5741167</b>	BEARING AND OIL RETAINER PACKAGE	1
	<b>NPN</b>	·SCREW	3
	<b>NPN</b>	·OIL RETAINER, felt	1
	<b>NPN</b>	·BEARING, bronze	1
	<b>5741171</b>	THRUST WASHER PACKAGE	1
	<b>NPN</b>	·WASHER, flat	1
	<b>NPN</b>	·SPACER, starter clutch	1
	<b>NPN</b>	·THRUST WASHER	1
	<b>NPN</b>	·THRUST WASHER	8
	<b>5741173</b>	PINION STOP AND LOCK RING PACKAGE	1
	<b>NPN</b>	·PINION STOP	1
	<b>NPN</b>	·SNAP RING	1
	<b>5929757</b>	CORE CONTACT END PARTS PACKAGE	1
	<b>NPN</b>	·NUT	1
	<b>NPN</b>	·WASHER	1
	<b>NPN</b>	·CONTACT	1
	<b>NPN</b>	·SPRING	1
	<b>NPN</b>	·WASHER	1
	<b>5929744</b>	YOKE ADJUSTING PARTS PACKAGE	1
	<b>NPN</b>	·PIN	2
	<b>NPN</b>	·PLUG	1
	<b>NPN</b>	·GASKET	2
	<b>NPN</b>	·PLUG	2
	<b>NPN</b>	·NUT	2
	<b>5929758</b>	CORE YOKE END PARTS PACKAGE	1
	<b>NPN</b>	·SNAP RING	1
	<b>NPN</b>	·RETAINER	1
	<b>NPN</b>	·SPRING	1
	<b>NPN</b>	·RETAINER	1
	<b>NPN</b>	·BOOT, moving core	1
	<b>NPN</b>	·WASHER	1
	<b>5741168</b>	GASKET PACKAGE, C.E. and D.E. head	1

**Repair Kits**

Item	Part No.	Description	Qty
	<b>NPN</b>	·GASKET	2
	<b>5740964</b>	GASKET PACKAGE, intermediate bearing	1
	<b>NPN</b>	·GASKET	1
	<b>5929755</b>	MULTI-PAC	1
	<b>NPN</b>	·GASKET	1
	<b>5740922</b>	MOUNTING SCREW PACKAGE	1
	<b>NPN</b>	·SCREW	7
	<b>NPN</b>	·SCREW	4
	<b>NPN</b>	·SCREW, solenoid	4
	<b>5745015</b>	EXTERNAL TUBELESS TIRE REPAIR KIT	1
	<b>5741542</b>	·TOOLBOX	1
	<b>5742537</b>	·FLUID, chemical vulcanizing (1/2 pint)	1
	<b>5742538</b>	·PLUG, large	15
	<b>5742539</b>	·PLUG, small	30
	<b>5742540</b>	·RASP	2
	<b>5742541</b>	TOOL, plug insert	2
	<b>5710216</b>	INTERNAL TUBELESS TIRE REPAIR KIT	1
	<b>5713347</b>	·TOOLBOX	1
	<b>5713351</b>	·CLEANER (32 ounce)	1
	<b>5742539</b>	·PLUG, small	15
	<b>5742540</b>	·RASP	1
	<b>5713341</b>	·PATCH (R-20)	20
	<b>5714148</b>	·GAUGE, tire pressure	1
	<b>5713340</b>	·STITCHER, patch roll	1
	<b>5714149</b>	·CAP, valve stem	20
	<b>5713343</b>	·CEMENT (8 ounce)	2
	<b>5714147</b>	·PENCIL, yellow chalk	2
	<b>5713339</b>	·PATCH (R-12)	20
	<b>5742541</b>	·TOOL, plug insert	1
	<b>5742538</b>	·PLUG, large	15
	<b>5713342</b>	·SCRAPER	1

**NOT ILLUSTRATED.**

**Bulk**

**Bulk**

Item	Part No.	Description	Qty
	<b>CPR104420-2</b>	TUBING, nylon, .375 O.D.	A/R
	<b>CPR104420-3</b>	TUBING, nylon, .5 O.D.	A/R
	<b>CPR104420-6</b>	TUBING, nylon, .125 O.D.	A/R
	<b>M13486/111</b>	ELECTRICAL WIRE, 4 GAUGE	A/R
	<b>5740928</b>	HOSE, rubber, 100 foot roll	A/R
	<b>5740929</b>	HOSE, nonmetallic, 5/8 inch x 50 roll	A/R
	<b>5741064</b>	HOSE, 50 feet	A/R
	<b>5741067</b>	HOSE, nonmetallic, .625 O.D. x .375 I.D. 25 feet	A/R
	<b>5741068</b>	HOSE, nonmetallic, .50 O.D. x .25 I.D. 25 feet	A/R
	<b>5741079</b>	TUBE, nylon, .25 O.D. x 18 I.D.	A/R
	<b>5741163</b>	HOSE, .25 inch, 25 feet	A/R
	<b>5741209</b>	HOSE, .625 O.D. x .375 I.D., 25 feet	A/R
	<b>5741210</b>	HOSE, .5 O.D. x .25 I.D., 50 feet	A/R
	<b>5741211</b>	HOSE, .375 O.D. x 187 I.D., 50 feet	A/R
	<b>5741214</b>	EDGE PROTECTOR, .375 x .281 inch, 80 feet	A/R
	<b>5743169</b>	HOSE, 3/8 inch x 4 feet	A/R
	<b>5743542</b>	HOSE, 2 inch x 50 feet	A/R
	<b>6000871</b>	SEAL, 10 feet	A/R
	<b>6001808</b>	SEAL, 12 feet	A/R

**NOT ILLUSTRATED.**

## **Tonneau Cover for 4-Door Hardtop**

**Tonneau Cover for 4-Door Hardtop.**

Item	Part No.	Description	Qty
	<b>6003663</b>	KIT, tonneau cover, H/T, tan	1
	<b>6004243</b>	KIT, tonneau cover, H/T, black	1
	<b>6004245</b>	KIT, tonneau cover, H/T, white	1
	<b>6003664</b>	·COVER, tonneau, tan, H/T	1
	<b>6004244</b>	·COVER, tonneau, black, H/T	1
	<b>6004246</b>	·COVER, tonneau, white, H/T	1
	<b>6003665</b>	·EXTRUSION, tonneau cover	1
	<b>6001669</b>	·EXTRUSION, 43 in. PVC/velcro	1
	<b>6001670</b>	·EXTRUSION, 41 in. PVC/velcro	2
	<b>6001671</b>	·EXTRUSION, 9 in. PVC/velcro	2
	<b>5744425</b>	KIT, tonneau bow	1
	<b>SIK</b>	·BOW, tonneau cover	1
	<b>SIK</b>	·BRACKET, tonneau bow	2
	<b>SIK</b>	·SCREW, #10-32 x .75 PHCR	4
	<b>6003844</b>	MOUNTING BRACKET, tonneau extrusion	1
	<b>6003848</b>	SEAL, tonneau bracket	1