

# 1995 SERVICE PARTS CATALOG

## COMMERCIAL HUMMER H1

### AM GENERAL LLC

408 South Byrkit Avenue  
P.O. Box 728  
Mishawaka, Indiana 46546-0728

AM General Number 5714158  
Copyright ©1995  
All Rights Reserved. Printed in U.S.A.

HUMMER® is a registered trademark of  
General Motors Corporation.

### TABLE OF CONTENTS

General Information	1
Engine	2
Fuel, Emissions and Exhaust	3
Cooling System	4
Transmission/Transfer Case	5
Wheels and Tires/ Central Tire Inflation System	6
Brake System	7
Steering System	8
Axles/Suspension/Frame	9
Body	10
Heating/Ventilation/ Air Conditioning (HVAC)	11
Electrical	12
Accessories	13
Index	14

# HUMMER PARTS CATALOG

## TABLE OF CONTENTS 1

TITLE	PAGE NUMBER
<b>SECTION 1. GENERAL INFORMATION</b>	
General Information . . . . .	1-1

### SECTION 2. ENGINE

Engine Assembly . . . . .	2-2
Block, Assembly and Cylinder Head . . . . .	2-4
Crankshaft, Damper, Bearings, Pulley, and Flywheel . . . . .	2-6
Piston Assembly, Rod Assembly, and Ring Set . . . . .	2- 8
Valves, Guides, and Rocker Arm Assemblies . . . . .	2-10
Camshaft, Timing Chain, and Related Parts . . . . .	2-12
Crankcase Cover Assembly and Rocker Cover . . . . .	2-14
Engine Oil Pan, Pump, and Filler Tube . . . . .	2-16
Oil Filter, Adapter, and Oil Line Fittings . . . . .	2-18
Air Intake Manifold, Crankcase Depression Regulator Valve, and Mounting Hardware . . . . .	2-20
Exhaust Manifolds . . . . .	2-22
Engine Mounting Brackets . . . . .	2-24
Engine Oil Dipstick and Tube Assembly . . . . .	2-26

### SECTION 3. FUEL, EMISSIONS AND EXHAUST

Fuel Pump and Mounting Hardware . . . . .	3-2
Fuel Injection Pump and Fuel Filter Lines . . . . .	3-4
Fuel Injection Supply and Return Lines . . . . .	3-6
Fuel Injection Pump Cover Assembly, Governor Linkage, and Related Parts . . . . .	3-8
Fuel Injection Pump Throttle Shaft, Regulator, Transfer Pump, and Related Parts . . . . .	3-10
Fuel Injection Pump Housing Head and Rotor, Drive Shaft, and Related Parts . . . . .	3-12
Accelerator Cable Bracket and Idle Spring . . . . .	3-16
Air Cleaner, Air Horn, and Related Parts . . . . .	3-18
Fuel Tank Supply and Return Lines . . . . .	3-20
Fuel Tank Assembly and Mounting Straps . . . . .	3-22
Fuel Filler Pipe Assembly and Vent Lines . . . . .	3-24
Fuel Tank Vent Line, Filter, and Mounting Hardware . . . . .	3-26
Fuel Filter Assembly and Mounting Hardware . . . . .	3-28
Accelerator Controls . . . . .	3-30
Muffler, Exhaust Pipes, and Related Parts . . . . .	3-33
Exhaust Manifold Heat Shield . . . . .	3-36

### SECTION 4. COOLING SYSTEM

Radiator and Mounting Hardware . . . . .	4-2
Surge Tank and Related Parts . . . . .	4-4
Radiator Shroud and Related Parts . . . . .	4-6
Radiator Hoses and Related Parts . . . . .	4-8
Thermostat, Water Crossover, and Attaching Hardware . . . . .	4-10
Water Pump and Attaching Hardware . . . . .	4-12

# HUMMER PARTS CATALOG

## 2 TABLE OF CONTENTS

TITLE	PAGE NUMBER
-------	-------------

### SECTION 4. COOLING SYSTEM (Cont'd)

Cooling Fan, Fan Clutch, Belt, and Pulleys . . . . .	4-14
Engine and Transmission Oil Cooler and Engine Oil Cooler Lines . . . . .	4-16

### SECTION 5. TRANSMISSION

Transmission, Transfer Case Control Assembly, and Shift Rod . . . . .	5-2
Transmission Shift Control and Neutral Start Switch . . . . .	5-4
Transmission Shift Lever, Shift Bracket, and Rod . . . . .	5-6
Torque Converter . . . . .	5-8
Transmission Mounting Hardware, Fluid Dipstick, and Tube Assembly . . . . .	5-10
Transmission, Filter, and Sensors . . . . .	5-12
Control Valve and Related Parts . . . . .	5-14
Transmission Wiring Harness . . . . .	5-16
Parking Lock System . . . . .	5-18
Transmission Vent Lines and Attaching Hardware . . . . .	5-20
Transmission/Transfer Case Cooling Lines . . . . .	5-22
Transfer Case Assembly . . . . .	5-24
Transfer Case Assembly, Front Half . . . . .	5-26
Transfer Case Assembly, Rear Half . . . . .	5-28
Transfer Case Oil Cooler Assembly . . . . .	5-32
Transfer Case Shift Mechanisms . . . . .	5-34
Transfer Case Shift Controls . . . . .	5-36
Transfer Case Vent Line and Related Parts . . . . .	5-38
Propeller Shafts . . . . .	5-40

### SECTION 6. WHEELS AND TIRES/AXLES/ CENTRAL TIRE INFLATION SYSTEM (CTIS)

Wheel and Runflat Assembly and Tire . . . . .	6-2
Wheel and Tire Assembly . . . . .	6-4
Halfshaft Assembly, Left and Right Side . . . . .	6-6
Axle Differential, Mounting Brackets, and hardware . . . . .	6-8
Front Axle Differential and Geared Hub Vent Lines . . . . .	6-10
Knuckle and Geared Hub Assemblies . . . . .	6-12
Control Arms, Ball Joints, and Mounting hardware . . . . .	6-14
Rear Axle Differential and Geared Hub Vent Lines . . . . .	6-16
Axle Differential . . . . .	6-18
Central Tire Inflation System . . . . .	6-24
Knuckle and Geared Hub Assemblies, CTIS . . . . .	6-30

### SECTION 7. BRAKES AND WHEELS

Parking Brake Hand Lever and Rod . . . . .	7-2
Parking Brake Cables and Mounting Hardware . . . . .	7-4
Parking Brake Caliper Assembly . . . . .	7-6
Service Brake Caliper Assembly and Rotor . . . . .	7-8

## TABLE OF CONTENTS 3

TITLE	PAGE NUMBER
<b>SECTION 7. BRAKES AND WHEELS (Cont'd)</b>	
Front Service Brake Lines and Proportioning Valve . . . . .	7-10
Rear Brake Lines and Fittings . . . . .	7-12
Master Cylinder Assembly and Hydro-Booster . . . . .	7-14
Service Brake Pedal Assembly . . . . .	7-16

### SECTION 8. STEERING SYSTEM

Steering Column and Intermediate Shaft . . . . .	8-2
Steering Linkage . . . . .	8-4
Power Steering Gear and Mounting Hardware . . . . .	8-6
Power Steering Gear Assembly . . . . .	8-8
Power Steering Pump, Pulley, Reservoir, and Mounting Hardware . . . . .	8-12
Power Steering Pump, Oil Cooler, and Hydro-Boost Lines and Fittings . . . . .	8-14
Steering Column Trim and Turn Signal . . . . .	8-16
Steering Column Lock and Switch Housing Assembly . . . . .	8-18

### SECTION 9. SUSPENSION

Front Suspension Crossmembers, Related Parts, and Mounting Hardware . . . . .	9-2
Rear Suspension Crossmembers, Related Parts, and Mounting Hardware . . . . .	9-4
Shock Absorbers and Springs, Front and Rear . . . . .	9-6
Stabilizer Bar and Connecting Links . . . . .	9-8
Rear Radius Rods . . . . .	9-10
Frame Assembly, Body Mount Brackets, and Transmission Crossmember . . . . .	9-12
Airlift Brackets, Front Upper Control Arm Brackets, Front Spring Seats, and Mounting Hardware . . . . .	9-14
Front Bumper and Lifting Shackle . . . . .	9-16
Front Bumper and Lifting Shackle (Winch Kit) . . . . .	9-18
Rear Bumper and Lifting Shackle . . . . .	9-20
Rear Crossmember, Upper Control Arm Brackets, Spring Seats, Related Parts, and Mounting Hardware . . . . .	9-22

### SECTION 10. BODY

Body Mounting Components . . . . .	10-2
Body Assembly . . . . .	10-4
Body Assembly Components, L.H. . . . .	10-6
Body Assembly Components, R.H. . . . .	10-8
Front and Rear Door Striker Assemblies . . . . .	10-12
Hood Assembly and Mounting Hardware . . . . .	10-14
Hood Assembly, Grille, and Related Parts . . . . .	10-18
Left Hand Splash Shield and Hood Prop Rod . . . . .	10-20
Right Hand Upper Splash Shield and Seals . . . . .	10-22
Right Hand Lower Splash Shield . . . . .	10-24
Inside and Outside Mirrors and Mounting Hardware . . . . .	10-26
Sun Visor . . . . .	10-28
Windshield Assembly . . . . .	10-30

**4 TABLE OF CONTENTS**

<b>TITLE</b>	<b>PAGE NUMBER</b>
--------------	--------------------

**SECTION 10. BODY (Cont'd)**

Rear Window Assembly . . . . .	10-33
Driver and Passenger Seats, Deluxe and Standard . . . . .	10-36
Rear Passenger Seat, Deluxe and Standard . . . . .	10-40
Front and Rear Seat Belts . . . . .	10-42
Engine Cover, Console Cover, and Related Parts . . . . .	10-46
Front Door Assembly . . . . .	10-50
Rear Door Assembly . . . . .	10-54
Tailgate Assembly and Related Parts . . . . .	10-58
Two-Man Hardtop . . . . .	10-60
Four-Man Hardtop B- and C- Pillars . . . . .	10-62
Two-Man Enlarged Cab Hardtop B-Pillar . . . . .	10-66
Four-Man Hardtop Assembly . . . . .	10-68
Station Wagon Roof and Mounting Hardware . . . . .	10-70
Fixed Door, Footwell Cover, and Related Parts . . . . .	10-74
Panel Assembly Door Trim . . . . .	10-78
Soft Top Kit and Support Structure . . . . .	10-83
Four-Man Soft Top Kit, Basic . . . . .	10-90
Four-Man Soft Top Kit, Station Wagon . . . . .	10-94
Instrument Panel Assembly, Dash Trim, Crash Pad, and Mounting Hardware . . . . .	10-96
Floor Padding, Front and Rear . . . . .	10-99
Interior Tunnel Padding, Carpet, and Hardboard . . . . .	10-102
Headliner, Roof Trim, Front and Rear Side Trim, Grab Handles, and Mounting Hardware . . . . .	10-104
Inner Kick Panels and Miscellaneous Trim Panels . . . . .	10-110
Outer Kick Panels Interior Trim . . . . .	10-114
Station Wagon Interior Trim . . . . .	10-116
Cargo Net and Pocket Net . . . . .	10-120
Removable Load Barrier . . . . .	10-122
Station Wagon Rear Doors . . . . .	10-125
Hood Release . . . . .	10-130

**SECTION 11. HEATING/VENTILATION/  
AIR CONDITIONING (HVAC)**

Climate Control Panel . . . . .	11-2
Air Conditioner Compressor and Mounting Hardware . . . . .	11-4
Condenser, Receiver/Dryer and A/C Hoses . . . . .	11-6
Water Control Valve and Heater Hoses (Diesel) . . . . .	11-8
Main A/C-Heat Unit . . . . .	11-10
Plenum and Related Parts . . . . .	11-12
Driver's Closeout Panel . . . . .	11-14
Wiring Harnesses, A/C – Heat . . . . .	11-16
Auxiliary A/C – Heat . . . . .	11-18
Auxiliary A/C – Heat Power Head . . . . .	11-20
Auxiliary A/C Hoses and Grommet . . . . .	11-22
Rear Center Console . . . . .	11-24

## TABLE OF CONTENTS 5

TITLE	SECTION 12. ELECTRICAL SYSTEM	PAGE NUMBER
Batteries, Cables, and Mounting Hardware . . . . .		12-2
Starter Motor and Mounting Hardware . . . . .		12-4
Starter Motor Assembly . . . . .		12-6
124-Amp Alternator and Mounting Hardware . . . . .		12-10
124-Amp Alternator Assembly . . . . .		12-12
Sending Units . . . . .		12-14
Speedometer Speed Sensor . . . . .		12-16
Windshield Wiper Motor, Wiper Assembly, and Washer Bottle . . . . .		12-18
Instrument Panel Cluster . . . . .		12-21
Front Turn Signal Light and Mounting Hardware . . . . .		12-26
Rear Turn Signal Light/Taillight, License Plate Bracket, and Mounting Hardware . . . . .		12-28
Headlight Assembly and Running Lights . . . . .		12-30
Clearance Marker Light Assembly . . . . .		12-32
Interior Dome Lights . . . . .		12-34
Interior Courtesy Lights, Underhood Light, and Door Jamb Switch . . . . .		12-36
Reflectors . . . . .		12-38
Stereo, Speakers, and Mounting Hardware . . . . .		12-40
Dual Horns . . . . .		12-42
Hood Wiring Harness . . . . .		12-45
Roof Wiring Harness, Two-Door . . . . .		12-48
Roof Wiring Harness, Four-Door . . . . .		12-50
Console Wiring Harness and Speedometer Jumper Assembly . . . . .		12-52
Trailer Towing Wiring Kit and Wiper Motor Jumper Harness . . . . .		12-54
Identification Lamp Assembly Jumper . . . . .		12-56
Stereo Harness, Two-Door . . . . .		12-58
Stereo Harness, Hard Top . . . . .		12-60
Stereo Harness, Open Top . . . . .		12-62
Instrument Panel Jumper Assemblies . . . . .		12-64
Interior CTIS Wiring Harness . . . . .		12-66
Exterior CTIS Wiring Harness . . . . .		12-68
Engine Wiring Harness . . . . .		12-71
Body Wiring Harness . . . . .		12-76
Body Wiring Harness – Partial Views . . . . .		12-78
Fuse Box Panel, Convenience Center, and Mounting Hardware . . . . .		12-83
Miscellaneous Electrical Items . . . . .		12-88
Wiring Harness Assembly, Open Top . . . . .		12-90
Daytime Running Light Jumper and Harness . . . . .		12-92
Bracket/Transmission Control Module/Powertrain Control Module Mounting . . . . .		12-94
Two-Door and Four-Door Power Door Locks Kit . . . . .		12-97
Power Mirrors . . . . .		12-108

**6 TABLE OF CONTENTS**

<b>TITLE</b>	<b>SECTION 13. ACCESSORIES</b>	<b>PAGE NUMBER</b>
Winch Assembly, Mounting Hardware, and Related Parts (Winch Kit) . . . . .		13-2
Winch Assembly . . . . .		13-4
Trailer Towing Kit . . . . .		13-6
Reel Lamp Accessory Kit . . . . .		13-8
Brushguard Kit and Mounting Hardware . . . . .		13-10
Reflective Triangle Warning Device, Jack Assembly, and Mounting Hardware . . . . .		13-12
Pioneer Tool Kit . . . . .		13-14
Swing-Away Spare Tire Carrier . . . . .		13-16
Bed-Mounted Spare Tire Carrier . . . . .		13-18
Underbody Protection and Mounting Hardware . . . . .		13-20
Underbody Protection Skid Plates . . . . .		13-22
Rocker Panel Guard Accessory Kit . . . . .		13-24
Special Tools, Air Conditioner Compressor . . . . .		13-26
Special Tools, Drive Belts and Transmission . . . . .		13-28
Special Tools, Drive Belts and Transmission . . . . .		13-30
Special Tools, Transmission . . . . .		13-32
Special Tools, Transmission . . . . .		13-34
Special Tools, Transmission . . . . .		13-36
Special Tools, Transmission . . . . .		13-38
Special Tools, Transfer Case . . . . .		13-40
Special Tools, Axle Differential . . . . .		13-42
Special Tools, Geared Hub and Steering . . . . .		13-44
Special Tools, Steering Pump, Body, and Speedometer Drive . . . . .		13-46
Special Tools, Fuel Injection Pump . . . . .		13-48
Special Tools, Multipurpose . . . . .		13-50
External Tubeless Tire Repair Kit . . . . .		13-52
Internal Tubeless Tire Repair Kit . . . . .		13-54
Winch Accessory Kit . . . . .		13-56
Driver's Seat Armrest Kit . . . . .		13-58
Remote Entry Kit . . . . .		13-60
Snow Plow Preparation Kit . . . . .		13-62
Roof Rack Kit . . . . .		13-64
Running Board Kit . . . . .		13-66
Station Wagon Tailgate Seals . . . . .		13-68
Station Wagon Liftgate Assembly and Mounting Hardware . . . . .		13-70
Auxiliary Air Hose Kit . . . . .		13-72
Cruise Control, Actuator, Wiring Harness and Mounting Hardware . . . . .		13-74
Rear Defroster . . . . .		13-76
Tachometer and Mounting Hardware . . . . .		13-78
Auxiliary Seat . . . . .		13-80
Repair Kits . . . . .		13-82
Bulk . . . . .		13-88
Tonneau Cover for 4-Door Hardtop . . . . .		13-89
<b>SECTION 14. INDEX</b>		
Alphabetical Index . . . . .		14-1
Numerical Index . . . . .		14-41

# HUMMER PARTS CATALOG

## GENERAL INFORMATION 1-1

This catalog contains an illustrated list of repair parts for the AM General Commercial Hummer. The Commercial Hummer will be offered in four body styles:

- HMC4 —Four-door, four passenger hardtop truck
- HMCS —Four-door, four passenger station wagon
- VLC2 —Two-door, two passenger hardtop truck
- VLCO —Four door, value leader, four passenger open vehicle
- XLC2 —Two-door, two passenger, enlarged cab truck

This catalog is divided into 13 major sections in the sequence shown on the title page. Major sections are divided into smaller groups of parts, each with its own illustration. Immediately following this introduction is a complete listing of all illustrations in this catalog. The first page of each section also contains a listing for that section.

Illustrated items are numerically keyed to the text which is located on the facing page. Figure numbers are located in bold type at the beginning of a description column. Item numbers are keyed to illustrated items. Items which are indented in the parts listings are so listed to indicate their availability as a part of the previously listed assembly or separately, unless preceded in the part number column by S.I.A. or S.I.K. In this case, the part is available only in the listed assembly or kit.

Alphabetical and Numerical indexes are located at the end of the catalog.

### PARTS SERVICED BY AM GENERAL

AM General will service virtually all of the repair parts for this vehicle except those which are more economical and/or more practical to procure locally. The principal items not serviced are standard hardware, tires, batteries, fuses, lamp bulbs, sealants, lubricants, adhesives, paint, and standard sizes and types of tubing, hoses, and electrical connectors and fittings. Items which are listed in this catalog, but are not serviced, are indicated by the legend "N/S" in the part number column.

### SPECIAL TOOLS

Special tools are covered in Section 13 of the companion service manual, and may be purchased through the AM General Service Parts Logistics Operations.

### HOW TO LOCATE PARTS

When function, use, or location is known: Refer to the List of Illustrations.

When part number is known: Refer to the Numerical Index.

### HOW TO ORDER SERVICE PARTS

List the part number, quantity, and description of the parts.

Define shipping instructions on other than scheduled stock orders. Unless designated, shipment will be made by motor freight or parcel post at the discretion of the shipper.

Address parts orders to:

Service Parts Logistics Operations  
AM General Corporation  
408 South Byrkit Avenue  
P.O. Box 728  
Mishawaka, Indiana 46546-0728



Personnel are on duty to accept telephone orders from 7:30 A.M. to 4:30 P.M. Eastern Standard Time, five days per week. The toll-free telephone number (excluding Indiana) is 1-800-348-5134. The additional telephone number during working hours is (219) 258-6666.

## DAMAGED SHIPMENTS, SHORTAGES OR ERRORS

All shipments are properly packed and are in good order when delivered to the transportation company. Responsibility ends with such delivery. When a damaged shipment is received, a claim should be filed immediately against the carrier making delivery.

All claims for shortages or errors in packing must be made, to the same address from which the parts were ordered, within ten (10) days from receipt of shipment. All claims must be accompanied by the original packing slip, with proper notation of shortage or error signed by responsible person in receiving department.

## ABBREVIATIONS

A/C .....	Air Conditioning	mm .....	Millimeter
A/R .....	As Required	NPN .....	No Part Number
CCW .....	Counterclockwise	N/A .....	Not Available
C.E. ....	Commutator End	N/S .....	Not Serviced
CTI .....	Central Tire Inflation	O.D. ....	Outside Diameter
CTIS .....	Central Tire Inflation System	P/N .....	Part Number
D.C. ....	Direct Current	QTY .....	Quantity
D.E. ....	Drive End	R.H. ....	Right-Hand
Dia. ....	Diameter	RR .....	Right Rear
EPA .....	Environmental Protection Agency	S.I.A. ....	Serviced in Assembly
HMC2 .....	Two-Door	S.I.K. ....	Serviced in Kit
HMC4 .....	Four-Door	S.P.D.T. ....	Single Pole Double Throw
HMCS .....	Station Wagon	S.P.S.T. ....	Single Pole Single Throw
HMCO .....	Open Vehicle	S.R.E. ....	Slip Ring End
HMR2 .....	Two-Door Recruit	STD .....	Standard
HMRO .....	Open Body Recruit	V .....	Volt
HVAC .....	Heating Ventilating Air Conditioning	VDC .....	Volt Direct Current
I.D. ....	Inside Diameter	VLC2 .....	Two-Door Value Leader
L.H. ....	Left-Hand	VLCO .....	Open Vehicle Value Leader
max. ....	Maximum	XLC2 .....	Two-Door, Enlarged Cab

## SUGGESTIONS AND RECOMMENDATIONS

Recommendations for improving or correcting this catalog are encouraged. Please forward corrections or recommendations directly to AM General Corporation, Attention: Publications Department.

# HUMMER PARTS CATALOG

**ENGINE 2-1**

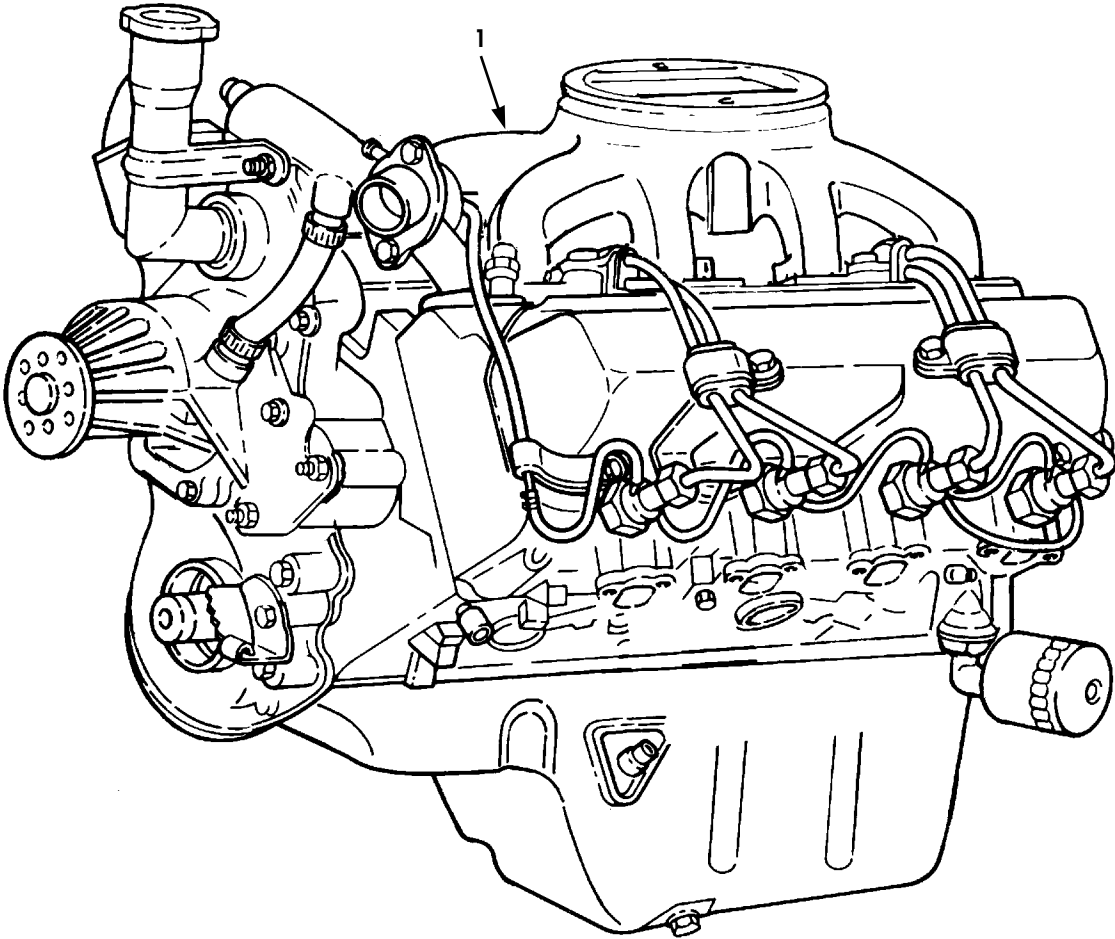
## Section 2

### ENGINE

TITLE	PAGE NUMBER
Engine Assembly . . . . .	2-2
Block, Assembly and Cylinder Head . . . . .	2-4
Crankshaft, Damper, Bearings, Pulley, and Flywheel . . . . .	2-6
Piston Assembly, Rod Assembly, and Ring Set . . . . .	2- 8
Valves, Guides, and Rocker Arm Assemblies . . . . .	2-10
Camshaft, Timing Chain, and Related Parts . . . . .	2-12
Crankcase Cover Assembly and Rocker Cover . . . . .	2-14
Engine Oil Pan, Pump, and Filler Tube . . . . .	2-16
Oil Filter, Adapter, and Oil Line Fittings . . . . .	2-18
Air Intake Manifold, Crankcase Depression Regulator Valve, and Mounting Hardware . . . . .	2-20
Exhaust Manifolds . . . . .	2-22
Engine Mounting Brackets . . . . .	2-24
Engine Oil Dipstick and Tube Assembly . . . . .	2-26

# HUMMER PARTS CATALOG

## 2-2 ENGINE



P02-001

*2-1. Engine Assembly (Diesel)*

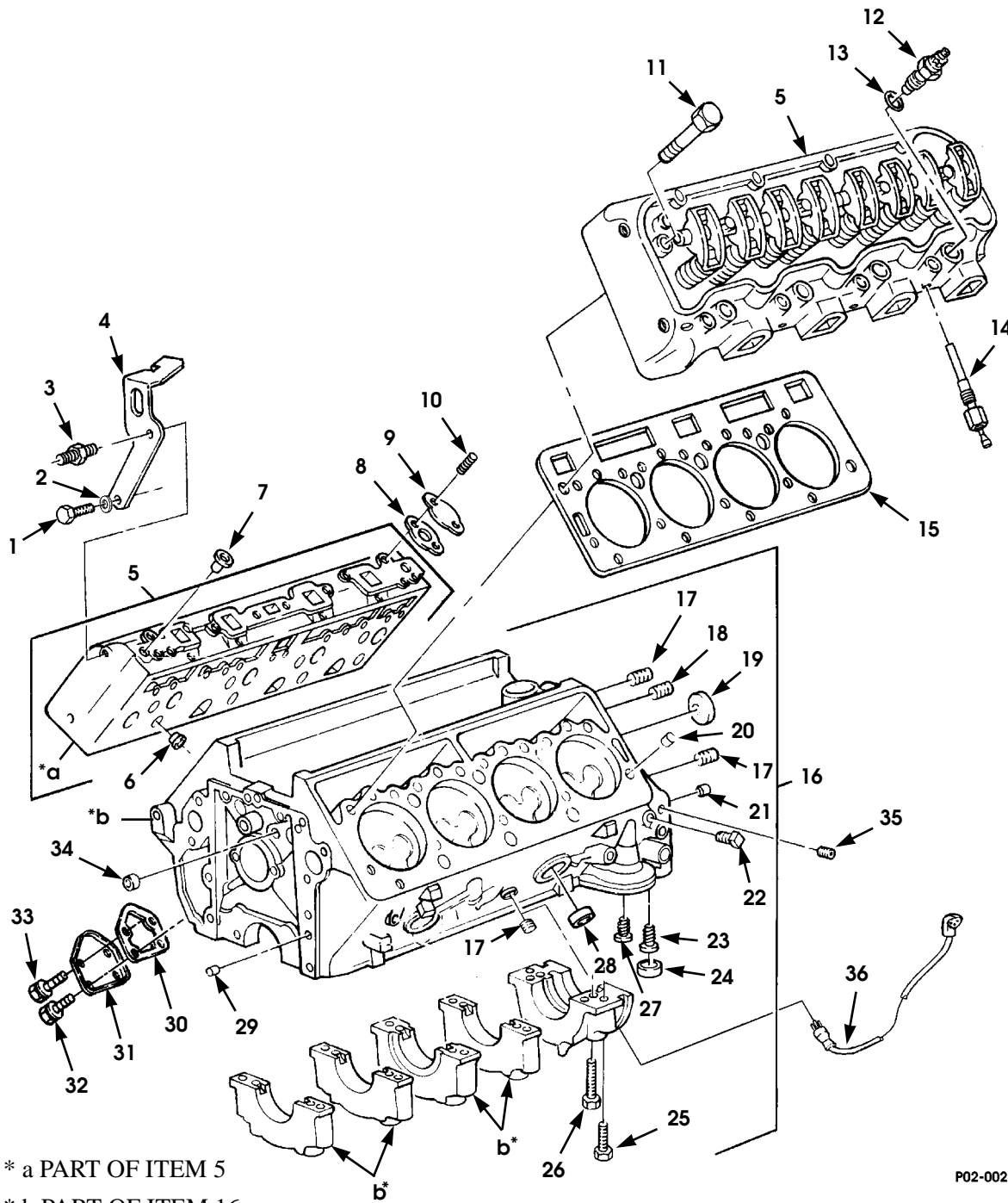
# HUMMER PARTS CATALOG

## ENGINE 2-3

ITEM	PART NUMBER	DESCRIPTION	QTY
1	06005117	Figure 2-1 ENGINE ASSEMBLY (DIESEL)  ENGINE, complete, 6.5 liter diesel .....	1

# HUMMER PARTS CATALOG

## 2-4 ENGINE



P02-002

2-2. Block Assembly and Cylinder Head.

# HUMMER PARTS CATALOG

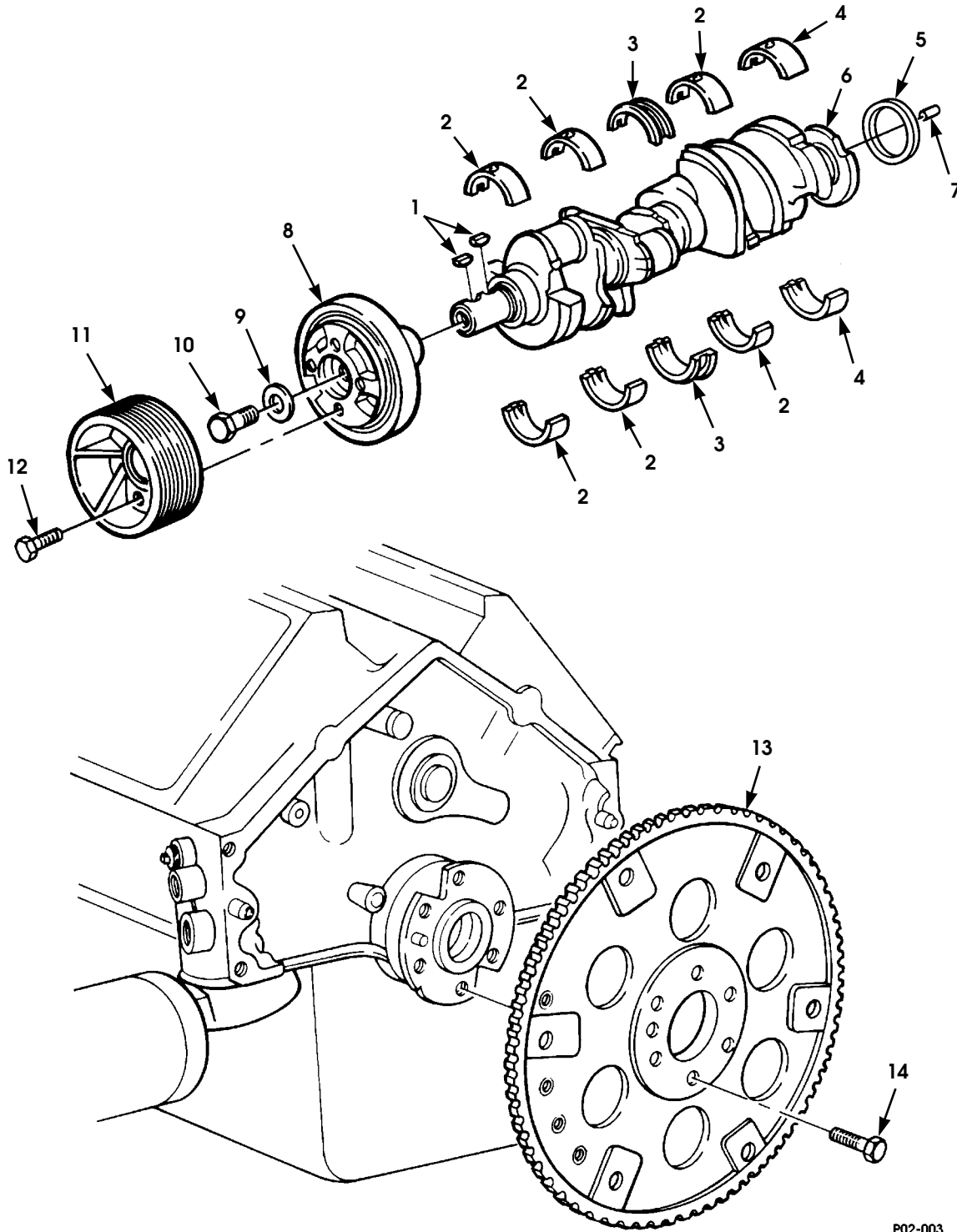
7-1-95

## ENGINE 2-5

ITEM	PART NUMBER	DESCRIPTION	QTY
		Figure 2-2 BLOCK ASSEMBLY AND CYLINDER HEAD	
1	G 11504595	BOLT, cylinder head bracket . . . . .	1
2	G 00120394	WASHER . . . . .	1
3	12339406 1	STUD, cylinder head bracket . . . . .	1
4	05937374	BRACKET, cylinder head . . . . .	1
5	05743222	CYLINDER HEAD . . . . .	2
6	05743275	•CHAMBER . . . . .	8
6	05743276	•CHAMBER, oversized . . . . .	8
7	05572842	PLUG, cylinder head . . . . .	4
8	05742109	GASKET . . . . .	2
9	05740186	COVER, access . . . . .	2
10	05740052	STUD, access cover . . . . .	4
11	05740031	BOLT, cylinder head . . . . .	34
* 12	05743795	NOZZLE, fuel injection . . . . .	8
13	05740058	GASKET, nozzle . . . . .	8
14	05714131	GLOW PLUG, type 9G . . . . .	8
15	05743224	GASKET, cylinder head, SEE NOTE 1 . . . . .	2
16	05743225	BLOCK ASSEMBLY . . . . .	1
17	05742029	•PLUG, oil passage . . . . .	5
18	G 14090911	•PLUG, oil gallery . . . . .	1
19	05740272	•PLUG, camshaft . . . . .	1
20	05740268	•SPACER, cylinder head . . . . .	4
21	08134398	•PIN, flywheel . . . . .	2
22	G 14090911	•PLUG, cylinder block . . . . .	1
23	05743277	•VALVE, regulating . . . . .	1
24	05741043	•PLUG, regulating valve . . . . .	1
25	05740144	•BOLT, bearing cap, outboard . . . . .	10
26	05741086	•BOLT, bearing cap, inboard . . . . .	10
27	05743278	•VALVE, safety . . . . .	1
28	05740529	•PLUG, expansion, freeze plug . . . . .	6
29	05740145	•PIN, block . . . . .	2
30	05742650	•GASKET, fuel pump cover . . . . .	1
31	05742657	•COVER, fuel pump . . . . .	1
32	G 11509669	•SCREW, fuel pump cover . . . . .	2
33	G 09419885	•SCREW, fuel pump cover . . . . .	2
34	05741150	•PLUG, expansion . . . . .	2
35	05598192	PLUG, cap . . . . .	1
36	05939441	HEATER CORD, block . . . . .	1
	05743279	IMMERSION HEATER (not illustrated) . . . . .	1
		NOTE 1:PART OF GASKET SET P/N 05743401	

# HUMMER PARTS CATALOG

## 2-6 ENGINE



2-3. Crankshaft, Damper, Bearings, Pulley, and Flywheel.

P02-003

# HUMMER PARTS CATALOG

12-31-95

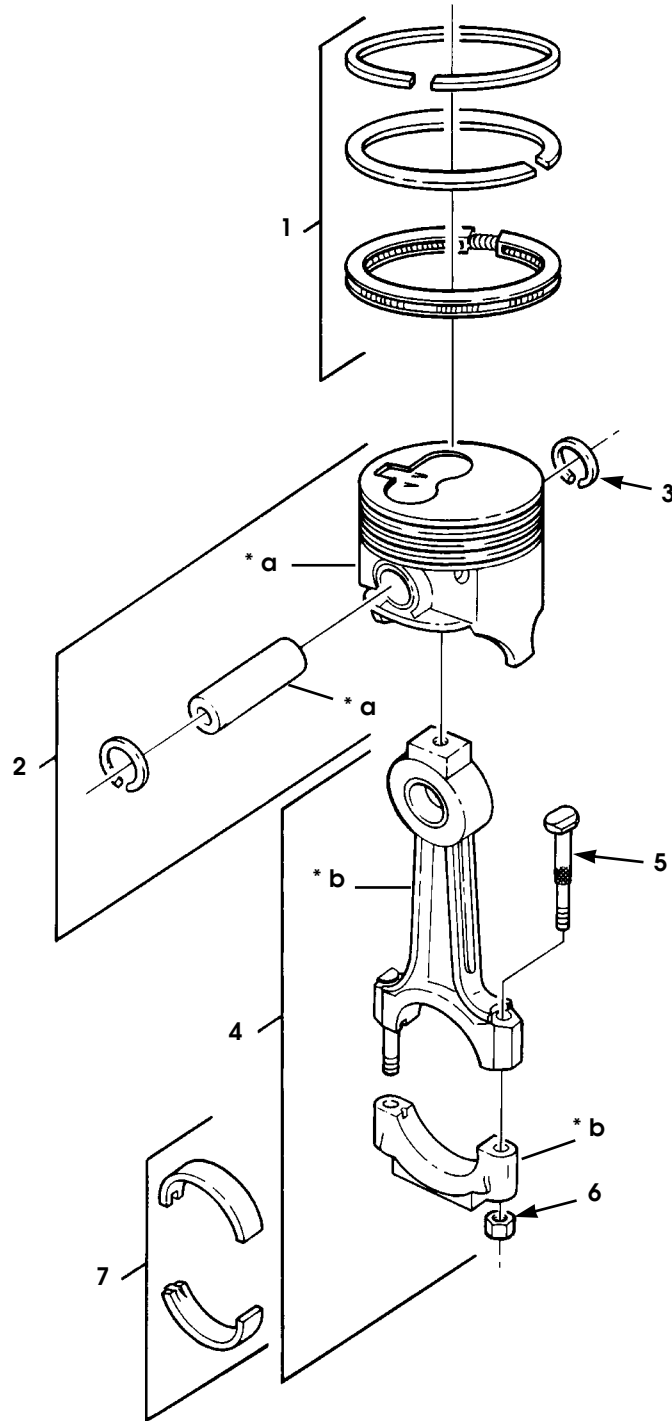
## ENGINE 2-7

ITEM	PART NUMBER	DESCRIPTION	QTY
		Figure 2-3 CRANKSHAFT, DAMPER, BEARINGS, PULLEY, AND FLYWHEEL	
1	⊕ 00106751	KEY, crankshaft. . . . .	2
2	05740240	BEARINGS, standard, #1, 2, 4. . . . .	3
2	05740241	BEARING, .013 mm undersized, #1, 2, 4 . . . . .	3
2	05740242	BEARING, .026 mm undersized, #1, 2, 4 . . . . .	3
3	05740201	BEARING, standard, #3 . . . . .	1
3	05740202	BEARING, .013 mm undersized, #3 . . . . .	1
3	05740203	BEARING, .026 mm undersized, #3 . . . . .	1
4	05740204	BEARING, standard, #5 . . . . .	1
4	05740205	BEARING, .013 mm undersized, #5 . . . . .	1
4	05740206	BEARING, .026 mm undersized, #5 . . . . .	1
★	05743226	PACKING, preformed, crankshaft, SEE NOTE 1 . . . . .	1
6	05743227	CRANKSHAFT, engine . . . . .	1
7	05740261	PIN, flywheel . . . . .	1
8	05743228	DAMPER ASSEMBLY, crankshaft . . . . .	1
9	05740147	WASHER, flat, torsional damper . . . . .	1
10	05740146	SCREW, torsional damper, M16-1.5 x 50 . . . . .	1
11	06003069	PULLEY, crankshaft . . . . .	1
12	⊕ 11504571	BOLT, crankshaft pulley . . . . .	1
13	05740037	FLYWHEEL, engine . . . . .	1
14	05740263	BOLT, flywheel . . . . .	6
★		NOTE 1: PART OF GASKET AND SEAL SET P/N 05743399	



# HUMMER PARTS CATALOG

## 2-8 ENGINE



\* a PART OF ITEM 2

\* b PART OF ITEM 4

P02-004

2-4. Piston Assembly, Rod Assembly, and Ring Set

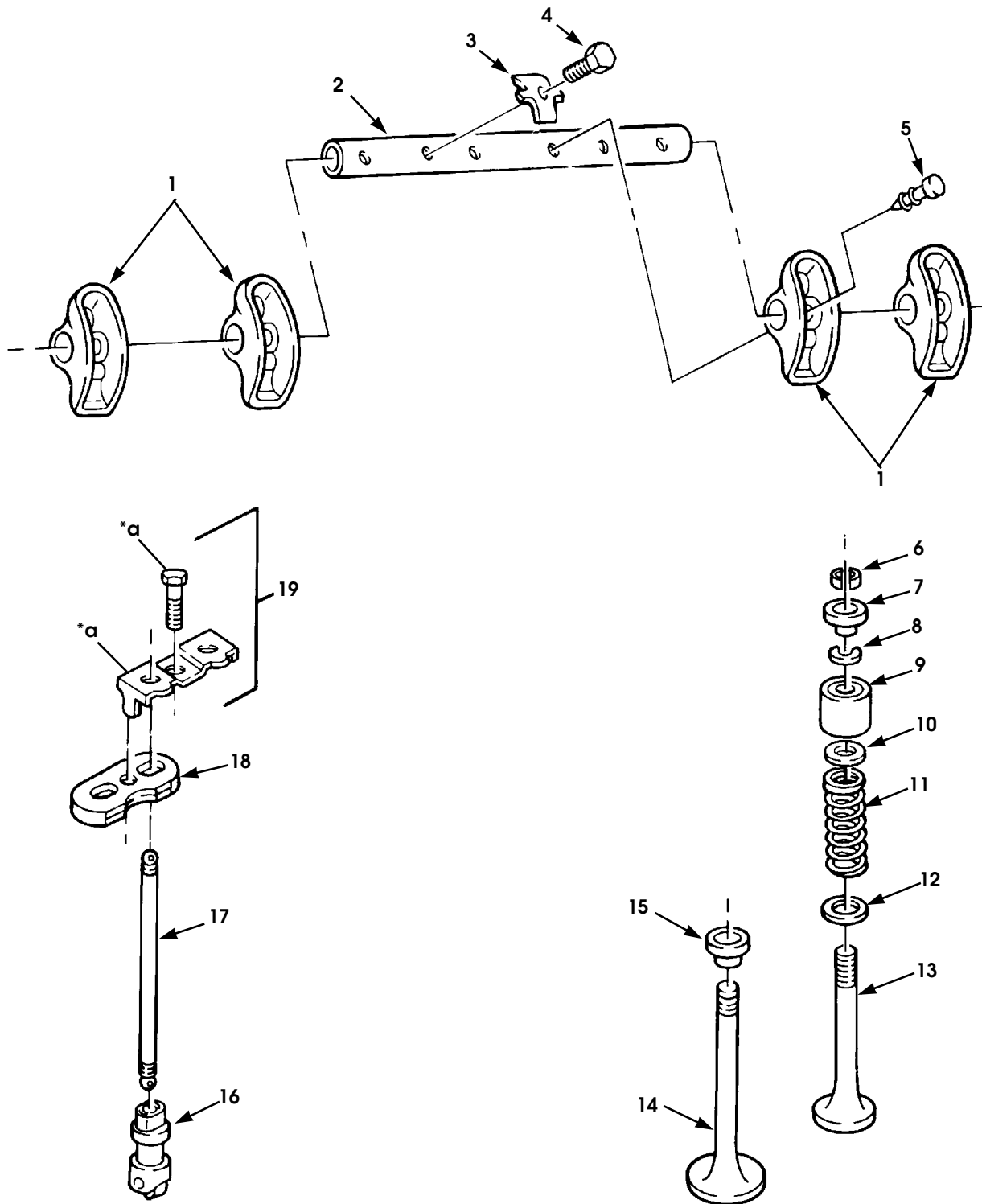
# HUMMER PARTS CATALOG

**ENGINE 2-9**

ITEM	PART NUMBER	DESCRIPTION	QTY
		Figure 2-4 PISTON ASSEMBLY, ROD ASSEMBLY, AND RING SET	
1	05743280	RING SET, standard . . . . .	8
1	05743281	RING SET,.5 mm oversized . . . . .	8
2	05743282	PISTON, standard . . . . .	8
2	05743799	PISTON, 0.5 mm oversized . . . . .	8
3	05740158	•RING, retaining . . . . .	2
4	05740038	CONNECTING ROD, piston. . . . .	8
5	05740155	•BOLT, connecting rod. . . . .	2
6	05740156	•NUT, connecting rod. . . . .	2
7	05740238	BEARING, connecting rod, standard . . . . .	8
7	05740239	BEARING, connecting rod,.026 mm undersized . . . . .	8

# HUMMER PARTS CATALOG

## 2-10 ENGINE



\*a PART OF ITEM 19

2-5. Valves, Guides, and Rocker Arm Assemblies.

PO2-005

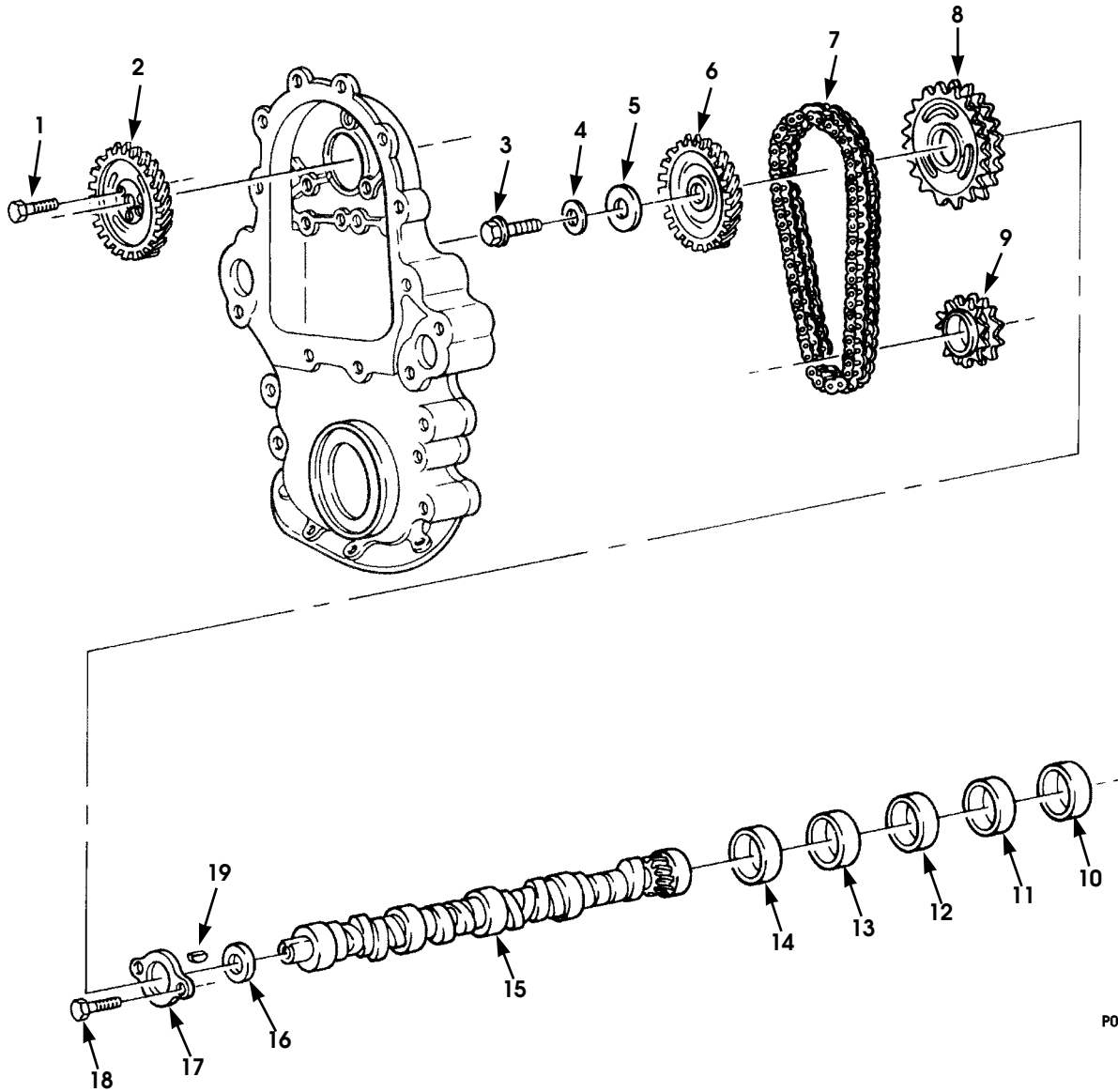
# HUMMER PARTS CATALOG

## ENGINE 2-11

ITEM	PART NUMBER	DESCRIPTION	QTY
		Figure 2-5 VALVES, GUIDES, AND ROCKER ARM ASSEMBLIES	
1	05740132	ROCKER ARM, valve rockers . . . . .	16
2	05740531	SHAFT, valve rocker arm . . . . .	4
3	05741045	RETAINER, rocker armshaft . . . . .	8
4	G 11508355	BOLT, rocker armshaft . . . . .	8
5	05741046	RETAINER, rocker arm . . . . .	16
6	05740270	LOCK, valve spring . . . . .	32
7	05740180	ROTOR, engine poppet, exhaust valve . . . . .	8
8	05740266	SEAL INLET, valve stem, SEE NOTE 1 . . . . .	16
9	05740153	SPACER, sleeve . . . . .	16
10	05742095	SEAL, exhaust valve . . . . .	8
11	05740152	SPRING, valve . . . . .	16
12	05740130	WASHER, valve spring . . . . .	16
13	05743283	VALVE, poppet, exhaust, standard . . . . .	8
13	05743284	VALVE, poppet, exhaust, .089 mm oversized . . . . .	8
14	05740041	VALVE, poppet, intake, standard . . . . .	8
14	05740194	VALVE, poppet, intake, .089 mm oversized . . . . .	8
14	05740195	VALVE, poppet, intake, .349 mm oversized . . . . .	8
15	05740131	CAP, intake valve spring . . . . .	8
16	05740043	TAPPET, hydraulic roller . . . . .	16
17	05740040	PUSHROD, valve . . . . .	16
18	05740133	PLATE, guide. . . . .	8
19	05740134	CLAMP, guide. . . . .	8
		NOTE 1: PART OF CYLINDER HEAD KIT 5743401 6.5L	

# HUMMER PARTS CATALOG

## 2-12 ENGINE



P02-00

2-6. Camshaft, Timing Chain, and Related Parts.

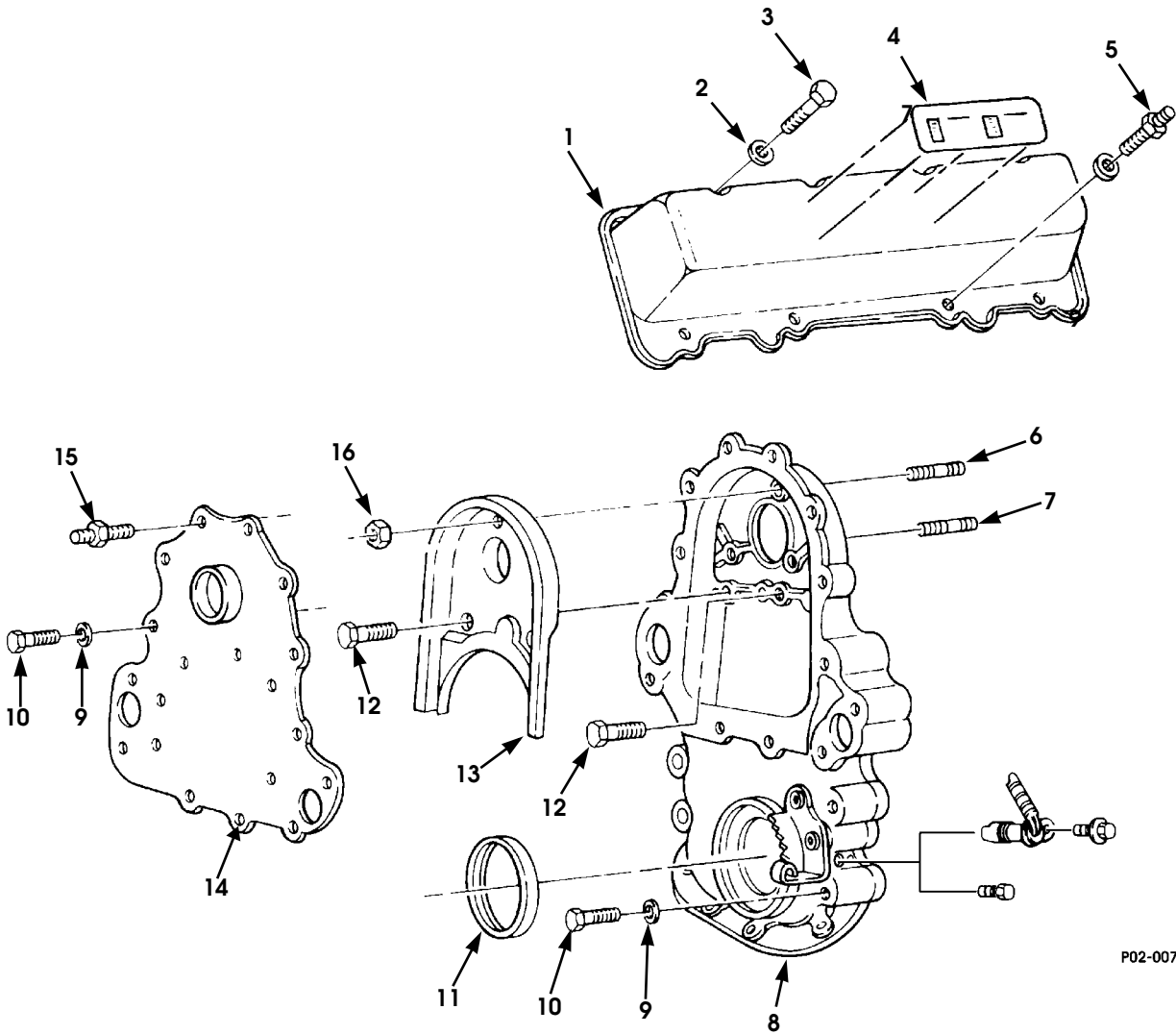
# HUMMER PARTS CATALOG

## ENGINE 2-13

ITEM	PART NUMBER	DESCRIPTION	QTY
		Figure 2-6 CAMSHAFT, TIMING CHAIN, AND RELATED PARTS	
1	05740184	SCREW, fuel injection pump driven gear . . . . .	3
2	05740139	GEAR, fuel injection pump driven. . . . .	1
3	05741152	SCREW, fuel injection pump drive gear . . . . .	1
4	05741151	WASHER, fuel injection pump drive gear . . . . .	1
5	05740137	WASHER, fuel injection pump drive gear . . . . .	1
6	05740140	GEAR, fuel injection pump drive . . . . .	1
7	05740046	CHAIN, camshaft timing. . . . .	1
8	05740044	SPROCKET WHEEL, camshaft . . . . .	1
9	05743229	SPROCKET WHEEL, crankshaft . . . . .	1
10	05740191	BEARING, camshaft, #5, orange . . . . .	1
11	05740190	BEARING, camshaft, #4, green. . . . .	1
12	05740189	BEARING, camshaft, #3, yellow . . . . .	1
13	05740188	BEARING, camshaft, #2, pink . . . . .	1
14	05740187	BEARING, camshaft, #1, plain. . . . .	1
15	05740213	CAMSHAFT, engine . . . . .	1
16	05740135	SPACER, camshaft sprocket. . . . .	1
17	05740136	BEARING, camshaft . . . . .	1
18	G 11509589	SCREW, thrust bearing . . . . .	2
19	G 00106751	KEY, camshaft . . . . .	1

# HUMMER PARTS CATALOG

## 2-14 ENGINE



P02-007

2-7. Crankcase Cover Assembly and Rocker Cover.

# HUMMER PARTS CATALOG

12-31-95

## ENGINE 2-15

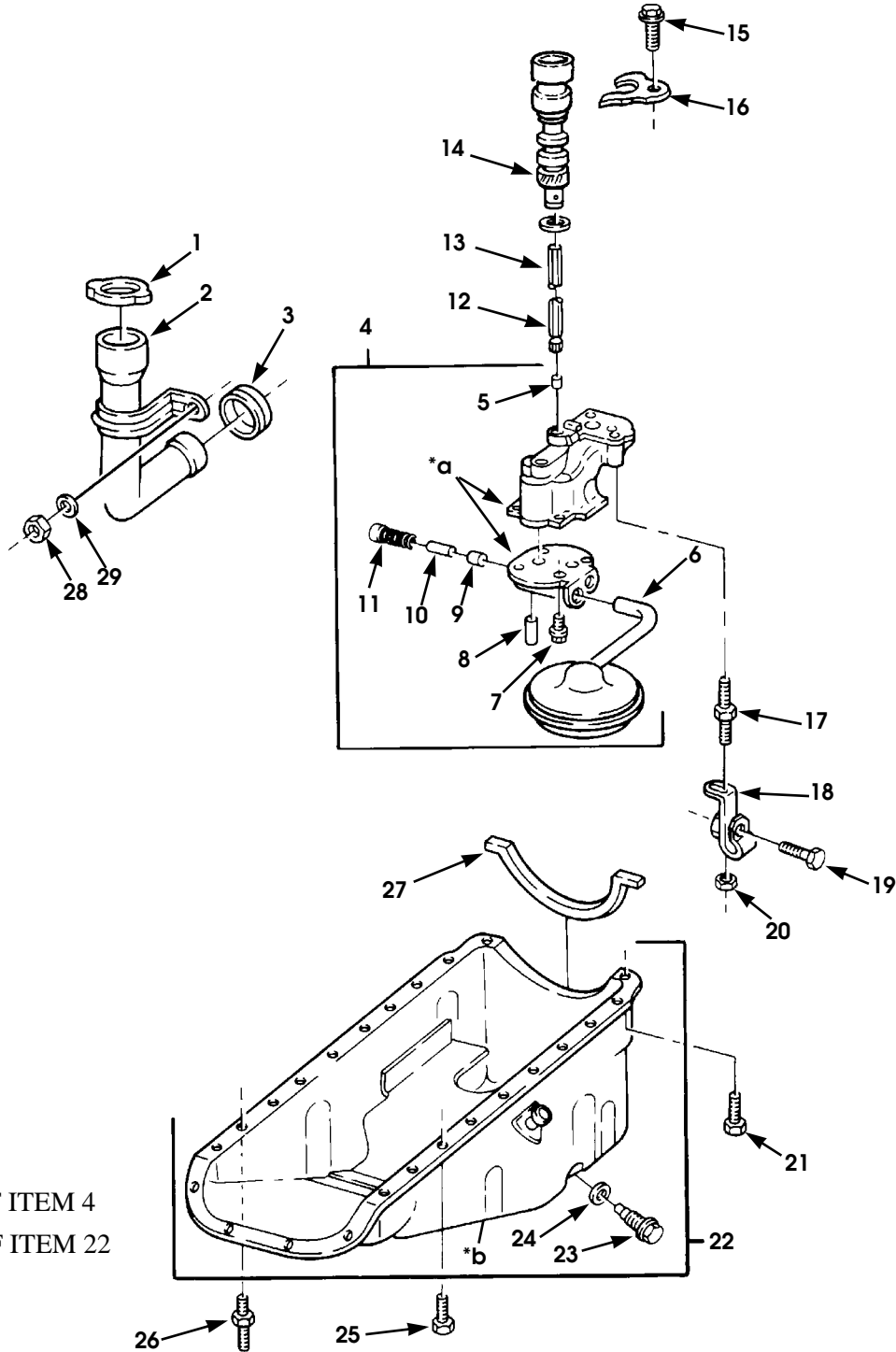
ITEM	PART NUMBER	DESCRIPTION	QTY
		Figure 2-7 CRANKCASE COVER ASSEMBLY AND ROCKER COVER	
1	05714138	COVER, rocker arm, R.H. ....	1
1	05740151	COVER, rocker arm, L.H. ....	1
2	05741153	WASHER, rocker arm cover ....	7
3	G 11500914	BOLT, rocker arm cover. ....	7
4	05743230	EMISSIONS LABEL ....	1
4	06003944	EMISSIONS LABEL(English/French) ....	1
5	05740039	STUD, rocker arm cover ....	9
6	05740095	STUD, crankcase front cover and injection pump, upper	1
7	05742184	STUD, crankcase front cover and injection pump, lower	2
8	05743231	COVER, crankcase front ....	1
9	G 09438083	WASHER, crankcase front cover ....	4
10	G 11502804	BOLT, crankcase front cover ....	4
11	05743285	SEAL, crankcase front cover, SEE NOTE 1 ....	1
12	05740181	BOLT, backing plate and front cover ....	2
13	05740169	BAFFLE, crankcase ....	1
14	05743232	PLATE, water pump backing ....	1
15	05740185	STUD, backing plate and front cover ....	2
16	G 11514603	NUT, baffle ....	1
		NOTE 1: PART OF ENGINE BLOCK KIT P/N 05743399	

\*



# HUMMER PARTS CATALOG

## 2-16 ENGINE



\*a PART OF ITEM 4  
\*b PART OF ITEM 22

2-8. Engine Oil Pan, Pump, and Filler Tube.

P02-008

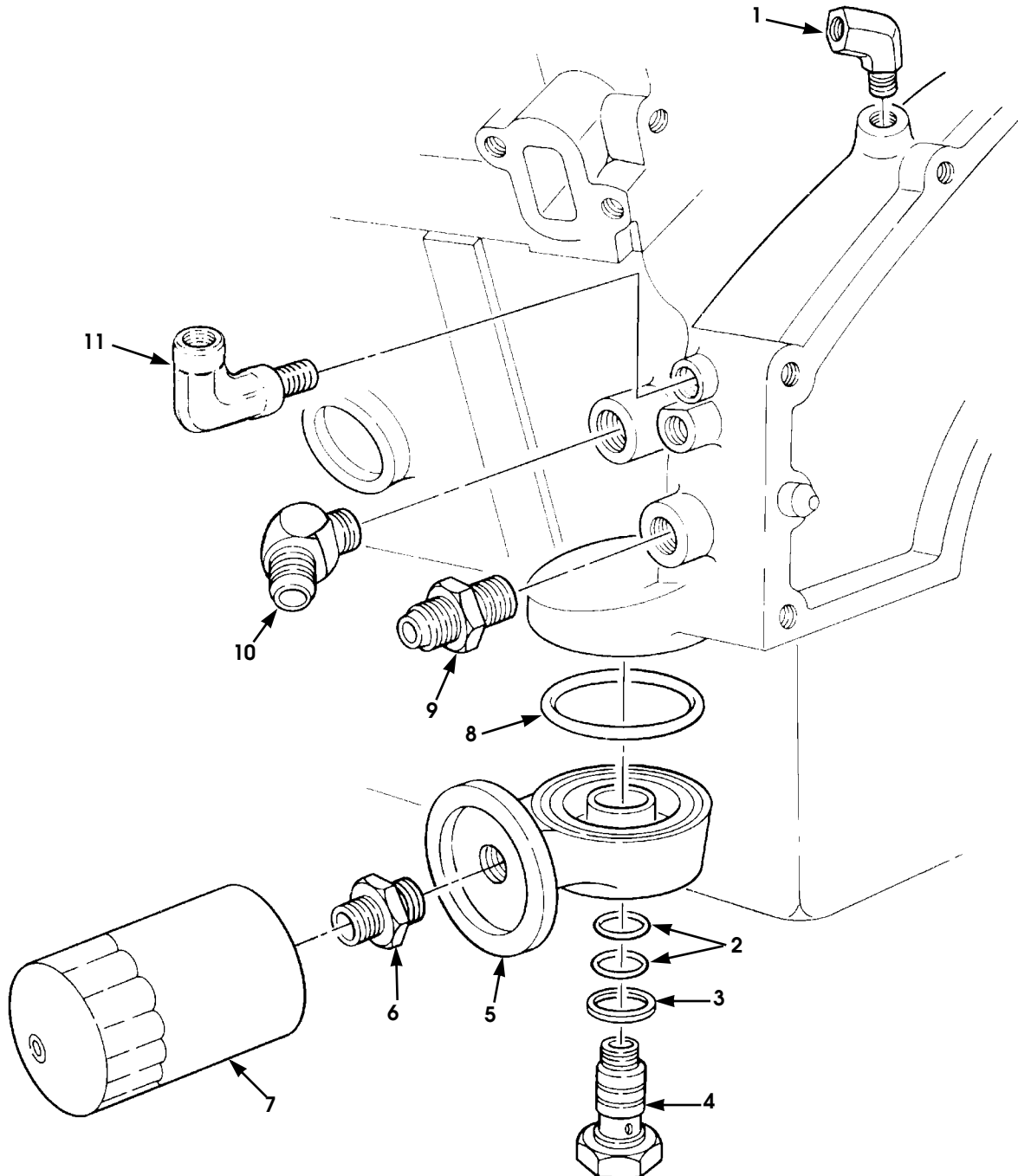
# HUMMER PARTS CATALOG

## ENGINE 2-17

ITEM	PART NUMBER	DESCRIPTION	QTY
		Figure 2-8 ENGINE OIL PAN, PUMP, AND FILLER TUBE	
1	05743286	CAP, engine oil filler . . . . .	1
2	05743204	FILLER NECK, engine oil. . . . .	1
3	05740161	GROMMET, oil filler tube . . . . .	1
4	06004347	PUMP AND SCREEN, oil pick up . . . . .	1
5	05740542	•RETAINER, pump assembly. . . . .	1
6	S.I.A.	•STRAINER, pump assembly. . . . .	1
7	S.I.A.	•BOLT, oil pump cover . . . . .	4
8	S.I.A.	•PIN, regulating valve spring stop. . . . .	1
9	S.I.A.	•DISK, oil pressure regulating valve. . . . .	1
10	S.I.A.	•VALVE, relief, oil pressure. . . . .	1
11	S.I.A.	•SPRING, oil pressure regulating valve . . . . .	1
12	05740148	SHAFT, oil pump . . . . .	1
13	05740051	GASKET, oil pump drive. . . . .	1
14	05743234	OIL PUMP DRIVE ASSEMBLY . . . . .	1
15	05740181	BOLT, oil pump drive . . . . .	1
16	05740138	CLAMP, oil pump drive assembly. . . . .	1
17	05740244	STUD, oil pump assembly . . . . .	1
18	05741613	CLAMP, oil pickup tube. . . . .	1
19	05741047	BOLT, oil pickup tube. . . . .	1
20	G 11506101	NUT, oil pickup tube bracket . . . . .	1
21	05740085	BOLT, engine oil pan . . . . .	2
22	06004346	OIL PAN, engine . . . . .	1
23	05741081	•PLUG, engine oil pan . . . . .	1
24	05741252	•GASKET, engine oil drainplug. . . . .	1
25	05740084	SCREW, engine oil pan . . . . .	20
26	05591286	STUD, engine oil pan. . . . .	2
27	05743235	SEAL, engine oil pan, rear, SEE NOTE 1 . . . . .	1
28	05740247	NUT, oil filler neck. . . . .	2
29	05592917	WASHER, oil filler neck. . . . .	2
		NOTE 1: PART OF OIL PAN SET 05743235	

# HUMMER PARTS CATALOG

## 2-18 ENGINE



P02-009

*2-9. Oil Filter, Adapter, and Oil Line Fittings.*

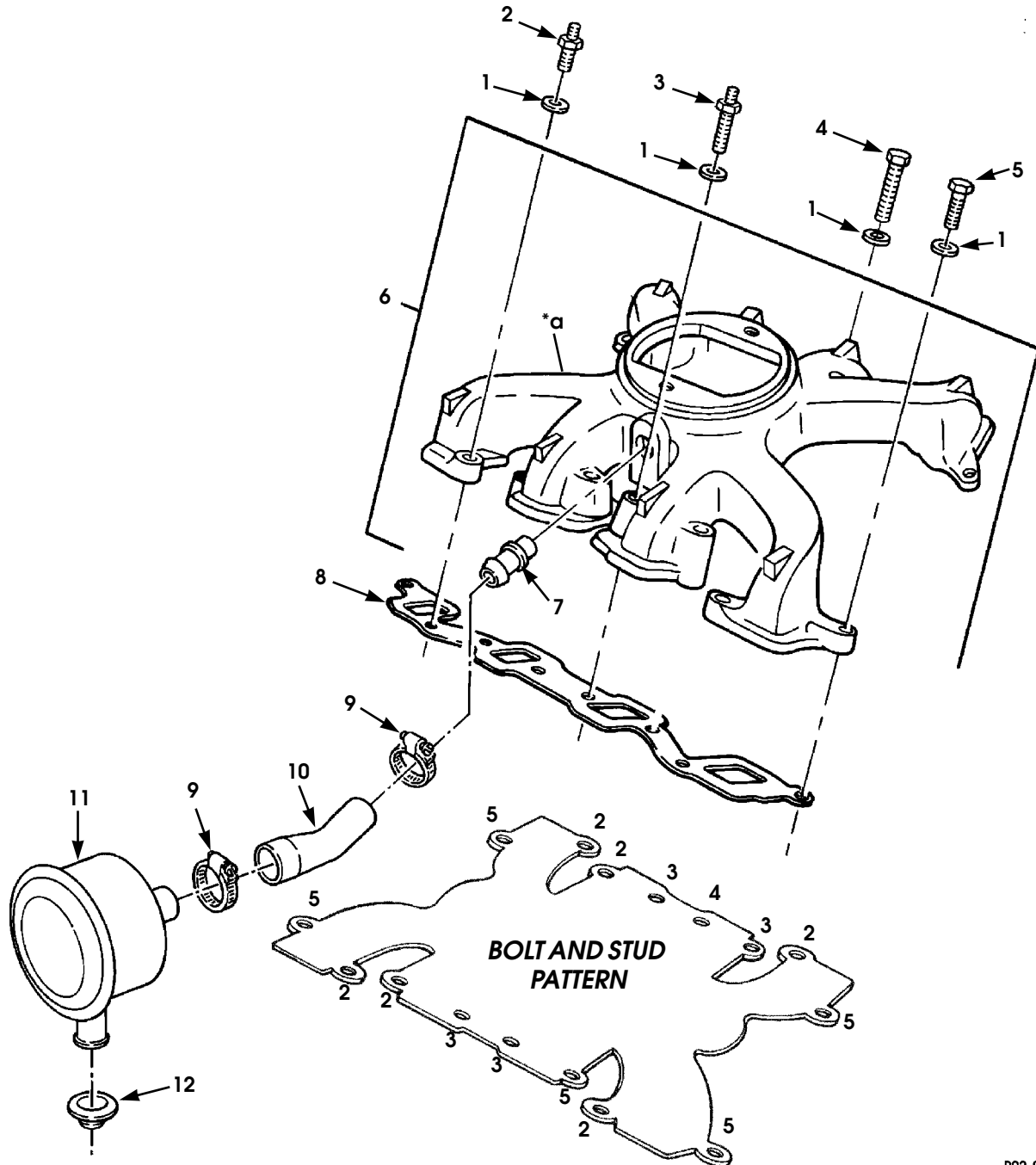
# HUMMER PARTS CATALOG

**ENGINE 2-19**

ITEM	PART NUMBER	DESCRIPTION	QTY
		Figure 2-9 OIL FILTER, ADAPTER, AND OIL LINE FITTINGS	
1	G 00454097	ELBOW, oil pressure sensor . . . . .	1
2	MS 00028775 020	PACKING, oil filter adapter bolt . . . . .	2
3	12339409	GASKET, oil filter adapter bolt . . . . .	1
4	12339410	BOLT, fluid passage . . . . .	1
5	12338780	BRACKET, filter mount . . . . .	1
6	12339405	REDUCER, oil filter adapter. . . . .	1
7	05579680	FILTER, FLUID, engine oil. . . . .	1
8	MS 00028775 236	PACKING, oil filter adapter. . . . .	1
9	12338778	ADAPTER, oil cooler outlet hose . . . . .	1
10	12338776	ELBOW . . . . .	1
11	06000272	ELBOW . . . . .	1

# HUMMER PARTS CATALOG

## 2-20 ENGINE



P02-01

\*a PART OF ITEM 6

**2-10. Air Intake manifold, Crankcase Depression Regulator Valve, and Mounting Hardware.**

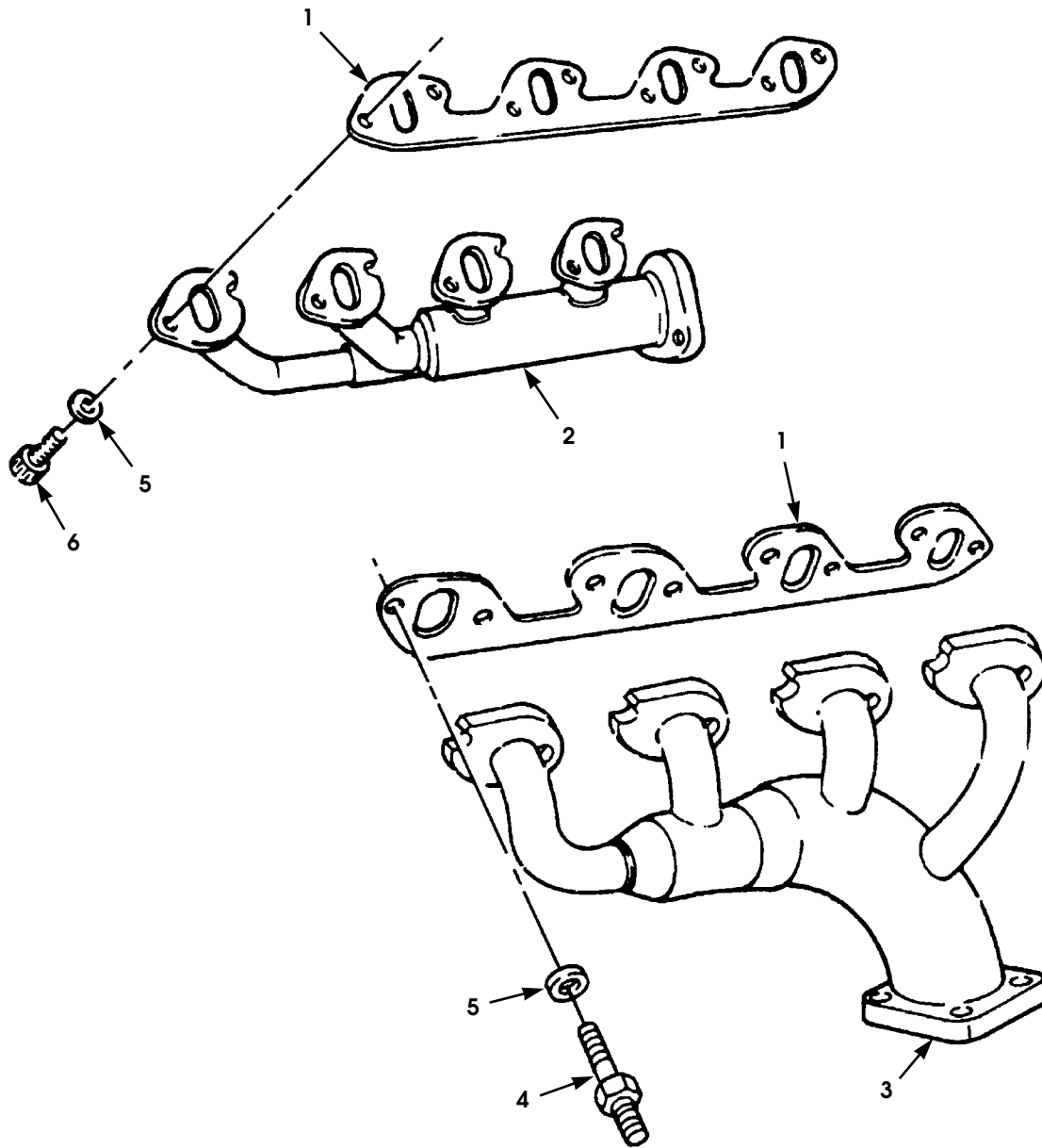
# HUMMER PARTS CATALOG

**ENGINE 2-21**

ITEM	PART NUMBER	DESCRIPTION	QTY
		Figure 2-10 AIR INTAKE MANIFOLD, CRANKCASE DEPRESSION REGULATOR VALVE, AND MOUNTING HARDWARE	
1	G 02436164	WASHER, flat. . . . .	16
2	05740052	STUD, intake manifold . . . . .	6
3	05740053	STUD, intake manifold . . . . .	4
4	G 11509265	SCREW, cap, hexagon . . . . .	1
5	05740181	BOLT, self-locking . . . . .	5
6	05740057	MANIFOLD, intake . . . . .	1
7	05741614	•ADAPTER, straight . . . . .	1
8	05740183	GASKET SET, SEE NOTE 1 . . . . .	2
9	11608950 5	CLAMP, CDR valve hose . . . . .	2
10	06004112	HOSE, preformed, CDR valve to air intake manifold . .	1
11	06004110	SENSOR, air charged . . . . .	1
12	06004111	GROMMET, CDR valve mounting . . . . .	1
		NOTE 1:PART OF CYLINDER HEAD GASKET SET P/N 05743401	

# HUMMER PARTS CATALOG

## 2-22 ENGINE



P02-011

2-11. Exhaust Manifolds.

# HUMMER PARTS CATALOG

12-31-95

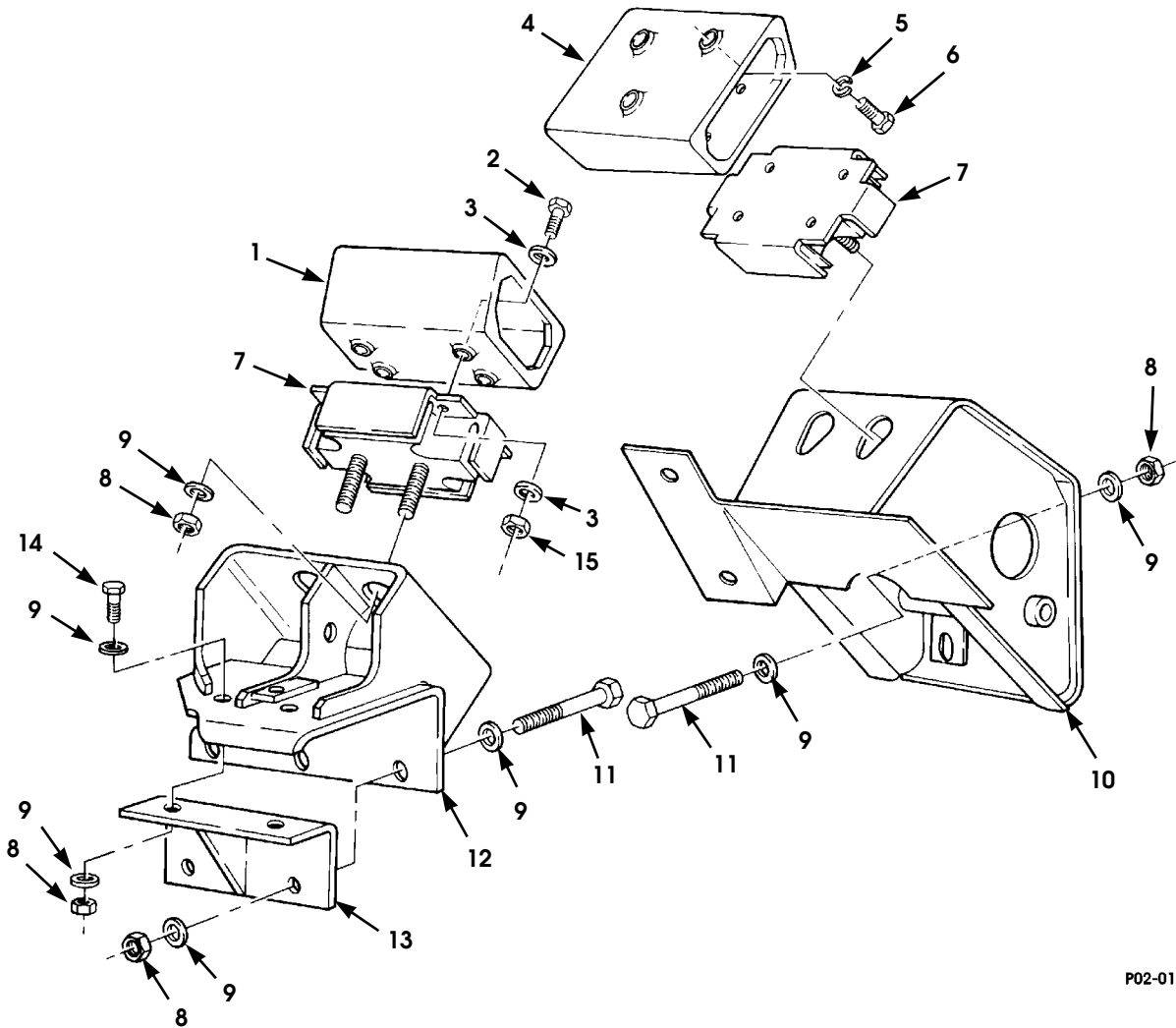
## ENGINE 2-23

ITEM	PART NUMBER	DESCRIPTION	QTY
		Figure 2-11 EXHAUST MANIFOLDS	
1	12339414	GASKET, exhaust manifold . . . . .	2
★ 2	12338788	MANIFOLD, exhaust, R.H. . . . .	1
★ 3	12338787	MANIFOLD, exhaust, L.H. . . . .	1
4	06004915	STUD, exhaust manifold, L.H. . . . .	1
5	G 11500256	WASHER . . . . .	16
6	12339239 1	SCREW, exhaust manifold. . . . .	15



# HUMMER PARTS CATALOG

## 2-24 ENGINE



P02-012

2-12. Engine Mounting Brackets.

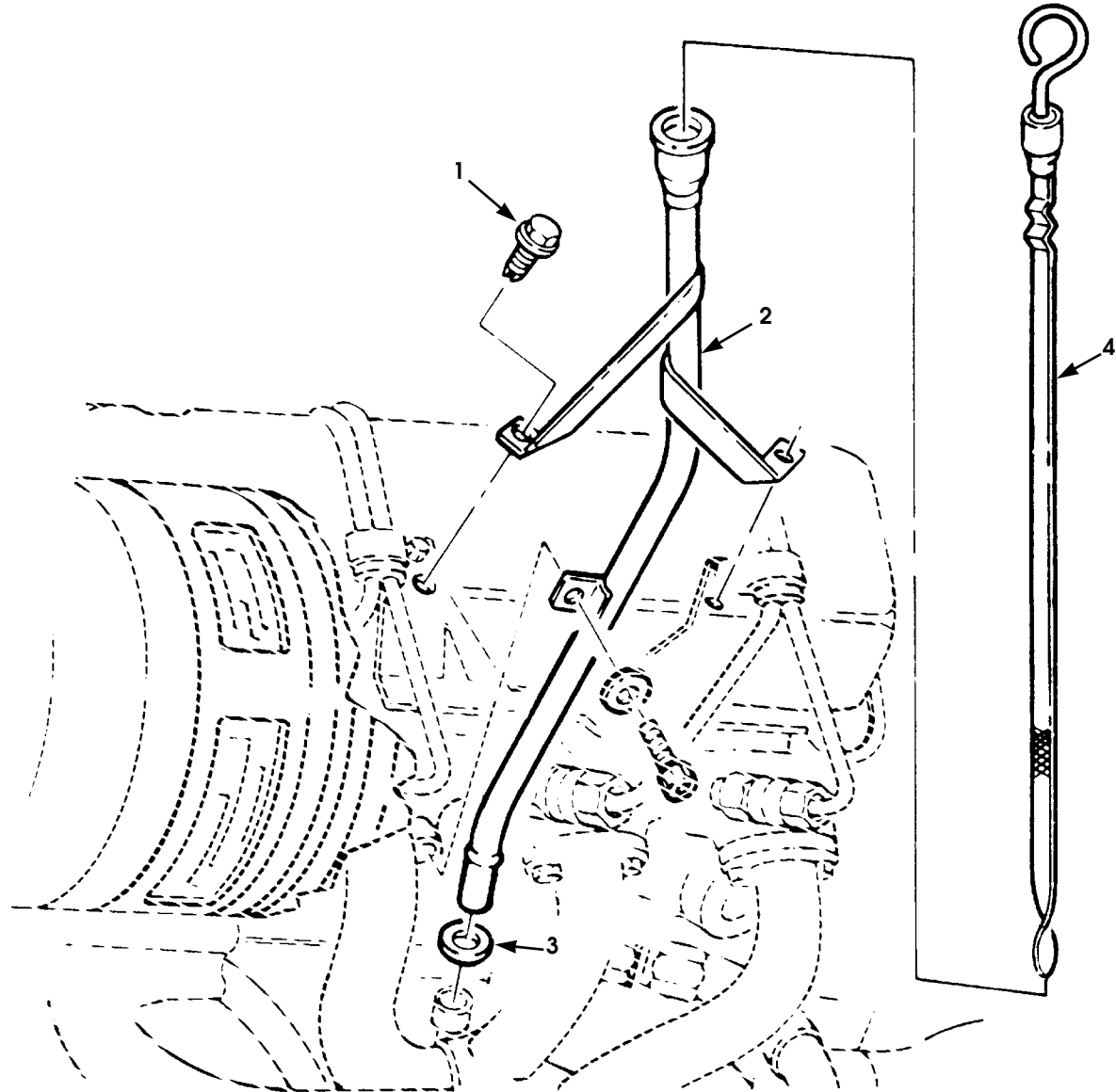
# HUMMER PARTS CATALOG

## ENGINE 2-25

ITEM	PART NUMBER	DESCRIPTION	QTY
		Figure 2-12 ENGINE MOUNTING BRACKETS	
1	12339133	BRACKET, engine block to insulator, R.H. . . . .	1
2	MS 00090728 62	SCREW, insulator to engine mount . . . . .	8
3	G 02436163	WASHER, flat. . . . .	16
4	12339132	BRACKET, engine block to insulator, L.H. . . . .	1
5	MS 00035338 46	LOCKWASHER, engine mount . . . . .	6
6	MS 00090728 60	SCREW, engine mount . . . . .	6
7	12339179	MOUNT, resilient . . . . .	2
8	MS 00051943 39	NUT, engine mount . . . . .	13
9	G 02436165	WASHER, flat. . . . .	22
10	12338205	BRACKET, frame to insulator . . . . .	1
11	MS 00090728 125	SCREW, engine mount . . . . .	7
12	12338183	BRACKET, frame to insulator, R.H. . . . .	1
13	06003929	BRACKET, engine mount . . . . .	1
14	MS 00090728 111	SCREW, bracket to engine mount. . . . .	2
15	MS 00051943 35	NUT, insulator to engine mount . . . . .	8

# HUMMER PARTS CATALOG

## 2-26 ENGINE



P02-013

2-13. Engine Oil Dipstick and Tube Assembly.

# HUMMER PARTS CATALOG

**ENGINE 2-27**

ITEM	PART NUMBER	DESCRIPTION	QTY
		Figure 2-13 ENGINE OIL DIPSTICK AND TUBE ASSEMBLY	
1	12340515	SCREW, engine oil dipstick tube . . . . .	2
	05743294	SCREW (not illustrated) . . . . .	2
2	06004894	TUBE ASSEMBLY, engine oil dipstick . . . . .	1
3	G 00274244	O-RING, tube assembly . . . . .	1
4	06004909	DIPSTICK, engine oil level . . . . .	1

# HUMMER PARTS CATALOG

**2-28 ENGINE**

## NOTES

---

---

---

---

---

---

---

---

---

---

---

---

---

---

---

---

---

---

---

---

---

---

---

---

---

---

---

---

---

---

# HUMMER PARTS CATALOG

## FUEL, EMISSIONS AND EXHAUST 3-1

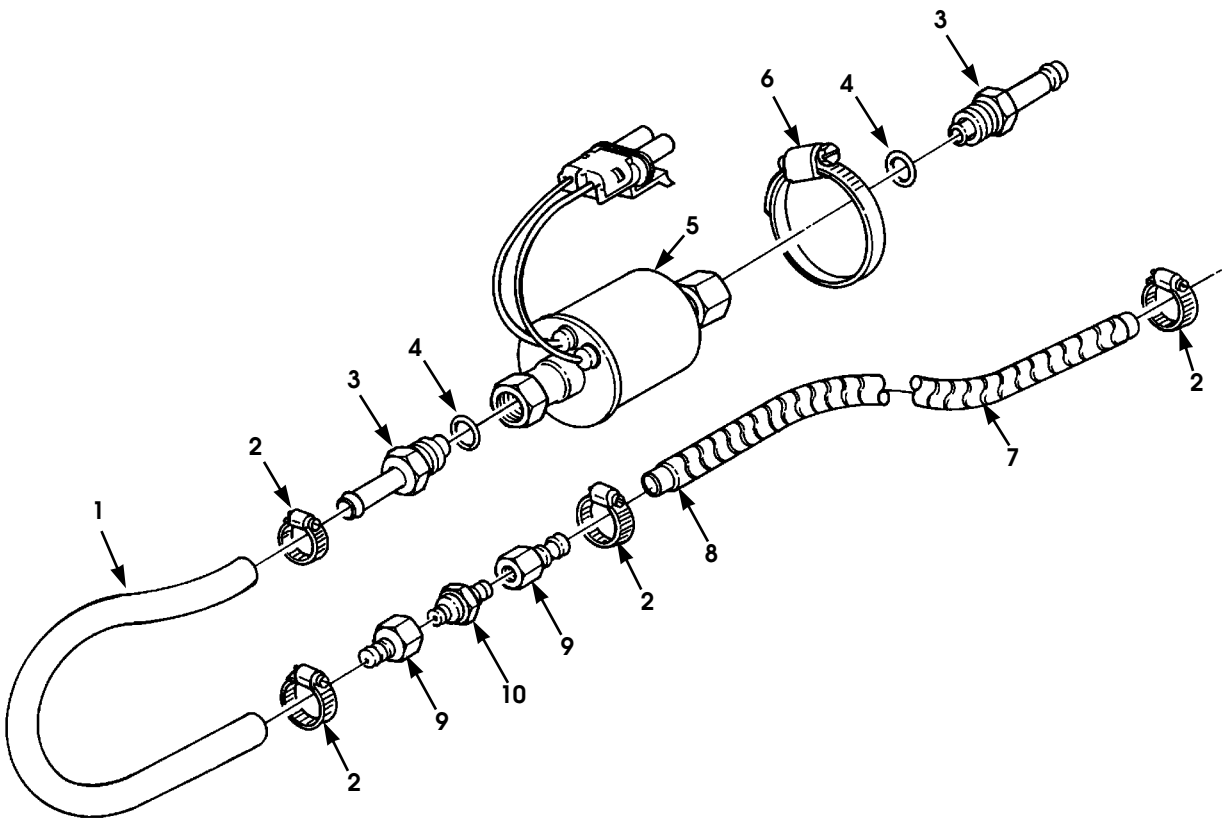
### Section 3

#### FUEL, EMISSIONS AND EXHAUST

TITLE	PAGE NUMBER
Fuel Pump and Mounting Hardware . . . . .	3-2
Fuel Injection Pump and Fuel Filter Lines . . . . .	3-4
Fuel Injection Supply and Return Lines . . . . .	3-6
Fuel Injection Pump Cover Assembly, Governor Linkage, and Related Parts . . . . .	3-8
Fuel Injection Pump Throttle Shaft, Regulator, Transfer Pump, and Related Parts . . . . .	3-10
Fuel Injection Pump Housing Head and Rotor, Drive Shaft, and Related Parts . . . . .	3-12
Accelerator Cable Bracket and Idle Spring . . . . .	3-16
Air Cleaner, Air Horn, and Related Parts . . . . .	3-18
Fuel Tank Supply and Return Lines . . . . .	3-20
Fuel Tank Assembly and Mounting Straps . . . . .	3-22
Fuel Filler Pipe Assembly and Vent Lines . . . . .	3-24
Fuel Tank Vent Line, Filter, and Mounting Hardware . . . . .	3-26
Fuel Filter Assembly and Mounting Hardware . . . . .	3-28
Accelerator Controls . . . . .	3-30
Muffler, Exhaust Pipes, and Related Parts . . . . .	3-33
Exhaust Manifold Heat Shield . . . . .	3-36

# HUMMER PARTS CATALOG

## 3-2 FUEL, EMISSIONS AND EXHAUST



P03-00

Figure 3-1. Fuel Pump and Mounting Hardware.

# HUMMER PARTS CATALOG

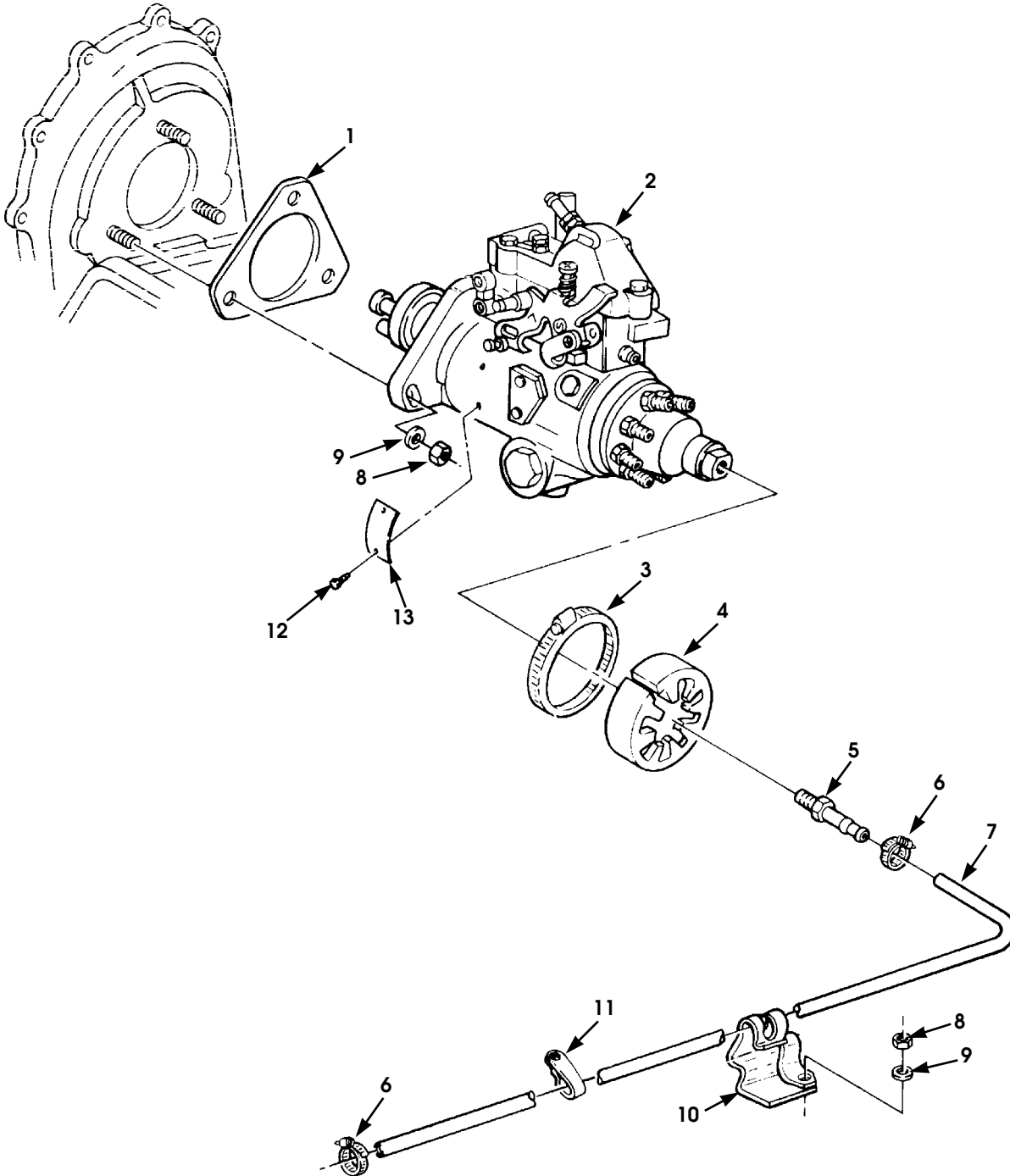
## FUEL, EMISSIONS AND EXHAUST 3-3

ITEM	PART NUMBER	DESCRIPTION	QTY
		Figure 3-1 FUEL PUMP AND MOUNTING HARDWARE	
1	N/S	HOSE, filter to pump, 12-inch, SEE NOTE 1 . . . . .	1
2	12339884 1	CLAMP, fuel hose . . . . .	4
3	05939725	TUBE ASSEMBLY, fuel line adapter . . . . .	2
4	12340395	SEAL, O-ring . . . . .	2
5	05939728	Fuel Pump ASSEMBLY . . . . .	1
6	11608950 8	CLAMP, fuel pump . . . . .	1
7	05742924	WRAP, spiral, 5-inch . . . . .	1
8	06001262	HOSE, fuel filter inlet, 5-inch . . . . .	1
9	12342951 2	HOSE BARB. . . . .	2
10	12342953 2	CHECK VALVE . . . . .	1
NOTE 1: MAKE FROM BULK HOSE P/N 05741067			



# HUMMER PARTS CATALOG

## 3-4 FUEL, EMISSIONS AND EXHAUST



P03-002

Figure 3-2. Fuel Injection Pump and Fuel Filter Lines.

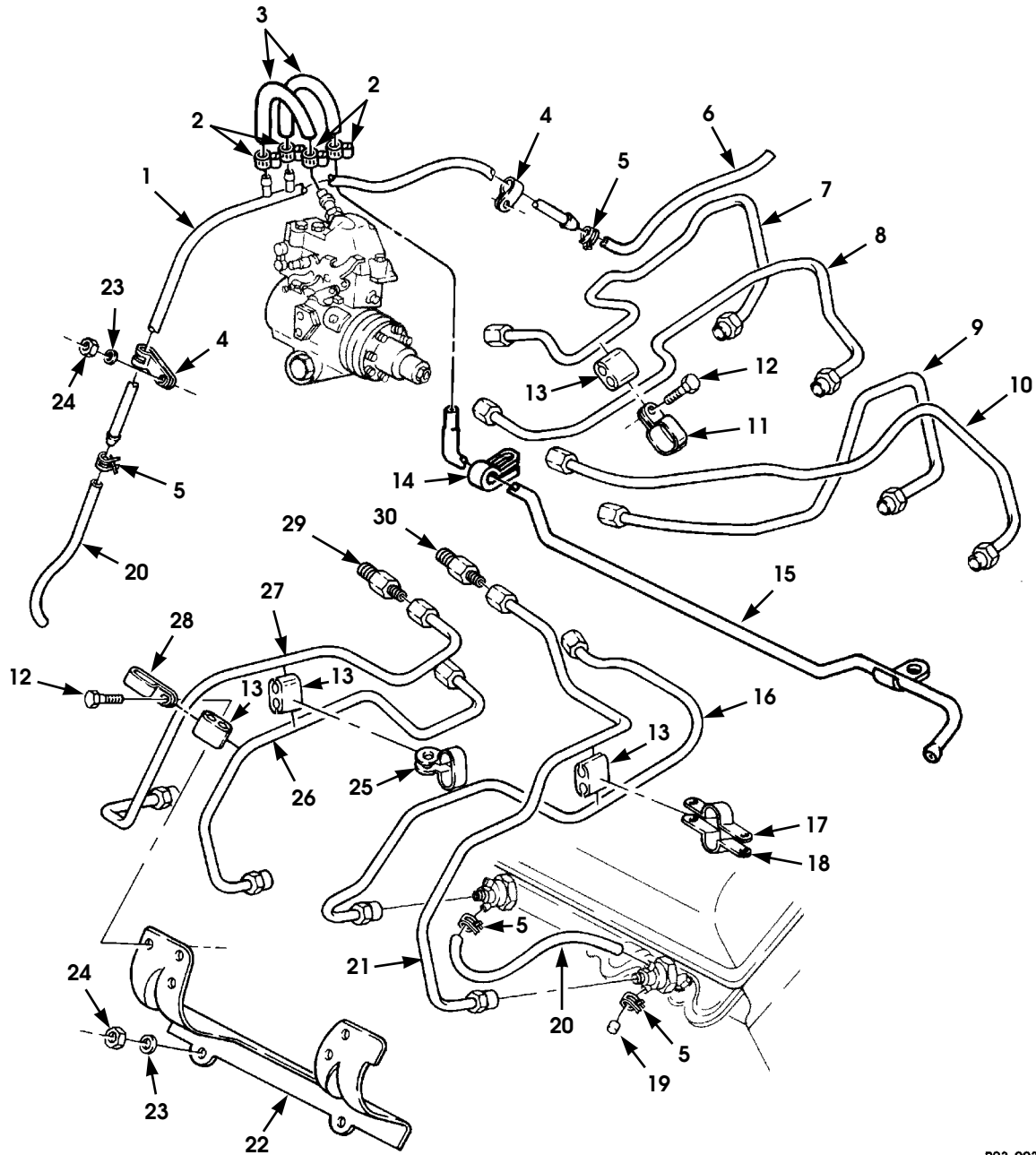
# HUMMER PARTS CATALOG

12-31-95

## FUEL, EMISSIONS AND EXHAUST 3-5

ITEM	PART NUMBER	DESCRIPTION	QTY
		Figure 3-2 FUEL INJECTION PUMP AND FUEL FILTER LINES	
1	05740059	GASKET, fuel injection pump, SEE NOTE 1 . . . . .	1
2	05743237	PUMP, fuel injection . . . . .	1
* 2	05744365	PUMP, fuel injection (rebuilt). . . . .	1
3	MS 00035842 14	CLAMP, fuel injection pump boot . . . . .	1
4	12339491 1	BOOT, fuel injection pump. . . . .	1
5	05593885	TUBE, fuel injection pump, outlet . . . . .	1
6	12339884	CLAMP, fuel filter inlet tube. . . . .	2
7	N/S	HOSE, 3/9-inch, fuel filter outlet, SEE NOTE 2. . . . .	1
8	05740247	NUT, fuel injection pump . . . . .	4
9	G 00120386	WASHER, fuel injection pump . . . . .	4
10	05741160	CLAMP, fuel filter inlet and outlet lines . . . . .	1
11	05740167	CLAMP, fuel filter inlet tube. . . . .	1
12	05740567	SCREW, fuel injection pump nameplate . . . . .	2
13	05740568	PLATE, identification . . . . .	1
		NOTE 1: PART OF ENGINE GASKET KIT P/N 05743401	
		NOTE 2: MAKE FROM BULK HOSE P/N 05741068	

## 3-6 FUEL, EMISSIONS AND EXHAUST



P03-003

Figure 3-3. Fuel Injection Supply and Return Lines.

# HUMMER PARTS CATALOG

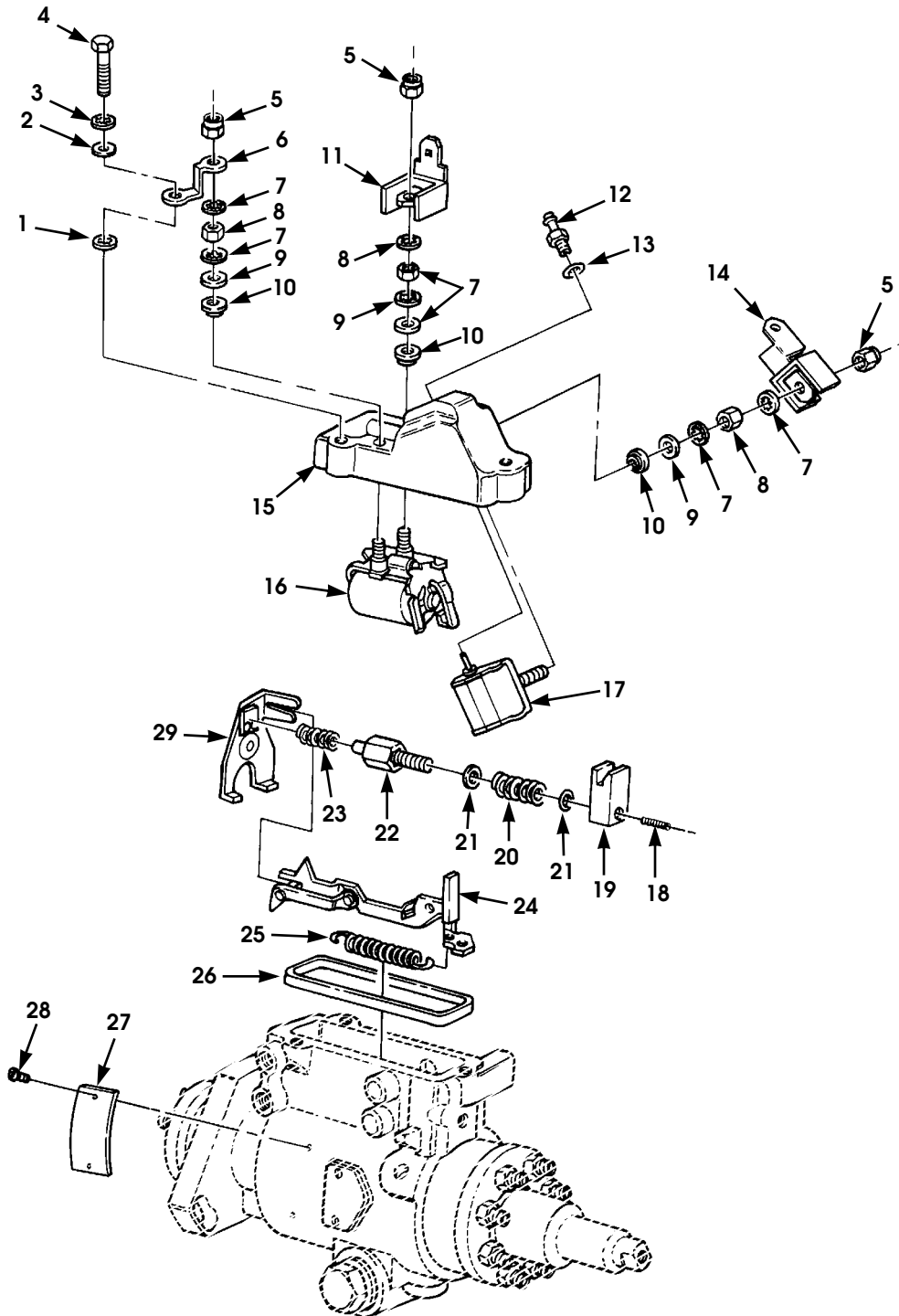
12-31-95

## FUEL, EMISSIONS AND EXHAUST 3-7

ITEM	PART NUMBER	DESCRIPTION	QTY
		Figure 3-3 FUEL INJECTION SUPPLY AND RETURN LINES	
* 1	05740534	TUBE, fuel drain . . . . .	1
2	12339884	CLAMP . . . . .	4
3	N/S	HOSE, 7-inch, fuel drain, SEE NOTE 1 . . . . .	2
4	05740171	CLAMP, fuel drain . . . . .	2
5	05740172	CLAMP, fuel drain tube . . . . .	18
6	05742651	TUBING, fuel drain pipe, right side . . . . .	1
7	05742551	TUBE, pump to injector, #2 cylinder . . . . .	1
8	05742553	TUBE, pump to injector, #4 cylinder . . . . .	1
9	05742555	TUBE, pump to injector, #6 cylinder . . . . .	1
10	05742557	TUBE, pump to injector, #8 cylinder . . . . .	1
11	05740179	CLAMP, fuel injection tube . . . . .	4
12	05741162	SCREW, fuel injection tube clamp. . . . .	8
13	05740537	INSERT, fuel injection tube clamp . . . . .	12
14	05742767	CLAMP, fuel drain tube . . . . .	1
15	05742675	TUBE ASSEMBLY, fuel drain return . . . . .	1
16	05742554	TUBE, pump to injector, #5 cylinder . . . . .	1
17	05740175	STRAP, fuel injection tube, upper . . . . .	3
18	05740176	STRAP, fuel injection tube, lower. . . . .	3
19	05740210	CAP, fuel injection nozzle . . . . .	2
20	N/S	HOSE, 7-inch, fuel drain, SEE NOTE 1 . . . . .	2
21	05742556	TUBE, pump to injector, #7 cylinder . . . . .	1
22	05742564	BRACKET, fuel injection lines, R.H. . . . .	1
22	05743288	BRACKET, fuel injection lines, L.H. . . . .	1
23	MS 00027183 11	WASHER, fuel drain . . . . .	5
24	05740247	NUT, fuel drain . . . . .	5
25	05740178	CLAMP, fuel injection tube . . . . .	1
26	05742552	TUBE, pump to injector, #3 cylinder . . . . .	1
27	05742550	TUBE, pump to injector, #1 cylinder . . . . .	1
28	05740536	CLAMP, fuel injection tube . . . . .	4
29	05743765	SENSOR, time-trac, #1 cyl . . . . .	1
* 30	05742452	CONNECTOR, fuel line to pump . . . . .	7
		NOTE 1: MAKE FROM BULK HOSE P/N 05741163	

# HUMMER PARTS CATALOG

## 3-8 FUEL, EMISSIONS AND EXHAUST



P03-004

Figure 3-4. Fuel Injection Pump Cover Assembly, Governor Linkage, and Related Parts.

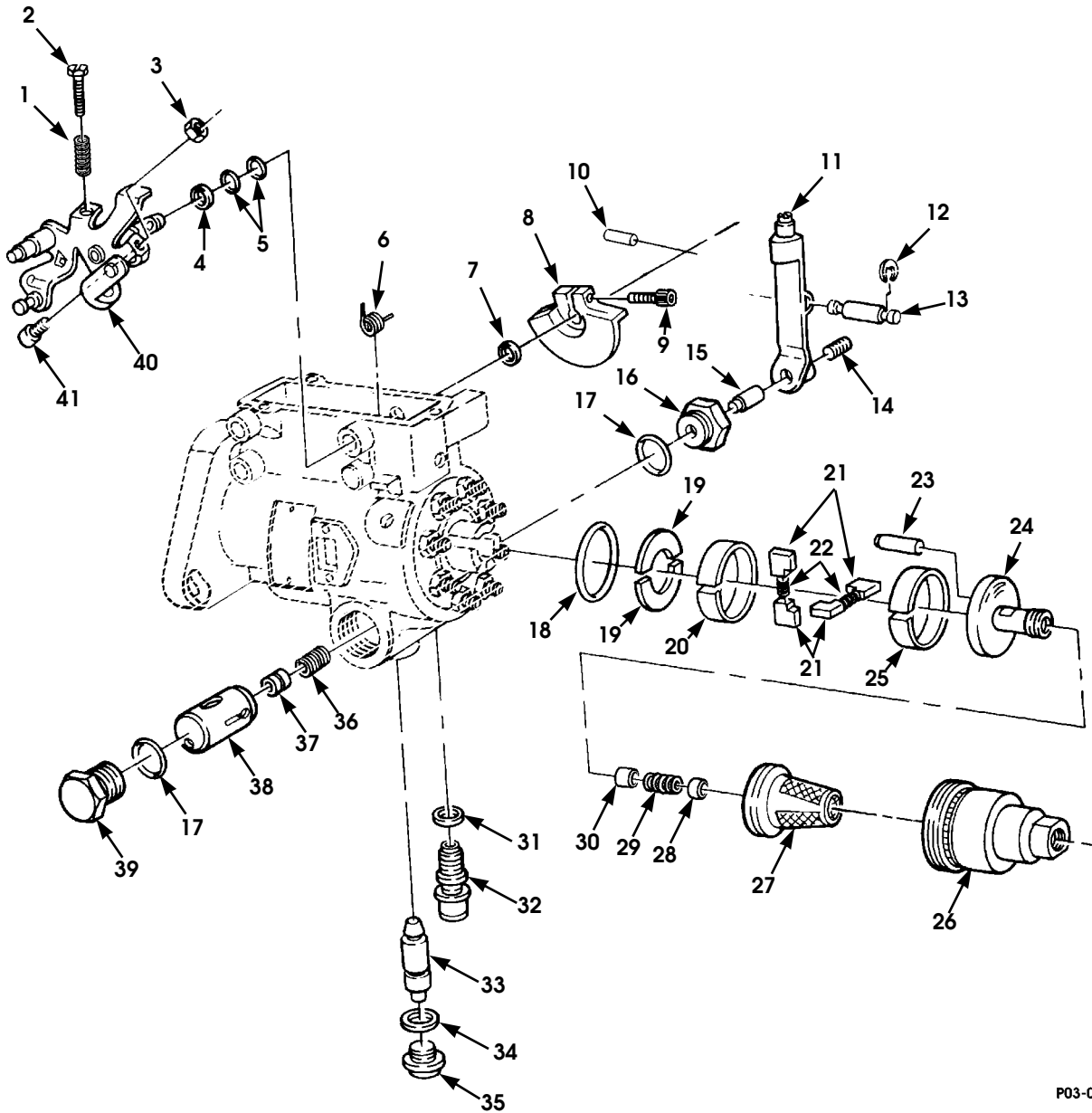
# HUMMER PARTS CATALOG

## FUEL, EMISSIONS AND EXHAUST 3-9

ITEM	PART NUMBER	DESCRIPTION	QTY
		Figure 3-4 FUEL INJECTION PUMP COVER ASSEMBLY, GOVERNOR LINKAGE, AND RELATED PARTS	
1	05740665	LOCKWASHER . . . . .	1
2	05740569	WASHER, fuel injection pump cover . . . . .	3
3	05740554	LOCKWASHER, fuel injection pump cover . . . . .	3
4	05740553	SCREW, fuel injection pump cover . . . . .	3
5	05740671	LOCKNUT . . . . .	3
6	05740664	STRAP, terminal . . . . .	1
7	05740673	LOCKWASHER . . . . .	6
8	05740666	NUT . . . . .	3
9	05740667	WASHER . . . . .	3
10	05740674	WASHER, SEE NOTE 1 . . . . .	3
11	05742648	SPADE LUG, shutoff solenoid . . . . .	1
12	05742634	CONNECTOR, return line . . . . .	1
13	05740556	PACKING, SEE NOTE 1 . . . . .	1
14	05742649	SPADE LUG, cold advance solenoid . . . . .	1
15	05742631	COVER . . . . .	1
16	05742632	SOLENOID, shutoff . . . . .	1
17	05742633	SOLENOID, cold advance . . . . .	1
18	05742124	SPRING, governor inner . . . . .	1
19	05740627	BLOCK ASSEMBLY . . . . .	1
20	05742126	SPRING, governor outer . . . . .	1
21	05740625	WASHER . . . . .	2
22	05742127	PUSHROD ASSEMBLY, governor . . . . .	1
23	05740616	SPRING, governor, idling . . . . .	1
24	05740693	HOOK ASSEMBLY . . . . .	1
25	05742635	SPRING . . . . .	1
26	05740072	GASKET, SEE NOTE 1. . . . .	1
27	05740568	IDENTIFICATION PLATE . . . . .	1
28	05740567	SCREW, identification plate . . . . .	2
29	05740617	ARM . . . . .	1
		NOTE 1: PART OF FUEL INJECTION GASKET OVERHAUL KIT P/N 05742010	

# HUMMER PARTS CATALOG

## 3-10 FUEL, EMISSIONS AND EXHAUST



P03-00

Figure 3-5. Fuel Injection Pump Throttle Shaft, Regulator, Transfer Pump, and Related Parts.

# HUMMER PARTS CATALOG

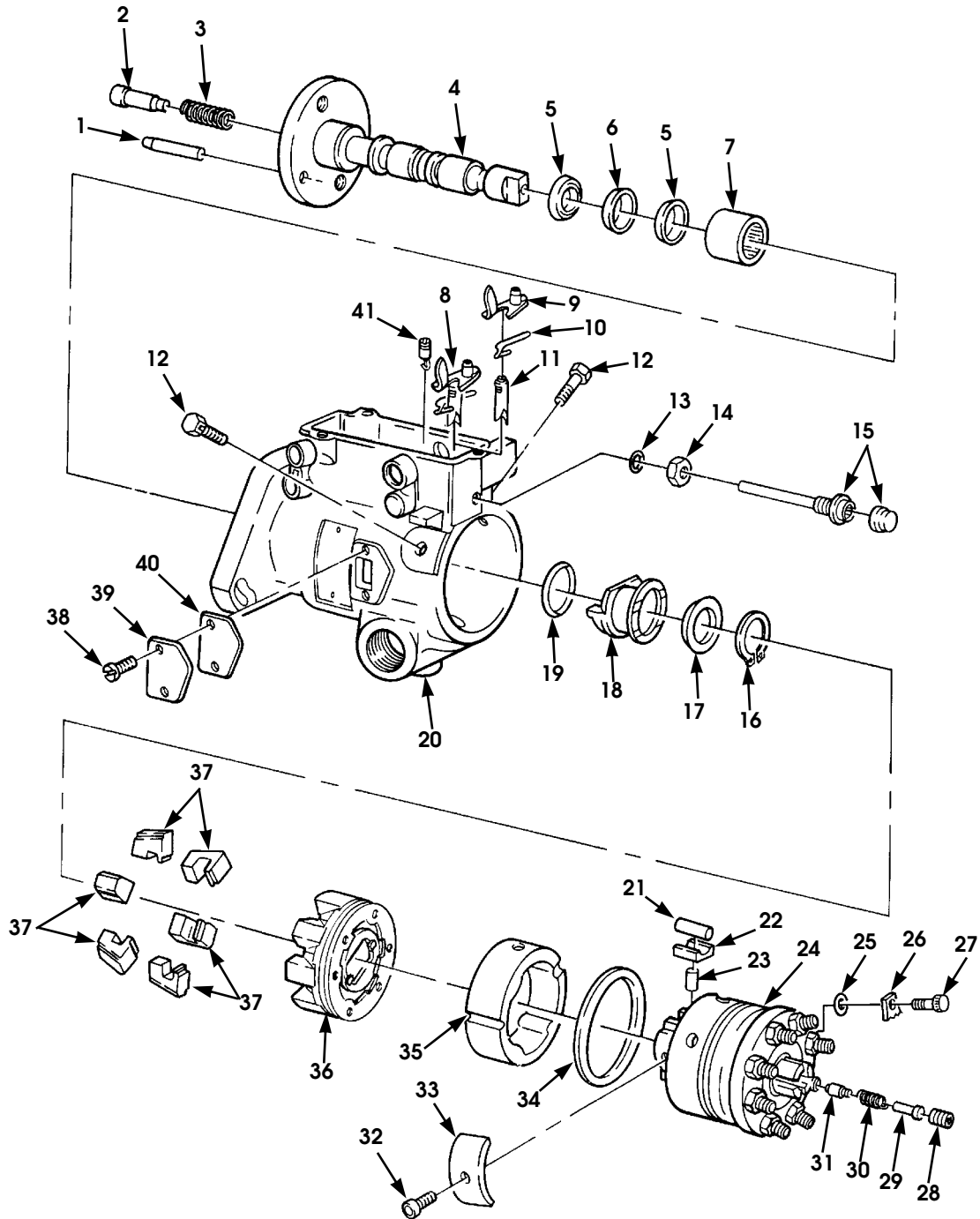
## FUEL, EMISSIONS AND EXHAUST 3-11

ITEM	PART NUMBER	DESCRIPTION	QTY
		Figure 3-5 FUEL INJECTION PUMP THROTTLE SHAFT, REGULATOR, TRANSFER PUMP, AND RELATED PARTS	
1	05740637	SPRING, low idle screw . . . . .	1
2	05740636	SCREW, low idle . . . . .	1
3	05740635	NUT, max. throttle travel . . . . .	1
4	05740634	SPACER, throttle shaft . . . . .	1
5	05740645	SEAL, throttle shaft, SEE NOTE 1 . . . . .	2
6	05742128	SPRING, governor, thrust . . . . .	1
7	05742636	SEAL WASHER, throttle shaft, SEE NOTE 1 . . . . .	1
8	05740644	CAM, face, fuel injection pump . . . . .	1
9	05740642	SCREW, face, cam. . . . .	1
10	05740643	PIN, drive, SEE NOTE 1 . . . . .	1
11	05740655	LEVER, rocker, fuel injection pump . . . . .	1
12	05740657	RETAINING RING, rocker lever . . . . .	2
13	05740656	PIN, rocker level . . . . .	1
14	05740658	SETSCREW, servo advance adjust . . . . .	1
15	05740647	PLUNGER, servo advance . . . . .	1
16	05742445	PLUG, piston hole . . . . .	1
17	05740653	SEAL, drain plug, piston hole, SEE NOTE 1 . . . . .	2
18	05740599	SEAL, ring, transfer pump, SEE NOTE 1 . . . . .	1
19	05740607	RETAINER, rotor, fuel injection pump . . . . .	2
20	05740608	LINER, transfer pump. . . . .	1
21	05740609	BLADE, transfer pump, standard . . . . .	4
21	05740610	BLADE, transfer pump, oversized, .001 . . . . .	4
22	05740600	SPRING, transfer pump blade . . . . .	2
23	05740601	PIN, transfer pump. . . . .	1
24	05742446	REGULATOR, transfer pump . . . . .	1
25	05740611	RETAINING RING, lining . . . . .	1
26	05742447	CAP, transfer pump . . . . .	1
27	05742451	STRAINER, fuel inlet . . . . .	1
28	05740604	PLUG ASSEMBLY, end plate . . . . .	1
29	05742131	SPRING, regulating . . . . .	1
30	05740603	PISTON, fuel regulating transfer pump . . . . .	1
31	05740660	PACKING, head locating screw, SEE NOTE 1 . . . . .	1
32	05740661	SCREW, head locating . . . . .	1
33	05740654	PIN, cam advance . . . . .	1
34	05740662	PACKING, cam advance, SEE NOTE 1. . . . .	1
35	05740663	PLUG, screw hole advance . . . . .	1
36	05742448	SPRING, light load advance . . . . .	1
37	05740649	VALVE, servo advance . . . . .	1
38	05742449	PISTON, servo advance . . . . .	1
39	05742133	PLUG, piston hole, power side . . . . .	1
40	05740638	SHAFT ASSEMBLY, throttle . . . . .	1
41	05742637	SCREW, max. throttle travel . . . . .	1
		NOTE 1: PART OF FUEL INJECTION GASKET OVERHAUL KIT P/N 05742010	



# HUMMER PARTS CATALOG

## 3-12 FUEL, EMISSIONS AND EXHAUST



P03-006

Figure 3-6. Fuel Injection Pump Housing Head and Rotor, Drive Shaft, and Related Parts.

# HUMMER PARTS CATALOG

## FUEL, EMISSIONS AND EXHAUST 3-13

ITEM	PART NUMBER	DESCRIPTION	QTY
		Figure 3-6 FUEL INJECTION PUMP HOUSING HEAD AND ROTOR, DRIVE SHAFT, AND RELATED PARTS	
1	05740559	PIN, drive shaft dowel, SEE NOTE 1 . . . . .	2
1	05740560	PIN, drive shaft dowel, oversized . . . . .	1
2	05740563	PIN, thrust washer . . . . .	1
3	05740561	SPRING, thrust pin . . . . .	1
4	05740557	DRIVE SHAFT. . . . .	1
5	05740562	PACKING, black, SEE NOTE 2 . . . . .	2
6	05740564	PACKING, red, SEE NOTE 2 . . . . .	1
7	05740583	NEEDLE BEARING. . . . .	1
8	05741097	VALVE ASSEMBLY, oversized, SEE NOTE 3 . . . . .	1
9	05740630	ARM ASSEMBLY, standard . . . . .	1
10	05740631	SPRING . . . . .	1
11	05740632	VALVE, standard . . . . .	1
12	05740580	SCREW, headlocking . . . . .	2
13	05742137	SEAL, O-ring, guide stud . . . . .	1
14	05742136	NUT, guide stud . . . . .	1
15	05742138	STUD, governor . . . . .	1
16	05740623	RETAINING RING, governor. . . . .	1
17	05740621	WASHER, governor sleeve . . . . .	1
18	05740620	GOVERNOR SLEEVE. . . . .	1
19	05742140	RETAINING RING . . . . .	1
20	05742141	HOUSING, fuel injection pump . . . . .	1
21	05740585	ROLLER, cam . . . . .	2
22	05740586	SHOE, cam roller . . . . .	2
23	05740680	PLUNGER, standard, .290 A, SEE NOTE 4 . . . . .	2
23	05740681	PLUNGER, standard, .290 B, SEE NOTE 4 . . . . .	2
23	05740682	PLUNGER, standard, .290 C, SEE NOTE 4 . . . . .	2
23	05740683	PLUNGER, standard, .290 D, SEE NOTE 4 . . . . .	2
23	05740684	PLUNGER, oversized, A, SEE NOTE 4 . . . . .	2
23	05740685	PLUNGER, oversized, B, SEE NOTE 4 . . . . .	2
23	05740686	PLUNGER, oversized, .002 C, SEE NOTE 4 . . . . .	2
23	05740687	PLUNGER, oversized, .002 D, SEE NOTE 4 . . . . .	2
24	05742142	HEAD AND ROTOR ASSEMBLY . . . . .	1
25	05740595	PACKING, locking plate, SEE NOTE 2 . . . . .	1
26	05742638	LOCKING PLATE. . . . .	1
27	05742639	SCREW, locking plate . . . . .	1
28	05740598	SCREW, delivery valve . . . . .	1
29	05740592	STOP, delivery valve, SEE NOTE 2 . . . . .	1
30	05740591	SPRING, delivery valve . . . . .	1
31	05742143	VALVE, standard . . . . .	1
31	05742144	VALVE, oversized . . . . .	1

# HUMMER PARTS CATALOG

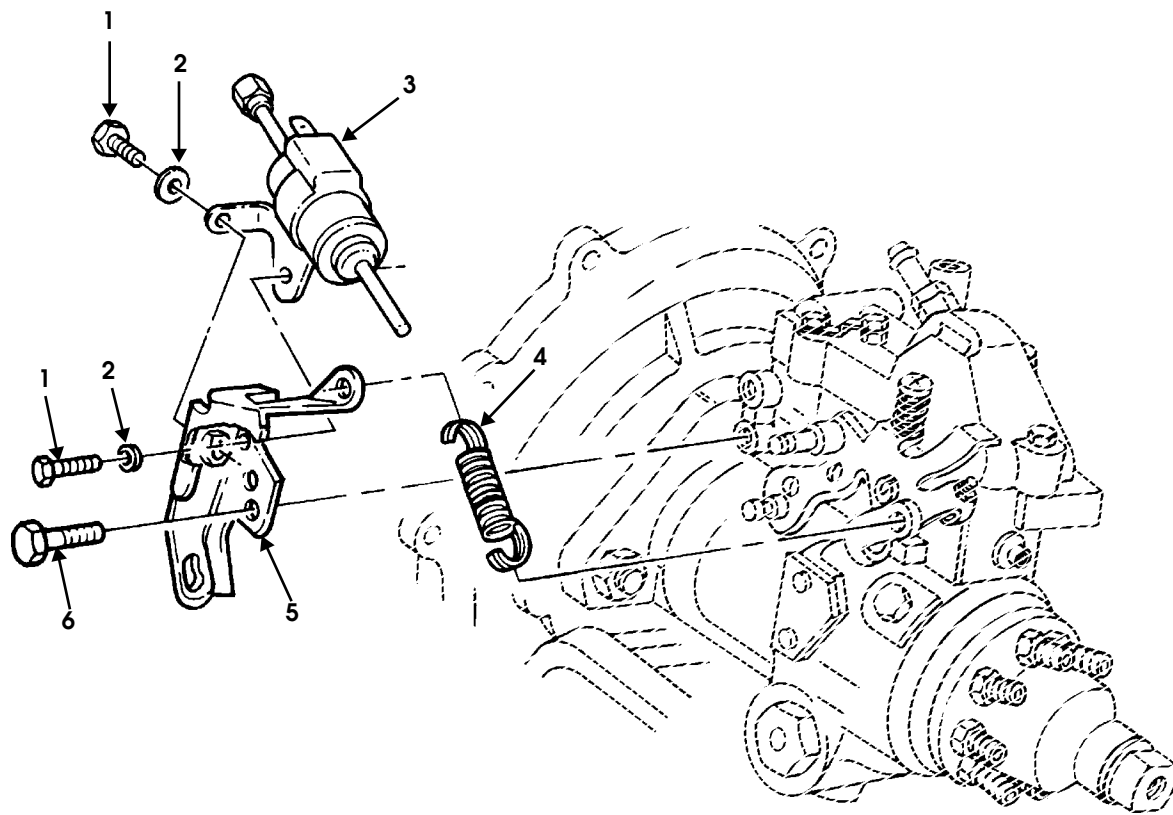
## 3-14 FUEL, EMISSIONS AND EXHAUST

ITEM	PART NUMBER	DESCRIPTION	QTY
		Figure 3-6 FUEL INJECTION PUMP HOUSING HEAD AND ROTOR, DRIVE SHAFT, AND RELATED PARTS (Cont'd)	
32	05740590	ADJUSTING SCREW, leaf spring . . . . .	1
33	05740589	SPRING . . . . .	1
34	05740588	PACKING, hydraulic head, SEE NOTE 2 . . . . .	1
35	05740587	CAM RING, standard. . . . .	1
36	05742145	RETAINER ASSEMBLY. . . . .	1
37	05740622	WEIGHT, counter balance . . . . .	6
38	05740566	SCREW, timing line cover . . . . .	2
39	05740565	TIMING LINE COVER. . . . .	1
40	05740584	GASKET, timing line cover, SEE NOTE 2 . . . . .	1
41	05740572	SCREW ASSEMBLY, vent, #0 . . . . .	1
41	05740573	SCREW ASSEMBLY, vent, #1 . . . . .	1
41	05740574	SCREW ASSEMBLY, vent, #2 . . . . .	1
41	05740575	SCREW ASSEMBLY, vent, #3 . . . . .	1
41	05740576	SCREW ASSEMBLY, vent, #4 . . . . .	1
41	05740577	SCREW ASSEMBLY, vent, #5 . . . . .	1
		NOTE 1: COMES WITH ITEM 4	
		NOTE 2: PART OF FUEL INJECTION GASKET OVERHAUL KIT P/N 05742010	
		NOTE 3: COMES WITH ITEMS 9 AND 11	
		NOTE 4: COMES WITH ITEM 24	



# HUMMER PARTS CATALOG

## 3-16 FUEL, EMISSIONS AND EXHAUST



P03-007

*Figure 3-7. Accelerator Cable Bracket and Idle Spring.*

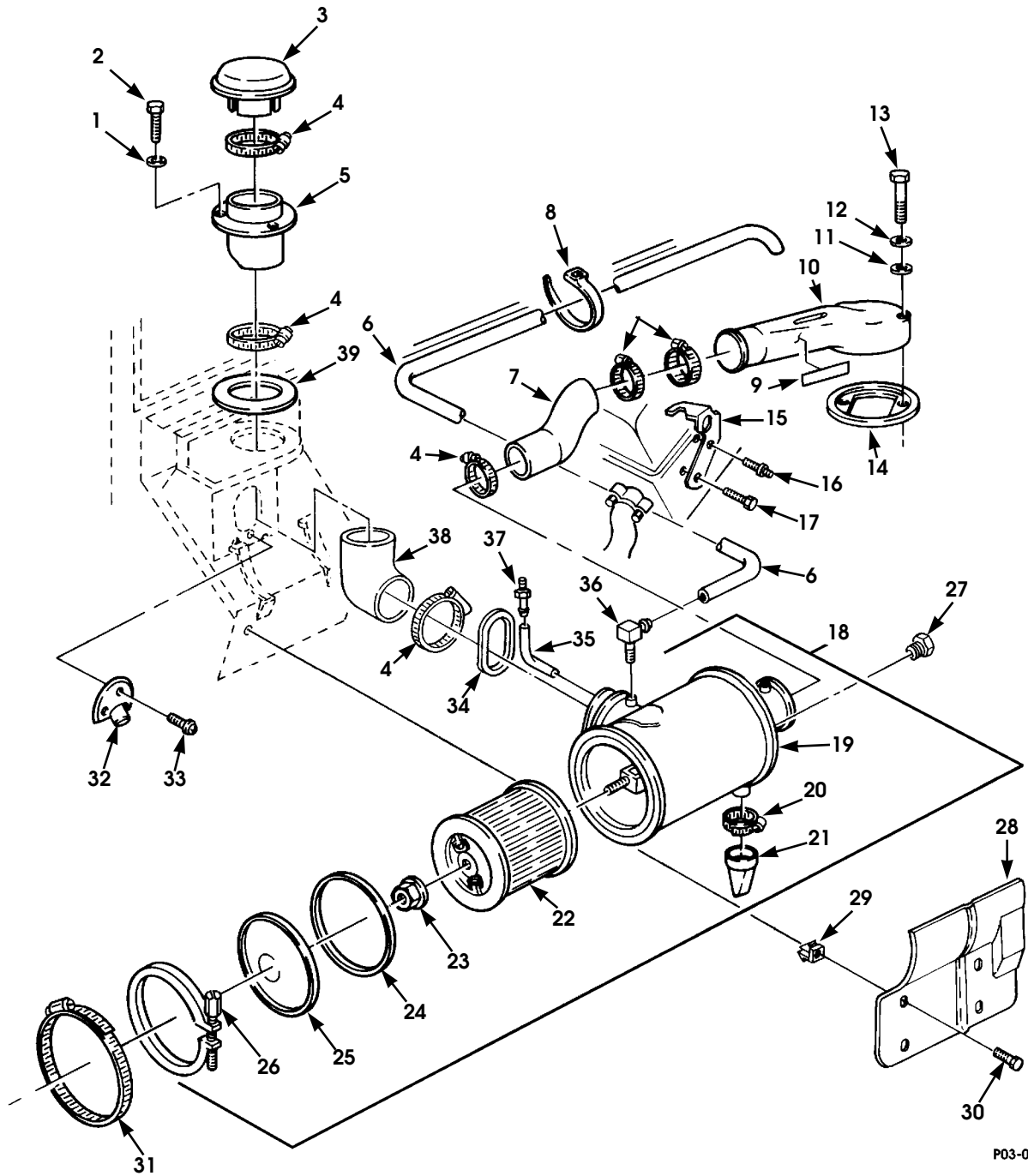
# HUMMER PARTS CATALOG

## FUEL, EMISSIONS AND EXHAUST 3-17

ITEM	PART NUMBER	DESCRIPTION	QTY
		Figure 3-7 ACCELERATOR CABLE BRACKET AND IDLE SPRING	
1	05742655	SCREW, solenoid . . . . .	2
2	G 09421089	WASHER, accelerator cable bracket . . . . .	2
3	05742565	SOLENOID ASSEMBLY, idle speed control . . . . .	1
4	05742659	SPRING, idle return . . . . .	1
5	05742654	BRACKET ASSEMBLY, accelerator cable . . . . .	1
6	05741159	BOLT, accelerator cable bracket . . . . .	2

# HUMMER PARTS CATALOG

## 3-18 FUEL, EMISSIONS AND EXHAUST



P03-01

Figure 3-8. Air Cleaner, Air Horn, and Related Parts.

# HUMMER PARTS CATALOG

## FUEL, EMISSIONS AND EXHAUST 3-19

ITEM	PART NUMBER	DESCRIPTION	QTY
		Figure 3-8 AIR CLEANER, AIR HORN, AND RELATED PARTS	
1	MS 00027183 10P2	WASHER, air intake shield, 9/32 . . . . .	3
2	MS 00090728 2P2	SCREW, air intake shield, 1/4 - 20 x 7/16 . . . . .	3
3	12338377 P	CAP, air intake . . . . .	1
4	11608950 18	CLAMP, air intake, 5.0 - 2.0 . . . . .	6
5	06001738 P	ADAPTER, air intake. . . . .	1
6	N/S	TUBE, 28-inch, air cleaner vent line, SEE NOTE 1 . . . . .	1
7	12338381	HOSE, induction . . . . .	1
8	MS 00003367 1-9	TIEDOWN STRAP, tube air cleaner . . . . .	1
9	12339055	DECAL, no step . . . . .	1
10	12338383	AIR HORN ASSEMBLY. . . . .	1
11	12339052	WASHER, air horn, 5/16 . . . . .	2
12	G 09418924	WASHER, air horn, 5/16 - 18 x 3.75 . . . . .	2
13	MS 00090725 47	BOLT, air horn, 5/16 - 18 x 3.75 . . . . .	2
14	12338382	GASKET, air horn . . . . .	1
15	05937374	BRACKET, engine lift . . . . .	1
16	12339406 2	STUD, air horn support bracket . . . . .	1
17	G 11503454	SCREW, air horn support bracket, M10 - 1.5 x 20, 10.9. . . . .	1
18	WA 12339911	AIR CLEANER ASSEMBLY . . . . .	1
19	S.I.A.	•BODY, air cleaner . . . . .	1
20	MS 00035482 14	•CLAMP, dust unloader . . . . .	1
21	12342873	•UNLOADER, dust . . . . .	1
22	12342870	•FILTER element, air cleaner . . . . .	1
23	12342871	•NUT/LOCKWASHER, air cleaner. . . . .	1
24	12342872	•GASKET, air filter. . . . .	1
25	12342869	•COVER, air cleaner. . . . .	1
26	12342874	•CLAMP, air cleaner . . . . .	1
27	G 00127950	PLUG, air cleaner, 1/8 brass, hex . . . . .	1
28	12338863 P	SHIELD, air cleaner . . . . .	1
29	12340922	GROMMET, air cleaner shield. . . . .	4
30	G 09421073	SCREW, air cleaner shield. . . . .	4
31	11608950 28	CLAMP, air cleaner, 2.25 - 2.00 . . . . .	3
32	12338842	BRACKET, air intake drainage tube. . . . .	1
33	MS 00051861 34	SCREW, drainage bracket . . . . .	3
34	06005110	GASKET, air cleaner intake. . . . .	1
35	12340799	TUBE, vent line . . . . .	1
36	12339964 1	ELBOW, pipe to hose, vent line . . . . .	1
37	12339978	CONNECTOR, vent line. . . . .	1
38	06001737	ELBOW, air cleaner . . . . .	1
39	06001764	GASKET, air intake housing. . . . .	1
		NOTE 1: MAKE FROM BULK NYLON TUBE P/N 05741079	



# HUMMER PARTS CATALOG

## 3-20 FUEL, EMISSIONS AND EXHAUST

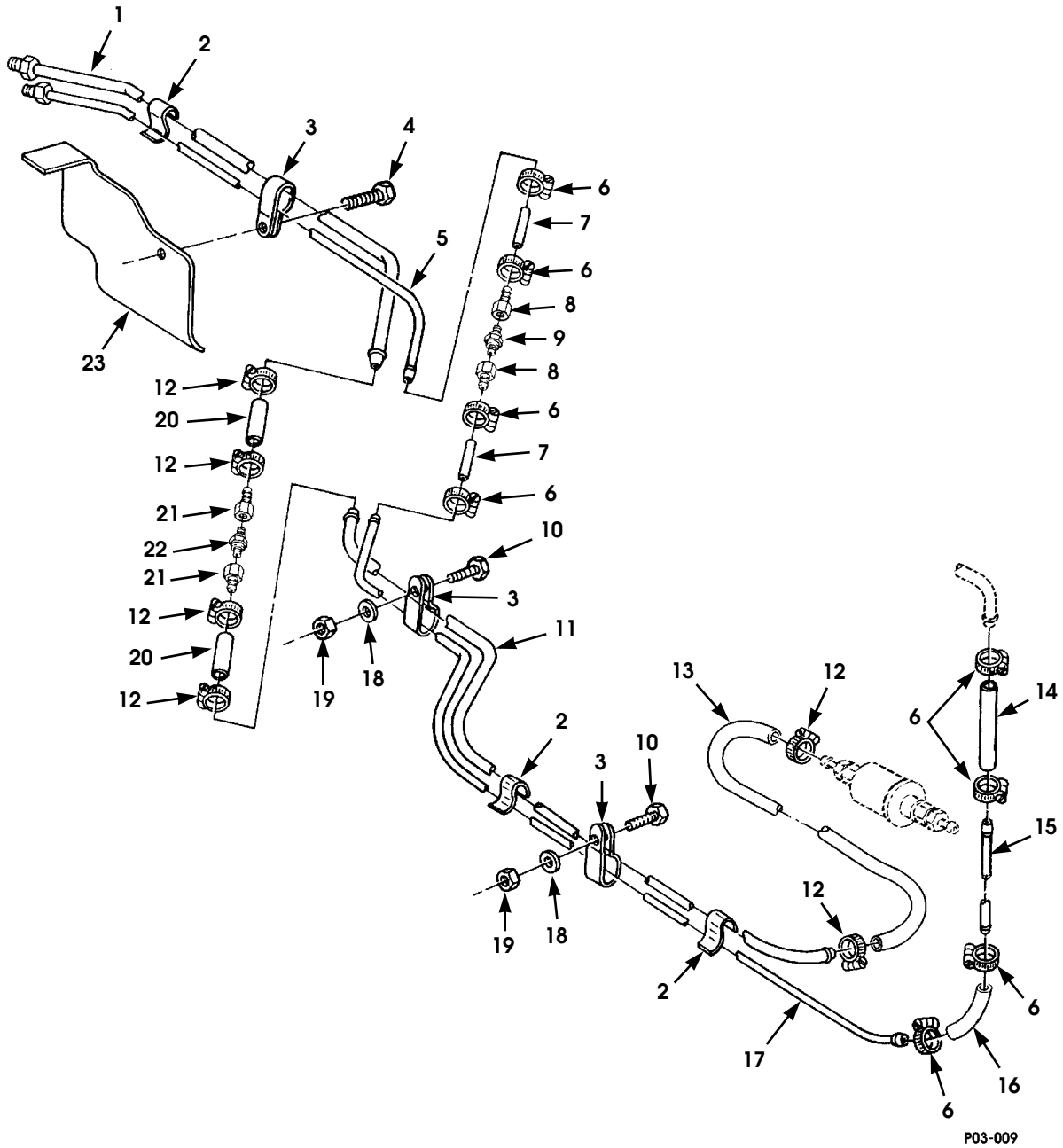


Figure 3-9. Fuel Tank Supply and Return Lines.

# HUMMER PARTS CATALOG

7-1-95

## FUEL, EMISSIONS AND EXHAUST 3-21

ITEM	PART NUMBER	DESCRIPTION	QTY
		Figure 3-9 FUEL TANK SUPPLY AND RETURN LINES	
1	12342949	TUBE ASSEMBLY, fuel supply . . . . .	1
2	12339890	"S" CLIP, fuel lines . . . . .	3
3	12339660	CLAMP, fuel lines . . . . .	3
4	G 09415857	SCREW, fuel line clamp and shield . . . . .	1
5	12342950	TUBE ASSEMBLY, fuel return . . . . .	1
6	12339884	CLAMP, fuel return line . . . . .	8
7	N/S	HOSE, 2.25-inch, fuel return, SEE NOTE 1 . . . . .	2
8	12342951 1	HOSE BARB. . . . .	2
9	12342953 1	CHECK VALVE . . . . .	1
10	MS 00090725 6	SCREW, clamp, fuel supply and return lines . . . . .	2
11	05939876	TUBE, fuel supply . . . . .	1
12	12339884 1	CLAMP, fuel supply line . . . . .	8
13	N/S	HOSE, 7.75-inch, fuel supply, SEE NOTE 2 . . . . .	1
14	N/S	HOSE, 3.00-inch, fuel return, SEE NOTE 1 . . . . .	1
15	05939878	TUBE, fuel return . . . . .	1
16	N/S	HOSE, 2.5-inch, fuel return, SEE NOTE 1 . . . . .	1
17	05939877	TUBE, fuel return . . . . .	1
18	MS 00027183 10	WASHER, fuel line clamp . . . . .	2
19	MS 00051943 31	LOCKNUT, fuel line clamp. . . . .	2
20	N/S	HOSE, 2.25-inch, fuel supply, SEE NOTE 2 . . . . .	2
21	12342951 2	HOSE BARB. . . . .	2
22	12342953 3	CHECK VALVE . . . . .	1
* 23	12460102	SHIELD, fuel tank, heat protection . . . . .	1
		NOTE 1: MAKE FROM BULK HOSE P/N 05741068 NOTE 2: MAKE FROM BULK HOSE P/N 05741067	

# HUMMER PARTS CATALOG

## 3-22 FUEL, EMISSIONS AND EXHAUST

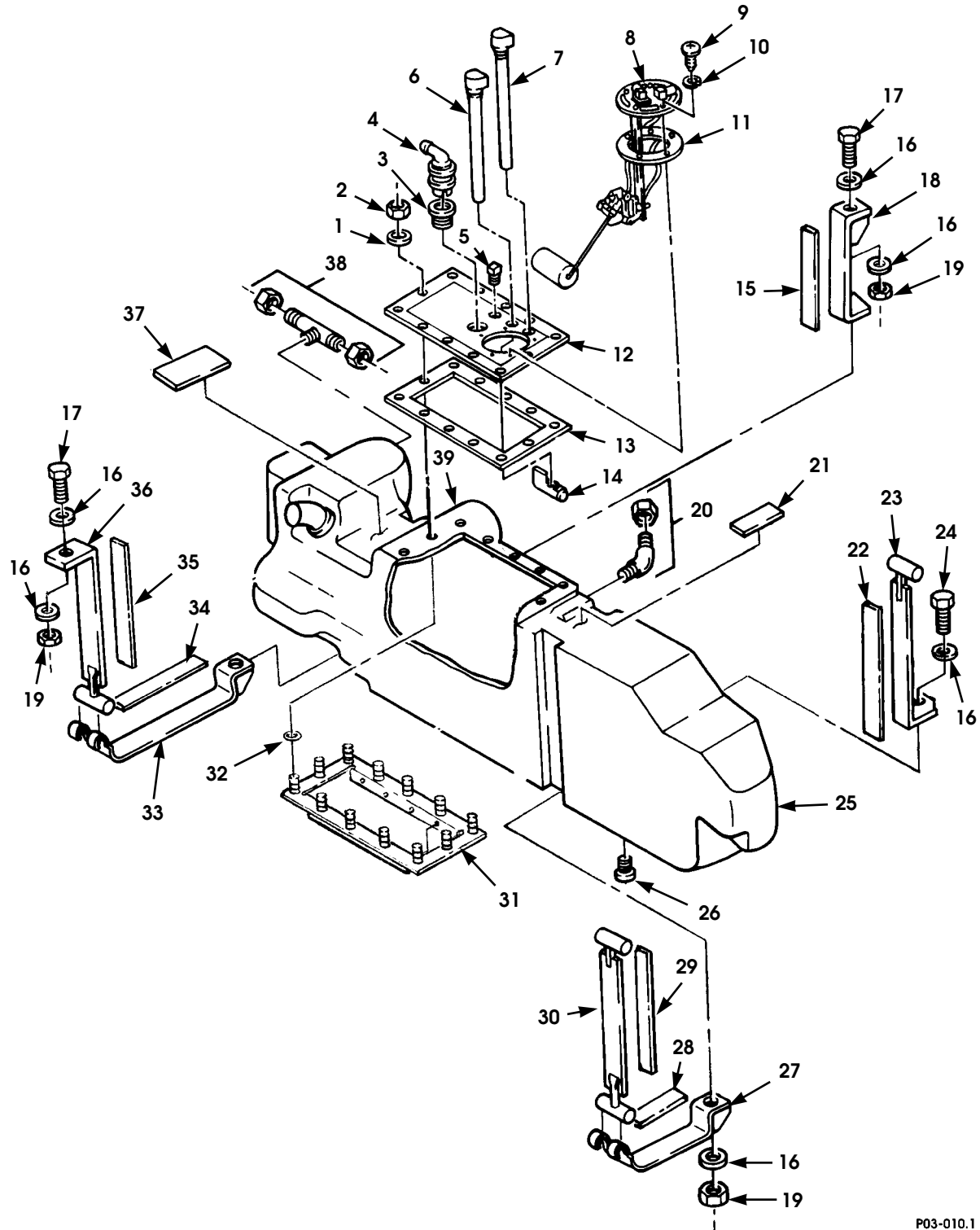


Figure 3-10. Fuel Tank Assembly and Mounting Straps.

P03-010.1

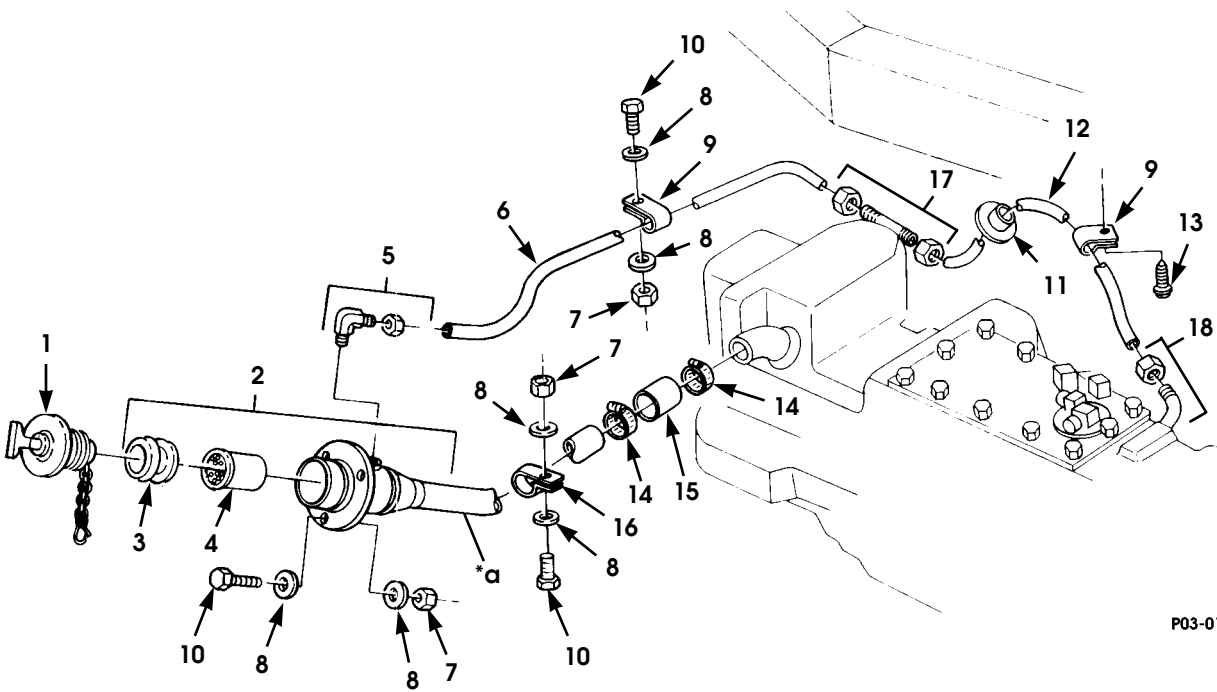
# HUMMER PARTS CATALOG

12-31-95

## FUEL, EMISSIONS AND EXHAUST 3-23

ITEM	PART NUMBER	DESCRIPTION	QTY
		Figure 3-10 FUEL TANK ASSEMBLY AND MOUNTING STRAPS	
* 1	G 02436161 P2	WASHER, fuel tank access plate . . . . .	12
2	MS 00051943 31	LOCKNUT, fuel tank access plate . . . . .	12
3	12339297	SEAL, fuel tank vent. . . . .	1
4	12339894	VALVE, fuel tank vent . . . . .	1
5	G 00444577	PLUG, fuel tank access plate. . . . .	1
6	12338550 1	TUBE ASSEMBLY, fuel supply . . . . .	1
7	12338549	TUBE ASSEMBLY, fuel return . . . . .	1
8	05936455	TRANSMITTER, engine fuel level . . . . .	1
9	MS 00051849 76	SCREW, fuel level transmitter . . . . .	5
10	MS 00035338 43	LOCKWASHER, fuel level transmitter . . . . .	5
11	07539072	GASKET, fuel level transmitter. . . . .	1
12	12338567	PLATE, fuel tank access . . . . .	1
13	12338585	GASKET, fuel tank access plate. . . . .	1
14	12338556	FUEL STRAINER, fuel supply tube . . . . .	4
15	06000330	INSULATOR, rear. . . . .	1
16	G 02436163	WASHER, fuel tank strap . . . . .	8
17	MS 00090728 60	SCREW, fuel tank strap . . . . .	2
18	12338568	STRAP, fuel tank, inner rear . . . . .	1
19	MS 00051967 9	NUT, fuel tank strap . . . . .	4
20	8 6-100302 BA	ELBOW, pipe to tube. . . . .	1
21	12338557 2	ANTI-SQUEAK, fuel tank, front. . . . .	1
22	06000333	INSULATOR, front . . . . .	1
23	06000300	STRAP, fuel tank, inner front. . . . .	1
24	06000351	SCREW, inner fuel tank strap . . . . .	2
25	06006141	FUEL TANK . . . . .	1
26	12340000	DRAINPLUG, fuel . . . . .	1
27	12338571	STRAP, fuel tank, bottom front . . . . .	1
28	06000334	INSULATOR, front . . . . .	1
29	06000332	INSULATOR, front . . . . .	1
30	12338573	STRAP, fuel tank, outer front . . . . .	1
31	06003450	RETAINER, access plate . . . . .	1
32	12342933	O-RING, fuel tank access. . . . .	12
33	12338574	STRAP, fuel tank, bottom rear . . . . .	1
34	06000331	INSULATOR, rear. . . . .	1
35	06000329	INSULATOR, rear. . . . .	1
36	12338575	STRAP, fuel tank, outer rear. . . . .	1
37	12338557 1	ANTI-SQUEAK, fuel tank, rear . . . . .	1
38	8 6-100425 BA	TEE, pipe to tube . . . . .	1
39	G 00444704	PLUG, 1/2 " pipe, . . . . .	1

## 3-24 FUEL, EMISSIONS AND EXHAUST



P03-01

Figure 3-11. Fuel Filler Pipe Assembly and Vent Lines.

# HUMMER PARTS CATALOG

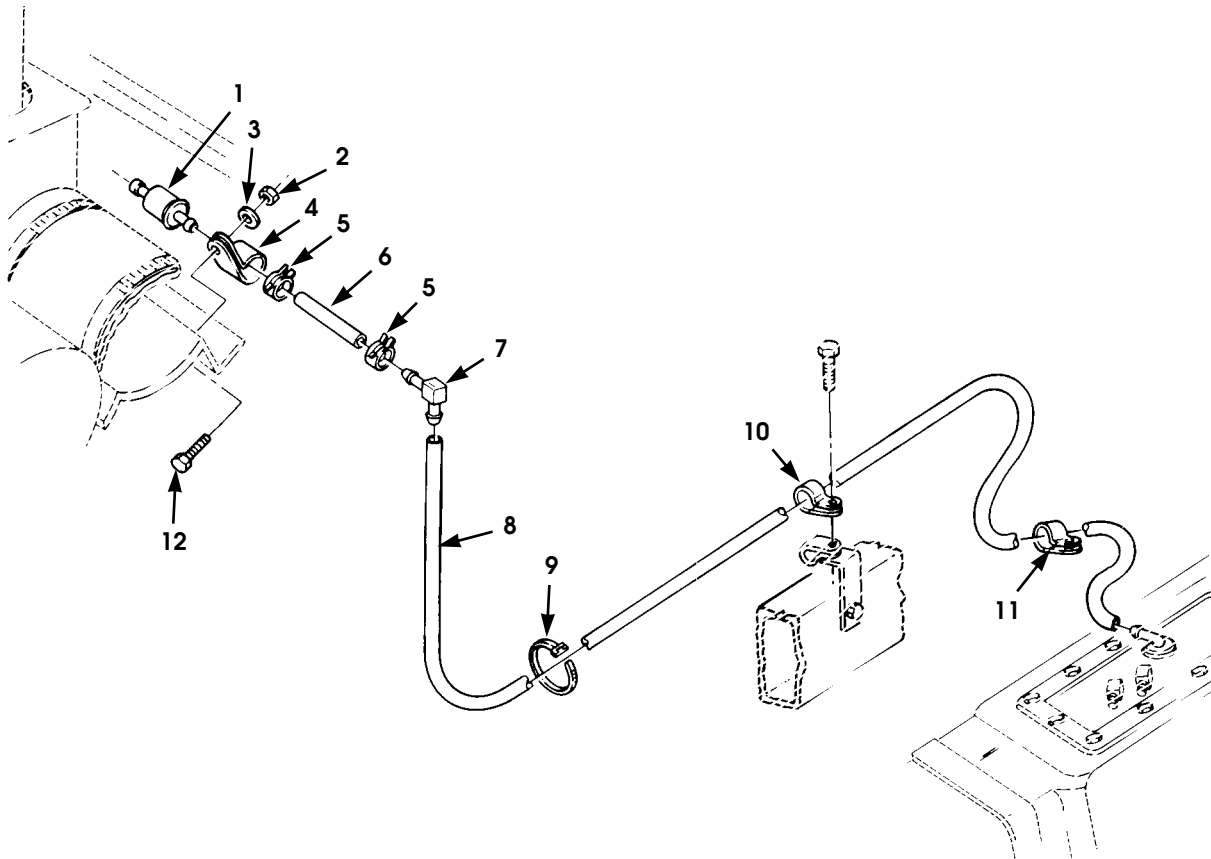
12-31-95

## FUEL, EMISSIONS AND EXHAUST 3-25

ITEM	PART NUMBER	DESCRIPTION	QTY
		Figure 3-11 FUEL FILLER PIPE ASSEMBLY AND VENT LINES	
1	12338558 1B4	FUEL CAP . . . . .	1
2	12338580 B1	FILLER NECK, fuel . . . . .	1
3	12339296	•GROMMET, fuel filler neck . . . . .	1
4	12342096	•STRAINER element, filler neck. . . . .	1
5	8 6-100202 BA	ELBOW, pipe to tube, fuel tank vent tube . . . . .	1
6	N/S	TUBE, 44-inch, fuel tank vent, SEE NOTE 1 . . . . .	1
7	MS 00051943 31	LOCKNUT, fuel filler and vent line . . . . .	5
* 8	G 02436161 P2	WASHER, fuel filler and vent line . . . . .	10
9	MS 00021333 102	CLAMP, filler pipe vent line . . . . .	2
10	MS 00090728 6P2	SCREW, fuel filler line and vent line . . . . .	5
11	12339892	BUSHING, fuel tank vent line . . . . .	1
12	N/S	TUBE, 27-inch, fuel tank vent, SEE NOTE 1 . . . . .	1
13	G 09426241	SCREW, fuel tank vent tube clamp. . . . .	1
14	11608950 10	CLAMP, fuel filler hose . . . . .	2
15	12338551 2	HOSE, fuel filler neck to tank . . . . .	1
16	12340571 4	CLAMP, fuel filler pipe support . . . . .	1
* 17	8 6-100425 BA	TEE, pipe to tube . . . . .	1
* 18	8 6-100302 BA	ELBOW, pipe to tube. . . . .	1
NOTE 1: MAKE FROM BULK TUBING P/N CP R 104420 3			

# HUMMER PARTS CATALOG

## 3-26 FUEL, EMISSIONS AND EXHAUST



P03-012

Figure 3-12. Fuel Tank Vent Line, Filter, and Mounting Hardware.

# HUMMER PARTS CATALOG

12-31-95

## FUEL, EMISSIONS AND EXHAUST 3-27

ITEM	PART NUMBER	DESCRIPTION	QTY
		Figure 3-12 FUEL TANK VENT LINE, FILTER, AND MOUNTING HARDWARE	
1	12339208	FILTER, fuel tank vent line . . . . .	1
2	MS 00051943 31	LOCKNUT, filter clamp. . . . .	1
* 3	G 02436161 P2	WASHER, filter clamp. . . . .	2
4	MS 00021333 105	CLAMP, vent line filter . . . . .	1
5	WW C440-1/2	CLAMP, hose vent line filter. . . . .	2
6	N/S	HOSE, 2.13-inch, vent line, SEE NOTE 1. . . . .	1
7	12339979 2	ELBOW, vent line . . . . .	1
8	N/S	TUBE, 91-inch, vent line, SEE NOTE 2. . . . .	1
9	MS 00003367 7-9	TIEDOWN STRAP, vent tube. . . . .	1
10	MS 00021333 121	CLAMP, fuel tank vent tube . . . . .	2
11	MS 00021333 100	CLAMP, fuel tank vent tube . . . . .	2
12	MS 00090725 5	SCREW, filter clamp. . . . .	1
		NOTE 1: MAKE FROM BULK HOSE P/N 05741210 NOTE 2: MAKE FROM BULK NYLON TUBE P/N MA207 026	
* 12			



# HUMMER PARTS CATALOG

## 3-28 FUEL, EMISSIONS AND EXHAUST

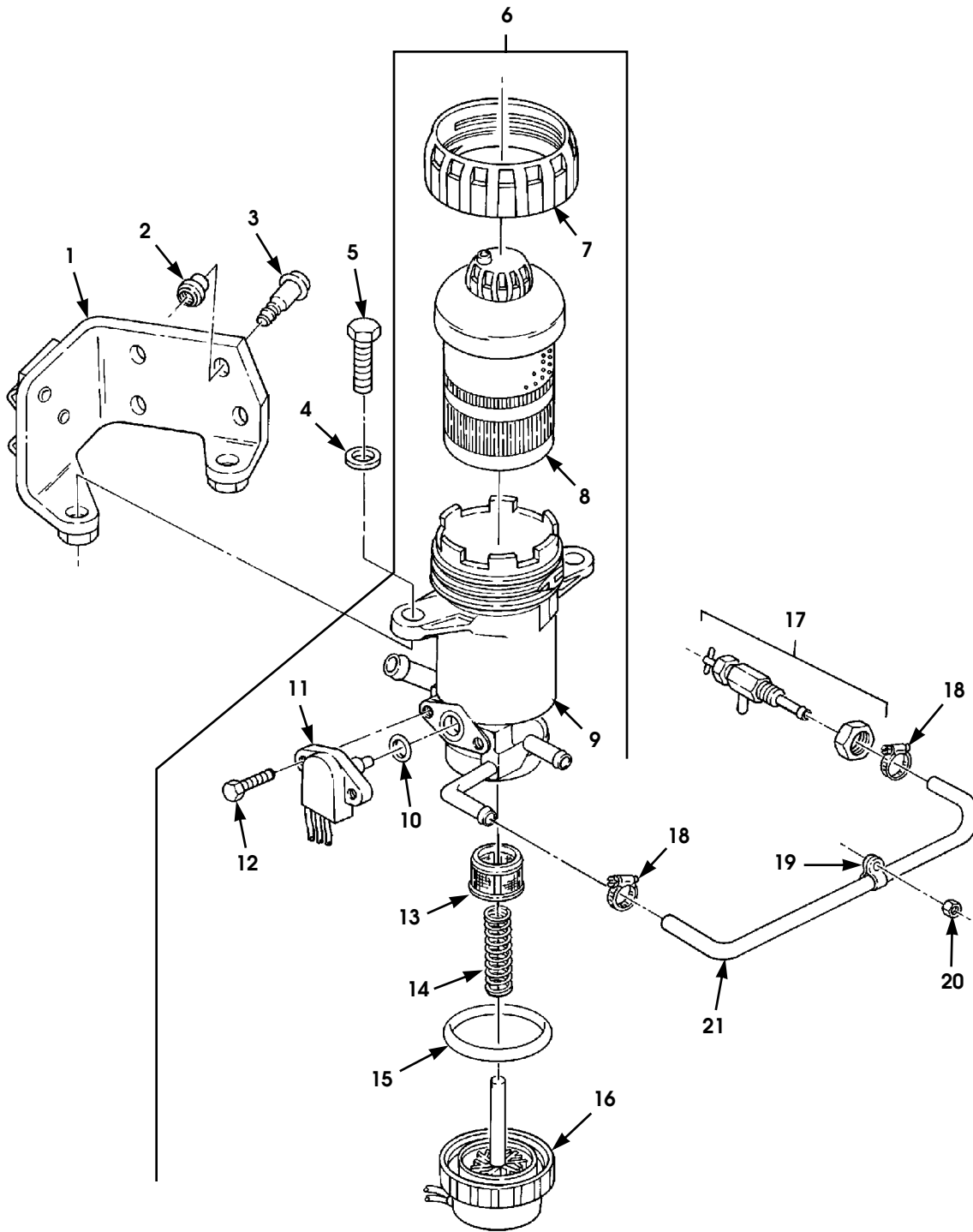


Figure 3-13. Fuel Filter Assembly and Mounting Hardware.

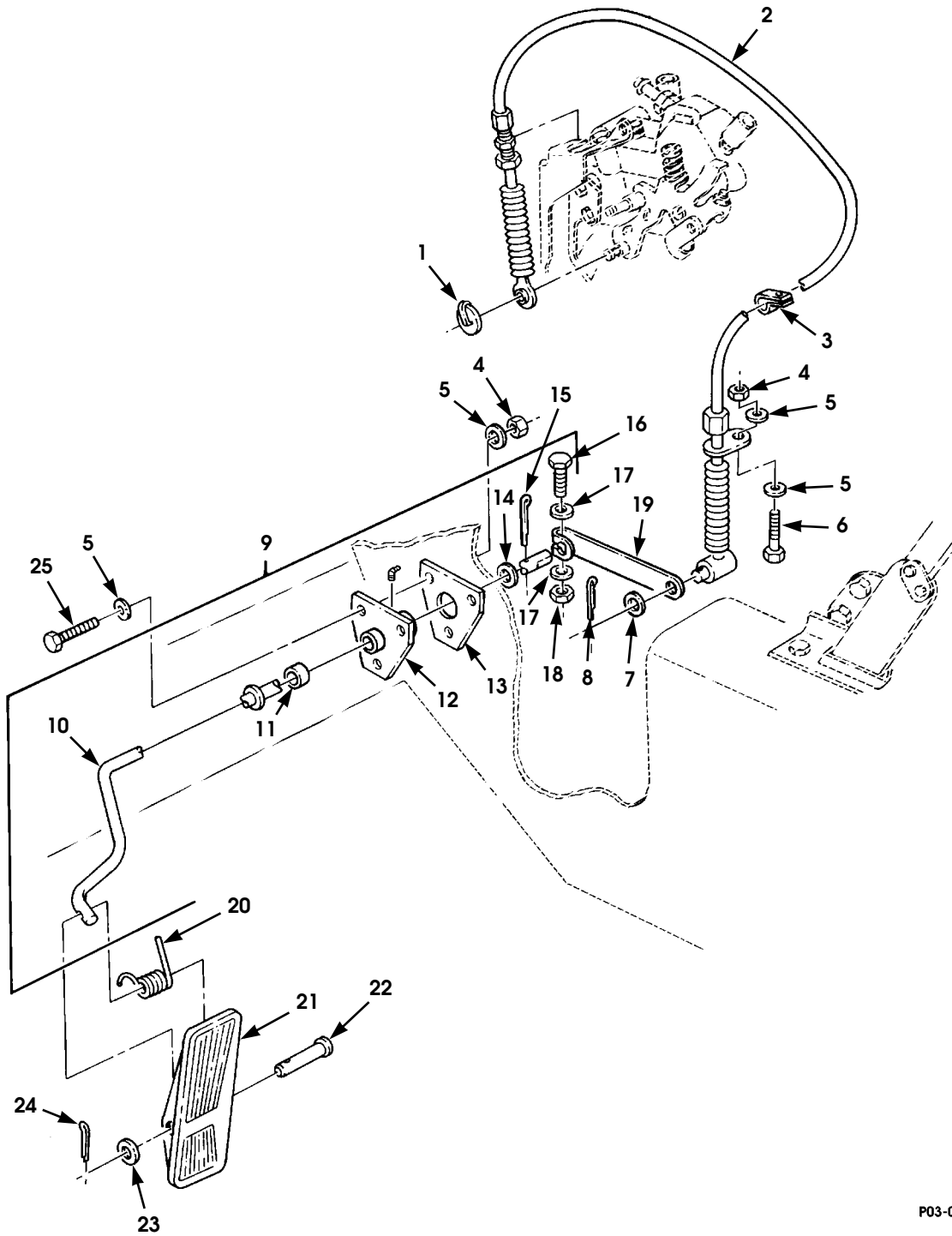
# HUMMER PARTS CATALOG

## FUEL, EMISSIONS AND EXHAUST 3-29

ITEM	PART NUMBER	DESCRIPTION	QTY
		Figure 3-13 FUEL FILTER ASSEMBLY AND MOUNTING HARDWARE	
1	05939619	BRACKET ASSEMBLY, filter mounting . . . . .	1
2	0NAS1080 R08	COLLAR . . . . .	4
3	M2 3469/2-5 0805	LOCKBOLT . . . . .	4
4	G 02436162	WASHER, filter mounting . . . . .	2
5	MS 00090728 36	BOLT, filter mounting . . . . .	2
6	05939621	FUEL FILTER ASSEMBLY . . . . .	1
7	05742599	•NUT ELEMENT . . . . .	1
8	05742602	•ELEMENT ASSEMBLY . . . . .	1
9	S.I.A.	•HEADER ASSEMBLY . . . . .	1
10	05740660	•SEAL, O-ring . . . . .	1
11	05742605	•SENSOR ASSEMBLY, water . . . . .	1
12	05742577	•SCREW . . . . .	2
13	05742604	•SCREEN . . . . .	1
14	S.I.A.	•COIL, flow guide . . . . .	1
15	05742600	•SEAL, O-ring . . . . .	1
16	05742603	•HEATER ASSEMBLY . . . . .	1
17	12339893	VALVE ASSEMBLY, fuel filter drain . . . . .	1
18	12339884 1	CLAMP, drain hose . . . . .	2
19	MS 00021333 104	CLAMP, drain hose . . . . .	1
20	MS 00051943 31	LOCKNUT, drain hose clamp . . . . .	1
21	N/S	HOSE, fuel filter drain, 20-inch, SEE NOTE 1 . . . . .	1
		NOTE 1: MAKE FROM BULK HOSE P/N 05741068, 1/4 " x 25'	

# HUMMER PARTS CATALOG

## 3-30 FUEL, EMISSIONS AND EXHAUST



P03-014

Figure 3-14. Accelerator Controls.

# HUMMER PARTS CATALOG

12-31-95

## FUEL, EMISSIONS AND EXHAUST 3-31

ITEM	PART NUMBER	DESCRIPTION	QTY
		Figure 3-14 ACCELERATOR CONTROLS	
1	12338355	CLIP, accelerator cable . . . . .	1
2	05939492	ACCELERATOR cable . . . . .	1
3	MS 00021333 67	CLAMP, accelerator cable. . . . .	1
4	MS 00051943 31	LOCKNUT, accelerator cable . . . . .	4
* 5	G 02436161 P2	WASHER, accelerator cable . . . . .	8
6	MS 00090728 6	SCREW, accelerator cable . . . . .	1
7	MS 00027183 10	WASHER, accelerator cable . . . . .	4
8	MS 00024665 132	COTTER PIN, accelerator cable. . . . .	1
9	05939342	BELLCRANK ASSEMBLY . . . . .	1
10	05939350	•ROD-LEVER, accelerator pedal. . . . .	1
11	05939348	•BUSHING, accelerator pedal. . . . .	2
12	05939343	•PIVOT ASSEMBLY, bellcrank. . . . .	1
13	12338357	•GASKET, retainer cover. . . . .	1
14	MS 00027183 16	•WASHER, accelerator pedal . . . . .	1
15	MS 00024665 283	•COTTER PIN, accelerator pedal . . . . .	1
16	MS 00090725 10	•SCREW, bellcrank assembly . . . . .	1
17	G 02436161	•WASHER, bellcrank assembly. . . . .	2
18	MS 00051943 31	•LOCKNUT, bellcrank assembly. . . . .	1
19	05939349	•CONNECTING ARM, accelerator pedal. . . . .	1
20	12338358	SPRING, accelerator control pedal . . . . .	1
21	12338365	PEDAL, accelerator control . . . . .	1
22	12338361	PIN, accelerator control pedal . . . . .	1
23	MS 00027183 9	WASHER, accelerator control pedal. . . . .	1
24	MS 00024665 132	COTTER PIN, accelerator pedal . . . . .	1
25	MS 00090725 8	SCREW, accelerator control pedal. . . . .	3

# HUMMER PARTS CATALOG

## 3-32 FUEL, EMISSIONS AND EXHAUST

### NOTES

---

---

---

---

---

---

---

---

---

---

---

---

---

---

---

---

---

---

---

---

---

---

---

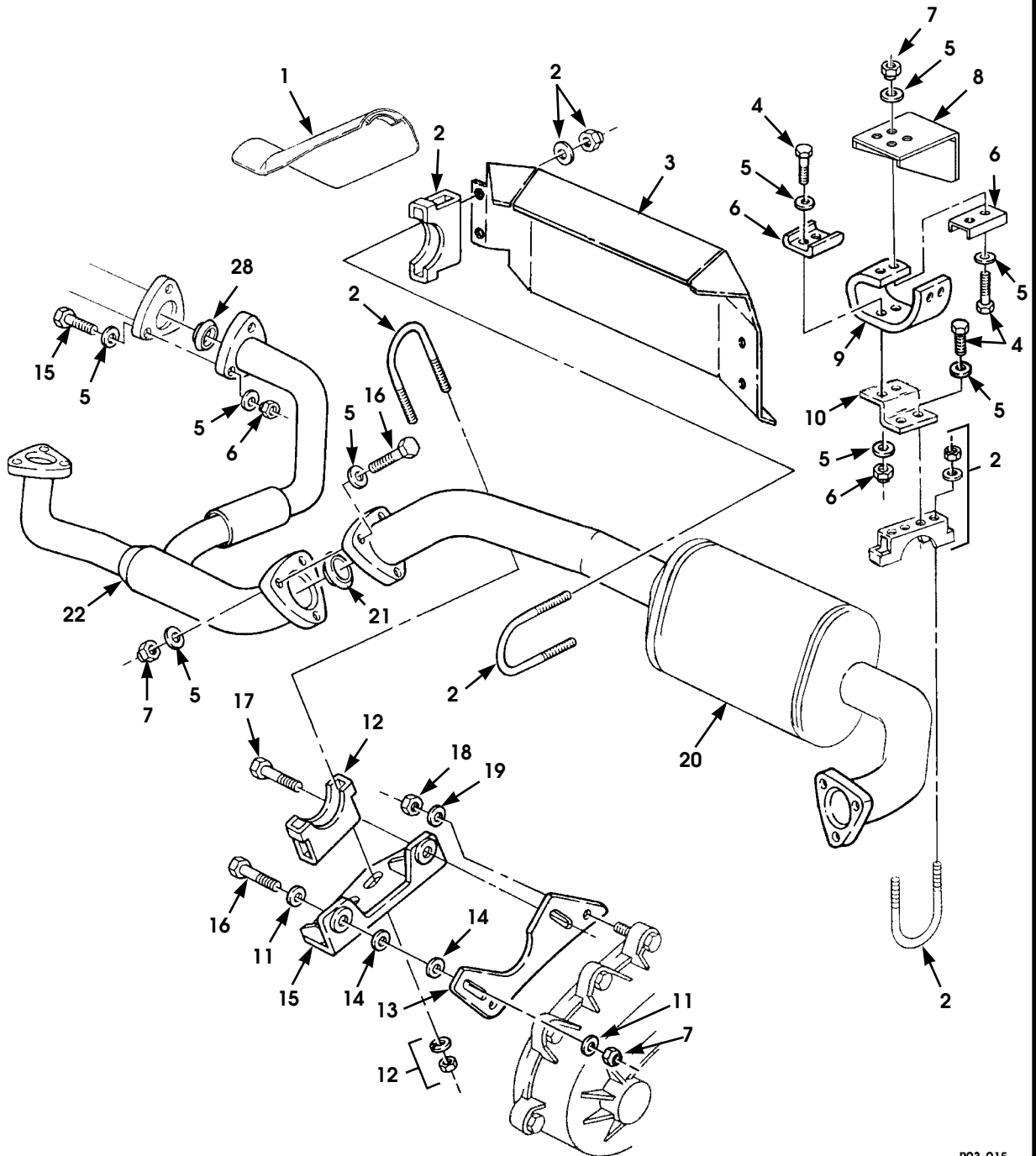
---

---

---

---

## FUEL, EMISSIONS AND EXHAUST 3-33

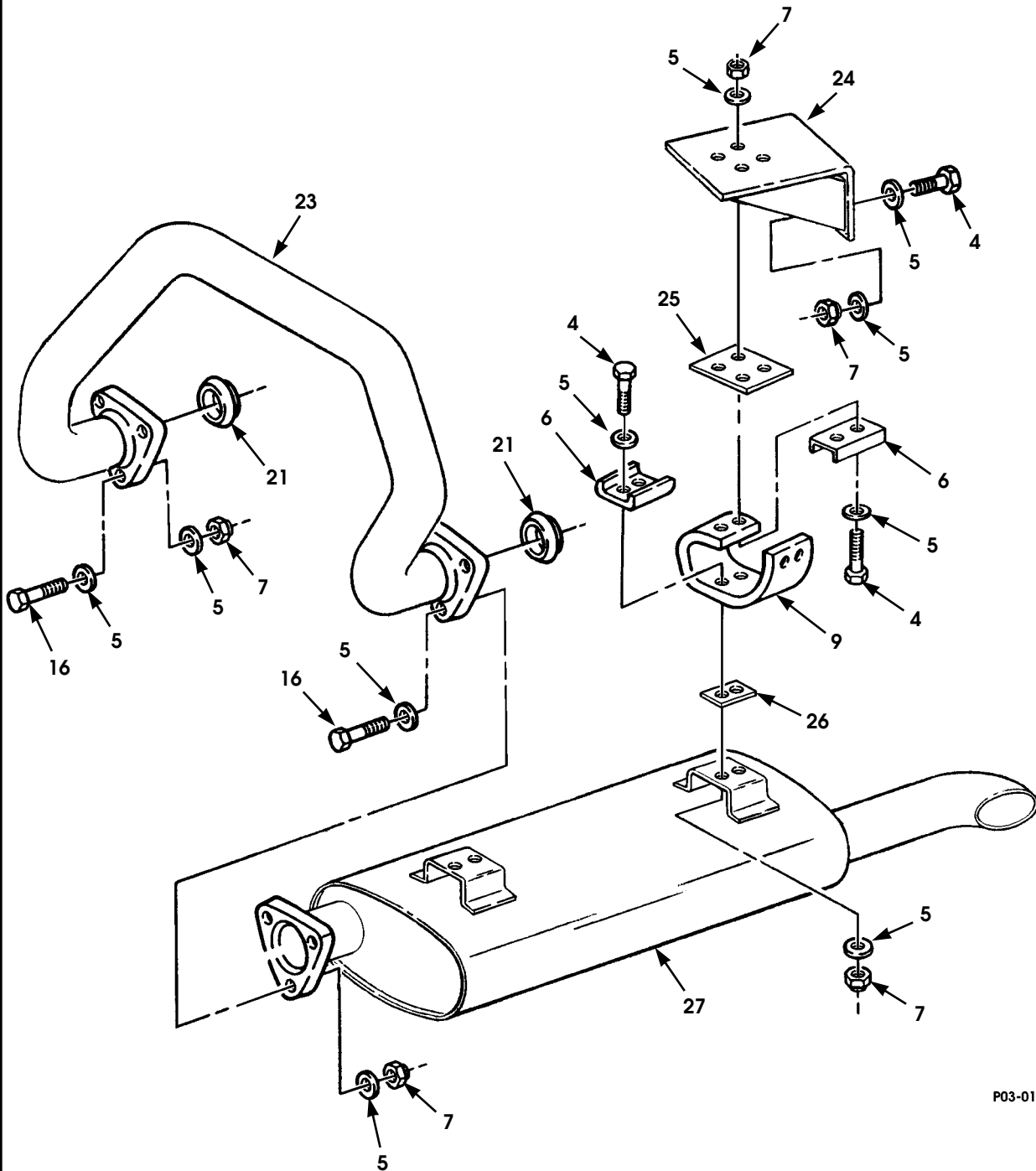


P03-015

Figure 3-15. Muffler, Exhaust Pipes, and Related Parts (Sheet 1 of 2)

# HUMMER PARTS CATALOG

## 3-34 FUEL, EMISSIONS AND EXHAUST



P03-016

Figure 3-15. Muffer, Exhaust Pipes, and Related Parts (Sheet 2 of 2)

# HUMMER PARTS CATALOG

12-31-95

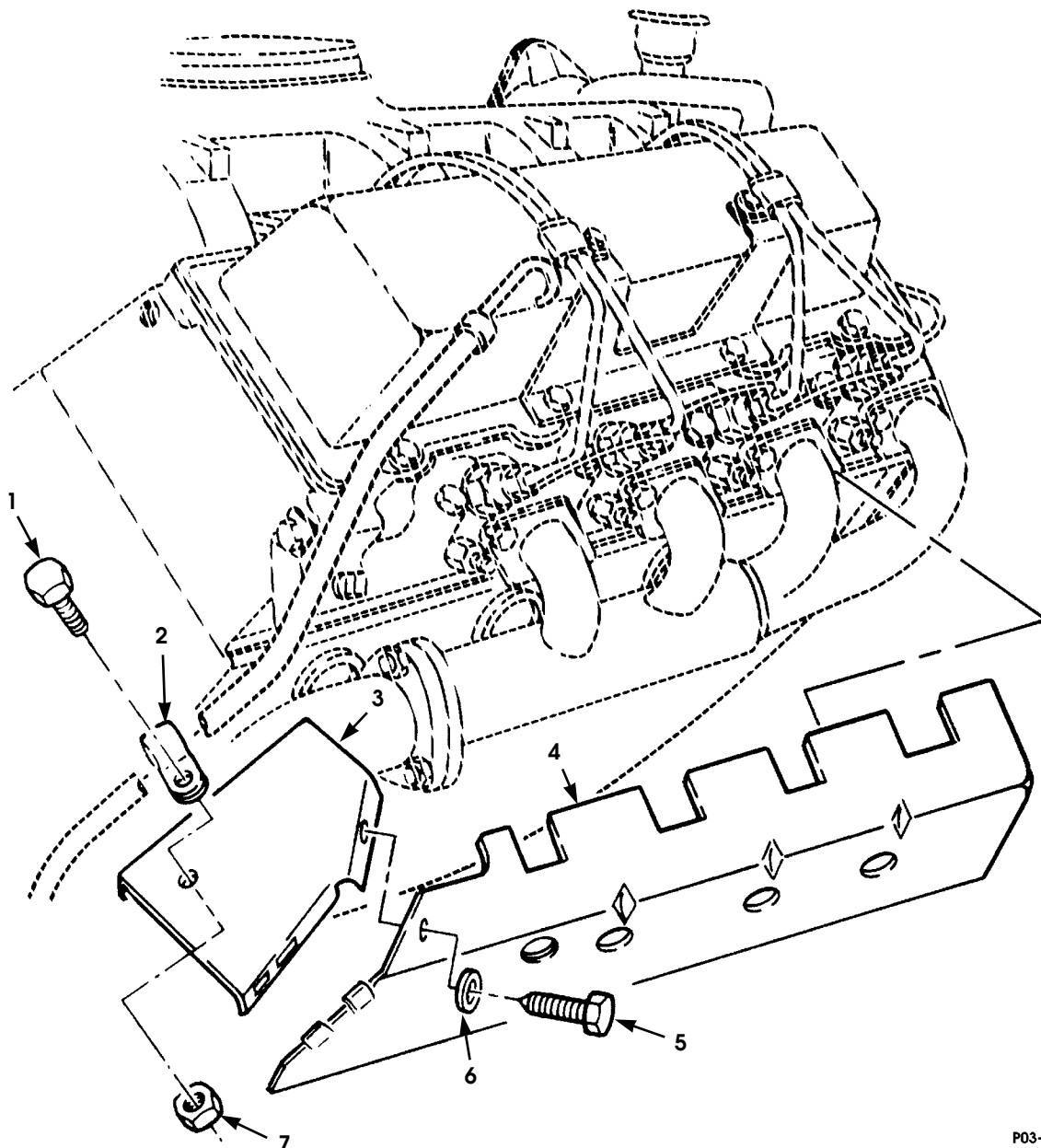
## FUEL, EMISSIONS AND EXHAUST 3-35

ITEM	PART NUMBER	DESCRIPTION	QTY
		Figure 3-15 MUFFLER, EXHAUST PIPES, AND RELATED PARTS	
1	12460087	HEAT SHIELD ASSEMBLY, exhaust. . . . .	1
2	12338343 1	CLAMP ASSEMBLY . . . . .	2
3	06002936	HEAT SHIELD ASSEMBLY, catalytic converter. . . . .	1
4	MS 00090728 62	BOLT . . . . .	12
5	G 02436163	WASHER . . . . .	56
6	12338341	PLATE, reinforcement . . . . .	4
7	MS 00051943 35	LOCKNUT . . . . .	27
8	06002917	BRACKET, convertor . . . . .	1
9	12338337	INSULATOR, exhaust . . . . .	2
10	06002918	BRACKET, catalytic converter, lower . . . . .	1
11	G 09417793	WASHER . . . . .	2
12	12338343 2	CLAMP ASSEMBLY . . . . .	1
13	12338347	BRACKET. . . . .	1
14	12338338	INSULATOR, radiator . . . . .	1
15	12338340	BRACKET ASSEMBLY, muffler . . . . .	1
16	MS 00090725 66	BOLT . . . . .	2
17	MS 00090725 65	BOLT . . . . .	2
18	G 11501033	NUT . . . . .	1
19	MS 00027183 42	WASHER . . . . .	1
20	06002404	CATALYTIC CONVERTER ASSEMBLY . . . . .	1
21	12338339	GASKET. . . . .	4
22	06002926	PIPE ASSEMBLY, crossover . . . . .	1
23	06003802	PIPE, exhaust . . . . .	1
24	06003687	BRACKET, L.H. . . . .	1
24	06003686	BRACKET, R.H. . . . .	1
25	06003962 B1	REINFORCEMENT, upper . . . . .	2
26	06003963 B1	REINFORCEMENT, lower . . . . .	2
27	06003801	MUFFLER ASSEMBLY. . . . .	1
* 28	12338342	GASKET, exhaust manifold-to-crossover pipe. . . . .	2



# HUMMER PARTS CATALOG

## 3-36 FUEL, EMISSIONS AND EXHAUST



P03-017

Figure 3-16. Exhaust Manifold Heat Shield

# HUMMER PARTS CATALOG

## FUEL, EMISSIONS AND EXHAUST 3-37

ITEM	PART NUMBER	DESCRIPTION	QTY
		Figure 3-16 EXHAUST MANIFOLD HEAT SHIELD	
1	MS 00090728 3	SCREW, clamp . . . . .	1
2	G 00120528	CLAMP, transmission tube . . . . .	1
3	12339181	GUARD, rear heat shield . . . . .	1
4	12339175	HEAT SHIELD, exhaust, R.H. . . . .	1
5	G 09414241	SCREW, heat shield . . . . .	1
6	G 09417793	WASHER, heat shield . . . . .	1
7	MS 00051943 31	LOCKNUT, clamp . . . . .	1



# HUMMER PARTS CATALOG

## COOLING SYSTEM 4-1

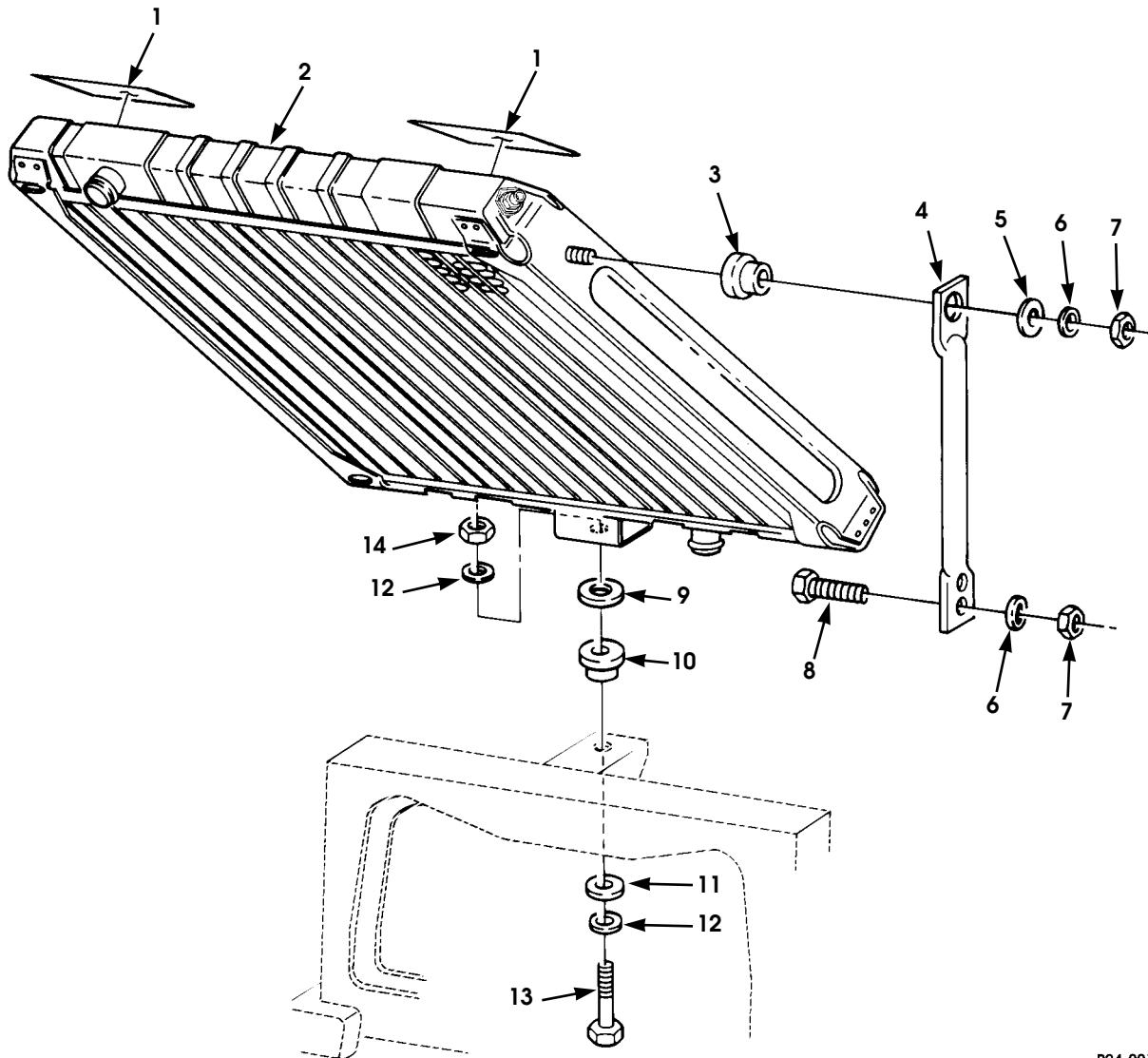
### Section 4

#### COOLING SYSTEM

TITLE	PAGE NUMBER
Radiator and Mounting Hardware . . . . .	4-2
Surge Tank and Related Parts . . . . .	4-4
Radiator Shroud and Related Parts. . . . .	4-6
Radiator Hoses and Related Parts. . . . .	4-8
Thermostat, Water Crossover, and Attaching Hardware. . . . .	4-10
Water Pump and Attaching Hardware. . . . .	4-12
Cooling Fan, Fan Clutch, Belt, and Pulleys . . . . .	4-14
Engine and Transmission Oil Cooler and Engine Oil Cooler Lines . . . . .	4-16

# HUMMER PARTS CATALOG

## 4-2 COOLING SYSTEM



P04-001

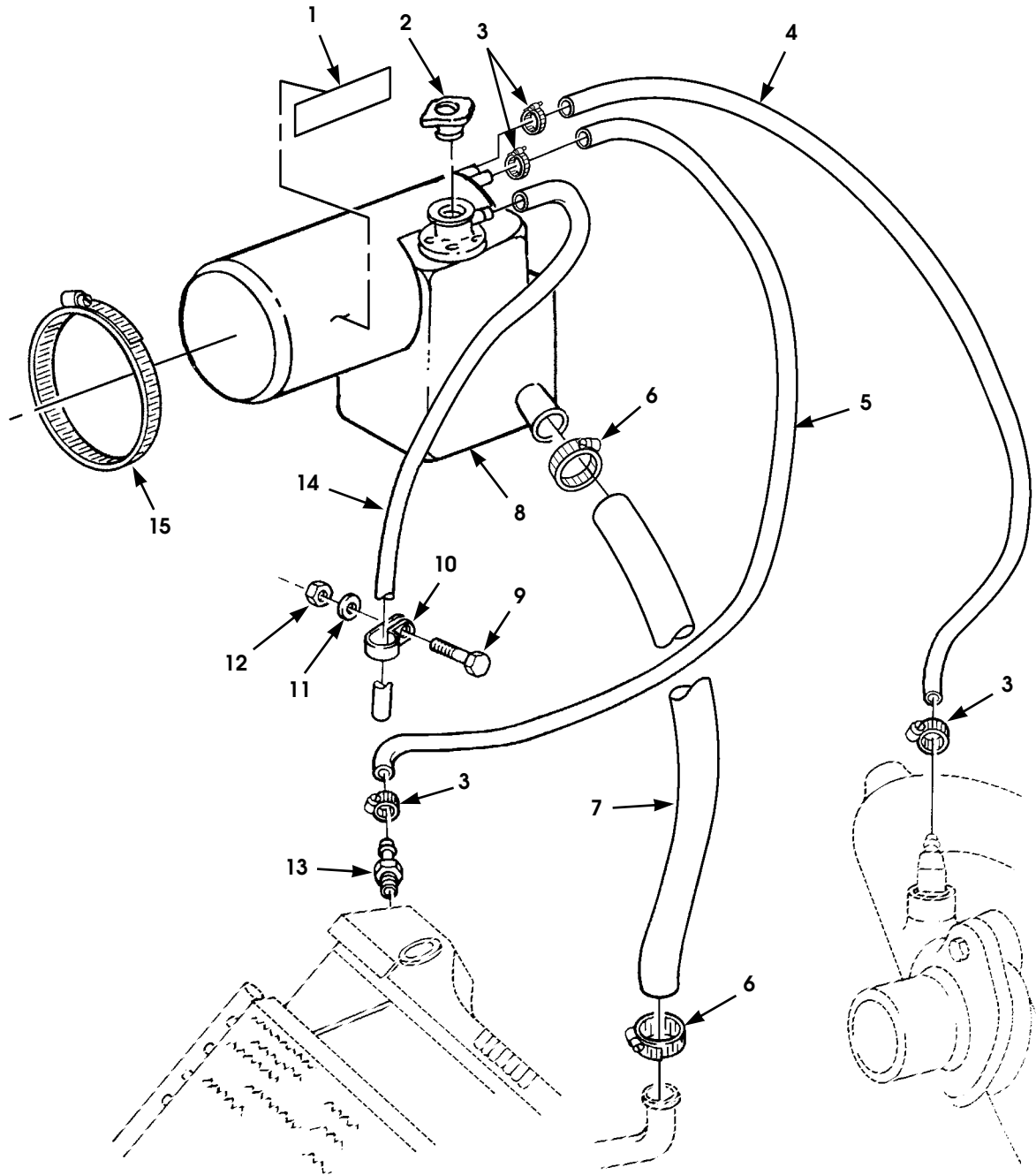
Figure 4-1. Radiator and Mounting Hardware.

# HUMMER PARTS CATALOG

## COOLING SYSTEM 4-3

ITEM	PART NUMBER	DESCRIPTION	QTY
		Figure 4-1 RADIATOR AND MOUNTING HARDWARE	
1	12339055	DECAL, no step, white letters . . . . .	2
1	06002678	DECAL, no step, white letters (French) . . . . .	2
2	06003076	RADIATOR ASSEMBLY . . . . .	1
3	12338338	GROMMET, insulator, upper . . . . .	2
4	12339165 1	SUPPORT, radiator, L.H. . . . .	1
4	12339165 2	SUPPORT, radiator, R.H. . . . .	1
5	G 09417793	WASHER, 3/8", zinc . . . . .	2
6	G 02436163	WASHER, flat, 3/8" . . . . .	6
7	MS 00051943 35	LOCKNUT, 3/8"-16 . . . . .	6
8	G 09418822	BOLT, 3/8"-16 x 1" . . . . .	4
9	12340263	WASHER, hardened. . . . .	1
10	12340264	MOUNT, insulator, lower. . . . .	1
11	G 09428851	WASHER . . . . .	1
12	G 02436165	WASHER, flat, 1/2" . . . . .	2
13	MS 00090728 115	SCREW, 1/2"-13 x 2" . . . . .	1
14	MS 00051943 39	LOCKNUT, 1/2"-13 . . . . .	1

## 4-4 COOLING SYSTEM



P04-002.1

Figure 4-2. Surge Tank and Related Parts.

# HUMMER PARTS CATALOG

12-31-95

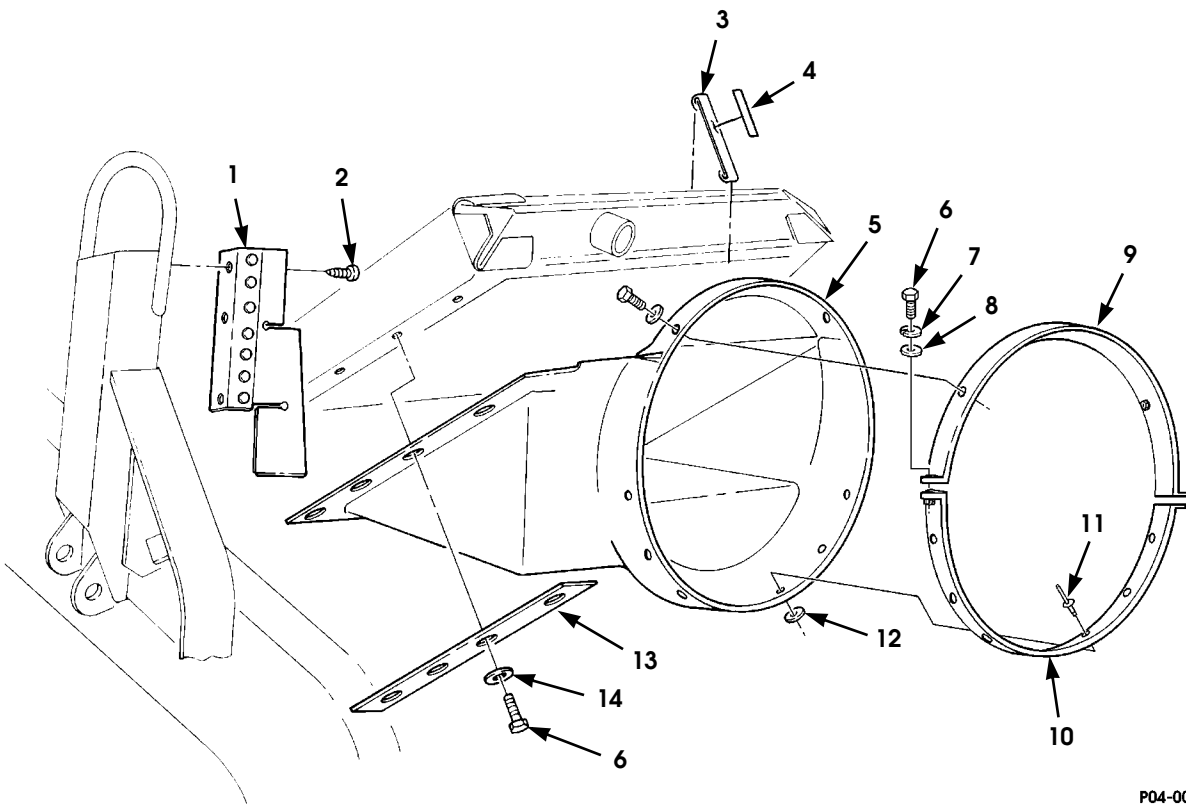
## COOLING SYSTEM 4-5

ITEM	PART NUMBER	DESCRIPTION	QTY
		Figure 4-2 SURGE TANK AND RELATED PARTS	
1	06001710	DECAL, surge tank, do not remove or touch when hot	1
* 2	12339878	CAP, surge tank . . . . .	1
3	12339884 1	CLAMP, radiator crossover hose . . . . .	4
4	06004080	HOSE, surge tank-to-water crossover . . . . .	2
5	12339159	HOSE, radiator (Diesel) . . . . .	1
6	11608950 5	CLAMP, hose, 1.5"- .62" . . . . .	2
7	12339163	HOSE, lower radiator-to-surge tank . . . . .	1
8	06003412	TANK, surge . . . . .	1
9	MS 00090728 6	SCREW, 1/4"-20 x 3/4" . . . . .	1
10	MS 00021333 102	CLAMP, surge tank overflow hose . . . . .	1
* 11	G 02436161 P2	WASHER, flat, 1/4" . . . . .	1
12	MS 00051943 31	LOCKNUT, 1/4"-20 . . . . .	1
13	12339974	ADAPTER, straight . . . . .	1
14	06004920	HOSE, surge tank overflow, SEE NOTE 1 . . . . .	1
15	11608950 21	CLAMP, 6.62"-2" . . . . .	2
NOTE 1: MAKE FROM BULK RUBBER HOSE P/N 05740928			



# HUMMER PARTS CATALOG

## 4-6 COOLING SYSTEM



P04-003

*Figure 4-3. Radiator Shroud and Related Parts.*

# HUMMER PARTS CATALOG

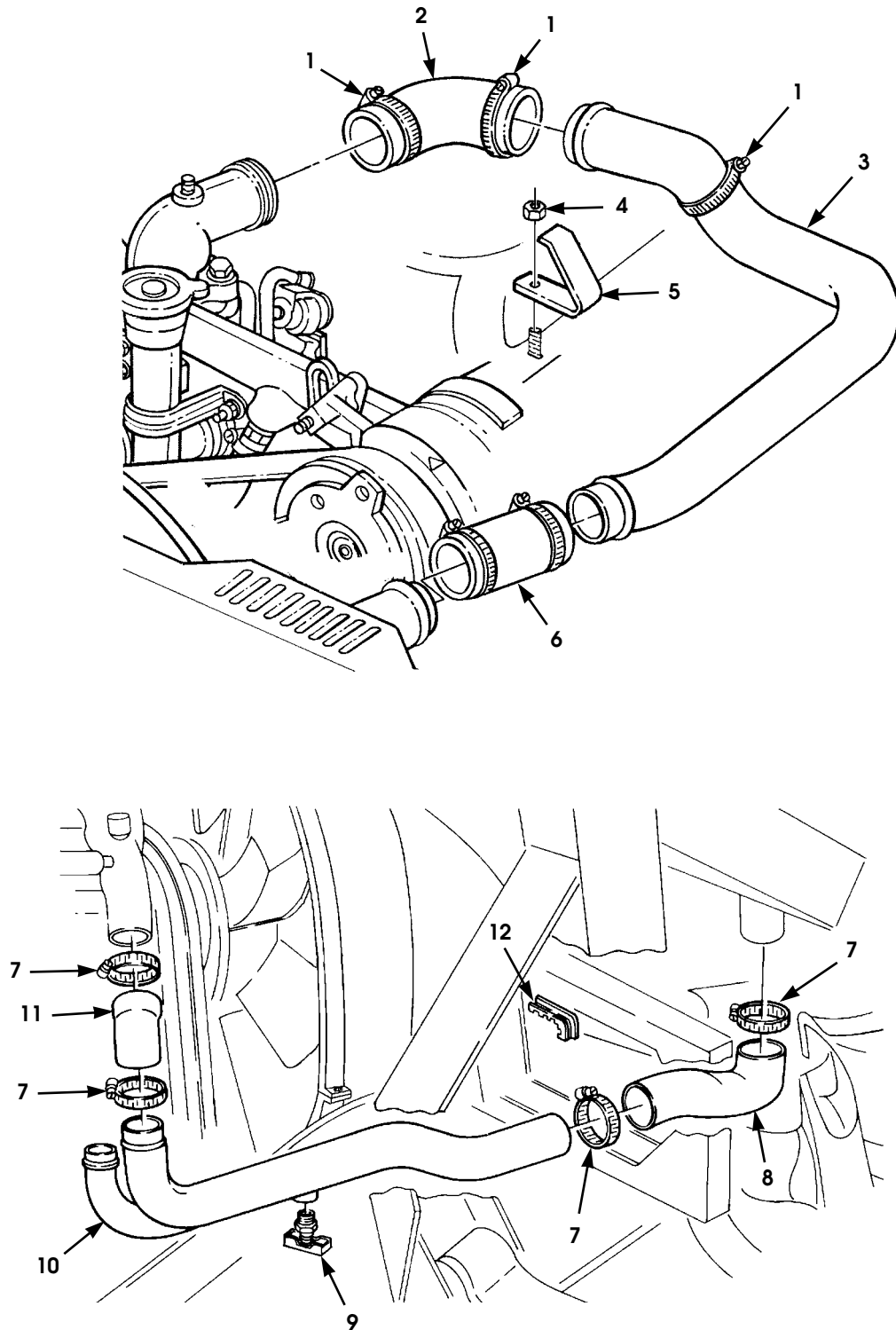
12-31-95

## COOLING SYSTEM 4-7

ITEM	PART NUMBER	DESCRIPTION	QTY
		Figure 4-3 RADIATOR SHROUD AND RELATED PARTS	
1	WA 12339166 1	SHIELD, shroud, airlift, L.H. ....	1
1	WA 12339166 2	SHIELD, shroud, airlift, R.H. ....	1
2	MS 00024629 57	SCREW, tap, 1/4"-20 x 1/2" ....	6
3	12339154 B1	RETAINING STRAP, radiator ....	1
4	12339064	DECAL, fan warning ....	1
4	06002724	DECAL, fan warning (French) ....	1
5	06003497 B1	SHROUD, radiator ....	1
6	MS 00090725 8	BOLT, 1/4"-20 x 1.0" ....	10
7	MS 00035338 55	LOCKWASHER, 1/4" ....	2
8	MS 00027183 10	WASHER, 9/32" ....	4
* 9	06003836	EXTENSION, shroud upper (Diesel). ....	1
10	06003837	EXTENSION, shroud, lower (Diesel). ....	1
11	12339355 1	RIVET, 3/16" dia., blind. ....	6
12	MS 00027183 42	WASHER, flat, #10. ....	6
13	12339156	RETAINING STRAP, shroud-to-radiator ....	2
14	MS 00035338 44	LOCKWASHER, 1/4" ....	8
15	MS 00090725 6	BOLT, 1/4"-20 x 3/4" ....	2

# HUMMER PARTS CATALOG

## 4-8 COOLING SYSTEM



P04-004

Figure 4-4. Radiator Hoses and Related Parts.

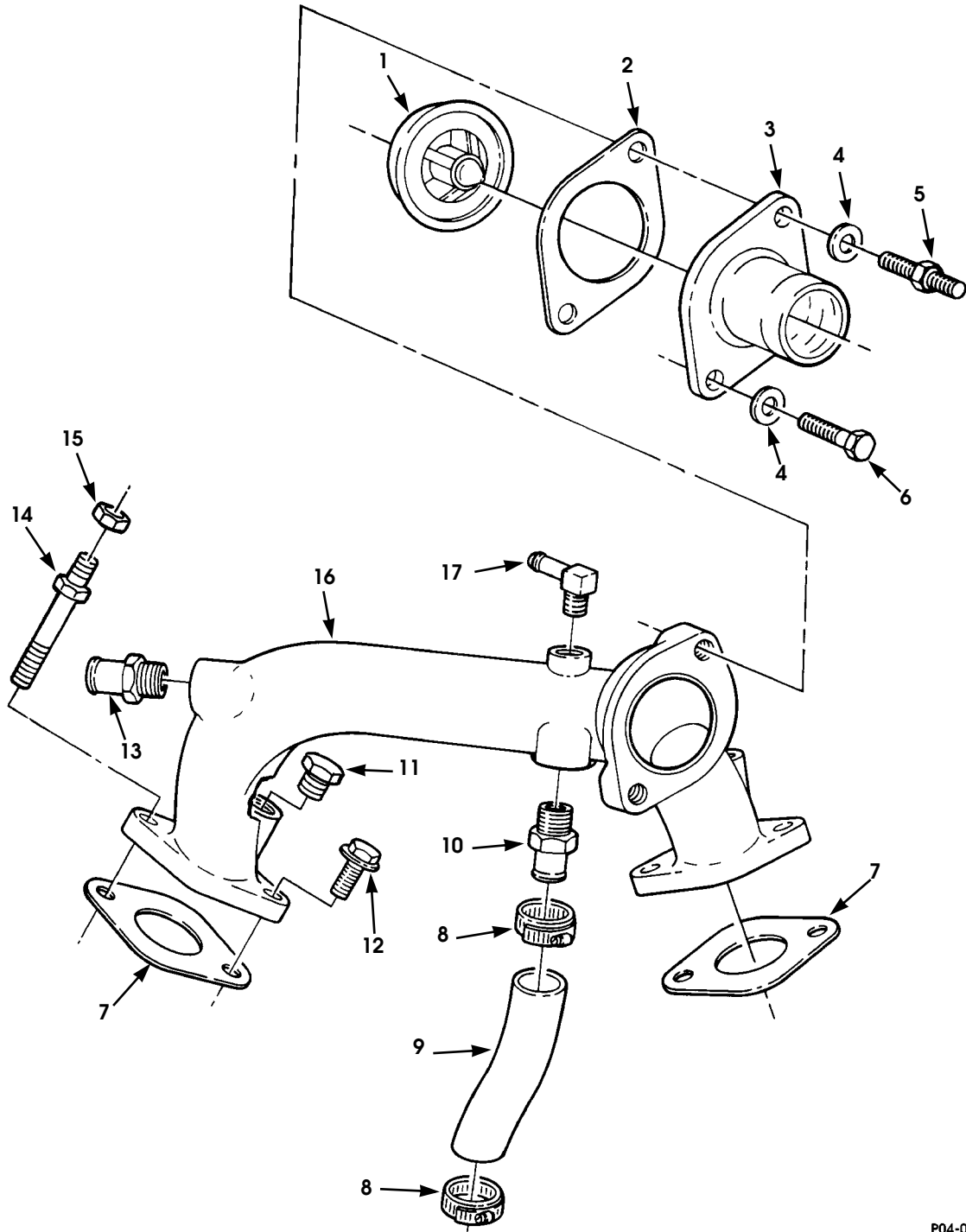
# HUMMER PARTS CATALOG

## COOLING SYSTEM 4-9

ITEM	PART NUMBER	DESCRIPTION	QTY
		Figure 4-4 RADIATOR HOSES AND RELATED PARTS	
1	11608950 9	CLAMP,hose,2.5"-1.56" (Diesel) . . . . .	5
2	06003415	HOSE,tube-to-outlet housing (Diesel) . . . . .	1
3	06003099	TUBE,radiator-to-engine (Diesel) . . . . .	1
4	G 11502812	NUT,M10-1.5 (Diesel) . . . . .	1
5	06003414	BRACKET,upper tube (Diesel) . . . . .	1
6	06003098	HOSE,radiator inlet (Diesel) . . . . .	1
7	11608950 10	CLAMP,2.75"-1.81" . . . . .	4
8	12339162	HOSE,lower radiator . . . . .	1
9	MS 00035782 4	DRAINCOCK,lower radiator tube . . . . .	1
10	12339152 B1	TUBE,lower radiator . . . . .	1
11	12339159	HOSE,lower radiator, rear (Diesel) . . . . .	1
12	12339902 12	PAD,crossmember,SEE NOTE 1 . . . . .	1
NOTE 1: MAKE FROM BULK PAD P/N 05741214			

# HUMMER PARTS CATALOG

## 4-10 COOLING SYSTEM



P04-005

Figure 4-5. Thermostat, Water Crossover, and Attaching Hardware.

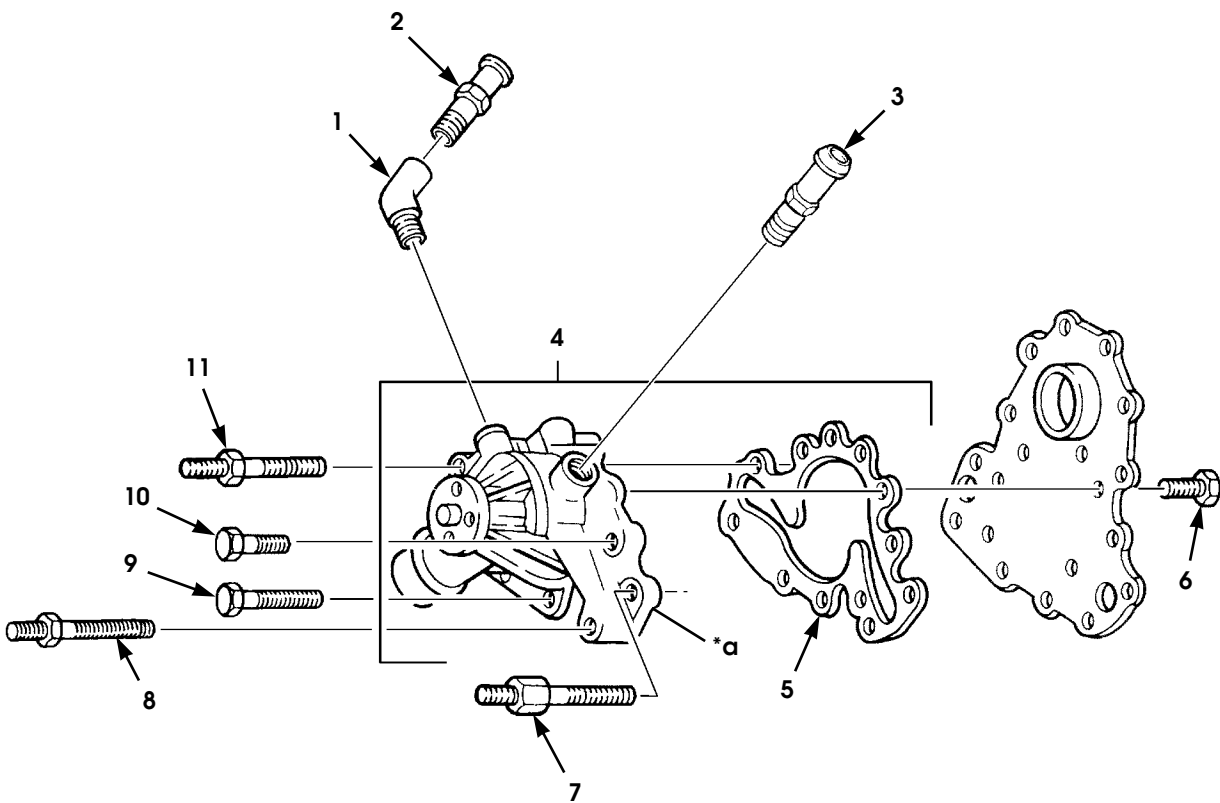
# HUMMER PARTS CATALOG

## COOLING SYSTEM 4-11

ITEM	PART NUMBER	DESCRIPTION	QTY
		Figure 4-5 THERMOSTAT, WATER CROSSOVER, AND ATTACHING HARDWARE	
1	05743238	THERMOSTAT, water (Diesel) . . . . .	1
2	05743239	GASKET, water outlet (Diesel) SEE NOTE 1. . . . .	1
3	05740159	FLANGE, water outlet (Diesel) . . . . .	1
4	G 09438083	WASHER, water outlet flange (Diesel) . . . . .	2
5	05740052	STUD, M10-1.5" x 30 x 20 (Diesel) . . . . .	1
6	05741165	BOLT, grade 8 (Diesel) . . . . .	1
7	05742109	GASKET, water crossover, (Diesel) SEE NOTE 1 . . . . .	2
8	05740200	CLAMP, water pump hose (Diesel) . . . . .	2
9	05740789	HOSE, thermostat, bypass, (Diesel) SEE NOTE 2 . . . . .	1
10	05740265	ADAPTER, thermostat bypass hose (Diesel) . . . . .	1
11	05743240	PLUG, water crossover (Diesel) . . . . .	1
12	05740181	BOLT, M10-1.5" x 30, 10.9 (Diesel) . . . . .	3
13	12339396	NIPPLE, heater hose (Diesel) . . . . .	1
14	12339406 2	STUD, M10 x 1.5" x 30 x 20 (Diesel) . . . . .	1
15	G 11502812	NUT, M10-1.5" (Diesel) . . . . .	1
16	05743345	WATER OUTLET, crossover (Diesel) . . . . .	1
17	12339415	ELBOW, pipe to hose (Diesel) . . . . .	1
		NOTE 1: PART OF CYLINDER HEAD KIT 05743401 NOTE 2: MAKE FROM BULK HOSE P/N 05741064	

# HUMMER PARTS CATALOG

## 4-12 COOLING SYSTEM



\* a PART OF ITEM 4

Figure 4-6. Water Pump and Attaching Hardware.

# HUMMER PARTS CATALOG

## COOLING SYSTEM 4-13

ITEM	PART NUMBER	DESCRIPTION	QTY
		Figure 4-6 WATER PUMP AND ATTACHING HARDWARE	
1	12339408	ELBOW, pipe, street, 45 degree (Diesel) . . . . .	1
2	12339396	NIPPLE, heater hose (Diesel) . . . . .	1
3	05740265	ADAPTER, water pump thermostat (Diesel) . . . . .	1
4	05743241	WATER PUMP (Diesel) . . . . .	1
5	05743242	•GASKET, water pump (Diesel) SEE NOTE 1 . . . . .	1
6	G 11509589	SCREW, M8-1.25" x 16mm (Diesel) . . . . .	6
7	05741140	STUD, water pump (Diesel) . . . . .	1
8	05741166	STUD, 10-1.5" x 95 x 17mm (Diesel) . . . . .	1
9	05742076	BOLT, water pump (Diesel) . . . . .	1
10	G 11500921	BOLT, M8-1.25" x 40 (Diesel) . . . . .	2
11	05740185	STUD, water pump (Diesel) . . . . .	1
NOTE 1: PART OF ENGINE OVERHAUL KIT P/N 05743399			



# HUMMER PARTS CATALOG

## 4-14 COOLING SYSTEM

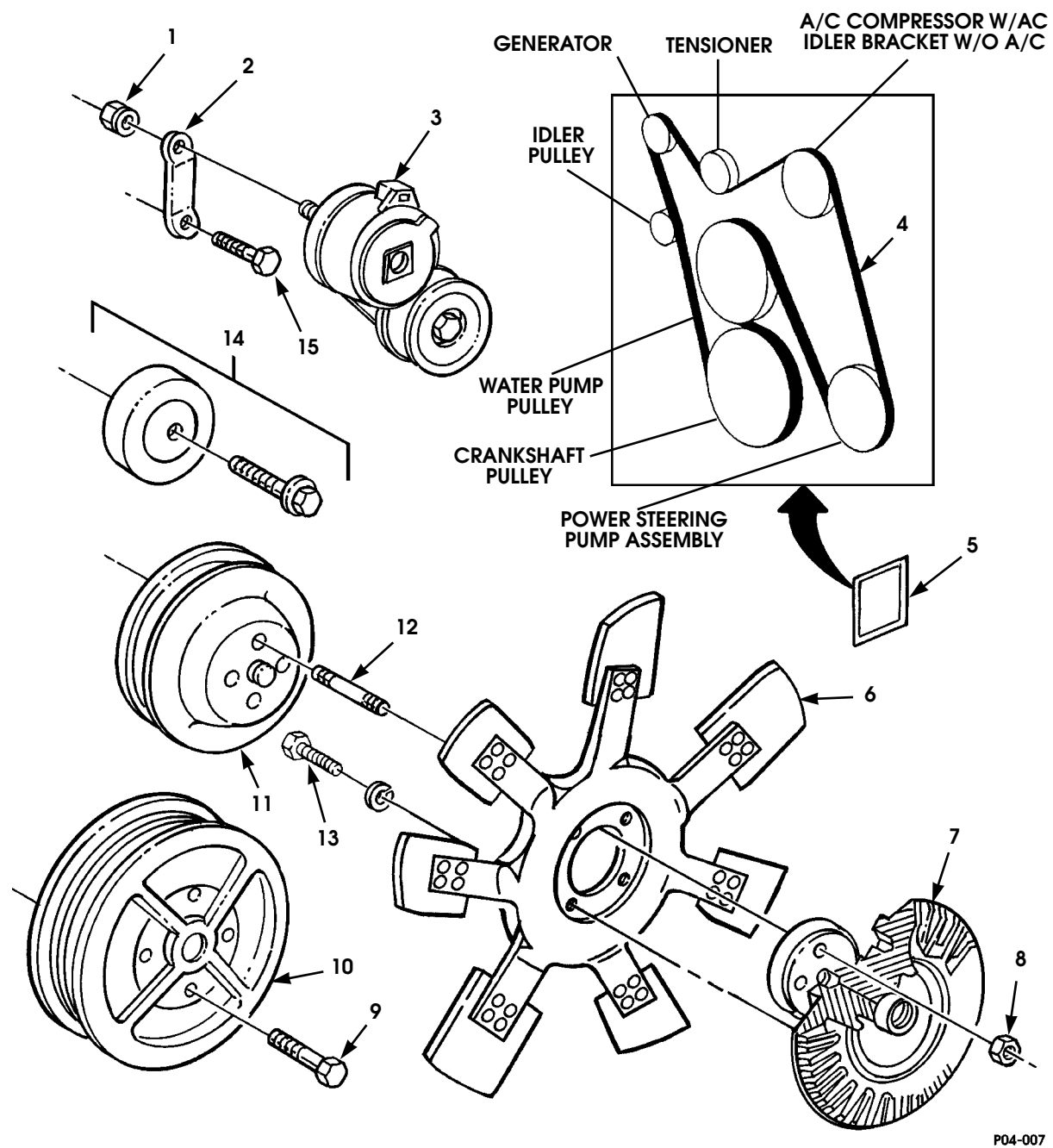


Figure 4-7. Cooling Fan, Fan Clutch, Belt, and Pulleys.

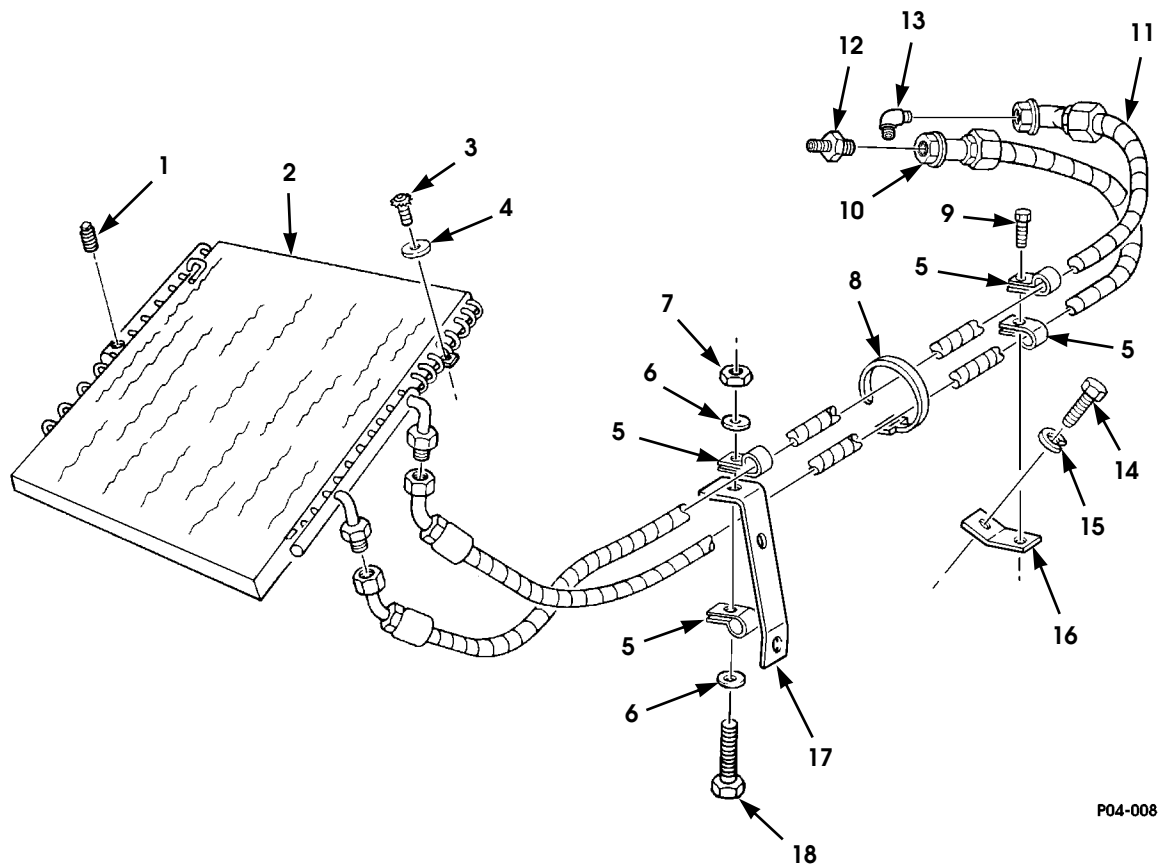
# HUMMER PARTS CATALOG

12-31-95

## COOLING SYSTEM 4-15

ITEM	PART NUMBER	DESCRIPTION	QTY
		Figure 4-7 COOLING FAN, FAN CLUTCH, BELT, AND PULLEYS	
1	G 11508184	NUT, tensioner brace (Diesel) . . . . .	1
2	06003047	BRACE, tensioner (Diesel) . . . . .	1
3	06003051	TENSIONER (Diesel) . . . . .	1
4	06003052	BELT, serpentine (Diesel) . . . . .	1
5	06003503	LABEL, belt routing (Diesel) . . . . .	1
6	06003064	FAN, engine cooling (Diesel) . . . . .	1
7	06003082	CLUTCH ASSEMBLY, fan (Diesel) . . . . .	1
8	G 11508884	NUT, fan-to-clutch (Diesel) . . . . .	4
9	G 11504571	BOLT, M10 x 1.5" x 65 (Diesel) . . . . .	4
10	06003069	PULLEY, crankshaft (Diesel) . . . . .	1
11	06003066	PULLEY, water pump (Diesel) . . . . .	1
12	06003063	STUD, fan-to-water pump (Diesel) . . . . .	4
13	06003065	BOLT, fan-to-clutch (Diesel) . . . . .	4
14	06003045	IDLER ASSEMBLY (Diesel) . . . . .	1
15	G 11508251	BOLT, brace-to-cover (Diesel) . . . . .	1
* 16	06003070	IDLER AND BRACKET ASSEMBLY, w/o A/C (not illustrated) (Diesel) SEE NOTE 1 . . . . .	1
*		NOTE 1: FOR VEHICLES WITHOUT AIR CONDITIONING	

## 4-16 COOLING SYSTEM



P04-008.1

Figure 4-8. Engine and Transmission Oil Cooler and Engine oil Cooler Lines.

# HUMMER PARTS CATALOG

12-31-95

## COOLING SYSTEM 4-17

ITEM	PART NUMBER	DESCRIPTION	QTY
		Figure 4-8 ENGINE AND TRANSMISSION OIL COOLER AND ENGINE OIL COOLER LINES	
1	MS 00049005 4	PLUG, pipe, oil cooler . . . . .	2
2	12340185	COOLER, engine and transmission oil. . . . .	1
3	05741099	BOLT, 5/16"-18 x 5/16" . . . . .	4
4	MS 00027183 12	WASHER, flat, .344" . . . . .	4
5	12340571 2	CLAMP, closed dipped . . . . .	4
* 6	G 02436161 P2	WASHER, flat, 1/4" . . . . .	2
7	MS 00051943 31	LOCKNUT, 1/4"-20 . . . . .	1
8	MS 00003367 3-9	STRAP, tiedown, oil cooler hose . . . . .	1
9	MS 00051851 85	SCREW, oil cooler hose clamp . . . . .	1
10	12339411 2	HOSE, oil cooler inlet (Diesel) . . . . .	1
11	12339411 1	HOSE, oil cooler outlet (Diesel) . . . . .	1
12	12338778	ADAPTER, pipe . . . . .	1
13	10 6-070202 C	ELBOW, 90 degree, 37 degree flange . . . . .	1
14	G 00172482	SCREW, st, 3/8"-16 x .75" . . . . .	1
15	MS 00035338 46	LOCKWASHER, 3/8" . . . . .	1
16	12338777	BRACKET, oil cooler hose clamp . . . . .	1
17	12338779	BRACKET, oil cooler hose clamp . . . . .	1
18	MS 00090725 9	SCREW, 1/4"-20 x 1.13" . . . . .	1



# HUMMER PARTS CATALOG

## TRANSMISSION/TRANSFER CASE 5-1

### Section 5

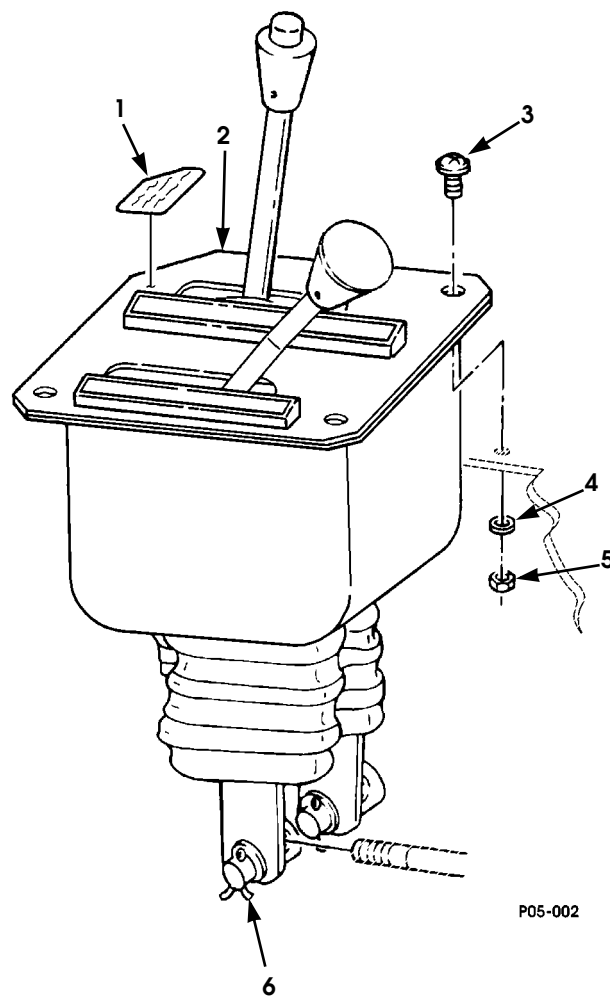
#### TRANSMISSION/TRANSFER

TITLE	PAGE NUMBER
Transmission, Transfer Case Control Assembly, and Shift Rod . . . . .	5-2
Transmission Shift Control and Neutral Start Switch . . . . .	5-4
Transmission Shift Lever, Shift Bracket, and Rod . . . . .	5-6
Torque Converter . . . . .	5-8
Transmission Mounting Hardware, Fluid Dipstick, and Tube Assembly . . . . .	5-10
Transmission, Filter, and Sensors . . . . .	5-12
Control Valve and Related Parts . . . . .	5-14
Transmission Wiring Harness . . . . .	5-16
Parking Lock System . . . . .	5-18
Transmission Vent Lines and Attaching Hardware . . . . .	5-20
Transmission/Transfer Case Cooling Lines . . . . .	5-22
Transfer Case Assembly . . . . .	5-24
Transfer Case Assembly, Front Half . . . . .	5-26
Transfer Case Assembly, Rear Half . . . . .	5-28
Transfer Case Oil Cooler Assembly . . . . .	5-32
Transfer Case Shift Mechanisms . . . . .	5-34
Transfer Case Shift Controls . . . . .	5-36
Transfer Case Vent Line and Related Parts . . . . .	5-38
Propeller Shafts . . . . .	5-40

12-31-95

# HUMMER PARTS CATALOG

## 5-2 TRANSMISSION/TRANSFER CASE



P05-002

Figure 5-1 Transmission, Transfer Case Control Assembly, and Shift Rod.

# HUMMER PARTS CATALOG

12-31-95

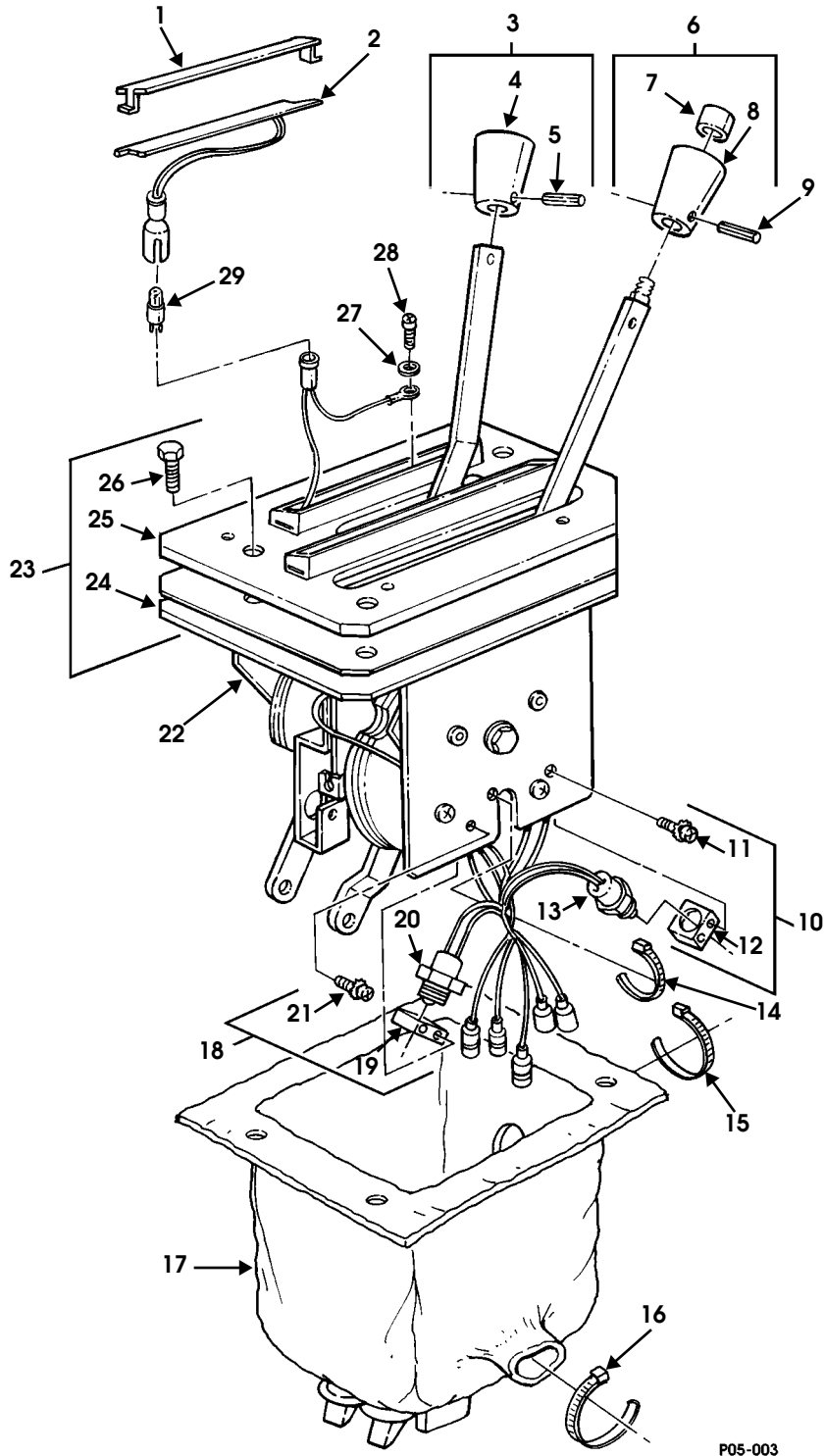
## TRANSMISSION/TRANSFER CASE 5-3

ITEM	PART NUMBER	DESCRIPTION	QTY
		Figure 5-1 TRANSMISSION, TRANSFER CASE CONTROL ASSEMBLY, AND SHIFT ROD	
1	06003832	DECAL, shift instruction . . . . .	1
2	06002639	CONTROL ASSEMBLY, transmission and transfer case .	1
3	MS 00016997 61	SCREW, control assembly . . . . .	3
4	G 02436161	WASHER, control assembly. . . . .	3
5	MS 00051943 31	LOCKNUT, control assembly. . . . .	3
* 6	MS 00024665 283	PIN, cotter . . . . .	2
* 6	06006993	SPRING CLIP. . . . .	2



# HUMMER PARTS CATALOG

## 5-4 TRANSMISSION/TRANSFER CASE



P05-003

Figure 5-2 Transmission Shift Control and Neutral Start Switch

# HUMMER PARTS CATALOG

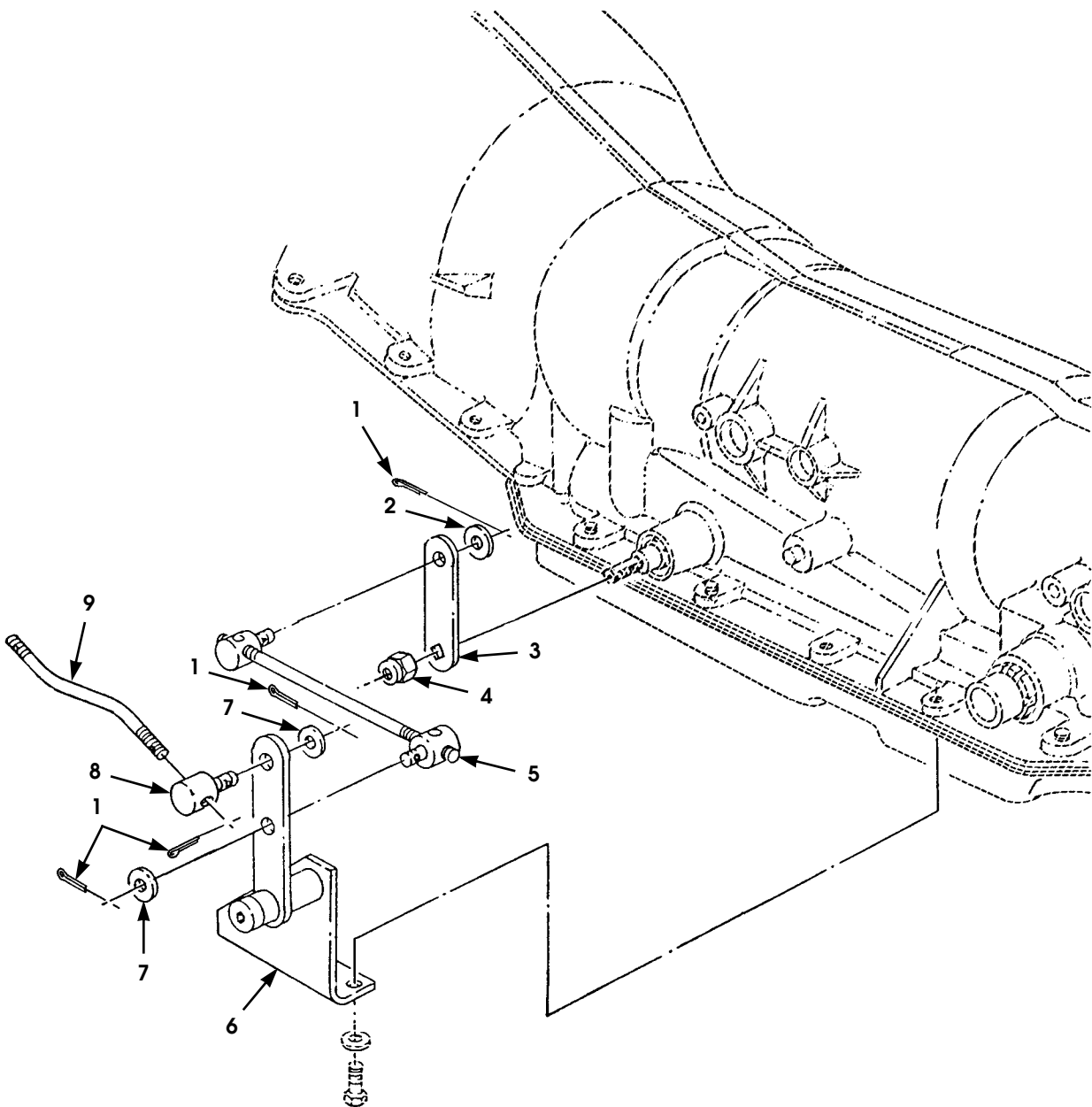
7-1-95

## TRANSMISSION/TRANSFER CASE 5-5

ITEM	PART NUMBER	DESCRIPTION	QTY
		Figure 5-2 TRANSMISSION SHIFT CONTROL AND NEUTRAL START SWITCH	
* 1	05743154	LENS, transmission . . . . .	1
* 1	05743155	LENS, transfer . . . . .	1
* 2	05744277	FIBEROPTICS, transmission. . . . .	1
2	05742980	FIBEROPTICS, transfer . . . . .	1
3	05743156	KNOB KIT, transfer . . . . .	1
4	S.I.K.	•KNOB, transfer shift . . . . .	1
5	S.I.K.	•SPRING PIN . . . . .	1
6	05743157	PUSH BUTTON KNOB KIT, transmission. . . . .	1
7	S.I.K.	•RELEASE BUTTON, transmission handle . . . . .	1
8	S.I.K.	•KNOB, transmission handle . . . . .	1
9	S.I.K.	•SPRING PIN . . . . .	1
10	05743158	SWITCH SET, neutral . . . . .	1
11	S.I.K.	•SCREW-ASSEMBLED WASHER . . . . .	2
12	S.I.K.	•NUT, neutral switch . . . . .	1
13	S.I.K.	•NEUTRAL SWITCH. . . . .	1
14	MS 00003367 4-2	TIEDOWN STRAP. . . . .	2
15	MS 00003367 7-9	TIEDOWN STRAP. . . . .	1
16	MS 00003367 1-9	TIEDOWN STRAP. . . . .	1
17	06001726	BOOT . . . . .	1
18	05743159	SWITCH SET, reverse. . . . .	1
19	S.I.K.	•NUT, reverse switch . . . . .	1
20	S.I.K.	•REVERSE switch . . . . .	1
21	S.I.K.	•SCREW-ASSEMBLED WASHER . . . . .	2
22	NPN	HOUSING . . . . .	1
23	05743160	COVER PLATE SEAL KIT . . . . .	1
24	S.I.K.	•COVER SEAL . . . . .	1
25	S.I.K.	•COVER PLATE. . . . .	1
26	S.I.K.	•SCREW . . . . .	4
27	N/S	WASHER . . . . .	1
28	N/S	SCREW . . . . .	1
29	n/s	BULB, indicator. . . . .	1

# HUMMER PARTS CATALOG

## 5-6 TRANSMISSION/TRANSFER CASE



P05-004

Figure 5-3 Transmission Shift Lever, Shift Bracket, and Rod.

# HUMMER PARTS CATALOG

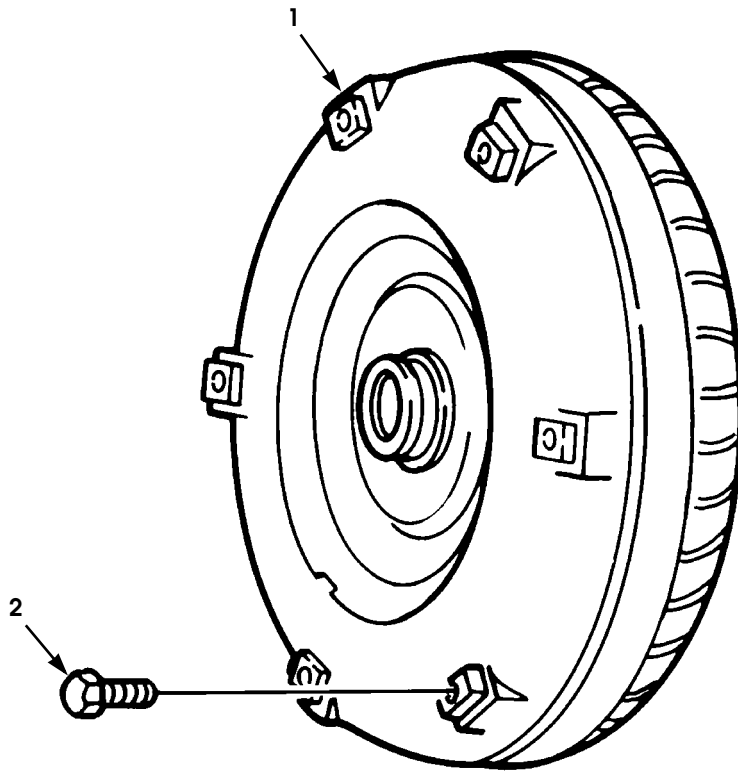
12-31-95

## TRANSMISSION/TRANSFER CASE 5-7

ITEM	PART NUMBER	DESCRIPTION	QTY
		Figure 5-3 TRANSMISSION SHIFT LEVER, SHIFT BRACKET, AND ROD	
1	MS 00024665 283	PIN, cotter . . . . .	4
2	AN 00000960 616L	WASHER . . . . .	1
* 3	12447176	LEVER, transmission shift arm . . . . .	1
* 4	G 11506091	NUT, M10-1.5. . . . .	1
* 5	12447178	ROD ASSEMBLY, bracket-to-transmission. . . . .	1
* 6	12447182	BRACKET, transmission shift lever . . . . .	1
7	AN 00000960 616	WASHER . . . . .	2
8	12338442 1	TRUNNION, shift control . . . . .	1
* 9	12460146	ROD, transmission to shifter . . . . .	1

# HUMMER PARTS CATALOG

## 5-8 TRANSMISSION/TRANSFER CASE



P05-005

*Figure 5-4 Torque Converter.*

# HUMMER PARTS CATALOG

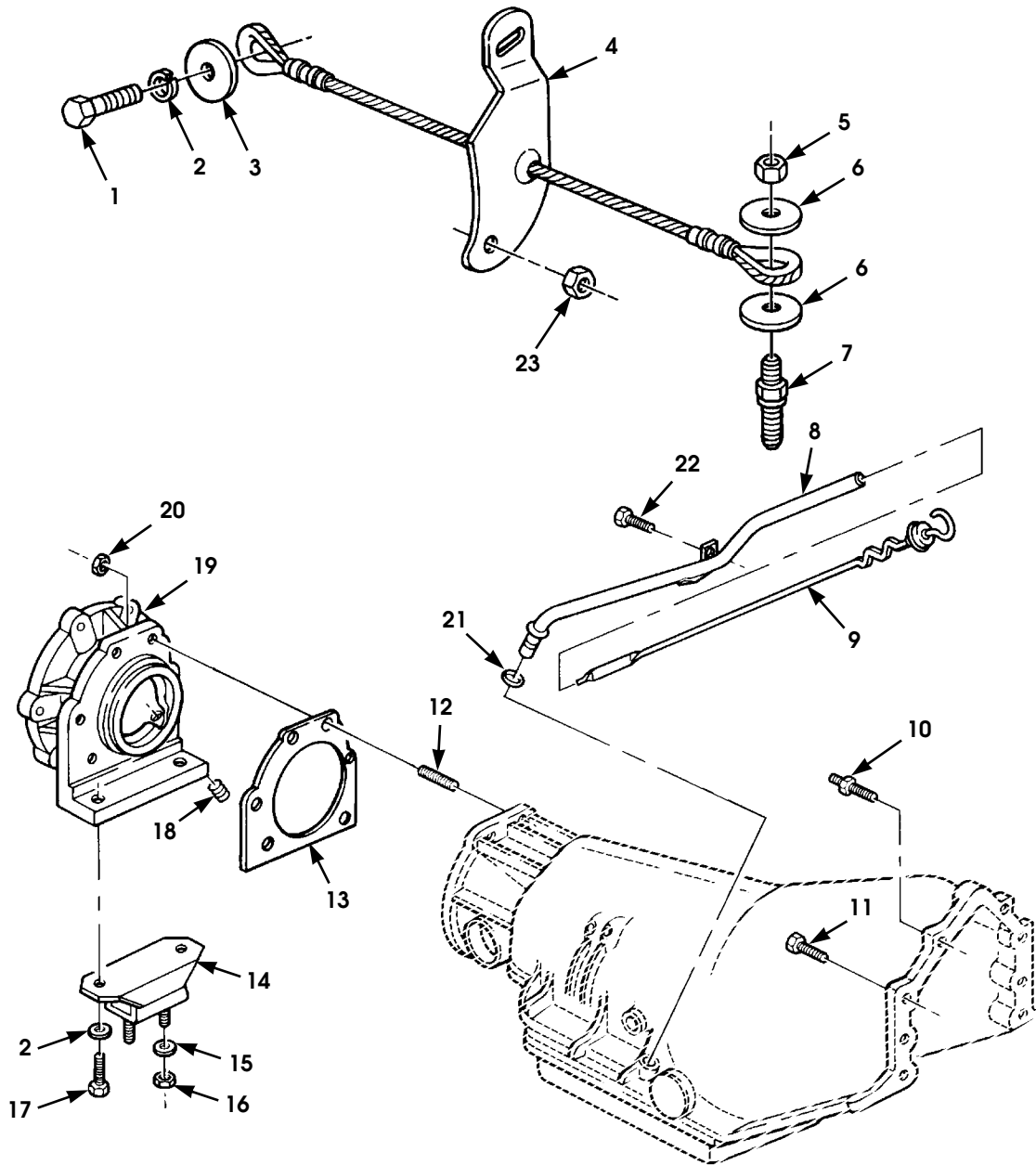
7-1-95

## TRANSMISSION/TRANSFER CASE 5-9

ITEM	PART NUMBER	DESCRIPTION	QTY
* 1 2	05714359	Figure 5-4 TORQUE CONVERTER	1
	12340514	TORQUE CONVERTER, transmission (remanufactured) SCREW, converter to flywheel .....	6

# HUMMER PARTS CATALOG

## 5-10 TRANSMISSION/TRANSFER CASE



P05-006

Figure 5-5 Transmission Mounting Hardware, Fluid dipstick, and Tube Assembly.

# HUMMER PARTS CATALOG

12-31-95

## TRANSMISSION/TRANSFER CASE 5-11

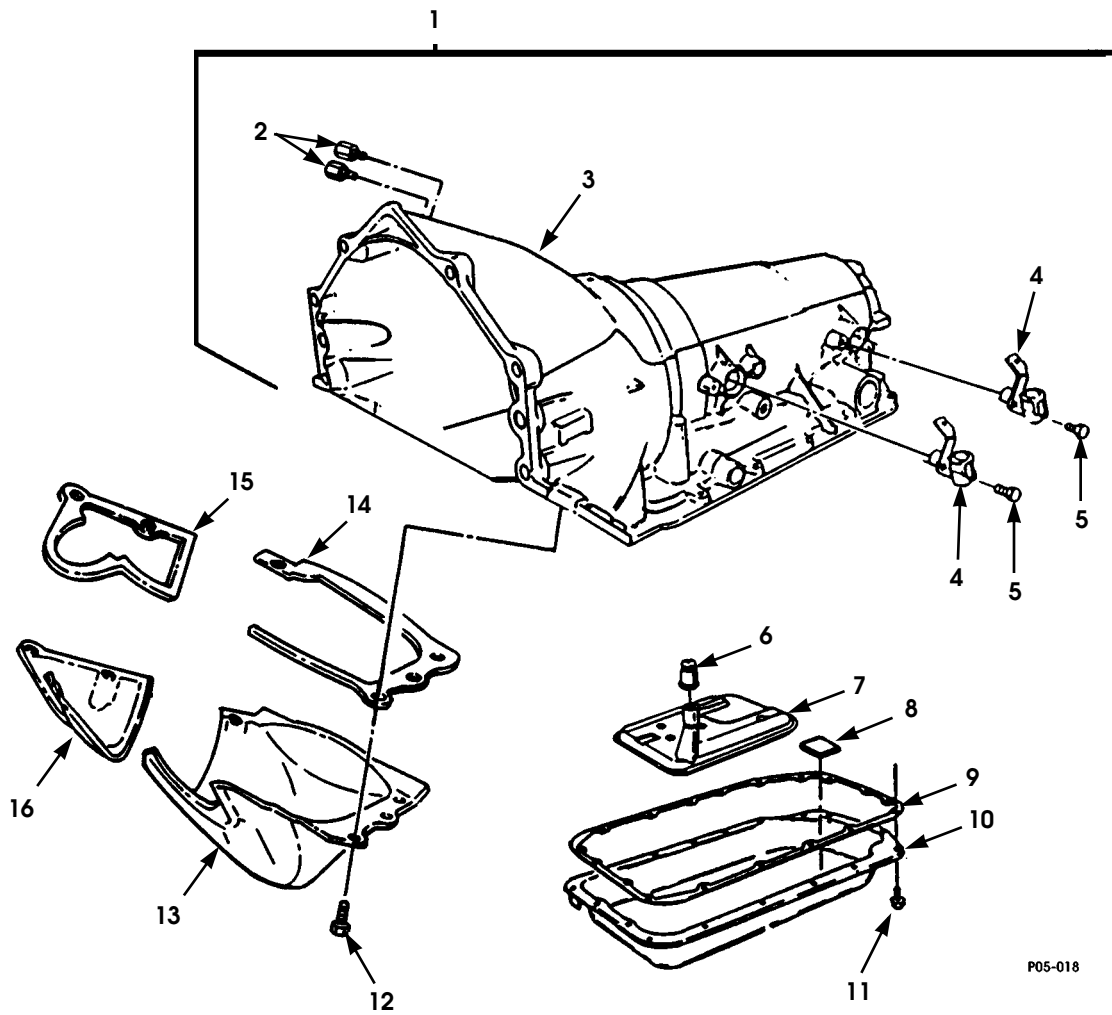
ITEM	PART NUMBER	DESCRIPTION	QTY
		Figure 5-5 TRANSMISSION MOUNTING HARDWARE, FLUID DIPSTICK, AND TUBE ASSEMBLY	
1	MS 00090728 114	BOLT, guide cable . . . . .	1
2	MS 00035338 48	LOCKWASHER . . . . .	3
3	G 09428839	WASHER, guide cable. . . . .	1
* 4	12447180	CABLE ASSEMBLY, transfer case guide . . . . .	1
5	G 09422299	NUT, guide cable. . . . .	1
6	12340058	WASHER, guide cable. . . . .	2
7	06000349	STUD . . . . .	1
8	06005611	TUBE, transmission oil dipstick . . . . .	1
9	06003865	DIPSTICK, transmission oil level . . . . .	1
10	06002942	STUD, transmission to engine . . . . .	1
11	MS 00090725 63	SCREW, transmission to engine . . . . .	4
12	12339518	STUD, adapter . . . . .	6
13	05742566	GASKET, case to extension. . . . .	1
14	12339178	MOUNT, resilient, transmission, rear . . . . .	1
15	G 02436163	WASHER, transmission mount to crossmember . . . . .	2
16	MS 00051943 35	LOCKNUT, transmission mount to crossmember . . . . .	2
17	MS 00090725 110	SCREW, transmission mount to adapter . . . . .	2
18	G 00444689	DRAINPLUG . . . . .	1
19	06002591	ADAPTER, transmission . . . . .	1
20	MS 00051988 8	LOCKNUT, adapter . . . . .	6
21	06002996	SEAL, O-ring, dipstick tube . . . . .	1
22	G 11503451	SCREW, dipstick tube . . . . .	1
23	G 11501033	NUT . . . . .	1



12-31-95

# HUMMER PARTS CATALOG

## 5-12 TRANSMISSION/TRANSFER CASE



P05-018

Figure 5-6 Transmission, Filter and Sensors.

# HUMMER PARTS CATALOG

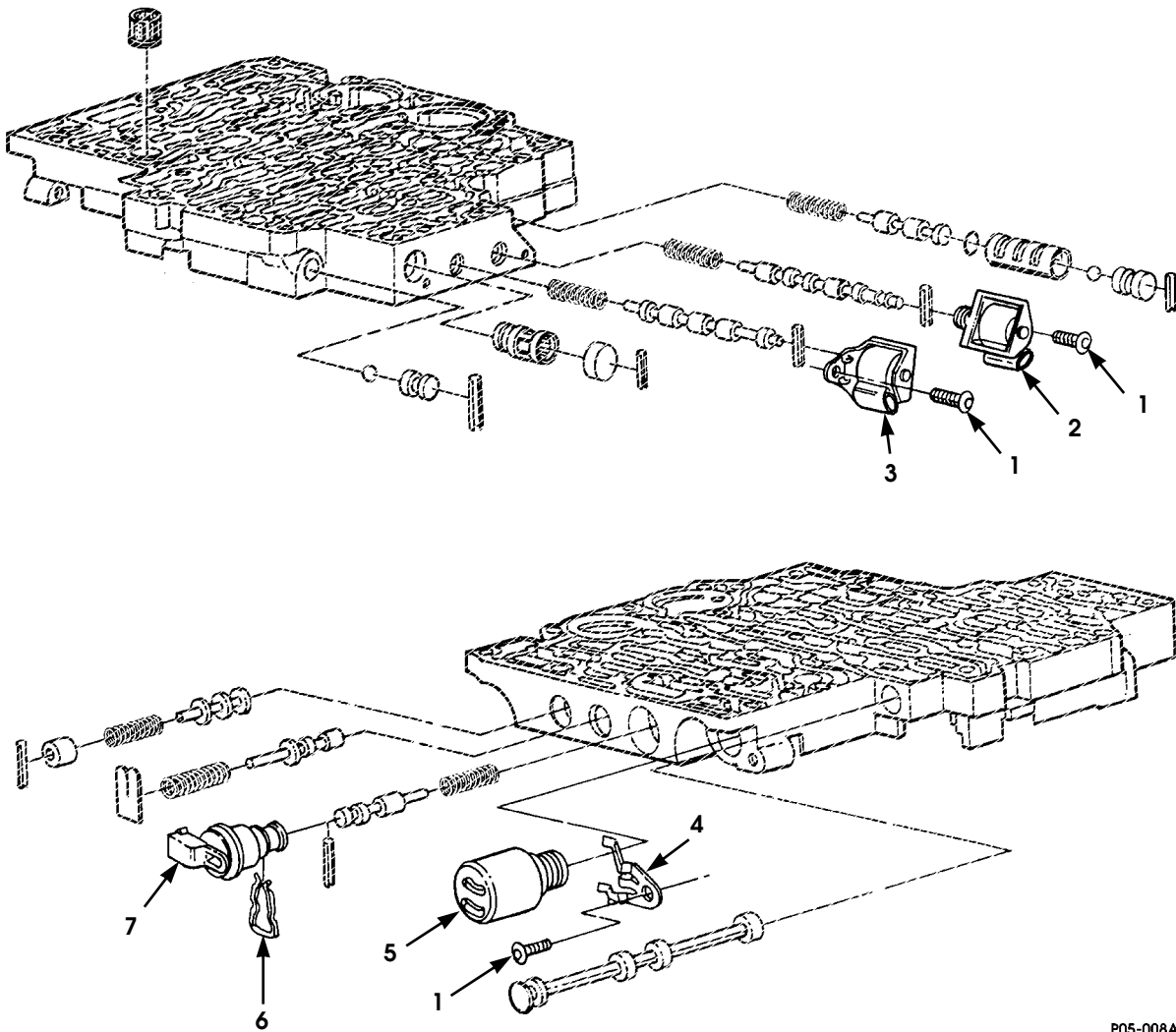
12-31-95

## TRANSMISSION/TRANSFER CASE 5-13

ITEM	PART NUMBER	DESCRIPTION	QTY
		Figure 5-6 TRANSMISSION, FILTER, AND SENSORS	
* 1	06004801	TRANSMISSION, w/ torque converter . . . . .	1
2	05744087	•CONNECTOR. . . . .	2
3	S.I.A.	•CASE. . . . .	1
* 4	05743516	•SENSOR ASSEMBLY . . . . .	2
5	G 11514308	•BOLT, speed sensor . . . . .	2
6	05743312	•SEAL . . . . .	1
7	05743311	•FILTER ASSEMBLY . . . . .	1
8	05744092	•MAGNET, chip collector. . . . .	1
9	05743310	•SEAL . . . . .	1
10	05743313	•OIL PAN ASSEMBLY . . . . .	1
11	05744077	•BOLT, oil pan . . . . .	17
12	G 11503451	SCREW, converter access cover to transmission. . . . .	6
13	06005129	ACCESS COVER. . . . .	1
14	12342104	GASKET. . . . .	1
15	12342105	GASKET. . . . .	1
16	12342107	COVER, starter nose . . . . .	1

# HUMMER PARTS CATALOG

## 5-14 TRANSMISSION/TRANSFER CASE



P05-008A

Figure 5-7 Control Valve and Related Parts.

# HUMMER PARTS CATALOG

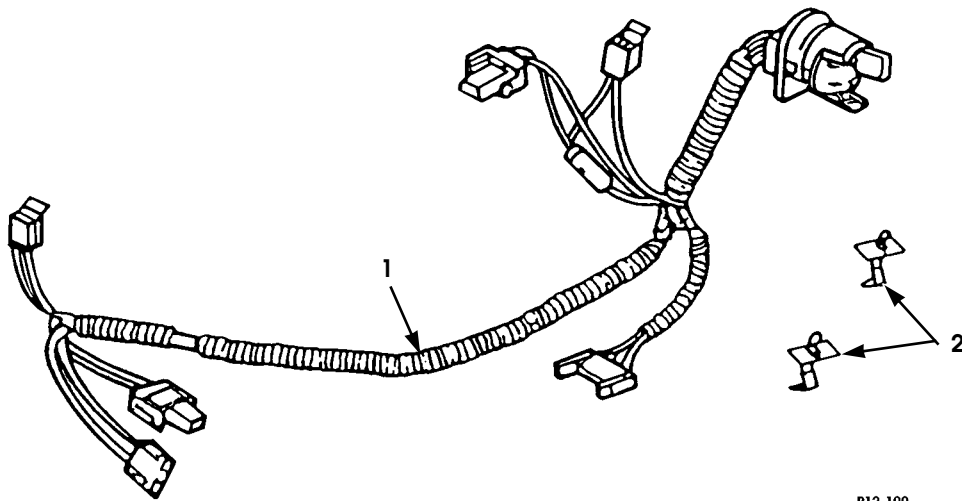
12-31-95

## TRANSMISSION/TRANSFER CASE 5-15

ITEM	PART NUMBER	DESCRIPTION	QTY
		Figure 5-7 CONTROL VALVE AND RELATED PARTS	
1	05744115	BOLT,solenoid . . . . .	3
2	05744097	SOLENOID, shift 2-3 . . . . .	1
3	05744096	SOLENOID, shift 1-2 . . . . .	1
* 4	05714354	CLAMP,pressure control solenoid . . . . .	1
5	05743515	SOLENOID, pressure control . . . . .	1
6	05744095	CLIP,solenoid . . . . .	1
7	05744093	SOLENOID ASSEMBLY,torque converter clutch . . . . .	

# HUMMER PARTS CATALOG

## 5-16 TRANSMISSION/TRANSFER CASE



P12-109

*Figure 5-8 Transmission Wiring Harness.*

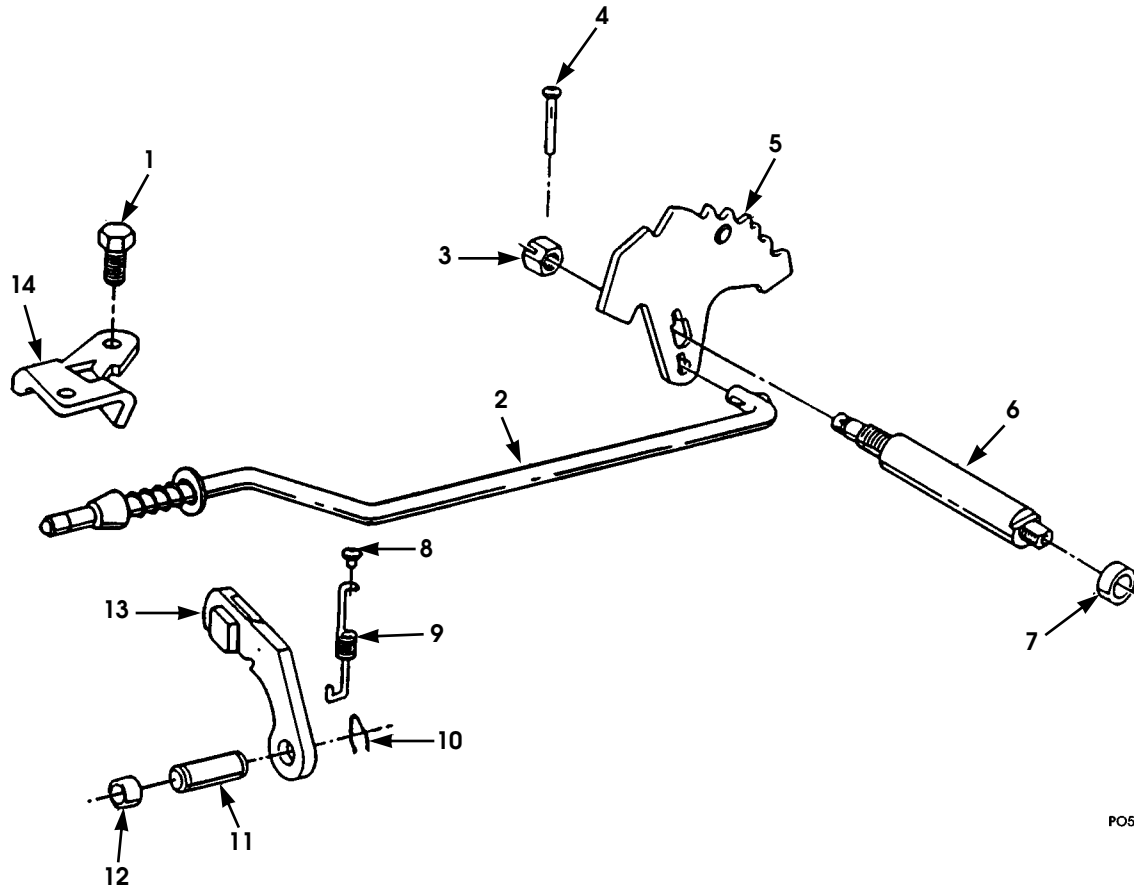
# HUMMER PARTS CATALOG

## TRANSMISSION/TRANSFER CASE 5-17

ITEM	PART NUMBER	DESCRIPTION	QTY
1	05743513	Figure 5-8 TRANSMISSION WIRING HARNESS	
2	05744083	HARNESS ASSEMBLY, transmission.....	1
		CLAMP .....	3

# HUMMER PARTS CATALOG

## 5-18 TRANSMISSION/TRANSFER CASE



PO5-019

Figure 5-9 Parking Lock System.

# HUMMER PARTS CATALOG

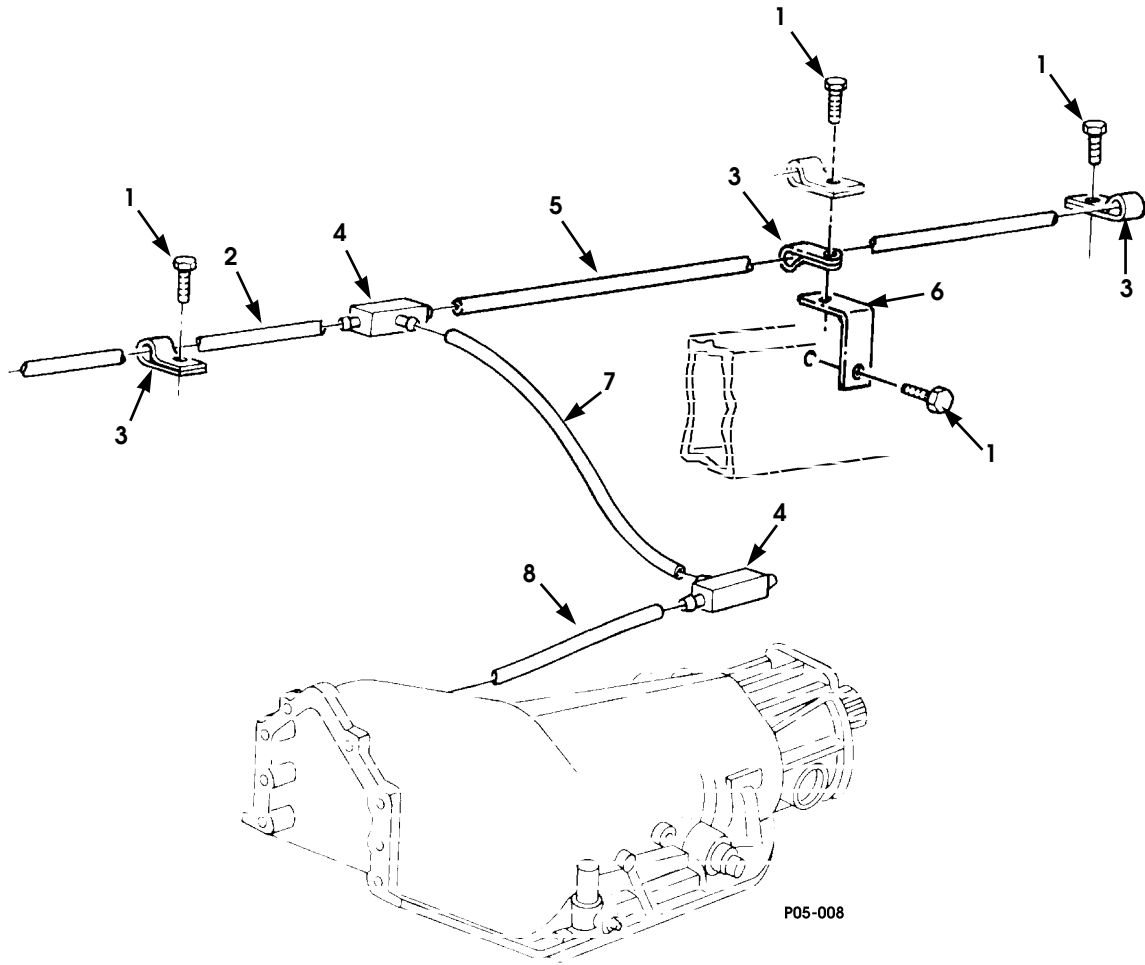
## TRANSMISSION/TRANSFER CASE 5-19

ITEM	PART NUMBER	DESCRIPTION	QTY
		Figure 5-9 PARKING LOCK SYSTEM	
1	G 11500713	BOLT .....	2
2	05744105	ACTUATOR ASSEMBLY .....	1
3	05744076	NUT .....	1
4	05744122	PIN .....	1
5	05743374	LEVER AND PIN, inside detent .....	1
6	05743373	SHAFT .....	1
7	05740322	SEAL ASSEMBLY .....	1
8	05744110	STUD .....	1
9	05744108	SPRING .....	1
10	G 00148148	RETAINER .....	1
11	05742593	SHAFT .....	1
12	05740320	PLUG .....	1
13	05744106	PAWL, parking lock .....	1
14	05744103	BRACKET .....	1



# HUMMER PARTS CATALOG

## 5-20 TRANSMISSION/TRANSFER CASE



*Figure 5-10 Transmission Vent Lines and Attaching Hardware.*

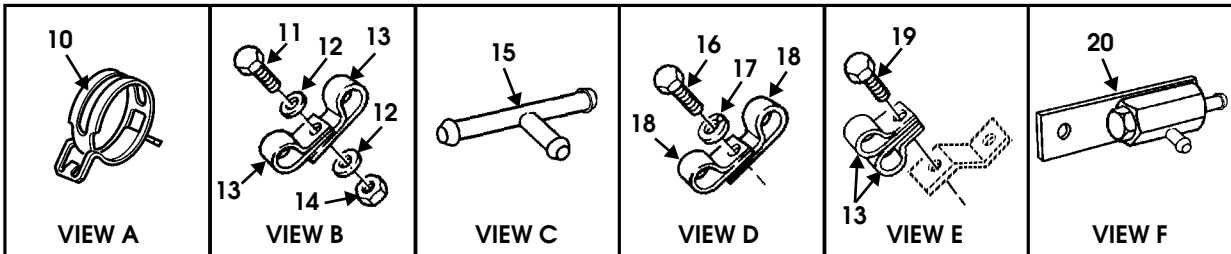
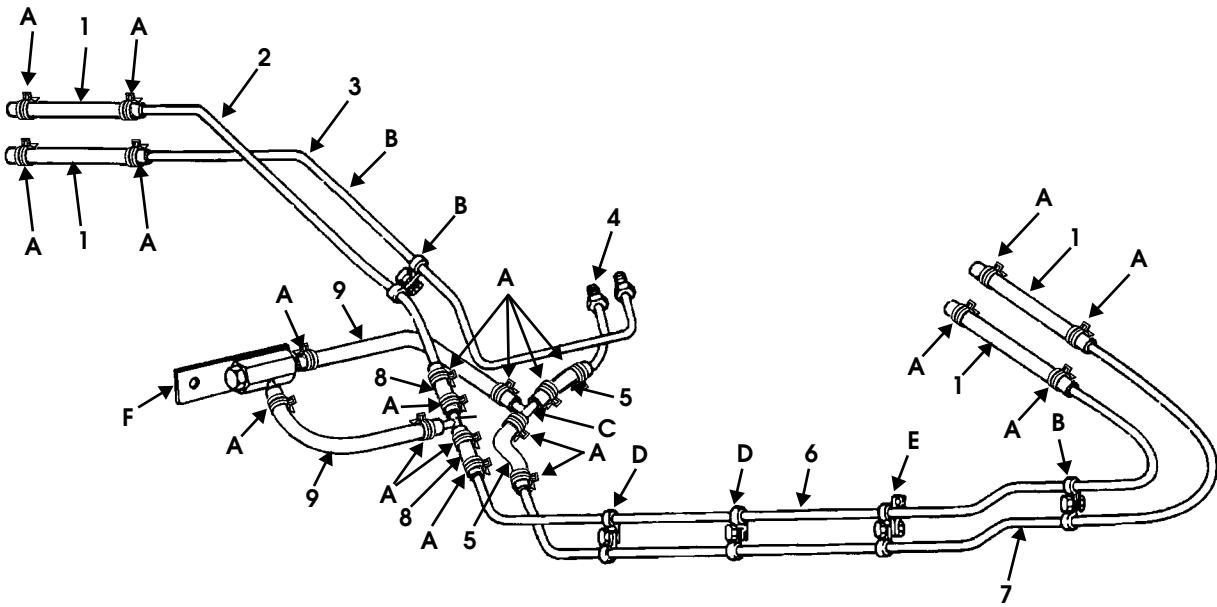
# HUMMER PARTS CATALOG

## TRANSMISSION/TRANSFER CASE 5-21

ITEM	PART NUMBER	DESCRIPTION	QTY
		Figure 5-10 TRANSMISSION VENT LINES AND ATTACHING HARDWARE	
1	G 00271153	SCREW, transmission vent line clamp. . . . .	4
2	N/S	VENT LINE TUBE, 41-inch, SEE NOTE 1 . . . . .	1
3	MS 00021333 119	CLAMP, transmission vent line . . . . .	3
4	12339973 1	TEE, transmission vent line. . . . .	2
5	N/S	VENT LINE TUBE, 64-inch, SEE NOTE 1 . . . . .	1
6	12338663	BRACKET, vent line tube mounting . . . . .	1
7	N/S	VENT LINE TUBE, 11-inch, SEE NOTE 1 . . . . .	1
8	N/S	VENT LINE TUBE, 11-inch, SEE NOTE 1 . . . . .	1
		NOTE 1: MAKE FROM BULK NYLON TUBE P/N 05741079	

# HUMMER PARTS CATALOG

## 5-22 TRANSMISSION/TRANSFER CASE



P05-009

Figure 5-11 Transmission/Transfer Case Cooling Lines.

# HUMMER PARTS CATALOG

12-31-95

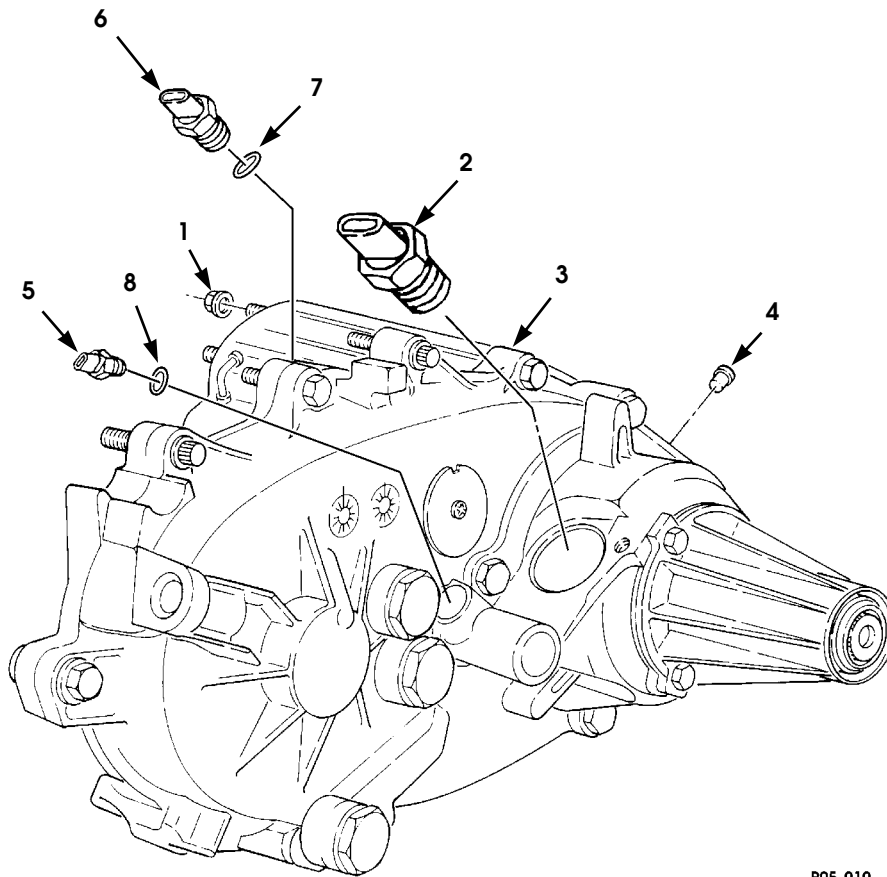
## TRANSMISSION/TRANSFER CASE 5-23

ITEM	PART NUMBER	DESCRIPTION	QTY
		Figure 5-11 TRANSMISSION/TRANSFER CASE COOLING LINES	
1	N/S	HOSE, 3-inch, cooling lines, SEE NOTE 1 . . . . .	4
2	12338333	TUBE, transfer case to cooler, rear . . . . .	1
3	06002764	TUBE, transfer case to transmission . . . . .	1
4	06002763	TUBE, transmission to cooler, rear . . . . .	1
5	N/S	HOSE, 4-inch, transmission line to cooling line, SEE NOTE 1 . . . . .	2
6	06002779	TUBE, transfer case to cooler, front . . . . .	1
7	06002771	TUBE, transmission to cooler, front . . . . .	1
8	N/S	HOSE, 4-inch, transfer case line to cooling line, SEE NOTE 1 . . . . .	2
9	N/S	HOSE, 10-inch, tee-to-bypass valve, NOTE 1 . . . . .	2
10	11608950 1	CLAMP, cooling lines . . . . .	20
★ 11	MS 00051871 1	SCREW, cooling line clamps, 1/4"-20 x .5" . . . . .	3
★ 12	G 02436161 P2	WASHER, cooling line clamps, 1/4" . . . . .	6
13	MS 00021333 100	CLAMP, cooling lines . . . . .	8
★ 14	MS 00051943 31	LOCKNUT, cooling line clamps, 1/4"-20 . . . . .	3
15	06003839	TEE, bypass valve. . . . .	2
16	G 00172482	SCREW, cooling line clamps, 3/8"-16 x .75" . . . . .	2
17	MS 00035338 46	LOCKWASHER, cooling line clamps, 3/8" . . . . .	2
18	MS 00021333 121	CLAMP, cooling lines . . . . .	4
19	MS 00051871 1	SCREW, cooling line clamps, 1/4"-20 x .5" . . . . .	1
★ 20	12447076	VALVE, bypass . . . . .	1
		NOTE 1: MAKE FROM BULK HOSE P/N 05741209	

12-31-95

# HUMMER PARTS CATALOG

## 5-24 TRANSMISSION/TRANSFER CASE



P05-010

*Figure 5-12 Transfer Case Assembly.*

# HUMMER PARTS CATALOG

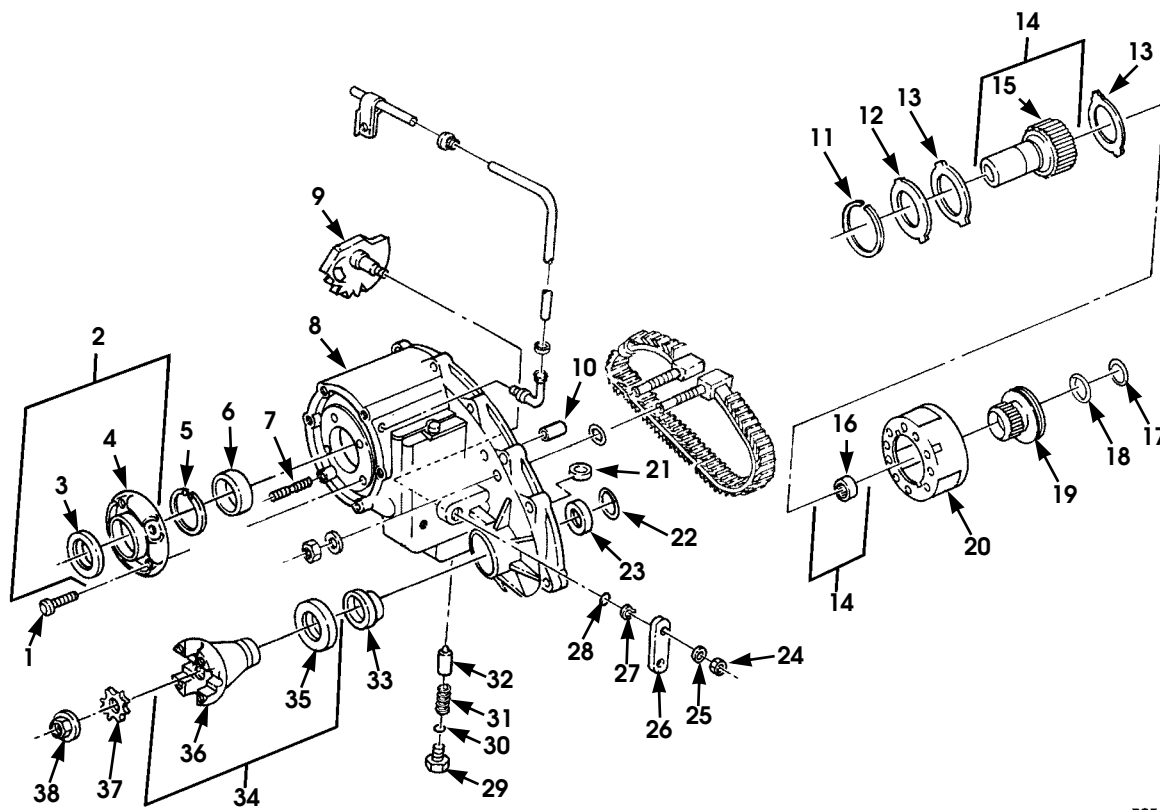
12-31-95

## TRANSMISSION/TRANSFER CASE 5-25

ITEM	PART NUMBER	DESCRIPTION	QTY
		Figure 5-12 TRANSFER CASE ASSEMBLY	
1	MS 00051988 8	LOCKNUT, transfer case . . . . .	6
2	05743510	SWITCH, speed sensor . . . . .	1
* 3	06003690	TRANSFER CASE SEE NOTE 1 . . . . .	1
4	05938682	DUST PLUG, transfer case . . . . .	1
5	05938686	SWITCH, transfer indicator . . . . .	1
6	05743511	SWITCH, transfer case range . . . . .	1
* 7	05938687	O-RING . . . . .	1
* 8	05742291	O-RING . . . . .	1
<p>NOTE 1: TRANSFER CASE, P/N 06003690 HAS BEEN  REPLACED BY TRANSFER CASE, P/N 06007359.  REFER TO THE 1996 SERVICE PARTS CATALOG  FOR REPAIR PARTS FOR TRANSFER CASE,  P/N 06007359</p>			

# HUMMER PARTS CATALOG

## 5-26 TRANSMISSION/TRANSFER CASE



P05-011

Figure 5-13 Transfer Case Assembly, Front Half.

# HUMMER PARTS CATALOG

12-31-95

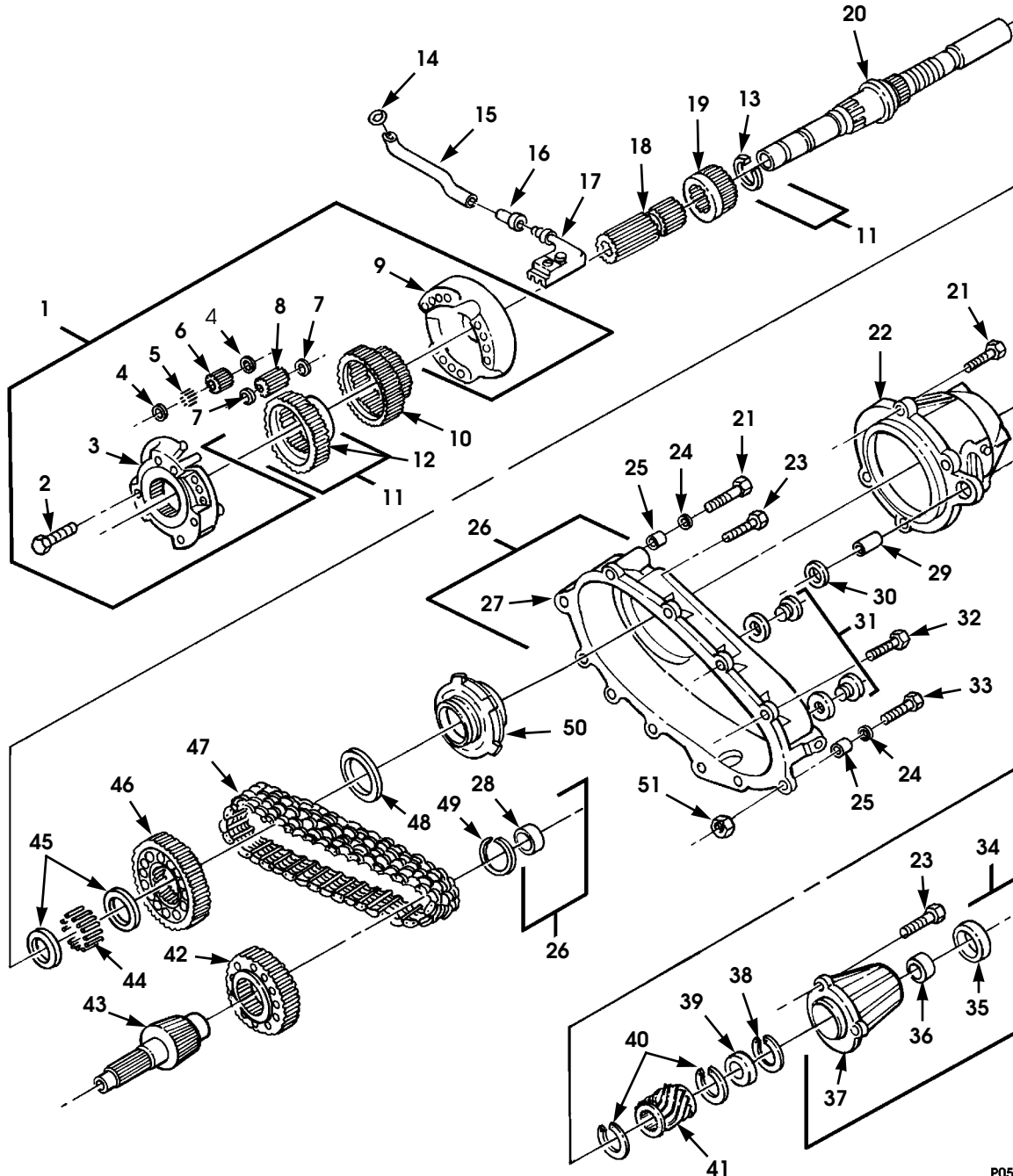
## TRANSMISSION/TRANSFER CASE 5-27

ITEM	PART NUMBER	DESCRIPTION	QTY
		Figure 5-13 TRANSFER CASE ASSEMBLY, FRONT HALF	
1	05938626	RETAINER SCREW . . . . .	4
2	05938625	RETAINER ASSEMBLY, input gear . . . . .	1
3	05740017	•OIL SEAL, input gear . . . . .	1
4	S.I.A.	•RETAINER, input gear . . . . .	1
5	05938623	LOCKRING, input gear . . . . .	1
★ 6	05714223	BEARING, transfer case . . . . .	1
7	05740008	STUD, transfer case . . . . .	6
8	05743743	TRANSFER CASE, front half . . . . .	1
★ 9	05743744	SECTOR, transfer case . . . . .	1
10	05938610	BUSHING, rail . . . . .	1
11	05938622	LOCKRING, input gear . . . . .	1
12	05938624	RETAINING RING, input gear . . . . .	1
13	05938619	WASHER, input gear . . . . .	2
★ 14	05714226	INPUT GEAR ASSEMBLY . . . . .	1
15	S.I.A.	•GEAR, input . . . . .	1
16	05938621	•BEARING, input gear . . . . .	1
17	05938658	WASHER, transfer case . . . . .	1
18	05938659	RETAINING RING, transfer case . . . . .	1
★ 19	05714229	SLEEVE, transfer case . . . . .	1
★ 20	05714225	PLANETARY ASSEMBLY . . . . .	1
21	05740513	MAGNETIC CHIP COLLECTOR . . . . .	1
22	05938608	RETAINING RING . . . . .	1
23	05938607	BEARING, front output . . . . .	1
24	05741254	NUT, operating lever . . . . .	1
25	G 02436163	WASHER, operating lever . . . . .	1
26	05938683	OPERATING LEVER, transfer case . . . . .	1
27	05740107	RETAINER, operating lever . . . . .	1
28	05740012	SEAL, operating lever . . . . .	1
29	05938617	SCREW, poppet spring . . . . .	1
30	05938616	SEAL, poppet spring . . . . .	1
31	05938615	POPPET SPRING . . . . .	1
32	05938614	PLUNGER, transfer case . . . . .	1
★ 33	05714224	OIL SEAL, front output . . . . .	1
34	05938685	YOKE AND SLINGER, front output . . . . .	1
35	05740225	•SLINGER, front output . . . . .	1
36	S.I.A.	•YOKE, front output . . . . .	1
37	05740010	WASHER, yoke and slinger . . . . .	1
38	05740011	NUT, yoke and slinger . . . . .	1



# HUMMER PARTS CATALOG

## 5-28 TRANSMISSION/TRANSFER CASE



P05-012

Figure 5-14 Transfer Case Assembly, Rear Half.

# HUMMER PARTS CATALOG

12-31-95

## TRANSMISSION/TRANSFER CASE 5-29

ITEM	PART NUMBER	DESCRIPTION	QTY
		Figure 5-14 TRANSFER CASE ASSEMBLY, REAR HALF	
★ 1	05714225	DIFFERENTIAL CARRIER ASSEMBLY . . . . .	1
2	05938641	•SCREW, differential carrier . . . . .	6
3	05743072	•CARRIER, front differential . . . . .	1
4	05938646	•WASHER . . . . .	6
5	05938645	•NEEDLE BEARING. . . . .	54
6	05938644	•PINION, narrow . . . . .	3
7	05938647	•WASHER, pinion . . . . .	6
8	05938643	•PINION, wide . . . . .	3
9	S.I.A.	•CARRIER, rear differential (comes with Item 3) . . . . .	1
10	05938650	GEAR, sprocket carrier . . . . .	1
11	05938655	GEAR ASSEMBLY, differential. . . . .	1
12	S.I.A.	•GEAR, differential . . . . .	1
13	05938656	•RING, differential gear . . . . .	1
14	05938669	O-RING, oil tube . . . . .	1
15	05938668	OIL TUBE . . . . .	1
16	05938667	CONNECTOR. . . . .	1
17	05938666	SCREEN, oil tube . . . . .	1
★ 18	05714228	SHAFT, intermediate clutch . . . . .	1
19	05938660	SLEEVE, mode shift . . . . .	1
20	05743745	MAIN SHAFT. . . . .	1
21	05938670	BOLT, rear bearing retainer . . . . .	6
★ 22	05743747	RETAINER, rear bearing . . . . .	1
23	05740508	SCREW, case, rear half . . . . .	10
24	05740230	WASHER . . . . .	12
25	05740102	PIN, case alignment . . . . .	2
★ 26	05742568	CASE ASSEMBLY, rear half . . . . .	1
27	S.I.A.	•CASE, rear half. . . . .	1
28	05740015	•BEARING, front output . . . . .	1
29	05938665	DOWEL, alignment . . . . .	1
30	05938610	BUSHING, rail . . . . .	1
31	05740224	PLUG, transfer case drain. . . . .	2
32	05741075	SCREW, case halves . . . . .	2
33	05743855	BOLT . . . . .	1
34	05714232	EXTENSION ASSEMBLY . . . . .	1
35	05743751	•SEAL, rear output. . . . .	1
36	05743750	•BUSHING, extension . . . . .	1
37	S.I.A.	•EXTENSION, rear housing . . . . .	1
★ 38	05938678	RETAINING RING . . . . .	1
★ 39	05742288	BEARING, rear output . . . . .	1

12-31-95

# HUMMER PARTS CATALOG

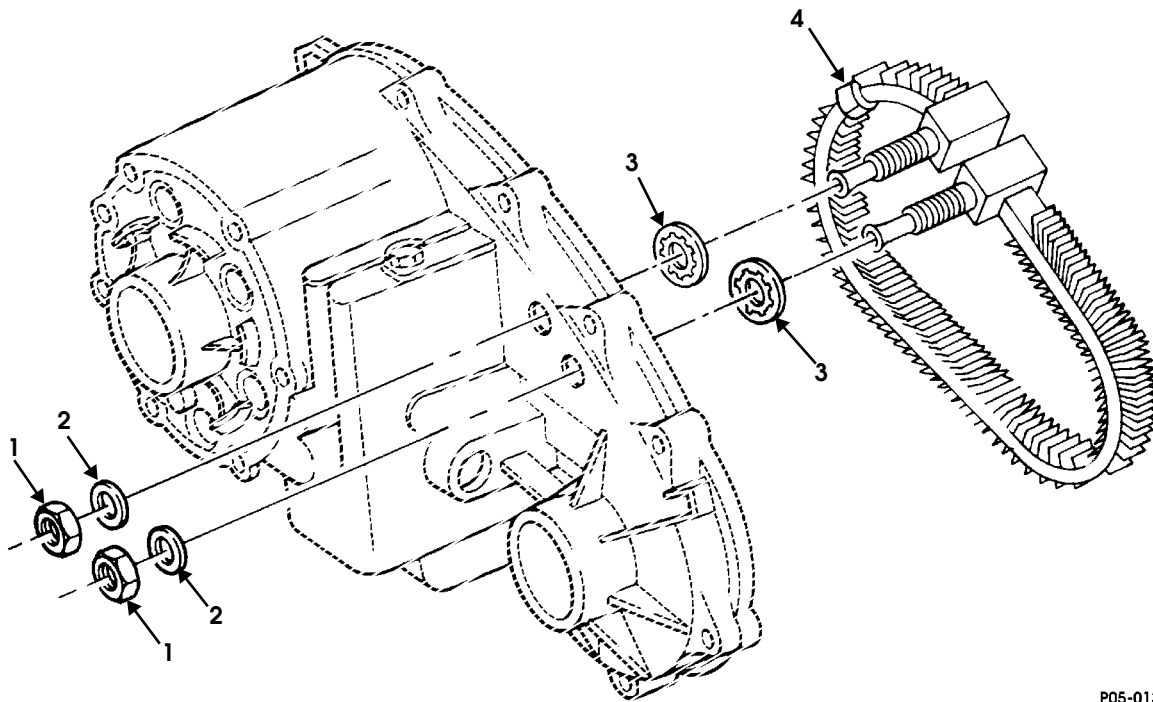
## 5-30 TRANSMISSION/TRANSFER CASE

ITEM	PART NUMBER	DESCRIPTION	QTY
		Figure 5-14 TRANSFER CASE ASSEMBLY, REAR HALF (Cont'd)	
* 40	05938673	RETAINING RING .....	2
* 41	05743512	TOE WHEEL .....	1
* 42	05938663	SPROCKET, drive .....	1
* 43	05938662	SHAFT, front output .....	1
* 44	05938654	BEARING, needle rollers .....	53
* 45	05938653	SPACER, roller .....	2
* 46	05938651	SPROCKET, drive .....	1
* 47	05938664	CHAIN, drive .....	1
* 48	05938652	RETAINING RING, sprocket .....	1
* 49	05740101	RETAINING RING, sprocket .....	1
* 50	05938674	PUMP ASSEMBLY, gear rotor .....	1
51	G 11501033	NUT .....	1



# HUMMER PARTS CATALOG

## 5-32 TRANSMISSION/TRANSFER CASE



P05-013

*Figure 5-15 Transfer Case Oil Cooler Assembly.*

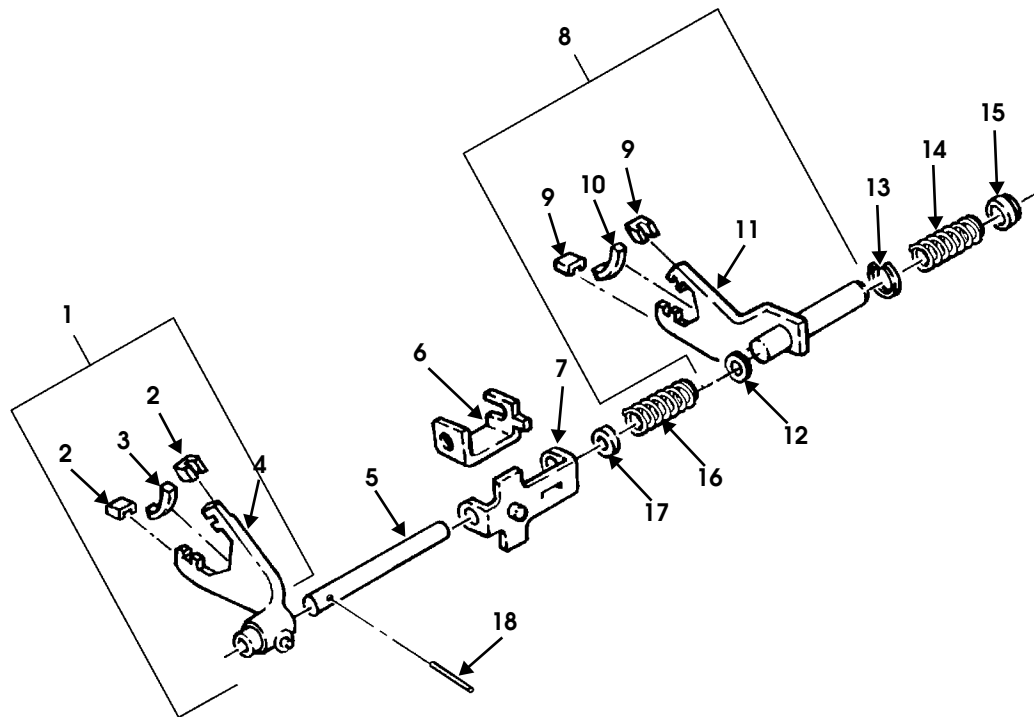
# HUMMER PARTS CATALOG

## TRANSMISSION/TRANSFER CASE 5-33

ITEM	PART NUMBER	DESCRIPTION	QTY
		Figure 5-15 TRANSFER CASE OIL COOLER ASSEMBLY	
1	G 00120371	NUT, oil cooler . . . . .	2
2	05741061	WASHER, oil cooler . . . . .	2
3	05741062	PACKING, oil cooler. . . . .	2
4	05938611	COOLER CORE, transfer case . . . . .	1

# HUMMER PARTS CATALOG

## 5-34 TRANSMISSION/TRANSFER CASE



P05-014

Figure 5-16 Transfer Case Shift Mechanisms.

# HUMMER PARTS CATALOG

12-31-95

## TRANSMISSION/TRANSFER CASE 5-35

ITEM	PART NUMBER	DESCRIPTION	QTY
		Figure 5-16 TRANSFER CASE SHIFT MECHANISMS	
1	05938627	SHIFTER FORK, transfer case . . . . .	1
2	05740114	•PAD, shifter fork . . . . .	2
3	05740223	•PAD, shifter fork . . . . .	1
4	S.I.A.	•SHIFTER FORK . . . . .	1
5	05938648	RAIL, transfer shift. . . . .	1
6	05938635	BRACKET, inner. . . . .	1
7	05938636	BRACKET, outer . . . . .	1
★ 8	05714227	SHIFTER FORK, transfer case . . . . .	1
9	05740114	•PAD, shifter fork . . . . .	2
10	05938631	•PAD, shifter fork . . . . .	1
★ 11	05938629	•SHIFTER FORK, front mode . . . . .	1
12	05938630	•BUSHING, transfer shift. . . . .	2
13	05938632	WASHER, transfer shift . . . . .	1
14	05938633	SPRING, transfer shift . . . . .	1
15	05938634	BUSHING, transfer shift. . . . .	1
16	05938638	SPRING, transfer. . . . .	1
17	05938637	CUP, transfer shift . . . . .	1
18	05938649	PIN, fork to rail . . . . .	1



# HUMMER PARTS CATALOG

## 5-36 TRANSMISSION/TRANSFER CASE

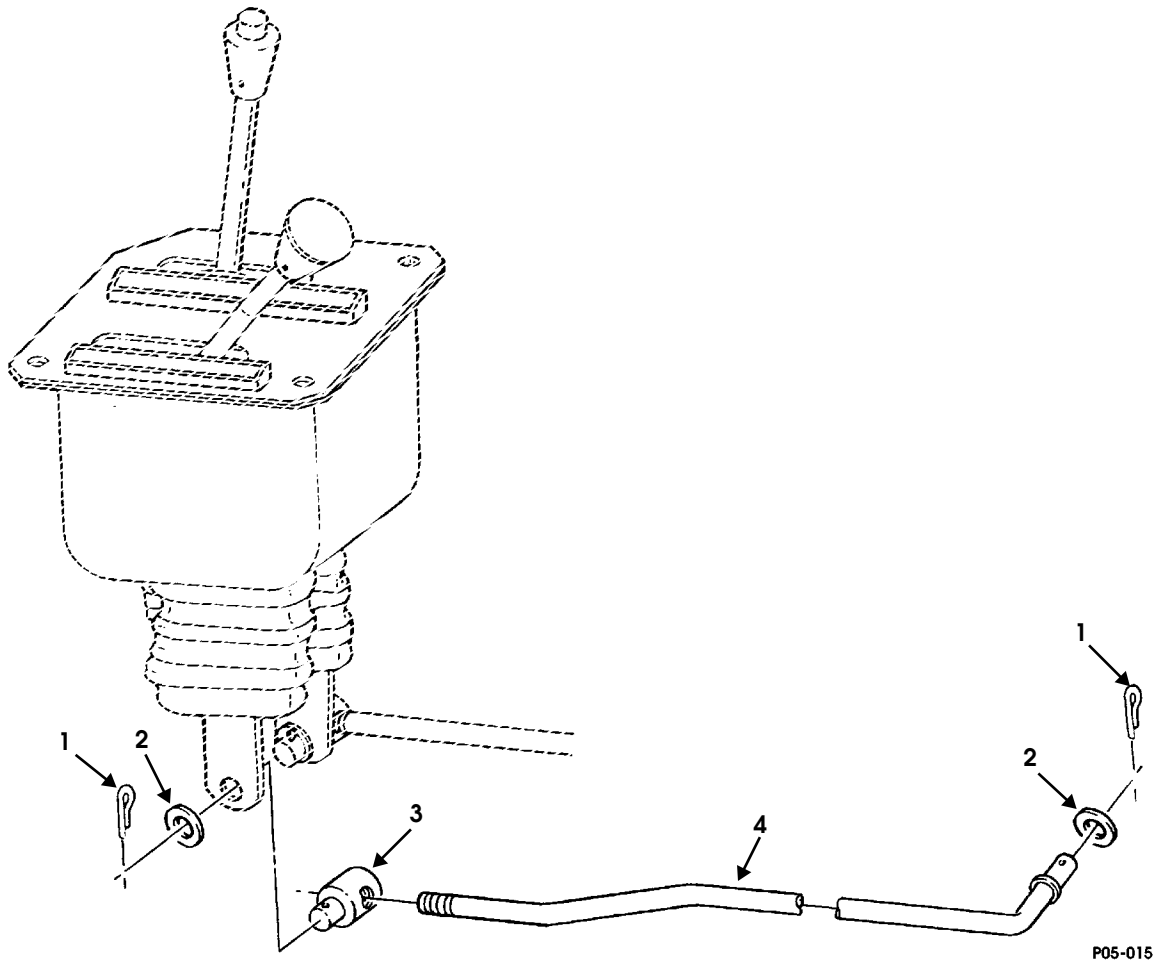


Figure 5-17 Transfer Case Shift Controls.

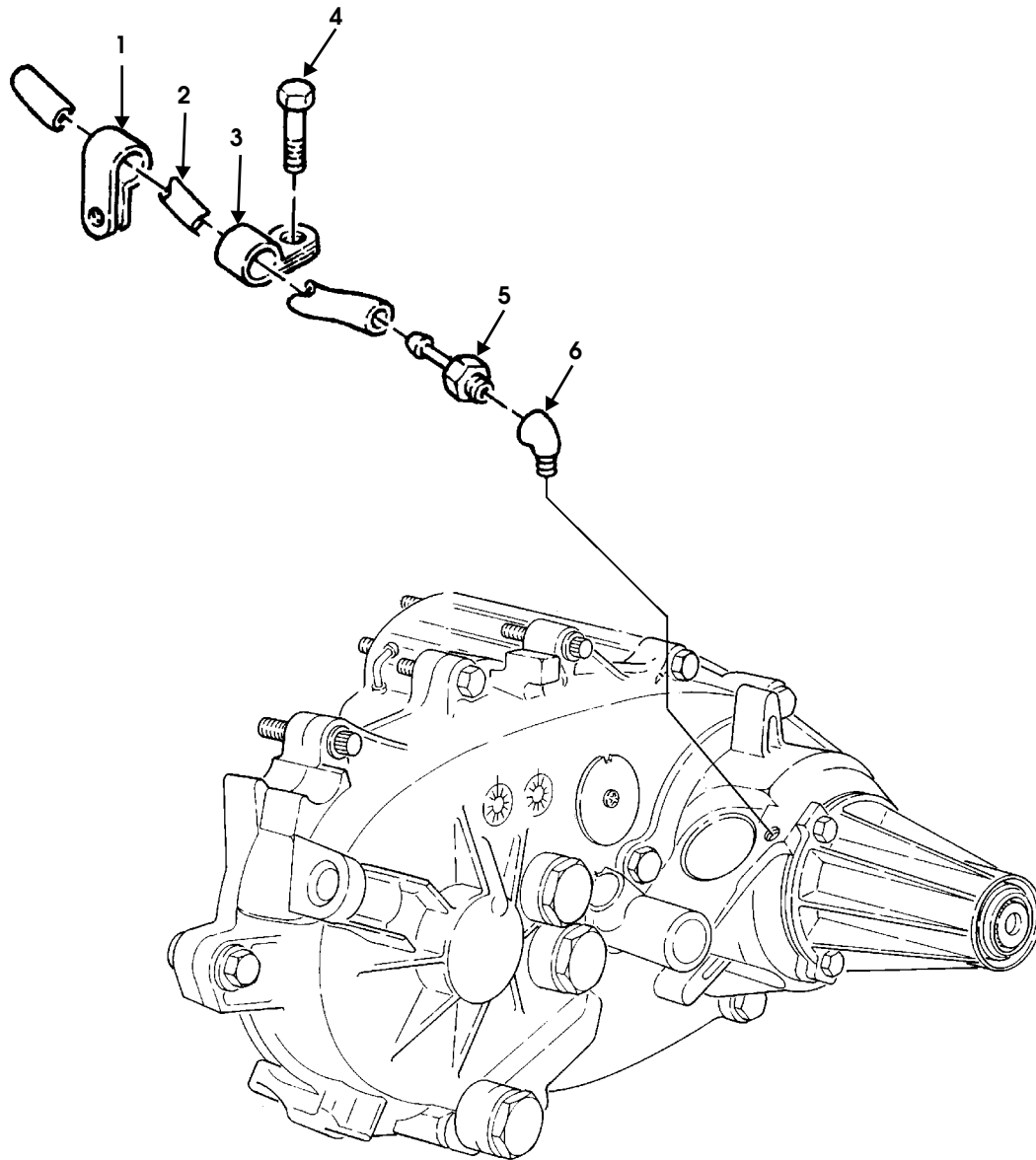
# HUMMER PARTS CATALOG

## TRANSMISSION/TRANSFER CASE 5-37

ITEM	PART NUMBER	DESCRIPTION	QTY
		Figure 5-17 TRANSFER CASE SHIFT CONTROLS	
1	MS 00024665 351	COTTER PIN .....	2
2	G 02436163	WASHER .....	2
3	06001696	TRUNNION .....	1
4	06003057	ROD .....	1

# HUMMER PARTS CATALOG

## 5-38 TRANSMISSION/TRANSFER CASE



P05-016

*Figure 5-18 Transfer Case Vent Line and Related Parts.*

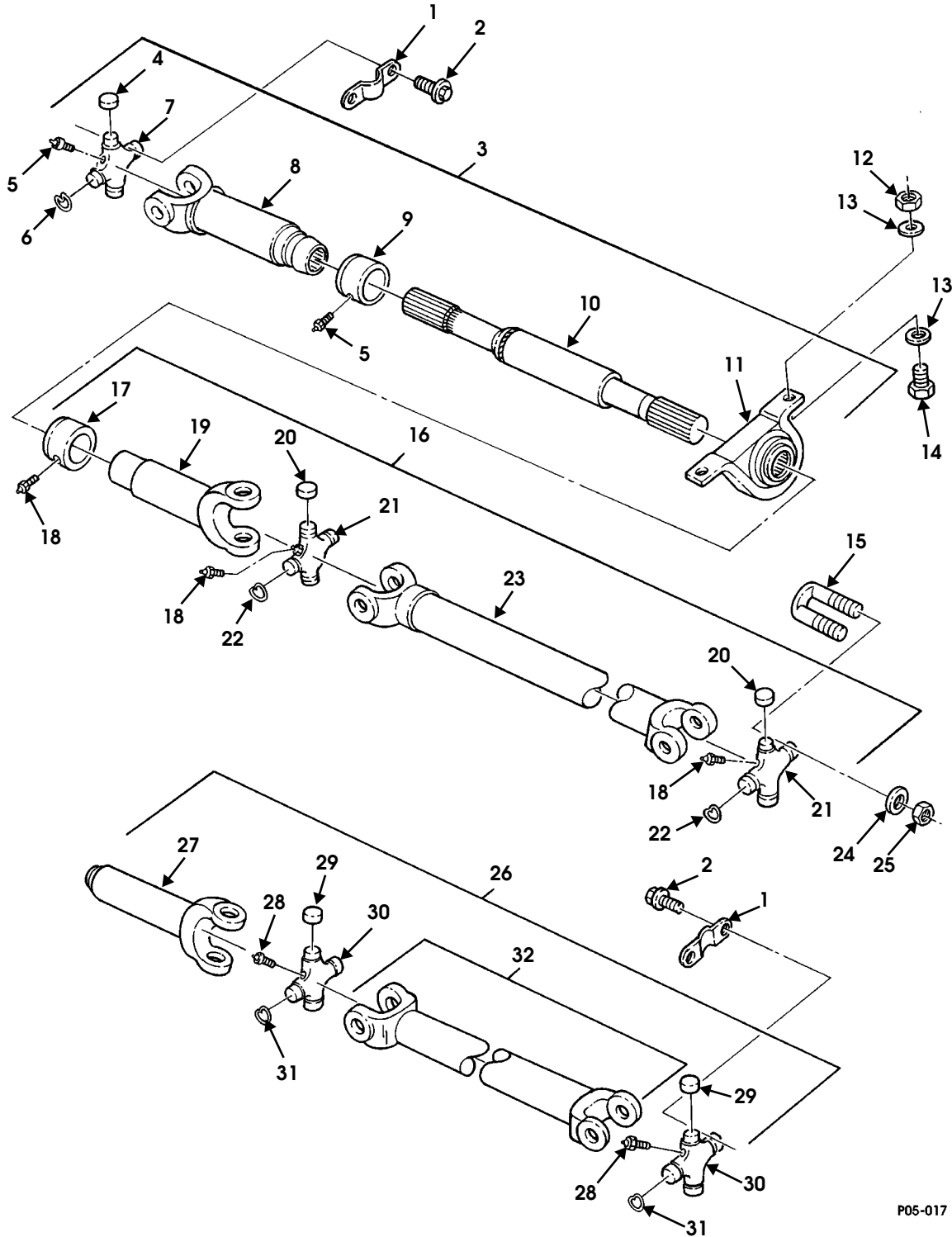
# HUMMER PARTS CATALOG

## TRANSMISSION/TRANSFER CASE 5-39

ITEM	PART NUMBER	DESCRIPTION	QTY
		Figure 5-18 TRANSFER CASE VENT LINE AND RELATED PARTS	
1	MS 00021333 109	CLAMP,transfer case vent line. ....	1
2	N/S	TUBE, 17-inch, vent line,SEE NOTE 1 ....	1
3	MS 00021333 119	CLAMP,transfer case vent line. ....	1
4	G 00271153	SCREW,vent line clamp ....	1
5	12339978	CONNECTOR, transfer case vent line ....	1
6	05937392	ELBOW,vent line ....	1
		NOTE 1: MAKE FROM BULK NYLON TUBE P/N 05741079	

# HUMMER PARTS CATALOG

## 5-40 TRANSMISSION/TRANSFER CASE



P05-017

Figure 5-19 Propeller Shafts.

# HUMMER PARTS CATALOG

12-31-95

## TRANSMISSION/TRANSFER CASE 5-41

ITEM	PART NUMBER	DESCRIPTION	QTY
		Figure 5-19 PROPELLER SHAFTS	
1	12339301	STRAP,cross assembly . . . . .	4
2	12339049	SCREW,cross assembly . . . . .	8
3	06000262	PROPSHAFT, collapsing . . . . .	1
4	S.I.K.	•BEARING RACE,SEE NOTE 1 . . . . .	4
5	MS 00015001 1	•FITTING,grease . . . . .	2
6	S.I.K.	•RING,SEE NOTE 1 . . . . .	2
7	S.I.K.	•CROSS ASSEMBLY,SEE NOTE 1 . . . . .	1
8	S.I.A.	•YOKE,universal . . . . .	1
9	05740723	•DUST CAP . . . . .	1
10	S.I.A.	•PROPELLER SHAFT,front . . . . .	1
11	05741082	•BEARING,center . . . . .	1
12	G 09422299	NUT . . . . .	2
13	G 02436164	WASHER . . . . .	4
14	MS 00090728 85	SCREW . . . . .	2
15	12339050	U-BOLT . . . . .	2
16	06002607	DRIVE SHAFT,front . . . . .	1
17	05740723	•DUST CAP . . . . .	1
18	MS 00015001 1	•FITTING,lubrication,SEE NOTE 1 . . . . .	3
19	05937482	•YOKE,universal . . . . .	1
20	S.I.K.	•BEARING RACE,SEE NOTE 1 . . . . .	8
21	S.I.K.	•CROSS ASSEMBLY,SEE NOTE 1 . . . . .	2
22	S.I.K.	•RING,SEE NOTE 1 . . . . .	6
23	S.I.A.	•PROPELLER SHAFT,front middle . . . . .	1
24	MS 00035338 45	LOCKWASHER . . . . .	4
25	MS 00051968 6	NUT . . . . .	4
26	06003666	PROPSHAFT,rear . . . . .	1
27	05743957	•SLIP YOKE,universal joint . . . . .	1
28	MS 00015001 1	•FITTING,grease . . . . .	2
29	S.I.K.	•BEARING RACE,SEE NOTE 1 . . . . .	8
30	S.I.K.	•CROSS ASSEMBLY,SEE NOTE 1 . . . . .	2
31	S.I.K.	•RING,SEE NOTE 1 . . . . .	6
32	S.I.A.	•PROPELLER SHAFT,rear . . . . .	1
*		NOTE 1: USE JOURNAL AND BEARING KIT P/N 05595706. KIT CONSISTS OF (4) BEARING RACES, (2) RINGS, (1) CROSS ASSEMBLY, AND (1) LUBRICATION FITTING	



# HUMMER PARTS CATALOG

## WHEELS AND TIRES/AXLES/CENTRAL TIRE INFLATION SYSTEM 6-1

### Section 6

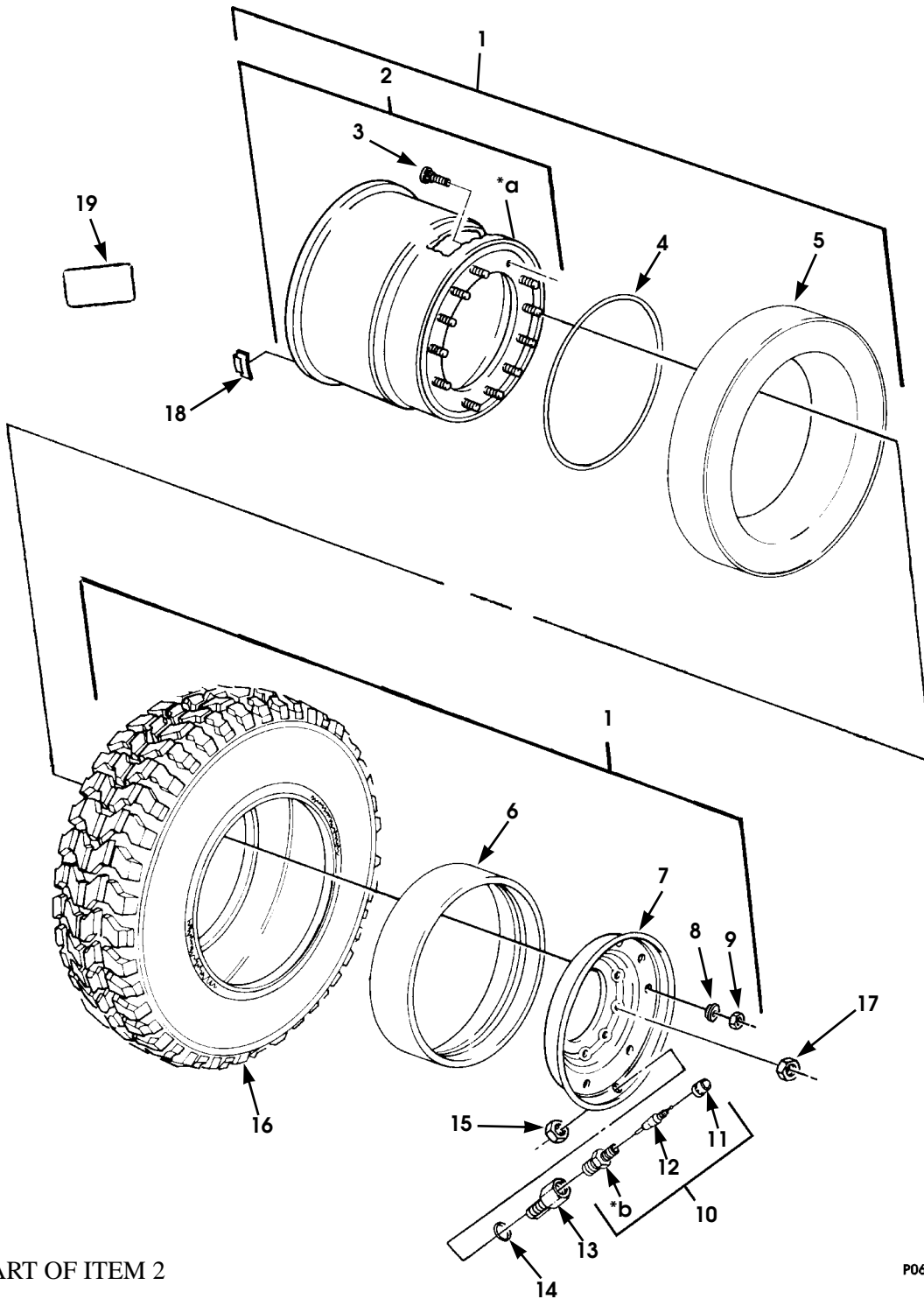
#### WHEELS AND TIRES/AXLES/CENTRAL TIRE INFLATION SYSTEM

TITLE	PAGE NUMBER
Wheel and Runflat Assembly and Tire . . . . .	6-2
Wheel and Tire Assembly . . . . .	6-4
Halfshaft Assembly, Left and Right Side . . . . .	6-6
Axle Differential, Mounting Brackets, and hardware . . . . .	6-8
Front Axle Differential and Geared Hub Vent Lines . . . . .	6-10
Knuckle and Geared Hub Assemblies . . . . .	6-12
Control Arms, Ball Joints, and Mounting hardware . . . . .	6-14
Rear Axle Differential and Geared Hub Vent Lines . . . . .	6-16
Axle Differential . . . . .	6-18
Central Tire Inflation System . . . . .	6-24
Knuckle and Geared Hub Assemblies, CTIS . . . . .	6-30



# HUMMER PARTS CATALOG

## 6-2 WHEELS AND TIRES/AXLES/CENTRAL TIRE INFLATION SYSTEM



P06-001

Figure 6-1. Wheel and Runflat Assembly and Tire.

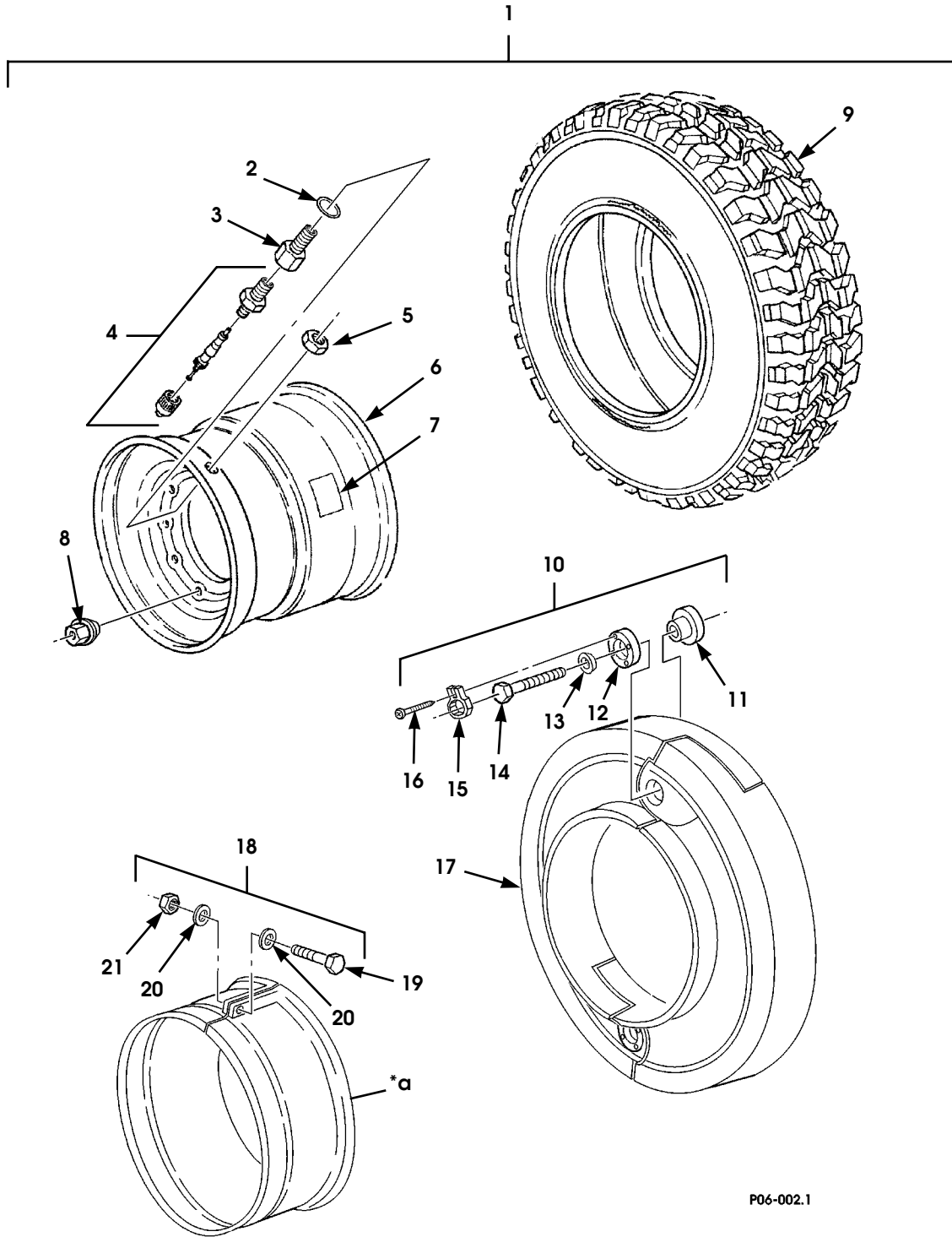
# HUMMER PARTS CATALOG

## WHEELS AND TIRES/AXLES/CENTRAL TIRE INFLATION SYSTEM 6-3

ITEM	PART NUMBER	DESCRIPTION	QTY
		Figure 6-1 WHEEL AND RUNFLAT ASSEMBLY AND TIRE	
1	05938061	WHEEL AND BEADLOCK ASSEMBLY (w/o CTIS) . . . . .	4
1	06003303	WHEEL AND BEADLOCK ASSEMBLY (w/o CTIS) "GSA" . . . . .	4
1	WA 12342641	WHEEL AND high-profile RUNFLAT (w/o CTIS) . . . . .	4
1	06003305	WHEEL AND high-profile RUNFLAT (w/o CTIS) "GSA" . . . . .	4
1	05938062	WHEEL AND BEADLOCK ASSEMBLY (w/ CTIS)	
		SEE NOTE 1 . . . . .	4
1	06003304	WHEEL AND LOW PROFILE RUNFLAT (w/ CTIS) "GSA"	
		SEE NOTE 1 . . . . .	4
1	WB 12342641	WHEEL AND LOW-PROFILE RUNFLAT (w/ CTIS)	
		SEE NOTE 1 . . . . .	4
2	12342642	•RIM, wheel, pneumatic, inner . . . . .	1
3	12342758	••BOLT, inner rim . . . . .	12
4	12342633	•PACKING, wheel assembly. . . . .	1
5	06004835	•RUNFLAT, low-profile (w/ CTIS only) . . . . .	1
5	12342638	•RUNFLAT, high-profile (w/o CTIS) . . . . .	1
6	05594465	•BEADLOCK, full width . . . . .	1
7	12342640	•RIM, wheel assembly . . . . .	1
8	06001844	•WASHER, pilot . . . . .	3
9	05939392	•LOCKNUT, wheel assembly . . . . .	12
10	12342634	•VALVE, pneumatic, wheel assembly, SEE NOTE 2 . . . . .	1
11	S.I.A.	••VALVE CAP, wheel assembly . . . . .	1
12	S.I.A.	••VALVE CORE, wheel assembly. . . . .	1
13	12342793	•INSERT, wheel assembly . . . . .	1
14	12342794	•O-RING, wheel assembly . . . . .	1
15	MS 00021245 8	•LOCKNUT, wheel assembly . . . . .	1
16	06002923	•TIRE, pneumatic, radial "GSA" . . . . .	4
16	12342644	•TIRE, pneumatic, radial "MT" . . . . .	4
17	12339403	NUT, wheel stud . . . . .	32
18	06001761	WEIGHT, clip on, 1 ounce . . . . .	V
18	06001760	WEIGHT, clip on, 2 ounce . . . . .	V
18	06001759	WEIGHT, clip on, 4 ounce . . . . .	V
18	06001758	WEIGHT, clip on, 6 ounce . . . . .	V
18	05593926	WEIGHT, adhesive (set of 12) . . . . .	V
19	05939460	DECAL, tire warning . . . . .	1
19	06000035	DECAL, tire usage . . . . .	1
19	05939888	DECAL, clear protective. . . . .	1
19	06004008	DECAL, tire weight . . . . .	1
		NOTE 1:WB 12342641 AND 06003304 ALSO CONTAIN ITEMS 107-111, FIGURE 6-10 NOTE 2:USED ON WA 12342641 AND 05938061 ONLY	

# HUMMER PARTS CATALOG

## 6-4 WHEELS AND TIRES/AXLES/CENTRAL TIRE INFLATION SYSTEM



\* a PART OF ITEM 18

Figure 6-2. Wheel and Tire Assembly, One Piece Rim.

# HUMMER PARTS CATALOG

12-31-95

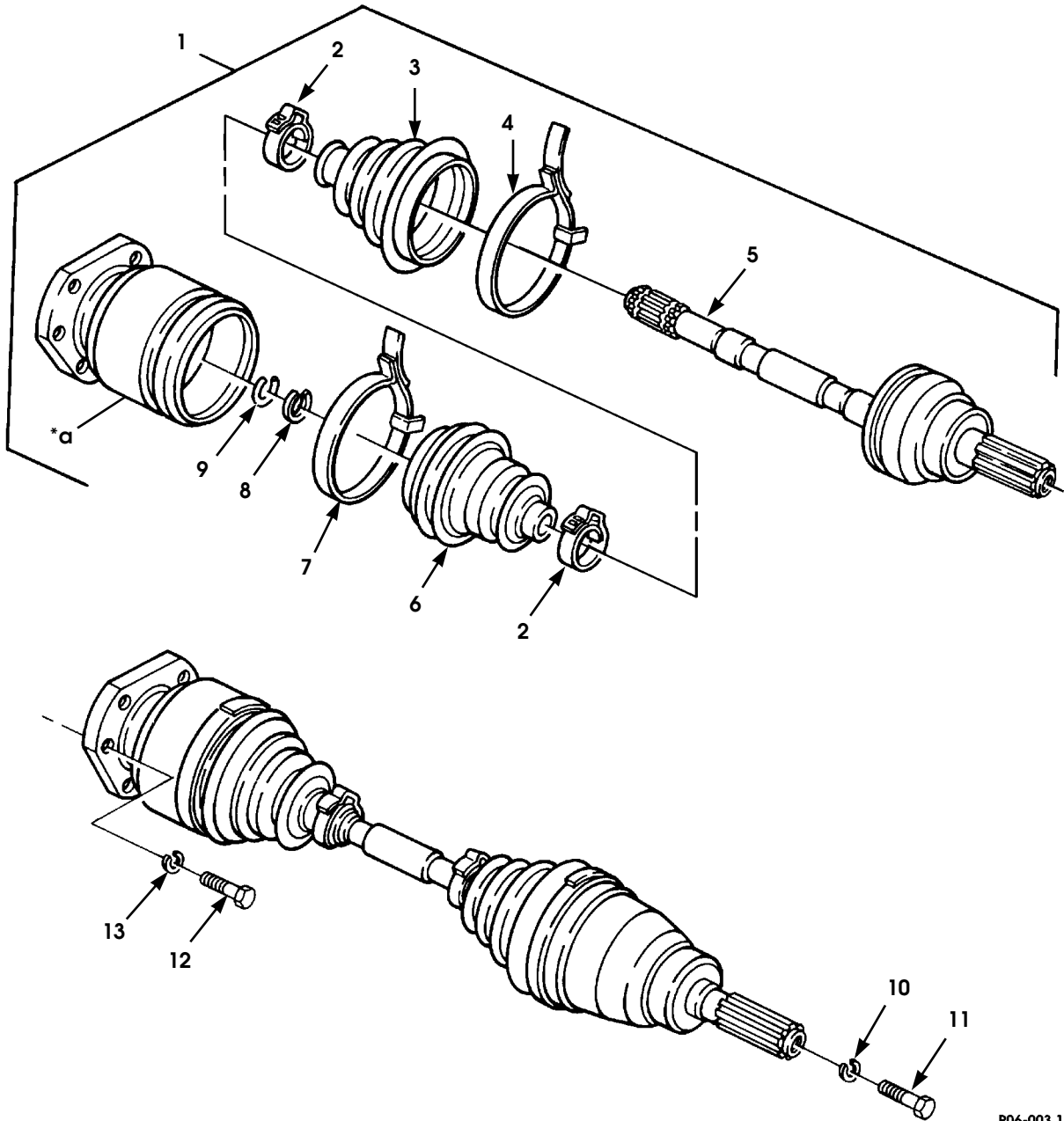
## WHEELS AND TIRES/AXLES/CENTRAL TIRE INFLATION SYSTEM 6-5

ITEM	PART NUMBER	DESCRIPTION	QTY
		Figure 6-2 WHEEL AND TIRE ASSEMBLY, ONE PIECE RIM	
★ 1	06002598 SB2	WHEEL, assy, M/T tire . . . . .	4
★ 1	06005829 B2	WHEEL, assy, M/T tire, w/o CTI w/o beadlock . . . . .	4
★ 1	06005830 B2	WHEEL, assy, M/T tire w/beadlock w/o CTI . . . . .	4
★ 1	06005831 B2	WHEEL, assy, M/T tire w/low profile runflat w/o CTI . . . . .	4
★ 1	06005832 B2	WHEEL, assy, M/T tire w/CTI w/ beadlock . . . . .	4
★ 1	06005833 B2	WHEEL, assy, M/T tire w/CTI w/runflat . . . . .	4
★ 1	05744072 B2	WHEEL, assy, GSA tire . . . . .	4
★ 1	06005835 B2	WHEEL, assy, GSA tire w/o CTI w/o beadlock . . . . .	4
★ 1	06005836 B2	WHEEL, assy, GSA tire w/beadlock w/o CTI . . . . .	4
★ 1	06005837 B2	WHEEL, assy, GSA tire w/runflat w/o CTI . . . . .	4
★ 1	06005838 B2	WHEEL, assy, GSA tire w/CTI w/beadlock . . . . .	4
★ 1	06005839 B2	WHEEL, assy, GSA tire w/CTI w/runflat . . . . .	4
2	12342794	•O-RING, wheel assembly . . . . .	1
3	12342793	•INSERT, wheel assembly . . . . .	1
4	12342634	•VALVE, pneumatic, wheel assembly . . . . .	1
5	MS 00021245 8	•LOCKNUT, wheel assembly . . . . .	1
6	06002010	•WHEEL ASSEMBLY, one piece . . . . .	1
7	05939460	•DECAL, tire warning . . . . .	1
	06004008	•DECAL, tire weight (not illustrated) . . . . .	1
8	12339403	NUT, wheel stud . . . . .	8
9	12342644	•TIRE, M/T radial, 12.5x37x16.5 . . . . .	1
9	06002923	•TIRE, GSA radial 12.5x37x16.5 . . . . .	1
10	06005155	RUNFLAT, low profile, one piece rim . . . . .	1
11	06005280	•WASHER, threaded, runflat . . . . .	2
12	06005279	•WASHER, offset, runflat . . . . .	2
13	06005281	•WASHER, cone, runflat . . . . .	2
14	06005277	•BOLT, runflat . . . . .	2
15	06005278	•CLIP, lock, runflat . . . . .	2
16	06005282	•SCREW, #10, self-tapping . . . . .	8
17	06005276	•RUNFLAT HALF, one piece rim . . . . .	2
18	06002011	BEADLOCK, one piece rim . . . . .	1
19	G 00453039	•BOLT, 5/16"-18 x 2.75" . . . . .	1
20	G 00120393	•WASHER, flat, 5/16" . . . . .	2
21	G 00272739	•LOCKNUT, 5/8"-18 . . . . .	1

12-31-95

# HUMMER PARTS CATALOG

## 6-6 WHEELS AND TIRES/AXLES/CENTRAL TIRE INFLATION SYSTEM



P06-003.1

\*a PART OF ITEM 1

Figure 6-3. Halfshaft Assembly, Left and Right Side.

# HUMMER PARTS CATALOG

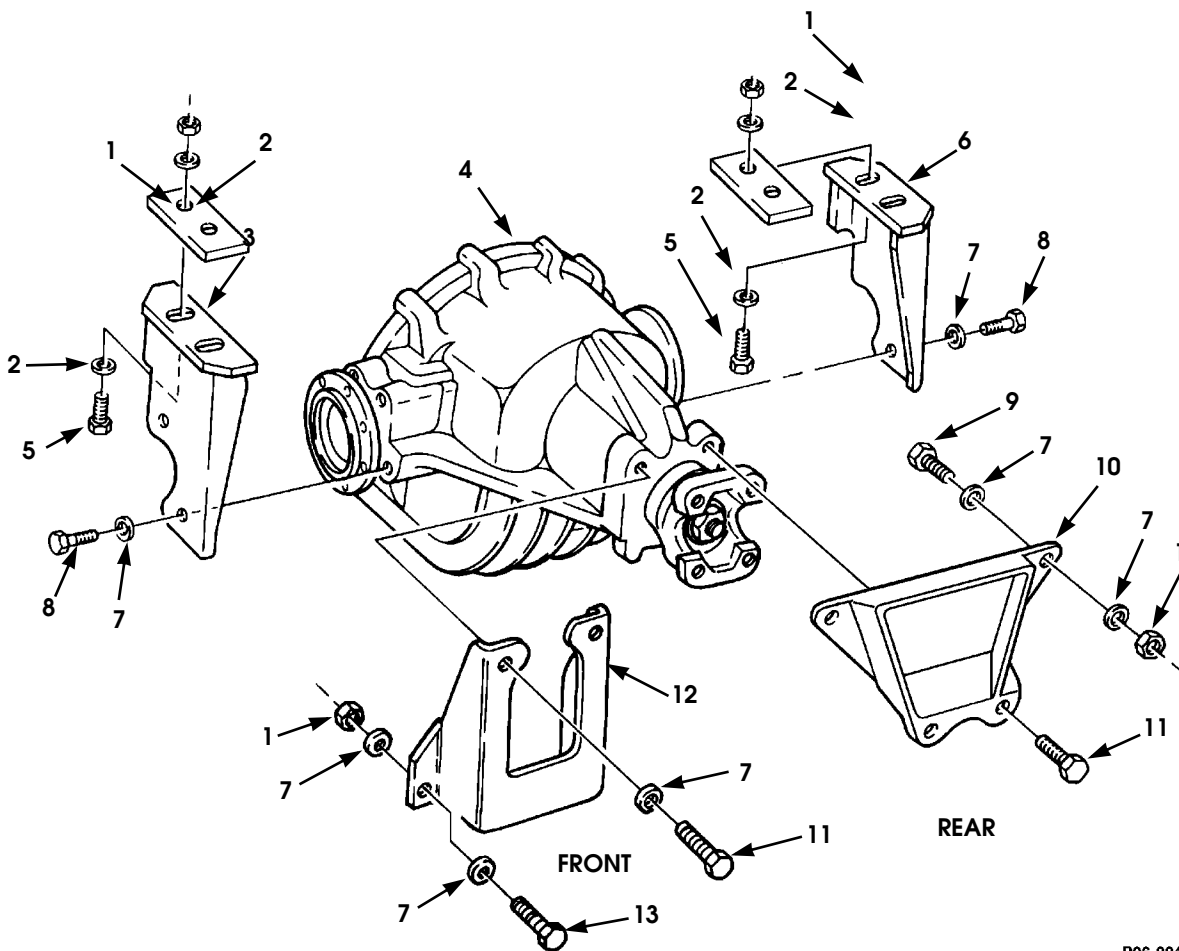
12-31-95

## WHEELS AND TIRES/AXLES/CENTRAL TIRE INFLATION SYSTEM 6-7

ITEM	PART NUMBER	DESCRIPTION	QTY
		Figure 6-3 HALF SHAFT ASSEMBLY, LEFT AND RIGHT SIDE	
1	12342974 1	HALF SHAFT ASSEMBLY, rear, L.H. and R.H. ....	2
1	12342974 2	HALF SHAFT ASSEMBLY, front, R.H., ....	1
1	12342974 3	HALF SHAFT ASSEMBLY, front, L.H., ....	1
* 2	05744413	•CLAMP, race, joint assembly, outer boot, SEE NOTES 1 AND 2 . . . . .	2
3	S.I.K.	•BOOT, joint assembly, SEE NOTE 1 . . . . .	1
* 4	05744415	•CLAMP, race, joint assembly, SEE NOTES 1 . . . . .	1
5	S.I.K.	•SHAFT, half shaft, front, L.H. . . . .	1
5	S.I.K.	•SHAFT, half shaft, front, R.H. . . . .	1
5	S.I.K.	•SHAFT, half shaft, rear, L.H. and R.H. . . . .	1
6	S.I.K.	•BOOT, joint assembly, inner, SEE NOTE 2 . . . . .	1
* 7	05744414	•CLAMP, plunge boot, (SEE NOTES 1 AND 2) . . . . .	1
8	S.I.K.	•SPACER RING, half shaft . . . . .	2
9	S.I.K.	•RETAINING RING, shaft . . . . .	2
10	MS 00035338 65	LOCKWASHER, half shaft assembly, 3/8" . . . . .	1
11	MS 00090728 62	SCREW, half shaft assembly, 3/8"-16 x 1.25 . . . . .	1
12	06008021	BOLT, half shaft assembly, w/dri-loc m10 x 1.5" x 35 . . .	6
13	06008029	LOCKWASHER, half shaft assembly, camlock, m10. . . .	6
<p>NOTE 1: PART OF FIXED BOOT PARTS KIT P/N 05742776            NOTE 2: PART OF PLUNGE BOOT PARTS KIT P/N 05742775</p>			

# HUMMER PARTS CATALOG

## 6-8 WHEELS AND TIRES/AXLES/CENTRAL TIRE INFLATION SYSTEM



P06-004

\*a FOR BREAKDOWN, SEE FIGURE 6-9

Figure 6-4. Axle Differential, Mounting Brackets, and Hardware.

# HUMMER PARTS CATALOG

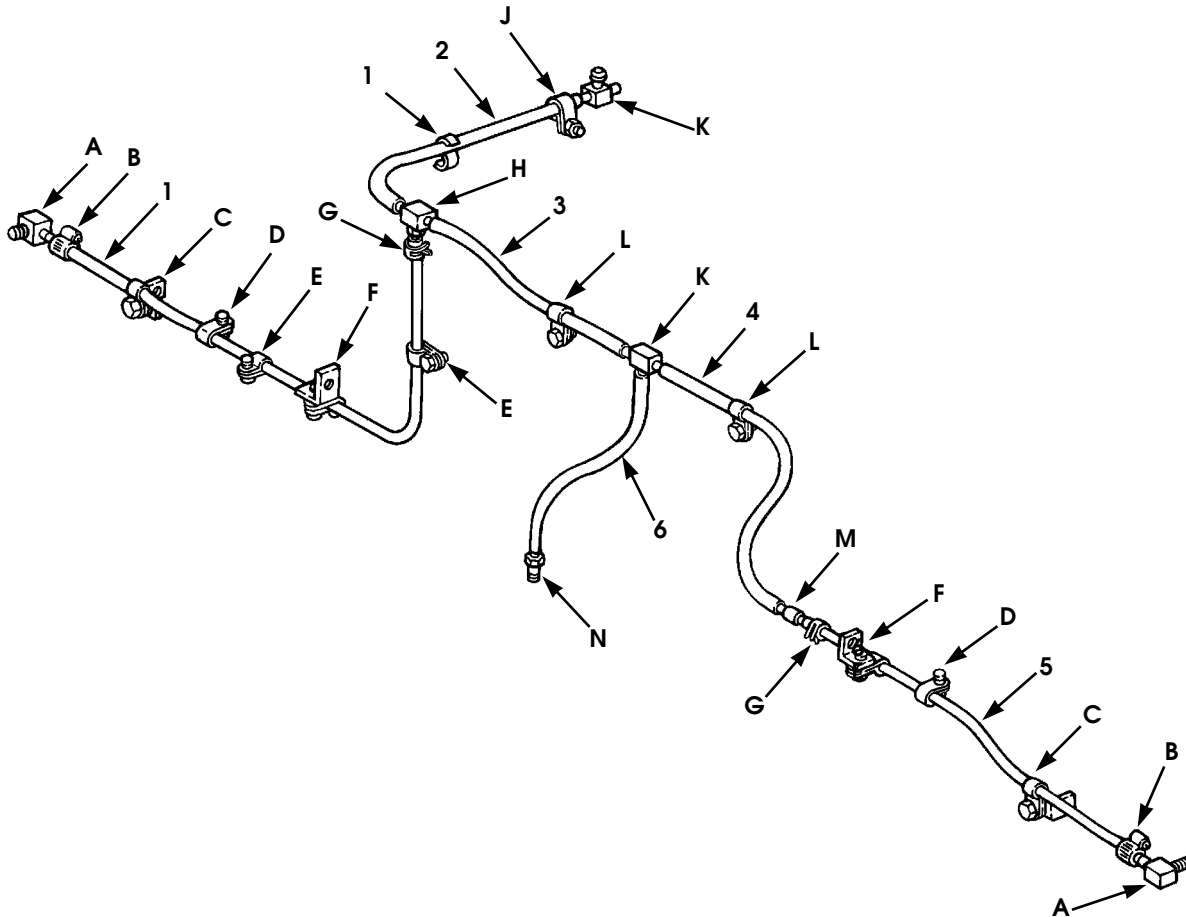
## WHEELS AND TIRES/AXLES/CENTRAL TIRE INFLATION SYSTEM 6-9

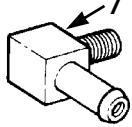
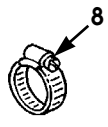
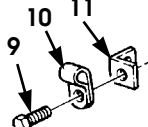
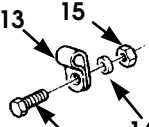
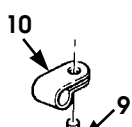
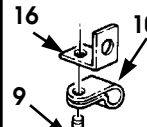
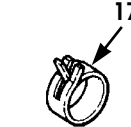
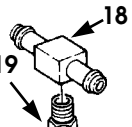
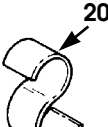
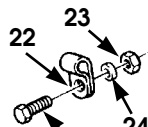
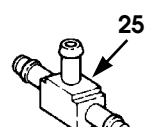
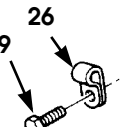
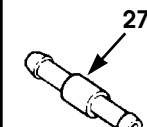
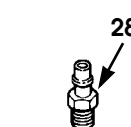
ITEM	PART NUMBER	DESCRIPTION	QTY
		Figure 6-4 AXLE DIFFERENTIAL, MOUNTING BRACKETS, AND HARDWARE	
1	MS 00051943 39	LOCKNUT, differential hanger bracket . . . . .	2
2	G 02436165	WASHER, differential hanger bracket . . . . .	4
3	12338150 1	BRACKET, front differential, L.H. . . . .	1
3	12338151 2	BRACKET, rear differential, R.H. . . . .	1
4	06002483	AXLE ASSEMBLY, differential, front or rear . . . . .	1
5	MS 00090728 111	SCREW, differential hanger bracket . . . . .	2
6	12338150 2	BRACKET, front differential, R.H. . . . .	1
6	12338151 1	BRACKET, rear differential, L.H. . . . .	1
7	G 02436167	WASHER, differential . . . . .	8
8	05936101	SCREW, differential . . . . .	2
9	MS 00090728 120	SCREW, rear differential bracket . . . . .	2
10	12341900	BRACKET, rear axle . . . . .	1
11	05936095	BOLT, differential pinion mount . . . . .	2
12	05937947	BRACKET, front axle pinion . . . . .	1
13	MS 00090728 109	SCREW, front differential bracket. . . . .	2



# HUMMER PARTS CATALOG

## 6-10 WHEELS AND TIRES/AXLES/CENTRAL TIRE INFLATION SYSTEM



 <p>VIEW A</p>	 <p>VIEW B</p>	 <p>VIEW C</p>	 <p>VIEW D</p>	 <p>VIEW E</p>	 <p>VIEW F</p>	 <p>VIEW G</p>
 <p>VIEW H</p>	 <p>VIEW I</p>	 <p>VIEW J</p>	 <p>VIEW K</p>	 <p>VIEW L</p>	 <p>VIEW M</p>	 <p>VIEW N</p>

P06-005

Figure 6-5. Front Axle Differential and Geared Hub Vent Lines.

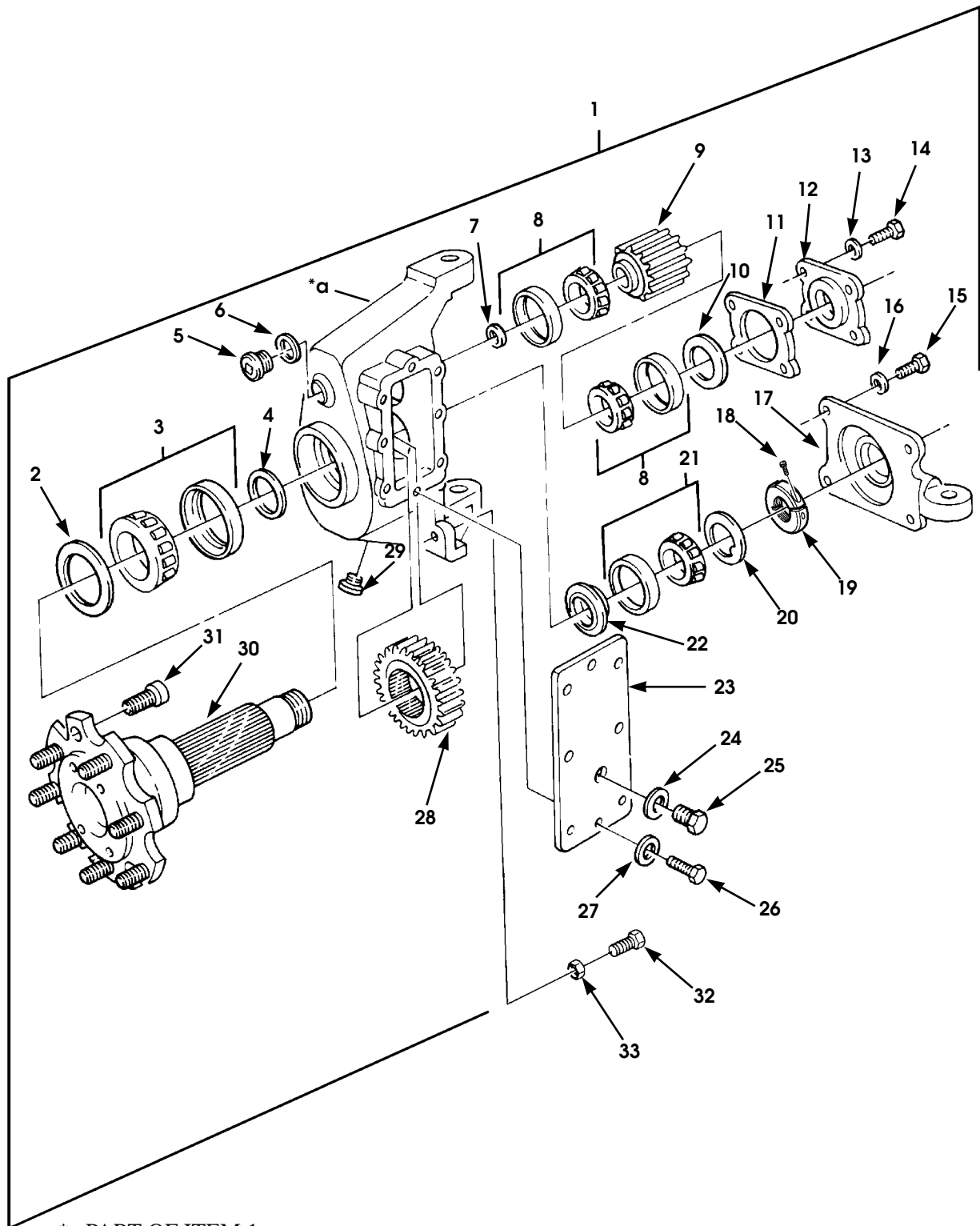
# HUMMER PARTS CATALOG

## WHEELS AND TIRES/AXLES/CENTRAL TIRE INFLATION SYSTEM 6-11

ITEM	PART NUMBER	DESCRIPTION	QTY
		Figure 6-5 FRONT AXLE DIFFERENTIAL AND GEARED HUB VENT LINES	
1	N/S	HOSE, 32-inch, geared hub vent line, R.H., SEE NOTE 1	1
2	N/S	TUBE, 20-inch, differential and geared hub vent line, SEE NOTE 2 . . . . .	1
3	N/S	TUBE, 14-inch, differential and geared hub vent line, SEE NOTE 2 . . . . .	1
4	N/S	TUBE, 12-inch, differential and geared hub vent line, SEE NOTE 2 . . . . .	1
5	N/S	HOSE, 25-inch, geared hub vent line, L.H., SEE NOTE 1	1
6	N/S	TUBE, 8-inch, differential vent line, SEE NOTE 2 . . . . .	2
7	12339983	ELBOW, geared hub vent line . . . . .	2
8	12339884	CLAMP, screw type . . . . .	2
9	G 00271153	SCREW, vent line clamp . . . . .	8
10	MS 00021333 123	CLAMP, vent line . . . . .	6
11	05598208	BRACKET, vent line . . . . .	2
12	MS 00090725 6	SCREW, vent line . . . . .	2
13	12340571 2	CLAMP, vent line . . . . .	2
14	MS 00027183 10	WASHER, vent line . . . . .	2
15	MS 00051943 31	LOCKNUT . . . . .	2
16	12338170	BRACKET, vent line . . . . .	2
17	WW C440-1/2	CLAMP, vent line, 1/2-inch, pinch type . . . . .	2
18	12339969	TEE, vent line . . . . .	1
19	12340331	ADAPTER, vent line . . . . .	1
20	12339890	S-CLIP . . . . .	1
21	MS 00090725 34	BOLT . . . . .	1
22	MS 00021333 109	CLAMP . . . . .	1
23	MS 00027183 13	WASHER . . . . .	1
24	MS 00051943 33	LOCKNUT . . . . .	1
25	12339973 1	TEE, vent line . . . . .	2
26	MS 00021333 119	CLAMP, vent line . . . . .	2
27	12339972	UNION, vent line . . . . .	1
28	12339978	ADAPTER, differential vent line . . . . .	1
		NOTE 1:MAKE FROM BULK HOSE P/N 05741210 NOTE 2:MAKE FROM BULK NYLON TUBE P/N 05741079	

# HUMMER PARTS CATALOG

## 6-12 WHEELS AND TIRES/AXLES/CENTRAL TIRE INFLATION SYSTEM



P06-006

Figure 6-6. Knuckle and Geared Hub Assemblies.

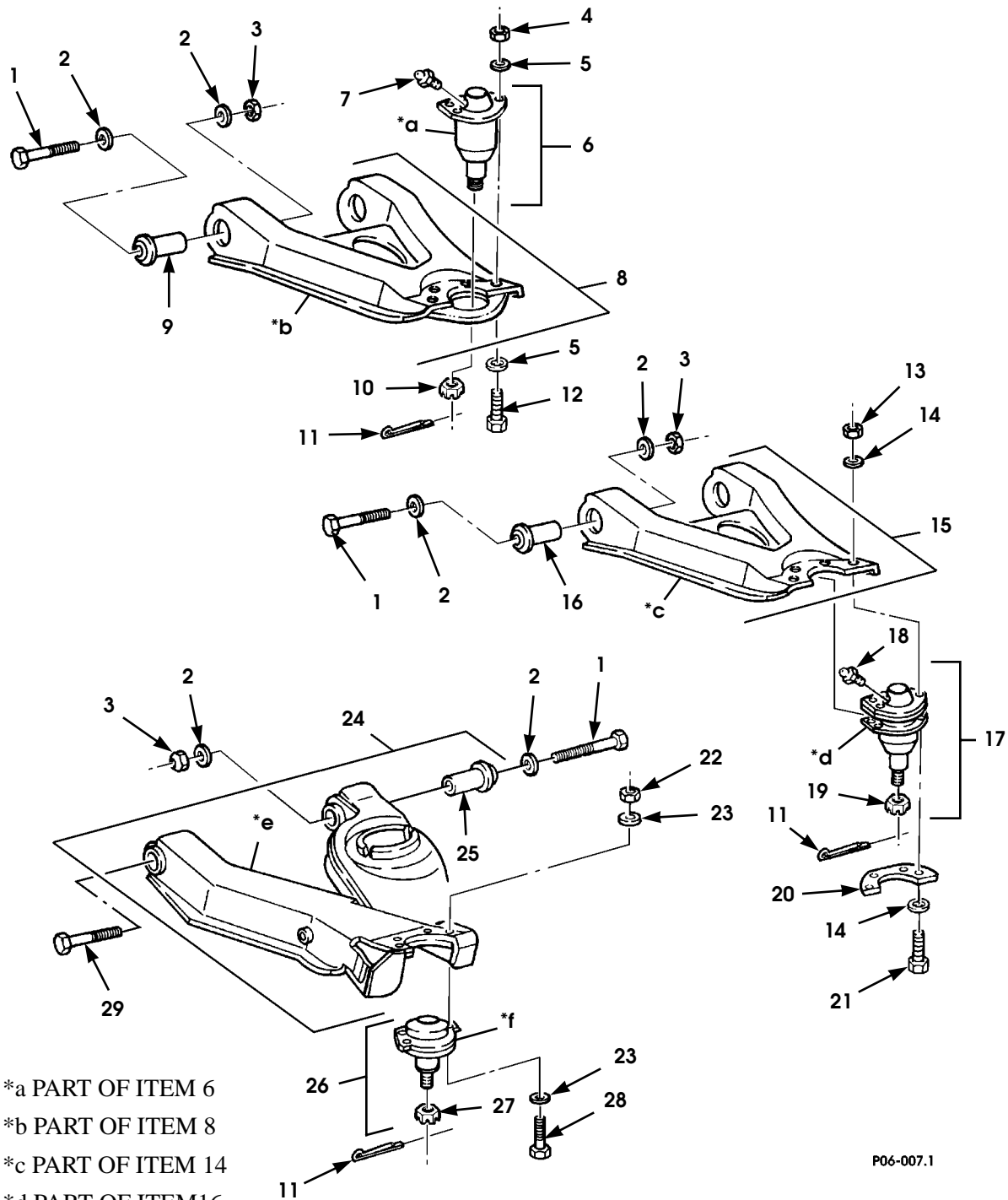
# HUMMER PARTS CATALOG

## WHEELS AND TIRES/AXLES/CENTRAL TIRE INFLATION SYSTEM 6-13

ITEM	PART NUMBER	DESCRIPTION	QTY
		Figure 6-6 KNUCKLE AND GEARED HUB ASSEMBLIES	
1	06001779	KNUCKLE, geared hub, front L.H., rear R.H. . . . .	1
1	06001778	KNUCKLE, geared hub, front R.H., rear L.H. . . . .	1
2	05579060	•SEAL, outer bearing . . . . .	1
3	MS 00019081 86	•BEARING, spindle, outer . . . . .	1
4	05573989	•SPACER, outer spindle. . . . .	1
5	05595214	•PLUG, upper access . . . . .	1
6	05573688	•WASHER, upper access plug . . . . .	1
7	05568223	•WASHER, halfshaft. . . . .	1
8	05568226	•BEARING, upper gear. . . . .	2
9	05574921	•GEAR, upper . . . . .	1
10	05590745	•SEAL, upper gear . . . . .	1
11	05573692	•SHIM, gasket,.005-inch . . . . .	V
12	05574002	•RETAINER, upper gear. . . . .	1
13	05596254	•WASHER, upper gear retainer . . . . .	4
14	05593067	•SCREW, upper gear retainer . . . . .	4
15	05593207	•SCREW, steering cover . . . . .	4
16	05596253	•WASHER, steering cover . . . . .	4
17	06001773	•COVER, steering arm, front L.H., rear R.H. . . . .	1
17	06001772	•COVER, steering arm, front R.H., rear L.H. . . . .	1
18	06001757	•LOCKSCREW, clampnut . . . . .	1
19	06001735	•CLAMPNUT. . . . .	1
20	05573684	•WASHER, spindle . . . . .	1
21	05568227	•BEARING, inner . . . . .	1
22	06001783	•SPACER, inner bearing . . . . .	1
23	05574924	•ACCESS COVER, case side . . . . .	1
24	05573687	•WASHER, fill plug . . . . .	1
25	05573690	•FILL PLUG . . . . .	1
26	05593348	•BOLT, side cover . . . . .	8
27	MS 00027183 12	•WASHER, side cover . . . . .	8
28	05574922	•GEAR, lower. . . . .	1
29	05593656	•MAGNETIC PLUG, lower . . . . .	1
30	05579061	•SPINDLE (contains item 22) . . . . .	1
31	05568211	•STUD, spindle . . . . .	8
32	MS 00090728 113	SCREW, steering stop, front only . . . . .	2
33	MS 00051471 01	NUT, steering stop, front only . . . . .	2

# HUMMER PARTS CATALOG

## 6-14 WHEELS AND TIRES/AXLES/CENTRAL TIRE INFLATION SYSTEM



- \*a PART OF ITEM 6
- \*b PART OF ITEM 8
- \*c PART OF ITEM 14
- \*d PART OF ITEM 16
- \*e PART OF ITEM 23
- \*f PART OF ITEM 25

P06-007.1

Figure 6-7. Control Arms, Ball Joints, and Mounting Hardware.

# HUMMER PARTS CATALOG

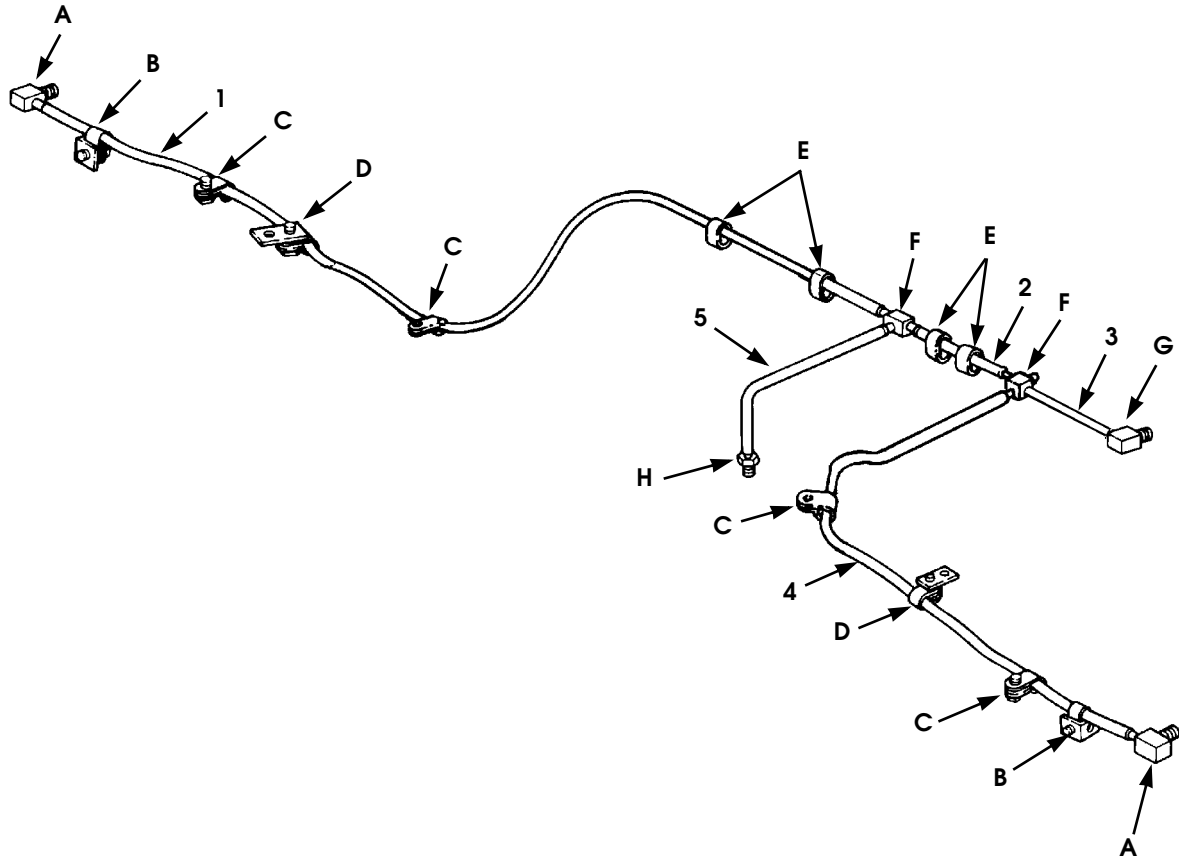
12-31-95

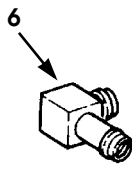
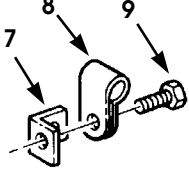
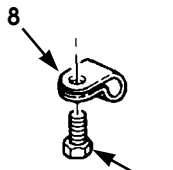
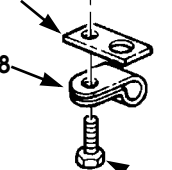

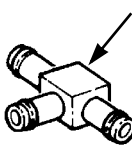
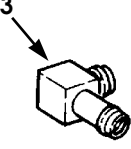
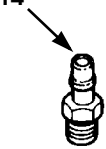
## WHEELS AND TIRES/AXLES/CENTRAL TIRE INFLATION SYSTEM 6-15

ITEM	PART NUMBER	DESCRIPTION	QTY
		Figure 6-7 CONTROL ARMS, BALL JOINTS, AND MOUNTING HARDWARE	
1	MS 00090728 198	BOLT, control arm, 3/4"-10 x 4.75" . . . . .	3
2	G 02436168	WASHER, flat, control arm, 3/4" . . . . .	8
3	MS 00051943 45	LOCKNUT, control arm, 3/4"-10 . . . . .	4
4	MS 00051943 35	LOCKNUT, upper ball joint, 3/8"-16 SEE NOTE 1 . . . . .	4
5	G 02436163	WASHER, flat, upper ball joint, 3/8" SEE NOTE 1 . . . . .	8
★ 6	06007755	BALL JOINT, upper SEE NOTE 1 . . . . .	1
7	G 00271291	•FITTING, upper ball joint, 1/4"-28 x 1/2" . . . . .	1
★ 8	12460167	CONTROL ARM, front L.H., upper, w/reinforcement . . . . .	1
★ 8	12460151	CONTROL ARM, front R.H., upper, w/reinforcement . . . . .	1
★ 8	RCSK1708 9-1	CONTROL ARM, rear L.H., upper, w/reinforcement . . . . .	1
★ 8	RCSK1708 9-2	CONTROL ARM, rear R.H., upper, w/reinforcement . . . . .	1
9	12338270	•BUSHING, control arm. . . . .	2
10	G 00102649	NUT, castle, ball joint, 5/8"-18 . . . . .	1
11	MS 00024665 355	COTTER PIN, ball joint, 1/8" x 1-1/4" . . . . .	1
12	MS 00090728 62	BOLT, ball joint, 3/8"-16 x 1.25" . . . . .	4
13	MS 00051943 33	LOCKNUT, upper ball joint, 5/16"-18 SEE NOTE 2 . . . . .	4
14	G 02436162	WASHER, flat, upper ball joint, 5/16" SEE NOTE 2. . . . .	8
15	WA 12338268 1	CONTROL ARM, front L.H., upper, w/o reinforcement . . . . .	1
15	WA 12338268 2	CONTROL ARM, front R.H., upper, w/o reinforcement . . . . .	1
15	WA 12338272 1	CONTROL ARM, rear L.H., upper, w/o reinforcement . . . . .	1
15	WA 12338272 2	CONTROL ARM, rear R.H., upper, w/o reinforcement . . . . .	1
16	12338270	•BUSHING, control arm. . . . .	2
17	12338325	BALL JOINT, upper SEE NOTE 2 . . . . .	1
18	G 00271291	•FITTING, upper ball joint, 1/4"-28 x 1/2" . . . . .	1
19	G 00102649	NUT, castle, ball joint, 5/8"-18 . . . . .	1
20	12338320	RETAINER, ball joint SEE NOTE 2 . . . . .	1
21	MS 00090728 36	BOLT, ball joint, 5/16"-18 x 1.25" SEE NOTE 2 . . . . .	4
22	MS 00051943 35	LOCKNUT, lower ball joint, front, 3/8"-16 . . . . .	4
★ 22	G 09422299	LOCKNUT, lower ball joint, rear, 7/16"-14. . . . .	4
23	G 02436163	WASHER, flat, lower ball joint, front, 3/8" . . . . .	8
23	G 02436164	WASHER, flat, lower ball joint, rear, 7/16" . . . . .	8
24	12338274 1	CONTROL ARM, lower front, R.H. . . . .	1
24	12338274 2	CONTROL ARM, lower front, L.H. . . . .	1
24	12340860 1	CONTROL ARM, lower rear, L.H. . . . .	1
24	12340860 2	CONTROL ARM, lower rear, R.H. . . . .	1
25	12338270	•BUSHING, control arm. . . . .	2
26	06006645	BALL JOINT, lower . . . . .	1
27	G 09429082	NUT, slotted, ball joint, lower, 5/8"-18 . . . . .	1
28	MS 00090728 63	BOLT, lower ball joint, front, 3/8"-16 x 1.38" . . . . .	4
28	G 09425080	BOLT, lower ball joint, rear, 7/16"-14 x 1.5" . . . . .	4
29	MS 00090728 199	BOLT, lower control arm, 3/4"-10 x 5" . . . . .	1
		NOTE 1: USE WITH VEHICLES THAT HAVE WELDED REIN- FORCEMENTS ON THE UPPER CONTROL ARMS	
		NOTE 2: USE WITH VEHICLES THAT HAVE SEPARATE RETAINER ON THE UPPER CONTROL ARMS	

# HUMMER PARTS CATALOG

## 6-16 WHEELS AND TIRES/AXLES/CENTRAL TIRE INFLATION SYSTEM



 <p>VIEW A</p>	 <p>VIEW B</p>	 <p>VIEW C</p>	 <p>VIEW D</p>
 <p>VIEW E</p>	 <p>VIEW F</p>	 <p>VIEW G</p>	 <p>VIEW H</p>

P06-008

Figure 6-8. Rear Axle Differential and Geared Hub Vent Lines.

# HUMMER PARTS CATALOG

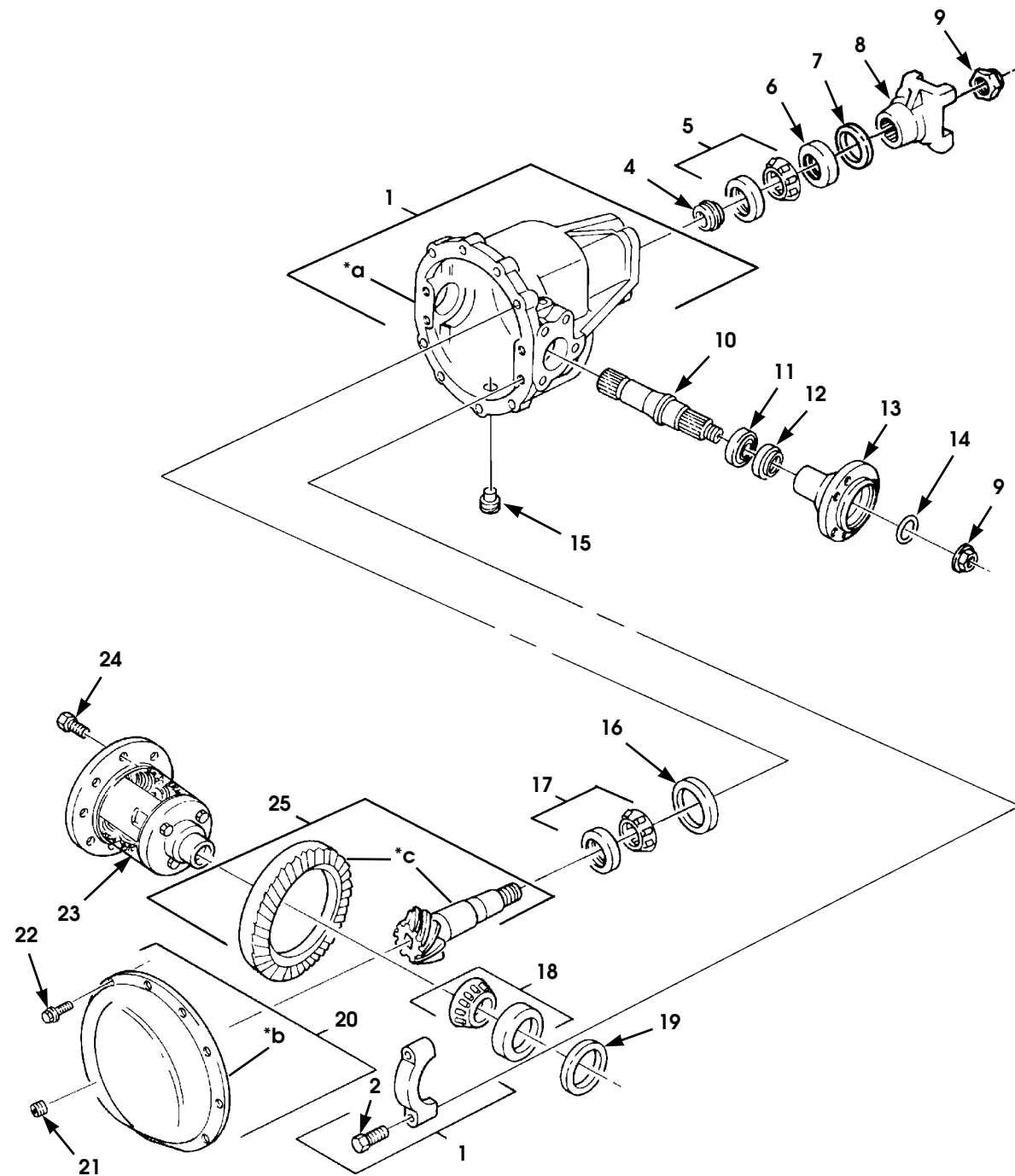
## WHEELS AND TIRES/AXLES/CENTRAL TIRE INFLATION SYSTEM 6-17

ITEM	PART NUMBER	DESCRIPTION	QTY
		Figure 6-8 REAR AXLE DIFFERENTIAL AND GEARED HUB VENT LINES	
1	N/S	TUBE, 42-inch, geared hub vent line, L.H., SEE NOTE 1 .	1
2	N/S	TUBE, 7-inch, differential and geared hub vent line, SEE NOTE 1 . . . . .	1
3	N/S	TUBE, 5-inch, SEE NOTE 1 . . . . .	1
4	N/S	TUBE, 35.50-inch, geared hub vent line, R.H., SEE NOTE 1 . . . . .	1
5	N/S	TUBE, 10-inch, differential vent line, SEE NOTE 1 . . . . .	1
6	12339964 1	ELBOW, geared hub vent lines. . . . .	2
7	05598208	BRACKET, vent lines . . . . .	2
8	MS 00021333 119	CLAMP, vent lines. . . . .	8
9	G 00271153	SCREW, vent line clamps . . . . .	8
10	12338172	PLATE, geared hub vent lines. . . . .	2
11	12340023	CLIP, vent lines . . . . .	4
12	12339973 1	TEE, vent lines. . . . .	2
13	12339979 1	ELBOW . . . . .	1
14	12339978	CONNECTOR, vent line . . . . .	1
		NOTE 1: MAKE FROM BULK NYLON TUBE P/N 05741079	



# HUMMER PARTS CATALOG

## 6-18 WHEELS AND TIRES/AXLES/CENTRAL TIRE INFLATION SYSTEM



P06-009

- \*a PART OF ITEM 1
- \*b PART OF ITEM 20
- \*c PART OF ITEM 25

Figure 6-9. Differential.

# HUMMER PARTS CATALOG

## WHEELS AND TIRES/AXLES/CENTRAL TIRE INFLATION SYSTEM 6-19

ITEM	PART NUMBER	DESCRIPTION	QTY
		Figure 6-9 AXLE DIFFERENTIAL	
1	05579424	HOUSING, mechanical, axle differential. . . . .	1
2	05595662	•BOLT, bearing cap . . . . .	4
3	S.I.A.	•CAP, bearing . . . . .	2
4	05579450	SPACER, axle pinion . . . . .	1
5	05583610	BEARING, axle pinion . . . . .	1
6	05579448	SEAL, axle pinion . . . . .	1
7	05598183	SLINGER, axle. . . . .	2
8	05597328	YOKE, differential pinion. . . . .	2
9	05579442	LOCKNUT, axle shaft . . . . .	3
10	05579991	SHAFT, axle output. . . . .	2
11	05579988	BEARING, output shaft . . . . .	2
12	05579989	SEAL, output shaft . . . . .	2
13	05593817	FLANGE, output shaft . . . . .	2
14	05939517	SEAL, O-ring, output shaft. . . . .	2
15	05593148	MAGNETIC PLUG, differential housing drain. . . . .	1
16	05579445 79	SPACER, axle pinion bearing, 0.0835-0.0845-inch, SEE NOTE 1 . . . . .	1
16	05579445 78	SPACER, axle pinion bearing, 0.0846-0.0856-inch, SEE NOTE 1 . . . . .	1
16	05579445 77	SPACER, axle pinion bearing, 0.0857-0.0867-inch, SEE NOTE 1 . . . . .	1
16	05579445 76	SPACER, axle pinion bearing, 0.0868-0.0878-inch, SEE NOTE 1 . . . . .	1
16	05579445 75	SPACER, axle pinion bearing, 0.0879-0.0889-inch, SEE NOTE 1 . . . . .	1
16	05579445 74	SPACER, axle pinion bearing, 0.0890-0.0900-inch, SEE NOTE 1 . . . . .	1
16	05579445 73	SPACER, axle pinion bearing, 0.0901-0.0911-inch, SEE NOTE 1 . . . . .	1
16	05579445 72	SPACER, axle pinion bearing, 0.0912-0.0922-inch, SEE NOTE 1 . . . . .	1
16	05579445 71	SPACER, axle pinion bearing, 0.0923-0.0933-inch, SEE NOTE 1 . . . . .	1
16	05579445 70	SPACER, axle pinion bearing, 0.0934-0.0944-inch, SEE NOTE 1 . . . . .	1
16	05579445 69	SPACER, axle pinion bearing, 0.0945-0.0955-inch, SEE NOTE 1 . . . . .	1
16	05579445 68	SPACER, axle pinion bearing, 0.0956-0.0966-inch, SEE NOTE 1 . . . . .	1
16	05579445 67	SPACER, axle pinion bearing, 0.0967-0.0977-inch, SEE NOTE 1 . . . . .	1
16	05579445 66	SPACER, axle pinion bearing, 0.0978-0.0988-inch, SEE NOTE 1 . . . . .	1

# HUMMER PARTS CATALOG

## 6-20 WHEELS AND TIRES/AXLES/CENTRAL TIRE INFLATION SYSTEM

ITEM	PART NUMBER	DESCRIPTION	QTY
		Figure 6-9 AXLE DIFFERENTIAL (Cont'd)	
16	05579445 65	SPACER, axle pinion bearing, 0.0989-0.0999-inch, SEE NOTE 1 . . . . .	1
16	05579445 64	SPACER, axle pinion bearing, 0.1000-0.1010-inch, SEE NOTE 1 . . . . .	1
16	05579445 63	SPACER, axle pinion bearing, 0.1011-0.1021-inch, SEE NOTE 1 . . . . .	1
16	05579445 62	SPACER, axle pinion bearing, 0.1022-0.1032-inch, SEE NOTE 1 . . . . .	1
16	05579445 61	SPACER, axle pinion bearing, 0.1033-0.1043-inch, SEE NOTE 1 . . . . .	1
16	05579445 60	SPACER, axle pinion bearing, 0.1044-0.1054-inch, SEE NOTE 1 . . . . .	1
16	05579445 59	SPACER, axle pinion bearing, 0.1055-0.1065-inch, SEE NOTE 1 . . . . .	1
16	05579445 58	SPACER, axle pinion bearing, 0.1066-0.1076-inch, SEE NOTE 1 . . . . .	1
16	05579445 57	SPACER, axle pinion bearing, 0.1077-0.1087-inch, SEE NOTE 1 . . . . .	1
16	05579445 56	SPACER, axle pinion bearing, 0.1088-0.1098-inch, SEE NOTE 1 . . . . .	1
16	05579445 55	SPACER, axle pinion bearing, 0.1099-0.1109-inch, SEE NOTE 1 . . . . .	1
16	05579445 54	SPACER, axle pinion bearing, 0.1110-0.1120-inch, SEE NOTE 1 . . . . .	1
17	05583609	BEARING, axle pinion. . . . .	1
18	05583611	ROLLER BEARING, output shaft. . . . .	2
19	05579453 44	SPACER, differential bearing, 0.0745-0.0755-inch, SEE NOTE 2 . . . . .	1
19	05579453 45	SPACER, differential bearing, 0.0756-0.0766-inch, SEE NOTE 2 . . . . .	1
19	05579453 46	SPACER, differential bearing, 0.0767-0.0777-inch, SEE NOTE 2 . . . . .	1
19	05579453 47	SPACER, differential bearing, 0.0778-0.0788-inch, SEE NOTE 2 . . . . .	1
19	05579453 48	SPACER, differential bearing, 0.0789-0.0799-inch, SEE NOTE 2 . . . . .	1
19	05579453 49	SPACER, differential bearing, 0.0800-0.0810-inch, SEE NOTE 2 . . . . .	1
19	05579453 50	SPACER, differential bearing, 0.0811-0.0821-inch, SEE NOTE 2 . . . . .	1
19	05579453 51	SPACER, differential bearing, 0.0822-0.0832-inch, SEE NOTE 2 . . . . .	1
19	05579453 52	SPACER, differential bearing, 0.0833-0.0843-inch, SEE NOTE 2 . . . . .	1

# HUMMER PARTS CATALOG

## WHEELS AND TIRES/AXLES/CENTRAL TIRE INFLATION SYSTEM 6-21

ITEM	PART NUMBER	DESCRIPTION	QTY
		Figure 6-9 AXLE DIFFERENTIAL (Cont'd)	
19	05579453 53	SPACER, differential bearing, 0.0844-0.0854-inch, SEE NOTE 2 . . . . .	1
19	05579453 54	SPACER, differential bearing, 0.0855-0.0865-inch, SEE NOTE 2 . . . . .	1
19	05579453 55	SPACER, differential bearing, 0.0866-0.0876-inch, SEE NOTE 2 . . . . .	1
19	05579453 56	SPACER, differential bearing, 0.0877-0.0887-inch, SEE NOTE 2 . . . . .	1
19	05579453 57	SPACER, differential bearing, 0.0888-0.0898-inch, SEE NOTE 2 . . . . .	1
19	05579453 58	SPACER, differential bearing, 0.0899-0.0909-inch, SEE NOTE 2 . . . . .	1
19	05579453 59	SPACER, differential bearing, 0.0910-0.0920-inch, SEE NOTE 2 . . . . .	1
19	05579453 60	SPACER, differential bearing, 0.0921-0.0931-inch, SEE NOTE 2 . . . . .	1
19	05579453 61	SPACER, differential bearing, 0.0932-0.0942-inch, SEE NOTE 2 . . . . .	1
19	05579453 62	SPACER, differential bearing, 0.0943-0.0953-inch, SEE NOTE 2 . . . . .	1
19	05579453 63	SPACER, differential bearing, 0.0954-0.0964-inch, SEE NOTE 2 . . . . .	1
19	05579453 64	SPACER, differential bearing, 0.0965-0.0975-inch, SEE NOTE 2 . . . . .	1
19	05579453 65	SPACER, differential bearing, 0.0976-0.0986-inch, SEE NOTE 2 . . . . .	1
19	05579453 66	SPACER, differential bearing, 0.0987-0.0997-inch, SEE NOTE 2 . . . . .	1
19	05579453 67	SPACER, differential bearing, 0.0998-0.1008-inch, SEE NOTE 2 . . . . .	1
19	05579453 68	SPACER, differential bearing, 0.1009-0.1019-inch, SEE NOTE 2 . . . . .	1
19	05579453 69	SPACER, differential bearing, 0.1020-0.1030-inch, SEE NOTE 2 . . . . .	1
19	05579453 70	SPACER, differential bearing, 0.1031-0.1041-inch, SEE NOTE 2 . . . . .	1
19	05579453 71	SPACER, differential bearing, 0.1042-0.1052-inch, SEE NOTE 2 . . . . .	1
19	05579453 72	SPACER, differential bearing, 0.1042-0.1052-inch, SEE NOTE 2 . . . . .	1
19	05579453 73	SPACER, differential bearing, 0.1064-0.1074-inch, SEE NOTE 2 . . . . .	1
19	05579453 74	SPACER, differential bearing, 0.1075-0.1085-inch, SEE NOTE 2 . . . . .	1

# HUMMER PARTS CATALOG

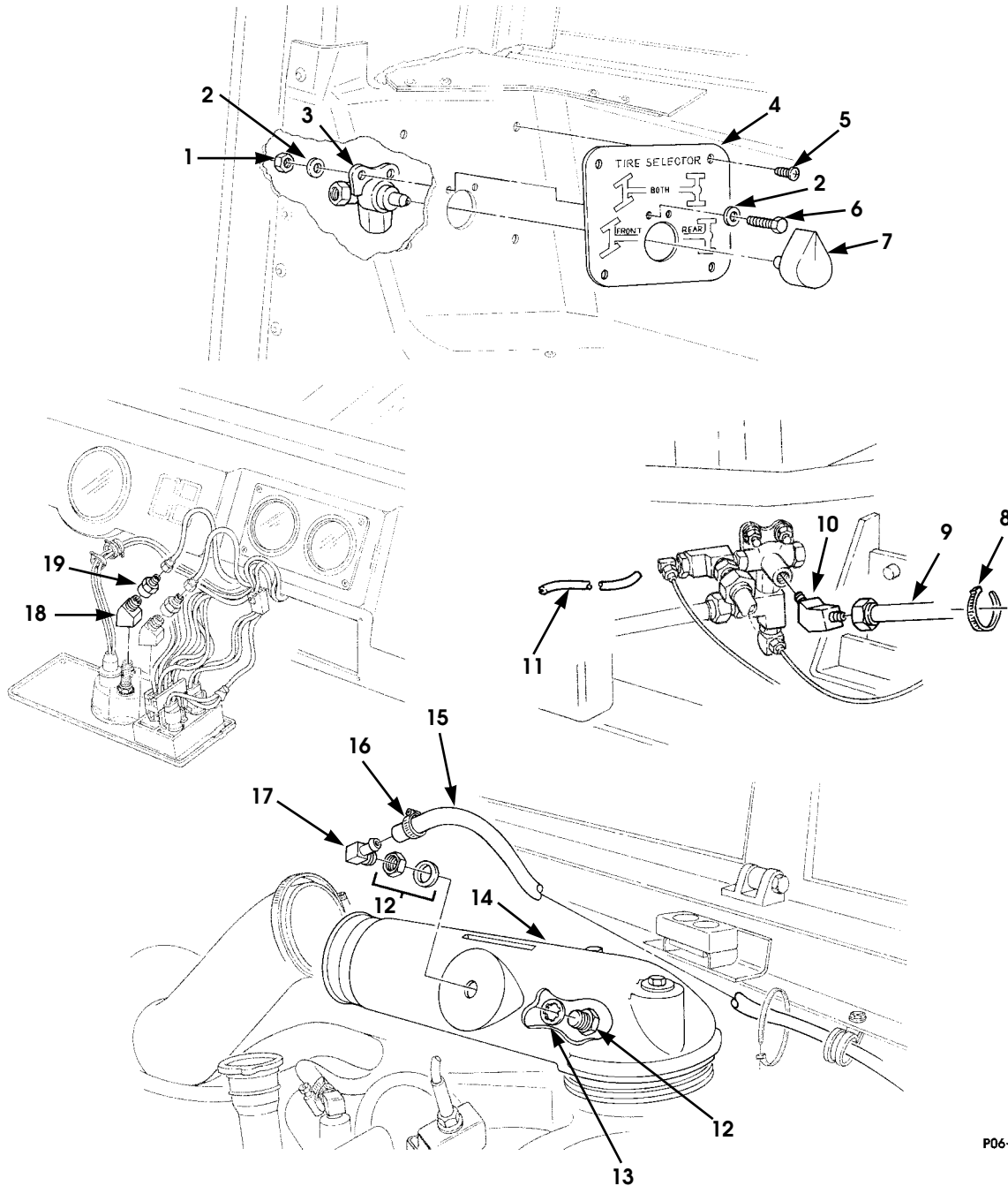
## 6-22 WHEELS AND TIRES/AXLES/CENTRAL TIRE INFLATION SYSTEM

ITEM	PART NUMBER	DESCRIPTION	QTY
		Figure 6-9 AXLE DIFFERENTIAL (Cont'd)	
19	05579453 75	SPACER, differential bearing, 0.1086-0.1096-inch, SEE NOTE 2 . . . . .	1
19	05579453 76	SPACER, differential bearing, 0.1097-0.1107-inch, SEE NOTE 2 . . . . .	1
19	05579453 77	SPACER, differential bearing, 0.1108-0.1118-inch, SEE NOTE 2 . . . . .	1
19	05579453 78	SPACER, differential bearing, 0.1119-0.1129-inch, SEE NOTE 2 . . . . .	1
19	05579453 79	SPACER, differential bearing, 0.1130-0.1140-inch, SEE NOTE 2 . . . . .	1
19	05579453 80	SPACER, differential bearing, 0.1141-0.1151-inch, SEE NOTE 2 . . . . .	1
19	05579453 81	SPACER, differential bearing, 0.1152-0.1162-inch, SEE NOTE 2 . . . . .	1
19	05579453 82	SPACER, differential bearing, 0.1163-0.1173-inch, SEE NOTE 2 . . . . .	1
19	05579453 83	SPACER, differential bearing, 0.1174-0.1184-inch, SEE NOTE 2 . . . . .	1
20	05582303	COVER ASSEMBLY, differential axle . . . . .	1
21	05597050	•PLUG, differential cover . . . . .	1
22	05579438	•SCREW, differential cover . . . . .	12
23	05936107	DIFFERENTIAL, axle . . . . .	1
24	05579439	SCREW, differential. . . . .	8
25	05935390	GEAR SET, ring and pinion. . . . .	1
		NOTE 1:PART OF AXLE PINION BEARING SHIM KIT P/N 05579445 KIT CONTAINS SPACERS P/N 05579445 54 THROUGH P/N 05579445 79 NOTE 2:PART OF DIFFERENTIAL BEARING SHIM KIT P/N 05579453 KIT CONTAINS SPACERS P/N 05579453 44 THROUGH P/N 05579453 83	



# HUMMER PARTS CATALOG

## 6-24 WHEELS AND TIRES/AXLES/CENTRAL TIRE INFLATION SYSTEM



P06-010

Figure 6-10. Central Tire Inflation System (Sheet 1 of 3).

# HUMMER PARTS CATALOG

## WHEELS AND TIRES/AXLES/CENTRAL TIRE INFLATION SYSTEM 6-25

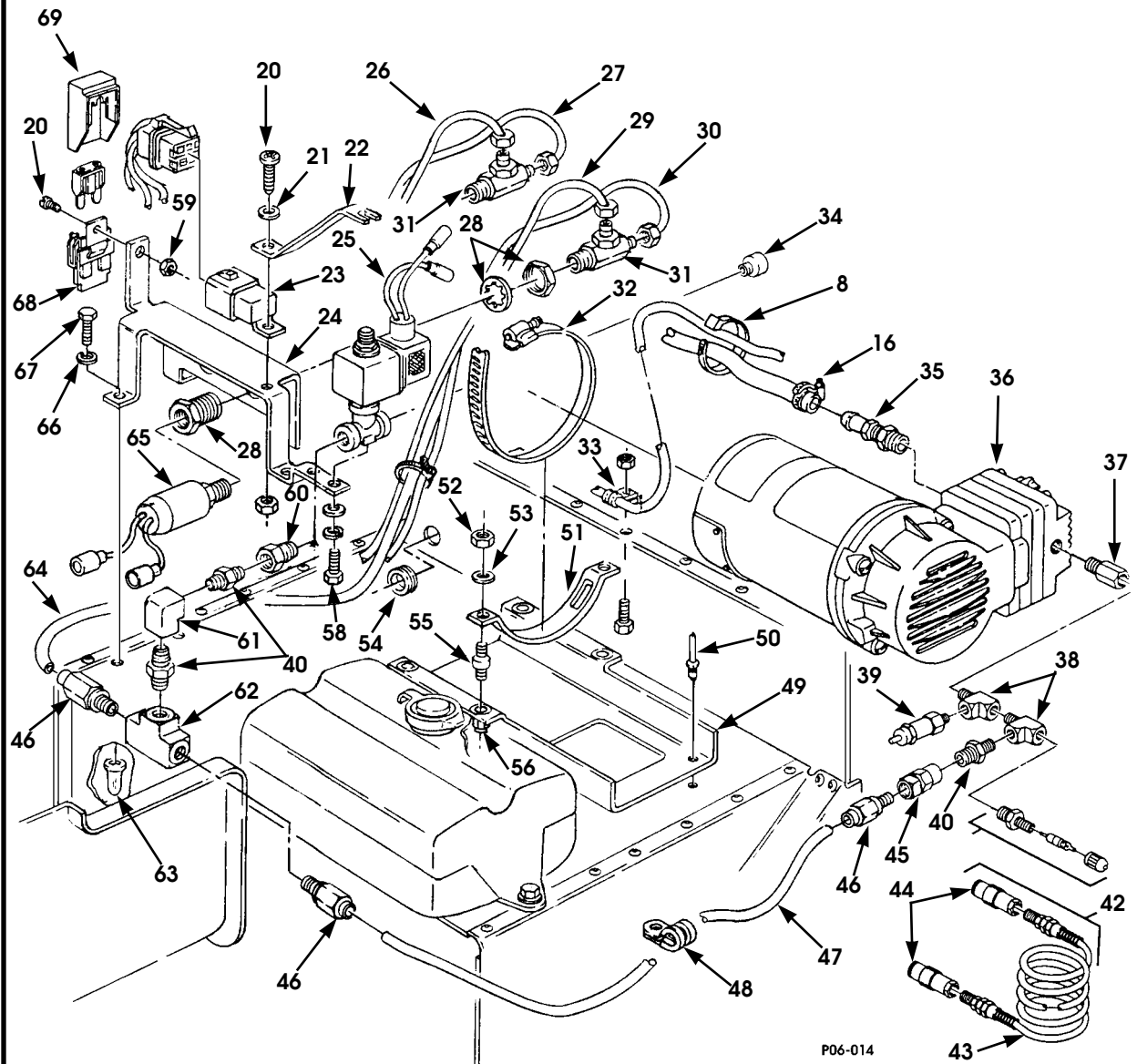
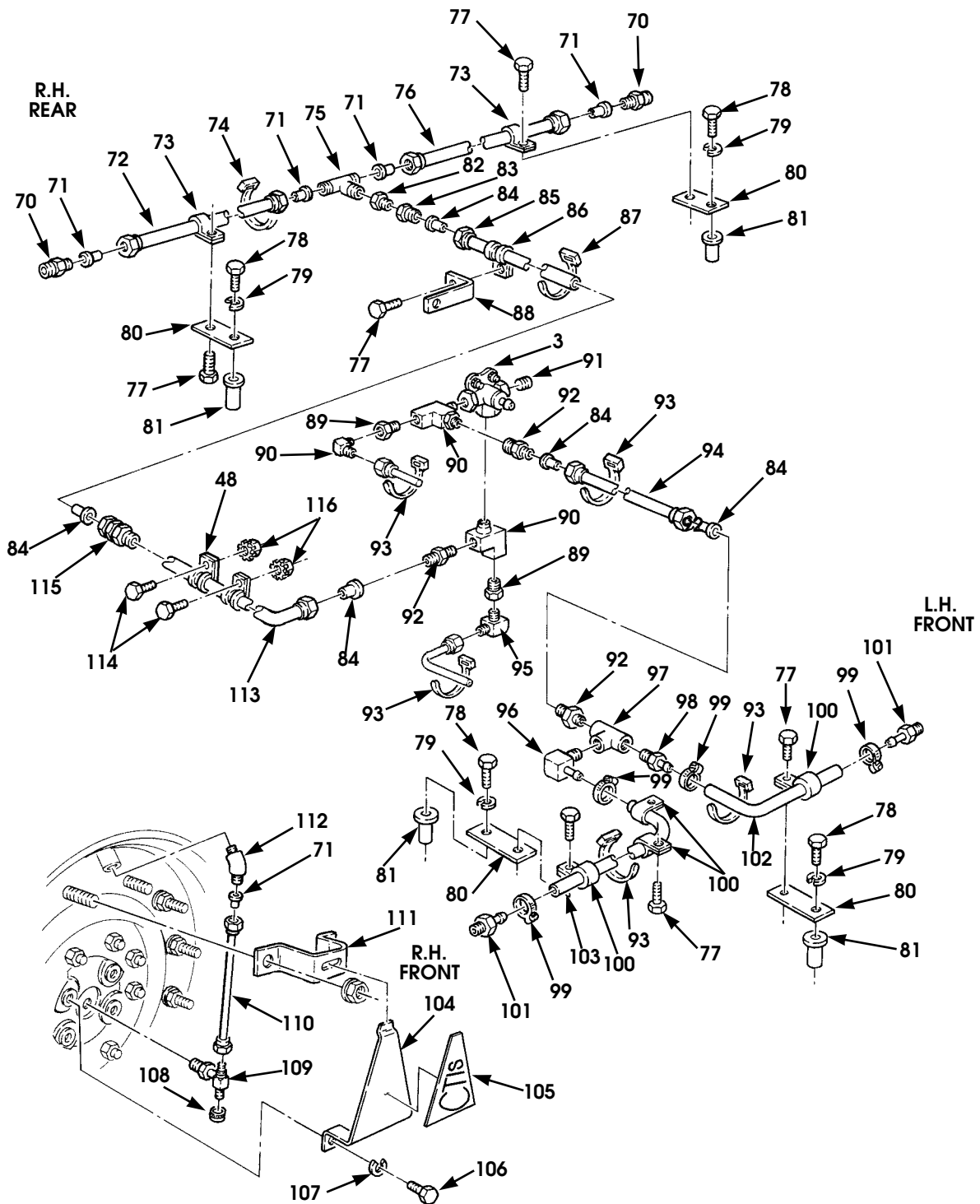


Figure 6-10. Central Tire Inflation System Sheet 2 of 3).



# HUMMER PARTS CATALOG

## 6-26 WHEELS AND TIRES/AXLES/CENTRAL TIRE INFLATION SYSTEM



P06-012

Figure 6-10. Central Tire Inflation System (Sheet 3 of 3).

# HUMMER PARTS CATALOG

## WHEELS AND TIRES/AXLES/CENTRAL TIRE INFLATION SYSTEM 6-27

ITEM	PART NUMBER	DESCRIPTION	QTY
		Figure 6-10 CENTRAL TIRE INFLATION SYSTEM	
1	MS 00051943 31	NUT . . . . .	2
2	G 02436161 P2	WASHER . . . . .	4
3	06000031	SELECTOR, CTIS valve, 4-way . . . . .	1
4	06003957	DECAL, CTIS selector. . . . .	1
4	06003958	DECAL, CTIS selector (French) . . . . .	1
4	06003959	DECAL, CTIS selector (Arabic) . . . . .	1
5	G 09414241	SCREW . . . . .	4
6	MS 00090725 7	SCREW . . . . .	2
7	06000041	CONTROL KNOB . . . . .	1
8	MS 00003367 5-0	STRAP, tiedown. . . . .	3
9	N/S	TUBING, 18-inch, SEE NOTE 1 . . . . .	1
10	05936182	ELBOW . . . . .	1
11	12339902 7	PROTECTOR, edge . . . . .	1
12	12339984	COUPLING ASSEMBLY, bulkhead . . . . .	1
13	05594103	SEAL, static. . . . .	1
14	05938908	AIR HORN ASSEMBLY, induction system. . . . .	1
15	06000340	HOSE, air pump inlet . . . . .	1
16	11608950 1	CLAMP, hose . . . . .	2
17	12339415	ELBOW . . . . .	1
18	05955052	ELBOW . . . . .	2
19	06002047	CONNECTOR. . . . .	2
20	G 09413442	SCREW . . . . .	3
21	G 00120391	WASHER . . . . .	5
22	06005621	BRACKET, deflate valve support . . . . .	1
23	05939316	RELAY, weatherproof S.P.D.T. . . . .	1
24	06005562	BRACKET, pressure switch mounting . . . . .	1
25	05939993	DEFLATE VALVE ASSEMBLY. . . . .	1
26	06000259	TUBING, 32-inch . . . . .	1
27	06000258	TUBING, 24-inch . . . . .	1
28	06000018	CONNECTOR, anchor. . . . .	2
29	N/S	TUBING, 32-inch, SEE NOTE 2. . . . .	1
30	N/S	TUBING, 24-inch, SEE NOTE 2. . . . .	1
31	06002046	TEE. . . . .	2
32	11608950 18	CLAMP . . . . .	2
33	MS 00021333 107	CLAMP . . . . .	1
34	05935430	DUST EXCLUDER. . . . .	1
35	6-430160	HOSE END . . . . .	1
36	05939999	COMPRESSOR, 12 VDC . . . . .	1
37	4-130139	ADAPTER, threaded . . . . .	1
38	G 00444148	TEE. . . . .	3
39	06005167	SAFETY VALVE, CTIS . . . . .	1

12-31-95

# HUMMER PARTS CATALOG

## 6-28 WHEELS AND TIRES/AXLES/CENTRAL TIRE INFLATION SYSTEM

ITEM	PART NUMBER	DESCRIPTION	QTY
		Figure 6-10 CENTRAL TIRE INFLATION SYSTEM (Cont'd)	
40	6 4-130137	NIPPLE . . . . .	3
41	12342634	VALVE, auxiliary air . . . . .	1
42	06004415	HOSE ASSEMBLY, CTIS auxiliary air . . . . .	1
43	06004416	•HOSE, auxiliary air . . . . .	1
44	06004417	•FITTING, quick disconnect . . . . .	2
45	05935429	CHECK VALVE . . . . .	1
46	06005673	HOSE END . . . . .	3
47	N/S	TUBING, 25-inch, SEE NOTE 1 . . . . .	1
48	MS 00021333 71	CLAMP . . . . .	2
49	06000019 P	BRACKET, compressor mounting, lower . . . . .	1
50	12339355 1	RIVET . . . . .	6
51	06003902 B2	BRACKET, compressor mounting, upper . . . . .	1
52	G 00134551	NUT . . . . .	4
53	G 00120380	LOCKWASHER . . . . .	6
54	06000042	GROMMET . . . . .	2
55	05939998	ISOLATOR, compressor mounting . . . . .	4
56	05937584	NUT, insert . . . . .	4
57	G 00120217	LOCKWASHER . . . . .	2
58	G 00188978	SCREW . . . . .	2
59	G 00271166	NUT AND LOCKWASHER ASSEMBLY . . . . .	3
60	6 4-140140	BUSHING, reducer . . . . .	1
61	8 4-100202 BA	ELBOW . . . . .	2
62	4 4-4 1304 38	TEE . . . . .	1
63	06001566	NUT, insert . . . . .	3
64	CP R 104420 3	TUBING, nylon reinforced . . . . .	1
65	06001036	SWITCH, pressure . . . . .	2
66	MS 00027183 42	WASHER . . . . .	3
67	MS 00051849 76	SCREW . . . . .	3
68	06000033	FUSE HOLDER . . . . .	1
69	06000034	COVER, fuse holder . . . . .	1
70	6 4-100102 BA	CONNECTOR . . . . .	2
71	05598770	INSERT . . . . .	8
72	N/S	TUBE, 19-inch, rear right tire wheel-to-tee, SEE NOTE 3.	1
* 73	MS 00021333 124	CLAMP . . . . .	2
74	MS 00003367 6-0	STRAP, tiedown . . . . .	4
75	6 6-4-1004 25BA	TEE . . . . .	1
76	N/S	TUBE, 39-inch, rear left tire wheel-to-tee, SEE NOTE 3 . .	1
77	G 00271153	SCREW . . . . .	6
78	MS 00090728 34	BOLT . . . . .	4
79	MS 00035338 45	LOCKWASHER . . . . .	4

# HUMMER PARTS CATALOG

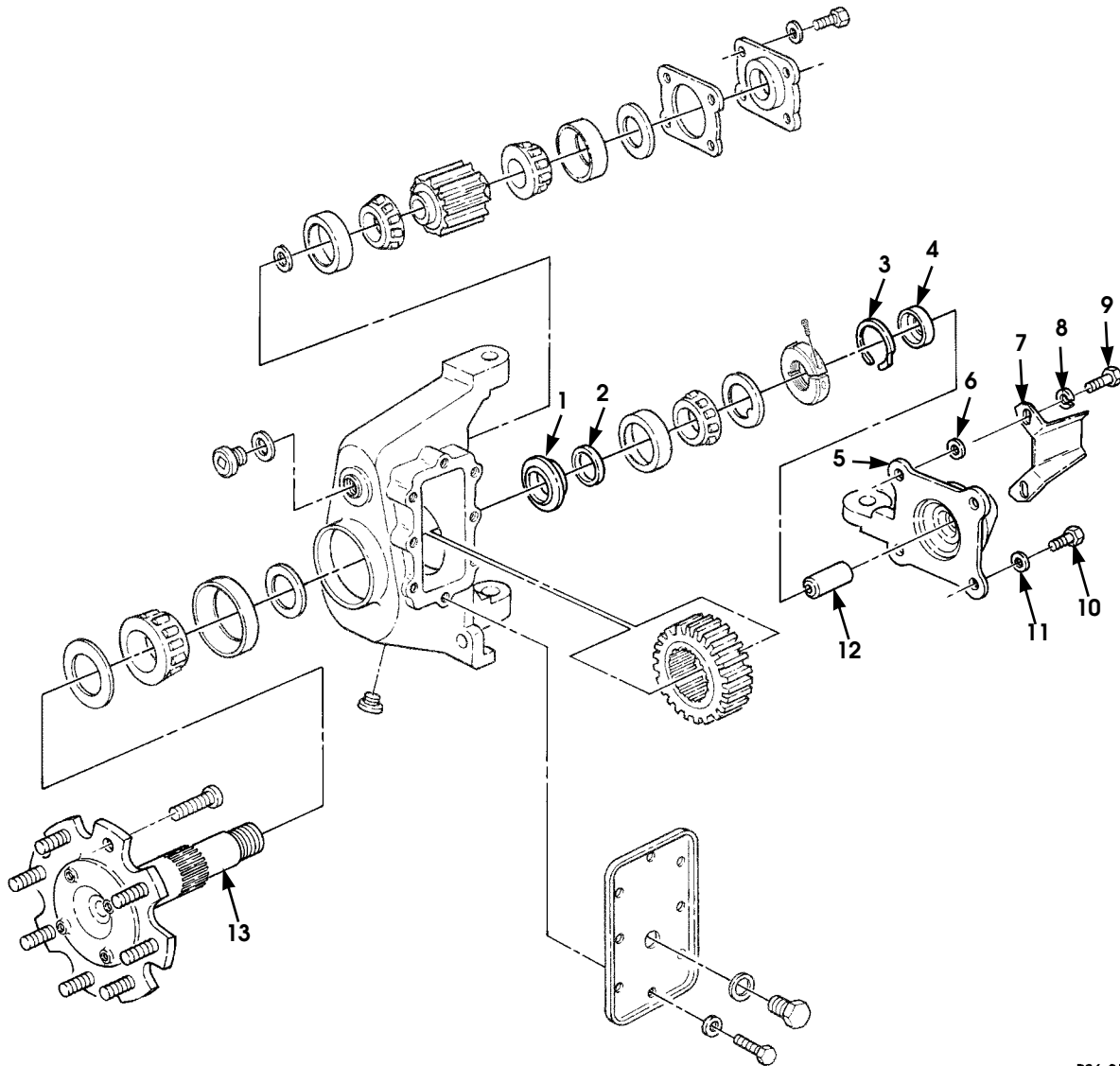
12-31-95

## WHEELS AND TIRES/AXLES/CENTRAL TIRE INFLATION SYSTEM 6-29

ITEM	PART NUMBER	DESCRIPTION	QTY
		Figure 6-10 CENTRAL TIRE INFLATION SYSTEM (Cont'd)	
80	05594462	BRACKET, tube support, lower control arm. . . . .	4
81	12339998 12	PLUSNUT . . . . .	4
82	05937263	BUSHING. . . . .	1
83	8 6-100103 BA	CONNECTOR. . . . .	1
84	05598771	INSERT. . . . .	6
85	N/S	TUBE, 89-inch, rear tee-to-union, SEE NOTE 1 . . . . .	1
★ 86	MS 00021333 125	CLAMP . . . . .	6
87	MS 00003367 3-0	STRAP, tiedown. . . . .	1
88	05936232	BRACKET, standoff. . . . .	1
89	05937262	BUSHING. . . . .	2
90	05937264	TEE, SEE NOTE 4 . . . . .	2
91	G 00444693	SOCKET PLUG . . . . .	1
92	8 4-100102 BA	CONNECTOR. . . . .	3
93	MS 00003367 7-0	STRAP, tiedown. . . . .	11
94	N/S	TUBE, 31-inch, front tee-to-selector valve, SEE NOTE 1. . . . .	1
95	05935223	ELBOW . . . . .	2
★ 96	12339415	ELBOW . . . . .	1
97	4 4-4 1304 38	TEE. . . . .	1
98	05935237	CONNECTOR. . . . .	1
99	11608950 2	CLAMP . . . . .	4
★ 100	MS 00021333 126	CLAMP . . . . .	4
101	06000239	CONNECTOR. . . . .	2
102	05935245	HOSE, 36.50-inch, front left tire wheel-to-tee . . . . .	1
103	05935246	HOSE, 56-inch, front right tire wheel-to-tee . . . . .	1
104	05935441	SHIELD, CTIS tube. . . . .	4
104	05935440	SHIELD, CTIS tube, rear, (L.E. only). . . . .	2
105	06003880	DECAL, CTIS logo. . . . .	4
106	G 09419071	HEX BOLT . . . . .	8
107	MS 00035338 47	LOCKWASHER . . . . .	8
108	05594510	CAP, valve. . . . .	4
109	06005109	VALVE ASSEMBLY, quick disconnect . . . . .	4
110	N/S	TUBING, 5.50-inch, SEE NOTE 3 . . . . .	4
111	05935449	BRACKET, wheel tube shield support . . . . .	4
112	05593467	ELBOW . . . . .	4
113	N/S	TUBING, 34-inch, selector-to-union, SEE NOTE 1 . . . . .	1
114	MS 00035207 265	SCREW . . . . .	2
115	8 8-100101 BA	UNION . . . . .	1
116	G 00271169	NUT AND LOCKWASHER ASSEMBLY . . . . .	2
		NOTE 1:MAKE FROM TUBING P/N CP R 104420 3 NOTE 2:MAKE FROM TUBING P/N CP R 104420 6 NOTE 3:MAKE FROM TUBING P/N CP R 104420 2	

# HUMMER PARTS CATALOG

## 6-30 WHEELS AND TIRES/AXLES/CENTRAL TIRE INFLATION SYSTEM



P06-013

Figure 6-11. Knuckle and Geared Hub Assembly, CTIS.

# HUMMER PARTS CATALOG

## WHEELS AND TIRES/AXLES/CENTRAL TIRE INFLATION SYSTEM 6-31

ITEM	PART NUMBER	DESCRIPTION	QTY
		Figure 6-11 KNUCKLE AND GEARED HUB ASSEMBLIES, CTIS	
1	06001782	SPACER, inner bearing, CTIS . . . . .	1
2	06001784	SPACER, bearing . . . . .	1
3	05594472	RETAINER, CTIS hub . . . . .	1
4	06005193	SEAL, spindle . . . . .	1
5	06001770	COVER, steering arm, rear L.H., front R.H. . . . .	1
5	06001771	COVER, steering arm, rear R.H., front L.H. . . . .	1
6	05599210	WASHER, shield, SEE NOTE 2 . . . . .	2
6	05596253	WASHER, shield, SEE NOTE 1 . . . . .	4
7	05598234	SHIELD, CTIS tube, rear, SEE NOTE 2 . . . . .	2
8	MS 00035338 47	LOCKWASHER, SEE NOTE 2 . . . . .	2
9	G 00179884	BOLT, shield, SEE NOTE 2 . . . . .	2
10	G 00442733	SCREW, steering cover, SEE NOTE 1 . . . . .	4
10	MS 00090728 111	SCREW, steering cover, SEE NOTE 2 . . . . .	2
11	G 02436165	WASHER, steering cover, SEE NOTE 2 . . . . .	4
12	05594531	EXTENSION, spindle, CTIS. . . . .	1
13	05742955	SPINDLE, with CTIS (contains items 1 and 2). . . . .	1
<p>NOTE 1:FOR KNUCKLE ASSEMBLIES:  L.H. FRONT – P/N 06001775,  R.H. FRONT – P/N 06001774</p> <p>NOTE 2:FOR KNUCKLE ASSEMBLIES:  L.H. REAR – P/N 06001774 AND 05598234  R.H. REAR – P/N 06001775 AND 05598234</p>			



# HUMMER PARTS CATALOG

**BRAKES 7-1**

## Section 7

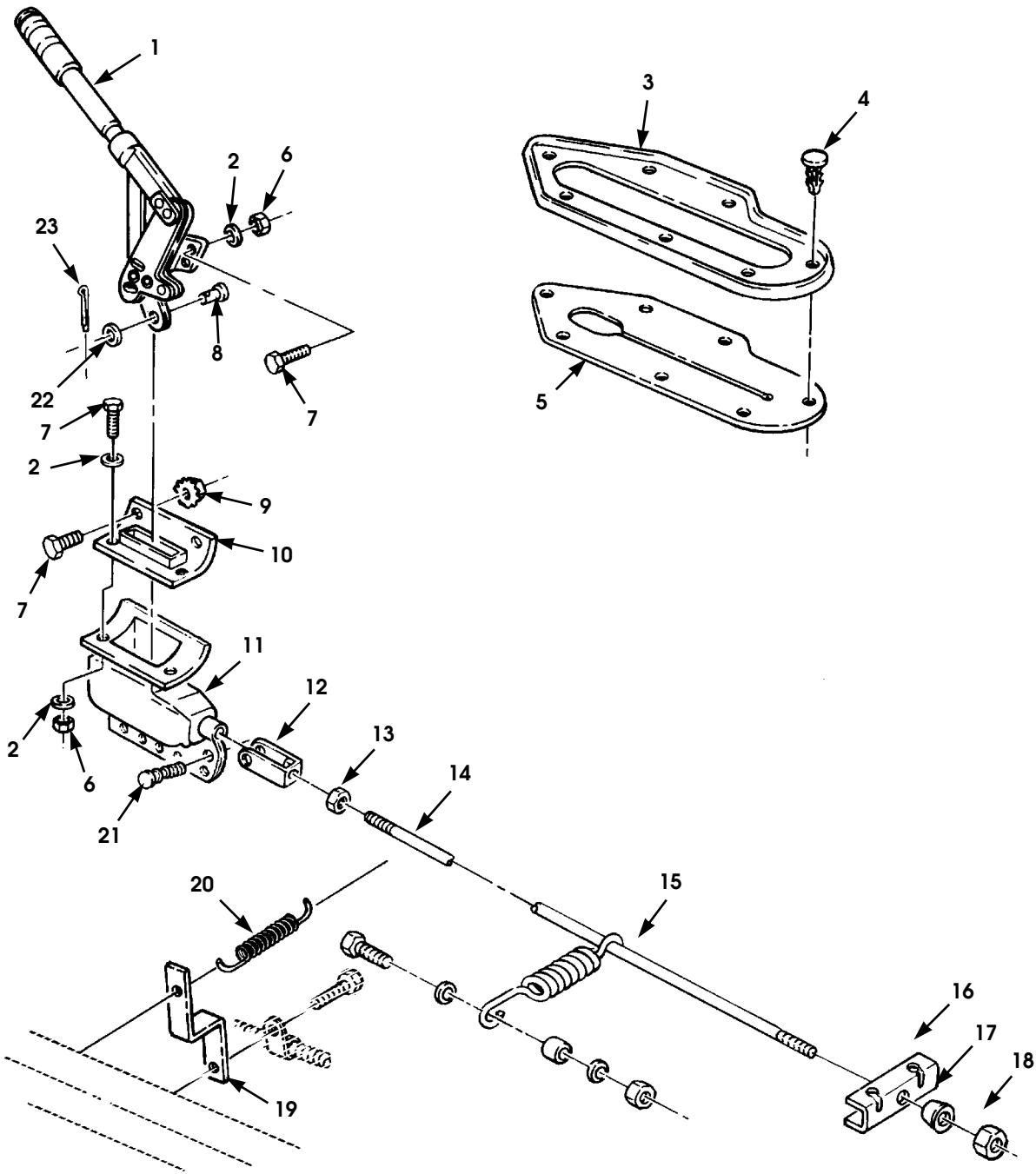
### BRAKES

TITLE	PAGE NUMBER
Parking Brake Hand Lever and Rod . . . . .	7-2
Parking Brake Cables and Mounting Hardware . . . . .	7-4
Parking Brake Caliper Assembly . . . . .	7-6
Service Brake Caliper Assembly and Rotor . . . . .	7-8
Front Service Brake Lines and Proportioning Valve . . . . .	7-10
Rear Brake Lines and Fittings . . . . .	7-12
Master Cylinder Assembly and Hydro-Booster . . . . .	7-14
Service Brake Pedal Assembly . . . . .	7-16



# HUMMER PARTS CATALOG

## 7-2 BRAKES



P07-00

Figure 7-1. Parking Brake Hand Lever and Rod.

# HUMMER PARTS CATALOG

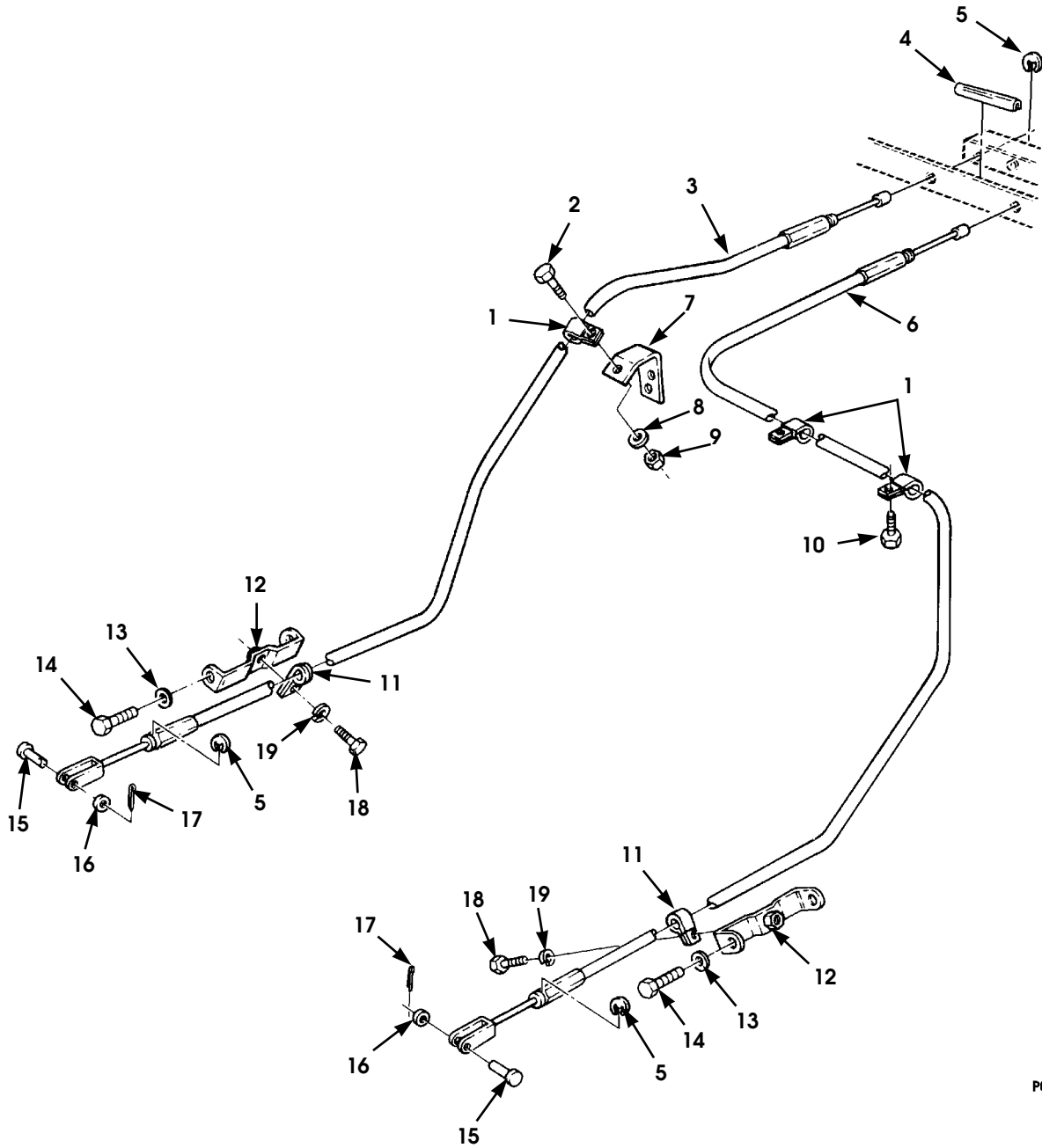
12-31-95

## BRAKES 7-3

ITEM	PART NUMBER	DESCRIPTION	QTY
		Figure 7-1 PARKING BRAKE HAND LEVER AND ROD	
1	WA 12339218	LEVER, parking brake . . . . .	1
* 2	G 02436161 P2	WASHER, parking brake lever . . . . .	7
3	06000436	BEZEL, parking brake lever . . . . .	1
4	06000441	FASTENER, parking brake bezel . . . . .	7
5	06000440	BOOT, parking brake lever bezel . . . . .	1
6	MS 00051943 31	LOCKNUT, parking brake lever. . . . .	5
7	MS 00090728 8	SCREW, parking brake . . . . .	6
8	G 00138084	PIN, parking brake lever . . . . .	1
9	G 00271172	LOCKNUT, dust and moist boot . . . . .	2
10	12338295	BOOT, dust and moist, upper parking brake . . . . .	1
11	05939484	BOOT, dust and moist, lower parking brake . . . . .	1
12	12338285	CLEVIS, rod end, front parking brake . . . . .	1
13	G 00225853	NUT, clevis rod . . . . .	1
14	12341895	CLEVIS ROD, parking brake . . . . .	1
15	06001224	SLEEVE, parking brake rod . . . . .	1
16	12341902	BAR, brake cable equalizer . . . . .	1
17	12341897	WASHER, parking brake clevis rod. . . . .	1
18	MS 00051943 34	LOCKNUT, parking brake clevis rod. . . . .	1
19	06002426 B2	BRACKET. . . . .	1
20	12338866	SPRING . . . . .	1
21	05939457	CLIP, parking brake lower dust boot . . . . .	6
22	G 02436163	WASHER, clevis pin . . . . .	1
23	MS 00024665 283	COTTER PIN, clevis pin. . . . .	1

# HUMMER PARTS CATALOG

## 7-4 BRAKES



P07-00:

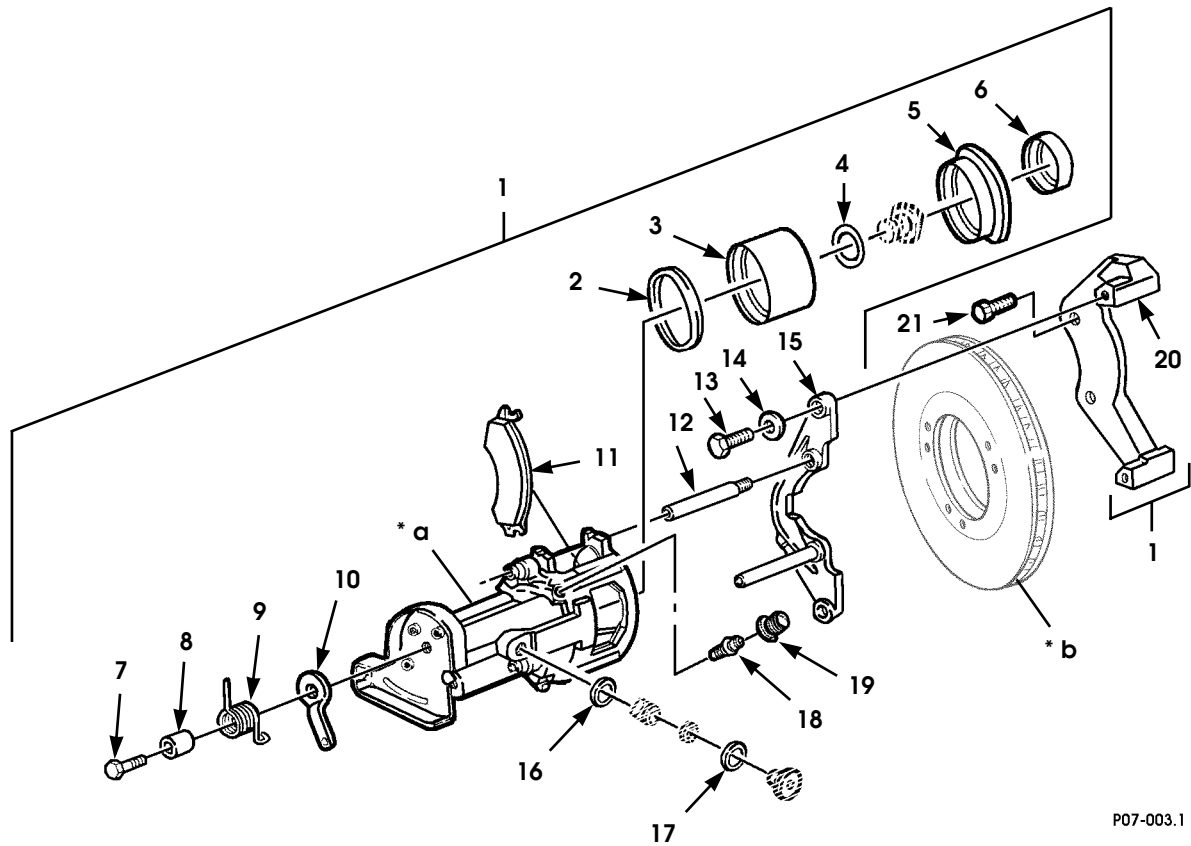
Figure 7-2. Parking Brake Cables and Mounting Hardware.

# HUMMER PARTS CATALOG

## BRAKES 7-5

ITEM	PART NUMBER	DESCRIPTION	QTY
		Figure 7-2 PARKING BRAKE CABLES AND MOUNTING HARDWARE	
1	MS 00021333 104	CLAMP, parking brake cable . . . . .	3
2	MS 00090725 6	SCREW, parking brake cable clamp . . . . .	1
3	12341898 1	CABLE, parking brake, L.H. . . . .	1
4	12339902 11	PROTECTOR, edge, 2-inch . . . . .	1
5	MS 00016633 1050	RETAINING RING, parking brake cable. . . . .	4
6	12341898 3	CABLE, parking brake, R.H. . . . .	1
7	12341906	BRACKET, parking brake cable . . . . .	1
8	MS 00027183 10	WASHER, parking brake cable bracket . . . . .	1
9	G 00271172	NUT, parking brake cable bracket . . . . .	1
10	G 09414241	SCREW, parking brake cable clamp . . . . .	2
11	MS 00021333 105	CLAMP, parking brake cables . . . . .	2
12	12342965	BRACKET, parking brake cable, R.H. . . . .	1
12	12342966	BRACKET, parking brake cable, L.H. . . . .	1
13	MS 00122033	WASHER, parking brake cable brackets . . . . .	4
14	G 00456644	SCREW, parking brake cable brackets. . . . .	4
15	G 00138084	PIN, parking brake cables . . . . .	2
16	G 02436163	WASHER, parking brake cables. . . . .	2
17	MS 00024665 283	COTTER PIN, parking brake cables . . . . .	2
18	MS 00090728 5	SCREW, parking brake cable clamps. . . . .	2
19	MS 00035338 44	LOCKWASHER, parking brake cable clamps. . . . .	2

## 7-6 BRAKES



P07-003.1

- \* a PART OF ITEM 1
- \* b SEE FIGURE 7-4.

Figure 7-3. Parking Brake Caliper Assembly.

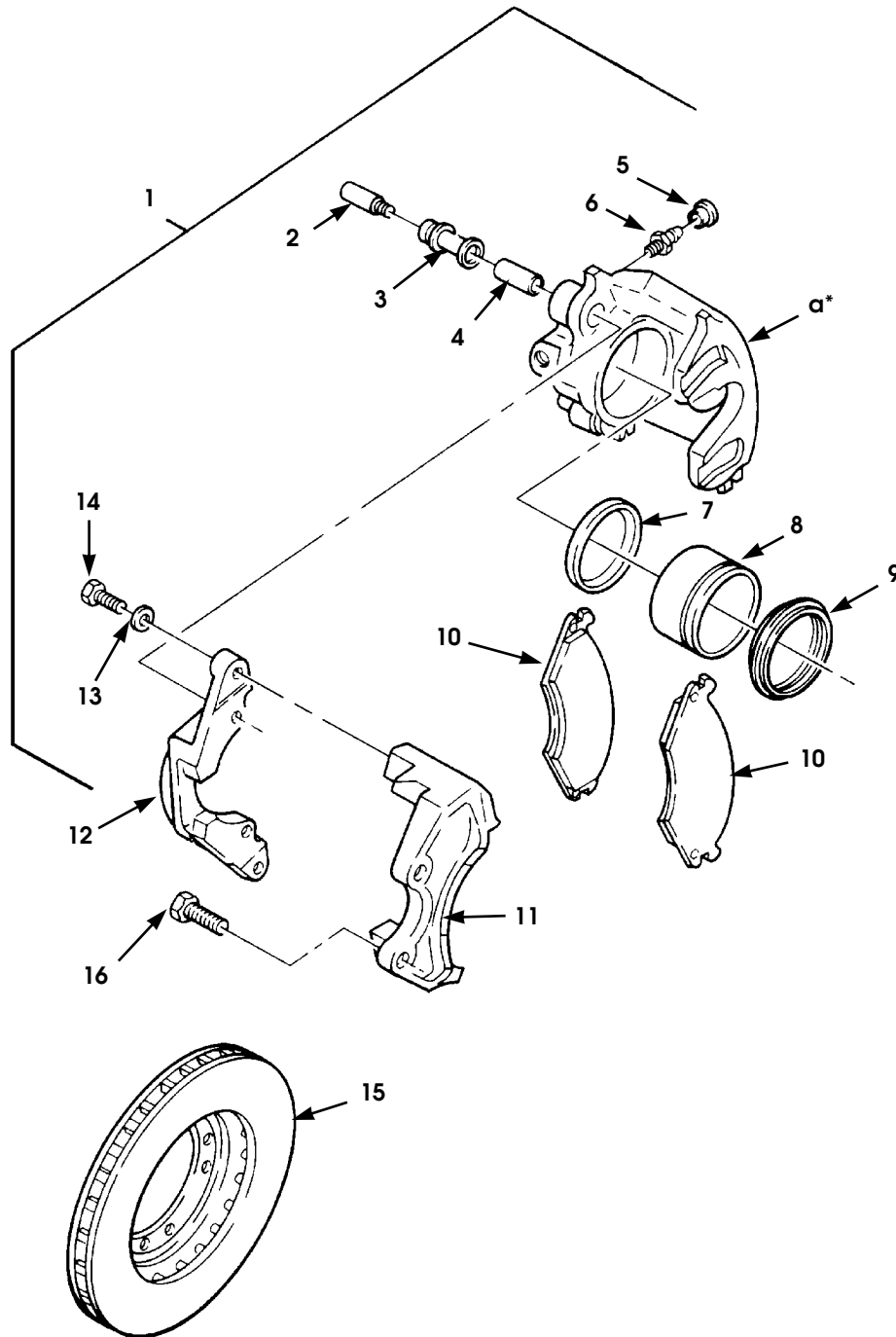
# HUMMER PARTS CATALOG

12-31-95

## BRAKES 7-7

ITEM	PART NUMBER	DESCRIPTION	QTY
		Figure 7-3 PARKING BRAKE CALIPER ASSEMBLY	
★ 1	06006901	BRAKE CALIPER ASSEMBLY, R.H., rear . . . . .	1
★ 1	06006900	BRAKE CALIPER ASSEMBLY, L.H., rear . . . . .	1
★ 2	05578797	•SEAL, piston SEE NOTE 1 . . . . .	1
★ 3	05744404	•PISTON . . . . .	1
★ 4	S.I.K.	•O-RING, thrust screw SEE NOTE 2. . . . .	1
★ 5	05578800	•DUST BOOT, piston SEE NOTE 1 . . . . .	1
★ 6	S.I.K.	•DUST CAP, piston SEE NOTE 2. . . . .	1
7	05741889	•CAPSCREW . . . . .	1
8	05741890	•CUP, spring . . . . .	1
9	05741995	•SPRING, L.H. . . . .	1
9	05741994	•SPRING, R.H. . . . .	1
10	05741750	•ARM, lever, L.H. . . . .	1
10	05741748	•ARM, lever, R.H. . . . .	1
11	S.I.K.	•PAD, disc brake, SEE NOTE 3. . . . .	1
12	12342339	•PIN, caliper. . . . .	2
13	05584071	•BOLT . . . . .	2
14	05584072	•WASHER, flat. . . . .	2
15	05573090	•YOKE, disc brake . . . . .	1
★ 16	S.I.K.	•O-RING, anti-rotation pin SEE NOTE 2 . . . . .	1
★ 17	S.I.K.	•O-RING, pin retaining plug SEE NOTE 2. . . . .	1
18	05578802	•BLEEDER VALVE . . . . .	1
19	05597172	•CAP, bleeder valve . . . . .	1
20	05742123	•ADAPTER . . . . .	1
21	05936095	BOLT, adapter, 5/8"-11 x 1.50" . . . . .	4
★		NOTE 1: PART OF SERVICE BRAKE CALIPER BOOT AND SEAL KIT P/N 05579865. ONE (1) KIT HAS ENOUGH COMPONENTS FOR TWO (2) BRAKE CALIPERS. . . . .	
★		NOTE 2: PART OF REAR CALIPER RESEAL KIT P/N 05744405. RESEAL KIT INCLUDES ACTUATOR SHAFT O-RING (Not Illustrated)	
		NOTE 3: PART OF SERVICE BRAKE PAD KIT P/N 05742771 KIT CONTAINS 4 PADS TO SERVICE ONE AXLE	

## 7-8 BRAKES



\* a PART OF ITEM 1

P07-004

Figure 7-4. Service Brake Caliper Assembly and Rotor.

# HUMMER PARTS CATALOG

12-31-95

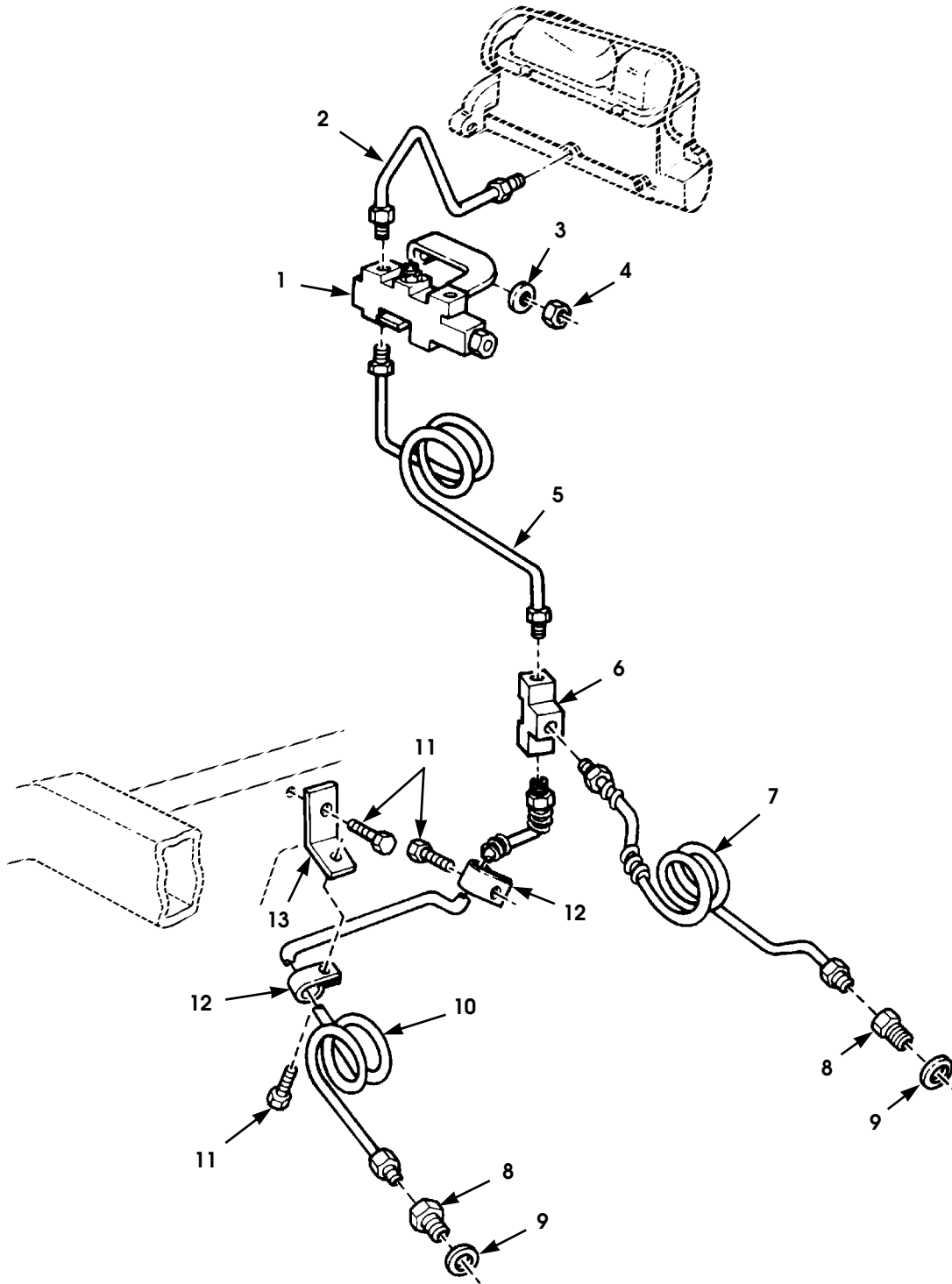
## BRAKES 7-9

ITEM	PART NUMBER	DESCRIPTION	QTY
		Figure 7-4 SERVICE BRAKE CALIPER ASSEMBLY AND ROTOR	
★ 1	06006899	DISC BRAKE ASSEMBLY, L.H. front . . . . .	1
★ 1	06006898	DISC BRAKE ASSEMBLY, R.H. front . . . . .	1
2	12342339	•PIN, caliper, locating. . . . .	2
3	05578806	••BUSHING, caliper. . . . .	2
4	05578794	••SLEEVE, caliper . . . . .	2
5	05597172	••CAP, bleeder valve . . . . .	1
6	05578802	••BLEEDER VALVE, caliper . . . . .	1
7	05578797	••SEAL, piston SEE NOTE 1 . . . . .	1
8	05578803	••PISTON, caliper . . . . .	1
9	05578800	••BOOT, caliper, piston, SEE NOTE 1 . . . . .	1
10	S.I.K.	•PAD, disc brake, SEE NOTE 2. . . . .	1
11	05578809	•ADAPTER, L.H. front . . . . .	1
11	05742123	•ADAPTER, R.H. front . . . . .	1
12	05573090	•YOKE, disc brake . . . . .	1
13	05584072	•WASHER, flat, yoke to adapter . . . . .	2
14	05584071	•BOLT, yoke to adapter, hex head . . . . .	2
15	12338387	ROTOR, disc brake. . . . .	4
16	05936095	BOLT . . . . .	4
		NOTE 1: PART OF SERVICE BRAKE CALIPER BOOT AND SEAL KIT P/N 05579865	
		NOTE 2: PART OF SERVICE BRAKE PAD KIT P/N 05742771. KIT CONTAINS 4 PADS TO SERVICE ONE AXLE	



# HUMMER PARTS CATALOG

## 7-10 BRAKES



P07-005

Figure 7-5. Front Service Brake Lines and Proportioning Valve.

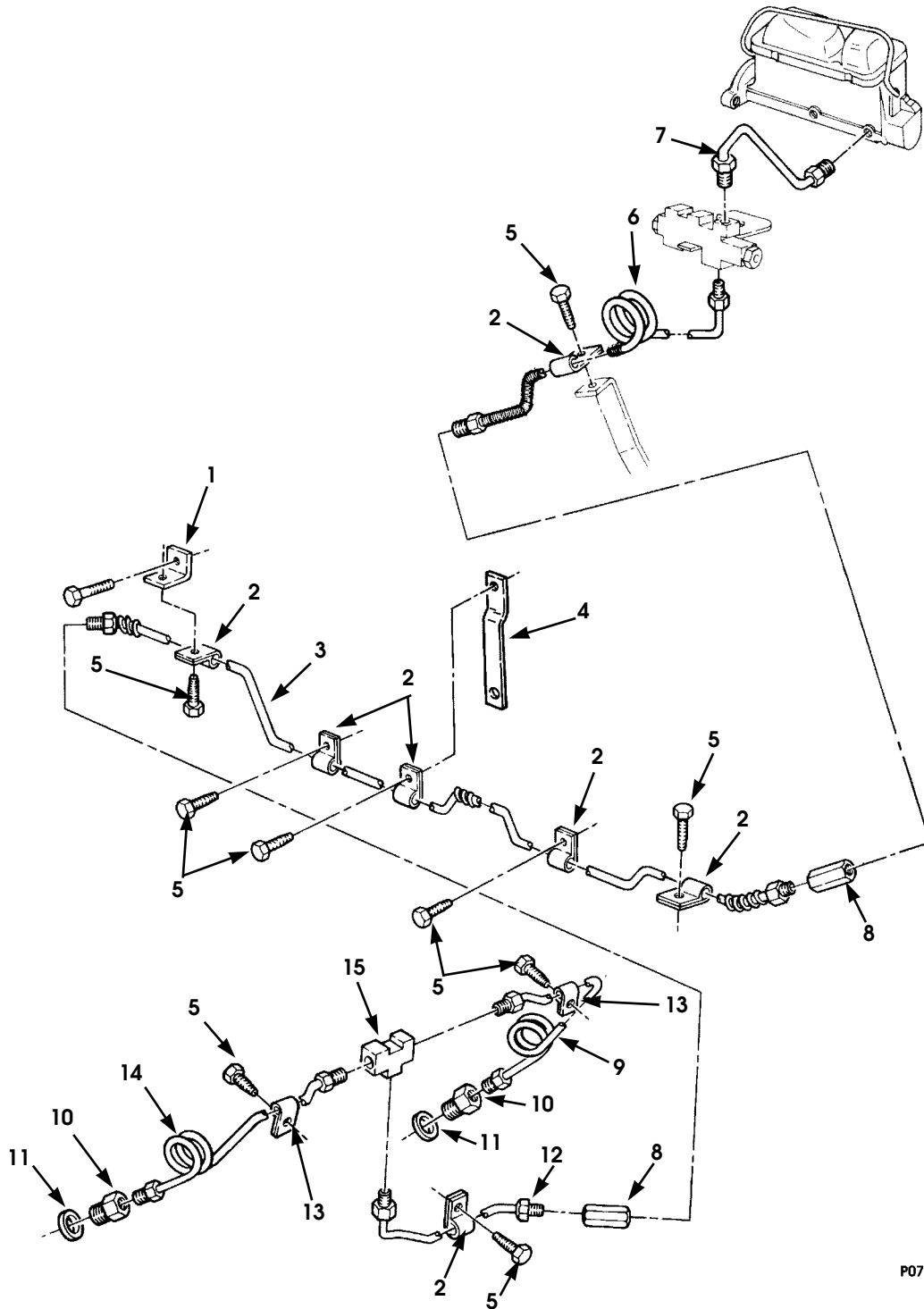
# HUMMER PARTS CATALOG

## BRAKES 7-11

ITEM	PART NUMBER	DESCRIPTION	QTY
		Figure 7-5 FRONT SERVICE BRAKE LINES AND PROPORTIONING VALVE	
1	06005728	VALVE ASSEMBLY, hydraulic brake . . . . .	1
2	12338299	TUBE ASSEMBLY, master cylinder . . . . .	1
3	G 02436163	WASHER, valve to hydro-boost . . . . .	1
4	MS 00051943 35	LOCKNUT, valve to hydro-boost . . . . .	1
5	06004425	TUBE, valve to tee . . . . .	1
6	G 00178654	TEE, tube, front brake lines . . . . .	1
7	12338296	TUBE ASSEMBLY, tee to front L.H. caliper . . . . .	1
8	12339235	COUPLING, brake caliper . . . . .	2
9	12339204	WASHER, caliper . . . . .	2
10	12338297	TUBE ASSEMBLY, tee to front R.H. caliper . . . . .	1
11	G 00271153	SCREW, brake line clamps and bracket . . . . .	3
12	G 00179147	CLIP, brake line . . . . .	2
13	12338301	BRACKET, brake line . . . . .	1

# HUMMER PARTS CATALOG

## 7-12 BRAKES



P07-006

Figure 7-6. Rear Brake Lines and Fittings

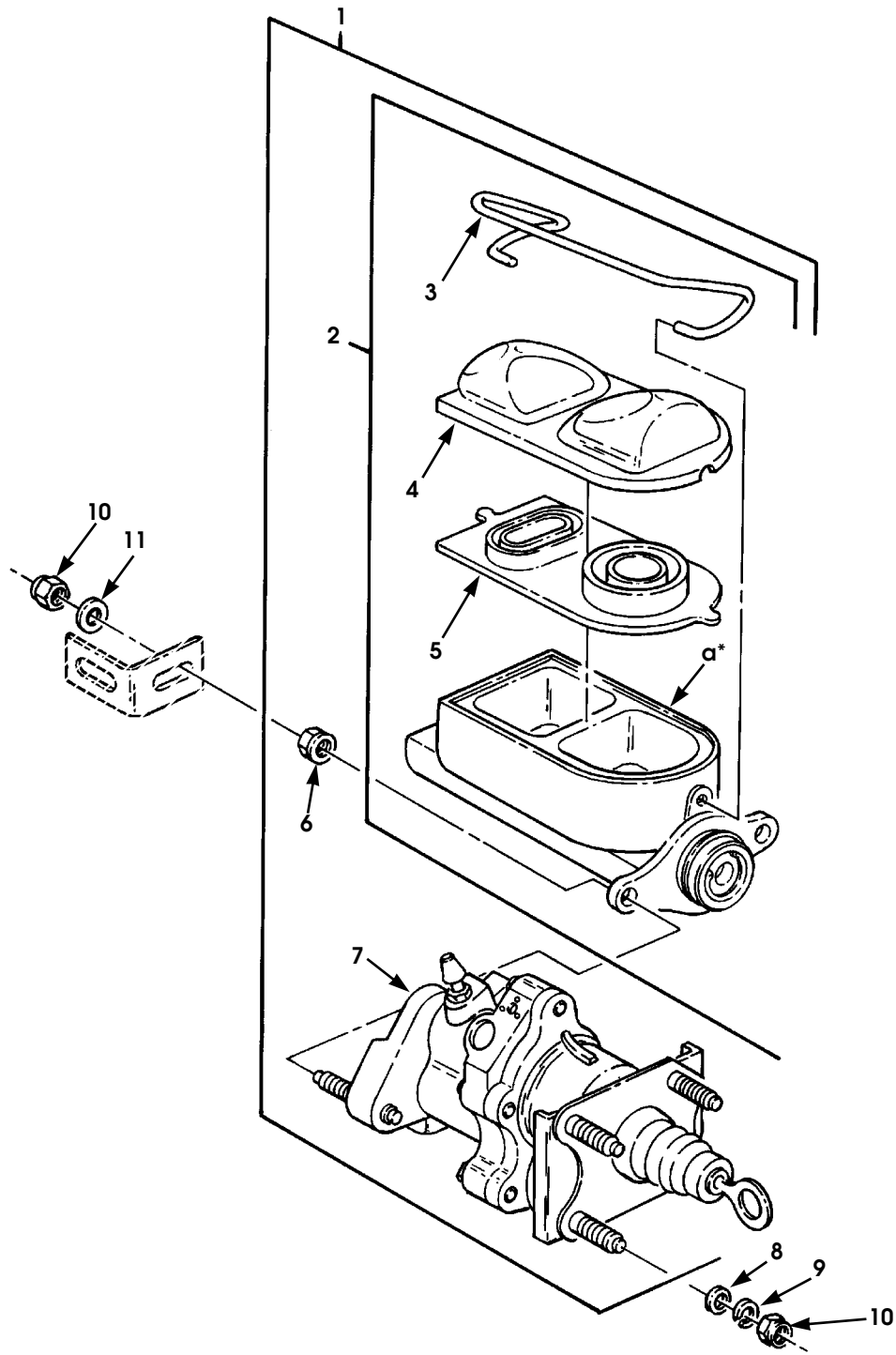
# HUMMER PARTS CATALOG

## BRAKES 7-13

ITEM	PART NUMBER	DESCRIPTION	QTY
		Figure 7-6 REAR BRAKE LINES AND FITTINGS	
1	12338302	BRACKET, brake line . . . . .	1
2	G 00179148	CLIP, brake line . . . . .	7
3	06000397	TUBE ASSEMBLY, center, union to union . . . . .	1
4	06001008 B1	BRACKET. . . . .	1
5	G 00271153	SCREW, brake line clips. . . . .	9
6	12338307	TUBE ASSEMBLY, valve to union . . . . .	1
7	12338300	TUBE ASSEMBLY, master cylinder to valve . . . . .	1
8	G 00442393	UNION, rear brake, center . . . . .	2
9	12338305	TUBE ASSEMBLY, tee to rear L.H. caliper. . . . .	1
10	12339235	FITTING, adapter, caliper . . . . .	2
11	12339204	WASHER, caliper . . . . .	2
12	12338304	TUBE ASSEMBLY, tee to union . . . . .	1
13	G 00179147	CLIP, brake line . . . . .	2
14	12338298	TUBE ASSEMBLY, tee to rear R.H. caliper . . . . .	1
15	G 00178654	TEE, tube, rear brake lines. . . . .	1

# HUMMER PARTS CATALOG

## 7-14 BRAKES



P07-007.1

Figure 7-7. Master Cylinder Assembly and Hydro-Booster.

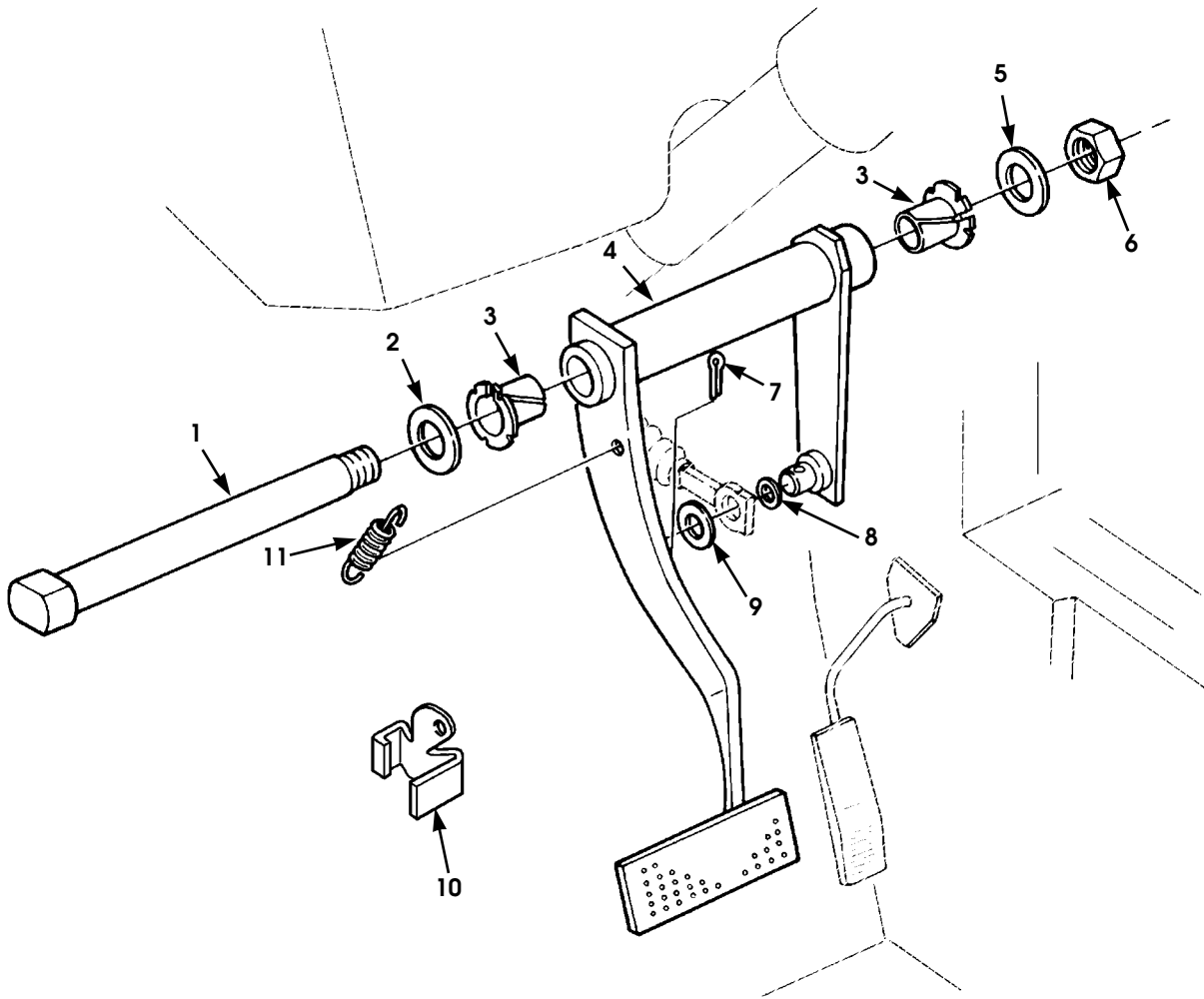
# HUMMER PARTS CATALOG

## BRAKES 7-15

ITEM	PART NUMBER	DESCRIPTION	QTY
		Figure 7-7 MASTER CYLINDER ASSEMBLY AND HYDRO-BOOSTER	
1	06000227	HYDRAULIC BRAKE BOOSTER AND MASTER CYLINDER ASSEMBLY . . . . .	1
2	06000228	• MASTER CYLINDER, hydraulic . . . . .	1
3	S.I.A.	•• RETAINING CLIP . . . . .	1
4	S.I.A.	•• RESERVOIR COVER . . . . .	1
5	S.I.A.	•• GASKET . . . . .	1
6	05741066	• NUT, flanged . . . . .	2
7	05582538	• HYDRO-BOOSTER . . . . .	1
8	MS 00027183 13	WASHER, hydro-boost . . . . .	4
9	MS 00035338 46	LOCKWASHER, hydro-boost . . . . .	4
10	MS 00051943 35	LOCKNUT, hydro-boost . . . . .	6
11	G 02436163	WASHER, hydro-boost . . . . .	2

# HUMMER PARTS CATALOG

## 7-16 BRAKES



P07-00

Figure 7-8. Service Brake Pedal Assembly.

# HUMMER PARTS CATALOG

## BRAKES 7-17

ITEM	PART NUMBER	DESCRIPTION	QTY
		Figure 7-8 SERVICE BRAKE PEDAL ASSEMBLY	
1	12339114	PIN, brake pedal . . . . .	1
2	G 02436168	WASHER, pin. . . . .	1
3	12339112 2	BEARING, pin . . . . .	2
4	12338394 B1	BRAKE PEDAL . . . . .	1
5	G 02436166	WASHER, pin. . . . .	1
6	G 09422303	LOCKNUT, pin. . . . .	1
7	G 00137171	COTTER PIN, brake pedal to hydro-boost. . . . .	1
8	12338124	WASHER, brake pedal to hydro-boost . . . . .	1
9	MS 00027183 18	WASHER, brake pedal to hydro-boost . . . . .	1
10	06003075	STRIKER, brake light switch . . . . .	1
11	12339183	SPRING, brake pedal return . . . . .	1





# HUMMER PARTS CATALOG

## STEERING SYSTEM 8-1

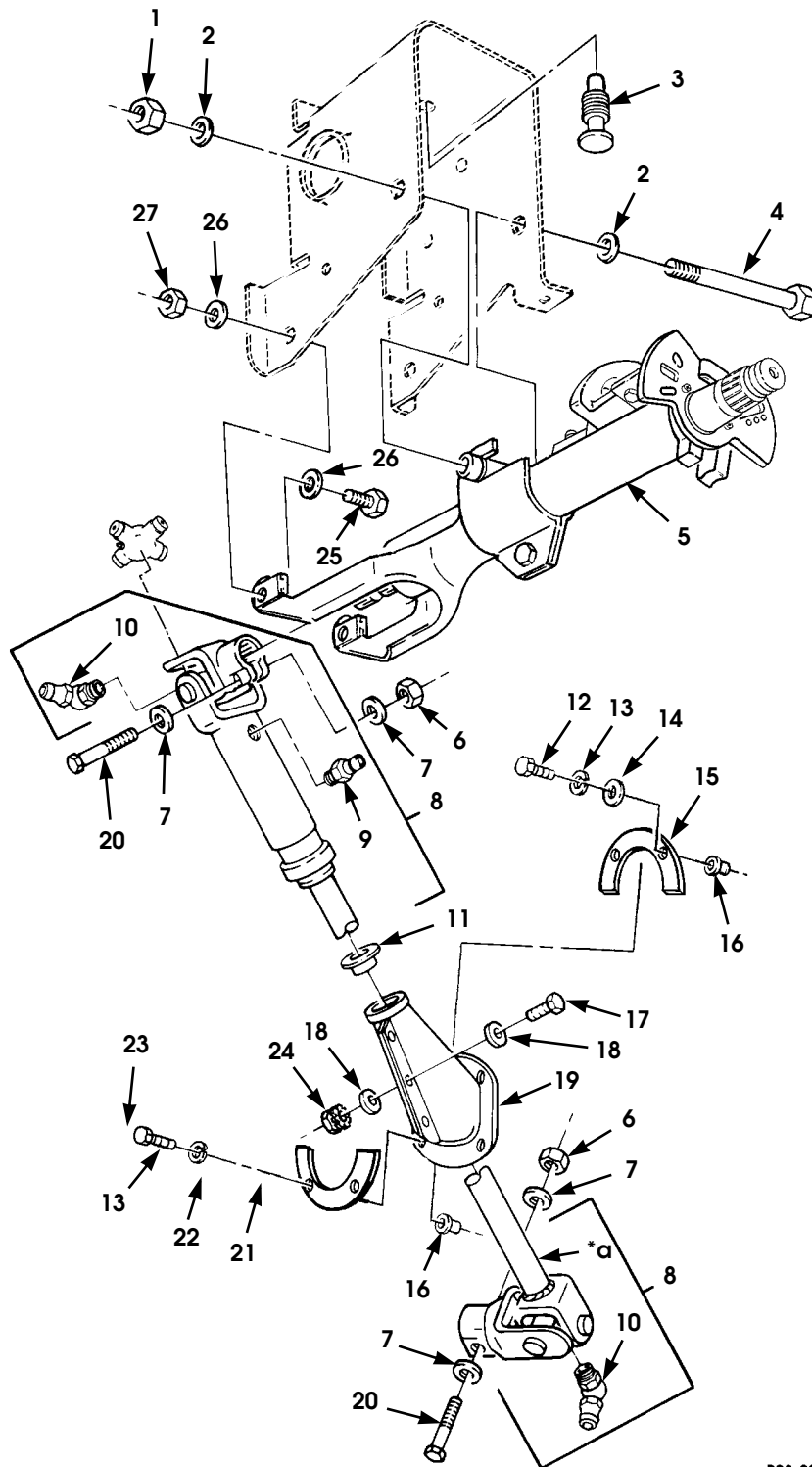
### Section 8

#### STEERING SYSTEM

TITLE	PAGE NUMBER
Steering Column and Intermediate Shaft . . . . .	8-2
Steering Linkage . . . . .	8-4
Power Steering Gear and Mounting Hardware . . . . .	8-6
Power Steering Gear Assembly . . . . .	8-8
Power Steering Pump, Pulley, Reservoir, and Mounting Hardware . . . . .	8-12
Power Steering Pump, Oil Cooler, and Hydro-Boost Lines and Fittings . . . . .	8-14
Steering Column Trim and Turn Signal . . . . .	8-16
Steering Column Lock and Switch Housing Assembly . . . . .	8-18

# HUMMER PARTS CATALOG

## 8-2 STEERING SYSTEM



\* a PART OF ITEM 8

P08-001

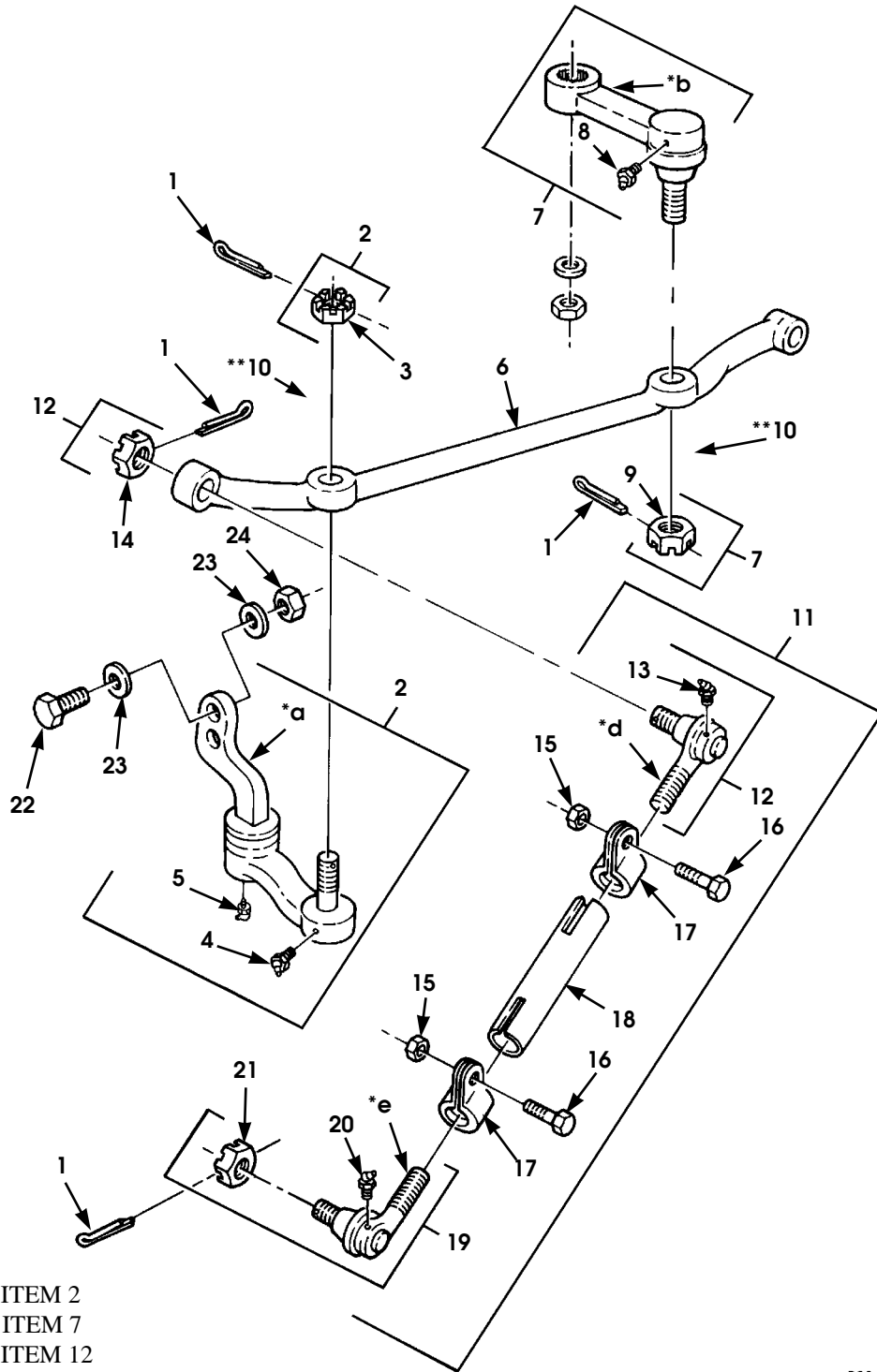
Figure 8-1. Steering Column and Intermediate Shaft

# HUMMER PARTS CATALOG

## STEERING SYSTEM 8-3

ITEM	PART NUMBER	DESCRIPTION	QTY
		Figure 8-1 STEERING COLUMN AND INTERMEDIATE SHAFT	
1	MS 00051943 35	LOCKNUT, steering column . . . . .	1
2	G 02436163	LOCKWASHER, steering column . . . . .	2
3	12339402	DRIVE PIN . . . . .	1
4	06000202	BOLT, steering column . . . . .	1
5	05939076	STEERING COLUMN, upper. . . . .	1
6	G 09422300	NUT, steering column . . . . .	2
7	G 02436164	WASHER, steering column . . . . .	4
8	12339210 2B1	SHAFT, intermediate steering . . . . .	1
9	MS 00015002 1	•LUBRICATION FITTING, intermediate shaft . . . . .	1
10	MS 00015003 4	•LUBRICATION FITTING, intermediate shaft . . . . .	2
11	12341894	NYLINER, interior steering shaft boot. . . . .	1
12	MS 00090728 8	SCREW, intermediate steering shaft . . . . .	3
13	G 00120380	LOCKWASHER, reinforcement . . . . .	4
14	G 02436161	WASHER, intermediate steering shaft . . . . .	3
15	05939997 B1	REINFORCEMENT, steering column seal . . . . .	2
16	05937584	NUT INSERT . . . . .	4
17	MS 00051849 76	SCREW, steering shaft boot . . . . .	3
18	MS 00027183 42	WASHER, steering shaft boot . . . . .	6
19	12341893	BOOT, dust and moist, steering shaft. . . . .	1
20	MS 00090727 91	BOLT, steering column . . . . .	2
21	06000040 B1	SPACER . . . . .	1
22	06000039 B1	BRACKET. . . . .	1
23	MS 00090728 10	BOLT . . . . .	1
24	G 09422771	NUT, steering shaft boot . . . . .	3
25	06000201	BOLT, steering column assembly . . . . .	2
26	G 02436162	WASHER . . . . .	4
27	MS 00051943 33	LOCKNUT . . . . .	2

## 8-4 STEERING SYSTEM



\* a PART OF ITEM 2

\* b PART OF ITEM 7

\* c PART OF ITEM 12

\* d PART OF ITEM 19

\*\* SPACER USED WITH CENTER LINK P/N 12338622

P08-002

Figure 8-2. Steering Linkage.

# HUMMER PARTS CATALOG

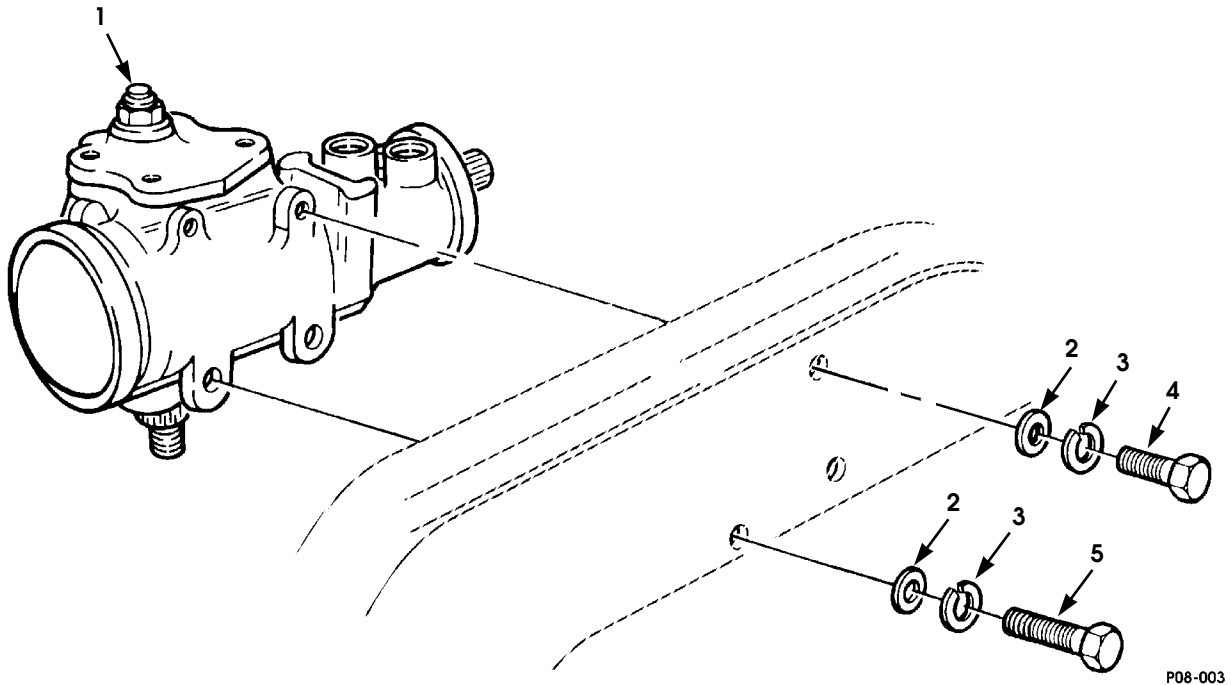
12-31-95

## STEERING SYSTEM 8-5

ITEM	PART NUMBER	DESCRIPTION	QTY
		Figure 8-2 STEERING LINKAGE	
1	MS 00024665 355	COTTER PIN, idler arm, 1/8" x 1-1/4" . . . . .	6
2	06004839	IDLER ARM, steering SEE NOTE 1 . . . . .	1
3	G 09429082	•NUT, slotted, idler arm, 5/8"-18. . . . .	1
4	MS 00015001 1	•FITTING, idler arm, 1/4"-28. . . . .	1
5	MS 00015001 3	•FITTING, Zerk, 45 degrees idler arm, 1/4"-28 x 45 . . . . .	1
6	12338622	CENTER LINK, steering, SEE NOTE 2. . . . .	1
6	06003868	CENTER LINK, steering, SEE NOTE 3. . . . .	1
7	06004838	ARM, steering SEE NOTE 1. . . . .	1
8	MS 00015001 1	•FITTING, steering arm, 1/4"-28 x 1/2" . . . . .	1
9	G 09429082	•NUT, slotted, steering arm, 5/8"-18. . . . .	1
10	06006711	SPACER, idler/steering arm SEE NOTE 1. . . . .	2
* 11	06005119 B2	TIE ROD, steering, left and right side . . . . .	2
12	12338311 2	•TIE ROD END, steering. . . . .	1
13	MS 00015001 3	••FITTING, Zerk, 45 degree, tie rod end . . . . .	1
14	MS 00035692 54	••NUT, slot, tie rod end, 5/8"-18. . . . .	1
15	MS 00051967 12	•NUT, tie rod end clamp, 7/16"-14 . . . . .	2
16	G 09419079	•BOLT, tie rod end clamp. . . . .	2
17	12339202	•CLAMP, tie rod end . . . . .	2
18	06005124	•ROD. . . . .	1
19	12338311 1	•TIE ROD END, steering. . . . .	1
20	MS 00015001 3	••FITTING, Zerk, 45 degree, tie rod end . . . . .	1
21	MS 00035692 54	••NUT, slot, tie rod end, 5/8"-18. . . . .	1
22	MS 00090728 102	SCREW, idler arm, 7/16"-14 x 4.75". . . . .	2
23	G 02436164	WASHER, flat, idler arm, 7/16" . . . . .	4
24	G 09422299	NUT, idler arm, 7/16"-14. . . . .	2
		NOTE 1: SPACER P/N 06006711, IS REQUIRED WITH IDLER ARM P/N 06004839 AND STEERING ARM P/N 06004838 IF THE VEHICLE IS EQUIPPED WITH CENTER LINK P/N 12338622.	
		NOTE 2: CENTER LINK P/N 12338622 HAS A 0.798-0.838" THICK BOSS FOR THE IDLER AND STEERING ARMS.	
		NOTE 3: CENTER LINK P/N 06003868 HAS A 1.00-1.040" THICK BOSS FOR THE IDLER AND STEERING ARMS.	

# HUMMER PARTS CATALOG

## 8-6 STEERING SYSTEM



P08-003

Figure 8-3. Power Steering Gear and Mounting Hardware.

# HUMMER PARTS CATALOG

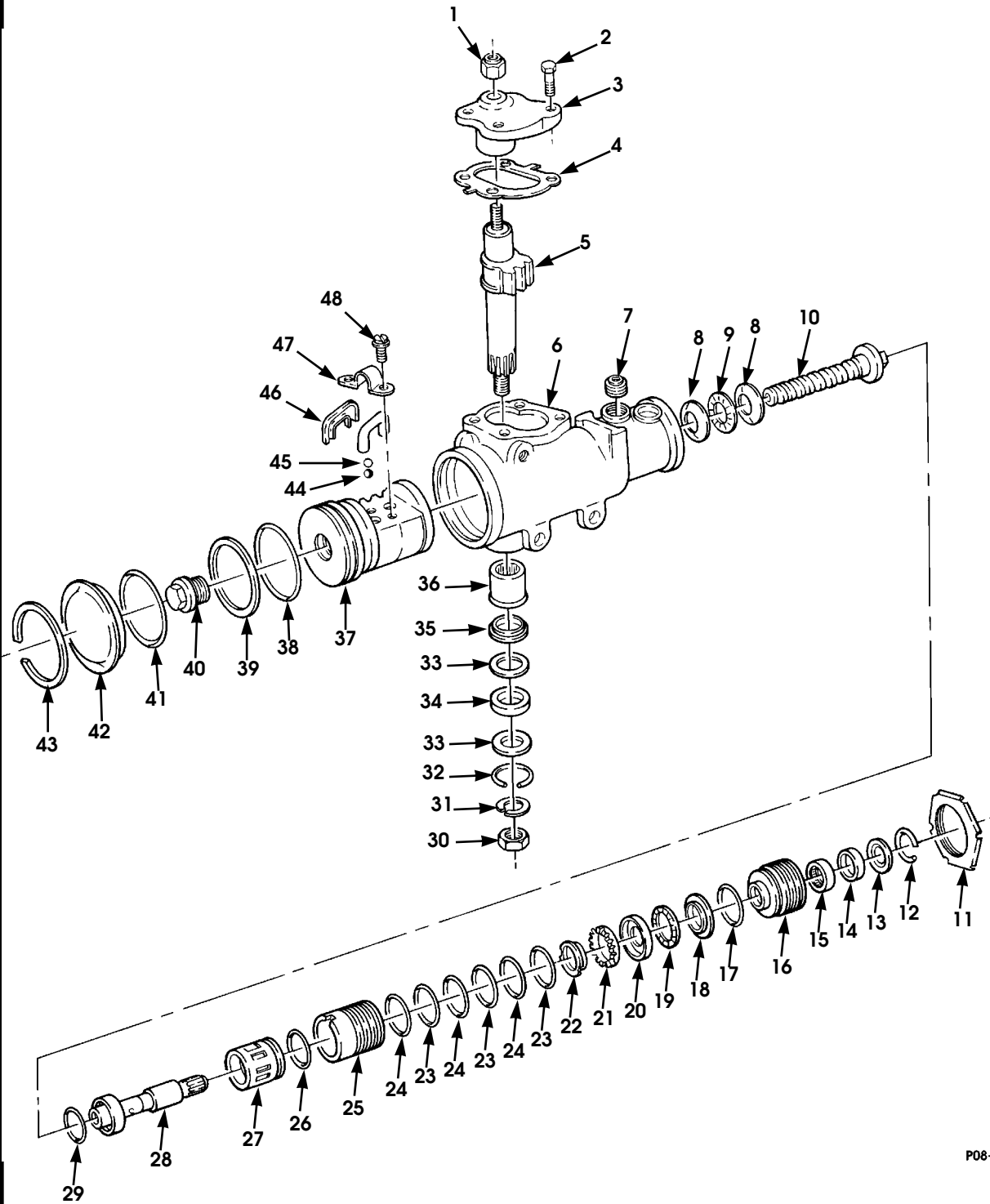
## STEERING SYSTEM 8-7

ITEM	PART NUMBER	DESCRIPTION	QTY
		Figure 8-3 POWER STEERING GEAR AND MOUNTING HARDWARE	
1	12339896	STEERING GEAR . . . . .	1
2	G 02436164	WASHER, steering gear . . . . .	3
3	G 00123153	LOCKWASHER, steering gear . . . . .	3
4	G 09414186	BOLT, steering gear . . . . .	1
5	G 09430761	SCREW, steering gear . . . . .	2



# HUMMER PARTS CATALOG

## 8-8 STEERING SYSTEM



P08-004

Figure 8-4. Power Steering Gear Assembly.

# HUMMER PARTS CATALOG

## STEERING SYSTEM 8-9

ITEM	PART NUMBER	DESCRIPTION	QTY
		Figure 8-4 POWER STEERING GEAR ASSEMBLY	
1	05740444	NUT, lash adjuster . . . . .	1
2	05740445	BOLT, cover assembly, SEE NOTES 1, 2, 12, AND 13 . . . .	4
3	S.I.K.	COVER ASSEMBLY, housing side, SEE NOTE 12. . . . .	1
4	05740447	GASKET, housing, cover assembly, SEE NOTES 1, 12, AND 13 . . . . .	1
5	S.I.K.	GEARSHAFT spur, pitman shaft, SEE NOTE 13 . . . . .	1
6	S.I.K.	HOUSING, steering gear, SEE NOTE 15. . . . .	1
7	S.I.K.	VALVE ASSEMBLY, steering gear check, SEE NOTES 3 AND 15 . . . . .	1
8	S.I.K.	THRUST BEARING RACE, lower, SEE NOTE 4 . . . . .	2
9	S.I.K.	RETAINER AND ROLLER, SEE NOTE 4 . . . . .	1
10	S.I.K.	GEAR ASSEMBLY, worm, SEE NOTE 2. . . . .	1
11	05741145	NUT, adjuster plug . . . . .	1
12	S.I.K.	RETAINING RING, SEE NOTES 5 AND 14 . . . . .	1
13	S.I.K.	SEAL, shaft, SEE NOTES 5 AND 14 . . . . .	1
14	05741704	SEAL, shaft, SEE NOTES 5 AND 14 . . . . .	1
15	05740483	BUSHING, sleeve, shaft, SEE NOTE 5 . . . . .	1
16	S.I.K.	PLUG, adjuster, shaft, SEE NOTE 5. . . . .	1
17	05740485	PACKING, preformed, adjuster plug, SEE NOTES 5 AND 14 . . . . .	1
18	S.I.K.	RACE, bearing, SEE NOTES 5 AND 6. . . . .	1
19	S.I.K.	RETAINER AND ROLLER, SEE NOTES 5 AND 6. . . . .	1
20	S.I.K.	RACE, bearing, SEE NOTES 5 AND 6. . . . .	1
21	S.I.K.	SPACER, bearing, SEE NOTES 5 AND 6. . . . .	1
22	S.I.K.	RETAINER, bearing adjuster plug, SEE NOTES 5 AND 6. . . .	1
23	S.I.K.	RING, seal, valve body, SEE NOTES 7 AND 16 . . . . .	3
24	S.I.K.	PACKING, preformed, valve body, SEE NOTES 7 AND 16 . . . . .	3
25	S.I.K.	VALVE BODY, steering, SEE NOTE 16. . . . .	1
26	S.I.K.	SEAL, valve spool, SEE NOTES 7 AND 16. . . . .	1
27	S.I.K.	VALVE SPOOL, direct, shaft, SEE NOTE 16 . . . . .	1
28	S.I.K.	SHAFT, steering column, SEE NOTE 16 . . . . .	1
29	S.I.K.	RING, seal, shaft, SEE NOTES 7 AND 16. . . . .	1
30	00940523	NUT, pitman shaft . . . . .	1
31	05550554	LOCKWASHER, pitman shaft . . . . .	1
32	S.I.K.	RING, retaining, pitman shaft, SEE NOTES 8 AND 15. . . .	1
33	S.I.K.	WASHER, seal, pitman shaft, SEE NOTES 8 AND 15 . . . .	2
34	S.I.K.	SEAL, pitman shaft, SEE NOTES 8 AND 15 . . . . .	1
35	05740451	SEAL, pitman shaft, SEE NOTES 8 AND 15 . . . . .	1

# HUMMER PARTS CATALOG

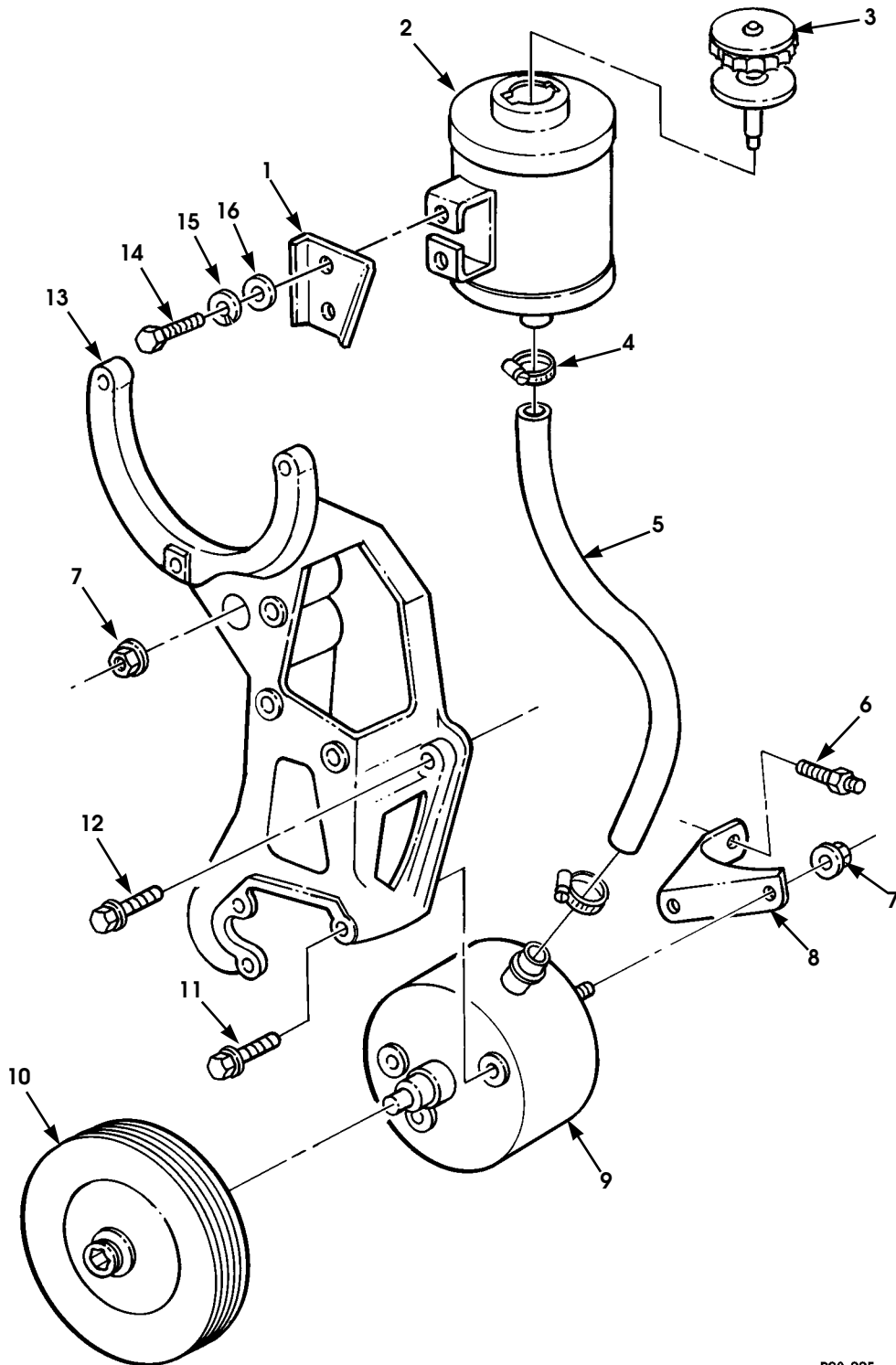
## 8-10 STEERING SYSTEM

ITEM	PART NUMBER	DESCRIPTION	QTY
		Figure 8-4 POWER STEERING GEAR ASSEMBLY (Cont'd)	
36	05740453	BEARING, roller, pitman shaft, SEE NOTE 15 . . . . .	1
37	S.I.K.	RACK, piston nut, SEE NOTE 2 . . . . .	1
38	S.I.K.	RING, seal, piston rack, SEE NOTES 2 AND 9. . . . .	1
39	S.I.K.	GASKET, piston rack, SEE NOTES 2 AND 9. . . . .	1
40	05740461	PLUG, piston rack, SEE NOTE 2 . . . . .	1
41	S.I.K.	PACKING, preformed, housing end plug, SEE NOTE 10 . . . . .	1
42	05740456	PLUG, housing end . . . . .	1
43	S.I.K.	RING, retaining, housing end plug, SEE NOTE 10 . . . . .	1
44	S.I.K.	BALL, bearing, piston rack, SEE NOTES 2 AND 11 . . . . .	12
45	S.I.K.	BALL, chrome, .281250 diameter, piston rack, SEE NOTES 2 AND 11 . . . . .	12
46	05740468	GUIDE, ball, piston rack, SEE NOTE 2. . . . .	2
47	05740467	STRAP, retaining, piston rack ball guide, SEE NOTE 2. . . . .	1
48	05740466	SCREW, retaining strap, SEE NOTE 2 . . . . .	2
		NOTE 1: PART OF SIDE COVER HOUSING SEAL KIT P/N 05740448	
		NOTE 2: PART OF PISTON NUT RACK KIT P/N 05740462	
		NOTE 3: PART OF STEERING KIT P/N 05741190	
		NOTE 4: PART OF LOWER THRUST BEARING KIT P/N 05740476	
		NOTE 5: PART OF ADJUSTER PLUG KIT P/N 05741703	
		NOTE 6: PART OF UPPER THRUST BEARING KIT P/N 05742166	
		NOTE 7: PART OF SEAL VALVE RING KIT P/N 05740499	
		NOTE 8: PART OF PITMAN SHAFT SEAL KIT P/N 05740452	
		NOTE 9: PART OF SEAL RACK PISTON KIT P/N 05740465	
		NOTE 10: PART OF SEAL END PLUG KIT P/N 05740458	
		NOTE 11: PART OF RECIRCULATING BALL KIT P/N 05740470	
		NOTE 12: PART OF STEERING GEAR SIDE COVER KIT P/N 05741910	
		NOTE 13: PART OF PITMAN SHAFT GEAR ASSEMBLY SERVICE KIT P/N 05742626	
		NOTE 14: PART OF ADJUSTER PLUG SEAL KIT P/N 05741892	
		NOTE 15: PART OF GEAR HOUSING ASSEMBLY SERVICE KIT P/N 05742627	
		NOTE 16: PART OF STEERING GEAR VALVE ASSEMBLY KIT P/N 05742625	



# HUMMER PARTS CATALOG

## 8-12 STEERING SYSTEM



P08-005

Figure 8-5. Power Steering Pump, Pulley, Reservoir, and Mounting Hardware.

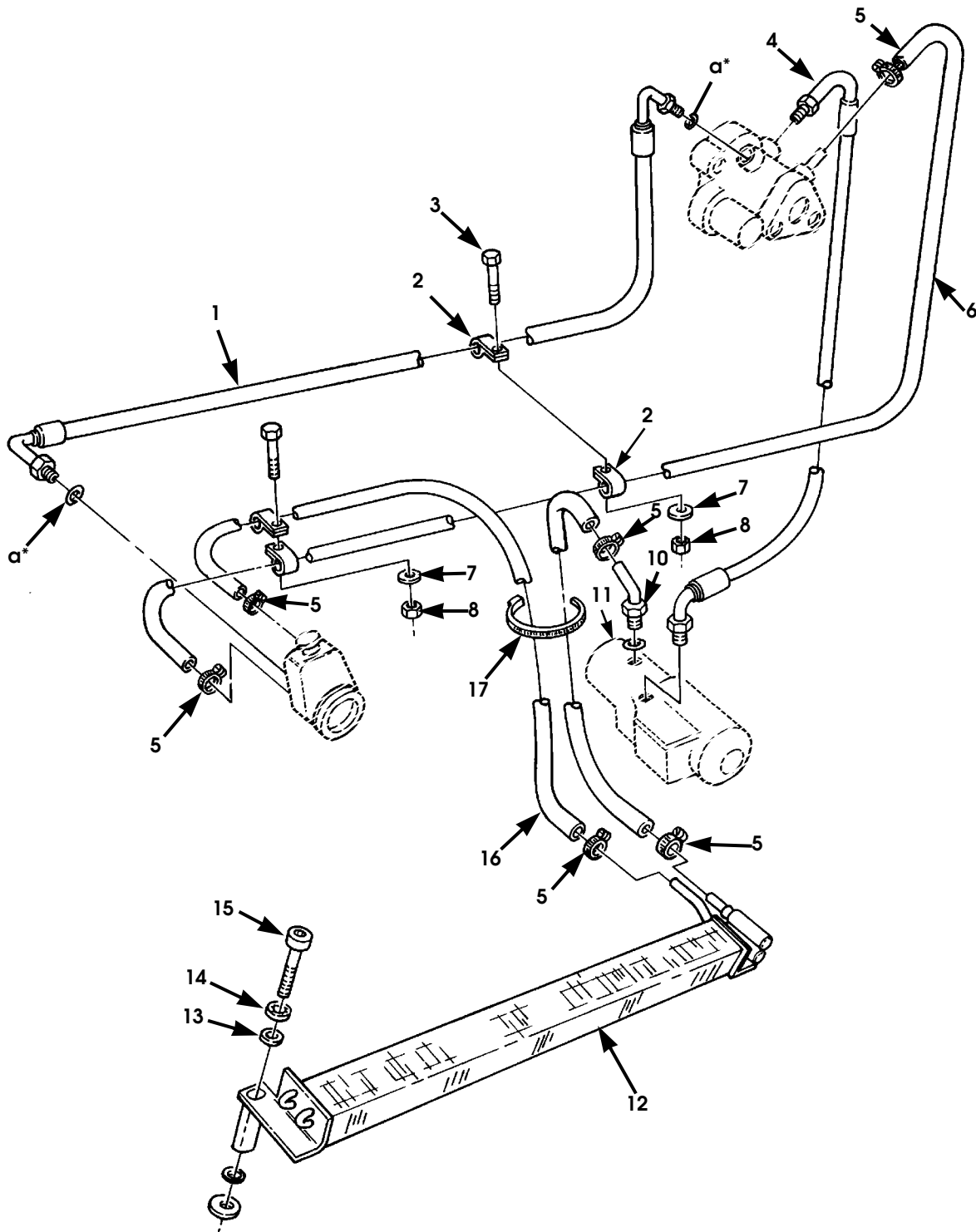
# HUMMER PARTS CATALOG

## STEERING SYSTEM 8-13

ITEM	PART NUMBER	DESCRIPTION	QTY
		Figure 8-5 POWER STEERING PUMP, PULLEY, RESERVOIR, AND MOUNTING HARDWARE	
1	06003168	BRACKET . . . . .	1
2	06002107	RESERVOIR . . . . .	1
3	06002106	CAP, reservoir . . . . .	1
4	12339884 1	CLAMP . . . . .	2
5	06005126	HOSE, reservoir to pump . . . . .	1
6	06003067	STUD . . . . .	1
7	06004156	NUT . . . . .	2
8	06003048	BRACE . . . . .	1
9	06004285	PUMP, power steering . . . . .	1
10	06004158	PULLEY, power steering pump . . . . .	1
11	G 11508251	BOLT, pump-to-bracket . . . . .	3
12	G 11508475	BOLT, bracket-to-engine . . . . .	1
13	06004157	BRACKET . . . . .	1
14	G 11500817	BOLT, reservoir support bracket . . . . .	2
15	G 11500161	LOCKWASHER . . . . .	2
16	G 11500162	WASHER . . . . .	2

# HUMMER PARTS CATALOG

## 8-14 STEERING SYSTEM



\* a PART OF ITEM 1

P08-006

Figure 8-6. Power Steering Pump, Oil Cooler, and Hydro-Boost Lines and Fittings.

# HUMMER PARTS CATALOG

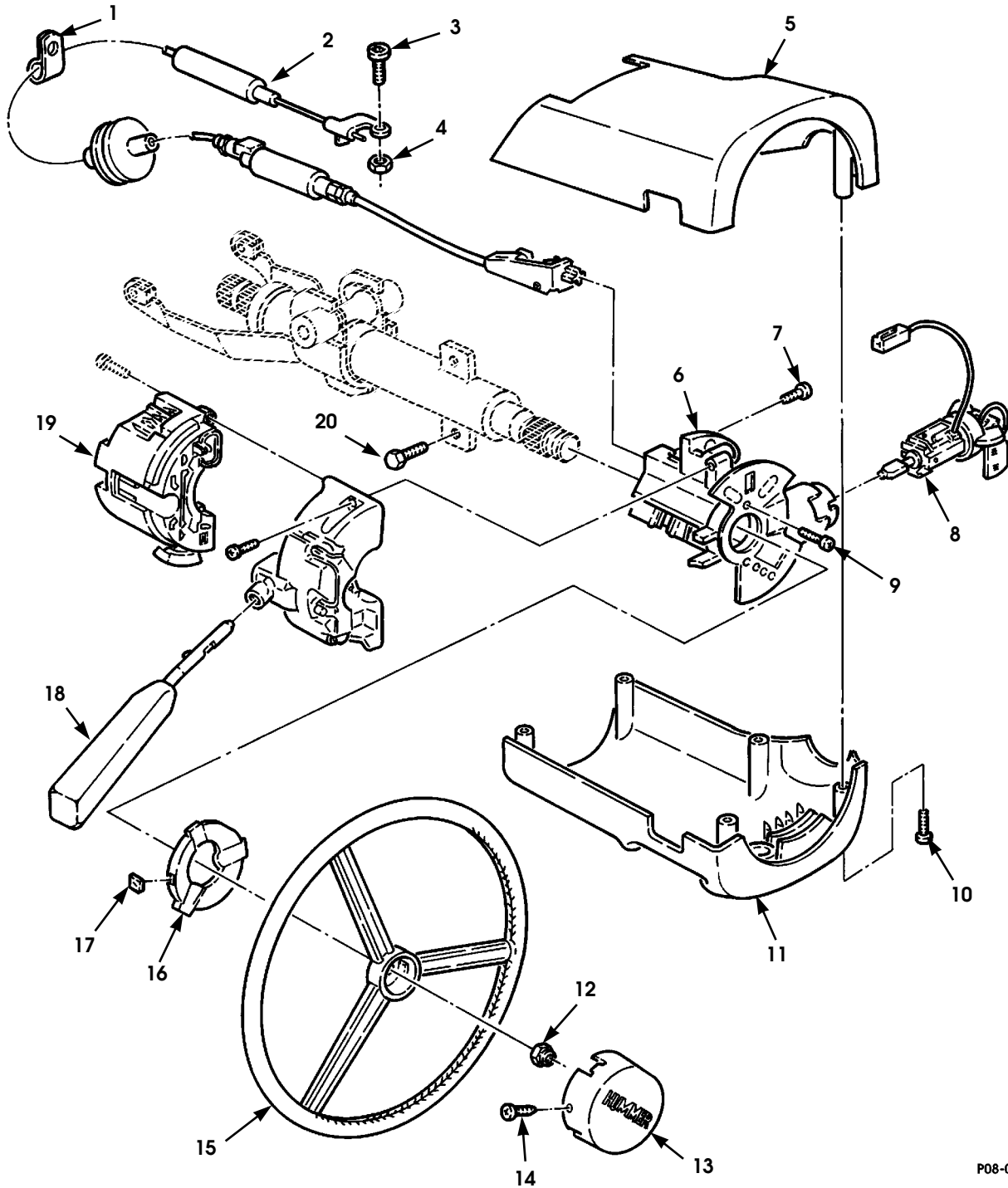
## STEERING SYSTEM 8-15

ITEM	PART NUMBER	DESCRIPTION	QTY
		Figure 8-6 POWER STEERING PUMP, OIL COOLER, AND HYDRO-BOOST LINES AND FITTINGS	
1	06003869	HOSE ASSEMBLY . . . . .	1
2	MS 00021333 104	CLAMP . . . . .	4
3	MS 00090728 6	BOLT . . . . .	2
4	12338956	HOSE ASSEMBLY . . . . .	1
5	12339884 1	CLAMP . . . . .	6
6	N/S	HOSE, 33.25-inch, SEE NOTE 1 . . . . .	1
7	MS 00027183 10	WASHER . . . . .	2
8	MS 00051943 31	LOCKNUT . . . . .	2
9	N/S	HOSE, 28.5-inch, SEE NOTE 1 . . . . .	1
10	12338593	TUBE ASSEMBLY . . . . .	1
11	12340395	SEAL, O-ring . . . . .	1
12	12342142	COOLER, fluid, power steering . . . . .	1
13	MS 00027183 12	WASHER . . . . .	2
14	G 00138538	LOCKWASHER . . . . .	2
15	MS 00016995 72	CAPSCREW . . . . .	2
16	N/S	HOSE, 45-inch, SEE NOTE 1 . . . . .	1
17	MS 00003367 2-0	TIEDOWN STRAP . . . . .	1
NOTE 1: MAKE FROM BULK HOSE P/N 05741209			



# HUMMER PARTS CATALOG

## 8-16 STEERING SYSTEM



P08-00

\* a PART OF ITEM 19

\* b SEE FIGURE 8-8

Figure 8-7. Steering Column Trim and Turn Signal.

# HUMMER PARTS CATALOG

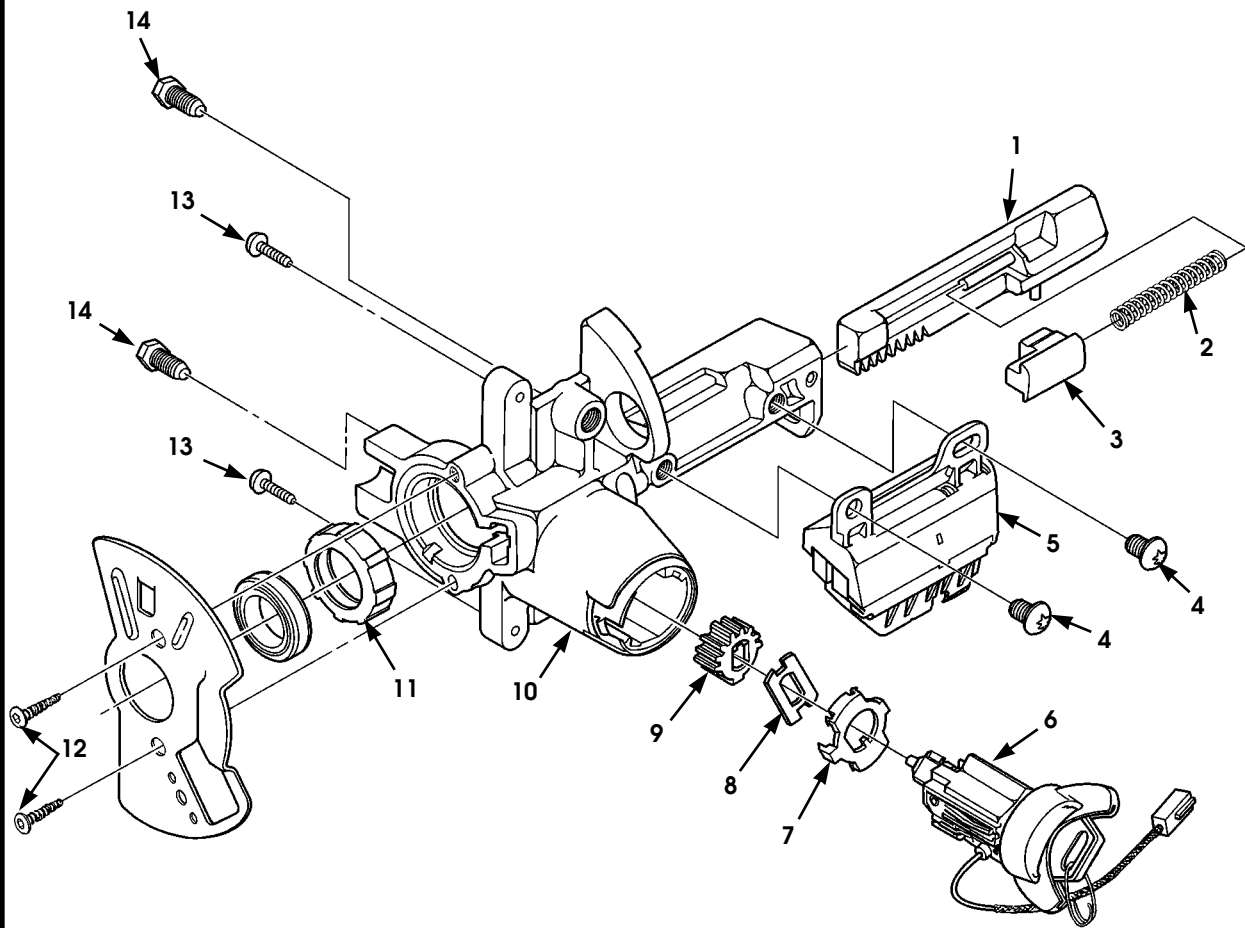
12-31-95

## STEERING SYSTEM 8-17

ITEM	PART NUMBER	DESCRIPTION	QTY
		Figure 8-7 STEERING COLUMN TRIM AND TURN SIGNAL	
1	MS 00021333 68	CLAMP . . . . .	1
* 2	06007700	CABLE, ignition interlock . . . . .	1
3	06001727	SCREW, M6 x 16 . . . . .	1
4	G 11503749	NUT, M6 . . . . .	1
5	05939636	SHROUD, upper steering column . . . . .	1
6	N/S	HOUSING, lock and switch (See Figure 8-8) . . . . .	1
7	G 00164359	SCREW, 8-32 x 1/2" . . . . .	1
8	05939821	LOCK CYLINDER AND KEY ASSEMBLY, ignition . . . . .	1
9	05742680	SCREW, steering column . . . . .	4
10	MS 00051861 40	SCREW, steering column shroud . . . . .	5
11	05939635	SHROUD, lower steering column . . . . .	1
12	07063812	NUT, steering wheel to column . . . . .	1
13	06000113	COVER, steering wheel hub . . . . .	1
14	06000207	SCREW, #8-18 x .50. . . . .	3
15	05939373	STEERING WHEEL ASSEMBLY, with cover and padding . . . . .	1
16	06000112	ADAPTER, steering wheel hub cover . . . . .	1
17	05939659	GROMMET . . . . .	3
18	05742681	TURN SIGNAL LEVER . . . . .	1
18	06004056	TURN SIGNAL LEVER, cruise control . . . . .	1
19	05742688	SWITCH ASSEMBLY, turn, emergency, horn, and dimmer . . . . .	1
20	05742769	BOLT . . . . .	2

# HUMMER PARTS CATALOG

## 8-18 STEERING SYSTEM



P08-00

\* a PART OF ITEM 10

*Figure 8-8. Steering Column Lock and Switch Housing Assembly.*

# HUMMER PARTS CATALOG

12-31-95

## STEERING SYSTEM 8-19

ITEM	PART NUMBER	DESCRIPTION	QTY
		Figure 8-8 STEERING COLUMN LOCK AND SWITCH HOUSING ASSEMBLY	
1	05743340	ACTUATOR, column lock . . . . .	1
2	05743337	SPRING, steering column lock . . . . .	1
3	05743336	PAWL, steering column lock . . . . .	1
* 4	06001727	SCREW, M6 x 16 . . . . .	2
5	05743343	SWITCH ASSEMBLY, ignition . . . . .	1
6	05939821	CYLINDER AND KEY ASSEMBLY, ignition lock . . . . .	1
7	05743341	RETAINER, column lock gear . . . . .	1
8	05743338	FLAT BEARING, column lock . . . . .	1
9	05743339	GEAR, steering column lock . . . . .	1
10	05743342	HOUSING, lock cylinder . . . . .	1
11	05743344	SLEEVE, upper bearing . . . . .	1
* 12	05744481	SCREW, #8-18 x 5/8" . . . . .	2
13	N/S	SCREW . . . . .	2
* 14	05744482	SCREW, M8-1.25 x 24 . . . . .	2



# HUMMER PARTS CATALOG

## SUSPENSION/FRAME 9-1

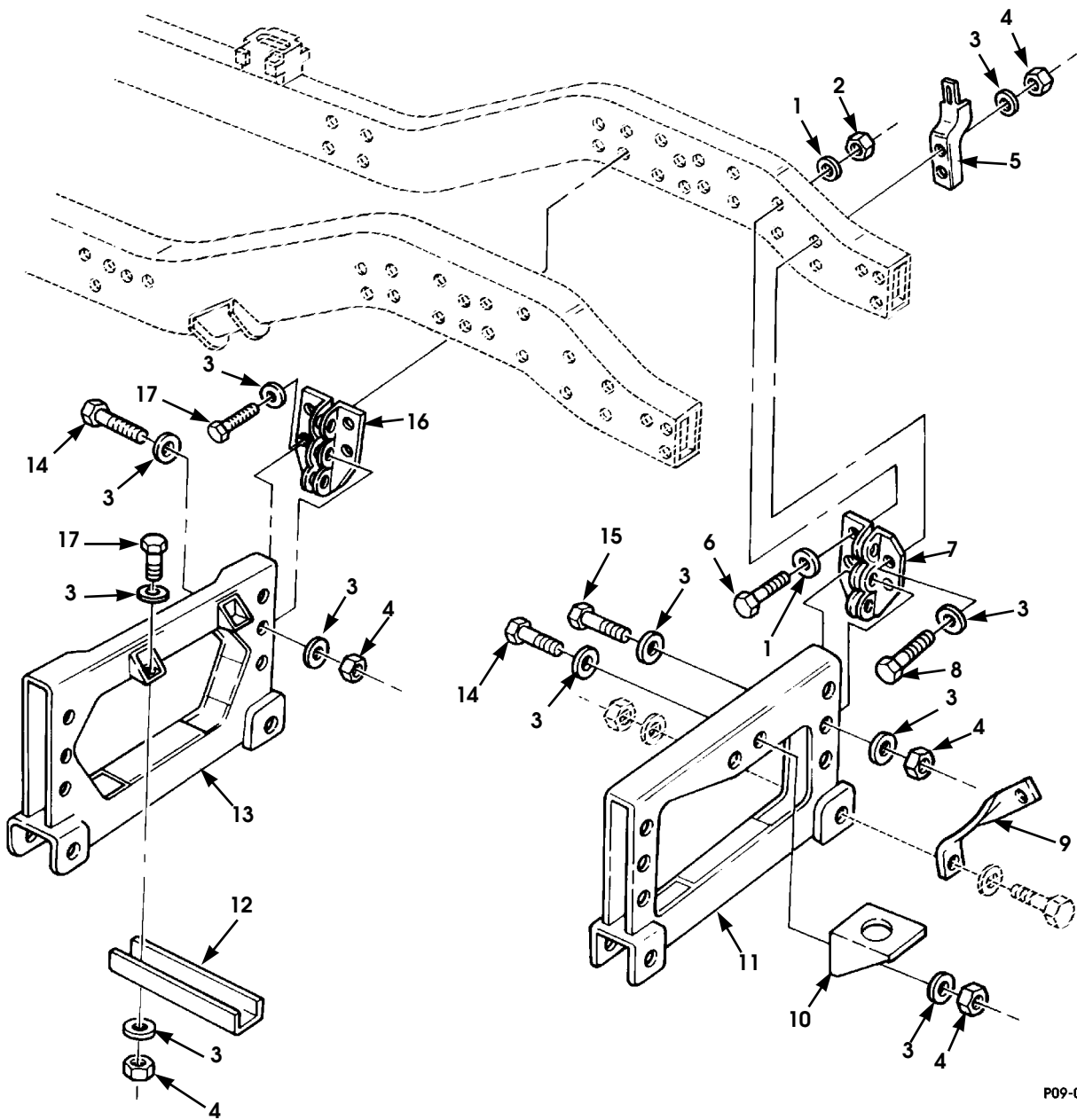
### Section 9

### SUSPENSION/FRAME

TITLE	PAGE NUMBER
Front Suspension Crossmembers, Related Parts, and Mounting Hardware . . . . .	9-2
Rear Suspension Crossmembers, Related Parts, and Mounting Hardware . . . . .	9-4
Shock Absorbers and Springs, Front and Rear . . . . .	9-6
Stabilizer Bar and Connecting Links . . . . .	9-8
Rear Radius Rods . . . . .	9-10
Frame Assembly, Body Mount Brackets, and Transmission Crossmember . . . . .	9-12
Airlift Brackets, Front Upper Control Arm Brackets, Front Spring Seats, and Mounting Hardware . . . . .	9-14
Front Bumper and Lifting Shackle . . . . .	9-16
Front Bumper and Lifting Shackle (Winch Kit) . . . . .	9-18
Rear Bumper and Lifting Shackle. . . . .	9-20
Rear Crossmember, Upper Control Arm Brackets, Spring Seats, Related Parts, and Mounting Hardware . . . . .	9-22

# HUMMER PARTS CATALOG

## 9-2 SUSPENSION/FRAME



P09-001

Figure 9-1. Front Suspension Crossmembers, Related Parts, and Mounting Hardware.

# HUMMER PARTS CATALOG

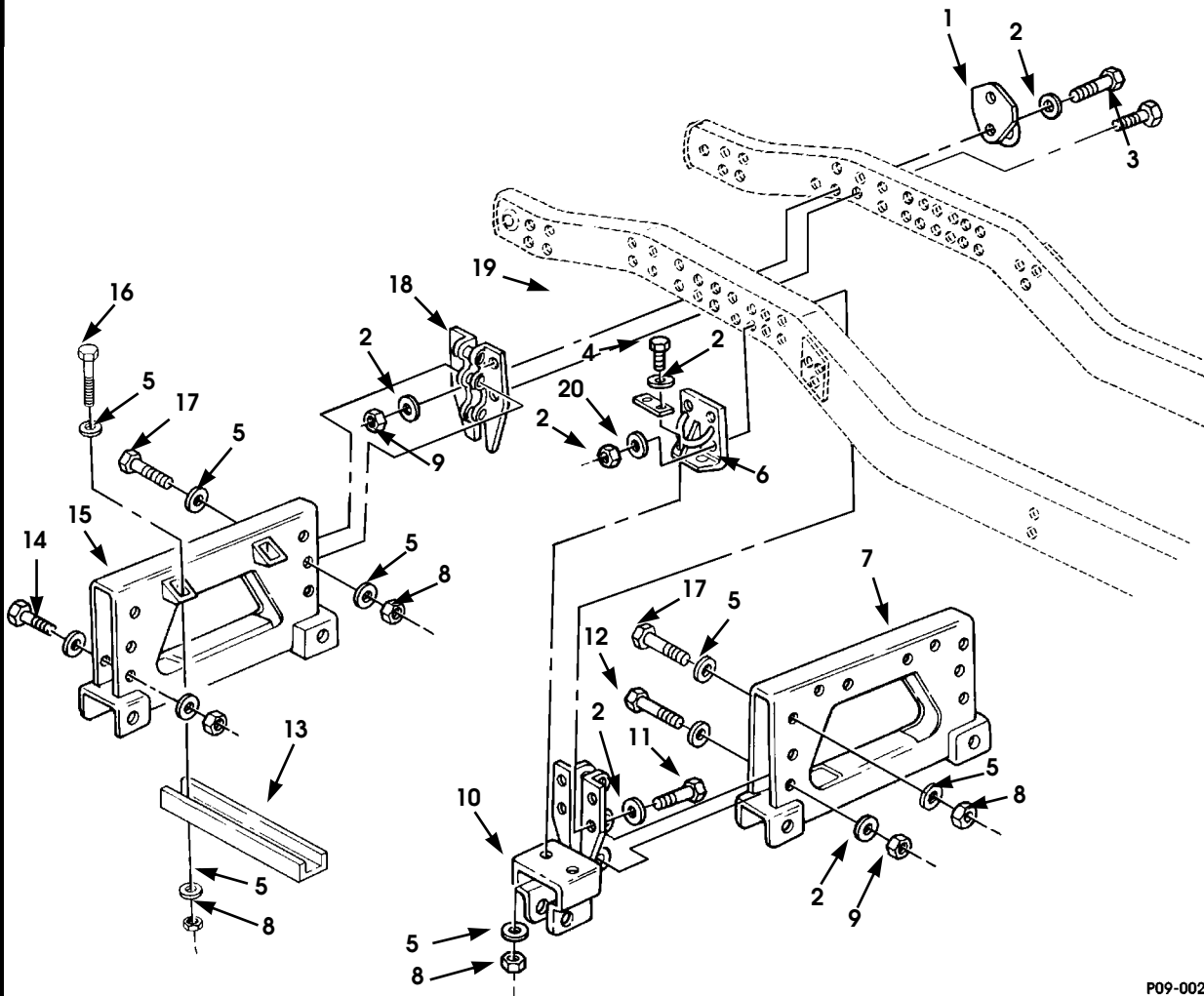
## SUSPENSION/FRAME 9-3

ITEM	PART NUMBER	DESCRIPTION	QTY
		Figure 9-1 FRONT SUSPENSION CROSSMEMBERS, RELATED PARTS, AND MOUNTING HARDWARE	
1	G 02436168	WASHER, frame assembly. . . . .	8
2	MS 00051943 45	LOCKNUT, frame assembly. . . . .	4
3	G 02436165	WASHER, frame assembly. . . . .	45
4	MS 00051943 39	LOCKNUT, frame assembly. . . . .	22
5	12338166	BRACKET, frame assembly . . . . .	2
6	MS 00090728 195	SCREW, crossmember bracket . . . . .	4
7	12338149 1	BRACKET, crossmember, L.H., front suspension . . . . .	1
7	12338149 2	BRACKET, crossmember, R.H., front suspension. . . . .	1
8	MS 00090728 120	SCREW, front suspension bracket . . . . .	4
9	12338165	BRACE, front suspension . . . . .	2
10	12338180	BRACKET, lower radiator mount. . . . .	1
11	12338230	CROSSMEMBER, front forward . . . . .	1
12	12338146	BRACKET, axle support . . . . .	2
13	WB 12338223	CROSSMEMBER, front rear . . . . .	1
14	MS 00090728 119	SCREW, front crossmember . . . . .	8
15	MS 00090728 118	SCREW, front crossmember . . . . .	6
16	12338155 1	BRACKET, crossmember, L.H., front suspension . . . . .	1
16	12338155 2	BRACKET, crossmember, R.H., front suspension. . . . .	1
17	MS 00090728 109	SCREW, crossmember bracket . . . . .	5



# HUMMER PARTS CATALOG

## 9-4 SUSPENSION/FRAME



P09-002

Figure 9-2. Rear Suspension Crossmembers, Related Parts, and Mounting Hardware.

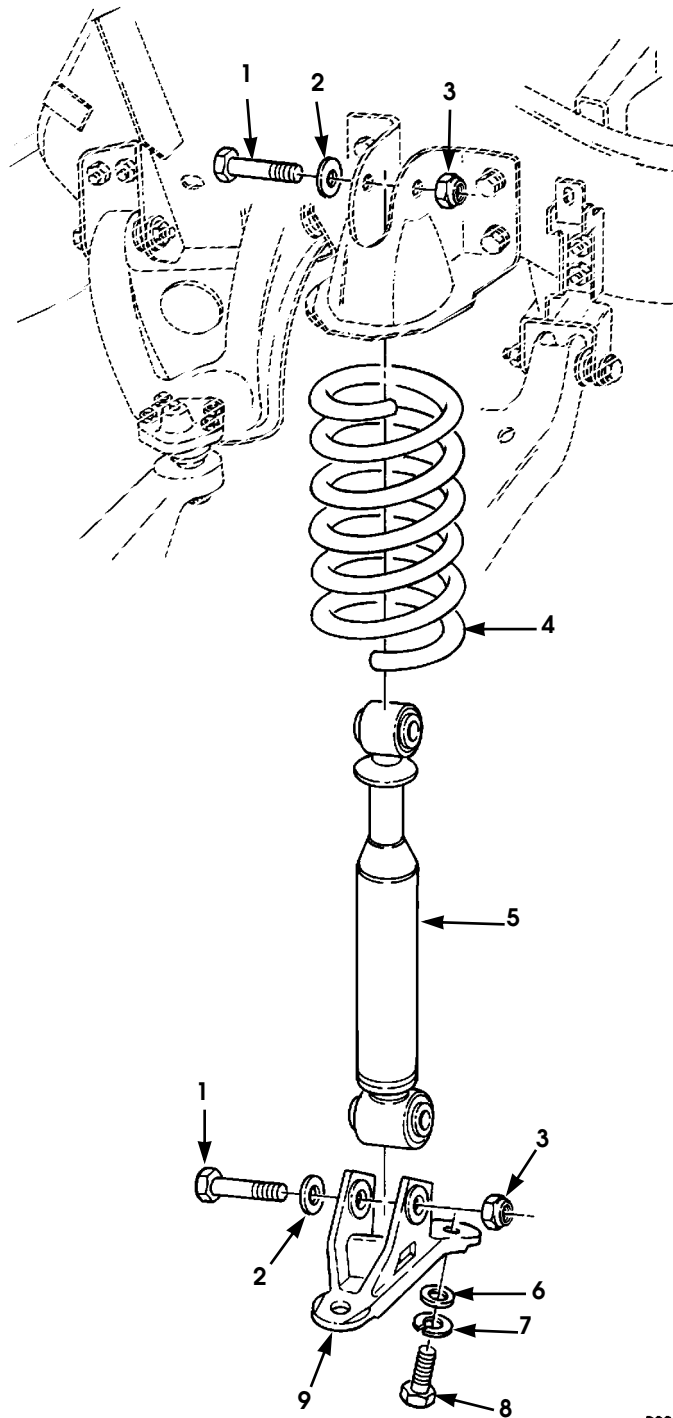
# HUMMER PARTS CATALOG

## SUSPENSION/FRAME 9-5

ITEM	PART NUMBER	DESCRIPTION	QTY
		Figure 9-2 REAR SUSPENSION CROSSMEMBERS, RELATED PARTS, AND MOUNTING HARDWARE	
1	12338181	BRACKET, tiedown, frame assembly . . . . .	2
2	G 02436168	WASHER, frame assembly. . . . .	40
3	MS 00090728 196	SCREW, frame assembly. . . . .	8
4	MS 00090728 113	SCREW, cable bracket . . . . .	4
5	G 02436165	WASHER, frame assembly. . . . .	32
6	12338197	BRACKET, tiedown, frame assembly . . . . .	2
7	WA 12338217	CROSSMEMBER, rear suspension, front . . . . .	1
8	MS 00051943 39	LOCKNUT, frame assembly. . . . .	18
9	MS 00051943 45	LOCKNUT, frame assembly. . . . .	20
10	12338224	BRACKET, crossmember, rear suspension . . . . .	2
11	MS 00090728 197	SCREW, rear suspension bracket . . . . .	4
12	MS 00090728 192	SCREW, crossmember . . . . .	4
13	12338146	BRACKET, rear axle support . . . . .	2
14	MS 00090728 119	SCREW, rear crossmember. . . . .	2
15	WA 12338222	CROSSMEMBER, rear suspension, rear. . . . .	1
16	MS 00090728 109	SCREW, rear axle support . . . . .	4
17	MS 00090728 118	SCREW, crossmember . . . . .	6
18	12338148	BRACKET, crossmember, rear suspension . . . . .	2
19	MS 00090728 198	SCREW, crossmember bracket . . . . .	4
20	12338172	PLATE, vent lines. . . . .	2

# HUMMER PARTS CATALOG

## 9-6 SUSPENSION/FRAME



P09-003

Figure 9-3. Shock Absorbers and Springs, Front and Rear.

# HUMMER PARTS CATALOG

12-31-95

## SUSPENSION/FRAME 9-7

ITEM	PART NUMBER	DESCRIPTION	QTY
		Figure 9-3 SHOCK ABSORBERS AND SPRINGS, FRONT AND REAR	
1	12339205	PIN, shock absorber . . . . .	8
2	G 02436170	WASHER, shock absorber . . . . .	8
3	12339206	LOCKNUT, shock absorber . . . . .	8
* 4	12342616 B2	SPRING, rear, shock absorber, variable rate, standard	2
* 4	12338316 1B2	SPRING, front, shock absorber, 954 lb/in, 13.3" VLC2, . . . . .	2
* 4	12338316 2B2	SPRING, front, shock absorber, heavy duty . . . . .	2
* 4	06005787 B2	SPRING, front, shock absorber, w/o winch, 954 lb/in, 14" HMC4, HMCS, VLCO . . . . .	2
* 4	06005787 B2	SPRING, front, shock absorber, w/winch, 954 lb/in, 14" VLC2, XLC2. . . . .	2
* 4	06005786 B2	SPRING, front, shock absorber, w/winch, 1250 lb/in HMC4, HMCS, VLCO . . . . .	2
* 4	06006008 B2	SPRING, rear, shock absorber, heavy duty, 2300 lb/in .	2
5	12340071	SHOCK ABSORBER, front . . . . .	2
5	12340072	SHOCK ABSORBER, rear . . . . .	2
6	12341212	WASHER, shock absorber bracket. . . . .	8
7	MS 00035338 50	LOCKWASHER, shock absorber bracket. . . . .	8
8	MS 00090728 164	BOLT, shock absorber bracket . . . . .	8
9	12338315	SHOCK ABSORBER BRACKET, lower control arm . . . . .	4



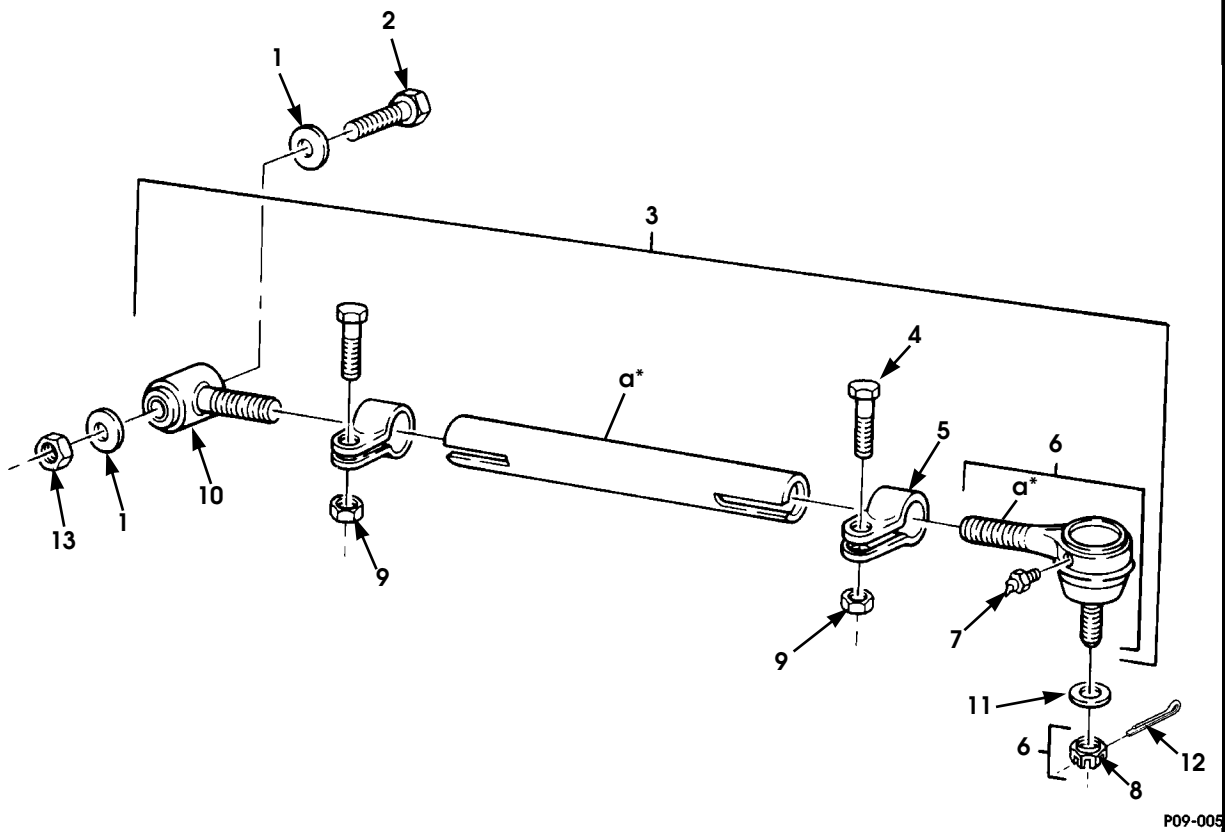
# HUMMER PARTS CATALOG

## SUSPENSION/FRAME 9-9

ITEM	PART NUMBER	DESCRIPTION	QTY
		Figure 9-4 STABILIZER BAR AND CONNECTING LINKS	
1	G 02436164	WASHER, stabilizer bar . . . . .	6
2	MS 00051943 40	LOCKNUT, stabilizer bar. . . . .	2
3	12338329	BAR, stabilizer. . . . .	1
4	12338317	BUSHING, stabilizer bar . . . . .	2
5	12338319	BRACKET, stabilizer bar . . . . .	2
6	G 09422299	NUT, stabilizer bracket . . . . .	4
7	MS 00090728 168	BOLT, connecting link . . . . .	2
8	12338322	WASHER, connecting link, stabilizer bar . . . . .	8
9	12338323	CONNECTING LINK, stabilizer bar . . . . .	2
10	12339207	PIN, stabilizer bar . . . . .	2
11	MS 00051943 43	LOCKNUT, stabilizer bar. . . . .	2

# HUMMER PARTS CATALOG

## 9-10 SUSPENSION/FRAME



\* a PART OF ITEM 6

Figure 9-5. Rear Radius Rods.

# HUMMER PARTS CATALOG

12-31-95

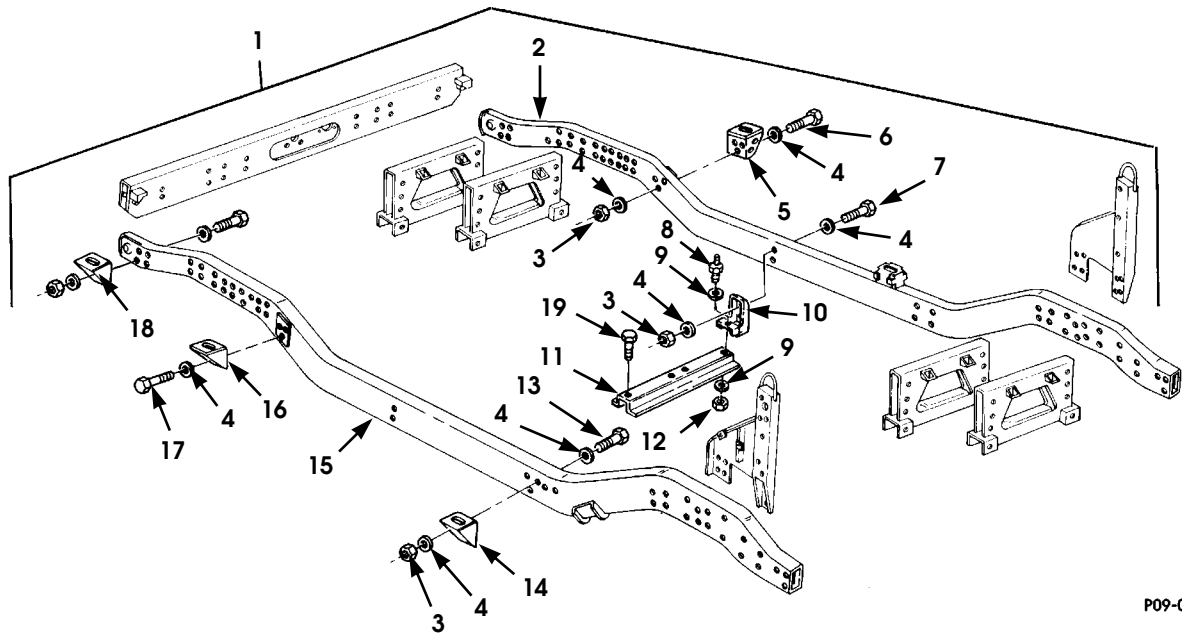
## SUSPENSION/FRAME 9-11

ITEM	PART NUMBER	DESCRIPTION	QTY
		Figure 9-5 REAR RADIUS RODS	
1	G 02436168	WASHER, radius rod mounting . . . . .	4
2	MS 00090728 198	BOLT, radius rod mounting . . . . .	2
* 3	06005274 B2	ROD ASSEMBLY, radius rear. . . . .	2
4	G 09419079	•BOLT, rod assembly clamp. . . . .	2
5	05740927	•CLAMP, rod assembly . . . . .	2
6	12338311 1	•TIE ROD END, L.H. thread . . . . .	1
7	G 09411031	••FITTING, tie rod end. . . . .	1
8	MS 00035692 54	••NUT, tie rod end. . . . .	1
9	G 09422299	•NUT, rod assembly clamp. . . . .	2
10	12338314	•BUSHING, tie rod . . . . .	1
11	G 02436167	WASHER, tie rod end. . . . .	2
12	MS 00024665 355	COTTER PIN, tie rod end . . . . .	2
13	MS 00051943 45	LOCKNUT, tie rod end . . . . .	2



# HUMMER PARTS CATALOG

## 9-12 SUSPENSION/FRAME



P09-006

Figure 9-6. Frame Assembly, Body Mount Brackets, and Transmission Crossmember.

# HUMMER PARTS CATALOG

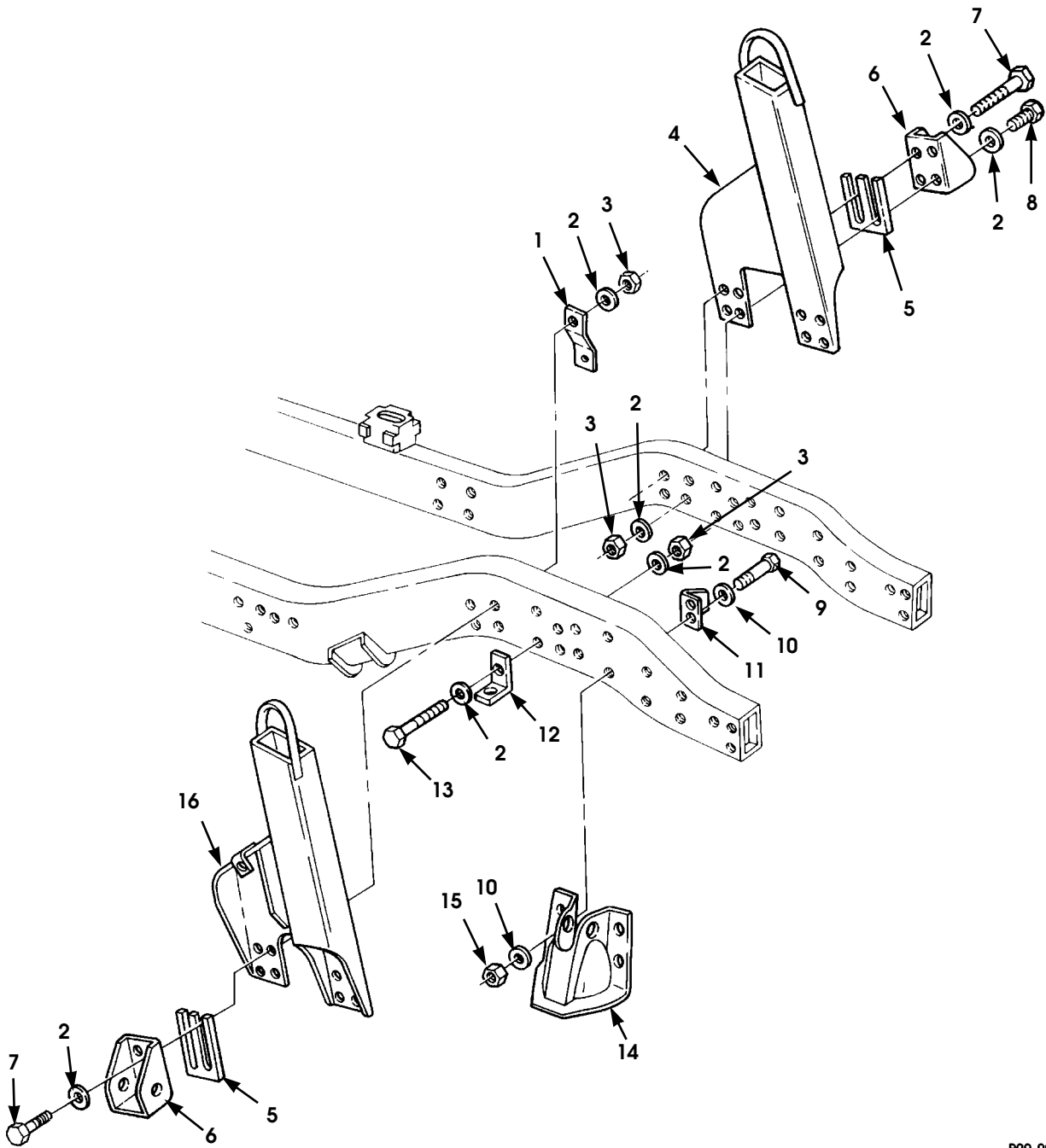
12-31-95

## SUSPENSION/FRAME 9-13

ITEM	PART NUMBER	DESCRIPTION	QTY
		Figure 9-6 FRAME ASSEMBLY, BODY MOUNT BRACKETS, AND TRANSMISSION CROSSMEMBER	
1	WA 12342503	FRAME ASSEMBLY, complete . . . . .	1
2	WA 12338246	•RAIL, frame, L.H. . . . .	1
3	MS 00051943 39	•LOCKNUT, frame assembly. . . . .	12
4	G 02436165	•WASHER, frame assembly . . . . .	27
5	WA 12342509	•BRACKET, body mount, rear, L.H. . . . .	1
6	MS 00090728 126	•SCREW, body mount bracket, L.H. . . . .	3
7	MS 00090728 124	•SCREW, transmission support bracket . . . . .	4
* 8	12447177	•STUD, SPECIAL, L.H. side only . . . . .	1
9	G 02436166	•WASHER, transmission support bracket. . . . .	4
10	12338185	•BRACKET, transmission support . . . . .	2
* 11	12447053	•CROSSMEMBER, transmission . . . . .	1
12	G 09422303	•NUT, transmission support bracket. . . . .	2
13	MS 00090728 125	•SCREW, body mount, R.H. . . . .	5
14	12338178	•BRACKET, body mount, front, R.H. . . . .	1
15	12338247	•RAIL, frame, R.H. . . . .	1
16	WA 12342510	•BRACKET, body mount, rear, R.H. . . . .	1
17	MS 00090728 111	•SCREW, body mount bracket, R.H. . . . .	3
18	12338202 2	•BRACKET, body mount, rear, R.H. . . . .	1
19	05743678	•BOLT. . . . .	1

# HUMMER PARTS CATALOG

## 9-14 SUSPENSION/FRAME



P09-001

*Figure 9-7. Airlift Brackets, Front Upper Control Arm Brackets, Front Spring Seats, and Mounting Hardware.*

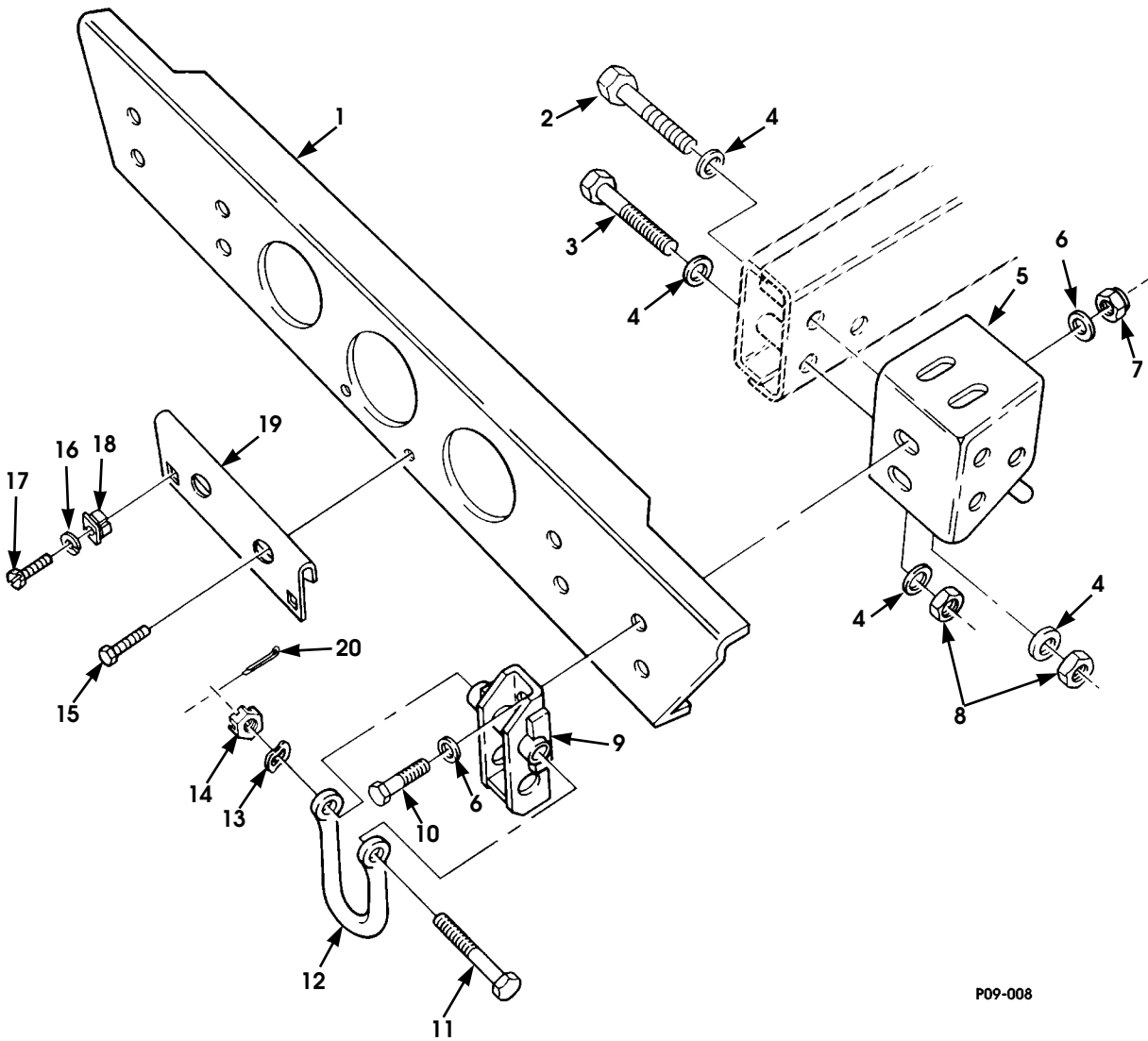
# HUMMER PARTS CATALOG

## SUSPENSION/FRAME 9-15

ITEM	PART NUMBER	DESCRIPTION	QTY
		Figure 9-7 AIRLIFT BRACKETS, FRONT UPPER CONTROL ARM BRACKETS, FRONT SPRING SEATS, AND MOUNTING HARDWARE	
1	12338159	BRACKET, cooling line support . . . . .	1
2	G 02436165	WASHER, frame assembly. . . . .	40
3	MS 00051943 39	LOCKNUT, frame assembly. . . . .	19
4	12342361 B2	BRACKET, airlift, L.H. . . . .	1
5	12338226 1	SHIM, control arm bracket, .060-inch . . . . .	V
5	12338226 2	SHIM, control arm bracket, .120-inch . . . . .	V
6	12338245	BRACKET, upper control arm, front . . . . .	4
7	MS 00090728 123	SCREW, control arm and airlift bracket, SEE NOTE 1 . .	15
7	MS 00090728 122	SCREW, airlift bracket, SEE NOTE 2 . . . . .	15
8	MS 00090728 114	SCREW, control arm bracket, L.H. . . . .	1
9	MS 00090728 195	SCREW, front spring seats . . . . .	8
10	G 02436168	WASHER, frame assembly. . . . .	16
11	12338173	BRACKET, front spring seat . . . . .	1
12	12338170	BRACKET, vent tube . . . . .	2
13	MS 00090728 122	SCREW . . . . .	4
14	12338191 1	SPRING SEAT, L.H., front . . . . .	1
14	12338191 2	SPRING SEAT, R.H., front . . . . .	1
15	MS 00051943 45	LOCKNUT, front spring brackets . . . . .	8
16	06003010 B2	BRACKET, airlift, R.H. . . . .	1
		NOTE 1: Use with .240-inch shim pack and thicker NOTE 2: USE WITH SHIM PACK UP TO .180-INCH THICK	

# HUMMER PARTS CATALOG

## 9-16 SUSPENSION/FRAME



P09-008

Figure 9-8. Front Bumper and Lifting Shackle.

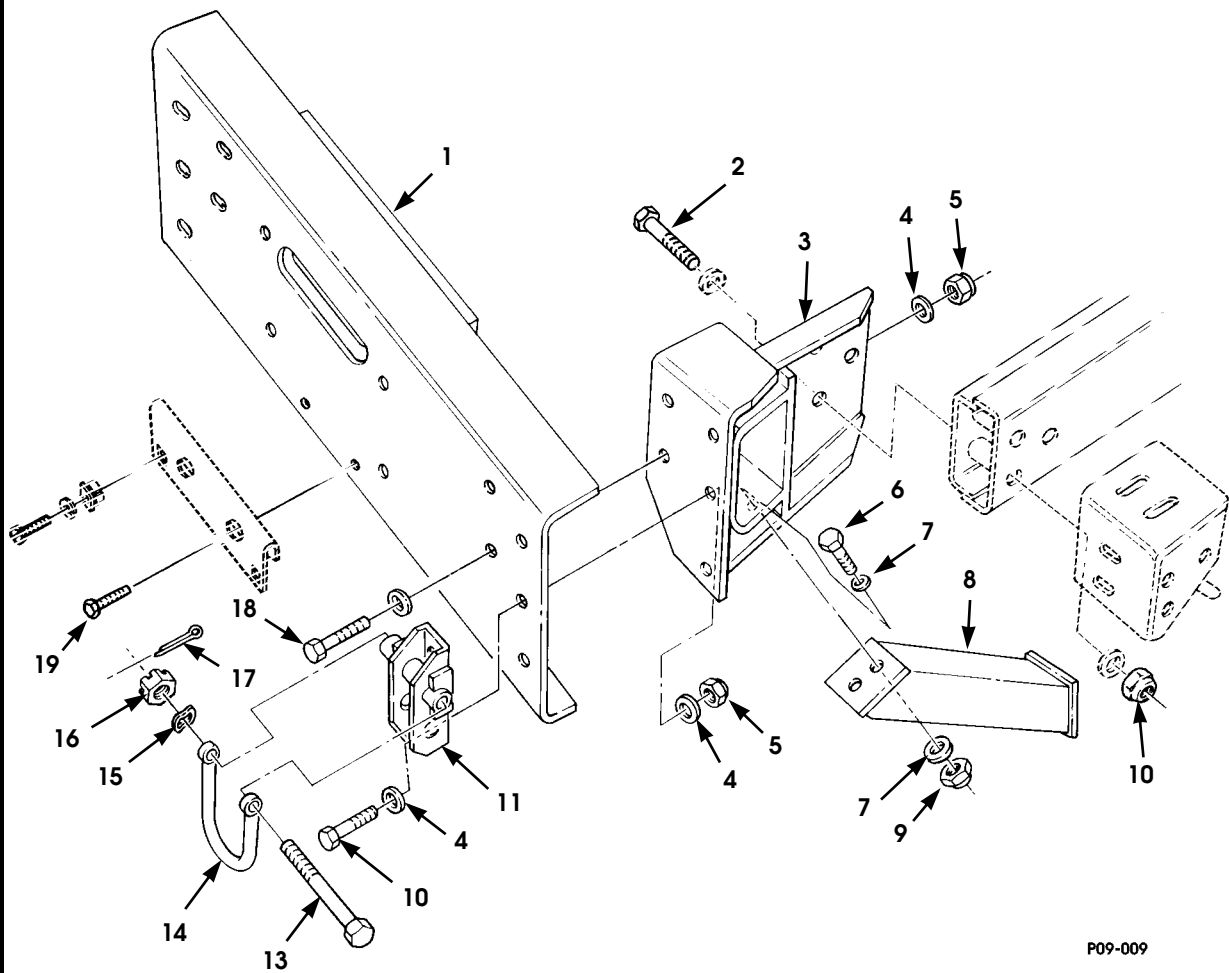
# HUMMER PARTS CATALOG

## SUSPENSION/FRAME 9-17

ITEM	PART NUMBER	DESCRIPTION	QTY
		Figure 9-8 FRONT BUMPER AND LIFTING SHACKLE	
1	05935800 B2	BUMPER, front. . . . .	1
2	MS 00090728 169	SCREW, front bumper bracket . . . . .	2
3	MS 00090728 170	SCREW, front bumper bracket . . . . .	4
4	G 02436167	WASHER, front bumper bracket . . . . .	12
5	WA 12338199 1	BRACKET, front bumper, L.H. . . . .	1
5	WA 12338199 2	BRACKET, front bumper, R.H. . . . .	1
6	G 02436165	WASHER, front bumper bracket . . . . .	8
7	MS 00051943 39	LOCKNUT, front bumper bracket . . . . .	4
8	MS 00051943 43	LOCKNUT, front bumper bracket . . . . .	6
9	12342404 B2	BRACKET, towing . . . . .	2
10	MS 00090728 114	SCREW, towing bracket . . . . .	4
11	12338225 1	SCREW, front lifting shackle . . . . .	2
12	12342354 B2	SHACKLE, lifting . . . . .	2
13	07716721	SPRING WASHER, front lifting shackle . . . . .	2
14	MS 00035692 54	NUT, front lifting shackle . . . . .	2
15	G 09415857	SCREW, hex slot, license plate bracket . . . . .	2
16	MS 00035338 44	LOCKWASHER, license plate bracket . . . . .	4
17	MS 00051851 85P2	SCREW, self-tapping, license plate bracket . . . . .	2
18	05939483	GROMMET, square head, license plate bracket . . . . .	2
19	05939482 B2	BRACKET, front license plate mounting . . . . .	1
20	MS 00024665 355	COTTER PIN, front lifting shackle . . . . .	2

# HUMMER PARTS CATALOG

## 9-18 SUSPENSION/FRAME



P09-009

Figure 9-9. Front Bumper and Lifting Shackle (Winch Kit)

# HUMMER PARTS CATALOG

12-31-95

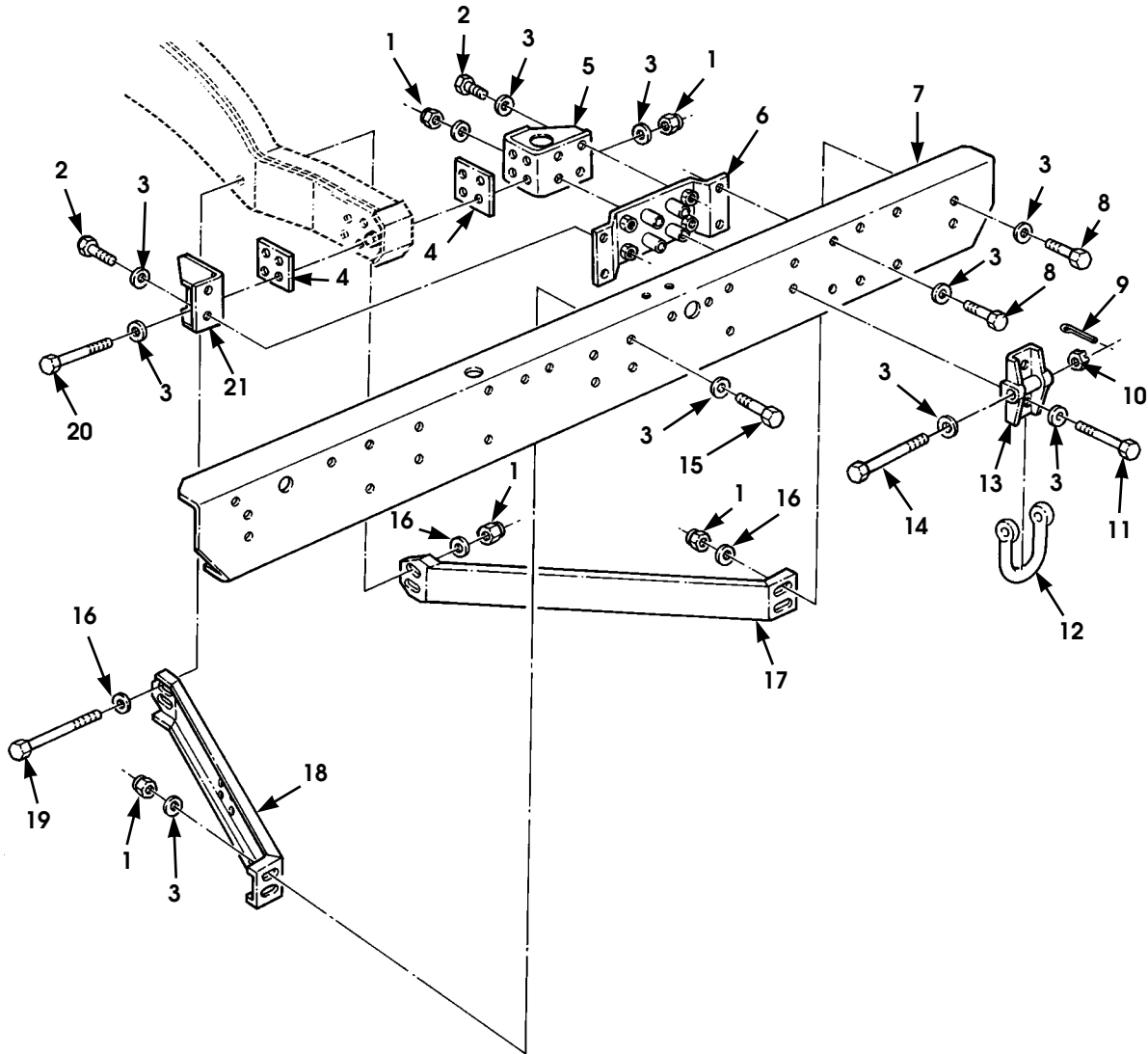
## SUSPENSION/FRAME 9-19

ITEM	PART NUMBER	DESCRIPTION	QTY
		Figure 9-9 FRONT BUMPER AND LIFTING SHACKLE (WINCH KIT)	
1	05935666 B2	BUMPER, front, with winch, SEE NOTE 1 . . . . .	1
★ 2	MS 00090728 171	BOLT, 5/8-11 x 3.75", SEE NOTE 1 . . . . .	6
★ 3	12342388 B2	FRAME EXTENSION, front bumper, R.H., SEE NOTE 1 . . .	1
★ 3	12342387 B2	FRAME EXTENSION, front bumper, L.H., SEE NOTE 1 . . .	1
4	G 02436165	WASHER, front bumper, 1/2", SEE NOTE 1 . . . . .	18
5	MS 00051943 39	LOCKNUT, front bumper, 1/2"-13, SEE NOTE 1 . . . . .	8
6	MS 00090728 60	SCREW, brace assembly, 3/8-16 x 1, SEE NOTE 1 . . . . .	4
7	G 02436163	WASHER, brace assembly, 3/8", SEE NOTE 1 . . . . .	8
8	12342389	BRACE ASSEMBLY, L.H., SEE NOTE 1 . . . . .	1
8	12342390	BRACE ASSEMBLY, R.H., SEE NOTE 1 . . . . .	1
9	MS 00051943 35	NUT, brace assembly, 3/8"-16, SEE NOTE 1 . . . . .	4
10	12342404 B2	BRACKET, towing . . . . .	2
★ 11	MS 00051943 43	LOCKNUT, 5/8"-11, SEE NOTE 1 . . . . .	6
12	MS 00090728 114	SCREW, towing bracket, 1/2"-13 x 1.75" . . . . .	4
13	12338225 1	SCREW, front lifting shackle . . . . .	2
14	12342354 B2	SHACKLE, lifting . . . . .	2
15	07716721	SPRING WASHER, front lifting shackle . . . . .	2
16	MS 00035692 54	NUT, front lifting shackle . . . . .	2
17	MS 00024665 355	COTTER PIN, front lifting shackle, 1/8" x 1 1/4" . . . . .	2
18	MS 00090728 113	SCREW, frame extension, 1/2"-13 x 1.5", SEE NOTE 1 . .	6
★ 19	G 09415861	SCREW, 1/4"-28 x 1 1/8", SEE NOTE 1 . . . . .	2
★		NOTE 1: PART OF WINCH KIT P/N 05744376	



# HUMMER PARTS CATALOG

## 9-20 SUSPENSION/FRAME



P09-010

Figure 9-10. Rear Bumper and Lifting Shackle.

# HUMMER PARTS CATALOG

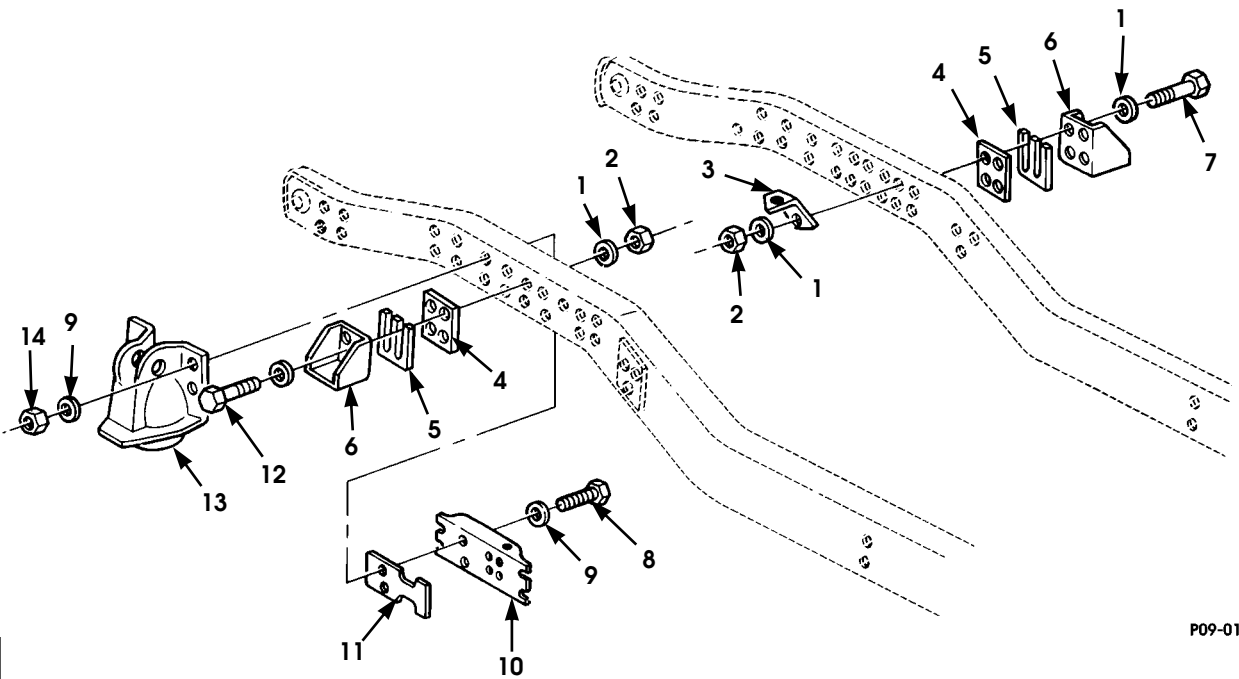
12-31-95

## SUSPENSION/FRAME 9-21

ITEM	PART NUMBER	DESCRIPTION	QTY
		Figure 9-10 REAR BUMPER AND LIFTING SHACKLE	
1	MS 00051943 39	LOCKNUT, rear bumper . . . . .	30
2	MS 00051849 98	SCREW, closeout . . . . .	4
3	G 02436165	WASHER, rear bumper . . . . .	30
4	NPN	SPACER, rear bumper bracket . . . . .	4
5	NPN	SUPPORT. . . . .	2
6	06003609	BRACKET, bumper mounting assembly. . . . .	2
7	06003572 B2	BUMPER, rear . . . . .	1
* 8	MS 00090728 119	SCREW, rear bumper. . . . .	6
9	MS 00024665 355	COTTER PIN, rear lifting shackle . . . . .	2
10	MS 00035692 54	NUT, rear lifting shackle . . . . .	2
11	MS 00090728 121	SCREW, tiedown bracket, rear bumper . . . . .	4
12	12342354 B2	SHACKLE, lifting . . . . .	2
13	12342373	BRACKET, tiedown . . . . .	2
14	12338225 1	SCREW, rear lifting shackle . . . . .	2
15	MS 00090728 111	BOLT, spacer . . . . .	4
16	G 02436165	WASHER, rear bumper . . . . .	30
17	06003807	BRACE, bumper, R.H. . . . .	2
18	06003806	BRACE, bumper, L.H. . . . .	2
19	MS 00090728 122	SCREW, rear bumper brace . . . . .	2
20	MS 00090728 123	SCREW, rear bumper bracket . . . . .	8
21	NPN	BRACKET. . . . .	2

# HUMMER PARTS CATALOG

## 9-22 SUSPENSION/FRAME



P09-01

*Figure 9-11. Rear Crossmember, Upper Control Arm Brackets, Spring Seats, Related Parts, and Mounting Hardware.*

# HUMMER PARTS CATALOG

## SUSPENSION/FRAME 9-23

ITEM	PART NUMBER	DESCRIPTION	QTY
		Figure 9-11 REAR CROSSMEMBER, UPPER CONTROL ARM BRACKETS, SPRING SEATS, RELATED PARTS, AND MOUNTING HARDWARE	
1	G 02436165	WASHER, frame brackets . . . . .	32
2	MS 00051943 39	LOCKNUT, frame brackets . . . . .	16
3	12338172	BRACKET, vent tube . . . . .	1
4	12338171	SPACER, control arm bracket. . . . .	4
5	12338226 1	SPACER, control arm bracket, .060-inch . . . . .	V
5	12338226 2	SPACER, control arm bracket, .012-inch . . . . .	V
6	12338240	BRACKET, upper control arm . . . . .	4
7	MS 00090728 124	SCREW, upper control arm bracket, SEE NOTE 1 . . . . .	8
7	MS 00090728 123	SCREW, upper control arm bracket, SEE NOTE 2 . . . . .	8
8	MS 00090728 198	SCREW, frame reinforcement. . . . .	8
9	G 02436168	WASHER, frame reinforcement . . . . .	16
10	12338152	REINFORCEMENT, frame . . . . .	2
11	12338174 B1	PLATE, frame reinforcement. . . . .	2
12	MS 00090728 125	SCREW, control arm brackets, SEE NOTE 1 . . . . .	8
12	MS 00090728 124	SCREW, control arm brackets, SEE NOTE 2 . . . . .	8
13	12338738	SEAT, rear spring. . . . .	2
14	MS 00051943 45	LOCKNUT, rear spring seat . . . . .	8
		NOTE 1: USE WITH .240-INCH SHIM PACK AND THICKER NOTE 2: USE WITH SHIM PACK UP TO .180-INCH THICK	



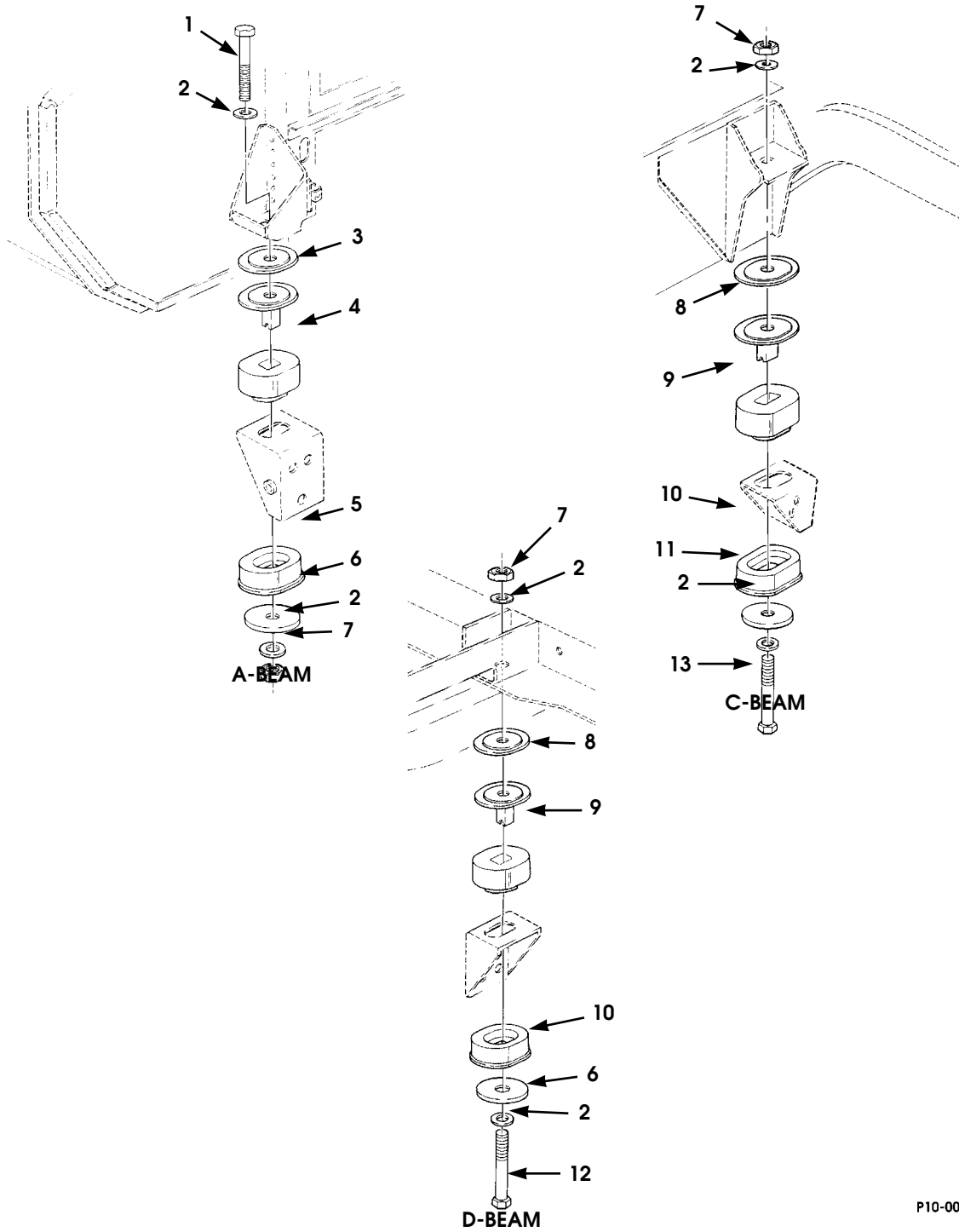
## Section 10

### BODY

TITLE	PAGE NUMBER
Body Mounting Components . . . . .	10-2
Body Assembly . . . . .	10-4
Body Assembly Components, L.H. . . . .	10-6
Body Assembly Components, R.H. . . . .	10-8
Front and Rear Door Striker Assemblies . . . . .	10-12
Hood Assembly and Mounting Hardware . . . . .	10-14
Hood Assembly, Grille, and Related Parts . . . . .	10-18
Left Hand Splash Shield and Hood Prop Rod . . . . .	10-20
Right Hand Upper Splash Shield and Seals . . . . .	10-22
Right Hand Lower Splash Shield . . . . .	10-24
Inside and Outside Mirrors and Mounting Hardware . . . . .	10-26
Sun Visor . . . . .	10-28
Windshield Assembly . . . . .	10-30
Rear Window Assembly . . . . .	10-33
Driver and Passenger Seats, Deluxe and Standard . . . . .	10-36
Rear Passenger Seat, Deluxe and Standard . . . . .	10-40
Front and Rear Seat Belts . . . . .	10-42
Engine Cover, Console Cover, and Related Parts . . . . .	10-46
Front Door Assembly . . . . .	10-50
Rear Door Assembly . . . . .	10-54
Tailgate Assembly and Related Parts . . . . .	10-58
Two-Man Hardtop . . . . .	10-60
Four-Man Hardtop B- and C- Pillars . . . . .	10-62
Two-Man Enlarged Cab Hardtop B-Pillar . . . . .	10-66
Four-Man Hardtop Assembly . . . . .	10-68
Station Wagon Roof and Mounting Hardware . . . . .	10-70
Fixed Door, Footwell Cover, and Related Parts . . . . .	10-74
Panel Assembly Door Trim . . . . .	10-78
Soft Top Kit and Support Structure . . . . .	10-83
Four-Man Soft Top Kit, Basic . . . . .	10-90
Four-Man Soft Top Kit, Station Wagon . . . . .	10-94
Instrument Panel Assembly, Dash Trim, Crash Pad, and Mounting Hardware . . . . .	10-96
Floor Padding, Front and Rear . . . . .	10-99
Interior Tunnel Padding, Carpet, and Hardboard . . . . .	10-102
Headliner, Roof Trim, Front and Rear Side Trim, Grab Handles, and Mounting Hardware . . . . .	10-104
Inner Kick Panels and Miscellaneous Trim Panels . . . . .	10-110
Outer Kick Panels Interior Trim . . . . .	10-114
Station Wagon Interior Trim . . . . .	10-116
Cargo Net and Pocket Net . . . . .	10-120
Removable Load Barrier . . . . .	10-122
Station Wagon Rear Doors . . . . .	10-125
* Hood Release . . . . .	10-130

# HUMMER PARTS CATALOG

## 10-2 BODY



P10-001

Figure 10-1. Body Mounting Components.

# HUMMER PARTS CATALOG

**BODY 10-3**

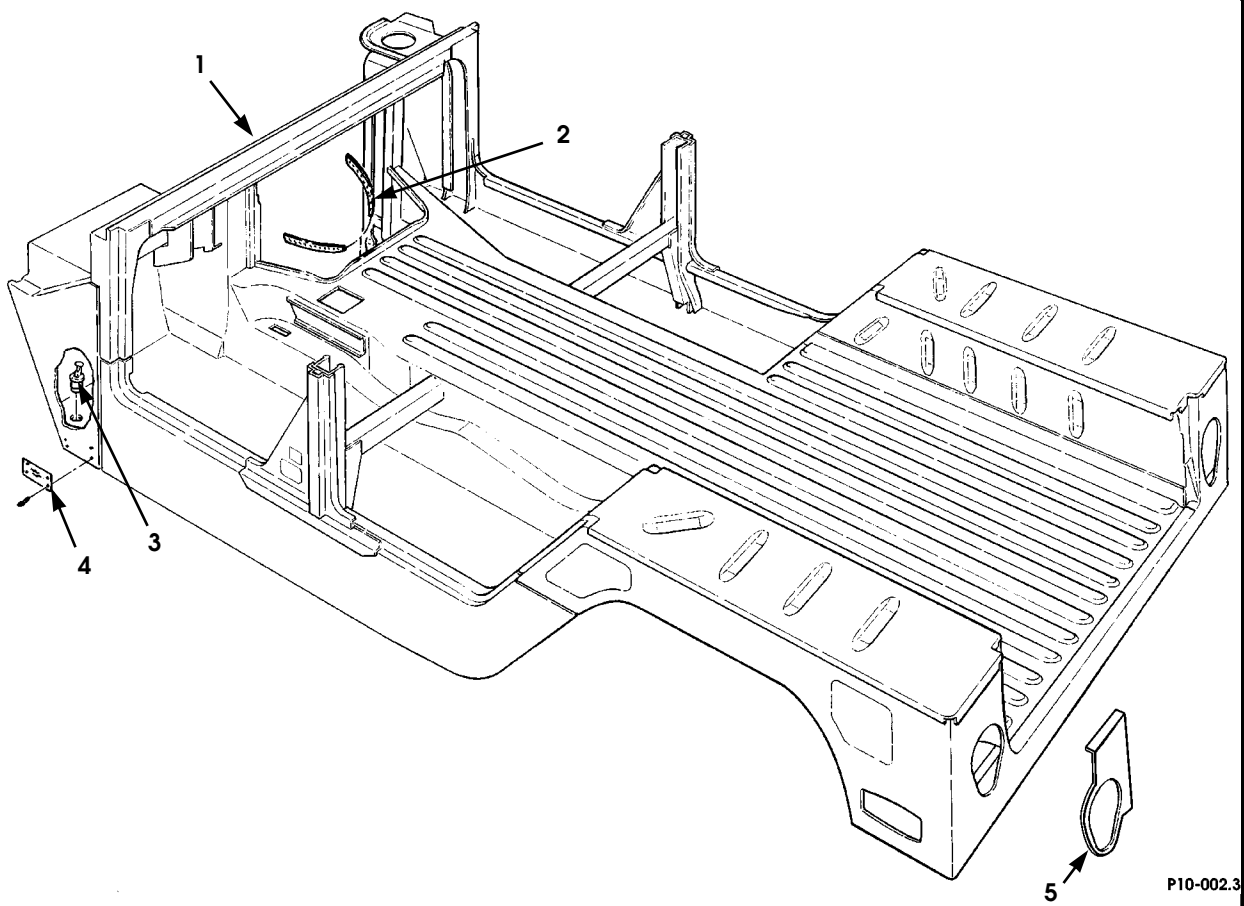
ITEM	PART NUMBER	DESCRIPTION	QTY
		Figure 10-1 BODY MOUNTING COMPONENTS	
1	MS 00090728 171	BOLT, A-beam body mount, L.H. . . . .	1
1	MS 00090728 172	BOLT, A-beam body mount, R.H. . . . .	1
2	G 02436167	WASHER . . . . .	12
3	12339249 1	SLEEVE ASSEMBLY, body cushion . . . . .	2
4	12339244 1	CUSHION ASSEMBLY, body, upper . . . . .	2
5	12339247 1	CUSHION ASSEMBLY, body, lower . . . . .	2
6	12339248 2	SPACER, mount, R.H. . . . .	3
6	12339248 3	SPACER, mount, L.H. . . . .	1
7	MS 00051943 43	NUT . . . . .	6
8	12339249 2	SLEEVE ASSEMBLY, body cushion . . . . .	4
9	12339244 3	CUSHION ASSEMBLY, body, upper . . . . .	4
10	12339247 3	CUSHION ASSEMBLY, body, lower . . . . .	4
11	12339248 1	SPACER, mount . . . . .	2
12	MS 00090728 173	BOLT, body mount, R.H., C-beam . . . . .	1
12	MS 00090728 174	BOLT, body mount, L.H., C-beam; D-beam both sides	3



12-31-95

# HUMMER PARTS CATALOG

## 10-4 BODY



P10-002.3

*Figure 10-2. Body Assembly.*

# HUMMER PARTS CATALOG

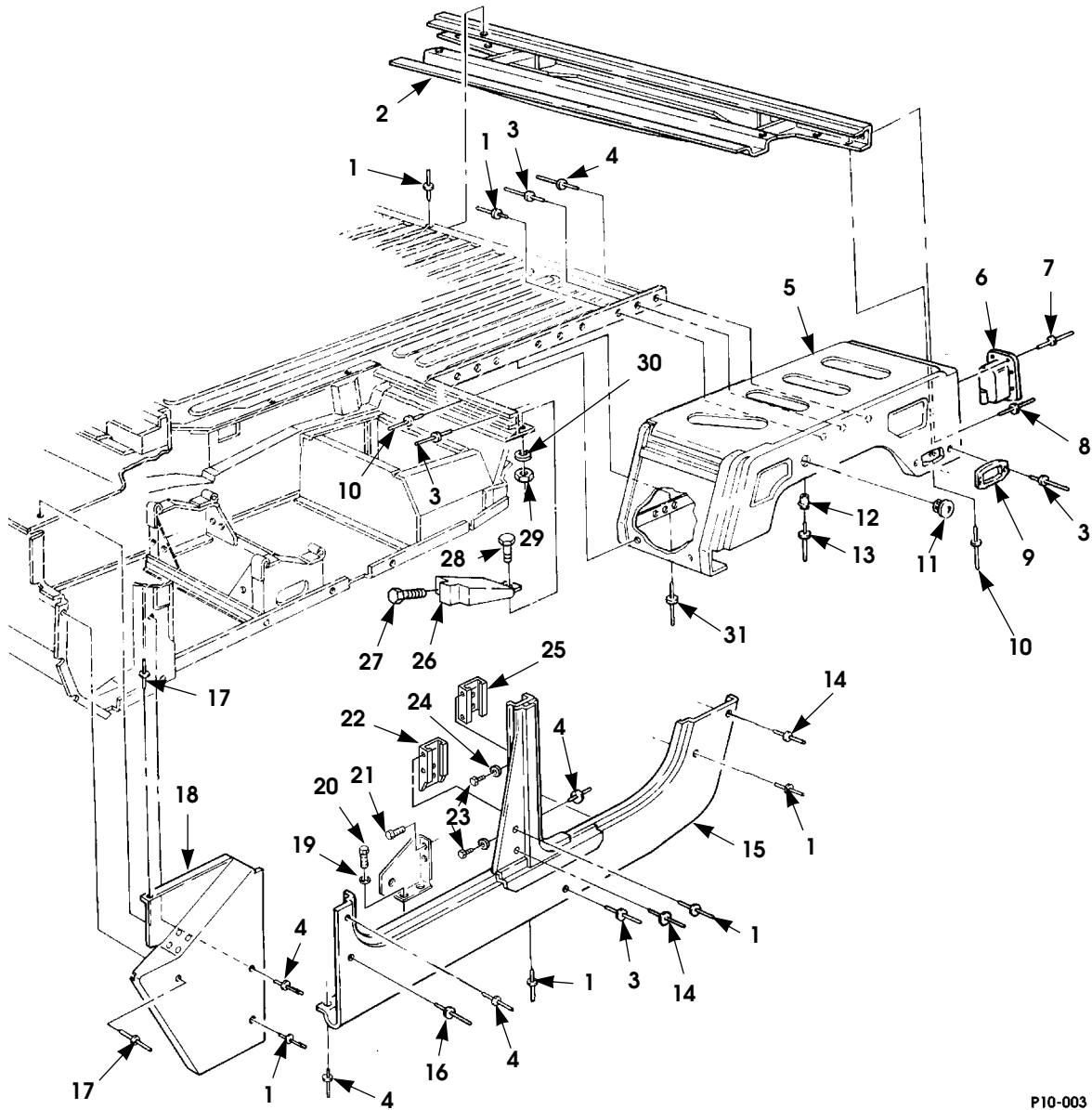
12-31-95

## BODY 10-5

ITEM	PART NUMBER	DESCRIPTION	QTY
		Figure 10-2 BODY ASSEMBLY	
1	WC 12342636	BODY ASSEMBLY, basic riveted . . . . . VLC2	1
1	WD 12342636	BODY ASSEMBLY, basic riveted . . . . . VLCO	1
★ 2	12339902 7	PROTECTOR EDGE . . . . .	7
3	05939808	DRAIN PLUG, floor . . . . .	2
4	06003871	PLATE, HUMMER . . . . .	2
★ 5	06005440 P	PANEL, closeout, rear, R.H. SEE NOTE 1 . . . . .	1
★ 5	06005439 P	PANEL, closeout, rear, L.H. SEE NOTE 1 . . . . .	1
NOTE 1: USED ON VEHICLES WITH VERTICAL REAR DOORS			

# HUMMER PARTS CATALOG

## 10-6 BODY



P10-003

Figure 10-3. Body Assembly Components, L.H.

# HUMMER PARTS CATALOG

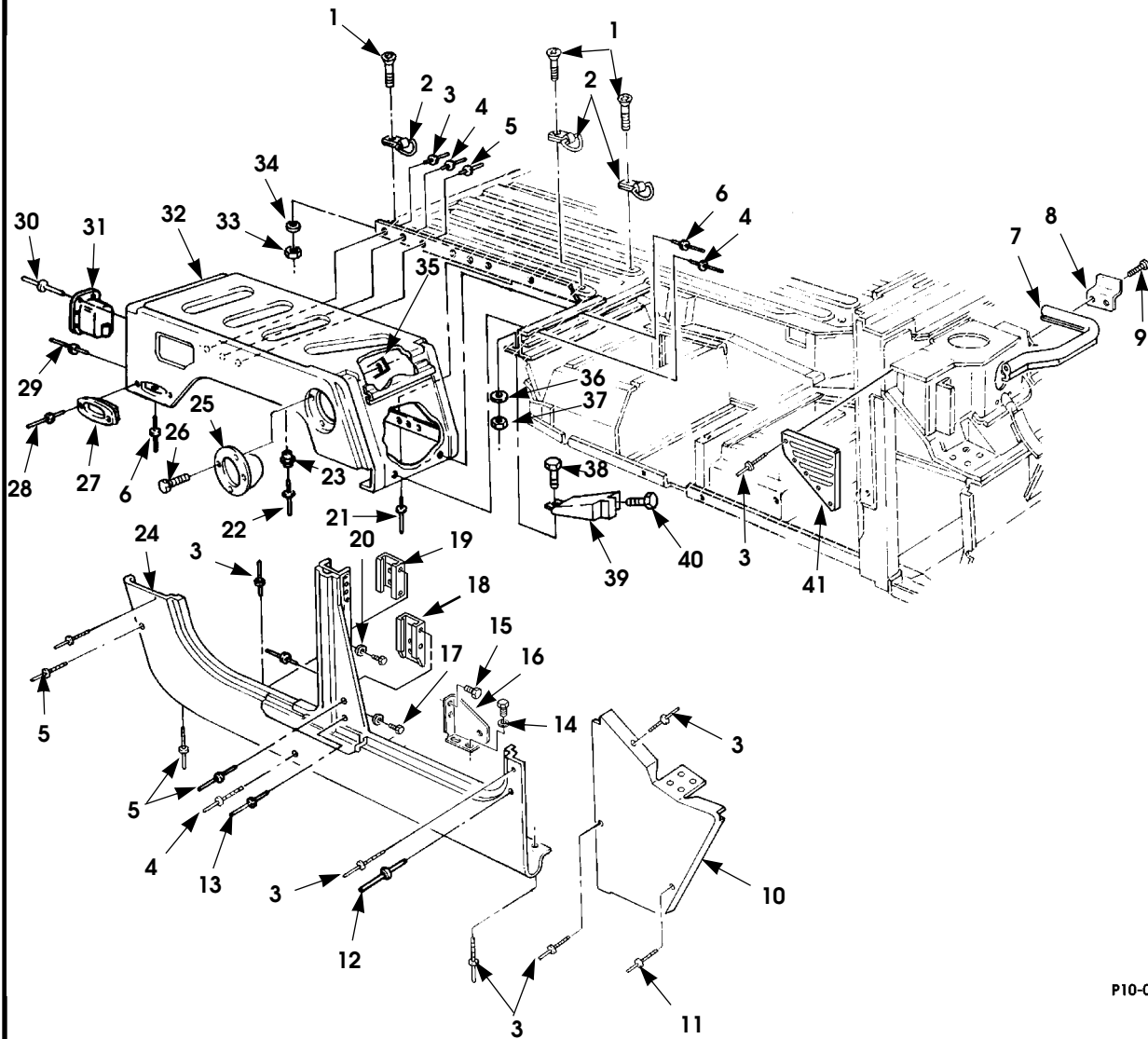
12-31-95

## BODY 10-7

ITEM	PART NUMBER	DESCRIPTION	QTY
		Figure 10-3 BODY ASSEMBLY COMPONENTS, L.H.	
1	N/S	RIVET, fender panel . . . . .	21
2	WA 12338758 P	BEAM ASSEMBLY . . . . .	1
3	12339355 1P1	RIVET, side panel . . . . .	52
4	N/S	RIVET, body assembly . . . . .	101
5	WB 12339701	FENDER ASSEMBLY . . . . .	1
6	05938940	BRACKET, taillight housing . . . . .	1
* 7	06006452	RIVET, taillight housing . . . . .	8
8	N/S	RIVET, fender assembly . . . . .	36
9	12338709	LIGHT HOUSING, fender assembly . . . . .	1
10	N/S	RIVET, fender assembly . . . . .	17
11	N/S	PLUG, fender assembly . . . . .	2
12	N/S	COLLAR, grooved, fender assembly . . . . .	2
13	N/S	RIVET, fender assembly . . . . .	2
14	N/S	RIVET, side panel . . . . .	3
15	12339698 1	BODY SIDE ASSEMBLY, panel, L.H. . . . .	1
16	N/S	RIVET, side panel . . . . .	7
17	N/S	RIVET, cowl panel . . . . .	21
18	05939202 P	COWL ASSEMBLY, L.H. . . . .	1
19	MS 00027183 10	WASHER, seat belt mount . . . . .	2
20	MS 00090728 5P2	SCREW, seat belt mount . . . . .	4
21	12339988 1	MOUNTING BRACKET, seat belt . . . . .	1
22	06004811	BRACKET, lower, L.H. . . . .	1
* 23	MS 00090725 34	BOLT . . . . .	4
* 24	MS 00027183 12	WASHER . . . . .	4
25	WA 12342372	BRACKET, upper . . . . .	1
26	WA 12339025 1	SEAL ASSEMBLY, cargo floor . . . . .	1
27	G 09425422	SCREW . . . . .	2
28	MS 00051849 76	SCREW, seal assembly . . . . .	1
29	G 00190254	NUT, seal assembly . . . . .	1
30	MS 00027183 42	WASHER, seal assembly . . . . .	1
31	N/S	RIVET, fender assembly . . . . .	32
	06003456 P	B-PILLAR reinforcement (Not Illustrated)	

# HUMMER PARTS CATALOG

## 10-8 BODY



P10-004

Figure 10-4. Body Assembly Components, R.H.

# HUMMER PARTS CATALOG

12-31-95

## BODY 10-9

ITEM	PART NUMBER	DESCRIPTION	QTY
		Figure 10-4 BODY ASSEMBLY COMPONENTS, R.H.	
1	MS 00024667 77P2	SCREW, body assembly, 4-door . . . . .	3
1	MS 00024667 77P2	SCREW, body assembly, 2-door . . . . .	6
★ 2	06005425	TIEDOWN, body assembly, 4-door . . . . .	3
★ 2	06005425	TIEDOWN, body assembly, 2-door . . . . .	6
3	N/S	RIVET, body assembly . . . . .	130
4	N/S	RIVET, body assembly . . . . .	57
5	N/S	RIVET, body assembly . . . . .	21
6	N/S	RIVET, fender assembly . . . . .	17
7	12338832 1	SEAL, body assembly . . . . .	1
8	12338814 B1	BRACKET, seal . . . . .	1
9	G 09421073	SCREW, seal bracket . . . . .	2
10	06003135	COWL PANEL, R.H. . . . .	1
11	N/S	RIVET, cowl panel . . . . .	5
12	N/S	RIVET, side panel . . . . .	3
13	N/S	RIVET, side panel . . . . .	7
14	MS 00027183 21	WASHER, seat belt mount . . . . .	2
15	MS 00090728 5	SCREW, seat belt mount . . . . .	4
16	12339988 2	BRACKET, seat belt . . . . .	1
★ 17	MS 00090725 34	BOLT . . . . .	4
18	06004836	BRACKET, lower, R.H. . . . .	1
19	WA 12342372	BRACKET, upper . . . . .	1
★ 20	MS 00027183 12	WASHER . . . . .	4
21	N/S	RIVET, fender assembly . . . . .	16
22	N/S	RIVET, fender assembly . . . . .	2
23	N/S	COLLAR, grooved, fender assembly . . . . .	2
★ 24	12339698 4P	BODY SIDE ASSEMBLY, panel, R.H. . . . .	1
25	12339048	FUEL FILLER HOUSING, fender assembly . . . . .	1
26	12340792 P2	SCREW, fuel filler . . . . .	6
27	12338709	LIGHT HOUSING, fender assembly . . . . .	1
28	12339355 1P1	RIVET, light housing . . . . .	2
29	N/S	RIVET, fender assembly . . . . .	18
★ 30	06006452	RIVET, taillight housing . . . . .	8
31	05938940	BRACKET, taillight housing . . . . .	1
32	WB 12339707	FENDER, right rear . . . . .	1
33	MS 00051943 39	NUT, body assembly, 4-door . . . . .	3
34	MS 00051943 39	NUT, body assembly, 2-door . . . . .	6
35	AN 00000960 816	WASHER, body assembly, 4-door . . . . .	3
36	AN 00000960 816	WASHER, body assembly, 2-door . . . . .	6

12-31-95

# HUMMER PARTS CATALOG

## 10-10 BODY

ITEM	PART NUMBER	DESCRIPTION	QTY
		Figure 10-4 BODY ASSEMBLY COMPONENTS, R.H. (Cont'd)	
37	12339426	NUT, fuel filler. . . . .	1
38	MS 00027183 42	WASHER, seal assembly. . . . .	1
39	G 00190254	NUT, seal assembly. . . . .	1
40	MS 00051849 76	SCREW, seal assembly. . . . .	1
41	12339025 2	SEAL ASSEMBLY, body . . . . .	1
42	G 09425422	SCREW . . . . .	2
★ 43	06003138 P	SIDE PANEL, air intake . . . . .	1
★	06003457 P	B-PILLAR reinforcement (not illustrated) . . . . .	1

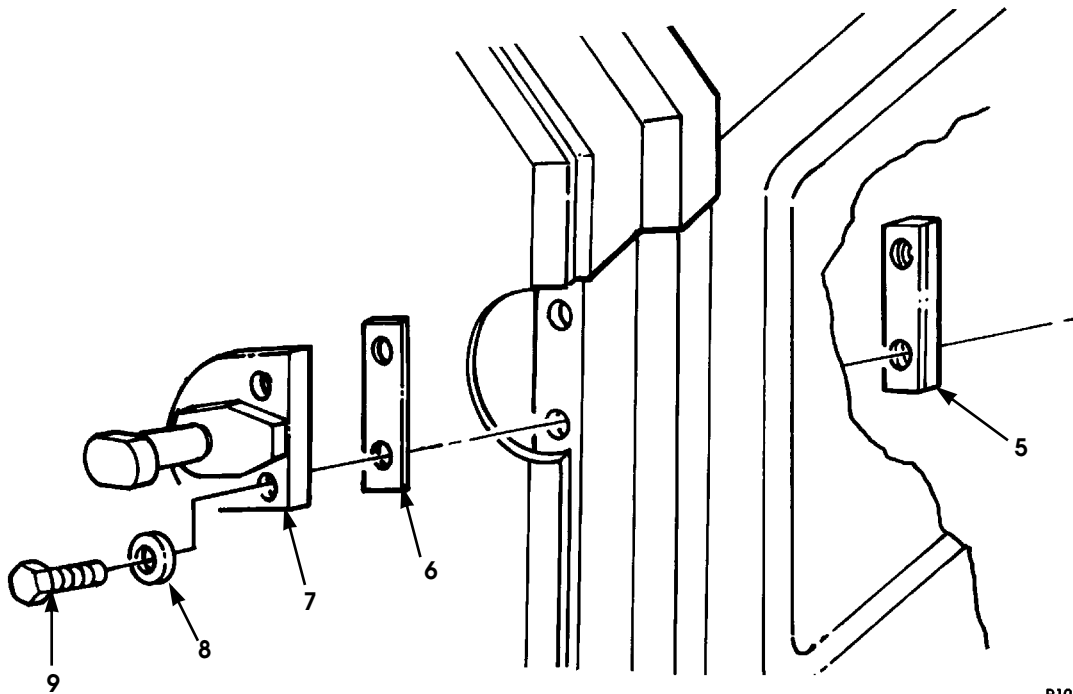
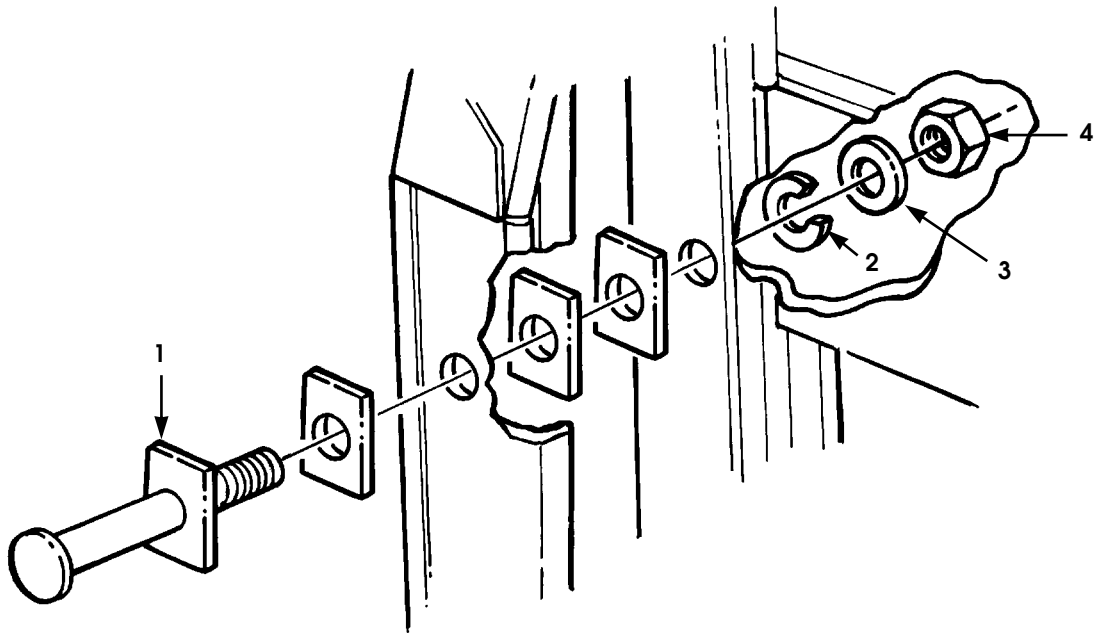




12-31-95

# HUMMER PARTS CATALOG

10-12 BODY



P10-005

Figure 10-5. Front and Rear Door Striker Assemblies.

# HUMMER PARTS CATALOG

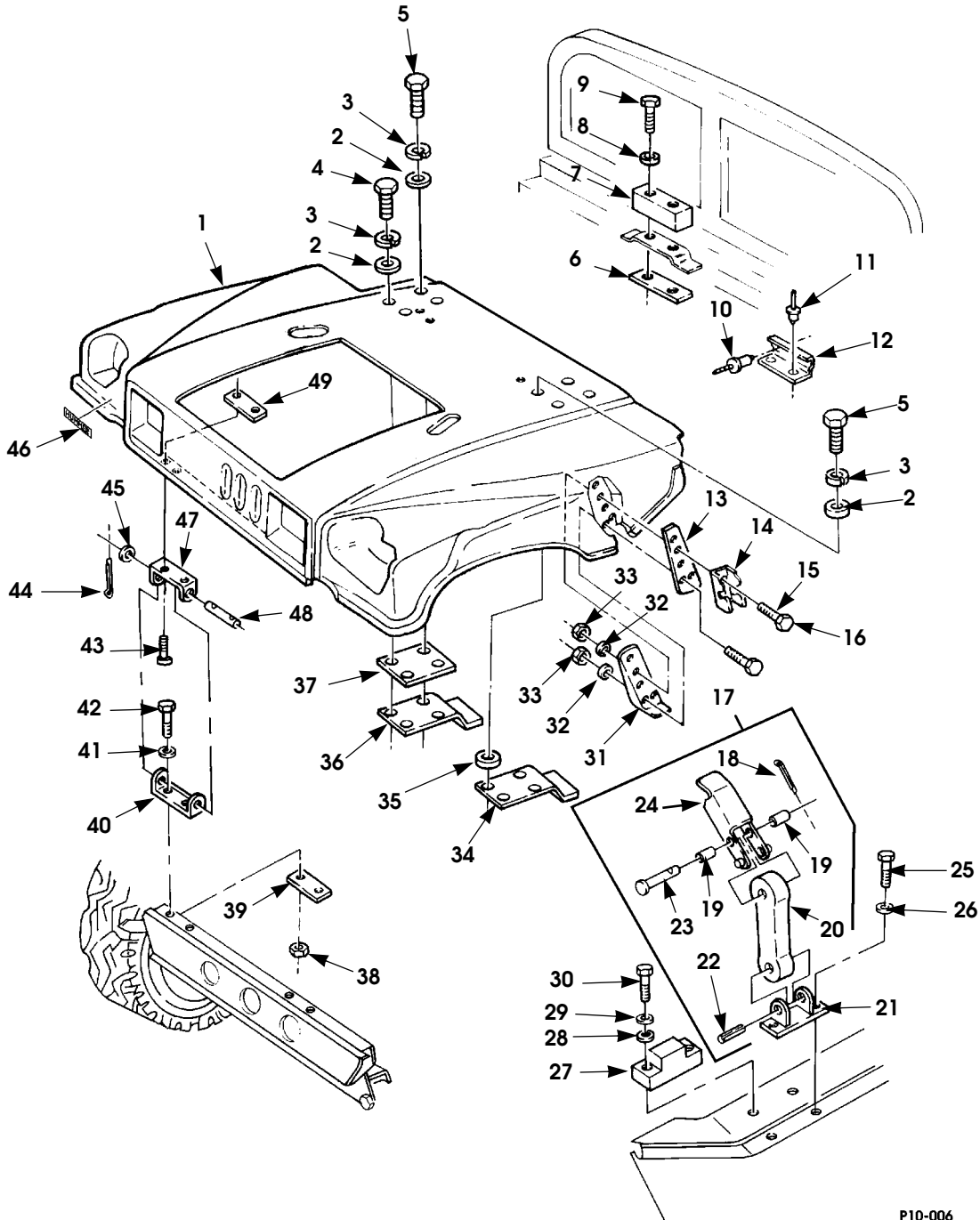
12-31-95

## BODY 10-13

ITEM	PART NUMBER	DESCRIPTION	QTY
		Figure 10-5 FRONT AND REAR DOOR STRIKER ASSEMBLIES	
1	06000398 P2	STRIKER ASSEMBLY, front .....	2
2	G 00131101	LOCKWASHER .....	2
3	06001200 P2	WASHER .....	2
4	MS 00051943 40	NUT .....	2
5	05939658	PLATE BACKING, rear. ....	2
6	05939591	PLATE BACKING, front .....	2
7	05939655	STRIKER ASSEMBLY, rear .....	2
8	G 09424257 P2	WASHER .....	4
9	MS 00090728 10P2	SCREW .....	4

# HUMMER PARTS CATALOG

## 10-14 BODY



P10-006

Figure 10-6. Hood Assembly and Mounting Hardware.

# HUMMER PARTS CATALOG

**BODY 10-15**

ITEM	PART NUMBER	DESCRIPTION	QTY
		Figure 10-6 HOOD ASSEMBLY AND MOUNTING HARDWARE	
1	WA 12338940 P	HOOD, engine compartment . . . . .	1
2	MS 00027183 10P	WASHER . . . . .	8
3	MS 00035338 44P2	LOCKWASHER, retainer bracket . . . . .	8
4	MS 00090728 12P2	BOLT, retainer bracket . . . . .	2
5	MS 00090725 6P2	BOLT, retainer bracket, L.H. . . . .	6
6	12338882 P3	PLATE, center hood stop . . . . .	1
7	06002012	BUMPER, center hood . . . . .	1
8	12339433	WASHER, hood stop center . . . . .	2
9	MS 00090728 8	BOLT, hood stop. . . . .	2
10	M7885/2 6-04	RIVET, hood retainer bracket . . . . .	4
11	12339355 2	RIVET, hood retainer bracket . . . . .	4
12	05939715	BRACKET, hood retainer . . . . .	2
13	12338883 B4	PLATE, hood latch . . . . .	2
14	12338908 B4	BRACKET, hood latch, side . . . . .	2
15	MS 00090728 9P2	SCREW, hood latch bracket. . . . .	4
16	MS 00090728 7P2	SCREW, hood latch bracket. . . . .	6
17	WA 12338909 B4	LATCH ASSEMBLY, hood . . . . .	2
18	MS 00024665 153	•COTTER PIN, hood latch . . . . .	1
19	12338886 P3	•SPACER, hood latch . . . . .	2
20	12338889	•STRAP, hood latch . . . . .	1
21	12338880 B4	•BASE, hood latch . . . . .	1
22	G 09419982	•PIN, hood latch . . . . .	1
23	12338894 P3	•PIN, hood latch . . . . .	1
24	12338891 B4	•LATCH, hood release . . . . .	1
25	MS 00090725 9	SCREW, hood latch. . . . .	4
26	G 00243161 P2	WASHER . . . . .	4
27	12338896	STOP, hood side . . . . .	2
28	12339433 P2	WASHER, hood side stop . . . . .	4
29	G 00120380	WASHER . . . . .	8
30	G 09419011 P2	BOLT, hood stop. . . . .	4
31	12338905 P3	BRACKET, hood latch stop . . . . .	2
32	G 02436161	WASHER, hood latch. . . . .	22
33	MS 00051943 31	NUT . . . . .	5
34	05939716 B2	BRACKET, hood retainer, L.H. . . . .	1
35	05939805 B2	SPACER, retainer bracket . . . . .	2
36	05939717 B2	BRACKET, hood retainer, R.H. . . . .	1
37	05939718 B2	SPACER, retainer bracket . . . . .	1
38	G 09422299	NUT, lower hood hinge . . . . .	4
39	12338879 P3	SPACER, lower hinge . . . . .	2
40	12338900 P3	HINGE HALF, lower hood. . . . .	2

# HUMMER PARTS CATALOG

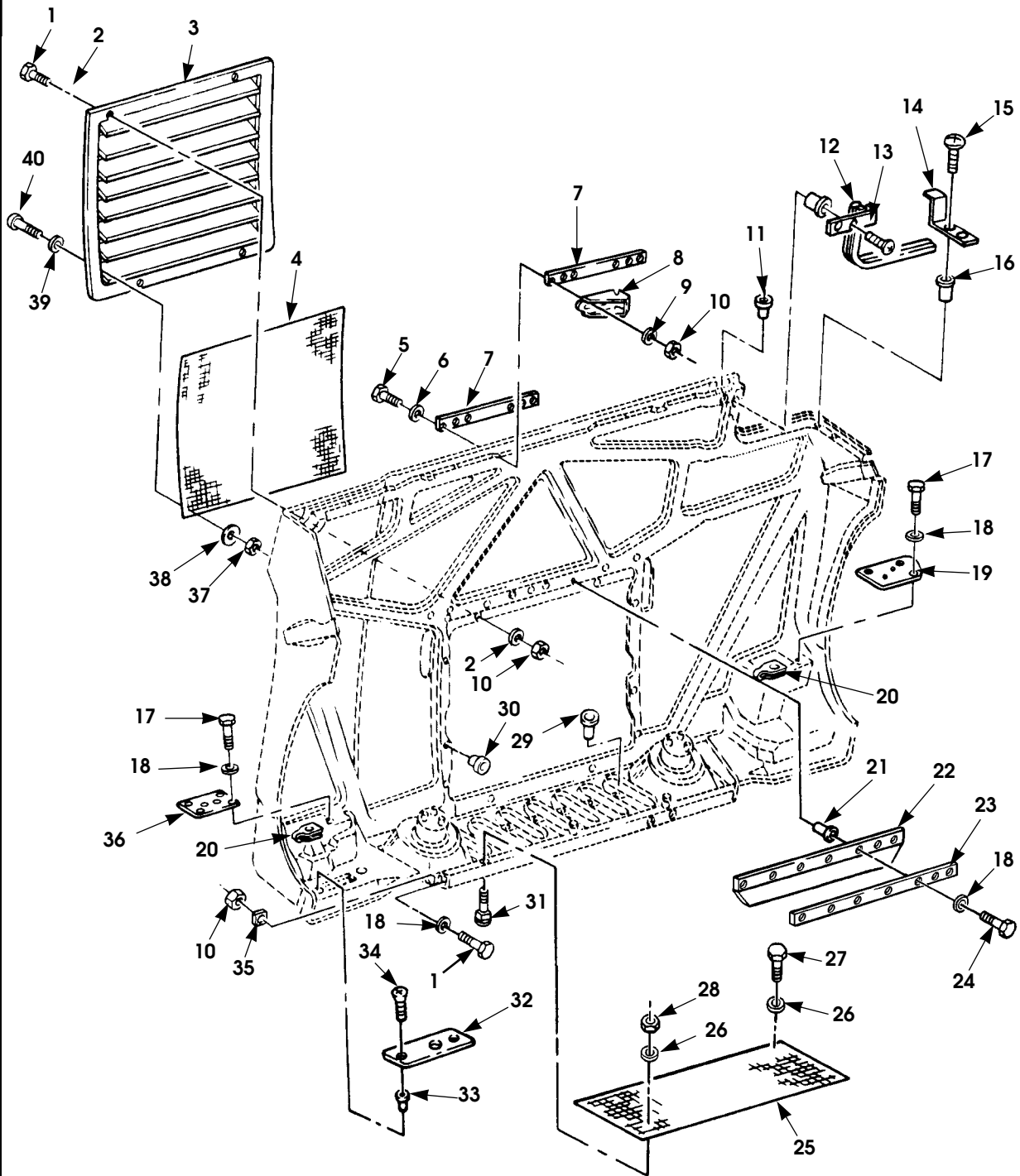
## 10-16 BODY

ITEM	PART NUMBER	DESCRIPTION	QTY
		Figure 10-6 HOOD ASSEMBLY AND MOUNTING HARDWARE (Cont'd)	
41	G 02436164 P2	WASHER, lower hinge . . . . .	2
42	MS 00090728 87P2	BOLT, lower hinge. . . . .	4
43	MS 00090728 66	SCREW, upper hood hinge . . . . .	4
44	MS 00024665 281	COTTER PIN, hood hinge . . . . .	4
45	G 02436163 P2	WASHER, lower hood hinge pin . . . . .	4
46	06003871	NAME PLATE, Hummer. . . . .	3
47	12338897 P3	HINGE HALF, upper hood . . . . .	2
48	12338893	PIN, hood hinge halves . . . . .	2
49	12339306	PLATE, upper hood hinge . . . . .	2
	05742835	REPAIR KIT, fiberglass (not illustrated) . . . . .	1



# HUMMER PARTS CATALOG

## 10-18 BODY



P10-007

Figure 10-7. Hood Assembly, Grille, and Related Parts.

# HUMMER PARTS CATALOG

12-31-95

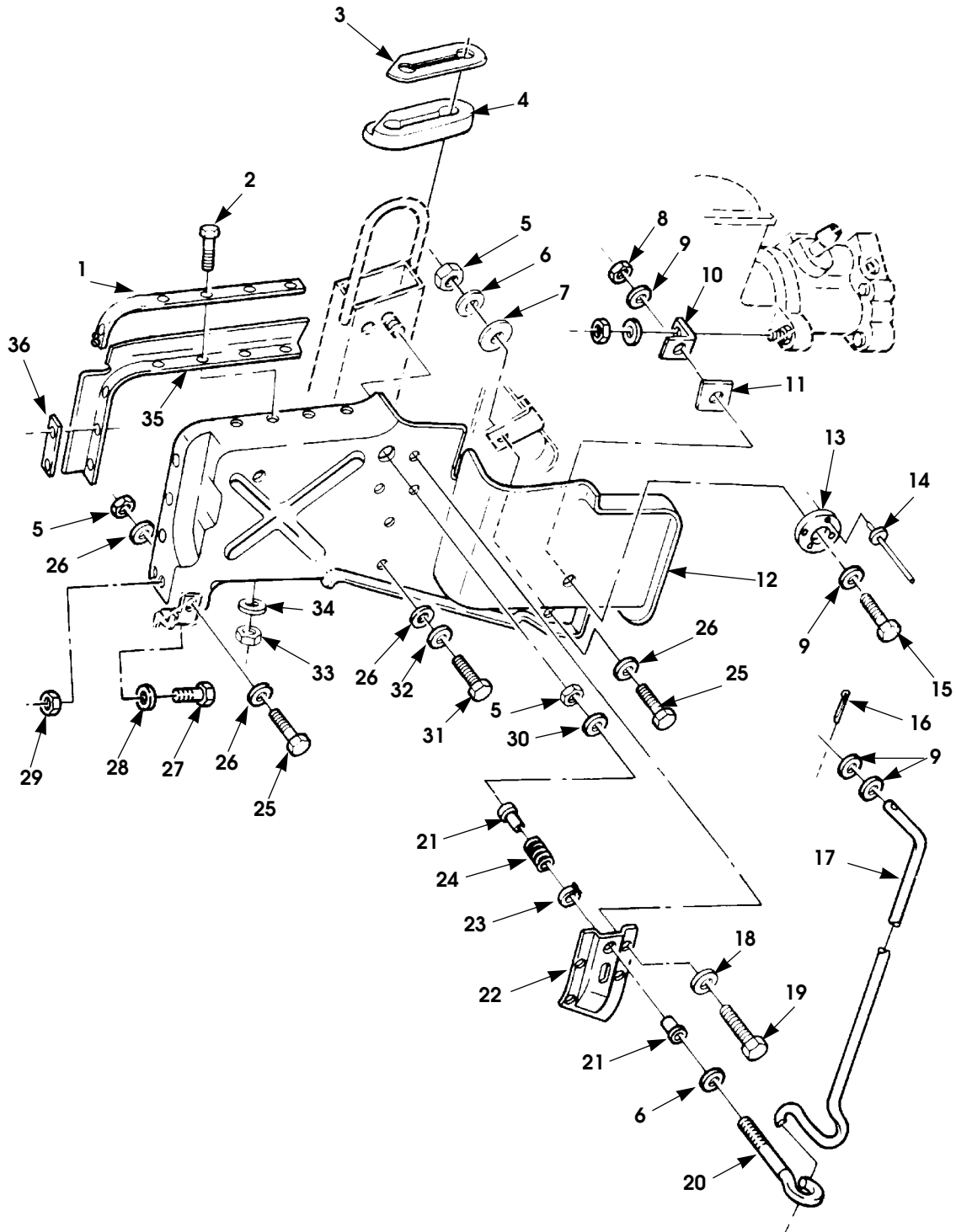
## BODY 10-19

ITEM	PART NUMBER	DESCRIPTION	QTY
		Figure 10-7 HOOD ASSEMBLY, GRILLE, AND RELATED PARTS	
1	MS 00090728 8	SCREW, hood grille . . . . .	17
2	MS 00027183 11	WASHER, hood grille . . . . .	12
* 3	WA 12342408 P	GRILLE, hood . . . . .	1
4	12338923 1	SCREEN, hood grille . . . . .	1
5	MS 00090728 9	SCREW, hood stop guide . . . . .	6
6	G 02436161	WASHER, hood stop guide . . . . .	6
7	12338903 P3	PLATE, hood stop guide . . . . .	2
8	12338899 P3	BRACKET, hood stop guide . . . . .	2
9	G 02436161 P2	WASHER, hood stop guide . . . . .	6
10	MS 00051943 31	LOCKNUT, hood stop guide and crossbar . . . . .	12
11	M 005501/7 F4	PLUG, inner hood assembly (comes with Item 1, Figure 10-6) . . . . .	4
12	06002673	SEAL . . . . .	1
13	06001745	RETAINER . . . . .	1
14	06001746	RETAINER . . . . .	1
15	G 00160057	SCREW . . . . .	4
* 16	12339397 1	WELLNUT. . . . .	4
17	MS 00090725 6	SCREW, composite light cover. . . . .	7
18	MS 00027183 10	WASHER, composite light cover and hood seal . . . . .	16
19	12338884 P3	COVER, composite light, R.H. . . . .	1
20	12339425	SPEED NUT, composite light cover. . . . .	7
21	12339397 4	WELLNUT, hood seal . . . . .	9
22	WA 12338911	SEAL, center hood . . . . .	1
23	12338885 P3	RETAINER, hood seal . . . . .	1
24	MS 00090725 8	SCREW, hood seal retainer. . . . .	9
25	12338923 2	GUARD, hood and grille . . . . .	1
26	G 02436163	WASHER, front hood screen . . . . .	6
27	MS 00090725 34	SCREW, front hood screen (comes with Item 1, Figure 10-6) . . . . .	3
28	MS 00051967 6	NUT, front hood screen . . . . .	3
29	12339397 5	WELLNUT, front hood screen . . . . .	3
30	12338887 2	PLUG, hood assembly. . . . .	6
31	12339434 P2	BOLT, front hood screen (comes with Item 1, Figure 10-6) . . . . .	3
32	05935690	PANEL, inner hood. . . . .	2
33	12339998 1	PLUSNUT, inner hood panel . . . . .	4
34	MS 00035207 263	SCREW, inner hood panel . . . . .	4
35	12338892	PLATE, hood crossbar . . . . .	2
36	12338906 P3	COVER, composite light, L.H. . . . .	1
37	G 00190254	LOCKNUT, hood grille screen . . . . .	6
38	12339432 P2	WASHER, hood grille screen . . . . .	12
39	MS 00027183 42P2	WASHER, hood grille screen . . . . .	6
40	MS 00352062 66P2	SCREW, hood grille screen . . . . .	6



# HUMMER PARTS CATALOG

## 10-20 BODY



P10-008

Figure 10-8. Left Hand Splash Shield and Hood Prop Rod.

# HUMMER PARTS CATALOG

**BODY 10-21**

ITEM	PART NUMBER	DESCRIPTION	QTY
		Figure 10-8 LEFT HAND SPLASH SHIELD AND HOOD PROP ROD	
1	12338630 P3	RETAINER, splash shield seal . . . . .	1
2	MS 00051849 76	SCREW, splash shield seal . . . . .	7
3	12342355	COVER PLATE, airlift bracket seal. . . . .	1
4	12342357	SEAL, airlift bracket . . . . .	1
5	MS 00051943 33	LOCKNUT, prop rod eyebolt. . . . .	3
6	G 02436162	WASHER, prop rod eyebolt. . . . .	2
7	G 09421128	WASHER, splash shield. . . . .	1
8	MS 00051943 35	LOCKNUT, support bracket . . . . .	2
9	G 02436163	WASHER, support bracket and hood prop rod . . . . .	5
10	12338629	BRACKET, splash shield support . . . . .	1
11	12338636 P3	PLATE, splash shield. . . . .	1
12	12340361 B1	SPLASH SHIELD . . . . .	1
13	12338637 P3	SUPPORT, splash shield . . . . .	1
14	12339355 2	RIVET, splash shield . . . . .	4
15	MS 00090728 64	SCREW, support bracket. . . . .	1
16	MS 00024665 283	COTTER PIN, prop rod . . . . .	1
17	12338915	ROD, hood prop . . . . .	1
18	MS 00035338 44	LOCKWASHER, prop rod bracket. . . . .	4
19	G 00172447	SCREW, prop rod bracket. . . . .	4
20	12339435	EYEBOLT, hood prop rod. . . . .	1
21	12338895	BUSHING, eye bolt . . . . .	2
22	12338913	BRACKET, hood prop rod . . . . .	1
23	MS 00016624 2066	RETAINING RING, prop rod bracket bushing . . . . .	1
24	12338881 P3	SPRING, prop rod eyebolt . . . . .	1
25	MS 00090725 34	BOLT, splash shield. . . . .	2
26	MS 00027183 13	WASHER, splash shield. . . . .	4
27	MS 00051849 100	SCREW . . . . .	1
28	MS 00027183 10	WASHER . . . . .	1
29	G 00271172	NUT . . . . .	1
30	MS 00027183 12	WASHER, prop rod eyebolt. . . . .	1
31	05593258	SCREW, splash shield. . . . .	1
32	MS 00035338 45	LOCKWASHER, splash shield. . . . .	1
33	G 00190254	LOCKNUT, splash shield seal. . . . .	7
34	MS 00027183 42	WASHER, splash shield seal. . . . .	7
35	12338632	SEAL, splash shield. . . . .	1
36	12338634 1P3	RETAINER, splash shield seal . . . . .	1

# HUMMER PARTS CATALOG

## 10-22 BODY

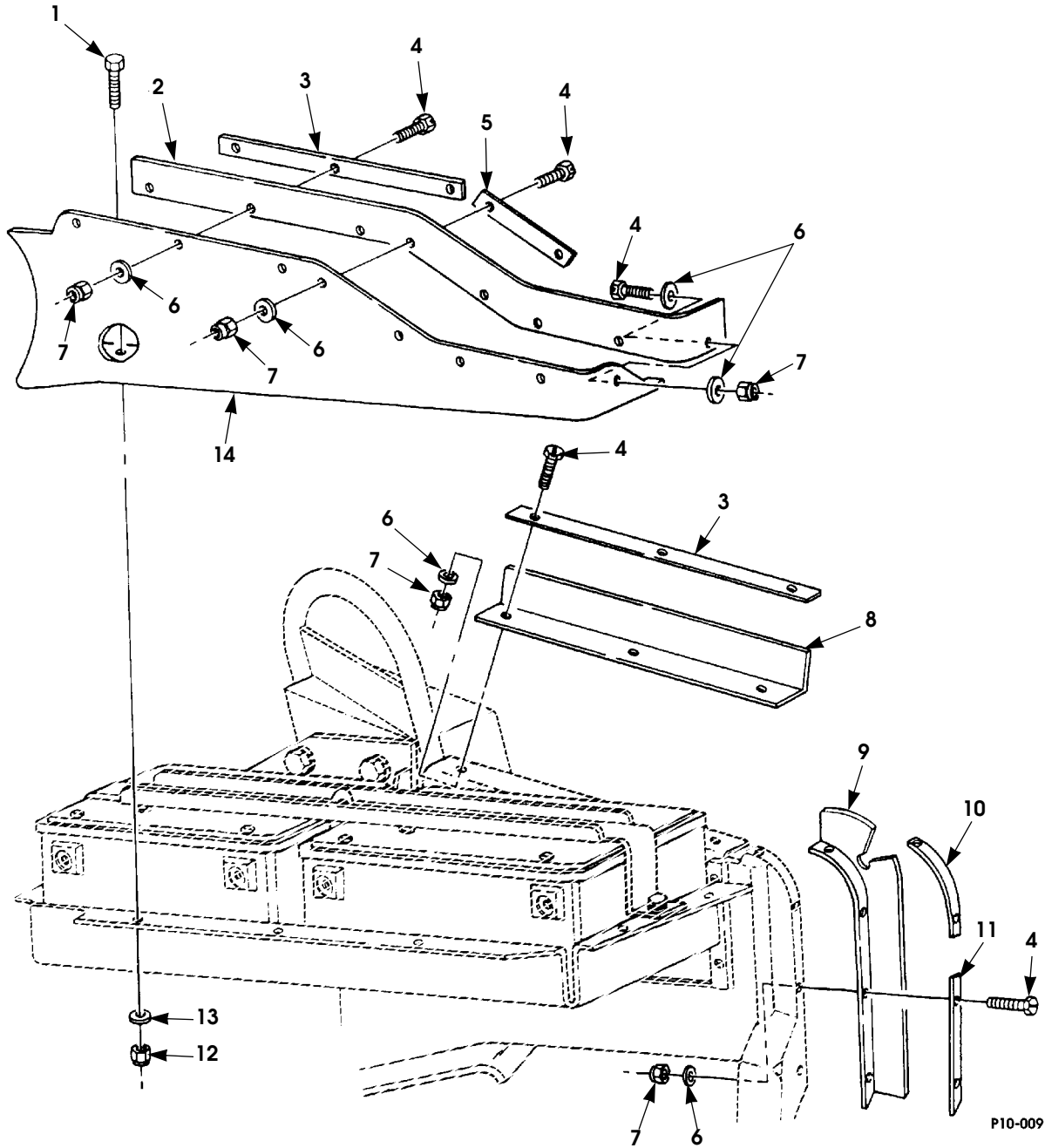


Figure 10-9. Right Hand Upper Splash Shield and Seals.

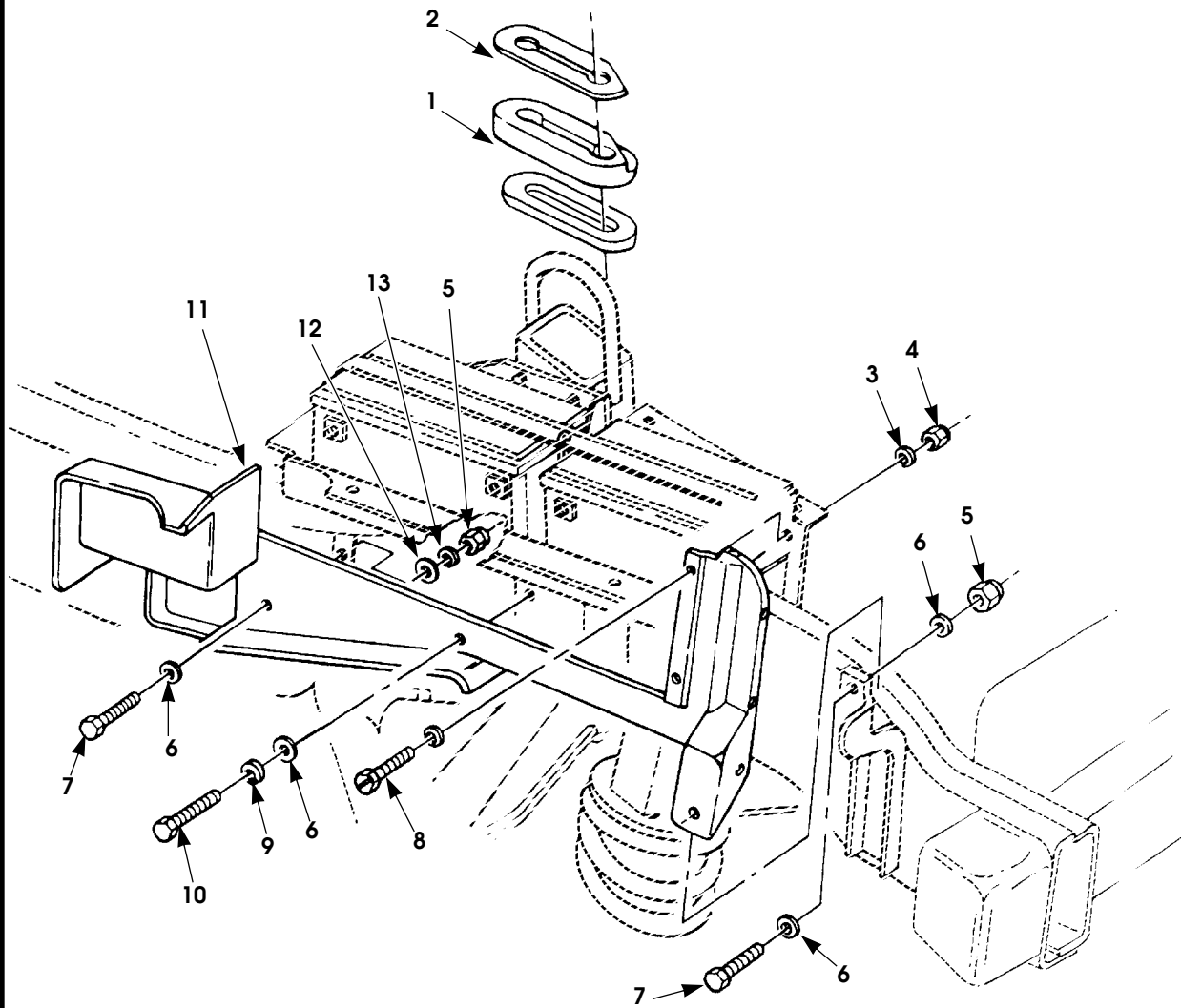
# HUMMER PARTS CATALOG

**BODY 10-23**

ITEM	PART NUMBER	DESCRIPTION	QTY
		Figure 10-9 RIGHT HAND UPPER SPLASH SHIELD AND SEALS	
1	MS 00090725 34	BOLT . . . . .	5
2	06003117	SEAL, battery tray to headliner, top, outer . . . . .	1
3	06002924	RETAINER, hood seal, top . . . . .	2
4	MS 00051849 76	SCREW . . . . .	15
5	12338634 1	RETAINER, seal . . . . .	2
6	MS 00027183 42	WASHER . . . . .	16
7	G 00190254	LOCKNUT . . . . .	15
8	06002914	SEAL, battery tray to hood, top . . . . .	1
9	06002915	SEAL, battery tray to hood, front . . . . .	1
10	06002925	RETAINER, hood seal, front . . . . .	1
11	12338634 2	RETAINER, seal . . . . .	1
12	MS 00051943 33	NUT . . . . .	5
13	MS 00027183 13	WASHER . . . . .	5
14	06003116	SPLASH SHIELD, upper, R.H. . . . .	1

# HUMMER PARTS CATALOG

## 10-24 BODY



P10-010

Figure 10-10. Right Hand Lower Splash Shield.

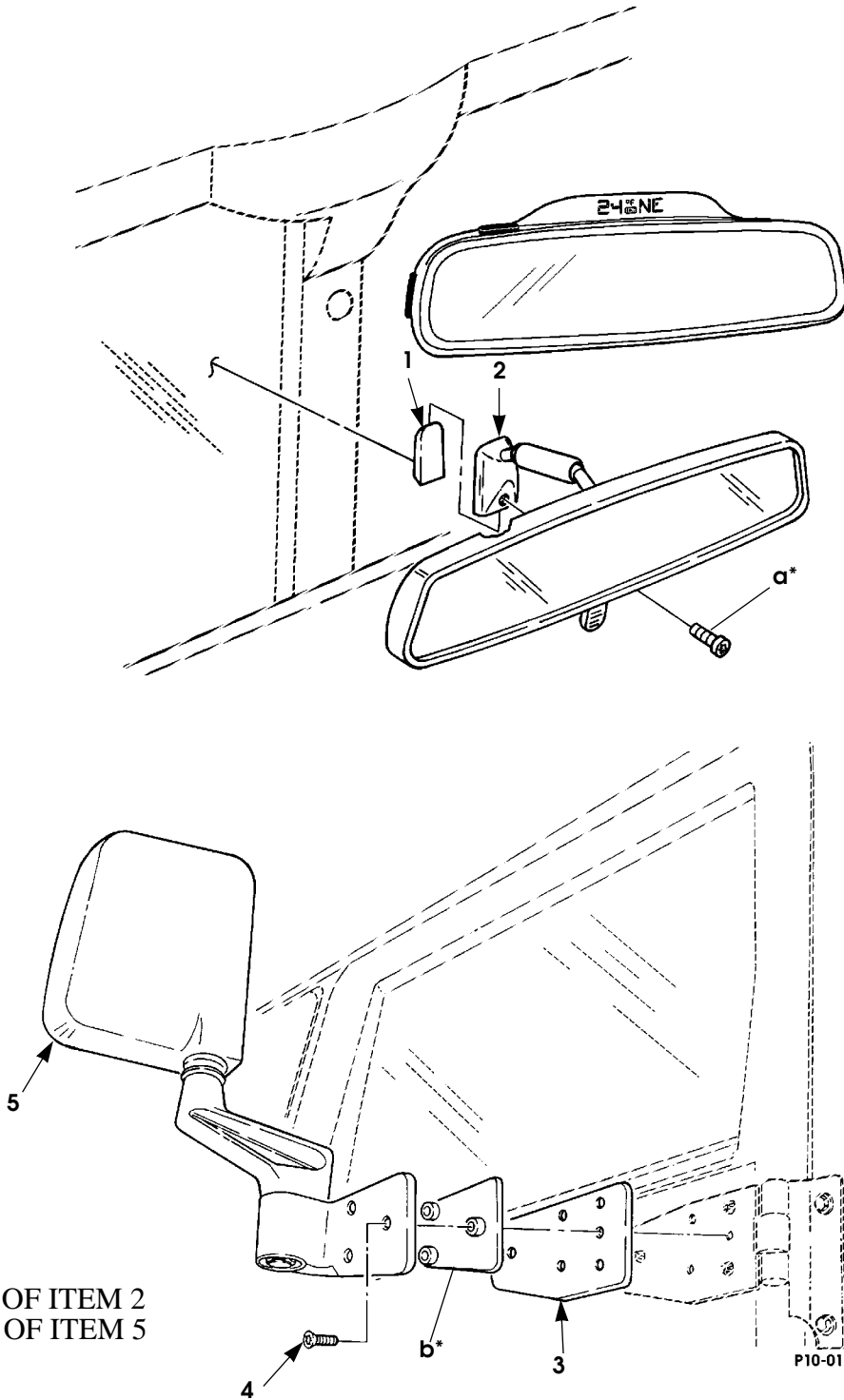
# HUMMER PARTS CATALOG

**BODY 10-25**

ITEM	PART NUMBER	DESCRIPTION	QTY
		Figure 10-10 RIGHT HAND LOWER SPLASH SHIELD	
1	12342358	SEAL, airlift bracket . . . . .	1
2	12342355	COVER PLATE, airlift bracket seal. . . . .	1
3	MS 00027183 42	WASHER . . . . .	4
4	G 00190254	LOCKNUT . . . . .	2
5	MS 00051943 33	NUT . . . . .	5
6	MS 00027183 13	WASHER . . . . .	5
7	MS 00090725 34	BOLT . . . . .	6
8	MS 00051849 76	SCREW . . . . .	2
9	MS 00035338 45	LOCKWASHER . . . . .	1
10	G 00171108	SCREW . . . . .	1
11	06003115	SPLASH SHIELD, lower, R.H. . . . .	1
12	G 09421128	WASHER . . . . .	2
13	G 02436162	WASHER . . . . .	1

# HUMMER PARTS CATALOG

## 10-26 BODY



- \* a PART OF ITEM 2
- \* b PART OF ITEM 5

Figure 10-11. Inside and Outside Mirrors and Mounting Hardware.

# HUMMER PARTS CATALOG

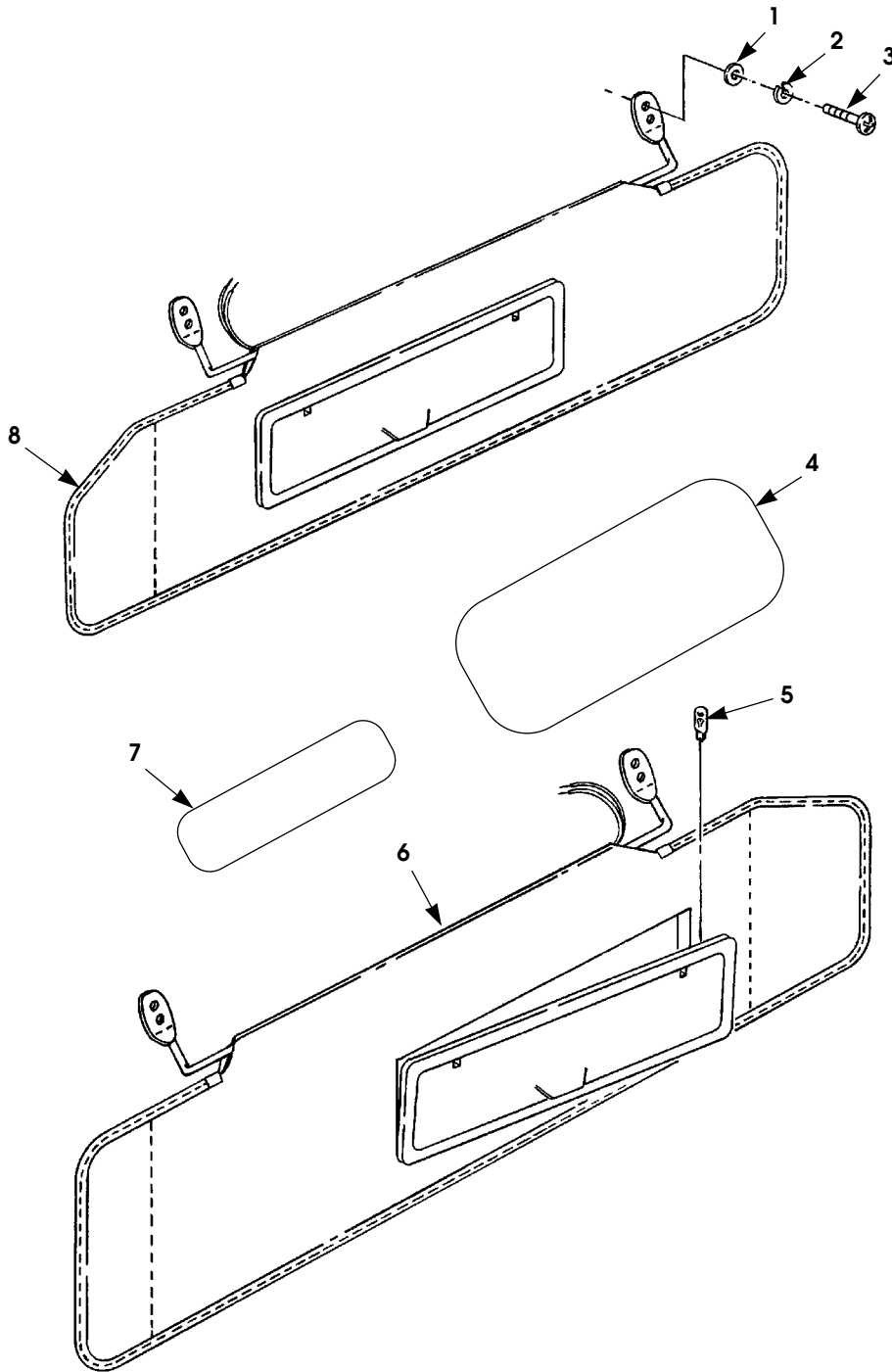
**BODY 10-27**

ITEM	PART NUMBER	DESCRIPTION	QTY
		Figure 10-11 INSIDE AND OUTSIDE MIRRORS AND MOUNTING HARDWARE	
1	05939643	SUPPORT, inside rearview mirror . . . . .	1
2	05939074	REARVIEW MIRROR ASSEMBLY . . . . .	1
3	06003618	PLATE, adapter mirror mounting . . . . .	2
4	06003933 P2	SCREW . . . . .	6
5	05939436	EXTERIOR MIRROR, L.H. . . . .	1
5	05939393	EXTERIOR MIRROR, R.H. . . . .	1



# HUMMER PARTS CATALOG

## 10-28 BODY



P10-012

Figure 10-12. Sun Visor.

# HUMMER PARTS CATALOG

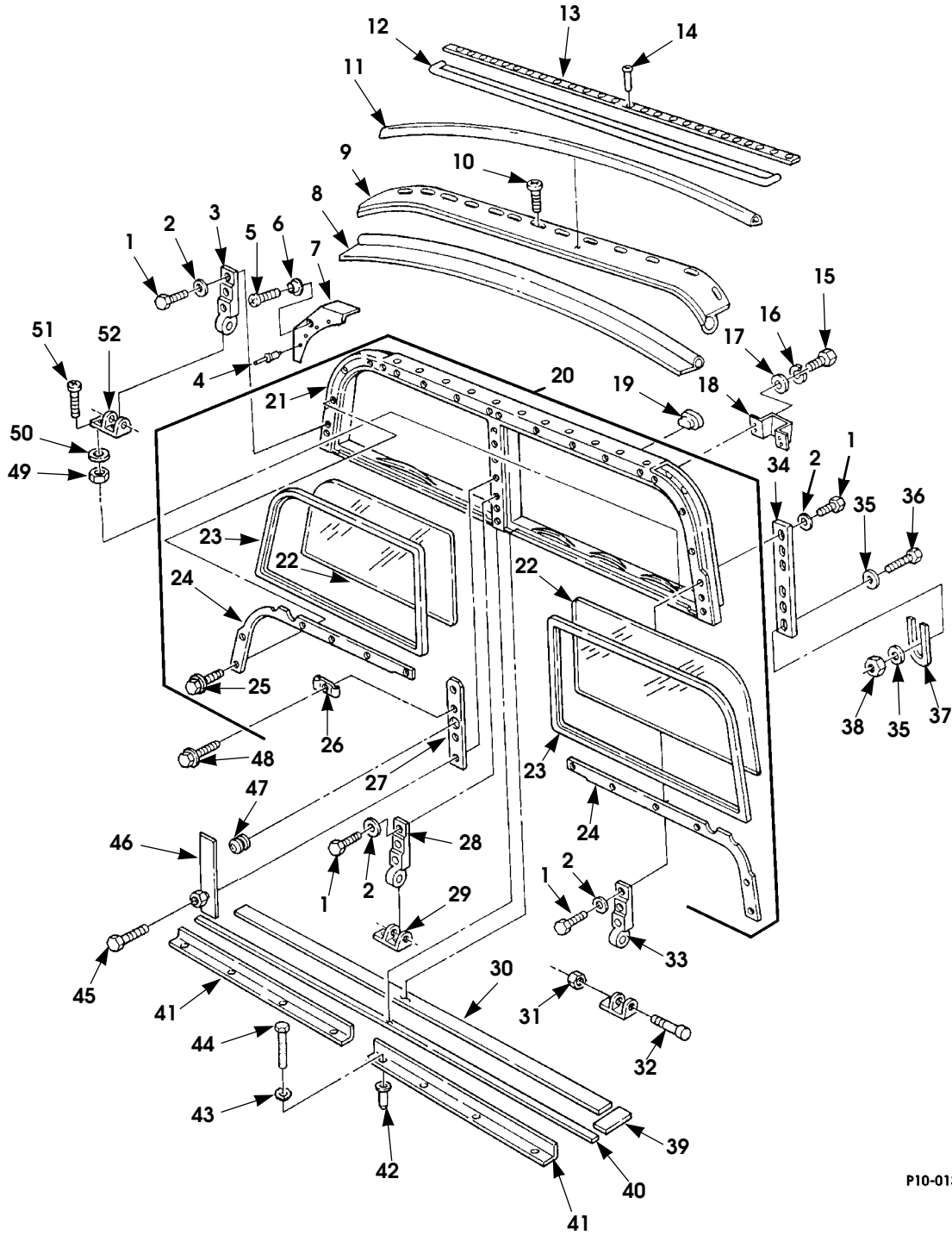
12-31-95

## BODY 10-29

ITEM	PART NUMBER	DESCRIPTION	QTY
		Figure 10-12 SUN VISOR	
1	MS 00027183 42P2	WASHER . . . . .	8
2	MS 00035338 43P2	LOCKWASHER . . . . .	8
★ 3	MS 00352062 65P2	SCREW . . . . .	8
4	05938720	DECAL, warning, roof structure . . . . . HMC4, HMCS, VLC2, XLC2	1
4	06002023	DECAL, warning roof structure, Gulf State vehicles. . . HMC4, HMCS, VLC2, XLC2	1
4	06002683	DECAL, warning. . . . . VLC2, VLCO	1
4	06000263	DECAL, warning (Arabic). . . . . VLC2, VLCO	1
4	06002025	DECAL, warning (Arabic). . . . . VLC2, VLCO	1
5	N/S	BULB (trade #73) . . . . .	2
6	05939433 T	SUN VISOR, L.H., deluxe trim, SEE NOTE 1 . . . . .	1
6	06002754 T	SUN VISOR, L.H., standard trim, SEE NOTE 1 . . . . .	1
6	06002902 T	SUN VISOR, L.H., French decals, SEE NOTE 1 . . . . .	1
6	06002901 T	SUN VISOR, L.H., Arabic decals, SEE NOTE 1 . . . . .	1
6	06005271 T	SUN VISOR, L.H., International, SEE NOTE 1 . . . . .	1
6	05939433 G	SUN VISOR, L.H., deluxe trim, SEE NOTE 1 . . . . .	1
6	06002754 G	SUN VISOR, L.H., standard trim, SEE NOTE 1 . . . . .	1
6	06002902 G	SUN VISOR, L.H., French decals, SEE NOTE 1 . . . . .	1
6	06002901 G	SUN VISOR, L.H., Arabic decals, SEE NOTE 1 . . . . .	1
6	06005271 G	SUN VISOR, L.H., International, SEE NOTE 1 . . . . .	1
7	05939046	DECAL, warning, soft top . . . . . VLCO	1
7	06001789	DECAL, water fording . . . . . VLCO, VLC2	1
8	06002755 T	SUN VISOR, R.H., standard trim, SEE NOTE 1 . . . . .	1
8	05939434 T	SUN VISOR, R.H., deluxe trim, SEE NOTE 1 . . . . .	1
8	05939434 G	SUN VISOR, R.H., deluxe trim, SEE NOTE 1 . . . . .	1
		NOTE 1: T for Tan G for Gray	

# HUMMER PARTS CATALOG

## 10-30 BODY



P10-013

Figure 10-13. Windshield Assembly.

# HUMMER PARTS CATALOG

12-31-95

## BODY 10-31

ITEM	PART NUMBER	DESCRIPTION	QTY
		Figure 10-13 WINDSHIELD ASSEMBLY	
1	MS 00090728 35P2	BOLT . . . . .	15
2	G 02436162 P2	WASHER . . . . .	15
3	12338841 2P	HINGE, R.H. . . . .	1
4	12339355 1P1	RIVET . . . . .	8
5	G 09416136 P2	SCREW . . . . .	2
6	MS 00027980 7B	SNAP FASTENER . . . . .	2
7	06001062 P	CORNER CAP, L.H. . . . . VLCO	1
7	06001063 P	CORNER CAP, R.H. . . . . VLCO	1
8	06001113	SEAL . . . . . VLCO	1
★ 9	06001112 P	FORMER ASSEMBLY, . . . . . VLCO	1
10	MS 00024629 46	SCREW . . . . . VLCO	11
11	06002867	SEAL, windshield D-header, .88-inch . . . . . VLCO	1
12	05939991	SEAL . . . . .	1
13	12338818 P	HMC4, HMCS, VLC2, XLC2 RETAINER . . . . .	1
14	M 007885/2 4-5	HMC4, HMCS, VLC2, XLC2 RIVET . . . . .	27
15	MS 00035206 265	HMC4, HMCS, VLC2, XLC2 SCREW . . . . .	16
16	MS 00035338 43	LOCKWASHER . . . . .	16
17	MS 00027183 42	WASHER . . . . .	16
18	06000814	BRACKET . . . . .	4
19	12338829	COVER . . . . .	2
★ 20	WC 12339424 P	FRAME AND GLASS ASSEMBLY, hard top . . . . . XLC2, HMC4, HMCS, VLC2	1
★ 20	WC 12339424 2P	FRAME AND GLASS ASSEMBLY, soft top . . . . . VLCO	1
21	WC 12339513 P	•FRAME, hard top . . . . . XLC2, HMC4, HMCS, VLC2	1
★ 21	WC 12339513 1P	•FRAME, soft top . . . . . VLCO	1
22	12339514	•GLASS (clear) . . . . .	2
22	06003519	•GLASS, tinted, R.H. . . . .	1
22	06003520	•GLASS, tinted, L.H. . . . .	1
23	12338860	•WEATHERSTRIP . . . . .	2
24	12338852 P	•RETAINER . . . . .	2
25	12342499 2	•SCREW . . . . .	1

12-31-95

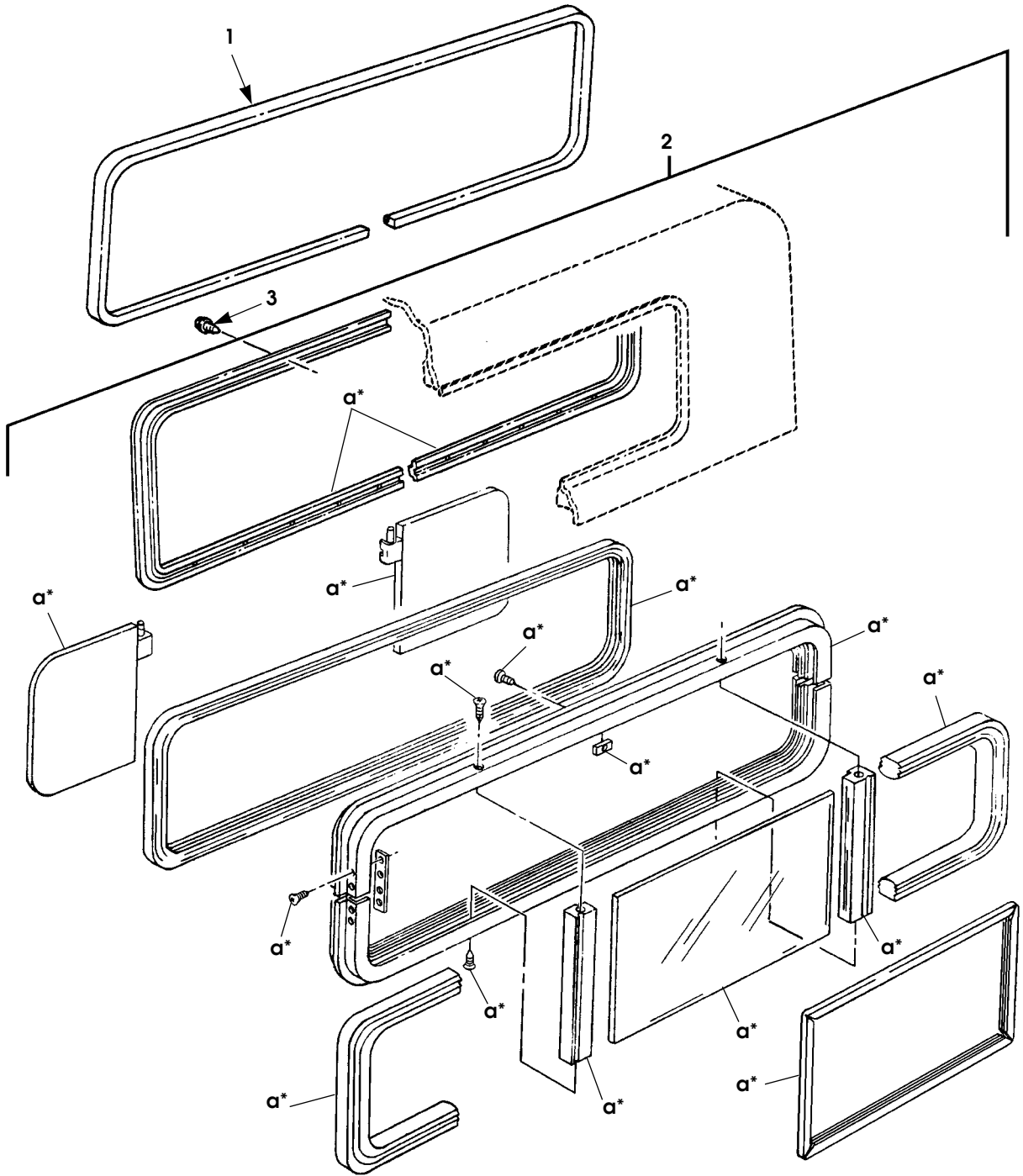
# HUMMER PARTS CATALOG

## 10-32 BODY

ITEM	PART NUMBER	DESCRIPTION	QTY
		Figure 10-13 WINDSHIELD ASSEMBLY (Cont'd)	
26	05935689	•WIRE RETAINER .....	1
27	05935710	•RETAINER, windshield center .....	1
28	12338835 P	HINGE, middle .....	1
29	12338822 1P	HINGE, lower .....	2
30	06001115	SEAL, 8 foot .....	1
31	G 09422277 P2	NUT .....	3
32	G 00179847 P2	BOLT .....	3
33	12338841 1P	HINGE, L.H. ....	1
34	05939340	BRACKET .....	2
35	G 02436162 P2	WASHER .....	12
36	MS 00090728 36P2	BOLT .....	6
37	12338806	SHIM, 2 places .....	A/R
38	MS 00051943 33	NUT .....	3
39	05939686	SEAL, lower windshield, L.H. ....	1
39	05939687	SEAL, lower windshield, R.H. ....	1
40	05939685	SEAL .....	1
* 41	12447029 P	RETAINER, windshield, lower .....	2
42	05939334	NUT INSERT .....	8
43	G 00120217 P2	LOCKWASHER .....	8
44	MS 00051849 76P2	SCREW .....	8
45	G 00448641 P2	SCREW .....	2
46	05935687 P	COVER ASSEMBLY, wire .....	1
47	05935699	GROMMET .....	1
* 48	05939530 P2	SCREW, self-tapping .....	1
49	MS 00051967 5	NUT .....	6
50	G 09424258	WASHER .....	6
51	MS 00035190 307P2	SCREW .....	6
52	12338822 2P	HINGE, lower .....	1

# HUMMER PARTS CATALOG

BODY 10-33

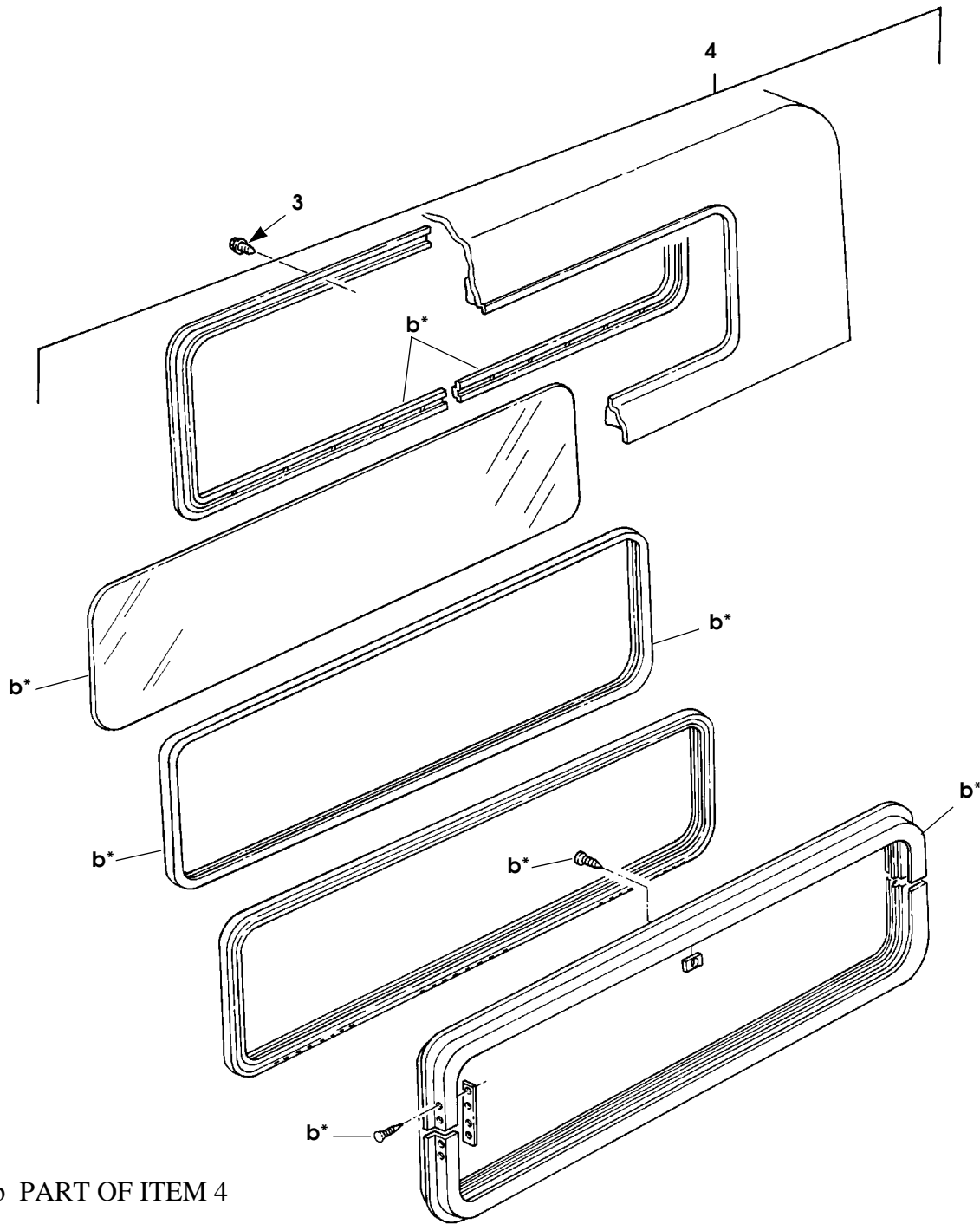


P10-014a

Figure 10-14. Rear Window Assembly (Sheet 1 of 2).

# HUMMER PARTS CATALOG

## 10-34 BODY



P10-014b

Figure 10-14. Rear Window Assembly (Sheet 2 of 2).

# HUMMER PARTS CATALOG

**BODY 10-35**

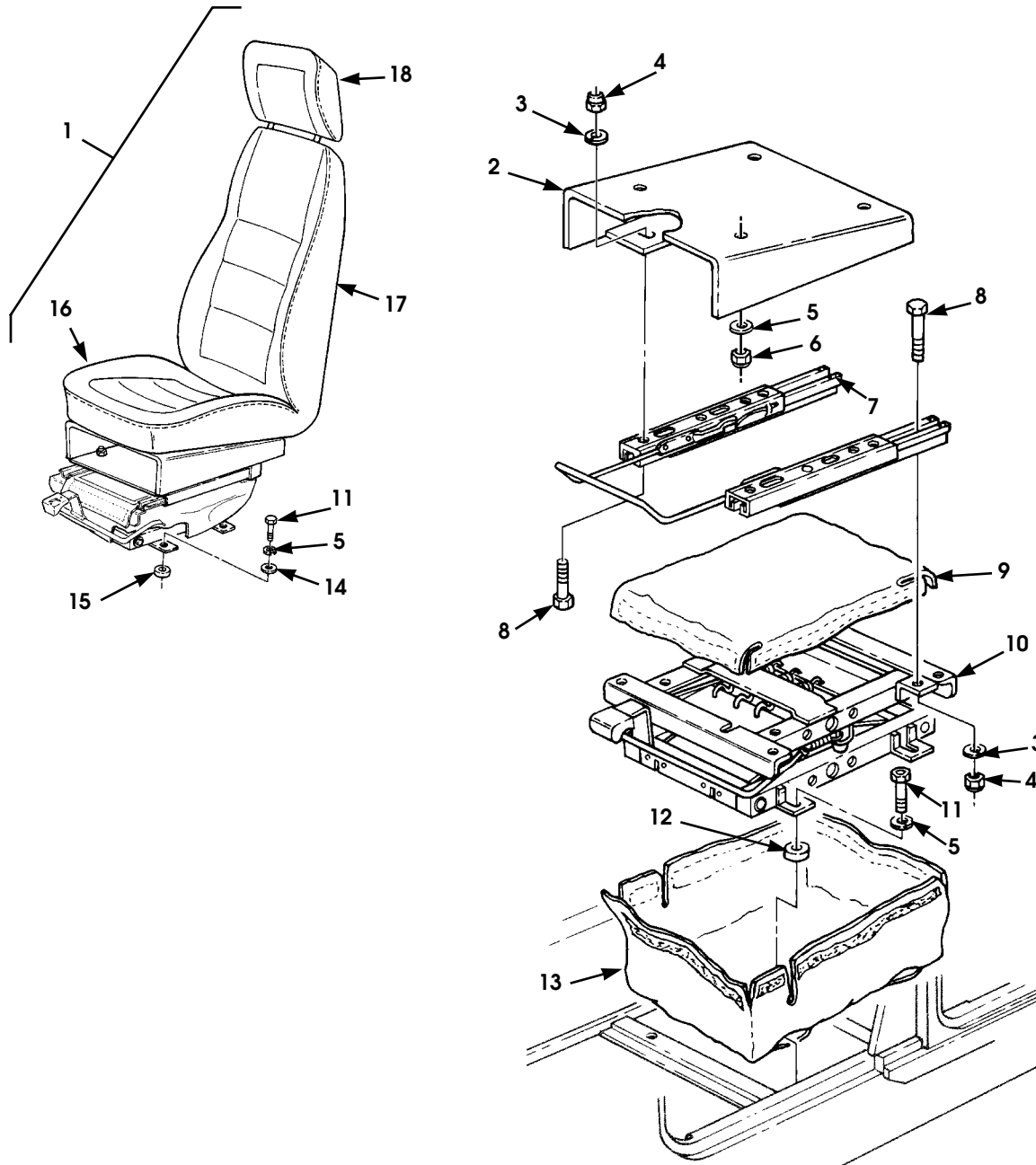
ITEM	PART NUMBER	DESCRIPTION	QTY
		Figure 10-14 REAR WINDOW ASSEMBLY	
1	06000366	SEAL, rear window . . . . .	1
2	05939664	REAR WINDOW ASSEMBLY, sliding . . . . .	1
2	06003517	REAR WINDOW ASSEMBLY, sliding, tinted . . . . .	1
2	06003527	REAR WINDOW ASSEMBLY, sliding, deep tinted . . . . .	1
2	06005304	REAR WINDOW ASSEMBLY, sliding, with defroster. . . . .	1
3	06000226	SCREW . . . . .	24
4	06003518	REAR WINDOW ASSEMBLY, stationary, tinted . . . . .	1
4	06001087	REAR WINDOW ASSEMBLY, stationary, clear . . . . .	1
4	06003526	REAR WINDOW ASSEMBLY, stationary, deep tinted . . . . .	1
4	06005306	REAR WINDOW ASSEMBLY, stationary, with defroster. . . . .	1



12-31-95

# HUMMER PARTS CATALOG

10-36 BODY



P10-016

Figure 10-15. Driver and Passenger Seats, Deluxe and Standard.

# HUMMER PARTS CATALOG

**BODY 10-37**

ITEM	PART NUMBER	DESCRIPTION	QTY
		Figure 10-15 DRIVER AND PASSENGER SEATS, DELUXE AND STANDARD All Front Seats Contain Height Adjustments)	
1	06005548 T	DRIVER SEAT ASSEMBLY, deluxe, cojac tan, wide armrest, pocket, tilt, recline and slide adjustments . . HMC4, HMCS, VLCO, XLCXLC2	1
1	06005548 G	DRIVER SEAT ASSEMBLY, deluxe, cojac grey, wide armrest, pocket, tilt, recline and slide adjustments . . HMC4, HMCS, VLCO, XLC2	1
1	06005549 T	PASSENGER SEAT ASSEMBLY, deluxe, cojac tan, wide armrest, pocket, recline and slide adjustments. . . . . HMC4, HMCS, VLCO, XLC2	1
1	06005549 G	PASSENGER SEAT ASSEMBLY, deluxe, cojac grey, wide armrest, pocket, recline and slide adjustments. . . . . HMC4, HMCS, VLCO, XLC2	1
1	06005550 T	DRIVER SEAT ASSEMBLY, deluxe, cojac tan, wide armrest, recline and slide adjustments . . . . . VLC2, XLC2	1
1	06005550 G	DRIVER SEAT ASSEMBLY, deluxe, cojac grey, wide armrest, recline and slide adjustments . . . . . VLC2, XLC2	1
1	06005551 T	PASSENGER SEAT ASSEMBLY, deluxe, cojac tan, and wide armrest . . . . . VLC2, XLC2	1
1	06005551 G	PASSENGER SEAT ASSEMBLY, deluxe, cojac grey, and wide armrest . . . . . VLC2, XLC2	1
1	06005676 T	DRIVER SEAT ASSEMBLY, standard, brown, pocket, recline and slide adjustments . . . . . HMC4, HMCS, VLCO, XLC2	1
1	06005675 T	PASSENGER SEAT ASSEMBLY, standard, brown, pocket, recline and slide adjustments . . . . . HMC4, HMCS, VLCO, XLC2	1
1	06004201 T	DRIVER SEAT ASSEMBLY, standard, brown, and slide adjustment . . . . . VLC2, XLC2	1
1	06004204 T	PASSENGER SEAT ASSEMBLY, standard, brown, . . . . . and slide adjustment VLC2	1
1	06005677	DRIVER SEAT ASSEMBLY, optional, black vinyl, recline and slide adjustments . . . . . HMC4, HMCS, VLCO, XLC2	1
1	06005678	PASSENGER SEAT ASSEMBLY, optional, black vinyl, recline and slide adjustments . . . . . HMC4, HMCS, VLCO, XLC2	1
1	06004200	DRIVER SEAT ASSEMBLY, optional, black vinyl, and slide adjustment . . . . . VLC2	1
1	06004203	PASSENGER SEAT ASSEMBLY, optional, black vinyl, and slide adjustment . . . . . VLC2	1

12-31-95

# HUMMER PARTS CATALOG

## 10-38 BODY

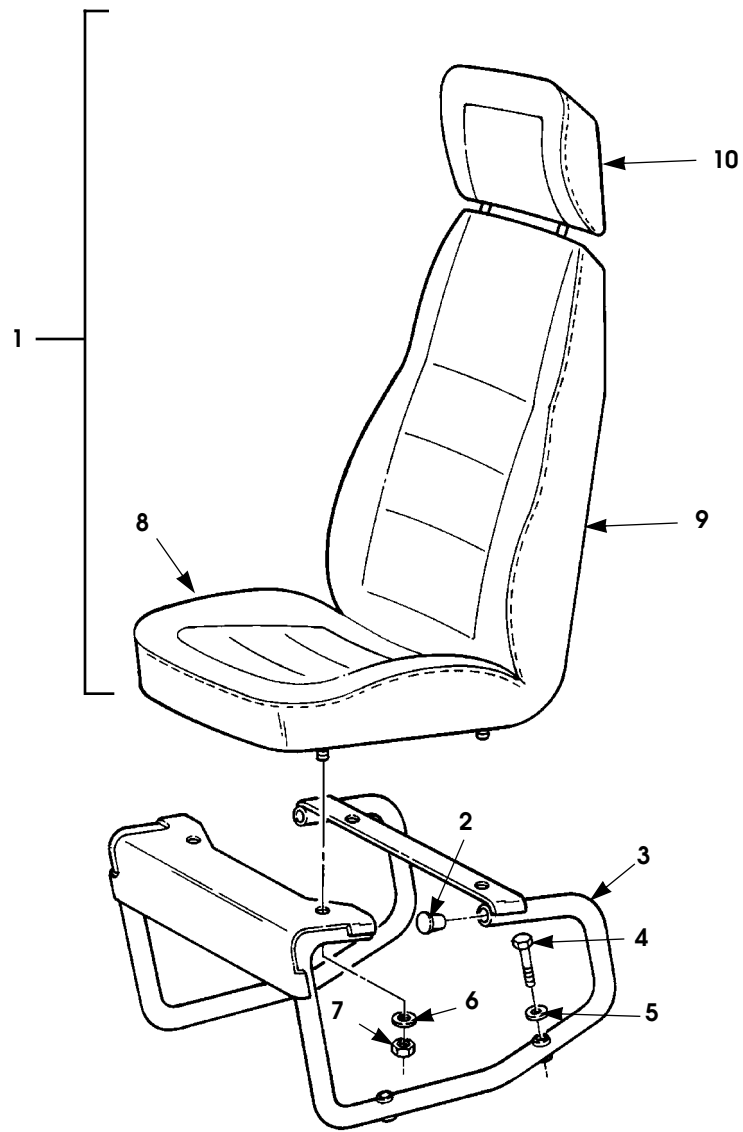
ITEM	PART NUMBER	DESCRIPTION	QTY
		Figure 10-15 DRIVER AND PASSENGER SEATS, DELUXE AND STANDARD (All Front Seats Contain Height Adjustments) (Cont'd)	
2	12343053	RISER . . . . .	1
3	G 02436162	WASHER . . . . .	8
4	G 09422295	LOCKNUT . . . . .	8
5	MS 00035338 26	LOCKWASHER . . . . .	12
6	G 09429048	NUT . . . . .	4
7	12446713	SLIDE SET, driver seat . . . . .	1
8	G 09421705	BOLT . . . . .	8
9	NPN	COVER, height adjuster . . . . .	2
10	12446714	HEIGHT ADJUSTER . . . . .	1
11	G 09421705 P2	BOLT . . . . .	8
12	12343055	SPACER . . . . .	4
13	NPN	BAG, height adjuster . . . . .	1
14	G 02436162 P2	WASHER . . . . .	4
15	12341856	SPACER . . . . .	4
* 16	05744392	UPHOLSTERY, seat, tan cojac . . . . .	1
* 16	05744397	UPHOLSTERY, seat, gray cojac . . . . .	1
* 16	05743466	UPHOLSTERY, seat, black . . . . .	1
* 17	05744391	UPHOLSTERY, backrest, tan cojac, w/pouch. . . . .	1
* 17	05744396	UPHOLSTERY, backrest, gray cojac, w/pouch. . . . .	1
* 17	05743715	UPHOLSTERY, backrest, black w/o pouch . . . . .	1
* 17	05744386	UPHOLSTERY, backrest, black, w/pouch. . . . .	1
* 18	05744393	UPHOLSTERY, headrest, tan cojac . . . . .	1
* 18	05744400	UPHOLSTERY, headrest, gray cojac . . . . .	1
* 18	05743711	UPHOLSTERY, headrest, black . . . . .	1
* *	05744394	UPHOLSTERY, armrest, R.H., tan cojac (not illustrated) .	1
* *	05744402	UPHOLSTERY, armrest, R.H., gray cojac (not illustrated)	1
* *	05744388	UPHOLSTERY, armrest, R.H., black (not illustrated) . . . .	1
* *	05744395	UPHOLSTERY, armrest, L.H., tan cojac (not illustrated) .	1
* *	05744401	UPHOLSTERY, armrest, L.H., gray cojac (not illustrated)	1
* *	05744387	UPHOLSTERY, armrest, L.H., black (not illustrated) . . . .	1
		NOTE 1: T for Tan G for Gray	



12-31-95

# HUMMER PARTS CATALOG

10-40 BODY



P10-017

Figure 10-16. Rear Passenger Seats, Deluxe and Standard.

# HUMMER PARTS CATALOG

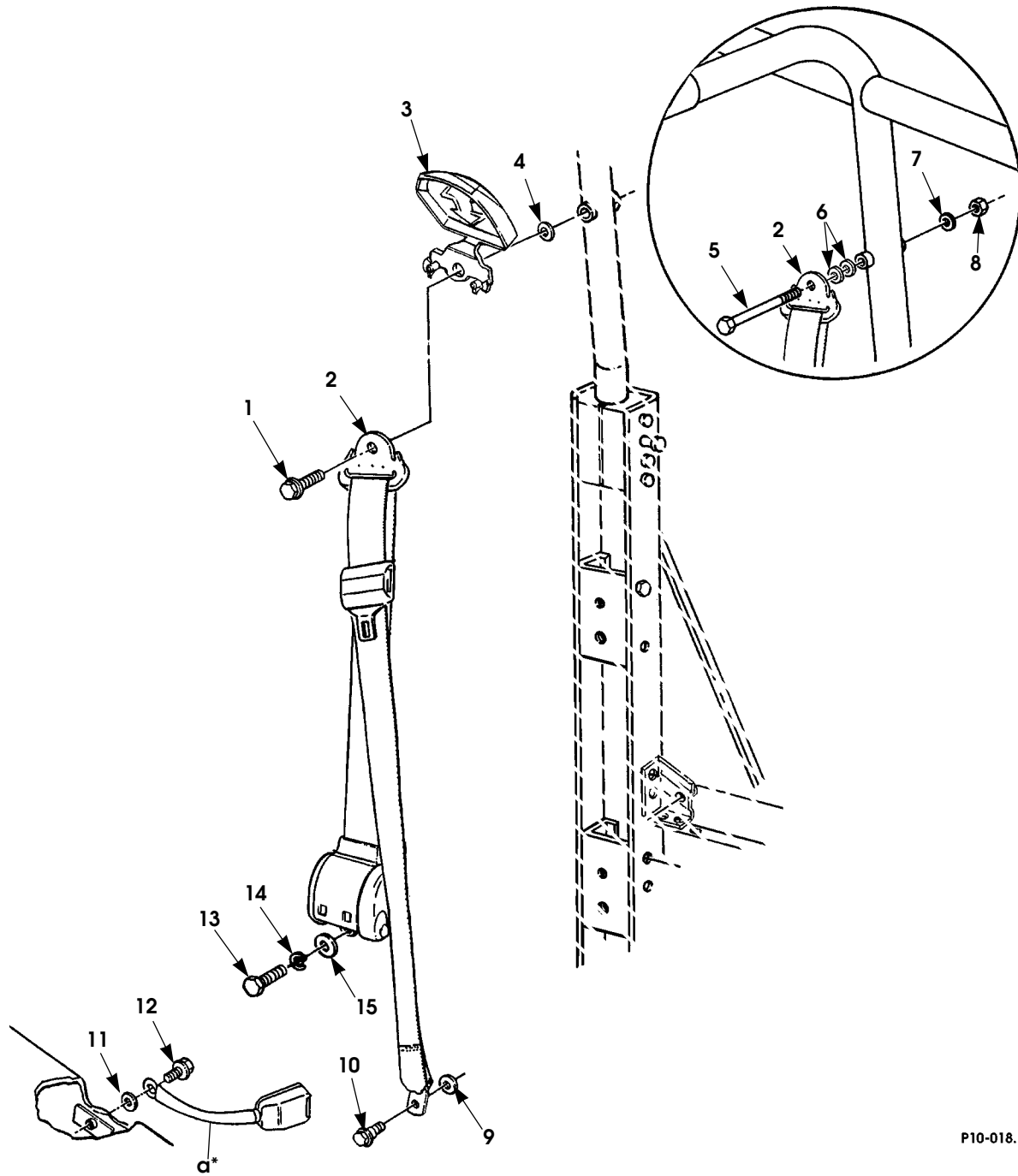
12-31-95

## BODY 10-41

ITEM	PART NUMBER	DESCRIPTION	QTY
		Figure 10-16 REAR PASSENGER SEAT, DELUXE AND STANDARD HMC4, HMCS, VLCO	
1	06003553	PASSENGER SEAT ASSEMBLY, optional black vinyl. . . . .	2
1	06003678 T	PASSENGER SEAT ASSEMBLY, deluxe, cojac tan . . . . .	2
1	06003678 G	PASSENGER SEAT ASSEMBLY, deluxe, cojac coal gray. . . . .	2
1	06003552	PASSENGER SEAT ASSEMBLY, brown . . . . .	2
2	12339361 5	PLUG. . . . .	8
3	05939508 B2	REAR SEAT STANCHION ASSEMBLY. . . . .	2
4	G 09418992 P2	BOLT, passenger seat support . . . . .	8
5	G 02436162	WASHER, passenger seat support . . . . .	8
6	G 02436162 P2	WASHER, passenger seat support . . . . .	8
7	MS 00051943 33	NUT, passenger seat support, 4-door . . . . .	8
* 8	05744390	UPHOLSTERY, seat, tan cojac . . . . .	1
* 8	05744398	UPHOLSTERY, seat, gray cojac . . . . .	1
* 8	05743712	UPHOLSTERY, seat, black. . . . .	1
* 9	05744389	UPHOLSTERY, backrest, tan cojac . . . . .	1
* 9	05744399	UPHOLSTERY, backrest, gray cojac . . . . .	1
* 9	05743713	UPHOLSTERY, backrest, black . . . . .	1
* 10	05744393	UPHOLSTERY, headrest, tan cojac . . . . .	1
* 10	05744400	UPHOLSTERY, headrest, gray cojac . . . . .	1
* 10	05743711	UPHOLSTERY, headrest, black. . . . .	1
		NOTE 1: T for Tan G for Gray	

# HUMMER PARTS CATALOG

## 10-42 BODY



P10-018.1

\* a PART OF ITEM 2

Figure 10-17. Front and Rear Seat Belts.

# HUMMER PARTS CATALOG

12-31-95

## BODY 10-43

ITEM	PART NUMBER	DESCRIPTION	QTY
		Figure 10-17 FRONT AND REAR SEAT BELTS	
1	06004980	BOLT ..... XLC2	2
* 1	06004162 P2	BOLT ..... VLC2	2
* 1	06004162 P2	BOLT ..... HMC4, HMCS	4
2	05743857	KIT, front seat belt, L.H. ....	1
2	05743858	KIT, front seat belt, R.H. ....	1
2	05743859	KIT, rear seat belt, L.H. ....	1
2	05743860	KIT, rear seat belt, R.H. ....	1
3	06004161	COVER, webbing guide ..... XLC2, VLC2	2
3	06004161	COVER, webbing guide ..... HMCS, HMC4	4
4	12341856 P2	WASHER ..... VLC2, XLC2	2
4	12341856 P2	WASHER ..... HMC4, HMCS	4
5	12340259 4	BOLT, front seat belt ..... VLCO	2
* 5	06000468 P2	BOLT, rear seat belt ..... VLCO	2
6	12341856 P2	WASHER, front and rear seat belt ..... VLCO	8
7	G 02436164 P2	WASHER, front seat belt ..... VLCO	2
8	G 09422300 P2	NUT, front seat belt ..... VLCO	2
9	12340058 P2	WASHER ..... VLC2, XLC2, VLCO	2
9	12340058 P2	WASHER ..... HMCS, HMC4	4
10	12340259 6	BOLT ..... VLC2, XLC2, VLCO	2
10	12340259 6	BOLT ..... HMC4, HMCS	4
11	12340058 P2	WASHER ..... XLC2, VLC2, VLCO	2
11	12340058 P2	WASHER ..... HMC4, HMCS	4
12	12340259 3	BOLT ..... VLC2, XLC2, VLCO	2
12	12340259 3	BOLT ..... HMC4, HMCS	4



# HUMMER PARTS CATALOG

## 10-44 BODY

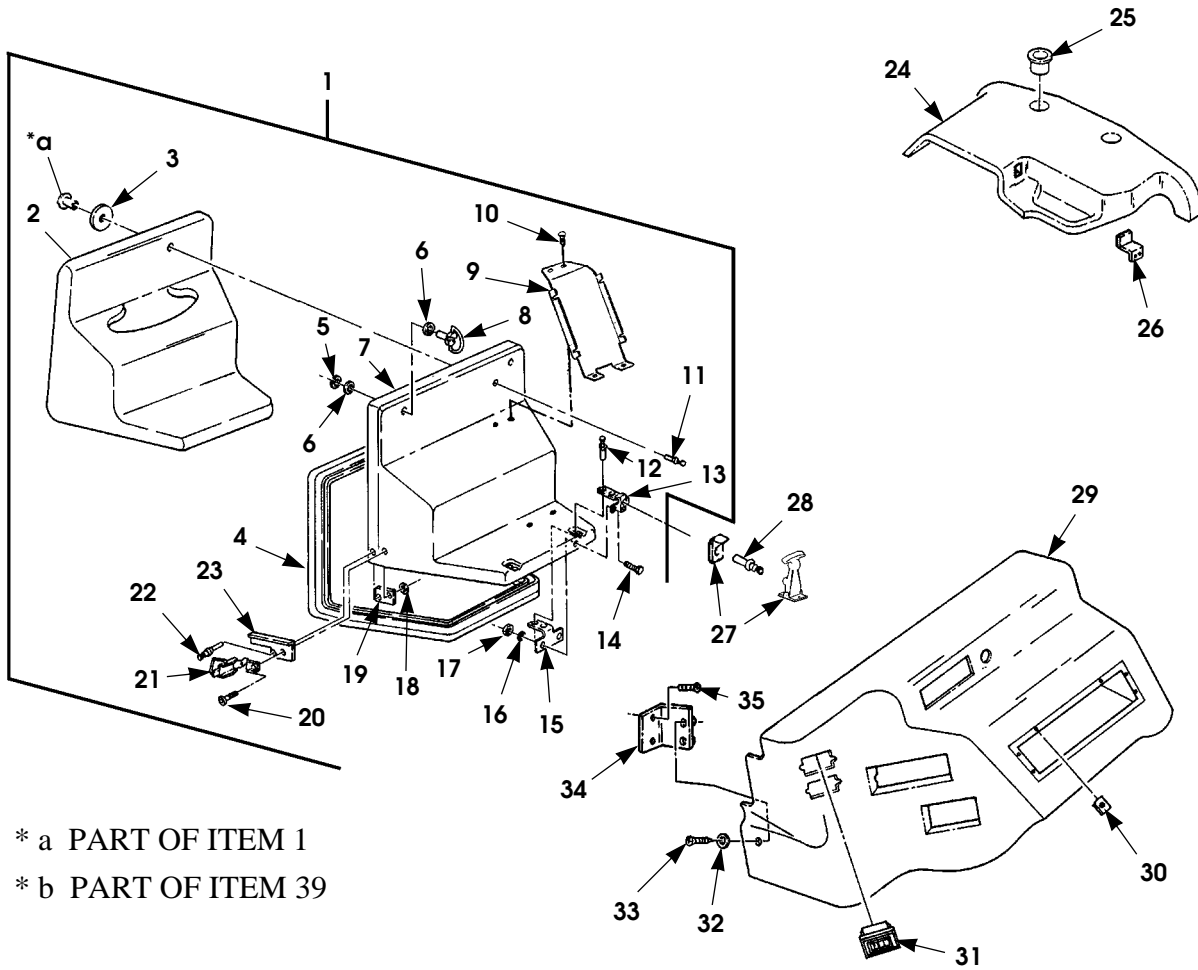
ITEM	PART NUMBER	DESCRIPTION	QTY
		Figure 10-17 FRONT AND REAR SEAT BELTS (Cont'd)	
13	G 00453719	BOLT, front seat belt . . . . .	2
13	G 00453124 P2	BOLT, rear seat belt . . . . .	2
		HMCS, HMC4	
14	MS 00035338 47	LOCKWASHER, rear seat belt . . . . .	2
		HMC4, HMCS	
15	12341856	WASHER . . . . .	2
		XLC2, VLC2, VLCO	
15	12341856	WASHER . . . . .	4
		HMC4, HMCS	



7-1-95

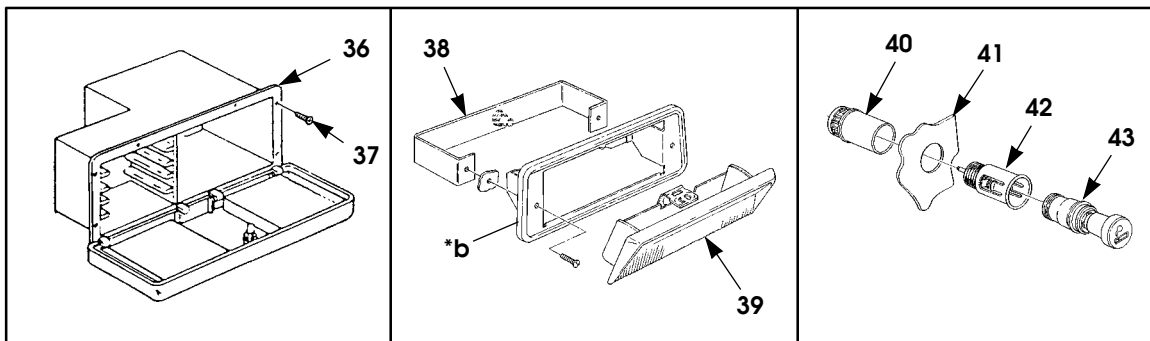
# HUMMER PARTS CATALOG

## 10-46 BODY



\* a PART OF ITEM 1

\* b PART OF ITEM 39



P10-019

Figure 10-18. Engine Cover, Console Cover, and Related Parts.

# HUMMER PARTS CATALOG

7-1-95

## BODY 10-47

ITEM	PART NUMBER	DESCRIPTION	QTY
		Figure 10-18 ENGINE COVER, CONSOLE COVER, AND RELATED PARTS	
1	06003199	ENGINE COVER ASSEMBLY . . . . .	1
2	05939994	•INSULATION, engine cover . . . . .	1
3	12341718	•RETAINER, engine cover insulation . . . . .	7
4	12338953	•SEAL, engine cover . . . . .	1
5	12341011	•RING, retaining . . . . .	2
6	G 02436164	•WASHER . . . . .	4
7	05939514	•ENGINE COVER . . . . .	1
8	12339738 1	•STUD, ring head . . . . .	2
9	06003476	•BRACKET, PCM/TCM mounting . . . . .	1
10	06001038	•CLIP, trim . . . . .	4
11	12339737	•RIVET . . . . .	7
12	M 007885/2 6-4	•RIVET . . . . .	4
13	12338951	•BRACKET, engine cover holddown, rear . . . . .	2
14	MS 00051849 75	•SCREW . . . . .	4
15	12338944	•PLATE, engine cover hold-down bracket, rear . . . . .	2
16	G 09416128	•WASHER . . . . .	4
17	MS 00035649 202	•NUT . . . . .	4
18	MS 00051943 33	•LOCKNUT . . . . .	2
19	12338943	•PLATE, latch backing, front . . . . .	2
20	12339428	•BOLT . . . . .	2
21	12338950	•LATCH ASSEMBLY, engine cover holddown, front . . . . .	2
22	M 007885/3 6-4	•RIVET . . . . .	2
23	12338952 1	•GUIDE PLATE, engine cover, front, L.H. . . . .	1
23	12338952 2	•GUIDE PLATE, engine cover, front, R.H. . . . .	1
24	06000913	CONSOLE, rear section HMCS, HMC4, VLCO . . . . .	1
24	06003504 G	CONSOLE, rear section, deluxe, SEE NOTE 1 HMCS, HMC4, VLCO . . . . .	1
24	06003504 T	CONSOLE, rear section, deluxe, SEE NOTE 1 HMCS, HMC4, VLCO . . . . .	1
24	06003505 T	CONSOLE, rear section, standard, SEE NOTE 1 HMCS, HMC4, VLCO . . . . .	1
25	06001157	CUP HOLDER HMCS, HMC4, VLCO . . . . .	2
26	06004817 B2	SUPPORT, rear console HMCS, HMC4, VLCO . . . . .	1
27	12338946	CATCH, engine cover holddown bracket . . . . .	2
28	05575839	RIVET . . . . .	2

12-31-95

# HUMMER PARTS CATALOG

## 10-48 BODY

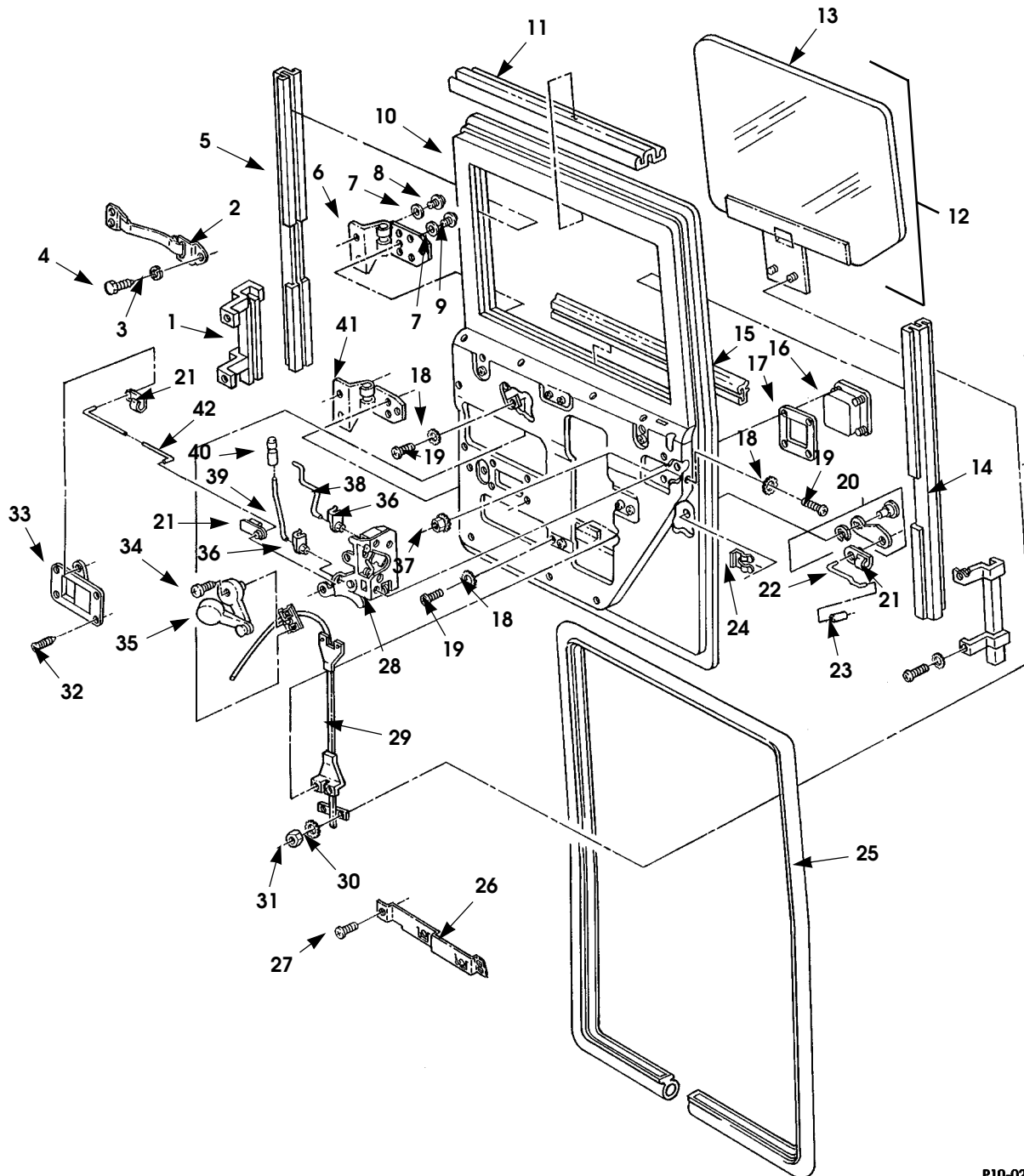
ITEM	PART NUMBER	DESCRIPTION	QTY
		Figure 10-18 ENGINE COVER, CONSOLE COVER, AND RELATED PARTS (Cont'd)	
29	06005619 G	CONSOLE, engine cover, deluxe w/ A/C and glove box, SEE NOTE 1 . . . . .	1
29	06005619 T	CONSOLE, engine cover, deluxe w/ A/C and glove box, SEE NOTE 1 . . . . .	1
* 29	06005617 T	CONSOLE, engine cover, standard w/ A/C and glove box . . . . .	1
30	06001894	SPEEDNUT, J-type . . . . .	6
31	05743410	LOUVER, A/C w/o adapter . . . . .	4
32	G 00121641 P2	WASHER . . . . .	2
33	G 00157401 P2	SCREW . . . . .	2
* 34	06001584 P1	BRACKET . . . . .	1
35	06000243	SCREW . . . . .	3
36	06001804	GLOVEBOX, w/ A/C . . . . .	1
37	MS 00035206 265	SCREW . . . . .	4
38	05939710 B2	BRACKET, ashtray . . . . .	2
39	05939713	ASHTRAY . . . . .	2
40	05939557	CLAMP, shell . . . . .	1
41	06001208	BEZEL, lighter . . . . .	1
42	05939559	SWITCH BASE ASSEMBLY, with thermal breaker . . . . .	1
43	05939897	CIGAR LIGHTER, knob and element . . . . .	1
		NOTE 1: T for Tan G for Gray	



12-31-95

# HUMMER PARTS CATALOG

10-50 BODY



P10-020

Figure 10-19. Front Door Assembly.

# HUMMER PARTS CATALOG

12-31-95

## BODY 10-51

ITEM	PART NUMBER	DESCRIPTION	QTY
		Figure 10-19 FRONT DOOR ASSEMBLY	
1	05938919	CHANNEL ASSEMBLY, front door glass, lower front, L.H.	1
1	05938920	CHANNEL ASSEMBLY, front door glass, lower front, R.H.	1
1	06000056	CHANNEL ASSEMBLY, front door glass, lower rear, L.H..	1
1	06000057	CHANNEL ASSEMBLY, front door glass, lower rear, R.H.	1
2	06004975	STRAP ASSEMBLY, door stop, front . . . . .	1
3	G 02436161	WASHER . . . . .	1
4	MS 00090728 8	BOLT . . . . .	4
★	5 05939047	SEAL, window channel, front . . . . .	1
★	6 06003620 P	DOOR HINGE ASSEMBLY, upper front, L.H.. . . . .	1
★	6 06003621 P	DOOR HINGE ASSEMBLY, upper front, R.H. . . . .	1
7	05939634 P2	WASHER . . . . .	11
8	05939223 P2	BOLT, upper . . . . .	3
9	05939423 P2	BOLT, lower . . . . .	3
10	06000065 P	DOOR ASSEMBLY, front, L.H. . . . . HMC4, HMCS, VLC2	1
10	06001054 P	DOOR ASSEMBLY, front, L.H. . . . . VLCO	1
10	06000066 P	DOOR ASSEMBLY, front R.H. . . . . HMC4, HMCS, VLC2	1
10	06001055 P	DOOR ASSEMBLY, front, R.H. . . . . VLCO	1
10	06003642 P	DOOR ASSEMBLY, front, L.H. . . . . HMC4, HMCS, VLC2	1
10	06003644 P	DOOR ASSEMBLY, front, L.H. . . . . VLCO	1
10	06003641 P	DOOR ASSEMBLY, front, R.H. . . . . HMC4,, HMCS, VLC2	1
10	06003643 P	DOOR ASSEMBLY, front, R.H. . . . . VLCO	1
11	05938944	SEAL, window channel, upper. . . . .	1
★	12 05744554	GLASS AND LIFT CHANNEL, L.H., tinted . . . . .	1
★	12 05744555	GLASS AND LIFT CHANNEL, R.H., tinted . . . . .	1
★	13 06003516	•GLASS, side window, tinted . . . . .	2
★	14 05939048	SEAL, window channel, rear. . . . .	1
15	05938840	SEAL, belt line. . . . .	2
16	06002874	HANDLE ASSEMBLY, exterior door, front, SEE NOTE 3. . .	1
17	06000248	GASKET, exterior door handle . . . . .	1
18	G 00121753	LOCKWASHER . . . . .	13
★	19 G 11504882 P2	SCREW . . . . .	13
20	N/S	LOCK CYLINDER, L.H., SEE NOTE 2 . . . . .	1
20	N/S	LOCK CYLINDER, R.H., SEE NOTE 2 . . . . .	1
21	05939037	CLIP, rod end . . . . .	3
22	05938964	ROD, key cylinder to latch, L.H. . . . .	1
22	05939714	ROD, key cylinder to latch, R.H. . . . .	1
23	06002906	SLEEVE, latch rod. . . . .	1
24	05939371	CLIP, key cylinder, retaining . . . . .	1



12-31-95

# HUMMER PARTS CATALOG

## 10-52 BODY

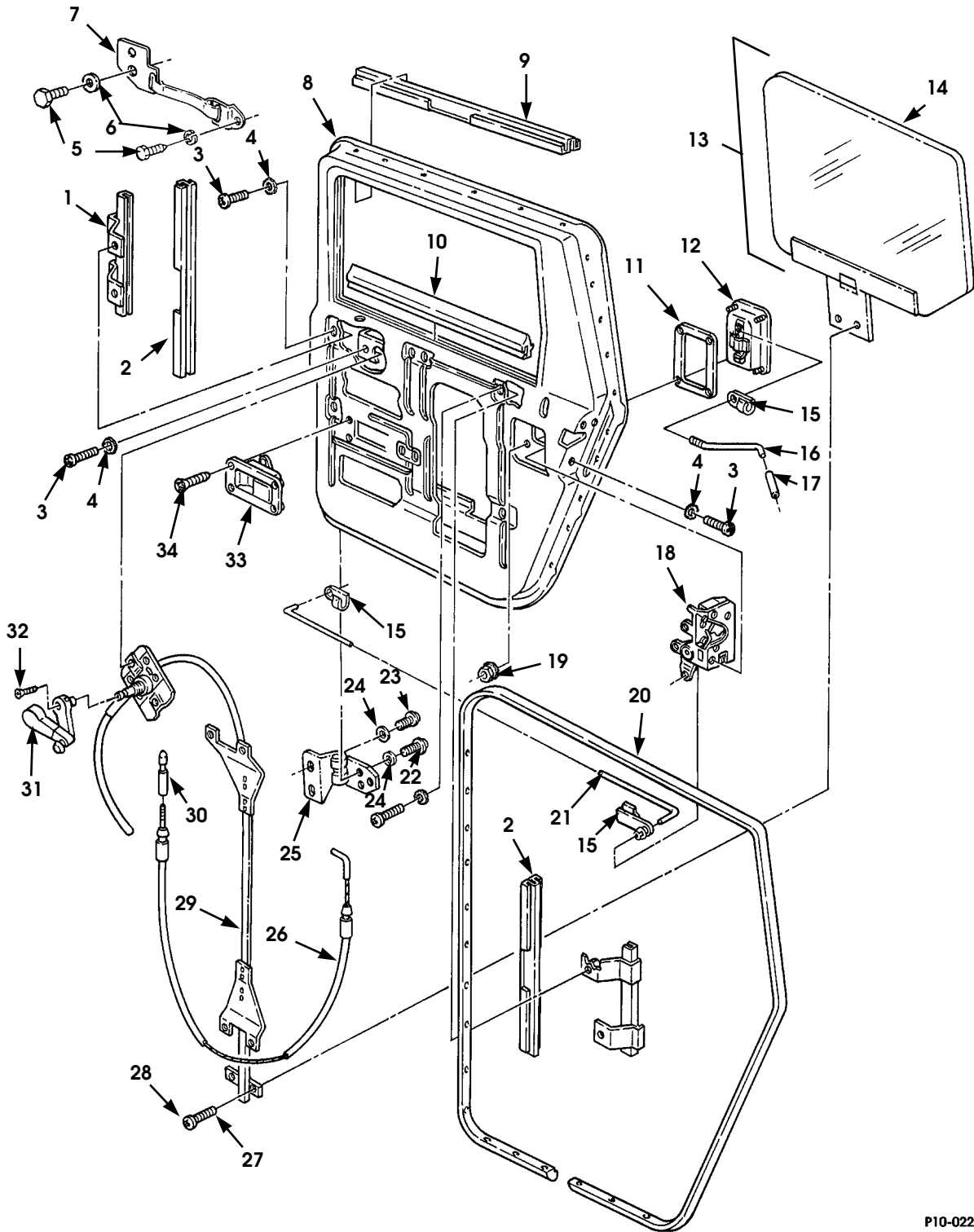
ITEM	PART NUMBER	DESCRIPTION	QTY
		Figure 10-19 FRONT DOOR ASSEMBLY (Cont'd)	
25	NPN	SEAL, door, black foam, 120-inches long, SEE NOTE 1 .	1
26	06004422	BRACKET ASSEMBLY, front door, arm rest mounting, L.H.	1
26	06004434	BRACKET ASSEMBLY, front door, arm rest mounting, R.H.	1
27	G 00160586	SCREW . . . . .	1
28	05938960	LATCH ASSEMBLY, L.H. . . . .	1
28	05938961	LATCH ASSEMBLY, R.H. . . . .	1
29	05938949	WINDOW REGULATOR ASSEMBLY, L.H. . . . .	1
29	05938950	WINDOW REGULATOR ASSEMBLY, R.H. . . . .	1
30	NPN	LOCKWASHER . . . . .	2
31	NPN	NUT . . . . .	2
32	G 09425422 P2	SCREW . . . . .	4
33	06000249	HANDLE ASSEMBLY, door interior, L.H. . . . .	1
33	06000250	HANDLE ASSEMBLY, door interior, R.H. . . . .	1
34	G 00155954	SCREW . . . . .	1
35	05938951	HANDLE, window regulator . . . . .	1
36	12340002	CLIP, rod, handle end, L.H. . . . .	2
36	12340003	CLIP, rod, handle end, R.H. . . . .	2
37	G 00271166	NUT AND LOCKWASHER . . . . .	4
38	06002880	ROD, exterior handle to latch, front, SEE NOTE 3 . . . . .	2
39	05938965	ROD, lock pin to latch, L.H. . . . .	1
40	05938966	ROD, lock pin to latch, R.H. . . . .	1
40	05938959	KNOB, door lock . . . . .	1
* 41	05938962 P	DOOR HINGE ASSEMBLY, lower, L.H. . . . .	1
* 41	05938963 P	DOOR HINGE ASSEMBLY, lower, R.H. . . . .	1
42	06000064	ROD, interior handle to latch, front . . . . .	1
		NOTE 1: BULK SEAL P/N 06006447, 250 ' ROLL NOTE 2: ORDER LOCK CYLINDER KIT P/N 06001766 NOTE 3: WHEN REPLACING SINGLE LEVER OUTSIDE HANDLE, ORDER ROD AND HANDLE KIT P/N 05743247	



12-31-95

# HUMMER PARTS CATALOG

10-54 BODY



P10-022

Figure 10-20. Rear Door Assembly.

# HUMMER PARTS CATALOG

12-31-95

## BODY 10-55

ITEM	PART NUMBER	DESCRIPTION	QTY
		Figure 10-20 REAR DOOR ASSEMBLY	
1	05938921	CHANNEL ASSEMBLY, front door glass, lower rear, L.H..	1
1	05938922	CHANNEL ASSEMBLY, front door glass, lower rear, R.H.	1
1	06000058	CHANNEL ASSEMBLY, rear door glass, lower rear, L.H. .	1
1	06000087	CHANNEL ASSEMBLY, rear door glass, lower rear, R.H. .	1
2	05939047	SEAL, window channel, front . . . . .	1
2	05939048	SEAL, window channel, rear. . . . .	1
3	G 00160515	SCREW . . . . .	10
4	G 00121753	LOCKWASHER . . . . .	13
5	MS 00090728 8	BOLT . . . . .	4
6	G 02436161	WASHER . . . . .	4
7	06004971	STRAP ASSEMBLY, door stop, rear, L.H. . . . .	1
7	06004972	STRAP ASSEMBLY, door stop, rear, R.H. . . . .	1
8	06000071 P	DOOR ASSEMBLY, rear, L.H. . . . .	1
		HMC4, HMCS	
8	06001056 P	DOOR ASSEMBLY, rear, L.H. . . . .	1
		VLCO	
8	06000072 P	DOOR ASSEMBLY, rear, R.H. . . . .	1
		HMC4, HMCS	
8	06001057 P	DOOR ASSEMBLY, rear, R.H. . . . .	1
		VLCO	
9	05938944	SEAL, window channel, upper . . . . .	1
10	05938840	SEAL, belt line. . . . .	2
11	06000248	GASKET, exterior door handle . . . . .	1
12	06002874	HANDLE ASSEMBLY, door exterior, rear . . . . .	1
★ 13	05744554	GLASS AND LIFT CHANNEL, L.H. . . . .	1
★ 13	05744555	GLASS AND LIFT CHANNEL, R.H. . . . .	1
★ 14	06003516	•GLASS, side window, tinted . . . . .	2
15	05939037	CLIP, rod end . . . . .	3
16	06002881	ROD, exterior handle to latch, rear. . . . .	2
17	06002906	SLEEVE, latch rod. . . . .	1
18	05938960	LATCH ASSEMBLY, L.H. . . . .	1
18	05938961	LATCH ASSEMBLY, R.H. . . . .	1
19	G 00271166	NUT AND LOCKWASHER . . . . .	4
20	NPN	SEAL, door, black foam, 120" long, SEE NOTE 1. . . . .	1
21	06000061	ROD, interior handle to latch, rear . . . . .	1
22	05939423 P2	BOLT . . . . .	6
23	05939223	BOLT . . . . .	4
★ 24	05939634 P	WASHER . . . . .	11
★ 25	05938962 P	HINGE ASSEMBLY, door, L.H. . . . .	2
★ 25	05938963 P	HINGE ASSEMBLY, door, R.H. . . . .	2
26	05938896	DOOR LOCK CABLE ASSEMBLY . . . . .	1
27	NPN	LOCKWASHER . . . . .	2
28	NPN	NUT . . . . .	2

12-31-95

# HUMMER PARTS CATALOG

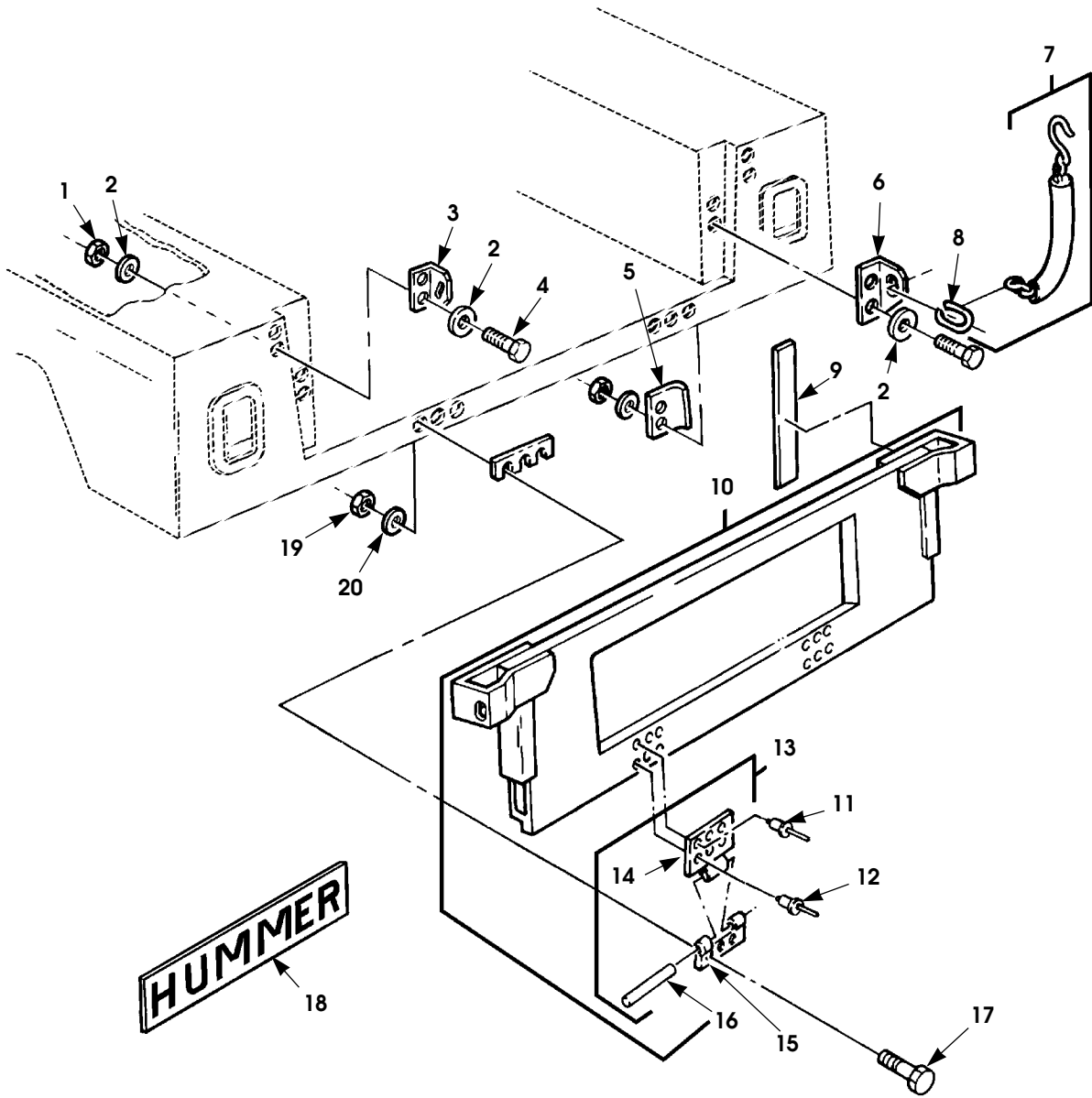
## 10-56 BODY

ITEM	PART NUMBER	DESCRIPTION	QTY
		Figure 10-20 REAR DOOR ASSEMBLY (Cont'd)	
29	05938949	WINDOW REGULATOR ASSEMBLY, L.H. ....	1
29	05938950	WINDOW REGULATOR ASSEMBLY, R.H. ....	1
30	05938959	KNOB. ....	1
31	05938951	HANDLE, window regulator ....	1
32	G 00155954	SCREW ....	1
33	06000249	HANDLE ASSEMBLY, door interior, L.H. .... VLCO, HMC4, HMCS	1
33	06000250	HANDLE ASSEMBLY, door interior, R.H. .... VLCO, HMC4, HMCS	1
34	G 09425422 P2	SCREW ....	4
NOTE 1: BULK SEAL P/N 06006447, 250'			



# HUMMER PARTS CATALOG

## 10-58 BODY



P10-023

Figure 10-21. Tailgate Assembly and Related Parts.

# HUMMER PARTS CATALOG

12-31-95

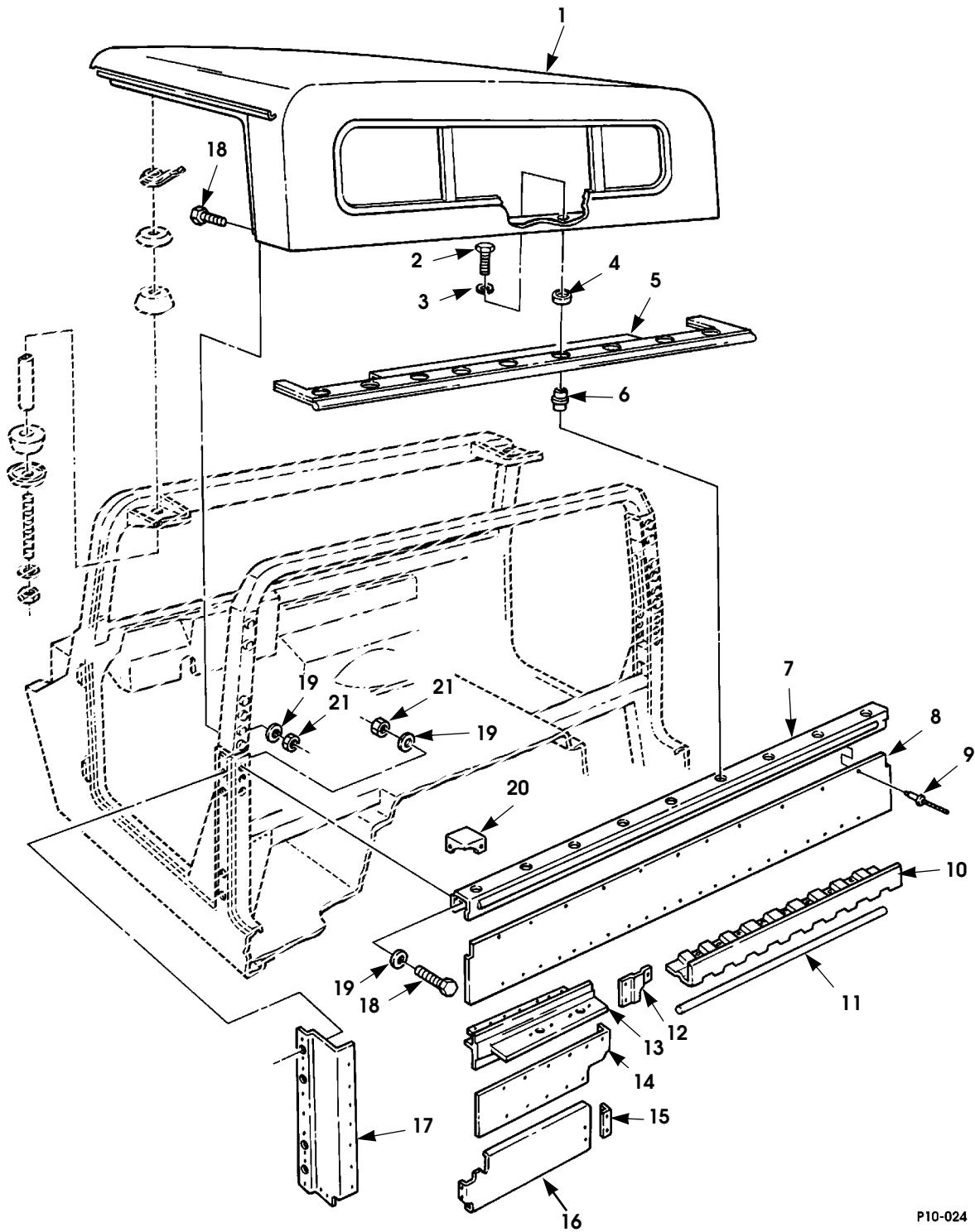
## BODY 10-59

ITEM	PART NUMBER	DESCRIPTION	QTY
		Figure 10-21 TAILGATE ASSEMBLY AND RELATED PARTS	
1	MS 00051943 33	LOCKNUT, latch and bracket . . . . .	8
2	G 02436162	WASHER, latch and bracket . . . . .	16
3	12338974 2P	LATCH, tailgate chain, R.H. . . . .	1
3	12338974 1P	LATCH, tailgate chain, L.H. . . . .	1
* 4	MS 00090725 35P2	BOLT, latch and bracket . . . . .	8
5	12338977 B1	REINFORCEMENT, tailgate chain mount. . . . .	2
6	12338975 1P	BRACKET, chain mount, L.H. . . . .	1
6	12338975 2P	BRACKET, chain mount, R.H. . . . .	1
7	12339227 1P3	COVER AND CHAIN, tailgate, L.H. . . . .	1
7	12339227 2P3	COVER AND CHAIN, tailgate, R.H. . . . .	1
8	12339223 P3	•CONNECTOR, tailgate chain. . . . .	2
9	12339228 9	SEAL, cargo box to tailgate . . . . .	2
		VLC2, HMC4	
10	WA 12338981 P	TAILGATE ASSEMBLY . . . . .	1
11	12340354 2	•RIVET, blind, upper. . . . .	6
12	12340354 1	•RIVET, blind, lower . . . . .	6
13	12339985	•HINGE ASSEMBLY. . . . .	2
14	12339945	••HINGE, tailgate, upper . . . . .	1
15	12339999	••HINGE, tailgate, lower. . . . .	1
16	12339663	••PIN, tailgate hinge . . . . .	1
* 17	MS 00090725 64P2	SCREW, lower hinge . . . . .	6
18	06002989	DECAL, "HUMMER", black. . . . .	1
18	06002990	DECAL, "HUMMER", gold . . . . .	1
19	MS 00051943 35	LOCKNUT, lower hinge . . . . .	6
20	G 02436163	WASHER, lower hinge . . . . .	6
21	12340045	SHIM, tailgate hinge . . . . .	V



# HUMMER PARTS CATALOG

## 10-60 BODY



P10-024

Figure 10-22. Two-Man Hardtop.

# HUMMER PARTS CATALOG

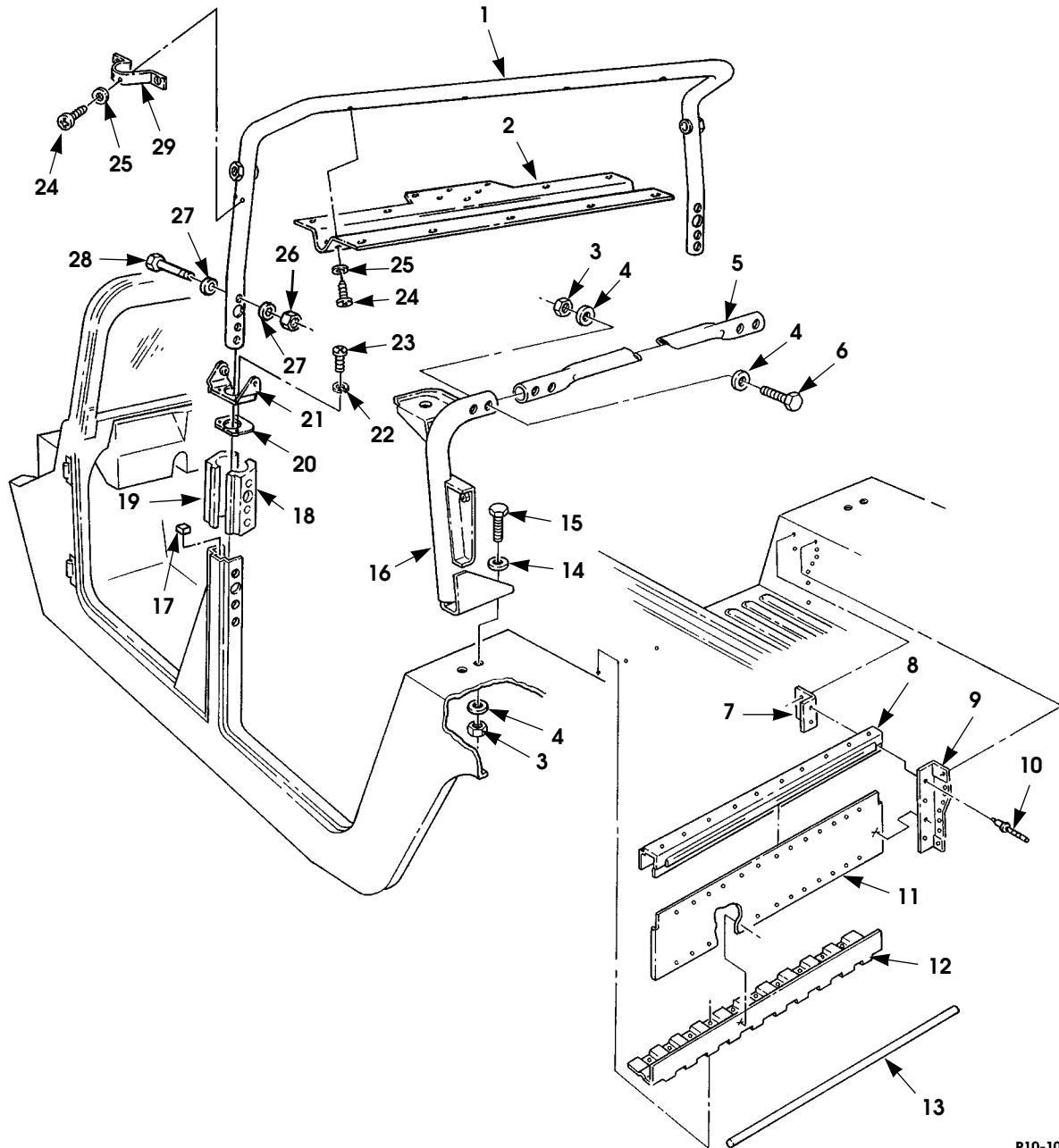
12-31-95

## BODY 10-61

ITEM	PART NUMBER	DESCRIPTION	QTY
		Figure 10-22 TWO-MAN HARDTOP	
★ 1	06005972 P	ROOF ASSEMBLY ..... VLC2	1
★ 1	06005971 P	ROOF ASSEMBLY ..... XLC2	1
2	MS 00090728 8	BOLT ..... VLC2	9
★ 3	MS 00035338 44	WASHER ..... VLC2	9
4	05939596	SPACER, belt line, rear seal. .... VLC2	9
5	06000778	SEAL, belt line, rear ..... VLC2	1
6	05937810	NUT INSERT ..... VLC2	9
7	05938736	RAIL, upper rear. .... VLC2	1
8	05938753	PANEL, lower back ..... VLC2	1
9	12339355 1	RIVET. .... VLC2	115
10	05938744	BRACKET, back panel support, center ..... VLC2	1
11	05939988	SEAL, cargo floor/back panel ..... VLC2	1
12	05938749	PANEL, L.H. .... VLC2	1
12	05938760	PANEL, R.H. .... VLC2	1
13	05938767	SUPPORT, footwell cover, L.H. .... VLC2	1
13	05938768	SUPPORT, footwell cover, R.H. .... VLC2	1
14	05938763	PANEL, footwell, upper, L.H. .... VLC2	1
14	05938764	PANEL, footwell, upper, R.H. .... VLC2	1
15	05938745	BRACKET, closeout panel mounting ..... VLC2	2
16	05938750	PANEL, footwell, lower, L.H. .... VLC2	1
16	05938751	PANEL, footwell, lower, R.H. .... VLC2	1
17	05938759	PANEL, lower back, outer, L.H. .... VLC2	1
17	05938762	PANEL, lower back, outer, R.H. .... VLC2	1
★ 18	MS 00090728 34	BOLT ..... VLC2	4
19	G 02436162	WASHER ..... VLC2	6
20	05939078	CLOSEOUT RAIL, outer ..... VLC2	2
21	MS 00051943 33	NUT ..... VLC2	4

# HUMMER PARTS CATALOG

## 10-62 BODY



P10-107

Figure 10-23. Four-Man Hardtop B- and C-Pillars.

# HUMMER PARTS CATALOG

12-31-95

## BODY 10-63

ITEM	PART NUMBER	DESCRIPTION	QTY
		Figure 10-23 FOUR-MAN HARDTOP B- AND C-PILLARS	
1	06004532	B-BAR ASSEMBLY . . . . .	1
		HMC4, HMCS	
2	06005148	SUPPORT, headliner. . . . .	1
		HMC4, HMCS	
3	MS 00051943 34	NUT . . . . .	8
		HMC4, HMCS	
4	G 02436163	WASHER . . . . .	12
		HMC4, HMCS	
5	05937106	C-PILLAR, intermediate. . . . .	1
		HMC4, HMCS	
6	MS 00090728 70	BOLT . . . . .	4
		HMC4, HMCS	
7	05938792	ANGLE, rail to wheelhouse, L.H. . . . .	1
		HMC4, HMCS	
7	05939304	ANGLE, rail to wheelhouse, R.H. . . . .	1
		HMC4, HMCS	
8	05938790	RAIL ASSEMBLY, upper rear. . . . .	1
		HMC4, HMCS	
9	05938787	BRACKET, lower back panel, L.H. . . . .	1
		HMC4, HMCS	
9	05938788	BRACKET, lower back panel, R.H. . . . .	1
		HMC4, HMCS	
* 10	12339355 1	RIVET. . . . .	75
		HMC4, HMCS	
11	05938775	PANEL, lower back . . . . .	2
		HMC4, HMCS	
12	05938789	BRACKET, cargo floor . . . . .	1
		HMC4, HMCS	
13	05939988	SEAL, cargo floor/back panel . . . . .	1
		HMC4, HMCS	
14	12340880	WASHER . . . . .	4
		HMC4, HMCS	
15	MS 00090728 64	BOLT . . . . .	4
		HMC4, HMCS	
16	05938814 B2	C-PILLAR ASSEMBLY, L.H. . . . .	1
		HMC4, HMCS	
16	05938815 B2	C-PILLAR ASSEMBLY, R.H. . . . .	1
		HMC4, HMCS	
17	06000240	SEAL, rabbet B-pillar . . . . .	2
		HMC4, HMCS	
18	12340090 1	CONNECTION BLOCK . . . . .	2
		HMC4, HMCS	
19	12340090 2	CONNECTION BLOCK. . . . .	2
		HMC4, HMCS	
20	06005156	SEAL, B-pillar. . . . .	2
		HMC4, HMCS	

12-31-95

# HUMMER PARTS CATALOG

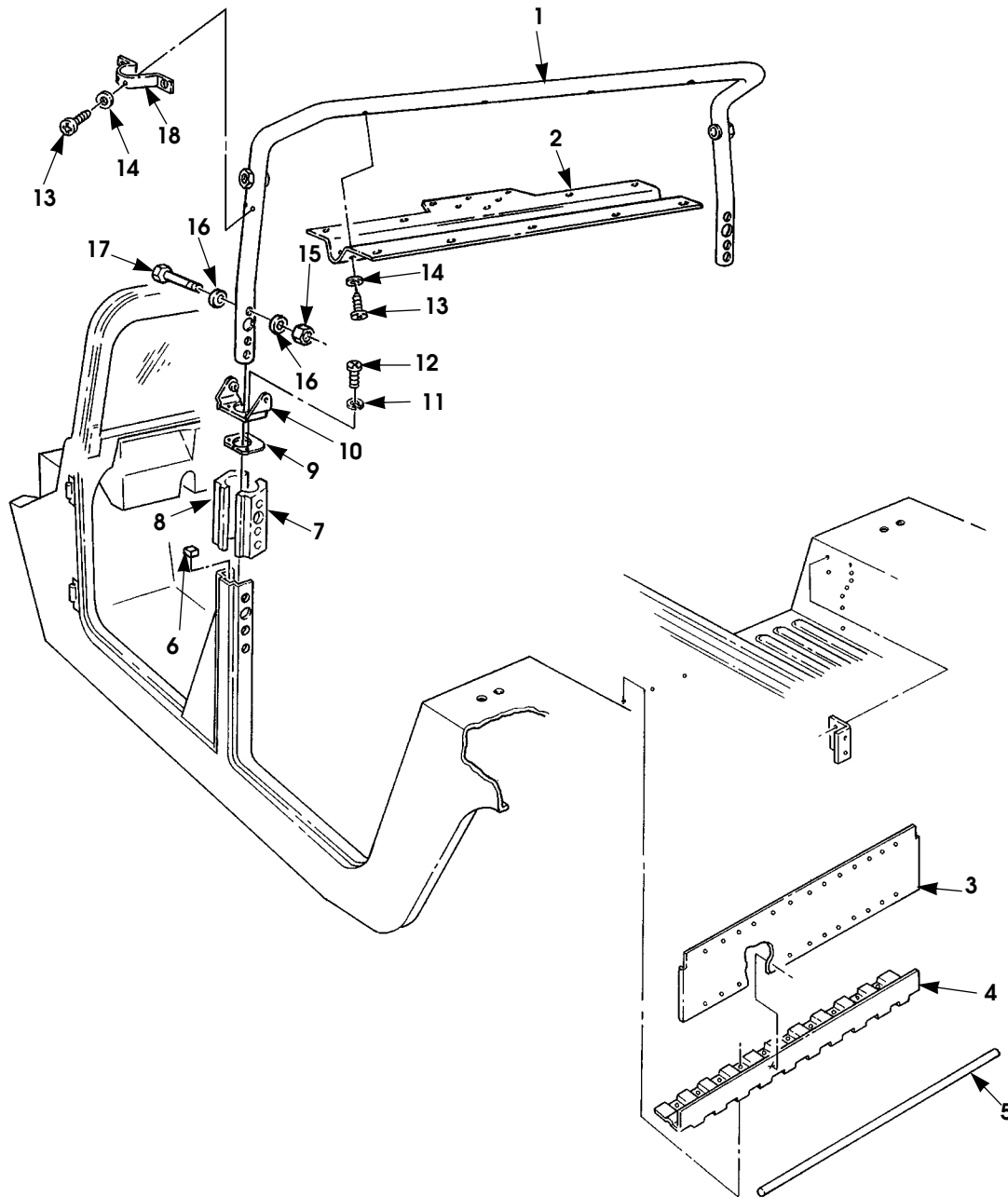
## 10-64 BODY

ITEM	PART NUMBER	DESCRIPTION	QTY
		Figure 10-23 FOUR-MAN HARDTOP B- AND C-PILLARS (Cont'd)	
21	06004541	BRACKET, assembly, B-pillar cover mounting . . . . . HMC4, HMCS	2
* 22	MS 00035338 43	LOCKWASHER . . . . . HMC4, HMCS	4
* 23	MS 00024629 48	SCREW . . . . . HMC4, HMCS	4
* 24	MS 00024629 46	SCREW . . . . . HMC4, HMCS	12
25	G 09417373	WASHER . . . . . HMC4, HMCS	12
26	MS 00051943 33	NUT . . . . . HMC4, HMCS	6
27	G 02436162	WASHER . . . . . HMC4, HMCS	12
28	G 09430441	BOLT . . . . . HMC4, HMCS	6
29	06005145	BRACKET, trim mounting . . . . . HMC4, HMCS	2



# HUMMER PARTS CATALOG

## 10-66 BODY



P10-108

Figure 10-24. Two-Man Enlarged Cab Hardtop B-Pillar.

# HUMMER PARTS CATALOG

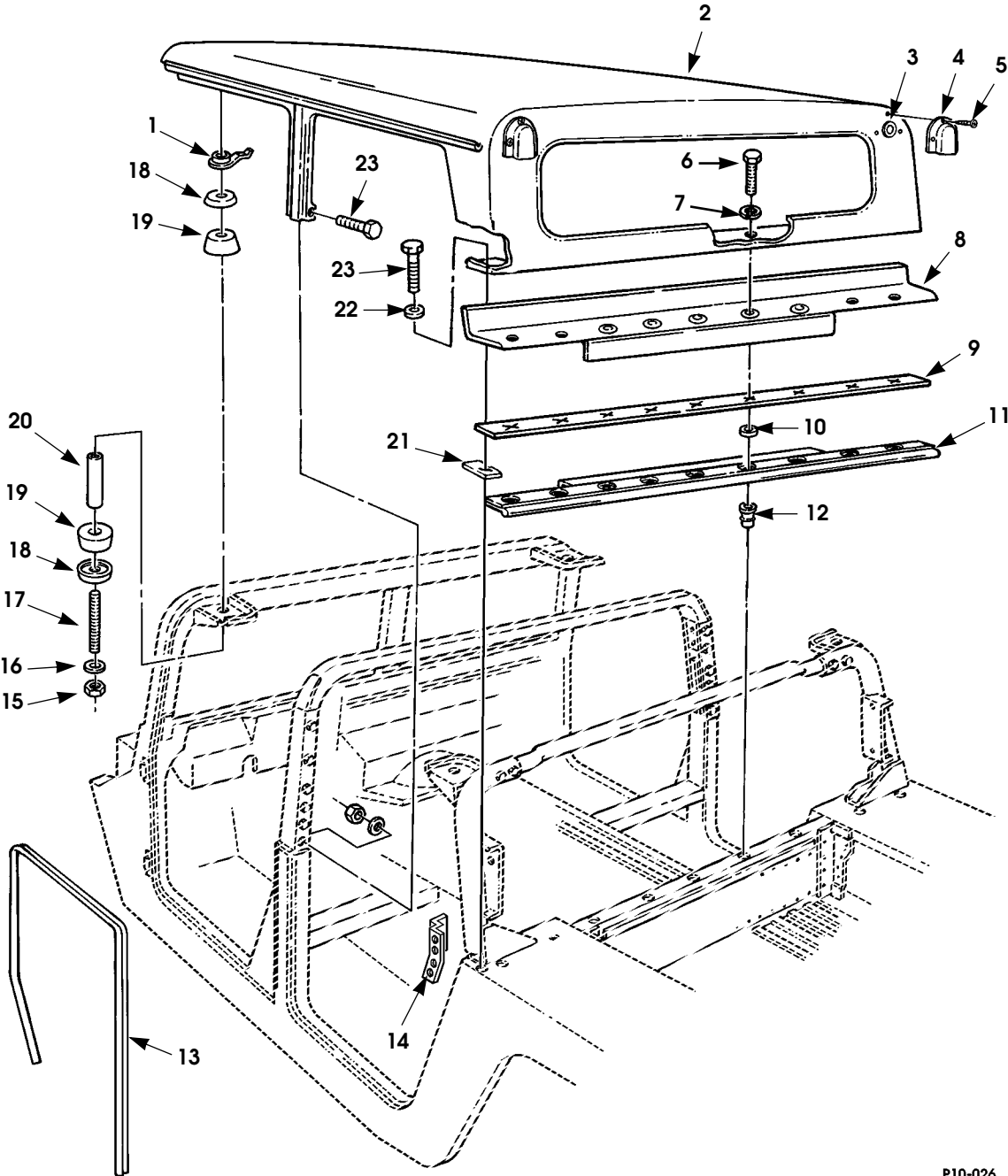
**BODY 10-67**

ITEM	PART NUMBER	DESCRIPTION	QTY
		Figure 10-24 TWO-MAN ENLARGED CAB HARDTOP B-PILLAR	
1	06004532	B-BAR ASSEMBLY . . . . . XLC2	1
2	06005148	SUPPORT, headliner. . . . . XLC2	1
3	05938775	PANEL, lower back . . . . . XLC2	1
4	05938789	BRACKET, cargo floor . . . . . XLC2	1
5	05939988	SEAL, cargo floor/back panel . . . . . XLC2	1
6	06000240	SEAL, rabbet B-pillar . . . . . XLC2	2
7	12340090 1	CONNECTION BLOCK. . . . . XLC2	2
8	12340090 2	CONNECTION BLOCK. . . . . XLC2	2
9	06005156	SEAL, B-pillar. . . . . XLC2	2
10	06004541	BRACKET, assembly, B-pillar cover mounting . . . . . XLC2	2
11	MS 00035338 43	LOCKWASHER . . . . . XLC2	4
12	MS 00024629 48	SCREW . . . . . XLC2	4
13	MS 00024629 46	SCREW . . . . . XLC2	12
14	G 09417373	WASHER . . . . . XLC2	12
15	MS 00051943 33	NUT . . . . . XLC2	6
16	G 02436162	WASHER . . . . . XLC2	12
17	G 09430441	BOLT . . . . . XLC2	6
18	06005145	BRACKET, trim mounting . . . . . XLC2	2



# HUMMER PARTS CATALOG

## 10-68 BODY



P10-026

Figure 10-25. Four-Man Hardtop Assembly.

# HUMMER PARTS CATALOG

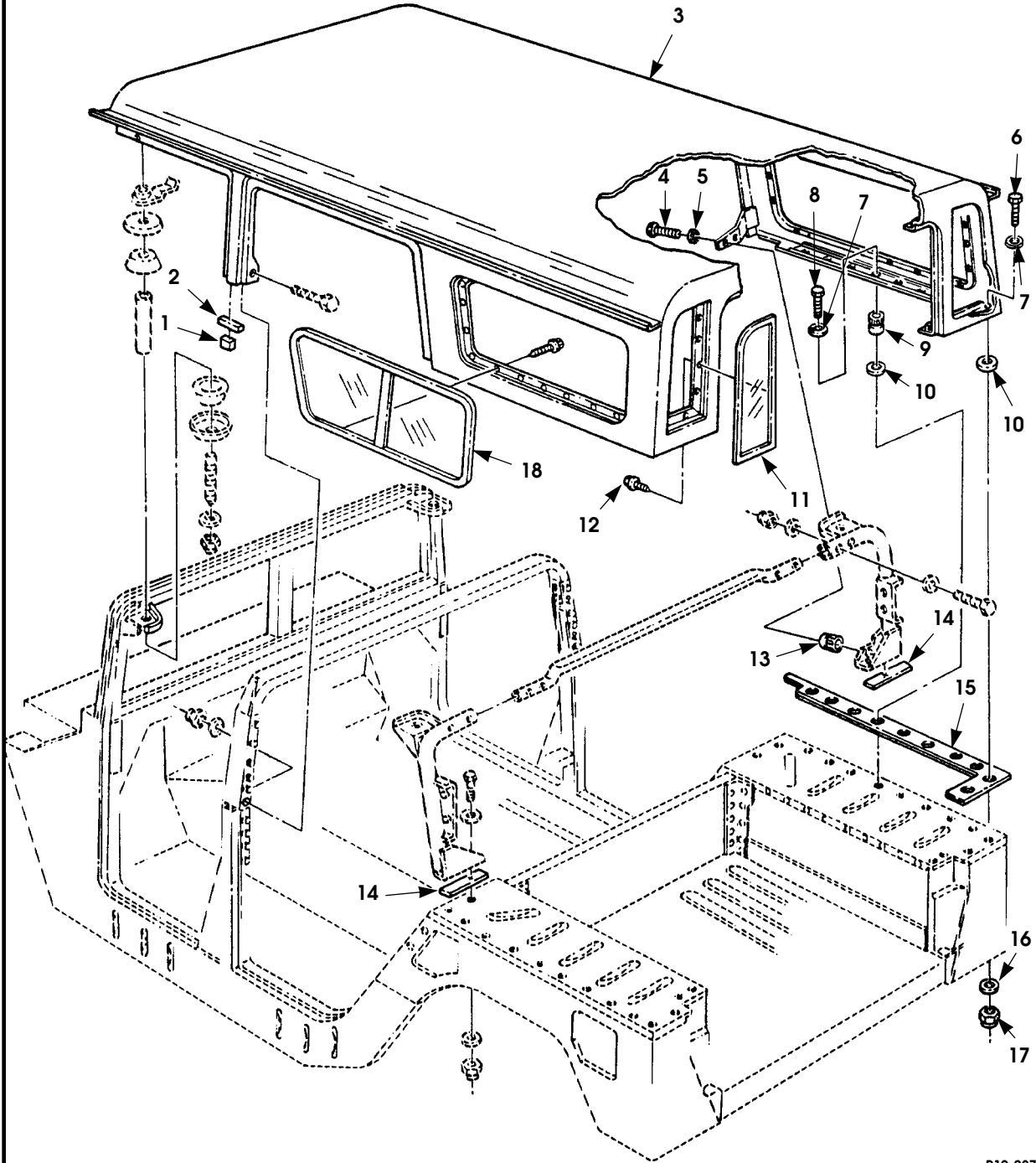
12-31-95

BODY 10-69

ITEM	PART NUMBER	DESCRIPTION	QTY
		Figure 10-25 FOUR-MAN HARDTOP ASSEMBLY	
1	12339563	PLATE, roof mount . . . . .	4
* 2	06005973 P	ROOF ASSEMBLY . . . . .	1
3	06003146	VENT, scupper valve . . . . .	2
4	06003147	VENT COVER . . . . .	2
5	NPN	SCREW . . . . .	6
6	MS 00090728 8	BOLT . . . . .	9
7	MS 00035338 44	LOCKWASHER . . . . .	9
8	06003844	TONNEAU BRACKET . . . . .	1
9	06003848	SEAL, tonneau bracket-to-roof . . . . .	1
10	05939596	SPACER, belt line, rear . . . . .	9
11	06000778	SEAL, belt line, rear . . . . .	1
12	05937810	NUT, insert . . . . .	9
* 13	05744139	SEAL, body, black rubber, 10-foot, SEE NOTE 1 . . . . .	1
14	12339543 1	PANEL, filler, rear, L.H. . . . .	1
14	12339543 2	PANEL, filler, rear, R.H. . . . .	1
15	MS 00051943 35	NUT . . . . .	4
16	G 02436163	WASHER . . . . .	4
17	12339559	STUD . . . . .	4
18	12339561	PLATE, snubber. . . . .	8
19	12339571	MOUNT, roof. . . . .	8
20	12338186 52	SPACER . . . . .	4
21	05936286	SEAL, rear, roof side panel . . . . .	2
22	MS 00027183 10	WASHER . . . . .	4
23	MS 00090725 6	BOLT . . . . .	4
NOTE 1: MAKE FROM BULK SEAL P/N 06000871			

# HUMMER PARTS CATALOG

## 10-70 BODY



P10-027

Figure 10-26. Station Wagon Roof and Mounting Hardware.

# HUMMER PARTS CATALOG

**BODY 10-71**

ITEM	PART NUMBER	DESCRIPTION	QTY
		Figure 10-26 STATION WAGON ROOF AND MOUNTING HARDWARE	
1	06000240	SEAL, B-pillar . . . . . HMCS	2
2	06000241	SEAL, B-pillar . . . . . HMCS	2
3	06003029 P	ROOF ASSEMBLY . . . . . HMCS	1
4	MS 00090725 6P2	SCREW . . . . . HMCS	4
5	MS 00027183 10	WASHER . . . . . HMCS	4
6	MS 00090728 10	BOLT . . . . . HMCS	10
7	MS 00035338 44P2	LOCKWASHER . . . . . HMCS	24
8	MS 00090728 8	BOLT . . . . . HMCS	14
9	05937810	NUT INSERT . . . . . HMCS	14
10	05939596	SPACER . . . . . HMCS	24
11	06000983	OPERA WINDOW ASSEMBLY, L.H. . . . . HMCS	1
11	06000984	OPERA WINDOW ASSEMBLY, R.H. . . . . HMCS	1
11	06003523	OPERA WINDOW ASSEMBLY, tinted, L.H. . . . . HMCS	1
11	06003524	OPERA WINDOW ASSEMBLY, tinted, R.H. . . . . HMCS	1
11	06003531	OPERA WINDOW ASSEMBLY, deep tinted, L.H. . . . . HMCS	1
11	06003532	OPERA WINDOW ASSEMBLY, deep tinted, R.H. . . . . HMCS	1
12	06001284	SCREW . . . . . HMCS	72
13	05939307	NUT INSERT . . . . . HMCS	4
14	12338186 52	SPACER . . . . . HMCS	2
15	06001021	SEAL, side, L.H. . . . . HMCS	1
15	06001022	SEAL, side, R.H. . . . . HMCS	1
16	G 09414920	WASHER . . . . . HMCS	10
17	MS 00051943 31	LOCKNUT . . . . . HMCS	10
18	06000981	WINDOW ASSEMBLY, side, L.H. . . . . HMCS	1

# HUMMER PARTS CATALOG

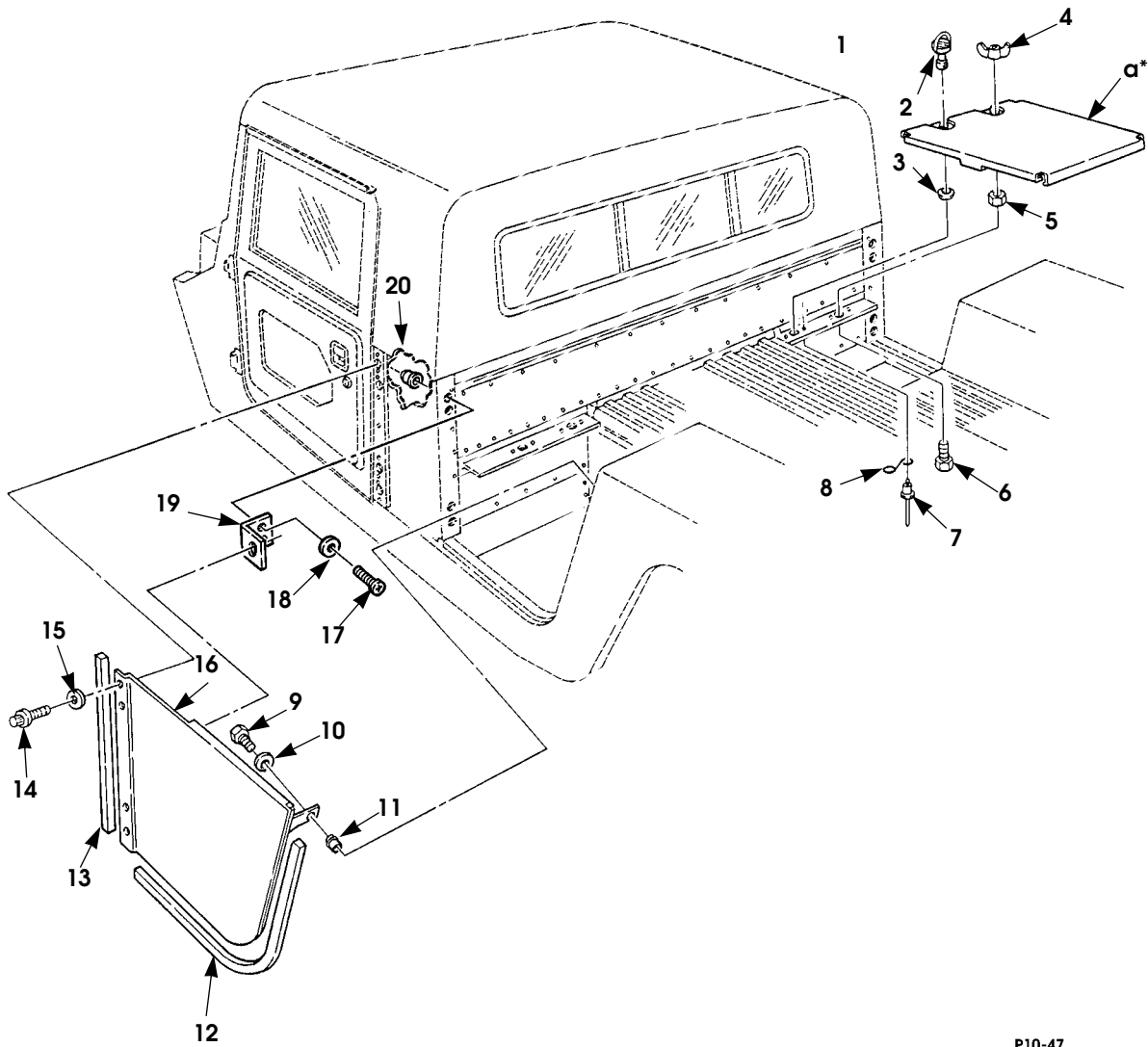
## 10-72 BODY

ITEM	PART NUMBER	DESCRIPTION	QTY
		Figure 10-26 STATION WAGON ROOF AND MOUNTING HARDWARE (Cont'd)	
18	06000982	WINDOW ASSEMBLY, side, R.H. . . . . . HMCS	1
18	06003521	WINDOW ASSEMBLY, side, tinted, L.H. . . . . . HMCS	1
18	06003522	WINDOW ASSEMBLY, side, tinted, R.H. . . . . . HMCS	1
18	06003529	WINDOW ASSEMBLY, side, deep tinted, L.H. . . . . . HMCS	1
18	06003530	WINDOW ASSEMBLY, side, deep tinted, R.H. . . . . . HMCS	1



# HUMMER PARTS CATALOG

## 10-74 BODY



P10-47

Figure 10-27. Fixed Door, Footwell Cover, and Related Parts.

# HUMMER PARTS CATALOG

12-31-95

## BODY 10-75

ITEM	PART NUMBER	DESCRIPTION	QTY
		Figure 10-27 FIXED DOOR, FOOTWELL COVER, AND RELATED PARTS	
1	06000742 LP	COVER ASSEMBLY, R.H. footwell (locking) . . . . . HMC2	1
1	05937335 LP	COVER ASSEMBLY, L.H. footwell . . . . . HMC2	1
1	05937335 LP	COVER ASSEMBLY, footwell (1992-1993) . . . . . HMC2	2
1	06004513 LP	COVER ASSEMBLY, footwell. . . . . XLC2	2
2	12339738 3	•STUD, ring head. . . . . VLC2	1
3	12341011	•RING RETAINER . . . . . VLC2	1
★ 4	06000740 P2	WING NUT (new models) . . . . . VLC2	1
5	MS 00051471 01P2	JAM NUT (new models) . . . . . VLC2	1
6	06000741 P2	BOLT LOCKPIN (new models) . . . . . VLC2	1
7	M 24243/1A 405	RIVET. . . . . VLC2	8
8	12338823	RECEPTACLE, spring. . . . . VLC2	4
9	MS 00090725 5	BOLT . . . . . VLC2	2
10	MS 00027183 10	WASHER . . . . . VLC2	2
11	05937584	NUT INSERT . . . . . VLC2	2
12	12339419 2	SEAL, fixed door, 22-inch. . . . . VLC2	2
13	12339419 1	SEAL, fixed door, 50-inch. . . . . VLC2	2
14	05939423 P2	BOLT . . . . . VLC2	8
15	05939634 P2	WASHER . . . . . VLC2	8
16	05938773 LP	DOOR ASSEMBLY, L.H. . . . . VLC2	1
16	06004506 LP	DOOR ASSEMBLY, L.H. . . . . XLC2	1
16	05938774 LP	DOOR ASSEMBLY, R.H. . . . . VLC2	1
16	06004507 LP	DOOR ASSEMBLY, R.H. . . . . XLC2	1
★ 17	MS 00051957 66P2	SCREW . . . . . XLC2	8



# HUMMER PARTS CATALOG

## 10-76 BODY

ITEM	PART NUMBER	DESCRIPTION	QTY
		Figure 10-27 FIXED DOOR, FOOTWELL COVER, AND RELATED PARTS (Cont'd)	
18	MS 00027183 42P2	WASHER ..... XLC2	8
19	06005528	BRACKET, fixed door ..... XLC2	4
20	06001566	NUT, insert ..... XLC2	8



# HUMMER PARTS CATALOG

## 10-78 BODY

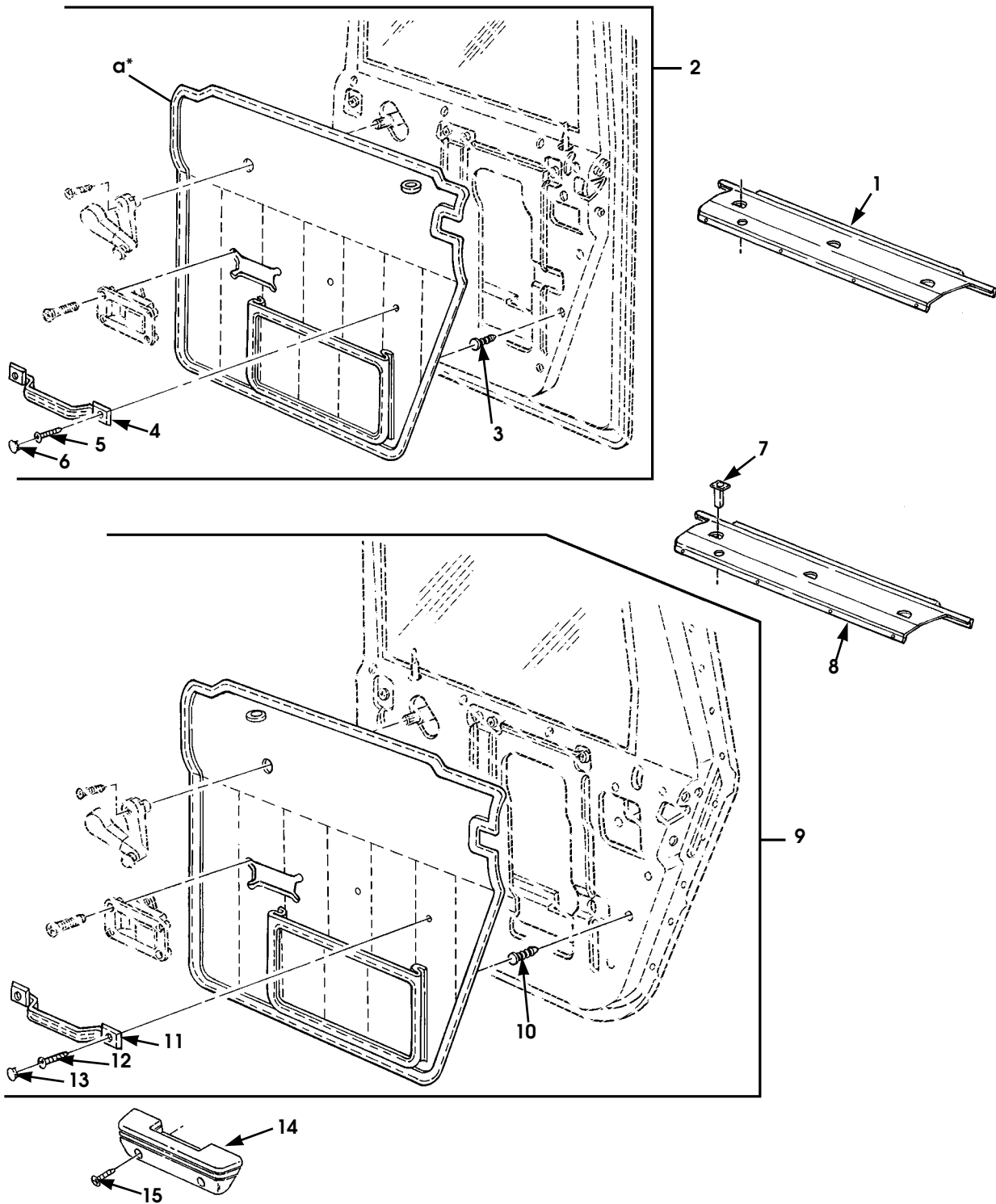


Figure 10-28. Panel Assembly Door Trim.

# HUMMER PARTS CATALOG

**BODY 10-79**

ITEM	PART NUMBER	DESCRIPTION	QTY
		Figure 10-28 PANEL ASSEMBLY DOOR TRIM	
1	06000988	TRIM COVER, front, L.H. . . . . VLCO	1
1	06000989	TRIM COVER, front, R.H. . . . . VLCO	1
2	06000049	PANEL ASSEMBLY, R.H., standard front door trim, SEE NOTE 1 . . . . .	1
2	06002452	PANEL ASSEMBLY, R.H., standard front door trim, SEE NOTE 2 . . . . .	1
2	06002460	PANEL ASSEMBLY, R.H., standard front door trim, SEE NOTE 3 . . . . .	1
2	06000045	PANEL ASSEMBLY, R.H., deluxe front door trim, SEE NOTE 1 . . . . .	1
2	06004461 G	PANEL ASSEMBLY, R.H., deluxe front door trim, SEE NOTES 2 and 4 . . . . .	1
2	06004461 T	PANEL ASSEMBLY, R.H., deluxe front door trim, SEE NOTES 2 and 4 . . . . .	1
2	06004463 G	PANEL ASSEMBLY, R.H., deluxe front door trim, SEE NOTES 3 and 4 . . . . .	1
2	06004463 T	PANEL ASSEMBLY, R.H., deluxe front door trim, SEE NOTES 3 and 4 . . . . .	1
2	06000048	PANEL ASSEMBLY, L.H., standard front door trim, SEE NOTE 1 . . . . .	1
2	06002450	PANEL ASSEMBLY, L.H., standard front door trim, SEE NOTE 2 . . . . .	1
2	06000044	PANEL ASSEMBLY, L.H., deluxe front door trim, SEE NOTE 1 . . . . .	1
2	06004460 G	PANEL ASSEMBLY, L.H., deluxe front door trim, SEE NOTES 2 AND 4 . . . . .	1
2	06004460 T	PANEL ASSEMBLY, L.H., deluxe front door trim, SEE NOTES 2 AND 4 . . . . .	1

# HUMMER PARTS CATALOG

## 10-80 BODY

ITEM	PART NUMBER	DESCRIPTION	QTY
		Figure 10-28 PANEL ASSEMBLY DOOR TRIM (Cont'd)	
2	06004462 G	PANEL ASSEMBLY, L.H., deluxe front door trim, SEE NOTES 3 AND 4 . . . . .	1
		VLC2, HMC4, HMCS	
2	06004462 T	PANEL ASSEMBLY, L.H., deluxe front door trim, SEE NOTES 3 AND 4 . . . . .	1
		VLC2, HMC4, HMCS	
2	06000219	PANEL ASSEMBLY, L.H., standard front door trim, SEE NOTE 1 . . . . .	1
		VLCO	
2	06002458	PANEL ASSEMBLY, L.H., standard front door trim, SEE NOTE 2 . . . . .	1
		VLCO	
2	06000221	PANEL ASSEMBLY, R.H., standard front door trim, SEE NOTE 1 . . . . .	1
		VLCO	
2	06000218	PANEL ASSEMBLY, L.H., deluxe front door trim, SEE NOTE 1 . . . . .	1
		VLCO	
2	06002457	PANEL ASSEMBLY, L.H., deluxe front door trim, SEE NOTE 2 . . . . .	1
		VLCO	
2	06000220	PANEL ASSEMBLY, R.H., deluxe front door trim, SEE NOTE 1 . . . . .	1
		VLCO	
2	06002459	PANEL ASSEMBLY, R.H., deluxe front door trim, SEE NOTE 2 . . . . .	1
		VLCO	
3	05939181	•FASTENER . . . . .	10
4	06001013	•PULL HANDLE ASSEMBLY . . . . .	1
5	G 00156797 P2	•SCREW, pull handle . . . . .	2
6	06000400	•CAP ASSEMBLY . . . . .	2
7	NPN	GROMMET . . . . .	1
8	06000994	TRIM COVER, rear, L.H. . . . .	1
		VLCO	
8	06000995	TRIM COVER, rear, R.H. . . . .	1
		VLCO	
9	06000051	PANEL ASSEMBLY, R.H., standard rear door trim, SEE NOTES 1 AND 2 . . . . .	1
		HMC4, HMCS	
9	06002465	PANEL ASSEMBLY, R.H., standard rear door trim, SEE NOTE 3 . . . . .	1
		HMC4, HMCS	
9	05939174	PANEL ASSEMBLY, R.H., deluxe rear door trim, SEE NOTE 5 . . . . .	1
		HMC4, HMCS	

# HUMMER PARTS CATALOG

12-31-95

## BODY 10-81

ITEM	PART NUMBER	DESCRIPTION	QTY
		Figure 10-28 PANEL ASSEMBLY DOOR TRIM (Cont'd)	
9	06000047	PANEL ASSEMBLY, R.H., deluxe rear door trim, SEE NOTES 1, 2, AND 5 . . . . .	1
		HMC4, HMCS	
9	06002464	PANEL ASSEMBLY, R.H., deluxe rear door trim, SEE NOTES 3 AND 5 . . . . .	1
		HMC4, HMCS	
9	06000050	PANEL ASSEMBLY, L.H., standard rear door trim, SEE NOTES 1 AND 2 . . . . .	1
		HMC4, HMCS	
9	06002463	PANEL ASSEMBLY, L.H., standard rear door trim, SEE NOTE 3 . . . . .	1
		HMC4, HMCS	
9	06000046	PANEL ASSEMBLY, L.H., deluxe rear door trim, SEE NOTES 1, 2, AND 5 . . . . .	1
		HMC4, HMCS	
9	06002462	PANEL ASSEMBLY, L.H., deluxe rear door trim, SEE NOTES 3 AND 5 . . . . .	1
		HMC4, HMCS	
9	06000225	PANEL ASSEMBLY, R.H., standard rear door trim, SEE NOTES 1 AND 2 . . . . .	1
		VLCO	
9	06000223	PANEL ASSEMBLY, L.H., standard rear door trim, SEE NOTES 1 AND 2 . . . . .	1
		VLCO	
9	06000222	PANEL ASSEMBLY, L.H., deluxe rear door trim, SEE NOTES 1, 2, AND 5 . . . . .	1
		VLCO	
9	06000224	PANEL ASSEMBLY, R.H., deluxe rear door trim, SEE NOTES 1, 2, AND 5 . . . . .	1
		VLCO	
10	05939181	•FASTENER . . . . .	10
11	06001013	•PULL HANDLE ASSEMBLY . . . . .	1
12	G 00156797 P2	•SCREW, pull handle. . . . .	2
13	06000400	•CAP ASSEMBLY . . . . .	2
14	06004427 G	ARMREST ASSEMBLY, L.H., SEE NOTES 2, 3, AND 4 . . . . .	1
14	06004427 T	ARMREST ASSEMBLY, L.H., SEE NOTES 2, 3, AND 4 . . . . .	1
14	06004428 G	ARMREST ASSEMBLY, R.H., SEE NOTES 2, 3, AND 4 . . . . .	1
14	06004428 T	ARMREST ASSEMBLY, R.H., SEE NOTES 2, 3, AND 4 . . . . .	1
* 15	G 00160586	SCREW, SEE NOTES 2 AND 3 . . . . .	2

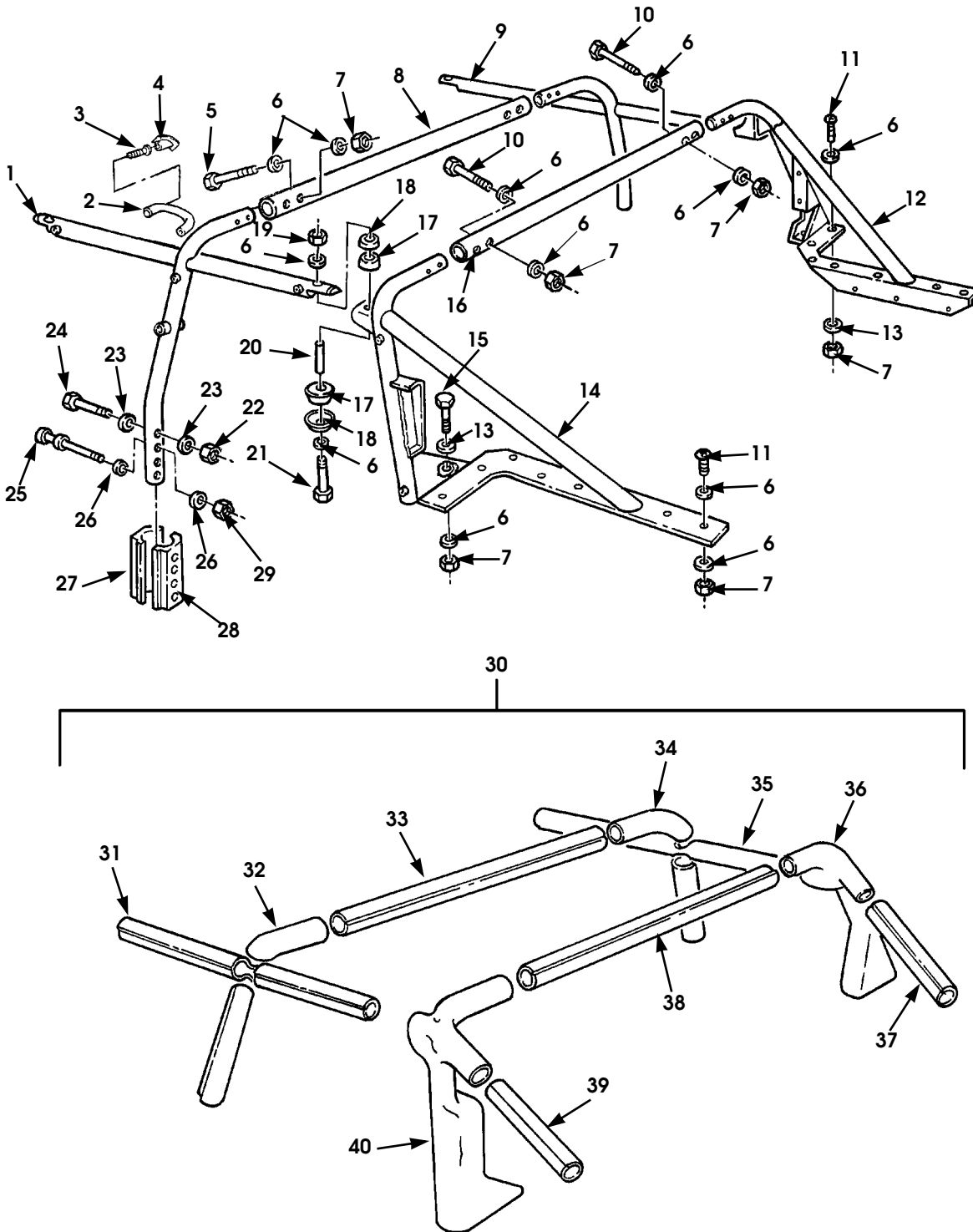
# HUMMER PARTS CATALOG

## 10-82 BODY

ITEM	PART NUMBER	DESCRIPTION	QTY
		<p>Figure 10-28 PANEL ASSEMBLY DOOR TRIM (Cont'd)</p> <p>NOTE 1: DOORS FOR VEHICLES WITHOUT POWER DOOR LOCKS AND POWER WINDOWS</p> <p>NOTE 2: DOORS FOR VEHICLES WITH POWERDOOR LOCKS</p> <p>NOTE 3: DOORS FOR VEHICLES WITH POWER DOOR LOCKS AND POWER WINDOWS</p> <p>NOTE 4: G FOR GRAY T FOR TAN</p> <p>NOTE 5: MAP POCKET INCLUDED ON DELUXE MODELS ONLY</p>	

# HUMMER PARTS CATALOG

## 10-83 BODY



P10-032

Figure 10-29. Soft Top Kit and Support Structure (Sheet 1 of 2).



# HUMMER PARTS CATALOG

## 10-84 BODY

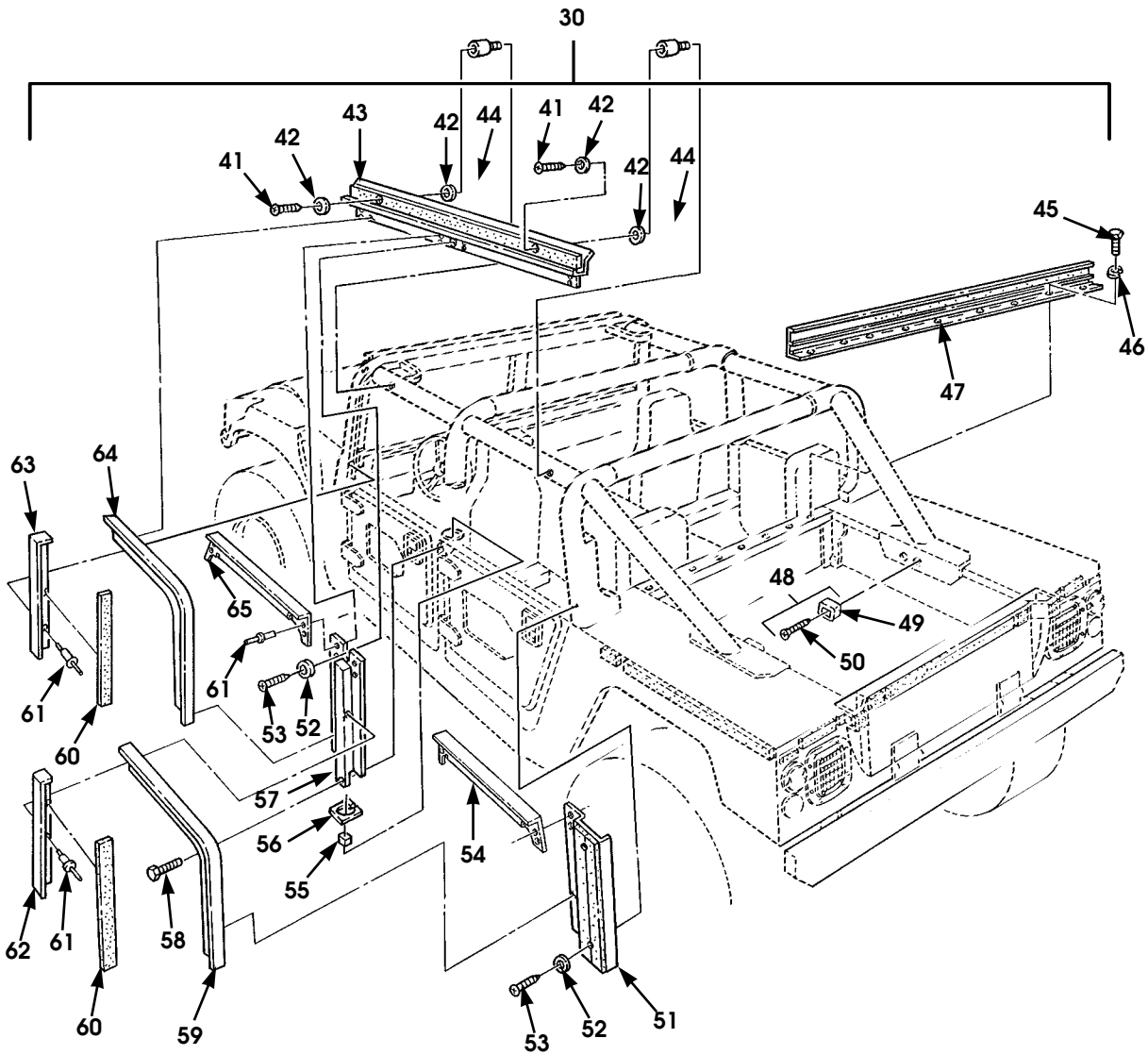


Figure 10-29. Soft Top Kit and Support Structure (Sheet 2 of 2).

# HUMMER PARTS CATALOG

**BODY 10-85**

ITEM	PART NUMBER	DESCRIPTION	QTY
		Figure 10-29 SOFT TOP KIT AND SUPPORT STRUCTURE	
1	06000216 P	SUPPORT ASSEMBLY, soft top, side, L.H. . . . . VLCO	1
2	05939469 G	HANDLE, grab, SEE NOTE 2 . . . . .	4
2	05939469 T	HANDLE, grab, SEE NOTE 2 . . . . .	4
3	MS 00035206 281	SCREW . . . . .	8
4	06000027 G	PLUG, grab handle, SEE NOTE 2 . . . . .	8
4	06000027 T	PLUG, grab handle, SEE NOTE 2 . . . . .	8
5	MS 00090728 70	BOLT . . . . . VLCO	4
6	G 02436163	WASHER . . . . . VLCO	66
7	MS 00051943 35	LOCKNUT . . . . . VLCO	32
8	06000104 P	SUPPORT BAR, center . . . . . VLCO	1
9	06000217 P	SUPPORT ASSEMBLY, soft top, side, R.H. . . . . VLCO	1
10	MS 00090728 71	BOLT . . . . . VLCO	5
11	06001094	SCREW . . . . . VLCO	20
12	06000169 P	SUPPORT ASSEMBLY, C-pillar, rear, R.H. . . . . VLCO	1
13	12340880	WASHER . . . . . VLCO	8
14	06000168 P	SUPPORT ASSEMBLY, C-pillar, rear, L.H. . . . . VLCO	1
15	MS 00090728 64	BOLT . . . . . VLCO	4
16	06000105 P	SUPPORT BAR, center . . . . . VLCO	1
17	12339571	MOUNT, roof . . . . . VLCO	8
18	12339561	PLATE, snubber . . . . . VLCO	8
19	06000408	LOCKNUT . . . . . VLCO	4
20	12338186 52	SPACER . . . . . VLCO	4
21	MS 00090728 72	BOLT . . . . . VLCO	4
22	MS 00051943 34	LOCKNUT . . . . . VLCO	6
23	12339724	WASHER . . . . . VLCO	12
24	AN 00000005 41	BOLT . . . . . VLCO	6

12-31-95

# HUMMER PARTS CATALOG

## 10-86 BODY

ITEM	PART NUMBER	DESCRIPTION	QTY
		Figure 10-29 SOFT TOP KIT AND SUPPORT STRUCTURE (Cont'd)	
★ 25	06000392 P	STRIKER, door . . . . .	2
		VLCO	
26	G 02436165	WASHER . . . . .	4
		VLCO	
27	12340090 1	CONNECTOR BLOCK, L.H. front/R.H. rear . . . . .	2
		VLCO	
28	12340090 2	CONNECTOR BLOCK, R.H. front/L.H. rear . . . . .	2
		VLCO	
29	MS 00051943 40	LOCKNUT . . . . .	2
		VLCO	
30	05742959	KIT, soft top, basic, w/tonneau cover . . . . .	1
		VLCO	
★ 30	05743015	KIT, soft top, basic, w/o tonneau cover . . . . .	1
		VLCO	
30	06004805	KIT, soft top, basic, white . . . . .	1
30	06004806	KIT, soft top, w/ full door, white . . . . .	1
30	06004803	KIT, soft top, basic, black . . . . .	1
30	06004804	KIT, soft top, w/ full door, black . . . . .	1
30	06004400	KIT, soft top, basic, tan, tan . . . . .	1
30	06004802	KIT, soft top, w/ full door, tan . . . . .	1
31	06004405	•COVER, horizontal rail, L.H., white . . . . .	1
31	06004403	•COVER, horizontal rail, L.H., black . . . . .	1
31	06004402	•COVER, horizontal rail, R.H., tan . . . . .	1
32	06001661	•COVER, B-pillar, vertical, L.H., tan . . . . .	1
		VLCO	
32	06004235	•COVER, B-pillar, vertical, L.H., white . . . . .	1
		VLCO	
32	06004219	•COVER, B-pillar, vertical, L.H., black . . . . .	1
		VLCO	
33	06001665	•COVER, B-pillar, center, tan . . . . .	1
		VLCO	
33	06004239	•COVER, B-pillar, center, white . . . . .	1
		VLCO	
33	06004223	•COVER, B-pillar, center, black . . . . .	1
		VLCO	
34	06001662	•COVER, B-pillar, vertical, R.H., tan . . . . .	1
		VLCO	
34	06004236	•COVER, B-pillar, vertical, R.H., white . . . . .	1
		VLCO	
34	06004220	•COVER, B-pillar, vertical, R.H., black, . . . . .	1
		VLCO	
35	06004406	•COVER, horizontal rail, R.H., white . . . . .	1
35	06004404	•COVER, horizontal rail, R.H., black . . . . .	1
35	06004401	•COVER, horizontal rail, R.H., tan . . . . .	1
36	06001664	•COVER, C-pillar, vertical, R.H., tan . . . . .	1
		VLCO	

# HUMMER PARTS CATALOG

12-31-95

## BODY 10-87

ITEM	PART NUMBER	DESCRIPTION	QTY
		Figure 10-29 SOFT TOP KIT AND SUPPORT STRUCTURE (Cont'd)	
36	06004238	•COVER, C-pillar, vertical, R.H., white . . . . . VLCO	1
36	06004222	•COVER, C-pillar, vertical, R.H., black . . . . . VLCO	1
37	06001668	•COVER, C-pillar support brace, R.H., tan . . . . . VLCO	1
37	05743841	•COVER, C-pillar support brace, R.H., black . . . . . VLCO	1
37	05743843	•COVER, C-pillar, support brace, R.H., white . . . . . VLCO	1
38	06001666	•COVER, C-pillar, center, tan . . . . . VLCO	1
39	05743840	•COVER, C-pillar support brace, L.H., black . . . . . VLCO	1
39	05743842	•COVER, C-pillar support brace, L.H., white. . . . . VLCO	1
* 39	06001667	•COVER, C-pillar support brace, L.H., tan . . . . . VLCO	1
40	06001663	•COVER, C-pillar, vertical, L.H., tan . . . . . VLCO	1
40	06004237	•COVER, C-pillar, vertical, L.H., white . . . . . VLCO	1
40	06004221	•COVER, C-pillar vertical, L.H., black . . . . . VLCO	1
41	06001675	•SCREW . . . . . VLCO	4
42	12339724	•SPACER, washer, SEE NOTE 1. . . . . VLCO	V
43	06001653	•HORIZONTAL RAIL, with pvc-velcro extrusion, L.H. . . . . VLCO	1
43	06001654	•HORIZONTAL RAIL, with pvc-velcro extrusion, R.H. . . . . VLCO	1
44	06001673	•SPACER, horizontal rail . . . . . VLCO	4
45	NPN	•SCREW . . . . . VLCO	2
46	NPN	•WASHER . . . . . VLCO	2
47	06001658	•TONNEAU, rear curtain extrusion with pvc-velcro . . . . . VLCO	1
47	06003665	•EXTRUSION, tonneau. . . . . VLCO	1

12-31-95

# HUMMER PARTS CATALOG

## 10-88 BODY

ITEM	PART NUMBER	DESCRIPTION	QTY
		Figure 10-29 SOFT TOP KIT AND SUPPORT STRUCTURE (Cont'd)	
48	05742965	•KIT, tonneau assembly . . . . . VLCO	1
49	06002517	••BRACKET, tonneau cover bow . . . . . VLCO	2
50	06002518	••SCREW . . . . . VLCO	4
51	06001656	•EXTRUSION, C-pillar, with 1-inch velcro tape, L.H. . . . . VLCO	1
51	06001657	•EXTRUSION, C-pillar, with 1-inch velcro tape, R.H. . . . . VLCO	1
52	06002631	•WASHER . . . . . VLCO	6
53	06001674	•SCREW . . . . . VLCO	6
★ 54	06003856 P	•FILLER PANEL, left rear, full door . . . . . VLCO	1
★ 54	06003859 P	•FILLER PANEL, right rear, full door . . . . . VLCO	1
55	06001807	•SEAL, B-pillar, SEE NOTE 1 . . . . . VLCO	2
56	06000240	•CLOSE-OFF SEAL, SEE NOTE 1 . . . . . VLCO	2
57	06001655	•EXTRUSION, B-pillar. . . . . VLCO	2
★ 57	06003857 P	•EXTRUSION, B-pillar, with full door . . . . . VLCO	2
58	06000226	•SCREW, SEE NOTE 1 . . . . . VLCO	2
59	06001680	•WEATHERSEAL, rear door, L.H. . . . . VLCO	1
59	06001681	•WEATHERSEAL, rear door, R.H. . . . . VLCO	1
60	06001992	•WEATHERSEAL, front edge, door . . . . . VLCO	4
★ 61	M2 4243/1-A 404	•RIVET, SEE NOTE 1 . . . . . VLCO	28
62	06001995	•WIND DEFLECTOR, rear door, L.H. . . . . VLCO	1
62	06001996	•WIND DEFLECTOR, rear door, R.H. . . . . VLCO	1
63	06001993	•WIND DEFLECTOR, front door, L.H. . . . . VLCO	1
63	06001994	•WIND DEFLECTOR, front door, R.H. . . . . VLCO	1

# HUMMER PARTS CATALOG

12-31-95

**BODY 10-89**

ITEM	PART NUMBER	DESCRIPTION	QTY
		Figure 10-29 SOFT TOP KIT AND SUPPORT STRUCTURE (Cont'd)	
64	06001678	•WEATHERSEAL, front door, L.H. .... VLCO	1
64	06001679	•WEATHERSEAL, front door, R.H. .... VLCO	1
* 65	06003855 P	•FILLER PANEL, left front, full door. .... VLCO	1
* 65	06003858 P	•FILLER PANEL, right front, full door .... VLCO	1
		NOTE 1: NOT PART OF KIT P/N 05742959 NOTE 2: T FOR TAN G FOR GRAY	

# HUMMER PARTS CATALOG

## 10-90 BODY

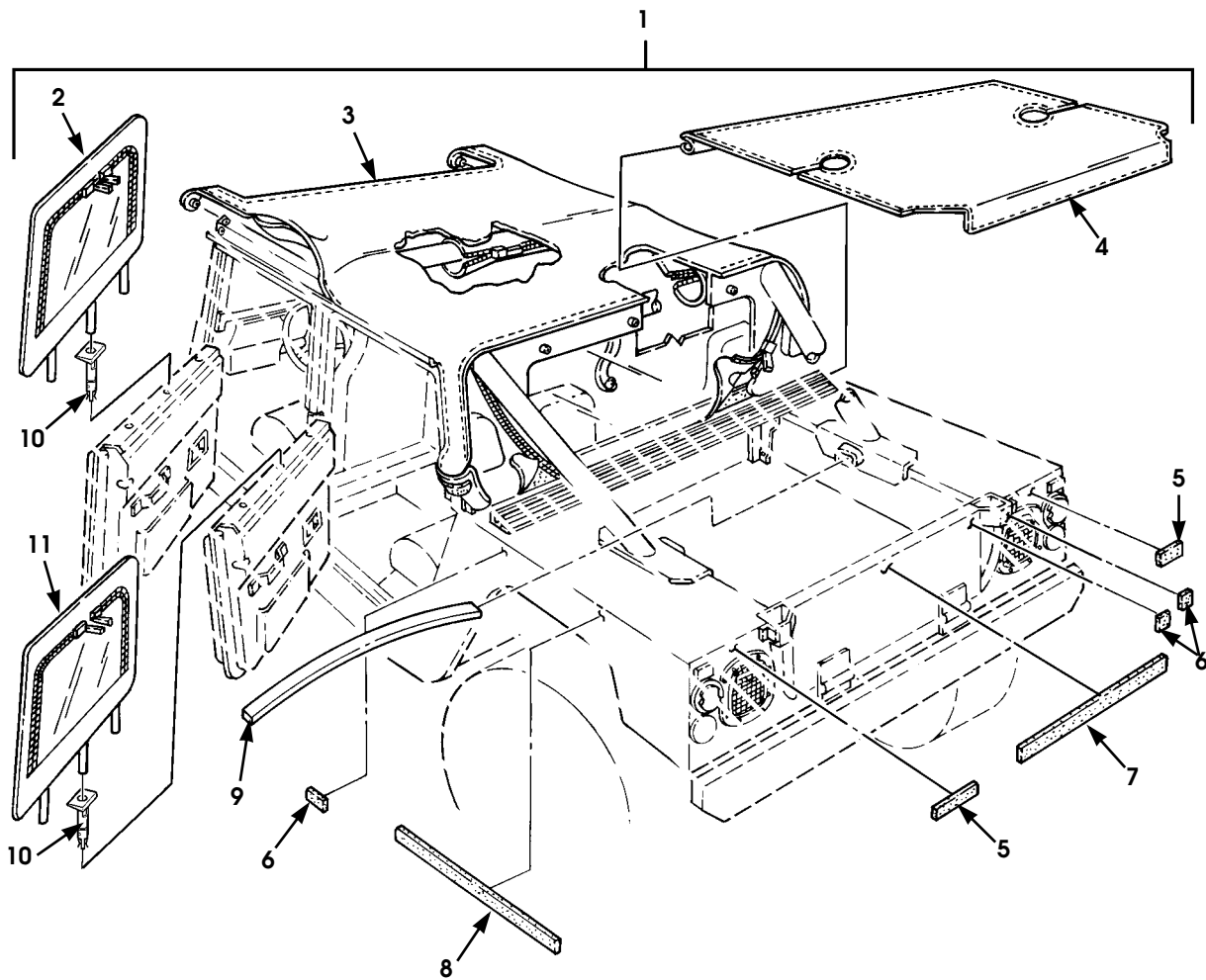


Figure 10-30. Four-Man Soft Top Kit, Basic.

# HUMMER PARTS CATALOG

12-31-95

## BODY 10-91

ITEM	PART NUMBER	DESCRIPTION	QTY
		Figure 10-30 FOUR-MAN SOFT TOP KIT, BASIC	
1	05742959	KIT, soft top, basic, tan. . . . . (includes top and tonneau cover, side curtains, all attaching hardware, and covers over metal top support structure) VLCO	1
1	06004225	KIT, soft top, basic, black. . . . . (includes top and tonneau cover, side curtains, all attaching hardware, and covers over metal top support structure) VLCO	1
1	06004241	KIT, soft top, basic, white. . . . . (includes top and tonneau cover, side curtains, all attaching hardware, and covers over metal top support structure) VLCO	1
2	06001649	•DOOR, upper front, L.H., tan . . . . . VLCO	1
2	06004229	•DOOR, upper front, L.H, white. . . . . VLCO	1
2	06004213	•DOOR, upper front, L.H, black. . . . . VLCO	1
2	06001650	•DOOR, upper front, R.H., tan . . . . . VLCO	1
2	06004230	•DOOR, upper front, R.H., white . . . . . VLCO	1
2	06004214	•DOOR, upper front, R.H., black . . . . . VLCO	1
3	06001647	•TOP ASSEMBLY, convertible . . . . . VLCO	1
4	06001648	•COVER ASSEMBLY, tonneau, tan . . . . . VLCO	1
★ 4	06004228	•COVER ASSEMBLY, tonneau, white . . . . . VLCO	1
★ 4	06004212	•COVER ASSEMBLY, tonneau, black . . . . . VLCO	1
5	06001671	•PVC EXTRUSION, tonneau with velcro, 9-inch . . . . . VLCO	2
6	05742999	•HOOK PATCH, self-adhesive. . . . . VLCO	6
7	06001669	•PVC EXTRUSION, tonneau with velcro, 43-inch . . . . . VLCO	1
8	06001670	•PVC EXTRUSION, tonneau with velcro, 41-inch . . . . . VLCO	2
9	06002516	•BOW, tonneau cover . . . . . VLCO	1
10	06000977	•GROMMET . . . . .	4
11	06001651	•DOOR, upper rear, L.H., tan . . . . . VLCO	1
11	06004231	•DOOR, upper rear, L.H., white . . . . . VLCO	1



# HUMMER PARTS CATALOG

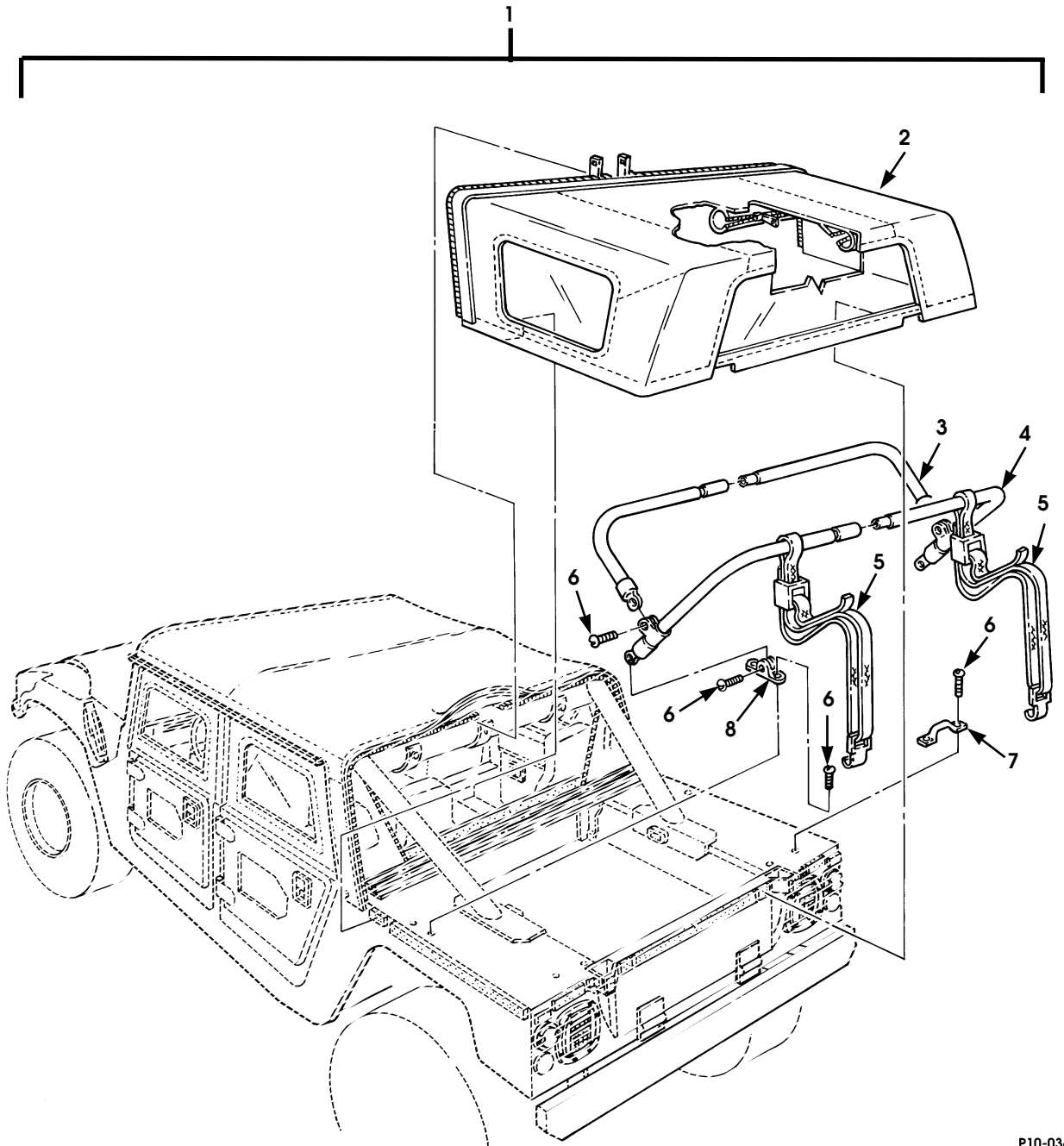
## 10-92 BODY

ITEM	PART NUMBER	DESCRIPTION	QTY
		Figure 10-30 FOUR-MAN SOFT TOP KIT, BASIC (Cont'd)	
11	06004215	•DOOR, upper rear, L.H., black . . . . . VLCO	1
11	06001652	•DOOR, upper rear, R.H., tan . . . . . VLCO	1
11	06004232	•DOOR, upper rear, R.H., white . . . . . VLCO	1
11	06004216	•DOOR, upper rear, R.H., black . . . . . VLCO	1



# HUMMER PARTS CATALOG

## 10-94 BODY



P10-036

Figure 10-31. Four-Man Soft Top Kit, Station Wagon.

# HUMMER PARTS CATALOG

**BODY 10-95**

ITEM	PART NUMBER	DESCRIPTION	QTY
		Figure 10-31 FOUR-MAN SOFT TOP KIT, STATION WAGON	
1	05742960	KIT, soft top, tan . . . . . VLCO	1
1	06004208	KIT, soft top, white . . . . . VLCO	1
1	06004069	KIT, soft top, black . . . . . VLCO	1
2	06001714	•COVER ASSEMBLY, soft top, tan . . . . . VLCO	1
2	06004209	•COVER ASSEMBLY, soft top, white . . . . . VLCO	1
2	06004070	•COVER ASSEMBLY, soft top, black . . . . . VLCO	1
3	06001715	•BOW ASSEMBLY, front . . . . . VLCO	1
4	06001716	•BOW ASSEMBLY, rear . . . . . VLCO	1
5	06001718	•LOOP, extended webbing . . . . . VLCO	2
6	06001720	•SCREW . . . . . VLCO	12
7	06001719	•FOOTMAN LOOP. . . . . VLCO	2
8	06001717	•BRACKET, hinge . . . . . VLCO	2
		NOTE: VELCRO STRIP FOR RETAINING THE BOTTOM EDGE IS NOT INCLUDED. SEE FIGURE 10-30 FOR THESE PARTS.	

# HUMMER PARTS CATALOG

## 10-96 BODY

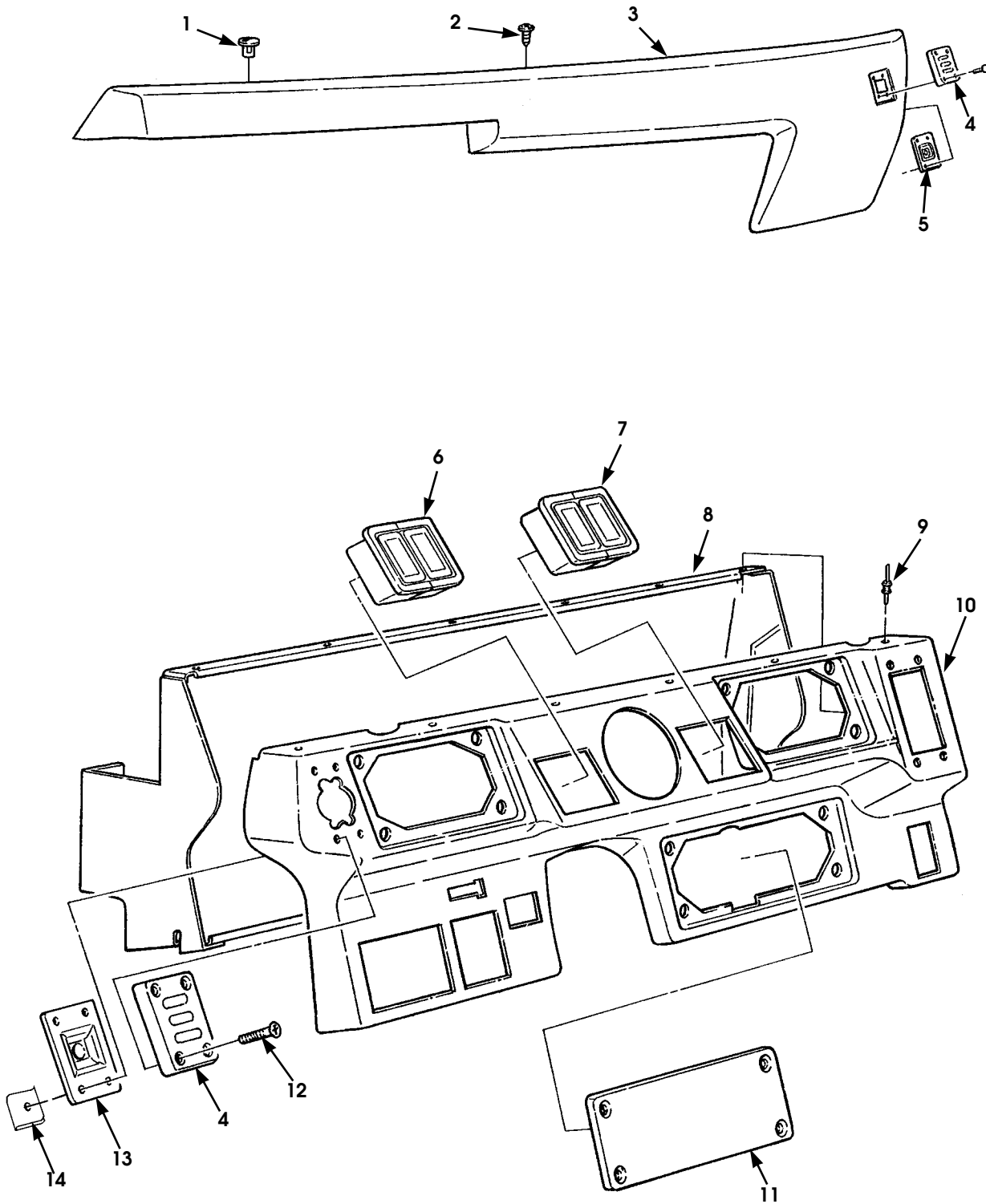


Figure 10-32. Instrument Panel Assembly, Dash Trim, Crash Pad, and Mounting Hardware.

# HUMMER PARTS CATALOG

12-31-95

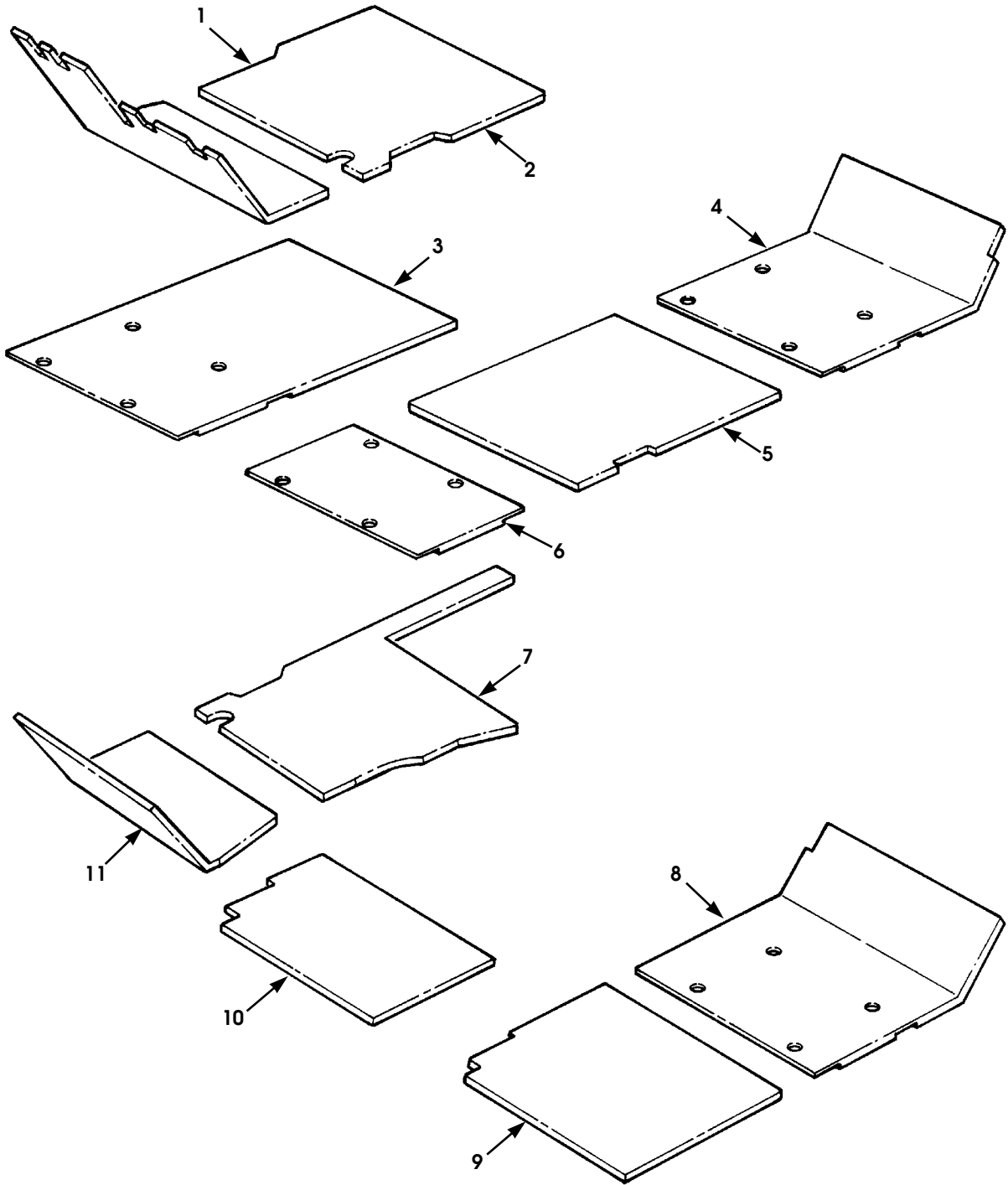
**BODY 10-97**

ITEM	PART NUMBER	DESCRIPTION	QTY
		Figure 10-32 INSTRUMENT PANEL ASSEMBLY, DASH TRIM, CRASH PAD, AND MOUNTING HARDWARE	
1	06000475 G	CLIP, trim, SEE NOTE 1 . . . . .	2
1	06000475 T	CLIP, trim, SEE NOTE 1 . . . . .	2
2	06003421	CRASH PAD, standard . . . . .	1
2	06003420 G	CRASH PAD, deluxe, SEE NOTE 1 . . . . .	1
2	06003420 T	CRASH PAD, deluxe, SEE NOTE 1 . . . . .	1
3	06000243	SCREW-ASSEMBLED WASHER, #8-18 x .75" . . . . .	6
4	06000229	COVER, side window vent . . . . .	2
5	06003558	NOZZLE, defroster, R.H. side window . . . . .	2
6	N/S	STATUS CENTER ASSEMBLY, indicator/warning lamps, L.H., SEE NOTE 2 . . . . .	1
7	N/S	STATUS CENTER ASSEMBLY, indicator/warning lamps, R.H., SEE NOTE 2 . . . . .	1
8	05939633	INSTRUMENT PANEL MOUNTING SUPPORT ASSEMBLY. . . . .	1
9	M2 4243/1-A 403	RIVET, blind, .126 - .187 . . . . .	12
10	06002478	INSTRUMENT PANEL, w/ air conditioning and power windows . . . . .	1
10	06000422	INSTRUMENT PANEL, w/ air conditioning . . . . .	1
10	06003191	INSTRUMENT PANEL, w/ power locks and power windows . . . . .	1
10	06003192	INSTRUMENT PANEL, w/ power locks and power windows . . . . .	1
10	06003922	INSTRUMENT PANEL, w/ power mirrors . . . . .	1
10	06003923	INSTRUMENT PANEL, w/ power mirrors and power windows . . . . .	1
11	05939270	PANEL, gauge, lower (blank) . . . . .	1
12	06000235	SCREW, #4-24 x 3/4" . . . . .	4
13	06000230	VENT, L.H., side window . . . . .	1
14	06004081	J-CLIP, defroster mounting . . . . .	4
15	06006289	PANEL, closeout, instrument panel . . . . .	1
16	06005624	SCREW, gray, #8 x 1.0" . . . . .	2
		NOTE 1: T FOR TAN G FOR GRAY	
		NOTE 2: ALL DETAIL PARTS SERVICED IN FIGURE 12-9. IT IS NOT PRACTICAL OR DESIRABLE TO SERVICE THESE BUILTUP ASSEMBLIES.	



# HUMMER PARTS CATALOG

BODY 10-99



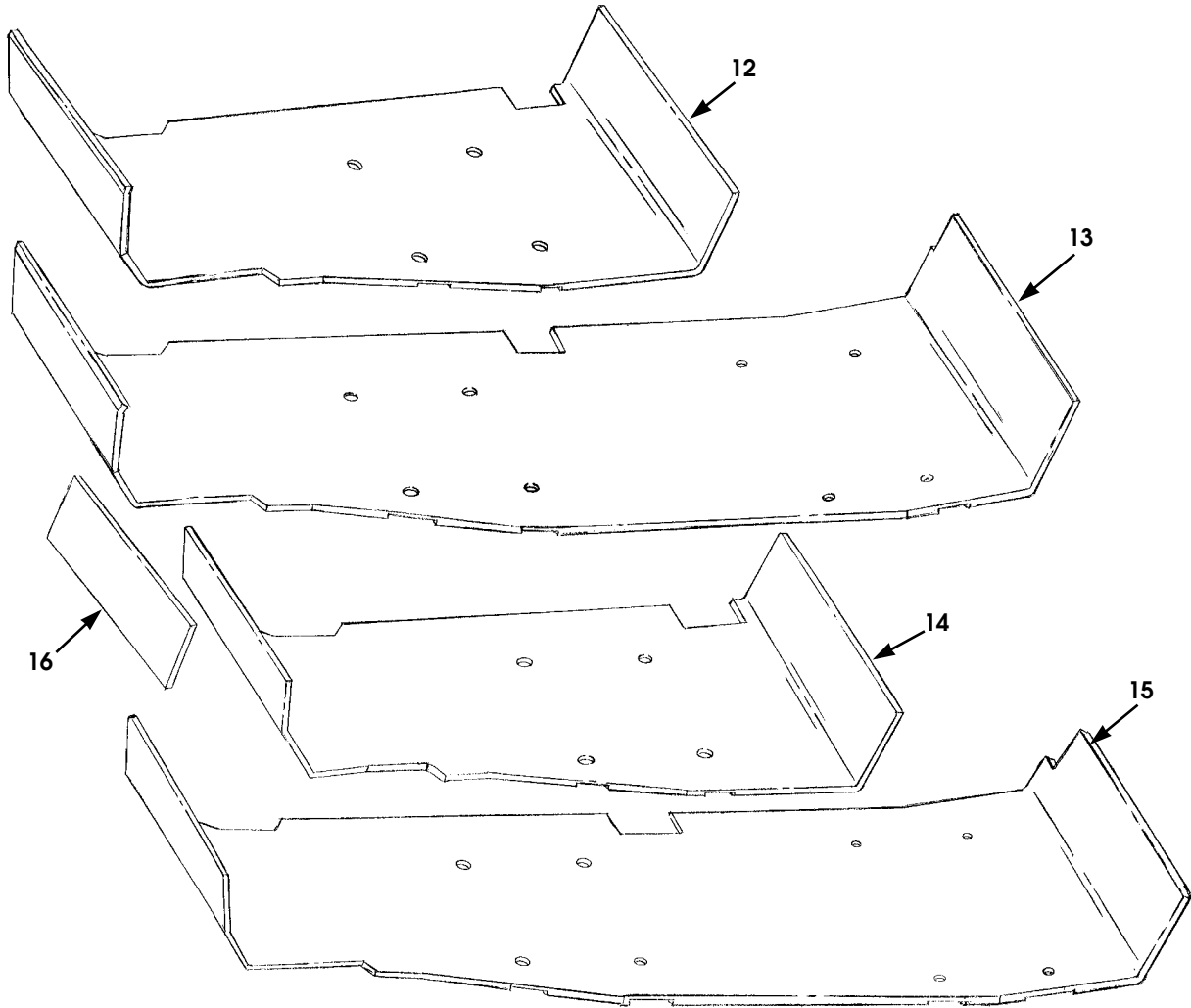
P10-038

Figure 10-33. Floor padding, Front and Rear (Sheet 1 of 2).



# HUMMER PARTS CATALOG

## 10-100 BODY



P10-039

Figure 10-33. Floor padding, Front and Rear (Sheet 2 of 2).

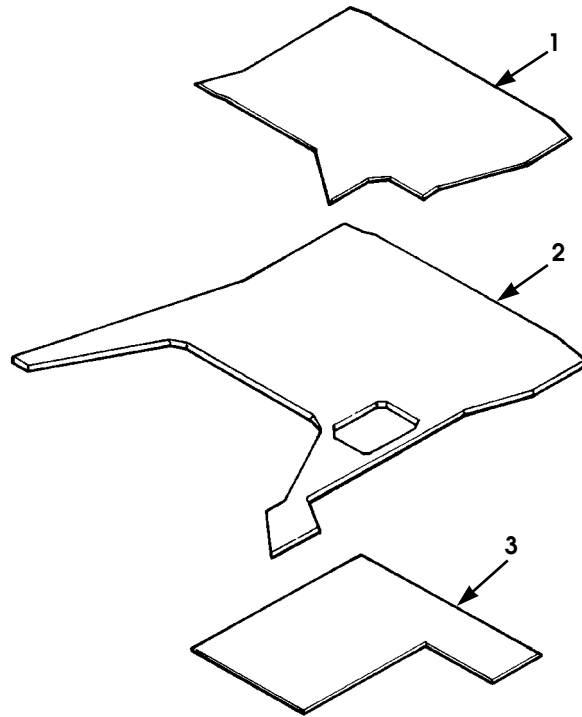
# HUMMER PARTS CATALOG

**BODY 10-101**

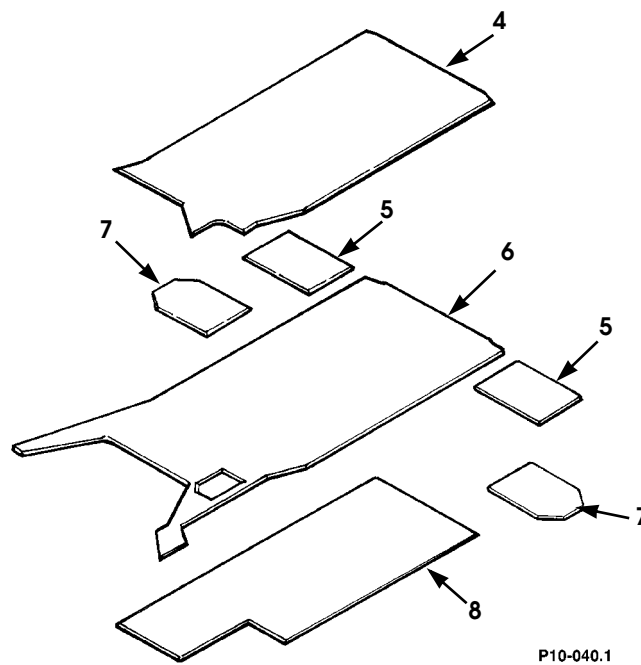
ITEM	PART NUMBER	DESCRIPTION	QTY
		Figure 10-33 FLOOR PADDING, FRONT AND REAR	
1	06001981	PAD, front floor upper, L.H. ....	1
2	06001982	PAD, front floor center, L.H. ....	1
3	06001991	PAD, rear floor, L.H. ....	1
		VLC2	
4	06001987	PAD, rear floor, L.H. ....	1
		HMC4, HMCS, VLCO	
5	06001985	PAD, rear floor center, L.H. ....	1
		HMC4, HMCS, VLCO	
6	06001984	PAD, front floor, L.H. ....	1
		HMC4, HMCS, VLCO	
7	06001970	PAD, front floor, R.H. ....	1
8	06001966	PAD, rear floor, R.H. ....	1
		HMC4, HMCS, VLCO	
9	06001965	PAD, rear floor center, R.H. ....	1
		HMC4, HMCS, VLCO	
10	05939690	PAD, middle, R.H. ....	1
		VLC2	
11	06001971	PAD, front floor upper, R.H. ....	1
12	06003155 G	PAD ASSEMBLY, R.H., SEE NOTE 1. ....	1
		VLC2	
12	06003155 T	PAD ASSEMBLY, R.H., SEE NOTE 1. ....	1
		VLC2	
12	06004548 G	PAD ASSEMBLY, R.H. ....	1
		XLC2	
12	06004548 T	PAD ASSEMBLY, R.H. ....	1
		XLC2	
13	06003154 G	PAD ASSEMBLY, R.H., SEE NOTE 1. ....	1
		HMC4, HMCS, VLCO	
13	06003154 T	PAD ASSEMBLY, R.H., SEE NOTE 1. ....	1
		HMC4, HMCS, VLCO	
14	06003443 G	PAD ASSEMBLY, L.H., SEE NOTE 1. ....	1
		VLC2	
14	06003443 T	PAD ASSEMBLY, L.H., SEE NOTE 1. ....	1
		VLC2	
14	06004547 G	PAD ASSEMBLY, R.H. ....	1
		XLC2	
14	06004547 T	PAD ASSEMBLY, R.H. ....	1
		XLC2	
15	06003444 G	PAD ASSEMBLY, L.H., SEE NOTE 1. ....	1
		HMC4, HMCS, VLCO	
15	06003444 T	PAD ASSEMBLY, L.H., SEE NOTE 1. ....	1
		HMC4, HMCS, VLCO	
16	06000970	INSULATION, cowl, front upper. ....	1
		NOTE 1: T for Tan G for Gray	

# HUMMER PARTS CATALOG

## 10-102 BODY



TWO-MAN



FOUR-MAN

Figure 10-34. Interior Tunnel Padding, Carpet, and Hardboard.

# HUMMER PARTS CATALOG

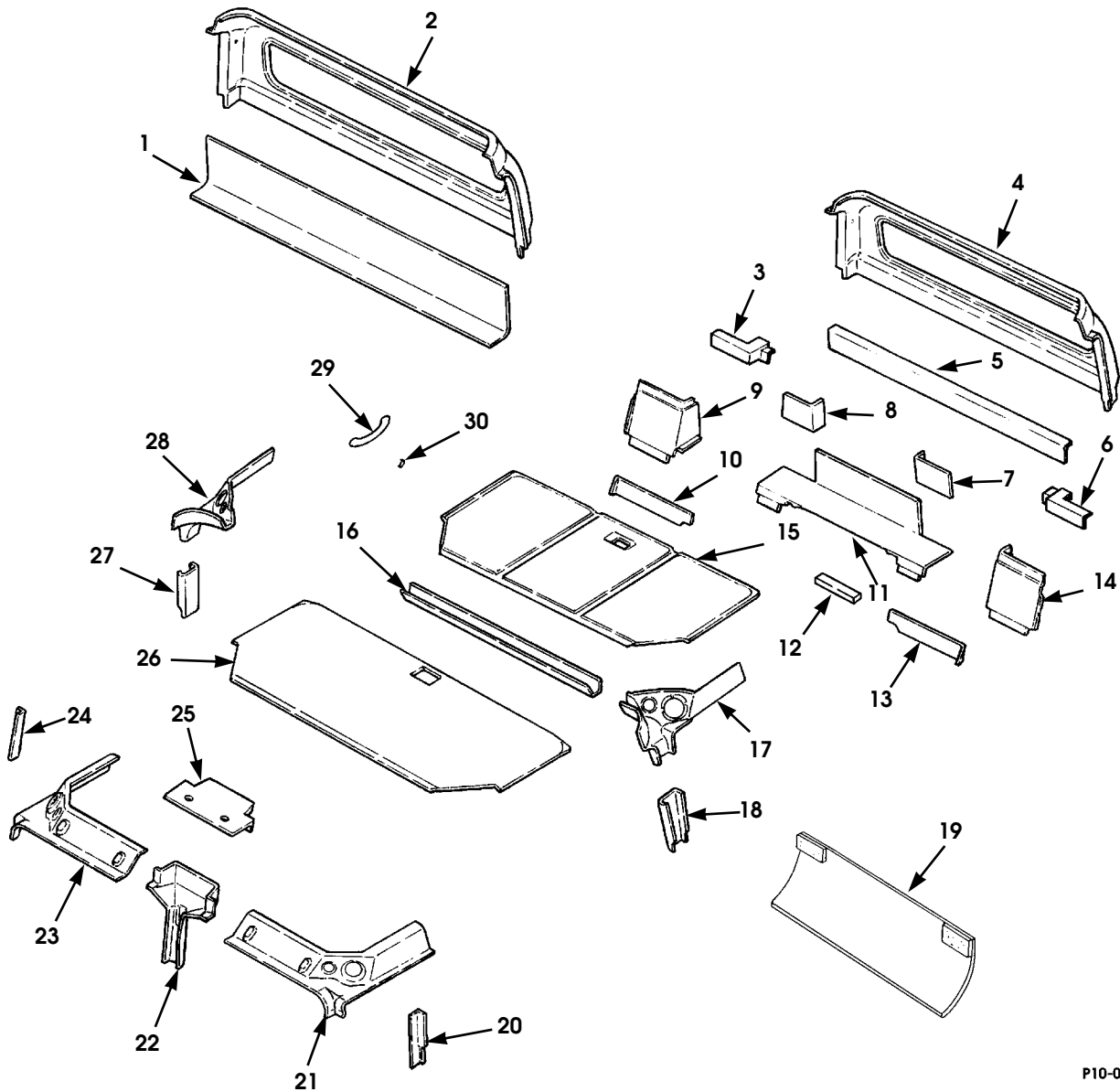
12-31-95

## BODY 10-103

ITEM	PART NUMBER	DESCRIPTION	QTY
		Figure 10-34 INTERIOR TUNNEL PADDING, CARPET, AND HARDBOARD	
1	06001576 G	CARPET, tunnel top, deluxe, SEE NOTE 1 . . . . . VLC2	1
1	06001576 T	CARPET, tunnel top, deluxe, SEE NOTE 1 . . . . . VLC2	1
2	06003512 G	PAD ASSEMBLY, tunnel top, SEE NOTE 1 . . . . . VLC2	1
2	06003512 T	PAD ASSEMBLY, tunnel top, SEE NOTE 1 . . . . . VLC2	1
3	05939735	HARDBOARD, tunnel top . . . . . VLC2	1
4	06000922 G	CARPET, tunnel top, deluxe, SEE NOTE 1 . . . . . HMC4, HMCS	1
4	06000922 T	CARPET, tunnel top, deluxe, SEE NOTE 1 . . . . . HMC4, HMCS	1
4	06003054 T	CARPET, tunnel top . . . . . HMC4, HMCS	1
★ 4	06005240 G	CARPET, tunnel top, w/aux seat SEE NOTE 1 . . . . . HMCS	1
★ 4	06005240 T	CARPET, tunnel top, w/aux seat SEE NOTE 1 . . . . . HMCS	1
5	05939985 G	PAD ASSEMBLY, tunnel top, RR, outer, SEE NOTE 1 . . . . . HMC4, HMCS	2
5	05939985 T	PAD ASSEMBLY, tunnel top, RR, outer, SEE NOTE 1 . . . . . HMC4, HMCS	2
★ 6	06005237 T	PAD ASSEMBLY, tunnel top, SEE NOTE 1 . . . . . HMC4, HMCS	1
7	06000870	HARDBOARD, tunnel top, RR, outer . . . . . HMC4, HMCS, VLCO	2
8	06003056	HARDBOARD, tunnel top . . . . . HMC4, HMCS	1
★ 9	06006162 G	CARPET, aux A/C console (not illustrated) SEE NOTE 1	1
★ 9	06006162 T	CARPET, aux A/C console (not illustrated) SEE NOTE 1	1
		NOTE 1: T for Tan G for Gray	

# HUMMER PARTS CATALOG

## 10-104 BODY



P10-04

Figure 10-35. Headliner, Roof Trim, Front and Rear Side Trim, Grab Handles, and Mounting Hardware.

# HUMMER PARTS CATALOG

**BODY 10-105**

ITEM	PART NUMBER	DESCRIPTION	QTY
		Figure 10-35 HEADLINER, ROOF TRIM, FRONT AND REAR SIDE TRIM, GRAB HANDLES, AND MOUNTING HARDWARE	
1	06005174 G	PANEL, rear, lower w/ Clarion radio, SEE NOTE 1 . . . . . VLC2	1
1	06005174 T	PANEL, rear, lower w/ Clarion radio, SEE NOTE 1 . . . . . VLC2	1
1	06003602 G	PANEL, rear, lower, SEE NOTE 1 . . . . . VLC2	1
1	06003602 T	PANEL, rear, lower, SEE NOTE 1 . . . . . VLC2	1
2	06001196 T	PANEL ASSEMBLY TRIM, rear (standard), SEE NOTE 1 . . . . . VLC2	1
2	05939608 G	PANEL ASSEMBLY TRIM, rear (deluxe), SEE NOTE 1 . . . . . VLC2	1
2	05939608 T	PANEL ASSEMBLY TRIM, rear (deluxe), SEE NOTE 1 . . . . . VLC2	1
3	06001031 G	PANEL TRIM, wheelhouse, upper, R.H., SEE NOTE 1 . . . . . VLCO	1
3	06001031 T	PANEL TRIM, wheelhouse, upper, R.H., SEE NOTE 1 . . . . . VLCO	1
4	06003603 T	PANEL ASSEMBLY TRIM, rear (standard), SEE NOTE 1 . . . . . HMC4	1
4	05939617 T	PANEL ASSEMBLY TRIM, rear (deluxe), SEE NOTE 1 . . . . . HMC4	1
4	05939617 G	PANEL ASSEMBLY TRIM, rear (deluxe), SEE NOTE 1 . . . . . HMC4	1
5	06001032 G	PANEL TRIM, rear, SEE NOTE 1 . . . . . VLCO	1
5	06001032 T	PANEL TRIM, rear, SEE NOTE 1 . . . . . VLCO	1
6	06001030 G	PANEL TRIM, wheelhouse, upper, L.H., SEE NOTE 1 . . . . . VLCO	1
6	06001030 T	PANEL TRIM, wheelhouse, upper, L.H., SEE NOTE 1 . . . . . VLCO	1
7	06000185 G	PANEL, amp cover, L.H., SEE NOTE 1 . . . . . HMC4, HMCS, VLCO	1
7	06000185 T	PANEL, amp cover, L.H., SEE NOTE 1 . . . . . HMC4, HMCS, VLCO	1
7	06001028 G	PANEL, amp cover, L.H., SEE NOTE 1 . . . . . VLCO	1
7	06001028 T	PANEL, amp cover, L.H., SEE NOTE 1 . . . . . VLCO	1
8	06000186 G	PANEL, amp cover, R.H., SEE NOTE 1 . . . . . HMC4, HMCS, VLCO	1
8	06000186 T	PANEL, amp cover, R.H., SEE NOTE 1 . . . . . HMC4, HMCS, VLCO	1
8	06001029 G	PANEL, amp cover, R.H., SEE NOTE 1 . . . . . VLCO	1

12-31-95

**HUMMER PARTS CATALOG****10-106 BODY**

ITEM	PART NUMBER	DESCRIPTION	QTY
		Figure 10-35 HEADLINER, ROOF TRIM, FRONT AND REAR SIDE TRIM, GRAB HANDLES, AND MOUNTING HARDWARE (Cont'd)	
8	06001029 T	PANEL, amp cover, R.H., SEE NOTE 1 . . . . . VLCO	1
9	06002995 G	PANEL, wheelhouse, upper, R.H., SEE NOTE 1 . . . . . HMC4, HMCS, VLCO	1
9	06002995 T	PANEL, wheelhouse, upper, R.H., SEE NOTE 1 . . . . . HMC4, HMCS, VLCO	1
10	06002993 G	PANEL, wheelhouse, lower, R.H., SEE NOTE 1 . . . . . HMC4, HMCS, VLCO	1
10	06002993 T	PANEL, wheelhouse, lower, R.H., SEE NOTE 1 . . . . . HMC4, HMCS, VLCO	1
11	06001198 G	PANEL, rear, lower, center, SEE NOTE 1 . . . . . HMC4, HMCS, VLCO	1
11	06001198 T	PANEL, rear, lower, center, SEE NOTE 1 . . . . . HMC4, HMCS, VLCO	1
11	06005125 G	PANEL, rear lower, center, w/ Clarion radio, SEE NOTE 1 HMC4, HMCS, VLCO	1
11	06005125 T	PANEL, rear lower, center, w/ Clarion radio, SEE NOTE 1 HMC4, HMCS, VLCO	1
* 11	06003602 T	B-BEAM TRIM. . . . . VLC2	1
11	06005174 G	B-BEAM TRIM, w/ Clarion radio, SEE NOTE 1 . . . . . VLC2	1
11	06005174 T	B-BEAM TRIM, w/ Clarion radio, SEE NOTE 1 . . . . . VLC2	1
12	06001197	BACKING PLATE, trim mounting . . . . . VLC2	4
13	06002992 G	PANEL, wheelhouse, lower, L.H., SEE NOTE 1 . . . . . HMC4, HMCS, VLCO	1
13	06002992 T	PANEL, wheelhouse, lower, L.H., SEE NOTE 1 . . . . . HMC4, HMCS, VLCO	1
14	06002994 G	PANEL, wheelhouse, upper, L.H., SEE NOTE 1 . . . . . HMCS	1
14	06002994 T	PANEL, wheelhouse, upper, L.H., SEE NOTE 1 . . . . . HMCS	1
15	06001706 T	HEADLINER, rear (standard), SEE NOTE 1 . . . . . HMC4	1
15	06001173 G	HEADLINER, rear (deluxe), SEE NOTE 1 . . . . . HMC4	1
15	06001173 T	HEADLINER, rear (deluxe), SEE NOTE 1 . . . . . HMC4	1
16	06001127 T	PANEL ASSEMBLY TRIM, center (standard), SEE NOTE 1 HMC4, HMCS	1
16	05939614 G	PANEL ASSEMBLY TRIM, center (deluxe), SEE NOTE 1 . . HMC4, HMCS	1
16	05939614 T	PANEL ASSEMBLY TRIM, center (deluxe), SEE NOTE 1 . . HMC4, HMCS	1

# HUMMER PARTS CATALOG

12-31-95

## BODY 10-107

ITEM	PART NUMBER	DESCRIPTION	QTY
		Figure 10-35 HEADLINER, ROOF TRIM, FRONT AND REAR SIDE TRIM, GRAB HANDLES, AND MOUNTING HARDWARE (Cont'd)	
17	06001512 T	PANEL ASSEMBLY TRIM, L.H., B-pillar (standard w/ standard audio system), SEE NOTE 1 . . . HMC4, HMCS	1
17	06001514 G	PANEL ASSEMBLY TRIM, L.H., B-pillar (standard w/ deluxe audio), SEE NOTE 1 . . . . .	1
17	06001514 T	PANEL ASSEMBLY TRIM, L.H., B-pillar (standard w/ deluxe audio), SEE NOTE 1 . . . . .	1
★ 17	06003561 G	PANEL ASSEMBLY TRIM, L.H., B-pillar (deluxe w/ deluxe audio system), SEE NOTE 1 . . . . .	1
★ 17	06003561 T	PANEL ASSEMBLY TRIM, L.H., B-pillar (deluxe w/ deluxe audio system) , SEE NOTE 1 . . . . .	1
18	06005991 T	PANEL ASSEMBLY TRIM, L.H., B-pillar, center (standard), SEE NOTE 1 . . . . .	1
18	06005989 G	PANEL ASSEMBLY TRIM, L.H., B-pillar, center (deluxe), SEE NOTE 1 . . . . .	1
18	06005989 T	PANEL ASSEMBLY TRIM, L.H., B-pillar, center (deluxe), SEE NOTE 1 . . . . .	1
19	06001864 G	COVER, amplifier, SEE NOTE 1 . . . . .	1
19	06001864 T	COVER, amplifier, SEE NOTE 1 . . . . .	1
20	06001194 T	PANEL ASSEMBLY TRIM, L.H., A-pillar (standard), SEE NOTE 1 . . . . .	1
20	05939313 G	PANEL ASSEMBLY TRIM, L.H., A-pillar (deluxe), SEE NOTE 1 HMC4, HMCS, VLC2	1
20	05939313 T	PANEL ASSEMBLY TRIM, L.H., A-pillar (deluxe), SEE NOTE 1 HMC4, HMCS, VLC2	1
★ 21	06002729 T	PANEL ASSEMBLY TRIM, L.H., front, upper (standard w/ standard audio system), SEE NOTE 1 . . . HMC4, HMCS, VLC2	1
21	05939299 G	PANEL ASSEMBLY TRIM, L.H., front, upper (deluxe w/ deluxe audio system), SEE NOTE 1 . . . . .	1
21	05939299 T	PANEL ASSEMBLY TRIM, L.H., front, upper (deluxe w/ deluxe audio system), SEE NOTE 1 . . . . .	1
21	06002729 G	PANEL ASSEMBLY TRIM, L.H., front, upper, SEE NOTE 1 . . VLC2	1



# HUMMER PARTS CATALOG

## 10-108 BODY

ITEM	PART NUMBER	DESCRIPTION	QTY
		Figure 10-35 HEADLINER, ROOF TRIM, FRONT AND REAR SIDE TRIM, GRAB HANDLES, AND MOUNTING HARDWARE (Cont'd)	
21	06002729 T	PANEL ASSEMBLY TRIM, L.H., front, upper, SEE NOTE 1 . . . VLC2	1
21	06002730 G	PANEL ASSEMBLY TRIM, L.H., front, upper, SEE NOTE 1 . . . VLC2	1
21	06002730 T	PANEL ASSEMBLY TRIM, L.H., front, upper, SEE NOTE 1 . . . VLC2	1
22	06001172 T	PANEL ASSEMBLY TRIM, wiper motor (standard), SEE NOTE 1 . . . . .	1
		HMC4, HMCS, VLC2	
22	05939300 G	PANEL ASSEMBLY TRIM, wiper motor (deluxe), SEE NOTE 1 . . . . .	1
		HMC4, HMCS, VLC2	
22	05939300 T	PANEL ASSEMBLY TRIM, wiper motor (deluxe), SEE NOTE 1 HMC4, HMCS, VLC2	1
22	06001024 G	PANEL ASSEMBLY TRIM, wiper motor, SEE NOTE 1 . . . . . VLCO	1
22	06001024 T	PANEL ASSEMBLY TRIM, wiper motor, SEE NOTE 1 . . . . . VLCO	1
23	06002730 T	PANEL ASSEMBLY TRIM, R.H., front, upper (standard w/ standard audio system), SEE NOTE 1 . . . HMC4, HMCS, VLC2	1
23	05939312 G	PANEL ASSEMBLY TRIM, R.H., front, upper (deluxe w/ deluxe audio system), SEE NOTE 1 . . . . . HMC4, HMCS, VLC2	1
23	05939312 T	PANEL ASSEMBLY TRIM, R.H., front, upper (deluxe w/ deluxe audio system), SEE NOTE 1 . . . . . HMC4, HMCS, VLC2	1
24	06001195 T	PANEL ASSEMBLY TRIM, R.H., A-pillar (standard), SEE NOTE 1 . . . . .	1
		HMC4, HMCS, VLC2	
24	05939314 G	PANEL ASSEMBLY TRIM, R.H., A-pillar (deluxe), SEE NOTE 1 HMC4, HMCS, VLC2	1
24	05939314 T	PANEL ASSEMBLY TRIM, R.H., A-pillar (deluxe), SEE NOTE 1 HMC4, HMCS, VLC2	1
25	06001025 G	PANEL TRIM, upper wiper motor, SEE NOTE 1 . . . . . VLCO	1
25	06001025 T	PANEL TRIM, upper wiper motor, SEE NOTE 1 . . . . . VLCO	1
26	06001705 T	HEADLINER (standard), SEE NOTE 1 . . . . .	1
		HMC4, HMCS, VLC2	
26	06001166 G	HEADLINER (deluxe), SEE NOTE 1 . . . . .	1
		HMC4, HMCS, VLC2	
26	06001166 T	HEADLINER (deluxe), SEE NOTE 1 . . . . .	1
		HMC4, HMCS, VLC2	

# HUMMER PARTS CATALOG

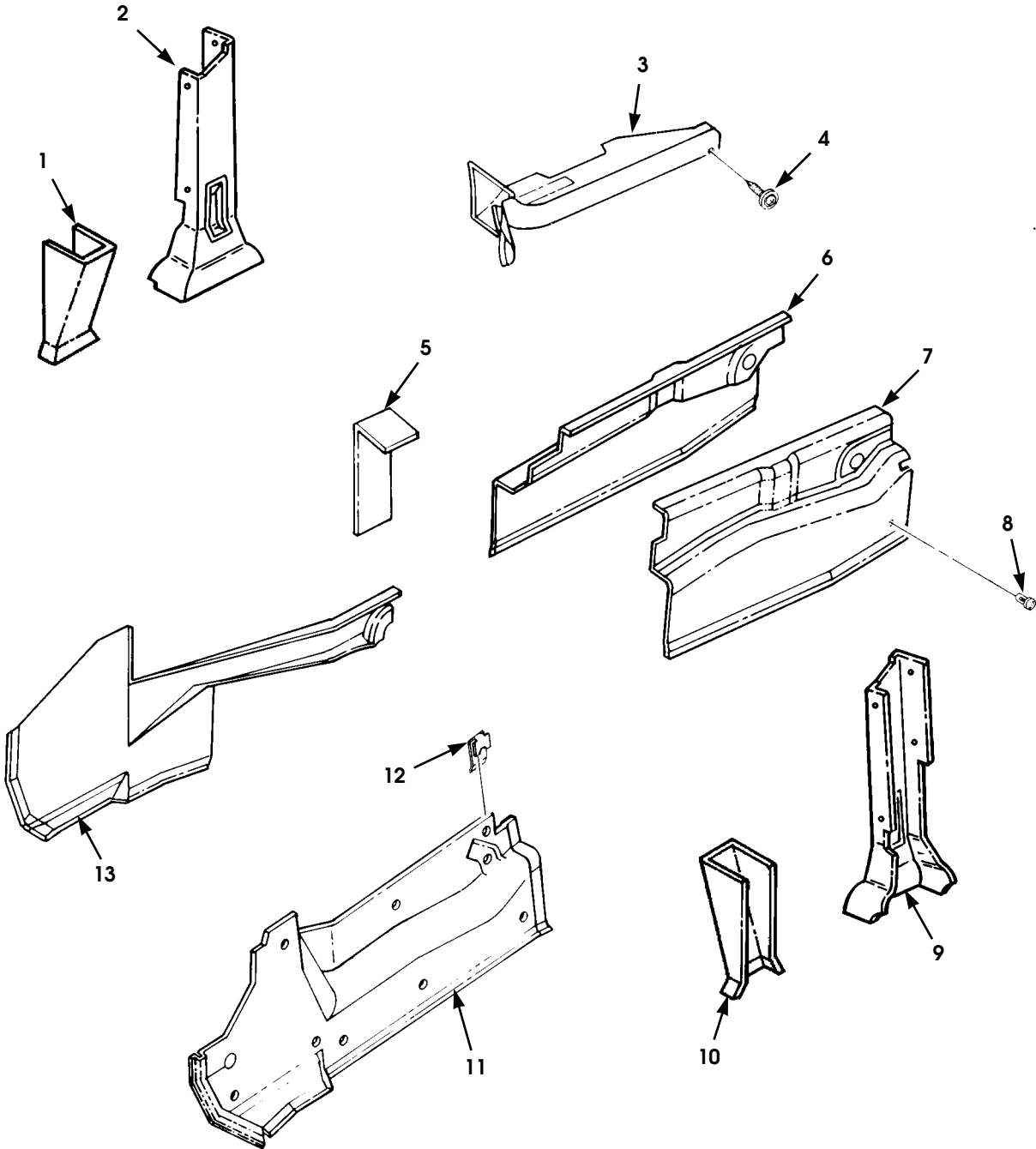
**BODY 10-109**

ITEM	PART NUMBER	DESCRIPTION	QTY
		Figure 10-35 HEADLINER, ROOF TRIM, FRONT AND REAR SIDE TRIM, GRAB HANDLES, AND MOUNTING HARDWARE (Cont'd)	
27	06005992 T	PANEL ASSEMBLY TRIM, R.H., B-pillar, center (standard), SEE NOTE 1 . . . . . HMC4, HMCS	1
27	06005990 G	PANEL ASSEMBLY TRIM, R.H., B-pillar, center (deluxe), SEE NOTE 1 . . . . . HMC4, HMCS	1
27	06005990 T	PANEL ASSEMBLY TRIM, R.H., B-pillar, center (deluxe), SEE NOTE 1 . . . . . HMC4, HMCS	1
28	06001513 T	PANEL ASSEMBLY TRIM, R.H., B-pillar, upper (standard w/ standard audio system), SEE NOTE 1 . . . HMC4, HMCS	1
28	06001511 G	PANEL ASSEMBLY TRIM, R.H., B-pillar, upper (deluxe w/ deluxe audio system), SEE NOTE 1 . . . . . HMC4, HMCS	1
28	06001511 T	PANEL ASSEMBLY TRIM, R.H., B-pillar, upper (deluxe w/ deluxe audio system), SEE NOTE 1 . . . . . HMC4, HMCS	1
29	05939469 G	GRAB HANDLE, SEE NOTE 1 . . . . . VLC2	2
29	05939469 T	GRAB HANDLE, SEE NOTE 1 . . . . . VLC2	2
29	05939469 G	GRAB HANDLE, SEE NOTE 1 . . . . . HMC4, HMCS	4
29	05939469 T	GRAB HANDLE, SEE NOTE 1 . . . . . HMC4, HMCS	4
30	06000027 G	PLUG, grab handle, SEE NOTE 1 . . . . . VLC2	4
30	06000027 T	PLUG, grab handle, SEE NOTE 1 . . . . . VLC2	4
30	06000027 G	PLUG, grab handle, SEE NOTE 1 . . . . . HMC4, HMCS	8
30	06000027 T	PLUG, grab handle, SEE NOTE 1 . . . . . HMC4, HMCS	8
		NOTE 1: T for Tan G for Gray	

12-31-95

# HUMMER PARTS CATALOG

10-110 BODY



P10-042.1

Figure 10-36. Inner Kick Panels and Miscellaneous Trim Panels.

# HUMMER PARTS CATALOG

12-31-95

## BODY 10-111

ITEM	PART NUMBER	DESCRIPTION	QTY
		Figure 10-36 INNER KICK PANELS AND MISCELLANEOUS TRIM PANELS	
1	06001709	PANEL, B-pillar, lower, R.H. (w/ convenience lamps) . . . . .	1
1	06003574 G	HMC4, HMCS, VLCO PANEL, B-pillar, lower, R.H. (w/o convenience lamps), SEE NOTE 1 . . . . .	1
1	06003574 T	HMC4, HMCS, VLCO PANEL, B-pillar, lower, R.H. (w/o convenience lamps), SEE NOTE 1 . . . . .	1
1	06002503	HMC4, HMCS, VLCO PANEL, B-pillar, lower, R.H. (w/o convenience lamps) . . . . .	1
* 1	06003509	HMC4, HMCS PANEL, B-pillar, lower, R.H. (w/o convenience lamps) . . . . .	1
1	06001034 G	HMC4, HMCS, VLCO PANEL, B-pillar, lower, R.H., SEE NOTE 1 . . . . .	1
1	06001034 T	VLC2 PANEL, B-pillar, lower, R.H., SEE NOTE 1 . . . . .	1
2	06004868 G	VLC2 PANEL, kick, inner rear, L.H., w/ low belt retractor, SEE NOTE 1 . . . . .	1
2	06004868 T	HMC4, HMCS, VLCO PANEL, kick, inner rear, L.H., w/ low belt retractor,	
3	06003451 G	PANEL, shift and parking brake, SEE NOTE 1 . . . . .	1
3	06003451 T	HMC4, HMCS, VLCO PANEL, shift and parking brake, SEE NOTE 1 . . . . .	1
4	06002686 G	HMC4, HMCS, VLCO SCREW AND WASHER ASSEMBLY, SEE NOTE 1 . . . . .	56
4	06002686 T	SCREW AND WASHER ASSEMBLY, SEE NOTE 1 . . . . .	56
5	06000187 G	PANEL, inner rear, R.H., SEE NOTE 1 . . . . .	1
5	06000187 T	VLC2 PANEL, inner rear, R.H., SEE NOTE 1 . . . . .	1
6	06003430 G	VLC2 PANEL, kick, inner rear, R.H., SEE NOTE 1 . . . . .	1
6	06003430 T	HMC4, HMCS, VLCO PANEL, kick, inner rear, R.H., SEE NOTE 1 . . . . .	1
7	06003434 G	HMC4, HMCS, VLCO PANEL, kick, inner rear, L.H., SEE NOTE 1 . . . . .	1

12-31-95

# HUMMER PARTS CATALOG

## 10-112 BODY

ITEM	PART NUMBER	DESCRIPTION	QTY
		Figure 10-36 INNER KICK PANELS AND MISCELLANEOUS TRIM PANELS (Cont'd)	
7	06003434 T	PANEL, kick, inner rear, L.H., SEE NOTE 1 . . . . . HMC4, HMCS, VLCO	1
★ 8	06000475 G	CLIP, trim, SEE NOTE 1 . . . . .	44
★ 8	06000475 T	CLIP, trim, SEE NOTE 1 . . . . .	44
9	06004869 G	PANEL, kick, inner rear, R.H., w/ low belt retractor, SEE NOTE 1 . . . . . HMC4, HMCS, VLCO	1
9	06004869 T	PANEL, kick, inner rear, R.H., w/ low belt retractor, SEE NOTE 1 . . . . . HMC4, HMCS, VLCO	1
10	06001708	PANEL, B-pillar, lower, L.H. (w/ convenience lamps) . . . . . HMC4, HMCS, VLCO	1
10	06003573 G	PANEL, B-pillar, lower, L.H. (w/ convenience lamps), SEE NOTE 1 . . . . . HMC4, HMCS, VLCO	1
10	06003573 T	PANEL, B-pillar, lower, L.H. (w/ convenience lamps), SEE NOTE 1 . . . . . HMC4, HMCS, VLCO	1
10	06003508	PANEL, B-pillar, lower, L.H. (w/o convenience lamps) . . . . . HMC4, HMCS, VLCO	1
10	06001033 G	PANEL, B-pillar, lower L.H., SEE NOTE 1 . . . . . VLC2	1
10	06001033 T	PANEL, B-pillar, lower L.H., SEE NOTE 1 . . . . . VLC2	1
11	06000926	PANEL, kick, lower center, L.H. (w/o CTIS) . . . . . HMC4, HMCS, VLCO	1
11	06003441 G	PANEL, kick, lower center, L.H. (w/o CTIS), SEE NOTE 1 . HMC4, HMCS, VLCO	1
11	06003441 T	PANEL, kick, lower center, L.H. (w/o CTIS), SEE NOTE 1 . HMC4, HMCS, VLCO	1
11	06000921	PANEL, kick, lower center, L.H. (w/ CTIS) . . . . . HMC4, HMCS, VLCO	1
11	06003432 G	PANEL, kick, lower center, L.H. (w/ CTIS) SEE NOTE 1 . . . HMC4, HMCS, VLCO	1

# HUMMER PARTS CATALOG

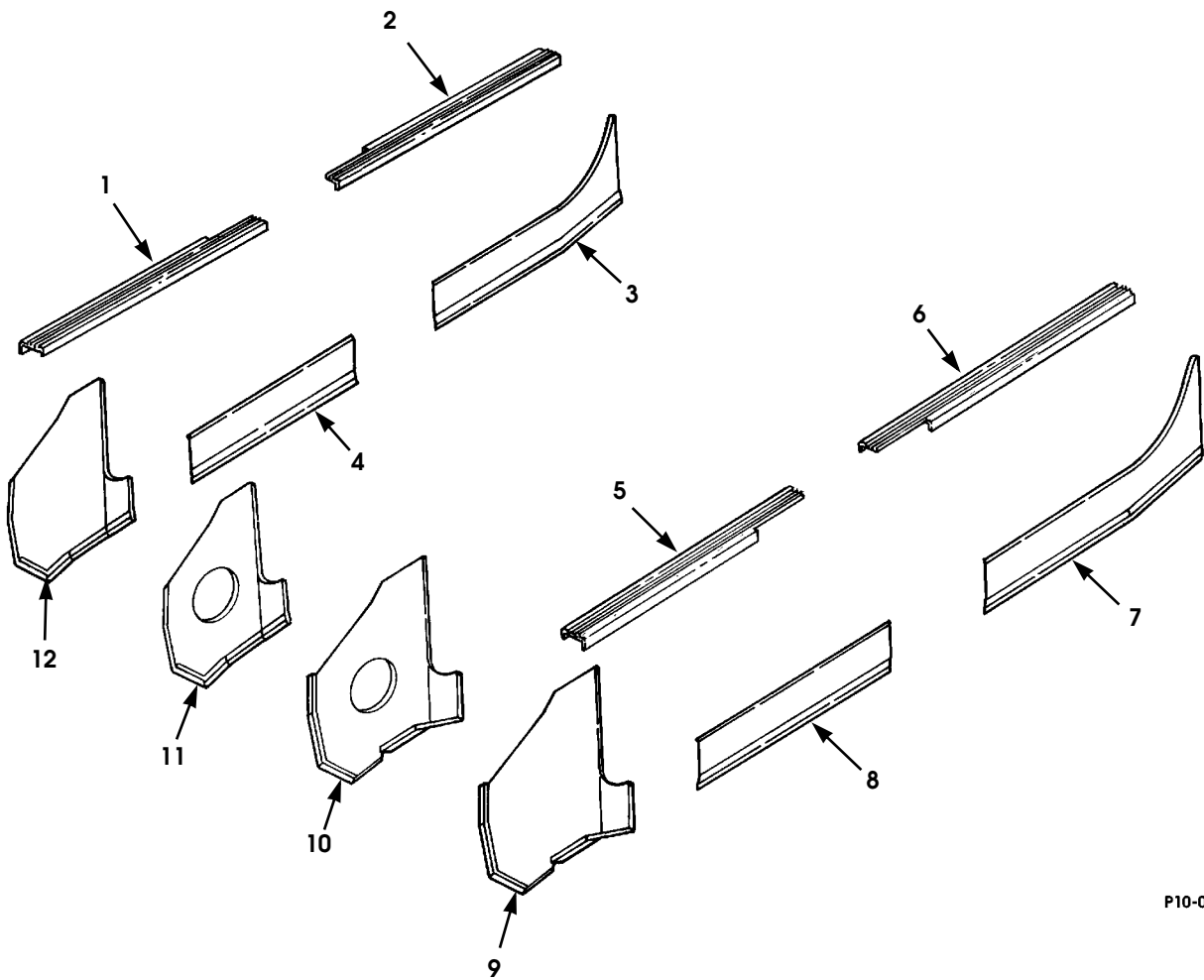
12-31-95

## BODY 10-113

ITEM	PART NUMBER	DESCRIPTION	QTY
		Figure 10-36 INNER KICK PANELS AND MISCELLANEOUS TRIM PANELS (Cont'd)	
11	06003432 T	PANEL, kick, lower center, L.H. (w/ CTIS) SEE NOTE 1 . . . HMC4, HMCS, VLCO	1
11	06000925	PANEL, kick, lower center, L.H. (w/o CTIS) . . . . . VLC2	1
11	06003442 G	PANEL, kick, lower center, L.H. (w/o CTIS) SEE NOTE 1 . . VLC2	1
11	06003442 T	PANEL, kick, lower center, L.H. (w/o CTIS) SEE NOTE 1 . . VLC2	1
11	06000923	PANEL, kick, lower center, L.H. (w/ CTIS) . . . . . VLC2	1
11	06003433 G	PANEL, kick, lower center, L.H. (w/ CTIS) SEE NOTE 1 . . VLC2	1
11	06003433 T	PANEL, kick, lower center, L.H. (w/ CTIS) SEE NOTE 1 . . VLC2	1
* 12	06000391	SPEEDNUT . . . . .	56
13	06000892	PANEL, inner front, R.H. . . . .	1
13	06003470 G	PANEL, inner front, R.H., SEE NOTE 1 . . . . . VLC2	1
13	06003470 T	PANEL, inner front, R.H., SEE NOTE 1 . . . . . VLC2	1
13	06003153 G	PANEL, inner front, R.H., SEE NOTE 1 . . . . . HMC4, HMCS, VLCO	1
13	06003153 T	PANEL, inner front, R.H., SEE NOTE 1 . . . . . HMC4, HMCS, VLCO	1
		NOTE 1: T for Tan G for Gray	

# HUMMER PARTS CATALOG

## 10-114 BODY



P10-043

Figure 10-37. Outer Kick Panels Interior Trim.

# HUMMER PARTS CATALOG

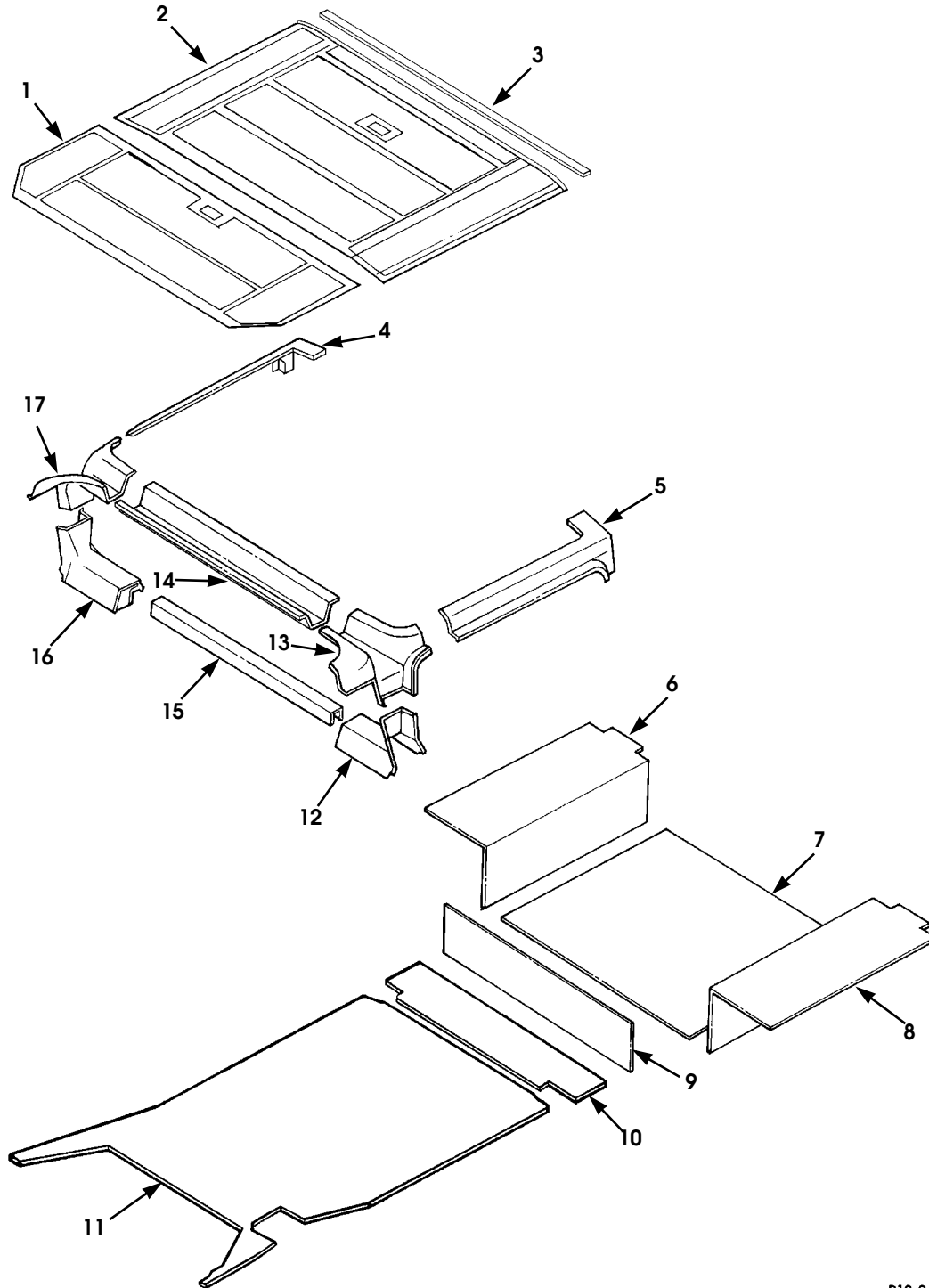
**BODY 10-115**

ITEM	PART NUMBER	DESCRIPTION	QTY
		Figure 10-37 OUTER KICK PANELS INTERIOR TRIM	
1	06000770	SCUFF PLATE ASSEMBLY, front, R.H. ....	1
2	06000772	SCUFF PLATE ASSEMBLY, rear, R.H. ....	1
		HMC4, HMCS, VLCO	
3	05939708 G	PANEL, outer rear, R.H., SEE NOTE 1 ....	1
		HMC4, HMCS, VLCO	
3	05939708 T	PANEL, outer rear, R.H., SEE NOTE 1 ....	1
		HMC4, HMCS, VLCO	
4	05939706	PANEL, outer center, R.H. ....	1
4	06003436 G	PANEL, outer center, R.H., SEE NOTE 1 ....	1
4	06003436 T	PANEL, outer center, R.H., SEE NOTE 1 ....	1
5	06000769	SCUFF PLATE ASSEMBLY, front, L.H. ....	1
6	06000771	SCUFF PLATE ASSEMBLY, rear, L.H. ....	1
		HMC4, HMCS, VLCO	
7	05939709 G	PANEL, outer rear, L.H., SEE NOTE 1. ....	1
		HMC4, HMCS, VLCO	
7	05939709 T	PANEL, outer rear, L.H., SEE NOTE 1. ....	1
		HMC4, HMCS, VLCO	
8	05939707	PANEL, outer center, L.H. ....	1
8	06003435 G	PANEL, outer center, L.H., SEE NOTE 1 ....	1
8	06003435 T	PANEL, outer center, L.H., SEE NOTE 1 ....	1
9	05939705 G	PANEL, outer front, L.H., SEE NOTE 1 ....	1
		HMC4, HMCS, VLC2, VLCO	
9	05939705 T	PANEL, outer front, L.H., SEE NOTE 1 ....	1
		HMC4, HMCS, VLC2, VLCO	
10	06001026	PANEL, outer front, L.H. ....	1
		VLCO	
10	06001026 G	PANEL, outer front, L.H., SEE NOTE 1 ....	1
		VLCO	
10	06001026 T	PANEL, outer front, L.H., SEE NOTE 1 ....	1
		VLCO	
11	06001027	PANEL, outer front, R.H. ....	1
		VLCO	
11	06003423 G	PANEL, outer front, R.H., SEE NOTE 1 ....	1
		VLCO	
11	06003423 T	PANEL, outer front, R.H., SEE NOTE 1 ....	1
		VLCO	
12	06000920	PANEL, outer front, R.H. ....	1
		HMC4, HMCS, VLC2, VLCO	
12	06003422 G	PANEL, outer front, R.H., SEE NOTE 1 ....	1
		HMC4, HMCS, VLC2	
12	06003422 T	PANEL, outer front, R.H., SEE NOTE 1 ....	1
		HMC4, HMCS, VLC2	
		NOTE 1: T for Tan G for Gray	



# HUMMER PARTS CATALOG

## 10-116 BODY



P10-044

Figure 10-38. Station Wagon Interior Trim.

# HUMMER PARTS CATALOG

**BODY 10-117**

ITEM	PART NUMBER	DESCRIPTION	QTY
		Figure 10-38 STATION WAGON INTERIOR TRIM	
1	06001690 G	HEADLINER, center (standard) ..... HMCS	1
1	06001690 T	HEADLINER, center (standard) ..... HMCS	1
1	06001236 G	HEADLINER, center (deluxe) ..... HMCS	1
1	06001236 T	HEADLINER, center (deluxe) ..... HMCS	1
2	06001065 G	HEADLINER, rear ..... HMCS	1
2	06001065 T	HEADLINER, rear ..... HMCS	1
2	06002728 G	HEADLINER, with deluxe audio, rear ..... HMCS	1
2	06002728 T	HEADLINER, with deluxe audio, rear ..... HMCS	1
3	06003659	INSULATION, headliner, rear ..... HMCS	1
4	06001067 G	PANEL, upper rear, R.H. .... HMCS	1
4	06001067 T	PANEL, upper rear, R.H. .... HMCS	1
5	06001066 G	PANEL, upper rear, L.H. .... HMCS	1
5	06001066 T	PANEL, upper rear, L.H. .... HMCS	1
6	06001109 G	CARPET, wheelhouse, R.H. .... HMCS	1
6	06001109 T	CARPET, wheelhouse, R.H. .... HMCS	1
7	06001110 G	CARPET, cargo floor ..... HMCS	1
7	06001110 T	CARPET, cargo floor ..... HMCS	1
8	06001108 G	CARPET, wheelhouse, L.H. .... HMCS	1
8	06001108 T	CARPET, wheelhouse, L.H. .... HMCS	1
9	06001111 G	CARPET, bulkhead ..... HMCS	1
9	06001111 T	CARPET, bulkhead ..... HMCS	1
10	06002988 G	CARPET ASSY, tunnel, center ..... HMCS	1
10	06002988 T	CARPET ASSY, tunnel, center ..... HMCS	1
11	06003157	PAD ASSY, tunnel, center. ....	1

12-31-95

# HUMMER PARTS CATALOG

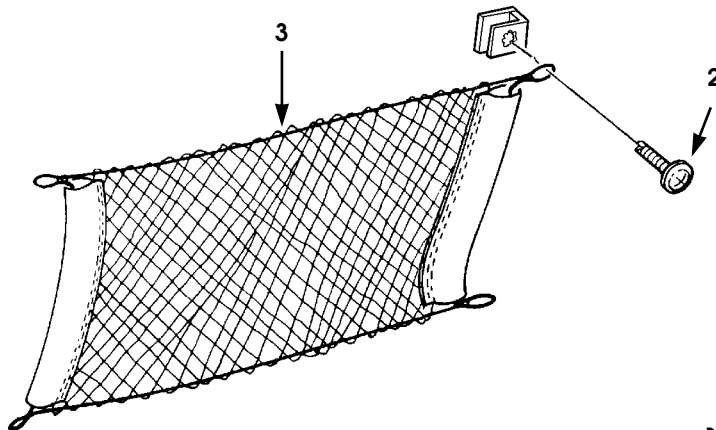
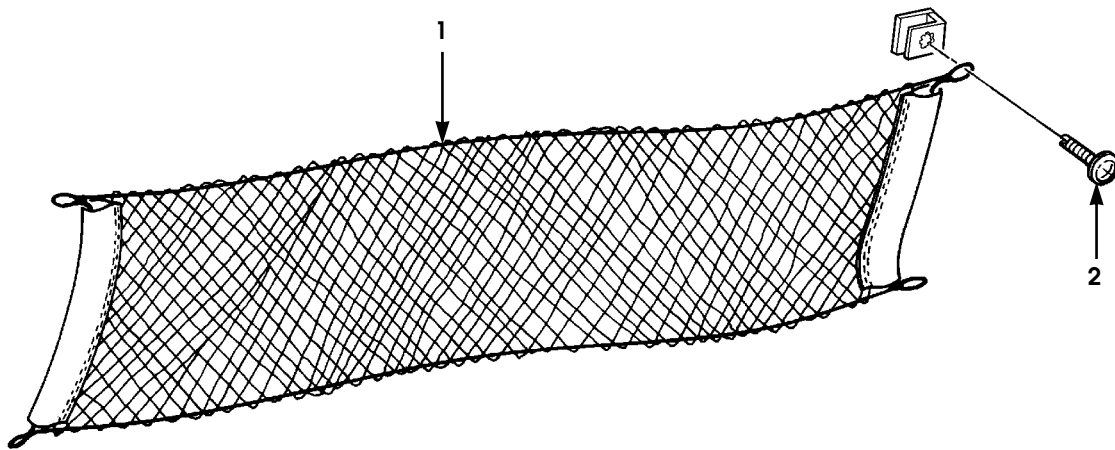
## 10-118 BODY

ITEM	PART NUMBER	DESCRIPTION	QTY
		Figure 10-38 STATION WAGON INTERIOR TRIM	
12	06002983 G	PANEL, C- pillar, lower, L.H. (standard) . . . . . HMCS	1
12	06002983 T	PANEL, C-pillar, lower, L.H. (standard). . . . . HMCS	1
12	06002981 G	PANEL, C-pillar, lower, L.H. (deluxe). . . . . HMCS	1
12	06002981 T	PANEL, C-pillar, lower, L.H. (deluxe). . . . . HMCS	1
13	06001549 G	PANEL, C-pillar, upper, L.H. (standard) . . . . . HMCS	1
13	06001549 T	PANEL, C-pillar, upper, L.H. (standard) . . . . . HMCS	1
13	06001068 G	PANEL, C-pillar, upper, L.H. (deluxe) . . . . . HMCS	1
13	06001068 T	PANEL, C-pillar, upper, L.H. (deluxe) . . . . . HMCS	1
14	06001551	PANEL, C-pillar, center (standard) . . . . . HMCS	1
14	06003038 T	PANEL, C-pillar, center (deluxe) . . . . . HMCS	1
15	06001064	PANEL, upper rail . . . . . HMCS	1
16	06001548	PANEL, C-pillar, lower, R.H. (standard) . . . . . HMCS	1
16	06002984	PANEL, C-pillar, lower, R.H. (standard) . . . . . HMCS	1
16	06002982 G	PANEL, C-pillar, lower, R.H. (deluxe) . . . . . HMCS	1
16	06002982 T	PANEL, C-pillar, lower, R.H. (deluxe) . . . . . HMCS	1
17	06001550 G	PANEL, C-pillar, upper, R.H. (standard) . . . . . HMCS	1
17	06001550 T	PANEL, C-pillar, upper, R.H. (standard) . . . . . HMCS	1
17	06001069 G	PANEL, C-pillar, upper, R.H. (deluxe). . . . . HMCS	1
17	06001069 T	PANEL, C-pillar, upper, R.H. (deluxe). . . . . HMCS	1



# HUMMER PARTS CATALOG

## 10-120 BODY



P10-046

Figure 10-39. Cargo Net and Pocket Net.

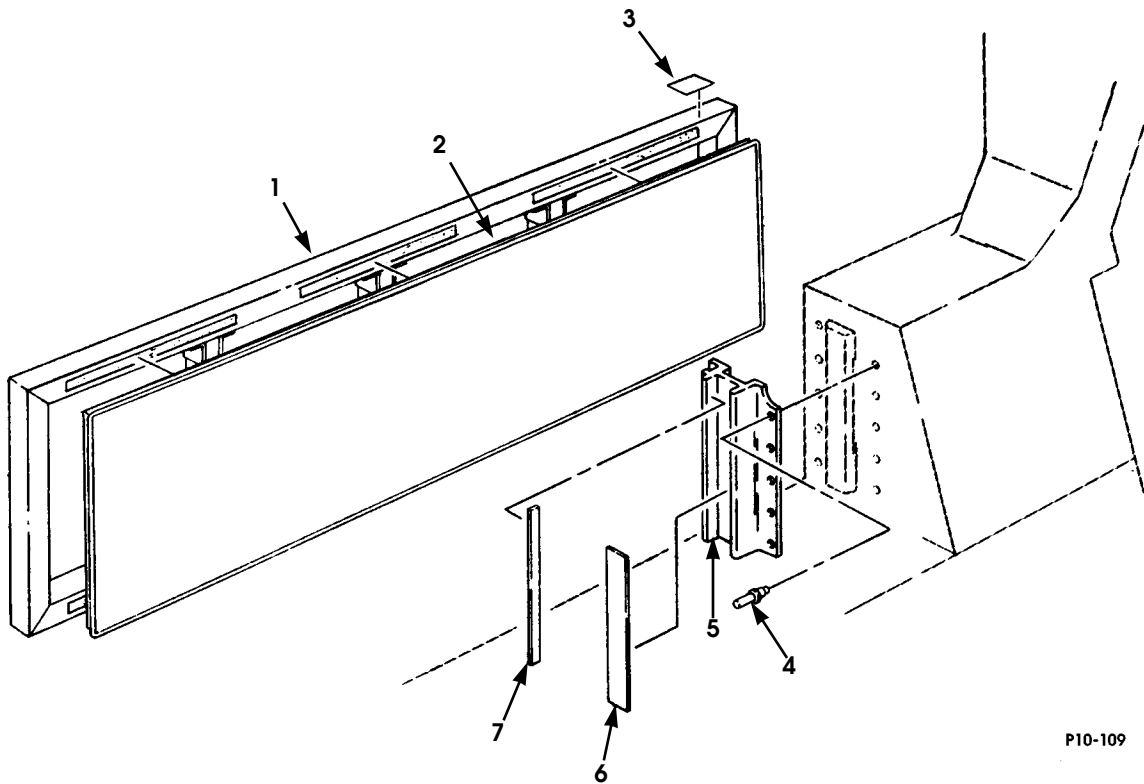
# HUMMER PARTS CATALOG

**BODY 10-121**

ITEM	PART NUMBER	DESCRIPTION	QTY
		Figure 10-39 CARGO NET AND POCKET NET	
1	06002809	CARGO NET.....	1
2	06000114	SCREW AND WASHER ASSEMBLY.....	8
3	06002808	POCKET NET.....	1

# HUMMER PARTS CATALOG

## 10-122 BODY



P10-109

Figure 10-40. Removable Load Barrier.

# HUMMER PARTS CATALOG

12-31-95

## BODY 10-123

ITEM	PART NUMBER	DESCRIPTION	QTY
		Figure 10-40 REMOVABLE LOAD BARRIER	
1	06002978	FRAME ASSEMBLY, load barrier . . . . .	1
2	06002998	CARPET . . . . .	1
3	06004009	DECAL, load barrier warning . . . . .	1
4	12339355	RIVET . . . . .	20
5	06003014	BRACKET, L.H. . . . .	1
5	06003020	BRACKET, R.H. . . . .	1
6	06003015	BUMPER STRIP, center . . . . .	2
* 7	06007112	BUMPER STRIP, side . . . . .	4

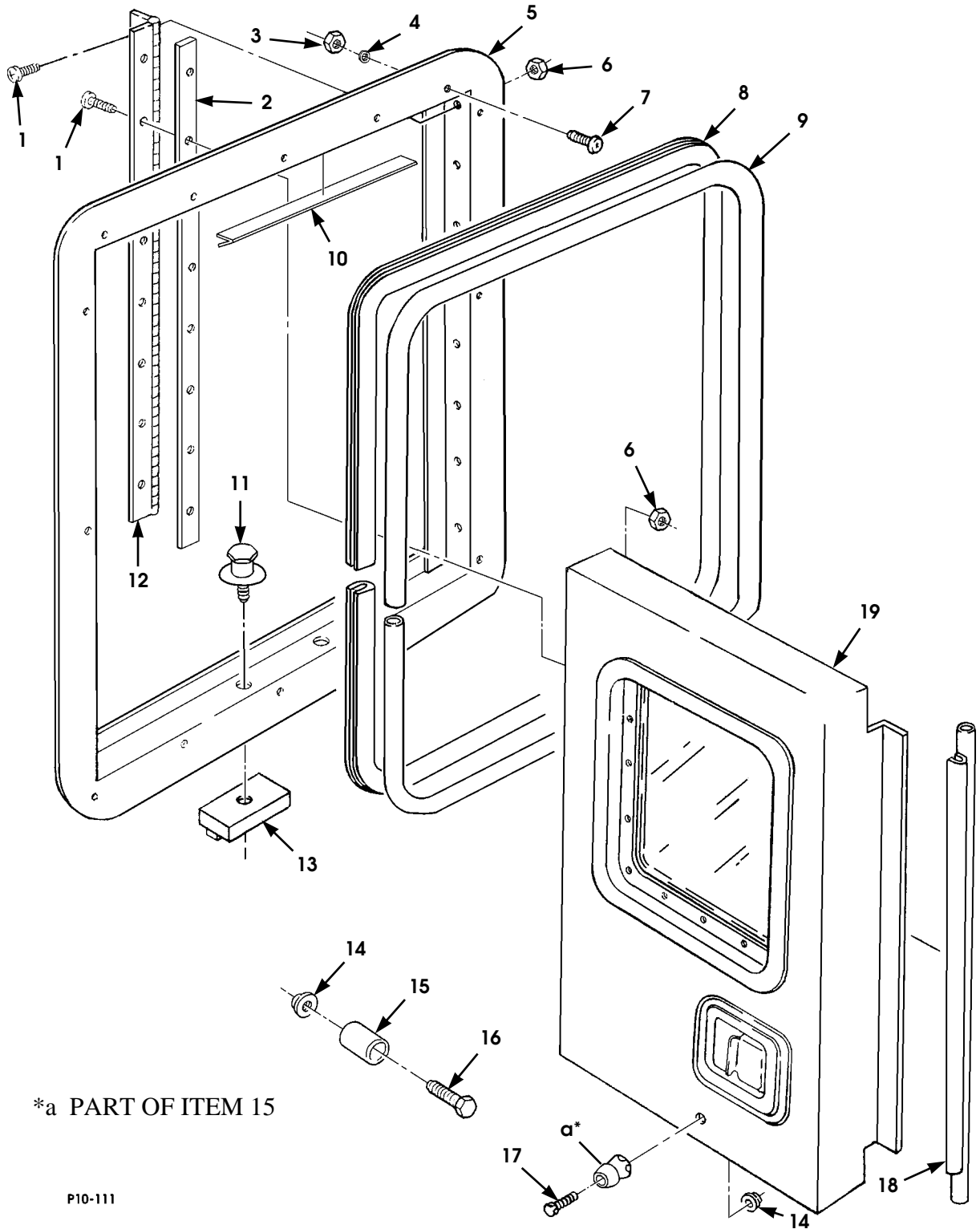




# HUMMER PARTS CATALOG

7-1-95

BODY 10-125



\*a PART OF ITEM 15

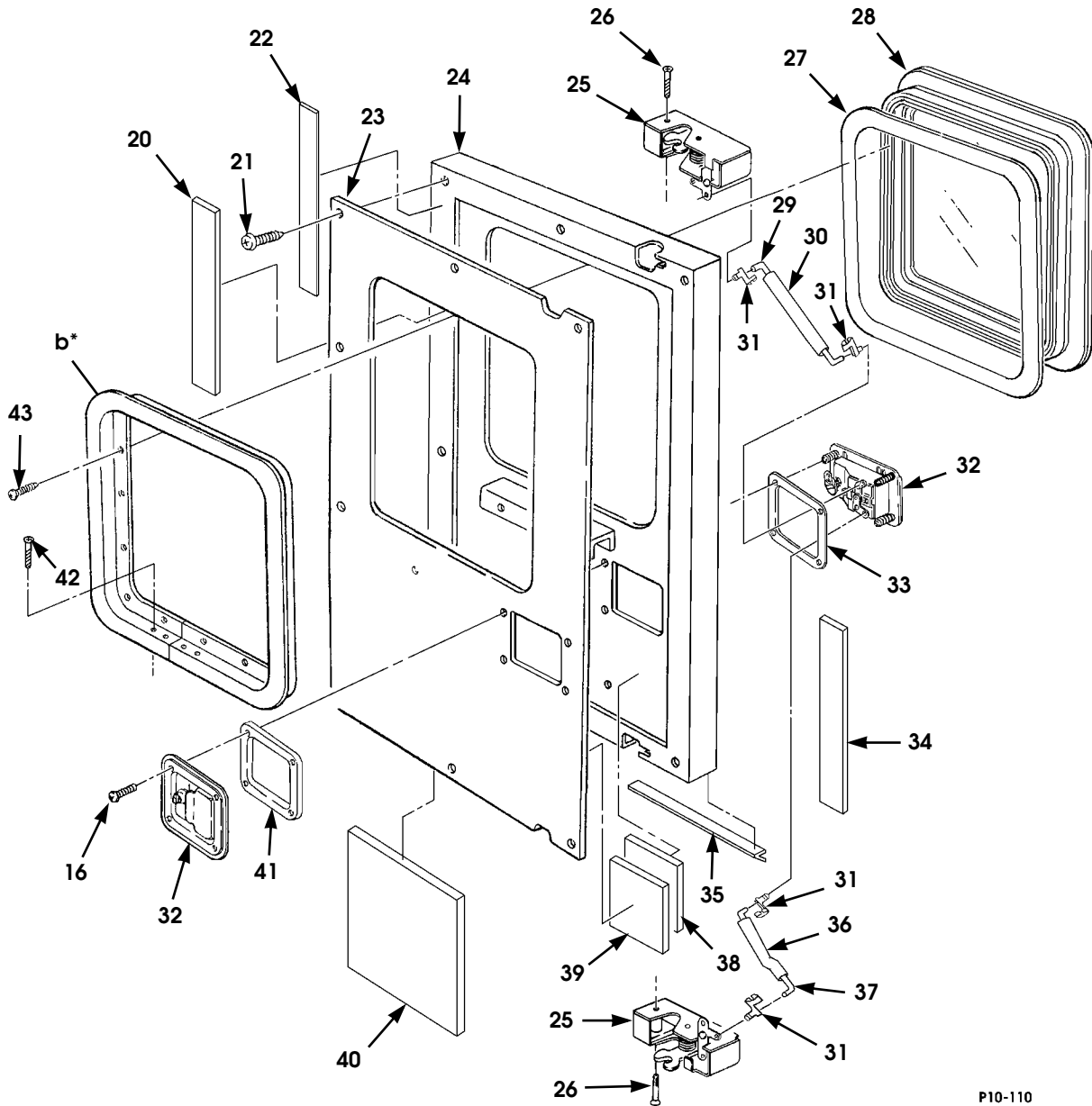
P10-111

Figure 10-41. Station Wagon Rear Doors (Sheet 1 of 2).

7-1-95

# HUMMER PARTS CATALOG

10-126 BODY



P10-110

\*b PART OF ITEM 28

Figure 10-41. Station Wagon Rear Doors (Sheet 2 of 2).

# HUMMER PARTS CATALOG

12-31-95

## BODY 10-127

ITEM	PART NUMBER	DESCRIPTION	QTY
		Figure 10-41 STATION WAGON REAR DOORS	
1	06006178	SCREW, bttnhd, 1/4 x 1" . . . . .	30
2	06005767	SEAL, hinge-to-frame . . . . .	4
3	G 00134551	NUT, 1/4" - 20, zinc . . . . .	17
4	G 00120380	LOCKWASHER, 1/4" . . . . .	17
5	06005646 P	FRAME ASSEMBLY, rear doors . . . . .	1
6	05937842	NUT . . . . .	30
7	06006221	SCREW, bttnhd, 1/4 x 1.25" . . . . .	17
8	05744343	EDGE SEAL, vertical doors SEE NOTE 1 . . . . .	1
9	05744344	DOOR SEAL, vertical doors SEE NOTE 2. . . . .	1
10	05744345	V-SEAL, rear door top SEE NOTE 3 . . . . .	1
11	06005629	STRIKER . . . . .	4
12	06005639	HINGE, rear door . . . . .	2
13	06006210	PLATE TAPPING, door lock . . . . .	4
14	05937584	NUT, insert, 1/4" - 20 . . . . .	4
15	06005656	DOOR HOLD OPEN ASSEMBLY . . . . .	2
16	MS 00035206 283	SCREW . . . . .	6
* 17	06007327	CAPSCREW, socket head, 1/4 x 2" . . . . .	2
18	06005772	SEAL, left door, center. . . . .	1
19	06005938	DOOR ASSEMBLY, R.H. . . . .	1
19	06005939	DOOR ASSEMBLY, L.H. . . . .	1
20	06006433	•INSULATION, upper, vertical door . . . . .	1
21	06006283	•SCREW, #10 - 32 x .62" . . . . .	16
22	05744346	•SEAL, door panel frame SEE NOTE 4 . . . . .	1
23	06005668 P	•DOOR PANEL, interior, R.H. . . . .	1
23	06005669 P	•DOOR PANEL, interior, L.H. . . . .	1
24	06005666 P	•DOOR ASSEMBLY, rear, R.H.. . . . .	1
24	06005665 P	•DOOR ASSEMBLY, rear, L.H. . . . .	1
25	06005627	•LATCH ASSY, rotary, upper R.H., lower L.H. . . . .	1
25	06005628	•LATCH ASSY, rotary, lower R.H., upper L.H. . . . .	1
* 26	MS 00035206 283	•SCREW . . . . .	4
27	06005932	•SEAL, window assembly, rear doors . . . . .	1
28	06005634	•WINDOW, rear doors. . . . .	1
29	06005769	•ROD, upper, latch . . . . .	1
30	06006435	•SLEEVE, upper lock rod . . . . .	1
31	06000747	•CLIP, rod, interior handle . . . . .	4
32	06005632	•HANDLE ASSEMBLY, exterior, L.H. . . . .	1
32	06005631	•HANDLE ASSEMBLY, exterior/interior, R.H. . . . .	1
33	06000248	•GASKET, exterior handle. . . . .	1
34	06006272	•INSULATION, 18 x 1.5 x .75" . . . . .	1
34	06006273	•INSULATION, 18 x 1.5 x .5" . . . . .	1
35	06006434	•V-SEAL, vertical door sill SEE NOTE 3 . . . . .	1
36	06006282	•SLEEVE, lower lock rod . . . . .	1

7-1-95

# HUMMER PARTS CATALOG

## 10-128 BODY

ITEM	PART NUMBER	DESCRIPTION	QTY
		Figure 10-41 STATION WAGON REAR DOORS (Cont'd)	
37	06005770	•ROD, lower latch, L.H. . . . .	1
37	06005657	•ROD, lower latch, R.H. . . . .	1
38	06006274	•INSULATION, 1.5 x 1.5 x .75". . . . .	1
39	06006275	•INSULATION, 1.5 x 1.5 x .5". . . . .	1
40	06006432	•INSULATION, lower, vertical door . . . . .	1
41	06005633	•SPACER, interior handle . . . . .	1
42	06001284	•SCREW, 8 - 18 x 1/2" TEKS. . . . .	4
43	06001285	•SCREW, 8 - 18 x 3/4" TEKS. . . . .	12
*		NOTE 1: ORDER BY FOOT FROM SEAL, VERTICAL DOORS, P/N 06006218 - 500' ROLL, 14' REQUIRED PER VEHICLE	
*		NOTE 2: ORDER BY FOOT FROM SEAL, VERTICAL DOORS, P/N 06006219 - 500' ROLL, 14' REQUIRED PER VEHICLE	
*		NOTE 3: ORDER BY FOOT FROM V-SEAL, VERTICAL DOOR SILL, P/N 06006434 - 2,000' ROLL, 4.75' REQUIRED PER VEHICLE	
*		NOTE 4: ORDER BY FOOT FROM SEAL, DOOR PANEL FRAME, P/N 06006217 - 150' ROLL, 4.5' REQUIRED PER VEHICLE	





# HUMMER PARTS CATALOG

7-1-95

## BODY 10-131

ITEM	PART NUMBER	DESCRIPTION	QTY
		Figure 10-42 HOOD RELEASE	
1	MS 00090725 6	BOLT . . . . .	3
2	06005383	PIN,lock . . . . .	1
3	G 00159658	SCREW . . . . .	2
4	06005401	BRACKET,cable clamp. . . . .	1
5	06005388	SPACER,cable mounting clamp. . . . .	1
6	06005389	CABLE ASSEMBLY. . . . .	1
★ 7	06005536	LATCH ASSEMBLY,hood . . . . .	1
★ 8	06005613	•PIN . . . . .	1
★ 9	06005386	•SPRING,lock arm . . . . .	1
★ 10	06005385	•ARM LOCK. . . . .	1
★ 11	12338999	GROMMET . . . . .	1
12	06005390	BRACKET,cable mounting. . . . .	1
13	G 00171099	SCREW . . . . .	2
14	06005394	BUSHING,NYLON. . . . .	3
15	G 00271163	NUT AND LOCKWASHER ASSEMBLY . . . . .	2
16	06005395	BRACKET ASSEMBLY. . . . .	1
17	G 00134551	NUT . . . . .	3
18	MS 00035338 25	LOCKWASHER . . . . .	5





## Section 11

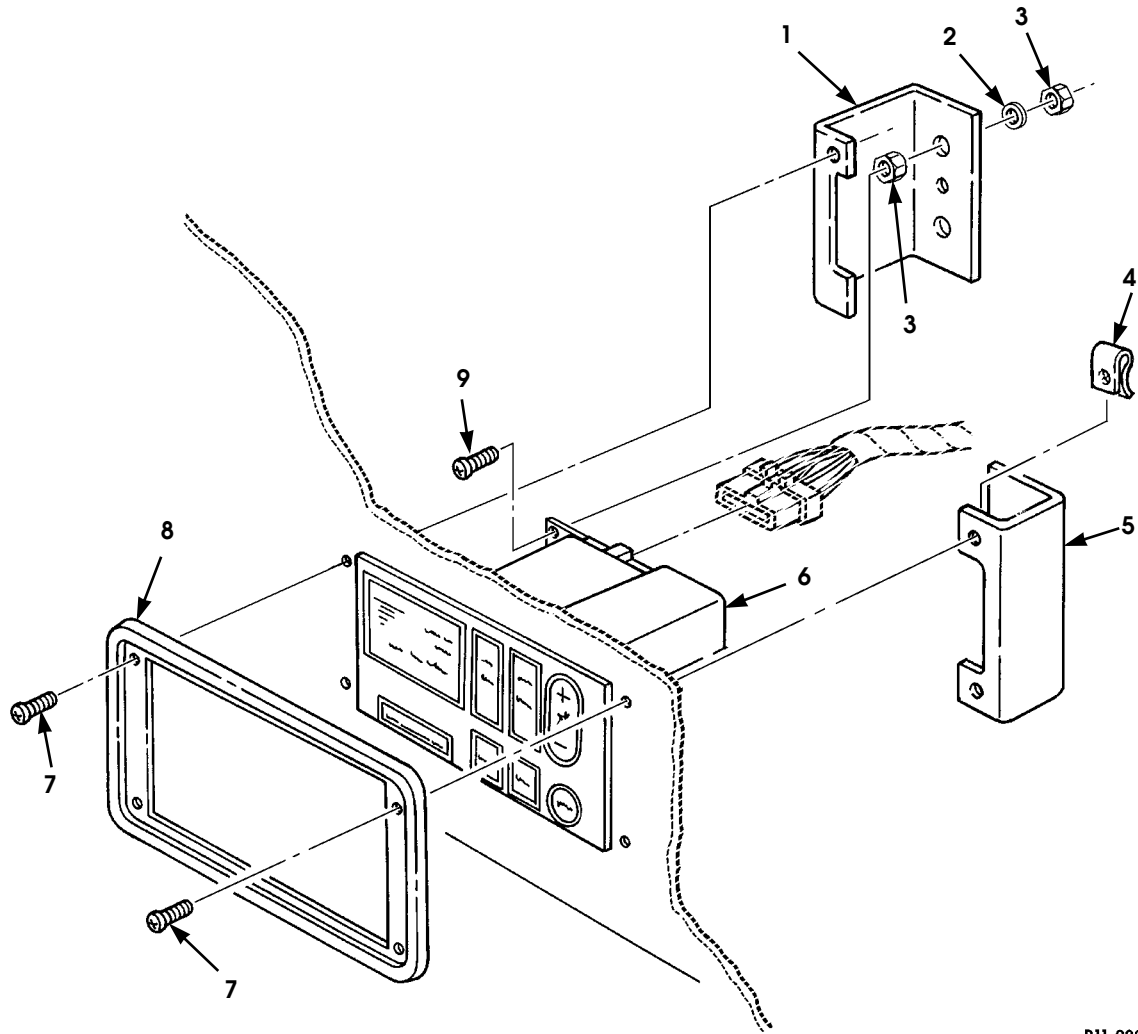
### HVAC

TITLE	PAGE NUMBER
Climate Control Panel . . . . .	11-2
Air Conditioner Compressor and Mounting Hardware . . . . .	11-4
Condenser, Receiver/Dryer and A/C Hoses . . . . .	11-6
Water Control Valve and Heater Hoses (Diesel) . . . . .	11-8
Main A/C-Heat Unit . . . . .	11-10
Plenum and Related Parts . . . . .	11-12
Driver's Closeout Panel . . . . .	11-14
Wiring Harnesses, A/C - Heat . . . . .	11-16
Auxiliary A/C - Heat . . . . .	11-18
Auxiliary A/C - Heat Power Head . . . . .	11-20
Auxiliary A/C Hoses and Grommet . . . . .	11-22
Rear Center Console . . . . .	11-24

5-1-95

# HUMMER PARTS CATALOG

## 11-2 HVAC



P11-029

Figure 11-1. Climate Control Panel.

# HUMMER PARTS CATALOG

5-1-95

## HVAC 11-3

ITEM	PART NUMBER	DESCRIPTION	QTY
		Figure 11-1 CLIMATE CONTROL PANEL	
1	06003493	BRACKET, HVAC control, front. . . . .	1
* 2	G 00120217	LOCKWASHER, #10 . . . . .	4
* 3	MS 00035649 202	NUT, #10-24 . . . . .	8
4	06000302	SPEEDNUT . . . . .	4
5	06003492	BRACKET, HVAC control, rear . . . . .	1
* 6	06005601	PANEL, climate control (heat only) . . . . .	1
* 6	06005602	PANEL, climate control (heat-A/C) . . . . .	1
7	05939651	SCREW, #10-16 x 3/4" . . . . .	4
8	06003491	BEZEL, HVAC control . . . . .	1
* 9	MS 00035206 265	SCREW, #10-24 x 3/4" . . . . .	4

# HUMMER PARTS CATALOG

## 11-4 HVAC

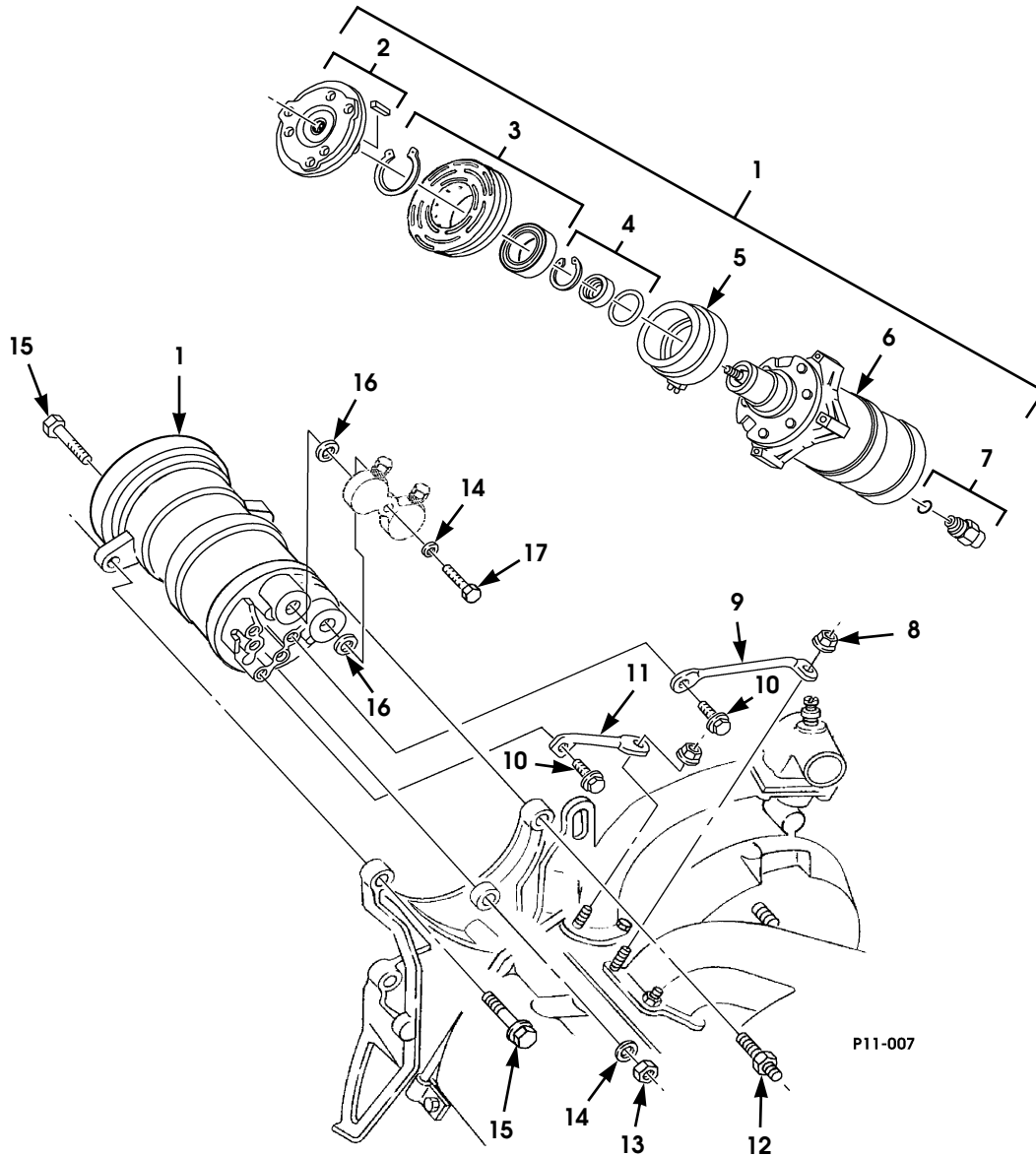


Figure 11-2. Air Conditioner Compressor and Mounting Hardware.

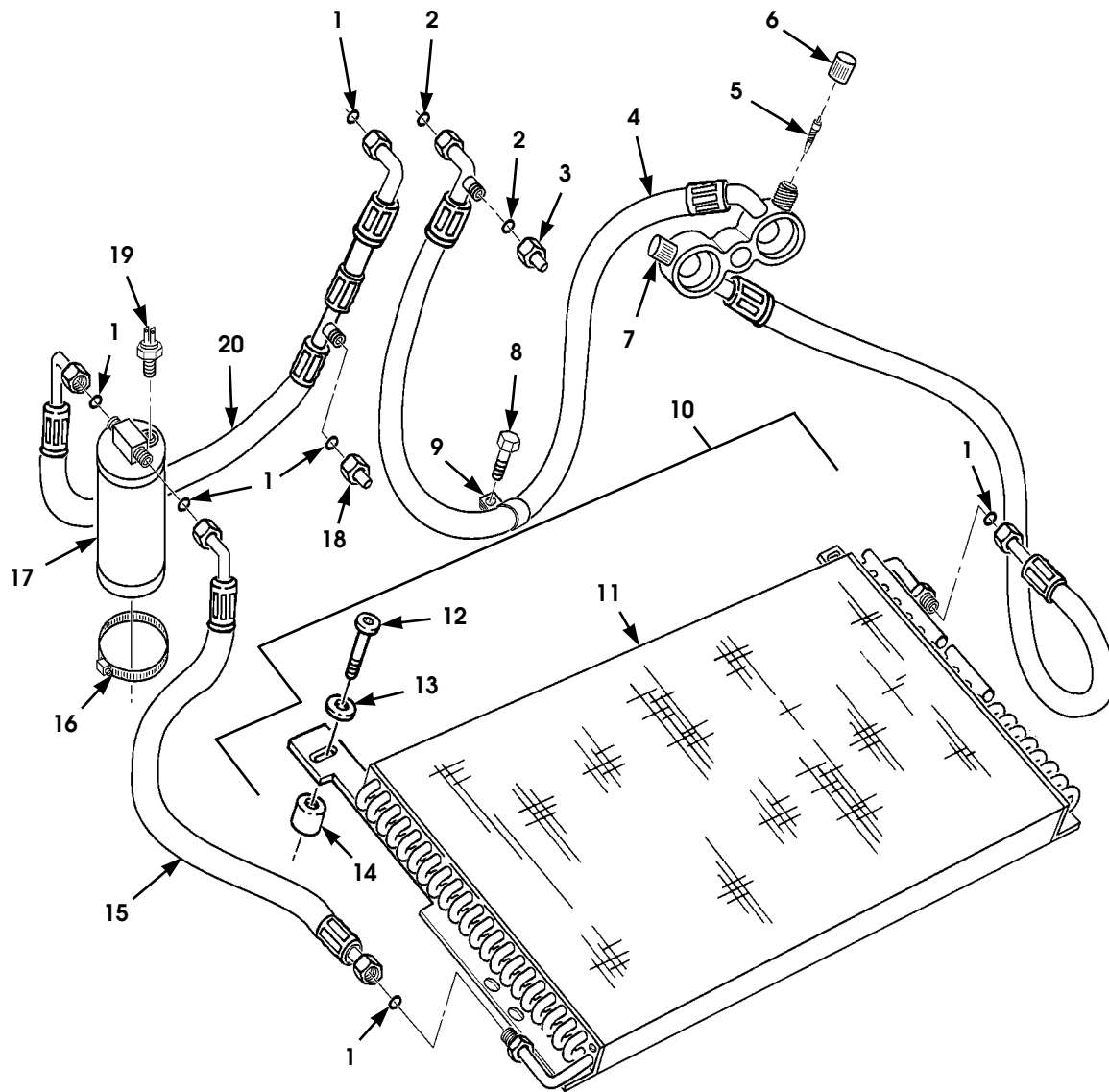
# HUMMER PARTS CATALOG

12-31-95

## HVAC 11-5

ITEM	PART NUMBER	DESCRIPTION	QTY
		Figure 11-2 AIR CONDITIONER COMPRESSOR AND MOUNTING HARDWARE	
1	06002941	COMPRESSOR ASSEMBLY, diesel . . . . .	1
2	05744197	•CLUTCH DRIVE AND KEY ASSEMBLY . . . . .	1
3	05744198	•PULLEY AND BEARING ASSEMBLY . . . . .	1
4	05744204	•SEAL KIT, shaft. . . . .	1
5	05744199	•COIL AND HOUSING ASSEMBLY . . . . .	1
* 6	S.I.A.	•COMPRESSOR, diesel . . . . .	1
7	05744241	VALVE, pressure relief . . . . .	1
8	G 11514597	NUT . . . . .	2
9	06003088	BRACE, longitudinal compressor . . . . .	1
10	G 11508300	BOLT . . . . .	3
11	06003089	BRACE, transverse compressor . . . . .	1
12	06003090	STUD, M10 x 50 and M8 x 15. . . . .	1
13	G 11502812	NUT, M10-1.5" . . . . .	1
14	G 11500162	LOCKWASHER, M10. . . . .	2
15	G 11508475	BOLT . . . . .	2
16	06003079	WASHER, 5/8-inch thick, SEE NOTE 1 . . . . .	2
17	G 11500931	BOLT, M10 x 1.5 x 35. . . . .	1
NOTE 1: PART OF SEALING WASHER KIT P/N 05743764.			

## 11-6 HVAC



P11-011.1

Figure 11-3. Condenser, Receiver/Dryer, and A/C Hoses.

# HUMMER PARTS CATALOG

7-1-95

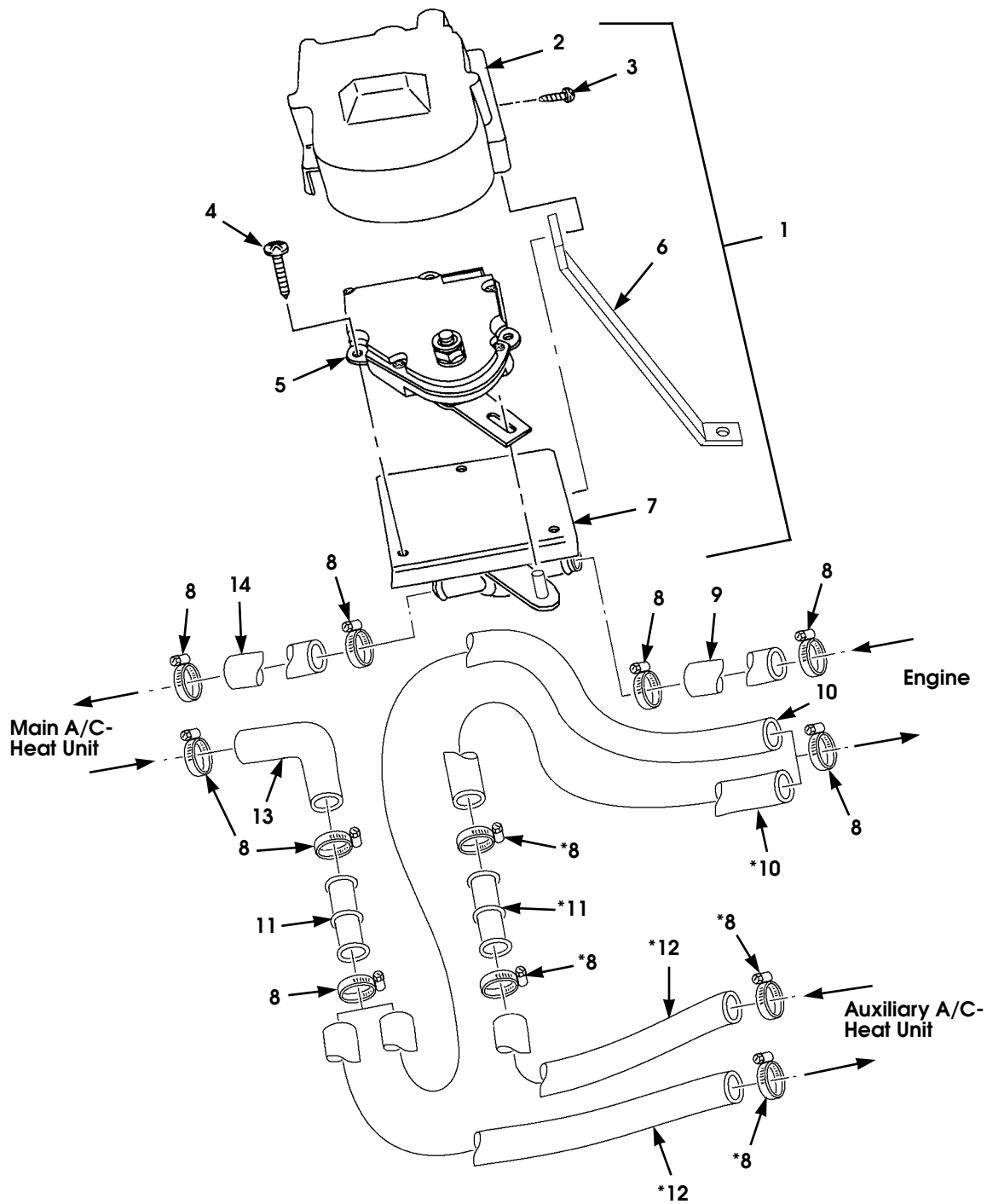
## HVAC 11-7

ITEM	PART NUMBER	DESCRIPTION	QTY
		Figure 11-3 CONDENSER, RECEIVER/DRYER, AND A/C HOSES	
★ 1	06006173	O-RING, #6, R-134a .....	
★ 2	06006175	O-RING, #10, R-134a .....	2
3	05744250	CAP .....	1
4	06005596	HOSE, suction/discharge, diesel .....	1
5	05743824	VALVE, schraeder .....	2
6	05744264	CAP, schraeder valve, high side .....	1
7	05744263	CAP, schraeder valve, low side .....	1
8	G 11508300	BOLT .....	1
9	MS 00021333 128	CLAMP .....	1
10	06005594	CONDENSER KIT, A/C .....	1
11	05744141	•CONDENSER, A/C .....	1
	05744223	•BAG, condenser parts (not illustrated) .....	1
12	05744143	••SCREW, socket head, 5/18-18 x 2.5" .....	4
13	05743597	••WASHER, flat 5/16 .....	4
14	05743412	••SPACER, condenser .....	4
15	05744248	LINE, condenser-to-receiver/dryer .....	1
16	05744142	CLAMP, dryer, 2 1/2" .....	2
17	05743473	RECEIVER/DRYER .....	1
18	05744249	CAP .....	1
19	05743472	SWITCH, low pressure .....	1
20	05744251	LINE, receiver/dryer-to-evaporator .....	1



# HUMMER PARTS CATALOG

## 11-8 HVAC



P11-013.3

\* FOR VEHICLES EQUIPPED WITH AUXILIARY A/C-HEAT

Figure 11-4. Water Control Valve and Heater Hoses.

# HUMMER PARTS CATALOG

5-1-95

## HVAC 11-9

ITEM	PART NUMBER	DESCRIPTION	QTY
		Figure 11-4 WATER CONTROL VALVE AND HEATER HOSES (Diesel)	
★ 1	06005598	VALVE, water, complete, diesel . . . . .	1
2	05743517	•COVER, water valve . . . . .	1
★ 3	05744227	•SCREW, #8 x 1/2" . . . . .	3
4	05743575	•SCREW, #10 x 1" . . . . .	3
5	05743351	•ACTUATOR, water valve . . . . .	1
★ 6	05744228	•BRACKET, water valve . . . . .	1
7	05743352	•VALVE water . . . . .	1
★ 8	06006266	CLAMP, #6-#8 . . . . .	8
★ 8	06006266	CLAMP, #6-#8, w/aux A/C-heat . . . . .	12
9	05743576	HOSE, heater, 5/8" x 9" SEE NOTE 1 . . . . .	1
★ 10	05744225	HOSE, heater, 5/8" SEE NOTE 1 . . . . .	1
★ 11	05743177	SPLICE, heater, 5/8" . . . . .	1
★ 11	05743177	SPLICE, heater, 5/8", auxiliary A/C-heat . . . . .	2
★ 12	05744152	HOSE, heater, auxiliary A/C-heat SEE NOTES 1 AND 2.	2
★ 13	05743507	HOSE, 90 degree, curved . . . . .	1
★ 14	05743577	HOSE, heater, 5/8" x 27", SEE NOTE 1 . . . . .	1
		NOTE 1: CUT FROM BULK HOSE 50', P/N 05740929.	
		NOTE 2: HEATER HOSE, P/N 05744152, COMES IN A 12' 6" LENGTH THAT IS TO BE CUT TO MAKE TWO 6' 3" HOSES FOR BOTH THE INLET AND OUTLET OF THE AUXILIARY A/C-HEAT UNIT OR CAN BE MADE FROM BULK HOSE 50', P/N 05740929	

# HUMMER PARTS CATALOG

## 11-10 HVAC

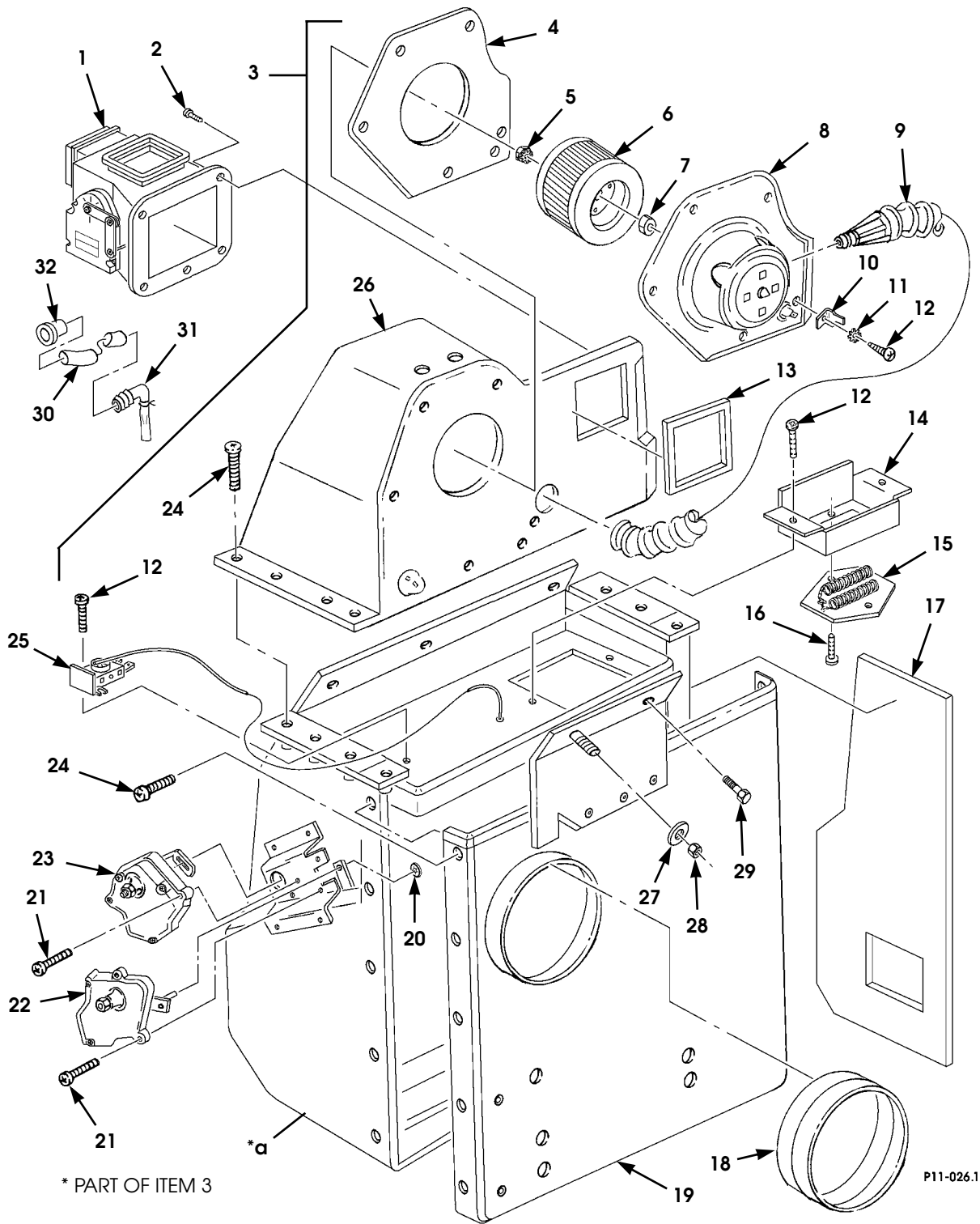


Figure 11-5. Main A/C-Heat Unit.

# HUMMER PARTS CATALOG

5-1-95

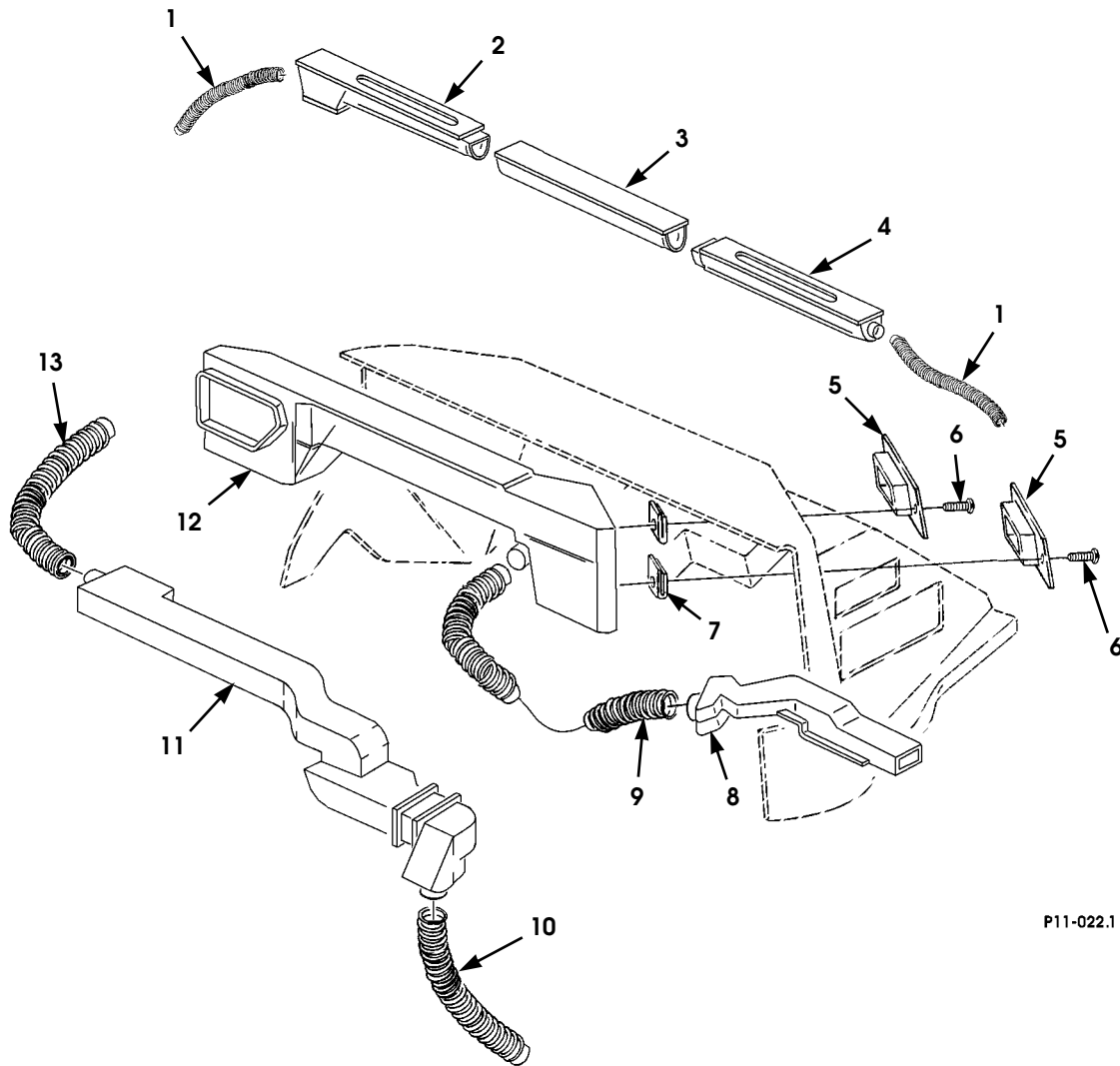
## HVAC 11-11

ITEM	PART NUMBER	DESCRIPTION	QTY
		Figure 11-5 MAIN A/C-HEAT UNIT	
* 1	05744230	DIVERTER ASSEMBLY . . . . .	1
* 2	05744256	SCREW, #10-24 x 5/8" . . . . .	5
* 3	06005592	EVAPORATOR COIL ASSEMBLY, heat only . . . . .	1
* 3	06005593	EVAPORATOR COIL ASSEMBLY, A/C and heat . . . . .	1
* 4	05743483	•INSULATION, blower mount . . . . .	1
* 5	05744271	•NUT, keps . . . . .	1
* 6	05744221	•WHEEL, blower . . . . .	1
* 7	05743481	•CLIP, blower retainer . . . . .	1
* 8	05743482	•MOTOR, blower . . . . .	1
* 9	05743484	•TUBE, blower motor cooling . . . . .	1
* 10	05743526	•CLIP, male tab . . . . .	1
* 11	05743175	•WASHER, star . . . . .	1
* 12	05743185	•SCREW, #8 x 1/2" . . . . .	13
* 13	05744265	•INSULATION, housing-to defrost duct, 18 in. . . . .	1
* 14	05744229	•BRACKET, resistor mount . . . . .	1
* 15	05743455	•RESISTOR. . . . .	1
* 16	05744237	•SCREW, #10 x 3/4" . . . . .	2
* 17	05744266	•INSULATION, side . . . . .	1
* 18	05744268	•INSULATION, fresh air intake . . . . .	1
* 19	05744231	•COVER, evaporator access. . . . .	1
* 20	05743459	•PUSHNUT. . . . .	1
* 21	05743575	•SCREW, #10 x 1" . . . . .	6
* 22	05743461	•ACTUATOR, fresh air/recirculation . . . . .	1
* 23	05743494	•ACTUATOR, heat door . . . . .	1
* 24	05744256	•SCREW, #10-24 x 5/8" . . . . .	15
* 25	05743458	•THERMOSTAT . . . . .	1
* 26	05744253	•HOUSING, blower motor. . . . .	1
* 27	G 00120386	WASHER, 1/4" . . . . .	5
* 28	G 09419454	LOCKNUT . . . . .	4
* 29	MS 00090725 6P2	BOLT, 1/4"-20 x 3/4" . . . . .	2
* 30	05744257	TUBE, drain, 3/8" x 4" SEE NOTE 1 . . . . .	1
* 31	05743775	TUBE, kazoo drain . . . . .	1
* 32	06000946	GROMMET, 1" rubber . . . . .	1
	06000970	INSULATION, passenger floor board (not illustrated). . . . .	1
	06005329	INSULATION, cowl panel (not illustrated) . . . . .	1
		NOTE 1: Make from bulk hose 3/8", P/N 05743169	

5-1-95

# HUMMER PARTS CATALOG

11-12 HVAC



P11-022.1

Figure 11-6. Plenum and Related Parts.

# HUMMER PARTS CATALOG

5-1-95

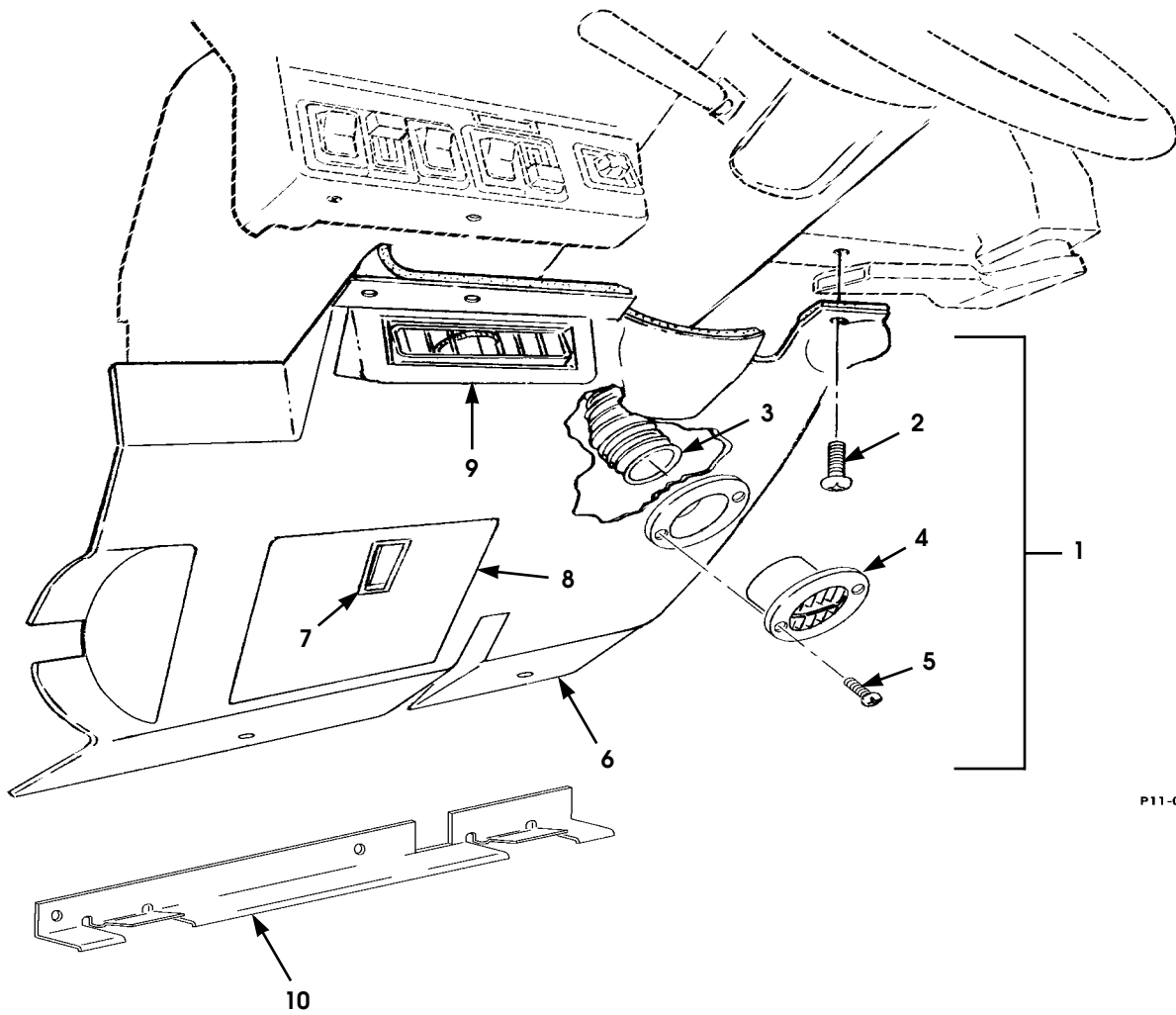
## HVAC 11-13

ITEM	PART NUMBER	DESCRIPTION	QTY
		Figure 11-6 PLENUM AND RELATED PARTS	
* 1	05744258	HOSE, demist, 3/4" x 18" SEE NOTES 1 and 2 . . . . .	2
* 2	05744207	DUCT, passenger side SEE NOTE 1 . . . . .	1
* 3	05744206	DUCT, center SEE NOTE 1 . . . . .	1
* 4	05744205	DUCT, driver's side SEE NOTE 1 . . . . .	1
5	05743410	LOUVER, rectangular w/o adapter. . . . .	3
6	06004097	SCREW, #6 x 3/4" . . . . .	6
* 7	05743478	S-CLIP . . . . .	6
* 8	05744219	PLENUM, closeout panel . . . . .	1
* 9	05744209	ADAPTER, duct, 2 1/2", oval SEE NOTE 1 . . . . .	1
* 10	05744215	DUCT, closeout panel . . . . .	1
* 11	05744208	DUCT, driver's heat SEE NOTE 1 . . . . .	1
* 12	05744149	PLENUM, front console . . . . .	1
* 13	05743588	HOSE, passenger footwell, 1.5" x 40" SEE NOTE 3 . . . . .	1
		NOTE 1: Part of Defrost Duct Kit P/N 06005604 NOTE 2: Cut from bulk hose P/N 05743540. NOTE 3: Cut from bulk hose P/N 05743541.	

7-1-95

# HUMMER PARTS CATALOG

11-14 HVAC



P11-025

Figure 11-7. Driver's Closeout Panel.

# HUMMER PARTS CATALOG

12-31-95

## HVAC 11-15

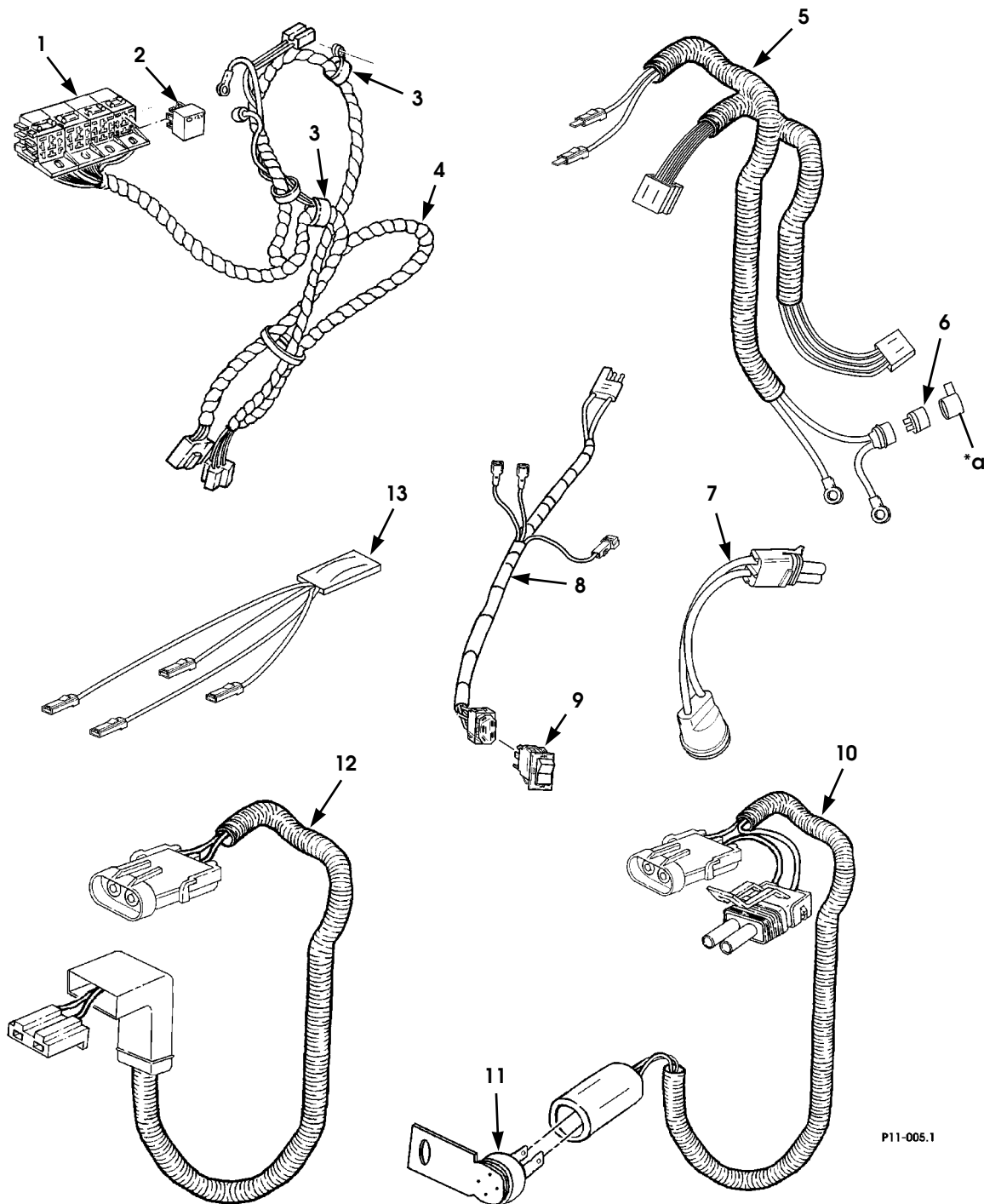
ITEM	PART NUMBER	DESCRIPTION	QTY
		Figure 11-7 DRIVER'S CLOSEOUT PANEL	
1	06006436	CLOSEOUT ASSEMBLY, driver's . . . . .	1
2	06005624	•SCREW, trim, #8 x 1" . . . . .	3
3	05744215	•DUCT, closeout panel . . . . .	1
* 4	06007155	•LOUVER, 2 1/2" circular . . . . .	1
5	05743185	•SCREW, #8 x 1/2" . . . . .	2
6	05744214	•PANEL, closeout . . . . .	1
7	05744218	•LATCH, closeout panel door . . . . .	1
8	05744217	•DOOR, closeout panel . . . . .	1
9	05744220	•LOUVER, rectangular . . . . .	1
10	06005497	BRACKET, closeout panel . . . . .	1



5-1-95

# HUMMER PARTS CATALOG

## 11-16 HVAC



P11-005.1

Figure 11-8. Wiring Harnesses, A/C-Heat.

# HUMMER PARTS CATALOG

5-1-95

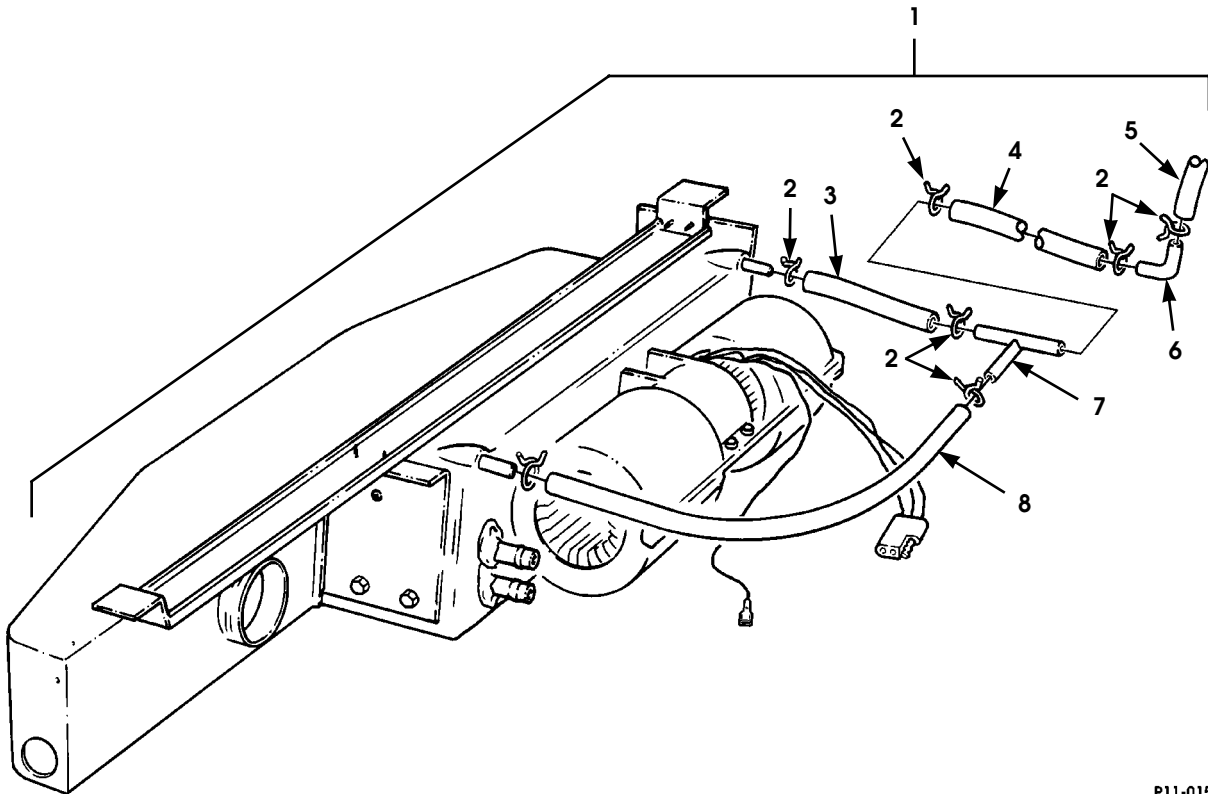
## HVAC 11-17

ITEM	PART NUMBER	DESCRIPTION	QTY
		Figure 11-8 WIRING HARNESESSES,A/C-HEAT	
1	05743475	RECEPTACLE,relay . . . . .	4
2	05743489	RELAY, 12 volt SPDT . . . . .	4
* 3	05744259	CLAMP,cable,3/8" x 3/8" . . . . .	2
* 4	05744232	HARNESS, main A/C-Heat . . . . .	1
* 5	06006209	HARNESS, water valve, diesel SEE NOTE 1 . . . . .	1
6	NPN	FUSE, 30 amp . . . . .	1
* 7	05743767	JUMPER, high/low pressure switch . . . . .	1
8	05743503	HARNESS, rear auxiliary A/C-heat . . . . .	1
9	05743502	SWITCH, auxiliary A/C-heat. . . . .	1
10	05743468	HARNESS, ambient temperature switch . . . . .	1
11	05743469	SWITCH, ambient temperature switch. . . . .	1
12	06003012	JUMPER, compressor . . . . .	1
13	05743406	FILTER, control module . . . . .	1
		NOTE 1: Harness 06006209 may come with a separate jumper for the water valve	

5-1-95

# HUMMER PARTS CATALOG

11-18 HVAC



P11-015

Figure 11-9. Auxiliary A/C-Heat.

# HUMMER PARTS CATALOG

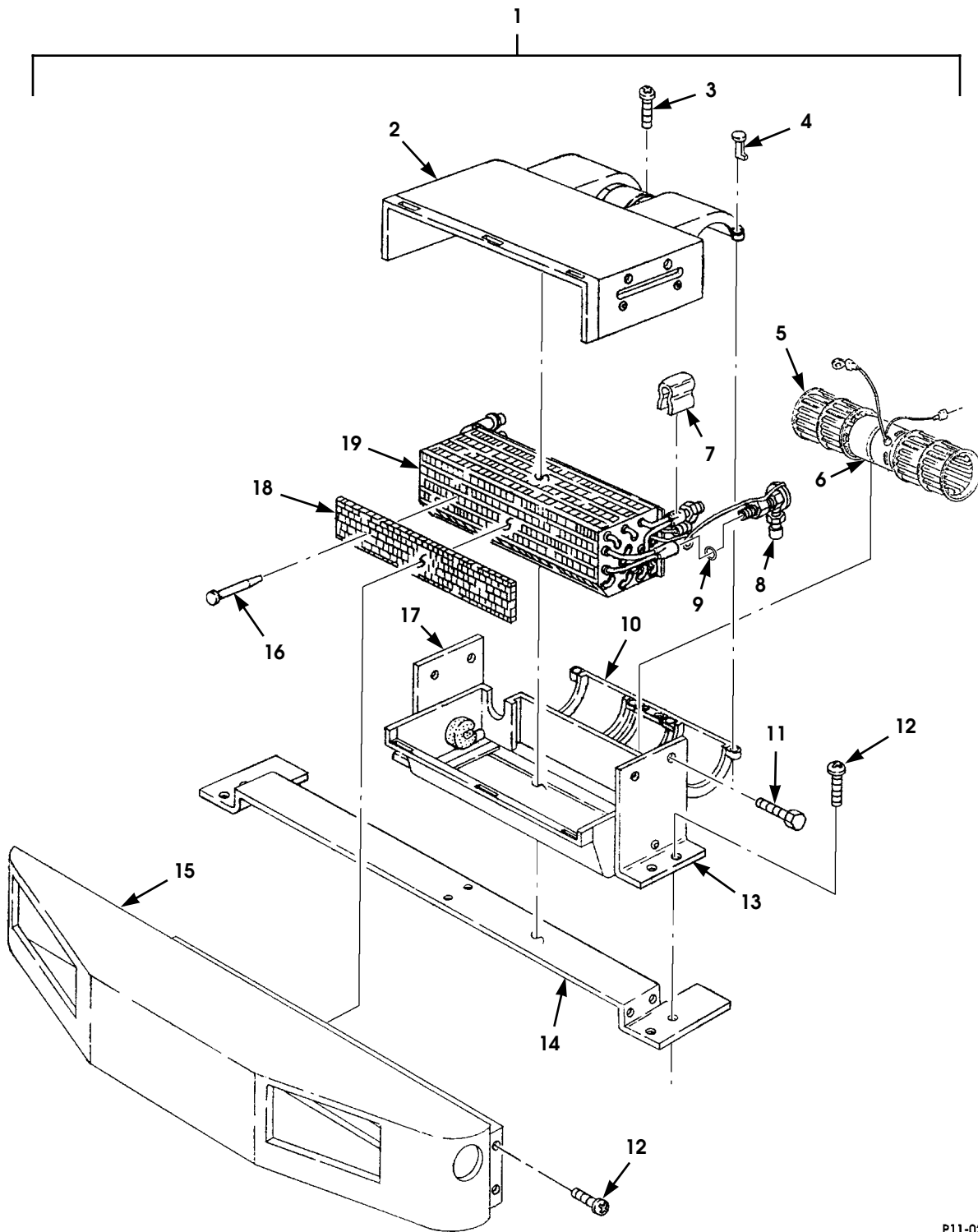
5-1-95

## HVAC 11-19

ITEM	PART NUMBER	DESCRIPTION	QTY
		Figure 11-9 AUXILIARY A/C-HEAT	
	05743544	KIT, auxiliary A/C-Heat . . . . .	1
1	06004353	•HEAT/COOL POWER, heavy duty . . . . .	1
2	05743172	••CLAMP, hose, 3/8" . . . . .	7
3	05743582	••HOSE, drain, 3/8" x 5", SEE NOTE 1 . . . . .	1
4	05743586	••HOSE, drain, 3/8" x 13", SEE NOTE 1 . . . . .	1
5	05743587	••HOSE, drain 3/8" x 15", SEE NOTE 1 . . . . .	1
6	05743170	••ELBOW, drain hose, 3/8" . . . . .	1
7	05743171	••TEE, drain, 3/8" . . . . .	1
8	05743583	••HOSE, drain, 3/8 x 17" SEE NOTE 1 . . . . .	1
		NOTE 1: CUT FROM BULK HOSE 3/8 "X 4', P/N 05743169.	

# HUMMER PARTS CATALOG

## 11-20 HVAC



P11-027

Figure 11-10. Auxiliary A/C-Heat Power Head.

# HUMMER PARTS CATALOG

5-1-95

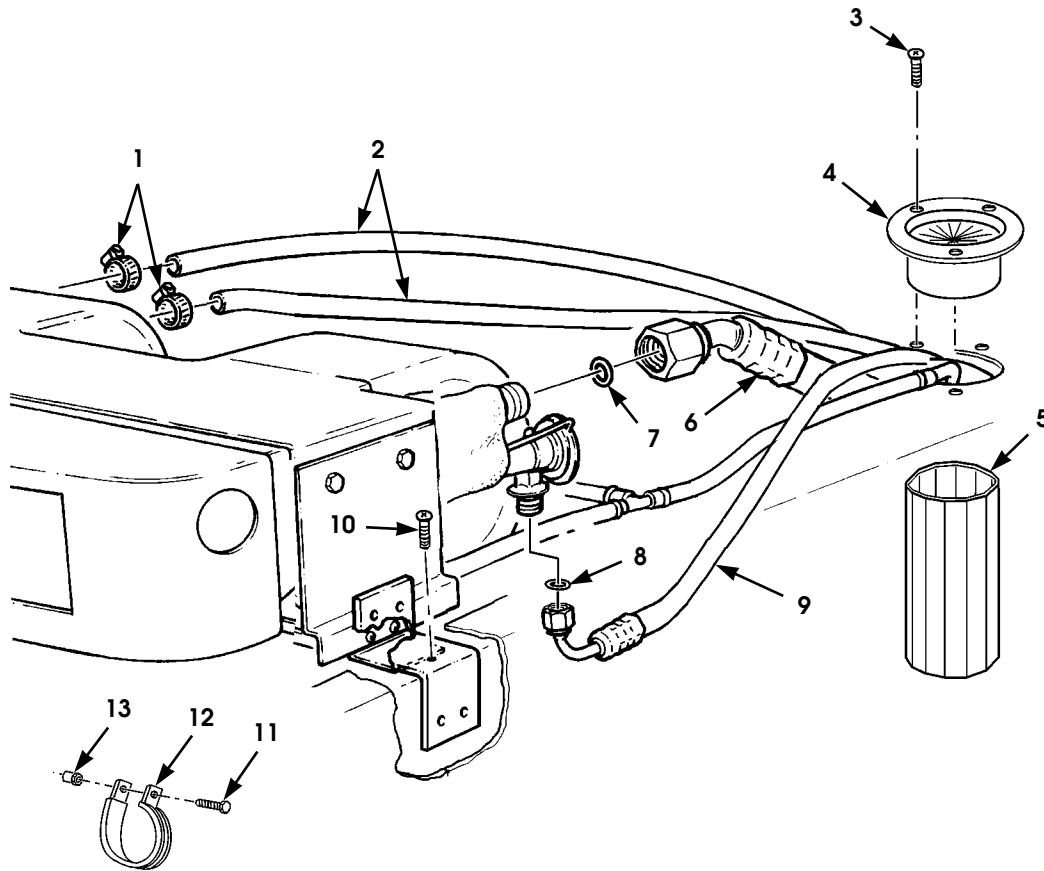
## HVAC 11-21

ITEM	PART NUMBER	DESCRIPTION	QTY
		Figure 11-10 AUXILIARY A/C-HEAT POWER HEAD	
1	05743545	AUXILIARY A/C-HEAT POWER HEAD ASSEMBLY . . . . .	1
2	05743456	•CASE, top . . . . .	1
* 3	05744237	•SCREW, #10 x 3/4" . . . . .	1
4	05743531	•SNAP-IN, black. . . . .	4
5	05743498	•WHEEL, blower . . . . .	1
6	05743497	•MOTOR, blower . . . . .	1
* 7	05743453	•CLAMP, bulb. . . . .	1
8	05743496	•VALVE expansion . . . . .	1
* 9	06006174	•O-RING, #8 . . . . .	1
10	05743457	•CASE BOTTOM . . . . .	1
* 11	05744236	•SCREW, 1/4"-20 x 1/2" . . . . .	2
* 12	05744238	•SCREW, #6 x 3/8" . . . . .	8
* 13	05743533	•BRACKET, right . . . . .	1
14	05743534	•BRACKET. . . . .	1
15	05743500	•PLENUM, rear . . . . .	1
* 16	05744196	•PIN, insulation . . . . .	3
* 17	05743532	•BRACKET, left . . . . .	1
* 18	05744195	•SCREEN, coil. . . . .	1
19	05743499	•COIL, evaporator and heat. . . . .	1

5-1-95

# HUMMER PARTS CATALOG

11-22 HVAC



P11-016

Figure 11-11. Auxiliary A/C Hoses.

# HUMMER PARTS CATALOG

5-1-95

HVAC 11-23

ITEM	PART NUMBER	DESCRIPTION	QTY
		Figure 11-11 AUXILIARY A/C HOSES	
* 1	06006266	CLAMP,HOSE . . . . .	2
* 2	05744152	HOSE,heater,5/8" SEE NOTE 1 . . . . .	2
3	05743187	SCREW,#10 x 3/4" . . . . .	3
4	05743166	GROMMET,3" . . . . .	1
5	05743477	WRAP,reflective . . . . .	1
* 6	05743536	LINE,#10,suction,low pressure . . . . .	1
* 7	06006175	O-RING,#10,A/C . . . . .	1
8	06006173	O-RING,#6,A/C . . . . .	1
* 9	05743535	LINE,#6 liquid,high pressure. . . . .	1
10	05743186	SCREW,#8 x 1/2" . . . . .	4
11	G 00179791 P2	BOLT,1/4"-20 x 1/2" . . . . .	1
12	05743188	P-CLAMP,2 1/2" . . . . .	2
13	05743303	NUT,Keps . . . . .	1
	05743167	TAPE,permagum/prestite (not illustrated) . . . . .	AR
NOTE 1: CUT FROM BULK HOSE 5/8" X 50' , P/N 05740929.			



5-1-95

# HUMMER PARTS CATALOG

11-24 HVAC

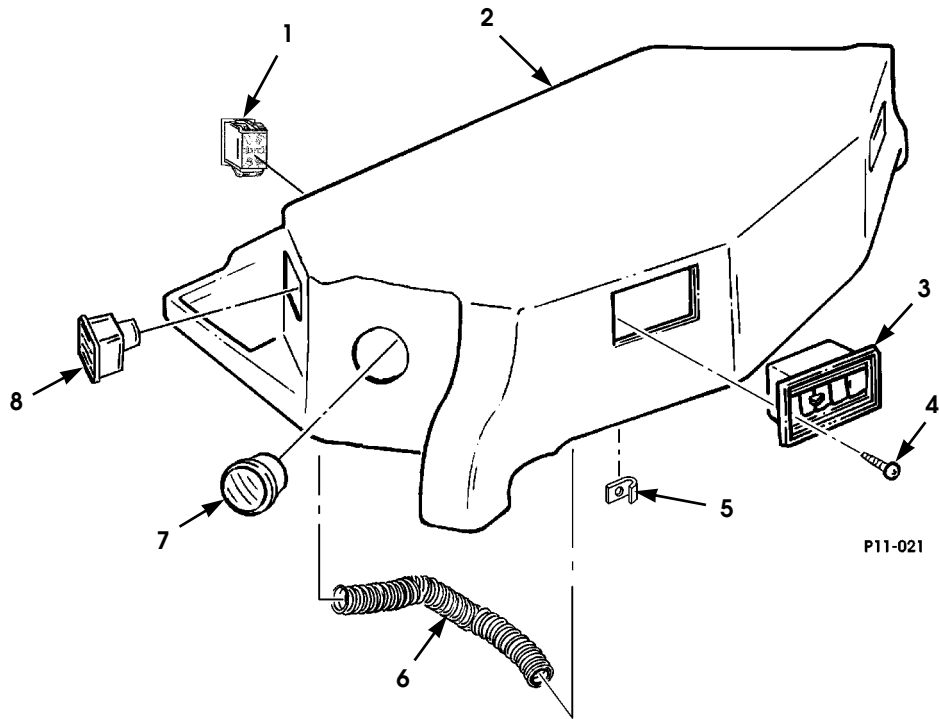


Figure 11-12. Rear Center Console.

# HUMMER PARTS CATALOG

5-1-95

## HVAC 11-25

ITEM	PART NUMBER	DESCRIPTION	QTY
		Figure 11-12 REAR CENTER CONSOLE	
1	05743502	SWITCH, two-speed rocker. . . . .	1
2	06003582 T	CONSOLE, standard, tan w/ auxiliary air conditioning	1
2	06003583 T	CONSOLE, deluxe, tan w/ auxiliary air conditioning. .	1
2	06003583 G	CONSOLE, deluxe, gray w/ auxiliary air conditioning.	1
3	05743410	LOUVER, rectangle w/o adapter . . . . .	2
* 4	05743186	SCREW, #8 x 1/2 . . . . .	4
* 5	NPN	J-CLIP . . . . .	4
* 6	05743505	HOSE, duct, 2" x 18" . . . . .	1
7	05743504	LOUVER, side vent . . . . .	2
8	05743501	LOUVER, rectangle w/ adapter. . . . .	1



# HUMMER PARTS CATALOG

**ELECTRICAL 12-1**

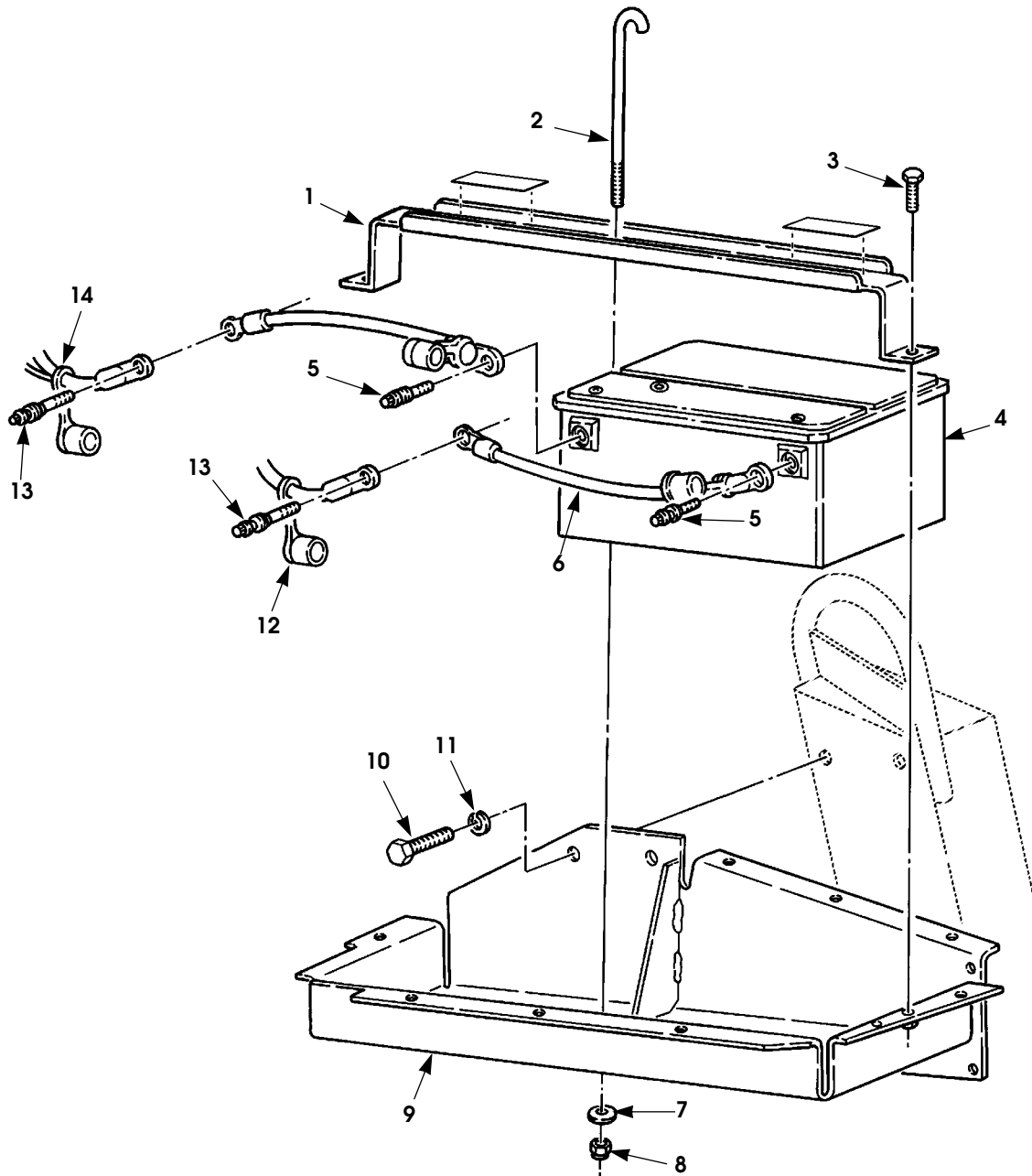
## **Section 12**

### **ELECTRICAL**

<b>TITLE</b>	<b>PAGE NUMBER</b>
Batteries, Cables, and Mounting Hardware . . . . .	12-2
Starter Motor and Mounting Hardware . . . . .	12-4
Starter Motor Assembly . . . . .	12-6
124-Amp Alternator and Mounting Hardware . . . . .	12-10
124-Amp Alternator Assembly . . . . .	12-12
Sending Units . . . . .	12-14
Speedometer Speed Sensor . . . . .	12-16
Windshield Wiper Motor, Wiper Assembly, and Washer Bottle . . . . .	12-18
Instrument Panel Cluster . . . . .	12-21
Front Turn Signal Light and Mounting Hardware . . . . .	12-26
Rear Turn Signal Light/Taillight, License Plate Bracket, and Mounting Hardware . . . . .	12-28
Headlight Assembly and Running Lights . . . . .	12-30
Clearance Marker Light Assembly . . . . .	12-32
Interior Dome Lights . . . . .	12-34
Interior Courtesy Lights, Underhood Light, and Door Jamb Switch . . . . .	12-36
Reflectors . . . . .	12-38
Stereo, Speakers, and Mounting Hardware . . . . .	12-40
Dual Horns . . . . .	12-42
Hood Wiring Harness . . . . .	12-45
Roof Wiring Harness, Two-Door . . . . .	12-48
Roof Wiring Harness, Four-Door . . . . .	12-50
Console Wiring Harness and Speedometer Jumper Assembly . . . . .	12-52
Trailer Towing Wiring Kit and Wiper Motor Jumper Harness . . . . .	12-54
Identification Lamp Assembly Jumper . . . . .	12-56
Stereo Harness, Two-Door . . . . .	12-58
Stereo Harness, Hard Top . . . . .	12-60
Stereo Harness, Open Top . . . . .	12-62
Instrument Panel Jumper Assemblies . . . . .	12-64
Interior CTIS Wiring Harness . . . . .	12-66
Exterior CTIS Wiring Harness . . . . .	12-68
Engine Wiring Harness . . . . .	12-71
Body Wiring Harness . . . . .	12-76
Body Wiring Harness – Partial Views . . . . .	12-78
Fuse Box Panel, Convenience Center, and Mounting Hardware . . . . .	12-83
Miscellaneous Electrical Items . . . . .	12-88
Wiring Harness Assembly, Open Top . . . . .	12-90
Daytime Running Light Jumper and Harness . . . . .	12-92
Bracket/Transmission Control Module/Powertrain Control Module Mounting . . . . .	12-94
Two-Door and Four-Door Power Door Locks Kit . . . . .	12-97
Power Mirrors . . . . .	12-108

# HUMMER PARTS CATALOG

## 12-2 ELECTRICAL



P12-001

Figure 12-1. Batteries, Cables, and Mounting Hardware.

# HUMMER PARTS CATALOG

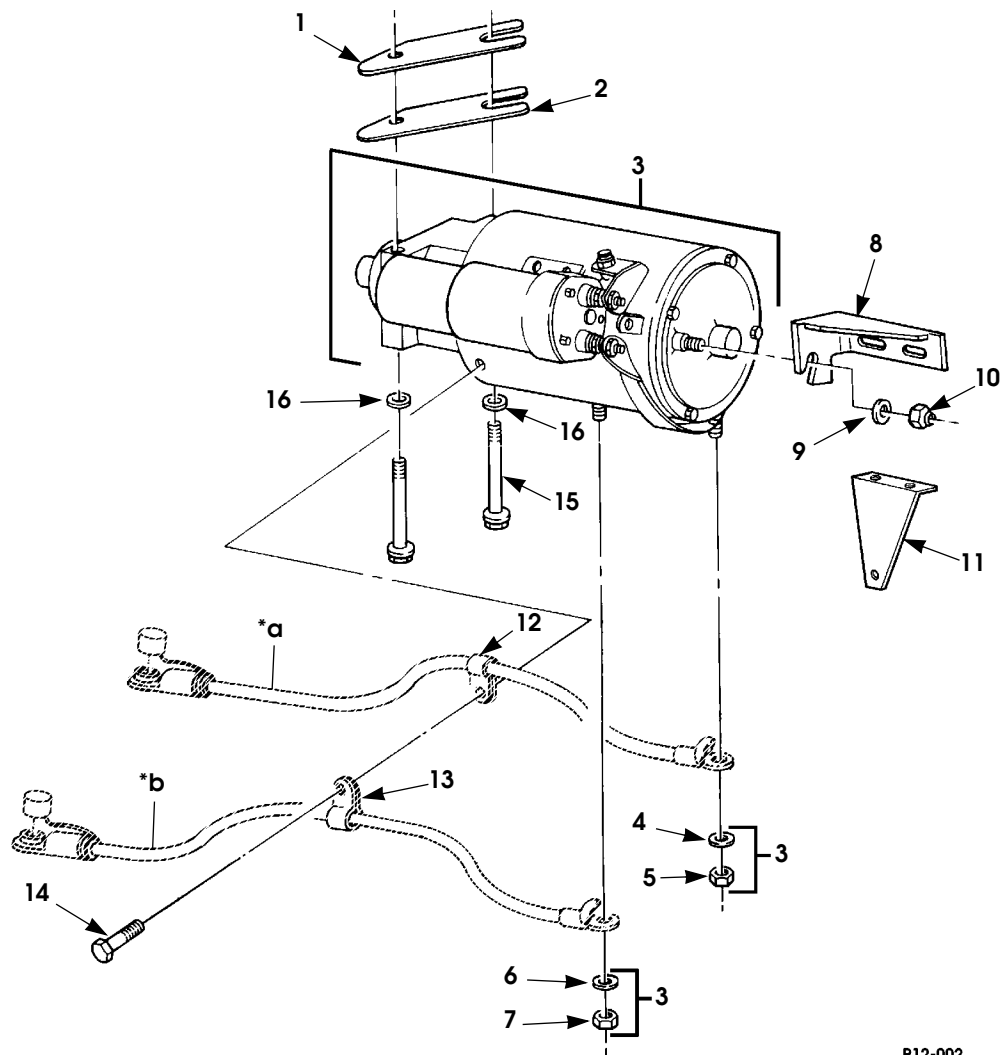
12-31-95

## ELECTRICAL 12-3

ITEM	PART NUMBER	DESCRIPTION	QTY
		Figure 12-1 BATTERIES, CABLES, AND MOUNTING HARDWARE	
1	06002911	BRACKET, battery holddown . . . . .	1
2	06002912	J-BOLT. . . . .	1
* 3	G 00454869	BOLT, 5/16"-18 x 3/4" . . . . .	2
4	06004164	BATTERY, 12-volt . . . . .	2
5	06003471	BOLT, terminal, battery, side . . . . .	2
6	06003128	CABLE, black, negative . . . . .	1
7	12340058	WASHER . . . . .	1
8	MS 00051967 6	NUT, 5/16-18 . . . . .	1
9	06002907 B2	BATTERY TRAY . . . . .	1
10	MS 00090728 60	BOLT, 3/8-16 x 1 in. . . . .	2
11	MS 00035338 46	LOCKWASHER . . . . .	2
12	06003132	CABLE, starter, negative . . . . .	1
* 13	05744361	BATTERY BOLT, long . . . . .	2
14	06003131	CABLE, starter, positive . . . . .	1
15	06003129	CABLE, red, positive. . . . .	1

# HUMMER PARTS CATALOG

## 12-4 ELECTRICAL



P12-002

Figure 12-2. Starter Motor and Mounting Hardware.

# HUMMER PARTS CATALOG

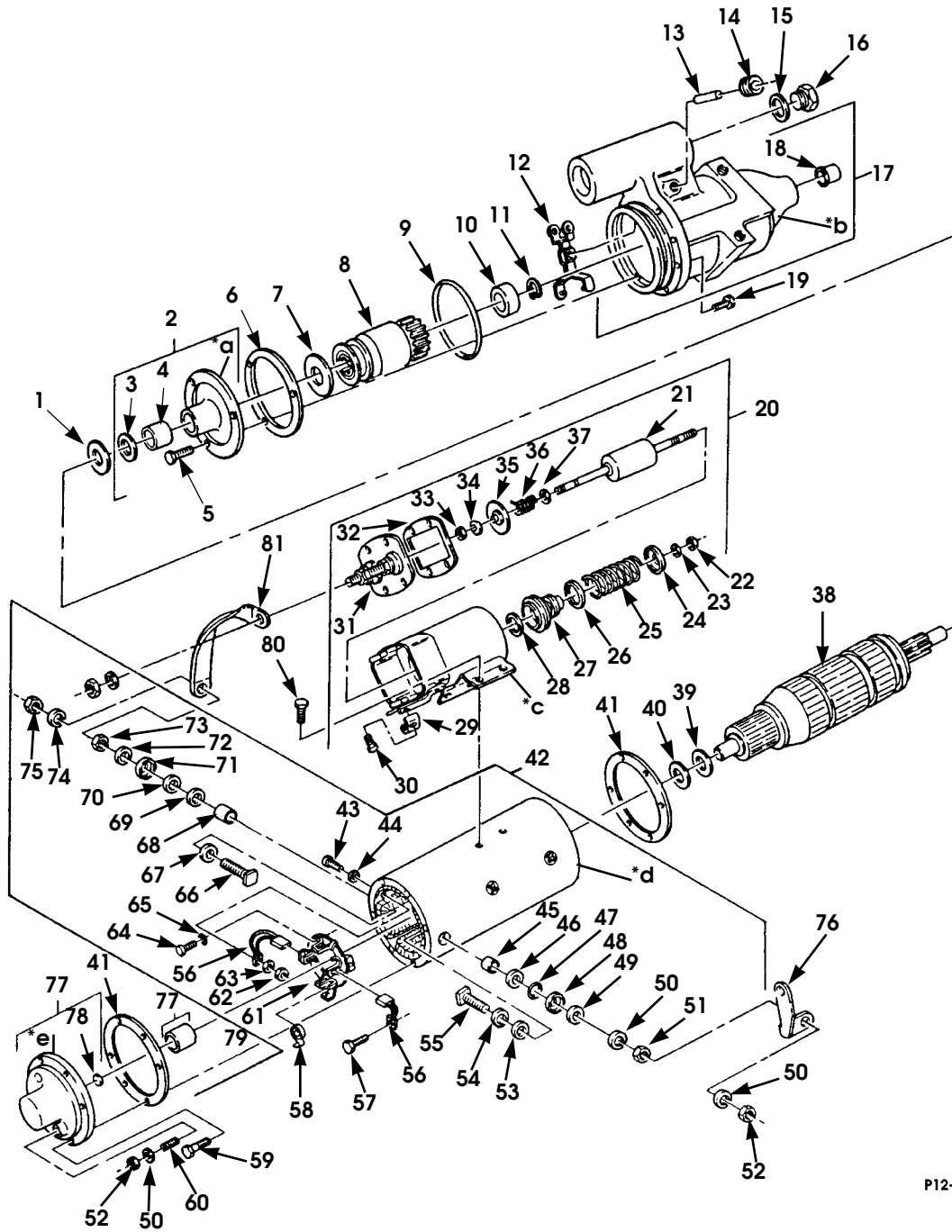
## ELECTRICAL 12-5

ITEM	PART NUMBER	DESCRIPTION	QTY
		Figure 12-2 STARTER MOTOR AND MOUNTING HARDWARE	
1	12338789 2	SHIM . . . . .	V
2	12338789 1	SHIM . . . . .	V
3	06002869	STARTER MOTOR ASSEMBLY . . . . .	1
4	MS 00051419 9	•LOCKWASHER . . . . .	1
5	MS 00035691 33	•NUT . . . . .	1
6	MS 00035338 46	•LOCKWASHER . . . . .	1
7	MS 00051967 8	•NUT . . . . .	1
8	12338793	BRACKET, starter motor . . . . .	1
9	G 02436163	WASHER, bracket . . . . .	1
10	MS 00051943 35	LOCKNUT, bracket . . . . .	1
11	06003475	BRACKET, Starter cable . . . . .	1
12	MS 00021333 105	CLAMP, positive cable . . . . .	1
13	MS 00021333 106	CLAMP, ground cable . . . . .	1
14	12340844	SCREW, cable clamps . . . . .	1
15	12339413	BOLT, starter . . . . .	2
16	12341856	WASHER, starter . . . . .	2



# HUMMER PARTS CATALOG

## 12-6 ELECTRICAL



P12-003

- \*a PART OF ITEM 2
- \*b PART OF ITEM 17
- \*c PART OF ITEM 20
- \*d PART OF ITEM 42
- \*e PART OF ITEM 74

Figure 12-3. Starter Motor Assembly.

# HUMMER PARTS CATALOG

## ELECTRICAL 12-7

ITEM	PART NUMBER	DESCRIPTION	QTY
		Figure 12-3 STARTER MOTOR ASSEMBLY	
1	S.I.K.	WASHER, flat, SEE NOTE 4 . . . . .	1
2	05741114	BEARING ASSEMBLY, intermediate. . . . .	1
3	05929739	•SEAL . . . . .	1
4	05929738	•BEARING, ABS, bronze. . . . .	1
5	S.I.K.	•SCREW, SEE NOTE 3 . . . . .	3
6	S.I.K.	GASKET, SEE NOTE 10. . . . .	1
7	S.I.K.	SPACER, starter clutch, SEE NOTE 4 . . . . .	1
8	05740926	CLUTCH, starter . . . . .	1
9	05929752	O-RING, pinion housing . . . . .	1
10	S.I.K.	PINION STOP, SEE NOTE 5. . . . .	1
11	S.I.K.	SNAP RING, SEE NOTE 5. . . . .	1
12	05929764	YOKE ASSEMBLY. . . . .	1
13	S.I.K.	PIN, SEE NOTE 7 . . . . .	2
14	S.I.K.	PLUG, SEE NOTE 7 . . . . .	1
15	S.I.K.	GASKET, SEE NOTE 7. . . . .	1
16	S.I.K.	PLUG, SEE NOTE 7 . . . . .	1
17	05742921	HOUSING ASSEMBLY, pinion . . . . .	1
18	05741174	•BEARING, bronze. . . . .	1
19	S.I.K.	SCREW, SEE NOTE 1 . . . . .	7
20	05742738	SOLENOID SWITCH . . . . .	1
21	05742922	•CORE ASSEMBLY, moving . . . . .	1
22	S.I.K.	•NUT, SEE NOTE 7 . . . . .	1
23	S.I.K.	•SNAP RING, SEE NOTE 8 . . . . .	1
24	S.I.K.	•RETAINER, SEE NOTE 8 . . . . .	1
25	S.I.K.	•SPRING, SEE NOTE 8. . . . .	1
26	S.I.K.	•RETAINER, SEE NOTE 8 . . . . .	1
27	05929759	•BOOT, moving core, SEE NOTE 8 . . . . .	1
28	S.I.K.	•WASHER, SEE NOTE 8 . . . . .	1
29	05741916	•LOCKWASHER, solenoid . . . . .	1
30	N/S	•MACHINE SCREW . . . . .	1
31	05740968	•COVER AND CONTACT STUD ASSEMBLY. . . . .	1
32	S.I.K.	•GASKET, SEE NOTE 11. . . . .	1
33	S.I.K.	•NUT, SEE NOTE 6. . . . .	1
34	S.I.K.	•WASHER, SEE NOTE 6 . . . . .	1
35	S.I.K.	•CONTACT, SEE NOTE 6. . . . .	1
36	S.I.K.	•SPRING, SEE NOTE 6. . . . .	1
37	S.I.K.	•WASHER, SEE NOTE 6 . . . . .	1
38	05742918	ARMATURE ASSEMBLY . . . . .	1
39	S.I.K.	THRUST WASHER, SEE NOTE 4 . . . . .	1

# HUMMER PARTS CATALOG

## 12-8 ELECTRICAL

ITEM	PART NUMBER	DESCRIPTION	QTY
		Figure 12-3 STARTER MOTOR ASSEMBLY (Cont'd)	
40	S.I.K.	THRUST WASHER, SEE NOTE 4 . . . . .	8
41	S.I.K.	GASKET, SEE NOTE 9 . . . . .	2
42	05742920	FRAME AND FIELD ASSEMBLY . . . . .	1
43	N/S	•SCREW . . . . .	2
44	05741118	•WASHER . . . . .	2
45	S.I.K.	•BUSHING, SEE NOTE 2. . . . .	1
46	S.I.K.	•WASHER, neoprene, SEE NOTE 2. . . . .	1
47	S.I.K.	•WASHER, insulating, SEE NOTE 2 . . . . .	1
48	S.I.K.	•WASHER, cap, SEE NOTE 2. . . . .	1
49	S.I.K.	•WASHER, plain, SEE NOTE 2 . . . . .	1
50	S.I.K.	•LOCKWASHER, SEE NOTE 2 . . . . .	4
51	S.I.K.	•NUT, SEE NOTE 2 . . . . .	1
52	S.I.K.	•NUT, SEE NOTE 2 . . . . .	4
53	S.I.K.	•WASHER, insulating, SEE NOTE 2 . . . . .	1
54	S.I.K.	•WASHER, plain, SEE NOTE 2 . . . . .	1
55	S.I.K.	•STUD, terminal, SEE NOTE 2 . . . . .	1
56	05740960	•BRUSH SET . . . . .	1
57	N/S	•SCREW . . . . .	2
58	05740961	•SPRING SET, brush. . . . .	1
59	S.I.K.	•SCREW, SEE NOTE 1 . . . . .	4
60	S.I.K.	•STUD, terminal, SEE NOTE 2 . . . . .	1
61	05741666	•PLATE ASSEMBLY, brush . . . . .	1
62	N/S	•NUT . . . . .	2
63	05741107	•LOCKWASHER . . . . .	2
64	N/S	•SCREW . . . . .	3
65	05741169	•SEAL PACKAGE, brush plate mounting . . . . .	1
66	S.I.K.	•STUD, terminal, SEE NOTE 2 . . . . .	1
67	S.I.K.	•WASHER, insulating, SEE NOTE 2 . . . . .	1
68	S.I.K.	•BUSHING, insulating, SEE NOTE 2. . . . .	1
69	S.I.K.	•WASHER, neoprene, SEE NOTE 2. . . . .	1
70	S.I.K.	•WASHER, insulating, SEE NOTE 2 . . . . .	1
71	S.I.K.	•WASHER, cap, SEE NOTE 2. . . . .	1
72	S.I.K.	•WASHER, plain, SEE NOTE 2 . . . . .	1
73	S.I.K.	•NUT, SEE NOTE 2 . . . . .	1
74	S.I.K.	•LOCKWASHER, SEE NOTE 2 . . . . .	2
75	S.I.K.	•NUT, SEE NOTE 2 . . . . .	3
76	05741120	CONNECTOR, switch. . . . .	1
77	05742919	HEAD ASSEMBLY, commutator end . . . . .	1
78	S.I.K.	•OIL RETAINER, felt, SEE NOTE 3. . . . .	1

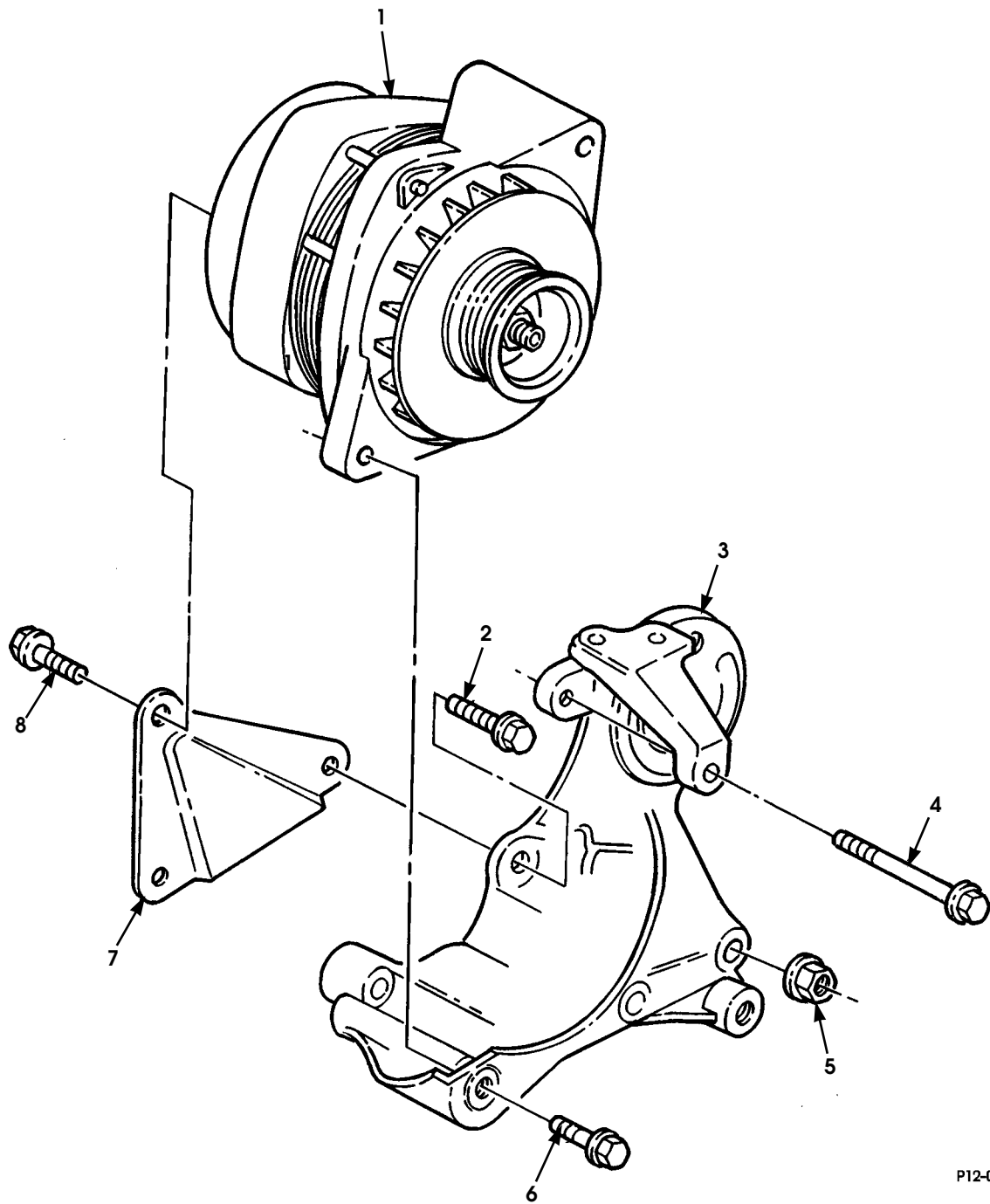
# HUMMER PARTS CATALOG

**ELECTRICAL 12-9**

ITEM	PART NUMBER	DESCRIPTION	QTY
		Figure 12-3 STARTER MOTOR ASSEMBLY (Cont'd)	
79	S.I.K.	•BEARING, bronze, SEE NOTE 3 .....	1
80	S.I.K.	SCREW, solenoid, SEE NOTE 1 .....	4
81	05741117	CONNECTOR, switch. ....	1
<p>NOTE 1: PART OF MOUNTING SCREW PACKAGE P/N 05740922</p> <p>NOTE 2: PART OF TERMINAL STUD PACKAGE P/N 05740963</p> <p>NOTE 3: PART OF BEARING AND OIL RETAINER PACKAGE P/N 05741167</p> <p>NOTE 4: PART OF THRUST WASHER PACKAGE P/N 05741171</p> <p>NOTE 5: PART OF PINION STOP AND LOCK RING PACKAGE P/N 05741173</p> <p>NOTE 6: PART OF CORE CONTACT END PARTS PACKAGE P/N 05929757</p> <p>NOTE 7: PART OF YOKE ADJUSTING PARTS PACKAGE P/N 05929744</p> <p>NOTE 8: PART OF CORE YOKE END PARTS PACKAGE P/N 05929758</p> <p>NOTE 9: PART OF GASKET PACKAGE, C.E. AND D.E. HEAD P/N 05741168</p> <p>NOTE 10: PART OF GASKET PACKAGE, INTERMEDIATE BEARING P/N 05740964</p> <p>NOTE 11: PART OF MULTI-PAC P/N 05929755</p>			

# HUMMER PARTS CATALOG

## 12-10 ELECTRICAL



P12-004

Figure 12-4. 124-Amp Alternator and Mounting Hardware.

# HUMMER PARTS CATALOG

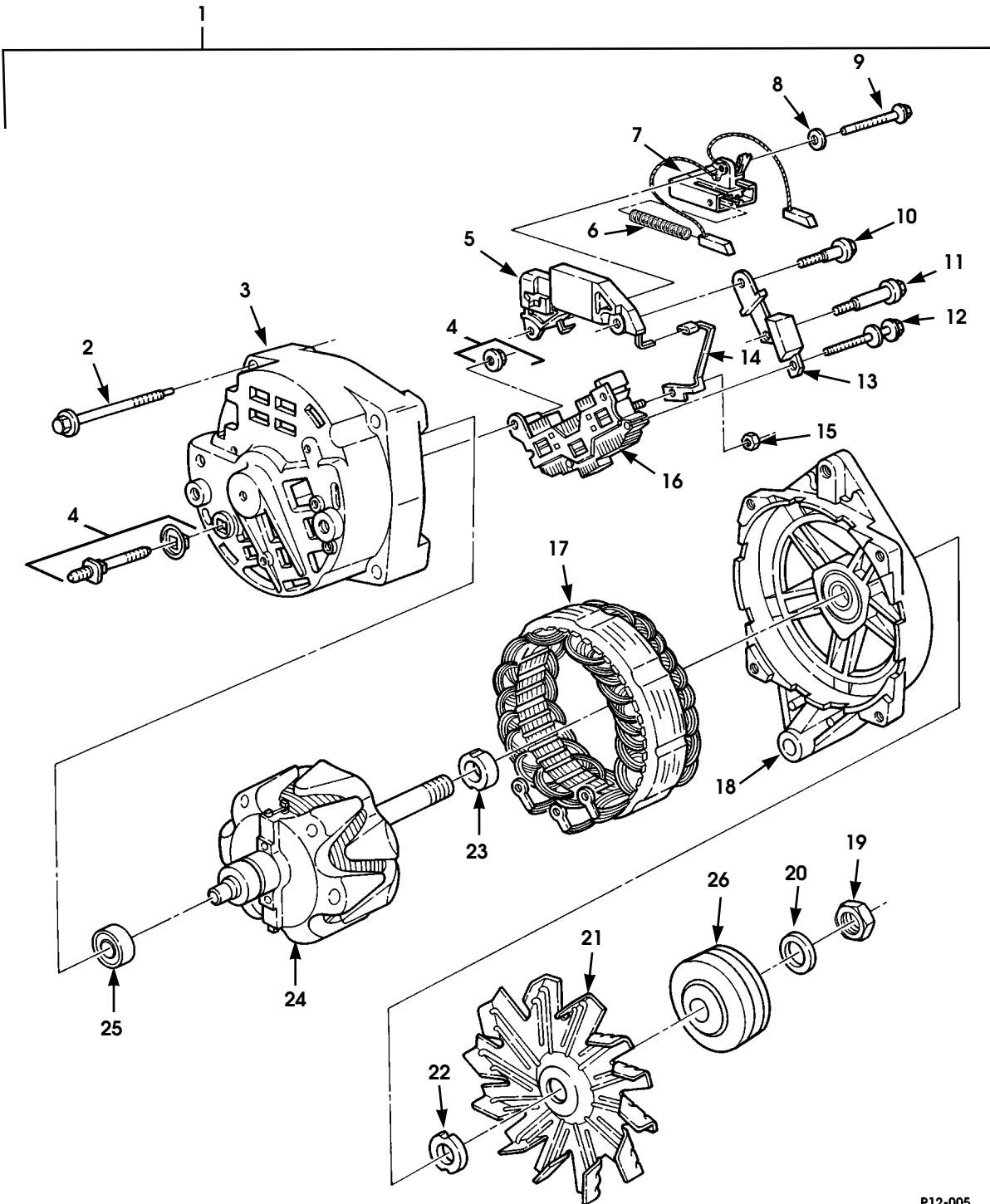
## ELECTRICAL 12-11

ITEM	PART NUMBER	DESCRIPTION	QTY
		Figure 12-4 124-AMP ALTERNATOR AND MOUNTING HARDWARE	
1	06003163	ALTERNATOR, diesel, 124-Amp . . . . .	1
2	G 11509036	BOLT, bracket to head . . . . .	2
3	06003049	BRACKET, alternator mounting . . . . .	1
4	G 11508475	BOLT, bracket to head . . . . .	1
5	G 11514597	NUT, bracket and brake to head . . . . .	1
6	G 11502606	BOLT . . . . .	1
7	06003053	BRACE, rear alternator support . . . . .	1
8	G 11508251	BOLT, brake to cover . . . . .	2

12-31-95

# HUMMER PARTS CATALOG

## 12-12 ELECTRICAL



P12-005

Figure 12-5. 124 Amp Alternator Assembly.

# HUMMER PARTS CATALOG

12-31-95

## ELECTRICAL 12-13

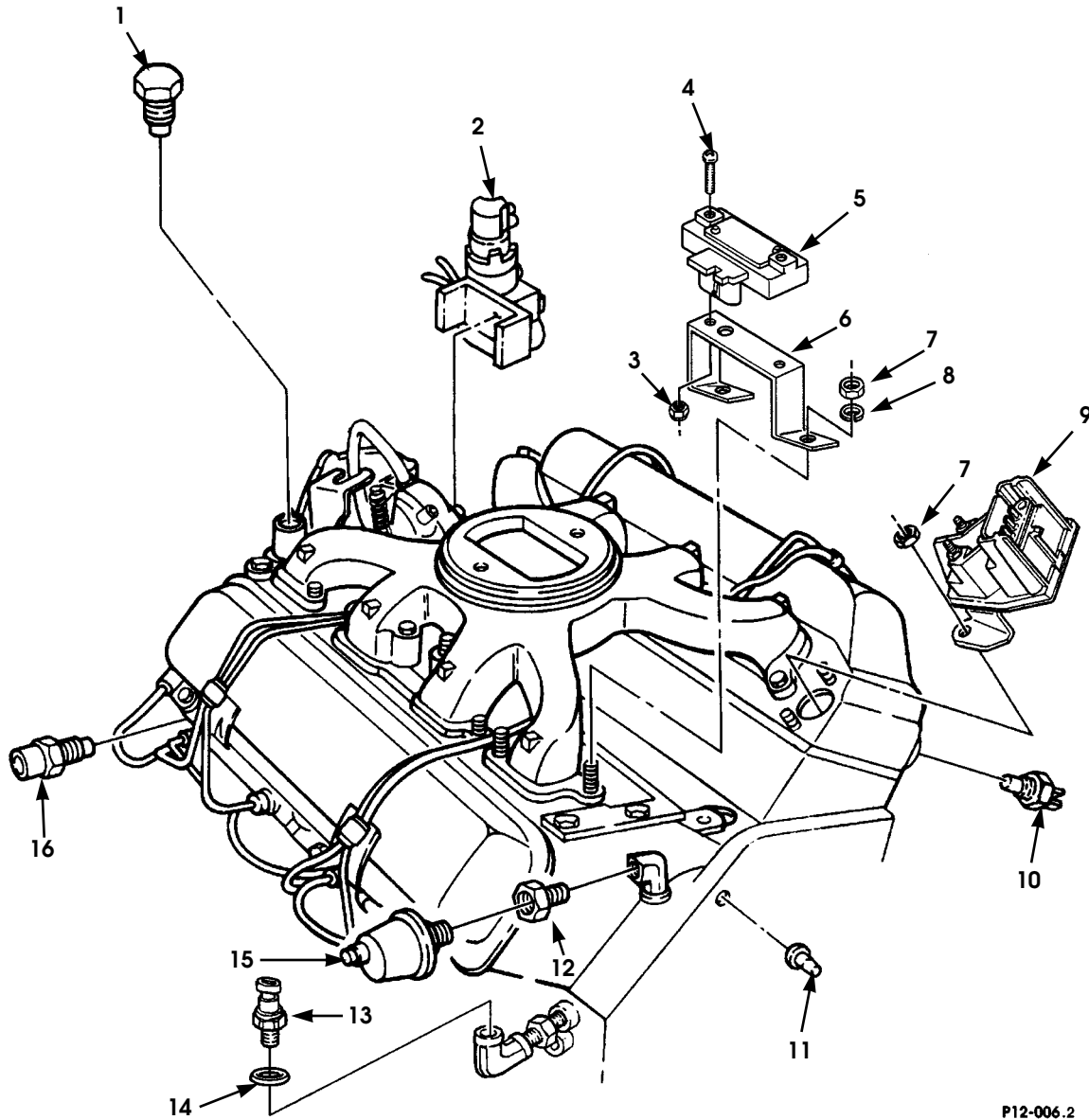
ITEM	PART NUMBER	DESCRIPTION	QTY
		Figure 12-5 124-AMP ALTERNATOR ASSEMBLY	
1	06003163	ALTERNATOR ASSEMBLY, 124 Amp . . . . .	1
2	05742662	•BOLT . . . . .	4
3	05742663	•FRAME, includes bearings . . . . .	1
4	08125185	•TERMINAL PACKAGE, battery. . . . .	1
5	05742664	•REGULATOR . . . . .	1
6	05742665	•SPRING, brush . . . . .	2
7	05742666	•BRUSH HOLDER AND BRUSH ASSEMBLY . . . . .	1
8	NPN	•WASHER . . . . .	1
9	05733274	•SCREW, brush holder. . . . .	1
10	05742667	•SCREW, regulator . . . . .	1
11	05742668	•SCREW, rectifier bridge. . . . .	1
12	05742669	•SCREW AND WASHER, rectifier bridge . . . . .	2
13	05742670	•CAPACITOR . . . . .	1
14	05742671	•CONNECTOR, rectifier bridge to regulator . . . . .	1
15	G 00453996	•NUT, rectifier bridge. . . . .	3
16	05742672	•RECTIFIER BRIDGE . . . . .	1
17	05742673	•STATOR ASSEMBLY . . . . .	1
18	05742674	•FRAME, D.E., includes bearings . . . . .	1
19	08125242	•NUT, pulley . . . . .	1
20	08125186	•LOCKWASHER, shaft nut, D.E. . . . .	1
21	08125193	•FAN. . . . .	1
22	05742676	•COLLAR, outside . . . . .	1
23	05742677	•COLLAR, inside . . . . .	1
24	05742678	•ROTOR ASSEMBLY . . . . .	1
25	05742679	•BALL BEARING, S.R.E. . . . .	1
* 26	05744512	PULLEY, alternator . . . . .	1



12-31-95

# HUMMER PARTS CATALOG

## 12-14 ELECTRICAL



P12-006.2

Figure 12-6. Sending Units.

# HUMMER PARTS CATALOG

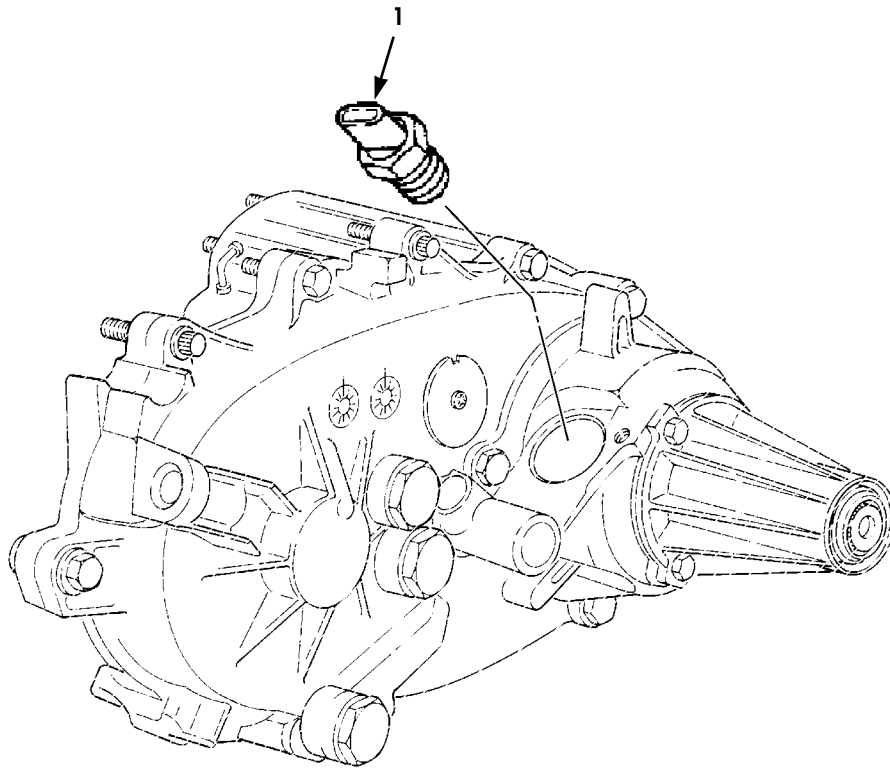
12-31-95

## ELECTRICAL 12-15

ITEM	PART NUMBER	DESCRIPTION	QTY
		Figure 12-6 SENDING UNITS	
1	05743888	PLUG.....	1
2	05743243	SENSOR, throttle position .....	1
* 3	G 00271166	LOCKNUT .....	2
4	MS 00035206 338	SCREW .....	2
5	06003469	SENSOR, baro press .....	1
6	06003100	BRACKET, baro sensor .....	1
* 7	G 11502812	NUT .....	4
8	G 11500207	LOCKWASHER .....	2
9	05742558	CONTROL, glow plug .....	1
10	05742560	COLD ADVANCE SWITCH.....	1
11	12339238	RIVET.....	1
12	05937262	BUSHING, reducer .....	1
13	06000092	OIL PRESSURE SWITCH .....	1
14	05744134	•SEAL, oil pressure switch .....	1
15	06001037	TRANSMITTER, pressure, oil.....	1
16	05937054	SENDER, engine temperature .....	1

# HUMMER PARTS CATALOG

## 12-16 ELECTRICAL



P12-061

*Figure 12-7. Speedometer Speed Sensor.*

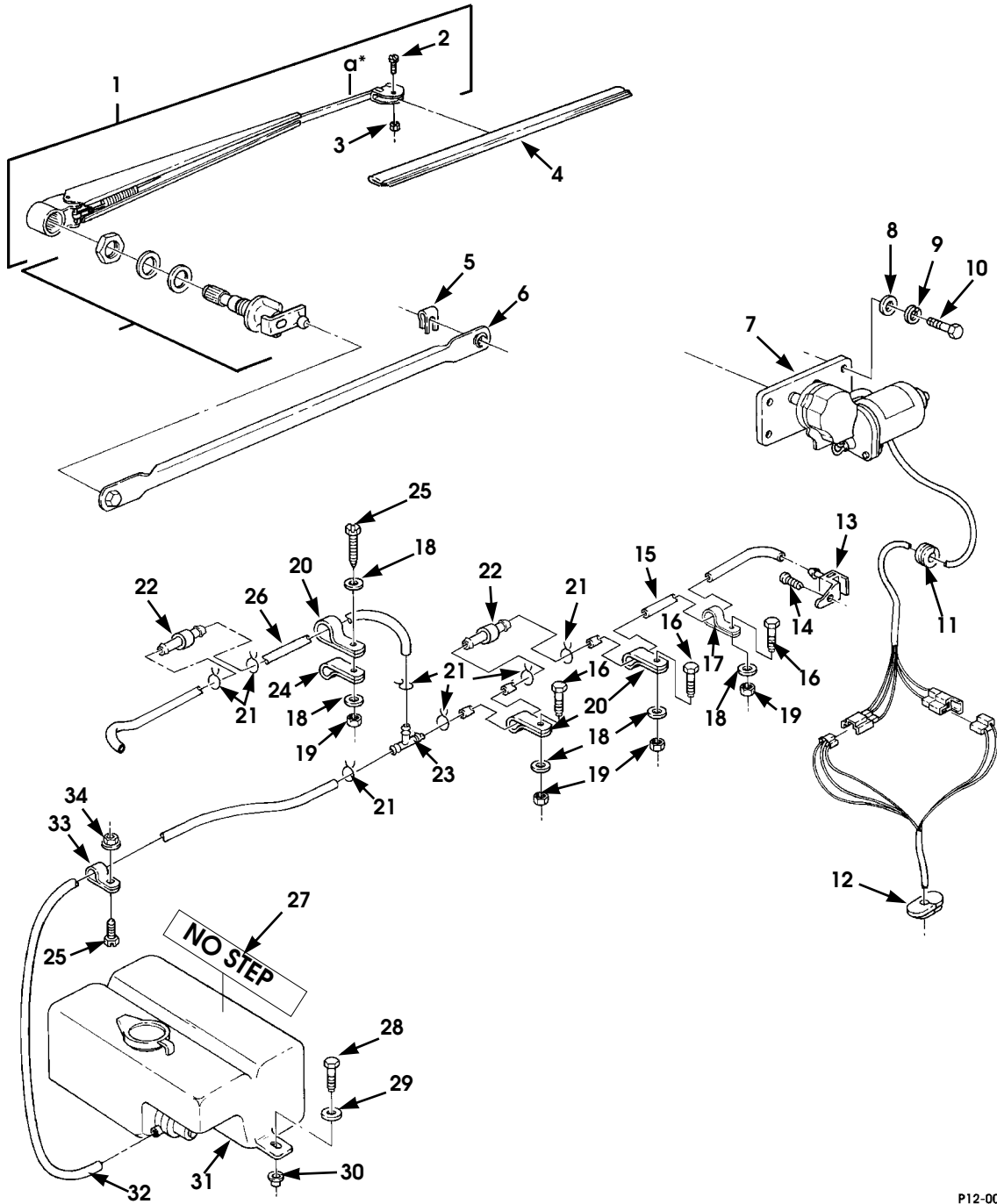
# HUMMER PARTS CATALOG

ELECTRICAL 12-17

ITEM	PART NUMBER	DESCRIPTION	QTY
1	05743510	Figure 12-7 SPEEDOMETER speed sensor  SWITCH, speed sensor. ....	1

# HUMMER PARTS CATALOG

## 12-18 ELECTRICAL



P12-008

Figure 12-8. Windshield Wiper Motor, Wiper Assembly, and Washer Bottles.

# HUMMER PARTS CATALOG

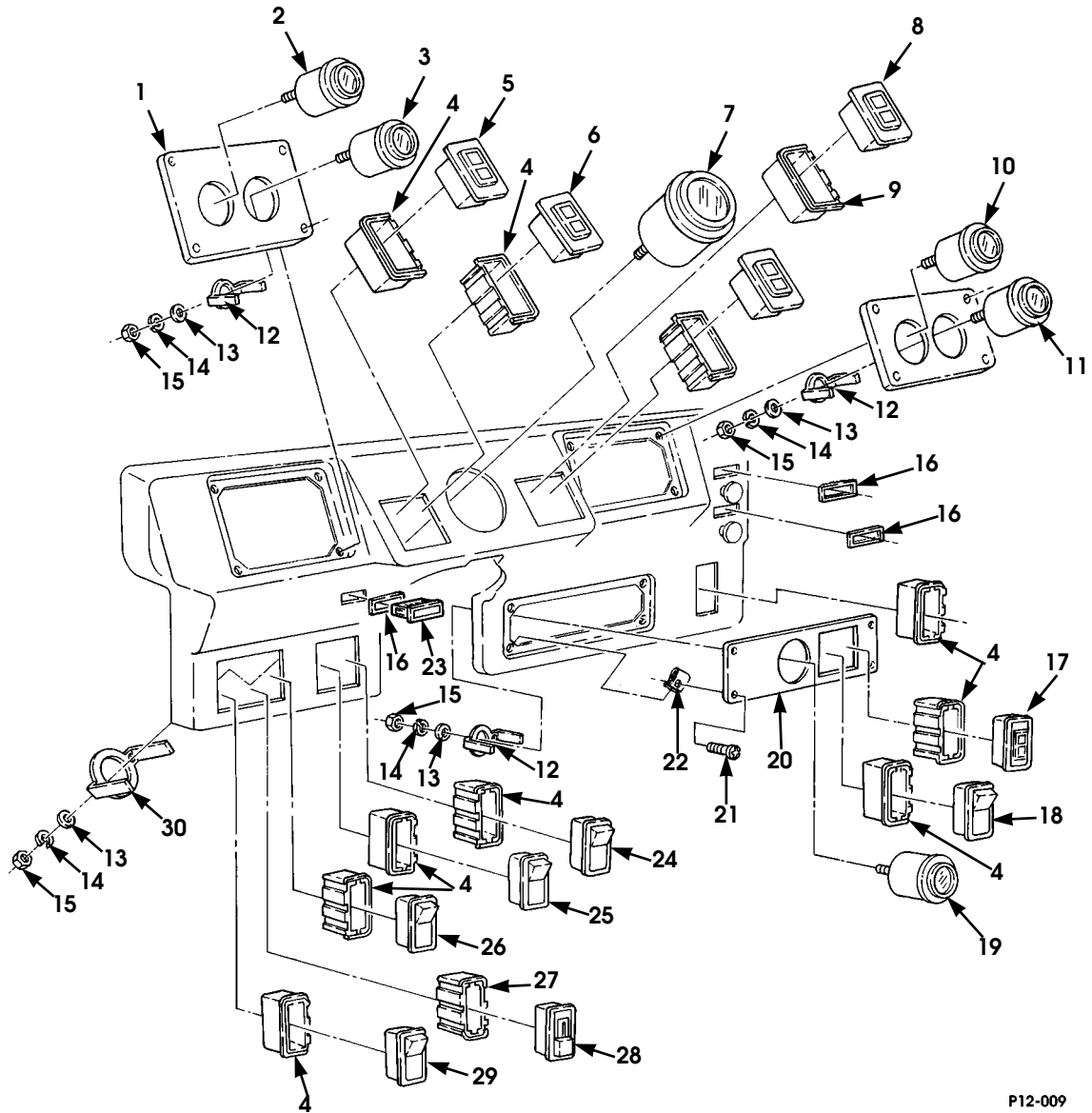
## ELECTRICAL 12-19

ITEM	PART NUMBER	DESCRIPTION	QTY
		Figure 12-8 WINDSHIELD WIPER MOTOR, WIPER ASSEMBLY, AND WASHER BOTTLE	
1	06003900	WIPER ARM ASSEMBLY, pivot assembly, less blade . . .	2
2	05741925	•SCREW, arm, 1/8 x .5" . . . . .	1
3	05741926	•LOCKNUT, arm, 5-40 . . . . .	1
4	06003901	BLADE, wiper arm assembly . . . . .	2
5	12339427	RETAINER . . . . .	1
6	12338831	CONNECTING ARM, pivot assembly . . . . .	2
7	05938822 B2	WIPER MOTOR ASSEMBLY, windshield . . . . .	1
8	MS 00027183 10	WASHER, wiper motor, 9/32" . . . . .	3
9	MS 00035338 44	LOCKWASHER, wiper motor, 1/4" . . . . .	3
10	MS 00090725 6	SCREW, wiper motor, 1/4-20 x 3/4" . . . . .	3
11	MS 00035489 41S	GROMMET, motor lead. . . . .	1
12	12339340	GROMMET, motor lead. . . . .	1
13	06006600	NOZZLE, windshield washer . . . . .	2
14	G 00164403	SCREW, nozzle, 8-32 x 5/8" . . . . .	2
15	N/S	HOSE, 27-inch, windshield washer, SEE NOTE 1 . . . . .	1
16	MS 00051849 76	SCREW, clamp, without CTIS, 10-24 x 3/4" . . . . .	3
16	MS 00051849 76	SCREW, clamp, with CTIS, 10-24 x 3/4" . . . . .	4
17	MS 00021333 36	CLAMP, hose, without CTIS, 3/8" . . . . .	1
17	MS 00021333 36	CLAMP, hose, with CTIS, 3/8" . . . . .	2
18	MS 00051412 18	WASHER, clamp, without CTIS, #10 . . . . .	5
18	MS 00051412 18	WASHER, clamp, with CTIS, #10 . . . . .	7
19	MS 00035649 202	NUT, clamp, without CTIS . . . . .	4
19	MS 00035649 202	NUT, clamp, with CTIS . . . . .	5
20	MS 00021333 42	CLAMP, hose, 7/8" . . . . .	3
21	WW C440-3/8	CLAMP, hose . . . . .	7
22	06005960	CHECK VALVE, washer hose . . . . .	2
23	12340056	TEE, hose. . . . .	1
24	MS 00021333 68	CLAMP, hose, 5/16" . . . . .	1
25	MS 00051849 78	SCREW, clamp, #10-24 x 1" . . . . .	1
26	N/S	HOSE, 16-inch, windshield washer, SEE NOTE 1 . . . . .	1
27	12339055	DECAL, no step . . . . .	1
28	G 00440502	SCREW, reservoir . . . . .	2
29	G 00120391	WASHER, reservoir . . . . .	2
30	05939334	NUT INSERT, reservoir, #10-24 . . . . .	2
31	05936121	RESERVOIR AND PUMP ASSEMBLY, windshield washer. . . . .	1
32	N/S	HOSE, 36-inch, windshield washer, SEE NOTE 1 . . . . .	1
33	MS 00021333 107	CLAMP, cushioned, 1.0" . . . . .	1
34	G 00271166	NUT and LOCKWASHER, #10-24 . . . . .	1
35	12340660	PIVOT ASSEMBLY, windshield wiper motor. . . . .	2
		NOTE 1: MAKE FROM BULK HOSE P/N 05741211	



# HUMMER PARTS CATALOG

ELECTRICAL 12-21



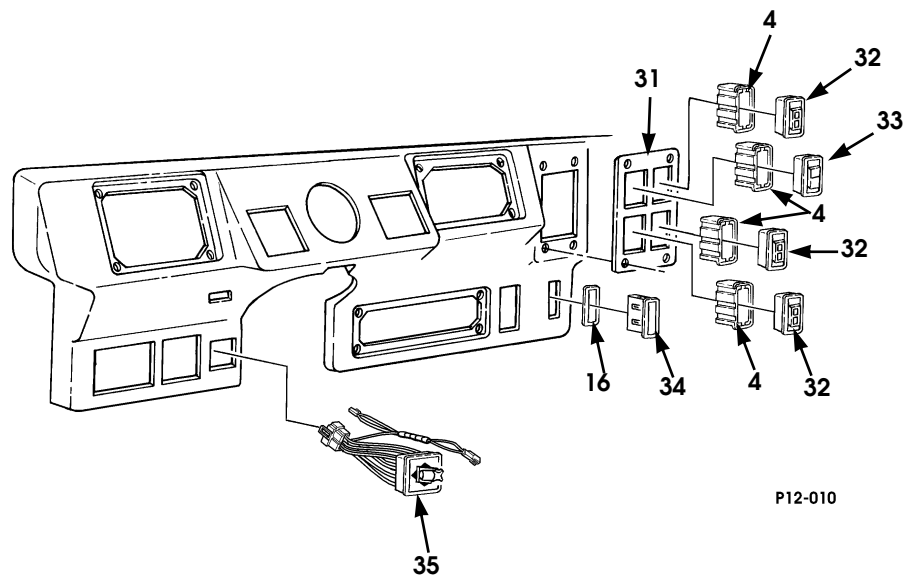
P12-009

Figure 12-9. Instrument Panel Cluster (Sheet 1 of 2)



# HUMMER PARTS CATALOG

## 12-22 ELECTRICAL



P12-010

Figure 7-9. Instrument Panel Cluster (Sheet 2 of 2).

# HUMMER PARTS CATALOG

## ELECTRICAL 12-23

ITEM	PART NUMBER	DESCRIPTION	QTY
		Figure 12-9 INSTRUMENT PANEL CLUSTER	
1	06003565	PANEL, gauge . . . . .	2
2	06003426	VOLTMETER, SEE NOTE 1 . . . . .	1
3	06003425	OIL PRESSURE GAUGE, SEE NOTE 1. . . . .	1
3	06004038	OIL PRESSURE GAUGE, metric, SEE NOTE 1 . . . . .	1
4	05939042	BEZEL, end, SEE NOTE 1 . . . . .	15
5	05939068	INDICATOR LAMP, left turn and high beam, SEE NOTE 1 . . . . .	1
6	05939070	INDICATOR LAMP, brake and seatbelt, SEE NOTE 1 . . .	1
6	06002653	INDICATOR LAMP, brake and seatbelt, Canadian, SEE NOTE 1 . . . . .	1
7	06003170	SPEEDOMETER, electronic . . . . .	1
7	06004037	SPEEDOMETER, metric. . . . .	1
8	05939072	INDICATOR LAMP, wait and drain filter, SEE NOTE 1 . . .	1
8	06002655	INDICATOR LAMP, wait and drain filter, N.Y. State, SEE NOTE 1 . . . . .	1
9	06002654	INDICATOR LAMP, right turn and transfer case lock, SEE NOTE 1 . . . . .	1
10	06003424	WATER TEMPERATURE GAUGE, SEE NOTE 1 . . . . .	1
10	06004039	WATER TEMPERATURE GAUGE, metric, SEE NOTE 1. . . . .	1
11	06005194	FUEL GAUGE, SEE NOTE 1 . . . . .	1
12	06003428	BRACKET, SEE NOTE 1. . . . .	3
13	MS 00027183 42	WASHER . . . . .	8
14	G 00120217	LOCKWASHER, SEE NOTE 1 . . . . .	10
15	MS 00051470 3	NUT, SEE NOTE 1 . . . . .	10
16	06000830	SHIM . . . . .	4
17	05939071	INDICATOR LAMP, CTI pump and tire air. . . . .	1
17	06002817	INDICATOR LAMP, CTI pump and tire air (used on earlier models) (symbols only) . . . . .	1
18	05939546	SWITCH, CTI inflate/deflate . . . . .	1
19	06005131	SWITCH, CTI inflate/deflate . . . . .	1
20	05939270	PANEL, gauge (blank). . . . .	1
20	05939268	PANEL, gauge (with CTI). . . . .	1
21	05939651	SCREW, gauge panel . . . . .	12
22	06000302	SPEEDNUT. . . . .	12
23	05936134	LAMP ASSEMBLY, washer/wiper indicator. . . . .	1
24	05939551	SWITCH, windshield washer, SEE NOTE 1 . . . . .	1
24	06000036	SWITCH, windshield wiper, intermittent, and washer option . . . . .	1
25	05939550	SWITCH, windshield wiper, SEE NOTE 1 . . . . .	1
26	05939549	SWITCH, dome lights, SEE NOTE 1. . . . .	1
26	06000895	SWITCH, dome light/cargo light . . . . .	1
27	05939043	BEZEL, center, SEE NOTE 1 . . . . .	1

# HUMMER PARTS CATALOG

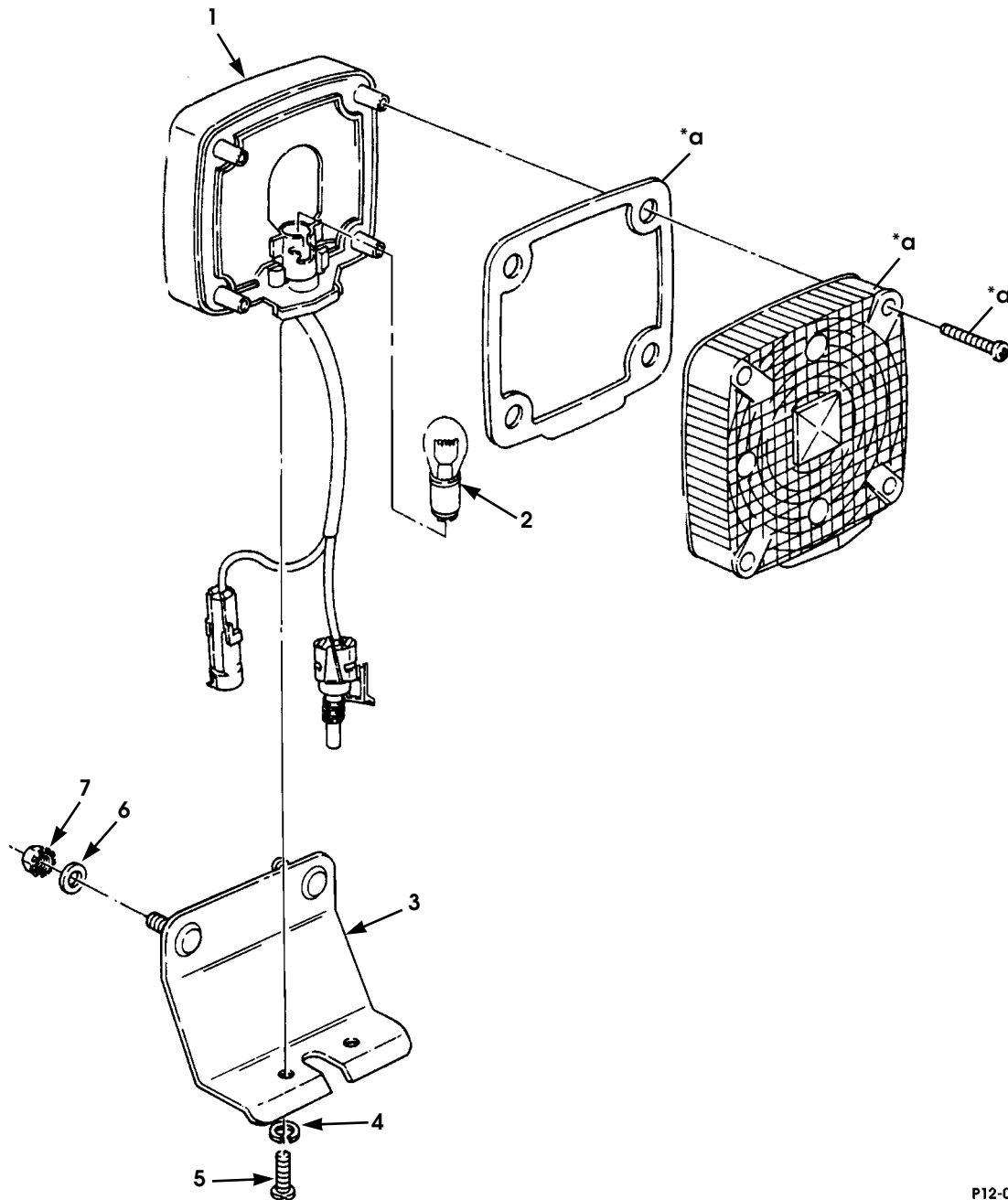
## 12-24 ELECTRICAL

ITEM	PART NUMBER	DESCRIPTION	QTY
		Figure 12-9 INSTRUMENT PANEL CLUSTER (Cont'd)	
28	05939548	SWITCH, panel lights, SEE NOTE 1 . . . . .	1
29	05939547	SWITCH, master lighting, SEE NOTE 1 . . . . .	1
30	06003429	BRACKET, electronic speedometer mounting . . . . .	1
31	06002467	PLATE, power window switch . . . . .	1
31	06002471	HMC4, HMCS PLATE, power window switch . . . . .	1
32	06004185	VLC2 SWITCH, power windows . . . . .	3
33	06002017	SWITCH, on/off . . . . .	1
34	06002985	WARNING LIGHT, transmission. . . . .	1
35	06003852	JUMPER, power mirror switch, SEE NOTE 2 . . . . .	1
	M 00501/7F 2	CAP (not illustrated). . . . .	2
	NPN	LOCKNUT (not illustrated). . . . .	4
		NOTE 1: FOR ASSEMBLY OF PARTS, SEE FIGURE 10-33 NOTE 2: PART OF KIT P/N 05743320 PART OF KIT P/N 05743321, SEE FIGURE 12-17	



# HUMMER PARTS CATALOG

## 12-26 ELECTRICAL



\*a PART OF ITEM 1

Figure 12-10. Front Turn Signal Light and Mounting Hardware.

P12-011

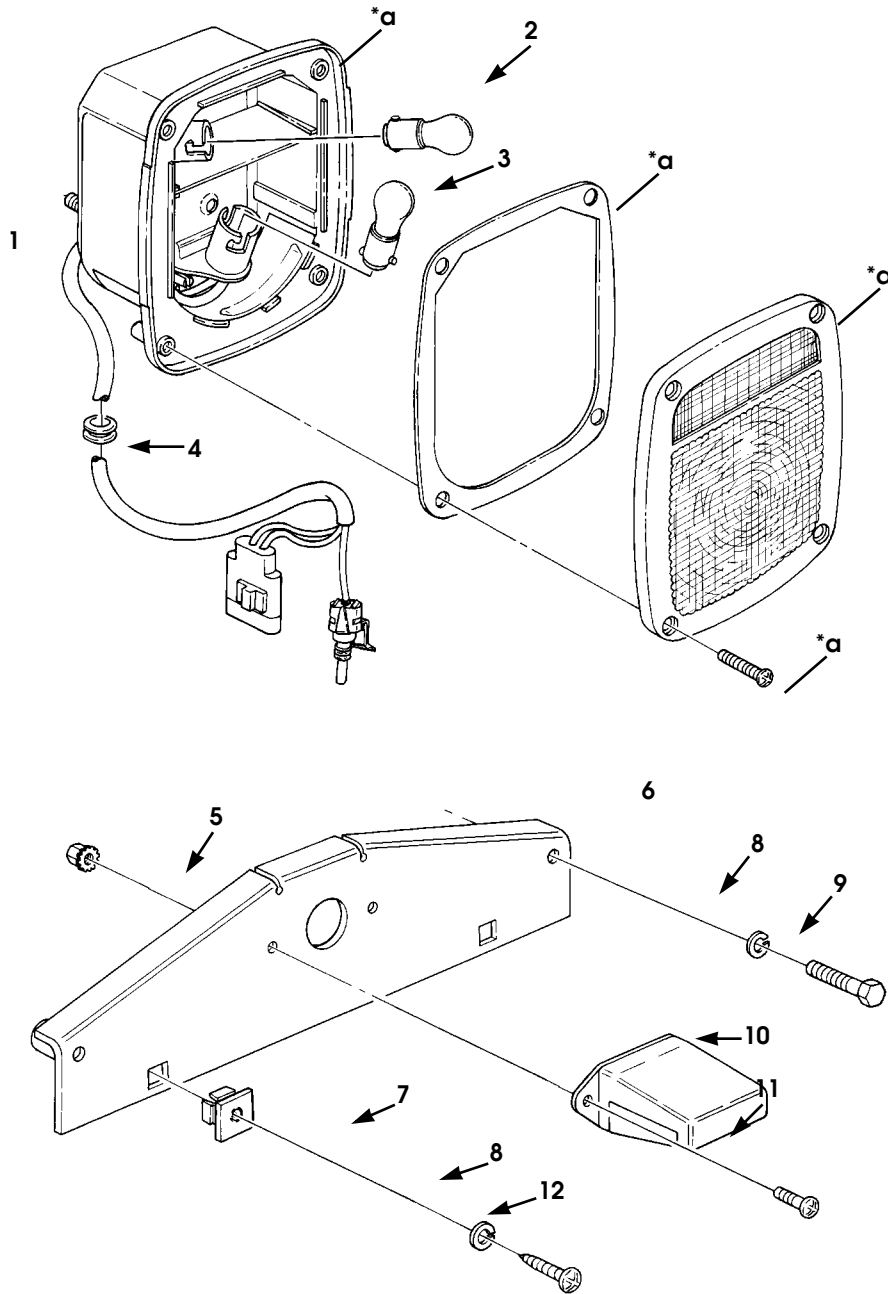
# HUMMER PARTS CATALOG

## ELECTRICAL 12-27

ITEM	PART NUMBER	DESCRIPTION	QTY
		Figure 12-10 FRONT TURN SIGNAL LIGHT AND MOUNTING HARDWARE	
1	05939420	LAMP,turn signal .....	2
2	N/S	BULB (trade #1157) .....	2
3	05939093	BRACKET,turn signal .....	2
4	G 00103319 P2	LOCKWASHER .....	4
5	G 00179791 P2	BOLT .....	4
6	MS 00027183 12	WASHER .....	4
7	G 00271184	NUT AND LOCKWASHER ASSEMBLY .....	4

# HUMMER PARTS CATALOG

## 12-28 ELECTRICAL



P12-012

\*a PART OF ITEM 1

Figure 12-11. Rear Turn Signal Light/Taillight, License Plate Bracket, and Mounting Hardware.

# HUMMER PARTS CATALOG

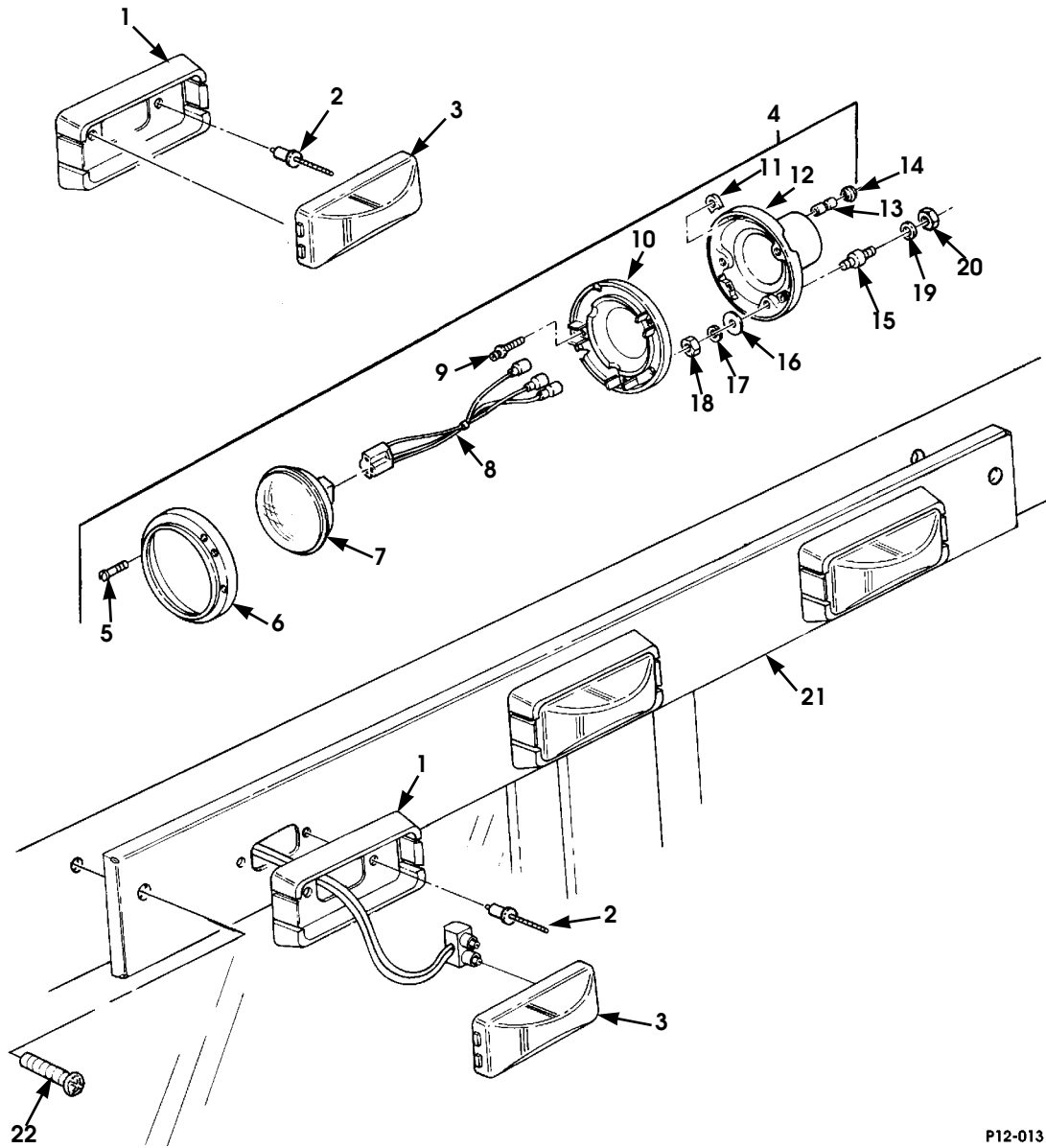
**ELECTRICAL 12-29**

ITEM	PART NUMBER	DESCRIPTION	QTY
		Figure 12-11 REAR TURN SIGNAL LIGHT/TAILLIGHT, LICENSE PLATE BRACKET, AND MOUNTING HARDWARE	
1	05939089	TAILLIGHT ASSEMBLY .....	2
2	N/S	•BULB, backup (trade #1156) .....	1
3	N/S	•BULB, stop, turn, taillight (trade #1157) .....	1
4	MS 00035489 41	•GROMMET .....	1
5	G 00271163	NUT AND LOCKWASHER .....	2
6	05937006 B2	BRACKET ASSEMBLY, license plate mount .....	1
7	05939483	•NUT .....	2
8	G 00120380 P2	LOCKWASHER .....	4
9	G 09418034 P2	SCREW .....	2
10	05937030	LAMP ASSEMBLY, license plate .....	1
11	MS 00352062 45P2	SCREW .....	2
12	G 09415857	SCREW .....	2



# HUMMER PARTS CATALOG

## 12-30 ELECTRICAL



P12-013

Figure 12-12. Headlight Assembly and Running Lights.

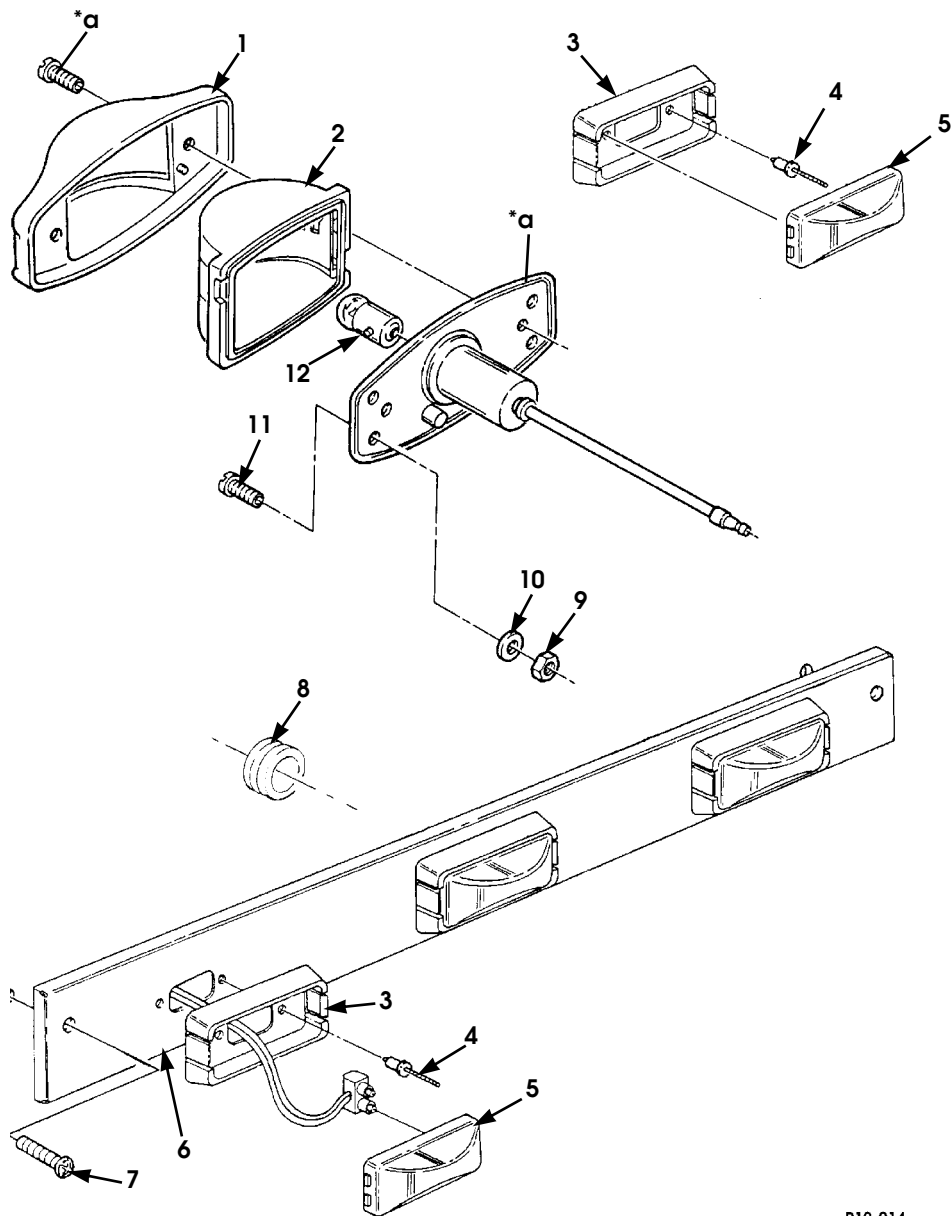
# HUMMER PARTS CATALOG

**ELECTRICAL 12-31**

ITEM	PART NUMBER	DESCRIPTION	QTY
		Figure 12-12 HEADLIGHT ASSEMBLY AND RUNNING LIGHTS	
1	05937024	BRACKET, lamp assembly mount . . . . .	5
2	M2 4243/5-A 404	RIVET . . . . .	10
3	05937027	LAMP, yellow . . . . .	5
4	05938841	HEADLIGHT ASSEMBLY . . . . .	2
5	08741437 P2	•SCREW . . . . .	3
6	08741446	•RETAINING RING . . . . .	1
7	05938842	•LAMP, halogen . . . . .	1
8	05935897	•HARNES ASSEMBLY, jumper . . . . .	1
9	07538146	•SCREW . . . . .	2
10	08741447	•HEADLAMP MOUNT ASSEMBLY . . . . .	1
11	08741435	•NUT . . . . .	2
12	08741461	•HEADLAMP HOUSING . . . . .	1
13	08741492	•CONNECTOR . . . . .	3
14	08741442	•GROMMET . . . . .	3
15	12338607	•MOUNT . . . . .	3
16	05310615	•WASHER . . . . .	3
17	MS 00035337 25	•LOCKWASHER . . . . .	3
18	MS 00035690 425	•NUT . . . . .	3
19	G 09414920	WASHER, headlight assembly . . . . .	6
20	G 00271175	LOCKNUT, headlight assembly . . . . .	6
21	05937037 P	BRACKET ASSEMBLY . . . . .	1
22	MS 00035206 284	SCREW . . . . .	2

# HUMMER PARTS CATALOG

## 12-32 ELECTRICAL



P12-014

\*a PART OF ITEM 1

Figure 12-13. Clearance Marker Light Assembly.

# HUMMER PARTS CATALOG

12-31-95

## ELECTRICAL 12-33

ITEM	PART NUMBER	DESCRIPTION	QTY
		Figure 12-13 CLEARANCE MARKER LIGHT ASSEMBLY	
1	MS 00035422 1	LAMP HOLDER, SEE NOTES 1 AND 2 . . . . .	4
2	MS 00035421 1	AMBER LENS LIGHT, front, SEE NOTE 2 . . . . .	2
2	MS 00035421 2	RED LENS LIGHT, rear, SEE NOTE 1 . . . . .	2
3	05937024	BRACKET, lens assembly mounting . . . . .	5
4	M2 4243/5A4 04-A	RIVET . . . . .	10
5	05937026	LAMP ASSEMBLY, red . . . . .	5
6	05939165 P	BRACKET ASSEMBLY, rear . . . . .	1
* 7	MS 35206-28 4P2	SCREW . . . . .	2
8	MS 00035489 48S	GROMMET . . . . .	1
9	G 00190254	LOCKNUT . . . . .	16
10	MS 00027183 42	WASHER . . . . .	16
11	MS 00035206 265	SCREW . . . . .	16
12	S.I.A.	BULB (trade #67) . . . . .	1
		NOTE 1: COMPLETE ASSEMBLY P/N 5937035 B2 REAR NOTE 2: COMPLETE ASSEMBLY P/N 5937036 B2 FRONT	

# HUMMER PARTS CATALOG

## 12-34 ELECTRICAL

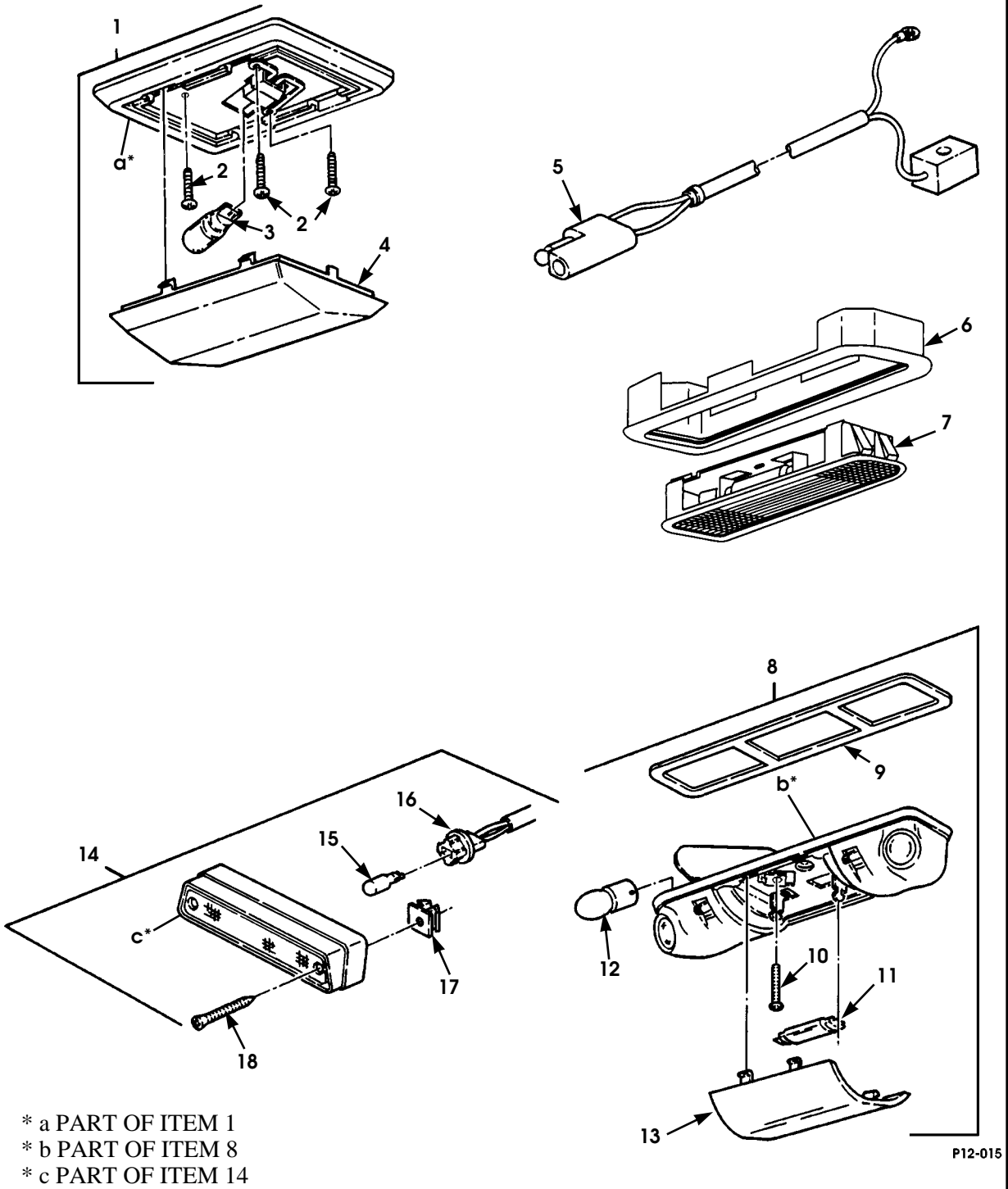


Figure 12-14. Interior Dome Lights.

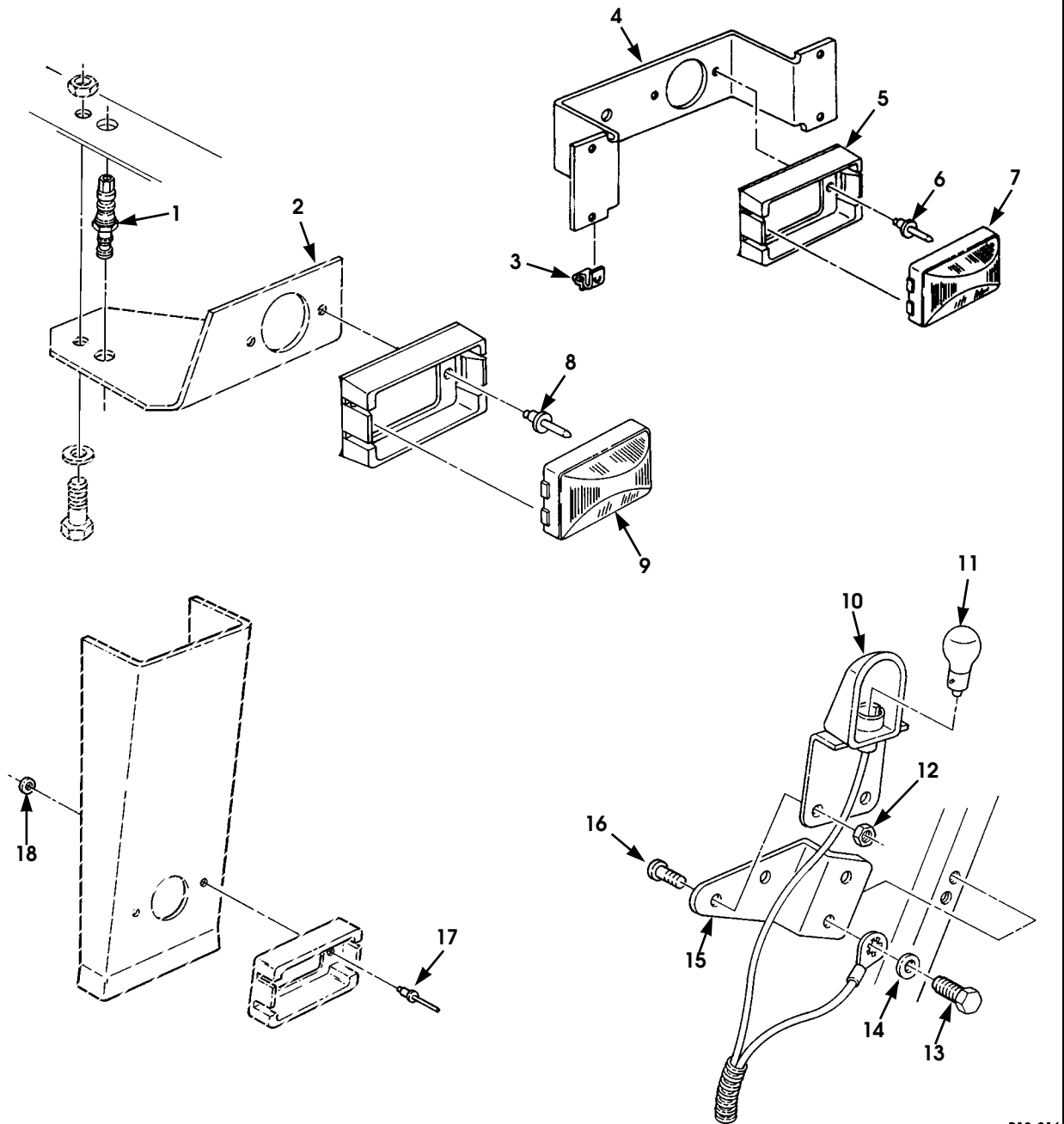
# HUMMER PARTS CATALOG

## ELECTRICAL 12-35

ITEM	PART NUMBER	DESCRIPTION	QTY
		Figure 12-14 INTERIOR DOME LIGHTS	
1	05939057	DOME LAMP ASSEMBLY, standard . . . . . VLC2	1
1	05939057	DOME LAMP ASSEMBLY, standard . . . . . HMC4	2
1	05939057	DOME LAMP ASSEMBLY, standard . . . . . HMCS	3
2	N/S	•SCREW . . . . .	3
3	N/S	•LAMP (trade #912) . . . . .	1
4	05939652	LENS, dome lamp . . . . . VLC2 . . . . . HMC4 . . . . . HMCS . . . . .	1 4 2 3
5	06000975	HARNESS ASSEMBLY, dome lamp jumper . . . . . HMCS	1
6	06004087	BEZEL, map light . . . . .	1
7	06004088	LIGHT, assembly, map . . . . .	1
8	06000380	MAP/DOME LAMP ASSEMBLY . . . . .	1
9	06001565	•GASKET . . . . .	1
10	S.I.A.	•SCREW . . . . .	2
11	N/S	•BULB, dome light (trade #105) . . . . .	1
12	N/S	•BULB, map light (trade #89) . . . . .	2
13	05939653	LENS, map/dome lamp . . . . .	1
14	06000894	CARGO LAMP ASSEMBLY . . . . . VLC2, HMC4	1
15	N/S	•LAMP (trade #912) . . . . . VLC2, HMC4	1
16	06000893	•HARNESS . . . . . VLC2, HMC4	1
17	05939659	•GROMMET . . . . . VLC2, HMC4	2
18	G 00176981	•SCREW . . . . . VLC2, HMC4	2

# HUMMER PARTS CATALOG

## ELECTRICAL 12-36



P12-016

Figure 12-15. Interior Courtesy Lights, Underhood Light, and Door Jamb Switch.

# HUMMER PARTS CATALOG

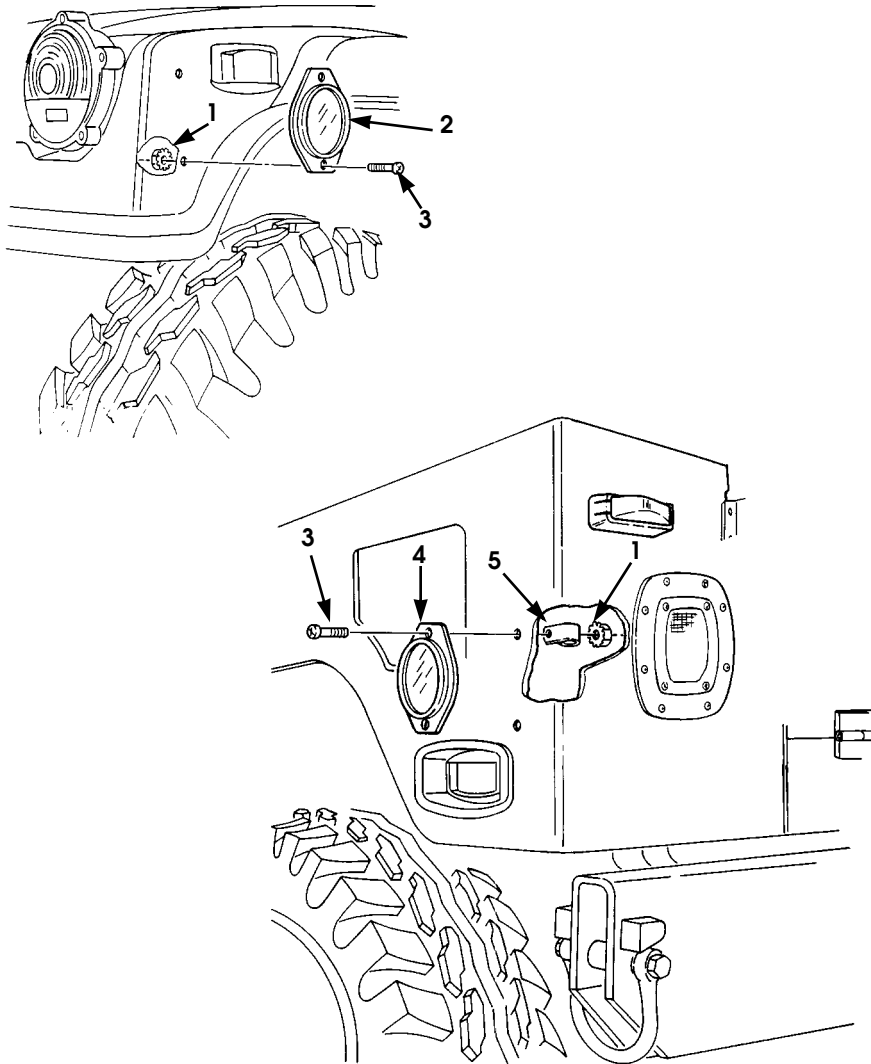
## ELECTRICAL 12-37

ITEM	PART NUMBER	DESCRIPTION	QTY
		Figure 12-15 INTERIOR COURTESY LIGHTS, UNDERHOOD LIGHT, AND DOOR JAMB SWITCH	
1	05939088	DOOR JAMB SWITCH . . . . . VLC2	2
1	05939088	DOOR JAMB SWITCH . . . . . VLC4, HMCS, VLCO	4
2	05937024	BRACKET, lamp assembly mounting . . . . . VLC2	2
2	05937024	BRACKET, lamp assembly mounting . . . . . HMC4, HMCS, VLCO	4
3	06000008	CLIP. . . . . HMC2	4
4	05939995	BRACKET. . . . . HMC2	2
5	05937024	BRACKET. . . . . HMC2	2
6	06002039	RIVET. . . . . HMC2	4
7	05939309	LAMP ASSEMBLY . . . . . HMC2	2
8	06002039	RIVET VLC2. . . . . HMC4, HMCS, VLCO . . . . .	4 8
9	05939309	LAMP ASSEMBLY VLC2. . . . . HMC4, HMCS, VLCO . . . . .	2 4
10	05939456	LAMP ASSEMBLY, underhood . . . . .	1
11	N/S	BULB (trade #105) . . . . .	1
12	G 00271169	NUT, underhood lamp bracket . . . . .	2
13	G 00274824	SCREW . . . . .	2
14	MS 00027183 8	WASHER . . . . .	2
15	05939819	BRACKET, underhood lamp . . . . .	1
16	MS 00035207 263	SCREW, underhood lamp bracket . . . . .	2
17	06002039	RIVET. . . . .	4
18	MS 00027183 6	WASHER . . . . .	4



# HUMMER PARTS CATALOG

## ELECTRICAL 12-38



P12-017

*Figure 12-16. Reflectors.*

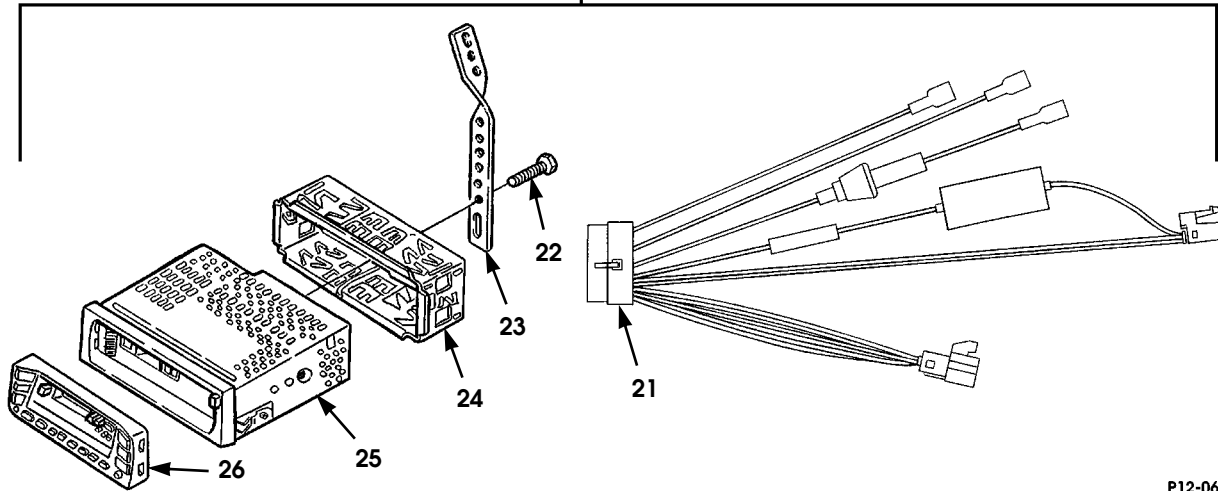
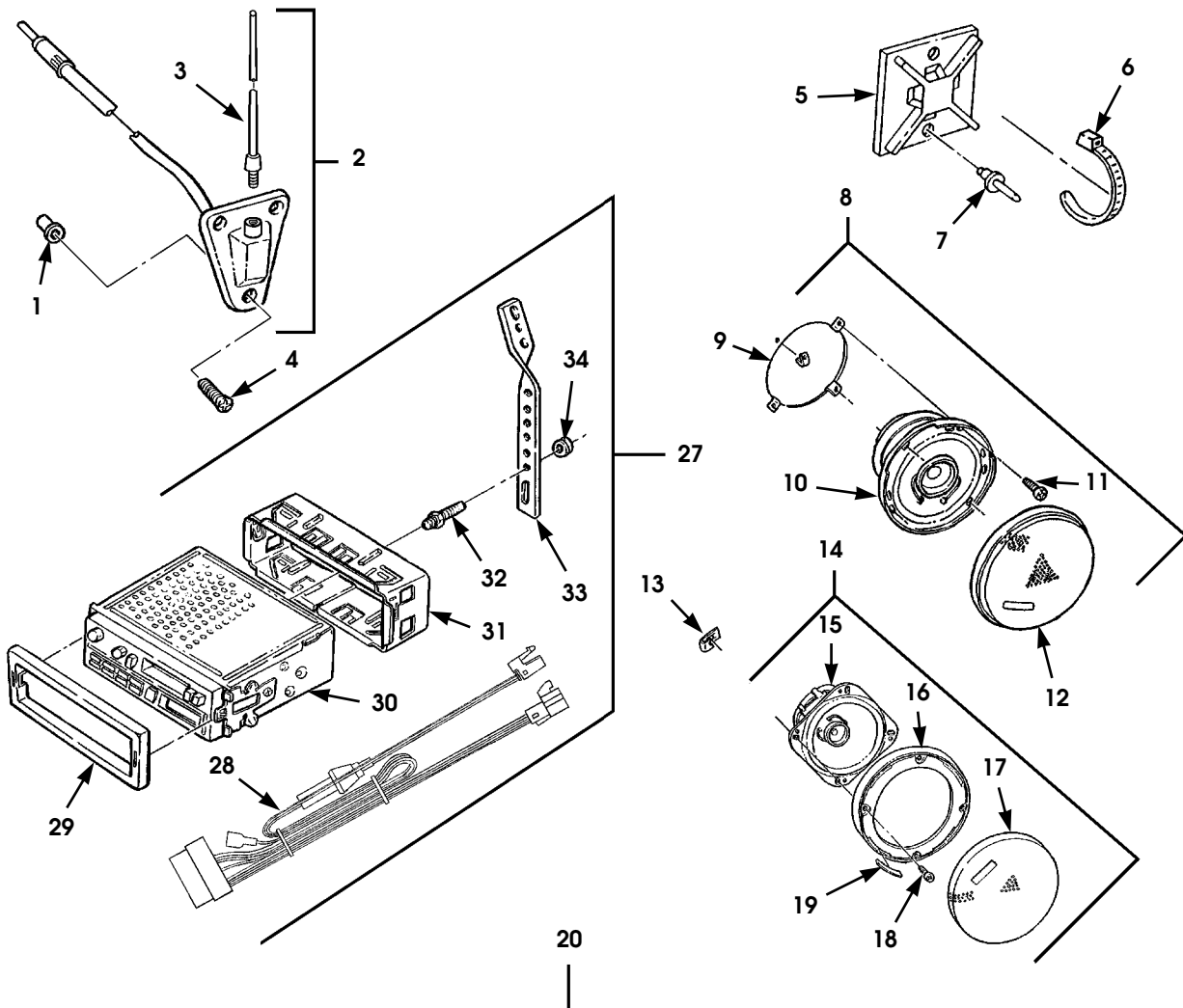
# HUMMER PARTS CATALOG

**ELECTRICAL 12-39**

ITEM	PART NUMBER	DESCRIPTION	QTY
		Figure 12-16 REFLECTORS	
1	G 00271172	LOCKNUT, reflector mounting .....	8
2	05935715 B2	AMBER REFLECTOR, front, side .....	2
3	MS 35206-28 0-P2	SCREW .....	8
4	05935714 B2	RED REFLECTOR, rear, side .....	2
5	MS 00021333 99	CLAMP .....	4

# HUMMER PARTS CATALOG

## ELECTRICAL 12-40



P12-066

Figure 12-17. Stereo, Speakers, and Mounting Hardware.

# HUMMER PARTS CATALOG

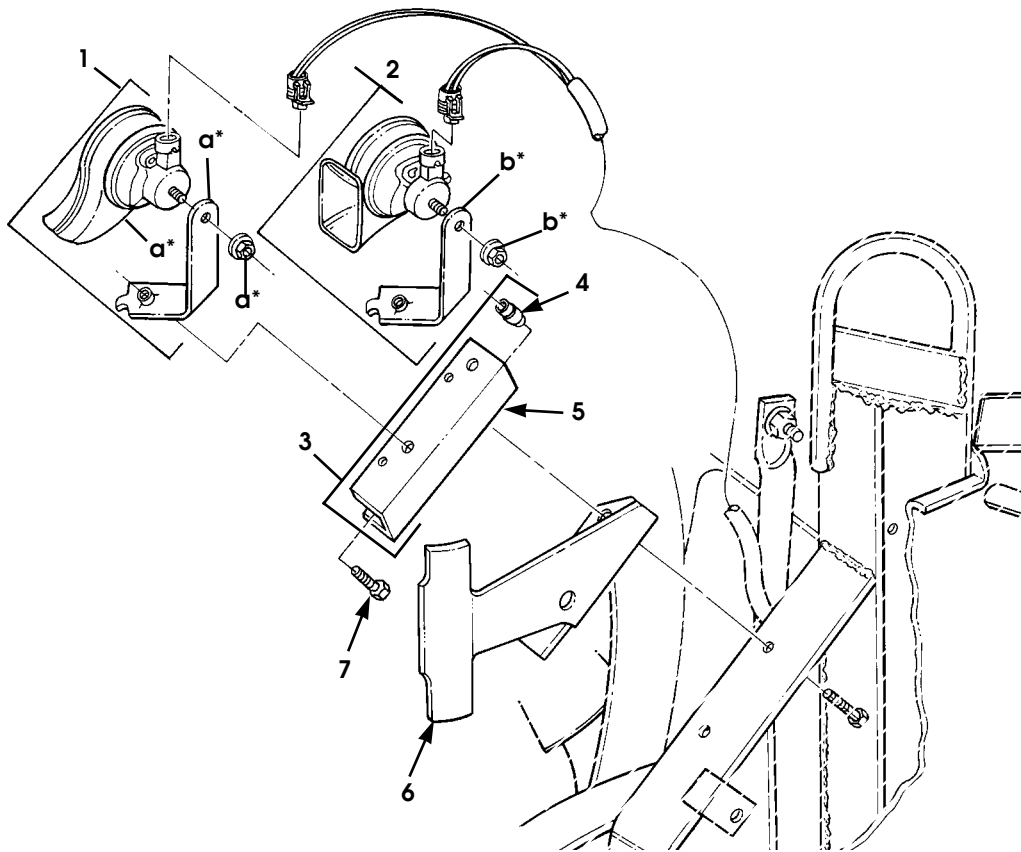
7-1-95

## ELECTRICAL 12-41

ITEM	PART NUMBER	DESCRIPTION	QTY
		Figure 12-17 STEREO, SPEAKERS, AND MOUNTING HARDWARE	
1	06000337	NUT INSERT . . . . .	3
2	05939873	ANTENNA . . . . .	1
* 3	05744280	•MAST, radio antenna . . . . .	1
4	G 00156770 P2	SCREW . . . . .	3
5	06002532	MOUNT, cable tie . . . . .	1
6	MS 00003367 7	TIEDOWN STRAP . . . . .	1
7	M 24243/1A 405	RIVET . . . . .	2
8	06004819	DUAL CONE SPEAKER KIT (standard) . . . . . VLCO	1
8	06004470	COAXIAL SPEAKER KIT (deluxe) . . . . . VLCO	2
9	S.I.K.	•SPEEDNUT . . . . .	16
10	S.I.K.	•COAXIAL SPEAKER . . . . .	4
11	S.I.K.	•SCREW . . . . .	16
12	S.I.K.	•GRILLE . . . . .	4
13	06004469	SPEEDNUT . . . . . VLC2	8
13	06004479	SPEEDNUT . . . . . HMC4, HMCS	16
14	06004409	COAXIAL SPEAKER KIT (deluxe) . . . . . VLC2	1
14	06004409	COAXIAL SPEAKER KIT (deluxe) . . . . . HMC4, HMCS	2
14	06004818	DUAL CONE SPEAKER KIT (standard) . . . . . VLC2	1
14	06004818	DUAL CONE SPEAKER KIT (standard) . . . . . HMC4, HMCS	2
15	S.I.K.	•DUAL CONE SPEAKER . . . . .	2
16	S.I.K.	•GRILLE . . . . .	2
17	S.I.K.	•SCREEN . . . . .	2
18	S.I.K.	•SCREW . . . . .	8
19	S.I.K.	•BUTYL RUBBER . . . . .	8
20	06004410	CASSETTE RECEIVER KIT (deluxe) . . . . .	1
21	06004411	•JUMPER HARNESS . . . . .	1
22	S.I.K.	•SCREW . . . . .	1
23	S.I.K.	•SUPPORT STRAP . . . . .	1
24	S.I.K.	•MOUNTING SLEEVE . . . . .	1
25	S.I.K.	•CASSETTE RECEIVER . . . . .	1
26	S.I.K.	•RADIO CONTROL PANEL . . . . .	1
27	06004820	CASSETTE RECEIVER KIT (standard) . . . . .	1
28	06004821	•JUMPER HARNESS . . . . .	1
29	S.I.K.	•TRIM PLATE . . . . .	1
30	S.I.K.	•CASSETTE RECEIVER . . . . .	1
31	S.I.K.	•MOUNTING SLEEVE . . . . .	1
32	S.I.K.	•STUD . . . . .	1
33	S.I.K.	•SUPPORT STRAP . . . . .	1
34	S.I.K.	•NUT . . . . .	1

# HUMMER PARTS CATALOG

## ELECTRICAL 12-42



P12-020

- \* a PART OF ITEM 1
- \* b PART OF ITEM 2

Figure 12-18. Dual Horns.

# HUMMER PARTS CATALOG

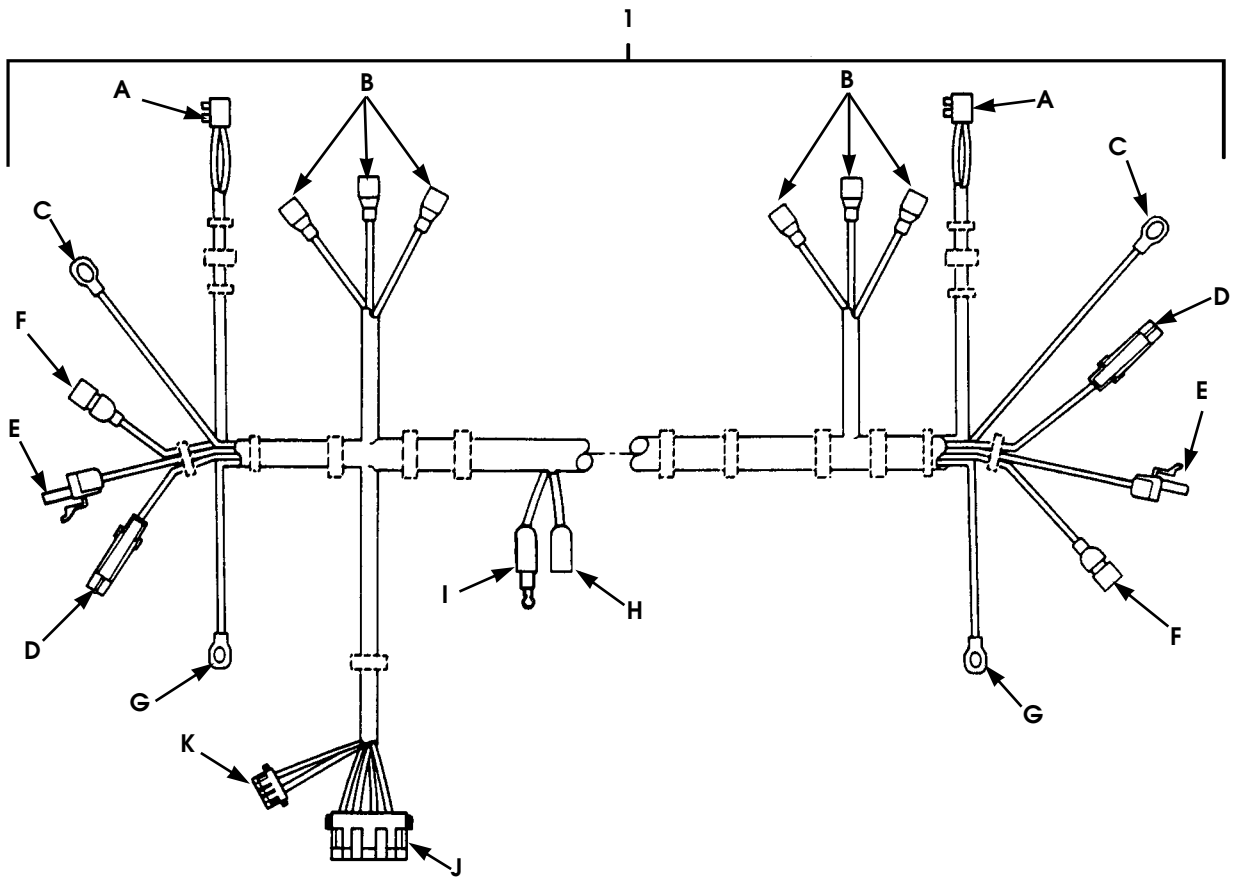
**ELECTRICAL 12-43**

ITEM	PART NUMBER	DESCRIPTION	QTY
		Figure 12-18 DUAL HORNS	
1	05939095	HORN AND BRACKET ASSEMBLY, 400 HZ .....	1
2	05939094	HORN AND BRACKET ASSEMBLY, 500 HZ .....	1
3	06003130	BRACKET ASSEMBLY, horn mounting .....	1
4	06002707	•NUT, insert.....	2
5	06003402	•BRACKET.....	1
6	06003161	BRACKET.....	1
7	MS 00090725 34	BOLT .....	2



# HUMMER PARTS CATALOG

ELECTRICAL 12-45



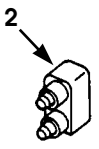
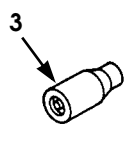

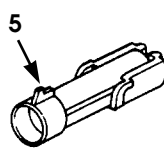
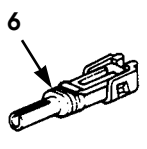
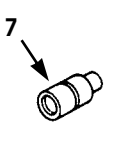
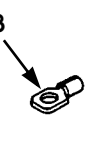
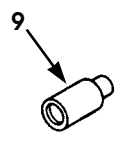

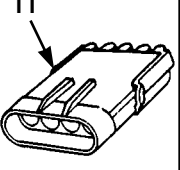
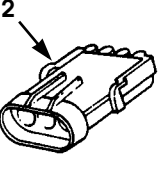
 <b>VIEW A</b>	 <b>VIEW B</b>	 <b>VIEW C</b>	 <b>VIEW D</b>	 <b>VIEW E</b>	 <b>VIEW F</b>
 <b>VIEW G</b>	 <b>VIEW H</b>	 <b>VIEW I</b>	 <b>VIEW J</b>	 <b>VIEW K</b>	

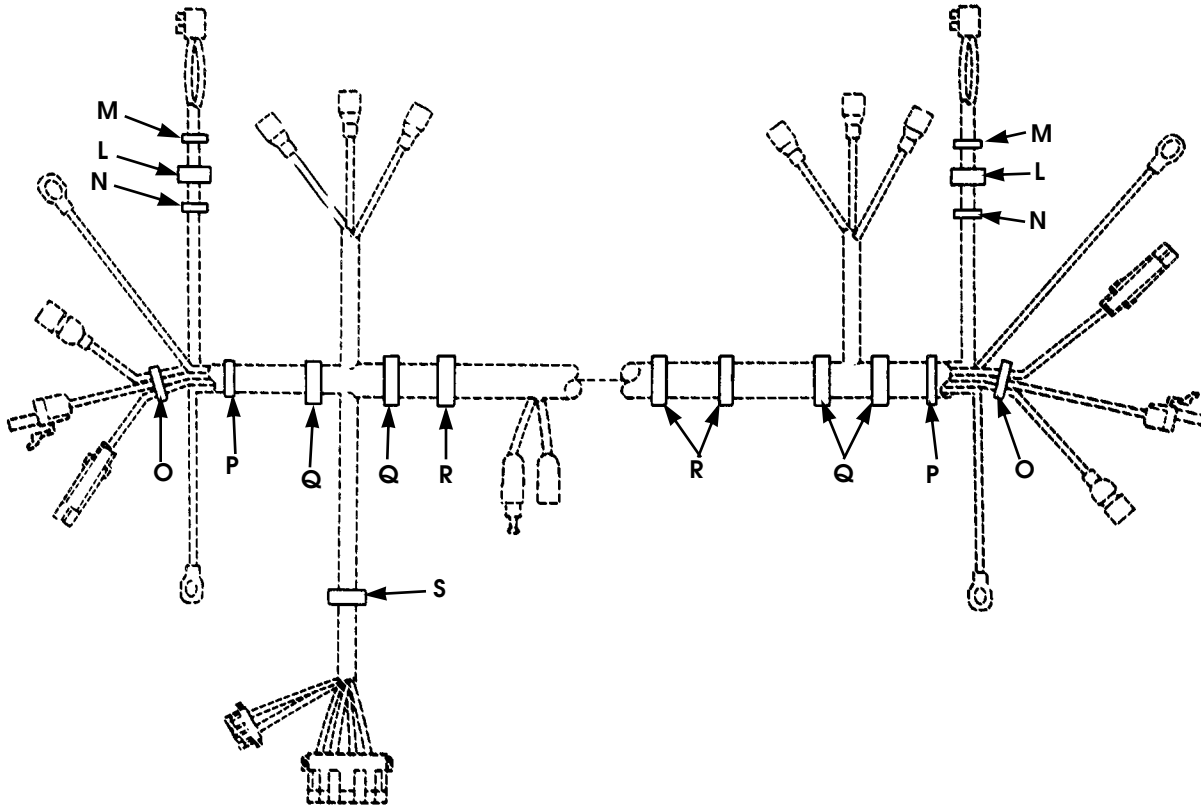
Figure 12-19. Hood Wiring Harness (Sheet 1 of 2).




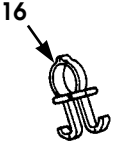

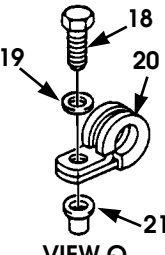
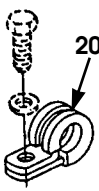
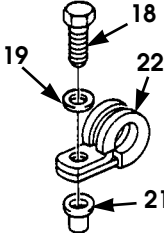
P12-021



# HUMMER PARTS CATALOG

ELECTRICAL 12-46



 <p>VIEW L</p>	 <p>VIEW M</p>	 <p>VIEW N</p>	 <p>VIEW O</p>	 <p>VIEW P</p>	 <p>VIEW Q</p>
 <p>VIEW R</p>	 <p>VIEW S</p>				

P12-022

Figure 12-19. Hood Wiring Harness (Sheet 2 of 2).

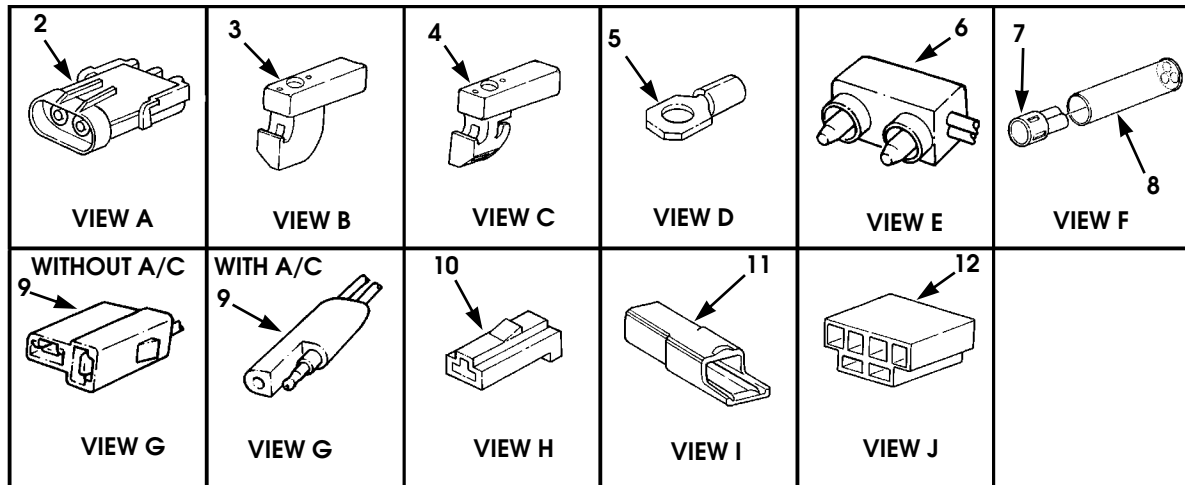
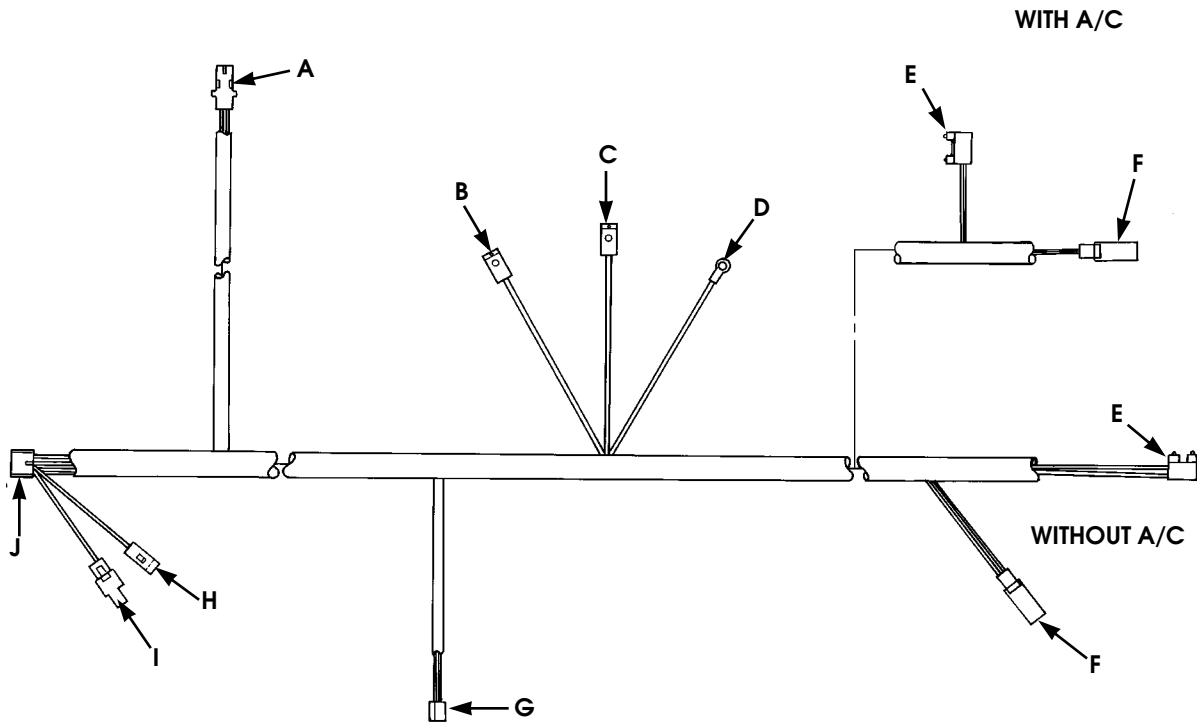
# HUMMER PARTS CATALOG

## ELECTRICAL 12-47

ITEM	PART NUMBER	DESCRIPTION	QTY
		Figure 12-19 HOOD WIRING HARNESS	
1	05936598	HOOD WIRING HARNESS . . . . .	1
2	05937021	•CONNECTOR, clearance lamps . . . . .	2
3	MS 00027142 2	•CONNECTOR PLUG, left and right head lamp . . . . .	6
4	N/S	•TERMINAL LUG, parking lamp ground . . . . .	2
5	05939236	•CONNECTOR PLUG, turn signal lamp . . . . .	2
6	05939237	•CONNECTOR PLUG, park light . . . . .	2
7	MS 00027144 2	•CONNECTOR PLUG, marker lamp . . . . .	2
8	N/S	•TERMINAL LUG, marker lamp ground . . . . .	2
9	N/S	•CONNECTOR PLUG, under hood lamp . . . . .	1
10	N/S	•CONNECTOR, under hood lamp . . . . .	1
11	05995732	•CONNECTOR PLUG, to body harness . . . . .	1
12	05939582	•CONNECTOR PLUG, under hood lamp . . . . .	1
13	MS 00021333 99	CLAMP, wiring harness . . . . .	2
14	MS 00035489 10S	GROMMET, wiring harness . . . . .	2
15	MS 00035489 39S	GROMMET, wiring harness . . . . .	2
16	12340573	CLIP, harness mounting . . . . .	2
17	MS 00035489 48S	GROMMET, wiring harness . . . . .	2
18	MS 00090725 7	SCREW, harness clamps . . . . .	5
19	MS 00027183 10	WASHER, harness clamps . . . . .	5
20	MS 00021333 112	CLAMP, wiring harness . . . . .	7
21	12339397 4	WELLNUT, wiring harness . . . . .	5
22	MS 00021333 100	CLAMP, wiring harness . . . . .	1

# HUMMER PARTS CATALOG

## ELECTRICAL 12-48



P12-023

Figure 12-20. Roof Wiring Harness, Two-Door.

# HUMMER PARTS CATALOG

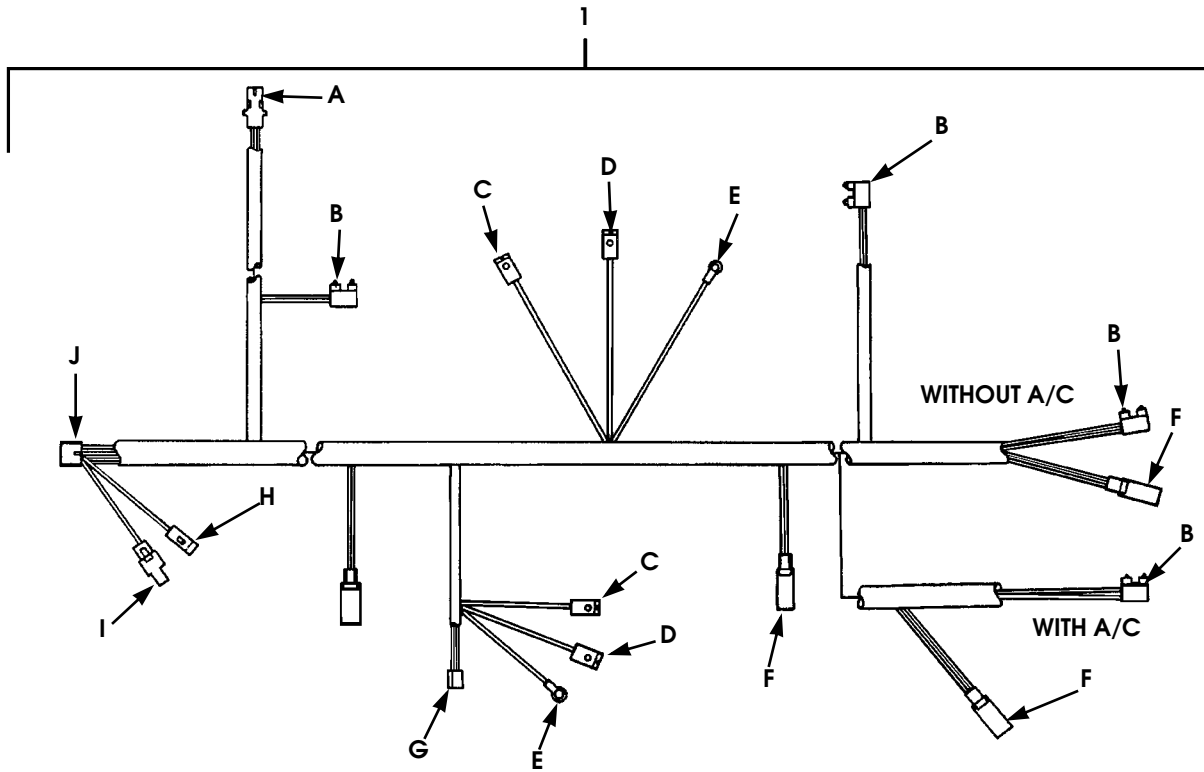
12-31-95

## ELECTRICAL 12-49

ITEM	PART NUMBER	DESCRIPTION	QTY
		Figure 12-20 ROOF WIRING HARNESS, TWO-DOOR	
1	06005284	WIRING HARNESS . . . . .	1
2	05939099	•CONNECTOR, seatbelt switch . . . . .	1
3	05939096	•RETAINER, dome lamp . . . . .	1
4	05939097	•RETAINER, dome lamp . . . . .	1
5	N/S	•TERMINAL RING, dome lamp . . . . .	1
6	05937039	•CONNECTOR, right courtesy light . . . . .	1
7	05939102	•SLEEVE, right door jamb switch . . . . .	1
8	05939085	•CONNECTOR, right door jamb switch . . . . .	1
9	06000972	•CONNECTOR, cargo light (with A/C) . . . . .	1
9	05962722	•CONNECTOR, cargo light (without A/C) . . . . .	1
10	05903092	•INSULATOR, wiring harness . . . . .	1
11	05903093	•INSULATOR, wiring harness . . . . .	1
12	06000261	•CONNECTOR, wiring harness . . . . .	1

# HUMMER PARTS CATALOG

## ELECTRICAL 12-50



<p>VIEW A</p>	<p>VIEW B</p>	<p>VIEW C</p>	<p>VIEW D</p>	<p>VIEW E</p>	<p>VIEW F</p>
<p>WITHOUT A/C</p> <p>VIEW G</p>	<p>WITH A/C</p> <p>VIEW G</p>	<p>VIEW H</p>	<p>VIEW I</p>	<p>VIEW J</p>	

P12-024

Figure 12-21. Roof Wiring Harness, Four-Door.

# HUMMER PARTS CATALOG

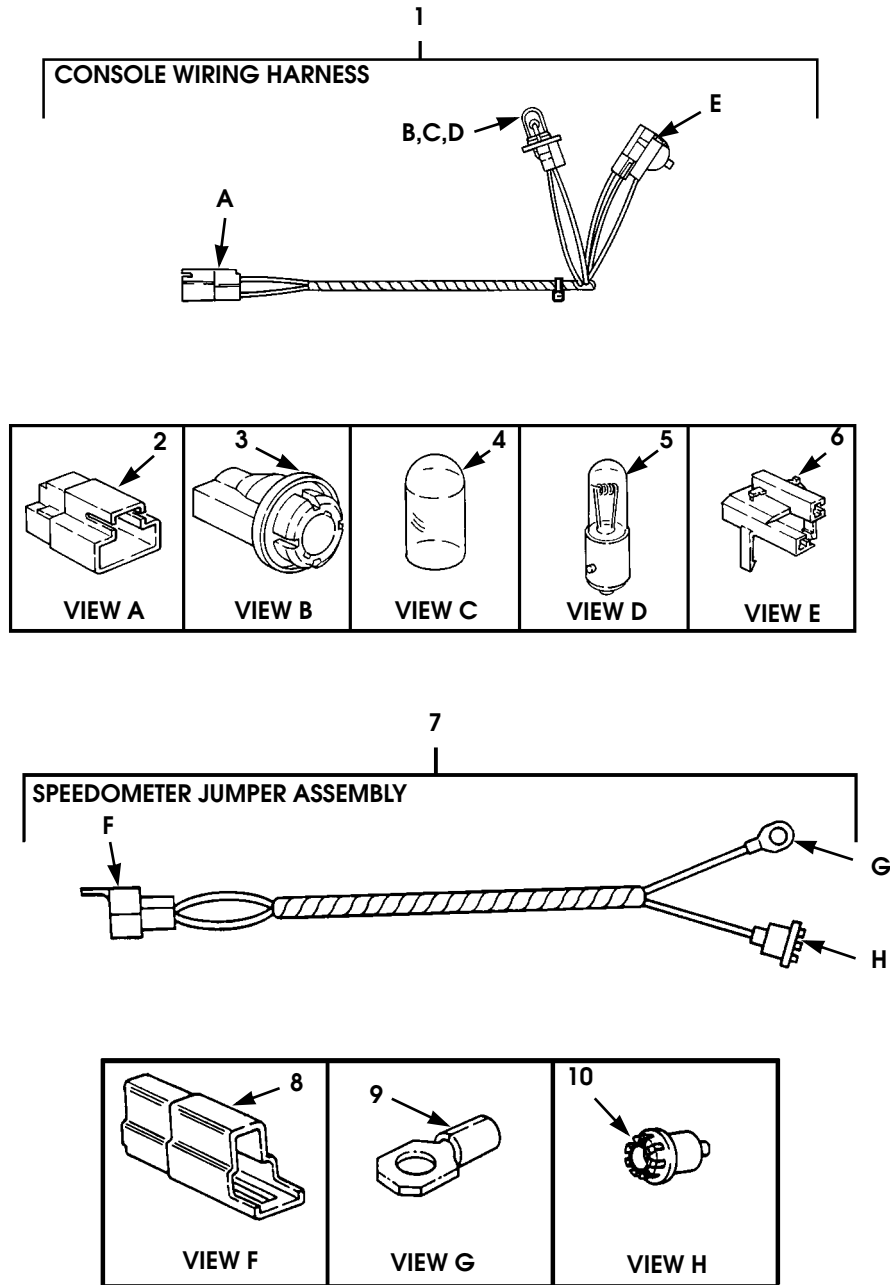
12-31-95

## ELECTRICAL 12-51

ITEM	PART NUMBER	DESCRIPTION	QTY
		Figure 12-21 ROOF WIRING HARNESS, FOUR-DOOR	
1	06004299	WIRING HARNESS (with A/C) SEE NOTE 1 . . . . . HMC4, HMCS	1
1	06005236	WIRING HARNESS (without A/C) . . . . . HMC4, HMCS	1
2	05939099	•CONNECTOR, seatbelt switch . . . . .	1
3	05937039	•CONNECTOR, courtesy light . . . . .	3
4	05939097	•RETAINER, dome lamp . . . . .	2
5	05939096	•RETAINER, dome lamp . . . . .	2
6	N/S	•TERMINAL RING, dome lamp . . . . .	2
7	05939085	•CONNECTOR, door jamb switch . . . . .	3
8	05939102	•SLEEVE, door jamb switch . . . . .	3
9	06000972	•CONNECTOR, cargo light (with A/C) . . . . .	1
9	05962722	•CONNECTOR, cargo light (without A/C) . . . . .	1
10	05903092	•INSULATOR, wiring harness . . . . .	1
11	05903093	•INSULATOR, wiring harness . . . . .	1
12	06000261	•CONNECTOR, wiring harness . . . . .	1
★ 13	06004928	HARNESS, map light extension (not illustrated) SEE NOTE 1	1
★		NOTE 1: MAP LIGHT EXTENSION HARNESS, P/N 06004298, . . . . . MUST BE ORDERED WITH WIRING HARNESS, . . . . . P/N 06004299	

# HUMMER PARTS CATALOG

## ELECTRICAL 12-52



P12-025

Figure 12-22. Console Wiring Harness and Speedometer Jumper Assembly.

# HUMMER PARTS CATALOG

## ELECTRICAL 12-53

ITEM	PART NUMBER	DESCRIPTION	QTY
		Figure 12-22 CONSOLE WIRING HARNESS AND SPEEDOMETER JUMPER ASSEMBLY	
1	06000710	HARNESS ASSEMBLY, console . . . . .	1
2	05936492	•CONNECTOR, body harness . . . . .	1
3	05938708	•LAMP SOCKET, ashtray light . . . . .	1
4	05939818	•BOOT, green . . . . .	1
5	N/S	•BULB, ashtray light (trade #1815). . . . .	1
6	05939641	•CONNECTOR, cigar lighter. . . . .	1
7	06003203	SPEEDOMETER JUMPER ASSEMBLY. . . . .	1
8	05995809	•INSULATOR, to body harness . . . . .	1
9	N/S	•TERMINAL LUG, to speedometer. . . . .	1
10	00990591	•SOCKET ASSEMBLY, lamp . . . . .	1



# HUMMER PARTS CATALOG

## ELECTRICAL 12-54

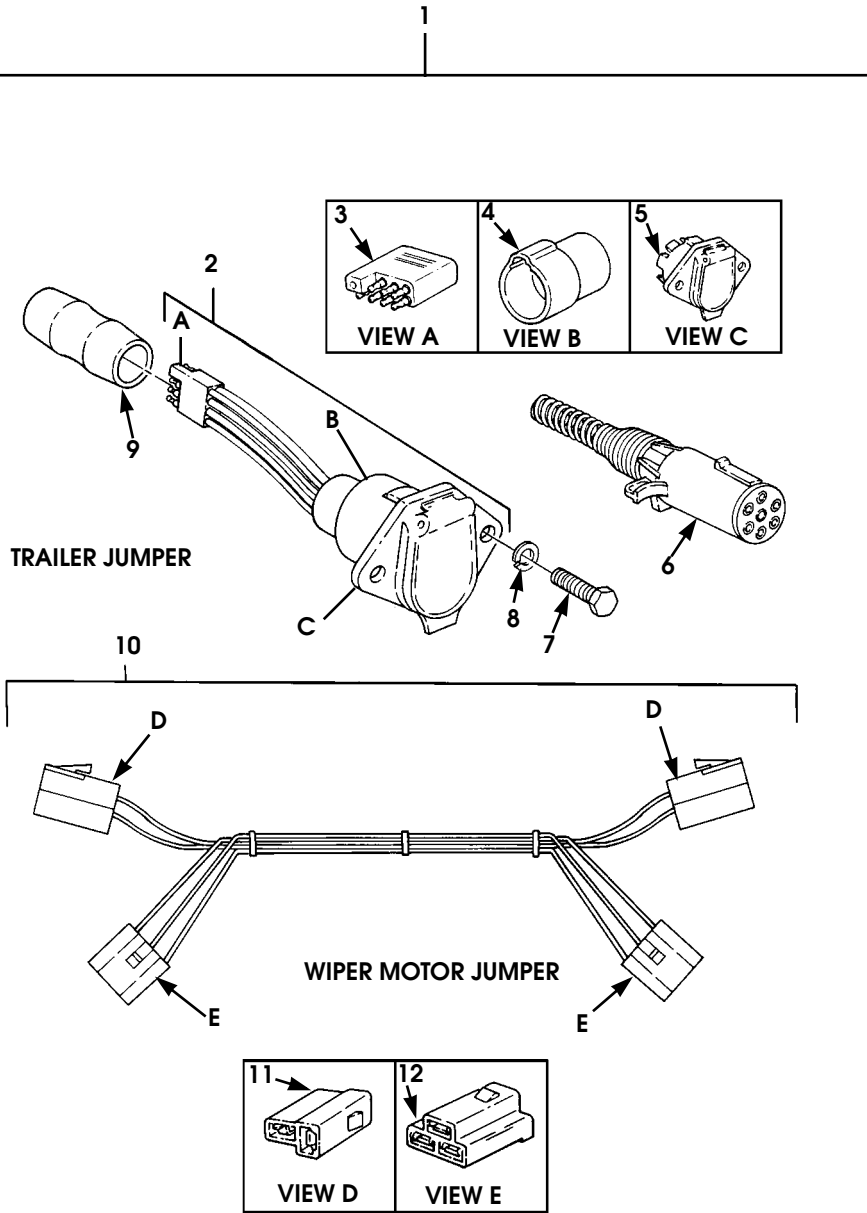


Figure 12-23. Trailer Towing Wiring Kit and Wiper Motor Jumper Harness.

# HUMMER PARTS CATALOG

## ELECTRICAL 12-55

ITEM	PART NUMBER	DESCRIPTION	QTY
		Figure 12-23 TRAILER TOWING WIRING KIT AND WIPER MOTOR JUMPER HARNESS	
1	05743007	TRAILER TOWING WIRING KIT . . . . .	1
2	05939305	•TRAILER JUMPER HARNESS ASSEMBLY, SEE NOTES 1 AND 2 . . . . .	1
3	05939214	••CONNECTOR, to trailer harness. . . . .	1
4	S.I.A.	••CONNECTOR, eight conductor. . . . .	1
5	05939049	••CONNECTOR, to body harness. . . . .	1
6	05939703	•HARNESS ASSEMBLY, trailer plug and cable, SEE NOTE 1 . . . . .	1
7	MS 00051849 98	•SCREW . . . . .	2
8	G 00120380 P2	•LOCKWASHER . . . . .	2
9	06002920	•SHRINK TUBING . . . . .	1
10	05937155	WIPER MOTOR JUMPER HARNESS ASSEMBLY . . . . .	1
11	05962722	•CONNECTOR PLUG, to wiper motor . . . . .	2
12	05962328	•CONNECTOR PLUG, to wiper motor . . . . .	2
		NOTE 1: PART OF TRAILER TOWING KIT P/N 05939341	

# HUMMER PARTS CATALOG

ELECTRICAL 12-56

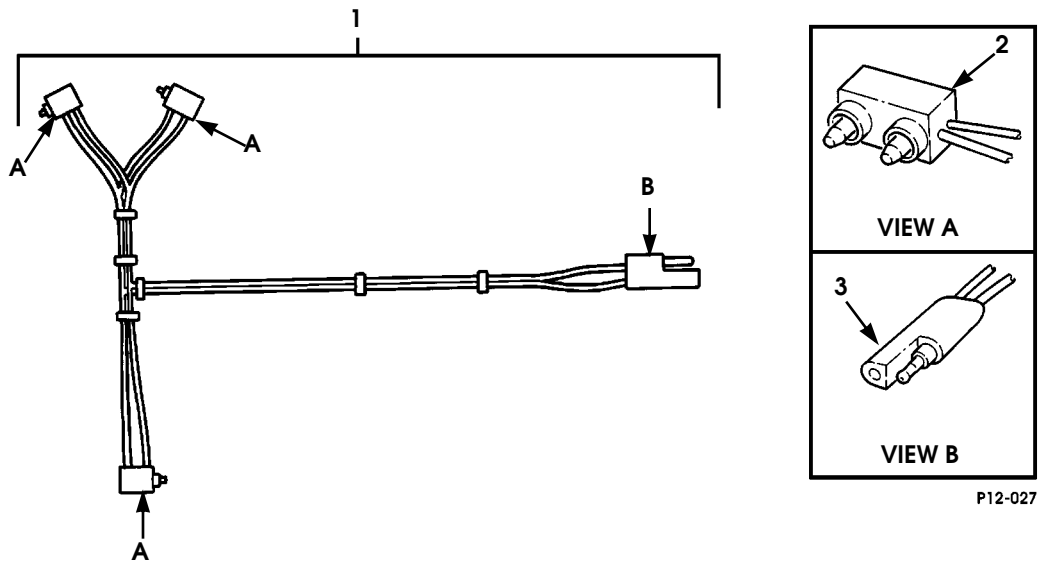


Figure 12-24. Identification Lamp Assembly Jumper.

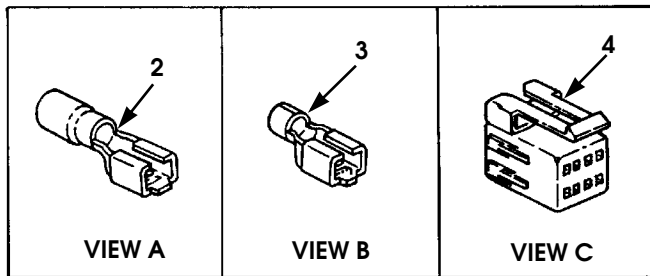
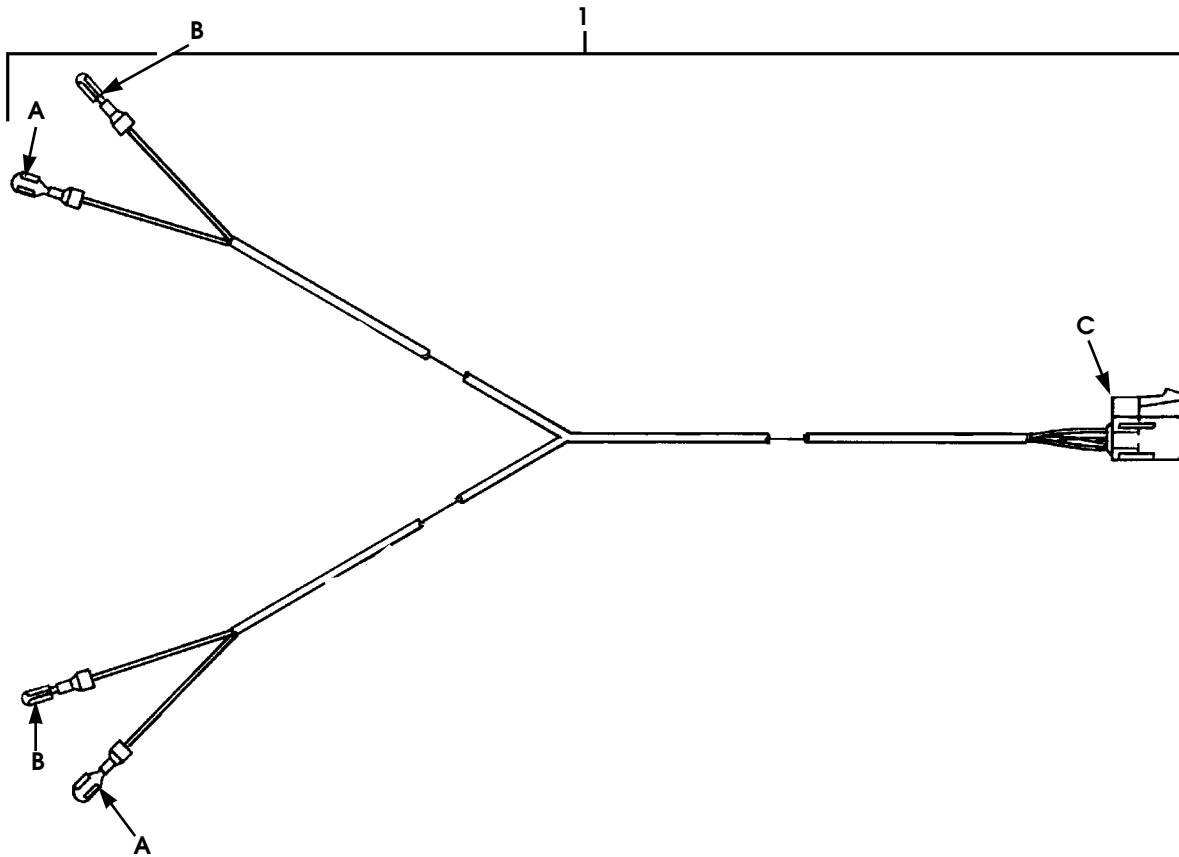
# HUMMER PARTS CATALOG

## ELECTRICAL 12-57

ITEM	PART NUMBER	DESCRIPTION	QTY
		Figure 12-24 IDENTIFICATION LAMP ASSEMBLY JUMPER	
1	05936493	IDENTIFICATION LAMP JUMPER HARNESS, front . . . . .	1
1	06000082	IDENTIFICATION LAMP JUMPER HARNESS, rear . . . . .	1
2	05937039	•CONNECTOR . . . . .	3
3	N/S	•INSULATOR, mold on . . . . .	1

# HUMMER PARTS CATALOG

ELECTRICAL 12-58



P12-029

Figure 12-25. Stereo Harness, Two-Door.

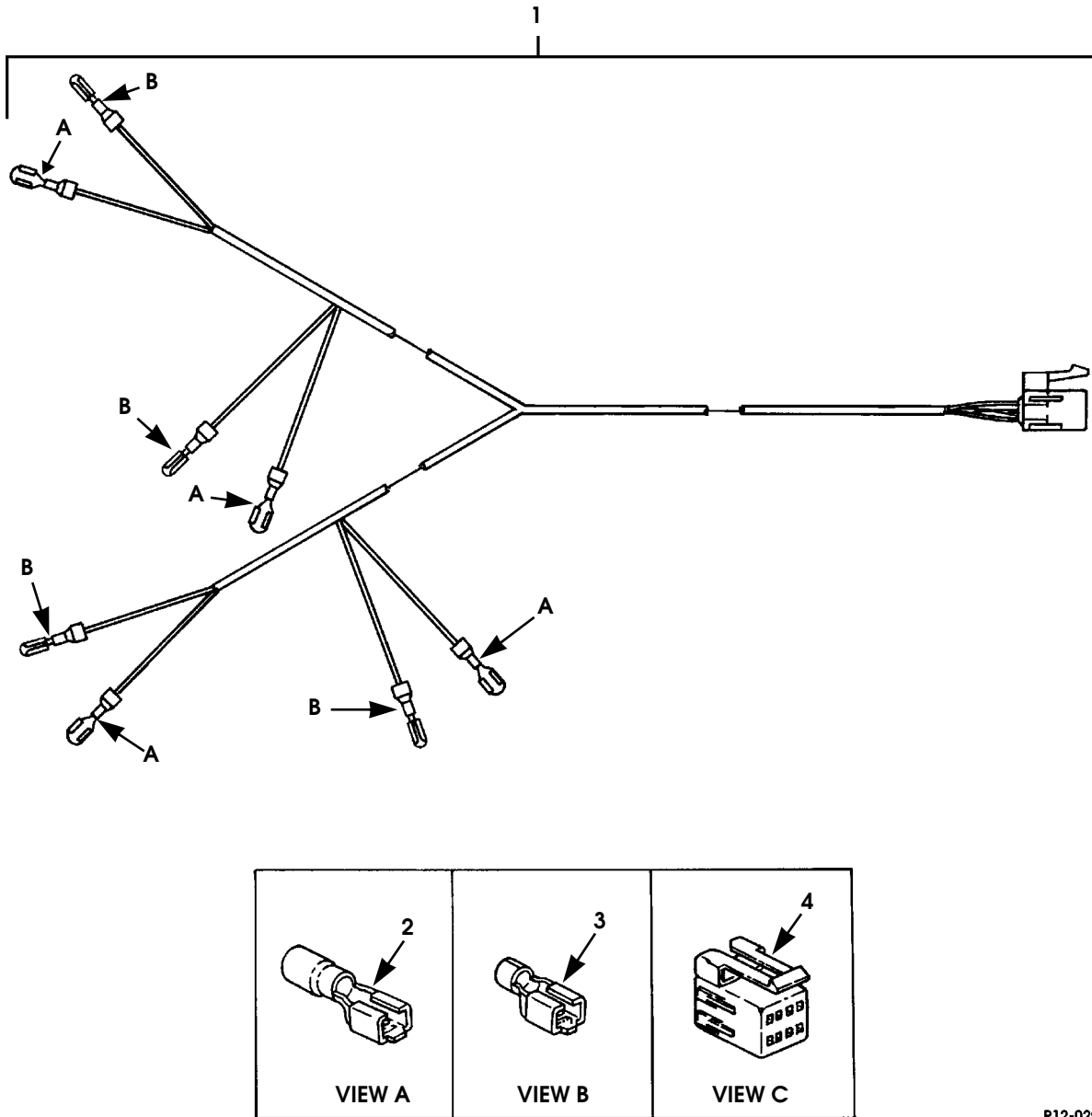
# HUMMER PARTS CATALOG

**ELECTRICAL 12-59**

ITEM	PART NUMBER	DESCRIPTION	QTY
		Figure 12-25 STEREO HARNESS, TWO-DOOR	
1	06004408	HARNESS ASSEMBLY, audio system. ....	1
2	N/S	•TERMINAL, speakers .....	2
3	N/S	•TERMINAL, speakers .....	2
4	06000808	•CONNECTOR, radio .....	1

# HUMMER PARTS CATALOG

## 12-60 ELECTRICAL



P12-029

Figure 12-26. Stereo Harness, Hard Top.

# HUMMER PARTS CATALOG

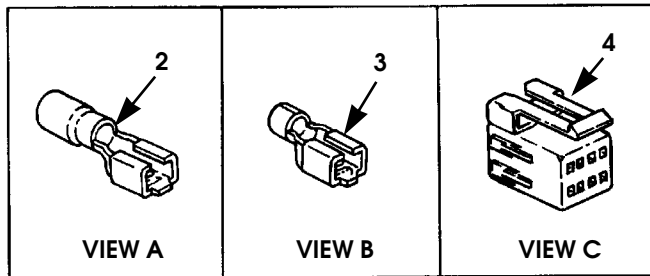
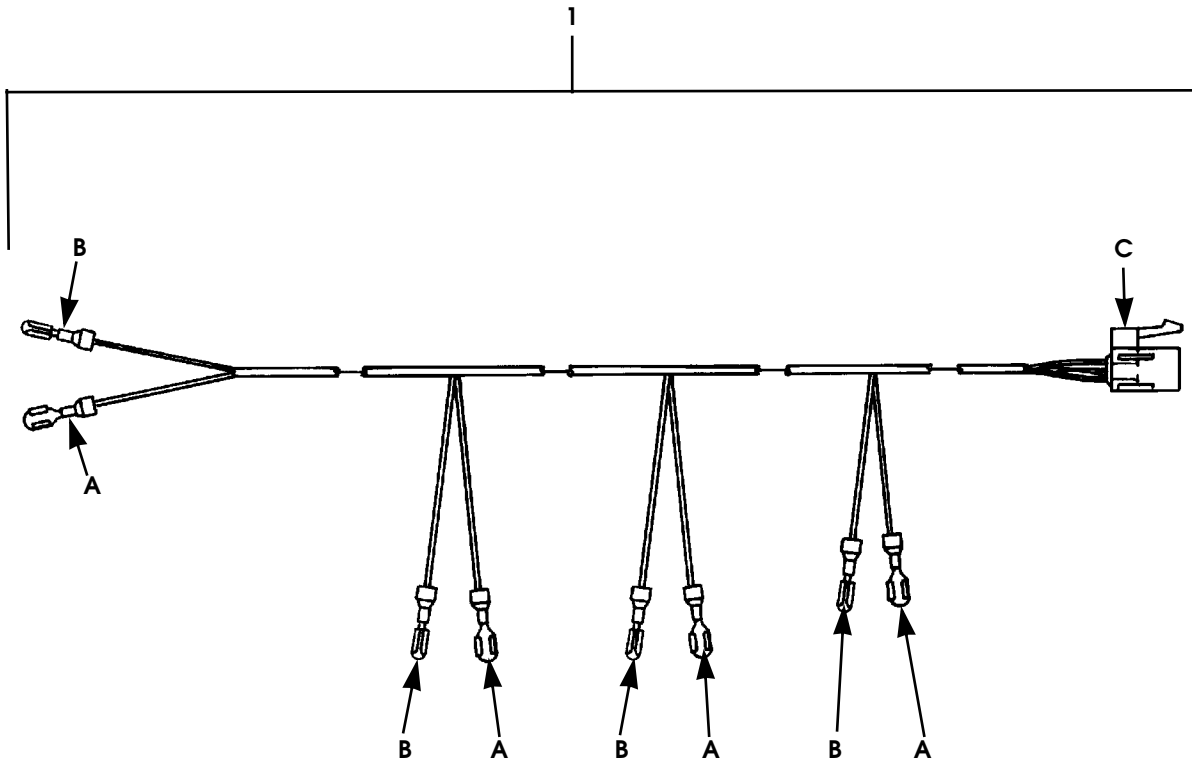
**ELECTRICAL 12-61**

ITEM	PART NUMBER	DESCRIPTION	QTY
		Figure 12-26 STEREO HARNESS, HARD TOP	
1	06000927	HARNESS ASSEMBLY, audio system. . . . . HMC4, HMCS	1
2	N/S	•TERMINAL, speaker . . . . . HMC4, HMCS	4
3	N/S	•TERMINAL, speaker . . . . . HMC4, HMCS	4
4	06000808	•CONNECTOR, radio . . . . . HMC4, HMCS	1



# HUMMER PARTS CATALOG

## 12-62 ELECTRICAL



P12-030

Figure 12-27. Stereo Harness, Open Top.

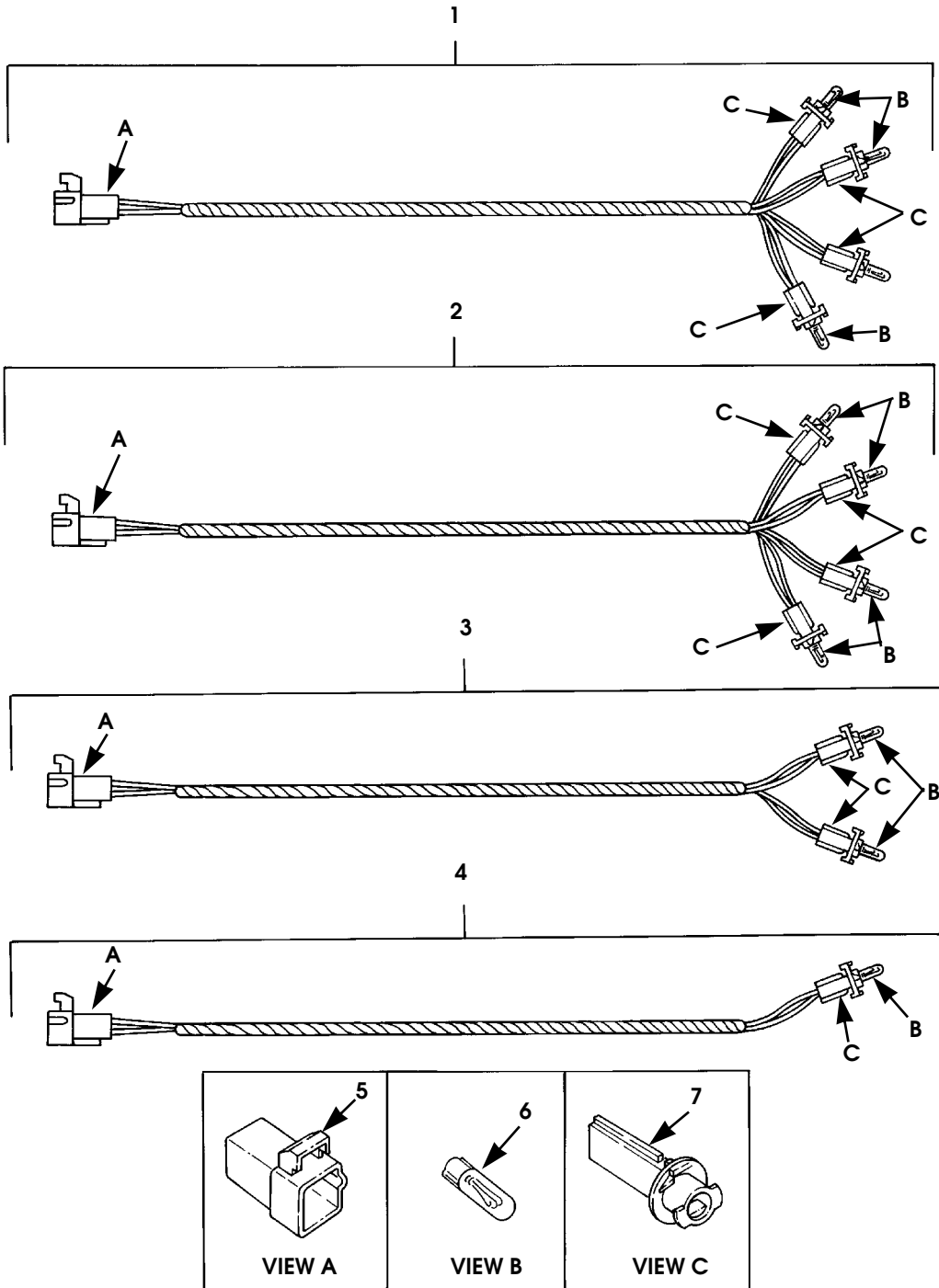
# HUMMER PARTS CATALOG

**ELECTRICAL 12-63**

ITEM	PART NUMBER	DESCRIPTION	QTY
		Figure 12-27 STEREO HARNESS, OPEN TOP	
1	06001046	HARNESS ASSEMBLY, audio system. . . . . VLCO	1
2	N/S	•TERMINAL, speaker . . . . . VLCO	4
3	N/S	•TERMINAL, speaker . . . . . VLCO	4
4	06000808	•CONNECTOR, radio . . . . . VLCO	1

# HUMMER PARTS CATALOG

## 12-64 ELECTRICAL



P12-031

Figure 12-28. Instrument Panel Jumper Assemblies.

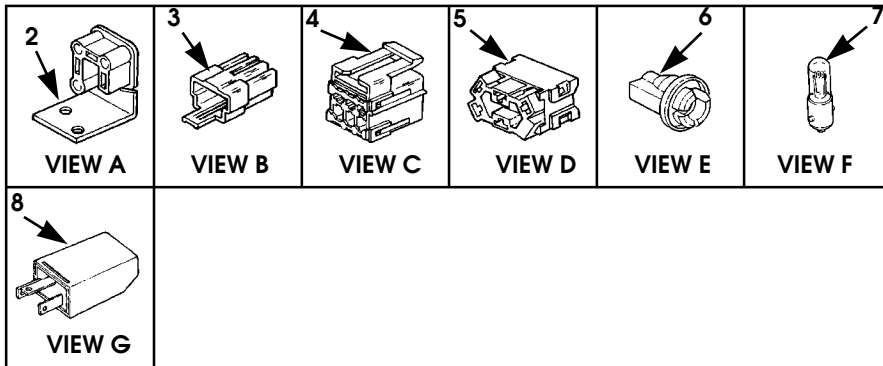
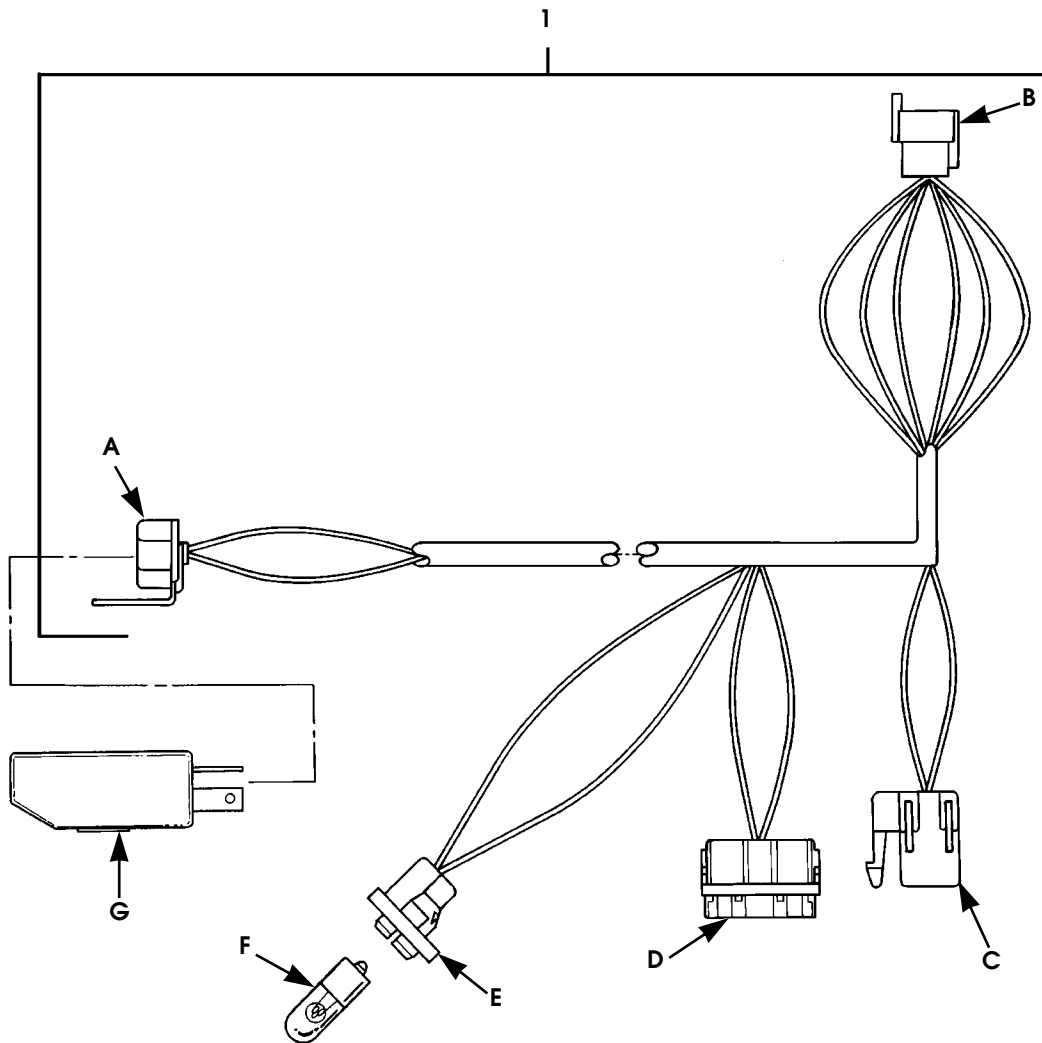
# HUMMER PARTS CATALOG

**ELECTRICAL 12-65**

ITEM	PART NUMBER	DESCRIPTION	QTY
		Figure 12-28 INSTRUMENT PANEL JUMPER ASSEMBLIES	
1	05939526	JUMPER ASSEMBLY, status center, R.H. ....	1
2	05939525	JUMPER ASSEMBLY, status center, L.H. ....	1
3	05939527	JUMPER ASSEMBLY, CTI indicator/warning lights . . . . .	1
4	06002957	JUMPER, Trans indicator light . . . . .	1
5	05939157	•CONNECTOR. . . . .	1
6	N/S	•LAMP, (trade #73), SEE NOTES 1 AND 2 . . . . .	4
7	05938708	•LAMP SOCKET, SEE NOTES 1 AND 2 . . . . .	4
		NOTE 1: WITH JUMPER ASSEMBLY P/N 05939527 THE QTY IS 2	
		NOTE 2: WITH JUMPER ASSEMBLY P/N 06002957 THE QTY IS 1	

# HUMMER PARTS CATALOG

## 12-66 ELECTRICAL



P12-032

Figure 12-29. Interior CTIS Wiring Harness.

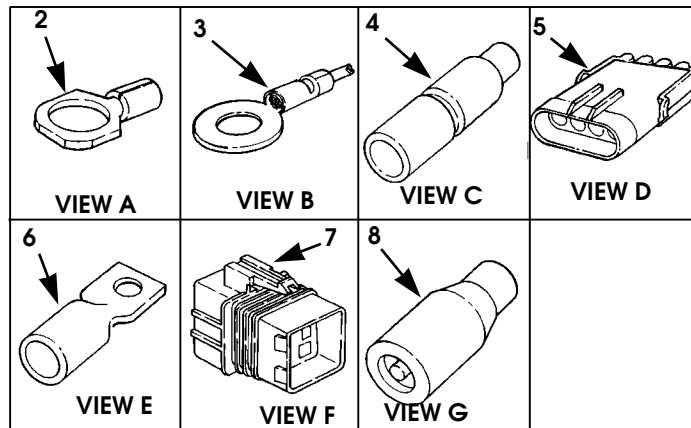
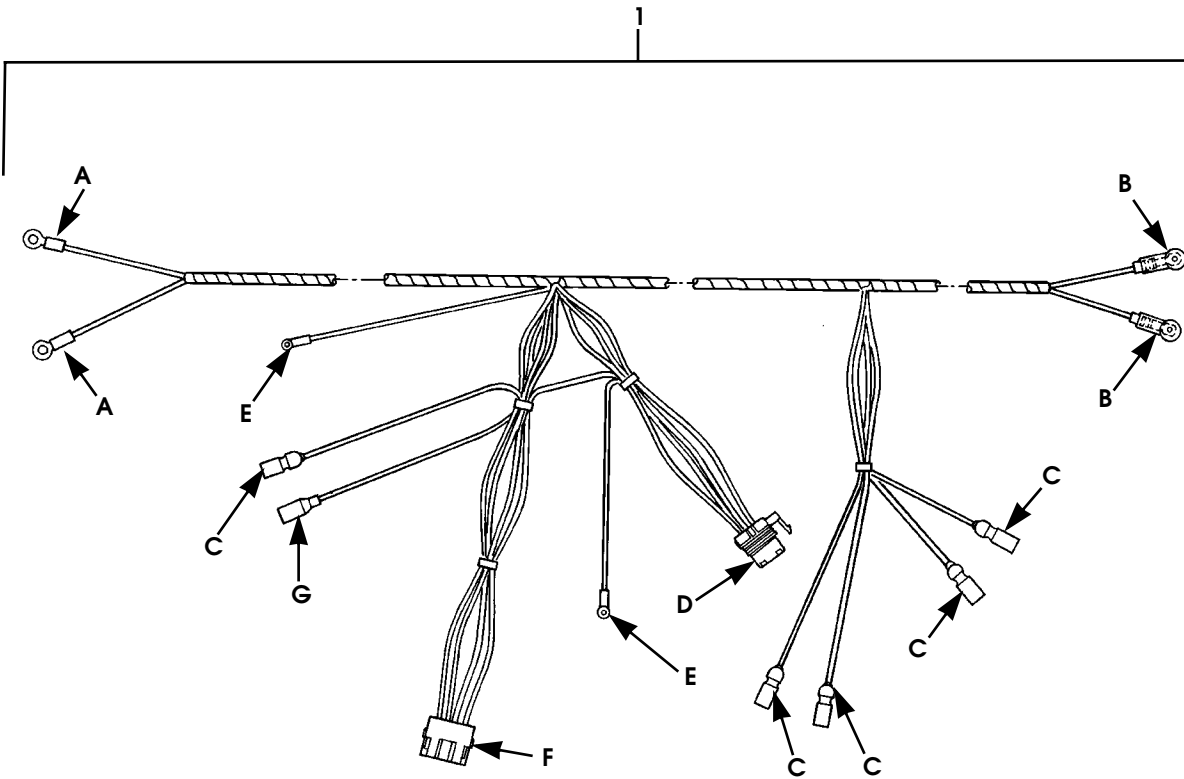
# HUMMER PARTS CATALOG

**ELECTRICAL 12-67**

ITEM	PART NUMBER	DESCRIPTION	QTY
		Figure 12-29 INTERIOR CTIS WIRING HARNESS	
1	05939555	HARNESS ASSEMBLY, interior CTIS . . . . .	1
2	05939865	•FLASHER CONNECTOR, CTIS alarm . . . . .	1
3	05939964	•CONNECTOR, body harness . . . . .	1
4	05939155	•CONNECTOR, indicator lights . . . . .	1
5	05939891	•CONNECTOR. . . . .	1
6	05938708	•LAMP SOCKET, SEE NOTE 1 . . . . .	1
7	N/S	•LAMP, (trade #73), SEE NOTE 1 . . . . .	1
8	05939581	CTI ALARM, dual rate, 12 volt . . . . .	1

# HUMMER PARTS CATALOG

## 12-68 ELECTRICAL



P12-033

Figure 12-30. Exterior CTIS Wiring Harness.

# HUMMER PARTS CATALOG

**ELECTRICAL 12-69**

ITEM	PART NUMBER	DESCRIPTION	QTY
		Figure 12-30 EXTERIOR CTIS WIRING HARNESS	
1	05939556	HARNESS ASSEMBLY, exterior CTIS . . . . .	1
2	N/S	•TERMINAL, power terminal block . . . . .	2
3	N/S	•TERMINAL, pump motor . . . . .	2
4	08338561 1	•CONNECTOR, low pressure switch, A and B. . . . .	5
5	05939869	•CONNECTOR, pump relay . . . . .	1
6	05903147	•TERMINAL, maxi fuse holder . . . . .	2
7	05995732	•CONNECTOR, body harness . . . . .	1
8	08338566 1	•CONNECTOR, deflate solenoid valve. . . . .	1





# HUMMER PARTS CATALOG

ELECTRICAL 12-71

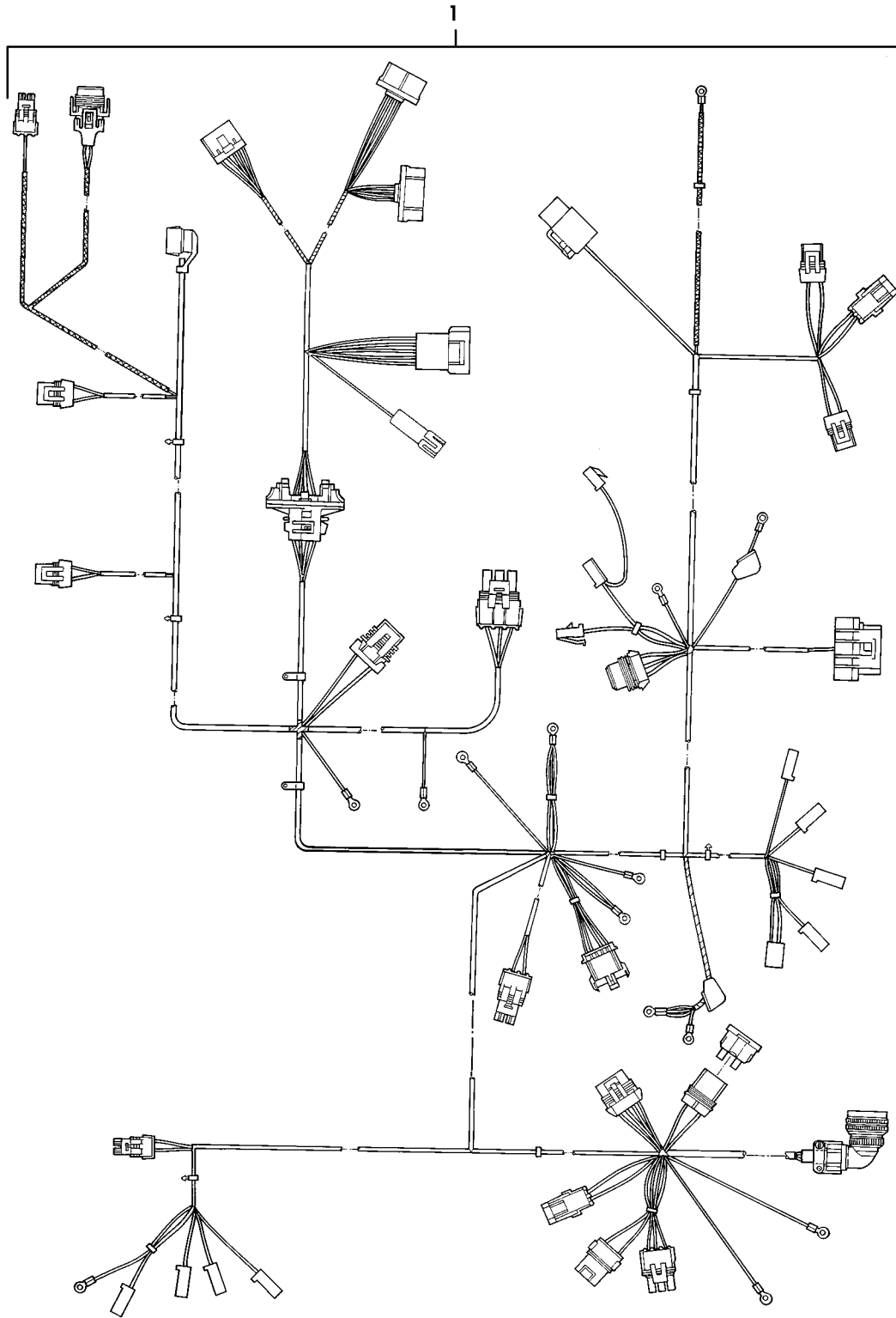
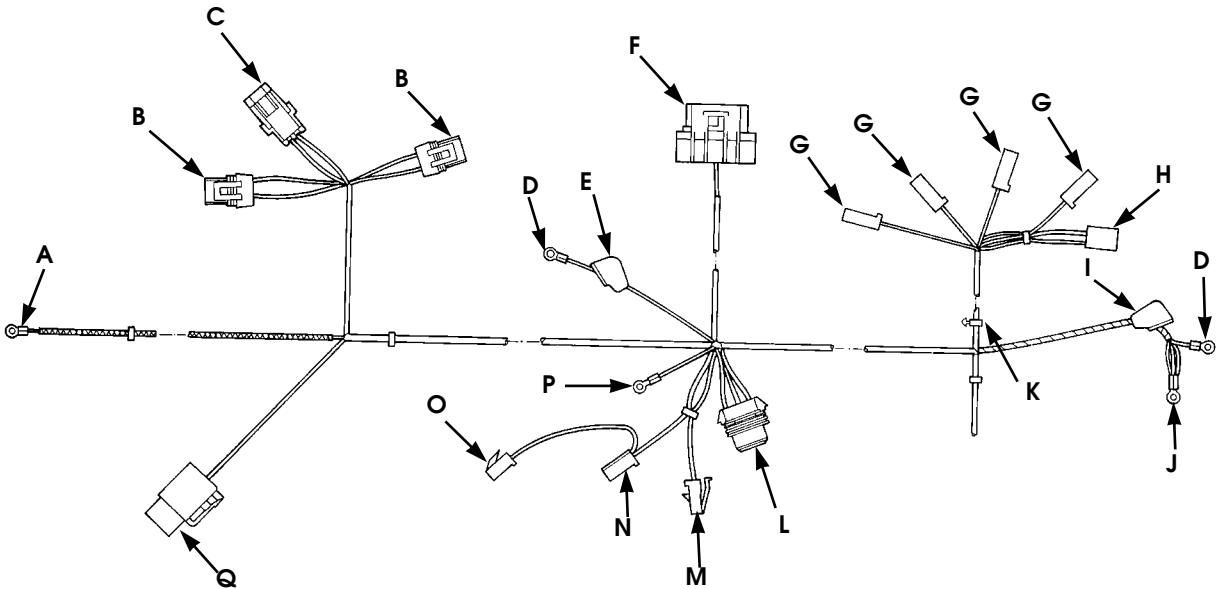
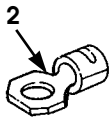
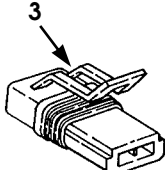
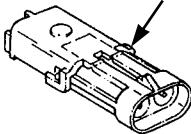
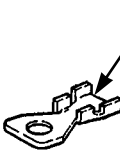
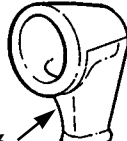
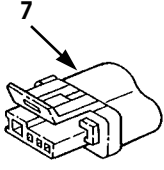
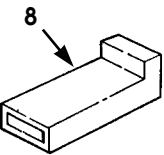
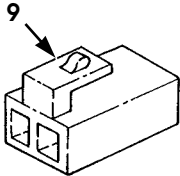
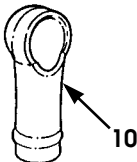
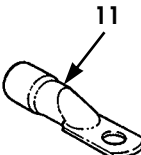
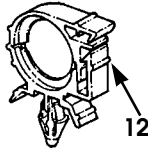
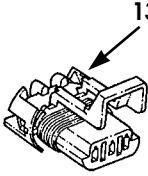
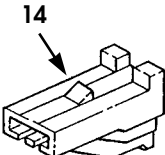
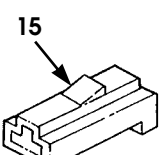
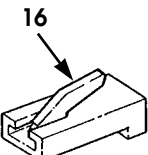
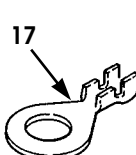
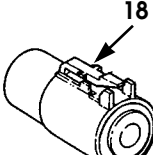


Figure 12-31. Engine Wiring Harness (Sheet 1 of 4).

# HUMMER PARTS CATALOG

## 12-72 ELECTRICAL



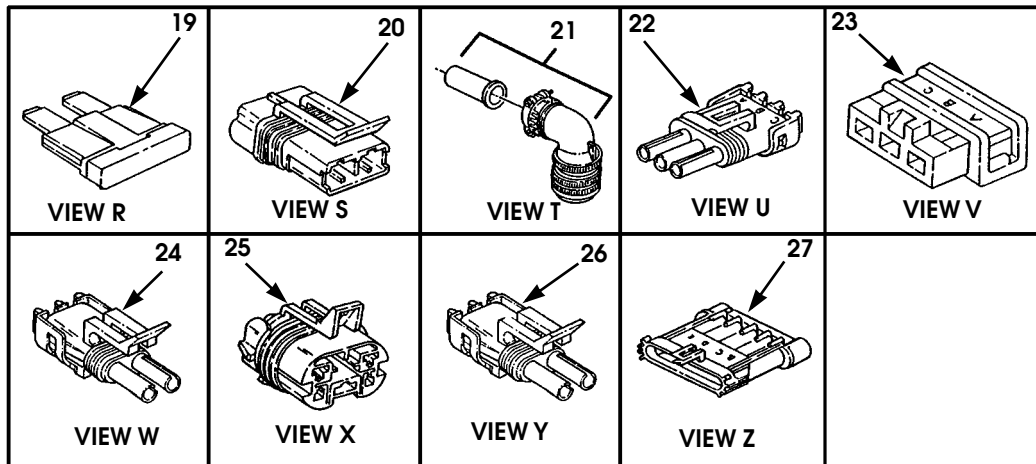
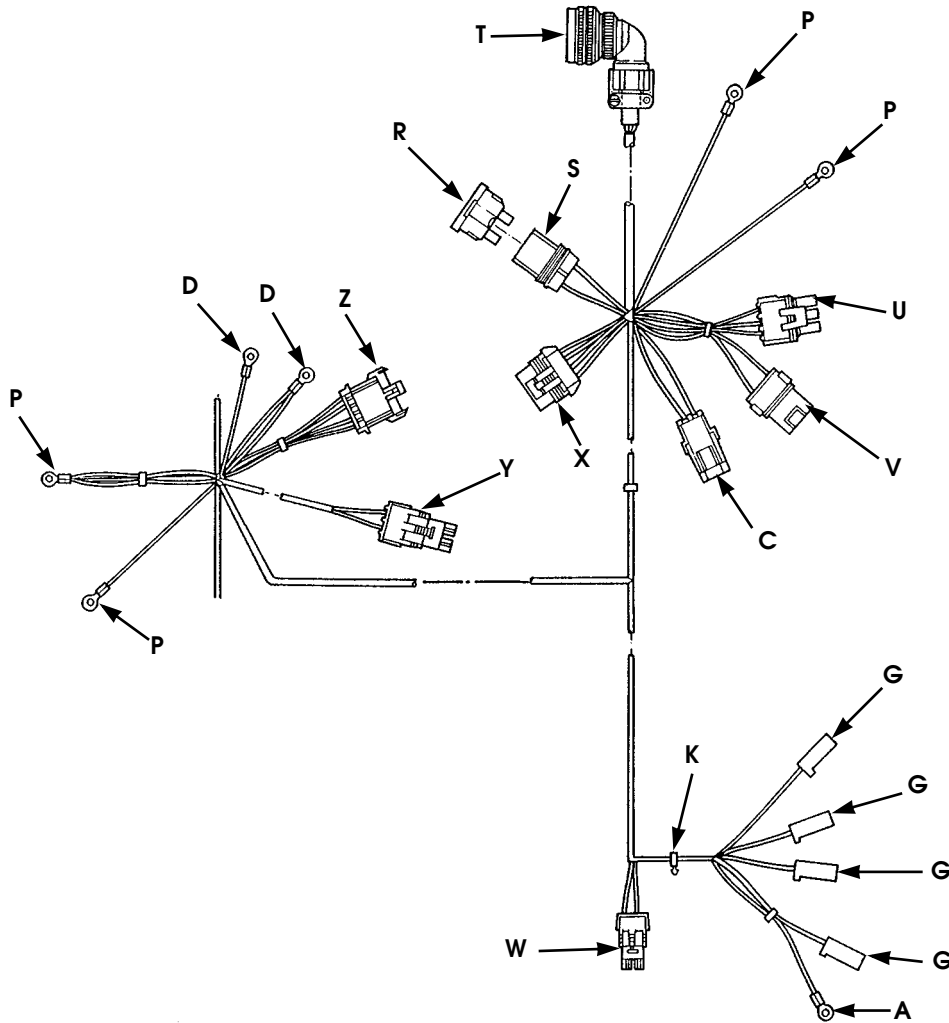
 <p>VIEW A</p>	 <p>VIEW B</p>	 <p>VIEW C</p>	 <p>VIEW D</p>	 <p>VIEW E</p>	 <p>VIEW F</p>
 <p>VIEW G</p>	 <p>VIEW H</p>	 <p>VIEW I</p>	 <p>VIEW J</p>	 <p>VIEW K</p>	 <p>VIEW L</p>
 <p>VIEW M</p>	 <p>VIEW N</p>	 <p>VIEW O</p>	 <p>VIEW P</p>	 <p>VIEW Q</p>	

P12-035

Figure 12-31. Engine Wiring Harness (Sheet 2 of 4).

# HUMMER PARTS CATALOG

ELECTRICAL 12-73

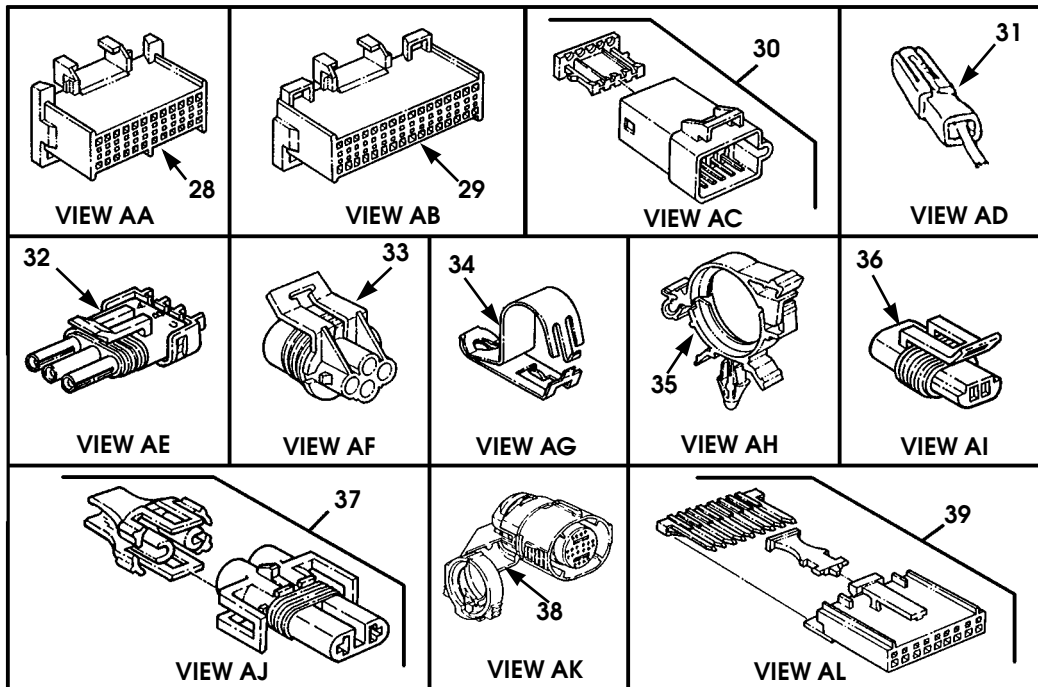
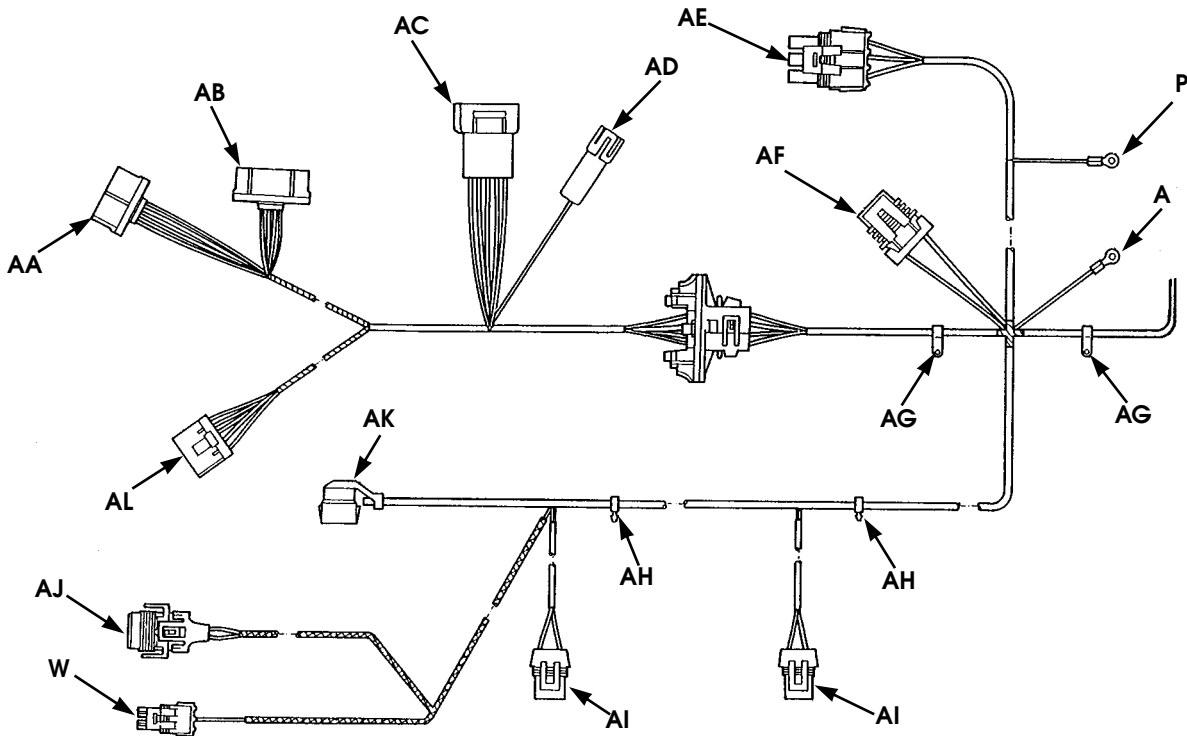


P12-036

Figure 12-31. Engine Wiring Harness (Sheet 3 of 4).

# HUMMER PARTS CATALOG

## 12-74 ELECTRICAL



P5A-2D

Figure 12-31. Engine Wiring Harness (Sheet 4 of 4).

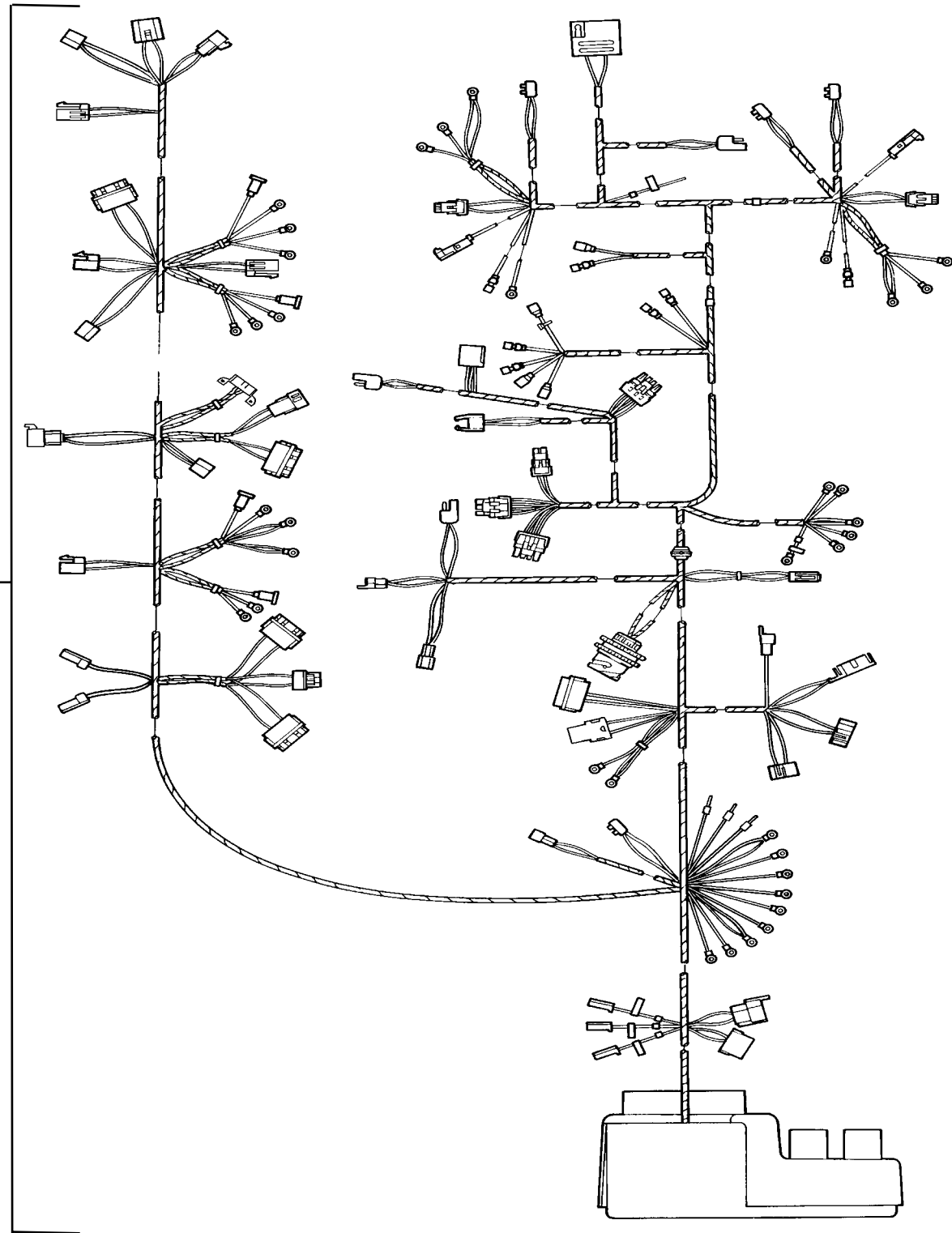
# HUMMER PARTS CATALOG

## ELECTRICAL 12-75

ITEM	PART NUMBER	DESCRIPTION	QTY
		Figure 12-31 ENGINE WIRING HARNESS	
1	06003123	HARNESS ASSEMBLY, engine . . . . .	1
2	N/S	•TERMINAL, starter solenoid . . . . .	3
3	05939567	•CONNECTOR, horn . . . . .	2
4	05939099	•CONNECTOR, A/C pressure switch . . . . .	2
5	N/S	•TERMINAL . . . . .	4
6	05937088	•BOOT . . . . .	1
7	05937091	•CONNECTOR, alternator . . . . .	1
8	05937081	•CONNECTOR, glow plug . . . . .	8
9	05937089	•CONNECTOR, cold-advance . . . . .	1
10	12339710	•BOOT . . . . .	1
11	N/S	•TERMINAL . . . . .	1
12	06003234	•CLIP, convoluted conduit . . . . .	2
13	06003229	•CONNECTOR, throttle sensor . . . . .	1
14	05937076	•CONNECTOR, fuel solenoid . . . . .	1
15	05937080	•CONNECTOR, cold-advance . . . . .	1
16	05937061	•CONNECTOR, fast idle . . . . .	1
17	N/S	•TERMINAL, horn ground . . . . .	5
18	06003284	•PLUG, battery cable . . . . .	1
19	05937265	•FUSE, fuel pump, 20-amp . . . . .	1
20	06003241	•CONNECTOR, fuel pump . . . . .	1
21	05939445	•CONNECTOR, body harness . . . . .	1
22	05937082	•CONNECTOR, water in fuel sensor . . . . .	1
23	05937060	•CONNECTOR, fuel heater . . . . .	1
24	06003280	•CONNECTOR, A/C compressor jumper . . . . .	2
25	06003032	•CONNECTOR, fuel pump relay . . . . .	1
26	06003232	•CONNECTOR . . . . .	1
27	05937078	•CONNECTOR, glow plug controller . . . . .	1
28	06003251	•CONNECTOR, transmission control module . . . . .	1
29	06003248	•CONNECTOR, transmission control module . . . . .	1
30	06003256	•CONNECTOR, body harness . . . . .	1
31	05939154	•CONNECTOR . . . . .	1
32	06003814	•CONNECTOR, barometric pressure sensor . . . . .	1
33	06000022	•CONNECTOR, oil pressure switch . . . . .	1
34	06003233	•CLAMP, convoluted conduit . . . . .	2
35	06003555	•CLIP, convoluted conduit . . . . .	2
36	06003235	•CONNECTOR, transmission . . . . .	2
37	05937647	•CONNECTOR, speed sensor . . . . .	1
38	06003237	•CONNECTOR, transmission . . . . .	1
39	06003257	•CONNECTOR, digital radio adapter . . . . .	1

# HUMMER PARTS CATALOG

## 12-76 ELECTRICAL



P12-042

Figure 12-31. Body Wiring Harness.

# HUMMER PARTS CATALOG

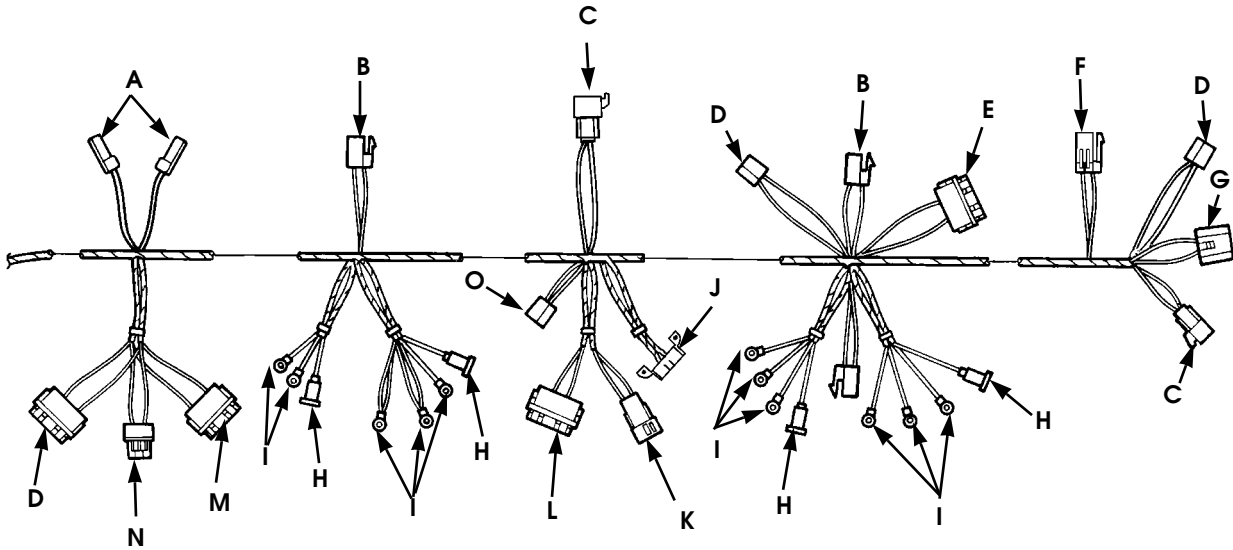
ELECTRICAL 12-77

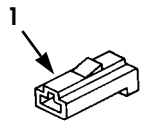
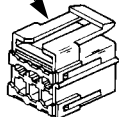
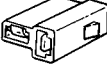
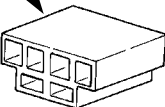
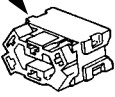
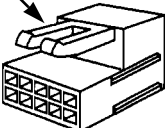
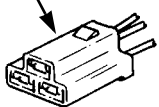

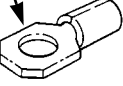
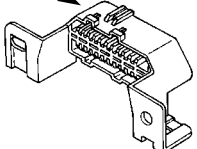
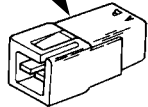
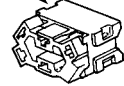

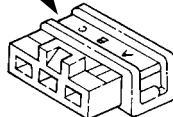
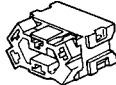
ITEM	PART NUMBER	DESCRIPTION	QTY
1	06004853	Figure 12-32 BODY WIRING HARNESS  BODY WIRING HARNESS ASSEMBLY (with headlamp chime).....	1



# HUMMER PARTS CATALOG

## 12-78 ELECTRICAL



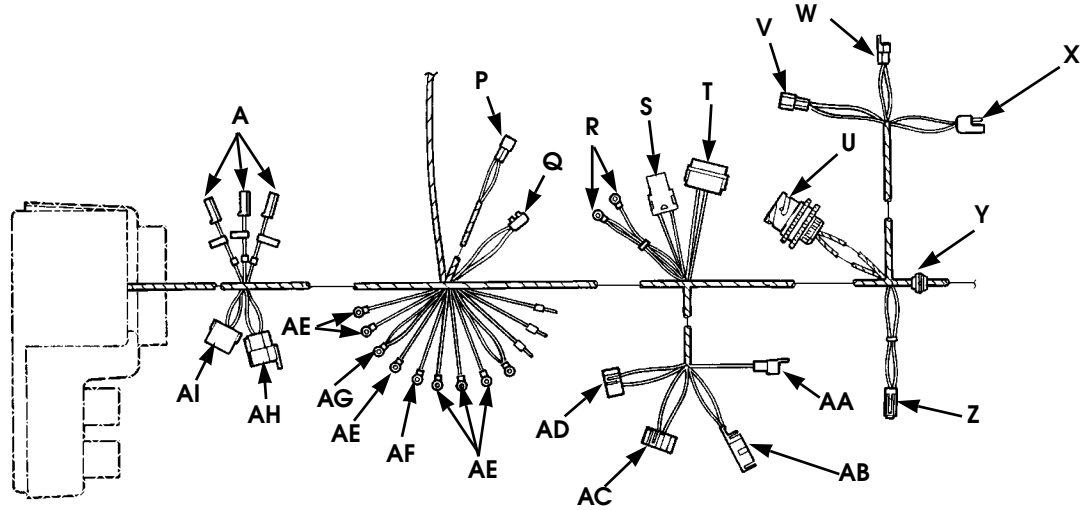
 <b>VIEW A</b>	 <b>VIEW B</b>	 <b>VIEW C</b>	 <b>VIEW D</b>	 <b>VIEW E</b>	 <b>VIEW F</b>
 <b>VIEW G</b>	 <b>VIEW H</b>	 <b>VIEW I</b>	 <b>VIEW J</b>	 <b>VIEW K</b>	 <b>VIEW L</b>
 <b>VIEW M</b>	 <b>VIEW N</b>	 <b>VIEW O</b>			

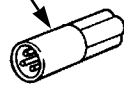
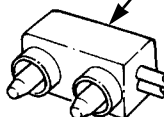

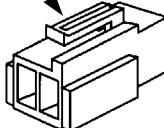
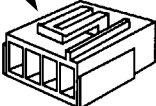
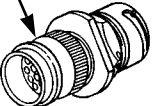

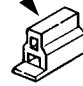
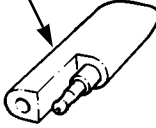

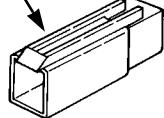
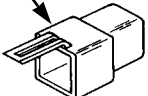
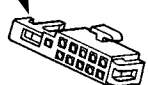
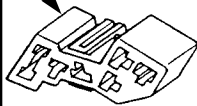
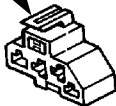
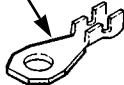

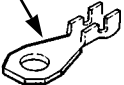
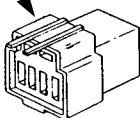
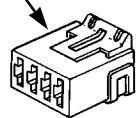
P12-043

Figure 12-33. Body Wiring Harness – Partial Views (Sheet 1 of 3).

# HUMMER PARTS CATALOG

## ELECTRICAL 12-79



 16 VIEW P	 17 VIEW Q	 18 VIEW R	 19 VIEW S	 20 VIEW T	 21 VIEW U
 22 VIEW V	 23 VIEW W	 24 VIEW X	 25 VIEW Y	 26 VIEW Z	 27 VIEW AA
 28 VIEW AB	 29 VIEW AC	 30 VIEW AD	 31 VIEW AE	 32 VIEW AF	 33 VIEW AG
 34 VIEW AH	 35 VIEW AI				

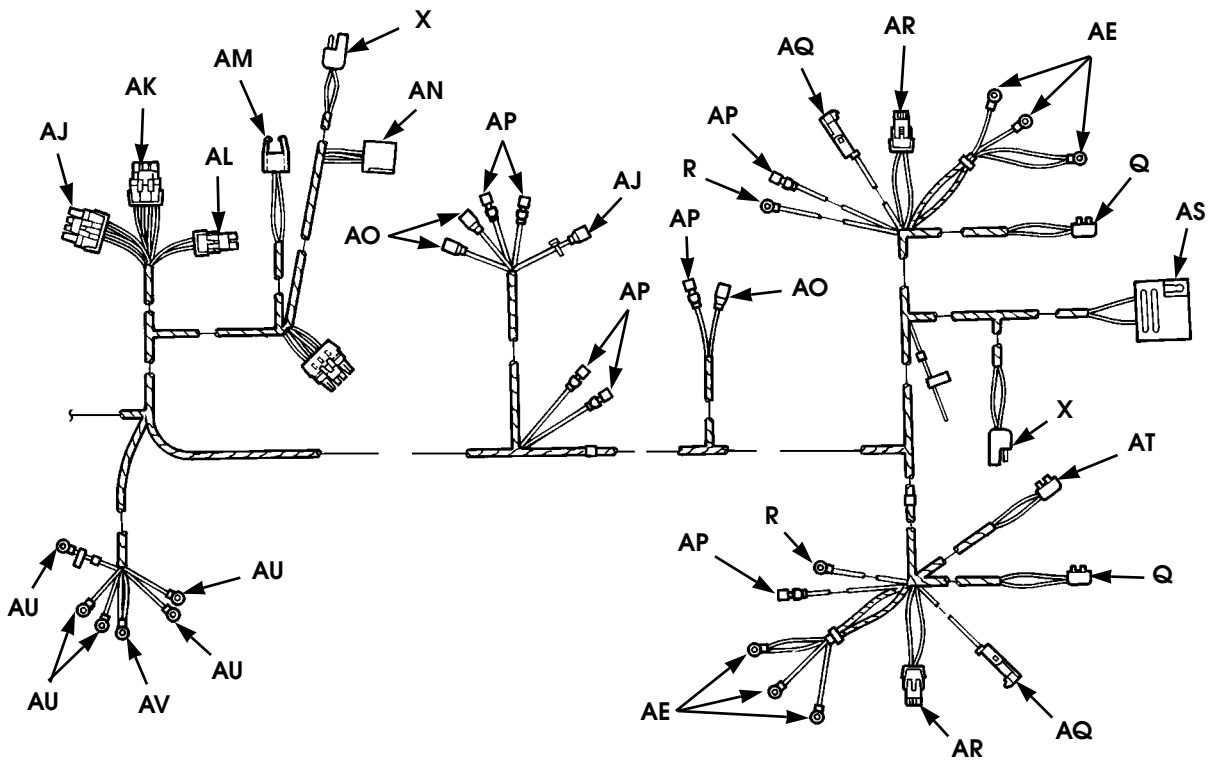
P12-04

Figure 12-33. Body Wiring Harness – Partial Views (Sheet 2 of 3).

7-1-95

# HUMMER PARTS CATALOG

## 12-80 ELECTRICAL



<p>VIEW AJ</p>	<p>VIEW AK</p>	<p>VIEW AL</p>	<p>VIEW AM</p>	<p>VIEW AN</p>	<p>VIEW AN</p>
<p>VIEW AP</p>	<p>VIEW AQ</p>	<p>VIEW AR</p>	<p>VIEW AS</p>	<p>VIEW AT</p>	<p>VIEW AU</p>
<p>VIEW AV</p>					

P12-045

Figure 12-31. Body Wiring Harness – Partial Views (Sheet 3 of 3).

# HUMMER PARTS CATALOG

7-1-95

## ELECTRICAL 12-81

ITEM	PART NUMBER	DESCRIPTION	QTY
		Figure 12-33 BODY WIRING HARNESS – PARTIAL VIEWS	
1	05903092	CONNECTOR, power door locks and windows . . . . .	5
2	05939155	CONNECTOR, left and right status centers . . . . .	2
3	05939599	CONNECTOR, speedometer . . . . .	1
4	06000261	CONNECTOR, CTI harness . . . . .	3
5	05939899	CONNECTOR, fog lamp switch . . . . .	1
6	06003227	CONNECTOR, engine harness . . . . .	1
7	05962328	CONNECTOR, engine console . . . . .	1
8	06003289	CONNECTOR, fuel gauge . . . . .	2
9	N/S	TERMINAL, fuel gauge and temperature gauge . . . . .	11
10	06003224	CONNECTOR, ALDL. . . . .	1
11	06000135	CONNECTOR, wiper switch illumination . . . . .	1
12	05939891	CONNECTOR, wiper switch . . . . .	1
13	05939900	CONNECTOR, dome light switch. . . . .	1
14	05937060	CONNECTOR, panel lamp dimmer. . . . .	1
15	05939898	CONNECTOR, light switch . . . . .	1
16	05939085	CONNECTOR, driver's door jamb switch . . . . .	1
17	05937021	CONNECTOR, courtesy light . . . . .	3
18	N/S	TERMINAL, steering column ground. . . . .	4
19	06003222	CONNECTOR, stop light switch . . . . .	1
20	06003223	CONNECTOR, transmission. . . . .	1
21	05743346	CONNECTOR, engine harness . . . . .	1
22	05742953	CONNECTOR. . . . .	1
23	05962088	CONNECTOR. . . . .	1
24	05583612	CONNECTOR, front identification light . . . . .	3
25	06000147	GROMMET . . . . .	1
26	06000150	CONNECTOR, transmission shifter lock solenoid . . . . .	1
27	06000141	SLEEVE, key contact . . . . .	1
28	06000143	SLEEVE, ignition switch . . . . .	1
29	06000134	SLEEVE, turn signal switch. . . . .	1
30	06000142	SLEEVE, turn signal switch. . . . .	1
31	N/S	TERMINAL, instrument panel ground point. . . . .	12
32	N/S	TERMINAL, instrument panel ground point. . . . .	1
33	N/S	TERMINAL, instrument panel ground point. . . . .	1
34	05939964	CONNECTOR, roof harness . . . . .	1
35	05939679	CONNECTOR, radio harness . . . . .	1
* 36	05995715	CONNECTOR, hood harness and CTI compressor . . . . .	1
* 37	05937655	•SEAL, connector . . . . .	1
38	05937082	CONNECTOR, hood harness . . . . .	1
39	06000136	CONNECTOR, fog lamps . . . . .	1

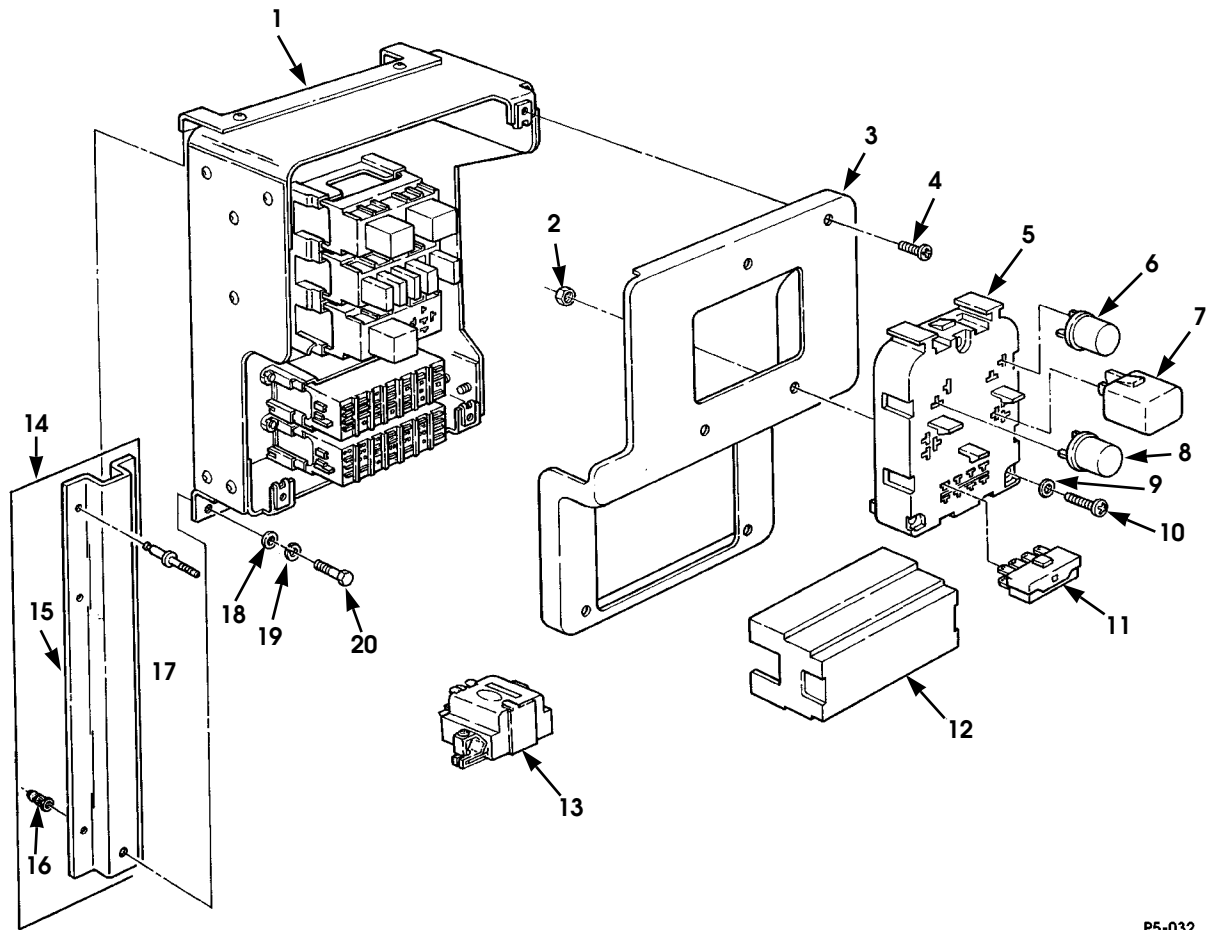
7-1-95

**HUMMER PARTS CATALOG****12-82 ELECTRICAL**

ITEM	PART NUMBER	DESCRIPTION	QTY
		Figure 12-33 BODY WIRING HARNESS – PARTIAL VIEWS (Cont'd)	
40	N/S	CONNECTOR, brake warning valve . . . . .	1
41	05937156	CONNECTOR, windshield washer pump. . . . .	1
42	MS 00027142 3	CONNECTOR, backup switch and shifter illumination	3
43	MS 00027144 2	CONNECTOR, stop light switch . . . . .	9
44	05939237	CONNECTOR, taillight . . . . .	2
45	05995717	CONNECTOR, taillight . . . . .	2
46	05937038	CONNECTOR, trailer . . . . .	1
47	05937039	CONNECTOR, license plate lamp . . . . .	1
48	N/S	TERMINAL, power stud. . . . .	5
49	N/S	TERMINAL, power stud. . . . .	1

# HUMMER PARTS CATALOG

## 12-83 ELECTRICAL

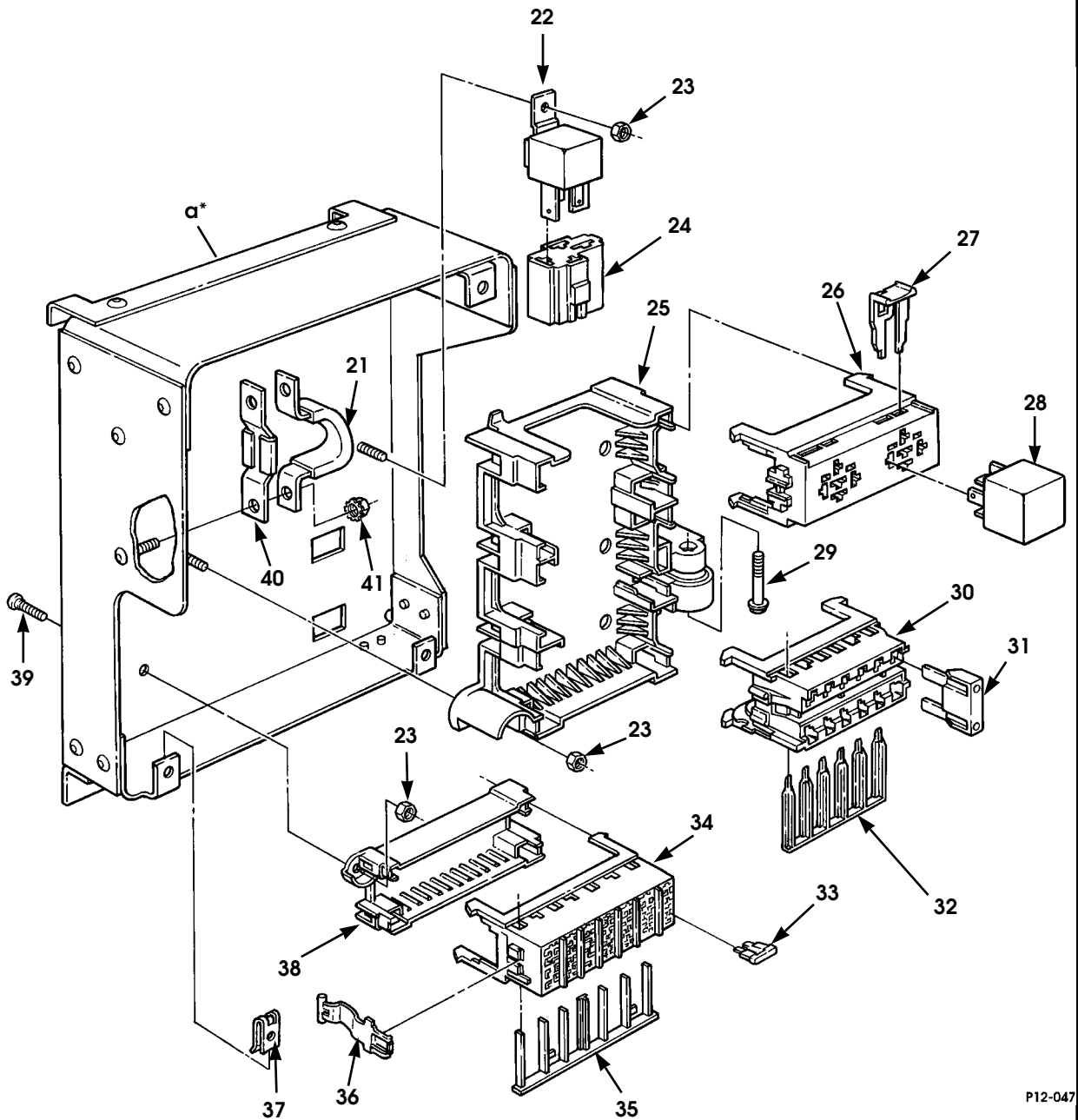


P5-032

Figure 12-34. Fuse Box Panel, Convenience Center, and Mounting Hardware (Sheet 1 of 2).

# HUMMER PARTS CATALOG

## 12-84 ELECTRICAL



P12-047

\* a PART OF ITEM 1

Figure 12-34. Fuse Box Panel, Convenience Center, and Mounting Hardware (Sheet 2 of 2).

# HUMMER PARTS CATALOG

12-31-95

## ELECTRICAL 12-85

ITEM	PART NUMBER	DESCRIPTION	QTY
		Figure 12-34 FUSE BOX PANEL, CONVENIENCE CENTER, AND MOUNTING HARDWARE	
1	05939907 B2	FUSE BOX ASSEMBLY .....	1
2	G 00271163	NUT .....	3
3	05939901	FUSE BOX COVER .....	1
4	G 09413442	SCREW .....	3
5	05939288	CONVENIENCE CENTER .....	1
6	05939639	HAZARD FLASHER .....	1
7	05939375	HORN RELAY .....	1
8	05939640	TURN SIGNAL FLASHER .....	1
9	G 09419664	WASHER .....	3
10	MS 00035206 251	SCREW .....	3
11	05939075	MULTI-INPUT BUZZER. ....	1
12	05939722	COVER, mini fuse block .....	1
13	06004890	MODULE, chime, SEE NOTE 1 .....	1
14	05939908	BRACKET ASSEMBLY, fuse box mounting .....	2
15	05939913	•BRACKET. ....	1
16	05939712	•NUT, insert. ....	2
17	12339355 1	RIVET ASSEMBLY. ....	16
18	G 00120391	WASHER .....	2
19	G 00120217	LOCKWASHER .....	2
20	G 00440502	SCREW .....	2
21	06000745	STRAP, clamp .....	1
22	05939379	RELAY, power S.P.S.T. ....	1
23	G 00190254	LOCKNUT .....	4
24	05743831	SOCKET ASSEMBLY, relay. ....	1
25	05939292	BASE ASSEMBLY, 3 modules. ....	1
* 26	05939296	DUAL RELAY BLOCK. ....	2
27	05939297	SECONDARY LOCK, relay. ....	1
28	05939315	RELAY, S.P.D.T. ....	3
29	05939294	SCREW, hex head .....	1
30	05939293	FUSE BLOCK, maxi .....	1
31	05939355	MAXI CIRCUIT BREAKER, automatic reset, 20-amp ...	1
31	05939440	MAXI CIRCUIT BREAKER, automatic reset, 30-amp ...	1
31	N/S	MAXI FUSE, 20-amp. ....	1
31	N/S	MAXI FUSE, 30-amp. ....	1
31	N/S	MAXI FUSE, 40-amp. ....	1
32	05939295	SECONDARY LOCK, maxi fuse .....	1
33	N/S	MINI FUSE, 5-amp .....	7
33	N/S	MINI FUSE, 7.5-amp .....	5
33	N/S	MINI FUSE, 10-amp .....	2
33	N/S	MINI FUSE, 15-amp .....	5



# HUMMER PARTS CATALOG

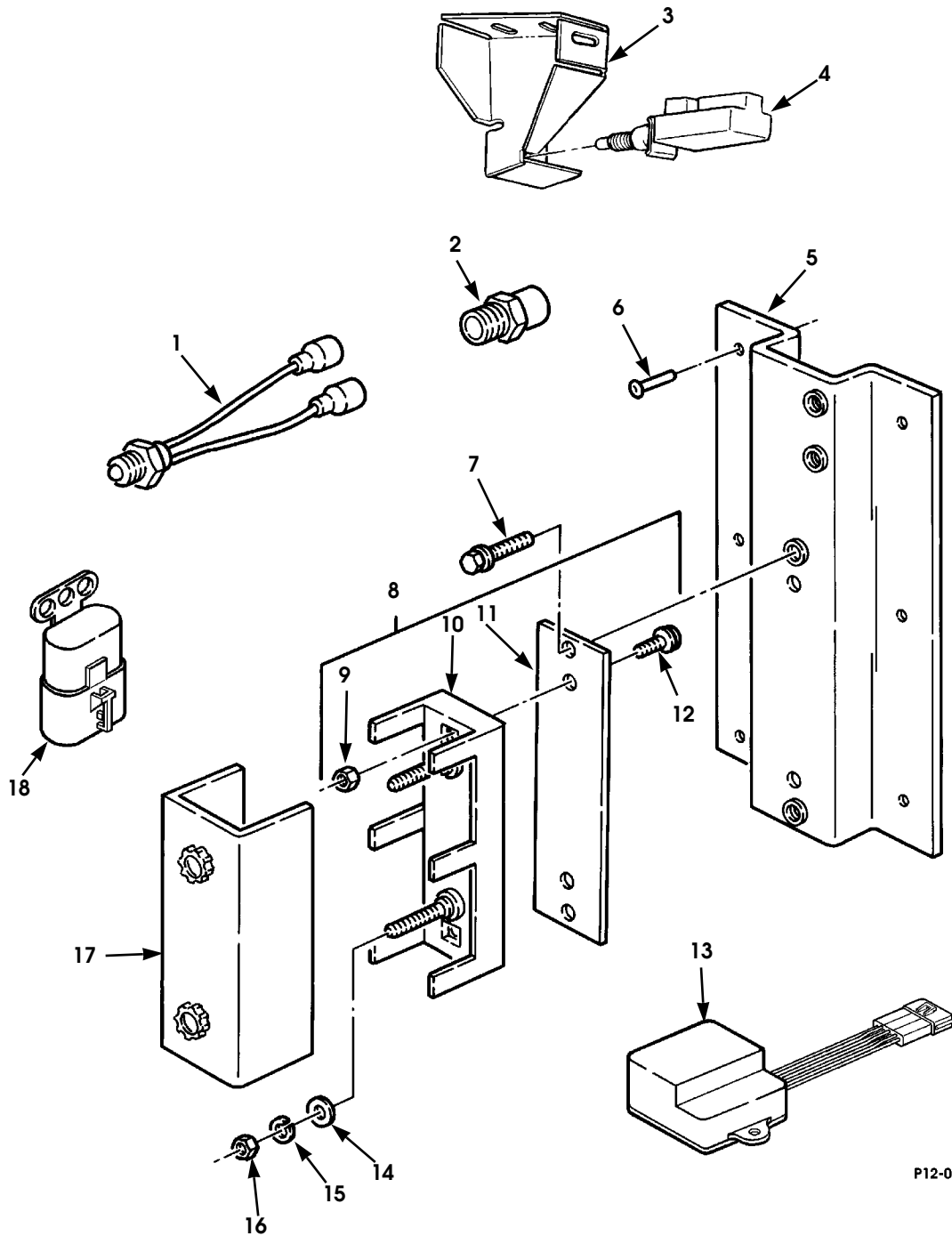
## 12-86 ELECTRICAL

ITEM	PART NUMBER	DESCRIPTION	QTY
		Figure 12-34 FUSE BOX PANEL, CONVENIENCE CENTER, AND MOUNTING HARDWARE (Cont'd)	
33	N/S	MINI FUSE, 20-amp. ....	2
33	N/S	MINI FUSE, 25-amp. ....	1
33	N/S	MINI FUSE, 30-amp. ....	1
34	05939290	FUSE BLOCK, mini. ....	2
35	05939291	SECONDARY LOCK, mini fuse. ....	2
36	05939723	CLIP, fuse block cover. ....	2
37	12339694	SPEEDNUT, U-type. ....	3
38	05939289	BASE, 1 module. ....	2
39	12339734 1	STUD. ....	7
40	06000485	CROSSBAR CLAMP. ....	1
41	G 00190254	NUT ASSEMBLY. ....	2
		NOTE 1: EFFECTIVE STARTING WITH VIN 156048 PLUS VEHICLE 155616	



# HUMMER PARTS CATALOG

## 12-88 ELECTRICAL



P12-048

Figure 12-35. Miscellaneous Electrical Items.

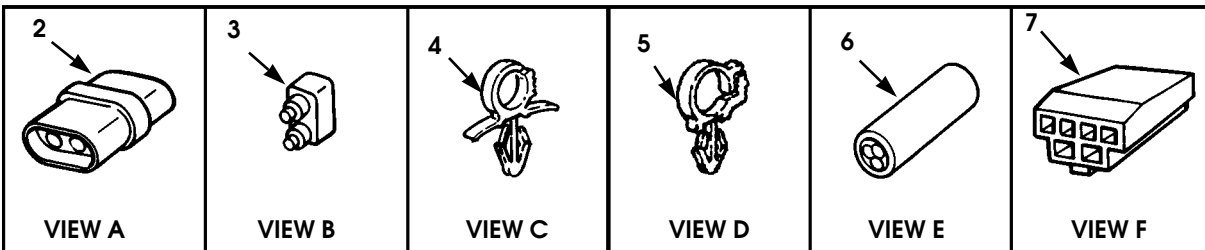
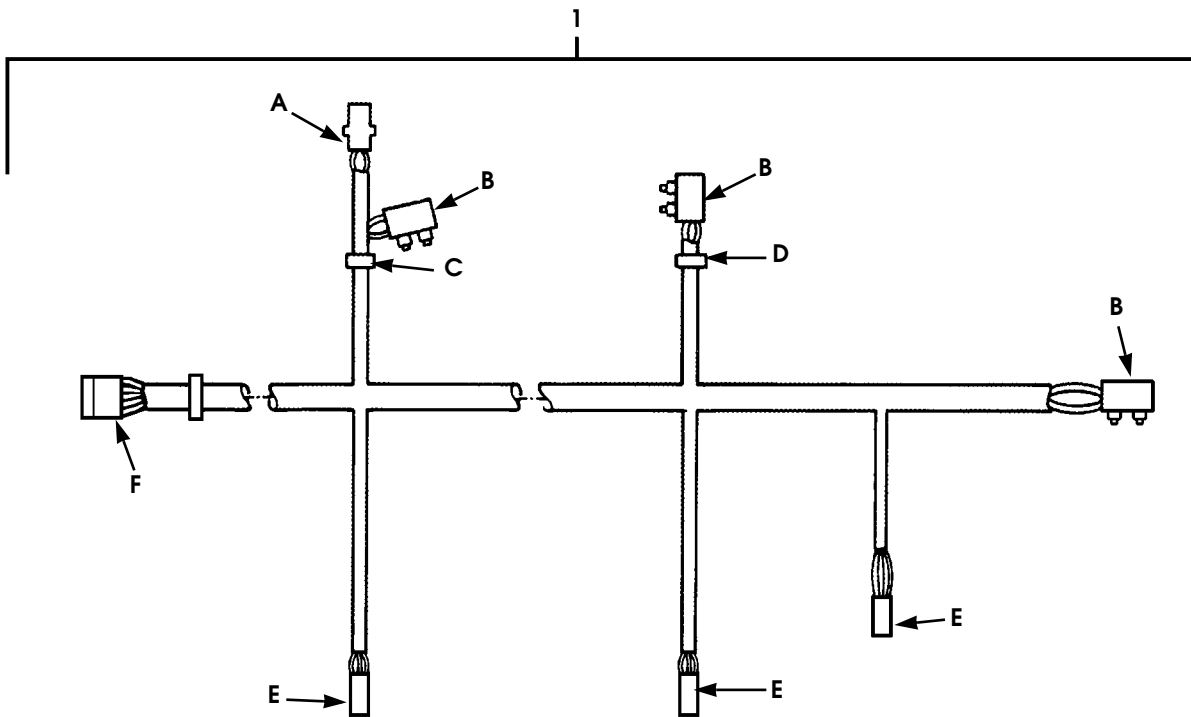
# HUMMER PARTS CATALOG

## ELECTRICAL 12-89

ITEM	PART NUMBER	DESCRIPTION	QTY
		Figure 12-35 MISCELLANEOUS ELECTRICAL ITEMS	
1	12356704	SWITCH, parking brake . . . . .	1
2	05938686	SWITCH, transfer lock . . . . .	1
3	06002810	BRACKET, brake light switch . . . . .	1
4	06002811	BRAKE, light/cruise switch . . . . .	1
5	05939969	BRACKET. . . . .	1
6	12339355 1	RIVET. . . . .	6
7	MS 00090728-5	SCREW . . . . .	2
8	05939972	PLATE AND TERMINAL BOARD ASSEMBLY . . . . .	1
9	MS 00051469 2	•NUT . . . . .	2
10	MS 00027212 5-2	•TERMINAL BOARD . . . . .	1
11	05939971 B2	•PLATE, terminal board . . . . .	1
12	G 09425488	•SCREW . . . . .	2
13	06002625	Module, daytime running light . . . . .	1
14	AN 00000960 616	WASHER . . . . .	2
15	MS 00035338 141	LOCKWASHER . . . . .	2
16	MS 00035650 3384	NUT . . . . .	2
17	MS 00018029 5L-2	COVER ASSEMBLY, electrical . . . . .	1
18	05939962	FUEL PUMP RELAY . . . . .	1

# HUMMER PARTS CATALOG

## 12-90 ELECTRICAL



P12-049

Figure 12-36. Wiring Harness Assembly, Open Top.

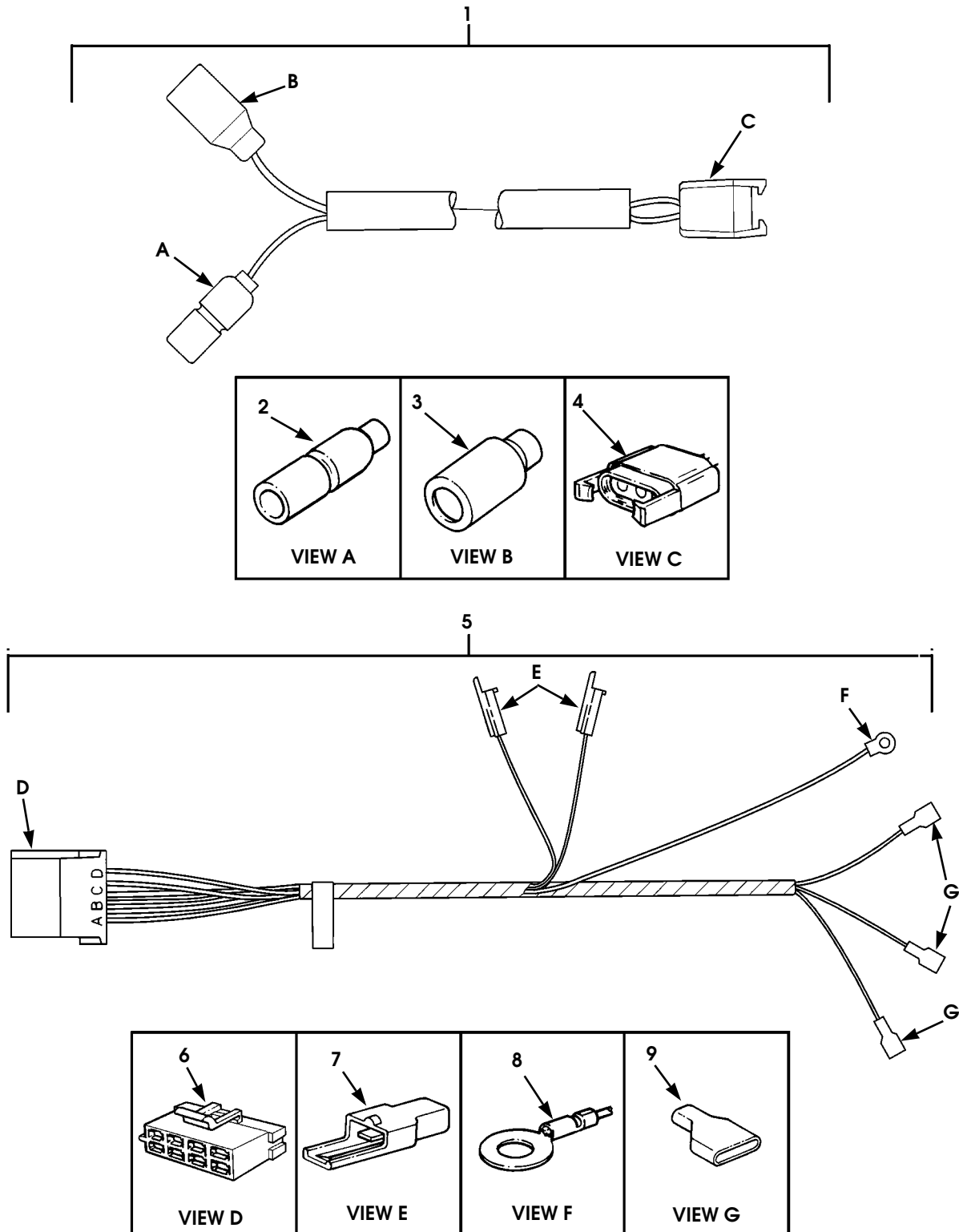
# HUMMER PARTS CATALOG

**ELECTRICAL 12-91**

ITEM	PART NUMBER	DESCRIPTION	QTY
		Figure 12-36 WIRING HARNESS ASSEMBLY, OPEN TOP	
1	06003576	HARNESS ASSEMBLY, open body . . . . .	1
2	05939099	CONNECTOR, seat belt buckle switch . . . . .	1
3	05937039	CONNECTOR, courtesy lights . . . . .	3
4	05903019	CLIP, with wings . . . . .	1
5	06000246	CLIP, convoluted conduit . . . . .	1
6	05939085	CONNECTOR, door jamb switch . . . . .	3
7	06000261	CONNECTOR . . . . .	1

# HUMMER PARTS CATALOG

## 12-92 ELECTRICAL



P12-050

Figure 12-37. Daytime Running Light Jumper and Harness.

# HUMMER PARTS CATALOG

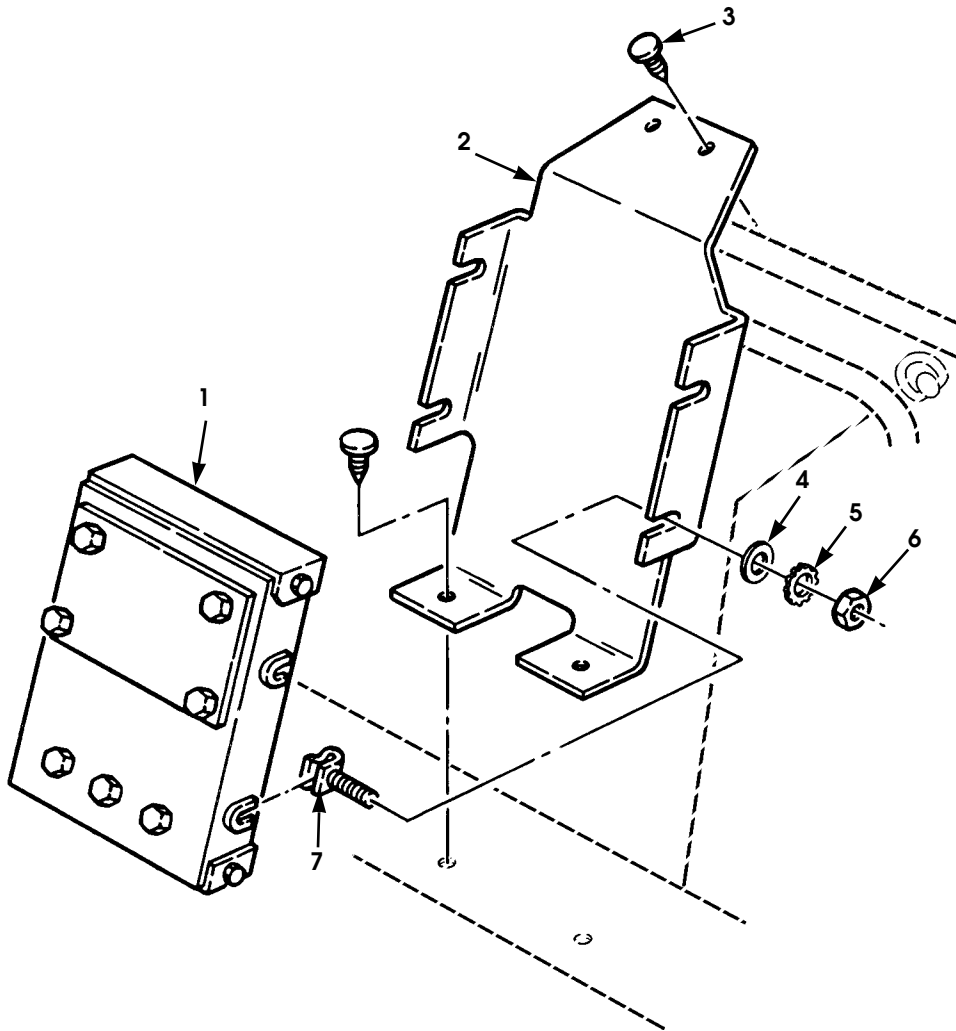
## ELECTRICAL 12-93

ITEM	PART NUMBER	DESCRIPTION	QTY
		Figure 12-37 DAYTIME RUNNING LIGHT JUMPER AND HARNESS	
1	06002919	JUMPER, daytime running light (Canada only) . . . . .	1
2	MS 00027144 2	•CONNECTOR . . . . .	1
3	MS 00027142 3	•CONNECTOR . . . . .	1
4	N/S	•CONNECTOR . . . . .	1
5	06002626	HARNESS, module, daytime running light (Canada only) . . . . .	1
6	06002769	•CONNECTOR . . . . .	1
7	06002767	•CONNECTOR . . . . .	2
8	05903147	•TERMINAL, ring . . . . .	1
9	06002829	•CONNECTOR . . . . .	3



# HUMMER PARTS CATALOG

## 12-94 ELECTRICAL



P12-051

Figure 12-38. Bracket/Transmission Control Module/Powertrain Control Module Mounting.

# HUMMER PARTS CATALOG

7-1-95

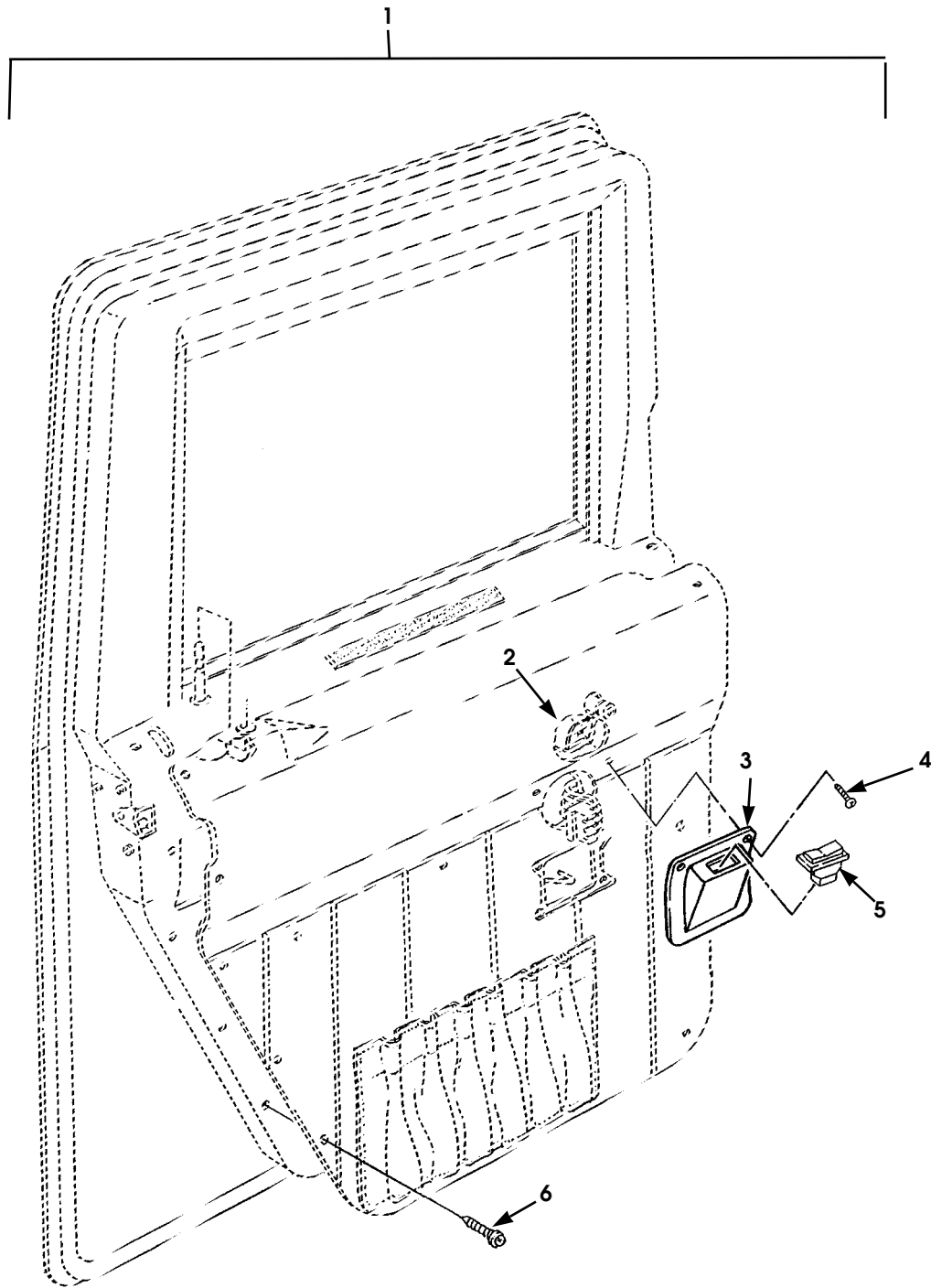
## ELECTRICAL 12-95

ITEM	PART NUMBER	DESCRIPTION	QTY
		Figure 12-38 BRACKET/TRANSMISSION CONTROL MODULE/ POWERTRAIN CONTROL MODULE MOUNTING	
★ 1	06004413	MODULE, transmission control, diesel . . . . .	1
2	06003476	BRACKET, transmission control module/ powertrain control module . . . . .	1
3	06001038	TRIM, button . . . . .	4
4	G 09416128	WASHER . . . . .	4
5	MS 00045904-60	LOCKWASHER . . . . .	4
6	B 18245BO5	NUT . . . . .	4
7	06003831	CLIP and stud assembly . . . . .	4



# HUMMER PARTS CATALOG

ELECTRICAL 12-97



P12-052

Figure 12-39. Two-Door and Four-Door Power Door Locks Kit (Sheet 1 of 8).

# HUMMER PARTS CATALOG

## 12-98 ELECTRICAL

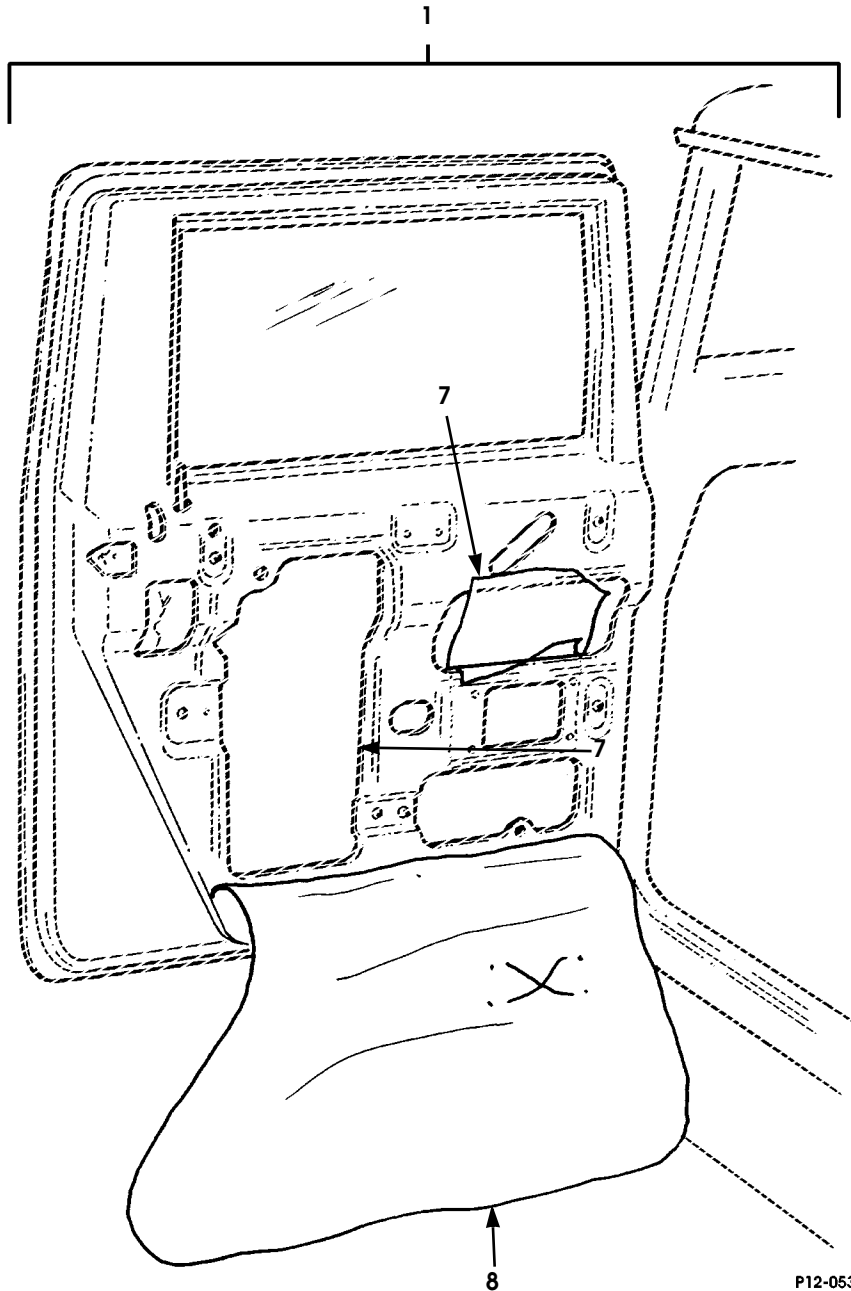
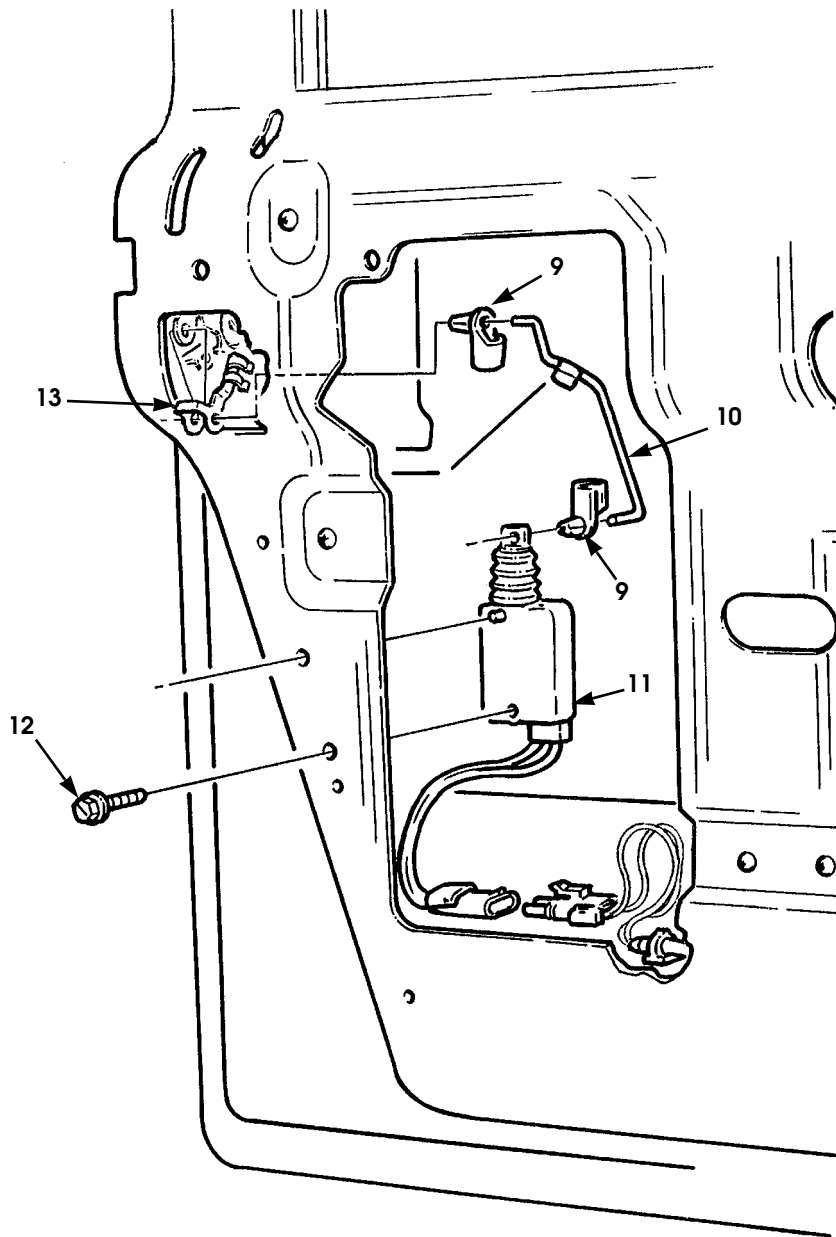


Figure 12-39. Two-Door and Four-Door Power Door Locks Kit (Sheet 2 of 8).

# HUMMER PARTS CATALOG

ELECTRICAL 12-99

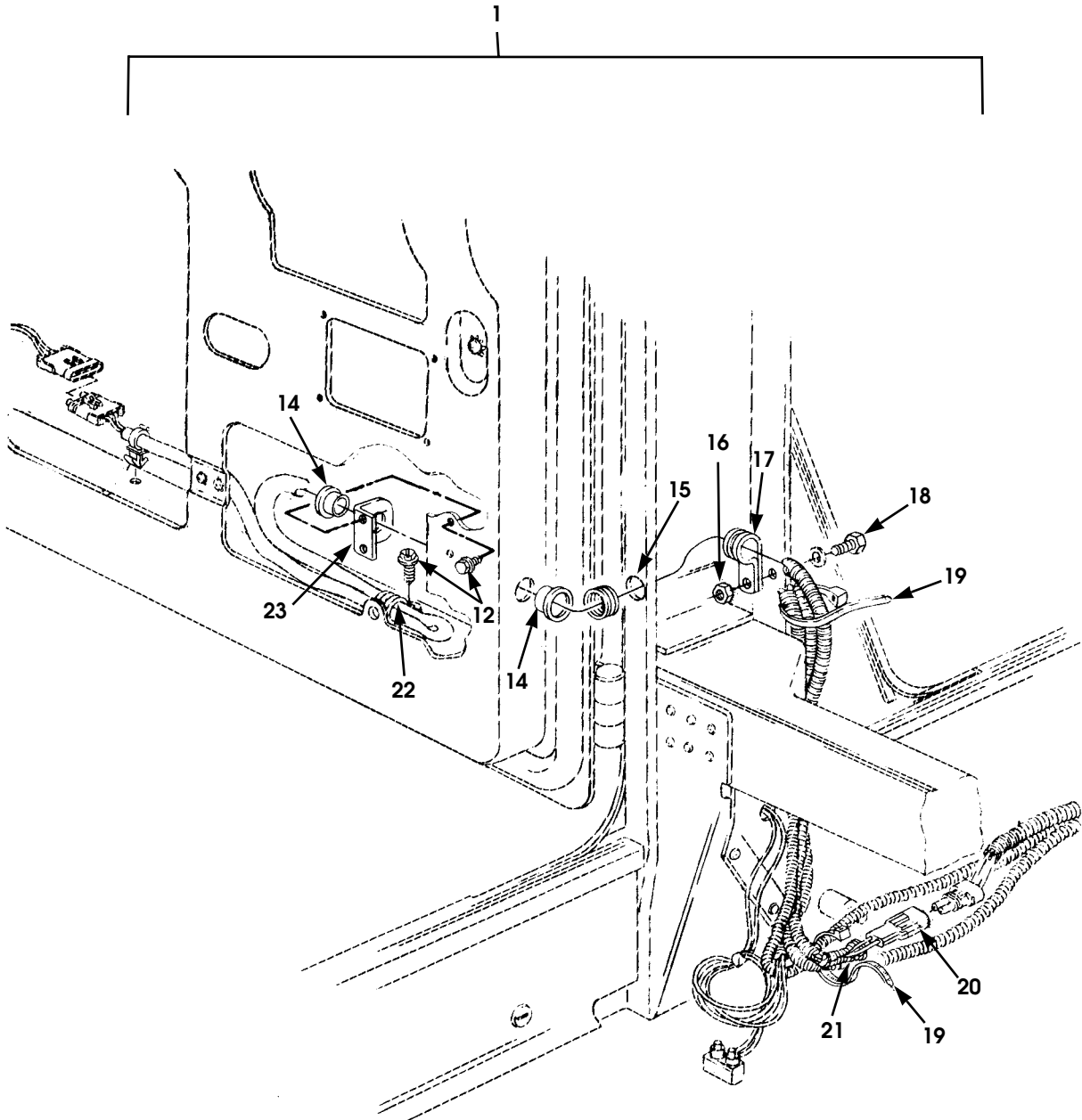


P12-054

Figure 12-39. Two-Door and Four-Door Power Door Locks Kit (Sheet 3 of 8).

# HUMMER PARTS CATALOG

## 12-100 ELECTRICAL

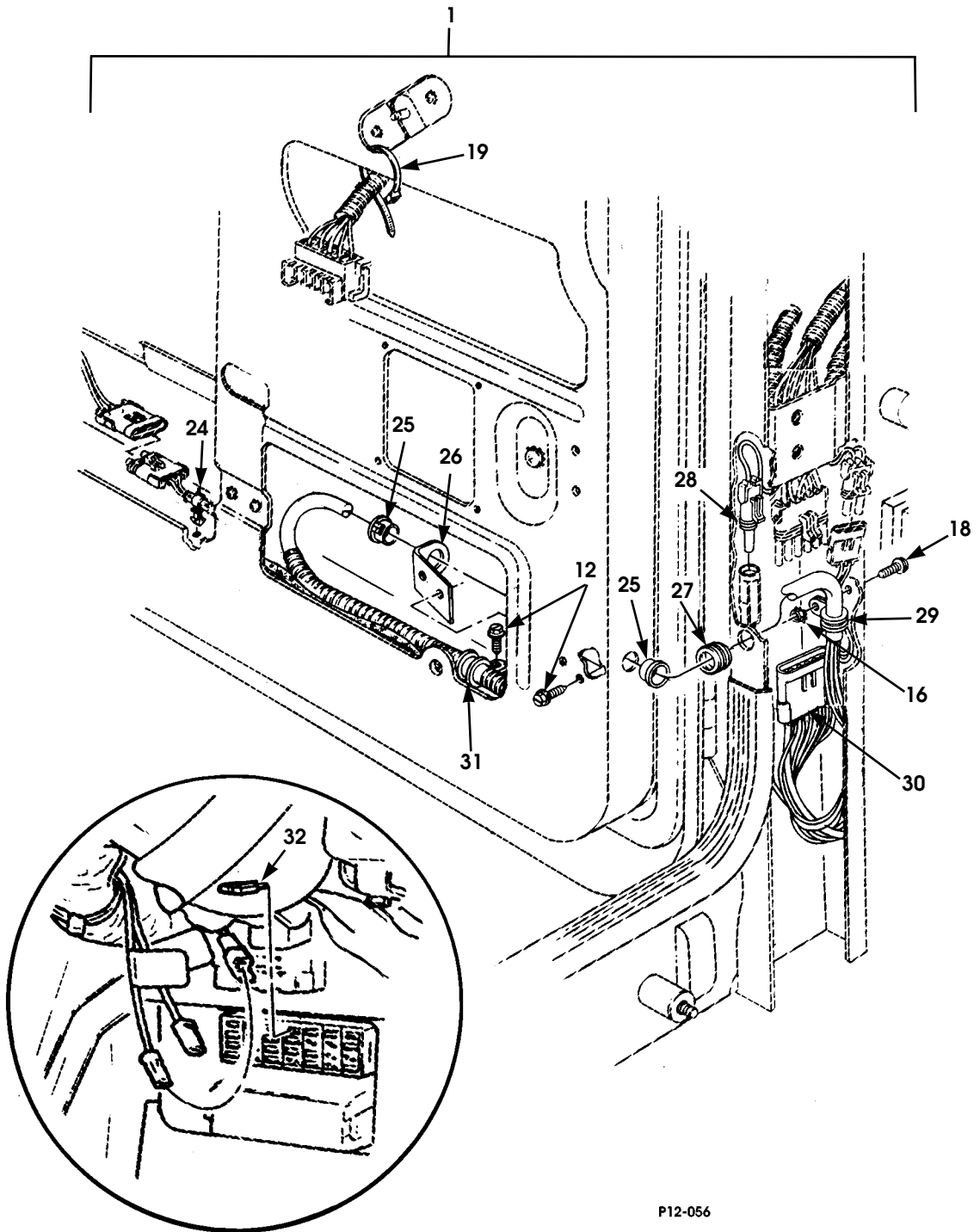


P12-055

Figure 12-39. Two-Door and Four-Door Power Door Locks Kit (Sheet 4 of 8).

# HUMMER PARTS CATALOG

ELECTRICAL 12-101



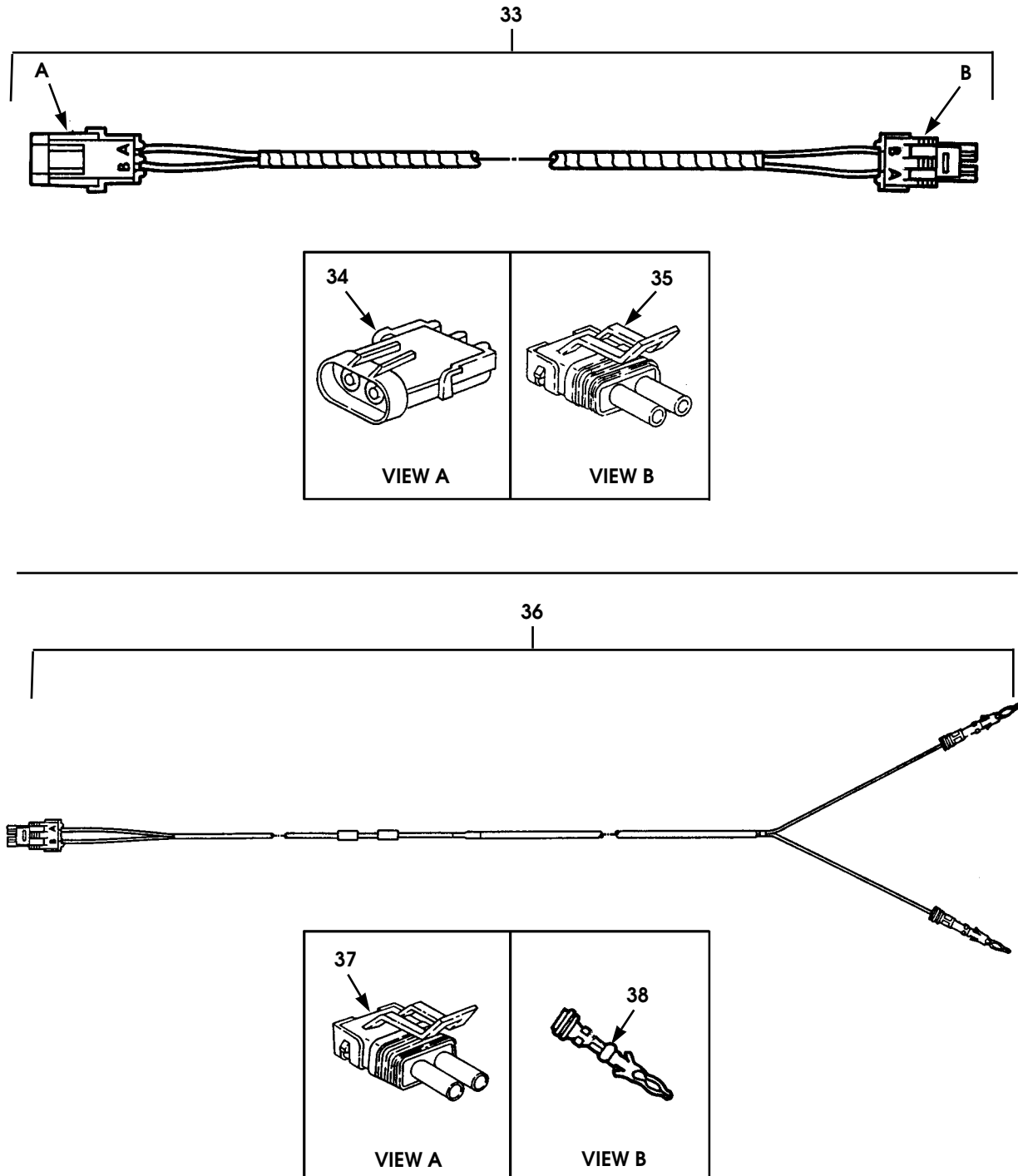
P12-056

Figure 12-39. Two-Door and Four-Door Power Door Locks Kit (Sheet 5 of 8).



# HUMMER PARTS CATALOG

## 12-102 ELECTRICAL

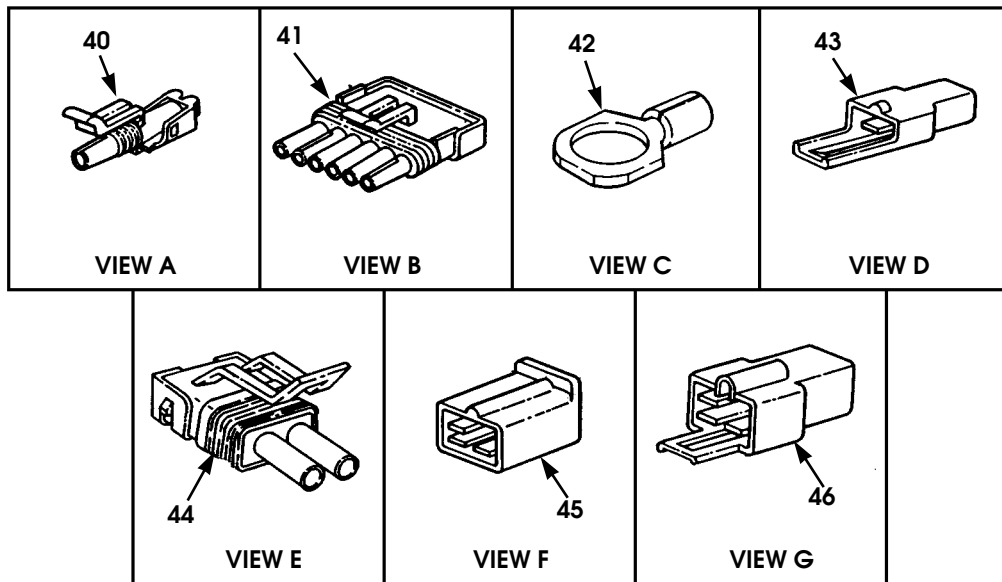
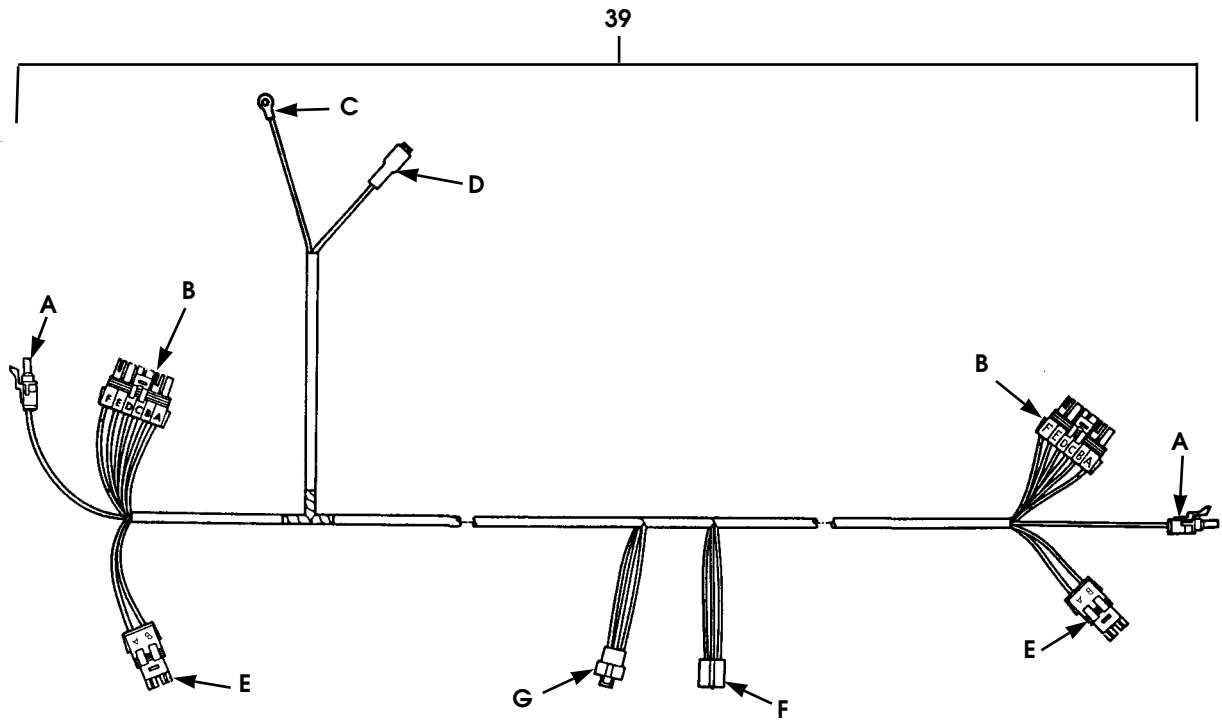


P12-057

Figure 12-39. Two-Door and Four-Door Power Door Locks Kit (Sheet 6 of 8).

# HUMMER PARTS CATALOG

ELECTRICAL 12-103

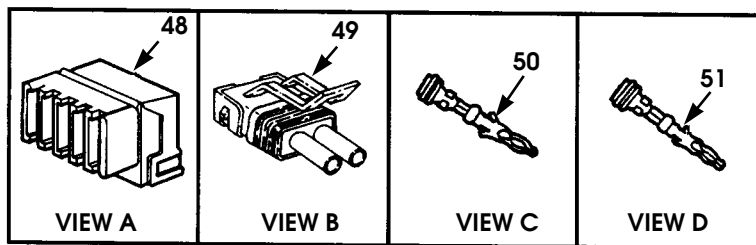
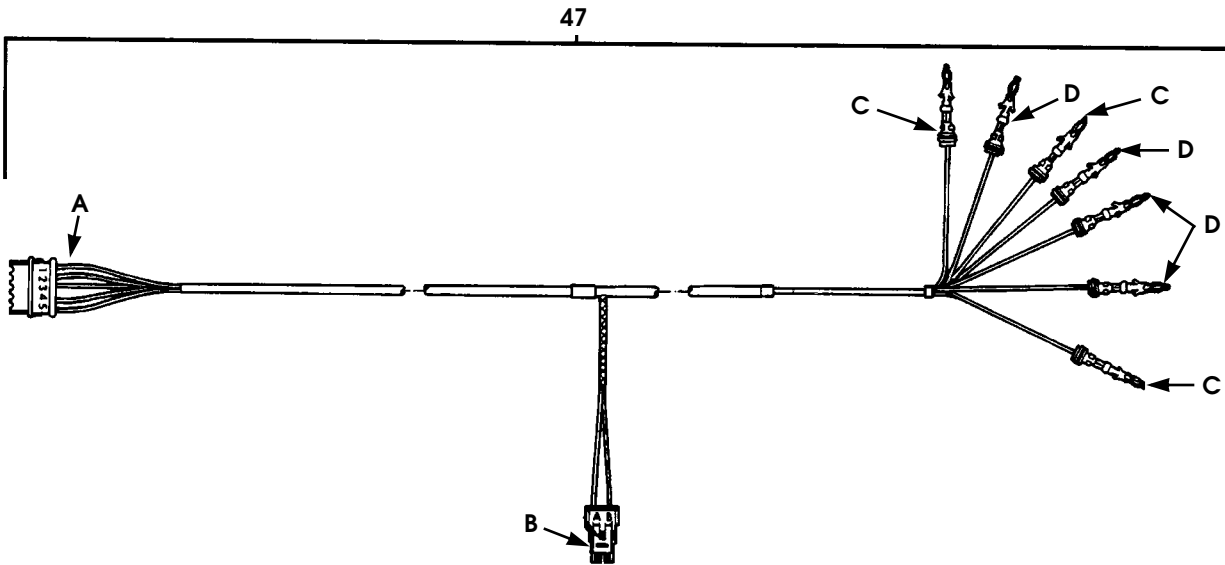


P12-058

Figure 12-39. Two-Door and Four-Door Power Door Locks Kit (Sheet 7 of 8).

# HUMMER PARTS CATALOG

## 12-104 ELECTRICAL



52

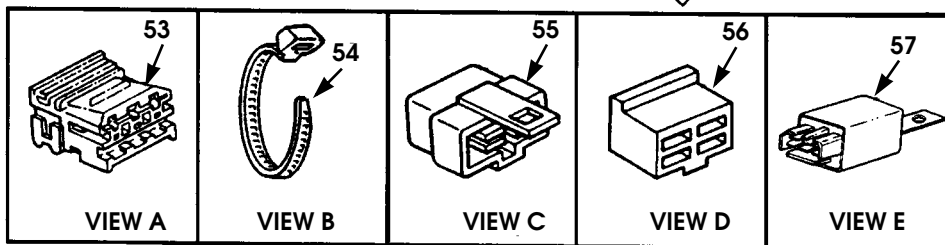
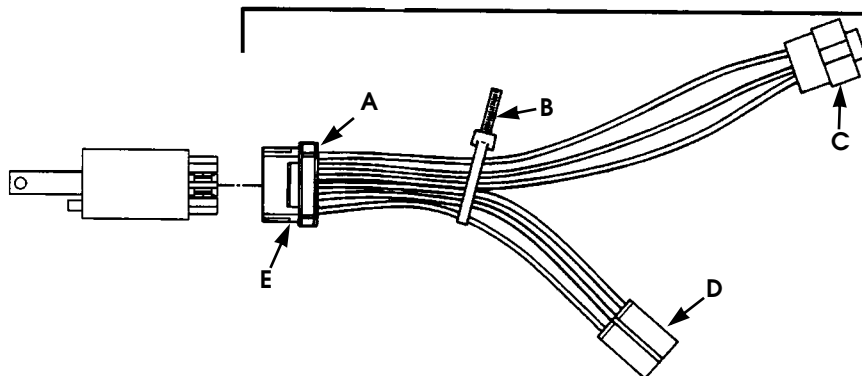


Figure 12-39. Two-Door and Four-Door Power Door Locks Kit (Sheet 8 of 8).

# HUMMER PARTS CATALOG

12-31-95

## ELECTRICAL 12-105

ITEM	PART NUMBER	DESCRIPTION	QTY
		Figure 12-39 TWO-DOOR AND FOUR-DOOR POWER DOOR LOCKS KIT	
1	05742911	KIT, two-door . . . . . VLC2, XLC2	1
1	05742912	KIT, four-door . . . . . HMC4, HMCS, VLCO	1
2	06003025	•NUT, flat type . . . . .	4
3	06003023	•BEZEL, door switch (single) . . . . .	2
3	06003024	•BEZEL, door switch (dual) . . . . .	2
4	06000207 P2	•SCREW . . . . .	4
5	06002016	•SWITCH, door lock. . . . .	2
6	06001038 X	•CLIP, trim . . . . .	2
7	06001694	•WATERSHIELD, door latch . . . . . VLC2, XLC2	4
7	06001694	•WATERSHIELD, door latch . . . . . HMC4, HMCS, VLCO	6
8	06001623	•WATERSHIELD, front, L.H. . . . .	1
8	06001624	•WATERSHIELD, front, R.H. . . . .	1
8	06001625	•WATERSHIELD, rear, L.H. . . . . HMC4, HMCS, VLCO	1
8	06001626	•WATERSHIELD, rear, R.H. . . . . HMC4, HMCS, VLCO	1
9	05939037	•CLIP, rod end . . . . . VLC2, XLC2	4
9	05939037	•CLIP, rod end . . . . . HMC4, HMCS, VLCO	8
10	06001997	•ACTUATOR ROD, front, L.H. . . . .	1
10	06001998	•ACTUATOR ROD, front, R.H. . . . .	1
10	06002002	•ACTUATOR ROD, rear, L.H. . . . . HMC4, HMCS, VLCO	1
10	06002003	•ACTUATOR ROD, rear, R.H. . . . . HMC4, HMCS, VLCO	1
11	06002513	•ACTUATOR, power door lock . . . . . VLC2, XLC2	2
11	06002513	•ACTUATOR, power door lock . . . . . HMC4, HMCS, VLCO	4
12	06004031	•SCREW . . . . . VLC2, XLC2	8
12	06004031	•SCREW . . . . . HMC4, HMCS, VLCO	16
13	12340003	•CLIP, rod handle, L.H. . . . . VLC2, XLC2	1

12-31-95

# HUMMER PARTS CATALOG

## 12-106 ELECTRICAL

ITEM	PART NUMBER	DESCRIPTION	QTY
		Figure 12-39 TWO-DOOR AND FOUR-DOOR POWER DOOR LOCKS KIT (Cont'd)	
13	12340003	•CLIP,rod handle,L.H. . . . . HMC4, HMCS, VLCO	2
13	12340002	•CLIP,rod handle,R.H. . . . . VLC2, XLC2	1
13	12340002	•CLIP,rod handle,R.H. . . . . HMC4, HMCS, VLCO	2
14	06001892	•BUSHING, snap . . . . . HMC4, HMCS, VLCO	4
15	06002437	•GROMMET, rubber . . . . . HMC4, HMCS, VLCO	2
16	G 09411893	•NUT AND LOCKWASHER . . . . . VLC2, XLC2	2
16	G 09411893	•NUT AND LOCKWASHER . . . . . HMC4, HMCS, VLCO	4
17	MS 00021333 68	•CLAMP,cushioned . . . . . HMC4, HMCS, VLCO	2
18	G 00454065	•SCREW . . . . . VLC2, XLC2	2
18	G 00454065	•SCREW . . . . . HMC4, HMCS, VLCO	4
19	MS 00003367 1	•TIEDOWN STRAP . . . . . VLC2, XLC2	3
19	MS 00003367 1	•TIEDOWN STRAP . . . . . HMC4, HMCS, VLCO	7
20	05939099	•CONNECTOR . . . . . HMC4, HMCS, VLCO	2
21	06002505	•TUBING, convoluted . . . . . HMC4, HMCS, VLCO	2
22	MS 00021333 73	•CLAMP,cushioned . . . . . HMC4, HMCS, VLCO	2
23	06002470	•BRACKET, rear . . . . . HMC4, HMCS, VLCO	2
24	06002466	•RETAINER, wire . . . . . VLC2, XLC2	2
24	06002466	•RETAINER, wire . . . . . HMC4, HMCS, VLCO	4
25	06001893	•BUSHING, snap . . . . . VLC2, XLC2	4
25	06001893	•BUSHING, snap . . . . . HMC4, HMCS, VLCO	8
26	06001840	•BRACKET, front, L.H. . . . .	1

# HUMMER PARTS CATALOG

12-31-95

## ELECTRICAL 12-107

ITEM	PART NUMBER	DESCRIPTION	QTY
		Figure 12-39 TWO-DOOR AND FOUR-DOOR POWER DOOR LOCKS KIT (Cont'd)	
26	06001841	•BRACKET, front, R.H. . . . .	1
27	06002436	•GROMMET, rubber . . . . .	2
28	05939237	•PLUG, connector, male . . . . .	2
29	MS 00021333 70	•CLAMP, cushioned . . . . .	2
30	05995713	•CONNECTOR. . . . .	2
31	MS 00021333 74	•CLAMP, cushioned . . . . .	2
32	05939406	•MINI-FUSE, 20-amp . . . . .	1
33	06001871	•JUMPER HARNESS, door locks, rear . . . . .	2
		HMC4, HMCS, VLCO	
★ 34	05995717	••CONNECTOR, power locks, body harness . . . . .	1
		HMC4, HMCS, VLCO	
★ 35	05995718	••CONNECTOR, door harness, rear . . . . .	1
		HMC4, HMCS, VLCO	
36	06001973	•DOOR HARNESS, rear . . . . .	2
		HMC4, HMCS, VLCO	
37	05995717	••CONNECTOR, power locks, jumper harness, rear . . . . .	1
		HMC4, HMCS, VLCO	
38	05939610	••TERMINAL, power locks, jumper harness, rear . . . . .	2
		HMC4, HMCS, VLCO	
39	06001872	•DASH HARNESS . . . . .	1
40	05939236	••CONNECTOR, door harness, front, L.H. and R.H. . . . .	2
★ 41	05995714	••CONNECTOR, door harness, front, L.H. and R.H. . . . .	2
42	05903144	••TERMINAL RING, body harness . . . . .	1
43	05903093	••CONNECTOR, body harness . . . . .	1
44	05995717	••CONNECTOR, rear door, L.H. and R.H. . . . .	2
★ 45	05962769	••CONNECTOR, relay harness . . . . .	1
46	05903246	••CONNECTOR, body harness . . . . .	1
47	06001980	•DOOR HARNESS, front. . . . .	2
48	06001903	••CONNECTOR, door lock switch. . . . .	1
49	05995717	••CONNECTOR, lock motor . . . . .	1
50	06001899	••TERMINAL, body harness . . . . .	3
51	05939610	••TERMINAL, body harness . . . . .	4
52	06002593	•HARNESS ASSEMBLY, timer-relay. . . . .	1
		HMC4, HMCS, VLCO	
53	06002597	••CONNECTOR, timer-relay. . . . .	1
		HMC4, HMCS, VLCO	
54	MS 00003367 7	••CABLE TIE, timer-relay . . . . .	1
		HMC4, HMCS, VLCO	

12-31-95

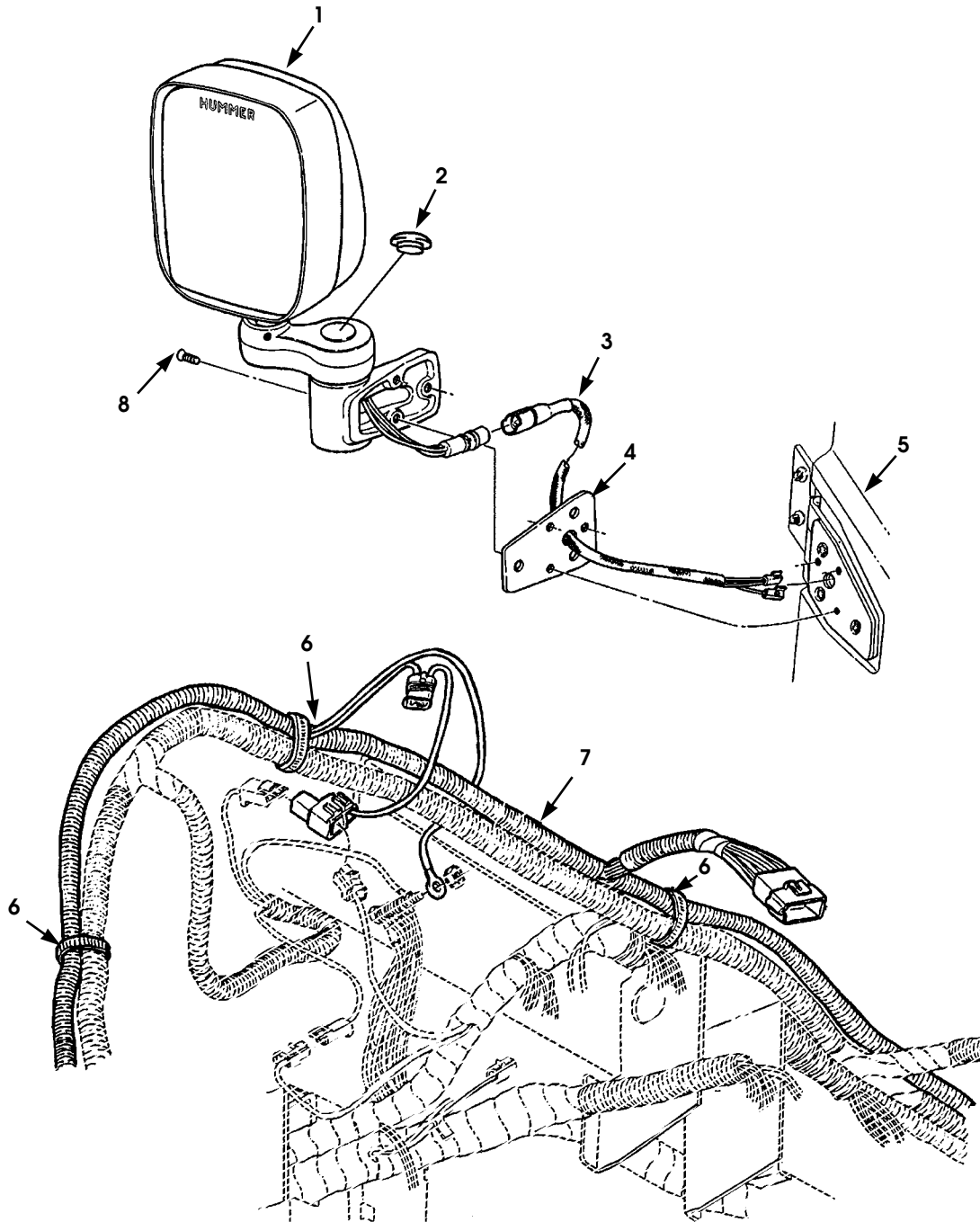
# HUMMER PARTS CATALOG

## 12-108 ELECTRICAL

ITEM	PART NUMBER	DESCRIPTION	QTY
		Figure 12-39 TWO-DOOR AND FOUR-DOOR POWER DOOR LOCKS KIT (Cont'd)	
55	05903246	••CONNECTOR, timer-relay . . . . . HMC4, HMCS, VLCO	1
56	05962769	••CONNECTOR, timer-relay . . . . . HMC4, HMCS, VLCO	1
57	06002592	TIMER-RELAY . . . . .	1







P12-108

Figure 12-40. Power Mirrors

# HUMMER PARTS CATALOG

12-31-95

## ELECTRICAL 12-111

ITEM	PART NUMBER	DESCRIPTION	QTY
		Figure 12-40 POWER MIRRORS	
1	06003828	MIRROR, L.H. ....	1
1	06003829	MIRROR, R.H. ....	1
		HMC4, HMCS, VLC2, XLC2	
1	06003830	MIRROR, R.H. .... VLCO	1
2	05744075	CAP, mirror pivot. ....	1
3	06003884	HARNESS, door jumper . ....	2
4	06003449	GASKET. ....	2
5	06003618	PLATE, mirror mounting . ....	2
6	MS 00003367 1-0	TIEDOWN STRAP. ....	5
7	06003696	HARNESS, instrument panel . ....	1
8	06003933 P2	SCREW . ....	6



## ACCESSORIES 13-1

### Section 13

### ACCESSORIES

TITLE	PAGE NUMBER
Winch Assembly, Mounting Hardware, and Related Parts (Winch Kit) . . . . .	13-2
Winch Assembly . . . . .	13-4
Trailer Towing Kit . . . . .	13-6
Reel Lamp Accessory Kit . . . . .	13-8
Brushguard Kit and Mounting Hardware . . . . .	13-10
Reflective Triangle Warning Device, Jack Assembly, and Mounting Hardware . . . . .	13-12
Pioneer Tool Kit . . . . .	13-14
Swing-Away Spare Tire Carrier . . . . .	13-16
Bed-Mounted Spare Tire Carrier . . . . .	13-18
Underbody Protection and Mounting Hardware . . . . .	13-20
Underbody Protection Skid Plates . . . . .	13-22
Rocker Panel Guard Accessory Kit . . . . .	13-24
Special Tools, Air Conditioner Compressor . . . . .	13-26
Special Tools, Drive Belts and Transmission . . . . .	13-28
Special Tools, Drive Belts and Transmission . . . . .	13-30
Special Tools, Transmission . . . . .	13-32
Special Tools, Transmission . . . . .	13-34
Special Tools, Transmission . . . . .	13-36
Special Tools, Transmission . . . . .	13-38
Special Tools, Transfer Case . . . . .	13-40
Special Tools, Axle Differential . . . . .	13-42
Special Tools, Geared Hub and Steering . . . . .	13-44
Special Tools, Steering Pump, Body, and Speedometer Drive . . . . .	13-46
Special Tools, Fuel Injection Pump . . . . .	13-48
Special Tools, Multipurpose . . . . .	13-50
External Tubeless Tire Repair Kit . . . . .	13-52
Internal Tubeless Tire Repair Kit . . . . .	13-54
Winch Accessory Kit . . . . .	13-56
Driver's Seat Armrest Kit . . . . .	13-58
Remote Entry Kit . . . . .	13-60
Snow Plow Preparation Kit . . . . .	13-62
Roof Rack Kit . . . . .	13-64
Running Board Kit . . . . .	13-66
Station Wagon Tailgate Seals . . . . .	13-68
Station Wagon Liftgate Assembly and Mounting Hardware . . . . .	13-70
Auxiliary Air Hose Kit . . . . .	13-72
Cruise Control, Actuator, Wiring Harness and Mounting Hardware . . . . .	13-74
Rear Defroster . . . . .	13-76
Tachometer and Mounting Hardware . . . . .	13-78
Auxiliary Seats Large and Small . . . . .	13-80
Repair Kits . . . . .	13-82
Bulk . . . . .	13-88
Tonneau Cover for 4-Door Hardtop . . . . .	13-89

12-31-95

# HUMMER PARTS CATALOG

## 13-2 ACCESSORIES

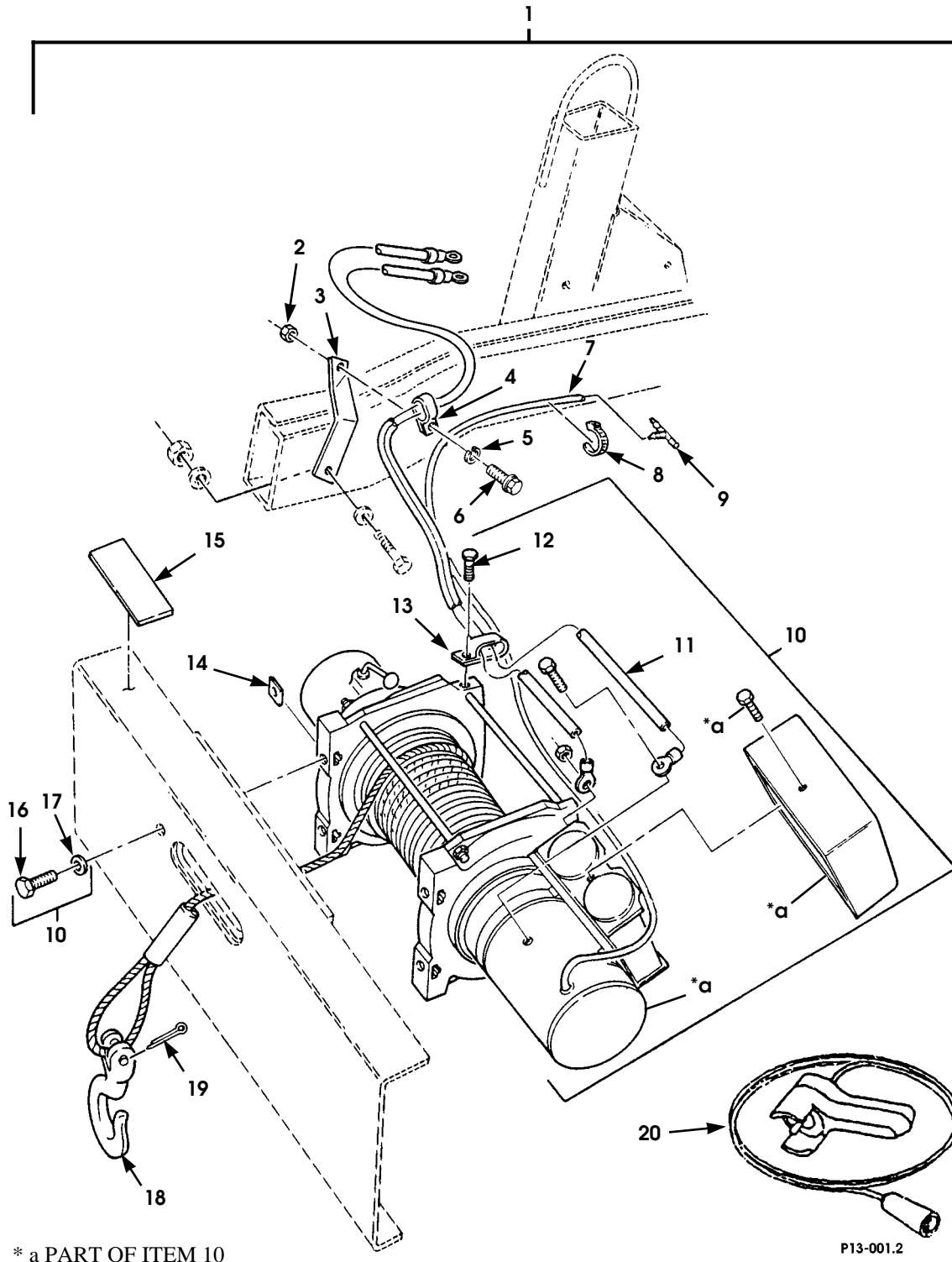


Figure 13-1. Winch Assembly, Mounting Hardware, and Related Parts (Winch Kit).

# HUMMER PARTS CATALOG

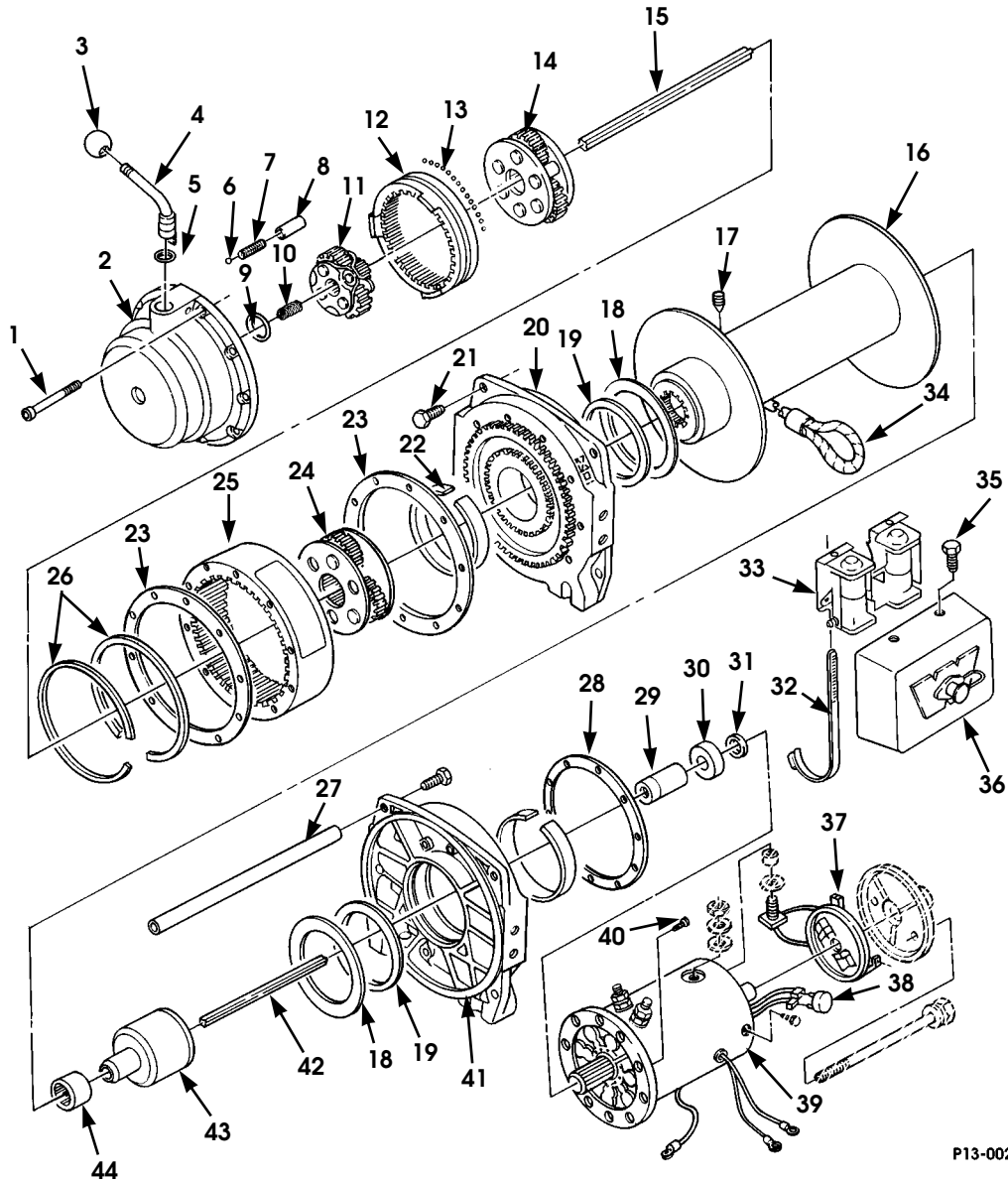
12-31-95

## ACCESSORIES 13-3

ITEM	PART NUMBER	DESCRIPTION	QTY
		Figure 13-1 WINCH ASSEMBLY, MOUNTING HARDWARE, AND RELATED PARTS (WINCH KIT)	
1	05744376	KIT, winch, 12V, 12000 lb. capacity, SEE NOTES 1 and 2	1
2	MS 00051967 3	•NUT, clamp, 1/4"-20 . . . . .	1
3	12338481	•BRACKET, clamp . . . . .	1
* 4	07385182	•CLAMP, positive and ground cables. . . . .	1
5	MS 00035338 44P2	•LOCKWASHER, clamp, 1/4" . . . . .	1
6	G 09415477	•SCREW, clamp, 1/4"-20 x 3/4" . . . . .	1
7	05741079	•TUBE, winch vent line, 70-inches long . . . . .	1
8	MS 00003367 7	•STRAP, tiedown, vent line . . . . .	4
9	12339973 1	•TEE, vent line . . . . .	1
10	06003560	•WINCH assembly . . . . .	1
11	05744290	••CABLE ASSEMBLY, winch-to-battery . . . . .	1
12	05740980	••SCREW, clamp. . . . .	2
13	MS 00021334 28	••CLAMP, positive and ground cables. . . . .	2
14	MS 00027040 13	••NUT, winch . . . . .	4
15	06000236	••DECAL, winch . . . . .	1
16	G 09425080	••BOLT, winch, 7/16"-14 x 1.5" . . . . .	4
17	G 02436164 P2	••WASHER, winch, 7/16" . . . . .	4
* 18	05742784	•HOOK AND PIN . . . . .	1
* 19	MS 00024665 355	••COTTER PIN, 1/8 x 1 1/4". . . . .	1
20	05939435	•HAND CONTROLLER, winch . . . . .	1
		NOTE 1: MUST ALSO ORDER SKID PLATE, P/N 05935669, FOR VEHICLES WITH UNDERBODY PROTECTION	
		NOTE 2: FOR MOUNTING HARDWARE, SEE FIGURE 9-9	

# HUMMER PARTS CATALOG

## 13-4 ACCESSORIES



P13-002

Figure 13-2. Winch Assembly.

# HUMMER PARTS CATALOG

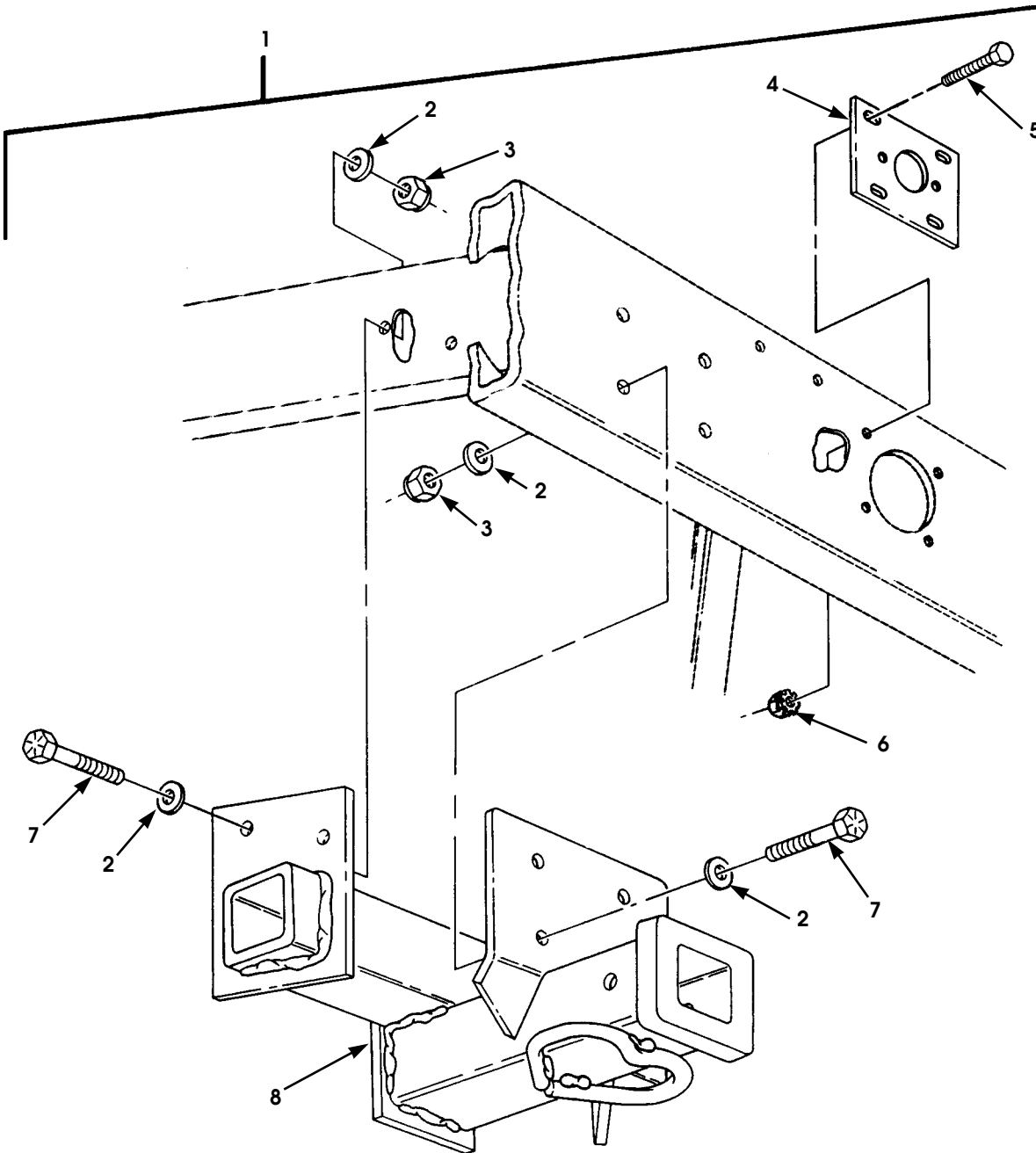
## ACCESSORIES 13-5

ITEM	PART NUMBER	DESCRIPTION	QTY
		Figure 13-2 WINCH ASSEMBLY	
1	05742884	CAPSCREW . . . . .	10
2	05742968	CCW GEAR HOUSING ASSEMBLY (includes item 9) . .	1
3	05741021	KNOB . . . . .	1
4	05742969	CLUTCH LEVER, with plastic knob (includes item 5) . .	1
5	05742885	SEAL, O-ring . . . . .	1
6	05742877	1/4-INCH DIA. STEEL BALL . . . . .	1
7	05742876	COMPRESSION SPRING . . . . .	1
8	05742858	DETENT SPACER . . . . .	1
9	05742871	THRUST PLATE . . . . .	1
10	05742888	SUN GEAR, input . . . . .	1
11	05742886	CARRIER ASSEMBLY, stage 1 . . . . .	1
12	05742857	RING GEAR, stage 2 . . . . .	1
13	05742872	3/16-INCH DIA. STEEL BALL SET, 85 balls . . . . .	1
14	05742873	CARRIER ASSEMBLY, stage 2 . . . . .	1
15	05742971	HEX SHAFT, output . . . . .	1
16	05742892	3.5 x 6-INCH DRUM ASSEMBLY (includes item 17) . . . .	1
16	05742973	3.5 x 6-INCH DRUM ASSEMBLY (includes items 17 and 34) . . . . .	1
17	05742890	SETSCREW . . . . .	1
18	05741144	THRUST WASHER, nylon . . . . .	2
19	05742867	OIL SEAL, radial . . . . .	2
20	05742967	CCW DRUM SUPPORT, gear end (includes items 19 and 22) . . . . .	1
21	05742875	CAPSCREW . . . . .	6
22	05742866	DRUM BUSHING, nylon . . . . .	2
23	05742881	GASKET . . . . .	2
24	05742887	CARRIER ASSEMBLY, stage 3 . . . . .	1
25	05742970	RING GEAR ASSEMBLY, series 12 . . . . .	1
26	05742883	RETAINING RING . . . . .	2
27	05742893	TIE ROD . . . . .	3
28	05741004	GASKET . . . . .	1
29	05742869	COUPLING, motor shaft . . . . .	1
30	05742880	BALL BEARING . . . . .	1
31	05742882	SPACER, motor shaft . . . . .	1
32	05741028	CLAMP, winch motor . . . . .	1
33	05742932	CONTROL PACK, 12 VDC . . . . .	1
34	05742974	WIRE ROPE, 7/16-inch DIA. x 75-feet long . . . . .	1
35	05741030	SCREW, solenoid cover . . . . .	2
36	05742879	SOLENOID HOUSING . . . . .	1
37	05742870	BRUSH SET, 12 VDC . . . . .	1
38	05742874	SWITCH, electric thermal . . . . .	1
39	05742868	ELECTRIC MOTOR, 12 VDC (includes items 30 and 31)	1
40	05741005	CAPSCREW . . . . .	10
41	05742897	DRUM SUPPORT, motor end (includes items 19 and 22)	1
42	05742972	HEX SHAFT, input . . . . .	1
43	05742891	BRAKE ASSEMBLY . . . . .	1
44	05742878	ROLLER CLUTCH . . . . .	1



# HUMMER PARTS CATALOG

## 13-6 ACCESSORIES



P13-003

Figure 13-3. Trailer Towing Kit.

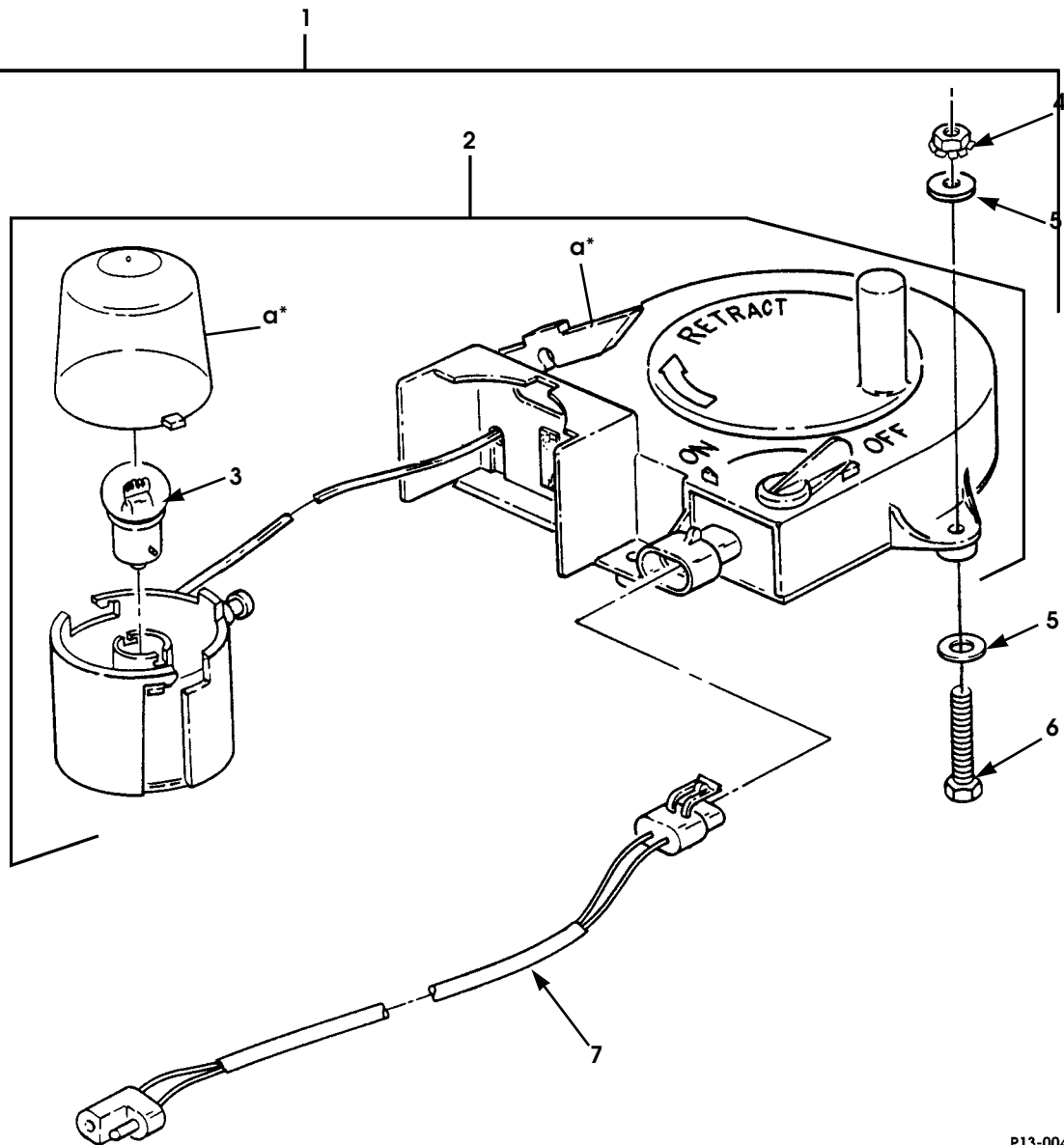
# HUMMER PARTS CATALOG

## ACCESSORIES 13-7

ITEM	PART NUMBER	DESCRIPTION	QTY
		Figure 13-3 TRAILER TOWING KIT	
1	05939341	KIT, trailer towing, SEE NOTE 1 . . . . .	1
2	G 02436165 P2	•WASHER . . . . .	16
3	MS 00051943 39	•NUT . . . . .	8
4	05939199	•PLATE ASSEMBLY, connector mounting, SEE NOTE 2 .	1
5	MS 00051849 98	•BOLT . . . . .	4
6	G 00271172	•NUT . . . . .	4
7	MS 00090728 114	•BOLT . . . . .	8
8	05939424	•RECEIVER ASSEMBLY . . . . .	1
		NOTE 1: TRAILER PLUG AND CABLE HARNESS AND TRAILER JUMPER HARNESS ARE SHOWN ON FIGURE 12-23	
		NOTE 2: PART OF TRAILER TOWING WIRING KIT P/N 05743007	

# HUMMER PARTS CATALOG

## 13-8 ACCESSORIES



P13-004

\* a PART OF ITEM 2

Figure 13-4. Reel Lamp Accessory Kit.

# HUMMER PARTS CATALOG

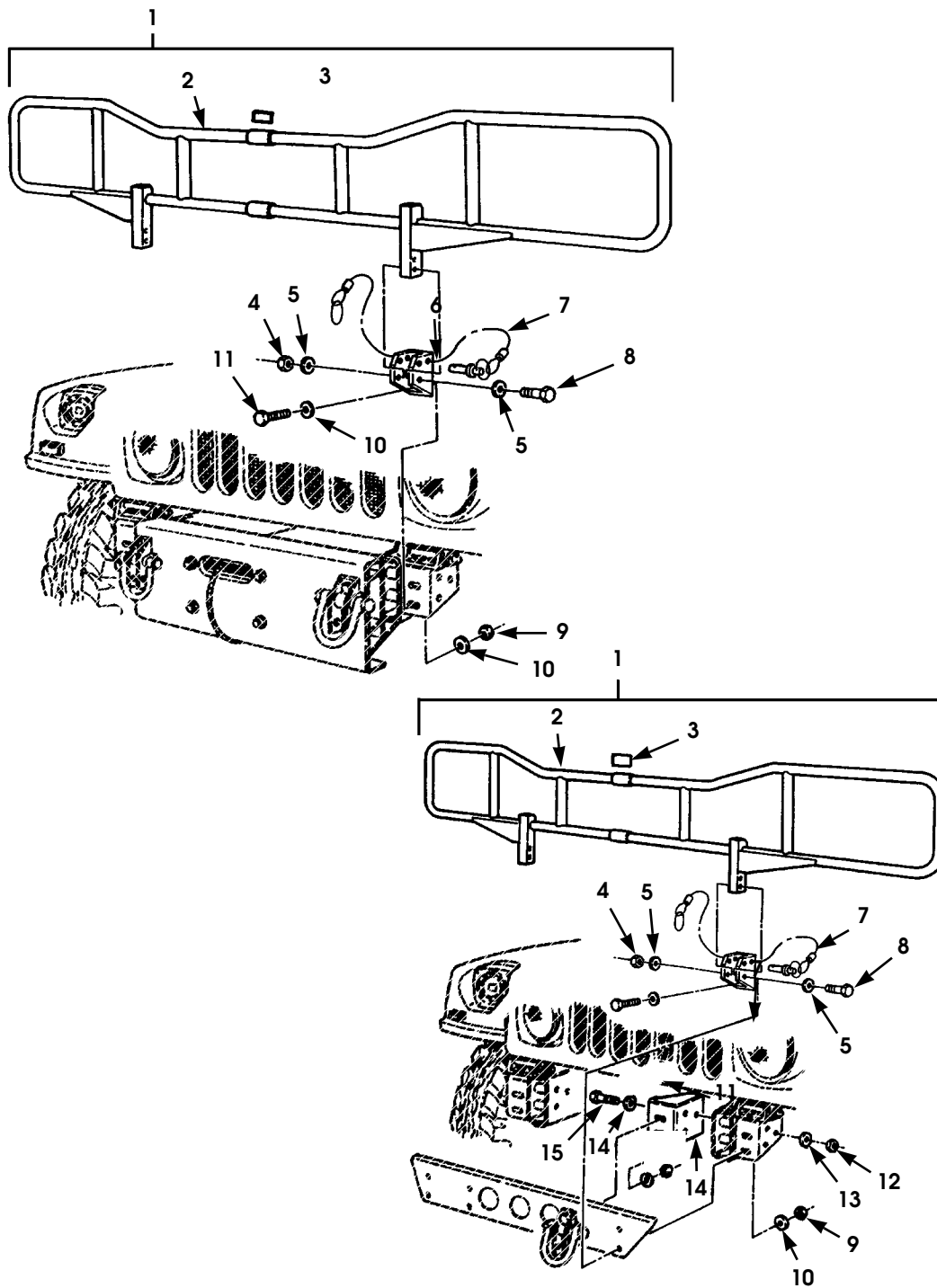
## ACCESSORIES 13-9

ITEM	PART NUMBER	DESCRIPTION	QTY
		Figure 13-4 REEL LAMP ACCESSORY KIT	
1	05743071	KIT, reel lamp . . . . .	1
2	05939056	•REEL LAMP ASSEMBLY . . . . .	1
3	N/S	••BULB (trade #GE232) . . . . .	1
4	G 00190254	•LOCKNUT . . . . .	3
5	MS 00027183 42	•WASHER . . . . .	6
6	MS 00051849 78	•SCREW . . . . .	3
7	06000320	•HARNESS ASSEMBLY, work light jumper . . . . .	1

12-31-95

# HUMMER PARTS CATALOG

## 13-10 ACCESSORIES



P13-005.1

Figure 13-5. Brush guard Kit and Mounting Hardware.

# HUMMER PARTS CATALOG

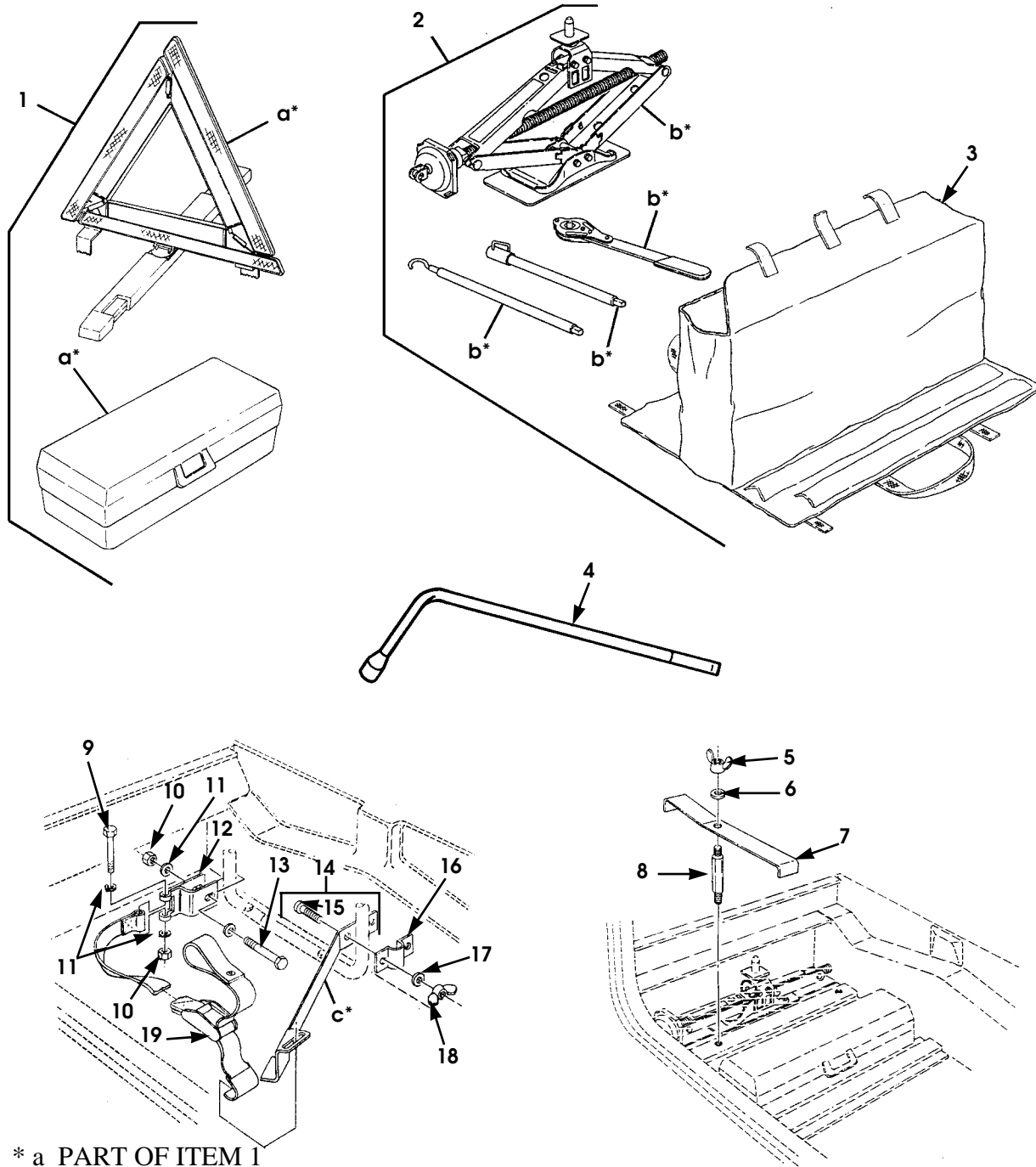
12-31-95

## ACCESSORIES 13-11

ITEM	PART NUMBER	DESCRIPTION	QTY
		Figure 13-5 BRUSHGUARD KIT AND MOUNTING HARDWARE	
1	06000999	KIT, brushguard, vehicle w/ winch. . . . .	1
1	06001000	KIT, brushguard, vehicle w/o winch. . . . .	1
2	06000862	•BRUSHGUARD ASSEMBLY . . . . .	1
3	05939266	•DECAL, brushguard . . . . .	1
4	MS 00051943 43P2	•NUT, bracket mounting, w/o winch (part of kit P/N 06001000) . . . . .	2
4	MS 00051943 43P2	•NUT, bracket mounting, w/ winch (part of kit P/N 06000999) . . . . .	8
5	G 02436167 P2	•WASHER, bracket mounting. . . . .	16
6	06000864 B1	•BRACKET, brushguard support. . . . .	2
* 7	06007230	•PIN ASSEMBLY, bracket mounting . . . . .	2
8	MS 90728-17 1P2	•SCREW, bracket mounting. . . . .	2
9	MS 00051943 39	•NUT, bracket mounting. . . . .	4
10	G 02436165 P2	•WASHER, bracket mounting. . . . .	8
11	MS 00090728 114	•SCREW, bracket mounting. . . . .	4
12	MS 00051943 43	•NUT, w/o winch . . . . . (part of kit P/N 06001000)	8
13	G 02436167 P2	•WASHER, bracket mounting, w/o winch. . . . .	16
14	06001552	•BRACKET, tow hook support, L.H., w/o winch (part of kit P/N 06001000) . . . . .	1
14	06001553	•BRACKET, tow hook support, R.H., w/o winch (part of kit P/N 06001000) . . . . .	1
15	MS 00090728 171	•SCREW, bracket mounting, w/o winch (part of kit P/N 06001000) . . . . .	8

# HUMMER PARTS CATALOG

## 13-12 ACCESSORIES



- \* a PART OF ITEM 1
- \* b PART OF ITEM 2
- \* c PART OF ITEM 13

Figure 13-6. Reflective Triangle Warning Device, Jack Assembly, and Mounting Hardware.

# HUMMER PARTS CATALOG

## ACCESSORIES 13-13

ITEM	PART NUMBER	DESCRIPTION	QTY
		Figure 13-6 REFLECTIVE TRIANGLE WARNING DEVICE, JACK ASSEMBLY, AND MOUNTING HARDWARE	
1	05582525	KIT, Folding Reflective Triangle Warning Device . . . . .	1
2	05939822	JACK ASSEMBLY, scissor . . . . .	1
3	06002031	•BAG, jack/tool . . . . .	1
4	14009303	WRENCH, wheel lug . . . . .	1
5	06000162 P2	WING NUT . . . . .	2
		VLC2	
6	G 09418924	WASHER . . . . .	2
		VLC2	
7	06000160 B2	BRACKET, jack holddown . . . . .	2
		VLC2	
8	06000161	STUD, jack holddown . . . . .	2
		VLC2	
9	MS 00090725 14	BOLT . . . . .	1
		HMC4, HMCS, VLCO	
10	G 00134551	NUT . . . . .	2
		HMC4, HMCS, VLCO	
11	G 02436161 P2	WASHER . . . . .	4
		HMC4, HMCS, VLCO	
12	06000268 B2	BRACKET ASSEMBLY, strap . . . . .	1
		HMC4, HMCS, VLCO	
13	MS 00090725 12P2	BOLT . . . . .	1
		HMC4, HMCS, VLCO	
14	06000265 B2	BRACKET, jack holddown . . . . .	1
		HMC4, HMCS, VLCO	
15	12339734 4	•STUD, jack holddown bracket . . . . .	2
16	06000270 B2	BRACKET, clamping. . . . .	1
		HMC4, HMCS, VLCO	
17	G 09416128	WASHER . . . . .	2
		HMC4, HMCS, VLCO	
18	06000271 P2	WINGNUT . . . . .	2
		HMC4, HMCS, VLCO	
19	06000273	STRAP ASSEMBLY . . . . .	1
		HMC4, HMCS, VLCO	





# HUMMER PARTS CATALOG

## ACCESSORIES 13-15

ITEM	PART NUMBER	DESCRIPTION	QTY
1	06004898	Figure 13-7 PIONEER TOOL KIT  KIT, pioneer tool . . . . .	1

# HUMMER PARTS CATALOG

## 13-16 ACCESSORIES

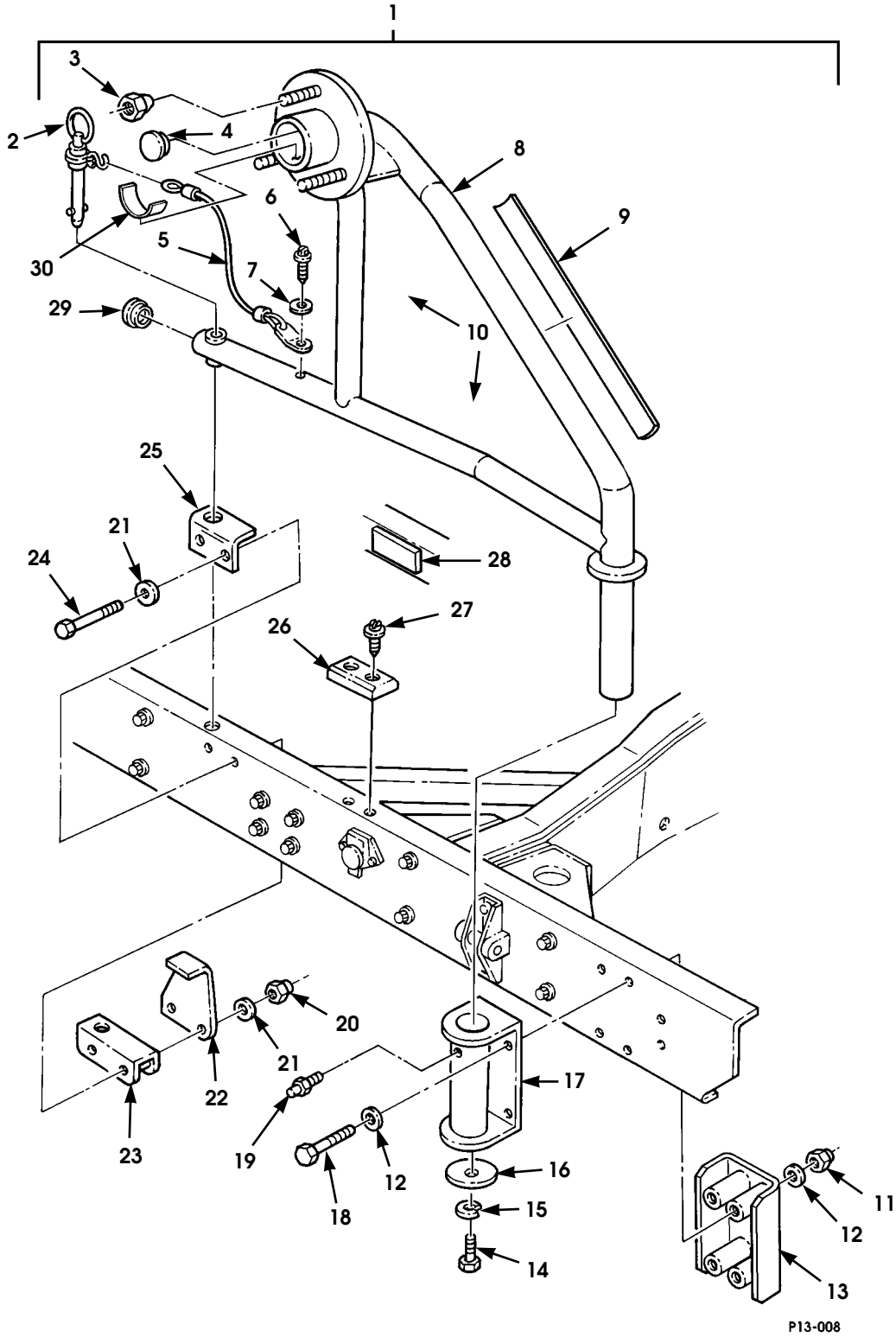


Figure 13-8. Swing-Away Spare Tire Carrier.

# HUMMER PARTS CATALOG

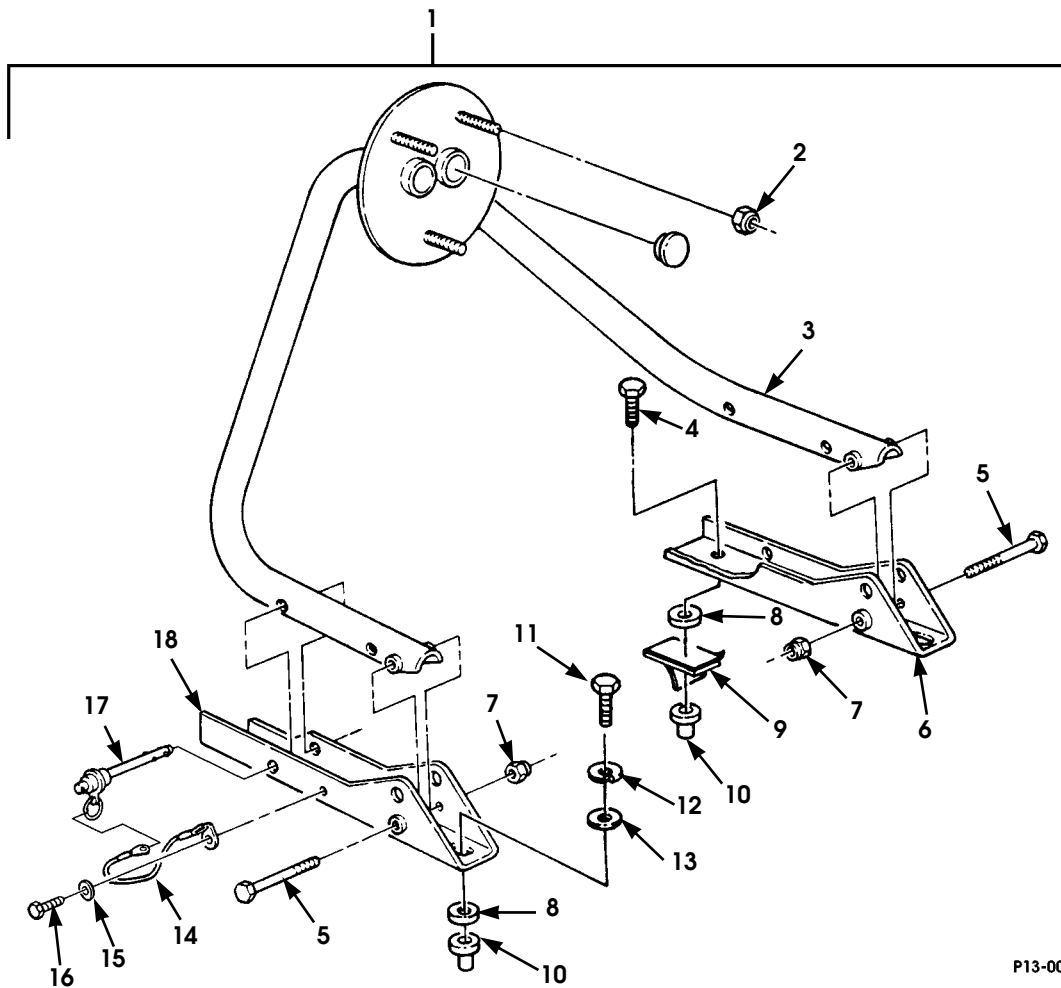
7-1-95

## ACCESSORIES 13-17

ITEM	PART NUMBER	DESCRIPTION	QTY
		Figure 13-8 SWING-AWAY SPARE TIRE CARRIER	
1	05938048	KIT, swing-away spare tire . . . . .	1
2	MS 00017990 0830	•LOCKPIN . . . . .	1
3	12339403 P2	•NUT . . . . .	3
4	NPN	•PLUG . . . . .	2
5	05935839	•LANYARD . . . . .	1
6	G 09420352	•SCREW . . . . .	1
7	G 02436161 P2	•WASHER . . . . .	1
8	05939189	•FRAME ASSEMBLY . . . . .	1
★ 9	06006287	•CUSHION, 1.5" x 15" . . . . .	1
★ 10	05936286	•CUSHION, 1.5" x 7.5" . . . . .	2
11	MS 00051943 39	•NUT . . . . .	4
12	G 02436165	•WASHER . . . . .	8
13	06003653 B2	•REINFORCEMENT, bracket assembly . . . . .	1
14	MS 00090725 34	•BOLT . . . . .	1
15	MS 00035338 45	•WASHER . . . . .	1
16	05935291	•PLATE, tube retainer . . . . .	1
17	05935296	•BRACKET ASSEMBLY . . . . .	1
18	MS 00090728 119	•BOLT . . . . .	4
19	05935290	•LUBE FITTING . . . . .	1
20	MS 00051943 33	•NUT . . . . .	2
21	G 02436162 P2	•WASHER . . . . .	4
22	06000318 B2	•PLATE . . . . .	1
23	06003668 B2	•BRACKET ASSEMBLY, reinforcement stop . . . . .	1
24	MS 00090728 45	•BOLT . . . . .	2
25	06003951	•BRACKET, stop, locking pin . . . . .	1
26	05935281	•GUIDE BLOCK . . . . .	1
27	G 09425183	•SCREW . . . . .	2
28	05936286	•PAD . . . . .	1
29	05935349	•PLUG . . . . .	3
30	06004008	•DECAL, spare tire weight . . . . .	1

# HUMMER PARTS CATALOG

## 13-18 ACCESSORIES



P13-009

Figure 13-9. Bed-Mounted Spare Tire Carrier.

# HUMMER PARTS CATALOG

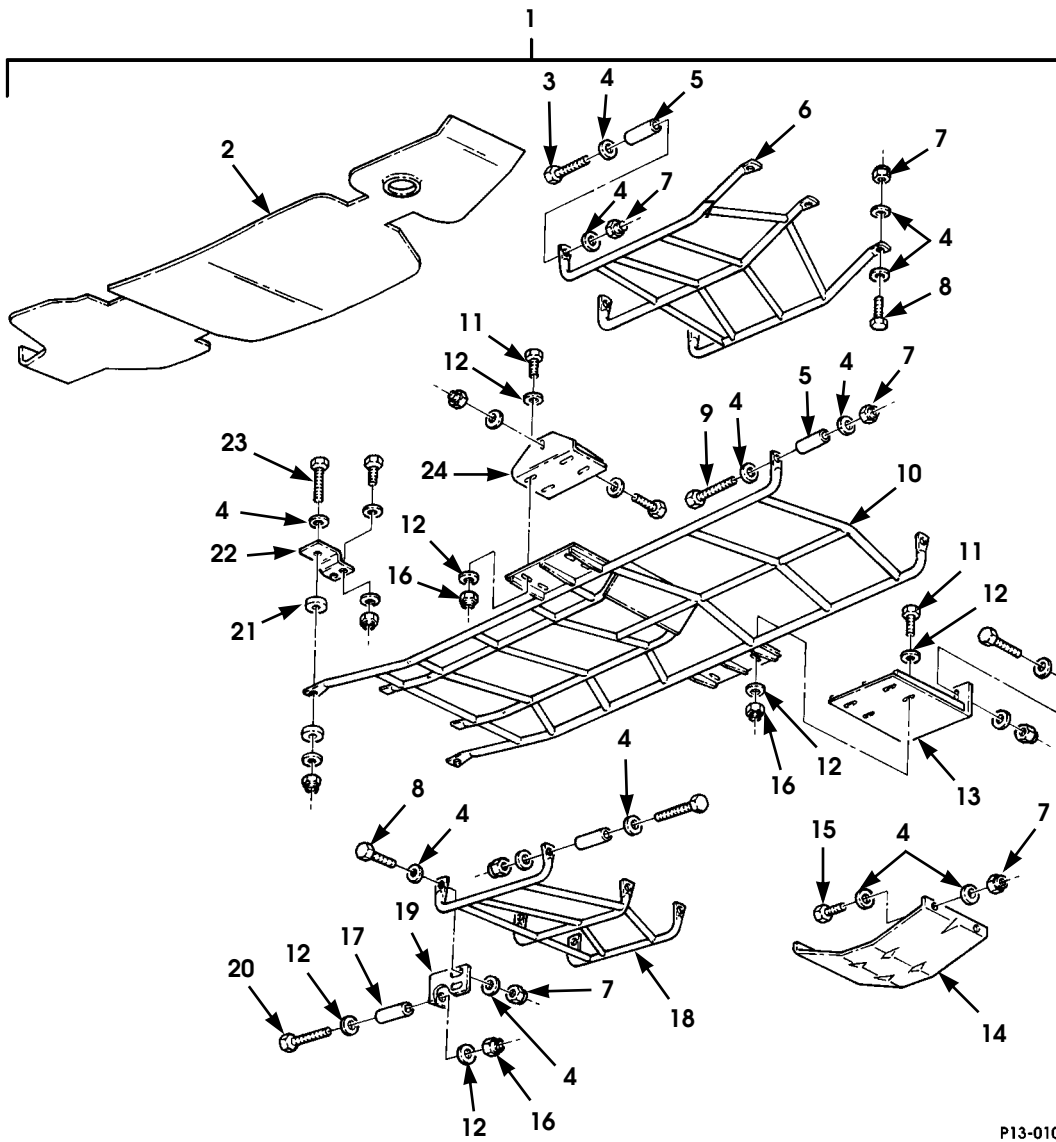
12-31-95

## ACCESSORIES 13-19

ITEM	PART NUMBER	DESCRIPTION	QTY
		Figure 13-9 BED-MOUNTED SPARE TIRE CARRIER	
1	05742944	KIT, bed-mounted spare tire carrier . . . . .	1
2	12339403	•NUT . . . . .	3
* 3	06000929 B3	•SPARE TIRE FRAME ASSEMBLY . . . . .	1
4	MS 00024667 54	•SCREW . . . . .	4
5	G 00122501	•SCREW . . . . .	2
* 6	06000931 B3	•MOUNTING BRACKET, R.H. . . . .	1
7	G 09422301	•NUT . . . . .	2
8	06000942 B2	•SPACER . . . . .	6
9	12339376 1	•ADHESIVE-BACKED TAPE . . . . .	2
10	05935428	•RIVNUT . . . . .	5
11	G 09421235	•SCREW . . . . .	2
12	G 09419871	•LOCKWASHER . . . . .	2
13	G 02436163	•WASHER . . . . .	2
14	05935839	•LANYARD . . . . .	2
15	G 02436161	•WASHER . . . . .	2
16	G 09426781	•SCREW . . . . .	2
17	MS 00017990 0830	•LOCKPIN . . . . .	2
* 18	06000930 B3	•MOUNTING BRACKET, L.H. . . . .	1

# HUMMER PARTS CATALOG

## 13-20 ACCESSORIES



P13-010

Figure 13-10. Underbody Protection and Mounting Hardware.

# HUMMER PARTS CATALOG

12-31-95

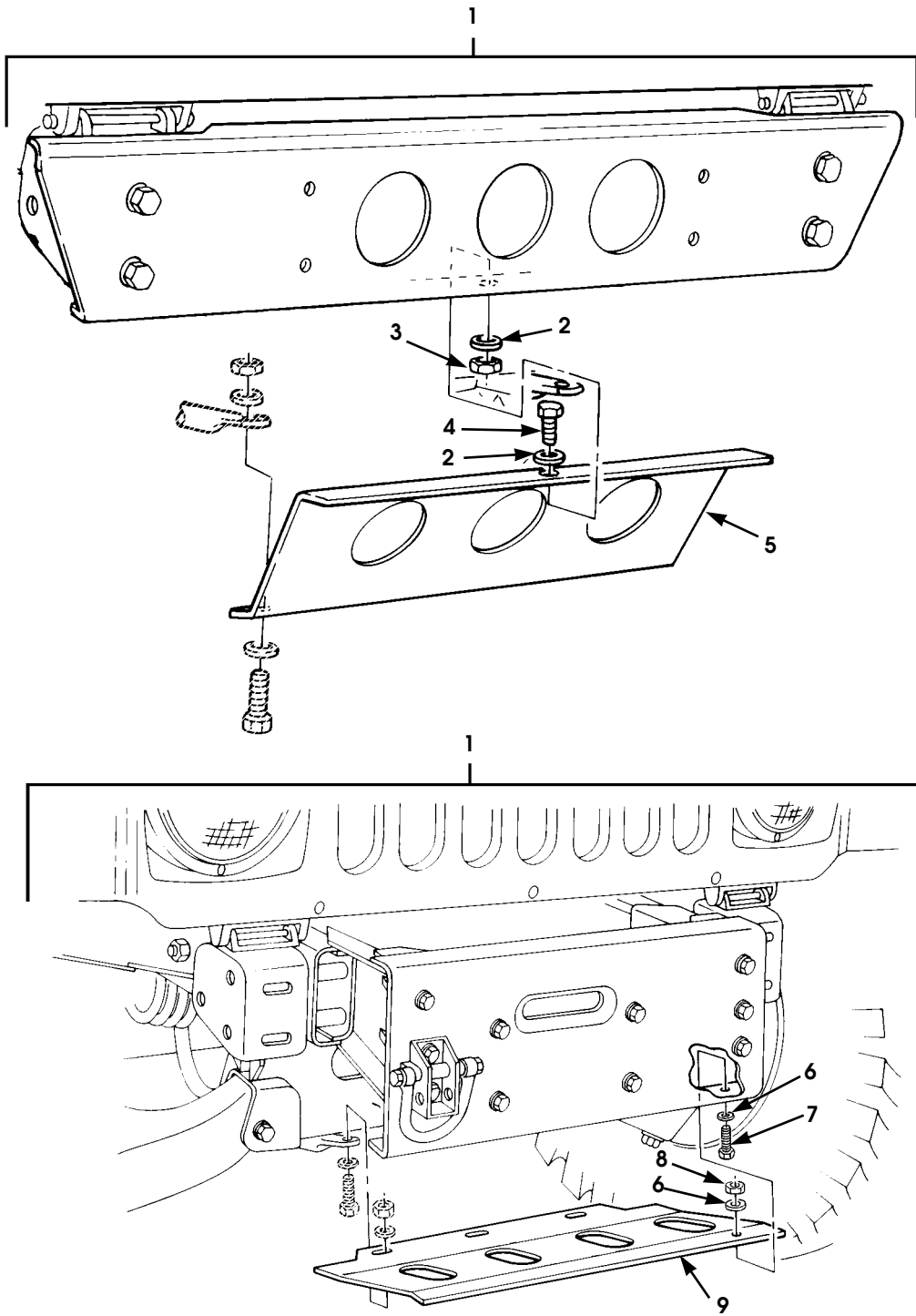
## ACCESSORIES 13-21

ITEM	PART NUMBER	DESCRIPTION	QTY
		Figure 13-10 UNDERBODY PROTECTION AND MOUNTING HARDWARE	
1	06001545	KIT, underbody protection, vehicle w/o winch . . . . .	1
1	06001546	KIT, underbody protection, vehicle w/ winch . . . . .	1
* 2	06006150 B2	•SHIELD, fuel tank . . . . .	1
3	G 09428795	•BOLT . . . . .	5
4	G 02436163 P2	•WASHER (use w/ kit P/N 06001545) . . . . .	40
4	G 02436163 P2	•WASHER (use w/ kit P/N 06001546) . . . . .	30
5	05594341	•SPACER, front . . . . .	3
6	05593490	•FRONT SHIELD ASSEMBLY . . . . .	1
7	MS 00051943 35	•LOCKNUT (use w/ kit P/N 06001545) . . . . .	20
7	MS 00051943 35	•LOCKNUT (use w/ kit P/N 06001546) . . . . .	14
8	MS 00090728 61	•BOLT . . . . .	7
9	G 09430724	•BOLT . . . . .	1
10	05593491	•INTERMEDIATE SHIELD ASSEMBLY . . . . .	1
11	G 09430677	•BOLT . . . . .	8
12	G 02436162 P2	•WASHER . . . . .	28
13	05593494	•BRACKET ASSEMBLY, shield mounting, L.H. . . . .	1
14	05593499	•SHIELD, transfer case . . . . .	1
15	MS 00090728 60	•BOLT . . . . .	2
16	MS 00051943 33	•LOCKNUT . . . . .	14
17	05594342	•SPACER, rear . . . . .	9
18	05593492	•REAR SHIELD ASSEMBLY . . . . .	1
19	05593493	•BRACKET, tube rear mounting . . . . .	3
20	G 00453039	•BOLT . . . . .	6
21	05593497	•WASHER . . . . .	4
22	05593496	•BRACKET, tube support transmission . . . . .	2
23	MS 00090728 64	•BOLT . . . . .	2
24	05593495	•BRACKET ASSEMBLY, shield mounting, R.H. . . . .	1



# HUMMER PARTS CATALOG

## 13-22 ACCESSORIES



P13-011

Figure 13-11. Underbody Protection Skid Plates.

# HUMMER PARTS CATALOG

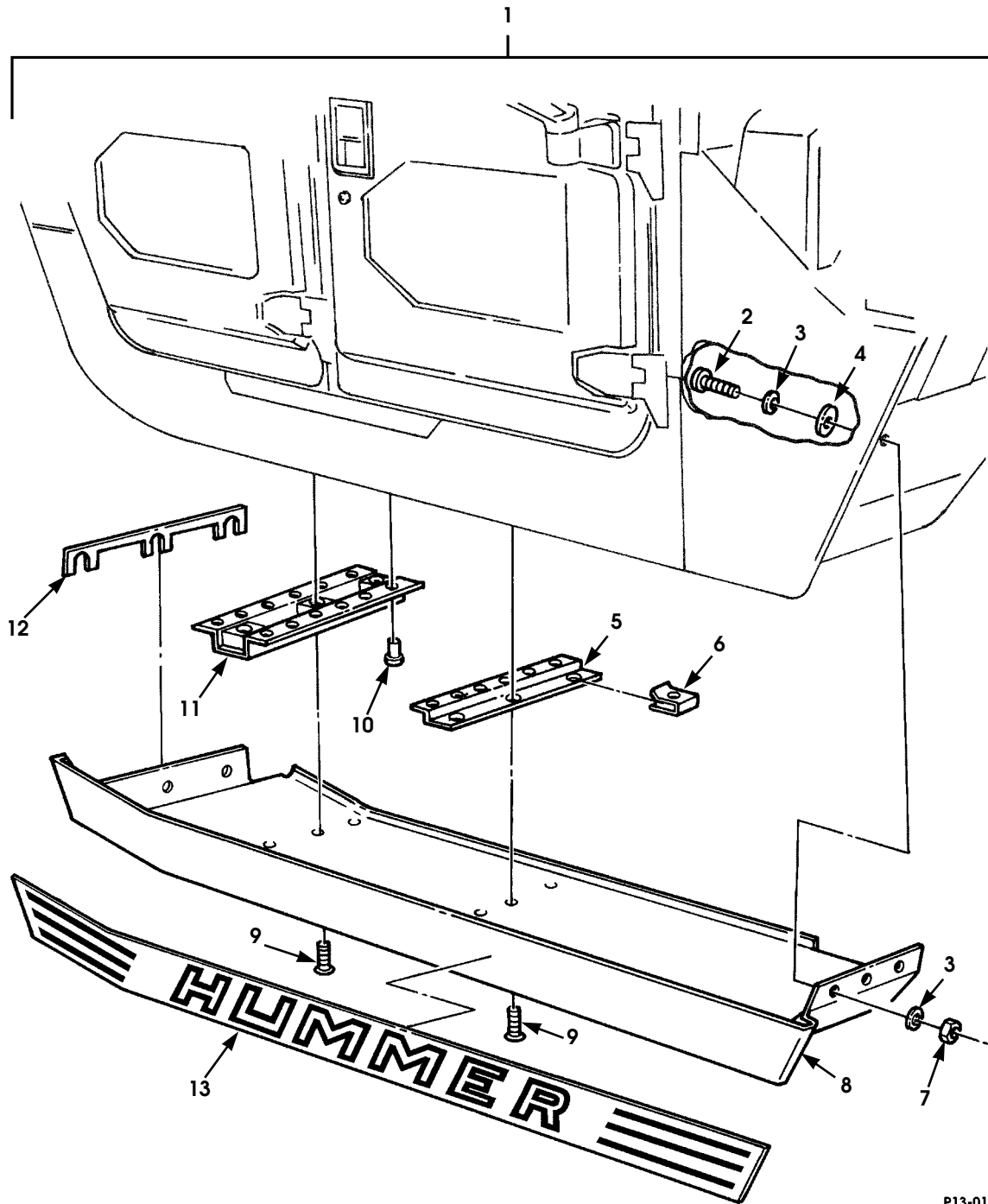
7-1-95

## ACCESSORIES 13-23

ITEM	PART NUMBER	DESCRIPTION	QTY
		Figure 13-11 UNDERBODY PROTECTION SKID PLATES	
1	06001545	KIT, underbody protection, vehicle w/o winch . . . . .	1
* 1	05744281	KIT, underbody protection, vehicle w/ winch . . . . .	1
2	G 02436162	•WASHER . . . . .	8
3	MS 00051943 33	•LOCKNUT . . . . .	4
4	G 09430677	•BOLT . . . . .	4
5	05935943	•SKID PLATE . . . . .	1
6	G 02436163	•WASHER . . . . .	6
7	MS 00090728 60	•BOLT . . . . .	3
8	MS 00051943 35	•LOCKNUT . . . . .	3
9	05935669	•SKID PLATE . . . . .	1

# HUMMER PARTS CATALOG

## 13-24 ACCESSORIES



P13-012

Figure 13-12. Rocker Panel Guard Accessory Kit.

# HUMMER PARTS CATALOG

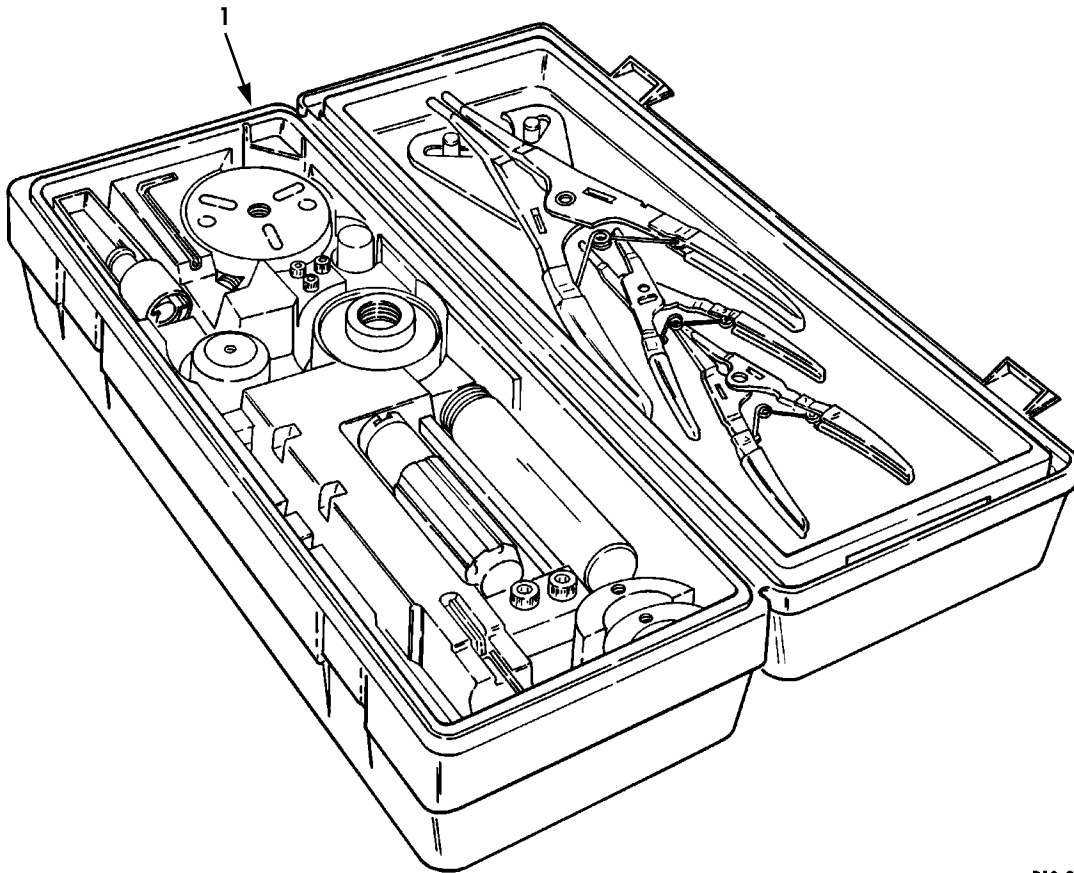
12-31-95

## ACCESSORIES 13-25

ITEM	PART NUMBER	DESCRIPTION	QTY
		Figure 13-12 ROCKER PANEL GUARD ACCESSORY KIT	
1	05743772	KIT, rocker panel guard (aluminum) . . . . .	1
1	05742908	KIT, rocker panel guard (steel) . . . . .	1
2	12342675	•SCREW . . . . .	12
3	MS 00027183 13	•WASHER . . . . .	24
4	06001595	•GASKET, foam washer. . . . .	12
5	06001241	•BRACKET, mounting. . . . .	2
6	06001283	•NUT, U-type . . . . .	9
7	MS 00051943 35	•LOCKNUT . . . . .	12
★ 8	06003614 P	•PANEL, underbody skid, L.H., SEE NOTE 1 (steel). . . . .	1
★ 8	06003615 P	•PANEL, underbody skid, R.H., SEE NOTE 1 (steel) . . . . .	1
★ 8	06005165 P	•PANEL, underbody skid, L.H., SEE NOTE 2 (aluminum)	1
★ 8	06005166 P	•PANEL, underbody skid, R.H., SEE NOTE 2 (aluminum)	1
9	06002805	•SCREW . . . . .	18
10	12339355 1	•RIVET. . . . .	48
11	06001275	•BRACKET, skid plate mounting. . . . .	3
12	06001278	•SHIM, skid plate . . . . .	6
13	06004294	DECAL, Hummer, white, SEE NOTE 3. . . . .	1
13	06004295	DECAL, Hummer, silver, SEE NOTE 3 . . . . .	1
13	06004296	DECAL, Hummer, gold, SEE NOTE 3 . . . . .	1
		NOTE 1: PART OF KIT P/N 05742908	
		NOTE 2: PART OF KIT P/N 05743772	
		NOTE 3: NOT INCLUDED IN KIT - ORDER SEPARATELY (SHIPPED IN PAIRS ONLY)	

# HUMMER PARTS CATALOG

## 13-26 ACCESSORIES



P13-013

*Figure 13-13. Special Tools, Air Conditioner Compressor.*

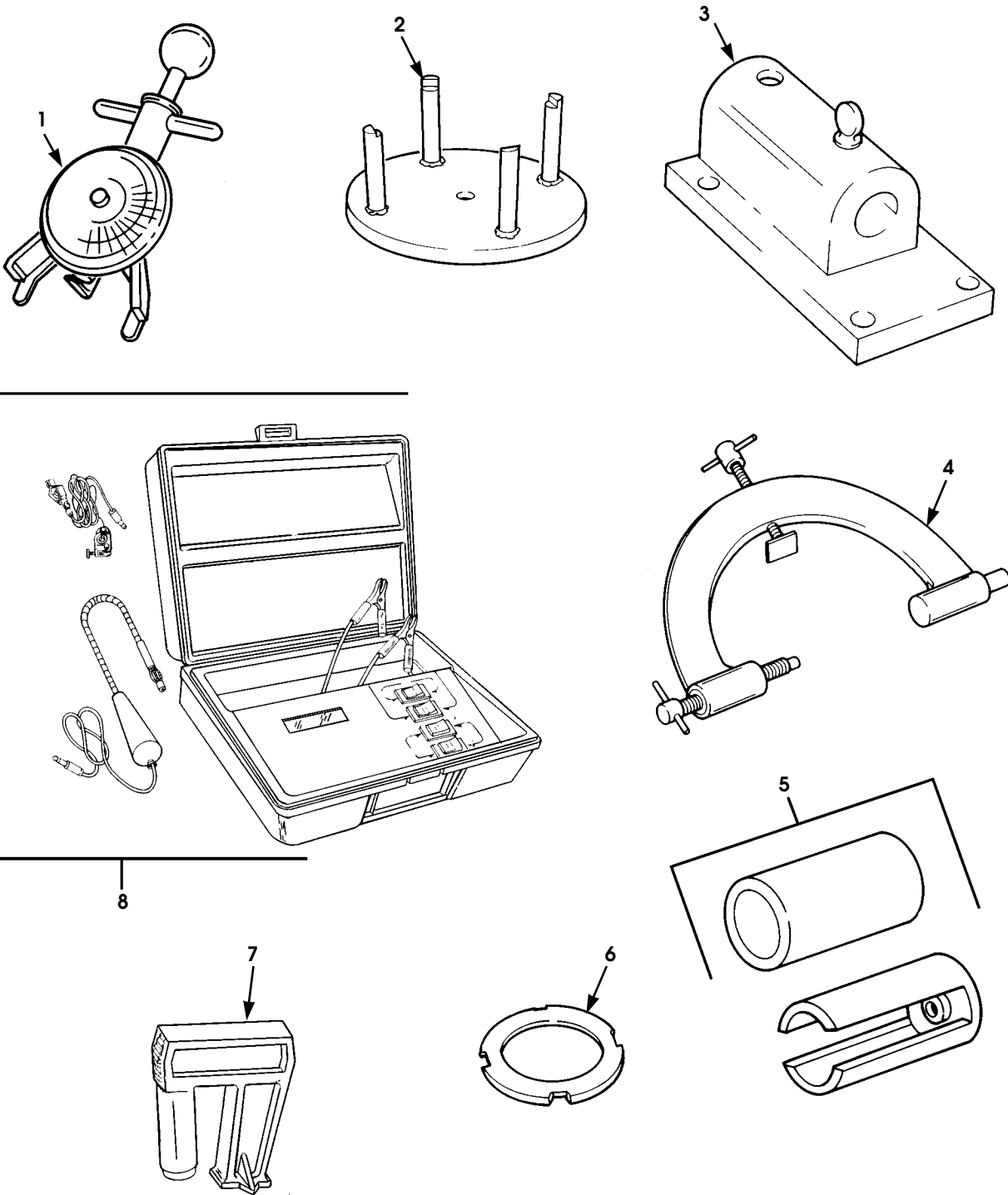
# HUMMER PARTS CATALOG

## ACCESSORIES 13-27

ITEM	PART NUMBER	DESCRIPTION	QTY
1	05743017	Figure 13-13 SPECIAL TOOLS, AIR CONDITIONER COMPRESSOR  TOOL KIT, air conditioner compressor . . . . .	

# HUMMER PARTS CATALOG

## 13-28 ACCESSORIES



P13-014

Figure 13-14. Special Tools, Drive Belts and Transmission.

# HUMMER PARTS CATALOG

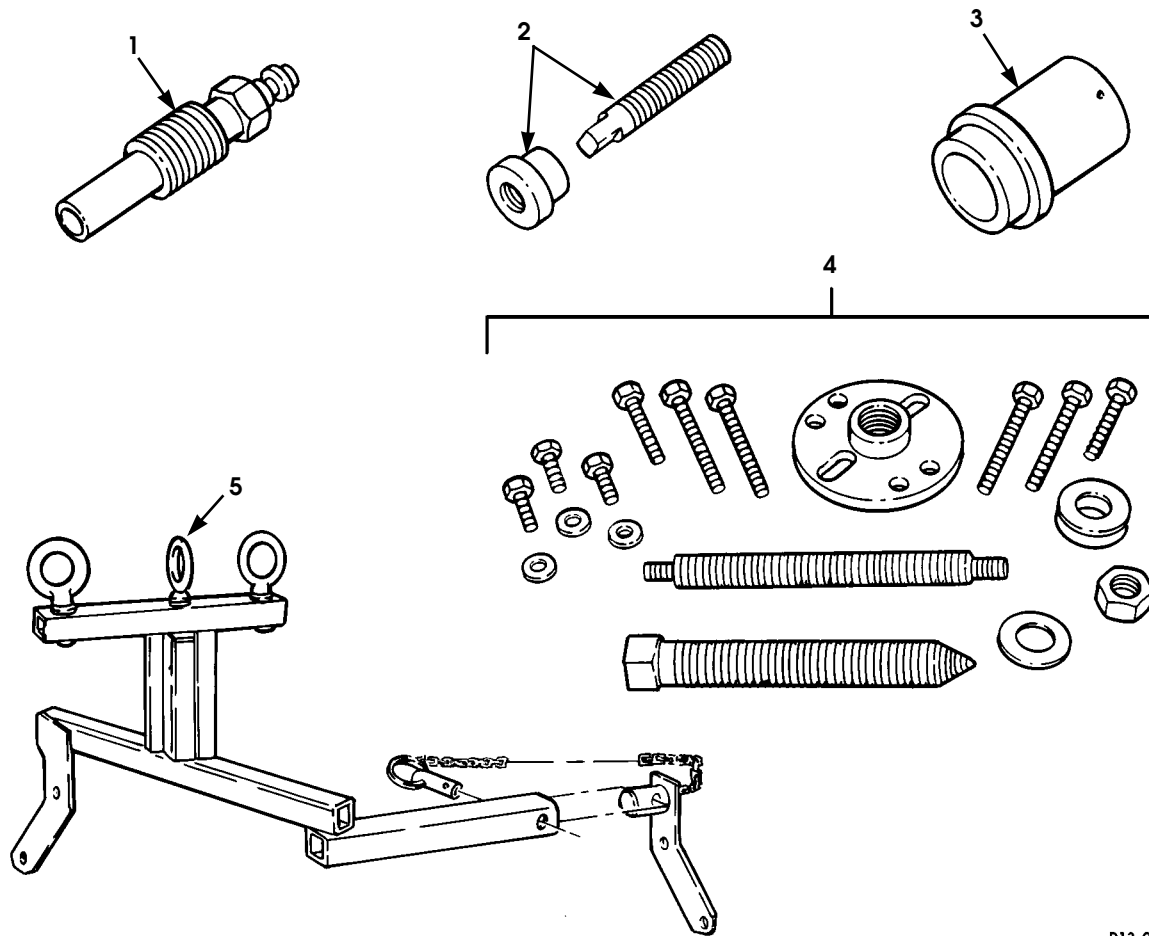
## ACCESSORIES 13-29

ITEM	PART NUMBER	DESCRIPTION	QTY
		Figure 13-14 SPECIAL TOOLS, DRIVE BELTS AND TRANSMISSION	
1	05737554	GAUGE, belt tension . . . . .	
2	05740764	CLUTCH SPRING, compressor. . . . .	
3	05740070	HOLDING FIXTURE, transmission . . . . .	
4	05740069	HOLDING FIXTURE, transmission . . . . .	
5	05740781	REMOVER, gear . . . . .	
6	05740780	ADAPTER, compressor clutch spring . . . . .	
7	05735122	TIMING GAUGE, engine . . . . .	
8	05742191	TOOL KIT, dynamic timing. . . . .	



# HUMMER PARTS CATALOG

## 13-30 ACCESSORIES



P13-015

Figure 13-15. Special Tools, Drive Belts and Transmission.

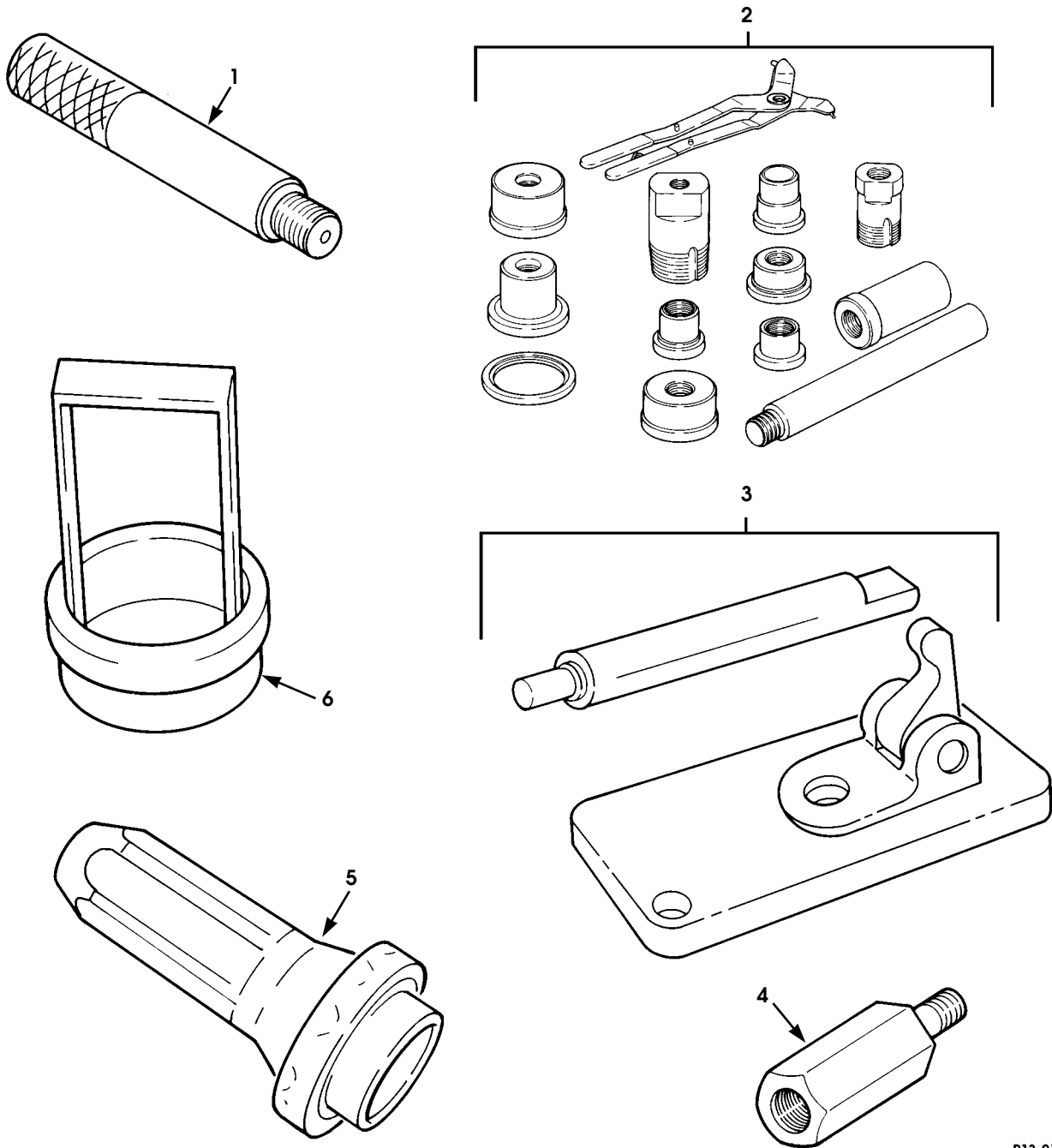
# HUMMER PARTS CATALOG

## ACCESSORIES 13-31

ITEM	PART NUMBER	DESCRIPTION	QTY
		Figure 13-15 SPECIAL TOOLS, DRIVE BELTS AND TRANSMISSION	
1	05741726	ADAPTER, compression gauge .....	
2	05742544	INSTALLER, harmonic balancer .....	
3	05740754	INSTALLER, front oil seal. ....	
4	05740755	REMOVER/INSTALLER, harmonic balancer .....	
5	05569872	ENGINE SLING .....	

# HUMMER PARTS CATALOG

## 13-32 ACCESSORIES



P13-01

Figure 13-16. Special Tools, Transmission.

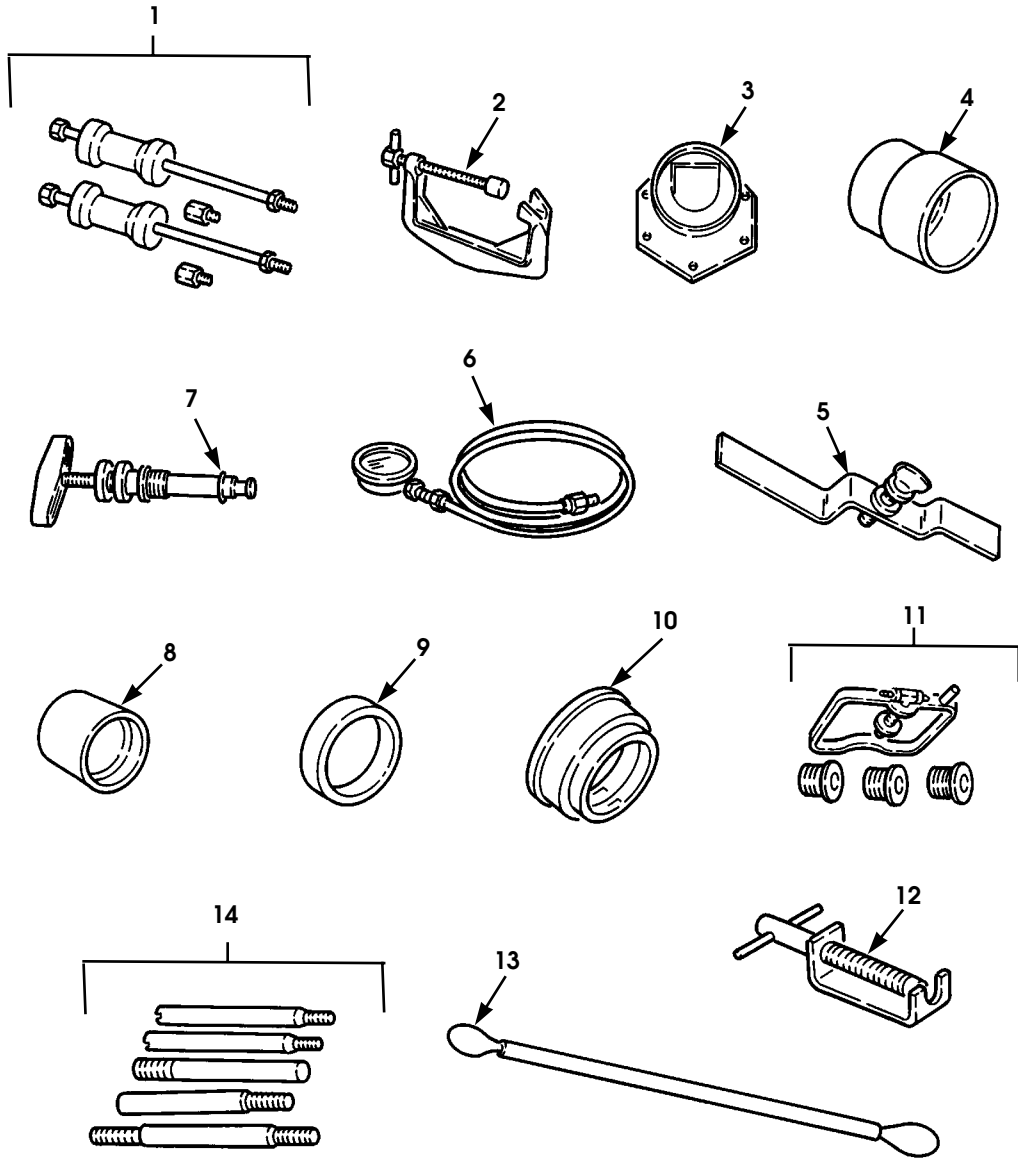
# HUMMER PARTS CATALOG

## ACCESSORIES 13-33

ITEM	PART NUMBER	DESCRIPTION	QTY
		Figure 13-16 SPECIAL TOOLS, TRANSMISSION	
1	05731895	DRIVER HANDLE, transmission .....	
2	05740779	BUSHING KIT, transmission .....	
3	05740775	GAUGE, band selector. ....	
4	05741192	SLIDE HAMMER ADAPTER .....	
5	05740770	INSTALLER, front seal .....	
6	05740784	ALIGNER, clutch plate .....	

# HUMMER PARTS CATALOG

## 13-34 ACCESSORIES



P13-017

Figure 13-17. Special Tools, Transmission.

# HUMMER PARTS CATALOG

## ACCESSORIES 13-35

ITEM	PART NUMBER	DESCRIPTION	QTY
		Figure 13-17 SPECIAL TOOLS, TRANSMISSION	
1	05740806	SLIDE HAMMER, set of 2 . . . . .	
2	05740786	REMOVER, accumulator piston . . . . .	
3	05740767	HOLDING FIXTURE, rear gear . . . . .	
4	05740772	PROTECTOR, inner seal . . . . .	
5	05735188	HOLDING TOOL, torque converter . . . . .	
6	05740785	OIL PRESSURE GAUGE AND HOSE . . . . .	
7	05735187	END PLAY TESTER, torque converter . . . . .	
8	05740771	PROTECTOR, center seal . . . . .	
9	05740777	PROTECTOR, outer seal . . . . .	
10	05735183	ADAPTER, gear unit fixture . . . . .	
11	05735210	LEAK TEST FIXTURE, torque converter . . . . .	
12	05735186	PUMP REMOVER . . . . .	
13	05735185	INSTALLER, intermediate clutch seal . . . . .	
14	05735207	PIN SET, oil pump and valve body . . . . .	

# HUMMER PARTS CATALOG

## 13-36 ACCESSORIES

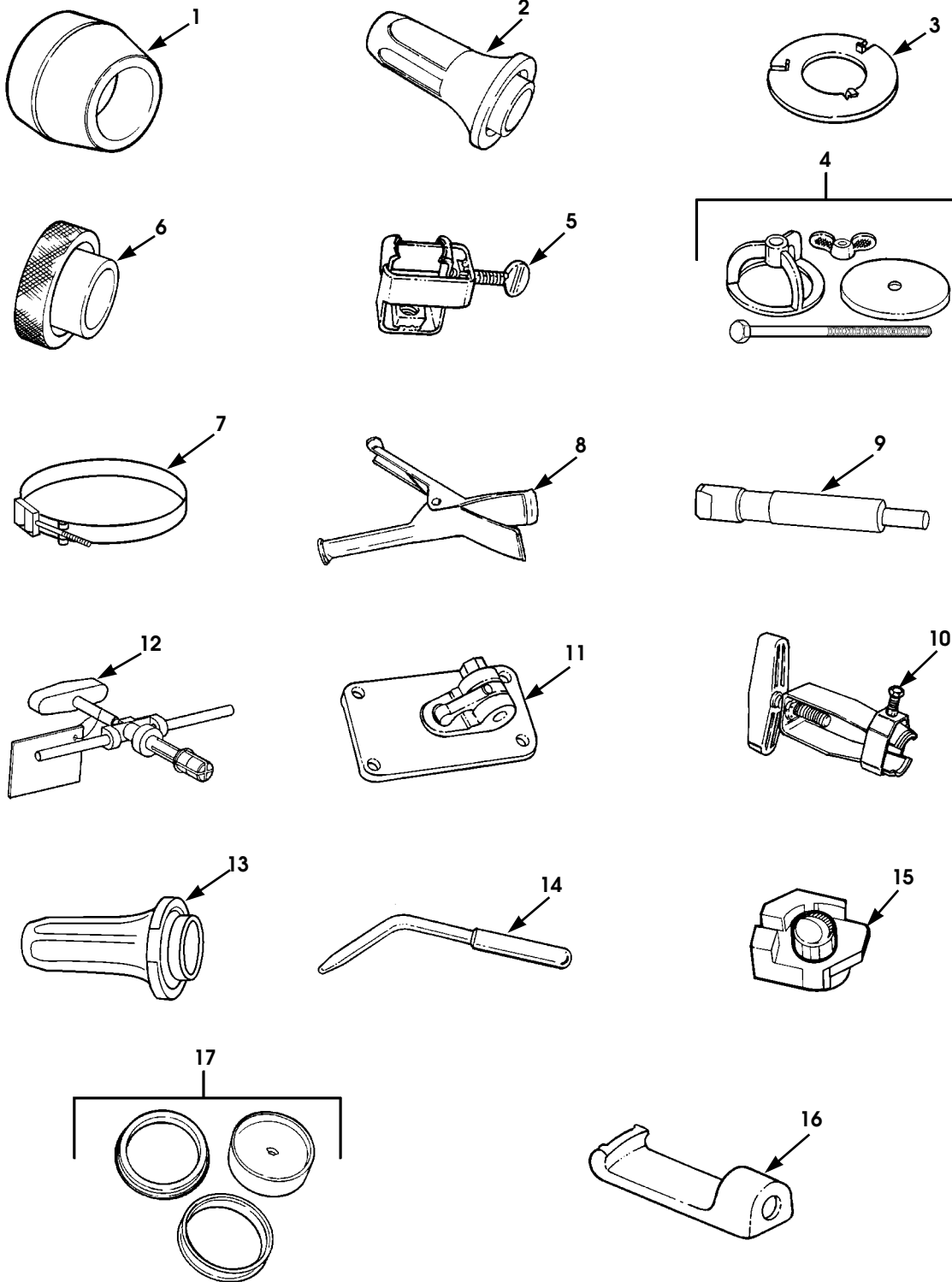


Figure 13-18. Special Tools, Transmission.

P13-018

# HUMMER PARTS CATALOG

## ACCESSORIES 13-37

ITEM	PART NUMBER	DESCRIPTION	QTY
		Figure 13-18 SPECIAL TOOLS, TRANSMISSION	
1	05743113	SEAL PROTECTOR, overrun clutch piston . . . . .	
2	05743114	SEAL INSTALLER, rear lube . . . . .	
3	05743115	ADAPTER, compressor (used with J23327-1 and J6129)	
4	05743116	COMPRESSOR, forward clutch spring . . . . .	
5	05743117	INSTALLER/REMOVER, gear unit assembly . . . . .	
6	05743118	SNAP RING PLACER, direct clutch spiral . . . . .	
7	05743119	ALIGNMENT BAND, pump body and cover . . . . .	
8	05743120	REMOVER/INSTALLER, forward clutch assembly . . . . .	
9	05743121	BAND, to apply pin gauge (used with J38737) . . . . .	
10	05743122	PUMP REMOVER . . . . .	
11	05743123	BAND, apply pin checking tool . . . . .	
12	05743124	TOOL, converter end play . . . . .	
13	05743125	SEAL INSTALLER, oil pump and rear extension housing	
14	05743126	TOOL, center support . . . . .	
15	05743128	ADAPTER, transmission holding fixture . . . . .	
16	05743129	REMOVER, seal . . . . .	
17	05743130	PROTECTOR/SPACER, fourth clutch piston and . . . . . housing seal	



# HUMMER PARTS CATALOG

## 13-38 ACCESSORIES

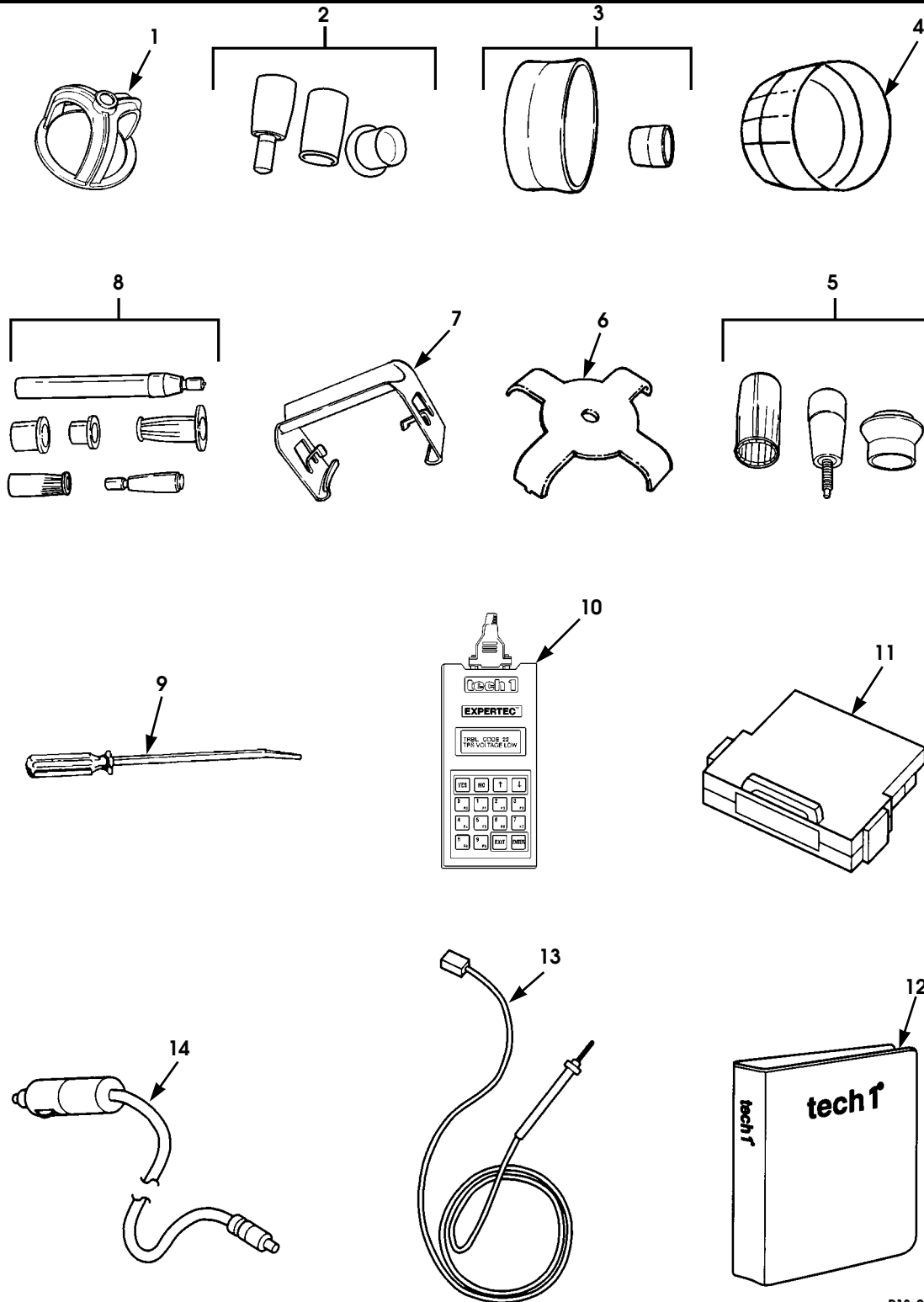


Figure 13-19. Special Tools, Transmission.

P13-019

# HUMMER PARTS CATALOG

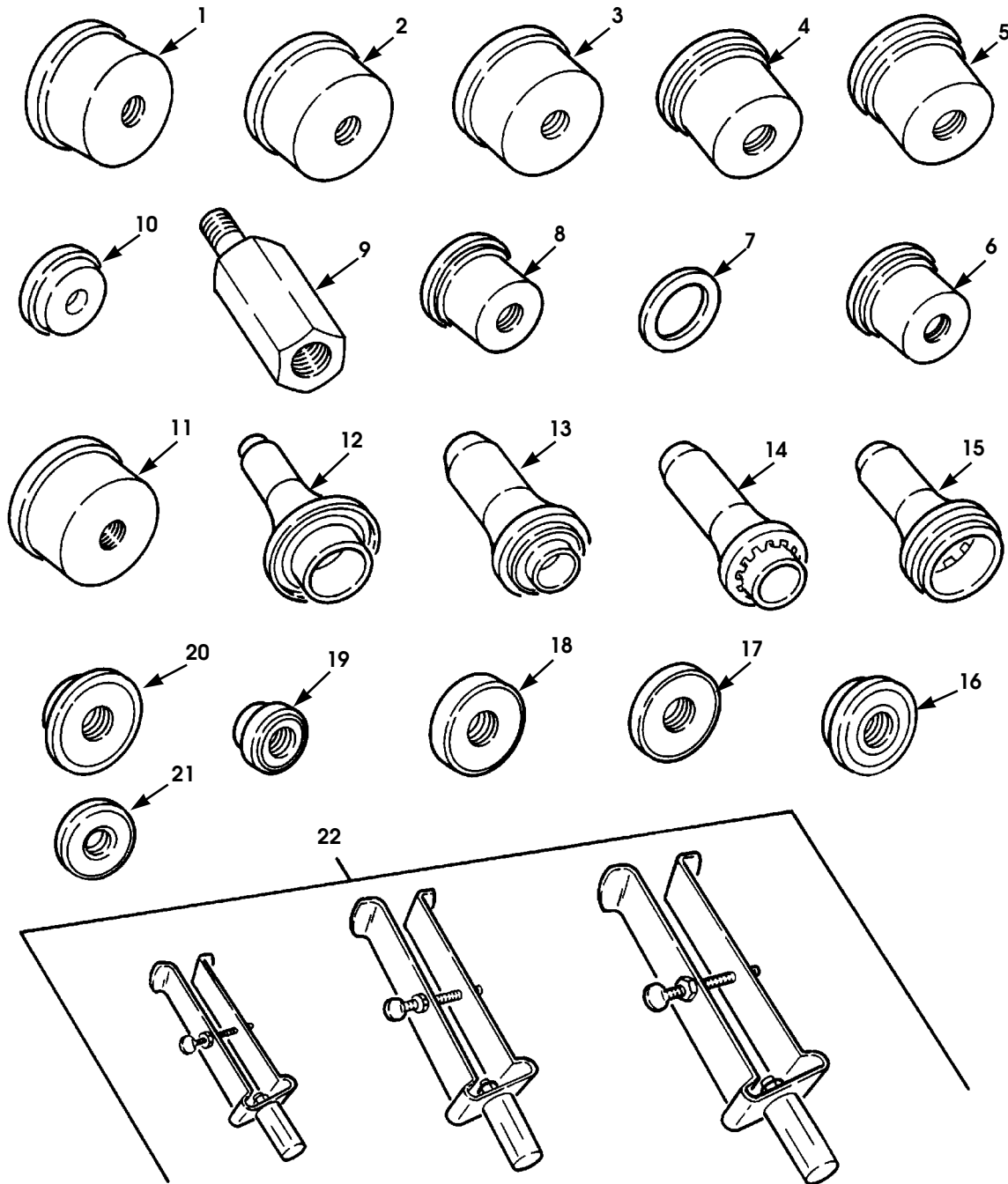
12-31-95

## ACCESSORIES 13-39

ITEM	PART NUMBER	DESCRIPTION	QTY
		Figure 13-19 SPECIAL TOOLS, TRANSMISSION	
1	05743131	ADAPTER, intermediate clutch piston compressor . . .	
2	05743132	INSTALLER/SIZER/PUSHER, oil pump assembly seal ring	
3	05743133	PROTECTOR, direct and forward clutch . . . . . piston and outer seal	
4	05743134	PROTECTOR, direct and forward clutch piston . . . . . and inner seal	
5	05743135	INSTALLER/SIZER/PUSHER, center support seal . . . . .	
6	05743136	ADAPTER, fourth clutch spring and retainer assembly	
7	05743137	REMOVER/INSTALLER, direct clutch assembly . . . . .	
8	05743138	INSTALLER/SIZER/PUSHER, turbine shaft seal . . . . .	
9	05743190	REMOVER, snap ring . . . . .	
10	05743199	TECH 1 (diagnostic scanner) . . . . .	
* 11	05744191	CARTRIDGE, power train . . . . .	
12	05743201	OPERATOR'S MANUAL, tech 1 diagnostic scanner . . .	
13	05743202	TEST LEAD . . . . .	
14	05743203	CABLE, DC power. . . . .	
15	05743331	ADAPTER, 16/12 pin (interfaces with the TECH 1 . . . . . connector) (not shown)	

# HUMMER PARTS CATALOG

## 13-40 ACCESSORIES



P13-020

Figure 13-20. Special Tools, Transfer Case.

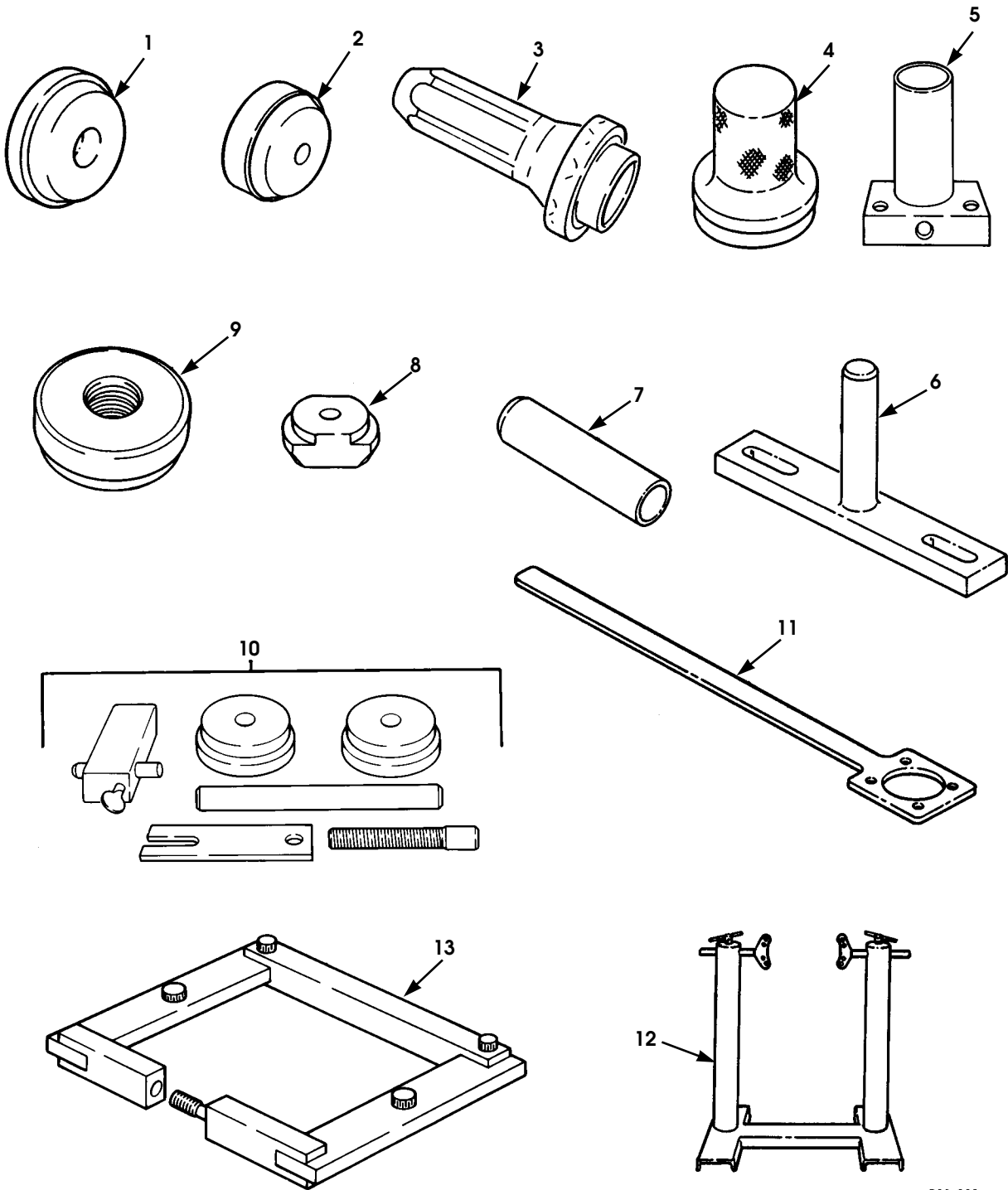
# HUMMER PARTS CATALOG

## ACCESSORIES 13-41

ITEM	PART NUMBER	DESCRIPTION	QTY
		Figure 13-20 SPECIAL TOOLS, TRANSFER CASE	
1	05740807	INSTALLER/REMOVER, rear output bearing. . . . .	
2	05737531	REMOVER, front output bearing . . . . .	
3	05737532	INSTALLER, front output shaft bearing. . . . .	
4	05737535	INSTALLER, front output shaft rear bearing. . . . .	
5	05737537	INSTALLER, input gear bearing. . . . .	
6	05742572	INSERTER, main shaft annulus. . . . .	
7	S.I.A.	INSTALLER, annulus gear bushing, SEE NOTE 1 . . . . .	
8	05737540	INSTALLER/REMOVER, annulus gear bushing . . . . .	
9	05741191	ADAPTER, slide hammer . . . . .	
10	05737529	INSTALLER, retainer bearing . . . . .	
11	05737536	REMOVER, input gear bearing. . . . .	
12	05742582	INSTALLER, input gear seal . . . . .	
13	05738105	INSTALLER, output shaft seal. . . . .	
14	05742583	INSTALLER, housing extension seal. . . . .	
15	05742629	INSTALLER, pump housing seal. . . . .	
16	05742584	INSTALLER, bearing . . . . .	
17	05742585	INSTALLER, bearing . . . . .	
18	05742586	INSTALLER, bearing . . . . .	
19	05742587	REMOVER, bushing . . . . .	
20	05742588	TOOL, bearing . . . . .	
21	05742628	INSTALLER, rear bearing output shaft . . . . .	
22	05741728	PULLER, bushing and bearing . . . . .	
		NOTE 1: PART OF ASSEMBLY P/N 05737540	

# HUMMER PARTS CATALOG

## 13-42 ACCESSORIES



P13-021

Figure 12-21. Special Tools, Axle Differential.

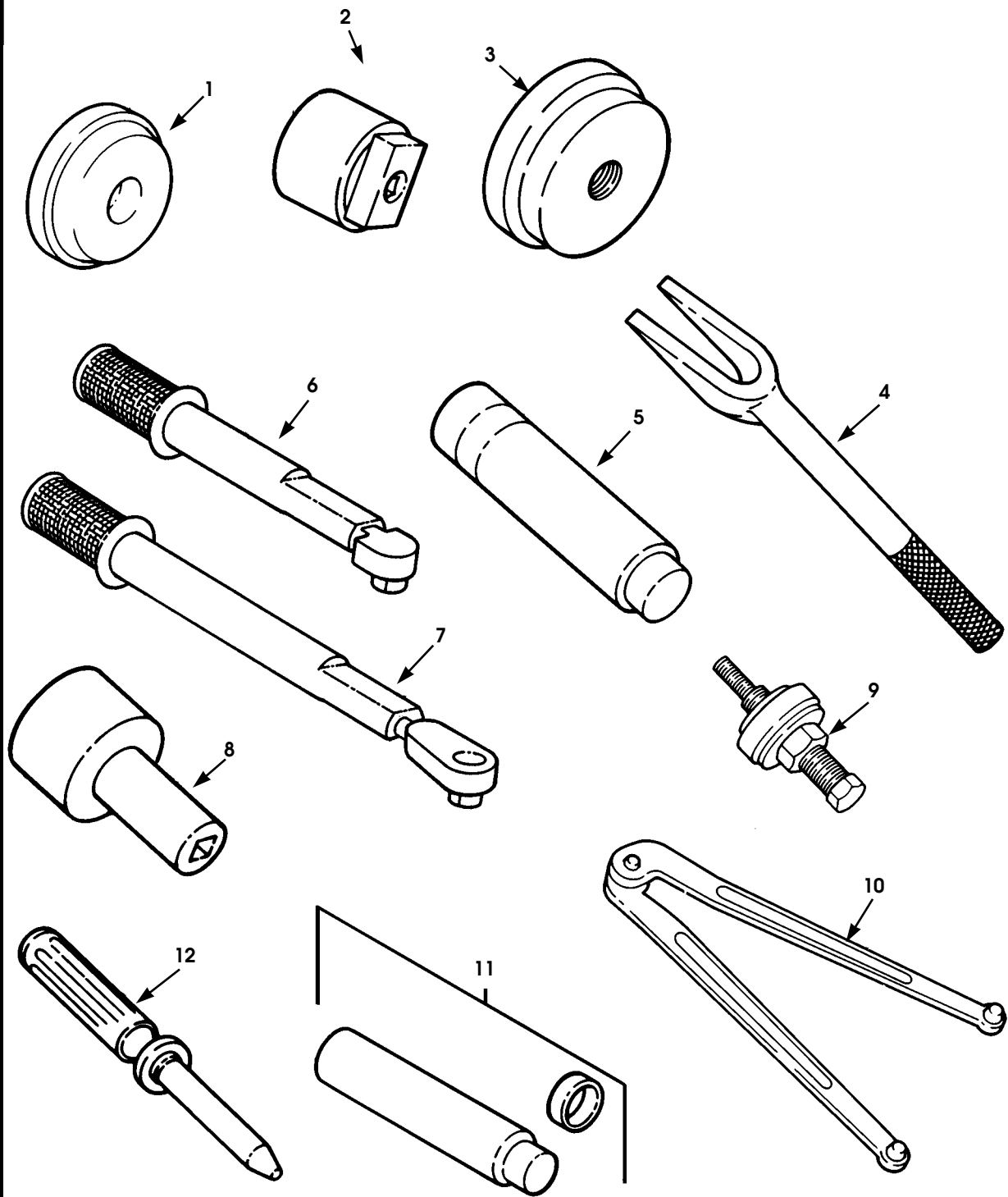
# HUMMER PARTS CATALOG

## ACCESSORIES 13-43

ITEM	PART NUMBER	DESCRIPTION	QTY
		Figure 13-21 SPECIAL TOOLS, AXLE DIFFERENTIAL	
1	05738103	REMOVER, front pinion bearing cup and bearing . . .	
2	05738102	INSTALLER, front pinion bearing cup and bearing . . .	
3	05737530	INSTALLER, rear seal. . . . .	
4	05740938	INSTALLER, axle shaft and seal. . . . .	
5	05735191	ADAPTER, axle holding fixture . . . . .	
6	05735480	FLANGE HOLDING TOOL . . . . .	
7	05735192	INSTALLER, bearing . . . . .	
8	05738106	REMOVER, differential bearing cup and bearing . . . .	
9	05738112	INSTALLER, rear pinion bearing cup and bearing . . . .	
10	05742757	PINION GAUGE SET . . . . .	
11	05735220	PINION HOLDING TOOL . . . . .	
12	05731751	STAND, with holding fixtures . . . . .	
13	05584381	SPREADER, differential housing . . . . .	
13	05741193	SPREADER, rear axle differential housing . . . . .	

# HUMMER PARTS CATALOG

## 13-44 ACCESSORIES



P13-022

Figure 12-22. Special Tools, Geared Hub and Steering.

# HUMMER PARTS CATALOG

## ACCESSORIES 13-45

ITEM	PART NUMBER	DESCRIPTION	QTY
		Figure 13-22 SPECIAL TOOLS, GEARED HUB AND STEERING	
1	05740939	INSTALLER, geared hub input seal. . . . .	
2	05740940	WRENCH, geared hub . . . . .	
3	05741194	INSTALLER, geared hub seal. . . . .	
4	11595179	REMOVER, tie rod and ball joint. . . . .	
5	05740810	REMOVER/INSTALLER, adjuster plug . . . . .	
6	06002603	WRENCH, torque, 1/4-inch drive . . . . .	
7	06002604	WRENCH, torque, 3/8-inch drive . . . . .	
8	06001755	WRENCH, spindle clampnut . . . . .	
9	05735193	INSTALLER, power steering pump pulley. . . . .	
10	05740820	SPANNER WRENCH, steering gear. . . . .	
11	05740816	REMOVER/INSTALLER, pitman shaft bearing . . . . .	
12	05740819	ARBOR, rack piston . . . . .	



# HUMMER PARTS CATALOG

## 13-46 ACCESSORIES

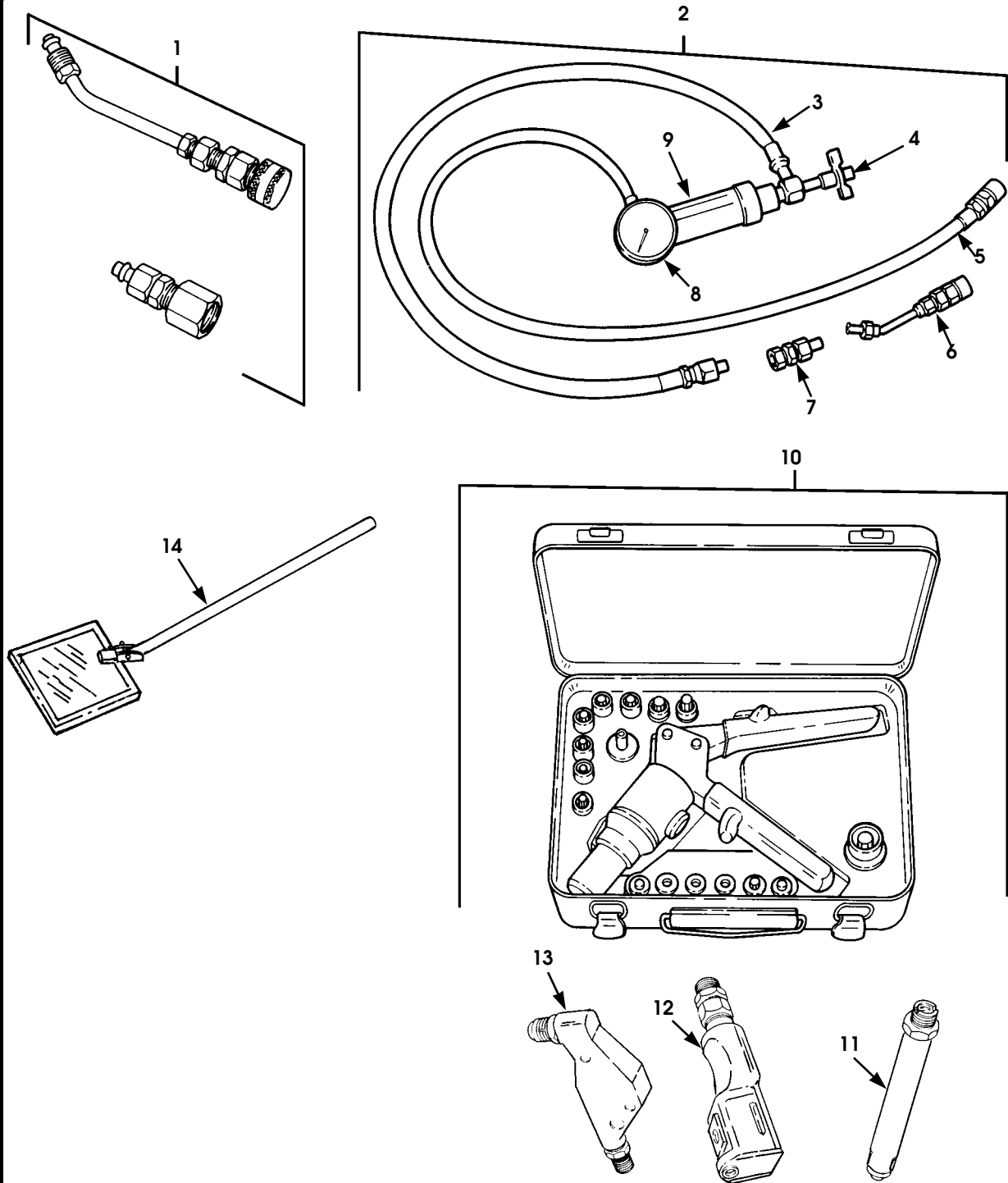


Figure 12-23. Special Tools, Steering Pump, Body, and Speedometer Drive.

P13-023

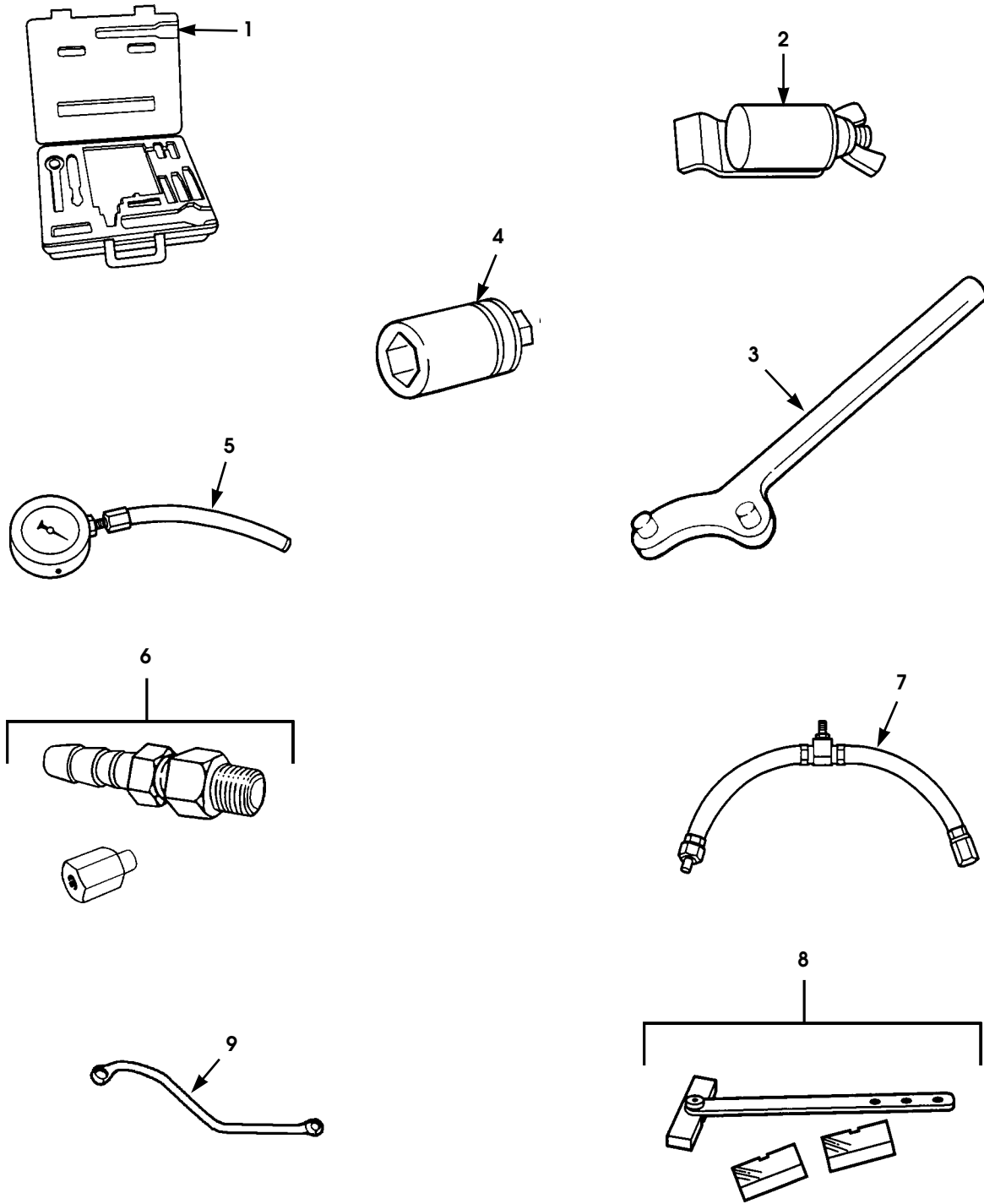
# HUMMER PARTS CATALOG

## ACCESSORIES 13-47

ITEM	PART NUMBER	DESCRIPTION	QTY
		Figure 13-23 SPECIAL TOOLS, STEERING PUMP, BODY, AND SPEEDOMETER DRIVE	
1	05740941	ADAPTER, power steering analyzer . . . . .	
2	05740813	ANALYZER, power steering pump . . . . .	
3	05742752	•HOSE, power steering analyzer . . . . .	
4	05742755	•REGULATING VALVE, power steering analyzer . . . . .	
5	05742753	•HOSE, power steering analyzer . . . . .	
6	05742751	•COUPLING, power steering analyzer . . . . .	
7	05742750	•ADAPTER, power steering analyzer . . . . .	
8	05742754	•PRESSURE GAUGE, power steering analyzer . . . . .	
9	05742756	•INDICATOR, power steering analyzer . . . . .	
10	05741320	TOOL KIT, blind rivet . . . . .	
11	05741725	PULLER, straight extension . . . . .	
12	05741724	PULLER, offset . . . . .	
13	05741723	PULLER, right angle . . . . .	
14	05741096	INSPECTION MIRROR, speedometer drive . . . . .	

# HUMMER PARTS CATALOG

## 13-48 ACCESSORIES



P13-025

Figure 13-24. Special Tools, Fuel Injection Pump.

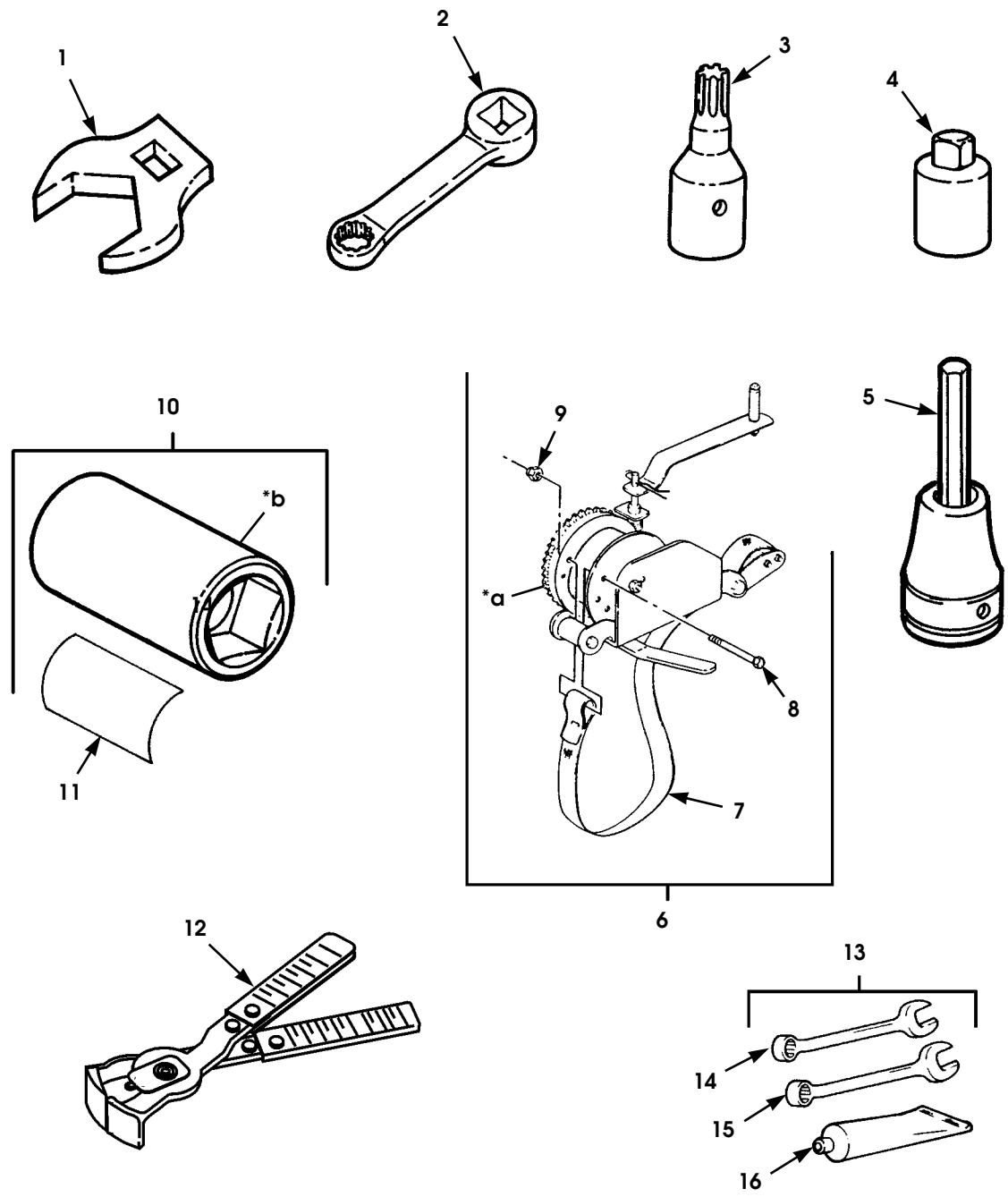
# HUMMER PARTS CATALOG

## ACCESSORIES 13-49

ITEM	PART NUMBER	DESCRIPTION	QTY
		Figure 13-24 SPECIAL TOOLS, FUEL INJECTION PUMP	
1	05743110	KIT, feul injection pump service . . . . .	
2	05743111	SETTING TOOL, face cam . . . . .	
3	05743112	ADJUSTING TOOL, pump . . . . .	
4	05740748	SOCKET, nozzle, 30 mm . . . . .	
5	05740757	PRESSURE GAUGE . . . . .	
6	05735209	ADAPTER, injection pump . . . . .	
7	05743142	ADAPTER, housing pressure . . . . .	
8	05743328	GAUGE BLOCK SET (throttle position switch, 6.5 L) . . .	
9	05743771	WRENCH, fuel injection pump, 15 mm (6.5 L) . . . . .	

# HUMMER PARTS CATALOG

## 13-50 ACCESSORIES



\* a PART OF ITEM 6  
\* b PART OF ITEM 10

P13-026

Figure 13-25. Special Tools, Multipurpose.

# HUMMER PARTS CATALOG

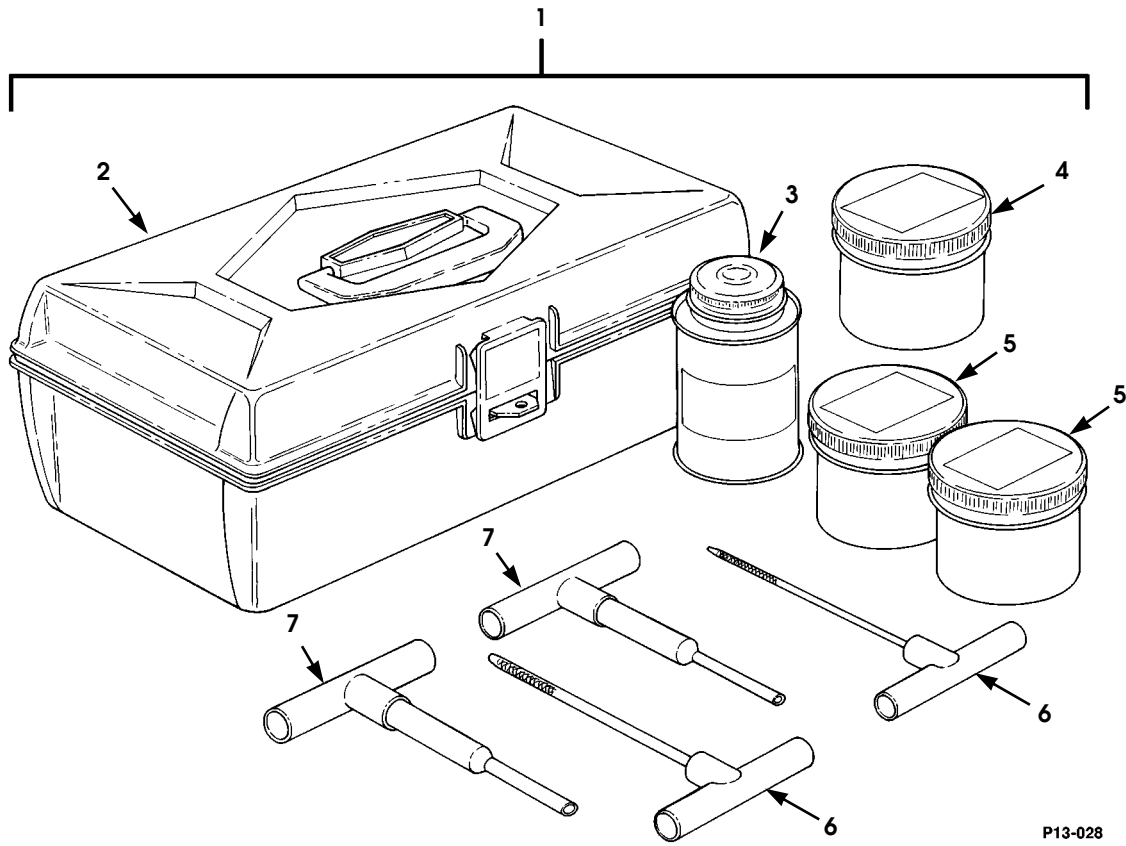
12-31-95

## ACCESSORIES 13-51

ITEM	PART NUMBER	DESCRIPTION	QTY
		Figure 13-25 SPECIAL TOOLS, MULTIPURPOSE	
1	05741199	CROWFOOT, 9/16-inch, 3/8-inch drive . . . . .	
1	05741198	CROWFOOT, 11/16-inch, 3/8-inch drive . . . . .	
1	05741196	CROWFOOT, 7/8-inch, 3/8-inch drive . . . . .	
* 1	05740989	CROWFOOT, 1/2-inch, 3/8-inch drive . . . . .	
1	05741195	CROWFOOT, 5/16-inch, 3/8-inch drive . . . . .	
1	05741197	CROWFOOT, 5/8-inch, 3/8-inch drive . . . . .	
2	05741070	ADAPTER, torque wrench, 9/16-inch . . . . .	
2	05741071	ADAPTER, torque wrench, 3/4-inch . . . . .	
3	05732210	SOCKET, socket wrench, 1/4-inch drive . . . . .	
4	11655788 2	ADAPTER, socket wrench, 3/8-inch drive to 1/2-inch drive . . . . .	
5	05741812	DRIVER, 3/16-inch, 3/8-inch drive . . . . .	
5	05742742	DRIVER, 7 mm, 3/8-inch drive . . . . .	
6	05742952	TOOL, runflat . . . . .	
	05742758	•REPAIR KIT, runflat tool . . . . .	
7	S.I.K.	••STRAP ASSEMBLY SEE NOTE 1 . . . . .	
8	S.I.K.	••BOLT SEE NOTE 1 . . . . .	
9	S.I.K.	••LOCKNUT SEE NOTE 1 . . . . .	
10	05744126	KIT, socket, 5-sided, with English label . . . . .	
10	05744128	KIT, socket, 5-sided, with English and French label . . . . .	
10	05744129	KIT, socket, 5-sided, with English and Arabic label . . . . .	
11	05744127	•LABEL, English, SEE NOTE 2 . . . . .	
11	05743106	•LABEL, French, SEE NOTE 3 . . . . .	
11	05743107	•LABEL, Arabic, SEE NOTE 4 . . . . .	
12	05743141	TOOL, boot banding . . . . .	
13	05743069	KIT, CTIS tool . . . . .	
14	06001967	•COMBINATION WRENCH, 5/8-inch . . . . .	
15	06001968	•COMBINATION WRENCH, 3/4-inch . . . . .	
16	06001959	•LOCTITE, vibraseal, #5 . . . . .	
		NOTE 1: PART OF KIT P/N 05742758	
		NOTE 2: PART OF KIT P/N 05744126	
		NOTE 3: PART OF KIT P/N 05744128	
		NOTE 4: PART OF KIT P/N 05744129	

# HUMMER PARTS CATALOG

## 13-52 ACCESSORIES



P13-028

Figure 13-26. External Tubeless Tire Repair Kit.

# HUMMER PARTS CATALOG

## ACCESSORIES 13-53

ITEM	PART NUMBER	DESCRIPTION	QTY
		Figure 13-26 EXTERNAL TUBELESS TIRE REPAIR KIT	
1	05710215	KIT, external tubeless tire repair . . . . .	1
2	05742542	•TOOLBOX, . . . . .	1
3	05742537	•FLUID, chemical vulcanizing (1/2 pint) . . . . .	1
4	05742538	•PLUG, large . . . . .	15
5	05742539	•PLUG, small . . . . .	30
6	05742540	•RASP . . . . .	2
7	05742541	•TOOL, plug insert . . . . .	2



# HUMMER PARTS CATALOG

## 13-54 ACCESSORIES

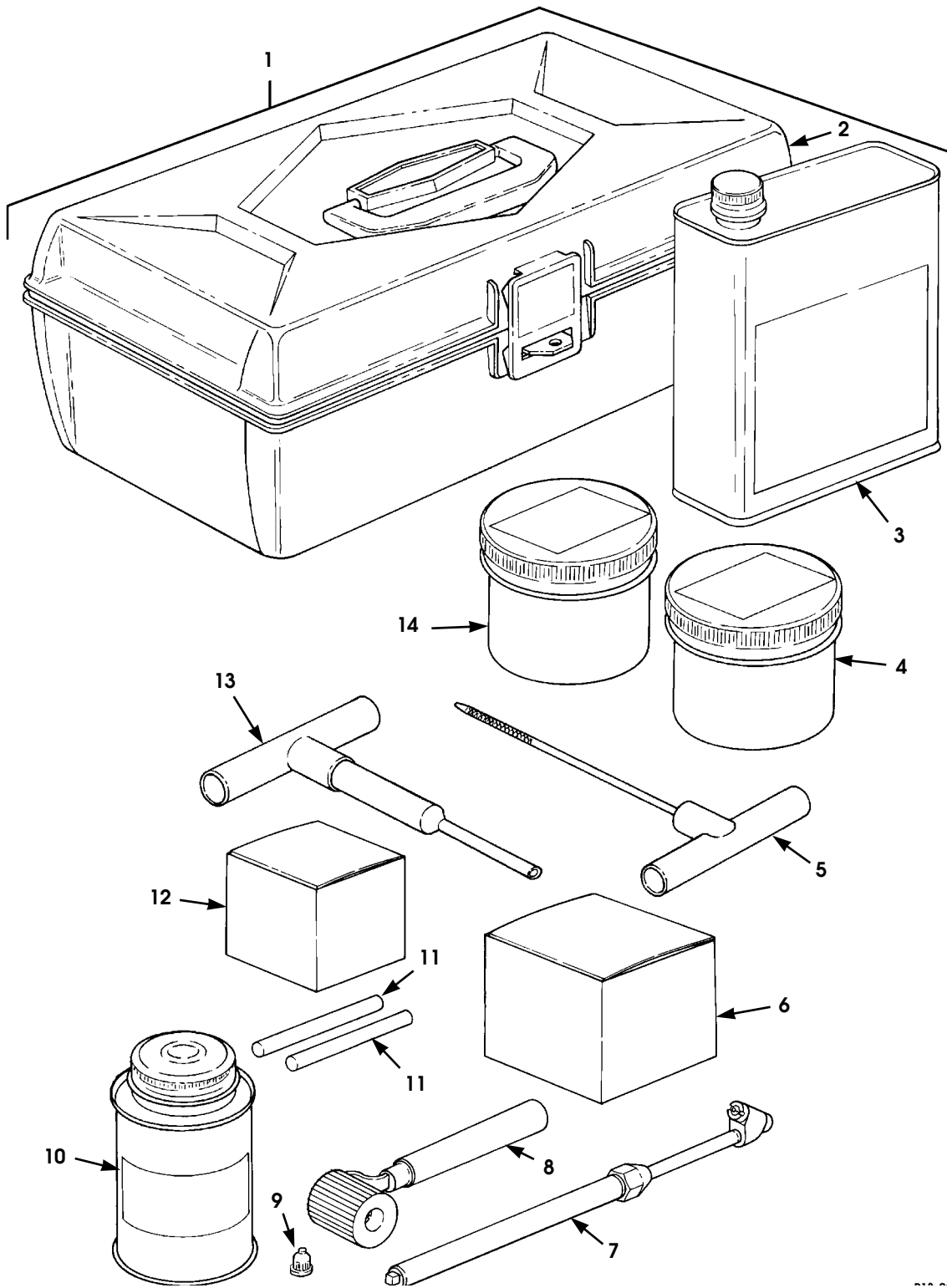


Figure 13-27. Internal Tubeless Repair Kit.

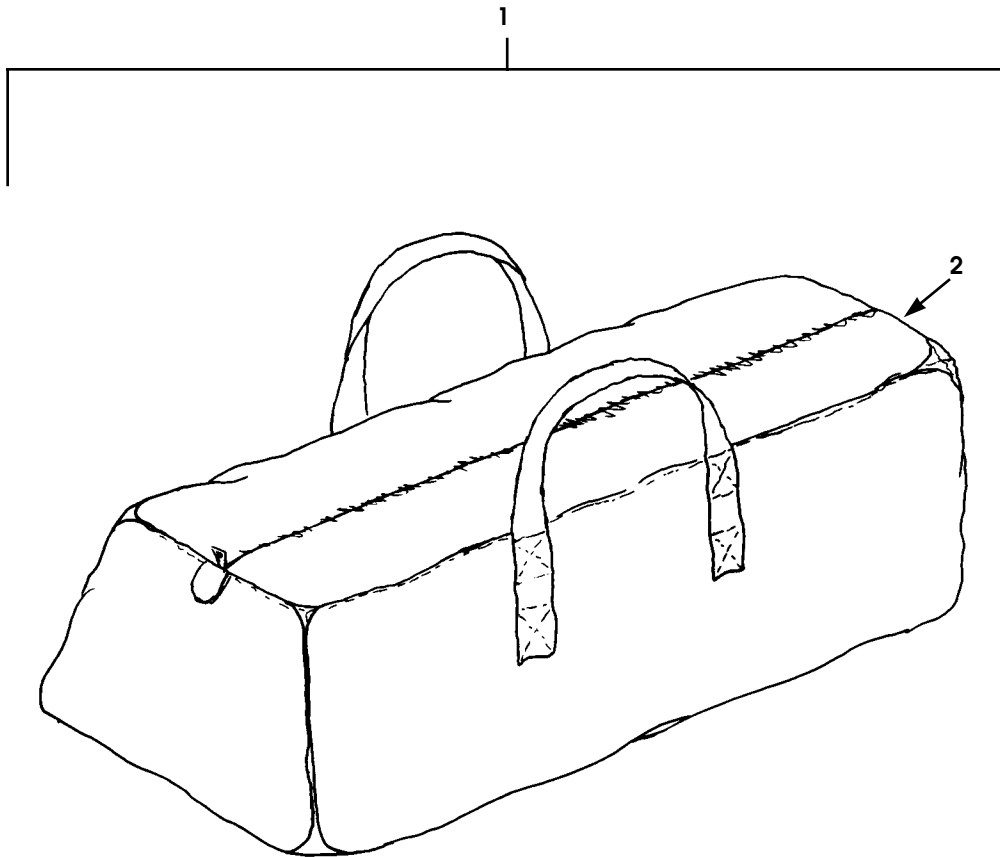
# HUMMER PARTS CATALOG

## ACCESSORIES 13-55

ITEM	PART NUMBER	DESCRIPTION	QTY
		Figure 13-27 INTERNAL TUBELESS TIRE REPAIR KIT	
1	05710216	KIT, internal tubeless tire repair. . . . .	1
2	05713347	•TOOLBOX . . . . .	1
3	05713351	•CLEANER (32 ounce) . . . . .	1
4	05742539	•PLUG, small . . . . .	15
5	05742540	•RASP . . . . .	1
6	05713341	•PATCH (R-20) . . . . .	20
7	05714148	•GAUGE, tire pressure . . . . .	1
8	05713340	•STITCHER, patch roll. . . . .	1
9	05714149	•CAP, valve stem. . . . .	20
10	05713343	•CEMENT (8 ounce) . . . . .	2
11	05714147	•PENCIL, yellow chalk. . . . .	2
12	05713339	•PATCH (R-12) . . . . .	20
13	05712541	•TOOL, plug insert. . . . .	1
14	05742538	•PLUG, large . . . . .	15
	05713342	•SCRAPER (not illustrated) . . . . .	1

# HUMMER PARTS CATALOG

## 13-56 ACCESSORIES



P13-030

*Figure 13-28. Winch Accessory Kit.*

# HUMMER PARTS CATALOG

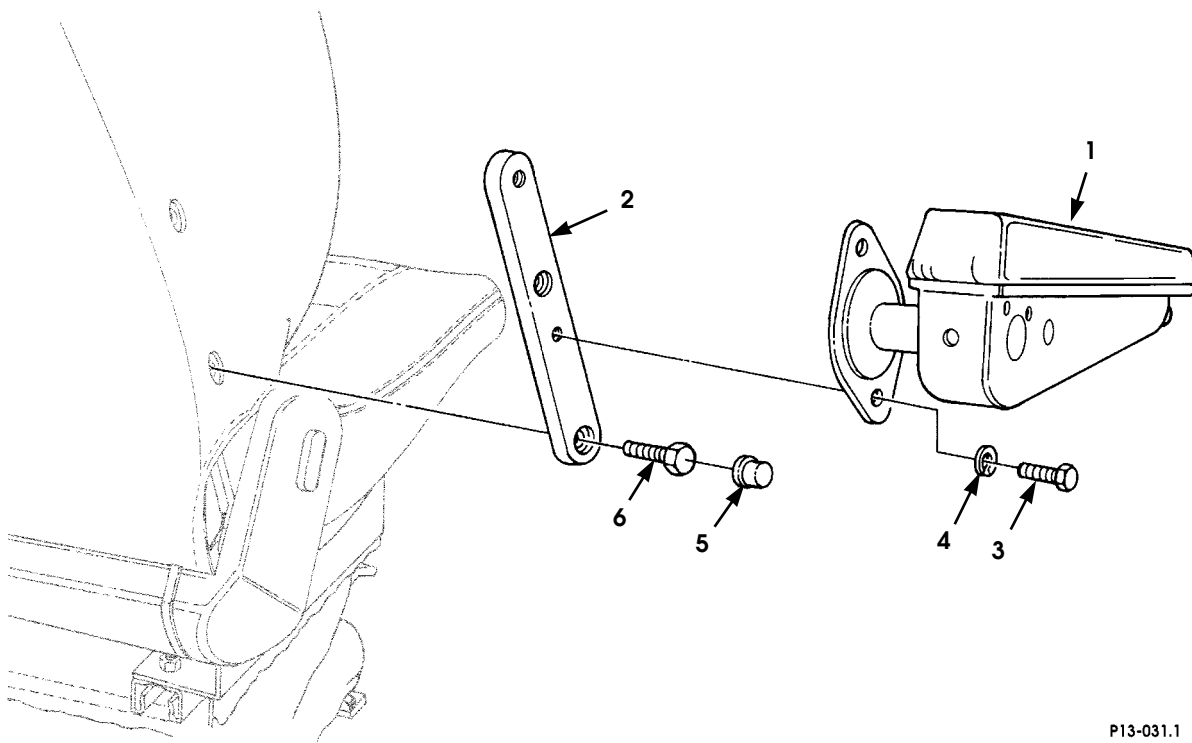
## ACCESSORIES 13-57

ITEM	PART NUMBER	DESCRIPTION	QTY
1	05742791	Figure 13-28 WINCH ACCESSORY KIT	
2	S.I.K.	KIT, winch accessory . . . . . •BAG, camouflage. . . . . •SNATCH BLOCK (not illustrated) . . . . . •CHAIN (not illustrated) . . . . . •TRUNK PROTECTOR, 2-inch (not illustrated) . . . . . •GLOVES (not illustrated). . . . . •SHACKLE 3/4-inch (not illustrated) . . . . . •STRAP, 3-inch 30 feet (not illustrated) . . . . .	1 1 1 1 1 1 pair 1 1

12-31-95

# HUMMER PARTS CATALOG

13-58 ACCESSORIES



P13-031.1

*Figure 13-29. Driver's Seat Armrest Kit.*

# HUMMER PARTS CATALOG

12-31-95

## ACCESSORIES 13-59

ITEM	PART NUMBER	DESCRIPTION	QTY
		Figure 13-29 DRIVER'S SEAT ARMREST KIT	
★ 1	05744333	KIT, armrest, driver's seat, cojac tan . . . . .	1
★ 1	05744332	KIT, armrest, driver's seat, cojac gray . . . . .	1
★ 1	05744334	KIT, armrest, driver's seat, black vinyl. . . . .	1
2	06002694	BRACKET, SEE NOTE 1 . . . . .	1
3	06002696	BOLT, SEE NOTE 1 . . . . .	2
4	06002697	LOCKWASHER, SEE NOTE 1 . . . . .	2
5	06002698	CAP, black plastic, SEE NOTE 1 . . . . .	3
6	06002695	BOLT, SEE NOTE 1 . . . . .	2
★		NOTE 1: PART OF ARMREST HARDWARE INSTALLATION KIT P/N 05744330	

12-31-95

# HUMMER PARTS CATALOG

## 13-60 ACCESSORIES

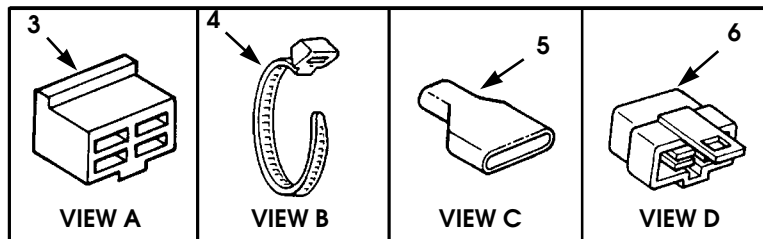
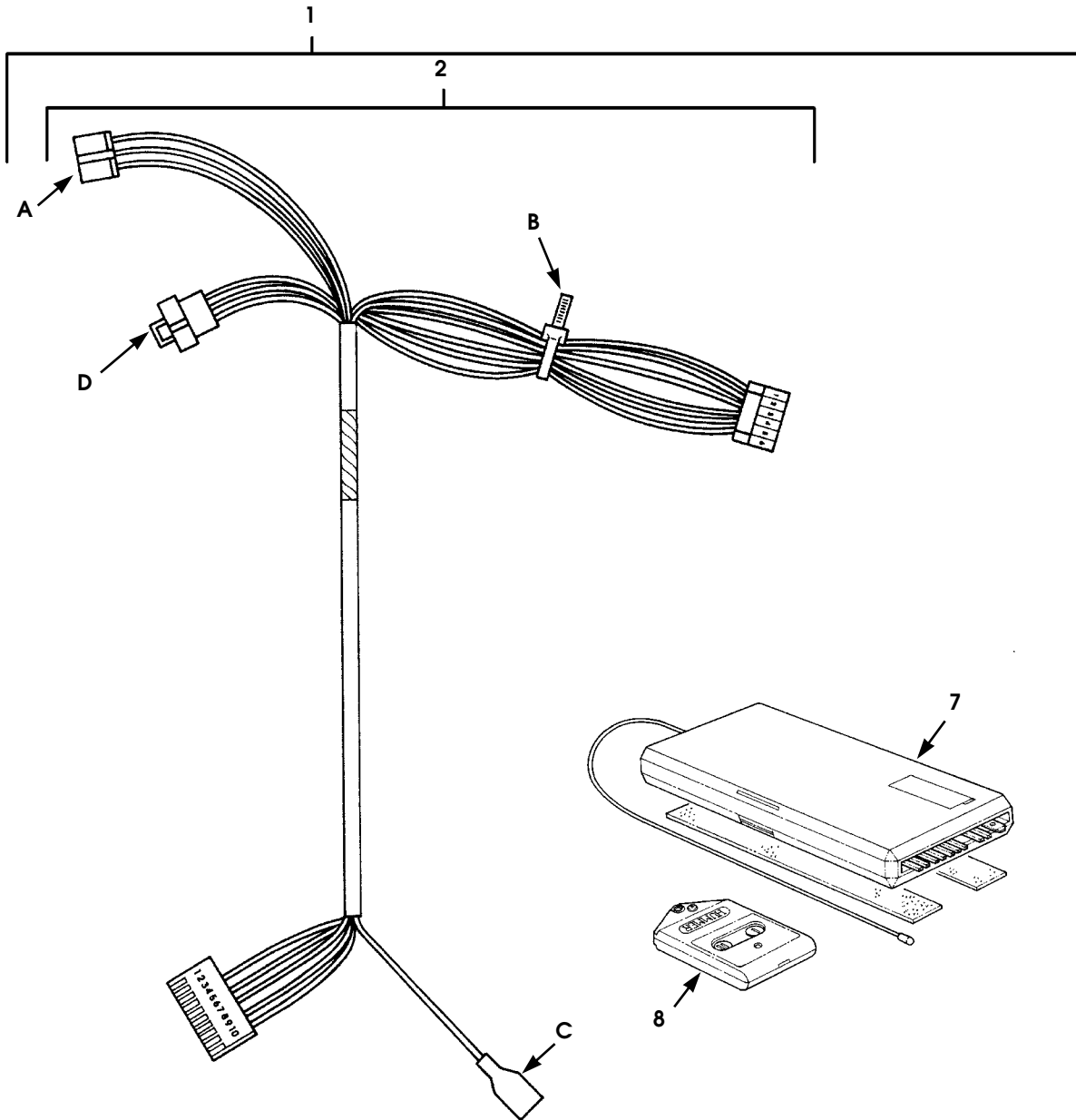


Figure 13-30. Remote Entry Kit.

P13-033.1

# HUMMER PARTS CATALOG

12-31-95

## ACCESSORIES 13-61

ITEM	PART NUMBER	DESCRIPTION	QTY
		Figure 13-30 REMOTE ENTRY KIT	
1	06005142	KIT, remote entry . . . . .	1
2	06005275	•HARNESS ASSEMBLY, remote entry. . . . .	1
3	05962769	••CONNECTOR. . . . .	1
4	MS 00003367 1	••TIEDOWN STRAP . . . . .	3
* 5	06002829	••TERMINAL. . . . .	1
6	05903246	••CONNECTOR. . . . .	1
7	06005115	•RECEIVER . . . . .	1
* 8	05744201	•REMOTE . . . . .	2





# HUMMER PARTS CATALOG

## ACCESSORIES 13-63

ITEM	PART NUMBER	DESCRIPTION	QTY
1	12338316-2	Figure 13-31 SNOW PLOW PREPARATION KIT (not illustrated)  •SPRING, front, all, w/ snow plow (Fig. 9-3,4) . . . . .	2

# HUMMER PARTS CATALOG

## 13-64 ACCESSORIES

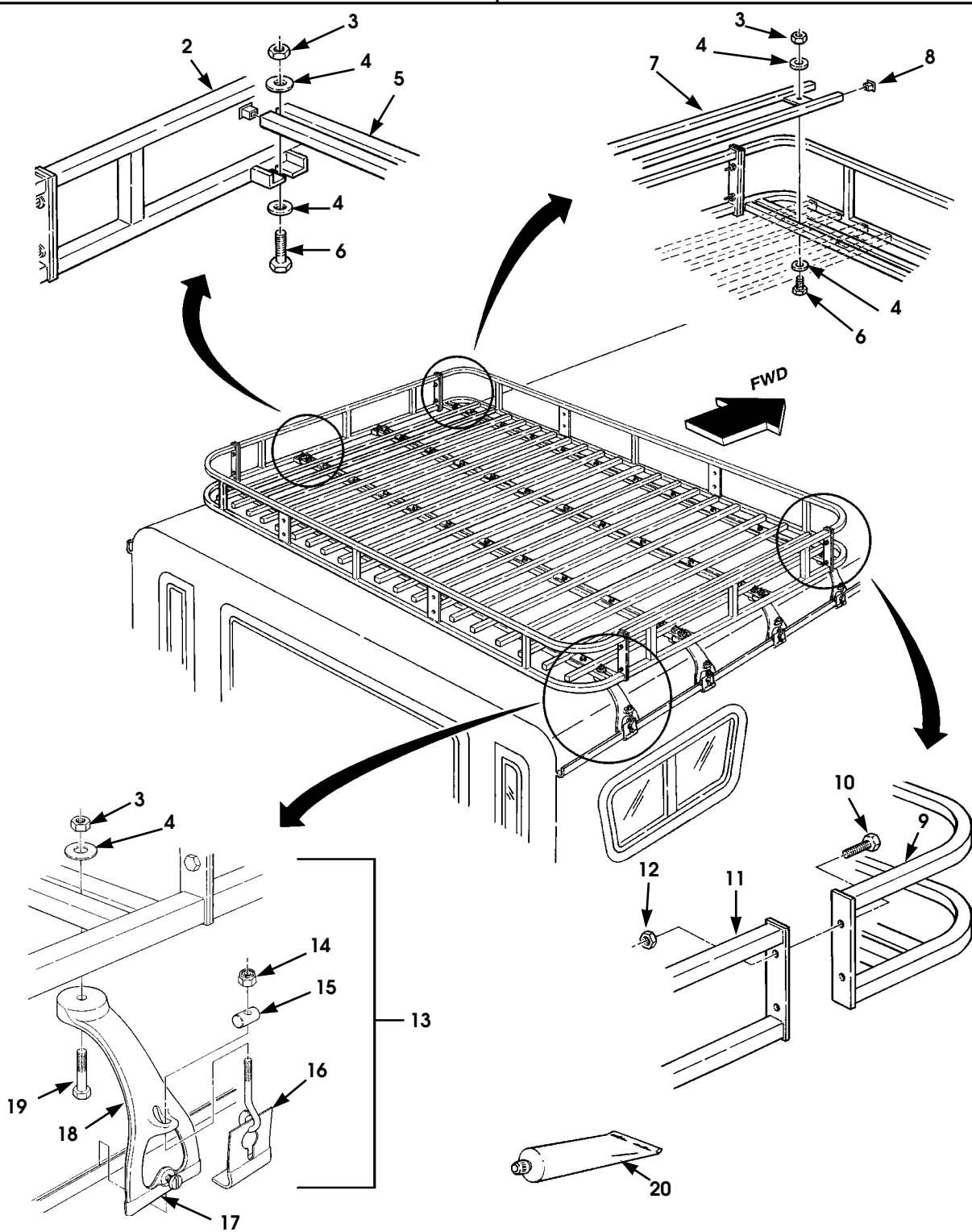


Figure 13-32. Roof Rack Kit.

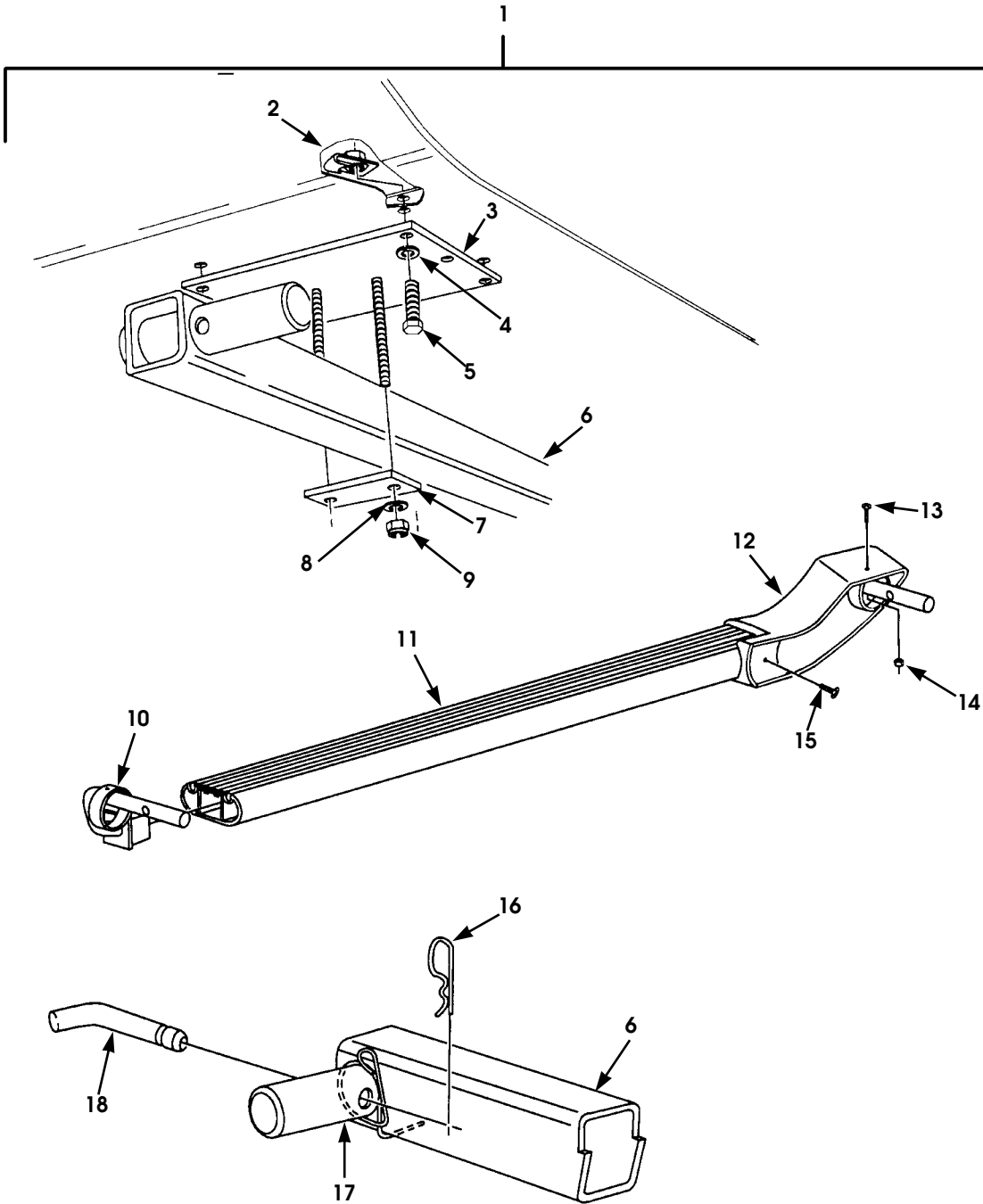
# HUMMER PARTS CATALOG

## ACCESSORIES 13-65

ITEM	PART NUMBER	DESCRIPTION	3'	6'	9'
		Figure 13-32 ROOF RACK KIT			
1	05743354	KIT, three foot roof rack, ..... XLC2, HMC4, HMCS, VLC2	1		
1	05743213	KIT, six foot roof rack ..... HMC4, HMCS		1	
1	05743214	KIT, nine foot roof rack ..... HMCS			1
2	05743261	•END CAP, crossbar. ....	8	16	20
3	05743271	•LOCKNUT, nylon. ....	24	52	66
4	05743270	•WASHER, flat. ....	44	96	122
5	05743258	•CROSSBAR. ....	2	4	5
6	05743268	•BOLT . . . . .	20	44	56
7	05743262	•FLOOR SECTION, three foot rack. ....	10		
7	05743263	•FLOOR SECTION, six foot rack . . . . .		10	
7	05743264	•FLOOR SECTION, three foot rack. ....			10
8	05743265	•FLOOR SECTION, end cap . . . . .	40	40	40
9	05743256	•RACK END ASSEMBLY . . . . .	2	2	2
10	05743266	•BOLT . . . . .	8	8	8
11	05743260	•SIDE, three foot rack . . . . .	2		
11	05743259	•SIDE, six foot rack. . . . .		2	
11	05743257	•SIDE, nine foot rack. . . . .			2
12	05743267	•LOCKNUT, nylon. . . . .	8	8	8
13	05743250	•CLAMP ASSEMBLY . . . . .	4	8	10
14	05743255	•LOCKNUT, nylon. . . . .	1	1	1
15	05743254	••SPACER, round, clamp . . . . .	1	1	1
16	05743253	••CLIP, clamp . . . . .	1	1	1
17	05743252	••BOOT, rubber, clamp . . . . .	1	1	1
18	05743251	••YOKE, clamp . . . . .	1	1	1
19	05743269	•BOLT . . . . .	4	8	10
20	05743308	•GLUE, end cap . . . . .	1	1	1
NOTE: 6-FOOT ROOF RACK SHOWN.					

# HUMMER PARTS CATALOG

## 13-66 ACCESSORIES



P13-037

Figure 13-33. Running Board Kit.

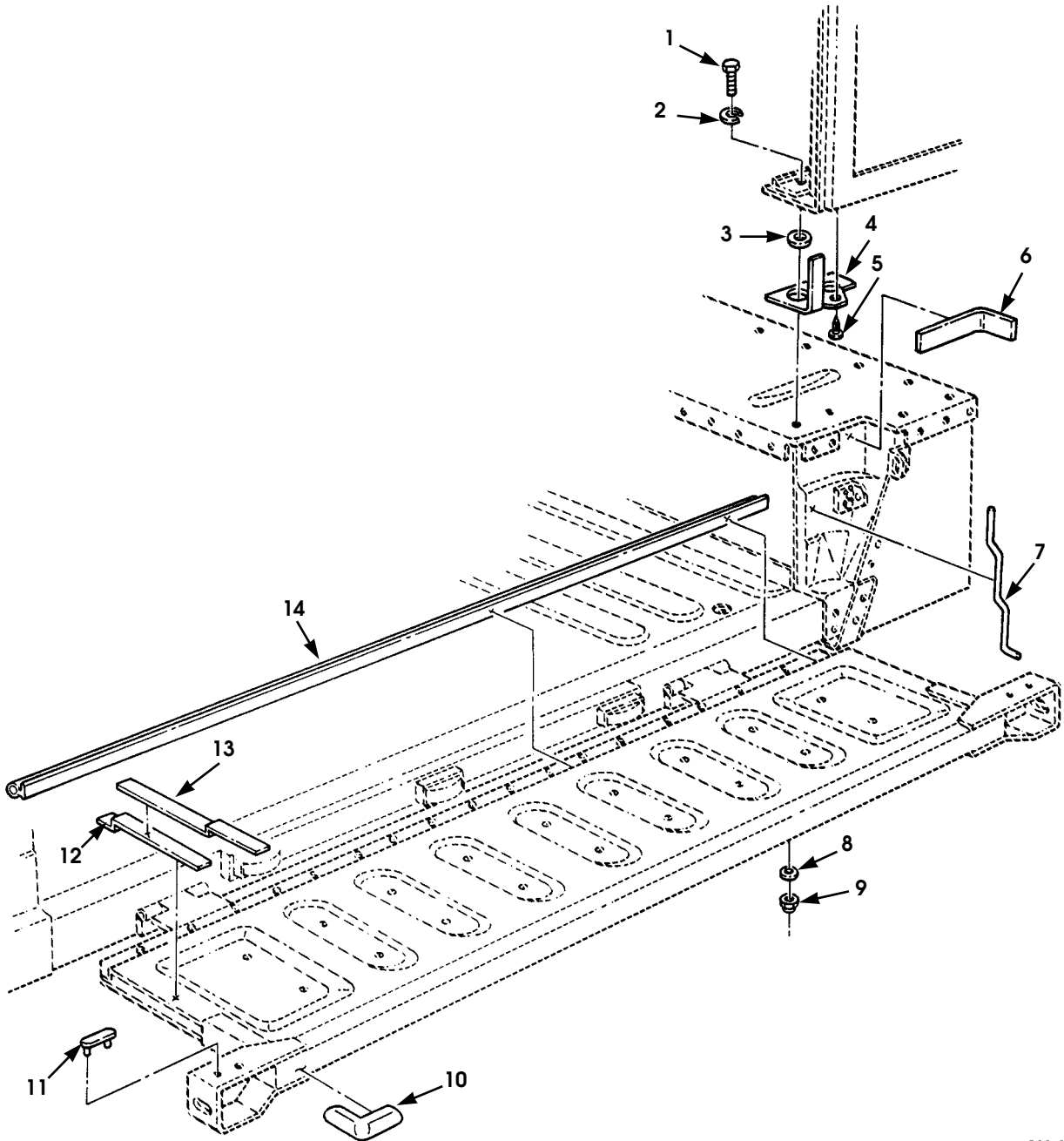
# HUMMER PARTS CATALOG

## ACCESSORIES 13-67

ITEM	PART NUMBER	DESCRIPTION	QTY
		Figure 13-33 RUNNING BOARD KIT	
1	05743446	KIT, running board . . . . .	1
2	06001283	•J-NUT . . . . .	8
3	05743437	•MOUNTING bracket . . . . .	4
4	G 09419871	•LOCKWASHER . . . . .	12
5	MS 00090725 62P2	•BOLT . . . . .	12
6	05743441	•RECEIVER . . . . .	2
7	05743438	•PLATE, clamp . . . . .	6
8	G 02436163 P2	•WASHER . . . . .	8
9	G 00456004	•NUT . . . . .	8
10	05743443	•END CAP, left . . . . .	2
10	05743444	•END CAP, right . . . . .	2
11	05743442	•RUNNING BOARD . . . . .	2
12	05743439	•CURVED TUBE, left . . . . .	2
12	05743440	•CURVED TUBE, right . . . . .	2
13	05743431	•SCREW . . . . .	8
14	05743432	•NUT . . . . .	8
15	05743433	•SCREW . . . . .	4
16	05743436	•CLIP . . . . .	4
17	05743434	•CLIP, spring . . . . .	4
18	05743435	•PIN . . . . .	4

# HUMMER PARTS CATALOG

## 13-68 ACCESSORIES



P10-028

Figure 13-34. Station Wagon Tailgate Seals.

# HUMMER PARTS CATALOG

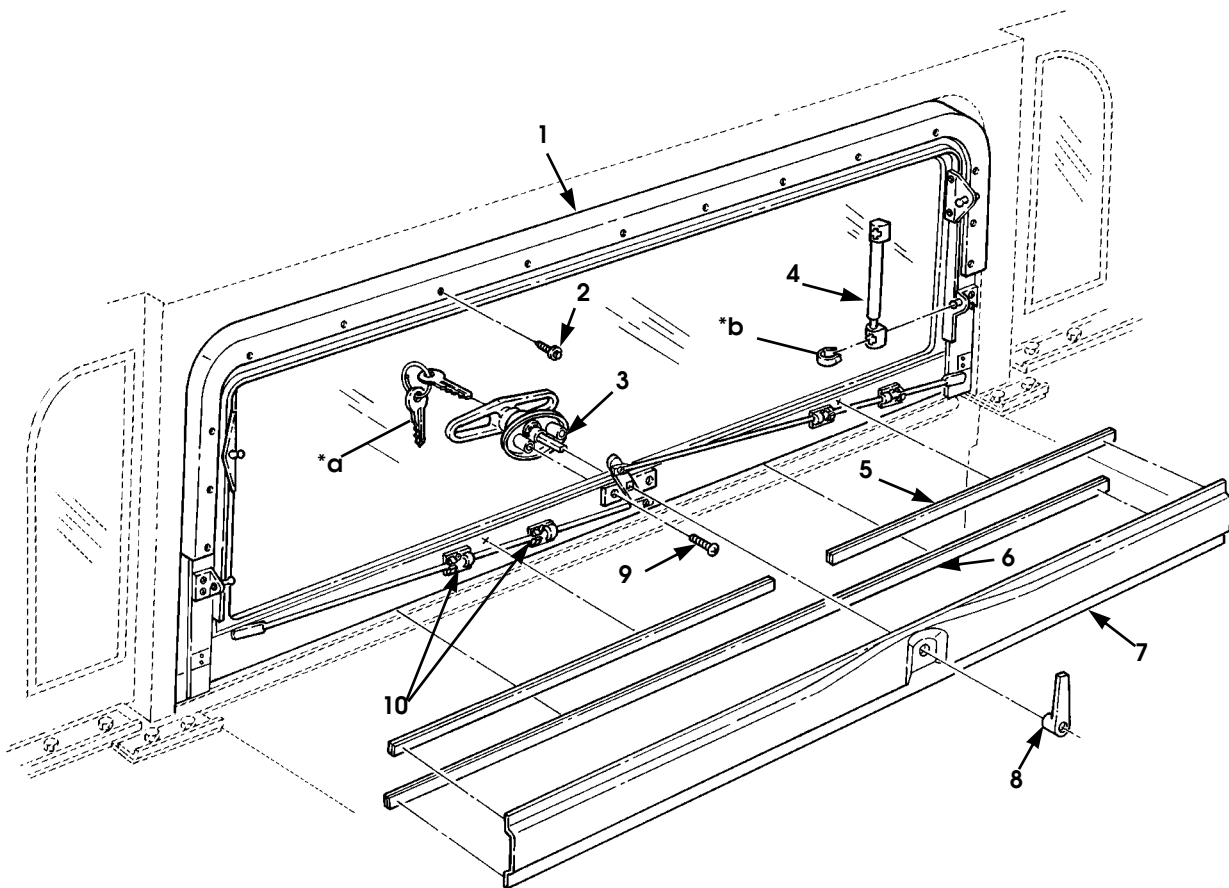
## ACCESSORIES 13-69

ITEM	PART NUMBER	DESCRIPTION	QTY
		Figure 13-34 STATION WAGON TAILGATE SEALS	
1	MS 00090728 10	BOLT ..... HMCS	2
2	MS 00035338 44P2	LOCKWASHER ..... HMCS	2
3	06001788	RETAINER, tailgate seal ..... HMCS	2
4	06003634	SEAL, rear tailgate panel, L.H. .... HMCS	1
4	06003635	SEAL, rear tailgate panel, R.H. .... HMCS	1
5	06001788	RETAINER, tailgate seal ..... HMCS	2
6	06001531	SEAL, upper ..... HMCS	2
7	06001532	SEAL ..... HMCS	2
8	G 09414920	WASHER ..... HMCS	2
9	MS 00051943 31	LOCKNUT ..... HMCS	2
10	06004822	SEAL ..... HMCS	2
11	12339961	GROMMET ..... HMCS	2
12	06001528	SEAL, tailgate, lower side ..... HMCS	1
13	06001527	SEAL, tailgate, upper side ..... HMCS	1
14	06001561	SEAL, tailgate, lower. .... HMCS	1



# HUMMER PARTS CATALOG

## 13-70 ACCESSORIES



P10-029

- \* a PART OF ITEM 3
- \* b PART OF ITEM 4

Figure 13-35. Station Wagon Liftgate Assembly and Mounting Hardware.

# HUMMER PARTS CATALOG

7-1-95

## ACCESSORIES 13-71

ITEM	PART NUMBER	DESCRIPTION	QTY
		Figure 13-35 STATION WAGON LIFTGATE ASSEMBLY AND MOUNTING HARDWARE	
1	06000980	LIFTGATE ASSEMBLY . . . . . HMCS	1
1	06003525	LIFTGATE ASSEMBLY, tinted glass . . . . . HMCS	1
1	06003533	LIFTGATE ASSEMBLY, deep tinted glass . . . . . HMCS	1
2	06001285	SCREW, liftgate clamping ring . . . . . HMCS	17
3	05743150	T-HANDLE . . . . . HMCS	1
4	05743151	GAS SPRING . . . . . HMCS	2
5	06001847	VELCRO, rear trim mounting, 18.38-inch . . . . . HMCS	2
6	06001848	VELCRO, rear trim mounting, 48.76-inch . . . . . HMCS	2
7	06001830	COVER, liftgate lock linkage . . . . . HMCS	1
8	05743152	L-HANDLE . . . . . HMCS	1
9	05743153	SCREW . . . . . HMCS	2
10	05744074	LOCK BAR GUIDE BRACKET . . . . . HMCS	4
*	06001242	WEATHERSTRIP, liftgate-to-body, outer (not illustrated)	A/R
*	06001243	WEATHERSTRIP, liftgate-to-body, inner (not illustrated).	A/R

# HUMMER PARTS CATALOG

## 13-72 ACCESSORIES

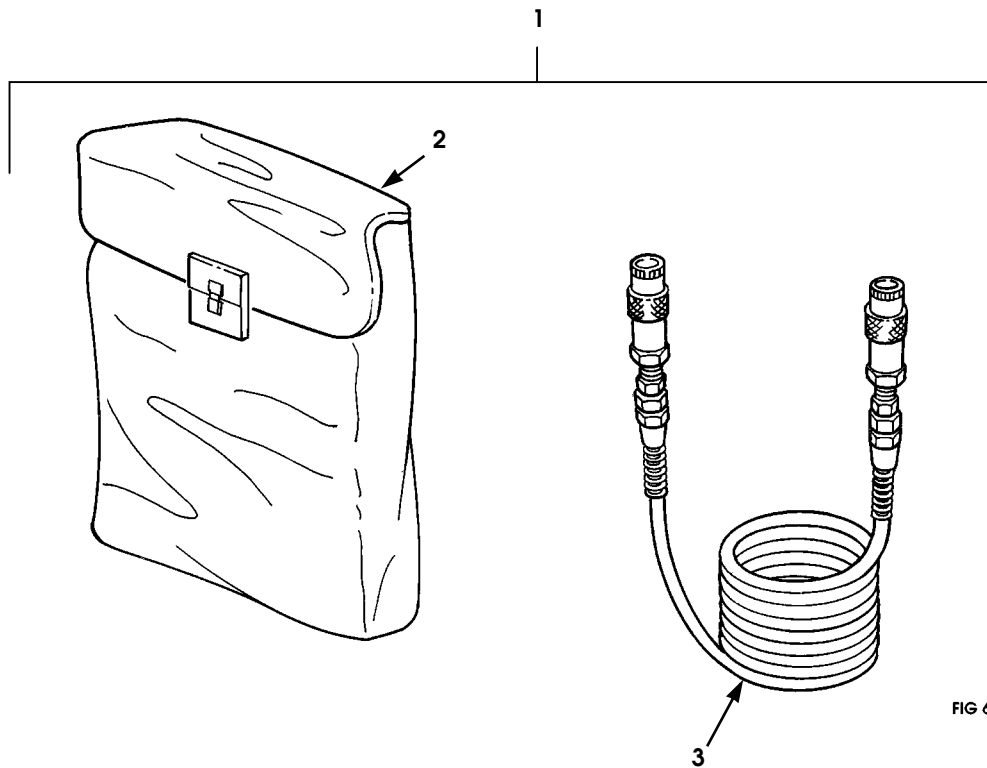


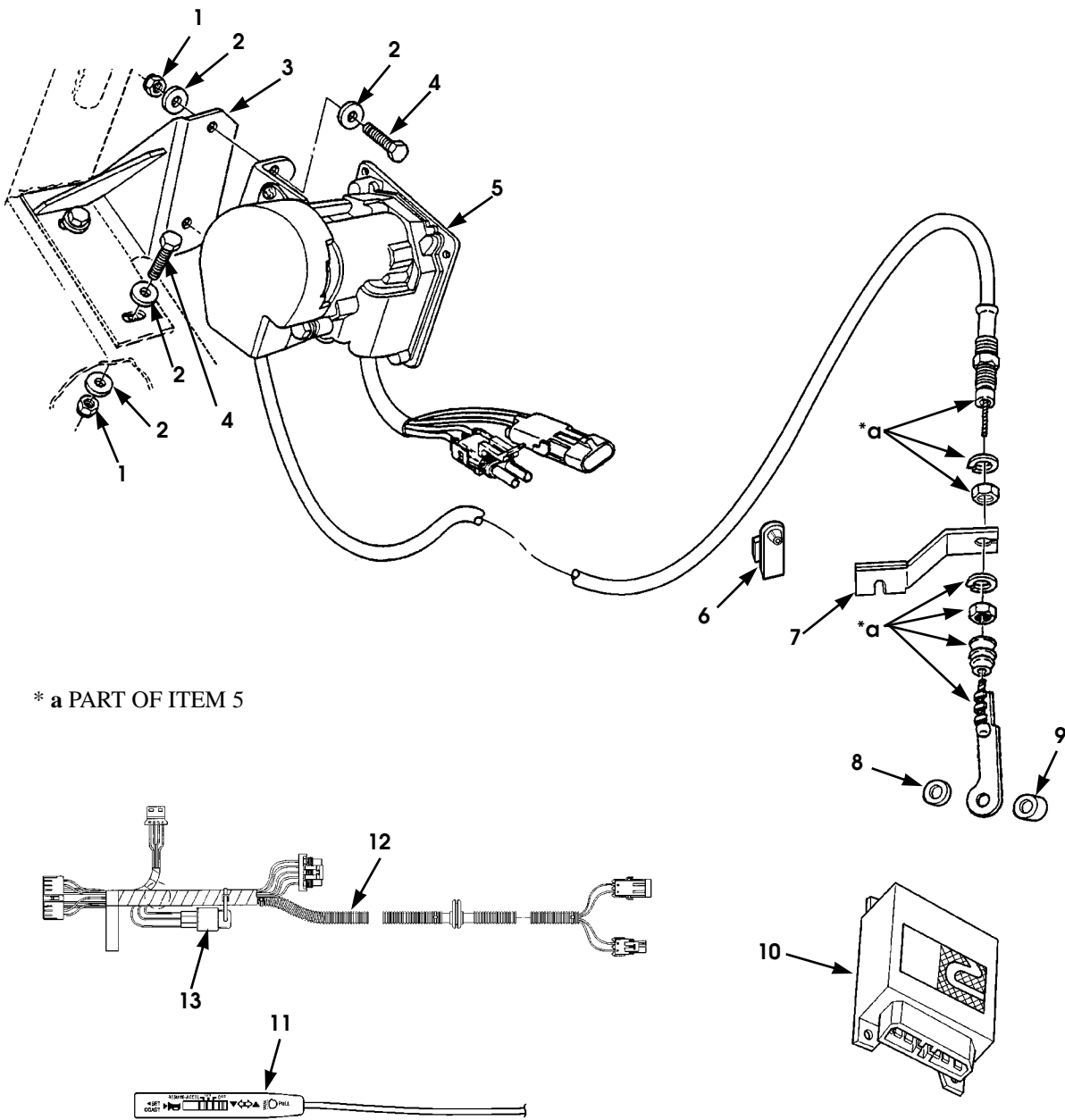
Figure 13-36. Auxiliary Air Hose Kit.

# HUMMER PARTS CATALOG

## ACCESSORIES 13-73

ITEM	PART NUMBER	DESCRIPTION	QTY
		Figure 13-36 AUXILIARY AIR HOSE KIT	
1	05743599	KIT, auxillary air hose . . . . .	1
2	05743709	•BAG, CTIS hose storage . . . . .	1
3	06004415	•HOSE ASSEMBLY, CTIS auxiliary air . . . . .	1

## 13-74 ACCESSORIES



P13-52

Figure 13-37. Cruise Control, Actuator, Wiring Harness, and Mounting Hardware.

# HUMMER PARTS CATALOG

12-31-95

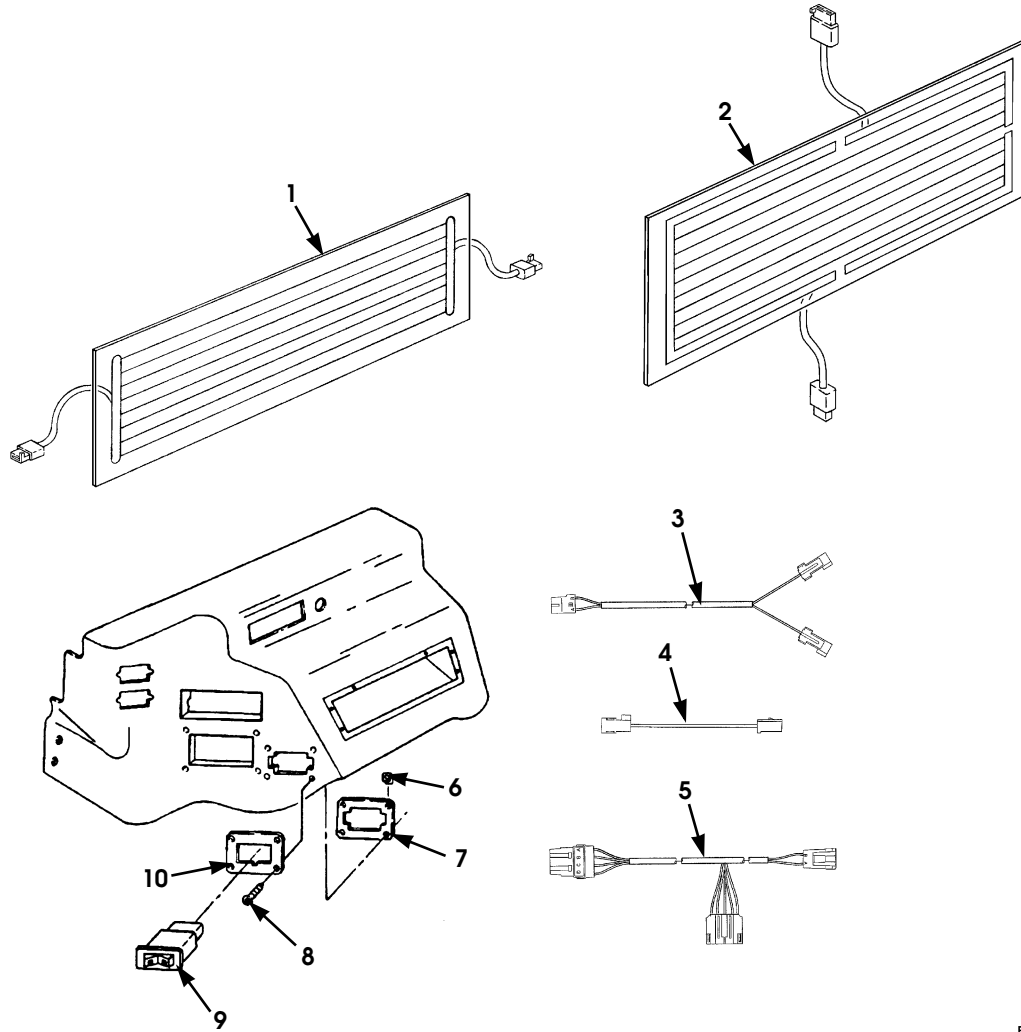
## ACCESSORIES 13-75

ITEM	PART NUMBER	DESCRIPTION	QTY
		Figure 13-37 CRUISE CONTROL ACTUATOR, WIRING HARNESS AND MOUNTING HARDWARE	
1	MS 00051943 31	NUT, 1/4"-20 . . . . .	4
2	G 02436161	WASHER, 1/4" . . . . .	8
3	06003846	BRACKET, cruise control . . . . .	1
4	MS 00090725 6	BOLT, 1/4"-20 x 3/4" . . . . .	4
* 5	06007172	ACTUATOR/CABLE ASSEMBLY, diesel . . . . .	1
6	05939037	RETAINER CLIP, cruise control, diesel . . . . .	1
7	06006442	BRACKET, cruise control, diesel . . . . .	1
8	06006449	WASHER, nylon, outer, diesel. . . . .	1
9	06006446	WASHER, nylon, inner, diesel . . . . .	1
10	06004057	MODULE, cruise control . . . . .	1
11	06004056	STALK, TS w/cruise . . . . .	1
12	06004059	HARNESS ASSEMBLY. . . . .	1
13	06004055	•RELAY . . . . .	1

4-1-95

# HUMMER PARTS CATALOG

## 13-76 ACCESSORIES



P13-055

Figure 13-38. Rear Defroster.

# HUMMER PARTS CATALOG

4-1-95

## ACCESSORIES 13-77

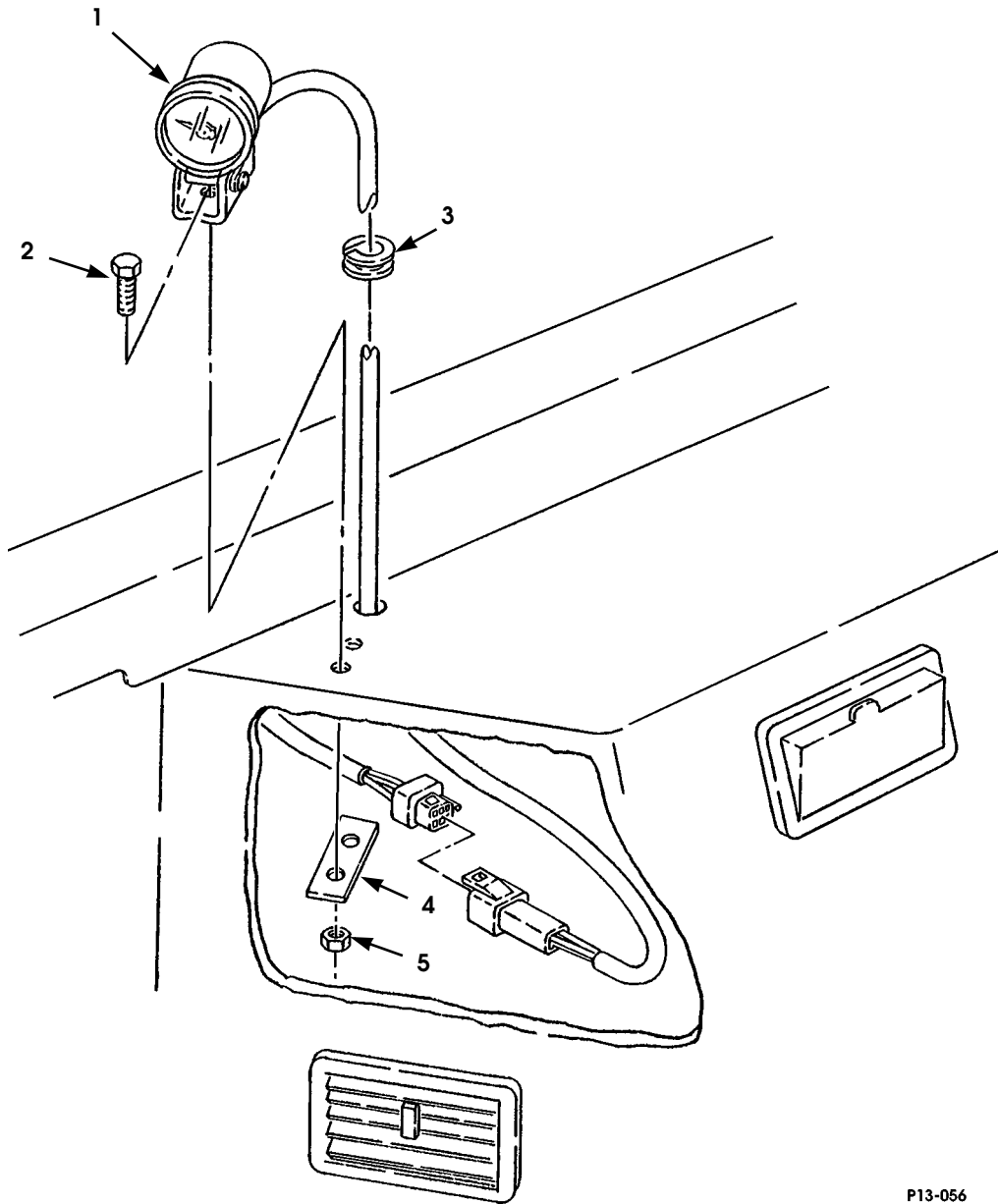
ITEM	PART NUMBER	DESCRIPTION	QTY
		Figure 13-38 REAR DEFROSTER	
* 1	06005305	WINDOW ASSEMBLY, liftgate with defroster . . . . . HMCS	1
* 1	06005306	WINDOW ASSEMBLY, rear with defrost, stationary . . . . HMC4, VLC2, XLC2	1
* 2	06005304	WINDOW ASSEMBLY, rear with defrost, sliding . . . . . HMC4, VLC2, XLC2	1
3	06005207	HARNESS ASSEMBLY, rear defrost . . . . . HMCS	1
3	06005233	HARNESS, rear window defrost, sliding . . . . . HMC4, VLC2, XLC2	1
3	06005232	HARNESS, rear window defrost, stationary . . . . . HMC4, VLC2, XLC2	1
4	06005560	HARNESS, rear window defrost . . . . . HMCS	1
5	06005202	HARNESS ASSEMBLY, rear defrost timer switch-to-body	1
* 6	06001894	J-NUT. . . . .	4
7	06005176	PLATE, rear window defrost . . . . .	1
* 8	05939651	SCREW, #10-16 x 3/4" . . . . .	4
9	06005175	CONTROL, rear window defrost. . . . .	1
10	06005177	BEZEL, rear window defrost . . . . .	1



4-1-95

# HUMMER PARTS CATALOG

## 13-78 ACCESSORIES



P13-056

Figure 13-39. Tachometer and Mounting Hardware.

# HUMMER PARTS CATALOG

12-31-95

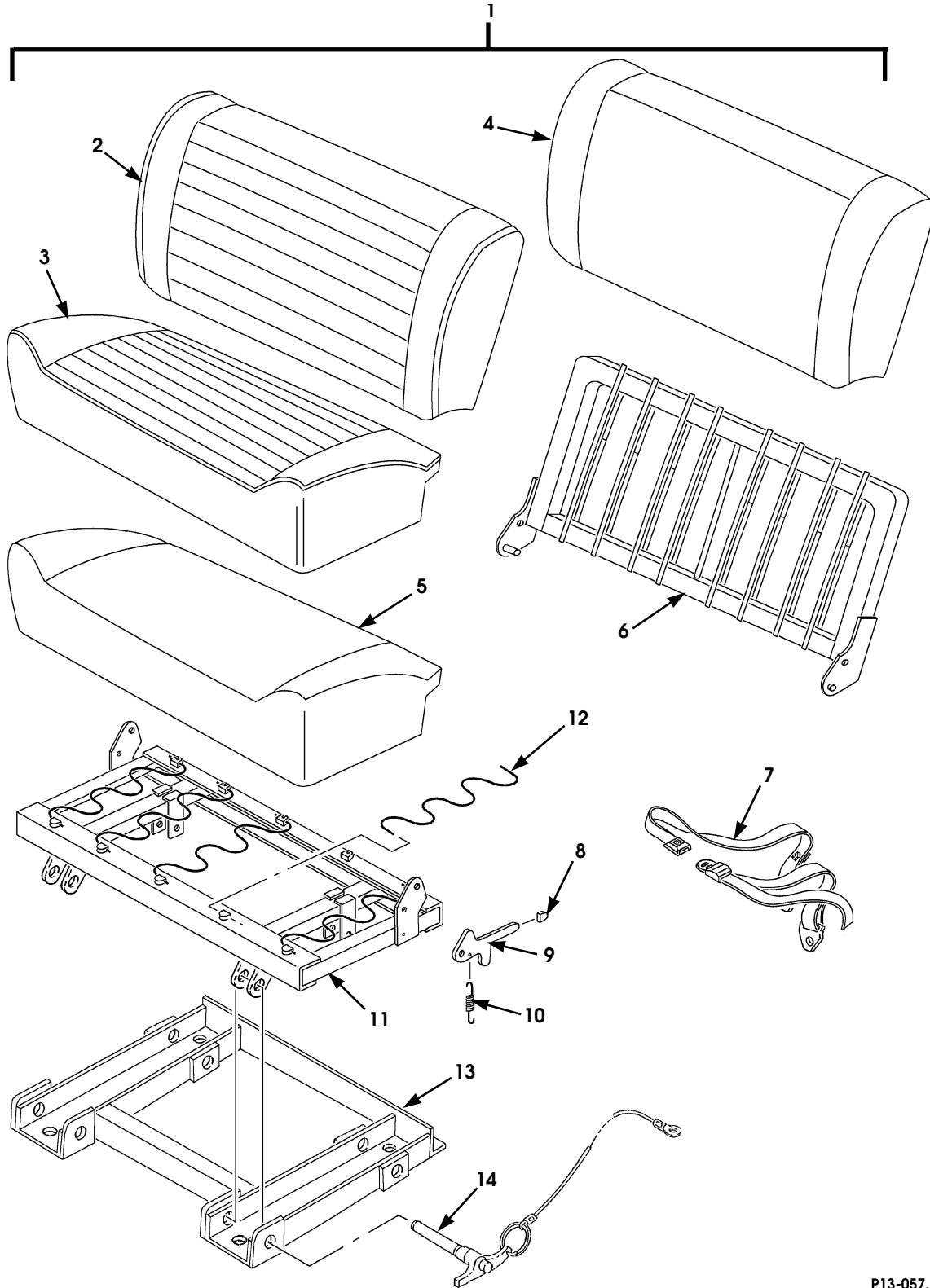
## ACCESSORIES 13-79

ITEM	PART NUMBER	DESCRIPTION	QTY
		Figure 13-39 TACHOMETER AND MOUNTING HARDWARE	
1	06005437	TACHOMETER, diesel engine . . . . .	1
2	MS 00352062 46P2	SCREW, #8-32 x 5/8" . . . . .	2
* 3	MS 00035489 67	GROMMET . . . . .	1
4	06005504	PLATE, tachometer mounting . . . . .	1
5	MS 00021083 N08	NUT, lock, .162-32 . . . . .	

7-1-95

# HUMMER PARTS CATALOG

## 13-80 ACCESSORIES



P13-057.1

Figure 13-40. Auxiliary Seat.

# HUMMER PARTS CATALOG

7-1-95

## ACCESSORIES 13-81

ITEM	PART NUMBER	DESCRIPTION	QTY
		Figure 13-40 AUXILIARY SEAT	
★ 1	06005269 T	SEAT, auxiliary, tan . . . . .	1
★ 1	06005269 G	SEAT, auxiliary, gray . . . . .	1
★ 1	06005269 B	SEAT, auxiliary, black vinyl . . . . .	1
★ 2	05744293	•UPHOLSTERY, seat back. auxiliary seat, tan . . . . .	1
★ 2	05744294	•UPHOLSTERY, seat back. auxiliary, seat, gray . . . . .	1
★ 2	05744295	•UPHOLSTERY, seat back. auxiliary seat, black . . . . .	1
★ 3	05744296	•UPHOLSTERY, seat. auxiliary seat, tan . . . . .	1
★ 3	05744297	•UPHOLSTERY, seat. auxiliary seat, gray . . . . .	1
★ 3	05744298	•UPHOLSTERY, seat. auxiliary seat, black . . . . .	1
★ 4	05744317	•FOAM, auxiliary seatback . . . . .	1
★ 5	05744318	•FOAM, auxiliary seat, cushion . . . . .	1
★ 6	05744314	•FRAME, auxiliary seatback, w/spring . . . . .	1
★ 7	05744291	•SEAT BELT, auxiliary seat . . . . .	2
★ 8	05744311	•CAP, lock handle . . . . .	2
★ 9	05744312	•HANDLE, locking hook . . . . .	2
★ 10	05744310	•SPRING, lock return . . . . .	2
★ 11	05744313	•FRAME, auxiliary seat w/spring . . . . .	1
★ 12	05744316	••SPRING, auxiliary seat susp . . . . .	5
★ 13	05744315	•FRAME, auxiliary seat mount . . . . .	1
★ 14	05744292	••PIN, auxiliary seat retainer . . . . .	4

12-31-95

# HUMMER PARTS CATALOG

## 13-82 ACCESSORIES

FIG./ITEM		PART NUMBER	DESCRIPTION	QTY
			REPAIR KITS	
—	—	05743401	CYLINDER HEAD KIT, 6.5L . . . . .	—
2-2	15	05743224	•GASKET, cylinder head . . . . .	2
2-5	8	05740266	•SEAL INLET, valve stem . . . . .	16
2-7	11	05743285	•SEAL, crankcase front cover . . . . .	1
2-10	8	05740183	•GASKET SET . . . . .	2
4-5	2	05743239	•GASKET, water outlet . . . . .	1
4-5	7	05742109	•GASKET, water crossover . . . . .	2
—	—	05743235	OIL PAN KIT . . . . .	—
2-8	27	05743235	•SEAL, engine oil pan, rear . . . . .	1
—	—	05743399	ENGINE OVERHAUL KIT . . . . .	—
2-3	5	05743226	•PACKING, preformed, crankshaft . . . . .	1
4-6	4	05743242	•GASKET, water pump . . . . .	1
—	—	05742010	FUEL INJECTION GASKET OVERHAUL KIT . . . . .	—
3-4	10	05740674	•WASHER . . . . .	3
3-4	13	05740556	•PACKING . . . . .	1
3-4	26	05740072	•GASKET . . . . .	1
3-5	5	05740645	•SEAL, throttle shaft . . . . .	1
3-5	7	05742636	•SEAL WASHER, throttle shaft . . . . .	1
3-5	10	05740643	•PIN, drive . . . . .	1
3-5	17	05740653	•SEAL, drain plug, piston hole . . . . .	2
3-5	18	05740599	•SEAL, ring, transfer pump . . . . .	1
3-5	31	05740660	•PACKING, head locating screw . . . . .	1
3-5	34	05740662	•PACKING, cam advance . . . . .	1
3-6	5	05740562	•PACKING, black . . . . .	2
3-6	6	05740564	•PACKING, red . . . . .	1
3-6	25	05740595	•PACKING, locking plate . . . . .	1
3-6	29	05740592	•STOP, delivery valve . . . . .	1
3-6	34	05740588	•PACKING, hydraulic head . . . . .	1
3-6	40	05740584	•GASKET, timing line cover . . . . .	—
—	—	05595706	JOURNAL AND BEARING KIT . . . . .	—
5-19	4	NPN	•BEARING RACE . . . . .	4
5-19	5	NPN	•FITTING, grease . . . . .	1
5-19	6	NPN	•RING . . . . .	4
5-19	7	NPN	•CROSS ASSEMBLY . . . . .	1
—	—	05742776	BOOT KIT, fixed joint . . . . .	—
6-3	2	NPN	•CLAMP, race, joint assembly, outer boot . . . . .	2
6-3	3	NPN	•BOOT, joint assembly . . . . .	1
6-3	4	NPN	•CLAMP, race, joint assembly . . . . .	2
—	—	05742775	PLUNGE BOOT PARTS KIT . . . . .	—
6-3	2	NPN	•CLAMP, race, joint assembly, outer boot . . . . .	2
6-3	4	NPN	•CLAMP, race, joint assembly . . . . .	2
6-3	8	NPN	•BOOT, joint assembly, inner . . . . .	1

# HUMMER PARTS CATALOG

12-31-95

## ACCESSORIES 13-83

FIG./ITEM		PART NUMBER	DESCRIPTION	QTY
REPAIR KITS (Cont'd)				
—	—	05579445	AXLE PINION BEARING SHIM KIT . . . . . (see figure 6-9, items 16)	—
—	—	05579453	DIFFERENTIAL BEARING SHIM KIT . . . . . (see figure 6-9, items 19)	—
—	—	05742771	SERVICE BRAKE PAD KIT (front or rear) . . . . .	—
7-3	7	NPN	•PAD, disk brake (rear) . . . . .	4
7-4	11	NPN	•PAD, disk brake (front) . . . . .	4
—	—	05579865	SERVICE BRAKE CALIPER BOOT AND SEAL KIT . . . . .	—
7-8	8	05578797	•GASKET, piston . . . . .	1
7-8	10	05578800	•BOOT, caliper, piston . . . . .	1
—	—	05740448	SIDE COVER HOUSING SEAL KIT . . . . .	—
8-4	2	05740445	•BOLT, cover assembly . . . . .	4
8-4	4	05740447	•GASKET, housing, cover assembly . . . . .	1
—	—	05740462	PISTON NUT RACK KIT . . . . .	—
8-4	2	05740445	•BOLT, cover assembly . . . . .	4
8-4	10	NPN	•GEAR ASSEMBLY, worm . . . . .	1
8-4	37	NPN	•RACK, piston nut . . . . .	1
8-4	38	NPN	•RING, seal, piston rack . . . . .	1
8-4	39	NPN	•GASKET, piston rack . . . . .	1
8-4	40	05740461	•PLUG, piston rack . . . . .	1
8-4	44	NPN	•BALL, bearing, piston rack . . . . .	12
8-4	45	NPN	•BALL, chrome, .28 diameter, piston rack . . . . .	12
8-4	46	05740468	•GUIDE, ball, piston rack . . . . .	2
8-4	47	05740467	•STRAP, retaining, piston rack ball guide . . . . .	1
8-4	48	05740466	•SCREW, retaining strap . . . . .	2
—	—	05741190	STEERING KIT. . . . .	—
8-4	7	NPN	•VALVE ASSEMBLY, steering gear check . . . . .	1
—	—	05740476	LOWER THRUST BEARING KIT . . . . .	—
8-4	8	NPN	•THRUST BEARING RACE, lower . . . . .	2
8-4	9	NPN	•RETAINER and ROLLER . . . . .	1
—	—	05741703	ADJUSTER PLUG KIT . . . . .	—
8-4	12	NPN	•RETAINING RING . . . . .	1
8-4	13	NPN	•SEAL, shaft . . . . .	1
8-4	14	05741704	•SEAL, shaft . . . . .	1
8-4	15	05740483	•BUSHING, sleeve, shaft . . . . .	1
8-4	16	NPN	•PLUG, adjuster, shaft . . . . .	1
8-4	17	05740485	•PACKING, preformed, adjuster plug . . . . .	1
8-4	18	NPN	•RACE, bearing . . . . .	1
8-4	19	NPN	•RETAINER and ROLLER . . . . .	1
8-4	20	NPN	•RACE, bearing . . . . .	1
8-4	21	NPN	•SPACER, bearing . . . . .	1
8-4	22	NPN	•RETAINER, bearing adjuster plug . . . . .	1

12-31-95

# HUMMER PARTS CATALOG

## 13-84 ACCESSORIES

FIG./ITEM		PART NUMBER	DESCRIPTION	QTY
			REPAIR KITS (Cont'd)	
—	—	05742166	UPPER THRUST BEARING KIT . . . . .	—
8-4	18	NPN	•RACE, bearing . . . . .	1
8-4	19	NPN	•RETAINER and ROLLER. . . . .	1
8-4	20	NPN	•RACE, bearing . . . . .	1
8-4	21	NPN	•SPACER, bearing . . . . .	1
8-4	22	NPN	•RETAINER, bearing adjuster plug . . . . .	1
—	—	05740499	SEAL VALVE RING KIT . . . . .	—
8-4	23	NPN	•RING, seal, valve body . . . . .	3
8-4	24	NPN	•PACKING, preformed, valve body . . . . .	3
8-4	26	NPN	•SEAL, valve spool . . . . .	1
8-4	29	NPN	•RING, seal, shaft . . . . .	1
			REPAIR KITS (Cont'd)	
—	—	05740452	PITMAN SHAFT SEAL KIT . . . . .	—
8-4	32	NPN	•RING, retaining, pitman shaft . . . . .	1
8-4	33	NPN	•WASHER, seal pitman shaft. . . . .	2
8-4	34	NPN	•SEAL, pitman shaft . . . . .	1
8-4	35	05740451	•SEAL, pitman shaft . . . . .	1
—	—	05740465	SEAL RACK PISTON KIT . . . . .	—
8-4	38	NPN	•RING, seal, piston rack. . . . .	1
8-4	39	NPN	•GASKET, piston rack. . . . .	1
—	—	05740458	SEAL END PLUG KIT . . . . .	—
8-4	41	NPN	•PACKING, preformed, housing end plug . . . . .	1
8-4	43	NPN	•RING, retaining, housing end plug. . . . .	1
—	—	05740470	RECIRCULATING BALL KIT . . . . .	—
8-4	44	NPN	•BALL, bearing, piston rack . . . . .	12
8-4	45	NPN	•BALL, chrome .28 diameter, piston rack . . . . .	12
—	—	05741910	STEERING GEAR SIDE COVER KIT . . . . .	—
8-4	2	05740445	•BOLT, cover assembly . . . . .	4
8-4	3	NPN	•COVER ASSEMBLY, housing side . . . . .	1
8-4	4	05740447	•GASKET, housing, cover assembly . . . . .	1
—	—	05742626	PITMAN SHAFT GEAR ASSEMBLY SERVICE KIT. . . . .	—
8-4	2	05740445	•BOLT, cover assembly . . . . .	4
8-4	4	05740447	•GASKET, housing, cover assembly . . . . .	1
8-4	5	NPN	•GEARSHAFT SPUR, pitman shaft . . . . .	1
—	—	05741892	ADJUSTER PLUG SEAL KIT. . . . .	—
8-4	12	NPN	•RETAINING RING . . . . .	1
8-4	13	NPN	•SEAL, shaft . . . . .	1
8-4	14	05741704	•SEAL, shaft . . . . .	1
8-4	17	05740485	•PACKING, preformed, adjuster plug . . . . .	1
—	—	05742627	GEAR HOUSING ASSEMBLY SERVICE KIT. . . . .	—
8-4	6	NPN	•HOUSING, steering gear . . . . .	1
8-4	7	NPN	•VALVE ASSEMBLY, steering gear check . . . . .	1

# HUMMER PARTS CATALOG

12-31-95

## ACCESSORIES 13-85

FIG./ITEM		PART NUMBER	DESCRIPTION	QTY
			REPAIR KITS (Cont'd)	
8-4	32	NPN	•RING, retaining, pitman shaft . . . . .	1
8-4	33	NPN	•WASHER, seal, pitman shaft . . . . .	2
8-4	34	NPN	•SEAL, pitman shaft . . . . .	1
8-4	35	05740451	•SEAL, pitman shaft . . . . .	1
8-4	36	05740453	•BEARING, roller, pitman shaft . . . . .	1
—	—	05742625	STEERING GEAR VALVE ASSEMBLY KIT . . . . .	—
8-4	23	NPN	•RING, seal, valve body . . . . .	3
8-4	24	NPN	•PACKING, preformed, valve . . . . .	3
8-4	25	NPN	•VALVE BODY, steering . . . . .	1
8-4	26	NPN	•SEAL, valve spool. . . . .	1
8-4	27	NPN	•VALVE SPOOL, direct, shaft. . . . .	1
8-4	28	NPN	•SHAFT, steering column . . . . .	1
8-4	29	NPN	•RING, seal, shaft. . . . .	1
—	—	05743764	SEALING WASHER KIT. . . . .	—
11-4	3	06003079	•WASHER . . . . .	2
11-4	3	05743074	•WASHER . . . . .	1
11-4	3	06003078	•WASHER . . . . .	1
—	—	05740963	TERMINAL STUD PACKAGE . . . . .	—
12-7	45	NPN	•BUSHING. . . . .	1
12-7	46	NPN	•WASHER, neoprene. . . . .	1
12-7	47	NPN	•WASHER, insulating . . . . .	1
12-7	48	NPN	•WASHER, cap. . . . .	1
12-7	49	NPN	•WASHER, plain . . . . .	1
12-7	50	NPN	•LOCKWASHER . . . . .	4
12-7	51	NPN	•NUT. . . . .	1
12-7	52	NPN	•NUT. . . . .	4
12-7	53	NPN	•WASHER, insulating . . . . .	1
12-7	54	NPN	•WASHER, plain . . . . .	1
12-7	55	NPN	•STUD, terminal . . . . .	1
12-7	60	NPN	•STUD, terminal . . . . .	1
12-7	66	NPN	•STUD, terminal . . . . .	1
12-7	67	NPN	•WASHER, insulating . . . . .	1
12-7	68	NPN	•BUSHING, insulating. . . . .	1
12-7	69	NPN	•WASHER, neoprene. . . . .	1
12-7	70	NPN	•WASHER, insulating . . . . .	1
12-7	71	NPN	•WASHER, cap. . . . .	1
12-7	72	NPN	•WASHER, plain . . . . .	1
12-7	73	NPN	•NUT. . . . .	1
12-7	74	NPN	•LOCKWASHER . . . . .	2
12-7	75	NPN	•NUT. . . . .	3
—	—	05741167	BEARING AND OIL RETAINER PACKAGE . . . . .	—
12-7	5	NPN	•SCREW . . . . .	3
12-7	78	NPN	•OIL RETAINER, felt. . . . .	1



12-31-95

# HUMMER PARTS CATALOG

## 13-86 ACCESSORIES

FIG./ITEM		PART NUMBER	DESCRIPTION	QTY
			REPAIR KITS (Cont'd)	
12-7	79	NPN	•BEARING, bronze . . . . .	1
—	—	05741171	THRUST WASHER PACKAGE . . . . .	—
12-7	1	NPN	•WASHER, flat . . . . .	1
12-7	7	NPN	•SPACER, starter clutch . . . . .	1
12-7	39	NPN	•THRUST WASHER . . . . .	1
12-7	40	NPN	•THRUST WASHER . . . . .	8
12-7	—	05741173	PINION STOP AND LOCK RING PACKAGE . . . . .	—
12-7	10	NPN	•PINION STOP . . . . .	1
12-7	11	NPN	•SNAP RING . . . . .	1
—	—	05929757	CORE CONTACT END PARTS PACKAGE . . . . .	—
—	—	NPN	•NUT . . . . .	1
12-7	34	NPN	•WASHER . . . . .	1
12-7	35	NPN	•CONTACT . . . . .	1
12-7	36	NPN	•SPRING . . . . .	1
12-7	37	NPN	•WASHER . . . . .	1
—	—	05929744	YOKE ADJUSTING PARTS PACKAGE . . . . .	—
12-7	13	NPN	•PIN . . . . .	2
12-7	14	NPN	•PLUG . . . . .	1
12-7	15	NPN	•GASKET . . . . .	2
12-7	16	NPN	•PLUG . . . . .	2
12-7	22	NPN	•NUT . . . . .	2
—	—	05929758	CORE YOKE END PARTS PACKAGE . . . . .	—
12-7	23	NPN	•SNAP RING . . . . .	1
12-7	24	NPN	•RETAINER . . . . .	1
12-7	25	NPN	•SPRING . . . . .	1
12-7	26	NPN	•RETAINER . . . . .	1
12-7	27	NPN	•BOOT, moving core . . . . .	1
12-7	28	NPN	•WASHER . . . . .	1
—	—	05741168	GASKET PACKAGE, C.E. and D.E. head . . . . .	—
12-7	41	NPN	•GASKET . . . . .	2
—	—	05740964	GASKET PACKAGE, intermediate bearing . . . . .	—
12-7	6	NPN	•GASKET . . . . .	1
—	—	05929755	MULTI-PAC . . . . .	—
12-7	32	NPN	•GASKET . . . . .	1
—	—	05740922	MOUNTING SCREW PACKAGE . . . . .	—
12-7	19	NPN	•SCREW . . . . .	7
12-7	59	NPN	•SCREW . . . . .	4
12-7	80	NPN	•SCREW, solenoid . . . . .	4
—	—	05710215	EXTERNAL TUBELESS TIRE REPAIR KIT . . . . .	—
13-26	2	05741542	•TOOLBOX . . . . .	1
13-26	3	05742537	•FLUID, chemical vulcanizing (1/2 pint) . . . . .	1
13-26	4	05742538	•PLUG, large . . . . .	15
13-26	5	05742539	•PLUG, small . . . . .	30

# HUMMER PARTS CATALOG

12-31-95

## ACCESSORIES 13-87

FIG./ITEM		PART NUMBER	DESCRIPTION	QTY
REPAIR KITS (Cont'd)				
13-26	6	05742540	•RASP . . . . .	2
13-26	7	05742541	TOOL, plug insert . . . . .	2
—	—	05710216	INTERNAL TUBELESS TIRE REPAIR KIT . . . . .	—
13-27	2	05713347	•TOOLBOX . . . . .	1
13-27	3	05713351	•CLEANER (32 ounce) . . . . .	1
13-27	4	05742539	•PLUG, small . . . . .	15
13-27	5	05742540	•RASP . . . . .	1
13-27	6	05713341	•PATCH (R-20) . . . . .	20
13-27	7	05714148	•GAUGE, tire pressure . . . . .	1
13-27	8	05713340	STITCHER, patch roll. . . . .	1
13-27	9	05714149	•CAP, valve stem . . . . .	20
13-27	10	05713343	•CEMENT (8 ounce) . . . . .	2
13-27	11	05714147	•PENCIL, yellow chalk. . . . .	2
13-27	12	05713339	•PATCH (R-12) . . . . .	20
13-27	13	05742541	•TOOL, plug insert . . . . .	1
13-27	14	05742538	•PLUG, large . . . . .	15
13-27		05713342	•SCRAPER (not illustrated) . . . . .	1

12-31-95

# HUMMER PARTS CATALOG

## 13-88 ACCESSORIES

ITEM	PART NUMBER	DESCRIPTION	QTY
		BULK	
1	CP R 104420 2	TUBING, nylon, .375 O.D. ....	A/R
2	CP R 104420 3	TUBING, nylon, .5 O.D. ....	A/R
3	CP R 104420 6	TUBING, nylon, .125 O.D. ....	A/R
* 4	MA207 22 026	TUBING, nylon. ....	A/R
5	M13466/1 11	ELECTRICAL WIRE, 4 GAUGE. ....	A/R
6	05740928	HOSE, rubber, 100 foot roll. ....	A/R
7	05740929	HOSE, nonmetallic, 5/8 inch x 50 feet. ....	A/R
8	05741064	HOSE, 50 feet. ....	A/R
9	05741067	HOSE, nonmetallic, .625 O.D. x .375 I.D. 25 feet. ....	A/R
10	05741068	HOSE, nonmetallic, .50 O.D. x .25 I.D. 25 feet. ....	A/R
11	05741079	TUBE, nylon, .25 O.D. x 18 I.D. ....	A/R
12	05741163	HOSE, .25 inch, 25 feet. ....	A/R
13	05741209	HOSE, .625 O.D. x .375 I.D., 25 feet. ....	A/R
14	05741210	HOSE, .5 O.D. x .25 I.D., 50 feet. ....	A/R
15	05741211	HOSE, .375 O.D. x 187 I.D. 50 feet. ....	A/R
16	05741214	EDGE PROTECTOR, .375 X .281 inch, 80 feet. ....	A/R
17	05743169	HOSE, 3/8 inch x 4 feet. ....	A/R
18	05743542	HOSE, 2 inch x 50 feet. ....	A/R
19	06000871	SEAL, 10 feet. ....	A/R
20	06001808	SEAL, 12 feet. ....	A/R

# HUMMER PARTS CATALOG

12-31-95

## ACCESSORIES 13-89

ITEM	PART NUMBER	DESCRIPTION	QTY
		Figure 13-41 TONNEAU COVER FOR 4-DOOR HARDTOP (not illustrated)	
	06003663	KIT, tonneau cover, H/T, tan . . . . .	1
	06004243	KIT, tonneau cover, H/T, black . . . . .	1
	06004245	KIT, tonneau cover, H/T, white. . . . .	1
	06003664	•COVER, tonneau, tan, H/T . . . . .	1
	06004244	•COVER, tonneau, black, H/T . . . . .	1
	06004246	•COVER, tonneau, white, H/T . . . . .	1
	06003665	•EXTRUSION, tonneau cover . . . . .	1
	06001669	•EXTRUSION, 43 in. PVC/velcro . . . . .	1
	06001670	•EXTRUSION, 41 in. PVC/velcro . . . . .	2
	06001671	•EXTRUSION, 9 in. PVC/velcro . . . . .	2
*	05744425	KIT, tonneau bow. . . . .	1
	SIK	•BOW, tonneau cover . . . . .	1
	SIK	•BRACKET, tonneau bow . . . . .	2
	SIK	•SCREW, #10-32 x .75 PHCR . . . . .	4
	06003844	MOUNTING BRACKET, tonneau extrusion . . . . .	1
	06003848	SEAL, tonneau bracket. . . . .	1



## TABLE OF CONTENTS 1

TITLE	PAGE NUMBER
<b>SECTION 1A. GENERAL INFORMATION</b>	
General Information . . . . .	1A-1
<b>SECTION 2A. ENGINE</b>	
Engine Assembly . . . . .	2A-2
Cylinder Head, Manifolds, and Components . . . . .	2A-4
Cylinder Block and Components . . . . .	2A-8
Engine Mounting Bracket . . . . .	2A-12
Oil Filter and Adapter . . . . .	2A-14
Distributor . . . . .	2A-16
Spark Plug Wiring . . . . .	2A-18
MAP and Oxygen Sensors . . . . .	2A-20
EGR Valve and Vent Tubes . . . . .	2A-22
Oil Pressure Sensors . . . . .	2A-24
Starter Motor and Mounting Hardware . . . . .	2A-26
Cooling Fan, Fan Clutch, and Pulleys . . . . .	2A-28
Pulleys and Belt/Accessory Drives . . . . .	2A-30
Alternator and Mounting Hardware . . . . .	2A-32
Power Steering Pump and Mounting Hardware . . . . .	2A-34
<b>SECTION 3A. FUEL, EMISSIONS AND EXHAUST</b>	
Throttle Body Injector Unit . . . . .	3A-2
Accelerator Controls . . . . .	3A-4
Fuel Supply and Return Lines . . . . .	3A-6
Fuel Tank Assembly and Mounting Straps . . . . .	3A-8
Fuel Filler System . . . . .	3A-12
★ Fuel Level Transmitter Jumper Harness . . . . .	3A-16
★ Exhaust Manifold Heat Shield . . . . .	3A-18
★ Air Induction System . . . . .	3A-20
★ Muffler, Exhaust Pipes, and Related Parts . . . . .	3A-23
<b>SECTION 4A. COOLING SYSTEM</b>	
Surge Tank and Related Parts . . . . .	4A-2
Radiator Hoses and Related Parts . . . . .	4A-4
Engine and Transmission Oil Cooler and Engine Oil Cooler Lines . . . . .	4A-6
<b>SECTION 5A. COOLING SYSTEM</b>	
Transmission, Filter, and Sensors . . . . .	5A-2
Torque Converter . . . . .	5A-4

## 2 TABLE OF CONTENTS

**TITLE**

**PAGE NUMBER**

### **SECTION 11A. HEATING/VENTILATION/ AIR CONDITIONING**

A/C Compressor and Mounting Hardware (Gasoline) . . . . . 11A-2  
 Water Control Valve and Heater Hoses, without Auxiliary A/C - Heat . . . . . 11A-4  
 Water Control Valve and Heater Hoses, with Auxiliary A/C - Heat . . . . . 11A-6

### **SECTION 12A. ELECTRICAL SYSTEM**

Tachometer and Mounting Hardware . . . . . 12A-2  
 Special Tools, Engine . . . . . 12A-4  
 Cruise Control Actuator, Wiring Harness, and Mounting Hardware . . . . . 12A-7

### **SECTION 13A. ACCESSORIES**

Tachometer and Mounting Hardware . . . . . 13A-2  
 Special Tools, Engine . . . . . 13A-4  
 Cruise Control Actuator, Wiring Harness, and Mounting Hardware . . . . . 13A-6

### **SECTION 14A. INDEX**

★ Alphabetical Index . . . . . 14A-1  
 ★ Numerical Index . . . . . 14A-7

# HUMMER PARTS CATALOG

## GENERAL INFORMATION 1-1

This section contains an illustrated list of repair parts for the AM General Commercial Hummer with the 5.7 liter gasoline engine. This supplement is divided into 9 major sections in the sequence shown on the title page. Major sections are divided into smaller groups of parts, each with its own illustration. Immediately following this introduction is a complete listing of all illustrations in this supplement. The first page of each section also contains a listing for that section.

Illustrated items are numerically keyed to the text which is located on the facing page. Figure numbers are located in bold type at the beginning of a description column. Item numbers are keyed to illustrated items. Items which are indented in the parts listings are so listed to indicate their availability as a part of the previously listed assembly or separately, unless preceded in the part number column by S.I.A. or S.I.K. In this case, the part is available only in the listed assembly or kit.

Alphabetical and Numerical indexes are located at the end of the supplement.

## PARTS SERVICED BY AM GENERAL

AM General will service virtually all of the repair parts for this vehicle except those which are more economical and/or more practical to procure locally. The principal items not serviced are standard hardware, tires, batteries, fuses, lamp bulbs, sealants, lubricants, adhesives, paint, and standard sizes and types of tubing, hoses, and electrical connectors and fittings. Items which are listed in this catalog, but are not serviced, are indicated by the legend "N/S" in the part number column.

## SPECIAL TOOLS

Special tools are covered in Section 13 and may be purchased through the AM General Service Parts Logistics Operations.

## HOW TO LOCATE PARTS

When function, use, or location is known: Refer to the Table of Contents.

When part number is known: Refer to the Numerical Index.

When nomenclature is known: Refer to the Alphabetical Index.

## HOW TO ORDER SERVICE PARTS

List the part number, quantity, and description of the parts.

Define shipping instructions on other than scheduled stock orders. Unless designated, shipment will be made by motor freight or parcel post at the discretion of the shipper.

Address parts orders to: Service Parts Logistics Operations

AM General Corporation  
408 South Byrkit Avenue  
P.O. Box 728  
Mishawaka, Indiana 46546-0728

Personnel are on duty to accept telephone orders from 7:30 A.M. to 4:30 P.M. Eastern Standard Time, five days per week. The toll-free telephone number (excluding Indiana) is 1-800-348-5134. The additional telephone number during working hours is (219) 258-6666.



## DAMAGED SHIPMENTS, SHORTAGES OR ERRORS

All shipments are properly packed and are in good order when delivered to the transportation company. Responsibility ends with such delivery. When a damaged shipment is received, a claim should be filed immediately against the carrier making delivery.

All claims for shortages or errors in packing must be made, to the same address from which the parts were ordered, within ten (10) days from receipt of shipment. All claims must be accompanied by the original packing slip, with proper notation of shortage or error signed by responsible person in receiving department.

## ABBREVIATIONS

A/C	..... Air Conditioning	mm	..... Millimeter
A/R	..... As Required	NPN	..... No Part Number
CCW	..... Counterclockwise	N/A	..... Not Available
C.E.	..... Commutator End	N/S	..... Not Serviced
CTI	..... Central Tire Inflation	O.D.	..... Outside Diameter
CTIS	..... Central Tire Inflation System	P/N	..... Part Number
D.C.	..... Direct Current	QTY	..... Quantity
D.E.	..... Drive End	R.H.	..... Right-Hand
Dia.	..... Diameter	RR	..... Right Rear
EPA	..... Environmental Protection Agency	S.I.A.	..... Serviced in Assembly
HMC2	..... Two-Door	S.I.K.	..... Serviced in Kit
HMC4	..... Four-Door	S.P.D.T.	..... Single Pole Double Throw
HMCS	..... Station Wagon	S.P.S.T.	..... Single Pole Single Throw
HMCO	..... Open Vehicle	S.R.E.	..... Slip Ring End
HMR2	..... Two-Door Recruit	STD	..... Standard
HMRO	..... Open Body Recruit	V	..... Volt
HVAC	..... Heating Ventilating Air Conditioning	VDC	..... Volt Direct Current
I.D.	..... Inside Diameter	VLC2	..... Two-Door Value Leader
L.H.	..... Left-Hand	VLCO	..... Open Vehicle Value Leader
max.	..... Maximum	XLC2	..... Two-Door, Enlarged Cab

## SUGGESTIONS AND RECOMMENDATIONS

Recommendations for improving or correcting this catalog are encouraged. Please forward corrections or recommendations directly to AM General Corporation, Attention: Publications Department.

# HUMMER PARTS CATALOG

## ENGINE 2A-1

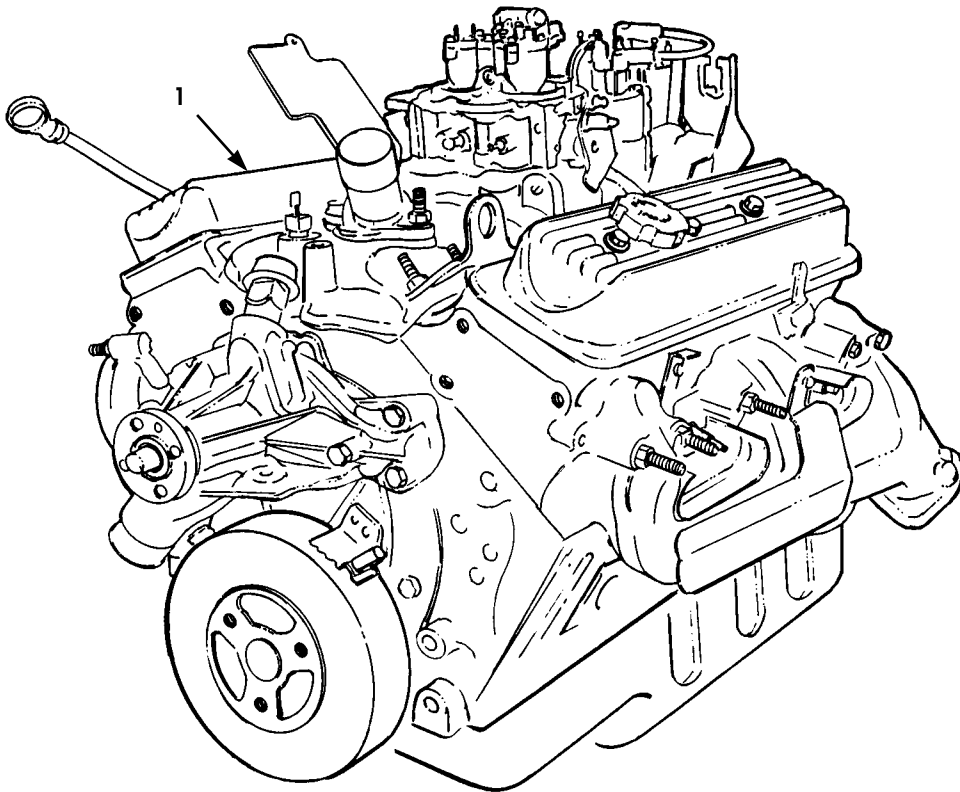
### Section 2A

#### ENGINE

TITLE	PAGE NUMBER
Engine Assembly . . . . .	2A-2
Cylinder Head, Manifolds, and Components. . . . .	2A-4
Cylinder Block and Components . . . . .	2A-8
Engine Mounting Brackets . . . . .	2A-12
Oil Filter and Adapter . . . . .	2A-14
Distributor . . . . .	2A-16
Spark Plug Wiring . . . . .	2A-18
MAP and Oxygen Sensors . . . . .	2A-20
EGR Valve and Vent Tubes . . . . .	2A-22
Oil Pressure Sensor . . . . .	2A-24
Starter Motor and Mounting Hardware . . . . .	2A-26
Cooling Fan, Fan Clutch, and Pulley . . . . .	2A-28
Pulleys and Belt/Accessory Drive. . . . .	2A-30
Alternator and Mounting Hardware . . . . .	2A-32
Power Steering Pump and Mounting Hardware . . . . .	2A-34

# HUMMER PARTS CATALOG

## 2A-2 ENGINE



P2A-005

*Figure 2A-1. Engine Assembly*

# HUMMER PARTS CATALOG

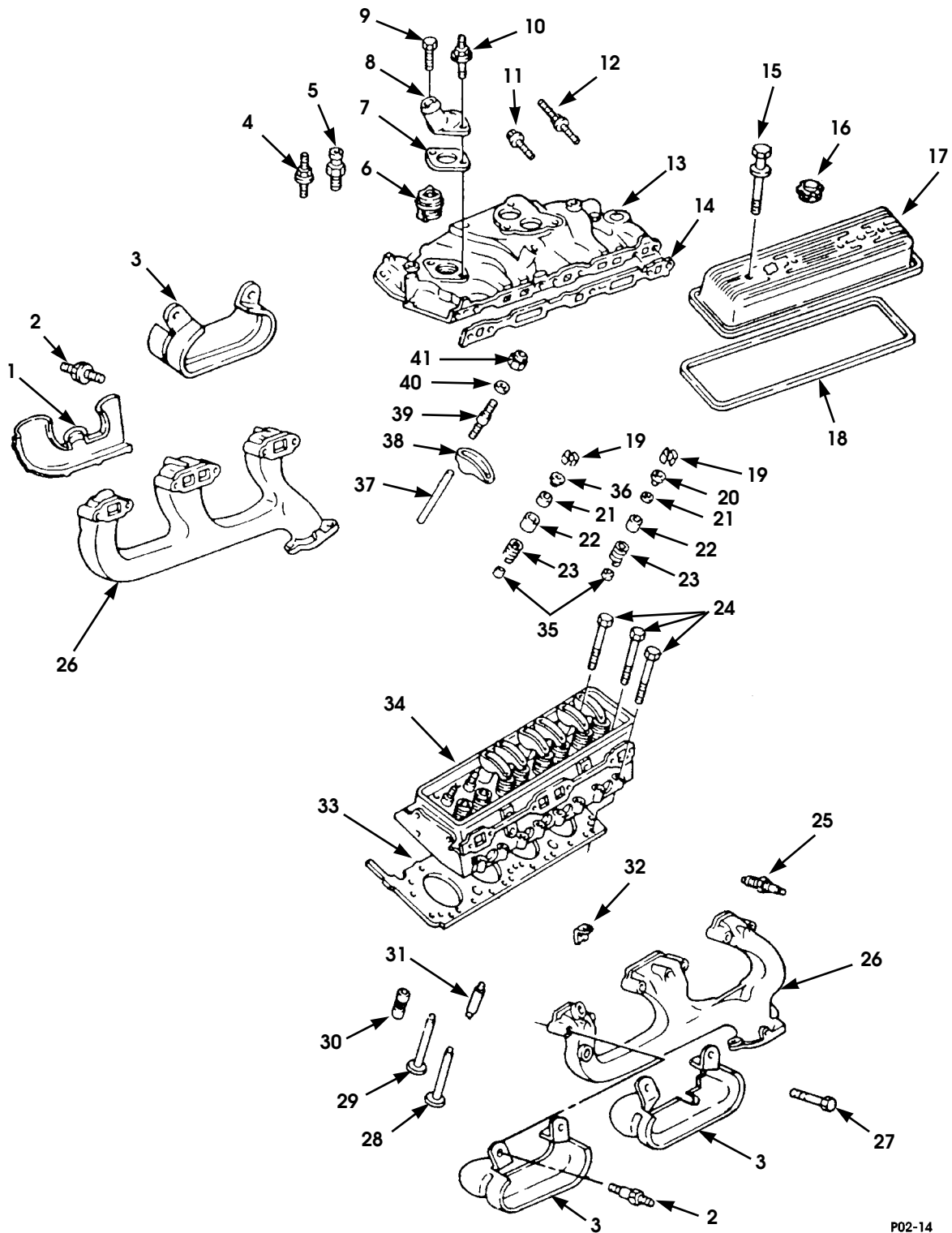
12-31-95

## ENGINE 2A-3

ITEM	PART NUMBER	DESCRIPTION	QTY
		Figure 2A-1 ENGINE ASSEMBLY	
1	06004100	ENGINE, complete, 5.7 liter . . . . .	1
* 1	05744034	ENGINE ASSY, 5.7 liter, remanufactured . . . . .	1
* 1	05744035	ENGINE BLOCK, fitted, 5.7 liter . . . . .	1

# HUMMER PARTS CATALOG

## 2A-4 ENGINE



P02-14

Figure 2A-2. Cylinder Head, Manifolds, and Components.

# HUMMER PARTS CATALOG

## ENGINE 2A-5

ITEM	PART NUMBER	DESCRIPTION	QTY
		Figure 2A-2 CYLINDER HEAD, MANIFOLDS, AND COMPONENTS	
1	06004886	SHIELD, exhaust manifold, L.H. . . . .	1
2	05743953	BOLT, exhaust manifold. . . . .	2
3	05743951	SHIELD, exhaust . . . . .	3
4	05743949	BOLT, intake manifold . . . . .	1
5	05744030	SENSOR, coolant temperature . . . . .	1
6	05743941	THERMOSTAT . . . . .	1
7	05743942	SEAL, thermostat . . . . .	1
8	05743943	OUTLET, engine coolant . . . . .	1
9	05743944	BOLT, water outlet . . . . .	1
10	05743945	STUD, water outlet . . . . .	1
11	05743947	BOLT, intake manifold . . . . .	1
12	05743950	BOLT, intake manifold . . . . .	1
13	05743946	MANIFOLD, intake . . . . .	1
14	05744037	GASKET SET, intake manifold . . . . .	1
15	05743997	BOLT, valve cover . . . . .	7
16	05743933	CAP, oil filler . . . . .	1
17	05743995	COVER, valve, L.H. . . . .	1
17	05743996	COVER, valve, R.H. . . . .	1
18	05743998	GASKET, rocker arm cover . . . . .	2
19	05740270	VALVE STEM KEY. . . . .	16
20	05740180	VALVE, rotator . . . . .	8
21	05740266	OIL SEAL . . . . .	16
22	05743882	SHIELD, valve . . . . .	16
23	05743879	SPRING, engine valve . . . . .	16
24	05743884	BOLT, cylinder head . . . . .	34
25	05744019	SPARK PLUG . . . . .	8
26	06004345	MANIFOLD, exhaust, R.H. . . . .	1
27	05743952	BOLT, exhaust manifold. . . . .	16
28	05743877	VALVE, intake . . . . .	8
29	05743878	VALVE, exhaust . . . . .	8
30	05743990	LIFTER, valve . . . . .	16
31	05743887	PIN, cylinder head. . . . .	4
32	05744020	SUPPORT, spark plug wire, L.H. . . . .	1
32	05744021	SUPPORT, spark plug wire, L.H. . . . .	1
32	05744022	SUPPORT, spark plug wire, R.H. . . . .	1
33	05744036	GASKET, cylinder head . . . . .	2
34	05743876	CYLINDER HEAD . . . . .	2

# HUMMER PARTS CATALOG

## 2A-6 ENGINE

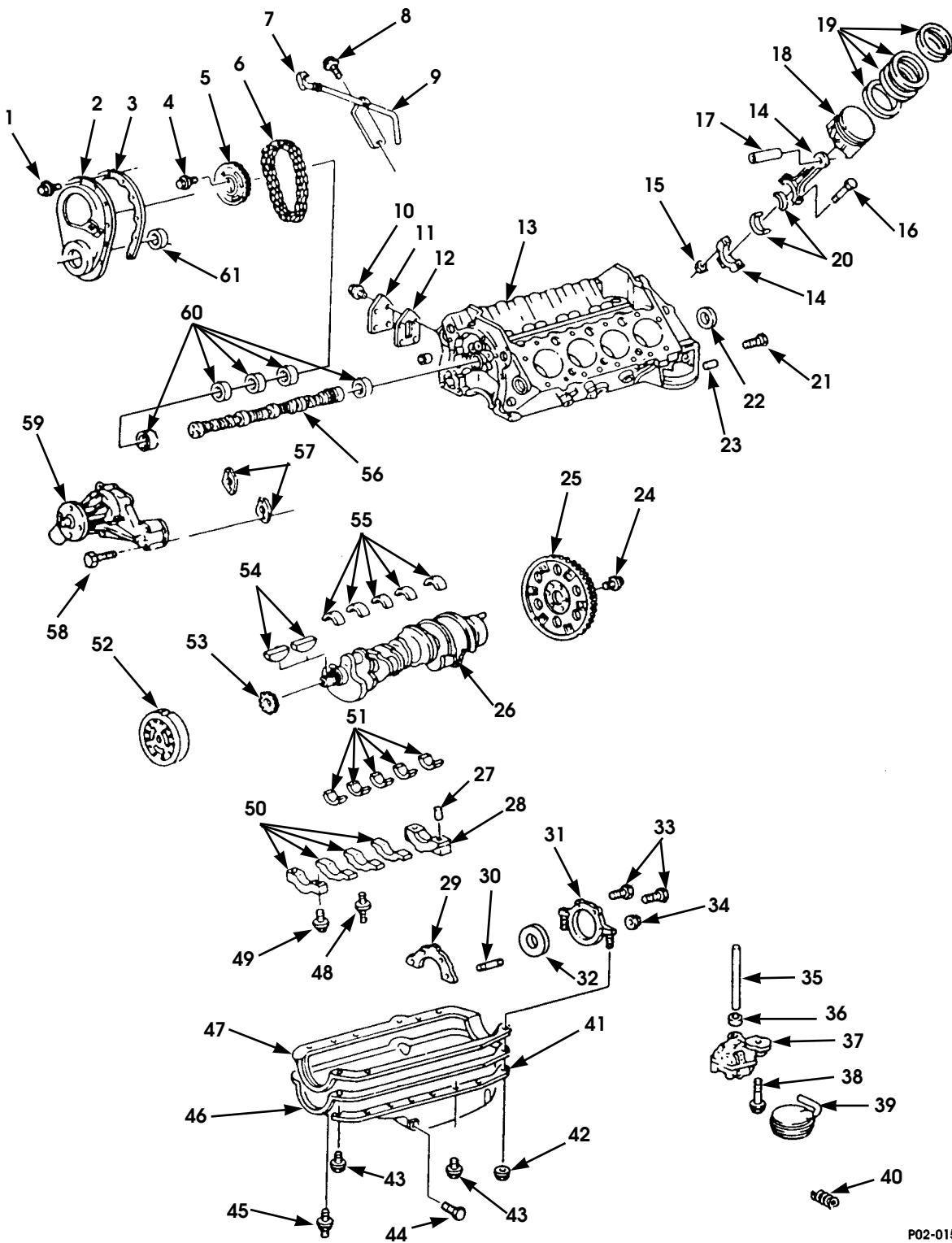
ITEM	PART NUMBER	DESCRIPTION	QTY
		Figure 2A-2 CYLINDER HEAD, MANIFOLDS, AND COMPONENTS (Cont'd)	
35	05743880	SEAL, intake valve . . . . .	8
35	05743881	SEAL, exhaust valve . . . . .	8
36	05743878	VALVE, exhaust . . . . .	8
37	05743989	PUSHROD . . . . .	16
38	05743992	ARM, valve rocker . . . . .	16
39	N/S	ROCKER ARM STUD . . . . .	16
40	05743994	BALL, rocker arm pivot . . . . .	16
41	05743993	NUT, rocker arm . . . . .	16





# HUMMER PARTS CATALOG

## 2A-8 ENGINE



P02-015.1

Figure 2A-3. Cylinder Block and Components.

# HUMMER PARTS CATALOG

12-31-95

## ENGINE 2A-9

ITEM	PART NUMBER	DESCRIPTION	QTY
		Figure 2A-3 CYLINDER BLOCK AND COMPONENTS	
1	05743937	BOLT, front cover . . . . .	10
2	05743935	COVER, front . . . . .	1
3	05743938	GASKET, front cover. . . . .	1
4	05743988	BOLT . . . . .	1
5	05743985	SPROCKET, camshaft . . . . .	1
5	05743986	SPROCKET, camshaft . . . . .	1
6	05743987	CHAIN, camshaft timing. . . . .	1
* 7	06006441	INDICATOR, oil level. . . . .	1
8	05743953	BOLT . . . . .	1
9	05743934	TUBE, oil level indicator. . . . .	1
10	05744029	BOLT . . . . .	4
11	05744027	COVER, fuel pump . . . . .	1
12	05744028	GASKET, fuel pump cover. . . . .	1
13	N/S	ENGINE BLOCK . . . . .	1
14	05743904	CONNECTING ROD. . . . .	8
15	05743906	•NUT. . . . .	2
16	05743905	•BOLT . . . . .	2
17	05743912	•PIN, piston . . . . .	1
18	05743909	PISTON, standard. . . . .	8
18	05743910	PISTON, high limit . . . . .	8
18	05743911	PISTON, .030 oversized . . . . .	8
19	05743907	RING SET, standard . . . . .	8
19	05743908	RING SET, .030 oversized . . . . .	8
20	05743912	BEARING, connecting rod, standard . . . . .	8
20	05743913	BEARING, connecting rod, 0.001 in. undersized. . . . .	8
20	05743914	BEARING, connecting rod, 0.002 in. undersized. . . . .	8
20	05743915	BEARING, connecting rod, 0.010 in. undersized. . . . .	8
20	05743916	BEARING, connecting rod, 0.020 in. undersized. . . . .	8
21	05743875	PLUG, drain . . . . .	1
22	05743991	PLUG, camshaft bore . . . . .	1
23	08134398	DOWEL PIN. . . . .	1
24	05743903	BOLT, flywheel . . . . .	6
25	05743902	FLYWHEEL . . . . .	1
26	05743889	CRANKSHAFT . . . . .	1
27	05743893	SPRING PIN. . . . .	1
28	05743874	BEARING, crankshaft, rear . . . . .	1
29	05743894	GASKET, rear seal retainer . . . . .	1
30	05743891	STUD, rear seal retainer. . . . .	1
31	05743890	RETAINER, crankshaft, rear seal . . . . .	1
32	05743892	•SEAL, crankshaft, rear . . . . .	1

12-31-95

# HUMMER PARTS CATALOG

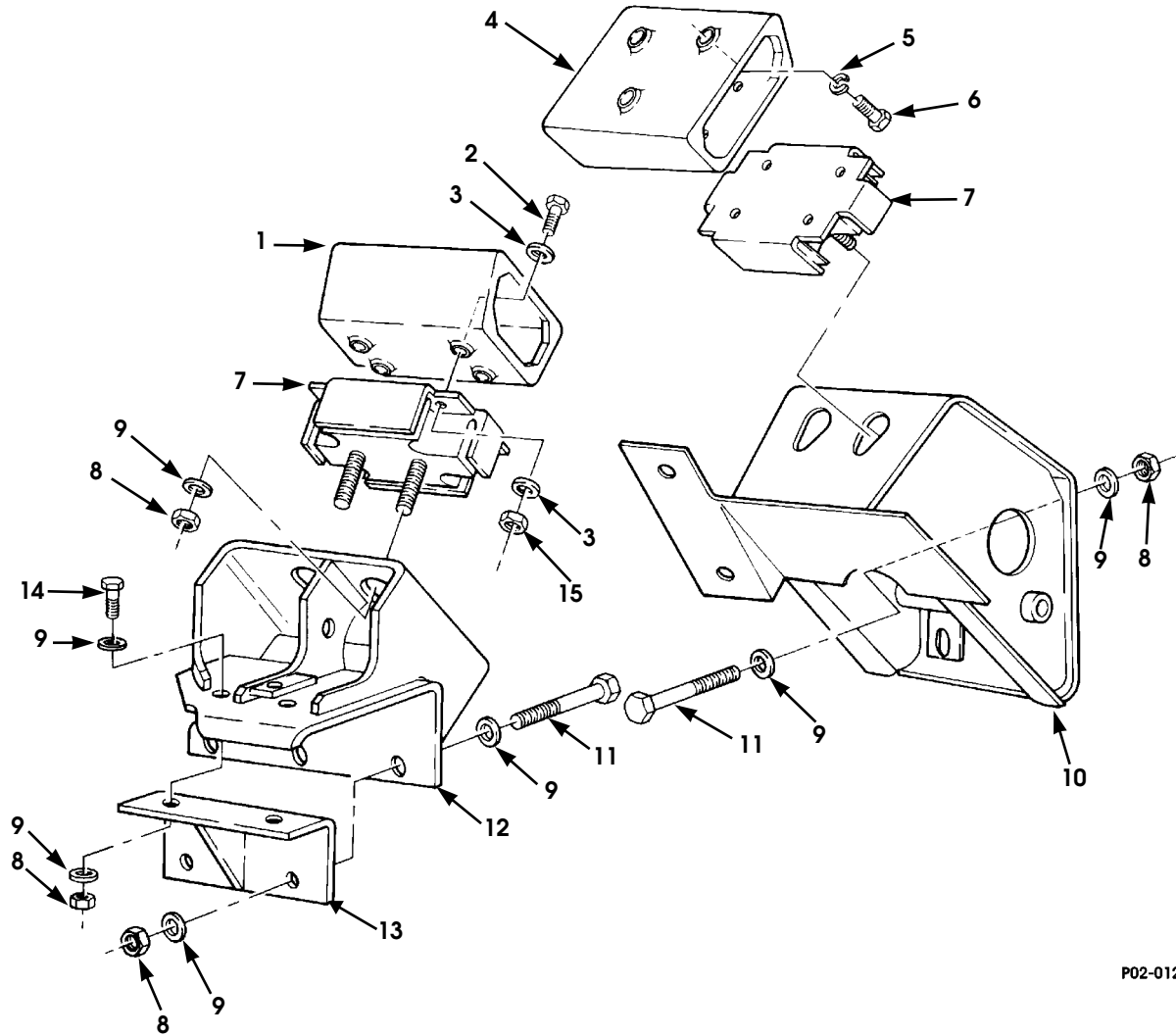
## 2A-10 ENGINE

ITEM	PART NUMBER	DESCRIPTION	QTY
		Figure 2A-3 CYLINDER BLOCK AND COMPONENTS (Cont'd)	
33	05743895	SCREW, rear seal retainer . . . . .	2
34	05743898	NUT, rear seal retainer . . . . .	2
35	05743927	SHAFT, oil pump drive . . . . .	1
36	05743928	RETAINER. . . . .	1
37	06004347	PUMP, engine oil . . . . .	1
38	05743929	BOLT, oil pump . . . . .	4
39	05743924	SCREEN, oil pump . . . . .	1
40	05743926	SPRING, regulator valve . . . . .	1
41	05743917	REINFORCEMENT, oil pan, R.H. . . . .	1
41	05743918	REINFORCEMENT, oil pan, L.H. . . . .	1
42	05743920	NUT, oil pan. . . . .	2
43	05743923	BOLT . . . . .	20
* 44	05741081	PLUG, oil pan drain . . . . .	1
45	05743921	STUD, oil pan. . . . .	2
46	06004346	OIL PAN. . . . .	1
47	05743919	GASKET, oil pan . . . . .	1
48	05743872	STUD . . . . .	1
49	05743870	BOLT, cap, inboard . . . . .	10
49	05743871	BOLT, cap, outboard . . . . .	10
50	N/S	MAIN BEARING CAP . . . . .	5
51	05743873	INSERT, bearing, pos. #1, #2, #3, #4 . . . . .	8
51	05743874	INSERT, main bearing, rear . . . . .	2
52	05743901	BALANCER, crankshaft . . . . .	1
53	05743986	SPROCKET, crankshaft . . . . .	1
54	G 00106751	WOODRUFF KEY . . . . .	2
55	05743930	PLUG, oil pressure, front . . . . .	1
55	05743931	PLUG, oil pressure, front . . . . .	1
55	05743932	PLUG, oil pressure, rear . . . . .	1
56	05743984	CAMSHAFT . . . . .	1
57	05743940	GASKET, water pump. . . . .	2
58	NPN	BOLT, water pump . . . . .	6
59	05743939	PUMP, engine coolant . . . . .	1
60	05743867	BEARING, camshaft, #1 . . . . .	1
60	05743868	BEARING, camshaft, #2 and rear . . . . .	2
60	05743869	BEARING, camshaft, #3 and #4 . . . . .	2
61	05743936	OIL SEAL, crankshaft, front . . . . .	1



# HUMMER PARTS CATALOG

## 2A-12 ENGINE



P02-012

Figure 2A-4. Engine Mounting Brackets.

# HUMMER PARTS CATALOG

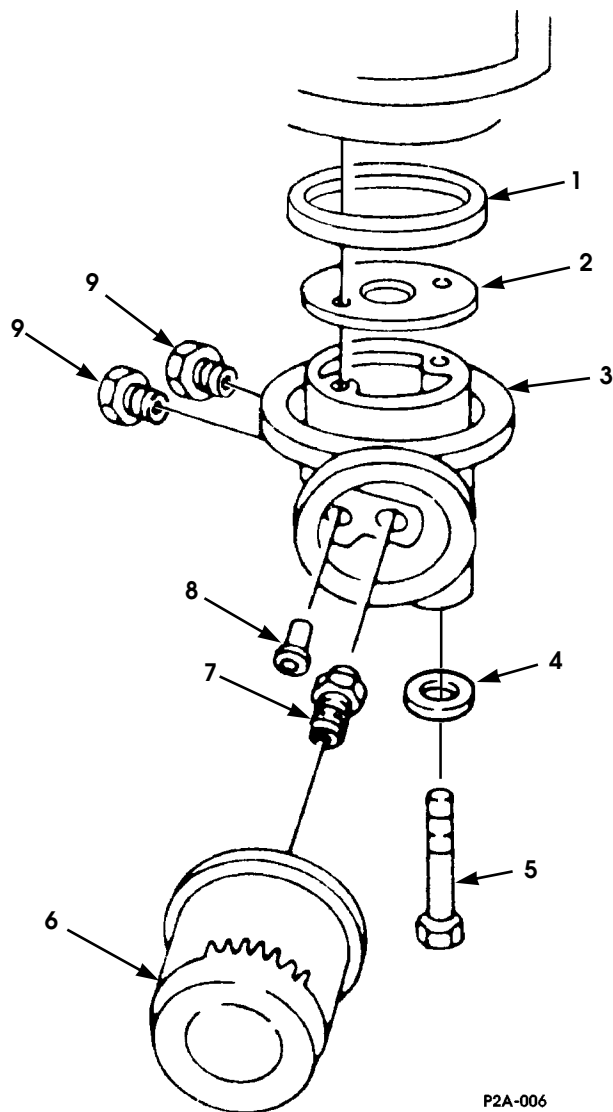
## ENGINE 2A-13

ITEM	PART NUMBER	DESCRIPTION	QTY
		Figure 2A-4 ENGINE MOUNTING BRACKETS	
1	12339133	BRACKET, engine block-to-insulator, R.H. . . . .	1
2	MS 00090728 62	SCREW, insulator-to-engine mount . . . . .	8
3	G 02436163	WASHER, flat. . . . .	16
4	12339132	BRACKET, engine block-to-insulator, L.H. . . . .	1
5	MS 00035338 46	LOCKWASHER, engine mount . . . . .	6
6	MS 00090728 60	SCREW, engine mount . . . . .	6
7	12339179	MOUNT, resilient . . . . .	2
8	MS 00051943 39	NUT, engine mount . . . . .	13
9	G 02436165	WASHER, flat. . . . .	22
10	12338205	BRACKET, frame-to-insulator, L.H. . . . .	1
11	MS 00090728 125	SCREW, engine mount . . . . .	7
12	12338183	BRACKET, frame-to-insulator, R.H. . . . .	1
13	06003929	BRACKET, engine mount . . . . .	1
14	MS 00090728 111	SCREW, bracket-to-engine mount . . . . .	2
15	MS 00051943 35	NUT, insulator-to-engine mount . . . . .	8

7-1-95

# HUMMER PARTS CATALOG

2A-14 ENGINE



P2A-006

Figure 2A-5. Oil Filter and Adapter.

# HUMMER PARTS CATALOG

12-31-95

## ENGINE 2A-15

ITEM	PART NUMBER	DESCRIPTION	QTY
		Figure 2A-5 OIL FILTER AND ADAPTER	
1	06004107	SEAL, oil filter adapter . . . . .	1
2	06004109	GASKET, oil filter adapter . . . . .	1
* 3	06007358	ADAPTER, oil filter . . . . .	1
4	G 09419275	WASHER . . . . .	1
5	G 09419048	BOLT . . . . .	1
6	06004104	FILTER, oil . . . . .	1
7	06004105	FITTING, oil filter . . . . .	1
* 8	S.I.A.	VALVE, oil filter bypass . . . . .	A/R
9	G 14090911	PLUG . . . . .	A/R



7-1-95

# HUMMER PARTS CATALOG

2A-16 ENGINE

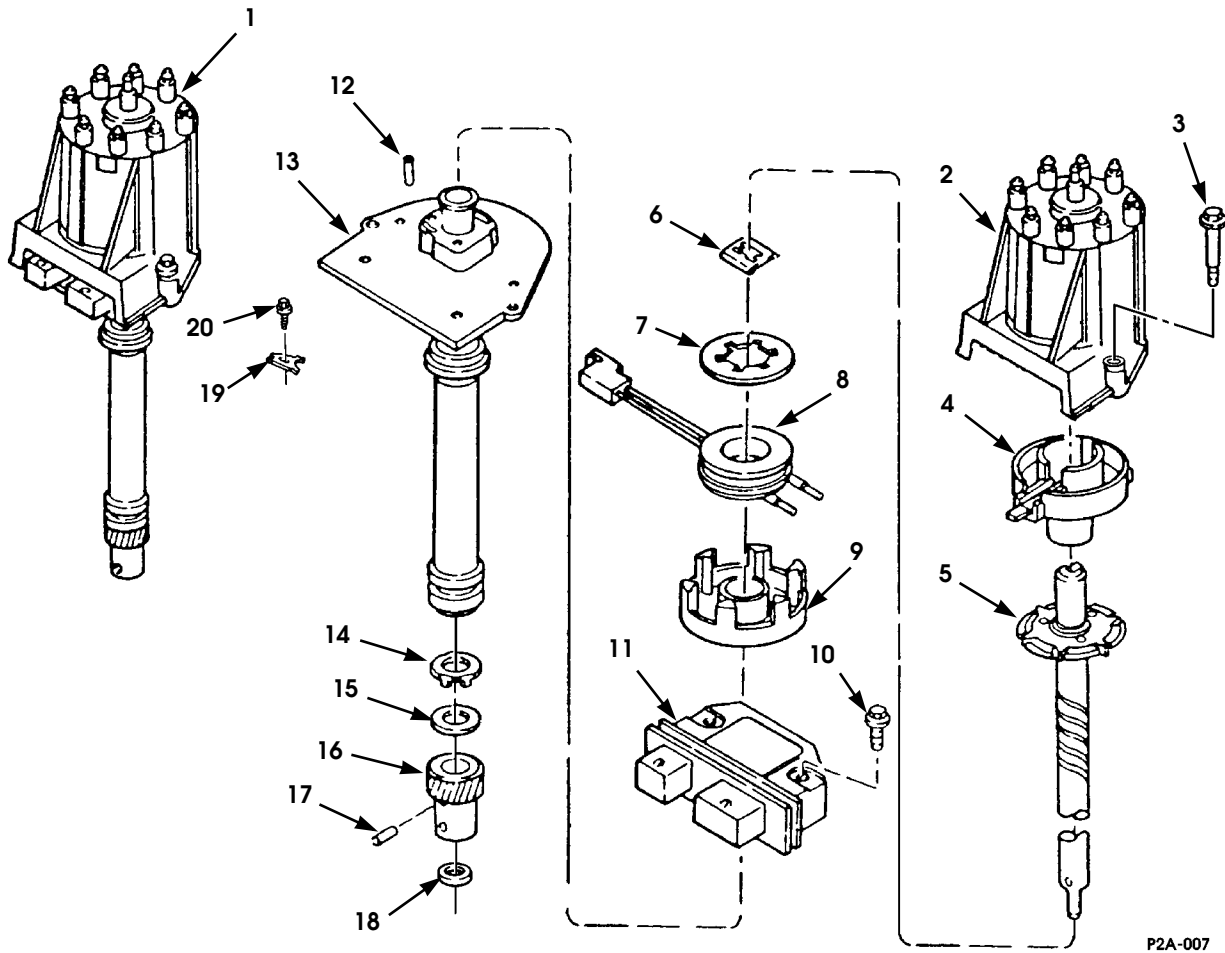


Figure 2A- 6. Distributor.

# HUMMER PARTS CATALOG

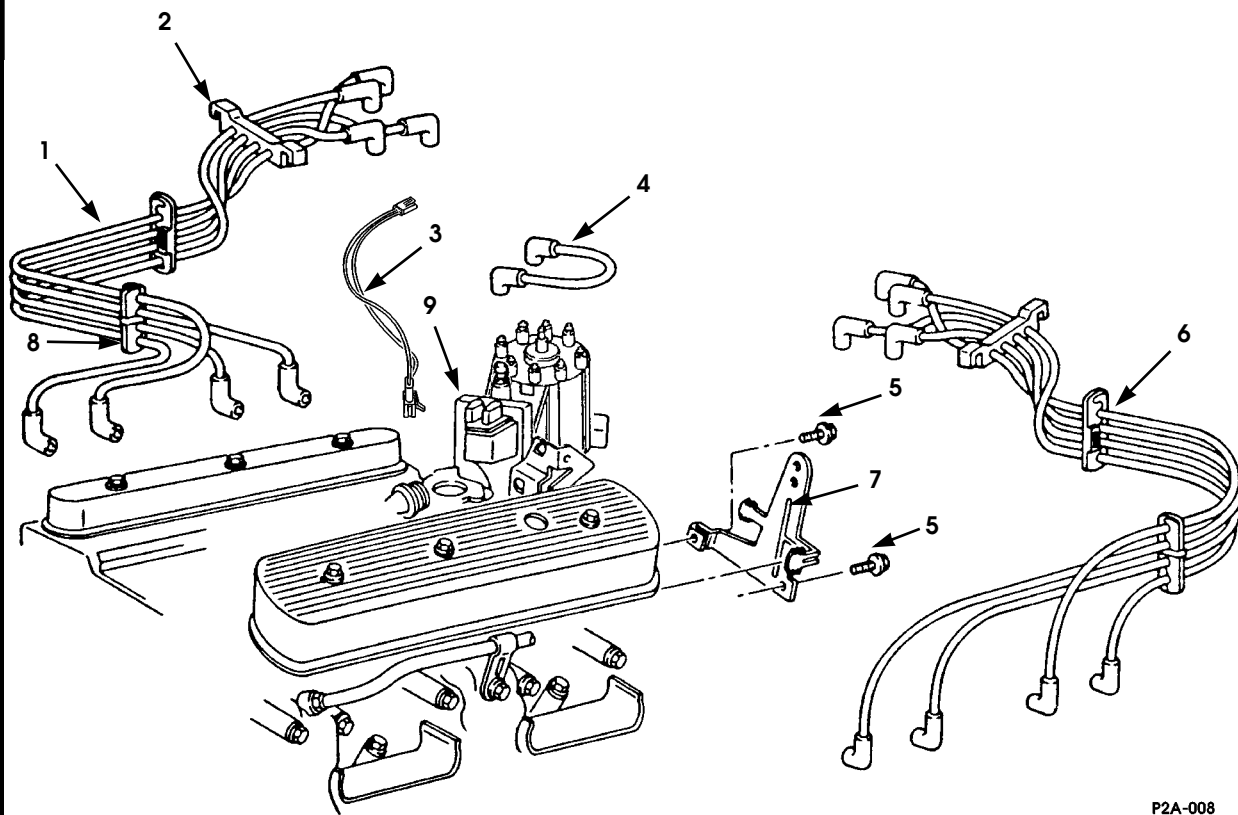
## ENGINE 2A-17

ITEM	PART NUMBER	DESCRIPTION	QTY
		Figure 2A-6 DISTRIBUTOR	
1	05743999	DISTRIBUTOR, 5.7L. ....	1
2	05744002	CAP, distributor. ....	1
3	05744003	BOLT, distributor cap. ....	2
4	05744005	ROTOR, distributor. ....	1
5	05744004	SHAFT, distributor. ....	1
6	05744010	RETAINER, pickup coil. ....	1
7	05744015	SHIELD, pickup coil. ....	1
8	05744009	COIL, distributor pickup coil. ....	1
9	05744008	POLE PIECE, pickup. ....	1
10	05744007	SCREW, distributor module. ....	2
11	05744006	MODULE, distributor ignition. ....	1
12	05744001	PIN, pole piece. ....	1
13	05744000	HOUSING, distributor. ....	1
14	05744014	WASHER, distributor thrust. ....	1
15	05744013	WASHER, distributor gear. ....	1
16	05744011	GEAR, distributor drive. ....	1
17	05744012	PIN, distributor gear. ....	1
18	05744016	GASKET, distributor. ....	1
19	05744017	CLAMP, distributor mounting. ....	1
20	05744018	BOLT, distributor clamp. ....	1

7-1-95

# HUMMER PARTS CATALOG

2A-18 ENGINE



P2A-008

Figure 2A-7. Spark Plug Wiring.

# HUMMER PARTS CATALOG

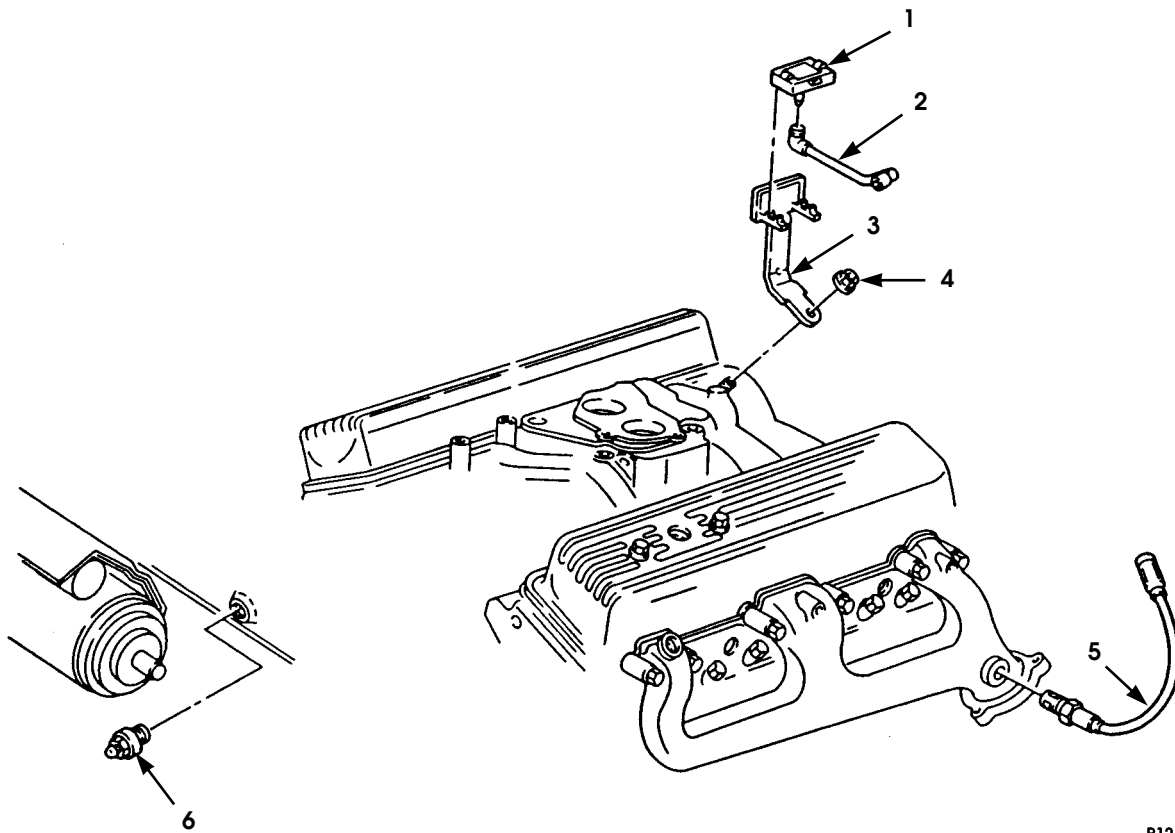
7-1-95

## ENGINE 2A-19

ITEM	PART NUMBER	DESCRIPTION	QTY
		Figure 2A-7 SPARK PLUG WIRING	
1	06003983	WIRE, spark plug, R.H. . . . .	4
2	06004152	RETAINER, spark plug wire . . . . .	2
* 3	05744026	WIRE, ignition coil, primary . . . . .	1
* 4	05744309	WIRE, coil, secondary . . . . .	1
5	06004155	BOLT, 3/8" x 5/8" . . . . .	2
6	06003984	WIRE, spark plug, L.H. . . . .	4
7	06004153	SUPPORT, L.H. . . . .	1
7	06004154	SUPPORT, R.H. . . . .	1
8	06004151	RETAINER, spark plug wire . . . . .	4
* 9	05744023	COIL, Ignition . . . . .	1

# HUMMER PARTS CATALOG

## 2A-20 ENGINE



P12-063

Figure 2A-8. MAP and Oxygen Sensors.

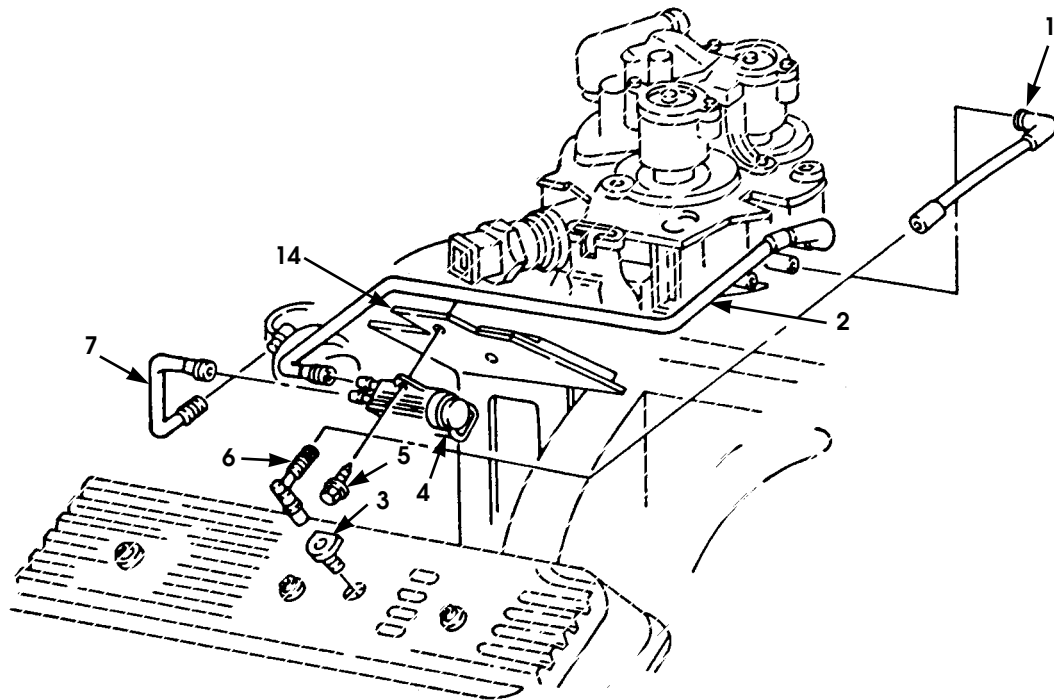
# HUMMER PARTS CATALOG

## ENGINE 2A-21

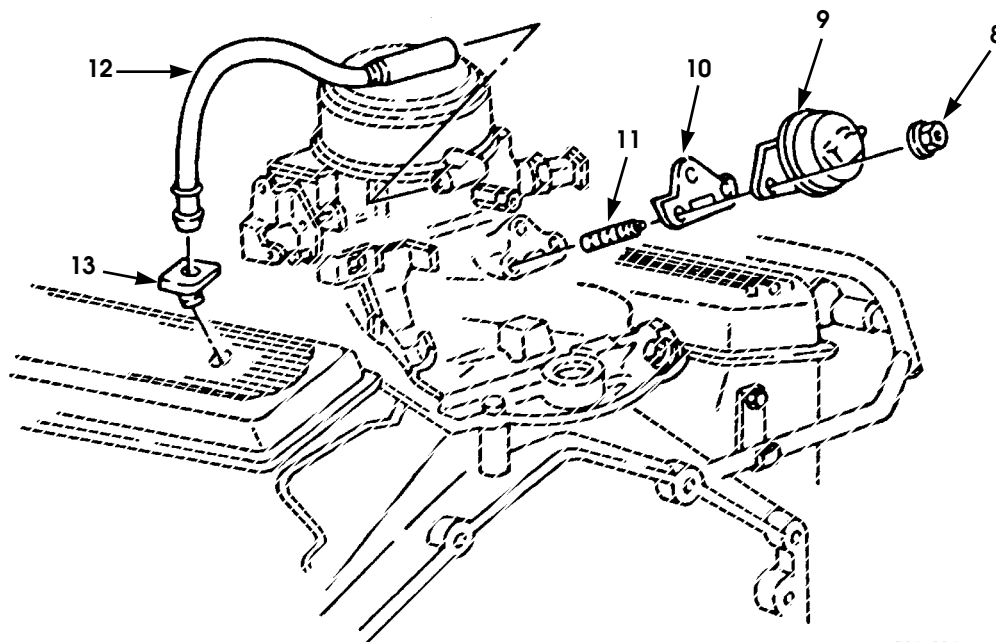
ITEM	PART NUMBER	DESCRIPTION	QTY
		Figure 2A-8 MAP AND OXYGEN SENSORS	
1	06002865	SENSOR, MAP .....	1
2	06004282	TUBE .....	1
3	06003943	BRACKET.....	1
4	G 11507036	NUT.....	6
5	06003981	SENSOR, oxygen .....	1
6	06003982	SENSOR, knock .....	1

# HUMMER PARTS CATALOG

## 2A-22 ENGINE



P2A-003



P2A-004

Figure 2A-9. EGR Valve And Vent Tubes.

# HUMMER PARTS CATALOG

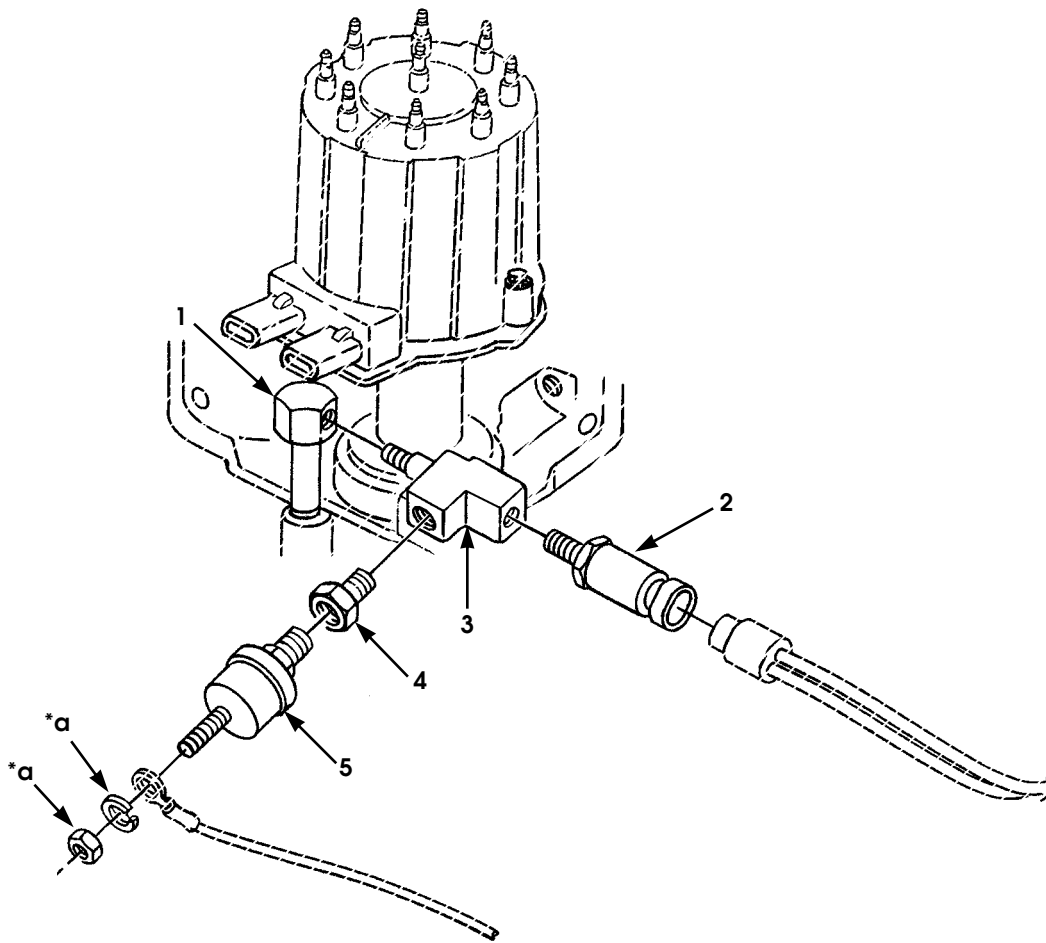
**ENGINE 2A-23**

ITEM	PART NUMBER	DESCRIPTION	QTY
		Figure 2A-9 EGR VALVE AND VENT TUBES	
1	06004112	HOSE, crankcase vent . . . . .	1
2	06004150	HARNES . . . . .	1
3	06004111	GROMMET . . . . .	1
4	06004131	VALVE . . . . .	1
5	G 11509580	SCREW . . . . .	1
6	06004110	VALVE . . . . .	1
7	06004136	HARNES . . . . .	1
8	06004135	NUT . . . . .	2
9	06004132	VALVE, EGR. . . . .	1
10	06004133	GASKET . . . . .	1
11	06004134	STUD . . . . .	2
12	06004114	TUBE . . . . .	1
13	06004115	GROMMET . . . . .	1
14	06004437	BRACKET, EGR valve mounting . . . . .	1



# HUMMER PARTS CATALOG

## 2A-24 ENGINE



P2A-001

\*a PART OF ITEM 5

Figure 2A-10. Oil Pressure Sensor.

# HUMMER PARTS CATALOG

**ENGINE 2A-25**

ITEM	PART NUMBER	DESCRIPTION	QTY
		Figure 2A-10 OIL PRESSURE SENSOR	
1	12338778	ADAPTER, oil pressure . . . . .	1
2	06000092	SWITCH, oil pressure . . . . .	1
3	05937264	TEE, street . . . . .	1
4	05937262	BUSHING, reducer . . . . .	1
5	06001037	SENSOR, oil pressure . . . . .	1

## 2A-26 ENGINE

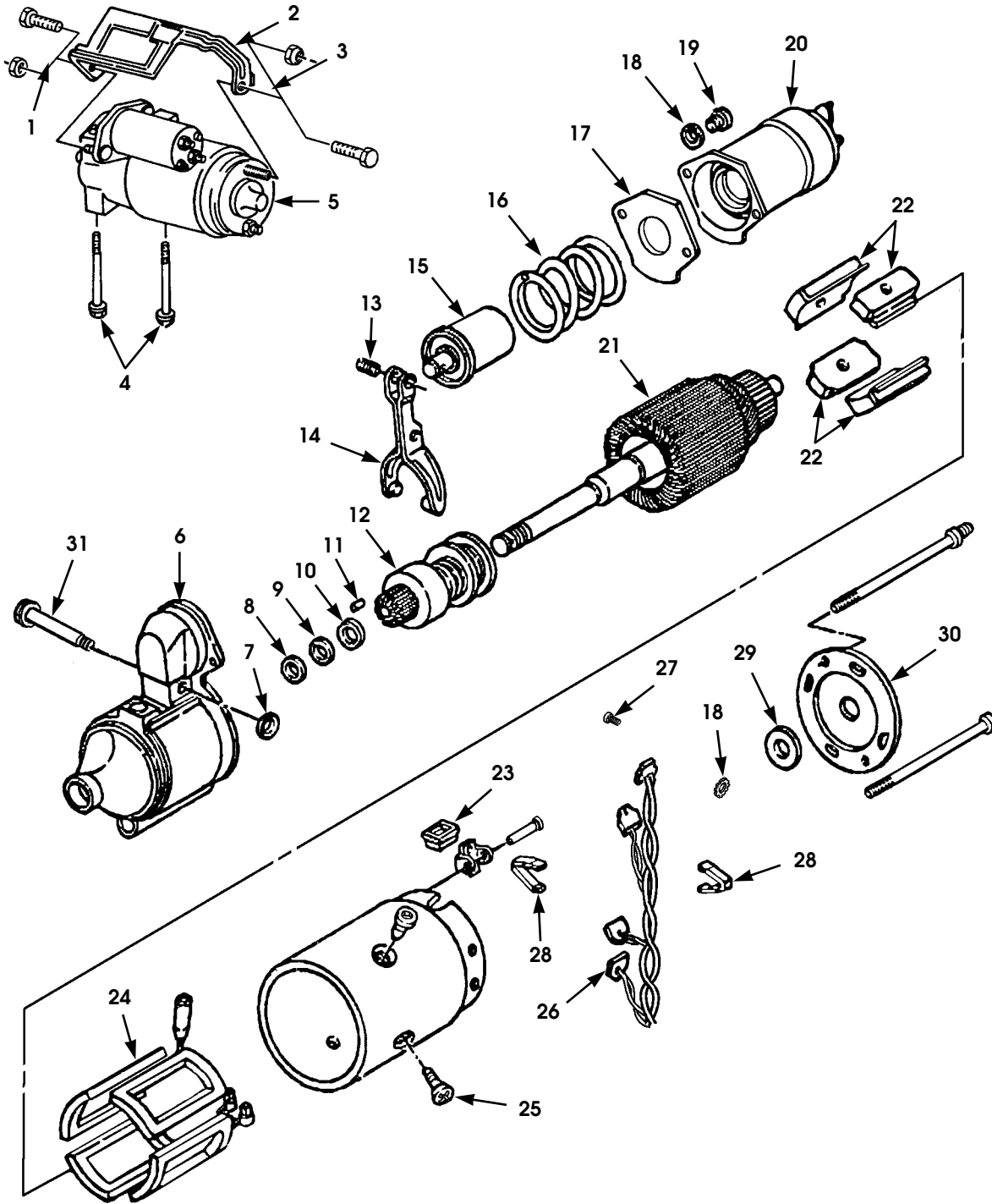


Figure 2A-11. Starter Motor and Mounting Hardware.

P02-23.1

# HUMMER PARTS CATALOG

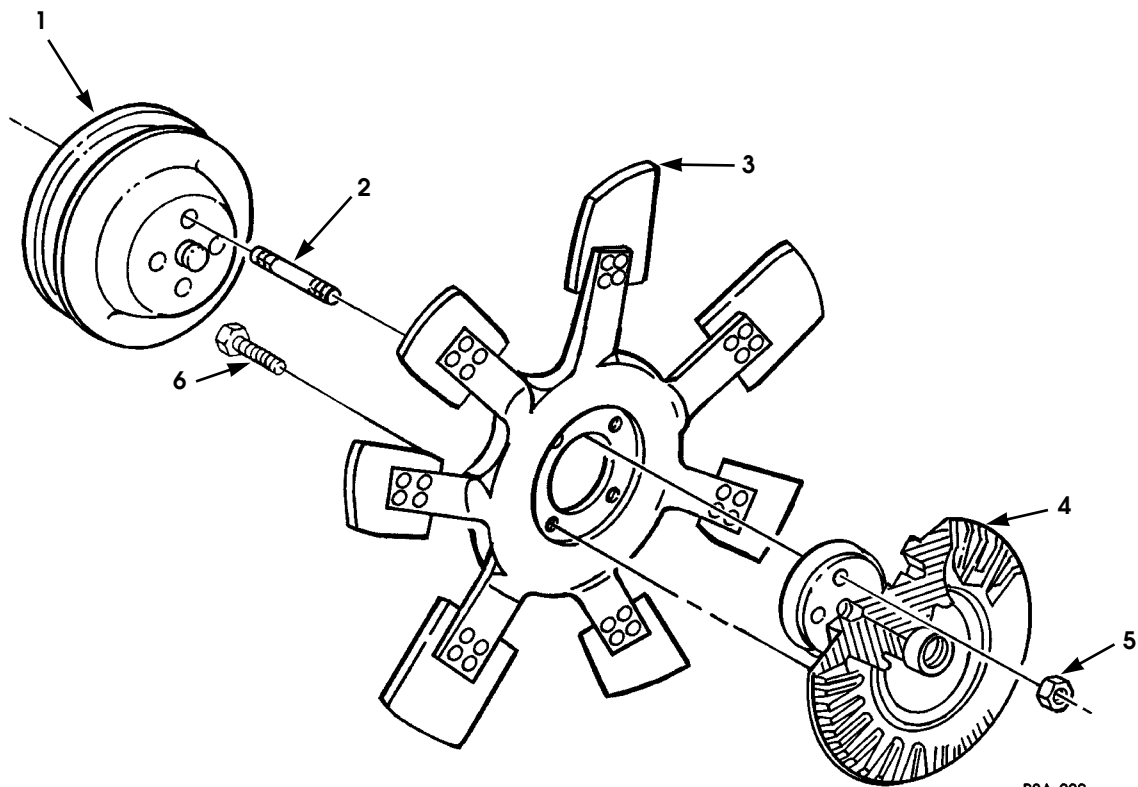
12-31-95

## ENGINE 2A-27

ITEM	PART NUMBER	DESCRIPTION	QTY
		Figure 2A-11 STARTER MOTOR AND MOUNTING HARDWARE	
1	06004930	NUT . . . . .	1
2	06004928	SHIELD. . . . .	1
3	06004929	NUT . . . . .	1
4	06004931	BOLT . . . . .	2
5	06002869	STARTER ASSEMBLY, gas engine . . . . .	1
6	05744586	•HOUSING, starter drive . . . . .	1
7	05744596	•SNAP RING, shift pivot. . . . .	2
8	05744593	•COLLAR, drive thrust . . . . .	1
9	05744585	•RETAINER, drive collar. . . . .	1
10	08130954	•COLLAR, drive stop. . . . .	1
11	05744587	•PIN, starter housing alignment. . . . .	2
12	05744589	•DRIVE ASSEMBLY, starter . . . . .	1
13	05744588	•PIN, plunger retainer. . . . .	2
14	05744582	•LEVER, starter shift . . . . .	1
15	05744590	•PLUNGER . . . . .	1
16	01958679	•SPRING . . . . .	1
17	05732142	•BOOT . . . . .	1
18	00120380	•LOCKWASHER, 1/4" . . . . .	2
19	05744581	•BOLT, brush and solenoid. . . . .	4
20	05744583	•SOLENOID . . . . .	1
21	05744592	•ARMATURE, starter. . . . .	1
22	05732109	•SHOE, pole piece . . . . .	4
23	05744584	•GROMMET, starter end . . . . .	1
24	05744591	•COIL, field . . . . .	1
25	05732141	•BOLT, shoe piece. . . . .	1
26	05732119	•BRUSH, starter . . . . .	1
27	05732106	•SCREW, brush ground . . . . .	1
28	05744594	•SPRING, brush tension. . . . .	2
29	05744595	•WASHER, armature end . . . . .	1
30	05732143	•FRAME, starter end . . . . .	1
31	01945804	•SHAFT, shift lever . . . . .	1

# HUMMER PARTS CATALOG

## 2A-28 ENGINE



P2A-009

Figure 2A-12. Cooling Fan, Fan Clutch, and Pulley.

# HUMMER PARTS CATALOG

**ENGINE 2A-29**

ITEM	PART NUMBER	DESCRIPTION	QTY
		Figure 2A-12 COOLING FAN, FAN CLUTCH, AND PULLEY	
1	06004118	PULLEY, water pump . . . . .	1
2	06003063	STUD, fan-to-water pump . . . . .	4
3	06004283	FAN, engine cooling . . . . .	1
4	06004284	CLUTCH ASSEMBLY, fan . . . . .	1
5	G 11508284	NUT . . . . .	4
6	06004959	BOLT, fan-to-clutch . . . . .	4

# HUMMER PARTS CATALOG

## 2A-30 ENGINE

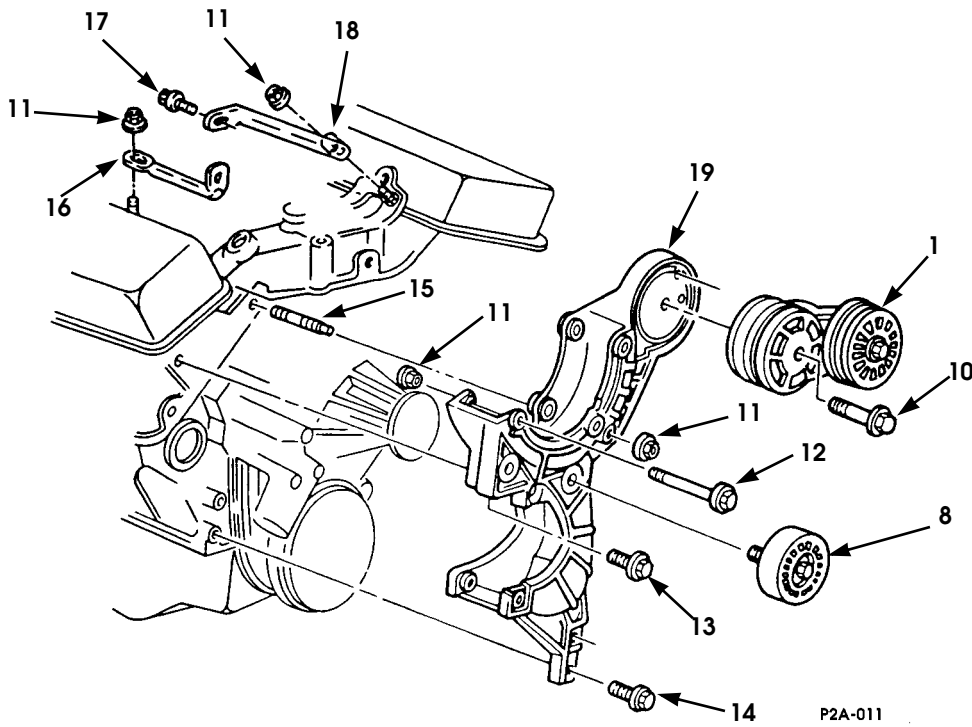
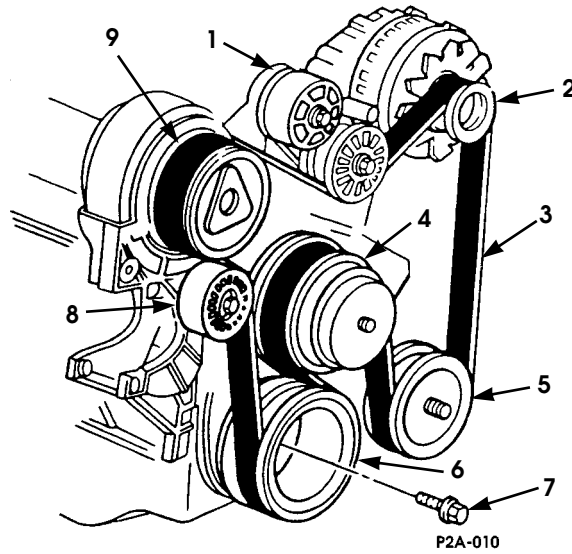


Figure 2A-13. Pulleys and Belt/Accessory Drive.

# HUMMER PARTS CATALOG

12-31-95

## ENGINE 2A-31

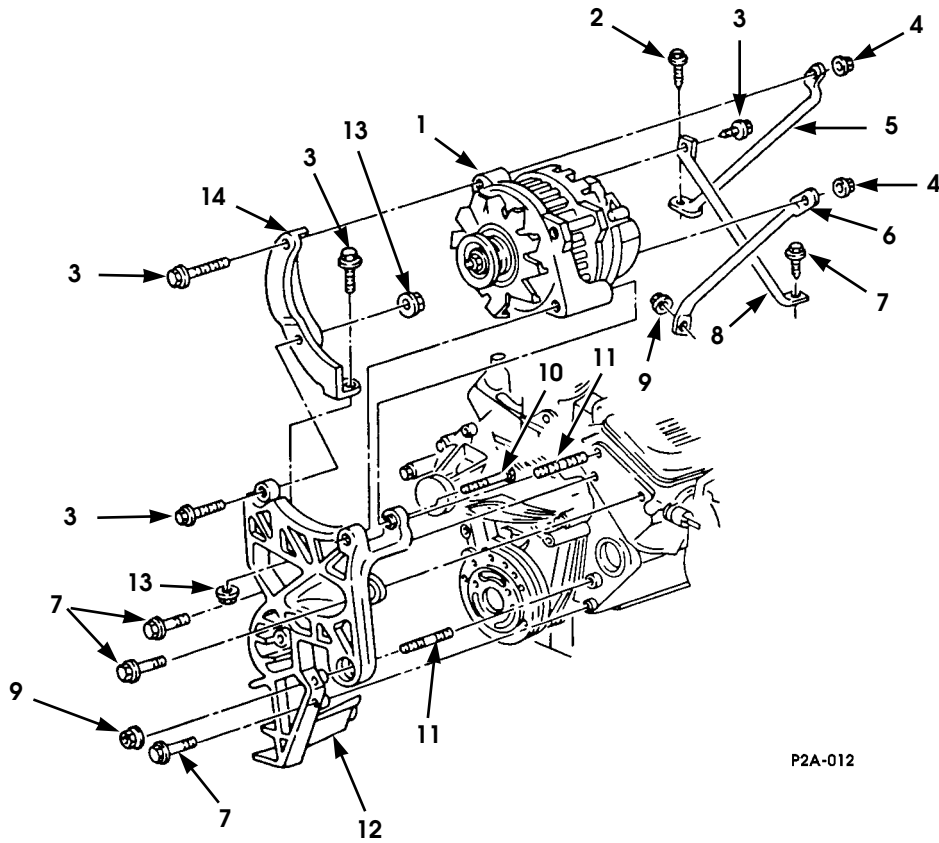
ITEM	PART NUMBER	DESCRIPTION	QTY
		Figure 2A-13 PULLEYS AND BELT/ACCESSORY DRIVE	
* 1	06004123	TENSIONER, drive belt . . . . .	1
* 2	05744511	PULLEY, alternator . . . . .	1
3	06004122	BELT, drive, without A/C . . . . .	1
* 3	06004093	BELT, drive, with A/C . . . . .	1
4	06004118	PULLEY, fan and water pump . . . . .	1
5	06004155	PULLEY, power steering pump . . . . .	1
6	06004116	PULLEY, crankshaft . . . . .	1
7	06004117	BOLT, crankshaft pulley . . . . .	3
8	06004092	PULLEY, belt idler . . . . .	1
* 9	05744198	PULLEY, A/C compressor . . . . .	1
10	06004124	BOLT, belt tensioner . . . . .	4
11	06004121	NUT, 3/8"-16 . . . . .	4
12	06004120	BOLT, 6.3mm - 1.81 x 23.5mm . . . . .	2
* 13	05743947	BOLT, 3/8"-16 x 1.38" . . . . .	1
14	06004128	BOLT, 3/8"-16 x 1.0" . . . . .	1
15	06004130	STUD . . . . .	1
16	06004125	BRACE, drive belt tensioner . . . . .	1
17	06004126	BOLT . . . . .	1
18	06004094	BRACE . . . . .	1
19	06004127	BRACKET, drive belt tensioner . . . . .	1



12-31-95

# HUMMER PARTS CATALOG

## 2A-32 ENGINE



P2A-012

Figure 2A-14. Alternator and Mounting Hardware.

# HUMMER PARTS CATALOG

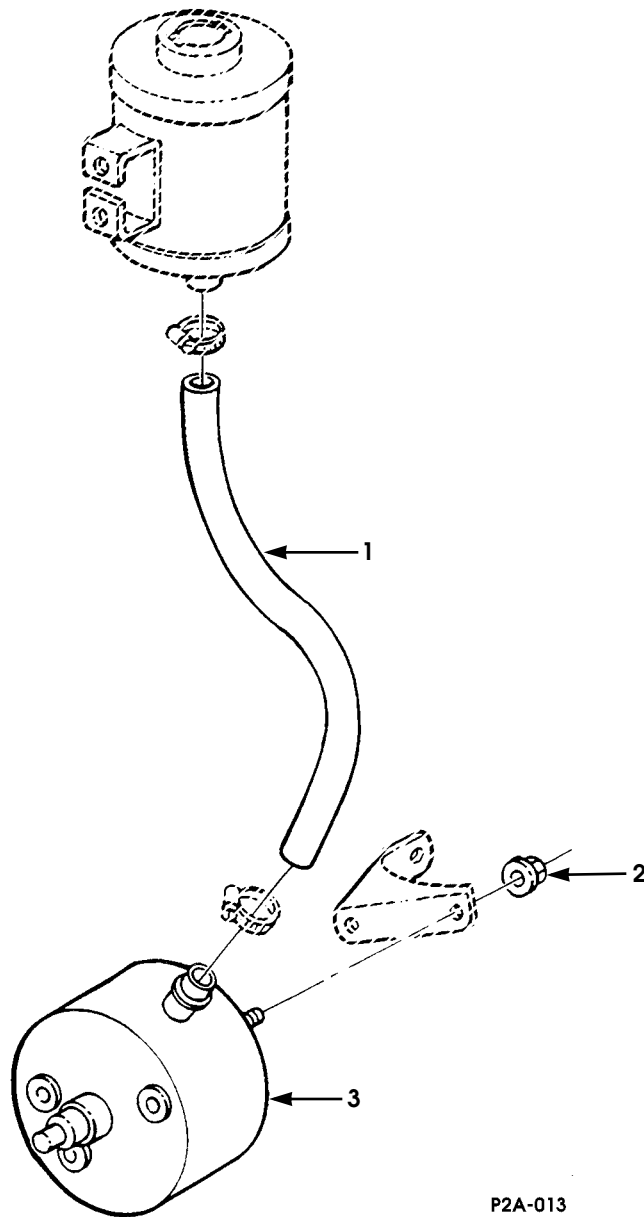
12-31-95

## ENGINE 2A-33

ITEM	PART NUMBER	DESCRIPTION	QTY
		Figure 2A-14 ALTERNATOR AND MOUNTING HARDWARE	
1	06003162	ALTERNATOR, 124 AMP . . . . .	1
2	06004144	BOLT, 3/8"-16 x 1.75" . . . . .	1
3	06004147	BOLT, 8mm-1.25 x 25mm . . . . .	4
4	G 11501850	NUT, 10mm x 1.5mm . . . . .	2
5	06004143	BRACE . . . . .	1
6	06004145	BRACE . . . . .	1
7	06004128	BOLT, 3/8"-16 x 1" . . . . .	4
8	06004146	BRACE . . . . .	1
9	06004121	NUT, 3/8" x 16 . . . . .	2
10	11504598	BOLT, 10mm-1.5mm x 85mm . . . . .	1
11	06004149	STUD, 3/8"-16 x .6" - 3/8"-16 x 1.0" . . . . .	2
12	06004148	BRACKET . . . . .	1
13	G 11508279	NUT, 8mm-1.25 x 25mm . . . . .	2
14	06004139	SUPPORT . . . . .	1

# HUMMER PARTS CATALOG

## 2A-34 ENGINE



P2A-013

Figure 2A-15. Power Steering Pump and Mounting Hardware.

# HUMMER PARTS CATALOG

ENGINE 2A-35

ITEM	PART NUMBER	DESCRIPTION	QTY
		Figure 2A-15 POWER STEERING PUMP AND MOUNTING HARDWARE	
1	06005126	HOSE, reservoir-to-pump .....	1
2	06004156	NUT .....	2
3	06004285	PUMP, power steering .....	1



## FUEL, EMISSIONS AND EXHAUST 3A-1

### Section 3A

### ENGINE

TITLE	PAGE NUMBER
Throttle Body Injector Unit . . . . .	3A-2
Accelerator Controls . . . . .	3A-4
Fuel Supply and Return Lines . . . . .	3A-6
Fuel Tank Assembly and Mounting Straps . . . . .	3A-8
Fuel Filler System . . . . .	3A-12
★ Fuel Level Transmitter Jumper Harness . . . . .	3A-16
★ Exhaust Manifold Heat Shield . . . . .	3A-18
★ Air Induction System . . . . .	3A-20
★ Muffler, Exhaust Pipes, and Related Parts . . . . .	3A-23

# HUMMER PARTS CATALOG

## 3A-2 FUEL, EMISSIONS AND EXHAUST

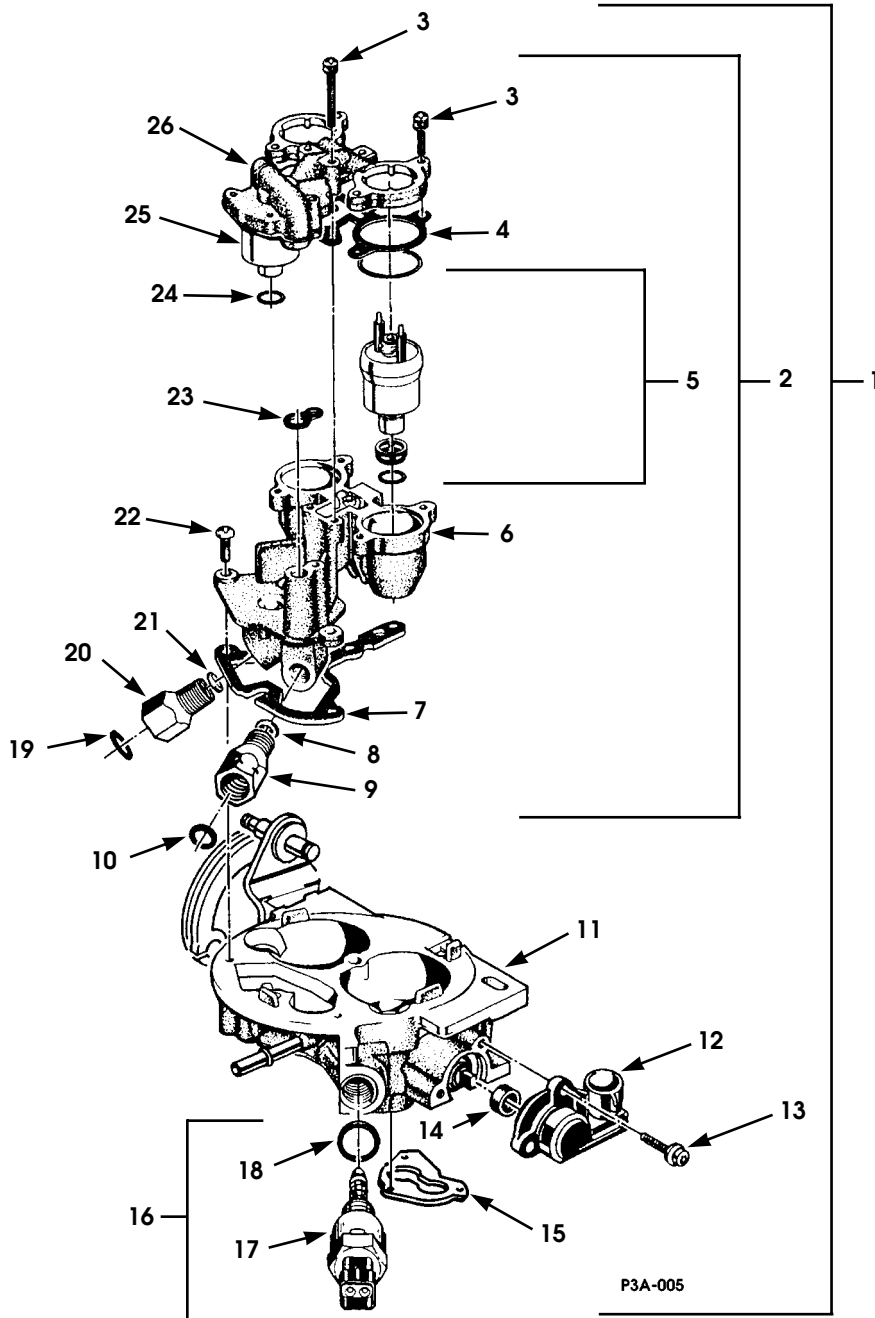


Figure 3A-1. Throttle Body Injector Unit.

# HUMMER PARTS CATALOG

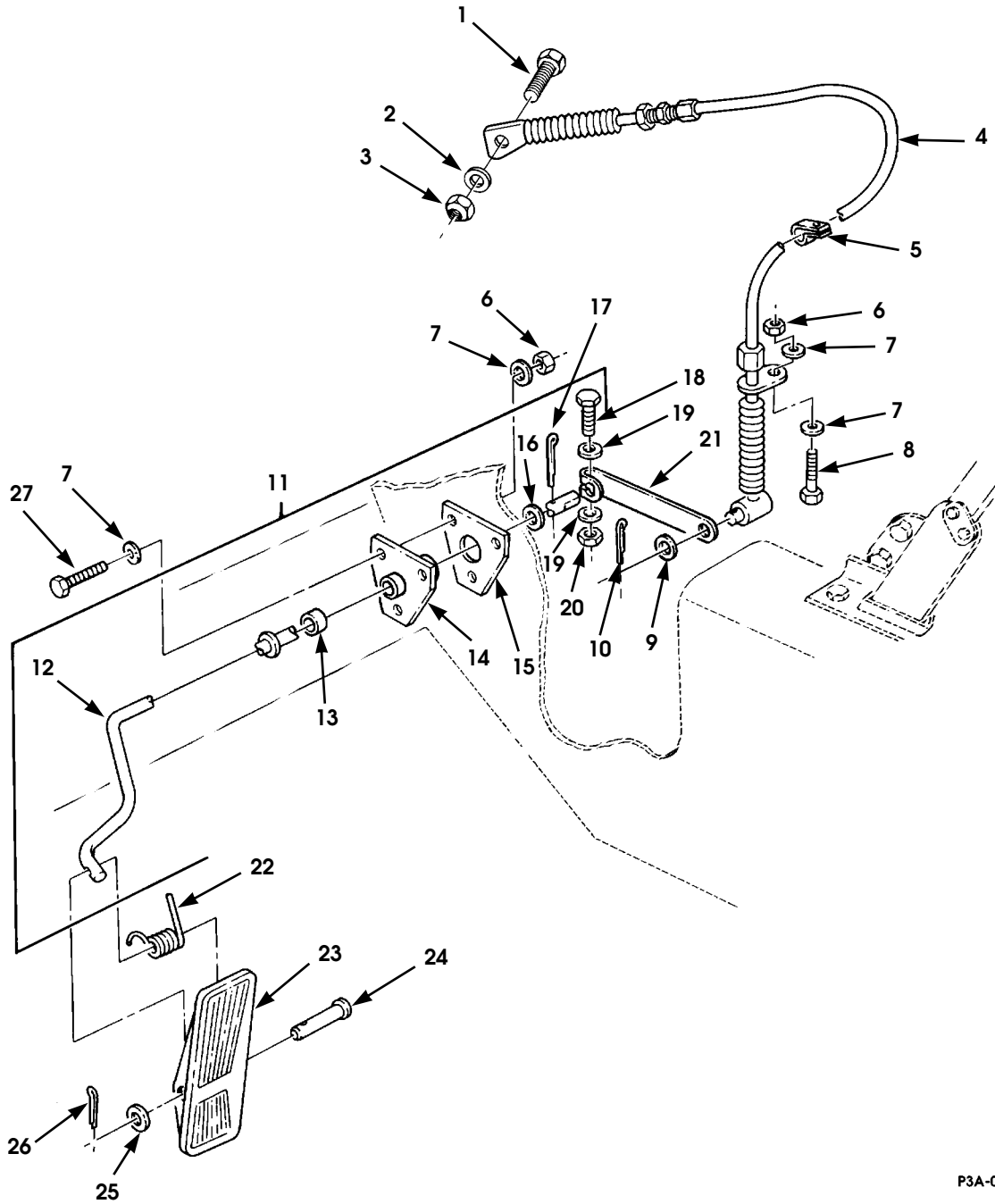
## FUEL, EMISSIONS AND EXHAUST 3A-3

ITEM	PART NUMBER	DESCRIPTION	QTY
		Figure 3A-1 THROTTLE BODY INJECTOR UNIT	
1	05743954	INJECTOR, throttle body . . . . .	1
2	05743956	•METER KIT, TBI unit . . . . .	1
3	SIK	••BOLT, TBI unit, SEE NOTES 1 and 2 . . . . .	8
4	SIK	••GASKET, TBI unit, SEE NOTE 3 . . . . .	1
5	05743959	••INJECTOR KIT, TBI . . . . .	2
6	05743966	••BODY, TBI fuel meter, SEE NOTE 2 . . . . .	1
7	SIK	••GASKET, SEE NOTES 2 and 3 . . . . .	1
8	SIK	••SEAL, TBI unit, SEE NOTES 2 and 5 . . . . .	1
9	SIK	•NUT, TBI fuel line, SEE NOTE 4 . . . . .	1
10	SIK	•SEAL, TBI unit, SEE NOTE 5 . . . . .	1
11	05743961	•BODY KIT, throttle, TBI . . . . .	1
12	SIK	•SENSOR, TPS, SEE NOTE 6 . . . . .	1
13	SIK	•BOLT, TPS, SEE NOTES 1 and 6 . . . . .	2
14	SIK	•SEAL, TBI unit, SEE NOTES 5 and 6 . . . . .	1
15	05743968	•GASKET, TBI manifold . . . . .	1
16	05743963	•VALVE KIT, idle air control . . . . .	1
17	SIK	••VALVE ASSEMBLY, idle air control, SEE NOTE 7 . . . . .	1
18	SIK	••SEAL, TBI unit, SEE NOTES 5 and 7 . . . . .	1
19	SIK	•SEAL, TBI unit, SEE NOTE 5 . . . . .	1
20	SIK	•NUT, TBI unit, SEE NOTE 4 . . . . .	1
21	SIK	•SEAL, TBI unit, SEE NOTE 5 . . . . .	1
22	SIK	•BOLT, TBI unit, SEE NOTE 1 . . . . .	3
23	SIK	•GASKET, TBI unit, SEE NOTE 3 . . . . .	1
24	SIK	•SEAL, pressure regulator, SEE NOTE 5 . . . . .	1
25	05743958	•REGULATOR, fuel press, SEE NOTE 2 . . . . .	1
26	SIK	•COVER ASSEMBLY, meter, SEE NOTE 2 . . . . .	1
		NOTE 1: Part of Bolt Kit P/N 05743965 NOTE 2: Part of Meter Kit P/N 05743956 NOTE 3: Part of Gasket Kit P/N 05743955 NOTE 4: Part of Nut Kit P/N 05743964 NOTE 5: Part of Seal Kit P/N 05743967 NOTE 6: Part of Sensor Kit P/N 05743962 NOTE 7: Part of Valve Kit P/N 05743963	



# HUMMER PARTS CATALOG

## 3A-4 FUEL, EMISSIONS AND EXHAUST



P3A-004

Figure 3A-2. Accelerator Controls.

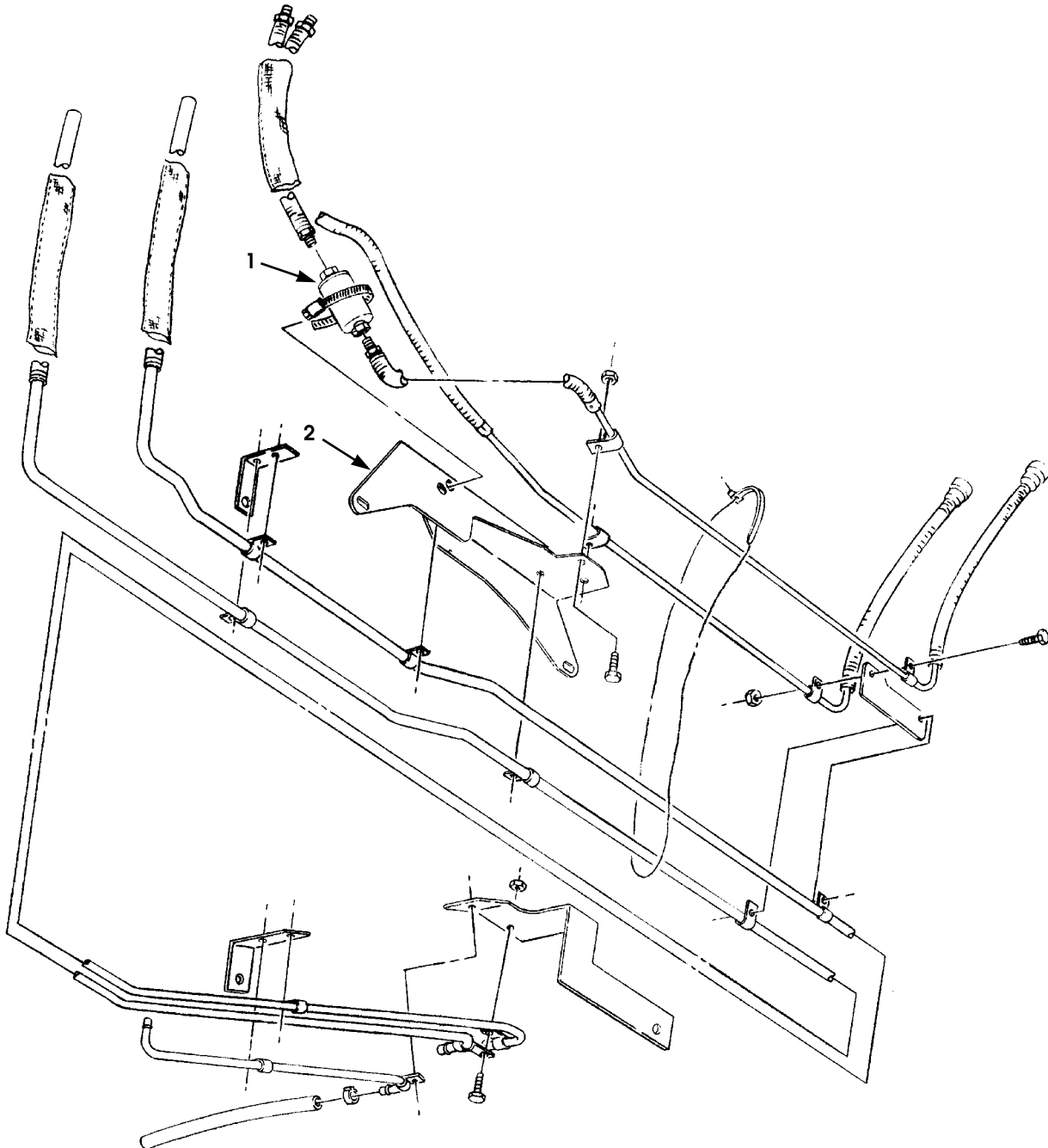
# HUMMER PARTS CATALOG

## FUEL, EMISSIONS AND EXHAUST 3A-5

ITEM	PART NUMBER	DESCRIPTION	QTY
		Figure 3A-2 ACCELERATOR CONTROLS	
1	PENDING	BOLT . . . . .	1
2	PENDING	WASHER . . . . .	1
3	PENDING	LOCKNUT . . . . .	1
4	06005968	ACCELERATOR cable . . . . .	1
5	MS 00021333 67	CLAMP, accelerator cable. . . . .	1
6	MS 00051943 31	LOCKNUT, accelerator cable . . . . .	4
7	G 02436161	WASHER, accelerator cable . . . . .	8
8	MS 00090728 6	SCREW, accelerator cable . . . . .	1
9	MS 00027183 10	WASHER, accelerator cable . . . . .	4
10	MS 00024665 132	COTTER PIN, accelerator cable. . . . .	1
11	05939342	BELLCRANK ASSEMBLY . . . . .	1
12	05939350	•ROD-LEVER, accelerator pedal. . . . .	1
13	05939348	•BUSHING, accelerator pedal. . . . .	2
14	05939343	•PIVOT ASSEMBLY, bellcrank. . . . .	1
15	12338357	•GASKET, retainer cover. . . . .	1
16	MS 00027183 16	•WASHER, accelerator pedal . . . . .	1
17	MS 00024665 283	•COTTER PIN, accelerator pedal . . . . .	1
18	MS 00090725 10	•SCREW, bellcrank assembly . . . . .	1
19	02436161	•WASHER, bellcrank assembly. . . . .	2
20	MS 00051943 31	•LOCKNUT, bellcrank assembly. . . . .	1
21	05939349	•CONNECTING ARM, accelerator pedal. . . . .	1
22	12338358	SPRING, accelerator control pedal . . . . .	1
23	12338365	PEDAL, accelerator control . . . . .	1
24	12338361	PIN, accelerator control pedal . . . . .	1
25	MS 00027183 9	WASHER, accelerator control pedal. . . . .	1
26	MS 00024665 132	COTTER PIN, accelerator pedal . . . . .	1
27	MS 00090725 8	SCREW, accelerator control pedal. . . . .	3

# HUMMER PARTS CATALOG

## 3A-6 FUEL, EMISSIONS AND EXHAUST



P04-00'

Figure 3A-3. Fuel Supply and Return Lines.

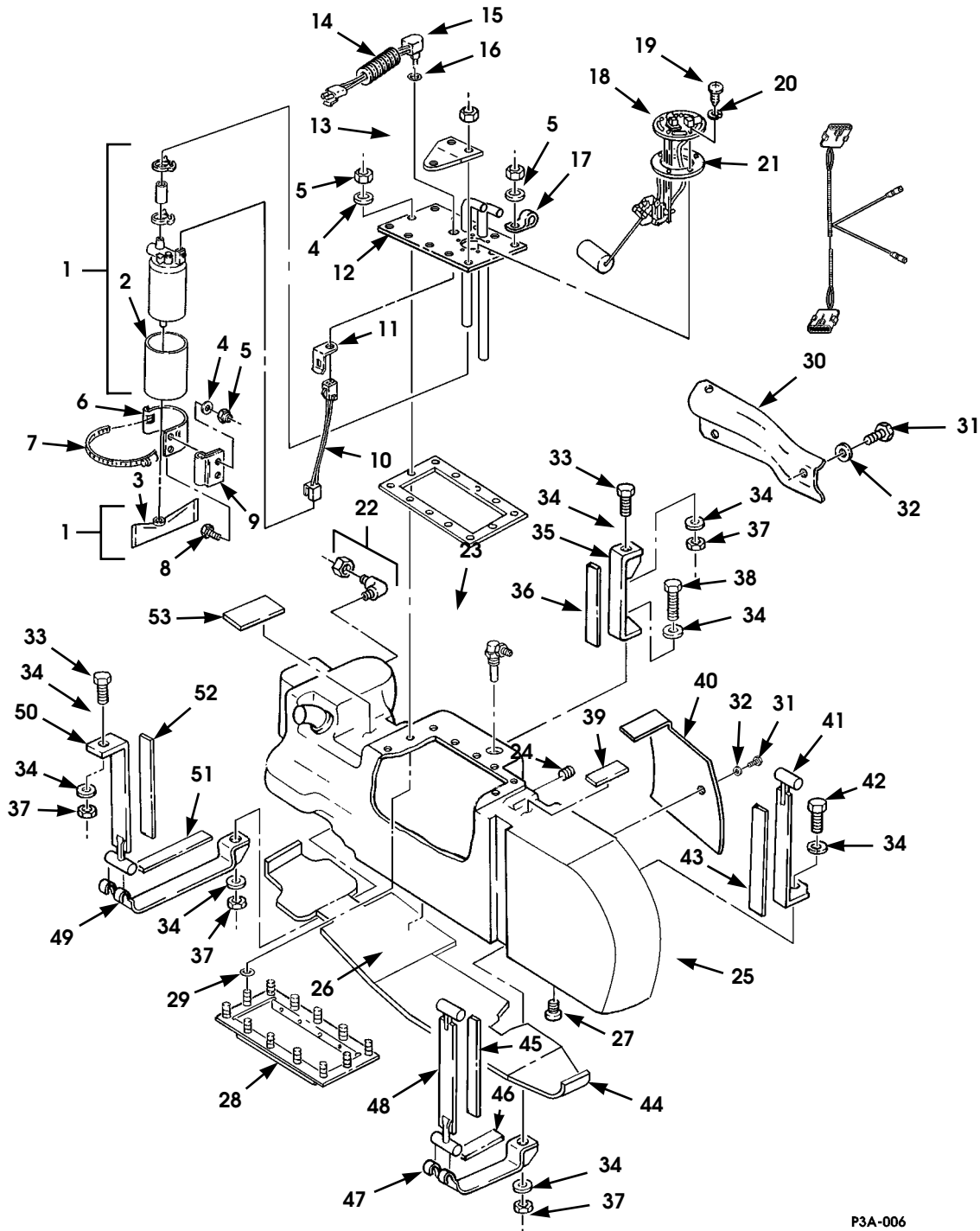
# HUMMER PARTS CATALOG

## FUEL, EMISSIONS AND EXHAUST 3A-7

ITEM	PART NUMBER	DESCRIPTION	QTY
		Figure 3A-3 FUEL SUPPLY AND RETURN LINES	
1	06004932	FILTER, fuel, 5.7 liter engine . . . . .	1
2	06004948	BRACKET, fuel filter. . . . .	1
		PARTS BREAKDOWN FOR THE FUEL LINE BUNDLE NOT AVAILABLE AT THIS TIME	

# HUMMER PARTS CATALOG

## 3A-8 FUEL, EMISSIONS AND EXHAUST



P3A-006

Figure 3A-4. Fuel Tank Assembly and Mounting Straps.

# HUMMER PARTS CATALOG

12-31-95

## FUEL, EMISSIONS AND EXHAUST 3A-9

ITEM	PART NUMBER	DESCRIPTION	QTY
		Figure 3A-4 FUEL TANK ASSEMBLY AND MOUNTING STRAPS	
	06006153	FUEL TANK ASSEMBLY .....	1
1	06006663	•KIT, fuel pump, gas .....	1
2	06004825	••SLEEVE, fuel pump .....	1
3	06003209	••FUEL STRAINER .....	1
4	G 02436161	•WASHER, 1/4" .....	12
5	MS 00051943 31	•LOCKNUT, 1/4"-20 .....	14
6	06003211	•BRACKET .....	1
7	11608950 8	•CLAMP .....	1
8	G 09415477	•BOLT, 1/4"-20 x 3/4" .....	2
9	06004305	•CLAMP .....	1
10	06004856	•HARNES, interior .....	1
11	06004466	•CLIPNUT .....	1
12	06006154	•PLATE, fuel tank access .....	1
13	06003109	•VALVE, rollover .....	1
14	06004978	•TUBING, convoluted .....	A/R
15	06004414	•JUMPER, fuel pump, exterior .....	1
16	06004467	•O-RING .....	1
17	MS 00021333 100	•CLAMP .....	2
18	06006911	•TRANSMITTER, engine fuel level .....	1
19	MS 00051849 76	•SCREW, #10-24 x .75" .....	5
20	MS 00035338 43	•LOCKWASHER, #10 .....	5
21	07539072	•GASKET, fuel level transmitter .....	1
22	8 6-100202 BA	•ELBOW, pipe-to-tube .....	1
23	06004924	•GASKET, tank access .....	1
24	G 00444698	•PLUG, 3/8" NPTF .....	1
25	05744372	•FUEL TANK .....	1
26	06005751	••PROTECTIVE BLANKET .....	4
27	12340000	•DRAINPLUG, fuel .....	1
28	06003450	•RETAINER, access plate .....	1
29	12342933	•O-RING, fuel tank access .....	12
30	06003910 B1	SHIELD. ....	1
31	G 09415857	SCREW, 1/4"-28 x .62" .....	4
32	NA S1070-41 6	WASHER, .281" I.D. x .625" O.D. ....	4
33	MS 00090728 60	SCREW, fuel tank strap, 3/8"-16 x 1.0" .....	2
34	G 02436163	WASHER, fuel tank strap, 3/8" .....	6
35	12338568	STRAP, fuel tank, inner rear .....	1
36	06000330	INSULATOR, rear. ....	1
37	MS 00051967 9	NUT, fuel tank strap, 3/8"-16 .....	4
38	12460145 1	BOLT, 3/8"-16 x 2.25" .....	1
39	12338557 2	ANTI-SQUEAK, fuel tank, front .....	1
40	12460102	SHIELD, fuel tank .....	1
41	06000300	STRAP, fuel tank, inner front. ....	1
42	12460145 2	SCREW, inner fuel tank strap, 3/8"-16 x 2.0" .....	1
43	06000333	INSULATOR, front .....	1
44	06006150 B2	SHIELD, fuel tank .....	1
45	06000332	INSULATOR, front .....	1
46	06000334	INSULATOR, front .....	1
47	12338571	STRAP, fuel tank, bottom front .....	1

7-1-95

# HUMMER PARTS CATALOG

## 3A-10 FUEL, EMISSIONS AND EXHAUST

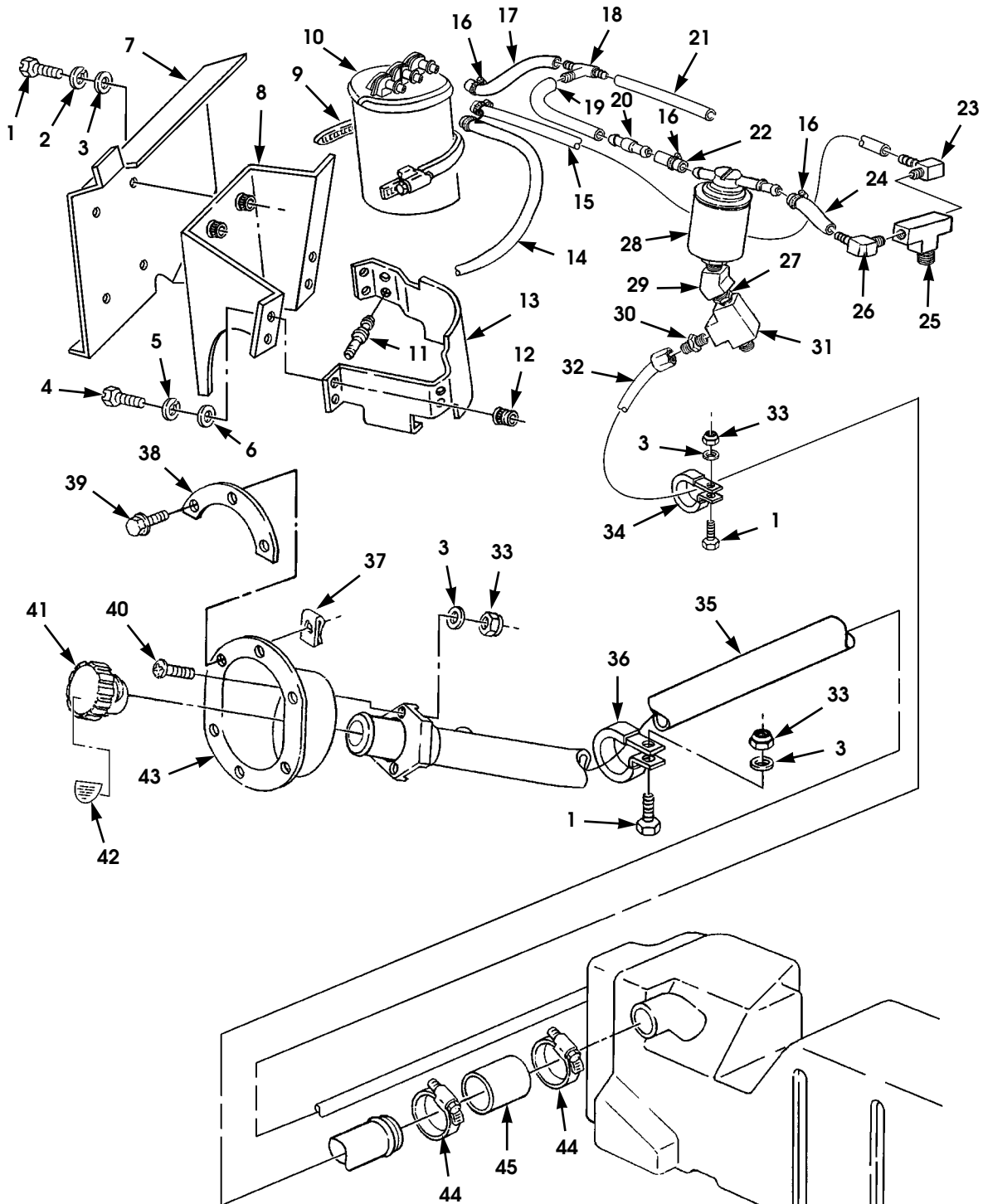
ITEM	PART NUMBER	DESCRIPTION	QTY
		Figure 3A-4 FUEL TANK ASSEMBLY AND MOUNTING STRAPS (Cont'd)	
48	12338573	STRAP,fuel tank, outer front . . . . .	1
49	12338574	STRAP,fuel tank, bottom rear . . . . .	1
50	12338575	STRAP,fuel tank, outer rear . . . . .	1
51	06000331	INSULATOR, rear . . . . .	1
52	06000329	INSULATOR, rear . . . . .	1
53	12338557 1	ANTI-SQUEAK, fuel tank, rear . . . . .	1





# HUMMER PARTS CATALOG

## 3A-12 FUEL, EMISSIONS AND EXHAUST



P3A-002.2

Figure 3A-5. Fuel Filler System.

# HUMMER PARTS CATALOG

12-31-95

## FUEL, EMISSIONS AND EXHAUST 3A-13

ITEM	PART NUMBER	DESCRIPTION	QTY
		Figure 3A-5 FUEL FILLER SYSTEM	
1	MS 00090725 6	BOLT, 1/4"-20 x 3/4" . . . . .	6
2	MS 00035338 44	WASHER, lock, 1/4" . . . . .	4
3	G 02436161	WASHER, flat, 1/4" . . . . .	11
4	MS 00051849 76P2	BOLT, #10-24 x 3/4" . . . . .	4
5	MS 00027183 42P2	WASHER, flat, #10 . . . . .	4
6	MS 00035338 43	WASHER, lock, #10" . . . . .	4
7	06007431 B2	SHIELD, fuel filler . . . . .	1
8	06007435 B2	BRACKET ASSEMBLY, fuel filler shield . . . . .	1
9	11608950 19	CLAMP, vapor canister (5.50 - 2.00) . . . . .	2
10	06002938	CANISTER, vapor . . . . .	1
11	06004317	RIVET, blind, 3/16" x 3/8" . . . . .	4
12	05939712	NUT, insert, #10-24 . . . . .	4
13	06004001	BRACKET, vapor canister . . . . .	1
14	05937794	HOSE, fuel return . . . . .	1
15	N/S	HOSE, fuel supply, 3/8" NOTE 1 . . . . .	1
16	11608950 1	CLAMP, hose (0.93 - 0.37) . . . . .	3
17	06007428	HOSE, vent, tee-to-canister . . . . .	1
18	06007422	TEE, barbed, 1/4" x 1/4" x 1/4" . . . . .	1
19	06007429	HOSE, tee-to-reducer . . . . .	1
20	06007423	REDUCER, connector . . . . .	1
21	N/S	HOSE, vent line (See NOTE 2) . . . . .	1
22	06007426	HOSE, vent, rollover-to-reducer . . . . .	1
23	06007420	ELBOW, barbed, 90 degree . . . . .	1
24	06007427	HOSE, vent, rollover-to-filler housing . . . . .	1
25	06007437	TEE, male, street . . . . .	1
26	06007421	ELBOW, barbed, 90 degree . . . . .	1
27	G 00443980	NIPPLE, pipe . . . . .	1
28	05744427	SUPPLEMENTAL ROLLOVER/RELIEF VALVE . . . . .	1
29	G 00444494	ELBOW, street, 45 degree . . . . .	1
30	8 6-100102 BA	CONNECTOR, MALE . . . . .	1
31	G 00444554	TEE, male, branch . . . . .	1
32	CP R 104420 3	TUBE, vent . . . . .	1
33	MS 00051943 31	NUT, 1/4"-20 . . . . .	5
34	MS 00021333 102	CLAMP, hose . . . . .	1
35	06003105 B1	FUEL FILLER PIPE ASSEMBLY, unleaded . . . . .	1
36	12340571 4	CLAMP, hose, dipped, 2" . . . . .	1
37	12339426	SPEEDNUT, "U" size 10A . . . . .	6
38	06005143	INSTRUCTION PLATE, fuel filler . . . . .	1
39	12340792	SCREW, tapping, #10-12 . . . . .	6

12-31-95

# HUMMER PARTS CATALOG

## 3A-14 FUEL, EMISSIONS AND EXHAUST

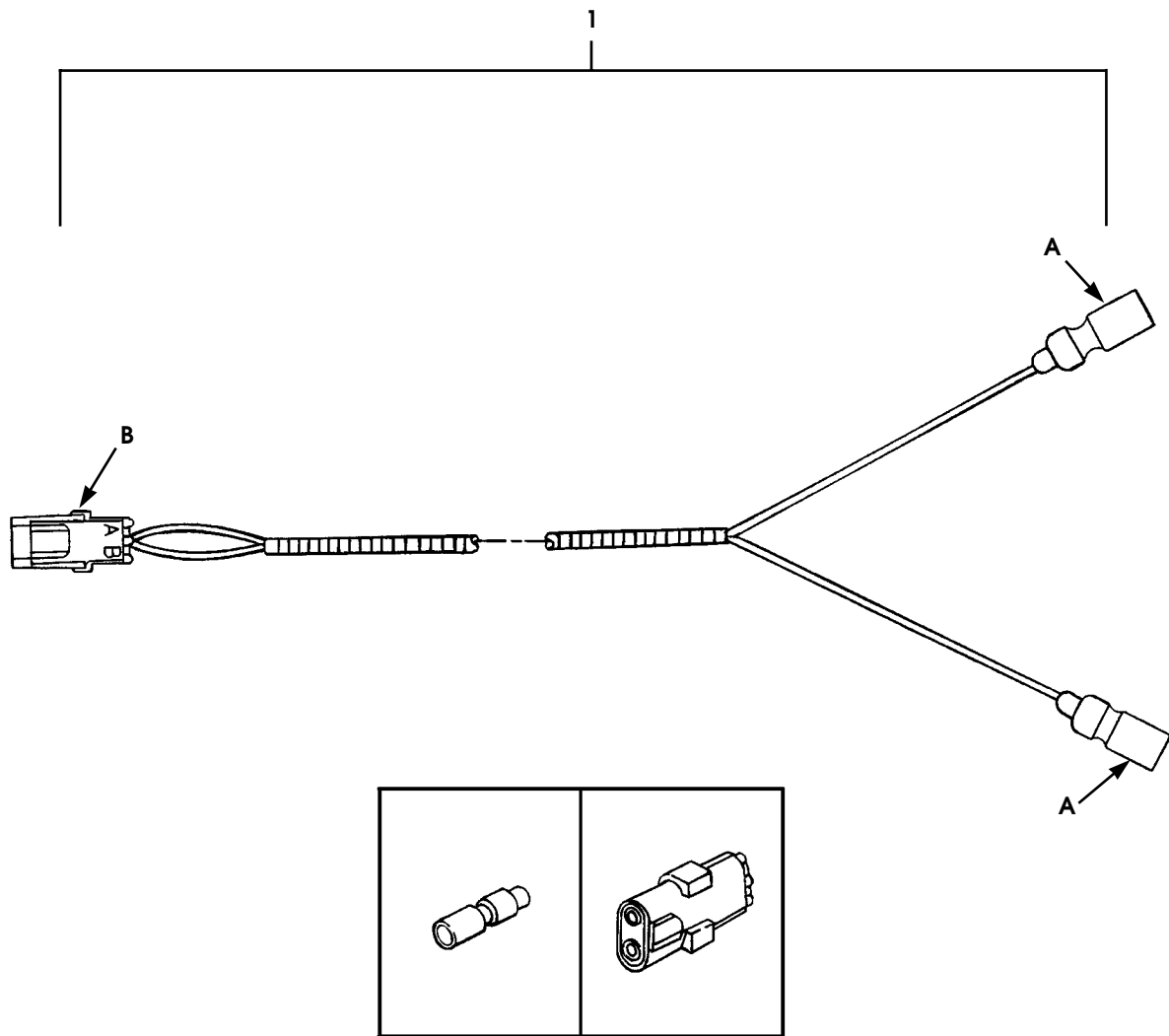
ITEM	PART NUMBER	DESCRIPTION	QTY
		Figure 3A-5 FUEL FILLER SYSTEM (Cont'd)	
40	MS 00035206 281	SCREW, 1/4"-20 x 3/4" . . . . .	3
41	06007482	CAP ASSEMBLY, fuel filler . . . . .	1
42	06006642	DECAL, gas cap, French . . . . .	1
42	06006643	DECAL, gas cap, Spanish . . . . .	1
42	06006644	DECAL, gas cap, Arabic . . . . .	1
43	06003108	HOUSING, fuel filler opening. . . . .	1
44	11608950 10	CLAMP, hose (2.75 - 1.81) . . . . .	2
45	12338551 2	HOSE, filler neck . . . . .	1
		NOTE 1: CUT TO LENGTH FROM P/N 05741067, 3/8" X 25' ROLL	
		NOTE 2: CUT TO LENGTH FROM P/N 05741068, 1/4" X 25' ROLL	



12-31-95

# HUMMER PARTS CATALOG

## 3A-16 FUEL, EMISSIONS AND EXHAUST



P3A-007

*Figure 3A-6. Fuel Level Transmitter Jumper Harness.*

# HUMMER PARTS CATALOG

12-31-95

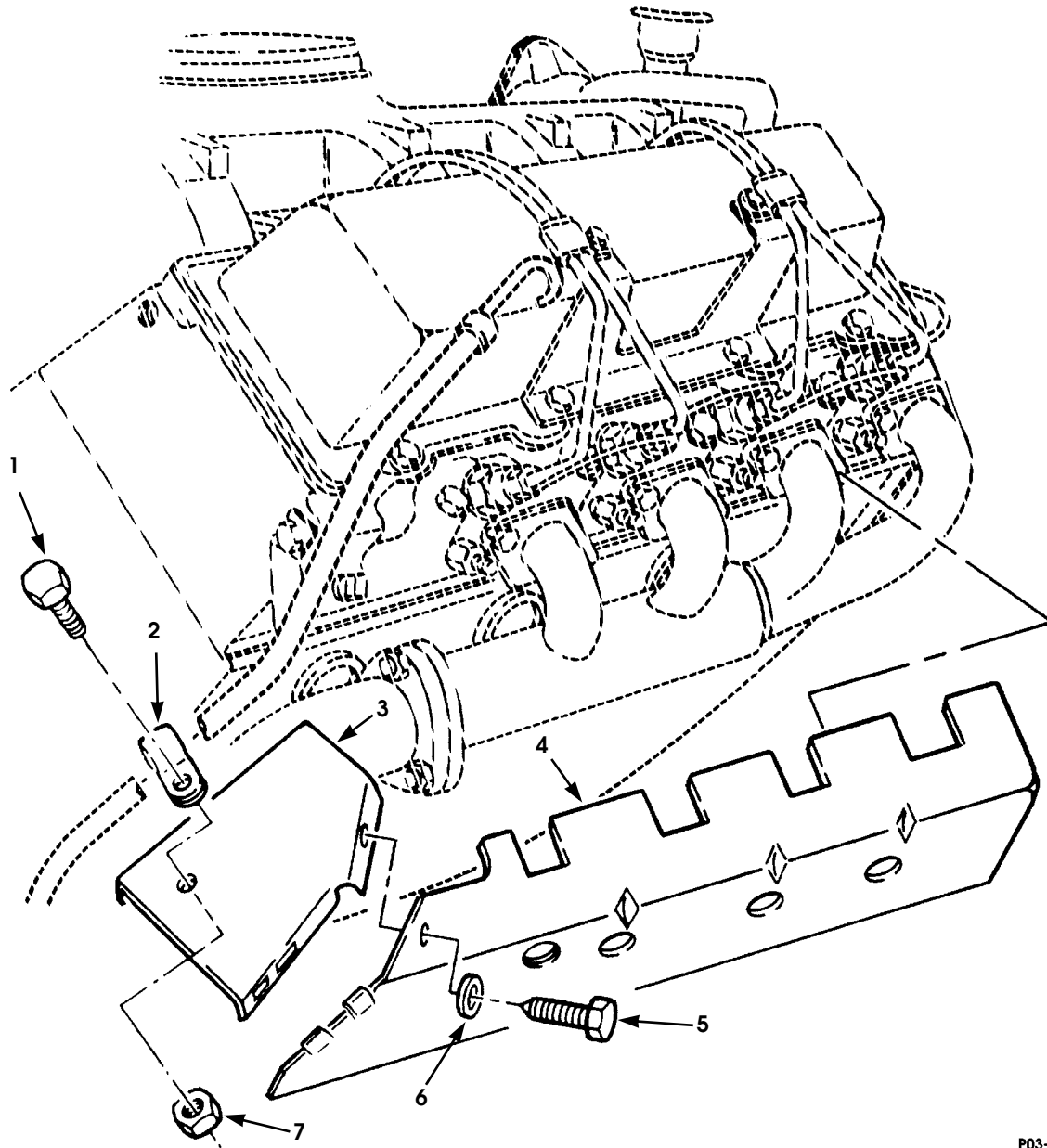
## FUEL, EMISSIONS AND EXHAUST 3A-17

ITEM	PART NUMBER	DESCRIPTION	QTY
		Figure 3A-6 FUEL LEVEL TRANSMITTER JUMPER HARNESS	
1	06005529	JUMPER HARNESS ASSEMBLY .....	1
2	MS 00027144 2	• CONNECTOR, transmitter .....	2
3	06005530	• CONNECTOR, body harness .....	1

12-31-95

# HUMMER PARTS CATALOG

## 3A-18 FUEL, EMISSIONS AND EXHAUST



P03-017

Figure 3A-7. Exhaust Manifold Heat Shield.

# HUMMER PARTS CATALOG

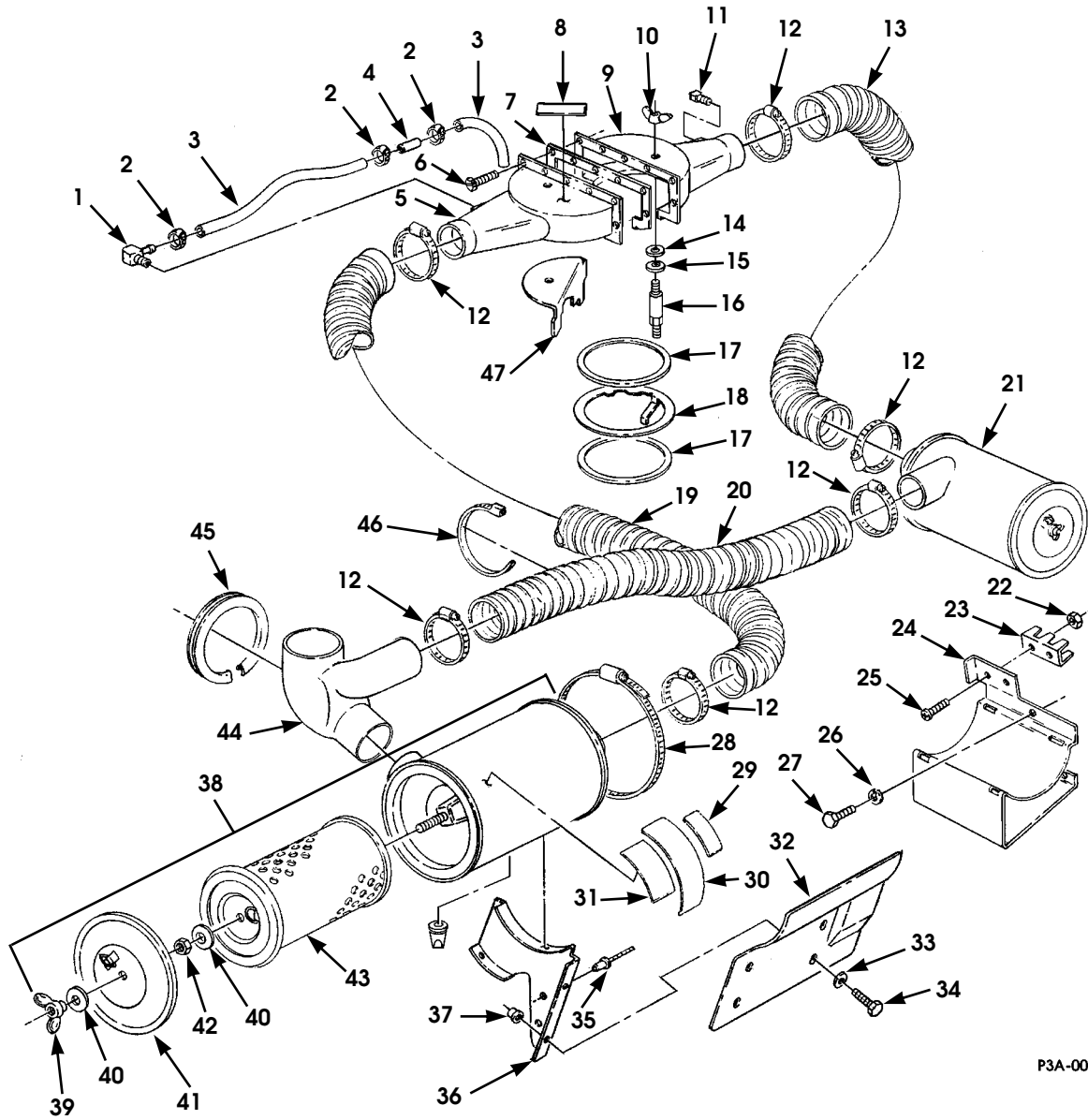
12-31-95

## FUEL, EMISSIONS AND EXHAUST 3A-19

ITEM	PART NUMBER	DESCRIPTION	QTY
		Figure 3A-7 EXHAUST MANIFOLD HEAT SHIELD	
1	MS 00090728 3	SCREW, clamp . . . . .	1
2	G 00120528	CLAMP, transmission tube . . . . .	1
3	12339181	GUARD, rear heat shield . . . . .	1
4	12339175	HEAT SHIELD, exhaust, R.H. . . . .	1
5	G 09414241	SCREW, heat shield . . . . .	1
6	G 09417793	WASHER, heat shield . . . . .	1
7	MS 00051943 31	LOCKNUT, clamp . . . . .	1



## 3A-20 FUEL, EMISSIONS AND EXHAUST



P3A-008

\* a PART OF ITEM 38

Figure 3A-8. Air Induction System.

# HUMMER PARTS CATALOG

12-31-95

## FUEL, EMISSIONS AND EXHAUST 3A-21

ITEM	PART NUMBER	DESCRIPTION	QTY
		Figure 3A-8 AIR INDUCTION SYSTEM	
1	12339415	ELBOW . . . . .	1
2	12339884 1	CLAMP . . . . .	3
3	06004912	HOSE, vent . . . . .	2
4	06004913	UNION, tube. . . . .	1
5	06003095	HORN ASSEMBLY, air induction, R.H. . . . .	1
6	G 09418934	SCREW. . . . .	7
7	06004911	GASKET. . . . .	1
8	12339055	DECAL, no step . . . . .	1
9	06003094	HORN ASSEMBLY, air induction, L.H. . . . .	1
10	G 09419454	NUT, 1/4" - 20 . . . . .	2
11	G 00143997	PLUG, pipe-square socket . . . . .	1
12	11608950 13	CLAMP, hose . . . . .	6
13	06005520	HOSE, L.H. intake . . . . .	1
14	12339052	WASHER, rubber . . . . .	2
15	G 09421393	WASHER, flat. . . . .	2
16	06003096	STUD, air induction . . . . .	2
17	06005521	GASKET, lower . . . . .	2
18	06005674	PLATE, air deflector. . . . .	1
19	06005518	HOSE, R.H. intake . . . . .	1
20	06005519	HOSE, crossover. . . . .	1
21	06005516	AIR CLEANER ASSEMBLY, L.H. . . . .	1
22	MS 00051469 2	NUT . . . . .	2
23	MS 027212-5 2	TERMINAL BOARD ASSEMBLY . . . . .	1
24	06005498	BRACKET ASSEMBLY, air cleaner. . . . .	1
25	G 09425488	SCREW . . . . .	2
26	MS 00035338 44	LOCKWASHER . . . . .	5
27	MS 00090728 6	BOLT . . . . .	3
28	11608950 26	CLAMP, hose . . . . .	4
29	06001710	DECAL, warning. . . . .	1
30	06004101	LABEL-E.P.A. . . . .	1
* 30	06005494	LABEL-E.P.A. (Canada) . . . . .	1
30	06005685	DECAL-CLEAR PROTECTIVE FILM . . . . .	1
31	05938688	DECAL-CLEAR PROTECTIVE FILM . . . . .	1
31	06005731	LABEL-E.P.A. (California) . . . . .	1
31	06005732	LABEL-E.P.A. (Canada) . . . . .	1
* 32	12338863 P	SHIELD, air cleaner . . . . .	1
33	MS 00027183 42	WASHER, flat. . . . .	4
34	MS 00051849 76	SCREW . . . . .	4
* 35	M M7885/2 6-2	RIVET. . . . .	6
* 36	06005445 P	BRACKET, air cleaner, R.H. . . . .	2

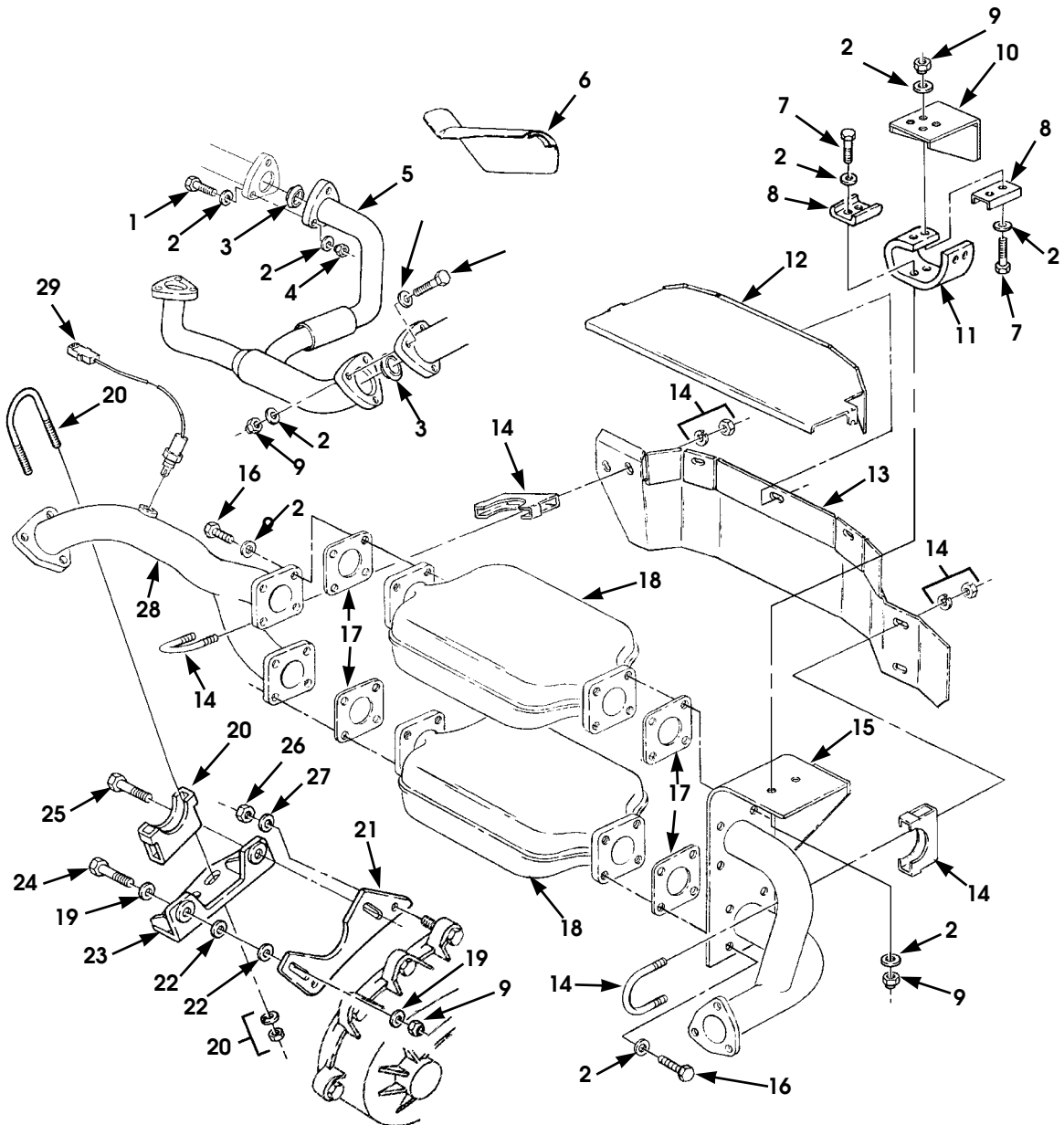
12-31-95

# HUMMER PARTS CATALOG

## 3A-22 FUEL, EMISSIONS AND EXHAUST

ITEM	PART NUMBER	DESCRIPTION	QTY
		Figure 3A-8 AIR INDUCTION SYSTEM (Cont'd)	
37	05939334	NUT INSERT .....	4
38	06005517	AIR CLEANER ASSEMBLY, R.H. ....	1
39	05744156	•WINGNUT .....	1
40	05744157	•WASHER .....	2
41	05744155	•COVER .....	1
42	05744158	•NUT .....	1
43	05744159	•ELEMENT .....	1
44	06005285	DIVERTER, air horn .....	1
45	06005922	SEAL, diverter .....	1
46	MS 0003367 7-0	TIESTRAP .....	1
* 47	06005545 B2	BAFFLE, air horn .....	1

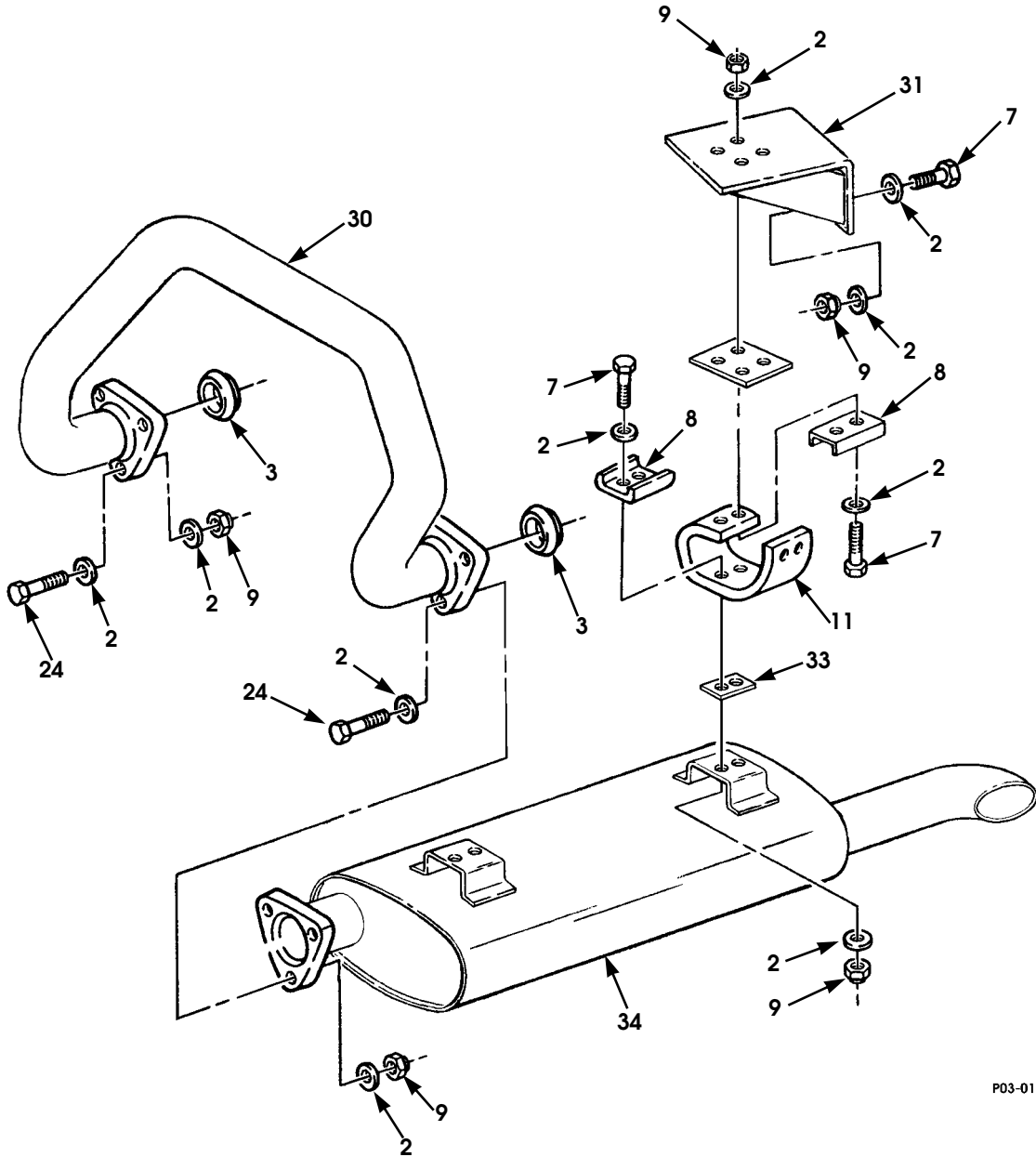
## FUEL, EMISSIONS AND EXHAUST 3A-23



P03-019

Figure 3A-9. Muffer, Exhaust Pipes, and Related Parts (Sheet 1 of 2).

## 3A-24 FUEL, EMISSIONS AND EXHAUST



P03-016

Figure 3A-9. Muffler, Exhaust Pipes, and Related Parts (Sheet 2 of 2).

# HUMMER PARTS CATALOG

12-31-95

## FUEL, EMISSIONS AND EXHAUST 3A-25

ITEM	PART NUMBER	DESCRIPTION	QTY
		Figure 3A-9 MUFFLER, EXHAUST PIPES, AND RELATED PARTS	
1	MS 00090725 67	BOLT, 3/8" - 16x2.25" . . . . .	9
2	G 02436163	WASHER, flay, 3/8" . . . . .	56
3	12338339	GASKET. . . . .	4
4	MS 00051943 33	LOCKNUT, 5/16 - 16 . . . . .	3
5	06004311	PIPE ASSEMBLY, crossover . . . . .	1
6	12460087	HEAT SHIELD ASSEMBLY, exhaust. . . . .	1
7	MS 00090728 62	BOLT, 3/8 - 16x1.25" . . . . .	12
8	12338341	PLATE, reinforcement . . . . .	4
9	MS 00051943 35	LOCKNUT, 3/8" - 16 . . . . .	24
* 10	06004397 B2	BRACKET, converter. . . . .	1
11	12338337	INSULATOR, exhaust . . . . .	2
12	06004478	HEAT SHIELD ASSEMBLY, top . . . . .	1
13	06004325	HEAT SHIELD, side. . . . .	1
14	06005130	CLAMP, exhaust 2 1/4" . . . . .	2
15	06004313	PIPE ASSEMBLY, catalytic converter. . . . .	1
16	06004884	BOLT, M10x1.25"x35. . . . .	16
17	06004330	GASKET. . . . .	4
18	06003110	CATALYTIC CONVERTER ASSEMBLY . . . . .	2
19	G 09417793	WASHER, 3/8" . . . . .	2
20	12338343 2	CLAMP ASSEMBLY . . . . .	1
21	12338347	BRACKET. . . . .	1
22	12338338	INSULATOR, radiator . . . . .	1
23	12338340	BRACKET ASSEMBLY, muffler . . . . .	1
24	MS 00090725 66	BOLT, 3/8" - 16x2.0" . . . . .	2
25	MS 00090725 65	BOLT, 3/8" - 16x1.75" . . . . .	2
26	G 11501033	LOCKNUT . . . . .	1
27	MS 00027183 42	WASHER, flat, #10. . . . .	1
28	06004312	PIPE ASSEMBLY . . . . .	1
29	06003981	SENSOR, oxygen . . . . .	1
30	06005558	PIPE, exhaust . . . . .	1
31	06003687	BRACKET, L.H. . . . .	1
31	06003686	BRACKET, R.H. . . . .	1
32	06003962 B1	REINFORCEMENT, upper . . . . .	2
33	06003963 B1	REINFORCEMENT, lower . . . . .	2
34	06003801	MUFFLER ASSEMBLY. . . . .	1



## COOLING SYSTEM 4A-1

### Section 4A

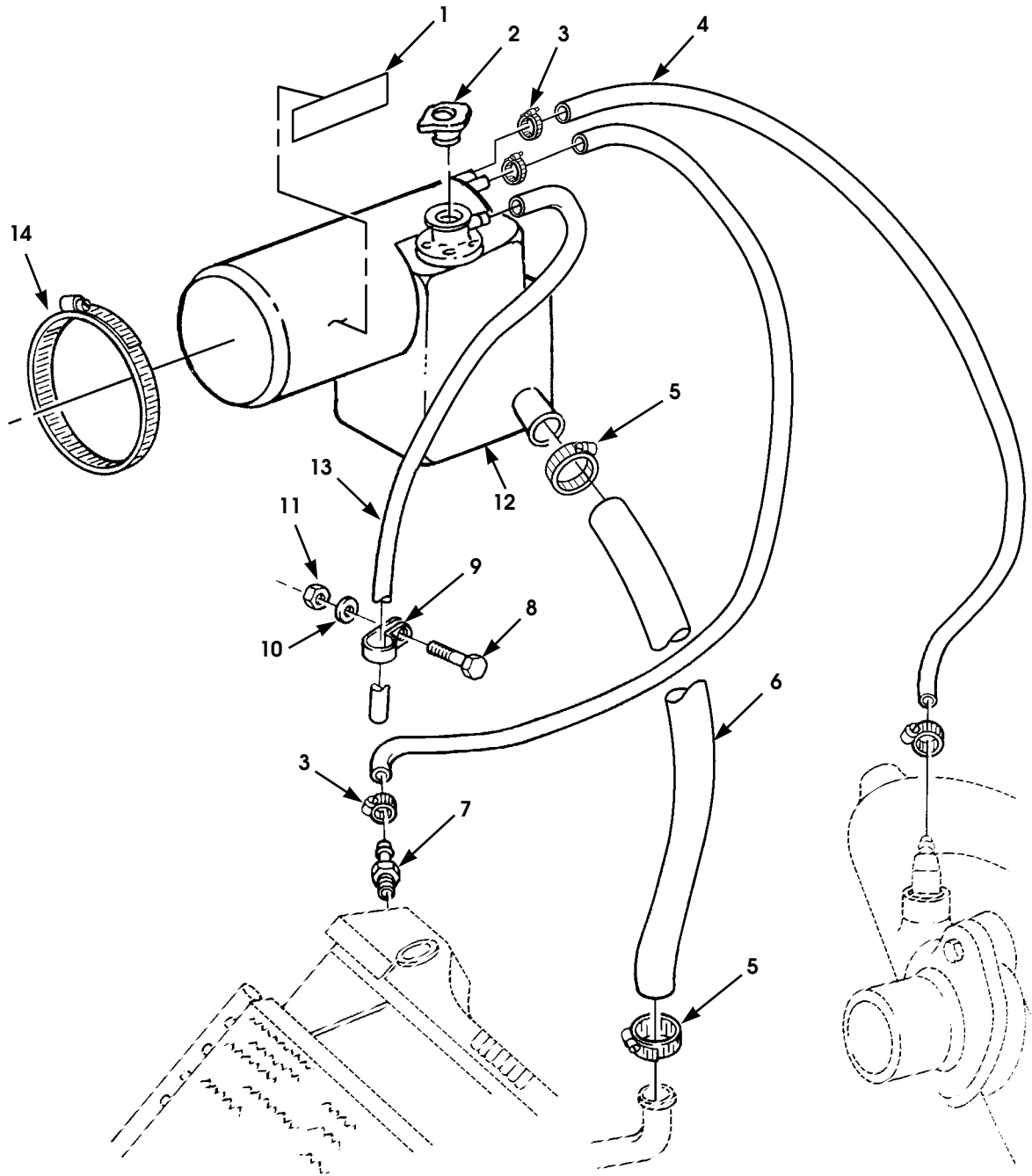
### COOLING SYSTEM

TITLE	PAGE NUMBER
Surge Tank and Related Parts . . . . .	4A-2
★ Radiator Hoses and Related Parts . . . . .	4A-4
★ Engine and Transmission Oil Cooler and Engine Oil Cooler Lines . . . . .	4A-6



# HUMMER PARTS CATALOG

## 4A-2 COOLING SYSTEM



P04-002.1

Figure 4A-1. Surge Tank and Related Parts.

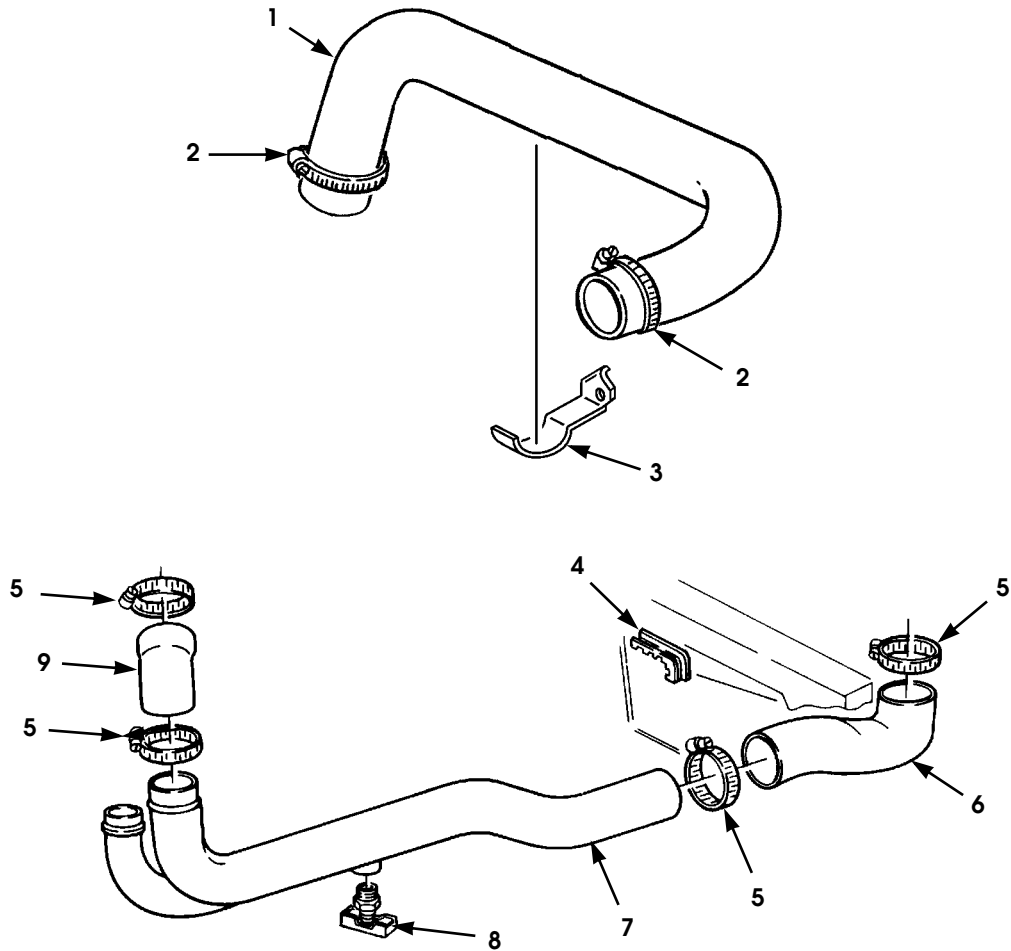
# HUMMER PARTS CATALOG

12-31-95

## COOLING SYSTEM 4A-3

ITEM	PART NUMBER	DESCRIPTION	QTY
		Figure 4A-1 SURGE TANK AND RELATED PARTS	
1	06001710	DECAL, surge tank, do not remove or touch when hot	1
2	06004914	CAP, surge tank . . . . .	1
3	12339884 1	CLAMP, radiator crossover hose . . . . .	3
★ 4	06004080	HOSE, surge tank-to-water crossover . . . . .	1
5	11608950 5	CLAMP, lower radiator-to-surge tank. . . . .	2
6	06004919	HOSE, lower radiator-to-surge tank. . . . .	1
7	12339974	ADAPTER, radiator surge tank . . . . .	1
8	MS 00090728 6	SCREW, surge tank overflow hose clamp. . . . .	1
9	MS 00021333 102	CLAMP, surge tank overflow hose . . . . .	1
★ 10	G 02436161 P2	WASHER, surge tank overflow hose clamp. . . . .	1
11	MS 00051943 31	LOCKNUT, surge tank overflow hose clamp. . . . .	1
★ 12	06003412	TANK, surge . . . . .	1
13	06004920	HOSE, surge tank overflow, SEE NOTE 1 . . . . .	1
14	11608950 21	CLAMP, surge tank mounting. . . . .	2
		NOTE 1: MAKE FROM BULK RUBBER HOSE P/N 05740928	

## 4A-4 COOLING SYSTEM



P04A-004

Figure 4A-2. Radiator Hoses and Related Parts.

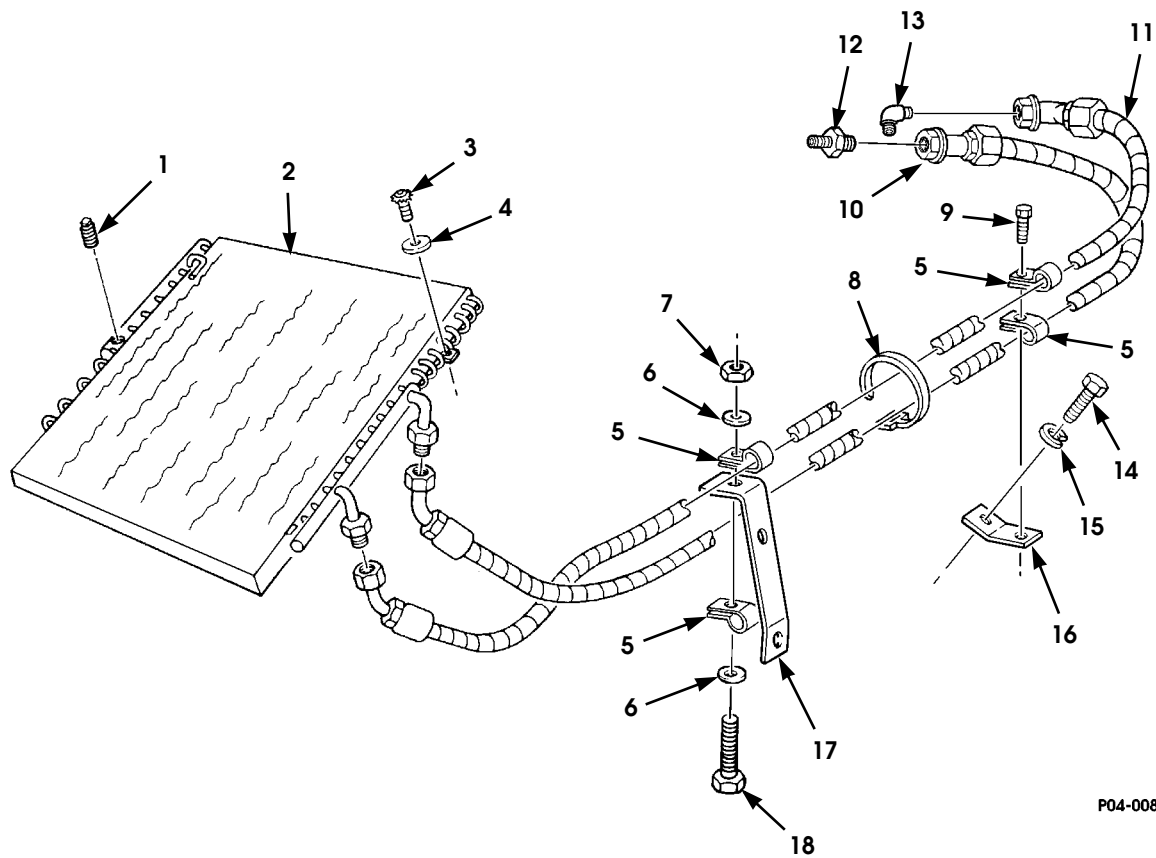
# HUMMER PARTS CATALOG

12-31-95

## COOLING SYSTEM 4A-5

ITEM	PART NUMBER	DESCRIPTION	QTY
		Figure 4A-2 RADIATOR HOSES AND RELATED PARTS	
1	06004314	HOSE, upper radiator . . . . .	1
2	11608950 9	CLAMP, radiator upper . . . . .	5
* 3	06004808 B2	SUPPORT, radiator hose, upper . . . . .	1
4	12339902 12	PAD, crossmember, 12" SEE NOTE 1 . . . . .	1
5	11608950 10	CLAMP, lower radiator. . . . .	4
6	12339162	HOSE, lower radiator. . . . .	1
7	12339152 B1	TUBE, lower radiator . . . . .	1
8	MS 00035782 4	DRAINCOCK, lower radiator tube. . . . .	1
9	06002882	HOSE, lower radiator, tube-to-water pump . . . . .	1
		NOTE 1: MAKE FROM BULK PAD P/N 05741214, 500' ROLL	

## 4A-6 COOLING SYSTEM



P04-008.1

Figure 4A-3. Engine and Transmission Oil Cooler and Engine Oil Cooler Lines.

# HUMMER PARTS CATALOG

12-31-95

## COOLING SYSTEM 4A-7

ITEM	PART NUMBER	DESCRIPTION	QTY
		Figure 4A-3 ENGINE AND TRANSMISSION OIL COOLER AND ENGINE OIL COOLER LINES	
1	MS 00049005 4	PLUG, pipe, oil cooler . . . . .	2
2	12340185	COOLER, engine and transmission oil. . . . .	1
3	05741099	BOLT, 5/16"-18 x 5/16" . . . . .	4
4	MS 00027183 12	WASHER, flat, .344" . . . . .	4
5	12340571 2	CLAMP, closed dipped . . . . .	4
* 6	G 02436161 P2	WASHER, flat, 1/4" . . . . .	2
7	MS 00051943 31	LOCKNUT, 1/4"-20 . . . . .	1
8	MS 00003367 3-9	STRAP, tiedown, oil cooler hose . . . . .	1
9	MS 00051851 85	SCREW, oil cooler hose clamp . . . . .	1
10	06005127	HOSE, oil cooler inlet (Gas) . . . . .	1
11	06005128	HOSE, oil cooler outlet (Gas) . . . . .	1
12	12338778	ADAPTER, pipe . . . . .	1
13	10 6-070202 C	ELBOW, 90 degree, 37 degree flange . . . . .	1
14	G 00172482	SCREW, st, 3/8"-16 x .75" . . . . .	1
15	MS 00035338 46	LOCKWASHER, 3/8" . . . . .	1
16	12338777	BRACKET, oil cooler hose clamp . . . . .	1
17	12338779	BRACKET, oil cooler hose clamp . . . . .	1
18	MS 00090725 9	SCREW, 1/4"-20 x 1.13" . . . . .	1



# HUMMER PARTS CATALOG

## TRANSMISSION 5A-1

### Section 5A

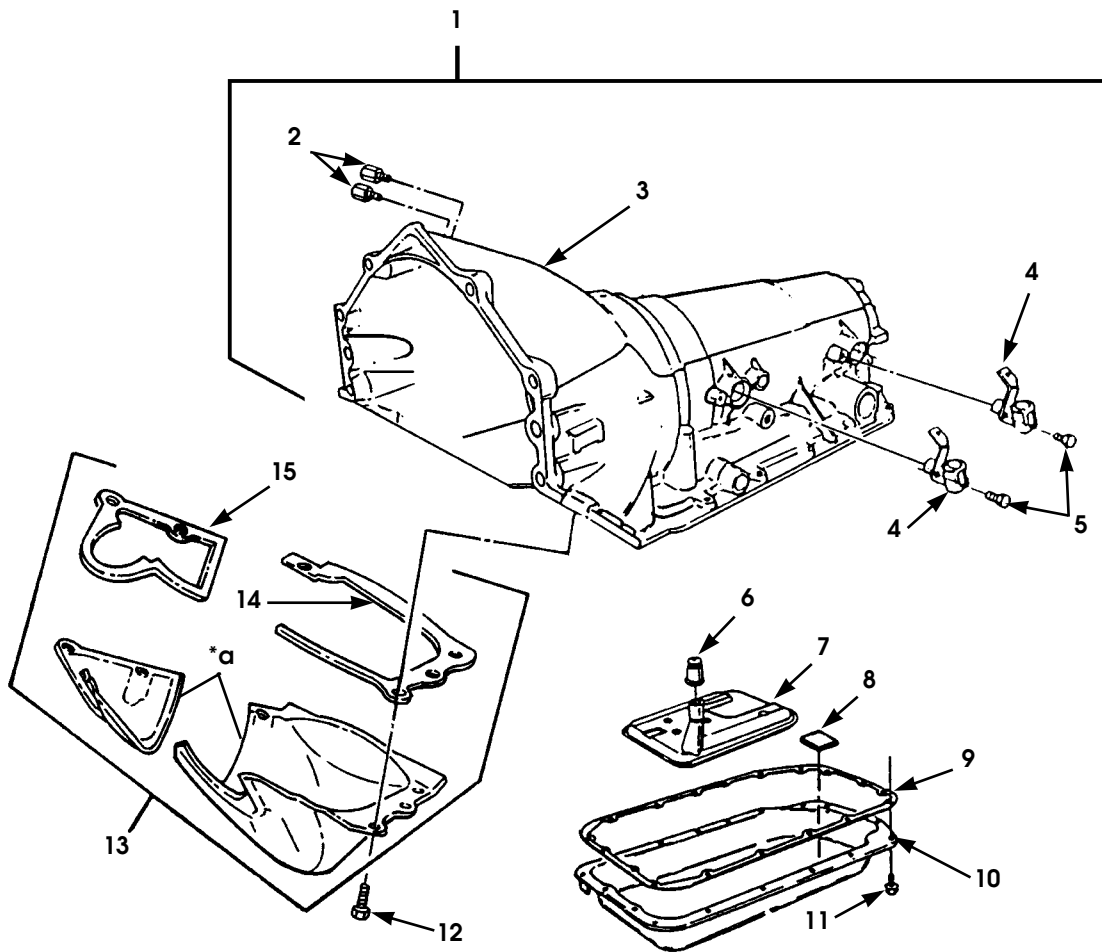
### TRANSMISSION

TITLE	PAGE NUMBER
Transmission, Filter, and Sensors .....	5A-2
Torque Converter .....	5A-4



# HUMMER PARTS CATALOG

## 5A-2 TRANSMISSION



P5A-001

\*a PART OF ITEM 13

Figure 5A-1. Transmission, Filter, and Sensors.

# HUMMER PARTS CATALOG

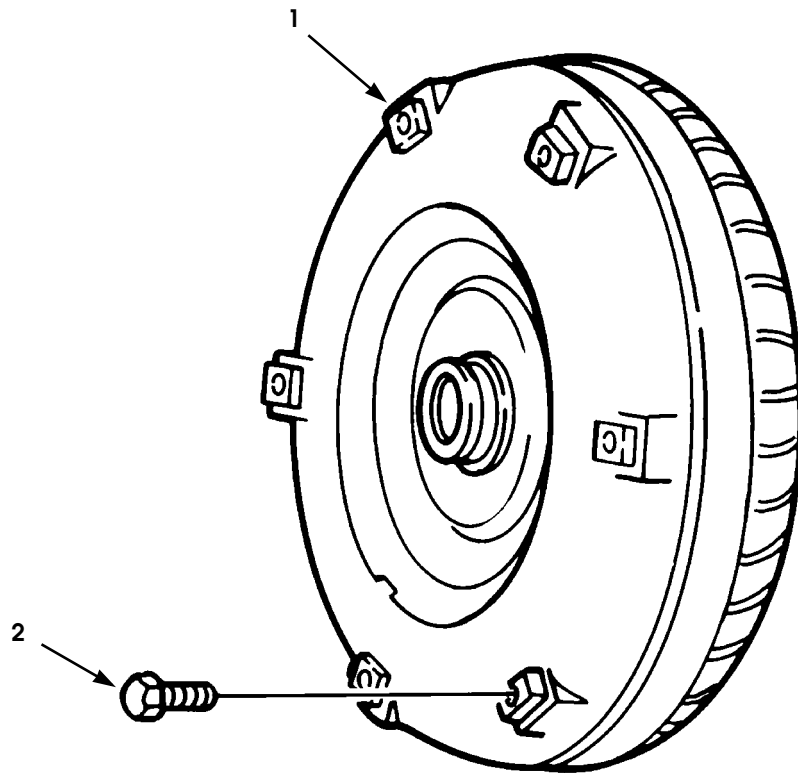
12-31-95

## TRANSMISSION 5A-3

ITEM	PART NUMBER	DESCRIPTION	QTY
		Figure 5A-1 TRANSMISSION, FILTER, AND SENSORS	
1	06003956	TRANSMISSION, w/ torque converter . . . . .	1
2	05744087	•CONNECTOR. . . . .	2
3	S.I.A.	•CASE. . . . .	1
4	05743513	•SENSOR ASSEMBLY . . . . .	2
5	G 11514308	•BOLT, speed sensor . . . . .	2
6	05743312	•SEAL . . . . .	1
7	05743311	•FILTER ASSEMBLY . . . . .	1
8	05744092	•MAGNET, chip collector. . . . .	1
9	05743310	•SEAL . . . . .	1
10	05743313	•OIL PAN ASSEMBLY . . . . .	1
11	05744077	•BOLT, oil pan . . . . .	17
12	G 11503451	SCREW, converter access cover-to-transmission. . . . .	6
* 13	06002939 B2	ACCESS COVER, converter . . . . .	1
14	12342104	•GASKET. . . . .	1
15	12342105	•GASKET. . . . .	1

# HUMMER PARTS CATALOG

## 5A-4 TRANSMISSION



P05-005

Figure 5A-2. Torque Converter.

# HUMMER PARTS CATALOG

7-1-95

## TRANSMISSION 5A-5

ITEM	PART NUMBER	DESCRIPTION	QTY
★ 1	05714359	Figure 5A-2 TORQUE CONVERTER	1
2	12340514	TORQUE CONVERTER, transmission (Remanufactured ) SCREW, converter to flywheel . . . . .	6



## Section 11A

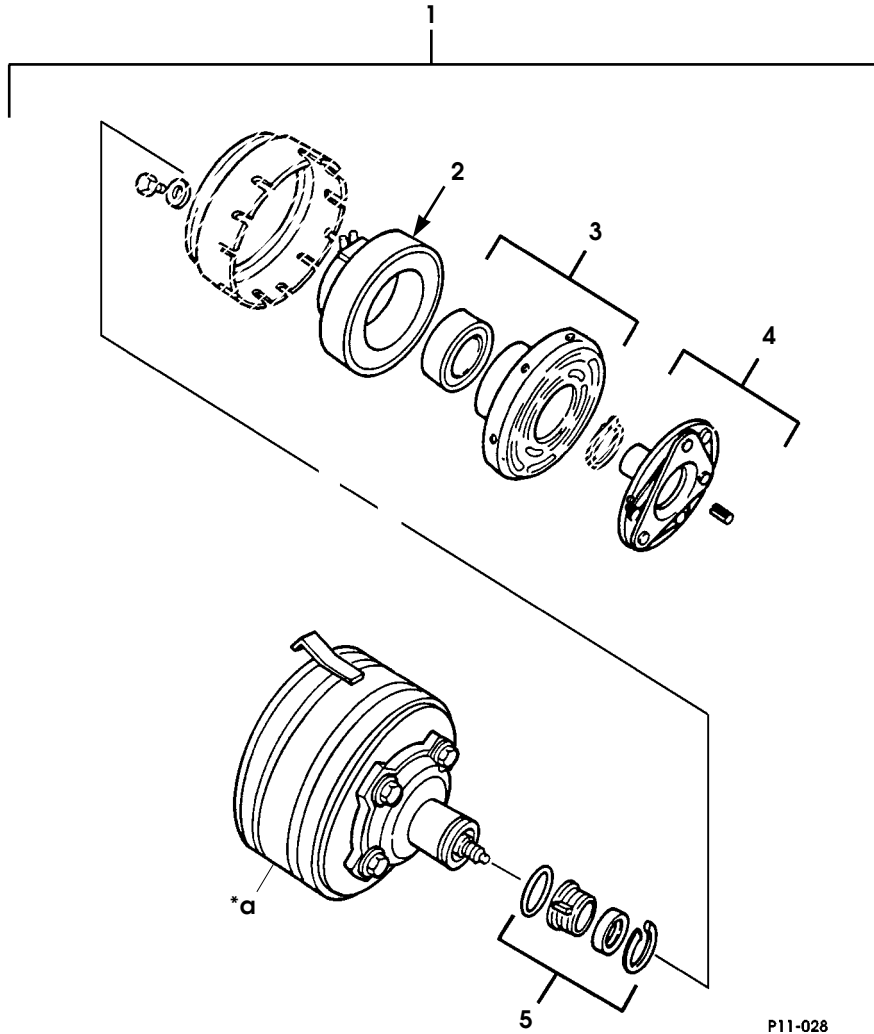
### HVAC

TITLE	PAGE NUMBER
★ A/C Compressor and Mounting Hardware . . . . .	11A-2
★ Water Control Valve and Heater Hoses, without Auxiliary A/C-Heat. . . . .	11A-4
★ Water Control Valve and Heater Hoses, with Auxiliary A/C-Heat . . . . .	11A-6

5-1-95

# HUMMER PARTS CATALOG

11A-2 HVAC



P11-028

Figure 11A-1. A/C Compressor and Mounting Hardware (Gasoline).

# HUMMER PARTS CATALOG

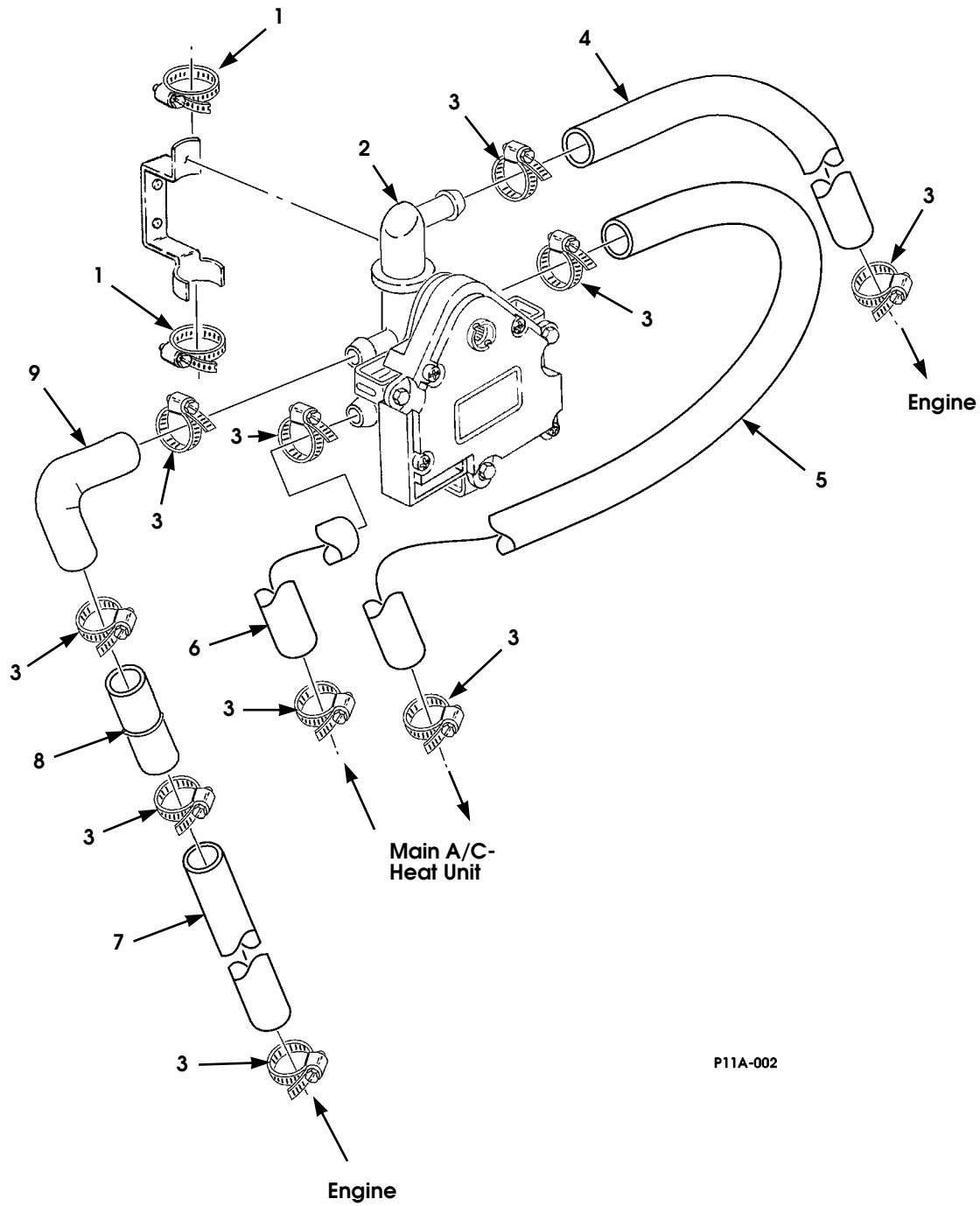
12-31-95

## HVAC 11A-3

ITEM	PART NUMBER	DESCRIPTION	QTY
		Figure 11A-1 A/C COMPRESSOR AND MOUNTING HARDWARE (GASOLINE)	
1	06004286	COMPRESSOR ASSEMBLY, A/C, 134A . . . . .	1
2	05744239	•CLUTCH DRIVE AND KEY ASSEMBLY . . . . .	1
3	05744198	•PULLEY AND BEARING ASSEMBLY . . . . .	1
4	05744204	•SEAL KIT, compressor, front . . . . .	1
5	05744240	•COIL AND HOUSING ASSEMBLY . . . . .	1
* 6	S.I.A.	•COMPRESSOR . . . . .	1
7	05744241	•VALVE, pressure relief . . . . .	1
8	G 11500931	BOLT, M10 x 1.5" x 35 . . . . .	1
9	G 11500256	WASHER, flat, 10 mm . . . . .	1
10	06004121	NUT, compressor bracket . . . . .	5
11	G 02436164	WASHER, flat, 7/16" . . . . .	1
12	06004094	BRACKET, drive belt tensioner . . . . .	1
13	06004091	BOLT, compressor bracket . . . . .	3
14	06003079	WASHER, sealing, 5/8" . . . . .	2
15	06005595	HOSE, suction/discharge, gas . . . . .	1
16	05743824	VALVE, schraeder . . . . .	2
17	05744263	CAP, schraeder valve, low side . . . . .	1
17	05744264	CAP, schraeder valve, high side . . . . .	1



## 11A-4 HVAC



P11A-002

Figure 11A-2. Water Control Valve and Heater Hoses, without Auxiliary A/C-Heat.

# HUMMER PARTS CATALOG

12-31-95

## HVAC 11A-5

ITEM	PART NUMBER	DESCRIPTION	QTY
		Figure 11A-2 WATER CONTROL VALVE AND HEATER HOSES, WITHOUT AUXILIARY A/C-HEAT	
1	05744244	CLAMP,#10 - #12 . . . . .	2
2	06005597	VALVE, water, complete (Gas) . . . . .	1
3	06006266	CLAMP,#6 - #8 . . . . .	10
4	06006271	HOSE, heater, molded, 5/8" . . . . .	1
5	05744225	HOSE, heater, molded, 5/8" . . . . .	1
6	05744350	HOSE, 5/8" x 30", SEE NOTE 1 . . . . .	1
7	05744351	HOSE, 5/8" SEE NOTE 1 . . . . .	1
8	05743177	SPLICE, heater, 5/8" . . . . .	1
* 9	05743507	HOSE, 90 degree curved, 5/8" . . . . .	1
NOTE 1: CUT FROM BULK HOSE 50', P/N 05740929.			

# HUMMER PARTS CATALOG

## 11A-6 HVAC

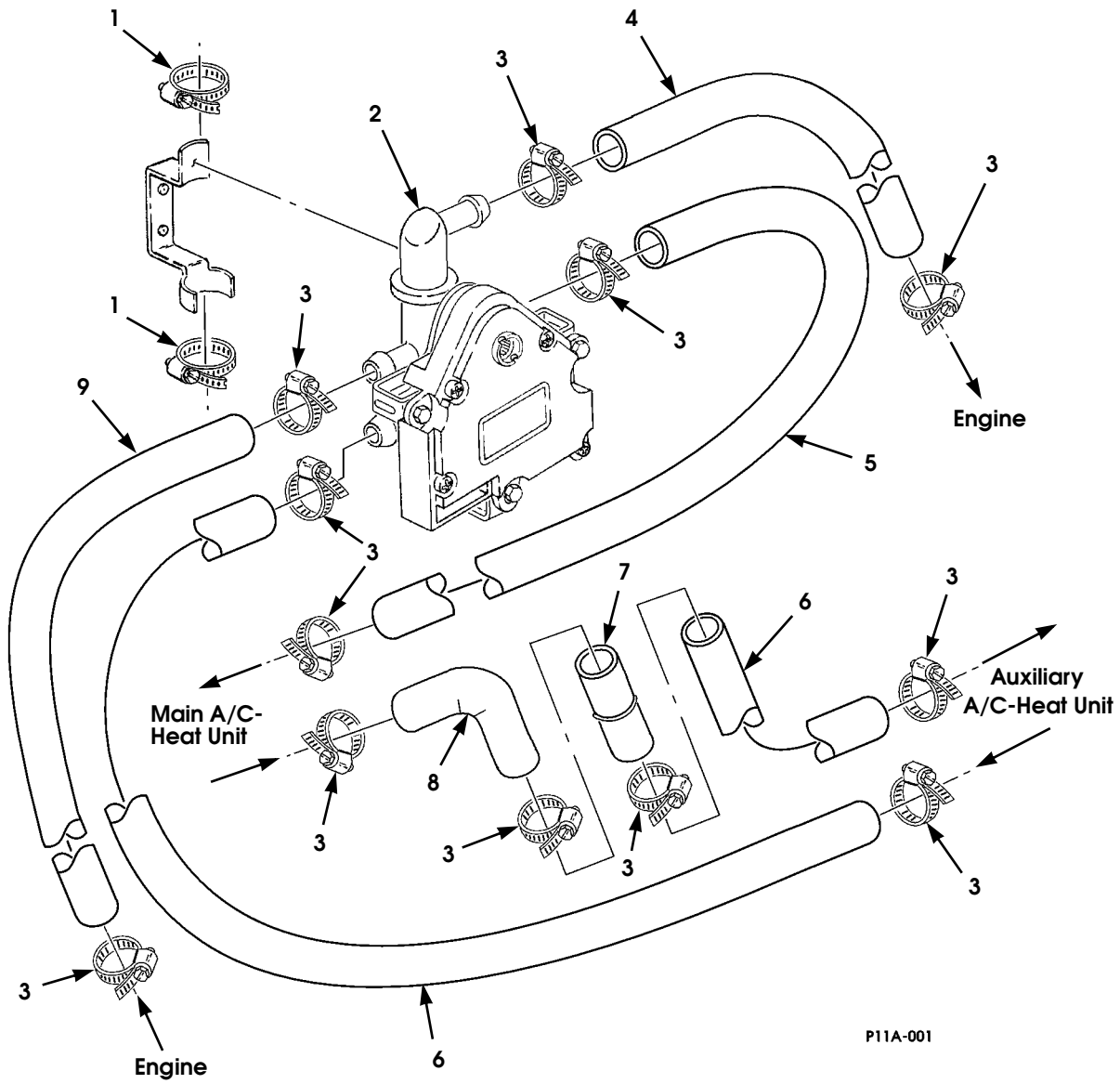


Figure 11A-3. Water Control Valve and Heater Hoses, with Auxiliary A/C-Heat.

# HUMMER PARTS CATALOG

5-1-95

## HVAC 11A-7

ITEM	PART NUMBER	DESCRIPTION	QTY
		Figure 11A-3 WATER CONTROL VALVE AND HEATER HOSES, with AUXILIARY A/C-HEAT	
* 1	05744244	CLAMP, #10 - #12 . . . . .	2
* 2	06005597	VALVE, water, complete (Gas) . . . . .	1
* 3	06006266	CLAMP, #6 - #8 . . . . .	12
* 4	06006271	HOSE, heater, molded, 5/8" . . . . .	1
* 5	05744225	HOSE, heater, molded, 5/8" . . . . .	1
* 6	05744152	HOSE, heater, auxiliary A/C-heat SEE NOTES 1 AND 2.	1
* 7	05743177	SPLICE, heater, 5/8" . . . . .	1
* 8	05743507	HOSE, 90 degree curved, 5/8" . . . . .	1
* 9	06006270	HOSE, heater, molded, 5/8" . . . . .	1
		NOTE 1: CUT FROM BULK HOSE 50', P/N 05740929.	
		NOTE 2: HEATER HOSE, P/N 05744152, COMES IN A 12' 6" LENGTH THAT IS TO BE CUT TO MAKE TWO 6' 3" HOSES FOR BOTH THE INLET AND OUTLET OF THE AUXILIARY A/C-HEAT UNIT OR CAN BE MADE FROM BULK HOSE 50', P/N 05740929	



# HUMMER PARTS CATALOG

ELECTRICAL 12A-1

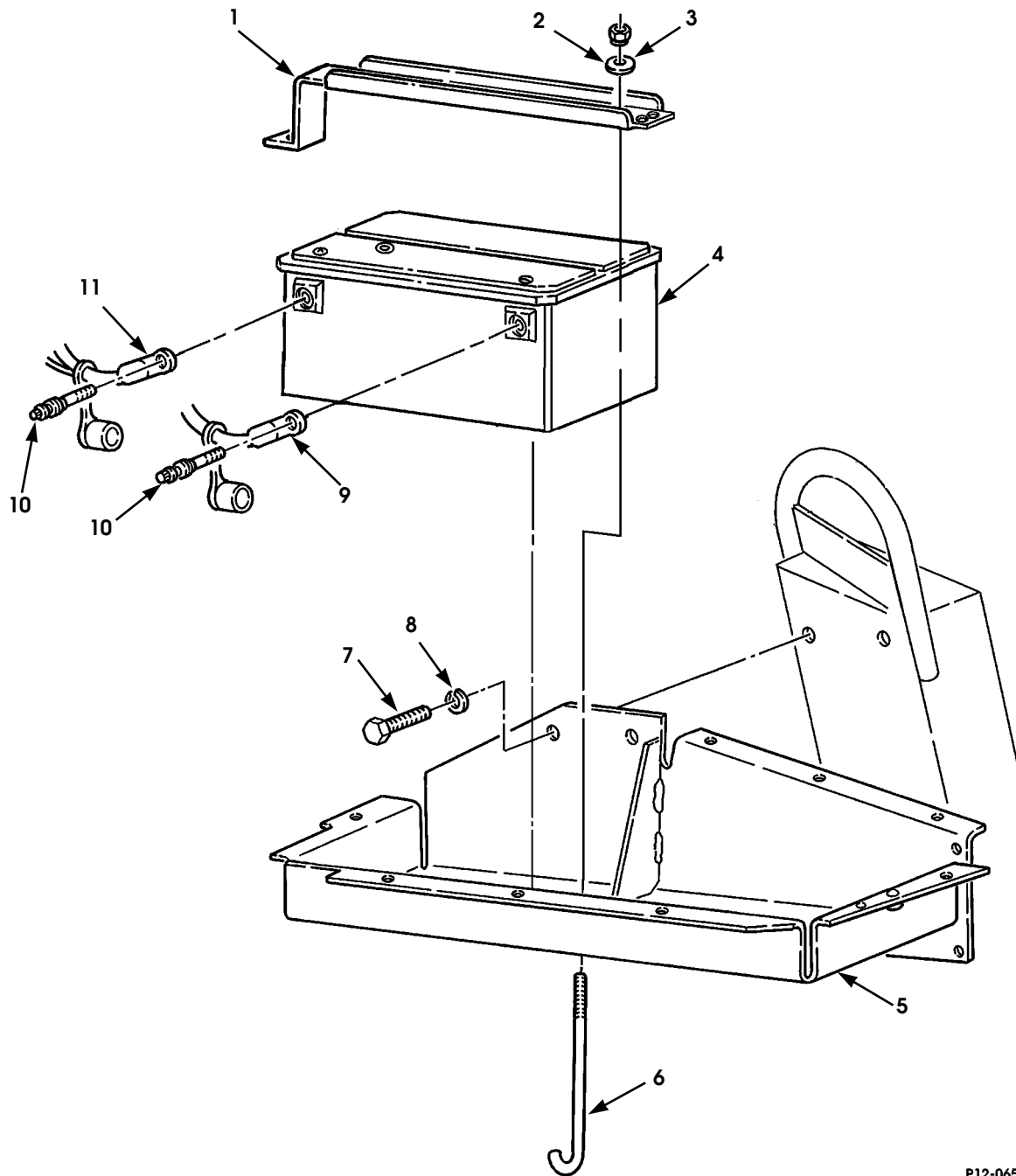
## Section 12A

### ELECTRICAL

TITLE	PAGE NUMBER
Battery, Cables, and Mounting Hardware . . . . .	12A-2
Powertrain Control Module and Mounting Hardware . . . . .	12A-4
Engine Wiring Harness . . . . .	12A-7

# HUMMER PARTS CATALOG

## 12A-2 ELECTRICAL



P12-065

Figure 12A-1. Battery, Cables, and Mounting Hardware.

# HUMMER PARTS CATALOG

12-31-95

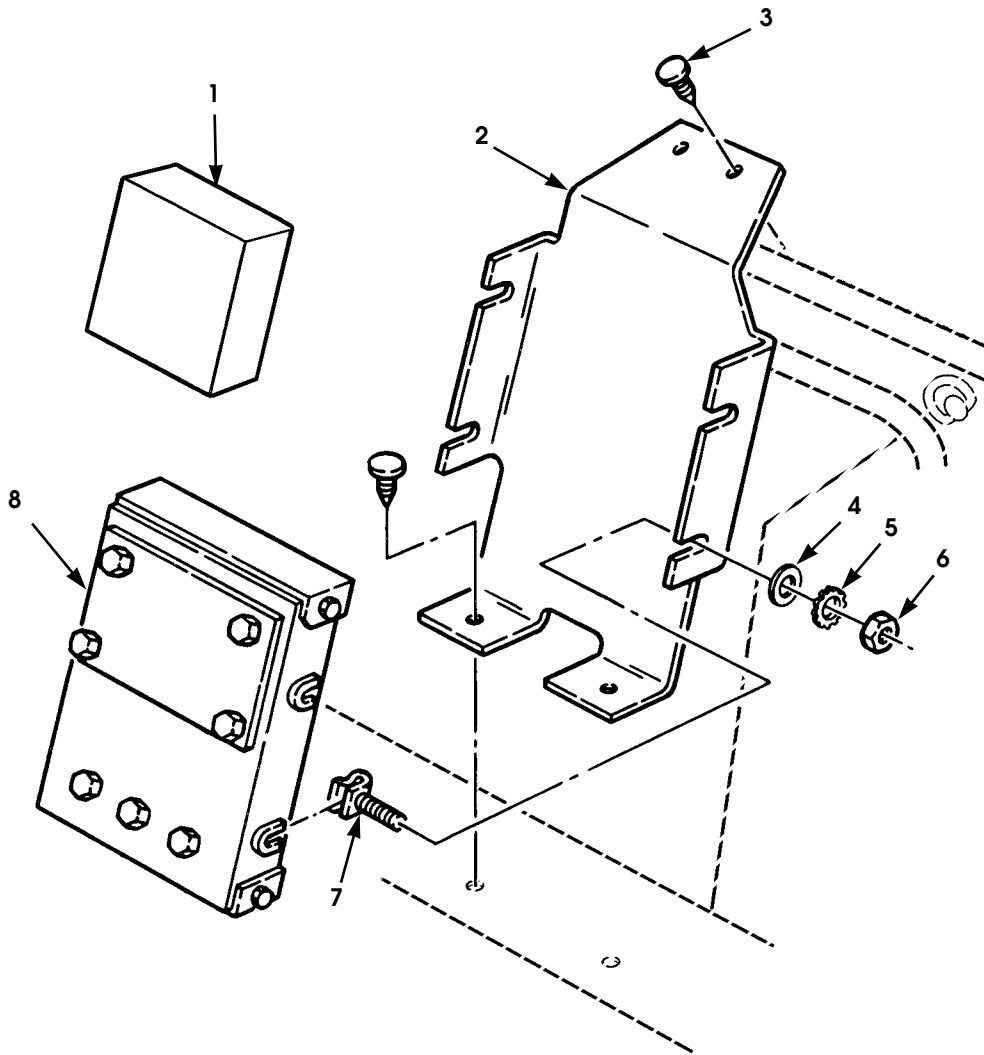
## ELECTRICAL 12A-3

ITEM	PART NUMBER	DESCRIPTION	QTY
		Figure 12A-1 BATTERY, CABLES, AND MOUNTING HARDWARE	
* 1	06004902 B2	BRACKET, battery holddown . . . . .	1
2	MS 00051967 6	NUT, 5/16-18 . . . . .	1
3	12340058	WASHER . . . . .	1
4	06004164	BATTERY, 12-volt . . . . .	1
5	06002907 B2	BATTERY TRAY . . . . .	1
6	06002912	J-BOLT. . . . .	1
7	MS 00090728 60	BOLT, 3/8-16 x 1" . . . . .	2
8	MS 00035338 46	LOCKWASHER, 3/8" . . . . .	2
9	06003132	CABLE, starter, negative . . . . .	1
10	06003471	BOLT, terminal, battery, side . . . . .	2
11	06003472	CABLE, starter, positive . . . . .	1



# HUMMER PARTS CATALOG

## 12A-4 ELECTRICAL



P12A-001

Figure 12A-2. Powertrain Control Module and Mounting Hardware.

# HUMMER PARTS CATALOG

12-31-95

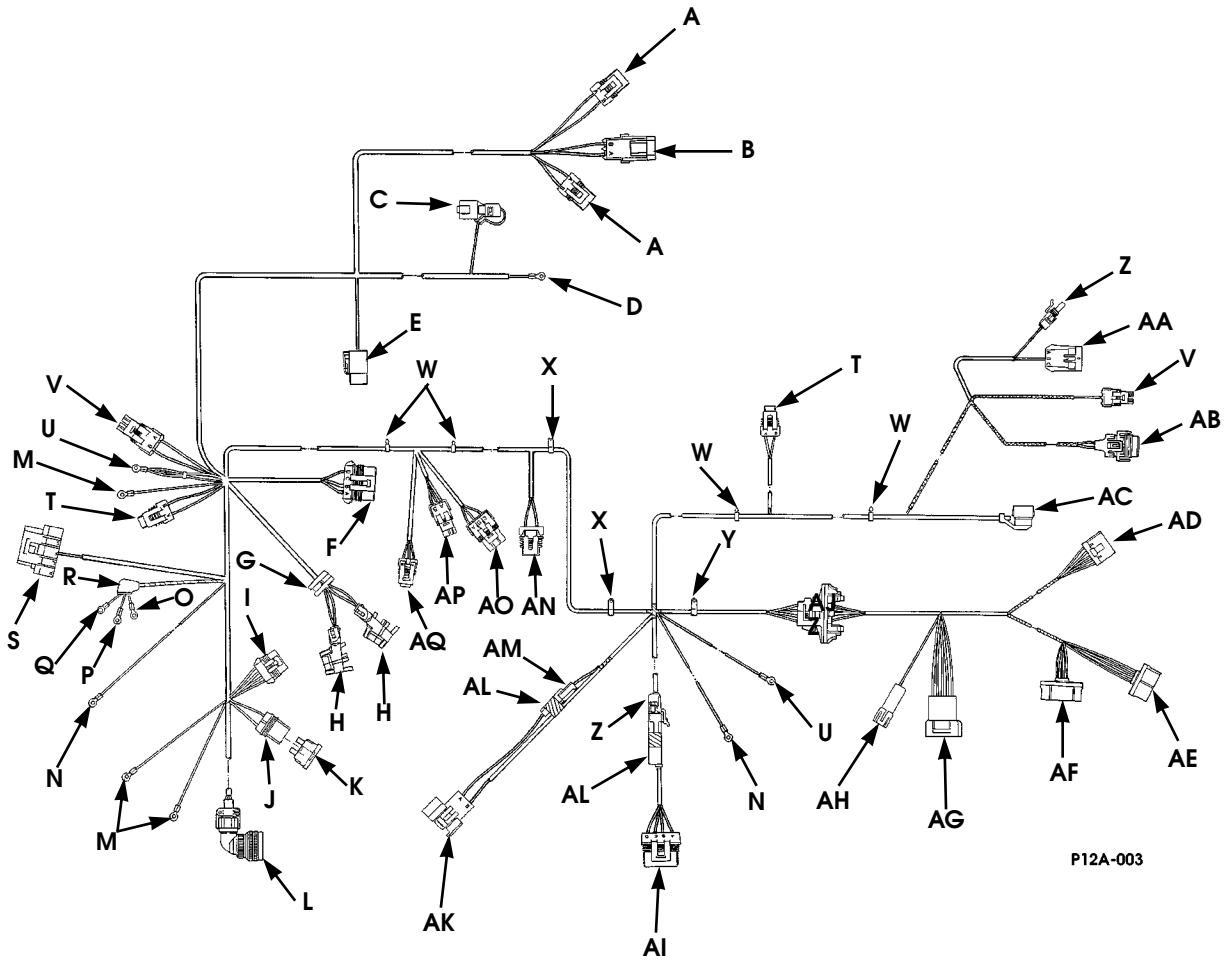
## ELECTRICAL 12A-5

ITEM	PART NUMBER	DESCRIPTION	QTY
		Figure 12A-2 POWERTRAIN CONTROL MODULE AND MOUNTING HARDWARE	
1	06003489	ADAPTER,digital ratio . . . . .	1
2	06003476	BRACKET,powertrain control module. . . . .	1
3	06001038	CLIP,trim . . . . .	4
4	G 09416128	WASHER . . . . .	4
* 5	MS 00045904 60	LOCKWASHER . . . . .	4
6	B 18245BO5	NUT . . . . .	4
7	06003831	CLIP AND STUD ASSEMBLY . . . . .	4
8	06003577	MODULE,powertrain control . . . . .	1



# HUMMER PARTS CATALOG

ELECTRICAL 12A-7



P12A-003

Figure 12A-3. Engine Wiring Harness (Sheet 1 of 2).

# HUMMER PARTS CATALOG

## 12A-8 ELECTRICAL



P12A-002

Figure 12A-3. Engine Wiring Harness (Sheet 2 Of 2).

# HUMMER PARTS CATALOG

## ELECTRICAL 12A-9

ITEM	PART NUMBER	DESCRIPTION	QTY
		Figure 12A-3 ENGINE WIRING HARNESS	
1	06003600	HARNESS ASSEMBLY, engine . . . . .	1
2	05939567	• CONNECTOR, horn . . . . .	2
3	06001867	• CONNECTOR . . . . .	1
4	06004472	• CONNECTOR . . . . .	1
5	N/S	• TERMINAL . . . . .	1
6	06003284	• PLUG . . . . .	1
7	06004442	• CONNECTOR . . . . .	1
8	06004453	• GROMMET . . . . .	1
9	06004440	• CONNECTOR . . . . .	2
10	05939963	• CONNECTOR, fuel pump . . . . .	1
11	06003241	• CONNECTOR . . . . .	1
12	05937265	• FUSE, 20-AMP . . . . .	1
13	05939445	• CONNECTOR . . . . .	1
14	N/S	• TERMINAL . . . . .	3
15	N/S	• TERMINAL . . . . .	2
16	N/S	• TERMINAL . . . . .	1
17	N/S	• TERMINAL . . . . .	1
18	N/S	• TERMINAL . . . . .	1
19	06004433	• BOOT . . . . .	1
20	05937091	• CONNECTOR . . . . .	1
21	06003235	• CONNECTOR . . . . .	2
22	N/S	• TERMINAL . . . . .	2
23	06003280	• CONNECTOR . . . . .	2
24	06003234	• CLIP . . . . .	4
25	06003233	• CLAMP . . . . .	2
26	06004458	• CLAMP . . . . .	1
27	05939226	• CONNECTOR . . . . .	2
28	06004449	• CONNECTOR . . . . .	1
29	06005118	• CONNECTOR . . . . .	1
30	06003237	• CONNECTOR . . . . .	1
31	06003257	• CONNECTOR . . . . .	1
32	06004450	• CONNECTOR . . . . .	1
33	06004451	• CONNECTOR . . . . .	1
34	06003256	• CONNECTOR . . . . .	1
35	06004020	• CONNECTOR . . . . .	1
36	06004447	• CONNECTOR . . . . .	1
37	05939237	• CONNECTOR . . . . .	1
38	06004454	• CONNECTOR . . . . .	1
39	05937497	• CONNECTOR . . . . .	1
40	05937080	• CONNECTOR . . . . .	1
41	06000007	• CONNECTOR . . . . .	1
42	06003260	• CONNECTOR . . . . .	1

# HUMMER PARTS CATALOG

## 12A-10 ELECTRICAL

ITEM	PART NUMBER	DESCRIPTION	QTY
43	06004446	Figure 12A-3 ENGINE WIRING HARNESS (Cont'd)	1
44	06004445	<ul style="list-style-type: none"> <li>• CONNECTOR .....</li> </ul>	1
45	06005755	<ul style="list-style-type: none"> <li>• CONNECTOR .....</li> <li>TAPE, high temperature (not illustrated) .....</li> </ul>	A/R

# HUMMER PARTS CATALOG

## ACCESSORIES 13A-1

### Section 13A

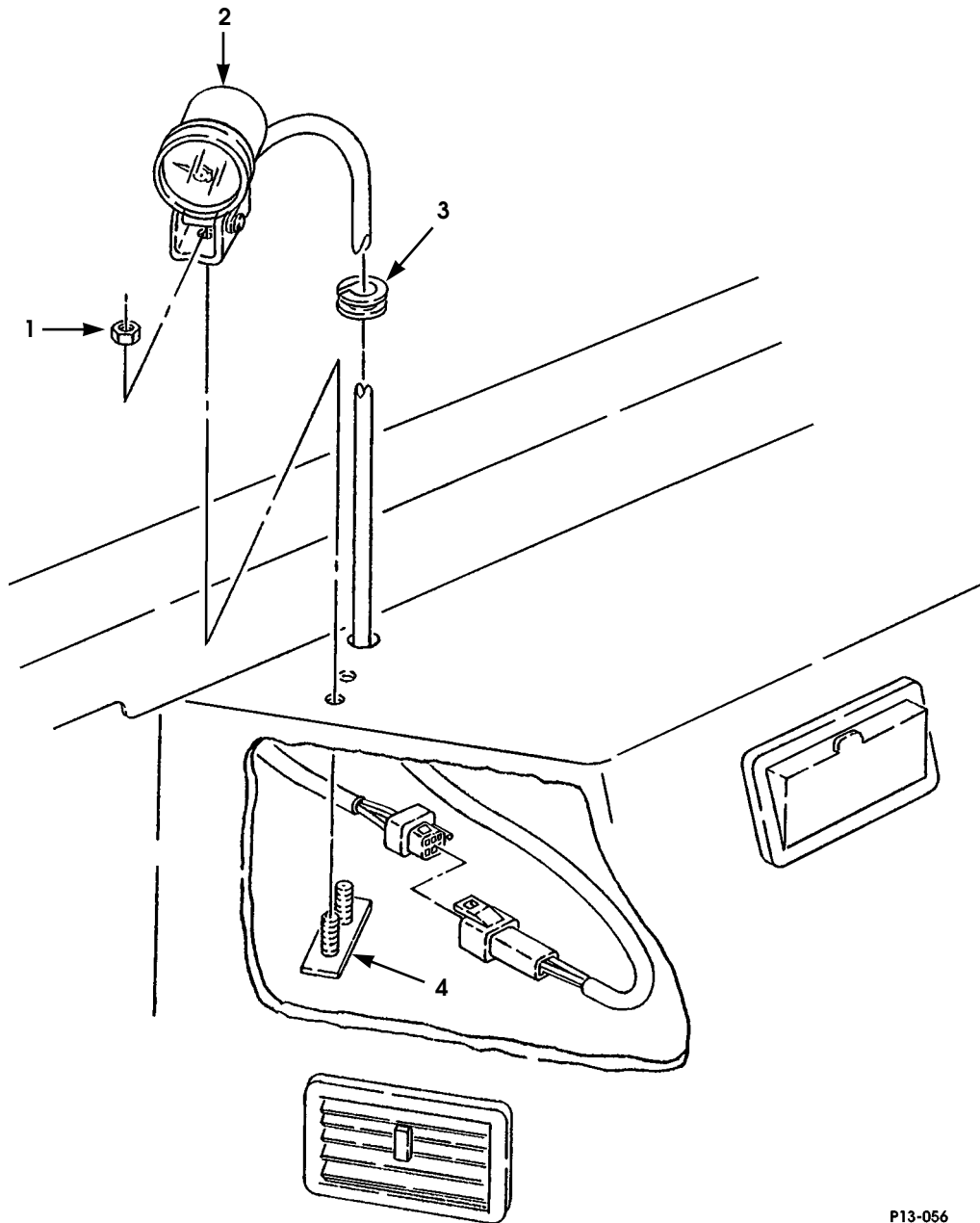
### ACCESSORIES

TITLE	PAGE NUMBER
Tachometer and Mounting Hardware . . . . .	13A-2
Special Tools, Engine . . . . .	13A-4
Cruise Control Actuator, Wiring Harness, and Mounting Hardware . . . . .	13A-6
Auxiliary Fuel Tank . . . . .	13A-8
Fuel Filler, Auxiliary Fuel Tank . . . . .	13A-8



# HUMMER PARTS CATALOG

## 13A-2 ACCESSORIES



P13-056

Figure 13A-1. Tachometer and Mounting Hardware.

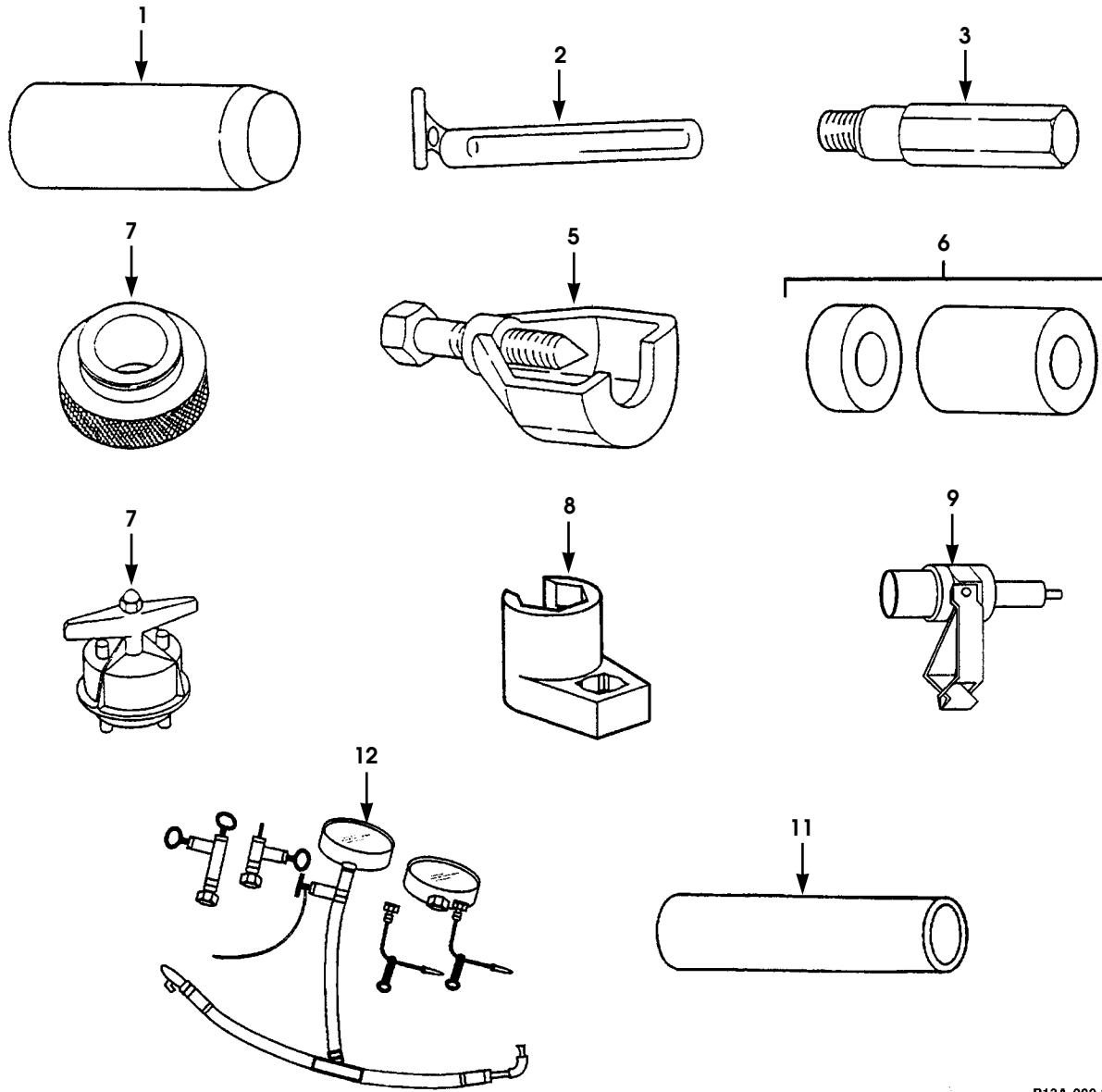
# HUMMER PARTS CATALOG

## ACCESSORIES 13A-3

ITEM	PART NUMBER	DESCRIPTION	QTY
		Figure 13A-1 TACHOMETER AND MOUNTING HARDWARE	
1	06005400	TACHOMETER, gasoline engine . . . . .	1
Q 2	MS 00352062 46P2	SCREW, #8-32 x 5/8" . . . . .	2
3	MS 00035849 67	GROMMET . . . . .	1
Q 4	06005504	PLATE, tachometer mounting . . . . .	1
Q 5	MS 00021083 N08	NUT, lock, .164-32 . . . . .	2

# HUMMER PARTS CATALOG

## 13A-4 ACCESSORIES



P13A-002.1

Figure 13A-2. Special Tools, Engine.

# HUMMER PARTS CATALOG

7-1-95

## ACCESSORIES 13A-5

ITEM	PART NUMBER	DESCRIPTION	QTY
		Figure 13A-2 SPECIAL TOOLS, ENGINE	
1	05744176	INSTALLER, rocker arm stud . . . . .	
2	05744174	REMOVER/INSTALLER, main bearing shell . . . . .	
3	05744178	ADAPTER, spark plug port . . . . .	
4	05744173	INSTALLER, front cover aligner and oil seal . . . . .	
5	05744179	REMOVER, crankshaft gear . . . . .	
6	05744175	REMOVER, stud . . . . .	
7	05744177	INSTALLER, rear crankshaft seal . . . . .	
8	05744053	WRENCH, oxygen sensor . . . . .	
9	05744054	HEI SPARK TESTER . . . . .	
10	05744060	TBI PRESSURE GAUGE KIT . . . . .	
11	05744180	INSTALLER, crankshaft gear . . . . .	
12	05744063	GM EXTERNAL COIL ADAPTER (not illustrated) . . . . .	
13	05744064	COMPRESSION TESTER (not illustrated) . . . . .	
14	05744057	NOID LIGHT (not illustrated) . . . . .	
15	05743112	PUMP ADJUSTING TOOL (not illustrated) . . . . .	
16	05744200	SET, fuel line disconnect tool (not illustrated) . . . . .	

# HUMMER PARTS CATALOG

## 13A-6 ACCESSORIES

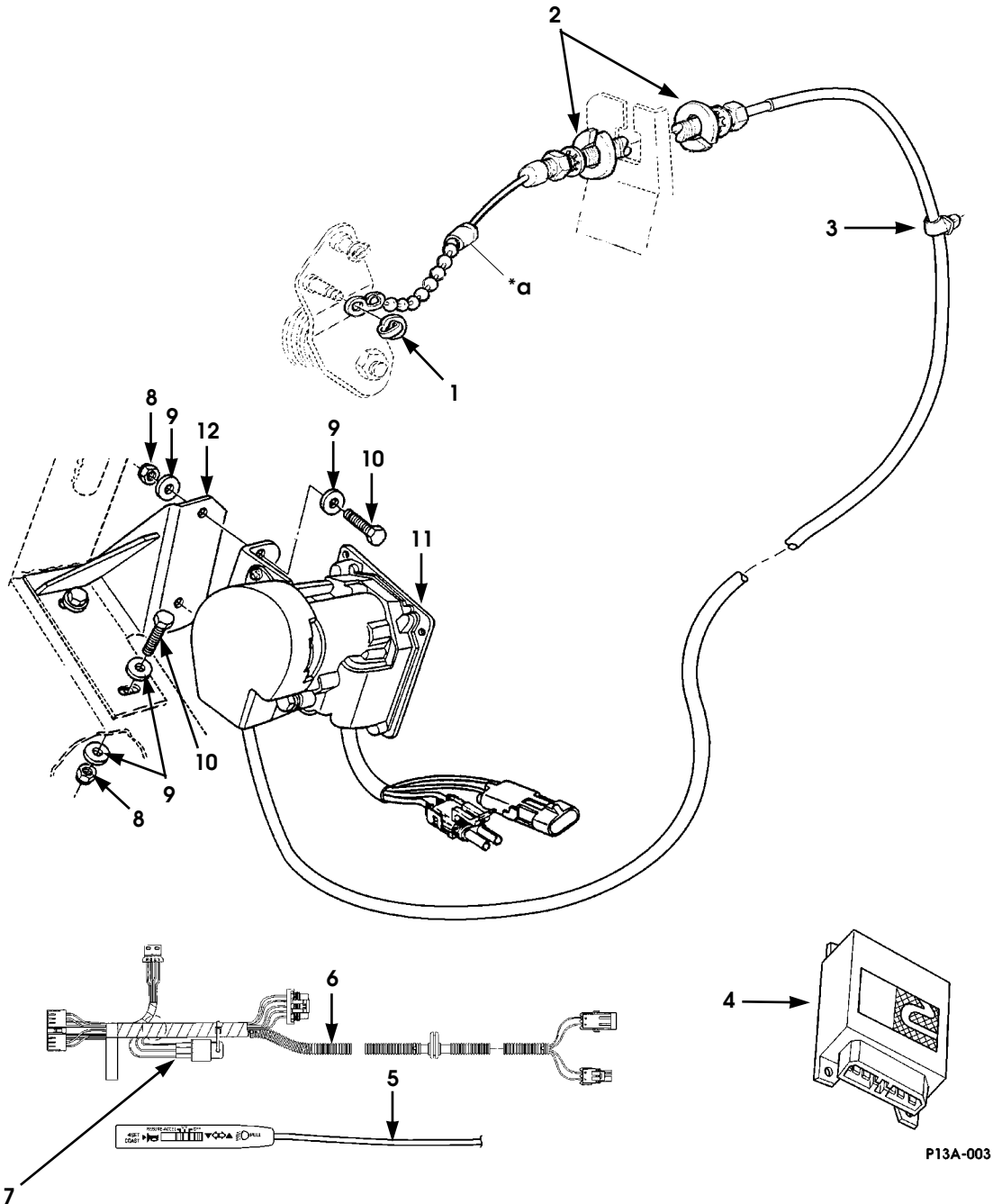


Figure 5A-2. Cruise Control Actuator, Wiring Harness, and Mounting Hardware.

# HUMMER PARTS CATALOG

12-31-95

## ACCESSORIES 13A-7

ITEM	PART NUMBER	DESCRIPTION	QTY
		Figure 13A-3 CRUISE CONTROL ACTUATOR, WIRING HARNESS, AND MOUNTING HARDWARE	
1	12338355	RETAINER . . . . .	1
2	06006445	WASHER SPLIT. . . . .	2
3	06006626	RETAINER, cable . . . . .	1
4	06004057	MODULE, cruise control . . . . .	1
5	06004056	STALK, T/S w/cruise . . . . .	1
6	06004059	HARNESS, cruise control . . . . .	1
7	06004055	•RELAY, 40 AMP . . . . .	1
8	MS 00051943 31	NUT, 1/4 - 20 . . . . .	4
* 9	G 02436161 P2	WASHER, 1/4. . . . .	8
10	MS 00090725 6	BOLT, 1/4 - 20 x 3/4 . . . . .	4
11	06007173	ACTUATOR/CABLE ASSEMBLY, gasoline . . . . .	1
12	06003846	BRACKET, cruise control . . . . .	1

