

1997-1998 SERVICE PARTS CATALOG

**COMMERCIAL
HUMMER®**

AM GENERAL CORPORATION

408 South Byrkit Avenue
P.O. Box 728
Mishawaka, Indiana 46546-0728

AM General
Copyright ©1997
All Rights Reserved. Printed in U.S.A.

TABLE OF CONTENTS

General Information	1
Engine	2
Fuel, Emissions and Exhaust	3
Cooling System	4
Transmission/Transfer Case	5
Wheels and Tires/ Central Tire Inflation System	6
Brake System	7
Steering System	8
Axles/Suspension/Frame	9
Body	10
Heating/Ventilation/ Air Conditioning (HVAC)	11
Electrical	12
Accessories	13
Index	14

TABLE OF CONTENTS 1

TITLE	PAGE NUMBER
SECTION 1. GENERAL INFORMATION	
General Information	1-1
SECTION 2. ENGINE	
Air Intake Manifold, Crankcase Depression Regulator Valve, and Mounting Hardware (NA Diesel)	2-20
Air Intake Manifolds, Crankcase Depression Regulator Valve, and Mounting Hardware (Turbo Diesel)	2-22
Camshaft, Timing Chain, and Related Parts	2-12
Crankcase Cover Assembly and Rocker Cover	2-14
Crankshaft, Damper, Bearings, Pulley, and Flywheel	2-6
Cylinder Head and Block Components	2-4
Engine Assembly	2-2
Exhaust Manifolds (NA Diesel)	2-28
Exhaust Manifolds (Turbo Diesel)	2-30
Heat Shield, Exhaust Manifold (NA Diesel)	2-36
Heat Shield, Exhaust Manifold (Turbo Diesel)	2-38
Mounting Brackets, Engine	2-32
Oil Dipstick and Tube Assembly, Engine	2-34
Oil Filter, Adapter, and Oil Line Fittings	2-18
Oil Pan, Pump, and Filler Tube, Engine	2-16
Piston Assembly, Rod Assembly, and Ring Set	2-8
TurboCharger Assembly (Turbo Diesel)	2-24
Vacuum Pump, Serpentine Belt and Accessory Drive Brackets and Pulleys	2-26
Valves, Guides, and Rocker Arm Assemblies	2-10
SECTION 3. FUEL, EMISSIONS AND EXHAUST	
Accelerator Cable Bracket and Idle Spring (NA Diesel)	3-16
Accelerator Controls (NA Diesel)	3-18
Accelerator Controls (Turbo Diesel)	3-20
Air Cleaner, Air Horn, and Related Parts. (NA Diesel)	3-22
Air Cleaner, Air Horn, and Related Parts (Turbo Diesel).	3-24
Exhaust Pipes and Related Parts	3-42
Fuel Filler, Auxiliary Fuel Tank.	3-36
Fuel Filler Pipe Assembly and Vent Lines, Main Fuel Tank	3-34
Fuel Filter Assembly and Mounting Hardware	3-40
Fuel Injection Pump and Fuel Filter Lines (NA Diesel)	3-3.1
Fuel Injection Pump and Fuel Filter Lines (Turbo Diesel)	3-4
Fuel Injection Pump Cover Assembly, Governor Linkage, and Related Parts (NA Diesel)	3-8
Fuel Injection Pump Housing Head and Rotor, Drive Shaft, and Related Parts (NA Diesel).	3-12
Fuel Injection Pump Throttle Shaft, Regulator, and Transfer Pump (NA Diesel)	3-10
Fuel Injection Supply and Return Lines (NA Diesel).	3-6

2 TABLE OF CONTENTS

TITLE	PAGE NUMBER
SECTION 3. FUEL, EMISSIONS AND EXHAUST (Cont'd)	
Fuel Injection Supply and Return Lines (Turbo Diesel)	3-7.1
Fuel Pump and Mounting Hardware	3-2
Fuel Supply and Return Lines	3-28
Fuel Tank (Auxiliary) Assembly and Mounting Hardware	3-32
Fuel Tank (Main) Assembly and Mounting Straps	3-30
Fuel Tank Vent Line, Filter, and Mounting Hardware	3-38
SECTION 4. COOLING SYSTEM	
Cooling Fan, Fan Clutch, Belt, and Pulleys	4-14
Oil Cooler (Engine and Transmission) and Engine Oil Cooler Lines	4-16
Radiator and Mounting Hardware	4-2
Radiator Hoses and Related Parts	4-8
Radiator Shroud and Related Parts	4-6
Surge Tank and Related Parts	4-4
Thermostat, Water Crossover, and Attaching Hardware	4-10
Water Pump and Attaching Hardware	4-12
SECTION 5. TRANSMISSION/TRANSFER CASE/PROPELLER SHAFTS	
Control Valve and Related Parts	5-14
Torque Converter	5-2
Transfer Case Assembly, Front Half	5-26
Transfer Case Assembly, Rear Half	5-28
Transfer Case Assembly	5-24
Transfer Case Oil Cooler Assembly	5-32
Transfer Case Shift Controls	5-36
Transfer Case Shift Mechanisms	5-34
Transmission and Transfer Case Control Assembly and Neutral Start Switch	5-5
Transmission, Filter and Sensors	5-12
Transmission Mounting Hardware, Fluid Dipstick, and Tube Assembly	5-10
Transmission Parking Lock System	5-18
Transmission Shift Lever, Shift Bracket, and Rod	5-8
Transmission/Transfer Case Cooling Lines	5-22
Transmission Vent Lines and Attaching Hardware	5-20
Transmission Wiring Harness	5-16
SECTION 6. WHEELS AND TIRES/CENTRAL TIRE INFLATION SYSTEM	
Central Tire Inflation System Routing	6-14
CTIS Control Panel and Electrical Harnesses	6-8
CTIS Valve Assembly and Compressor	6-10
Wheel, Tire, and Runflat Assembly, One-Piece Rim	6-6
Wheel, Tire, and Runflat Assembly, Two-Piece Rim (Fleet)	6-2

TABLE OF CONTENTS 3

TITLE	PAGE NUMBER
SECTION 7. BRAKES	
Front Service Brake Lines and Proportioning Valve, Standard (10,300-lb and 10,800-lb GVW) and Heavy Duty (12,100-lb GVW)	7-12
Master Cylinder Assembly and Hydro-Booster (10,300-lb and 10,800-lb GVW)	7-16
Master Cylinder Assembly and Hydro-Booster (12,100-lb GVW option)	7-18
Parking Brake Cables and Mounting Hardware	7-4
Parking Brake Caliper Assembly	7-6
Parking Brake Hand Lever and Rod	7-2
Rear Brake Lines and Fittings, Standard (10,300-lb and 10,800-lb GVW) and Heavy Duty (12,100-lb GVW)	7-14
Service Brake Caliper Assembly and Rotor	7-10
Service Brake Pedal Assembly	7-20
SECTION 8. STEERING SYSTEM	
Power Steering Gear and Mounting Hardware	8-10
Power Steering Gear Assembly	8-12
Power Steering Pump, Oil Cooler, and Hydro-Boost Lines and Fittings	8-18
Power Steering Pump, Pulley, Reservoir, and Mounting Hardware	8-16
Steering Column and Intermediate Shaft	8-2
Steering Column Lock and Switch Housing Assembly	8-6
Steering Column Trim and Turn Signal	8-4
Steering Linkage	8-8
SECTION 9. AXLES/SUSPENSION/FRAME	
Airlift Brackets, Front Upper Control Arm Brackets, Front Spring Seats, and Mounting Hardware	9-16
Axle Differential	9-32
Axle Differential (Front) and Geared Hub Vent Lines	9-38
Axle Differential (Rear) and Geared Hub Vent Lines	9-40
Axle Differential, Mounting Brackets, and Hardware	9-30
Bumper (Front) and Lifting Shackle	9-18
Bumper (Front) and Lifting Shackle (Winch Kit)	9-20
Bumper (Rear) and Lifting Shackle	9-22
Control Arms, Ball Joints, and Mounting Hardware	9-8
Frame Rails, Body Mount Brackets, and Transmission Crossmember	9-14
Front Suspension Crossmembers, Related Parts, and Mounting Hardware	9-2
Halfshaft Assembly, Left and Right Side	9-26
Knuckle and Geared Hub Assemblies	9-42
Propeller Shafts	9-28
Rear Crossmember, Upper Control Arm Brackets, Spring Seats, Related Parts, and Mounting Hardware	9-24
Rear Radius Rods	9-12
Rear Suspension Crossmembers, Related Parts, and Mounting Hardware	9-4
Shock Absorbers and Springs, Front and Rear	9-6
Stabilizer Bar and Connecting Links	9-10

4 TABLE OF CONTENTS

TITLE	PAGE NUMBER
SECTION 10. BODY	
B- and C-Bars, Four-Passenger Hardtop and Station Wagon, Models 83 and 84	10-66
B-Bar, Two-Passenger Enlarged Cab, Model 89	10-64
Body Assembly	10-4
Body Assembly Components, L.H.	10-6
Body Assembly Components, R.H.	10-8
Body Mounting Components	10-2
Door Assembly, Front	10-48
Door Assembly, Rear, Models 83, 84 and 90	10-52
Door Striker Assemblies, Front and Rear	10-12
Doors, Station Wagon Rear, Model 84	10-69
Engine Cover, Console Cover, and Related Parts	10-44
Fixed Door, Footwell Cover, and Related Parts, Two-Passenger Enlarged Cab, Model 89	10-74
Floor Padding, Front and Rear	10-90
Headliner, Rear Trim, and Carpet, Station Wagon, Model 84	10-106
Headliner, Roof Trim, Front and Rear Side Trim, Grab Handles, and Mounting Hardware (Delco Monsoon Stereo System)	10-100
Headliner, Roof Trim, Front and Rear Side Trim, Grab Handles, and Mounting Hardware (for Clarion and Delco Standard Stereo Systems)	10-94
Hood Assembly and Mounting Hardware	10-14
Hood Assembly, Grille, and Related Parts	10-18
Hood Release	10-20
Inside and Outside Mirrors and Mounting Hardware	10-28
Instrument Panel Assembly, Dash Trim, Crash Pad, and Mounting Hardware	10-88
Interior Tunnel Padding, Carpet, and Hardboard	10-92
Kick Panels (Inner) and Miscellaneous Trim Panels	10-110
Kick Panels (Outer) Interior Trim	10-114
Panel Assembly Trim, Door	10-76
Removable Load Barrier, Station Wagon, Model 84	10-86
Roof and Mounting Hardware, Four-Passenger Hardtop, Model 83	10-60
Roof and Mounting Hardware, Station Wagon, Model 84	10-62
Roof and Mounting Hardware, Two-Passenger Enlarged Cab, Model 89	10-58
Seat Belts, Front and Rear	10-40
Seats, Driver and Passenger	10-38
Soft Top Kit Support Structure, Model 90	10-79
Soft Top Kit, Four-Man, Basic, Model 90	10-84
Splash Shield (Left Hand), and Hood Prop Rod	10-22
Splash Shield (Right Hand) Upper, and Seals	10-24
Splash Shield (Right Hand), Lower	10-26
Sun Visor	10-30
Tailgate Assembly and Related Parts	10-56
Tailgate Seals, Model 90	10-57.1
Window Assembly, Rear	10-36
Windshield Assembly	10-32

TABLE OF CONTENTS 5

TITLE	PAGE NUMBER
SECTION 11. HEATING/VENTILATION/AIR CONDITIONING	
A/C Compressor and Mounting Hardware	11-4
Auxiliary HVAC Hoses	11-22
Auxiliary HVAC Power Head.	11-20
Auxiliary HVAC.	11-18
Auxiliary HVAC Unit (On VIN VE176477 and up)	11-21.1
Climate Control Panel	11-2
Condenser, Receiver/Dryer, and A/C Hoses	11-6
Condenser, Receiver/Dryer, and A/C Hoses (On VIN VE176477 and up)	11-7.1
Driver's Closeout Panel	11-14
Heat and Defrost Ducts	11-12
Heat and Defrost Ducts (On VIN VE176477 and up)	11-13.1
HVAC Vacuum and Temperature Door Motors (On VIN VE176477 and up)	11-11.3
Main HVAC Case Halves and Blower Motor (On VIN VE176477 and up)	11-11.5
Main HVAC Evaporator and Heater Core Assemblies (On VIN VE176477 and up).	11-11.7
Main HVAC Unit.	11-10
Main HVAC Unit (On VIN VE176477 and up)	11-11.1
Passenger's Closeout Panel (On VIN VE176477 and up).	11-15.1
Rear Center Console	11-24
Water Control Valve and Heater Hoses	11-8
Water Control Valve and Heater Hoses. (On VIN VE176477 and up).	11-9.1
Wiring Harnesses, HVAC	11-16
SECTION 12. ELECTRICAL	
124-AMP Alternator.	12-10
124-AMP Alternator Assembly	12-12
Batteries, Cables, and Mounting Hardware	12-2
Body Harness.	12-74
Clarion Stereo Harness, Hard Top, Models 83 & 84	12-68
Clarion Stereo Harness, Open Top, Model 90	12-70
Clarion Stereo Harness, Two-Door, Model 89	12-66
Clearance Marker Light Assembly	12-30
Console Harness Assembly	12-51.3
Control Harness Assembly, (NA Diesel)	12-52
Control Harness Assembly, (Turbo Diesel).	12-54
Daytime Running Light Jumper and Harness	12-86
Defroster, Rear	12-112
Delco Monsoon Stereo System Harness, Hard Top, Models 83 & 84.	12-69.3
Delco Standard Stereo Harness Two-Speaker, Two-Door, Model 89	12-67.1
Delco Standard Stereo Harness, Four-Speaker, Open Top, Model 90	12-71.1
Delco Standard Stereo Harness, Four - Speaker, Hard Top, Models 83 & 84	12-69.1
Dual Horns	12-40

6 TABLE OF CONTENTS

TITLE	PAGE NUMBER
SECTION 12. ELECTRICAL (Cont'd)	
Engine Harness Assembly, (NA Diesel)	12-58
Engine Harness Assembly, (Turbo Diesel)	12-60
Engine Wiring Harness	12-110
Front Turn Signal Light and Mounting Hardware	12-24
Fuse Box Panel, Convenience Center, and Mounting Hardware	12-79
Glow Plug Harness	12-108
Glow Plug Power Cable Assembly	12-106
Harness Assembly, Instrument Panel	12-56
Headlight Assembly and Running Lights	12-28
Hood Wiring Harness	12-43
Identification Lamp Assembly Jumper	12-64
Instrument Panel Cluster	12-19
Interior Courtesy Lights, Underhood Light, and Door Jamb Switch	12-34
Interior Dome Lights	12-32
Map Light Extension Harness	12-51.1
Map Lights and Vanity Mirrors Harness	12-49.3
Miscellaneous Electrical Items	12-83
PCM/TCM and Digital Ratio Adapter	12-88
Power Mirrors	12-98
Power Window/Locks Harness	12-100
Power Windows	12-102
Rear Door Courtesy Light Jumper Harness Switch	12-50
Rear Turn Signal Light/Taillight, License Plate Bracket, and Mounting Hardware	12-26
Reflectors	12-36
Roof Wiring Harness, Four-Door	12-48
Roof Wiring Harness, Open Top	12-49.1
Roof Wiring Harness, Two-Door	12-46
Sensors, Sending Units, and Switches (NA Diesel)	12-14
Sensors, Sending Units, and Switches (Turbo Diesel)	12-15.1
Starter Motor and Mounting Hardware	12-4
Starter Motor Assembly	12-6
Stereo, Speakers, and Mounting Hardware (Clarion)	12-38
Stereo, Speakers, and Mounting Hardware, Standard and Monsoon (Delco)	12-39.2
Trailer Towing Wiring	12-62
Transmission Harness Assembly	12-72
Two-Door and Four-Door Power Door Locks	12-90
Windshield Wiper Motor, Wiper Assembly, and Washer Bottle	12-16

TABLE OF CONTENTS 7

TITLE	PAGE NUMBER
SECTION 13. ACCESSORIES	
Air Filter Restriction Gauge Kit	13-51.3
Auxiliary Air Hose Kit	13-36
Auxiliary Seat	13-42
Bedliner Kit	13-51.55
Bed-Mounted Spare Tire Carrier	13-20
Bike Rack Kit	13-51.47
Brushguard Kit and Mounting Hardware	13-12
Bumper (Front with Brushguard and without Winch) Cover, Stainless Steel	13-51.37
Bumper (Front with Winch) Cover, Stainless Steel	13-51.35
Bumper (Rear) Cover, Stainless Steel	13-51.39
Cargo Area Liner, Station Wagon	13-46
Cruise Control Actuator, Wiring Harness and Mounting Hardware	13-38
Dash Trim Appliqué Kit	13-51.21
Delco Remote Control and CD Changer Kit (On VIN VE176477 and up)	13-51.15
Door Handle and Bezel Covers, Stainless Steel	13-51.51
Driveline Protection and Mounting Hardware	13-22
Driveline Protection Skid Plates	13-24
Dual Oil Filter Kit	13-37.1
Electric Seat Heater Kit	13-51.23
Essential Tools, Axles, Suspension, and Frame	13-80
Essential Tools, Electrical	13-88
Essential Tools, Engine	13-52
Essential Tools, Fuel	13-58
Essential Tools, HVAC	13-84
Essential Tools, Steering	13-76
Essential Tools, Transmission/Transfer Case	13-62
Essential Tools, Wheels	13-66
Floor Mats	13-48
Grille (Front) Cover, Stainless Steel	13-51.43
Grille (Upper) Cover, Stainless Steel	13-51.41
Hourmeter Kit	13-51.7
Leather Upholstery	13-51.1
Off-Road Accessory Kit, Station Wagon	13-51.31
Off-Road Light Kit	13-51.17
Pioneer Tool Kit	13-16
Radio Noise Suppression Filter Kit	13-51.9
Reel Lamp Accessory Kit	13-10
Rear View Mirror Kit, Deluxe (1992 -1995)	13-51.59
Rear View Mirror Kit, Deluxe (1996-1998)	13-51.57
Reflective Triangle Warning Device, Jack Assembly, and Mounting Hardware	13-14

1997 HUMMER PARTS CATALOG

8 TABLE OF CONTENTS

TITLE

PAGE NUMBER

SECTION 13. ACCESSORIES (Cont'd)

Remote Entry Kit	13-28
Rocker Panel Guard Accessory Kit	13-26
Rocker Panel Protection Cover, Stainless Steel	13-27.1
Roof Rack Kit, Side Load	13-51.49
Roof Rack Kit	13-30
Running Board Kit	13-34
Seat Covers	13-50
Side Step Bars Kit	13-51.5
Skid Plate Cover Kit, Stainless Steel	13-51.45
Slant-Back (Soft) Kit (Four-Door Soft Top)	13-51.11
Soft Square Back Kit, Model 90	13-40
Special Tools, Axles, Suspension, and Frame	13-82
Special Tools, Electrical	13-90
Special Tools, Engine	13-54
Special Tools, Fuel	13-60
Special Tools, HVAC	13-86
Special Tools, Steering	13-78
Special Tools, Transmission/Transfer Case	13-64
Special Tools, Wheels	13-68
Swing-Away Spare Tire Carrier	13-18
Tire Chains	13-51.53
Tire Repair Accessory Kit, External	13-51.25
Tire (Tubeless) Repair Kit, External	13-51.27
Tire (Tubeless) Repair Kit, Internal	13-51.29
Tonneau Cover 4-Door Hardtop	13-44
Tow Ball Assembly	13-8
Traveler's Survival Kit	13-51.33
Universal Roof Mounting Rack Kit	13-32
Utility Step	13-15.1
Wheel Cover Kit, Stainless Steel	13-51.19
Winch Accessory Kit	13-6
Winch Assembly	13-4
Winch Assembly, Mounting Hardware, and Related Parts (Winch Kit)	13-1.2
Winch Roller Fairlead	13-51.13

1997 HUMMER® PARTS CATALOG

Section 1 GENERAL INFORMATION

This catalog contains an illustrated list of service or replacement parts for the AM General Commercial Hummer. The Commercial Hummer may be equipped with a 6.5L turbo diesel engine or a 6.5L naturally aspirated diesel engine and is offered in four body styles:

HMC4,	Model 83 — Four-door, four passenger hardtop truck
HMCS,	Model 84 — Four-door, four passenger station wagon
HMCO,	Model 90 — Hard-door, four passenger, open top truck
XLC2,	Model 89 — Two-door, two passenger, enlarged cab truck

This catalog is divided into 13 major sections in the sequence shown on the title page. Major sections are divided into smaller groups of parts, each with its own illustration. Immediately preceding this introduction is a complete listing of all illustrations in this catalog. The first page of each section also contains a listing of illustrations for that section.

Illustrated items are numerically keyed on the illustrations and described in the text on the following page. Figure numbers are located at the top of the description column.

Indented items in the parts listings indicate availability as a part of the preceding assembly. Indented parts with assigned part numbers can also be ordered separately.

Alphabetical and Numerical indexes are located at the end of the catalog (Section 14).

PARTS SERVICED BY AM GENERAL

AM General will service virtually all of the service or replacement parts for this vehicle except those which are more economical and/or more practical to procure locally. Items not covered may be standard hardware, tires, batteries, fuses, lamp bulbs, sealants, lubricants, adhesives, paint, and standard sizes and types of tubing, hoses, and electrical connectors and fittings. Items which are listed in this catalog, but are not serviced, are indicated by the legend "N/S" in the part number column.

ESSENTIAL TOOLS

Essential tools are covered in Section 13 and in the companion service manual. Tools listed with a Kent-Moore part number can be obtained directly from Kent-Moore by calling 1-800-345-2233 or writing to:

Kent-Moore
28635 Mound Rd.
Warren, Michigan 48092

HOW TO LOCATE PARTS

When function, use, or location is known: Refer to the Table of Contents.

When part number is known: Refer to the Numerical Index.

When nomenclature is known: Refer to the Alphabetical Index.

HOW TO ORDER SERVICE PARTS

Order parts through the Dealer Communication System (DCS). Include the part number and quantity of each part. When entering the part number, be aware that the computer matrix allows for a 2 digit prefix, an 8 digit body and a 4 digit suffix. It is important that you allow for missing digits when entering a part number (e.g. to enter part number G 12345678 you must enter a space before entering the G or the system will misread the part number).

If you encounter difficulty in ordering through the DCS, you may phone 1-800-348-5134 between 7:30 a.m. and 3:30 p.m. (Eastern time).

HUMMER® is a registered trademark of the AM General Corporation.

DAMAGED SHIPMENTS, SHORTAGES OR ERRORS

All shipments are properly packed and are in good order when delivered to the transportation company. Responsibility ends with such delivery. When a damaged shipment is received, a claim should be filed immediately against the carrier making delivery.

All claims for shortages or errors in packing must be made to the same address from which the parts were ordered. Claims must be made within ten (10) days after receiving shipment. All claims must be accompanied by the original packing slip, with proper notation of shortage or error, and signed by the responsible person in receiving department.

ABBREVIATIONS

AUX.	Auxiliary	min.	Minimum
A/C	Air Conditioning	NA Diesel.	Naturally Aspirated Diesel
A/R	As Required	N/A	Not Available
baro.	Barometric	NPN	No Part Number
CAD	Cadmium	N/S	Not Serviced
CW	Clockwise	N.Y.	New York
CCW	Counterclockwise	O.D.	Outside Diameter
C.E.	Commutator End	PCM	Powertrain Control Module
cm	Centimeter	PCV	Positive Crankcase Ventilation
CTI	Central Tire Inflation	P/N	Part Number
CTIS	Central Tire Inflation System	P/S	Power Steering
D.C.	Direct Current	press.	Pressure
D.E.	Drive End	QTY	Quantity
Dia.	Diameter	R.F.	Right Front
DRA.	Digital Ratio Adaptor	R.H.	Right-Hand
EGR.	Exhaust, Gas Recirculation	R.R.	Right Rear
EPA	Environmental Protection Agency	S.I.A.	Serviced in Assembly
G.C.C.	Gulf Coast Countries	S.I.K.	Serviced in Kit
HMC4	Four-Door	S/N	Serial Number
HMCS	Station Wagon	S.P.D.T.	Single Pole Double Throw
HMCO (hard doors)	Open Vehicle	S.P.S.T.	Single Pole Single Throw
HVAC	Heating, Ventilating, Air Conditioning	S.R.E.	Slip Ring End
I.D.	Inside Diameter	STD	Standard
in.	inch	TBI	Throttle Body Injector
I/P	Instrument Panel	TCM	Transmission Control Module
L.F.	Left Front	V	Volt
L.H.	Left-Hand	VIN	Vehicle Identification Number
L.R.	Left Rear	VDC	Volt Direct Current
l.	Liter	W/S.	Windshield
max.	Maximum	XLC2.	Two-Door, Enlarged Cab
mm.	Millimeter	ZN	Zinc

SUGGESTIONS AND RECOMMENDATIONS

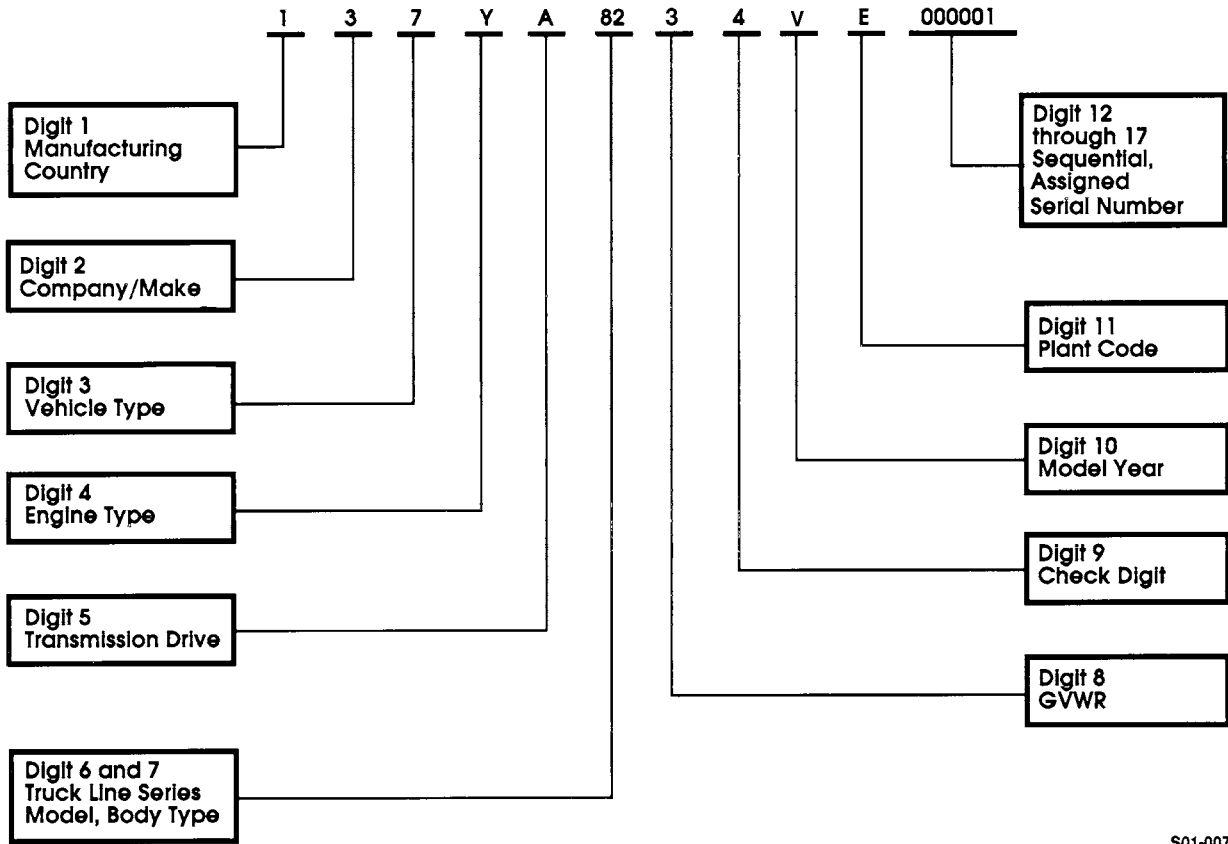
Recommendations for improving or correcting this catalog are encouraged. Forms are included at the back of this manual. Please forward corrections or recommendations directly to:

AM General Corporation
Commercial Publications
408 S. Byrkit St.
P.O. Box 728
Mishawaka, Indiana 46544-0728

To receive future revisions and updates to this manual, please write to:

AM General Corporation
Commercial Service Parts Department
408 South Byrkit St.
P.O. Box 728
Mishawaka, Indiana 46544-0728

VEHICLE IDENTIFICATION NUMBER DESCRIPTION



S01-007

Vehicle Identification Number Decoding Chart

<u>Digit</u>	<u>Code</u>	<u>Code Definition</u>
1	1	United States
2	3	AM General Corporation
3	7	Commercial Vehicles
4	D	5.7 L (350 in. ³), Unleaded Gas, GM, 8 cyl., 190 hp
	L	5.7L Leaded Gas, GCC
	X	6.2 L (378 in. ³), Diesel, GM, 8 cyl., 160 hp
	Y	6.5 L (395 in. ³), Diesel, GM, 8 cyl., 165 hp
	Z	6.5L Turbocharged Diesel, GM, 8 cyl.
5	E	3-Speed, Auto/LHD
	A	4-Speed, Auto/LHD
	R	4-Speed, Auto/RHD

Vehicle Identification Number Decoding Chart (Continued)

<u>Digit</u>	<u>Code</u>	<u>Code Definition</u>		
6 & 7	83	1-1/4 ton	4-door	Truck, utility
	84	1-1/4 ton	Station wagon	Truck, utility
	89	1-1/4 ton	2-door enlarged cab	Truck, utility
	90	1-1/4 ton	Open body w/full hard doors	Truck, utility
8	Class B	3,001 lb - 4,000 lb (1,362 kg - 1,816 kg)		
	Class C	4,001 lb - 5,000 lb (1,817 kg - 2,270 kg)		
	Class D	5,001 lb - 6,000 lb (2,271 kg - 2,724 kg)		
	Class E	6,001 lb - 7,000 lb (2,725 kg - 3,178 kg)		
	Class F	7,001 lb - 8,000 lb (3,179 kg - 3,632 kg)		
	Class G	8,001 lb - 9,000 lb (3,633 kg - 4,086 kg)		
	Class H	9,001 lb - 10,000 lb (4,087 kg - 4,540 kg)		
	Class 3	10,001 lb - 14,000 lb (4,541 kg - 6,356 kg)		
	Class 4	14,001 lb - 16,000 lb (6,357 kg - 7,264 kg)		
Class 5	16,001 lb - 19,500 lb (7,265 kg - 8,853 kg)			
9	—	Check Digit		
10	M	1991		
	N	1992		
	P	1993		
	R	1994		
	S	1995		
	T	1996		
	V	1997		
	W	1998		
	X	1999		
11	E	Mishawaka, Indiana		
	U	Livonia, Michigan		
12-17	—	Sequential Serial Number		

Section 2

ENGINE

TITLE	PAGE NUMBER
Air Intake Manifold, Crankcase Depression Regulator Valve, and Mounting Hardware (NA Diesel)	2-20
Air Intake Manifolds, Crankcase Depression Regulator Valve, and Mounting Hardware (Turbo Diesel)	2-22
Camshaft, Timing Chain, and Related Parts	2-12
Crankcase Cover Assembly and Rocker Cover	2-14
Crankshaft, Damper, Bearings, Pulley, and Flywheel	2-6
Cylinder Head and Block Components	2-4
Engine Assembly	2-2
Exhaust Manifolds (NA Diesel)	2-28
Exhaust Manifolds (Turbo Diesel)	2-30
Heat Shield, Exhaust Manifold (NA Diesel)	2-36
Heat Shield, Exhaust Manifold (Turbo Diesel)	2-38
Mounting Brackets, Engine	2-32
Oil Dipstick and Tube Assembly, Engine	2-34
Oil Filter, Adapter, and Oil Line Fittings	2-18
Oil Pan, Pump, and Filler Tube, Engine	2-16
Piston Assembly, Rod Assembly, and Ring Set	2-8
TurboCharger Assembly (Turbo Diesel)	2-24
Vacuum Pump, Serpentine Belt and Accessory Drive Brackets and Pulleys	2-26
Valves, Guides, and Rocker Arm Assemblies	2-10

5-1-97

1997 HUMMER PARTS CATALOG

2-2 ENGINE

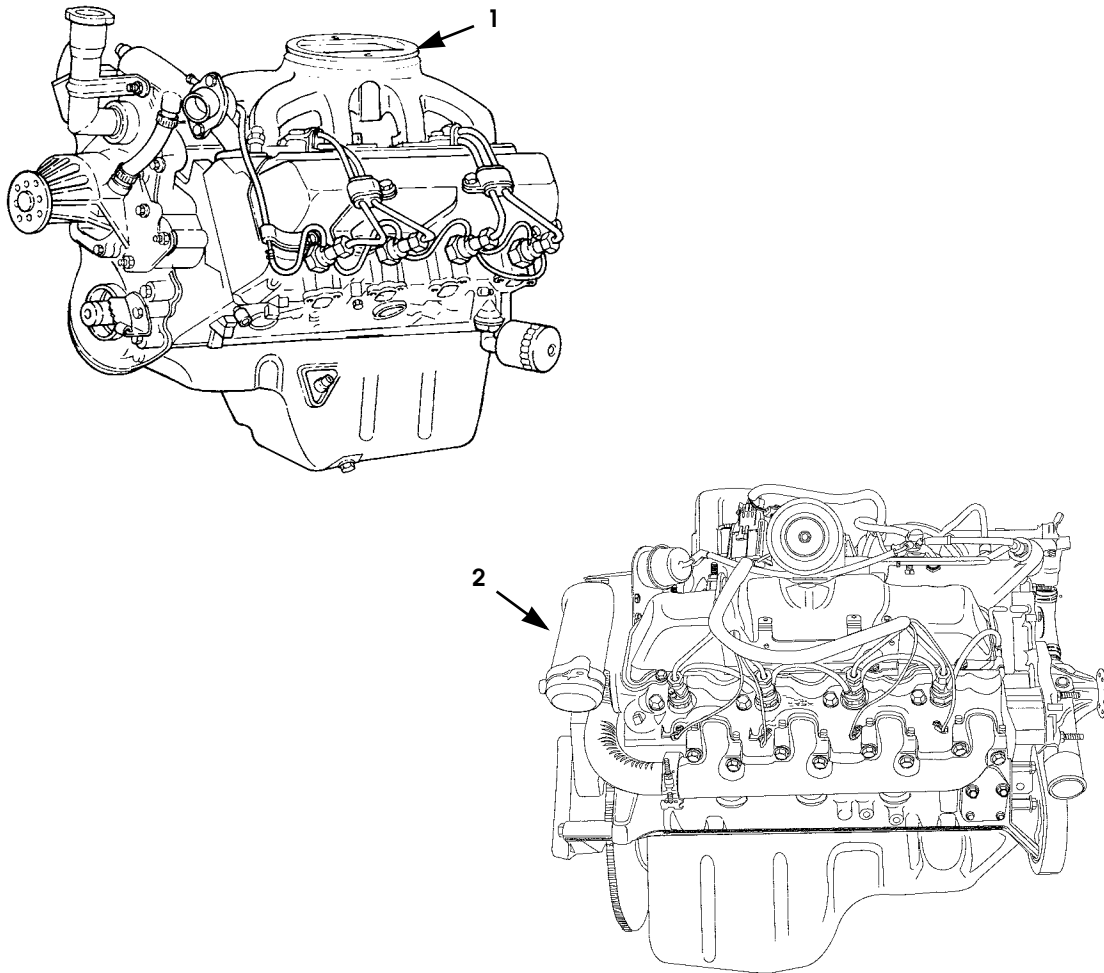


Figure 2-1. Engine Assembly.

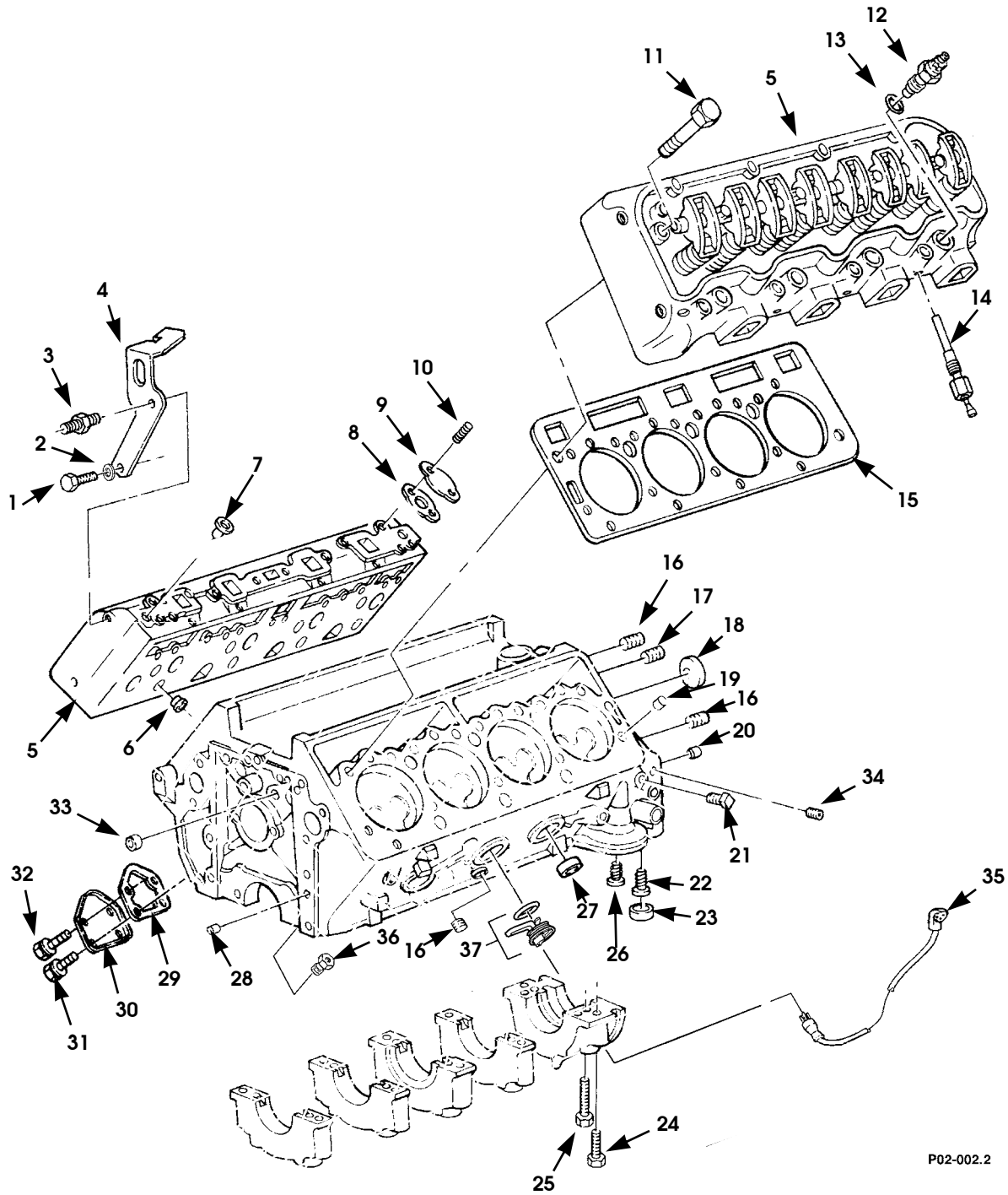
1997 HUMMER PARTS CATALOG

6-1-99

ENGINE 2-3

ITEM	PART NUMBER	DESCRIPTION	QTY
		Figure 2-1. Engine Assembly.	
1	6008351	ENGINE, complete, 6.5 liter, new (NA Diesel) SEE NOTE 1	1
1	5745024	ENGINE, long block, 6.5 liter, new (NA Diesel).	1
2	6008361	ENGINE, complete, 6.5 liter, new (Turbo Diesel) SEE NOTE 1	1
2	5744918	ENGINE, long block, 6.5 liter, new (Turbo Diesel).	1
		NOTE 1: ORDER THE LONG BLOCK INSTEAD OF THIS PART FOR VEHICLES UNDER WARRANTY.	

2-4 ENGINE



P02-002.2

Figure 2-2. Cylinder Head and Block Components.

1997 HUMMER PARTS CATALOG

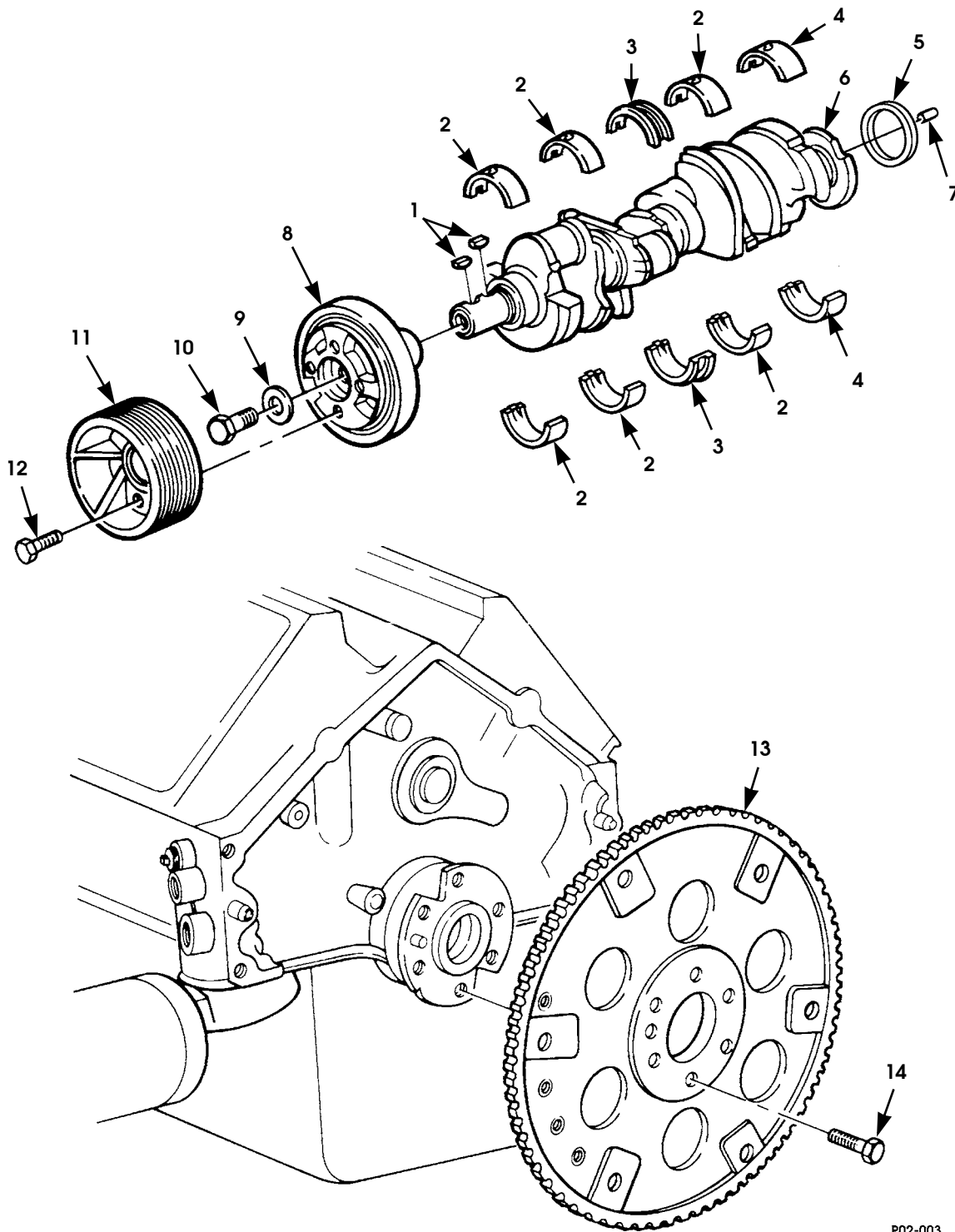
6-1-99

ENGINE 2-5

ITEM	PART NUMBER	DESCRIPTION	QTY
		Figure 2-2. Cylinder Head and Block Components.	
1	N/S	BOLT, M10 - 1.5 x 20, cylinder head bracket,	1
2	N/S	WASHER, 3/8, flat	1
3	5740177	STUD, M10 - 1.5 x 20 x 20, cylinder head bracket	1
4	5937374	BRACKET, cylinder head	1
5	5743222	CYLINDER HEAD (NA Diesel)	2
5	5744899	CYLINDER HEAD, remanufactured (NA Diesel)	2
5	5744649	CYLINDER HEAD (Turbo Diesel)	2
5	5745220	CYLINDER HEAD, remanufactured (Turbo Diesel)	2
6	5743275	•CHAMBER (NA Diesel)	8
6	5744650	•CHAMBER (Turbo Diesel)	8
6	5743276	•CHAMBER, oversized (NA Diesel).	8
6	5744651	•CHAMBER, oversized (Turbo Diesel).	8
7	5572842	PLUG, cylinder head	4
8	5742109	GASKET, water cover.	2
9	5740186	COVER, water access.	2
10	5740052	STUD, M10 - 1.5 x 30 x 20, access cover.	4
11	5740031	BOLT, M12 - 1.75 x 97, cylinder head	34
12	5743795	NOZZLE, fuel injection (NA Diesel)	8
12	5743223	NOZZLE, fuel injection (Turbo Diesel)	8
13	5740058	GASKET, nozzle	8
14	5744513	GLOW PLUG, type 11G	8
15	5744449	GASKET, cylinder head, SEE NOTE 1	2
16	5742029	PLUG, pipe, 1/4 - 18, oil passage	5
17	14090911	PLUG, pipe, 3/8 - 18, oil gallery	1
18	5740272	PLUG, camshaft	1
19	5740268	SPACER, cylinder head	4
20	8134398	PIN, flywheel	2
21	N/S	PLUG, pipe, 3/8 - 18, cylinder block	1
22	5743277	VALVE, regulating	1
23	5741043	PLUG, regulating valve, oil cooler	1
24	5740144	BOLT, bearing cap, outboard, 12mm	4
24	5744943	BOLT, bearing cap, outboard, 10mm (In engines manufactured after March 13, 1997)	6
25	5715343	BOLT, bearing cap, inboard, 12mm	10
26	5743278	VALVE, safety	1
27	5740529	PLUG, expansion, freeze	6
28	5740145	PIN, block	2
29	5742650	GASKET, fuel pump cover	1
30	5742657	COVER, fuel pump	1
31	S.I.A.	SCREW, fuel pump cover, 3/8"-16 x .75"	2
32	S.I.A.	SCREW, fuel pump cover, M6 x 1.0 x 16 mm	2
33	5741150	PLUG, expansion	2
34	5598192	PLUG, cap	1
35	5939441	HEATER CORD, block.	1
36	5744648	NOZZLE, piston oil spray.	8
37	5743279	IMMERSION HEATER.	1
		NOTE 1: PART OF GASKET SET P/N 05714842	

1997 HUMMER PARTS CATALOG

2-6 ENGINE



P02-003

Figure 2-3. Crankshaft, Damper, Bearings, Pulley, and Flywheel.

1997 HUMMER PARTS CATALOG

5-1-97

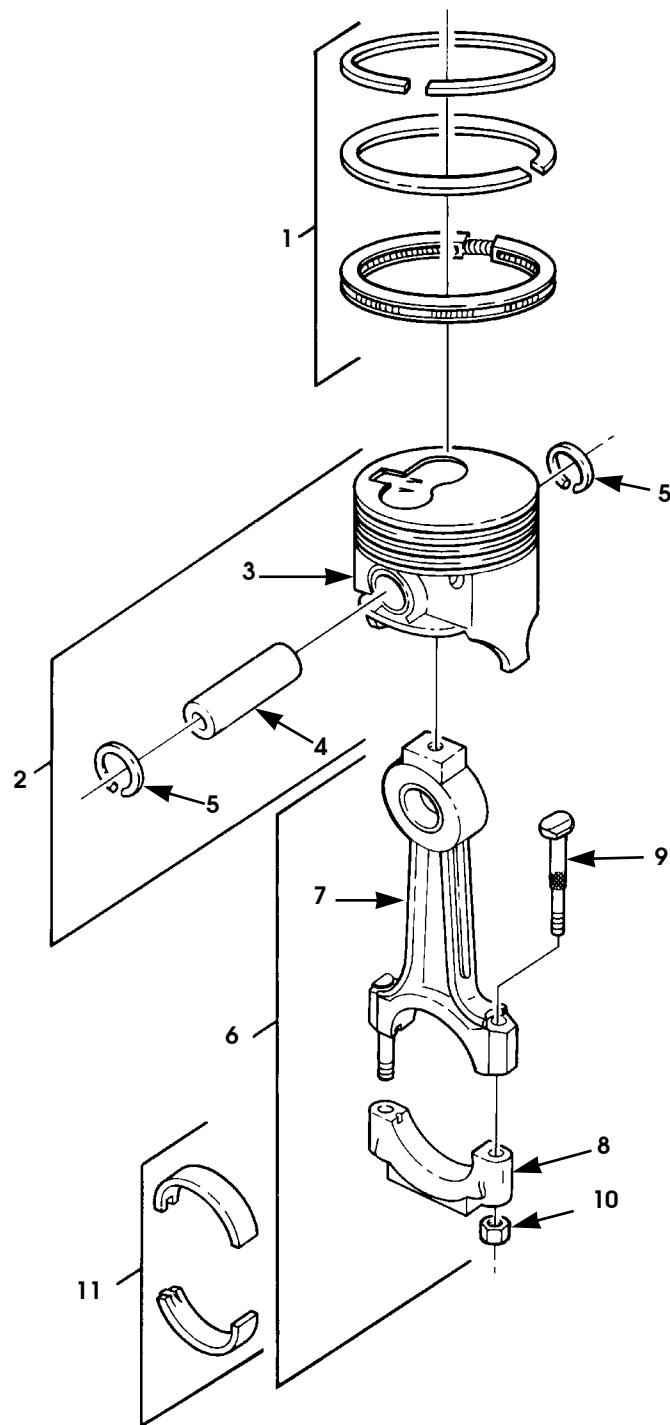
ENGINE 2-7

ITEM	PART NUMBER	DESCRIPTION	QTY
		Figure 2-3. Crankshaft, Damper, Bearings, Pulley, and Flywheel.	
1	106751	KEY, 3/16 x 3/4, crankshaft	2
2	5740240	BEARINGS, standard, #1, 2, 4.	3
2	5740241	BEARING, .013 mm undersized, #1, 2, 4	3
2	5740242	BEARING, .026 mm undersized, #1, 2, 4	3
3	5740201	BEARING, standard, #3	1
3	5740202	BEARING, .013 mm undersized, #3.	1
3	5740203	BEARING, .026 mm undersized, #3.	1
4	5740204	BEARING, standard, #5	1
4	5740205	BEARING, .013 mm undersized, #5.	1
4	5740206	BEARING, .026 mm undersized, #5.	1
5	5743226	PACKING, preformed, crankshaft, SEE NOTE 1	2
6	5743227	CRANKSHAFT, engine	1
7	5740261	PIN, flywheel.	1
8	5743228	DAMPER ASSEMBLY, crankshaft	1
9	5740147	WASHER, flat, torsional, M16-50.	1
10	5740146	SCREW, torsional damper, M16-1.5"-50.	1
11	6003069	PULLEY, crankshaft	1
12	N/S	BOLT, crankshaft pulley, M10 x 1.5" -65.	1
13	5740037	FLYWHEEL, engine	1
14	5740263	BOLT, hex head, M10 - 1.5 x 17, class 8.9, flywheel.	6
NOTE 1: PART OF GASKET AND SEAL SET P/N 05743399			

6-1-99

1997 HUMMER PARTS CATALOG

2-8 ENGINE



P02-004

Figure 2-4. Piston Assembly, Rod Assembly, and Ring Set.

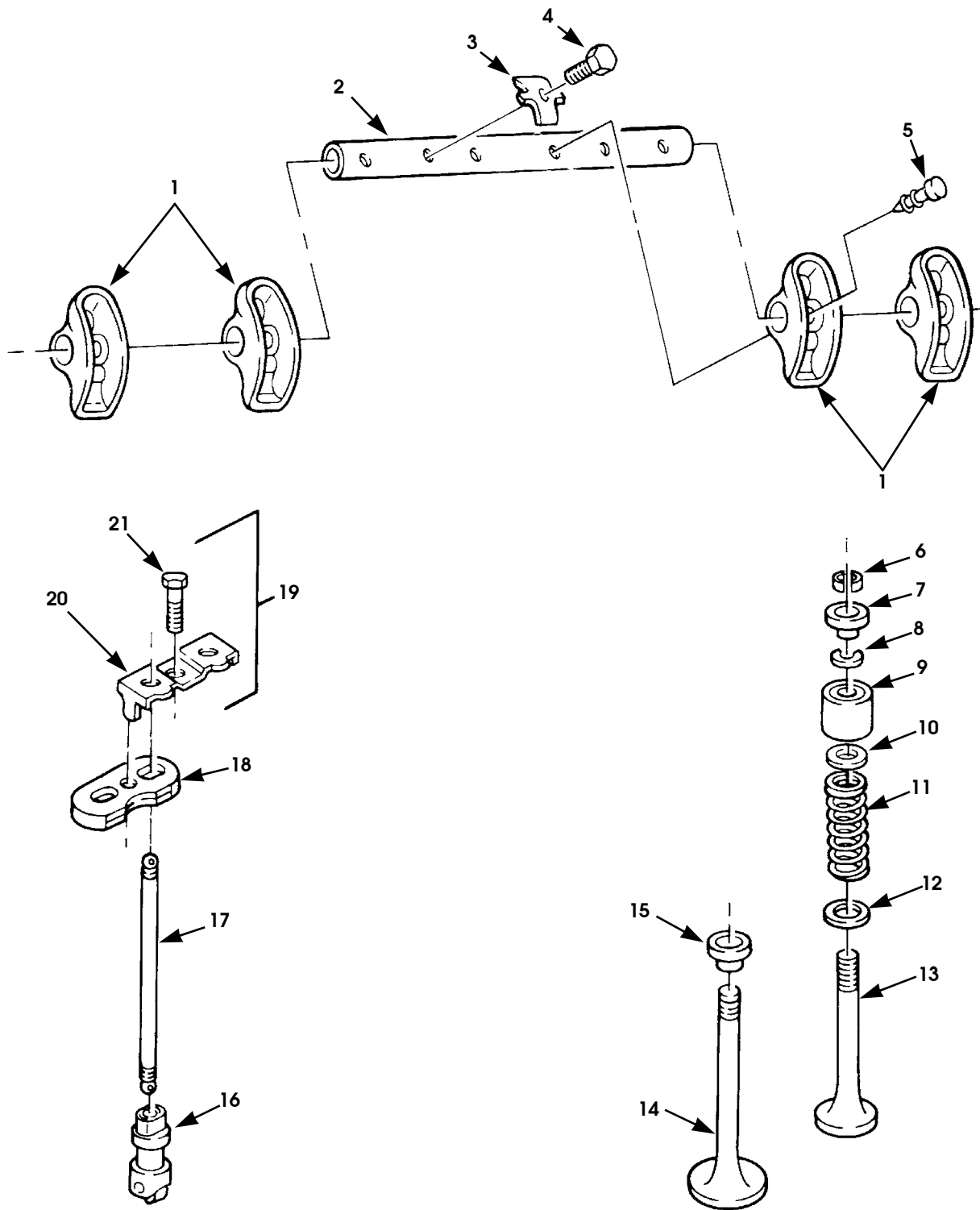
1997 HUMMER PARTS CATALOG

6-1-99

ENGINE 2-9

ITEM	PART NUMBER	DESCRIPTION	QTY
		Figure 2-4. Piston Assembly, Rod Assembly, and Ring Set.	
1	5743280	RING SET, standard	8
1	5743281	RING SET,.5 mm oversized	8
2	5743282	PISTON ASSEMBLY, standard	8
2	5743799	PISTON ASSEMBLY, 0.5 mm oversized	8
3	N/S	•PISTON	8
4	N/S	•PISTON PIN	8
5	5740158	•RING, retaining.	16
6	5740038	CONNECTING ROD ASSEMBLY	8
7	N/S	•CONNECTING ROD.	8
8	N/S	•CAP, connecting rod.	8
9	5740155	•BOLT, connecting rod	16
10	5740156	•NUT, connecting rod	16
11	5740238	BEARING, connecting rod, standard.	8
11	5740239	BEARING, connecting rod, .026 mm undersized	8

2-10 ENGINE



PO2-005

Figure 2-5. Valves, Guides, and Rocker Arm Assemblies.

1997 HUMMER PARTS CATALOG

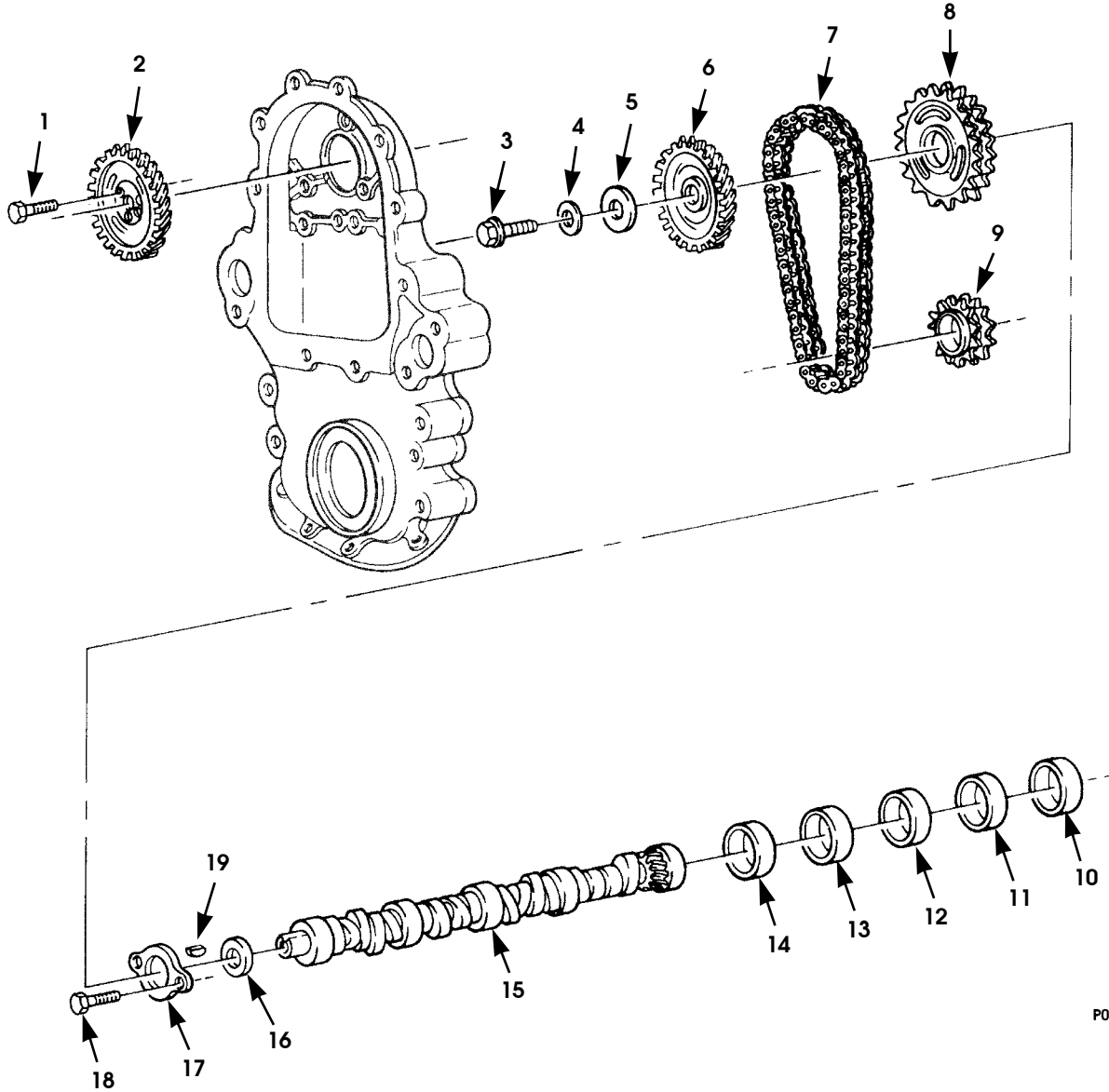
5-1-97

ENGINE 2-11

ITEM	PART NUMBER	DESCRIPTION	QTY
		Figure 2-5. Valves, Guides, and Rocker Arm Assemblies.	
1	5740132	ROCKER ARM, valve rockers.	16
2	5740531	SHAFT, valve rocker arm	4
3	5741045	RETAINER, rocker arm shaft.	8
4	11508355	BOLT, M10 - 1.5 x 50, rocker arm shaft.	8
5	5741046	RETAINER, rocker arm	16
6	5740270	LOCK, valve spring	32
7	5740180	ROTOR, engine poppet, exhaust valve.	8
8	5740266	SEAL INLET, valve stem, SEE NOTE 1	16
9	5740153	SPACER, sleeve.	16
10	5742095	SEAL, exhaust valve.	8
11	5740152	SPRING, valve.	16
12	5740130	WASHER, valve spring	16
13	5743283	VALVE, poppet, exhaust, standard	8
13	5743284	VALVE, poppet, exhaust, 0.089 mm oversized	8
14	5740041	VALVE, poppet, intake, standard	8
14	5740194	VALVE, poppet, intake, 0.089 mm oversized	8
14	5740195	VALVE, poppet, intake, 0.349 mm oversized	8
15	5740131	CAP, intake valve spring	8
16	5740043	TAPPET, hydraulic roller	16
17	5740040	PUSHROD, valve.	16
18	5740133	PLATE, guide.	8
19	5740134	CLAMP ASSEMBLY, guide	8
20	N/S	•CLAMP, guide.	8
21	N/S	•SCREW, flanged hex head, M8 - 1.25 x 22	8
		NOTE 1: PART OF 6.5L CYLINDER HEAD KIT 5714842	

1997 HUMMER PARTS CATALOG

2-12 ENGINE



P02-0C

Figure 2-6. Camshaft, Timing Chain, and Related Parts.

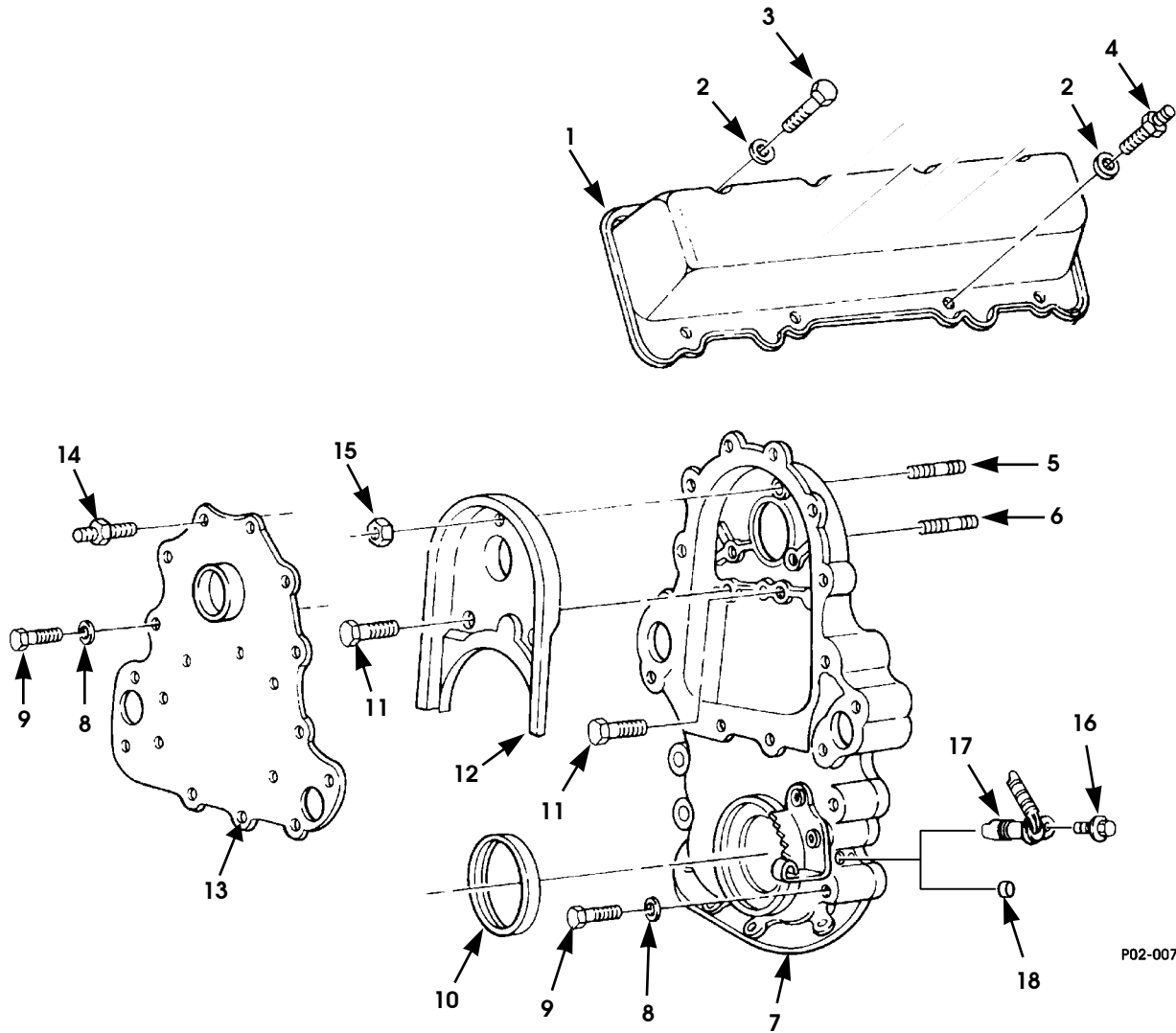
1997 HUMMER PARTS CATALOG

5-1-97

ENGINE 2-13

ITEM	PART NUMBER	DESCRIPTION	QTY
		Figure 2-6. Camshaft, Timing Chain, and Related Parts.	
1	5740184	SCREW, fuel injection pump driven gear	3
2	5740139	GEAR, fuel injection pump driven	1
3	5741152	SCREW, M12 x 35, class 10.9, pump drive gear	1
4	5741151	WASHER, fuel injection pump drive gear	1
5	5740137	WASHER, fuel injection pump drive gear	1
6	5740140	GEAR, fuel injection pump drive	1
7	5740046	CHAIN, camshaft timing	1
8	5740044	SPROCKET WHEEL, camshaft	1
9	5743229	SPROCKET WHEEL, crankshaft	1
10	5740191	BEARING, camshaft, #5, orange	1
11	5740190	BEARING, camshaft, #4, green	1
12	5740189	BEARING, camshaft, #3, yellow	1
13	5740188	BEARING, camshaft, #2, pink	1
14	5740187	BEARING, camshaft, #1, plain	1
15	5740213	CAMSHAFT, engine	1
16	5740135	SPACER, camshaft sprocket	1
17	5740136	RETAINER, camshaft	1
18	N/S	SCREW, M8 - 1.25 x 16, thrust bearing	2
19	106751	KEY, 3/16 x 3/4, camshaft	1

2-14 ENGINE



P02-007

Figure 2-7. Crankcase Cover Assembly and Rocker Cover.

1997 HUMMER PARTS CATALOG

6-1-99

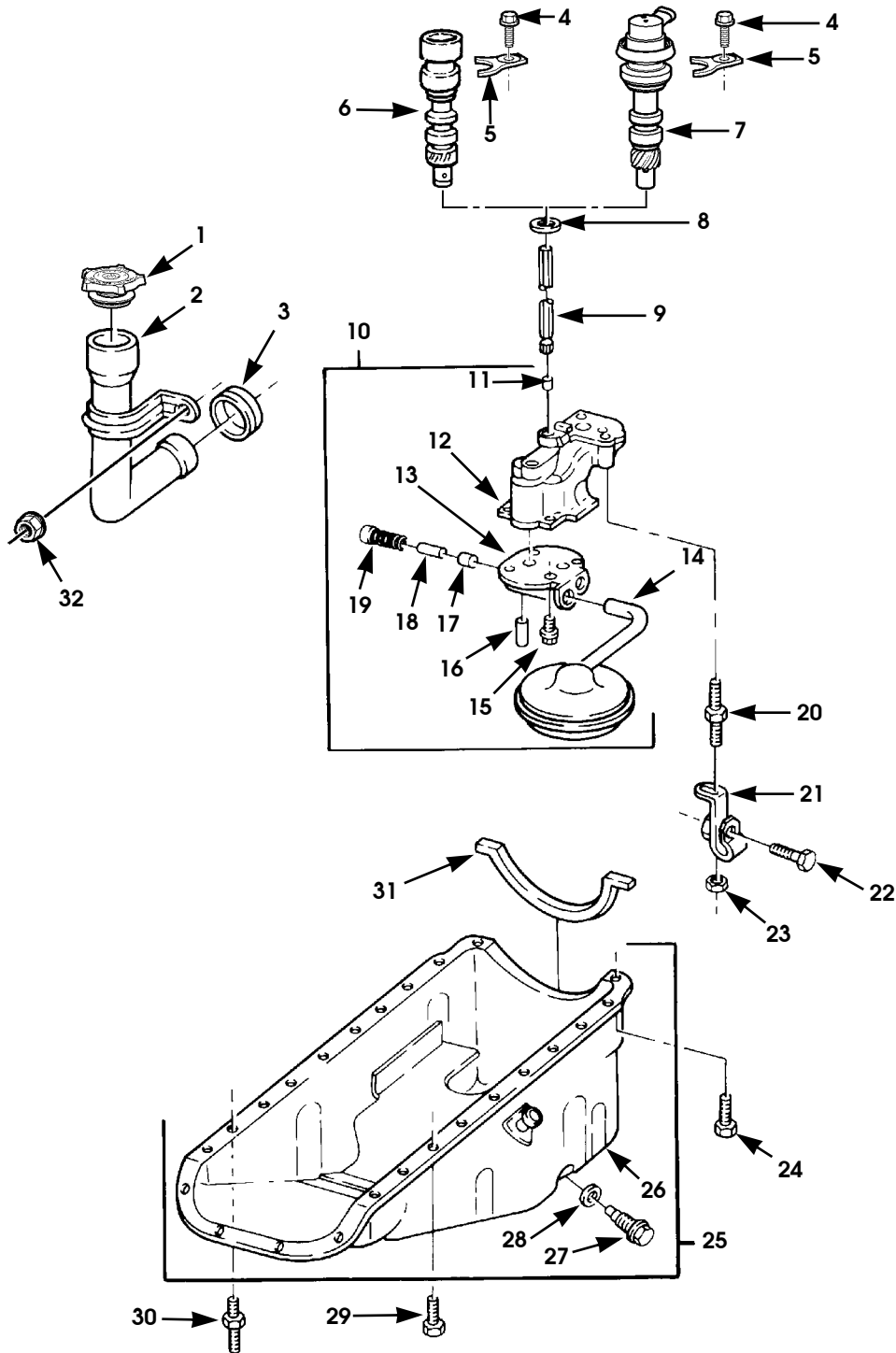
ENGINE 2-15

ITEM	PART NUMBER	DESCRIPTION	QTY
		Figure 2-7. Crankcase Cover Assembly and Rocker Cover.	
1	5714138	COVER, rocker arm, R.H.	1
1	5740151	COVER, rocker arm, L.H.	1
2	5741153	WASHER, rocker arm cover.	7
3	11500914	BOLT, M8 - 1.25 x 12, rocker arm cover	7
4	5740039	STUD, M8 - 1.25 x 12 x 12, rocker arm cover	9
5	5740095	STUD, M10 - 1.25 x 30 x 15, crankcase front cover and injection pump, upper	1
6	5742184	STUD, M10 - 1.5 x 20 x 20, crankcase front cover and injection pump, lower	2
7	5743231	COVER, crankcase front	1
8	9438083	WASHER, M10, hard, crankcase front cover	4
9	N/S	BOLT, M10 x 55, Class 10.9, crankcase front cover	4
10	5743285	SEAL, crankcase front cover, SEE NOTE 1	1
11	5740181	BOLT, backing plate and front cover	2
12	5740169	BAFFLE, crankcase.	1
13	5743232	PLATE, water pump backing	1
14	5740185	STUD, backing plate and front cover	2
15	11514603	NUT, baffle.	1
16	5744439	BOLT, crankshaft position sensor (Turbo Diesel)	1
17	5744440	SENSOR, crankshaft position (Turbo Diesel)	1
18	5741150	PLUG, cup (NA Diesel)	1
		 NOTE 1: PART OF GASKET AND SEAL KIT 5743399	

6-1-99

1997 HUMMER PARTS CATALOG

2-16 ENGINE



P02-008.1

Figure 2-8. Oil Pan, Pump, and Filler Tube, Engine

1997 HUMMER PARTS CATALOG

6-1-99

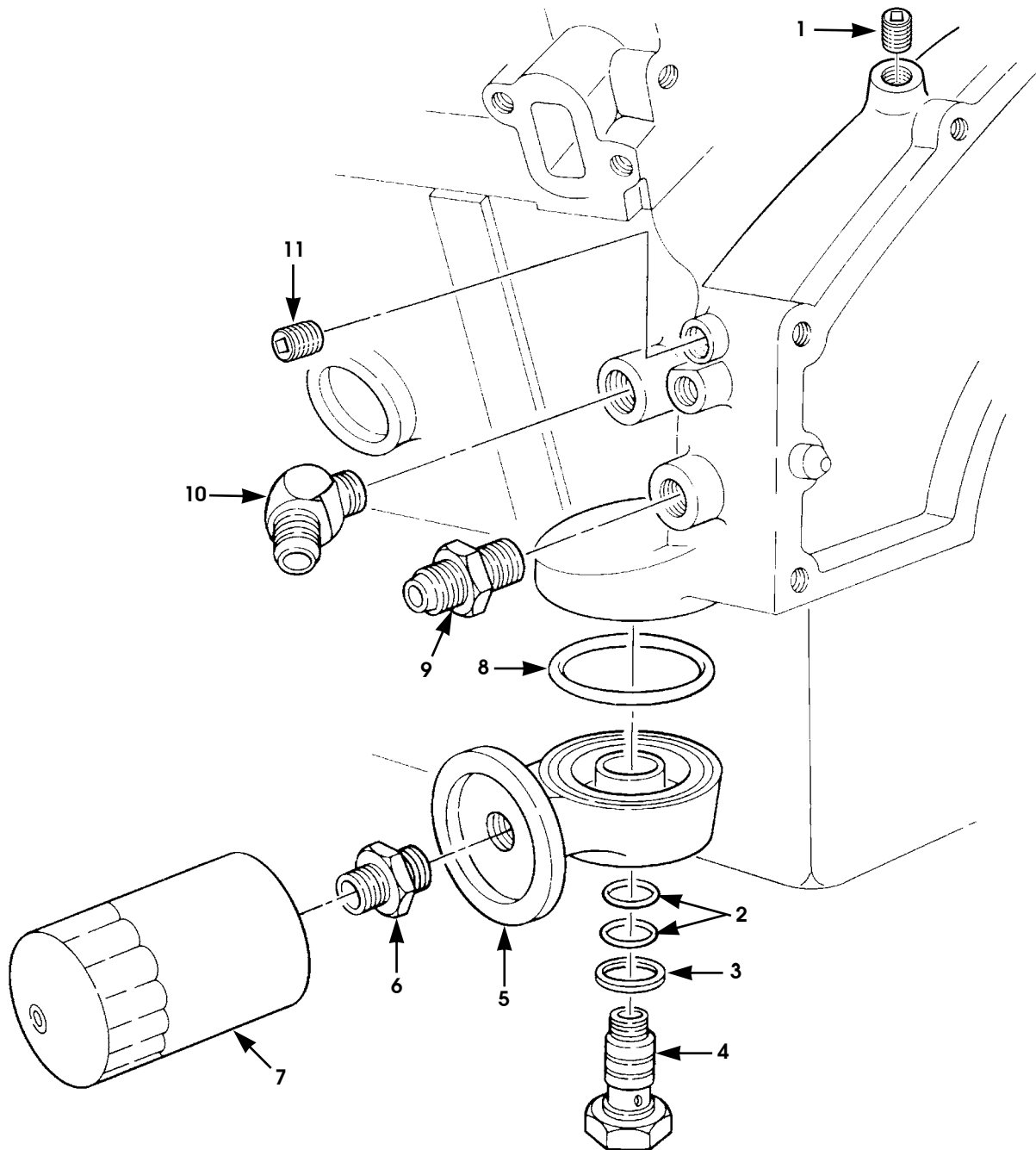
ENGINE 2-17

ITEM	PART NUMBER	DESCRIPTION	QTY
		Figure 2-8. Oil Pan, Pump, and Filler Tube, Engine	
1	6007491	CAP,engine oil filler	1
2	6006826	FILLER NECK,engine oil	1
3	5740161	GROMMET,oil filler tube	1
4	5740181	BOLT,M10 - 1.5 x 30,class 10.9,oil pump drive	1
5	5740138	CLAMP,oil pump drive assembly	1
6	5714669	OIL PUMP DRIVE ASSEMBLY (Turbo Diesel)	1
7	5743234	OIL PUMP DRIVE ASSEMBLY, with speed sensor (NA Diesel)	1
8	5740051	GASKET,oil pump drive	1
9	5740148	SHAFT,oil pump	1
10	5744660	PUMP AND SCREEN,oil pick-up	1
11	5740542	•RETAINER,pump assembly	1
12	S.I.A.	•PUMP BODY,top	1
13	S.I.A.	•PUMP BODY,bottom	1
14	5744661	•STRAINER,pump assembly	1
15	S.I.A.	•BOLT,oil pump cover	4
16	S.I.A.	•PIN,regulating valve spring stop	1
17	S.I.A.	•DISK,oil pressure regulating valve	1
18	S.I.A.	•VALVE,relief,oil pressure	1
19	S.I.A.	•SPRING,oil pressure regulating valve	1
20	5740244	STUD,oil pump assembly	1
21	5741613	CLAMP,oil pickup tube	1
22	5741047	BOLT,oil pickup tube,M10 - 1.5 x 9	1
23	11506101	NUT,M10 - 1.5,Class 10.9,oil pickup tube bracket	1
24	5740085	BOLT,engine oil pan	2
25	5744663	OIL PAN ASSEMBLY, engine	1
26	N/S	•OIL PAN,engine	1
27	5744811	•PLUG,M12 - 1.75 x 15,engine oil pan drain	1
28	5744812	•GASKET,12mm,engine oil drainplug	1
29	N/S	SCREW,engine oil pan	20
30	5591286	STUD,engine oil pan	2
31	5743235	SEAL,engine oil pan,rear	1
32	N/S	NUT,flanged,5/16 - 18,oil filler neck	2

12-1-97

1997 HUMMER PARTS CATALOG

2-18 ENGINE



P02-009.

Figure 2-9. Oil Filter, Adapter, and Oil Line Fittings.

1997 HUMMER PARTS CATALOG

6-1-99

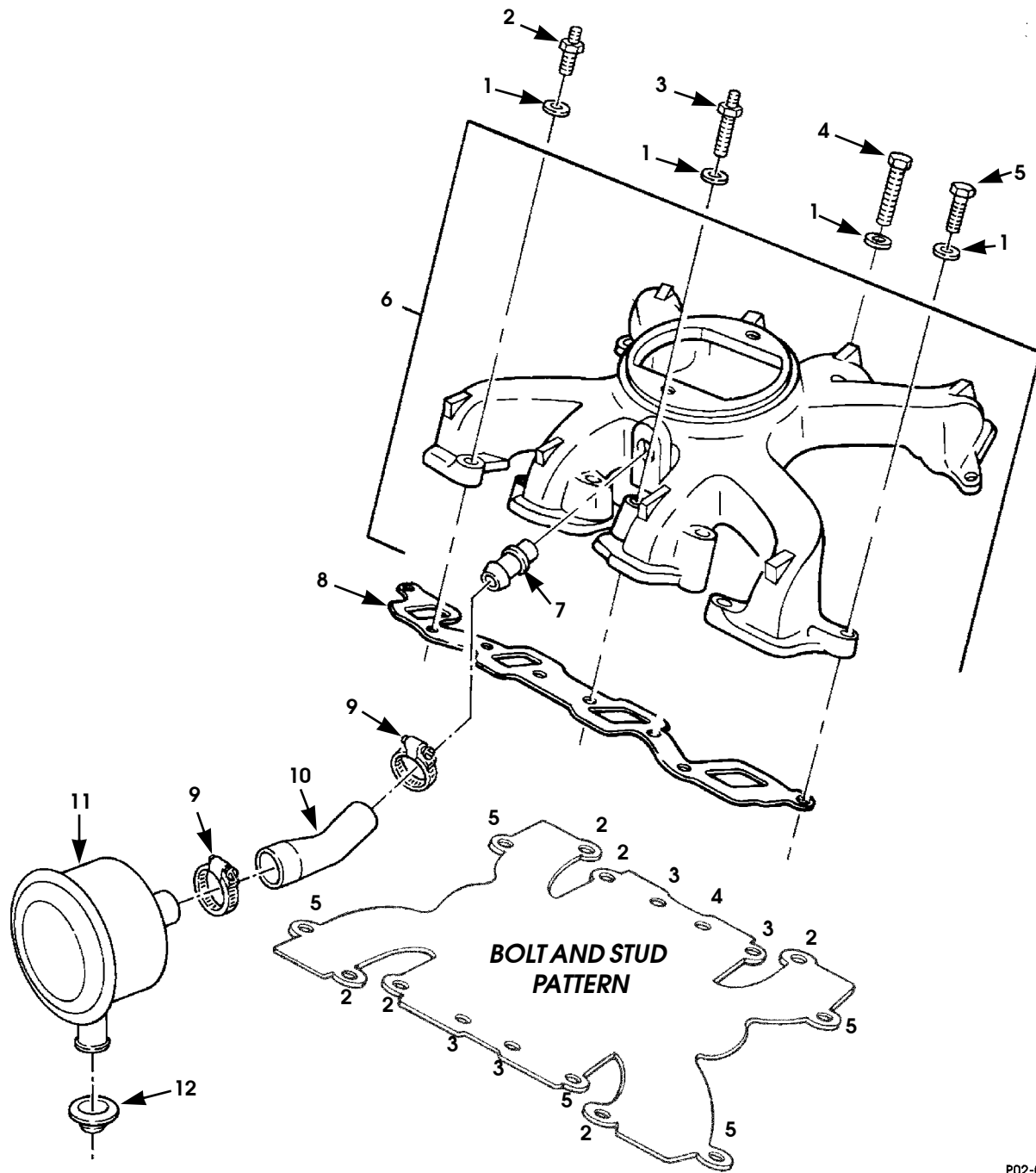
ENGINE 2-19

ITEM	PART NUMBER	DESCRIPTION	QTY
		Figure 2-9. Oil Filter, Adapter, and Oil Line Fittings.	
1	N/S	PLUG, 1/4-18 NPT	1
2	MS28770-20	O-RING, oil filter adapter bolt	2
3	12339409	GASKET, oil filter adapter bolt.	1
4	12339410	BOLT, fluid passage	1
5	12338780	BRACKET, filter mount	1
6	12339405	REDUCER, oil filter adapter.	1
7	5715388	FILTER, engine oil	1
8	MS28775-236	O-RING, oil filter adapter	1
9	108-70102	CONNECTOR, straight, 1/2-14 pipe to 7/8-14	1
10	108-70302	ELBOW, 45 degree, 1/2-14 pipe to 7/8-14 flare.	1
11	N/S	PLUG, 3/8-18 NPT	1

5-1-97

1997 HUMMER PARTS CATALOG

2-20 ENGINE



P02-011

Figure 2-10. Air Intake Manifold, Crankcase Depression Regulator Valve, and Mounting Hardware (NA Diesel).

1997 HUMMER PARTS CATALOG

5-1-97

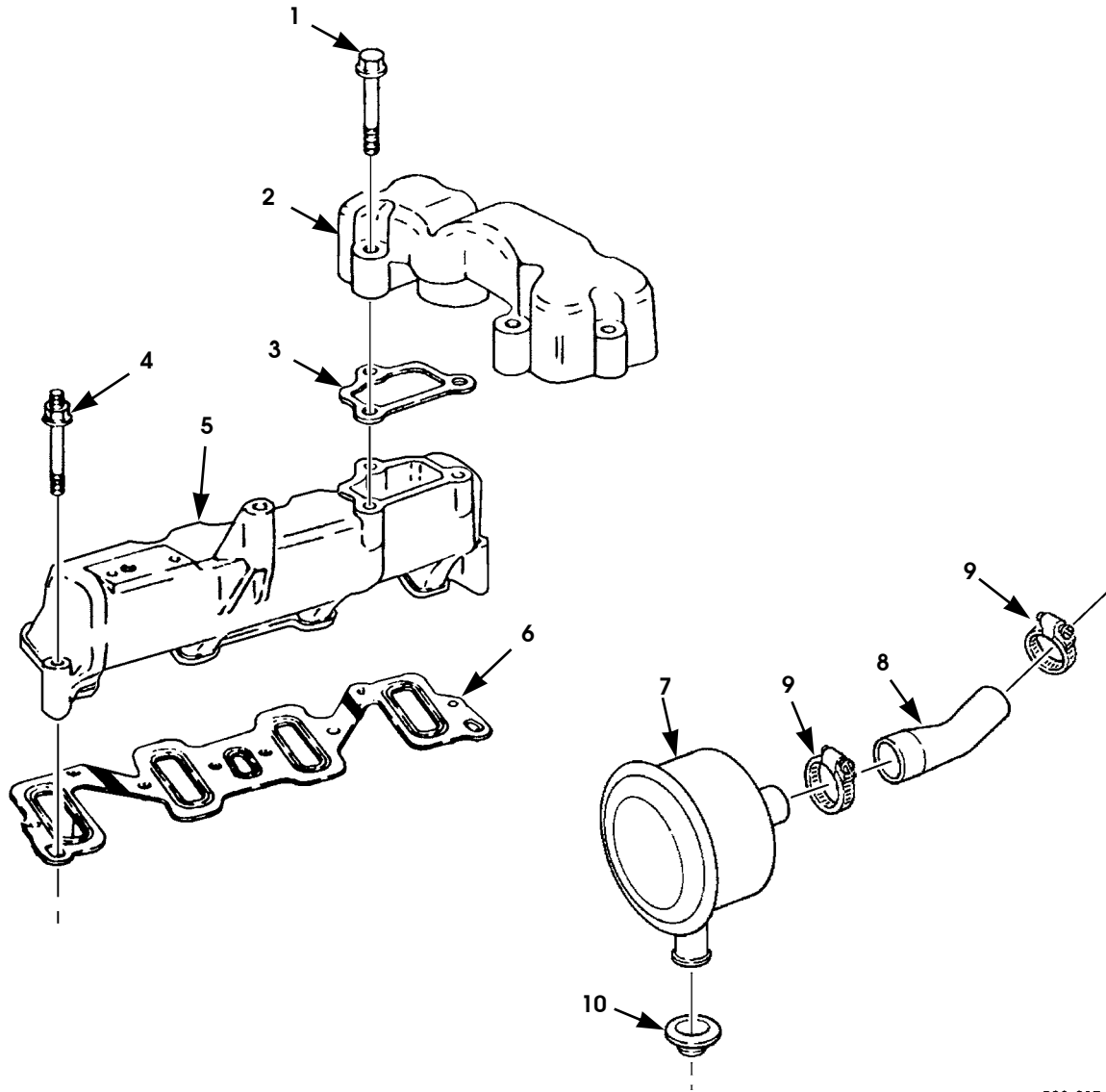
ENGINE 2-21

ITEM	PART NUMBER	DESCRIPTION	QTY
		Figure 2-10. Air Intake Manifold, Crankcase Depression Regulator Valve, and Mounting Hardware (NA Diesel).	
1	N/S	WASHER, flat, 7/16, Type "B", hard	11
2	5740052	STUD, M10 - 1.5 x 20 x 30, intake manifold	7
3	5740053	STUD, M10 - 1.5 x 58 x 17, intake manifold	4
4	N/S	BOLT, flanged cap, M10 - 1.5 x 60, Class 10.9, intake manifold	1
5	5740181	BOLT, flanged cap, M10 - 1.5 x 30, Class 10.9, intake manifold	4
6	5740057	MANIFOLD, intake	1
7	5741614	•ADAPTER, straight	1
8	5740183	GASKET SET, intake main, SEE NOTE 1	2
9	N/S	CLAMP, 1.50-0.62, CDR valve hose	2
10	5742652	HOSE, preformed, CDR valve to air intake manifold . .	1
11	5714132	VALVE, CDR	1
12	5714133	GROMMET, CDR valve mounting.	1
		NOTE 1: PART OF CYLINDER HEAD GASKET SET P/N 5714842	

12-1-97

1997 HUMMER PARTS CATALOG

2-22 ENGINE



P02-017

Figure 2-11. Air Intake Manifolds, Crankcase Depression Regulator Valve, and Mounting Hardware (Turbo Diesel).

1997 HUMMER PARTS CATALOG

6-1-99

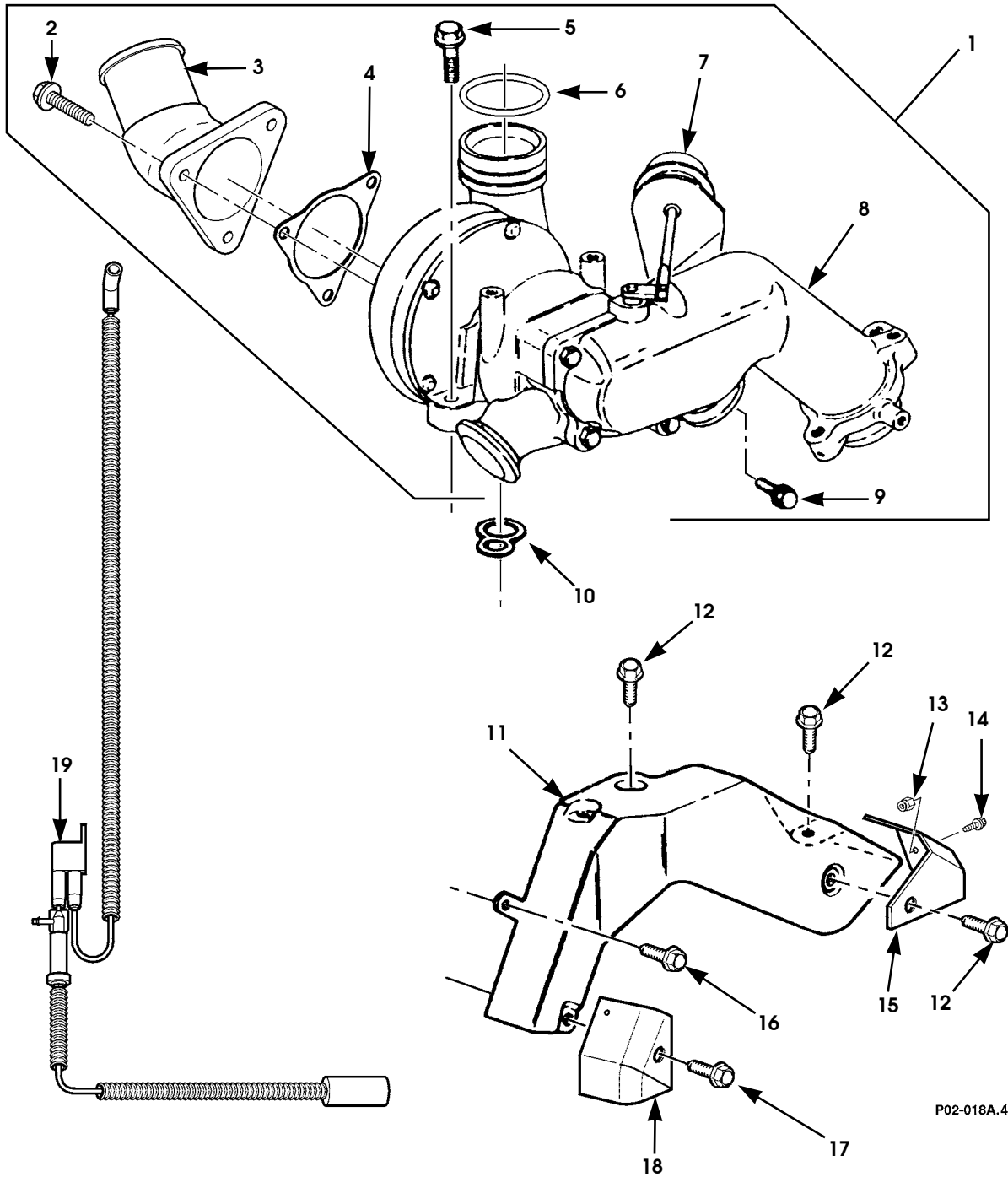
ENGINE 2-23

ITEM	PART NUMBER	DESCRIPTION	QTY
		Figure 2-11. Air Intake Manifolds, Crankcase Depression Regulator Valve, and Mounting Hardware (Turbo Diesel).	
1	5744435	BOLT, center intake manifold	6
2	5744452	INTAKE MANIFOLD, center	1
3	5744448	GASKET, center intake manifold	2
4	5744459	STUD, intake manifold-to-head	16
5	5744453	INTAKE MANIFOLD, L.H.	1
5	5744454	INTAKE MANIFOLD, R.H.	1
6	5744451	GASKET, intake manifold-to-head	2
7	5714132	VALVE, crankcase depression regulator	1
8	6007255	•HOSE, CDR valve	1
9	N/S	•CLAMP, 1.50-0.62, CDR vent hose	2
10	5714133	GROMMET, CDR valve mount	1

6-1-99

1997 HUMMER PARTS CATALOG

2-24 ENGINE



P02-018A.4

Figure 2-12. TurboCharger Assembly (Turbo Diesel).

1997 HUMMER PARTS CATALOG

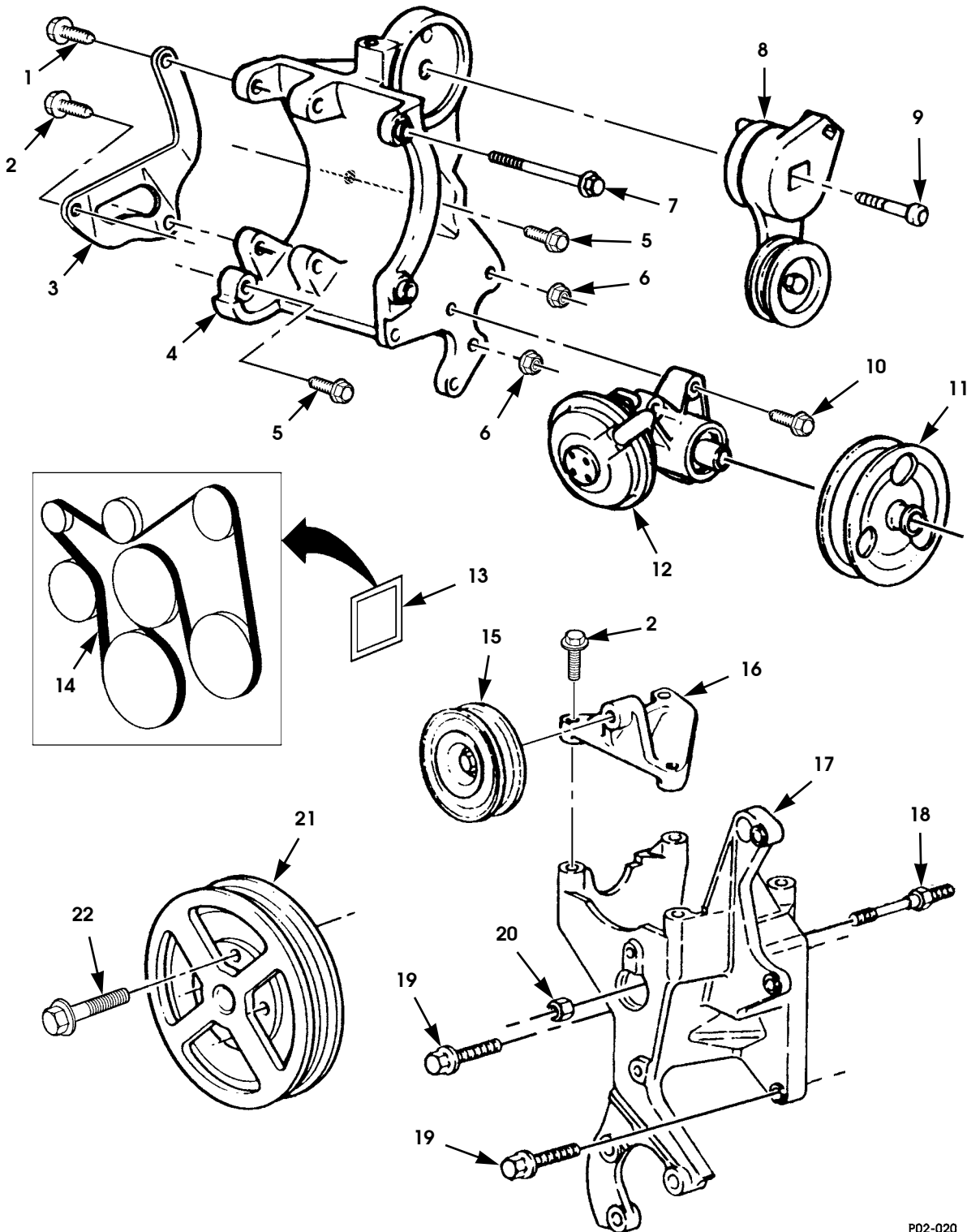
6-1-99

ENGINE 2-25

ITEM	PART NUMBER	DESCRIPTION	QTY
		Figure 2-12. TurboCharger Assembly (Turbo Diesel).	
1	5744470	TURBOCHARGER ASSEMBLY	1
1	5744929	TURBOCHARGER ASSEMBLY, remanufactured	1
2	S.I.A.	•CAPSCREW, M8 - 1.25 x 19	3
3	S.I.A.	•INLET ELBOW, turbocharger	1
4	S.I.A.	•GASKET, turbocharger inlet elbow	1
5	S.I.A.	•BOLT, M10 - 1.5 x 40, turbo-to-block	2
6	5745167	•O-RING, turbocharger air intake	1
7	5744654	•ACTUATOR, wastegate	1
8	S.I.A.	•CASTING, turbocharger body	1
9	S.I.A.	•BOLT, M8 - 1.25 x 20	1
10	5745123	SEAL, turbo-to-block	1
11	6007492	HEAT SHIELD, turbocharger	1
12	N/S	BOLT, M8 - 1.25 x 14, heat shield	4
13	N/S	LOCKNUT & LOCKWASHER ASSEMBLY, #6 - 32	1
14	N/S	SCREW & LOCKWASHER ASSEMBLY, #6 - 32 x 1/2	1
15	RCSK18089	HEATSHIELD, RH	1
16	N/S	BOLT, M10 - 1.5 x 25, Class 9.8, heat shield	1
17	N/S	BOLT, M10 - 1.5 x 20, Class 10.9, heat shield	1
18	6007707	HEATSHIELD, LH	1
19	5744652	VACUUM HARNESS BOOST CONTROL	1

1997 HUMMER PARTS CATALOG

2-26 ENGINE



P02-020

Figure 2-13. Vacuum Pump, Serpentine Belt and Accessory Drive Brackets and Pulleys.

1997 HUMMER PARTS CATALOG

6-1-99

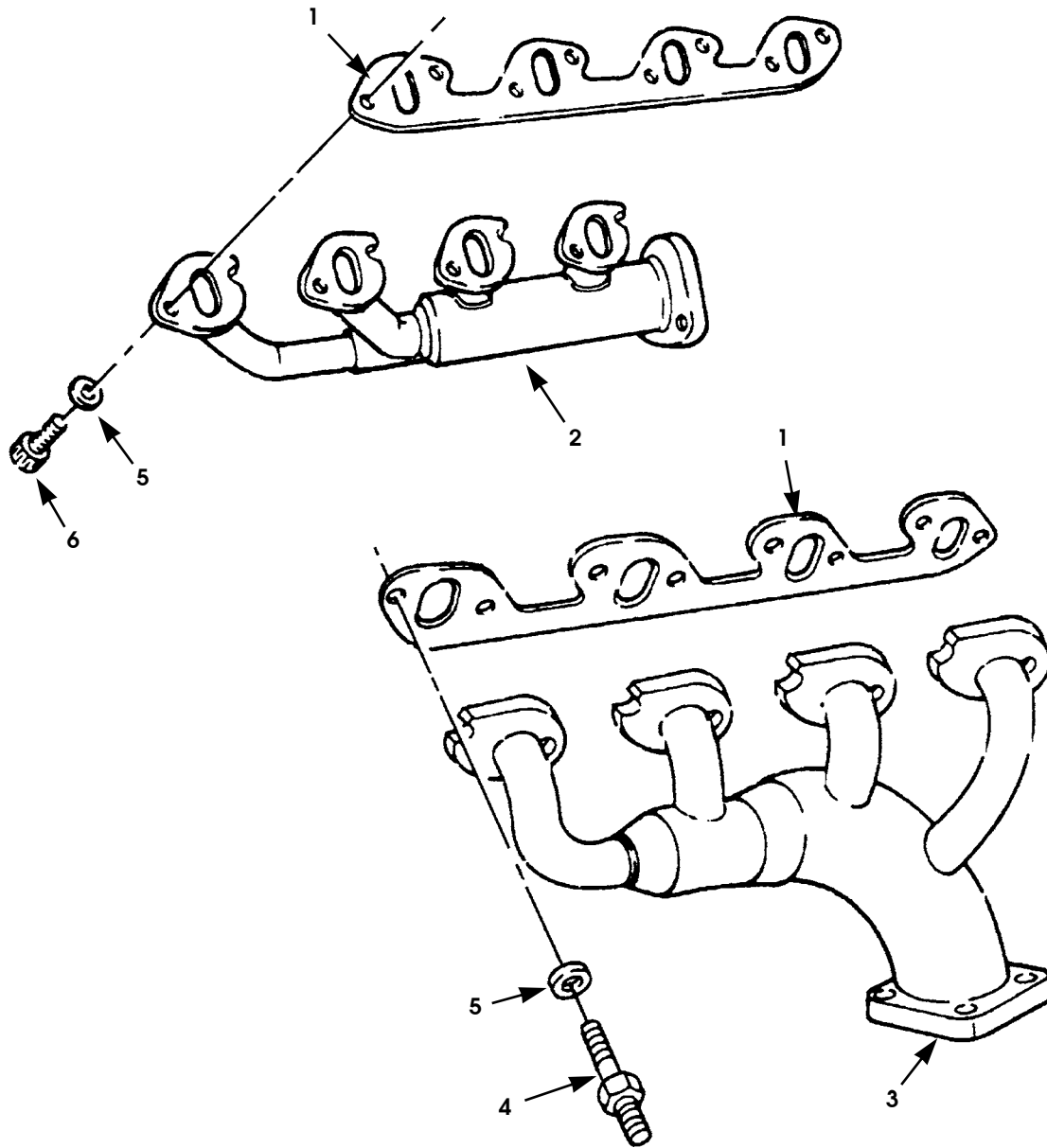
ENGINE 2-27

ITEM	PART NUMBER	DESCRIPTION	QTY
		Figure 2-13. Vacuum Pump, Serpentine Belt and Accessory Drive Brackets and Pulleys.	
1	6003067	BOLT, M10 - 1.5 x 20, brace	1
2	6006783	BOLT, M10 - 1.5 x 35, brace	4
3	6006773	BRACE, rear generator bracket	1
4	6006775	BRACKET, generator-to-engine	1
5	6006801	BOLT, M10 - 1.5 x 45, generator bracket	2
6	6006989	NUT, M10 - 1.5, generator brace	2
7	6006777	BOLT, M10 - 1.5 x 95, generator mounting	2
8	6003051	TENSIONER	1
9	6006802	BOLT, Torx head, M12 - 1.75 x 75, class 9.8, tensioner (Turbo Diesel)	1
9	6003046	BOLT, Torx head, M12 - 1.75 x 95, class 9.8, tensioner (NA Diesel)	1
10	11515758	BOLT, M8 - 1.25 x 30, vacuum pump	3
11	6006805	PULLEY, vacuum pump	1
12	6006803	VACUUM PUMP	1
13	6006813	LABEL, belt routing	1
14	6007453	BELT, serpentine	1
15	6006811	PULLEY, idler assembly, non-A/C	1
16	6006812	BRACKET, idler assembly, non-A/C	1
17	6006807	BRACKET, A/C, power steering mounting	1
18	6006806	STUD, M10 - 1.5 x 17, bracket	1
19	6006808	BOLT, M10 - 1.5 x 40, bracket	2
20	11501850	NUT, 10 - 1.5, bracket	1
21	6003069	PULLEY, crankshaft	1
22	N/S	BOLT, M10 - 1.5 x 65	4

5-1-97

1997 HUMMER PARTS CATALOG

2-28 ENGINE



P02-011

Figure 2-14. Exhaust Manifolds (NA Diesel).

1997 HUMMER PARTS CATALOG

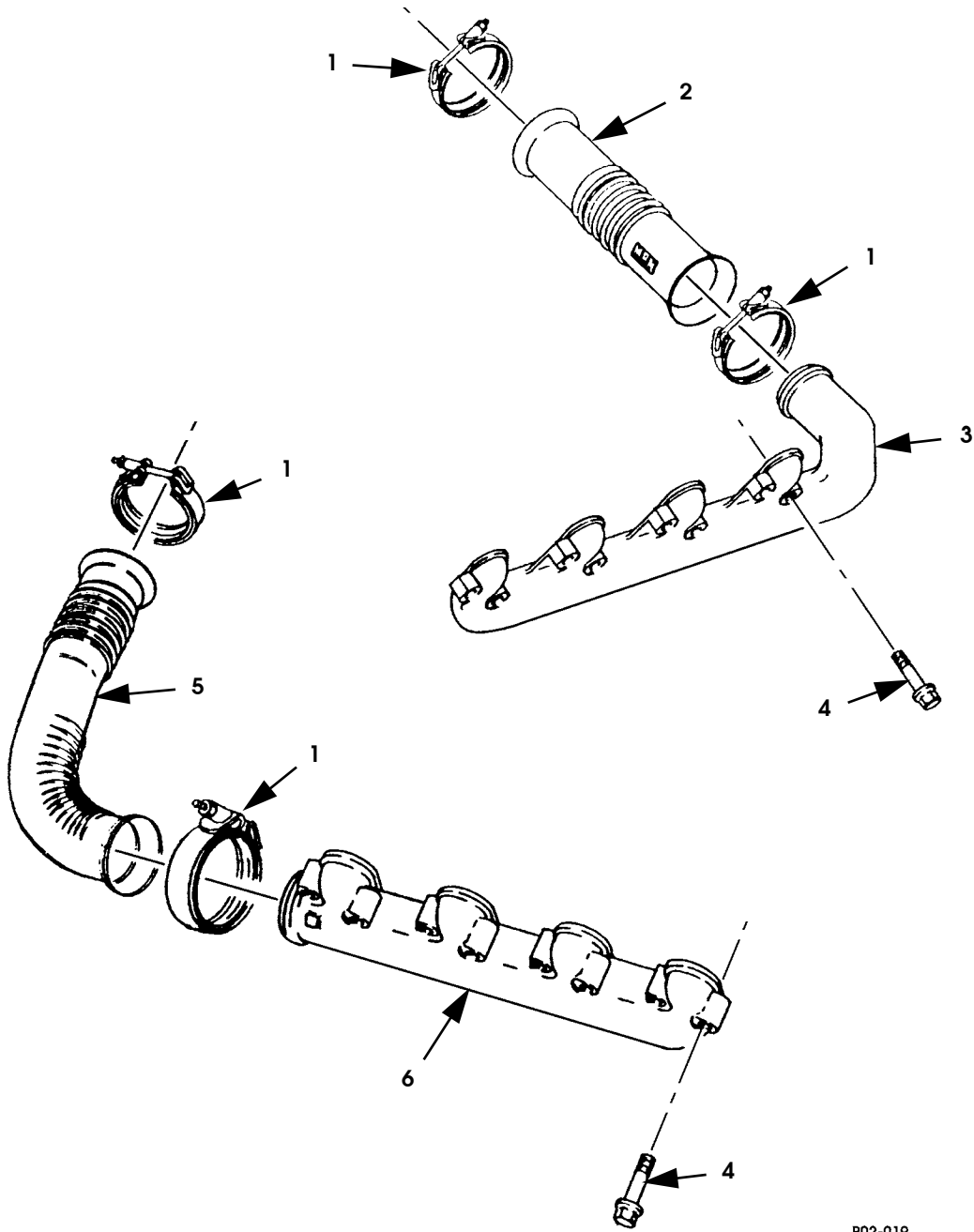
6-1-99

ENGINE 2-29

ITEM	PART NUMBER	DESCRIPTION	QTY
		Figure 2-14. Exhaust Manifolds (NA Diesel).	
1	12339414	GASKET, exhaust manifold	2
2	12338788	MANIFOLD, exhaust, R.H.	1
3	12338787	MANIFOLD, exhaust, L.H.	1
4	12339406-3	STUD, exhaust manifold, L.H. , M10 - 1.5 x 30 x 30	1
5	N/S	WASHER, flat, M10, narrow, ZN.	16
6	12339239 1	SCREW, M10 - 1.5 x 25, class 12.9, exhaust manifold . .	15

1997 HUMMER PARTS CATALOG

2-30 ENGINE



P02-019

Figure 2-15. Exhaust Manifolds (Turbo Diesel).

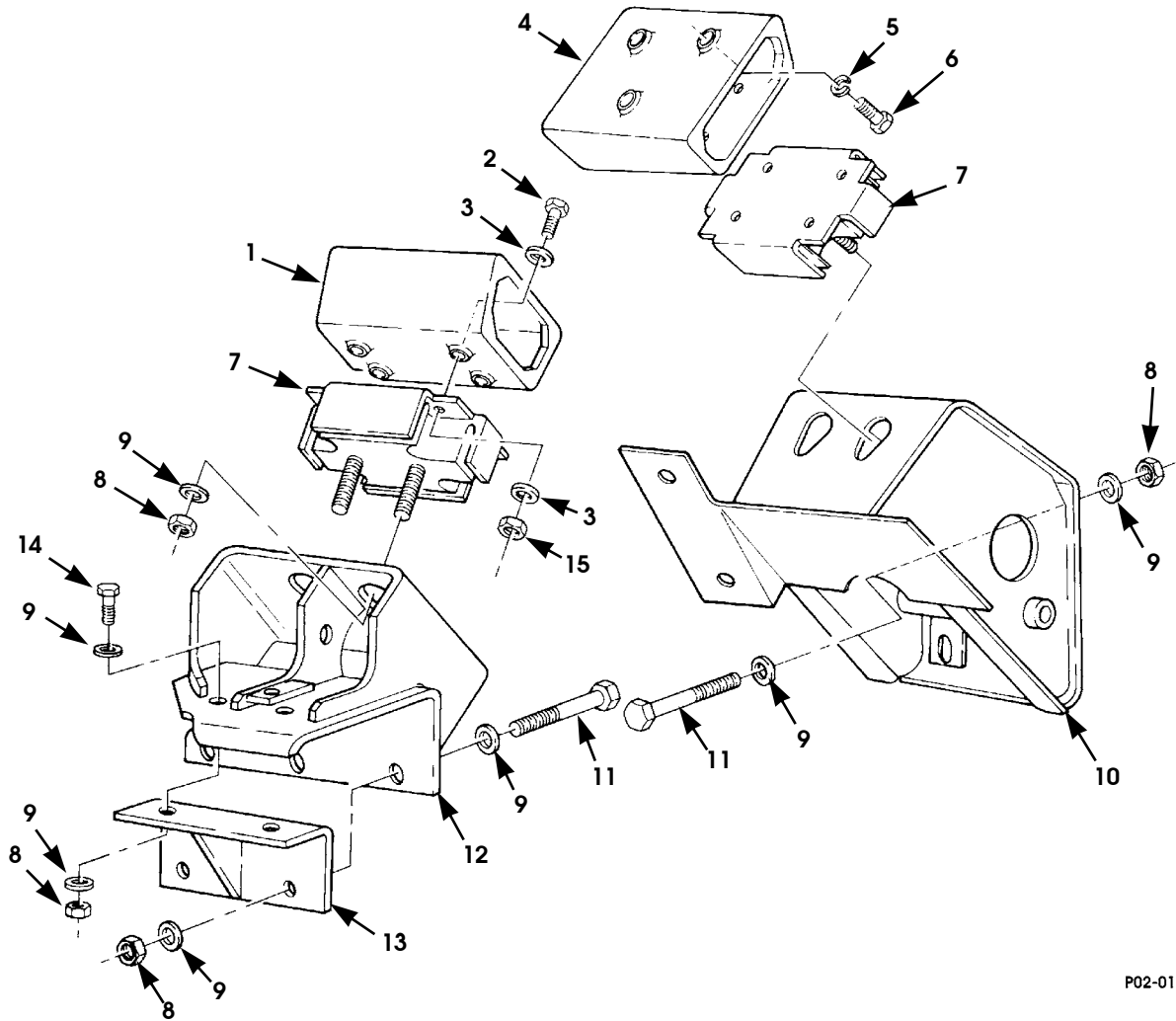
1997 HUMMER PARTS CATALOG

6-1-99

ENGINE 2-31

ITEM	PART NUMBER	DESCRIPTION	QTY
		Figure 2-15. Exhaust Manifolds (Turbo Diesel).	
1	5744438	CLAMP,exhaust manifold-to-turbo	4
2	5744464	EXHAUST PIPE, L.H.	1
3	5744445	EXHAUST MANIFOLD, L.H.	1
4	N/S	BOLT, M10-1.5 x 25	16
5	5744465	EXHAUST PIPE, R.H.	1
6	5744446	EXHAUST MANIFOLD, R.H.	1

2-32 ENGINE



P02-012

Figure 2-16. Mounting Brackets, Engine.

1997 HUMMER PARTS CATALOG

6-1-99

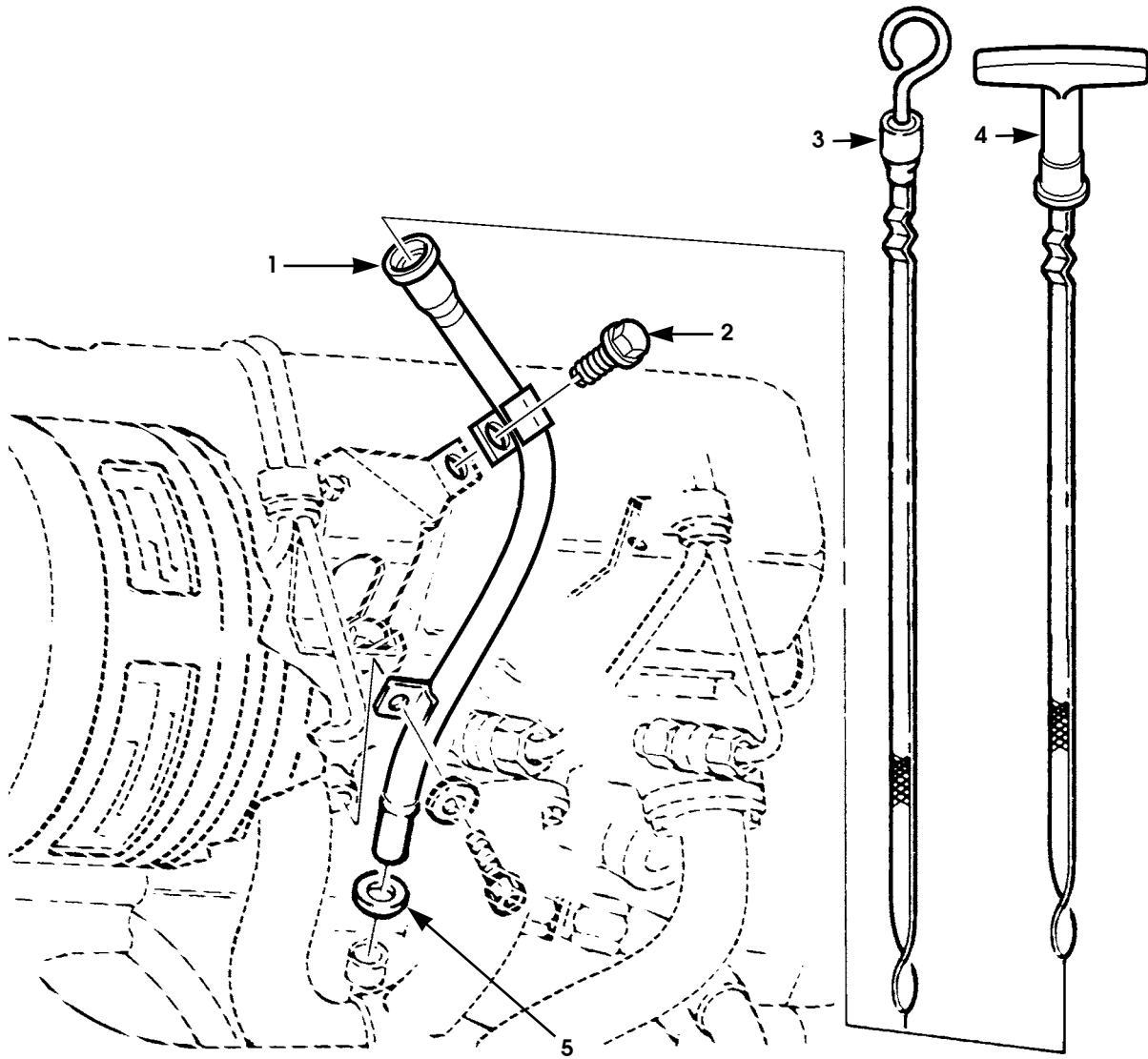
ENGINE 2-33

ITEM	PART NUMBER	DESCRIPTION	QTY
		Figure 2-16. Mounting Brackets, Engine.	
1	12339133	BRACKET, engine block to insulator, R.H.	1
2	N/S	SCREW, 3/8 - 16 X 1.25, Gr8, insulator to engine mount	8
3	N/S	WASHER, flat, type B, hardened, 3/8, ZN	16
4	12339132	BRACKET, engine block to insulator, L.H.	1
5	N/S	LOCKWASHER, 3/8, med., ZN, engine mount	6
6	N/S	SCREW, 3/8 - 16 x 1.0, Gr8, CAD, engine mount.	6
7	12339179	MOUNT, resilient	2
8	N/S	LOCKNUT, 1/2 - 13, Gr8, CAD, engine mount	13
9	N/S	WASHER, flat, type B, hardened, 1/2	22
10	12338205	BRACKET, frame to insulator	1
11	N/S	SCREW, 1/2 - 13 x 4.5, Gr8, CAD, engine mount	7
12	12338183	BRACKET, frame to insulator, R.H.	1
13	12338163	BRACKET, engine mount	1
14	N/S	SCREW, 1/2 - 13 x 1 1/4, Gr8, CAD, bracket to engine mount	2
15	N/S	LOCKNUT, 3/8 - 16, Gr8, insulator to engine mount . . .	8

6-1-99

1997 HUMMER PARTS CATALOG

2-34 ENGINE



P02-013.1

Figure 2-17. Oil Dipstick and Tube Assembly, Engine.

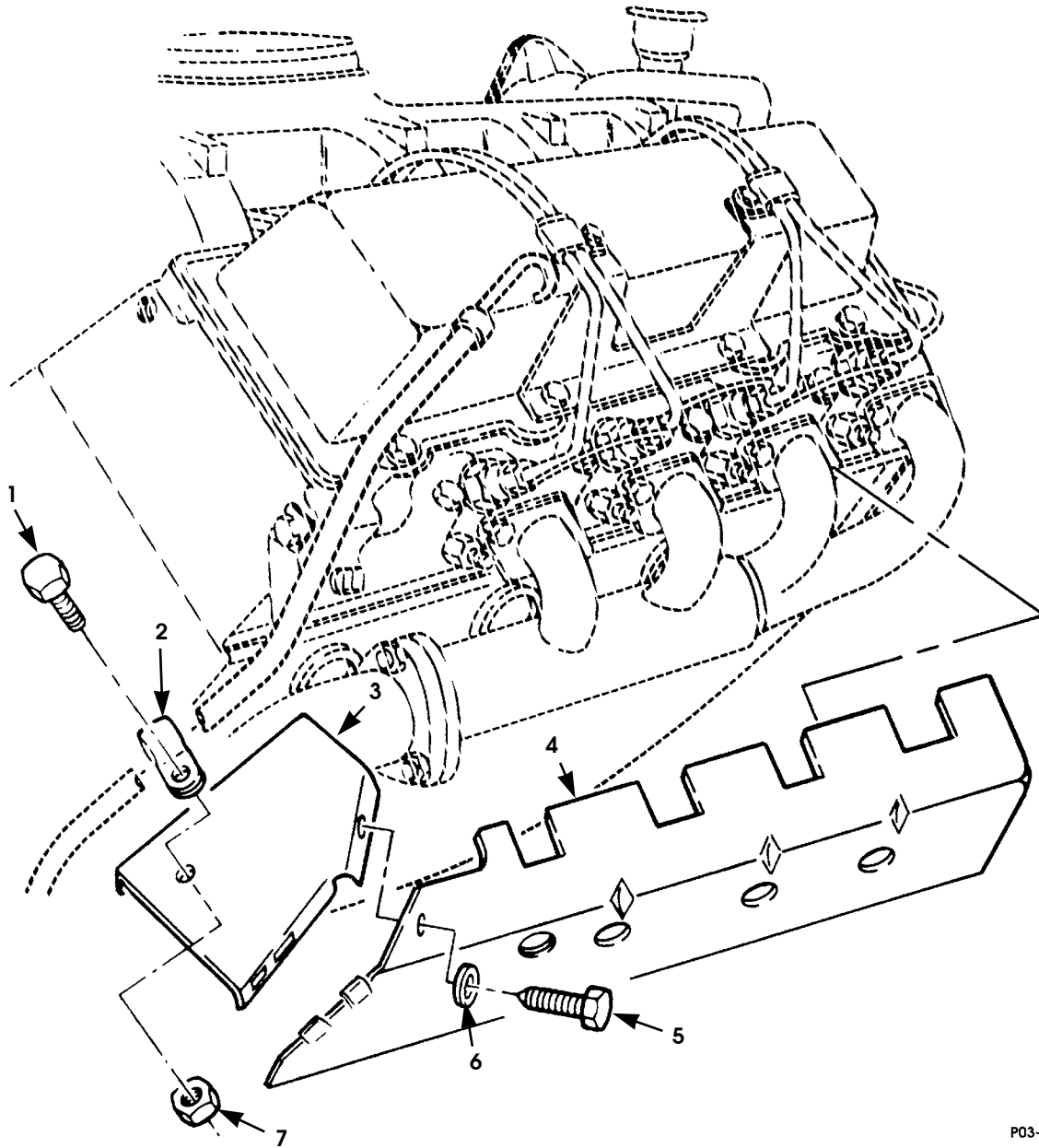
1997 HUMMER PARTS CATALOG

6-1-99

ENGINE 2-35

ITEM	PART NUMBER	DESCRIPTION	QTY
		Figure 2-17. Oil Dipstick and Tube Assembly, Engine.	
1	12555964	TUBE ASSEMBLY, engine oil dipstick (NA Diesel)	1
1	6006825	TUBE ASSEMBLY, engine oil dipstick (Turbo Diesel)	1
2	5741162	SCREW, flange head, 4.2mm - 1.4 x 10, class 8.9, engine oil dipstick	2
3	12555085	DIPSTICK, engine oil level (NA Diesel)	1
4	6006824	DIPSTICK, engine oil level (Turbo Diesel)	1
5	274244	O-RING, tube assembly, .355"	1

2-36 ENGINE



P03-017

Figure 2-18. Heat Shield, Exhaust Manifold (NA Diesel).

1997 HUMMER PARTS CATALOG

6-1-99

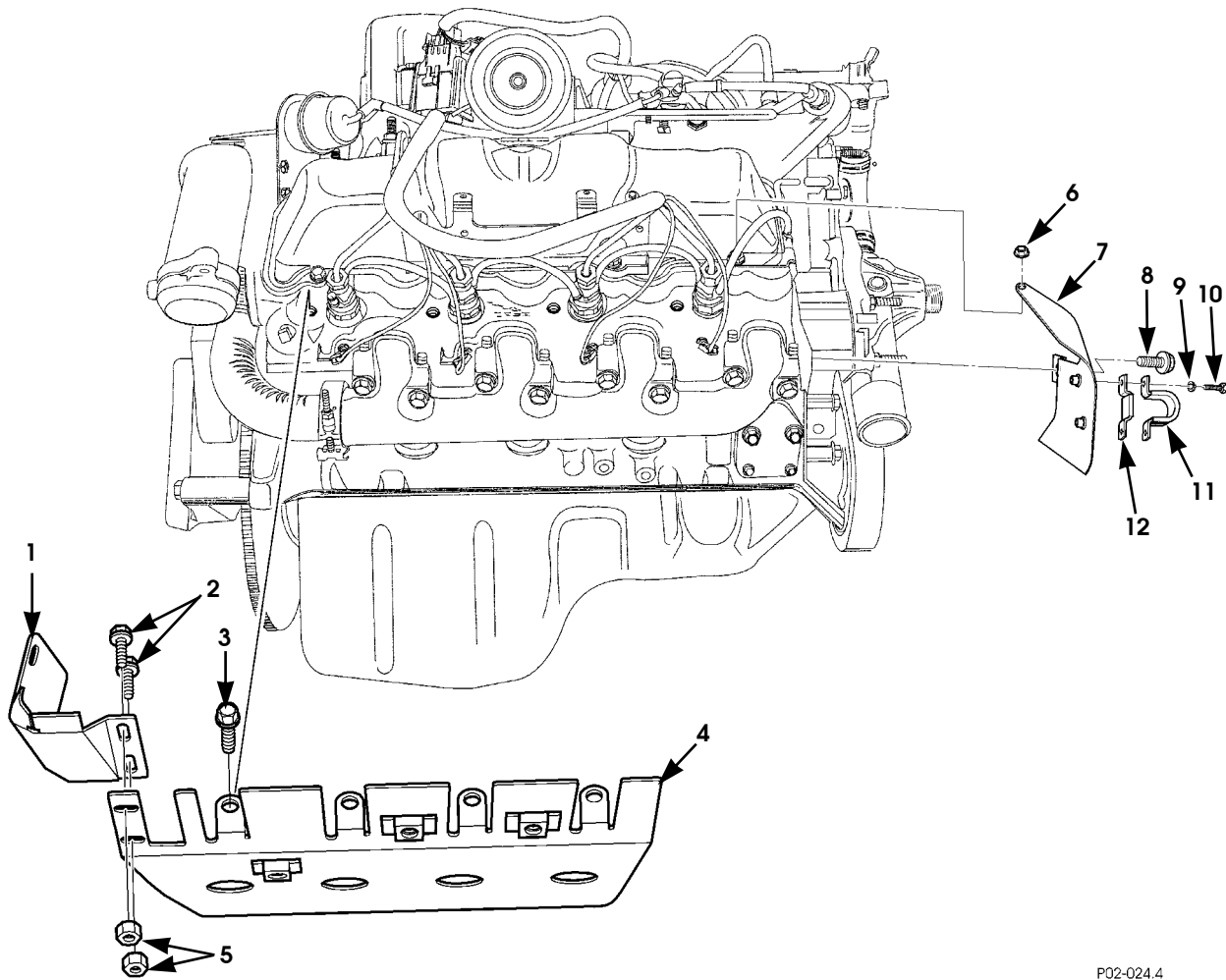
ENGINE 2-37

ITEM	PART NUMBER	DESCRIPTION	QTY
		Figure 2-18. Heat Shield, Exhaust Manifold (NA Diesel).	
1	N/S	BOLT, 1/4 - 20 x 1/2, Gr8, clamp	1
2	120528	CLAMP, transmission tube	1
3	12339181	GUARD, rear heat shield	1
4	12339175	HEAT SHIELD, exhaust, R.H.	1
5	N/S	SCREW, tapping, 10-32 x 3/8, heat shield	1
6	N/S	WASHER, 3/8 x 1.25 x .100, ZN, heat shield.	1
7	N/S	LOCKNUT, 1/4 - 20, Gr8, CAD, clamp	1

6-1-99

1997 HUMMER PARTS CATALOG

2-38 ENGINE



P02-024.4

Figure 2-19. Exhaust Manifold Heat Shield (Turbo Diesel).

1997 HUMMER PARTS CATALOG

6-1-99

ENGINE 2-39

ITEM	PART NUMBER	DESCRIPTION	QTY
		Figure 2-19. Exhaust Manifold Heat Shield (Turbo Diesel).	
1	RCSK17221	HEAT SHIELD, rear	1
2	N/S	SCREW, phcr, #10 - 24 x 3/4	2
3	N/S	SCREW, flanged hex head, M10 - 1.5 x 65, class 10.9.	4
4	RCSK17282	HEAT SHIELD, R.H.	1
5	N/S	NUT & LOCKWASHER ASSEMBLY, #10 - 24.	2
6	N/S	NUT, flanged, M8 - 1.25	1
7	20	BRACKET, engine wiring harness	1
8	N/S	SCREW, flanged, M10 - 1.50 x 13	1
9	N/S	LOCKWASHER, 1/4	2
10	N/S	BOLT, 1/4 - 20 x 1, Gr5.	2
11	12340663-1	CLAMP, cushioned.	1
12	12340664	CROSSBAR	1

Section 3

FUEL, EMISSIONS AND EXHAUST

TITLE	PAGE NUMBER
Accelerator Cable Bracket and Idle Spring (NA Diesel)	3-16
Accelerator Controls (NA Diesel)	3-18
Accelerator Controls (Turbo Diesel)	3-20
Air Cleaner, Air Horn, and Related Parts. (NA Diesel)	3-22
Air Cleaner, Air Horn, and Related Parts (Turbo Diesel).	3-24
Exhaust Pipes and Related Parts.	3-42
Fuel Filler, Auxiliary Fuel Tank.	3-36
Fuel Filler Pipe Assembly and Vent Lines, Main Fuel Tank	3-34
Fuel Filter Assembly and Mounting Hardware	3-40
Fuel Injection Pump and Fuel Filter Lines (NA Diesel)	3-3.1
Fuel Injection Pump and Fuel Filter Lines (Turbo Diesel)	3-4
Fuel Injection Pump Cover Assembly, Governor Linkage, and Related Parts (NA Diesel)	3-8
Fuel Injection Pump Housing Head and Rotor, Drive Shaft, and Related Parts (NA Diesel)	3-12
Fuel Injection Pump Throttle Shaft, Regulator, and Transfer Pump (NA Diesel)	3-10
Fuel Injection Supply and Return Lines (NA Diesel).	3-6
Fuel Injection Supply and Return Lines (Turbo Diesel)	3-7.1
Fuel Pump and Mounting Hardware	3-2
Fuel Supply and Return Lines.	3-28
Fuel Tank (Auxiliary) Assembly and Mounting Hardware	3-32
Fuel Tank (Main) Assembly and Mounting Straps	3-30
Fuel Tank Vent Line, Filter, and Mounting Hardware.	3-38

3-2 FUEL, EMISSIONS AND EXHAUST

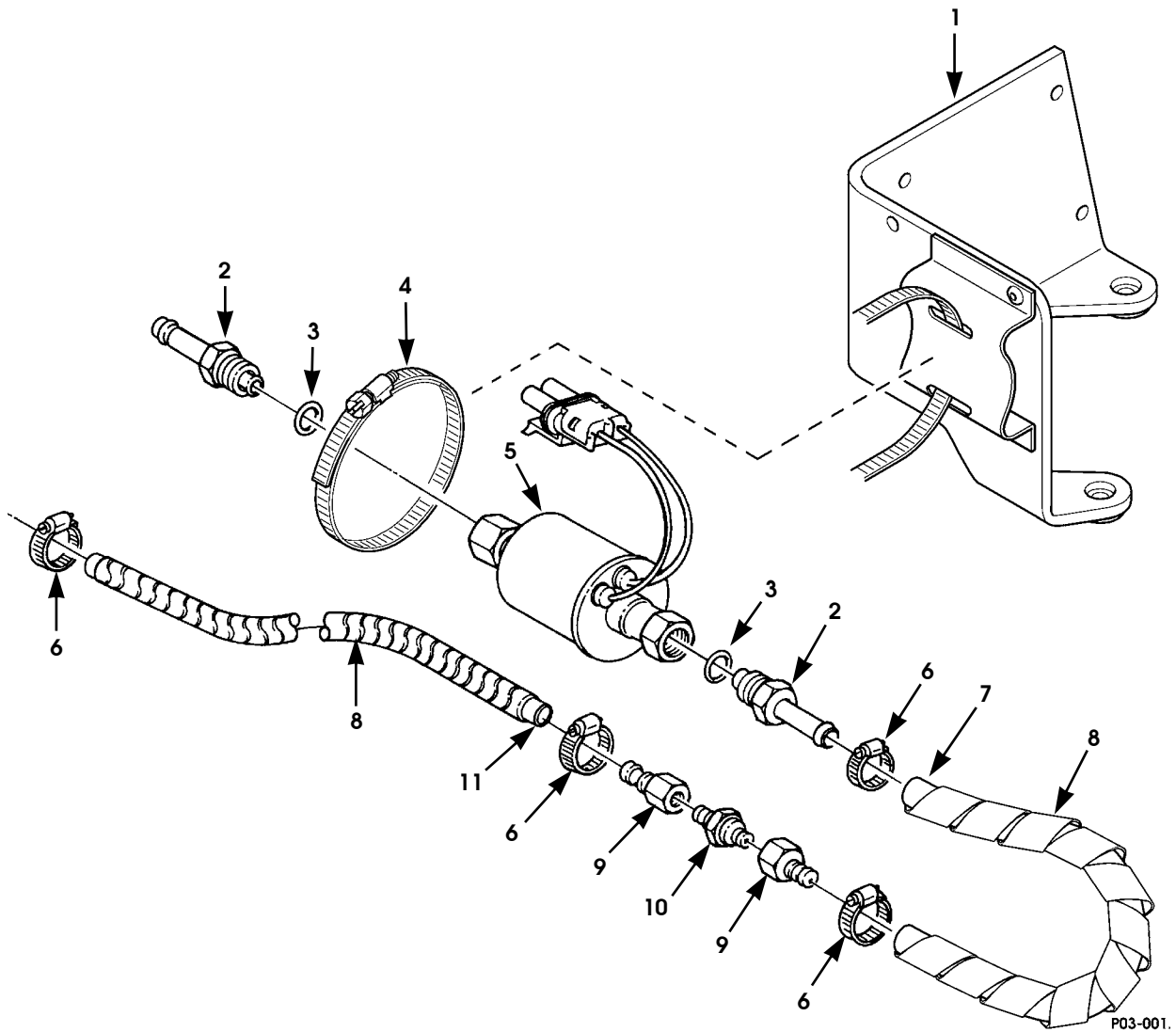


Figure 3-1. Fuel Pump and Mounting Hardware.

1997 HUMMER PARTS CATALOG

6-1-99

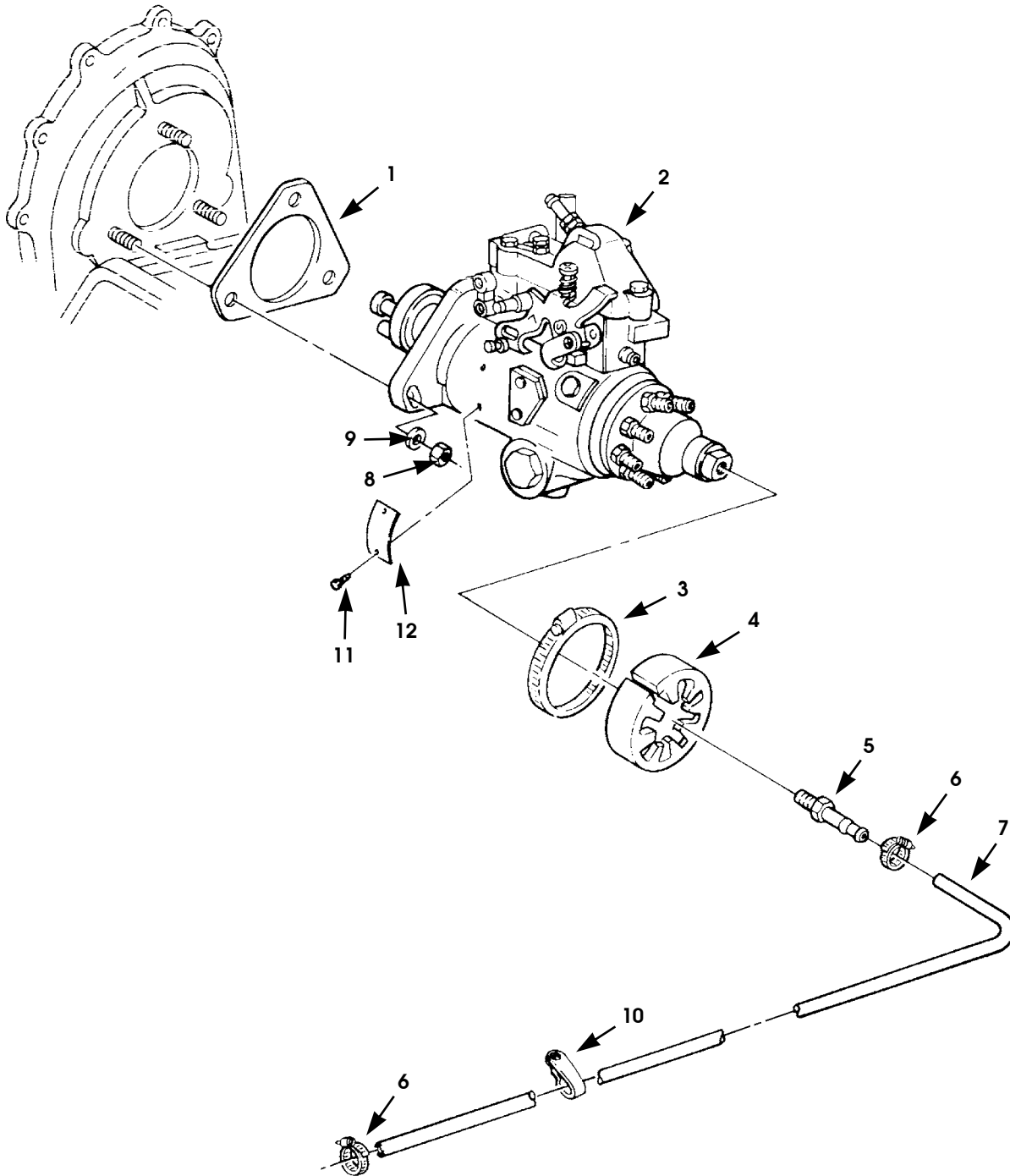
FUEL, EMISSIONS AND EXHAUST 3-3

ITEM	PART NUMBER	DESCRIPTION	QTY
		Figure 3-1. Fuel Pump and Mounting Hardware.	
1	5939619	BRACKET ASSEMBLY, filter mounting	1
2	5939725	TUBE ASSEMBLY, fuel line adapter	2
3	12340395	SEAL, O-ring	2
4	N/S	CLAMP, hose, stainless, 1 5/16" - 2 1/4", fuel pump . . .	1
5	5939728	FUEL PUMP ASSEMBLY	1
6	N/S	CLAMP, fuel hose, stainless, 5/16"	4
7	N/S	HOSE, filter to pump, 12-inch, SEE NOTE 1	1
8	5742924	WRAP, spiral, 5-inch	1
9	12342951 2	HOSE BARB	2
10	12342953 2	CHECK VALVE.	1
11	6001262	HOSE, 5-inch, fuel filter inlet.	1
		NOTE 1: MAKE FROM BULK HOSE P/N 5741067 3/8" X 25' ROLL	

6-1-99

1997 HUMMER PARTS CATALOG

3-3.1 FUEL, EMISSIONS AND EXHAUST



P03-002.3

Figure 3-1.1 Fuel Injection Pump and Fuel Filter Lines (NA Diesel)

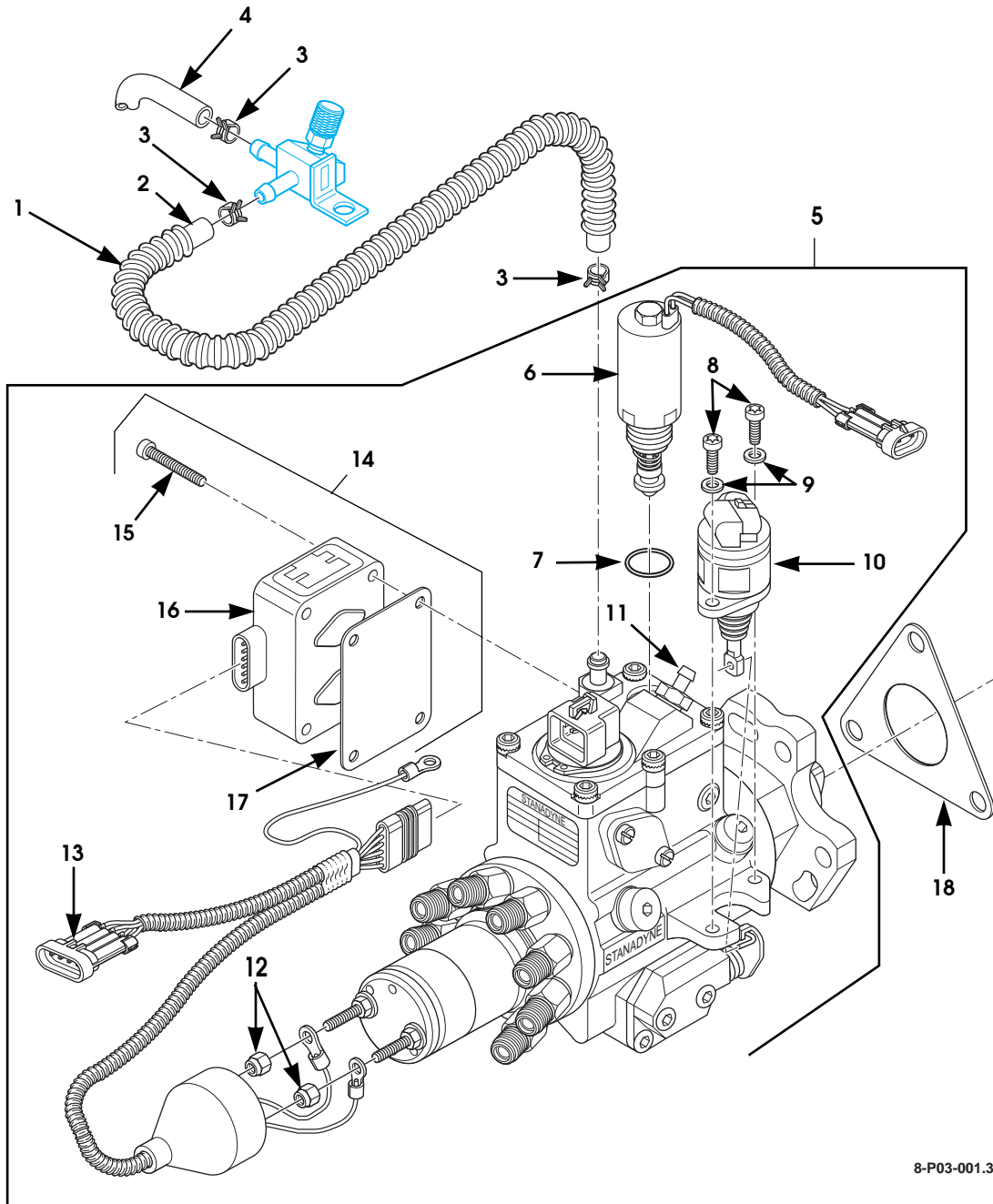
1997 HUMMER PARTS CATALOG

6-1-99

FUEL, EMISSIONS AND EXHAUST 3-3.2

ITEM	PART NUMBER	DESCRIPTION	QTY
		Figure 3-1.1 Fuel Injection Pump and Fuel Filter Lines (NA Diesel)	
1	5740059	GASKET, fuel injection pump, SEE NOTE 1	1
2	5743237	PUMP, fuel injection, 6.5L	1
2	5744365	PUMP, fuel injection, 6.5L, remanufactured	1
3	N/S	CLAMP, hose, stainless, 2 9/16" - 3 1/2", fuel injection pump boot	1
4	12339491-1	BOOT, fuel injection pump	1
5	5593885	TUBE, fuel injection pump, outlet	1
6	N/S	CLAMP, hose, stainless, 1/4", fuel filter inlet tube	2
7	N/S	HOSE, 3/9-inch, fuel filter outlet, SEE NOTE 2	1
8	N/S	LOCKNUT, pt, 5/16 - 18, fuel injection pump	4
9	N/S	WASHER, 1/4, flat, ZN, fuel injection pump.	4
10	5740167	CLAMP, fuel filter inlet tube	1
11	5740567	SCREW, fuel injection pump nameplate.	2
12	5740568	PLATE, identification	1
		 NOTE 1: PART OF ENGINE GASKET KIT P/N 5714842 NOTE 2: MAKE FROM BULK HOSE P/N 5741068 1/4" X 25' ROLL	

3-4 FUEL, EMISSIONS AND EXHAUST



8-P03-001.3

Figure 3-2. Fuel Injection Pump and Fuel Filter Lines (Turbo Diesel).

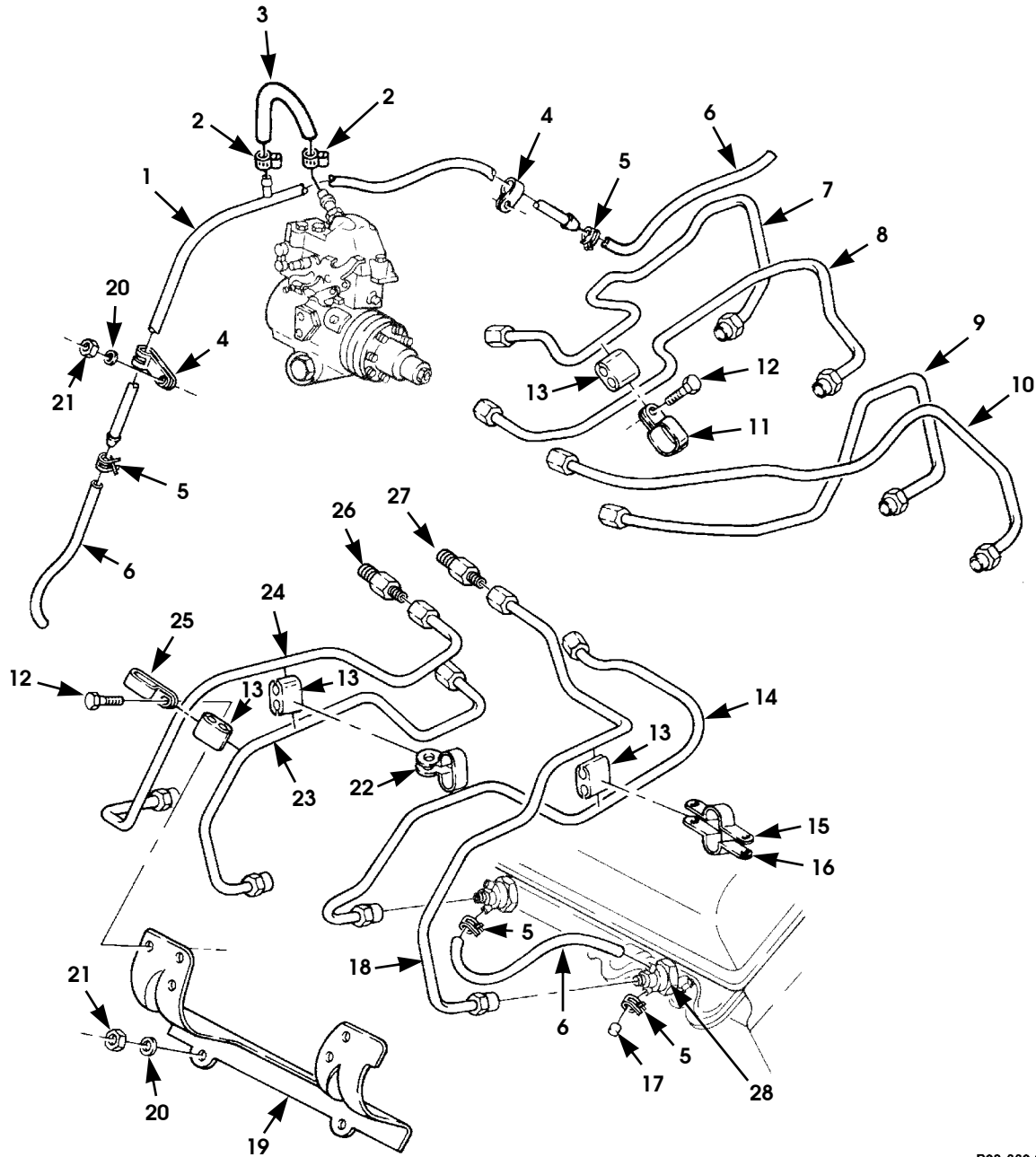
1997 HUMMER PARTS CATALOG

6-1-99

FUEL, EMISSIONS AND EXHAUST 3-5

ITEM	PART NUMBER	DESCRIPTION	QTY
		Figure 3-2. Fuel Injection Pump and Fuel Filter Lines (Turbo Diesel).	
1	6007672	CONVOLUTED TUBING, 19/32" x 19.5" long	1
2	N/S	HOSE, 1/4" x 22" long, fuel service port-to-pump, SEE NOTE 1.	1
3	N/S	CLAMP, constant tension, 1/2", fuel line	3
4	N/S	HOSE, 1/4" x 24" long, fuel service port-to-fuel filter, SEE NOTE 1.	1
5	5744636	PUMP, fuel injection, 6.5L	1
5	5744820	PUMP, fuel injection, 6.5L, remanufactured	1
6	5744937	•SOLENOID ASSEMBLY, engine shut-off (ESO).	1
7	S.I.A.	•O-RING, ESO solenoid	1
8	N/S	•SCREW, mounting	2
9	N/S	•WASHER, flat.	2
10	5745012	•MOTOR ASSEMBLY, injection timing stepper (ITS)	1
11	5745014	•PRESSURE REGULATOR ASSEMBLY	1
12	N/S	•LOCKNUT, harness attaching	2
13	5745013	•WIRING HARNESS.	1
14	5745016	•KIT, PMD-heat transfer pad.	1
15	S.I.K.	•SCREW, mounting	4
16	5744959	•DRIVER, pump-mounted fuel solenoid (PMD)	1
17	5744962	•HEAT TRANSFER PAD	1
18	5740059	GASKET, fuel injector pump, SEE NOTE 2	1
19	6007446	CONVOLUTED CONDUIT, non-slit, 46" long (not illustrated)	1
20	6007463	CONVOLUTED CONDUIT, non-slit, 18" long (not illustrated)	1
21	6007306	CONVOLUTED CONDUIT, non-slit, 20.5" long (not illustrated)	1
		NOTE 1: MAKE FROM BULK HOSE P/N 5741068 1/4" X 25' ROLL	
		NOTE 2: PART OF ENGINE CYLINDER HEAD GASKET SET, P/N 5714842, AND ALSO ENGINE OVERHAUL KIT, P/N 5740956, AND ALSO ENGINE GASKET AND SEAL SET, P/N 5742120.	

3-6 FUEL, EMISSIONS AND EXHAUST



P03-003.3

Figure 3-3. Fuel Injection Supply and Return Lines (NA Diesel).

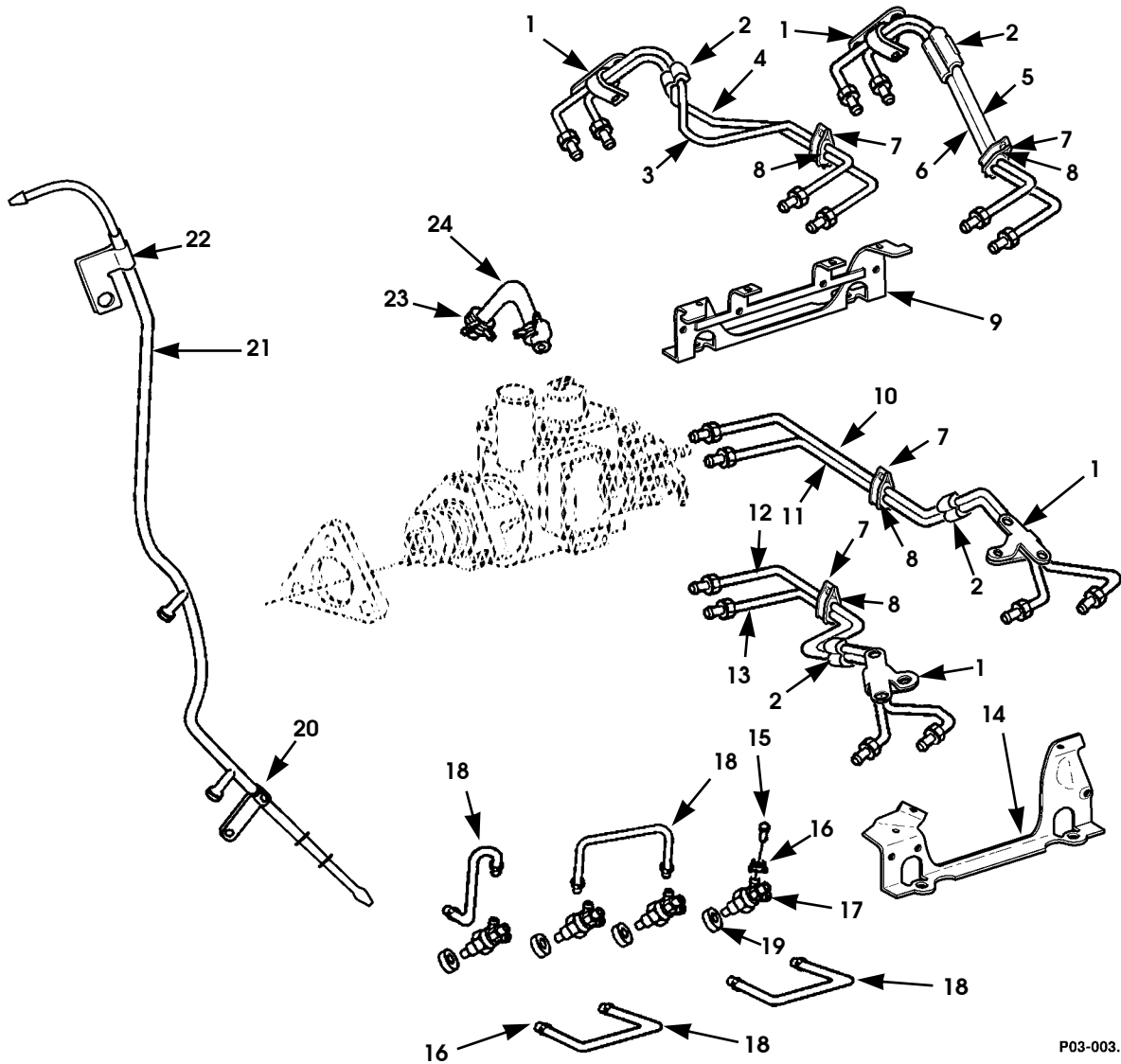
1997 HUMMER PARTS CATALOG

6-1-99

FUEL, EMISSIONS AND EXHAUST 3-7

ITEM	PART NUMBER	DESCRIPTION	QTY
		Figure 3-3. Fuel Injection Supply and Return Lines (NA Diesel).	
1	5745043	TUBE, fuel drain.	1
2	N/S	CLAMP, fuel drain hose	2
3	N/S	HOSE, 7-inch, fuel drain, SEE NOTE 1.	1
4	5740171	CLAMP, fuel drain.	2
5	5741895	CLAMP, fuel drain tube	18
6	5740211	TUBING, fuel drain pipe	8
7	5742551	TUBE, pump to injector, #2 cylinder	1
8	5742553	TUBE, pump to injector, #4 cylinder	1
9	5742555	TUBE, pump to injector, #6 cylinder	1
10	5742557	TUBE, pump to injector, #8 cylinder	1
11	5740179	CLAMP, fuel injection tube	4
12	5741162	BOLT, fuel injection tube clamp	8
13	5740537	INSERT, fuel injection tube clamp	12
14	5742554	TUBE, pump to injector, #5 cylinder	1
15	5740175	STRAP, fuel injection tube, upper	3
16	5740176	STRAP, fuel injection tube, lower.	3
17	5740210	CAP, fuel injection nozzle	2
18	5742556	TUBE, pump to injector, #7 cylinder	1
19	5742564	BRACKET, fuel injection lines, R.H.	1
19	5743288	BRACKET, fuel injection lines, L.H.	1
20	N/S	WASHER, fuel drain, 1/4" flat, hardened	5
21	N/S	NUT, fuel drain, 3/8-16, hex , phos.	5
22	5740178	CLAMP, fuel injection tube	1
23	5742552	TUBE, pump to injector, #3 cylinder	1
24	5742550	TUBE, pump to injector, #1 cylinder	1
25	5740536	CLAMP, fuel injection tube	4
26	5743765	SENSOR, time-trac, #1 cylinder	1
27	5742452	CONNECTOR, fuel line to pump	7
28	5743795	NOZZLE, fuel injection	1
	6000336	HOSE, fuel pump-to-filter (not illustrated)	1
	6007253	HOSE, fuel supply-to-fuel injector pump (not illustrated)	1
		NOTE 1: MAKE FROM BULK HOSE P/N 5741163 1/4" X 25' ROLL	

3-7.1 FUEL, EMISSIONS AND EXHAUST



P03-003.1

Figure 3-3.1 Fuel Injection Supply and Return Lines (Turbo Diesel)

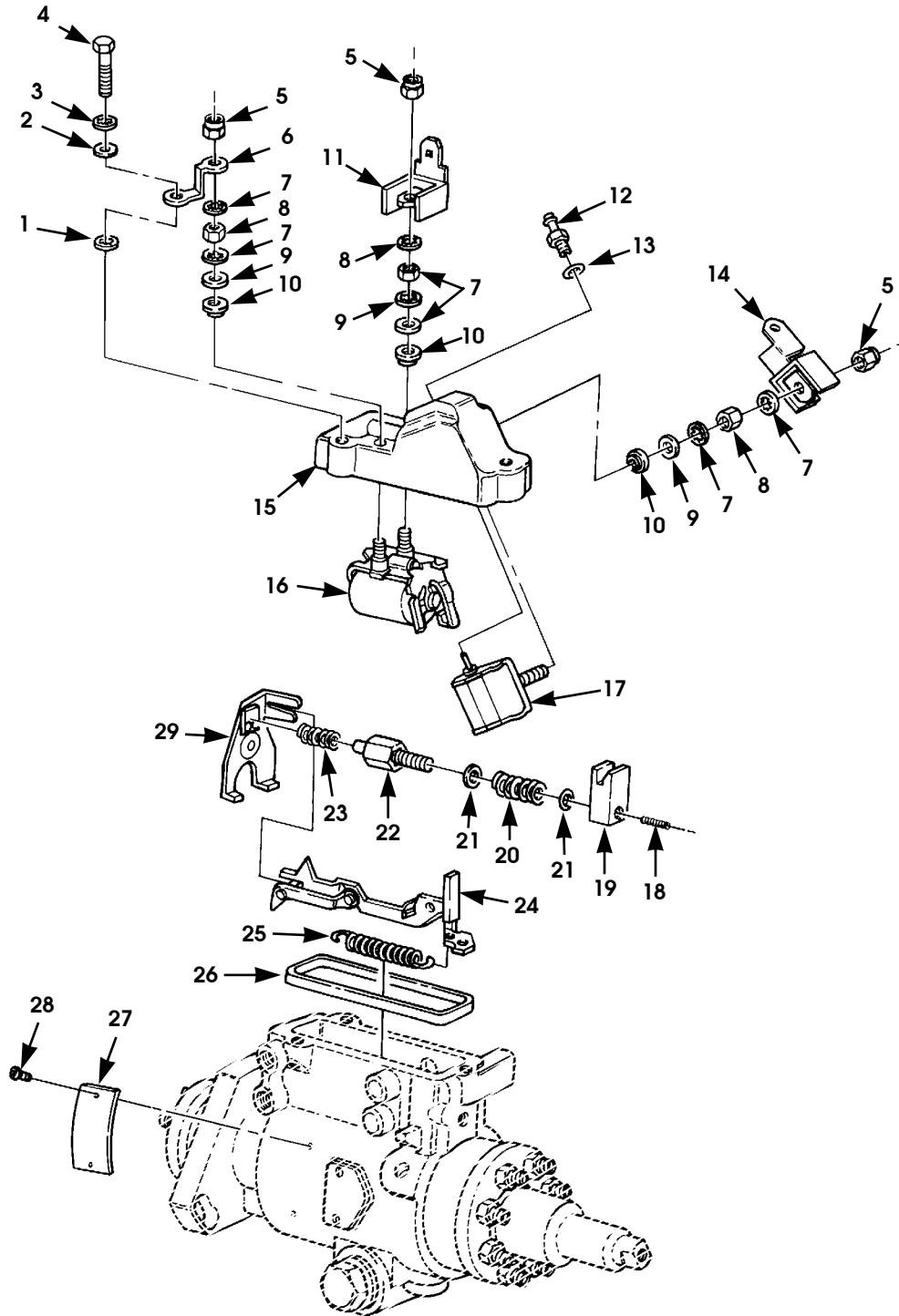
1997 HUMMER PARTS CATALOG

6-1-99

FUEL, EMISSIONS AND EXHAUST 3-7.2

ITEM	PART NUMBER	DESCRIPTION	QTY
		Figure 3-3.1 Fuel Injection Supply and Return Lines (Turbo Diesel)	
1	N/S	CLAMP, fuel injection tube	4
2	N/S	CLIP, one-piece plastic, fuel injection tube.	4
3	5744707	TUBE, pump to injector, #2 cylinder	1
4	5744709	TUBE, pump to injector, #4 cylinder	1
5	5744713	TUBE, pump to injector, #8 cylinder	1
6	5744711	TUBE, pump to injector, #6 cylinder	1
7	5740179	CLAMP, fuel injection tube	4
8	5740537	INSERT, fuel injection tube clamp	4
9	5742564	BRACKET, fuel injection lines, R.H.	1
10	5744712	TUBE, pump to injector, #7 cylinder	1
11	5744710	TUBE, pump to injector, #5 cylinder	1
12	5744708	TUBE, pump to injector, #3 cylinder	1
13	5744706	TUBE, pump to injector, #1 cylinder	1
14	5743288	BRACKET, fuel injection lines, L.H.	1
15	5740210	CAP, fuel injection nozzle	2
16	5741895	CLAMP, fuel drain tube	18
17	5743223	NOZZLE, fuel injection	8
18	5740211	HOSE, fuel drain	8
19	5740058	GASKET, nozzle	8
20	5740171	CLAMP, fuel drain, 1/8" I.D.	2
21	5745042	TUBE ASSEMBLY, fuel drain return	1
22	N/S	CLAMP, fuel return tube, L.H. side	1
23	N/S	CLAMP, fuel drain return hose	2
24	N/S	HOSE, 6-inch, fuel return, pump-to-return tube, SEE NOTE 1	1
		NOTE 1: MAKE FROM BULK HOSE P/N 5741163, 1/2" O.D. X 1/4" I.D. X 25' ROLL	

3-8 FUEL, EMISSIONS AND EXHAUST



P03-004

Figure 3-4. Fuel Injection Pump Cover Assembly, Governor Linkage, and Related Parts (NA Diesel)

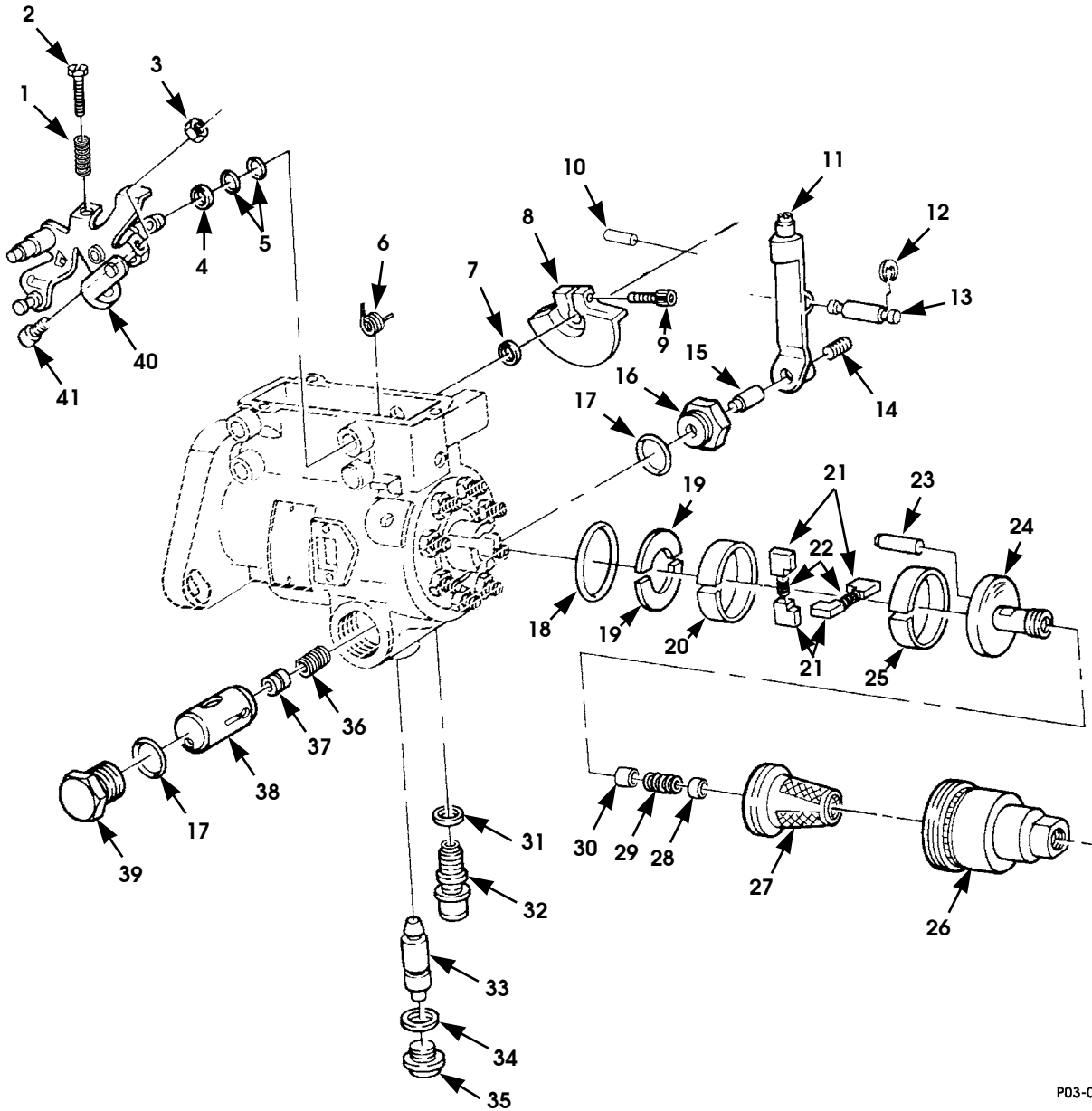
1997 HUMMER PARTS CATALOG

5-1-97

FUEL, EMISSIONS AND EXHAUST 3-9

ITEM	PART NUMBER	DESCRIPTION	QTY
		Figure 3-4. Fuel Injection Pump Cover Assembly, Governor Linkage, and Related Parts (NA Diesel)	
1	5740665	LOCKWASHER, cover.	1
2	5740569	WASHER, fuel injection pump cover	3
3	5740554	LOCKWASHER, fuel injection pump cover	3
4	5740553	BOLT, fuel injection pump cover	3
5	5740671	LOCKNUT	3
6	5740664	STRAP, terminal	1
7	5740673	LOCKWASHER	6
8	5740666	NUT	3
9	5740667	WASHER	3
10	5740674	WASHER, SEE NOTE 1	3
11	5742648	SPADE LUG, shutoff solenoid.	1
12	5742634	CONNECTOR, return line.	1
13	5740556	PACKING, SEE NOTE 1	1
14	5742649	SPADE LUG, cold advance solenoid	1
15	5742631	COVER	1
16	5742632	SOLENOID, shutoff	1
17	5742633	SOLENOID, cold advance	1
18	5742124	SPRING, governor inner.	1
19	5740627	BLOCK ASSEMBLY.	1
20	5742126	SPRING, governor outer	1
21	5740625	WASHER	2
22	5742127	PUSHROD ASSEMBLY, governor.	1
23	5740616	SPRING, governor, idling	1
24	5740693	HOOK ASSEMBLY	1
25	5742635	SPRING	1
26	5740072	GASKET, fuel injection SEE NOTE 1	1
27	5740568	IDENTIFICATION PLATE	1
28	5740567	SCREW, identification plate	2
29	5740617	ARM, governor.	1
		NOTE 1: PART OF FUEL INJECTION GASKET OVERHAUL KIT P/N 5742010	

3-10 FUEL, EMISSIONS AND EXHAUST



P03-00

Figure 3-5. Fuel Injection Pump Throttle Shaft, Regulator, and Transfer Pump (NA Diesel).

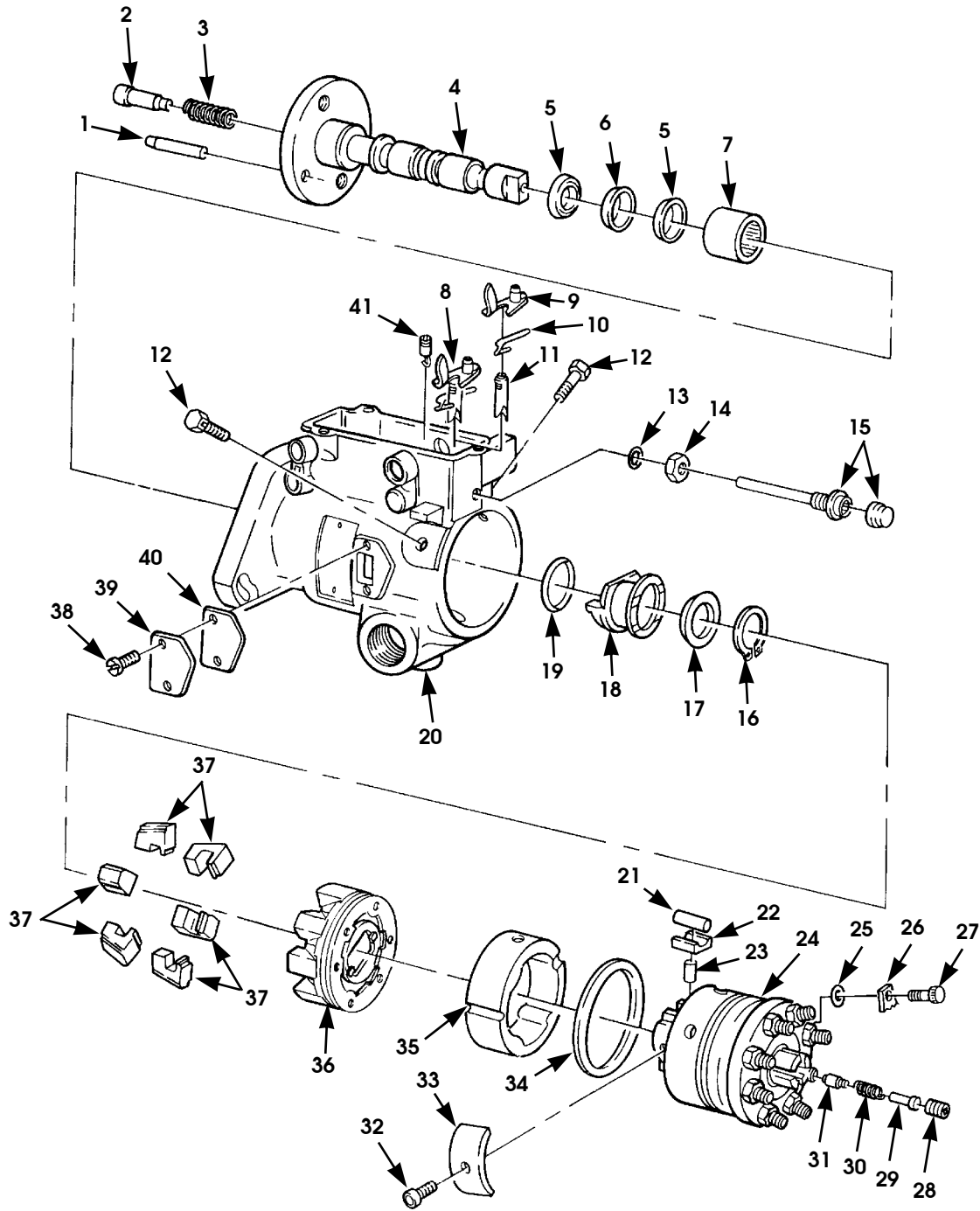
1997 HUMMER PARTS CATALOG

5-1-97

FUEL, EMISSIONS AND EXHAUST 3-11

ITEM	PART NUMBER	DESCRIPTION	QTY
		Figure 3-5. Fuel Injection Pump Throttle Shaft, Regulator, and Transfer Pump (NA Diesel).	
1	5740637	SPRING, low idle screw	1
2	5740636	SCREW, low idle	1
3	5740635	NUT, max. throttle travel	1
4	5740634	SPACER, throttle shaft	1
5	5740645	SEAL, throttle shaft, SEE NOTE 1	2
6	5742128	SPRING, governor, thrust	1
7	5742636	SEAL WASHER, throttle shaft, SEE NOTE 1	1
8	5740644	CAM, face, fuel injection pump	1
9	5740642	SCREW, face, cam	1
10	5740643	PIN, drive, SEE NOTE 1	1
11	5740655	LEVER, rocker, fuel injection pump	1
12	5740657	RETAINING RING, rocker lever	2
13	5740656	PIN, rocker level	1
14	5740658	SETSCREW, servo advance adjust	1
15	5740647	PLUNGER, servo advance	1
16	5742445	PLUG, piston hole	1
17	5740653	SEAL, drain plug, piston hole, SEE NOTE 1	2
18	5740599	SEAL, ring, transfer pump, SEE NOTE 1	1
19	5740607	RETAINER, rotor, fuel injection pump	2
20	5740608	LINER, transfer pump	1
21	5740609	BLADE, transfer pump, standard	4
21	5740610	BLADE, transfer pump, oversized, .001	4
22	5740600	SPRING, transfer pump blade	2
23	5740601	PIN, transfer pump	1
24	5742446	REGULATOR, transfer pump	1
25	5740611	RETAINING RING, lining	1
26	5742447	CAP, transfer pump	1
27	5742451	STRAINER, fuel inlet	1
28	5740604	PLUG ASSEMBLY, end plate	1
29	5742131	SPRING, regulating	1
30	5740603	PISTON, fuel regulating transfer pump	1
31	5740660	PACKING, head locating screw, SEE NOTE 1	1
32	5740661	SCREW, head locating	1
33	5740654	PIN, cam advance	1
34	5740662	PACKING, cam advance, SEE NOTE 1	1
35	5740663	PLUG, screw hole advance	1
36	5742448	SPRING, light load advance	1
37	5740649	VALVE, servo advance	1
38	5742449	PISTON, servo advance	1
39	5742133	PLUG, piston hole, power side	1
40	5740638	SHAFT ASSEMBLY, throttle	1
41	5742637	SCREW, max. throttle travel	1
		NOTE 1: PART OF FUEL INJECTION GASKET OVERHAUL KIT P/N 5742010	

3-12 FUEL, EMISSIONS AND EXHAUST



P03-006

Figure 3-6. Fuel Injection Pump Housing Head and Rotor, Drive Shaft, and Related Parts (NA Diesel).

1997 HUMMER PARTS CATALOG

5-1-97

FUEL, EMISSIONS AND EXHAUST 3-13

ITEM	PART NUMBER	DESCRIPTION	QTY
		Figure 3-6. Fuel Injection Pump Housing Head and Rotor, Drive Shaft, and Related Parts (NA Diesel).	
1	5740559	PIN, drive shaft dowel, SEE NOTE 1	2
1	5740560	PIN, drive shaft dowel, oversized	1
2	5740563	PIN, thrust washer	1
3	5740561	SPRING, thrust pin	1
4	5740557	DRIVE SHAFT	1
5	5740562	PACKING, black, SEE NOTE 2	2
6	5740564	PACKING, red, SEE NOTE 2	1
7	5740583	NEEDLE BEARING	1
8	5741097	VALVE ASSEMBLY, oversized, SEE NOTE 3	1
9	5740630	ARM ASSEMBLY, standard	1
10	5740631	SPRING	1
11	5740632	VALVE, standard.	1
12	5740580	SCREW, headlocking.	2
13	5742137	SEAL, O-ring, guide stud	1
14	5742136	NUT, guide stud	1
15	5742138	STUD, governor.	1
16	5740623	RETAINING RING, governor.	1
17	5740621	WASHER, governor sleeve.	1
18	5740620	GOVERNOR SLEEVE.	1
19	5742140	RETAINING RING	1
20	5742141	HOUSING, fuel injection pump.	1
21	5740585	ROLLER, cam	2
22	5740586	SHOE, cam roller	2
23	5740680	PLUNGER, standard, A, SEE NOTE 4	2
23	5740681	PLUNGER, standard, B, SEE NOTE 4	2
23	5740682	PLUNGER, standard, C, SEE NOTE 4	2
23	5740683	PLUNGER, standard, D, SEE NOTE 4	2
23	5740684	PLUNGER, oversized, A	2
23	5740685	PLUNGER, oversized, B.	2
23	5740686	PLUNGER, oversized, C	2
23	5740687	PLUNGER, oversized, D	2
24	5742142	HEAD AND ROTOR ASSEMBLY.	1
25	5740595	PACKING, locking plate, SEE NOTE 2	1
26	5742638	LOCKING PLATE	1
27	5742639	SCREW, locking plate	1
28	5740598	SCREW, delivery valve.	1
29	5740592	STOP, delivery valve, SEE NOTE 2.	1
30	5740591	SPRING, delivery valve	1
31	5742143	VALVE, standard.	1
31	5742144	VALVE, oversized	1

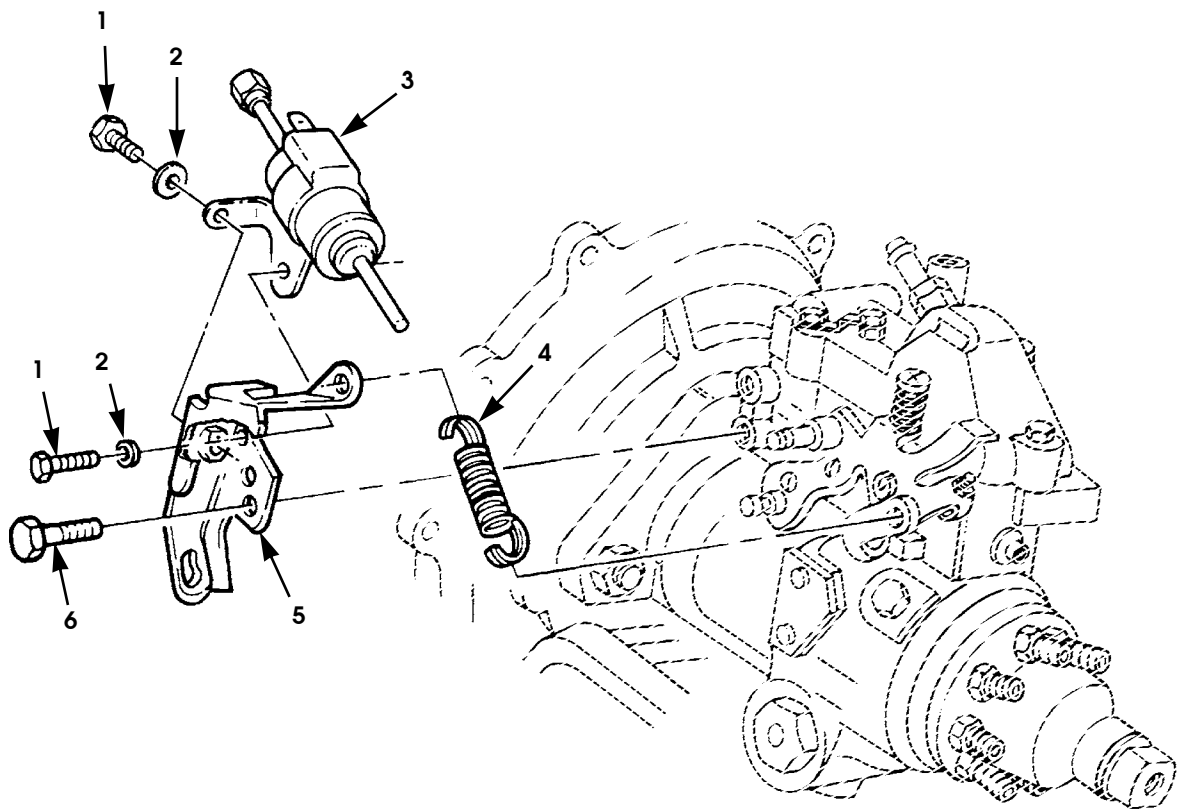
5-1-97

1997 HUMMER PARTS CATALOG

3-14 FUEL, EMISSIONS AND EXHAUST

ITEM	PART NUMBER	DESCRIPTION	QTY
		Figure 3-6. Fuel Injection Pump Housing Head and Rotor, Drive Shaft, and Related Parts (NA Diesel). (Cont'd)	
32	5740590	ADJUSTING SCREW, leaf spring	1
33	5740589	SPRING	1
34	5740588	PACKING, hydraulic head, SEE NOTE 2	1
35	5740587	CAM RING, standard	1
36	5740691	RETAINER ASSEMBLY	1
37	5740622	WEIGHT, counter balance	6
38	5740566	SCREW, timing line cover.	2
39	5740565	TIMING LINE COVER.	1
40	5740584	GASKET, timing line cover, SEE NOTE 2	1
41	5740572	SCREW ASSEMBLY, vent, #0	1
41	5740573	SCREW ASSEMBLY, vent, #1	1
41	5740574	SCREW ASSEMBLY, vent, #2	1
41	5740575	SCREW ASSEMBLY, vent, #3	1
41	5740576	SCREW ASSEMBLY, vent, #4	1
41	5740577	SCREW ASSEMBLY, vent, #5	1
		NOTE 1: COMES WITH ITEM 4	
		NOTE 2: PART OF FUEL INJECTION GASKET OVERHAUL KIT P/N 5742010	
		NOTE 3: COMES WITH ITEMS 9 AND 11	
		NOTE 4: COMES WITH ITEM 24	

3-16 FUEL, EMISSIONS AND EXHAUST



P03-007

*Figure 3-7. Accelerator Cable Bracket and Idle Spring
(NA Diesel).*

1997 HUMMER PARTS CATALOG

5-1-97

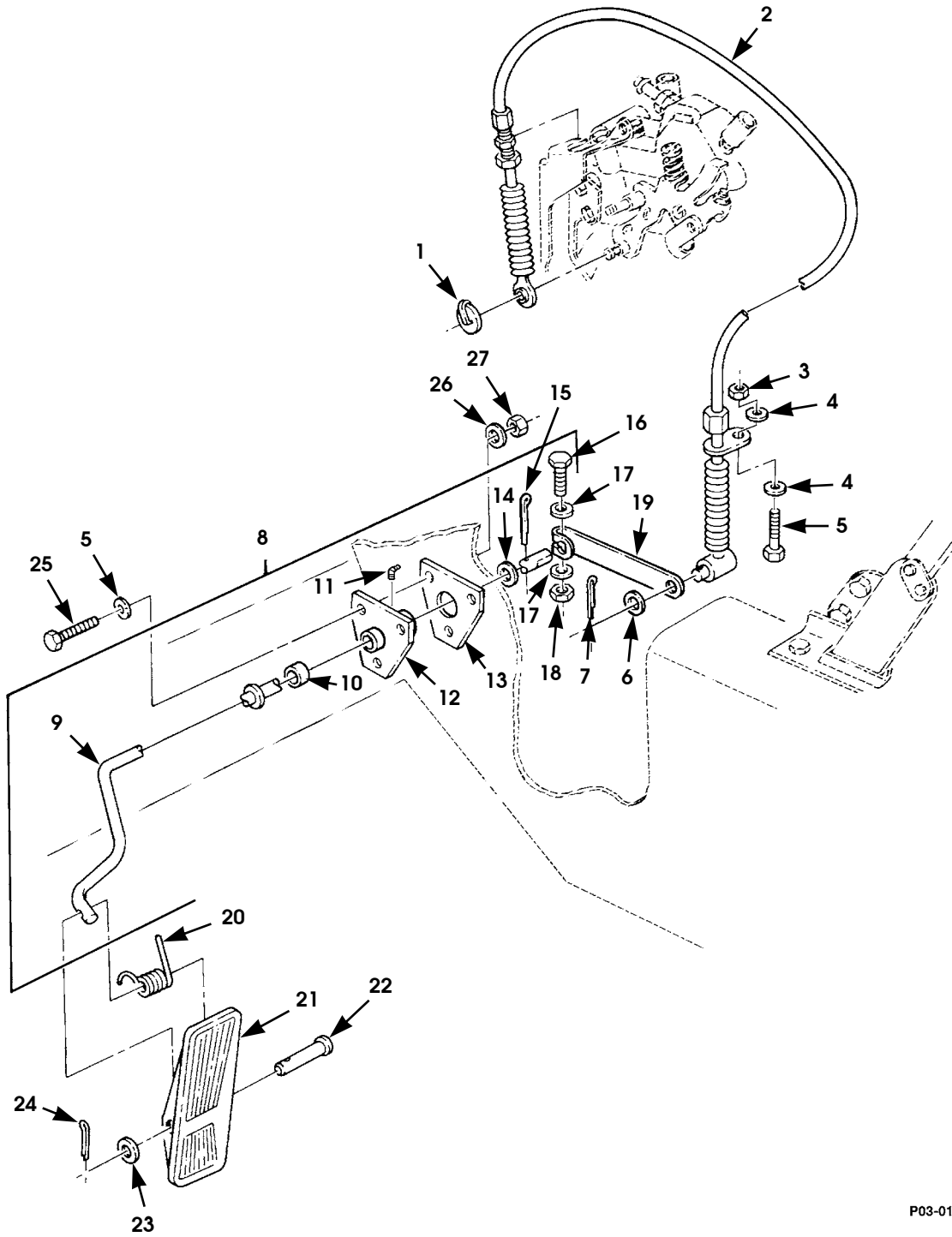
FUEL, EMISSIONS AND EXHAUST 3-17

ITEM	PART NUMBER	DESCRIPTION	QTY
		Figure 3-7. Accelerator Cable Bracket and Idle Spring (NA Diesel).	
1	5742655	BOLT, solenoid	2
2	N/S	WASHER, flat, type A, #10, phos., accelerator cable bracket	2
3	5742565	SOLENOID ASSEMBLY, idle speed control	1
4	5742659	SPRING, idle return.	1
5	5742654	BRACKET ASSEMBLY, accelerator cable	1
6	5741159	BOLT, accelerator cable bracket	2

5-1-97

1997 HUMMER PARTS CATALOG

3-18 FUEL, EMISSIONS AND EXHAUST



P03-014.1

Figure 3-8. Accelerator Controls (NA Diesel)

1997 HUMMER PARTS CATALOG

5-1-97

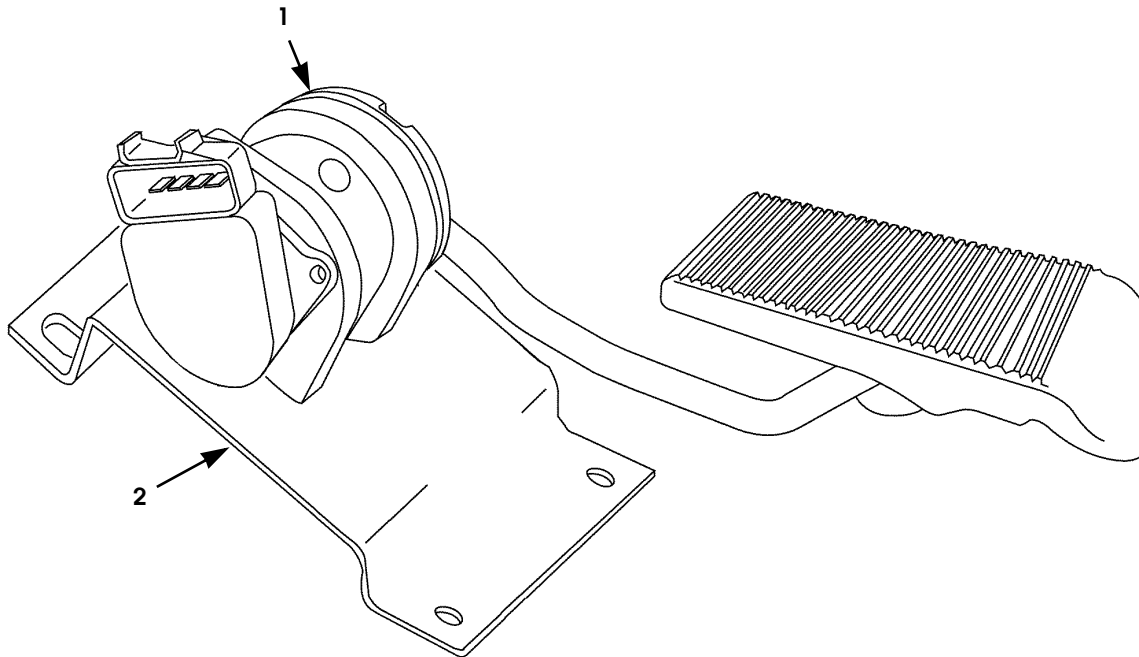
FUEL, EMISSIONS AND EXHAUST 3-19

ITEM	PART NUMBER	DESCRIPTION	QTY
		Figure 3-8. Accelerator Controls (NA Diesel)	
1	12338355	CLIP, accelerator cable	1
2	12338360	ACCELERATOR cable, NA Diesel	1
3	N/S	LOCKNUT, 1/4 - 20, Gr8, accelerator cable	1
4	N/S	WASHER, flat, hard, type B, 1/4, ZN, accelerator cable	3
5	N/S	BOLT, 1/4 - 20 x 3/4, Gr8, CAD, accelerator cable	1
6	N/S	WASHER, flat, 1/4, CAD, accelerator cable.	1
7	N/S	COTTER PIN, 1/16" x 1/2", CAD, accelerator cable.	1
8	6008144	BELLCRANK ASSEMBLY.	1
9	6008145	•ROD-LEVER, accelerator pedal.	1
10	5939348	•BUSHING, accelerator pedal	2
11	S.I.A.	•FITTING, lubrication, 90 degrees, 1/4 - 28	1
12	S.I.A.	•PIVOT ASSEMBLY, bellcrank	1
13	12338357	•GASKET, retainer cover	1
14	S.I.A.	•WASHER, 7/16, flat, CAD, accelerator pedal	1
15	S.I.A.	•COTTER PIN, accelerator pedal, 3/32" x 3/4", CAD	1
16	S.I.A.	•BOLT, 1/4 - 20 x 1.25, Gr5, CAD, bellcrank assembly	1
17	S.I.A.	•WASHER, flat, hard, Type B, 1/4, ZN, bellcrank assembly	2
18	S.I.A.	•LOCKNUT, 1/4 - 20, Gr8, bellcrank assembly	1
19	5939349	•CONNECTING ARM, accelerator pedal.	1
20	12338358	SPRING, accelerator control pedal.	1
21	12338365	PEDAL, accelerator control	1
22	12338361	PIN, accelerator control pedal	1
23	N/S	WASHER, flat, #12, ZN, accelerator control pedal	1
24	N/S	COTTER PIN, 1/16" x 1/2", CAD, accelerator pedal	1
25	N/S	BOLT, 1/4 - 20 x 1, Gr8, CAD, accelerator control pedal.	3
26	N/S	LOCKWASHER, med, 1/4, ZN.	3
27	5937810	NUT, insert, 1/4 - 20.	3

6-1-99

1997 HUMMER PARTS CATALOG

3-20 FUEL, EMISSIONS AND EXHAUST



P03-026.2

Figure 3-9. Accelerator Controls (Turbo Diesel).

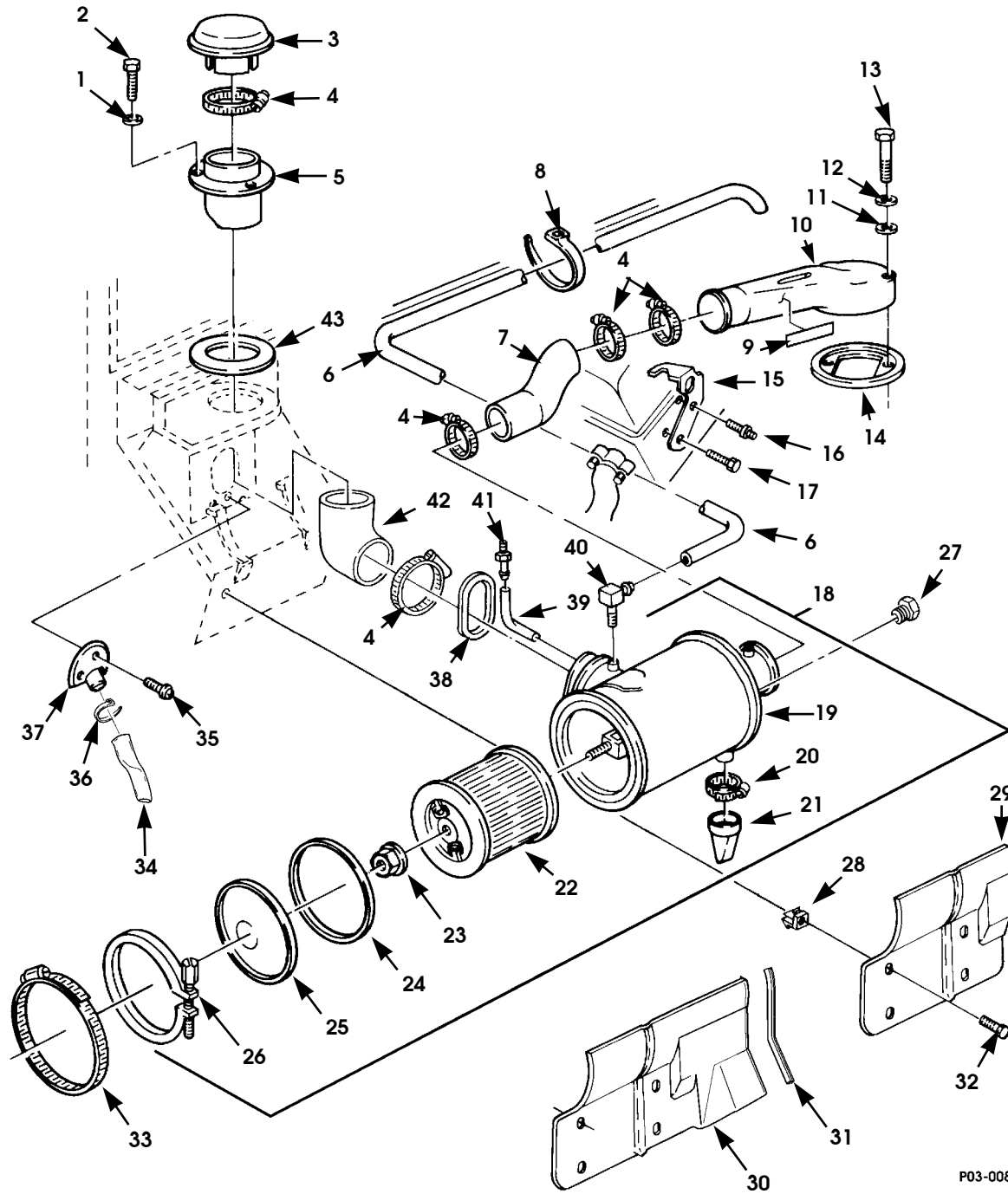
1997 HUMMER PARTS CATALOG

6-1-99

FUEL, EMISSIONS AND EXHAUST 3-21

ITEM	PART NUMBER	DESCRIPTION	QTY
1	6007221	ACCELERATOR PEDAL ASSEMBLY.....	1
2	6007177	•BRACKET, accelerator mounting.....	1

3-22 FUEL, EMISSIONS AND EXHAUST



P03-008.a

Figure 3-10. Air Cleaner, Air Horn, and Related Parts. (NA Diesel).

1997 HUMMER PARTS CATALOG

6-1-99

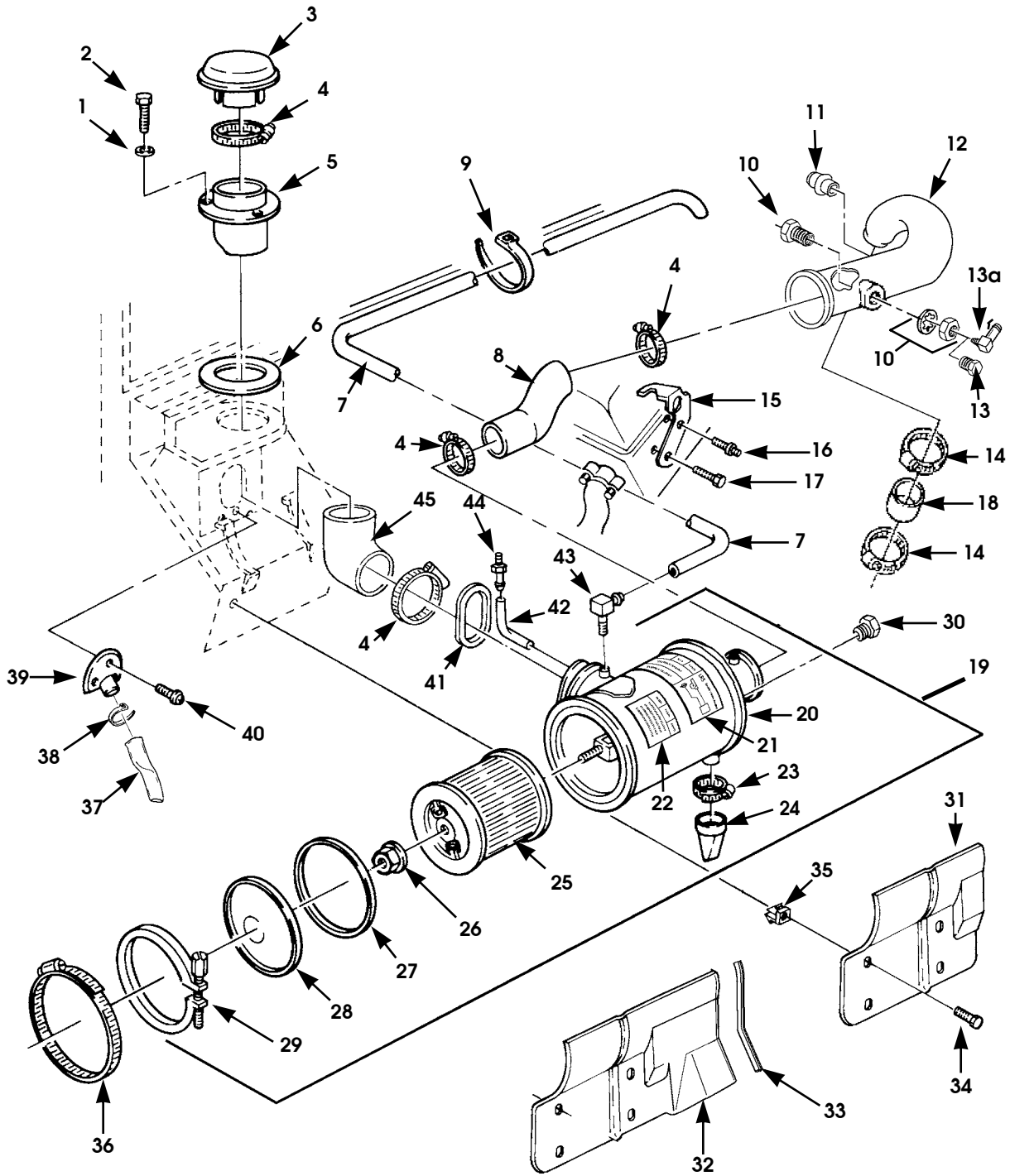
FUEL, EMISSIONS AND EXHAUST 3-23

ITEM	PART NUMBER	DESCRIPTION	QTY
		Figure 3-10. Air Cleaner, Air Horn, and Related Parts. (NA Diesel).	
1	N/S	WASHER, flat, 1/4, CAD, air intake shield	3
2	N/S	BOLT, 1/4 - 20 x 7/16, Gr 8, ZN, air intake shield	3
3	12338377-P	CAP, air intake	1
4	11608950-18	CLAMP, 5.0" - 2.0", air intake	5
5	6001738 P	ADAPTER, air intake	1
6	N/S	TUBE, 28-inch, air cleaner vent line, SEE NOTE 1	1
7	12338381	HOSE, induction	1
8	MS3367-1-9	TIEDOWN STRAP, tube air cleaner	1
9	12339055	DECAL, no step	1
10	12338383	AIR HORN ASSEMBLY	1
11	12339052	WASHER, 5/16, air horn	2
12	N/S	WASHER, 5/16, flat, Type B, ZN, air horn	2
13	N/S	BOLT, 5/16 - 18 x 3.75, Gr5, CAD, air horn	2
14	12338382	GASKET, air horn	1
15	N/S	BRACKET, engine lift, CAD	1
16	12339406-2	STUD, air horn support bracket	1
17	N/S	SCREW, M10 - 1.5 x 25, class 10.9, Dri-Loc air horn support bracket	
18	WA12339911	AIR CLEANER ASSEMBLY	1
19	S.I.A.	•BODY, air cleaner	1
20	N/S	•CLAMP, dust unloader	1
21	12342873	•UNLOADER, dust	1
22	12342870	•FILTER element, air cleaner	1
23	12342871	•NUT/LOCKWASHER, air cleaner	1
24	12342872	•GASKET, air filter	1
25	12342869	•COVER, air cleaner	1
26	12342874	•CLAMP, air cleaner	1
27	127950	PLUG, 1/8, brass, hex, air cleaner	1
28	12340922	GROMMET, air cleaner shield	4
29	12338863P	SHIELD, air cleaner	1
30	6009455B2	SHIELD, air cleaner, (On VIN VE176477 and up)	1
31	6009588	EDGE GUARD, air cleaner shield, (On VIN VE176477 and up)	1
32	N/S	SCREW, tapping, #10 - 16 x 1/2, ZN, air cleaner shield	4
33	11608950-28	CLAMP, 2.25" - 2.00", air cleaner	3
34	6009746	DRAIN HOSE	1
35	MS51861-34	SCREW, drainage bracket	3
36	N/S	TIE WRAP	1
37	12338842	BRACKET, air intake drainage tube	1
38	6005110	GASKET, air cleaner intake	1
39	12340799	TUBE, vent line	1
40	12339964 1	ELBOW, pipe to hose, vent line	1
41	12339978	CONNECTOR, vent line	1
42	6001737	ELBOW, air cleaner	1
43	6001764	GASKET, air intake housing	1
		NOTE 1: MAKE FROM BULK NYLON TUBE P/N 5741079 3/16" X 250' ROLL	

6-1-99

1997 HUMMER PARTS CATALOG

3-24 FUEL, EMISSIONS AND EXHAUST



P03-008.2

Figure 3-11. Air Cleaner, Air Horn, and Related Parts (Turbo Diesel).

1997 HUMMER PARTS CATALOG

6-1-99

FUEL, EMISSIONS AND EXHAUST 3-25

ITEM	PART NUMBER	DESCRIPTION	QTY
		Figure 3-11. Air Cleaner, Air Horn, and Related Parts (Turbo Diesel).	
1	N/S	WASHER, flat, 1/4, CAD, air intake shield	3
2	N/S	SCREW, 1/4 - 20 x 7/16, Gr8, ZN, air intake shield.	3
3	12338377-P	CAP, air intake	1
4	11608950-18	CLAMP, 5.0" - 2.0", air intake	4
5	6001738P	ADAPTER, air intake	1
6	6001764	GASKET, air intake housing	1
7	N/S	TUBE, 28-inc, air cleaner vent line, SEE NOTE 1	1
8	12338381	HOSE, induction	1
9	MS3367-1-9	TIEDOWN STRAP, tube air cleaner	1
10	12339984	COUPLING ASSEMBLY, bulkhead	1
11	RCSK17735	CDR VALVE AND TUBE ASSEMBLY	1
12	6007701	AIR HORN INDUCTION SYSTEM	1
13	127951	PLUG, pipe, hex head, 1/4" NPT (w/o CTIS only)	1
13a	12339415	ELBOW, 90 deg, 1/4" NPT to hose, barbed (with CTIS only)	1
14	11608950-11	CLAMP	2
15	5937374	BRACKET, engine lift.	1
16	12339406-2	STUD, air horn support bracket.	1
17	N/S	BOLT, M10 - 1.5 x 25, class 10.9, CAD, air horn support bracket.	1
18	RCSK17700	HOSE, turbo intake,	1
19	WA12339911	AIR CLEANER ASSEMBLY	1
20	S.I.A.	•BODY, air cleaner	1
21	6008736	•EMISSIONS LABEL (Turbo Diesel).	1
21	6008735	•EMISSIONS LABEL, California (Turbo Diesel)	1
22	6008697	•LABEL, California Air Resources Board (CARB)	1
23	N/S	•CLAMP, dust unloader.	1
24	12342873	•UNLOADER, dust	1
25	12342870	•FILTER element, air cleaner.	1
26	12342871	•NUT/LOCKWASHER, air cleaner	1
27	12342872	•GASKET, air filter	1
28	12342869	•COVER, air cleaner	1
29	12342874	•CLAMP, air cleaner	1
30	127950	PLUG, 1/8 brass, hex, air cleaner	1
31	12338863P	SHIELD, air cleaner, VIN VE176476 and earlier	1
32	6009455B2	SHIELD, air cleaner, VIN VE176477 and up.	1
33	6009588	EDGE GUARD, air cleaner shield, VIN VE176477 and up	1
34	N/S	SCREW, tapping, #10 - 16 x 1/2, ZN, air cleaner shield	4
35	12340922	GROMMET, air cleaner shield.	4
36	11608950-28	CLAMP, 2.25" - 2.00", air cleaner	3
37	6009746	DRAIN HOSE, VIN VE 176477 and up	1
38	N/S	TIEWRAP	1

6-1-99

1997 HUMMER PARTS CATALOG

3-26 FUEL, EMISSIONS AND EXHAUST

ITEM	PART NUMBER	DESCRIPTION	QTY
		Figure 3-11. Air Cleaner, Air Horn, and Related Parts (Turbo Diesel).	
39	12338842	BRACKET, air intake drainage tube	1
40	MS51861-34	SCREW, tapping, pan head, #8 - 18 x 3/8, drainage bracket	3
41	6005110	GASKET, air cleaner intake	1
42	12340799	TUBE, vent line	1
43	12339964 1	ELBOW, pipe to hose, vent line	1
44	12339978	CONNECTOR, vent line	1
45	6001737	ELBOW, air cleaner	1
		NOTE 1: MAKE FROM BULK NYLON TUBE P/N 5741079, 3/16" X 250' ROLL	

3-28 FUEL, EMISSIONS AND EXHAUST

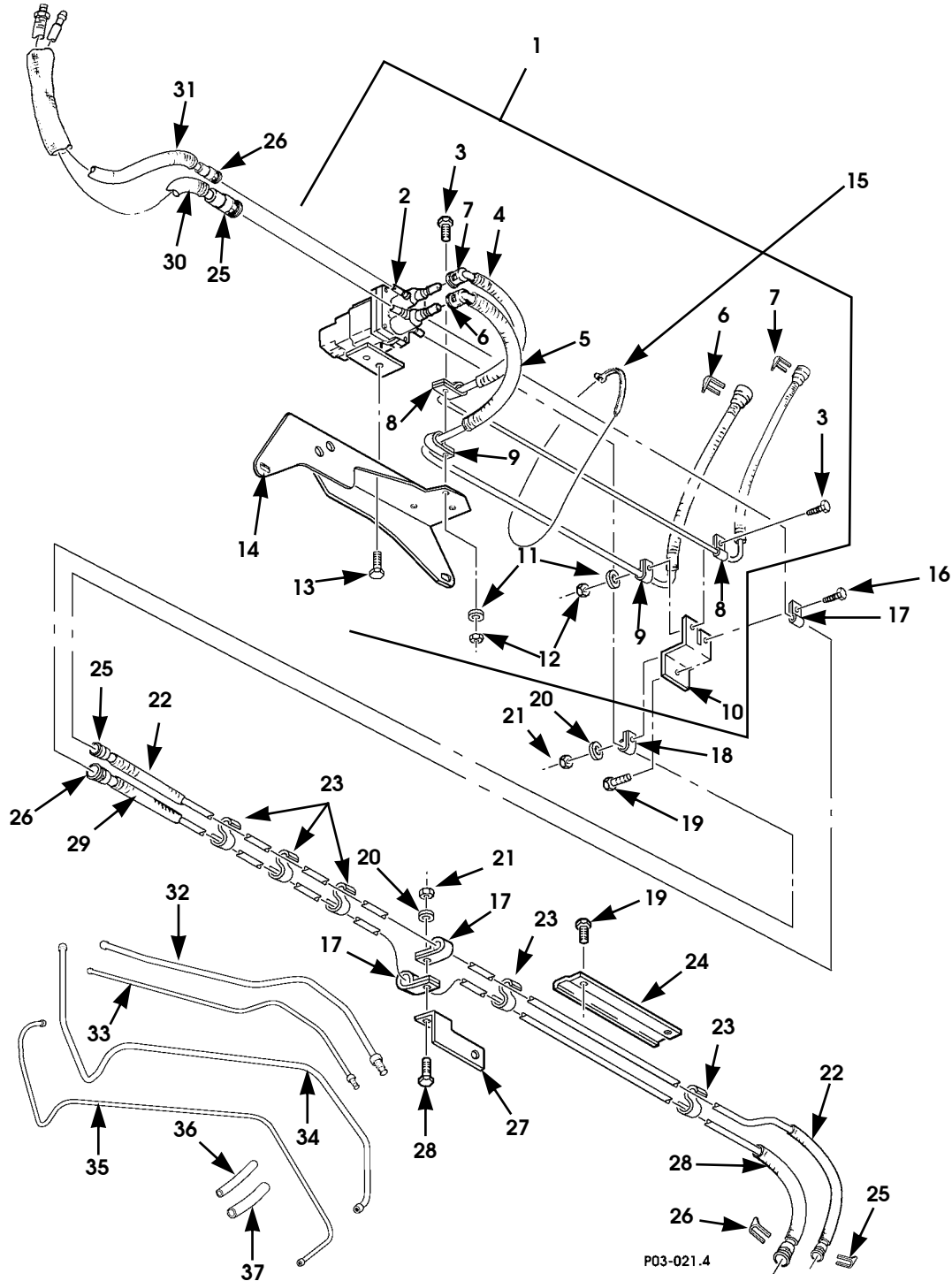


Figure 3-12. Fuel Supply and Return Lines.

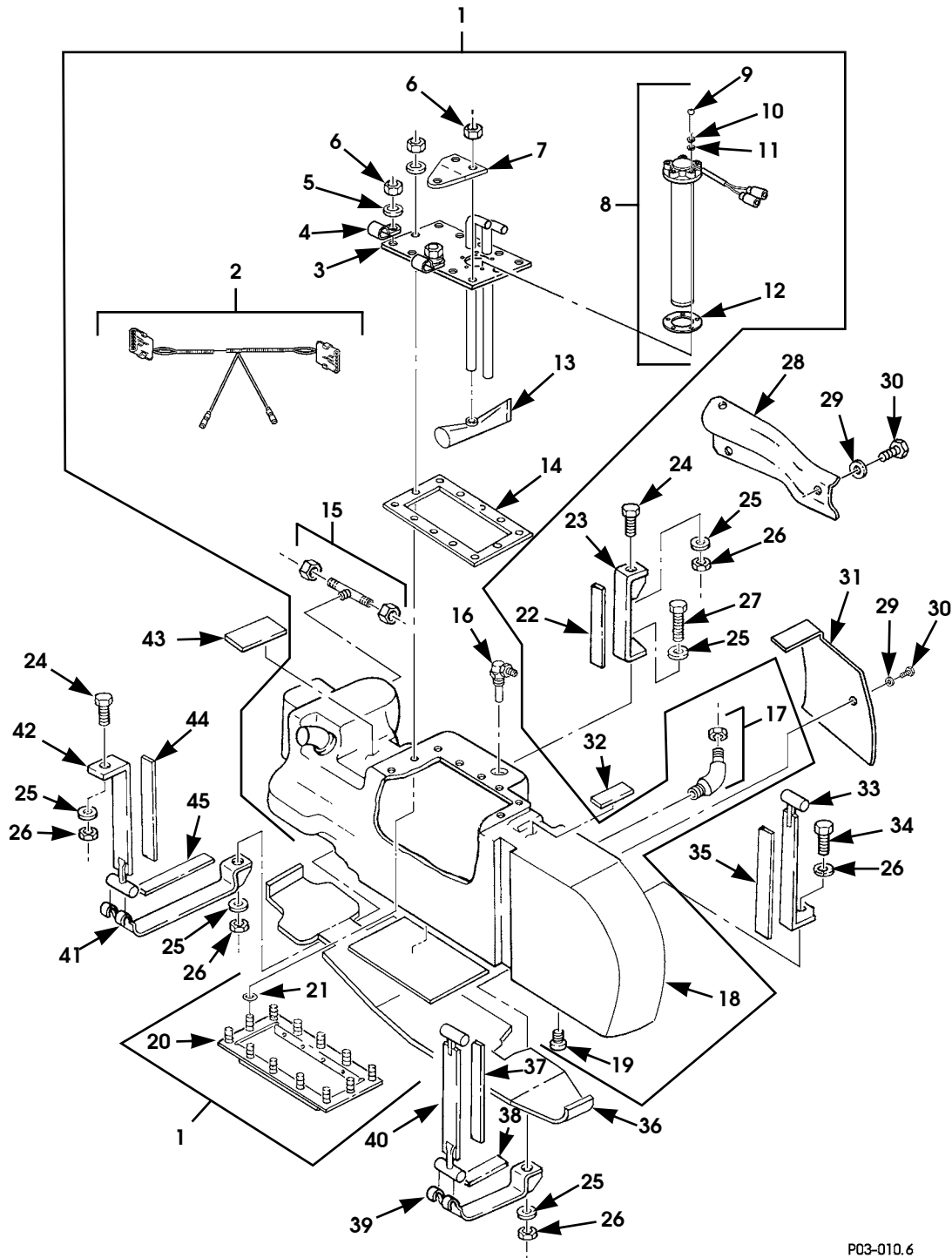
1997 HUMMER PARTS CATALOG

6-1-99

FUEL, EMISSIONS AND EXHAUST 3-29

ITEM	PART NUMBER	DESCRIPTION	QTY
		Figure 3-12. Fuel Supply and Return Lines.	
1	6007417	FUEL BUNDLE ASSEMBLY	1
1	06007063	FUEL BUNDLE ASSEMBLY (Aux fuel tank delete)	1
2	06005966	• VALVE ASSEMBLY, fuel tank selector	1
3	S.I.A.	• BOLT, 1/4 - 20 x 3/4, Gr5, CAD	2
4	S.I.A.	• FUEL RETURN LINE.	1
5	S.I.A.	• FUEL SUPPLY LINE	1
6	S.I.A.	• CLIP, fuel line connector, 3/8"	2
7	S.I.A.	• CLIP, fuel line connector, 5/16"	2
8	S.I.A.	• P-CLIP, 5/16"	2
9	S.I.A.	• P-CLIP, 3/8"	2
10	S.I.A.	• BRACKET, tube mounting, fuel bundle	1
11	S.I.A.	• WASHER, flat, hard, 1/4, type B, ZN	2
12	S.I.A.	• LOCKNUT, 1/4 - 20, Gr8	2
13	S.I.A.	• BOLT, 5/16 - 18 x 3/4, Gr8, CAD	2
14	S.I.A.	• BRACKET, valve mounting	1
15	N/S	TIE WRAP	2
16	N/S	BOLT, 1/4 - 20 x 3/4, Gr5, CAD	1
17	N/S	P-CLIP, 3/8"	2
18	N/S	P-CLIP, 5/16"	2
19	N/S	SCREW, tapping, #10 - 32 x 5/8	2
20	N/S	WASHER, flat, hard, 1/4, type B, ZN	1
21	N/S	LOCKNUT, 1/4 - 20, Gr8	1
22	6006763	TUBE ASSEMBLY, return, valve-to-auxiliary tank	1
23	N/S	S-CLIP	5
24	6006793	BRACKET, hold down, auxiliary fuel lines	1
25	N/S	CLIP, fuel line connector, 5/16"	3
26	N/S	CLIP, fuel line connector, 3/8"	3
27	6007724B9	BRACKET, auxiliary fuel line tubes	1
28	N/S	• BOLT, 1/4 - 20 x 3/4, Gr5, CAD	1
29	6006762	TUBE ASSEMBLY, supply, auxiliary tank-to-valve	1
30	6006841	FUEL SUPPLY LINE ASSEMBLY (NA Diesel and Turbo)	1
31	6007053	FUEL RETURN LINE ASSEMBLY (NA Diesel)	1
31	6006896	FUEL RETURN LINE ASSEMBLY (Turbo Diesel)	1
32	5939876	TUBE, fuel supply	1
33	5939877	TUBE, fuel return	1
34	12342949	TUBE ASSEMBLY, fuel supply	1
35	12342950	TUBE ASSEMBLY, fuel return	1
36	12338560-3	HOSE, fuel return	1
37	12338561-2	HOSE, fuel supply	1

3-30 FUEL, EMISSIONS AND EXHAUST



P03-010.6

Figure 3-13. Fuel Tank (Main) Assembly and Mounting Straps.

1997 HUMMER PARTS CATALOG

6-1-99

FUEL, EMISSIONS AND EXHAUST 3-31

ITEM	PART NUMBER	DESCRIPTION	QTY
		Figure 3-13. Fuel Tank (Main) Assembly and Mounting Straps.	
1	6010074	FUEL TANK ASSEMBLY, for fleet vehicles w/o aux tank .	1
1	6010075	FUEL TANK ASSEMBLY, main tank w/aux tank	1
2	6005568	• JUMPER ASSEMBLY, for fleet vehicles w/o aux tank . .	1
2	6005569	• JUMPER ASSEMBLY, main tank w/aux tank	1
3	6006979	• PLATE, fuel tank access	1
4	S.I.A.	• CLAMP, cushioned, 9/16, harness	2
5	S.I.A.	• WASHER, flat, hard, 1/4, ZN, fuel tank access plate . .	10
6	S.I.A.	• LOCKNUT, 1/4 - 20, Gr8, fuel tank access plate	12
7	6006737	• BRACKET, fuel line support	1
8	6009942	• TRANSMITTER, engine fuel level	1
9	S.I.A.	• • SCREW, #10 - 24 x 1.25, CAD, fuel level transmitter. .	5
10	S.I.A.	• • LOCKWASHER , #10, med, ZN, fuel level transmitter. .	5
11	S.I.A.	• • WASHER, flat, #10, fuel level transmitter.	5
12	5745031	• • GASKET, fuel level transmitter	1
13	12338556	• FUEL STRAINER, fuel supply tube	1
14	6004924	• GASKET, fuel tank access plate	1
15	86-100425BA	• TEE, pipe to tube	1
16	6001342	• VALVE, rollover	1
17	86-100302BA	• ELBOW, pipe to tube	1
18	12460105	• FUEL TANK	1
19	12340000	• DRAINPLUG, fuel	1
20	12460140	• RETAINER, access plate	1
21	12342933	• O-RING, fuel tank access	12
22	12460108-3	INSULATOR STRAP, inner, rear	1
23	12338568	STRAP, fuel tank, inner rear	1
24	N/S	SCREW, 3/8 - 16 x 1, Gr8, CAD, fuel tank strap	2
25	N/S	WASHER, flat, 3/8, type B, fuel tank strap	6
26	N/S	NUT, 3/8 - 16, Gr8, CAD, fuel tank strap	4
27	N/S	BOLT, 3/8 - 16 x 2 1/4, Gr8, CAD	1
28	12460143	SHIELD	1
29	NAS1070-416	WASHER, .281" I.D. x .625" O.D.	4
30	N/S	SCREW, sl hd, 1/4 - 28 x 5/8, ZN	4
31	12460102	SHIELD, fuel tank	1
32	12338557-2	ANTI-SQUEAK, fuel tank, front	1
33	12460103	STRAP, fuel tank, inner front	1
34	N/S	BOLT, 3/8 - 16 x 2, Gr8, CAD.	1
35	12460108-3	INSULATOR STRAP, inner, front	1
36	6006150B9	SHIELD, fuel tank	1
37	12460108-3	INSULATOR STRAP, outer, front	1
38	12460108-3	INSULATOR STRAP, bottom, front	1
39	12338571	STRAP, fuel tank, bottom front	1
40	WA12338573	STRAP, fuel tank, outer front	1
41	12338574	STRAP, fuel tank, bottom rear	1
42	06007695	STRAP, fuel tank, outer rear	1
43	12338557-1	ANTI-SQUEAK, fuel tank, rear	1
44	12460108-1	INSULATOR STRAP, outer, rear	1
45	12460108-1	INSULATOR STRAP, bottom, rear	1

6-1-99

1997 HUMMER PARTS CATALOG

3-32 FUEL, EMISSIONS AND EXHAUST

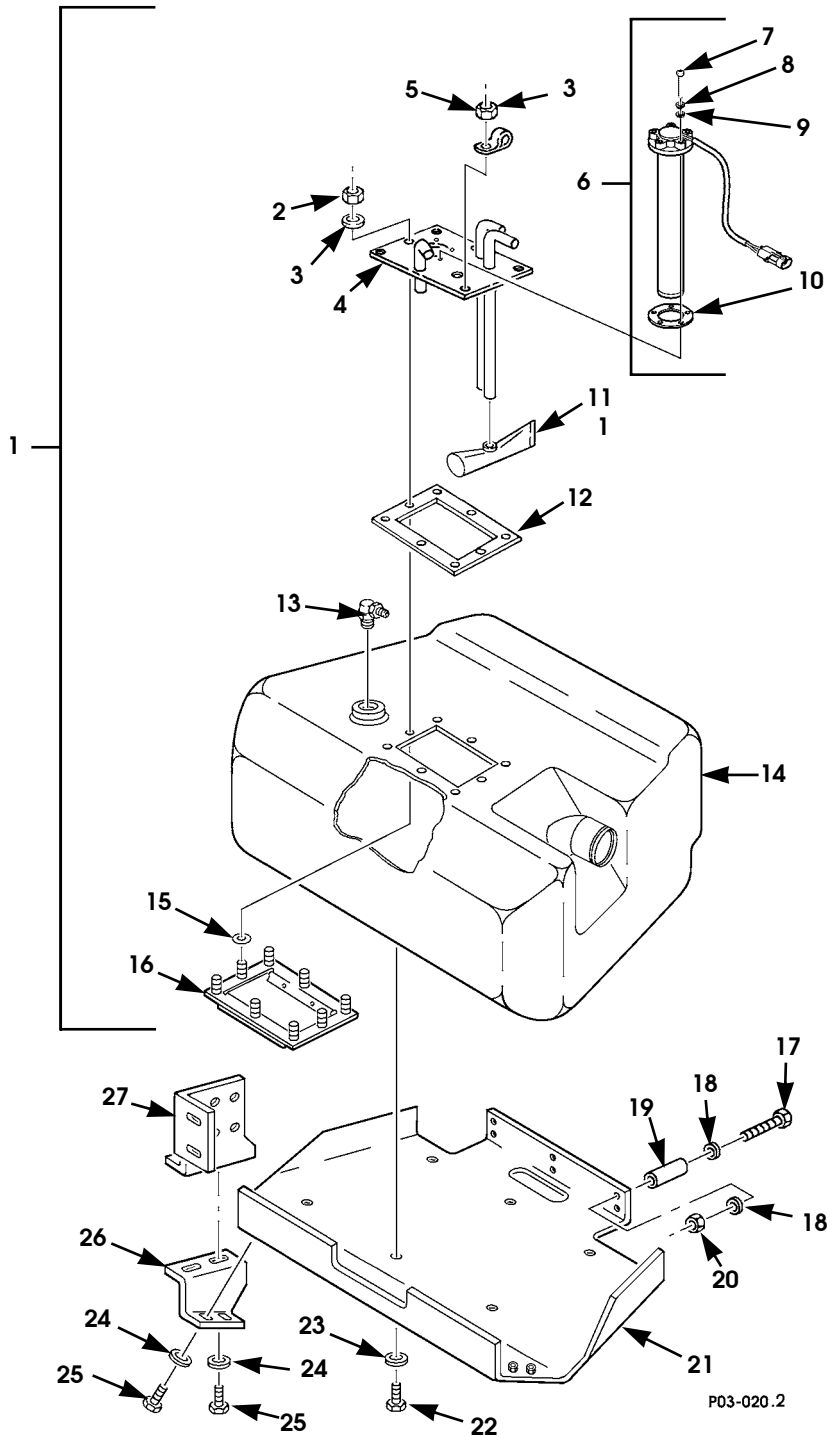


Figure 3-14. Fuel Tank (Auxiliary) Assembly and Mounting Hardware.

1997 HUMMER PARTS CATALOG

6-1-99

FUEL, EMISSIONS AND EXHAUST 3-33

ITEM	PART NUMBER	DESCRIPTION	QTY
		Figure 3-14. Fuel Tank (Auxiliary) Assembly and Mounting Hardware.	
1	6007037	FUEL TANK ASSEMBLY, auxiliary	1
2	N/S	• LOCKNUT, 1/4 - 20, Gr8	8
3	N/S	• WASHER, flat, hardened, 1/4, ZN.	8
4	6008193	• PLATE, fuel tank access	1
5	N/S	• CLAMP, cushioned, 3/8"	1
6	6009943	• TRANSMITTER, engine fuel level	1
7	S.I.A.	•• SCREW, #10 - 24 x 1.25, CAD, fuel level transmitter.	5
8	S.I.A.	•• LOCKWASHER, med, #10, ZN, fuel level transmitter	5
9	S.I.A.	•• WASHER, flat, #10, fuel level transmitter.	5
10	5745031	•• GASKET, fuel level transmitter	1
11	12338556	• FUEL STRAINER	1
12	6006704	• GASKET, tank access	1
13	6001342	• VALVE, rollover	1
14	6006648	• FUEL TANK, auxiliary	1
15	12342933	• O-RING, fuel tank access	8
16	6006698	• RETAINER, access plate	1
17	N/S	BOLT, 5/16 - 18 x 2 3/4, Gr8, CAD	6
18	N/S	WASHER, flat, hardened, 5/16, ZN.	12
19	5594342	SPACER	6
20	N/S	LOCKNUT, 5/16 - 18, Gr8.	6
21	6006687	SKID PLATE ASSEMBLY	1
22	N/S	BOLT, 1/4 - 28 x 5/8, CAD	6
23	N/S	WASHER, flat, hardened, 1/4, ZN.	6
24	N/S	WASHER, flat, 3/8, type B	8
25	N/S	BOLT 3/8 - 16 x 1, Gr8, CAD	8
26	6006797B9	BRACKET, skid plate mounting, R.H.	1
26	6006798B9	BRACKET, skid plate mounting, L.H.	1
27	6006741B9	BRACKET, rear bumper, L.H.	1
27	6006749B9	BRACKET, rear bumper, R.H.	1

3-34 FUEL, EMISSIONS AND EXHAUST

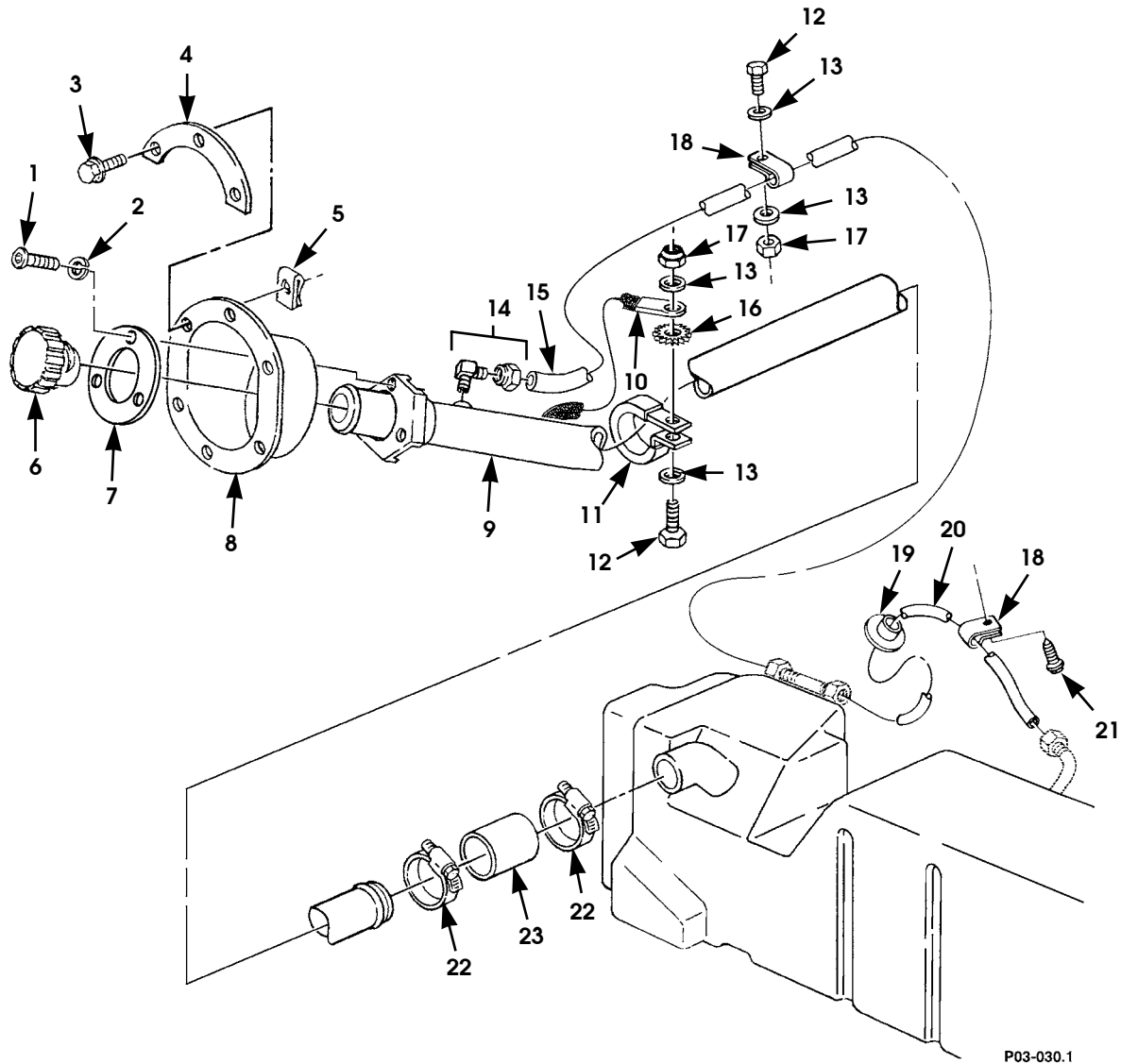


Figure 3-15. Fuel Filler Pipe Assembly and Vent Lines, Main Fuel Tank.

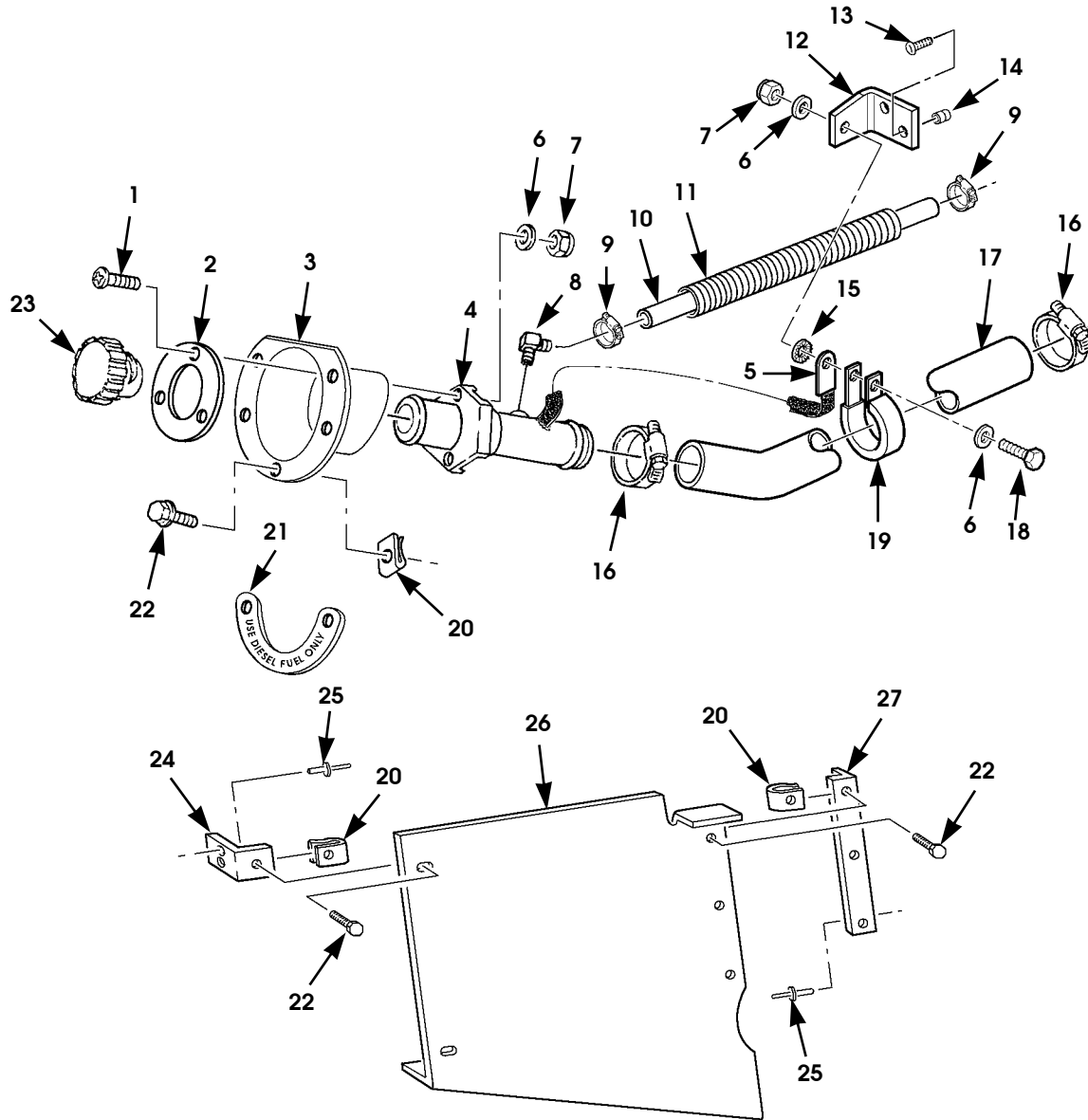
1997 HUMMER PARTS CATALOG

6-1-99

FUEL, EMISSIONS AND EXHAUST 3-35

ITEM	PART NUMBER	DESCRIPTION	QTY
		Figure 3-15. Fuel Filler Pipe Assembly and Vent Lines, Main Fuel Tank.	
1	N/S	SCREW, socket head cap, 1/4 - 20 x .875, CAD	3
2	N/S	LOCKWASHER, med, 1/4, ZN	3
3	N/S	SCREW, tapping, flanged hex head, #10-12 x 3/4, CAD	6
4	6007666	INSTRUCTION PLATE, fuel filler	1
4	6002652	INSTRUCTION PLATE, fuel filler, Canada	1
4	6002651	INSTRUCTION PLATE, fuel filler, GCC	1
5	12339426	SPEEDNUT, "U" size 10A	6
6	6007482	CAP ASSEMBLY, fuel filler	1
6	6009796	CAP ASSEMBLY, with tether, fuel filler	1
7	6008148	REINFORCEMENT RING, main tank fuel filler.	1
8	6008147	HOUSING, fuel filler opening.	1
9	6008088B1	FILLER NECK, fuel, main tank.	1
10	N/S	•STRAP, ground.	1
11	N/S	CLAMP, hose, dipped, 2"	1
12	N/S	SCREW, 1/4 - 20 x 3/4, Gr5, CAD	2
13	N/S	WASHER, flat, 1/4", hardened, ZN	4
14	86-100202BA	ELBOW, pipe to tube, fuel tank vent tube.	1
15	N/S	TUBE, 44-inch, fuel tank vent, SEE NOTE 1	1
16	N/S	LOCKWASHER, toothed, 1/4, ZN	1
17	N/S	LOCKNUT, 1/4 - 20, Gr8	2
18	N/S	CLAMP, filler pipe vent line 1/2" cushioned.	2
19	12339892	BUSHING, fuel tank vent line.	1
20	N/S	TUBE, 27-inch, fuel tank vent, SEE NOTE 1	1
21	N/S	SCREW, tapping, 1/4 - 14 x 1/2, ZN, fuel tank vent tube clamp	1
22	N/S	CLAMP, 2.75" - 1.81", fuel filler hose.	2
23	12338551-2	HOSE, fuel filler neck to tank.	1
		NOTE 1: MAKE FROM BULK TUBING P/N CPR104420-3	

3-36 FUEL, EMISSIONS AND EXHAUST



P03-031.5

Figure 3-16. Fuel Filler, Auxiliary Fuel Tank.

1997 HUMMER PARTS CATALOG

6-1-99

FUEL, EMISSIONS AND EXHAUST 3-37

ITEM	PART NUMBER	DESCRIPTION	QTY
		Figure 3-16. Fuel Filler, Auxiliary Fuel Tank.	
1	N/S	SCREW, socket head cap, 1/4 - 20 x 3/4, Gr8, CAD . . .	3
2	6008105	REINFORCEMENT RING, fuel filler	1
3	6008104	HOUSING, auxiliary fuel filler	1
4	6008163	TUBE ASSEMBLY, auxiliary fuel filler	1
5	N/S	•STRAP, ground.	1
6	N/S	WASHER, flat, hardened, 1/4, ZN.	5
7	N/S	LOCKNUT, 1/4 - 20, Gr8, CAD	4
8	N/S	ELBOW, 90 degree, barbed, 3/8"	2
9	N/S	CLAMP, hose, 1/2 - 1-1/4.	2
10	6008245	HOSE, vent, aux tank-to-filler neck.	1
11	6008246	CONDUIT, vent hose, aux tank	1
12	6006670	BRACKET, fuel filler hanger	1
13	N/S	LOCKBOLT, 1/4"	2
14	NAS1080R08	COLLAR	2
15	N/S	LOCKWASHER, external tooth, 1/4, ZN	1
16	N/S	CLAMP, hose, 1.81" - 2.75"	2
17	6008342	HOSE, filler neck-to-fuel tank	1
18	N/S	BOLT, 1/4 - 20 x 3/4, Gr5, CAD	1
19	6008253	P-CLAMP, hose	1
20	12339426	SPEEDNUT, "U" size, 10A	10
21	6007731	DECAL, "USE DIESEL FUEL ONLY"	1
21	6007732	DECAL, "USE DIESEL FUEL ONLY" Canada	1
21	6007734	DECAL, "DIESEL FUEL ONLY" Arabic	1
22	N/S	SCREW, tapping, flanged hex head, #10 - 12 x 3/4, CAD	10
23	6007482	CAP ASSEMBLY, fuel filler	1
23	6009796	CAP ASSEMBLY, with tether, fuel filter	1
24	6006715	BRACKET, shield mounting, outer	2
25	N/S	RIVET, blind, 3/16"	7
26	6006709	SHIELD, fuel filler tube	1
27	6006707	BRACKET, shield mounting, inner	1
28	6007279	HOSE, vent, auxiliary tank fill (not illustrated)	1

1997 HUMMER PARTS CATALOG

3-38 FUEL, EMISSIONS AND EXHAUST

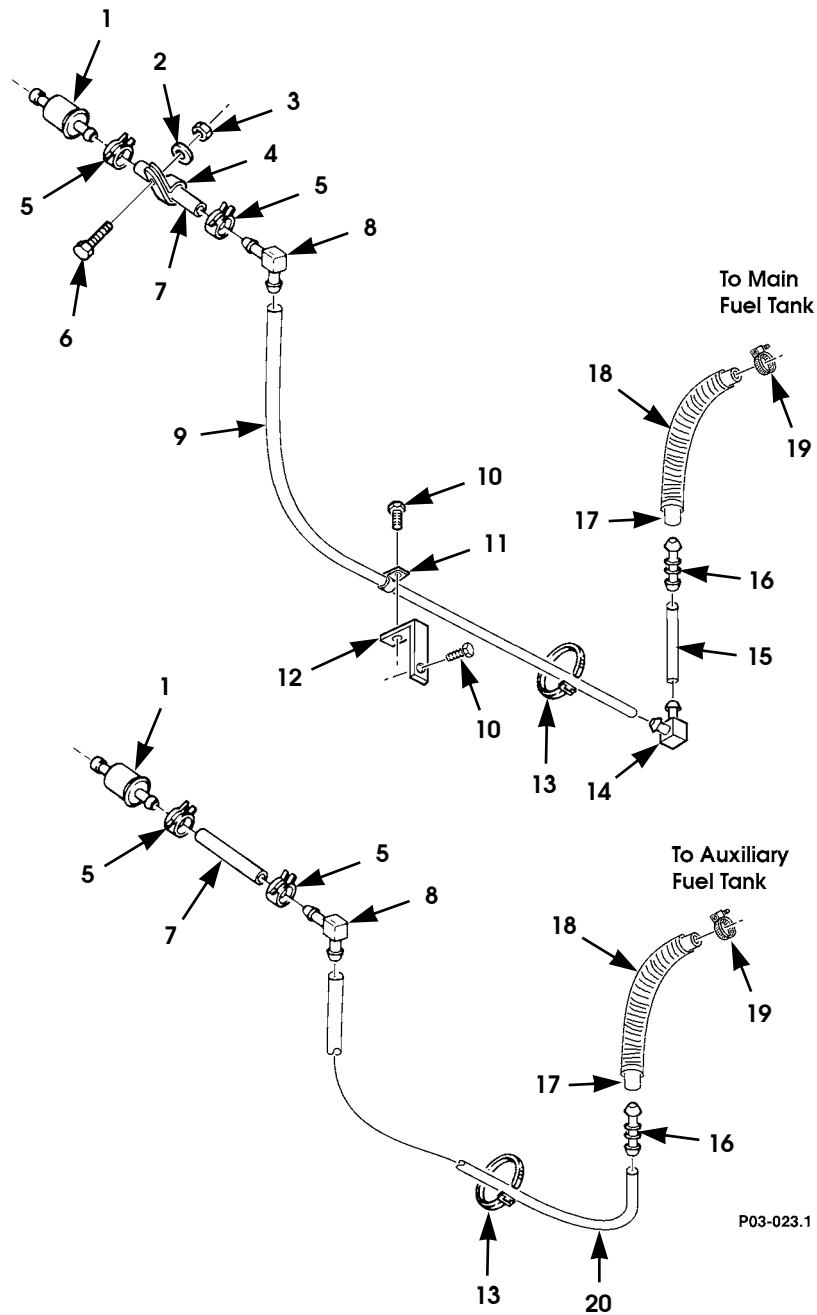


Figure 3-17. Fuel Tank Vent Line, Filter, and Mounting Hardware.

1997 HUMMER PARTS CATALOG

6-1-99

FUEL, EMISSIONS AND EXHAUST 3-39

ITEM	PART NUMBER	DESCRIPTION	QTY
		Figure 3-17. Fuel Tank Vent Line, Filter, and Mounting Hardware.	
1	12339208	FILTER, fuel tank vent line	2
2	N/S	WASHER, flat, hardened, 1/4, ZN	1
3	N/S	LOCKNUT, 1/4, Gr8	1
4	N/S	CLAMP, cushioned, 3/4, vent line filter	1
5	WWC440-1/2	CLAMP, hose vent line filter	2
6	N/S	SCREW, 1/4 - 20 x 5/8, Gr5, CAD, filter clamp	1
7	N/S	HOSE, 1/4" I.D. x 2.13", SEE NOTE 1.	2
8	12339979-2	ELBOW, vent line	2
9	N/S	TUBE, 3/8" O.D. x 83", main fuel tank, SEE NOTE 2	1
10	N/S	SCREW, tapping, 3/8 - 16 x 0.62, ZN	2
11	N/S	CLAMP, cushioned, 3/8, fuel tank vent tube	1
12	12338663	BRACKET, vent tube	1
13	MS3367-7	TIEDOWN STRAP, vent tube	6
14	6007133	TEE, barbed, 3/8	1
15	N/S	TUBING, 7-inch, SEE NOTE 2	1
16	6007176	REDUCER, 5/16" x 1/4"	2
17	6006738	HOSE, rollover-to-fuel bundle	2
18	6006739	CONDUIT, vent tubing	2
19	N/S	CLAMP, hose	2
20	N/S	TUBING, 5/16" I.D., 3/8" O.D. x 35 1/4", aux fuel tank, SEE NOTE 2	1
		NOTE 1: MAKE FROM BULK HOSE P/N 5741210, 1/4" X 50' ROLL	
		NOTE 2: MAKE FROM BULK NYLON TUBE MA20722026	

1997 HUMMER PARTS CATALOG

3-40 FUEL, EMISSIONS AND EXHAUST

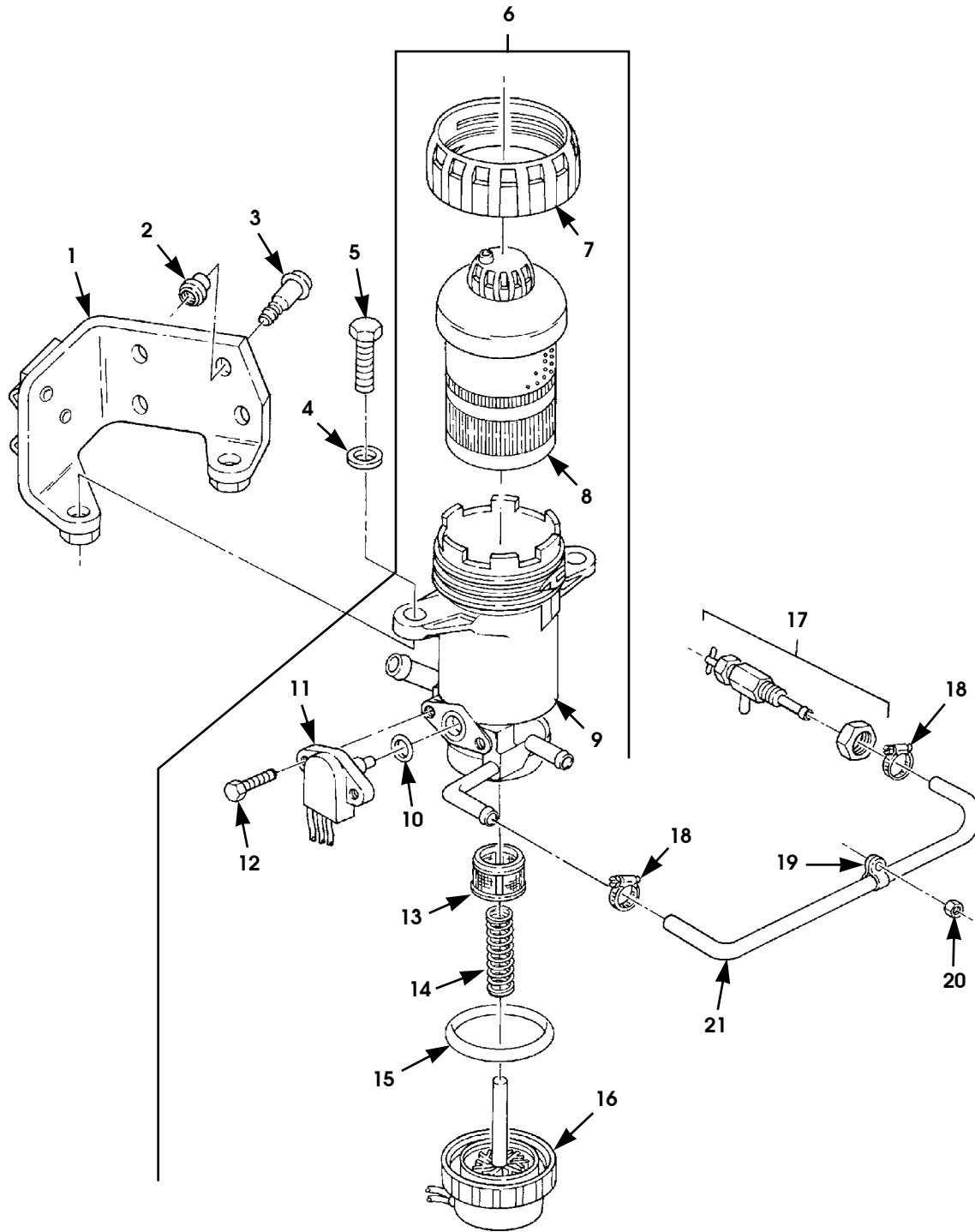


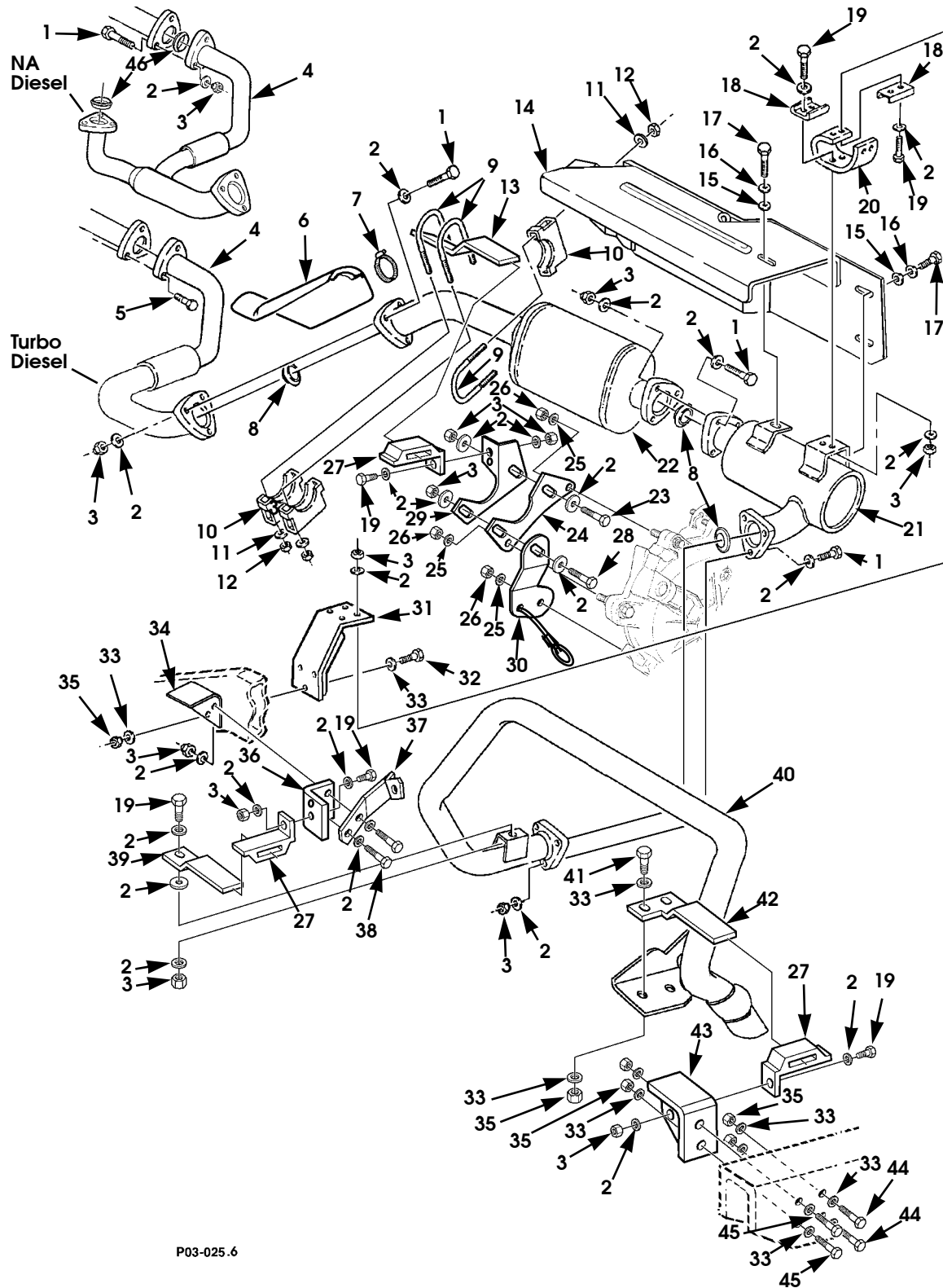
Figure 3-18. Fuel Filter Assembly and Mounting Hardware.

1997 HUMMER PARTS CATALOG

FUEL, EMISSIONS AND EXHAUST 3-41

ITEM	PART NUMBER	DESCRIPTION	QTY
		Figure 3-18. Fuel Filter Assembly and Mounting Hardware.	
1	5939619	BRACKET ASSEMBLY, filter mounting	1
2	NAS1080R08	COLLAR	4
3	M23469/2-50805	LOCKBOLT	4
4	N/S	WASHER, filter mounting, flat, 5/16 hard, ZN	2
5	N/S	BOLT, filter mounting, hex 5/16-18 x 1-1/4, Gr 8, CAD	2
6	5939621	FUEL FILTER ASSEMBLY	1
7	5742599	•NUT ELEMENT	1
8	5742602	•ELEMENT ASSEMBLY	1
9	S.I.A.	•HEADER ASSEMBLY	1
10	5740660	•SEAL, O-ring	1
11	5742605	•SENSOR ASSEMBLY, water	1
12	5742577	•SCREW	2
13	5742604	•SCREEN	1
14	S.I.A.	•COIL, flow guide	1
15	5742600	•SEAL, O-ring	1
16	5742603	•HEATER ASSEMBLY	1
17	12446751	VALVE ASSEMBLY, fuel filter drain	1
18	N/S	CLAMP, drain hose, 5/16, stainless	2
19	N/S	CLAMP, drain hose, cushioned, 5/8"	1
20	N/S	LOCKNUT, drain hose clamp, 1/4-20, Gr 8	1
21	N/S	HOSE, fuel filter drain, 20-inch, SEE NOTE 1	1
		NOTE 1: NOTE 1: MAKE FROM BULK HOSE P/N 5741068, 1/4" X 25'	

3-42 FUEL, EMISSIONS AND EXHAUST



P03-025.6

Figure 3-19. Exhaust Pipes and Related Parts.

1997 HUMMER PARTS CATALOG

6-1-99

FUEL, EMISSIONS AND EXHAUST 3-43

ITEM	PART NUMBER	DESCRIPTION	QTY
		Figure 3-19. Exhaust Pipes and Related Parts.	
1	N/S	BOLT, 3/8 - 16 x 2 1/4, Gr5, CAD (NA Diesel)	15
1	N/S	BOLT, 3/8 - 16 x 2 1/4, Gr5, CAD (Turbo Diesel)	9
2	N/S	WASHER, flat, type B, 3/8 (NA Diesel)	59
2	N/S	WASHER, flat, type B, 3/8 (Turbo Diesel)	50
3	N/S	LOCKNUT, 3/8 - 16, Gr8 (NA Diesel)	29
3	N/S	LOCKNUT, 3/8 - 16, Gr8 (Turbo Diesel)	20
4	12460086	PIPE ASSEMBLY, crossover (NA Diesel)	1
4	RCSK17079	PIPE ASSEMBLY, crossover (Turbo Diesel)	1
5	N/S	BOLT, M10 - 1.5 x 50, class 10.9, Phos (Turbo Diesel)	3
6	12460087	SHIELD, exhaust	1
7	06005191	CLAMP, hose	2
8	12338339	GASKET	3
9	12338343-2	CLAMP ASSEMBLY, U-bolt, SEE NOTE 1	4
10	S.I.A.	•CLAMP END	4
11	S.I.A.	•WASHER	8
12	S.I.A.	•NUT	8
13	6009367	BRACKET, converter mounting, slide-bar type, SEE NOTE 1	1
14	6008560	HEAT SHIELD ASSEMBLY	1
15	N/S	WASHER, flat, hardened, 1/4, ZN	3
16	N/S	LOCKWASHER, med, 1/4, ZN	3
17	N/S	BOLT, 1/4 - 20 x 3/4, Gr5	3
18	12338341	PLATE, reinforcement	3
19	N/S	BOLT, 3/8 - 16 x 1 1/4, Gr8, CAD	10
20	12338337	INSULATOR, exhaust	1
21	6008296	MUFFLER ASSEMBLY, ceramic	1
22	6008247	CATALYTIC CONVERTER ASSEMBLY	1
23	N/S	BOLT, 3/8 - 16 x 2, Gr5, CAD	1
24	12338347	BRACKET, exhaust	1
25	N/S	WASHER, flat, M10	10
26	N/S	LOCKNUT, M10 - 1.5, class 9.8, CAD	7
27	6009378	CUSHIONED LOOP ASSEMBLY, SEE NOTE 1	3
28	N/S	BOLT, 3/8 - 16 x 1 3/4, Gr5, CAD	1
29	6009372	BRACKET, exhaust, transfer case, SEE NOTE 1	1
30	12447180	CABLE GUIDE, transfer case	1
31	12338221B2	BRACKET, muffler mounting	1
32	N/S	BOLT, 1/2 - 13 x 4 3/4, Gr8, CAD, L.H. body mount bracket	3
33	N/S	WASHER, flat, hardened, 1/2, type B	18
34	WA12342509B9	BRACKET, body mount, rear, L.H., C-mount	1
34	6008610	BRACKET, body mount, C-mount, L.H., 12, 100-lb GVW	1

6-1-99

1997 HUMMER PARTS CATALOG

3-44 FUEL, EMISSIONS AND EXHAUST

ITEM	PART NUMBER	DESCRIPTION	QTY
		Figure 3-19. Exhaust Pipes and Related Parts.(Cont'd)	
35	N/S	LOCKNUT, 1/2 - 13, Gr8, CAD	11
36	6009377	BRACKET, exhaust-to-frame, SEE NOTE 1	1
37	6007737	BRACKET ASSEMBLY, CTIS mounting	1
38	N/S	BOLT, 1/2 - 13 x 2, Gr5, CAD	2
39	6009368	BRACKET, front tailpipe, slide-bar type, SEE NOTE 1 . .	1
40	6008565	EXHAUST PIPE ASSEMBLY	1
41	N/S	BOLT, 1/2 - 13 x 1 1/2, Gr8, CAD	2
42	6009369	BRACKET, rear tailpipe, slide-bar type, SEE NOTE 1 . .	1
43	6009375	BRACKET, tailpipe-to-bumper, SEE NOTE 1	1
44	N/S	BOLT, 1/2 - 13 x 3, Gr8, CAD	2
45	N/S	BOLT, 1/2 - 13 x 3 1/4, Gr8, CAD	2
46	12338342	SEAL ASSEMBLY, exhaust manifold (NA Diesel).	2
		NOTE 1: COMPONENT OF EXHAUST HANGER KIT, P/N 5744795	

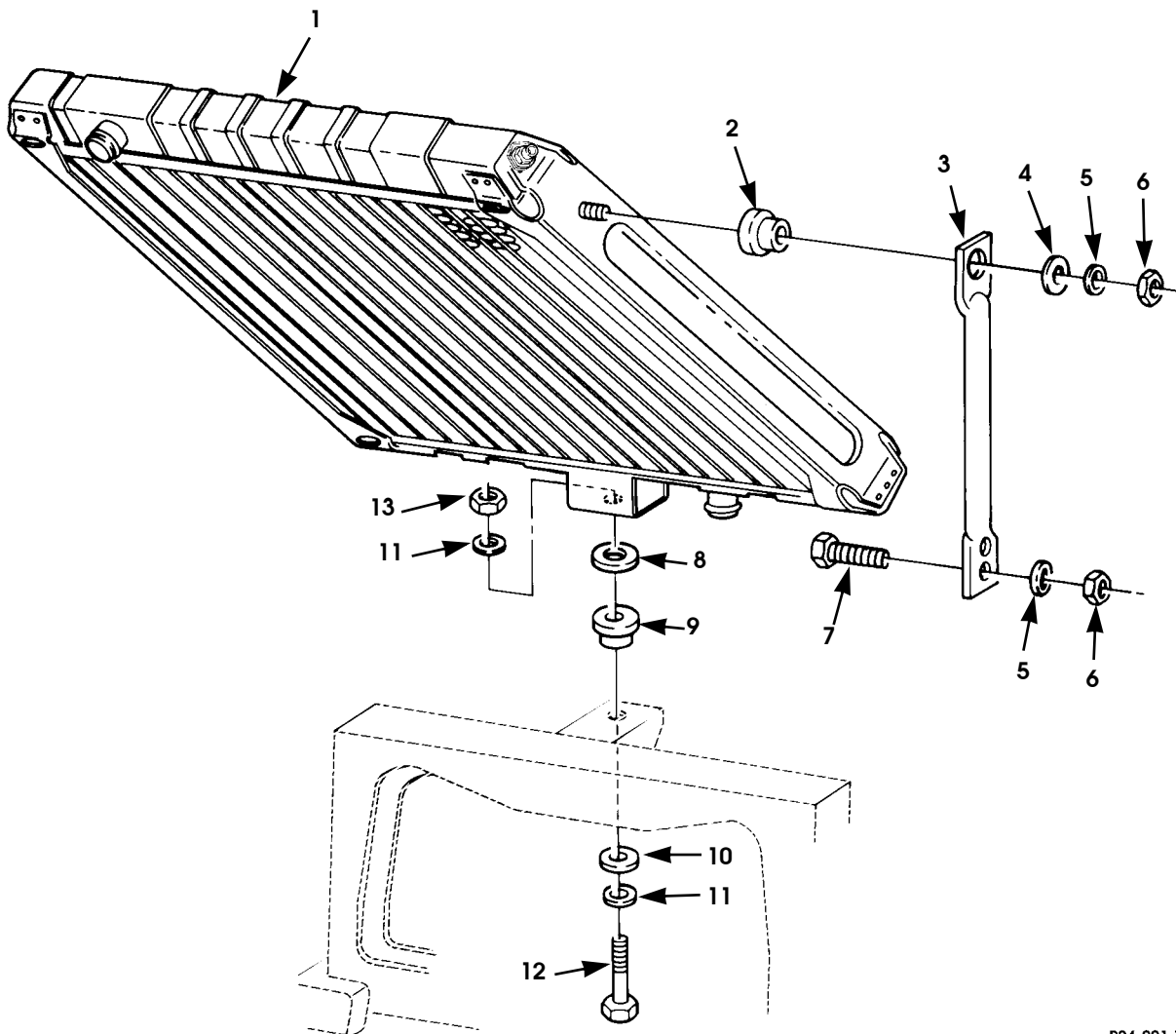
Section 4

COOLING SYSTEM

TITLE	PAGE NUMBER
Cooling Fan, Fan Clutch, Belt, and Pulleys	4-14
Oil Cooler (Engine and Transmission) and Engine Oil Cooler Lines	4-16
Radiator and Mounting Hardware	4-2
Radiator Hoses and Related Parts	4-8
Radiator Shroud and Related Parts	4-6
Surge Tank and Related Parts	4-4
Thermostat, Water Crossover, and Attaching Hardware	4-10
Water Pump and Attaching Hardware	4-12

1997 HUMMER PARTS CATALOG

4-2 COOLING SYSTEM



P04-001.1

Figure 4-1. Radiator and Mounting Hardware.

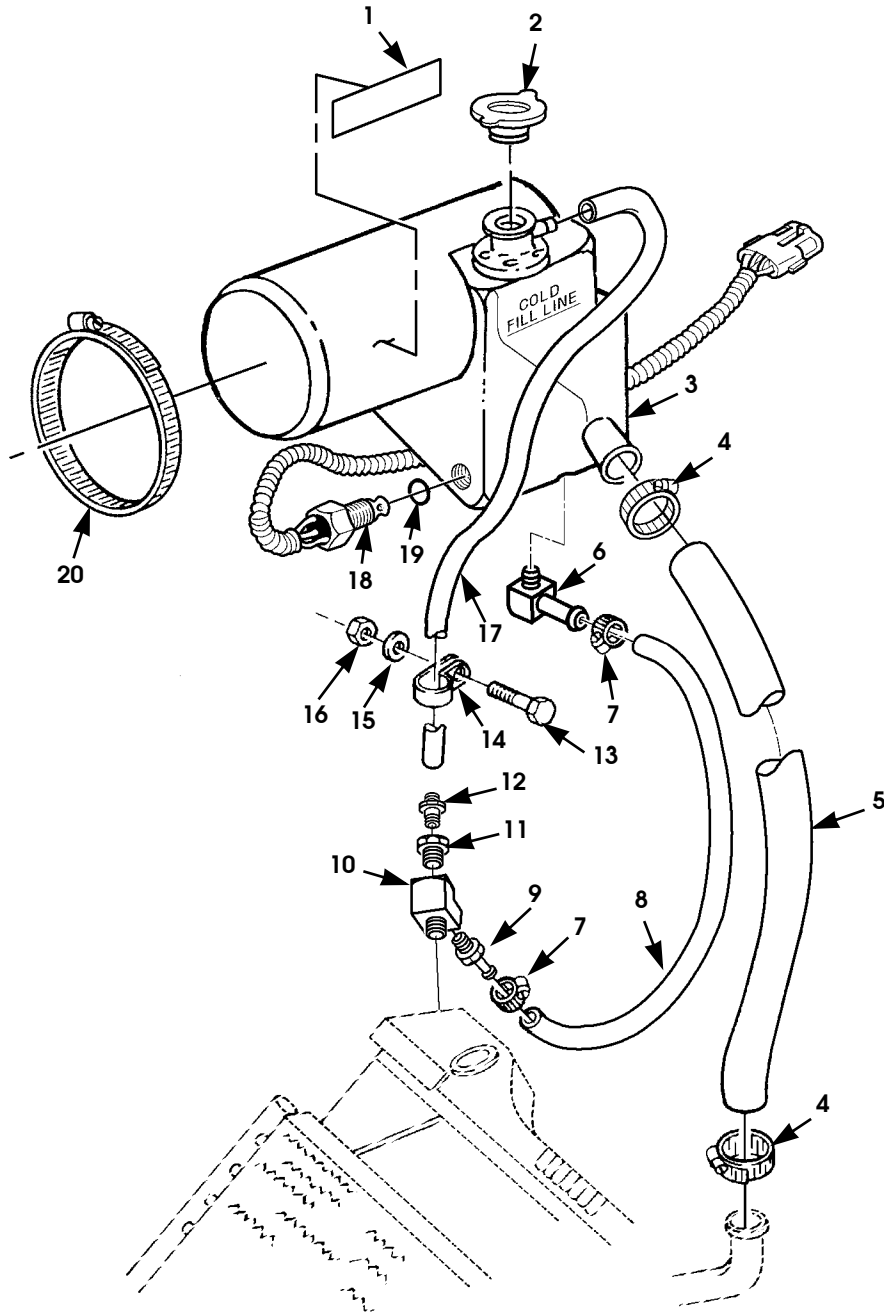
1997 HUMMER PARTS CATALOG

COOLING SYSTEM 4-3

ITEM	PART NUMBER	DESCRIPTION	QTY
		Figure 4-1. Radiator and Mounting Hardware.	
1	6007331	RADIATOR ASSEMBLY.	1
2	12338338	GROMMET, insulator, upper	2
3	12339165-1	SUPPORT, radiator, L.H.	1
3	12339165-2	SUPPORT, radiator, R.H.	1
4	N/S	WASHER, 3/8", zinc, hardened	2
5	N/S	WASHER, flat, 3/8", hardened, ZN.	6
6	N/S	LOCKNUT, 3/8"-16, Gr 8, CAD	6
7	N/S	BOLT, 3/8"-16 x 1", hex Gr 5, Phos.	4
8	12340263	WASHER, hardened 9/16" x 2" Flat.	1
9	12340264	MOUNT, insulator, lower.	1
10	N/S	WASHER 9/16" Flat, hard	1
11	N/S	WASHER, flat, 1/2", hard, ZN	2
12	N/S	BOLT, 1/2"-13 x 2", hex, Gr 8, CAD	1
13	N/S	LOCKNUT, 1/2"-13, Gr C, CAD.	1

1997 HUMMER PARTS CATALOG

4-4 COOLING SYSTEM



P04-002.3

Figure 4-2. Surge Tank and Related Parts.

1997 HUMMER PARTS CATALOG

6-1-99

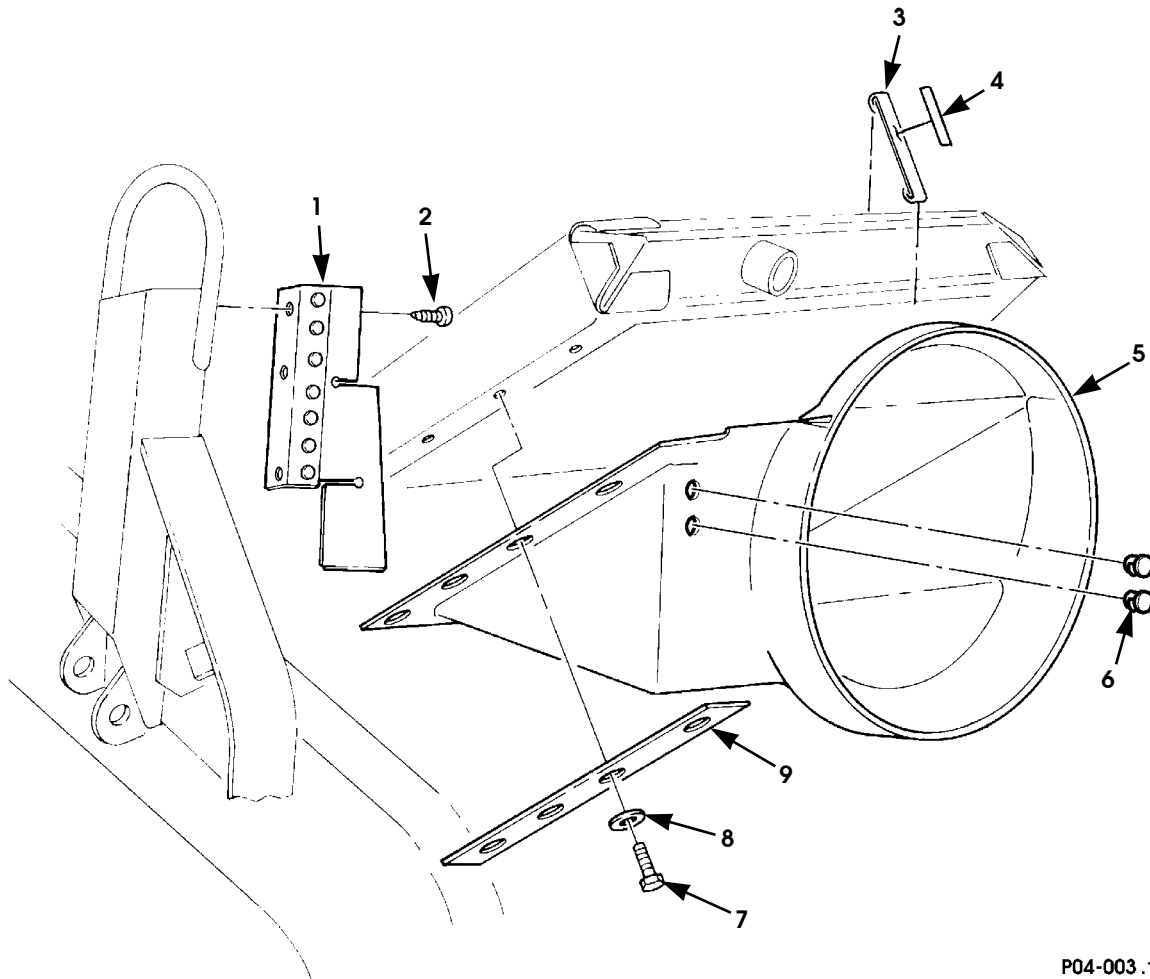
COOLING SYSTEM 4-5

ITEM	PART NUMBER	DESCRIPTION	QTY
		Figure 4-2. Surge Tank and Related Parts.	
1	6001710	DECAL, surge tank, do not remove or touch when hot	1
2	12339878	CAP, surge tank	1
3	6008582	TANK, surge	1
4	N/S	CLAMP, hose, .62"-1.5", stainless	2
5	12340046	HOSE, lower radiator-to-surge tank	1
6	12339415	FITTING, 90° male connector	1
7	N/S	CLAMP, hose, 5/16", stainless	2
8	12339155	HOSE, surge tank to radiator	1
9	12339974-1	FITTING, surge tank line to radiator	1
10	N/S	TEE, 1/4 x 1/4 x 1/4	1
11	N/S	BUSHING, 1/4 x 1/8	1
12	6008770	BLEEDER ASSEMBLY	1
13	N/S	BOLT, 1/4"-20 x 3/4", hex, Gr 8, CAD	1
14	N/S	CLAMP, surge tank overflow hose, cushioned, 1/2" . . .	1
15	N/S	WASHER, flat, 1/4", hardened, ZN	1
16	N/S	LOCKNUT, 1/4"-20, hex, Gr 8	1
17	6004920	HOSE, surge tank overflow, 12"	1
18	6008600	SENSOR, low coolant.	1
19	6008584	SEAL, O-ring	1
20	N/S	CLAMP, 2.0"-6.6", stainless	2

6-1-99

1997 HUMMER PARTS CATALOG

4-6 COOLING SYSTEM



P04-003 .1

Figure 4-3. Radiator Shroud and Related Parts.

1997 HUMMER PARTS CATALOG

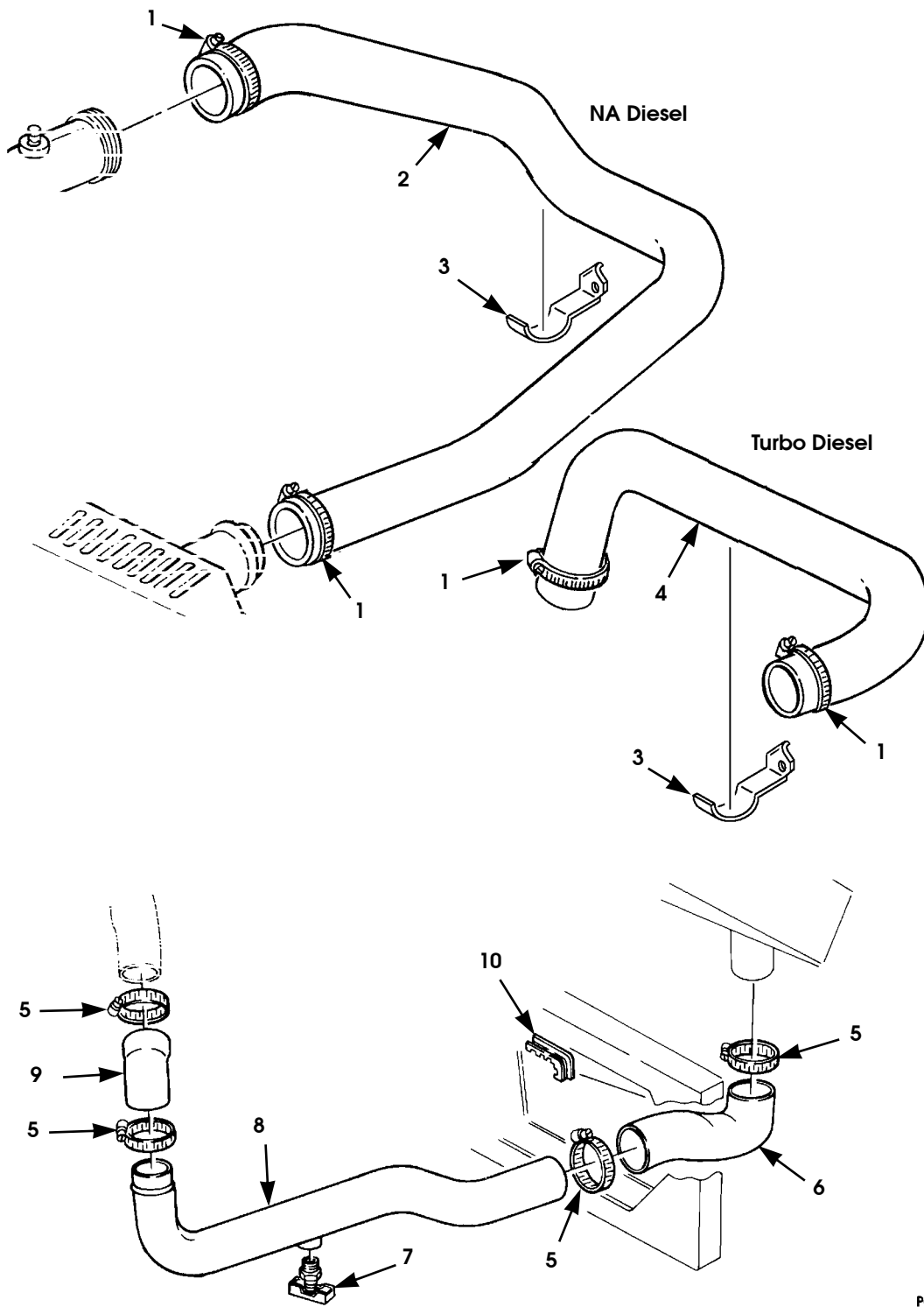
6-1-99

COOLING SYSTEM 4-7

ITEM	PART NUMBER	DESCRIPTION	QTY
		Figure 4-3. Radiator Shroud and Related Parts.	
1	WA12339166-1	SHIELD, shroud, airlift, L.H.	1
1	WA12339166-2	SHIELD, shroud, airlift, R.H.	1
2	N/S	SCREW, pan head tapping, 1/4 - 20 x 1/2, CAD	6
3	12339154B1	RETAINING STRAP, radiator	1
4	12339064	DECAL, fan warning	1
4	06002724	DECAL, fan warning (French)	1
5	06003497	SHROUD, radiator	1
6	12339361-6	PLUG, fan shroud holes	2
7	N/S	BOLT, 1/4 - 20 x 1, Gr5, CAD.	8
8	N/S	LOCKWASHER, med, 1/4, ZN	8
9	12339156	RETAINING STRAP, shroud-to-radiator.	2

1997 HUMMER PARTS CATALOG

4-8 COOLING SYSTEM



P04-004.1

Figure 4-4. Radiator Hoses and Related Parts.

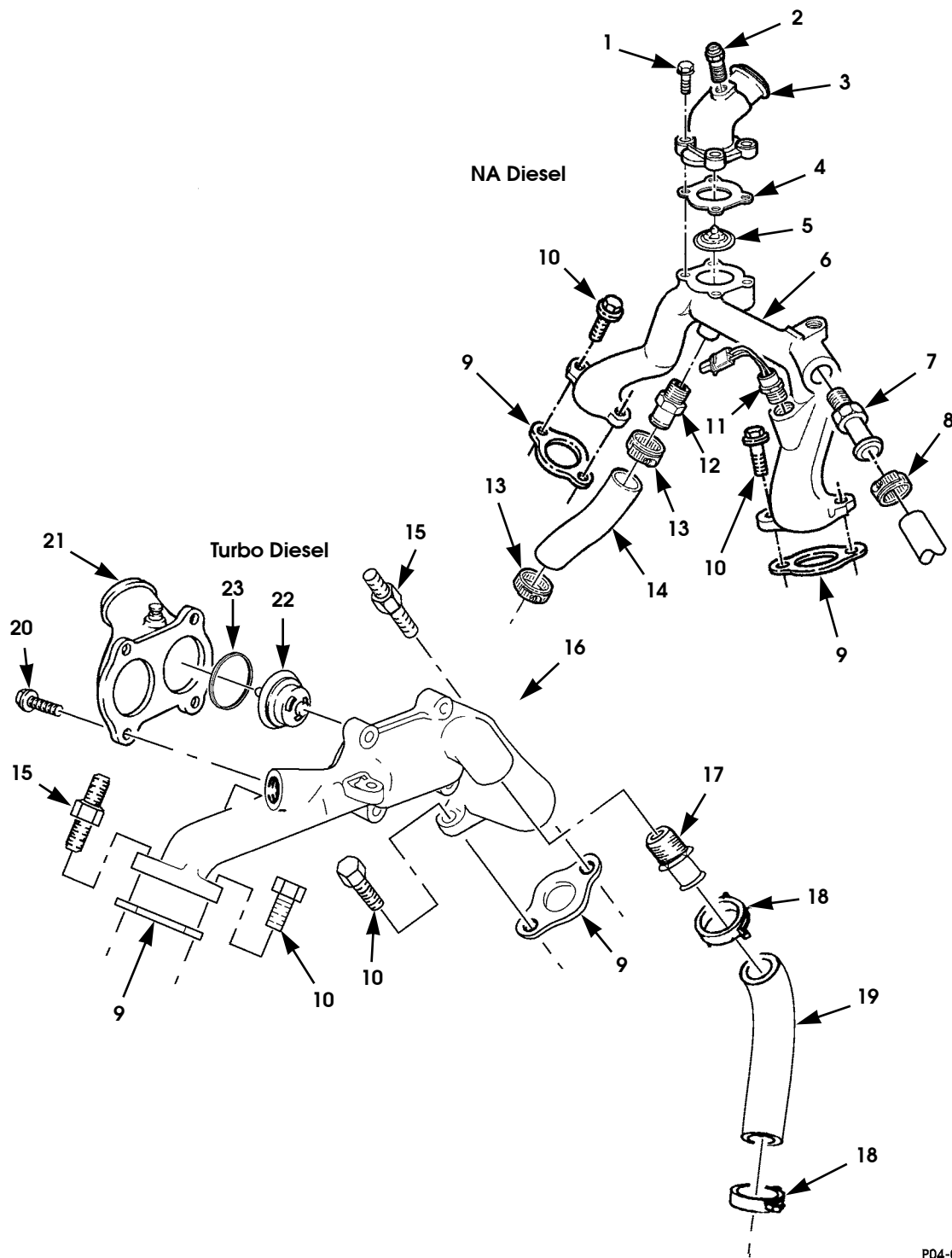
1997 HUMMER PARTS CATALOG

5-1-97

COOLING SYSTEM 4-9

ITEM	PART NUMBER	DESCRIPTION	QTY
		Figure 4-4. Radiator Hoses and Related Parts.	
1	N/S	CLAMP,hose, stainless, 1.56"-2.5"	7
2	6008668	HOSE, radiator (NA Diesel)	1
3	6007013	SUPPORT, radiator hose, upper.	1
4	6007014	HOSE, radiator inlet (Turbo Diesel)	1
5	N/S	CLAMP,hose, stainless, 1.81"-2.75"	4
6	12339162	HOSE, lower radiator	1
7	MS35782-4	DRAINCOCK, lower radiator tube	1
8	12339152B1	TUBE, lower radiator.	1
9	12339159	HOSE, lower radiator, rear.	1
10	12339902-12	PAD, crossmember, 5.92"	1

4-10 COOLING SYSTEM



P04-005.3

Figure 4-5. Thermostat, Water Crossover, and Attaching Hardware.

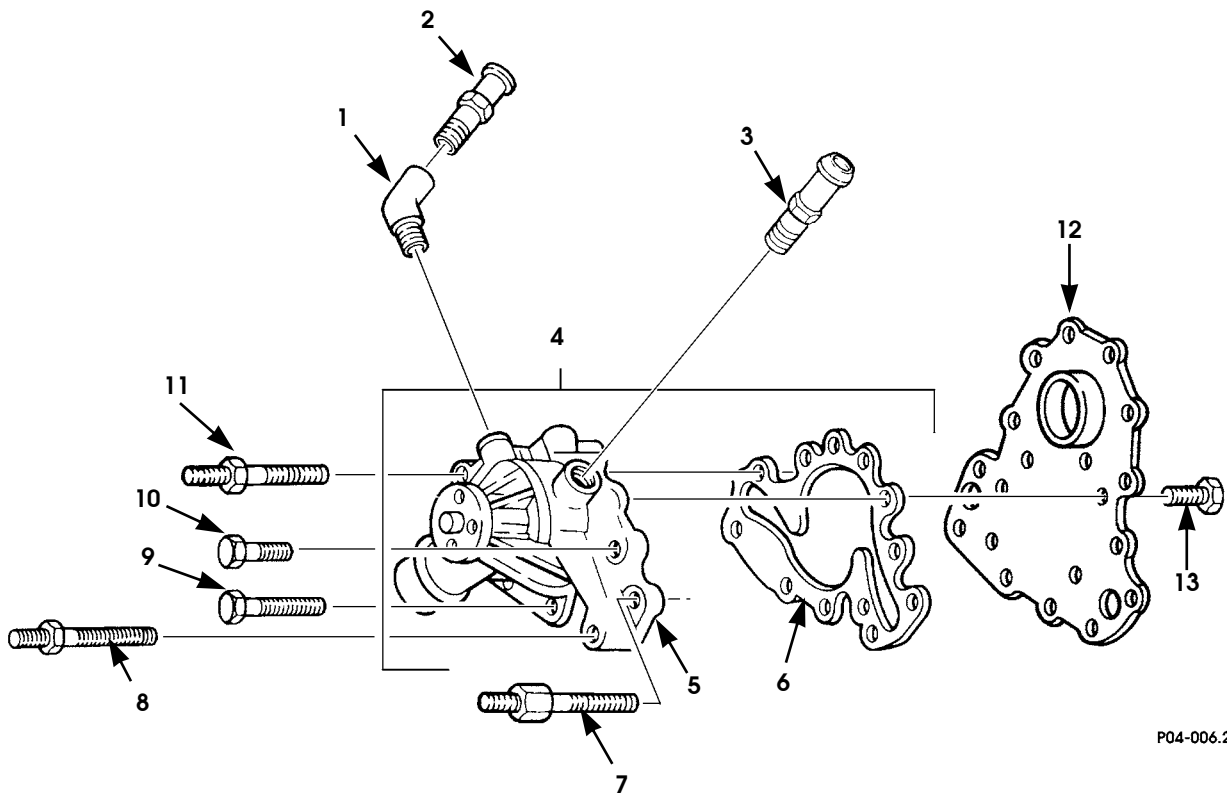
1997 HUMMER PARTS CATALOG

6-1-99

COOLING SYSTEM 4-11

ITEM	PART NUMBER	DESCRIPTION	QTY
		Figure 4-5. Thermostat, Water Crossover, and Attaching Hardware.	
1	5741047	BOLT, M8 x 1.25 x 30 (NA Diesel)	4
2	6008770	BLEEDER VALVE (NA Diesel)	1
3	5744664	OUTLET, water (NA Diesel)	1
4	5744665	GASKET, water outlet (NA Diesel) NOTE 1	1
5	5743238	THERMOSTAT (NA Diesel)	1
6	5744666	HOUSING, engine cooling (NA Diesel)	1
7	12339396	NIPPLE, heater hose (NA Diesel)	1
8	N/S	CLAMP, hose, (NA Diesel)	1
9	5742109	GASKET, thermostat housing NOTE 1	4
10	5744432	BOLT, thermostat housing (NA Diesel)	2
11	6008900	SWITCH ASM, A/C temp cutout (NA Diesel)	1
12	5714525	CONNECTOR, thermostat housing (NA Diesel)	1
13	N/S	CLAMP, hose, (NA Diesel)	2
14	5744460	HOSE, thermostat bypass (NA Diesel)	1
15	5740052	STUD (Turbo Diesel)	2
16	5744461	HOUSING (Turbo Diesel)	1
17	5744479	CONNECTOR, thermal bypass hose (Turbo Diesel)	1
18	N/S	CLAMP, hose, 5/8 - 1-1/2, stainless (Turbo Diesel)	2
19	5744460	HOSE, thermostat bypass (Turbo Diesel)	1
20	5744434	BOLT, water outlet (Turbo Diesel)	4
21	5744473	OUTLET ASSEMBLY, water (Turbo Diesel)	1
22	5744463	THERMOSTAT (Turbo Diesel)	2
23	5744462	•THERMOSTAT, SEAL, O-Ring (Turbo Diesel)	2
		 NOTE 1: PART OF CYLINDER HEAD KIT 5714842	

4-12 COOLING SYSTEM



P04-006.2

Figure 4-6. Water Pump and Attaching Hardware.

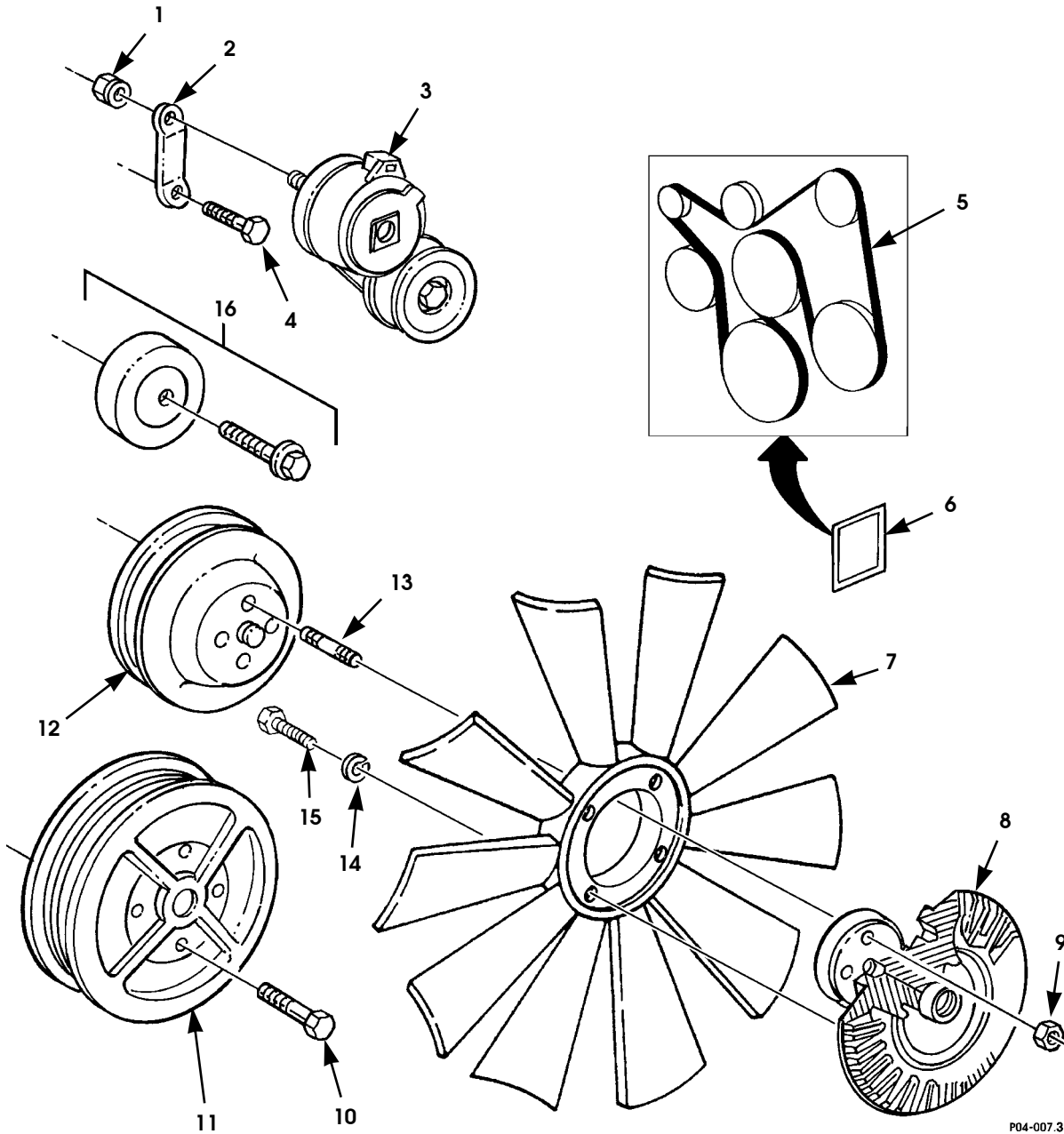
1997 HUMMER PARTS CATALOG

6-1-99

COOLING SYSTEM 4-13

ITEM	PART NUMBER	DESCRIPTION	QTY
		Figure 4-6. Water Pump and Attaching Hardware.	
1	12339408	ELBOW, pipe, street, 45 degree	1
2	12339396	NIPPLE, heater hose.	1
3	5740265	ADAPTER, water pump	1
4	5744938	WATER PUMP, remanufactured SEE NOTE 1	1
4	5744662	WATER PUMP	1
5	S.I.A.	•WATER PUMP BODY.	1
6	5743242	•GASKET, water pump SEE NOTE 2	1
7	5741140	STUD, water pump	1
8	5741166	STUD, 10-1.5" x 95 x 17mm.	1
9	N/S	BOLT, water pump, M10 x 1.5-80.	2
10	N/S	BOLT, M8-1.25" x 40, hex, 10.9, CAD	2
11	5741166	STUD, water pump	2
12	5743232	PLATE, water pump backing	1
13	N/S	BOLT, M8-1.25" x 16mm, hex, 10.9, CAD	6
		NOTE 1: REMANUFACTURED WATER PUMP DOES NOT INCLUDE WATER PUMP GASKET 5743242.	
		NOTE 2: PART OF ENGINE OVERHAUL KIT P/N 5743399	

4-14 COOLING SYSTEM



P04-007.3

Figure 4-7. Cooling Fan, Fan Clutch, Belt, and Pulleys.

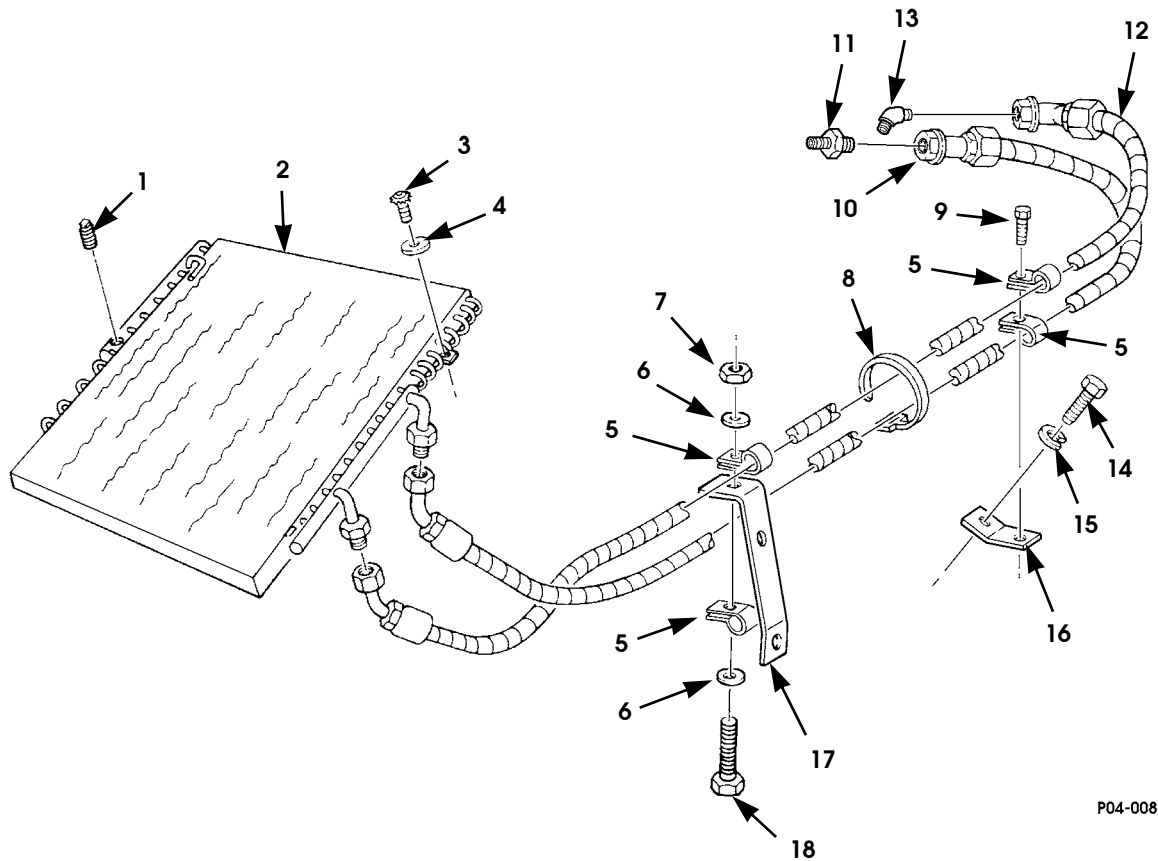
1997 HUMMER PARTS CATALOG

5-1-97

COOLING SYSTEM 4-15

ITEM	PART NUMBER	DESCRIPTION	QTY
		Figure 4-7. Cooling Fan, Fan Clutch, Belt, and Pulleys.	
1	N/S	NUT, flanged, M12 - 1.75, class 9.8, Phos, tensioner brace (NA Diesel)	1
2	6003047	BRACE, tensioner (NA Diesel)	1
3	6003051	TENSIONER	1
4	N/S	BOLT, M10 - 1.5 x 25, class 9.8, brace-to-cover (NA Diesel)	1
5	6007453	BELT, serpentine	1
6	6006813	LABEL, belt routing	1
7	6008663	FAN, engine cooling	1
8	6008664	CLUTCH ASSEMBLY, fan	1
9	N/S	NUT, fan-to-clutch, M8 - 1.25.	4
10	N/S	BOLT, M10 - 1.5 x 65, class 9.8	4
11	6003069	PULLEY, crankshaft	1
12	6006809	PULLEY, water pump	1
13	6003063	STUD, fan-to-water pump	4
14	N/S	LOCKWASHER, med, M8, Phos	6
15	N/S	BOLT, M8 - 1.25 x 25, fan-to-clutch	4
16	6006811	IDLER ASSEMBLY	1

4-16 COOLING SYSTEM



P04-008.1

Figure 4-8. Oil Cooler (Engine and Transmission) and Engine Oil Cooler Lines.

1997 HUMMER PARTS CATALOG

6-1-99

COOLING SYSTEM 4-17

ITEM	PART NUMBER	DESCRIPTION	QTY
		Figure 4-8. Oil Cooler (Engine and Transmission) and Engine Oil Cooler Lines.	
1	MS49005-4	PLUG, pipe, oil cooler	2
2	12340185	COOLER, engine and transmission oil	1
3	05741099	BOLT, pan head, socket head, 5/16 - 18 x 5/8	4
4	N/S	WASHER, flat, 5/16, CAD	4
5	12340571-2	CLAMP, closed dipped	4
6	N/S	WASHER, flat, hardened, 1/4, ZN	2
7	N/S	LOCKNUT, 1/4 - 20, Gr8	1
8	MS3367-3-9	STRAP, tiedown, oil cooler hose	1
9	N/S	SCREW, tapping, 1/4 - 20 x 5/8, CAD, oil cooler hose clamp.	1
10	12339411-2	HOSE, oil cooler inlet	1
11	108-070102	CONNECTOR, 1/2 - 14 pipe to 7/8 - 14 flare	1
12	12339411-1	HOSE, oil cooler outlet (NA Diesel)	1
12	6007451	HOSE, oil cooler outlet (Turbo Diesel)	1
13	108-070302	ELBOW, 45 degree, 1/2 - 14 pipe to 7/8 - 14 flare.	1
14	N/S	SCREW, tapping, 3/8 - 16 x .75, ZN	1
15	N/S	LOCKWASHER, med, 3/8, ZN	1
16	12338777	BRACKET, oil cooler hose clamp	1
17	12338779	BRACKET, oil cooler hose clamp	1
18	N/S	SCREW, 1/4 - 20 x 1.13, Gr5, CAD.	1

1997 HUMMER PARTS CATALOG

TRANSMISSION/TRANSFER CASE 5-1

Section 5

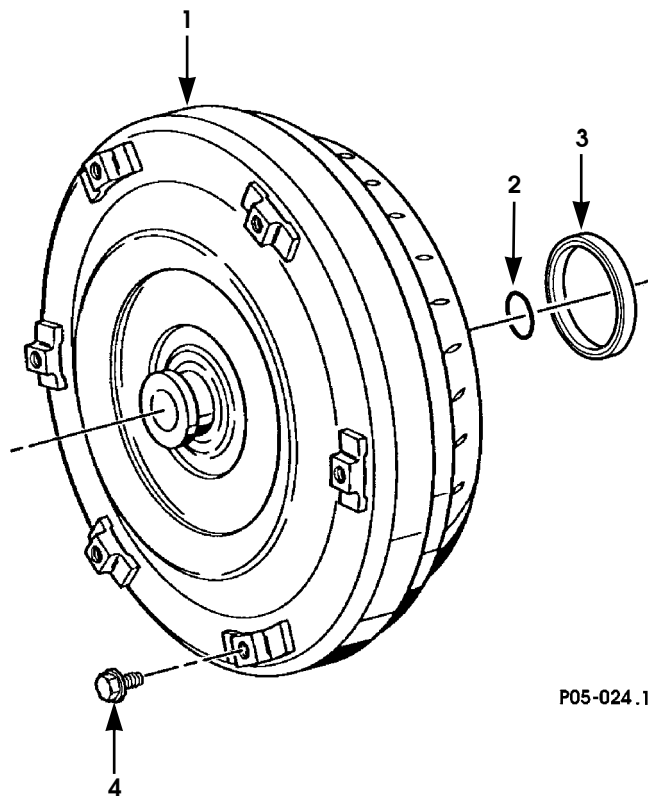
TRANSMISSION/TRANSFER CASE

TITLE	PAGE NUMBER
Control Valve and Related Parts	5-14
Torque Converter	5-2
Transfer Case Assembly, Front Half	5-26
Transfer Case Assembly, Rear Half	5-28
Transfer Case Assembly	5-24
Transfer Case Oil Cooler Assembly	5-32
Transfer Case Shift Controls	5-36
Transfer Case Shift Mechanisms	5-34
Transmission and Transfer Case Control Assembly and Neutral Start Switch	5-5
Transmission, Filter and Sensors	5-12
Transmission Mounting Hardware, Fluid Dipstick, and Tube Assembly	5-10
Transmission Parking Lock System	5-18
Transmission Shift Lever, Shift Bracket, and Rod	5-8
Transmission/Transfer Case Cooling Lines	5-22
Transmission Vent Lines and Attaching Hardware	5-20
Transmission Wiring Harness	5-16

6-1-99

1997 HUMMER PARTS CATALOG

5-2 TRANSMISSION/TRANSFER CASE



P05-024.1

Figure 5-1. Torque Converter.

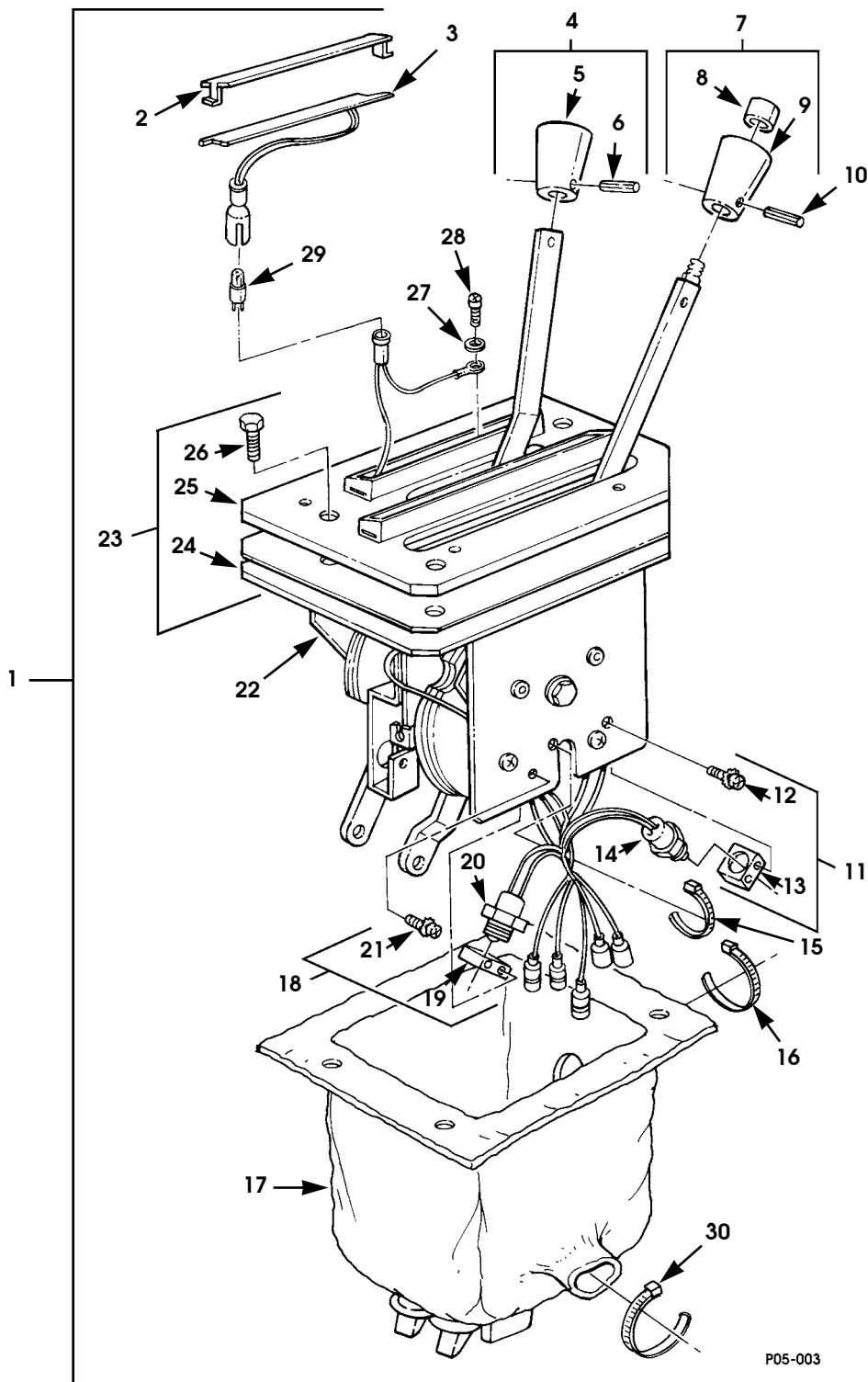
1997 HUMMER PARTS CATALOG

6-1-99

TRANSMISSION/TRANSFER CASE 5-3

ITEM	PART NUMBER	DESCRIPTION	QTY
		Figure 5-1. Torque Converter.	
1	5714957	TORQUE CONVERTER, transmission (remanufactured)	1
2	5714323	O-RING, turbine shaft front oil seal	1
3	5743361	SEAL, torque converter	1
2	N/S	SCREW, converter to flywheel, M10 - 1.5" x 15	6

TRANSMISSION/TRANSFER CASE 5-5



P05-003

Figure 5-2. Transmission and Transfer Case Control Assembly and Neutral Start Switch.
(Sheet 1 of 2)

5-6 TRANSMISSION/TRANSFER CASE

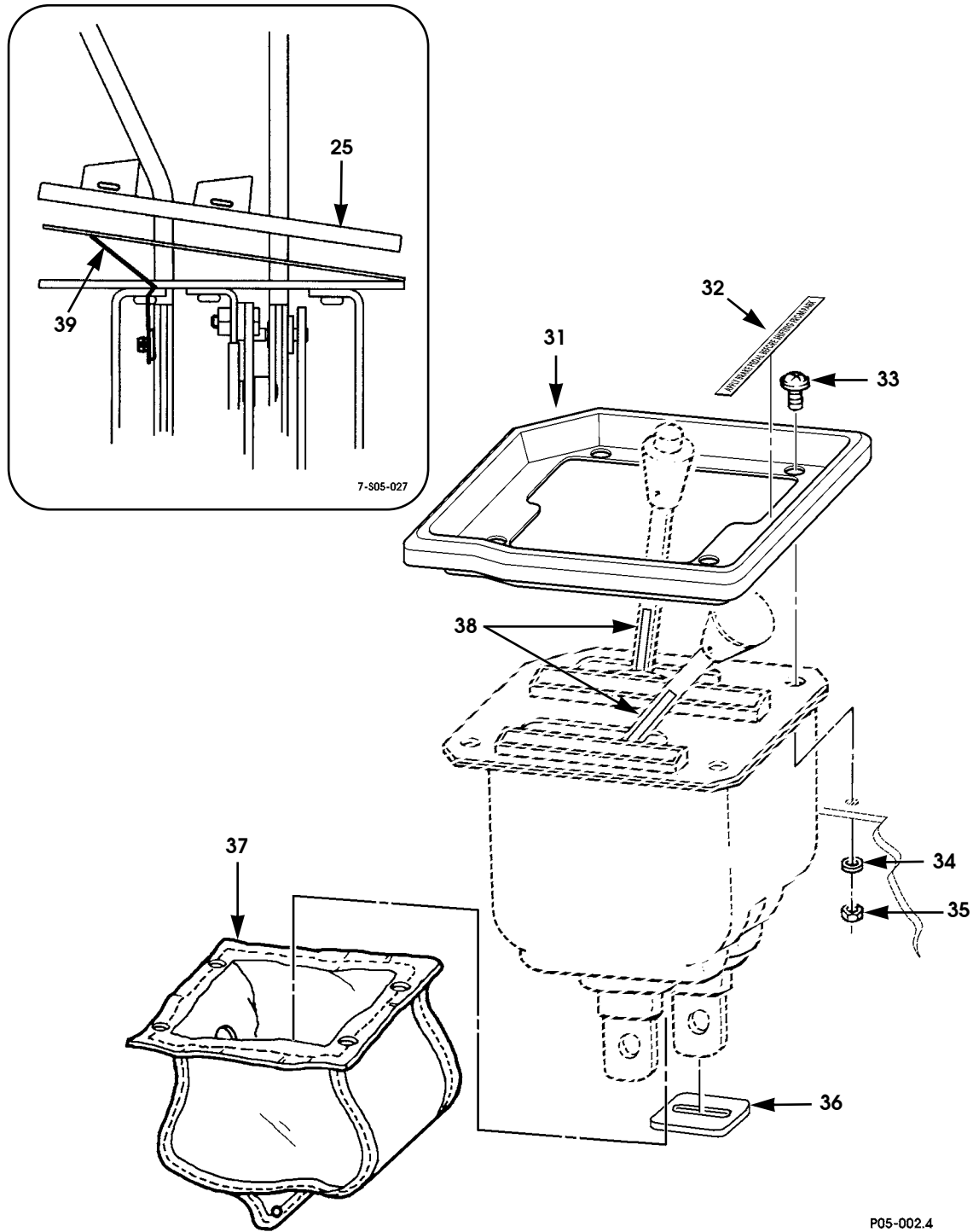


Figure 5-2. Transmission and Transfer Case Control Assembly and Neutral Start Switch.
(Sheet 2 of 2)

1997 HUMMER PARTS CATALOG

6-1-99

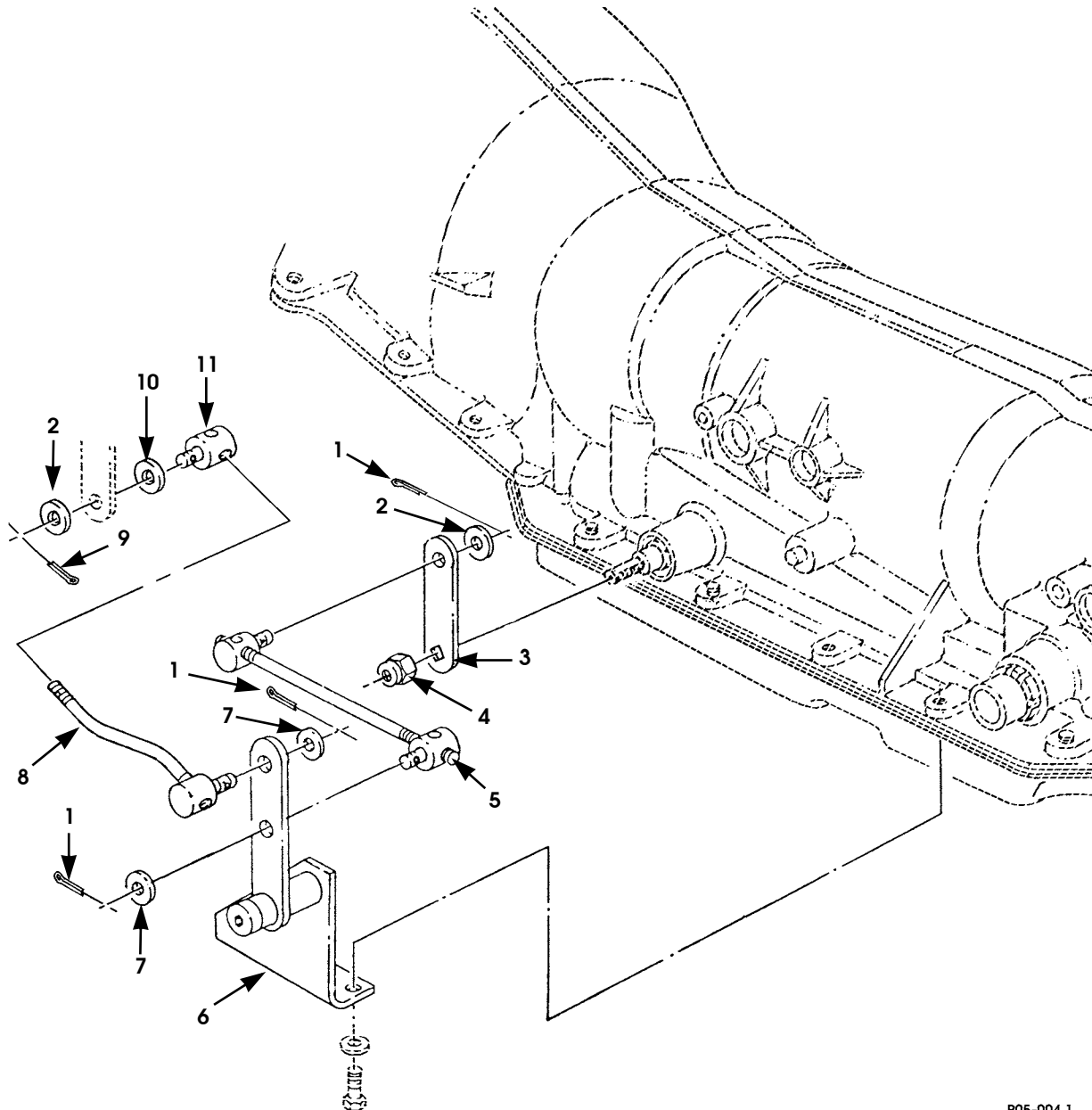
TRANSMISSION/TRANSFER CASE 5-7

ITEM	PART NUMBER	DESCRIPTION	QTY
		Figure 5-2. Transmission and Transfer Case Control Assembly and Neutral Start Switch.	
1	6007498	CONTROL ASSEMBLY, transmission and transfer case .	1
2	5743154	•LENS, transmission	1
2	5743155	•LENS, transfer case	1
3	5744277	•FIBEROPTICS, transmission	1
3	5742980	•FIBEROPTICS, transfer case	1
4	5743156	•KNOB KIT, transfer case	1
5	S.I.K.	••KNOB, transfer shift	1
6	S.I.K.	••SPRING PIN.	1
7	5743157	•PUSH BUTTON KNOB KIT, transmission	1
8	S.I.K.	••RELEASE BUTTON, transmission handle	1
9	S.I.K.	••KNOB, transmission handle.	1
10	S.I.K.	••SPRING PIN.	1
11	5743158	•SWITCH SET, neutral	1
12	S.I.K.	••SCREW-ASSEMBLED WASHER	2
13	S.I.K.	••NUT, neutral switch	1
14	S.I.K.	••NEUTRAL SWITCH.	1
15	MS3367-4-2	•TIEDOWN STRAP, 2.72"	2
16	MS3367-7-0	•TIEDOWN STRAP, .192" x 10.2"	1
17	6007499	•BOOT, shifter control	1
18	5743159	•SWITCH SET, reverse	1
19	S.I.K.	••NUT, reverse switch	1
20	S.I.K.	••REVERSE SWITCH	1
21	S.I.K.	••SCREW-ASSEMBLED WASHER	2
22	NPN	•HOUSING	1
23	5743160	•COVER PLATE SEAL KIT	1
24	S.I.K.	••COVER SEAL.	1
25	S.I.K.	••COVER PLATE.	1
26	S.I.K.	••SCREW	4
27	N/S	•WASHER	1
28	N/S	•SCREW	1
29	5744879	•BULB, indicator	1
30	MS3367-1-9	TIEDOWN STRAP, 3/16" x 7.25"	1
31	6007186	BEZEL, shift lever	1
32	6008037	DECAL, shift instruction (English)	1
32	6008038	DECAL, shift instruction (French)	1
32	6008039	DECAL, shift instruction (Arabic)	1
33	N/S	SCREW, cap, 1/4 - 20 x 7/8, Gr3, CAD, control assembly	3
34	N/S	WASHER, flat, hardened, 1/4, Type B, ZN, control assembly	3
35	N/S	LOCKNUT, 1/4 - 20, Gr8, control assembly	3
36	6006994	BOOT PROTECTOR	2
37	6007457	COVER, shifter boot	1
38	5743742	TAPE, indicator, transmission gear shift	2
39	6009798	ANTI-RATTLE CLIP	1

12-1-97

1997 HUMMER PARTS CATALOG

5-8 TRANSMISSION/TRANSFER CASE



P05-004.1

Figure 5-3. Transmission Shift Lever, Shift Bracket, and Rod.

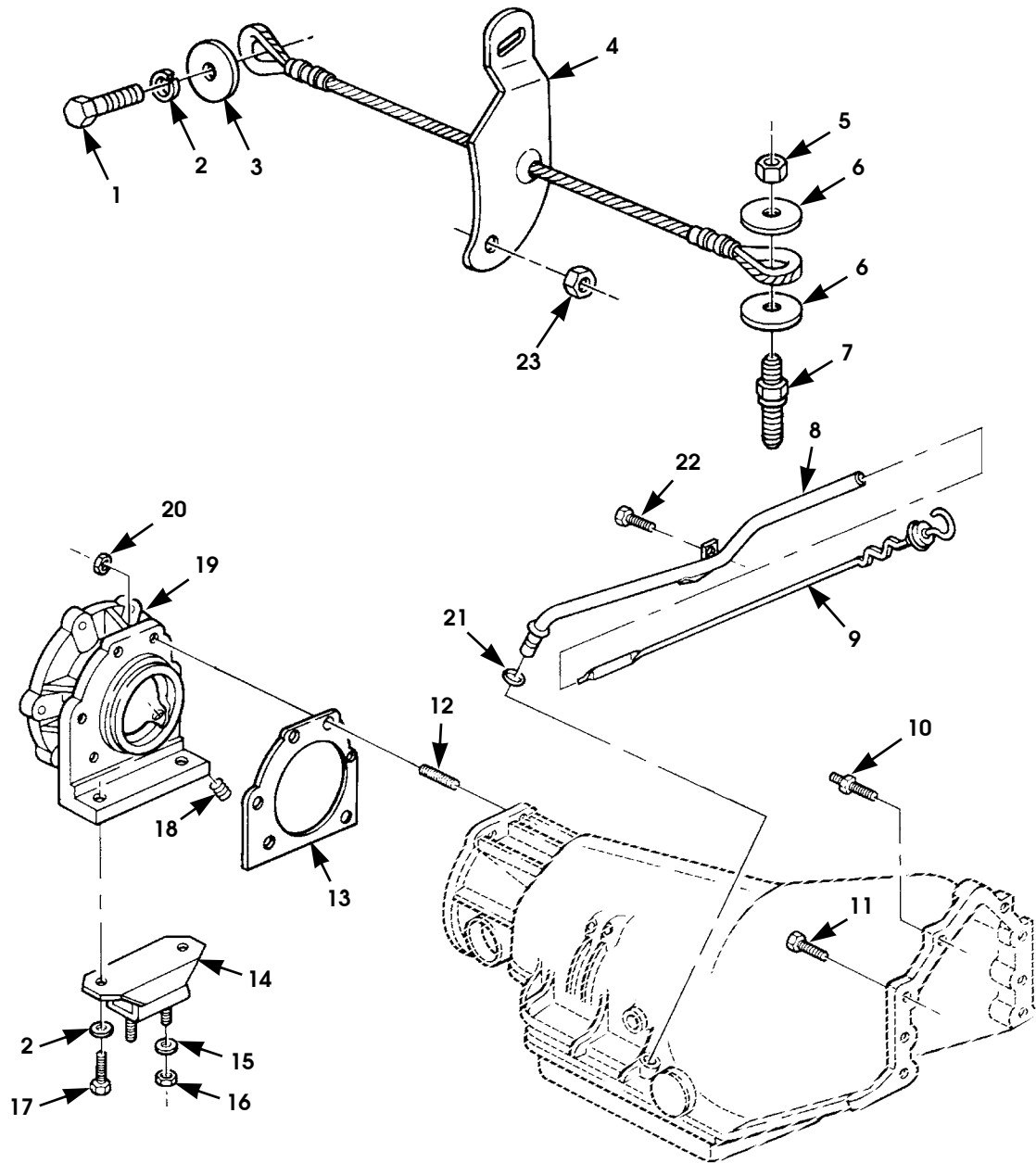
1997 HUMMER PARTS CATALOG

5-1-97

TRANSMISSION/TRANSFER CASE 5-9

ITEM	PART NUMBER	DESCRIPTION	QTY
Figure 5-3. Transmission Shift Lever, Shift Bracket, and Rod.			
1	N/S	PIN, cotter, 3/32" X 3/4"	3
2	N/S	WASHER, flat, 3/8", CL2, CAD	2
3	12447176	LEVER, transmission shift arm	1
4	N/S	NUT, M10-1.5, Hex, CL10, Phos.	1
5	12447178	ROD ASSEMBLY, bracket-to-transmission	1
6	12447182	BRACKET, transmission shift lever	1
7	N/S	WASHER, flat, 3/8", CAD	2
8	12460146	ROD, transmission to shifter.	1
9	N/S	PIN, cotter, 1/8" x 3/4"	2
10	N/S	WASHER, wave, 3/8", Type 2, ZN	1
11	12338442-2	TRUNNION, shift control, transmission.	1

5-10 TRANSMISSION/TRANSFER CASE



P05-006

Figure 5-4. Transmission Mounting Hardware, Fluid Dipstick, and Tube Assembly.

1997 HUMMER PARTS CATALOG

6-1-99

TRANSMISSION/TRANSFER CASE 5-11

ITEM	PART NUMBER	DESCRIPTION	QTY
		Figure 5-4. Transmission Mounting Hardware, Fluid Dipstick, and Tube Assembly.	
1	N/S	BOLT, 1/2 - 13 x 1.75, Gr.8, CAD, guide cable	1
2	N/S	LOCKWASHER, 1/2, ZN	2
3	N/S	WASHER, flat, type B, 9/16, ZN, guide cable	1
4	12447180	CABLE ASSEMBLY, transfer case guide	1
5	N/S	NUT, 7/16 - 14, Gr8, guide cable	1
6	12340058	WASHER, special, hardened, guide cable	1
7	12447177	STUD, special	1
8	6005610B2	TUBE, transmission oil dipstick (NA Diesel)	1
8	6007684	TUBE, transmission oil dipstick (Turbo)	1
9	6007924	DIPSTICK, transmission oil level (NA Diesel)	1
9	6007925	DIPSTICK, transmission oil level (Turbo)	1
10	12339662	STUD, transmission to engine	6
11	MS90725-63	BOLT, 3/8 - 16 x 1.38, Gr5, CAD	4
12	6002942	STUD, adapter	6
13	5742566	GASKET, case to extension	1
14	12339178	MOUNT, resilient, transmission, rear	1
15	N/S	WASHER, flat, type B, 3/8"	2
16	N/S	LOCKNUT, 3/8 - 16, Gr8	2
17	MS90725-110	SCREW, 1/2 - 13 x 1.12, Gr5, CAD	2
18	444689	DRAINPLUG, 1/8, NPT, transmission	1
19	12447175	ADAPTER, transmission	1
20	N/S	LOCKNUT, p.t., flanged, 3/8 - 24, adapter	12
21	06002996	SEAL, O-ring, dipstick tube	1
22	N/S	BOLT, flanged, M10 - 1.5 x 16, class 9.8, Phos.	1
23	11501033	LOCKNUT, p.t., M10 - 1.5, class 10.9, CAD, transfer case guide	1

1997 HUMMER PARTS CATALOG

6-1-99

TRANSMISSION/TRANSFER CASE 5-13

ITEM	PART NUMBER	DESCRIPTION	QTY
		Figure 5-5. Transmission, Filter and Sensors.	
1	6008588	TRANSMISSION, w/ torque converter, 4L80E	1
1	5744677	TRANSMISSION, w/ torque converter, 4L80E remanufactured	1
2	5714967	•FITTING, cooler pipe, front	1
3	5714961	•FITTING, cooler pipe, rear	1
4	S.I.A.	•CASE	1
5	5714333	•SEAL, output shaft	1
6	5714335	•RETAINING RING, output shaft seal	1
7	5743516	•SENSOR ASSEMBLY	2
8	11514308	•BOLT, speed sensor	2
9	5743312	•SEAL, filter neck	1
10	5714971	•KIT, filter assembly	1
11	5744092	•MAGNET, chip collector	1
12	5743310	•SEAL, transmission oil pan	1
13	S.I.A.	•BOLT, M8 - 1.25 x 20, class 9.8, oil pan	17
14	5714952	•OIL PAN ASSEMBLY	1
15	5714953	••DRAIN PLUG, transmission	1
16	5714963	•••O-RING, transmission drain plug	1
17	N/S	BOLT, flanged, M10 - 1.5 x 16, class 9.8, Phos.	6
18	12342107	COVER ASSEMBLY	1
19	12342105	•GASKET, cover assembly	1
20	12342107-1	•COVER ASSEMBLY	1
21	RCSK18343	COVER ASSEMBLY, transmission	1
22	12460095	•GASKET, torque converter cover	1
23	S.I.A.	•COVER, torque converter	1
24	S.I.A.	•TAB, torque converter cover	1

1997 HUMMER PARTS CATALOG

6-1-99

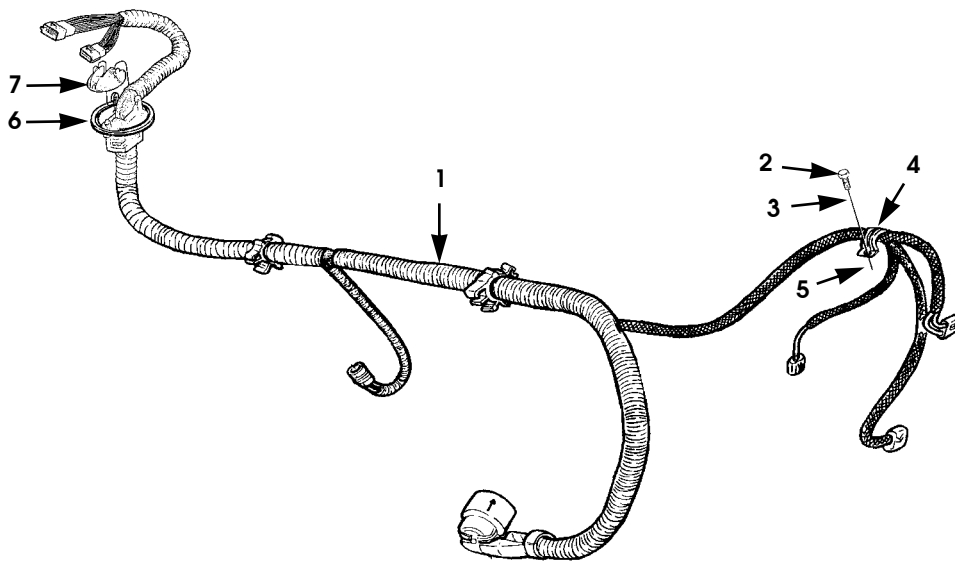
TRANSMISSION/TRANSFER CASE 5-15

ITEM	PART NUMBER	DESCRIPTION	QTY
		Figure 5-6. Control Valve and Related Parts.	
1	N/S	VALVE BODY ASSEMBLY, control	1
2	5744115	SCREW, ph Torx, M6 - 1.0 x 20	3
3	5714926	SOLENOID, shift 2-3	1
4	5714925	SOLENOID, shift 1-2	1
5	5744098	SWITCH, fluid pressure, manual valve position.	1
6	5744085	BOLT, M6 - 1.0 x 55, valve body	3
7	5714354	CLAMP, pressure control solenoid	1
8	5714373	VALVE, pressure control solenoid	1
9	5744095	CLIP, solenoid valve	1
10	5744093	SOLENOID ASSEMBLY, torque converter clutch	1
11	5715037	WIRING HARNESS ASSEMBLY, transmission internal.	1

6-1-99

1997 HUMMER PARTS CATALOG

5-16 TRANSMISSION/TRANSFER CASE



P05-021

Figure 5-7. Transmission Wiring Harness.

1997 HUMMER PARTS CATALOG

6-1-99

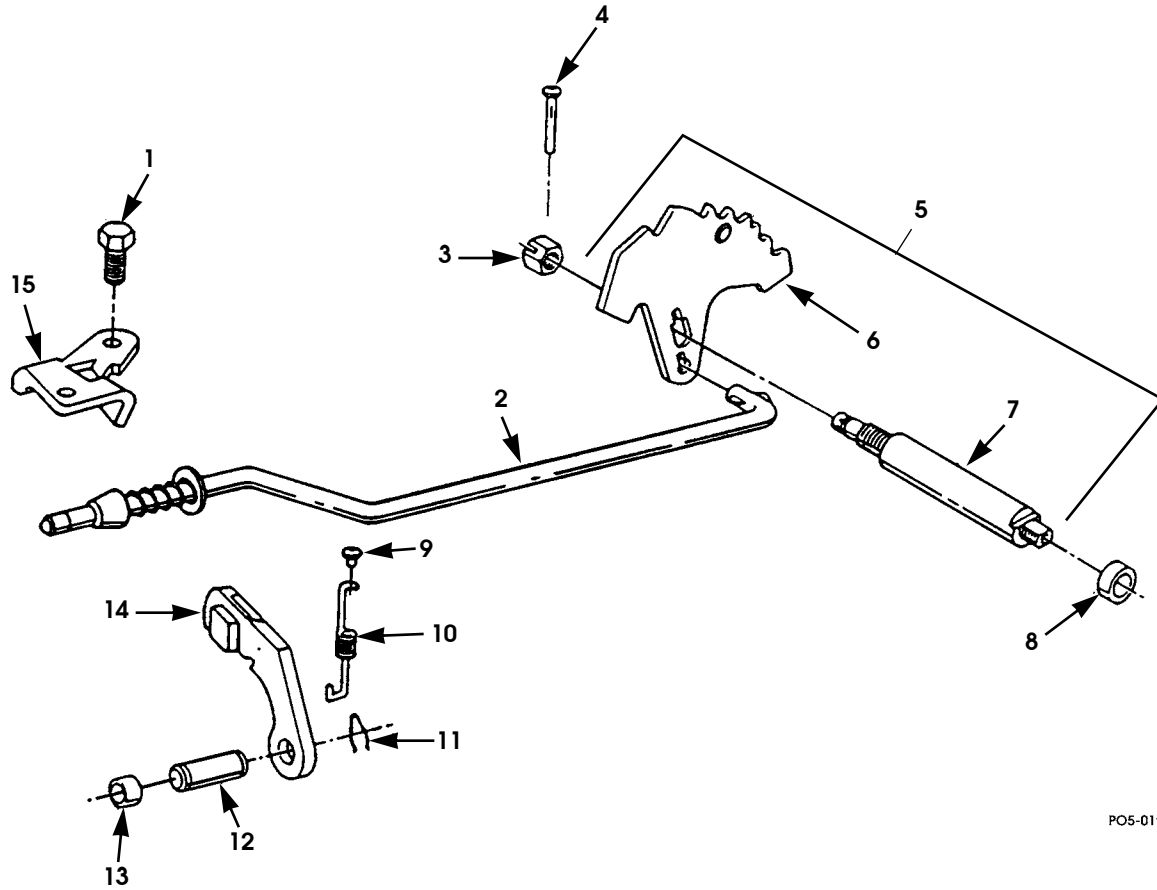
TRANSMISSION/TRANSFER CASE 5-17

ITEM	PART NUMBER	DESCRIPTION	QTY
		Figure 5-7. Transmission Wiring Harness.	
1	6006760	HARNESS ASSEMBLY, transmission	1
2	N/S	BOLT, 5/16"-18 x 0.75, Hex, Gr.8, CAD	1
3	N/S	WASHER, flat, 5/16", Hard, Type B, ZN	1
4	N/S	CLAMP, cushioned, 1/2" rubber	1
5	N/S	NUT, hex, 5/16"-18, Gr. 8, Lock	1
6	6003035	CLIP, hardshell grommet	1
7	6003022	GROMMET COVER LOCK	1

6-1-99

1997 HUMMER PARTS CATALOG

5-18 TRANSMISSION/TRANSFER CASE



PO5-019

Figure 5-8. Transmission Parking Lock System.

1997 HUMMER PARTS CATALOG

6-1-99

TRANSMISSION/TRANSFER CASE 5-19

ITEM	PART NUMBER	DESCRIPTION	QTY
		Figure 5-8. Transmission Parking Lock System.	
1	N/S	BOLT, hex, M8 x 1.25" x 20, CL 9.8, steel	2
2	5744105	ACTUATOR ASSEMBLY	1
3	5744076	NUT, hex	1
4	5744122	PIN	1
5	5714375	LEVER AND SHAFT ASSEMBLY, parking lock	1
6	S.I.A.	•LEVER, parking lock	1
7	S.I.A.	•SHAFT, manual	1
8	5740322	SEAL ASSEMBLY	1
9	5744110	STUD	1
10	5744108	SPRING, retaining	1
11	148148	RETAINER, spring type	1
12	5742593	SHAFT, lock	1
13	5740320	PLUG, expansion	1
14	5744106	PAWL, parking lock	1
15	5744103	BRACKET, parking lock	1

12-1-97

1997 HUMMER PARTS CATALOG

5-20 TRANSMISSION/TRANSFER CASE

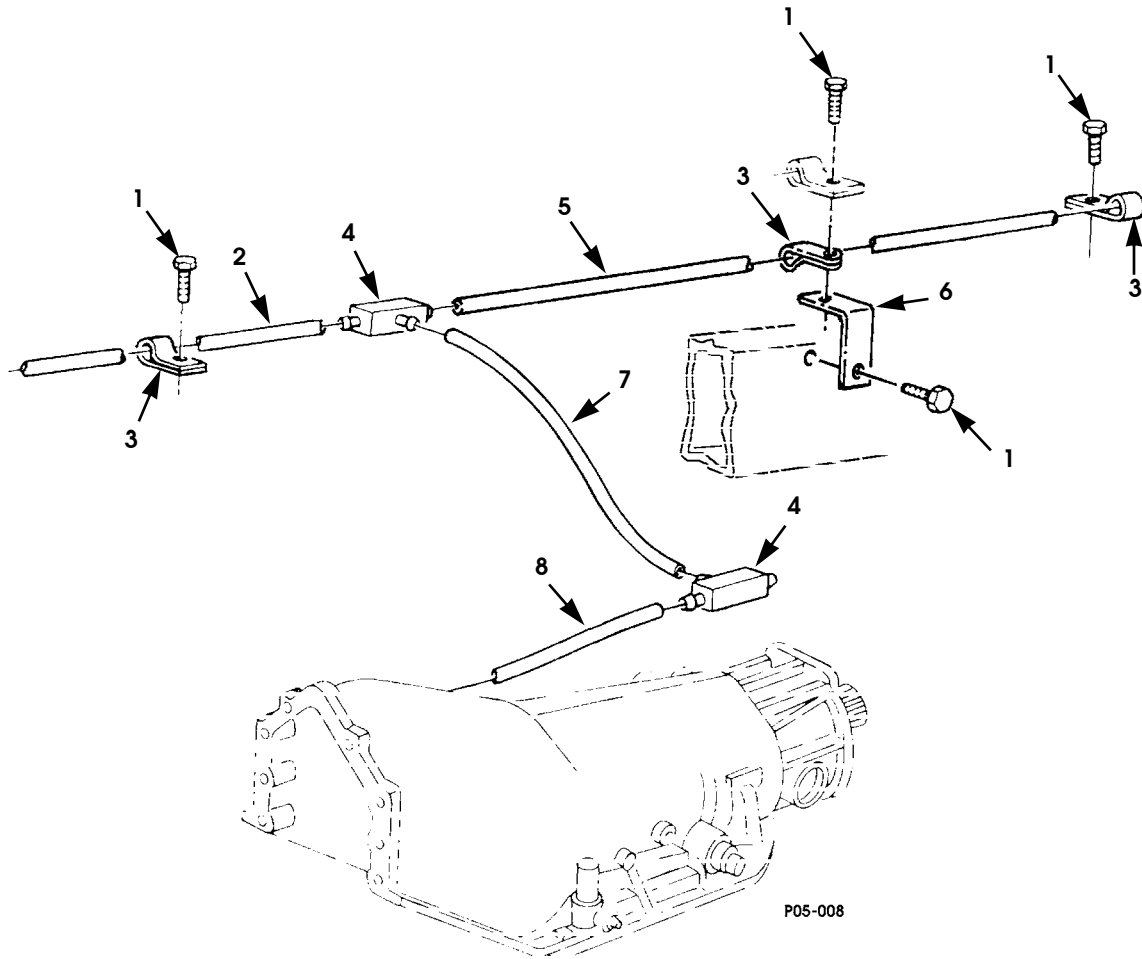


Figure 5-9. Transmission Vent Lines and Attaching Hardware.

1997 HUMMER PARTS CATALOG

12-1-97

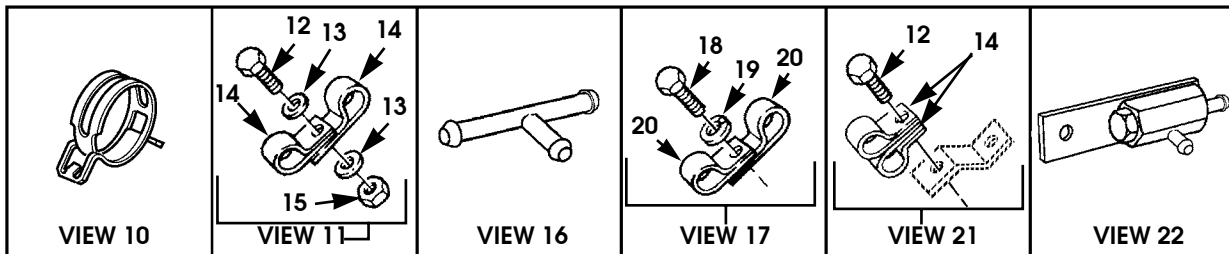
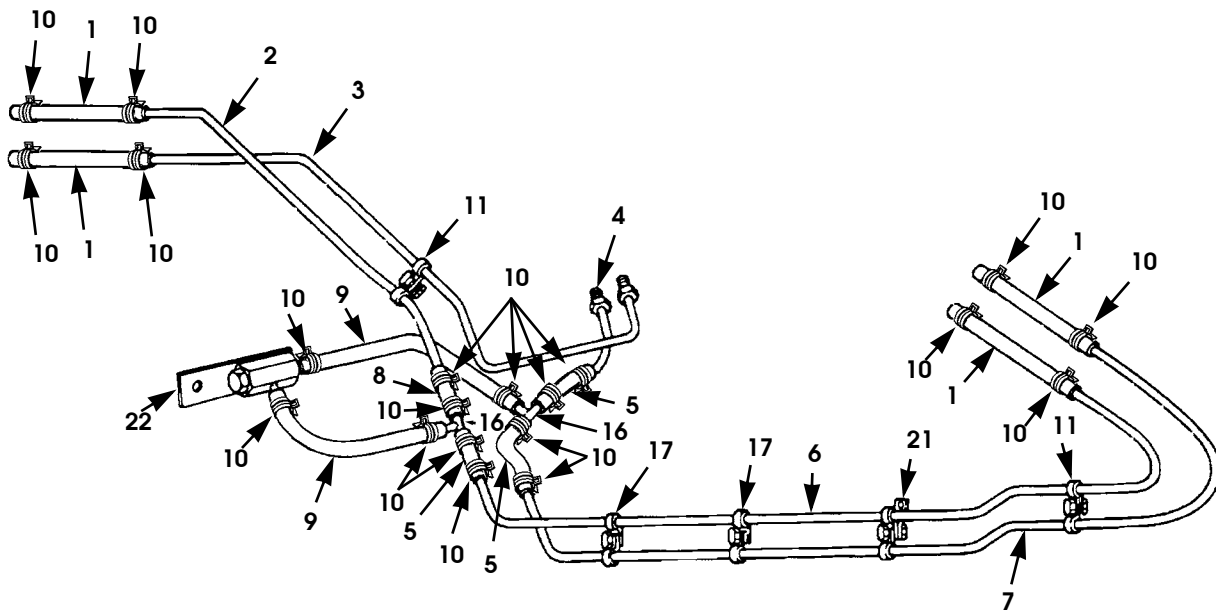
TRANSMISSION/TRANSFER CASE 5-21

ITEM	PART NUMBER	DESCRIPTION	QTY
		Figure 5-9. Transmission Vent Lines and Attaching Hardware.	
1	N/S	SCREW, 3/8"-16 x 5/8", ZN, tapping.	4
2	N/S	VENT LINE TUBE, 41-inch, SEE NOTE 1	1
3	N/S	CLAMP, transmission vent line, cushioned, 1/4"	3
4	12339973-1	TEE, transmission vent line, union	2
5	N/S	VENT LINE TUBE, 64-inch, SEE NOTE 1	1
6	12338663	BRACKET, vent line tube mounting	1
7	N/S	VENT LINE TUBE, 11-inch, SEE NOTE 1	1
8	N/S	VENT LINE TUBE, 11-inch, SEE NOTE 1	1
		NOTE 1: MAKE FROM BULK NYLON TUBE P/N 5741079 3/16" X 250' ROLL	

12-1-97

1997 HUMMER PARTS CATALOG

5-22 TRANSMISSION/TRANSFER CASE



P05-009

Figure 5-10. Transmission/Transfer Case Cooling Lines.

1997 HUMMER PARTS CATALOG

6-1-99

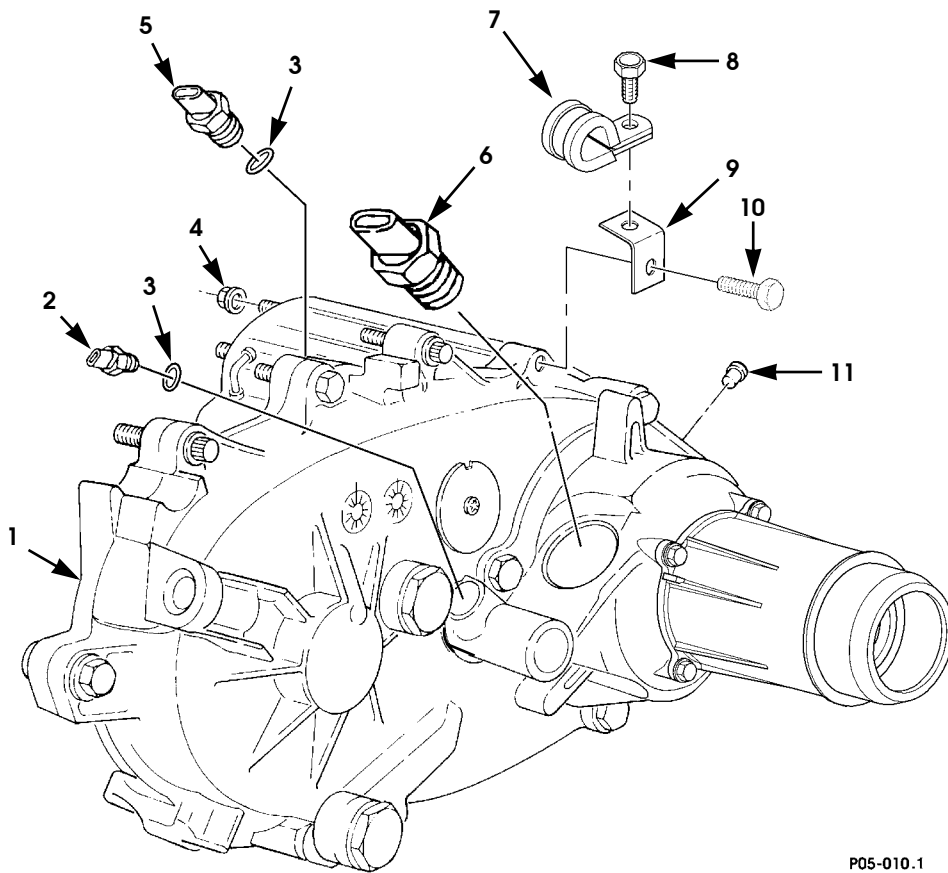
TRANSMISSION/TRANSFER CASE 5-23

ITEM	PART NUMBER	DESCRIPTION	QTY
		Figure 5-10. Transmission/Transfer Case Cooling Lines.	
1	N/S	HOSE, 3-inch, cooling lines, SEE NOTE 1	4
2	12338333	TUBE, transfer case to cooler, rear	1
3	6008598	TUBE, transfer case to transmission	1
4	6008597	TUBE, transmission to cooler, rear	1
5	N/S	HOSE, 4-inch, transmission line to cooling line, SEE NOTE 1	3
6	12338332	TUBE, transfer case to cooler, front.	1
7	12338335	TUBE, transmission to cooler, front	1
8	N/S	HOSE, 4-inch, transfer case line to cooling line, SEE NOTE 1	1
9	N/S	HOSE, 10-inch, tee-to-bypass valve, NOTE 1	2
10	6008528	CLAMP, cooling lines, hose,	20
11	NPN	CLAMP ASSEMBLY	2
12	N/S	•SCREW, cooling line clamps, flanged hex, Gr. 5, CAD	2
13	N/S	•WASHER, flat, cooling line clamps, 1/4", CAD	4
14	N/S	•CLAMP, loop, cooling lines, 3/8" , cushioned.	4
15	N/S	•LOCKNUT, cooling line clamps, hex, 1/4 - 20, Gr. 8	2
16	12447077	TEE, bypass valve	2
17	NPN	CLAMP ASSEMBLY	2
18	N/S	•SCREW, cooling line clamps, 3/8"-16 x 0.75", hex, tap, ZN	2
19	N/S	•LOCKWASHER, cooling line clamps, 3/8", Med, ZN.	2
20	N/S	•CLAMP, cooling lines, 3/8" , cushioned	4
21	NPN	CLAMP ASSEMBLY	1
12	N/S	•SCREW, cooling line clamps, flanged hex, Gr. 5, CAD	1
14	N/S	•CLAMP, loop, cooling lines, 3/8" , cushioned.	2
22	12447076	VALVE, bypass, transmission oil	1
		NOTE 1: MAKE FROM BULK HOSE P/N 5741209, 3/8" X 25' ROLL	

6-1-99

1997 HUMMER PARTS CATALOG

5-24 TRANSMISSION/TRANSFER CASE



P05-010.1

Figure 5-11. Transfer Case Assembly.

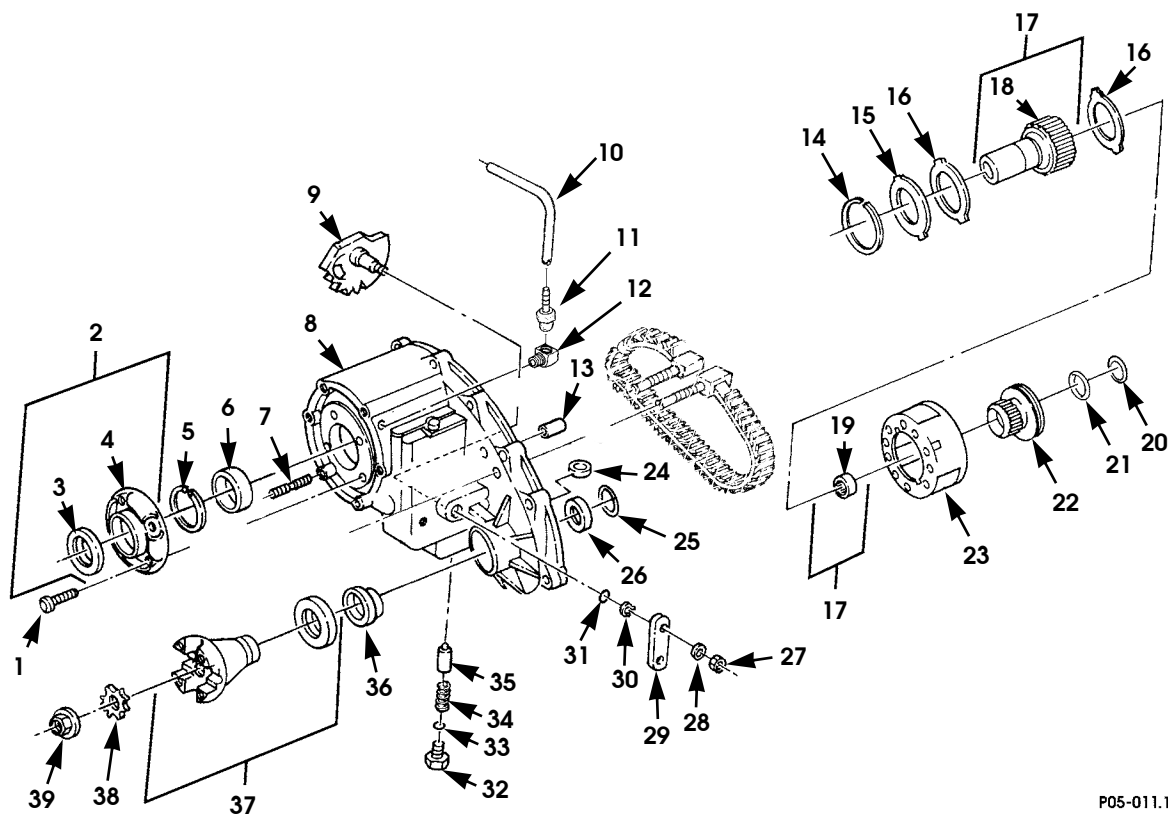
1997 HUMMER PARTS CATALOG

6-1-99

TRANSMISSION/TRANSFER CASE 5-25

ITEM	PART NUMBER	DESCRIPTION	QTY
		Figure 5-11. Transfer Case Assembly.	
1	6008833	TRANSFER CASE ASSEMBLY	1
1	5745077	TRANSFER CASE ASSEMBLY, remanufactured	1
2	5938686	SWITCH, transfer indicator, 12-volt	1
3	5938616	SEAL, O-ring	1
4	N/S	LOCKNUT, flanged, p.t., 3/8 - 24, transfer case	6
5	5743511	SWITCH, transfer case range	1
6	5743510	SWITCH, speed sensor	1
7	N/S	P-CLAMP, cushioned, 7/16"	1
8	N/S	SCREW, tapping, 3/8-16 x 5/8	1
9	5589115	BRACKET, transfer case	1
10	N/S	SCREW, t-case housing M10-1.5 x 27, class 9.8	1
11	5938682	DUST PLUG, transfer case	1

5-26 TRANSMISSION/TRANSFER CASE



P05-011.1

Figure 5-12. Transfer Case Assembly, Front Half.

1997 HUMMER PARTS CATALOG

6-1-99

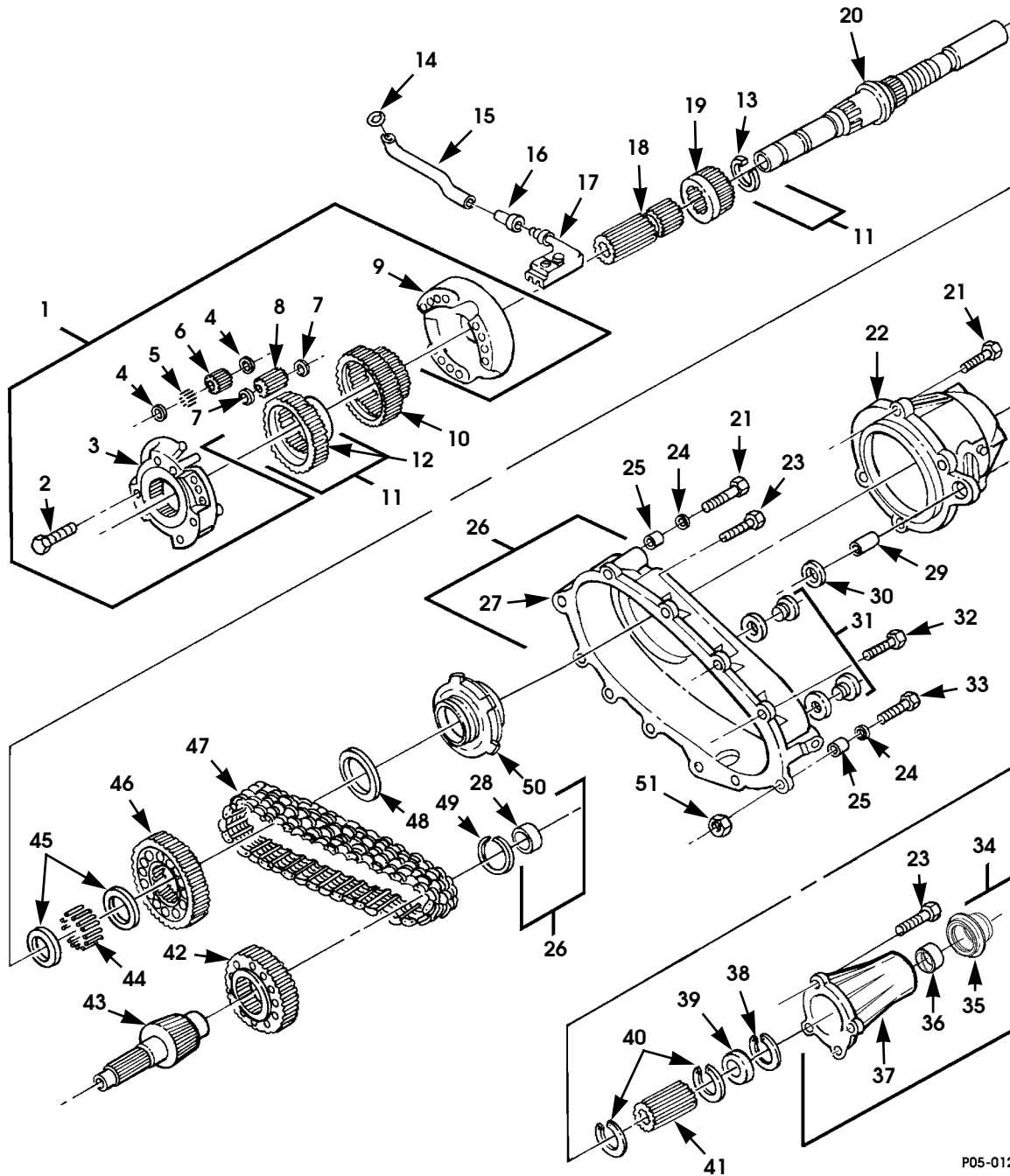
TRANSMISSION/TRANSFER CASE 5-27

ITEM	PART NUMBER	DESCRIPTION	QTY
		Figure 5-12. Transfer Case Assembly, Front Half.	
1	5938626	RETAINER SCREW, input gear	4
2	5938625	RETAINER ASSEMBLY, input gear	1
3	5740017	•OIL SEAL, input gear	1
4	N/S	•RETAINER, input gear.	1
5	5938623	LOCKRING, input gear, ring, retaining	1
6	5714223	BEARING, transfer case	1
7	5740008	STUD, mounting, transfer case	6
8	5744429	TRANSFER CASE, front half	1
9	5743744	SECTOR, transfer case	1
10	N/S	TUBING, 17" (make from bulk nylon tube P/N 5741079, 3/16"x250')	1
11	12339978	CONNECTOR, male	1
12	5937392	ELBOW, 90 degree, female	1
13	5938610	BUSHING, rail.	1
14	5938622	LOCKRING, input gear	1
15	5938624	RETAINING RING, input gear.	1
16	5938619	WASHER, thrust, input gear	2
17	5714226	INPUT GEAR ASSEMBLY	1
18	N/S	•GEAR, input	1
19	5938621	•BEARING, input gear.	1
20	5938658	WASHER, transfer case, clutch shaft	1
21	5938659	RETAINING RING, transfer case	1
22	5714229	SLEEVE, transfer case, range.	1
23	5714225	PLANETARY ASSEMBLY	1
24	5740513	MAGNETIC CHIP COLLECTOR	1
25	5938608	RETAINING RING	1
26	5938607	BEARING, front output.	1
27	5741254	NUT, operating lever, selector level	1
28	N/S	WASHER, operating lever, 3/8", type B, hard, zn	1
29	5938683	OPERATING LEVER, transfer case	1
30	5740107	RETAINER, operating lever	1
31	5740012	SEAL, operating lever	1
32	5938617	SCREW, poppet spring	1
33	5938616	SEAL, poppet spring	1
34	5938615	POPPET SPRING	1
35	5938614	PLUNGER, transfer case	1
36	5714224	OIL SEAL, front output	1
37	5744928	YOKE AND SLINGER, front output.	1
38	5740010	WASHER, yoke and slinger	1
39	5740011	NUT, yoke and slinger	1

12-1-97

1997 HUMMER PARTS CATALOG

5-28 TRANSMISSION/TRANSFER CASE



P05-012.1

Figure 5-13. Transfer Case Assembly, Rear Half.

1997 HUMMER PARTS CATALOG

6-1-99

TRANSMISSION/TRANSFER CASE 5-29

ITEM	PART NUMBER	DESCRIPTION	QTY
		Figure 5-13. Transfer Case Assembly, Rear Half.	
1	5939260	DIFFERENTIAL CARRIER ASSEMBLY	1
2	5938641	•SCREW, 5/16 - 18 x 1, differential carrier	6
3	5743072	•CARRIER, front differential.	1
4	5938646	•WASHER, thrust	6
5	5938645	•NEEDLE BEARING	54
6	5938644	•PINION, narrow	3
7	5938647	•WASHER, thrust, pinion.	6
8	5938643	•PINION, wide	3
9	S.I.A.	•CARRIER, rear differential (comes with Item 3)	1
10	5938650	GEAR, sprocket carrier	1
11	5938655	GEAR assembly differential	1
12	N/S	•GEAR, differential	1
13	5938656	•RING, differential gear	1
14	5938669	O-RING, oil tube.	1
15	5938668	OIL TUBE	1
16	5938667	CONNECTOR, transfer case	1
17	5938666	SCREEN, oil tube	1
18	5714228	SHAFT, intermediate clutch	1
19	5938660	SLEEVE, mode shift.	1
20	5714291	MAIN SHAFT	1
21	5938670	SCREW, rear bearing retainer.	6
22	5743747	RETAINER, rear bearing	1
23	5740508	BOLT, case, rear half	10
24	5740230	WASHER, flat.	12
25	5740102	PIN, case alignment	2
26	5939258	CASE ASSEMBLY, rear half	1
27	N/S	•CASE, rear half	1
28	5740015	•BEARING, front output.	1
29	5938665	DOWEL, alignment	1
30	5938610	BUSHING, rail.	1
31	5740224	PLUG, transfer case drain	2
32	5741075	SCREW, case halves	2
33	5743855	SCREW, transfer case, flanged	1
34	5714232	EXTENSION ASSEMBLY	1
35	5743751	•SEAL, rear output	1
36	5743750	•BUSHING, extension.	1
37	N/S	•EXTENSION, rear housing	1
38	5745110	RETAINING RING	1
39	5742288	BEARING, rear output	1

12-1-97

1997 HUMMER PARTS CATALOG

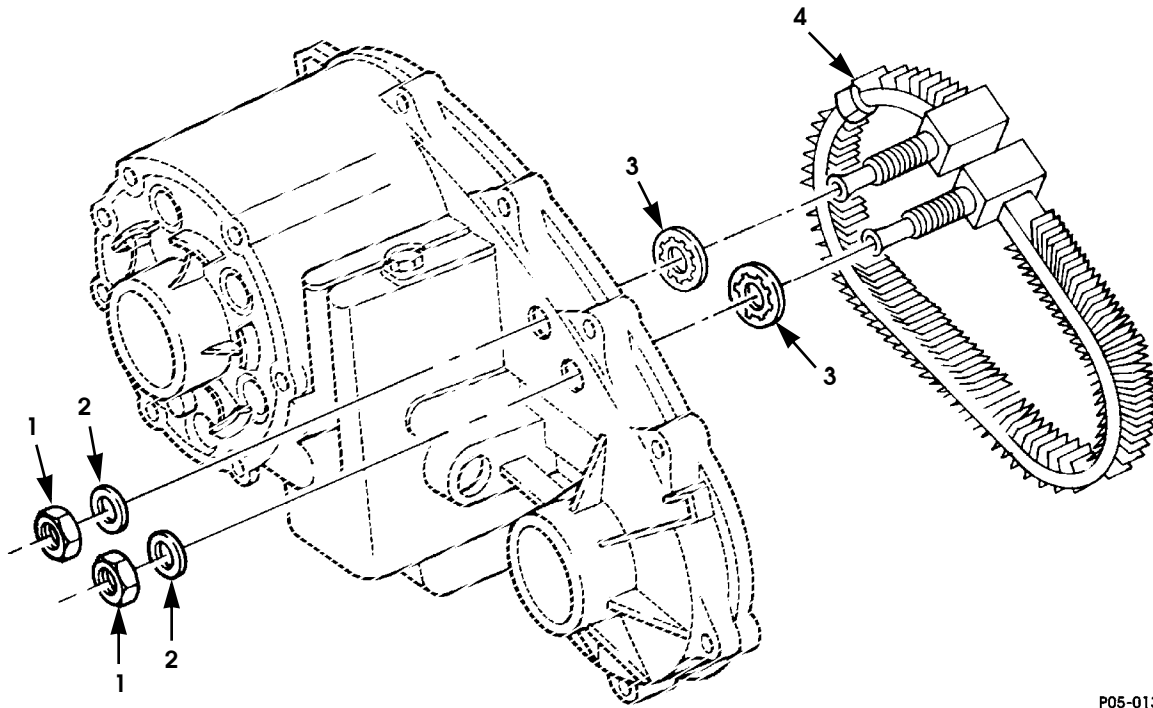
5-30 TRANSMISSION/TRANSFER CASE

ITEM	PART NUMBER	DESCRIPTION	QTY
		Figure 5-13. Transfer Case Assembly, Rear Half. (Cont'd)	
40	5938673	RETAINING RING	2
41	5743512	TONE WHEEL	1
42	5938663	SPROCKET, drive	1
43	5938662	SHAFT, front output	1
44	5938654	BEARING, needle rollers	53
45	5938653	SPACER, roller	2
46	5938651	SPROCKET, drive	1
47	5938664	CHAIN, drive	1
48	5938652	RETAINING RING, sprocket	1
49	5740101	RETAINING RING, sprocket	1
50	5938674	PUMP ASSEMBLY, gear rotor	1
51	11501033	NUT	1

12-1-97

1997 HUMMER PARTS CATALOG

5-32 TRANSMISSION/TRANSFER CASE



P05-013

Figure 5-14. Transfer Case Oil Cooler Assembly

1997 HUMMER PARTS CATALOG

12-1-97

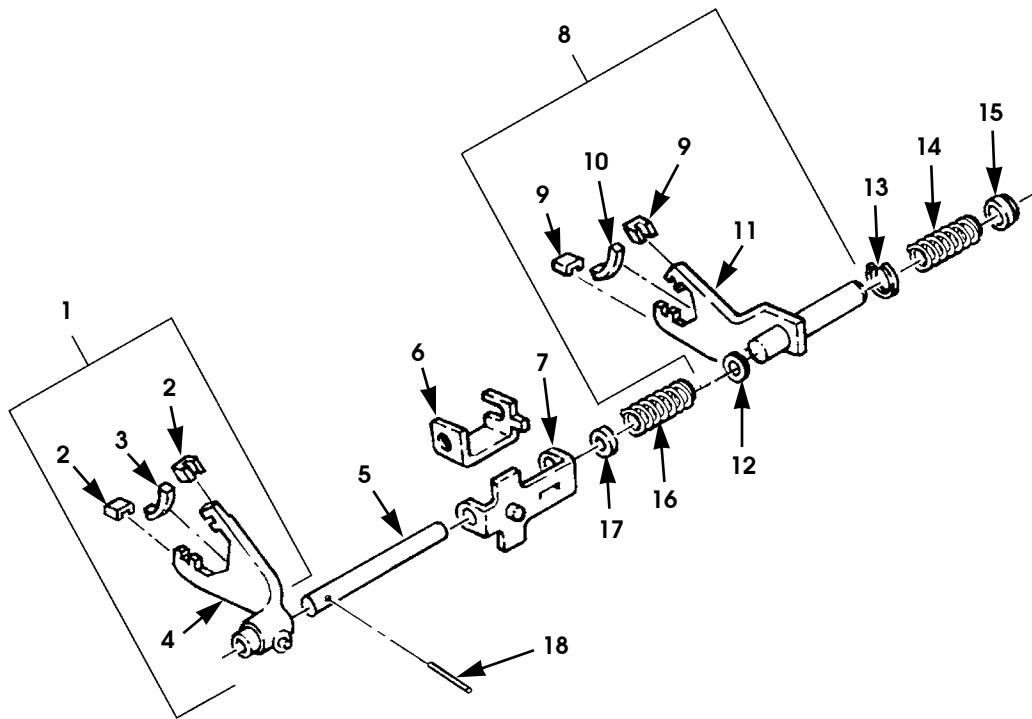
TRANSMISSION/TRANSFER CASE 5-33

ITEM	PART NUMBER	DESCRIPTION	QTY
Figure 5-14. Transfer Case Oil Cooler Assembly			
1	N/S	NUT, oil cooler, 1/2"- 20, slotted, Gr. 5, ZN.....	2
2	5741061	WASHER, oil cooler.	2
3	5741062	PACKING, preformed, oil cooler.	2
4	5938611	COOLER CORE, oil, transfer case.	1

12-1-97

1997 HUMMER PARTS CATALOG

5-34 TRANSMISSION/TRANSFER CASE



P05-014

Figure 5-15. Transfer Case Shift Mechanisms.

1997 HUMMER PARTS CATALOG

6-1-99

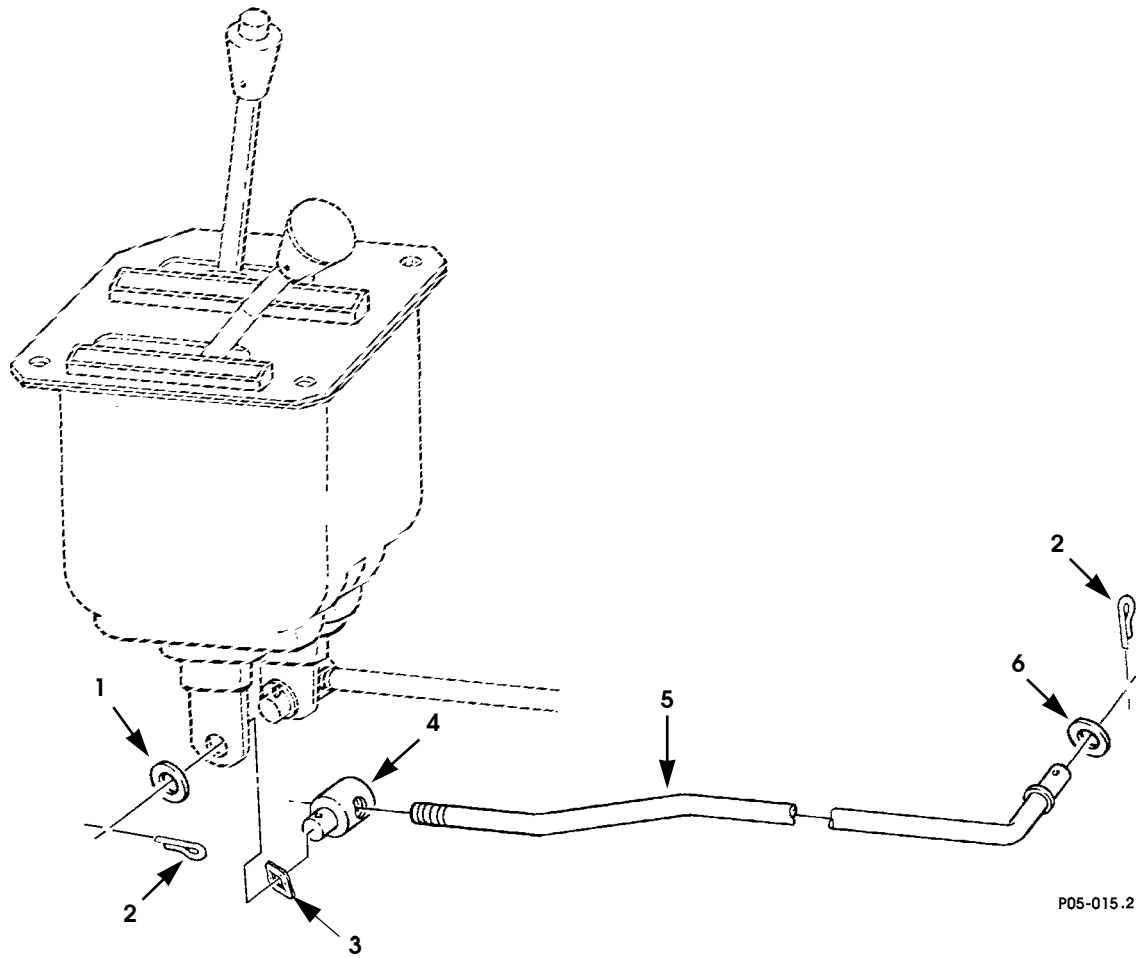
TRANSMISSION/TRANSFER CASE 5-35

ITEM	PART NUMBER	DESCRIPTION	QTY
		Figure 5-15. Transfer Case Shift Mechanisms.	
1	5938627	SHIFTER FORK ASSEMBLY, transfer case	1
2	5740114	•PAD, shifter fork	2
3	5740223	•PAD, shifter fork	1
4	S.I.A.	•SHIFTER FORK	1
5	5938648	RAIL, transfer shift	1
6	5938635	BRACKET, inner	1
7	5938636	BRACKET, outer	1
8	5714227	FORK ASSEMBLY, mode	1
9	5740114	•PAD, shifter fork	2
10	5938631	•PAD, shifter fork	1
11	5938629	•SHIFTER FORK, front mode	1
12	5938630	•BUSHING, transfer shift	2
13	5938632	WASHER, thrust, spring, transfer shift	1
14	5938633	SPRING, transfer shift	1
15	5938634	BUSHING, transfer shift	1
16	5938638	SPRING, transfer	1
17	5938637	CUP, transfer shift	1
18	5938649	PIN, fork to rail	1

12-1-97

1997 HUMMER PARTS CATALOG

5-36 TRANSMISSION/TRANSFER CASE



P05-015.2

Figure 5-16. Transfer Case Shift Controls.

1997 HUMMER PARTS CATALOG

12-1-97

TRANSMISSION/TRANSFER CASE 5-37

ITEM	PART NUMBER	DESCRIPTION	QTY
Figure 5-16. Transfer Case Shift Controls.			
1	N/S	WASHER, flat, 3/8", CAD	1
2	N/S	COTTER PIN, 1.8" x 3/4"	2
3	12340257-3	WASHER, wave, 3/8"	1
4	12338442-2	TRUNNION, shift converter	1
5	12460067	ROD, shift linkage.	1
6	N/S	WASHER, flat, 3/8", Type B	1

14Section 6

WHEELS AND TIRES/CENTRAL TIRE INFLATION SYSTEM

TITLE	PAGE NUMBER
Central Tire Inflation System Routing.	6-14
CTIS Control Panel and Electrical Harnesses.	6-8
CTIS Valve Assembly and Compressor.	6-10
Wheel, Tire, and Runflat Assembly, One-Piece Rim.	6-6
Wheel, Tire, and Runflat Assembly, Two-Piece Rim (Fleet).	6-2

1997 HUMMER PARTS CATALOG

6-1-99

WHEELS AND TIRES/CENTRAL TIRE INFLATION SYSTEM 6-3

ITEM	PART NUMBER	DESCRIPTION	QTY
		Figure 6-1. Wheel, Tire, and Run at Assembly, Two-Piece Rim (Fleet).	
1	5938061P	WHEEL AND BEADLOCK ASSEMBLY (w/o CTIS), MT tire	4
1	6003303P	WHEEL AND BEADLOCK ASSEMBLY (w/o CTIS), "GSA" tire	4
1	WA12342641P	WHEEL AND HIGH-PROFILE RUNFLAT/BEADLOCK (w/o CTIS), MT tire	4
1	6003305P	WHEEL AND HIGH-PROFILE RUNFLAT/BEADLOCK (w/o CTIS), "GSA" tire.	4
1	5938062P	WHEEL AND BEADLOCK ASSEMBLY (w/CTIS), MT tire, SEE NOTE 1	4
1	6003398P	WHEEL AND BEADLOCK ASSEMBLY (w/CTIS), "GSA" tire, SEE NOTE 1	4
1	6003304P	WHEEL AND LOW-PROFILE RUNFLAT/BEADLOCK (w/CTIS), "GSA" tire, SEE NOTE 1	4
1	WB12342641P	WHEEL AND LOW-PROFILE RUNFLAT/BEADLOCK (w/CTIS), MT tire, SEE NOTE 1,	4
2	5743851P	•WHEEL ASSEMBLY, less tire (w/o CTIS).	1
2	5743852P	•WHEEL ASSEMBLY, less tire (w/CTIS), SEE NOTE 1	1
3	12342642P	••RIM ASSEMBLY, wheel, pneumatic, inner.	1
4	12342758	•••BOLT, inner rim	12
5	S.I.A.	•••RIM, wheel, pneumatic, inner	1
6	12342633	••PACKING, wheel assembly.	1
7	12342640P	••RIM, wheel assembly, outer	1
8	6001844	••WASHER, pilot.	3
9	5939392	••LOCKNUT, wheel assembly.	12
10	12342634	••VALVE ASM, pneumatic, wheel asm, SEE NOTE 2	1
11	S.I.A.	•••VALVE CAP, wheel assembly	1
12	S.I.A.	•••VALVE CORE, wheel assembly.	1
13	S.I.A.	•••VALVE, CTIS wheel.	1
14	12342793	••INSERT, wheel assembly	1
15	12342794	••O-RING, wheel assembly	1
16	MS21245--8	••LOCKNUT, wheel assembly, 1/2 - 20.	1
17	6004835	•RUNFLAT, low-profile (w/CTIS only).	1
17	12342638	•RUNFLAT, high-profile (w/o CTIS)	1
18	6002923	•TIRE, pneumatic, radial "GSA"	4
18	12342644	•TIRE, pneumatic, radial "MT"	4
19	5594465	•BEADLOCK, full width	1
20	12339403	LUGNUT, flanged, 9/16 - 18, SEE NOTE 3.	32

6-1-99

1997 HUMMER PARTS CATALOG

6-4 WHEELS AND TIRES/CENTRAL TIRE INFLATION SYSTEM

ITEM	PART NUMBER	DESCRIPTION	QTY
		Figure 6-1. Wheel, Tire, and Run at Assembly, Two-Piece Rim (Fleet). (Cont'd)	
	5744406	WEIGHT, clip on, 1 ounce (pack of 10) (not illustrated)	1
	5744407	WEIGHT, clip on, 2 ounce (pack of 10) (not illustrated)	1
	5744408	WEIGHT, clip on, 4 ounce (pack of 10) (not illustrated)	1
	5744409	WEIGHT, clip on, 6 ounce (pack of 10) (not illustrated)	1
	5593926	WEIGHT, adhesive (set of 12) (not illustrated)	1
	5939460	DECAL, tire warning (not illustrated)	1
	6000035	DECAL, tire usage (not illustrated)	1
	5939888	DECAL, clear protective (not illustrated)	1
	6004008	DECAL, tire weight (not illustrated)	1
		NOTE 1: WHEEL AND TIRE ASSEMBLIES WITH CTIS (5938062 P, 6003398 P, WB12342641P, AND 6003304 P) AND THE WHEEL ASSEMBLY LESS TIRE WITH CTIS (5743852P) ALSO CONTAIN ITEMS 33-41, PAGE 6-14.	
		NOTE 2: USED ON WA12342641P AND 05938061 P ONLY	
		NOTE 3: NOT INCLUDED IN ITEM NUMBER 1	

1997 HUMMER PARTS CATALOG

6-6 WHEELS AND TIRES/CENTRAL TIRE INFLATION SYSTEM

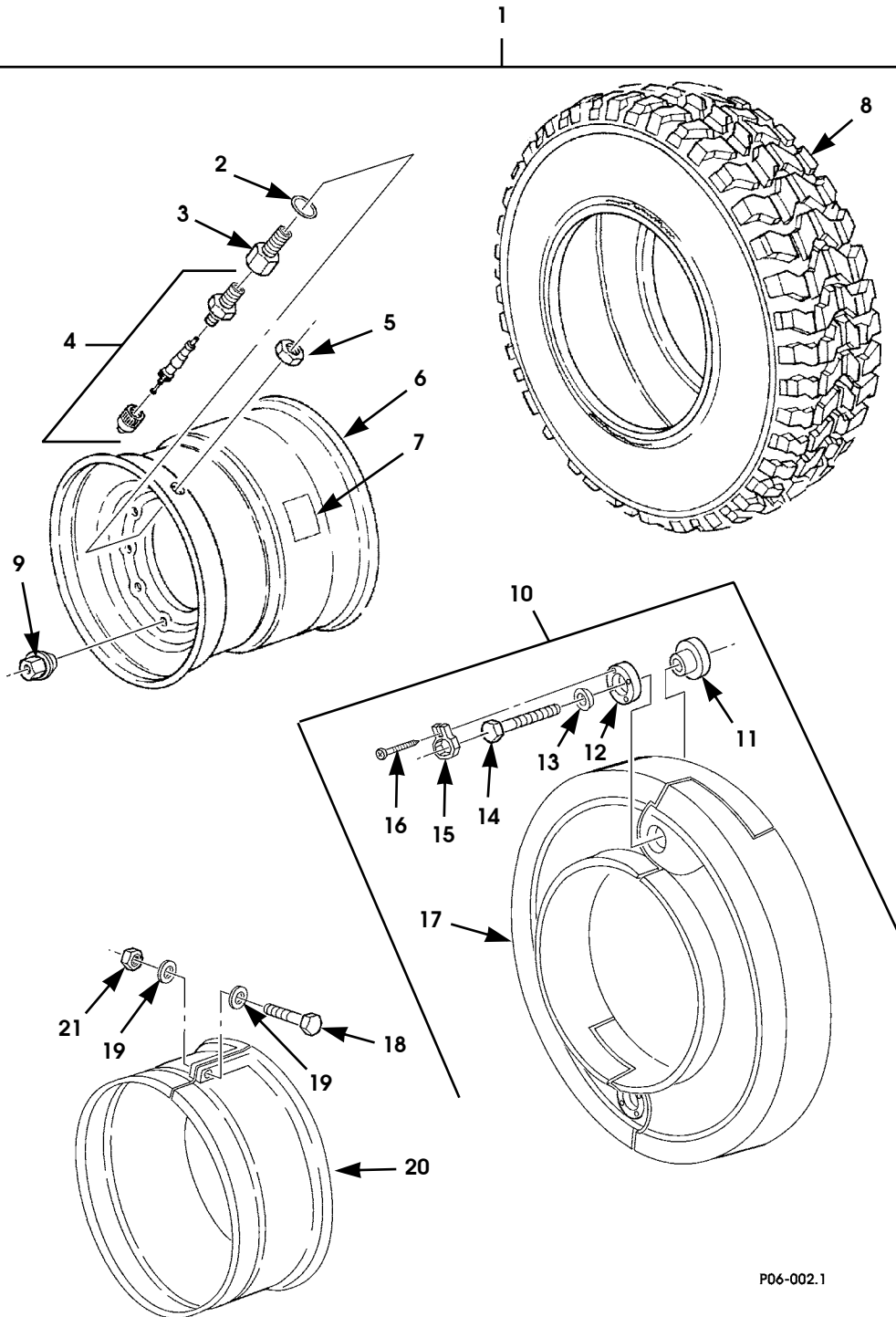


Figure 6-2. Wheel, Tire, and Run at Assembly, One-Piece Rim.

1997 HUMMER PARTS CATALOG

6-1-99

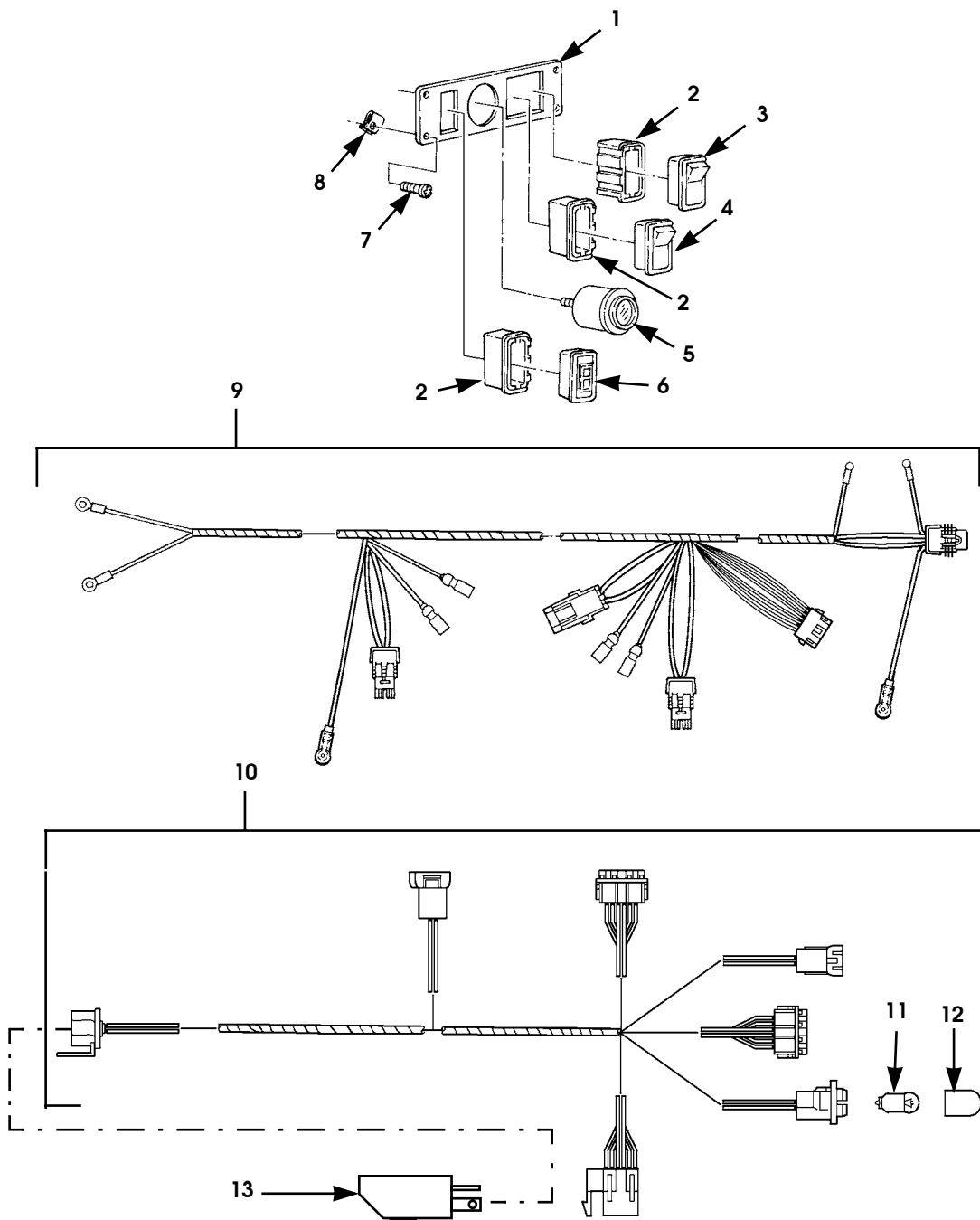
WHEELS AND TIRES/CENTRAL TIRE INFLATION SYSTEM 6-7

ITEM	PART NUMBER	DESCRIPTION	QTY
		Figure 6-2. Wheel, Tire, and Run at Assembly, One-Piece Rim.	
1	6005829P	WHEEL, assy, M/T tire, w/o CTI w/o beadlock	4
1	6005830P	WHEEL, assy, M/T tire w/beadlock w/o CTI	4
1	6005831P	WHEEL, assy, M/T tire w/low profile runflat w/o CTI.	4
1	6005832P	WHEEL, assy, M/T tire w/CTI w/ beadlock	4
1	6005833P	WHEEL, assy, M/T tire w/CTI w/runflat.	4
1	6005835P	WHEEL, assy, GSA tire w/o CTI w/o beadlock.	4
1	6005836P	WHEEL, assy, GSA tire w/beadlock w/o CTI	4
1	6005837P	WHEEL, assy, GSA tire w/runflat w/o CTI	4
1	6005838P	WHEEL, assy, GSA tire w/CTI w/beadlock	4
1	6005839P	WHEEL, assy, GSA tire w/CTI w/runflat	4
1	6007876P	WHEEL ASSEMBLY, bias, w/beadlock, w/o CTIS (Fleet)	4
1	6007877P	WHEEL ASSEMBLY, bias, w/runflat, w/o CTIS (Fleet)	4
1	6008983B2	WHEEL ASSEMBLY, spacesaver	1
2	12342794	•O-RING, wheel assembly	4
3	12342793	•INSERT, wheel assembly	4
4	12342634	•VALVE, pneumatic, wheel assembly	4
5	MS21245-8	•LOCKNUT, wheel assembly.	4
6	6005783P	•WHEEL ASSEMBLY, one-piece	4
7	5939460	•DECAL, tire warning	4
7	6004008	•DECAL, tire weight (not illustrated)	4
7	6009517	•DECAL, runflat (not illustrated)	1
7	6009518	•DECAL, beadlock (not illustrated)	1
8	12342644	•TIRE, M/T radial, 12.5x37x16.5	4
8	6002923	•TIRE, GSA radial 12.5x37x16.5	4
8	12338799	•TIRE, bias, R/T, load rating C	4
8	6008982	•TIRE, SpaceSaver, 9.50R16.5LT, load rating E	1
8	6009768	•TIRE, 9.50R16.5LT, M/S (Fleet only).	4
9	6007340P2	LUGNUT, flanged, 9/16 -18	32
10	6005155	RUNFLAT, low profile, one-piece rim	4
11	6005280	•WASHER, threaded, runflat	8
12	6005279	•WASHER, offset, runflat	8
13	6005281	•WASHER, cone, runflat.	8
14	6005277	•BOLT, runflat,	8
15	6005278	•CLIP, lock, runflat	8
16	6005282	•SCREW, tapping.	8
17	6005276	•RUNFLAT HALF, one-piece rim	2
18	N/S	BOLT, 3/8 - 16 x 2 1/2.	4
19	N/S	WASHER, flat, 3/8	8
20	6002011	BEADLOCK, one-piece rim	4
21	N/S	LOCKNUT, 3/8 - 16	4
	5743721	LUBRICANT, runflat (not illustrated)	1

6-1-99

1997 HUMMER PARTS CATALOG

6-8 WHEELS AND TIRES/CENTRAL TIRE INFLATION SYSTEM



P06-017

Figure 6-3. CTIS Control Panel and Electrical Harnesses.

1997 HUMMER PARTS CATALOG

6-1-99

WHEELS AND TIRES/CENTRAL TIRE INFLATION SYSTEM 6-9

ITEM	PART NUMBER	DESCRIPTION	QTY
		Figure 6-3. CTIS Control Panel and Electrical Harnesses.	
1	6006658	PANEL, lower gauge w/CTI	1
2	5939042	END BEZEL, CTI cluster	3
3	6006604	SWITCH, CTI selector	1
4	6006603	SWITCH, CTI INFLATE/DEFLATE	1
5	6005131	GAUGE, CTI	1
6	5939071	INDICATOR LAMP, CTI pump and tire air	1
6	6002817	INDICATOR LAMP, CTI pump and tire air (export)	1
7	5939651	SCREW, gauge panel size	4
8	N/S	SPEEDNUT, gauge panel	4
9	6006602	HARNESS ASSEMBLY, CTIS, exterior	1
10	6006632	HARNESS ASSEMBLY, CTIS interior	1
11	S.I.A.	•LAMP, trade, #1815	1
12	S.I.A.	•LENS	1
13	5939581	ALARM, CTIS low pressure	1

6-10 WHEELS AND TIRES/CENTRAL TIRE INFLATION SYSTEM

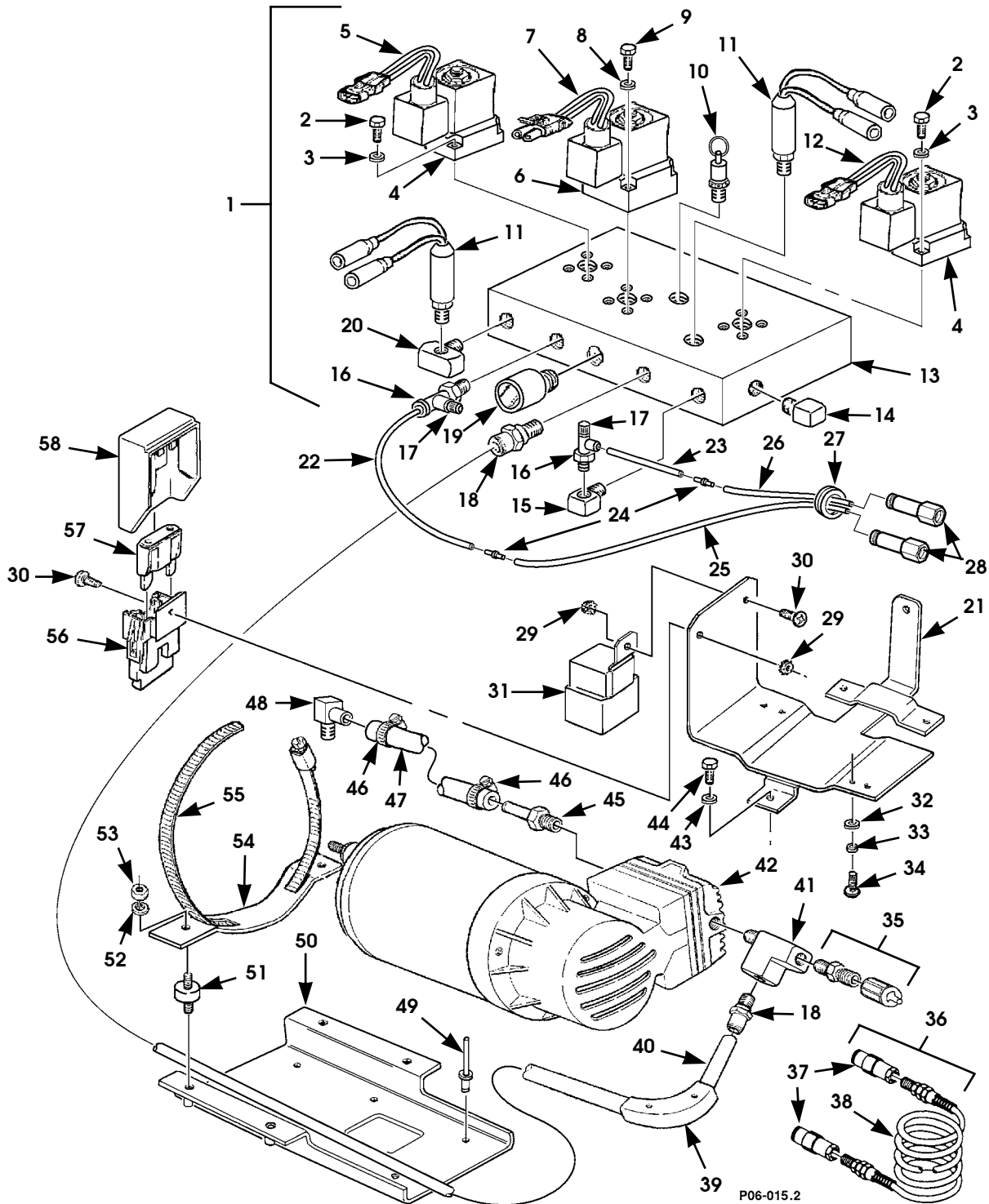


Figure 6-4. CTIS Valve Assembly and Compressor.

1997 HUMMER PARTS CATALOG

12-1-97

WHEELS AND TIRES/CENTRAL TIRE INFLATION SYSTEM 6-11

ITEM	PART NUMBER	DESCRIPTION	QTY
		Figure 6-4. CTIS Valve Assembly and Compressor.	
1	6008025	MANIFOLD ASSY, CTIS	1
2	N/S	•SCREW, #8 - 32 x 0.625	8
3	N/S	•LOCKWASHER, #8	8
4	6008370	•VALVE, inflate	2
5	6008372	•COIL ASSEMBLY, front, inflate	1
6	6008371	•VALVE, deflate	1
7	6008374	•COIL ASSEMBLY, deflate	1
8	N/S	•LOCKWASHER, 1/4	4
9	N/S	•SCREW, 1/4 - 20 x 1.5	4
10	6008872	•VALVE, safety	1
11	6001036	•SWITCH, pressure	2
12	6008373	•COIL ASSEMBLY, rear, inflate	1
13	6008375	•MANIFOLD, CTI	1
14	6008377	•STREET ELBOW, 1/4" FPT	1
15	22-130239B	•STREET ELBOW, 1/8" FPT	1
16	6008379	•TEE, swivel	2
17	6008380	•TUBE PLUG	2
18	6005733	•PUSH CONNECTOR	2
19	5935430	•DUST EXCLUDER	1
20	6008377	•STREET ELBOW, 1/4 FPT	1
21	6005985B2	BRACKET ASSEMBLY, valve mounting	1
22	NPN	TUBING, 1/8" OD, 9" long, black (SEE NOTE 1)	1
23	NPN	TUBING, 1/8" OD, 6" long, red (SEE NOTE 2)	1
24	6007670	ORIFICE, CTIS	2
25	NPN	TUBING, 1/8" OD x 24" long, black (SEE NOTE 1)	1
26	6000258	TUBING, 1/8" OD x 24" long, red	1
27	6000042	GROMMET	1
28	6006635	CONNECTOR, female, 1/8"	2
29	N/S	NUT AND LOCKWASHER ASSEMBLY, ext tooth, #10, KEPS	3
30	N/S	SCREW, #10 - 24 x 0.5, Phos	3
31	5939316	RELAY	1
32	N/S	WASHER, flat, #10	4
33	N/S	LOCKWASHER, med, #10	4
34	N/S	SCREW, #10 - 24 x 1/2	4
35	12342634	TANK VALVE ASSEMBLY	1
36	6004415	HOSE ASSEMBLY, CTIS auxiliary air	1
37	6004417	•FITTING, quick disconnect	2
38	6004416	•HOSE, auxiliary air	1
39	6005750	CLIP, flow bend	1
40	NPN	TUBING, nylon reinforced, 17" (SEE NOTE 3)	1

5-1-97

1997 HUMMER PARTS CATALOG

6-12 WHEELS AND TIRES/CENTRAL TIRE INFLATION SYSTEM

ITEM	PART NUMBER	DESCRIPTION	QTY
		Figure 6-4. CTIS Valve Assembly and Compressor. (Cont'd)	
41	44-4-130424B	STREET TEE	1
42	5939999	COMPRESSOR, CTIS	1
43	N/S	WASHER, flat, #10	3
44	N/S	SCREW, #10 - 24 x 0.75	3
45	6-430160	HOSE END, 3/8"	1
46	11608950-1	CLAMP, hose	2
47	6000340	HOSE, air horn, 39.5" (NA Diesel).	1
47	12338330-7	HOSE, air horn, 45" (Turbo Diesel)	1
48	12339415	ELBOW	1
49	N/S	RIVET	6
50	6005444	BRACKET ASSEMBLY, compressor lower	1
51	5939998	ISOLATOR	4
52	N/S	LOCKWASHER, med, 1/4, ZN	4
53	N/S	NUT, 1/4 - 20, ZN	4
54	6003902B2	BRACKET, compressor upper	2
55	111608950-18	CLAMP, hose	2
56	6000033	FUSE HOLDER	1
57	5939412	FUSE, maxi, 40 Amp	1
58	6000034	COVER, fuse	1
		NOTE 1: CUT FROM P/N CPR104420-6, 0.125 OD, BLACK	
		NOTE 2: CUT FROM P/N 6000258, 0.125 OD, RED	
		NOTE 3: CUT FROM P/N CPR104420-2, 0.375 OD	

6-14 WHEELS AND TIRES/CENTRAL TIRE INFLATION SYSTEM

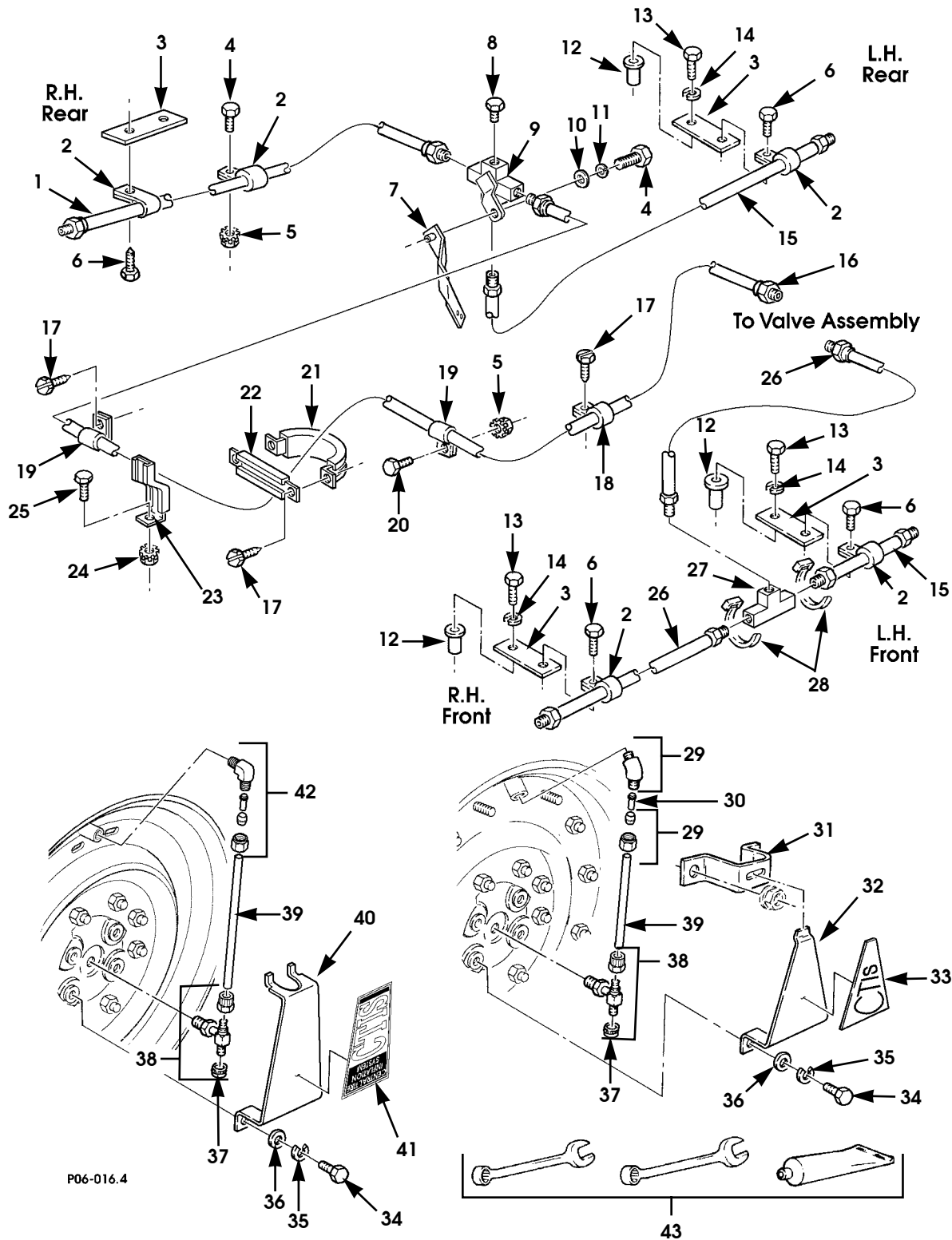


Figure 6-5. Central Tire Inflation System Routing.

1997 HUMMER PARTS CATALOG

6-1-99

WHEELS AND TIRES/CENTRAL TIRE INFLATION SYSTEM 6-15

ITEM	PART NUMBER	DESCRIPTION	QTY
		Figure 6-5. Central Tire In ation System Routing.	
1	6005738	HOSE ASSEMBLY, rear tee-to-R.H. side	1
2	N/S	P-CLIP, 1/2"	5
3	5594462	BRACKET, P-clip	4
4	N/S	BOLT, 1/4 - 20 x 1.00, Gr8, CAD	2
5	N/S	LOCKNUT, 1/4 - 20, Gr8	2
6	N/S	SCREW, tapping, 3/8 - 16 x 0.62	4
7	6007737	BRACKET, CTI.	1
8	127951	PLUG, hex hd, 1/4" NPT	1
9	11669082	CROSS AND STRAP ASSEMBLY	1
10	N/S	WASHER, flat, 1/4	1
11	N/S	LOCKWASHER, 1/4	1
12	12339998-12	PLUSNUT, 5/16 - 18	3
13	N/S	SCREW, 5/16 - 18 x 1, Gr8, CAD	3
14	N/S	LOCKWASHER, med, 5/16, ZN	3
15	6005739	HOSE ASSEMBLY, tee-to-L.H. side, front & rear	2
16	6005737	HOSE ASSEMBLY, valve-to-rear tee.	1
17	N/S	SCREW, tapping, #10 - 32 x 0.5	5
18	MS21333-77	P-CLIP	2
19	MS21333-76	P-CLIP, 7/8	2
20	431942	SCREW, #10 - 32 x 0.5.	1
21	12340665	CLAMP, strap.	1
22	NS	•CROSSBAR, clamp.	1
23	12339339	STRAP, retaining	4
24	N/S	NUT AND LOCKWASHER ASSEMBLY, 1/4 - 20	4
25	N/S	SCREW, 1/4 - 20 x 0.75	4
26	6005736	HOSE ASSEMBLY, valve-to-front tee, front tee-to-R.H. side	2
27	44-41304 38	TEE, female, 1/4"	2
28	MS3367-3-0	TIE WRAP	2
29	5593467	ELBOW ASSEMBLY, 45 degree male (Two-piece wheel)	4
30	5598770	INSERT, CTI nylon tube	4
31	5935449	BRACKET, wheel tube shield support, (Two-piece wheel)	4
32	5935441	SHIELD, CTIS tube, (Two-piece wheel)	4
33	6003880	DECAL, 'CTIS' logo, (Two-piece wheel)	4
34	N/S	BOLT, 7/16 - 14 x 0.75, (Two per CTIS shield)	2
35	N/S	LOCKWASHER, med, 7/16, ZN, (Two per CTIS shield) . .	2
36	N/S	WASHER, flat, hardened, type B, 7/16, ZN (Two per CTIS shield)	2
37	5594510	CAP, valve.	4
38	6005109	VALVE ASSEMBLY, quick disconnect.	4
39	NPN	HOSE, 5 7/8" long (SEE NOTE 1)	4
40	6005784	SHIELD, CTIS tube, (One-piece wheel)	4
41	6008320	DECAL, 'CTIS' logo, (One-piece wheel)	4
42	64-100202BA	ELBOW ASSEMBLY, 90 degree male	4
43	5743069	KIT, CTIS tools.	1
		NOTE 1: CUT FROM BULK HOSE P/N CP R 104420 2	

1997 HUMMER PARTS CATALOG

BRAKES 7-1

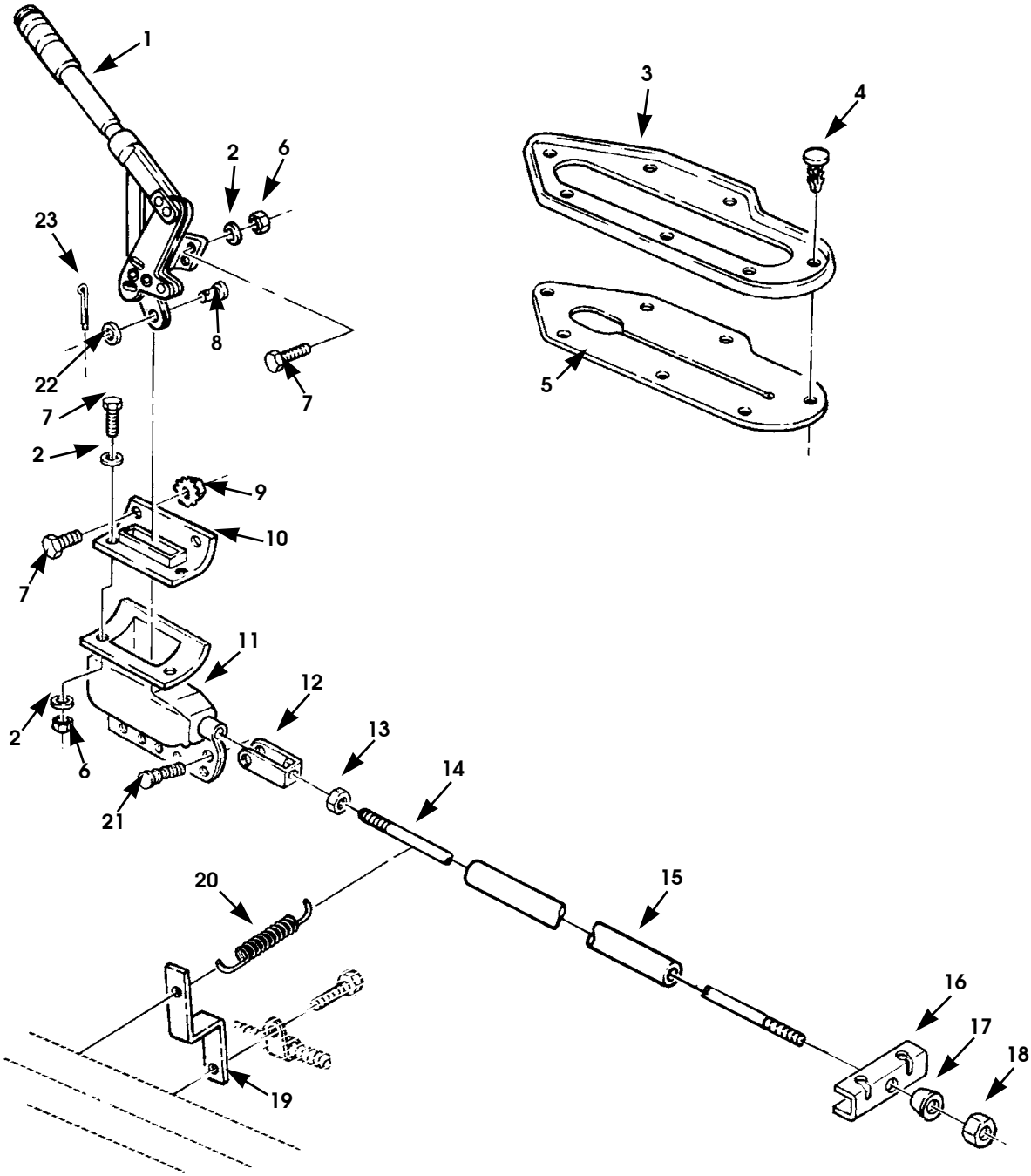
Section 7

BRAKES

TITLE	PAGE NUMBER
Front Service Brake Lines and Proportioning Valve, Standard (10,300-lb and 10,800-lb GVW) and Heavy Duty (12,100-lb GVW)	7-12
Master Cylinder Assembly and Hydro-Booster (10,300-lb and 10,800-lb GVW).	7-16
Master Cylinder Assembly and Hydro-Booster (12,100-lb GVW option).	7-18
Parking Brake Cables and Mounting Hardware	7-4
Parking Brake Caliper Assembly	7-6
Parking Brake Hand Lever and Rod	7-2
Rear Brake Lines and Fittings, Standard (10,300-lb and 10,800-lb GVW) and Heavy Duty (12,100-lb GVW).	7-14
Service Brake Caliper Assembly and Rotor	7-10
Service Brake Pedal Assembly	7-20

1997 HUMMER PARTS CATALOG

7-2 BRAKES



P07-001.1

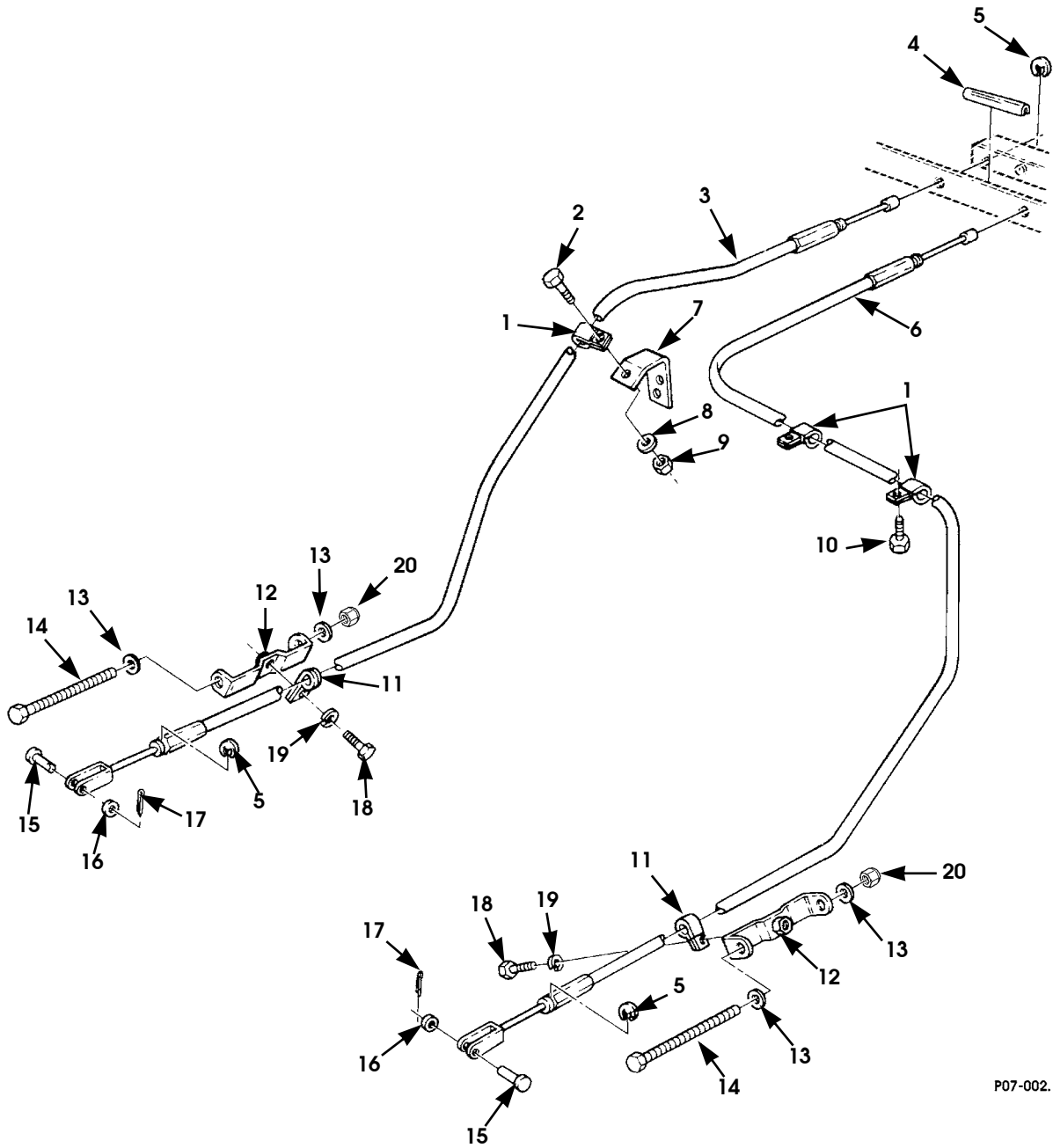
Figure 7-1. Parking Brake Hand Lever and Rod.

1997 HUMMER PARTS CATALOG

BRAKES 7-3

ITEM	PART NUMBER	DESCRIPTION	QTY
		Figure 7-1. Parking Brake Hand Lever and Rod.	
1	WA12339218	LEVER, parking brake	1
2	N/S	WASHER, flat, parking brake lever, 1/4"	7
3	6000436	BEZEL, parking brake lever	1
4	6000441	FASTENER, parking brake bezel	7
5	6000440	BOOT, parking brake lever bezel	1
6	N/S	LOCKNUT, parking brake lever, 1/4"-20	5
7	N/S	BOLT, parking brake, 1/4"-20 x 1.0"	6
8	138084	PIN, parking brake lever, clevis, 3/8"	1
9	N/S	LOCKNUT, dust boot, 1/4"-20	2
10	12338295	BOOT, dust, upper parking brake	1
11	05939484	BOOT, dust, lower parking brake	1
12	12338285	CLEVIS, rod end, front parking brake	1
13	N/S	NUT, clevis rod, 5/16"-24	1
14	12341895	CLEVIS ROD, parking brake	1
15	6001224	SLEEVE, parking brake rod	1
16	12341902	BAR, brake cable equalizer	1
17	12341897	WASHER, parking brake clevis rod, conical	1
18	N/S	LOCKNUT, parking brake clevis rod, 5/16"-24	1
19	6002426B2	BRACKET, spring, retaining	1
20	12338866	SPRING, extension	1
21	5939457	CLIP, parking brake lower dust boot	6
22	N/S	WASHER, flat, clevis pin, 3/8"	1
23	N/S	COTTER PIN, clevis pin	1

7-4 BRAKES



P07-002.1

Figure 7-2. Parking Brake Cables and Mounting Hardware

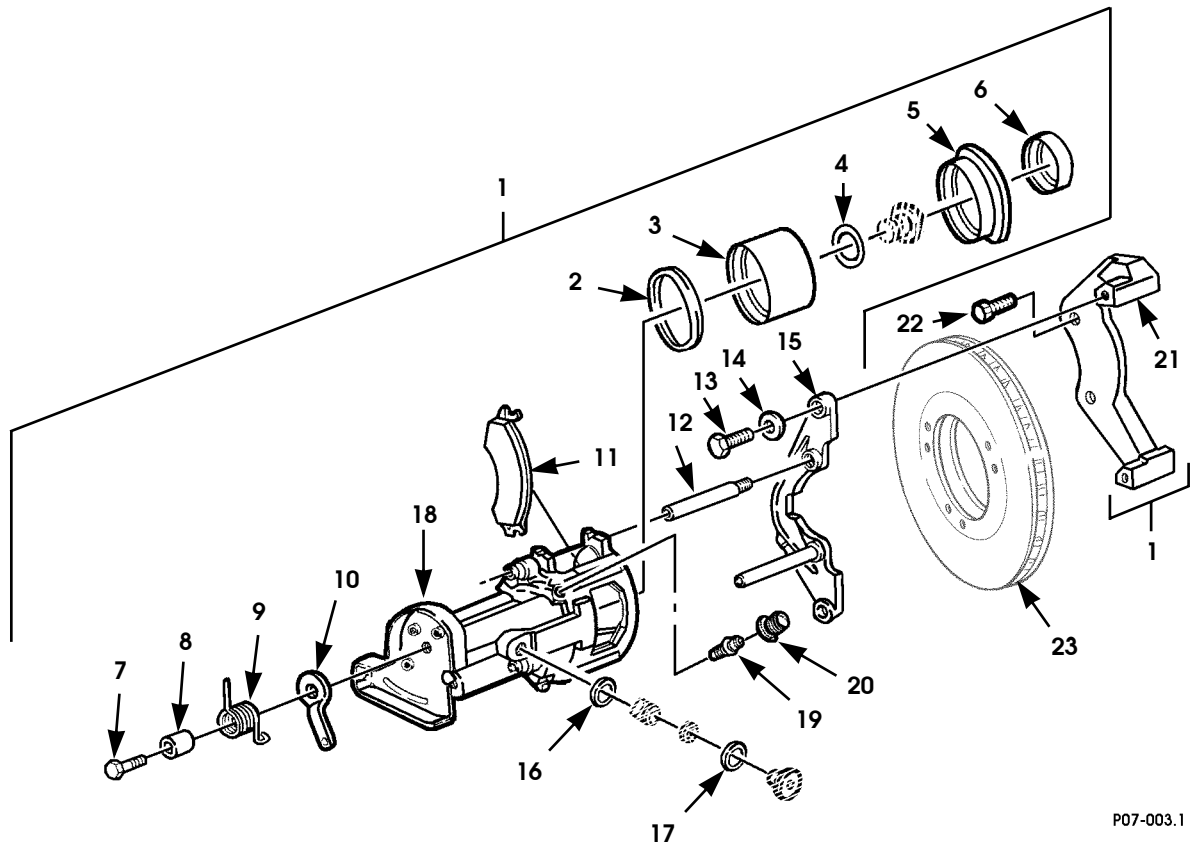
1997 HUMMER PARTS CATALOG

6-1-99

BRAKES 7-5

ITEM	PART NUMBER	DESCRIPTION	QTY
		Figure 7-2. Parking Brake Cables and Mounting Hardware	
1	N/S	CLAMP,parking brake cable,harness,rear	3
2	N/S	BOLT, 1/4 - 20 x 3/4,parking brake cable clamp	1
3	12341898-1	CABLE,parking brake,L.H.	1
4	12339902-11	PROTECTOR,edge,2-inch	1
5	MS16633-1050	RETAINING RING, 1/2,parking brake cable, clip extension.	4
6	12341898-3	CABLE,parking brake,R.H.	1
7	12341906	BRACKET,parking brake cable	1
8	N/S	WASHER,flat,1/4",parking brake cable bracket.	1
9	N/S	NUT,1/4 - 20,parking brake cable bracket	1
10	N/S	SCREW,tapping,#10 - 32 x 3/8.	2
11	N/S	CLAMP,parking brake cables,harness	2
12	12342965	BRACKET,parking brake cable,R.H.	1
12	12342966	BRACKET,parking brake cable,L.H.	1
13	N/S	WASHER,flat,1/4,parking brake cable brackets.	4
14	N/S	SCREW,1/4-20 x 4 1/2,parking brake cable brackets.	2
15	138084	PIN,clevis,3/8,parking brake cables	2
16	N/S	WASHER,flat,3/8,parking brake cables	2
17	N/S	COTTER PIN,parking brake cables	2
18	N/S	BOLT,1/4 - 20 x 0.625,parking brake cable clamps	2
19	N/S	LOCKWASHER,1/4,parking brake cable clamps	2
20	N/S	LOCKNUT,1/4-20,parking brake cable brackets.	2

7-6 BRAKES



P07-003.1

Figure 7-3. Rear Service and Parking Brake Caliper Assembly and Rotor.

1997 HUMMER PARTS CATALOG

6-1-99

BRAKES 7-7

ITEM	PART NUMBER	DESCRIPTION	QTY
		Figure 7-3. Rear Service and Parking Brake Caliper Assembly and Rotor.	
1	6006901	BRAKE CALIPER ASSEMBLY, R.H., rear	1
1	6002298	BRAKE CALIPER ASSEMBLY, R.H., rear, 12,100 GVW	1
1	6006900	BRAKE CALIPER ASSEMBLY, L.H., rear	1
1	6002216	BRAKE CALIPER ASSEMBLY, L.H., rear, 12,100 GVW	1
2	5578797	•SEAL, piston, SEE NOTE 1	1
3	5744404	•PISTON	1
4	S.I.K.	•O-RING, thrust screw ,SEE NOTE 2	1
5	5578800	•DUST BOOT, piston ,SEE NOTE 1.	1
6	S.I.K.	•DUST CAP, piston ,SEE NOTE 2	1
7	5741889	•CAPSCREW	1
8	5741890	•CUP, spring	1
9	5741995	•SPRING, L.H.	1
9	5741994	•SPRING, R.H.	1
10	5741750	•ARM, lever, L.H.	1
10	5741748	•ARM, lever, R.H.	1
11	S.I.K.	•PAD, disc brake, SEE NOTE 3	1
11	S.I.K.	•PAD, disc brake, 12,100 GVW SEE NOTE 4.	1
12	12342339	•PIN, caliper	2
13	5584071	•SCREW, hex head, grade 8.	2
14	5584072	•WASHER, flat.	2
15	5573090	•YOKE, disc brake	1
16	S.I.K.	•O-RING, anti-rotation pin SEE NOTE 2	1
17	S.I.K.	•O-RING, pin retaining plug SEE NOTE 2.	1
18	S.I.K.	•HOUSING, rear brake caliper	1
19	5578802	•BLEEDER VALVE	1
20	5597172	•CAP, bleeder valve	1
21	5742123	•ADAPTER.	1
21	6002229	•ADAPTER, 12,100 GVW	1
22	N/S	BOLT, adapter, 5/8"-11 x 1.50", Gr 8.	4
23	12338387	ROTOR, disc brake.	4
23	6002218	ROTOR, disc brake, 12,100 GVW	4
		NOTE 1: PART OF SERVICE BRAKE CALIPER BOOT AND SEAL KIT P/N 5579865. ONE (1) KIT HAS ENOUGH COMPONENTS FOR TWO (2) BRAKE CALIPERS	

6-1-99

1997 HUMMER PARTS CATALOG

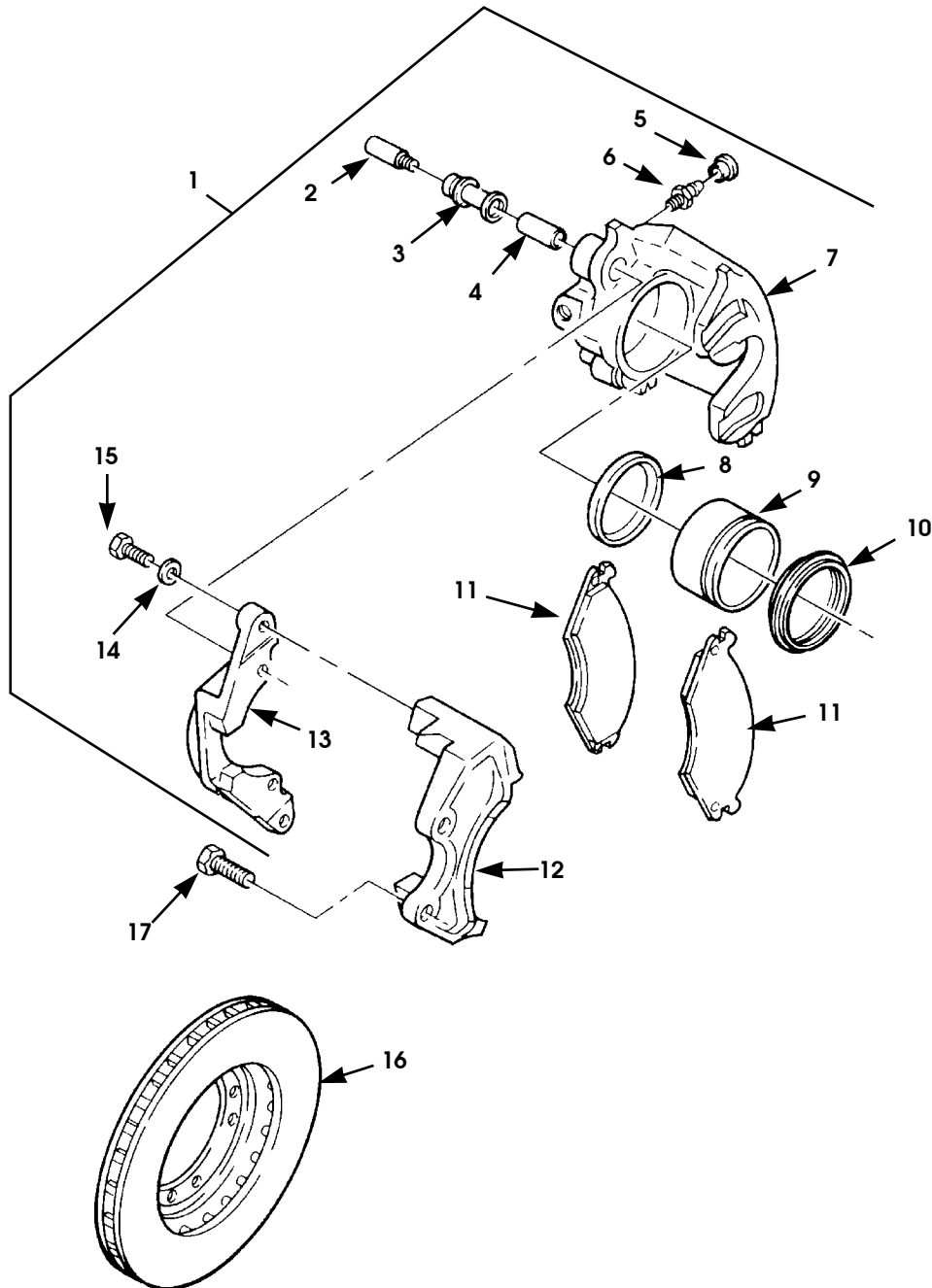
7-8 BRAKES

ITEM	PART NUMBER	DESCRIPTION	QTY
		<p>Figure 7-3. Rear Service and Parking Brake Caliper Assembly and Rotor. (Cont'd)</p> <p>NOTE 2: PART OF REAR CALIPER RESEAL KIT P/N 5744405. RESEAL KIT INCLUDES ACTUATOR SHAFT O-RING (NOT ILLUSTRATED)</p> <p>NOTE 3: PART OF SERVICE BRAKE PAD KIT P/N 5745162 KIT CONTAINS 4 PADS TO SERVICE ONE AXLE</p> <p>NOTE 4: PART OF SERVICE BRAKE PAD KIT P/N RCSK17215. KIT CONTAINS 4 PADS TO SERVICE ONE AXLE.</p>	

6-1-99

1997 HUMMER PARTS CATALOG

7-10 BRAKES



P07-004

Figure 7-4. Front Service Brake Caliper Assembly and Rotor.

1997 HUMMER PARTS CATALOG

6-1-99

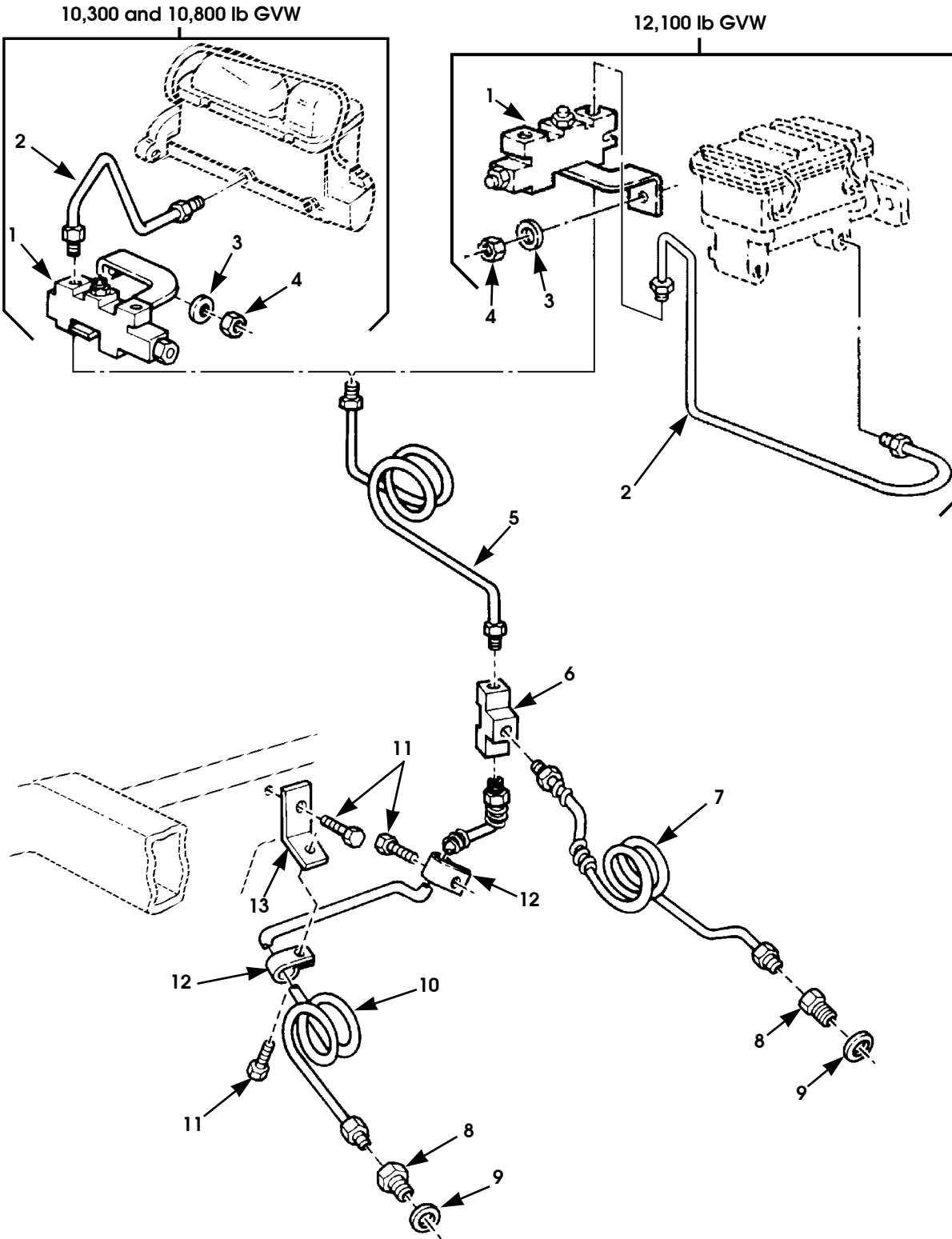
BRAKES 7-11

ITEM	PART NUMBER	DESCRIPTION	QTY
		Figure 7-4. Front Service Brake Caliper Assembly and Rotor.	
1	6006899	BRAKE CALIPER ASSEMBLY, L.H. front	1
1	6002215	BRAKE CALIPER ASSEMBLY, L.H. front, 12,100 GVW	1
1	6006898	BRAKE CALIPER ASSEMBLY, R.H. front	1
1	6002217	BRAKE CALIPER ASSEMBLY, R.H. front, 12,100 GVW	1
2	12342339	•PIN, caliper, locating	2
3	5578806	•BUSHING, caliper	2
4	5578794	•SLEEVE, caliper	2
5	5597172	•CAP, bleeder valve	1
6	5578802	•BLEEDER VALVE, caliper	1
7	S.I.K.	•HOUSING, front brake caliper	1
8	5578797	•SEAL, piston SEE NOTE 1	1
9	5578803	•PISTON, caliper	1
10	5578800	•BOOT, caliper, piston, SEE NOTE 1	1
11	S.I.K.	•PAD, disc brake, SEE NOTE 2	1
11	S.I.K.	•PAD, disc brake, 12,100 GVW SEE NOTE 3	1
12	5578809	•ADAPTER, L.H. front	1
12	6002228	•ADAPTER, L.H. front, 12,100 GVW	1
12	5742123	•ADAPTER, R.H. front	1
12	6002229	•ADAPTER, R.H., front, 12,000 GVW	1
13	5573090	•YOKE, disc brake	1
14	5584072	•WASHER, flat, yoke to adapter	2
15	5584071	•BOLT, yoke to adapter, hex head	2
16	12338387	ROTOR, disc brake	4
16	6002218	ROTOR, disc brake, 12,100 GVW	4
17	N/S	BOLT, 5/8"-11 x 1.5", Gr 8	4
		NOTE 1: PART OF SERVICE BRAKE CALIPER BOOT AND SEAL KIT P/N 5579865	
		NOTE 2: PART OF SERVICE BRAKE PAD KIT P/N 5745162. KIT CONTAINS 4 PADS TO SERVICE ONE AXLE	
		NOTE 3: PART OF SERVICE BRAKE PAD KIT P/N RCSK17215. KIT CONTAINS 4 PADS TO SERVICE ONE AXLE	

12-1-97

1997 HUMMER PARTS CATALOG

7-12 BRAKES



P07-005.1

Figure 7-5. Front Service Brake Lines and Proportioning Valve, Standard (10,300-lb and 10,800-lb GVW) and Heavy Duty (12,100-lb GVW).

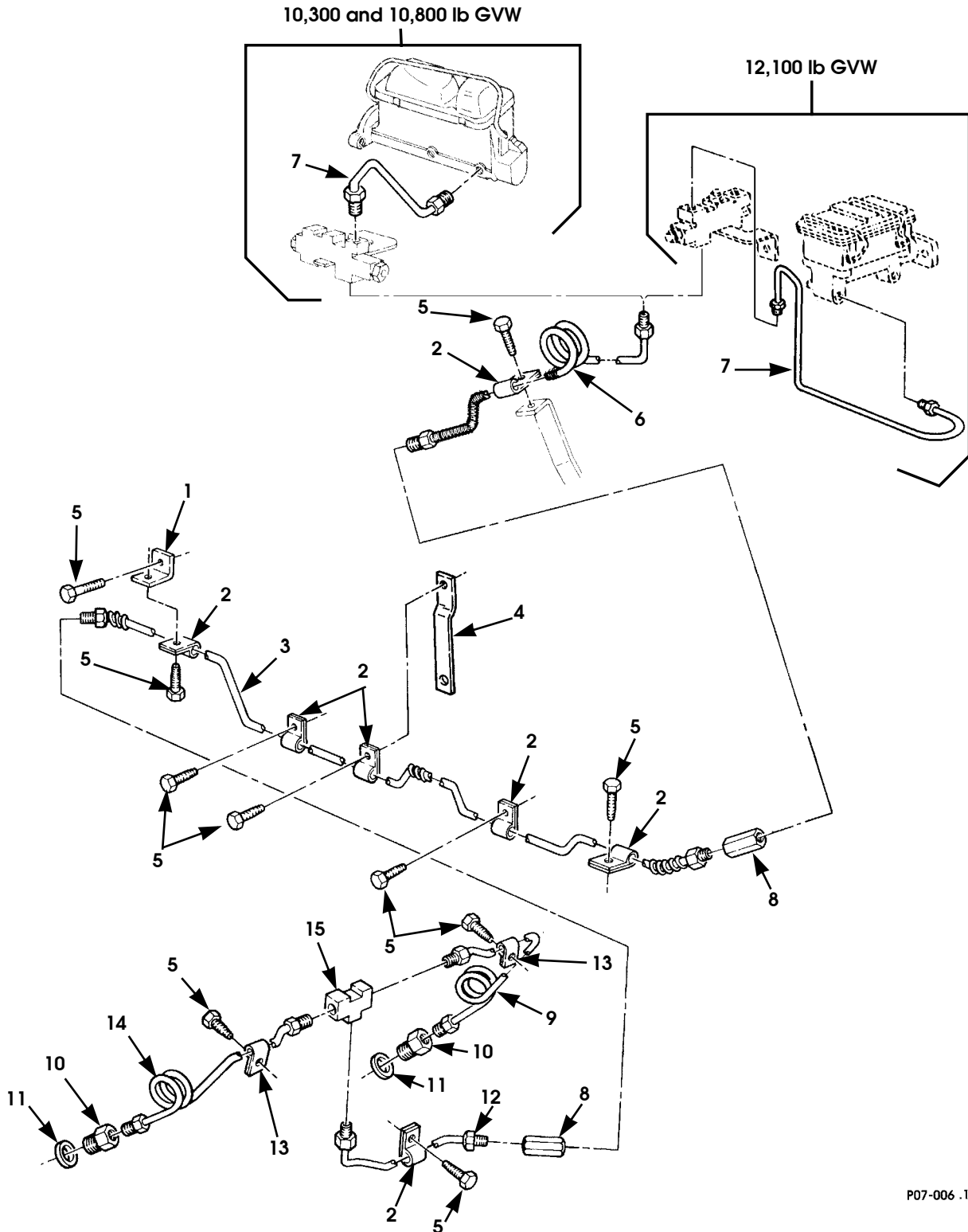
1997 HUMMER PARTS CATALOG

6-1-99

BRAKES 7-13

ITEM	PART NUMBER	DESCRIPTION	QTY
		Figure 7-5. Front Service Brake Lines and Proportioning Valve, Standard (10,300-lb and 10,800-lb GVW) and Heavy Duty (12,100-lb GVW).	
1	6005728	PROPORTIONING VALVE ASSEMBLY,hydraulic brake . .	1
2	12338299	TUBE ASSEMBLY, M/C-to-prop valve, 10,300-lb and 10,800-lb GVW	1
2	12342900	TUBE ASSEMBLY, M/C-to-prop valve, 12,100-lb GVW . .	1
3	N/S	WASHER, flat, 3/8, type b, valve-to-hydro-boost	1
4	N/S	LOCKNUT, 3/8 - 16, Gr8, valve-to-hydro-boost	1
5	6004425	TUBE, valve-to-tee	1
6	178654	TEE, tube, front brake lines	1
7	12338296	TUBE ASSEMBLY, tee-to-front L.H. caliper, 10,300-lb and 10,800-lb GVW	1
7	6002220	TUBE ASSEMBLY, tee-to-front L.H. caliper, 12,100-lb GVW	1
8	12339235	COUPLING, brake caliper.	2
9	12339204	WASHER, caliper	2
10	12338297	TUBE ASSEMBLY, tee-to-front R.H. caliper, 10,300-lb and 10,800-lb GVW	1
10	6002221	TUBE ASSEMBLY, tee-to-front R.H. caliper, 12,100-lb GVW	1
11	N/S	SCREW, tapping, 3/8 - 16 x 5/8, ZN	3
12	179147	CLIP, brake line, #3, 3/16"	2
13	12338301	BRACKET, brake line.	1

7-14 BRAKES



P07-006 .1

**Figure 7-6. Rear Brake Lines and Fittings,
Standard (10,300-lb and 10,800-lb GVW) and Heavy Duty (12,100-lb GVW).**

1997 HUMMER PARTS CATALOG

6-1-99

BRAKES 7-15

ITEM	PART NUMBER	DESCRIPTION	QTY
		Figure 7-6. Rear Brake Lines and Fittings, Standard (10,300-lb and 10,800-lb GVW) and Heavy Duty (12,100-lb GVW).	
1	12338170	BRACKET, brake line.	1
2	179148	CLIP, brake line, 5/16"	7
3	12447166	TUBE ASSEMBLY, center, union-to-union	1
4	12447165	BRACKET, support.	1
5	N/S	SCREW, tapping, 3/8 - 16 x 5/8, ZN, brake line clips . . .	10
6	12338307	TUBE ASSEMBLY, valve-to-union	1
7	12338300	TUBE ASSEMBLY, M/C-to-prop valve, 10,300-lb and 10,800-lb GVW	1
7	12342901	TUBE ASSEMBLY, M/C-to-prop valve, 12,100-lb GVW . .	1
8	442393	UNION, rear brake, center	2
9	12338305	TUBE ASSEMBLY, tee-to-rear L.H. caliper, 10,300-lb and 10,800-lb GVW	1
9	6002222	TUBE ASSEMBLY, tee-to-rear L.H. caliper, 12,100-lb GVW	1
10	12339235	FITTING, adapter, caliper.	2
11	12339204	WASHER, caliper	2
12	12338304	TUBE ASSEMBLY, tee-to-union	1
13	179147	CLIP, brake line, #3, 3/16"	2
14	12338298	TUBE ASSEMBLY, tee-to-rear R.H. caliper, 10,300-lb and 10,800-lb GVW	1
14	6002223	TUBE ASSEMBLY, tee-to-rear R.H. caliper, 12,100-lb GVW	1
15	178654	TEE, tube, rear brake lines	1

7-16 BRAKES

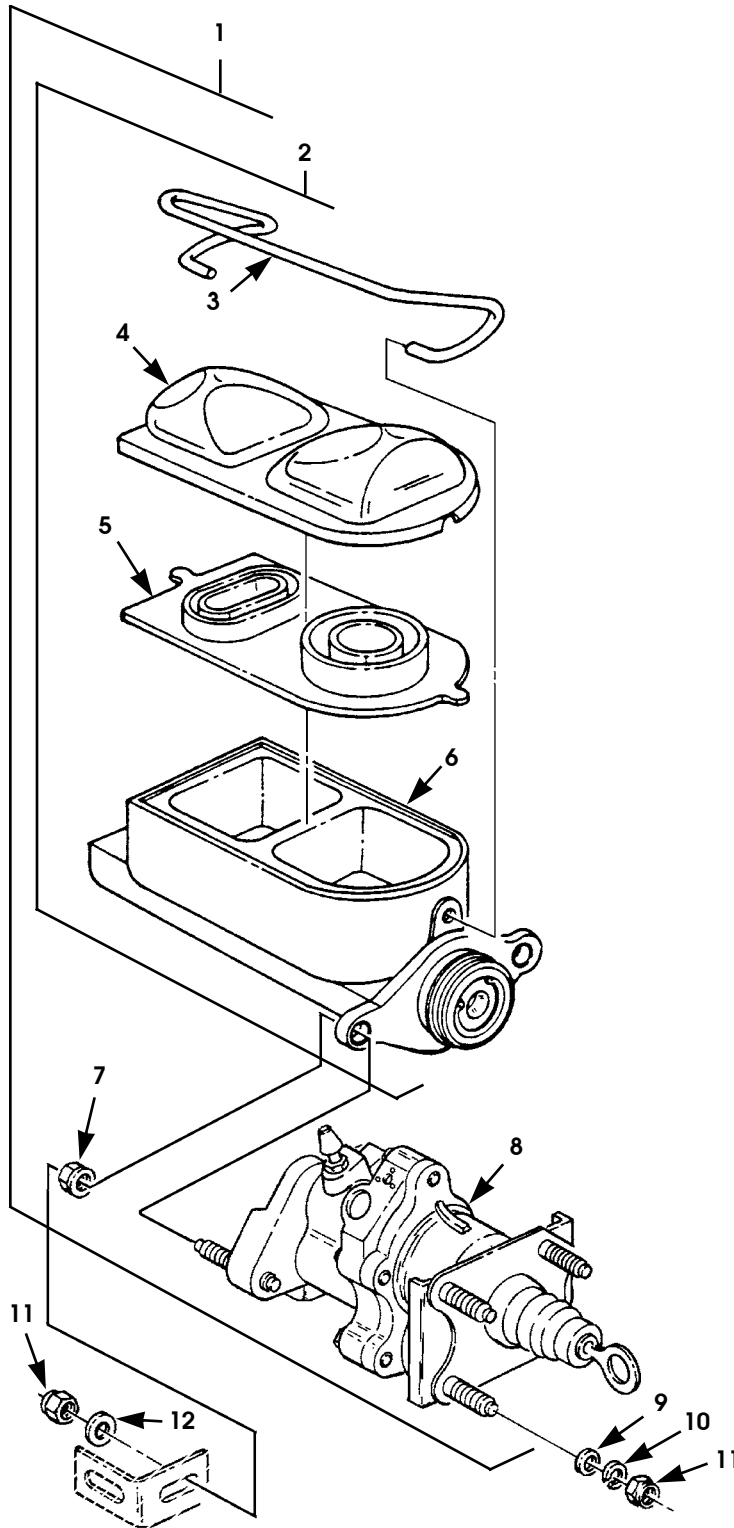


Figure 7-7. Master Cylinder Assembly and Hydro-Booster (10,300-lb and 10,800-lb GVW).

1997 HUMMER PARTS CATALOG

12-1-97

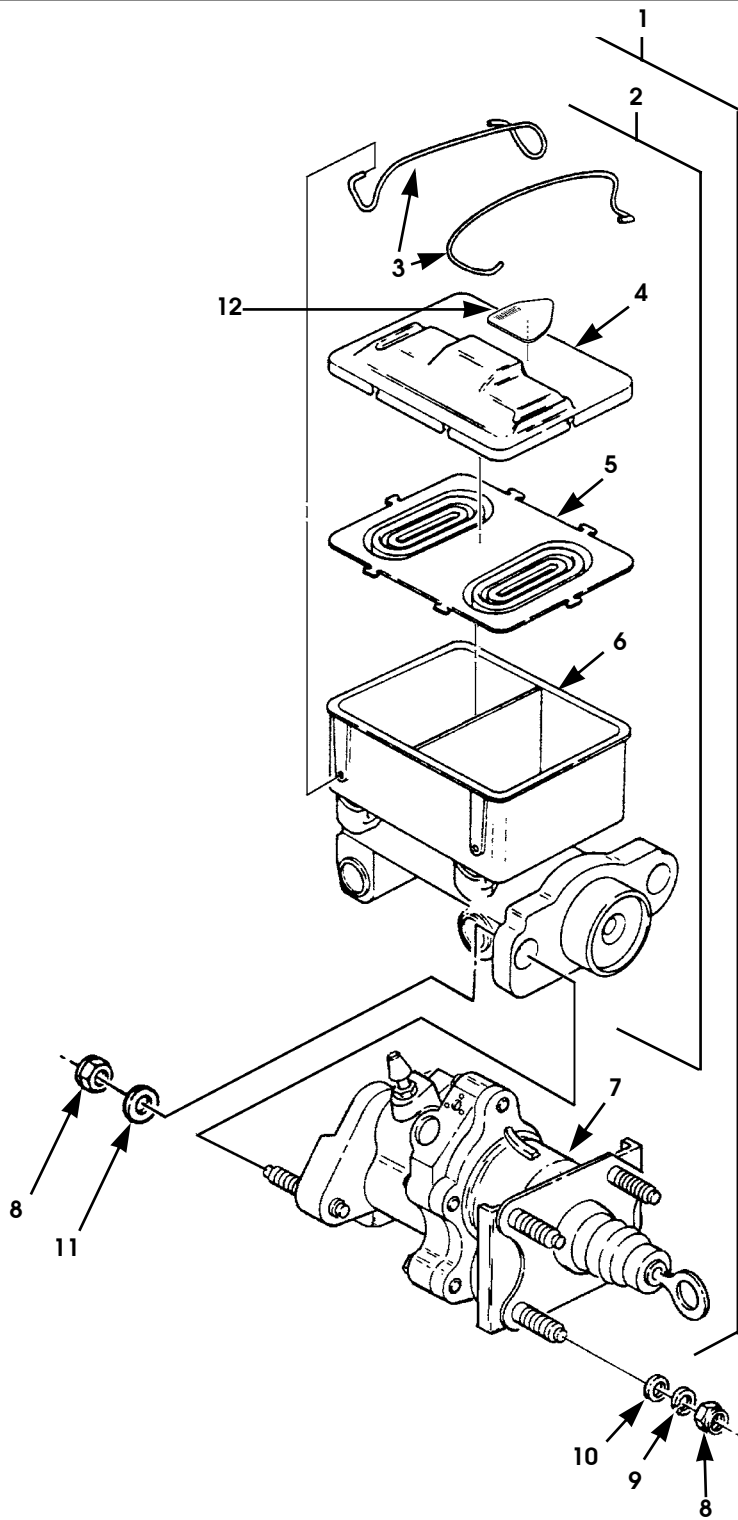
BRAKES 7-17

ITEM	PART NUMBER	DESCRIPTION	QTY
		Figure 7-7. Master Cylinder Assembly and Hydro-Booster (10,300-lb and 10,800-lb GVW).	
1	6000227	HYDRAULIC BOOSTER/MASTER CYLINDER ASSEMBLY . .	1
2	6000228	•MASTER CYLINDER, hydraulic	1
3	S.I.A.	••RETAINING CLIP, master cylinder	1
4	S.I.A.	••RESERVOIR COVER, master cylinder	1
5	S.I.A.	••GASKET, master cylinder	1
6	S.I.A.	••RESERVOIR, master cylinder	1
7	5741066	•NUT, flanged.	2
8	5582538	•HYDRO-BOOSTER.	1
9	N/S	WASHER, 3/8, flat, hydro-boost	4
10	N/S	LOCKWASHER, 3/8, hydro-boost.	4
11	N/S	LOCKNUT, 3/8 - 16, Gr8, hydro-boost	6
12	N/S	WASHER, 3/8, flat, hydro-boost	2

12-1-97

1997 HUMMER PARTS CATALOG

7-18 BRAKES



P07-007.3

Figure 7-8. Master Cylinder Assembly and Hydro-Booster (12,100-lb GVW option)

1997 HUMMER PARTS CATALOG

12-1-97

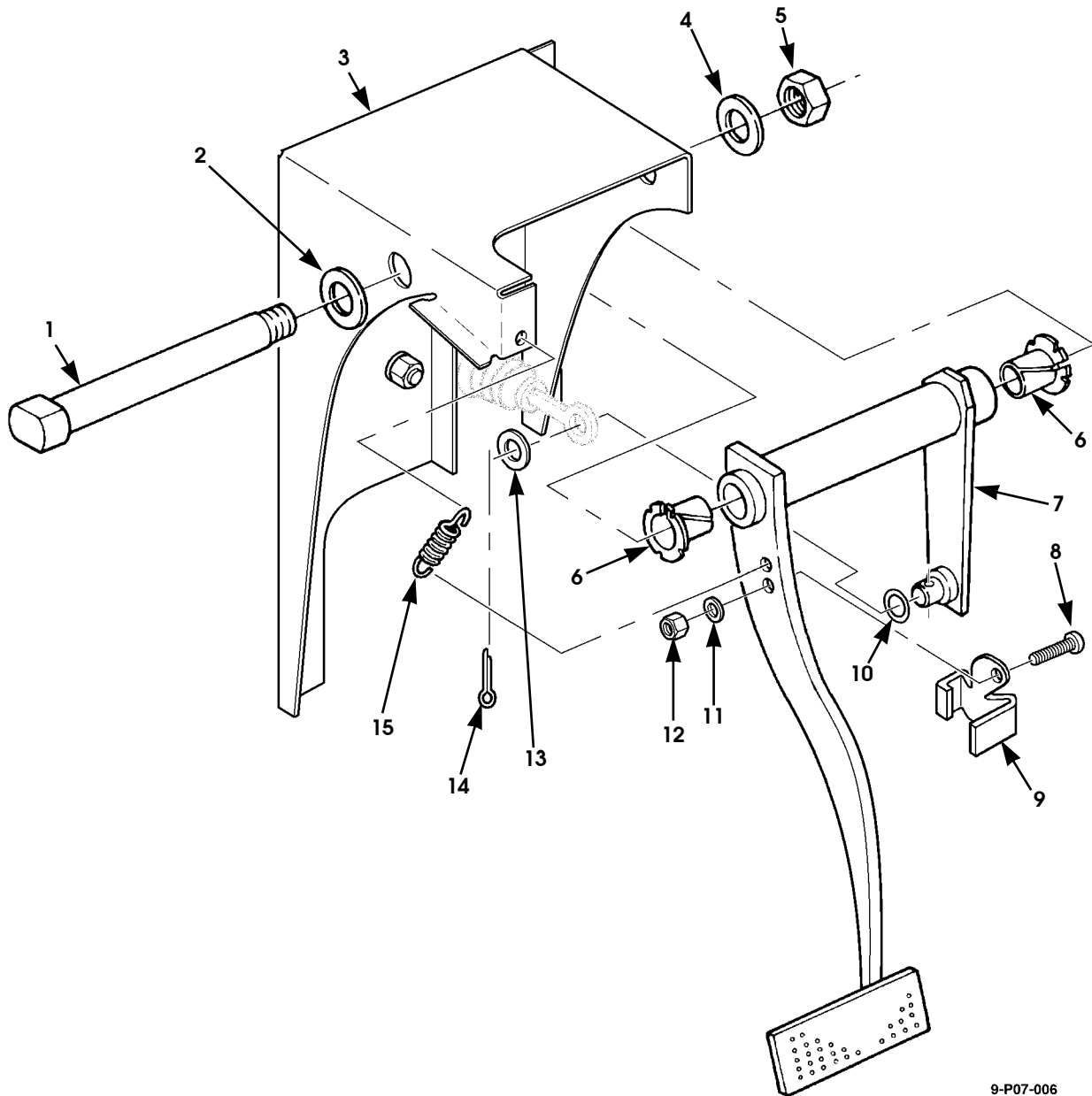
BRAKES 7-19

ITEM	PART NUMBER	DESCRIPTION	QTY
		Figure 7-8. Master Cylinder Assembly and Hydro-Booster (12,100-lb GVW option)	
1	12342897	HYDRAULIC BOOSTER/MASTER CYLINDER ASSEMBLY 12,100-lb GVW (Fleet Use Only)	1
2	12342898	•MASTER CYLINDER, hydraulic	1
3	S.I.A.	••RETAINING CLIP, master cylinder	1
4	S.I.A.	••RESERVOIR COVER, master cylinder	1
5	S.I.A.	••GASKET, master cylinder	1
6	S.I.A.	••RESERVOIR, master cylinder	1
7	12342899	•HYDRO-BOOSTER, 12,100-lb GVW	1
8	N/S	LOCKNUT, 3/8 - 16, Gr8, hydro-boost	6
9	N/S	LOCKWASHER, 3/8, hydro-boost	4
10	N/S	WASHER, flat, 3/8, hydro-boost	4
11	N/S	WASHER, flat, 3/8, hydro-boost	2
12	5936129	DECAL, master cylinder cover, 12,100 lb GVW	1

6-1-99

1997 HUMMER PARTS CATALOG

7-20 BRAKES



9-P07-006

Figure 7-9. Service Brake Pedal Assembly.

1997 HUMMER PARTS CATALOG

6-1-99

BRAKES 7-21

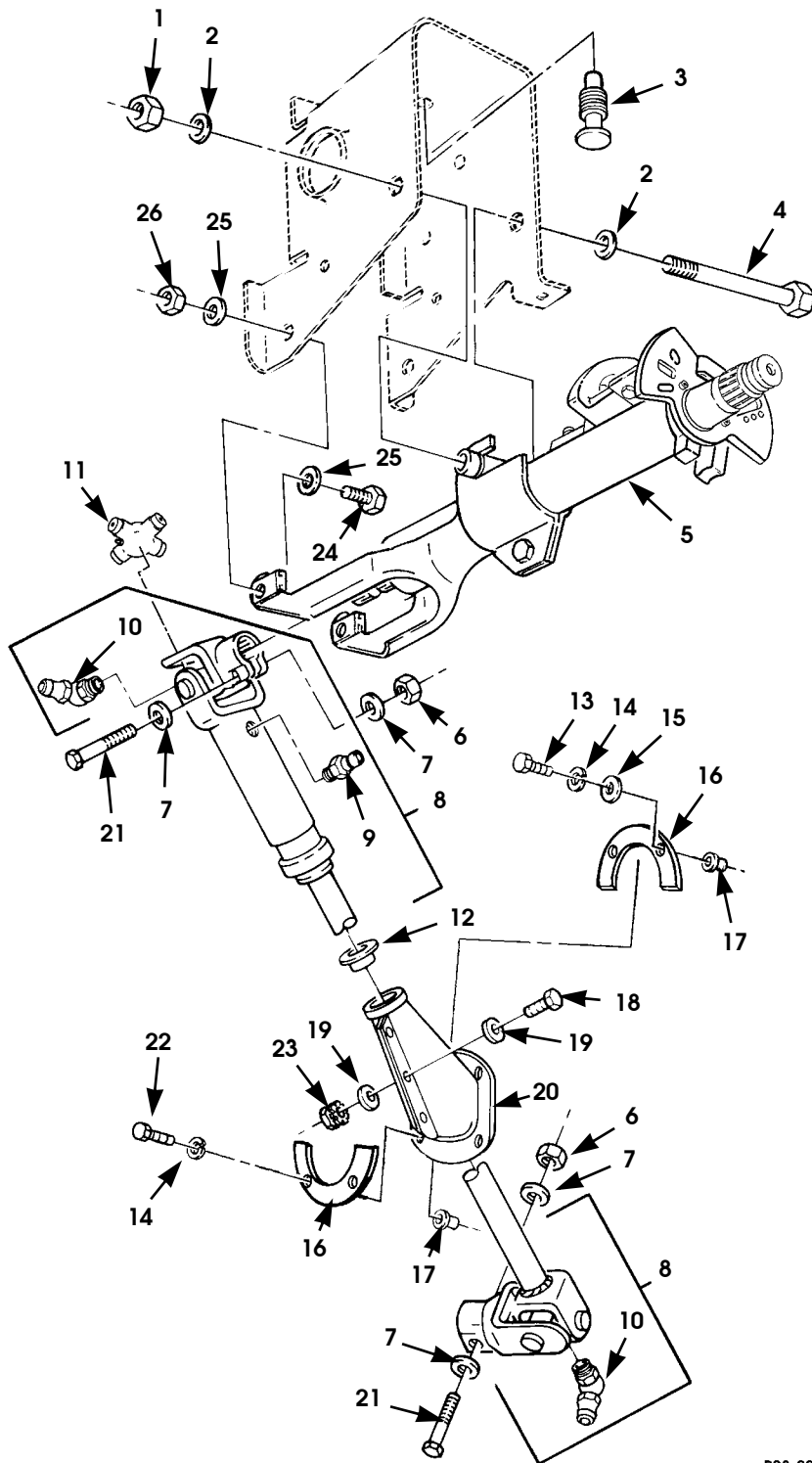
ITEM	PART NUMBER	DESCRIPTION	QTY
		Figure 7-9. Service Brake Pedal Assembly.	
1	12339114	PIN, brake pedal	1
2	N/S	WASHER, flat, hardened, 3/4, type B, pin	1
3	12338732P	BRACKET, brake pedal mounting.	1
4	N/S	WASHER, flat, hardened, 9/16, type B, pin	1
5	N/S	LOCKNUT, 9/16 - 12, Gr8, CAD, pin	1
6	12339112-2	BEARING, pin	2
7	12338394B1	BRAKE PEDAL	1
8	N/S	BOLT, #10 - 24 x 1, striker-to-brake pedal	1
9	6003075	STRIKER, brake light switch	1
10	12338124	WASHER, wave, 1/2, brake pedal to hydro-boost	1
11	N/S	WASHER, flat, #10	1
12	N/S	LOCKNUT, #10.	1
13	N/S	WASHER, flat, 1/2, class 3, CAD, brake pedal to hydro-boost	1
14	N/S	COTTER PIN, 3/32" x 1". Phos, brake pedal to hydro-boost	1
15	12339183	SPRING, brake pedal return	1

Section 8

STEERING SYSTEM

TITLE	PAGE NUMBER
Power Steering Gear and Mounting Hardware.....	8-10
Power Steering Gear Assembly.	8-12
Power Steering Pump, Oil Cooler, and Hydro-Boost Lines and Fittings.	8-18
Power Steering Pump, Pulley, Reservoir, and Mounting Hardware.	8-16
Steering Column and Intermediate Shaft	8-2
Steering Column Lock and Switch Housing Assembly.	8-6
Steering Column Trim and Turn Signal.	8-4
Steering Linkage.	8-8

8-2 STEERING SYSTEM



P08-001

Figure 8-1. Steering Column and Intermediate Shaft

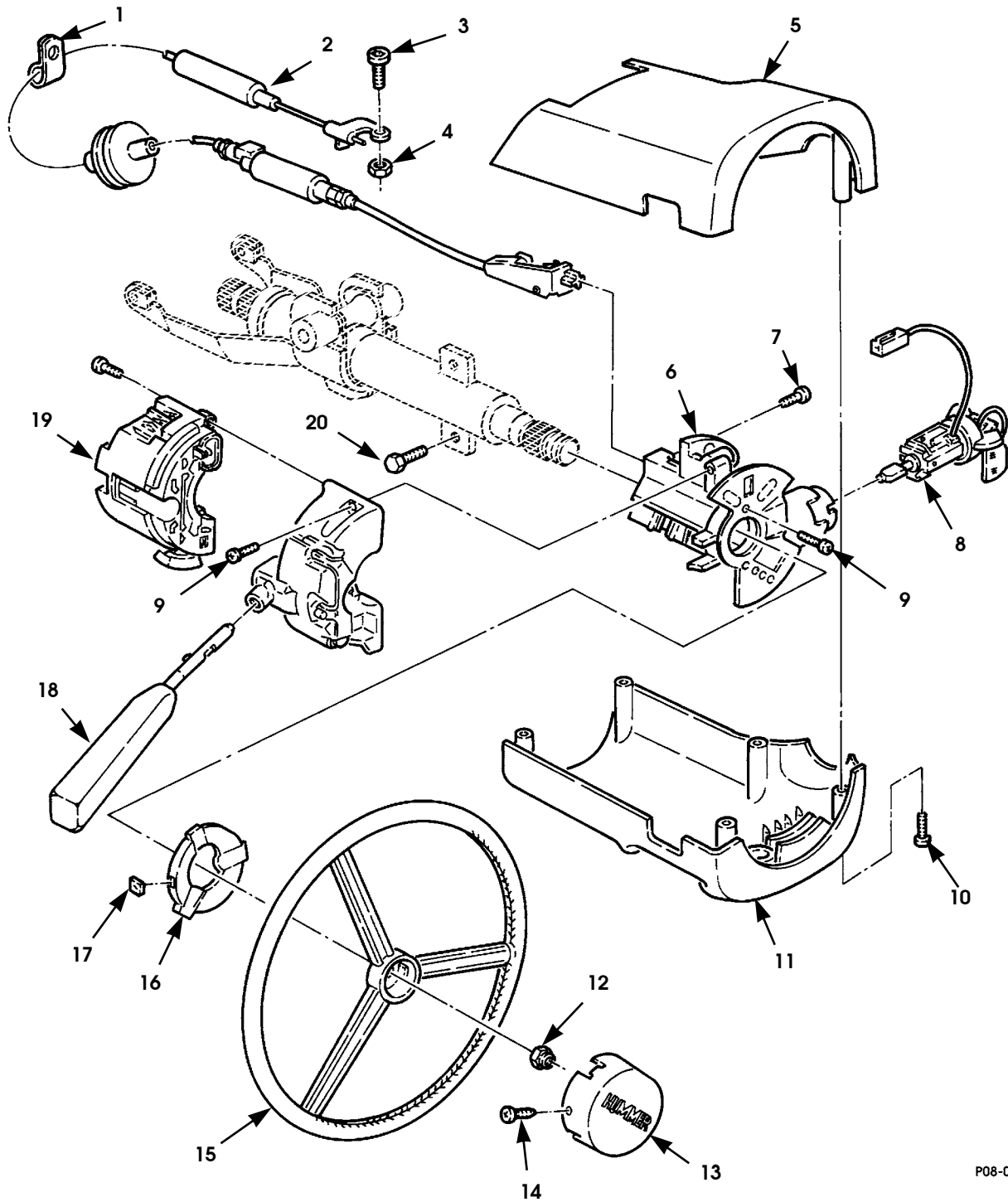
1997 HUMMER PARTS CATALOG

STEERING SYSTEM 8-3

ITEM	PART NUMBER	DESCRIPTION	QTY
		Figure 8-1. Steering Column and Intermediate Shaft	
1	N/S	LOCKNUT, steering column, 3/8"-16 gr 8	1
2	N/S	LOCKWASHER, flat, steering column, 3/8" type b, hard.	2
3	12339402	DRIVE PIN, nylon.	1
4	N/S	BOLT, steering column, 3/8"-16 x 5.5", hex GR 8 zn . . .	1
5	05939076	STEERING COLUMN, upper.	1
6	N/S	NUT, steering column, 7/16"-20 GR 8.	2
7	N/S	WASHER, flat, steering column, 7/16"	4
8	12339210-2B1	SHAFT, intermediate steering	1
9	MS15002-1	•LUBRICATION FITTING, intermediate shaft.	1
10	MS15003-4	•LUBRICATION FITTING, intermediate shaft.	2
11	5744602	•U-JOINT, intermediate shaft	2
12	12341894	NYLINER, interior steering shaft boot	1
13	N/S	BOLT, inter steering shaft, 1/4"-20 x 1.0", GR 8 cad . . .	3
14	N/S	LOCKWASHER, reinforcement, 1/4"	4
15	N/S	WASHER, flat, intermediate steering shaft, 1/4"	3
16	5939997B1	REINFORCEMENT, steering column seal	2
17	5937584	NUT INSERT	4
18	N/S	SCREW, steering shaft boot, #10-24 x 3/4", hex mach.	3
19	N/S	WASHER, flat, steering shaft boot, #10	6
20	12341893	BOOT, dust and moist, steering shaft	1
21	N/S	BOLT, steering column, 7/16"-20 x 2.0", GR 8 cad	2
22	N/S	BOLT, 1/4"-20 x 1.25", GR 8 cad	1
23	N/S	NUT, steering shaft boot, #10-24	3
24	N/S	SCREW, steering column assembly, 5/16-18 x 3/4 cap zn	2
25	N/S	WASHER, flat, hard 5/16"	4
26	N/S	LOCKNUT, 5/16"-18, GR 8	2

1997 HUMMER PARTS CATALOG

8-4 STEERING SYSTEM



P08-007

* a PART OF ITEM 19
* b SEE FIGURE 8-8

Figure 8-2. Steering Column Trim and Turn Signal.

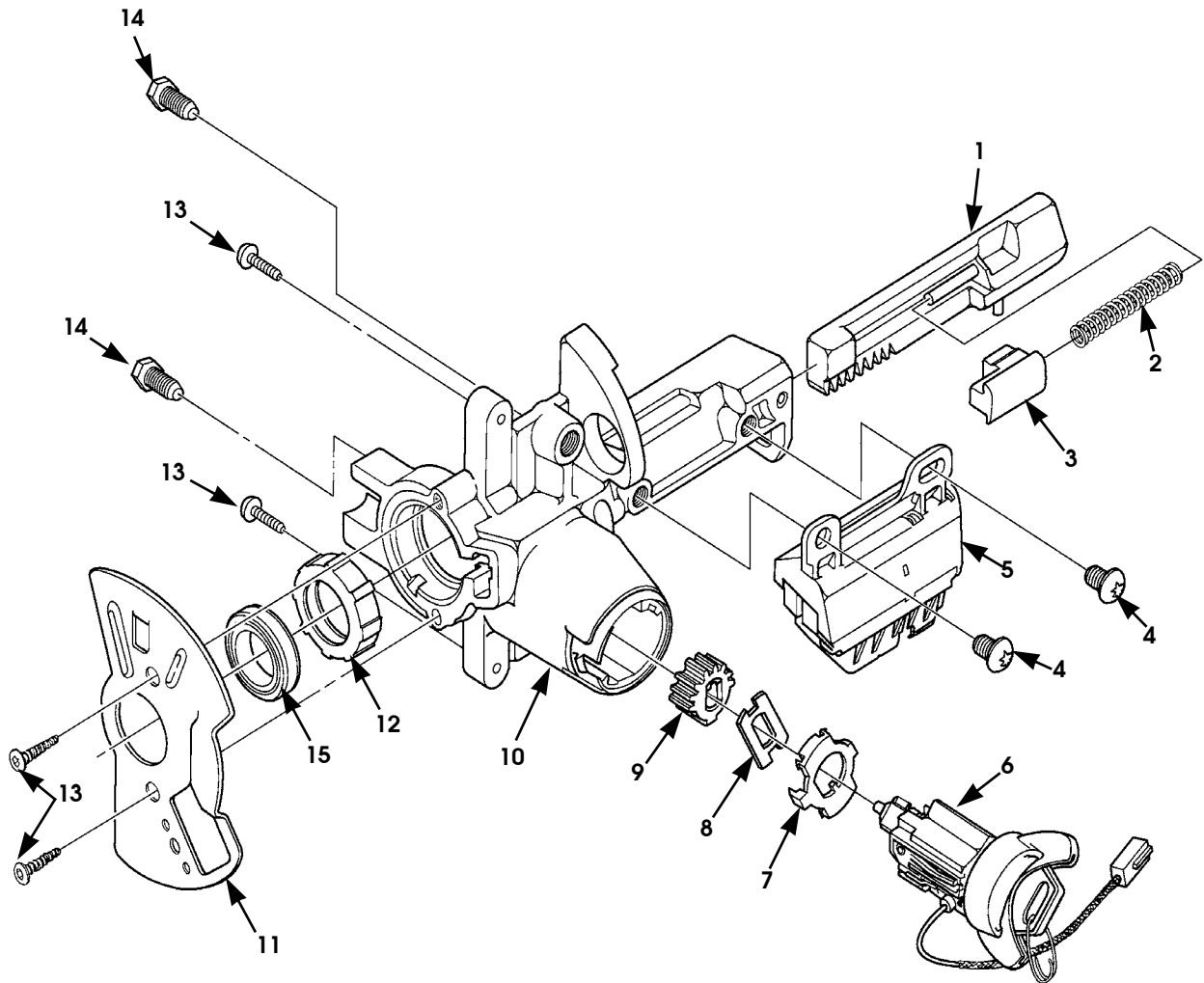
1997 HUMMER PARTS CATALOG

6-1-99

STEERING SYSTEM 8-5

ITEM	PART NUMBER	DESCRIPTION	QTY
		Figure 8-2. Steering Column Trim and Turn Signal.	
1	N/S	CLAMP,cushioned,5/16"	1
2	6007700	CABLE,ignition interlock	1
3	N/S	SCREW,M6 x 16,soc hd cap-cl 10 zn	1
4	N/S	NUT,M6,cl 10 lock	1
5	5939636	SHROUD,upper steering column.	1
6	5742768	HOUSING,lock and switch (See Figure 8-3)	1
7	N/S	SCREW,#8-32 x 1/2".	1
8	5939821	LOCK CYLINDER AND KEY ASSEMBLY,ignition.	1
9	5742680	SCREW,steering column.	4
10	N/S	SCREW,steering column shroud 8-18 x 1.25 phtap	5
11	5939635	SHROUD,lower steering column	1
12	7063812	NUT,steering wheel to column	1
13	6000113	COVER,steering wheel hub.	1
14	N/S	SCREW,#8-18 x .50",PHCR	3
15	5939373	STEERING WHEEL ASSEMBLY,with cover and padding	1
16	6000112	ADAPTER,steering wheel hub cover.	1
17	5939659	GROMMET	3
18	5742681	TURN SIGNAL LEVER.	1
18	6004056	TURN SIGNAL LEVER,cruise control	1
19	5742688	SWITCH ASSEMBLY,turn,emergency,horn,and dimmer	1
20	5742769	BOLT,steering column.	2

8-6 STEERING SYSTEM



P08-008

Figure 8-3. Steering Column Lock and Switch Housing Assembly.

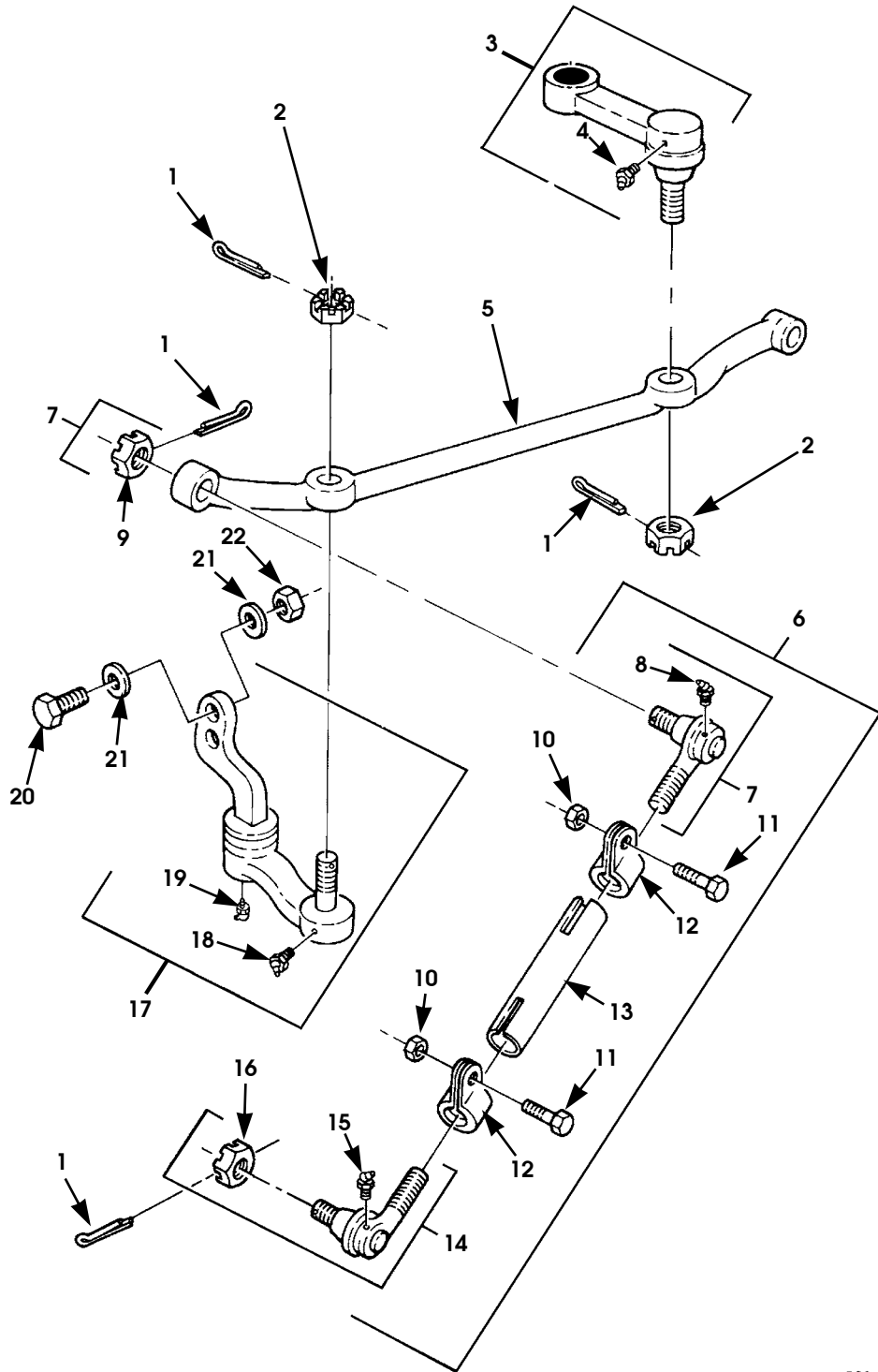
1997 HUMMER PARTS CATALOG

6-1-99

STEERING SYSTEM 8-7

ITEM	PART NUMBER	DESCRIPTION	QTY
		Figure 8-3. Steering Column Lock and Switch Housing Assembly.	
1	5743340	ACTUATOR, column lock	1
2	5743337	SPRING, steering column lock	1
3	5743336	PAWL, steering column lock	1
4	N/S	SCREW, M6-1.0 x 16 soc. hd cap 10 cl10 zn	2
5	5743343	SWITCH ASSEMBLY, ignition	1
6	5939821	CYLINDER AND KEY ASSEMBLY, ignition lock	1
7	5743341	RETAINER, column lock gear	1
8	5743338	FLAT BEARING, column lock	1
9	5743339	GEAR, steering column lock.	1
10	5743342	HOUSING, lock cylinder.	1
11	N/S	•PLATE, bearing retainer.	1
12	5743344	SLEEVE, upper bearing	1
13	5742680	SCREW, steering column	4
14	N/S	BOLT, M8-1.25 x 24 mm	2
15	N/S	SEAL, dust	1

8-8 STEERING SYSTEM



P08-002

Figure 8-4. Steering Linkage.

1997 HUMMER PARTS CATALOG

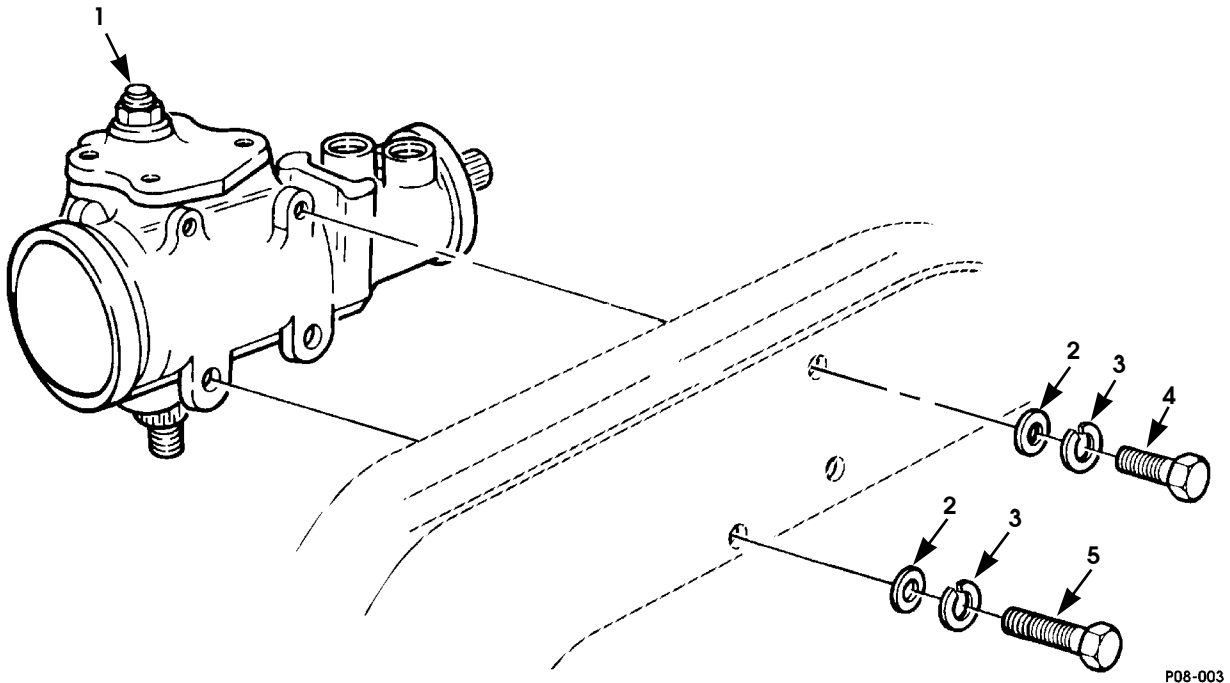
6-1-99

STEERING SYSTEM 8-9

ITEM	PART NUMBER	DESCRIPTION	QTY
		Figure 8-4. Steering Linkage.	
1	N/S	COTTER PIN, 1/8" x 1 1/4", idler arm	6
2	MS35692-54	NUT, slotted,	2
3	6004838	ARM, steering.	1
4	MS15001-1	•FITTING, zerk, 1/4 - 28 x 3/16, steering arm	1
5	6003868	CENTER LINK, steering	1
6	6005119	TIE ROD ASSEMBLY, steering, left and right side	2
7	12338311-2	•TIE ROD END, steering, R.H. thread.	1
8	MS15001-3	••FITTING, zerk, 45 degree, 1/4 - 28 x 3/16, tie rod end	1
9	MS35692-54	••NUT, slotted, tie rod end	1
10	N/S	•NUT, 7/16 - 14, Gr8, tie rod end clamp.	2
11	N/S	•BOLT, 7/16 - 14 x 1 3/4, Gr8, tie rod end clamp	2
12	12339202	•CLAMP, tie rod end	2
13	6005124	•ROD.	1
14	12338311-1	•TIE ROD END, steering L.H. thread	1
15	MS15001-3	••FITTING, zerk, 45 degree, 1/4 - 28 x 3/16, tie rod end	1
16	MS35692-54	••NUT, slotted, tie rod end	1
17	6004839	IDLER ARM, steering.	1
18	MS15001-1	•FITTING, zerk, 1/4 - 28 x 3/16, idler arm	1
19	MS15001-3	•FITTING, zerk, 45 degrees, 1/4 - 28 x 3/16, idler arm	1
20	N/S	SCREW, 7/16 - 14 x 4.75, Gr8 CAD, idler arm	2
21	N/S	WASHER, flat, type B, 7/16, idler arm	4
22	N/S	NUT, 7/16 - 14, Gr8, idler arm.	2

1997 HUMMER PARTS CATALOG

8-10 STEERING SYSTEM



P08-003

Figure 8-5. Power Steering Gear and Mounting Hardware.

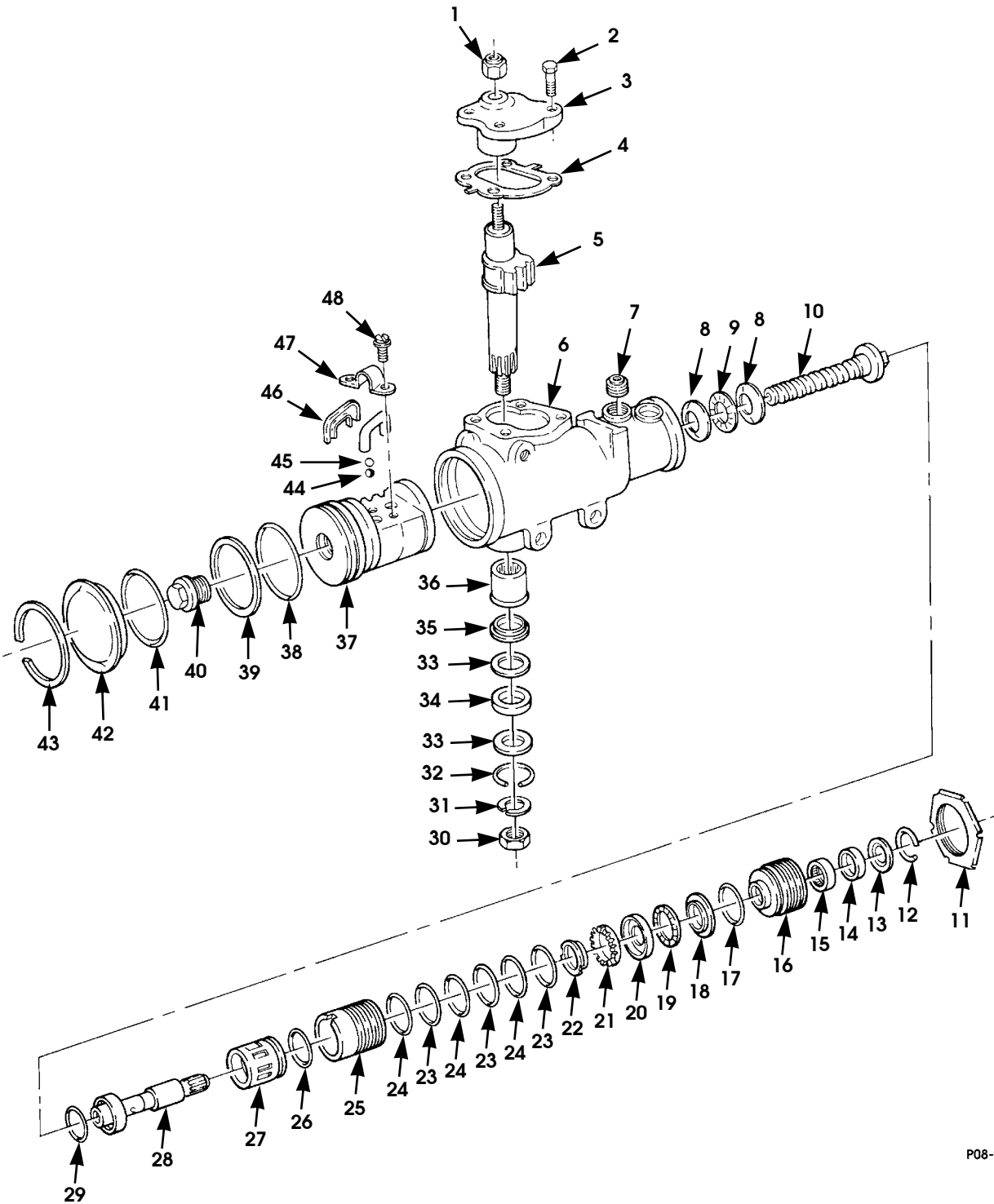
1997 HUMMER PARTS CATALOG

STEERING SYSTEM 8-11

ITEM	PART NUMBER	DESCRIPTION	QTY
		Figure 8-5. Power Steering Gear and Mounting Hardware.	
1	12460232	STEERING GEAR, power.	1
2	N/S	WASHER, flat, steering gear, 7/16" type B, hard	3
3	N/S	LOCKWASHER, steering gear, 7/16", heavy	3
4	N/S	BOLT, steering gear, hex head, 7/16" - 14 x 4", GR 8 phos.	1
5	N/S	BOLT, steering gear, 7/16" - 14 x 5 1/4", hex GR 8 phos.	2

1997 HUMMER PARTS CATALOG

8-12 STEERING SYSTEM



P08-00

Figure 8-6. Power Steering Gear Assembly.

1997 HUMMER PARTS CATALOG

STEERING SYSTEM 8-13

ITEM	PART NUMBER	DESCRIPTION	QTY
		Figure 8-6. Power Steering Gear Assembly.	
1	5740444	NUT, lash adjuster, self-locking	1
2	5740445	BOLT, cover assembly, SEE NOTES 1, 2, 12, AND 13	4
3	S.I.K.	COVER ASSEMBLY, housing side, SEE NOTE 12.	1
4	5740447	GASKET, housing, cover assembly, SEE NOTES 1, 12, AND 13	1
5	S.I.K.	GEARSHAFT spur, pitman shaft, SEE NOTE 13.	1
6	S.I.K.	HOUSING, steering gear, SEE NOTE 15	1
7	S.I.K.	VALVE ASSEMBLY, steering gear check, SEE NOTES 3 AND 15	1
8	S.I.K.	THRUST BEARING RACE, lower, SEE NOTE 4	2
9	S.I.K.	RETAINER AND ROLLER, SEE NOTE 4	1
10	S.I.K.	GEAR ASSEMBLY, worm, SEE NOTE 2	1
11	5741145	NUT, adjuster plug	1
12	S.I.K.	RETAINING RING, SEE NOTES 5 AND 14	1
13	S.I.K.	SEAL, shaft, SEE NOTES 5 AND 14	1
14	5741704	SEAL, shaft, SEE NOTES 5 AND 14	1
15	5740483	BUSHING, sleeve, shaft, SEE NOTE 5	1
16	S.I.K.	PLUG, adjuster, shaft, SEE NOTE 5	1
17	5740485	PACKING, preformed, adjuster plug, SEE NOTES 5 AND 14	1
18	S.I.K.	RACE, bearing, SEE NOTES 5 AND 6	1
19	S.I.K.	RETAINER AND ROLLER, SEE NOTES 5 AND 6	1
20	S.I.K.	RACE, bearing, SEE NOTES 5 AND 6	1
21	S.I.K.	SPACER, bearing, SEE NOTES 5 AND 6	1
22	S.I.K.	RETAINER, bearing adjuster plug, SEE NOTES 5 AND 6	1
23	S.I.K.	RING, seal, valve body, SEE NOTES 7 AND 16	3
24	S.I.K.	PACKING, preformed, valve body, SEE NOTES 7 AND 16	3
25	S.I.K.	VALVE BODY, steering, SEE NOTE 16	1
26	S.I.K.	SEAL, valve spool, SEE NOTES 7 AND 16	1
27	S.I.K.	VALVE SPOOL, direct, shaft, SEE NOTE 16	1
28	S.I.K.	SHAFT, steering column, SEE NOTE 16	1
29	S.I.K.	RING, seal, shaft, SEE NOTES 7 AND 16	1
30	940523	NUT, pitman shaft.	1
31	5550554	LOCKWASHER, pitman shaft.	1
32	S.I.K.	RING, retaining, pitman shaft, SEE NOTES 8 AND 15	1
33	S.I.K.	WASHER, seal, pitman shaft, SEE NOTES 8 AND 15	2
34	S.I.K.	SEAL, pitman shaft, SEE NOTES 8 AND 15	1
35	5740451	SEAL, pitman shaft, SEE NOTES 8 AND 15	1

12-1-97

1997 HUMMER PARTS CATALOG

8-14 STEERING SYSTEM

ITEM	PART NUMBER	DESCRIPTION	QTY
		Figure 8-6. Power Steering Gear Assembly. (Cont'd)	
36	5740453	BEARING, roller, pitman shaft, SEE NOTE 15	1
37	S.I.K.	RACK, piston nut, SEE NOTE 2	1
38	S.I.K.	RING, seal, piston rack, SEE NOTES 2 AND 9	1
39	S.I.K.	GASKET, piston rack, SEE NOTES 2 AND 9	1
40	5740461	PLUG, piston rack, SEE NOTE 2.	1
41	S.I.K.	PACKING, preformed, housing end plug, SEE NOTE 10	1
42	5740456	PLUG, housing end.	1
43	S.I.K.	RING, retaining, housing end plug, SEE NOTE 10.	1
44	S.I.K.	BALL, bearing, piston rack, SEE NOTES 2 AND 11.	12
45	S.I.K.	BALL, chrome, .281250 diameter, piston rack, SEE NOTES 2 AND 11	12
46	5740468	GUIDE, ball, piston rack, SEE NOTE 2.	2
47	5740467	STRAP, retaining, piston rack ball guide, SEE NOTE 2.	1
48	5740466	SCREW, retaining strap, SEE NOTE 2	2
		NOTE 1: PART OF SIDE COVER HOUSING SEAL KIT P/N 5740448	
		NOTE 2: PART OF PISTON NUT RACK KIT P/N 5740462	
		NOTE 3: PART OF STEERING KIT P/N 5741190	
		NOTE 4: PART OF LOWER THRUST BEARING KIT P/N 5740476	
		NOTE 5: PART OF ADJUSTER PLUG KIT P/N 5741703	
		NOTE 6: PART OF UPPER THRUST BEARING KIT P/N 5742166	
		NOTE 7: PART OF SEAL VALVE RING KIT P/N 5740499	
		NOTE 8: PART OF PITMAN SHAFT SEAL KIT P/N 5715393	
		NOTE 9: PART OF SEAL RACK PISTON KIT P/N 5740465	
		NOTE 10: PART OF SEAL END PLUG KIT P/N 5740458	
		NOTE 11: PART OF RECIRCULATING BALL KIT P/N 5740470	
		NOTE 12: PART OF STEERING GEAR SIDE COVER KIT P/N 5741910	
		NOTE 13: PART OF PITMAN SHAFT GEAR ASSEMBLY SER- VICE KIT P/N 5742626	
		NOTE 14: PART OF ADJUSTER PLUG SEAL KIT P/N 5741892	
		NOTE 15: PART OF GEAR HOUSING ASSEMBLY SER- VICE KIT P/N 5742627	
		NOTE 16: PART OF STEERING GEAR VALVE ASSEMBLY KIT P/N 5742625	

1997 HUMMER PARTS CATALOG

8-16 STEERING SYSTEM

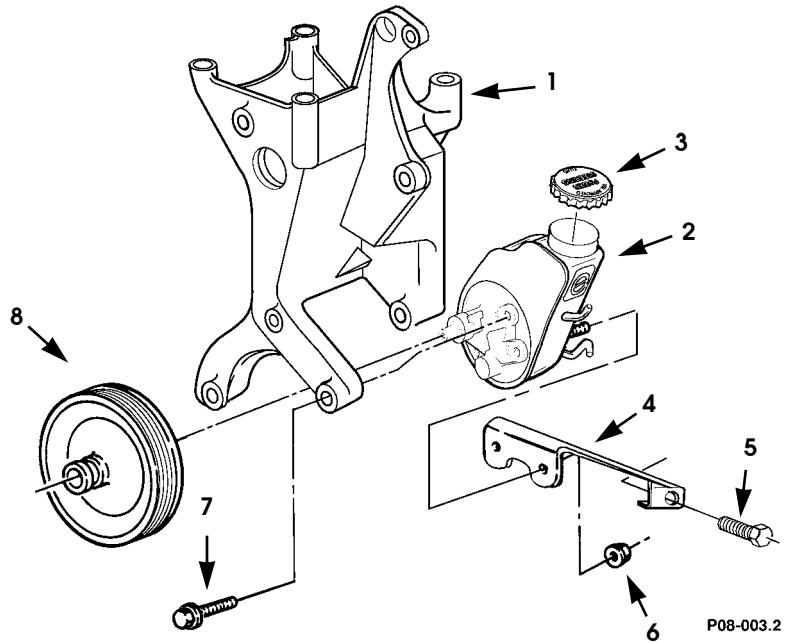


Figure 8-7. Power Steering Pump, Pulley, Reservoir, and Mounting Hardware.

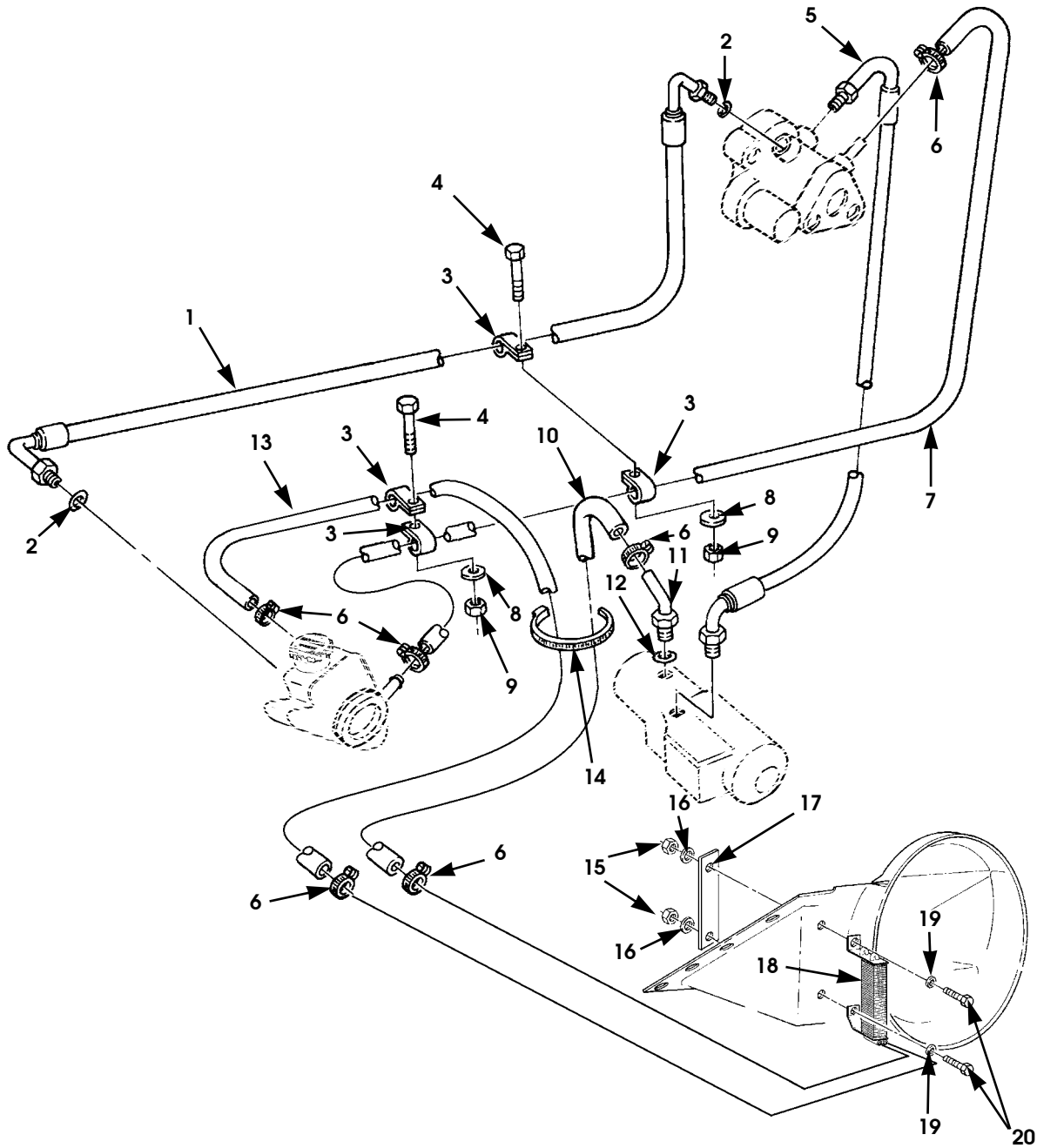
1997 HUMMER PARTS CATALOG

5-1-97

STEERING SYSTEM 8-17

ITEM	PART NUMBER	DESCRIPTION	QTY
		Figure 8-7. Power Steering Pump, Pulley, Reservoir, and Mounting Hardware.	
1	6006807	BRACKET, P/S pump, A/C pump.	1
2	6006781	PUMP, power steering	1
3	5744678	CAP, power steering pump.	1
4	6006785	BRACE, power steering pump	1
5	6006780	BOLT, M10-1.50 x 20 9.8 class 9, 8	1
6	11503643	NUT, M10-1.5, class 9.	2
7	N/S	BOLT, M10-1.5 x 35M class 9.8.	3
8	6004158	PULLEY, power steering pump	1

8-18 STEERING SYSTEM



P08-006.2

Figure 8-8. Power Steering Pump, Oil Cooler, and Hydro-Boost Lines and Fittings.

1997 HUMMER PARTS CATALOG

6-1-99

STEERING SYSTEM 8-19

ITEM	PART NUMBER	DESCRIPTION	QTY
		Figure 8-8. Power Steering Pump, Oil Cooler, and Hydro-Boost Lines and Fittings.	
1	6003869	HOSE ASSEMBLY, p/s, pump to hydro boost	1
2	12340395	•SEAL, O-ring	2
3	N/S	CLAMP, harness, rear 5/8" cushioned	4
4	N/S	SCREW, 1/4 - 20 x 3/4, Gr8 CAD	2
5	12338956	HOSE ASSEMBLY	1
6	N/S	CLAMP, hose	6
7	N/S	HOSE, 33.25-inch, SEE NOTE 1	1
8	N/S	WASHER, flat, 1/4	2
9	N/S	LOCKNUT, 1/4-20, Gr8	2
10	6007234	HOSE, steering gear-to-cooler	1
11	12338593	TUBE ASSEMBLY.	1
12	12340395	SEAL, O-ring	1
13	5937978	HOSE, cooler-to-power steering pump	1
14	MS3367-2-0	TIEDOWN STRAP, 3/16" x 13.35"	1
15	N/S	NUT, 5/16 - 18, Gr5	2
16	N/S	WASHER, flat, 5/16	4
17	6007233	PLATE, backing, P/S cooler	1
18	6007232	OIL COOLER ASSEMBLY, P/S	1
19	N/S	LOCKWASHER, 5/16	2
20	N/S	SCREW, 5/16 - 18 x 1, Gr5, CAD	2
		 NOTE 1: MAKE FROM BULK HOSE P/N 5741209	

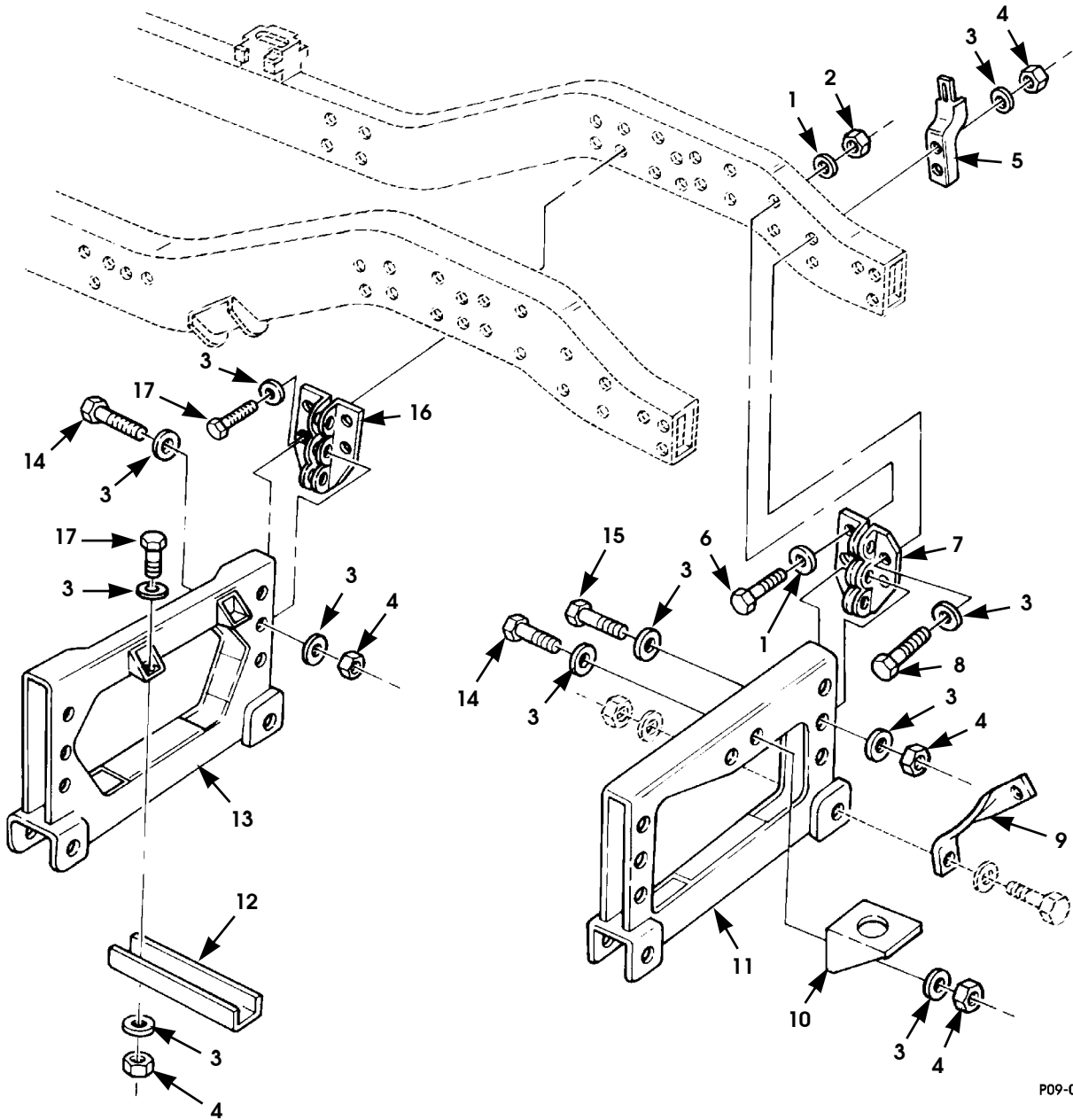
Section 9

AXLES/SUSPENSION/FRAME

TITLE	PAGE NUMBER
Airlift Brackets, Front Upper Control Arm Brackets, Front Spring Seats, and Mounting Hardware	9-16
Axle Differential	9-32
Axle Differential (Front) and Geared Hub Vent Lines	9-38
Axle Differential (Rear) and Geared Hub Vent Lines	9-40
Axle Differential, Mounting Brackets, and Hardware	9-30
Bumper (Front) and Lifting Shackle	9-18
Bumper (Front) and Lifting Shackle (Winch Kit)	9-20
Bumper (Rear) and Lifting Shackle	9-22
Control Arms, Ball Joints, and Mounting Hardware	9-8
Frame Rails, Body Mount Brackets, and Transmission Crossmember	9-14
Front Suspension Crossmembers, Related Parts, and Mounting Hardware	9-2
Halfshaft Assembly, Left and Right Side	9-26
Knuckle and Geared Hub Assemblies	9-42
Propeller Shafts	9-28
Rear Crossmember, Upper Control Arm Brackets, Spring Seats, Related Parts, and Mounting Hardware	9-24
Rear Radius Rods	9-12
Rear Suspension Crossmembers, Related Parts, and Mounting Hardware	9-4
Shock Absorbers and Springs, Front and Rear	9-6
Stabilizer Bar and Connecting Links	9-10

1997 HUMMER PARTS CATALOG

9-2 AXLES/SUSPENSION/FRAME



P09-001

Figure 9-1. Front Suspension Crossmembers, Related Parts, and Mounting Hardware.

1997 HUMMER PARTS CATALOG

6-1-99

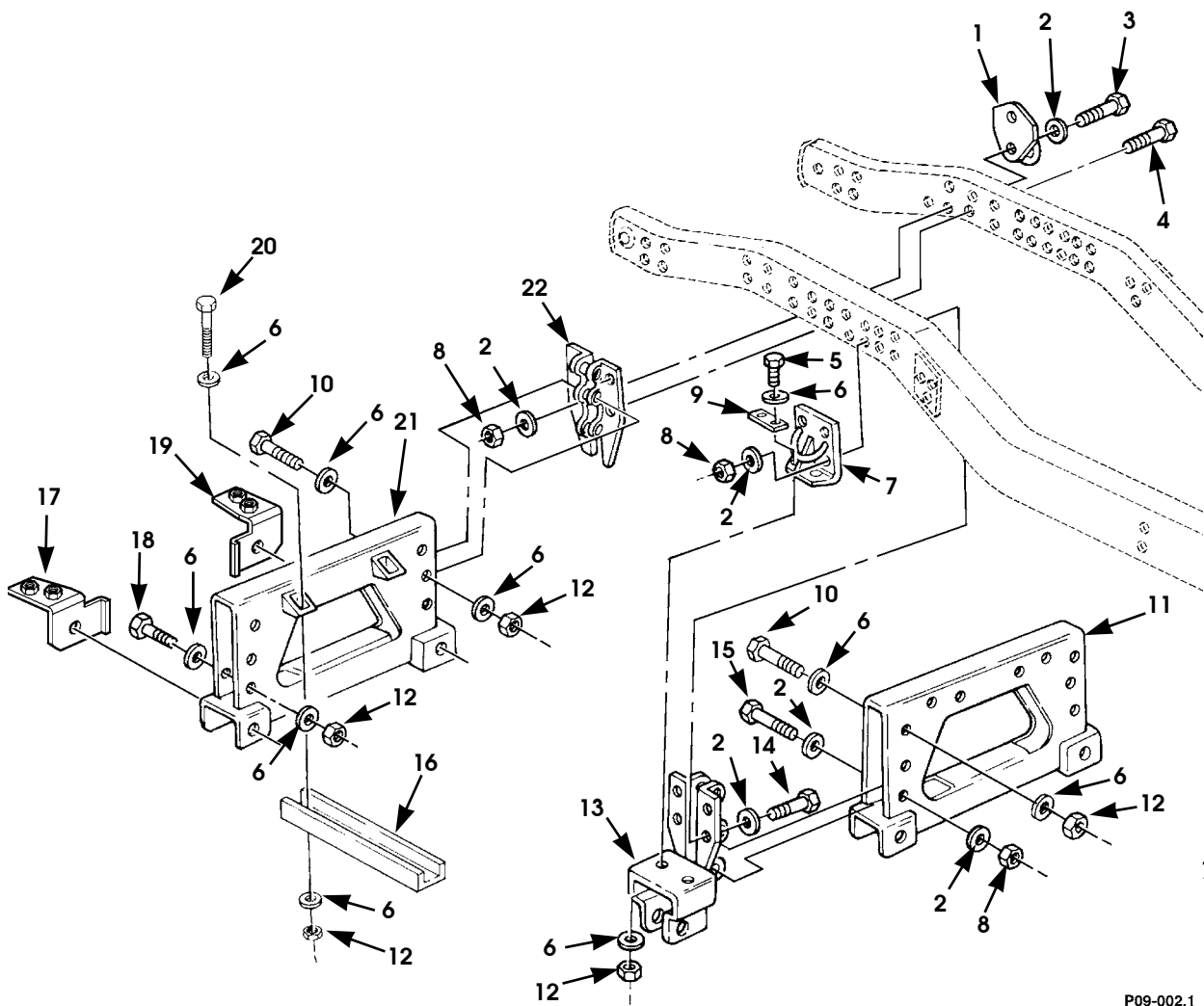
AXLES/SUSPENSION/FRAME 9-3

ITEM	PART NUMBER	DESCRIPTION	QTY
		Figure 9-1. Front Suspension Crossmembers, Related Parts, and Mounting Hardware.	
1	N/S	WASHER, flat, 3/4", type B, hard	8
2	N/S	LOCKNUT, 3/4"-10, Gr C	4
3	N/S	WASHER, flat, 1/2", type B, hard	45
4	N/S	LOCKNUT, 1/2"-13, Gr C	22
5	12447051	BRACKET, frame assembly, splash shield	2
6	N/S	BOLT, 3/4"-10 x 4.0", hex, Gr 8, cad	4
7	12338149-1	BRACKET, crossmember, L.H., front suspension	1
7	12338149-2	BRACKET, crossmember, R.H., front suspension	1
8	N/S	BOLT, 1/2"-13 x 3.25", hex, Gr 8, cad	4
9	12338165	BRACE, front suspension	2
10	12338180	BRACKET, lower radiator mount	1
11	12338230	CROSSMEMBER, front forward	1
11	WA12338230	CROSSMEMBER, front forward, 12,100 GVW	1
12	12338146	BRACKET, axle support	2
12	6002224	BRACKET, axle support, L.H., 12,100 GVW	1
12	6002225	BRACKET, axle support, R.H., 12,100 GVW	1
13	WB12338223	CROSSMEMBER, front rear	1
14	N/S	BOLT, 1/2"-13 x 3.0", hex, Gr 8, cad	8
15	N/S	BOLT, 1/2"-13 x 2.75" hex, Gr 8, cad	6
16	12338155-1	BRACKET, crossmember, L.H., front suspension	1
16	12338155-2	BRACKET, crossmember, R.H., front suspension	1
17	N/S	BOLT, 1/2"-13 x 1.0", hex, Gr 8, cad	5

6-1-99

1997 HUMMER PARTS CATALOG

9-4 AXLES/SUSPENSION/FRAME



P09-002.1

Figure 9-2. Rear Suspension Crossmembers, Related Parts, and Mounting Hardware

1997 HUMMER PARTS CATALOG

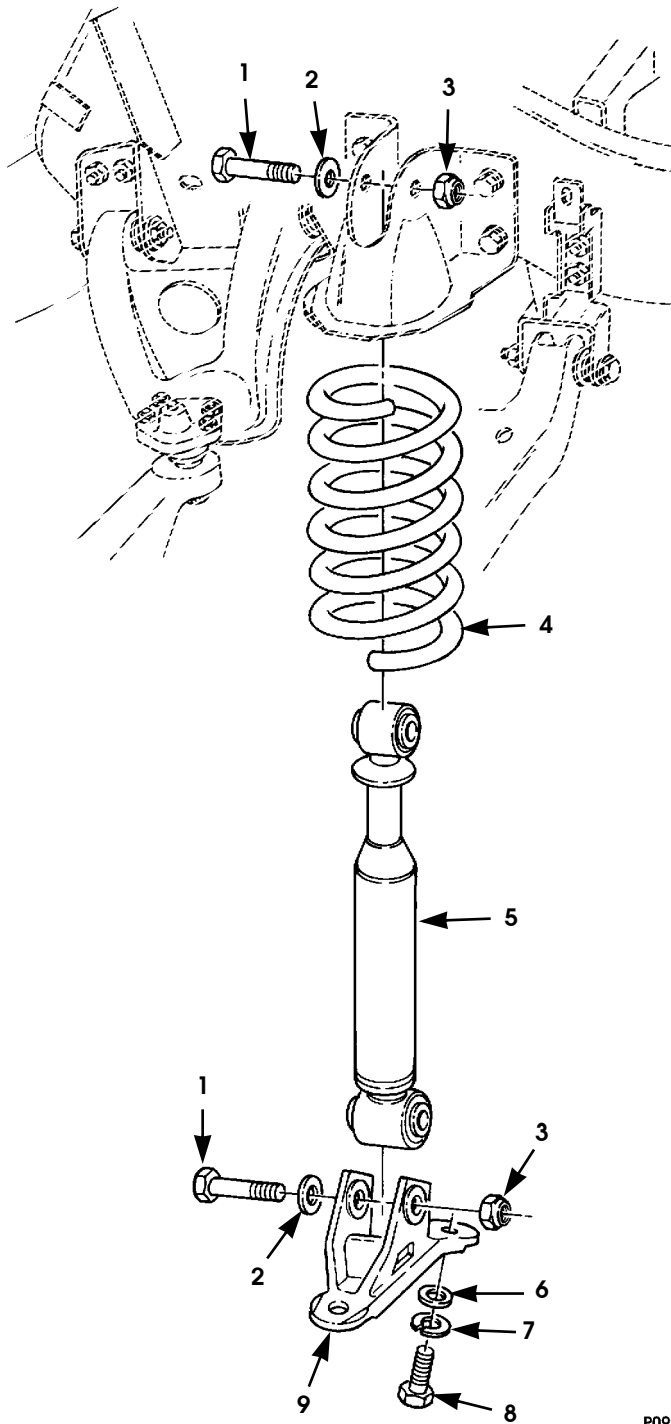
6-1-99

AXLES/SUSPENSION/FRAME 9-5

ITEM	PART NUMBER	DESCRIPTION	QTY
		Figure 9-2. Rear Suspension Crossmembers, Related Parts, and Mounting Hardware	
1	12338181	BRACKET, tiedown, frame assembly	2
2	N/S	WASHER, flat, hard, 3/4, type B	40
3	N/S	BOLT, 3/4 - 10 x 4 1/4, Gr8, CAD	8
4	N/S	BOLT, 3/4 - 10 x 4 3/4, Gr8, CAD	4
5	N/S	BOLT, 1/2 - 13 x 1 1/2, Gr8, CAD	4
6	N/S	WASHER, flat, hard, 1/2, type B	32
7	12338197	BRACKET, tiedown, frame assembly	2
8	N/S	LOCKNUT, 3/4 - 10 Gr8.	20
9	12338172	PLATE, vent lines, tube mounting	2
10	N/S	BOLT, 1/2 - 13 x 2 3/4, Gr 8, CAD	6
11	WA12338217	CROSSMEMBER, rear suspension, front	1
11	RCSK17176	CROSSMEMBER, rear suspension, front, 12,100-lb GVW	1
12	N/S	LOCKNUT, 1/2 - 13, Gr8	18
13	12338224	BRACKET, crossmember, rear suspension	2
14	N/S	BOLT, 3/4 - 10 x 4 1/2, Gr8, CAD	4
15	N/S	BOLT, 3/4 - 10 x 3 1/4, Gr8, CAD	4
16	12338146	BRACKET, rear axle support	2
16	6002226	BRACKET, axle support, L.H., rear, 12,100-lb GVW	1
16	6002227	BRACKET, axle support, R.H., rear, 12,100-lb GVW.	1
17	6007694	BRACKET ASSEMBLY, mounting R.H., SEE NOTE 1.	1
18	N/S	BOLT, 1/2 - 13 x 3, Gr8, CAD.	2
19	6007693	BRACKET ASSEMBLY, mounting L.H., SEE NOTE 1	1
20	N/S	BOLT, 1/2 - 13 x 1, Gr8, CAD.	4
21	WA12338222	CROSSMEMBER, rear suspension, rear.	1
21	RCSK17876	CROSSMEMBER, rear suspension, rear, 12,100-lb GVW	1
22	12338148	BRACKET, crossmember, rear suspension	2
		 NOTE 1: USED WITH TRAILER TOWING RECEIVER	

1997 HUMMER PARTS CATALOG

9-6 AXLES/SUSPENSION/FRAME



P09-003

Figure 9-3. Shock Absorbers and Springs, Front and Rear.

1997 HUMMER PARTS CATALOG

6-1-99

AXLES/SUSPENSION/FRAME 9-7

ITEM	PART NUMBER	DESCRIPTION	QTY
		Figure 9-3. Shock Absorbers and Springs, Front and Rear.	
1	12339205	PIN, shock absorber	8
2	N/S	WASHER, flat, hard, 1, type B.	8
3	12339206	LOCKNUT, shock absorber	8
4	12342616B2	SPRING, rear, variable rate, standard	2
4	6006008B2	SPRING, rear, 2300 lbs/inch, heavy duty, SEE NOTE 1 . .	2
4	12338316-1B2	SPRING, front, 954 lbs/inch, standard	2
		89	
4	6005787B2	SPRING, front, 954 lbs/inch, extended height, SEE NOTE 3 83, 84, 90	2
4	6005786B2	SPRING, front, 1250 lbs/inch, heavy duty, SEE NOTE 4. .	2
4	12338316-2B2	SPRING, front, 1728 lbs/inch, heavy duty, SEE NOTE 5. .	2
5	12340071	SHOCK ABSORBER, front	2
5	05937865	SHOCK ABSORBER, front, 12,100-lb GVW	2
5	12340072	SHOCK ABSORBER, rear	2
6	N/S	WASHER, flat, hard, 5/8	8
7	N/S	LOCKWASHER, med, 5/8, ZN	8
8	N/S	BOLT, 5/8 - 11 x 2, Gr8, CAD	8
9	12338315	BRACKET, shock absorber mount, lower control arm .	4
		NOTE 1: STANDARD ON 10,800-LB & 12,100-LB GVW VEHICLES	
		NOTE 2: USED ON 12,100-LB GVW VEHICLES	
		NOTE 3: USED ON 10,300-LB GVW 2-DOOR VEHICLES WITH WINCH; AND ON VEHICLES (MODELS 83, 84, 90) WITHOUT WINCH OR HEAVY FRONT- END EQUIPMENT	
		NOTE 4: USED ON 10,300-LB GVW 4-DOOR VEHICLES (MODELS 83, 84, 90) WITH WINCH	
		NOTE 5: USED ON 10,800-LB & 12,100-LB GVW VEHI- CLES; AND ALL VEHICLES WITH SNOW PLOW	

12-1-97

1997 HUMMER PARTS CATALOG

9-8 AXLES/SUSPENSION/FRAME

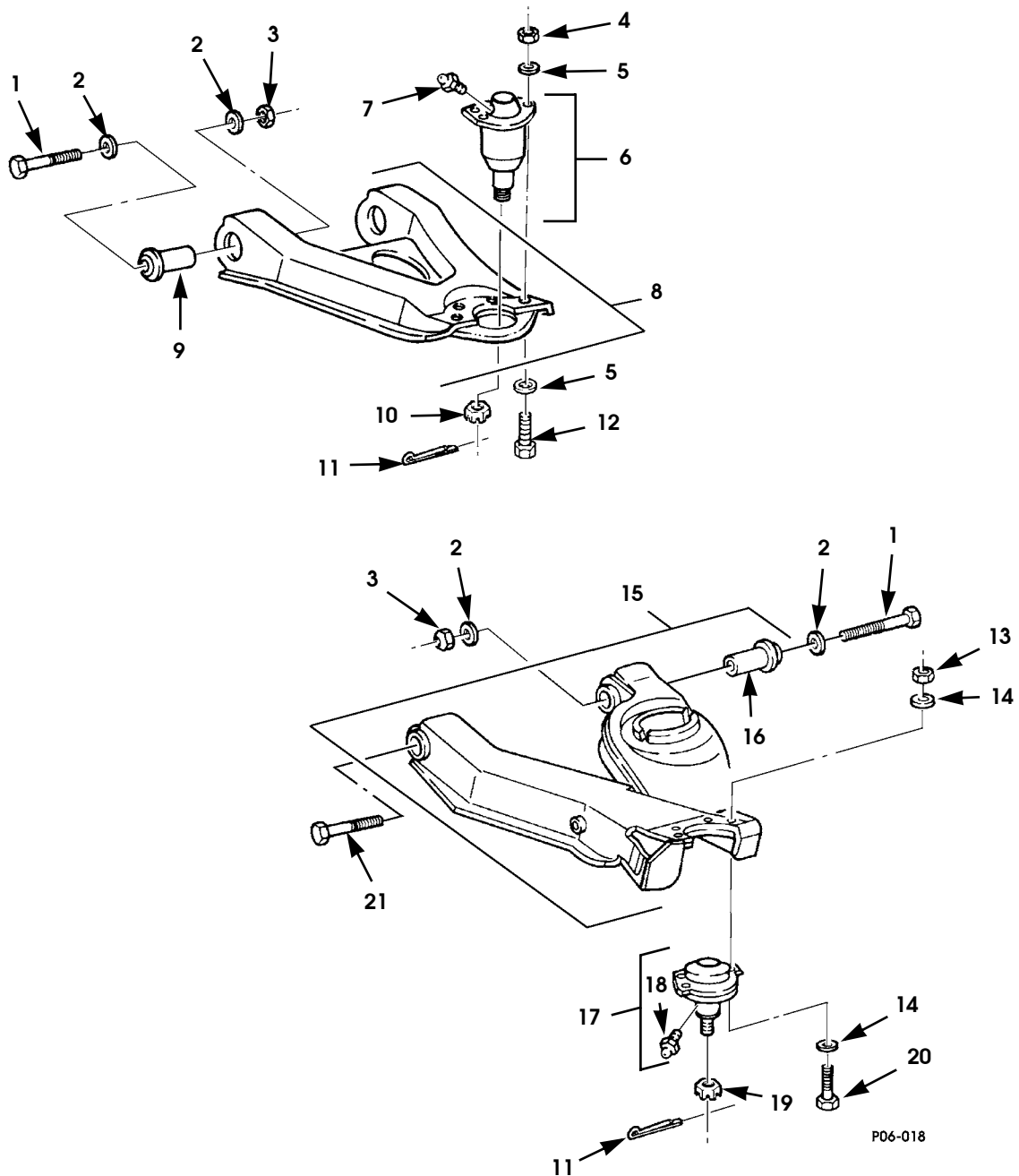


Figure 9-4. Control Arms, Ball Joints, and Mounting Hardware.

1997 HUMMER PARTS CATALOG

6-1-99

AXLES/SUSPENSION/FRAME 9-9

ITEM	PART NUMBER	DESCRIPTION	QTY
		Figure 9-4. Control Arms, Ball Joints, and Mounting Hardware.	
1	N/S	BOLT, 3/4"-10 x 4.75", Gr 8, cad	3
2	N/S	WASHER, flat, 3/4", type B, hard	8
3	N/S	LOCKNUT, 3/4"-10, Gr C	4
4	N/S	LOCKNUT, 3/8"-24, Gr C	4
5	N/S	WASHER, flat, 3/8", type B, hard	8
6	6007755	BALL JOINT, upper	1
7	271291	•FITTING, upper ball joint, 1/4"-28 x 1/2"	1
8	12460167	CONTROL ARM, front L.H., upper	1
8	12460151	CONTROL ARM, front R.H., upper.	1
8	RCSK17089-1	CONTROL ARM, rear L.H., upper	1
8	RCSK17089-2	CONTROL ARM, rear R.H., upper,	1
9	12338270	BUSHING, control arm	2
10	MS35692-54	NUT, castle, ball joint, 5/8"-18, Grd 8, cad	1
11	N/S	COTTER PIN, ball joint, 1/8" x 1-1/4", cad.	1
12	12460159	BOLT, ball joint, 3/8"-24 x 1.38"	4
13	N/S	LOCKNUT, 7/16"-14, Gr 8, cad	4
14	N/S	WASHER, 7/16", type B, hard.	8
15	ECRCSK17249	CONTROL ARM, lower front R.H.	1
15	ECRCSK17250	CONTROL ARM, lower front, L.H.	1
15	ECRCSK17249	CONTROL ARM, lower rear, L.H.	1
15	ECRCSK17250	CONTROL ARM, lower rear, R.H.	1
16	12338270	•BUSHING, control arm	2
17	6006645	BALL JOINT, lower.	1
18	271291	•FITTING, ball joint, 1/4"-28 x 1/2"	1
19	MS35692-54	NUT, 5/8"-18, Gr 8, cad	1
20	N/S	BOLT, 7/16"-14 x 1.5", Gr 8, cad	4
21	N/S	BOLT, 3/4"-10 x 5", Gr 8, cad	1

1997 HUMMER PARTS CATALOG

AXLES/SUSPENSION/FRAME 9-11

ITEM	PART NUMBER	DESCRIPTION	QTY
		Figure 9-5. Stabilizer Bar and Connecting Links.	
1	N/S	WASHER, 1/2", hard, type B.	6
2	N/S	LOCKNUT, 1/2"-20, Gr C, cad	2
3	6004872	BAR, stabilizer	1
4	12338317	BUSHING, stabilizer bar	2
5	12338319	BRACKET, stabilizer bar	2
6	N/S	NUT, 7/16"-14, Gr 8, cad	4
7	N/S	BOLT, 5/8"-11 x 3.0", hex, Gr 8, cad	2
8	12338322	WASHER, flat, connecting link, stabilizer bar	8
9	12338323	CONNECTING LINK, stabilizer bar	2
10	12339207	PIN, stabilizer bar	2
11	N/S	LOCKNUT, 5/8"-11, Gr C	2

6-1-99

1997 HUMMER PARTS CATALOG

9-12 AXLES/SUSPENSION/FRAME

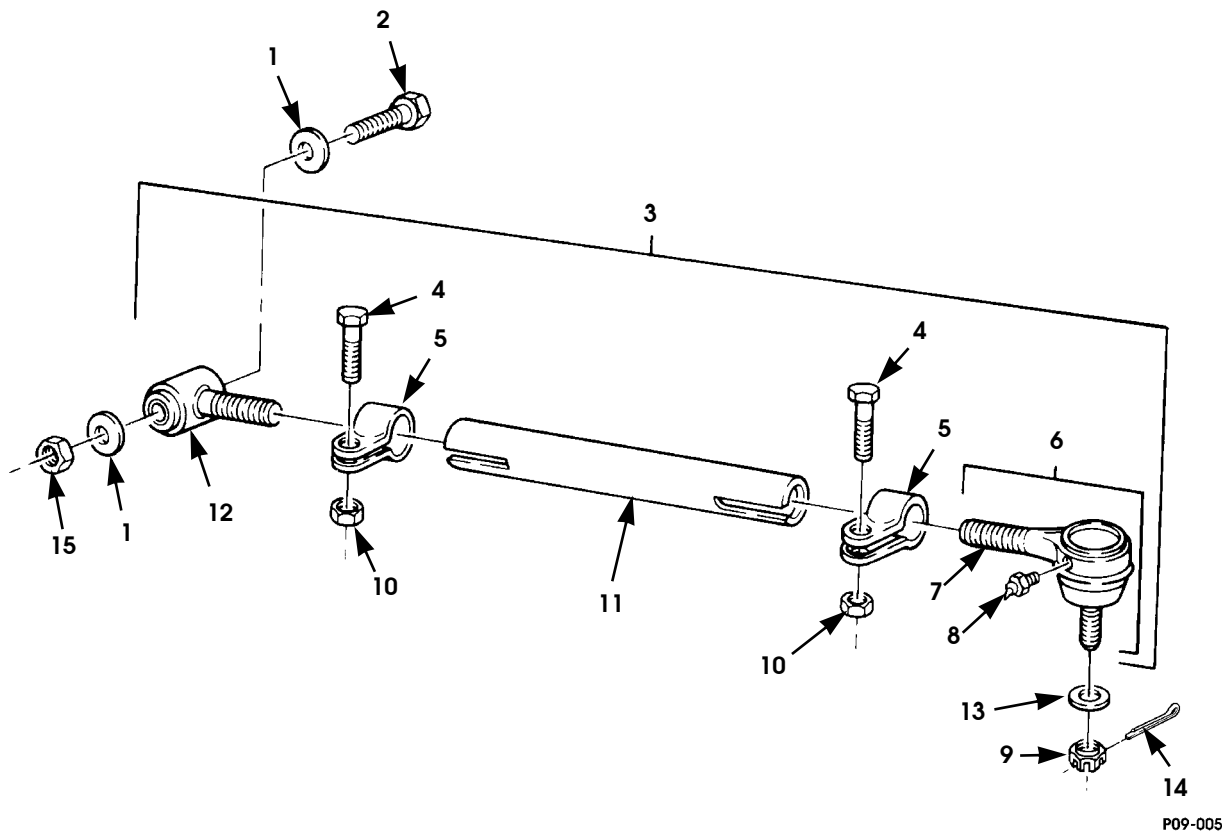


Figure 9-6. Rear Radius Rods.

1997 HUMMER PARTS CATALOG

6-1-99

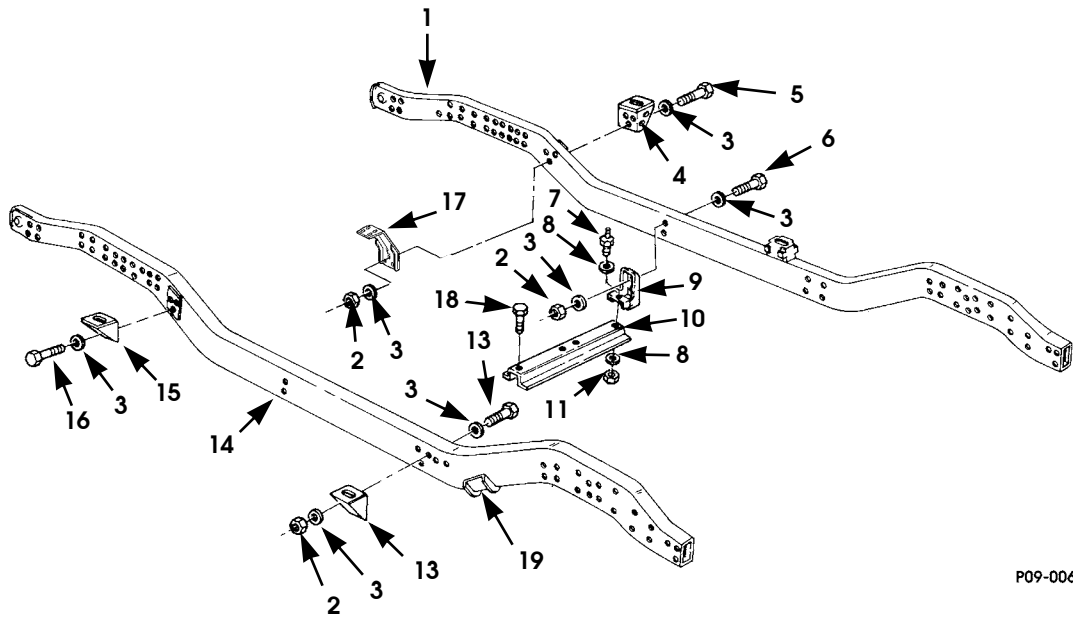
AXLES/SUSPENSION/FRAME 9-13

ITEM	PART NUMBER	DESCRIPTION	QTY
		Figure 9-6. Rear Radius Rods.	
1	N/S	WASHER, flat, hard, 3/4, type B	4
2	N/S	BOLT, 3/4 - 10 x 4 3/4, Gr8, CAD	2
3	6005274B2	ROD ASSEMBLY, radius rear	2
4	N/S	•BOLT, 7/16 - 14 x 1 3/4, Gr5, Phos.	2
5	12339202	•CLAMP, rod assembly, retaining	2
6	12338311-1	•TIE ROD END ASSEMBLY, L.H. thread	1
7	S.I.A.	••TIE ROD END, LH thread	1
8	MS15001-3	••FITTING, tie rod end, 45 degree	1
9	N/S	••NUT, 5/8 - 18, Gr8, CAD	1
10	N/S	•NUT, 7/16 - 14, Gr8, CAD	2
11	6005273B2	•ROD ASSEMBLY, rear radius	1
12	12338314	•BUSHING, tie rod	1
13	N/S	WASHER, 5/8, hard, type B.	2
14	N/S	COTTER PIN, 1/8" x 1 1/4, cad.	2
15	N/S	LOCKNUT, 3/4 - 10, Gr8	2

6-1-99

1997 HUMMER PARTS CATALOG

9-14 AXLES/SUSPENSION/FRAME



P09-006.2

Figure 9-7. Frame Rails, Body Mount Brackets, and Transmission Crossmember

1997 HUMMER PARTS CATALOG

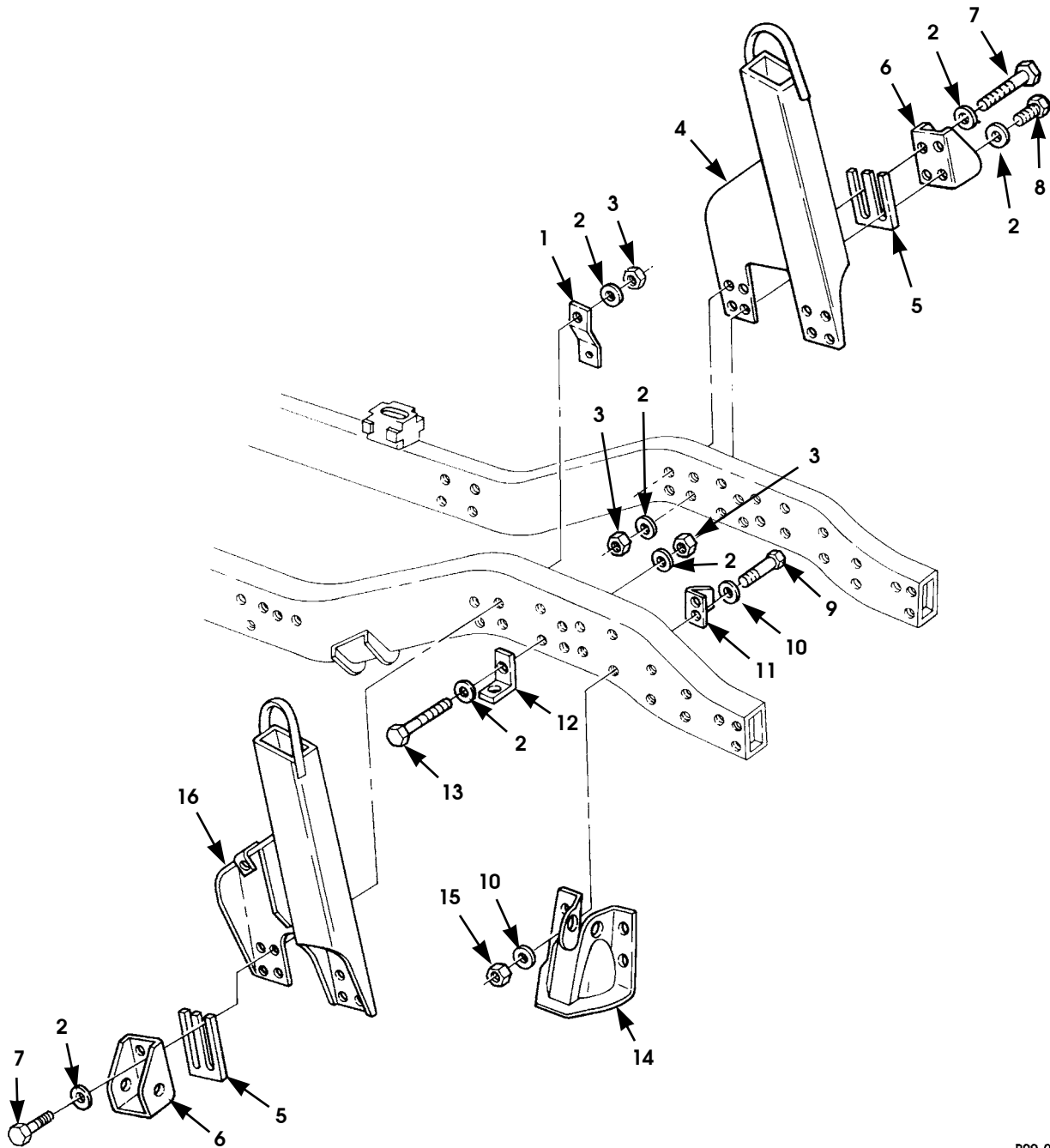
6-1-99

AXLES/SUSPENSION/FRAME 9-15

ITEM	PART NUMBER	DESCRIPTION	QTY
		Figure 9-7. Frame Rails, Body Mount Brackets, and Transmission Crossmember	
1	5745026B9	RAIL, frame, L.H.	1
1	RCSK17439	RAIL, frame, L.H., 12,100 GVW.	1
2	S.I.A.	LOCKNUT, 1/2"-13, Gr C	12
3	S.I.A.	WASHER, 1/2", hard, type B.	27
4	WA12342509B2	BRACKET, body mount, rear, L.H., C-mount.	1
4	6008610	BRACKET, body mount, rear, L.H., C-mount, 12,100 GVW	1
5	S.I.A.	BOLT, 1/2"-13 x 4.75", Gr 8, cad	3
6	S.I.A.	BOLT, 1/2"-13 x 4.25", Gr 8, cad	4
7	12447177	STUD, SPECIAL, L.H. side only.	1
8	S.I.A.	WASHER, flat, 9/16", type B, hard	4
9	12338185B2	BRACKET, transmission support.	2
10	12447053B2	CROSSMEMBER, transmission	1
11	S.I.A.	NUT, lock, 9/16"-12, hex, Gr 8.	2
12	S.I.A.	BOLT, 1/2"-13 x 4.5, Gr 8, cad	5
13	12338178B2	BRACKET, body mount, front, R.H.	1
13	5937399	BRACKET, body mount, front, R.H., 12,100 GVW	1
14	12338247B2	RAIL, frame, R.H.	1
14	RCSK17438	RAIL, frame, R.H., 12,100 GVW	1
15	WA12342510B2	BRACKET, body mount, rear, R.H.	1
15	5937961	BRACKET, body mount, rear, R.H., 12,100 GVW.	1
16	S.I.A.	BOLT, 1/2"-13 x 11/4, Gr 8, cad	3
17	12338221B2	BRACKET, muffler mounting	1
18	S.I.A.	BOLT, 9/16"-12 x 1.5", hex, Gr 8, zn	1
19	12338132	BRACKET, sway bar mounting	1

1997 HUMMER PARTS CATALOG

9-16 AXLES/SUSPENSION/FRAME



P09-007

Figure 9-8. Airlift Brackets, Front Upper Control Arm Brackets, Front Spring Seats, and Mounting Hardware

1997 HUMMER PARTS CATALOG

6-1-99

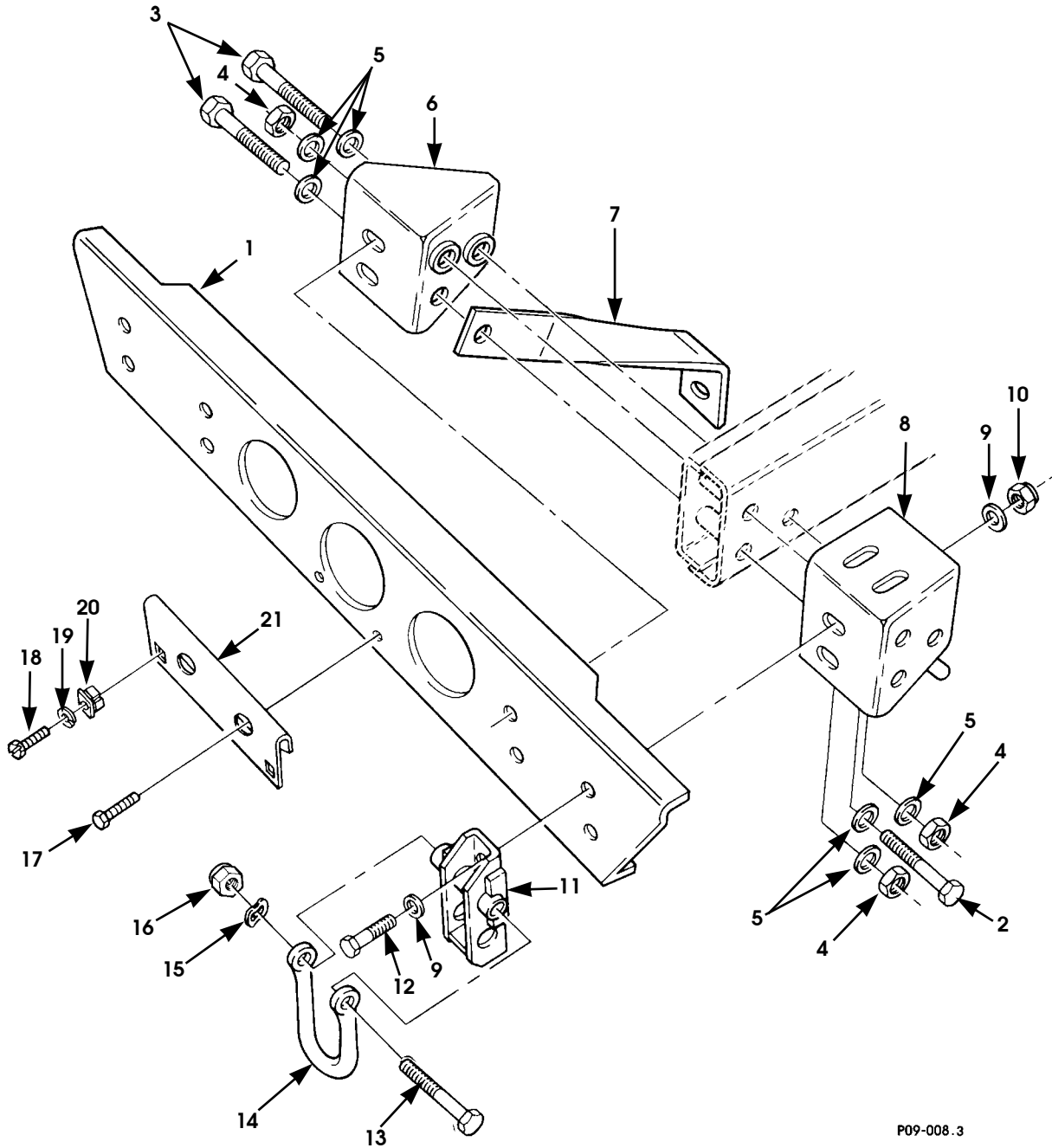
AXLES/SUSPENSION/FRAME 9-17

ITEM	PART NUMBER	DESCRIPTION	QTY
		Figure 9-8. Airlift Brackets, Front Upper Control Arm Brackets, Front Spring Seats, and Mounting Hardware	
1	12338159	BRACKET, cooling line support	1
2	N/S	WASHER, 1/2", hard, type B.	40
3	N/S	LOCKNUT, 1/2"-13, Gr C	19
4	WA1234236B9	BRACKET, airlift, L.H.	1
5	12338226-1	SHIM, control arm bracket, .060-inch	V
5	12338226-2	SHIM, control arm bracket, .120-inch	V
6	12338245	BRACKET, upper control arm, front	4
7	N/S	BOLT, 1/2 -13 x 4.0", Gr 8, cad SEE NOTE 1	15
7	N/S	BOLT, 1/2 -13 x 3 3/4", Gr 8, cad SEE NOTE 2	15
8	N/S	BOLT, 1/2 -13 x 1.75", Gr 8, cad	1
9	N/S	BOLT, 3/4" -10 x .250" Gr 8, cad	8
10	N/S	WASHER, flat, 3/4", type B	16
11	12338173	BRACKET, front spring seat	1
12	12338170	BRACKET, vent tube.	2
13	N/S	BOLT, 1/2"-13 x 3.75", hex, Gr 8, cad	4
14	12338191-1	SPRING SEAT, L.H., front	1
14	12338191-2	SPRING SEAT, R.H., front	1
15	N/S	LOCKNUT, 3/4"-10, Gr C	8
16	6003010B2	BRACKET, airlift, R.H.	1
		NOTE 1: USE WITH .240-INCH SHIM PACK AND THICKER	
		NOTE 2: USE WITH SHIM PACK UP TO .180-INCH THICK	

6-1-99

1997 HUMMER PARTS CATALOG

9-18 AXLES/SUSPENSION/FRAME



P09-008.3

Figure 9-9. Bumper (Front) and Lifting Shackle.

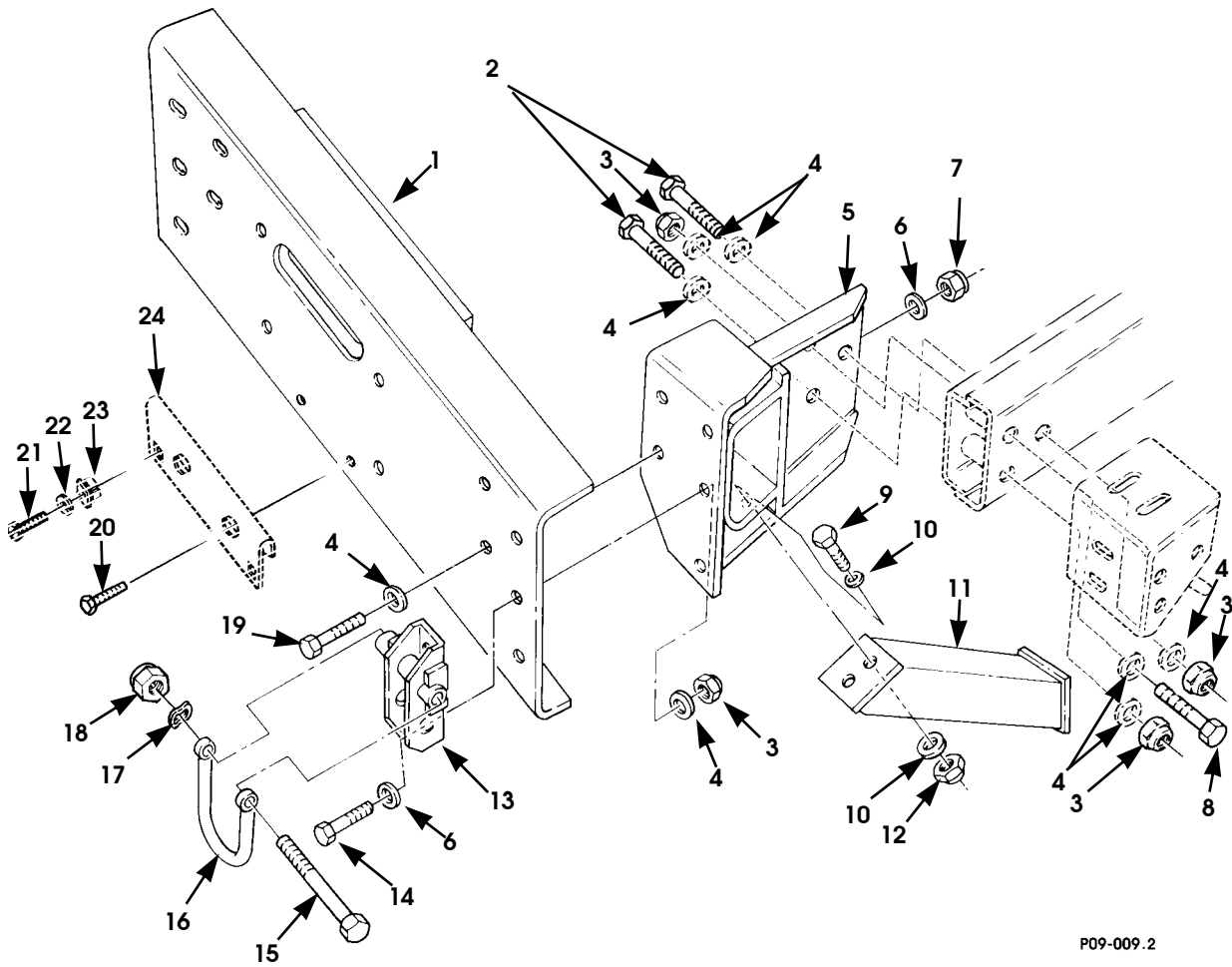
1997 HUMMER PARTS CATALOG

6-1-99

AXLES/SUSPENSION/FRAME 9-19

ITEM	PART NUMBER	DESCRIPTION	QTY
		Figure 9-9. Bumper (Front) and Lifting Shackle.	
1	5935800B9	BUMPER, front.	1
2	N/S	BOLT, 5/8 - 11 x 3 1/4, Gr8, CAD	2
3	N/S	BOLT, 5/8 - 11 x 3 1/2, Gr8, CAD	4
4	N/S	NUT, 5/8 - 11, Gr8, CAD	6
5	N/S	WASHER, flat, hard, 5/8, type B	12
6	6001552B1	BRACKET ASSEMBLY, inner, L.H., front bumper, SEE NOTE 1	1
6	6001553B1	BRACKET ASSEMBLY, inner, R.H., front bumper, SEE NOTE 1	1
7	12338165	BRACE, front suspension	2
8	WA12338199-1-	BRACKET, front bumper, L.H.	2
8	WA12338199-2	BRACKET, front bumper, R.H.	2
9	N/S	WASHER, flat, hard, 1/2, type B	8
10	N/S	LOCKNUT, 1/2 - 13, Gr8	4
11	12342404B2	BRACKET, towing	2
12	N/S	BOLT, 1/2 - 13 x 1 3/4, Gr8, CAD	4
13	12338225-1	BOLT, 5/8 - 18 x 5 1/2, drilled, Gr8.	2
14	12342354B2	SHACKLE, lifting	2
15	7716721	SPRING WASHER, plain, front lifting shackle	2
16	N/S	NUT, 5/8 - 18, Gr8, CAD	2
17	N/S	SCREW, 1/4 - 20 x 5/8, CAD	2
18	N/S	SCREW, 1/4 - 28 x 5/8, ZN, license plate mounting.	2
19	N/S	LOCKWASHER, 1/4, med, ZN	4
20	5939483	GROMMET, square head, license plate bracket	2
21	5939482B9	BRACKET, front license plate mounting.	1
		NOTE 1: FOR USE ONLY WITH BRUSHGUARD AND NO WINCH	

9-20 AXLES/SUSPENSION/FRAME



P09-009.2

Figure 9-10. Bumper (Front) and Lifting Shackle (Winch Kit)

1997 HUMMER PARTS CATALOG

6-1-99

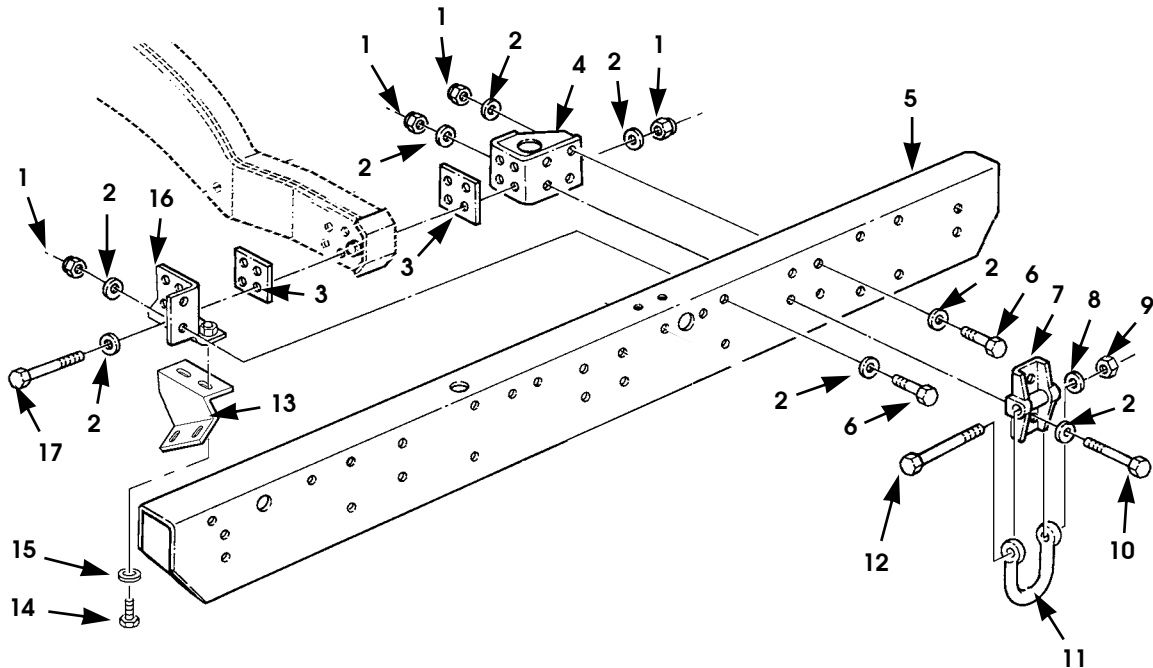
AXLES/SUSPENSION/FRAME 9-21

ITEM	PART NUMBER	DESCRIPTION	QTY
		Figure 9-10. Bumper (Front) and Lifting Shackle (Winch Kit)	
1	5935666B2	BUMPER, front, with winch, SEE NOTE 1	1
2	N/S	BOLT, 5/8 - 11 x 3 3/4, Gr8, CAD	4
3	N/S	LOCKNUT, 5/8 - 11, Gr8	6
4	N/S	WASHER, flat, hardened, 5/8, type B	12
5	12342388B2	FRAME EXTENSION, front bumper, R.H., SEE NOTE 1 . . .	1
5	12342387B2	FRAME EXTENSION, front bumper, L.H., SEE NOTE 1 . . .	1
6	S.I.K.	WASHER, flat, 1/2, hard, type B, SEE NOTE 1	18
7	S.I.K.	LOCKNUT, 1/2 - 13 , front bumper, SEE NOTE 1	8
8	N/S	BOLT, 5/8 - 11 x 3 1/2, Gr8, CAD	2
9	S.I.K.	BOLT, 5/8 - 16 x 1, brace assembly, SEE NOTE 1	4
10	S.I.K.	WASHER, flat, 3/8, brace assembly, SEE NOTE 1	8
11	12342389	BRACE ASSEMBLY, L.H., SEE NOTE 1	1
11	12342390	BRACE ASSEMBLY, R.H., SEE NOTE 1	1
12	S.I.K.	NUT, brace assembly, 3/8" -16, SEE NOTE 1	4
13	12342404B2	BRACKET, towing	2
14	N/S	BOLT, 1/2 - 13 x 1 3/4, Gr8, CAD	4
15	12338225-1	BOLT, front lifting shackle.	2
16	12342354B2	SHACKLE, lifting	2
17	7716721	SPRING WASHER, front lifting shackle.	2
18	N/S	NUT, 5/8" -18, Gr 8	2
19	N/S	BOLT, 1/2 - 13 x 1 1/2, frame extension, SEE NOTE 1 . . .	6
20	N/S	BOLT, 1/4 - 20 x 5/8, CAD	2
21	N/S	BOLT, 1/4 - 28 x 5/8, ZN.	2
22	N/S	LOCKWASHER, med, 1/4, ZN	2
23	5939483	GROMMET, square head, license plate bracket	2
24	5939482B2	BRACKET, front license plate mounting	1
		 NOTE 1: PART OF WINCH KIT P/N 5744376	

6-1-99

1997 HUMMER PARTS CATALOG

9-22 AXLES/SUSPENSION/FRAME



P09-010.2

Figure 9-11. Bumper (Rear) and Lifting Shackle

1997 HUMMER PARTS CATALOG

6-1-99

AXLES/SUSPENSION/FRAME 9-23

ITEM	PART NUMBER	DESCRIPTION	QTY
		Figure 9-11. Bumper (Rear) and Lifting Shackle	
1	N/S	LOCKNUT, 1/2 - 13, Gr8, rear bumper.	20
2	N/S	WASHER, flat, hard, 1/2, type B, rear bumper	42
3	12338164	SPACER, rear bumper bracket	4
4	12446989B9	SUPPORT, rear bumper, L.H.	1
4	12446990B9	SUPPORT, rear bumper, R.H.	1
5	6009595B9	BUMPER, rear	1
6	N/S	BOLT, 1/2 - 13 x 3 1/2, Gr8, CAD, rear bumper.	8
7	12342373B2	BRACKET, tiedown	2
8	7716721	WASHER, spring,	2
9	N/S	LOCKNUT, nylon insert, 5/8 - 18, rear lifting shackle . . .	2
10	5743671	BOLT, 1/2 - 13 x 3 3/4, rear bumper.	4
11	12342354B2	SHACKLE, lifting	2
12	12338225-1	BOLT, 5/8 - 18 x 5 1/2, rear lifting shackle	2
13	6006797B9	BRACKET, skid plate mounting, L.H.	1
13	6006798B9	BRACKET, skid plate mounting, R.H.	1
14	N/S	BOLT, 3/8 - 16 x 1, Gr8, CAD.	4
15	N/S	WASHER, flat, 3/8, type B	4
16	6006741B9	BRACKET, rear bumper, L.H.	1
16	6006749B9	BRACKET, rear bumper, R.H.	1
17	N/S	BOLT, 1/2 - 13 x 4 1/4, Gr8, CAD	8

1997 HUMMER PARTS CATALOG

9-24 AXLES/SUSPENSION/FRAME

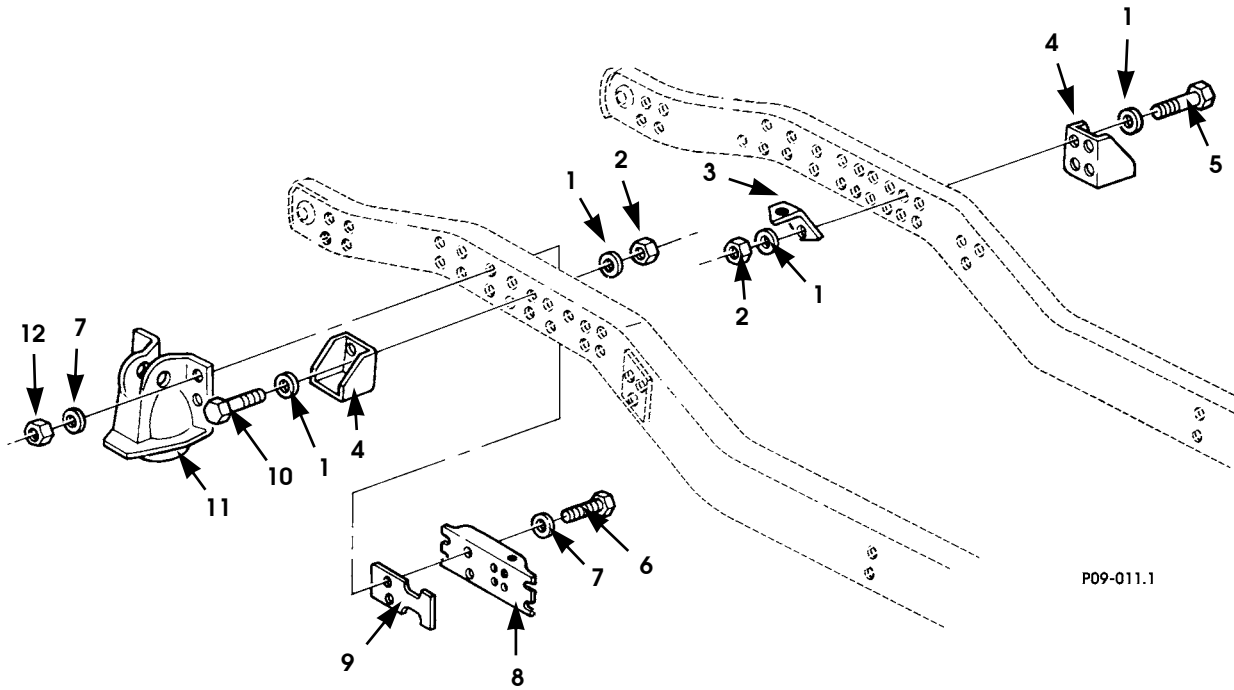


Figure 9-12. Rear Crossmember, Upper Control Arm Brackets, Spring Seats, Related Parts, and Mounting Hardware.

1997 HUMMER PARTS CATALOG

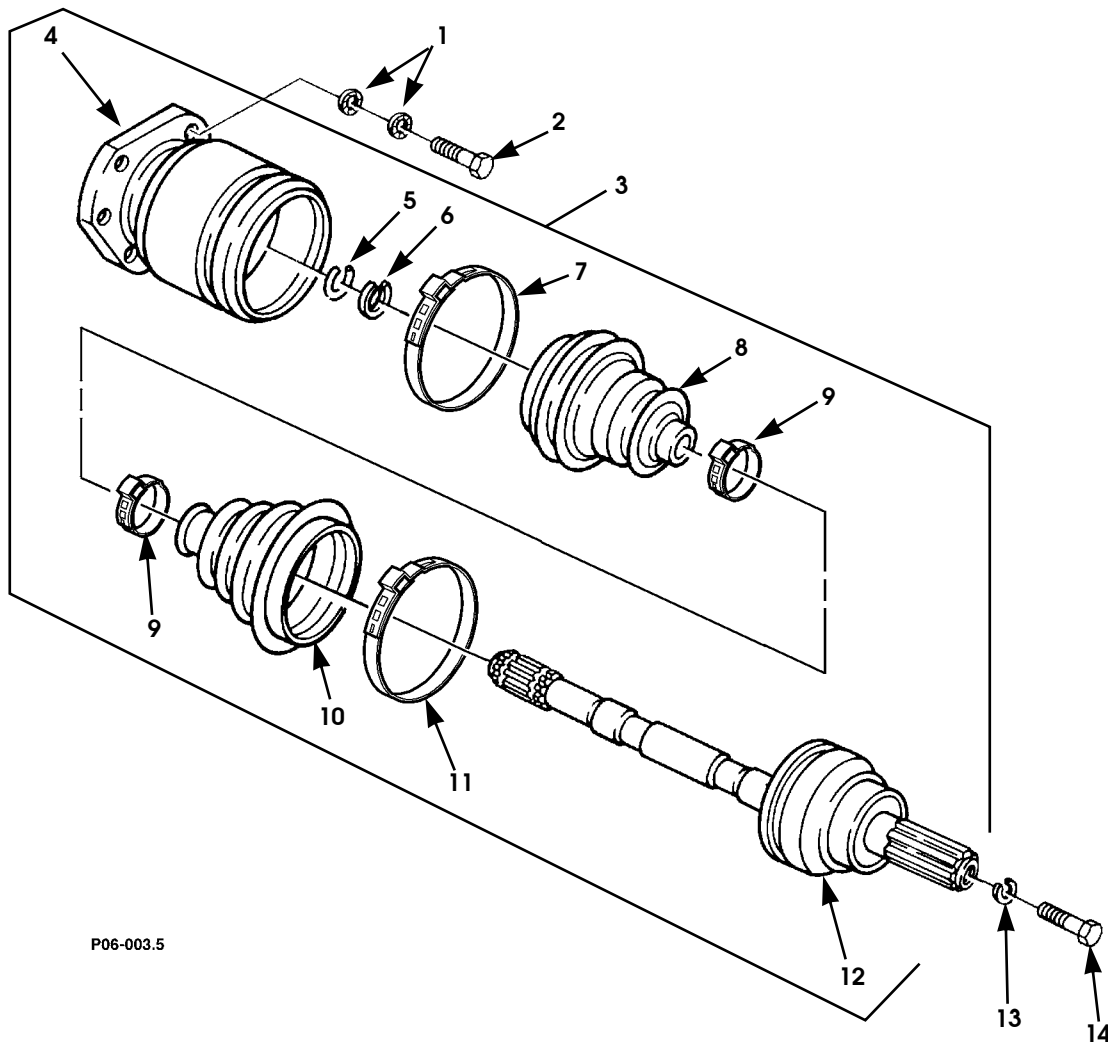
AXLES/SUSPENSION/FRAME 9-25

ITEM	PART NUMBER	DESCRIPTION	QTY
		Figure 9-12. Rear Crossmember, Upper Control Arm Brackets, Spring Seats, Related Parts, and Mounting Hardware.	
1	N/S	WASHER, flat, 1/2", hard, type B	32
2	N/S	LOCKNUT, 1/2"-13, Gr C	16
3	12338172	BRACKET, vent tube	1
4	12338240	BRACKET, upper control arm	4
5	N/S	BOLT, 1/2"-13 x 4.25", hex, Gr 8, cad SEE NOTE 1	8
5	N/S	BOLT, 1/2"-13 x 4.0", hex, Gr 8, cad SEE NOTE 2	8
6	N/S	BOLT, 3/4"-10 x 4.75", hex, Gr 8, cad	8
7	N/S	WASHER, flat, 3/4", type B	16
8	12338152	REINFORCEMENT, frame	2
9	12338174B1	PLATE, frame reinforcement	2
10	N/S	BOLT, 1/2"-13 x 4.5", hex, Gr 8, cad SEE NOTE 1	8
10	N/S	BOLT, 1/2"-13 x 4.25", hex, Gr 8, cad SEE NOTE 2	8
11	12338738	SEAT, rear spring	2
12	N/S	LOCKNUT, 3/4"-10, Gr C	8
		NOTE 1: USE WITH 0.240-INCH SHIM PACK AND THICKER	
		NOTE 2: USE WITH SHIM PACK UP TO 0.180-INCH THICK	

6-1-99

1997 HUMMER PARTS CATALOG

9-26 AXLES/SUSPENSION/FRAME



P06-003.5

Figure 9-13. Halfshaft Assembly, Left and Right Side.

1997 HUMMER PARTS CATALOG

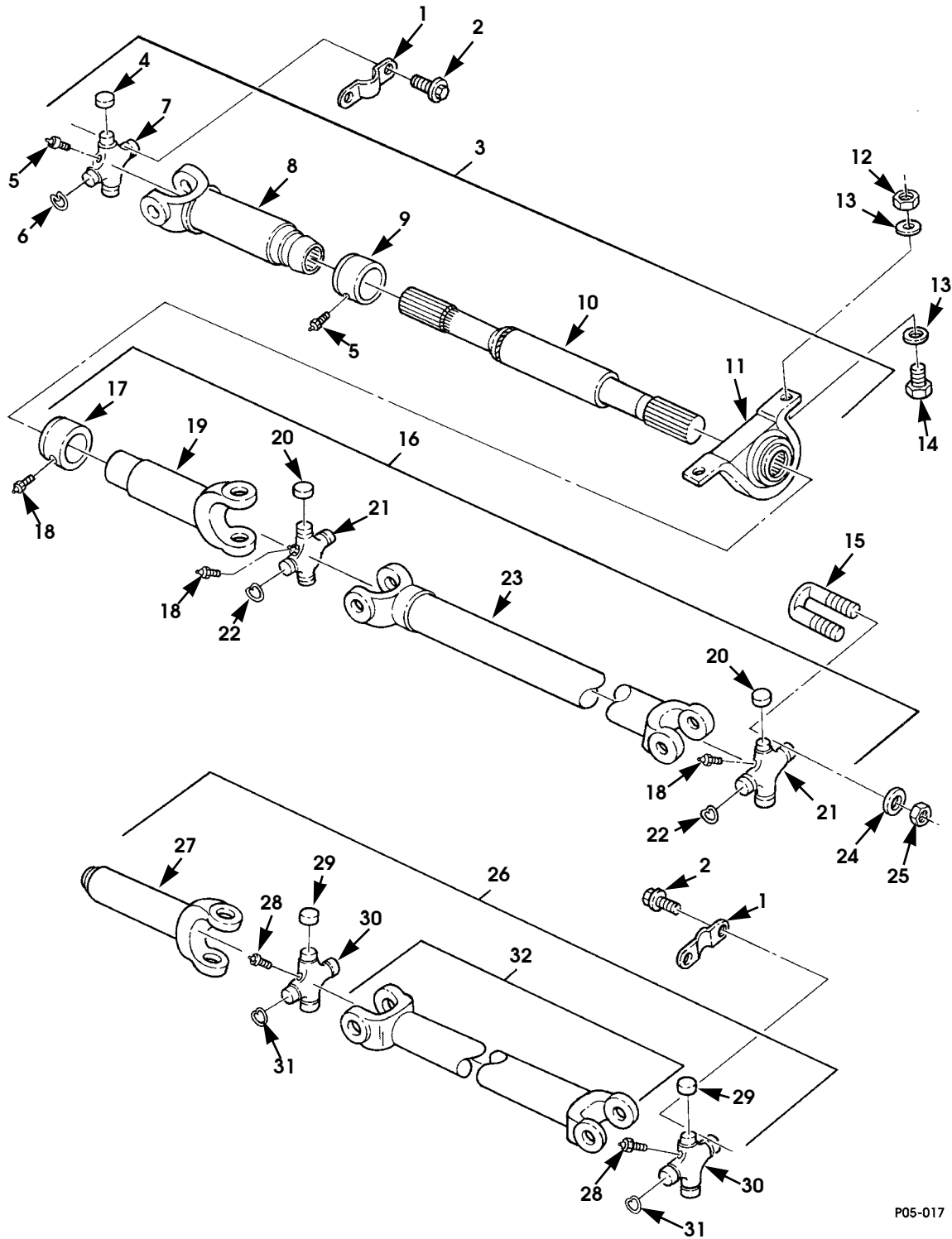
6-1-99

AXLES/SUSPENSION/FRAME 9-27

ITEM	PART NUMBER	DESCRIPTION	QTY
		Figure 9-13. Halfshaft Assembly, Left and Right Side.	
1	6008029	LOCKWASHER, M10, camlock, SEE NOTE 1	12
2	6008021	BOLT, M10 -1.5 x 35, class 10.9, Phos, SEE NOTE 1	6
3	12342974-1	HALFSHAFT ASSEMBLY, rear, L.H. and R.H.	2
3	RCSK17028-1	HALFSHAFT ASSEMBLY, rear, L.H. and R.H. 12, 100-lb GVW	2
3	12342974-2	HALFSHAFT ASSEMBLY, front, R.H.,	1
3	RCSK17028-2	HALFSHAFT ASSEMBLY, front, R.H., 12, 100-lb GVW	1
3	12342974-3	HALFSHAFT ASSEMBLY, front, L.H.,	1
3	RCSK17028-3	HALFSHAFT ASSEMBLY, front, L.H., 12, 100-lb GVW	1
4	S.I.A.	•HOUSING, halfshaft, at axle	1
5	S.I.A.	•RETAINING RING, shaft	2
6	S.I.A.	•SPACER RING, halfshaft	2
7	5744413	•CLAMP, plunge boot, SEE NOTES 2 AND 3.	1
7	5744623	•CLAMP, plunge boot, SEE NOTE 4.	1
8	S.I.K.	•BOOT, plunge joint assembly, inner, SEE NOTE 3	1
8	S.I.K.	•BOOT, plunge joint assembly, inner, 12, 100-lb GVW, SEE NOTE 4	1
9	5744414	•CLAMP, boot, inner, plunge and fixed joint assemblies, SEE NOTES 2 AND 3.	2
9	5744621	•CLAMP, boot, inner, plunge and fixed joint assemblies, 12, 100-lb GVW, SEE NOTE 4.	2
10	S.I.K.	•BOOT, fixed joint assembly, SEE NOTE 2	1
10	S.I.K.	•BOOT, fixed joint assembly, 12, 100-lb GVW, SEE NOTE 4	1
11	5744415	•CLAMP, boot, race, fixed joint assembly, SEE NOTE 2	1
11	5744622	•CLAMP, boot, race, fixed joint assembly, 12, 100-lb GVW, SEE NOTE 4	1
12	S.I.A.	•SHAFT, halfshaft, front, L.H.	1
12	S.I.A.	•SHAFT, halfshaft, front, R.H.	1
12	S.I.A.	•SHAFT, halfshaft, rear, L.H. and R.H.	1
13	N/S	LOCKWASHER, med, 3/8, Phos	1
14	N/S	SCREW, 3/8 -16 x 1 1/4, cap, Gr8, CAD	1
<p>NOTE 1: QUANTITIES SHOWN ARE PER HALFSHAFT</p> <p>NOTE 2: PART OF FIXED JOINT BOOT PARTS KIT P/N 5742776</p> <p>NOTE 3: PART OF PLUNGE JOINT BOOT PARTS KIT P/N 5742775</p> <p>NOTE 4: PART OF BOOT PARTS KIT P/N 5714538. BOOT KIT CONTAINS 2 IDENTICAL BOOTS AND 4 CLAMPS</p>			

1997 HUMMER PARTS CATALOG

9-28 AXLES/SUSPENSION/FRAME



P05-017

Figure 9-14. Propeller Shafts.

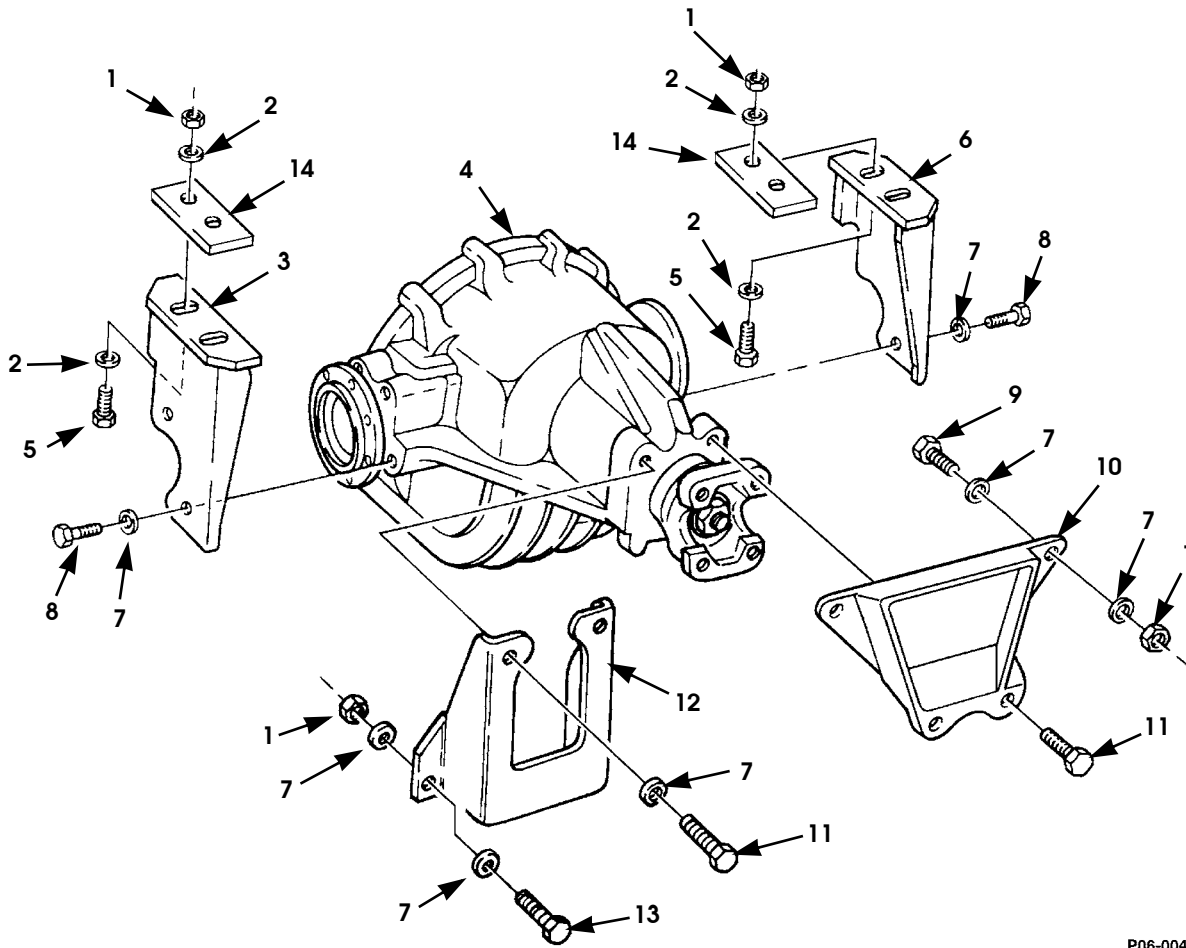
1997 HUMMER PARTS CATALOG

6-1-99

AXLES/SUSPENSION/FRAME 9-29

ITEM	PART NUMBER	DESCRIPTION	QTY
		Figure 9-14. Propeller Shafts.	
1	12339301	STRAP, cross assembly, bearing	4
1	12339301	STRAP, cross assembly, bearing, 12,100-lb GVW	2
1	5937636	STRAP, cross assembly, bearing, 12,100-lb GVW	2
2	12339049	SCREW, cross assembly, 1/4 - 28 x 5/8	8
2	12339049	SCREW, cross assembly, 1/4 - 28 x 5/8	4
2	5937637	SCREW, cross assembly, 5/16 - 24 x 3/4, 12,100-lb GVW	4
3	6000262	PROPSHAFT, collapsing, front	1
3	6008596	PROPSHAFT, collapsing, front, 12,100-lb GVW	1
4	S.I.A.	•BEARING RACE, SEE NOTE 1	4
5	MS15001-1	•FITTING, lubrication	2
6	S.I.A.	•RING, SEE NOTE 1	2
7	S.I.A.	•CROSS ASSEMBLY, SEE NOTE 1	1
8	S.I.A.	•YOKE, universal	1
9	5740723	•DUST CAP	1
10	S.I.A.	•PROPELLER SHAFT, front	1
11	5741082	•BEARING, center	1
12	N/S	NUT, 7/16 - 14, Gr8, CAD	2
13	N/S	WASHER, flat, 7/16, type B, hard	4
14	N/S	SCREW, 7/16 - 14 x 1, Gr8, CAD	2
15	12339050	U-BOLT, 5/16 - 24.	2
16	6002607	DRIVE SHAFT, front	1
17	5740723	•DUST CAP	1
18	MS15001-1	•FITTING, lubrication	3
19	5937482	•YOKE, universal	1
20	S.I.A.	•BEARING RACE, SEE NOTE 1	8
21	S.I.A.	•CROSS ASSEMBLY, SEE NOTE 1	2
22	S.I.A.	•RING, SEE NOTE 1	6
23	S.I.A.	•PROPELLER SHAFT, front middle	1
24	N/S	LOCKWASHER, med, 5/16, CAD	4
25	N/S	NUT, 5/16 - 24, Gr8	4
26	6003666	PROPSHAFT, rear	1
26	RCSK17057	PROPSHAFT, rear, 12,100-lb GVW	1
27	5743957	•SLIP YOKE, universal joint	1
28	MS15001-1	•FITTING, lubrication	2
29	S.I.A.	•BEARING RACE, SEE NOTE 2	8
30	S.I.A.	•CROSS ASSEMBLY, SEE NOTE 2	2
31	S.I.A.	•RING, SEE NOTE 2	6
32	S.I.A.	•PROPELLER SHAFT, rear	1
		NOTE 1: USE JOURNAL AND BEARING KIT P/N 5595706.	
		NOTE 2: USE JOURNAL AND BEARING KIT P/N 5714519	

9-30 AXLES/SUSPENSION/FRAME



P06-004

Figure 9-15. Axle Differential, Mounting Brackets, and Hardware.

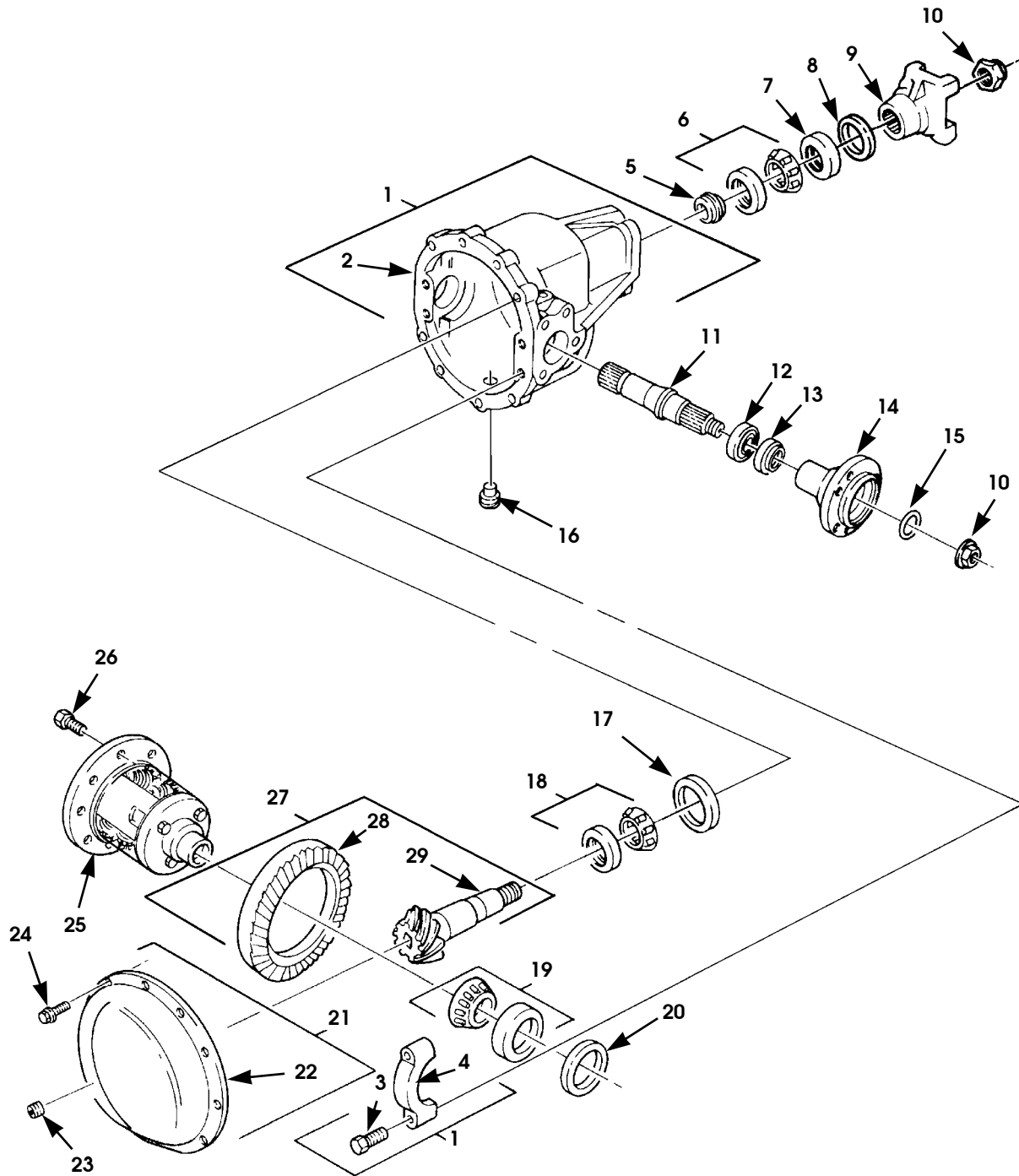
1997 HUMMER PARTS CATALOG

6-1-99

AXLES/SUSPENSION/FRAME 9-31

ITEM	PART NUMBER	DESCRIPTION	QTY
		Figure 9-15. Axle Differential, Mounting Brackets, and Hardware.	
1	N/S	LOCKNUT, 1/2"-13, Gr C	2
2	N/S	WASHER, 1/2", hard, type B.	4
3	12338150-1	BRACKET, front differential, L.H.	1
3	12338151-2	BRACKET, rear differential, R.H.	1
4	6002483	AXLE ASSEMBLY, differential, front or rear, 2.73:1 Ratio .	1
4	5936994	AXLE ASSEMBLY, rear, 12,100 GVW, 2.73:1 Ratio	1
4	6008028	AXLE ASSEMBLY, differential, rear, No SPIN/Detroit Locker, 2.73:1 Ratio.	1
4	6009055	AXLE ASSEMBLY, differential, rear, No SPIN/Detroit Locker, 2.73:1 Ratio, 12,100 GVW (FOR FLEET USE ONLY).	1
5	N/S	SCREW, 1/2"-13 x 1.25", Gr 8, cad.	2
5	N/S	SCREW, 1/2"-13 x 1.5", Gr 8, cad, 12,100 GVW	4
6	12338150-2	BRACKET, front differential, R.H.	1
6	12338151-1	BRACKET, rear differential, L.H.	1
7	N/S	WASHER, flat, 5/8", hard, type B	8
8	N/S	SCREW, lock, 5/8"-11 x 1.25", Gr 8, phos.	2
9	N/S	SCREW, 1/2"-13 x 3.25", Gr 8, cad	2
10	12341900	BRACKET, rear axle.	1
11	N/S	BOLT, 5/8"-11 x 1.50	2
12	12342801	BRACKET, front axle pinion	1
12	6002219	BRACKET, front axle pinion, 12,100 GVW	1
13	N/S	SCREW, 1/2"-13 x 1", Gr 8, cad	2
14	RCSK17122	PLATE, axle mounting front, 12,100 GVW	2
14	RCSK17123	PLATE, axle mounting Rear, 12,100 GVW.	2

9-32 AXLES/SUSPENSION/FRAME



P06-009

Figure 9-16. Axle Differential.

1997 HUMMER PARTS CATALOG

6-1-99

AXLES/SUSPENSION/FRAME 9-33

ITEM	PART NUMBER	DESCRIPTION	QTY
		Figure 9-16. Axle Differential.	
1	5579424	HOUSING ASSEMBLY, mechanical, axle differential . . .	1
2	S.I.A.	•HOUSING, axle differential	1
3	5595662	•BOLT, 1/2 -13 x 2.35", bearing cap	4
4	S.I.A.	•CAP, bearing	2
5	5579450	SPACER, axle pinion	1
6	5583610	BEARING, axle pinion	1
7	5579448	SEAL, axle pinion	1
8	5598183	SLINGER, axle	2
9	5597328	YOKE, differential pinion	2
9	5937525	YOKE, differential pinion, rear, 12,100-lb GVW	1
10	5579442	LOCKNUT, axle shaft	3
11	5579991	SHAFT, axle output	2
12	5579988	BEARING, output shaft	2
13	6009472	SEAL, output shaft	2
14	5593817	FLANGE, output shaft	2
15	5939517	SEAL, star washer, output shaft	2
16	5593148	MAGNETIC PLUG, differential housing drain	1
17	5579445-79	SPACER, axle pinion bearing, 0.0835-0.0845-inch, SEE NOTE 1	1
17	5579445-78	SPACER, axle pinion bearing, 0.0846-0.0856-inch, SEE NOTE 1	1
17	5579445-77	SPACER, axle pinion bearing, 0.0857-0.0867-inch, SEE NOTE 1	1
17	5579445-76	SPACER, axle pinion bearing, 0.0868-0.0878-inch, SEE NOTE 1	1
17	5579445-75	SPACER, axle pinion bearing, 0.0879-0.0889-inch, SEE NOTE 1	1
17	5579445-74	SPACER, axle pinion bearing, 0.0890-0.0900-inch, SEE NOTE 1	1
17	5579445-73	SPACER, axle pinion bearing, 0.0901-0.0911-inch, SEE NOTE 1	1
17	5579445-72	SPACER, axle pinion bearing, 0.0912-0.0922-inch, SEE NOTE 1	1
17	5579445-71	SPACER, axle pinion bearing, 0.0923-0.0933-inch, SEE NOTE 1	1
17	5579445-70	SPACER, axle pinion bearing, 0.0934-0.0944-inch, SEE NOTE 1	1
17	5579445-69	SPACER, axle pinion bearing, 0.0945-0.0955-inch, SEE NOTE 1	1
17	5579445-68	SPACER, axle pinion bearing, 0.0956-0.0966-inch, SEE NOTE 1	1

6-1-99

1997 HUMMER PARTS CATALOG

9-34 AXLES/SUSPENSION/FRAME

ITEM	PART NUMBER	DESCRIPTION	QTY
		Figure 9-16. Axle Differential. (Cont'd)	
17	5579445-67	SPACER, axle pinion bearing, 0.0967-0.0977-inch, SEE NOTE 1	1
17	5579445-66	SPACER, axle pinion bearing, 0.0978-0.0988-inch, SEE NOTE 1	1
17	5579445-65	SPACER, axle pinion bearing, 0.0989-0.0999-inch, SEE NOTE 1	1
17	5579445-64	SPACER, axle pinion bearing, 0.1000-0.1010-inch, SEE NOTE 1	1
17	5579445-63	SPACER, axle pinion bearing, 0.1011-0.1021-inch, SEE NOTE 1	1
17	5579445-62	SPACER, axle pinion bearing, 0.1022-0.1032-inch, SEE NOTE 1	1
17	5579445-61	SPACER, axle pinion bearing, 0.1033-0.1043-inch, SEE NOTE 1	1
17	5579445-60	SPACER, axle pinion bearing, 0.1044-0.1054-inch, SEE NOTE 1	1
17	5579445-59	SPACER, axle pinion bearing, 0.1055-0.1065-inch, SEE NOTE 1	1
17	5579445-58	SPACER, axle pinion bearing, 0.1066-0.1076-inch, SEE NOTE 1	1
17	5579445-57	SPACER, axle pinion bearing, 0.1077-0.1087-inch, SEE NOTE 1	1
17	5579445-56	SPACER, axle pinion bearing, 0.1088-0.1098-inch, SEE NOTE 1	1
17	5579445-55	SPACER, axle pinion bearing, 0.1099-0.1109-inch, SEE NOTE 1	1
17	5579445-54	SPACER, axle pinion bearing, 0.1110-0.1120-inch, SEE NOTE 1	1
18	5583609	BEARING, axle pinion	1
19	5583611	ROLLER BEARING, output shaft	2
20	5579453-44	SPACER, differential bearing, 0.0745-0.0755-inch, SEE NOTE 2	1
20	5579453-45	SPACER, differential bearing, 0.0756-0.0766-inch, SEE NOTE 2	1
20	5579453-46	SPACER, differential bearing, 0.0767-0.0777-inch, SEE NOTE 2	1
20	5579453-47	SPACER, differential bearing, 0.0778-0.0788-inch, SEE NOTE 2	1
20	5579453-48	SPACER, differential bearing, 0.0789-0.0799-inch, SEE NOTE 2	1

1997 HUMMER PARTS CATALOG

6-1-99

AXLES/SUSPENSION/FRAME 9-35

ITEM	PART NUMBER	DESCRIPTION	QTY
		Figure 9-16. Axle Differential. (Cont'd)	
20	5579453-49	SPACER, differential bearing, 0.0800-0.0810-inch, SEE NOTE 2	1
20	5579453-50	SPACER, differential bearing, 0.0811-0.0821-inch, SEE NOTE 2	1
20	5579453-51	SPACER, differential bearing, 0.0822-0.0832-inch, SEE NOTE 2	1
20	5579453-52	SPACER, differential bearing, 0.0833-0.0843-inch, SEE NOTE 2	1
20	5579453-53	SPACER, differential bearing, 0.0844-0.0854-inch, SEE NOTE 2	1
20	5579453-54	SPACER, differential bearing, 0.0855-0.0865-inch, SEE NOTE 2	1
20	5579453-55	SPACER, differential bearing, 0.0866-0.0876-inch, SEE NOTE 2	1
20	5579453-56	SPACER, differential bearing, 0.0877-0.0887-inch, SEE NOTE 2	1
20	5579453-57	SPACER, differential bearing, 0.0888-0.0898-inch, SEE NOTE 2	1
20	5579453-58	SPACER, differential bearing, 0.0899-0.0909-inch, SEE NOTE 2	1
20	5579453-59	SPACER, differential bearing, 0.0910-0.0920-inch, SEE NOTE 2	1
20	5579453-60	SPACER, differential bearing, 0.0921-0.0931-inch, SEE NOTE 2	1
20	5579453-61	SPACER, differential bearing, 0.0932-0.0942-inch, SEE NOTE 2	1
20	5579453-62	SPACER, differential bearing, 0.0943-0.0953-inch, SEE NOTE 2	1
20	5579453-63	SPACER, differential bearing, 0.0954-0.0964-inch, SEE NOTE 2	1
20	5579453-64	SPACER, differential bearing, 0.0965-0.0975-inch, SEE NOTE 2	1
20	5579453-65	SPACER, differential bearing, 0.0976-0.0986-inch, SEE NOTE 2	1
20	5579453-66	SPACER, differential bearing, 0.0987-0.0997-inch, SEE NOTE 2	1
20	5579453-67	SPACER, differential bearing, 0.0998-0.1008-inch, SEE NOTE 2	1
20	5579453-68	SPACER, differential bearing, 0.1009-0.1020-inch, SEE NOTE 2	1
20	5579453-69	SPACER, differential bearing, 0.1020-0.1030-inch, SEE NOTE 2	1
20	5579453-70	SPACER, differential bearing, 0.1031-0.1041-inch, SEE NOTE 2	1

6-1-99

1997 HUMMER PARTS CATALOG

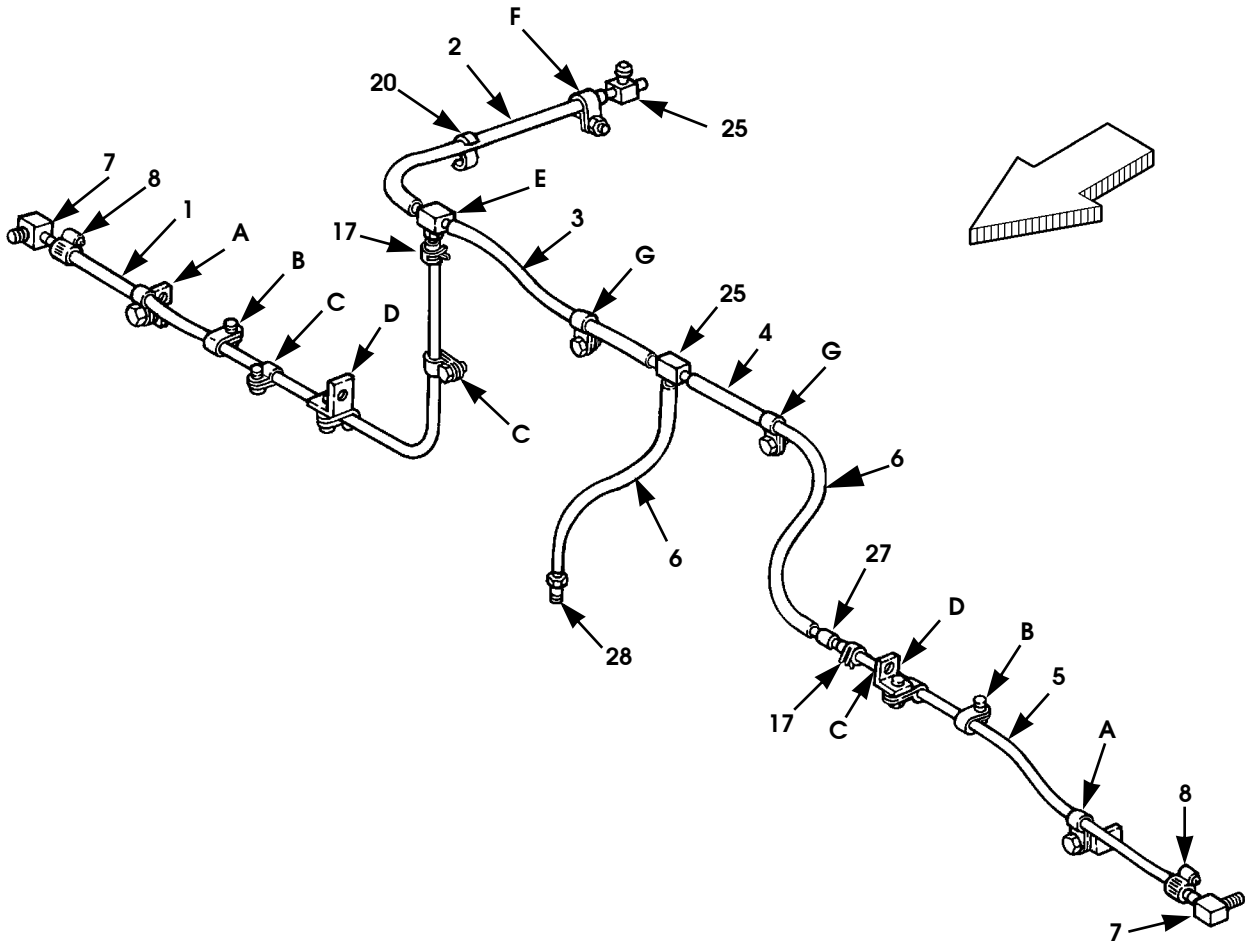
9-36 AXLES/SUSPENSION/FRAME

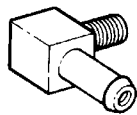

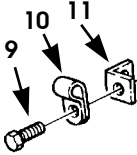
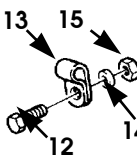
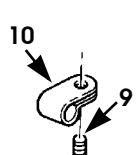
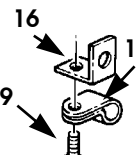

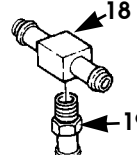

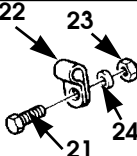
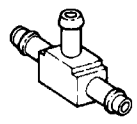
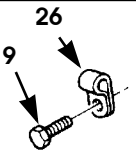
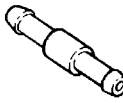

ITEM	PART NUMBER	DESCRIPTION	QTY
		Figure 9-16. Axle Differential. (Cont'd)	
20	5579453-71	SPACER, differential bearing, 0.1042-0.1052-inch, SEE NOTE 2	1
20	5579453-72	SPACER, differential bearing, 0.1053-0.1063-inch, SEE NOTE 2	1
20	5579453-73	SPACER, differential bearing, 0.1064-0.1074-inch, SEE NOTE 2	1
20	5579453-74	SPACER, differential bearing, 0.1075-0.1085-inch, SEE NOTE 2	1
20	5579453-75	SPACER, differential bearing, 0.1086-0.1096-inch, SEE NOTE 2	1
20	5579453-76	SPACER, differential bearing, 0.1097-0.1107-inch, SEE NOTE 2	1
20	5579453-77	SPACER, differential bearing, 0.1108-0.1118-inch, SEE NOTE 2	1
20	5579453-78	SPACER, differential bearing, 0.1119-0.1129-inch, SEE NOTE 2	1
20	5579453-79	SPACER, differential bearing, 0.1130-0.1140-inch, SEE NOTE 2	1
20	5579453-80	SPACER, differential bearing, 0.1141-0.1151-inch, SEE NOTE 2	1
20	5579453-81	SPACER, differential bearing, 0.1152-0.1162-inch, SEE NOTE 2	1
20	5579453-82	SPACER, differential bearing, 0.1163-0.1173-inch, SEE NOTE 2	1
20	5579453-83	SPACER, differential bearing, 0.1174-0.1184-inch, SEE NOTE 2	1
21	5582303	COVER ASSEMBLY, differential axle.	1
22	S.I.A.	•COVER, differential axle	1
23	5597050	•PLUG, 1/2 - 14, differential cover	1
24	5579438	•SCREW, differential cover	12
25	5936107	DIFFERENTIAL, axle, standard, front and rear.	1
26	5579439	SCREW, differential.	8
27	5935390	GEAR SET, ring and pinion, 2.73:1 ratio.	1
28	S.I.A.	•RING, gear and pinion	1
29	S.I.A.	•PINION	1
		NOTE 1: PART OF AXLE PINION BEARING SHIM KIT P/N 5579445. KIT CONTAINS SPACERS P/N 5579445-54 THROUGH P/N 5579445-79	
		NOTE 2: PART OF DIFFERENTIAL BEARING SHIM KIT P/N 5579453. KIT CONTAINS SPACERS P/N 5579453-44 THROUGH P/N 5579453-83	

6-1-99

1997 HUMMER PARTS CATALOG

9-38 AXLES/SUSPENSION/FRAME



 VIEW 7	 VIEW 8	 VIEW A	 VIEW B	 VIEW C	 VIEW D	 VIEW 17
 VIEW E	 VIEW 20	 VIEW F	 VIEW 25	 VIEW G	 VIEW 27	 VIEW 28

P06-005

Figure 9-17. Axle Differential (Front) and Geared Hub Vent Lines.

1997 HUMMER PARTS CATALOG

6-1-99

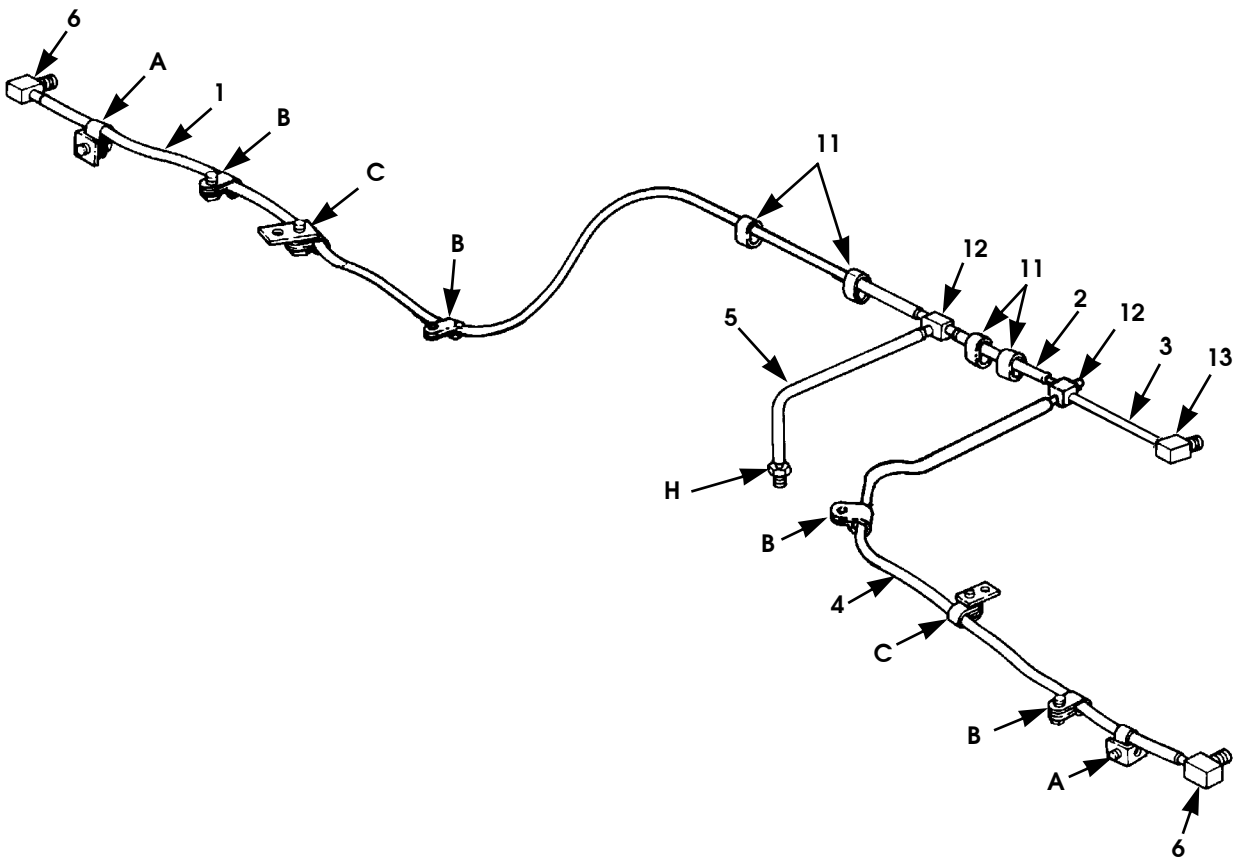
AXLES/SUSPENSION/FRAME 9-39


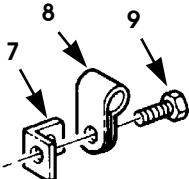
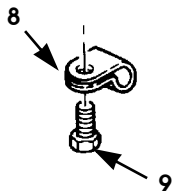
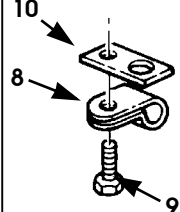

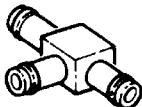


ITEM	PART NUMBER	DESCRIPTION	QTY
		Figure 9-17. Axle Differential (Front) and Geared Hub Vent Lines.	
1	NPN	HOSE, 32-inch, geared hub vent line, R.H., SEE NOTE 1	1
2	NPN	TUBE, 20-inch, differential and geared hub vent line, SEE NOTE 2	1
3	NPN	TUBE, 14-inch, differential and geared hub vent line, SEE NOTE 2	1
4	NPN	TUBE, 12-inch, differential and geared hub vent line, SEE NOTE 2	1
5	NPN	HOSE, 25-inch, geared hub vent line, L.H., SEE NOTE 1	1
6	NPN	TUBE, 8-inch, differential vent line, SEE NOTE 2	2
7	12339983	ELBOW, male, geared hub vent line, 90 degree	2
8	12339884	CLAMP, screw type	2
9	N/S	SCREW, 3/8"-16 x 5/8", hex, tap, zn	8
10	N/S	CLAMP, cushioned, 5/8"	6
11	5598208	BRACKET, vent line	2
12	N/S	SCREW, 1/4"-20 x 3/4", hex, Gr 5, cad	2
13	12340571-2	CLAMP, vent line	2
14	N/S	WASHER, flat, 1/4", cad	2
15	N/S	LOCKNUT, 1/4"-20, hex, Gr 8	2
16	12338170	BRACKET, vent line	2
17	WWC440-1/2	CLAMP, vent line, 1/2-inch, pinch type	2
18	12339969	TEE, vent line.	1
19	12340331	ADAPTER, vent line.	1
20	12339890	S-CLIP, vent line.	1
21	N/S	BOLT, 5/16"-18 x 1", hex, Gr 5, cad	1
22	N/S	CLAMP, cushioned, 1/4"	1
23	N/S	WASHER, flat, 5/16", cad	1
24	N/S	LOCKNUT, 5/16"-18, Gr 8	1
25	12339973-1	TEE, vent line.	2
26	N/S	CLAMP, cushioned, 1/4"	2
27	12339972	UNION, vent line.	1
28	12339978	CONNECTOR, differential vent line	1
		NOTE 1: MAKE FROM BULK HOSE P/N 5741210	
		NOTE 2: MAKE FROM BULK NYLON TUBE P/N 5741079	

6-1-99

1997 HUMMER PARTS CATALOG

9-40 AXLES/SUSPENSION/FRAME



 VIEW 6	 VIEW A	 VIEW B	 VIEW C
 VIEW 11	 VIEW 12	 VIEW 13	 VIEW 14

P06-008

Figure 9-18. Axle Differential (Rear) and Geared Hub Vent Lines.

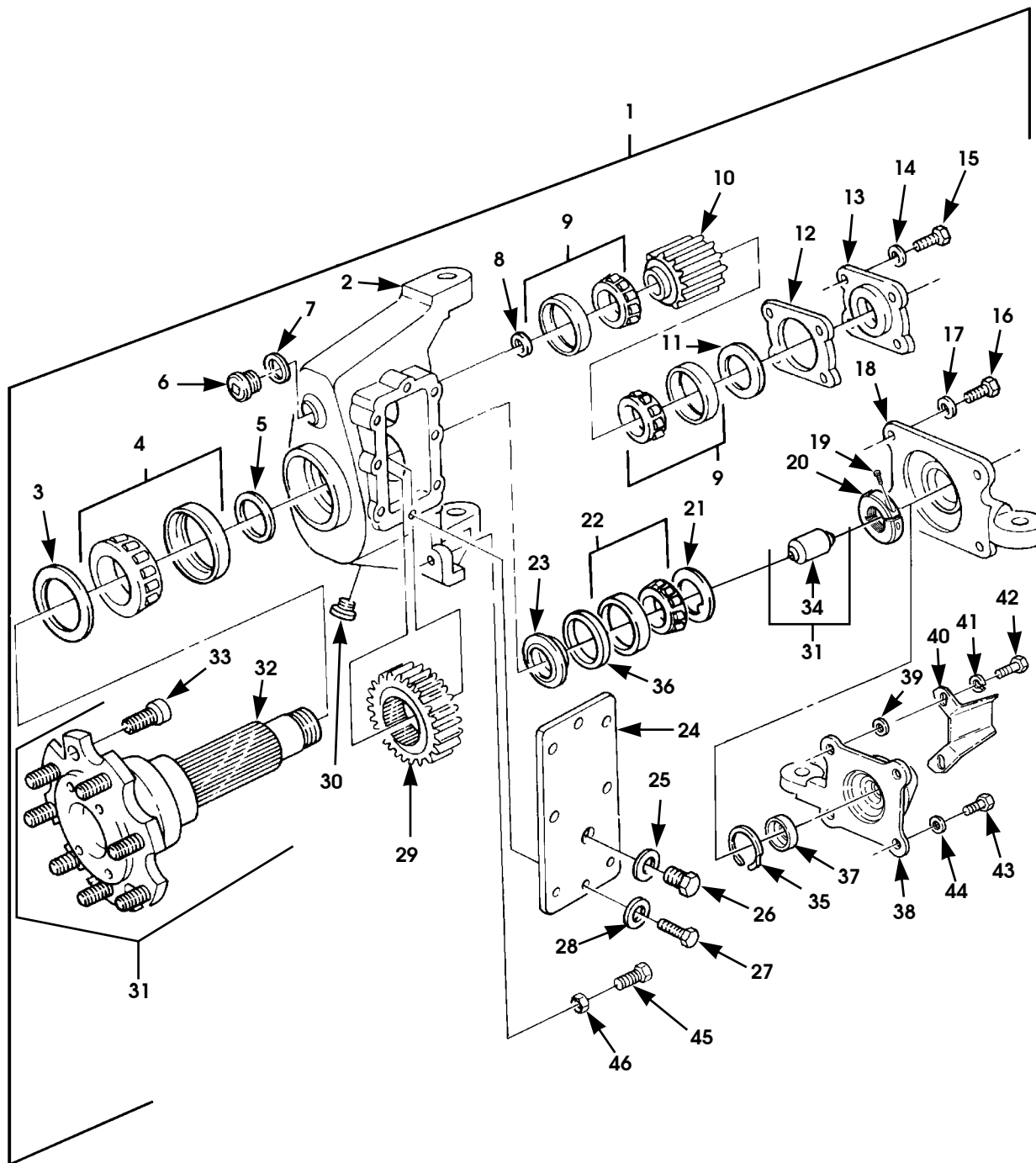
1997 HUMMER PARTS CATALOG

6-1-99

AXLES/SUSPENSION/FRAME 9-41

ITEM	PART NUMBER	DESCRIPTION	QTY
		Figure 9-18. Axle Differential (Rear) and Geared Hub Vent Lines.	
1	NPN	TUBE, 42-inch, geared hub vent line, L.H., SEE NOTE 1 .	1
2	NPN	TUBE, 7-inch, differential and geared hub vent line, SEE NOTE 1	1
3	NPN	TUBE, 5-inch, SEE NOTE 1	1
4	NPN	TUBE, 35.50-inch, geared hub vent line, R.H., SEE NOTE 1	1
5	NPN	TUBE, 10-inch, differential vent line, SEE NOTE 1	1
6	12339964-3	ELBOW, male, geared hub vent lines, 90 degree.	2
7	5598208	BRACKET, vent lines	2
8	N/S	CLAMP, cushioned, 1/4"	8
9	N/S	SCREW, 3/8" -16 x 5/8", tap, zn.	8
10	12338172	PLATE, geared hub vent lines	2
11	12340023	CLIP, vent lines	4
12	12339973-1	TEE, vent lines	2
13	12339979-1	ELBOW, 90 degree	1
14	12339978	CONNECTOR, vent line	1
		NOTE 1: MAKE FROM BULK NYLON TUBE P/N 5741079	

9-42 AXLES/SUSPENSION/FRAME



P06-006.1

Figure 9-19. Knuckle and Geared Hub Assemblies.

1997 HUMMER PARTS CATALOG

6-1-99

AXLES/SUSPENSION/FRAME 9-43

ITEM	PART NUMBER	DESCRIPTION	QTY
		Figure 9-19. Knuckle and Geared Hub Assemblies.	
1	6007131	KNUCKLE, geared hub, front L.H., rear R.H. w/o CTIS . .	1
1	6007130	KNUCKLE, geared hub, front R.H., rear L.H. w/o CTIS . .	1
1	6007127	KNUCKLE, geared hub, front R.H. w/ CTIS	1
1	6007128	KNUCKLE, geared hub, front L.H. w/ CTIS	1
1	6007129	KNUCKLE, geared hub, rear R.H. w/ CTIS	1
1	6007132	KNUCKLE, geared hub, rear L.H. w/ CTIS	1
1	6009448	KNUCKLE, geared hub, front R.H., CTIS ready	1
		12,100 GVW	
1	6009449	KNUCKLE, geared hub, front L.H., CTIS ready	1
		12,100 GVW	
1	6009450	KNUCKLE, geared hub, rear R.H., CTIS ready	1
		12,100 GVW	
1	6009451	KNUCKLE, geared hub, rear L.H., CTIS ready	1
		12,100 GVW	
2	S.I.A.	•KNUCKLE HOUSING	1
3	5579060	•SEAL, outer bearing	1
4	MS19081-86	•BEARING, spindle, outer	1
5	5573989	•SPACER, outer spindle	1
6	5595214	•PLUG, upper access	1
7	5573688	•WASHER, upper access plug	1
8	5568223	•WASHER, halfshaft	1
8	6009454	•WASHER, halfshaft, 12,100 GVW	1
9	5568226	•BEARING, upper gear	2
10	6007115	•GEAR, upper	1
10	6009453	•GEAR, upper, 12,100 GVW	1
11	5590745	•SEAL, upper gear	1
12	5573692	•SHIM, gasket, .005-inch	V
13	5574002	•RETAINER, upper gear	1
14	N/S	•WASHER, flat, upper gear retainer, 3/8", ZN	4
15	N/S	•BOLT, 3/8"-16 x 1.00", hex, Gr 8, CAD	4
16	N/S	•BOLT, 1/2"-13 x 1/25", w/o CTIS, Gr 8, CAD	4
17	N/S	•WASHER, flat, 1/2", w/o CTIS, ZN	4
18	6005123	•COVER, steering arm, front L.H., rear R.H., w/o CTIS . .	1
18	6005122	•COVER, steering arm, front R.H., rear L.H., w/o CTIS . .	1
19	6001757	•LOCKSCREW, clampnut	1
20	6001735	•CLAMPNUT, bearing to steering arm cover	1
21	5573684	•WASHER, spindle	1
22	5568227	•BEARING, inner	1
23	6009400	•SPACER, inner bearing, w/o CTIS	1
23	6009350	•SPACER, inner bearing, w/ CTIS or 12,100 GVW	1

6-1-99

1997 HUMMER PARTS CATALOG

9-44 AXLES/SUSPENSION/FRAME

ITEM	PART NUMBER	DESCRIPTION	QTY
		Figure 9-19. Knuckle and Geared Hub Assemblies. (Cont'd)	
24	5574924	•ACCESS COVER, case side	1
25	5573687	•WASHER, fill plug, nylon	1
26	5573690	•FILL PLUG, access cover	1
27	5593348	•BOLT, side cover, 5/16" -18 x 0.56"	8
28	S.I.A.	•WASHER, flat, 5/16", CAD.	8
29	6007114	•GEAR, lower, output	1
29	6009452	•GEAR, lower, output 12,100 GVW.	1
30	5593656	•MAGNETIC PLUG, lower pipe	1
31	5715160	•SPINDLE AND STUD ASSEMBLY.	1
32	6009422	••SPINDLE.	1
32	6009349	••SPINDLE, w/CTIS	1
33	5568211	••BOLT, spindle.	8
34	5594531	••EXTENSION, spindle, CTIS or 12,100 GVW.	1
35	5594472	•RETAINER, hub, CTIS or 12,100 GVW.	1
36	6001784	•SPACER, bearing, w/ CTIS or 12,100 GVW	1
37	6005193	•SEAL, spindle, w/ CTIS or 12,100 GVW	1
38	6005120	•COVER, steering arm, rear L.H., front R.H. w/CTIS or 12,100 GVW	1
38	6005121	•COVER, steering arm, rear R.H., front L.H. w/CTIS or 12,100 GVW	1
39	5599210	•WASHER, flat, hardened, shield.	2
39	5596253	•WASHER, flat, 1/2", zn.	4
40	5598234	•SHIELD, CTIS tube, rear.	2
41	S.I.A.	•LOCKWASHER, 7/16", med, CAD	2
42	S.I.A.	•BOLT, 1/2-13 x 1 3/8, Gr 5	2
43	S.I.A.	•SCREW, 1/2-13 x 1 1/4", Gr 8	4
43	S.I.A.	•SCREW, 1/2-13 x 1 1/4", Gr 8	2
44	S.I.A.	•WASHER, 1/2", hard, type B.	4
45	N/S	BOLT, 1/2"-13 x 1.5, Gr 8	2
46	N/S	NUT, 1/2"-13, Gr 5, zn	2

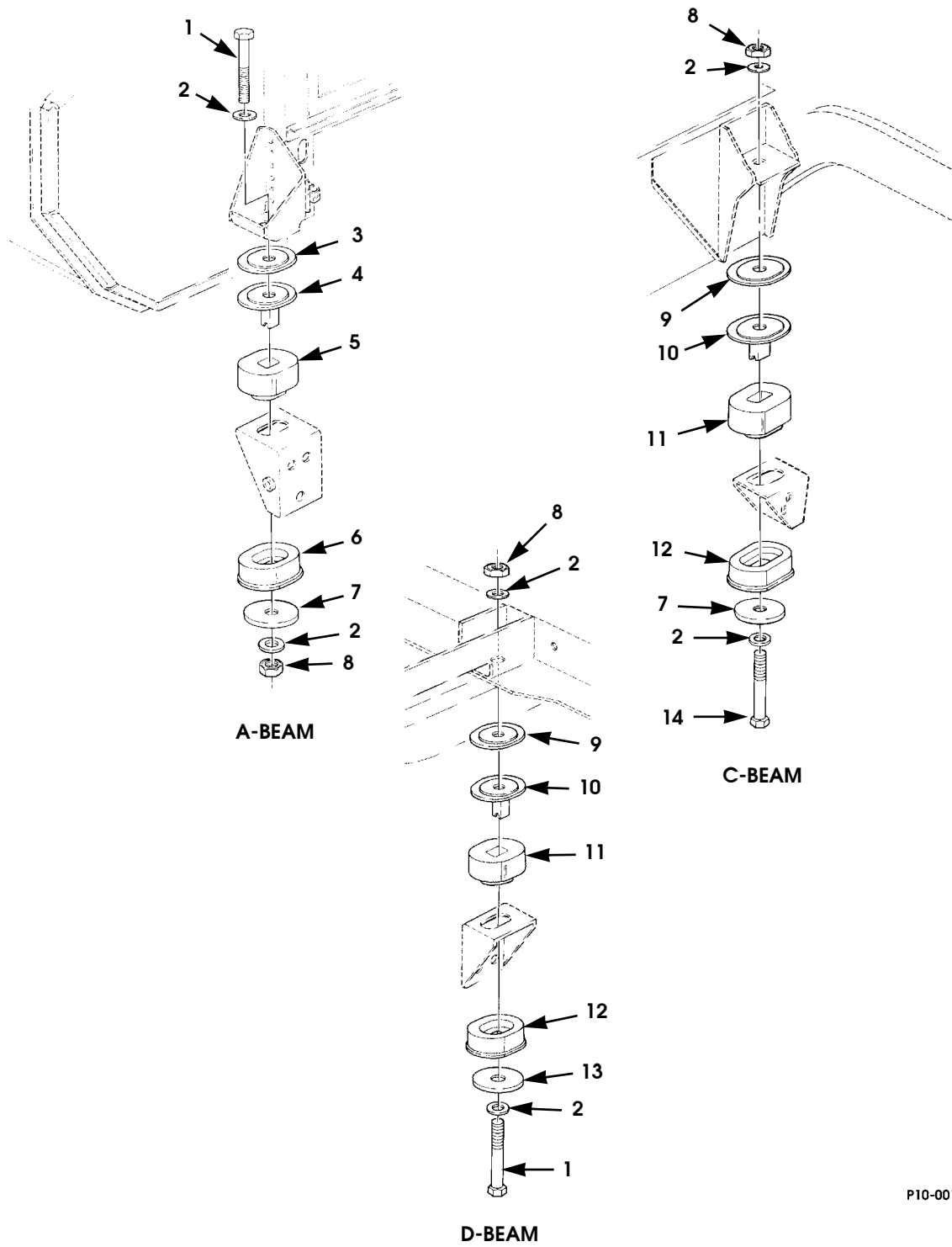
Section 10

BODY

TITLE	PAGE NUMBER
B- and C-Bars, Four-Passenger Hardtop and Station Wagon, Models 83 and 84	10-66
B-Bar, Two-Passenger Enlarged Cab, Model 89	10-64
Body Assembly	10-4
Body Assembly Components, L.H.	10-6
Body Assembly Components, R.H.	10-8
Body Mounting Components	10-2
Door Assembly, Front.	10-48
Door Assembly, Rear, Models 83, 84 and 90	10-52
Door Striker Assemblies, Front and Rear	10-12
Doors, Station Wagon Rear, Model 84	10-69
Engine Cover, Console Cover, and Related Parts	10-44
Fixed Door, Footwell Cover, and Related Parts, Two-Passenger Enlarged Cab, Model 89	10-74
Floor Padding, Front and Rear.	10-90
Headliner, Rear Trim, and Carpet, Station Wagon, Model 84.	10-106
Headliner, Roof Trim, Front and Rear Side Trim, Grab Handles, and Mounting Hardware (Delco Monsoon Stereo System).	10-100
Headliner, Roof Trim, Front and Rear Side Trim, Grab Handles, and Mounting Hardware (for Clarion and Delco Standard Stereo Systems)	10-94
Hood Assembly and Mounting Hardware	10-14
Hood Assembly, Grille, and Related Parts	10-18
Hood Release	10-20
Inside and Outside Mirrors and Mounting Hardware	10-28
Instrument Panel Assembly, Dash Trim, Crash Pad, and Mounting Hardware	10-88
Interior Tunnel Padding, Carpet, and Hardboard	10-92
Kick Panels (Inner) and Miscellaneous Trim Panels	10-110
Kick Panels (Outer) Interior Trim	10-114
Panel Assembly Trim, Door	10-76
Removable Load Barrier, Station Wagon, Model 84	10-86
Roof and Mounting Hardware, Four-Passenger Hardtop, Model 83	10-60
Roof and Mounting Hardware, Station Wagon, Model 84	10-62
Roof and Mounting Hardware, Two-Passenger Enlarged Cab, Model 89	10-58
Seat Belts, Front and Rear	10-40
Seats, Driver and Passenger.	10-38
Soft Top Kit Support Structure, Model 90.	10-79
Soft Top Kit, Four-Man, Basic, Model 90	10-84
Splash Shield (Left Hand), and Hood Prop Rod	10-22
Splash Shield (Right Hand) Upper, and Seals	10-24
Splash Shield (Right Hand), Lower.	10-26
Sun Visor	10-30
Tailgate Assembly and Related Parts	10-56
Tailgate Seals, Model 90.	10-57.1
Window Assembly, Rear	10-36
Windshield Assembly	10-32

1997 HUMMER PARTS CATALOG

10-2 BODY



P10-001

Figure 10-1. Body Mounting Components.

1997 HUMMER PARTS CATALOG

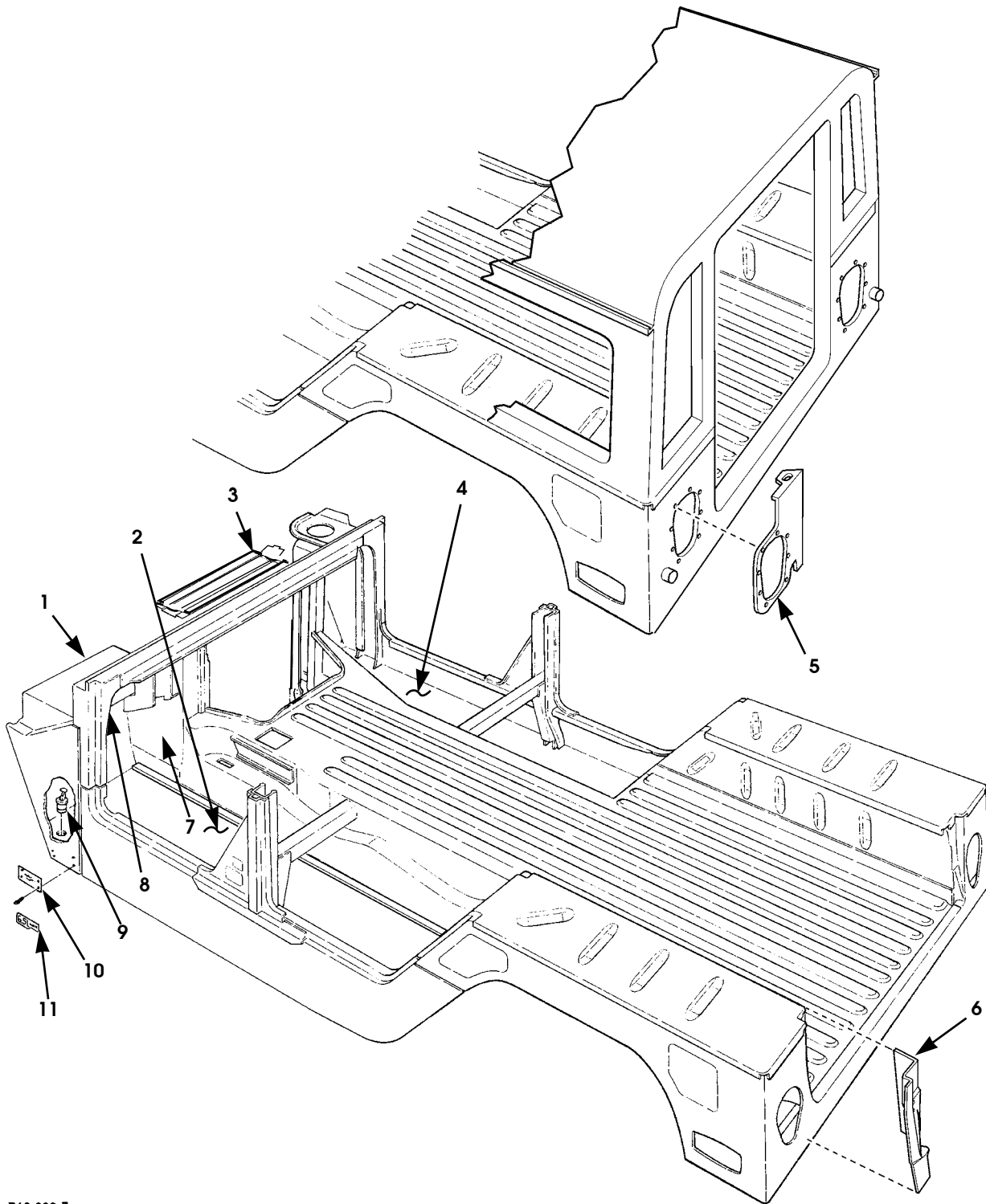
BODY 10-3

ITEM	PART NUMBER	DESCRIPTION	QTY
		Figure 10-1. Body Mounting Components.	
1	N/S	BOLT, A-beam body mount, L.H., 5/8"-11" x 4.25" Gr 8.	1
1	N/S	BOLT, A-beam body mount, R.H., 5/8"-11" x 4.75" Gr 8	1
1	N/S	BOLT, D-beam body mount, 5/8"-11" x 5.0" Gr 8	2
2	N/S	WASHER, flat, 5/8" hard zn.	12
3	RCSK17693-2	SPACER, body mount, 'A'	2
4	12339249-1	SLEEVE ASSEMBLY, body cushion	2
5	12339244-1	CUSHION ASSEMBLY, body, upper	2
6	12339247-1	CUSHION ASSEMBLY, body, lower	2
7	12339248-2	SPACER, mount, R.H.	2
7	12339248-3	SPACER, mount, L.H..	2
8	N/S	LOCKNUT, 5/8"-11 Gr C	6
9	RCSK17693-1	SPACER, body mount, 'C'	4
10	12339249-2	SLEEVE ASSEMBLY, body cushion	4
11	12339244-3	CUSHION ASSEMBLY, body, upper	4
12	12339247-3	CUSHION ASSEMBLY, body, lower	4
13	12339248-1	SPACER, body mount	2
14	N/S	BOLT, C-beam body mount, L.H., 5/8"-11" x 5.0 " Gr 8.1	
14	N/S	BOLT, C-beam body mount, R.H., 5/8"-11" x 4.75 " Gr 8	1

6-1-99

1997 HUMMER PARTS CATALOG

10-4 BODY



P10-002.7

Figure 10-2. Body Assembly.

1997 HUMMER PARTS CATALOG

6-1-99

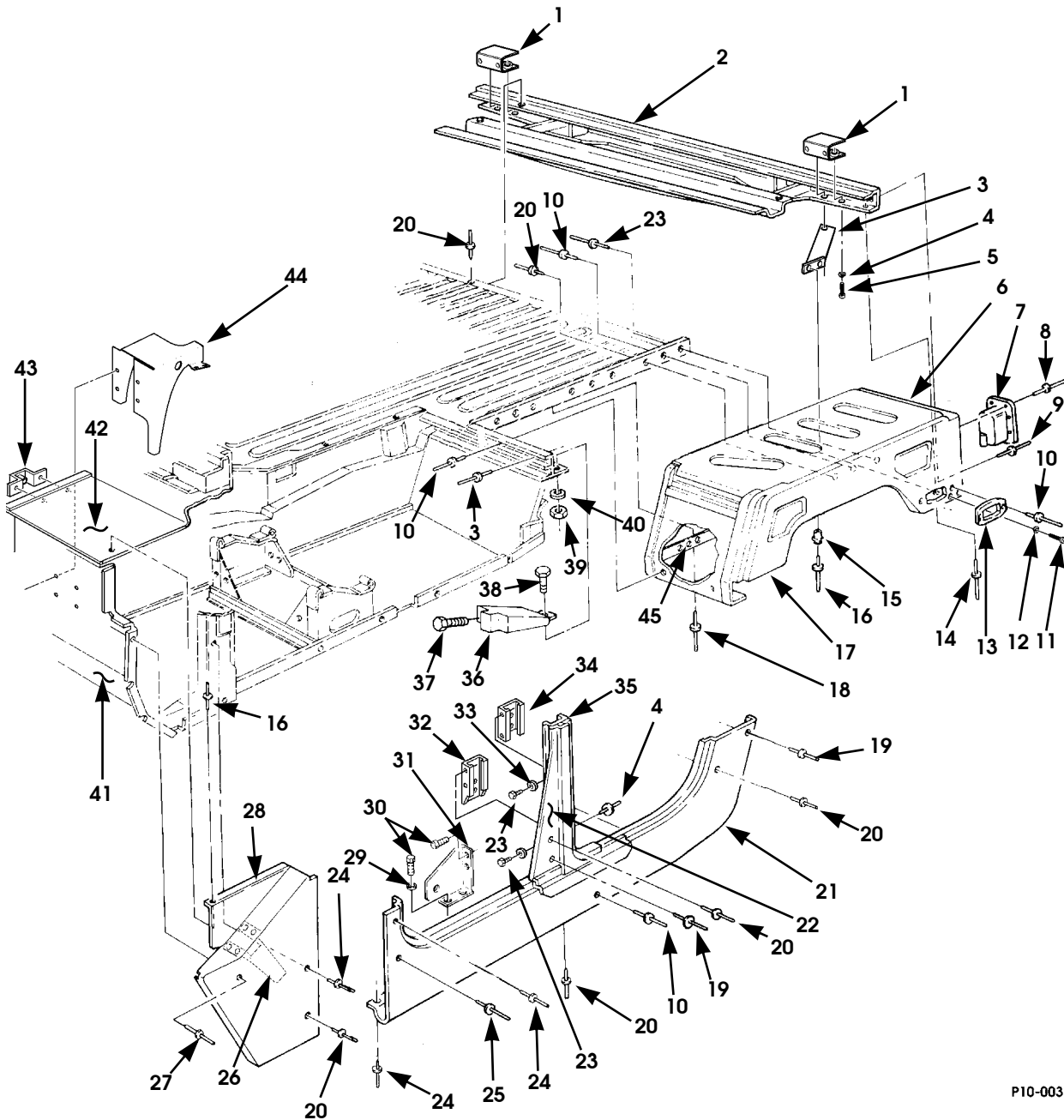
BODY 10-5

ITEM	PART NUMBER	DESCRIPTION	QTY
		Figure 10-2. Body Assembly.	
1	WN12342636P	BODY ASSEMBLY, basic riveted.	1
2	6003490P	PANEL, footwell, L.H.	1
3	12339201P	CLOSEOUT PANEL, A-beam	1
4	6003535P	PANEL, footwell, R.H.	1
5	6005439P	CLOSEOUT PANEL, wheelhouse, rear, L.H. 84	1
5	6005440P	CLOSEOUT PANEL, wheelhouse, rear, R.H. 84	1
6	12339992-2P	FILLER, wheelhouse, L.H.	1
6	12339992-1P	FILLER, wheelhouse, R.H.	1
7	5939201P	PANEL, cowl, inner, L.H.	1
8	12338732P	BRACKET, brake pedal mounting.	1
9	5939808	DRAIN PLUG, floor	2
10	6003871	PLATE, HUMMER	3
11	6008839	EMBLEM, "6.5L DIESEL"	1
11	6008595	EMBLEM, "6.5L TURBO DIESEL"	1

6-1-99

1997 HUMMER PARTS CATALOG

10-6 BODY



P10-003.:

Figure 10-3. Body Assembly Components, L.H.

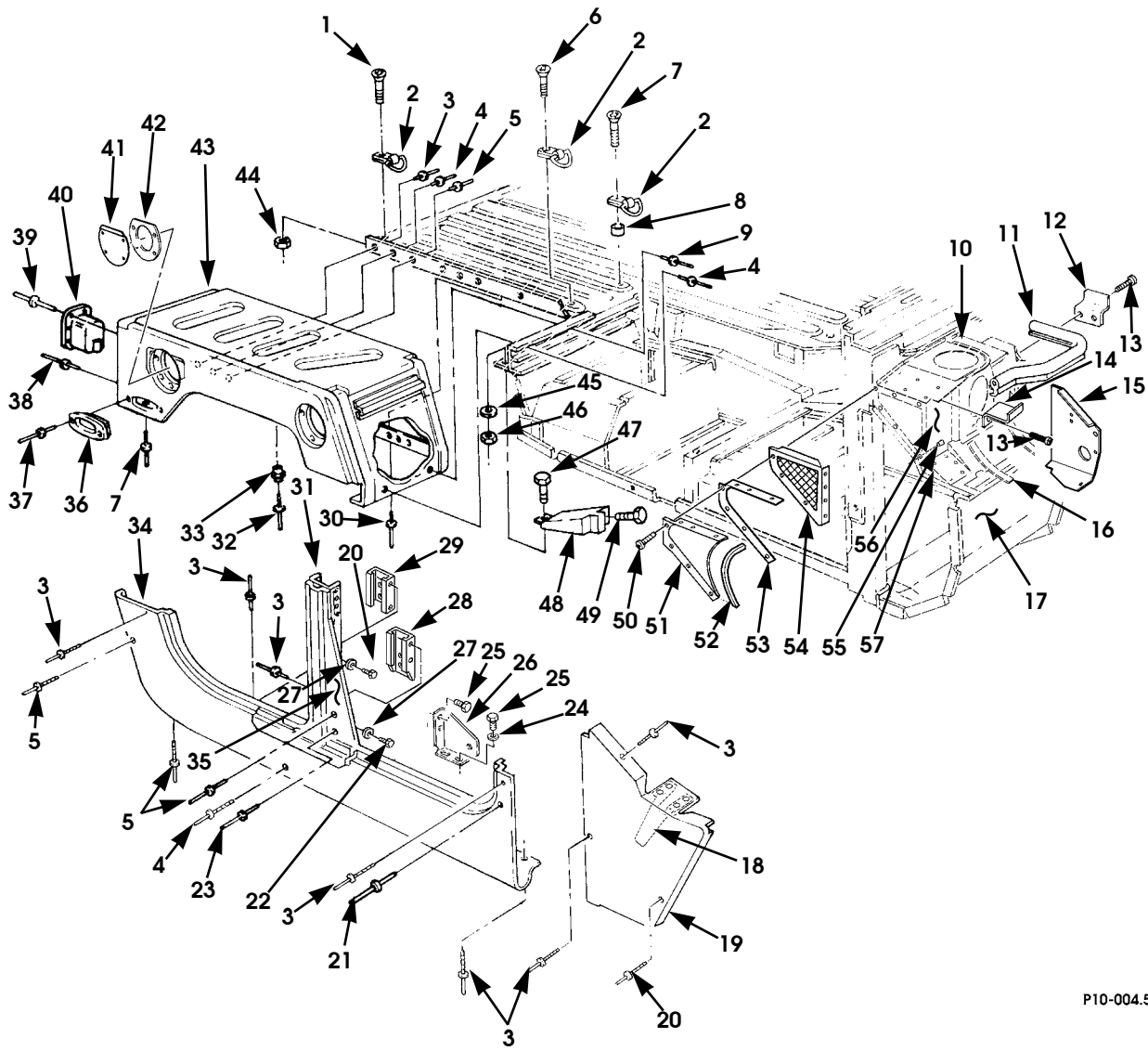
1997 HUMMER PARTS CATALOG

6-1-99

BODY 10-7

ITEM	PART NUMBER	DESCRIPTION	QTY
		Figure 10-3. Body Assembly Components, L.H.	
1	12339008B1	HARNES COVER, D-beam	2
2	WA12446928P	D-BEAM ASSEMBLY	1
3	6007460B9	BRACE, L.H. wheelhouse	1
4	N/S	LOCKWASHER, 1/4	4
5	N/S	BOLT, 1/4 - 20 x 1, Gr5.	4
6	WE12339701P	FENDER ASSEMBLY, L.H.	1
7	5938940	BRACKET, taillight housing	1
8	6006452P1	RIVET, taillight housing, 3/16" x .050 - .250"	8
9	N/S	RIVET, fender assembly, 3/16" dia. - 1/2"	36
10	N/S	RIVET, side panel, 3/16" dia. - 1/4"	52
11	N/S	BOLT, #10 - 24 x 3/4	2
12	N/S	WASHER, flat, #10	2
13	12338709	LIGHT HOUSING, fender assembly, side marker	1
14	N/S	RIVET, fender assembly, 3/16" dia. - 7/16"	17
15	NAS1080R06	COLLAR, grooved, fender assembly, 3/16"	2
16	N/S	RIVET, fender assembly, 3/16" dia. x 1/4 - 3/8"	2
17	6009345	OUTER PANEL, wheelhouse, L.H.	1
18	N/S	RIVET, 3/16" dia. - 5/16," fender assembly	32
19	N/S	RIVET, side panel, 3/16" dia. - 5/16"	3
20	N/S	RIVET, fender panel, 3/16" dia. - 1/4"	21
21	WA12339698-1P	BODY SIDE ASSEMBLY, panel, L.H.	1
22	12340009-3P	RABBET ASSEMBLY, B-pillar, L.H.	1
23	N/S	BOLT, 5/16 - 18 x 7/8, Gr5, CAD	4
24	N/S	RIVET, body assembly, 3/16 dia. - 3/16"	101
25	N/S	RIVET, side panel, 3/16" dia. - 3/16"	7
26	N/S	RIVET, cowl panel, 3/16" dia. - 1/8"	21
27	6001256P	BRACKET ASSEMBLY, hood latch.	1
28	5939202P	COWL ASSEMBLY, L.H.	1
29	N/S	WASHER, flat, 1/4, CAD, seat belt mount	2
30	N/S	BOLT, 1/4 - 20 x 5/8, CAD, seat belt mount.	4
31	12339988-1	MOUNTING BRACKET, seat belt, L.H., front.	1
32	6004811B2	BRACKET, lower, L.H., B-pillar	1
33	N/S	WASHER, flat, 5/16, CAD	4
34	WA12342372	BRACKET, upper, L.H., B-pillar.	1
35	6003456P	REINFORCEMENT, B-pillar, L.H.	1
36	12339025-1	SEAL ASSEMBLY, cargo floor, L.H.	1
37	N/S	SCREW, tapping, phcr, #10 - 16 x 7/8, Phos	2
38	N/S	SCREW, #10 - 24 x 3/4, seal assembly.	1
39	N/S	LOCKNUT, nylon insert, #10 - 24, seal assembly.	1
40	N/S	WASHER, flat, #10, CAD, seal assembly	1
41	6007204P	PANEL, cowl front, L.H.	1
42	6007126P	PANEL, cowl top, A-pillar, L.H.	1
43	6005498B9	BRACKET, heated windshield fuse mounting	1
44	12338732	BRACKET, heated windshield fuse	1
45	12338764-1	PANEL, wheelhouse inner, L.H.	1

10-8 BODY



P10-004.5

Figure 10-4. Body Assembly Components, R.H.

1997 HUMMER PARTS CATALOG

6-1-99

BODY 10-9

ITEM	PART NUMBER	DESCRIPTION	QTY
		Figure 10-4. Body Assembly Components, R.H.	
1	N/S	SCREW, countersunk, 1/2 -13 x 1, CAD, D-ring, cargo area, rear edge	3
2	6005425	D-RING TIEDOWN.	11
3	N/S	RIVET, body assembly, 3/16" dia. x 3/16"	130
4	N/S	RIVET, body assembly, 3/16" dia. x 9/16"	57
5	N/S	RIVET, body assembly, 3/16" dia. x 1/4"	21
6	N/S	SCREW, countersunk, 1/2 -13 x 1 3/4, CAD, D-ring, cargo area, center, no carpet 83, 89, 90	4
6	N/S	SCREW, countersunk, 1/2 -13 x 2, CAD, D-ring, cargo area, center, with carpet 84	4
7	N/S	SCREW, countersunk, 1/2 -13 x 1 3/4, CAD, D-ring, between rear doors, no carpet. 89	4
7	N/S	SCREW, countersunk, 1/2 -13 x 2, CAD, D-ring, between rear doors, with carpet 83, 84, 90	4
8	6005426B2	SPACER, D-ring, through carpet 83, 90	4
8	6005426B2	SPACER, D-ring, through carpet 84	8
9	N/S	RIVET, fender assembly, 3/16" dia. x 7/16"	17
10	6003137P	TOP PANEL ASSEMBLY, air intake chamber	1
11	12338832-1	SEAL, body assembly, inboard side, air box	1
12	12338814B1	BRACKET, seal, air box	1
13	N/S	SCREW, tapping, #10 - 16 x 1/2, ZN, seal bracket.	2
14	12340869P	BRACKET, seal front, air box.	1
15	6005461P	PANEL, COWL SIDE, R.H., inner	1
15	6009311P	PANEL, COWL SIDE, R.H., inner (On VIN VE176477 and up)	1
16	12338712P	SUPPORT, air cleaner.	2
17	5939188	PANEL, COWL FRONT, R.H.	
17	6009318	PANEL, COWL FRONT, R.H. (On VIN VE176477 and up)	1
18	6001256P	BRACKET ASSEMBLY, hood latch.	1
19	6003135	COWL PANEL, R.H.	1
20	N/S	RIVET, cowl panel, 3/16" dia. x 1/8"	5
21	N/S	RIVET, side panel, 3/16" dia. x 3/16"	3
22	N/S	BOLT, 5/16 - 18 x 7/8, Gr8, CAD	4
23	N/S	RIVET, side panel, 3/16" dia. x 5/16"	7
24	MS27183-21	WASHER, 1/4, seat belt mount	2

6-1-99

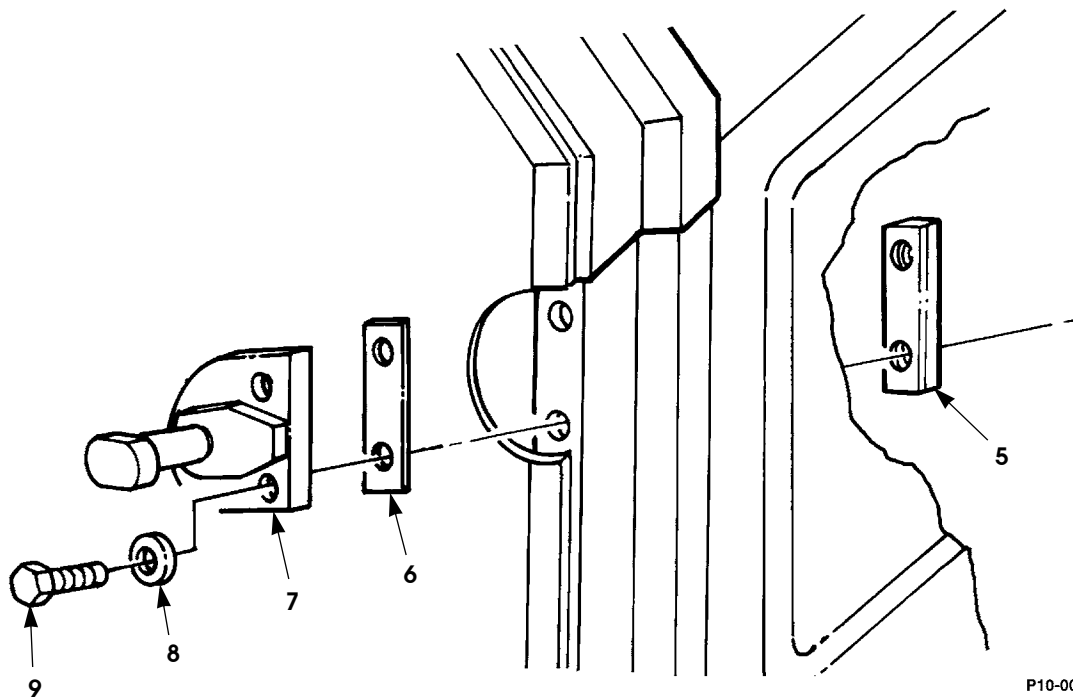
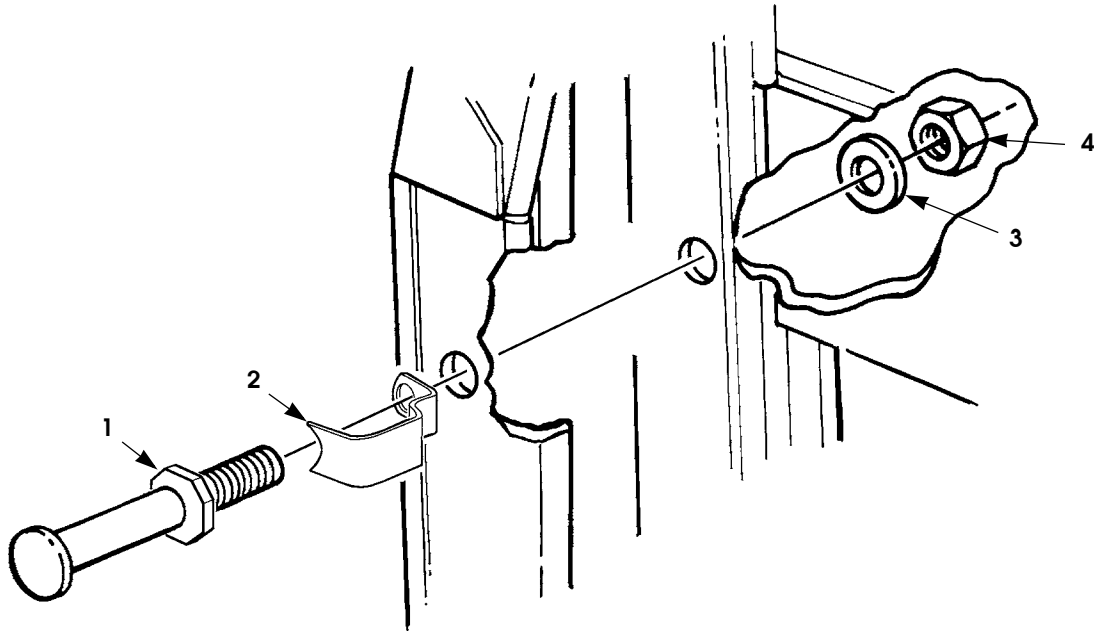
1997 HUMMER PARTS CATALOG

10-10 BODY

ITEM	PART NUMBER	DESCRIPTION	QTY
		Figure 10-4. Body Assembly Components, R.H. (Cont'd)	
25	N/S	SCREW, 1/4 - 20 x 5/8, CAD, seat belt mount	4
26	12339988-2	BRACKET, seat belt, R.H, front	1
27	N/S	WASHER, flat, 5/16, CAD.	4
28	6004836B2	BRACKET, lower, R.H., B-pillar	1
29	WA12342372	BRACKET, upper, R.H., B-pillar.	1
30	N/S	RIVET, fender assembly, 3/16" x 5/8"	16
31	6003457P	REINFORCEMENT, B-pillar, R.H.	1
32	N/S	RIVET, fender assembly, 3/16" x 3/16"	2
33	N/S	COLLAR, grooved, fender assembly, 3/16"	2
34	WA12339698-2P	BODY SIDE ASSEMBLY, panel, R.H.	1
35	12340009-4P	•RABBET ASSEMBLY, B-pillar, R.H.	1
36	12338709	LIGHT HOUSING, fender assembly	1
37	N/S	RIVET, light housing.	2
38	N/S	RIVET, fender assembly, 3/16" x 1/2"	18
39	6006452	RIVET, taillight housing, 3/16 x .050" - .250"	8
40	5938940	BRACKET, taillight housing	1
41	6007237P	COVER, auxiliary tank filler hole, SEE NOTE 1	1
42	6007247	GASKET, auxiliary tank filler hole cover, SEE NOTE 1 . .	1
43	WD12339707P	FENDER ASSEMBLY, R.H.	1
44	6007708	WELDNUT, 1/2 - 13, D-ring	11
45	N/S	WASHER, flat, #10, CAD, seal assembly.	1
46	N/S	LOCKNUT, #10 - 24, CAD, seal assembly.	1
47	N/S	SCREW, #10 - 24 x 3/4, CAD, seal assembly.	1
48	12339025-2	SEAL ASSEMBLY, body, R.H.	1
49	N/S	SCREW, ph tapping, #10 - 16 x 7/8, Phos	2
50	6008857	SCREW, phcr, #10 - 24 x 1/2	7
51	6008703P	SCOOP, air intake	1
52	NPN	EDGE GUARD, 9.5" long, air intake scoop, SEE NOTE 2.	1
53	6009176	GASKET, air intake	1
54	6008699P	PANEL, air intake.	1
55	5939334	NUT INSERT, #10 - 24	7
56	6003409P	PANEL, air intake support	1
57	6009313	PANEL, cowl, top, R.H.	1
		NOTE 1: FOR USE ON FLEET VEHICLES WITHOUT AUXILIARY FUEL TANK	
		NOTE 2: 9.5" LONG EDGE GUARD MAY BE CUT FROM 24" LONG EDGE GUARD P/N 5745010, OR FROM 150-FOOT BULK EDGE GUARD ROLL P/N 6009348.	

1997 HUMMER PARTS CATALOG

10-12 BODY



P10-005.1

Figure 10-5. Door Striker Assemblies, Front and Rear .

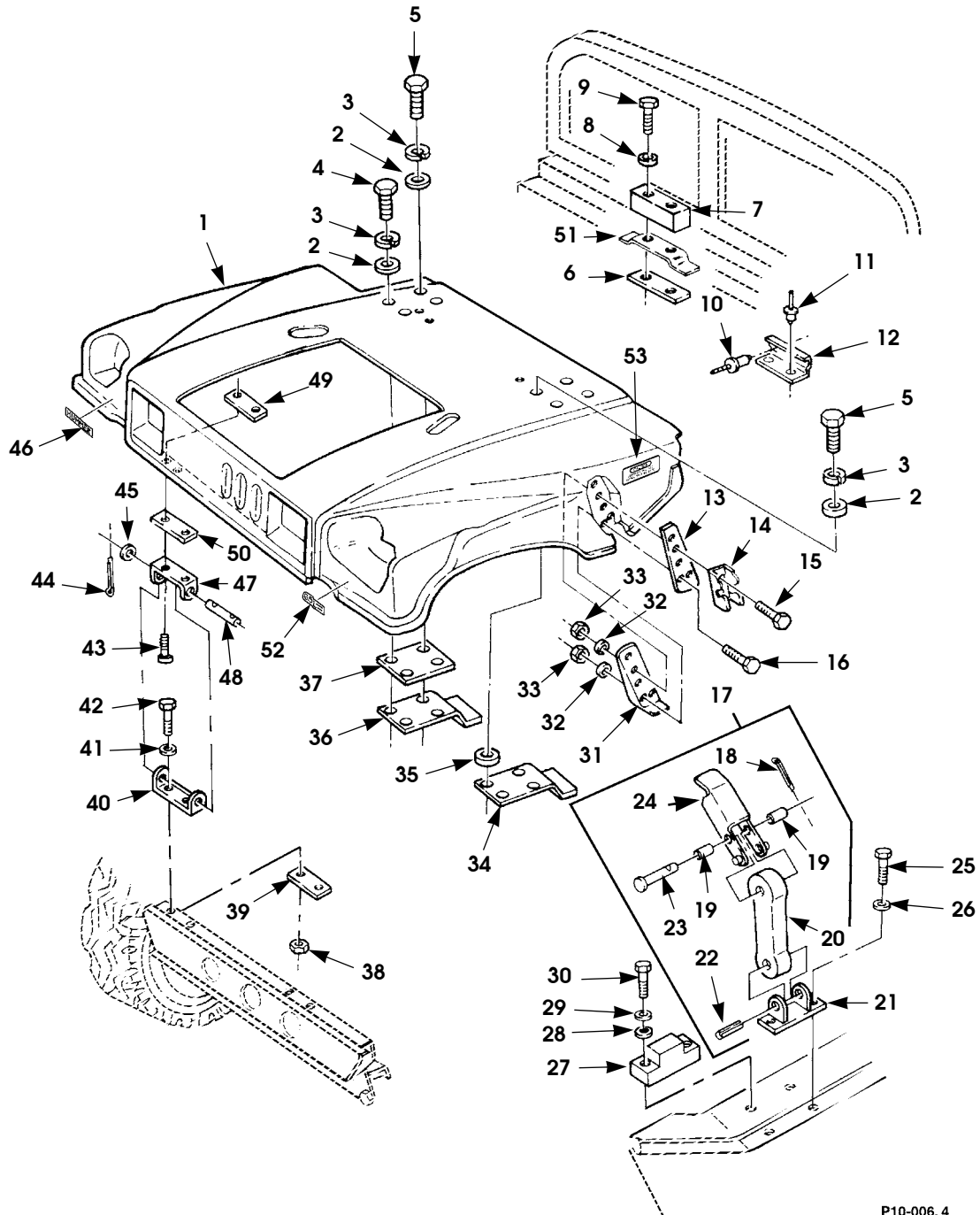
1997 HUMMER PARTS CATALOG

6-1-99

BODY 10-13

ITEM	PART NUMBER	DESCRIPTION	QTY
		Figure 10-5. Door Striker Assemblies, Front and Rear .	
1	6000392P2	STRIKER ASSEMBLY, front	2
		83,84, 90,	
1	6004539P2	STRIKER ASSEMBLY, front	2
		89	
2	6006438	GUARD, striker	2
3	6001200P2	WASHER, 1/2"	2
4	N/S	LOCKNUT, 1/2"-20 Gr C	2
5	5939658	PLATE BACKING, rear	2
6	5939591	PLATE BACKING, front	2
7	5939655P2	STRIKER ASSEMBLY, rear	2
8	9424257P2	LOCKWASHER, 1/4" heavy duty, zn, cobalt.	4
9	N/S	BOLT, 1/4"-20 x 1.25" Gr 8 cad hex	4

10-14 BODY



P10-006.4

Figure 10-6. Hood Assembly and Mounting Hardware.

1997 HUMMER PARTS CATALOG

12-1-97

BODY 10-15

ITEM	PART NUMBER	DESCRIPTION	QTY
		Figure 10-6. Hood Assembly and Mounting Hardware.	
1	WA12338940P	HOOD, engine compartment	1
2	N/S	WASHER, flat, 1/4" S.A.E. CAD	8
3	N/S	LOCKWASHER, retainer bracket, 1/4" med, ZN	8
4	N/S	BOLT, retainer bracket, 1/4"-20 x 1.50" Gr 8 hex, CAD	2
5	N/S	BOLT, retainer bracket, L.H., 1/4"-20 x 3/4" Gr 5 CAD	6
6	12338882P3	PLATE, center hood stop, tapping	1
7	6002012	BUMPER, center hood	1
8	12339433	WASHER, hood stop center, 13/64	2
9	N/S	BOLT, hood stop, 1/4"-20 x 1.0" Gr 8, CAD	4
10	M7885/2-6-04	RIVET, hood retainer bracket	4
11	12339355-2	RIVET, hood retainer bracket	4
12	5939715	BRACKET, hood retainer, "A" beam	2
13	12338883B4	PLATE, hood latch	2
14	12338908B4	BRACKET, hood latch, side	2
15	N/S	BOLT, hood latch bracket, 1/4"-20 x 1.125" Gr 8	10
16	N/S	BOLT, hood latch bracket, 1/4"-20 x 7/8" Gr 8	6
17	12338909B4	LATCH ASSEMBLY, hood	2
18	MS24665-134	•COTTER PIN, hood latch, 1/16 - 5/8"	2
19	12338886P3	•ROLLER, hood latch	2
20	12338889	•STRAP, hood latch	1
21	12338880B4	•BASE, hood latch	1
22	9419982	•PIN, hood latch, spring hood	1
23	12338894P3	•PIN, hood latch	1
24	12338891B4	•LATCH, hood release	1
25	N/S	BOLT, hood latch, 1/4"-20 x 1.13 Gr 5 CAD	4
26	N/S	WASHER, 1/4", hard type B, ZN	4
27	12338896	STOP, hood side	2
28	12339433P2	WASHER, hood side stop, 13/64"	4
29	N/S	LOCKWASHER, center, 1/4" med, ZN	4
30	N/S	BOLT, hood stop, 1.4"-20 x 1.63" Gr 5	4
31	12338905P3	BRACKET, hood latch stop	2
32	N/S	WASHER, flat, hood latch, 1/4" hard ZN	10
33	N/S	LOCKNUT, 1/4"-20 Gr 8 hex	5
34	05939716B2	BRACKET, hood retainer, L.H.	1
35	05939805B2	SPACER, retainer bracket	2
36	05939717B2	BRACKET, hood retainer, R.H.	1
37	05939718B2	SPACER, retainer bracket	1
38	N/S	NUT, lower hood hinge, 7/16-14 Gr 8, CAD	4
39	12338879P3	SPACER, lower hinge	2
40	12338900P3	HINGE HALF, lower hood	2
41	N/S	WASHER, flat, lower hinge, 7/16 hardened ZN	4
42	N/S	BOLT, lower hinge, 7/16"-14 x 2.0" Gr 8 hex, CAD	4

6-1-99

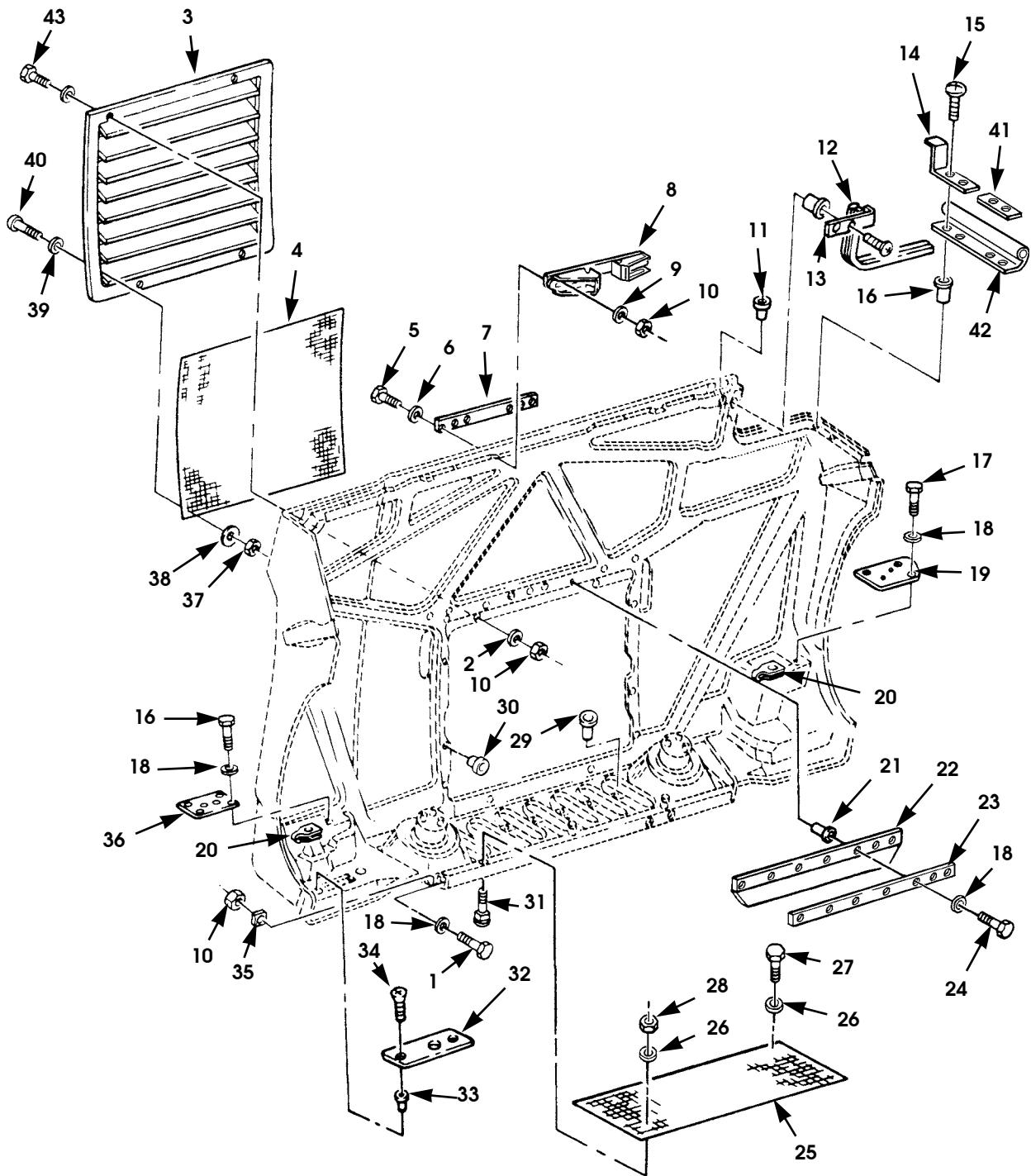
1997 HUMMER PARTS CATALOG

10-16 BODY

ITEM	PART NUMBER	DESCRIPTION	QTY
Figure 10-6. Hood Assembly and Mounting Hardware. (Cont'd)			
43	N/S	BOLT, upper hood hinge, 3/8"-16 x 2.0" Gr 5 cad. . . .	4
44	N/S	COTTER PIN, hood hinge, 3/32 x 1/2" cad.	4
45	N/S	WASHER, flat, lower hood hinge pin, 3/8" hardened B.	4
46	6003871	NAME PLATE, Hummer.	3
47	12338897P3	HINGE HALF, upper hood	2
48	12338893	PIN, hood hinge halves	2
49	12339306	PLATE, upper hood hinge	2
50	6007365	SPACER, Hinge to Hood.	2
51	12338649P	BRACKET, hood center stop	1
52	6008839	EMBLEM, "6.5L DIESEL"	1
52	6008595	EMBLEM, "6.5L TURBO DIESEL"	1
53	5939266	DECAL, brushguard	1

1997 HUMMER PARTS CATALOG

10-18 BODY



P10-007

Figure 10-7. Hood Assembly, Grille, and Related Parts.

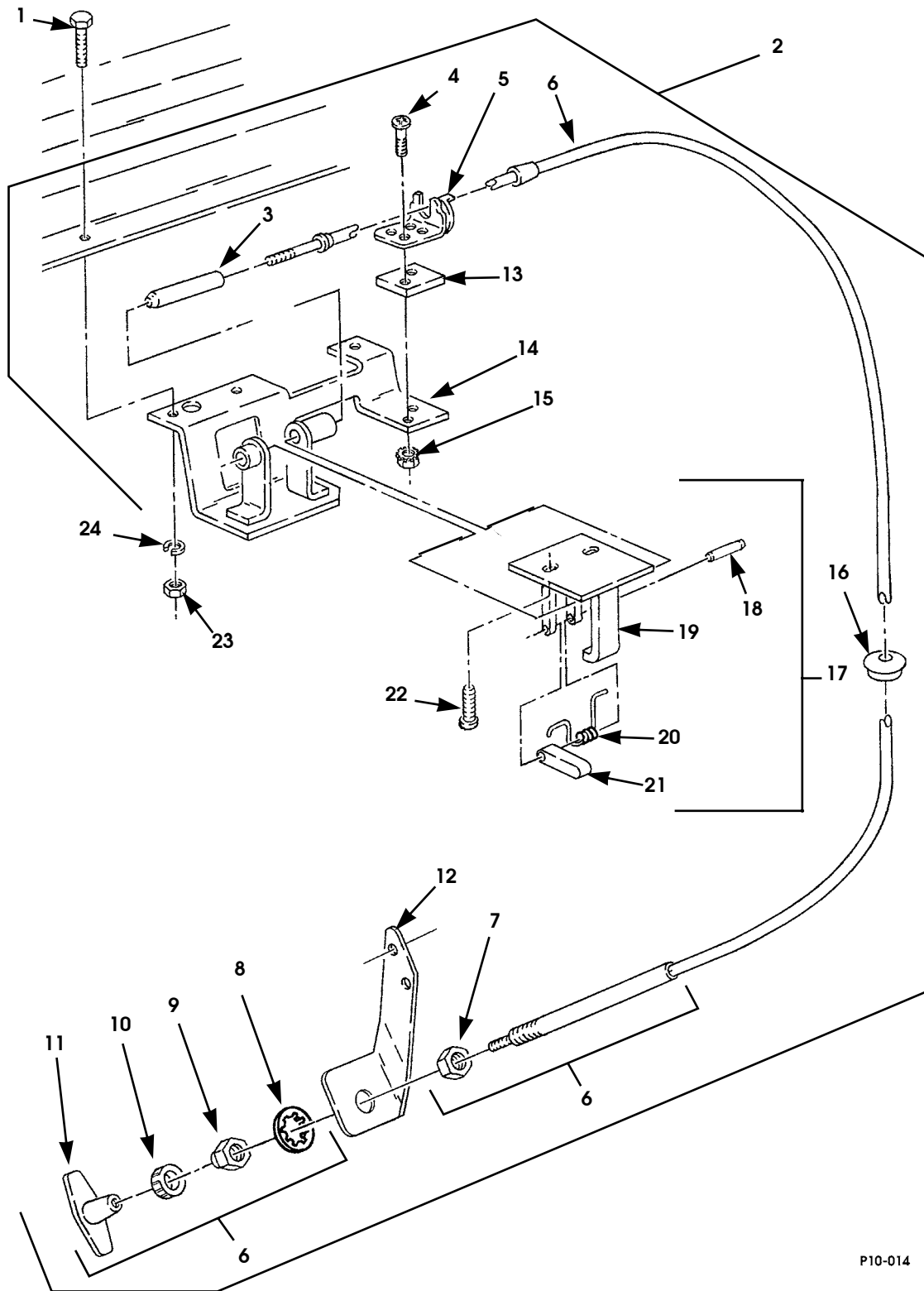
1997 HUMMER PARTS CATALOG

12-1-97

BODY 10-19

ITEM	PART NUMBER	DESCRIPTION	QTY
		Figure 10-7. Hood Assembly, Grille, and Related Parts.	
1	N/S	BOLT, buttonhead, 1/4"-20 x 1.0" Gr 8 hex	6
2	N/S	WASHER, flat, hood grille, 1/4" USS CAD.	12
3	6007257P	GRILLE, hood	1
4	12338923-1	SCREEN, hood grille, top	1
5	N/S	BOLT, hood stop guide, 1/4"-20 x 1.125" Gr 8 CAD . . .	6
6	N/S	WASHER, flat, hood stop guide, 1/4" hard ZN	6
7	12338903P3	PLATE, hood stop guide	1
8	6007349	BRACKET, hood stop guide.	1
9	N/S	WASHER, flat, hood stop guide, 1/4" hard ZN	6
10	N/S	LOCKNUT, hood stop guide and crossbar, 1/4"-20 Gr 8	12
11	M5501/7F4	PLUG, inner hood assembly	4
12	6002673	SEAL, hood	1
13	6001745	RETAINER, seal	1
14	6001746	RETAINER, seal	1
15	160057	SCREW, #10-32 x 3/4".	4
16	12339397-1	WELLNUT, #10-32.	4
17	N/S	BOLT, composite light cover, 1/4"-20 x 3/4" Gr 5 CAD .	7
18	N/S	WASHER, flat, 1/4" S.A.E. CAD	16
19	12338884P3	COVER, composite light, R.H.	1
20	12339425	SPEED NUT, composite light cover	7
21	12339397-4	WELLNUT, hood seal, 1/4"-20	9
22	WA12338911	SEAL, center hood.	1
23	12338885P3	RETAINER, hood seal	1
24	N/S	BOLT, hood seal retainer, 1/4-20 x 1.0" Gr 5 CAD	9
25	12338923-2	GUARD, hood and grille, front	1
26	N/S	WASHER, flat, front hood screen, 3/8" hard type B. . . .	6
27	N/S	SCREW, 5/16"-18 x 1.0", G 5, CAD	3
28	N/S	NUT, front hood screen, 5/16"-18 Gr 8 CAD	3
29	12339397-5	WELLNUT, front hood screen, 5/16"-18.	3
30	12338887-2	PLUG, hood assembly, tapered, grille	6
31	12339434P2	BOLT, carriage, 5/16"-18 x 1 13/16"	3
32	5935690	PANEL, inner hood, access	2
33	12339998-1	PLUSNUT, inner hood panel	4
34	N/S	SCREW, inner hood panel#10-32 x 1/2" ph mach	4
35	12338892	PLATE, hood crossbar, spacer.	2
36	12338906P3	COVER, composite light, L.H.	1
37	N/S	LOCKNUT, hood grille screen, #10-24 Gr A CAD.	6
38	12339432P2	WASHER, hood grille screen, 13/64"	12
39	N/S	WASHER, flat, hood grille screen, #10 S.A.E. CAD	6
40	N/S	SCREW, hood grille screen, #10-24 x .87" ph mach . . .	6
41	6005171	RETAINER, hood seal	1
42	6005170	SEAL, hood, rear, R.H.	1
43	N/S	SCREW, buttonhead, 1/4 -20 x 1"	6

10-20 BODY



P10-014

Figure 10-8. Hood Release.

1997 HUMMER PARTS CATALOG

6-1-99

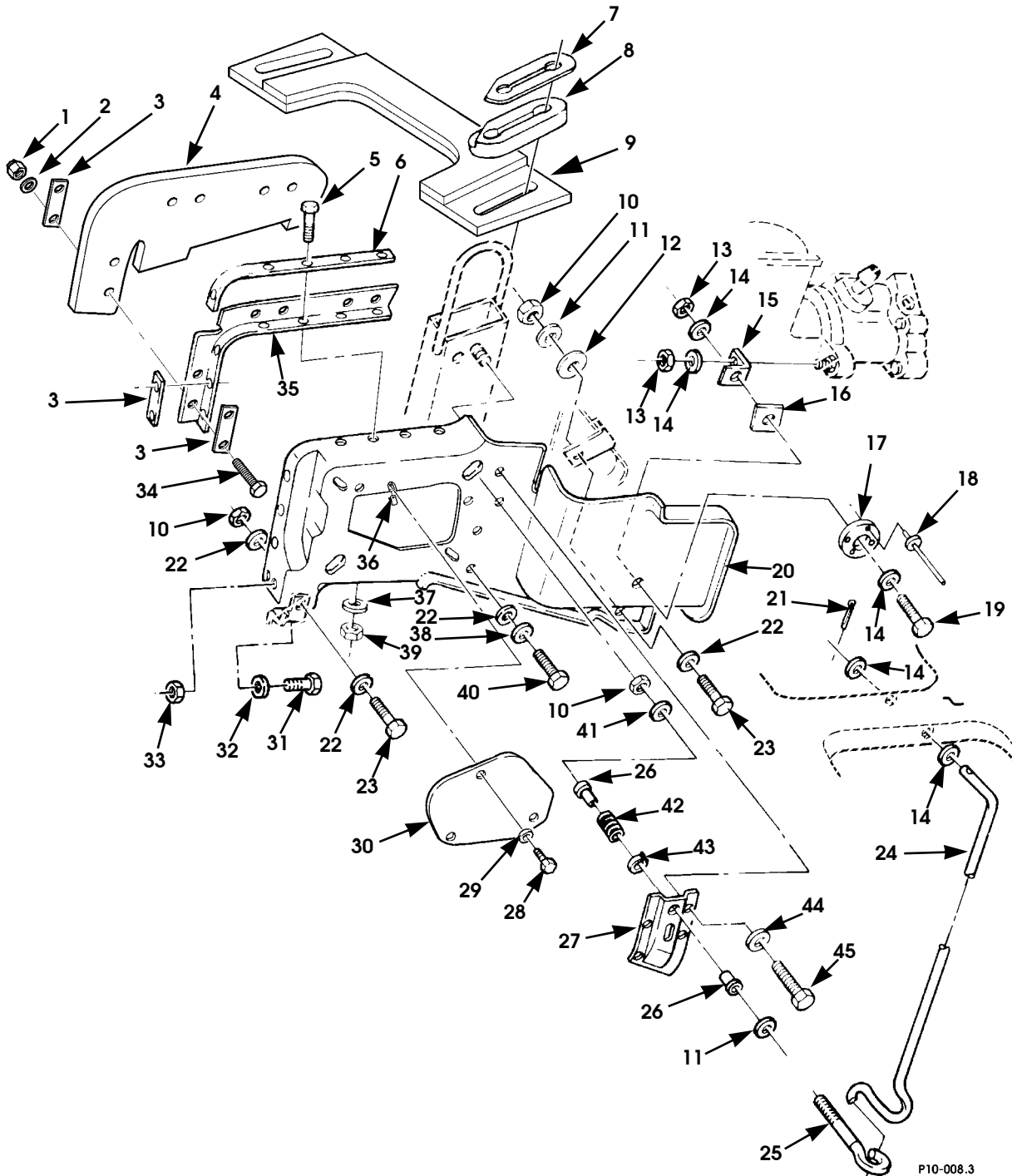
BODY 10-21

ITEM	PART NUMBER	DESCRIPTION	QTY
		Figure 10-8. Hood Release.	
1	N/S	BOLT, 1/4 - 20 x 3/4, Gr5, CAD	3
2	5743863	KIT, hood lock.	1
3	6005383	• LOCKPIN, hood latch	1
4	S.I.K.	• SCREW, phcr, #8 - 32 x 3/4.	4
5	6005401	• BRACKET, cable clamp	1
6	6005389	• CABLE ASSEMBLY	1
7	S.I.A.	•• NUT	1
8	S.I.A.	•• LOCKWASHER	1
9	S.I.A.	•• LOCKNUT	1
10	S.I.A.	•• SPACER	1
11	S.I.A.	•• T-HANDLE	1
12	6005390	• BRACKET, cable mounting	1
13	6005388	• SPACER, cable mounting clamp	1
14	6005395	• BRACKET ASSEMBLY.	1
15	N/S	• NUT AND LOCKWASHER ASSEMBLY, #8 - 32, keps	2
16	12338999	• GROMMET	1
17	6005536	• LATCH ASSEMBLY, hood	1
18	6005613	•• PIN	1
19	S.I.A.	•• LATCH.	1
20	6005386	•• SPRING, lock arm	1
21	6005385	•• ARM LOCK	1
22	N/S	SCREW, tapping, 1/4 - 28 x 1, ZN.	2
23	N/S	NUT, 1/4 - 20, ZN	3
24	N/S	LOCKWASHER, med, 1/4, ZN	5

6-1-99

1997 HUMMER PARTS CATALOG

10-22 BODY



P10-008.3

Figure 10-9. Splash Shield (Left Hand), and Hood Prop Rod.

1997 HUMMER PARTS CATALOG

6-1-99

BODY 10-23

ITEM	PART NUMBER	DESCRIPTION	QTY
		Figure 10-9. Splash Shield (Left Hand), and Hood Prop Rod.	
1	N/S	LOCKNUT, #10.	8
2	N/S	WASHER, flat, #10	8
3	12338634-1P3	RETAINER, splash shield seal, L.H.	7
4	6007251	SEAL, splash shield	1
5	N/S	SCREW, hex head, #10 - 24 x 3/4	7
6	12338630P3	RETAINER, splash shield seal	1
7	6008043	COVER PLATE, airlift bracket seal.	1
8	12342357	SEAL, airlift bracket, L.H.	1
9	6007250	SEAL, radiator-to-hood	1
10	N/S	LOCKNUT, 5/16 - 18, Gr8, prop rod eyebolt.	3
11	N/S	WASHER, flat, 5/16, hard, ZN, prop rod eyebolt.	2
12	9421128	WASHER, 3/8 x 1 1/8" dia., splash shield	1
13	N/S	LOCKNUT, support bracket, 3/8"-16, Gr 8	2
14	N/S	WASHER, flat, 3/8", hard	5
15	12338629	BRACKET, splash shield support, asm.	1
16	12338636P3	PLATE, splash shield	1
17	12338637P3	SUPPORT, splash shield	1
18	12339355-2	RIVET, splash shield.	4
19	N/S	BOLT, 3/8 - 16 x 1 1/2, Gr5, CAD, support bracket	1
20	12446771B1	SPLASH SHIELD, L.H	1
21	N/S	COTTER PIN, prop rod, 3/32" x 3/4"	1
22	N/S	WASHER, flat, 5/16", CAD	4
23	N/S	BOLT, 5/16 - 18 x 1, Gr 5, CAD	2
24	12338915	ROD, hood prop	1
25	12339435	EYEBOLT, hood prop rod	1
26	12338895	BUSHING, eye bolt	2
27	12338913	BRACKET, hood prop rod	1
28	N/S	BOLT, hex head, #8 - 32 x 1	3
29	N/S	WASHER, #8.	3
30	12446770-1B2	PLATE COVER.	1
31	N/S	SCREW, 1/4 - 20 x 1 1/2, CAD	1
32	N/S	WASHER, flat, 1/4, CAD	1
33	N/S	LOCKNUT, 1/4 - 20	1
34	N/S	BOLT, #10 - 24 x 1 3/16	8
35	6007395	SEAL, splash shield, hood, L.H.	1
36	N/S	SPRING NUT, #8 - 32	3
37	N/S	WASHER, flat, #10, CAD.	7
38	N/S	LOCKWASHER, med, 5/16, ZN	1
39	N/S	LOCKNUT, #10 - 24, Gr8, CAD	7
40	N/S	SCREW, 5/16"-18 x 1.00", hex, self-tapping	1
41	N/S	WASHER, flat, 5/16, CAD	1
42	12338881P3	SPRING, prop rod eyebolt.	1
43	MS16624-2066	RETAINING RING, prop rod bracket bushing	1
44	N/S	LOCKWASHER, med, 1/4, ZN, prop rod bracket	4
45	N/S	SCREW, tapping, 1/4 - 28 x 1.	4

10-24 BODY

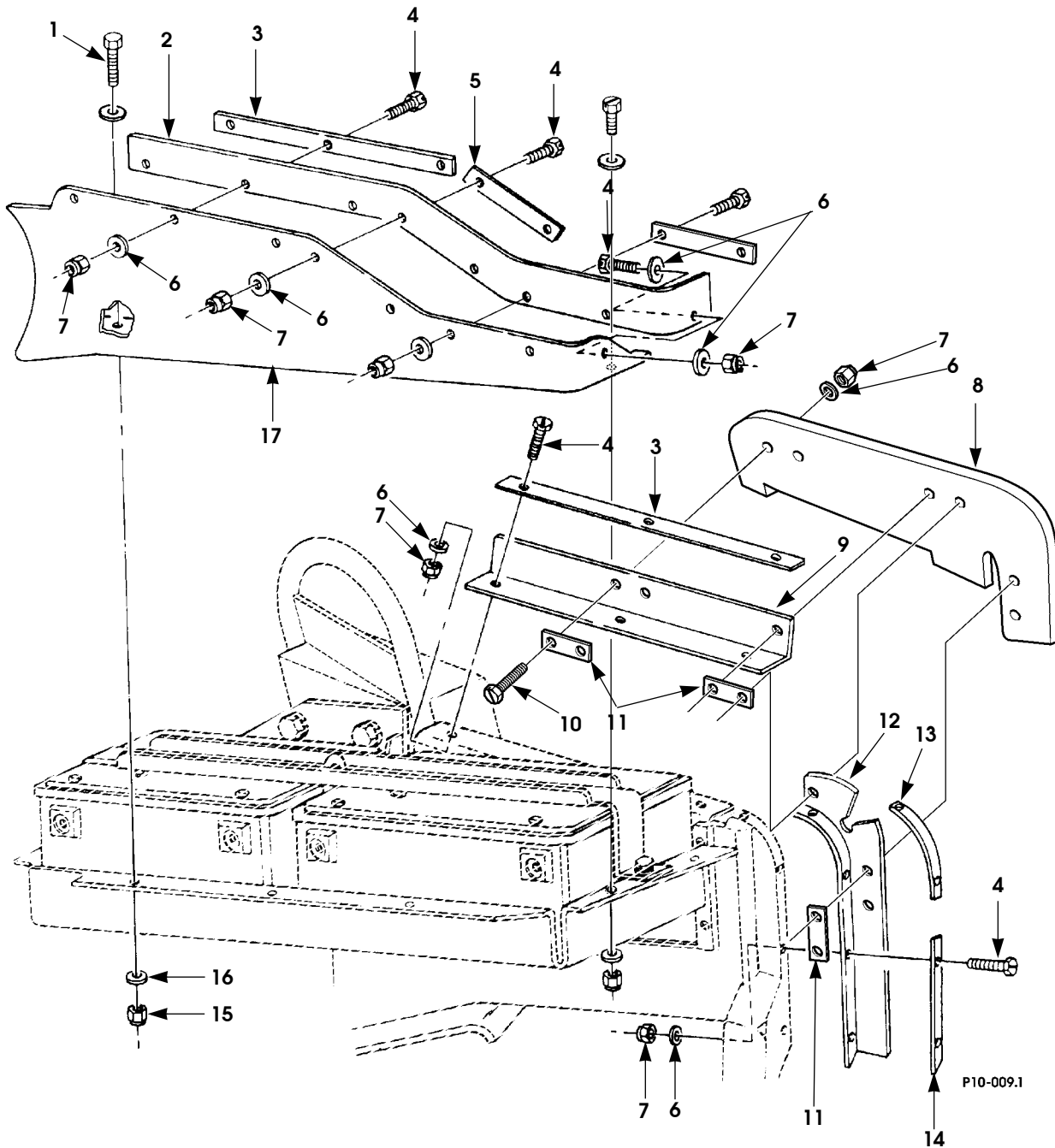


Figure 10-10. Splash Shield (Right Hand) Upper, and Seals.

1997 HUMMER PARTS CATALOG

6-1-99

BODY 10-25

ITEM	PART NUMBER	DESCRIPTION	QTY
		Figure 10-10. Splash Shield (Right Hand) Upper, and Seals.	
1	N/S	BOLT, 5/16 - 18 x 1.0, Gr5, CAD	3
2	6003117	SEAL, battery tray, top, outer (NA Diesel)	1
3	6002924	RETAINER, hood seal, top (NA Diesel)	2
3	6002924	RETAINER, hood seal, top (Turbo Diesel)	1
4	N/S	SCREW, #10 - 24 x 3/4, CAD (NA Diesel)	16
4	N/S	SCREW, #10 - 24 x 3/4, CAD (Turbo)	8
5	12338634-1P3	RETAINER, seal (NA Diesel)	2
6	N/S	WASHER, flat, #10, CAD (NA Diesel)	24
6	N/S	WASHER, flat, #10, CAD (Turbo)	15
7	N/S	LOCKNUT, #10 - 24, Gr8, CAD (NA Diesel)	22
7	N/S	LOCKNUT, #10 - 24, Gr8, CAD (Turbo)	14
8	6007251	SEAL, shield-to-hood	1
9	6002914	SEAL, battery tray to hood, top	1
10	N/S	BOLT, slotted hex head, #10 - 24 x 1 3/16	6
11	12338634-1P3	RETAINER, splash shield seal, R.H.	6
12	6002915	SEAL, battery tray to hood, front	1
13	6002925	RETAINER, hood seal, front	1
14	12338634-2P3	RETAINER, seal	1
15	N/S	LOCKNUT, 5/16 - 18, Gr5, CAD	3
16	N/S	WASHER, flat, 5/16, CAD	6
17	6003116	SPLASH SHIELD, upper, R.H. (NA Diesel)	1
17	6007249	SPLASH SHIELD, upper, R.H. (Turbo Diesel)	1

6-1-99

1997 HUMMER PARTS CATALOG

10-26 BODY

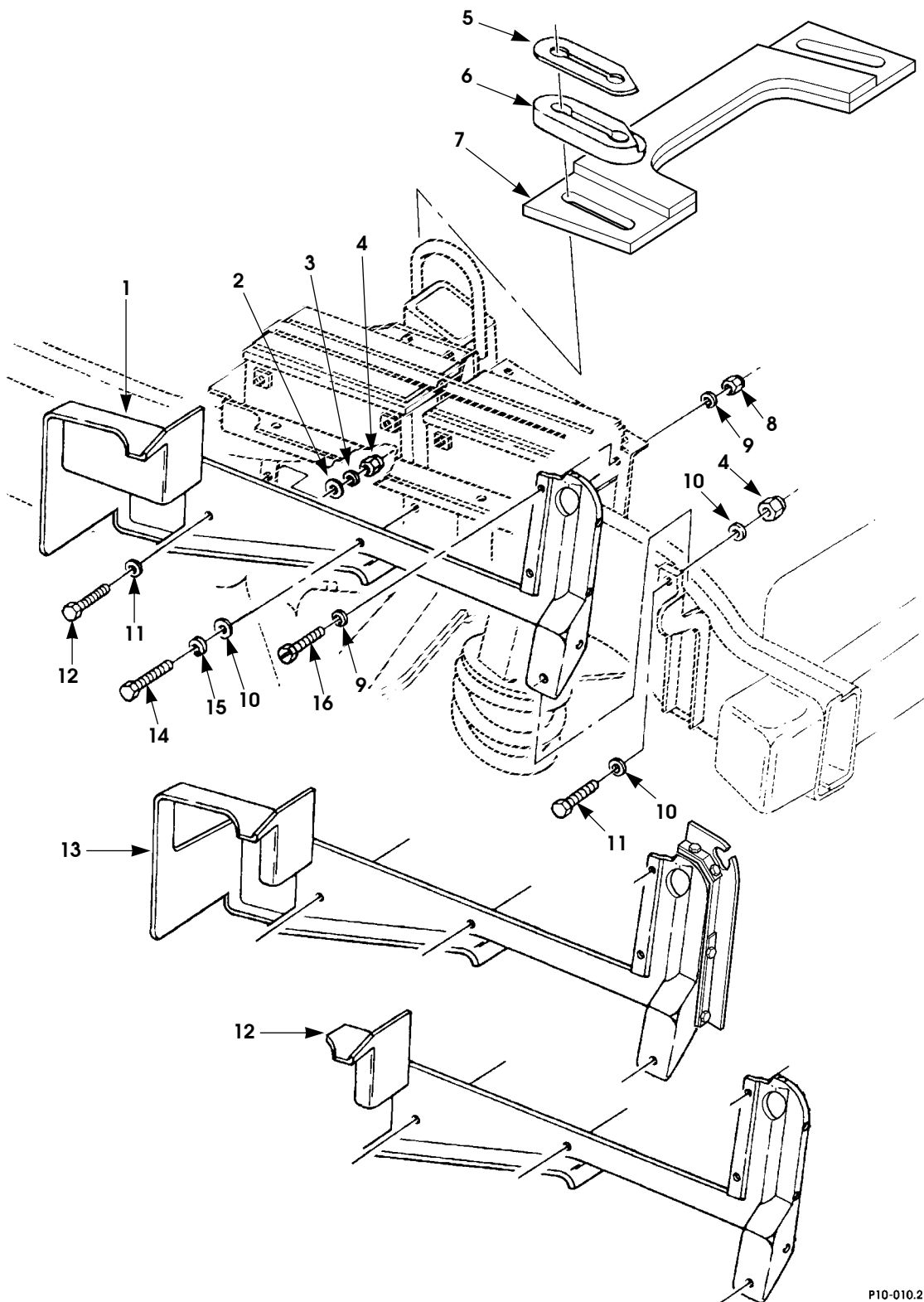


Figure 10-11. Splash Shield (Right Hand), Lower.

P10-010.2

1997 HUMMER PARTS CATALOG

6-1-99

BODY 10-27

ITEM	PART NUMBER	DESCRIPTION	QTY
		Figure 10-11. Splash Shield (Right Hand), Lower.	
1	6003115	SPLASH SHIELD, lower, R.H. (NA Diesel)	1
2	N/S	WASHER, flat, 3/8" x 1 1/2" O.D.	1
3	N/S	LOCKWASHER, 5/16	1
4	N/S	LOCKNUT, 5/16 - 18, Gr5, CAD	5
5	6008043	COVER PLATE, airlift bracket seal	1
6	12342358	SEAL, airlift bracket, R.H.	1
7	6007250	SEAL, radiator-to-hood	1
8	N/S	LOCKNUT, #10-24, Gr5, CAD	2
9	N/S	WASHER, flat, #10, CAD	4
10	N/S	WASHER, flat, 5/16, CAD	5
11	N/S	BOLT, 5/16 - 18 x 1, Gr5, CAD.	6
12	6009388	SPLASH SHIELD, lower, R.H. (On VIN VE176477 and up)	1
13	6007248	SPLASH SHIELD, lower, R.H. (Turbo Diesel).	1
14	N/S	SCREW, tapping, 5/16 - 18 x 1, ZN.	1
15	N/S	LOCKWASHER, med, 5/16, ZN	1
16	N/S	SCREW, #10 - 24 x 3/4	2

6-1-99

1997 HUMMER PARTS CATALOG

10-28 BODY

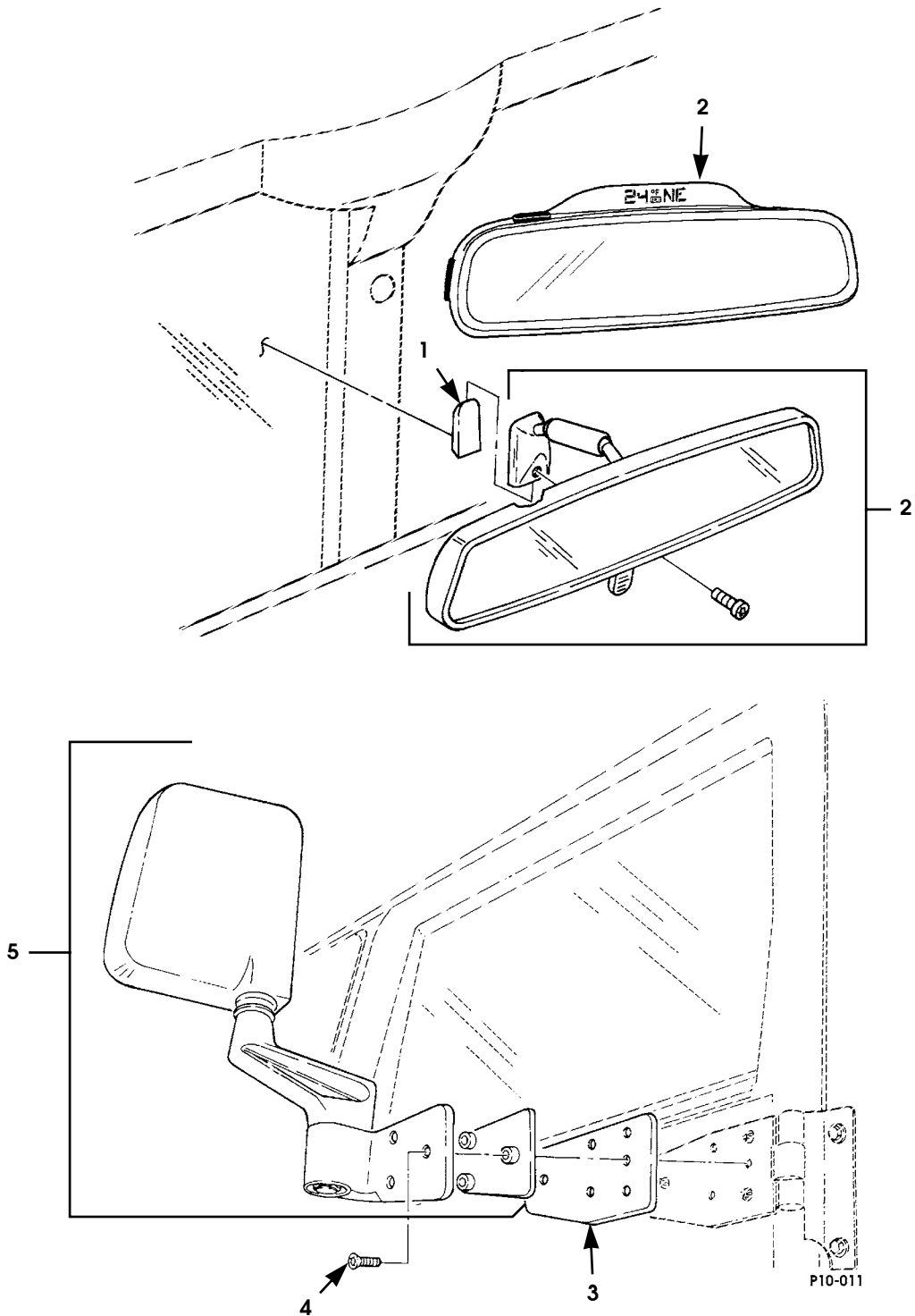


Figure 10-12. Inside and Outside Mirrors and Mounting Hardware.

1997 HUMMER PARTS CATALOG

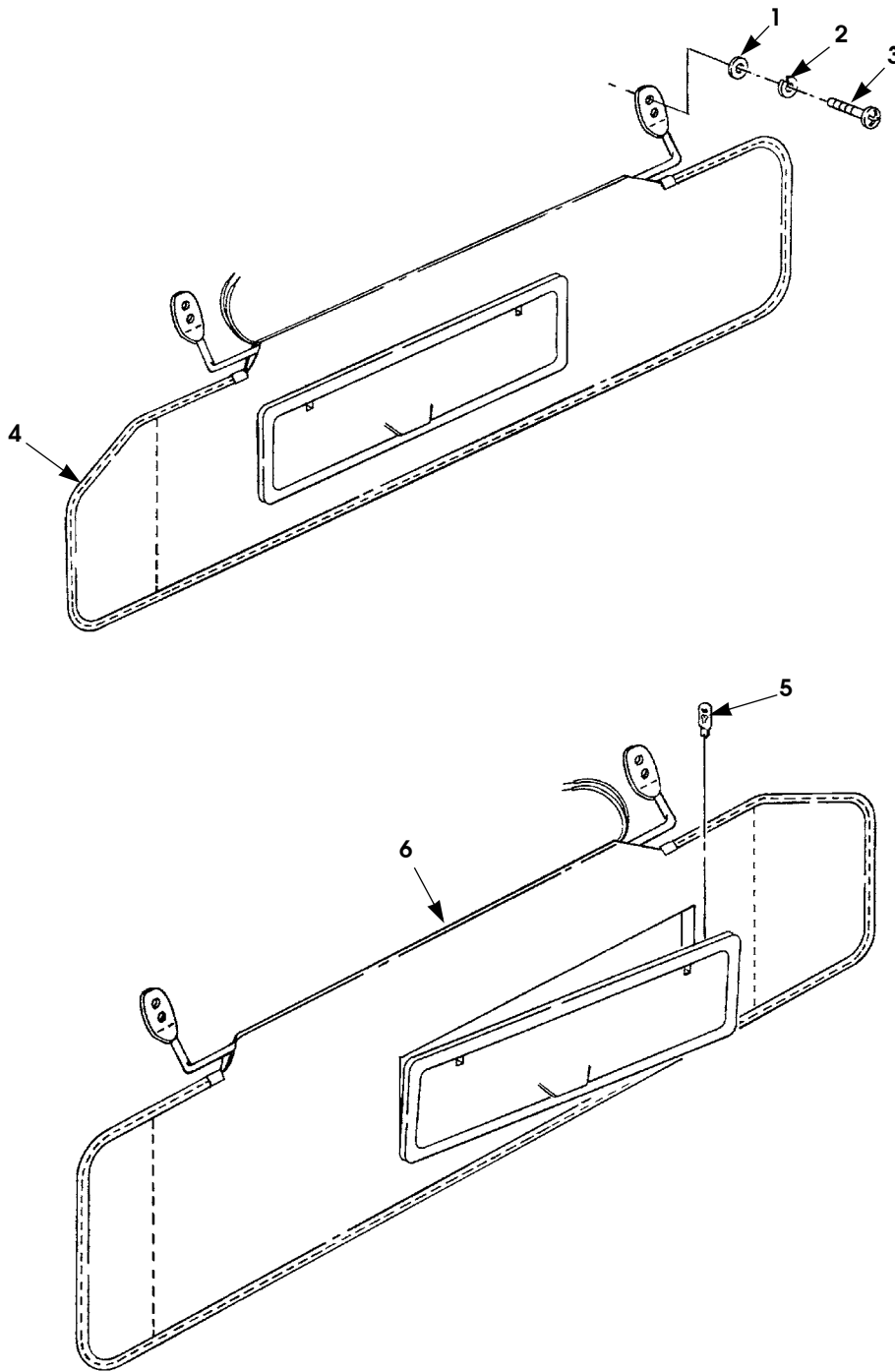
6-1-99

BODY 10-29

ITEM	PART NUMBER	DESCRIPTION	QTY
		Figure 10-12. Inside and Outside Mirrors and Mounting Hardware.	
1	5939643	SUPPORT, inside rearview mirror	1
2	5939074	MIRROR, rearview, inside, standard	1
2	6007188	MIRROR, rearview, inside, deluxe, w/compass 83,84,89	1
3	6003618	PLATE, adapter mirror mounting	2
4	N/S	SCREW, 1/4" -20 x 3/4" FH mach.	6
5	5939436	EXTERIOR MIRROR, L.H., SEE NOTE 1	1
5	5939393	EXTERIOR MIRROR, R.H., SEE NOTE 1	1
	6007374	HARNESS ASSY, outside temp sensor (not illustrated). .	1
	5744736	SENSOR, outside temperature (not illustrated).	1
		NOTE 1: SEE CHAPTER 12 FOR EXTERIOR POWER MIRRORS.	

1997 HUMMER PARTS CATALOG

10-30 BODY



P10-012

Figure 10-13. Sun Visor.

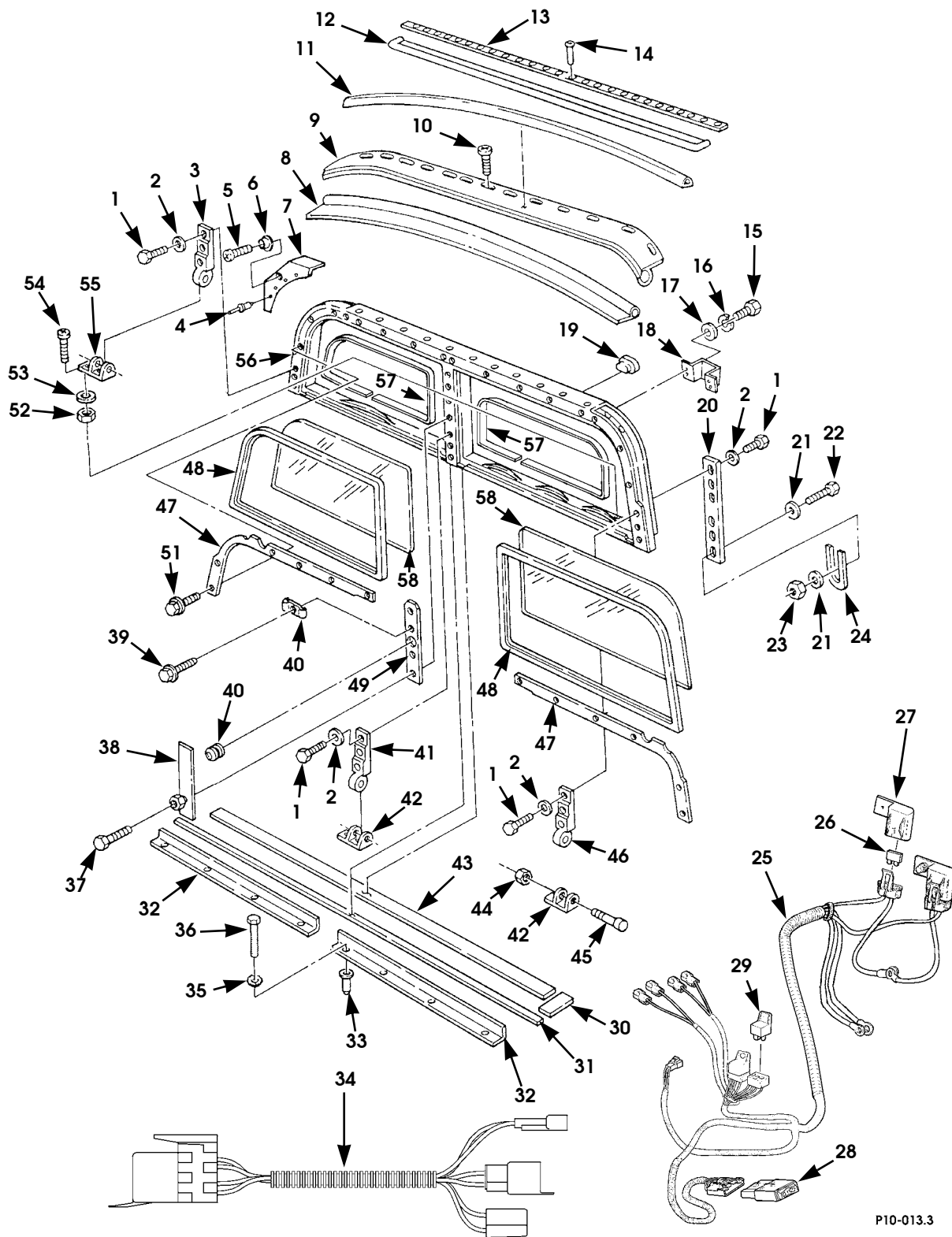
1997 HUMMER PARTS CATALOG

6-1-99

BODY 10-31

ITEM	PART NUMBER	DESCRIPTION	QTY
		Figure 10-13. Sun Visor.	
1	N/S	WASHER, flat, #10.	8
2	N/S	LOCKWASHER, #10.	8
3	N/S	SCREW, pan head, #10 - 24 x 3/4.	8
4	6005689G	SUN VISOR, R.H., standard trim, gray.	1
4	6005689	SUN VISOR, R.H., standard trim, tan.	1
4	6005584G	SUN VISOR, R.H., deluxe, gray, w/lighted vanity mirror. 83, 84, 89.	1
4	6005584T	SUN VISOR, R.H., deluxe, tan, w/lighted vanity mirror 83, 84, 89.	1
5	N/S	BULB (trade #73) 83, 84, 89.	2
6	6008209G	SUN VISOR, L.H., standard trim, gray.	1
6	6008209T	SUN VISOR, L.H., standard trim, tan.	1
6	6008210G	SUN VISOR, L.H., deluxe, gray, w/lighted vanity mirror. 83, 84, 89.	1
6	6008210T	SUN VISOR, L.H., deluxe, tan, w/lighted vanity mirror 83, 84, 89.	1

10-32 BODY



P10-013.3

Figure 10-14. Windshield Assembly.

1997 HUMMER PARTS CATALOG

6-1-99

BODY 10-33

ITEM	PART NUMBER	DESCRIPTION	QTY
		Figure 10-14. Windshield Assembly.	
1	N/S	BOLT, 5/16 - 18 x 1.12, Gr8	15
2	N/S	WASHER, flat, hardened, type B, 5/16	15
3	12338841-2P	HINGE, R.H.	1
4	N/S	RIVET, blind, aluminum, 3/16, .270-.410	8
5	9416136P2	SCREW, #6 - 20 x 3/8	2
6	MS27980-7B	SNAP FASTENER	2
		90	
7	6001062P	CORNER CAP, L.H.	1
		90	
7	6001063P	CORNER CAP, R.H.	1
		90	
8	6001113	SEAL, windshield frame, upper	1
		90	
9	6001112P	FORMER ASSEMBLY,	1
		90	
10	N/S	SCREW, pan head tapping, #10 - 24 x 1/2	11
		90	
11	6002867	SEAL, windshield D-header, .88-inch	1
		90	
12	5939991	SEAL	1
		83, 84, 89	
13	12338818P	RETAINER.	1
		83, 84, 89	
14	M7885/2-4-5	RIVET, blind, 1/8"	27
		83, 84, 89	
15	N/S	SCREW, pan head, #10 - 24 x 3/4	16
16	N/S	LOCKWASHER, med, #10, ZN.	16
17	N/S	WASHER, flat, #10, CAD	16
18	6000814P	BRACKET, visor mounting.	4
19	12338829	COVER	2
20	5939340	BRACKET, rear.	2
21	N/S	WASHER, flat, hard, type B, 5/16	12
22	N/S	BOLT, 5/16 - 18 x 1.25, Gr8	6
23	N/S	LOCKNUT, 5/16 - 18, Gr8	3
24	12338806	SHIM, 2 places	A/R
25	6008694	HARNESS ASSEMBLY, heated windshield, SEE NOTE 1	1
26	N/S	• FUSE, 30-amp, heated windshield, SEE NOTE 1	2
27	6000023	• FUSE COVER.	1
28	6008768	CONTROL ASSEMBLY, heated windshield, SEE NOTE 1	1
29	6008655	RELAY, heated windshield, SEE NOTE 1	1
30	5939686	SEAL, lower windshield, L.H.	1
30	5939687	SEAL, lower windshield, R.H.	1

6-1-99

1997 HUMMER PARTS CATALOG

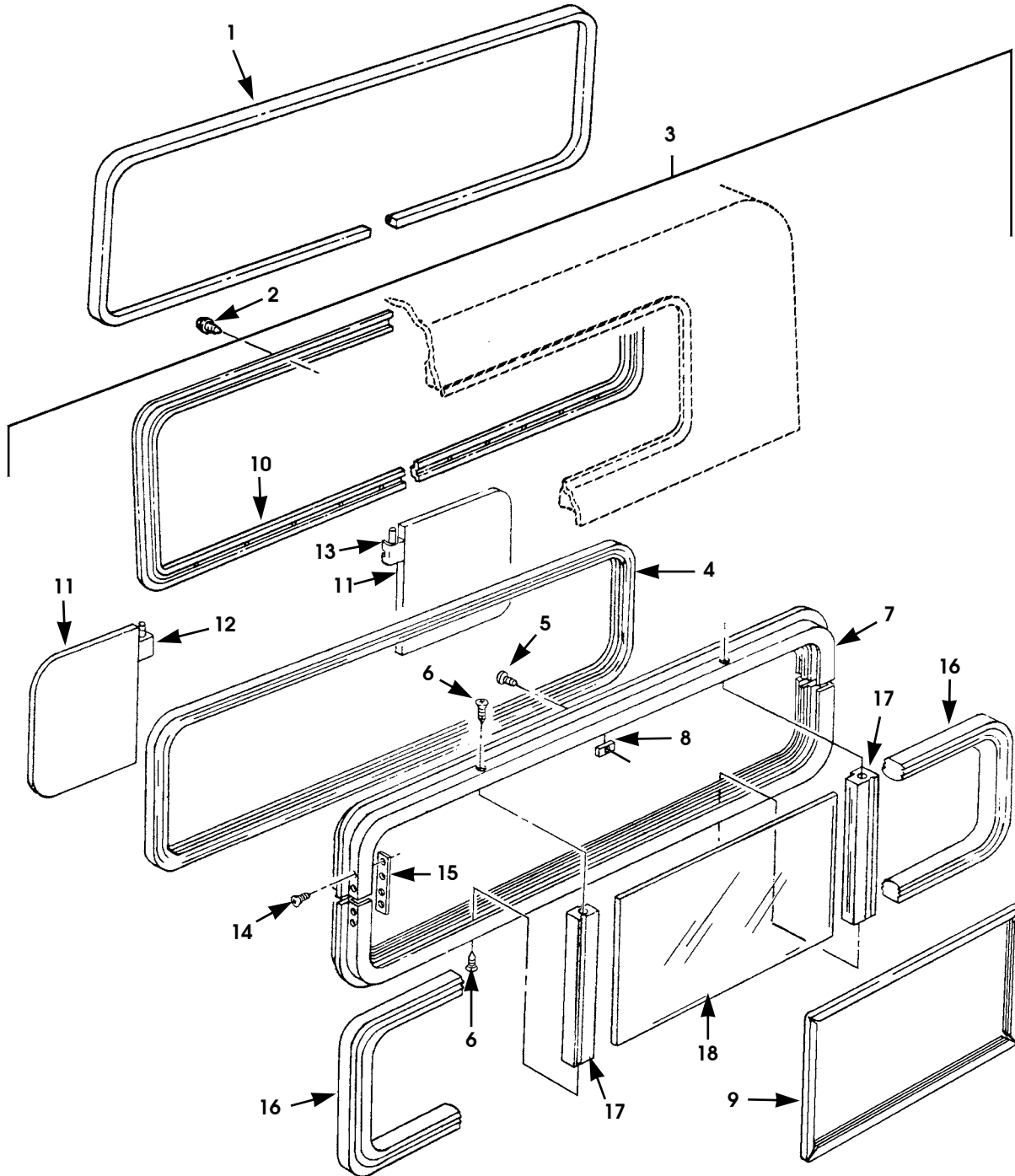
10-34 BODY

ITEM	PART NUMBER	DESCRIPTION	QTY
		Figure 10-14. Windshield Assembly. (Cont'd)	
31	5939685	SEAL	1
32	12447029P	RETAINER, windshield, lower	2
33	5939334	NUT INSERT, #10 - 24	8
34	6009334	HARNES, heated windshield/deluxe mirror	1
35	N/S	LOCKWASHER, med, #10, ZN	8
36	N/S	BOLT, #10 - 24 x 3/4	8
37	N/S	SCREW, tapping, #10 - 32 x 7/8	2
38	5935687P	COVER ASSEMBLY, wire	1
39	5939530P2	SCREW, tapping	1
40	5935699	GROMMET, W/S center pillar.	1
41	12338835P	HINGE, middle	1
42	12338822-1P	HINGE, lower.	2
43	6001115	SEAL, 8-foot	1
44	N/S	LOCKNUT, 3/8 - 16, Gr8.	3
45	N/S	BOLT, 3/8 - 16 x 2.00, Gr5	3
46	12338841-1P	HINGE, L.H.	1
47	12338852P	RETAINER, windshield, upper	2
48	12338941	WEATHERSTRIP	2
49	5935710P	RETAINER, windshield center.	1
50	5935689	WIRE RETAINER	1
51	N/S	SCREW, tapping, #10 - 32 x 5/8	12
52	N/S	NUT, 5/16 - 18, Gr5	6
53	N/S	LOCKWASHER, extra heavy, 5/16	6
54	N/S	SCREW, fillister head, 5/16 - 18 x 1.25	6
55	12338822-2P	HINGE, lower, R.H.	1
56	WC12339513P	FRAME	1
		89, 83, 84	
56	WC12339513-1P	FRAME	1
		90	
57	6005792	TAPE, foam butyl (30' roll)	1
58	6003519	GLASS, tinted, R.H.	1
58	6008657	GLASS, heated windshield, R.H., SEE NOTE 1	1
58	6003520	GLASS, tinted, L.H.	1
58	6008656	GLASS, heated windshield, L.H., SEE NOTE 1	1
		NOTE 1: HEATED WINDSHIELD OPTION ONLY	

6-1-99

1997 HUMMER PARTS CATALOG

10-36 BODY



P10-014a

Figure 10-15. Window Assembly, Rear.

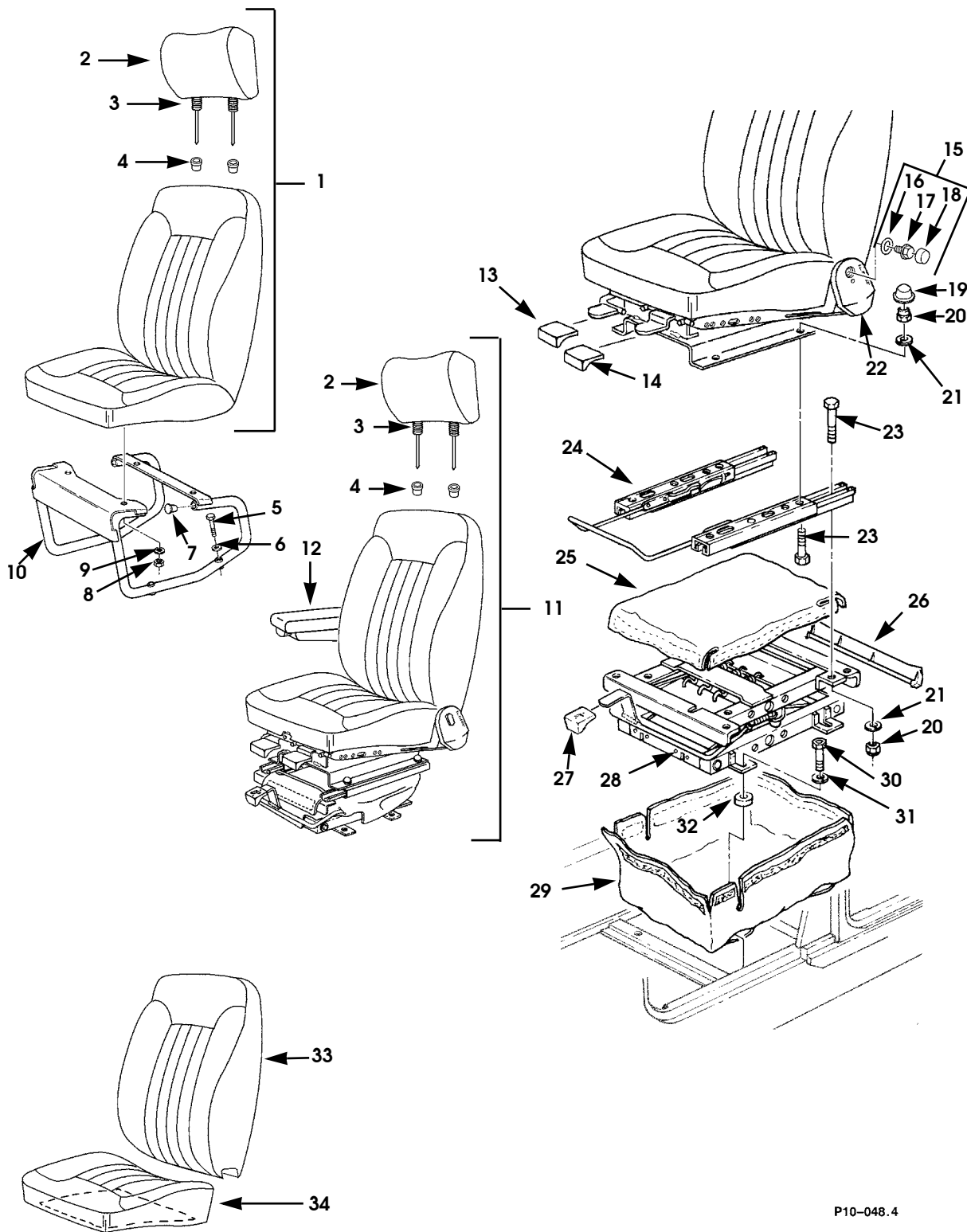
1997 HUMMER PARTS CATALOG

6-1-99

BODY 10-37

ITEM	PART NUMBER	DESCRIPTION	QTY
		Figure 10-15. Window Assembly, Rear.	
1	6000366	SEAL, inner, rear window	1
2	N/S	SCREW, self tapping, #10-32	24
3	6003517	REAR WINDOW ASSEMBLY, sliding, tinted	1
3	6005304	REAR WINDOW ASSEMBLY, sliding, with defroster	1
4	S.I.A.	•INNER FRAME	1
5	S.I.A.	•SCREW, rear window travel stop	2
6	S.I.A.	•SCREW, rear window side post mounting	4
7	S.I.A.	•INTERMEDIATE FRAME, rear window	1
8	S.I.A.	•TRAVEL STOP, rear window	2
9	S.I.A.	•SEAL, outer, rear window	1
10	5744496	•CLAMP RING, rear window.	2
11	N/S	•GLASS, sliding rear window, tinted.	2
12	5744504	•LOCK, rear window left hand	1
13	5744505	•LOCK, rear window right hand	1
14	5744500	•SCREW, rear window frame	4
15	5744501	•TIE BAR, rear window frame	1
16	5744506	•FILLER, window frame 90 inches	2
17	5744503	•CENTER POST, rear window	2
18	N/S	•GLASS, fixed center section, tinted	1
18	N/S	•GLASS, fixed center, w/defroster, tinted	1

10-38 BODY



P10-048.4

Figure 10-16. Seats, Driver and Passenger.

1997 HUMMER PARTS CATALOG

6-1-99

BODY 10-39

ITEM	PART NUMBER	DESCRIPTION	QTY
		Figure 10-16. Seats, Driver and Passenger.	
1	6009003G	REAR PASSENGER SEAT ASSEMBLY, gray	2
		83, 84, 90	
1	6009003T	REAR PASSENGER SEAT ASSEMBLY, tan	2
		83, 84, 90	
1	6009000	REAR PASSENGER SEAT ASSEMBLY, black vinyl	2
		83, 84, 90	
2	5744740	•HEADREST ASSEMBLY, black vinyl SEE NOTE 1	1
2	5744741	•HEADREST ASSEMBLY, tan SEE NOTE 1	1
2	5744742	•HEADREST ASSEMBLY, gray SEE NOTE 1	1
3	5744839	••BOOT, headrest/seat bar post SEE NOTE 1	2
4	5744826	•FERRULE, headrest post SEE NOTE 1	2
5	N/S	BOLT, 5/16 - 18 x 1.75, Gr5, rear passenger seat support	4
6	N/S	WASHER, flat, hardened, 5/16, rear passenger seat support	4
7	12339361-5	PLUG, plastic, rear passenger seat	4
8	N/S	LOCKNUT, 5/16 - 18, Gr8, rear passenger seat support	4
9	N/S	WASHER, flat, hardened, 5/16, rear passenger seat support.	4
10	5939508B2	REAR PASSENGER SEAT STANCHION ASSEMBLY	1
11	6009001G	DRIVER SEAT ASSEMBLY, gray	1
11	6009001T	DRIVER SEAT ASSEMBLY, tan	1
11	6008998	DRIVER SEAT ASSEMBLY, black vinyl	1
11	6009002G	PASSENGER SEAT ASSEMBLY, gray	1
11	6009002T	PASSENGER SEAT ASSEMBLY, tan	1
11	6008999	PASSENGER SEAT ASSEMBLY, black vinyl	1
12	5744744	•ARMREST, driver's, tan	1
12	5744745	•ARMREST, driver's, gray	1
12	5744743	•ARMREST, driver's, black vinyl	1
12	5744747	•ARMREST, passenger's, tan	1
12	5744748	•ARMREST, passenger's, gray	1
12	5744746	•ARMREST, passenger's, black vinyl.	1
13	5744805	•KNOB, control, seat tilt, driver's seat	1
14	5744823	•KNOB, control, seatback recline	1
15	5744877	•KIT, side plate retainer SEE NOTE 2	1
16	S.I.K.	••O-RING	1
17	S.I.K.	••BOLT, flanged	1
18	S.I.K.	••CAP, plastic.	1
19	6002698	•PROTECTIVE CAP	4
20	N/S	•LOCKNUT, 5/16 - 18, Gr8	8
21	N/S	•WASHER, flat, hardened, type B, 5/16	8

6-1-99

1997 HUMMER PARTS CATALOG

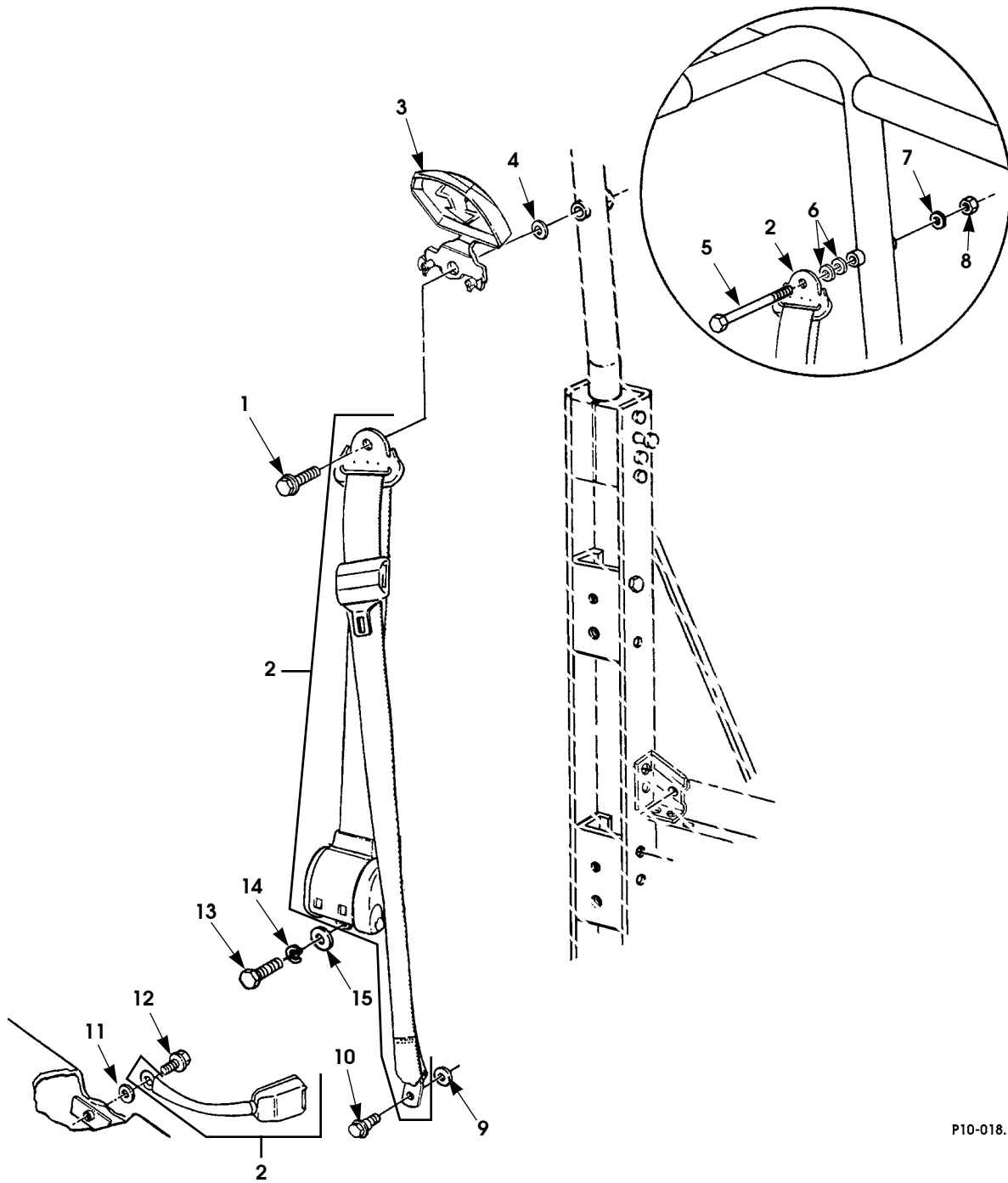
10-39.1 BODY

ITEM	PART NUMBER	DESCRIPTION	QTY
		Figure 10-16. Seats, Driver and Passenger. (Cont'd)	
22	5744816	•COVER, side, reclining seat, left, black	1
22	5744817	•COVER, side, reclining seat, right, black	1
23	N/S	•BOLT, socket head, 5/16 - 18 x 3/4, ZN	8
24	12446713	•SLIDE SET, driver seat	1
25	5744160	•COVER, height adjuster, black vinyl.	2
25	5744833	•COVER, height adjuster, gray	2
25	5744832	•COVER, height adjuster, tan	2
26	5744597	•COVER, frame, black	1
27	5744824	•CONTROL KNOB, seat	1
28	12446714	•HEIGHT ADJUSTER.	1
29	5744161	•BAG, height adjuster, black vinyl	1
29	5744835	•BAG, height adjuster, gray	1
29	5744834	•BAG, height adjuster, tan	1
30	N/S	•BOLT, 5/16 - 18 x 3/4, sock	8
31	N/S	•LOCKWASHER, med, 5/16, ZN	12
32	12343055	•SPACER, seat base.	4
	5744690	•RECLINER MECHANISM, driver's seat (not illustrated)	1
	5744800	•CLIP, upholstery retaining (not illustrated).	v
33	5744842	UPHOLSTERY, seat back, black, vinyl w/o cushion, front.	1
33	5744841	UPHOLSTERY, seat back, gray, w/o cushion, front	1
33	5744840	UPHOLSTERY, seat back, tan, w/o cushion, front	1
33	5744752	UPHOLSTERY, seat back, black vinyl, w/o cushion, rear	1
33	5744753	UPHOLSTERY, seat back, tan, w/o cushion, rear	1
33	5744754	UPHOLSTERY, seat back, gray, w/o cushion, rear	1
34	5744838	UPHOLSTERY, seat, black vinyl, w/o cushion, front. . . .	1
34	5744837	UPHOLSTERY, seat, gray, w/o cushion, front	1
34	5744836	UPHOLSTERY, seat, tan, w/o cushion, front	1
34	5744749	UPHOLSTERY, seat, black vinyl, w/o cushion, rear	1
34	5744751	UPHOLSTERY, seat, gray, w/o cushion, rear	1
34	5744750	UPHOLSTERY, seat, tan, w/o cushion, rear	1
		NOTE 1: ALSO USED ON DRIVER'S AND FRONT PASSENGER SEATS.	
		NOTE 2: KIT INCLUDES TWO OF EACH COMPONENT TO SERVICE THE OUTER SIDE OF BOTH THE DRIVER'S AND FRONT PASSENGER SEATS.	

6-1-99

1997 HUMMER PARTS CATALOG

10-40 BODY



P10-018.1

Figure 10-17. Seat Belts, Front and Rear.

1997 HUMMER PARTS CATALOG

6-1-99

BODY 10-41

ITEM	PART NUMBER	DESCRIPTION	QTY
		Figure 10-17. Seat Belts, Front and Rear.	
1	6004980P2	BOLT, 7/16 - 20 x 3.25, front seat belt anchor 89	2
1	6004162P2	BOLT, 1/2 - 20 x 1.19, seat belt anchor 83, 84, 90	2
2	5743857	KIT, front seat belt, L.H.	1
2	5743858	KIT, front seat belt, R.H.	1
2	5743860	KIT, rear seat belt	2
3	6004161	•COVER, webbing guide 89	2
3	6004161	•COVER, webbing guide 83, 84	4
4	N/S	WASHER, flat, hardened, type B, 7/16 89	2
4	12341856P2	WASHER, 7/16. 83, 84	4
5	12340259-4P2	BOLT, 7/16 - 20 x 3.47, front seat belt 90	2
5	N/S	BOLT, 7/16 - 20 x 1 1/4, rear seat belt 90	2
6	N/S	WASHER, flat, hardened, type B, 7/16, front and rear seat belt 90	8
7	N/S	WASHER, flat, hardened, type B, 7/16, front seat belt . 90	2
8	N/S	LOCKNUT, 7/16 - 20, Gr8, CAD, front seat belt. 90	2
9	12340058P2	WASHER, hardened, 7/16 x 1 1/2 89, 90	2
9	12340058P2	WASHER, 7/16 x 1 1/2. 83, 84	4
10	12340259-6P2	BOLT, 7/16 - 20 x .70 89, 90	2
10	12340259-6P2	BOLT, 7/16 - 20 x .70 83, 84	4
11	12340058P2	WASHER, hardened, 7/16 x 1 1/4 89, 90	2
11	12340058P2	WASHER, 7/16 x 1 1/2 83, 84	8
12	12340259-3P2	BOLT, 7/16 - 20 x 1.35 89, 90	2
12	12340259-3P2	BOLT, 7/16 - 20 x 1.35 83, 84	4

6-1-99

1997 HUMMER PARTS CATALOG

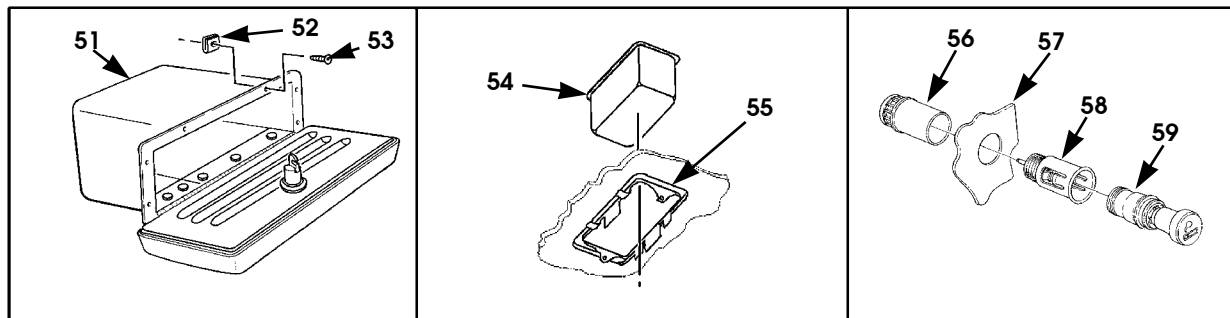
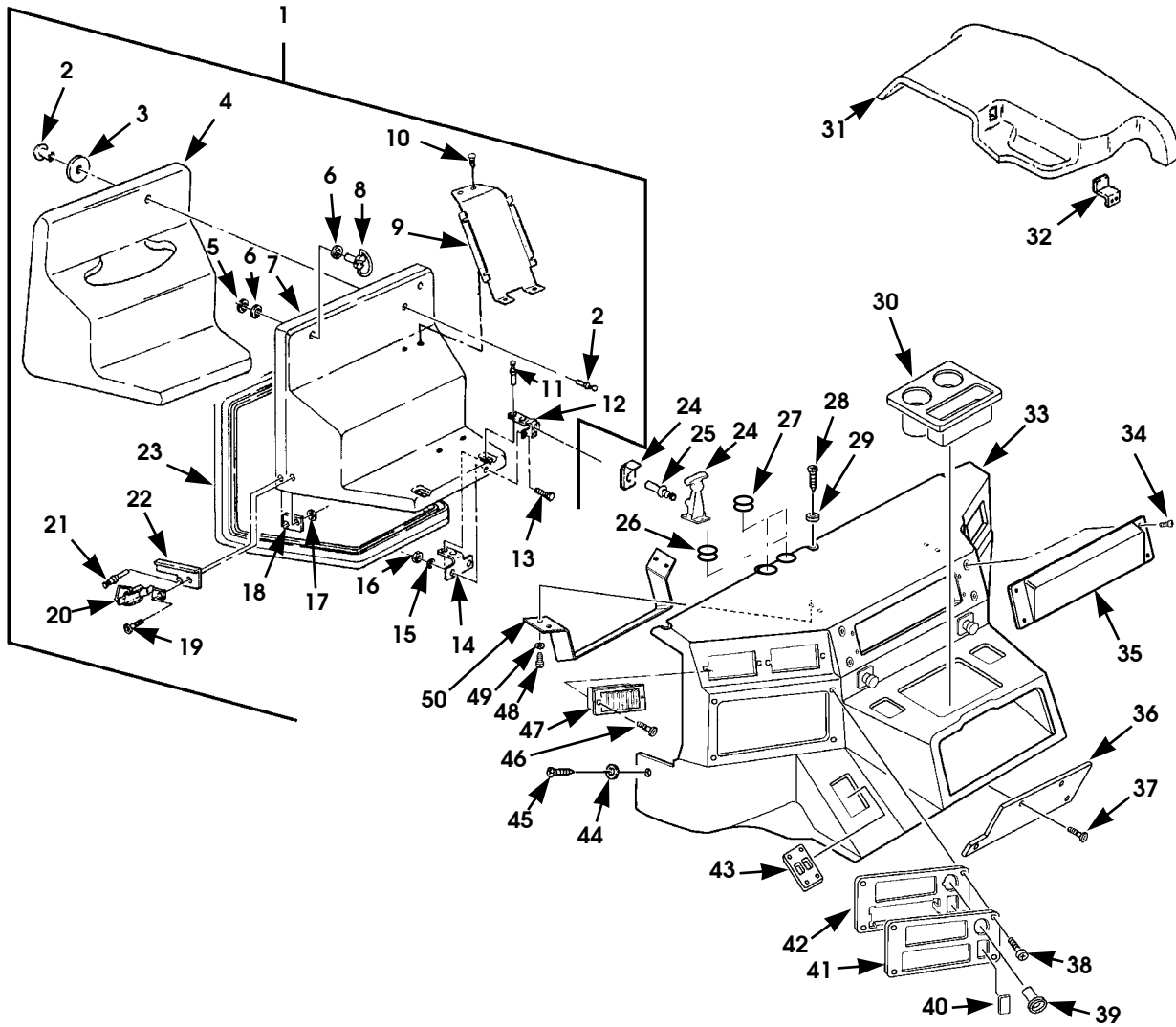
10-42 BODY

ITEM	PART NUMBER	DESCRIPTION	QTY
		Figure 10-17. Seat Belts, Front and Rear. (Cont'd)	
13	453719P2	BOLT, 7/16 - 20 x 1 1/4, front seat belt.	2
13	N/S	89 BOLT, 7/16 - 20 x 1.0, Gr8, rear seat belt	2
14	N/S	83, 84 LOCKWASHER, med, 7/16, ZN, rear seat belt.	2
15	N/S	83, 84 WASHER, hardened, type B, 7/16	2
15	N/S	89, 90 WASHER, hardened, type B, 7/16	4
		83, 84	

12-1-97

1997 HUMMER PARTS CATALOG

10-44 BODY



P10-019.3

Figure 10-18. Engine Cover, Console Cover, and Related Parts.

1997 HUMMER PARTS CATALOG

6-1-99

BODY 10-45

ITEM	PART NUMBER	DESCRIPTION	QTY
		Figure 10-18. Engine Cover, Console Cover, and Related Parts.	
1	6006754	ENGINE COVER ASSEMBLY	1
2	12339737	•RIVET ASSEMBLY, 2-piece, 3/16, aluminum (part number includes one of each piece)	6
3	12341718	•WASHER, engine cover insulation, snapping	6
4	6006786	•INSULATION, engine cover	1
5	12341011	•RING, retaining.	2
6	N/S	•WASHER, flat, hardened, 7/16, type B	2
7	6006752	•ENGINE COVER	1
8	12339738-1	•STUD, ring head	2
9	6006756B2	•BRACKET, TCM mounting (NA Diesel)	1
9	6006755B2	•BRACKET, PCM mounting (Turbo Diesel)	1
10	6001038	•CLIP, trim	4
11	M7885/26-4	•RIVET	4
12	RCSK17413	•BRACKET, engine cover hold-down, rear	2
13	N/S	•SCREW, hex head, #10 - 24 x 5/8	4
14	RCSK17639	•PLATE, engine cover hold-down bracket, rear.	2
15	N/S	•WASHER, narrow, type B, #10, ZN	8
16	N/S	•NUT, #10 - 24, CAD	4
17	N/S	•LOCKNUT, pt, 5/16 - 18	2
18	12338943	•PLATE, latch backing, front.	2
19	12339428	•BOLT, shoulder	2
20	12338950	•LATCH ASSEMBLY, engine cover hold-down, front	2
21	M7885/36-4	•RIVET, countersunk.	2
22	12338952-1	•GUIDE PLATE, engine cover, front, L.H.	1
22	12338952-2	•GUIDE PLATE, engine cover, front, R.H.	1
23	RCSK17796	•SEAL, engine cover	1
24	12338946	CATCH, engine cover hold-down bracket, 2-piece (part number includes two of each piece)	1
25	N/S	RIVET, blind, aluminum, 1/8, grip .063 - .125.	4
26	6008732	GROMMET, console top, for use on vehicles with heated windshield	2
27	12339361-2	PLUG, console top, for use on vehicles without heated windshield	2
28	6002686G	SCREW AND WASHER ASSEMBLY, gray	3
28	6002686T	SCREW AND WASHER ASSEMBLY, tan	3
29	6008323G	WASHER, gray.	3
29	6008323T	WASHER, tan.	3
30	6008031	CUP HOLDER	1
31	6008797G	CONSOLE, rear section, gray	1
31	6008797T	CONSOLE, rear section, tan	1
32	6004817B2	SUPPORT, rear console	1

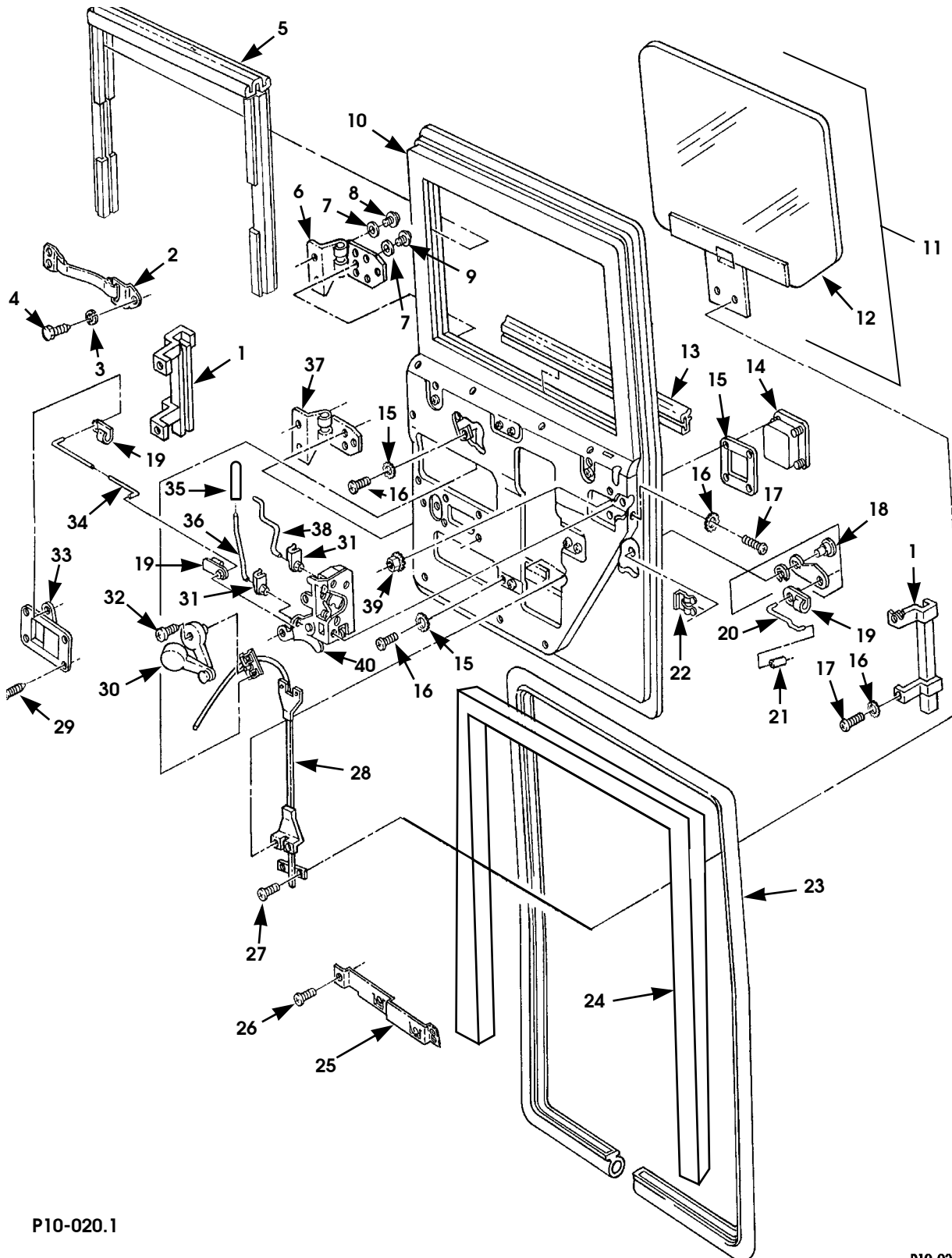
12-1-97

1997 HUMMER PARTS CATALOG

10-46 BODY

ITEM	PART NUMBER	DESCRIPTION	QTY
		Figure 10-18. Engine Cover, Console Cover, and Related Parts. (Cont'd)	
33	6008662G	CONSOLE, engine cover, deluxe, gray	1
33	6008662T	CONSOLE, engine cover, deluxe, tan	1
33	6009196G	CONSOLE, engine cover, deluxe, gray (On VIN VE176477 and up)	1
33	6009196T	CONSOLE, engine cover, deluxe, tan (On VIN VE176477 and up)	1
34	N/S	SCREW, oval head, #10 - 32 x 3/4	1
35	6009428	COVER, CD changer opening (when no changer is installed) (On VIN VE176477 and up)	1
36	6007111P	PANEL, closeout 89	1
37	6001038	CLIP, trim	4
38	5939651	SCREW, #10 - 16 x 3/4	14
39	6007236	POWER POINT	1
40	6005533	PANEL, blank	1
41	6007462	BEZEL, HVAC controller w/o radio	1
41	6009463	BEZEL, HVAC controller w/radio	1
42	6009106	RETAINER, HVAC controller/radio	1
43	6008727	PLATE, power window switches only 89	1
43	6008728	PLATE, power windows, heated windshield switches. 89	1
43	6008729	PLATE, power windows switches only 83, 84, 90	1
43	6008730	PLATE, power windows, heated windshield switches. 83, 84, 90	1
43	6008741	PLATE, heated windshield switch only	1
43	6008742	PLATE, closeout, no switches	1
44	121641P2	WASHER, finish, counter sunk, 1/4	2
45	N/S	SCREW, oval head, 1/4 - 20 x 3/4	2
46	N/S	SCREW, #6 - 32 x 3/4, (two per louver)	6
47	5743410	LOUVER, rectangular, w/o adapter	3
47	5744793	LOUVER, rectangular, w/o adapter (On VIN VE176477 and up)	3
48	N/S	SCREW, phcr, #10 - 32 x 3/4	4
49	N/S	WASHER, flat, #10, bracket, CD changer	4
50	6009427	BRACKET, CD changer, front (On VIN VE176477 and up)	1
51	6007061	GLOVEBOX	1
52	6001894	SPEEDNUT	14
53	N/S	SCREW, #10 - 16 x 3/4	14
54	6007110	ASHTRAY	2
55	S.I.A.	•MOUNTING BRACKET, ash tray	2
56	5939557	CLAMP, shell, lighter	2
57	6001208	BEZEL, lighter	2
58	5939559	SOCKET, CIGAR LIGHTER	2
59	5939897	CIGAR LIGHTER, knob and element	2

10-48 BODY



P10-020.1

Figure 10-19. Door Assembly, Front.

P10-02C

1997 HUMMER PARTS CATALOG

6-1-99

BODY 10-49

ITEM	PART NUMBER	DESCRIPTION	QTY
		Figure 10-19. Door Assembly, Front.	
1	5938919	CHANNEL ASSEMBLY, door glass, lower front, L.H.	1
1	5938920	CHANNEL ASSEMBLY, door glass, lower front, R.H.	1
1	6000056	CHANNEL ASSEMBLY, door glass, lower rear, L.H.	1
1	6000057	CHANNEL ASSEMBLY, door glass, lower rear, R.H.	1
2	6004975	STRAP ASSEMBLY, door stop, front.	1
3	N/S	WASHER, flat, hardened, type B, 1/4	1
4	N/S	BOLT, 1/4 - 20 x 1.0, Gr8, CAD	4
5	6008389	SEAL, side door window	1
6	6003620P	DOOR HINGE ASSEMBLY, upper front, L.H.	1
6	6003621P	DOOR HINGE ASSEMBLY, upper front, R.H.	1
7	5939634P2	WASHER, hinge mounting.	12
8	5939223P2	BOLT, 1/4 - 20 x 1.0, hinge, upper	3
9	5939423P2	BOLT, 1/4 - 20 x .75, hinge, lower.	3
10	6003642P	DOOR ASSEMBLY, front, L.H.	1
		83, 84, 90	
10	6003641P	DOOR ASSEMBLY, front, R.H.	1
		83, 84, 90	
11	5744554	GLASS AND LIFT CHANNEL, tinted glass, L.H., front. . . .	1
12	6003516	•GLASS, tinted	1
11	5744555	GLASS AND LIFT CHANNEL, tinted glass, R.H., front. . . .	1
12	6003516	•GLASS, tinted	1
13	5938840	SEAL, belt line.	2
14	6002874	HANDLE ASSEMBLY, exterior door, front	1
15	6000248	GASKET, exterior door handle	1
16	N/S	LOCKWASHER, external tooth, 1/4.	13
17	N/S	SCREW, phcr, M6 - 1.0 x 13	13
18	N/S	LOCK CYLINDER, L.H., SEE NOTE 1	1
18	N/S	LOCK CYLINDER, R.H., SEE NOTE 1	1
19	5939037	CLIP, rod end	3
20	5938964	ROD, key cylinder to latch, L.H.	1
20	5939714	ROD, key cylinder to latch, R.H.	1
21	6002905	SLEEVE, latch rod	1
22	5939371	CLIP, key cylinder, retaining.	1
23	6006447	SEAL, door, black foam, 144 inches long.	1
24	NPN	SEAL, body, black foam, 105 inches long, SEE NOTE 2 .	
25	6004422	BRACKET ASSEMBLY, front door, arm rest mounting, L.H.	1
25	6004434	BRACKET ASSEMBLY, front door, arm rest mounting, R.H.	1
26	N/S	SCREW, ph, 1/4 - 20 x 1 3/4	1
27	N/S	SCREW, torx head, M6 - 1 x 11	2

6-1-99

1997 HUMMER PARTS CATALOG

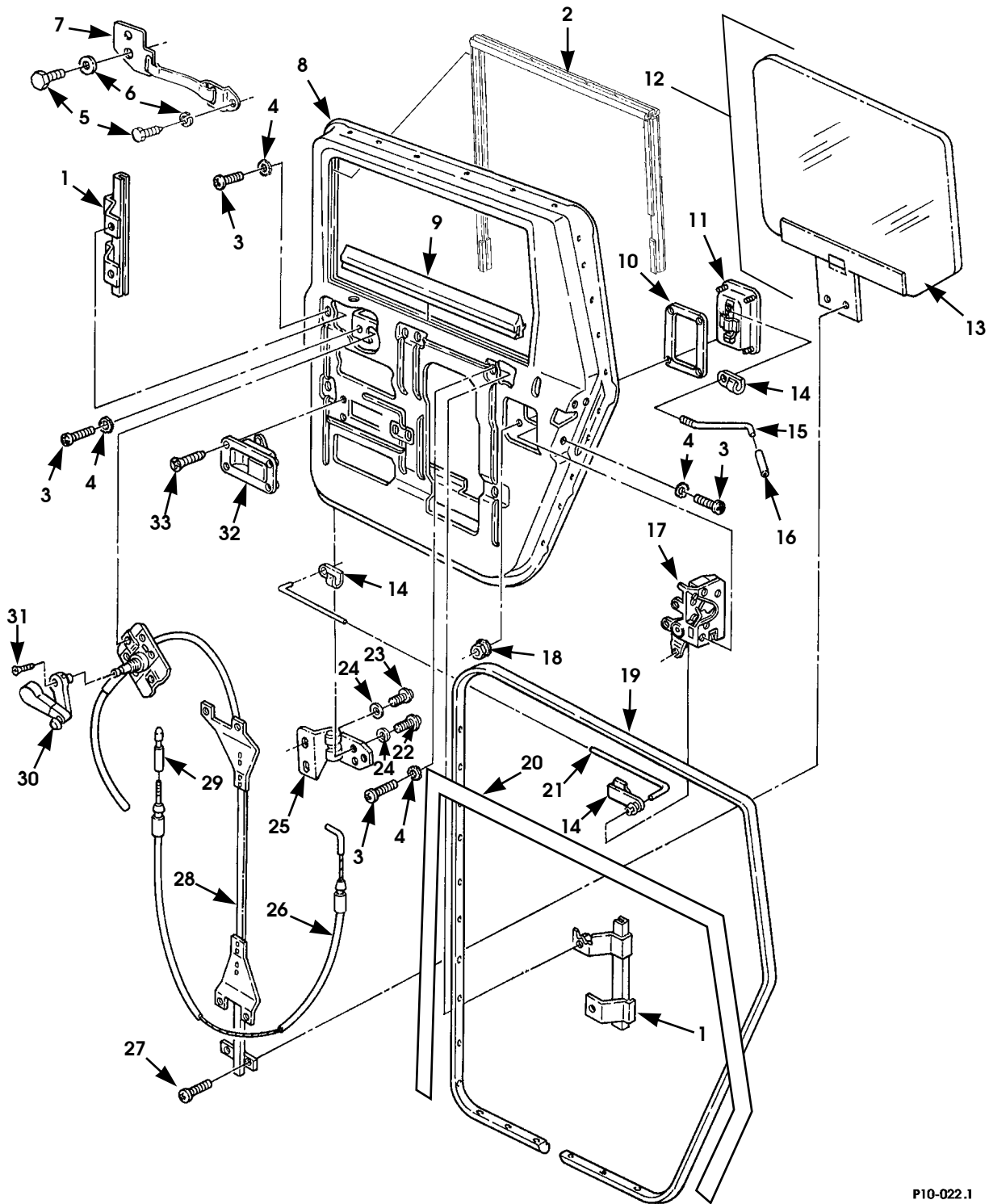
10-50 BODY

ITEM	PART NUMBER	DESCRIPTION	QTY
		Figure 10-19. Door Assembly, Front. (Cont'd)	
28	5938949	WINDOW REGULATOR ASSEMBLY, L.H.	1
28	5938950	WINDOW REGULATOR ASSEMBLY, R.H.	1
28	6002870	POWER REGULATOR, L.H.	1
28	6002871	POWER REGULATOR, R.H.	1
29	9425422P2	SCREW, tapping, #10 - 16 x 7/8.	4
30	5938951	HANDLE, window regulator.	1
31	12340002	CLIP, rod, handle end, L.H.	2
31	12340003	CLIP, rod, handle end, R.H.	2
32	N/S	SCREW, flat head, 10 - 24 x 1, window crank.	1
33	6000249	HANDLE ASSEMBLY, door interior, L.H.	1
33	6000250	HANDLE ASSEMBLY, door interior, R.H.	1
34	6000064	ROD, interior handle to latch, front.	1
35	6009112	KNOB, door lock.	1
36	5938965	ROD, lock pin to latch, L.H.	1
36	5938966	ROD, lock pin to latch, R.H.	1
37	5938962P	DOOR HINGE ASSEMBLY, lower, L.H.	1
37	5938963P	DOOR HINGE ASSEMBLY, lower, R.H.	1
38	6002880	ROD, exterior handle to latch, front.	2
39	N/S	NUT AND LOCKWASHER, keps #10 - 24.	4
40	5938960	LATCH ASSEMBLY, L.H.	1
40	5938961	LATCH ASSEMBLY, R.H.	1
		NOTE 1: ORDER LOCK CYLINDER KIT P/N 6001766	
		NOTE 2: CUT TO 105" LENGTH FROM 50' BULK ROLL OF BODY SEAL, P/N 5744322	

6-1-99

1997 HUMMER PARTS CATALOG

10-52 BODY



P10-022.1

Figure 10-20. Door Assembly, Rear, Models 83, 84 and 90.

1997 HUMMER PARTS CATALOG

6-1-99

BODY 10-53

ITEM	PART NUMBER	DESCRIPTION	QTY
		Figure 10-20. Door Assembly, Rear, Models 83, 84 and 90.	
1	5938921	CHANNEL ASSEMBLY, rear door glass, lower rear, L.H. .	1
1	5938922	CHANNEL ASSEMBLY, rear door glass, lower rear, R.H. .	1
1	6000058	CHANNEL ASSEMBLY, rear door glass, lower rear, L.H. .	1
1	6000087	CHANNEL ASSEMBLY, rear door glass, lower rear, R.H. .	1
2	6008389	SEAL, window channel, front and rear	1
3	N/S	SCREW, ph, M6-1.0 x 13	10
4	N/S	LOCKWASHER, ext tooth, 1/4	13
5	N/S	BOLT, 1/4 - 20 x 1.0, Gr8, CAD	4
6	N/S	WASHER, flat, hardened, type B, 1/4	4
7	6004971	STRAP ASSEMBLY, door stop, rear, L.H.	1
7	6004972	STRAP ASSEMBLY, door stop, rear, R.H.	1
8	6000071P	DOOR ASSEMBLY, rear, L.H.	1
8	6000072P	DOOR ASSEMBLY, rear, R.H.	1
9	5938840	SEAL, belt line	2
10	6000248	GASKET, exterior door handle	1
11	6002874	HANDLE ASSEMBLY, door exterior, rear.	1
12	5744555	GLASS AND LIFT CHANNEL, tinted glass, L.H., rear	1
13	6003516	•GLASS, tinted	1
12	5744554	GLASS AND LIFT CHANNEL, tinted glass, R.H., rear	1
13	6003516	•GLASS, tinted	1
14	5939037	CLIP, rod end	3
15	6002881	ROD, exterior handle to latch, rear	2
16	6002906	SLEEVE, latch rod	1
17	5938960	LATCH ASSEMBLY, L.H.	1
17	5938961	LATCH ASSEMBLY, R.H.	1
18	N/S	NUT AND LOCKWASHER, keps, #10 - 24, ZN	4
19	6006447	SEAL, door, black foam, 144" long.	1
20	NPN	SEAL, body, black foam, 106" long, SEE NOTE 2	1
21	6000061	ROD, interior handle to latch, rear	1
22	5939423P2	BOLT, 1/4 - 20 x .75	6
23	5939223P2	BOLT, 1/4 - 20 x 1.0	4
24	5939634P2	WASHER	10
25	5938962P	HINGE ASSEMBLY, door, L.H.	2
25	5938963P	HINGE ASSEMBLY, door, R.H.	2

6-1-99

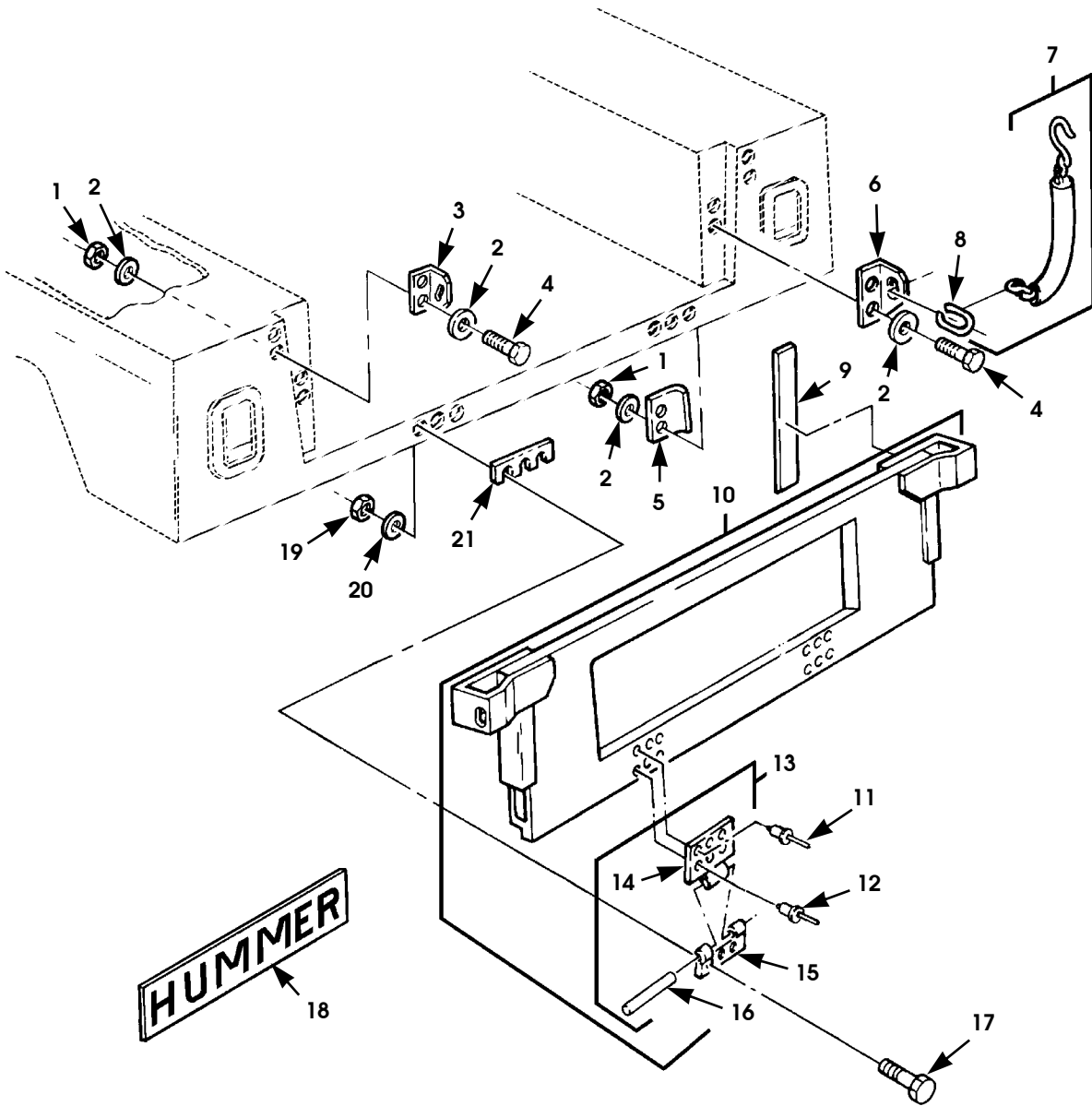
1997 HUMMER PARTS CATALOG

10-54 BODY

ITEM	PART NUMBER	DESCRIPTION	QTY
		Figure 10-20. Door Assembly, Rear, Models 83, 84 and 90. (Cont'd)	
26	5938896	DOOR LOCK CABLE ASSEMBLY.	1
27	6003484	SCREW, torx head, M6 - 1.0 x 11	2
28	5938949	WINDOW REGULATOR ASSEMBLY, L.H.	1
28	5938950	WINDOW REGULATOR ASSEMBLY, R.H.	1
28	6002870	POWER REGULATOR, L.H.	1
28	6002871	POWER REGULATOR, R.H.	1
29	6009112	KNOB, lock	1
30	5938951	HANDLE, window regulator.	1
31	N/S	SCREW, flat head, #10 - 24 x 1, window crank.	1
32	6000249	HANDLE ASSEMBLY, door interior, L.H.	1
32	6000250	HANDLE ASSEMBLY, door interior, R.H.	1
33	9425422P2	SCREW, tapping, #10 - 16 x 7/8.	4
		NOTE 1: CUT TO 106" LENGTH FROM 50' BULK ROLL OF BODY SEAL, P/N 5744322	

1997 HUMMER PARTS CATALOG

10-56 BODY



P10-023

Figure 10-21. Tailgate Assembly and Related Parts.

1997 HUMMER PARTS CATALOG

6-1-99

BODY 10-57

ITEM	PART NUMBER	DESCRIPTION	QTY
		Figure 10-21. Tailgate Assembly and Related Parts.	
1	N/S	LOCKNUT, 5/16 - 18, Gr8, latch and bracket.	8
2	N/S	WASHER, flat, hardened, type B, 5/16, latch and bracket.	16
3	12338974-2P	LATCH, tailgate chain, R.H.	1
3	12338974-1P	LATCH, tailgate chain, L.H.	1
4	N/S	BOLT, 5/16 - 18 X 1 1/8, Gr5, latch and bracket	8
5	12338977B1	REINFORCEMENT, tailgate chain mount	2
6	12338975-1P	BRACKET, chain mount, L.H.	1
6	12338975-2P	BRACKET, chain mount, R.H.	1
7	12339227-1P3	COVER AND CHAIN (links and end hook), tailgate, L.H.	1
7	12339227-2P3	COVER AND CHAIN (links and end hook), tailgate, R.H.	1
8	12339223P3	•CONNECTOR, tailgate chain	2
9	12339228-9	SEAL, cargo box to tailgate	2
		83, 89, 90	
10	WA12338981P	TAILGATE ASSEMBLY.	1
11	12340354-2	•RIVET, blind, upper, .187"	6
12	12340354-1	•RIVET, blind, lower	6
13	12339985P	•HINGE ASSEMBLY	2
14	12339945	••HINGE, tailgate, upper	1
15	12339999	••HINGE, tailgate, lower	1
16	12339663	••PIN, tailgate hinge	1
17	N/S	BOLT, 3/8 - 16 x 1.50, Gr5, lower hinge	6
18	6002989	DECAL, "HUMMER", black	1
18	5744923	DECAL, "HUMMER", chrome	1
18	6002990	DECAL, "HUMMER", gold	1
18	5744674	DECAL, "HUMMER", silver	1
18	5744673	DECAL, "HUMMER", white	1
19	N/S	LOCKNUT, 3/8 - 16, Gr8, CAD, lower hinge	6
20	N/S	WASHER, flat, hardened, type B, 3/8, lower hinge	6
21	12340045	SHIM, tailgate hinge	V

6-1-99

1997 HUMMER PARTS CATALOG

10-57.1 BODY

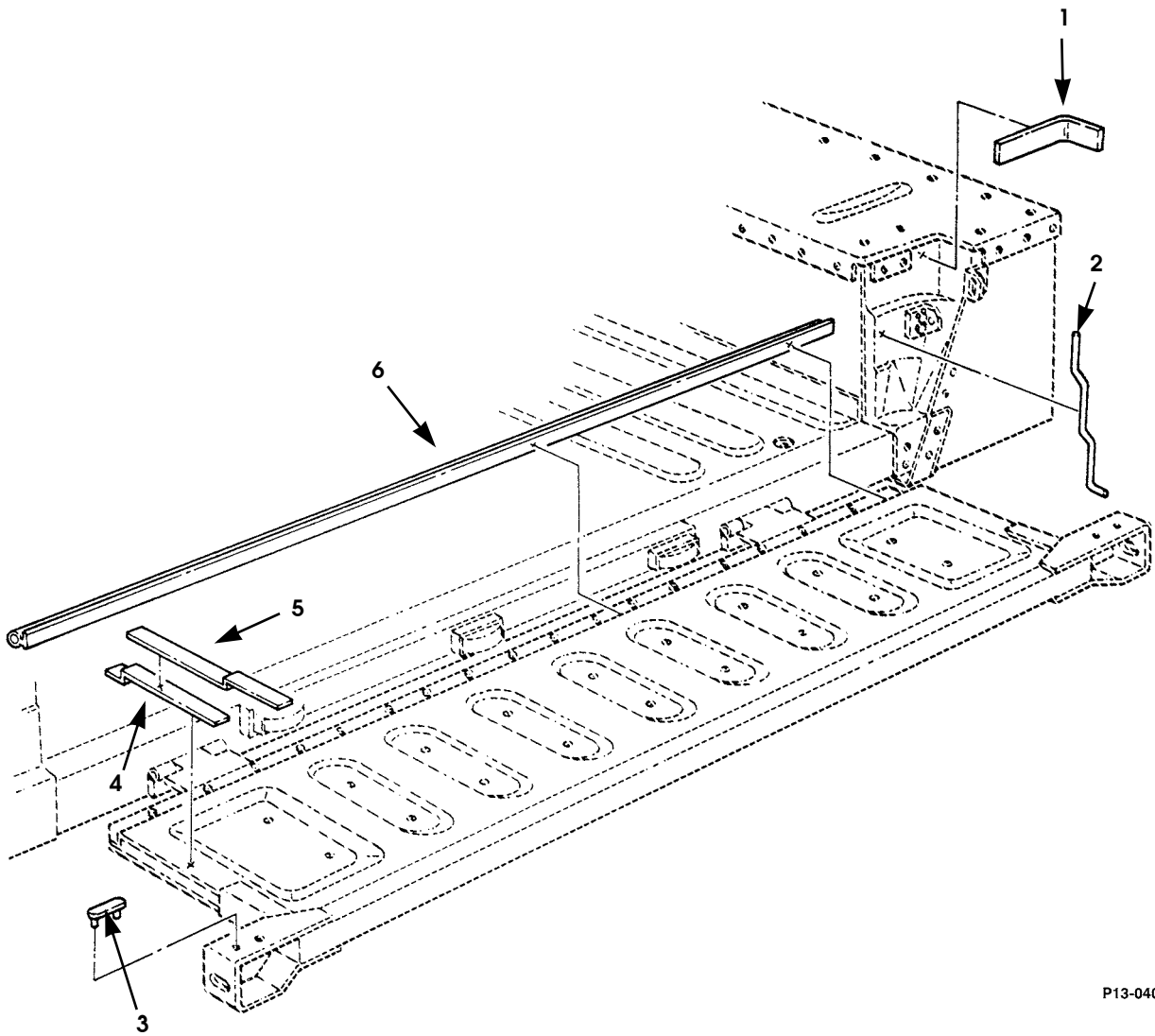


Figure 10-21.1 Tailgate Seals, Model 90.

1997 HUMMER PARTS CATALOG

6-1-99

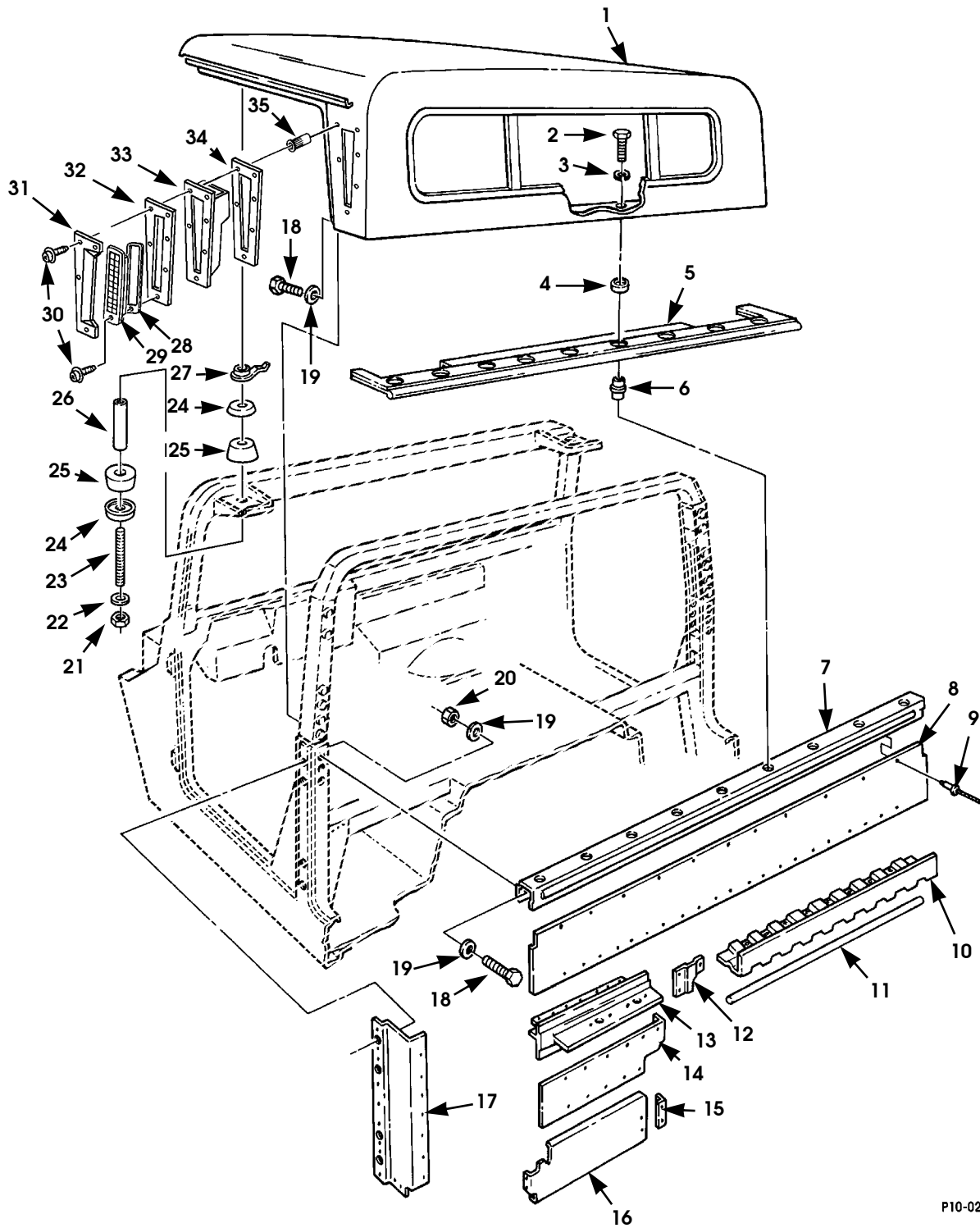
BODY 10-57.2

ITEM	PART NUMBER	DESCRIPTION	QTY
		Figure 10-21.1 Tailgate Seals, Model 90.	
1	6001531	SEAL, upper	2
2	6001532	SEAL	2
3	12339961-2	GROMMET	2
4	6001528	SEAL, tailgate, lower side	2
5	6001527	SEAL, tailgate, upper side	2
6	6001561	SEAL, tailgate, lower	1

6-1-99

1997 HUMMER PARTS CATALOG

10-58 BODY



P10-024.3

Figure 10-22. Roof and Mounting Hardware, Two-Passenger Enlarged Cab, Model 89.

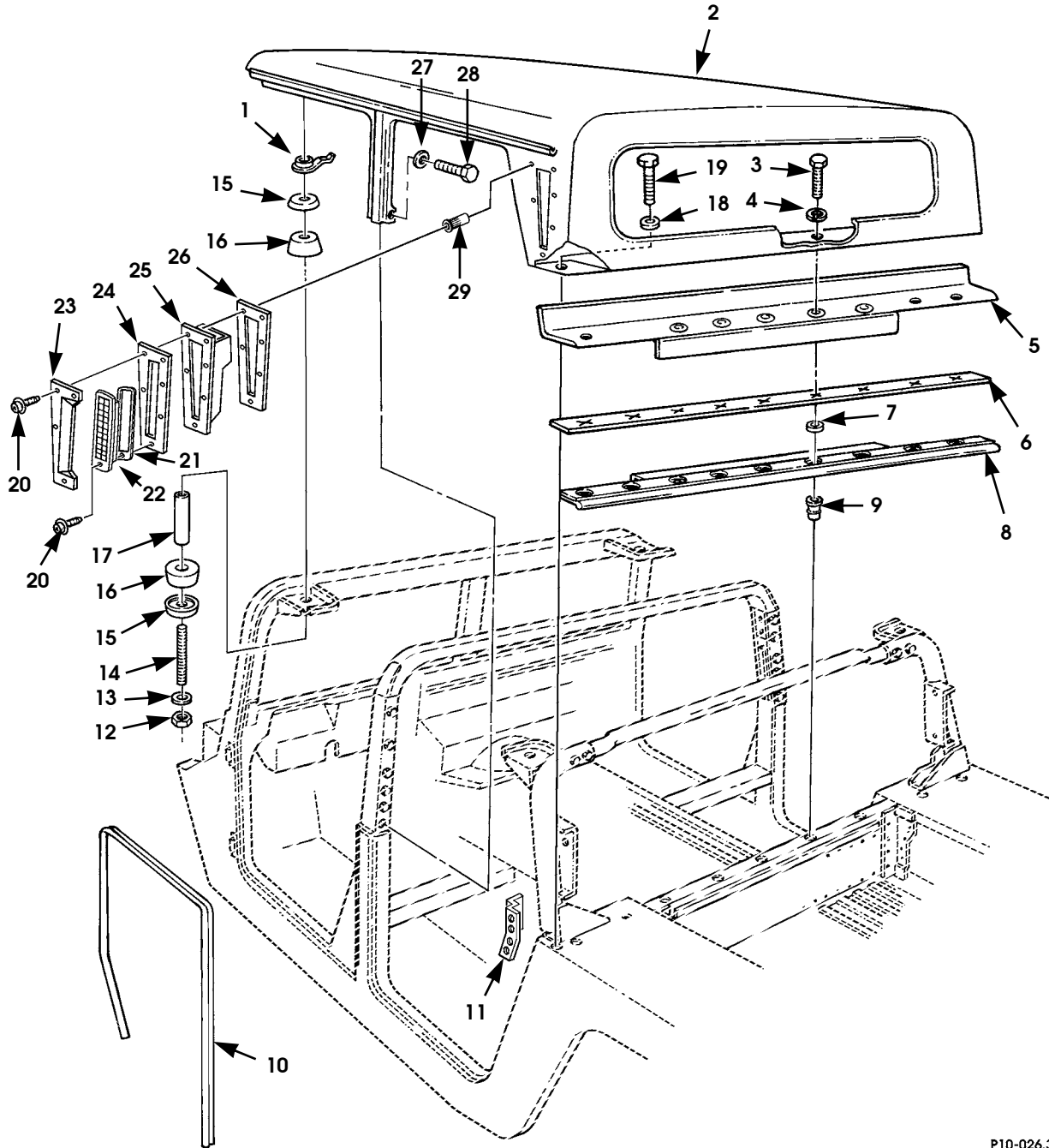
1997 HUMMER PARTS CATALOG

6-1-99

BODY 10-59

ITEM	PART NUMBER	DESCRIPTION	QTY
		Figure 10-22. Roof and Mounting Hardware, Two-Passenger Enlarged Cab, Model 89.	
1	6008622P	ROOF ASSEMBLY	1
1	6009323P	ROOF ASSEMBLY (On VIN VE176477 and up)	1
2	N/S	BOLT, 1/4 - 20 x 1.0, Gr8, CAD	9
3	N/S	LOCKWASHER, med, 1/4, ZN	9
4	5939596	SPACER, belt line, rear seal	11
5	6000778	SEAL, belt line, rear	1
6	5937810	NUT INSERT	11
7	5938736	RAIL, upper rear	1
8	6004535	PANEL, lower back	1
9	N/S	RIVET, blind, 3/16	128
10	5938744	BRACKET, back panel support, center	1
11	N/S	SEALANT	A/R
12	5938749	PANEL, L.H.	1
12	5938760	PANEL, R.H.	1
13	6004521	SUPPORT, footwell cover, L.H.	1
13	6004522	SUPPORT, footwell cover, R.H.	1
14	6004502P	PANEL, footwell, upper, L.H.	1
14	6004503P	PANEL, footwell, upper, R.H.	1
15	5938745P	BRACKET, closeout panel mounting	2
16	6004515P	PANEL, footwell, lower, L.H.	1
16	6004516P	PANEL, footwell, lower, R.H.	1
17	6004517P	PANEL, lower back, outer, L.H.	1
17	6004518P	PANEL, lower back, outer, R.H.	1
18	N/S	BOLT, 5/16 - 18 x .62, Gr8, CAD	4
19	N/S	WASHER, flat, hardened, type B, 5/16	8
20	N/S	LOCKNUT, 5/16 - 18, Gr8	10
21	N/S	LOCKNUT, 3/8 - 16, Gr8	2
22	N/S	WASHER, flat, hardened, type B, 3/8	2
23	12339559	STUD, roof mount	2
24	12339561	PLATE, snubber	4
25	12339571	MOUNT, roof	4
26	12338186-52	SPACER, mount	2
27	12339563	PLATE, roof mount	2
28	6009175	GASKET, exhauster, L.H.	1
28	6009376	GASKET, exhauster, R.H.	1
29	6008778	EXHAUSTER, vent, L.H.	1
29	6008779	EXHAUSTER, vent, R.H.	1
30	N/S	SCREW, #8-32 x .50	14
31	6008855P	LOUVER, ventilation, L.H.	1
31	6008856P	LOUVER, ventilation, R.H.	1
32	6008853P	PLATE, exhauster mounting	2
33	6008849	DUCT, ventilation, L.H.	1
33	6008850	DUCT, ventilation, R.H.	1
34	6008851	GASKET, ventilator	2
35	6003638	NUT INSERT	14

10-60 BODY



P10-026.3

Figure 10-23. Roof and Mounting Hardware, Four-Passenger Hardtop, Model 83.

1997 HUMMER PARTS CATALOG

6-1-99

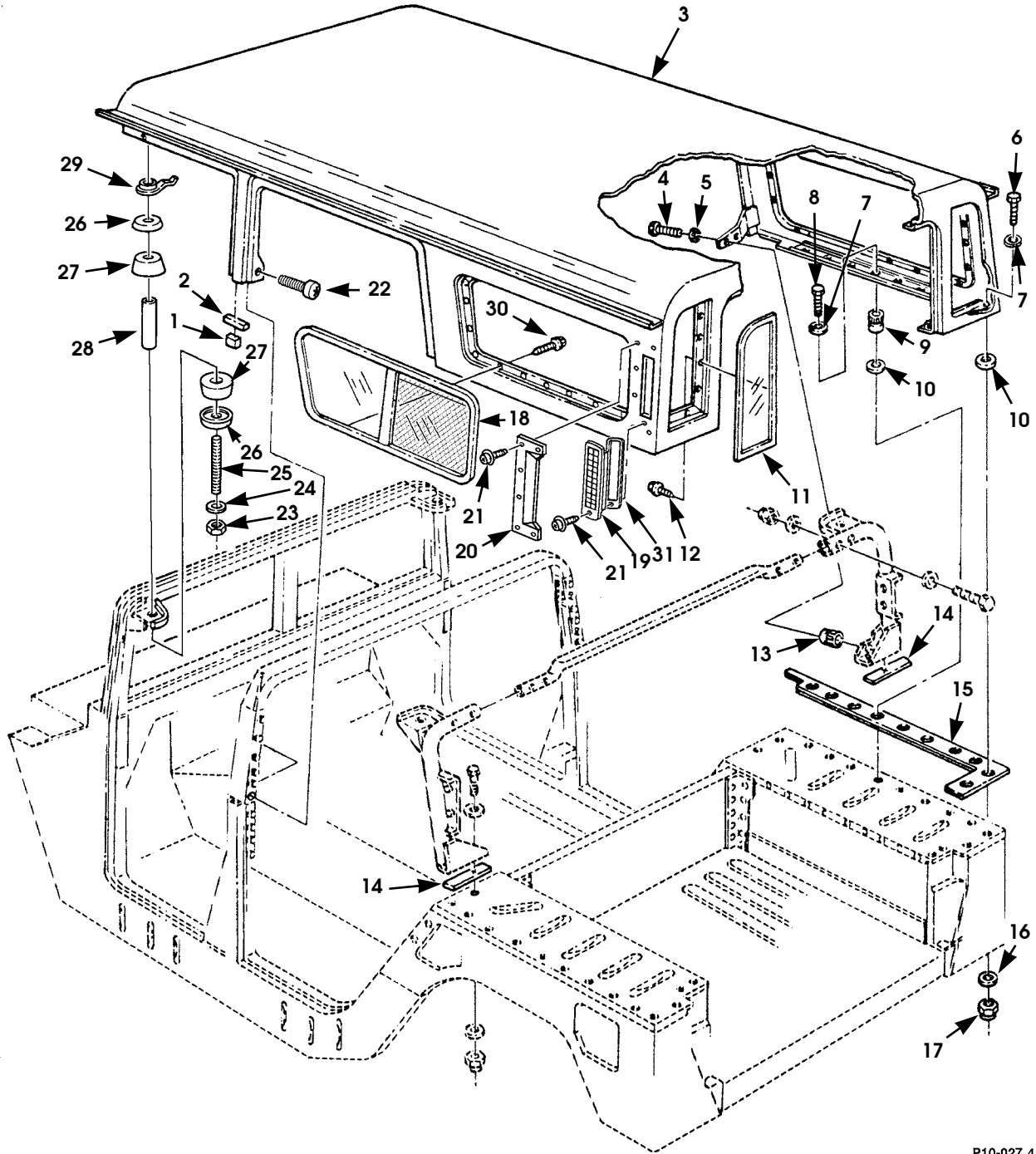
BODY 10-61

ITEM	PART NUMBER	DESCRIPTION	QTY
		Figure 10-23. Roof and Mounting Hardware, Four-Passenger Hard-top, Model 83.	
1	12339563	PLATE, roof mount	4
2	6008631P	ROOF ASSEMBLY	1
2	6009137P	ROOF ASSEMBLY (On VIN VE176477 and up)	1
3	N/S	BOLT, 1/4 - 20 x 1.0, Gr8, CAD	9
4	N/S	LOCKWASHER, med, 1/4, ZN	9
5	6003844B2	TONNEAU BRACKET	1
6	6003848	SEAL, tonneau bracket-to-roof	1
7	5939596	SPACER, belt line, rear	9
8	6000778	SEAL, belt line, rear	1
9	5937810	NUT, insert	9
10	N/S	SEAL, body, black rubber, 10-foot SEE NOTE 1	1
11	6005456	PANEL, filler, rear, L.H.	1
11	6005457	PANEL, filler, rear, R.H.	1
12	N/S	LOCKNUT, 3/8 - 16, Gr8	4
13	N/S	WASHER, flat, hardened, type B, 3/8	4
14	12339559	STUD, roof mount	4
15	12339561	PLATE, snubber	8
16	12339571	MOUNT, roof	8
17	12338186-52	SPACER, mount	4
18	N/S	WASHER, flat, 1/4, CAD	4
19	N/S	BOLT, 1/4 - 20 x .75, Gr5, CAD	4
20	N/S	SCREW, #8 - 32 x 1/2	14
21	6009175	GASKET, exhauster, L.H.	1
21	6009376	GASKET, exhauster, R.H.	1
22	6008778	EXHAUSTER, vent, L.H.	1
22	6008779	EXHAUSTER, vent, R.H.	1
23	6008855P	LOUVER, ventilation, L.H.	1
23	6008856P	LOUVER, ventilation, R.H.	1
24	6008853P	PLATE, exhauster mounting	2
25	6008849	DUCT, ventilation, L.H.	1
25	6008850	DUCT, ventilation, R.H.	1
26	6008851	GASKET, ventilator	2
27	N/S	WASHER, flat, 5/16	8
28	N/S	SCREW, phcr, 5/16 - 18 x 5/8	4
29	6003638	NUT INSERT	14
		NOTE 1: CUT TO LENGTH FROM 50' BULK ROLL OF BODY SEAL P/N 5744322.	

6-1-99

1997 HUMMER PARTS CATALOG

10-62 BODY



P10-027.4

Figure 10-24. Roof and Mounting Hardware, Station Wagon, Model 84 .

1997 HUMMER PARTS CATALOG

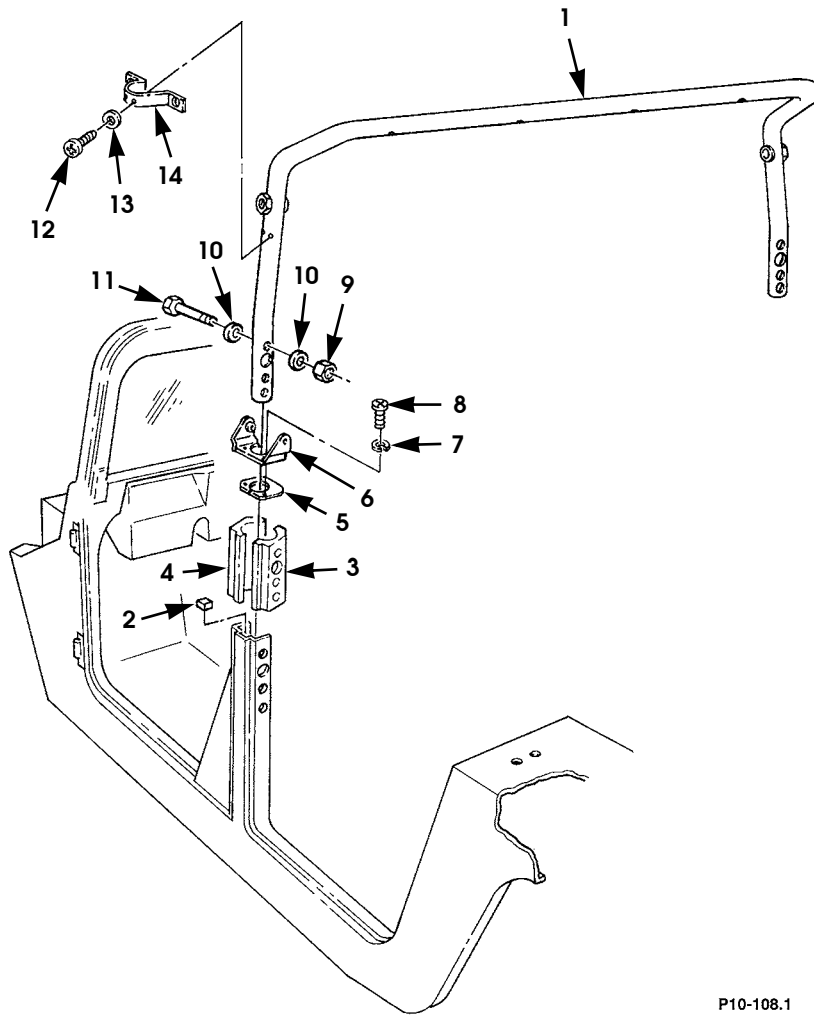
6-1-99

BODY 10-63

ITEM	PART NUMBER	DESCRIPTION	QTY
		Figure 10-24. Roof and Mounting Hardware, Station Wagon, Model 84 .	
1	6000240	SEAL, B-pillar, lower.	2
2	6000241	SEAL, B-pillar, upper.	2
3	6008763P	ROOF ASSEMBLY	1
3	6009138P	ROOF ASSEMBLY (On VIN VE176477 and up)	1
4	N/S	BOLT, 1/4 - 20 x 3/4, Gr5.	4
5	N/S	WASHER, flat, 1/4, CAD	4
6	N/S	BOLT, 1/4 - 20 x 1 1/4 Gr8, CAD	10
7	N/S	LOCKWASHER, med, 1/4	24
8	N/S	BOLT, 1/4 - 20 x 1 , Gr8, CAD	14
9	5937810	NUT INSERT, 1/4 - 20	14
10	5939596	SPACER, roof to wheel well.	24
11	6003523	OPERA WINDOW ASSEMBLY, tinted, L.H.	1
11	6003524	OPERA WINDOW ASSEMBLY, tinted, R.H.	1
12	N/S	SCREW, #8 - 18 x 1/2	72
13	5939307	NUT INSERT, 1/4 - 20	4
14	12338186-52	SPACER, C-Pillar support	2
15	6008858	SEAL, side, L.H., roof to wheel well	1
15	6008859	SEAL, side, R.H., roof to wheel well.	1
16	9414920	WASHER, flat, 1/4	10
17	N/S	LOCKNUT, 1/4 - 20, Gr8	10
18	6003521	WINDOW AND SCREEN ASSEMBLY, side, tinted, L.H.	1
18	6003522	WINDOW AND SCREEN ASSEMBLY, side, tinted, R.H.	1
19	6008778	EXHAUSTER, vent, L.H.	1
19	6008779	EXHAUSTER, vent, R.H.	1
20	6008764P	COVER, vent exhauster.	2
21	6008857	SCREW, phcr, #10 - 24 x 1/2.	12
22	N/S	SCREW, phcr, 5/16 - 18 x 5/8	4
23	N/S	LOCKNUT, 3/8 - 16, Gr8	4
24	N/S	WASHER, flat, 3/8, type B	4
25	12339559	STUD, roof mount	4
26	12339561	PLATE, snubber.	8
27	12339571	SNUBBER, roof mount.	8
28	12338186-52	SPACER, roof mount.	4
29	12339563	PLATE, roof mount	4
30	N/S	SCREW, #8-18 x 1/2	72
31	6009175	GASKET, vent to roof, L.H.	2
31	6009376	GASKET, vent to roof, R.H.	2

1997 HUMMER PARTS CATALOG

10-64 BODY



P10-108.1

Figure 10-25. B-Bar, Two-Passenger Enlarged Cab, Model 89.

1997 HUMMER PARTS CATALOG

5-1-97

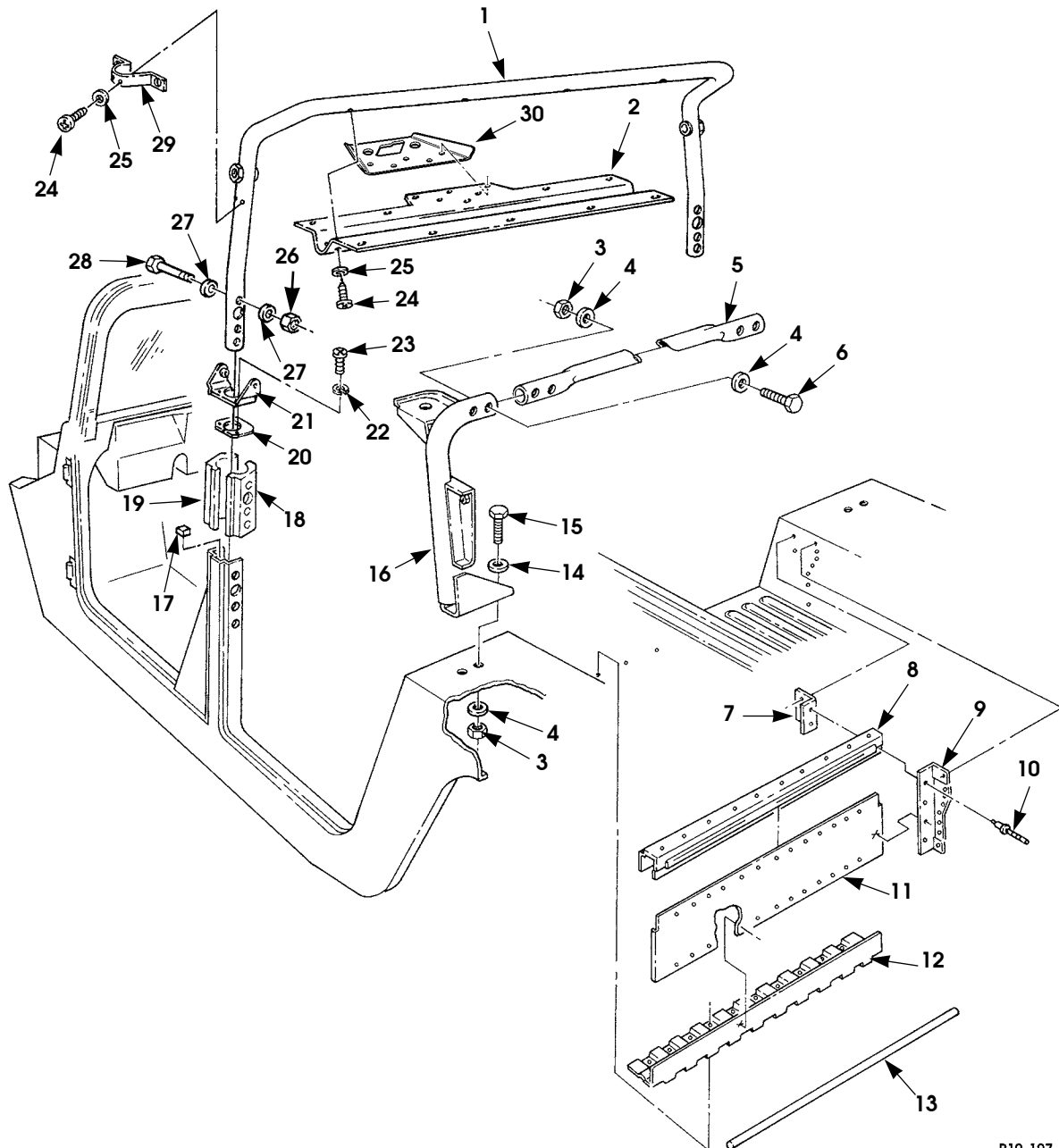
BODY 10-65

ITEM	PART NUMBER	DESCRIPTION	QTY
		Figure 10-25. B-Bar, Two-Passenger Enlarged Cab, Model 89.	
1	6004532	B-BAR ASSEMBLY	1
2	6000240	SEAL, rabbet B-pillar	2
3	6005458	CONNECTION BLOCK, Rear	2
4	6005459	CONNECTION BLOCK, Forward	2
5	6005156	SEAL, B-pillar	2
6	6004541	BRACKET, B-pillar cover mounting	2
7	N/S	LOCKWASHER, med, #10, ZN	4
8	N/S	SCREW, tapping, phcr, #10 - 24 x 3/4	4
9	N/S	LOCKNUT, 5/16 - 18, Gr8	6
10	N/S	WASHER, flat, hardened, type B, 5/16	12
11	N/S	BOLT, B-pillar, 5/16 - 18 x 4-3/4, Gr8	6
12	N/S	SCREW, #10 - 24 x 1/2	12
13	N/S	WASHER, flat, type B, #10, ZN	12
14	6005145	BRACKET, trim mounting	2

6-1-99

1997 HUMMER PARTS CATALOG

10-66 BODY



P10-107.1

Figure 10-26. B- and C-Bars, Four-Passenger Hardtop and Station Wagon, Models 83 and 84.

1997 HUMMER PARTS CATALOG

6-1-99

BODY 10-67

ITEM	PART NUMBER	DESCRIPTION	QTY
		Figure 10-26. B- and C-Bars, Four-Passenger Hardtop and Station Wagon, Models 83 and 84.	
1	6004532	B-BAR ASSEMBLY	1
2	6009460	SUPPORT, headliner	1
3	N/S	LOCKNUT, 5/16 - 24, Gr8	8
4	N/S	WASHER, flat, hardened, type B, 3/8	12
5	5937106	C-PILLAR, intermediate	1
6	N/S	BOLT, 3/8 - 16 x 3, Gr8, CAD	4
7	5938792	ANGLE, rail to wheelhouse, L.H.	1
7	5939304	ANGLE, rail to wheelhouse, R.H.	1
8	5938790	RAIL ASSEMBLY, upper rear	1
9	5938787	BRACKET, lower back panel, L.H.	1
9	5938788	BRACKET, lower back panel, R.H.	1
10	12339355-1	RIVET, blind, huck, 3/16	75
11	5938775	PANEL, lower back	2
12	5938789	BRACKET, cargo floor.	1
13	5939988	SEAL, cargo floor/back panel	1
14	12340880	WASHER, flat	4
15	N/S	BOLT, 3/8 - 16 x 1.5, Gr8, CAD	4
16	5938814B2	C-PILLAR ASSEMBLY, L.H.	1
16	5938815B2	C-PILLAR ASSEMBLY, R.H.	1
17	6000240	SEAL, rabbet B-pillar	2
18	12340090-1	CONNECTION BLOCK, Rear	2
19	12340090-2	CONNECTION BLOCK, Forward	2
20	6005156	SEAL, B-pillar	2
21	6004541	BRACKET, B-pillar cover mounting	2
22	N/S	LOCKWASHER, med, #10, ZN	4
23	N/S	SCREW, tapping, phcr, #10 - 24 x 3/4	4
24	N/S	SCREW, tapping, phcr, #10 - 24 x 1/2	12
25	N/S	WASHER, flat, type B, #10, ZN	12
26	N/S	NUT, 5/16 - 18, Gr8	6
27	N/S	WASHER, flat, hardened, type B, 5/16, ZN	12
28	N/S	BOLT, 5/16 - 18 x 4 3/4, Gr8, B-pillar	6
29	6005145	BRACKET, trim mounting	2
30	6002967B2	BRACKET, dome light.	1

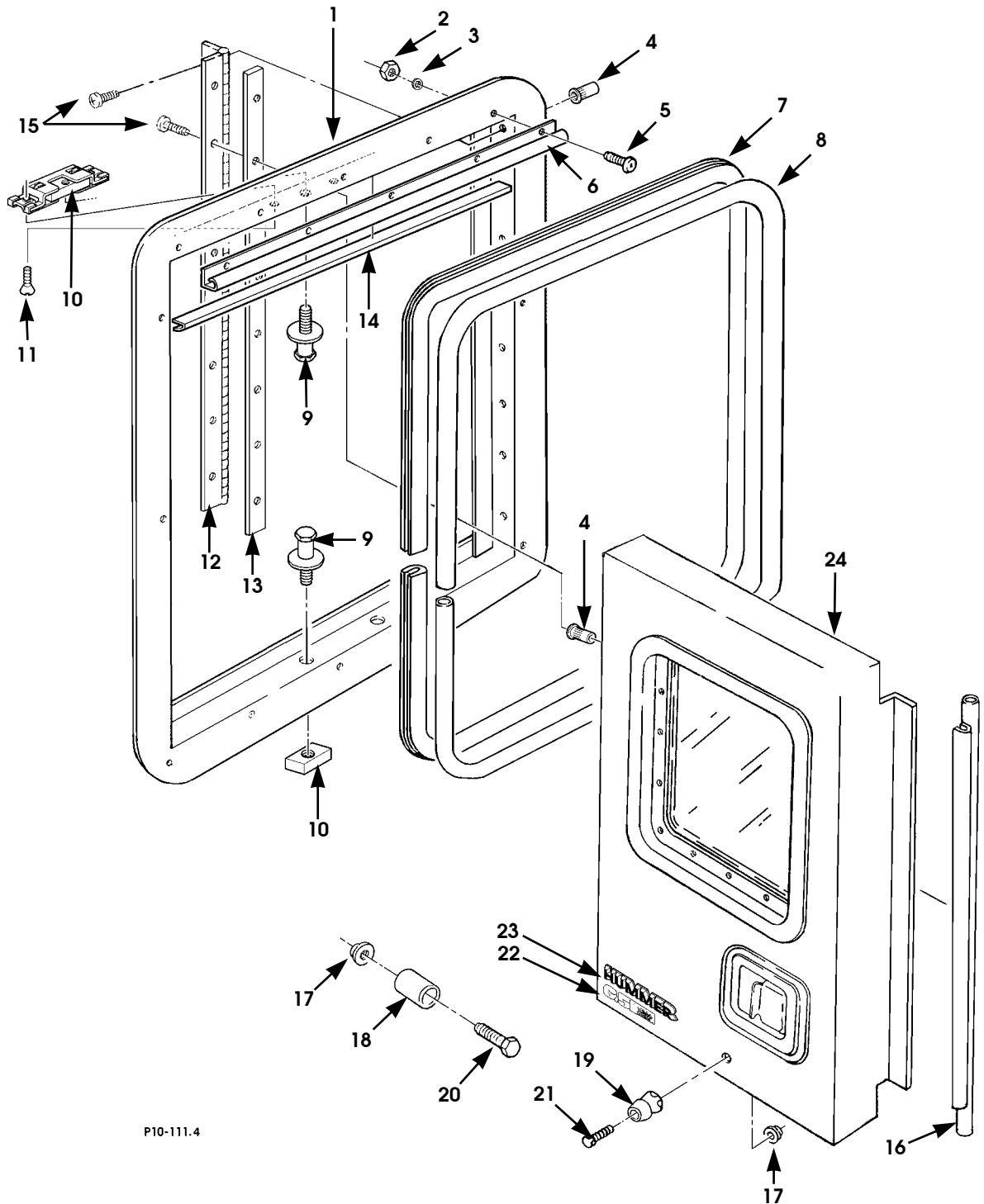
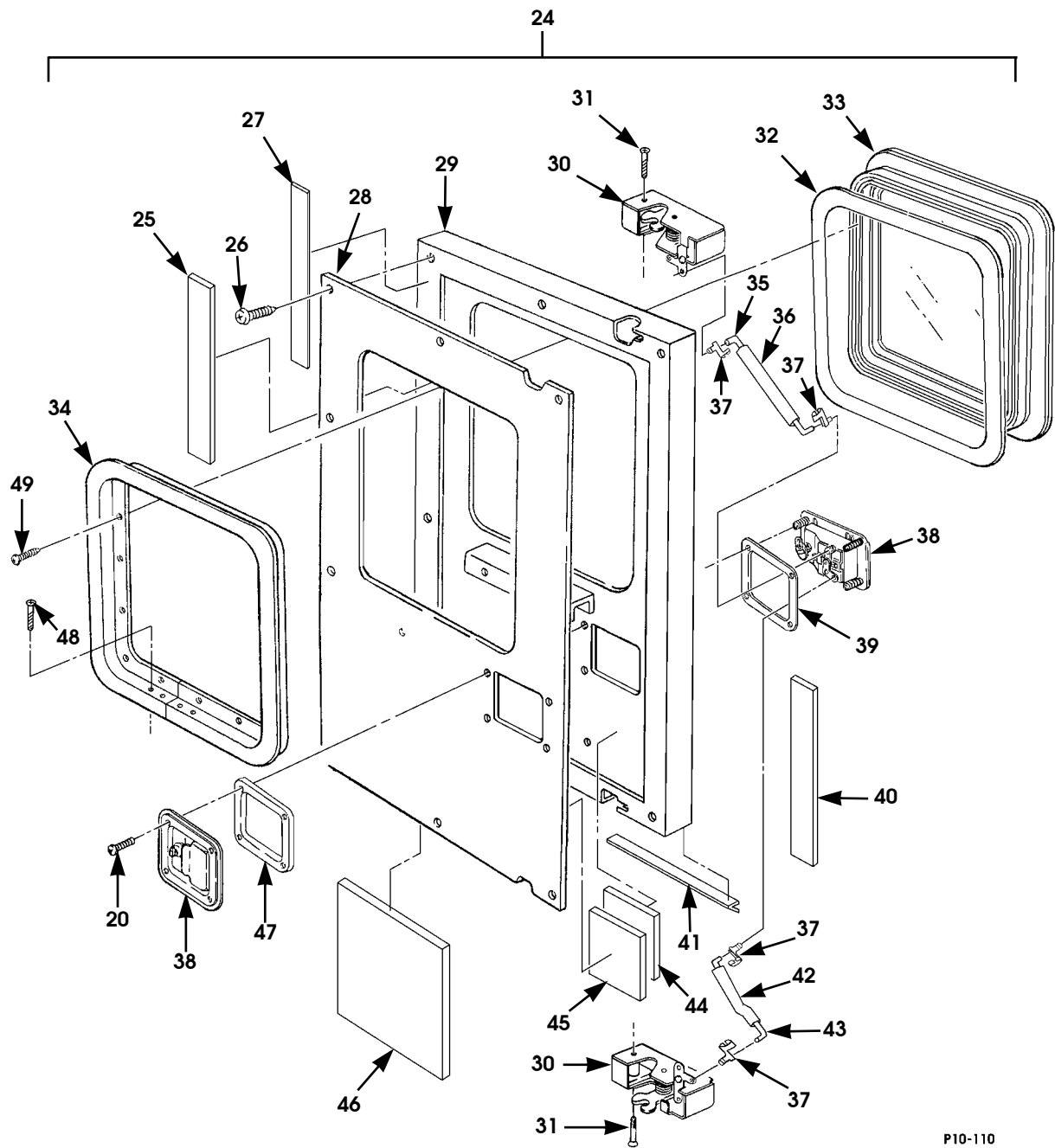


Figure 10-27. Doors, Station Wagon Rear, Model 84
(Sheet 1 of 2)

10-70 BODY



P10-110

Figure 10-27. Doors, Station Wagon Rear, Model 84
(Sheet 2 of 2).

1997 HUMMER PARTS CATALOG

6-1-99

BODY 10-71

ITEM	PART NUMBER	DESCRIPTION	QTY
		Figure 10-27. Doors, Station Wagon Rear, Model 84	
1	6005646P	FRAME ASSEMBLY, rear doors	1
2	N/S	NUT, 1/4 - 20, ZN	17
3	N/S	LOCKWASHER, med, 1/4, ZN	17
4	5937842	NUTSERT, 1/4 - 20 closed	30
5	N/S	SCREW, torx, buttonhead, 1/4 - 20 x 1 1/4	17
6	6005773P	DRIP RAIL	1
7	5744343	EDGE SEAL, vertical doors SEE NOTE 1	1
8	5744344	DOOR SEAL, vertical doors SEE NOTE 2	1
9	6006828	STRIKER , bottom	2
9	6005629	STRIKER, top	2
10	6005630	CAGE NUT ASSEMBLY, top striker	2
10	6006840	PLATE NUT, bottom striker	2
11	N/S	SCREW, flathead, 1/4-20 x 1/2	8
12	6005639	HINGE, rear door, L.H.	1
12	6008343	HINGE, rear door, RH	1
13	6005767	SEAL, hinge-to-frame.	4
14	6009486	V-SEAL, 48", rear door top SEE NOTE 3	1
15	N/S	SCREW, torx, buttonhead, 1/4 - 20 x 1	32
16	6005772	SEAL, left door, center	1
17	5937584	NUT, insert, 1/4 - 20, door hold-open assembly	4
18	6005656	DOOR HOLD-OPEN ASSEMBLY	2
19	S.I.A.	•BALL PLUG, door hold-open assembly	2
20	N/S	SCREW, 1/4 - 20 x 1	10
21	N/S	SCREW, fillister head, socket head, 1/4 - 20 x 1 1/2, door hold-open assembly	2
22	6008595	EMBLEM, "6.5L Turbo Diesel"	1
22	6008839	EMBLEM, "6.5L Diesel"	1
23	6003871	NAMEPLATE, "Hummer"	1
24	6005938P	DOOR ASSEMBLY, R.H.	1
24	6005939P	DOOR ASSEMBLY, L.H.	1
25	6006433	•INSULATION, upper, vertical door.	1
26	6006283	•SCREW, #10 - 32 x 5/8	16
27	5744346	•SEAL, door panel frame SEE NOTE 4	1
28	6005668P	•DOOR PANEL, interior, R.H.	1
28	6005669P	•DOOR PANEL, interior, L.H.	1
29	6008359	•DOOR ASSEMBLY, rear, R.H.	1
29	6005665P	•DOOR ASSEMBLY, rear, L.H.	1
30	6005627	•LATCH ASSEMBLY, rotary, upper R.H., lower L.H.	1
30	6005628	•LATCH ASSEMBLY, rotary, upper L.H., lower R.H.	1
31	N/S	•SCREW, flathead, 1/4 - 20 x 1 1/2, CAD	6
32	6005932	•SEAL, window assembly, rear doors.	1

6-1-99

1997 HUMMER PARTS CATALOG

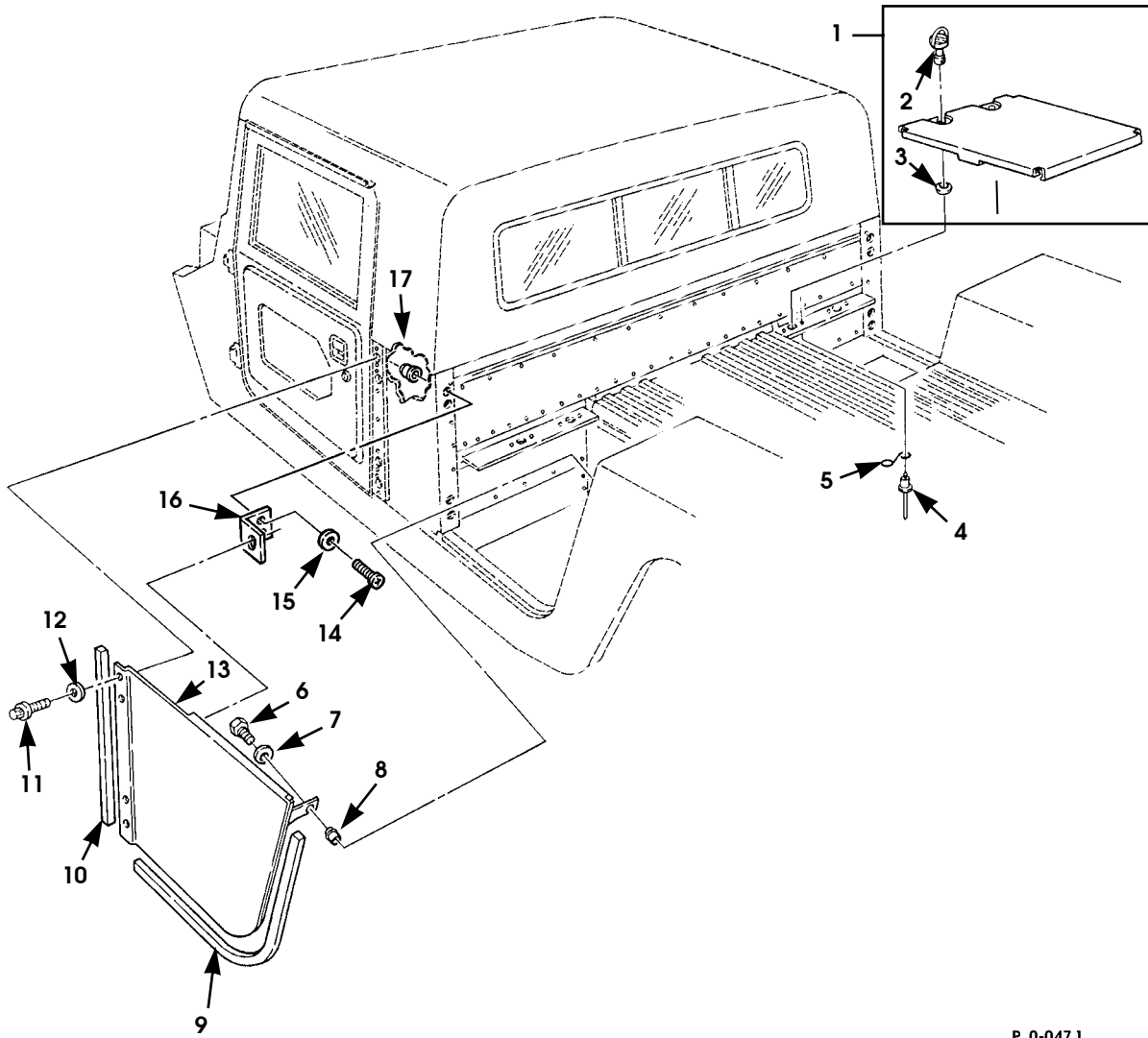
10-72 BODY

ITEM	PART NUMBER	DESCRIPTION	QTY
		Figure 10-27. Doors, Station Wagon Rear, Model 84	
33	6005634	• WINDOW, rear doors	1
34	S.I.A.	• OUTER FRAME, rear doors	1
35	6005769	• ROD, upper, latch	1
36	6006435	• SLEEVE, upper lock rod	1
37	6000747	• CLIP, rod, interior handle	4
38	6005632	• HANDLE ASSEMBLY, exterior, L.H.	1
38	6009572	• HANDLE ASSEMBLY, exterior/interior, R.H.	1
39	6000248	• GASKET, exterior handle	1
40	6006272	• INSULATION, 18" x 1.5" x .75"	1
40	6006273	• INSULATION, 18" x 1.5" x .5"	1
41	6006434	• V-SEAL, vertical door sill, 23.5"	2
42	6006282	• SLEEVE, lower lock rod	1
43	6005770	• ROD, lower latch, L.H.	1
43	6005657	• ROD, lower latch, R.H.	1
44	6006274	• INSULATION, 1.5 x 1.5 x .75"	1
45	6006275	• INSULATION, 1.5 x 1.5 x .5"	1
46	6006432	• INSULATION, lower, vertical door	1
47	6005633	• SPACER, interior handle	1
48	S.I.A.	• SCREW, 8 - 18 x 1/2" TEKS	4
49	S.I.A.	• SCREW, 8 - 18 x 3/4" TEKS	12
		NOTE 1: ORDER BY FOOT FROM SEAL, VERTICAL DOORS, P/N 6006218 - 500' ROLL, 14' REQUIRED PER VEHICLE	
		NOTE 2: ORDER BY FOOT FROM SEAL, VERTICAL DOORS, P/N 6006219 - 500' ROLL, 14' REQUIRED PER VEHICLE	
		NOTE 3: ORDER BY FOOT FROM V-SEAL, VERTICAL DOOR SILL, P/N 6009706 - 2,000' ROLL, 4.75' REQUIRED PER VEHICLE	
		NOTE 4: ORDER BY FOOT FROM SEAL, DOOR PANEL FRAME, P/N 6006217 - 150' ROLL, 4.5' REQUIRED PER VEHICLE	

5-1-97

1997 HUMMER PARTS CATALOG

10-74 BODY



P 0-047.1

Figure 10-28. Fixed Door, Footwell Cover, and Related Parts, Two-Passenger Enlarged Cab, Model 89.

1997 HUMMER PARTS CATALOG

6-1-99

BODY 10-75

ITEM	PART NUMBER	DESCRIPTION	QTY
		Figure 10-28. Fixed Door, Footwell Cover, and Related Parts, Two-Passenger Enlarged Cab, Model 89.	
1	6004513P	COVER ASSEMBLY, footwell	2
2	12339738-3	•STUD, ring head	2
3	12341011	•RING RETAINER.	2
4	M24243/1A405	RIVET, 1/8" x 5/16"	8
5	12338823	RECEPTACLE, spring.	4
6	N/S	BOLT, 1/4 - 20 x 5/8, Gr5, CAD	2
7	N/S	WASHER, flat, 1/4, CAD	2
8	5937584	NUT INSERT, 1/4 - 20 x .165	2
9	12339419-2	SEAL, fixed door, 22-inch	2
10	12339419-1	SEAL, fixed door, 50-inch	2
11	5939423P2	BOLT, 1/4 - 20 x .75	8
12	5939634P2	WASHER, flat, 1/4, hing mounting	8
13	6004506P	DOOR ASSEMBLY, L.H., fixed	1
13	6004507P	DOOR ASSEMBLY, R.H. , fixed	1
14	N/S	SCREW, #10 - 24 x 7/8	8
15	N/S	WASHER, flat, #10, CAD	8
16	6005528	BRACKET, fixed door	4
17	6001566	NUT, insert, #10 - 24.	8

6-1-99

1997 HUMMER PARTS CATALOG

10-76 BODY

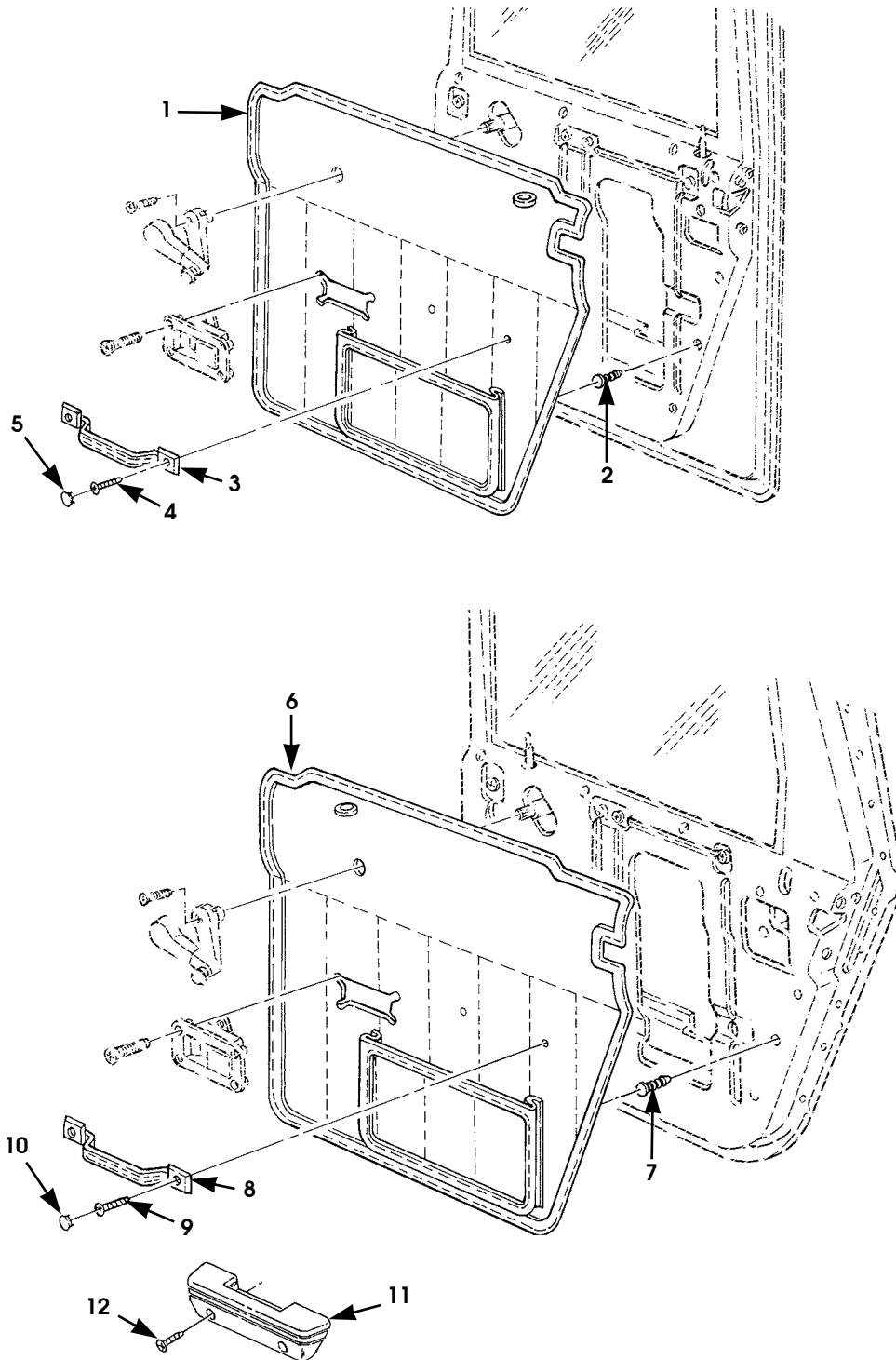


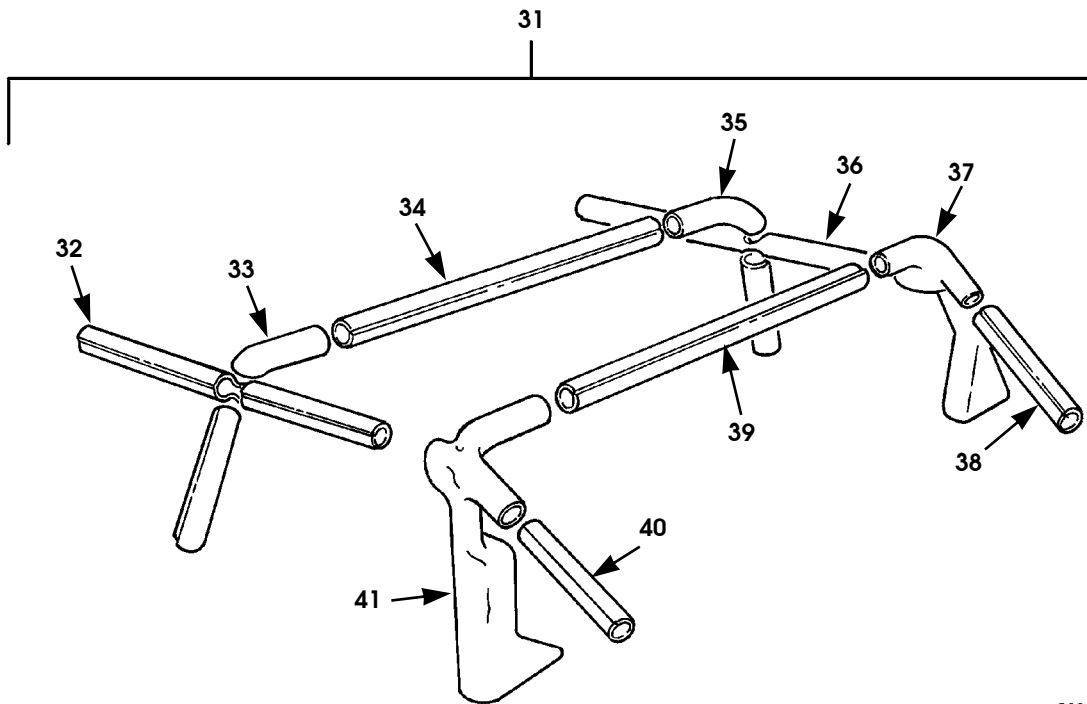
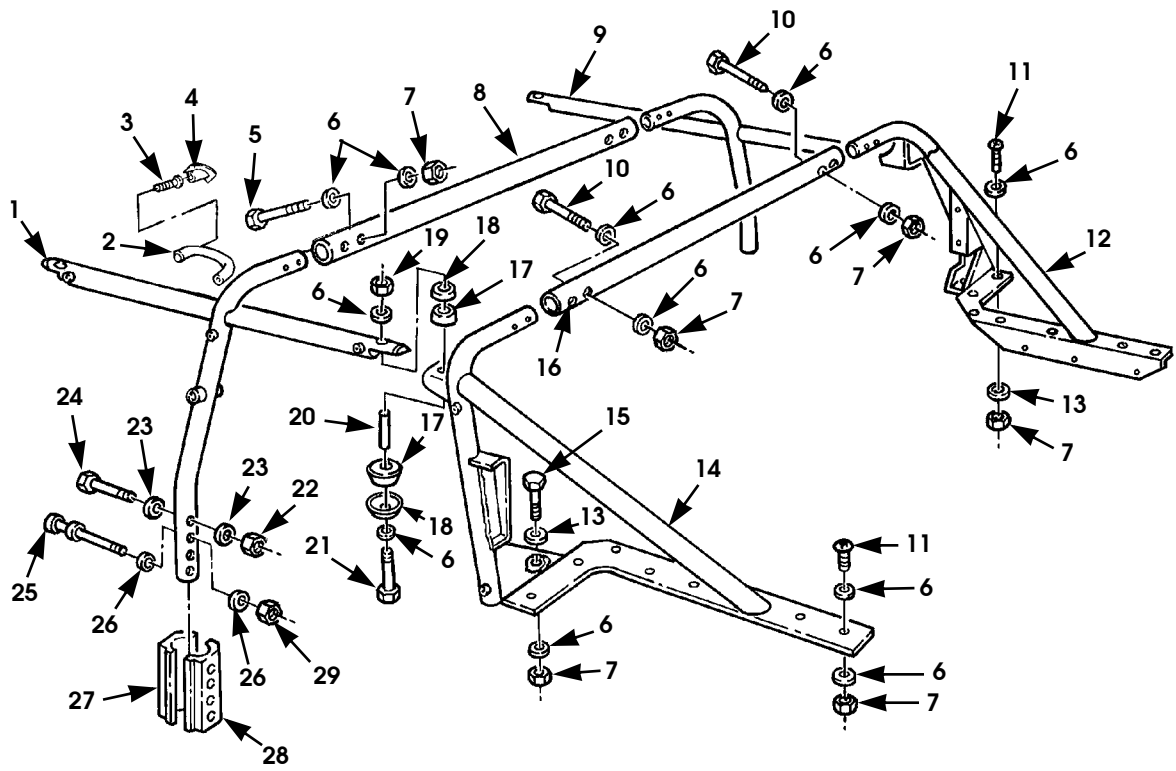
Figure 10-29. Panel Assembly Trim, Door.

1997 HUMMER PARTS CATALOG

6-1-99

BODY 10-77

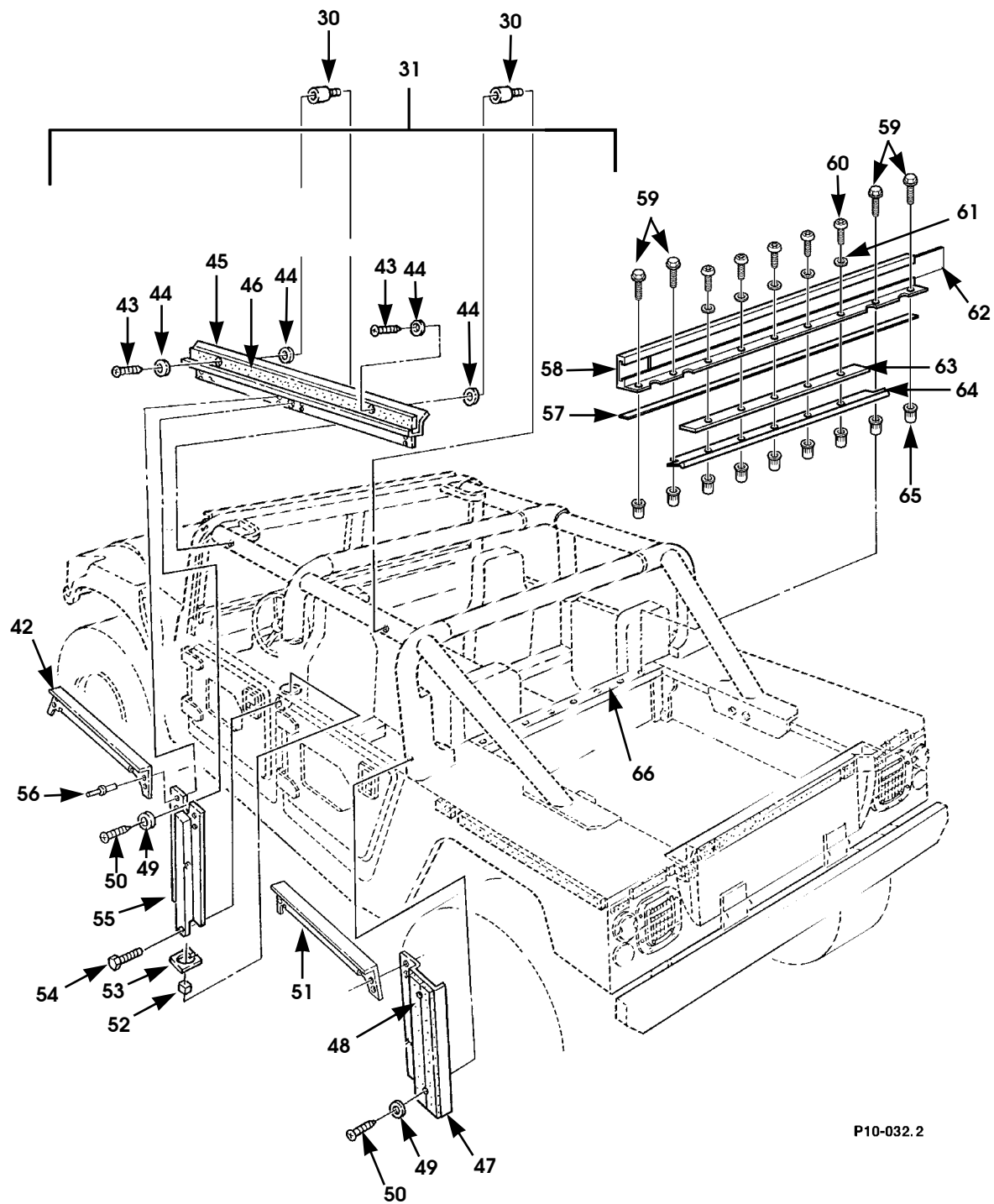
ITEM	PART NUMBER	DESCRIPTION	QTY
		Figure 10-29. Panel Assembly Trim, Door.	
1	6004461G	PANEL ASSEMBLY, R.H., deluxe front door trim, gray, manual windows	1
		89	
1	6004461T	PANEL ASSEMBLY, R.H., deluxe front door trim, tan manual windows	1
		89	
1	6004463G	PANEL ASSEMBLY, R.H., deluxe front door trim, gray 83, 84, 89, 90	1
1	6004463T	PANEL ASSEMBLY, R.H., deluxe front door trim, tan 83, 84, 89, 90	1
1	6004460G	PANEL ASSEMBLY, L.H., deluxe front door trim, gray, manual windows	1
		89	
1	6004460T	PANEL ASSEMBLY, L.H., deluxe front door trim, tan, manual windows	1
		89	
1	6004462G	PANEL ASSEMBLY, L.H., deluxe front door trim, gray 83, 84, 89, 90	1
1	6004462T	PANEL ASSEMBLY, L.H., deluxe front door trim, tan 83, 84, 89, 90	1
2	6000243P2	FASTENER , door panel	10
3	6001013G	PULL HANDLE ASSEMBLY, gray	1
3	6001013T	PULL HANDLE ASSEMBLY, tan	1
4	N/S	SCREW, pull handle, 8-32 x 1, OH, mach	2
5	6000400	CAP ASSEMBLY	2
6	6002464G	PANEL ASSEMBLY, R.H., deluxe rear door trim, gray . . . 83, 84, 90	1
6	6002464T	PANEL ASSEMBLY, R.H., deluxe rear door trim, tan 83, 84, 90	1
6	6002462G	PANEL ASSEMBLY, L.H., deluxe rear door trim, gray . . . 83, 84, 90	1
6	6002462T	PANEL ASSEMBLY, L.H., deluxe rear door trim, tan 83, 84, 90	1
7	N/S	SCREW/WASHER ASSEMBLY, #8 - 18 x 3/4, door panel	10
8	6001013G	PULL HANDLE ASSEMBLY, gray	1
8	6001013T	PULL HANDLE ASSEMBLY, tan	1
9	N/S	SCREW, oval head, #8 - 32 x 1, pull handle	2
10	6000400	CAP ASSEMBLY	2
11	6004427G	ARMREST ASSEMBLY, L.H., gray	1
11	6004427T	ARMREST ASSEMBLY, L.H., tan	1
11	6004428G	ARMREST ASSEMBLY, R.H., gray	1
11	6004428T	ARMREST ASSEMBLY, R.H., tan	1
12	N/S	SCREW, phcr, 1/4 - 20 x 1 3/4	2



P10-032

Figure 10-30. Soft Top Kit Support Structure, Model 90
(Sheet 1 of 2).

10-80 BODY



P10-032.2

Figure 10-30 . Soft Top Kit Support Structure, Model 90
(Sheet 2 of 2)

1997 HUMMER PARTS CATALOG

6-1-99

BODY 10-81

ITEM	PART NUMBER	DESCRIPTION	QTY
		Figure 10-30. Soft Top Kit Support Structure, Model 90	
1	6000216P	SUPPORT ASSEMBLY, soft top, side, L.H.	1
2	5939469G	HANDLE, grab, gray	4
2	5939469T	HANDLE, grab, tan	4
3	N/S	SCREW, 1/4 - 20 x 3/4", pan hd, mach, cad	8
4	6000027G	PLUG, grab handle, gray	8
4	6000027T	PLUG, grab handle, tan	8
5	N/S	SCREW, 3/8"-16 x 2 3/4, Gr 8, cad, hex	4
6	N/S	WASHER, flat, 3/8", type B, hard	66
7	N/S	LOCKNUT, 3/8"-16, Gr 8	32
8	6000104P	SUPPORT BAR, center	1
9	6000217P	SUPPORT ASSEMBLY, soft top, side, R.H.	1
10	N/S	BOLT, 3/8" - 16 x 3 1/4", Gr 8, cad	5
11	N/S	SCREW, 3/8"-16 x 1.0"	20
12	6000169P	SUPPORT ASSEMBLY, C-pillar, rear, R.H.	1
13	12340880	WASHER, flat, 7/16" x 1 3/16"	8
14	6000168P	SUPPORT ASSEMBLY, C-pillar, rear, L.H.	1
15	N/S	BOLT, 3/8"-16 x 1.5", Gr 8, cad	4
16	6000105P	SUPPORT BAR, center	1
17	12339571	MOUNT, roof	8
18	12339561	PLATE, snubber	8
19	N/S	LOCKNUT, low profile, 3/8" - 16	4
20	12338186-52	SPACER, C-pillar mount	4
21	N/S	BOLT, 3/8"-16 x 3.5", Gr 8, cad	4
22	N/S	LOCKNUT, 5/16"-24, Gr C	6
23	12339724	WASHER, flat, hardened, 5/8"	12
24	N/S	BOLT, 5/16"-24 x 4.21"	6
25	6000392P2	STRIKER, door	2
26	N/S	WASHER, flat, 1/2", type B, hard	4
27	12340090-1	CONNECTION BLOCK, L.H. front/R.H. rear	2
28	12340090-2	CONNECTION BLOCK, R.H. front/L.H. rear	2
29	N/S	LOCKNUT, 1/2"-20, Gr C	2
30	6002765	STANDOFF, horizontal rail	4
31	6004806	KIT, soft top, w/ full door, white (See Fig 10-31)	1
31	6004804	KIT, soft top, w/ full door, black (See Fig 10-31)	1
31	6004802	KIT, soft top, w/ full door, tan (See Fig 10-31)	1

6-1-99

1997 HUMMER PARTS CATALOG

10-82 BODY

ITEM	PART NUMBER	DESCRIPTION	QTY
		Figure 10-30. Soft Top Kit Support Structure, Model 90 (Cont'd)	
32	6004403	• COVER, horizontal rail, L.H., Black	1
32	6004402	• COVER, horizontal rail, R.H., Tan	1
32	6004405	• COVER, horizontal rail, L.H., White.	1
33	6004219	• COVER, B-pillar, vertical, L.H., Black	1
33	6001661	• COVER, B-pillar, vertical, L.H., Tan	1
33	6004235	• COVER, B-pillar, vertical, L.H., White	1
34	6004223	• COVER, B-pillar, center, Black	1
34	6001665	• COVER, B-pillar, center, Tan	1
34	6004239	• COVER, B-pillar, center, White	1
35	6004220	• COVER, B-pillar, vertical, R.H., Black	1
35	6001662	• COVER, B-pillar, vertical, R.H., Tan	1
35	6004236	• COVER, B-pillar, vertical, R.H., White	1
36	6004404	• COVER, horizontal rail, R.H., Black.	1
36	6004401	• COVER, horizontal rail, R.H., Tan	1
36	6004406	• COVER, horizontal rail, R.H., White	1
37	6004222	• COVER, C-pillar, vertical, R.H., Black.	1
37	6001664	• COVER, C-pillar, vertical, R.H., Tan	1
37	6004238	• COVER, C-pillar, vertical, R.H., White	1
38	5743841	• COVER, C-pillar support brace, R.H., Black	1
38	6001668	• COVER, C-pillar support brace, R.H., Tan	1
38	5743843	• COVER, C-pillar, support brace, R.H., White	1
39	6004244	• COVER, C-pillar, center, Black.	1
39	6001666	• COVER, C-pillar, center, Tan	1
39	6004240	• COVER, C-pillar, center, White	1
40	5743840	• COVER, C-pillar support brace, L.H., Black	1
40	6001667	• COVER, C-pillar support brace, L.H., Tan	1
40	5743842	• COVER, C-pillar support brace, L.H., White	1
41	6004221	• COVER, C-pillar vertical, L.H., Black	1
41	6001663	• COVER, C-pillar, vertical, L.H., Tan	1
41	6004237	• COVER, C-pillar, vertical, L.H., White.	1
42	6003855P	• FILLER PANEL, left front, full door	1
42	6003858P	• FILLER PANEL, right front, full door	1
43	6001675	• SCREW, #10-32 x 2.0"	4
44	12339724	• SPACER, washer, flat.	V
45	6001653	• HORIZONTAL RAIL, with pvc-velcro extrusion, L.H. . .	1
46	6009801	• PVC-VELCRO STRIP, L.H.	1
45	6001654	• HORIZONTAL RAIL, with pvc-velcro extrusion, R.H. . .	1
46	6009802	• PVC-VELCRO STRIP, R.H.	1

1997 HUMMER PARTS CATALOG

6-1-99

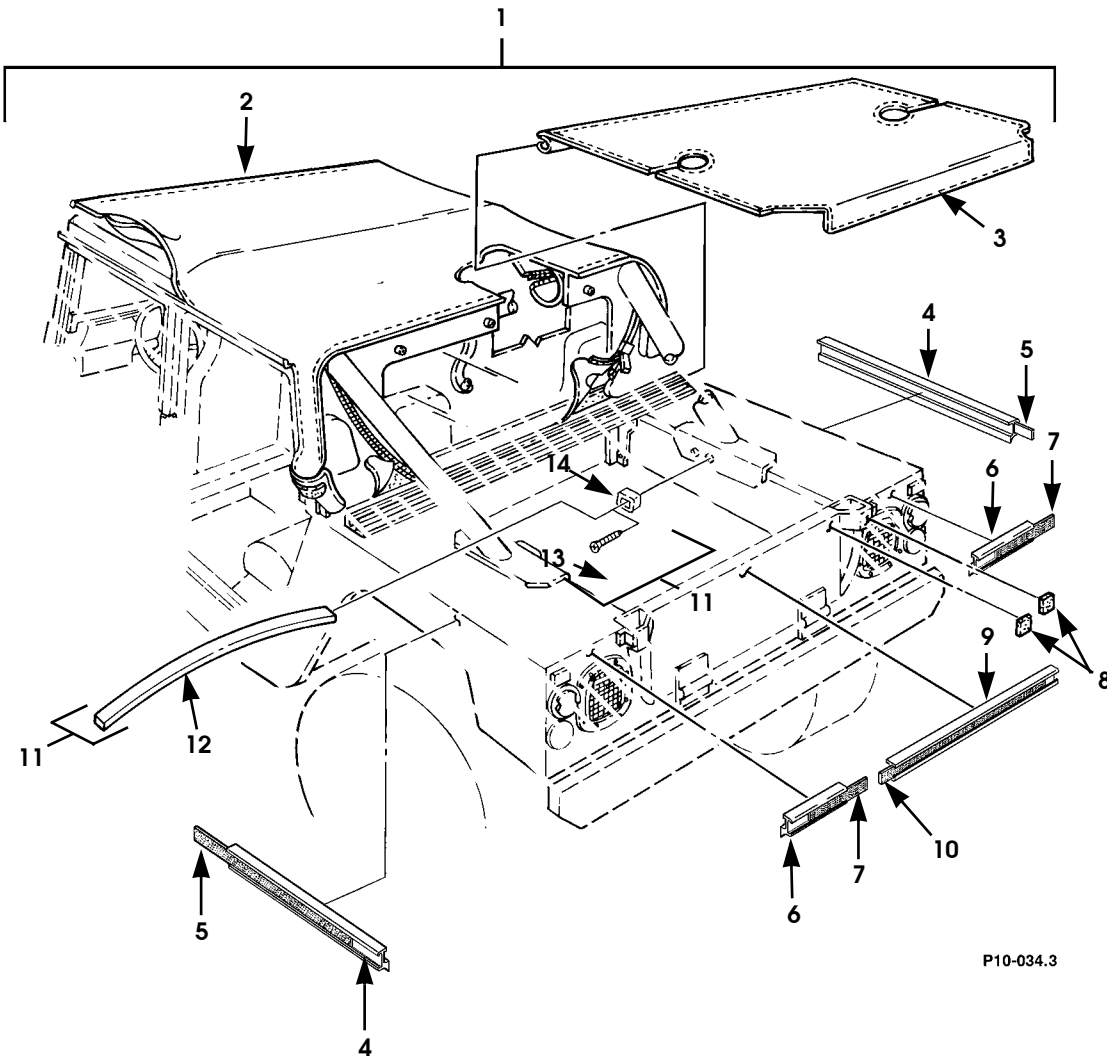
BODY 10-83

ITEM	PART NUMBER	DESCRIPTION	QTY
		Figure 10-30. Soft Top Kit Support Structure, Model 90 (Cont'd)	
47	6001656	• EXTRUSION, C-pillar, with 1-inch velcro tape, L.H.	1
48	N/S	• PVC-VELCRO STRIP, 20" long, SEE NOTE 1	1
47	6001657	• EXTRUSION, C-pillar, with 1-inch velcro tape, R.H.	1
48	N/S	• PVC-VELCRO STRIP, 20" long, SEE NOTE 1	1
49	6002631	• WASHER, flat, #10	6
50	6001674	• SCREW, #10-32 x .75"	6
51	6003856P	• FILLER PANEL, left rear, full door	1
51	6003859P	• FILLER PANEL, right rear, full door	1
52	6001807	• SEAL, B-pillar	2
53	6000240	• CLOSE-OFF SEAL	2
54	12340792P2	SCREW, self tapping, #10-12	1
55	6001655	• EXTRUSION, B-pillar	2
55	6003857P	• EXTRUSION, B-pillar, with full door	2
56	M24243/1-A404	• RIVET, blind, 1/8" Dia	28
57	6001276	SEAL, outer window frame	1
58	6001658	EXTRUSION, rear curtain tonneau	1
59	6000114P2	SCREW/WASHER ASSEMBLY, 1/4-20 x 1/2	4
60	6006178	BOLT, buttonhead Torx, 1/4-20 x 1	5
61	N/S	LOCKWASHER, split, 1/4, black	5
62	5745080	VELCRO, tonneau curtain	1
63	6003416	SPACER, bulkhead, J-rail	1
64	6008387	SEAL, rear, roof-to-bulkhead	1
65	5937584	NUT INSERT, 1/4-20	9
66	6008053	TAPE, foam core Butyl (length A/R)	1
		NOTE 1: CUT TO 20" LENGTH FROM 80" STRIP, P/N 5745080	

6-1-99

1997 HUMMER PARTS CATALOG

10-84 BODY



P10-034.3

Figure 10-31. Soft Top Kit, Four-Man, Basic, Model 90.

1997 HUMMER PARTS CATALOG

6-1-99

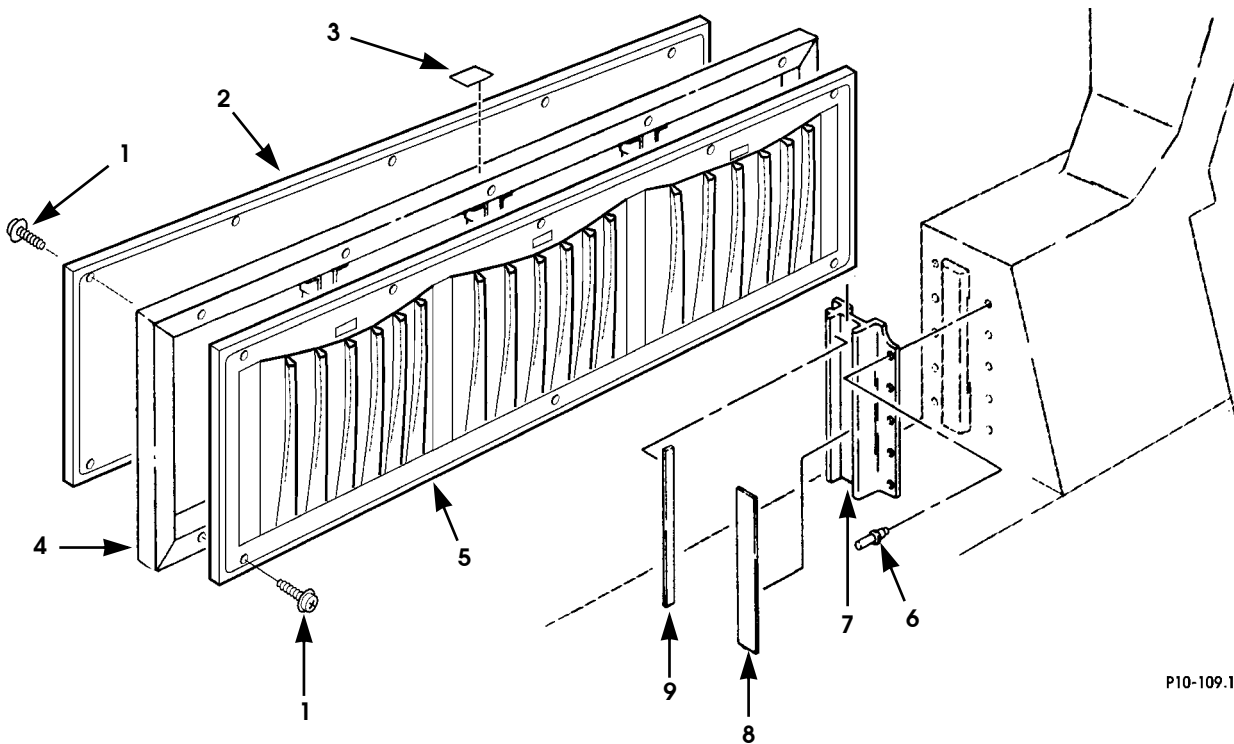
BODY 10-85

ITEM	PART NUMBER	DESCRIPTION	QTY
		Figure 10-31. Soft Top Kit, Four-Man, Basic, Model 90.	
1	6004802	KIT, soft top, basic, tan SEE NOTE 1	1
1	6004804	KIT, soft top, basic, black SEE NOTE 1	1
1	6004806	KIT, soft top, basic, white SEE NOTE 1	1
2	6004211	•TOP ASSEMBLY, Black	1
2	6001647	•TOP ASSEMBLY, Tan	1
2	6004227	•TOP ASSEMBLY, White.	1
3	6004212	•COVER ASSEMBLY, tonneau, Black.	1
3	6001648	•COVER ASSEMBLY, tonneau, Tan	1
3	6004228	•COVER ASSEMBLY, tonneau, White	1
4	6001670	•PVC EXTRUSION, tonneau, 41-inch	2
5	5745081	• • VELCRO STRIP, 41-inch	2
6	6001671	•PVC EXTRUSION, tonneau, 9-inch	2
7	5745083	• • VELCRO STRIP, 9-inch	2
8	6002999	•HOOK PATCH, self-adhesive	6
9	6001669	•PVC EXTRUSION, tonneau, 43-inch	1
10	5745082	• • VELCRO STRIP, 43-inch	1
11	5742965	•KIT, tonneau bow assembly	1
12	S.I.K.	••BOW, wooden	2
13	S.I.K.	••SCREW, # 10-32 x .38.	4
14	S.I.K.	••BRACKET, tonneau cover bow	2
		NOTE 1: INCLUDES TOP AND TONNEAU COVER, ALL ATTACHING HARDWARE, AND COVERS OVER METAL TOP SUPPORT STRUCTURE.	

6-1-99

1997 HUMMER PARTS CATALOG

10-86 BODY



P10-109.1

Figure 10-32. Removable Load Barrier, Station Wagon, Model 84.

1997 HUMMER PARTS CATALOG

6-1-99

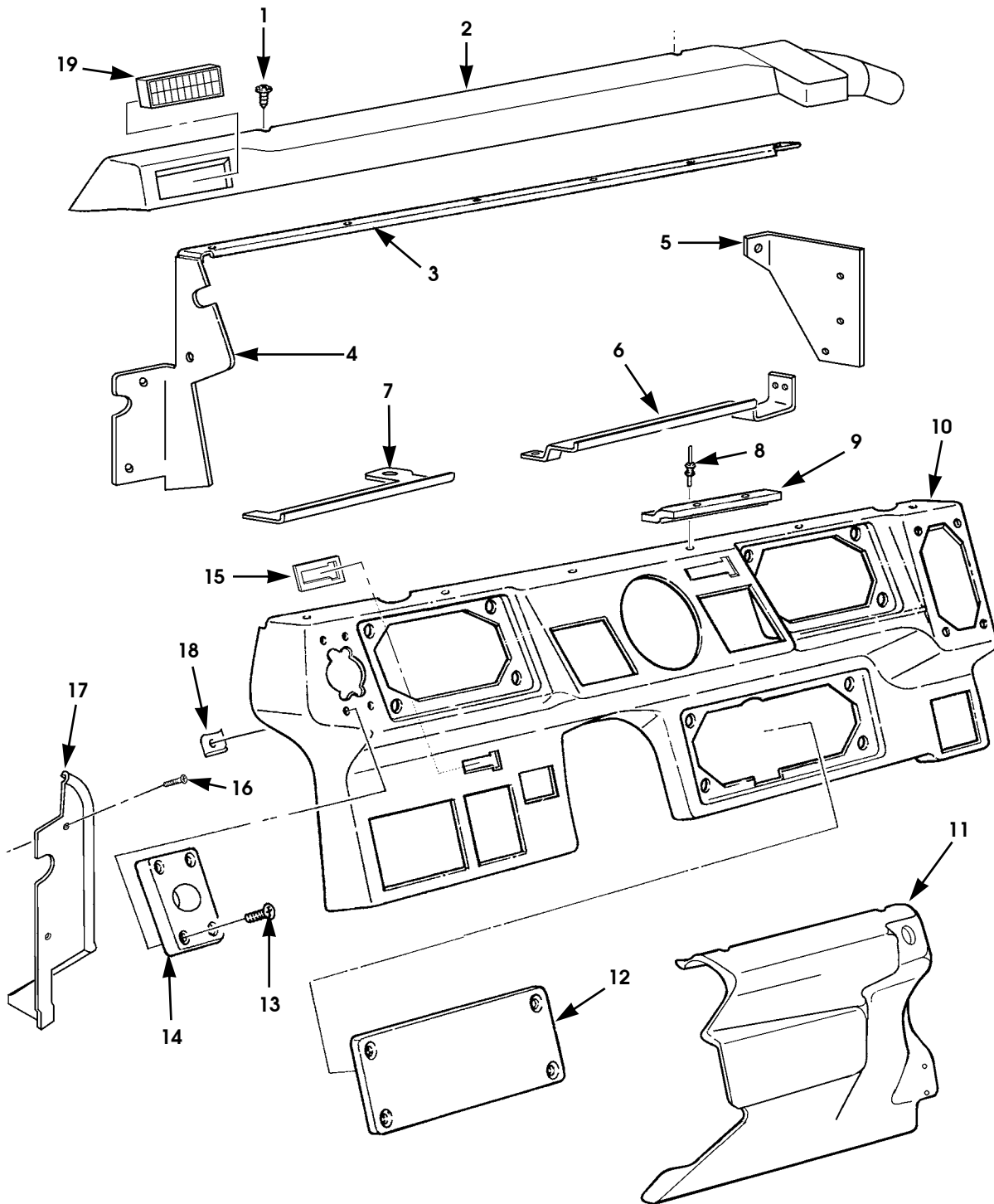
BODY 10-87

ITEM	PART NUMBER	DESCRIPTION	QTY
		Figure 10-32. Removable Load Barrier, Station Wagon, Model 84.	
1	6005624G	•SCREW AND WASHER ASSEMBLY, gray	18
1	6005624T	•SCREW AND WASHER ASSEMBLY, tan.	18
2	6002998G	•CARPET, load barrier, gray	1
2	6002998T	•CARPET, load barrier, tan	1
3	6004009	•DECAL, load barrier warning	1
4	6002978	•FRAME ASSEMBLY, load barrier.	1
5	6006609G	•POCKET ASM., load barrier, gray	1
5	6006609T	•POCKET ASM., load barrier, tan.	1
6	12339355-1	RIVET	20
7	6003014	BRACKET, L.H., load bar.	1
7	6003020	BRACKET, R.H., load bar.	1
8	6003015	BUMPER STRIP, center.	1
9	6007112	BUMPER STRIP, side	4

6-1-99

1997 HUMMER PARTS CATALOG

10-88 BODY



P10-036.5

Figure 10-33. Instrument Panel Assembly, Dash Trim, Crash Pad, and Mounting Hardware.

1997 HUMMER PARTS CATALOG

6-1-99

BODY 10-89

ITEM	PART NUMBER	DESCRIPTION	QTY
		Figure 10-33. Instrument Panel Assembly, Dash Trim, Crash Pad, and Mounting Hardware.	
1	N/S	SCREW AND WASHER ASSEMBLY, #8-18 x 1"	2
2	6007054G	CRASH PAD, L.H., deluxe, gray	1
2	6007054T	CRASH PAD, L.H., deluxe, tan	1
3	6007064	SUPPORT ASSEMBLY, I/P mounting, outer.	1
4	6006974	• BRACKET, instrument panel mounting, L.H.	1
5	6007415	BRACKET, I/P support, R.H.	1
6	5939272	BRACKET, I/P support, lower	1
7	6007416	BRACKET, I/P support, lower, L.H.	1
8	N/S	RIVET, blind, 3/16"	4
9	6007192	BRACKET, I/P crash pad mounting.	2
10	6008686	PANEL, instrument	1
11	6008658G	CRASH PAD, R.H., gray.	1
11	6008658T	CRASH PAD, R.H., tan.	1
11	6008659G	CRASH PAD, R.H., gray (On VIN VE176477 and up) . . .	1
11	6008659T	CRASH PAD, R.H., tan (On VIN VE176477 and up) . . .	1
12	5939270	PANEL, gauge, lower (blank)	1
13	N/S	SCREW, #8-32 x .5", OH, mach	4
14	6003558	NOZZLE, defroster, side window	1
15	6000830	SHIM, instrument panel lamp	1
16	6005624	SCREW, gray, #8 x 1.0"	2
17	6006289	PANEL, closeout, instrument panel	1
18	6001894	J-NUT, #8, defroster mounting.	4
19	6007156	LOUVER, crash pad	1

6-1-99

1997 HUMMER PARTS CATALOG

10-90 BODY

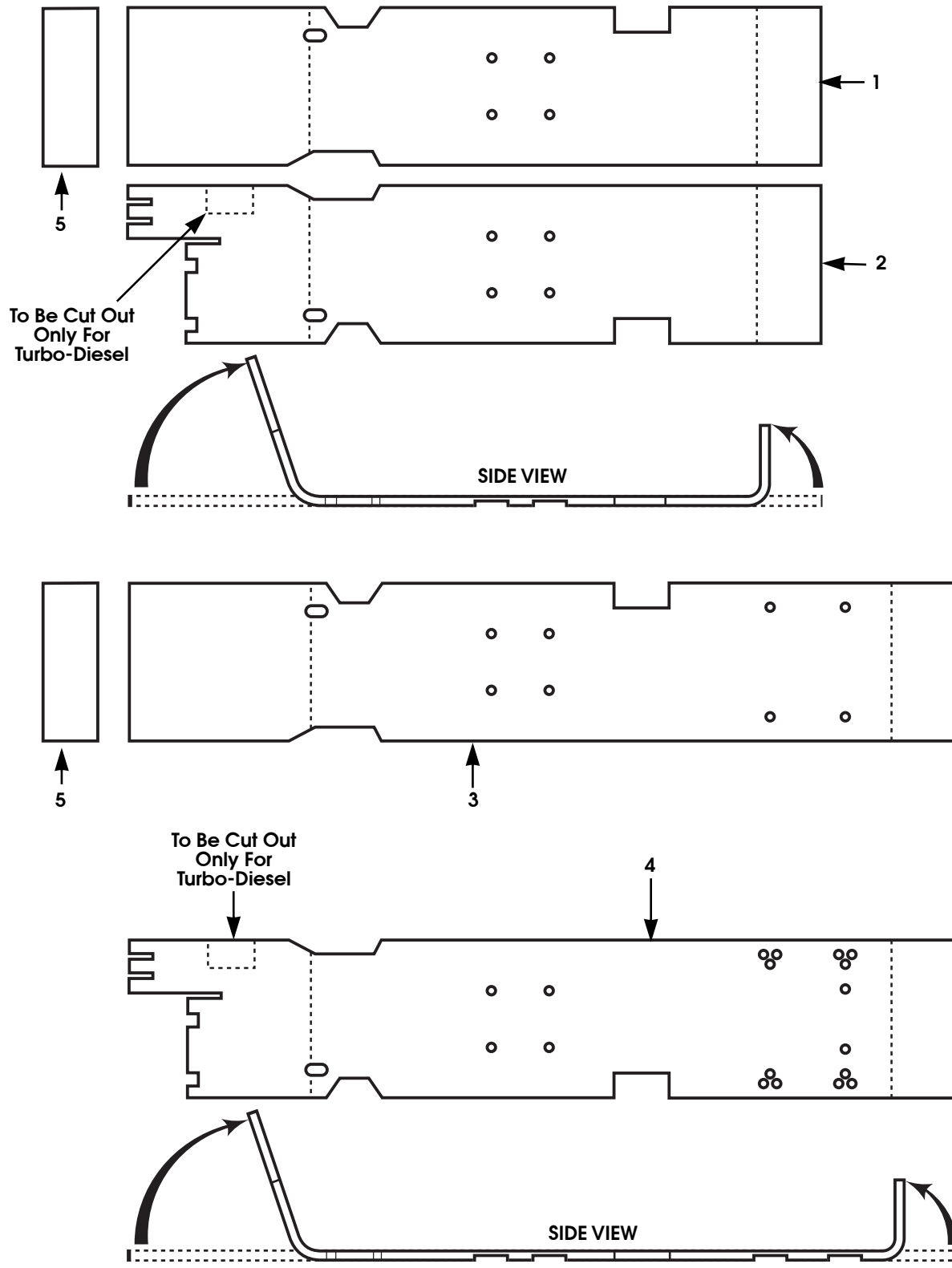


Figure 10-34. Floor Padding, Front and Rear.

1997 HUMMER PARTS CATALOG

6-1-99

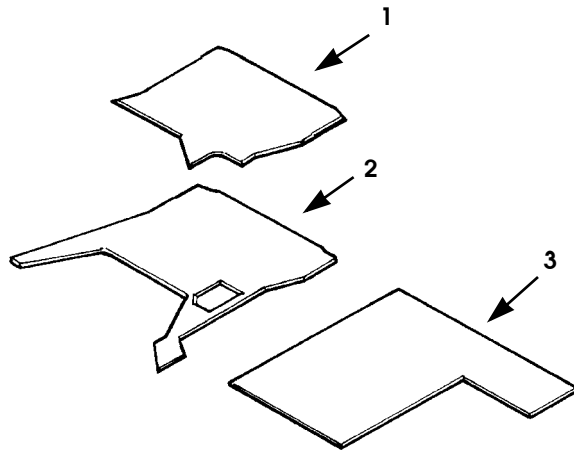
BODY 10-91

ITEM	PART NUMBER	DESCRIPTION	QTY
		Figure 10-34. Floor Padding, Front and Rear.	
1	6004548G	PAD ASSEMBLY, R.H., gray 89	1
1	6004548T	PAD ASSEMBLY, R.H., tan 89	1
1	6009530G	PAD ASSEMBLY, R.H., gray (On VIN VE176477 and up) 89	1
1	6009530T	PAD ASSEMBLY, R.H., tan (On VIN VE176477 and up) . 89	1
2	6004547G	PAD ASSEMBLY, L.H., gray 89	1
2	6004547T	PAD ASSEMBLY, L.H., tan 89	1
3	6003154G	PAD ASSEMBLY, R.H., gray 83, 84, 90	1
3	6003154T	PAD ASSEMBLY, R.H., tan 83, 84, 90	1
3	6009529G	PAD ASSEMBLY, R.H., gray (On VIN VE176477 and up) 83, 84, 90	1
3	6009529T	PAD ASSEMBLY, R.H., tan (On VIN VE176477 and up) . 83, 84, 90	1
4	6009861G	PAD ASSEMBLY, L.H., gray 83, 84, 90	1
4	6009861T	PAD ASSEMBLY, L.H., tan 83, 84, 90	1
5	6007266	INSULATION, cowl, front upper (On VIN VE 176477 and down)	1

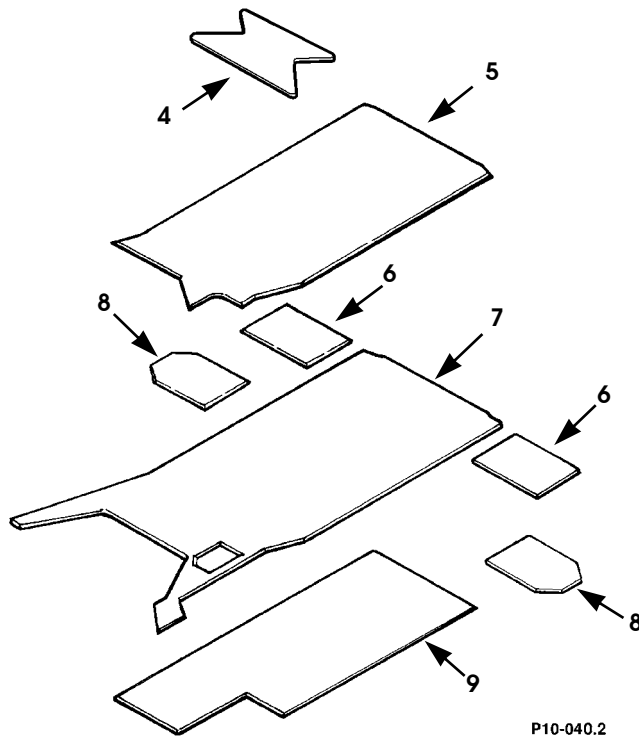
6-1-99

1997 HUMMER PARTS CATALOG

10-92 BODY



TWO-PASSENGER ENLARGED CAB



P10-040.2

FOUR-PASSENGER

Figure 10-35. Interior Tunnel Padding, Carpet, and Hardboard.

1997 HUMMER PARTS CATALOG

6-1-99

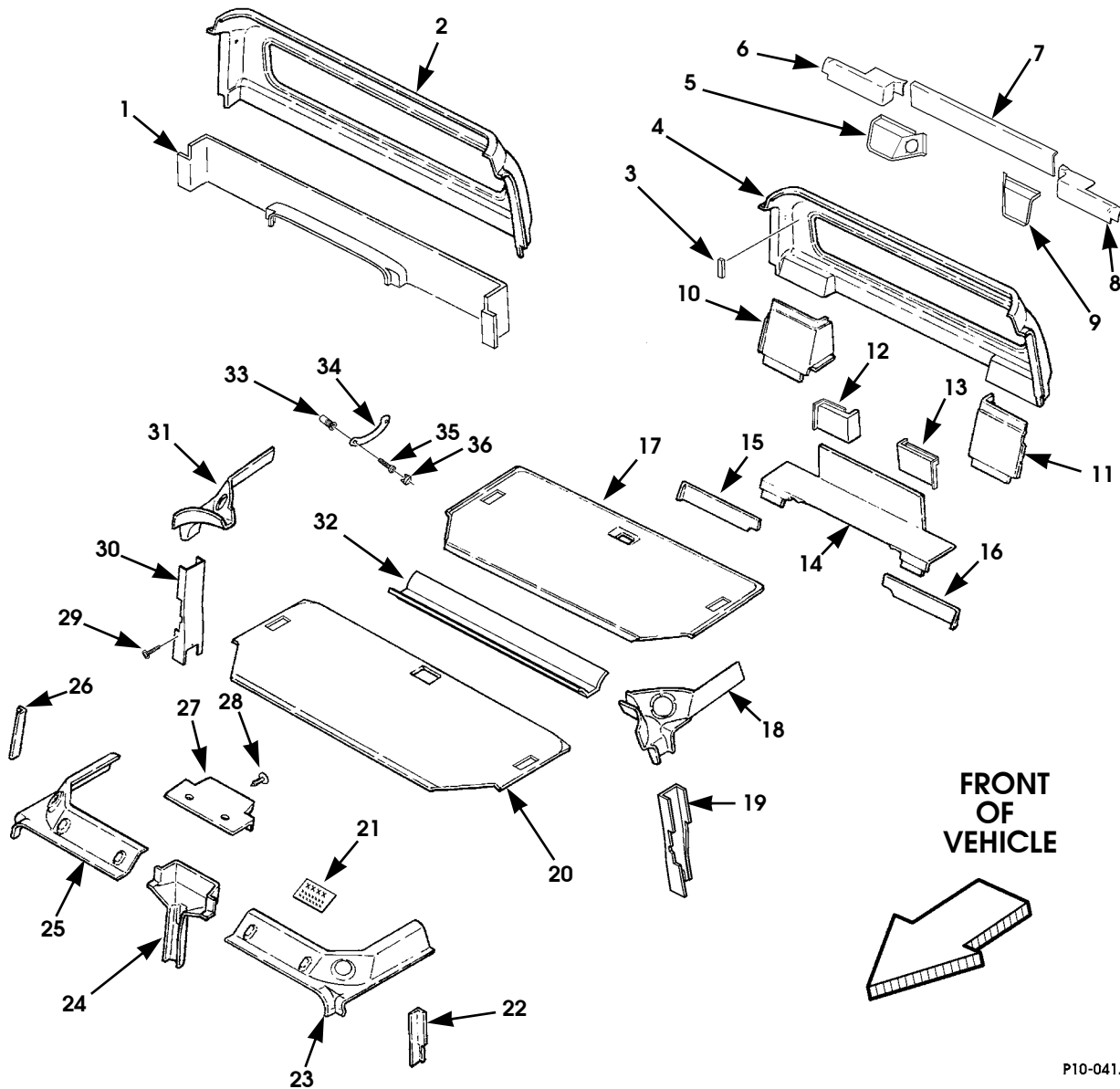
BODY 10-93

ITEM	PART NUMBER	DESCRIPTION	QTY
		Figure 10-35. Interior Tunnel Padding, Carpet, and Hardboard.	
1	6004565G	CARPET, tunnel top, gray 89	1
2	6007220G	PAD ASSEMBLY, tunnel top, gray 89	1
3	6004566	HARDBOARD, tunnel top 89	1
4	6008979G	CARPET, rear console, gray 83, 84, 90	1
4	6008979T	CARPET, rear console, tan 83, 84, 90	1
5	6005239G	CARPET, tunnel top, deluxe, gray 83, 84, 90	1
5	6005239T	CARPET, tunnel top, deluxe, tan 83, 84, 90	1
5	6005240G	CARPET, tunnel top, deluxe w/aux seat, gray 84	1
5	6005240T	CARPET, tunnel top, deluxe w/aux seat, tan 84	1
6	5939985G	PAD ASSEMBLY, tunnel top, RR, outer, gray 83, 84, 90	2
6	5939985T	PAD ASSEMBLY, tunnel top, RR, outer, tan 83, 84, 90	2
7	6007184G	PAD ASSEMBLY, tunnel top, gray 83, 90	1
7	6007184T	PAD ASSEMBLY, tunnel top, tan 83, 90	1
7	6007185G	PAD ASSEMBLY, tunnel top, gray 84	1
7	6007185T	PAD ASSEMBLY, tunnel top, tan 84	1
8	6000870	HARDBOARD, tunnel top, RR, outer 83, 84, 90	2
9	6005229	HARDBOARD, tunnel top 83, 90	1
9	6005230	HARDBOARD, tunnel top 84	1

6-1-99

1997 HUMMER PARTS CATALOG

10-94 BODY



P10-041.7

Figure 10-36. Headliner, Roof Trim, Front and Rear Side Trim, Grab Handles, and Mounting Hardware (for Clarion and Delco Standard Stereo Systems).

1997 HUMMER PARTS CATALOG

6-1-99

BODY 10-95

ITEM	PART NUMBER	DESCRIPTION	QTY
		Figure 10-36. Headliner, Roof Trim, Front and Rear Side Trim, Grab Handles, and Mounting Hardware (for Clarion and Delco Standard Stereo Systems).	
1	6004545G	PANEL, rear, lower, gray	1
		89	
1	6004545T	PANEL, rear, lower, tan	1
		89	
2	6004546G	PANEL ASSEMBLY, rear, gray	1
		89	
2	6004546T	PANEL ASSEMBLY, rear, tan	1
		89	
3	6001007	SPACER, foam rubber, cab rear panel trim	12
		83	
4	6003603G	PANEL ASSEMBLY TRIM, rear, gray	1
		83	
4	6003603T	PANEL ASSEMBLY TRIM, rear, tan	1
		83	
5	6009128G	PANEL, rear speaker, R.H., gray (On VIN VE176477 and up)	1
		90	
5	6009128T	PANEL, rear speaker, R.H., tan (On VIN VE176477 and up)	1
		90	
6	6009766G	PANEL, wheelhouse, upper, R.H., gray	1
		90	
6	6009766T	PANEL, wheelhouse, upper, R.H., tan	1
		90	
7	6001032G	PANEL ASSEMBLY, rear, gray.	1
		90	
7	6001032T	PANEL ASSEMBLY, rear, tan.	1
		90	
8	6009765G	PANEL, wheelhouse, upper, L.H., gray	1
		90	
8	6009765T	PANEL, wheelhouse, upper, L.H., tan	1
		90	
9	6009127G	PANEL, rear speaker, L.H., gray (On VIN VE176477 and up)	1
		90	
9	6009127T	PANEL, rear speaker, L.H., tan, (On VIN VE176477 and up).	1
		90	
10	6000184G	PANEL, wheelhouse, upper, R.H., gray	1
		83, 90	
10	6000184T	PANEL, wheelhouse, upper, R.H., tan	1
		83, 90	
10	6002995G	PANEL, wheelhouse, upper, R.H., gray	1
		84	
10	6002995T	PANEL, wheelhouse, upper, R.H., tan	1
		84	
11	6000183G	PANEL, wheelhouse, upper, L.H., gray	1
		90	
11	6000183T	PANEL, wheelhouse, upper, L.H., tan.	1
		90	

6-1-99

1997 HUMMER PARTS CATALOG

10-96 BODY

ITEM	PART NUMBER	DESCRIPTION	QTY
		Figure 10-36. Headliner, Roof Trim, Front and Rear Side Trim, Grab Handles, and Mounting Hardware (for Clarion and Delco Standard Stereo Systems). (Cont'd)	
11	6002994G	PANEL, wheelhouse, upper, L.H., gray 84	1
11	6002994T	PANEL, wheelhouse, upper, L.H., tan 84	1
12	6000186G	PANEL, amp cover, R.H., gray 83	1
12	6000186T	PANEL, amp cover, R.H., tan 83	1
12	6001029G	PANEL, amp cover, R.H., gray 90	1
12	6001029T	PANEL, amp cover, R.H., tan 90	1
13	6000185G	PANEL, amp cover, L.H., gray 83	1
13	6000185T	PANEL, amp cover, L.H., tan 83	1
13	6001028G	PANEL, amp cover, L.H., gray 90	1
13	6001028T	PANEL, amp cover, L.H., tan 90	1
14	6005125G	PANEL, rear lower, center, gray 83, 90	1
14	6005125T	PANEL, rear lower, center, tan 83, 90	1
15	6000182G	PANEL, wheelhouse, lower, R.H., gray 83, 90	1
15	6000182T	PANEL, wheelhouse, lower, R.H., tan 83, 90	1
15	6002993G	PANEL, wheelhouse, lower, R.H., gray 84	1
15	6002993T	PANEL, wheelhouse, lower, R.H., tan 84,	1
16	6000181G	PANEL, wheelhouse, lower, L.H., gray 83, 90	1
16	6000181T	PANEL, wheelhouse, lower, L.H., tan 83, 90	1
16	6002992G	PANEL, wheelhouse, lower, L.H., gray 84	1
16	6002992T	PANEL, wheelhouse, lower, L.H., tan 84	1
17	6008643G	HEADLINER, rear, gray 83	1
17	6008643T	HEADLINER, rear, tan 83	1
17	6008647G	HEADLINER, rear, gray 84	1
17	6008647T	HEADLINER, rear, tan 84	1

1997 HUMMER PARTS CATALOG

6-1-99

BODY 10-97

ITEM	PART NUMBER	DESCRIPTION	QTY
		Figure 10-36. Headliner, Roof Trim, Front and Rear Side Trim, Grab Handles, and Mounting Hardware (for Clarion and Delco Standard Stereo Systems). (Cont'd)	
18	6005151G	PANEL ASSEMBLY TRIM, L.H., B-pillar, upper, gray (Clarion Standard & Deluxe)	1
		83, 84	
18	6005151T	PANEL ASSEMBLY TRIM, L.H., B-pillar, upper, tan (Clarion Standard & Deluxe)	1
		83, 84	
18	6009125G	PANEL ASSEMBLY TRIM, L.H., B-pillar, upper, gray (Delco Standard)	1
		83, 84	
18	6009125T	PANEL ASSEMBLY TRIM, L.H., B-pillar, upper, tan (Delco Standard))	1
		83, 84	
19	6005989G	PANEL ASSEMBLY TRIM, L.H., B-pillar, center, tan	1
		83, 84	
19	6005989T	PANEL ASSEMBLY TRIM, L.H., B-pillar, center, gray	1
		83, 84	
20	6008635G	HEADLINER, front, gray (Clarion Standard)	1
		89	
20	6008635T	HEADLINER, front, tan (Clarion Standard)	1
		89	
20	6008641G	HEADLINER, front, w/CD changer, gray (Clarion Deluxe)	1
		83, 84	
20	6008641T	HEADLINER, front, w/CD changer, tan (Clarion Deluxe).	1
		83, 84	
20	6009326G	HEADLINER, front, gray (Delco Standard)	1
		89	
20	6009326T	HEADLINER, front, tan (Delco Standard)	1
		89	
20	6009133G	HEADLINER, front, gray (Delco Standard)	1
		83, 84	
20	6009133T	HEADLINER, front, tan (Delco Standard)	1
		83, 84	
21	6008183	DECAL, handling warning	1
22	5939313G	PANEL ASSEMBLY TRIM, L.H., A-pillar, gray	1
		83, 84, 89	
22	5939313T	PANEL ASSEMBLY TRIM, L.H., A-pillar, tan	1
		83, 84	
23	6006119G	PANEL ASSEMBLY TRIM, L.H., front, upper, gray	1
		83, 84	
23	6006119T	PANEL ASSEMBLY TRIM, L.H., front upper, tan	1
		83, 84	
23	6009123G	PANEL ASSEMBLY TRIM, L.H., front, upper, gray (On VIN VE176477 and up)	1
		83, 84	
23	6009123T	PANEL ASSEMBLY TRIM, L.H., front upper, tan (On VIN VE176477 and up)	1

6-1-99

1997 HUMMER PARTS CATALOG

10-98 BODY

ITEM	PART NUMBER	DESCRIPTION	QTY
		Figure 10-36. Headliner, Roof Trim, Front and Rear Side Trim, Grab Handles, and Mounting Hardware (for Clarion and Delco Standard Stereo Systems). (Cont'd)	
24	5939300G	PANEL ASSEMBLY TRIM, wiper motor, gray 83, 84, 89	1
24	5939300T	PANEL ASSEMBLY TRIM, wiper motor tan 83, 84, 89	1
24	6001024G	PANEL ASSEMBLY TRIM, wiper motor, gray 90	1
24	6001024T	PANEL ASSEMBLY TRIM, wiper motor, tan 90	1
25	6006120G	PANEL ASSEMBLY TRIM, R.H., front, upper, gray 83, 84, 89	1
25	6006120T	PANEL ASSEMBLY TRIM, R.H., front, upper, tan, 83, 84	1
25	6009124G	PANEL ASSEMBLY TRIM, R.H., front, upper, gray (On VIN VE176477 and up)	1
25	6009124T	PANEL ASSEMBLY TRIM, R.H., front, upper, tan, (On VIN VE176477 and up)	1
26	5939314G	PANEL ASSEMBLY TRIM, R.H., A-pillar, gray 83, 84, 89	1
26	5939314T	PANEL ASSEMBLY TRIM, R.H., A-pillar, tan 83, 84, 89	1
27	6001025G	COVER, wiper motor upper panel trim, gray 90	1
27	6001025T	COVER, wiper motor upper panel trim, tan 90	1
28	6001038G	CLIP, trim retainer, gray. 90	3
28	6001038T	CLIP, trim retainer, tan. 90	3
29	6000114G	SCREW AND WASHER ASSEMBLY, #8 - 18 x 1/2, trim, gray	A/R
29	6000114T	SCREW AND WASHER ASSEMBLY, #8 - 18 x 1/2, trim, tan	A/R
29	6000243G	SCREW AND WASHER ASSEMBLY, #8 - 18 x 3/4, trim, gray	A/R
29	6000243T	SCREW AND WASHER ASSEMBLY, #8 - 18 x 3/4, trim, tan	A/R
29	6002686G	SCREW AND WASHER ASSEMBLY, #8 - 18 x 1, trim, gray	A/R
29	6002686T	SCREW AND WASHER ASSEMBLY, #8 - 18 x 1, trim, tan.	A/R
30	6005990G	PANEL ASSEMBLY TRIM, R.H., B-pillar, center, gray 83, 84	1
30	6005990T	PANEL ASSEMBLY TRIM, R.H., B-pillar, center, tan 83, 84	1
31	6005168G	PANEL ASSEMBLY TRIM, R.H., B-pillar, upper, gray (Clarion Standard & Deluxe)	1

1997 HUMMER PARTS CATALOG

6-1-99

BODY 10-99

ITEM	PART NUMBER	DESCRIPTION	QTY
		Figure 10-36. Headliner, Roof Trim, Front and Rear Side Trim, Grab Handles, and Mounting Hardware (for Clarion and Delco Standard Stereo Systems). (Conti'd)	
31	6005168T	PANEL ASSEMBLY TRIM, R.H., B-pillar, upper, tan (Clarion Standard & Deluxe)	1
		83, 84	
31	6009126G	PANEL ASSEMBLY TRIM, R.H., B-pillar, upper, gray (Delco Standard)	1
		83, 84	
31	6009126T	PANEL ASSEMBLY TRIM, R.H., B-pillar, upper, tan (Delco Standard)	1
		83, 84	
32	6005150G	PANEL ASSEMBLY TRIM, B-bar cover, gray	1
		83, 84	
32	6005150T	PANEL ASSEMBLY TRIM, B-bar cover, tan	1
		83, 84	
33	N/S	NUT INSERT, 1/4 - 20	4
		89	
33	N/S	NUT INSERT, 1/4 - 20	8
		83, 84, 90	
34	5939469G	GRAB HANDLE, gray	2
		89	
34	5939469T	GRAB HANDLE, tan	2
		89	
34	5939469G	GRAB HANDLE, gray	4
		83, 84, 90	
34	5939469T	GRAB HANDLE, tan	4
		83, 84, 90	
35	N/S	BOLT, phcr, 1/4 - 20 x 3/4	4
		89	
35	N/S	BOLT, phcr, 1/4 - 20 x 3/4	8
		83, 84, 90	
36	6000027G	PLUG, grab handle, gray	4
		89	
36	6000027T	PLUG, grab handle, tan	4
		89	
36	6000027G	PLUG, grab handle, gray	8
		83, 84, 90	
36	6000027T	PLUG, grab handle, tan	8
		83, 84, 90	

6-1-99

1997 HUMMER PARTS CATALOG

10-100 BODY

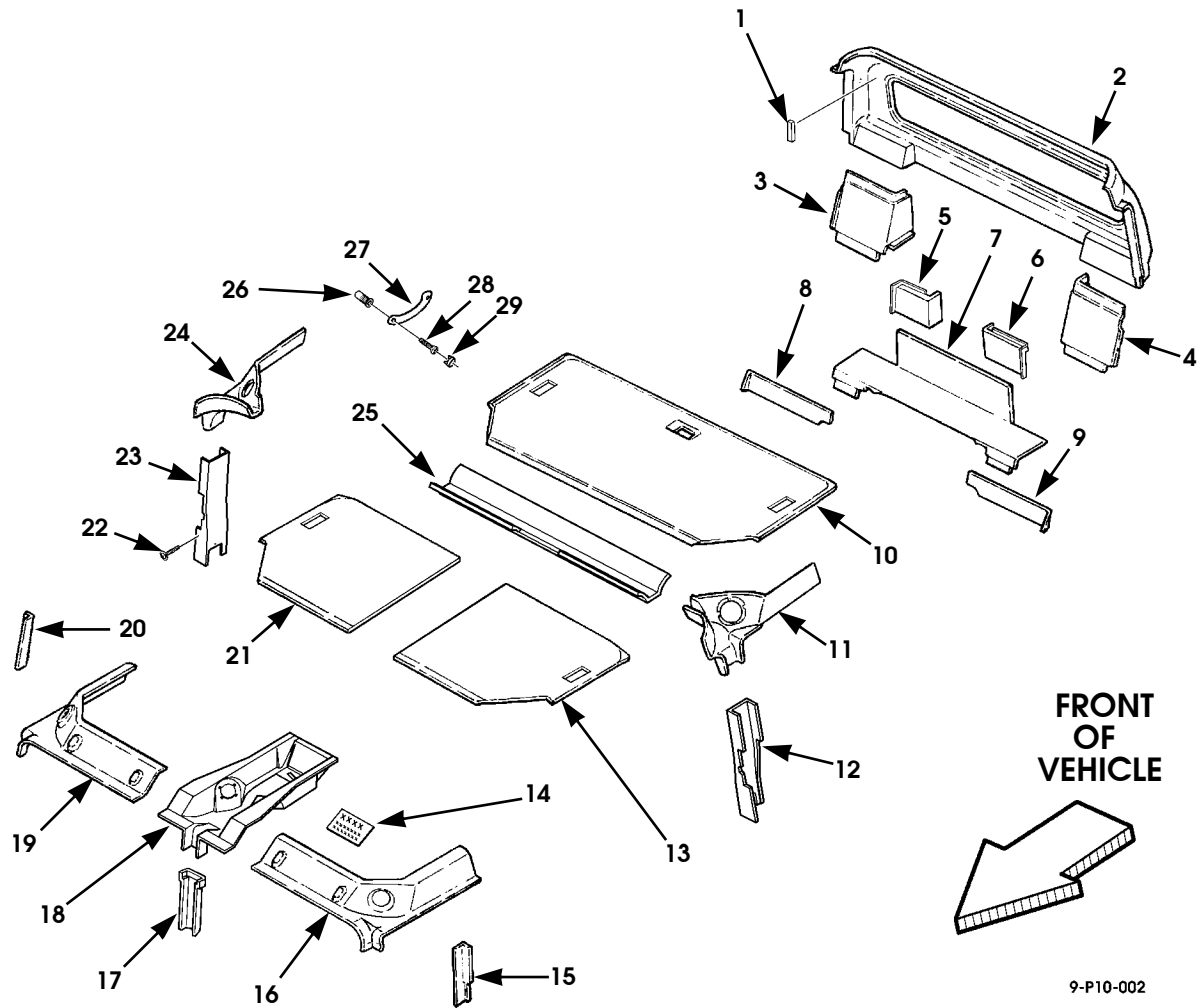


Figure 10-37. Headliner, Roof Trim, Front and Rear Side Trim, Grab Handles, and Mounting Hardware (Delco Monsoon Stereo System).

1997 HUMMER PARTS CATALOG

6-1-99

BODY 10-101

ITEM	PART NUMBER	DESCRIPTION	QTY
		Figure 10-37. Headliner, Roof Trim, Front and Rear Side Trim, Grab Handles, and Mounting Hardware (Delco Monsoon Stereo System).	
1	6001007	SPACER, foam rubber, cab rear panel trim 83	12
2	6003603G	PANEL ASSEMBLY TRIM, rear, gray 83	1
2	6003603T	PANEL ASSEMBLY TRIM, rear, tan 83	1
3	6000184G	PANEL, wheelhouse, upper, R.H., gray 83	1
3	6000184T	PANEL, wheelhouse, upper, R.H., tan 83	1
3	6002995G	PANEL, wheelhouse, upper, R.H., gray 84	1
3	6002995T	PANEL, wheelhouse, upper, R.H., tan 84	1
4	6000183G	PANEL, wheelhouse, upper, L.H., gray 83	1
4	6000183T	PANEL, wheelhouse, upper, L.H., tan 83	1
4	6002994G	PANEL, wheelhouse, upper, L.H., gray 84	1
4	6002994T	PANEL, wheelhouse, upper, L.H., tan 84	1
5	6000186G	PANEL, amp cover, R.H., gray, 83	1
5	6000186T	PANEL, amp cover, R.H., tan, 83	1
6	6000185G	PANEL, amp cover, L.H., gray 83	1
6	6000185T	PANEL, amp cover, L.H., tan 83	1
7	6005125G	PANEL, rear lower, center, gray 83	1
7	6005125T	PANEL, rear lower, center, tan 83	1
8	6000182G	PANEL, wheelhouse, lower, R.H., gray 83	1
8	6000182T	PANEL, wheelhouse, lower, R.H., tan 83	1

6-1-99

1997 HUMMER PARTS CATALOG**10-102 BODY**

ITEM	PART NUMBER	DESCRIPTION	QTY
		Figure 10-37. Headliner, Roof Trim, Front and Rear Side Trim, Grab Handles, and Mounting Hardware (Delco Monsoon Stereo System). (Cont'd)	
8	6002993G	PANEL, wheelhouse, lower, R.H., gray 84	1
8	6002993T	PANEL, wheelhouse, lower, R.H., tan 84	1
9	6000181G	PANEL, wheelhouse, lower, L.H., gray 83	1
9	6000181T	PANEL, wheelhouse, lower, L.H., tan. 83	1
9	6002992G	PANEL, wheelhouse, lower, L.H., gray 84	1
9	6002992T	PANEL, wheelhouse, lower, L.H., tan. 84	1
10	6008643G	HEADLINER, rear, gray 83	1
10	6008643T	HEADLINER, rear, tan 83	1
10	6008647G	HEADLINER, rear, gray 84	1
10	6008647T	HEADLINER, rear, tan 84	1
11	6009125G	PANEL ASSEMBLY TRIM, L.H., B-pillar, upper, gray 83, 84	1
11	6009125T	PANEL ASSEMBLY TRIM, L.H., B-pillar, upper, tan 83, 84	1
12	6005989G	PANEL ASSEMBLY TRIM, L.H., B-pillar, center, gray. 83, 84	1
12	6005989T	PANEL ASSEMBLY TRIM, L.H., B-pillar, center, tan 83, 84	1
13	6009131G	HEADLINER, front, left, gray 83, 84	1
13	6009131T	HEADLINER, front, left, tan 83, 84	1
14	6008183	DECAL, handling warning	1
15	5939313G	PANEL ASSEMBLY TRIM, L.H., A-pillar, gray 83, 84	1
15	5939313T	PANEL ASSEMBLY TRIM, L.H., A-pillar, tan 83, 84	1

1997 HUMMER PARTS CATALOG

6-1-99

BODY 10-103

ITEM	PART NUMBER	DESCRIPTION	QTY
		Figure 10-37. Headliner, Roof Trim, Front and Rear Side Trim, Grab Handles, and Mounting Hardware (Delco Monsoon Stereo System). (Cont'd)	
16	6009123G	PANEL ASSEMBLY TRIM, L.H., front, upper, gray 83, 84	1
16	6009123T	PANEL ASSEMBLY TRIM, L.H., front, upper, tan 83, 84	1
17	6008891G	COVER, windshield divider bar, gray 83, 84	1
17	6008891T	COVER, windshield divider bar, tan 83, 84	1
18	6009168G	OVERHEAD CONSOLE, gray 83, 84	1
18	6009168T	OVERHEAD CONSOLE, tan 83, 84	1
19	6009124G	PANEL ASSEMBLY TRIM, R.H., front, upper, gray 83, 84	1
19	6009124T	PANEL ASSEMBLY TRIM, R.H., front, upper, tan 83, 84	1
20	5939314G	PANEL ASSEMBLY TRIM, R.H., A-pillar, gray 83, 84	1
20	5939314T	PANEL ASSEMBLY TRIM, R.H., A-pillar, tan 83, 84	1
21	6009132G	HEADLINER, front, right, gray 83, 84	1
21	6009132T	HEADLINER, front, right, tan 83, 84	1
22	6000114G	SCREW AND WASHER ASSEMBLY, #8 - 18 x 1/2, trim, gray	A/R
22	6000114T	SCREW AND WASHER ASSEMBLY, #8 - 18 x 1/2, trim, tan	A/R
22	6000243G	SCREW AND WASHER ASSEMBLY, #8 - 18 x 3/4, trim, gray	A/R
22	6000243T	SCREW AND WASHER ASSEMBLY, #8 - 18 x 3/4, trim, tan	A/R
22	6002686G	SCREW AND WASHER ASSEMBLY, #8 - 18 x 1, trim, gray	A/R
22	6002686T	SCREW AND WASHER ASSEMBLY, #8 - 18 x 1, trim, tan .	A/R
23	6005990G	PANEL ASSEMBLY TRIM, R.H., B-pillar, center, gray 83, 84	1
23	6005990T	PANEL ASSEMBLY TRIM, R.H., B-pillar, center, tan 83, 84	1
24	6009126G	PANEL ASSEMBLY TRIM, R.H., B-pillar, upper, gray 83, 84	1

6-1-99

1997 HUMMER PARTS CATALOG

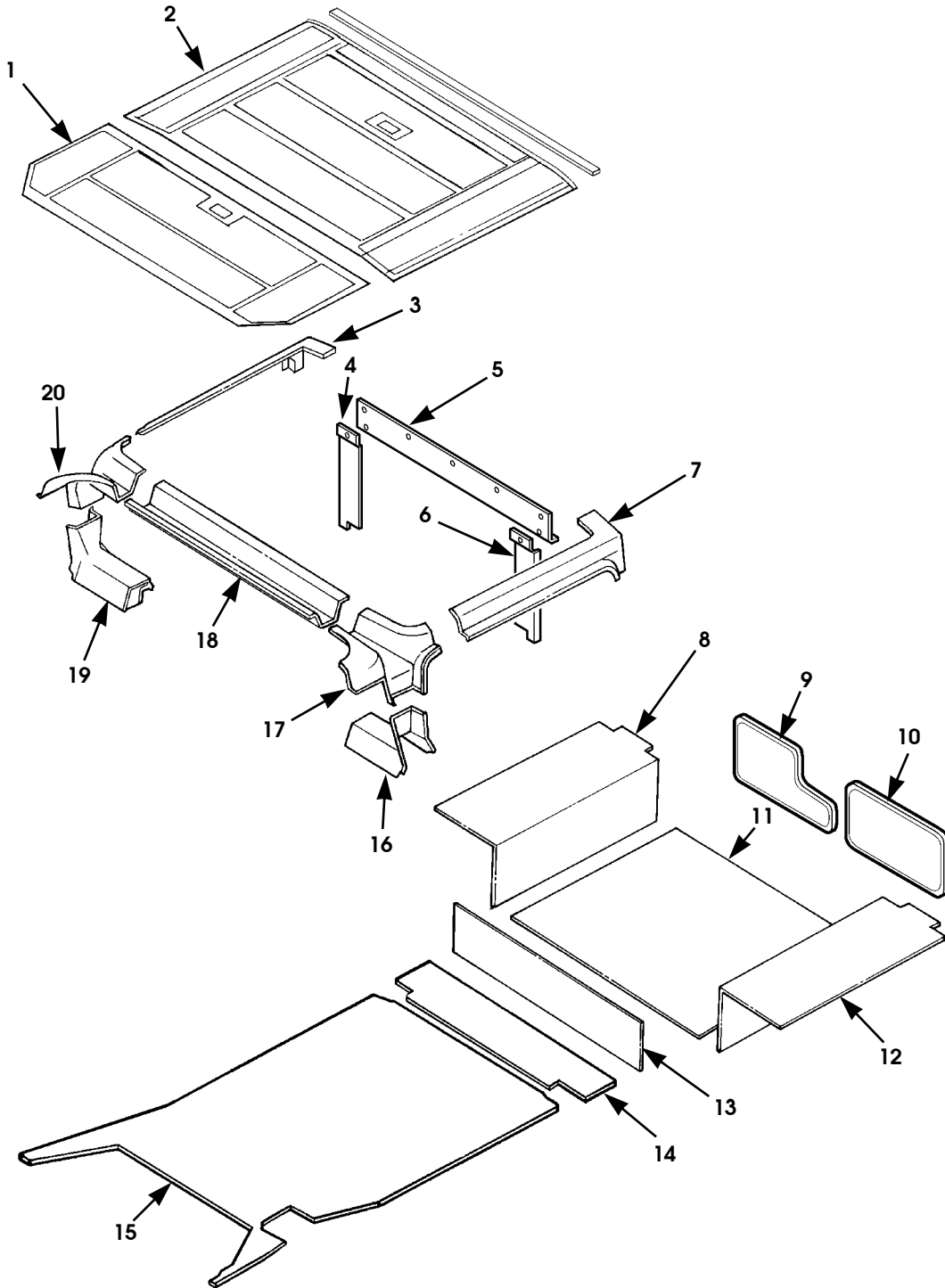
10-104 BODY

ITEM	PART NUMBER	DESCRIPTION	QTY
		Figure 10-37. Headliner, Roof Trim, Front and Rear Side Trim, Grab Handles, and Mounting Hardware (Delco Monsoon Stereo System). (Cont'd)	
24	6009126T	PANEL ASSEMBLY TRIM, R.H., B-pillar, upper, tan 83, 84	1
25	6008881G	COVER, B-bar, gray 83, 84	1
25	6008881T	COVER, B-bar, tan 83, 84	1
26	N/S	NUT INSERT, 1/4 - 20 83, 84,	8
27	5939469G	GRAB HANDLE, gray 83, 84	4
27	5939469T	GRAB HANDLE, tan 83, 84	4
28	N/S	BOLT, phcr, 1/4 - 20 x 3/4 83, 84	8
29	6000027G	PLUG, grab handle, gray 83, 84	8
29	6000027T	PLUG, grab handle, tan 83, 84	8

6-1-99

1997 HUMMER PARTS CATALOG

10-106 BODY



P10-044.2

Figure 10-38. Headliner, Rear Trim, and Carpet, Station Wagon, Model 84.

1997 HUMMER PARTS CATALOG

6-1-99

BODY 10-107

ITEM	PART NUMBER	DESCRIPTION	QTY
		Figure 10-38. Headliner, Rear Trim, and Carpet, Station Wagon, Model 84.	
1	6008647G	HEADLINER, center, gray	1
		84	
1	6008647T	HEADLINER, center, tan	1
		84	
2	6008645G	HEADLINER, rear, gray	1
		84	
2	6008645T	HEADLINER, rear, tan	1
		84	
3	6008835G	PANEL, upper rear, R.H., gray	1
		84	
3	6008835T	PANEL, upper rear, R.H., tan	1
		84	
4	6008578	PANEL, black trim, cargo door, R.H.	1
		84	
5	6008579	PANEL, black trim, cargo door, upper	1
		84	
6	6008577	PANEL, black trim, cargo door, L.H.	1
		84	
7	6008834G	PANEL, upper rear, L.H., gray.	1
		84	
7	6008834T	PANEL, upper rear, L.H., tan.	1
		84	
8	6001109G	CARPET, wheelhouse, R.H., gray	1
		84	
8	6001109T	CARPET, wheelhouse, R.H., tan	1
		84	
9	6006152G	CARPET, cargo door, R.H., gray.	1
		84	
9	6006152T	CARPET, cargo door, R.H., tan	1
		84	
10	6006151G	CARPET, cargo door, L.H., gray	1
		84	
10	6006151T	CARPET, cargo door, L.H., tan	1
		84	
11	6006130G	CARPET, cargo floor, gray	1
		84	
11	6006130T	CARPET, cargo floor, tan	1
		84	
12	6001108G	CARPET, wheelhouse, L.H., gray	1
		84	
12	6001108T	CARPET, wheelhouse, L.H., tan	1
		84	
13	6002998G	CARPET, bulkhead, gray	1
		84	
13	6002998T	CARPET, bulkhead, tan	1
		84	
14	6002988G	CARPET ASSY, tunnel, center, gray	1
		84	

6-1-99

1997 HUMMER PARTS CATALOG

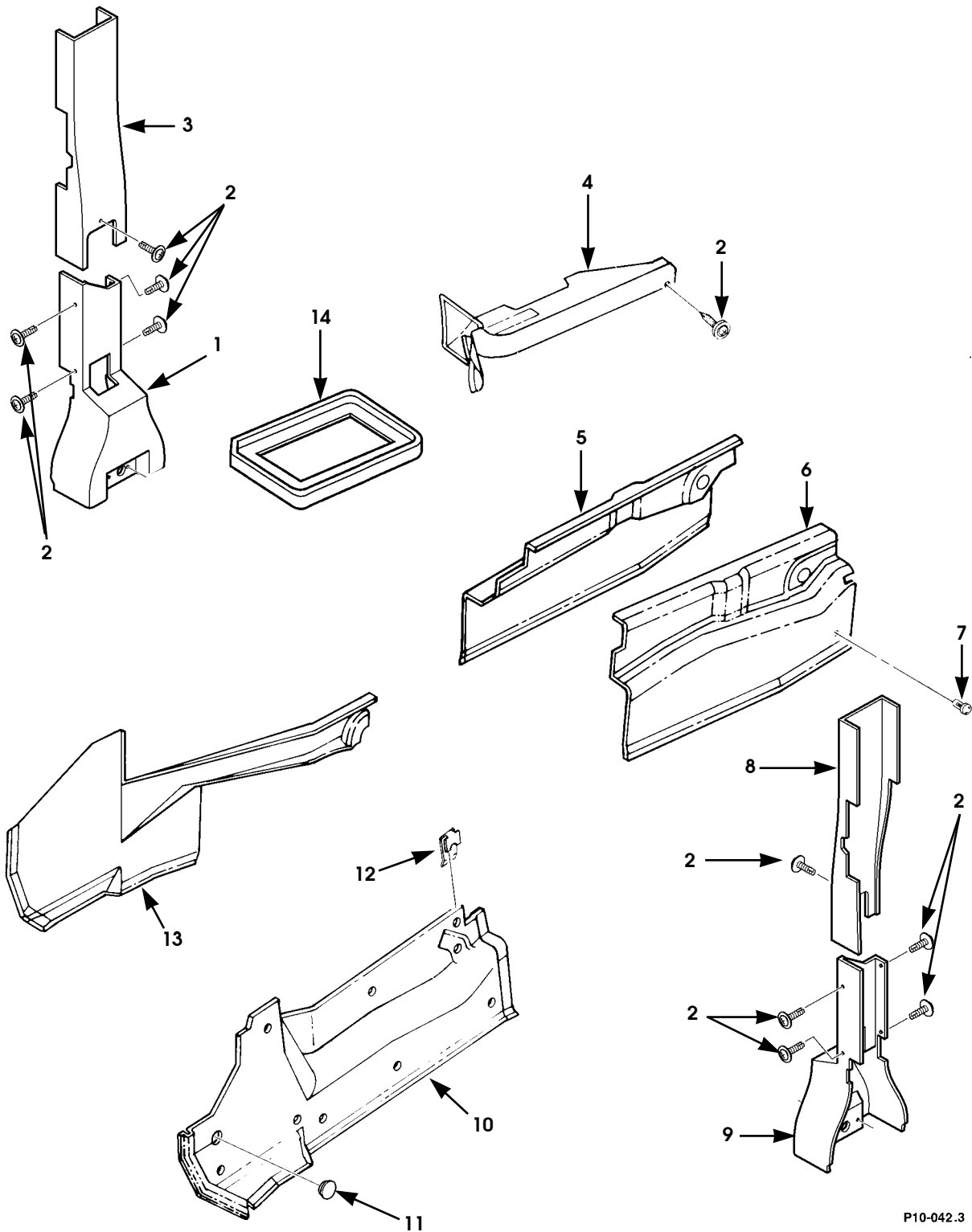
10-108 BODY

ITEM	PART NUMBER	DESCRIPTION	QTY
		Figure 10-38. Headliner, Rear Trim, and Carpet, Station Wagon, Model 84. (Cont'd)	
14	6002988T	CARPET ASSY, tunnel, center, tan 84	1
15	6007185G	PAD ASSY, tunnel, center, gray 84	1
15	6007185T	PAD ASSY, tunnel, center, tan 84	1
16	6002981G	PANEL, C-pillar, lower, L.H., gray 84	1
16	6002981T	PANEL, C-pillar, lower, L.H., tan 84	1
17	6001068G	PANEL, C-pillar, upper, L.H., gray 84	1
17	6001068T	PANEL, C-pillar, upper, L.H., tan 84	1
18	6001078G	PANEL, C-pillar, center, gray 84	1
18	6001078T	PANEL, C-pillar, center, tan 84	1
19	6002982G	PANEL, C-pillar, lower, R.H., gray 84	1
19	6002982T	PANEL, C-pillar, lower, R.H., tan HMC	1
20	6001069G	PANEL, C-pillar, upper, R.H., gray 84	1
20	6001069T	PANEL, C-pillar, upper, R.H., tan 84	1

6-1-99

1997 HUMMER PARTS CATALOG

10-110 BODY



P10-042.3

Figure 10-39. Kick Panels (Inner) and Miscellaneous Trim Panels.

1997 HUMMER PARTS CATALOG

6-1-99

BODY 10-111

ITEM	PART NUMBER	DESCRIPTION	QTY
		Figure 10-39. Kick Panels (Inner) and Miscellaneous Trim Panels.	
1	6005190G	PANEL, B-pillar, lower, R.H., gray	1
		89	
1	6005190T	PANEL, B-pillar, lower, R.H., tan	1
		89	
1	6004869G	PANEL, B pillar, lower, R.H. gray.	1
		83, 84, 90	
1	6004869T	PANEL, B pillar, lower, R.H. tan.	1
		83, 84, 90	
2	6002686G	SCREW AND WASHER ASSEMBLY, #8-18 x 1.0" gray . . .	v
		SEE NOTE 1	
2	6002686T	SCREW AND WASHER ASSEMBLY, #8-18 x 1.0" tan	v
		SEE NOTE 1	
3	6009784G	PANEL, B-pillar, center trim, R.H., gray.	1
		90	
3	6009784T	PANEL, B-pillar, center trim, R.H., tan.	1
		90	
4	6007187G	PANEL, shift and parking brake, gray	1
		83, 84, 89, 90	
4	6007187T	PANEL, shift and parking brake, tan.	1
		83, 84, 89, 90	
5	6005538G	PANEL, kick, inner rear, R.H., gray.	1
		89	
5	6005538T	PANEL, kick, inner rear, R.H., tan.	1
		89	
5	6005539G	PANEL, kick, inner rear, R.H., gray.	1
		83, 84, 90	
5	6005539T	PANEL, kick, inner rear, R.H., tan.	1
		83, 84, 90	
6	6004544G	PANEL, kick, inner rear, L.H., gray	1
		89	
6	6004544T	PANEL, kick, inner rear, L.H., tan	1
		89	
6	6003434G	PANEL, kick, inner rear, L.H., gray	1
		83, 84, 90	
6	6003434T	PANEL, kick, inner rear, L.H., tan	1
		83, 84, 90	
7	6000475G	CLIP, trim, gray	42
7	6000475T	CLIP, trim, tan.	42

6-1-99

1997 HUMMER PARTS CATALOG

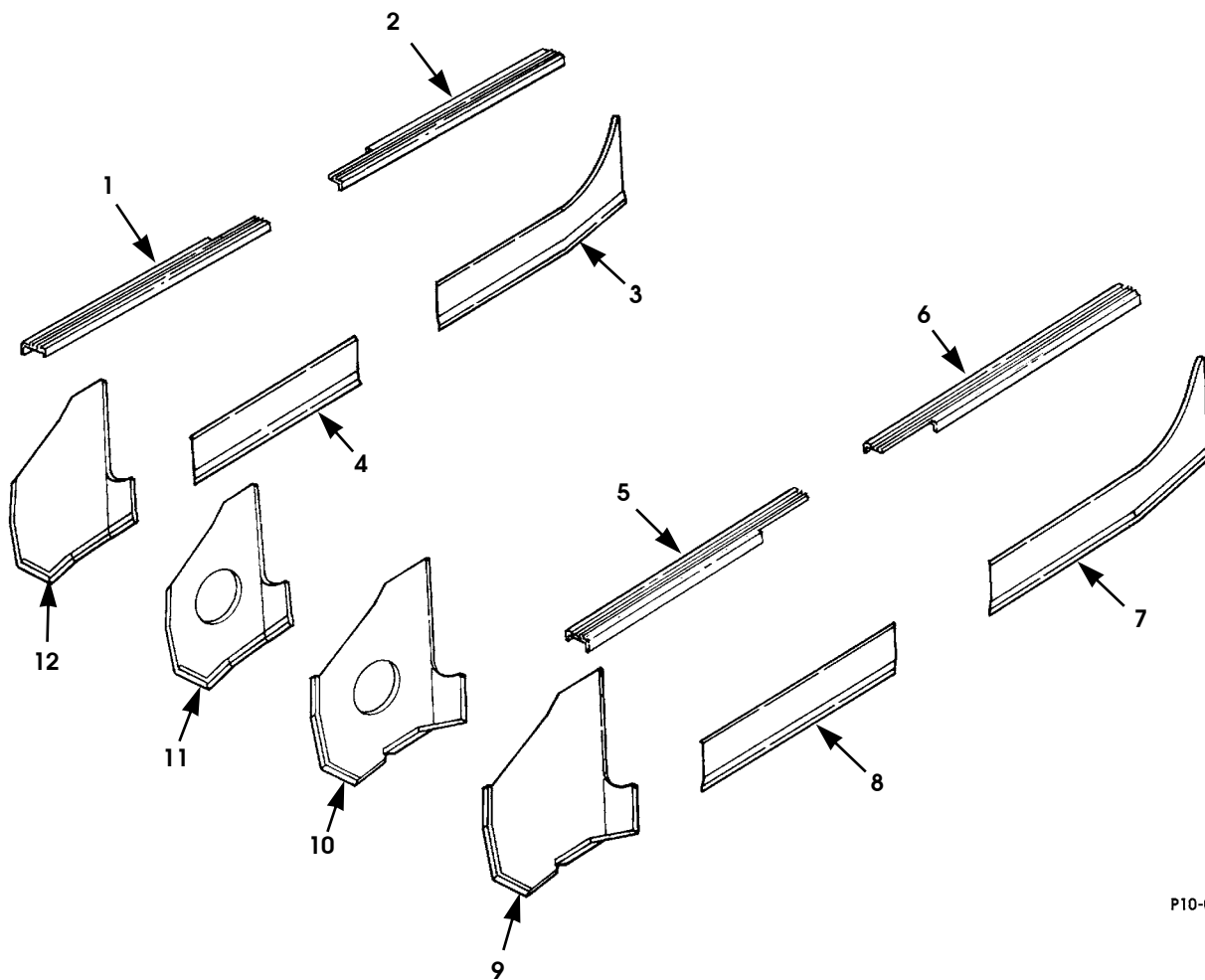
10-112 BODY

ITEM	PART NUMBER	DESCRIPTION	QTY
		Figure 10-39. Kick Panels (Inner) and Miscellaneous Trim Panels. (Cont'd)	
8	6009783G	PANEL, B-pillar, center trim, L.H., gray.	1
		90	
8	6009783T	PANEL, B-pillar, center trim, L.H., tan.	1
		90	
9	6004868G	PANEL, B pillar, lower, L.H. gray	1
		83, 84, 90	
9	6004868T	PANEL, B pillar, lower, L.H. tan	1
		83, 84, 90	
9	6005189G	PANEL, B-pillar, lower L.H. gray	1
		89	
9	6005189T	PANEL, B-pillar, lower L.H. tan	1
		89	
10	6005542G	PANEL, kick, inner front, L.H. gray	1
		89	
10	6005542T	PANEL, kick, inner front, L.H. tan	1
		89	
10	6005543G	PANEL, kick, inner front, L.H. gray	1
		83, 84, 90	
10	6005543T	PANEL, kick, inner front, L.H. tan	1
		83, 84, 90	
11	6007190	PLUG, kick panel	1
12	6000391	SPEEDNUT	56
13	6005541G	PANEL, inner front, R.H., gray	1
		83, 84, 89, 90	
13	6005541T	PANEL, inner front, R.H., tan	1
		83, 84, 89, 90	
13	6009383G	PANEL, inner front, R.H., gray (On VIN VE176477 and up)	1
		83, 84, 89, 90	
13	6009383T	PANEL, inner front, R.H., tan (On VIN VE176477 and up)	1
		83, 84, 89, 90	
14	6007186	BEZEL, shifter	1
		NOTE 1: NUMBER OF ASSEMBLY NEEDED PER PANEL: 4 NEEDED PER ALL ITEM 1 PANELS 1 NEEDED PER ALL ITEM 3 PANELS 56 NEEDED PER ALL ITEM 4 PANELS 1 NEEDED PER ALL ITEM 8 PANELS 4 NEEDED PER ALL ITEM 9 PANELS	

6-1-99

1997 HUMMER PARTS CATALOG

10-114 BODY



P10-04

Figure 10-40. Kick Panels (Outer) Interior Trim.

1997 HUMMER PARTS CATALOG

6-1-99

BODY 10-115

ITEM	PART NUMBER	DESCRIPTION	QTY
		Figure 10-40. Kick Panels (Outer) Interior Trim.	
1	6000770	SCUFF PLATE ASSEMBLY, front, R.H.	1
2	6000772	SCUFF PLATE ASSEMBLY, rear, R.H.	1
		83, 84, 90	
3	5939708G	PANEL, outer rear, R.H. gray.	1
		83, 84, 90	
3	5939708T	PANEL, outer rear, R.H. tan.	1
		83, 84, 90	
4	6003436G	PANEL, outer center, R.H., gray.	1
4	6003436T	PANEL, outer center, R.H., tan.	1
5	6000769	SCUFF PLATE ASSEMBLY, front, L.H.	1
6	6000771	SCUFF PLATE ASSEMBLY, rear, L.H.	1
		83, 84, 90	
7	5939709G	PANEL, outer rear, L.H., gray.	1
		83, 84, 90	
7	5939709T	PANEL, outer rear, L.H., tan.	1
		83, 84, 90	
7	6009544G	PANEL, outer rear, L.H. gray, (On VIN VE176477 and up)	1
		83, 84	
7	6009544T	PANEL, outer rear, L.H. tan, (On VIN VE176477 and up)	1
		83, 84	
8	6003435G	PANEL, outer center, L.H., gray.	1
8	6003435T	PANEL, outer center, L.H., tan.	1
9	5939705G	PANEL, outer front, L.H., gray.	1
		83, 84, 89	
9	5939705T	PANEL, outer front, L.H., tan.	1
		83, 84, 89	
10	6001026G	PANEL, outer front, L.H., gray.	1
		90	
10	6001026T	PANEL, outer front, L.H., tan.	1
		90	
10	6009139G	PANEL, outer front, L.H., gray (On VIN VE176477 and up)	1
		90	
10	6009139T	PANEL, outer front, L.H., tan (On VIN VE176477 and up)	1
		90	
11	6003423G	PANEL, outer front, R.H., gray.	1
		90	
11	6003423T	PANEL, outer front, R.H., tan.	1
		90	
11	6009140G	PANEL, outer front, R.H., gray (On VIN VE176477 and up)	1
		90	
11	6009140T	PANEL, outer front, R.H., tan (On VIN VE176477 and up)	1
		90	
12	6003422G	PANEL, outer front, R.H., gray.	1
		83, 84, 89	
12	6003422T	PANEL, outer front, R.H., tan.	1
		83, 84, 89	

HEATING/VENTILATION/AIR CONDITIONING 11-1

Section 11

HEATING/VENTILATION/AIR CONDITIONING

TITLE	PAGE NUMBER
A/C Compressor and Mounting Hardware	11-4
Auxiliary HVAC Hoses	11-22
Auxiliary HVAC Power Head.	11-20
Auxiliary HVAC	11-18
Auxiliary HVAC Unit (On VIN VE176477 and up)	11-21.1
Climate Control Panel	11-2
Condenser, Receiver/Dryer, and A/C Hoses	11-6
Condenser, Receiver/Dryer, and A/C Hoses (On VIN VE176477 and up)	11-7.1
Driver's Closeout Panel	11-14
Heat and Defrost Ducts	11-12
Heat and Defrost Ducts (On VIN VE176477 and up)	11-13.1
HVAC Vacuum and Temperature Door Motors (On VIN VE176477 and up)	11-11.3
Main HVAC Case Halves and Blower Motor (On VIN VE176477 and up)	11-11.5
Main HVAC Evaporator and Heater Core Assemblies (On VIN VE176477 and up)	11-11.7
Main HVAC Unit	11-10
Main HVAC Unit (On VIN VE176477 and up)	11-11.1
Passenger's Closeout Panel (On VIN VE176477 and up)	11-15.1
Rear Center Console	11-24
Water Control Valve and Heater Hoses. (On VIN VE176477 and up)	11-9.1
Water Control Valve and Heater Hoses	11-8
Wiring Harnesses, HVAC	11-16

12-1-97

1997 HUMMER PARTS CATALOG

11-2 HEATING/VENTILATION/AIR CONDITIONING

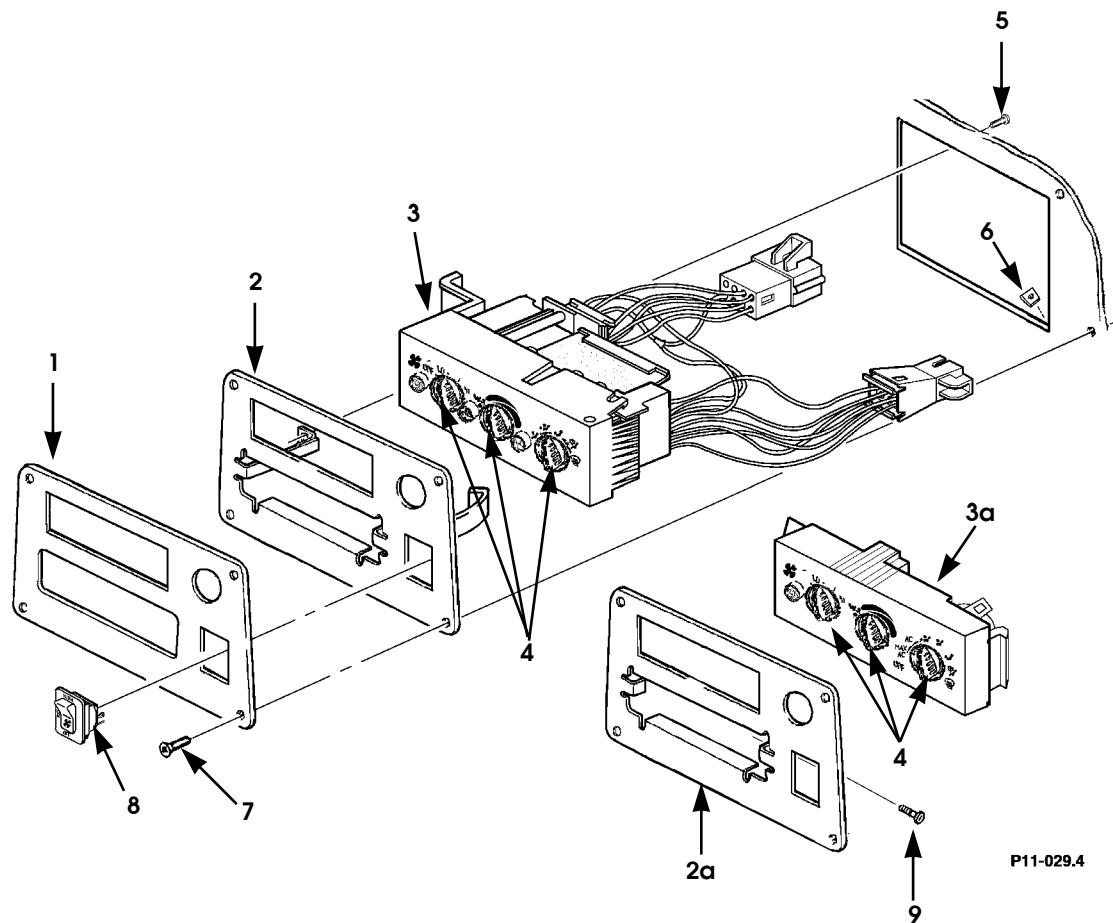


Figure 11-1. Climate Control Panel.

1997 HUMMER PARTS CATALOG

6-1-99

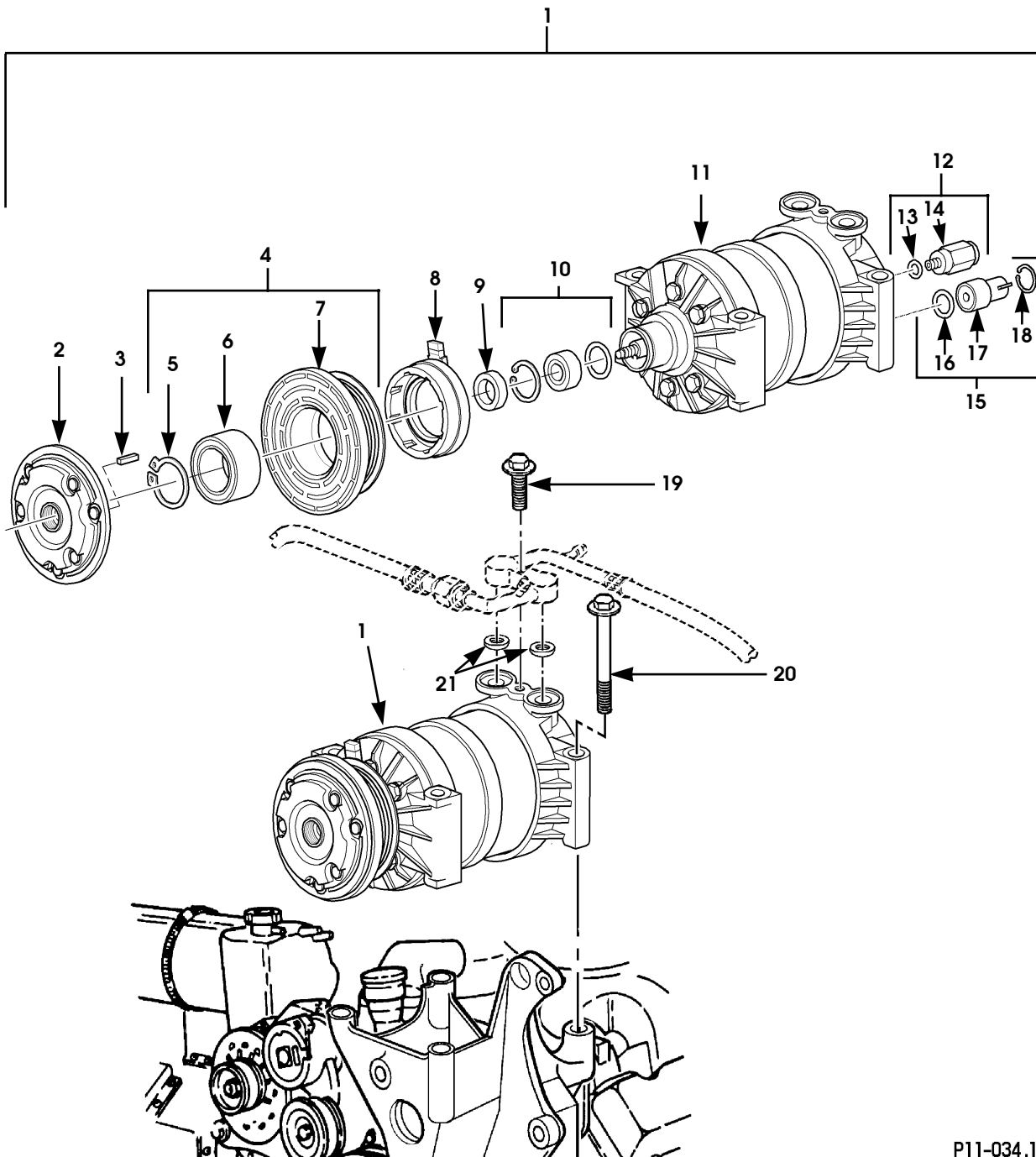
HEATING/VENTILATION/AIR CONDITIONING 11-3

ITEM	PART NUMBER	DESCRIPTION	QTY
		Figure 11-1. Climate Control Panel.	
1	6007462	BEZEL, HVAC controller, w/o radio	1
1	6009463	BEZEL, HVAC controller , w/radio	1
2	6008168	RETAINER ASSEMBLY, radio/HVAC	1
2a	6009106	RETAINER ASSEMBLY, radio/HVAC (On VIN VE176477 and up)	1
3	6008156	PANEL, control, (heat only) w/o rear defogger	1
3	6008157	PANEL, control, (heat only) w/rear defogger	1
3	6008158	PANEL, control, (HVAC) w/o rear defogger	1
3	6008159	PANEL, control, (HVAC) w/rear defogger	1
3a	6009144	PANEL, control, HVAC w/rear window defogger (On VIN VE176477 and up).	1
3a	6009143	PANEL, control, HVAC w/o rear window defogger (On VIN VE176477 and up).	1
4	5744922	•KNOB, control panel	3
5	N/S	SCREW, tapping, phcr, #8 - 32 x 5/8	1
6	12341352	SPEEDNUT, climate control panel.	4
7	5939651	SCREW, #10 - 16 x 3/4	4
8	5743502	SWITCH, two-speed rocker, aux. heat - A/C	1
9	N/S	SCREW, trim, tapping, #8 x 1/2"	1

12-1-97

1997 HUMMER PARTS CATALOG

11-4 HEATING/VENTILATION/AIR CONDITIONING



P11-034.1

Figure 11-2. A/C Compressor and Mounting Hardware.

1997 HUMMER PARTS CATALOG

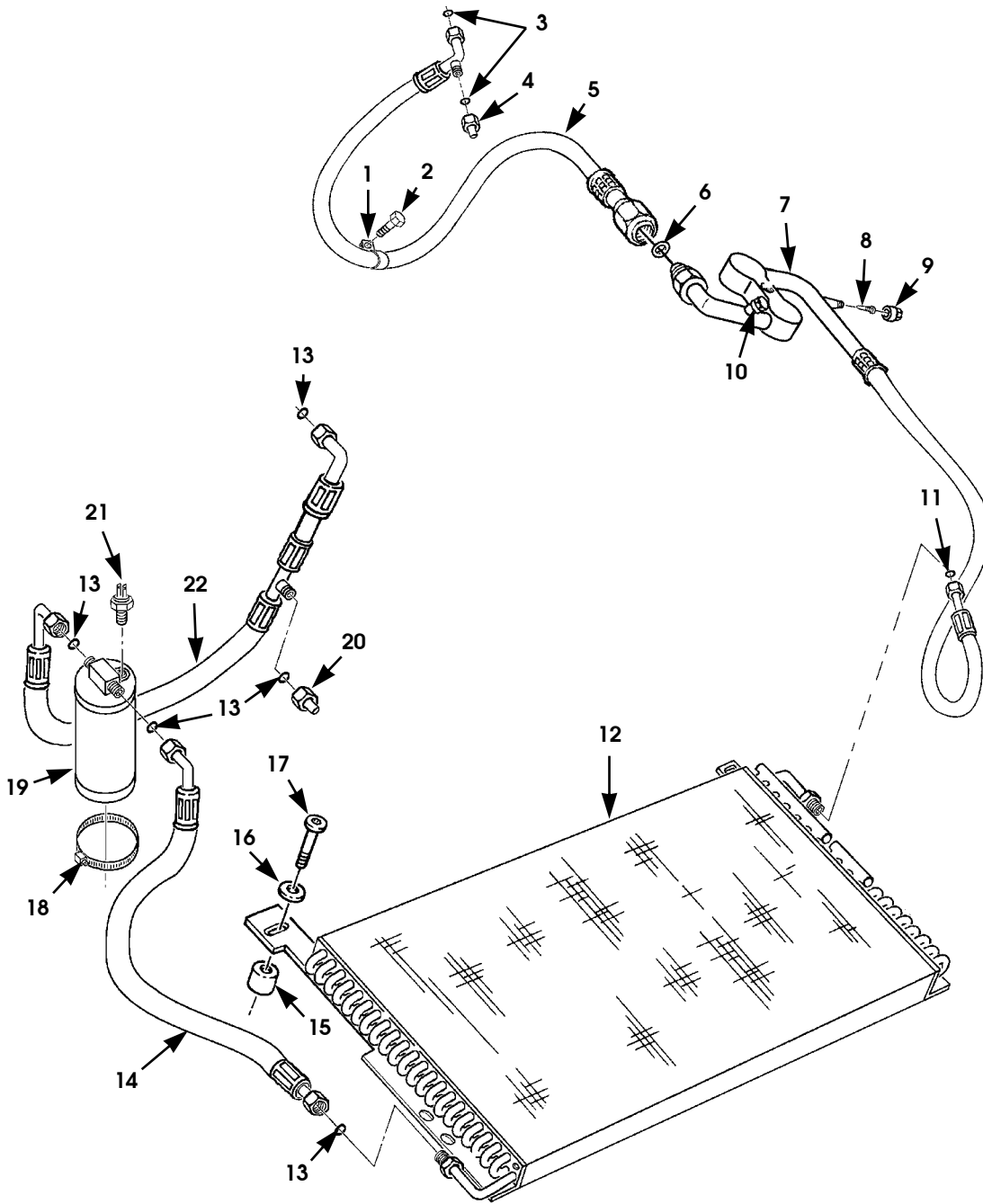
6-1-99

HEATING/VENTILATION/AIR CONDITIONING 11-5

ITEM	PART NUMBER	DESCRIPTION	QTY
		Figure 11-2. A/C Compressor and Mounting Hardware.	
1	6006778	COMPRESSOR ASSEMBLY	1
2	5744520	•CLUTCH DRIVE	1
3	5743077	•KEY, clutch drive	1
4	5744198	•PULLEY AND BEARING ASSEMBLY	1
5	5743075	••RETAINING RING	1
6	5743078	••BEARING, pulley	1
7	S.I.A.	••PULLEY	1
8	5744509	•COIL AND HOUSING ASSEMBLY	1
9	S.I.A.	•FELT WASHER	1
10	5743073	•SEAL KIT, lipseal	1
11	S.I.A.	•COMPRESSOR	1
12	5744241	•VALVE ASSEMBLY, pressure relief	1
13	S.I.A.	••O-RING	1
14	S.I.A.	••VALVE, pressure relief	1
15	5744865	•CUT-OFF SWITCH ASSEMBLY	1
16	S.I.A.	••O-RING	1
17	S.I.A.	••CUT-OFF SWITCH	1
18	S.I.A.	••RETAINER, snapping	1
19	N/S	BOLT, M10 - 1.5 x 35, class 10.9	1
20	N/S	BOLT, M10-1.5 x 95, class 10.9	4
21	6003079	WASHER, sealing, 5/8	2
	5743547	OIL, Pag, 12 oz (not illustrated)	1

1997 HUMMER PARTS CATALOG

11-6 HEATING/VENTILATION/AIR CONDITIONING



P11-30.1

Figure 11-3. Condenser, Receiver/Dryer, and A/C Hoses.

1997 HUMMER PARTS CATALOG

6-1-99

HEATING/VENTILATION/AIR CONDITIONING 11-7

ITEM	PART NUMBER	DESCRIPTION	QTY
		Figure 11-3. Condenser, Receiver/Dryer, and A/C Hoses.	
1	N/S	CLAMP,cushioned, 1.00", suction/discharge hose. . . .	1
2	N/S	BOLT, M8 - 1.25 x 20, class 9.8	1
3	6006175	O RING, #10, R-134a.	4
4	5744250	CAP,suction/discharge hose	2
5	6007399	HOSE,suction	1
6	5743420	O-RING, #12 R-134a	1
7	6007398	BLOCK ASSEMBLY, discharge hose.	1
8	5744373	VALVE, schraeder, large port	2
9	5744843	CAP, schraeder valve, high side, red.	1
10	5744844	CAP,schraeder valve, low side, blue	1
11	6006174	O-RING, #8, R-134a	1
12	5744493	CONDENSER, A/C	1
13	6006173	O-RING, #6, R-134a	5
14	6008225	LINE, condenser-to-receiver/dryer	1
15	5743412	SPACER, condenser.	4
16	N/S	WASHER, flat, 5/16	4
17	5744143	SCREW,socket head, 5/16 - 18 x 2.5	4
18	5744142	CLAMP,2 1/2", dryer,	2
19	5743473	RECEIVER/DRYER	1
20	5744249	CAP,receiver/dryer-to-evaporator line	1
21	5743472	SWITCH,low pressure.	1
22	6008226	LINE, receiver/dryer-to-evaporator	1

5-1-97

1997 HUMMER PARTS CATALOG

11-7.1 HEATING/VENTILATION/AIR CONDITIONING

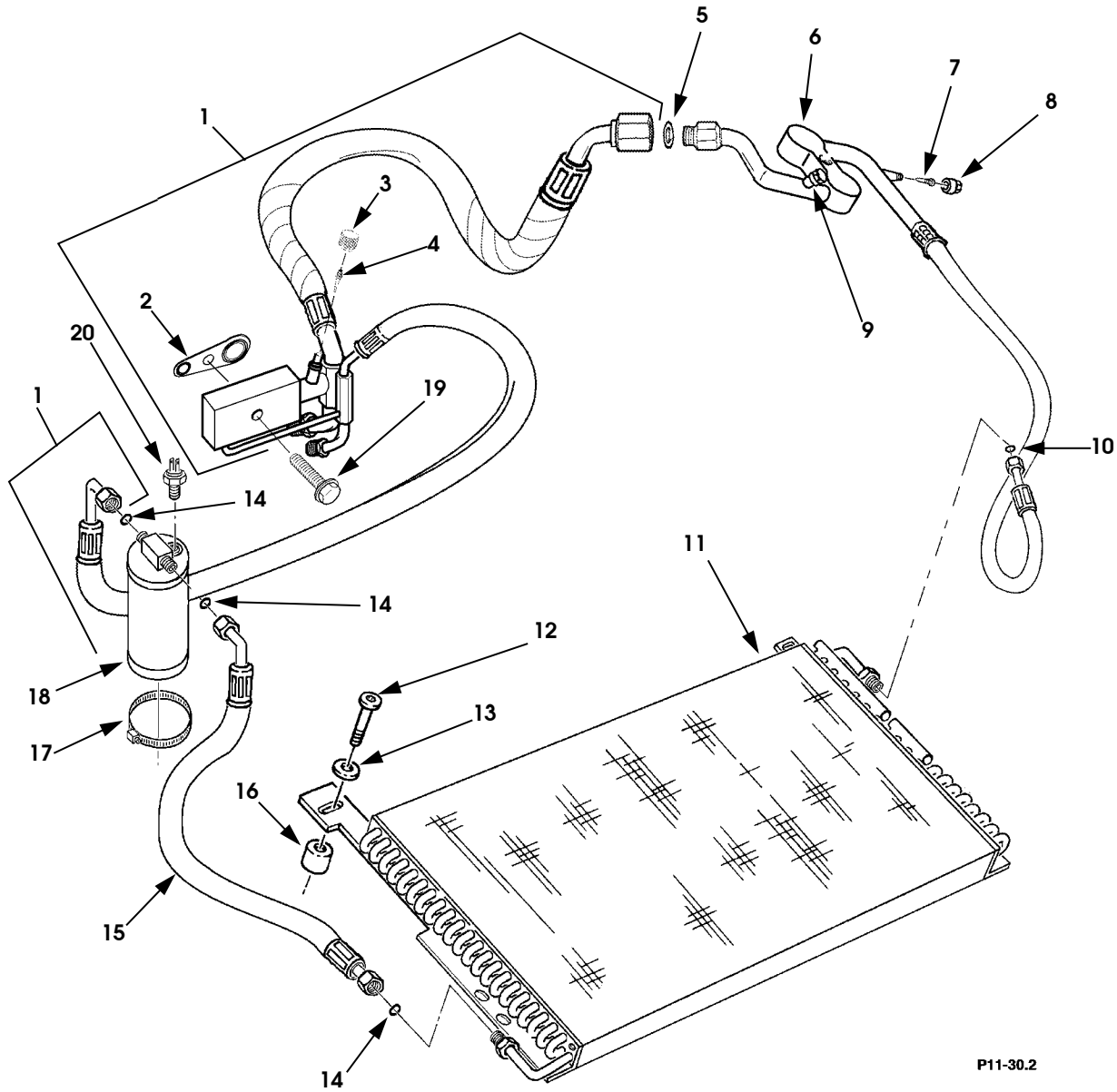


Figure 11-3.1 Condenser, Receiver/Dryer, and A/C Hoses (On VIN VE176477 and up).

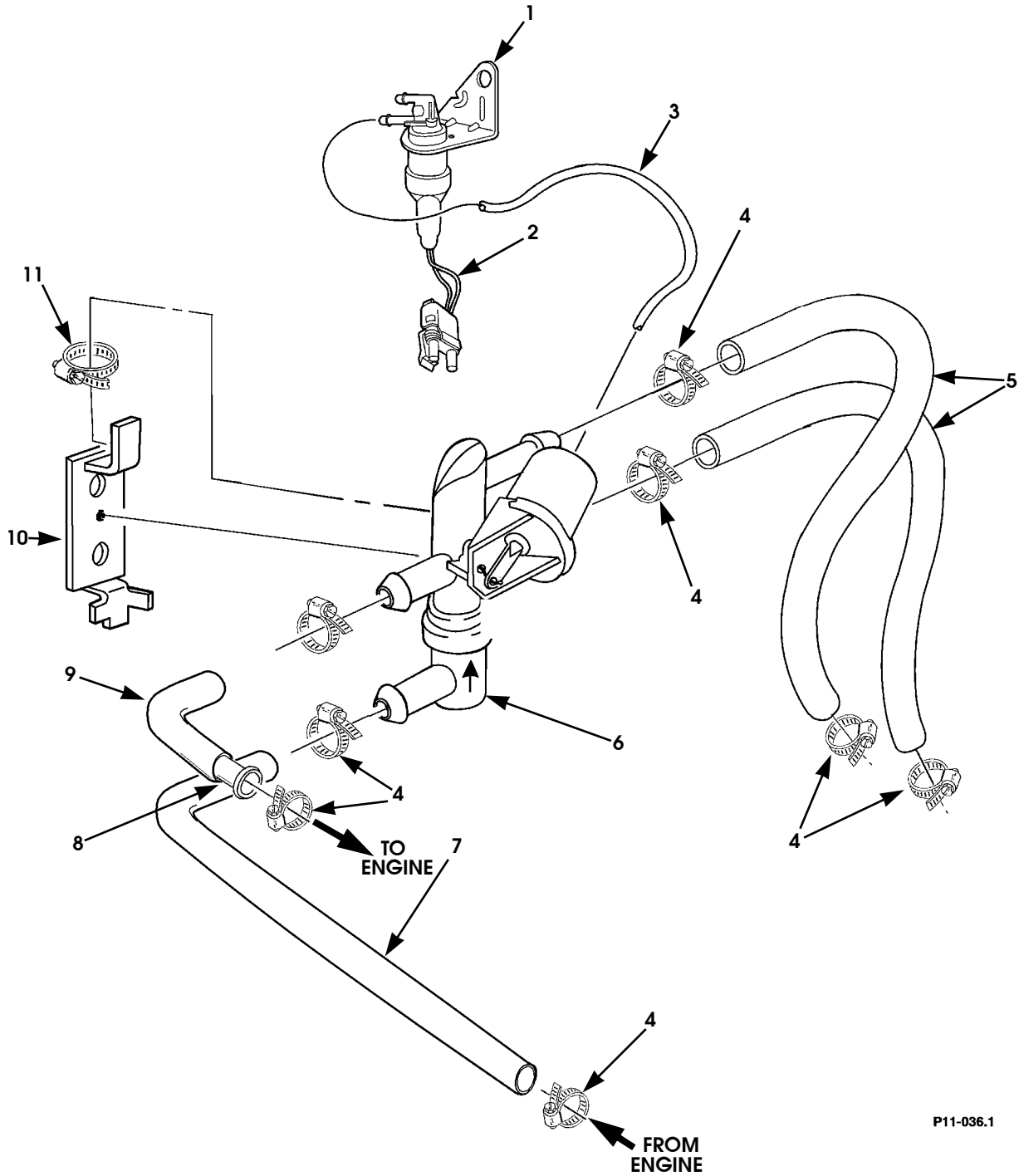
1997 HUMMER PARTS CATALOG

6-1-99

HEATING/VENTILATION/AIR CONDITIONING 11-7.2

ITEM	PART NUMBER	DESCRIPTION	QTY
		Figure 11-3.1 Condenser, Receiver/Dryer, and A/C Hoses (On VIN VE176477 and up).	
1	6009773	BLOCK AND A/C SUCTION HOSE ASSEMBLY	1
2	5744825	•GASKET, block to expansion valve	1
3	N/S	•CAP, schraeder valve, R-134a	1
4	5743824	•VALVE, schraeder, small port	1
5	5743420	O-RING, #12, R-134a	1
6	6009305	BLOCK ASSEMBLY, A/C discharge hose.	1
7	5744373	•VALVE, schraeder, large port	2
8	5744843	•CAP, schraeder valve, high side, red	1
9	5744844	•CAP, schraeder valve, low side, blue	1
10	6006174	O-RING, #8, R-134a	1
11	5744769	CONDENSER, A/C	1
12	5744143	SCREW, socket head, 5/16 - 18 x 2.5	4
13	N/S	WASHER, flat, 5/16	4
14	6006173	O-RING, #6, R-134a	3
15	6008225	HOSE, #6 A/C condenser-to-receiver/dryer	1
16	5743412	SPACER, condenser.	4
17	5744142	CLAMP, 2 1/2", dryer	2
18	5743473	RECEIVER/DRYER	1
19	N/S	CAPSCREW, flanged, M8 - 1.25 x 35.	1
20	5743472	SWITCH, low pressure.	1

11-8 HEATING/VENTILATION/AIR CONDITIONING



P11-036.1

Figure 11-4. Water Control Valve and Heater Hoses.

1997 HUMMER PARTS CATALOG

5-1-97

HEATING/VENTILATION/AIR CONDITIONING 11-9

ITEM	PART NUMBER	DESCRIPTION	QTY
		Figure 11-4. Water Control Valve and Heater Hoses.	
1	5744564	VACUUM SOLENOID	1
2	5743767	VACUUM SOLENOID ADAPTER HARNESS	1
3	5744565	VACUUM HOSE, 7/64" x 9"	1
4	N/S	CLAMP, 11/16 - 1 1/4.	8
5	5744225	HOSE, heater, molded, 5/8" x 13"	2
6	5744563	VALVE, water control.	1
7	6006271	HOSE, heater, molded, 90 degrees, 5/8" x 19"	1
8	5743177	SPLICE, heater, 5/8"	1
9	6006269	HOSE, heater, molded, 90 degrees, 5/8" x 5"	1
10	6007368	BRACKET, water valve mounting	1
11	N/S	CLAMP, #10 - 12	1

11-9.1 HEATING/VENTILATION/AIR CONDITIONING

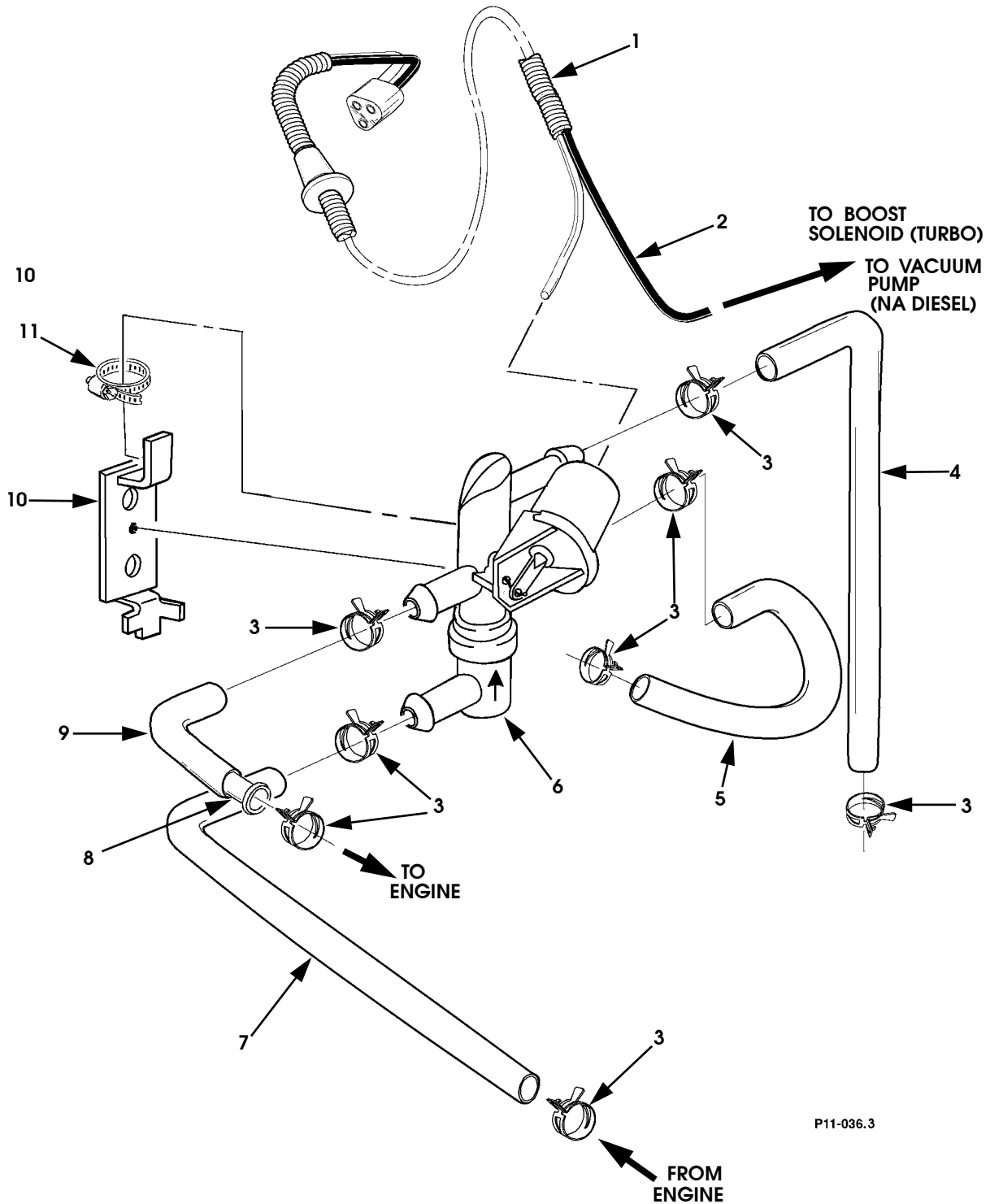


Figure 11-4.1 Water Control Valve and Heater Hoses. (On VIN VE176477 and up)

1997 HUMMER PARTS CATALOG

6-1-99

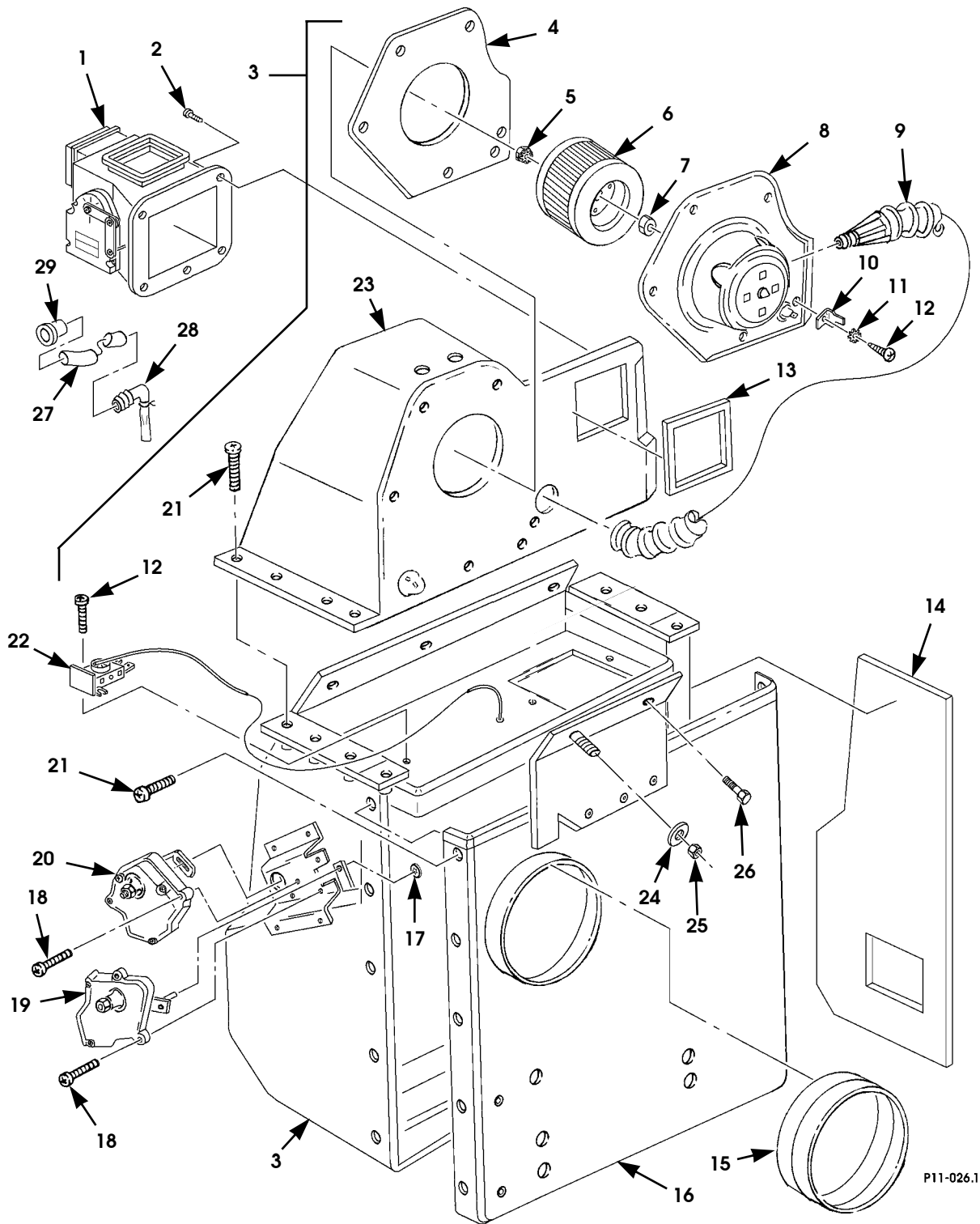
HEATING/VENTILATION/AIR CONDITIONING 11-9.2

ITEM	PART NUMBER	DESCRIPTION	QTY
		Figure 11-4.1 Water Control Valve and Heater Hoses. (On VIN VE176477 and up)	
1	5744794	VACUUM HARNESS, water valve	1
2	5744969	•VACUUM HOSE, 7/64" I.D. x 9" long	1
2	N/S	CLAMP, hose, 24mm, constant tension	8
3	6006271	HOSE, heater molded, 90 degrees, 5/8" x 27"	1
4	6006268	HOSE, heater, molded, 270 degrees, 5/8" x 12"	1
5	5744563	VALVE, water control.	1
6	6006271	HOSE, heater, molded, 90 degrees, 5/8" x 19"	1
7	5743177	SPLICE, heater hose, 5/8"	1
8	6006269	HOSE, heater, molded, 90 degrees, 5/8" x 5"	1
9	6007368	BRACKET, water valve mounting	1
10	N/S	CLAMP, #10 - 12	1

6-1-99

1997 HUMMER PARTS CATALOG

11-10 HEATING/VENTILATION/AIR CONDITIONING



P11-026.1

Figure 11-5. Main HVAC Unit.

1997 HUMMER PARTS CATALOG

6-1-99

HEATING/VENTILATION/AIR CONDITIONING 11-11

ITEM	PART NUMBER	DESCRIPTION	QTY
		Figure 11-5. Main HVAC Unit.	
1	5744485	DIVERTER ASSEMBLY.	1
2	5744256	SCREW, phcr, #10 - 24 x 5/8.	5
3	6007150	MAIN UNIT, heat only.	1
3	6008717	MAIN UNIT, A/C and heat.	1
3	5744821	MAIN UNIT, A/C and heat, rebuilt	1
4	5743483	•INSULATION, blower mount	1
5	S.I.A.	•NUT, Keps	1
6	5744221	•WHEEL, blower	1
7	5743481	•CLIP, blower retainer	1
8	5743482	•MOTOR, blower	1
9	5743484	•TUBE, blower motor cooling	1
10	5743526	•CLIP, male tab	1
11	S.I.A.	•WASHER, star	1
12	S.I.A.	•SCREW, tapping, phcr, #8 12 x 1/2.	11
13	5744265	•INSULATION, housing-to defrost duct, 18 in.	1
14	5744266	•INSULATION, side	1
15	5744268	•INSULATION, fresh air intake	1
16	5744231	•COVER, evaporator access	1
17	5743459	•PUSHNUT.	1
18	S.I.A.	•SCREW, tapping, phcr, #10 - 12 x 1	6
19	5744494	•ACTUATOR, fresh air/recirculation	1
20	5744495	•ACTUATOR, heat door.	1
21	S.I.A.	•SCREW, phcr, #10 - 24 x 5/8.	15
22	5743458	•THERMOSTAT	1
23	5744716	•HOUSING, blower motor.	1
24	N/S	WASHER, flat, 1/4, ZN	5
25	N/S	LOCKNUT, nylon insert, 1/4 - 20, ZN.	4
26	N/S	BOLT, 1/4 - 20 x 3/4, Gr5, CAD	2
27	5744257	TUBE, drain, 3/8" x 4" SEE NOTE 1.	1
28	N/S	TUBE, kazoo drain.	1
29	6000946	GROMMET, 1" rubber.	1
	5743452	EXPANSION VALVE (not illustrated)	1
NOTE 1: MAKE FROM BULK HOSE 3/8", P/N 5743169			

6-1-99

1997 HUMMER PARTS CATALOG

11-11.1 HEATING/VENTILATION/AIR CONDITIONING

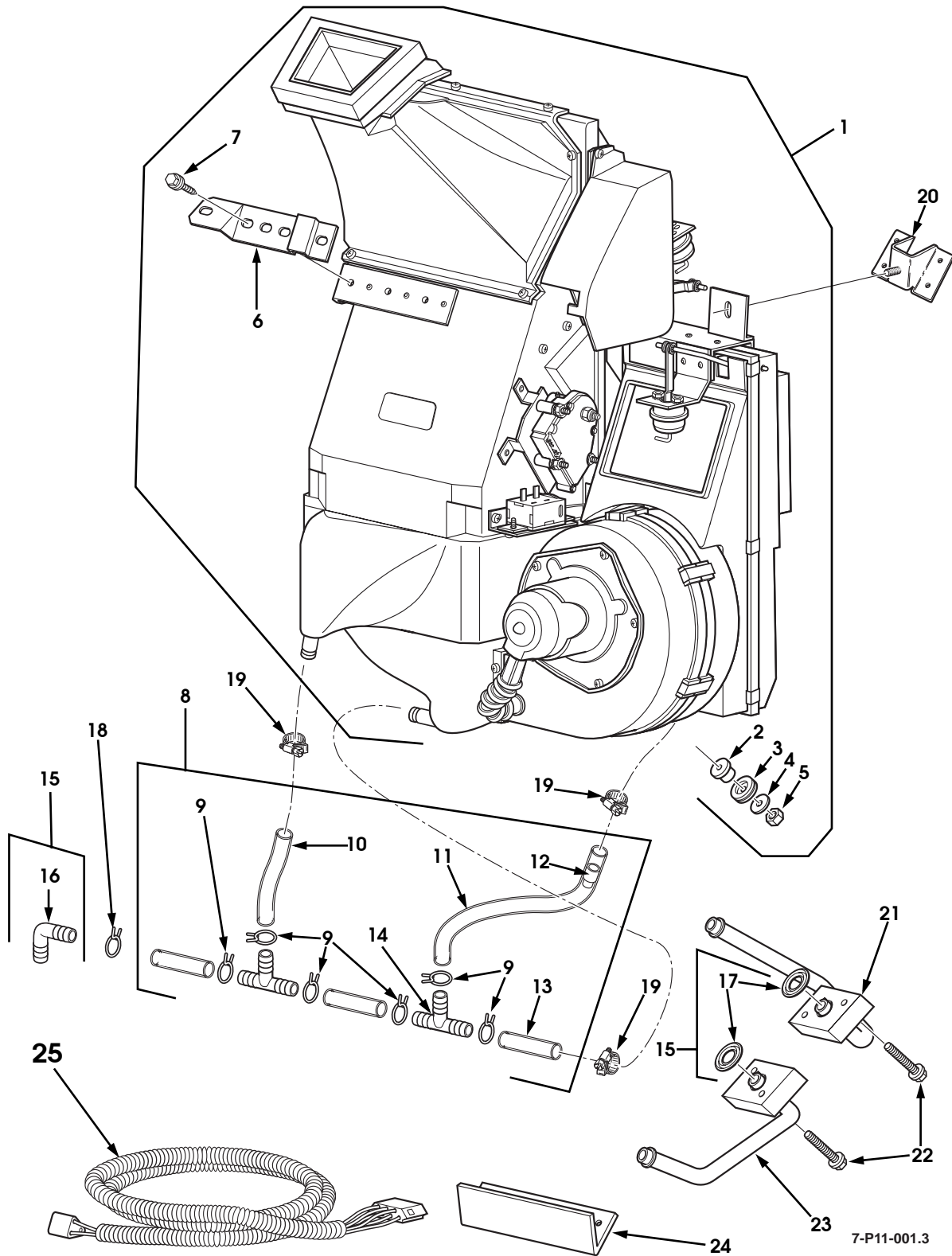


Figure 11-5.1 Main HVAC Unit (On VIN VE176477 and up).

1997 HUMMER PARTS CATALOG

6-1-99

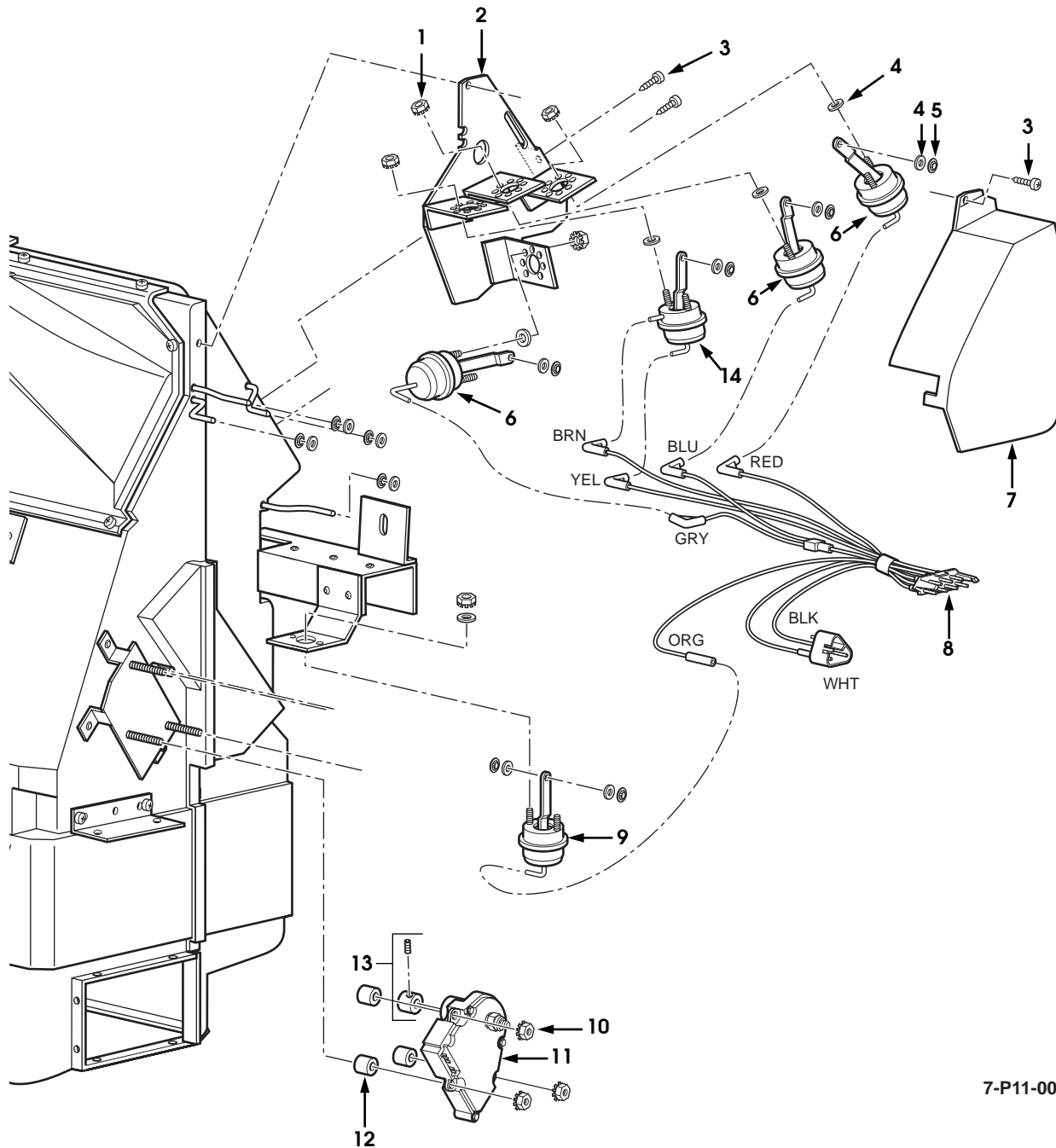
HEATING/VENTILATION/AIR CONDITIONING 11-11.2

ITEM	PART NUMBER	DESCRIPTION	QTY
		Figure 11-5.1 Main HVAC Unit (On VIN VE176477 and up).	
1	6009308	HVAC ASSEMBLY, main unit	1
2	5744785	•BUSHING, mounting plate sealing	2
3	S.I.A.	•GROMMET, firewall	2
4	S.I.A.	•WASHER, .275 I.D., fender	2
5	S.I.A.	•NUT, 1/4 - 20, keps, ZN	2
6	S.I.A.	•BRACKET, inboard mounting	1
7	S.I.A.	•BOLT, 1/4 - 20 x 7/8, w/hex washer	2
8	6010854	DRAIN HOSE KIT	1
9	S.I.K.	•CLAMP, constant tension, 1/2", drain	6
10	S.I.K.	•TUBE, drain, intermediate, short	1
11	6009746	•TUBE ASSEMBLY, drain, intermediate, long.	1
12	S.I.A.	••FLOW RESTRICTOR.	1
13	S.I.K.	•TUBE, drain, 1/2"	3
14	N/S	•TEE-FITTING, 1/2"	2
15	6010855	ACCESSORY KIT, main HVAC unit	1
16	S.I.K.	•ELBOW, 90-degree, 1/2", drain tube	1
17	5744774	•GASKET, heater tube	2
	S.I.K.	•HARDWARE BAG, additional (not illustrated)	1
18	N/S	CLAMP, constant tension, 1/2", drain	1
19	N/S	CLAMP, worm gear type, 1/2", drain	3
20	6009440B9	BRACKET, HVAC mounting, upper, SEE NOTE 1	1
21	5744808	TUBE, heater, upper	1
22	N/S	BOLT, flanged, 1/4 - 20 x 1 1/4.	4
23	5744809	TUBE, heater, lower.	1
24	6009384B9	BRACKET, HVAC mounting, lower, SEE NOTE 1	1
25	5744792	HARNESS, control, vacuum	1
		 NOTE 1: PART OF BODY, NOT PART OF HVAC UNIT.	

6-1-99

1997 HUMMER PARTS CATALOG

11-11.3 HEATING/VENTILATION/AIR CONDITIONING



7-P11-002

Figure 11-5.2 HVAC Vacuum and Temperature Door Motors (On VIN VE176477 and up).

1997 HUMMER PARTS CATALOG

6-1-99

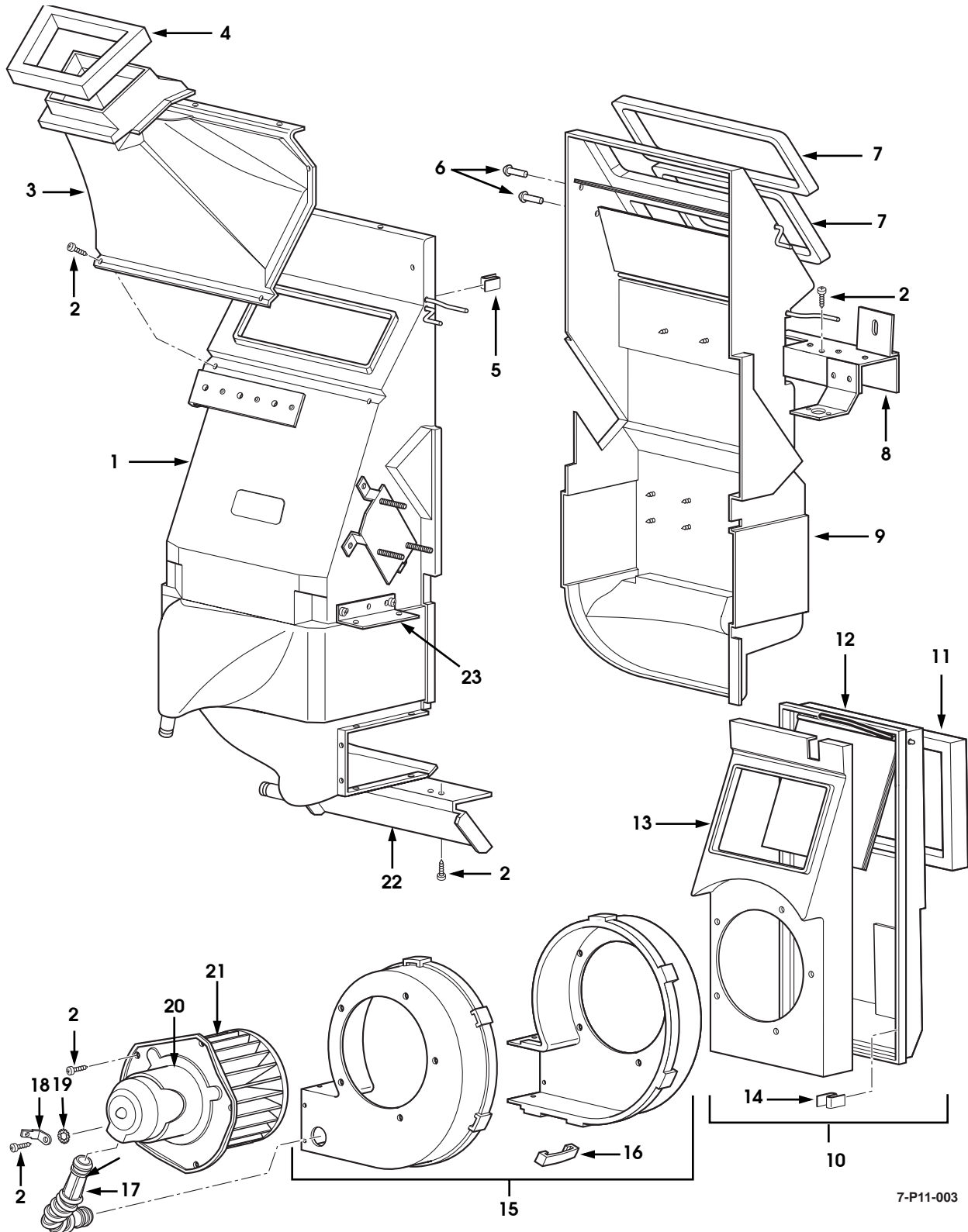
HEATING/VENTILATION/AIR CONDITIONING 11-11.4

ITEM	PART NUMBER	DESCRIPTION	QTY
		Figure 11-5.2 HVAC Vacuum and Temperature Door Motors (On VIN VE176477 and up).	
1	N/S	NUT, KEPS 10-24, ZN	10
2	5744786	MOUNTING PLATE, vacuum motor.	1
3	N/S	SCREW, 8 x 1/2, pan head, Phil.	5
4	N/S	WASHER, 5mm, flat , Silver/Zinc DIN125A, SEE NOTE 1.	10
5	5743459	PUSH NUT, 3/16", SEE NOTE 1	10
6	5744761	MOTOR, vacuum	3
7	5744810	COVER, vacuum motor	1
8	5744790	HARNESS, vacuum evaporator	1
9	5744762	MOTOR, vacuum	3
10	N/S	NUT, 10-32, KEPS	3
11	5744764	MOTOR, temperature door mode.	1
12	N/S	SPACER, 1/2", nylon	3
13	5744784	COUPLER, temp door motor	1
14	5744763	MOTOR, vacuum	1
NOTE 1: TWO PER ITEM NUMBERS 6, 9, AND 14.			

6-1-99

1997 HUMMER PARTS CATALOG

11-11.5 HEATING/VENTILATION/AIR CONDITIONING



7-P11-003

Figure 11-5.3 Main HVAC Case Halves and Blower Motor (On VIN VE176477 and up).

1997 HUMMER PARTS CATALOG

6-1-99

HEATING/VENTILATION/AIR CONDITIONING 11-11.6

ITEM	PART NUMBER	DESCRIPTION	QTY
		Figure 11-5.3 Main HVAC Case Halves and Blower Motor (On VIN VE176477 and up).	
1	5744777	LOWER CASE ASSEMBLY	1
2	N/S	SCREW, 8 x 1/2 pan head, Phil.	17
3	5744791	TRANSITION ASSEMBLY.	1
4	N/S	SEAL, foam	4
5	5743478	S-CLIP, blower housing.	6
6	5743462	RIVET, 1/4" grip	2
7	N/S	SEAL, foam	2
8	N/S	BRACKET, mounting, air intake housing assembly	1
9	5744782	UPPER CASE ASSEMBLY	1
10	5744781	AIR INTAKE HOUSING ASSEMBLY	1
11	N/S	•SEAL, foam	1
12	5744778	•HOUSING, upper air intake.	1
13	5744779	•HOUSING, lower air intake	1
14	5743478	•S-Clip	5
15	5744776	BLOWER HOUSING.	1
16	S.I.A.	•CLIP, blower housing	5
17	5743484	TUBE, motor cooling	1
18	5743526	CLIP, ground connection	1
19	N/S	WASHER, double tooth star	1
20	5744766	BLOWER MOTOR, main HVAC unit	1
21	5745117	•WHEEL, blower motor	1
22	N/S	BRACKET, mounting, blower motor	1
23	N/S	BRACKET, mounting, thermostat	1

12-1-97

1997 HUMMER PARTS CATALOG

11-11.7 HEATING/VENTILATION/AIR CONDITIONING

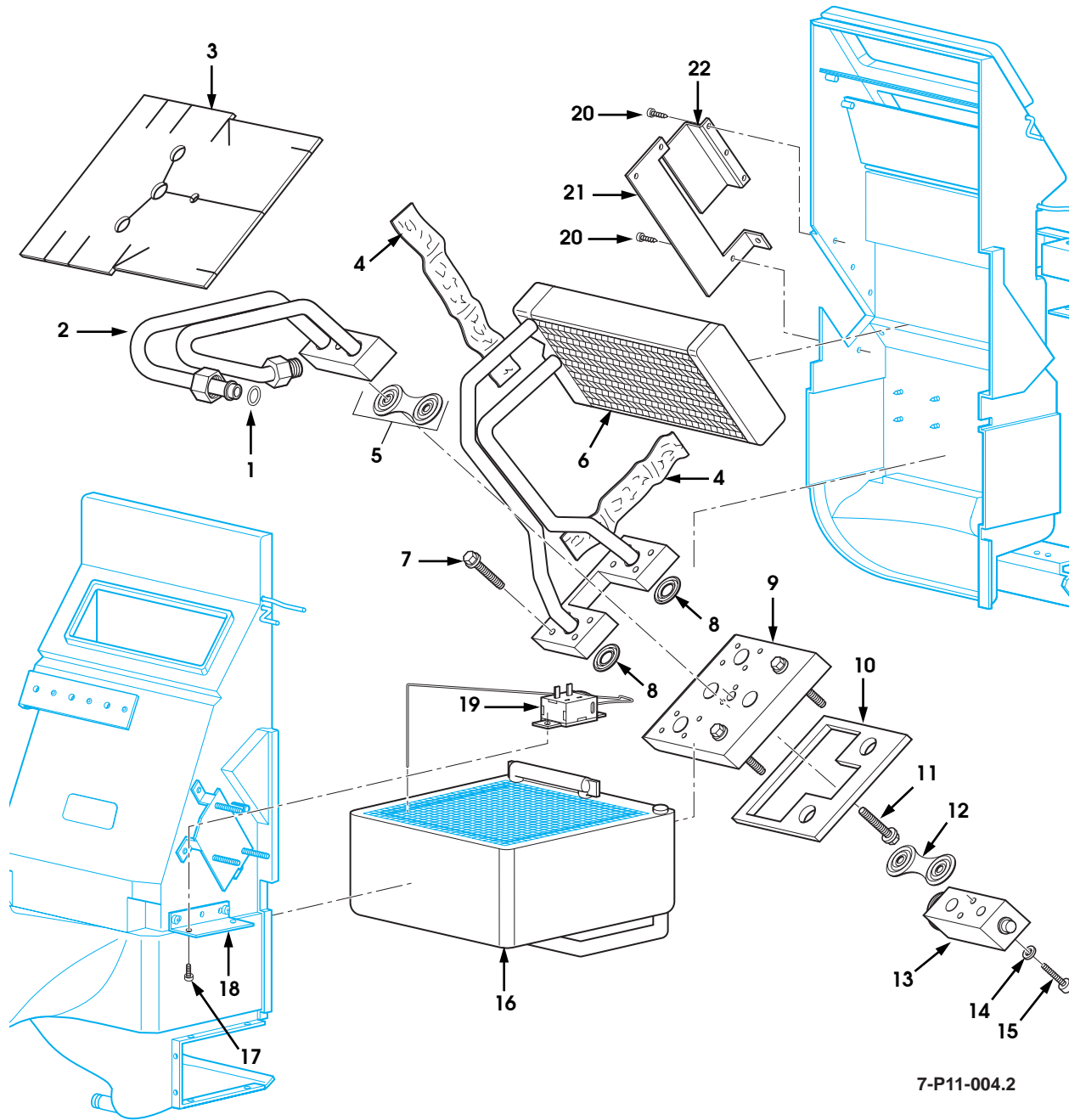


Figure 11-5.4 Main HVAC Evaporator and Heater Core Assemblies (On VIN VE176477 and up).

1997 HUMMER PARTS CATALOG

6-1-99

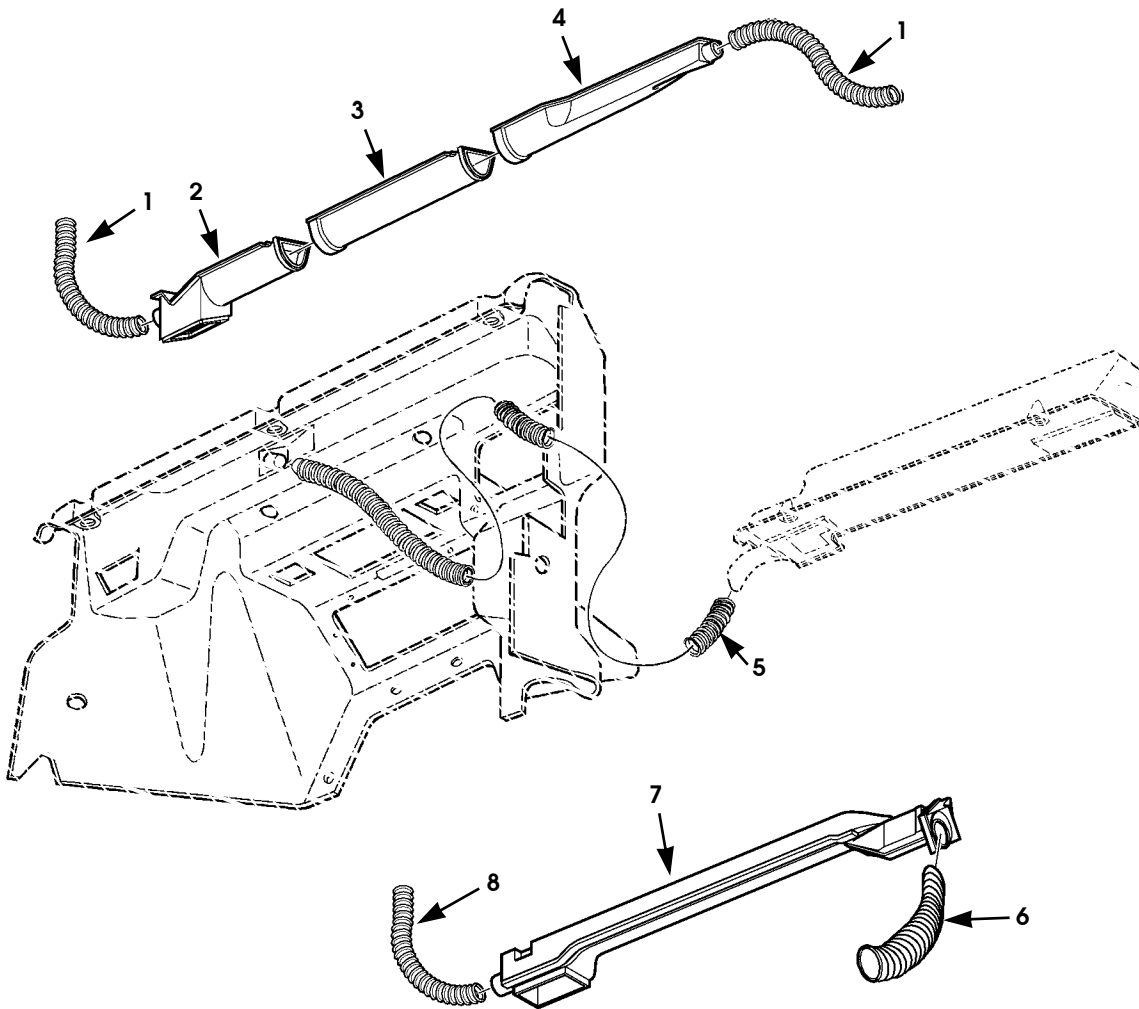
HEATING/VENTILATION/AIR CONDITIONING 11-11.8

ITEM	PART NUMBER	DESCRIPTION	QTY
		Figure 11-5.4 Main HVAC Evaporator and Heater Core Assemblies (On VIN VE176477 and up).	
1	6006174	O-RING, #8	1
2	5744771	MANIFOLD FITTING	1
3	5744904	INSULATION, sealing plate	1
4	5743167	TAPE, sealant, Prestite/Permagum, 14"	2
5	5744773	GASKET KIT, Manifold to evaporator SEE NOTE 1	11
6	5744783	HEATER CORE.	1
7	N/S	BOLT, flanged, 1/4 - 20 x 1 1/4	4
8	5744774	GASKET, heater hose adapter	4
9	5744772	SEALING PLATE, footwell opening	1
10	5744780	MOUNTING PLATE, insulation/seal	1
11	N/S	BOLT, socket head, 1/4 - 20.	2
12	5744775	GASKET, expansion valve to block	1
13	5744770	VALVE, expansion	1
14	N/S	WASHER, 1/4	1
15	5744767	BOLT, torx head, 1/4 - 20, expansion valve mounting.	2
16	5744768	EVAPORATOR COIL ASSEMBLY	1
17	N/S	SCREW, phcr, M5 x 0.80 - 8	2
18	N/S	BRACKET, mounting, thermostat	1
19	5744760	THERMOSTAT, 34-39 degrees.	1
20	N/S	SCREW, phcr, #8 - 32 x 1/2.	6
21	N/S	PLATE, heater edge support , part of upper case assembly	1
22	N/S	BRACKET, heater cap part of upper case assembly.	1
NOTE 1: CUT APART TO ACCOMMODATE BOLT.			

6-1-99

1997 HUMMER PARTS CATALOG

11-12 HEATING/VENTILATION/AIR CONDITIONING



P11-033.2

Figure 11-6. Heat and Defrost Ducts.

1997 HUMMER PARTS CATALOG

6-1-99

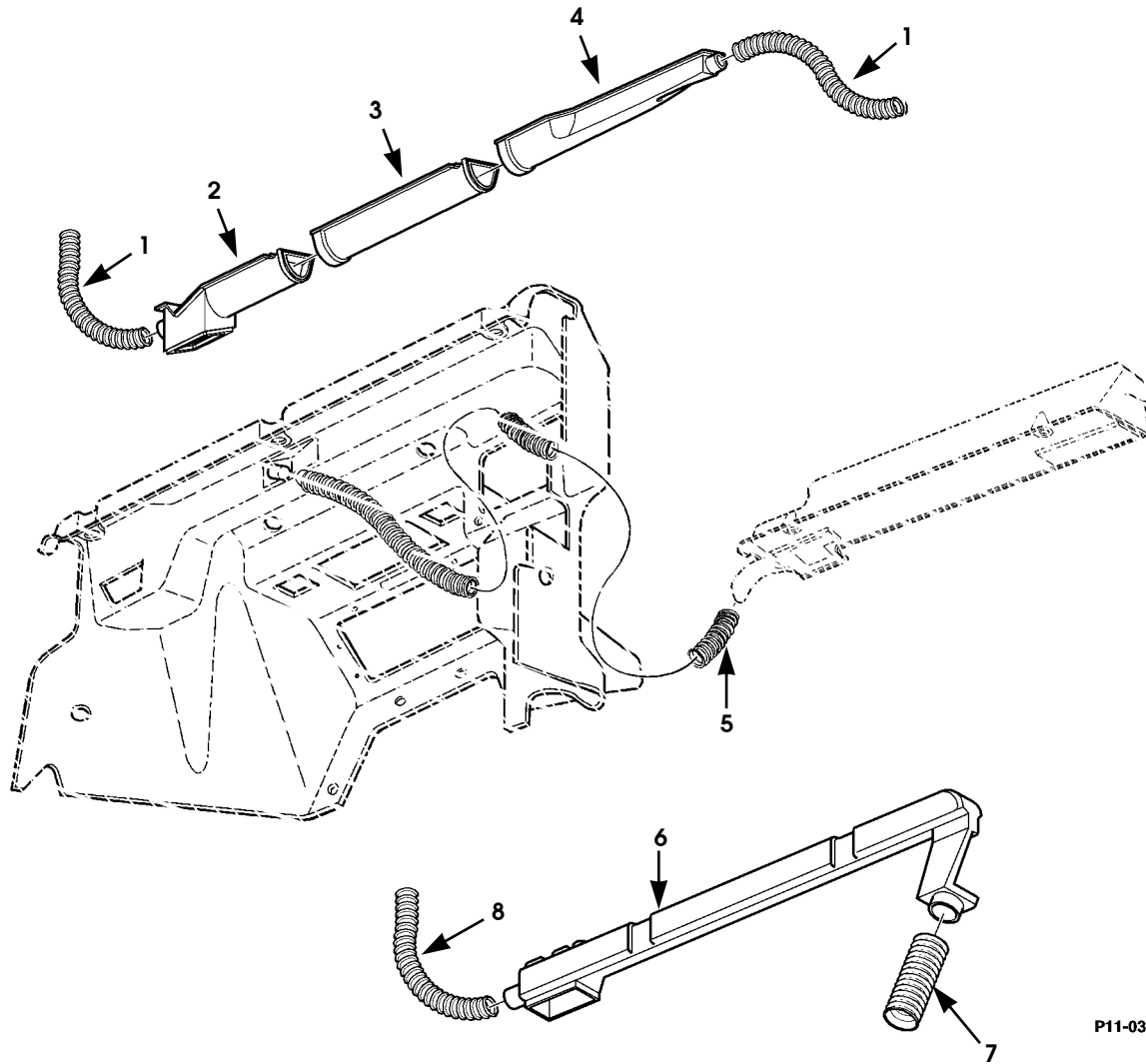
HEATING/VENTILATION/AIR CONDITIONING 11-13

ITEM	PART NUMBER	DESCRIPTION	QTY
		Figure 11-6. Heat and Defrost Ducts.	
1	5744258	HOSE, 3/4" x 18", demist, SEE NOTES 1 and 2.	2
2	5744207	DUCT, passenger side SEE NOTE 1	1
3	5744206	DUCT, center SEE NOTE 1	1
4	5744205	DUCT, driver's side SEE NOTE 1	1
5	N/S	HOSE, 1.5" I.D. x 19", driver's side dash pad, SEE NOTE 3.	2
6	5744215	DUCT, hose, closeout panel	1
7	5744208	DUCT, driver's heat SEE NOTE 1	1
8	5743588	HOSE, 1.5" x 40", passenger footwell, SEE NOTE 4.	1
		NOTE 1: PART OF DEFROST DUCT KIT P/N 6007147.	
		NOTE 2: CUT FROM BULK HOSE P/N 5743540.	
		NOTE 3: CUT FROM BULK HOSE P/N 5743541, OR CUT FROM HOSE, P/N 05743588.	
		NOTE 4: CUT FROM BULK HOSE P/N 5743541.	

6-1-99

1997 HUMMER PARTS CATALOG

11-13.1 HEATING/VENTILATION/AIR CONDITIONING



P11-033.3

Figure 11-6.1 Heat and Defrost Ducts (On VIN VE176477 and up).

1997 HUMMER PARTS CATALOG

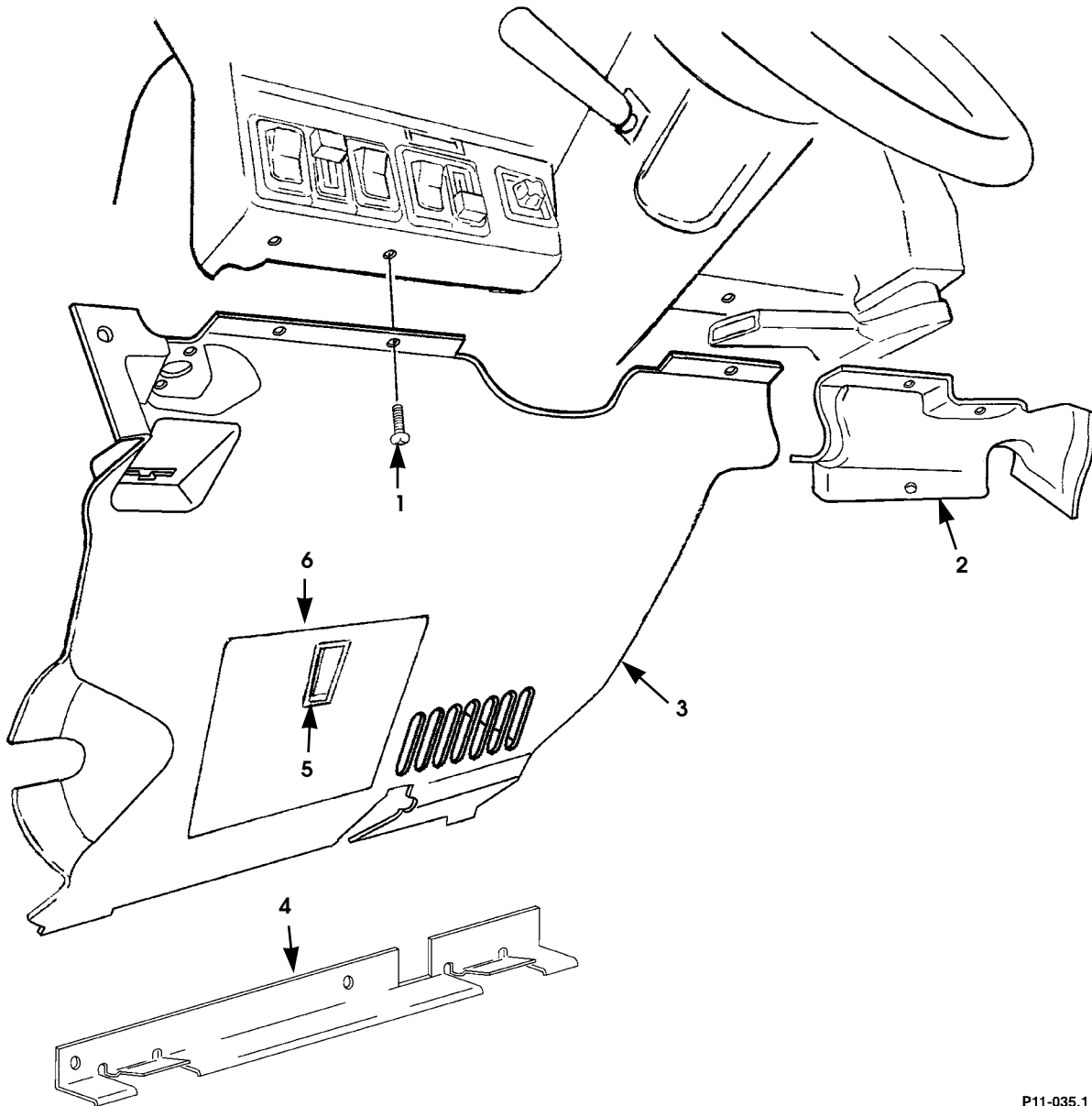
6-1-99

HEATING/VENTILATION/AIR CONDITIONING 11-13.2

ITEM	PART NUMBER	DESCRIPTION	QTY
Figure 11-6.1 Heat and Defrost Ducts (On VIN VE176477 and up).			
1	5744258	HOSE, 3/4" I.D. x 18", demist, SEE NOTE 1	2
2	5744939	DUCT, passenger side	1
3	5744940	DUCT, center	1
4	5744941	DUCT, driver's side	1
5	N/S	HOSE, 1.5" I.D. x 19", driver's side dash pad, SEE NOTE 2 .	2
6	5745008	DUCT, driver's and passenger's footwells	1
7	N/S	HOSE, 2.5" I.D. x 6", driver's footwell, SEE NOTE 3.	1
8	N/S	HOSE, 2" I.D. x 28", passenger's footwell, SEE NOTE 4. .	1
<p>NOTE 1: CUT FROM BULK HOSE P/N 5743540.</p> <p>NOTE 2: CUT FROM BULK HOSE P/N 5743541, OR CUT FROM HOSE, P/N 5743588.</p> <p>NOTE 3: CUT FROM BULK HOSE P/N 5743023.</p> <p>NOTE 4: PART OF DASH KIT P/N 6009548, OR CUT FROM BULK HOSE P/N 5743542.</p>			

1997 HUMMER PARTS CATALOG

11-14 HEATING/VENTILATION/AIR CONDITIONING



P11-035.1

Figure 11-7. Driver's Closeout Panel.

1997 HUMMER PARTS CATALOG

6-1-99

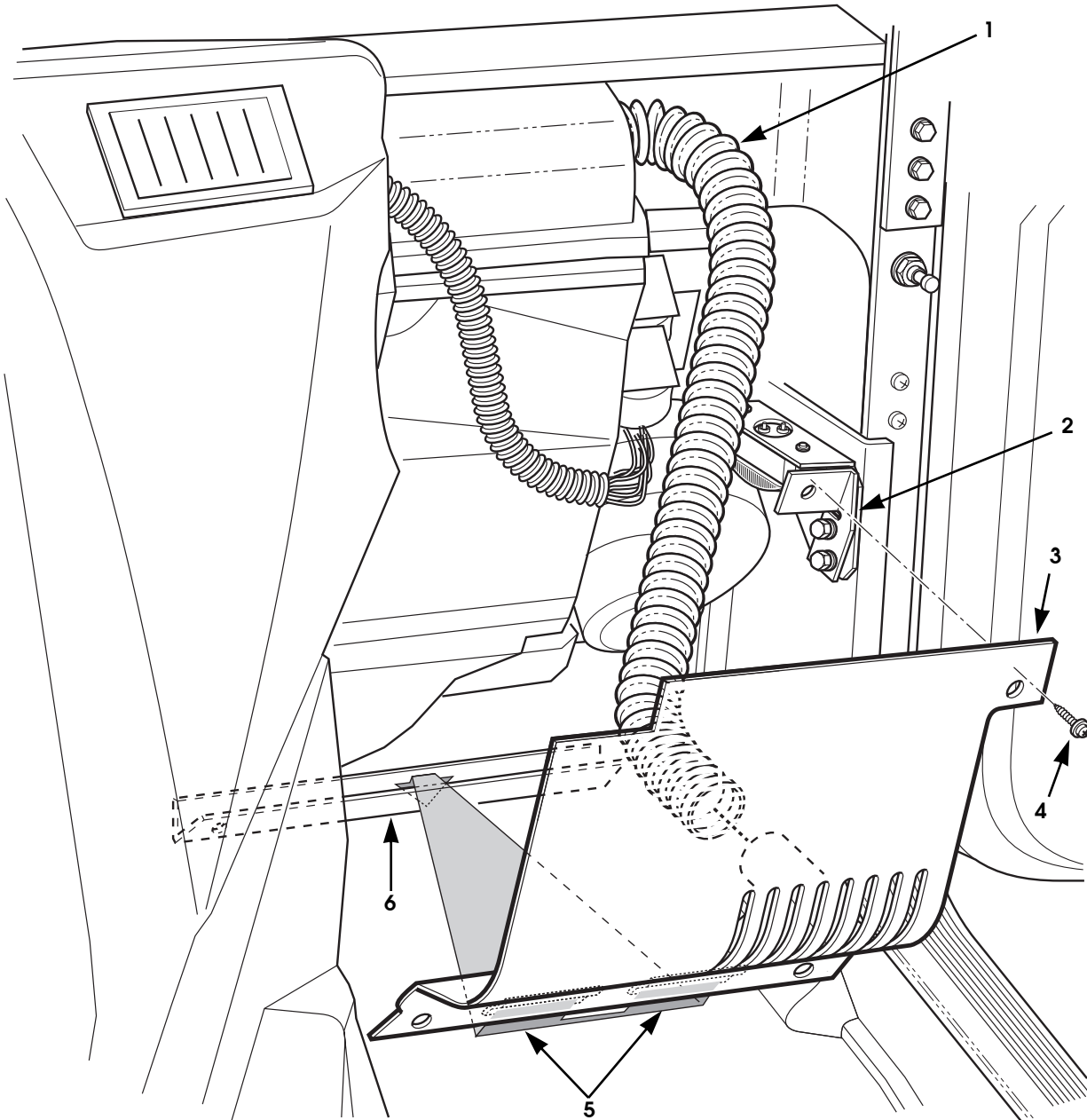
HEATING/VENTILATION/AIR CONDITIONING 11-15

ITEM	PART NUMBER	DESCRIPTION	QTY
		Figure 11-7. Driver's Closeout Panel.	
1	6005624	SCREW, trim, #8 x 1"	10
2	6006970	COVER, I/P harness	1
3	6008757	PANEL, closeout	1
4	6005497	•BRACKET, closeout panel	1
5	6007240	•LATCH, closeout panel door	1
6	6006973	•DOOR, closeout panel	1

6-1-99

1997 HUMMER PARTS CATALOG

11-15.1 HEATING/VENTILATION/AIR CONDITIONING



7-S11-074

Figure 11-7.1 Passenger's Closeout Panel (On VIN VE176477 and up).

1997 HUMMER PARTS CATALOG

6-1-99

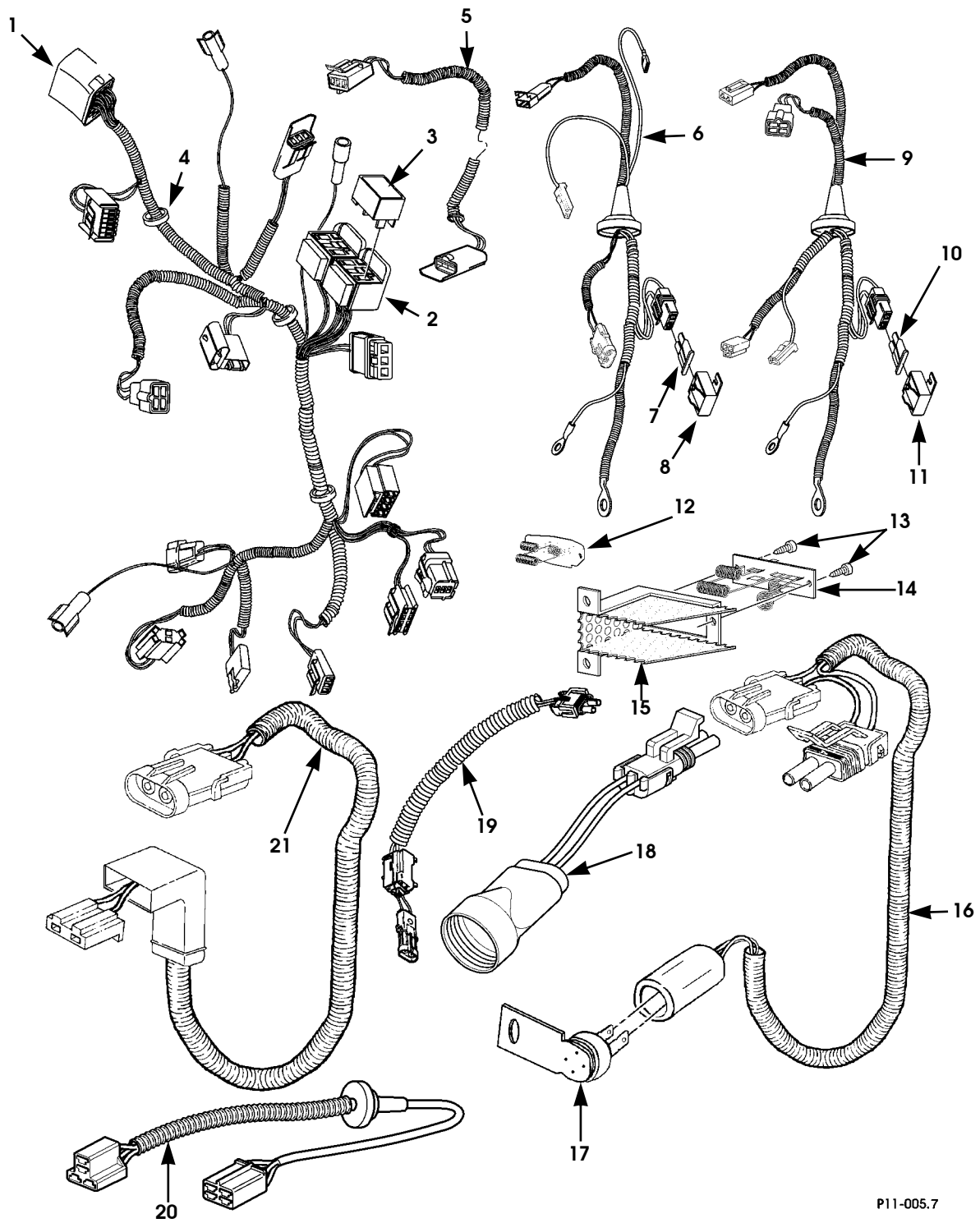
HEATING/VENTILATION/AIR CONDITIONING 11-15.2

ITEM	PART NUMBER	DESCRIPTION	QTY
		Figure 11-7.1 Passenger's Closeout Panel (On VIN VE176477 and up).	
1	N/S	FLEXIBLE DUCT, 2" ID x 42", to passenger's foot vent, SEE NOTE 1	1
2	6009524B9	BRACKET, upper closeout mounting	1
3	6009520	PASSENGER'S CLOSEOUT PANEL	1
4	N/S	SCREW, tapping, trim, #6-20 x 3/8.	1
5	6007191	BRACKET, crash pad mounting	2
6	6009525B9	BRACKET, lower closeout panel mounting	1
		NOTE 1: CUT FROM BULK HOSE P/N 5743542	

6-1-99

1997 HUMMER PARTS CATALOG

11-16 HEATING/VENTILATION/AIR CONDITIONING



P11-005.7

Figure 11-8. Wiring Harnesses, HVAC.

1997 HUMMER PARTS CATALOG

6-1-99

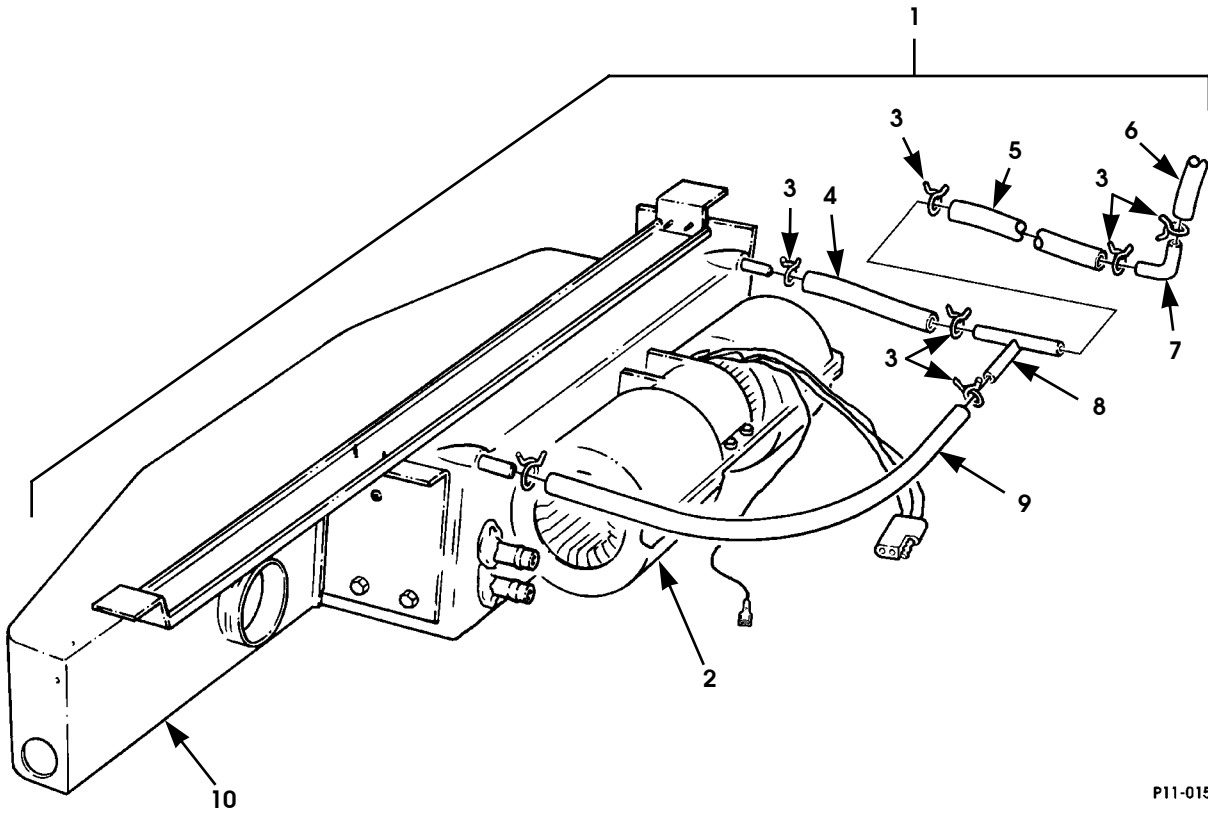
HEATING/VENTILATION/AIR CONDITIONING 11-17

ITEM	PART NUMBER	DESCRIPTION	QTY
		Figure 11-8. Wiring Harnesses, HVAC.	
1	6008765	HARNESS, main HVAC	1
1	6009303	HARNESS, main HVAC (On VIN VE176477 and up). . . .	1
2	5743475	•RECEPTACLE, relay.	4
3	5743489	RELAY, 12-volt SPDT.	4
3	6008655	RELAY, 12-volt windshield heater (On VIN VE176477 and up).	1
4	5744259	CLAMP, cable, 3/8" x 3/8"	2
5	6007497	JUMPER HARNESS, HVAC SEE NOTE 1.	1
6	6006949	HARNESS ASSEMBLY, engine compartment	1
7	5939408	•FUSE, 30-amp	1
8	6000023	•COVER, 30 -amp fuse	1
9	6009304	HARNESS ASSEMBLY, engine compartment (On VIN VE176477 and up).	1
10	5939408	•FUSE, 30-amp	1
11	6000023	•COVER, 30 -amp fuse	1
12	5744874	RESISTOR	1
13	N/S	SCREW, tapping, #10-24 x 1/4.	2
14	6009438	RESISTOR (On VIN VE176477 and up)	1
15	6009439	BRACKET, blower resistor mounting (On VIN VE176477 and up).	1
16	5743468	HARNESS, ambient temperature switch	1
17	5743469	•SWITCH, ambient temperature switch	1
18	5743767	JUMPER, ambient temperature switch	1
19	6003202	JUMPER, compressor (Turbo Diesel).	1
20	6009017	HARNESS, blower speed	1
21	6003012	JUMPER, compressor (NA Diesel).	1
		NOTE 1: THIS JUMPER HARNESS IS USED BETWEEN THE CLIMATE CONTROL PANEL AND THE MAIN HVAC HARNESS	

6-1-99

1997 HUMMER PARTS CATALOG

11-18 HEATING/VENTILATION/AIR CONDITIONING



P11-015

Figure 11-9. Auxiliary HVAC.

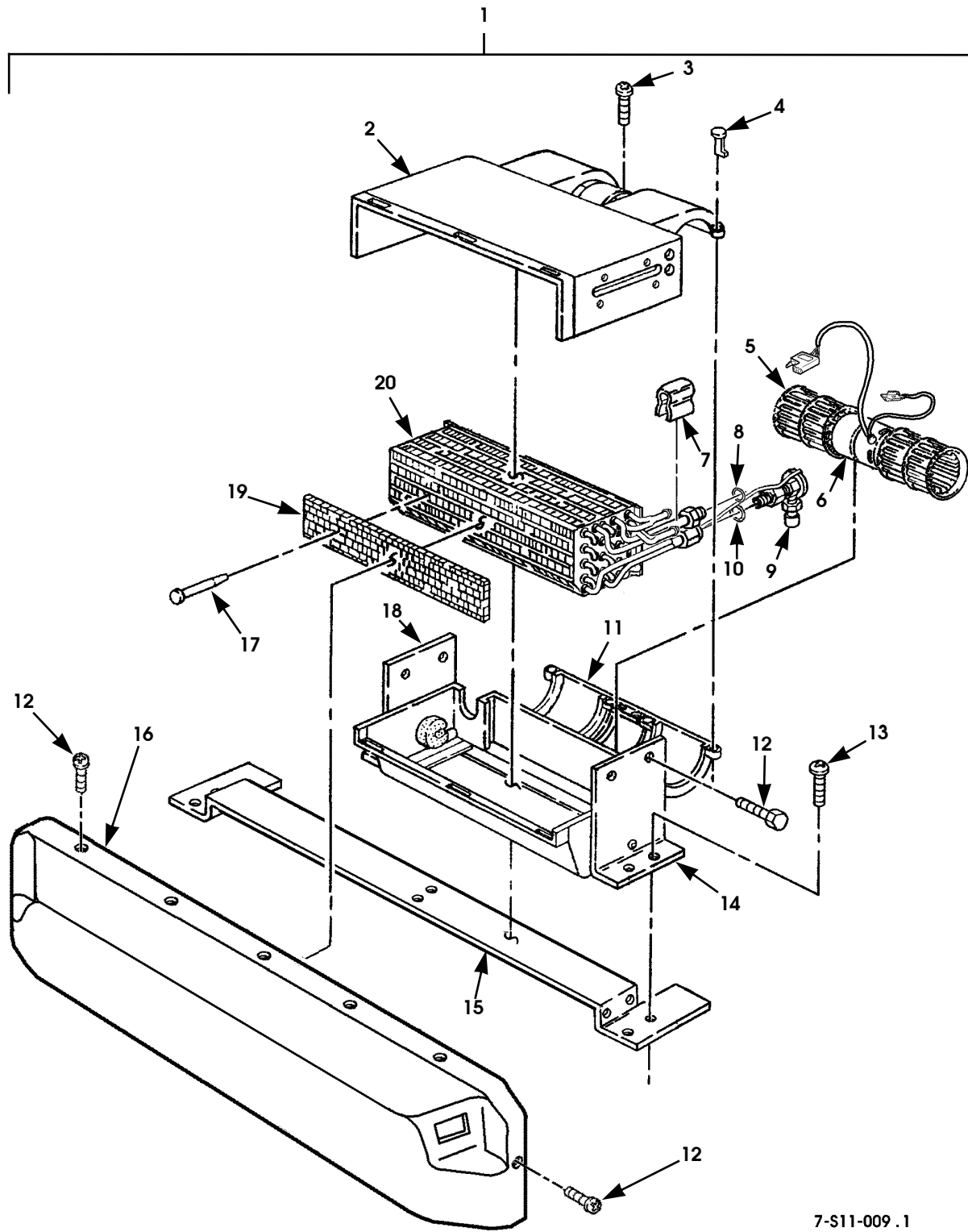
1997 HUMMER PARTS CATALOG

6-1-99

HEATING/VENTILATION/AIR CONDITIONING 11-19

ITEM	PART NUMBER	DESCRIPTION	QTY
		Figure 11-9. Auxiliary HVAC.	
1	6008722	KIT, auxiliary HVAC	1
1	6009414	KIT, auxiliary HVAC (On VIN VE176477 and up)	1
2	6004353	•HEAT/COOL POWER, heavy duty	1
2	5744788	•HEAT/COOL POWER, heavy duty, (On VIN VE176477 and up).	1
3	5743172	••CLAMP, hose, 3/8"	7
4	5743582	••HOSE, drain, 3/8" x 5", SEE NOTE 1	1
5	5743586	••HOSE, drain, 3/8" x 13", SEE NOTE 1	1
6	5743587	••HOSE, drain 3/8" x 15", SEE NOTE 1	1
7	5743170	••ELBOW, drain hose, 3/8"	1
8	5743171	••TEE, drain, 3/8"	1
9	5743583	••HOSE, drain, 3/8 x 17" SEE NOTE 1	1
10	5744765	•PLENUM, auxiliary HVAC	1
		NOTE 1: CUT FROM BULK HOSE 3/8 "X 4' ,P/N 5743169.	

11-20 HEATING/VENTILATION/AIR CONDITIONING



7-S11-009.1

Figure 11-10. Auxiliary HVAC Power Head.

1997 HUMMER PARTS CATALOG

6-1-99

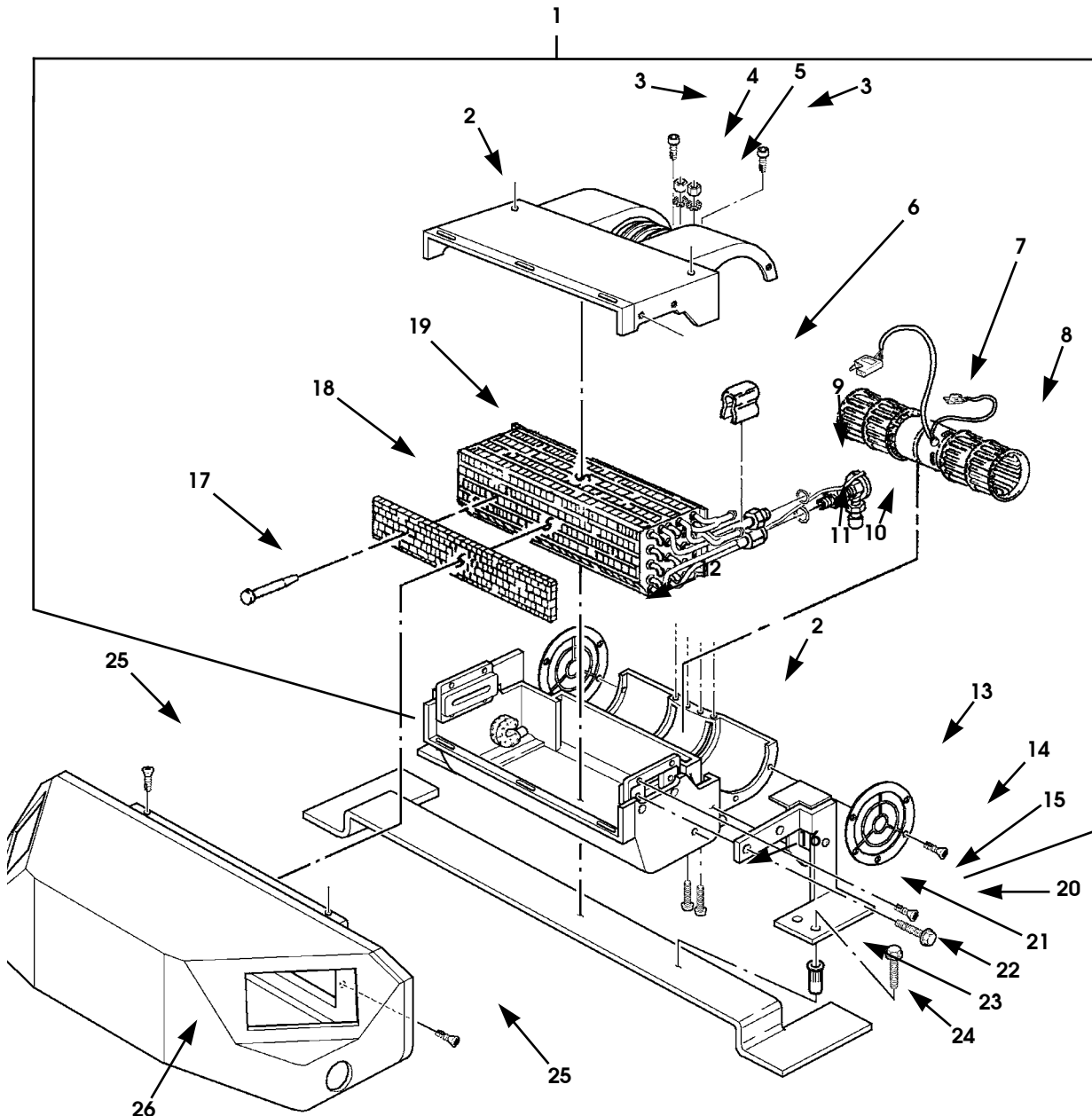
HEATING/VENTILATION/AIR CONDITIONING 11-21

ITEM	PART NUMBER	DESCRIPTION	QTY
		Figure 11-10. Auxiliary HVAC Power Head.	
1	6008722	AUXILIARY HVAC POWER HEAD ASSEMBLY	1
2	5743456	•CASE, top	1
3	5744237	•SCREW, #10 - 24 x 3/4	1
4	5743531	•SNAP-IN, black	4
5	5743498	•WHEEL, blower	1
6	5743497	•MOTOR, blower	1
7	5743453	•CLAMP, bulb	1
8	6006174	•O-RING, #8	1
9	5743496	•VALVE expansion	1
10	6006175	•O-RING, #10	1
11	5743457	•CASE BOTTOM	1
12	5744236	•SCREW, 1/4 - 20 x 1/2	2
13	5744238	•SCREW, #6 - 32 x 3/8	8
14	5743533	BRACKET, right, aux. A/C mounting	1
15	5743534	BRACKET, aux. A/C mounting	1
16	5744765	PLENUM, rear	1
17	5744196	PIN, insulation	3
18	5743532	BRACKET, left, aux. A/C mounting	1
19	5744195	SCREEN, coil	1
20	5743499	COIL, evaporator and heater	1

6-1-99

1997 HUMMER PARTS CATALOG

11-21.1 HEATING/VENTILATION/AIR CONDITIONING



7-S11-009.2

Figure 11-10.1 Auxiliary HVAC Unit (On VIN VE176477 and up).

1997 HUMMER PARTS CATALOG

6-1-99

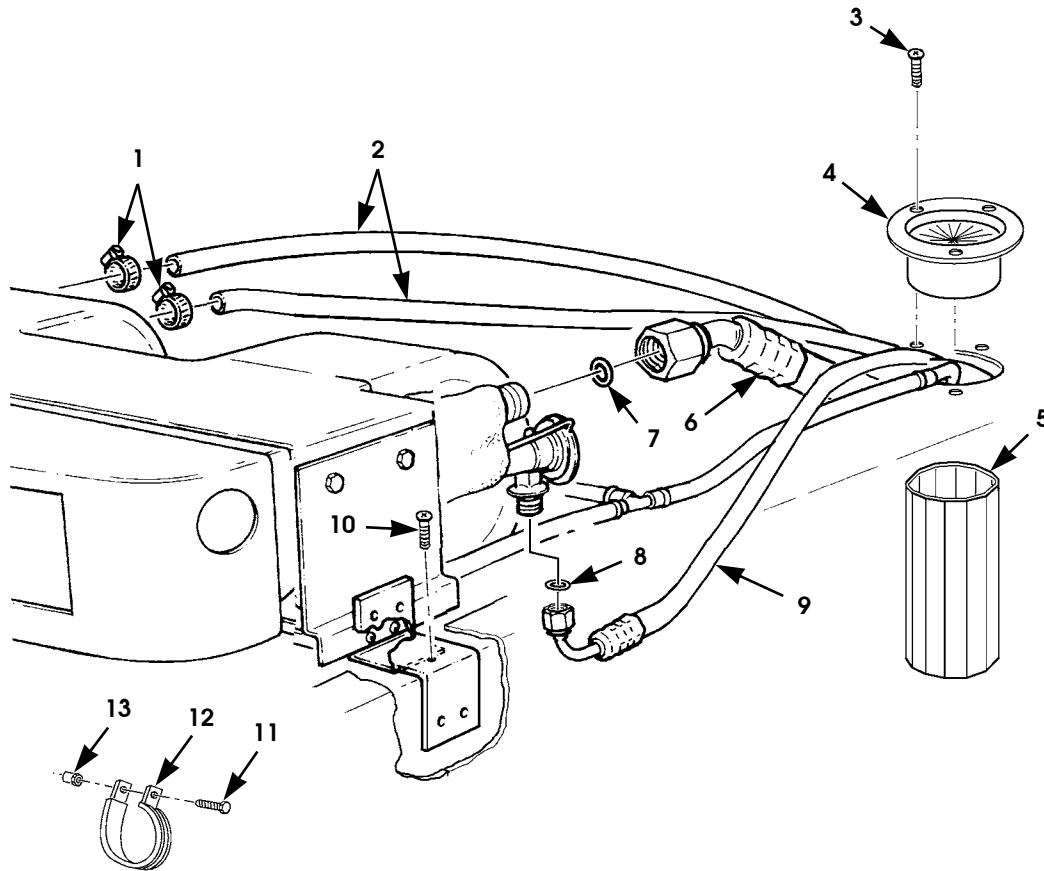
HEATING/VENTILATION/AIR CONDITIONING 11-21.2

ITEM	PART NUMBER	DESCRIPTION	QTY
		Figure 11-10.1 Auxiliary HVAC Unit (On VIN VE176477 and up).	
1	5744788	AUXILIARY HVAC POWER HEAD ASSEMBLY	1
2	5745033	•CASE, top and bottom	1
3	S.I.A.	•SCREW, tapping, #10 - 16 x 5/8.	2
4	S.I.A.	•NUT	2
5	S.I.A.	•LOCKWASHER, external tooth	2
6	5743453	•CLAMP, bulb	1
7	5743497	•MOTOR, blower	1
8	5743498	•WHEEL, blower	1
9	6006174	•O-RING, #8	1
10	5743496	•VALVE, expansion, auxiliary HVAC, R134a.	1
11	6006175	•O-RING, #10	1
12	S.I.A.	•END GUARD, auxiliary blower wheel, L.H.	1
13	S.I.A.	•END GUARD, auxiliary blower wheel, R.H.	1
14	S.I.A.	•SCREW, countersunk, cr	8
15	S.I.A.	•SCREW, tapping, countersunk, cr.	4
16	S.I.A.	•BOLT, #10 - 24 x 3/4	2
17	5744196	PIN, insulation.	3
18	5744195	SCREEN, coil	1
19	5744894	COIL, evaporator and heater	1
20	5744236	SCREW, 1/4 - 20 x 1/2.	2
21	N/S	BRACKET, left, aux. A/C mounting, SEE NOTE 1	1
21	N/S	BRACKET, right, aux. A/C mounting, SEE NOTE 1	1
22	N/S	SCREW, 1/4 - 20 x 1/2.	8
23	N/S	NUT INSERT, 1/4 - 20	4
24	5743534	BRACKET, aux. A/C mounting.	1
25	N/S	SCREW, tapping, #6 - 32 x 3/8, plenum-to-powerhead	4
26	5744765	PLENUM, rear	1
NOTE 1: MOUNTING BRACKETS COME WITH AUXILIARY HVAC KIT, 6009414.			

6-1-99

1997 HUMMER PARTS CATALOG

11-22 HEATING/VENTILATION/AIR CONDITIONING



P11-016

Figure 11-11. Auxiliary HVAC Hoses.

1997 HUMMER PARTS CATALOG

6-1-99

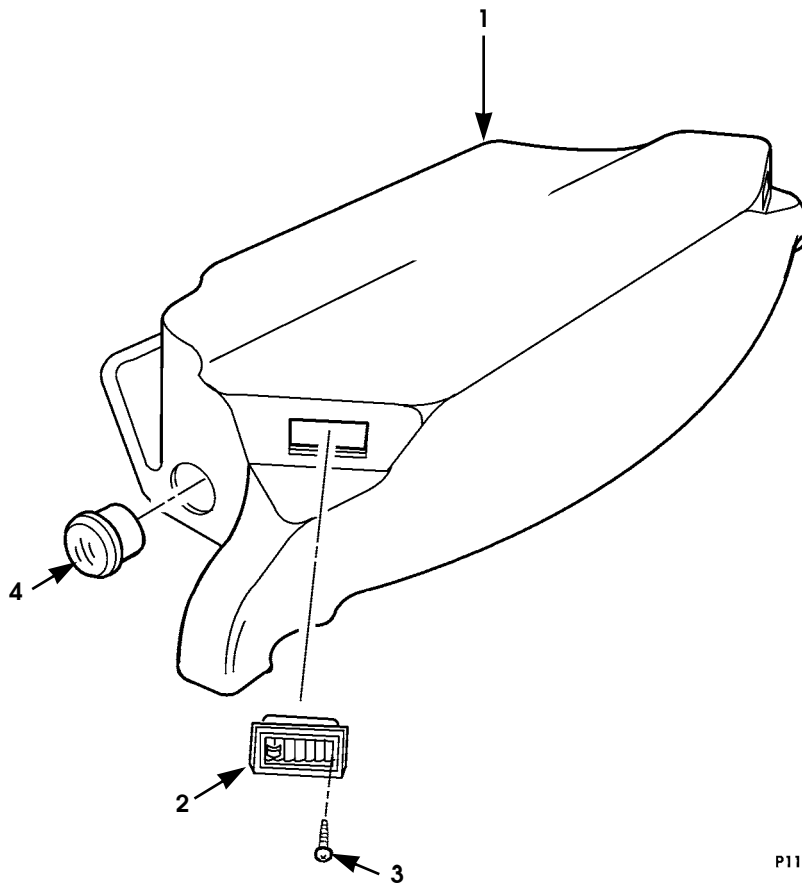
HEATING/VENTILATION/AIR CONDITIONING 11-23

ITEM	PART NUMBER	DESCRIPTION	QTY
		Figure 11-11. Auxiliary HVAC Hoses.	
1	6006266	CLAMP,hose	2
2	5744152	HOSE, heater, 5/8" SEE NOTE 1	1
3	5743187	SCREW, thread cutting, hex head, flanged, #10 - 16 x 3/4.	3
4	5743166	GROMMET, 3"	1
5	5743477	WRAP, reflective	1
6	6008227	LINE, #10, suction, low pressure	1
6	6009772	LINE, #10, suction, low pressure (On VIN VE176477 and up)	1
7	6006175	O-RING, #10, A/C	1
8	6006173	O-RING, #6, A/C	1
9	6008224	LINE, #6 liquid, high pressure	1
9	6009301	LINE, #6 liquid, high pressure (On VIN VE176477 and up)	1
10	5743186	SCREW, thread cutting, phcr, #8 - 20 x 1/2	4
11	N/S	BOLT, 1/4 - 20 x 1/2, Gr5, ZN	1
12	5743188	P-CLAMP, 2 1/2"	2
13	N/S	LOCKNUT, Keps, 1/4 - 20, ZN	1
	5743167	TAPE, permagum/prestite, 12"	AR
		NOTE 1: HEATER HOSE, P/N 5744152, COMES IN A 12' 6" LENGTH THAT IS TO BE CUT TO MAKE TWO 6' 3" HOSES FOR BOTH THE INLET AND OUTLET OF THE AUXILIARY HVAC UNIT OR CAN BE MADE FROM BULK HOSE 50', P/N 5740929	

12-1-97

1997 HUMMER PARTS CATALOG

11-24 HEATING/VENTILATION/AIR CONDITIONING



P11-031.1

Figure 11-12. Rear Center Console.

1997 HUMMER PARTS CATALOG

5-1-97

HEATING/VENTILATION/AIR CONDITIONING 11-25

ITEM	PART NUMBER	DESCRIPTION	QTY
		Figure 11-12. Rear Center Console.	
1	6008797T	CONSOLE, deluxe, tan w/ auxiliary air conditioning . .	1
1	6008797G	CONSOLE, deluxe, gray w/ auxiliary air conditioning .	1
2	5744793	LOUVER, rectangle w/o adapter	2
3	N/S	SCREW, phcr, #10 - 24 x 1/2, CAD	4
4	5743504	LOUVER, side vent	2

Section 12

ELECTRICAL

TITLE	PAGE NUMBER
124-AMP Alternator	12-10
124-AMP Alternator Assembly	12-12
Batteries, Cables, and Mounting Hardware	12-2
Body Harness	12-74
Clarion Stereo Harness, Hard Top, Models 83 & 84	12-68
Clarion Stereo Harness, Open Top, Model 90	12-70
Clarion Stereo Harness, Two-Door, Model 89	12-66
Clearance Marker Light Assembly	12-30
Console Harness Assembly	12-51.3
Control Harness Assembly, (NA Diesel)	12-52
Control Harness Assembly, (Turbo Diesel)	12-54
Daytime Running Light Jumper and Harness	12-86
Defroster, Rear	12-112
Delco Monsoon Stereo System Harness, Hard Top, Models 83 & 84	12-69.3
Delco Standard Stereo Harness Two-Speaker, Two-Door, Model 89	12-67.1
Delco Standard Stereo Harness, Four-Speaker, Open Top, Model 90	12-71.1
Delco Standard Stereo Harness, Four - Speaker, Hard Top, Models 83 & 84	12-69.1
Dual Horns	12-40
Engine Harness Assembly, (NA Diesel)	12-58
Engine Harness Assembly, (Turbo Diesel)	12-60
Engine Wiring Harness	12-110
Front Turn Signal Light and Mounting Hardware	12-24
Fuse Box Panel, Convenience Center, and Mounting Hardware	12-79
Glow Plug Harness	12-108
Glow Plug Power Cable Assembly	12-106
Harness Assembly, Instrument Panel	12-56
Headlight Assembly and Running Lights	12-28
Hood Wiring Harness	12-43
Identification Lamp Assembly Jumper	12-64
Instrument Panel Cluster	12-19
Interior Courtesy Lights, Underhood Light, and Door Jamb Switch	12-34
Interior Dome Lights	12-32
Map Light Extension Harness	12-51.1
Map Lights and Vanity Mirrors Harness	12-49.3
Miscellaneous Electrical Items	12-83
PCM/TCM and Digital Ratio Adapter	12-88
Power Mirrors	12-98
Power Window/Locks Harness	12-100
Power Windows	12-102
Rear Door Courtesy Light Jumper Harness Switch	12-50
Rear Turn Signal Light/Taillight, License Plate Bracket, and Mounting Hardware	12-26

6-1-99

1997 HUMMER PARTS CATALOG

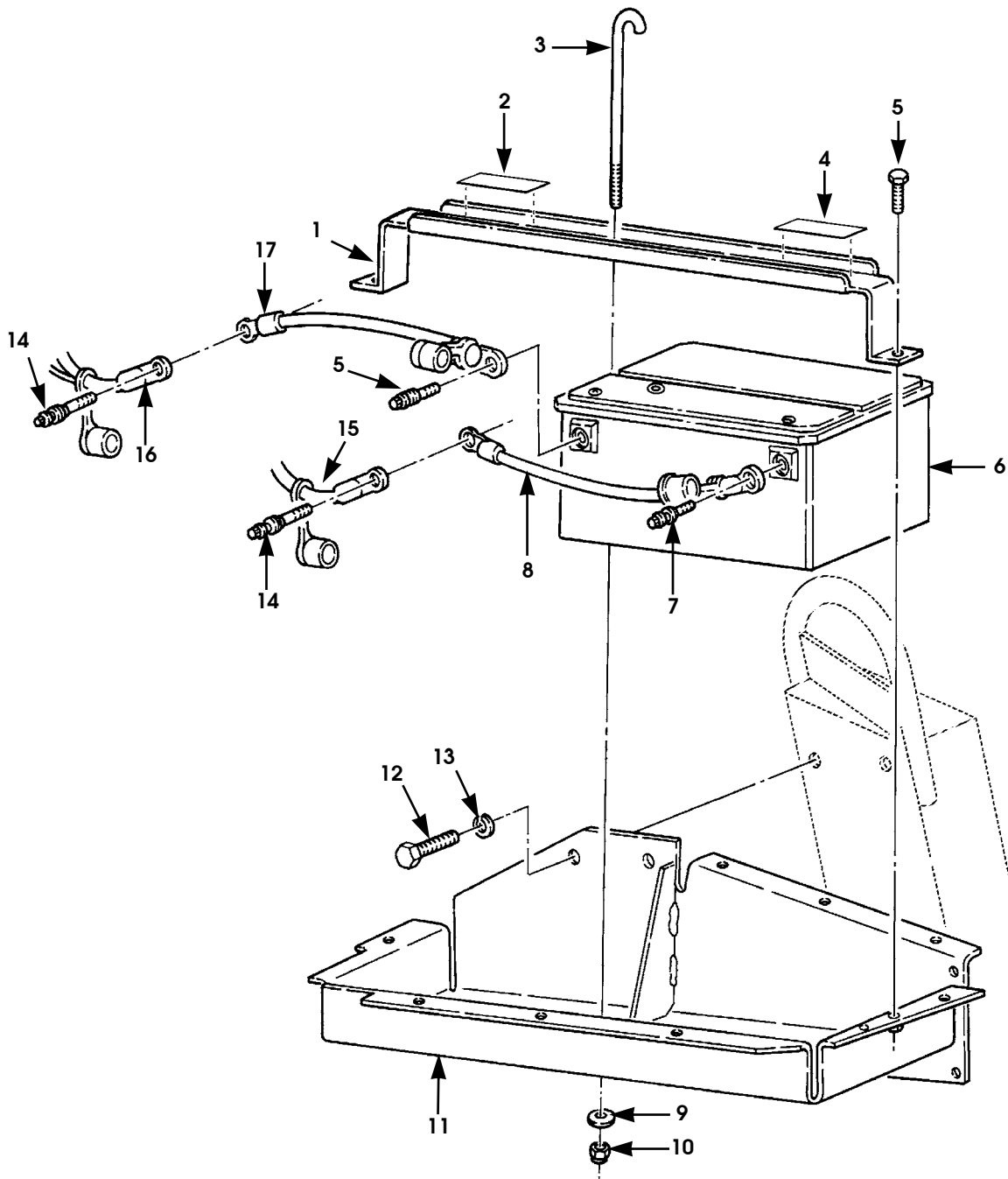
12-1.1 ELECTRICAL

TITLE	PAGE NUMBER
Reflectors	12-36
Roof Wiring Harness, Four-Door	12-48
Roof Wiring Harness, Open Top	12-49.1
Roof Wiring Harness, Two-Door.	12-46
Sensors, Sending Units, and Switches (NA Diesel)	12-14
Sensors, Sending Units, and Switches (Turbo Diesel)	12-15.1
Starter Motor and Mounting Hardware	12-4
Starter Motor Assembly	12-6
Stereo, Speakers, and Mounting Hardware (Clarion)	12-38
Stereo, Speakers, and Mounting Hardware, Standard and Monsoon (Delco)	12-39.2
Trailer Towing Wiring	12-62
Transmission Harness Assembly	12-72
Two-Door and Four-Door Power Door Locks	12-90
Windshield Wiper Motor, Wiper Assembly, and Washer Bottle	12-16

6-1-99

1997 HUMMER PARTS CATALOG

12-2 ELECTRICAL



P12-001

Figure 12-1. Batteries, Cables, and Mounting Hardware.

1997 HUMMER PARTS CATALOG

6-1-99

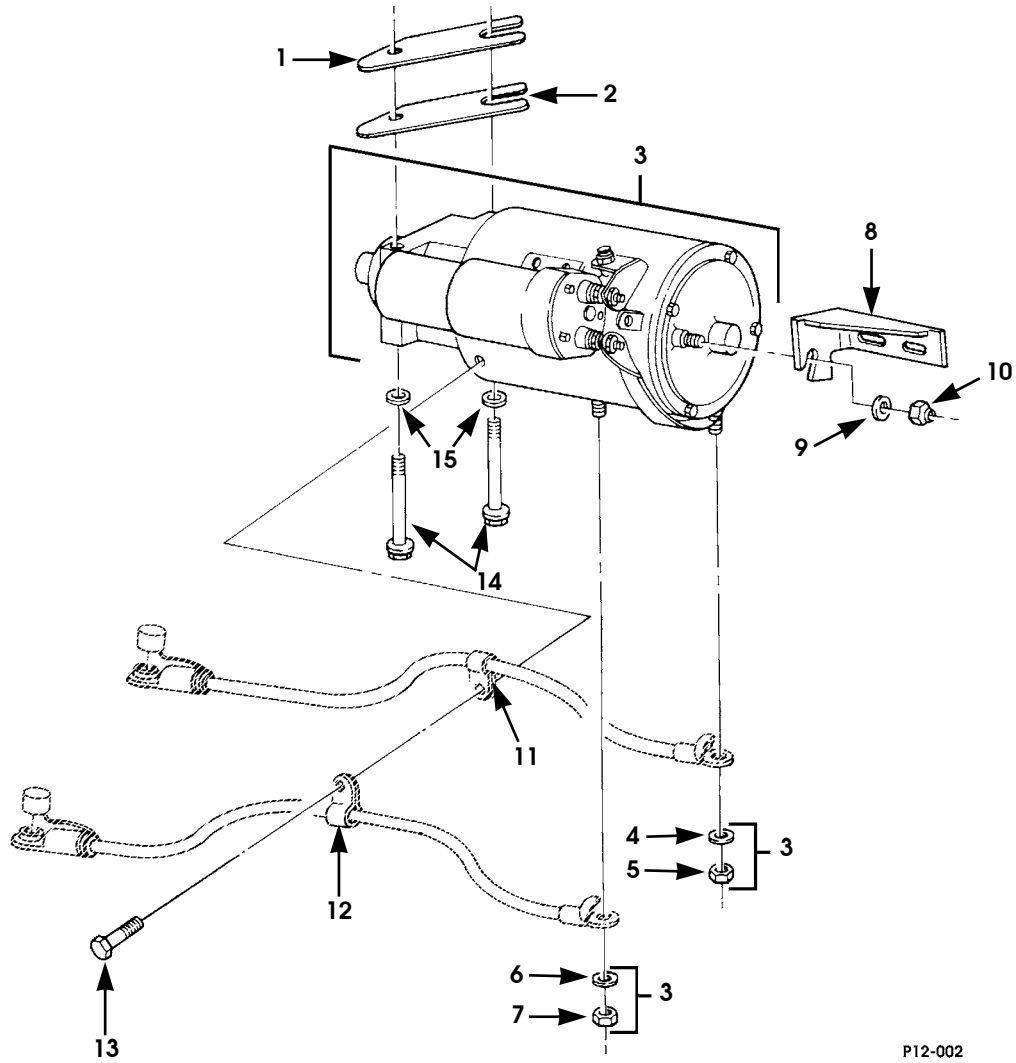
ELECTRICAL 12-3

ITEM	PART NUMBER	DESCRIPTION	QTY
		Figure 12-1. Batteries, Cables, and Mounting Hardware.	
1	6002911B2	BRACKET, battery holddown	1
2	6006813	LABEL, belt routing	1
3	6002912	J-BOLT, 5/16 - 18 x 8, ZN, battery holddown	1
4	6003864	LABEL, battery warning.	1
5	N/S	BOLT, 5/16 - 18 x 3/4, Gr8, ZN, battery holddown	2
6	6004164	BATTERY, 12-volt	2
7	6003471	BOLT, battery, side terminal, 5/8" long	2
8	6003128	CABLE, black, negative.	1
9	12340058	WASHER, hardened.	1
10	N/S	NUT, 5/16 - 18, Gr8, CAD	1
11	6002907B2	BATTERY TRAY	1
12	N/S	BOLT, 3/8 - 16 x 1, Gr8, CAD.	2
13	N/S	LOCKWASHER, med, 3/8, ZN.	2
14	5744361	BOLT, battery, side terminal, 1" long.	2
15	6007344	CABLE, black, starter, negative.	1
15	6009471	CABLE, black, starter, negative (On VIN VE176477 and up).	1
16	6007278	CABLE, red, starter, positive.	1
16	6009470	CABLE, red, starter, positive (On VIN VE176477 and up)	1
17	6003129	CABLE, red, positive	1

6-1-99

1997 HUMMER PARTS CATALOG

12-4 ELECTRICAL



P12-002

Figure 12-2. Starter Motor And Mounting Hardware.

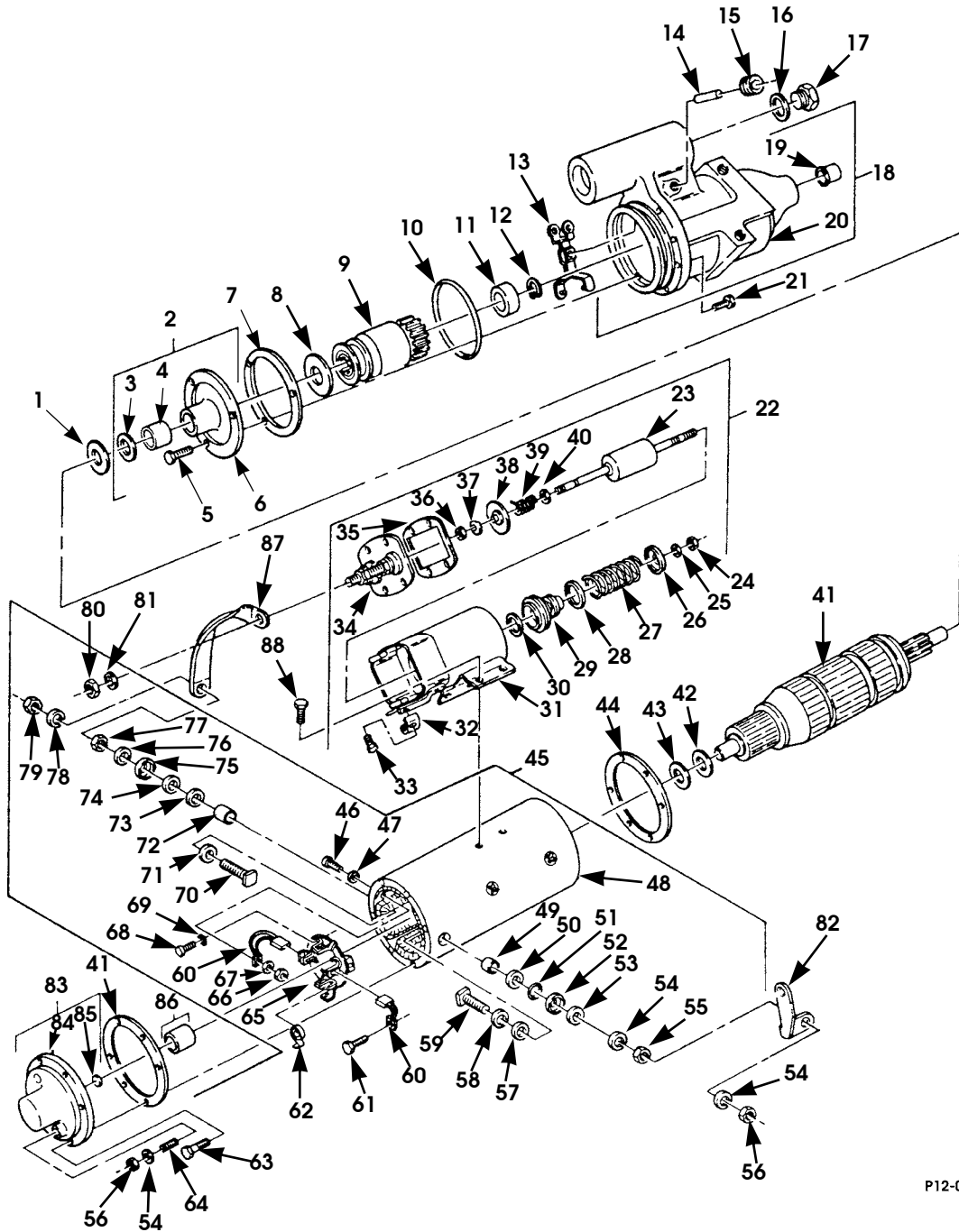
1997 HUMMER PARTS CATALOG

6-1-99

ELECTRICAL 12-5

ITEM	PART NUMBER	DESCRIPTION	QTY
		Figure 12-2. Starter Motor And Mounting Hardware.	
1	12338789-2	SHIM	V
2	12338789-1	SHIM	V
3	5937124	STARTER MOTOR ASSEMBLY	1
4	MS51419-9	•LOCKWASHER	1
5	MS35691-33	•NUT	1
6	N/S	•LOCKWASHER, 3/8 med,zn	1
7	N/S	•NUT, 3/8-16 Gr 5 cad	1
8	12446777	BRACKET, starter motor	1
9	N/S	WASHER, bracket 3/8 Hard Type B, Flat ZN	1
10	N/S	LOCKNUT, bracket 3/8-16-GR 8	1
11	N/S	CLAMP, positive cable 3/4 cushioned	1
12	N/S	CLAMP, ground cable 7/8 cushioned	1
13	12340844	SCREW, cable clamps	1
14	12339413	BOLT, starter	2
15	12341856	WASHER, starter	2

12-6 ELECTRICAL



P12-003

Figure 12-3. Starter Motor Assembly.

1997 HUMMER PARTS CATALOG

6-1-99

ELECTRICAL 12-7

ITEM	PART NUMBER	DESCRIPTION	QTY
		Figure 12-3. Starter Motor Assembly.	
1	S.I.K.	WASHER, flat, SEE NOTE 1	1
2	5741114	BEARING ASSEMBLY, intermediate	1
3	5929739	•SEAL	1
4	5929738	•BEARING, ABS, bronze	1
5	S.I.A.	•SCREW, SEE NOTE 2	3
6	S.I.A.	•HOUSING, intermediate bearing assembly	1
7	S.I.K.	GASKET, SEE NOTE 3	1
8	S.I.K.	SPACER, starter clutch, SEE NOTE 1	1
9	5740926	CLUTCH, starter	1
10	5929752	O-RING, pinion housing	1
11	S.I.K.	PINION STOP, SEE NOTE 4	1
12	S.I.K.	SNAP RING, SEE NOTE 4	1
13	5929764	YOKE ASSEMBLY	1
14	S.I.K.	PIN, SEE NOTE 5	2
15	S.I.K.	PLUG, SEE NOTE 5	1
16	S.I.K.	GASKET, SEE NOTE 5	1
17	S.I.K.	PLUG, SEE NOTE 5	1
18	5742921	HOUSING ASSEMBLY, pinion	1
19	5741174	•BEARING, bronze	1
20	S.I.A.	•HOUSING	1
21	S.I.K.	SCREW, SEE NOTE 6	7
22	5742738	SOLENOID SWITCH ASSEMBLY	1
23	5742922	•CORE ASSEMBLY, moving	1
24	S.I.A.	•NUT, SEE NOTE 5	1
25	S.I.A.	•SNAP RING, SEE NOTE 7	1
26	S.I.A.	•RETAINER, SEE NOTE 7	1
27	S.I.A.	•SPRING, SEE NOTE 7	1
28	S.I.A.	•RETAINER, SEE NOTE 7	1
29	5929759	•BOOT, moving core, SEE NOTE 7	1
30	S.I.A.	•WASHER, SEE NOTE 7	1
31	S.I.A.	•HOUSING, solenoid	1
32	5741916	•LOCKWASHER, solenoid	1
33	N/S	•MACHINE SCREW	1
34	5740968	•COVER AND CONTACT STUD ASSEMBLY	1
35	S.I.A.	•GASKET, SEE NOTE 8	1
36	S.I.A.	•NUT, SEE NOTE 9	1
37	S.I.A.	•WASHER, SEE NOTE 9	1
38	S.I.A.	•CONTACT, SEE NOTE 9	1
39	S.I.A.	•SPRING, SEE NOTE 9	1

6-1-99

1997 HUMMER PARTS CATALOG

12-8 ELECTRICAL

ITEM	PART NUMBER	DESCRIPTION	QTY
		Figure 12-3. Starter Motor Assembly. (Cont'd)	
40	S.I.A.	•WASHER, SEE NOTE 9	1
41	5742918	ARMATURE ASSEMBLY	1
42	S.I.K.	THRUST WASHER, SEE NOTE 1	1
43	S.I.K.	THRUST WASHER, SEE NOTE 1	8
44	S.I.K.	GASKET, SEE NOTE 10	2
45	5742920	FRAME AND FIELD ASSEMBLY	1
46	N/S	•SCREW	2
47	5741118	•WASHER	2
48	S.I.A.	•HOUSING, frame and field assembly	1
49	S.I.A.	•BUSHING, SEE NOTE 11	1
50	S.I.A.	•WASHER, neoprene, SEE NOTE 11	1
51	S.I.A.	•WASHER, insulating, SEE NOTE 11	1
52	S.I.A.	•WASHER, cap, SEE NOTE 11	1
53	S.I.A.	•WASHER, plain, SEE NOTE 11	1
54	S.I.A.	•LOCKWASHER, SEE NOTE 11	4
55	S.I.A.	•NUT, SEE NOTE 11	1
56	S.I.A.	•NUT, SEE NOTE 11	4
57	S.I.A.	•WASHER, insulating, SEE NOTE 11	1
58	S.I.A.	•WASHER, plain, SEE NOTE 11	1
59	S.I.A.	•STUD, terminal, SEE NOTE 11	1
60	5740960	•BRUSH SET	1
61	N/S	•SCREW	2
62	5740961	•SPRING SET, brush	1
63	S.I.A.	•SCREW, SEE NOTE 6	4
64	S.I.A.	•STUD, terminal, SEE NOTE 11	1
65	5741666	•PLATE ASSEMBLY, brush	1
66	N/S	•NUT	2
67	5741107	•LOCKWASHER	2
68	N/S	•SCREW	3
69	5741169	•SEAL PACKAGE, brush plate mounting	1
70	S.I.A.	•STUD, terminal, SEE NOTE 11	1
71	S.I.A.	•WASHER, insulating, SEE NOTE 11	1
72	S.I.A.	•BUSHING, insulating, SEE NOTE 11	1
73	S.I.A.	•WASHER, neoprene, SEE NOTE 11	1
74	S.I.A.	•WASHER, insulating, SEE NOTE 11	1
75	S.I.A.	•WASHER, cap, SEE NOTE 11	1
76	S.I.A.	•WASHER, plain, SEE NOTE 11	1
77	S.I.A.	•NUT, SEE NOTE 11	1
78	S.I.A.	•LOCKWASHER, SEE NOTE 11	2

1997 HUMMER PARTS CATALOG

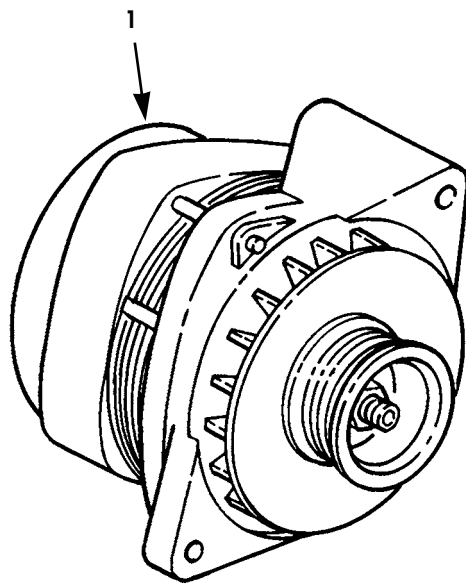
6-1-99

ELECTRICAL 12-9

ITEM	PART NUMBER	DESCRIPTION	QTY
		Figure 12-3. Starter Motor Assembly. (Cont'd)	
79	S.I.A.	•NUT, SEE NOTE 11	3
80	N/S	•NUT	2
81	N/S	•WASHER	2
82	5741120	CONNECTOR switch	1
83	5742919	HEAD ASSEMBLY, commutator end	1
84	S.I.A.	•HEAD, commutator end	1
85	S.I.A.	•OIL RETAINER, felt, SEE NOTE 2	1
86	S.I.A.	•BEARING, bronze , SEE NOTE 2	1
87	5741117	CONNECTOR, switch	1
88	S.I.K.	SCREW, solenoid , SEE NOTE 6	4
		NOTE 1: PART OF BEARING AND RETAINER KIT (THRUST WASHER PACKAGE), P/N 5741171	
		NOTE 2: PART OF BEARING AND OIL RETAINER KIT, P/N 5741167	
		NOTE 3: PART OF GASKET KIT, INTERMEDIATE BEARING P/N 5740964	
		NOTE 4: PART OF PINION STOP AND LOCK RING KIT, P/N 5741173	
		NOTE 5: PART OF YOKE ADJUSTING PARTS KIT P/N 5929744	
		NOTE 6: PART OF MOUNTING SCREW KIT, P/N 5740922	
		NOTE 7: PART OF STARTER RELAY KIT (CORE YOKE END PARTS PACKAGE), P/N 5929758	
		NOTE 8: PART OF GASKET SWITCH KIT, P/N 5929755	
		NOTE 9: PART OF CORE CONTACT KIT, P/N 5929757	
		NOTE 10: PART OF GASKET KIT (GASKET PACKAGE, C.E. AND D.E. HEAD), P/N 5741168	
		NOTE 11: PART OF TERMINAL STUD KIT, P/N 5740963	

1997 HUMMER PARTS CATALOG

12-10 ELECTRICAL



P12-004.1

Figure 12-4. 124-AMP Alternator.

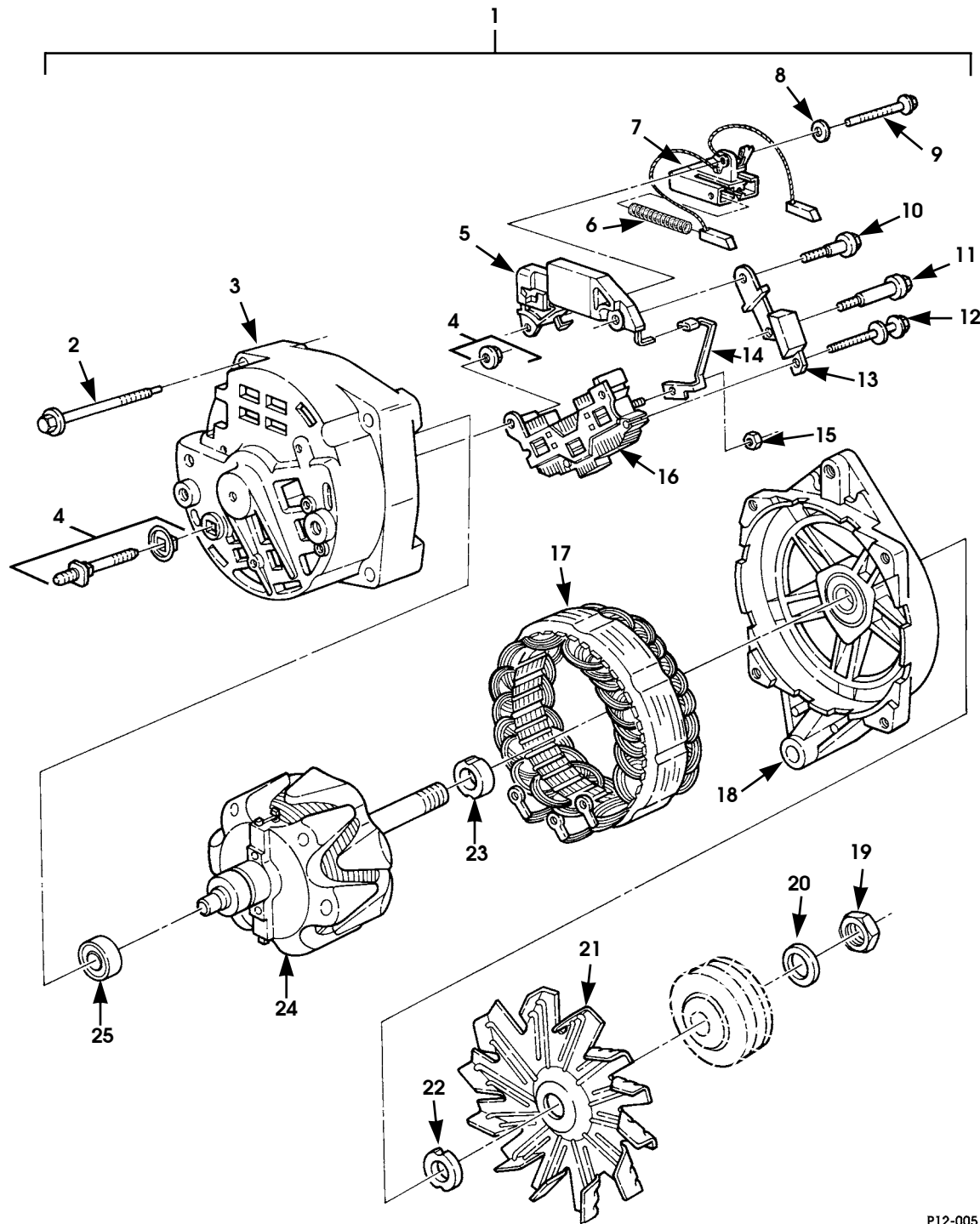
1997 HUMMER PARTS CATALOG

6-1-99

ELECTRICAL 12-11

ITEM	PART NUMBER	DESCRIPTION	QTY
		Figure 12-4. 124-AMP Alternator.	
1	6006776	ALTERNATOR, 124-Amp	1
1	5744687	ALTERNATOR, 124-Amp, remanufactured	1

12-12 ELECTRICAL



P12-005

Figure 12-5. 124-AMP Alternator Assembly.

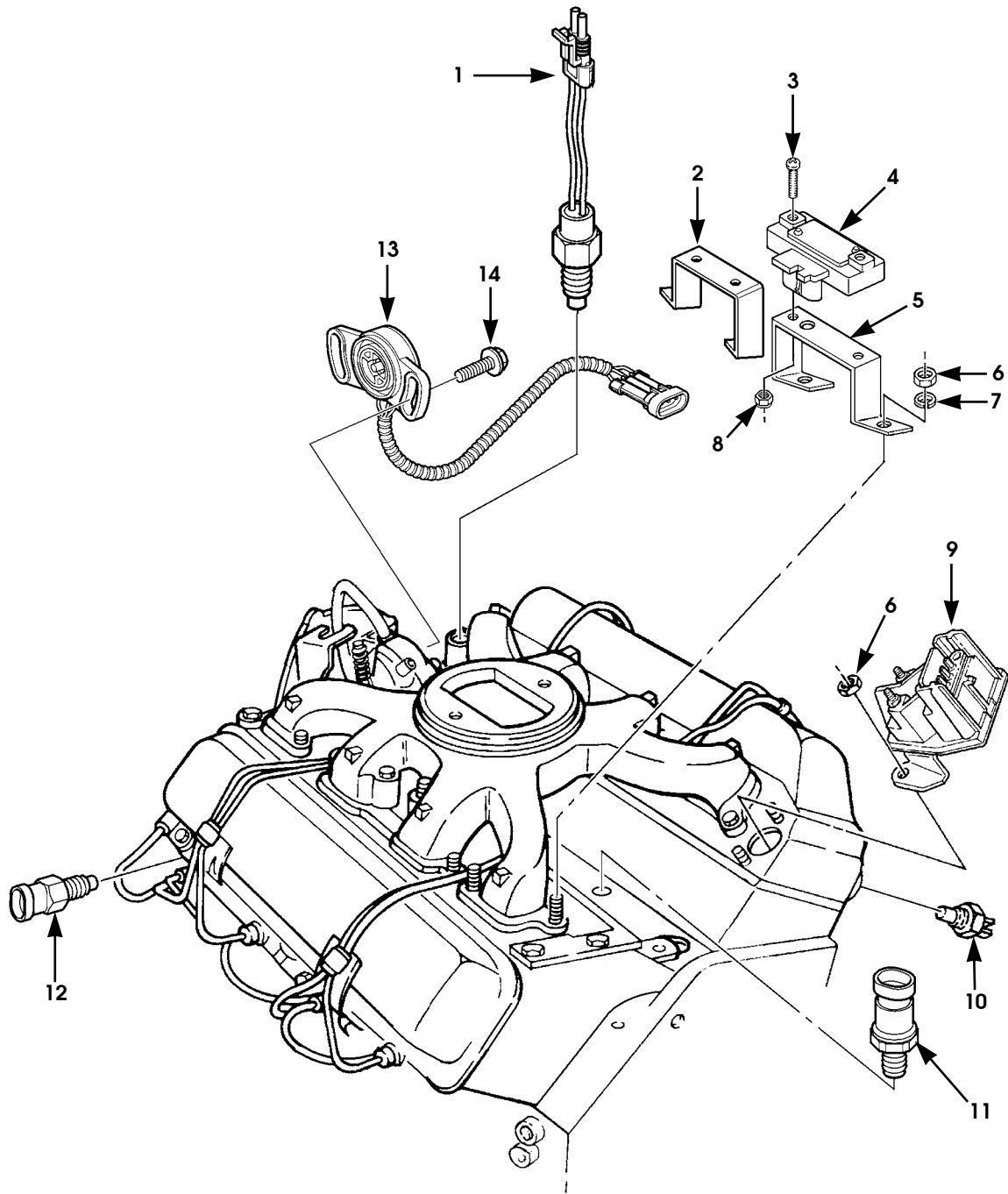
1997 HUMMER PARTS CATALOG

6-1-99

ELECTRICAL 12-13

ITEM	PART NUMBER	DESCRIPTION	QTY
		Figure 12-5. 124-AMP Alternator Assembly.	
1	6006776	ALTERNATOR, 124-Amp	1
2	5742662	•BOLT, frame	4
3	5742663	•FRAME, includes bearings	1
4	8125185	•TERMINAL PACKAGE, battery	1
5	5742664	•REGULATOR	1
6	5742665	•SPRING, brush	2
7	5742666	•BRUSH HOLDER AND BRUSH ASSEMBLY	1
8	NPN	•WASHER	1
9	5733274	•SCREW, brush holder	1
10	5742667	•SCREW, regulator	1
11	5742668	•SCREW, rectifier bridge	1
12	5742669	•SCREW AND WASHER, rectifier bridge	2
13	5742670	•CAPACITOR	1
14	5742671	•CONNECTOR, rectifier bridge to regulator (NA Diesel)	1
15	G453996	•NUT, rectifier bridge	3
16	5742672	•RECTIFIER BRIDGE	1
17	5742673	•STATOR ASSEMBLY	1
18	5742674	•FRAME, D.E., includes bearings	1
19	8125242	•NUT, pulley	1
20	8125186	•LOCKWASHER, shaft nut, D.E.	1
21	8125193	•FAN	1
22	5742676	•COLLAR, outside	1
23	5742677	•COLLAR, inside	1
24	5742678	•ROTOR ASSEMBLY	1
25	5742679	•BALL BEARING, S.R.E.	1

12-14 ELECTRICAL



P12-006 . 3

Figure 12-6. Sensors, Sending Units, and Switches (NA Diesel).

1997 HUMMER PARTS CATALOG

6-1-99

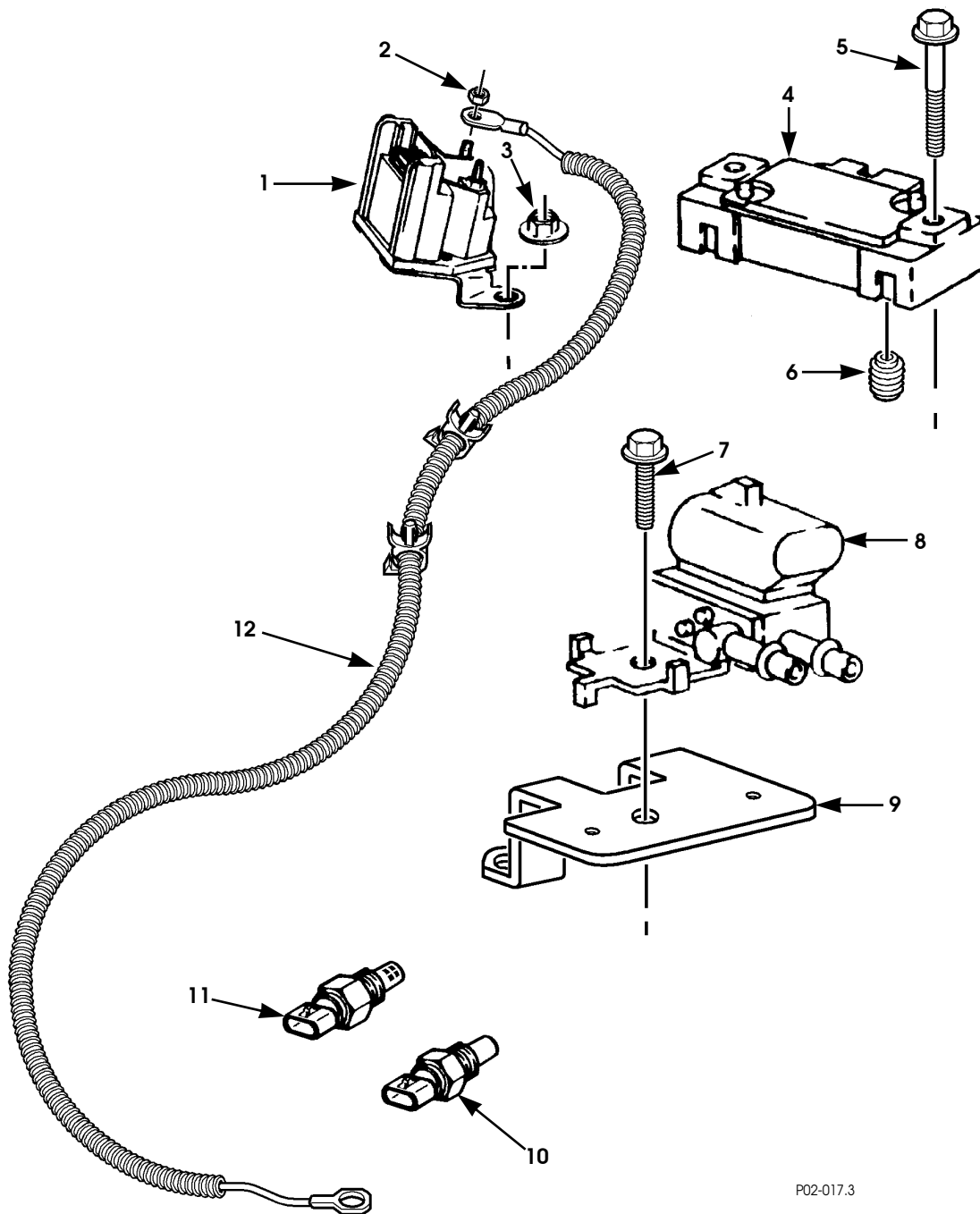
ELECTRICAL 12-15

ITEM	PART NUMBER	DESCRIPTION	QTY
		Figure 12-6. Sensors, Sending Units, and Switches (NA Diesel).	
1	6008900	SWITCH, overtemp A/C cutout	1
2	12339343	BRACKET, engine harness	1
3	N/S	SCREW, ph, #10 - 24 x 1 1/8, CAD	2
4	6003469	SENSOR, barometric pressure.	1
5	6003100	BRACKET, barometric pressure sensor	1
6	N/S	LOCKNUT, M10 - 1.5, CAD	4
7	N/S	LOCKWASHER, M10, ZN	2
8	N/S	LOCKNUT, keps, #10 - 24, ZN	2
9	5742558	CONTROL, glow plug	1
10	5742560	COLD ADVANCE SWITCH	1
11	5744455	OIL PRESSURE SWITCH AND SENDER	1
12	5744032	SENDER, coolant temperature	1
13	5743243	SENSOR, throttle position.	1
14	N/S	BOLT, 1/4 - 20 x 3/4, Gr 8	2

6-1-99

1997 HUMMER PARTS CATALOG

12-15.1 ELECTRICAL



P02-017.3

Figure 12-6.1 Sensors, Sending Units, and Switches (Turbo Diesel).

1997 HUMMER PARTS CATALOG

6-1-99

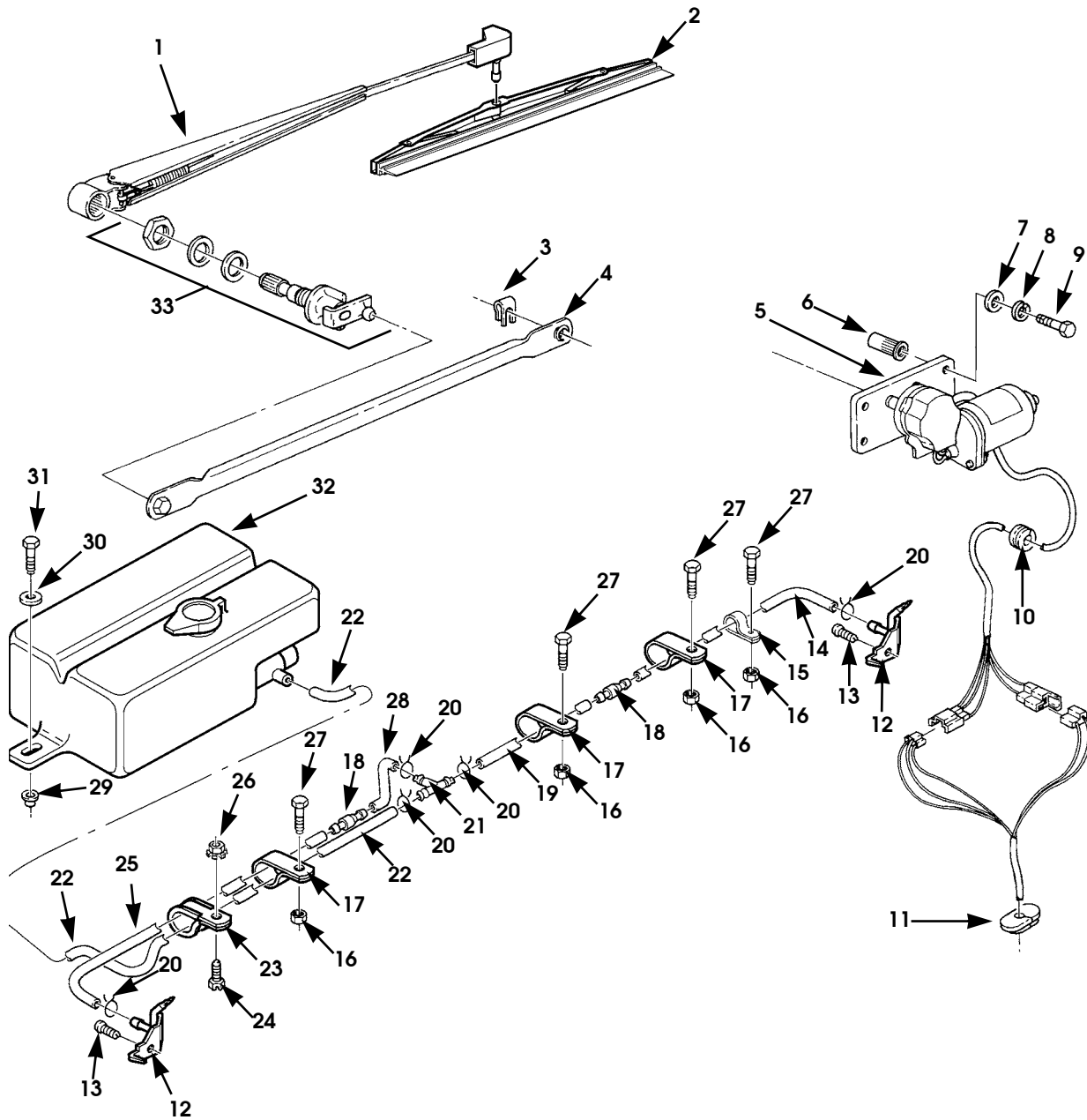
ELECTRICAL 12-15.2

ITEM	PART NUMBER	DESCRIPTION	QTY
Figure 12-6.1 Sensors, Sending Units, and Switches (Turbo Diesel).			
1	5744450	GLOWPLUG CONTROLLER	1
2	N/S	NUT, M8 - 1.25.	1
3	N/S	NUT, hex flange, M10 - 1.5.	1
4	5744466	PRESSURE SENSOR, turbo.	1
5	5744467	BOLT, turbo pressure sensor	2
6	5744468	SEAL, turbo pressure sensor	1
7	5744472	BOLT, solenoid valve	1
8	5744458	SOLENOID VALVE, boost control	1
9	5744442	BRACKET, solenoid valve mounting	1
10	5744030	SENSOR, coolant temperature.	1
11	5744430	SENSOR, air intake temperature	1
12	6006996	CABLE, glowplug controller-to-starter	1

12-1-97

1997 HUMMER PARTS CATALOG

12-16 ELECTRICAL



P12-008.1

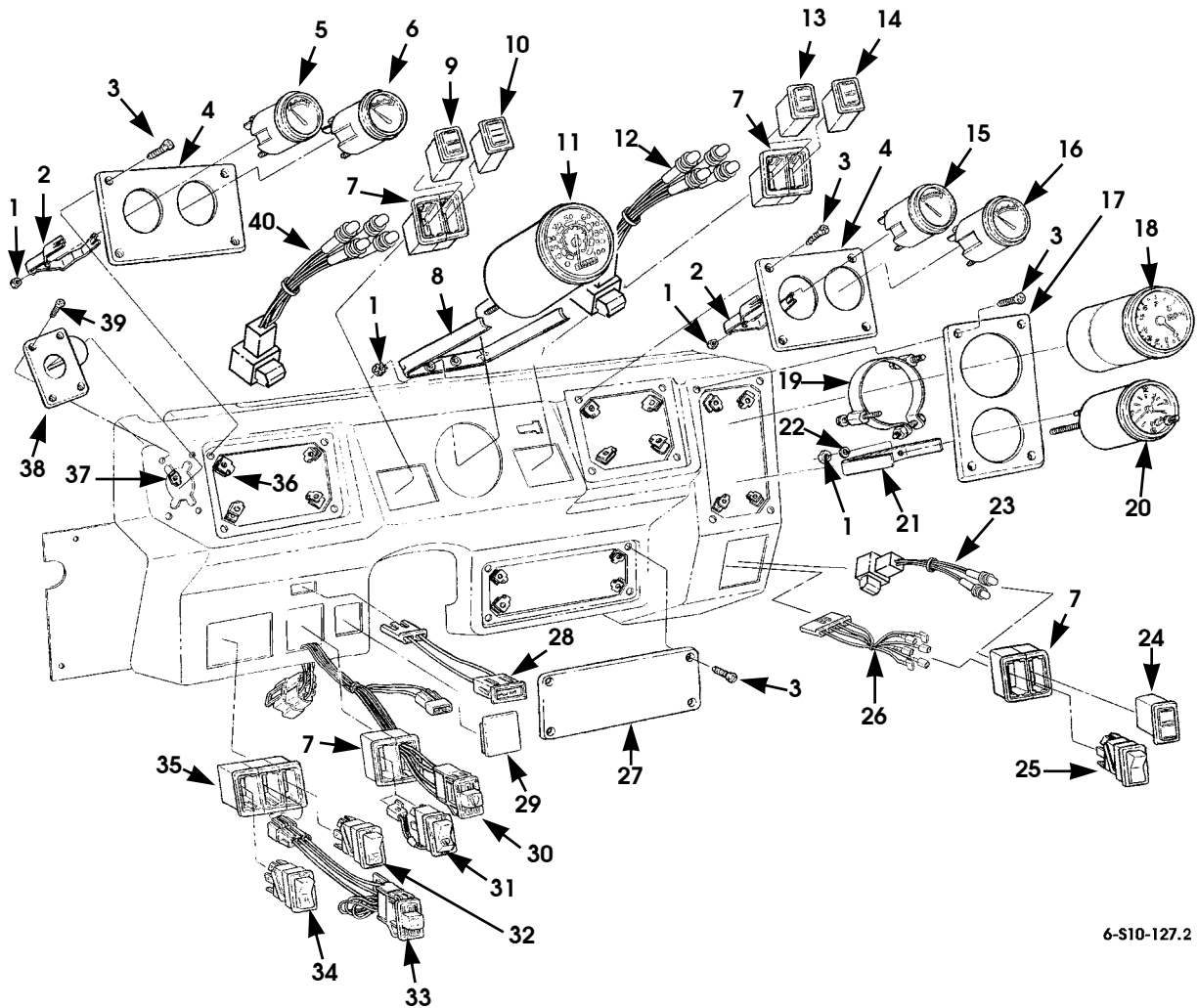
Figure 12-7. Windshield Wiper Motor, Wiper Assembly, and Washer Bottle.

1997 HUMMER PARTS CATALOG

6-1-99

ELECTRICAL 12-17

ITEM	PART NUMBER	DESCRIPTION	QTY
		Figure 12-7. Windshield Wiper Motor, Wiper Assembly, and Washer Bottle.	
1	6003900	WIPER ARM ASSEMBLY, pivot assembly, less blade . . .	2
2	6003901	BLADE, wiper arm assembly	2
3	12339427	RETAINER.	1
4	12338831	CONNECTING ARM, pivot assembly	2
5	5938822B2	WIPER MOTOR ASSEMBLY, windshield	1
6	N/S	NUT INSERT, 1/4 - 20, 3/8" O.D. x 1" long	3
7	N/S	WASHER, flat, 1/4, CAD, wiper motor	3
8	N/S	LOCKWASHER, med, 1/4, ZN, wiper motor.	3
9	N/S	SCREW, 1/4 - 20 x 3/4, Gr5, CAD, wiper motor.	3
10	MS35489-41S	GROMMET, w/s wiper motor lead	1
11	12339340	GROMMET, w/s wiper motor harness	1
12	6006600	NOZZLE, windshield washer	2
13	N/S	SCREW, phcr, tapping, #8 - 32 x 5/8, CAD, nozzle	2
14	N/S	HOSE, RH, 13-inch, check valve-to-nozzle, SEE NOTE 1 .	1
15	N/S	P-CLIP, 3/8", windshield washer hose	1
16	N/S	LOCKNUT, #10 - 24, CAD, w/s washer hose P-clip	4
17	N/S	P-CLIP, 7/8", windshield washer hose	3
18	6005960	CHECK VALVE, windshield washer hose	2
19	N/S	HOSE, RH, 13-inch, tee-to-check valve, SEE NOTE 1	1
20	WWC440-3/8	CLAMP, w/s washer hose	5
21	12340056	TEE, windshield washer hose	1
22	N/S	HOSE, 36-inch, w/s washer pump-to-tee, SEE NOTE 1	1
23	N/S	P-CLIP, 5/8", cushioned, windshield washer hose	1
24	N/S	SCREW, hex head, #10 - 24 x 3/4, CAD	1
25	N/S	HOSE, LH, 13-inch, check valve-to-nozzle, SEE NOTE 1 .	1
26	N/S	LOCKNUT, #10 - 24, CAD, w/s washer hose P-clip	1
27	N/S	SCREW, slotted hex head, #10 - 24 x 3/4, CAD	4
28	N/S	HOSE, LH, 3-inch, tee-to-check valve, SEE NOTE 1	1
29	5939334	NUT INSERT, #10 - 24, w/s washer reservoir.	2
30	N/S	WASHER, flat, #10, ZN, w/s washer reservoir.	2
31	N/S	SCREW, #10 - 24 x 5/8, ZN, w/s washer reservoir	2
32	5936121	RESERVOIR AND PUMP ASSEMBLY, windshield washer .	1
33	12340660	PIVOT ASSEMBLY, windshield wiper motor	2
		NOTE 1: MAKE FROM BULK HOSE P/N 5741211	



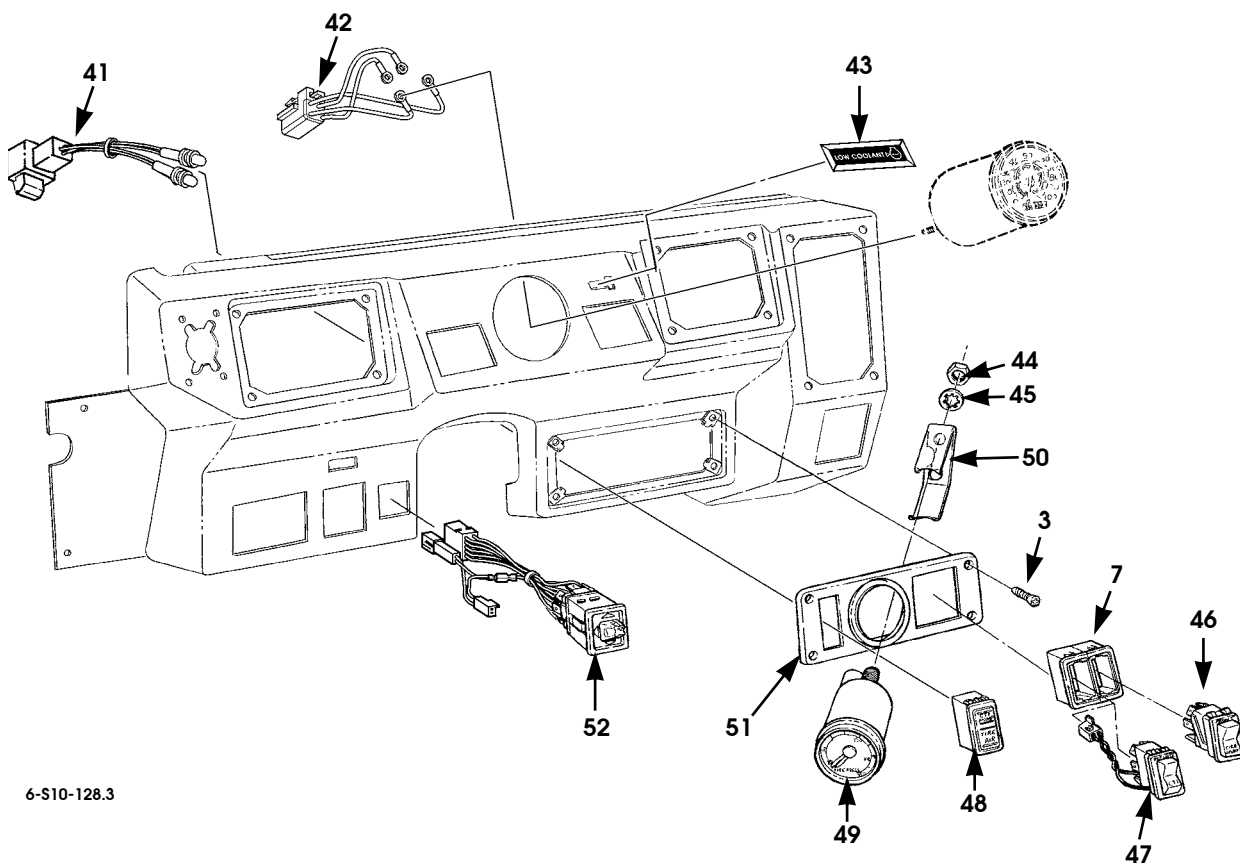
6-S10-127.2

Figure 12-8. Instrument Panel Cluster
(Sheet 1 of 2).

12-1-97

1997 HUMMER PARTS CATALOG

12-20 ELECTRICAL



6-S10-128.3

Figure 12-8 Instrument Panel Cluster
(Sheet 2 of 2).

1997 HUMMER PARTS CATALOG

6-1-99

ELECTRICAL 12-21

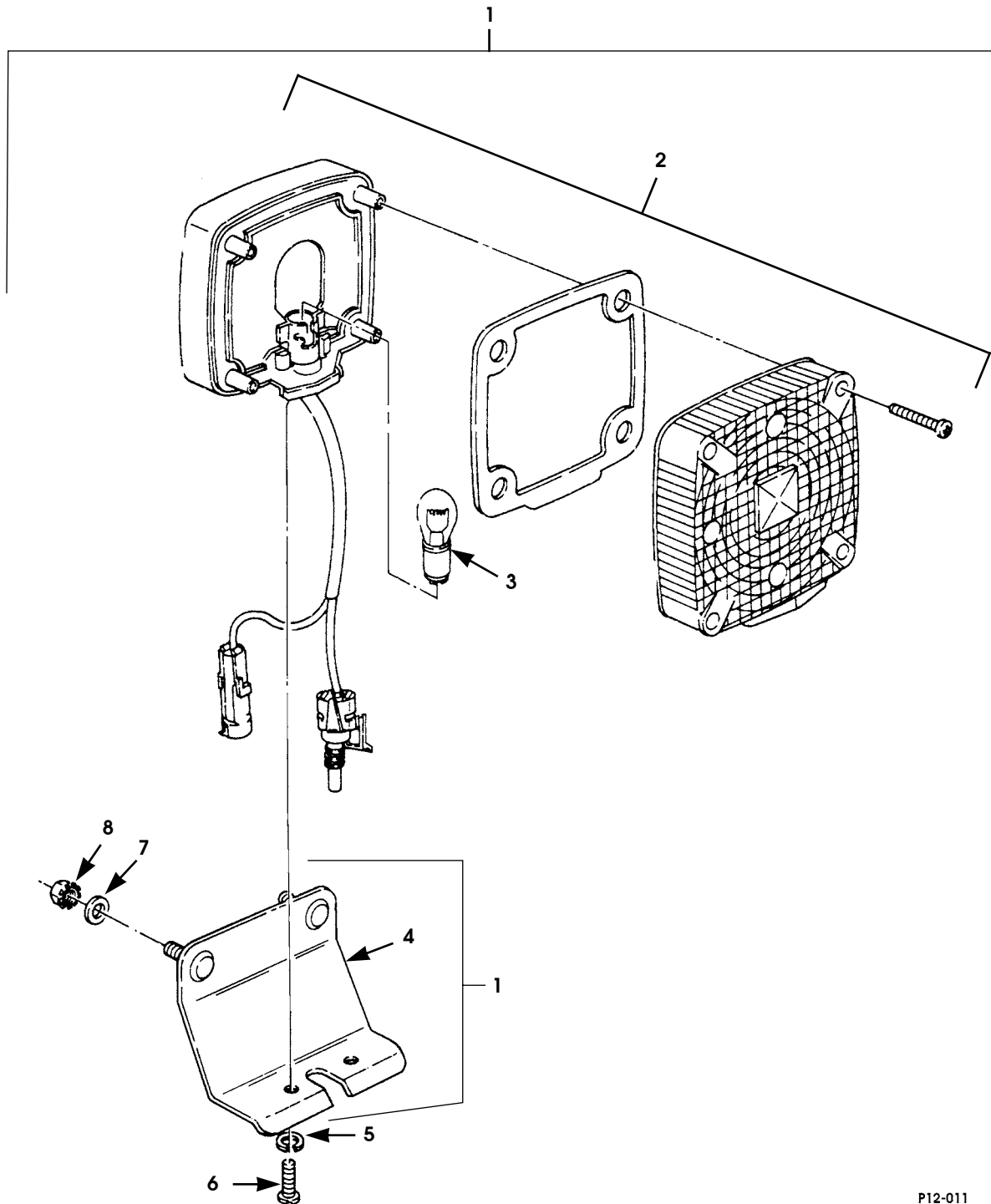
ITEM	PART NUMBER	DESCRIPTION	QTY
		Figure 12-8. Instrument Panel Cluster	
1	N/S	NUT & LOCKWASHER ASSEMBLY, keps, #8 - 32	11
2	6003428	BRACKET, gauge mounting	3
3	5939651	SCREW, #10 - 16 x 3/4, gauge panel	13
4	6003565	PANEL, gauge	2
5	6007068	GAUGE, voltmeter	1
6	6007067	GAUGE, oil pressure.	1
6	6007071	GAUGE, oil pressure, metric	1
7	5939042	BEZEL, end.	15
8	6003429	BRACKET, electronic speedometer mounting	1
9	6007261	INDICATOR LAMP, left turn and high beam	1
10	5939070	INDICATOR LAMP, brake and seatbelt.	1
10	6002653	INDICATOR LAMP, brake and seatbelt, Canadian.	1
11	5744515	SPEEDOMETER, odometer, in miles	1
11	5744514	SPEEDOMETER, odometer, in kilometers (metric).	1
12	5939526	JUMPER ASSY, R.H. status center (NA Diesel)	1
12	6008669	JUMPER ASSY, R.H. status center (Turbo Diesel)	1
13	5939072	INDICATOR LAMP, wait and drain filter.	1
13	6002655	INDICATOR LAMP, wait and drain filter, N.Y. State	1
13	6002655	INDICATOR LAMP, wait and drain filter, export	1
14	6007262	INDICATOR LAMP, right turn and transfer case lock.	1
15	6008870	GAUGE, water temperature.	1
15	6008871	GAUGE, water temperature, metric.	1
16	6007069	GAUGE, fuel	1
17	6006987	PLATE, tachometer, clock	1
18	6007382	TACHOMETER ASSEMBLY	1
19	S.I.A.	•RING, tachometer mounting	1
20	6006995	CLOCK ASSEMBLY	1
21	S.I.A.	•BRACKET, clock mounting	1
22	N/S	WASHER, flat #10, CAD	8
23	6007099	JUMPER ASSY., engine/transmission indicator lights, (Turbo Diesel)	1
23	6007100	JUMPER ASSY., engine/transmission indicator lights, (NA Diesel)	1
24	6002985	INDICATOR LIGHT, check engine/transmission warning (NA Diesel only).	1
24	6006761	INDICATOR LIGHT, check engine/check throttle (Turbo Diesel only).	1
25	6005527	SWITCH, aux. fuel tank.	1

6-1-99

1997 HUMMER PARTS CATALOG

12-22 ELECTRICAL

ITEM	PART NUMBER	DESCRIPTION	QTY
		Figure 12-8. Instrument Panel Cluster (Cont'd)	
26	6006790	JUMPER ASSY., auxiliary fuel tank switch	1
27	5939270	PANEL, gauge (blank)	1
28	5936134	LAMP ASSEMBLY, washer/wiper indicator	1
29	6007199	PLUG	1
30	6000036	SWITCH, windshield wiper, intermittent, and washer	1
31	5939550	SWITCH, windshield wiper	1
32	5939549	SWITCH, dome lights (one position) 90	1
32	6000895	SWITCH, dome lights/cargo light (two position) 83, 84, 89	1
33	5939548	SWITCH, panel lights	1
34	5939547	SWITCH, master lighting	1
35	5939043	BEZEL, center	1
36	N/S	SPEEDNUT, #10 - 16	13
37	6004081	SPEEDNUT, J-type	4
38	6003558	NOZZLE, defroster	1
39	N/S	SCREW, #8 - 32 x 1/2, ZN	4
40	5939525	JUMPER ASSY, L.H. status center	1
41	5939527	JUMPER ASSY, CTI control	1
42	6009009	JUMPER ASSY, speedometer	1
43	6008690	INDICATOR LAMP, low coolant	1
44	N/S	NUT, #10 - 30, ZN	10
45	N/S	LOCKWASHER, #10, ZN	10
46	6006604	SWITCH, CTI air pressure, axle selector	1
47	6006603	SWITCH, CTI inflate/deflate	1
48	5939071	INDICATOR LAMP, CTI pump and tire air	1
48	6002817	INDICATOR LAMP, CTI pump and tire air, export	1
49	6005131	GAUGE, CTI pressure	1
50	S.I.A.	•BRACKET, CTI pressure gauge mounting	1
51	6006658	PANEL, gauge (with CTI)	1
52	6003852	JUMPER AND SWITCH, power mirrors	1



P12-011

Figure 12-9. Front Turn Signal Light and Mounting Hardware.

1997 HUMMER PARTS CATALOG

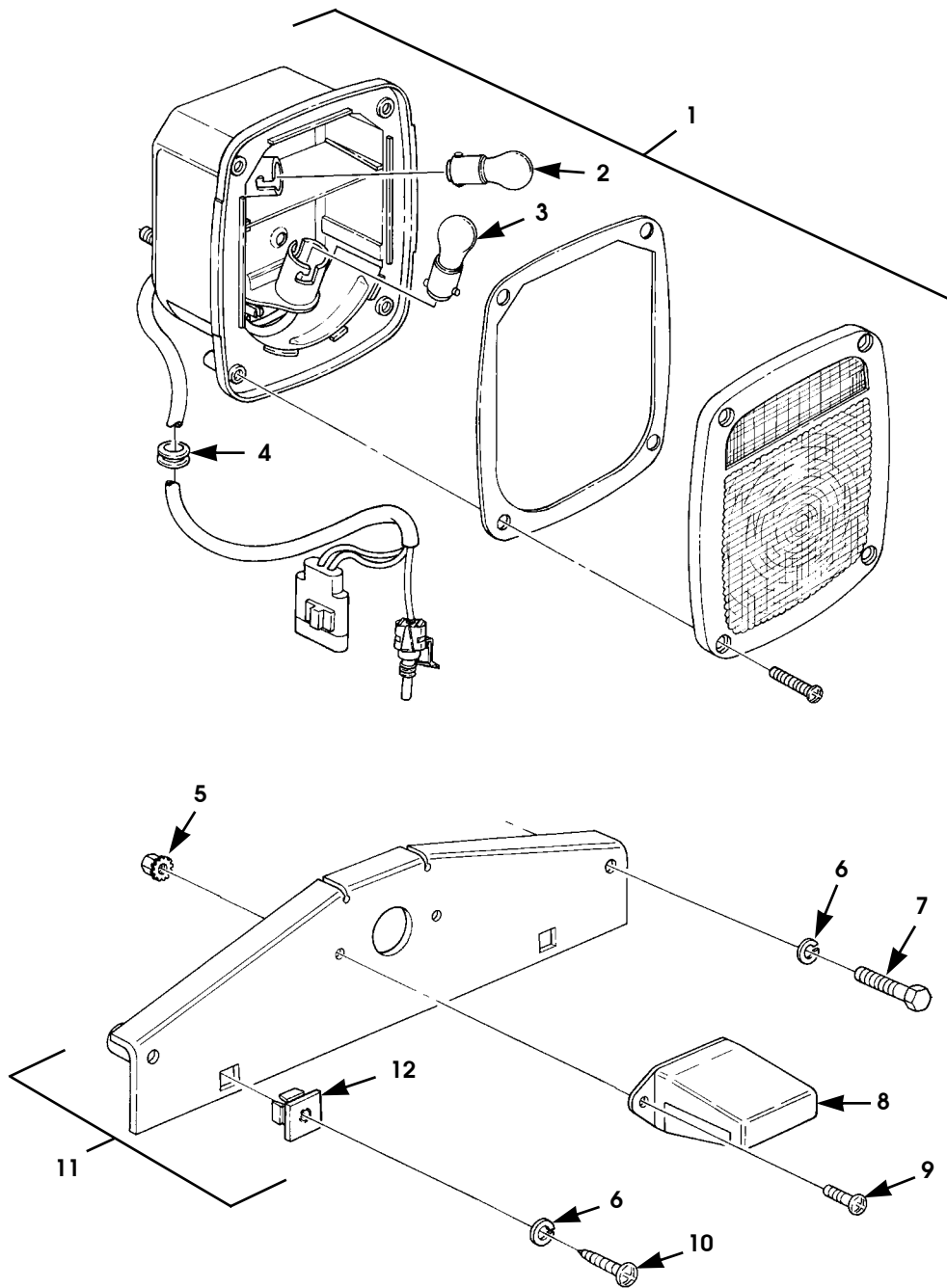
6-1-99

ELECTRICAL 12-25

ITEM	PART NUMBER	DESCRIPTION	QTY
		Figure 12-9. Front Turn Signal Light and Mounting Hardware.	
1	5939092	LAMP ASSEMBLY, turn signal	1
2	5939420	•LAMP, turn signal, amber.	2
3	N/S	• •BULB (trade #1157).	2
4	5939093	•BRACKET, turn signal	2
5	N/S	LOCKWASHER, spring, 1/4" ZN, med	4
6	N/S	BOLT, 1/4"-20 x 1/2" GR 5, hex	4
7	N/S	WASHER, flat, .344" 5/16 sae CAD	4
8	N/S	NUT AND LOCKWASHER ASSEMBLY 5/16-18 GR 5, keps	4

1997 HUMMER PARTS CATALOG

12-26 ELECTRICAL



P12-012

Figure 12-10. Rear Turn Signal Light/Taillight, License Plate Bracket, and Mounting Hardware.

1997 HUMMER PARTS CATALOG

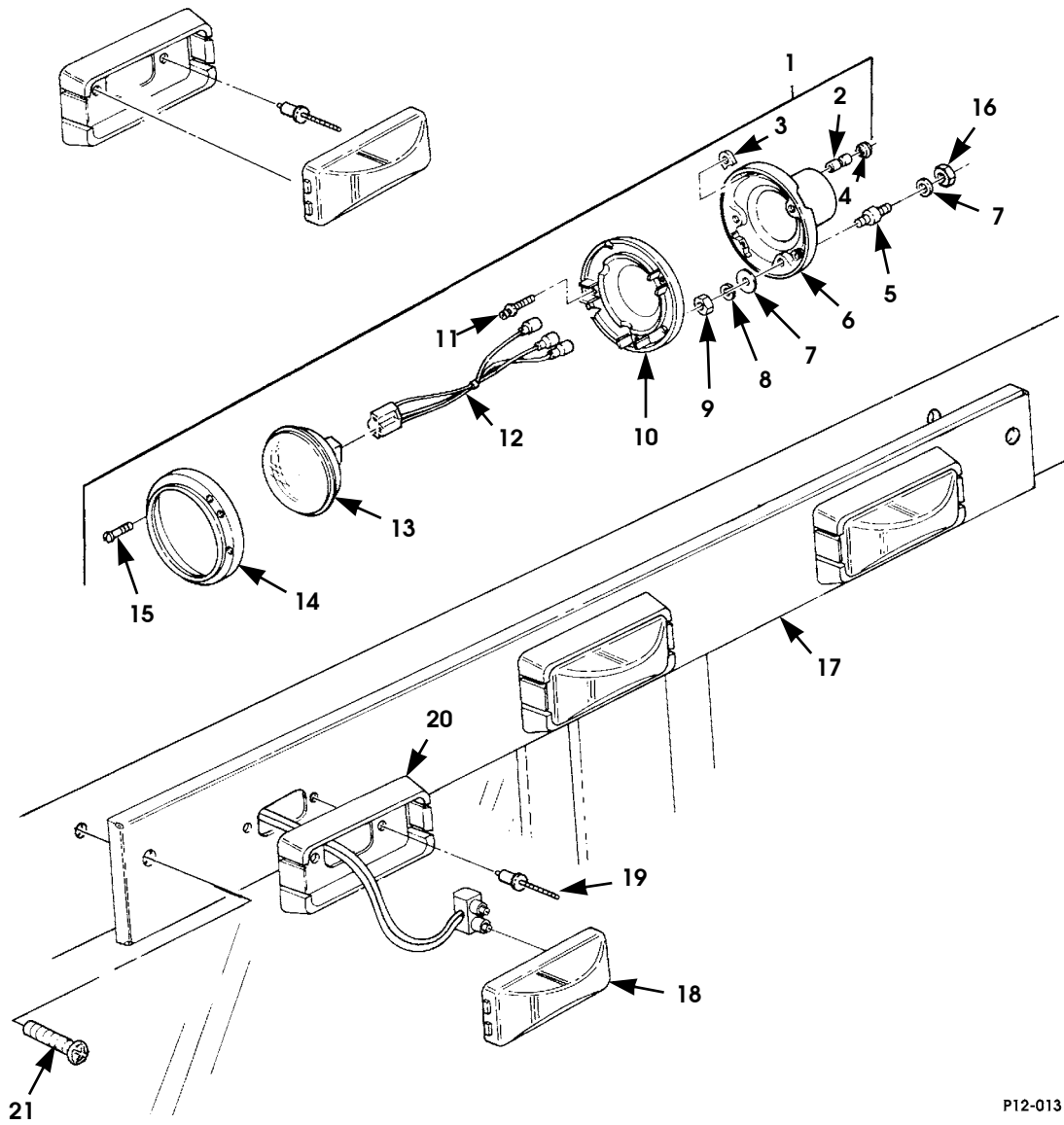
6-1-99

ELECTRICAL 12-27

ITEM	PART NUMBER	DESCRIPTION	QTY
		Figure 12-10. Rear Turn Signal Light/Taillight, License Plate Bracket, and Mounting Hardware.	
1	5939089	TAILLIGHT ASSEMBLY	2
2	N/S	•BULB, backup (trade #1156).	1
3	N/S	•BULB, stop, turn, taillight (trade #1157)	1
4	MS35489-41	•GROMMET, hole, 3/8", 1.25"	1
5	N/S	NUT AND LOCKWASHER, #8-32 keps	2
6	N/S	LOCKWASHER, 1/4"	4
7	N/S	SCREW, 1/4"-20 x 1.25" zinc tapping	2
8	5937030	LAMP ASSEMBLY, license plate	1
9	N/S	SCREW, #8-32 x .5" PH ZN mach	2
10	N/S	SCREW, 1/4"-28 x .62" slot HD ZN hex.	2
11	5937006B2	BRACKET ASSEMBLY, license plate mount	1
12	5939483	•NUT, square head grommet.	2
	6008352	LENS, tail/stop light, Australia (not illustrated)	2

1997 HUMMER PARTS CATALOG

12-28 ELECTRICAL



P12-013

Figure 12-11. Headlight Assembly and Running Lights.

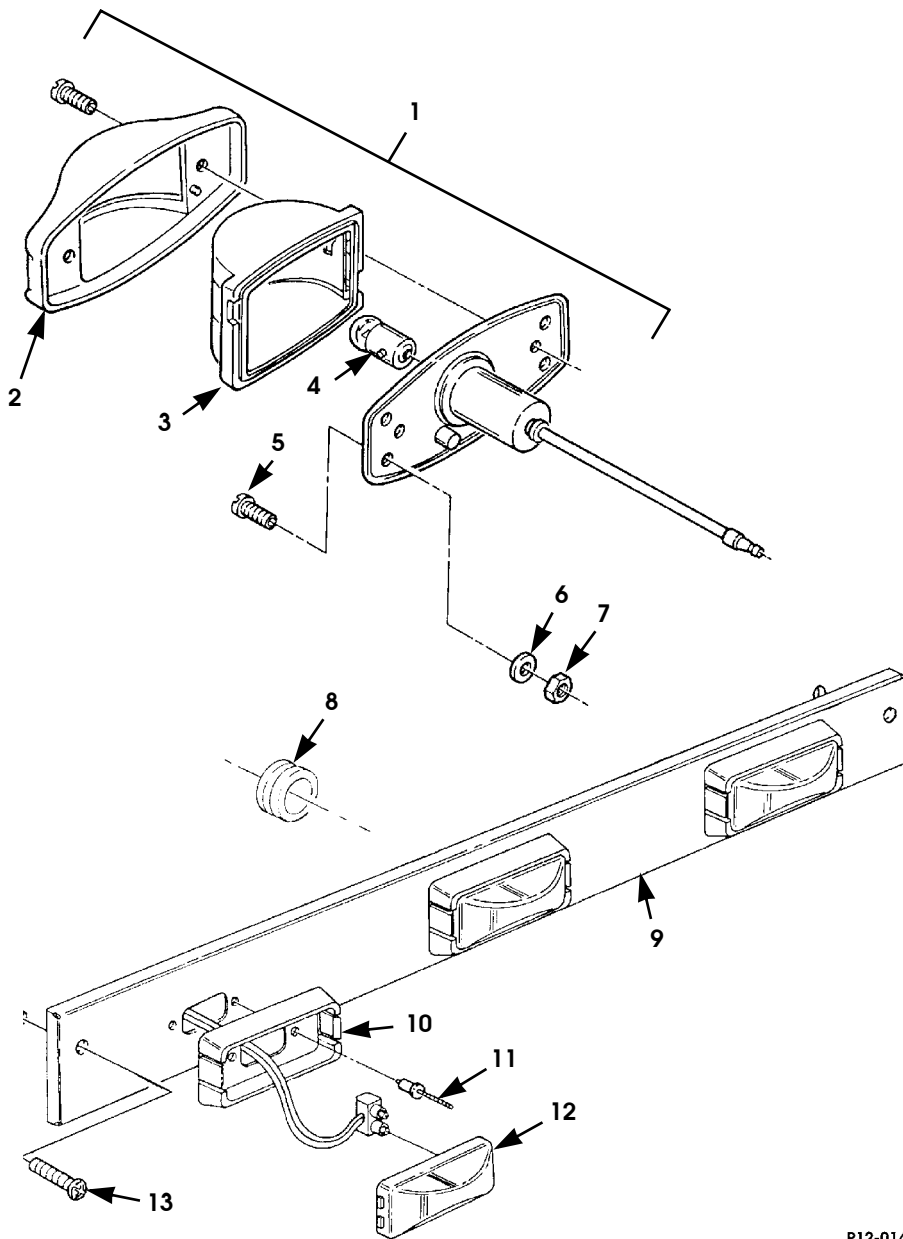
1997 HUMMER PARTS CATALOG

ELECTRICAL 12-29

ITEM	PART NUMBER	DESCRIPTION	QTY
		Figure 12-11. Headlight Assembly and Running Lights.	
1	5938841	HEADLIGHT ASSEMBLY	2
2	8741492	•CONNECTOR, headlight	3
3	8741435	•NUT	2
4	8741442	•GROMMET	3
5	12338607	•MOUNT	3
6	8741461	•HEADLAMP HOUSING	1
7	9414920	•WASHER, flat, headlight assembly, 1/4"	9
8	N/S	•LOCKWASHER, 1/4" zinc med	3
9	N/S	•NUT, 1/4-28 GR 5 cad, hex	3
10	8741447	•HEADLAMP MOUNT ASSEMBLY	1
11	7538146	•SCREW, head lamp	2
12	5935897	•HARNES ASSEMBLY, jumper	1
13	5938842	•LAMP, halogen	1
14	8741446	•RETAINING RING	1
15	8741437P2	•SCREW, headlight bezel	3
16	N/S	LOCKNUT, headlight assembly, 1/4"-28 w/washer ZN keps	6
17	5937037P	BRACKET ASSEMBLY	1
18	5937027	LAMP, yellow	5
19	M24243/5-A404	RIVET	10
20	5937024	BRACKET, lamp assembly mount	5
21	N/S	SCREW 1/4-20 x 1 1/4" PH mach cad	2

1997 HUMMER PARTS CATALOG

12-30 ELECTRICAL



P12-014.1

Figure 12-12. Clearance Marker Light Assembly.

1997 HUMMER PARTS CATALOG

6-1-99

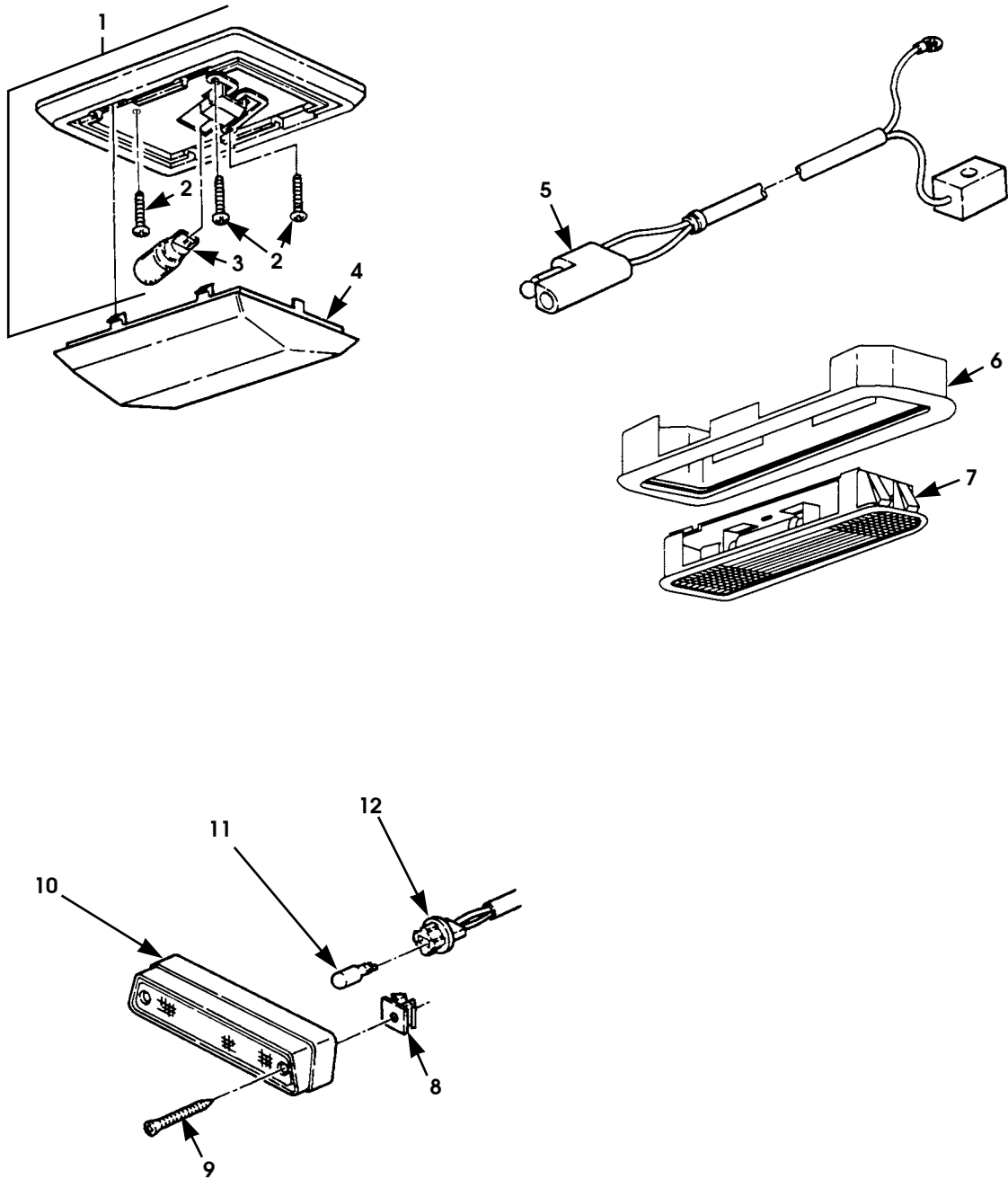
ELECTRICAL 12-31

ITEM	PART NUMBER	DESCRIPTION	QTY
		Figure 12-12. Clearance Marker Light Assembly.	
1	5937035B2	LAMP, marker, rear	2
1	5937036B2	LAMP, marker, front	2
2	S.I.A.	•LAMP HOLDER	4
3	MS35421-1	•LENS, light, amber, front	2
3	MS35421-2	•LENS, light, red, rear	2
4	S.I.A.	•BULB (trade #67)	1
5	N/S	SCREW, #10-24 x .75" PH mach cad	16
6	N/S	WASHER, flat, #10 sae cad	16
7	N/S	LOCKNUT, #10-24 GR A cad	16
8	MS35489-48S	GROMMET	1
9	6007362P	BRACKET ASSEMBLY, rear	1
10	5937024	BRACKET, lens assembly mounting	5
11	M24243/5-A404	RIVET	10
12	5937026	LAMP ASSEMBLY, red	5
13	N/S	SCREW 1/4-20 x 1-3/4 PH cad mach.	2

6-1-99

1997 HUMMER PARTS CATALOG

12-32 ELECTRICAL



P12-015.1

Figure 12-13. Interior Dome Lights.

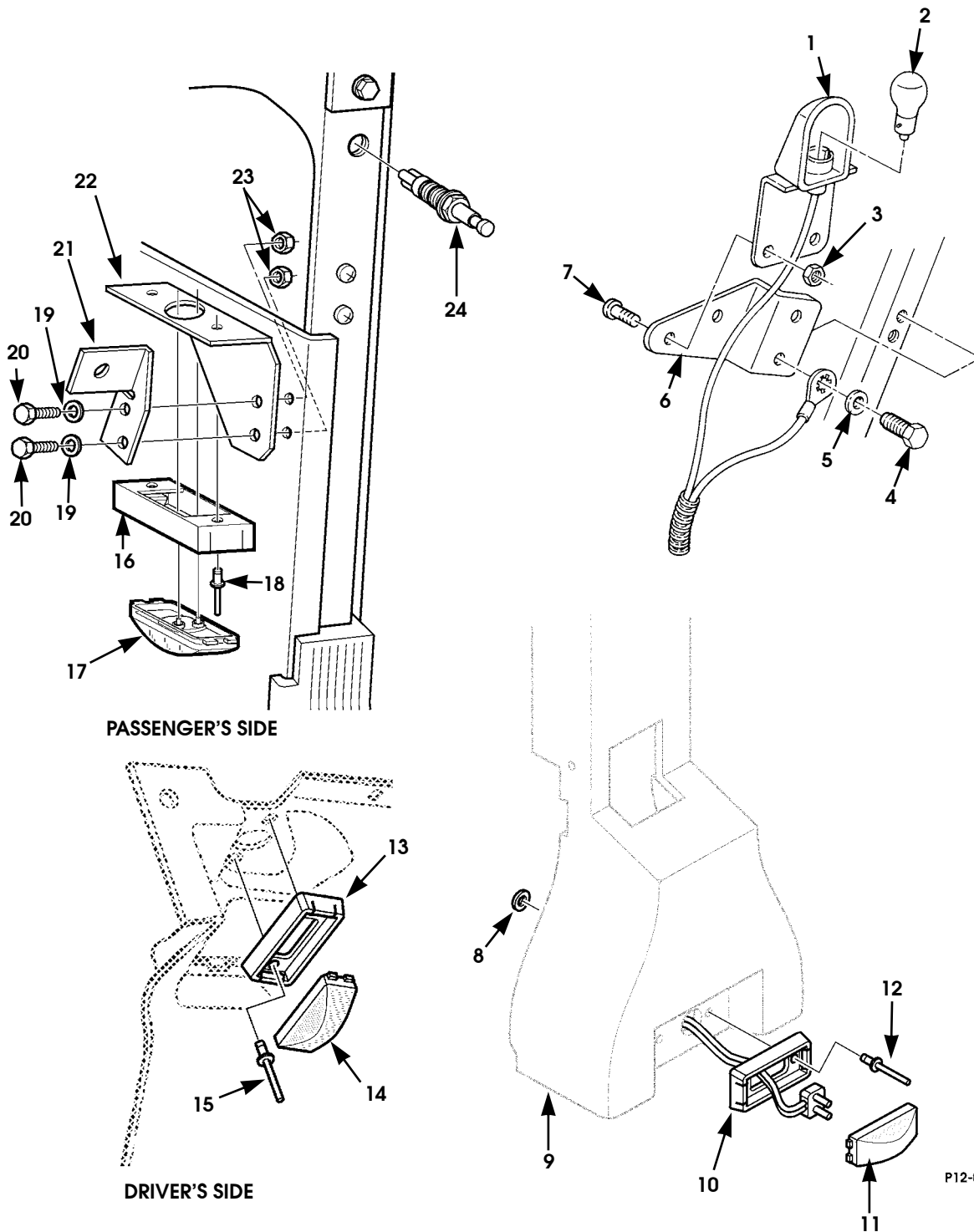
1997 HUMMER PARTS CATALOG

6-1-99

ELECTRICAL 12-33

ITEM	PART NUMBER	DESCRIPTION	QTY
		Figure 12-13. Interior Dome Lights.	
1	5939057	DOME LAMP ASSEMBLY, standard 89	1
1	5939057	DOME LAMP ASSEMBLY, standard 83	2
1	5939057	DOME LAMP ASSEMBLY, standard 84	3
2	S.I.A.	•SCREW	3
3	S.I.A.	•LAMP (trade #912)	1
4	5939652	LENS, dome lamp 89	1
4	5939652	LENS, dome lamp 83	2
4	5939652	LENS, dome lamp 84	3
5	6000975	HARNASS ASSEMBLY, dome lamp jumper 84	1
6	6004087	BEZEL, map light	1
7	6004088	LIGHT, assembly, map	1
8	5939659	GROMMET 83, 89	2
9	S.I.A.	SCREW 8-32 x 11/2 OH tapping 83, 89	2
10	6000894	CARGO LAMP ASSEMBLY 83, 89	1
11	S.I.A.	LAMP (trade #912) 83, 89	1
12	6000893	HARNASS 83, 89	1

12-34 ELECTRICAL



P12-016.4

Figure 12-14. Interior Courtesy Lights, Underhood Light, and Door Jamb Switch

1997 HUMMER PARTS CATALOG

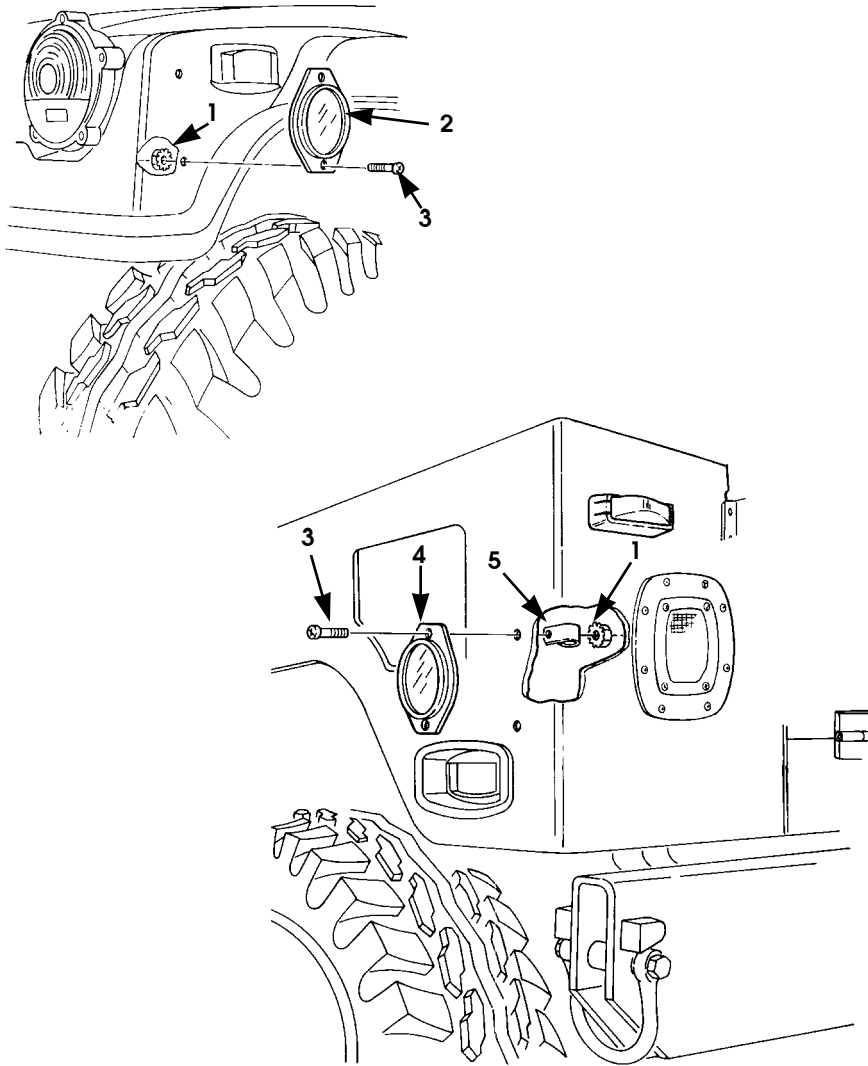
6-1-99

ELECTRICAL 12-35

ITEM	PART NUMBER	DESCRIPTION	QTY
		Figure 12-14. Interior Courtesy Lights, Underhood Light, and Door Jamb Switch	
1	5939456	LAMP ASSEMBLY, underhood	1
2	N/S	BULB (trade #93)	1
3	N/S	NUT, #10 - 32, underhood lamp bracket	2
4	N/S	SCREW, tapping, #10 - 32 x 5/8.	2
5	MS27183-8	WASHER	2
6	5939819	BRACKET, underhood lamp	1
7	N/S	SCREW, #10 - 32 x 1/2, underhood lamp bracket.	2
8	MS27183-8	WASHER	4
9	6004868G	PANEL, B-pillar, lower, L.H., gray	1
		83, 84, 90	
9	6004868T	PANEL, B-pillar, lower, L.H., tan	1
		83, 84, 90	
9	6004869G	PANEL, B-pillar, lower, R.H., gray.	1
		83, 84, 90	
9	6004869T	PANEL, B-pillar, lower, R.H., tan.	1
		83, 84, 90	
10	5937024	BRACKET, lamp assembly mounting	2
		83, 84, 90	
11	5939309	LAMP ASSEMBLY.	2
		83, 84, 90	
12	N/S	RIVET, .125 Dia, blind	4
		83, 84, 90	
13	5937024	BRACKET, lamp assembly mounting	1
14	5939309	LAMP ASSEMBLY.	1
15	N/S	RIVET, .125 Dia, blind	2
16	5937024	BRACKET, lamp assembly mounting	1
17	5939309	LAMP ASSEMBLY.	1
18	N/S	RIVET, .125 Dia, blind	2
19	N/S	WASHER, flat, hardened, 1/4, type B	2
20	N/S	BOLT, 1/4 - 20 x 1 1/2, Gr8, CAD	2
21	6000093B9	BRACKET, courtesy lamp mounting.	1
22	6009524B9	BRACKET, closeout panel (On VIN VE176477 and up).	1
23	N/S	WELDNUT, 1/4 - 20, Gr8, CAD	2
24	5939088	SWITCH, door jamb	4
		83, 84, 90	
24	5939088	SWITCH, door jamb	2
		89	

1997 HUMMER PARTS CATALOG

12-36 ELECTRICAL



P12-017

Figure 12-15. Reflectors.

1997 HUMMER PARTS CATALOG

ELECTRICAL 12-37

ITEM	PART NUMBER	DESCRIPTION	QTY
		Figure 12-15. Re flector s.	
1	N/S	LOCKNUT, reflector mounting, 1/4"-20 washer keps . .	8
2	5935715B2	AMBER REFLECTOR, front, side	2
3	N/S	SCREW 1/4-20 x 5/8 ZN PH mach.	8
4	5935714B2	RED REFLECTOR, rear, side.	2
5	MS21333-99	CLAMP, tube.	4

12-1-97

1997 HUMMER PARTS CATALOG

12-38 ELECTRICAL

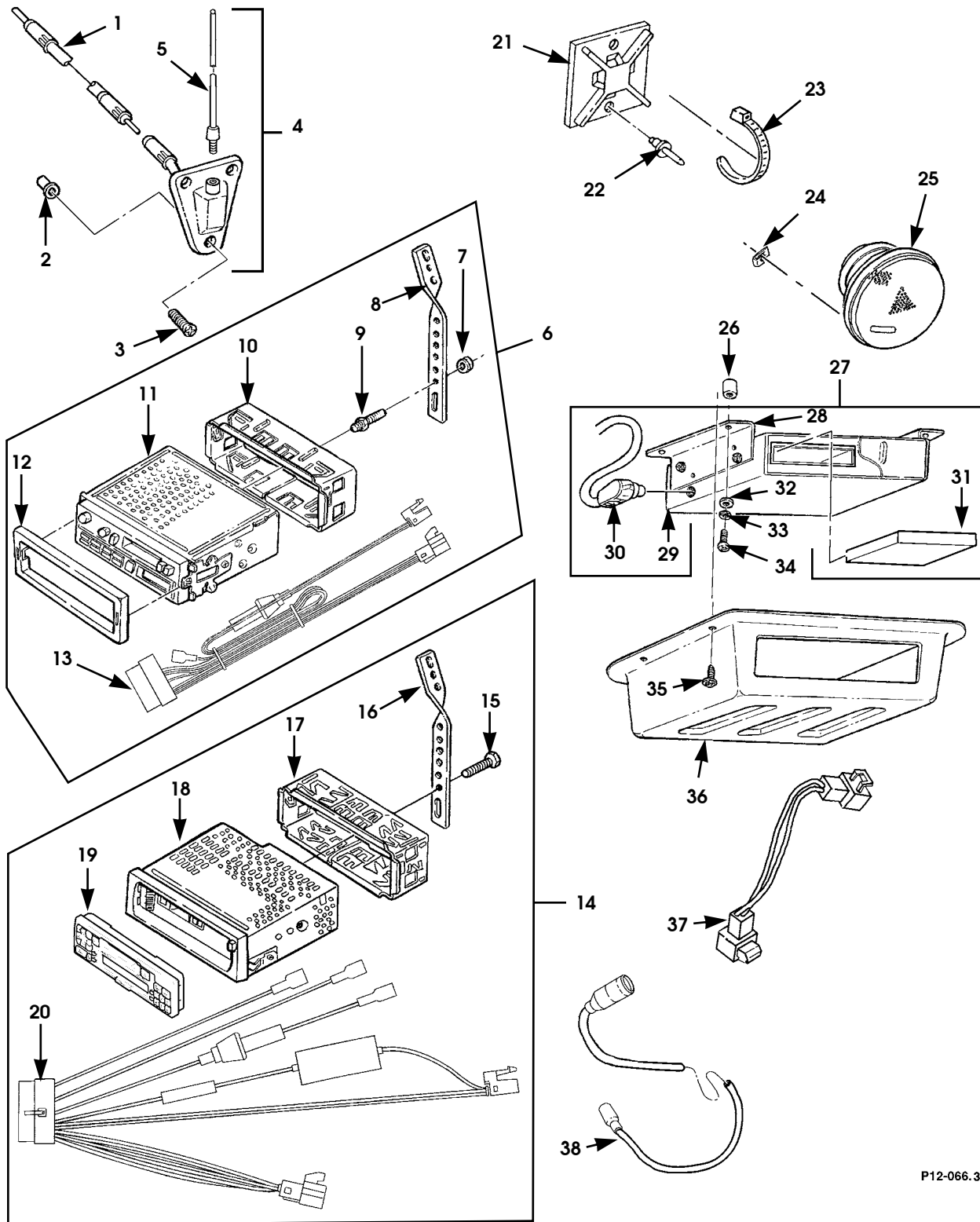


Figure 12-16. Stereo, Speakers, and Mounting Hardware (Clarion).

P12-066.3

1997 HUMMER PARTS CATALOG

6-1-99

ELECTRICAL 12-39

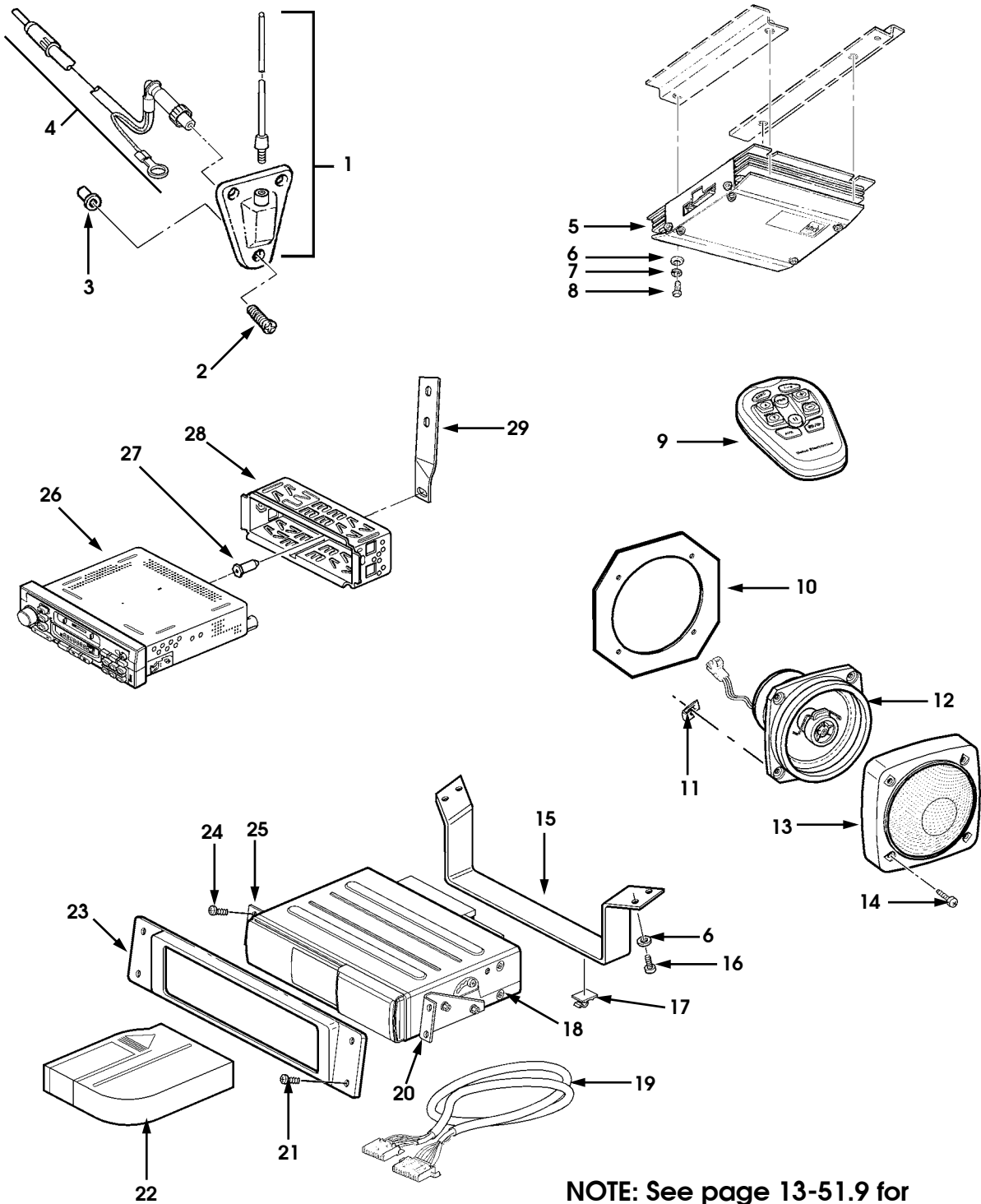
ITEM	PART NUMBER	DESCRIPTION	QTY
		Figure 12-16. Stereo, Speakers, and Mounting Hardware (Clarion).	
1	6007044	CABLE, antenna to radio	1
2	6000337	NUT INSERT	3
3	N/S	SCREW, radio antenna 8-32 x 1/2 OH ZN mach.	3
4	6007043	ANTENNA	1
5	5744280	•MAST, radio antenna	1
6	6004820	CASSETTE RECEIVER KIT (standard)	1
7	S.I.K.	•NUT	1
8	S.I.K.	•BRACKET, mounting.	1
9	S.I.K.	•STUD, mounting	1
10	S.I.K.	•SLEEVE, radio	1
11	S.I.K.	•RADIO HEAD, cassette (standard)	1
12	S.I.K.	•BEZEL, radio head	1
13	6004821	•JUMPER HARNESS	1
14	5744819	CASSETTE RECEIVER KIT (deluxe)	1
15	S.I.K.	•BOLT	1
16	S.I.K.	•BRACKET, mounting	1
17	S.I.K.	•SLEEVE, radio	1
18	S.I.K.	•RADIO HEAD, cassette (deluxe)	1
19	5744802	•RADIO CONTROL PANEL.	1
20	6004411	•JUMPER HARNESS	1
21	6002533	MOUNT, cable tie	1
22	M24243/1A405	RIVET	2
23	MS3367-7	TIEDOWN STRAP.	1
24	N/S	SPEEDNUT, J-type	16
25	6004819	DUAL CONE SPEAKER KIT (standard), SEE NOTE 1 90	1
25	6004470	COAXIAL SPEAKER KIT (deluxe), SEE NOTE 1 83	2
25	6004409	COAXIAL SPEAKER KIT (deluxe), SEE NOTE 1 83, 84	2
25	6004818	DUAL CONE SPEAKER KIT (standard), SEE NOTE 1 89	1
25	6004818	DUAL CONE SPEAKER KIT (standard), SEE NOTE 1 83, 84	2
26	5939712	NUT INSERT, #10-24	4
27	5744892	CD CHANGER ASSEMBLY	1
28	6005794	•BRACKET, CD mounting	2
29	6006140	•CHANGER, CD	1
30	N/S	••CABLE, CD player to radio	1
31	5744580	••MAGAZINE, 6-disk CD changer	1

6-1-99

1997 HUMMER PARTS CATALOG

12-39.1 ELECTRICAL

ITEM	PART NUMBER	DESCRIPTION	QTY
Figure 12-16. Stereo, Speakers, and Mounting Hardware (Clarion). (Cont'd)			
32	N/S	WASHER, flat, #10 SAE CAD	4
33	N/S	WASHER, lock, #10 ZN med	4
34	N/S	SCREW, #10-24 x .75" PH CAD mach	4
35	6002686G	SCREW AND WASHER ASSEMBLY, gray	4
35	6002686T	SCREW AND WASHER ASSEMBLY, tan	4
36	6005958G	COVER, CD changer, gray	1
36	6005958T	COVER, CD changer, tan	1
37	6008673	JUMPER HARNESS, Clarion radio	1
38	6006215	EXTENSION CABLE, control head 83, 84	1
NOTE 1: EACH KIT INCLUDES TWO SPEAKERS			



NOTE: See page 13-51.9 for radio noise suppression filter.

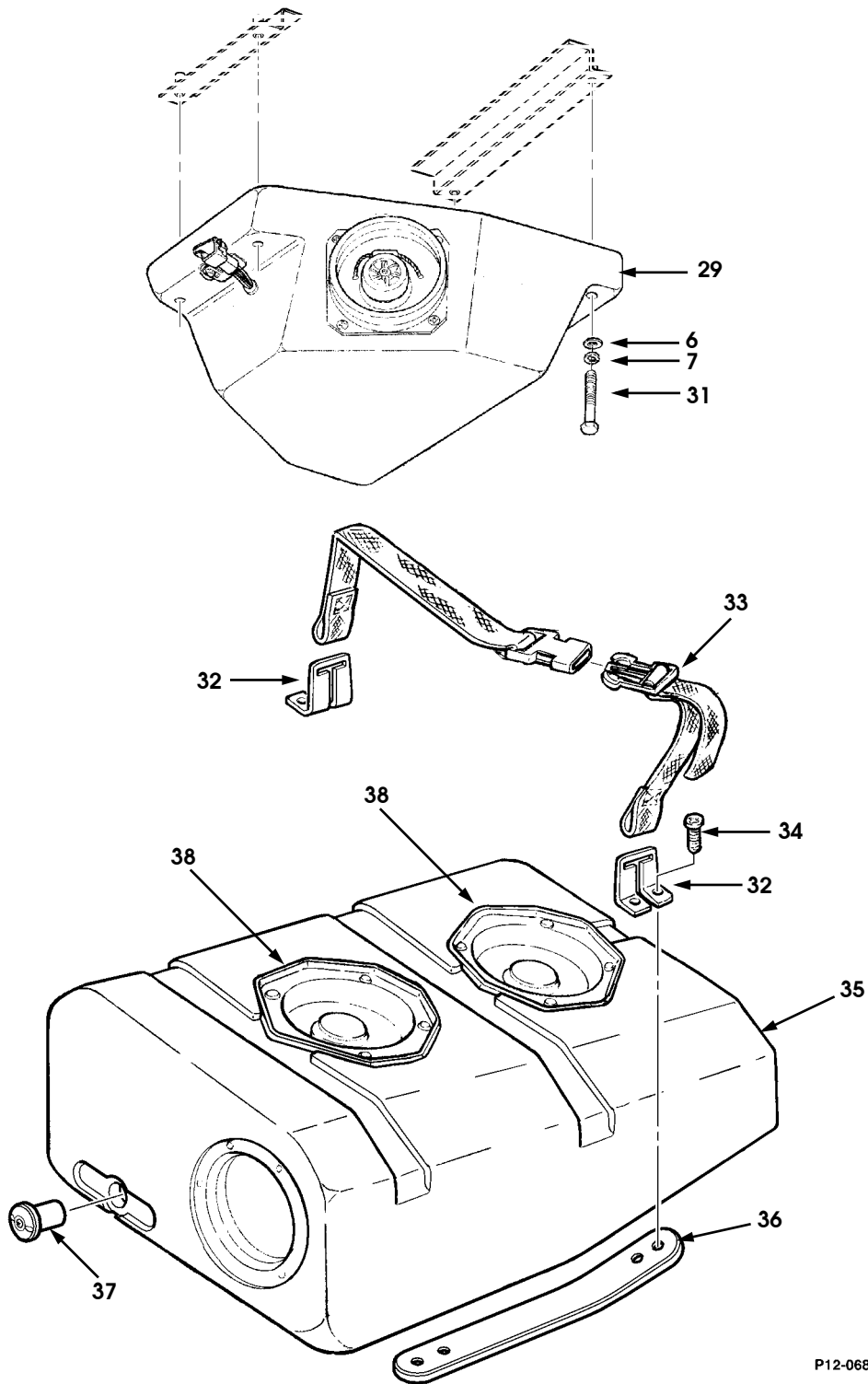
P12-066.4

Figure 12-16.1 Stereo, Speakers, and Mounting Hardware, Standard and Monsoon (Delco).
(Sheet 1 of 2)

6-1-99

1997 HUMMER PARTS CATALOG

12-39.3 ELECTRICAL



P12-068 .1

Figure 12-16.1 Stereo, Speakers, and Mounting Hardware, Standard and Monsoon (Delco).
(Sheet 2 of 2)

1997 HUMMER PARTS CATALOG

6-1-99

ELECTRICAL 12-39.4

ITEM	PART NUMBER	DESCRIPTION	QTY
		Figure 12-16.1 Stereo, Speakers, and Mounting Hardware, Standard and Monsoon (Delco).	
1	6009394	ANTENNA AND BASE ASSEMBLY	1
2	N/S	SCREW, radio antenna 8-32 x 1/2 OH ZN mach	1
3	6000337	NUT INSERT	1
4	6009395	CABLE ASSEMBLY, antenna to radio	1
5	6009134	AMPLIFIER, Monsoon 83, 84, 90	1
6	N/S	WASHER, flat, #10, amplifier	4
6	N/S	WASHER, flat, #10, bracket, CD changer	4
6	N/S	WASHER, flat, #10, overhead console speaker enclosure	4
7	N/S	WASHER, lock, #10, med, ZN, amplifier	4
7	N/S	WASHER, lock, #10, med, ZN, overhead console speaker	4
8	MS51849-76	BOLT, 10-24 x .75	1
9	5744737	REMOTE CONTROL	1
10	6009187	BACKING PLATE, speaker 90	4
11	6004082	J-CLIP (four for each speaker)	4
12	6009152	SPEAKER, 5 1/2" coaxial, standard system 89	2
12	6009152	SPEAKER, 5 1/2" coaxial, standard system 83, 84, 90	4
12	6009152	SPEAKER, 5 1/2" coaxial, Monsoon system 83, 84	6
13	6009153	SPEAKER COVER, standard 89	2
13	6009153	SPEAKER COVER, standard 83, 84, 90	4
13	6009154	SPEAKER COVER, Monsoon 83, 84	6
14	N/S	SCREW, phcr, #10 - 24 x 3/4, CAD (four for each speaker cover)	4
15	6009427	BRACKET, CD changer, front	1
16	N/S	SCREW, phcr, #10 - 32 x 3/4	4
17	6001543	WIRE CLIP, adhesive backed	2
18	6009150	CD CHANGER	1
19	6009155	•CABLE, CD changer	1
20	6009426	BRACKET, CD changer, right	1
21	N/S	SCREW, oval head, #10 - 32 x 3/4	4
22	5744883	MAGAZINE, 6-CD	1

6-1-99

1997 HUMMER PARTS CATALOG

12-39.5 ELECTRICAL

ITEM	PART NUMBER	DESCRIPTION	QTY
		Figure 12-16.1 Stereo, Speakers, and Mounting Hardware, Standard and Monsoon (Delco).	
23	6009424	BEZEL, CD changer	1
24	N/S	SCREW, #10 - 16 x 7/8.	4
25	6009425	BRACKET, CD changer, left	1
26	6009145	RADIO HEAD, United States, standard.	1
26	6009146	RADIO HEAD, United States, Monsoon 83, 84	1
26	6009147	RADIO HEAD, Middle East, standard and Monsoon	1
26	6009149	RADIO HEAD, Australian, standard and Monsoon	1
26	6009380	RADIO HEAD, Japanese, standard and Monsoon.	1
27	NPN	•SLEEVE, Delco radio, standard and Monsoon	1
28	6009434	BUSHING, radio, rear	1
29	6009435	BRACKET, radio support	1
30	6009135	OVERHEAD CONSOLE SPEAKER ENCLOSURE, Monsoon 83, 84	1
31	N/S	BOLT, 1/4 - 20 x 2 1/4	4
32	6009172	BRACKET, subwoofer, Monsoon 83, 84	4
33	6009173	STRAP, subwoofer, Monsoon 83, 84	2
34	N/S	SCREW, 10 - 24 x 3/4, pan head	8
35	6009151	SUBWOOFER, Monsoon 83, 84	1
36	6009803	PANEL, closeout, subwoofer mounting 83, 84	1
37	12340000	PLUG, subwoofer, Monsoon 83, 84	1
38	5744822	•SPEAKER, 6" subwoofer 83, 84	2

5-1-97

1997 HUMMER PARTS CATALOG

12-40 ELECTRICAL

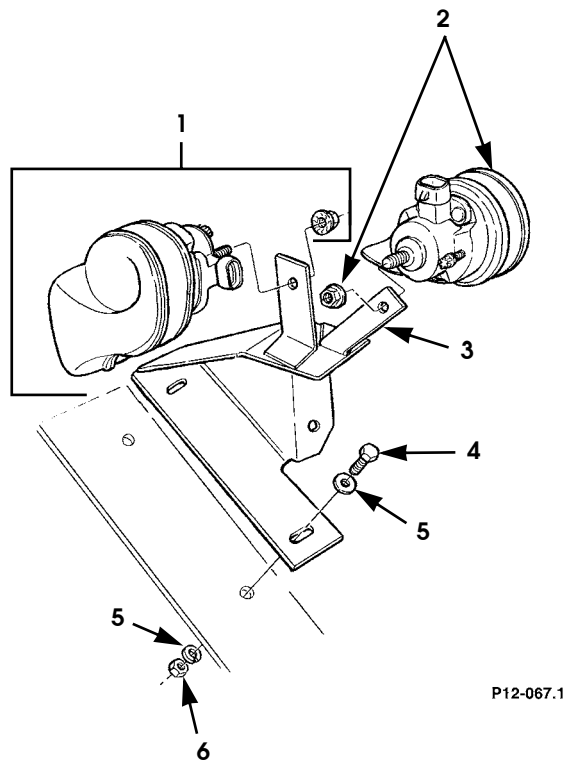
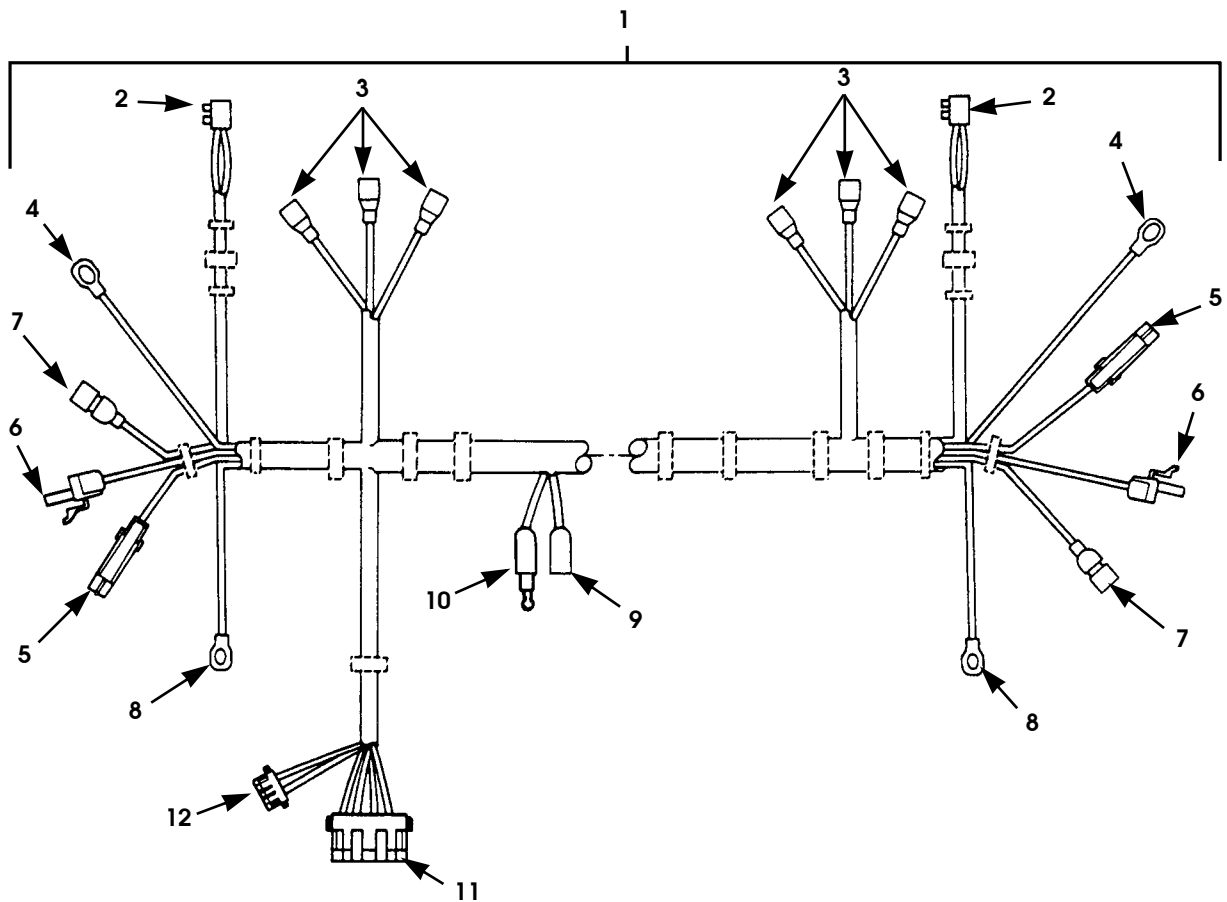


Figure 12-17. Dual Horns.

1997 HUMMER PARTS CATALOG

ELECTRICAL 12-41

ITEM	PART NUMBER	DESCRIPTION	QTY
		Figure 12-17. Dual Horns.	
1	5939095	HORN AND BRACKET ASSEMBLY, 400 HZ	1
2	5939094	HORN AND BRACKET ASSEMBLY, 500 HZ	1
3	6007345	BRACKET ASSEMBLY, horn/cruise actuator mounting .	1
4	N/S	BOLT, 1/4"-20 x 3/4" GR 5 cad hex.	2
5	N/S	WASHER, 1/4" hard "B" ZN flat	4
6	N/S	NUT, 1/4"-20 GR 8 lock.	2






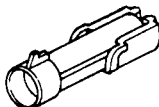
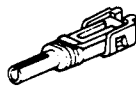




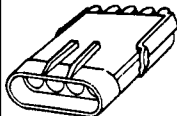
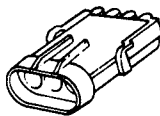
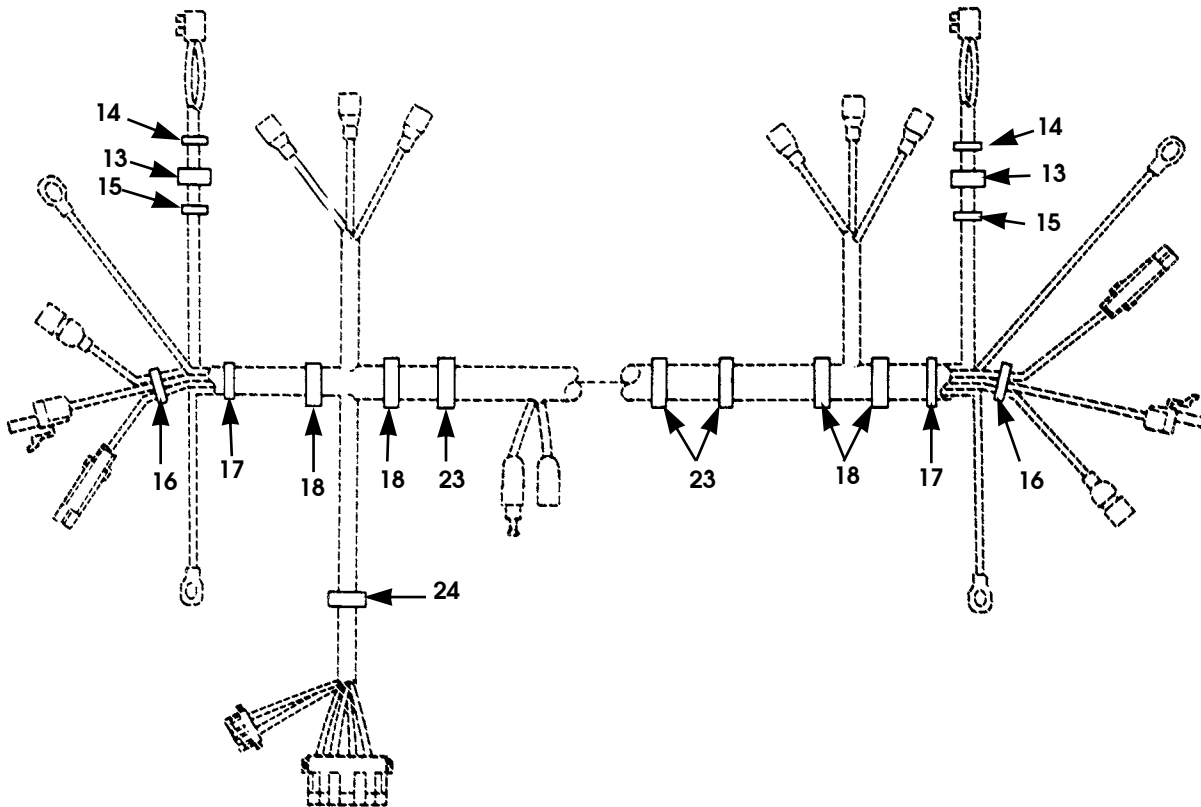





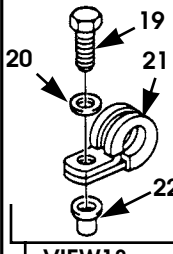
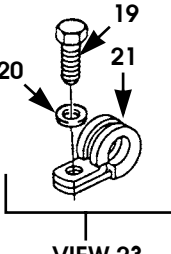
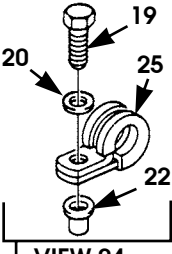
					
VIEW 2	VIEW 3	VIEW 4	VIEW 5	VIEW 6	VIEW 7
					
VIEW 8	VIEW 9	VIEW 10	VIEW 11	VIEW 12	

Figure 12-18. Hood Wiring Harness
(Sheet 1 of 2).

12-44 ELECTRICAL



 <p>VIEW 13</p>	 <p>VIEW 14</p>	 <p>VIEW 15</p>	 <p>VIEW 16</p>	 <p>VIEW 17</p>	 <p>L VIEW 18</p>
 <p>VIEW 23</p>	 <p>L VIEW 24</p>				

P12-022.1

Figure 12-18 Hood Wiring Harness
(Sheet 2 of 2).

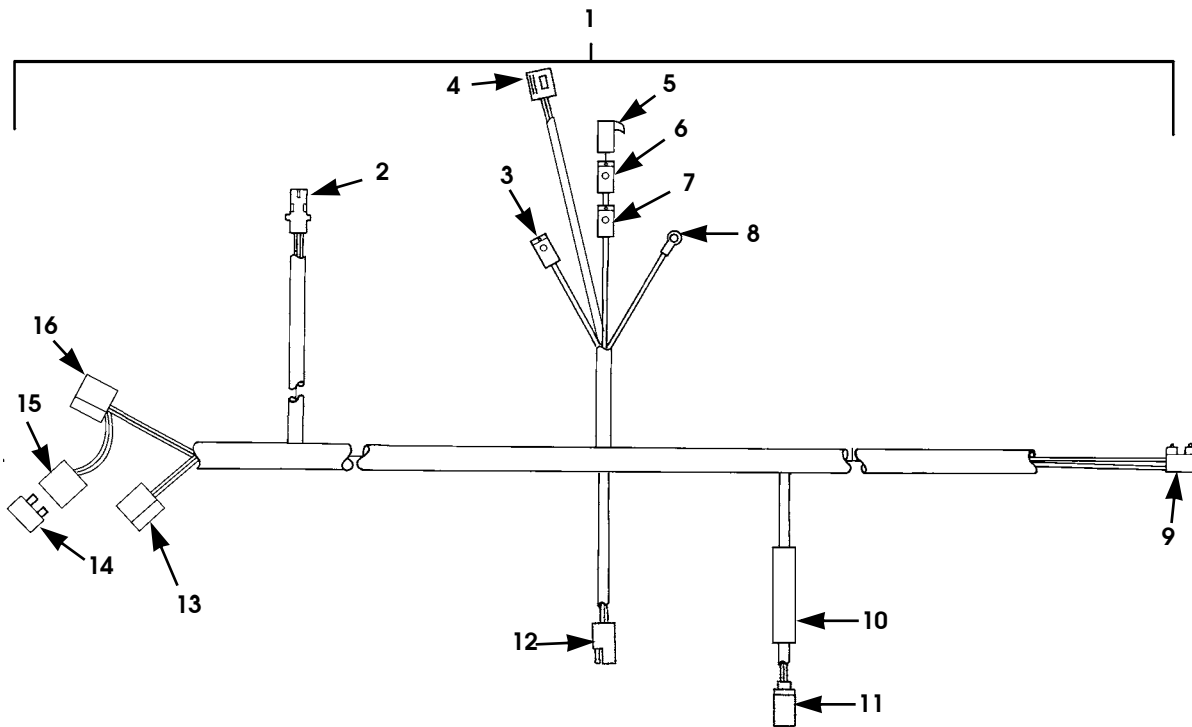
1997 HUMMER PARTS CATALOG

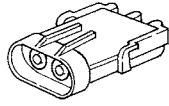
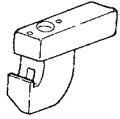
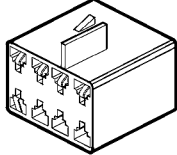
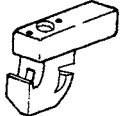
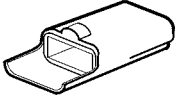
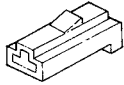
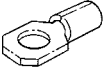
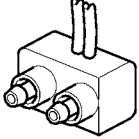
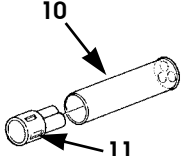
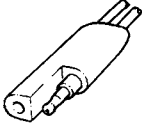
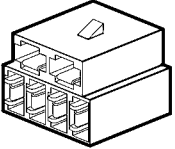
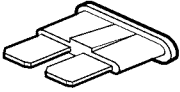
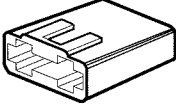
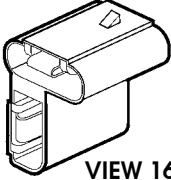
12-1-97

ELECTRICAL 12-45

ITEM	PART NUMBER	DESCRIPTION	QTY
		Figure 12-18. Hood Wiring Harness	
1	5936598	HOOD WIRING HARNESS	1
2	5937021	•CONNECTOR, clearance lamps	2
3	MS27142-2	•CONNECTOR PLUG, left and right head lamp.	6
4	N/S	•TERMINAL LUG, parking lamp ground.	2
5	5939236	•CONNECTOR PLUG, turn signal lamp	2
6	5939237	•CONNECTOR PLUG, park light	2
7	MS27144-2	•CONNECTOR PLUG, marker lamp	2
8	N/S	•TERMINAL LUG, marker lamp ground	2
9	N/S	•CONNECTOR PLUG, under hood lamp.	1
10	N/S	•CONNECTOR, under hood lamp.	1
11	5995732	•CONNECTOR PLUG, to body harness	1
12	5939582	•CONNECTOR PLUG, under hood lamp.	1
13	MS21333-99	CLAMP, wiring harness, 1/4"	2
14	MS35489-10S	GROMMET, wiring harness	2
15	MS35489-39S	GROMMET, wiring harness	2
16	12340573	CLIP, harness mounting	2
17	MS3548948S	GROMMET, wiring harness	2
18	N/S	1/2" CLAMP ASSEMBLY, w/wellnut.	3
19	N/S	•SCREW, harness clamps 1/4-20 x 7/8" GR 5 cad SEE NOTE 1	6
20	N/S	•WASHER, harness clamps 1/4" cad, sae flat ,SEE NOTE 1	6
21	N/S	•CLAMP, wiring harness 1/2" cushioned, SEE NOTE 2	4
22	12339397-4	•WELLNUT, wiring harness, SEE NOTE 3	5
23	N/S	1/2" CLAMP ASSEMBLY w/o wellnut.	2
24	N/S	3/8" CLAMP ASSEMBLY	1
25	N/S	•CLAMP, wiring harness, 3/8" cushioned.	1
		NOTE 1: USE ONE PER ITEMS 18, 23, & 24.	
		NOTE 2: USE ONE PER ITEMS 18 & 23.	
		NOTE 3: USE ONE PER ITEMS 18 & 24.	

12-46 ELECTRICAL



 VIEW 2	 VIEW 3	 VIEW 4	 VIEW 5	 VIEW 6	 VIEW 7
 VIEW 8	 VIEW 9	 VIEWS 10 and 11	 VIEW 12	 VIEW 13	 VIEW 14
 VIEW 15	 VIEW 16				

6-P12-002.2

Figure 12-19. Roof Wiring Harness, Two-Door.

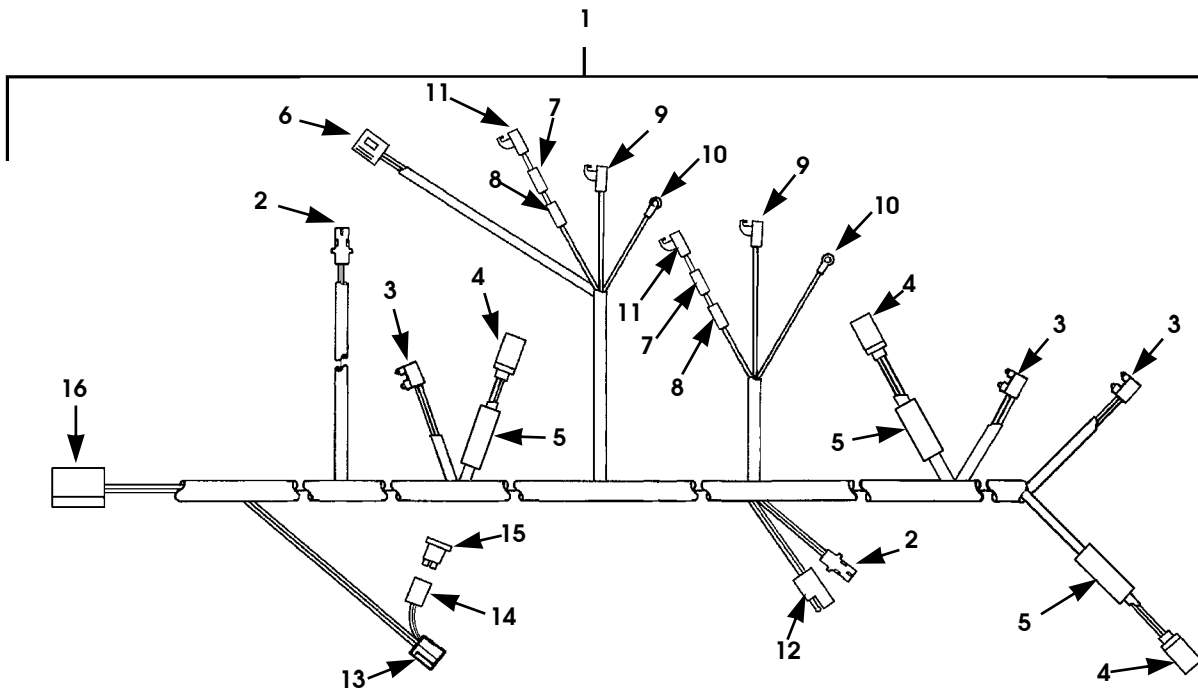
1997 HUMMER PARTS CATALOG

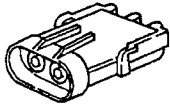
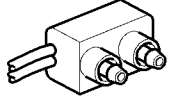
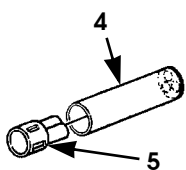
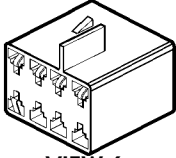
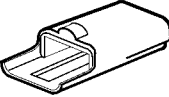
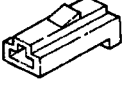
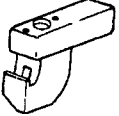

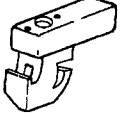
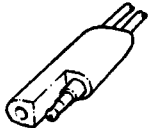
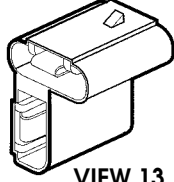
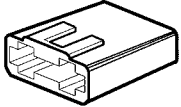
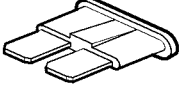
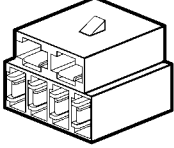
6-1-99

ELECTRICAL 12-47

ITEM	PART NUMBER	DESCRIPTION	QTY
		Figure 12-19. Roof Wiring Harness, Two-Door.	
1	6007201	WIRING HARNESS	1
		89	
2	5939099	•CONNECTOR, seatbelt switch	1
3	5939096	•RETAINER, dome lamp	1
4	6007226	•CONNECTOR, mirror	1
5	5939097	•RETAINER, dome lamp	1
6	5937497	•CONNECTOR, dome lamp, one-way	1
7	5903092	•CONNECTOR, dome lamp, one-way	1
8	N/S	•TERMINAL RING, dome lamp	1
9	5937039	•CONNECTOR, courtesy light, two-way	1
10	5939102	•SLEEVE, connector	1
11	5939085	•CONNECTOR, door jamb switch, three-way	1
12	6000972	•CONNECTOR, cargo light	1
13	6000261	•CONNECTOR, wiring harness	1
14	6007227	•FUSE, wiring harness, 3-amp	1
15	5903279	•CONNECTOR, wiring harness	1
16	5936490	•CONNECTOR, wiring harness	1

12-48 ELECTRICAL



 VIEW 2	 VIEW 3	 VIEWS 4 and 5	 VIEW 6	 VIEW 7	 VIEW 8
 VIEW 9	 VIEW 10	 VIEW 11	 VIEW 12	 VIEW 13	 VIEW 14
 VIEW 15	 VIEW 16				

(Modified)
6-P12-001.1

Figure 12-20. Roof Wiring Harness, Four-Door.

1997 HUMMER PARTS CATALOG

6-1-99

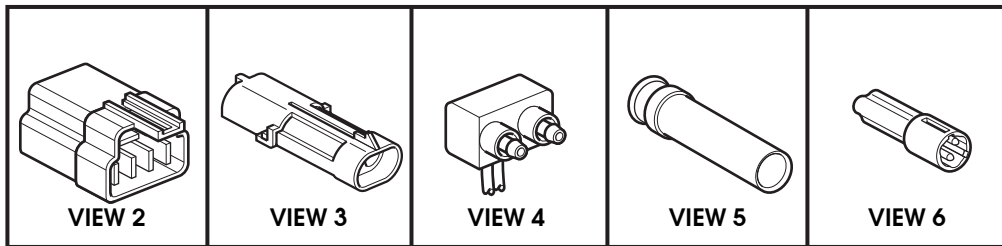
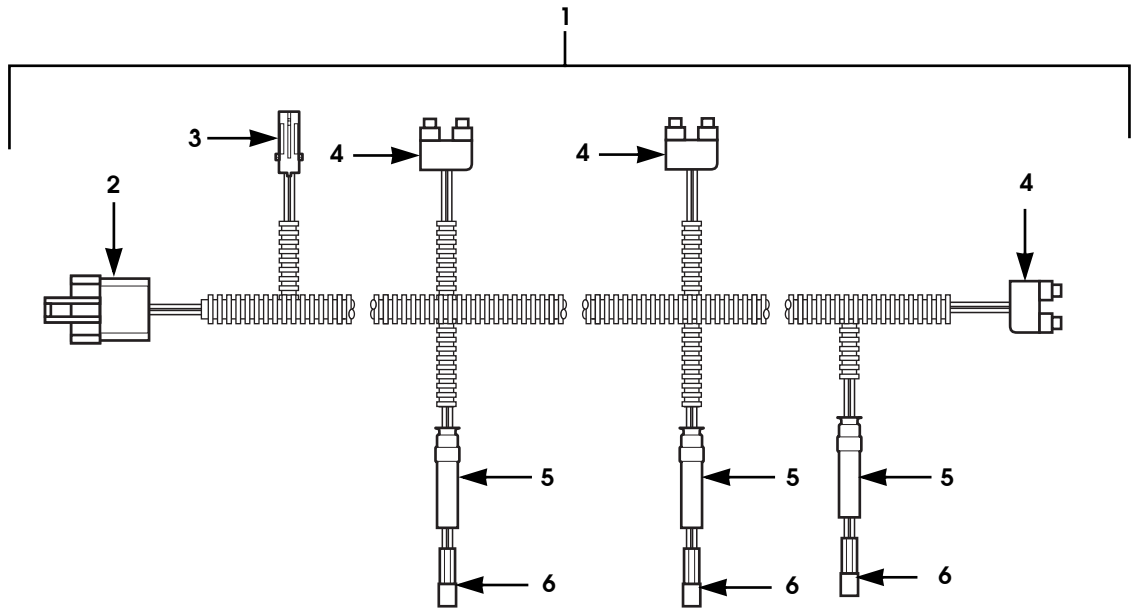
ELECTRICAL 12-49

ITEM	PART NUMBER	DESCRIPTION	QTY
		Figure 12-20. Roof Wiring Harness, Four-Door.	
1	6009476	WIRING HARNESS	1
		83 and 84	
2	5939099	•CONNECTOR, two-way	2
3	5937039	•CONNECTOR, courtesy light	3
4	5939085	•CONNECTOR, door switch, three-way	3
5	5939102	•SLEEVE, connector	3
6	6007226	•CONNECTOR, mirror	1
7	5937497	•CONNECTOR, dome lamp	2
8	5903092	•CONNECTOR, dome lamp	2
9	5939096	•RETAINER, dome lamp	2
10	N/S	•TERMINAL RING, dome lamp	2
11	5939097	•RETAINER, dome lamp	2
12	6000972	•CONNECTOR, cargo light	1
13	5936490	•CONNECTOR, wiring harness	1
14	5903279	•CONNECTOR, wiring harness	1
15	6007227	•FUSE, body harness, 3 amp	1
16	6000261	•CONNECTOR, wiring harness	1

6-1-99

1997 HUMMER PARTS CATALOG

12-49.1 ELECTRICAL



7-P12-011

Figure 12-20.1 Roof Wiring Harness, Open Top

1997 HUMMER PARTS CATALOG

6-1-99

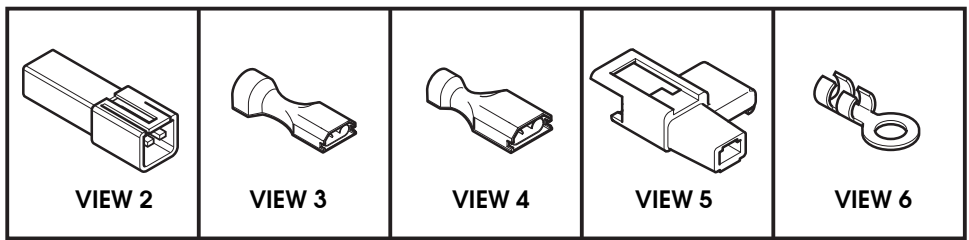
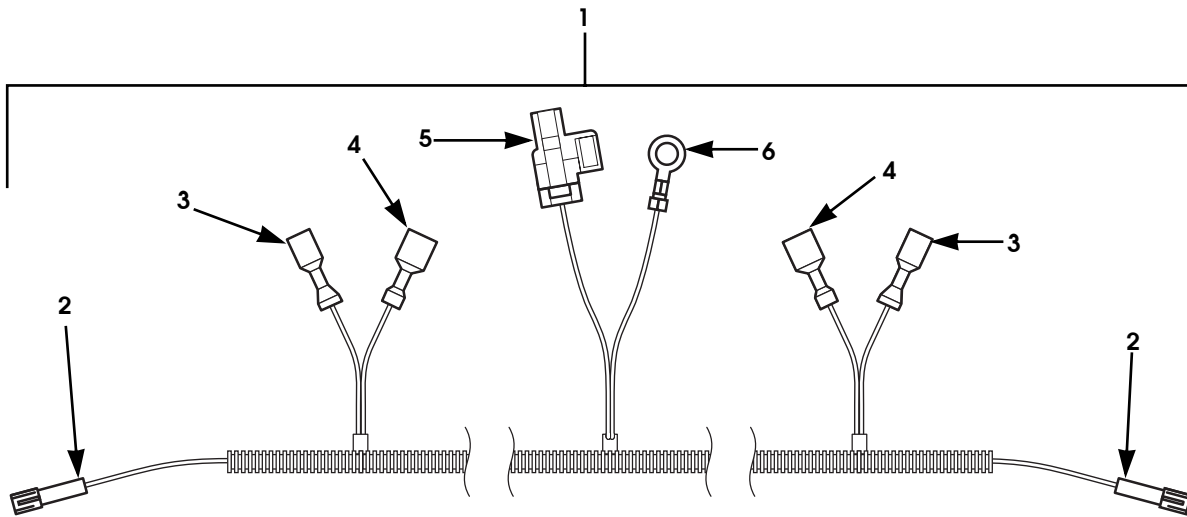
ELECTRICAL 12-49.2

ITEM	PART NUMBER	DESCRIPTION	QTY
		Figure 12-20.1 Roof Wiring Harness, Open Top	
1	6003576	HARNES ASSEMBLY, soft top	1
2	6000261	•CONNECTOR, 6-way	1
3	5939099	•CONNECTOR, 2-way, seat belt buckle switch	1
4	5937039	•CONNECTOR, 2-way, courtesy light	3
5	5939102	•SLEEVE, connector	3
6	5939085	•CONNECTOR, 3-way, door jamb switch	3

6-1-99

1997 HUMMER PARTS CATALOG

12-49.3 ELECTRICAL



7-P12-010

Figure 12-20.2. Map Lights and Vanity Mirrors Harness.

1997 HUMMER PARTS CATALOG

6-1-99

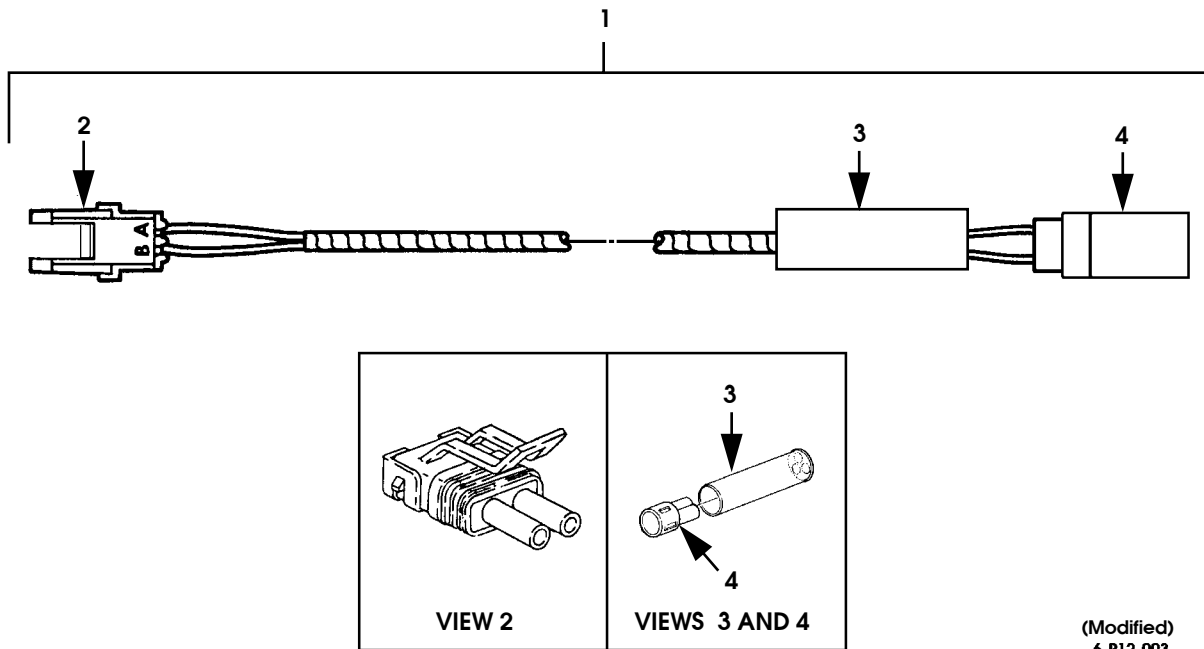
ELECTRICAL 12-49.4

ITEM	PART NUMBER	DESCRIPTION	QTY
		Figure 12-20.2. Map Lights and Vanity Mirrors Harness.	
1	6009475	HARNESS, map lights and vanity mirrors	1
2	6008316	•CONNECTOR, 2-way	2
3	6004933	•TERMINAL	2
4	6003850	•TERMINAL	2
5	6004293	•CONNECTOR, 2-way	1
6	5903143	•RING TERMINAL	1

6-1-99

1997 HUMMER PARTS CATALOG

12-50 ELECTRICAL



(Modified)
6-P12-003

Figure 12-21. Rear Door Courtesy Light Jumper Harness Switch.

1997 HUMMER PARTS CATALOG

6-1-99

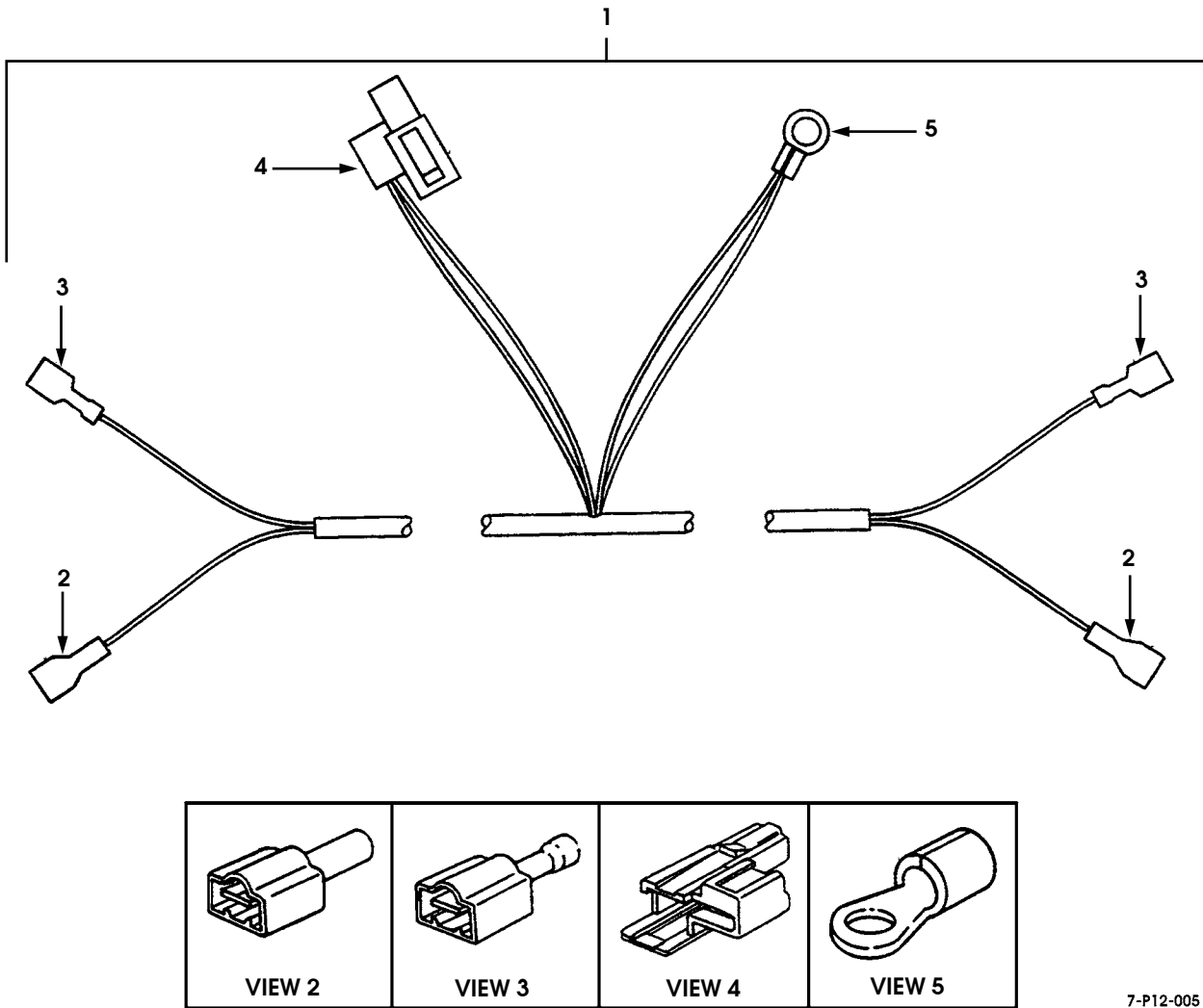
ELECTRICAL 12-51

ITEM	PART NUMBER	DESCRIPTION	QTY
		Figure 12-21. Rear Door Courtesy Light Jumper Harness Switch.	
1	6006674	HARNES, switch, rear door courtesy light	1
2	6003280	•CONNECTOR, ground seal.	1
3	5939102	•SLEEVE, connector	1
4	5939085	•CONNECTOR, three-way, door jamb switch.	1

5-1-97

1997 HUMMER PARTS CATALOG

12-51.1 ELECTRICAL



7-P12-005

Figure 12-21.1 Map Light Extension Harness

1997 HUMMER PARTS CATALOG

6-1-99

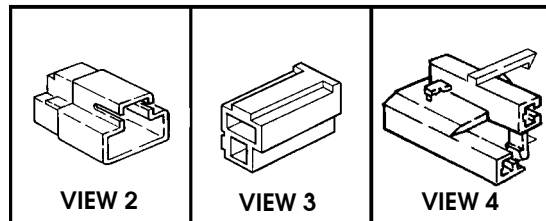
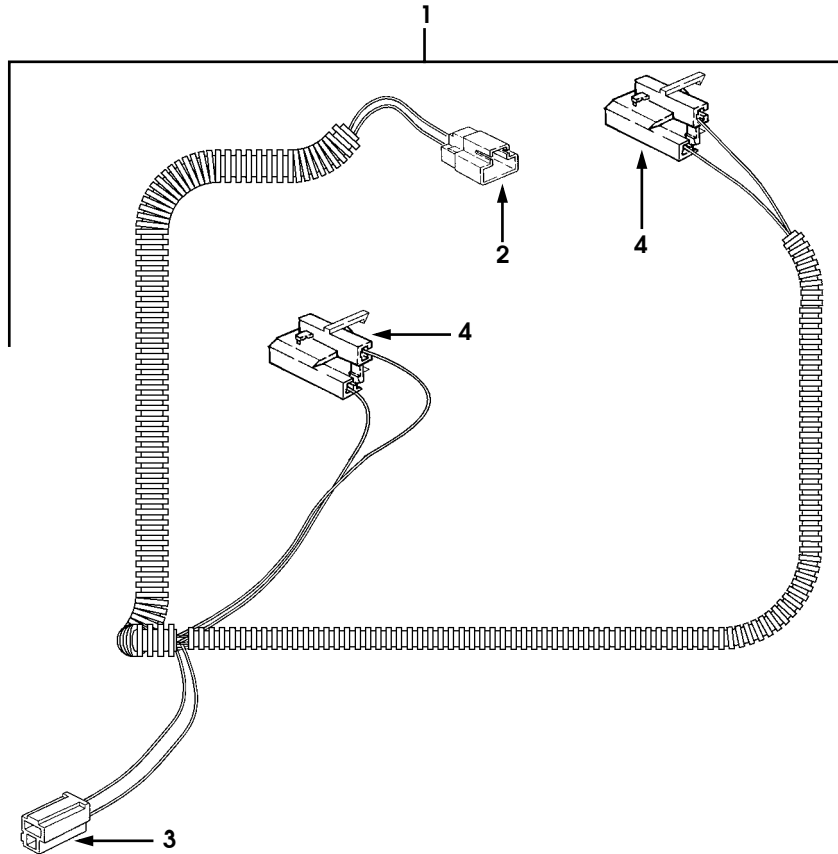
ELECTRICAL 12-51.2

ITEM	PART NUMBER	DESCRIPTION	QTY
		Figure 12-21.1 Map Light Extension Harness	
1	6009485	HARNESS ASSY., map light extension	1
2	6003850	•CONNECTOR, map light	2
3	6004933	•CONNECTOR, map light	2
4	6004293	•CONNECTOR, roof harness.	1
5	N/S	•TERMINAL, roof harness.	1

5-1-97

1997 HUMMER PARTS CATALOG

12-51.3 ELECTRICAL



7-P12-006

Figure 12-21.2 Console Harness Assembly

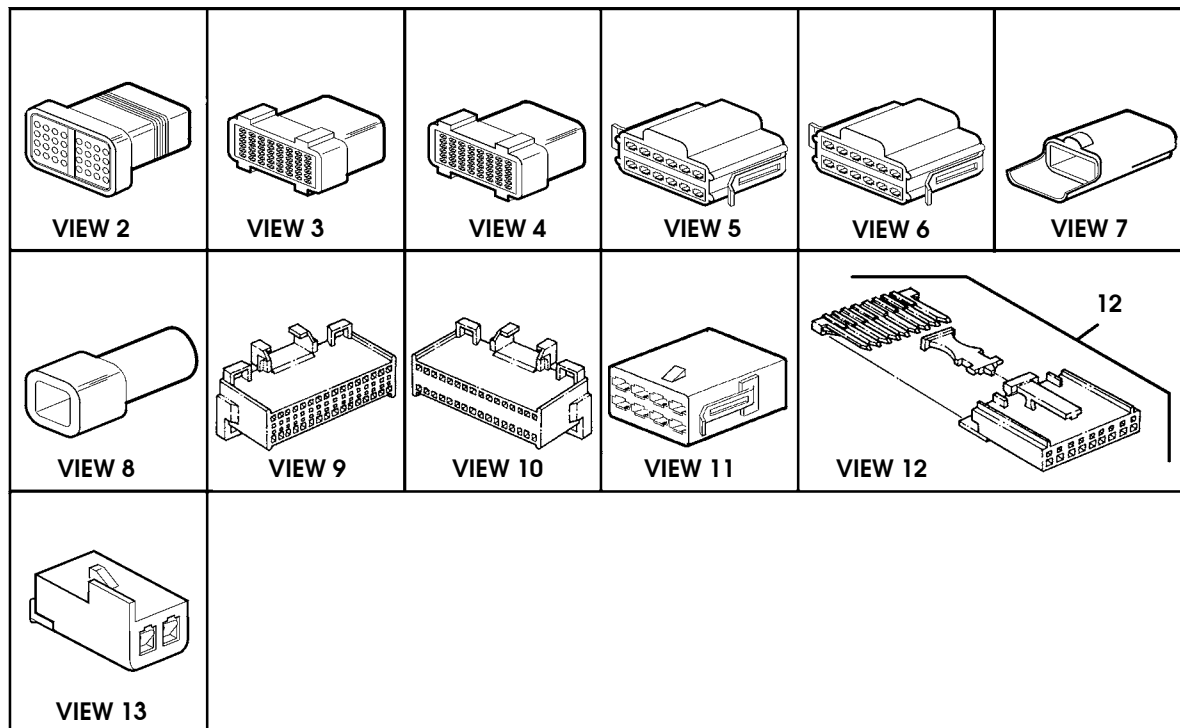
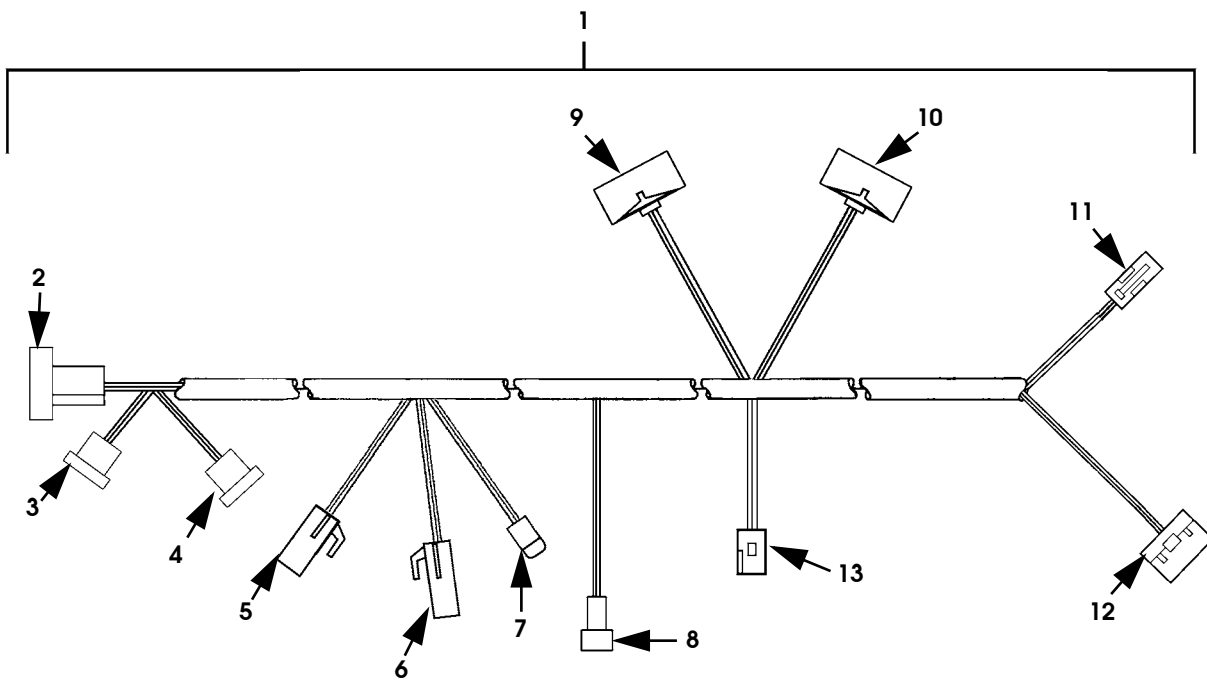
1997 HUMMER PARTS CATALOG

5-1-97

ELECTRICAL 12-51.4

ITEM	PART NUMBER	DESCRIPTION	QTY
		Figure 12-21.2 Console Harness Assembly	
1	6007231	HARNESS ASSY., console	1
2	5936492	•CONNECTOR, body harness	1
3	N/S	•CONNECTOR, auxiliary power outlet	1
4	5939641	•CONNECTOR, cigar lighter	2

12-52 ELECTRICAL



6-P12-005.1

Figure 12-22. Control Harness Assembly, (NA Diesel).

1997 HUMMER PARTS CATALOG

6-1-99

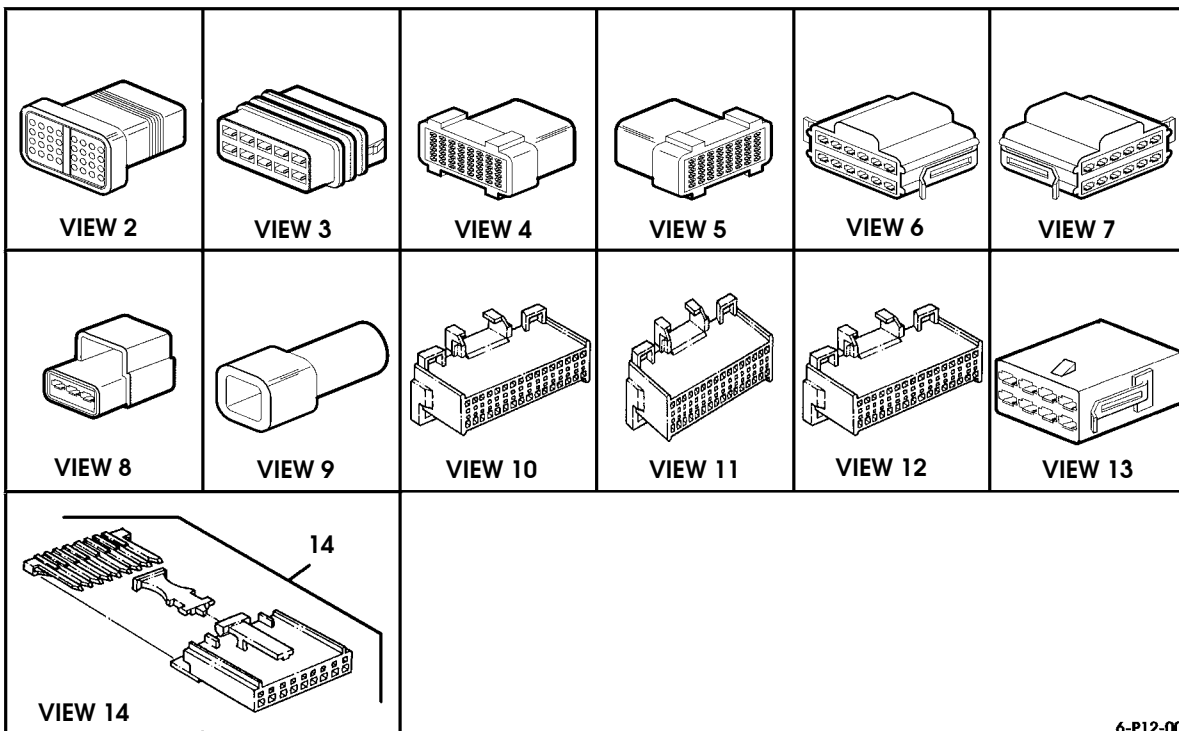
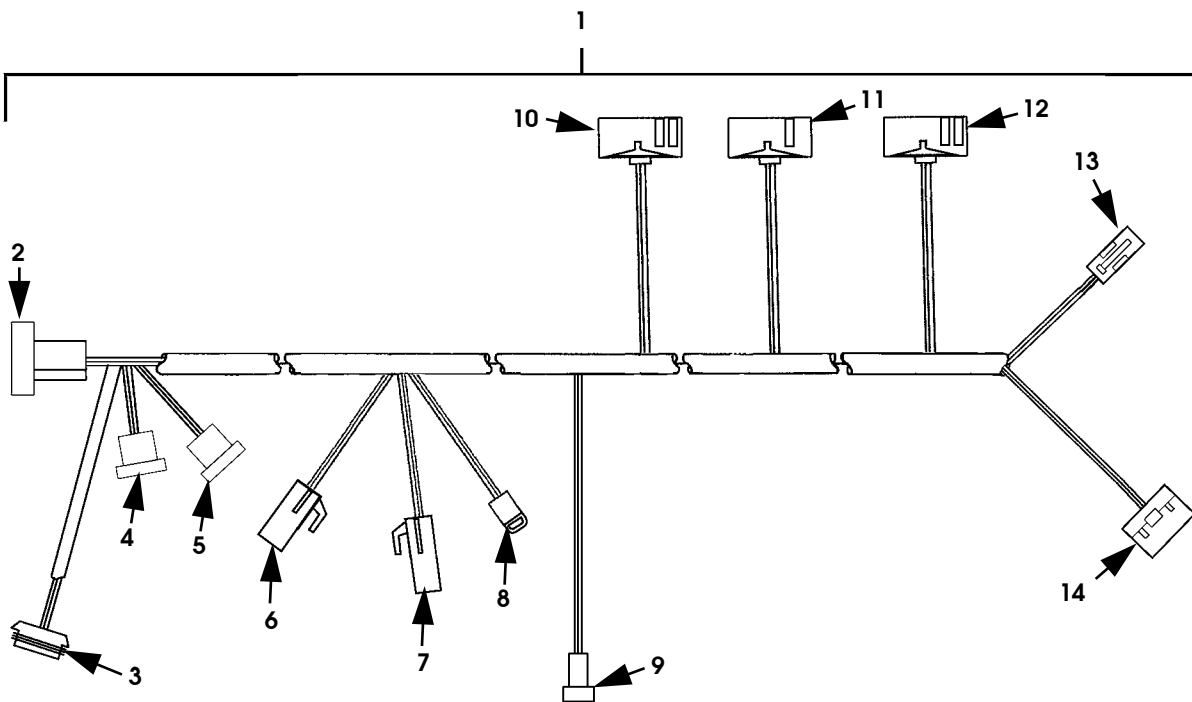
ELECTRICAL 12-53

ITEM	PART NUMBER	DESCRIPTION	QTY
		Figure 12-22. Control Harness Assembly, (NA Diesel).	
1	6008677	CONTROL HARNESS ASSEMBLY, (NA Diesel)	1
2	6006881	•CONNECTOR, engine harness	1
3	6007016	•CONNECTOR, body harness	1
4	6006957	•CONNECTOR, body harness	1
5	6003227	•CONNECTOR, transmission harness	1
6	6006954	•CONNECTOR, transmission harness	1
7	6007019	•CONNECTOR, A/C harness	1
8	6004020	•CONNECTOR, overspeed alarm harness	1
9	6003248	•CONNECTOR, transmission control module (TCM) . .	1
10	6003252	•CONNECTOR, transmission control module (TCM) . .	1
11	6004843	•CONNECTOR, digital ratio adapter (DRA)	1
12	6003257	•CONNECTOR, digital ratio adapter (DRA)	1
13	6003251	•POWER LOAD FILTER	1

5-1-97

1997 HUMMER PARTS CATALOG

12-54 ELECTRICAL



6-P12-006

Figure 12-23. Control Harness Assembly, (Turbo Diesel).

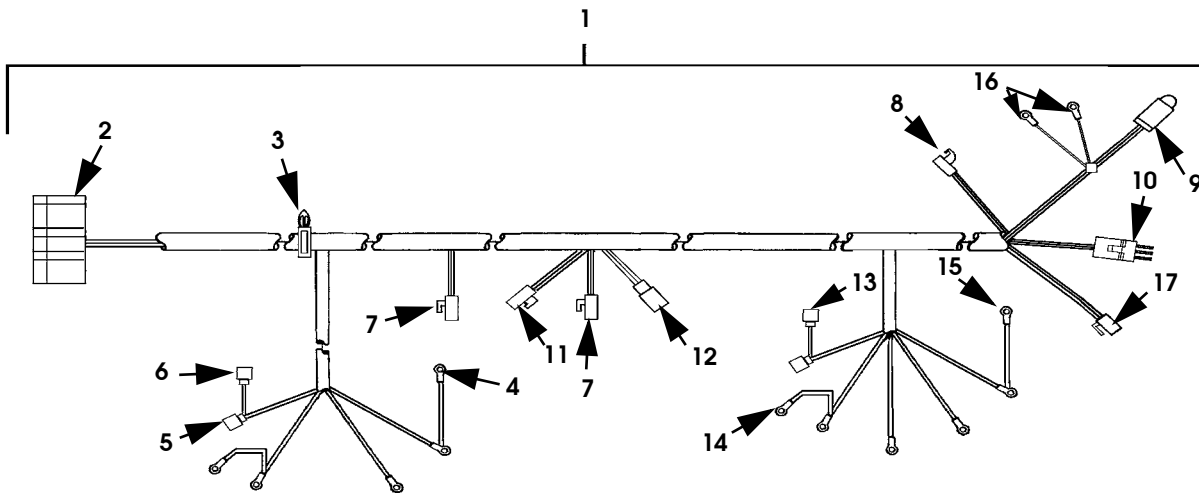
1997 HUMMER PARTS CATALOG

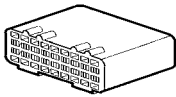
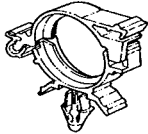

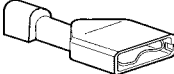
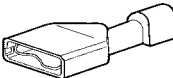
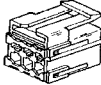
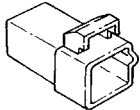
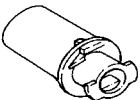
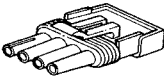
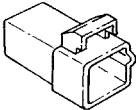
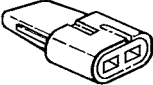
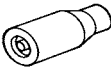
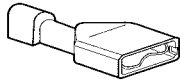


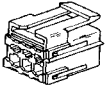
12-1-97

ELECTRICAL 12-55

ITEM	PART NUMBER	DESCRIPTION	QTY
		Figure 12-23. Control Harness Assembly, (Turbo Diesel).	
1	6008678	CONTROL HARNESS ASSEMBLY, (Turbo Diesel)	1
2	6006881	•CONNECTOR, engine harness	1
3	6006958	•CONNECTOR, pedal position sensor	1
4	6007016	•CONNECTOR, body harness	1
5	6006957	•CONNECTOR, body harness	1
6	6003227	•CONNECTOR, transmission harness	1
7	6006954	•CONNECTOR, transmission harness	1
8	6007019	•CONNECTOR, A/C harness	1
9	6004020	•CONNECTOR, overspeed alarm harness	1
10	6006953	•CONNECTOR, powertrain control module (PCM) . . .	1
11	6006956	•CONNECTOR, powertrain control module (PCM) . . .	1
12	6006955	•CONNECTOR, powertrain control module (PCM) . . .	1
13	6004843	•CONNECTOR, digital ratio adapter (DRA)	1
14	6003257	•CONNECTOR, digital ratio adapter (DRA)	1

12-56 ELECTRICAL



 VIEW 2	 VIEW 3	 VIEW 4	 VIEW 5	 VIEW 6	 VIEW 7
 VIEW 8	 VIEW 9	 VIEW 10	 VIEW 11	 VIEW 12	 VIEW 13
 VIEW 14	 VIEW 15	 VIEW 16	 VIEW 17		

(Modified)
6-P12-108.1

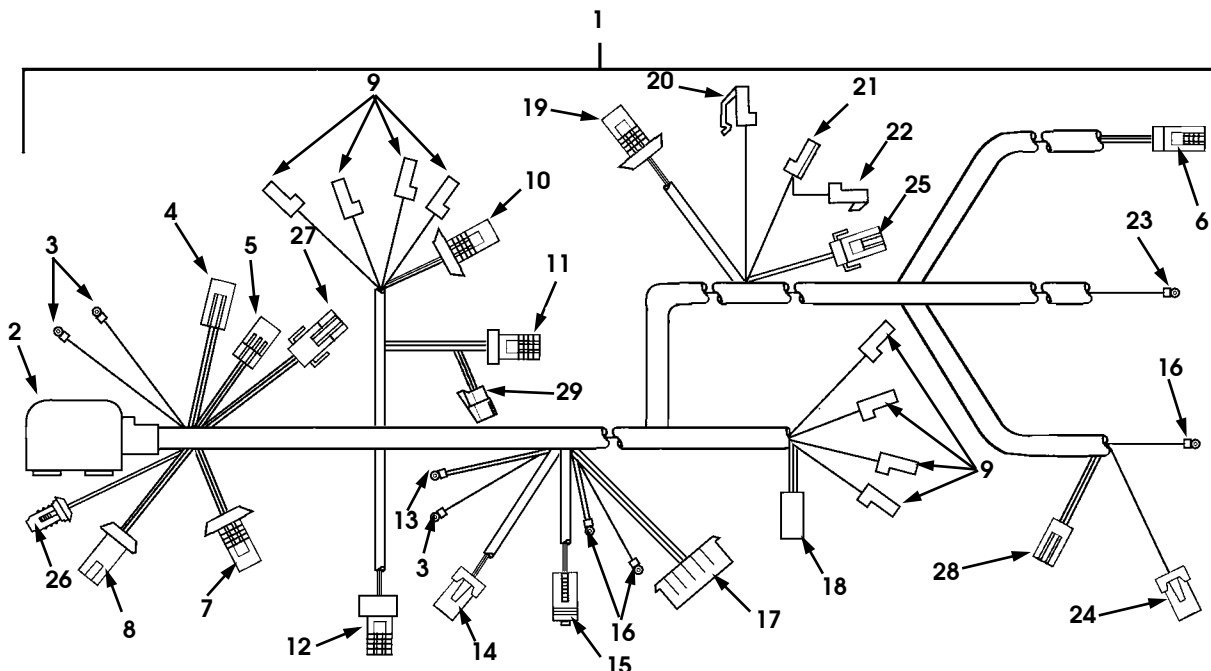
Figure 12-24. Harness Assembly, Instrument Panel.

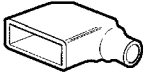

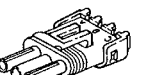

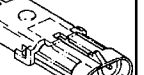

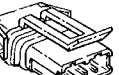
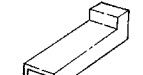

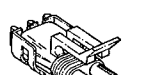
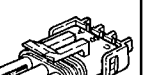
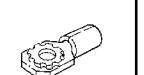

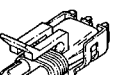
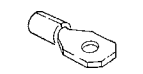
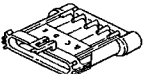

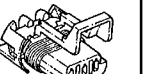


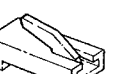

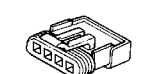
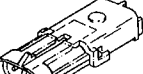

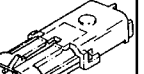
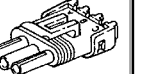
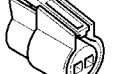
1997 HUMMER PARTS CATALOG

ELECTRICAL 12-57

ITEM	PART NUMBER	DESCRIPTION	QTY
		Figure 12-24. Harness Assembly, Instrument Panel.	
1	6008675	HARNESS ASSEMBLY, instrument panel.	1
2	6006891	•CONNECTOR, body harness	1
3	6006892	•CLAMP	1
4	N/S	•TERMINAL RING, voltmeter/oil pressure gauges.	5
5	6002773	•CONNECTOR, voltmeter/oil pressure gauges	1
6	6003289	•CONNECTOR, voltmeter/oil pressure gauges	1
7	5939155	•CONNECTOR, status center	2
8	5939599	•CONNECTOR, check engine, transmission, throttle . . warning light	1
9	6007600	•CONNECTOR, clock, light	1
10	6005579	•CONNECTOR, auxiliary fuel control switch.	1
11	5939599	•CONNECTOR, speedometer w/trip.	1
12	6003816	•CONNECTOR, low coolant warning lamp	1
13	6003289	•CONNECTOR, water temp fuel gauges	1
14	6002773	•CONNECTOR, water temp fuel gauges	1
15	N/S	•TERMINAL RING, water temp fuel gauges	5
16	N/S	•TERMINAL RING, clock.	2
17	5939155	•CONNECTOR, tachometer.	1

12-58 ELECTRICAL



 VIEW 2	 VIEW 3	 VIEW 4	 VIEW 5	 VIEW 6	 VIEW 7	 VIEW 8
 VIEW 9	 VIEW 10	 VIEW 11	 VIEW 12	 VIEW 13	 VIEW 14	 VIEW 15
 VIEW 16	 VIEW 17	 VIEW 18	 VIEW 19	 VIEW 20	 VIEW 21	 VIEW 22
 VIEW 23	 VIEW 24	 VIEW 25	 VIEW 26	 VIEW 27	 VIEW 28	 VIEW 29

7-P12-013

Figure 12-25. Engine Harness Assembly, (NA Diesel).

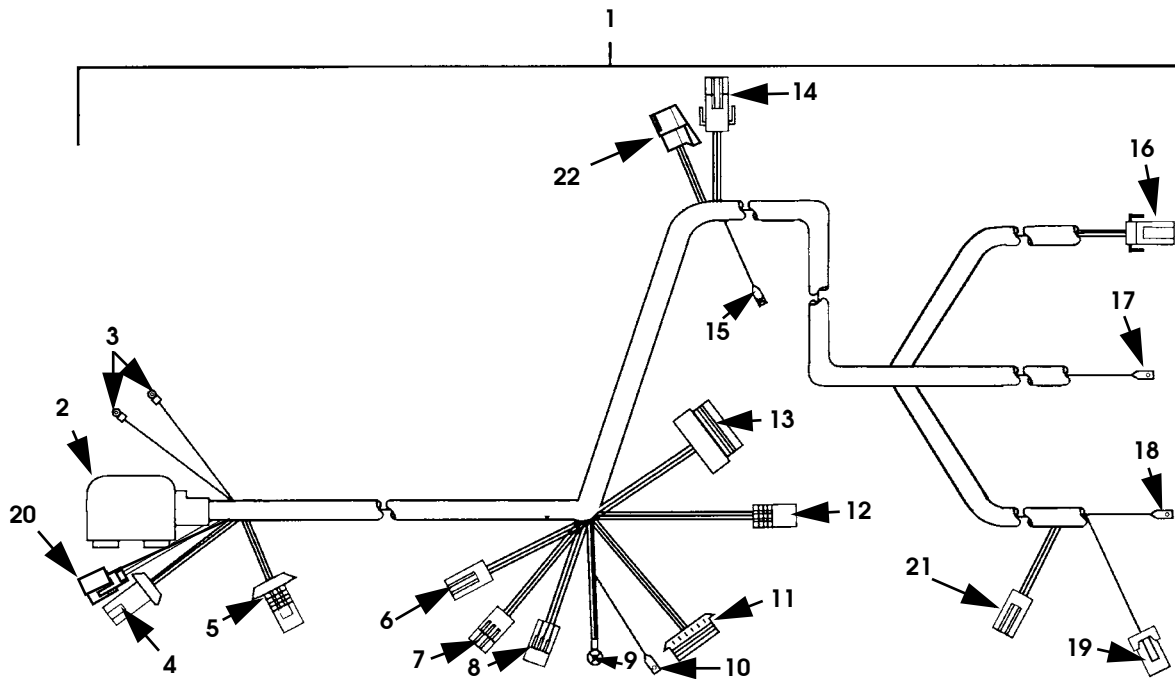
1997 HUMMER PARTS CATALOG

6-1-99

ELECTRICAL 12-59

ITEM	PART NUMBER	DESCRIPTION	QTY
		Figure 12-25. Engine Harness Assembly, (NA Diesel).	
1	6008674	ENGINE HARNESS ASSEMBLY, (NA Diesel)	1
1	6009411	ENGINE HARNESS ASSEMBLY, (NA Diesel) (On VIN VE176477 and up).	1
2	6006999	•BOOT, 90 degree	1
3	N/S	•TERMINAL RING, junction block	3
4	5937082	•CONNECTOR, fuel filter, sensor	1
5	5937060	•CONNECTOR, fuel filter, heater	1
6	5939099	•CONNECTOR, A/C low pressure switch	2
7	5939963	•CONNECTOR, fuel pump relay	1
8	6007161	•CONNECTOR, body harness	1
9	5937081	•CONNECTOR, fusible link, glow plugs	8
10	6007370	•CONNECTOR, water temperature sender	1
11	6003280	•CONNECTOR, A/C compressor jumper	1
12	6003814	•CONNECTOR, baro sensor	1
13	S.I.A.	•TERMINAL RING, engine ground	1
14	6000007	•CONNECTOR, oil pressure switch sender	1
15	6003232	•CONNECTOR, engine speed sensor	1
16	S.I.A.	•TERMINAL RING, fusible link.	3
17	5937078	•CONNECTOR, glow plug	1
18	5937089	•CONNECTOR, cold advance switch.	1
19	6003229	•CONNECTOR, throttle position sensor.	1
20	5937076	•CONNECTOR, fuel solenoid	1
21	5937080	•CONNECTOR, cold advance solenoid.	1
22	5937061	•CONNECTOR, fast idle solenoid.	1
23	S.I.A.	•TERMINAL RING, starter solenoid	1
24	5937091	•CONNECTOR, alternator	1
25	5939099	•CONNECTOR, temp switch, A/C compressor	1
26	6008195	•CONNECTOR, hour meter	1
27	5939099	•CONNECTOR, fuel pump	1
28	5937082	•CONNECTOR, low coolant sensor.	1
29	S.I.A.	•CONNECTOR, A/C high pressure cut-out switch, on 6009411 only	1

12-60 ELECTRICAL



VIEW 2	VIEW 3	VIEW 4	VIEW 5	VIEW 6	VIEW 7
VIEW 8	VIEW 9	VIEW 10	VIEW 11	VIEW 12	VIEW 13
VIEW 14	VIEW 15	VIEW 16	VIEW 17	VIEW 18	VIEW 19
VIEW 20	VIEW 21	VIEW 22			

7-P12-012

Figure 12-26. Engine Harness Assembly, (Turbo Diesel).

1997 HUMMER PARTS CATALOG

6-1-99

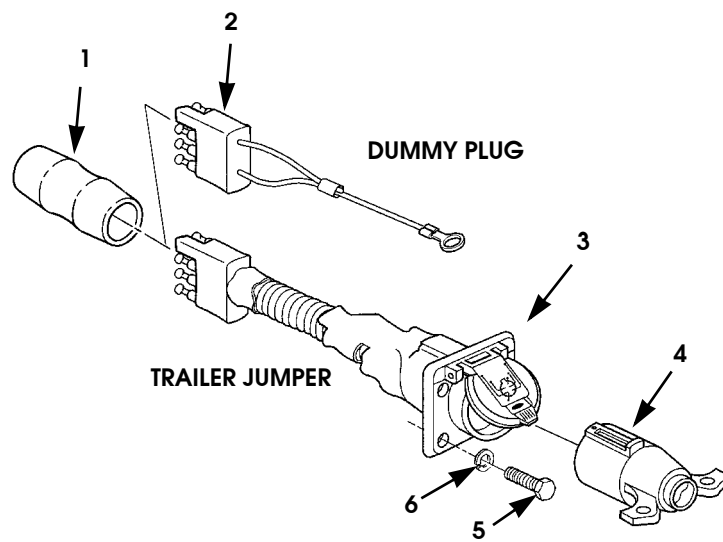
ELECTRICAL 12-61

ITEM	PART NUMBER	DESCRIPTION	QTY
		Figure 12-26. Engine Harness Assembly, (Turbo Diesel).	
1	6008676	HARNESS ASSEMBLY, engine, (Turbo Diesel)	1
1	6009412	HARNESS ASSEMBLY, engine, (Turbo Diesel), (On VIN VE176477 and up).	1
2	6006999	•BOOT, 90-degree	1
3	S.I.A.	•TERMINAL RING, junction block	2
4	6007161	•CONNECTOR, body harness	1
5	5939963	•CONNECTOR, fuel pump relay	1
6	5937082	•CONNECTOR, fuel filter, sensor	1
7	5937060	•CONNECTOR, fuel filter, heater	1
8	5939099	•CONNECTOR, fuel pump	2
9	S.I.A.	•TERMINAL RING, ground	1
10	S.I.A.	•TERMINAL RING, ground	1
11	6006958	•CONNECTOR, engine wiring	1
12	6007171	•CONNECTOR, engine wiring	1
13	6007168	•CONNECTOR, engine wiring	1
14	S.I.A.	•CONNECTOR, A/C compressor jumper	1
15	S.I.A.	•TERMINAL RING	1
16	5939099	•CONNECTOR, A/C pressure switch	1
17	S.I.A.	•TERMINAL RING, starter solenoid	1
18	S.I.A.	•TERMINAL RING, alternator.	1
19	5937091	•CONNECTOR, alternator	3
20	6008195	•CONNECTOR, hour meter, male	1
21	5937082	•CONNECTOR, low coolant sensor	1
22	S.I.A.	•CONNECTOR, A/C high pressure cut-out switch, on 6009412 only	1

6-1-99

1997 HUMMER PARTS CATALOG

12-62 ELECTRICAL



P12-026.2

Figure 12-27. Trailer Towing Wiring.

1997 HUMMER PARTS CATALOG

6-1-99

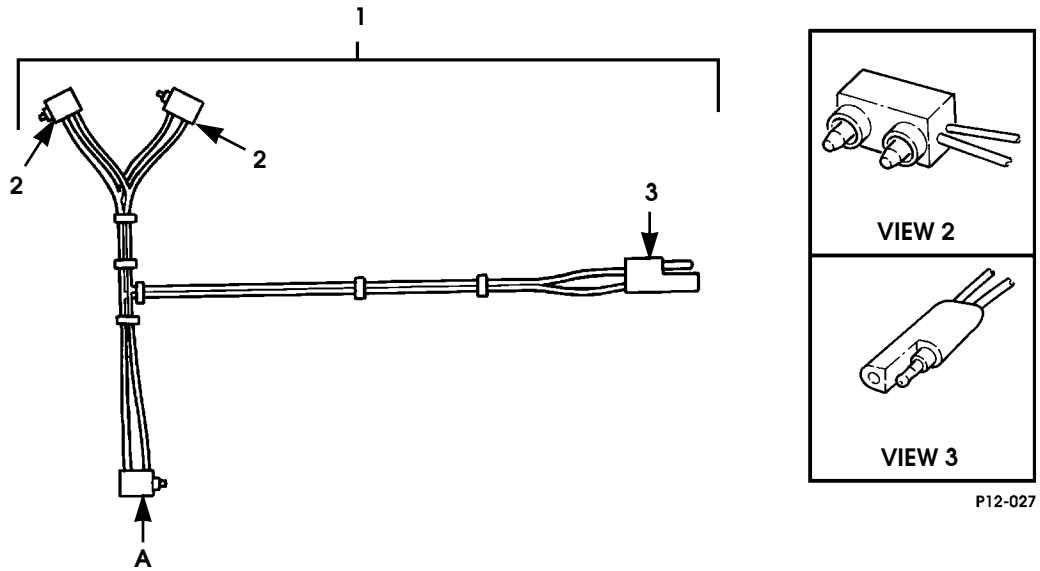
ELECTRICAL 12-63

ITEM	PART NUMBER	DESCRIPTION	QTY
		Figure 12-27. Trailer Towing Wiring.	
1	6002920	SHRINK TUBING	1
2	5937211	PLUG, dummy, trailer jumper harness, with tether	1
3	6008780	TRAILER JUMPER HARNESS ASSEMBLY	1
4	6008827	HARNESS ASSEMBLY, trailer plug	1
5	N/S	SCREW, mach, 1/4 - 24 x 3/4, Gr8, CAD	4
6	N/S	LOCKWASHER, med, 1/4, ZN	4

6-1-99

1997 HUMMER PARTS CATALOG

12-64 ELECTRICAL



P12-027

Figure 12-28. Identification Lamp Assembly Jumper.

1997 HUMMER PARTS CATALOG

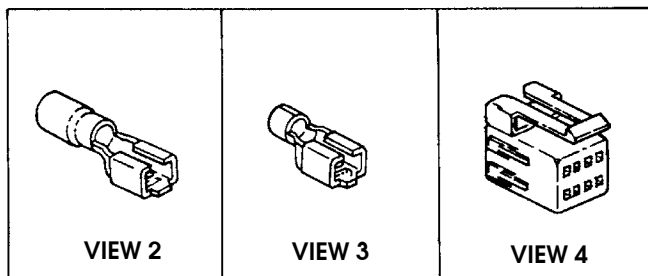
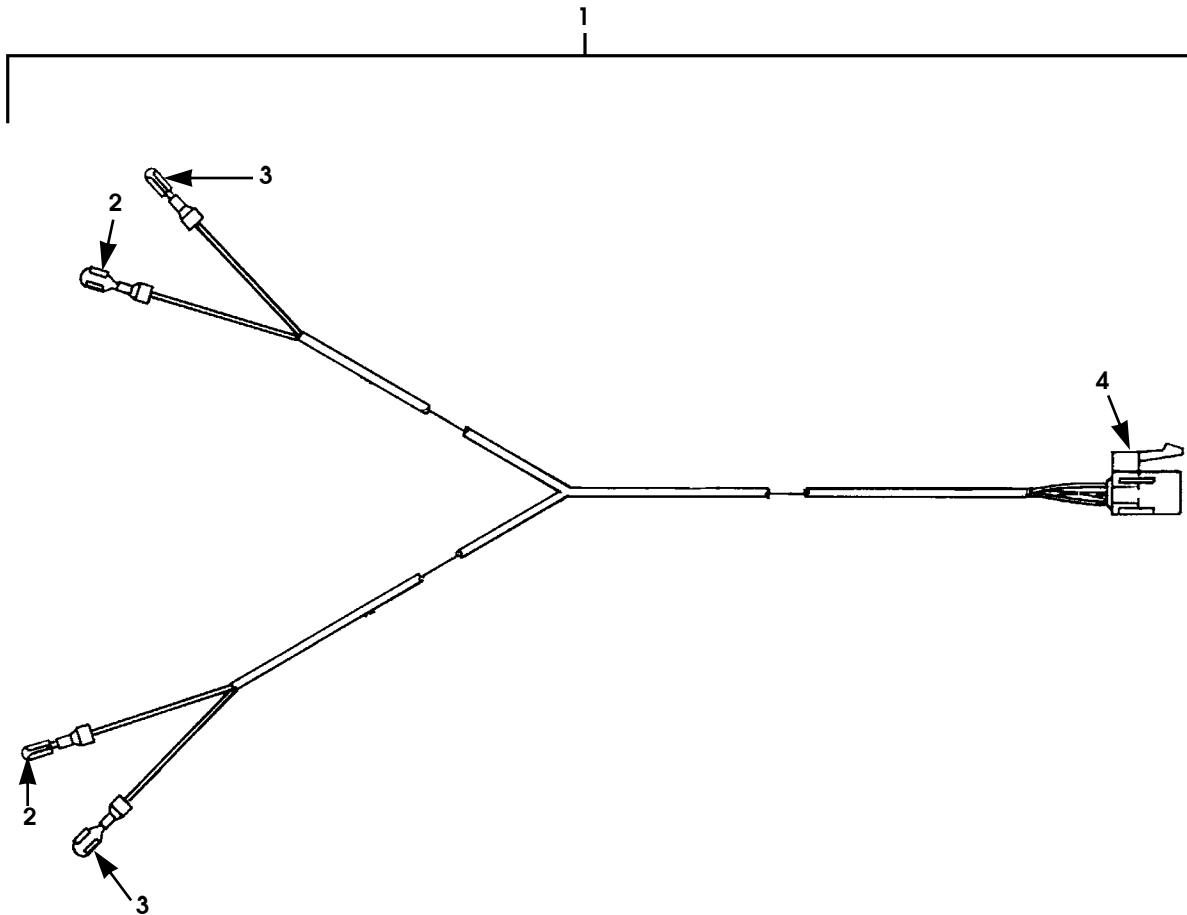
ELECTRICAL 12-65

ITEM	PART NUMBER	DESCRIPTION	QTY
		Figure 12-28. Identification Lamp Assembly Jumper.	
1	5936493	IDENTIFICATION LAMP JUMPER HARNESS, front	1
1	6000082	IDENTIFICATION LAMP JUMPER HARNESS, rear	1
2	5937039	•CONNECTOR, lamp.	3
3	N/S	•INSULATOR, mold on	1

5-1-97

1997 HUMMER PARTS CATALOG

12-66 ELECTRICAL



P12-029.1

Figure 12-29. Clarion Stereo Harness, Two-Door, Model 89.

1997 HUMMER PARTS CATALOG

5-1-97

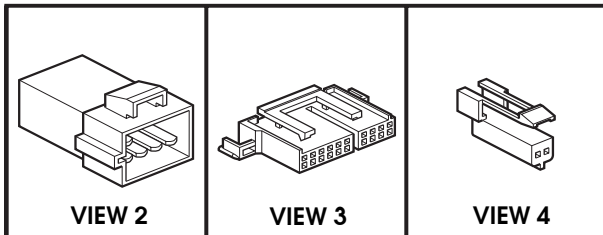
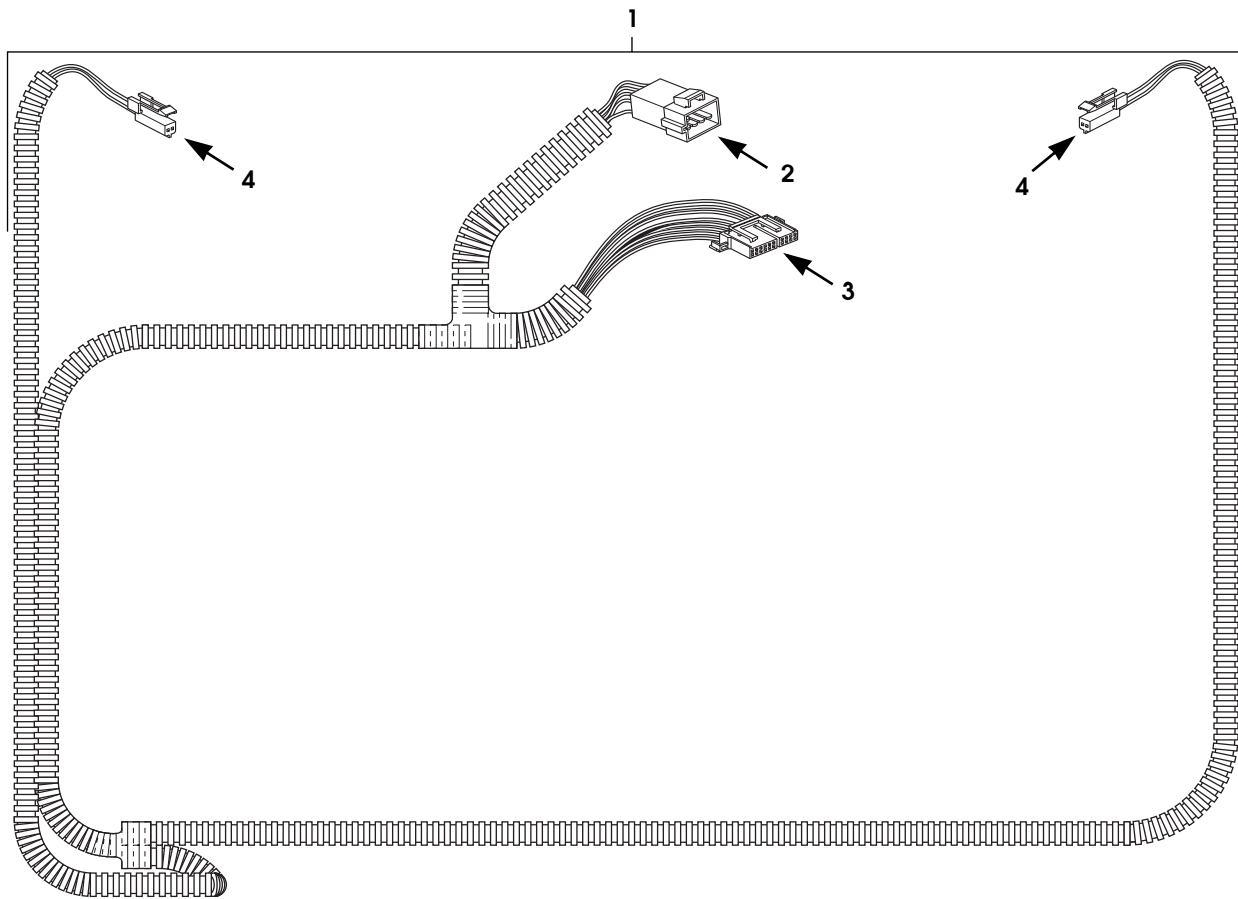
ELECTRICAL 12-67

ITEM	PART NUMBER	DESCRIPTION	QTY
		Figure 12-29. Clarion Stereo Harness, Two-Door, Model 89.	
1	6004408	HARNESS ASSEMBLY, audio system.	1
2	N/S	•TERMINAL, speakers.	2
3	N/S	•TERMINAL, speakers.	2
4	6000808	•CONNECTOR, radio.	1

5-1-97

1997 HUMMER PARTS CATALOG

12-67.1 ELECTRICAL



7-P12-004

Figure 12-29.1 Delco Standard Stereo Harness Two-Speaker, Two-Door, Model 89.

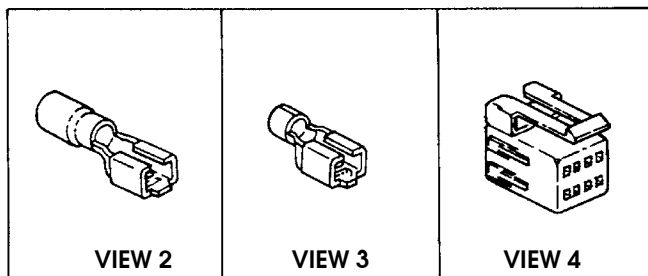
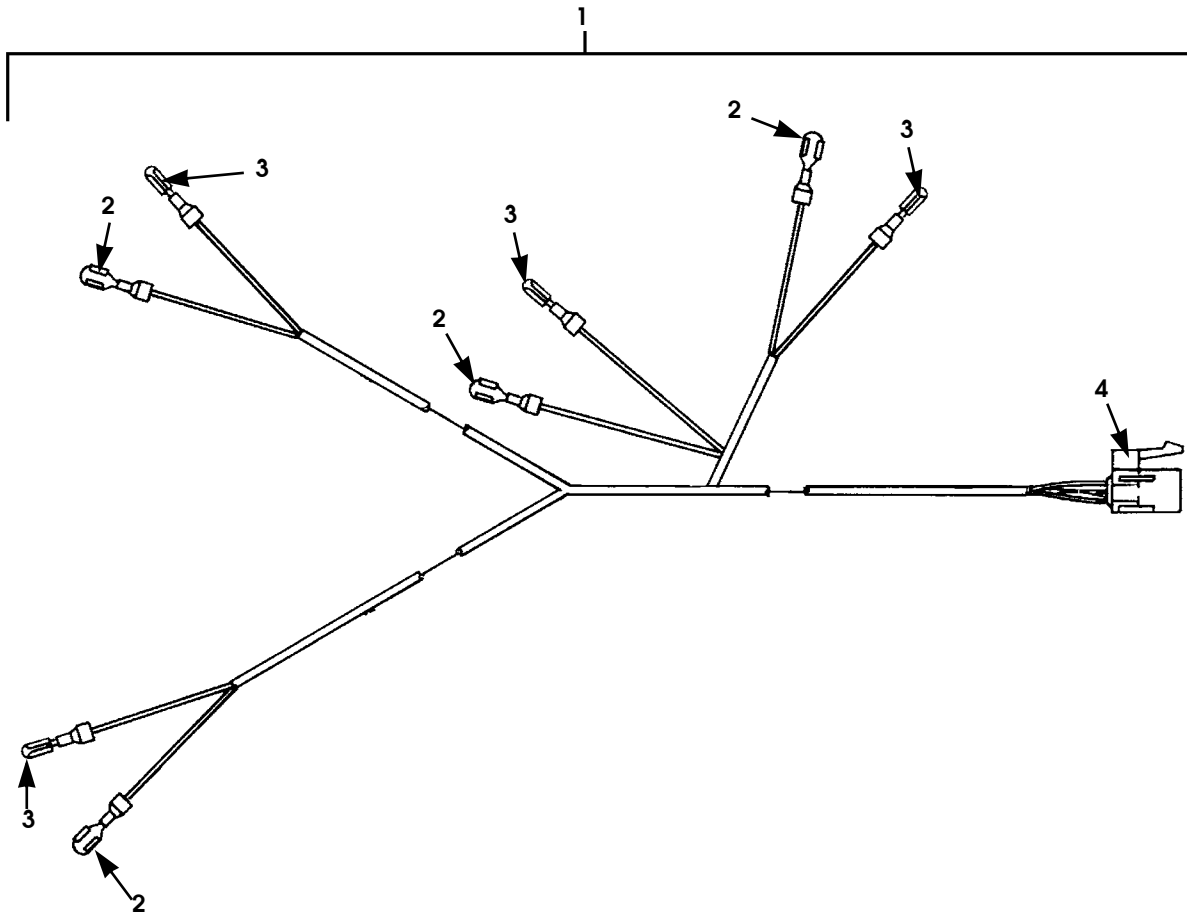
1997 HUMMER PARTS CATALOG

5-1-97

ELECTRICAL 12-67.2

ITEM	PART NUMBER	DESCRIPTION	QTY
		Figure 12-29.1 Delco Standard Stereo Harness Two-Speaker, Two-Door, Model 89.	
1	6009156	HARNESS ASSEMBLY, Delco standard stereo, two-speaker (On VIN VE176477 and up)	1
2	6008670	•CONNECTOR, body harness (On VIN VE176477 and up)	1
3	6009360	•CONNECTOR, radio (On VIN VE176477 and up). . .	1
4	6009363	•CONNECTOR, speaker (ON VIN VE176477 and up) .	2

12-68 ELECTRICAL



P12-029.1

Figure 12-30. Clarion Stereo Harness, Hard Top, Models 83 & 84.

1997 HUMMER PARTS CATALOG

5-1-97

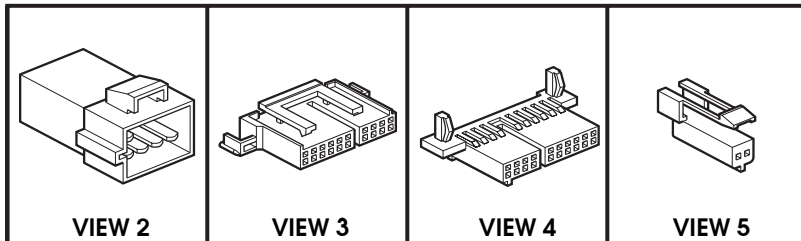
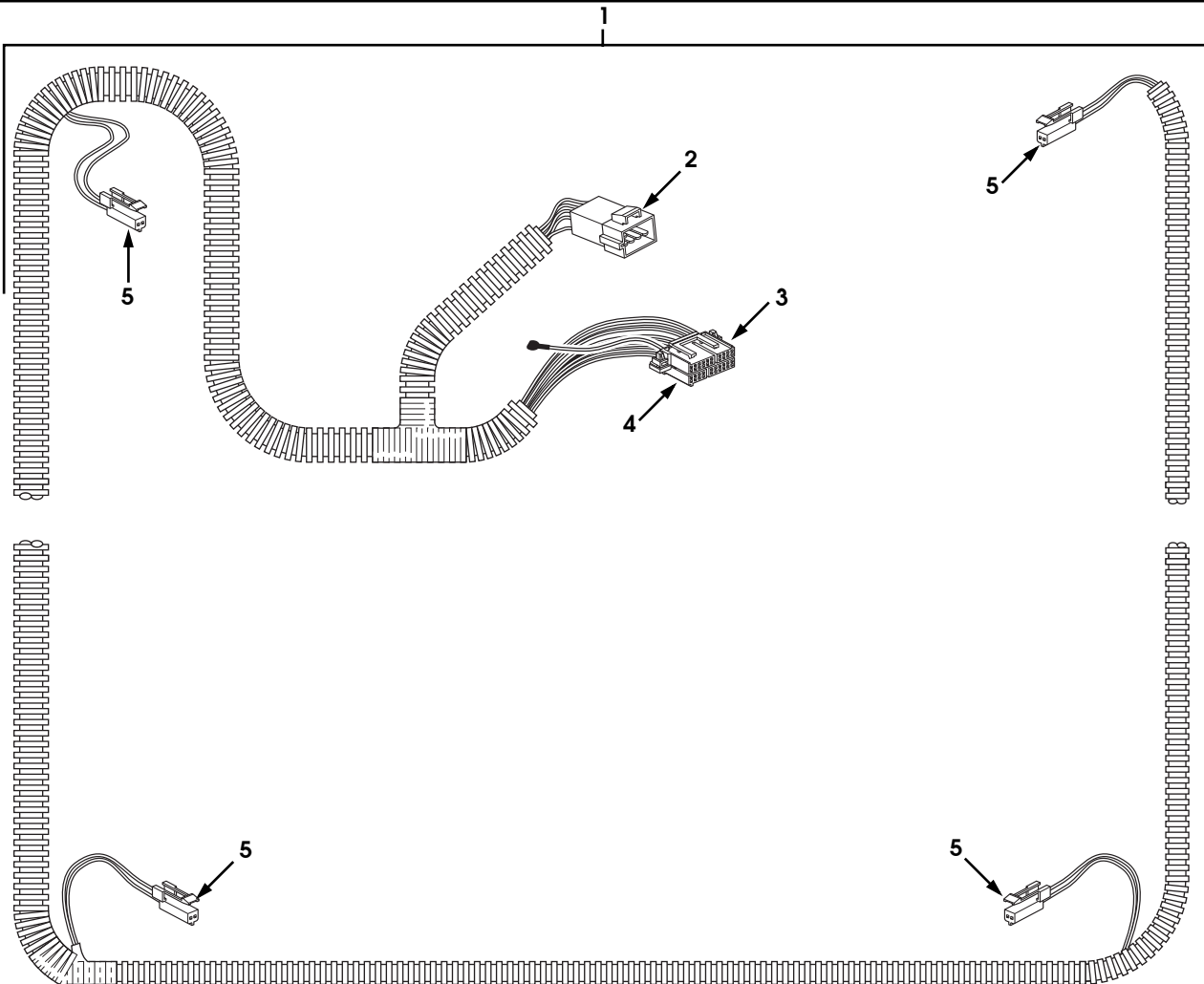
ELECTRICAL 12-69

ITEM	PART NUMBER	DESCRIPTION	QTY
		Figure 12-30. Clarion Stereo Harness, Hard Top, Models 83 & 84.	
1	6005235	HARNESS ASSEMBLY, audio system	1
2	N/S	•TERMINAL, speaker	4
3	N/S	•TERMINAL, speaker	4
4	6000808	•CONNECTOR, radio.	1

5-1-97

1997 HUMMER PARTS CATALOG

12-69.1 ELECTRICAL



7-P12-001

Figure 12-30.1 Delco Standard Stereo Harness, Four - Speaker, Hard Top, Models 83 & 84.

1997 HUMMER PARTS CATALOG

5-1-97

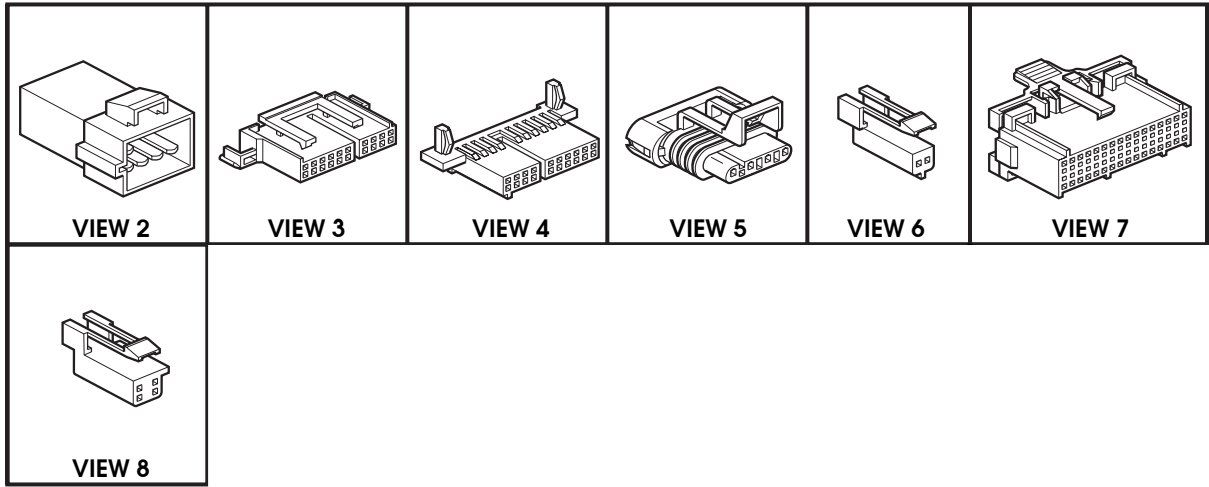
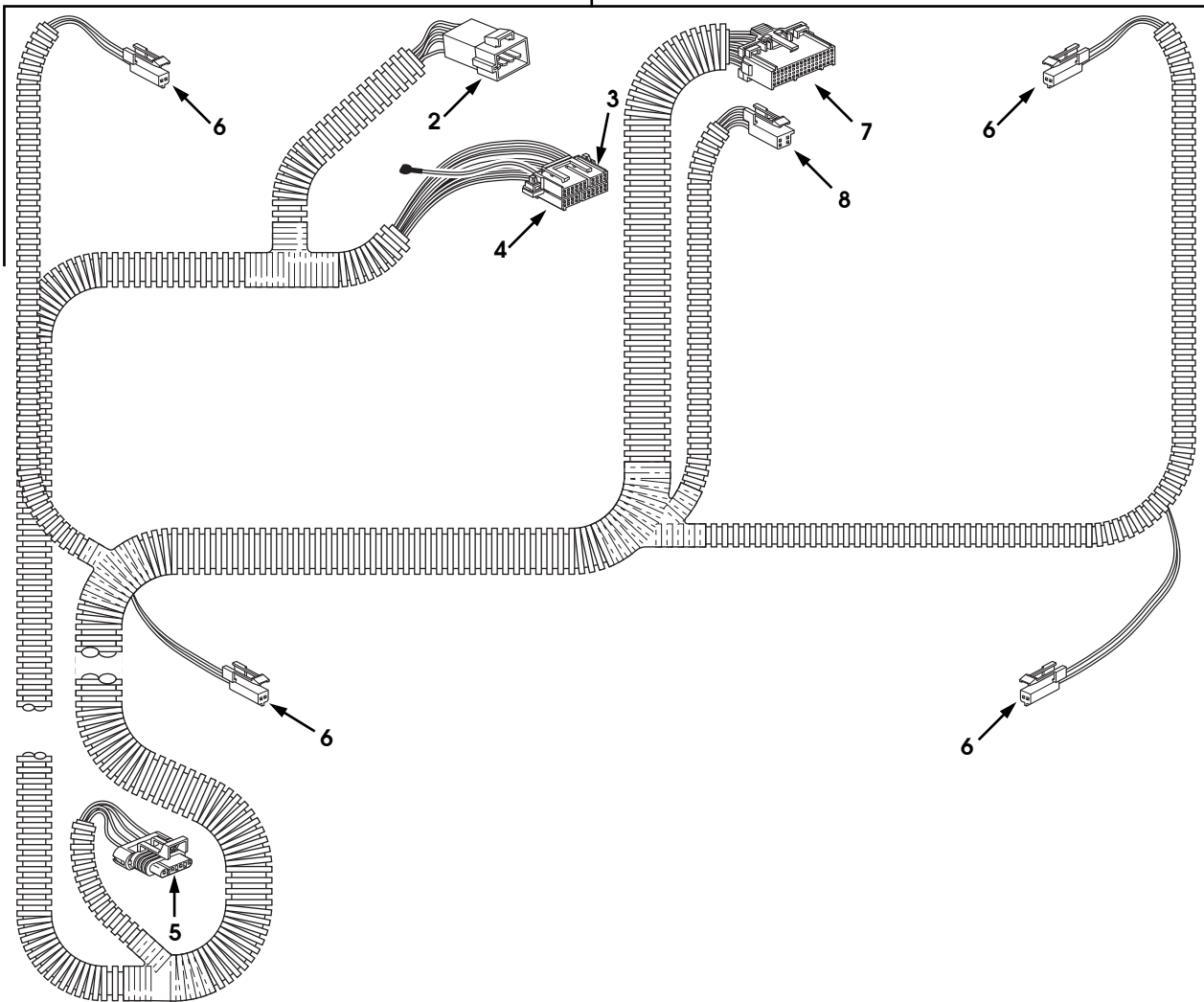
ELECTRICAL 12-69.2

ITEM	PART NUMBER	DESCRIPTION	QTY
		<p>Figure 12-30.1 Delco Standard Stereo Harness, Four - Speaker, Hard Top, Models 83 & 84.</p>	
1	6009157	HARNESS ASSEMBLY, Delco standard stereo, four- speaker , hard top (On VIN VE176477 and up)	1
2	6008670	•CONNECTOR, body harness (On VIN VE176477 and up)	1
3	6009361	•CONNECTOR, radio (On VIN VE176477 and up)	1
4	6009360	•CONNECTOR, radio (On VIN VE176477 and up)	1
5	6009363	•CONNECTOR, speaker (On VIN VE176477 and up) . .	4

5-1-97

1997 HUMMER PARTS CATALOG

12-69.3 ELECTRICAL



7-P12-002

Figure 12-30.2 Delco Monsoon Stereo System Harness, Hard Top, Models 83 & 84

1997 HUMMER PARTS CATALOG

5-1-97

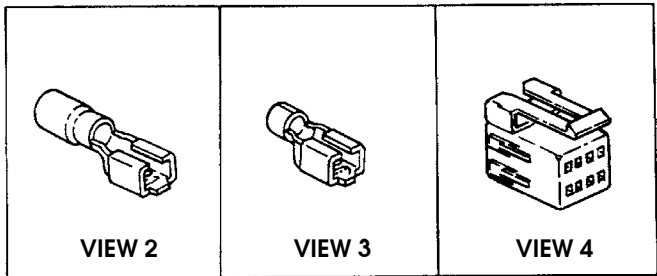
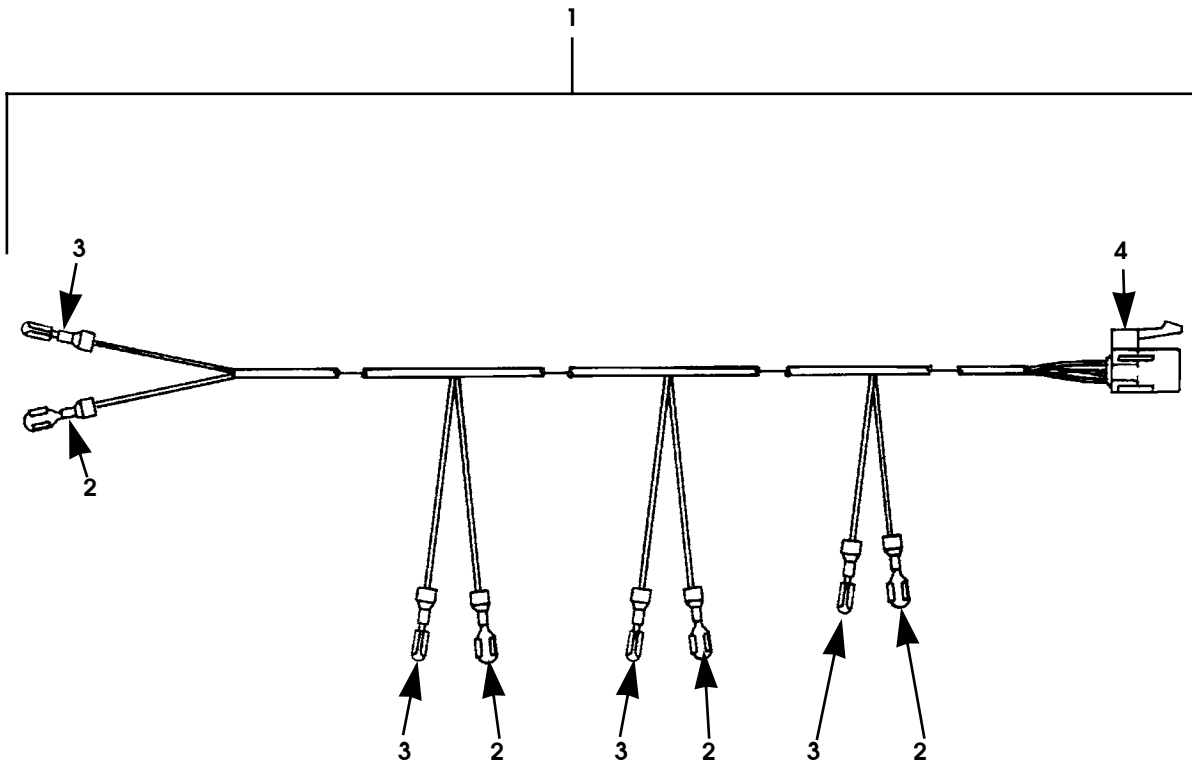
ELECTRICAL 12-69.4

ITEM	PART NUMBER	DESCRIPTION	QTY
		Figure 12-30.2 Delco Monsoon Stereo System Harness, Hard Top, Models 83 & 84	
1	6009158	HARNESS ASSEMBLY, Delco Monsoon stereo, (On . . . VIN VE176477 and up)	1
2	6008670	•CONNECTOR, body harness (On VIN VE176477 and up)	1
3	6009361	•CONNECTOR, radio (On VIN VE176477 and up)	1
4	6009360	•CONNECTOR, radio (On VIN VE176477 and up)	1
5	6009362	•CONNECTOR, subwoofer (On VIN VE176477 and up)	1
6	6009363	•CONNECTOR, speaker (On VIN VE176477 and up) . .	4
7	6004450	•CONNECTOR, amplifier (On VIN VE176477 and up) .	1
8	5939598	•CONNECTOR, center-mount speakers (On VIN VE176477 and up)	1

5-1-97

1997 HUMMER PARTS CATALOG

12-70 ELECTRICAL



P12-030

Figure 12-31. Clarion Stereo Harness, Open Top, Model 90.

1997 HUMMER PARTS CATALOG

5-1-97

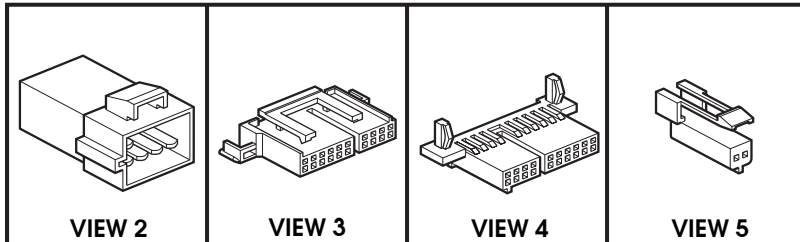
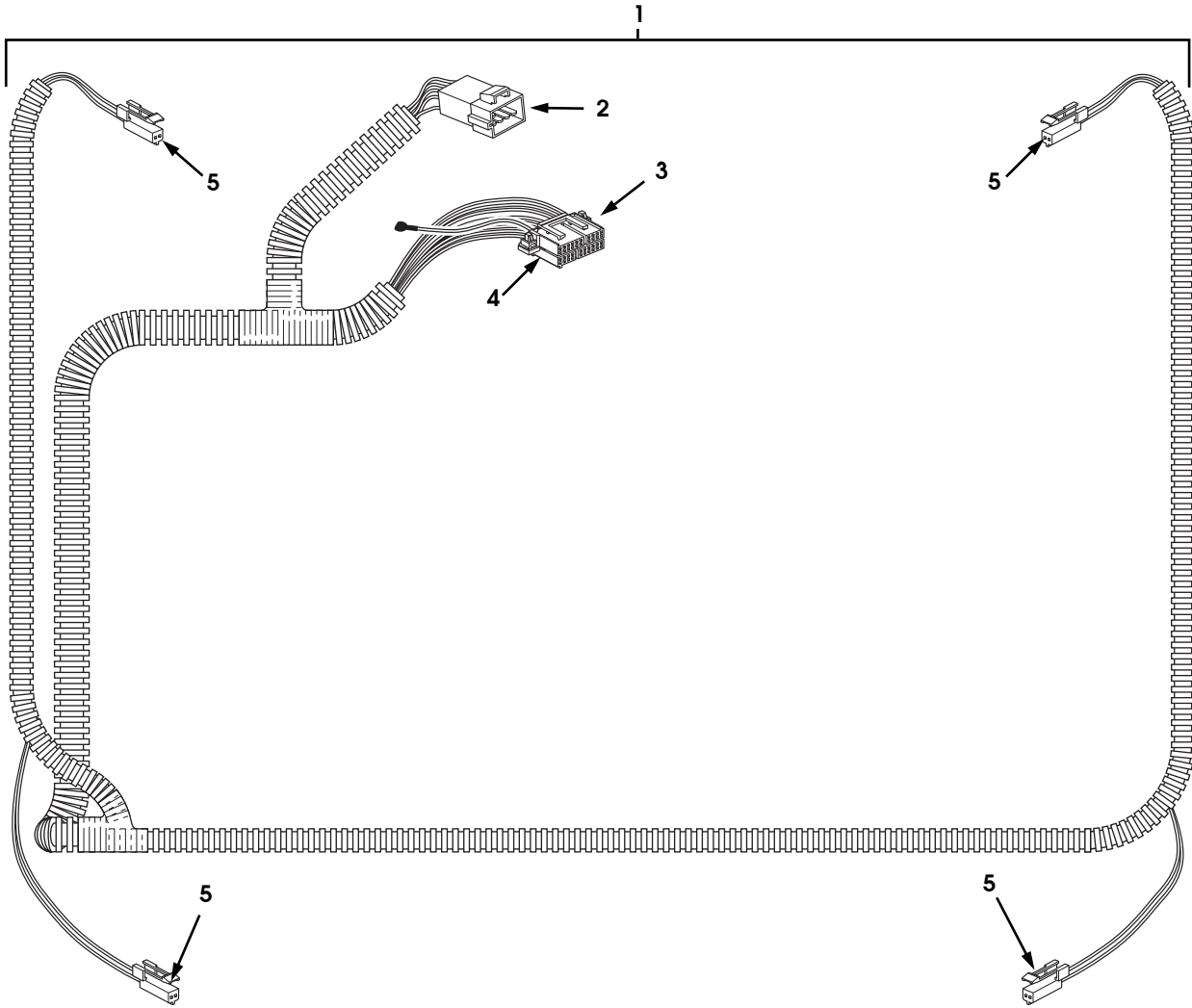
ELECTRICAL 12-71

ITEM	PART NUMBER	DESCRIPTION	QTY
		Figure 12-31. Clarion Stereo Harness, Open Top, Model 90.	
1	6001046	HARNESS ASSEMBLY, audio system	1
2	N/S	•TERMINAL, speaker	4
3	N/S	•TERMINAL, speaker	4
4	6000808	•CONNECTOR, radio.	1

5-1-97

1997 HUMMER PARTS CATALOG

12-71.1 ELECTRICAL



7-P12-003

Figure 12-31.1 Delco Standard Stereo Harness, Four-Speaker, Open Top, Model 90

1997 HUMMER PARTS CATALOG

5-1-97

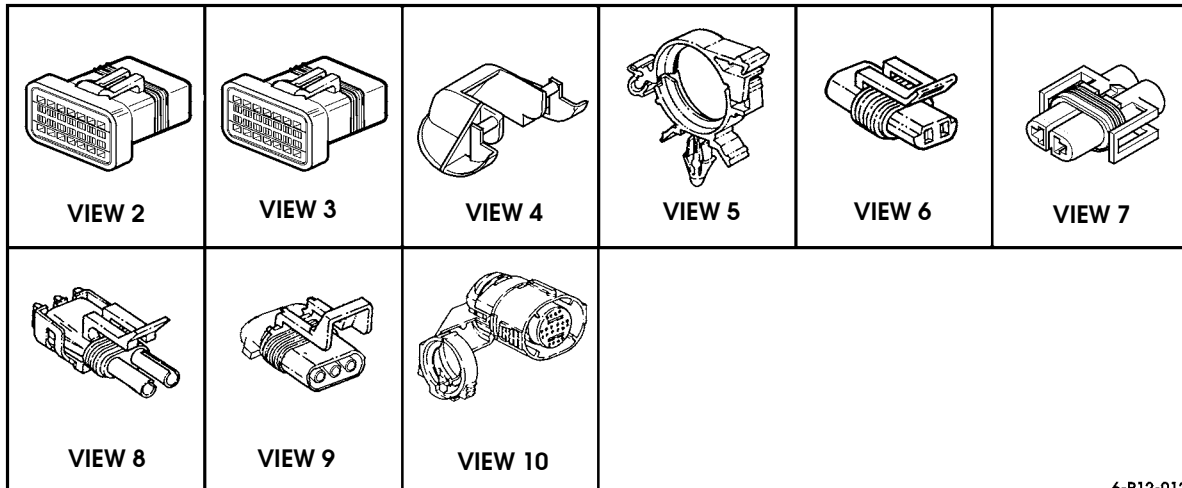
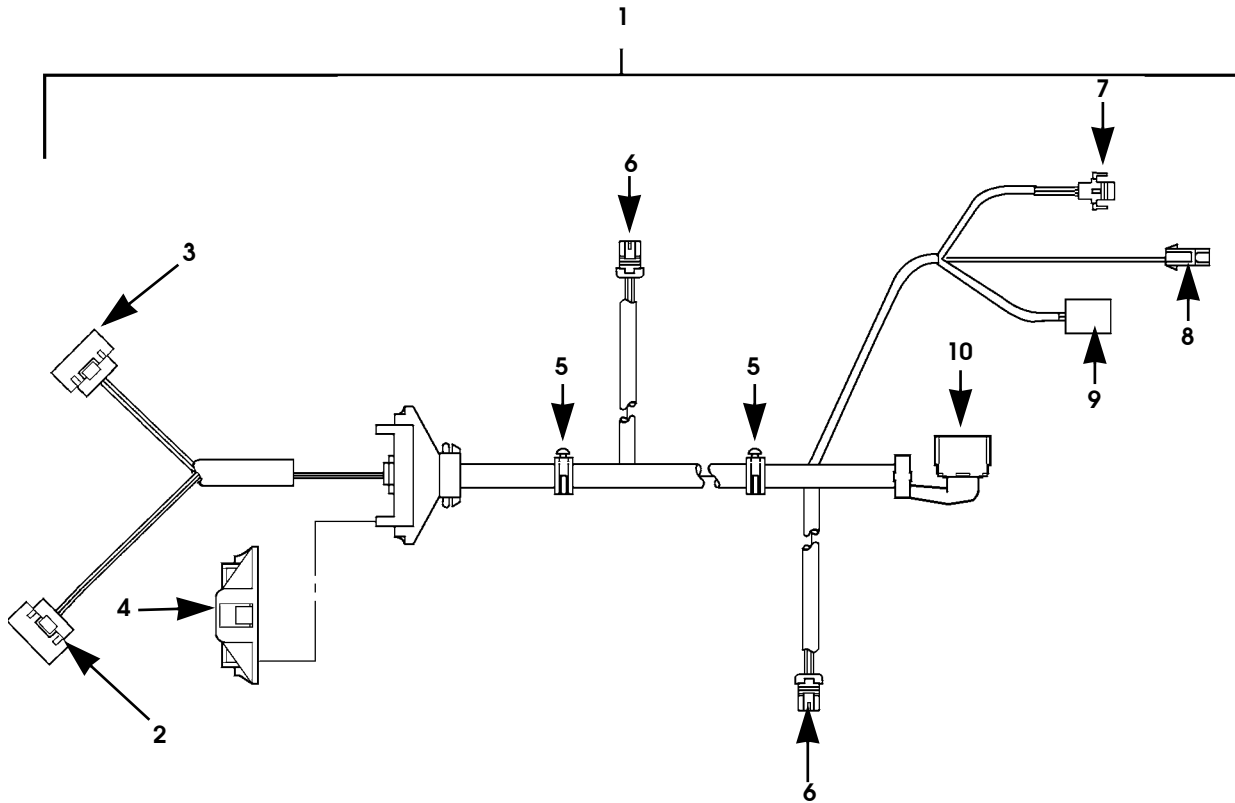
ELECTRICAL 12-71.2

ITEM	PART NUMBER	DESCRIPTION	QTY
		Figure 12-31.1 Delco Standard Stereo Harness, Four-Speaker, Open Top, Model 90	
1	6009159	HARNESS ASSEMBLY, Delco standard stereo, four-speaker, open top, (On VIN VE176477 and up) . .	1
2	6008670	•CONNECTOR, body harness (On VIN VE176477 and up)	1
3	6009361	•CONNECTOR, radio (On VIN VE176477 and up)	1
4	6009360	•CONNECTOR, radio (On VIN VE176477 and up)	1
5	6009363	•CONNECTOR, speaker (On VIN VE176477 and up) . .	4

6-1-99

1997 HUMMER PARTS CATALOG

12-72 ELECTRICAL



6-P12-012.3

Figure 12-32. Transmission Harness Assembly.

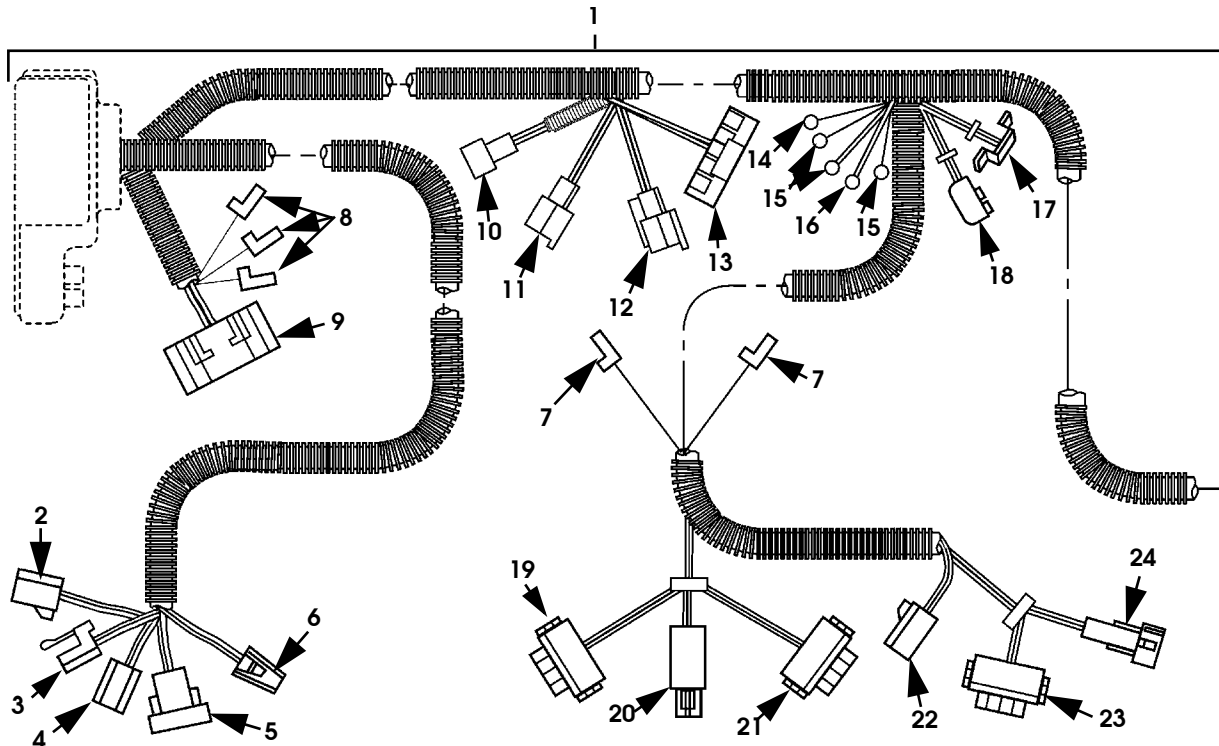
1997 HUMMER PARTS CATALOG

6-1-99

ELECTRICAL 12-73

ITEM	PART NUMBER	DESCRIPTION	QTY
		Figure 12-32. Transmission Harness Assembly.	
1	6006760	HARNESS ASSEMBLY, transmission	1
2	6003256	•CONNECTOR, control harness	1
3	6006766	•CONNECTOR, control harness	1
4	6003033	•CLIP, hardshell grommet	1
5	6006892	•CLIP, convoluted tubing	2
6	6003235	•CONNECTOR, transmission input speed sensor	2
7	6005118	•CONNECTOR, vehicle speed sensor	1
8	6003280	•CONNECTOR, transfer case lock switch	1
9	6004449	•CONNECTOR, transfer range switch	1
10	6003237	•CONNECTOR, transmission	1

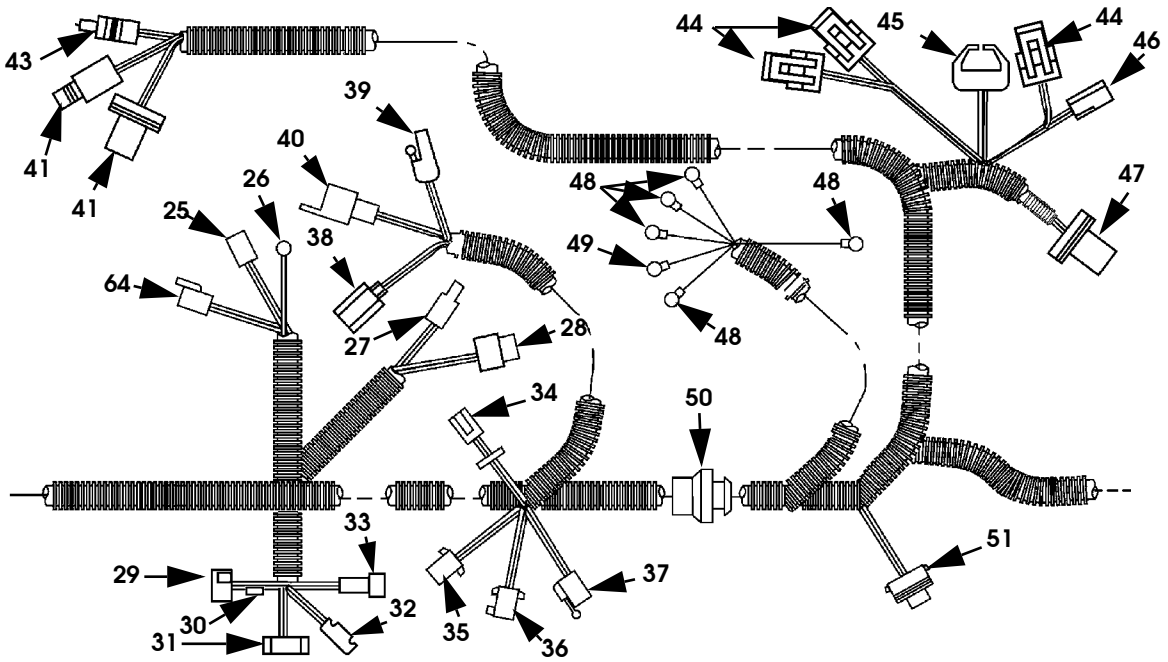
12-74 ELECTRICAL

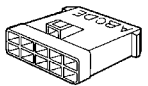
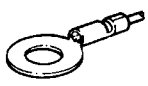
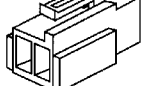
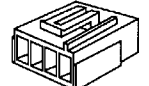
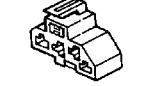

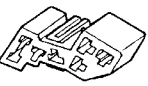

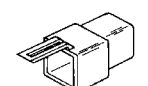
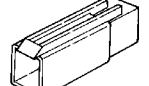



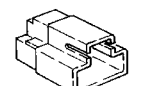
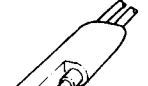
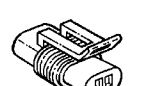
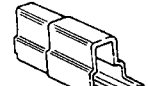
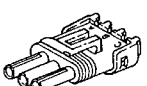
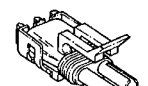
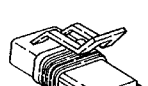

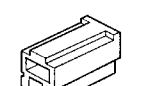
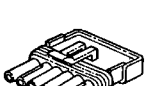
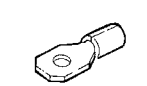
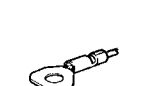

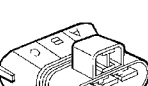


VIEW 2	VIEW 3	VIEW 4	VIEW 5	VIEW 6	VIEW 7
VIEW 8	VIEW 9	VIEW 10	VIEW 11	VIEW 12	VIEW 13
VIEW 14	VIEW 15	VIEW 16	VIEW 17	VIEW 18	VIEW 19
VIEW 20	VIEW 21	VIEW 22	VIEW 23	VIEW 24	

6-P12-013.1

Figure 12-33. Body Harness (Sheet 1 of 3).

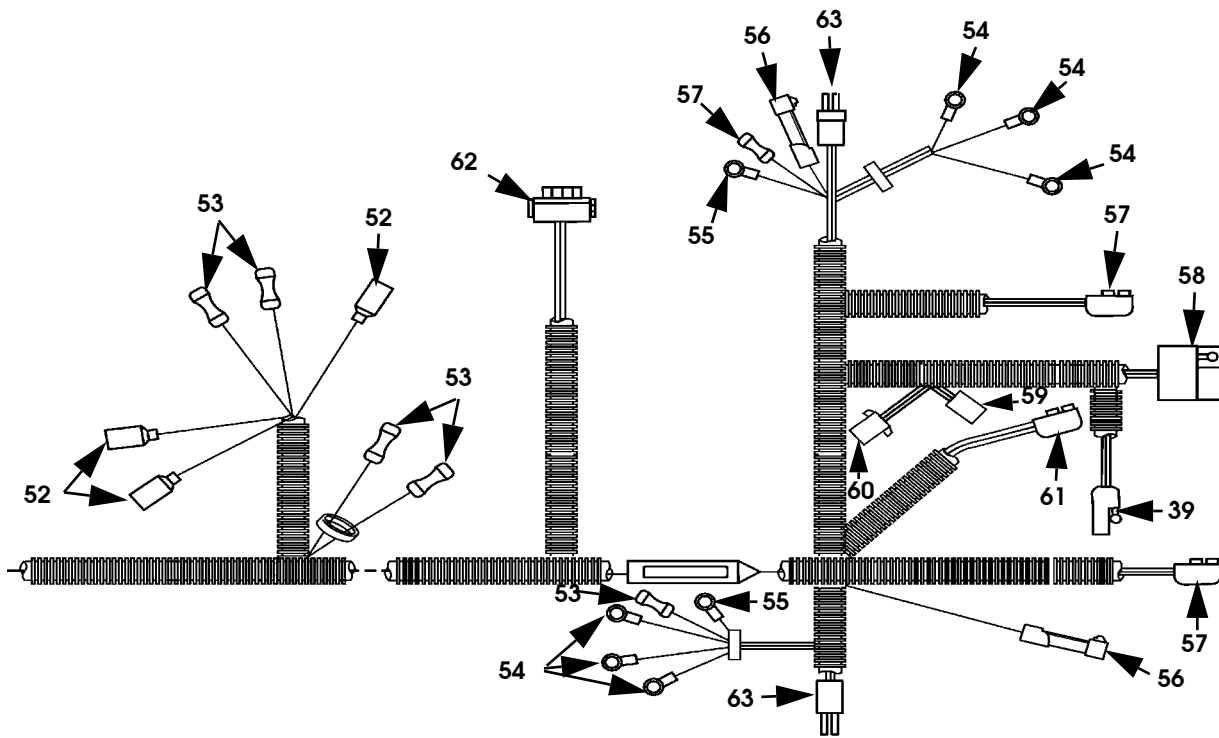


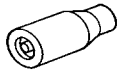

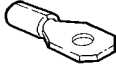

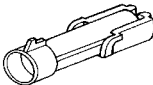

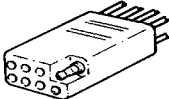
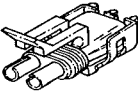
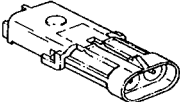
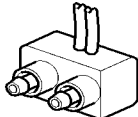
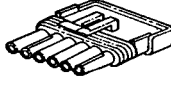
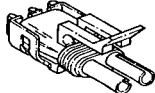
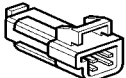
 VIEW 25	 VIEW 26	 VIEW 27	 VIEW 28	 VIEW 29	 VIEW 30
 VIEW 31	 VIEW 32	 VIEW 33	 VIEW 34	 VIEW 35	 VIEW 36
 VIEW 37	 VIEW 38	 VIEW 39	 VIEW 40	 VIEW 41	 VIEW 42
 VIEW 43	 VIEW 44	 VIEW 45	 VIEW 46	 VIEW 47	 VIEW 48
 VIEW 49	 VIEW 50	 VIEW 51			

6-P12-014 .2

Figure 12-33. Body Harness (Sheet 2 of 3).

12-76 ELECTRICAL



					
VIEW 52	VIEW 53	VIEW 54	VIEW 55	VIEW 56	VIEW 57
					
VIEW 58	VIEW 59	VIEW 60	VIEW 61	VIEW 62	VIEW 63
					
VIEW 64					

6-P12-015.2

Figure 12-33. Body Harness.
(Sheet 3 of 3).

1997 HUMMER PARTS CATALOG

6-1-99

ELECTRICAL 12-77

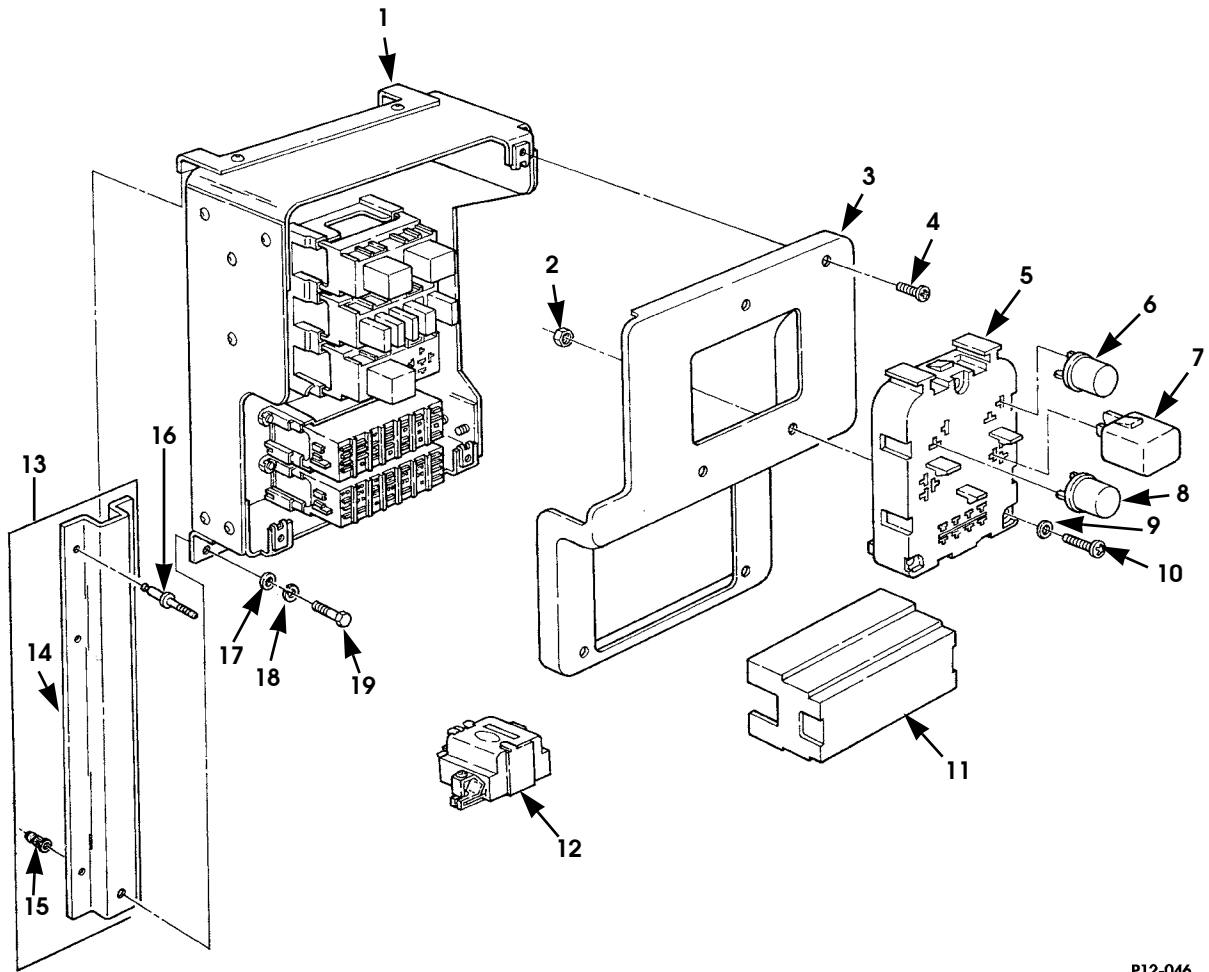
ITEM	PART NUMBER	DESCRIPTION	QTY
		Figure 12-33. Body Harness.	
1	6008679	BODY HARNESS ASSEMBLY	1
2	6000261	•CONNECTOR, HVAC control	1
3	5939598	•CONNECTOR, heated windshield harness	1
4	6004851	•CONNECTOR, remote entry option.	1
5	6002769	•CONNECTOR, audio harness	1
6	5962328	•CONNECTOR, engine console.	1
7	5903092	•CONNECTOR, power windows and door locks	1
8	5903092	•CONNECTOR, spare circuit	2
9	6004877	•CONNECTOR, key, seatbelt and headlight warning chime	1
10	5939085	•CONNECTOR, roof harness.	1
11	5995809	•CONNECTOR, roof harness.	1
12	5939964	•CONNECTOR, roof harness.	1
13	6007379	•CONNECTOR, instrument panel harness	1
14	N/S	•TERMINAL RING, instrument panel ground point	1
15	N/S	•TERMINAL RING, instrument panel ground point	3
16	N/S	•TERMINAL RING, instrument panel ground point	1
17	6003224	•CONNECTOR, courtesy light	1
18	5937021	•CONNECTOR, courtesy light	1
19	5939898	•CONNECTOR, light switch	1
20	5937060	•CONNECTOR, panel lamp dimmer	1
21	5939900	•CONNECTOR, dome lamp switch	1
22	6000261	•CONNECTOR, washer switch	1
23	5939891	•CONNECTOR, wiper switch	1
24	6000135	•CONNECTOR, wiper switch illumination	1
25	6004845	•CONNECTOR, cruise control	1
26	N/S	•TERMINAL RING, steering column ground	1
27	6003221	•CONNECTOR, brake switch.	1
28	6003223	•CONNECTOR, brake switch.	1
29	6000142	•CONNECTOR, turn signal switch.	1
30	5939154	•CONNECTOR, turn signal switch	1
31	6000134	•CONNECTOR, turn signal switch	1
32	6000143	•CONNECTOR, ignition switch	1
33	6000141	•CONNECTOR, key contact.	1
34	6000150	•CONNECTOR, CTI harness	1
35	6007406	•CONNECTOR, CTI harness	1
36	6007380	•CONNECTOR, CTI harness	1
37	5937094	•CONNECTOR, CTI harness	1

6-1-99

1997 HUMMER PARTS CATALOG

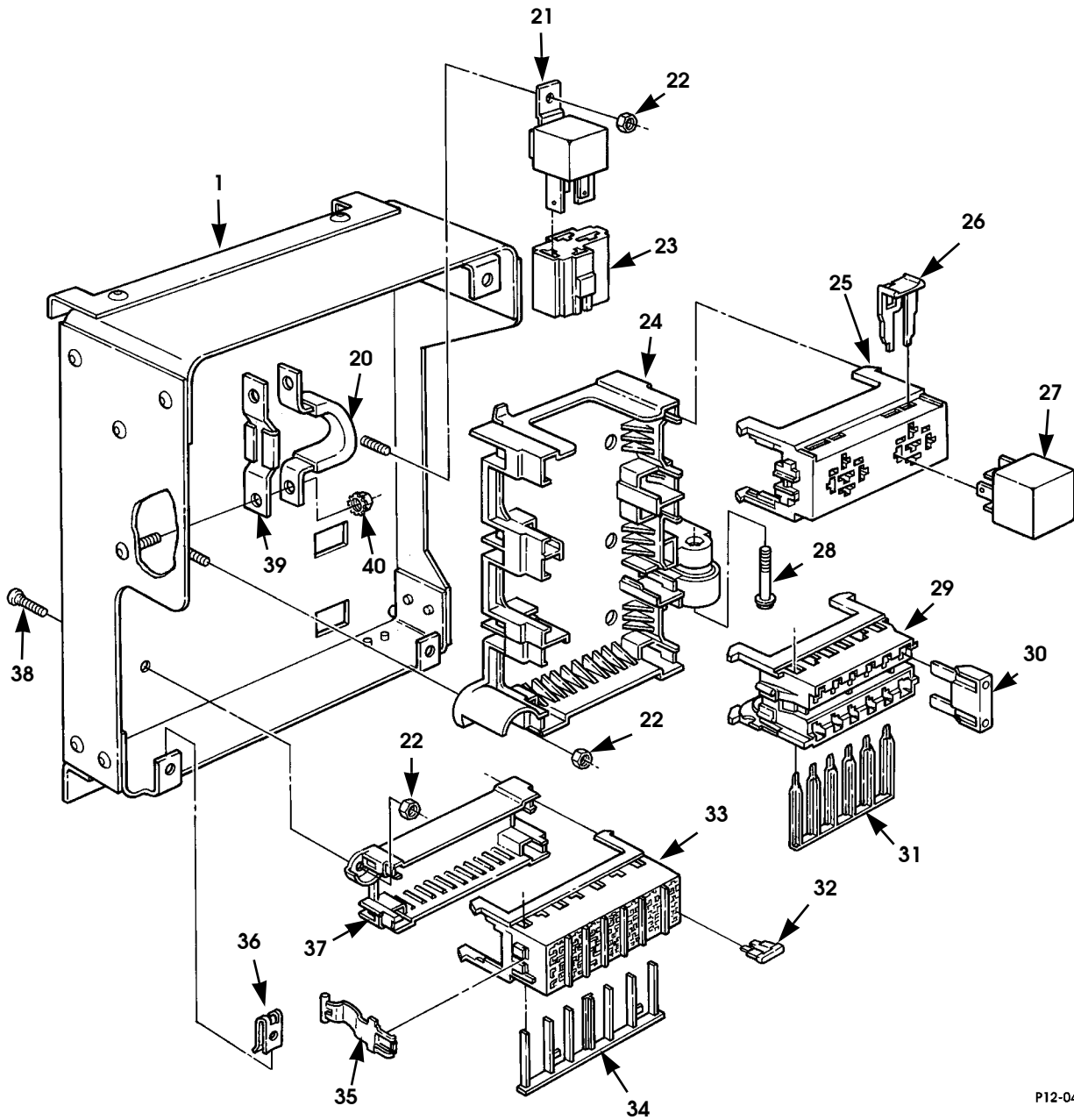
12-78 ELECTRICAL

ITEM	PART NUMBER	DESCRIPTION	QTY
		Figure 12-33. Body Harness. (Cont'd)	
38	5962328	•CONNECTOR, windshield wiper motor	2
39	5583612	•CONNECTOR, front and rear identification lamps. .	2
40	5936490	•CONNECTOR, windshield wiper motor	1
41	5995715	•CONNECTOR, hood harness	1
42	6003941	•CONNECTOR, hood harness	2
43	6003280	•CONNECTOR ambient temperature.	1
44	5939567	•CONNECTOR, horns and trouble light	3
45	5589171	•CONNECTOR, brake warning valve.	1
46	5937156	•CONNECTOR, windshield washer pump.	1
47	6005620	•CONNECTOR, CTI option	1
48	N/S	•TERMINAL RING, engine harness	5
49	N/S	•TERMINAL RING, engine harness	1
50	6000147	•GROMMET, engine harness	1
51	6007404	•CONNECTOR, engine harness.	1
52	MS27142-3	•CONNECTOR, backup switch, shifter illumination . .	3
53	MS27144-2	•CONNECTOR, neutral switch, parking brake switch	6
54	N/S	•TERMINAL RING	6
55	N/S	•TERMINAL RING, side marker lamp	1
56	5939237	•CONNECTOR, tail light.	2
57	5937021	•CONNECTOR, clearance lamp	1
58	5937038	•CONNECTOR, trailer connector.	1
59	6005581	•CONNECTOR, auxiliary fuel sender	1
60	5939599	•CONNECTOR, auxiliary fuel pump.	1
61	5937039	•CONNECTOR, license plate lamp	1
62	6005582	•CONNECTOR, main fuel tank	1
63	6003280	•CONNECTOR, tail light.	2
64	5939154	•CONNECTOR, cruise control.	1



P12-046

Figure 12-34. Fuse Box Panel, Convenience Center, and Mounting Hardware
(Sheet 1 of 2)



P12-047

Figure 12-34. Fuse Box Panel, Convenience Center, and Mounting Hardware
(Sheet 2 of 2).

1997 HUMMER PARTS CATALOG

6-1-99

ELECTRICAL 12-81

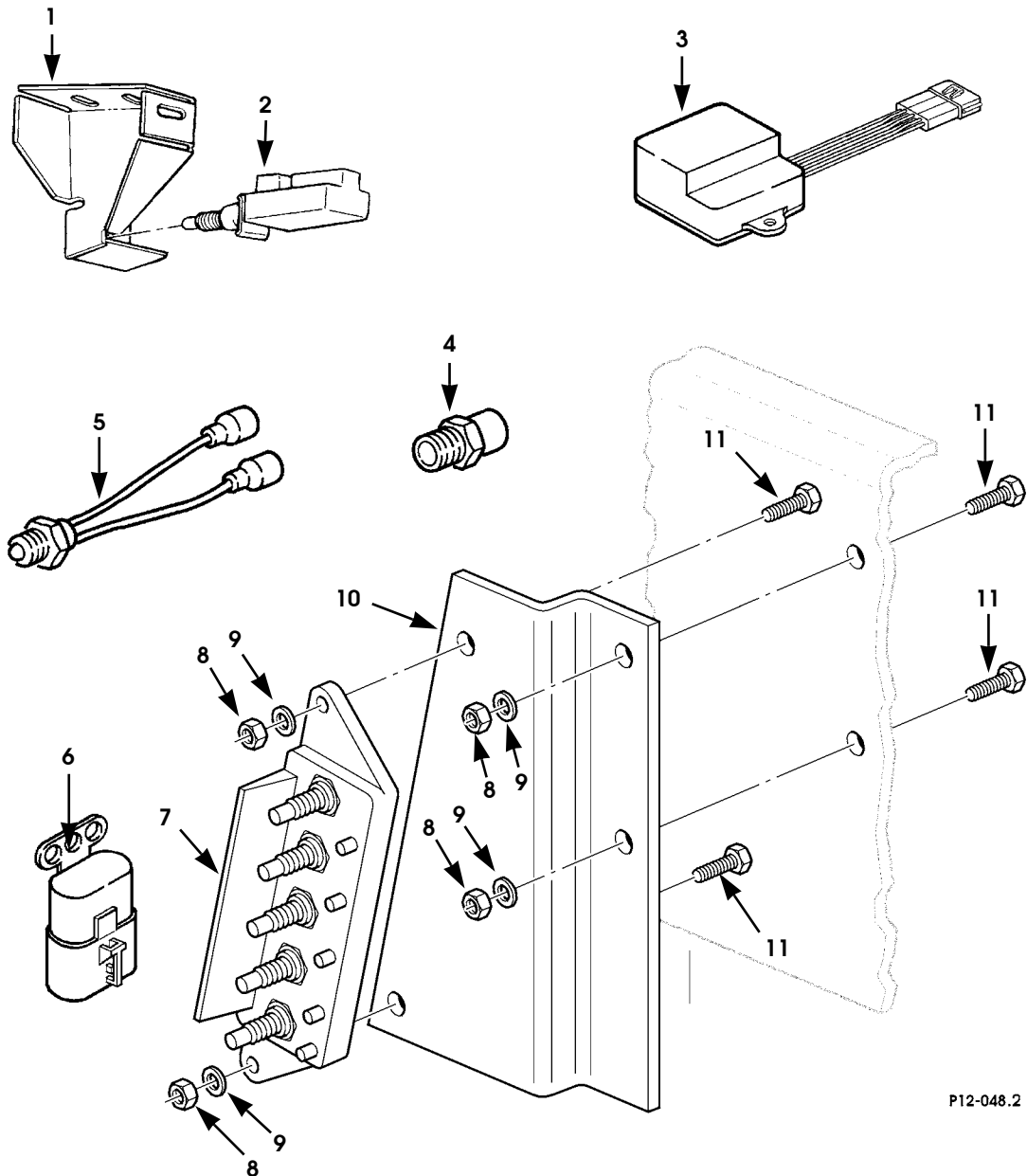
ITEM	PART NUMBER	DESCRIPTION	QTY
		Figure 12-34. Fuse Box Panel, Convenience Center, and Mounting Hardware	
1	5939907B2	FUSE BOX BASE	1
2	N/S	NUT, #8-32 w/washer-keps	3
3	5939901	FUSE BOX COVER	1
4	N/S	SCREW, #10-24 x .5" PH w/washer	3
5	5939288	CONVENIENCE CENTER	1
6	5939639	HAZARD FLASHER	1
6	5939639	TURN SIGNAL FLASHER, heavy-duty (use when towing a trailer)	1
7	5939375	HORN RELAY	1
8	5939640	TURN SIGNAL FLASHER	1
9	9419664	WASHER, flat #8	3
10	N/S	SCREW, #8-32 x 1.5" ph mach.	3
11	5939722	COVER, mini fuse block.	1
12	6004890	MODULE, chime.	1
13	5939908	BRACKET ASSEMBLY, fuse box mounting	2
14	5939913	•BRACKET, fuse box.	1
15	5939712	•NUT, insert, #10-24.	2
16	N/S	RIVET ASSEMBLY, 3/16" Dia. blind	16
17	N/S	WASHER, flat, #10 sae ZN	2
18	N/S	LOCKWASHER, #10 ZN med	2
19	N/S	SCREW 10-24 x 5/8 ZN hex mach.	2
20	6000745	STRAP, clamp	1
21	5939379	RELAY, power S.P.S.T.	1
22	N/S	LOCKNUT, #10-24 cad, nylon insert	4
23	5743831	SOCKET ASSEMBLY, relay	1
24	5939292	BASE ASSEMBLY, 3 modules.	1
25	5939296	DUAL RELAY BLOCK.	2
26	5939297	SECONDARY LOCK, relay	1
27	5939315	RELAY, S.P.D.T.	3
28	5939294	SCREW, hex head	1
29	5939293	FUSE BLOCK, maxi	1
30	5939355	MAXI CIRCUIT BREAKER, automatic reset, 20-amp	1
30	5939440	MAXI CIRCUIT BREAKER, automatic reset, 30-amp	1
30	5939410	MAXI FUSE, 20-amp	1
30	5939411	MAXI FUSE, 30-amp	1
30	5939412	MAXI FUSE, 40-amp	1
31	5939295	SECONDARY LOCK, maxi fuse	1
32	5939402	MINI FUSE, 5-amp	7
32	5939403	MINI FUSE, 7.5-amp	5

6-1-99

1997 HUMMER PARTS CATALOG

12-82 ELECTRICAL

ITEM	PART NUMBER	DESCRIPTION	QTY
		Figure 12-34. Fuse Box Panel, Convenience Center, and Mounting Hardware (Cont'd)	
32	5939404	MINI FUSE, 10-amp	2
32	5939405	MINI FUSE, 15-amp	5
32	5939406	MINI FUSE, 20-amp	2
32	5939407	MINI FUSE, 25-amp	1
32	5939408	MINI FUSE, 30-amp	1
33	5939290	FUSE BLOCK, mini	2
34	5939291	SECONDARY LOCK, mini-fuse	2
35	5939723	CLIP, fuse block cover	2
36	12339694	SPEEDNUT, U-type	3
37	5939289	BASE, 1 module	2
38	12339734-1	STUD.	7
39	6000485	CROSSBAR CLAMP	1
40	N/S	NYLON INSERT, lock #10-24	2



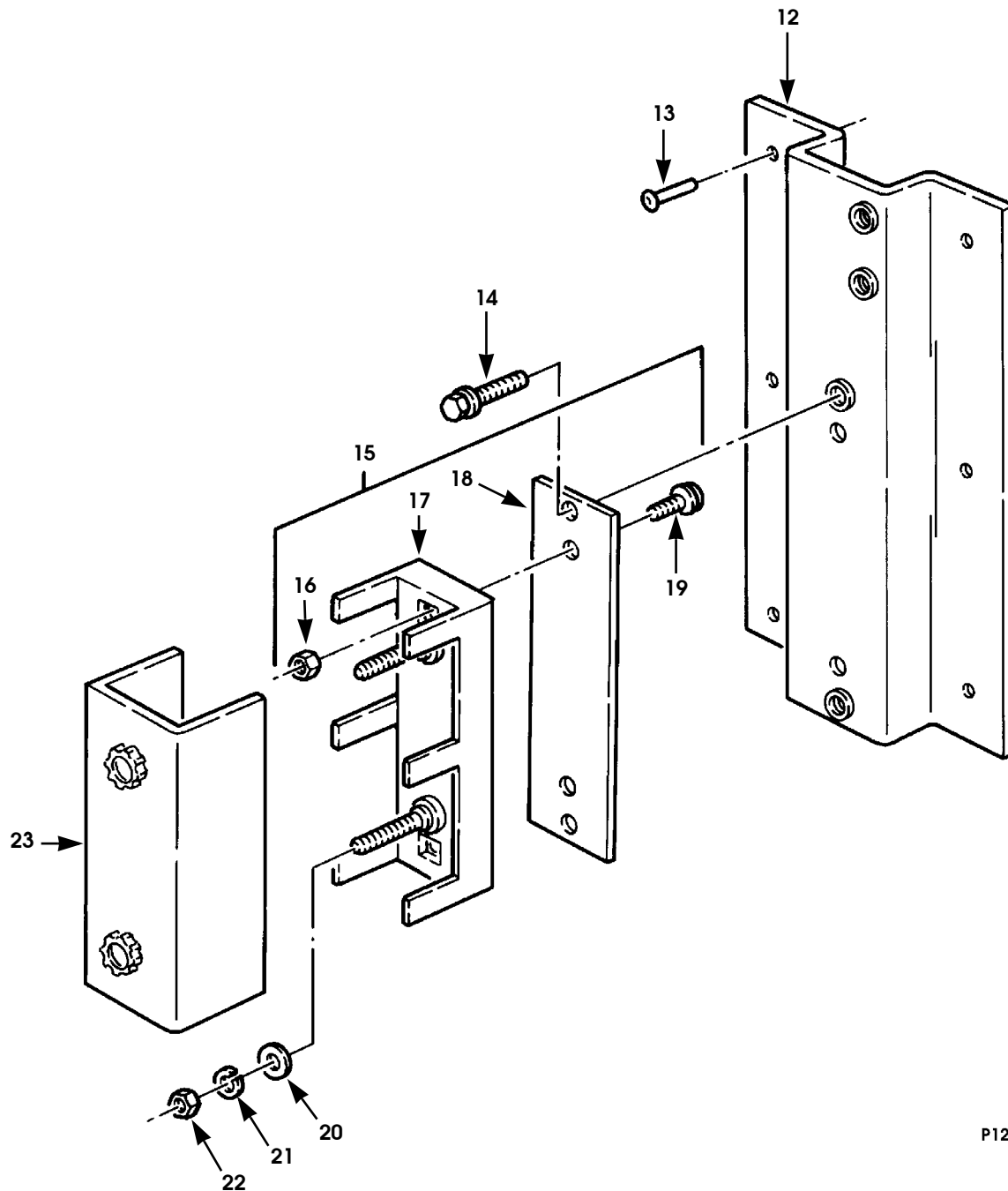
P12-048.2

Figure 12-35. Miscellaneous Electrical Items
(Sheet 1 of 2).

6-1-99

1997 HUMMER PARTS CATALOG

12-84 ELECTRICAL



P12-048

Figure 2-35. Miscellaneous Electrical Items.
(Sheet 2 of 2).

1997 HUMMER PARTS CATALOG

6-1-99

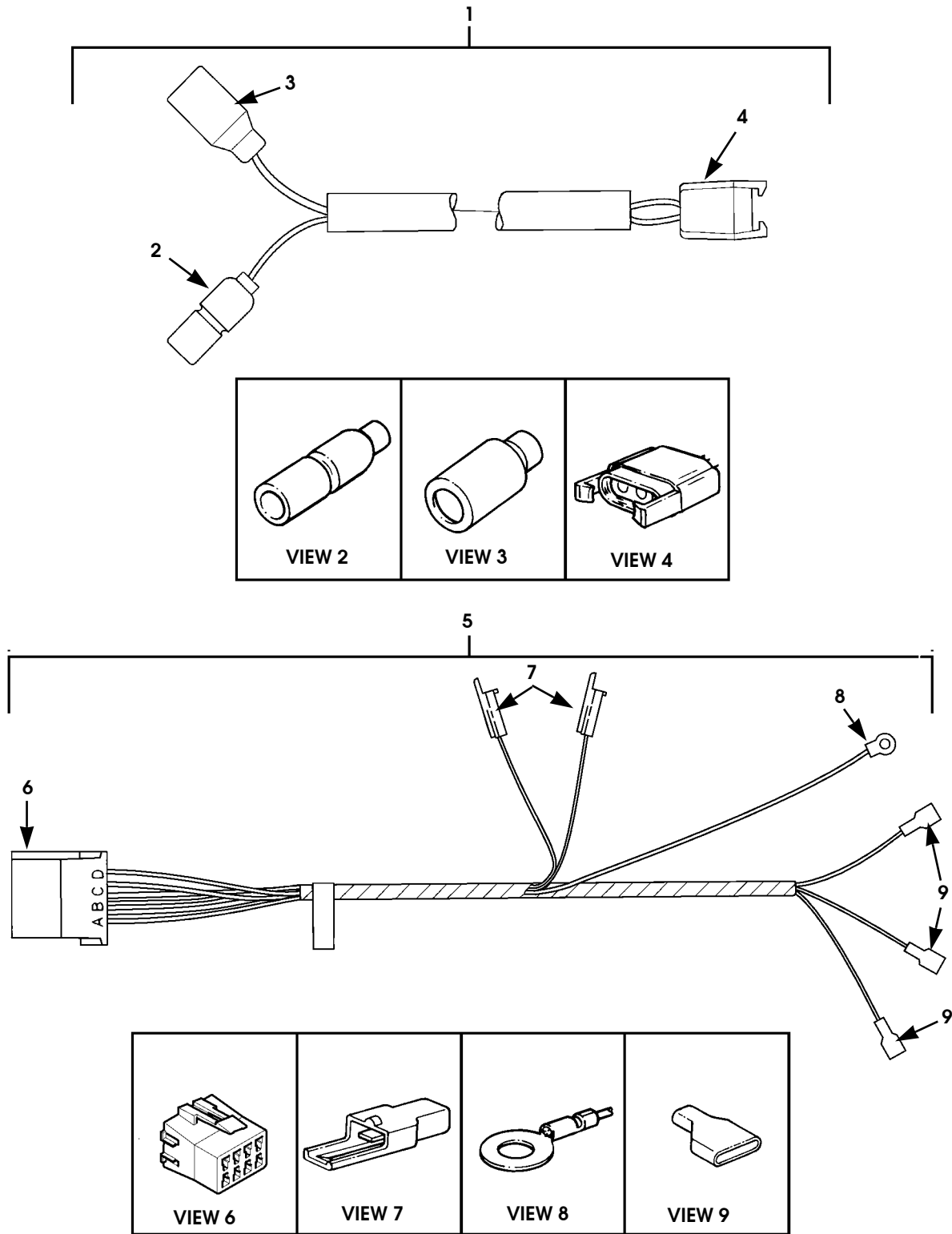
ELECTRICAL 12-85

ITEM	PART NUMBER	DESCRIPTION	QTY
		Figure 12-35. Miscellaneous Electrical Items.	
1	6002810	BRACKET, brake light switch	1
2	6002811	BRAKE SWITCH ASSEMBLY, light/cruise	1
3	6002625	MODULE, daytime running light (Canada only)	1
4	5938686	SWITCH, transfer lock.	1
5	12356704	SWITCH, parking brake	1
6	5939962	FUEL PUMP RELAY.	1
7	6007329	JUNCTION BLOCK	1
8	N/S	LOCKNUT, 1/4-20	4
9	N/S	WASHER, flat, 1/4	4
10	6007175	BRACKET, junction block mounting	1
11	N/S	BOLT, 1/4-20 x 3/4.	4
12	5939969	BRACKET, assembly	1
13	N/S	RIVET, 3/16" Dia., blind, Alum.	6
14	N/S	SCREW, 1/4"-20 x .625" GR 8, cad, hex	2
15	5939972	PLATE AND TERMINAL BOARD ASSEMBLY	1
16	MS51469-2	•NUT, #6-32	2
17	MS27212-5-2	•TERMINAL BOARD	1
18	05939971B2	•PLATE, terminal board.	1
19	9425488	•SCREW, mach., #6-32 x 1/2"	2
20	N/S	WASHER, flat 3/8" cad.	2
21	N/S	LOCKWASHER, flat, 3/8" med, stainless	2
22	N/S	NUT, hex, 3/8" -24 stainless.	2
23	MS18029-5L-2	COVER ASSEMBLY, electrical	1

6-1-99

1997 HUMMER PARTS CATALOG

12-86 ELECTRICAL



P12-050.1

Figure 12-36. Daytime Running Light Jumper and Harness.

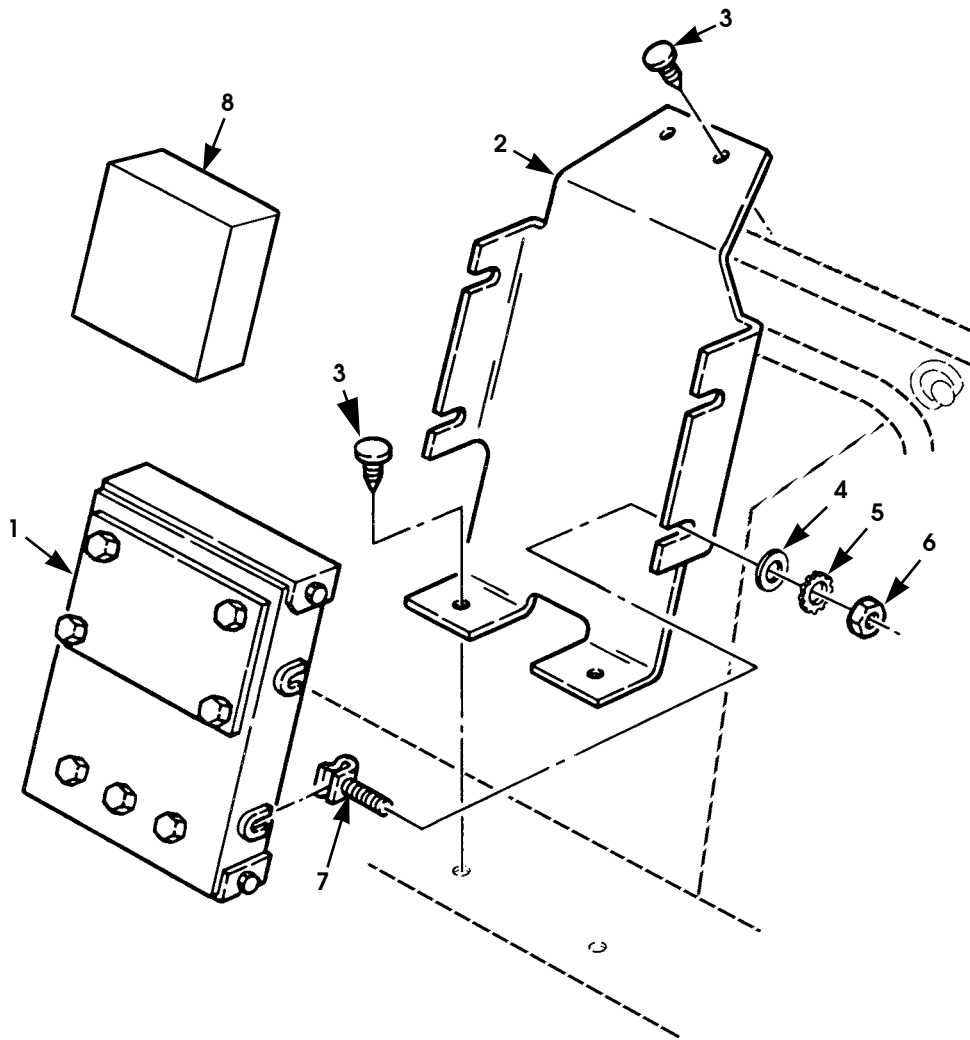
1997 HUMMER PARTS CATALOG

ELECTRICAL 12-87

ITEM	PART NUMBER	DESCRIPTION	QTY
		Figure 12-36. Daytime Running Light Jumper and Harness.	
1	6002919	JUMPER, daytime running light (Canada only)	1
2	MS27144-2	•CONNECTOR	1
3	MS27142-3	•CONNECTOR	1
4	N/S	•CONNECTOR	1
5	6002626	HARNESS, module, daytime running light (Canada only).	1
6	6002769	•CONNECTOR	1
7	6002767	•CONNECTOR	2
8	N/S	•TERMINAL, ring	1
9	6002829	•CONNECTOR	3

1997 HUMMER PARTS CATALOG

12-88 ELECTRICAL



P12A-001

Figure 12-37. PCM/TCM and Digital Ratio Adapter.

1997 HUMMER PARTS CATALOG

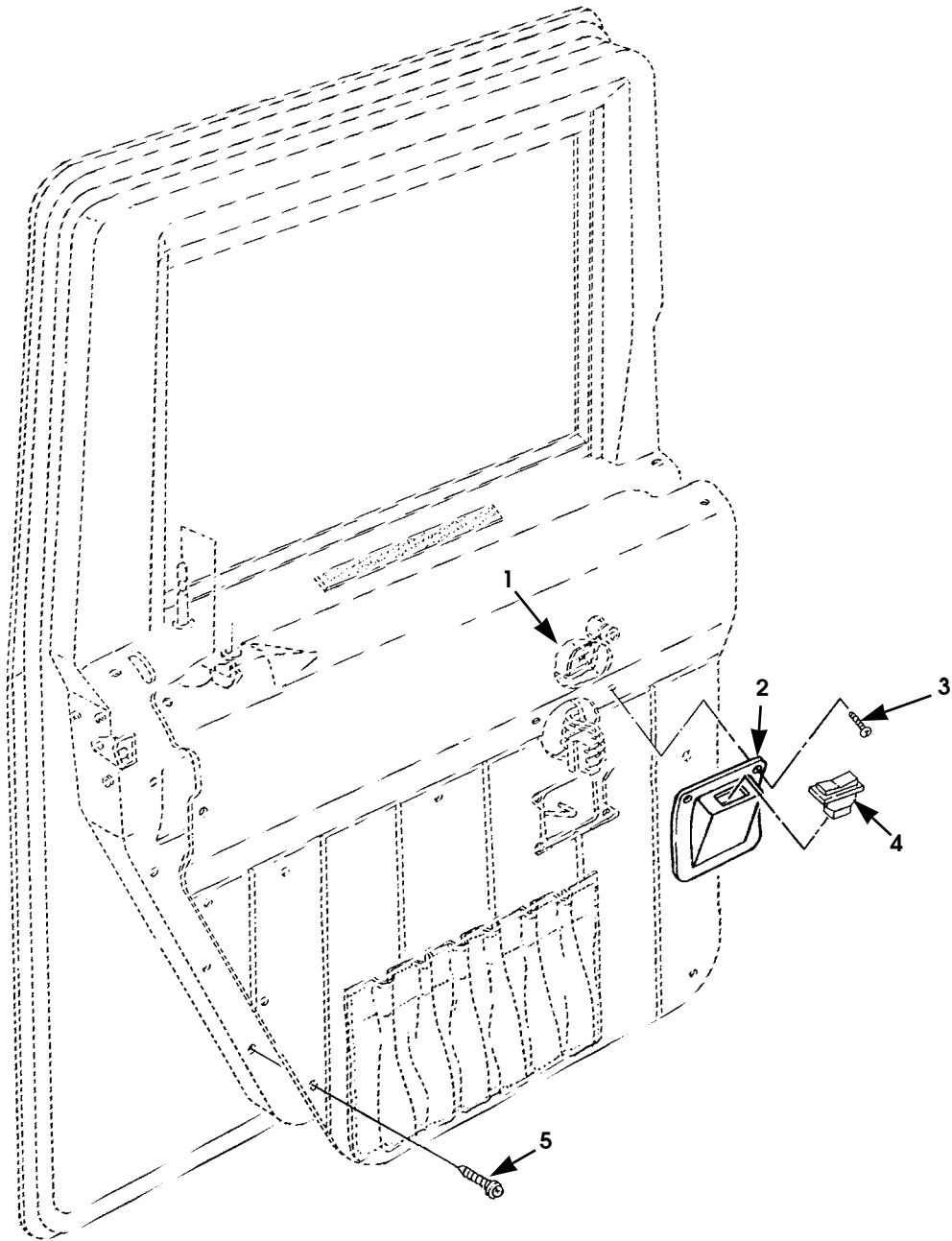
ELECTRICAL 12-89

ITEM	PART NUMBER	DESCRIPTION	QTY
		Figure 12-37. PCM/TCM and Digital Ratio Adapter.	
1	6008769	MODULE, transmission control (NA Diesel)	1
1	6008744	MODULE, powertrain control (Turbo Diesel)	1
2	6006756B2	BRACKET, transmission control module (NA Diesel)	1
2	6006755B2	BRACKET, power control module (Turbo Diesel).	1
3	6001038	TRIM, button	4
4	N/S	WASHER #10 ZN type B flat	4
5	N/S	LOCKWASHER #10	4
6	N/S	NUT 5 mm	4
7	6003831	CLIP AND STUD ASSEMBLY	4
8	6003489	ADAPTER, digital ratio	1

6-1-99

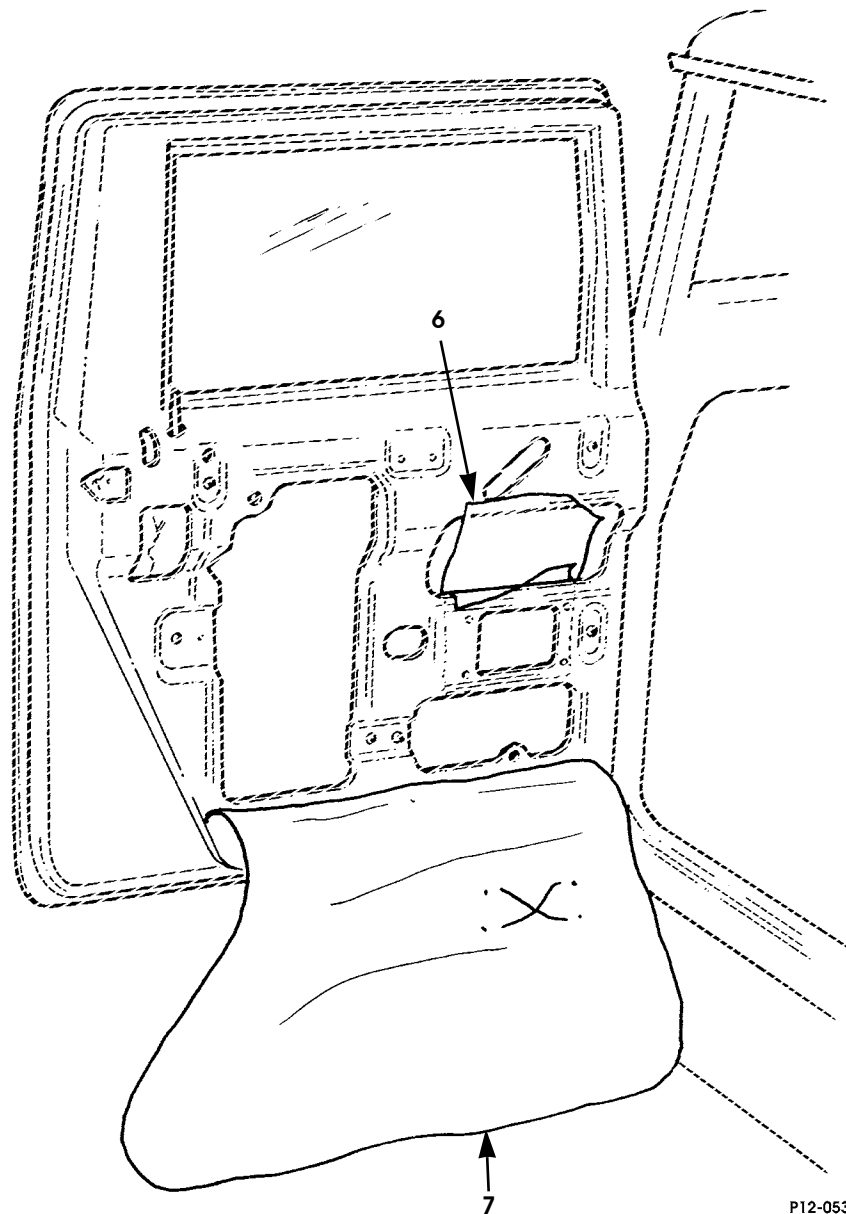
1997 HUMMER PARTS CATALOG

12-90 ELECTRICAL



P12-052

*Figure 12-38. Two-Door and Four-Door Power Door Locks
(Sheet 1 of 5)*



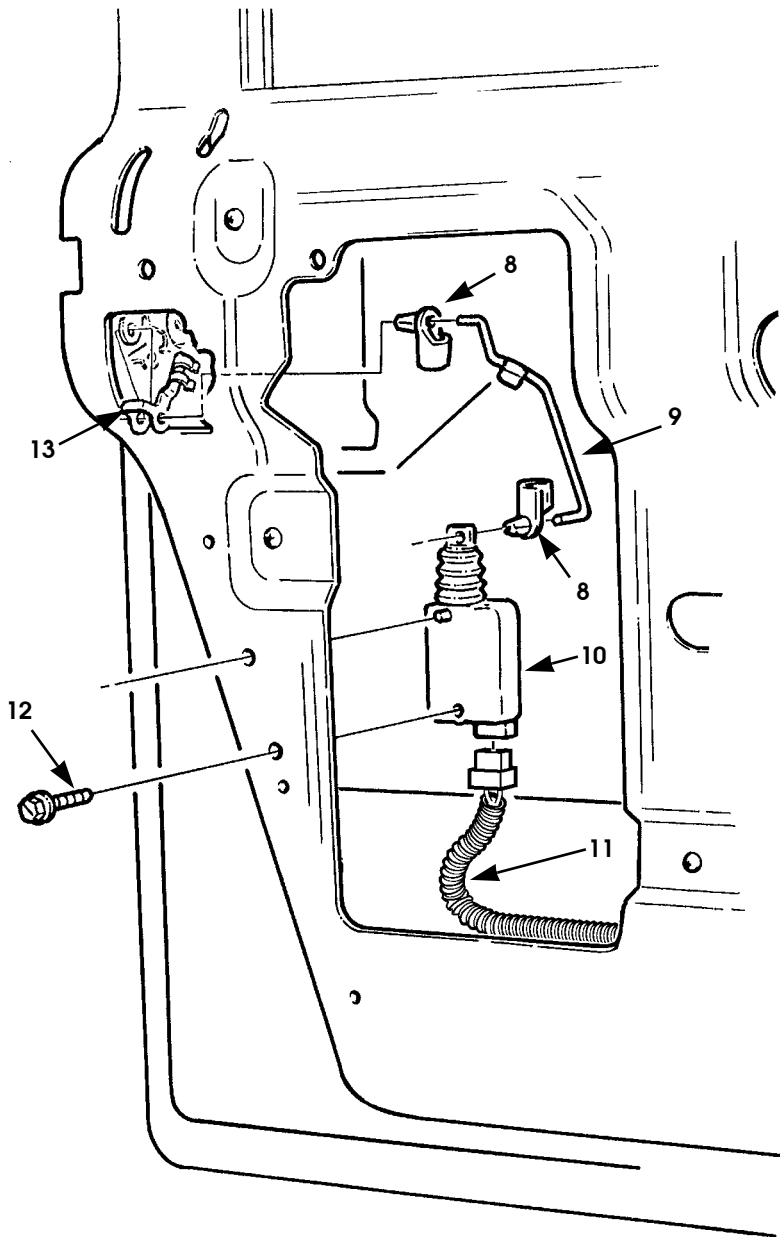
P12-053

Figure 12-38. Two-Door and Four-Door Power Door Locks (Sheet 2 of 5).

6-1-99

1997 HUMMER PARTS CATALOG

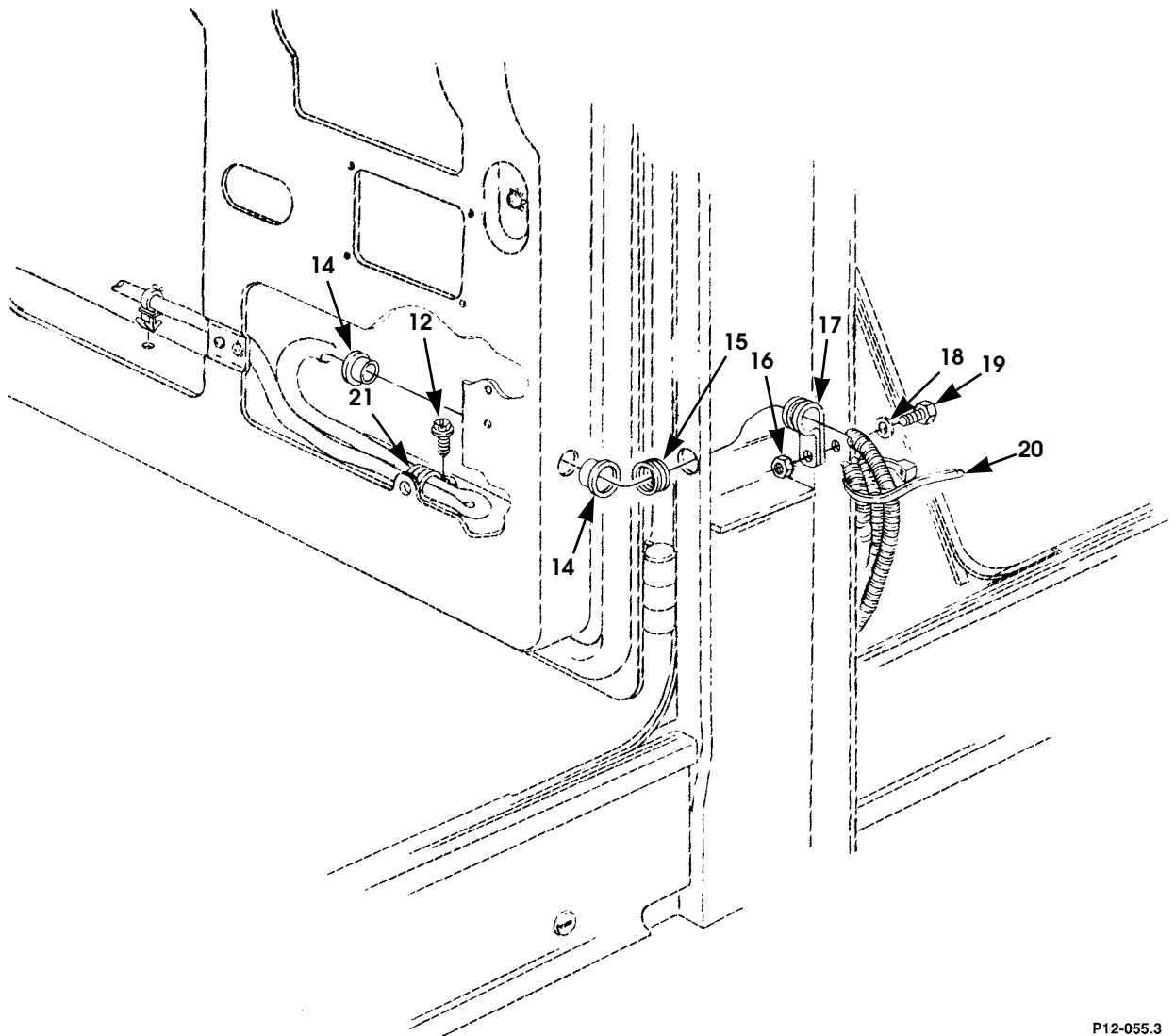
12-92 ELECTRICAL



P12-055.2

Figure 12-38. Two-Door and Four-Door Power Door Locks (Sheet 3 of 5).

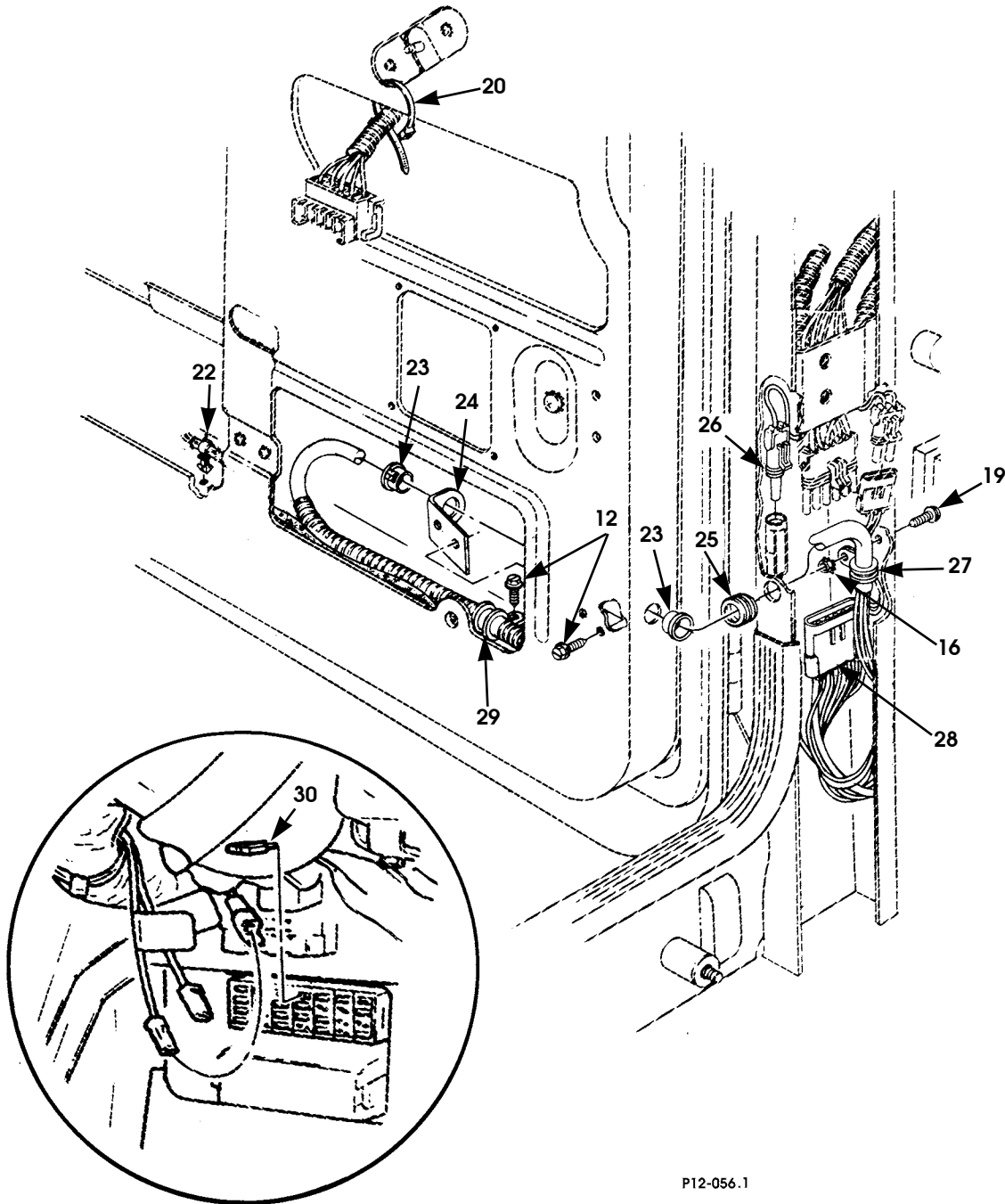
REAR DOOR



P12-055.3
(MODIFIED)

Figure 12-38. Two-Door and Four-Door Power Door Locks (Sheet 4 of 5).

FRONT DOOR



P12-056.1

Figure 12-38. Two-Door and Four-Door Power Door Locks (Sheet 5 of 5).

1997 HUMMER PARTS CATALOG

6-1-99

ELECTRICAL 12-95

ITEM	PART NUMBER	DESCRIPTION	QTY	
			4-Dr	2-Dr
Figure 12-38.				
Two-Door and Four-Door Power Door Locks				
1	6003025	SPEED NUT, J-type, #8.	8	4
2	6003023	BEZEL, door switch (single)	4	2
2	6003024	BEZEL, door switch (dual)	4	2
3	N/S	SCREW, tapping, phcr, #8 - 18 x 1/2	8	4
4	6002016	SWITCH, door lock	4	2
5	6000243G	TRIM SCREW AND WASHER ASSEMBLY, #8 -18 x 3/4, gray	28	14
5	6000243T	TRIM SCREW AND WASHER ASSEMBLY, #8 -18 x 3/4, tan	28	14
6	6001694	WATERSHIELD, door latch	4	2
7	6001623	WATERSHIELD, front, L.H.	1	1
7	6001624	WATERSHIELD, front, R.H.	1	1
7	6001625	WATERSHIELD, rear, L.H.	1	
		83, 84, 90		
7	6001626	WATERSHIELD, rear, R.H.	1	
		83, 84, 90		
8	5939037	CLIP, rod end	8	4
9	6001831	ACTUATOR ROD, front, L.H.	1	1
9	6001832	ACTUATOR ROD, front, R.H.	1	1
9	6001833	ACTUATOR ROD, rear, L.H.	1	
		83, 84, 90		
9	6001834	ACTUATOR ROD, rear, R.H.	1	
		83, 84, 90		
10	6003590	ACTUATOR, power door lock	4	2
11	6003591	HARNESS ASSEMBLY, power door lock, front door	2	2
11	6003592	HARNESS ASSEMBLY, power door lock, rear door	2	
		83, 84, 90		
12	N/S	SCREW, truss head, tapping, #8 - 18 x 5/8	16	8
13	12340003	CLIP, rod handle, L.H.	2	1
13	12340002	CLIP, rod handle, R.H.	2	1
14	6001892	BUSHING, snap.	4	
		83, 84, 90		
15	6002437	GROMMET, rubber.	2	
		83, 84, 90		
16	N/A	LOCKNUT, nylon insert, #10 - 32	4	2
17	N/A	CLAMP, cushioned 5/16"	2	
		83, 84, 90		
18	N/A	WASHER, flat, #10	2	
		83, 84, 90		
19	N/A	SCREW, hex head, #10 - 32 x 3/4, ZN	4	2

6-1-99

1997 HUMMER PARTS CATALOG

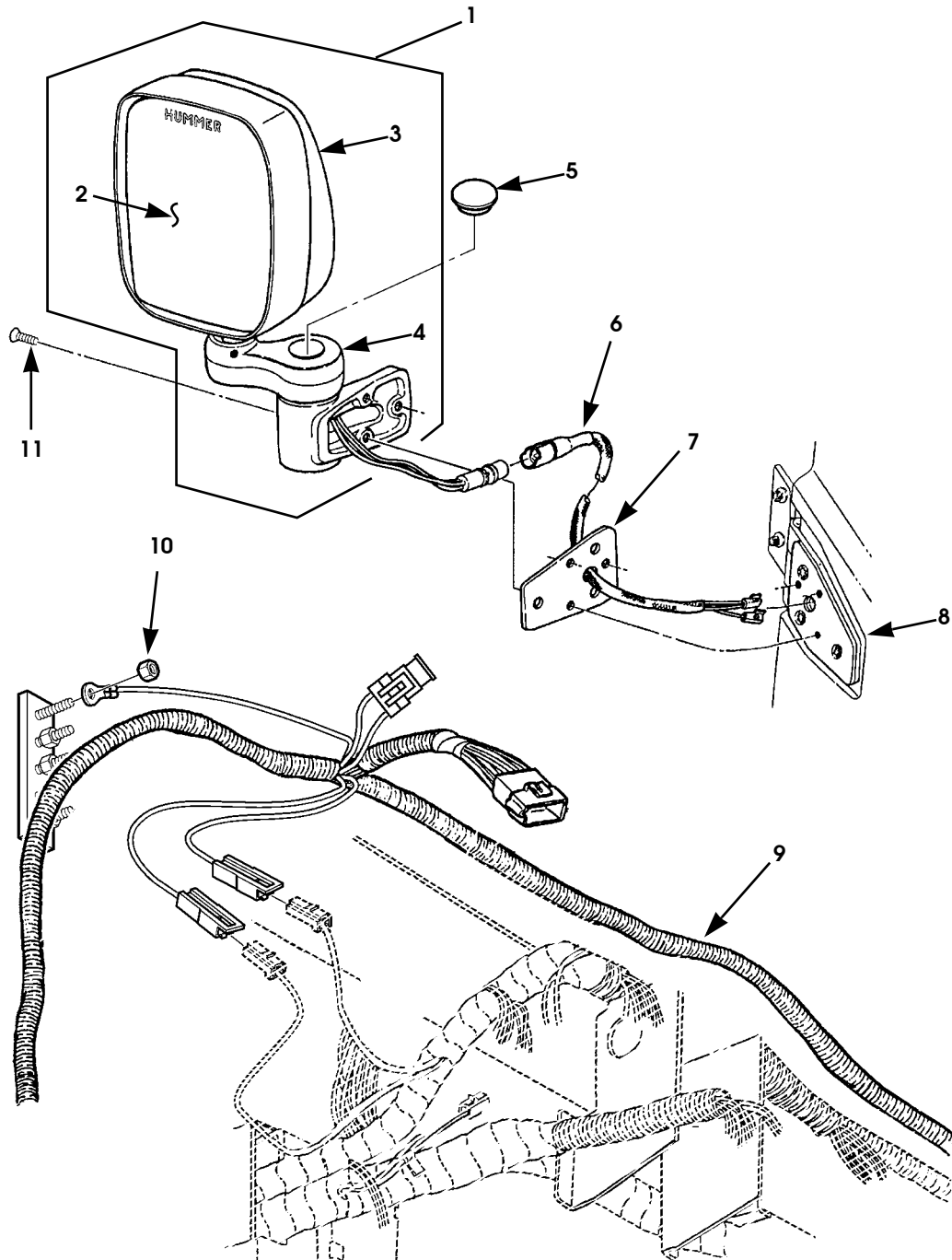
12-96 ELECTRICAL

ITEM	PART NUMBER	DESCRIPTION	QTY	
			4-Dr	2-Dr
		Figure 12-38. Two-Door and Four-Door Power Door Locks (Cont'd)		
20	MS3367-1	TIEDOWN STRAP	7	3
21	N/A	CLAMP,cushioned, 5/8" 83, 84, 90	2	
22	6002466	RETAINER, wire	4	2
23	6001893	BUSHING, snap	8	4
24	6001840	BRACKET, front, L.H.	1	1
24	6001841	BRACKET, front, R.H.	1	1
24	6001842	BRACKET, rear, L.H. 83, 84, 90	1	
24	6001843	BRACKET, rear, R.H. 83, 84, 90	1	
25	MS35489-16	GROMMET, rubber	4	2
26	5939237	PLUG, connector, male	4	2
27	N/A	CLAMP,cushioned	4	2
28	5995713	CONNECTOR, 6-way	4	2
29	N/A	CLAMP,cushioned	4	2
30	5939406	MINI-FUSE, 20-amp	1	1

6-1-99

1997 HUMMER PARTS CATALOG

12-98 ELECTRICAL



P12-108.2

Figure 12-39. Power Mirrors.

1997 HUMMER PARTS CATALOG

6-1-99

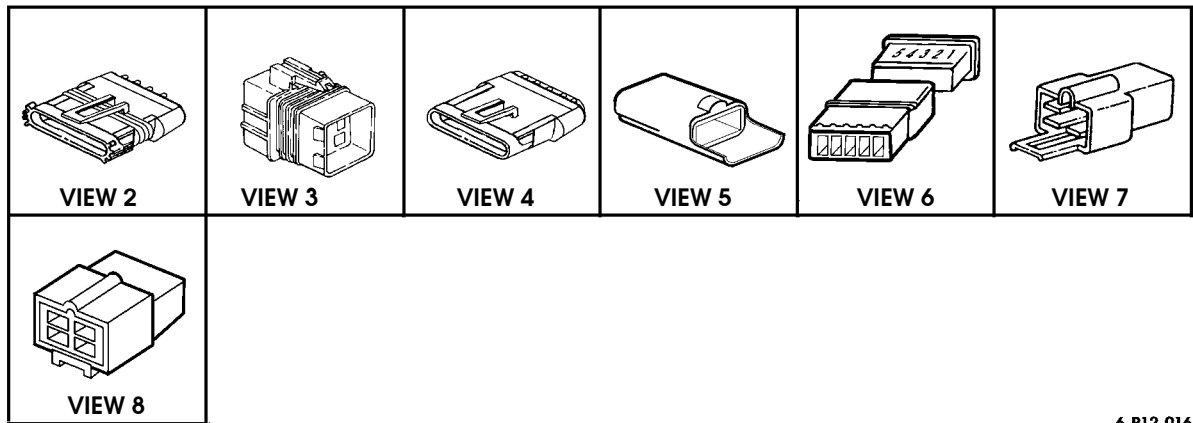
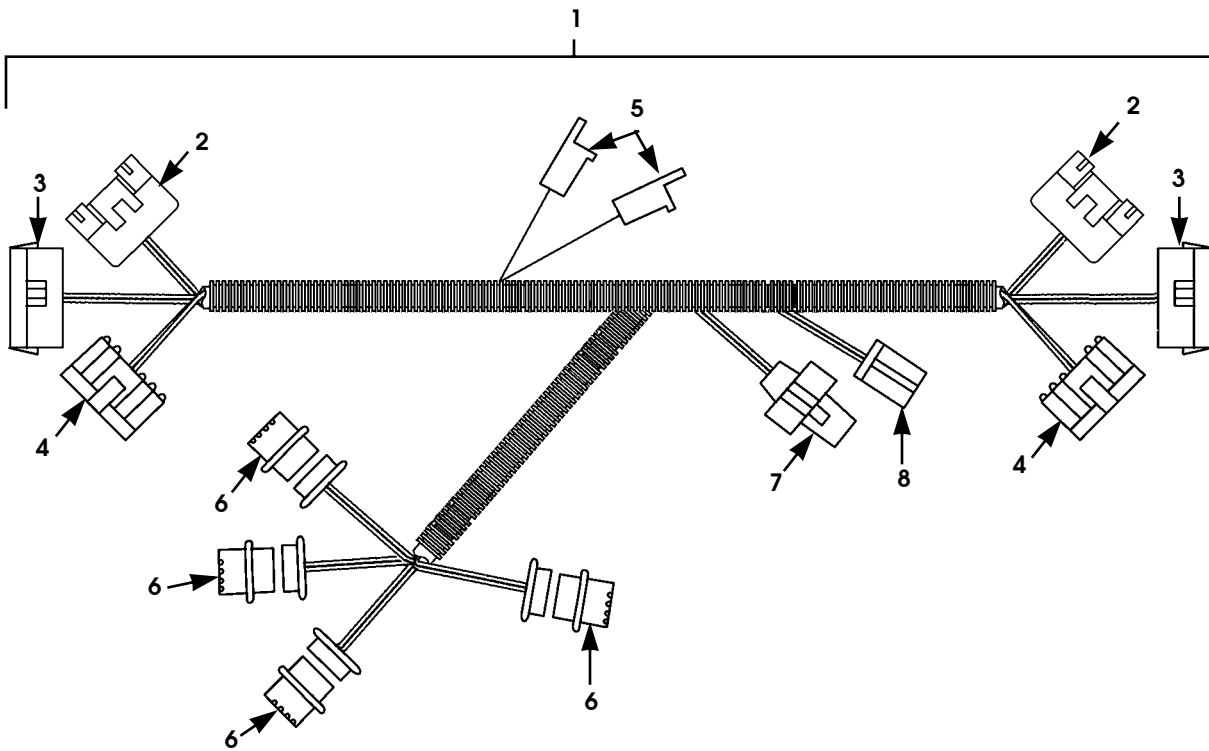
ELECTRICAL 12-99

ITEM	PART NUMBER	DESCRIPTION	QTY
		Figure 12-39. Power Mirrors.	
1	6003828	MIRROR ASSEMBLY, L.H., exterior, power	1
1	6003829	MIRROR ASSEMBLY, R.H., exterior, power	1
2	5744167	•MIRROR, replacement glass	1
3	5744912	•MIRROR HEAD, L.H., exterior, power	1
3	5744917	•MIRROR HEAD, R.H., exterior, power	1
4	5744914	•MIRROR ARM, L.H., exterior, power.	1
4	5744913	•MIRROR ARM, R.H., exterior, power	1
5	5744075	CAP, mirror pivot	1
6	6003884	HARNESS, door jumper	2
7	6003449	GASKET	2
8	6003618	PLATE, mirror mounting	2
9	6007419	HARNESS ASSEMBLY, power locks, windows, and mirrors	1
10	N/S	NUT, M8 - 1.25, ground block	5
11	N/S	SCREW, flat head, 1/4 - 20 x 3/4, ZN	6

6-1-99

1997 HUMMER PARTS CATALOG

12-100 ELECTRICAL



6-P12-016

Figure 12-40. Power Window/Locks Harness.

1997 HUMMER PARTS CATALOG

6-1-99

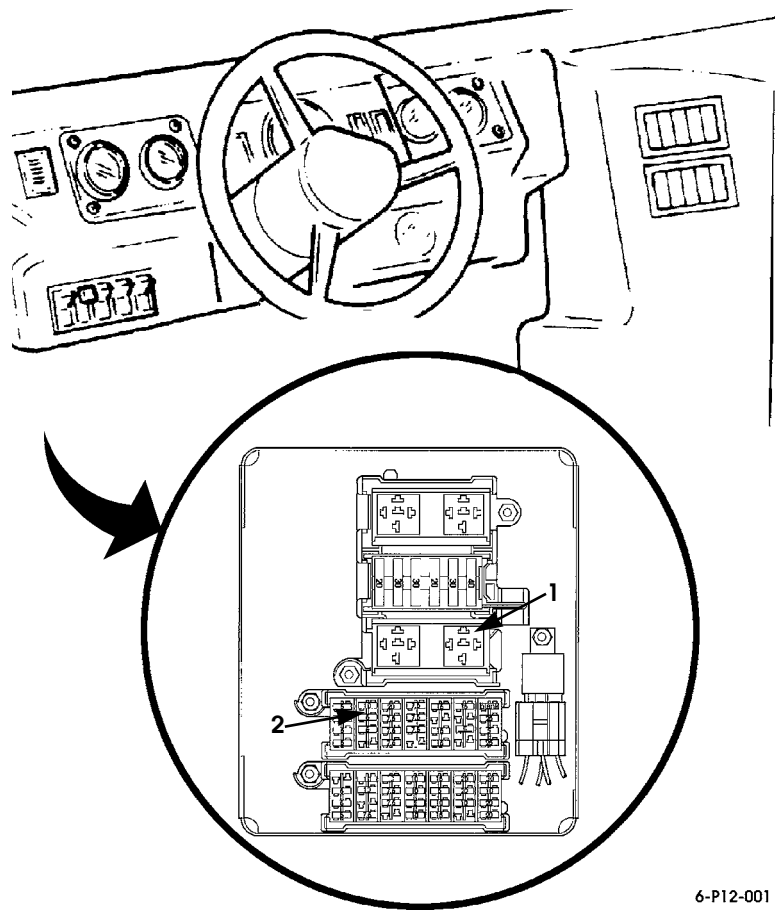
ELECTRICAL 12-101

ITEM	PART NUMBER	DESCRIPTION	QTY
		Figure 12-40. Power Window/Locks Harness.	
1	6007200	HARNESS ASSY, power door locks and windows	1
2	5995714	•CONNECTOR, left, right, front door	2
3	5995732	•CONNECTOR, left, right, front door	3
4	5995713	•CONNECTOR, left, right rear door	2
5	5903093	•CONNECTOR, auxiliary power breakout	2
6	6002930	•CONNECTOR, window	4
7	5903246	•CONNECTOR, remote entry	1
8	5962769	•CONNECTOR, remote entry	1

6-1-99

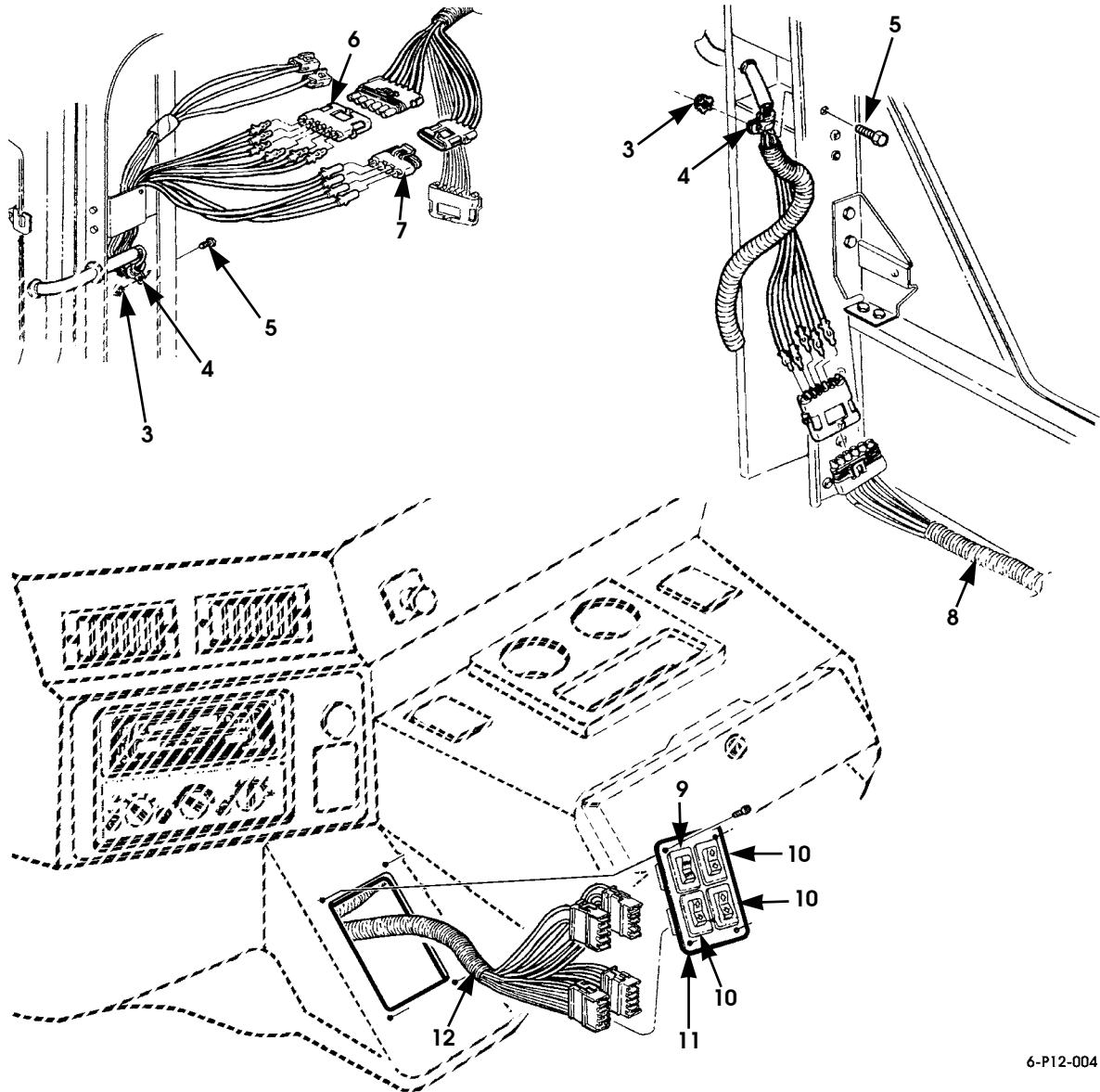
1997 HUMMER PARTS CATALOG

12-102 ELECTRICAL



6-P12-001

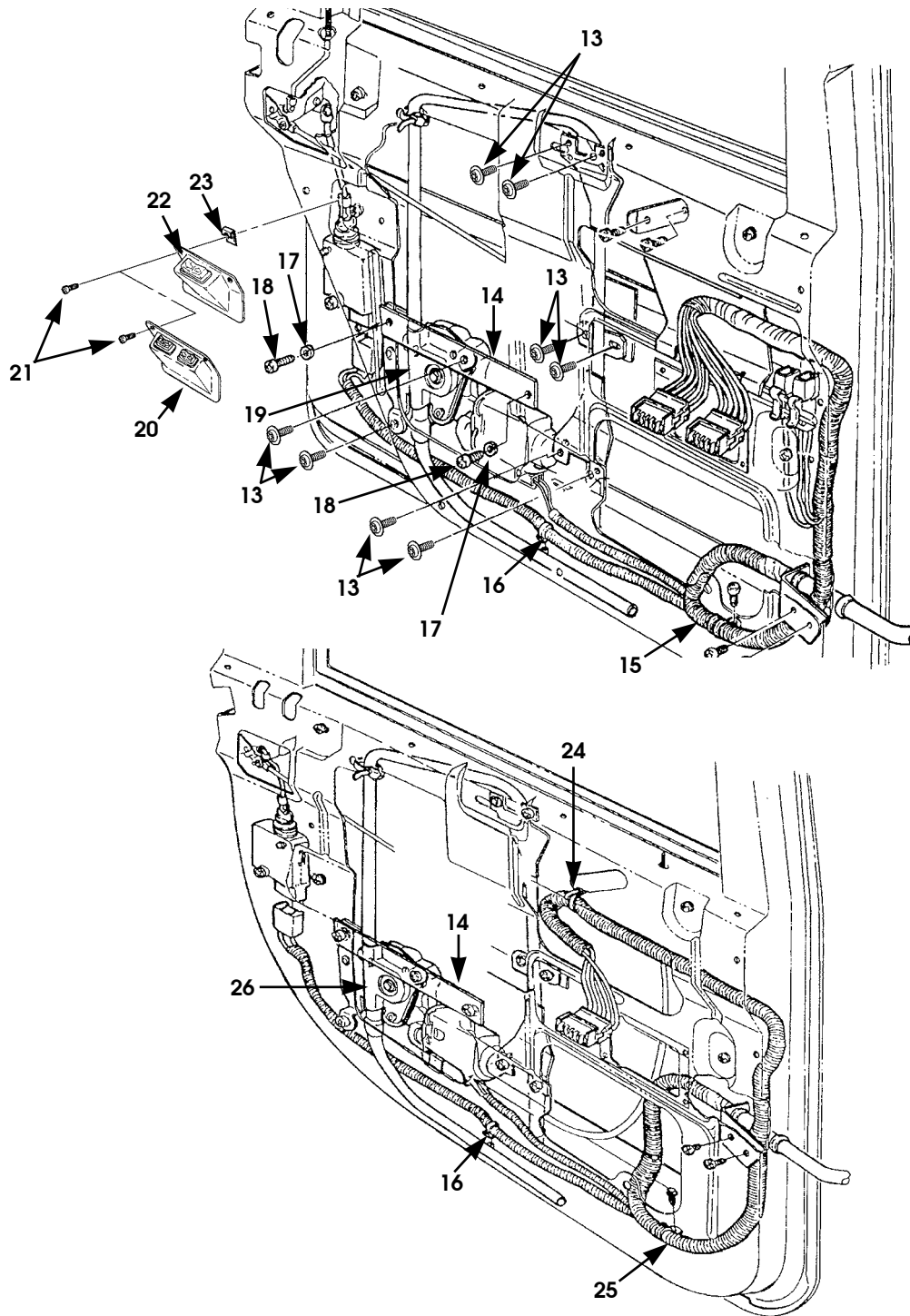
*Figure 12-41. Power Windows
(Sheet 1 of 3).*



6-P12-004.1

Figure 12-41. Power Windows
(Sheet 2 of 3).

12-104 ELECTRICAL



6-P12-008 .1

Figure 12-41. Power Windows
(Sheet 3 of 3).

1997 HUMMER PARTS CATALOG

6-1-99

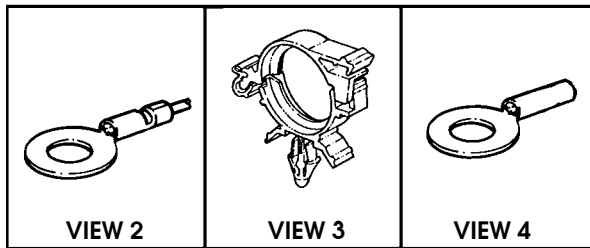
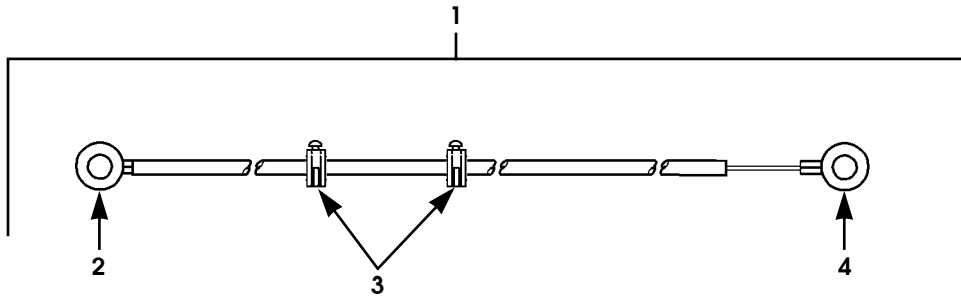
ELECTRICAL 12-105

ITEM	PART NUMBER	DESCRIPTION	QTY
		Figure 12-41. Power Windows.	
1	5939315	RELAY	1
2	N/S	FUSE, 5-amp	1
3	N/S	LOCKNUT, #8 - 32	1
4	N/S	CUSHIONED P-CLAMP	1
5	N/S	SCREW, #8 - 32 x 1/2	1
6	5995713	CONNECTOR, 6-way	2
7	5995715	CONNECTOR, 4-way	2
8	6009115	HARNESS ASSEMBLY, power locks, windows, and mirrors	1
9	6002017	SWITCH, power window lock	1
10	6004185	SWITCH, power window 89	1
10	6004185	SWITCH, power window 83, 84, 90	3
11	6008727	PLATE, power window 89	1
11	6008729	PLATE, power window 83, 84, 90	1
11	6008742	PLATE, closeout, no switch openings.	1
12	6007200	HARNESS, instrument panel	1
13	6003484	SCREW, window regulator	8
14	6002866	BRACKET, window	4
15	6003591	JUMPER, front door, w/power windows & power locks	2
16	6002466	RETAINER.	4
17	N/S	LOCKWASHER, #8.	2
18	N/S	SCREW, #8 - 32 x 3/4, ZN	2
19	6002870	REGULATOR, window L.H.	2
20	6003024	BEZEL, dual switch	2
21	N/S	SCREW, #8 - 32 x 1/2, CAD.	2
22	6003023	BEZEL, single switch 83, 84, 90	2
23	6003025	J-Nut	4
24	MS3367-1	CABLE TIES	21
25	6003592	JUMPER, rear door, w/power windows & power locks	2
26	6002871	REGULATOR, window R.H.	2

6-1-99

1997 HUMMER PARTS CATALOG

12-106 ELECTRICAL



9-P12-013.1

Figure 12-42. Glow Plug Power Cable Assembly.

1997 HUMMER PARTS CATALOG

6-1-99

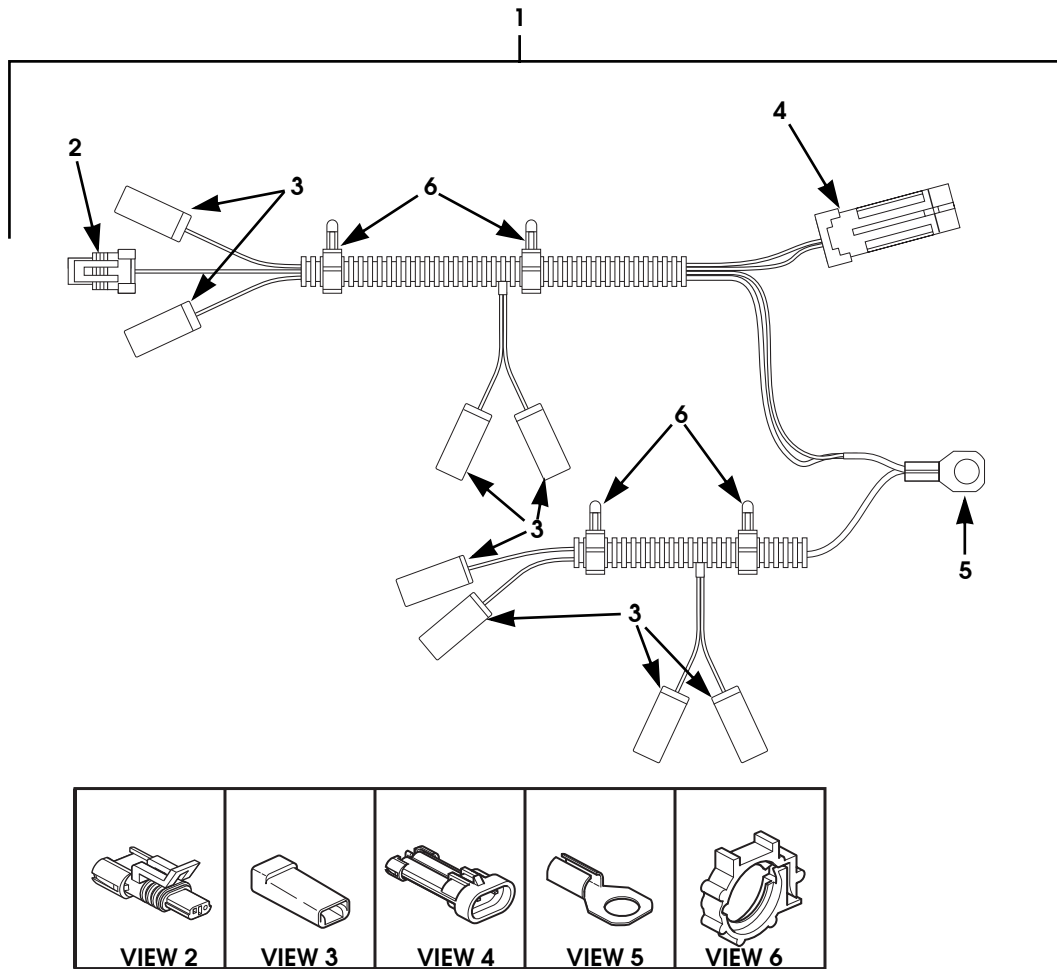
ELECTRICAL 12-107

ITEM	PART NUMBER	DESCRIPTION	QTY
		Figure 12-42. Glow Plug Power Cable Assembly.	
1	6006996	CABLE ASSEMBLY, glow plug power.	1
2	N/S	•RING TERMINAL, glow plug controller	1
3	5903019	•CLIP, conduit.	2
4	5903141	•RING TERMINAL, starter	1

6-1-99

1997 HUMMER PARTS CATALOG

12-108 ELECTRICAL



7-P12-008

Figure 12-43. Glow Plug Harness

1997 HUMMER PARTS CATALOG

6-1-99

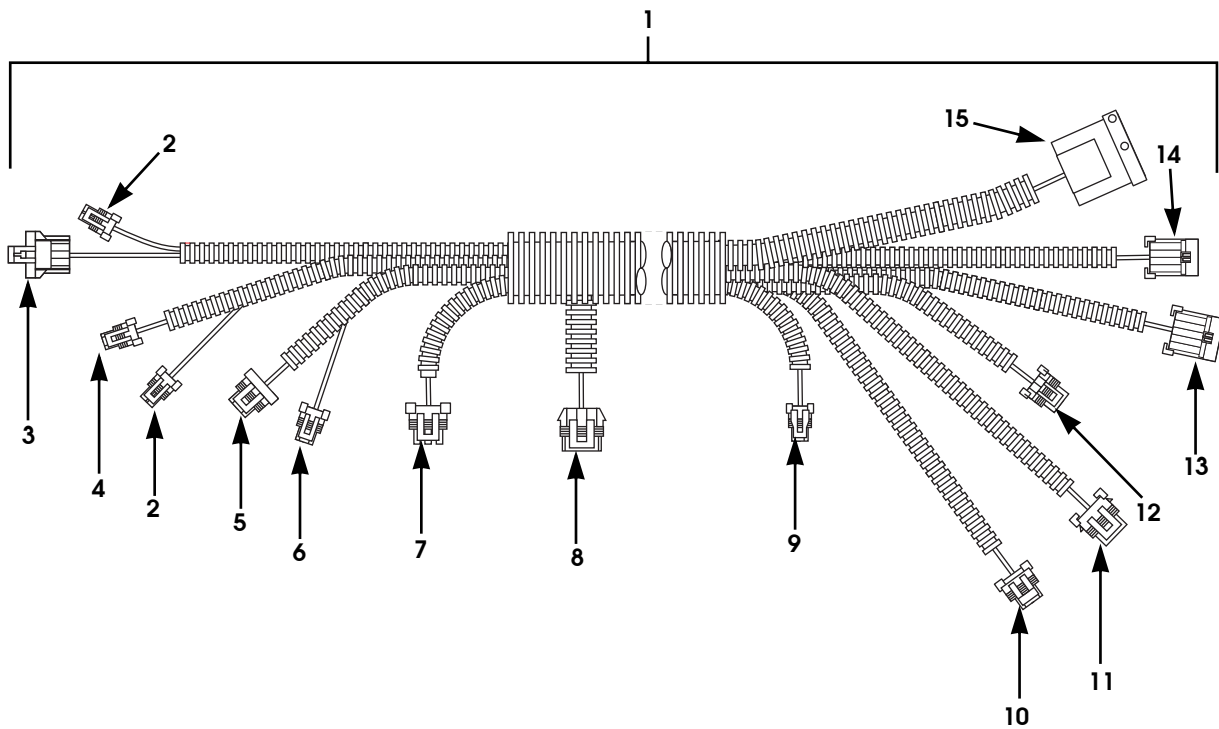
ELECTRICAL 12-109

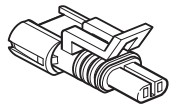
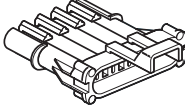
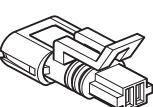

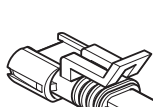
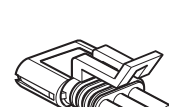
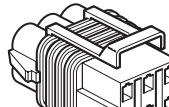
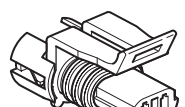
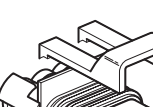

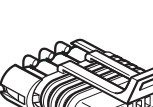
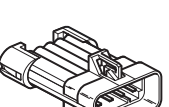
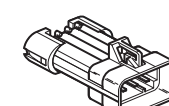
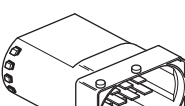
ITEM	PART NUMBER	DESCRIPTION	QTY
		Figure 12-43. Glow Plug Harness	
1	5744607	GLOWPLUG HARNESS ASSEMBLY	1
2	S.I.A.	•CONNECTOR, 2-way	1
3	S.I.A.	•CONNECTOR, 1-way	8
4	S.I.A.	•CONNECTOR, 2-way	1
5	S.I.A.	•RING TERMINAL	1
6	S.I.A.	•ROSEBUD CLIP	4

6-1-99

1997 HUMMER PARTS CATALOG

12-110 ELECTRICAL



 VIEW 2	 VIEW 3	 VIEW 4	 VIEW 5	 VIEW 6	 VIEW 7
 VIEW 8	 VIEW 9	 VIEW 10	 VIEW 11	 VIEW 12	 VIEW 13
 VIEW 14	 VIEW 15				

7-P12-009

Figure 12-44. Engine Wiring Harness.

1997 HUMMER PARTS CATALOG

6-1-99

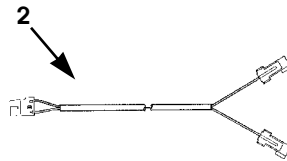
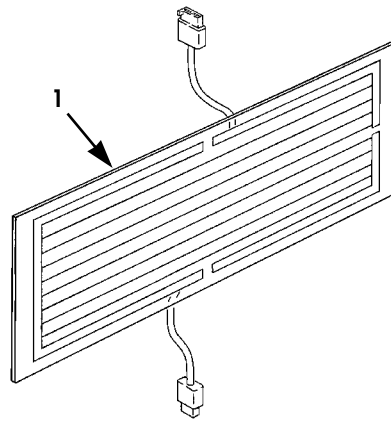
ELECTRICAL 12-111

ITEM	PART NUMBER	DESCRIPTION	QTY
		Figure 12-44. Engine Wiring Harness.	
1	5744653	HARNESS ASSEMBLY, engine wiring	1
2	S.I.A.	•CONNECTOR, 2-way	2
3	S.I.A.	•CONNECTOR, 5-way	1
4	S.I.A.	•CONNECTOR, 2-way	1
5	S.I.A.	•CONNECTOR, 4-way	1
6	S.I.A.	•CONNECTOR, 2-way	1
7	S.I.A.	•CONNECTOR, 3-way	1
8	S.I.A.	•CONNECTOR, 6-way	1
9	S.I.A.	•CONNECTOR, 3-way	1
10	S.I.A.	•CONNECTOR, 4-way	1
11	S.I.A.	•CONNECTOR, 3-way	1
12	S.I.A.	•CONNECTOR, 3way	1
13	S.I.A.	•CONNECTOR, 10-way	1
14	S.I.A.	•CONNECTOR, 8-way	1
15	S.I.A.	•CONNECTOR, 15-way	1

6-1-99

1997 HUMMER PARTS CATALOG

12-112 ELECTRICAL



P13-055.2

Figure 12-45. Defroster, Rear.

1997 HUMMER PARTS CATALOG

6-1-99

ELECTRICAL 12-113

ITEM	PART NUMBER	DESCRIPTION	QTY
1	6005304	Figure 12-45. Defroster, Rear. WINDOW ASSEMBLY, rear with defrost, sliding 82, 83, 89	1
2	6005233	HARNES, rear window defrost, sliding 82, 83, 89	1

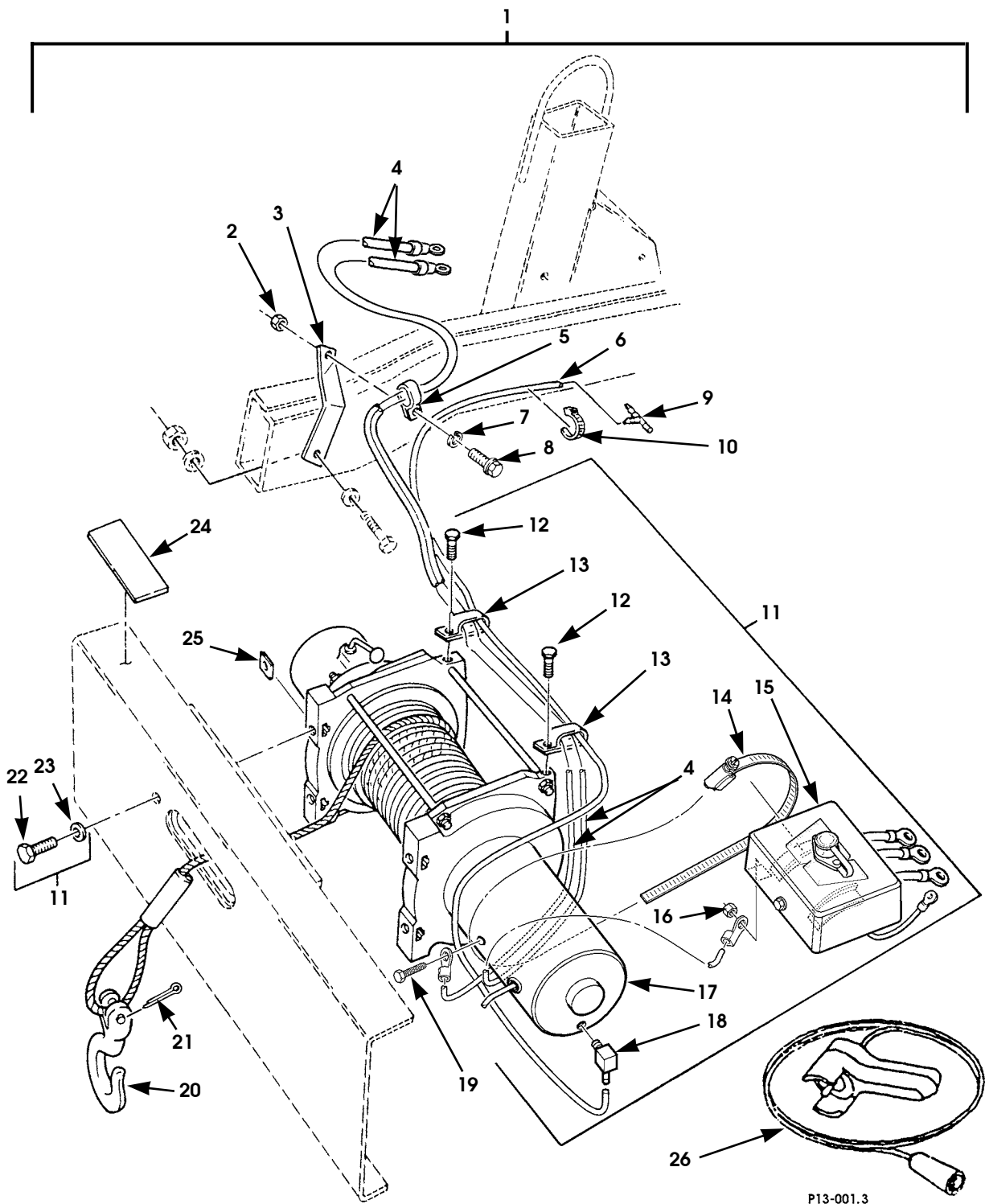
Section 13

ACCESSORIES

TITLE	PAGE NUMBER
Air Filter Restriction Gauge Kit	13-51.3
Auxiliary Air Hose Kit	13-36
Auxiliary Seat	13-42
Bedliner Kit	13-51.55
Bed-Mounted Spare Tire Carrier	13-20
Bike Rack Kit	13-51.47
Brushguard Kit and Mounting Hardware	13-12
Bumper (Front with Brushguard and without Winch) Cover, Stainless Steel	13-51.37
Bumper (Front with Winch) Cover, Stainless Steel	13-51.35
Bumper (Rear) Cover, Stainless Steel	13-51.39
Cargo Area Liner, Station Wagon	13-46
Cruise Control Actuator, Wiring Harness and Mounting Hardware	13-38
Dash Trim Appliqué Kit	13-51.21
Delco Remote Control and CD Changer Kit (On VIN VE176477 and up)	13-51.15
Door Handle and Bezel Covers, Stainless Steel	13-51.51
Driveline Protection and Mounting Hardware	13-22
Driveline Protection Skid Plates	13-24
Dual Oil Filter Kit	13-37.1
Electric Seat Heater Kit	13-51.23
Essential Tools, Axles, Suspension, and Frame	13-80
Essential Tools, Electrical	13-88
Essential Tools, Engine	13-52
Essential Tools, Fuel	13-58
Essential Tools, HVAC	13-84
Essential Tools, Steering	13-76
Essential Tools, Transmission/Transfer Case	13-62
Essential Tools, Wheels	13-66
Floor Mats	13-48
Grille (Front) Cover, Stainless Steel	13-51.43
Grille (Upper) Cover, Stainless Steel	13-51.41
Hourmeter Kit	13-51.7
Leather Upholstery	13-51.1
Off-Road Accessory Kit, Station Wagon	13-51.31
Off-Road Light Kit	13-51.17
Pioneer Tool Kit	13-16
Radio Noise Suppression Filter Kit	13-51.9
Reel Lamp Accessory Kit	13-10
Rear View Mirror Kit, Deluxe (1992 -1995)	13-51.59
Rear View Mirror Kit, Deluxe (1996-1998)	13-51.57
Reflective Triangle Warning Device, Jack Assembly, and Mounting Hardware	13-14

13-1.1 ACCESSORIES

TITLE	PAGE NUMBER
Remote Entry Kit	13-28
Rocker Panel Guard Accessory Kit	13-26
Rocker Panel Protection Cover, Stainless Steel	13-27.1
Roof Rack Kit, Side Load	13-51.49
Roof Rack Kit	13-30
Running Board Kit	13-34
Seat Covers	13-50
Side Step Bars Kit	13-51.5
Skid Plate Cover Kit, Stainless Steel	13-51.45
Slant-Back (Soft) Kit (Four-Door Soft Top)	13-51.11
Soft Square Back Kit, Model 90	13-40
Special Tools, Axles, Suspension, and Frame	13-82
Special Tools, Electrical	13-90
Special Tools, Engine	13-54
Special Tools, Fuel	13-60
Special Tools, HVAC	13-86
Special Tools, Steering	13-78
Special Tools, Transmission/Transfer Case	13-64
Special Tools, Wheels	13-68
Swing-Away Spare Tire Carrier	13-18
Tire Chains	13-51.53
Tire Repair Accessory Kit, External	13-51.25
Tire (Tubeless) Repair Kit, External	13-51.27
Tire (Tubeless) Repair Kit, Internal	13-51.29
Tonneau Cover 4-Door Hardtop	13-44
Tow Ball Assembly	13-8
Trailer Towing	13-51.63
Traveler's Survival Kit	13-51.33
Universal Roof Mounting Rack Kit	13-32
Utility Step	13-15.1
Wheel Cover Kit, Stainless Steel	13-51.19
Winch Accessory Kit	13-6
Winch Assembly	13-4
Winch Assembly, Mounting Hardware, and Related Parts (Winch Kit)	13-1.2
Winch Roller Fairlead	13-51.13



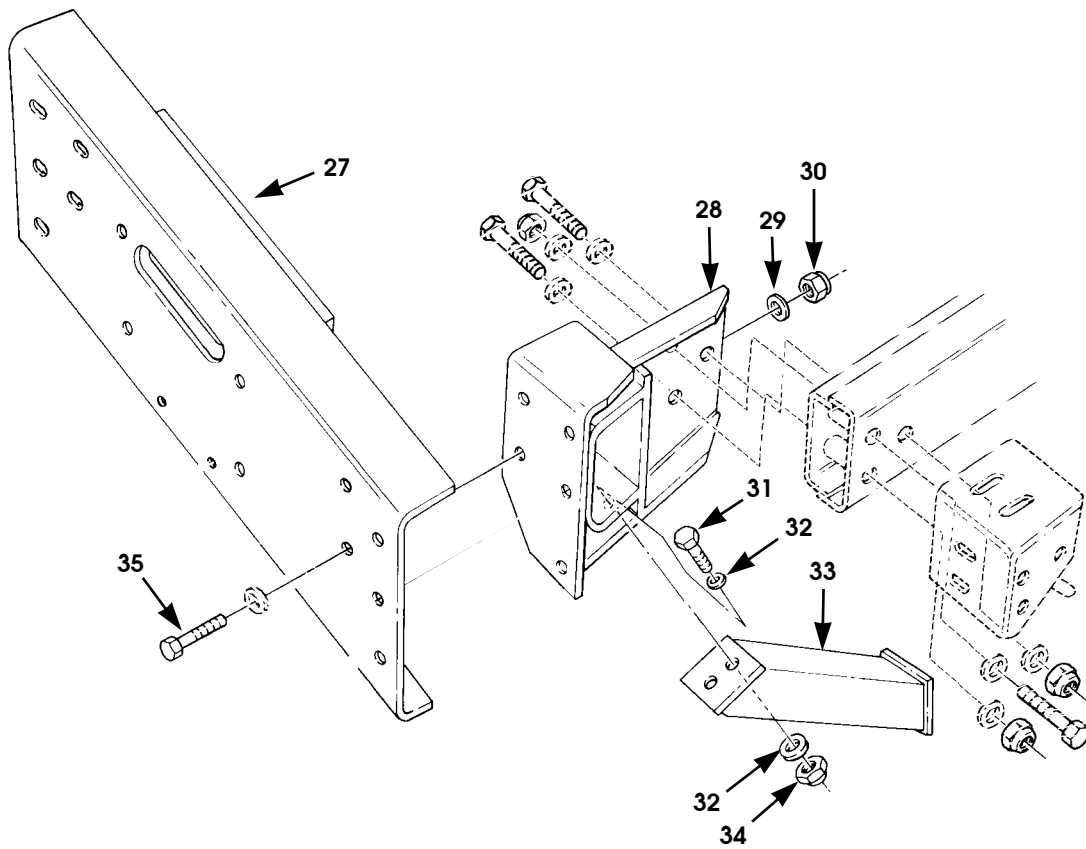
P13-001.3

Figure 13-1. Winch Assembly, Mounting Hardware, and Related Parts (Winch Kit)
Sheet 1 of 2

12-1-97

1997 HUMMER PARTS CATALOG

13-2 ACCESSORIES



P09-009.2

Figure 13-1. Winch Assembly, Mounting Hardware, and Related Parts (Winch Kit)
Sheet 2 of 2.

1997 HUMMER PARTS CATALOG

6-1-99

ACCESSORIES 13-3

ITEM	PART NUMBER	DESCRIPTION	QTY
		Figure 13-1. Winch Assembly, Mounting Hardware, and Related Parts (Winch Kit).	
1	5744376	KIT, winch, 12V, 12,000-lb. capacity, SEE NOTES 1, 2, and 3	1
2	S.I.K.	•NUT, clamp, 1/4 - 2,0 Gr8	1
3	12338481	•BRACKET, clamp	1
4	5744290	•CABLE ASSEMBLY, winch-to-battery	1
5	7385182	•CLAMP, positive and ground cables	1
6	S.I.K.	•TUBE, winch vent line, 70-inches long, SEE NOTE 4	1
7	S.I.K.	•LOCKWASHER, med, 1/4, ZN, clamp	1
8	S.I.K.	•SCREW, 1/4 - 20 x 3/4, ZN, clamp	1
9	12339973-1	•TEE, vent line.	1
10	N/S	•STRAP, tiedown, vent line.	4
11	6003560	•WINCH assembly.	1
12	S.I.K.	••SCREW, clamp	2
13	MS21334-28	••CLAMP, positive and ground cables.	2
14	5741028	••CLAMP, winch motor-to-cover assembly	1
15	5742879	••COVER ASSEMBLY, winch motor.	1
16	S.I.K.	••NUT, winch cable-to-motor stud	1
17	S.I.K.	••WINCH	1
18	12339964-3	••ELBOW, 90 degree, vent tube	1
19	S.I.K.	••SCREW, winch cable-to-motor	1
20	5744739	•HOOK AND PIN	1
21	S.I.K.	••COTTER PIN, 1/8 x 1 1/4"	1
22	S.I.K.	•BOLT, winch, 7/16 - 14 x 1 1/2.	4
23	S.I.K.	•WASHER, 7/16, type B, winch	4
24	6000236	•DECAL, winch	1
25	MS27040-13	•NUT, winch	4
26	5939435	•HAND CONTROLLER, winch	1
27	5935666B2	•BUMPER, front, with winch.	1
28	12342388B2	•FRAME EXTENSION, front bumper, R.H.	1
28	12342387B2	•FRAME EXTENSION, front bumper, L.H.	1
29	S.I.K.	•WASHER, flat, 1/2, hard, type B	18
30	S.I.K.	•LOCKNUT, 1/2 - 13, front bumper	8
31	S.I.K.	•BOLT, 5/8 - 16 x 1, brace assembly.	4
32	S.I.K.	•WASHER, flat, 3/8, brace assembly	8
33	12342389	•BRACE ASSEMBLY, L.H.	1
33	12342390	•BRACE ASSEMBLY, R.H.	1

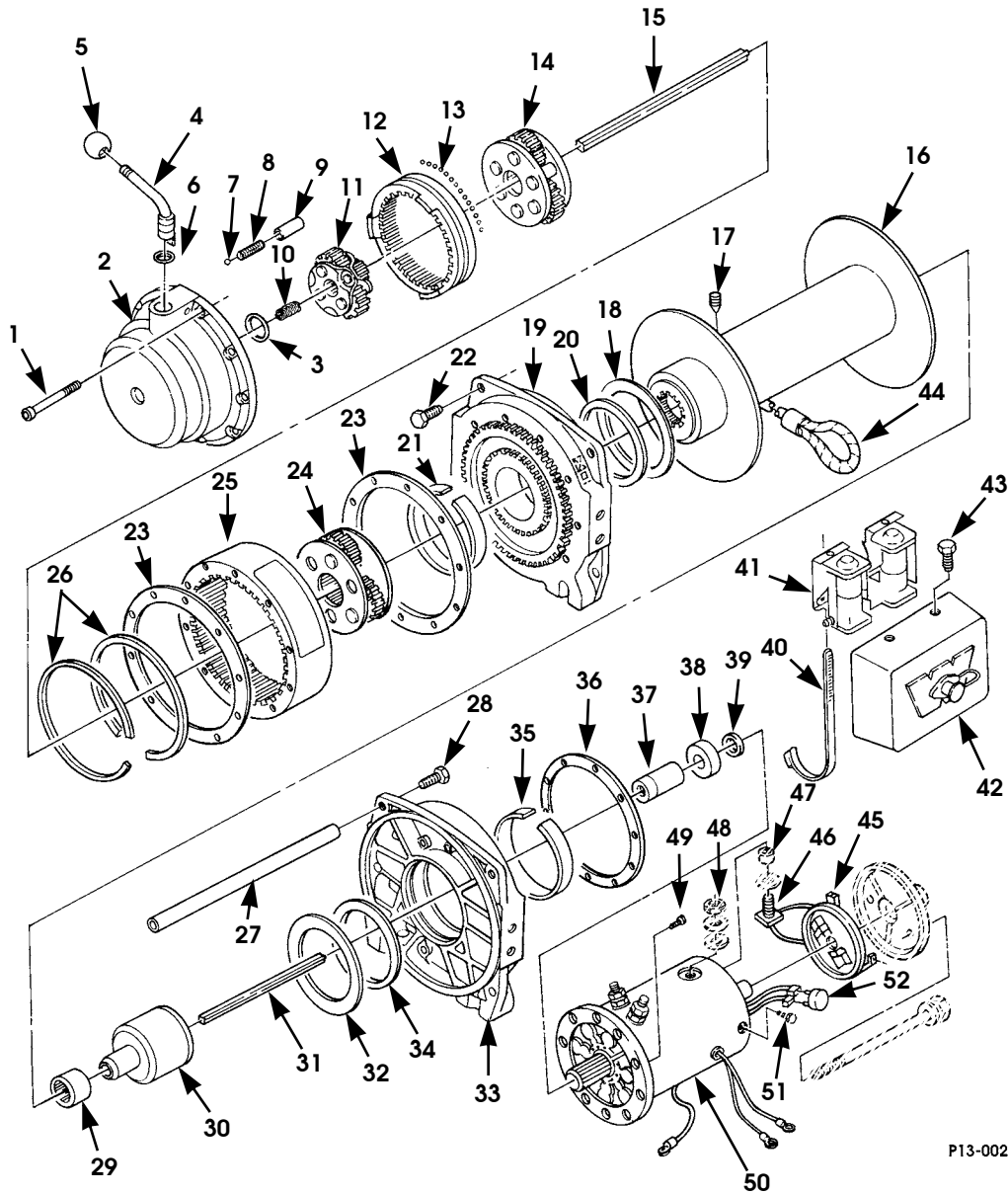
6-1-99

1997 HUMMER PARTS CATALOG

13-3.1 ACCESSORIES

ITEM	PART NUMBER	DESCRIPTION	QTY
34	S.I.K.	<p>Figure 13-1. Winch Assembly, Mounting Hardware, and Related Parts (Winch Kit) (Cont'd)</p> <ul style="list-style-type: none"> •NUT, brace assembly, 3/8"-16 •BOLT, 1/2 - 13 x 1 1/2, frame extension <p>NOTE 1: MUST ALSO ORDER SKID PLATE, P/N 5935669, FOR VEHICLES WITH UNDERBODY PROTECTION.</p> <p>NOTE 2: TO KEEP VEHICLE WARRANTY IN EFFECT, UPGRADED HEAVY DUTY FRONT SPRINGS MUST BE USED ON VEHICLES EQUIPPED WITH WINCH. SEE SERVICE INFORMATION BULLETIN 98-13-06.</p> <p>NOTE 3: FOR MOUNTING HARDWARE, REFER TO FRONT BUMPER AND LIFTING SHACKLE (WINCH KIT) IN SECTION 9.</p> <p>NOTE 4: MAKE FROM BULK NYLON TUBE P/N 5741079, 1/4" O.D. X 3/8" I.D. X 25 FEET</p>	4
35	S.I.K.		6

13-4 ACCESSORIES



P13-002

Figure 13-2. Winch Assembly.

1997 HUMMER PARTS CATALOG

6-1-99

ACCESSORIES 13-5

ITEM	PART NUMBER	DESCRIPTION	QTY
		Figure 13-2. Winch Assembly.	
1	N/S	CAPSCREW, 1/4 - 20 x 3.0	10
2	5742968	HOUSING ASSEMBLY, GEAR	1
3	5742871	THRUST PLATE	1
4	5742969	CLUTCH LEVER	1
5	5741021	•KNOB, plastic	1
6	5742885	•SEAL, O-ring	1
7	5742877	STEEL BALL, 1/4" Dia.	1
8	5742876	COMPRESSION SPRING	1
9	5742858	DETENT SPACER	1
10	5742888	SUN GEAR, input	1
11	5742886	CARRIER ASSEMBLY, stage 1	1
12	5742857	RING GEAR, stage 2	1
13	5742872	STEEL BALL SET, 85 balls, 3/16" Dia.	1
14	5742873	CARRIER ASSEMBLY, stage 2	1
15	5742971	HEX SHAFT, output	1
16	5742892	DRUM ASSEMBLY , 3.5" x 6"	1
17	N/S	•SETSCREW, m10	1
18	5741144	THRUST WASHER, nylon	1
19	5742967	SUPPORT, drum, gear end.	1
20	5742867	•OIL SEAL, radial	1
21	5742866	•DRUM BUSHING, nylon	2
22	N/S	CAPSCREW, 3/8" x 1.0"	3
23	5742881	GASKET	2
24	5742887	CARRIER ASSEMBLY, stage 3	1
25	5742970	RING GEAR ASSEMBLY, series 12	1
26	5742883	RETAINING RING	2
27	5742893	TIE ROD	3
28	N/S	•CAPSCREW, 3/8" x 1.0"	3
29	5742878	ROLLER CLUTCH.	1
30	5743782	BRAKE ASSEMBLY	1
31	5742972	HEX SHAFT, input.	1
32	5741144	THRUST WASHER, nylon	1
33	5742897	SUPPORT, drum, motor end.	1
34	5742867	•OIL SEAL, radial	1
35	5742866	•DRUM BUSHING, nylon	2
36	5741004	GASKET, end housing	1
37	5742869	COUPLING, motor shaft	1
38	5742880	BALL BEARING	1
39	5742882	SPACER, motor shaft	1
40	5741028	CLAMP, winch motor.	1
41	5742932	CONTROL PACK, 12 VDC	1
42	5742879	•SOLENOID HOUSING	1
43	5741030	CAPSCREW, solenoid cover, hex head, #10-24	2
44	5742974	WIRE ROPE, 7/16-inch DIA. x 75-feet long	1

6-1-99

1997 HUMMER PARTS CATALOG

13-5.1 ACCESSORIES

ITEM	PART NUMBER	DESCRIPTION	QTY
		Figure 13-2. Winch Assembly.	
45	5742870	BRUSH SET, 12 VDC	1
46	S.I.A.	•BRUSH STUD, winch motor.	2
47	S.I.A.	•SPACER, winch motor brush set	2
48	S.I.A.	•NUT, winch motor brush set.	2
49	5741005	CAPSCREW	10
50	5742868	ELECTRIC MOTOR, 12 VDC	1
51	S.I.A.	•SCREW	1
52	5742874	SWITCH, electric thermal.	1

1997 HUMMER PARTS CATALOG

6-1-99

ACCESSORIES 13-7

ITEM	PART NUMBER	DESCRIPTION	QTY
		Figure 13-3. Winch Accessory Kit.	
1	5742791	KIT, winch accessory	1
2	S.I.K.	•BAG, camouflage	1
3	S.I.K.	•CHAIN.	1
4	S.I.K.	•TRUNK PROTECTOR, 2-inch	1
5	S.I.K.	•SHACKLE 3/4-inch	1
6	S.I.K.	•GLOVES	1 pair
7	S.I.K.	•SNATCH BLOCK	1
8	6002662	•STRAP, 3-inch 30 feet	1

6-1-99

1997 HUMMER PARTS CATALOG

13-8 ACCESSORIES

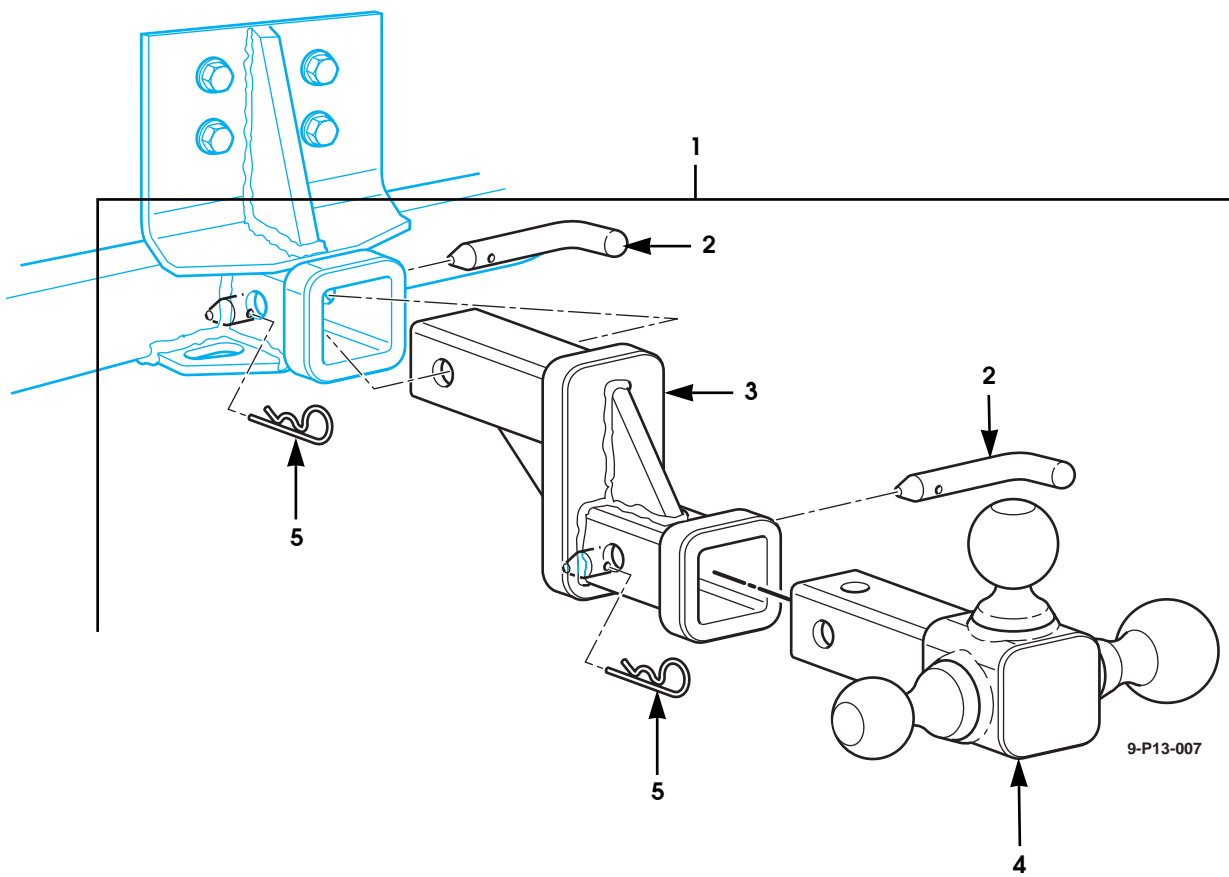


Figure 13-4. Tow Ball Assembly.

1997 HUMMER PARTS CATALOG

6-1-99

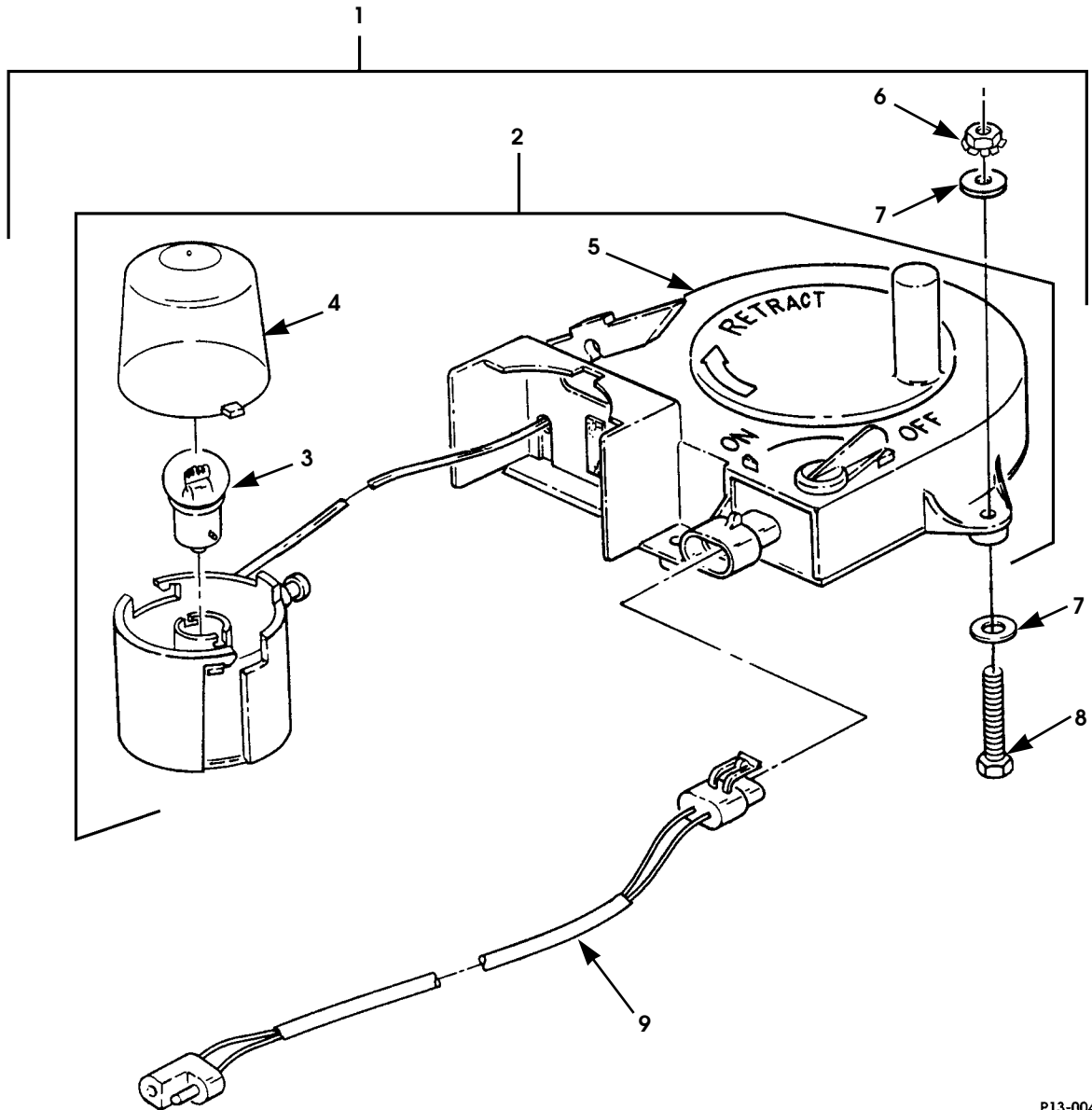
ACCESSORIES 13-9

ITEM	PART NUMBER	DESCRIPTION	QTY
		Figure 13-4. Tow Ball Assembly.	
1	5744936	TOW BALL ASSEMBLY, 1 7/8", 2", and 2 5/16".....	1
2	S.I.K.	•PIN, anchor	2
3	S.I.K.	•OFFSET	1
4	S.I.K.	•BALL SET	1
5	S.I.K.	•PIN, retainer	2

6-1-99

1997 HUMMER PARTS CATALOG

13-10 ACCESSORIES



P13-004

Figure 13-5. Reel Lamp Accessory Kit.

1997 HUMMER PARTS CATALOG

6-1-99

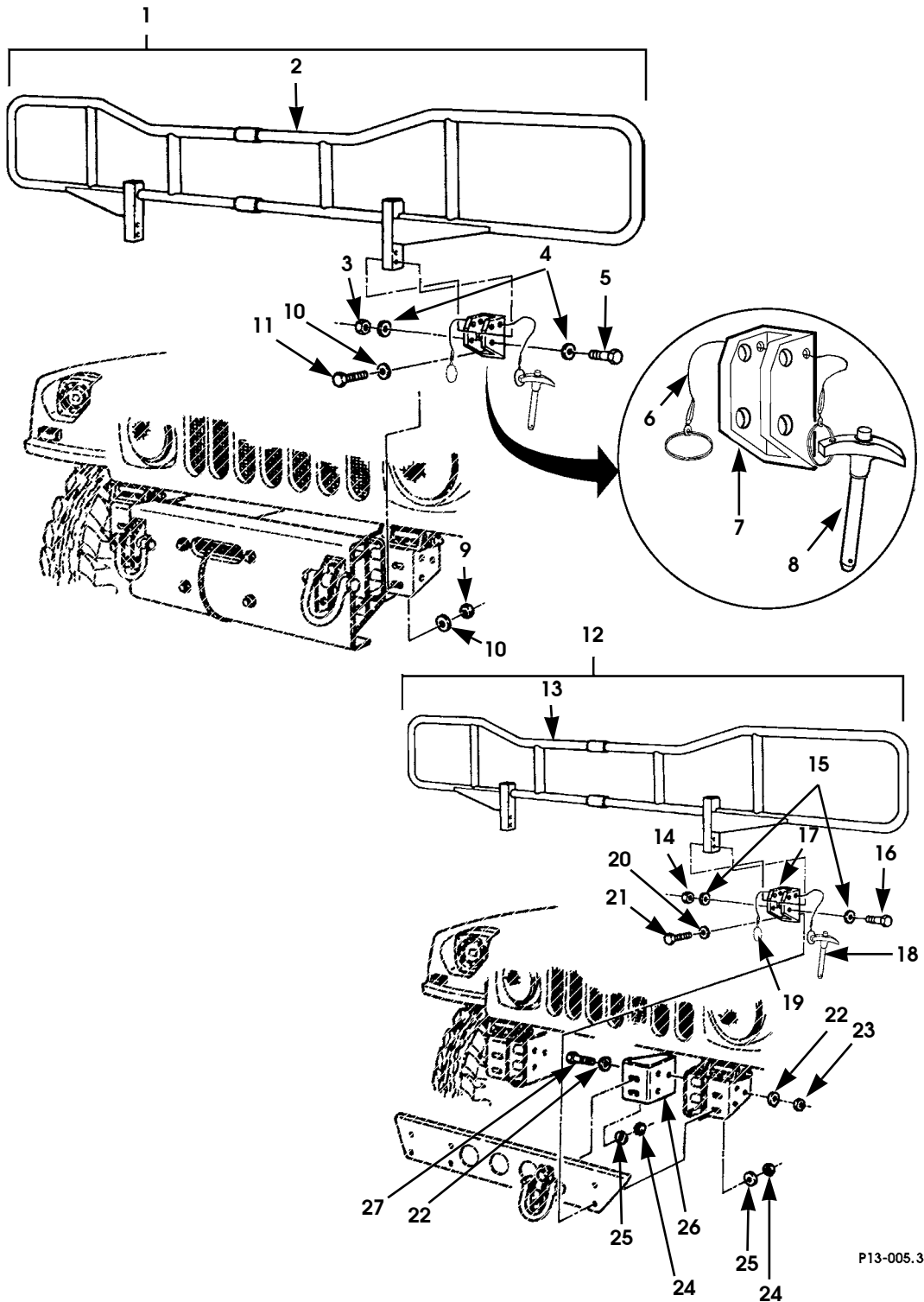
ACCESSORIES 13-11

ITEM	PART NUMBER	DESCRIPTION	QTY
		Figure 13-5. Reel Lamp Accessory Kit.	
1	5743071	KIT, reel lamp	1
2	5939056	• REEL LAMP ASSEMBLY	1
3	S.I.K.	•• BULB (trade #GE232)	1
4	S.I.K.	•• LENS, reel lamp	1
5	S.I.K.	• REEL	1
6	S.I.K.	• LOCKNUT, #10 - 24, Gr5, CAD	3
7	S.I.K.	• WASHER, flat, #10 SAE, CAD	6
8	S.I.K.	• BOLT, #10 - 24 x 1, Gr5, CAD	3
9	6000320	• HARNESS ASSEMBLY, work light jumper	1

12-1-97

1997 HUMMER PARTS CATALOG

13-12 ACCESSORIES



P13-005.3

Figure 13-6. Brushguard Kit and Mounting Hardware.

1997 HUMMER PARTS CATALOG

6-1-99

ACCESSORIES 13-13

ITEM	PART NUMBER	DESCRIPTION	QTY
		Figure 13-6. Brushguard Kit and Mounting Hardware.	
1	6000999	KIT, brushguard, vehicle w/ winch	1
2	6000862	•BRUSHGUARD ASSEMBLY, w/winch	1
3	S.I.K.	•LOCKNUT, bracket mounting, w/ winch, 5/8-11	8
4	S.I.K.	•WASHER, flat, bracket mounting, 5/8" Hard Type "B"	16
5	S.I.K.	•SCREW, bracket mounting, 5/8-11 x 3.75 Hex Gr 8 CAD	2
6	5935839	•LANYARD, locking pin	2
7	6000864B1	•BRACKET, brushguard support	2
8	6007230	•PIN, locking.	2
9	S.I.K.	•LOCKNUT, bracket mounting, 1/2-13, Gr 8 CAD.	4
10	S.I.K.	•WASHER, bracket mounting, hardened, 1/2" Flat "B".	8
11	S.I.K.	•BOLT, bracket mounting, 1/2"-13 x 1.75" Hex Gr 8 CAD	4
	5939266	•DECAL, brushguard (not illustrated)	1
12	6001000	KIT, brushguard, vehicle w/o winch.	1
13	6000862	•BRUSHGUARD ASSEMBLY, w/o winch.	1
14	S.I.K.	•LOCKNUT, bracket mounting, w/o winch, 5/8"-11	2
15	S.I.K.	•WASHER, flat, bracket mounting, 5/8" Hard Type "B"	16
16	S.I.K.	•SCREW, bracket mounting, 5/8-11 x 3.75 Hex Gr 8 CAD	2
17	6000864B1	•BRACKET, brushguard support	2
18	6007230	•PIN, locking.	2
19	5935839	•LANYARD, locking pin	2
20	S.I.K.	•WASHER, bracket mounting, hardened, 1/2" Flat "B".	8
21	S.I.K.	•BOLT, bracket mounting, 1/2"-13 x 1.75" Hex Gr 8 CAD	4
22	S.I.K.	•WASHER, flat, bracket mounting, w/o winch, 5/8" "B"	16
23	S.I.K.	•LOCKNUT, w/o winch, 5/8"-11 Gr 8 CAD	8
24	S.I.K.	•LOCKNUT, bracket mounting, 1/2-13, Gr 8 CAD.	4
25	S.I.K.	•WASHER, bracket mounting, hardened, 1/2" Flat "B".	8
26	6001552	•BRACKET, tow hook support, L.H., w/o winch	1
26	6001553	•BRACKET, tow hook support, R.H., w/o winch.	1
27	S.I.K.	•SCREW, bracket mounting, w/o winch, 5/8"-11 x 3.75" Hex Gr 8 CAD	8

13-14 ACCESSORIES

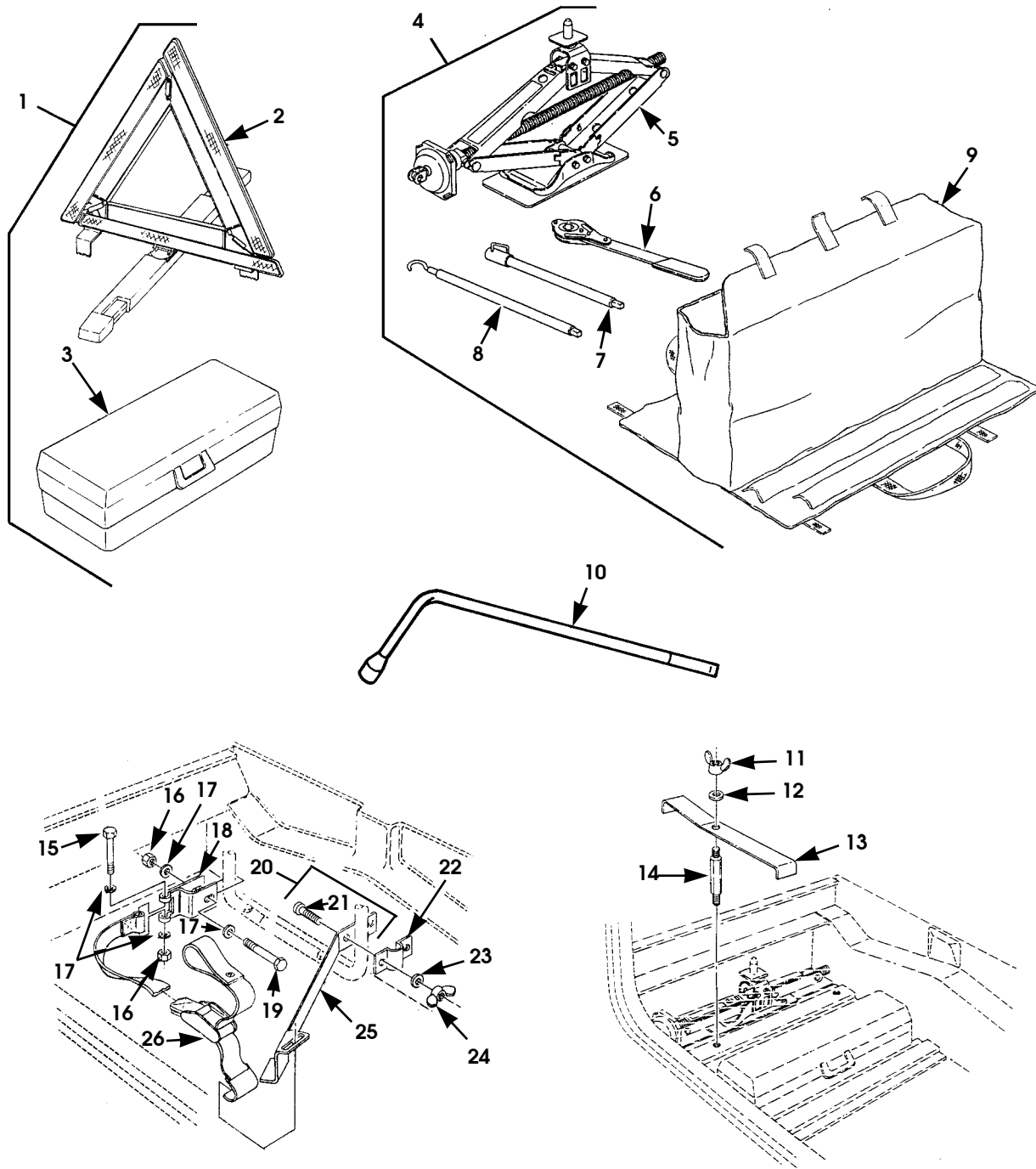


Figure 13-7. Reflective Triangle Warning Device, Jack Assembly, and Mounting Hardware.

1997 HUMMER PARTS CATALOG

6-1-99

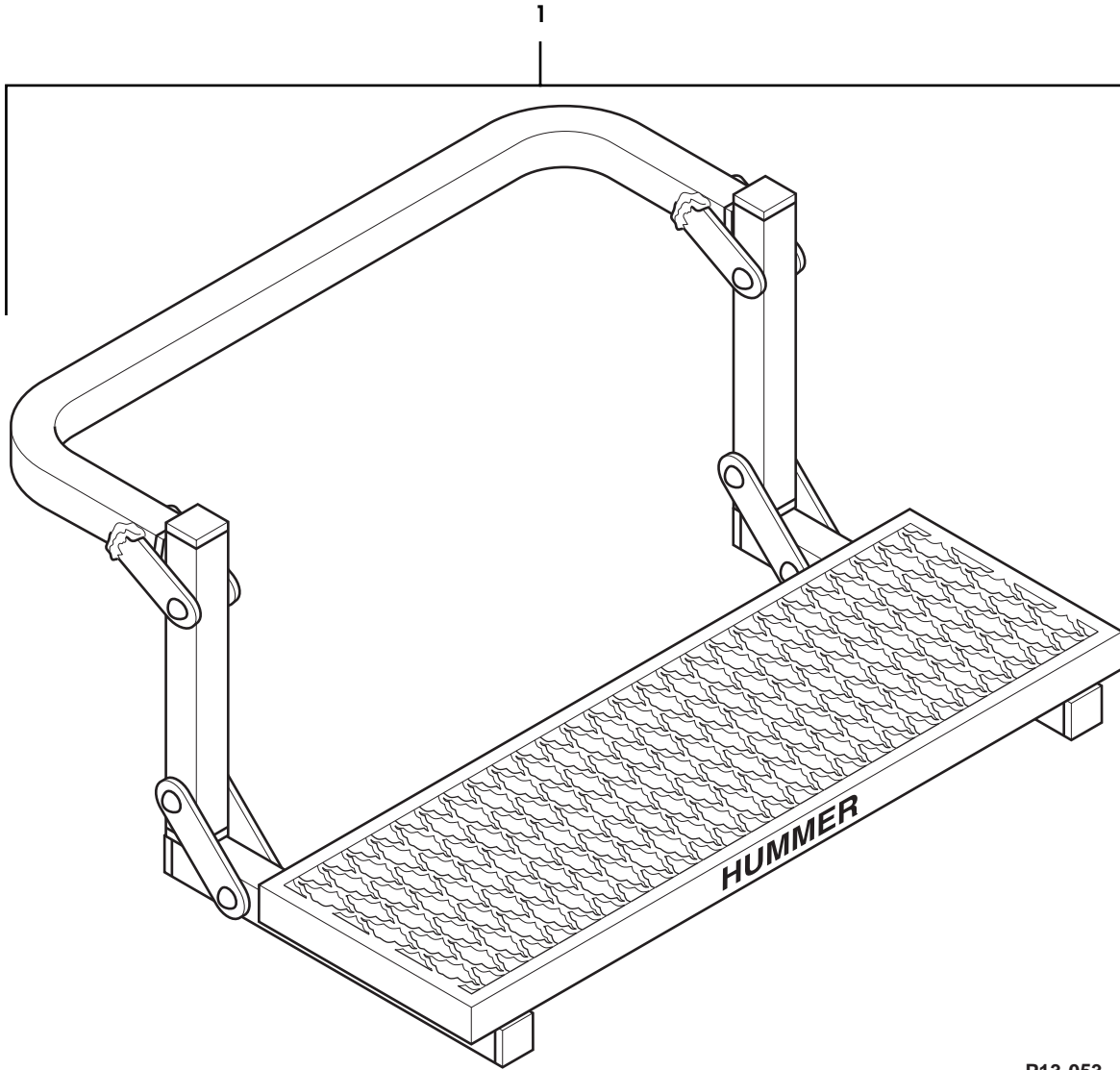
ACCESSORIES 13-15

ITEM	PART NUMBER	DESCRIPTION	QTY
		Figure 13-7. Reflective Triangle Warning Device, Jack Assembly, and Mounting Hardware.	
1	11669000	KIT, Folding Reflective Triangle Warning Device.	1
2	S.I.K.	•WARNING TRIANGLE	3
3	S.I.K.	•STORAGE CONTAINER.	1
4	5939822	JACK ASSEMBLY, scissor	1
5	S.I.K.	•JACK, tire	1
6	S.I.K.	•CRANK RATCHET	1
7	S.I.K.	•CRANK EXTENSION	1
8	S.I.K.	•CRANK	1
9	6002031	BAG, jack/tool	1
10	14009303	WRENCH, wheel lug	1
11	N/S	WING NUT, 5/16 - 18, Steel.	2
		89	
12	N/S	WASHER, flat, 5/16, Type B, ZN	2
		89	
13	6009332	BRACKET, jack hold-down.	2
		89	
14	6000161	STUD, jack hold-down	2
		89	
15	N/S	BOLT, 1/4 - 20 x 2, Gr5, CAD.	1
		83, 84, 90	
16	N/S	NUT, 1/4 - 20, Gr8, ZN	2
		83, 84, 90	
17	N/S	WASHER, flat, hard, 1/4, type B, ZN	4
		83, 84, 90	
18	6000268B2	BRACKET ASSEMBLY, strap	1
		83, 84, 90	
19	N/S	BOLT, 1/4 - 20 x 1 1/2, Gr5, ZN	1
		83, 84, 90	
20	6000265B2	BRACKET ASSEMBLY, jack hold-down.	1
		83, 84, 90	
21	12339734-4	•STUD, jack hold-down bracket.	2
22	6000270B2	•BRACKET, clamping.	1
		83, 84, 90	
23	N/S	•WASHER, flat, #10, type B, ZN	2
		83, 84, 90	
24	N/S	•WINGNUT, #10 - 24, steel	2
		83, 84, 90	
25	N/S	•BRACKET, retaining	1
26	6000273	STRAP ASSEMBLY	1
		83, 84, 90	

5-1-97

1997 HUMMER PARTS CATALOG

13-15.1 ACCESSORIES



P13-053

Figure 13-7.1. Utility Step

1997 HUMMER PARTS CATALOG

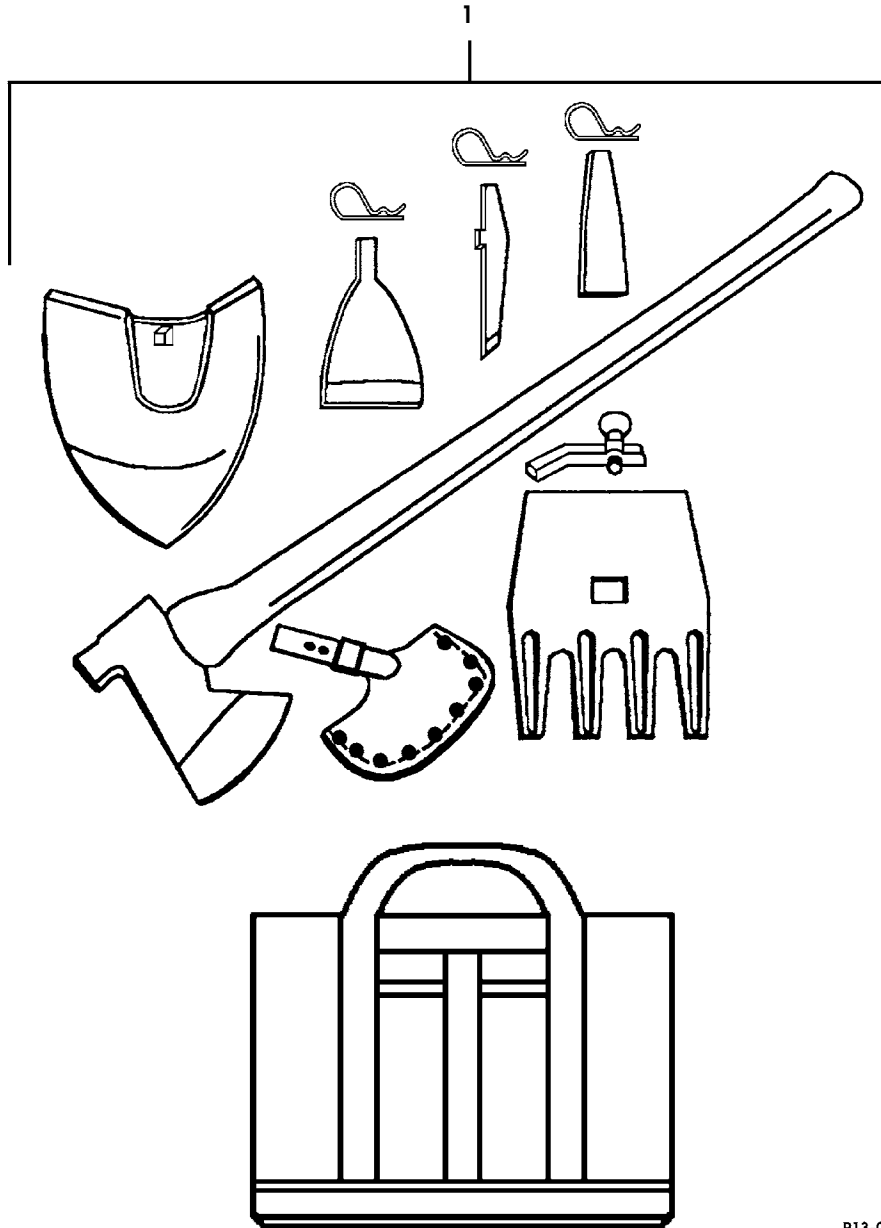
5-1-97

ACCESSORIES 13-15.2

ITEM	PART NUMBER	DESCRIPTION	QTY
1	5744641 NPN	<p>Figure 13-7.1. Utility Step</p> <p>STEP, utility, red.</p> <p>•BAG, heavy-duty canvas, black</p>	<p>1</p> <p>1</p>

1997 HUMMER PARTS CATALOG

13-16 ACCESSORIES



P13-038

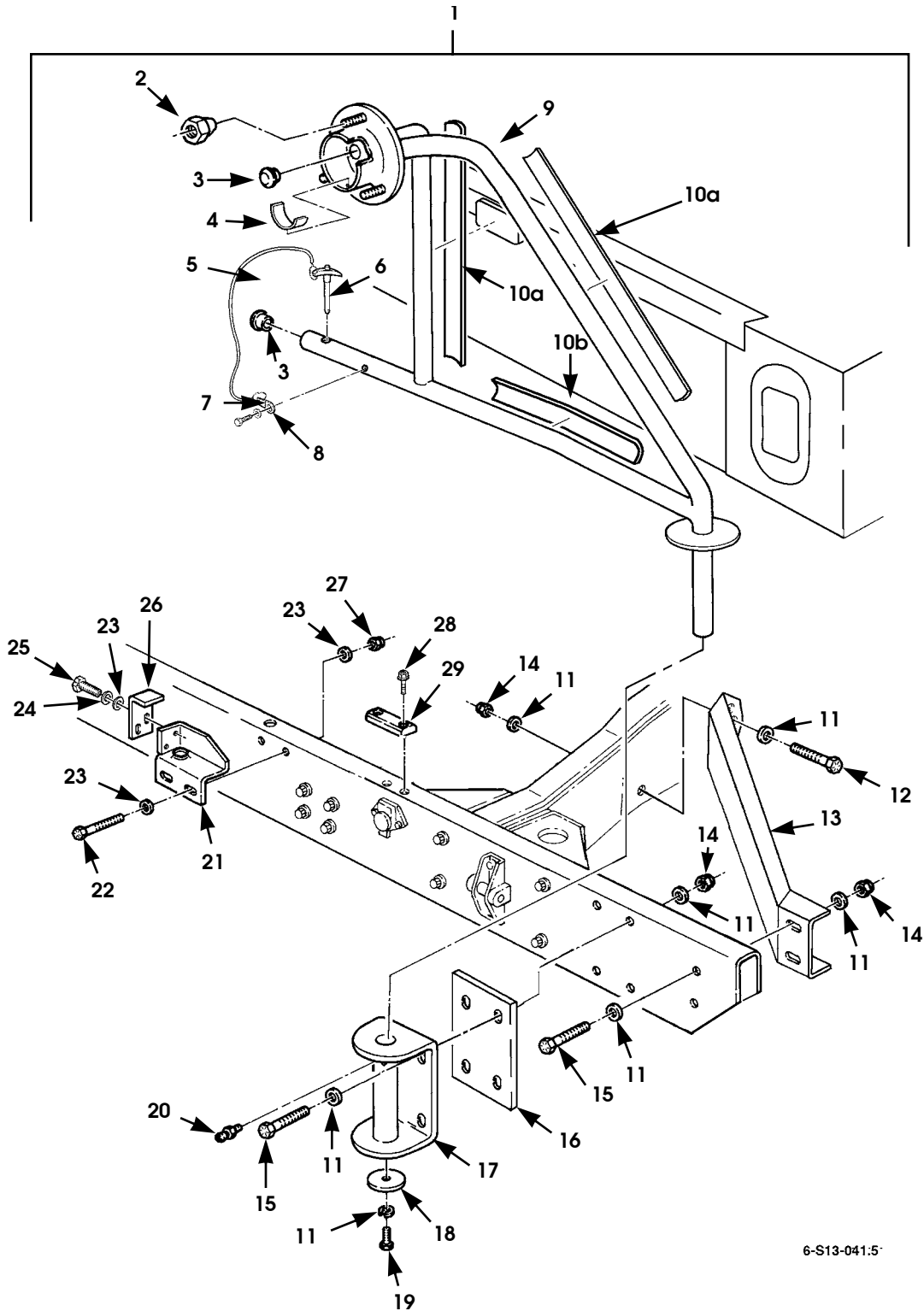
Figure 13-8. Pioneer Tool Kit.

1997 HUMMER PARTS CATALOG

ACCESSORIES 13-17

ITEM	PART NUMBER	DESCRIPTION	QTY
1	6004898	Figure 13-8. Pioneer Tool Kit. KIT, pioneer tool	1

13-18 ACCESSORIES



6-S13-041:5

Figure 13-9. Swing-Away Spare Tire Carrier.

1997 HUMMER PARTS CATALOG

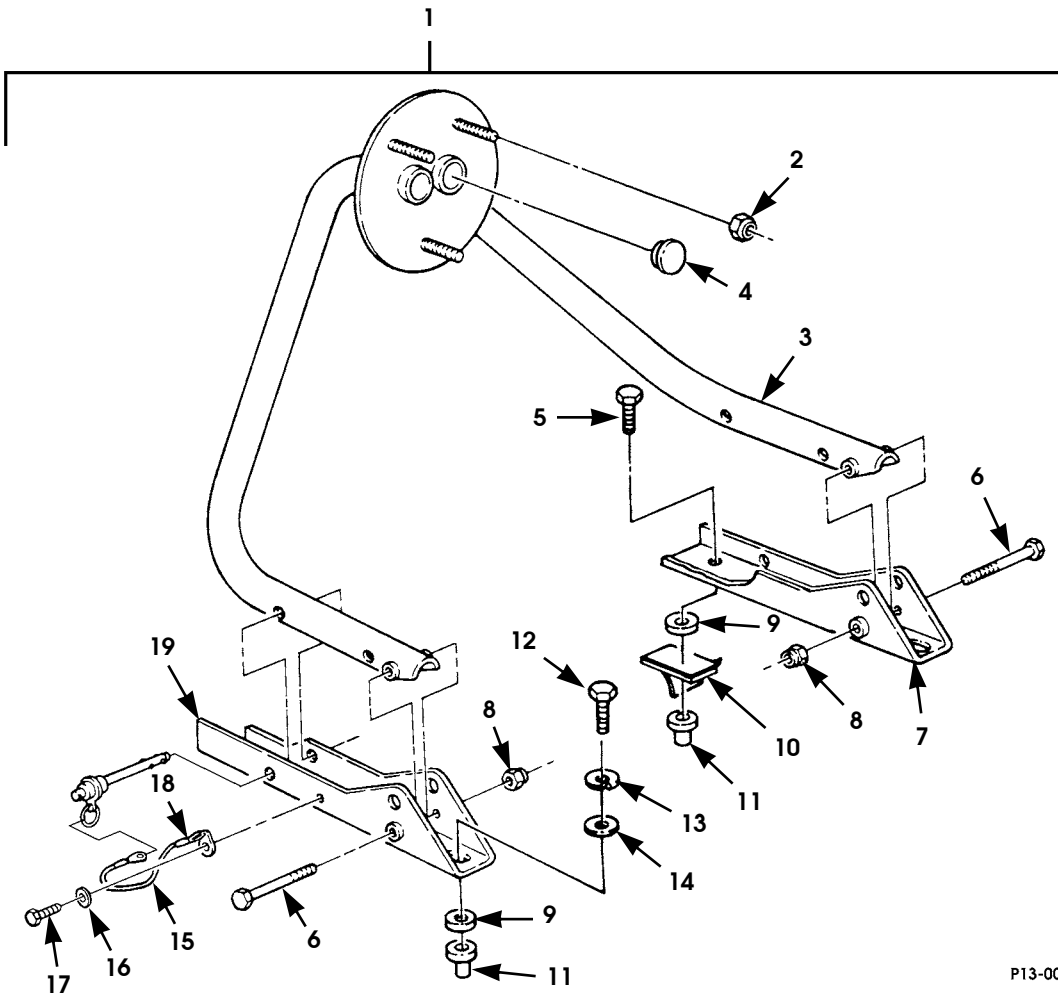
12-1-97

ACCESSORIES 13-19

ITEM	PART NUMBER	DESCRIPTION	QTY
		Figure 13-9. Swing-Away Spare Tire Carrier.	
1	5744642	KIT, swing-away spare tire carrier.	1
2	6007340P2	•LUGNUT, flanged, 9/16"	3
3	5935349	•PLUG, hole	3
4	6004008	•DECAL, spare tire warning	1
5	5935839	•LANYARD	1
6	6007230	•PIN, spare tire carrier.	1
7	S.I.K.	•SCREW, self-tapping, 1/4"-14 x 5/8" Hex, Phos	1
8	S.I.K.	•WASHER, 1/4" flat	1
9	6007764 B2	•FRAME, swing away spare tire	1
10	5744553	•SWING-AWAY CUSHION, 40", SEE NOTE 1.	1
10a	S.I.A.	••SWING-AWAY CUSHION, 15", SEE NOTE 2	2
10b	S.I.A.	••SWING-AWAY CUSHION, 10", SEE NOTE 2	1
11	S.I.K.	•WASHER, 1/2" Flat, Hard Type B	14
12	S.I.K.	•BOLT, 1/2"-13 x 3.75" Hex, GR 8 Cad.	1
13	12339186	•BRACE, bumper, R.H.	1
14	S.I.K.	•NUT, 1/2"-13 Lock GR C	7
15	S.I.K.	•BOLT 1/2"-13 x 3" Hex GR 8 Cad.	6
16	6002620B2	•SPACER	1
17	5935296B2	•BRACKET, spare tire mounting	1
18	5935291	•PLATE, tube retainer	1
19	S.I.K.	•BOLT, 5/16"-18 x 1.00" Hex GR 5 Cad	1
20	S.I.K.	•FITTING, lubrication	1
21	6008049B2	•BRACKET, tire carrier stop	1
22	S.I.K.	•BOLT, 5/16"-18 x 3" Hex GR 8 Cad	2
23	S.I.K.	•WASHER, flat, 5/16".	6
24	S.I.K.	•LOCKWASHER, 5/16" Med.	3
25	S.I.K.	•BOLT, 5/16"-18 x .75" Hex GR 8 ZN.	2
26	6008056B2	•BRACKET, carrier, hold down	1
27	S.I.K.	•LOCKNUT, 5/16"-18 GR 8	2
28	S.I.K.	•SCREW, 1/4"-20 x 7/8" Hex Thread Cut "F" ZN	2
29	5935281	•BLOCK, guide.	1
		NOTE 1: CUT INTO THREE PIECES: TWO OF 15 INCHES, ONE OF 10 INCHES	
		NOTE 2: MADE FROM 40-INCH CUSHION 5744553.	

1997 HUMMER PARTS CATALOG

13-20 ACCESSORIES



P13-009

Figure 13-10. Bed-Mounted Spare Tire Carrier.

1997 HUMMER PARTS CATALOG

6-1-99

ACCESSORIES 13-21

ITEM	PART NUMBER	DESCRIPTION	QTY
		Figure 13-10. Bed-Mounted Spare Tire Carrier.	
1	5742944	KIT, bed-mounted spare tire carrier. 83, 89	1
2	6007340P2	•LUGNUT, flanged, 9/16"	3
3	6008230B3	•SPARE TIRE FRAME ASSEMBLY	1
4	5935349	••PLUG, 1/4"-20 x 0.88"	2
5	MS24667-54P2	•SCREW, countersunk, 3/8"-16 x 1.75 Socket HD 3 ZN .	4
6	122501	•BOLT, 1/2"-13 x 3.5" Hex GR 5 Phos.	2
7	6000931B3	•MOUNTING BRACKET, R.H.	1
8	S.I.K.	•NUT, 1/2"-13 GR 8 CAD	2
9	6000942B2	•SPACER	6
10	12339376-1	•ADHESIVE-BACKED TAPE	2
11	5935428	•RIVNUT, 3/8"-16 ZN.	5
12	MS90728-65	•SCREW, 3/8"-16 x 1.75 Hex Cap GR 8 CAD	2
13	S.I.K.	•LOCKWASHER, 3/8" Med Phos	2
14	S.I.K.	•WASHER Flat 3/8 Type B	2
15	5935839	•LANYARD	2
16	S.I.K.	•WASHER, flat, 1/4"	2
17	9426781	•SCREW, 1/4"-14 x 1/2" Tapping Phos	2
18	6007230	•LOCKPIN	2
19	6000930B3	•MOUNTING BRACKET, L.H.	1

6-1-99

1997 HUMMER PARTS CATALOG

13-22 ACCESSORIES

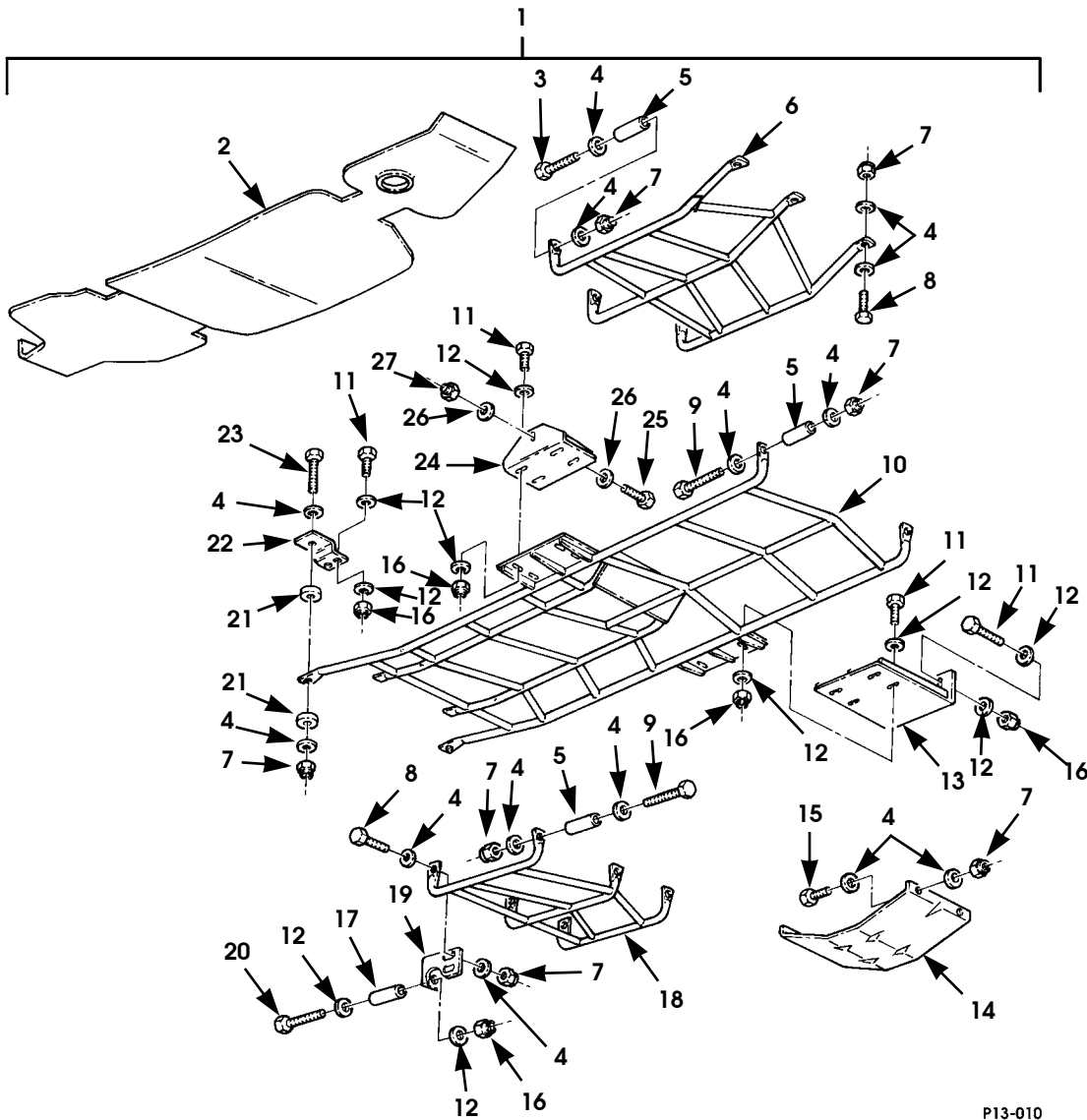


Figure 13-11. Driveline Protection and Mounting Hardware.

1997 HUMMER PARTS CATALOG

6-1-99

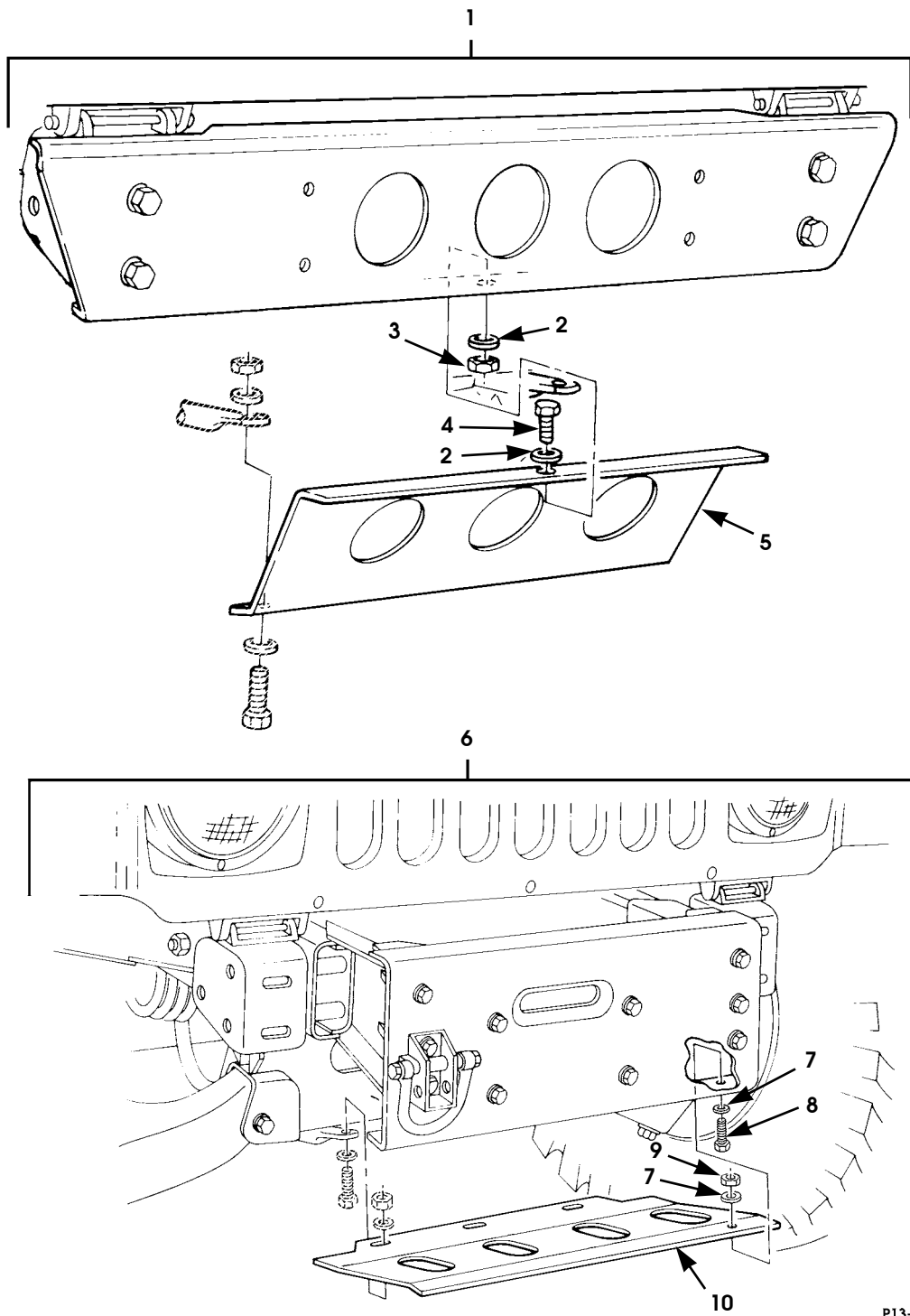
ACCESSORIES 13-23

ITEM	PART NUMBER	DESCRIPTION	QTY
		Figure 13-11. Driveline Protection and Mounting Hardware. (See Note 1 & Note 2)	
1	5744299	KIT, underbody protection, vehicle w/o winch.	1
1	5744281	KIT, underbody protection, vehicle w/ winch.	1
2	6006150B9	•SHIELD, fuel tank	1
3	S.I.K.	•BOLT, 3/8 - 16 x 3 1/4, Gr8, Phos.	5
4	S.I.K.	•WASHER, flat, 3/8, type B (use w/ kit P/N 5744299). . .	40
4	S.I.K.	•WASHER, flat, 3/8, type B (use w/ kit P/N 5744281) . .	30
5	5594341	•SPACER, front	3
6	5593490	•FRONT SHIELD ASSEMBLY.	1
7	S.I.K.	•LOCKNUT, 3/8 - 16, Gr8 (use w/ kit P/N 5744299)	20
7	S.I.K.	•LOCKNUT, 3/8 - 16, Gr8 (use w/ kit P/N 5744281). . . .	14
8	S.I.K.	•SCREW, cap, 3/8 - 16 x 1 1/8, Gr8, CAD	7
9	S.I.K.	•BOLT, 3/8 - 16 x 3 3/4, Gr8, Phos.	1
10	5593491	•INTERMEDIATE SHIELD ASSEMBLY	1
11	S.I.K.	•BOLT, 5/16 - 18 x 1, Gr8, CAD.	8
12	S.I.K.	•WASHER, flat, 5/16, hardened, type B, ZN	28
13	5593494	•BRACKET ASSEMBLY, shield mounting, L.H..	1
14	5593499	•SHIELD, transfer case	1
15	S.I.K.	•BOLT, 3/8 - 16 x 1, Gr8, CAD.	2
16	S.I.K.	•LOCKNUT, 5/16 - 18, Gr8	14
17	5594342	•SPACER, underbody protection, rear	9
18	5593492	•REAR SHIELD ASSEMBLY	1
19	5593493	•BRACKET, tube rear mounting	3
20	S.I.K.	•BOLT, 5/16 - 18 x 2 3/4, Gr8, ZN.	6
21	5593497	•WASHER, laminated fiber, 3/8.	4
22	5593496	•BRACKET, tube support transmission	2
23	S.I.K.	•BOLT, 3/8 - 16 x 1 1/2, Gr8, CAD.	2
24	5593495	•BRACKET ASSEMBLY, shield mounting, R.H.	1
25	S.I.K.	•BOLT, 1/2 - 13 x 3 3/4, Gr8, CAD.	2
26	S.I.K.	•WASHER, flat, hardened, 1/2.	4
27	S.I.K.	•LOCKNUT, 1/2 - 13	2
		NOTE 1: FOR SKID PLATE INFORMATION, REFER TO DRIVELINE PROTECTION SKID PLATES ON THE NEXT PAGE.	
		NOTE 2: NOT FOR 12,100-LB GVW VEHICLES	

6-1-99

1997 HUMMER PARTS CATALOG

13-24 ACCESSORIES



P13-011

Figure 13-12. Driveline Protection Skid Plates.

1997 HUMMER PARTS CATALOG

6-1-99

ACCESSORIES 13-25

ITEM	PART NUMBER	DESCRIPTION	QTY
		Figure 13-12. Driveline Protection Skid Plates. (See Note 1)	
1	5744299	KIT, driveline protection, vehicle w/o winch	1
2	S.I.K.	•WASHER, flat, 5/16" w/o winch Hard Type B ZN	8
3	S.I.K.	•LOCKNUT, 5/16"-18 w/o winch Gr 8	4
4	S.I.K.	•BOLT, 5/16"-18 x 1.0" w/o winch Hex GR 8 Phos.	4
5	5935943	•SKID PLATE w/o winch.	1
6	5744281	KIT, driveline protection, vehicle w/winch.	1
7	S.I.K.	•WASHER, flat, 3/8" w/winch Type B	6
8	S.I.K.	•BOLT, 3/8"-16 x 1.0" w/winch Hex GR 8 CAD	3
9	S.I.K.	•LOCKNUT, 3/8"-16 w/winch Gr 8	3
10	5935669	•SKID PLATE w/winch	1
		NOTE 1: FOR DRIVELINE PROTECTION PARTS, REFER TO DRIVELINE PROTECTION AND MOUNTING HARDWARE ON PAGES 13-22 AND 13-23.	

13-26 ACCESSORIES

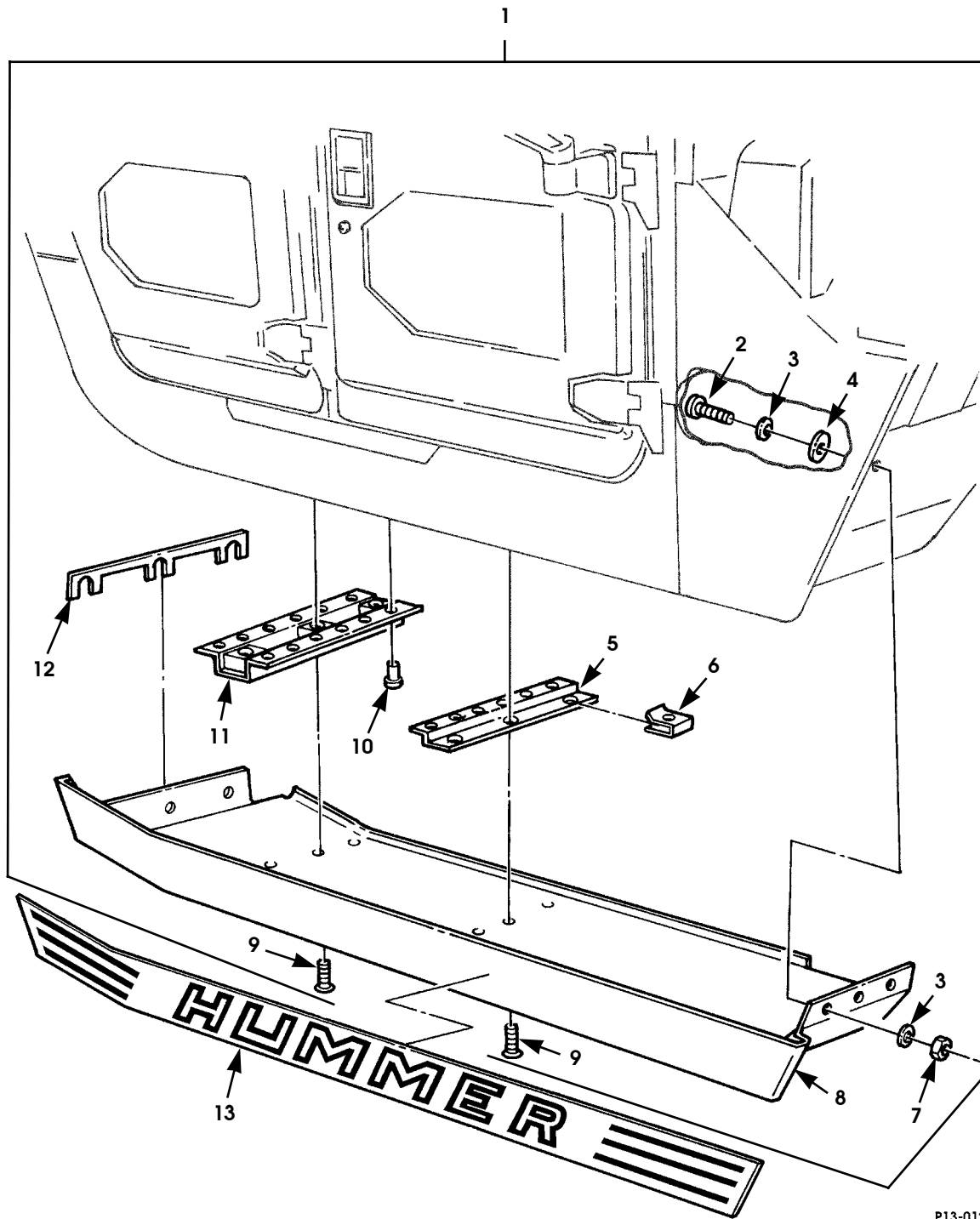


Figure 13-13. Rocker Panel Guard Accessory Kit.

1997 HUMMER PARTS CATALOG

6-1-99

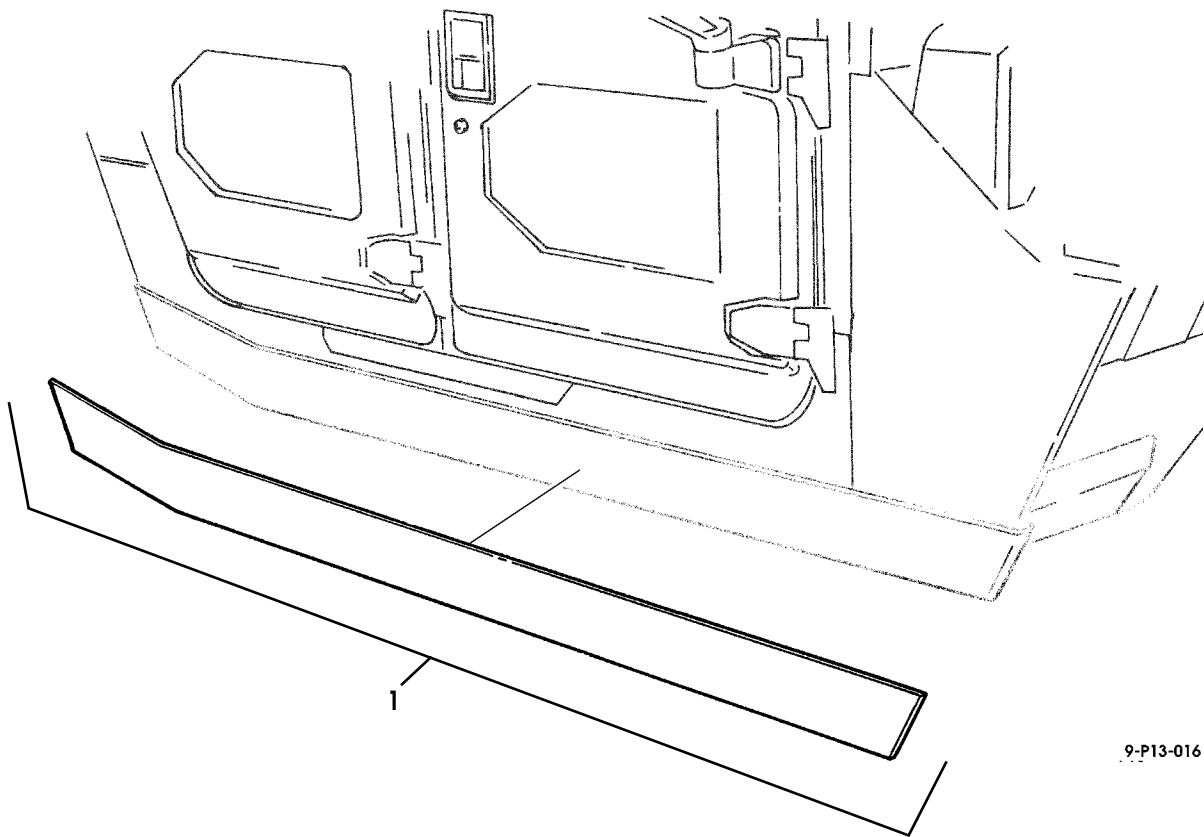
ACCESSORIES 13-27

ITEM	PART NUMBER	DESCRIPTION	QTY
		Figure 13-13. Rocker Panel Guard Accessory Kit.	
1	5743772	KIT, rocker panel guard (aluminum)	1
1	5745140	KIT, rocker panel guard (stainless steel)	1
2	12342675	•CAPSCREW, 3/8"-16 x 1.25" Soc hd CAD	12
3	S.I.K.	•WASHER, flat, 3/8"	24
4	6001595	•GASKET, foam washer	12
5	6001241	•BRACKET, mounting.	2
6	6001283	•NUT, U-type	9
7	S.I.K.	•LOCKNUT, 3/8"-16 GR 8.	12
8	6003614P	•PANEL, underbody skid, L.H., SEE NOTE 1 (steel)	1
8	6003615P	•PANEL, underbody skid, R.H., SEE NOTE 1 (steel)	1
8	6005165P	•PANEL, underbody skid, L.H., SEE NOTE 2 (aluminum)	1
8	6005166P	•PANEL, underbody skid, R.H., SEE NOTE 2 (aluminum)	1
9	6002805	•SCREW, socket, 3/8"-16 x 1.0 FL HD ZN W/Nylon.	12
10	S.I.K.	•RIVET, 3/16 Dia., blind Alum	48
11	6001275	•BRACKET, skid plate mounting	3
12	6001278	•SHIM, skid plate	6
13	5744675	DECAL, Hummer, black, SEE NOTE 3.	1
13	5744882	DECAL, Hummer, chrome, SEE NOTE 3.	1
13	6004296	DECAL, Hummer, gold, SEE NOTE 3	1
13	6004295	DECAL, Hummer, silver, SEE NOTE 3.	1
13	6004294	DECAL, Hummer, white, SEE NOTE 3.	1
		NOTE 1: PART OF KIT P/N 5742908	
		NOTE 2: PART OF KIT P/N 5743772	
		NOTE 3: NOT INCLUDED IN KIT - ORDER SEPARATELY (SHIPPED IN PAIRS ONLY)	

6-1-99

1997 HUMMER PARTS CATALOG

13-27.1 ACCESSORIES



9-P13-016

Figure 13-13.1 Rocker Panel Protection Cover, Stainless Steel.

1997 HUMMER PARTS CATALOG

6-1-99

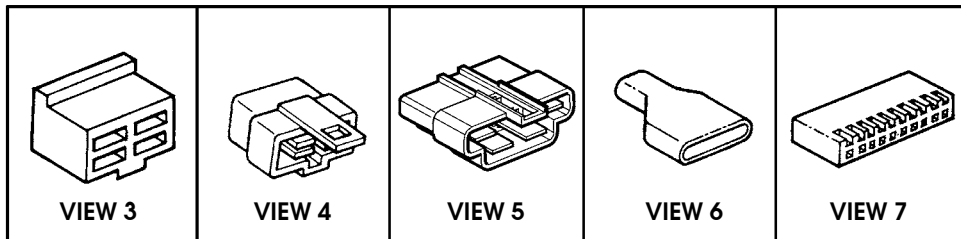
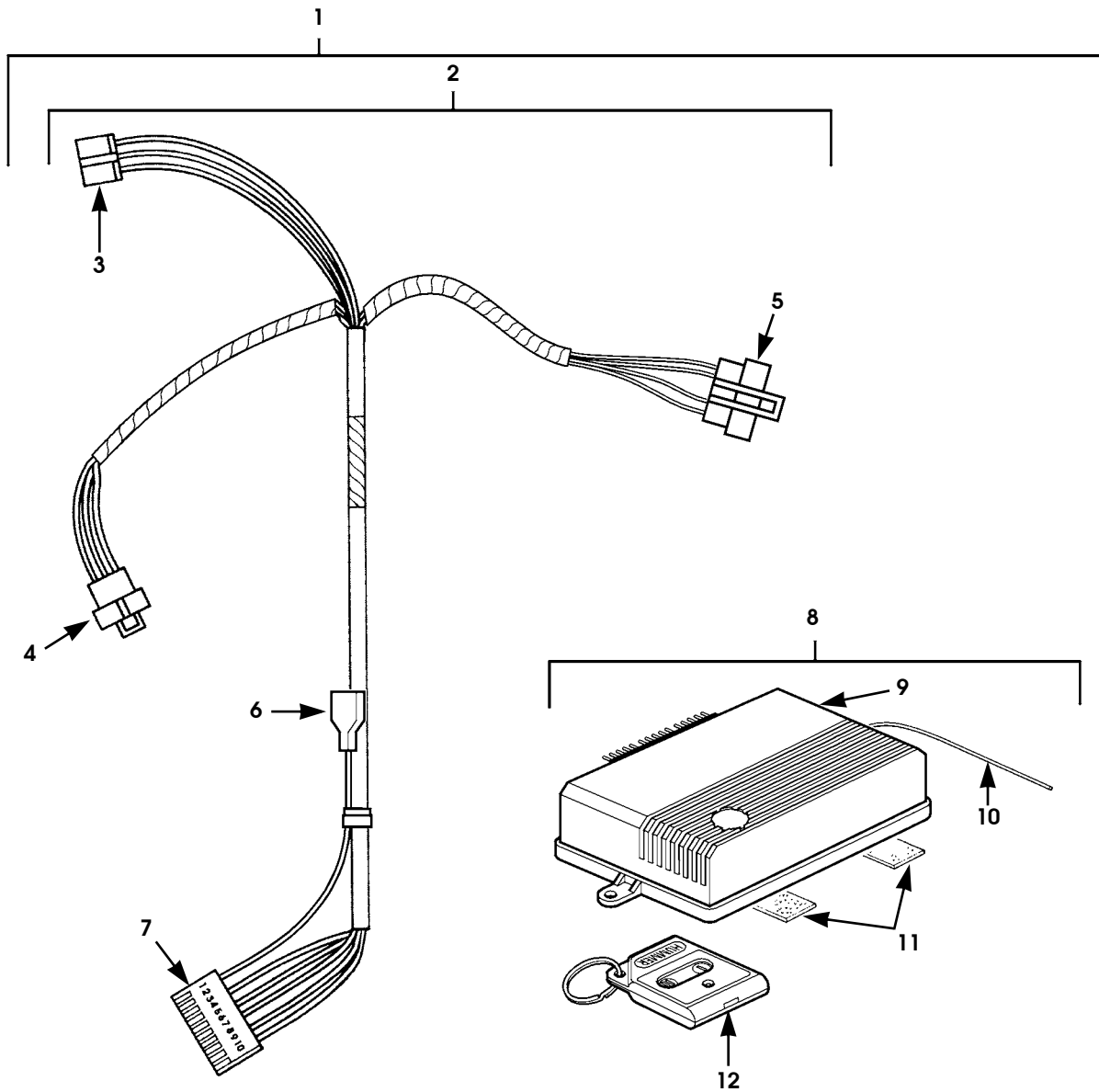
ACCESSORIES 13-27.2

ITEM	PART NUMBER	DESCRIPTION	QTY
1	5745096	<p>Figure 13-13.1 Rocker Panel Protection Cover, Stainless Steel.</p> <ul style="list-style-type: none">•COVER, rocker panel protection.	1

12-1-97

1997 HUMMER PARTS CATALOG

13-28 ACCESSORIES



P13-033.3

Figure 13-14. Remote Entry Kit.

1997 HUMMER PARTS CATALOG

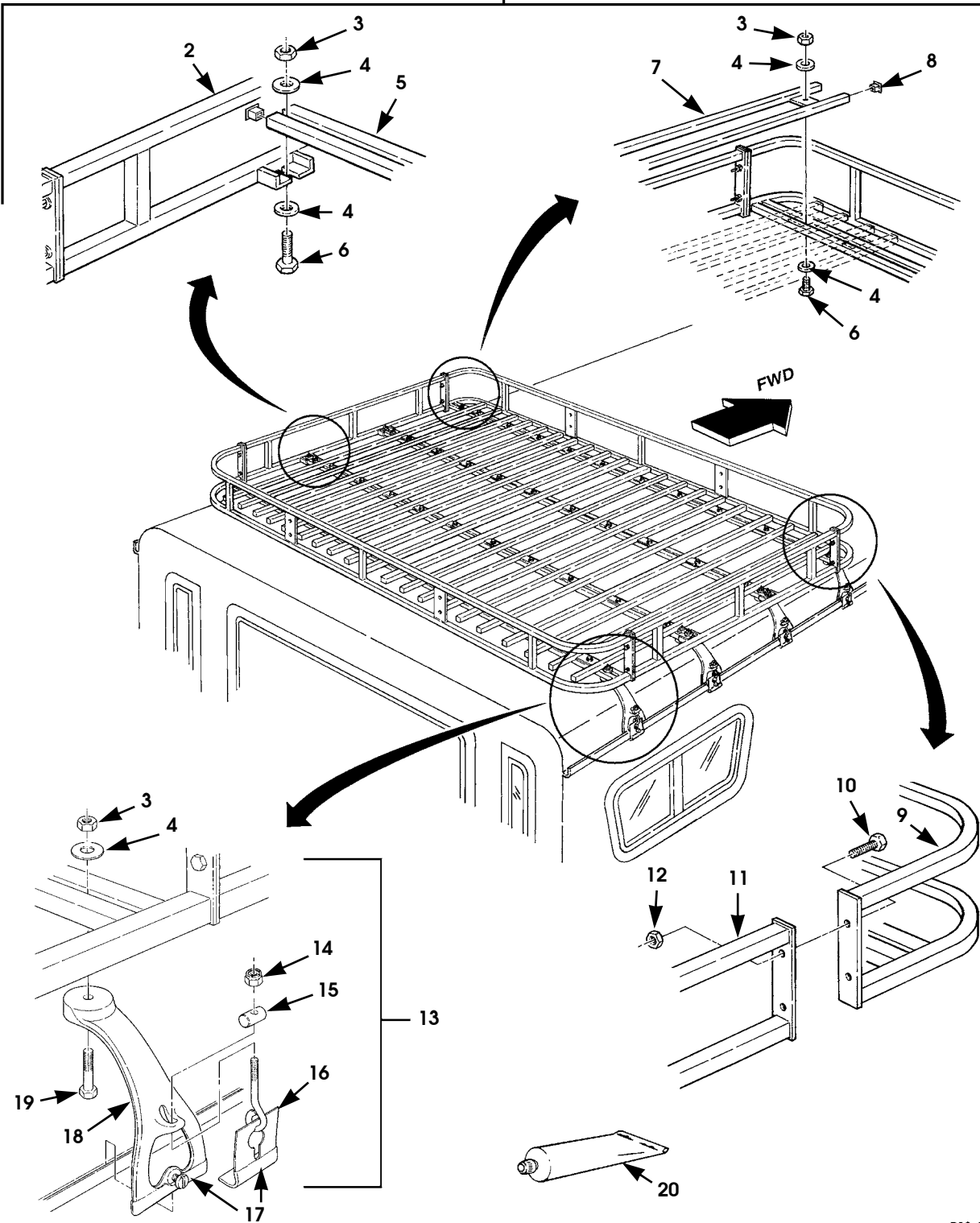
12-1-97

ACCESSORIES 13-29

ITEM	PART NUMBER	DESCRIPTION	QTY
		Figure 13-14. Remote Entry Kit.	
1	6008077	KIT, remote entry	1
2	6008076	•HARNESS ASSEMBLY, remote entry	1
3	5962769	••CONNECTOR, 4-way, female, keyless entry	1
4	5903246	••CONNECTOR, 4-way, male, keyless entry	1
5	S.I.A.	••CONNECTOR, 5-way, male, power source	1
6	6002773	••TERMINAL, grounding, code setting	1
7	5744576	••CONNECTOR, 15-way, female	1
8	6005115	•RECEIVER ASSEMBLY	1
9	S.I.A.	••RECEIVER	1
10	S.I.A.	••ANTENNA	1
11	S.I.A.	••VELCRO STRIP	2
12	5744201	•REMOTE TRANSMITTER	2

1997 HUMMER PARTS CATALOG

13-30 ACCESSORIES



P13-03c

Figure 13-15. Roof Rack Kit.

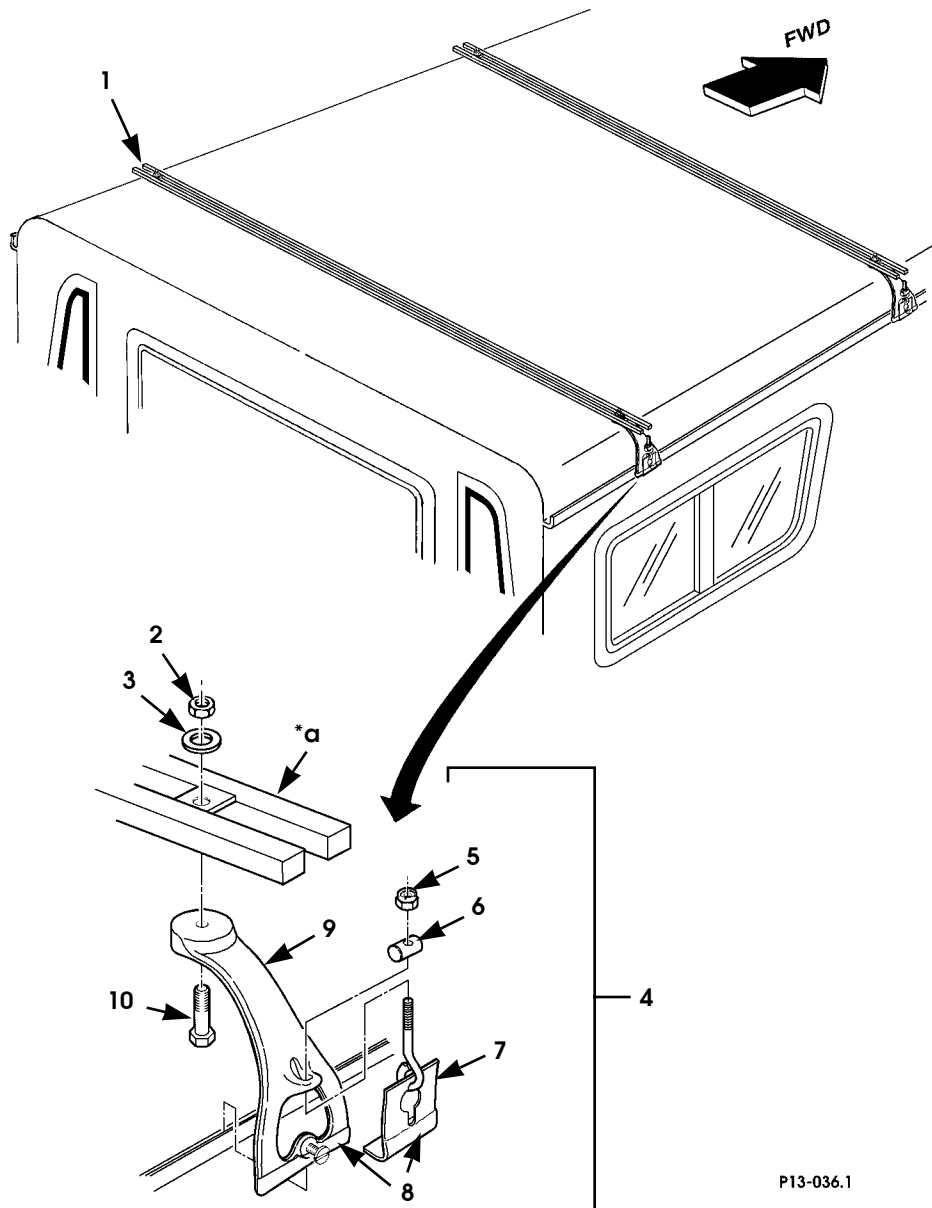
1997 HUMMER PARTS CATALOG

ACCESSORIES 13-31

ITEM	PART NUMBER	DESCRIPTION	QTY		
			3'	6'	9'
		Figure 13-15. Roof Rack Kit.			
1	5743354	KIT, three foot roof rack, 89, 83, 84	1		
1	5743213	KIT, six foot roof rack 83, 84		1	
1	5743214	KIT, nine foot roof rack. 84			1
2	5743261	•END CAP, crossbar	8	16	20
3	5743271	•LOCKNUT, nylon Insert 3/8"-16	24	52	66
4	5743270	•WASHER, flat 3/8"	44	96	122
5	5743258	•CROSSBAR	2	4	5
6	5743268	•BOLT, roof rack 3/8"-16 x 1 1/2 GR 5 Phos	20	44	56
7	5743262	•FLOOR SECTION, three foot rack.	10		
7	5743263	•FLOOR SECTION, six foot rack.		10	
7	5743264	•FLOOR SECTION, nine foot rack.			10
8	5743265	•FLOOR SECTION, end cap	40	40	40
9	5743256	•RACK END ASSEMBLY	2	2	2
10	5743266	•BOLT Hex 5/16"-18 x 1.0 GR 5 Phos	8	8	8
11	5743260	•SIDE, three foot rack	2		
11	5743259	•SIDE, six foot rack		2	
11	5743257	•SIDE, nine foot rack			2
12	5743267	•LOCKNUT, nylon Insert 5/16"-18 GR 5.	8	8	8
13	5743250	•CLAMP ASSEMBLY	4	8	10
14	5743255	•LOCKNUT, nylon Insert 1/4"-20	1	1	1
15	5743254	••SPACER, round, clamp	1	1	1
16	5743253	••CLIP, clamp.	1	1	1
17	5743252	••BOOT, rubber, clamp.	1	1	1
18	5743251	••YOKE, clamp	1	1	1
19	5743269	•BOLT Hex 3/8"-16 x 2.0 GR5 Phos	4	8	10
20	5743308	•GLUE, end cap	1	1	1
		NOTE 1: 6-FOOT ROOF RACK SHOWN.			

1997 HUMMER PARTS CATALOG

13-32 ACCESSORIES



P13-036.1

*a PART OF ITEM 1

Figure 13-16. Universal Roof Mounting Rack Kit.

1997 HUMMER PARTS CATALOG

5-1-97

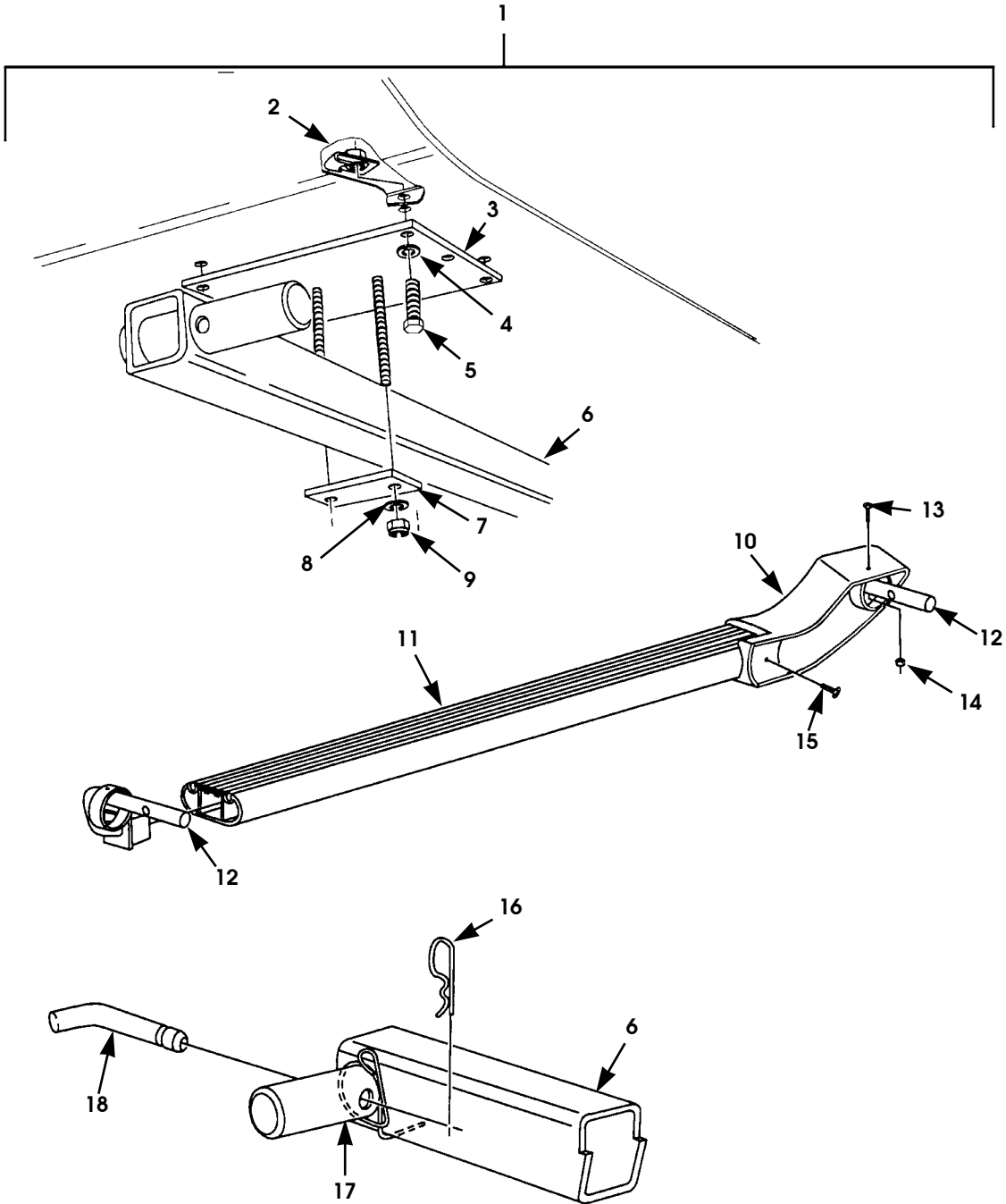
ACCESSORIES 13-33

ITEM	PART NUMBER	DESCRIPTION	QTY
		Figure 13-16. Universal Roof Mounting Rack Kit.	
1	5744600	UNIVERSAL ROOF MOUNTING RACK KIT	1
2	5743271	•LOCKNUT, nylon Insert 3/8"-16	4
3	5743270	•WASHER, flat 3/8"	4
4	5743250	•CLAMP ASSEMBLY	4
5	5743255	••LOCKNUT, nylon Insert 1/4"-20	4
6	5743254	••SPACER, round, clamp	4
7	5743253	••CLIP, clamp.	4
8	5743252	••BOOT, rubber, clamp.	4
9	5743251	••YOKE, clamp	4
10	5743269	•BOLT Hex 3/8"-16 x 2.0 GR5 Phos	4

5-1-97

1997 HUMMER PARTS CATALOG

13-34 ACCESSORIES



P13-037

Figure 13-17. Running Board Kit.

1997 HUMMER PARTS CATALOG

6-1-99

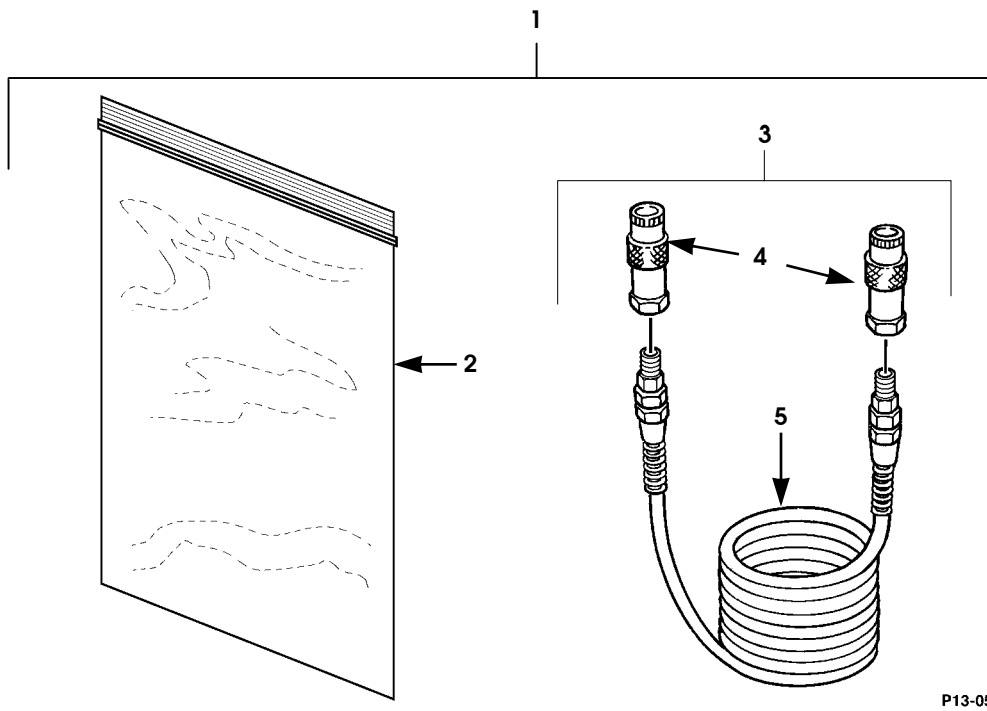
ACCESSORIES 13-35

ITEM	PART NUMBER	DESCRIPTION	QTY
		Figure 13-17. Running Board Kit.	
1	5743446	KIT, running board	1
2	6001283	•J-NUT, "U" type, 3/8"-16	8
3	5743437	•MOUNTING bracket	4
4	9419871	•LOCKWASHER 3/8" Med Phos	12
5	MS90725-62P2	•BOLT, 3/8"-16 x 1.25" Hex GR 5 CAD	12
6	5743441	•RECEIVER	2
7	5743438	•PLATE, clamp	6
8	S.I.K.	•WASHER, flat, 3/8" Type B	8
9	S.I.K.	•NUT, hex 3/8"-16 Lock GR 5 Nylon Insert-ZN	8
10	5743439	•CURVED TUBE, left, with black plastic insert, L.F.-R.R.	2
10	5743440	•CURVED TUBE, right, with orange plastic insert, R.F.-L.R..	2
11	5743442	•RUNNING BOARD	2
12	5743443	•END CAP, left, L.F.-R.R.	2
12	5743444	•END CAP, right, R.F.-L.R.	2
13	5743431	•SCREW, truss head, #10	8
14	S.I.K.	•NUT, nylon, #10	8
15	5743433	•SCREW, self tapping, 1/4"	4
16	5743436	•CLIP.	4
17	5743434	•CLIP, spring	4
18	5743435	•PIN.	4

6-1-99

1997 HUMMER PARTS CATALOG

13-36 ACCESSORIES



P13-054

Figure 13-18. Auxiliary Air Hose Kit.

1997 HUMMER PARTS CATALOG

6-1-99

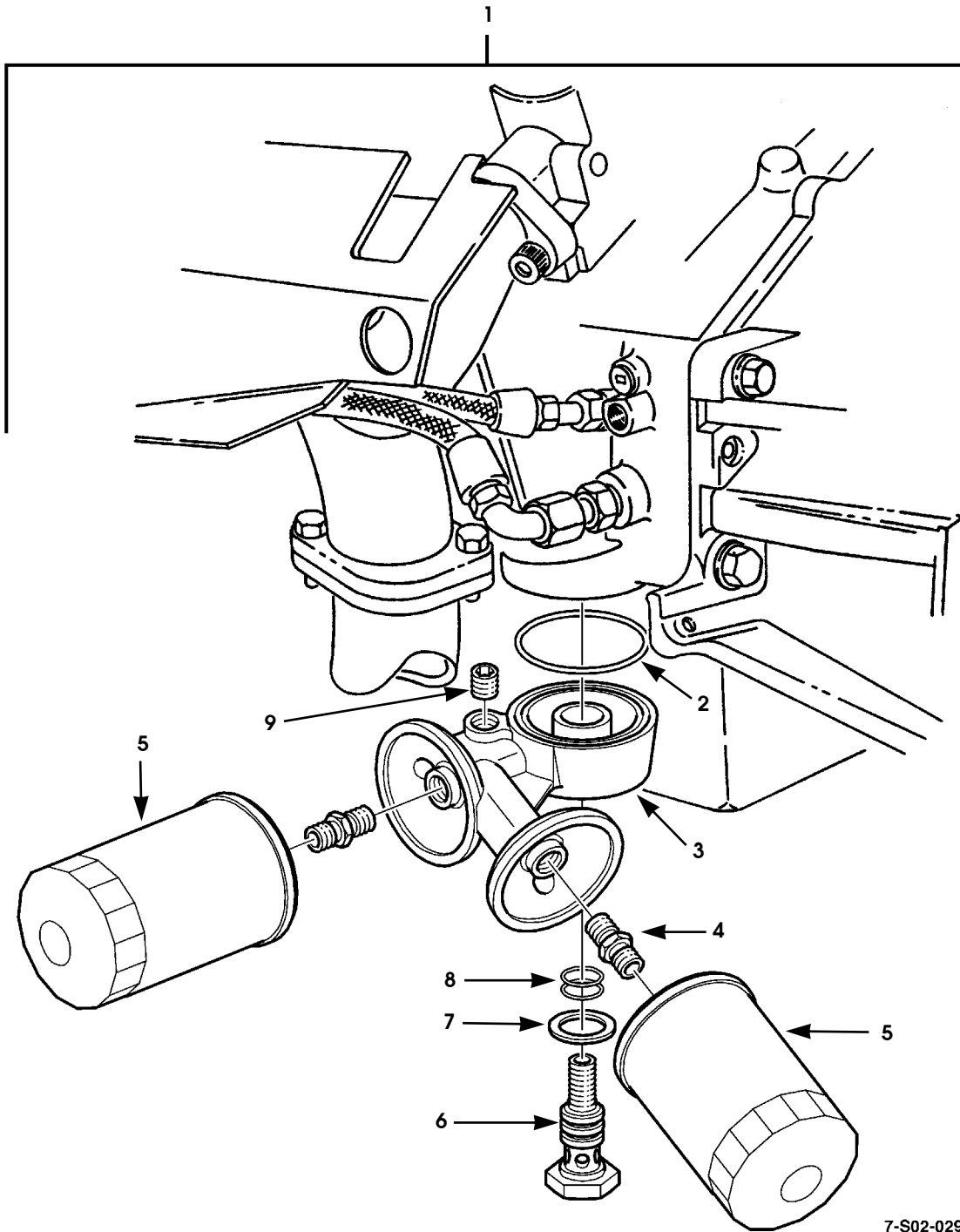
ACCESSORIES 13-37

ITEM	PART NUMBER	DESCRIPTION	QTY
		Figure 13-18. Auxiliary Air Hose Kit.	
1	5743599	KIT, auxiliary air hose	1
2	5743709	•BAG, CTIS hose storage, 12" x 12" plastic.	1
3	6004415	•HOSE ASSEMBLY, CTIS auxiliary air	1
4	6004417	••FITTING, quick disconnect	2
5	6004416	••HOSE, auxiliary air	1

12-1-97

1997 HUMMER PARTS CATALOG

13-37.1 ACCESSORIES



7-S02-029

Figure 13-18.1 Dual Oil Filter Kit

1997 HUMMER PARTS CATALOG

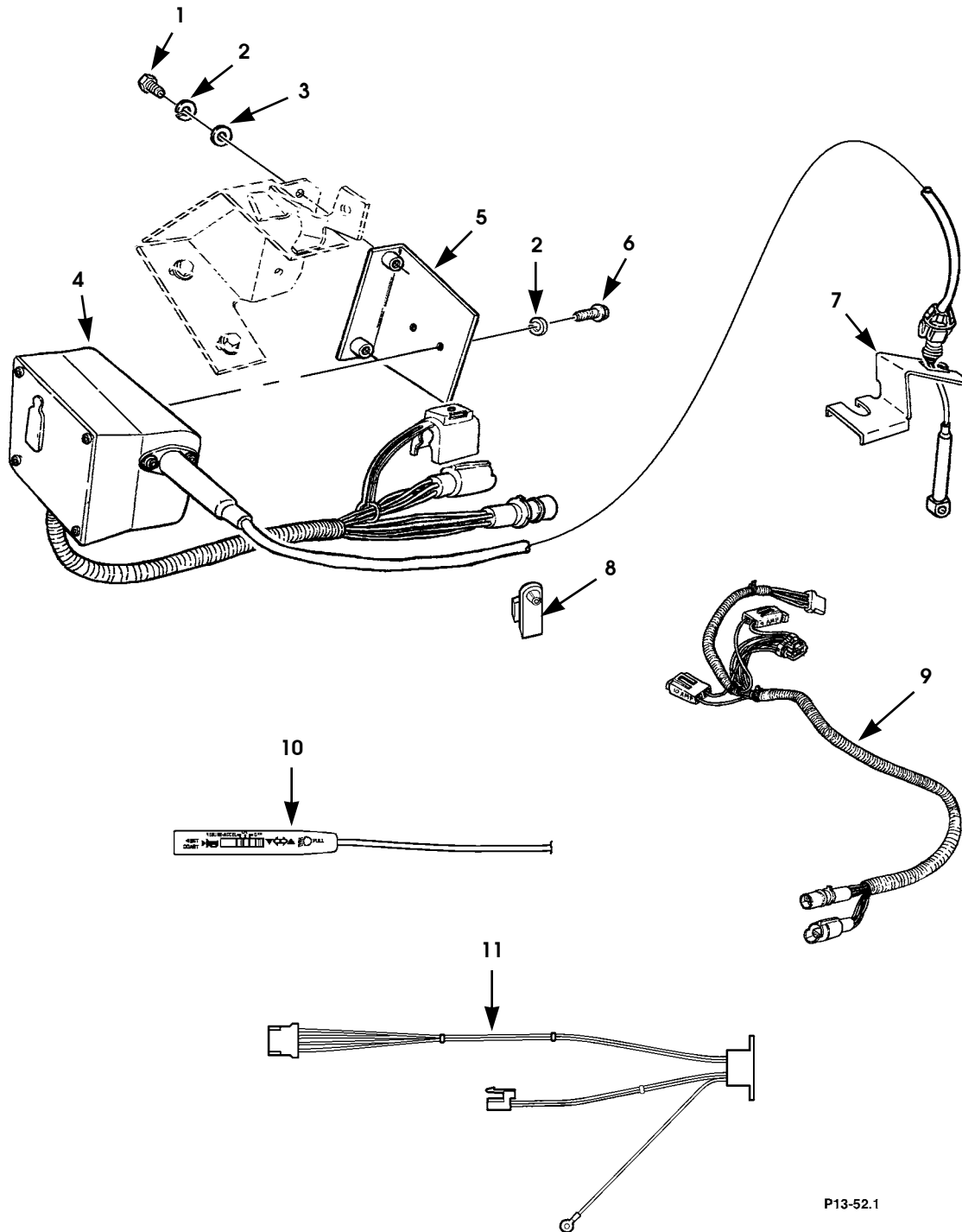
12-1-97

ACCESSORIES 13-37.2

ITEM	PART NUMBER	DESCRIPTION	QTY
		Figure 13-18.1 Dual Oil Filter Kit	
1	5744867	KIT, dual oil filter	1
2	MS28775-236	•O-RING	1
3	5594912	•ADAPTER, dual oil filter	1
4	12339405	•CONNECTOR, oil filter (SEE NOTE 1)	1
5	5715388	•FILTER, oil	2
6	12339410	•BOLT, oil filter.	1
7	12339409	•GASKET, oil filter adapter	1
8	MS28775-20	•O-RING	2
9	444698	•PLUG, pipe, 3/8-18.	1
		NOTE 1: ONLY ONE OIL FILTER CONNECTOR IS INCLUDED IN KIT. THE CONNECTOR REMOVED FROM THE VEHICLE SHOULD BE REUSED.	

1997 HUMMER PARTS CATALOG

13-38 ACCESSORIES



P13-52.1

Figure 13-19. Cruise Control Actuator, Wiring Harness and Mounting Hardware.

1997 HUMMER PARTS CATALOG

5-1-97

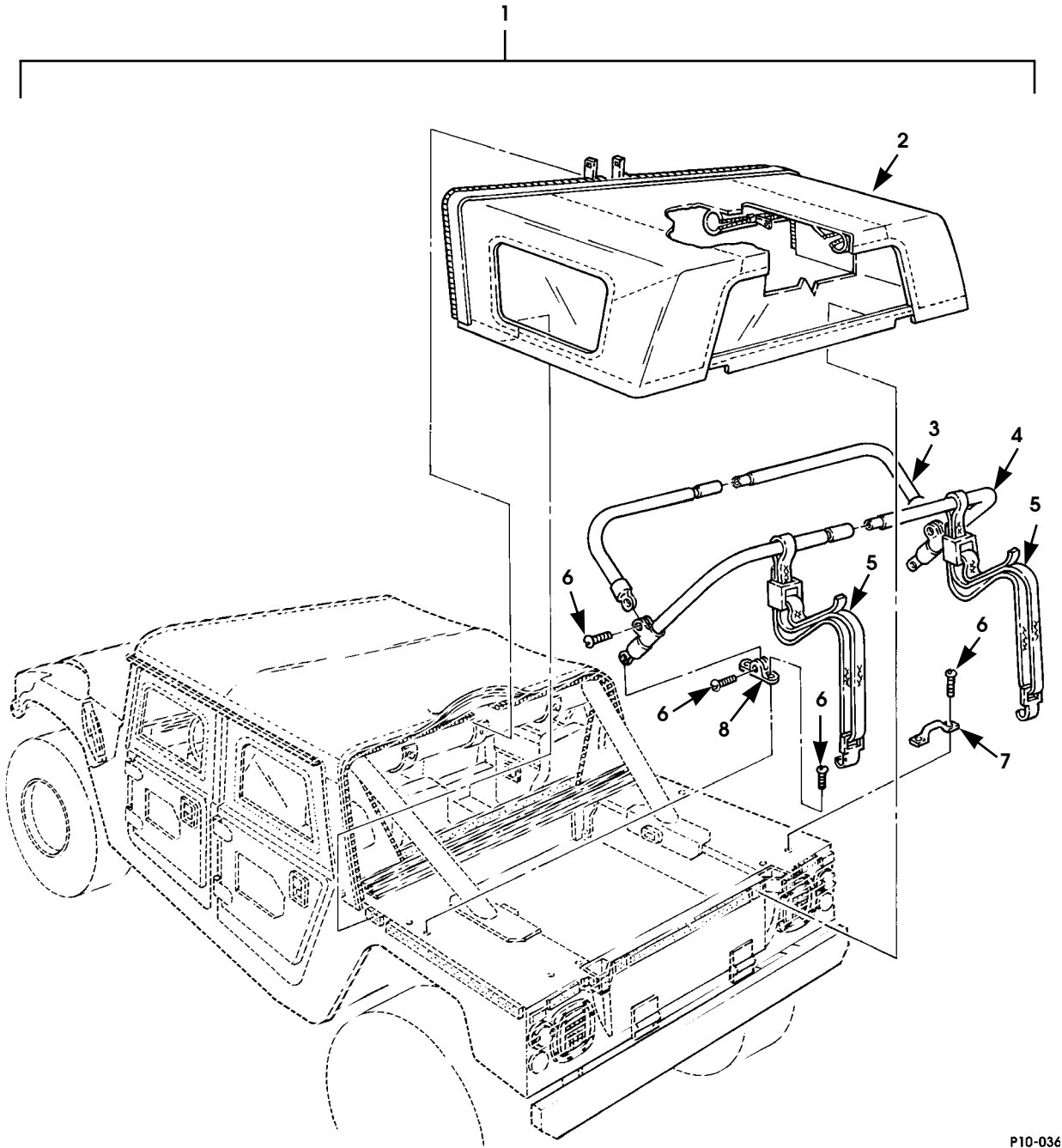
ACCESSORIES 13-39

ITEM	PART NUMBER	DESCRIPTION	QTY
		Figure 13-19. Cruise Control Actuator, Wiring Harness and Mounting Hardware.	
1	N/S	BOLT, 1/4" - 20 x 3/4" (NA Diesel)	2
2	N/S	LOCKWASHER, 1/4" (NA Diesel)	4
3	N/S	WASHER, 1/4" (NA Diesel)	2
4	6008529	ACTUATOR/CABLE ASSEMBLY (NA Diesel)	1
5	6008177B2	BRACKET, actuator mounting (NA Diesel)	1
6	N/S	BOLT, 1/4" - 20 x 5/8" (NA Diesel)	2
7	6007146	BRACKET, actuator cable (NA Diesel)	1
8	5939037	RETAINER CLIP, cruise control (NA Diesel)	1
9	6008530	HARNESS ASSEMBLY (NA Diesel)	1
10	6004056	STALK, turn signal w/cruise.	1
11	6008243	CONVERTER, cruise control stalk (Turbo Diesel)	1

6-1-99

1997 HUMMER PARTS CATALOG

13-40 ACCESSORIES



P10-036

Figure 13-20. Soft Square Back Kit, Model 90.

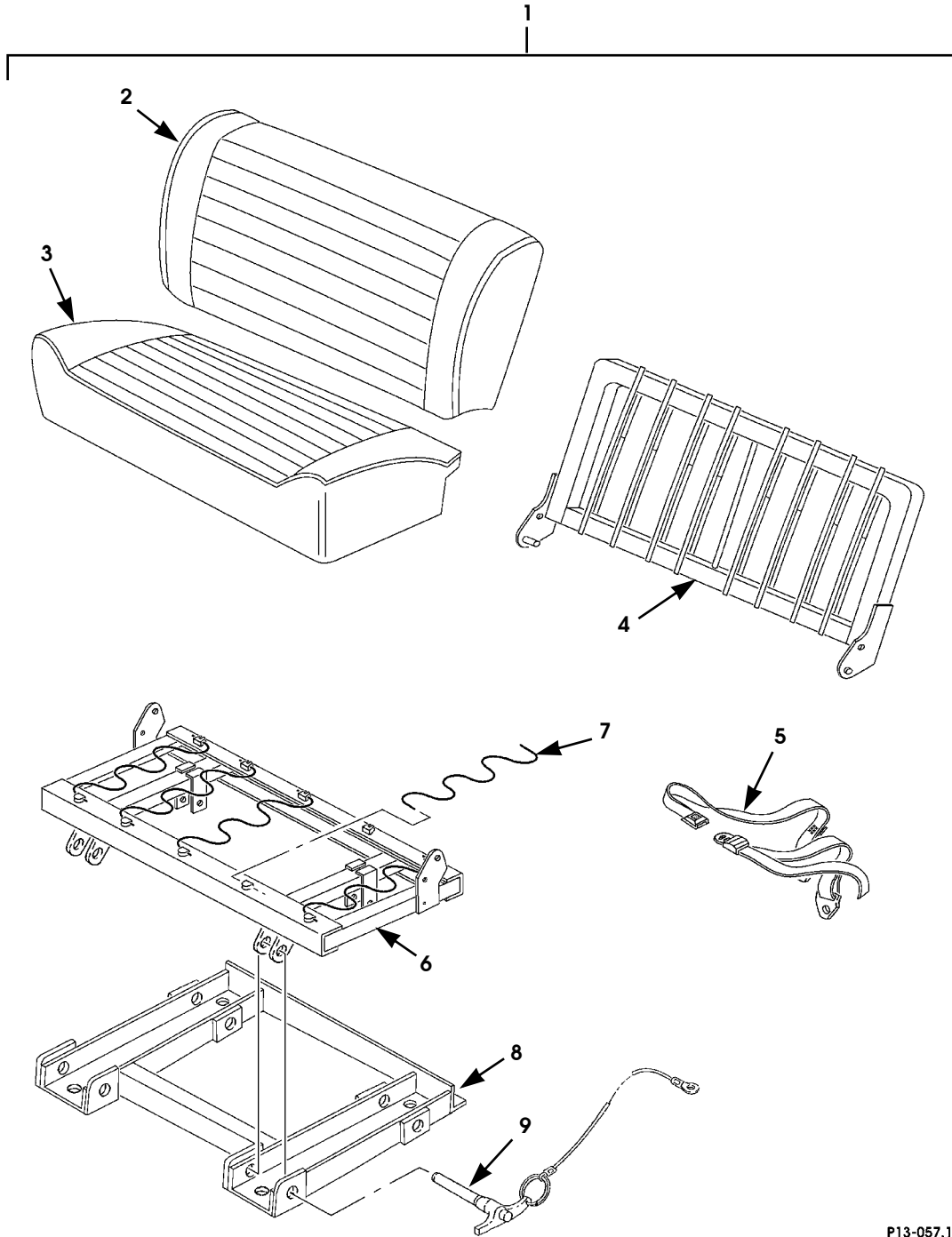
1997 HUMMER PARTS CATALOG

6-1-99

ACCESSORIES 13-41

ITEM	PART NUMBER	DESCRIPTION	QTY
		Figure 13-20. Soft Square Back Kit, Model 90.	
1	5742960	KIT, soft top, tan	1
		90	
1	6004208	KIT, soft top, white	1
		90	
1	6004069	KIT, soft top, black	1
		90	
2	6001714	•COVER ASSEMBLY, soft top, tan	1
		90	
2	6004209	•COVER ASSEMBLY, soft top, white	1
		90	
2	6004070	•COVER ASSEMBLY, soft top, black	1
		90	
3	6001715	•BOW ASSEMBLY, front.	1
		90	
4	6001716	•BOW ASSEMBLY, rear	1
		90	
5	6001718	•LOOP, extended webbing	2
		90	
6	S.I.A.	•SCREW, #10-32 x .75.	12
		90	
7	6001719	•FOOTMAN LOOP.	2
		90	
8	6001717	•BRACKET, hinge	2
		90	
		NOTE : VELCRO STRIP FOR RETAINING THE BOTTOM EDGE IS NOT INCLUDED. SEE FIGURE 10-31 ON PAGE 10-84 FOR THESE PARTS.	

13-42 ACCESSORIES



P13-057.1

Figure 13-21. Auxiliary Seat.

1997 HUMMER PARTS CATALOG

6-1-99

ACCESSORIES 13-43

ITEM	PART NUMBER	DESCRIPTION	QTY
		Figure 13-21. Auxiliary Seat.	
1	6009015B	SEAT, auxiliary, black vinyl	1
1	6009015G	SEAT, auxiliary, gray	1
1	6009015T	SEAT, auxiliary, tan	1
2	5744857	•UPHOLSTERY, seat back, auxiliary seat, black vinyl . . .	1
2	5744856	•UPHOLSTERY, seat back, auxiliary, seat, gray.	1
2	5744855	•UPHOLSTERY, seat back, auxiliary seat, tan.	1
3	5744858	•UPHOLSTERY, seat, auxiliary seat, black vinyl	1
3	5744860	•UPHOLSTERY, seat, auxiliary seat, gray.	1
3	5744859	•UPHOLSTERY, seat, auxiliary seat, tan.	1
4	5744314	•FRAME, auxiliary seatback, w/spring.	1
5	5744291	•SEAT BELT, auxiliary seat.	2
6	5744313	•FRAME, auxiliary seat w/spring	1
7	5744316	••SPRING, auxiliary seat susp.	5
8	5744315	•FRAME, auxiliary seat mount	1
9	5744292	••PIN, auxiliary seat retainer	4

1997 HUMMER PARTS CATALOG

6-1-99

ACCESSORIES 13-45

ITEM	PART NUMBER	DESCRIPTION	QTY
		Figure 13-22. Tonneau Cover 4-Door Hardtop.	
1	6003663	KIT, tonneau cover, H/T, tan.	1
1	6004243	KIT, tonneau cover, H/T, black.	1
1	6004245	KIT, tonneau cover, H/T, white.	1
2	6003665	•EXTRUSION, tonneau cover	1
3	6003664	•COVER, tonneau, tan, H/T	1
3	6004244	•COVER, tonneau, black, H/T.	1
3	6004246	•COVER, tonneau, white, H/T.	1
4	5744425	•KIT, tonneau bow.	1
5	SIK	••BOW, tonneau cover	1
6	SIK	••BRACKET, tonneau bow	2
7	SIK	••SCREW, phcr, #10 - 32 x 3/4.	4
8	6001670	•EXTRUSION, 41 in. PVC/velcro.	2
9	5745081	••VELCRO, extrusion, 41" long	2
10	6001671	•EXTRUSION, 9 in. PVC/velcro.	2
11	5745083	••VELCRO, extrusion, 9" long	2
12	6001669	•EXTRUSION, 43 in. PVC/velcro.	1
13	5745082	••VELCRO, extrusion, 43" long	1
14	6003848	SEAL, tonneau bracket	1
15	N/S	NUT INSERT, rubber, #10 - 32	4
16	N/S	NUT INSERT, 1/4 - 20	9
17	6003844B2	MOUNTING BRACKET, tonneau extrusion	1
18	N/S	LOCKWASHER, split, 1/4.	9
19	N/S	BOLT, 1/4 - 20 x 1, Gr8.	9

6-1-99

1997 HUMMER PARTS CATALOG

13-46 ACCESSORIES

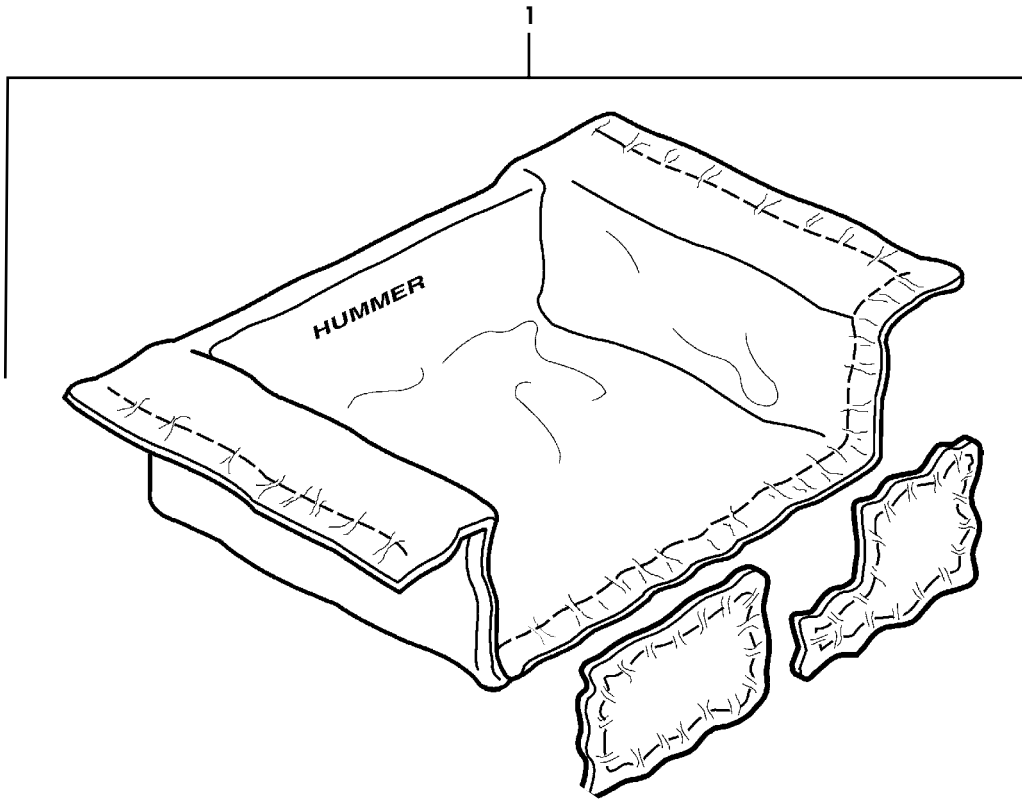


Figure 13-23. Cargo Area Liner, Station Wagon.

1997 HUMMER PARTS CATALOG

6-1-99

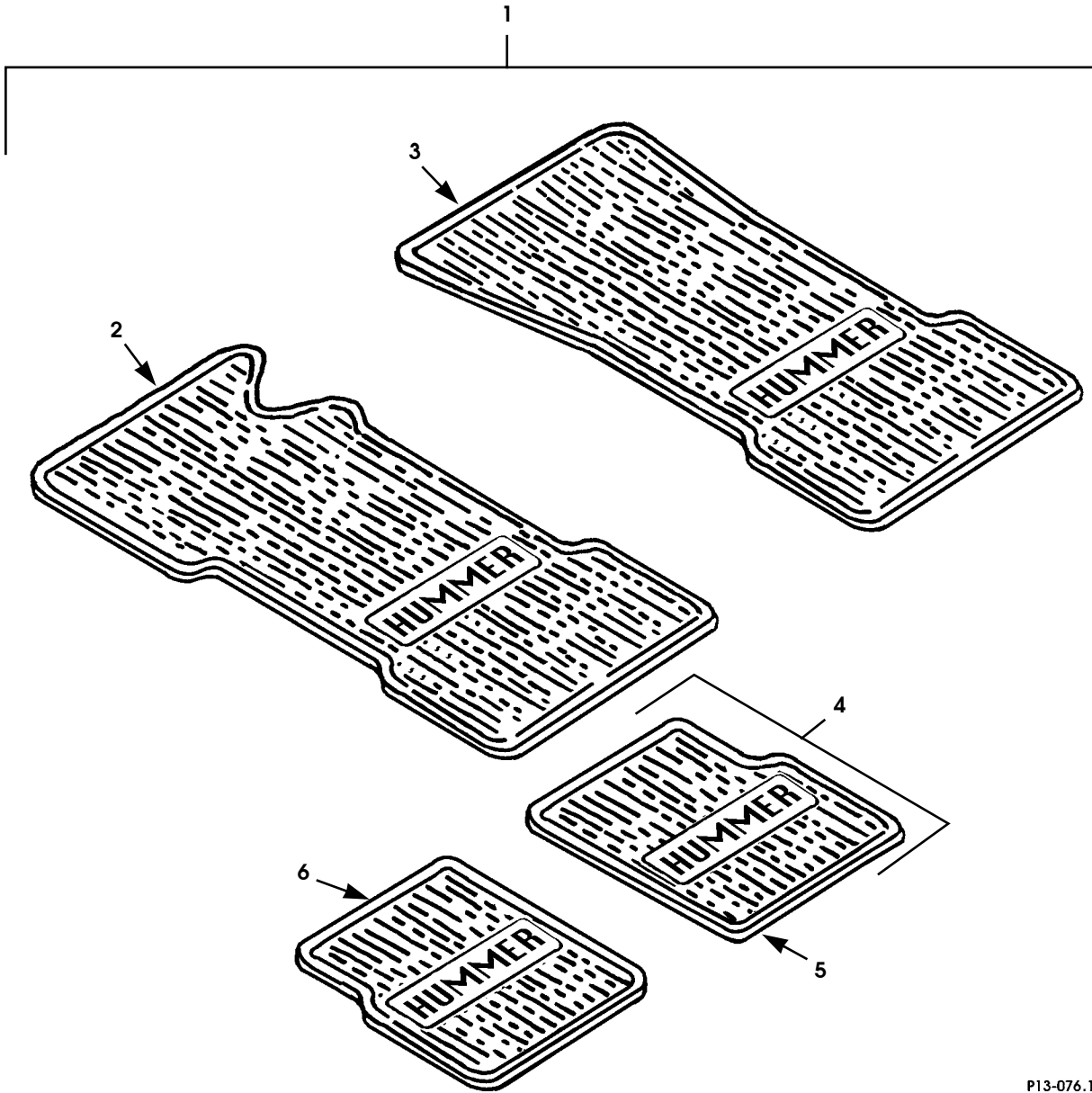
ACCESSORIES 13-47

ITEM	PART NUMBER	DESCRIPTION	QTY
1	5744562	Figure 13-23. Cargo Area Liner, Station Wagon. KIT, cargo liner and vertical door panel, gray 84	1
1	5744561	KIT, cargo liner and vertical door panel, tan 84	1

12-1-97

1997 HUMMER PARTS CATALOG

13-48 ACCESSORIES



P13-076.1

Figure 13-24. Floor Mats

1997 HUMMER PARTS CATALOG

6-1-99

ACCESSORIES 13-49

ITEM	PART NUMBER	DESCRIPTION	QTY
		Figure 13-24. Floor Mats	
1	5745036	KIT, floor mat, gray, front.	1
2	S.I.K.	•FLOOR MAT, L.H., front, gray	1
3	S.I.K.	•FLOOR MAT, R.H., front, gray	1
1	5745037	KIT, floor mat., brown, front	1
2	S.I.K.	•FLOOR MAT, L.H., front, brown	1
3	S.I.K.	•FLOOR MAT, R.H., front, brown	1
4	5745038	KIT, floor mat, gray, rear	1
5	S.I.K.	•FLOOR MAT, L.H., rear, gray	1
6	S.I.K.	•FLOOR MAT, R.H., rear, gray	1
4	5745039	KIT, floor mat, brown, rear	1
5	S.I.K.	•FLOOR MAT, L.H. rear, brown	1
6	S.I.K.	•FLOOR MAT, R.H. rear, brown	1

12-1-97

1997 HUMMER PARTS CATALOG

13-50 ACCESSORIES

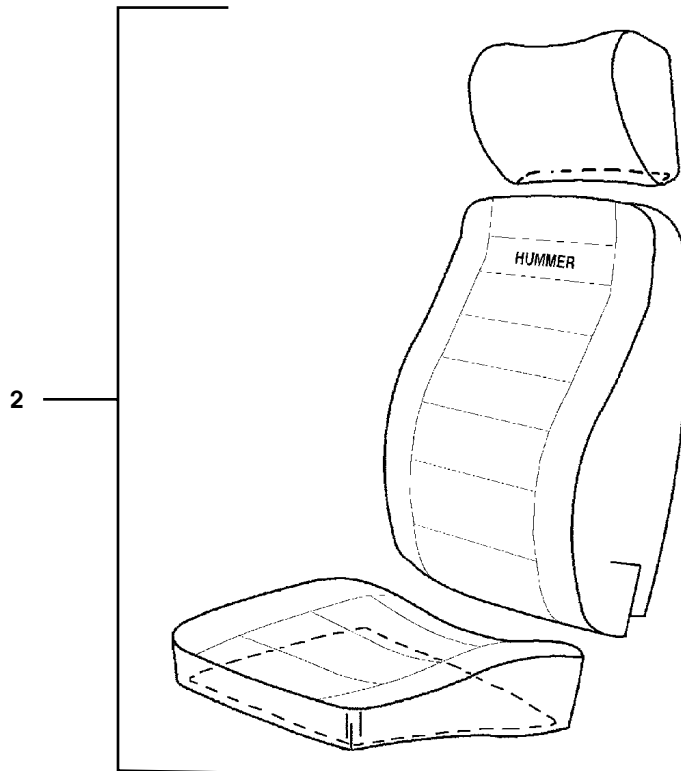
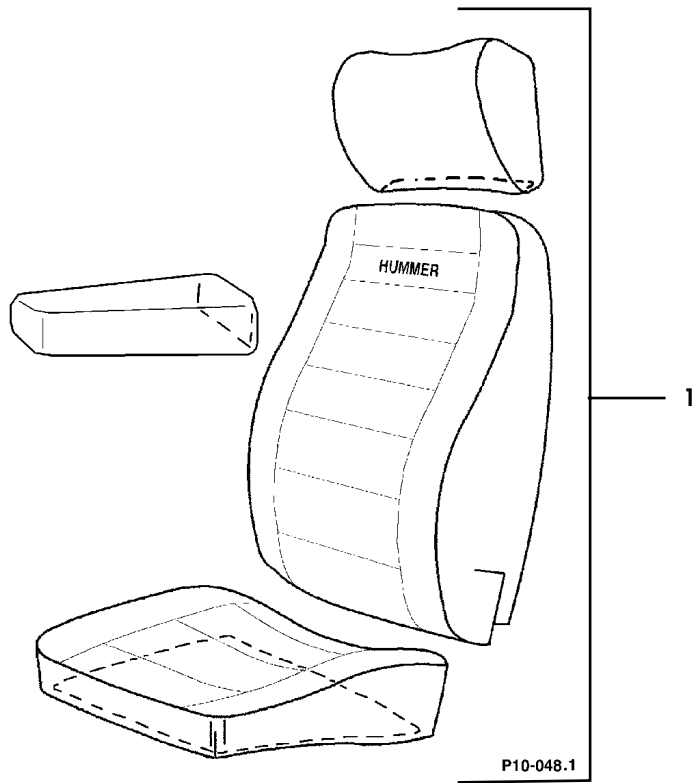


Figure 13-25. Seat Covers.

1997 HUMMER PARTS CATALOG

5-1-97

ACCESSORIES 13-51

ITEM	PART NUMBER	DESCRIPTION	QTY
1	5744577 S.I.K. S.I.K. S.I.K. S.I.K.	Figure 13-25. Seat Covers. KIT, protective seat cover, front, black •PROTECTIVE COVER, cushion •PROTECTIVE COVER, seat back •PROTECTIVE COVER, headrest •PROTECTIVE COVER, armrest	1 1 1 1 1
2	5744578 S.I.K. S.I.K. S.I.K. 5744579	KIT, protective seat cover, rear, black •PROTECTIVE COVER, cushion •PROTECTIVE COVER, seat back •PROTECTIVE COVER, headrest STORAGE BAG, seat cover (not illustrated).	1 1 1 1 1

12-1-97

1997 HUMMER PARTS CATALOG

13-51.1 ACCESSORIES

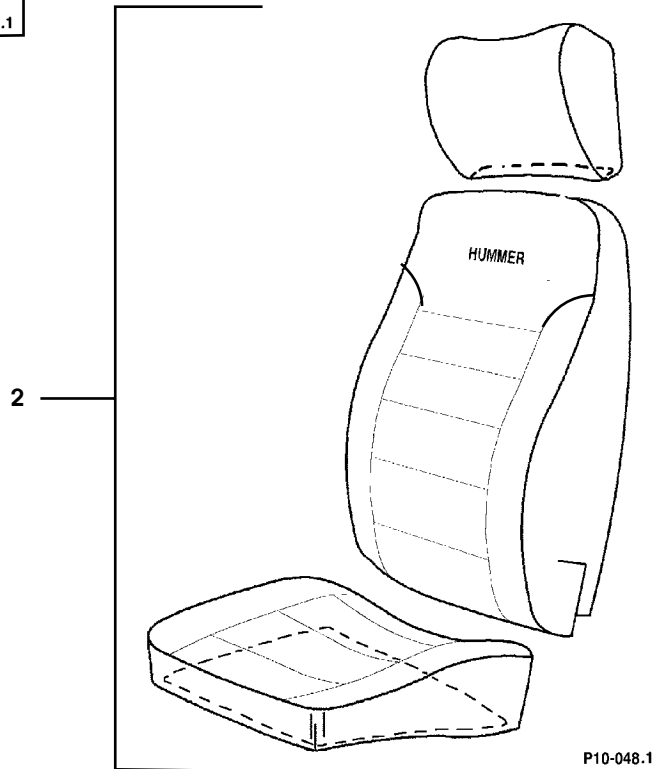
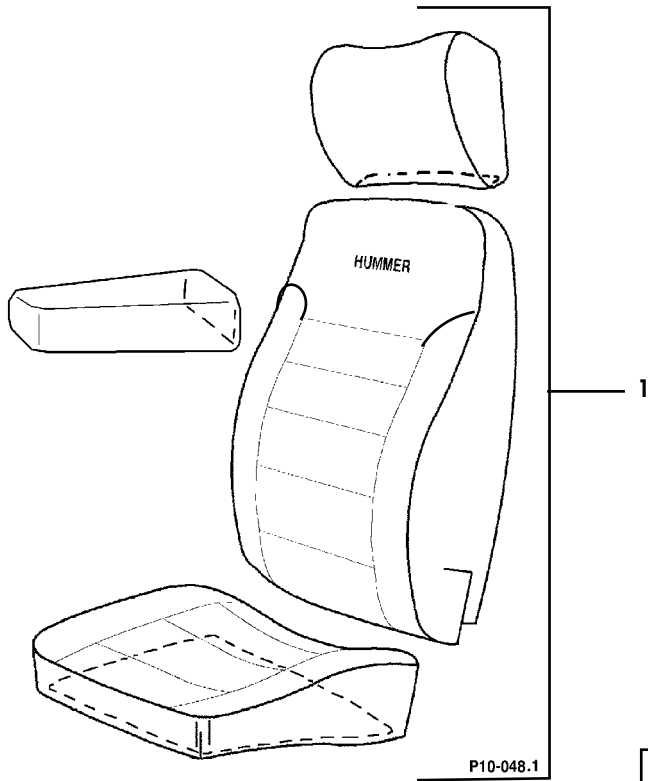


Figure 13-25.1 Leather Upholstery

1997 HUMMER PARTS CATALOG

12-1-97

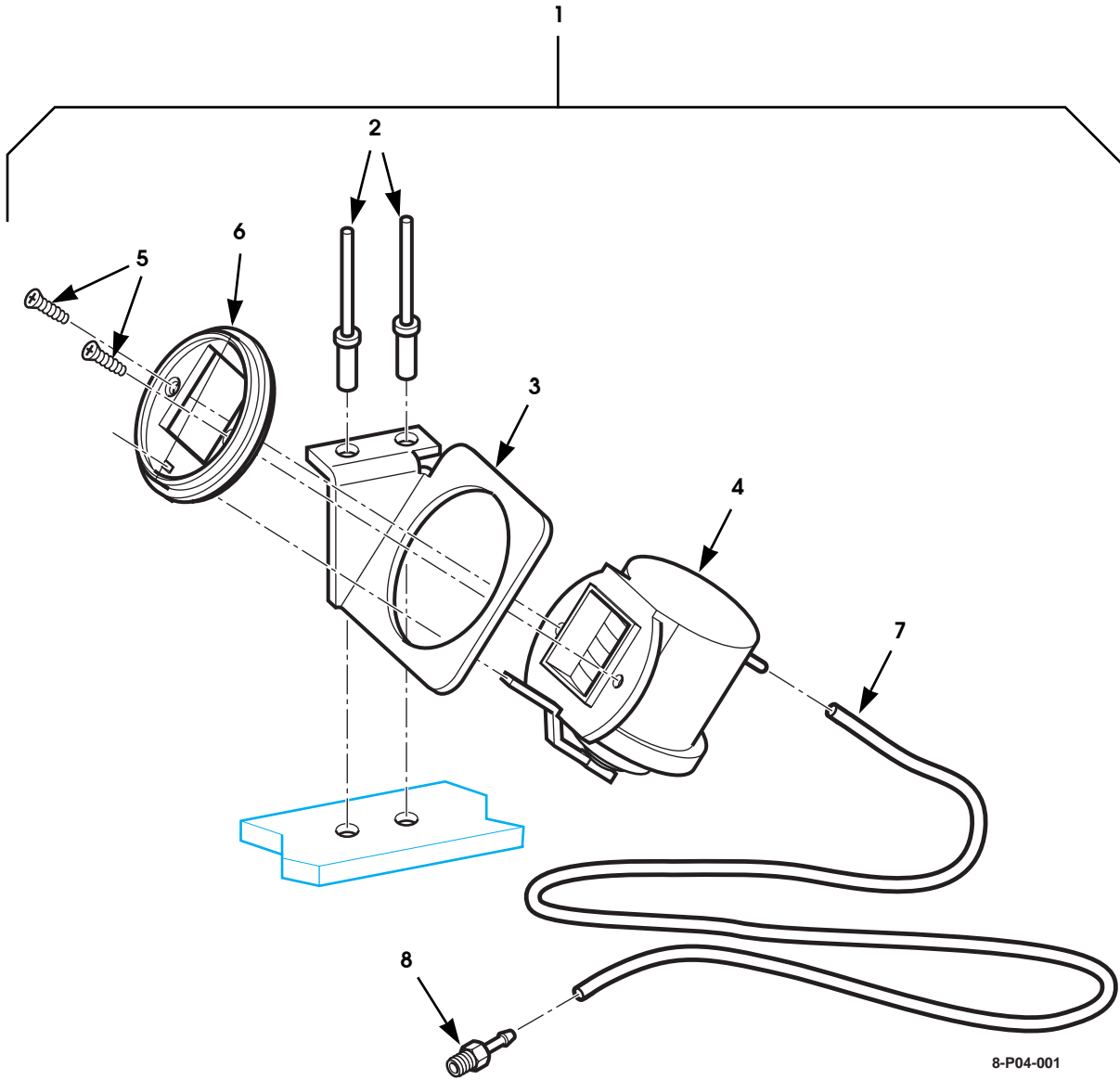
ACCESSORIES 13-51.2

ITEM	PART NUMBER	DESCRIPTION	QTY
		Figure 13-25.1 Leather Upholstery	
1	5744720	UPHOLSTERY, leather, R.H., front, tan.	1
1	5744721	UPHOLSTERY, leather, R.H., front, gray.	1
1	5744722	UPHOLSTERY, leather, L.H., front, tan.	1
1	5744723	UPHOLSTERY, leather, L.H., front, gray.	1
2	5744724	UPHOLSTERY, leather, rear, tan.	2
2	5744725	UPHOLSTERY, leather, rear, gray.	2

12-1-97

1997 HUMMER PARTS CATALOG

13-51.3 ACCESSORIES



8-P04-001

Figure 13-25.2 Air Filter Restriction Gauge Kit

1997 HUMMER PARTS CATALOG

12-1-97

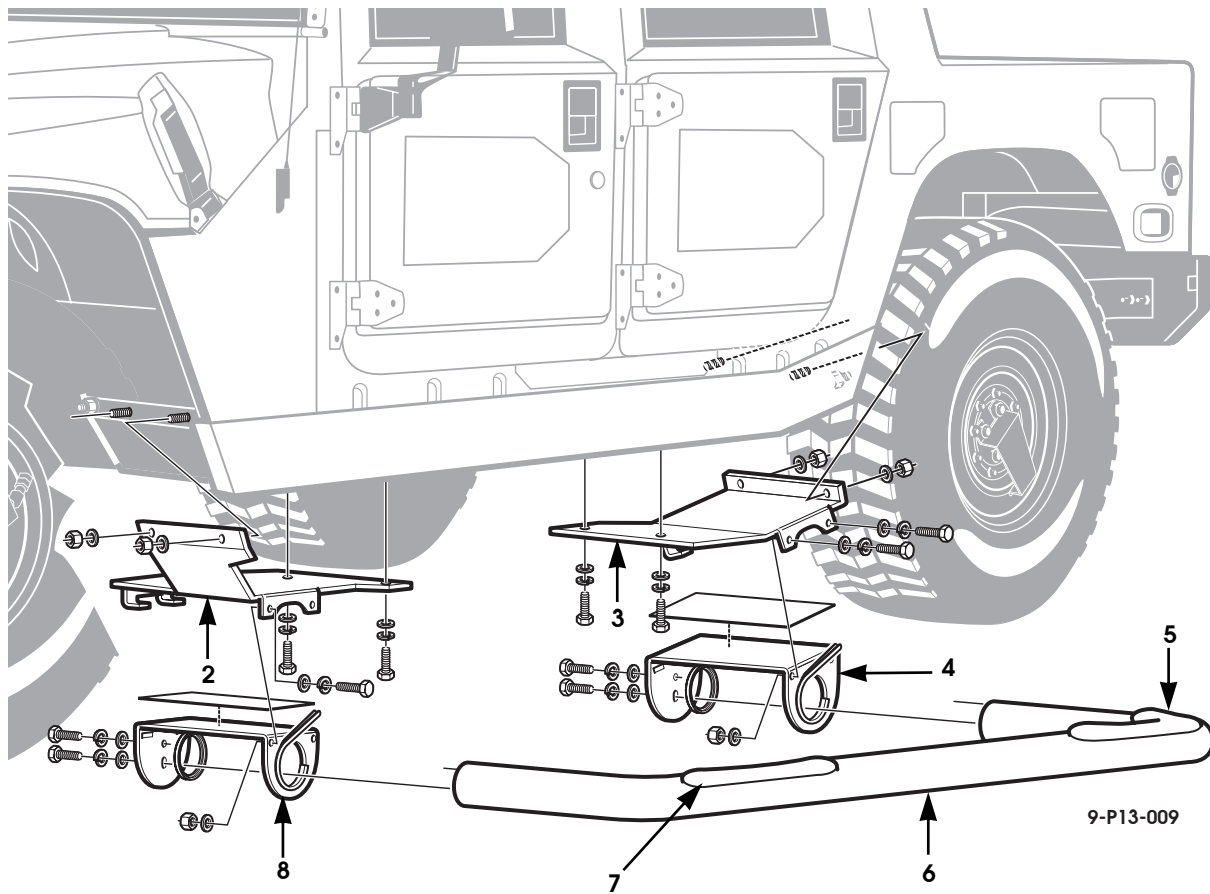
ACCESSORIES 13-51.4

ITEM	PART NUMBER	DESCRIPTION	QTY
		Figure 13-25.2 Air Filter Restriction Gauge Kit	
1	5744872	KIT, air filter restriction gauge	1
2	5575843	•RIVET, 1/8" x 5/16"	2
3	6002004	•BRACKET, air filter restriction gauge mounting	1
4	6001933	•AIR FILTER RESTRICTION GAUGE	1
5	S.I.K.	••SCREW, air filter restriction gauge bezel	2
6	S.I.K.	••BEZEL, air filter restriction gauge	1
7	S.I.K.	•HOSE, 1/4" O.D. x 24" long	1
8	12339978	•HOSE BARB, 1/8" - 1/8" NPT.	1

6-1-99

1997 HUMMER PARTS CATALOG

13-51.5 ACCESSORIES



Note: Left side of vehicle shown.

Figure 13-25.3 Side Step Bars Kit.

1997 HUMMER PARTS CATALOG

6-1-99

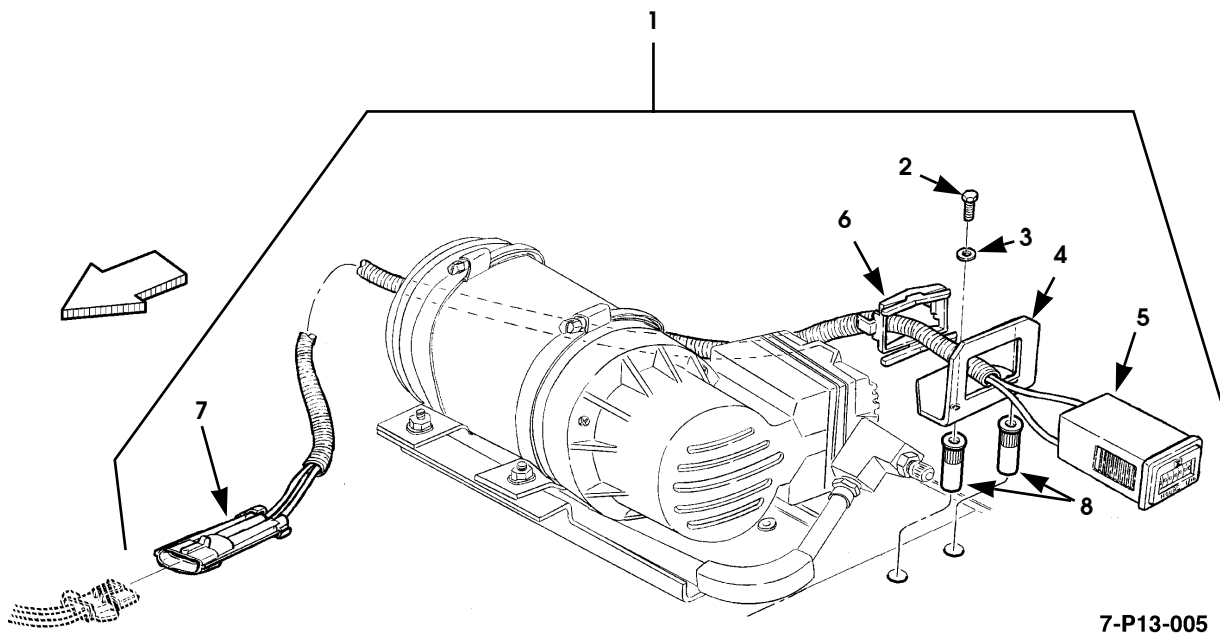
ACCESSORIES 13-51.6

ITEM	PART NUMBER	DESCRIPTION	QTY
		Figure 13-25.3 Side Step Bars Kit.	
1	5745049	KIT, side step bars, black textured	1
1	5745050	KIT, side step bars, stainless steel	1
2	5745088	•BRACKET, support, left front	1
2	5745089	•BRACKET, support, right front	1
3	5745090	•BRACKET, support, left rear	1
3	5745091	•BRACKET, support, right rear	1
4	5745097	•BRACKET, tube, left rear	1
4	5745098	•BRACKET, tube, right rear	1
5	5745047	•PAD, left rear step	1
5	5745048	•PAD, right rear step	1
6	5745084	•SIDE BAR, with step pad, left, black textured SEE NOTE 1	1
6	5745085	•SIDE BAR, with step pad, right, black textured SEE NOTE 1	1
6	5745086	•SIDE BAR, with step pad, left, stainless steel SEE NOTE 2	1
6	5745087	•SIDE BAR, with step pad, right, stainless steel SEE NOTE 2	1
7	5745046	•PAD, front step	2
8	5745099	•BRACKET, tube, left and right front.	2
	S.I.K.	•HARDWARE PACKAGE	1
		NOTE 1: PART OF KIT 5745049 ONLY.	
		NOTE 2: PART OF KIT 5745050 ONLY.	

12-1-97

1997 HUMMER PARTS CATALOG

13-51.7 ACCESSORIES



7-P13-005

Figure 13-25.4 Hourmeter Kit

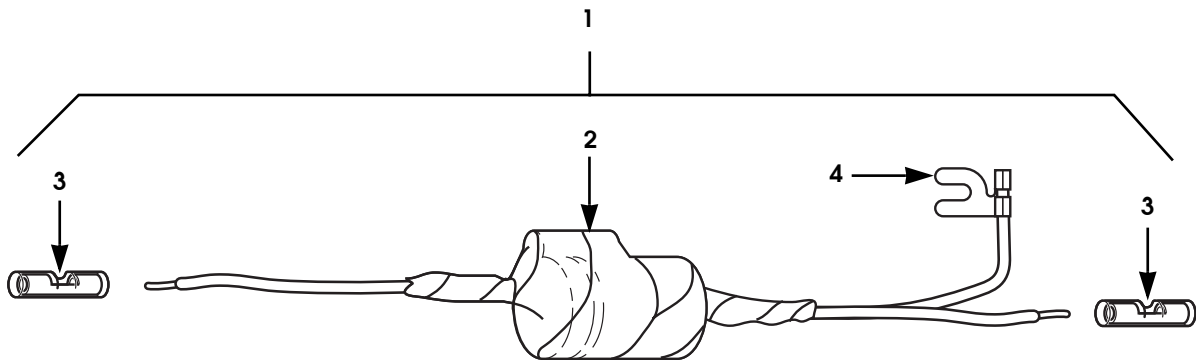
1997 HUMMER PARTS CATALOG

12-1-97

ACCESSORIES 13-51.8

ITEM	PART NUMBER	DESCRIPTION	QTY
		Figure 13-25.4 Hourmeter Kit	
1	5744869	KIT, hourmeter	1
2	S.I.K.	•BOLT, #10 - 24 x 5/8, hourmeter	2
3	S.I.K.	•WASHER, flat, #10	2
4	6008033B2	•BRACKET, hourmeter mounting	1
5	6008032	•HOURMETER ASSEMBLY	1
6	S.I.A.	••SPRING CLIP	1
7	6008196	••CONNECTOR, female, hourmeter	1
8	S.I.K.	•NUT INSERT, #10 - 24	2

13-51.9 ACCESSORIES



8-P13-009

Figure 13-25.5 Radio Noise Suppression Filter Kit

1997 HUMMER PARTS CATALOG

12-1-97

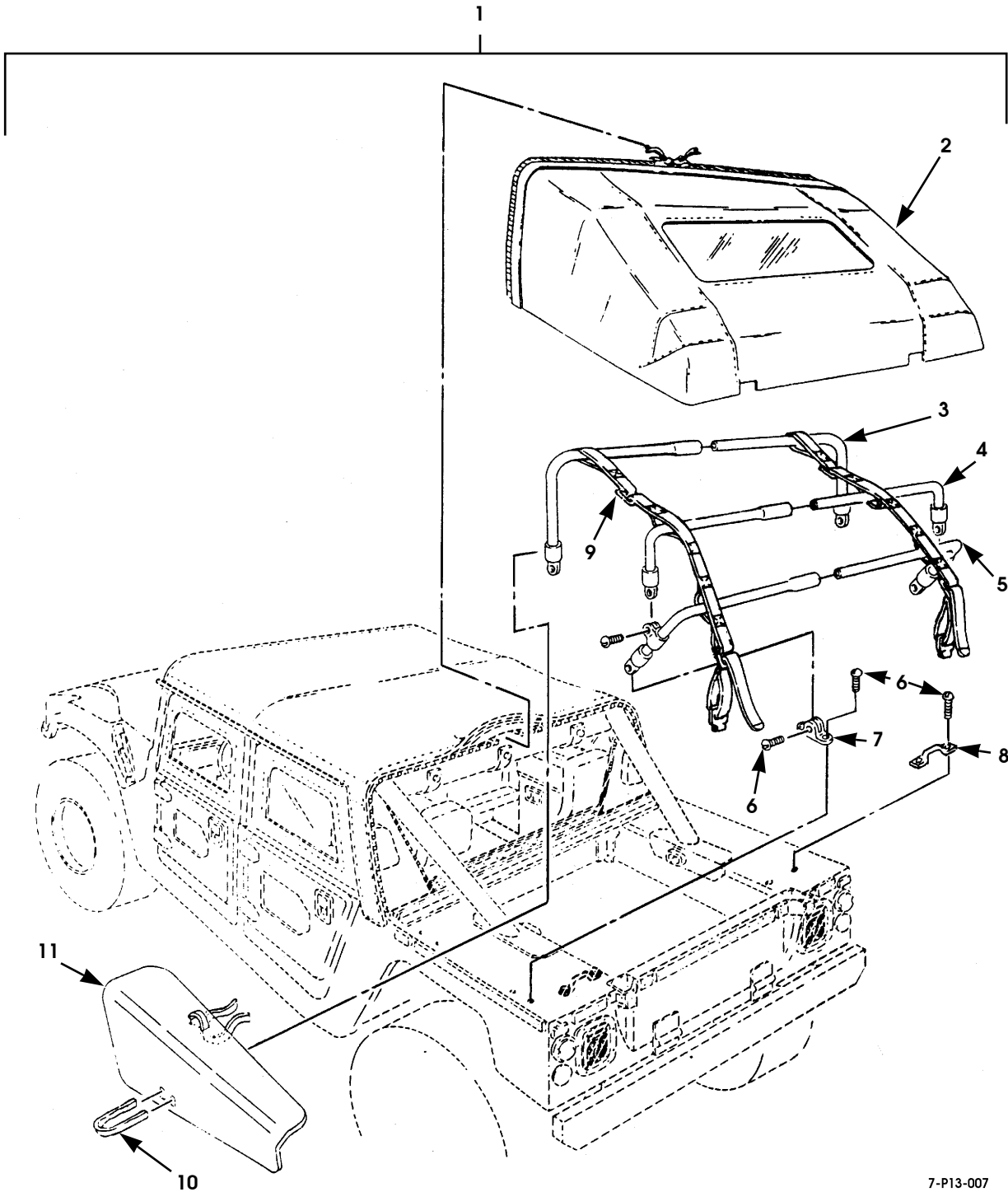
ACCESSORIES 13-51.10

ITEM	PART NUMBER	DESCRIPTION	QTY
		Figure 13-25.5 Radio Noise Suppression Filter Kit	
1	5744279	FILTER KIT, radio noise suppression	1
2	S.I.K.	•FILTER, radio noise suppression	1
3	S.I.K.	•CONNECTOR, butt.	2
4	S.I.K.	•F-TERMINAL.	1

6-1-99

1997 HUMMER PARTS CATALOG

13-51.11 ACCESSORIES



7-P13-007

Figure 13-25.6 Slant-Back (Soft) Kit
(Four-Door Soft Top)

1997 HUMMER PARTS CATALOG

6-1-99

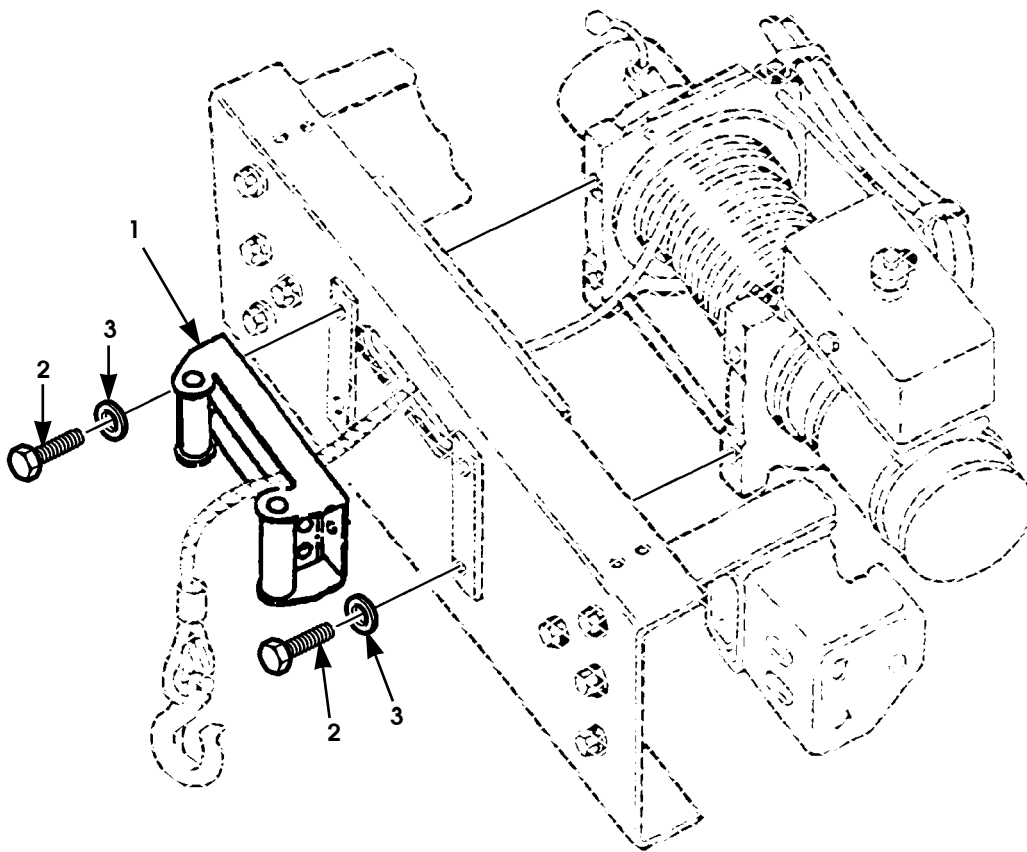
ACCESSORIES 13-51.12

ITEM	PART NUMBER	DESCRIPTION	QTY
		Figure 13-25.6 Slant-Back (Soft) Kit (Four-Door Soft Top)	
1	5742961	KIT, soft slant-back, tan	1
		90	
1	5744851	KIT, soft slant-back, black	1
		90	
1	5744852	KIT, soft slant-back, white	1
		90	
2	6001747	•COVER ASSEMBLY, tan	1
2	5744757	•COVER ASSEMBLY, black	1
2	5744758	•COVER ASSEMBLY, white	1
3	6001748	•BOW ASSEMBLY, front	1
4	6001749	•BOW ASSEMBLY, middle	1
5	6001750	•BOW ASSEMBLY, rear	1
6	N/S	•SCREW, #10 - 32 x 3/4	16
7	6001717	•BRACKET, hinge	4
8	6001719	•FOOTMAN LOOP	2
9	5743708	•LOOP, extended webbing	2
10	S.I.A.	•STRAP, velcro.	4
11	6002519	•FORMER, slant-back, L.H.	1
11	6002520	•FORMER, slant-back, R.H.	1

12-1-97

1997 HUMMER PARTS CATALOG

13-51.13 ACCESSORIES



7-S13-001.1

Figure 13-25.7 Winch Roller Fairlead

1997 HUMMER PARTS CATALOG

12-1-97

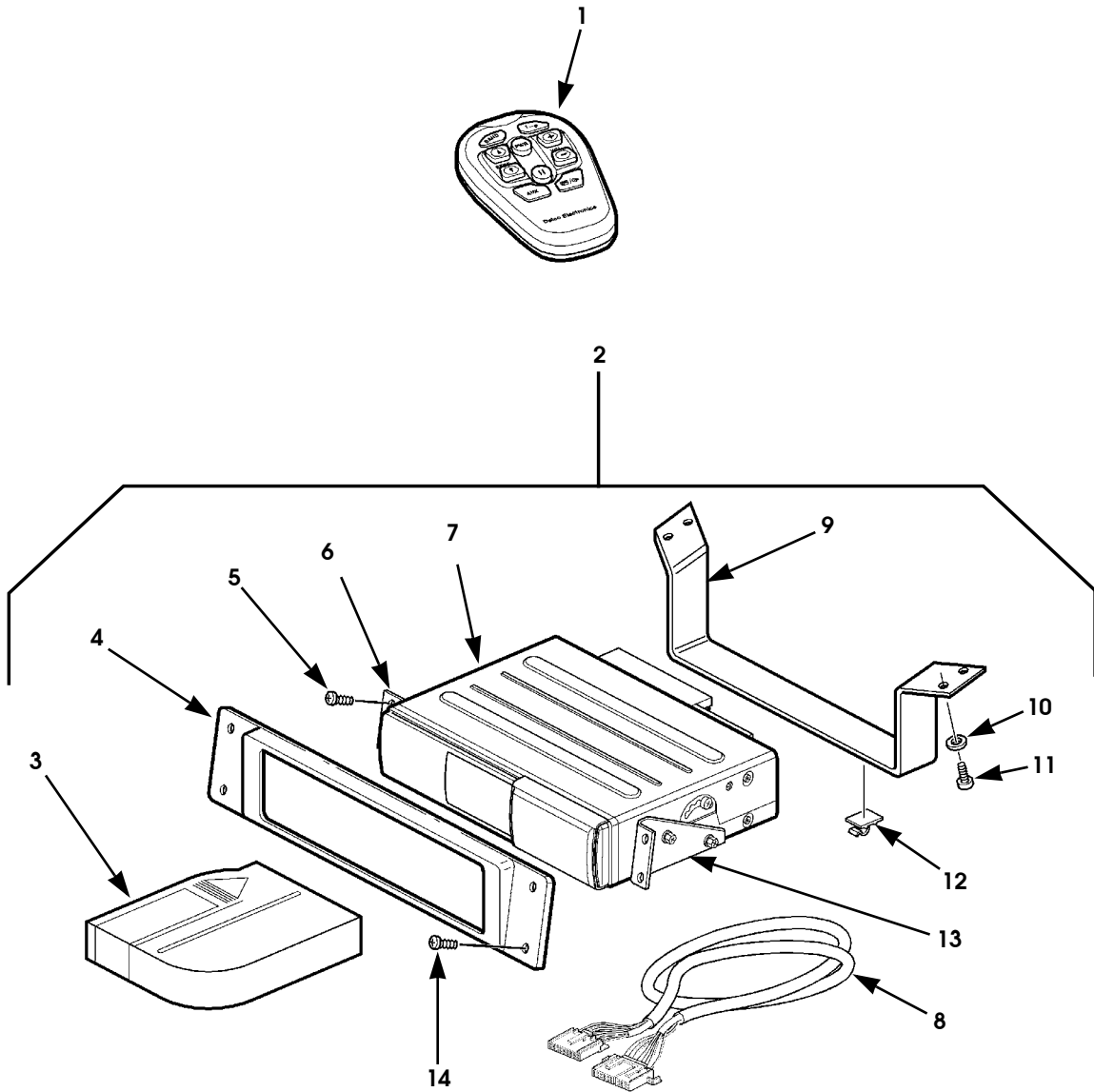
ACCESSORIES 13-51.14

ITEM	PART NUMBER	DESCRIPTION	QTY
		Figure 13-25.7 Winch Roller Fairlead	
1	5744714	WINCH ROLLER FAIRLEAD, black	1
1	5744715	WINCH ROLLER FAIRLEAD, chrome	1
2	N/S	BOLT, 1/2 - 13 x 1 1/2, SEE NOTE 1	2
3	N/S	WASHER, flat, hard, 1/2, SEE NOTE 1	2
NOTE 1: EXISTING HARDWARE TO BE REUSED			

12-1-97

1997 HUMMER PARTS CATALOG

13-51.15 ACCESSORIES



8-P13-002

Figure 13-25.8 Delco Remote Control and CD Changer Kit (On VIN VE176477 and up).

1997 HUMMER PARTS CATALOG

12-1-97

ACCESSORIES 13-51.16

ITEM	PART NUMBER	DESCRIPTION	QTY
		Figure 13-25.8 Delco Remote Control and CD Changer Kit (On VIN VE176477 and up).	
1	5744737	REMOTE CONTROL	1
2	5744854	KIT, CD CHANGER	1
3	5744883	•MAGAZINE, 6-CD	1
4	6009424	•BEZEL, CD changer	1
5	9425422P2	•SCREW, tapping, #10 - 16 x 7/8.	4
6	6009425	•BRACKET, CD changer, L.H.	1
7	6009150	•CD CHANGER ASSEMBLY, 6-CD	1
8	6009155	••CABLE, CD changer	1
9	6009427	•BRACKET, CD changer, front.	1
10	N/S	•WASHER, flat, #10, bracket, CD changer	4
11	N/S	•SCREW, phcr, #10 - 32 x 3/4.	4
12	6001543	•CLIP, CD changer cable	2
13	6009426	•BRACKET, CD changer, R.H.	1
14	N/S	SCREW, phcr, #10 - 32 x 3/4, SEE NOTE 1.	4
		 NOTE 1: REUSE THE FASTENERS USED ON THE CD CHANGER HOLE COVER	

13-51.17 ACCESSORIES

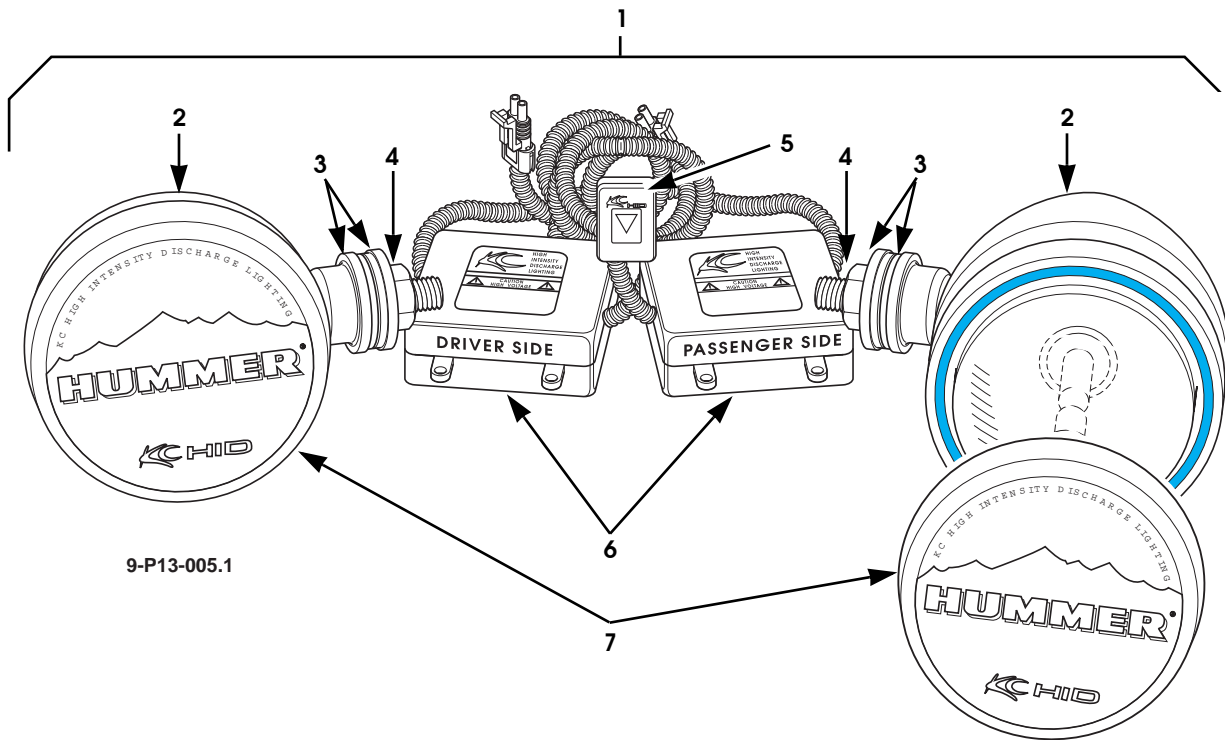


Figure 13-25.9 Off-Road Light Kit.

1997 HUMMER PARTS CATALOG

6-1-99

ACCESSORIES 13-51.18

ITEM	PART NUMBER	DESCRIPTION	QTY
		Figure 13-25.9 Off-Road Light Kit.	
1	5745027	KIT, off-road light, black	1
1	5745028	KIT, off-road light, stainless steel	1
2	S.I.A.	•LAMP, high intensity discharge (HID), black	2
2	S.I.A.	•LAMP, high intensity discharge (HID), stainless steel.	2
3	S.I.A.	•WASHER, HID mounting.	4
4	S.I.A.	•NUT, HID mounting.	4
5	5745103	•SWITCH	1
6	S.I.A.	•BALLAST	2
7	5745006	•COVER, lamp, HID	2
	S.I.A.	•RELAY (not illustrated)	1
	S.I.A.	•NUT (not illustrated)	1
	S.I.A.	•LOCKWASHER (not illustrated)	1
	S.I.A.	•BOLT (not illustrated)	1

1997 HUMMER PARTS CATALOG

6-1-99

ACCESSORIES 13-51.20

ITEM	PART NUMBER	DESCRIPTION	QTY
		Figure 13-25.10 Wheel Cover Kit, Stainless Steel.	
1	5744658	KIT, stainless steel wheel cover (oval holes) with or without CTIS SEE NOTE 1	1
2	5744921	•WHEEL COVER, stainless steel.	4
3	5744920	•KIT, wheel cover mounting bracket.	1
4	S.I.K.	••BRACKET, wheel cover hub	2
5	S.I.K.	••LOCKWASHER, 7/16.	4
6	S.I.K.	••BOLT, 7/16 - 14 x 3/4, wheel cover bracket.	4
7	5744919	••KIT, decorative lug nut	1
8	S.I.K.	•••CAP, stainless steel	8
9	S.I.K.	•••PLASTIC INSERT, threaded	8
10	S.I.K.	•••NUT AND LOCKWASHER ASSEMBLY, 1/4 - 20 x 1/2, keps	8
11	S.I.K.	•••WASHER, flat, 1/4	8
12	5745100	•CAP, center, stainless steel	4
13	5745053	KIT, stainless steel hub cab (round holes) with or without CTIS SEE NOTE 2	1
14	5745054	•WHEEL COVER, stainless steel.	4
15	5744920	•KIT, wheel cover mounting bracket.	1
16	S.I.K.	••BRACKET, wheel cover hub	2
17	S.I.K.	••LOCKWASHER, 7/16.	4
18	S.I.K.	••BOLT, 7/16 - 14 x 3/4, wheel cover bracket.	4
19	5745055	••KIT, decorative lug nut	1
20	S.I.K.	•••CAP, stainless steel	8
21	S.I.K.	•••PLASTIC INSERT, threaded	8
22	S.I.K.	•••NUT AND LOCKWASHER ASSEMBLY, 1/4 - 20 x 1/2, keps	8
23	S.I.K.	•••WASHER, flat, 1/4	8
24	5745100	•CAP, center, stainless steel	4
		NOTE 1: INCLUDES FOUR EACH OF KITS 5744919 AND 5744920.	
		NOTE 2: INCLUDES FOUR EACH OF KITS 5745055 AND 5744920.	

12-1-97

1997 HUMMER PARTS CATALOG

13-51.21 ACCESSORIES

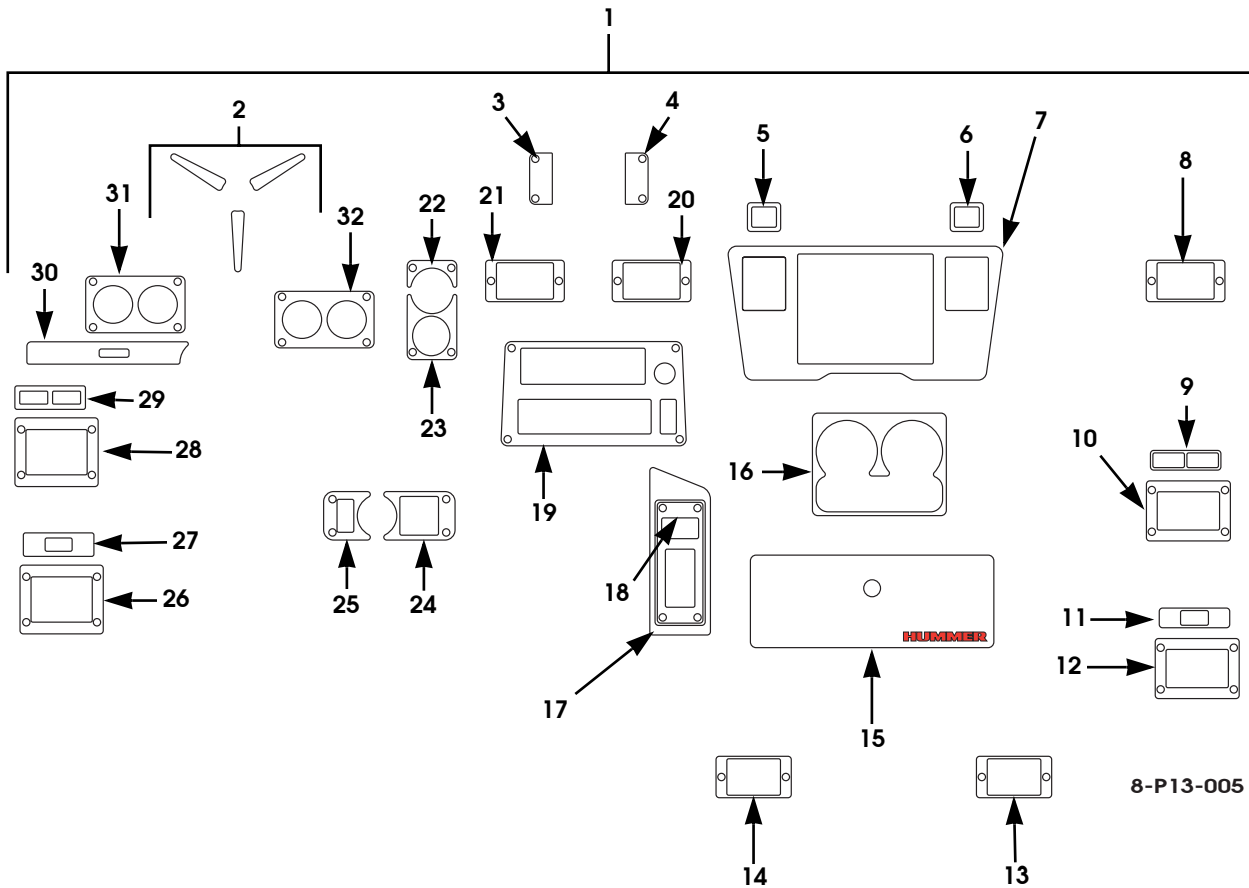


Figure 13-25.11 Dash Trim Appliqué Kit

1997 HUMMER PARTS CATALOG

12-1-97

ACCESSORIES 13-51.22

ITEM	PART NUMBER	DESCRIPTION	QTY
		Figure 13-25.11 Dash Trim Appliqué Kit	
1	5744905	KIT, Rosewood dash trim appliqué panels	1
1	5744906	KIT, Carbon Fiber dash trim appliqué panels	1
1	5744907	KIT, Carpathian Elm Burl dash trim appliqué panels . .	1
2	S.I.K.	•PANEL, steering wheel accent	3
3	S.I.K.	•PANEL, left CD accent	1
4	S.I.K.	•PANEL, right CD accent	1
5	S.I.K.	•PANEL, left cigar lighter	1
6	S.I.K.	•PANEL, right cigar lighter	1
7	S.I.K.	•PANEL, center console	1
8	S.I.K.	•PANEL, passenger side vent	1
9	S.I.K.	•PANEL, passenger door switch	1
10	S.I.K.	•PANEL, passenger door handle	1
11	S.I.K.	•PANEL, left rear door switch	1
12	S.I.K.	•PANEL, left rear door handle	1
13	S.I.K.	•PANEL, right rear vent	1
14	S.I.K.	•PANEL, left rear vent	1
15	S.I.K.	•PANEL, glove box cover	1
16	S.I.K.	•PANEL, cup holder trim	1
17	S.I.K.	•PANEL, window control surround	1
18	S.I.K.	•PANEL, power window control	1
19	S.I.K.	•PANEL, radio/climate control	1
20	S.I.K.	•PANEL, right center vent	1
21	S.I.K.	•PANEL, left center vent	1
22	S.I.K.	•PANEL, upper RPM gauge/clock	1
23	S.I.K.	•PANEL, lower RPM gauge/clock	1
24	S.I.K.	•PANEL, right tire pressure control	1
25	S.I.K.	•PANEL, left tire pressure control	1
26	S.I.K.	•PANEL, right rear door handle	1
27	S.I.K.	•PANEL, right rear door switch	1
28	S.I.K.	•PANEL, driver door handle	1
29	S.I.K.	•PANEL, driver door switch	1
30	S.I.K.	•PANEL, light switch	1
31	S.I.K.	•PANEL, left gauge cluster	1
32	S.I.K.	•PANEL, right gauge cluster	1

6-1-99

1997 HUMMER PARTS CATALOG

13-51.23 ACCESSORIES



8-S13-003

Figure 13-25.12 Electric Seat Heater Kit.

1997 HUMMER PARTS CATALOG

6-1-99

ACCESSORIES 13-51.24

ITEM	PART NUMBER	DESCRIPTION	QTY
		Figure 13-25.12 Electric Seat Heater Kit.	
1	5744890	KIT, electric seat heater	1
2	5744927	•CUSHION, element heating	1
3	S.I.K.	•HOG RING	A/R
4	5744926	•ELEMENT, heating back	1
	5744924	•SWITCH, seat heater (not illustrated)	1
	5744925	•MODULE, seat heater (not illustrated)	1

6-1-99

1997 HUMMER PARTS CATALOG

13-51.25 ACCESSORIES

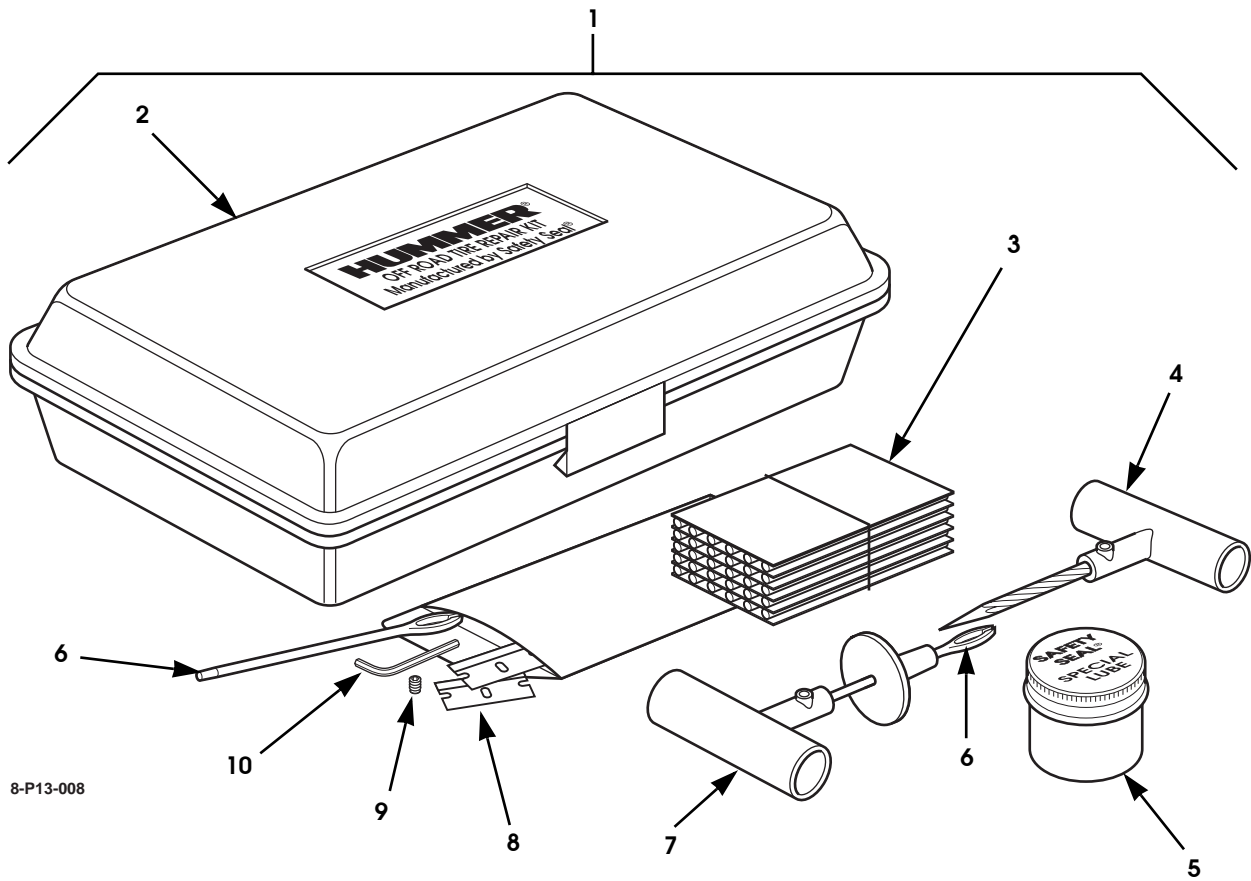


Figure 13-25.13 Tire Repair Accessory Kit, External.

1997 HUMMER PARTS CATALOG

6-1-99

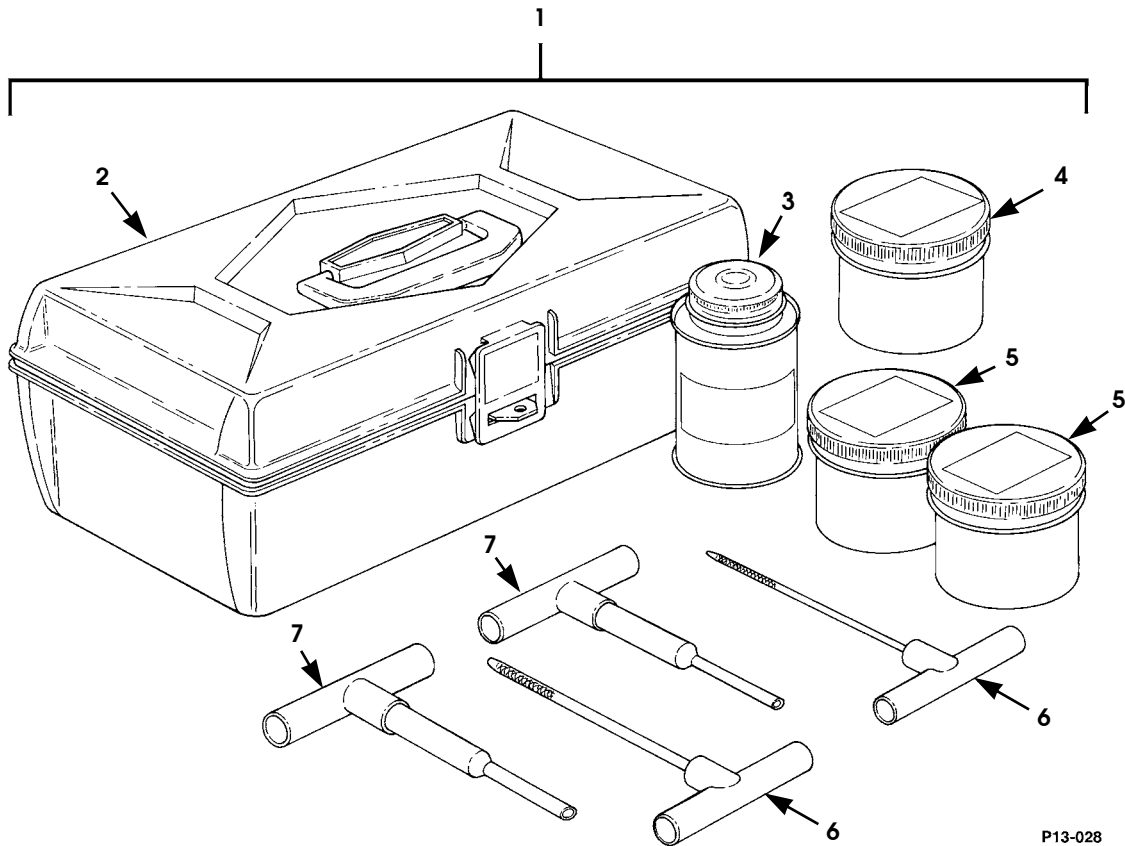
ACCESSORIES 13-51.26

ITEM	PART NUMBER	DESCRIPTION	QTY
		Figure 13-25.13 Tire Repair Accessory Kit, External.	
1	5745015	KIT, external tire repair accessory	1
2	S.I.K.	•TOOLBOX	1
3	S.I.K.	•SAFETY SEAL, 1/4" dia x 4" long self-vulcanizing fiber bar	30
4	S.I.K.	•REAMER, T-handle	1
5	S.I.K.	•SPECIAL LUBE, 4-oz plastic jar	1
6	S.I.K.	•NEEDLE, insertion, 0.18 dia	2
7	S.I.K.	•SAFETY SEAL INSERTION TOOL, T-handle	1
8	S.I.K.	•CUTTING BLADE	2
9	S.I.K.	•SET SCREW, 1/4 hex socket head	2
10	S.I.K.	•HEX KEY WRENCH, 1/4"	1
11	S.I.K.	•INSTRUCTION BOOKLET (not illustrated)	1

6-1-99

1997 HUMMER PARTS CATALOG

13-51.27 ACCESSORIES



P13-028

Figure 13-25.14 Tire (Tubeless) Repair Kit, External.

1997 HUMMER PARTS CATALOG

6-1-99

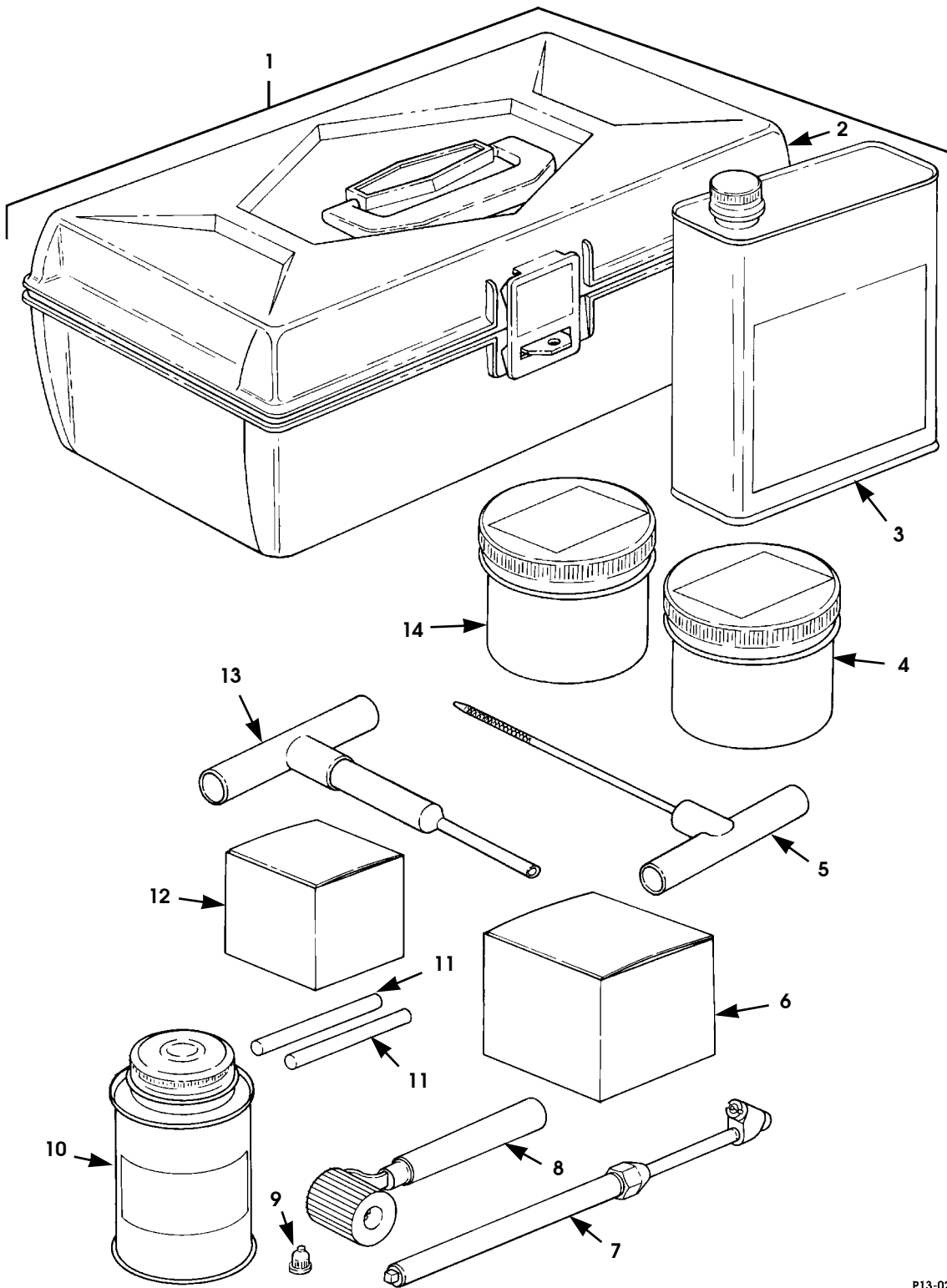
ACCESSORIES 13-51.28

ITEM	PART NUMBER	DESCRIPTION	QTY
		Figure 13-25.14 Tire (Tubeless) Repair Kit, External.	
1	5710215	KIT, external tubeless tire repair	1
2	5742542	•TOOLBOX,	1
3	5742537	•FLUID, chemical vulcanizing (1/2 pint)	1
4	5742538	•PLUG, large tire	15
5	5742539	•PLUG, small tire	30
6	5742540	•RASP	2
7	5742541	•TOOL, plug insert	2

6-1-99

1997 HUMMER PARTS CATALOG

13-51.29 ACCESSORIES



P13-029

Figure 13-25.15 Tire (Tubeless) Repair Kit, Internal.

1997 HUMMER PARTS CATALOG

6-1-99

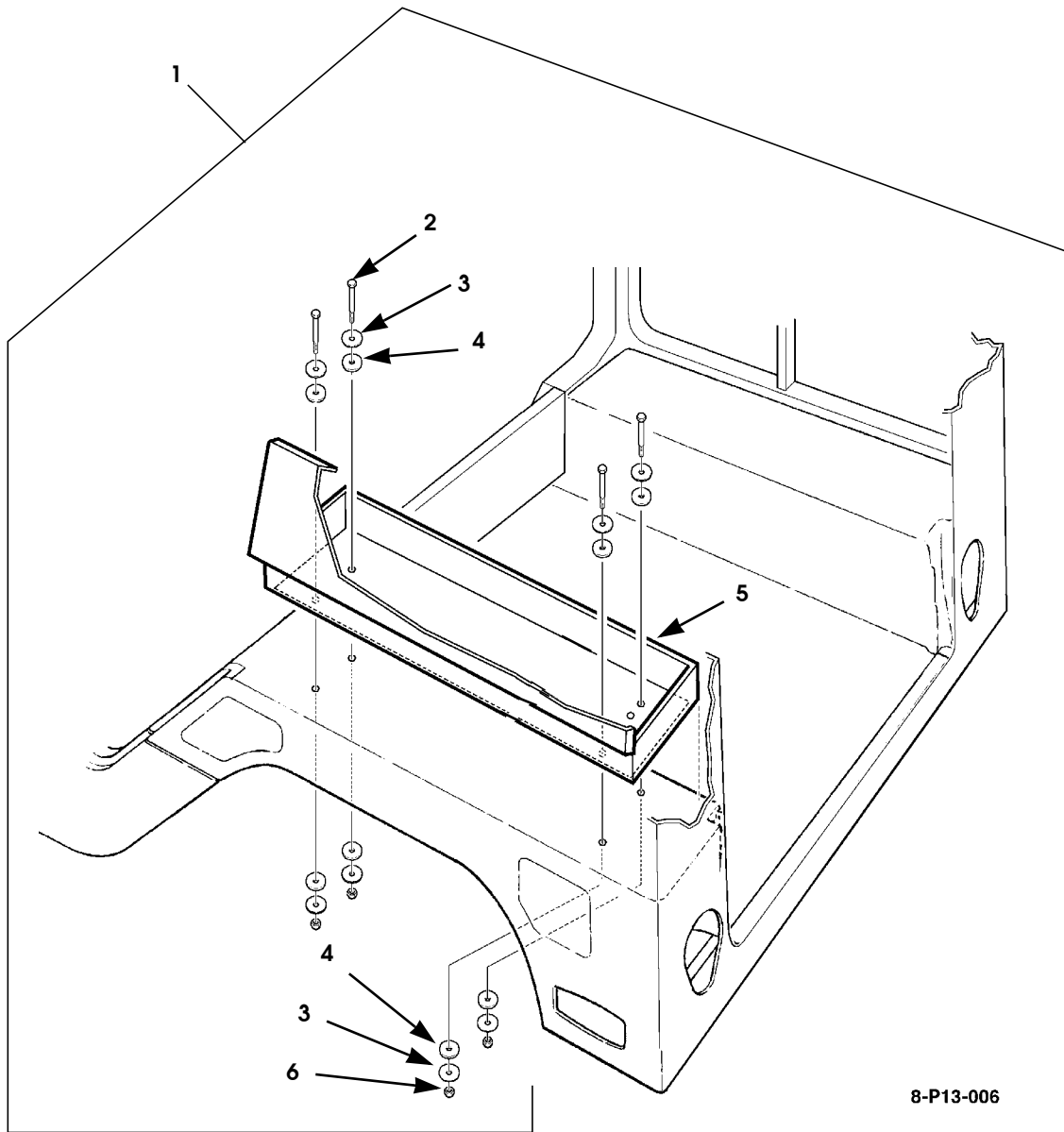
ACCESSORIES 13-51.30

ITEM	PART NUMBER	DESCRIPTION	QTY
		Figure 13-25.15 Tire (Tubeless) Repair Kit, Internal.	
1	5710216	KIT, internal tubeless tire repair	1
2	5713347	•TOOLBOX	1
3	5713351	•CLEANER (32 ounce)	1
4	5742539	•PLUG, small	15
5	5742540	•RASP	1
6	5713341	•PATCH (R-20)	20
7	5714148	•GAUGE, tire pressure	1
8	5713340	•STITCHER, patch roll	1
9	5714149	•CAP, valve stem	20
10	5713343	•CEMENT (8 ounce)	2
11	5714147	•PENCIL, yellow chalk	2
12	5713339	•PATCH (R-12)	20
13	5712541	•TOOL, plug insert	1
14	5742538	•PLUG, large	15
	5713342	•SCRAPER (not illustrated)	1

6-1-99

1997 HUMMER PARTS CATALOG

13-51.31 ACCESSORIES



8-P13-006

Figure 13-25.16 Off-Road Accessory Kit, Station Wagon.

1997 HUMMER PARTS CATALOG

6-1-99

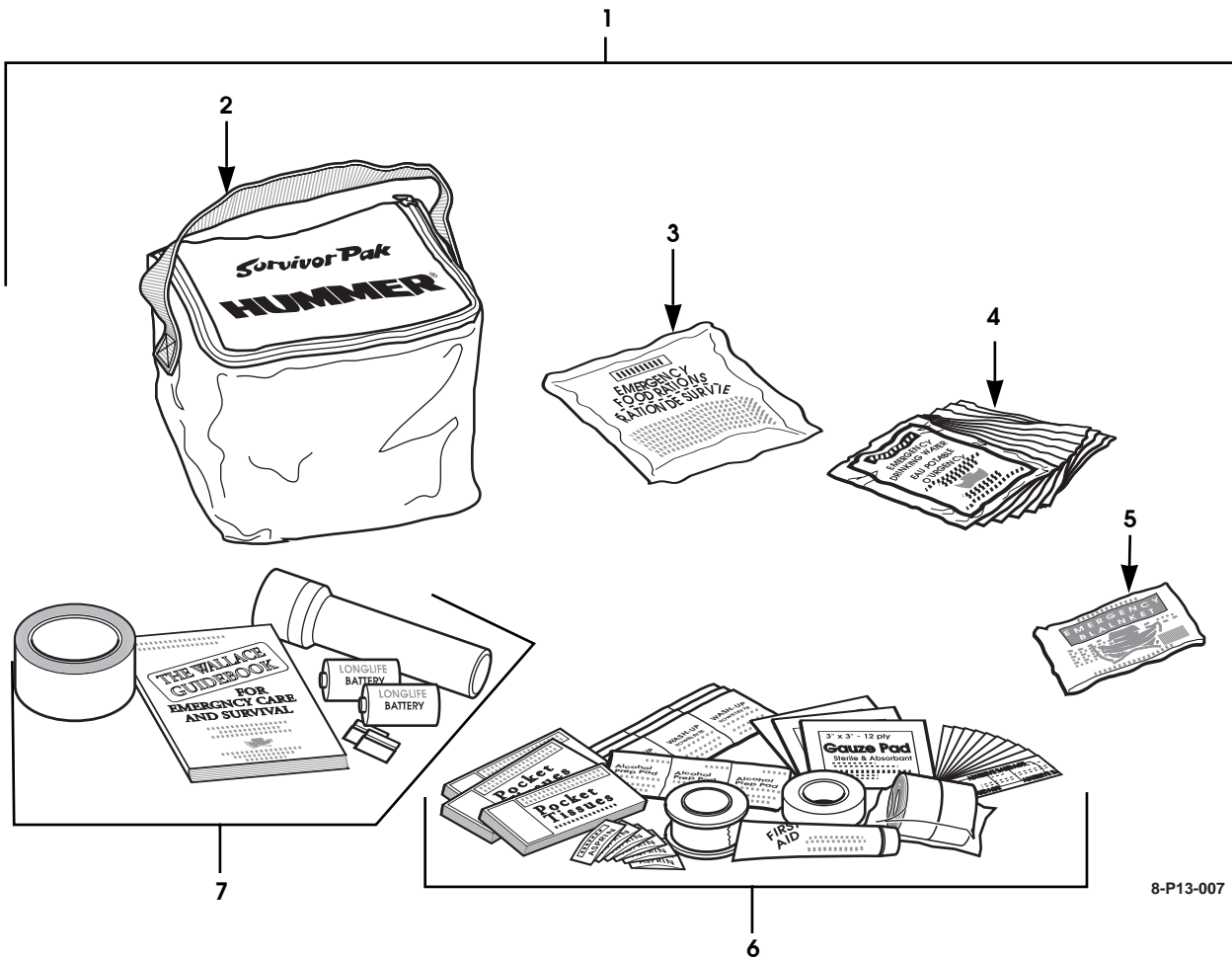
ACCESSORIES 13-51.32

ITEM	PART NUMBER	DESCRIPTION	QTY
		Figure 13-25.16 Off-Road Accessory Kit, Station Wagon.	
1	5744704	KIT, off-road accessory	1
		84	
2	MS90728-13	•BOLT, 1/4 - 20 x 1 3/4, Gr8.	4
3	5935291B2	•PLATE, retainer	8
4	6001595	•GASKET, foam washer	8
5	5744801	•TOOL BOX, off-road, large	1
6	S.I.K.	•LOCKNUT, 1/4 - 20, CAD	4
7	5744881	•STRAP, vehicle recovery (not illustrated here; see page 13-6)	1
8	6004898	•KIT, pioneer tool (not illustrated here; see page 13-16)	1
9	5744718	•OFF ROAD PARTS PACKAGE (not illustrated)	1
10	S.I.K.	•TESTER, 12-volt circuit.	1
11	S.I.K.	•GAUGE, tire pressure.	1
12	S.I.K.	•CABLE SET, jumper.	1
13	S.I.K.	•FIRST AID AND BURN KIT	1
14	S.I.K.	•FLASHLIGHT, Mag-Life	1
15	S.I.K.	•FIRE EXTINGUISHER, 2.5-lb	1
16	S.I.K.	•PLIERS, 6 1/2" Channel-Lock.	1
17	S.I.K.	•FUSE ASSORTMENT.	1
18	S.I.K.	•PLIERS, lineman's type	1

6-1-99

1997 HUMMER PARTS CATALOG

13-51.33 ACCESSORIES



8-P13-007

Figure 13-25.17 Traveler's Survival Kit.

1997 HUMMER PARTS CATALOG

6-1-99

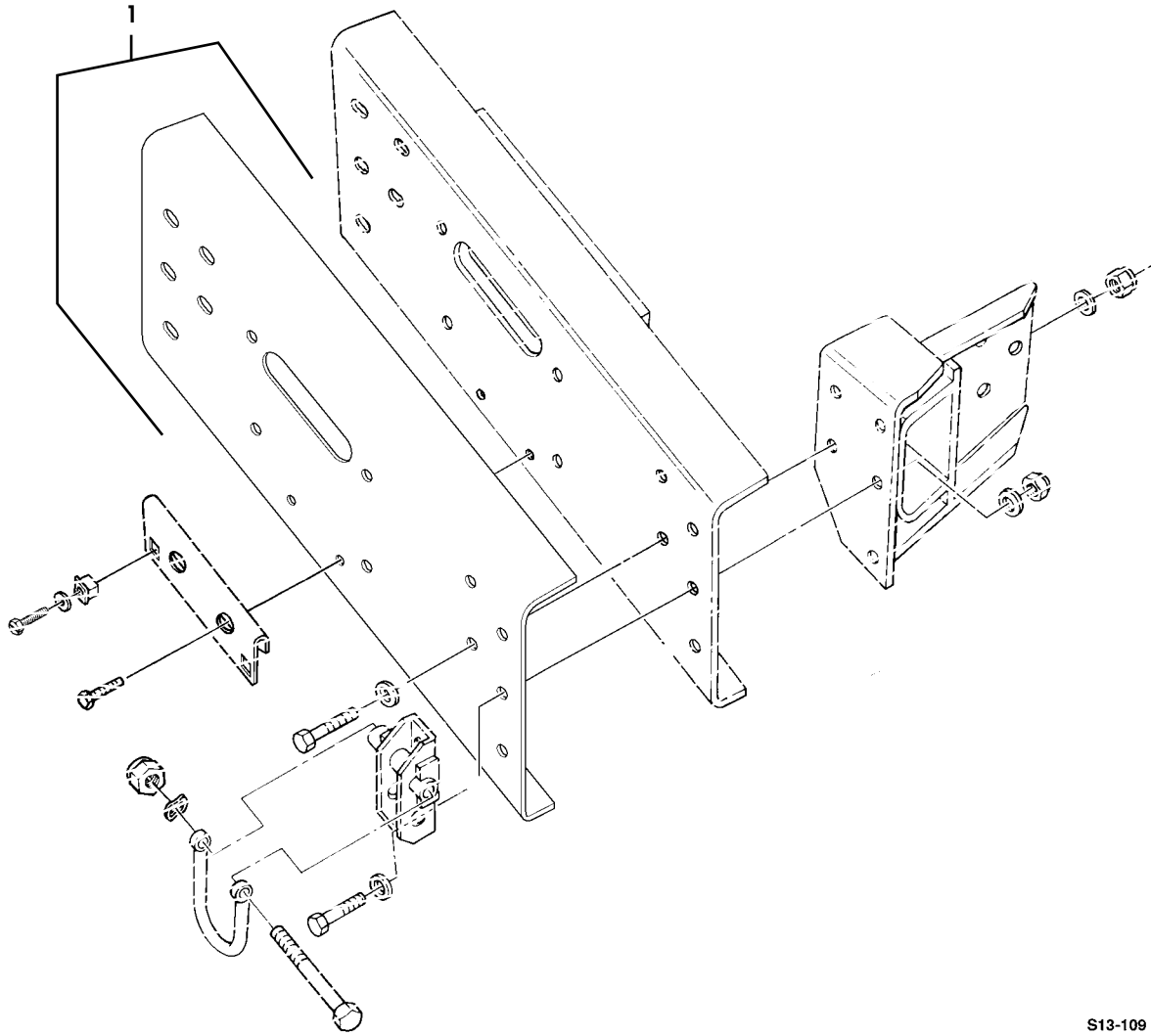
ACCESSORIES 13-51.34

ITEM	PART NUMBER	DESCRIPTION	QTY
		Figure 13-25.17 Traveler's Survival Kit.	
1	5744903	KIT, traveler's survival	1
2	5744996	•BAG.	1
3	S.I.K.	•FOOD PACKET, 3-day supply	1
4	S.I.K.	•WATER PACKETS, 3-day supply	12
5	S.I.K.	•SPACE BLANKET	1
6	S.I.K.	•MEDICAL SUPPLIES PACKAGE	1
7	S.I.K.	•GENERAL SUPPLIES PACKAGE	1

6-1-99

1997 HUMMER PARTS CATALOG

13-51.35 ACCESSORIES



S13-109

Figure 13-25.18 Bumper (Front with Winch) Cover, Stainless Steel.

1997 HUMMER PARTS CATALOG

6-1-99

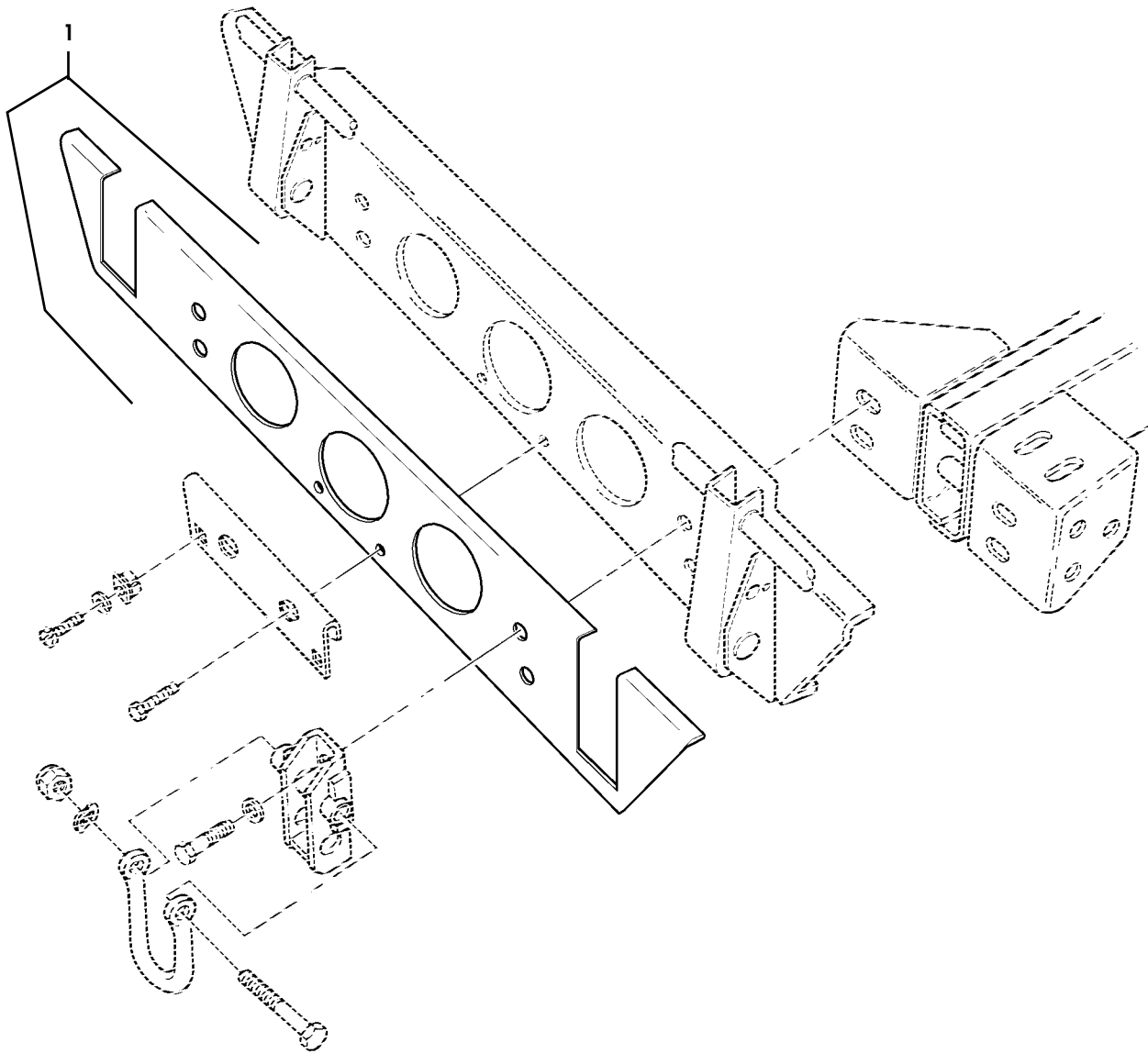
ACCESSORIES 13-51.36

ITEM	PART NUMBER	DESCRIPTION	QTY
1	5745070	<p>Figure 13-25.18 Bumper (Front with Winch) Cover, Stainless Steel.</p> <p>COVER, front bumper with winch, stainless steel</p>	1

6-1-99

1997 HUMMER PARTS CATALOG

13-51.37 ACCESSORIES



9-P13-013

Figure 13-25.19 Bumper (Front with Brushguard and without Winch) Cover, Stainless Steel.

1997 HUMMER PARTS CATALOG

6-1-99

ACCESSORIES 13-51.38

ITEM	PART NUMBER	DESCRIPTION	QTY
1	5745079	<p>Figure 13-25.19 Bumper (Front with Brushguard and without Winch) Cover, Stainless Steel.</p> <p>COVER, front bumper with brushguard and without winch, stainless steel</p>	1

6-1-99

1997 HUMMER PARTS CATALOG

13-51.39 ACCESSORIES

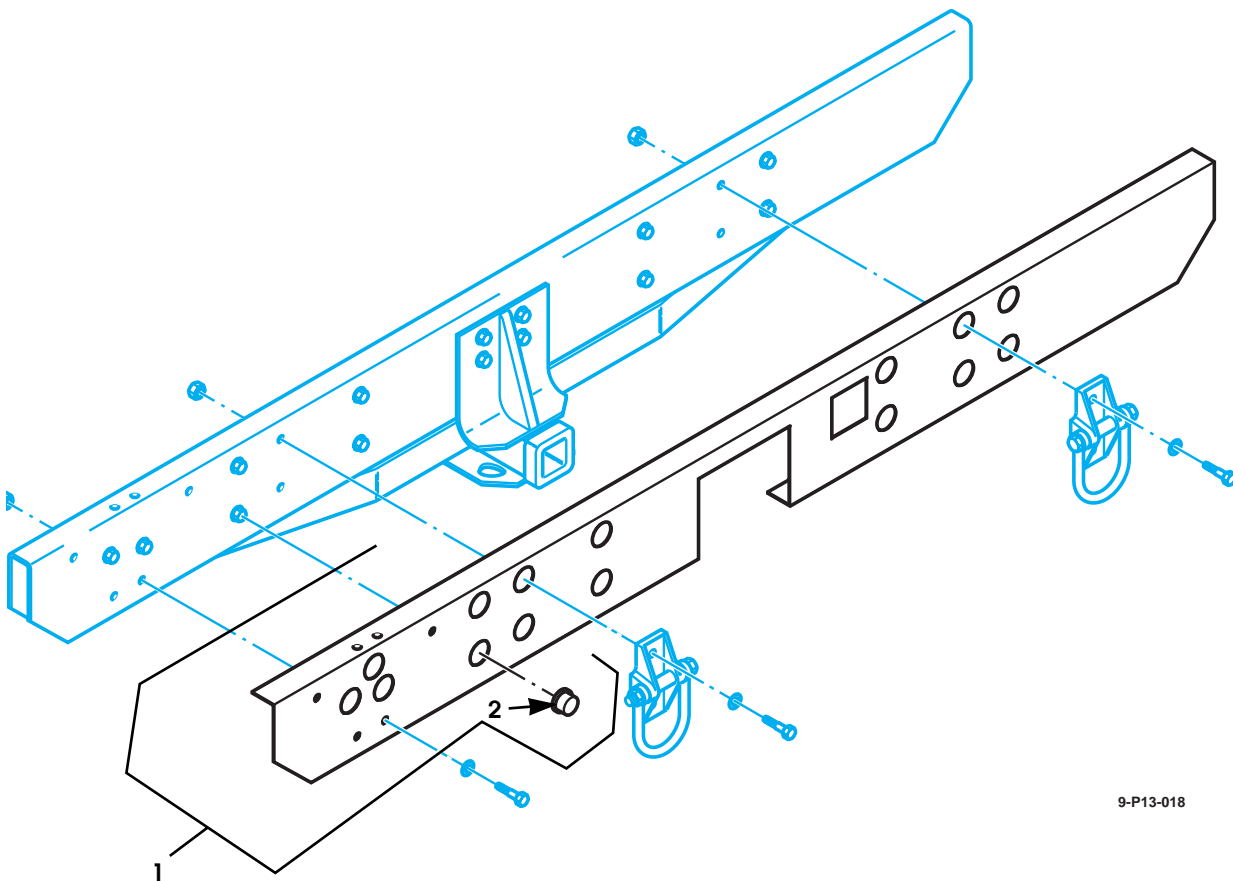


Figure 13-25.20 Bumper (Rear) Cover, Stainless Steel.

1997 HUMMER PARTS CATALOG

6-1-99

ACCESSORIES 13-51.40

ITEM	PART NUMBER	DESCRIPTION	QTY
1	5745115	Figure 13-25.20 Bumper (Rear) Cover, Stainless Steel. COVER, rear bumper, stainless steel	1
2	5745148	•COVER, bolt	8

6-1-99

1997 HUMMER PARTS CATALOG

13-51.41 ACCESSORIES

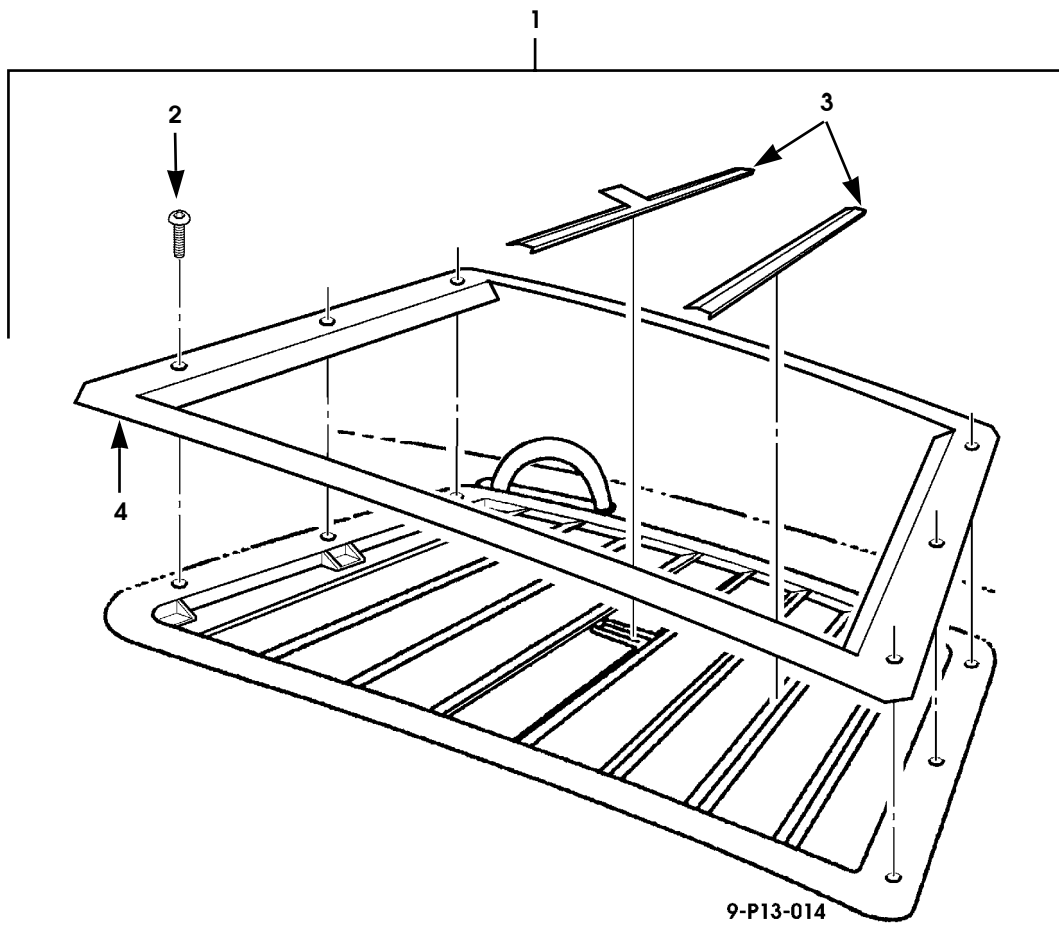


Figure 13-25.21 Grille (Upper) Cover, Stainless Steel.

1997 HUMMER PARTS CATALOG

6-1-99

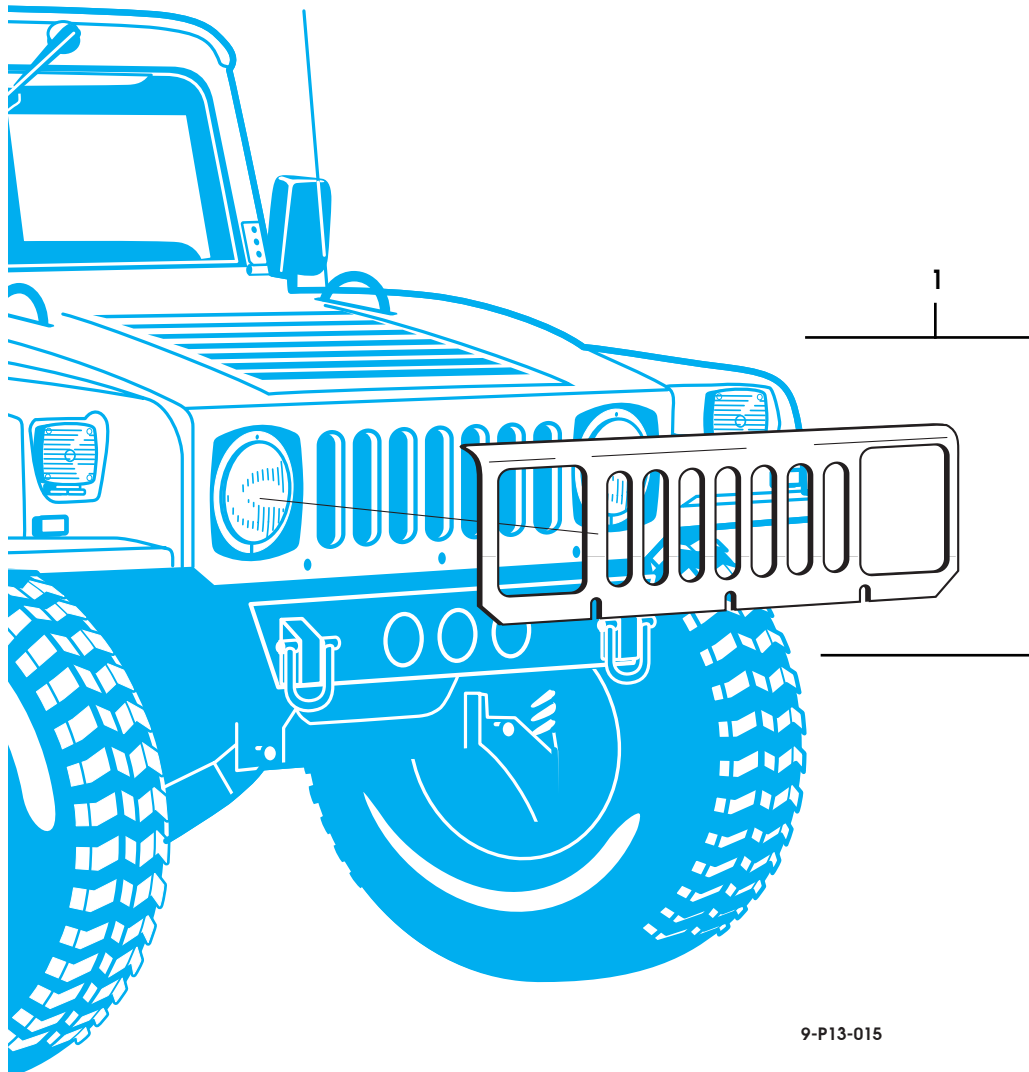
ACCESSORIES 13-51.42

ITEM	PART NUMBER	DESCRIPTION	QTY
		Figure 13-25.21 Grille (Upper) Cover, Stainless Steel.	
1	5745020	COVER, upper grille, stainless steel	1
2	N/S	•SCREW, stainless steel	6
3	N.S	•GRILLE SLAT, stainless steel	8
4	N.S	•GRILLE FRAME, stainless steel	1

6-1-99

1997 HUMMER PARTS CATALOG

13-51.43 ACCESSORIES



9-P13-015

Figure 13-25.22 Grille (Front) Cover, Stainless Steel.

1997 HUMMER PARTS CATALOG

6-1-99

ACCESSORIES 13-51.44

ITEM	PART NUMBER	DESCRIPTION	QTY
1	5745069	Figure 13-25.22 Grille (Front) Cover, Stainless Steel. COVER, front grille cover, stainless steel	1

6-1-99

1997 HUMMER PARTS CATALOG

13-51.45 ACCESSORIES

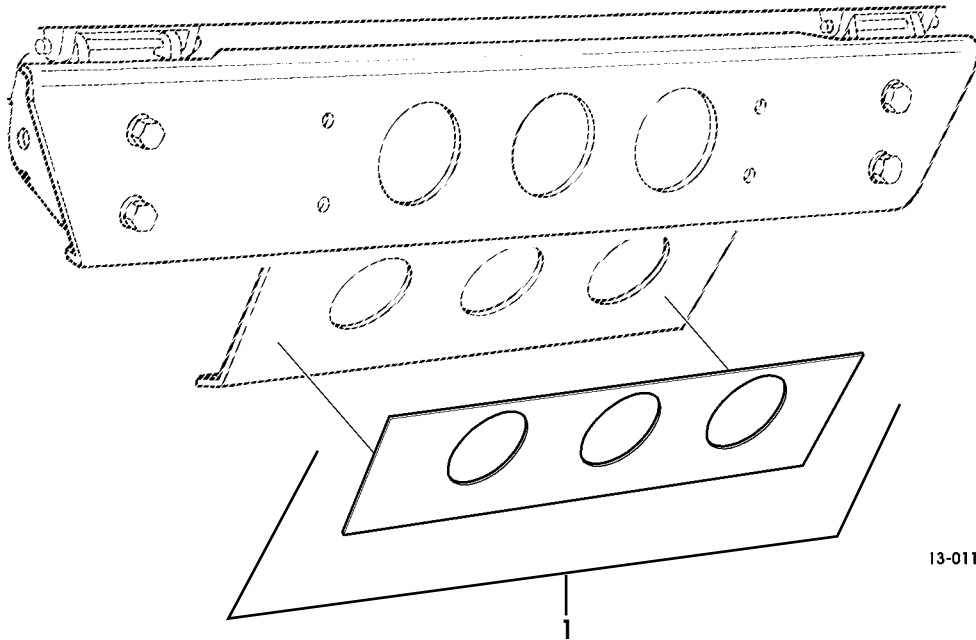


Figure 13-25.23 Skid Plate Cover, Stainless Steel.

1997 HUMMER PARTS CATALOG

6-1-99

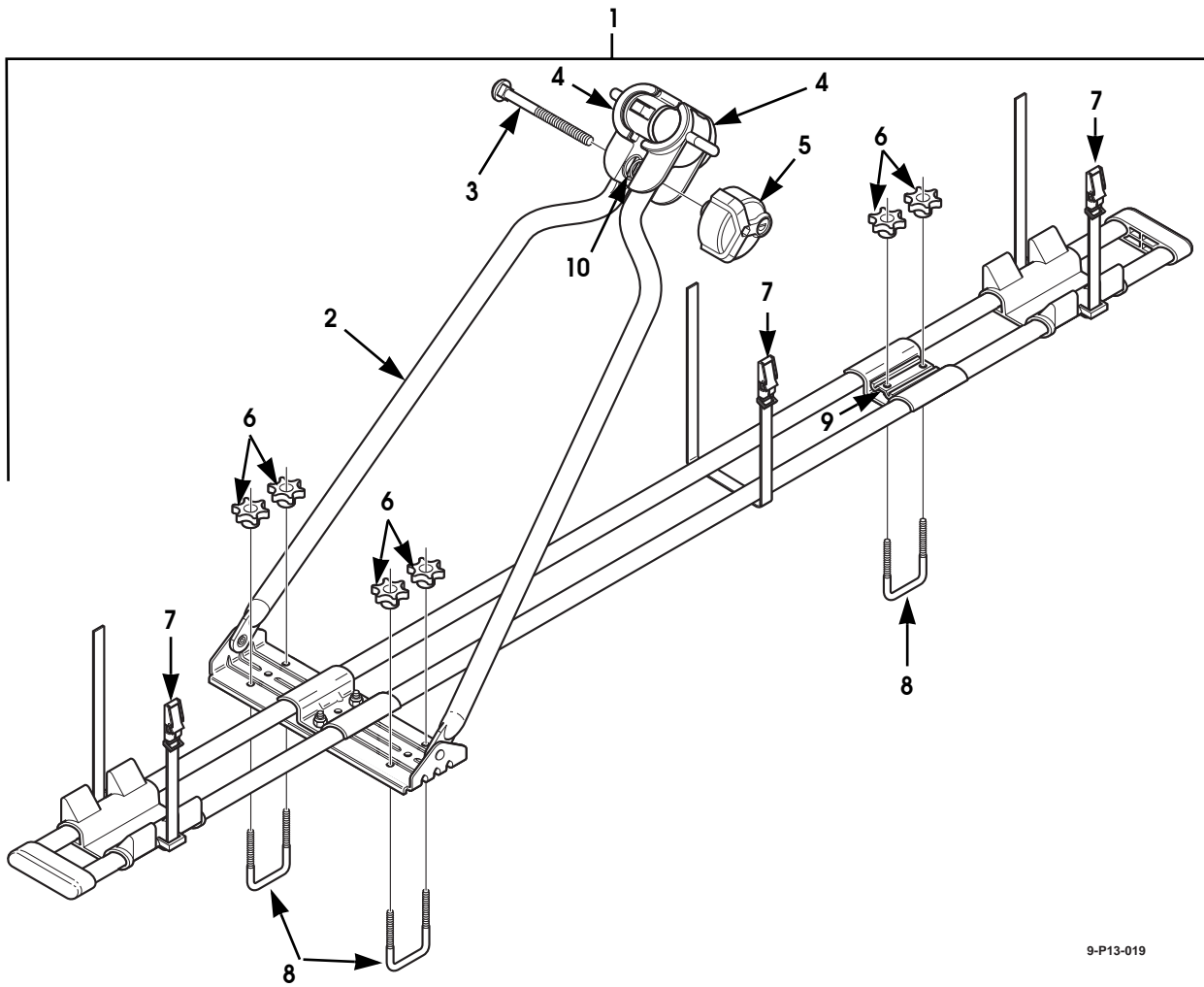
ACCESSORIES 13-51.46

ITEM	PART NUMBER	DESCRIPTION	QTY
1	5745071	Figure 13-25.23 Skid Plate Cover, Stainless Steel. COVER, skid plate, stainless steel	1

6-1-99

1997 HUMMER PARTS CATALOG

13-51.47 ACCESSORIES



9-P13-019

Figure 13-25.24 Bike Rack Kit.

1997 HUMMER PARTS CATALOG

6-1-99

ACCESSORIES 13-51.48

ITEM	PART NUMBER	DESCRIPTION	QTY
		Figure 13-25.24 Bike Rack Kit.	
1	5745067	KIT, bike rack	1
2	5745065	•BIKE RACK	1
3	S.I.K.	••BOLT, carriage	1
4	S.I.K.	••TUBE CLAMP, half	2
5	S.I.K.	••LOCKING WHEEL	1
6	S.I.K.	••THUMB SCREW	6
7	S.I.K.	••STRAP	3
8	S.I.K.	••U-BOLT	3
9	S.I.K.	••PLATE, spacer	1
10	S.I.K.	••SPRING	1

6-1-99

1997 HUMMER PARTS CATALOG

13-51.49 ACCESSORIES

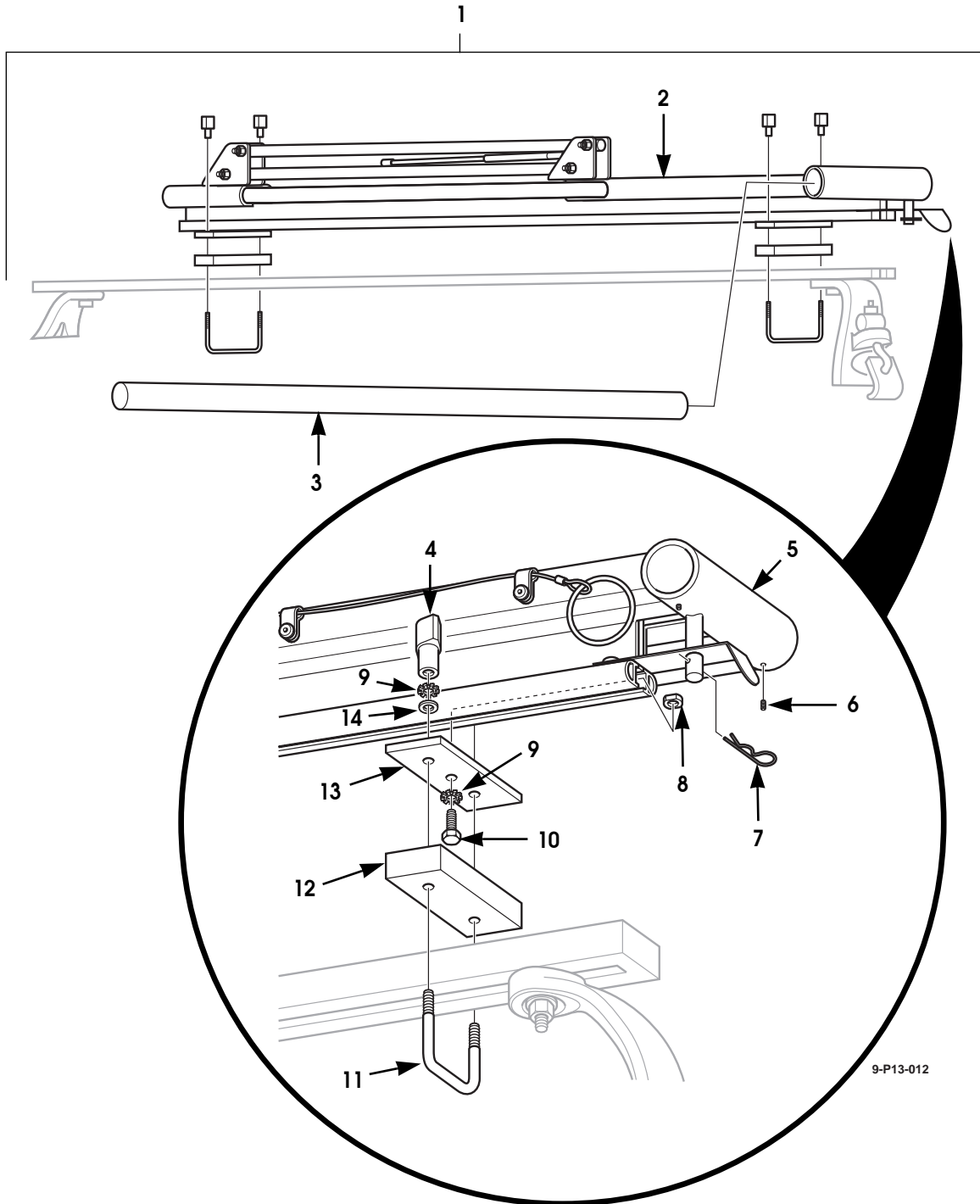


Figure 13-25.25 Roof Rack Kit, Side Load.

1997 HUMMER PARTS CATALOG

6-1-99

ACCESSORIES 13-51.50

ITEM	PART NUMBER	DESCRIPTION	QTY
		Figure 13-25.25 Roof Rack Kit, Side Load.	
1	5745051	KIT, side load roof rack	1
2	S.I.K.	•ROOF RACK, half	2
3	S.I.K.	•BAR, handle	1
4	S.I.K.	•NUT, wing	8
5	S.I.K.	•HOLDER, handle bar	2
6	S.I.K.	•SET SCREW	2
7	S.I.K.	•PIN, hitch	2
8	S.I.K.	•NUT	4
9	S.I.K.	•WASHER, lock	10
10	S.I.K.	•SCREW	4
11	S.I.K.	•U-BOLT	4
12	S.I.K.	•PAD, rubber	4
13	S.I.K.	•MOUNTING FOOT	4
14	S.I.K.	•WASHER, flat	8

6-1-99

1997 HUMMER PARTS CATALOG

13-51.51 ACCESSORIES

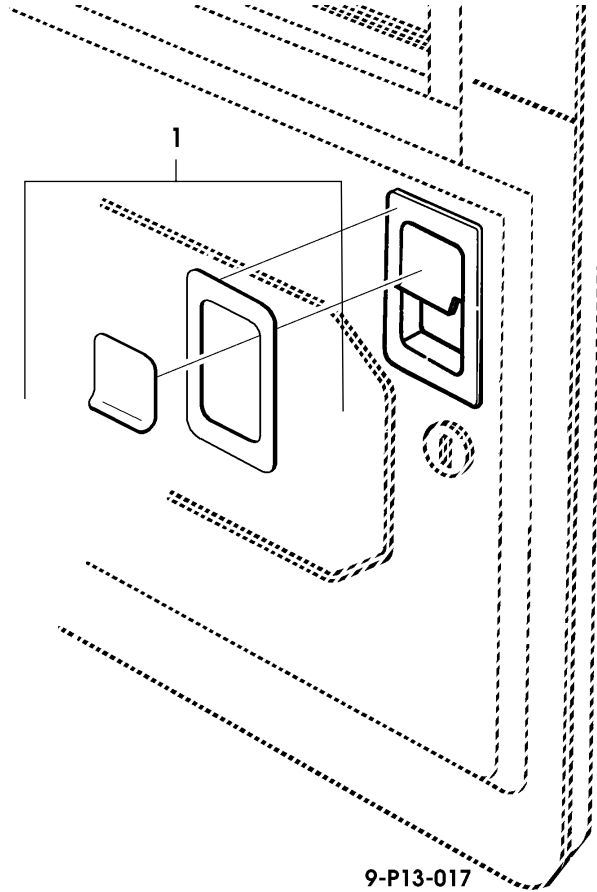


Figure 13-25.26 Door Handle and Bezel Covers, Stainless Steel.

1997 HUMMER PARTS CATALOG

6-1-99

ACCESSORIES 13-51.52

ITEM	PART NUMBER	DESCRIPTION	QTY
		Figure 13-25.26 Door Handle and Bezel Covers, Stainless Steel.	
1	5745102	HANDLE AND BEZEL COVERS (FOUR-DOOR), STAINLESS STEEL	1
		83, 89, 90	
1	5745101	HANDLE AND BEZEL COVER (SIX-DOOR), STAINLESS STEEL	1
		84	

6-1-99

1997 HUMMER PARTS CATALOG

13-51.53 ACCESSORIES

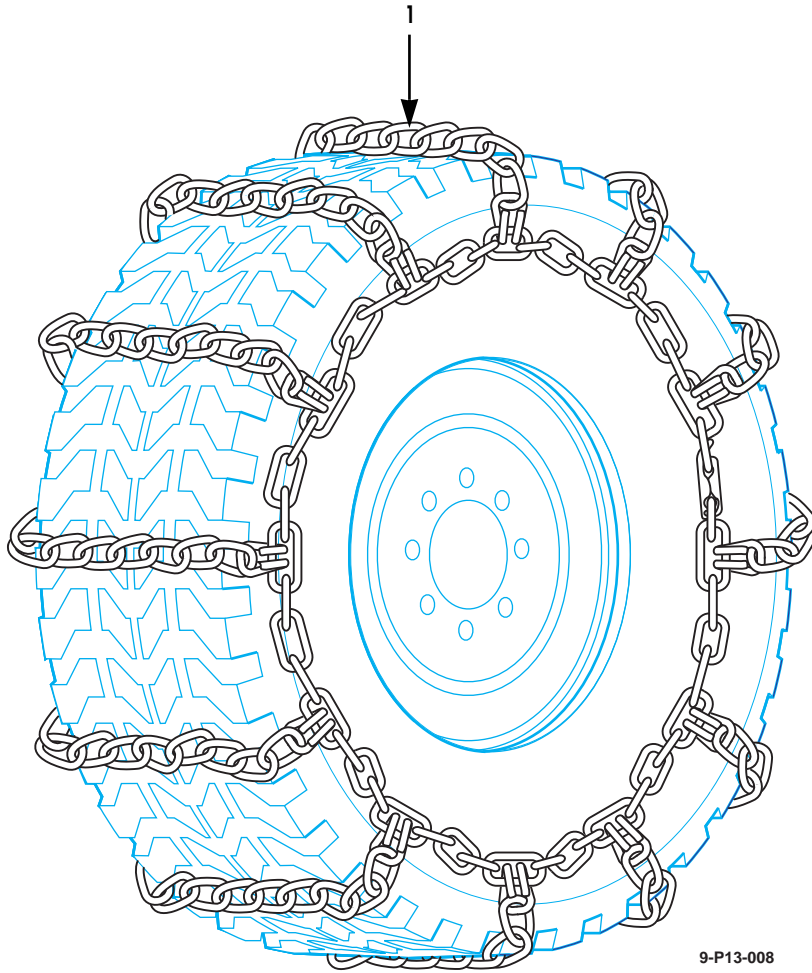


Figure 13-25.27 Tire Chains.

1997 HUMMER PARTS CATALOG

6-1-99

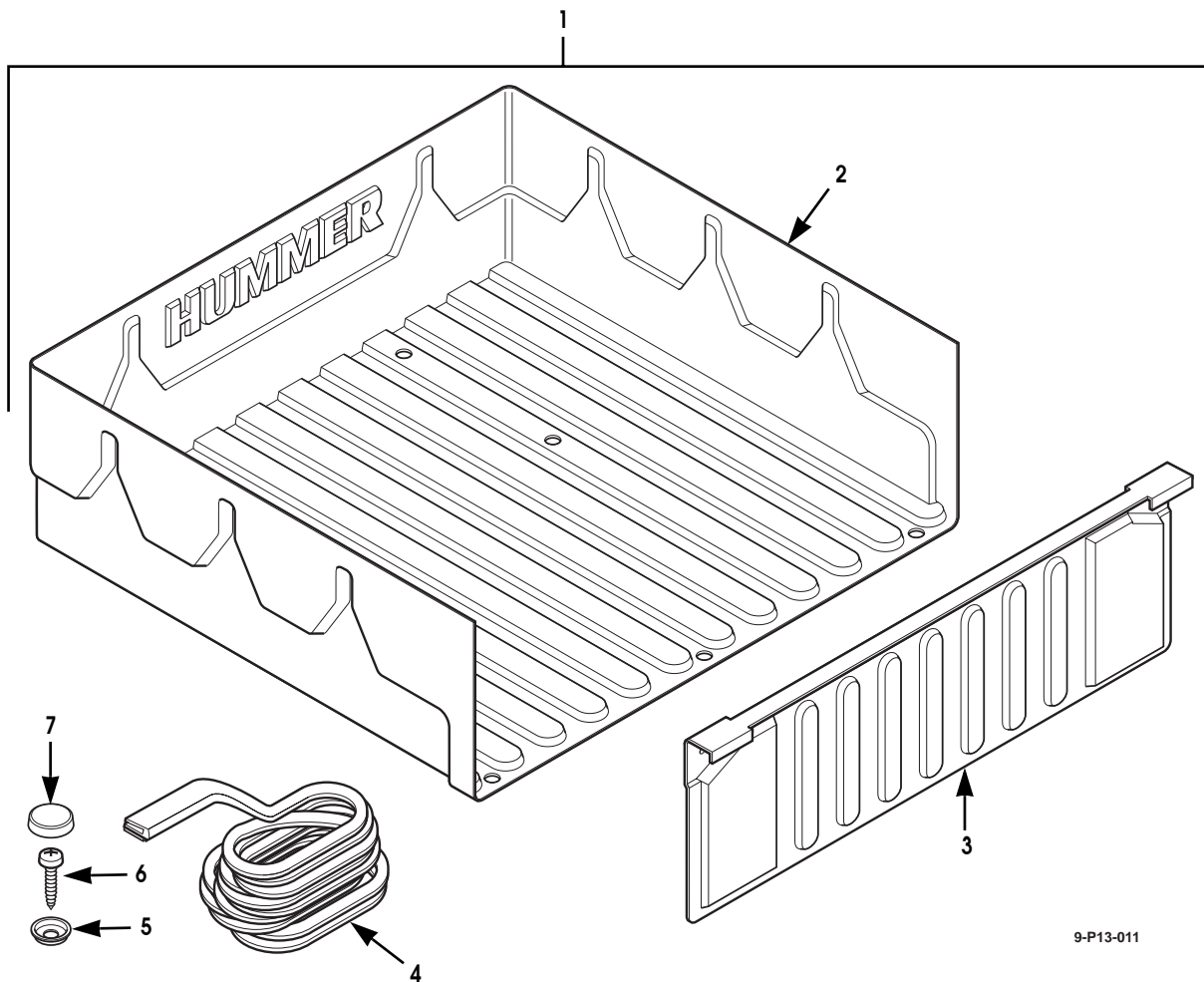
ACCESSORIES 13-51.54

ITEM	PART NUMBER	DESCRIPTION	QTY
1	5569255	Figure 13-25.27 Tire Chains. TIRE CHAINS, one pair, for one axle	2

6-1-99

1997 HUMMER PARTS CATALOG

13-51.55 ACCESSORIES



9-P13-011

Figure 13-25.28 Bedliner Kit.

1997 HUMMER PARTS CATALOG

6-1-99

ACCESSORIES 13-51.56

ITEM	PART NUMBER	DESCRIPTION	QTY
		Figure 13-25.28 Bedliner Kit.	
1	5745029	KIT, bedliner	1
2	S.I.K.	•BEDLINER	1
3	S.I.K.	•COVER, tailgate.	1
4	S.I.K.	•EDGE TRIM STRIP	4
5	S.I.K.	•WASHER, cap lock.	2
6	S.I.K.	•SCREW	2
7	S.I.K.	•COVER, cap lock.	2

13-51.57 ACCESSORIES

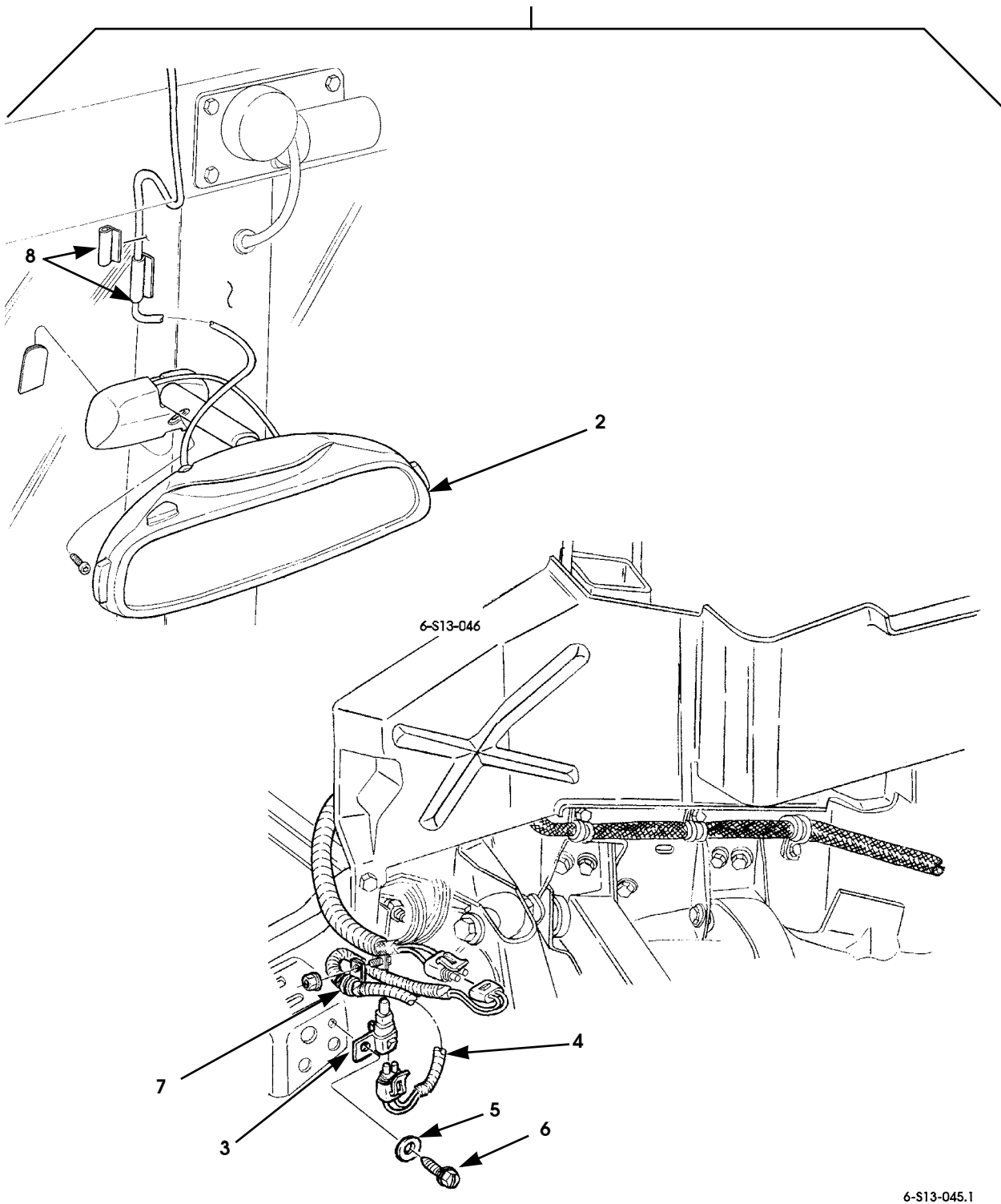


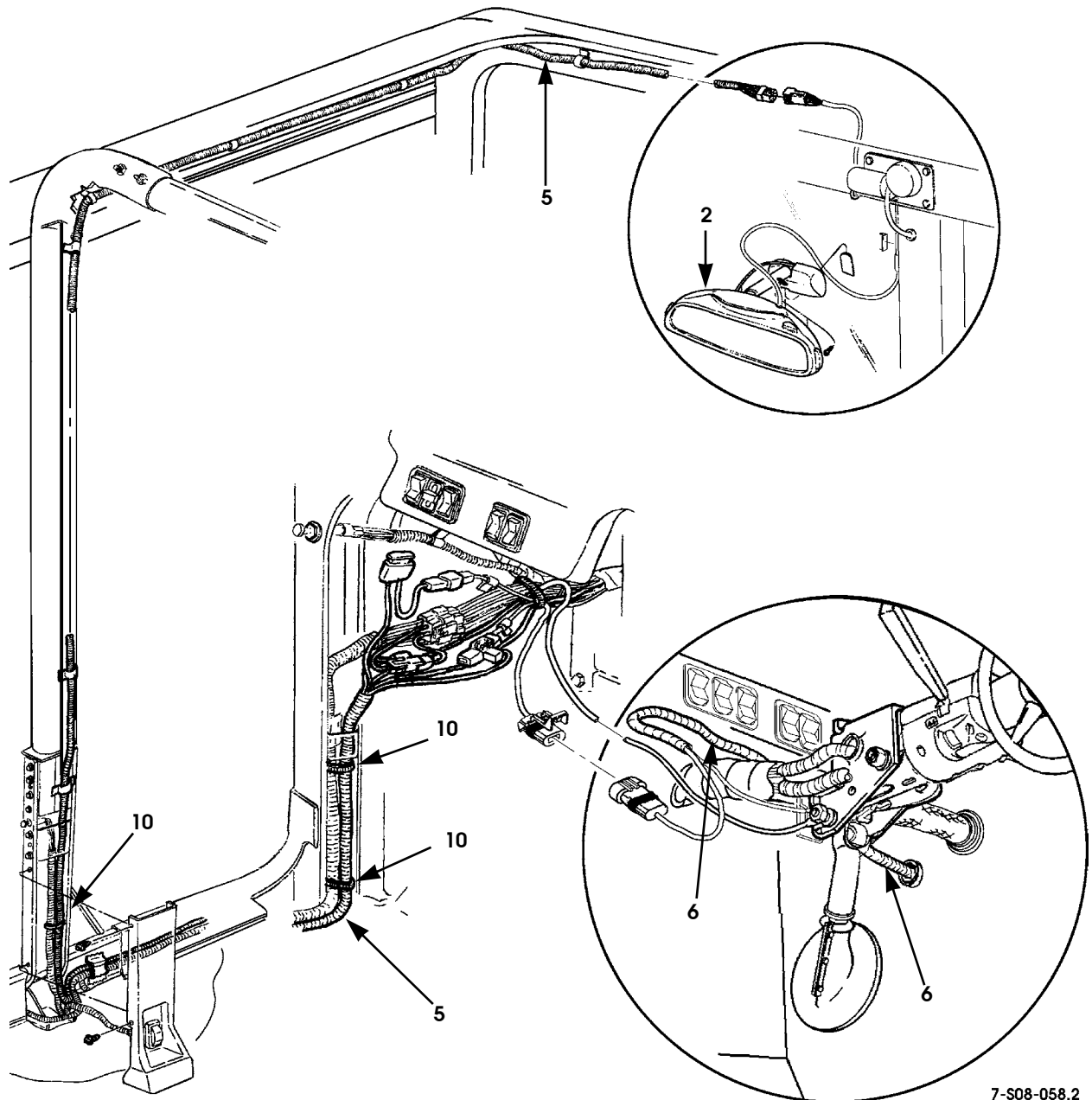
Figure 13-25.29 Rear View Mirror Kit, Deluxe (1996-1998).

1997 HUMMER PARTS CATALOG

6-1-99

ACCESSORIES 13-51.58

ITEM	PART NUMBER	DESCRIPTION	QTY
		Figure 13-25.29 Rear View Mirror Kit, Deluxe (1996-1998).	
1	5744611	KIT, deluxe rear view mirror (1996-1998)	1
2	6007188	•MIRROR, inside deluxe	1
3	5744736	••SENSOR, outside temperature	1
4	6007374	•HARNES, outside temperature sensor	1
5	S.I.K.	•WASHER, flat, 1/4	1
6	S.I.K.	•SCREW, tapping, 1/4 - 20 x 3/4	1
7	S.I.K.	•CLAMP, cushioned P	1
8	6007718	•CLIP, wiring	2



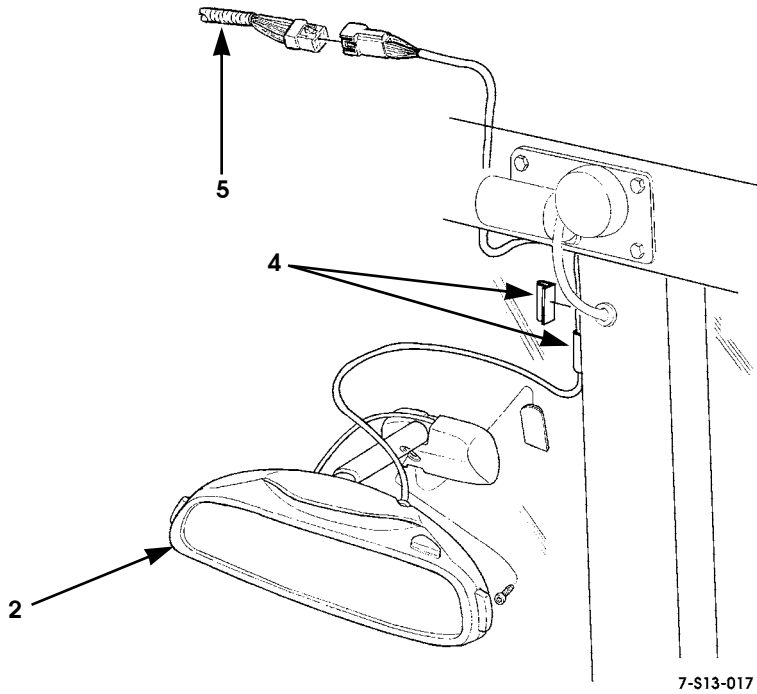
7-S08-058.2

Figure 13-25.30 Rear View Mirror Kit, Deluxe (1992 - 1995)
(Sheet 2 of 3).

6-1-99

1997 HUMMER PARTS CATALOG

13-51.61 ACCESSORIES



*Figure 13-25.30 Rear View Mirror Kit, Deluxe (1992 - 1995)
(Sheet 3 of 3).*

1997 HUMMER PARTS CATALOG

6-1-99

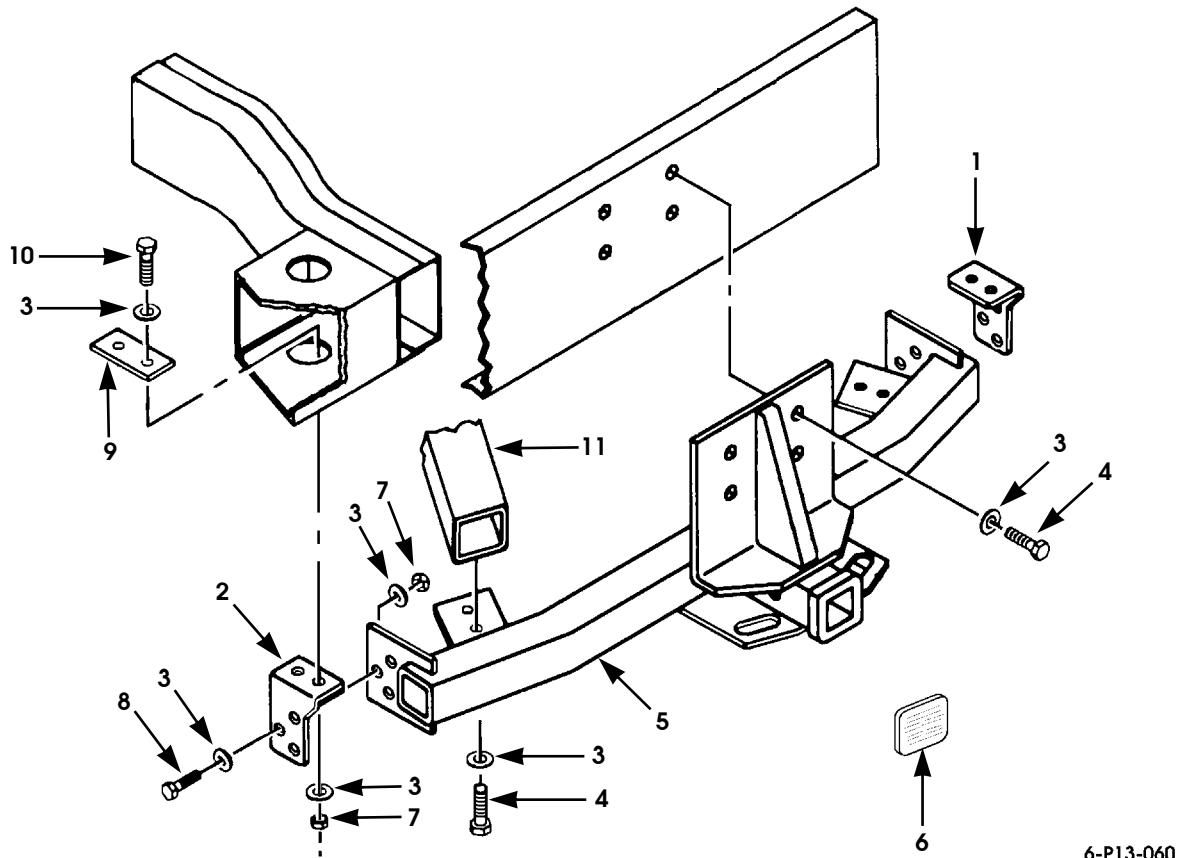
ACCESSORIES 13-51.62

ITEM	PART NUMBER	DESCRIPTION	QTY
		Figure 13-25.30 Rear View Mirror Kit, Deluxe (1992 - 1995)	
1	5744609	KIT, deluxe rear view mirror (1992 - 1995)	1
2	6007188	•MIRROR, inside deluxe	1
3	5744736	••SENSOR, outside temperature	1
4	6007718	•CLIP, wiring	2
5	6008332	•HARNESS, deluxe rear view mirror	1
6	6008333	•HARNESS, outside temperature sensor	1
7	S.I.K.	•WASHER, flat, 1/4	1
8	S.I.K.	•SCREW, tapping, 1/4 - 20 x 3/4	1
9	S.I.K.	•CLAMP, cushioned P	1
10	S.I.K.	•TIE WRAP, 3/16 x 6.30	12

6-1-99

1997 HUMMER PARTS CATALOG

13-51.63 ACCESSORIES



6-P13-060

Figure 13-25.31 Trailer Towing.

1997 HUMMER PARTS CATALOG

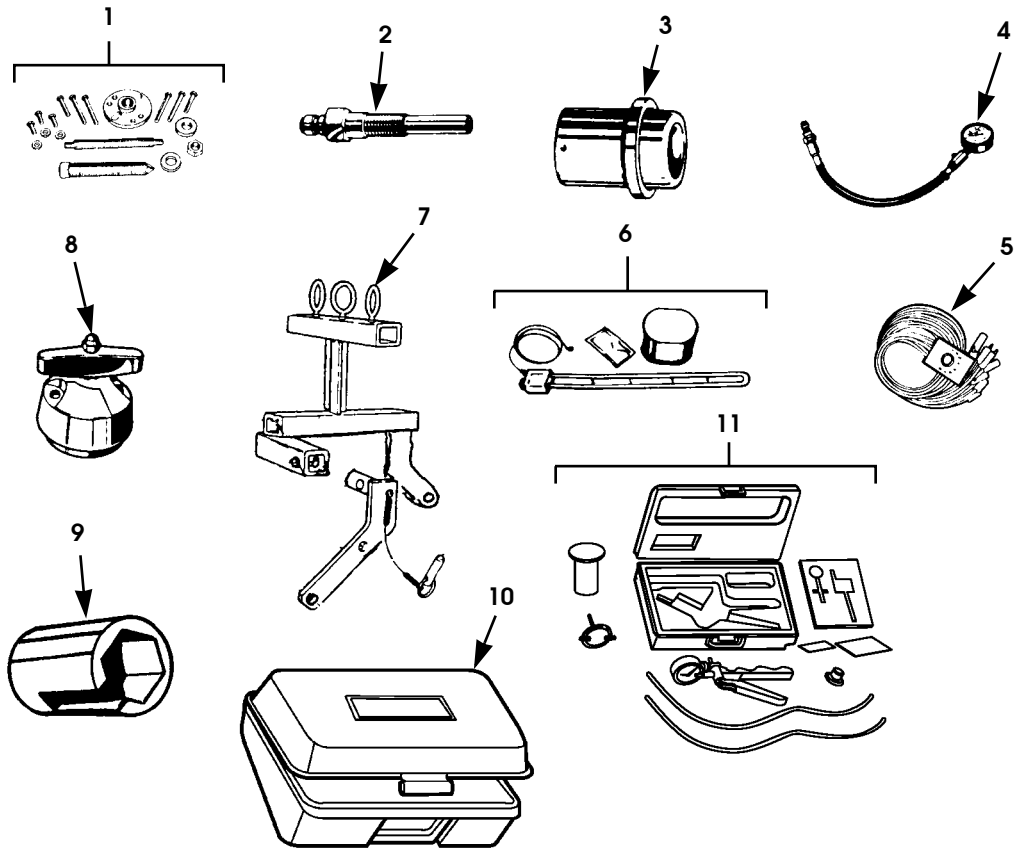
6-1-99

ACCESSORIES 13-51.64

ITEM	PART NUMBER	DESCRIPTION	QTY
		Figure 13-25.31 Trailer Towing.	
1	6007905B2	BRACKET, trailer hitch, L.H.	1
2	6007931B2	BRACKET, trailer hitch, R.H.	1
3	S.I.K.	WASHER, flat, 1/2", Hard Type B	28
4	S.I.K.	BOLT, 1/2-13 x 1.25", Hex Gr 8, CAD.	10
5	6008114B2	RECEIVER ASSEMBLY, trailer hitch	1
6	6008116	•LABEL, load rating	1
7	S.I.K.	NUT, 1/2"-13, Lock, Gr C	10
8	S.I.K.	BOLT, 1/2"-13 x 1.50", Hex Gr 8 CAD	6
9	6006928	BLOCK, receiver assembly mounting	2
10	S.I.K.	BOLT, 1/2"-13 x 1.75", Hex Gr 8 CAD	4
11	6007688B2	BRACE, trailer hitch, L.H.	1
11	6007689B2	BRACE, trailer hitch, R.H.	1

1997 HUMMER PARTS CATALOG

13-52 ACCESSORIES



P13-079

Figure 13-26. Essential Tools, Engine.

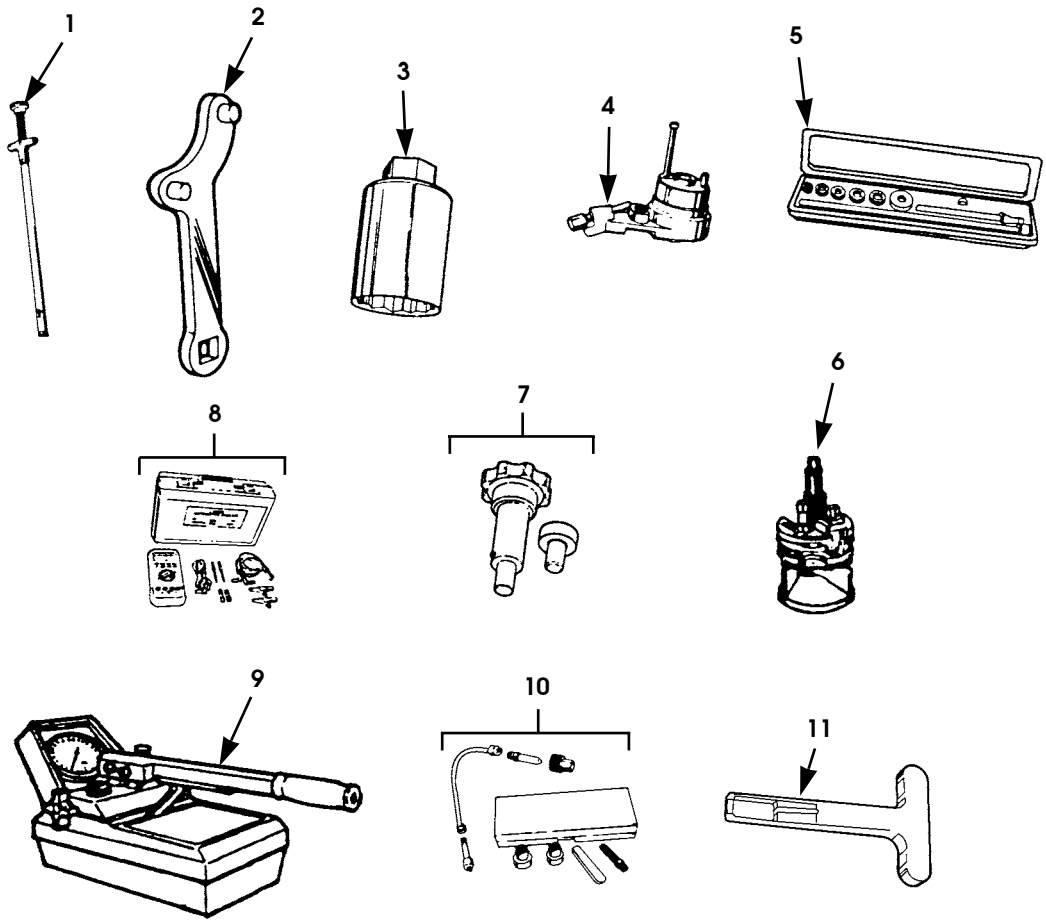
1997 HUMMER PARTS CATALOG

ACCESSORIES 13-53

ITEM	PART NUMBER	DESCRIPTION	QTY
		Figure 13-26. Essential Tools, Engine. (SEE NOTE 1)	
1	N/S	HARMONIC BALANCER REMOVER/INSTALLER SET, J23523-F	
2	N/S	COMPRESSION GAUGE ADAPTER, J26999-30	
3	N/S	FRONT COVER SEAL INSTALLER, J22102	
4	N/S	COMPRESSION GAUGE, J26999	
5	N/S	CYLINDER BALANCE TESTER, J34116.	
6	N/S	WATER MANOMETER, J23951	
7	N/S	ENGINE LIFTING SLING AND BRACKET, J33139	
8	N/S	REAR MAIN SEAL INSTALLER, J39084.	
9	N/S	OIL PRESSURE SWITCH SOCKET, J25254-10A	
10	N/S	TIMING METER, J33300.	
11	N/S	VACUUM PUMP (MITY-VAC), J35555	
12	N/S	OIL PRESSURE REGULATOR VALVE SOCKET, J41710 (not illustrated).	
13	N/S	TURBOCHARGER INLET GUARD, J41413 (not illustrated)	
14	N/S	GLOW PLUG SOCKET, J41515-A (not illustrated)	
		NOTE 1: THE ABOVE TOOLS ARE FROM KENT-MOORE UNLESS OTHERWISE NOTED. ORDERING INFORMATION FOR KENT-MOORE TOOLS CAN BE FOUND ON PAGE 1-1.	

1997 HUMMER PARTS CATALOG

13-54 ACCESSORIES



P13-080

Figure 13-27. Special Tools, Engine.

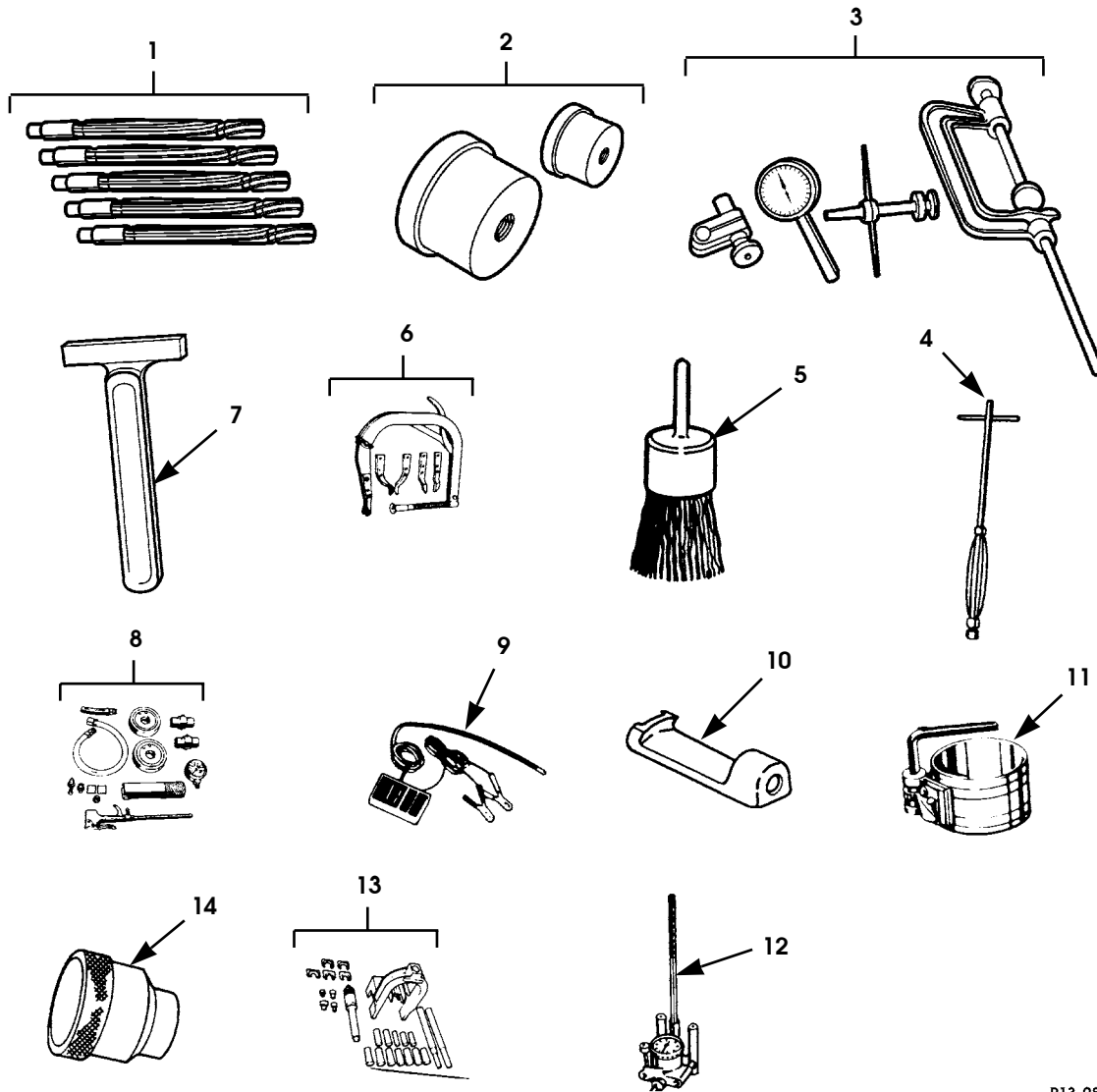
1997 HUMMER PARTS CATALOG

ACCESSORIES 13-55

ITEM	PART NUMBER	DESCRIPTION	QTY
		Figure 13-27. Special Tools, Engine. (SEE NOTE 1)	
1	N/S	VALVE LIFTER REMOVAL TOOL, J29834	
2	N/S	INJECTION ADJUSTING TOOL, J29872	
3	N/S	FUEL INJECTOR SOCKET, J29873	
4	N/S	STATIC TIMING MARK GAUGE, J33042	
5	N/S	CAMSHAFT BEARING REPLACEMENT SET, J 33049.	
6	N/S	RIDGE REAMER, J24270.	
7	N/S	PISTON RETAINING RING INSTALLER SET, J39507	
8	N/S	DVOM, FLUKE 88, J39688	
9	N/S	FUEL INJECTION PRESSURE TESTER, J29075-B	
10	N/S	ADAPTER KIT, J29079-125 (use w/J29075-B).	
11	N/S	GLOW PLUG CONNECTOR REMOVER, J39083	
		<p style="text-align: center;">NOTE 1: THE ABOVE TOOLS ARE FROM KENT-MOORE UNLESS OTHERWISE NOTED. ORDERING INFORMATION FOR KENT-MOORE TOOLS CAN BE FOUND ON PAGE 1-1.</p>	

1997 HUMMER PARTS CATALOG

13-56 ACCESSORIES



P13-081

Figure 13-27. Special Tools, Engine.

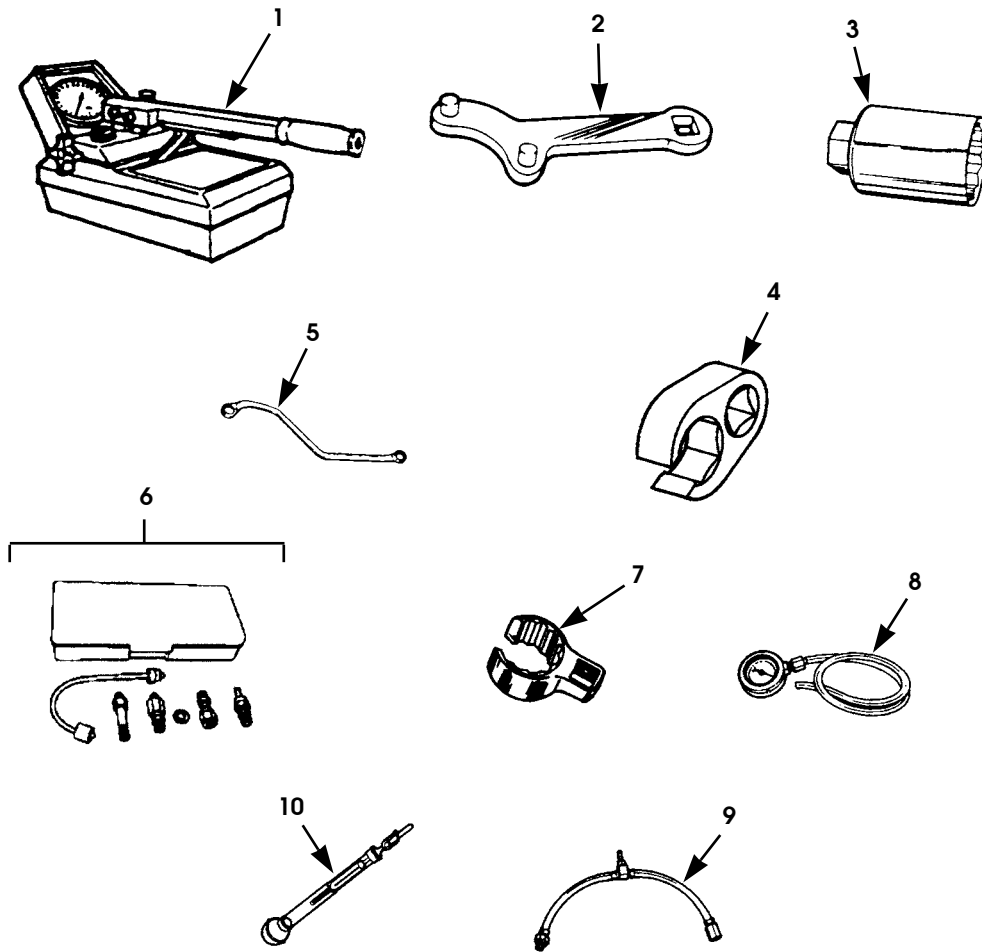
1997 HUMMER PARTS CATALOG

ACCESSORIES 13-57

ITEM	PART NUMBER	DESCRIPTION	QTY
		Figure 13-27. Special Tools, Engine. (SEE NOTE 1)	
1	N/S	VALVE GUIDE REAMER SET, J5830-02	
2	N/S	CAMSHAFT BEARING REMOVER/INSTALLER SET, J6098-10	
	N/S	(use w/J33049).	
3	N/S	DIAL INDICATOR SET, J8001	
4	N/S	VALVE GUIDE CLEANER, J8101	
5	N/S	CARBON REMOVER BRUSH, wire, J8089	
6	N/S	VALVE SPRING COMPRESSOR, J8062	
7	N/S	MAIN BEARING SHELL REMOVER/INSTALLER, J8080	
		(In-Vehicle).	
8	N/S	OIL PRESSURE TESTER/PUMP PRIMER, J25087-C	
9	N/S	ENGINE TACHOMETER (MAGNETIC), J26925	
10	N/S	FRONT COVER SEAL REMOVER, J23129 (use with slide	
		hammer J6125-1B)	
11	N/S	PISTON RING COMPRESSOR, J8037	
12	N/S	CYLINDER BORE GAUGE, J8087	
13	N/S	PISTON PIN REPLACEMENT TOOL SET, J24086-C	
14	N/S	PISTON PIN RETAINING RING COMPRESSION SLEEVE,	
		J29134-8	
		NOTE 1: THE ABOVE TOOLS ARE FROM KENT-MOORE UNLESS OTHERWISE NOTED. ORDERING INFORMATION FOR KENT-MOORE TOOLS CAN BE FOUND ON PAGE 1-1.	

1997 HUMMER PARTS CATALOG

13-58 ACCESSORIES



P13-082

Figure 13-28. Essential Tools, Fuel.

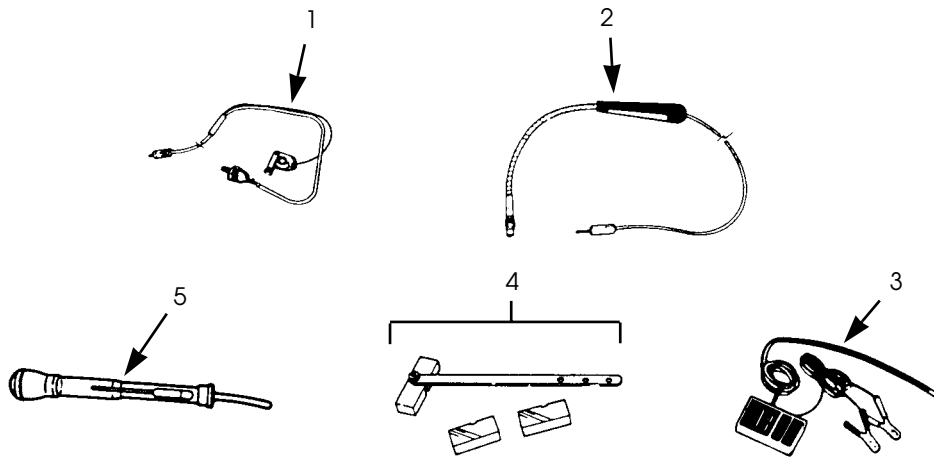
1997 HUMMER PARTS CATALOG

ACCESSORIES 13-59

ITEM	PART NUMBER	DESCRIPTION	QTY
		Figure 13-28. Essential Tools, Fuel. (SEE NOTE 1)	
1	N/S	FUEL INJECTION PRESSURE TESTER, J29075-B	
2	N/S	INJECTION ADJUSTING TOOL, J29872	
3	N/S	FUEL INJECTOR SOCKET, 30mm, J29873	
4	N/S	INJECTION LINE WRENCH (flare nut), J41516-A	
5	N/S	INJECTION PUMP WRENCH, J41089	
6	N/S	INJECTOR PRESSURE TEST ADAPTER KIT, J29079-125 . . .	
7	N/S	INJECTION LINE WRENCH (flare nut), J29698-A	
8	N/S	FUEL PRESSURE GAUGE, J28552-A	
9	N/S	HOUSING PRESSURE ADAPTER, J34151	
10	N/S	DIESEL FUEL HYDROMETER, J38641-B	
11	N/S	NOZZLE ADAPTER, J29079-95 (not illustrated)	
12	N/S	FUEL LINE DISCONNECT SET, J42520 (not illustrated) . .	
		NOTE 1: THE ABOVE TOOLS ARE FROM KENT-MOORE UNLESS OTHERWISE NOTED. ORDERING INFORMATION FOR KENT-MOORE TOOLS CAN BE FOUND ON PAGE 1-1.	

1997 HUMMER PARTS CATALOG

13-60 ACCESSORIES



P13-083

Figure 13-30. Special Tools, Fuel.

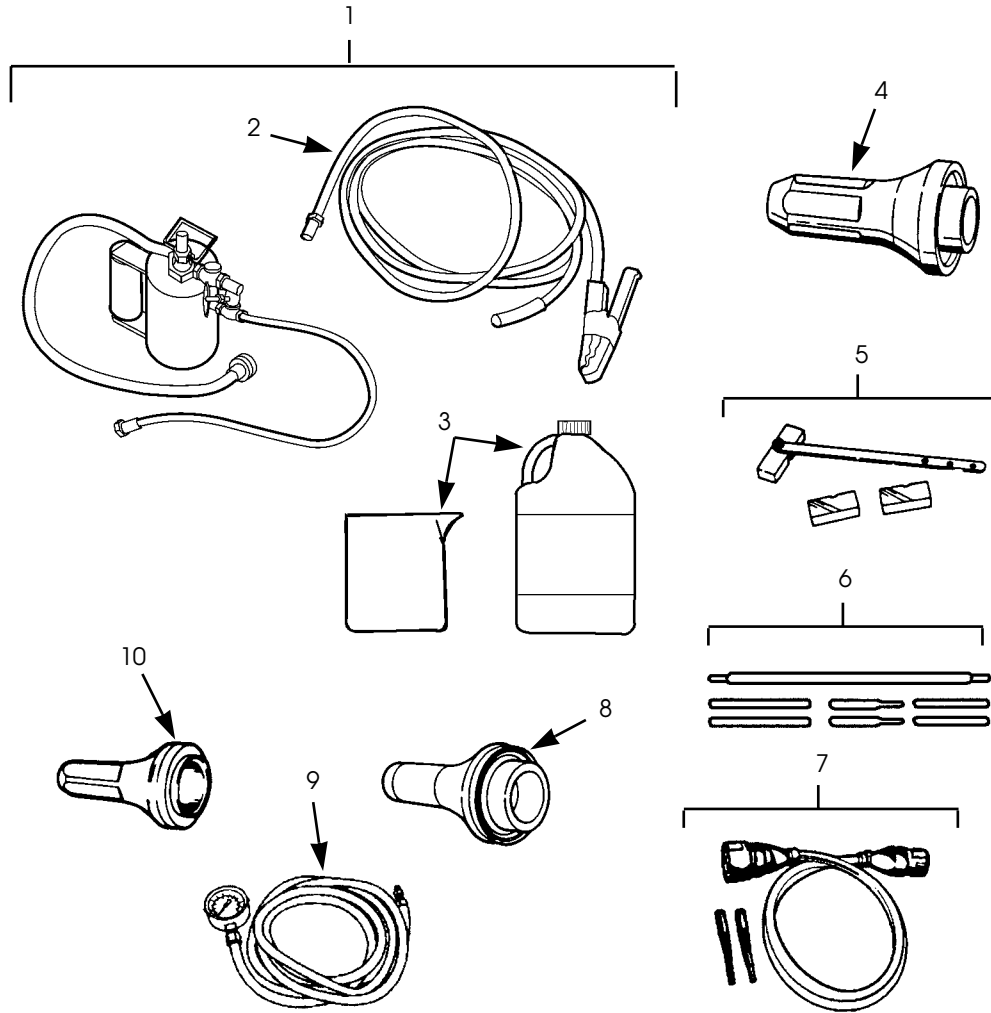
1997 HUMMER PARTS CATALOG

ACCESSORIES 13-61

ITEM	PART NUMBER	DESCRIPTION	QTY
		<p>Figure 13-30. Special Tools, Fuel. (SEE NOTE 1)</p>	
1	N/S	CLAMP-ON LINE TRANSDUCER, J33300-25A	
2	N/S	MAGNETIC CRANKSHAFT PROBE, J33300-20A	
3	N/S	MAG-TAC ENGINE TACHOMETER, J26925	
4	N/S	VACUUM GAUGE BLOCK ASSY, J33043	
5	N/S	HYDROMETER, J34352	
		<p>NOTE 1: THE ABOVE TOOLS ARE FROM KENT-MOORE UNLESS OTHERWISE NOTED. ORDERING INFORMATION FOR KENT-MOORE TOOLS CAN BE FOUND ON PAGE 1-1.</p>	

1997 HUMMER PARTS CATALOG

13-62 ACCESSORIES



P13-085

Figure 13-31. Essential Tools, Transmission/Transfer Case.

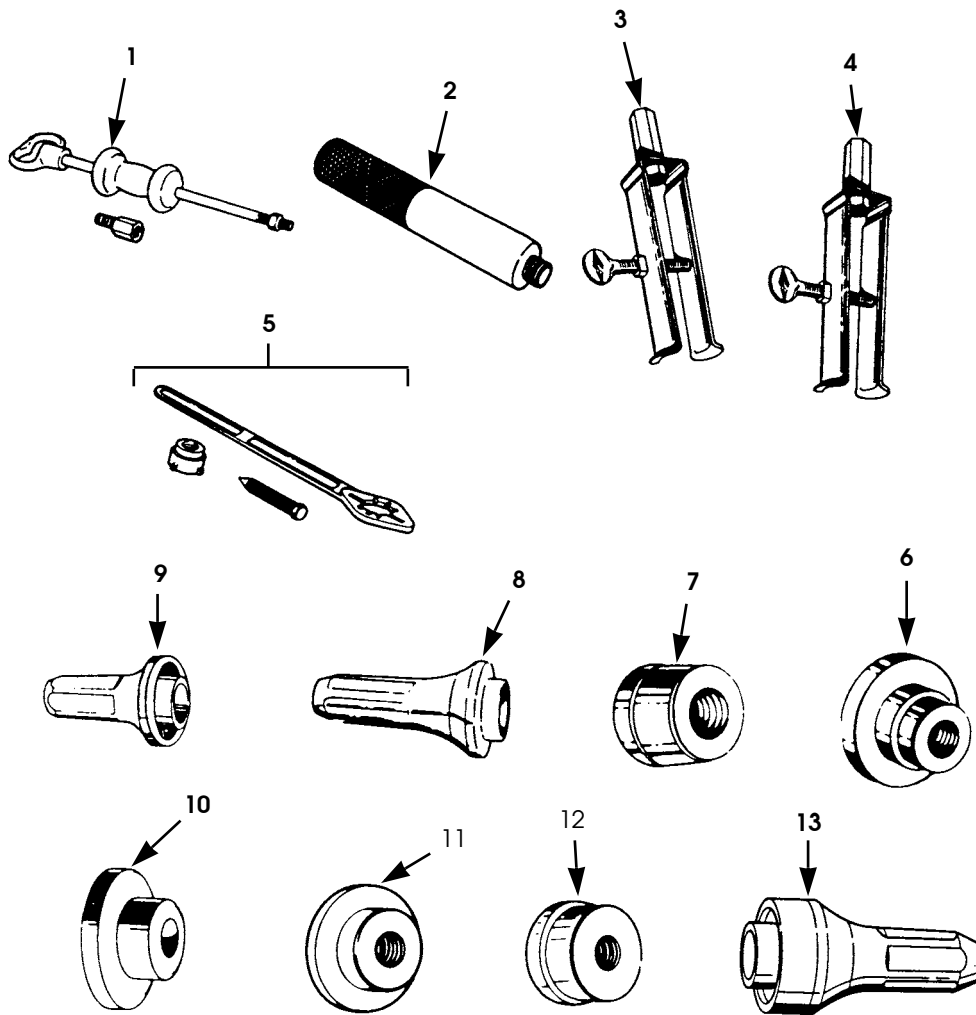
1997 HUMMER PARTS CATALOG

ACCESSORIES 13-63

ITEM	PART NUMBER	DESCRIPTION	QTY
		Figure 13-31. Essential Tools, Transmission/Transfer Case. (SEE NOTE 1)	
1	N/S	TRANSMISSION OIL COOLER FLUSH KIT, J35944-A	
2	N/S	•COOLER LINE ADAPTERS, J35944-91	
3	N/S	•OIL COOLER FLUSHING FLUID, J35944-22	
4	N/S	EXTENSION HOUSING SEAL INSTALLER, J38694	
5	N/S	VACUUM GAUGE BLOCK ASSY, J33043	
6	N/S	DIAL INDICATOR AND GUIDE PIN SET, J25025-B	
7	N/S	TRANSMISSION TEST JUMPER HARNESS, J39775	
8	N/S	PUMP HOUSING SEAL INSTALLER, J33835	
9	N/S	PRESSURE GAUGE AND HOSE ASSEMBLY, J21867	
10	N/S	INPUT SEAL INSTALLER, J33831	
11	N/S	EXTENSION HOUSING SEAL INSTALLER, J42497 (not illustrated).	
12	N/S	SEAL DRIVER HANDLE, J42592 (not illustrated)	
13	N/S	FRONT OUTPUT SEAL INSTALLER, J42561 (not illustrated)	
14	N/S	SEAL DRIVER HANDLE, J42560 (not illustrated)	
15	N/S	OUTPUT SHAFT SEAL INSTALLER, J22661 (not illustrated)	
16	N/S	TP SENSOR JUMPER HARNESS, J42589 (not illustrated).	
17	N/S	SELECTOR SHAFT SEAL REMOVER/INSTALLER, J42543 (not illustrated).	
		NOTE 1: THE ABOVE TOOLS ARE FROM KENT-MOORE UNLESS OTHERWISE NOTED. ORDERING INFORMATION FOR KENT-MOORE TOOLS CAN BE FOUND ON PAGE 1-1.	

1997 HUMMER PARTS CATALOG

13-64 ACCESSORIES



P13-084

Figure 13-32. Special Tools, Transmission/Transfer Case.

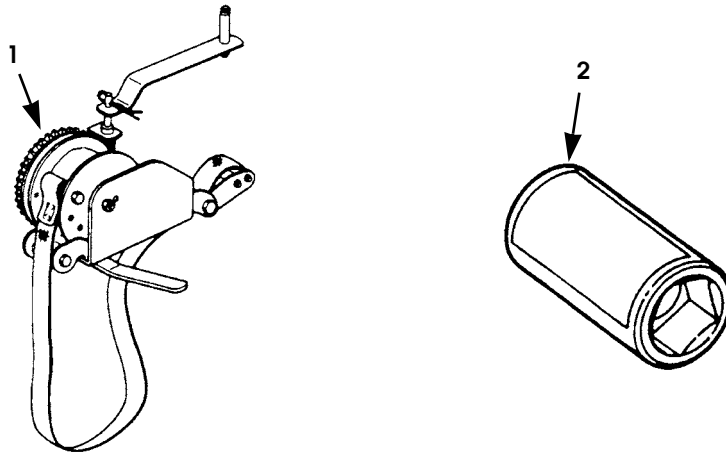
1997 HUMMER PARTS CATALOG

ACCESSORIES 13-65

ITEM	PART NUMBER	DESCRIPTION	QTY
		Figure 13-32. Special Tools, Transmission/Transfer Case. (SEE NOTE 1)	
1	N/S	SLIDE HAMMER AND ADAPTER, J2619-01	
2	N/S	UNIVERSAL DRIVER HANDLE, J8092	
3	N/S	BUSHING/BEARING REMOVER, J29369-1	
4	N/S	BUSHING/BEARING REMOVER, 2"-3", J26369-2	
5	N/S	FLANGE/PULLEY HOLDING TOOL, J8614-01	
6	N/S	PILOT BEARING INSTALLER, J33829 (use w/J8092)	
7	N/S	REAR OUTPUT BUSHING REMOVER, J33839 (use w/J8092)	
8	N/S	FRONT OUTPUT SHAFT SEAL INSTALLER, J22661	
9	N/S	EXTENSION HOUSING SEAL INSTALLER, J33843	
10	N/S	OUTPUT SHAFT MAIN BEARING INSTALLER, J33833 (use w/J8092).	
11	N/S	OUTPUT SHAFT REAR BEARING INSTALLER, J33832 (use w/J8092).	
12	N/S	INPUT GEAR BEARING REMOVER, J29170 (use w/J8092).	
13	N/S	REAR EXTENSION SEAL INSTALLER, J38869	
14	N/S	MASS STORAGE CARTRIDGE KIT, 7000000 (not illustrated)	
15	N/S	VEHICLE INTERFACE MODULE (VIM), 7000041 (not illustrated)	
		<p style="text-align: center;">NOTE 1: THE ABOVE TOOLS ARE FROM KENT-MOORE UNLESS OTHERWISE NOTED. ORDERING INFORMATION FOR KENT-MOORE TOOLS CAN BE FOUND ON PAGE 1-1.</p>	

1997 HUMMER PARTS CATALOG

13-66 ACCESSORIES



P13-086

Figure 13-33. Essential Tools, Wheels.

1997 HUMMER PARTS CATALOG

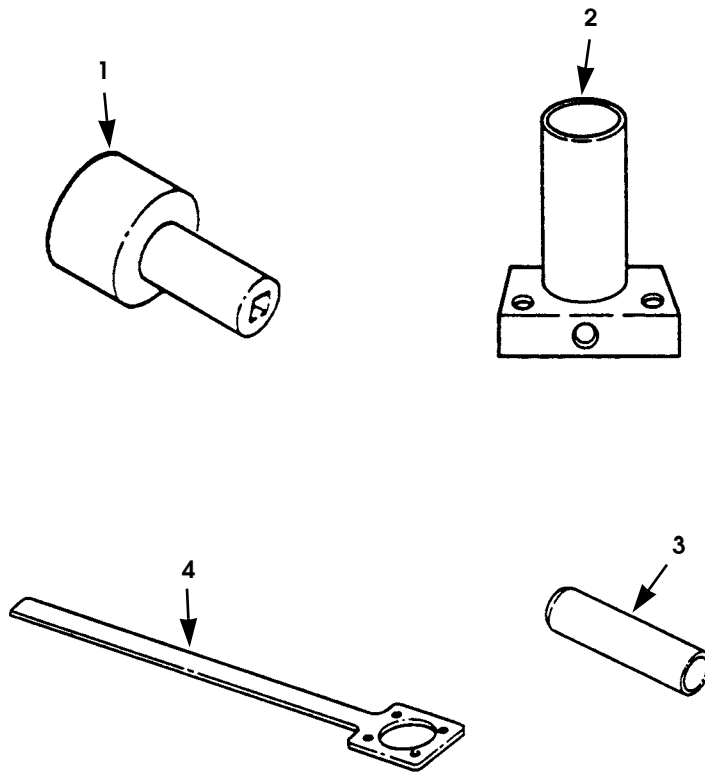
6-1-99

ACCESSORIES 13-67

ITEM	PART NUMBER	DESCRIPTION	QTY
1	N/S	<p>Figure 13-33. Essential Tools, Wheels. (SEE NOTE 1)</p> <p>RUNFLAT COMPRESSOR, J42452.</p>	
2	N/S	<p>SOCKET KIT (5 point), J39522.</p>	
3	N/S	<p>CAM SOCKET, J42557, (not illustrated).</p>	
<p>NOTE 1: THE ABOVE TOOLS ARE FROM KENT-MOORE UNLESS OTHERWISE NOTED. ORDERING INFORMATION FOR KENT-MOORE TOOLS CAN BE FOUND ON PAGE 1-1.</p>			

1997 HUMMER PARTS CATALOG

13-68 ACCESSORIES



P13-086.1

Figure 13-34. Special Tools, Wheels.

1997 HUMMER PARTS CATALOG

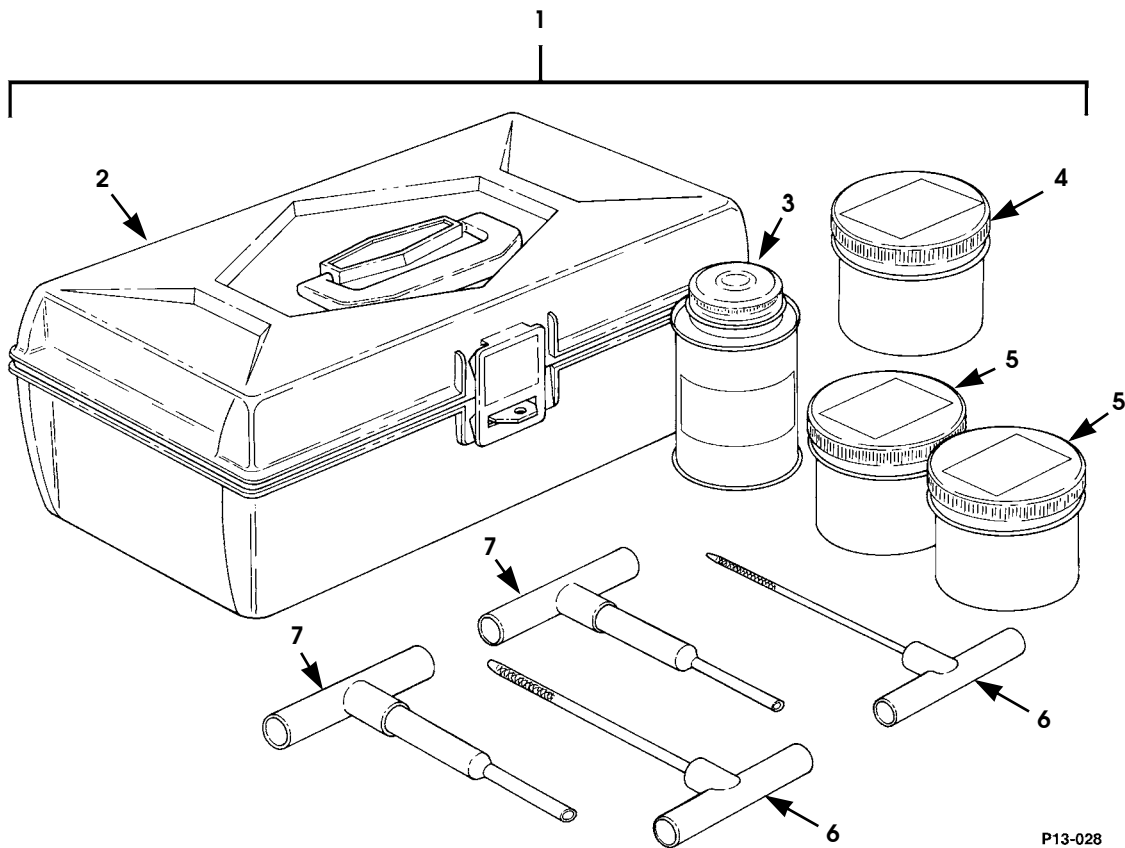
6-1-99

ACCESSORIES 13-69

ITEM	PART NUMBER	DESCRIPTION	QTY
1	N/S	<p>Figure 13-34. Special Tools, Wheels. (SEE NOTE 1)</p> <p>CLAMPNUT SOCKET.....</p>	
2	N/S	AXLE HOLDING FIXTURE ADAPTER (part of J3409-01) . .	
3	N/S	BEARING INSTALLER, J35237	
4	N/S	PINION HOLDING TOOL, J35238	
<p>NOTE 1: THE ABOVE TOOLS ARE FROM KENT-MOORE UNLESS OTHERWISE NOTED. ORDERING INFORMATION FOR KENT-MOORE TOOLS CAN BE FOUND ON PAGE 1-1.</p>			

1997 HUMMER PARTS CATALOG

13-70 ACCESSORIES



P13-028

Figure 13-35. Special Tools, Wheels.

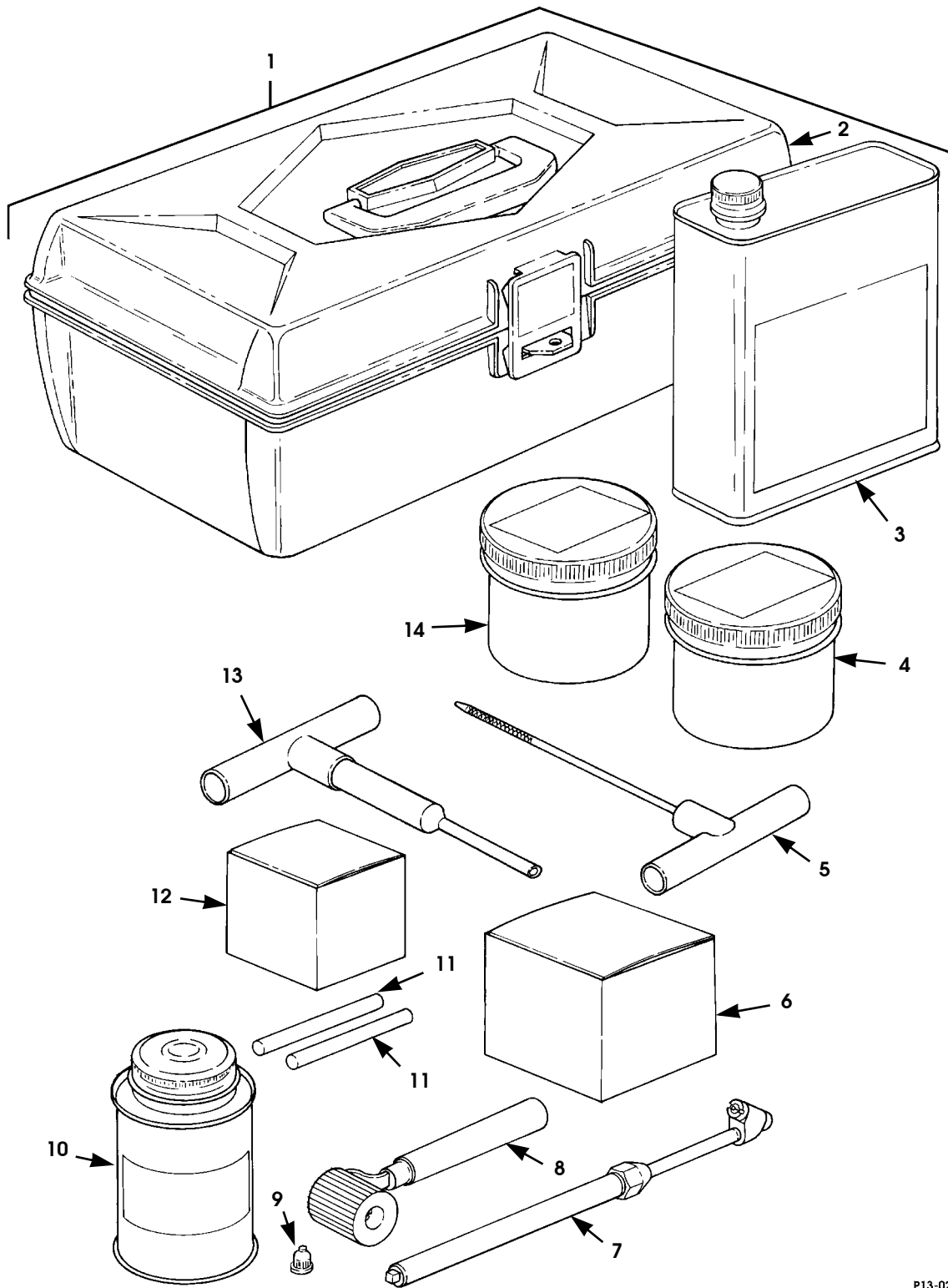
1997 HUMMER PARTS CATALOG

ACCESSORIES 13-71

ITEM	PART NUMBER	DESCRIPTION	QTY
		Figure 13-35. Special Tools, Wheels.	
1	5710215	KIT, external tubeless tire repair	1
2	5742542	•TOOLBOX,	1
3	5742537	•FLUID, chemical vulcanizing (1/2 pint)	1
4	5742538	•PLUG, large tire	15
5	5742539	•PLUG, small tire	30
6	5742540	•RASP	2
7	5742541	•TOOL, plug insert	2

1997 HUMMER PARTS CATALOG

13-72 ACCESSORIES



P13-029

Figure 13-36. Special Tools, Wheels.

1997 HUMMER PARTS CATALOG

ACCESSORIES 13-73

ITEM	PART NUMBER	DESCRIPTION	QTY
		Figure 13-36. Special Tools, Wheels.	
1	5710216	KIT, internal tubeless tire repair	1
2	5713347	•TOOLBOX	1
3	5713351	•CLEANER (32 ounce)	1
4	5742539	•PLUG, small	15
5	5742540	•RASP	1
6	5713341	•PATCH (R-20)	20
7	5714148	•GAUGE, tire pressure	1
8	5713340	•STITCHER, patch roll	1
9	5714149	•CAP, valve stem	20
10	5713343	•CEMENT (8 ounce)	2
11	5714147	•PENCIL, yellow chalk	2
12	5713339	•PATCH (R-12)	20
13	5712541	•TOOL, plug insert	1
14	5742538	•PLUG, large	15
	5713342	•SCRAPER (not illustrated)	1

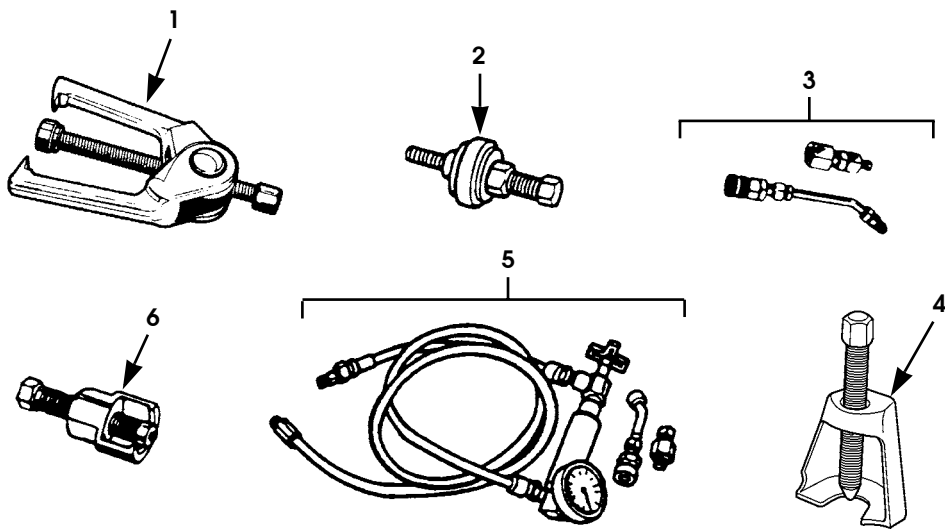
1997 HUMMER PARTS CATALOG

ACCESSORIES 13-75

ITEM	PART NUMBER	DESCRIPTION	QTY
1	N/S	<p>Figure 13-37 Essential Tools, Brakes (SEE NOTE 1)</p> <p>DISC BRAKE TOOL KIT, J42553 (not illustrated)</p> <p>NOTE 1: THE ABOVE TOOLS ARE FROM KENT-MOORE UNLESS OTHERWISE NOTED. ORDERING INFORMATION FOR KENT-MOORE TOOLS CAN BE FOUND ON PAGE 1-1.</p>	1

1997 HUMMER PARTS CATALOG

13-76 ACCESSORIES



P13-087

Figure 13-38. Essential Tools, Steering.

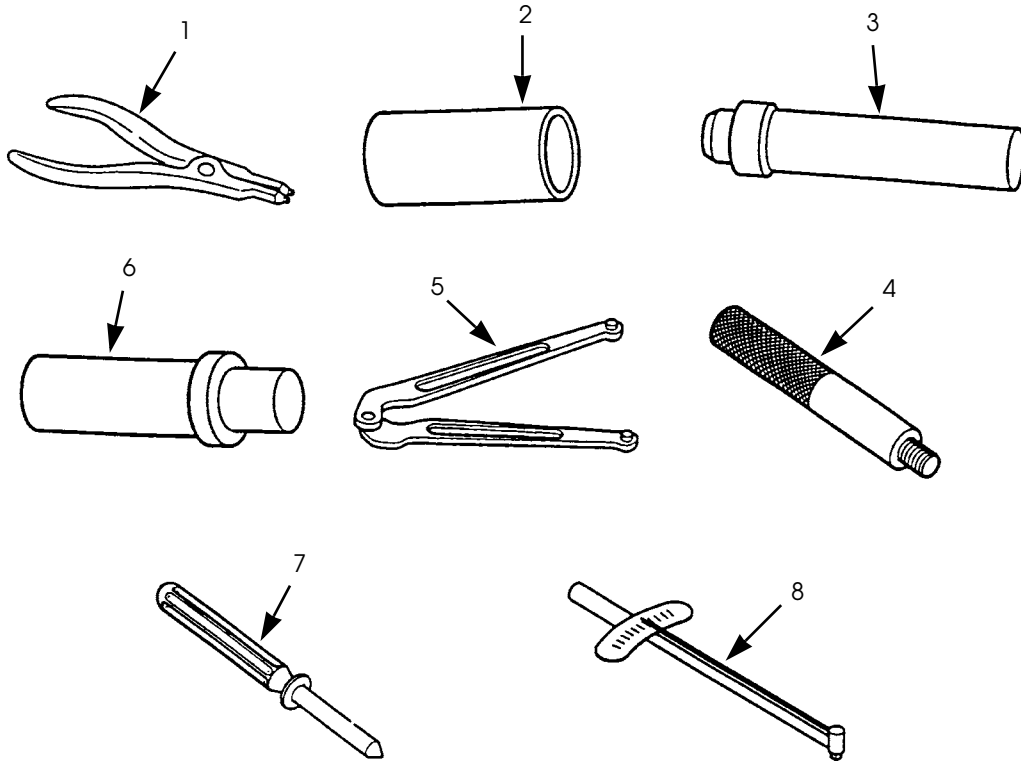
1997 HUMMER PARTS CATALOG

ACCESSORIES 13-77

ITEM	PART NUMBER	DESCRIPTION	QTY
		Figure 13-38. Essential Tools, Steering. (See Note 1)	
1	N/S	STEERING LINKAGE AND TIE ROD PULLER, J24319	
2	N/S	PUMP PULLEY INSTALLER, J25033-B	
3	N/S	ADAPTER FITTINGS, J33141 (used w/J25323-D)	
4	N/S	PITMAN ARM PULLER, J42548	
5	N/S	POWER STEERING SYSTEM ANALYZER, J25323-D	
6	N/S	PUMP PULLEY REMOVER, J25034-B	
		NOTE 1: THE ABOVE TOOLS ARE FROM KENT-MOORE UNLESS OTHERWISE NOTED. ORDERING INFORMATION FOR KENT-MOORE TOOLS CAN BE FOUND ON PAGE 1-1.	

1997 HUMMER PARTS CATALOG

13-78 ACCESSORIES



P13-088

Figure 13-39. Special Tools, Steering.

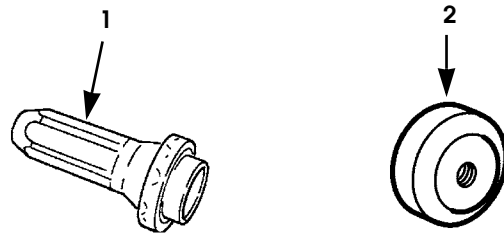
1997 HUMMER PARTS CATALOG

ACCESSORIES 13-79

ITEM	PART NUMBER	DESCRIPTION	QTY
		<p>Figure 13-39. Special Tools, Steering. (See Note 1)</p>	
1	N/S	SNAP RING PLIERS (PITMAN SHAFT SEAL RETURN RING), J4245.	
2	N/S	PITMAN SHAFT SEAL INSTALLER, J6219	
3	N/S	STUB SHAFT BEARING AND SEAL REMOVER/INSTALLER, J6221.	
4	N/S	UNIVERSAL DRIVER HANDLE, J8092 or J7079.	
5	N/S	SPANNER WRENCH (Adjuster Plug), J7624.	
6	N/S	PITMAN SHAFT BEARING REMOVER/INSTALLER, J6278 or J21551.	
7	N/S	RACK PISTON ARBOR TOOL, J21552.	
8	N/S	INCH-POUND TORQUE WRENCH, over-center preload, J7754-01	
		<p>NOTE 1: THE ABOVE TOOLS ARE FROM KENT-MOORE UNLESS OTHERWISE NOTED. ORDERING INFORMATION FOR KENT-MOORE TOOLS CAN BE FOUND ON PAGE 1-1.</p>	

1997 HUMMER PARTS CATALOG

13-80 ACCESSORIES



P13-089

Figure 13-40. Essential Tools, Axles, Suspension, and Frame.

1997 HUMMER PARTS CATALOG

ACCESSORIES 13-81

ITEM	PART NUMBER	DESCRIPTION	QTY
		Figure 13-40. Essential Tools, Axles, Suspension, and Frame. (See Note 1)	
1	N/S	REAR RETAINER SEAL INSTALLER, J29162	
2	N/S	INPUT SEAL INSTALLER, J33143.	
3	N/S	SEAL INSTALLER, J33142 (not illustrated)	
4	N/S	OUTPUT SHAFT SEAL INSTALLER, J42593 (not illustrated)	
5	N/S	FLANGE/PULLEY HOLDING TOOL, J8614-01 (not illustrated).	
6	N/S	STEERING COVER SEAL INSTALLER, J42591 (not illustrated)	
7	N/S	SEAL INSTALLER, J35184 (not illustrated)	
8	N/S	CLAMPNUT SOCKET, J42545 (not illustrated).	
9	N/S	TORQUE WRENCH, 1/4" drive (preset), J42546 (not illustrated).	
10	N/S	TORQUE WRENCH, 3/8" drive (preset), J42547 (not illustrated).	
11	N/S	AXLE BOOT CRIMPING TOOL, J35910 (not illustrated) .	
		NOTE 1: THE ABOVE TOOLS ARE FROM KENT-MOORE UNLESS OTHERWISE NOTED. ORDERING INFORMATION FOR KENT-MOORE TOOLS CAN BE FOUND ON PAGE 1-1.	

1997 HUMMER PARTS CATALOG

13-82 ACCESSORIES

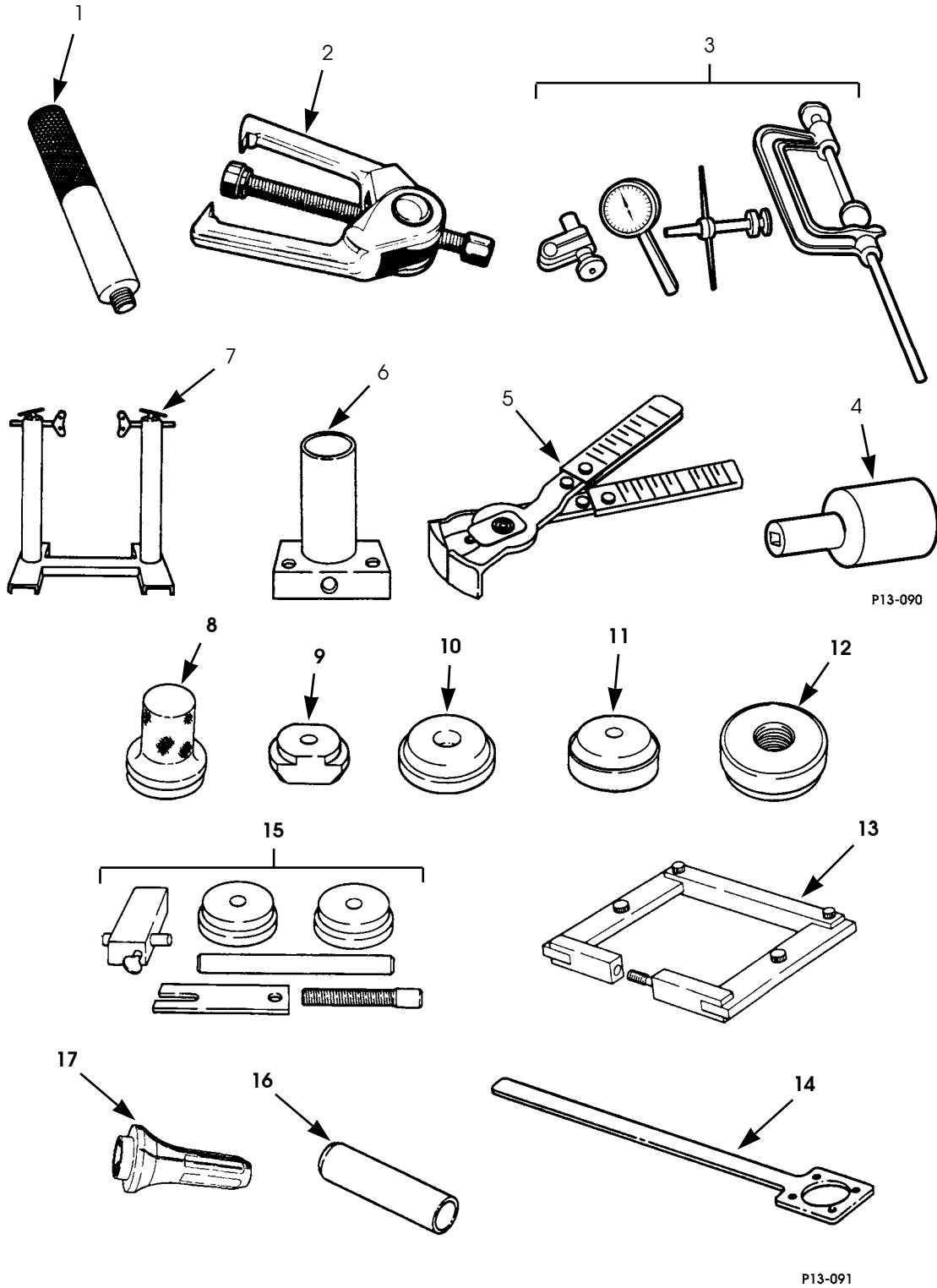


Figure 13-41. Special Tools, Axles, Suspension, and Frame.

1997 HUMMER PARTS CATALOG

12-1-97

ACCESSORIES 13-83

ITEM	PART NUMBER	DESCRIPTION	QTY
		Figure 13-41. Special Tools, Axles, Suspension, and Frame. (See Note 1)	
1	N/S	TOOL HANDLE, J8092.	
2	N/S	ALL PURPOSE STEERING/SUSPENSION TOOL, J24319-B.	
3	N/S	DIAL INDICATOR, J8001	
4	N/S	CLAMPNUT SOCKET, J42545	
5	N/S	HALF SHAFT BOOT CLAMP PLIERS, J22610	
6	N/S	AXLE HOLDING FIXTURE ADAPTER (part of J3409-01). .	
7	N/S	STAND, w/holding fixtures, J3409-01.	
8	N/S	SEAL INSTALLER, J33142	
9	N/S	PINION REAR BEARING CUP REMOVER, J21786	
10	N/S	PINION FRONT BEARING CUP REMOVER, J21787	
11	N/S	REAR PINION BEARING RACE INSTALLER, J8611-01.	
12	N/S	REAR PINION BEARING RACE INSTALLER, J8608	
13	N/S	AXLE HOUSING SPREADER, J24385.	
14	N/S	PINION HOLDING TOOL, J35238,	
15	N/S	PINION DEPTH GAUGE SET, J39524.	
16	N/S	BEARING INSTALLER, J35237	
17	N/S	REAR RETAINER SEAL INSTALLER, J29162	
		<p style="text-align: center;">NOTE 1: THE ABOVE TOOLS ARE FROM KENT-MOORE UNLESS OTHERWISE NOTED. ORDERING INFORMATION FOR KENT-MOORE TOOLS CAN BE FOUND ON PAGE 1-1.</p>	

1997 HUMMER PARTS CATALOG

13-84 ACCESSORIES

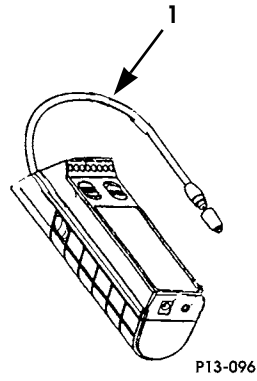


Figure 13-42. Essential Tools, HVAC.

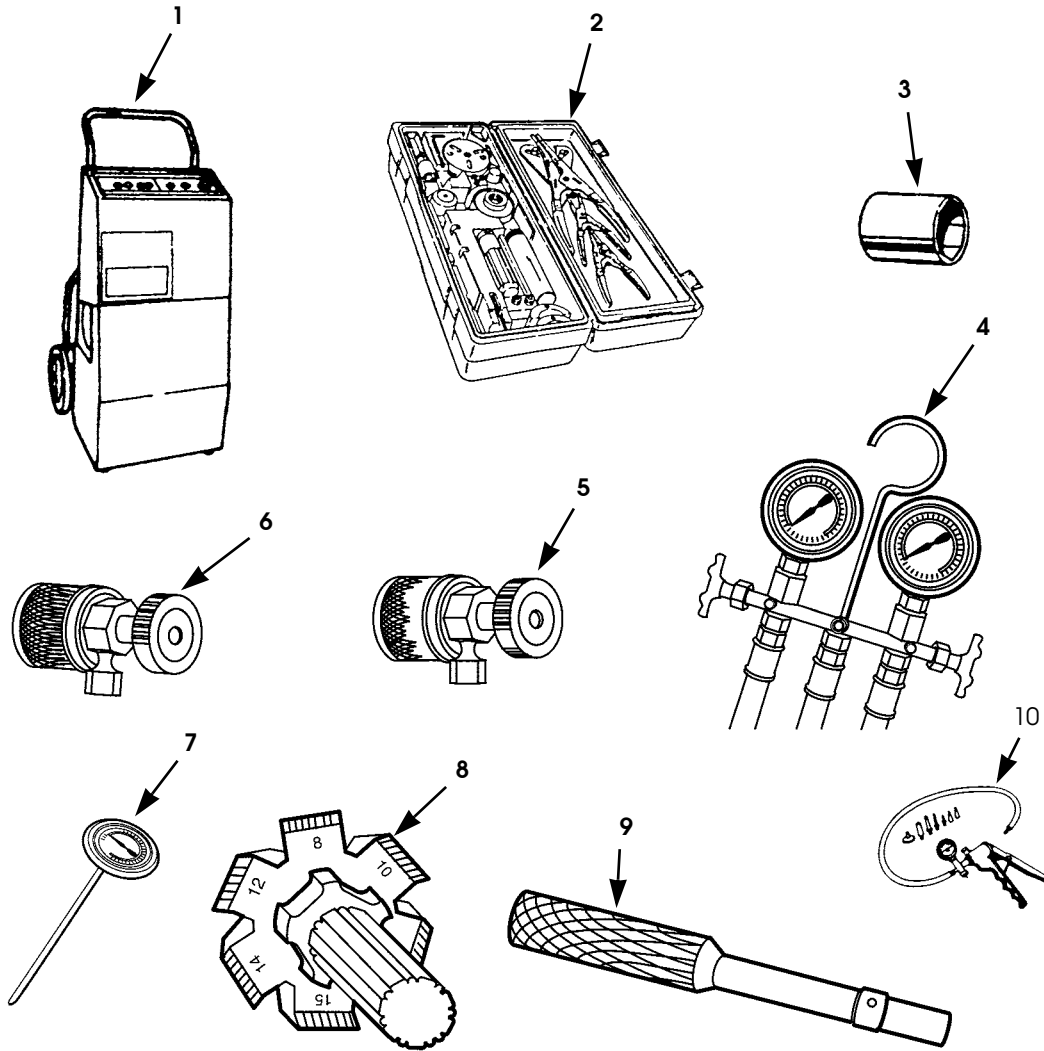
1997 HUMMER PARTS CATALOG

ACCESSORIES 13-85

ITEM	PART NUMBER	DESCRIPTION	QTY
1 2 3	N/S N/S N/S	<p>Figure 13-42. Essential Tools, HVAC. (See Note 1)</p> <p>A/C R134a LEAK DETECTOR, J41995</p> <p>HVAC ANEMOMETER, J42549 (not illustrated)</p> <p>HVAC FLOW METER ADAPTER KIT, J42550 (not illustrated)</p> <p>NOTE 1: THE ABOVE TOOLS ARE FROM KENT-MOORE UNLESS OTHERWISE NOTED. ORDERING INFORMATION FOR KENT-MOORE TOOLS CAN BE FOUND ON PAGE 1-1.</p>	

1997 HUMMER PARTS CATALOG

13-86 ACCESSORIES



P13-092

Figure 13-43. Special Tools, HVAC.

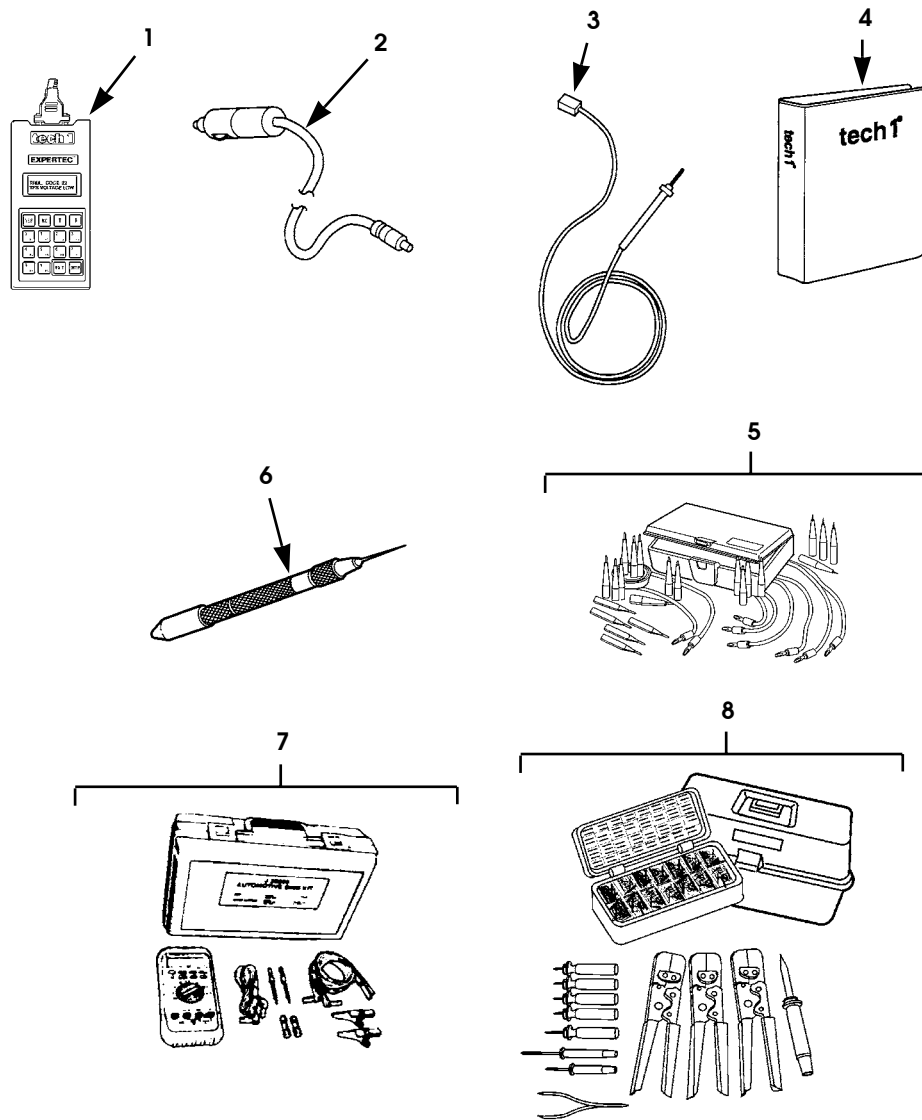
1997 HUMMER PARTS CATALOG

ACCESSORIES 13-87

ITEM	PART NUMBER	DESCRIPTION	QTY
		Figure 13-43. Special Tools, HVAC. (See Note 1)	
1	N/S	A/C RECOVERY, RECYCLE, EVACUATE, DISCHARGE SERVICE CART, J39500-A	
2	N/S	COMPRESSOR CLUTCH PULLEY, CORE AND BEARING REPLACEMENT TOOL SET, J34021-A	
3	N/S	SOCKET, high side charge valve, J39037	
4	N/S	MANIFOLD GAUGE SET, J39183-C,	
5	N/S	LOW SIDE COUPLER ADAPTER, J39500-24A	
6	N/S	HIGH SIDE COUPLER ADAPTER, J39500-20A	
7	N/S	THERMOMETER, outlet duct temperature, J23640	
8	N/S	CONDENSER FIN STRAIGHTENER TOOL, J36847	
9	N/S	SCHRADER VALVE CORE TOOL, J24182-2A	
10	N/S	HAND OPERATED VACUUM PUMP, J23738-A	
		NOTE 1: THE ABOVE TOOLS ARE FROM KENT-MOORE UNLESS OTHERWISE NOTED. ORDERING INFORMATION FOR KENT-MOORE TOOLS CAN BE FOUND ON PAGE 1-1.	

1997 HUMMER PARTS CATALOG

13-88 ACCESSORIES



P13-093

Figure 13-44. Essential Tools, Electrical.

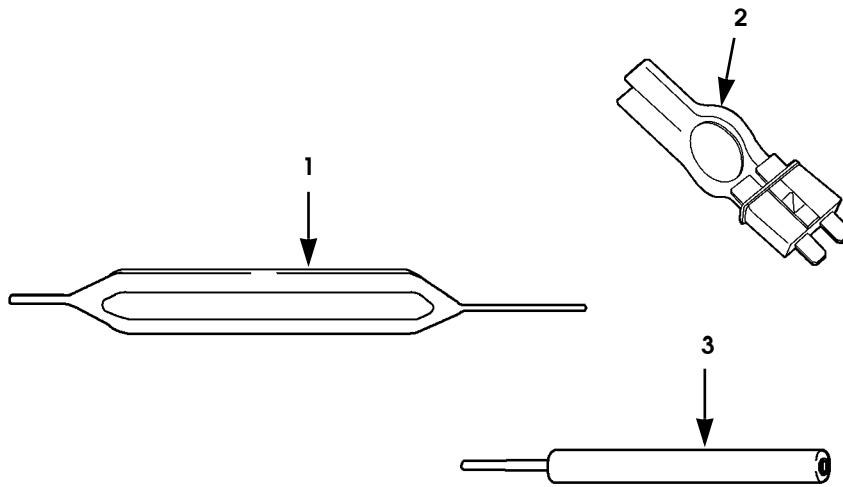
1997 HUMMER PARTS CATALOG

ACCESSORIES 13-89

ITEM	PART NUMBER	DESCRIPTION	QTY
		Figure 13-44. Essential Tools, Electrical. (See Note 1)	
1	N/S	TECH 1 DIAGNOSTIC SCANNER, TK-O-A	
2	N/S	TECH 1 ADAPTER, TA-1151	
3	N/S	TECH 1 TEST LEAD, TA-1152	
4	N/S	TECH 1 OPERATOR'S MANUAL, TM-1189-A	
5	N/S	CONNECTOR TEST ADAPTER SET, J35616-A	
6	N/S	MICRO-PACK EXTRACT TOOL, J35689-A	
7	N/S	FLUKE 88 DVOM, J39200	
8	N/S	ELECTRICAL TERMINAL, J38125-A	
9	N/S	VEHICLE INTERFACE MODULE (VIM), 7000041 (not illustrated)	
10	N/S	MASS STORAGE CARTRIDGE KIT, 7000000 (not illustrated)	
11	N/S	TECH 1 DC POWER CABLE, 3000053E (not illustrated) .	
12	N/S	TERMINAL REMOVER, J34551 (not illustrated)	
13	N/S	TERMINAL CRIMPER, 34182 (not illustrated)	
		NOTE 1: THE ABOVE TOOLS ARE FROM KENT-MOORE UNLESS OTHERWISE NOTED. ORDERING INFORMATION FOR KENT-MOORE TOOLS CAN BE FOUND ON PAGE 1-1.	

1997 HUMMER PARTS CATALOG

13-90 ACCESSORIES



P13-095

Figure 13-45. Special Tools, Electrical.

1997 HUMMER PARTS CATALOG

5-1-97

ACCESSORIES 13-91

ITEM	PART NUMBER	DESCRIPTION	QTY
1	N/S	<p>Figure 13-45. Special Tools, Electrical. (See Note 1)</p> <p>TERMINAL REMOVER, COM-PAK III, J33095.</p>	
2	N/S	<p>FUSE REMOVER AND TEST TOOL, BT-8616</p>	
3	N/S	<p>TERMINAL REMOVER, WEATHERPACK II, J28742-A</p>	
<p>NOTE 1: THE ABOVE TOOLS ARE FROM KENT-MOORE UNLESS OTHERWISE NOTED. ORDERING INFORMATION FOR KENT-MOORE TOOLS CAN BE FOUND ON PAGE 1-1.</p>			

1997 HUMMER PARTS CATALOG

13-92 ACCESSORIES

FIG./ITEM		PART NUMBER	DESCRIPTION	QTY
Repair Kits				
—	—	5743401	CYLINDER HEAD GASKET KIT, 6.5L	—
2-2	15	5744449	•GASKET, cylinder head (Turbo Diesel)	2
2-5	8	5740266	•SEAL INLET, valve stem.	16
2-10	8	5740183	•GASKET SET, intake main	2
3-2	1	5740059	•GASKET, fuel injection pump	1
4-5	2	5743239	•GASKET, water outlet (Non-Turbo Diesel)	1
4-5	7	5742109	•GASKET, water crossover, (Non-Turbo Diesel)	2
		NPN	•GASKET , engine cooler thermostat housing	
		NPN	•SEAL, fuel injector	
		NPN	•SEAL, exhaust valve stem, oil	
		NPN	•GASKET, water outlet	
—	—	5743399	GASKET AND SEAL KIT	—
2-3	5	5743226	•PACKING, preformed, crankshaft	2
2-7	11	5743285	•SEAL, crankcase front cover	1
4-6	5	5743242	•GASKET, water pump (Diesel)	1
—	—	5743400	OIL PAN KIT	—
2-8	27	5743235	•SEAL, engine oil pan, rear.	1
—	—	5742010	FUEL INJECTION GASKET OVERHAUL KIT	—
3-4	10	5740674	•WASHER	3
3-4	13	5740556	•PACKING	1
3-4	26	5740072	•GASKET	1
3-5	5	5740645	•SEAL, throttle shaft	2
3-5	7	5742636	•SEAL WASHER, throttle shaft	1
3-5	10	5740643	•PIN, drive.	1
3-5	17	5740653	•SEAL, drain plug, piston hole	2
3-5	18	5740599	•SEAL, ring, transfer pump	1
3-5	31	5740661	•PACKING, head locating screws	1
3-5	34	5740662	•PACKING, cam advance	1
3-6	34	5740588	•PACKING, hydraulic head	1
3-6	40	5740584	•GASKET, timing line cover	1
—	—	5743965	BOLT KIT	—
3-7	3	NPN	•BOLT, TBI unit	8
3-7	13	NPN	•BOLT, TPS	2
3-7	22	NPN	•BOLT, TBI unit	3
		NPN	•BOLT, fuel injector, motor cover	
—	—	5743956	METER KIT	—
3-7	3	NPN	•BOLT, TBI unit	8
3-7	6	5743966	•BODY, TBI fuel meter	1
3-7	7	NPN	•GASKET	1
3-7	8	NPN	•SEAL, TBI unit	1
3-7	25	5743958	•REGULATOR, fuel press	1
3-7	26	NPN	•COVER ASSEMBLY, meter	1
		NPN	•COVER, fuel injector meter	

1997 HUMMER PARTS CATALOG

ACCESSORIES 13-93

FIG./ITEM		PART NUMBER	DESCRIPTION	QTY
Repair Kits (Cont'd)				
—	—	5743955	GASKET KIT	—
3-7	4	NPN	•GASKET, TBI unit	1
3-7	7	NPN	•GASKET.	1
3-7	23	NPN	•GASKET, TBI unit	1
		NPN	•SEAL, pressure regulator	
		NPN	•GASKET, fuel injector	
		NPN	•GASKET, throttle body heater	
		NPN	•GASKET, fuel injector	
		NPN	•GASKET, fuel injector outlet	
		NPN	•GASKET, fuel injector fuel feed nut	
		NPN	•GASKET, fuel injector fuel return nut	
		NPN	•SEAL, throttle position sensor	
		NPN	•ADHESIVE, TBI bolt	
—	—	5743964	NUT KIT	—
3-7	9	NPN	•NUT, TBI fuel line	1
3-7	20	NPN	•NUT, TBI unit	1
		NPN	•GASKET, fuel injector feed nut	
		NPN	•GASKET, fuel injector return nut	
—	—	5743967	SEAL KIT.	—
3-7	8	NPN	•SEAL, TBI unit.	1
3-7	10	NPN	•SEAL, TBI unit.	1
3-7	14	NPN	•SEAL, TBI unit.	1
3-7	18	NPN	•SEAL, TBI unit.	1
3-7	19	NPN	•SEAL, TBI unit.	1
3-7	24	NPN	•SEAL, pressure regulator	1
		NPN	•ADHESIVE, throttle position sensor bolt	
		NPN	•GASKET, fuel injector	
		NPN	•GASKET, fuel injector outlet	
		NPN	•FILTER, fuel injector	
—	—	5743962	SENSOR KIT	—
3-7	12	NPN	•SENSOR, TPS	1
3-7	13	NPN	•BOLT, TPS	2
3-7	14	NPN	•SEAL, TBI unit.	1
—	—	5743963	VALVE KIT	—
3-7	17	NPN	•VALVE ASSEMBLY, idle air control	1
		NPN	•VALVE ASSEMBLY, idle air control	1
3-7	18	NPN	•SEAL, TBI unit.	1
		NPN	•GASKET, idle air cleaner valve	

6-1-99

1997 HUMMER PARTS CATALOG

13-94 ACCESSORIES

FIG./ITEM		PART NUMBER	DESCRIPTION	QTY
Repair Kits (Cont'd)				
—	—	5595706	JOURNAL AND BEARING KIT	—
5-19	4	NPN	•BEARING RACE	4
5-19	6	NPN	•RING	2
5-19	7	NPN	•CROSS ASSEMBLY	1
5-19	20	NPN	•BEARING RACE	8
5-19	21	NPN	•CROSS ASSEMBLY	2
5-19	22	NPN	•RING	6
5-19	29	NPN	•BEARING RACE	8
5-19	30	NPN	•CROSS ASSEMBLY	2
5-19	31	NPN	•RING	6
—	—	5742776	FIXED BOOT PARTS KIT	—
6-4	2	NPN	•CLAMP,race,joint assembly,outer boot	2
6-4	3	NPN	•BOOT,joint assembly	1
6-4	4	5744415	•CLAMP,race,joint assembly	2
—	—	5742775	PLUNGE BOOT PARTS KIT	—
6-4	2	NPN	•CLAMP,race,joint assembly,outer boot	2
6-4	6	NPN	•BOOT,joint assembly,inner	1
—	—	5579445	AXLE PINION BEARING SHIM KIT (see figure 6-9, items 16)	—
—	—	5579453	DIFFERENTIAL BEARING SHIM KIT (see figure 6-9, items 19)	—
—	—	5579865	SERVICE BRAKE CALIPER BOOT AND SEAL KIT	—
7-3	2	5578797	•SEAL,piston	1
7-3	5	5578800	•DUST BOOT,piston	1
7-4	7	5578797	•SEAL,piston	1
7-4	9	5578800	•BOOT,caliper,piston	1
—	—	5744405	REAR CALIPER RESEAL KIT	—
7-3	4	NPN	•O-RING,thrust screw	1
7-3	6	NPN	•DUST CAP,piston	1
7-3	16	NPN	•O-RING,anti-rotation pin	1
7-3	17	NPN	•O-RING,pin retaining plug	1
—	—	5742771	SERVICE BRAKE PAD KIT (front or rear)	—
7-3	7	NPN	•PAD,disk brake	4
7-4	11	NPN	•PAD,disk brake	4
—	—	5740448	SIDE COVER HOUSING SEAL KIT	—
8-6	2	5740445	•BOLT,cover assembly	4
8-6	4	5740447	•GASKET,housing,cover assembly	1

1997 HUMMER PARTS CATALOG

6-1-99

ACCESSORIES 13-95

FIG./ITEM	PART NUMBER	DESCRIPTION	QTY
		Repair Kits (Cont'd)	
—	5740462	PISTON NUT RACK KIT	—
8-6	2	•BOLT, cover assembly	4
8-6	10	•GEAR ASSEMBLY, worm	1
8-6	37	•RACK, piston nut	1
8-6	38	•RING, seal, piston rack	1
8-6	39	•GASKET, piston rack	1
8-6	40	•PLUG, piston rack	1
8-6	44	•BALL, bearing, piston rack	12
8-6	45	•BALL, chrome, 0.28 diameter, piston rack.	12
8-6	46	•GUIDE, ball, piston rack	2
8-6	47	•STRAP, retaining, piston rack ball guide.	1
8-6	48	•SCREW, retaining strap	2
—	5741190	STEERING KIT.	—
8-6	7	•VALVE ASSEMBLY, steering gear check	1
—	5740476	LOWER THRUST BEARING KIT.	—
8-6	8	•THRUST BEARING RACE, lower	2
8-6	9	•RETAINER and ROLLER	1
—	5741703	ADJUSTER PLUG KIT	—
8-6	12	•RETAINING RING	1
8-6	13	•SEAL, shaft	1
8-6	14	•SEAL, shaft	1
8-6	15	•BUSHING, sleeve, shaft	1
8-6	16	•PLUG, adjuster, shaft	1
8-6	17	•PACKING, preformed, adjuster plug	1
8-6	18	•RACE, bearing.	1
8-6	19	•RETAINER and ROLLER	1
8-6	20	•RACE, bearing.	1
8-6	21	•SPACER, bearing	1
8-6	22	•RETAINER, bearing adjuster plug.	1
—	5742166	UPPER THRUST BEARING KIT.	—
8-6	18	•RACE, bearing.	1
8-6	19	•RETAINER and ROLLER	1
8-6	20	•RACE, bearing.	1
8-6	21	•SPACER, bearing	1
8-6	22	•RETAINER, bearing adjuster plug.	1
—	5740499	SEAL VALVE RING KIT.	—
8-6	23	•RING, seal, valve body	3
8-6	24	•PACKING, preformed, valve body.	3
8-6	26	•SEAL, valve spool.	1
8-6	29	•RING, seal, shaft.	1

6-1-99

1997 HUMMER PARTS CATALOG

13-96 ACCESSORIES

FIG./ITEM		PART NUMBER	DESCRIPTION	QTY
Repair Kits (Cont'd)				
—	—	5740452	PITMAN SHAFT SEAL KIT	—
8-6	32	NPN	•RING, retaining, pitman shaft	1
8-6	33	NPN	•WASHER, seal pitman shaft	2
8-6	34	NPN	•SEAL, pitman shaft	1
8-6	35	5740451	•SEAL, pitman shaft	1
—	—	5740465	SEAL RACK PISTON KIT	—
8-6	38	NPN	•RING, seal, piston rack	1
8-6	39	NPN	•GASKET, piston rack	1
—	—	5740458	SEAL END PLUG KIT	—
8-6	41	NPN	•PACKING, preformed, housing end plug	1
8-6	43	NPN	•RING, retaining, housing end plug	1
—	—	5740470	RECIRCULATING BALL KIT	—
8-6	44	NPN	•BALL, bearing, piston rack	12
8-6	45	NPN	•BALL, chrome 0.28 diameter, piston rack	12
—	—	5741910	STEERING GEAR SIDE COVER KIT	—
8-6	2	5740445	•BOLT, cover assembly	4
8-6	3	NPN	•COVER ASSEMBLY, housing side	1
8-6	4	5740447	•GASKET, housing, cover assembly	1
—	—	5742626	PITMAN SHAFT GEAR ASSEMBLY SERVICE KIT.	—
8-6	2	5740445	•BOLT, cover assembly	4
8-6	4	5740447	•GASKET, housing, cover assembly	1
8-6	5	NPN	•GEARSHAFT SPUR, pitman shaft	1
—	—	5741892	ADJUSTER PLUG SEAL KIT.	—
8-6	12	NPN	•RETAINING RING	1
8-6	13	NPN	•SEAL, shaft	1
8-6	14	5741704	•SEAL, shaft	1
8-6	17	5740485	•PACKING, preformed, adjuster plug	1
—	—	5742627	GEAR HOUSING ASSEMBLY SERVICE KIT.	—
8-6	6	NPN	•HOUSING, steering gear	1
8-6	7	NPN	•VALVE ASSEMBLY, steering gear check	1
8-6	32	NPN	•RING, retaining, pitman shaft	1
8-6	33	NPN	•WASHER, seal, pitman shaft	2
8-6	34	NPN	•SEAL, pitman shaft	1
8-6	35	5740451	•SEAL, pitman shaft	1
8-6	36	5740453	•BEARING, roller, pitman shaft	1

1997 HUMMER PARTS CATALOG

6-1-99

ACCESSORIES 13-97

FIG./ITEM		PART NUMBER	DESCRIPTION	QTY
Repair Kits (Cont'd)				
—	—	5742625	STEERING GEAR VALVE ASSEMBLY KIT	—
8-6	23	NPN	•RING, seal, valve body	3
8-6	24	NPN	•PACKING, preformed, valve	3
8-6	25	NPN	•VALVE BODY, steering	1
8-6	26	NPN	•SEAL, valve spool	1
8-6	27	NPN	•VALVE SPOOL, direct, shaft	1
8-6	28	NPN	•SHAFT, steering column	1
8-6	29	NPN	•RING, seal, shaft	1
—	—	5744376	WINCH KIT	—
9-9	1	5935666B2	•BUMPER, front, with winch	1
9-9	2	12342388B2	•FRAME EXTENSION, front bumper, R.H.	1
9-9	2	12342387B2	•FRAME EXTENSION, front bumper, L.H.	1
9-9	3	2436165	•WASHER, flat, front bumper, 1/2"	18
9-9	4	MS51943-39	•LOCKNUT, front bumper, 1/2"-13	8
9-9	5	9427321	•BOLT, brace assembly, 5/8"-16 x 1.0"	4
9-9	6	2436163	•WASHER, flat, brace assembly, 3/8"	8
9-9	7	12342389	•BRACE ASSEMBLY, L.H.	1
9-9	7	12342389	•BRACE ASSEMBLY, R.H.	1
9-9	8	MS51943-35	•NUT, brace assembly, 3/8"-16	4
9-9	16	MS90728-113	•BOLT, frame extension, 1/2"-13 x 1/5"	6
—	—	6001766	LOCK CYLINDER KIT	—
10-20	19	NPN	•LOCK CYLINDER, L.H.	1
10-20	19	NPN	•LOCK CYLINDER, R.H.	1
—	—	6007147	DEFROST DUCT KIT	—
11-10	1	5744258	•HOSE, demist, 3/4" x 18"	2
11-10	2	5744207	•DUCT, passenger side	1
11-10	3	5744206	•DUCT, center	1
11-10	4	5744205	•DUCT, driver's side	1
11-10	8	5744209	•ADAPTER, duct, 2 1/2", oval	1
11-10	10	5744208	•DUCT, driver's heat	1

6-1-99

1997 HUMMER PARTS CATALOG

13-98 ACCESSORIES

FIG./ITEM		PART NUMBER	DESCRIPTION	QTY
Repair Kits (Cont'd)				
—	—	5740963	TERMINAL STUD PACKAGE	—
12-4	45	NPN	•BUSHING	1
12-4	46	NPN	•WASHER, neoprene	1
12-4	47	NPN	•WASHER, insulating	1
12-4	48	NPN	•WASHER, cap	1
12-4	49	NPN	•WASHER, plain	1
12-4	50	NPN	•LOCKWASHER	4
12-4	51	NPN	•NUT	1
12-4	52	NPN	•NUT	4
12-4	53	NPN	•WASHER, insulating	1
12-4	54	NPN	•WASHER, plain	1
12-4	55	NPN	•STUD, terminal	1
12-4	60	NPN	•STUD, terminal	1
12-4	66	NPN	•STUD, terminal	1
12-4	67	NPN	•WASHER, insulating	1
12-4	68	NPN	•BUSHING, insulating	1
12-4	69	NPN	•WASHER, neoprene	1
12-4	70	NPN	•WASHER, insulating	1
12-4	71	NPN	•WASHER, cap	1
12-4	72	NPN	•WASHER, plain	1
12-4	73	NPN	•NUT	1
12-4	74	NPN	•LOCKWASHER	2
12-4	75	NPN	•NUT	3
—	—	5741167	BEARING AND OIL RETAINER PACKAGE	—
12-4	5	NPN	•SCREW	3
12-4	78	NPN	•OIL RETAINER, felt	1
12-4	79	NPN	•BEARING, bronze	1
—	—	5741171	THRUST WASHER PACKAGE	—
12-4	1	NPN	•WASHER, flat	1
12-4	7	NPN	•SPACER, starter clutch	1
12-4	39	NPN	•THRUST WASHER	1
12-4	40	NPN	•THRUST WASHER	8
12-4	—	5741173	PINION STOP AND LOCK RING PACKAGE	—
12-4	10	NPN	•PINION STOP	1
12-4	11	NPN	•SNAP RING	1
—	—	5929757	CORE CONTACT END PARTS PACKAGE	—
—	—	NPN	•NUT	1
12-4	34	NPN	•WASHER	1
12-4	35	NPN	•CONTACT	1
12-4	36	NPN	•SPRING	1
12-4	37	NPN	•WASHER	1

1997 HUMMER PARTS CATALOG

6-1-99

ACCESSORIES 13-99

FIG./ITEM		PART NUMBER	DESCRIPTION	QTY
Repair Kits (Cont'd)				
—	—	5929744	YOKE ADJUSTING PARTS PACKAGE	—
12-4	13	NPN	•PIN	2
12-4	14	NPN	•PLUG	1
12-4	15	NPN	•GASKET	2
12-4	16	NPN	•PLUG	2
12-4	22	NPN	•NUT	2
—	—	5929758	CORE YOKE END PARTS PACKAGE	—
12-4	23	NPN	•SNAP RING	1
12-4	24	NPN	•RETAINER	1
12-4	25	NPN	•SPRING	1
12-4	26	NPN	•RETAINER	1
12-4	27	NPN	•BOOT, moving core	1
12-4	28	NPN	•WASHER	1
—	—	5741168	GASKET PACKAGE, C.E. and D.E. head	—
12-4	41	NPN	•GASKET	2
—	—	5740964	GASKET PACKAGE, intermediate bearing	—
12-4	6	NPN	•GASKET	1
—	—	5929755	MULTI-PAC	—
12-4	32	NPN	•GASKET	1
—	—	5740922	MOUNTING SCREW PACKAGE	—
12-4	19	NPN	•SCREW	7
12-4	59	NPN	•SCREW	4
12-4	80	NPN	•SCREW, solenoid	4
—	—	5939341	TRAILER TOWING KIT	—
12-30	2	5939305	•TRAILER JUMPER HARNESS ASSEMBLY 96 Down	1
12-30	6	5939703	•HARNESS ASSEMBLY, trailer plug and cable 96 Down	1
13-14	1	5710215	EXTERNAL TUBELESS TIRE REPAIR KIT	—
13-14	2	5741542	•TOOLBOX	1
13-14	3	5742537	•FLUID, chemical vulcanizing (1/2 pint)	1
13-14	4	5742538	•PLUG, large	15
13-14	5	5742539	•PLUG, small	30
13-14	6	5742540	•RASP	2
13-14	7	5742541	TOOL, plug insert	2
13-15	1	5710216	INTERNAL TUBELESS TIRE REPAIR KIT	—
13-15	2	5713347	•TOOLBOX	1
13-15	3	5713351	•CLEANER (32 ounce)	1
13-15	4	5742539	•PLUG, small	15
13-15	5	5742540	•RASP	1
13-15	6	5713341	•PATCH (R-20)	20
13-15	7	5714148	•GAUGE, tire pressure	1
13-15	8	5713340	•STITCHER, patch roll	1
13-15	9	5714149	•CAP, valve stem	20

1997 HUMMER PARTS CATALOG

13-100 ACCESSORIES

FIG./ITEM		PART NUMBER	DESCRIPTION	QTY
Repair Kits (Cont'd)				
13-15	10	5713343	•CEMENT (8 ounce)	2
13-15	11	5714147	•PENCIL, yellow chalk	2
13-15	12	5713339	•PATCH (R-12)	20
13-15	13	5742541	•TOOL, plug insert	1
13-15	14	5742538	•PLUG, large	15
13-15		5713342	•SCRAPER (not illustrated)	1

1997 HUMMER PARTS CATALOG

6-1-99

ACCESSORIES 13-101

ITEM	PART NUMBER	DESCRIPTION	QTY
		Bulk	
1	CPR104420-2	TUBING, nylon, 0.375 O.D.	A/R
2	CPR104420-3	TUBING, nylon, 0.5 O.D.	A/R
3	CPR104420-6	TUBING, nylon, 0.125 O.D.	A/R
4	MA20722026	TUBING, nylon.	A/R
5	M13486/111	ELECTRICAL WIRE, 4 GAUGE.	A/R
6	5740928	HOSE, rubber, 100 foot roll.	A/R
7	5740929	HOSE, nonmetallic, 5/8 inch x 50 feet.	A/R
8	5741064	HOSE, 50 feet.	A/R
9	5741067	HOSE, nonmetallic, 0.625 O.D. x 0.375 I.D. 25 feet.	A/R
10	5741068	HOSE, nonmetallic, 0.50 O.D. x 0.25 I.D. 25 feet.	A/R
11	5741079	TUBE, nylon, 0.25 O.D. x .18 I.D.	A/R
12	5741163	HOSE, 0.25 I.D., 25 feet.	A/R
13	5741209	HOSE, 0.625 O.D. x 0.375 I.D., 25 feet.	A/R
14	5741210	HOSE, 0.5 O.D. x 0.25 I.D., 50 feet.	A/R
15	5741211	HOSE, 0.375 O.D. x 187 I.D. 50 feet.	A/R
16	5741214	EDGE PROTECTOR, 0.375 X 0.281 inch, 80 feet.	A/R
17	5743169	HOSE, 3/8 inch x 4 feet.	A/R
18	5743542	HOSE, 2 inch x 50 feet.	A/R
19	6000871	SEAL, door, 500 foot roll.	A/R
20	6001808	SEAL, 12 feet.	A/R

1997 HUMMER PARTS CATALOG

6-1-99

13-102 ACCESSORIES

ITEM	PART NUMBER	DESCRIPTION	YEAR
		Commercial Manuals	
	5714134	OWNERS MANUAL	1993
	5714154	OWNERS MANUAL	1994
	5744168	OWNERS MANUAL KIT, SEE NOTE 1	1995
	5714158	OWNERS MANUAL	1995
	5714158G	OWNERS MANUAL, GASOLINE	1995
	5744368	OWNERS MANUAL, CANADIAN SUPPLEMENT	1995
	5744369	OWNERS MANUAL, G.C.C SUPPLEMENT	1995
	5744380	OWNERS MANUAL	1996
	5744613	OWNERS MANUAL	1997
	5744676	OWNERS MANUAL KIT, SEE NOTE 2	1997
	5744632	MAINTENANCE BOOKLET	1997
	5714155	PARTS MANUAL	1992/93/94
	5714159	PARTS MANUAL	1995
	S.I.A.	•PARTS MANUAL GASOLINE	1995
	5744381	PARTS MANUAL	1996
	5744614	PARTS MANUAL	1997
	5714156	SERVICE MANUAL	1992/93/94
	5714160	SERVICE MANUAL	1995
	S.I.A.	•SERVICE MANUAL GASOLINE	1995
	5744382	SERVICE MANUAL	1996
	5744615	SERVICE MANUAL	1997
	5744383	FLAT RATE MANUAL	1996
	5744616	FLAT RATE MANUAL	1997
	5744113	POLICIES AND PROCEDURES MANUAL	1995/1996
	5744618	POLICIES AND PROCEDURES MANUAL	1997
	5714162	SPECIAL EQUIPMENT APPLICATION GUIDE	1995
	5744522	SPECIAL EQUIPMENT APPLICATION GUIDE	1996
	5744617	SPECIAL EQUIPMENT APPLICATION GUIDE	1997
	NPN	TECHNICAL HIGHLIGHTS	1994
	5744523	TECHNICAL HIGHLIGHTS	1996
	5744645	TECHNICAL HIGHLIGHTS	1997
	5744644	VIDEO, OFF-ROAD DRIVING	1993-97
	5744619	VIDEO, 1-PIECE WHEEL	1996/1997
		NOTE 1: KIT INCLUDES 5714158, 5714158 G, AND A ZIPPERED CASE.	
		NOTE 2: KIT INCLUDES 5744613, 5744632 AND A ZIPPERED CASE.	

AM General Corporation

1997 HUMMER PARTS CATALOG

ACCESSORIES 13-103

COLOR DESCRIPTION	AMG CODE	PPG CODE	NCP CODE	PPG PRIMER	AMG TOUCH UP 2 oz. bottle	AMG TOUCHUP 12 oz.spray
WHITE GLOSS	W8	DCC-8378	N5611A	DP90	5744357	5744358
BLACK GLOSS	B9	DCC-9000	N/A	DP90	5744182	5744181
GREEN METALLIC	G10	DCC-4215	N/A	DP90	5744186	5744185
RED GLOSS	R7	DCC-4679	N/A	DP90	5744188	5744187
BURGUNDY MET. '96	P17	DCC-52164	N/A	DP90	5744541	5744542
SILVER METALLIC	S15	DCC-4494	N/A	DP50	5744359	5744360
BRIGHT WHITE	W14	DCC-4185	N/A	DP50	5744366	5744367
FLY YELLOW	Y18	DAR-82741	N/A	DP90	5744639	5744640

NOTE: All paints listed above can be used with PPG Top coat Enhancer Code Dx84. Top coat Catalysts are as follows: PPG Code DU6, NCP Code N1433B. PPG Primer Catalyst is code DP402. All listed paints can use PPG reducer, Code DT870.

